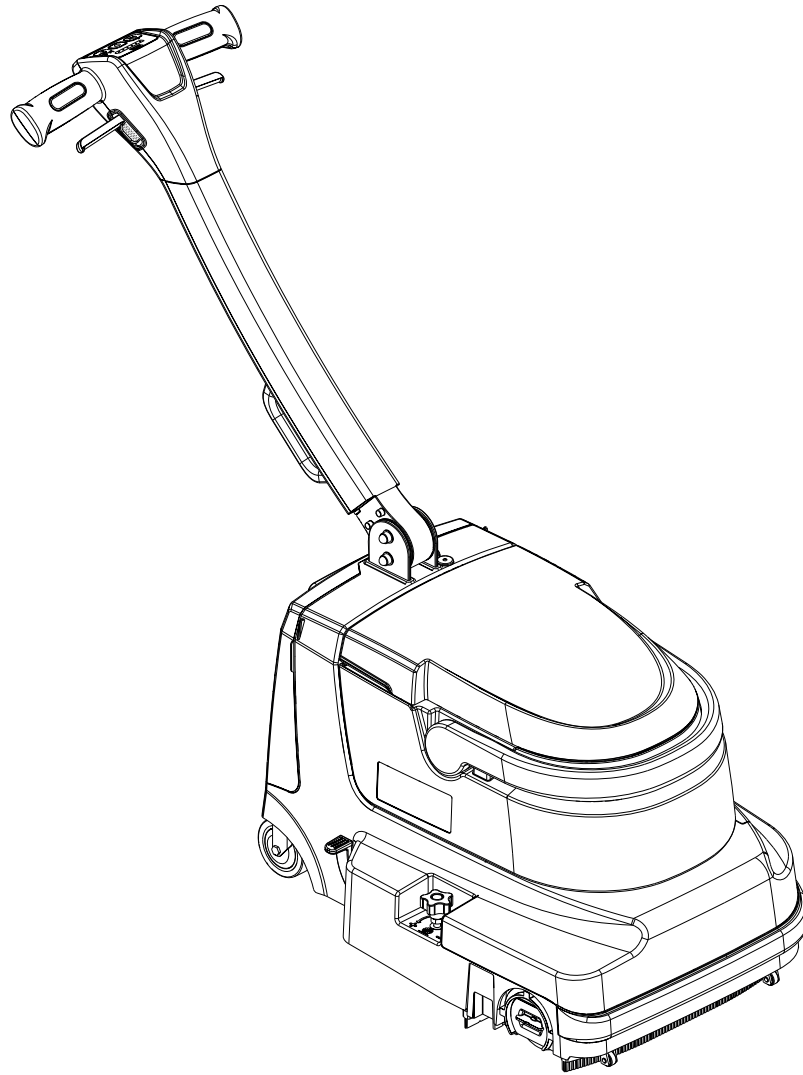


# SC250

---



---

## Parts List

**Model:** 9087381020





**TABLE OF CONTENTS**

GENERAL VIEW .....	2
SOLUTION AND RECOVERY TANK .....	4
BRUSH MOTOR .....	6
CHASSIS - FIXING AND COVER .....	8
CHASSIS - VACUUM AND REAR WHEELS.....	10
CHASSIS - SOLUTION AND VAC CHAMBER.....	12
CHASSIS - PEDAL WHEELS.....	14
HANDLE BAR.....	16
WIRING DIAGRAM .....	18
RECOMMENDED PARTS.....	20
ACCESSORIES/ OPTIONAL .....	21

**WHEN ORDERING PARTS**

- Use the part numbers from the “REF. NO.” columns in this parts list. If the “REF. NO.” column is blank; look under the “KIT” column to identify which kit contains the part in question, then use the kit callout, for example “K1”, to find the “REF. NO.” for that kit.
- Specify the model and serial number of the machine.
- Use the space below to record the model and serial number for future reference.

Model

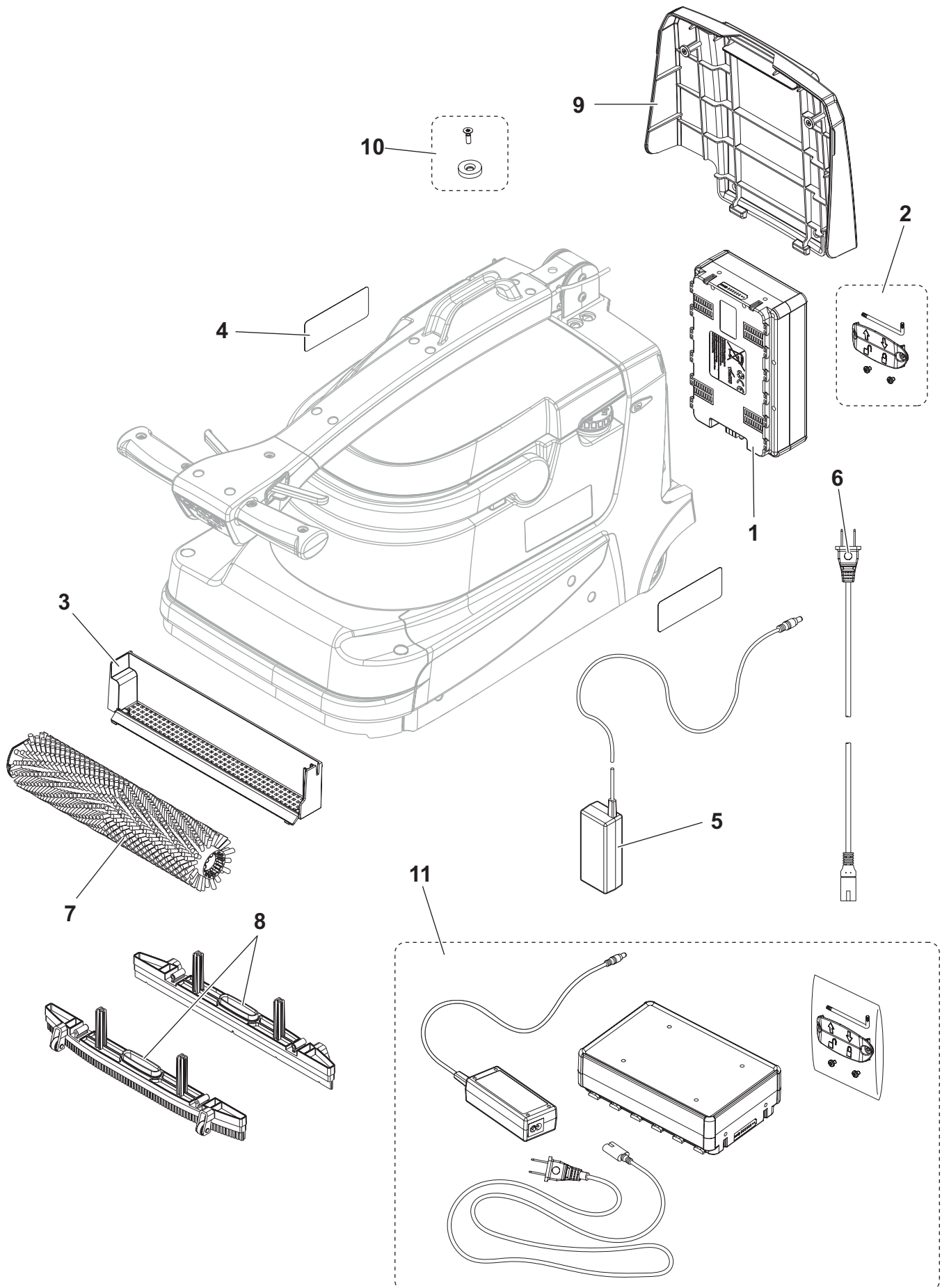
Serial No.

\* = Optional

# = Modified item No. or New item No.

[] = Not shown

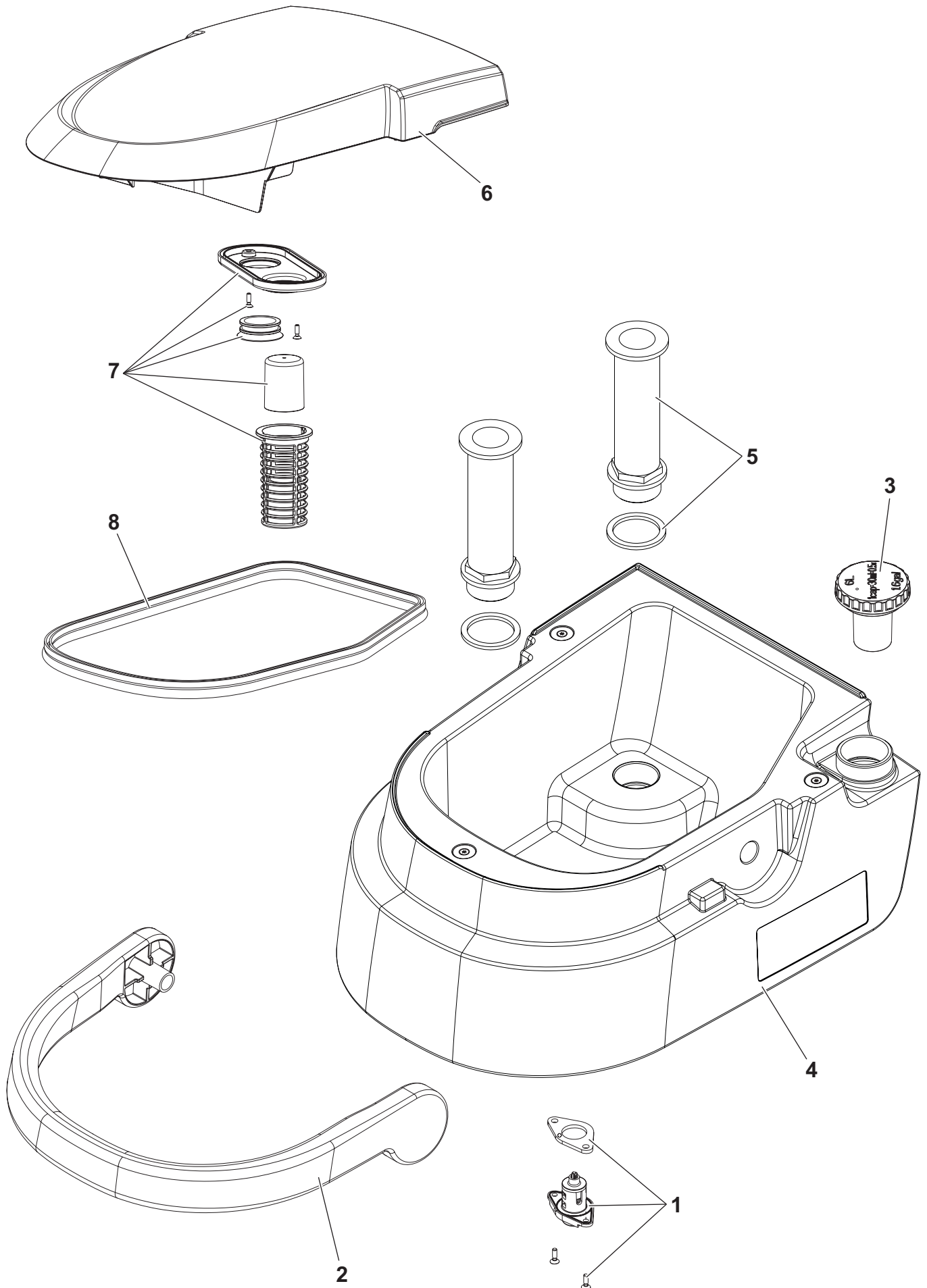
GENERAL VIEW



**GENERAL VIEW**

KIT	ITEM	REF. NO.	QTY	DESCRIPTION
	1*	9100002070	1	BATTERY LI 36V 10S4P
	2	9100002059	1	HANDLE BATTERY LI
	3	9100001964	1	MINI CONTAINER PLAST. F DIRT PKD
	4	9100002024	1	DECALS ADVANCE SC250 KIT
	5	9100002058	1	CHARGER BATTERY LI 100-240V 1.5A
	6	9100002008	1	CABLE POWER SUPPLY US L.1000MM PKD
	7*	9100002066	1	BRUSH CYL 340MM MEDIUM NYLON WHITE
	7*	9100002067	1	BRUSH CYL 340MM HARD GRIT 320 GREY
	7*	9100002068	1	BRUSH CYL 340MM MICROFIBRE
	7*	9100002069	1	BRUSH CYL 340MM SOFT NYLON BLACK
	8*	9100002063	1	SQUEEGEE 360MM GREY RUBBER 2 PCS SET
	8*	9100002064	1	SQUEEGEE 360MM PU 2 PCS SET
	9	9100002026	1	COVER REAR GREY KIT
	10	9100002028	1	MAGNET ROUND KIT
	11*	9100002057	1	BATTERY LI PACK US

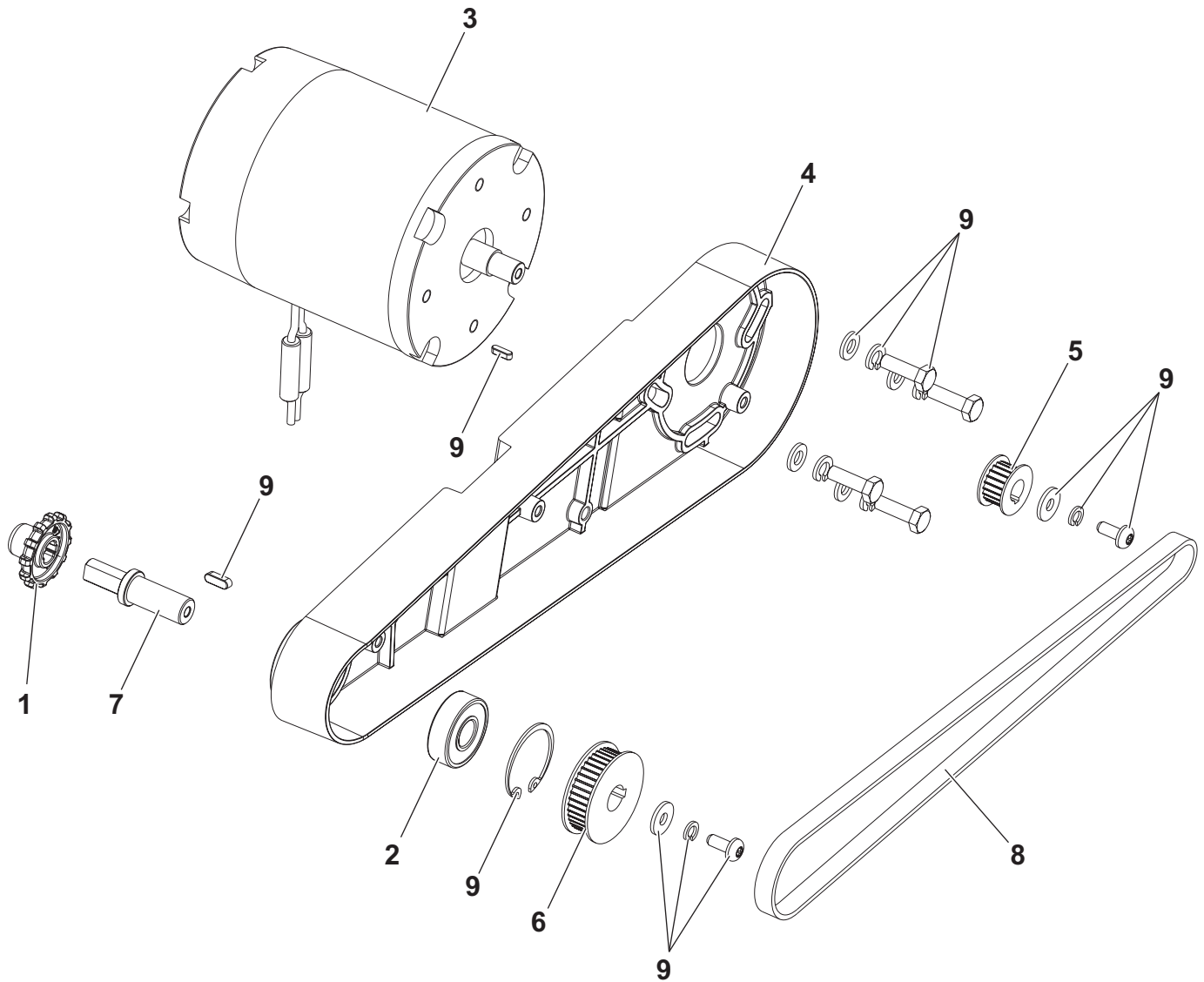
SOLUTION AND RECOVERY TANK



**SOLUTION AND RECOVERY TANK**

KIT	ITEM	REF. NO.	QTY	DESCRIPTION
	1	9100002029	1	VALVE F SOLUTION TANK KIT
	2	9100001972	1	HANDLE PLAST. GREY F TANK PKD
	3	9100001990	1	CAP PLAST. F TANK PKD
	4	9100002030	1	TANK WATER PLAST. 6 LT GREY KIT
	5	9100002032	2	PIPE PLAST. F TANK KIT
	6	9100002033	1	COVER TANK PLAST. GREY KIT
	7	9100002035	1	CAGE FLOAT PLAST. BLACK KIT
	8	9100001993	1	GASKET BULB REINFORCED -SKEIN PKD

BRUSH MOTOR

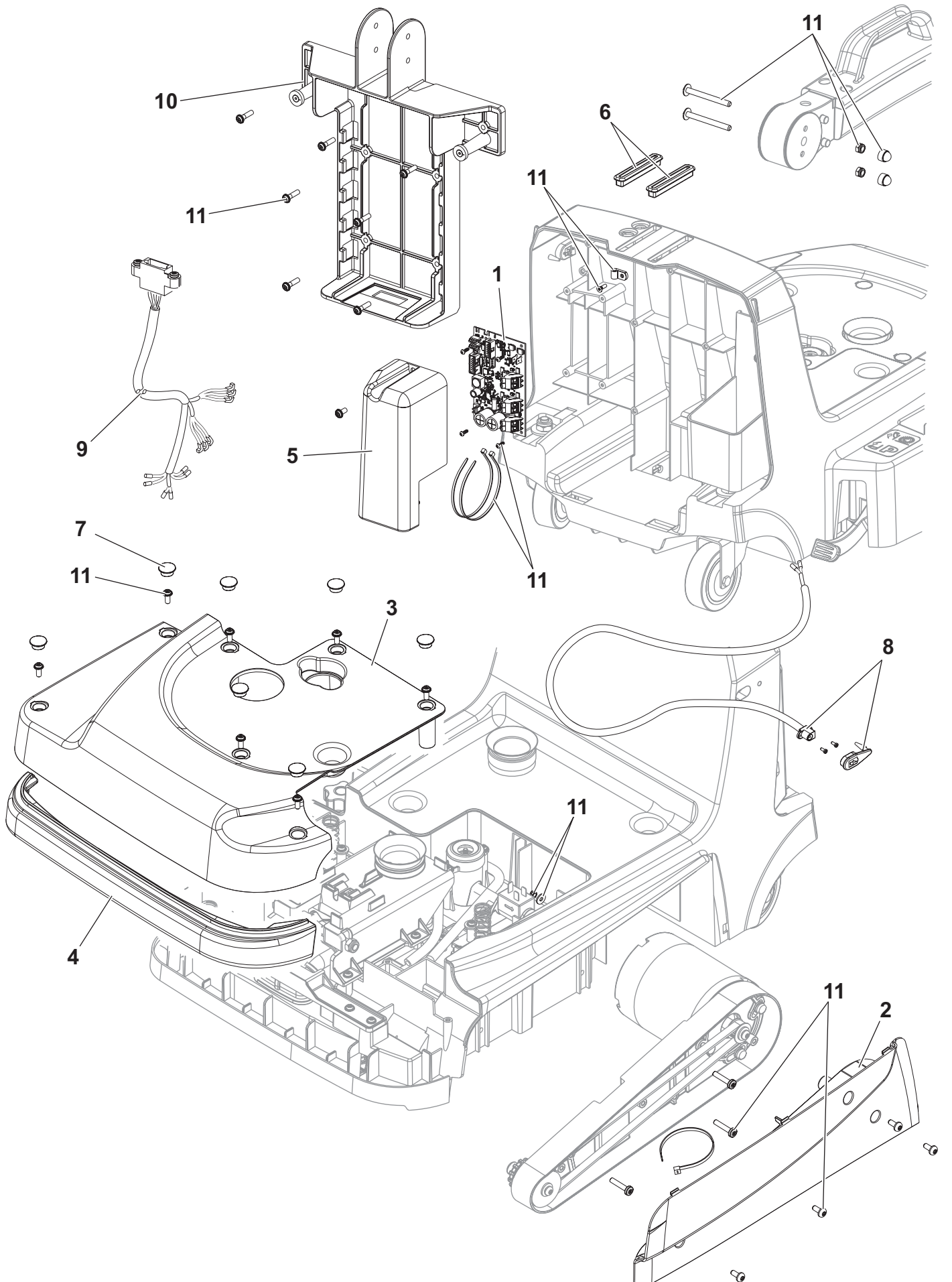




**BRUSH MOTOR**

KIT	ITEM	REF. NO.	QTY	DESCRIPTION
	1	9100001957	1	HUB TRACTION BRUSH PLAST. PKD
	2	9100002018	1	BEARING BALL 6201 2RS1PKD
	3	9100001966	1	MOTOR BRUSH 180W 36V PKD
	4	9100001967	1	SUPPORT ALU F BRUSH MOTOR PKD
	5	9100001968	1	PULLEY TIMING BELT ALU HTD 20 3M 09 PKD
	6	9100001969	1	PULLEY TIMING BELT ALU HTD 40 3M 09 PKD
	7	9100001970	1	SHAFT GALV. F BRUSHPKD
	8	9100001971	1	BELT TIMING HTD/OMEGA 669 3M 09 PKD
	9	9100002036	1	HARDWARE BRUSH MOTOR KIT

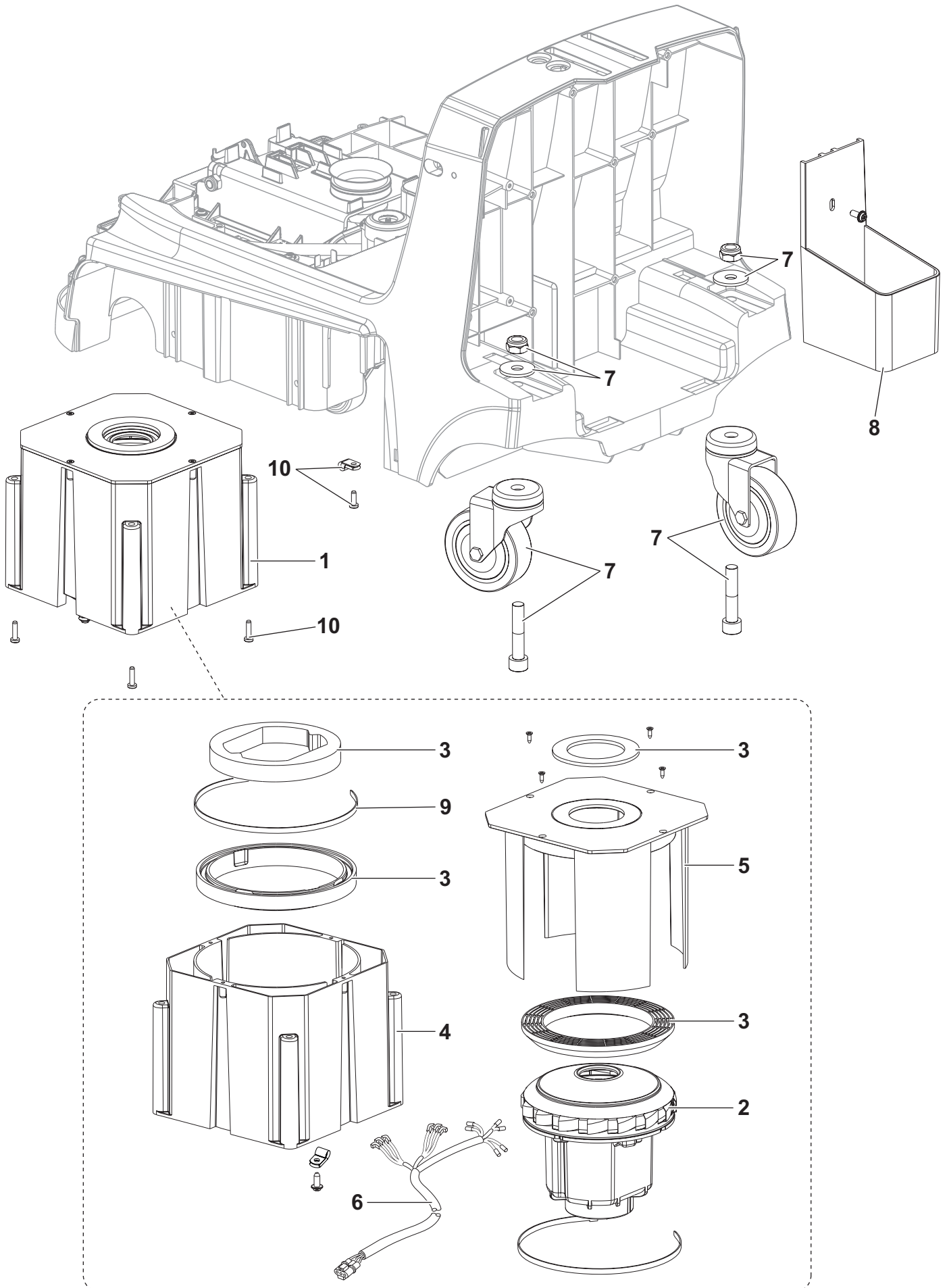
## CHASSIS - FIXING AND COVER



**CHASSIS - FIXING AND COVER**

KIT	ITEM	REF. NO.	QTY	DESCRIPTION
	1	9100001960	1	CONTROLLER MAIN MACH.P24 PROGR.PKD
	2	9100001963	1	CASING BELT PROTECTION PLAST. GREY PKD
	3	9100001965	1	CASING UPPER PLAST. GREY F CHASSIS PKD
	4	9100001988	1	BUMPER FRONT PLAST. PKD
	5	9100001991	1	COVER PLAST.F CONTROLLER MACH.PKD
	6	9100001994	2	GASKET RUBBER HANDLE FIXING PKD
	7	9100002019	1	CAP PLAST. D.13.25XD.18 BLACK 10 PCS SET
	8	9100002037	1	HARNESS BATTERY CHARGER KIT
	9	9100002038	1	HARNESS BATTERY KIT
	10	9100002039	1	HANDLE FIXING KIT
	11	9100002040	1	HARDWARE CHASSIS KIT

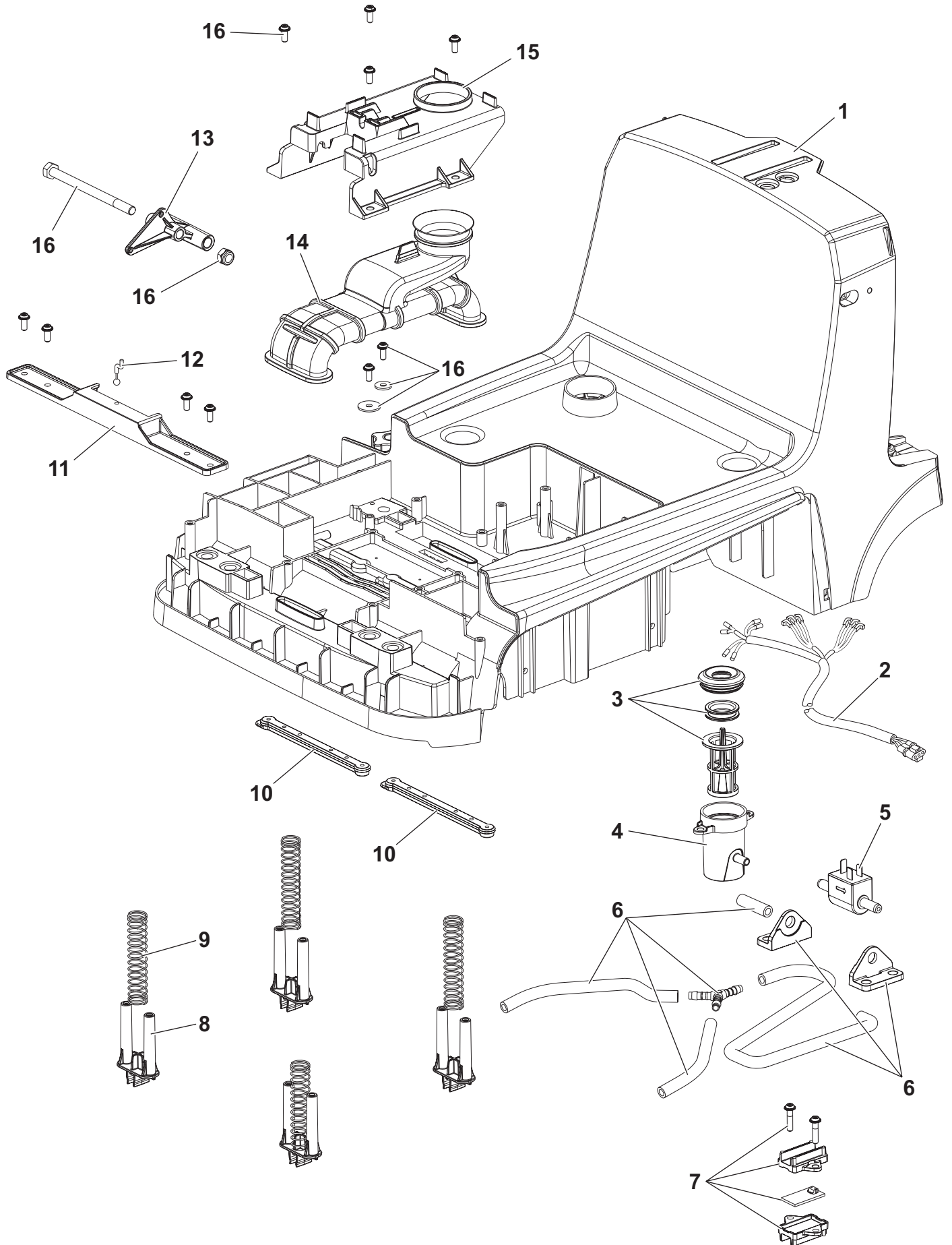
CHASSIS - VACUUM AND REAR WHEELS



**CHASSIS - VACUUM AND REAR WHEELS**

KIT	ITEM	REF. NO.	QTY	DESCRIPTION
	1	9100002041	1	MOTOR VACUUM 36V 200W KIT
	2	9100001987	1	MOTOR VACUUM 36V 200W PKD
	3	9100002042	1	SEALINGS MOTOR VACUUM KIT
	4	9100001983	1	SUPPORT EXT. PLAST. F VAC. MOTOR PKD
	5	9100001989	1	SUPPORT INT. PLAST. F VAC. MOTOR PKD
	6	9100001996	1	HARNESS VACUUM MOTOR PKD
	7	9100002045	1	WHEELS CASTOR KIT
	8	9100001992	1	CONTAINER PLAST. F BATTERY CHARGER PKD
	9	1466337000	1	TIE CABLE 4.8X430 WHITE 2 PCS SET
	10	9100002046	1	HARDWARE VACUUM AND REAR WHEELS KIT

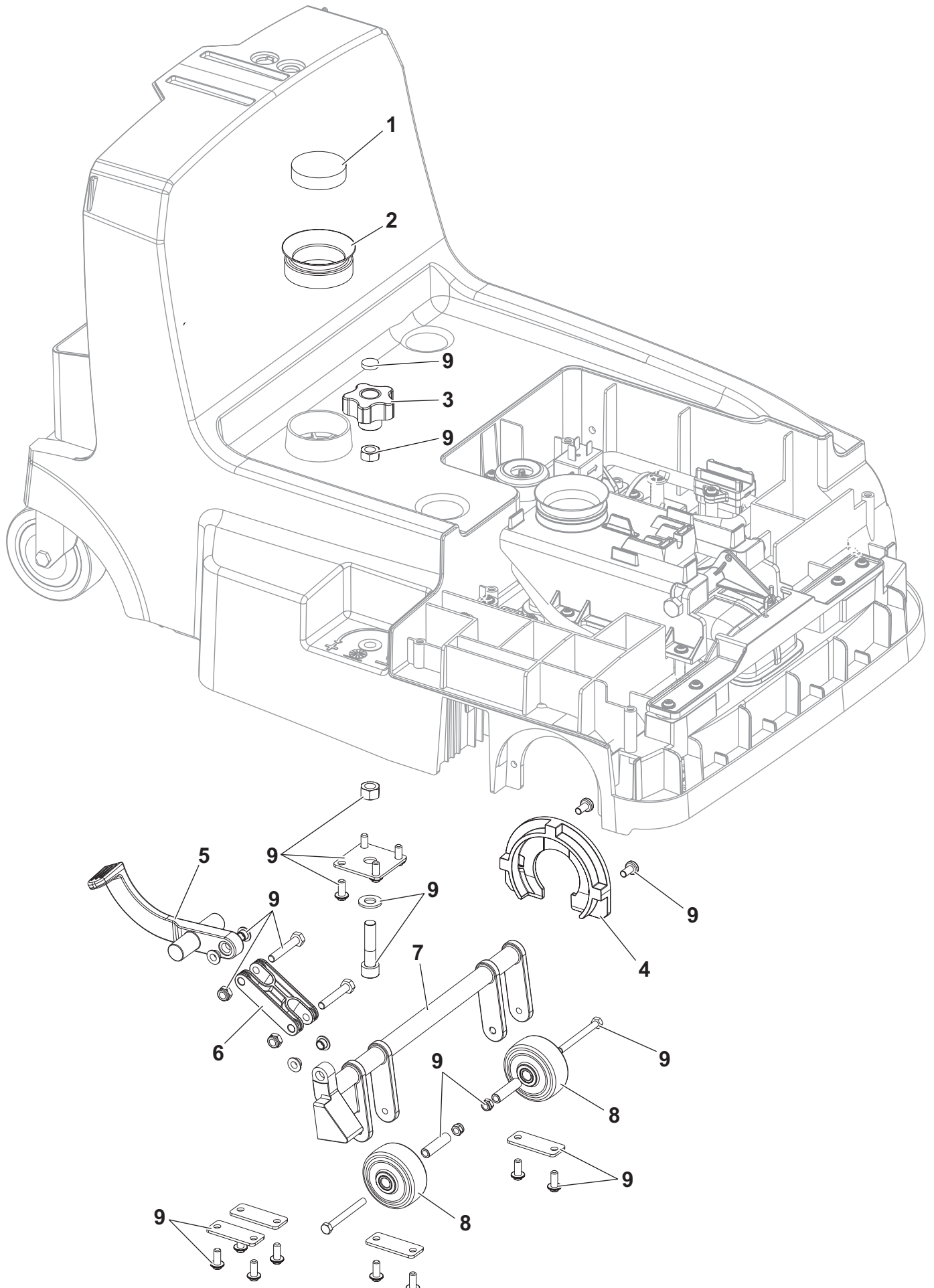
CHASSIS - SOLUTION AND VAC CHAMBER



**CHASSIS - SOLUTION AND VAC CHAMBER**

KIT	ITEM	REF. NO.	QTY	DESCRIPTION
	1	9100001959	1	CHASSIS PLAST. GREY PKD
	2	9100001995	1	HARNESS WATER PUMP PKD
	3	9100002047	1	FILTER PLAST. F WATER PUMP KIT
	4	9100001997	1	SUPPORT PLAST. F WATER FILTER PKD
	5	9100001981	1	PUMP WATER 24V 18W 21L/H PKD
	6	9100002048	1	HOSES KIT
	7	9100002049	1	SENSOR CAPACITIVE F WATER FLOW KIT
	8	9100001977	4	HOLDER SQUEEGEE PLAST. PKD
	9	9100001984	4	SPRING COMPRESS. D.E.17.6 WIRE D.1.2 PKD
	10	9100001975	2	DISPENSER WATER SPRAY SOFT PLAST. PKD
	11	9100001978	1	PLATE ALU SQUEEGEE LIFTER PKD
	12	9100001980	1	HOOK METAL F FRONT SQUEEGEE LIFT. PKD
	13	9100001979	1	ROD LIFTING SQUEEGEE PLAST. PKD
	14	9100001974	1	CHAMBER VACUUMING RUBBER PKD
	15	9100001976	1	SUPPORT PLAST. F VAC. CHAMBER PKD
	16	9100002044	1	HARDWARE SOLUTION VAC CHAMBER KIT

## CHASSIS - PEDAL WHEELS

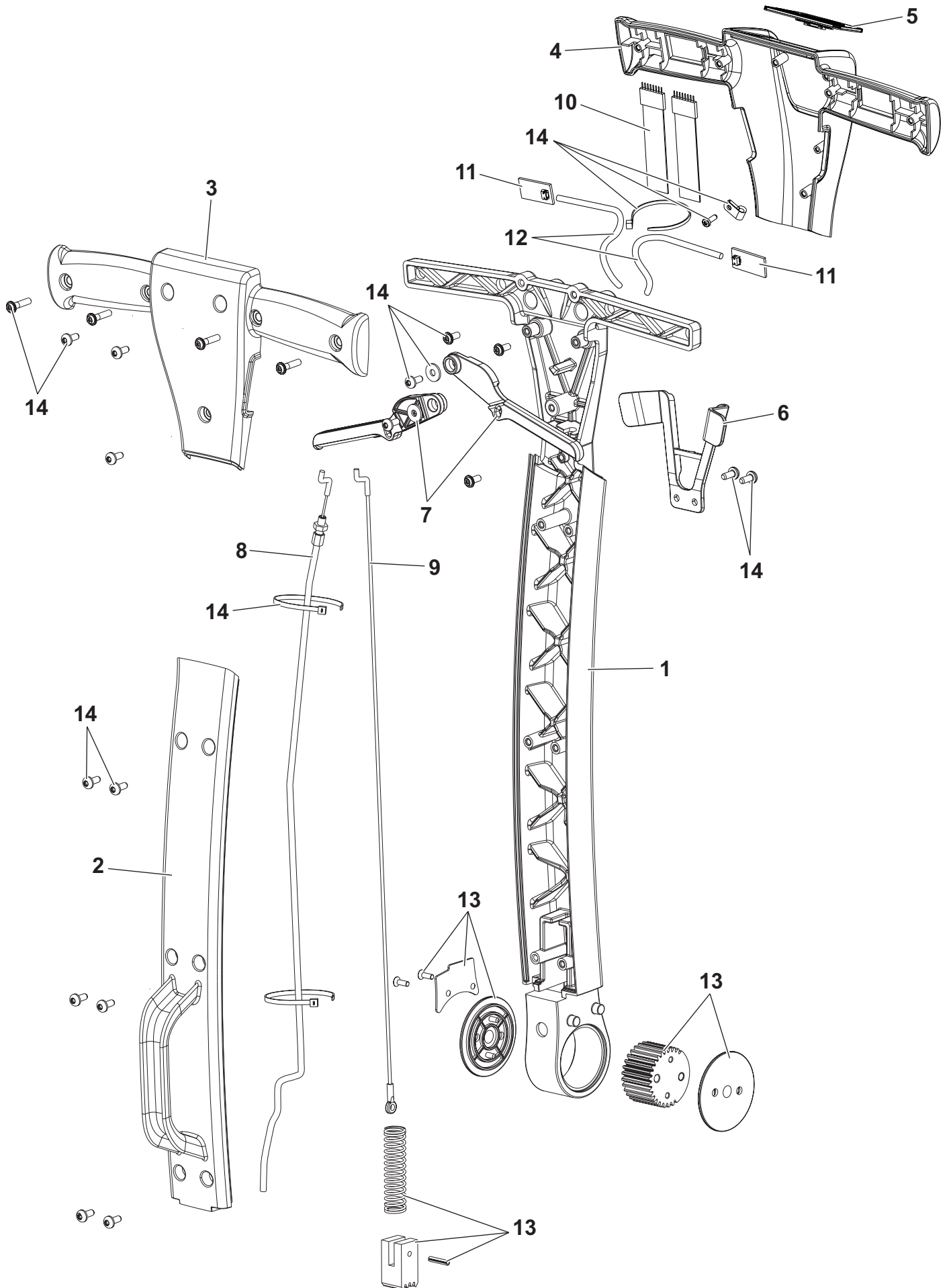




**CHASSIS - PEDAL WHEELS**

KIT	ITEM	REF. NO.	QTY	DESCRIPTION
	1	9100001278	1	FILTER VACUUM MOTOR PKD
	2	9100001958	1	GASKET PKD
	3	9100002017	1	KNOB M8 PKD
	4	9100001973	1	SUPPORT ALU F BRUSH HOOKING PKD
	5	9100001982	1	LEVER PLAST. F PEDAL PKD
	6	9100001962	1	PEDAL ALU F MACHINE PARKING PKD
	7	9100001961	1	SUPPORT ALU F FIXED WHEELS PKD
	8	9100000559	2	WHEEL D.51 GREY PKD
	9	9100002043	1	HARDWARE PEDAL WHEELS KIT

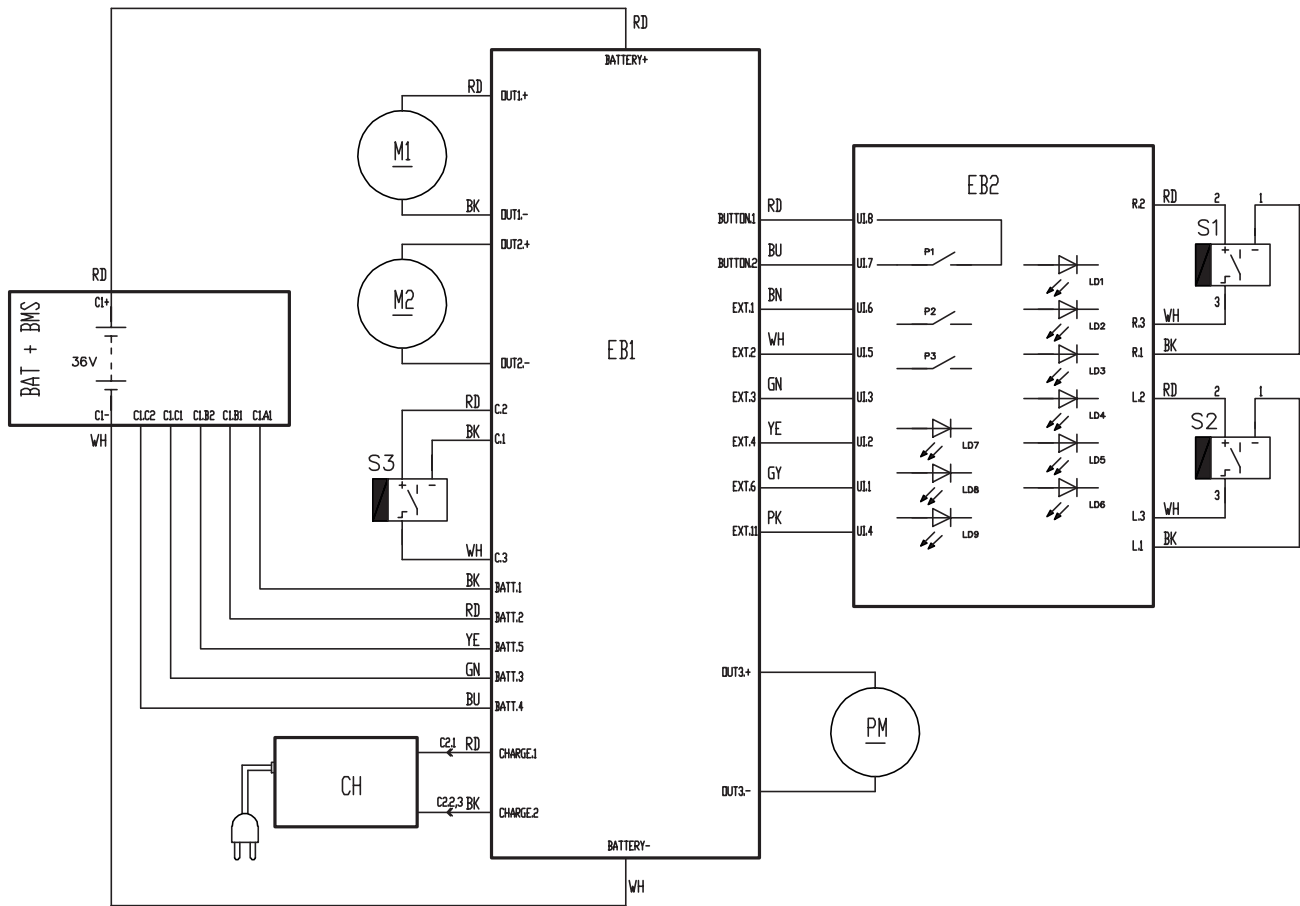
HANDLE BAR



**HANDLE BAR**

KIT	ITEM	REF. NO.	QTY	DESCRIPTION
	1	9100001999	1	HANDLE BAR ALU PKD
	2	9100002004	1	COVER PLAST. GREY F HANDLE PKD
	3	9100002001	1	COVER LOWER PLAST. GREY F HANDLE PKD
	4	9100002000	1	COVER UPPER PLAST. GREY F HANDLE PKD
	5	9100001985	1	CONTROLLER USER INTERFACE PKD
	6	9100002005	1	LOCK LEVER PLAST. PKD
	7	9100002003	2	LEVER ALU F HANDLE ADJUST. PKD
	8	9100002002	1	CABLE LIFTING SQUEEGEE PKD
	9	9100001998	1	CABLE HADLE ADJUSTING PKD
	10	9100001986	1	HARNESS HANDLE BAR PKD
	11	9100002016	2	SENSOR CAPACITIVE PKD
	12	9100002006	2	HARNESS HANDLE BAR SENSOR PKD
	13	9100002020	1	LOCK HANDLE KIT
	14	9100002021	1	HARDWARE HANDLE BAR KIT

WIRING DIAGRAM



## WIRING DIAGRAM

KEY	REF. NO.	QTY	DESCRIPTION
BAT	9100002070	1	BATTERY LI 36V 10S4P
BMS			
C1	9100002038	1	HARNESS BATTERY KIT
CH	9100002058	1	CHARGER BATTERY LI 100-240V 1.5A
EB1	9100001960	1	CONTROLLER MAIN MACH.P24 PROGR.PKD
EB2	9100001985	1	CONTROLLER USER INTERFACE PKD
M1	9100001966	1	MOTOR BRUSH 180W 36V PKD
M2	9100001987	1	MOTOR VACUUM 36V 200W PKD
PM	9100001981	1	PUMP WATER 24V 18W 21L/H PKD
S1	9100002016	1	SENSOR CAPACITIVE PKD
S2	9100002016	1	SENSOR CAPACITIVE PKD
S3	9100002049	1	SENSOR CAPACITIVE F WATER FLOW KIT

KEY	COLOUR
BK	BLACK
BU	LIGHT BLUE
BN	BROWN
GN	GREEN
GY	GREY
OG	ORANGE

KEY	COLOUR
PK	PINK
RD	RED
VT	VIOLET
WH	WHITE
YE	YELLOW

**RECOMMENDED PARTS**

REF. NO.	QTY	DESCRIPTION
<b>NORMAL WEAR</b>		
9100002066	1	BRUSH CYL 340MM MEDIUM NYLON WHITE
9100002063	1	SQUEEGEE 360MM GREY RUBBER 2 PCS SET
<b>ORDINARY MAINTENANCE</b>		
9100001993	1	GASKET BULB REINFORCED -SKEIN PKD
9100001971	1	BELT TIMING HTD/OMEGA 669 3M 09 PKD
9100001987	1	MOTOR VACUUM 36V 200W PKD
9100001975	2	DISPENSER WATER SPRAY SOFT PLAST. PKD
9100002045	1	WHEELS CASTOR KIT
9100001981	1	PUMP WATER 24V 18W 21L/H PKD
9100000559	2	WHEEL D.51 GREY PKD
9100002002	1	CABLE LIFTING SQUEEGEE PKD
<b>EXTRAORDINARY MAINTENANCE</b>		
9100002070	1	BATTERY PACK, 36 VOLT, 10S4P
9100002058	1	CHARGER BATTERY LI 100-240V 1.5A
9100002029	1	VALVE F SOLUTION TANK KIT
9100001957	1	HUB TRACTION BRUSH PLAST. PKD
9100001966	1	MOTOR BRUSH 180W 36V PKD
9100001960	1	CONTROLLER MAIN MACH.P24 PROGR.PKD
9100001988	1	BUMPER FRONT PLAST. PKD
9100001974	1	CHAMBER VACUUMING RUBBER PKD
9100002048	1	HOSES KIT
9100002047	1	FILTER PLAST. F WATER PUMP KIT
9100001998	1	CABLE HADLE ADJUSTING PKD
9100001985	1	CONTROLLER USER INTERFACE PKD
9100002016	2	SENSOR CAPACITIVE PKD
9100002049	1	SENSOR CAPACITIVE F WATER FLOW KIT

**ACCESSORIES/ OPTIONAL**

REF. NO.	QTY	DESCRIPTION
9100002066	1	BRUSH CYL 340MM MEDIUM NYLON WHITE
9100002067	1	BRUSH CYL 340MM HARD GRIT 320 GREY
9100002068	1	BRUSH CYL 340MM MICROFIBRE
9100002069	1	BRUSH CYL 340MM SOFT NYLON BLACK
9100002063	1	SQUEEGEE 360MM GREY RUBBER 2 PCS SET
9100002064	1	SQUEEGEE 360MM PU 2 PCS SET
9100002057	1	BATTERY LI PACK US
9100002058	1	CHARGER BATTERY LI 100-240V 1.5A
9100002070	1	BATTERY LI 36V 10S4P
9100002059	1	HANDLE BATTERY



9435 Winnetka Avenue North  
Brookly Park, MN 55445  
[www.advance-us.com](http://www.advance-us.com)  
Phone: 800-989-2235  
Fax: 800-989-6566  
©2016 Nilfisk, Inc.

---

**A Nilfisk Brand**