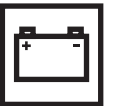
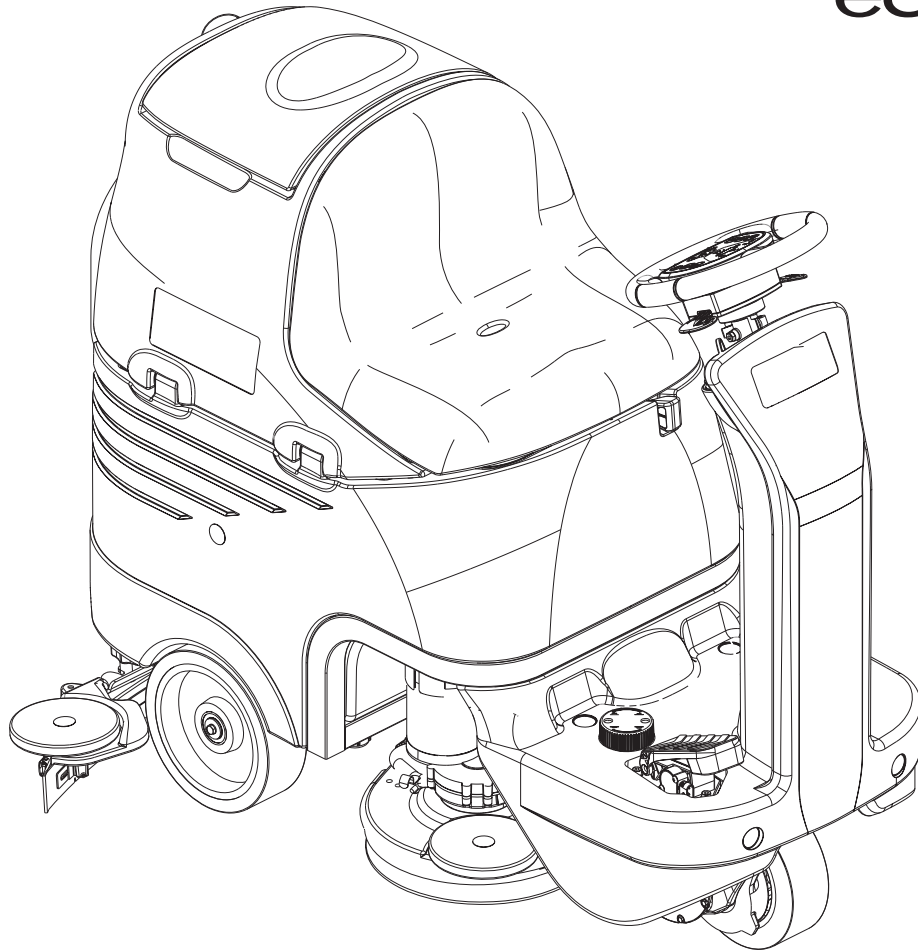


SC3000

ecoflex™



PARTS LIST

Model: 9087267020



10/10 Revised 6/14 (5)
FORM NO. 9098828000

TABLE OF CONTENTS

ENG	PAGE
GENERAL VIEW	2 - 3
SOLUTION TANK	4 - 5
RECOVERY TANK	6 - 7
COLUMN SYSTEM	8 - 9
STEERING ASSY	10 - 11
STEERING WHEEL SUPPORT ASSEMBLY	12 - 13
DRIVE WHEEL ASSEMBLY	14 - 15
CHASSIS SYSTEM	16 - 17
SOLUTION SYSTEM	18 - 19
ECOFLEX™	20 - 21
SQUEEGEE RAISING ASSEMBLY	22 - 23
SQUEEGEE SYSTEMS	24 - 25
MAGIC DECK ASSEMBLY	26 - 27
BRUSHES DECK SYSTEM	28 - 29
ELECTRICAL COMPONENTS	30 - 31
BATTERY CHARGER	32 - 33
ACCESSORIES	34 - 39
ELECTRICAL DIAGRAM	40 - 41
RECOMMENDED SPARE PARTS	42 - 43
OPTIONALS	43

WHEN ORDERING PARTS

- * Use the part numbers from the "Ref. No." columns in this parts list.
- * Specify the model and serial number of the machine.
- * Use the space below to record the model and serial number for future reference.

Model

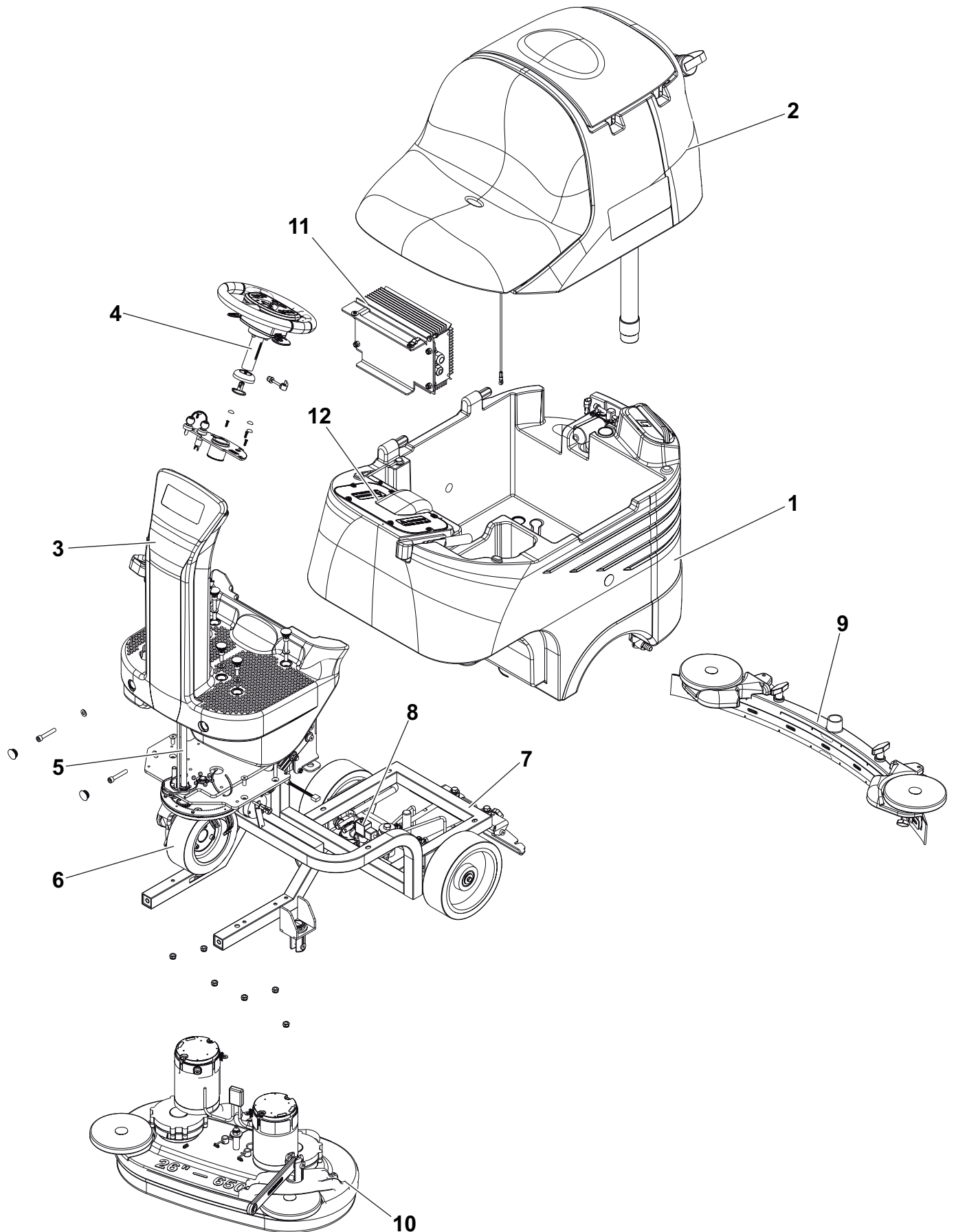
Serial No.

* = Optional

= Modified item No. or New item No.

[] = Not shown

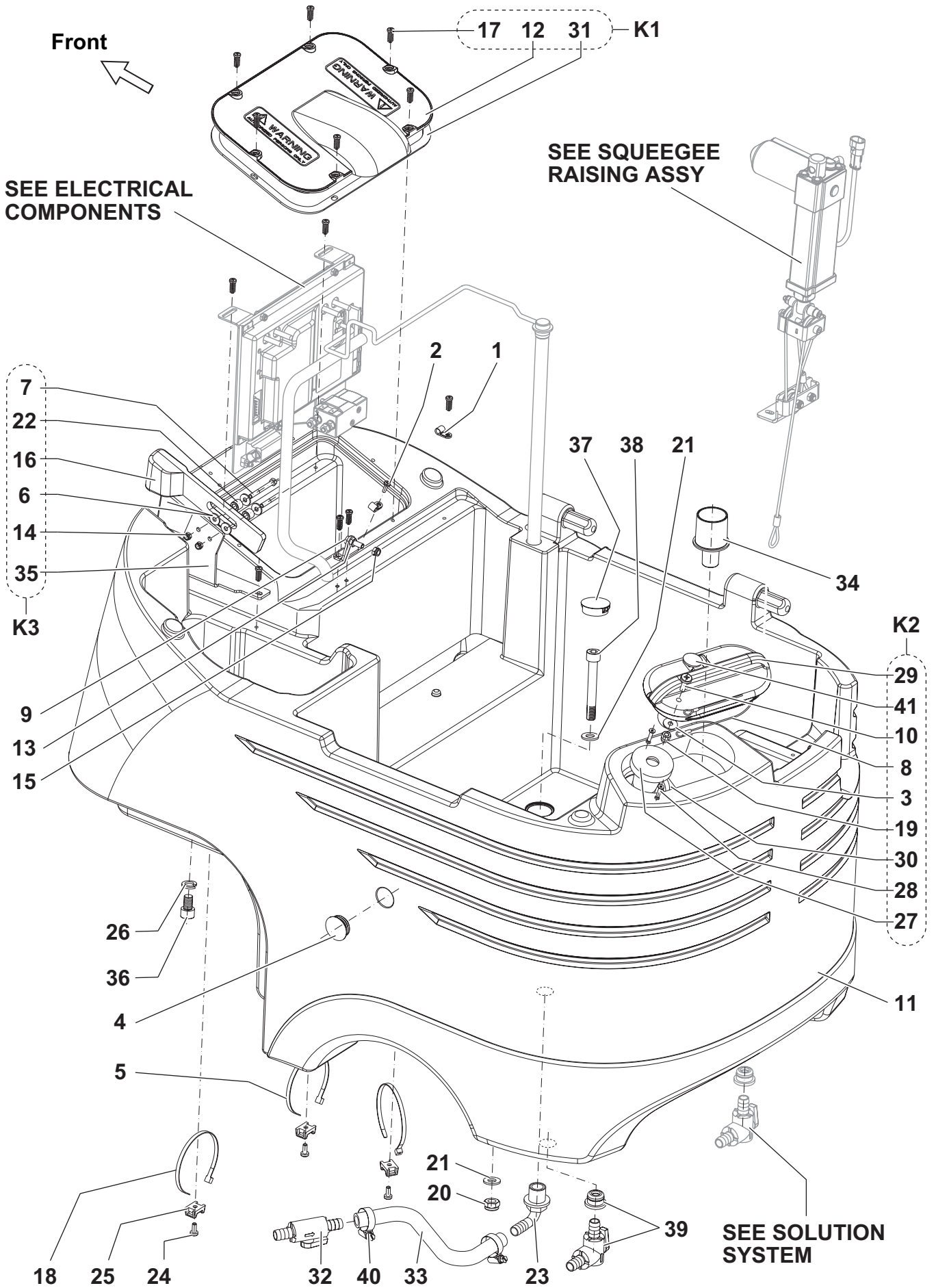
GENERAL VIEW



GENERAL VIEW

	ITEM	REF. NO.	QTY	DESCRIPTION
	1	-	1	SOLUTION TANK
	2	-	1	RECOVERY TANK
	3	-	1	COLUMN SYSTEM
	4	-	1	STEERING ASSY
	5	-	1	STEERING WHEEL SUPPORT ASSEMBLY
	6	-	1	DRIVE WHEEL ASSEMBLY
	7	-	1	CHASSIS SYSTEM
	8	-	1	SOLUTION SYSTEM
	9	-	1	SQUEEGEE SYSTEMS
	10	-	1	BRUSHES DECK SYSTEM
	11	-	1	BATTERY CHARGER
	12	-	1	ELECTRICAL COMPONENTS

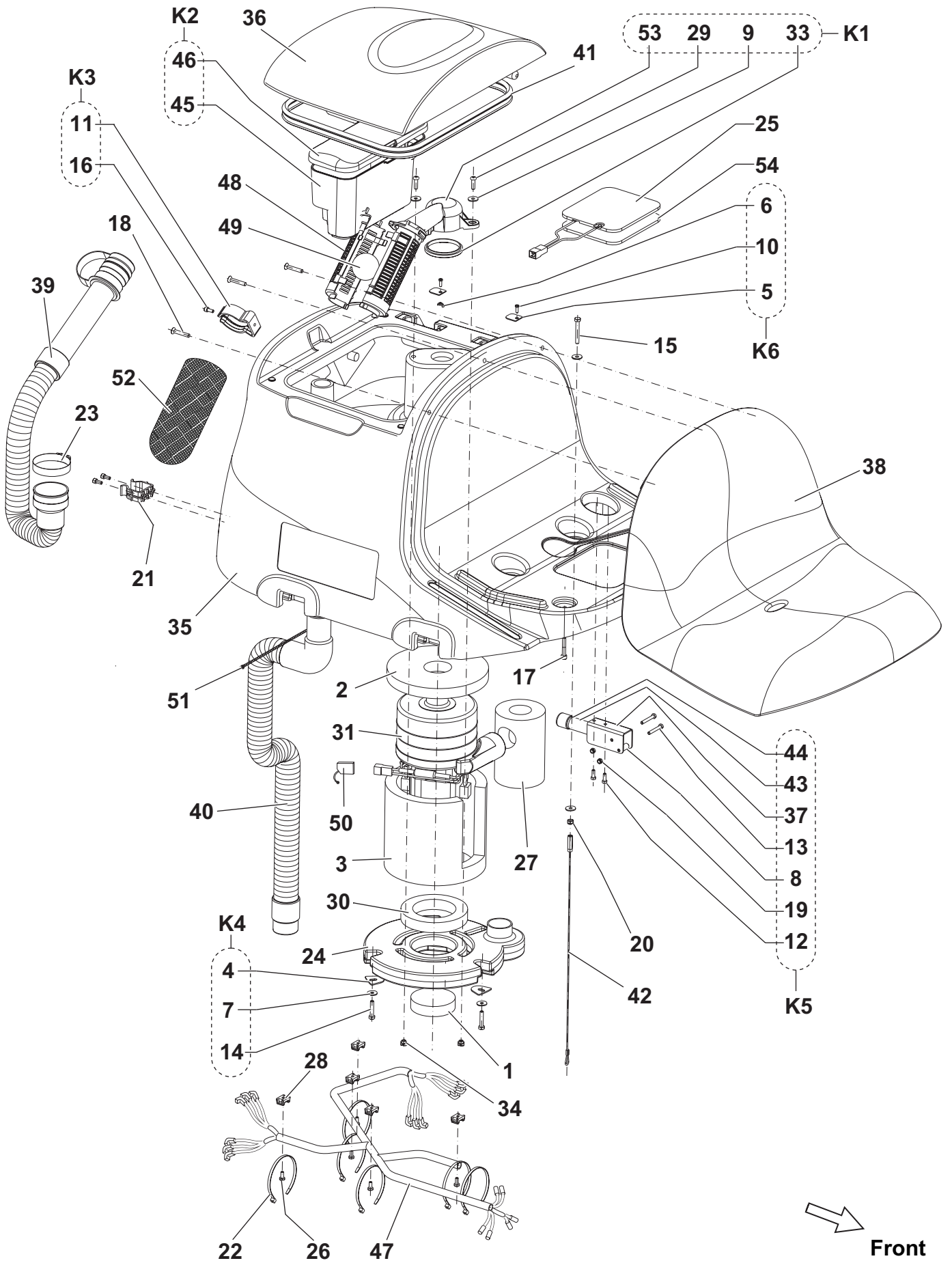
SOLUTION TANK



SOLUTION TANK

KIT	ITEM	REF. NO.	QTY	DESCRIPTION
K4	1		2	CLAMP D.6 WHITE
K4	2		1	SCREW 3.9X13 UNI6954
K2	3		1	WASHER, FLAT 5x15 XL SS
	4	L08812457	2	CAP TANK
K4	5		1	CLAMP 290X4.8
K3	6		4	WASHER 5X15 UNI6593
K3	7		2	SCREW M5X45 UNI5737
K2	8		1	CABLE OPENING CAP
K4	9		1	SCREW M6X20 UNI5739
K2	10		1	SCR, PAN PHIL M5x16 SS
	11	9097797000	1	TANK SOLUTION RAL 7016
K1	12		1	COVER ELECTRIC COMPONENTS
K4	13		1	NUT HEX M6 UNI5589
K3	14		2	NUT SELF L. M5 UNI7474
K4	15		1	NUT SELF L. M6 UNI7474
K3	16		1	LEVER BATTERY CONNECTOR
K1-4	17		11	SCREW CYL HD 5X16 SELF L.
K4	18		2	CLAMP BLACK 4,8x200
K2	19		1	NUT, HEX METRIC M5 SS
K4	20		4	NUT SELF L. M10 UNI7474
K4	21		8	WASHER M10 UNI6592
K3	22		1	SPACER 6,5X12X10
	23	909 6087 000	3	ELBOW CURVED 90. M 1/2
K4	24		3	SCREW M5X12 UNI7687
K4	25		3	HOLDER.FLAT TIE
K4	26		2	WASHER M10 UNI1751B
K2	27	9097290000	1	HOSE FILLING
K2	28		2	SCREW 3.9X22 UNI6955 SS
K2	29		1	CAP SOLUTION TANK
K2	30		1	SUPPORT HOSE FILLING
K1	31		1	GASKET ELECTR.COVER
	32	9098173000	1	VALVE 1/2-1/2
	33	9098175000	1	PIPE
	34	9098224000	1	MUFF FRESH WATER
K3	35		1	BRACKET SUPPORT BATTERY
K4	36		2	SCREW M10X16 UNI5931
K4	37		4	CAP BLACK
K4	38		4	SCREW M10X75 UNI5931
	39	9097626000	1	VALVE ELBOW KIT
K4	40		2	CLAMP 09/12-22
K2	41		1	SCREW CAP 4,8mm
	K1	9098707000	1	COVER ELECTRIC COMPONENTS KIT
	K2	9098709000	1	CAP SOLUTION KIT
	K3	9098710000	1	LEVER BATTERY KIT
	[K4]	9098711000	1	HW KIT SOLUTION TANK

RECOVERY TANK



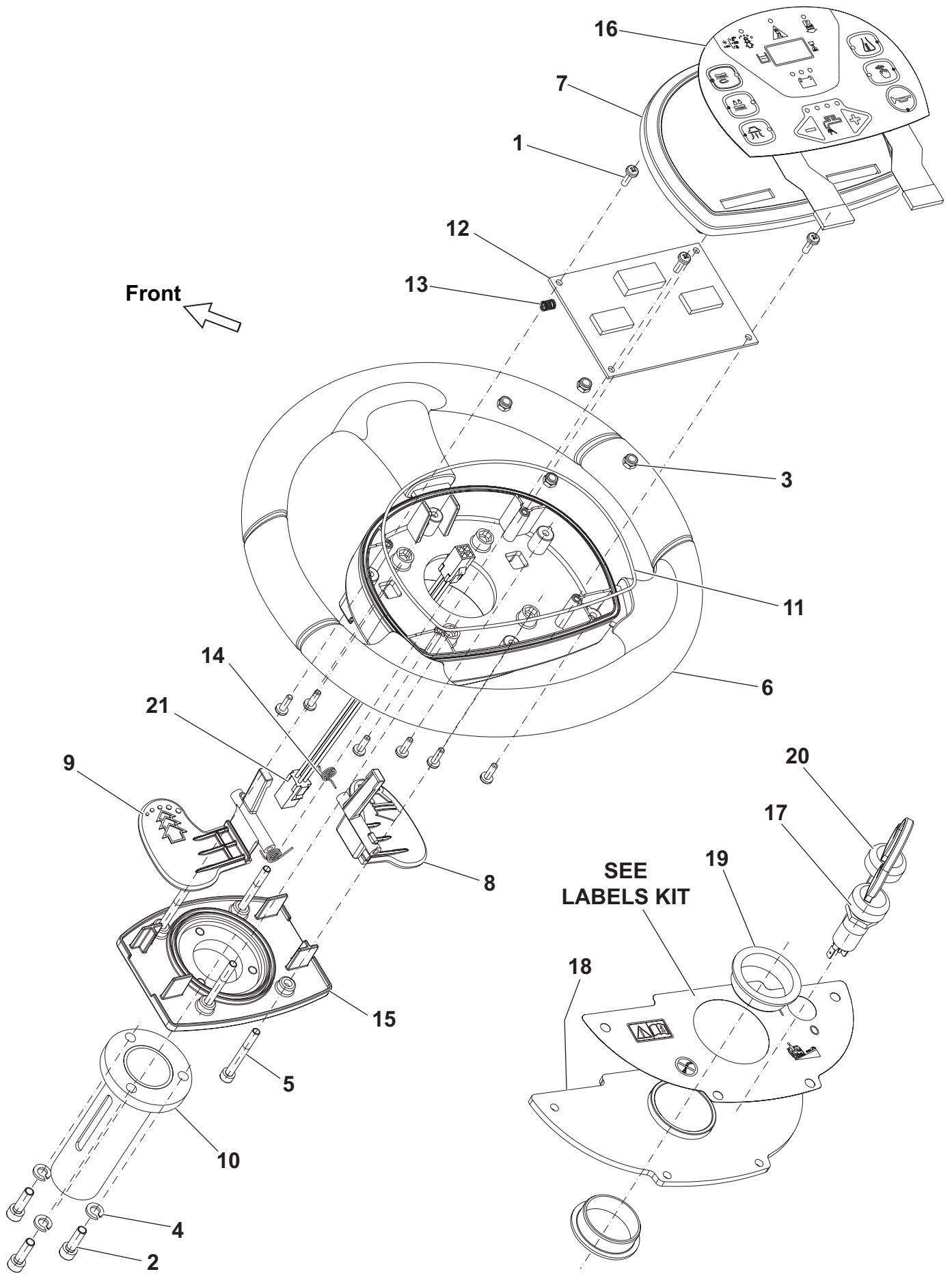
RECOVERY TANK

KIT	ITEM	REF. NO.	QTY	DESCRIPTION
	1	909 6672 000	1	FILTER
	2	909 6489 000	1	GASKET VACUUM MOTOR
	3	909 6491 000	1	PANEL ACOUSTIC INSULATION
K4	4		3	PLATE VACUUM COVER
K6	5		2	PLATE TANK COVER
K6	6		1	BUSH FLANGED
K4-7	7		5	WASHER 6X18 UNI6592
K5	8		1	SPACER 7X10X19
K1	9		2	WASHER 6X18X1.5 UNI6593
K6	10		2	SCREW CYL HD SELFL 3.9X12
K3	11		1	CLAMP.HOSE D.50
K5	12		2	SCREW M5X14 UNI5739
K5	13		2	SCREW M5X35 UNI5739
K4	14		3	SCREW M6X30 UNI5739
K7	15		1	SCREW M6X45 UNI5739
K3	16		3	SCREW M5X12 UNI5931 SS
K7	17		2	SCREW M6X35 UNI5931
K7	18		3	SCREW M6X35 UNI5933
K5	19		2	NUT SELF L. M5 UNI7474
K7	20		1	NUT SELF L. M6 UNI7474
	21	56407361	1	CLAMP PLASTIC
K7	22		6	CLAMP BLACK 4,8x200
	23	146 0771 000	1	CLAMP
	24	909 6051 000	1	COVER.VACUUM MOTOR
	25	909 6242 000	1	MICROSWITCH
K7	26		5	SCREW M5X12 UNI7687
	27	909 6442 000	1	PIPE.ACOUSTIC INSULATION
K7	28		5	HOLDER.FLAT TIE
K1	29		2	SCREW M6X20 ISO7380 SS
	30	9097555000	1	GASKET VACUUM MOTOR
	31	9099929000	1	MOTOR VACUUM 3ST 24V 420W
	31*	9098455000	1	MOTOR VACUUM 3 STAGE 670W
	[32]	9098456000	1	INSTRUCTIONS INSTALLATION
K1	33		1	GASKET CAGE FLOAT
K7	34		2	NUT JAW M6X6 INOX SS
	35	9097801000	1	TANK RECOVERY RAL 7001
	36	9097802000	1	COVER TANK RAL7001
K5	37		1	SUPPORT SAFETY BRACKET TA
	38	9097858000	1	SEAT
	39	9097935000	1	HOSE DRAIN
	40	9098169000	1	HOSE SUCTION
	41	9098172000	1	GASKET COVER
	42	9098177000	1	CABLE TANK STOP
K5	43		1	BRACKET STOP TANK
K5	44		1	CAP D.25 BLACK
K2	45		1	TRAY DEBRIS
K2	46		1	COVER TRAY DEBRIS
	47	9098235000	1	HARNESS RECOVERY TANK
	48	L08812259	2	CAGE.FLOAT CPL
	49	L08812373	1	BALL FLOATING
	50	9098716000	1	BRUSH CARBON KIT
	51	L08066000	1	CLAMP RED
	52*	909 5065 000	1	FILTER ANTIFOAMING
K1	53		1	CAGE FLOAT
	54	9099210000	1	ADESIVE THICKNESS
K1	9097681000		1	CAGE FLOAT HOLDER KIT
K2	9098712000		1	TRAY DEBRIS KIT
K3	909 6380 000		1	CLAMP KIT
K4	909 6877 000		1	HARDWARE MOTOR FIXING KIT
K5	9098713000		1	BRACKET STOP KIT
K6	9098714000		1	TANK FIXING KIT
	[K7]	9098715000	1	HARDWARE RECOVERY TANK KIT

COLUMN SYSTEM

KIT	ITEM	REF. NO.	QTY	DESCRIPTION
K1	1		1	CLAMP D.6 WHITE
K1	2		1	SCREW 3.9X13 UNI6954
K1	3		7	CAP. BLACK
K1	4		3	SCREW M8X20 UNI5931
K1	5		3	SCREW M10X25 UNI5931
K1	6		2	SCREW M10X60 UNI5931
K1	7		2	SCREW M10X25 UNI5933
K1	8		2	SCREW M10X60 UNI5933
K1	9		2	SCREW M10X75 UNI5931
K1	10		7	NUT SELF L. M10 UNI7474
K1	11		3	WASHER M8 UNI6592
K1	12		7	WASHER M10 UNI6592
K1	13		1	SCREW M8X50 UNI5931 THREA
K1	14		4	CAP SCREW
	15	9097805000	1	FOOTBOARD WITH COLUMN RAL
	16	9097806000	1	PROTECTION STEERING RING
	17	9097934000	1	PEDAL SPEED CONTROL
	18	33005604	1	NUT SELF L. M6 UNI7474
K1	19		1	RING D 40 UNI7436
K1	20		4	SCREW CYL HD 5X16 SELF L.
	21	9097950000	1	FOOTREST
	22	9097957000	1	SPRING FOOTREST
	23	9099051000	1	LABELS KIT 26"D
	24	33004352	1	SCREW M6X50 UNI5931
	25	33003742	2	WASHER 6X18 UNI6593
	26	9098167000	1	PEDAL STOPPER
	[K1]	9098718000	1	HW KIT COLUMN SYSTEM

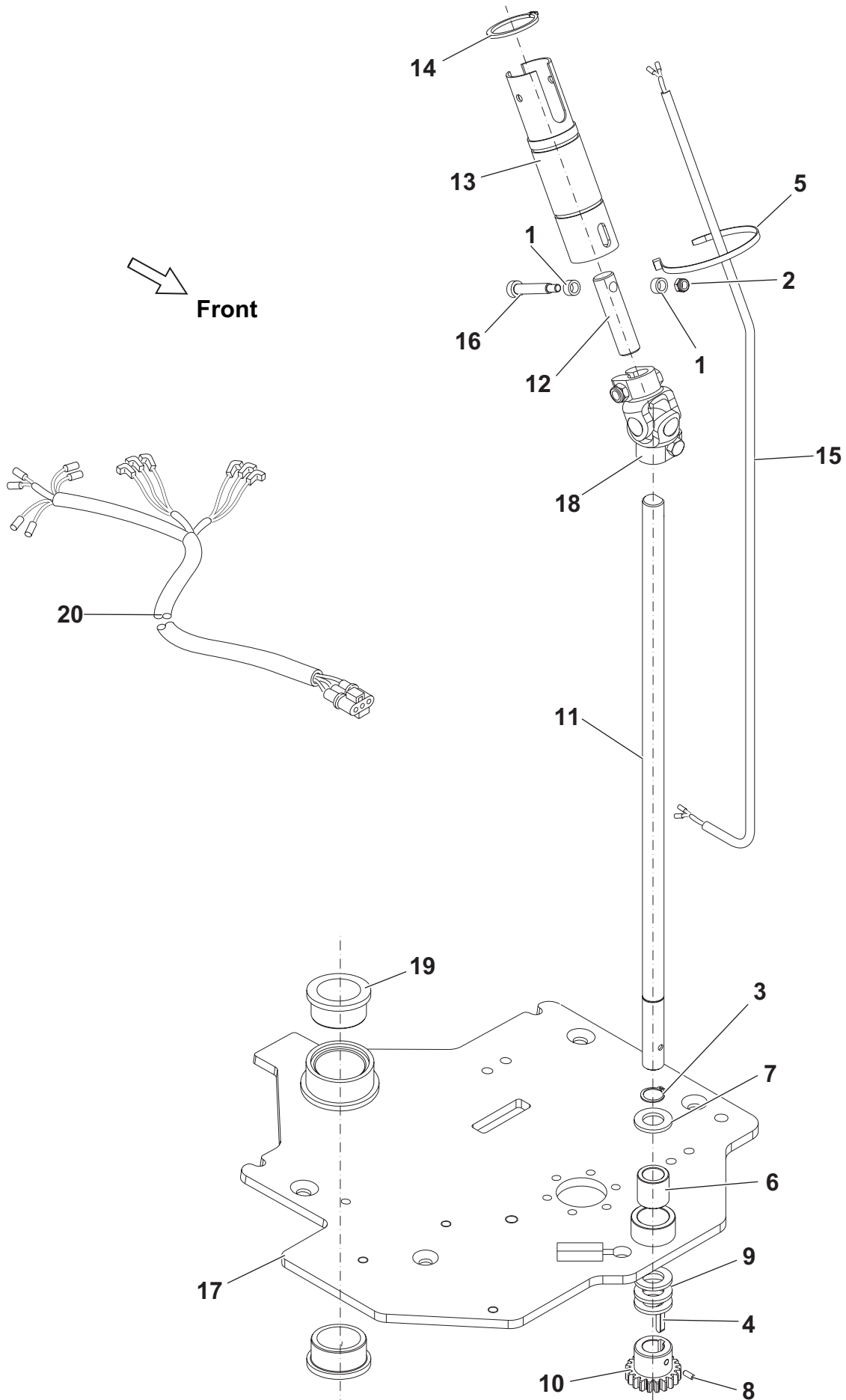
STEERING ASSY



STEERING ASSY

KIT	ITEM	REF. NO.	QTY	DESCRIPTION
K1	1		10	SCREW 3.9X13 UNI6954
K1	2		3	SCREW M6X20 UNI5931
K1	3		4	NUT SELF L. M5 UNI7474
K1	4		3	WASHER M6 UNI1751B
K1	5		4	SCREW M5X45 UNI5931
	6	9097785000	1	WHEEL STEERING D.320X281
	7	9097786000	1	COVER DRIVE WHEEL
	8	9097788000	1	LEVER RIGHT PA YELLOW
	9	9097789000	1	LEVER LEFT PA
	10	9097846000	1	TUBE ADJUST.STEERING WHEE
	11	9097921000	1	GASKET ROUND D.2MM
	12	9097922000	1	CARD ELECTRONIC DASHBOARD
	13	9097923000	2	SPRING MOVING BOTTON
	14	9097924000	2	SPRING TORSION FOR STEERI
	15	9097925000	1	CAP REAR
	16	9097986000	1	DECAL CONTROL PANEL
	17	146 2888 000	1	SWITCH KEY WITH CAP
	18	9097842000	1	PLATE FIXING STEERING WHE
	19	9097843000	2	BUSH FLANGED D.40X44X52
	20	146 2887 000	1	KEY -2 PCS-
	21	9097792000	1	CABLE DASHBOARD EXTENSION
	[K1]	9098719000	1	HW KIT STEERING ASSY

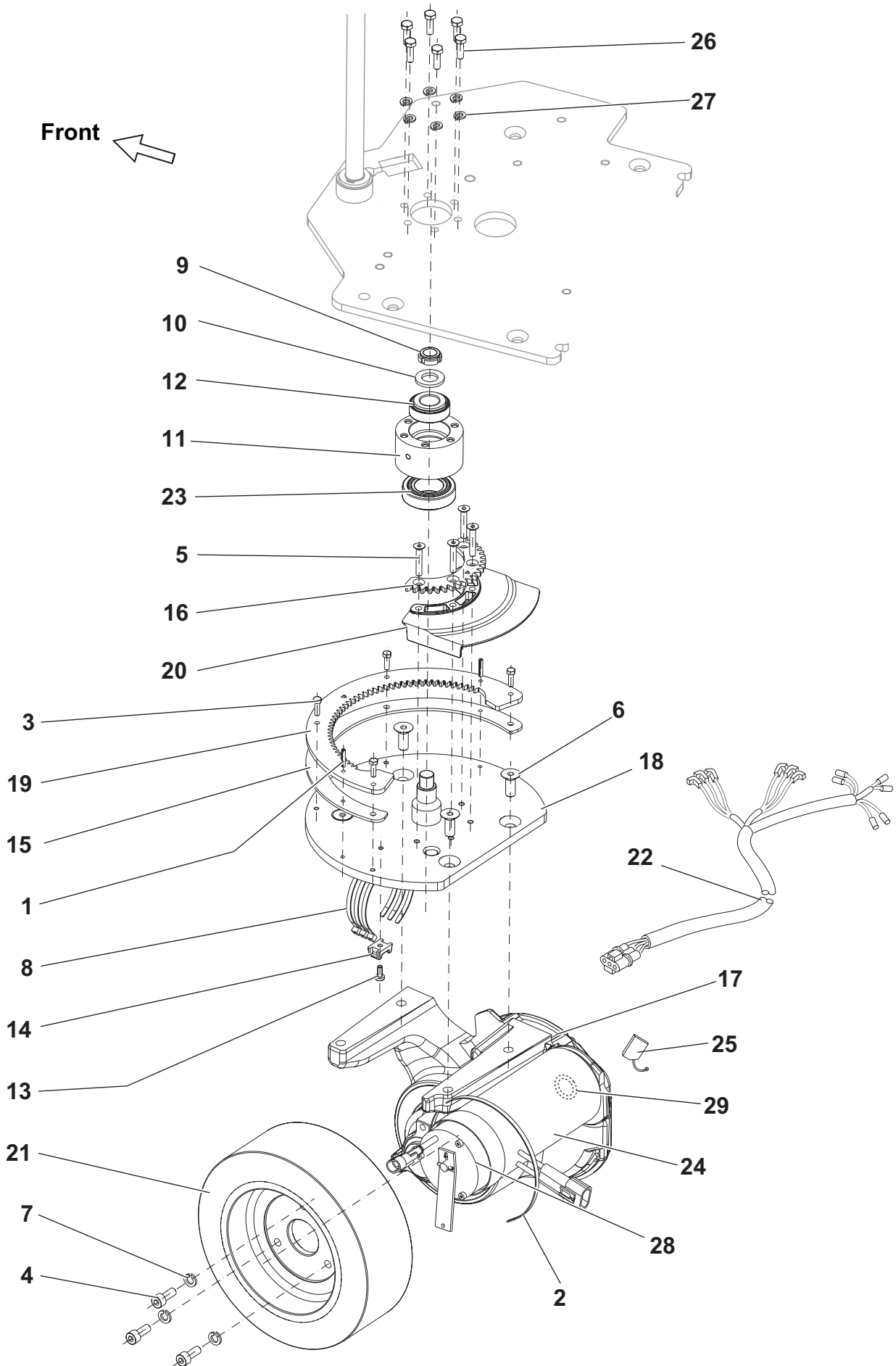
STEERING WHEEL SUPP ASSY



STEERING WHEEL SUPP ASSY

KIT	ITEM	REF. NO.	QTY	DESCRIPTION
K1	1		2	SPACER 8.1X12X6.5
K1	2		1	NUT SELF L. M6 UNI7474
K1	3		1	RING D 17 UNI7435
	4	145 8024 000	1	KEY JOINT 5X25
K1	5		1	CLAMP BLACK 4,8x200
K1	6		1	BUSH (KIT ITEM 21)
K1	7		1	WASHER M16 UNI6592
K1	8		1	SCREW GRUB M5X10 UNI5929
K1	9		3	WASHER 16X30 UNI6592
	10	909 5943 000	1	PINION STEERING
	11	9097840000	1	SHAFT STEERING L.546MM
	12	9097844000	1	SHAFT STEERING L.66MM
	13	9099425000	1	STEERING TUBE KIT (TSB IT 2011-076)
K1	14		1	RING D 40 UNI7436
	15	9098094000	1	HARNESS STEERING WHEEL
	16	9098166000	1	SCREW SHOULDER M8X40
	17	9097937000	1	PLATE STEERING SUPPORT
	18	145 9619 000	1	JOINT UNIVERSAL D.17
	19	9098216000	1	BUSH FLANGED D.30X38X44
	20	9098191000	1	HARNESS FOOT BOARD
	[K1]	9098720000	1	HW KIT STEERING WHEEL SUPPORT

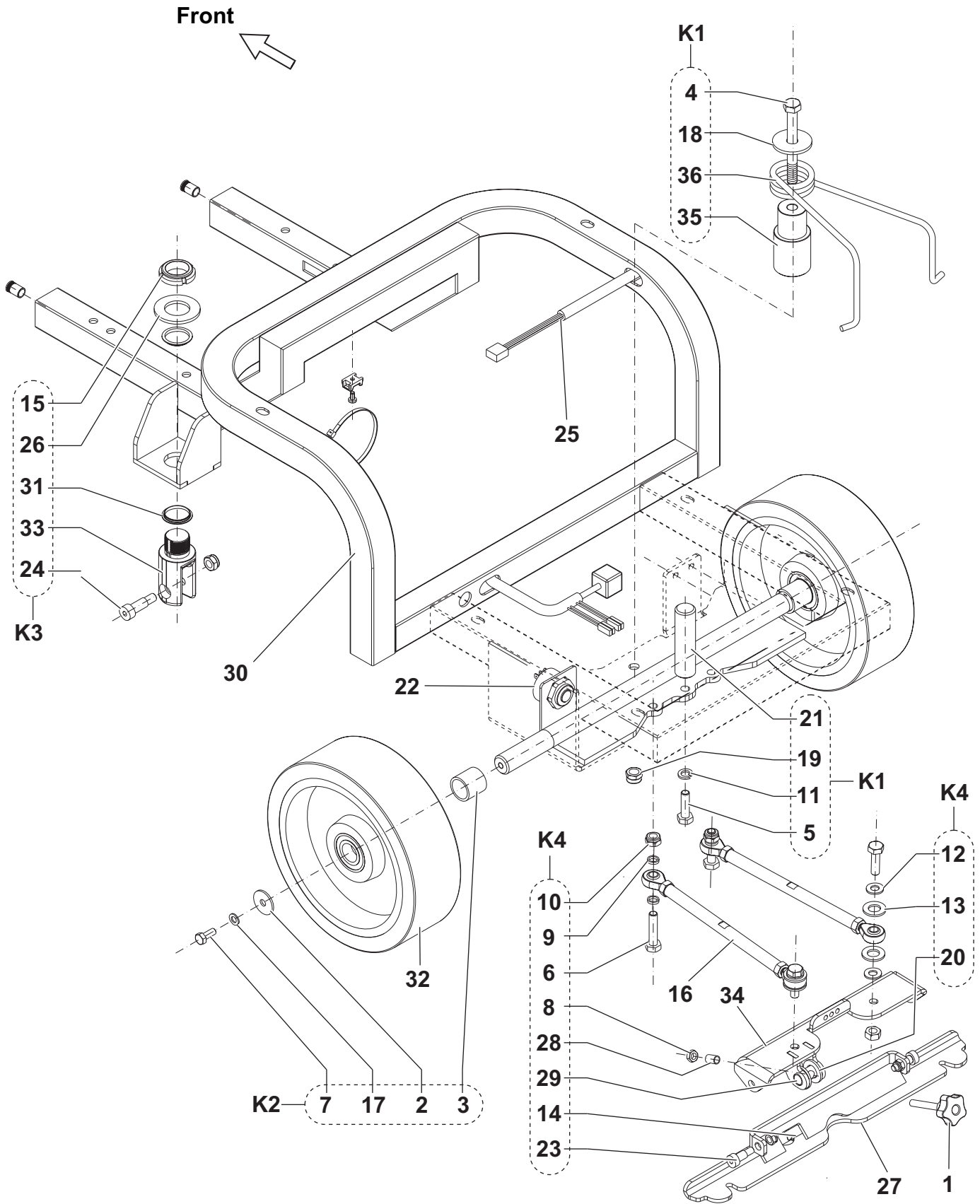
DRIVE WHEEL ASSY



DRIVE WHEEL ASSY

KIT	ITEM	REF. NO.	QTY	DESCRIPTION
K1	1		2	PIN 4X20 UNI6873
K1	2		1	CLAMP 4.8X430 WHITE
K1	3		4	SCREW M5X16 UNI5739
K1	4		3	SCREW M8X20 UNI5931
K1	5		4	SCREW M6X35 UNI5933
K1	6		4	SCREW M10X25 UNI5933
K1	7		3	WASHER M8 UNI1751B
K1	8		3	CLAMP BLACK 4,8x200
K1	9		1	NUT RING
K1	10		1	WASHER M16 UNI6592
	11	909 5941 000	1	SUPPORT BALL BEARING
	12	909 5942 000	1	ROLLER BEARING
K1	13		1	SCREW M5X12 UNI7687
K1	14		1	HOLDER.FLAT TIE
	15	9097807000	1	SPACER CROWN STEERING
	16	9097809000	1	GEAR MAIN Z45
	17#	9100000074	1	MOTOR WHEEL 300W 24V KIT
	18	9097837000	1	STEERING BRACKET
	19	9097841000	1	CROWN STEERING Z100
	20	9098165000	1	PROTECTION DRIVE WHEEL WI
	21	9098407000	1	WHEEL DRIVE
	22	9098430000	1	HARNESS WHEEL MOTOR
	23	145 4691 000	1	BALL BEARING
	24#	9100000076	1	MOTOR ELECTRIC
	25	9098627000	1	BRUSH CARBON KIT
K1	26		6	SCREW M6X20 UNI5739
K1	27		6	WASHER M6 UNI1751B
	28	9098626000	1	BRAKE ELECTRIC.RELEASED
	29	9098800000	1	SEAL OIL
	[K1]	9098721000	1	HW KIT DRIVE WHEEL

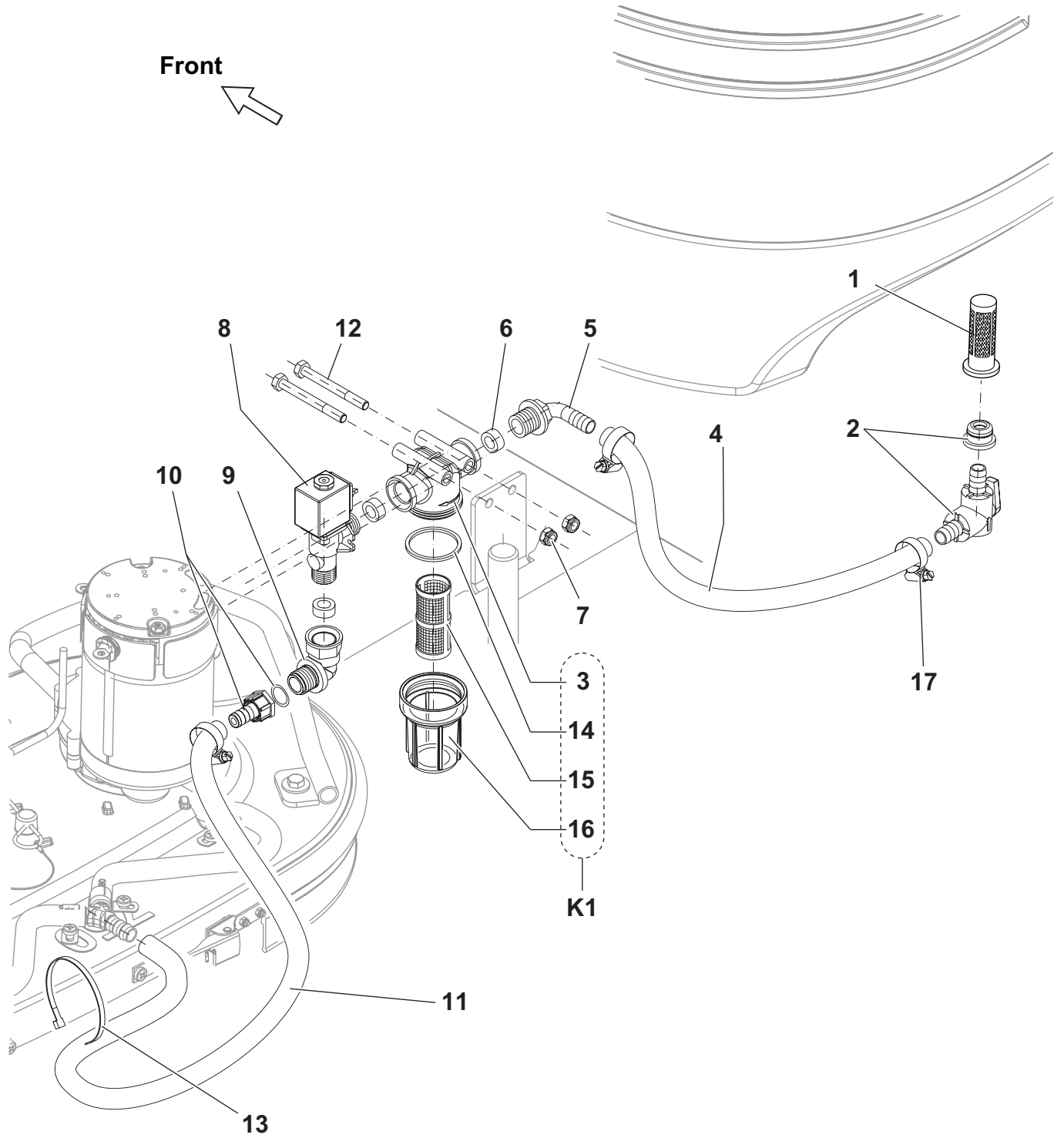
CHASSIS SYSTEM



CHASSIS SYSTEM

KIT	ITEM	REF. NO.	QTY	DESCRIPTION
	1	9099136000	1	HANDWHEEL M8X55
K2	2		2	WASHER 8X32 UNI6593
K2	3		2	SPACER D. 26X32X30
K1	4		1	SCREW M12X110 UNI5737
K1	5		3	SCREW M10X35 UNI5739
K4	6		2	SCREW M10X45 UNI5739
K2	7		2	SCREW M8X20 UNI5739
K4	8		1	NUT HEX M8 UNI5589
K4	9		4	SPACER D.10.5X14X3
K4	10		2	NUT SELF L. M10 UNI7474
K1	11		1	WASHER M10 UNI1751B
K4	12		4	WASHER M10 UNI6592
K4	13		4	WASHER M14 UNI6592
K4	14		1	SPACER ADJUSTING SQUEEGEE
K3	15		1	NUT RING
	16	9097931000	2	ROD EYE M10
K2	17		2	WASHER
K1	18		1	WASHER
K1	19		1	NUT SELF L. M12 UNI7474
K4	20		2	WASHER 16X30 UNI6592
K1	21		1	PIN FOR SQUEEGEE SPRING
	22	909 6126 000	1	BUZZER 5-32V
K4	23		2	SCREW SHOULDER M10X16
K3	24		1	SCREW SHOULDER M12X25
	25	9098236000	1	HARNESS REAR MACHINE
K3	26		1	WASHER M30 UNI6592
	27	9098390000	1	SUPPORT SQUEEGEE DOWN
K4	28		1	SPACER D. 8X10X15.5
K4	29		1	SPACER WITH HOLE
	30	9097798000	1	CHASSIS
K3	31		2	BUSH FLANGED D.30X32X37
	32	9097816000	2	WHEEL REAR D.254 80SH GRE
K3	33		1	BRACKET TURNING
	34	9097827000	1	SUPPORT SQUEEGEE UPPER
K1	35		1	PIN SUPPORT SQUEEGEE SPRI
K1	36		1	SPRING ZERO SETTING SQUEE
	K1	9098722000	1	CENTRING SQUEEGEE KIT
	K2	9098723000	1	FIXING WHEELS KIT
	K3	9098724000	1	BRACKET TURNING KIT
	K4	9098725000	1	HW KIT ROD EYE

SOLUTION SYSTEM

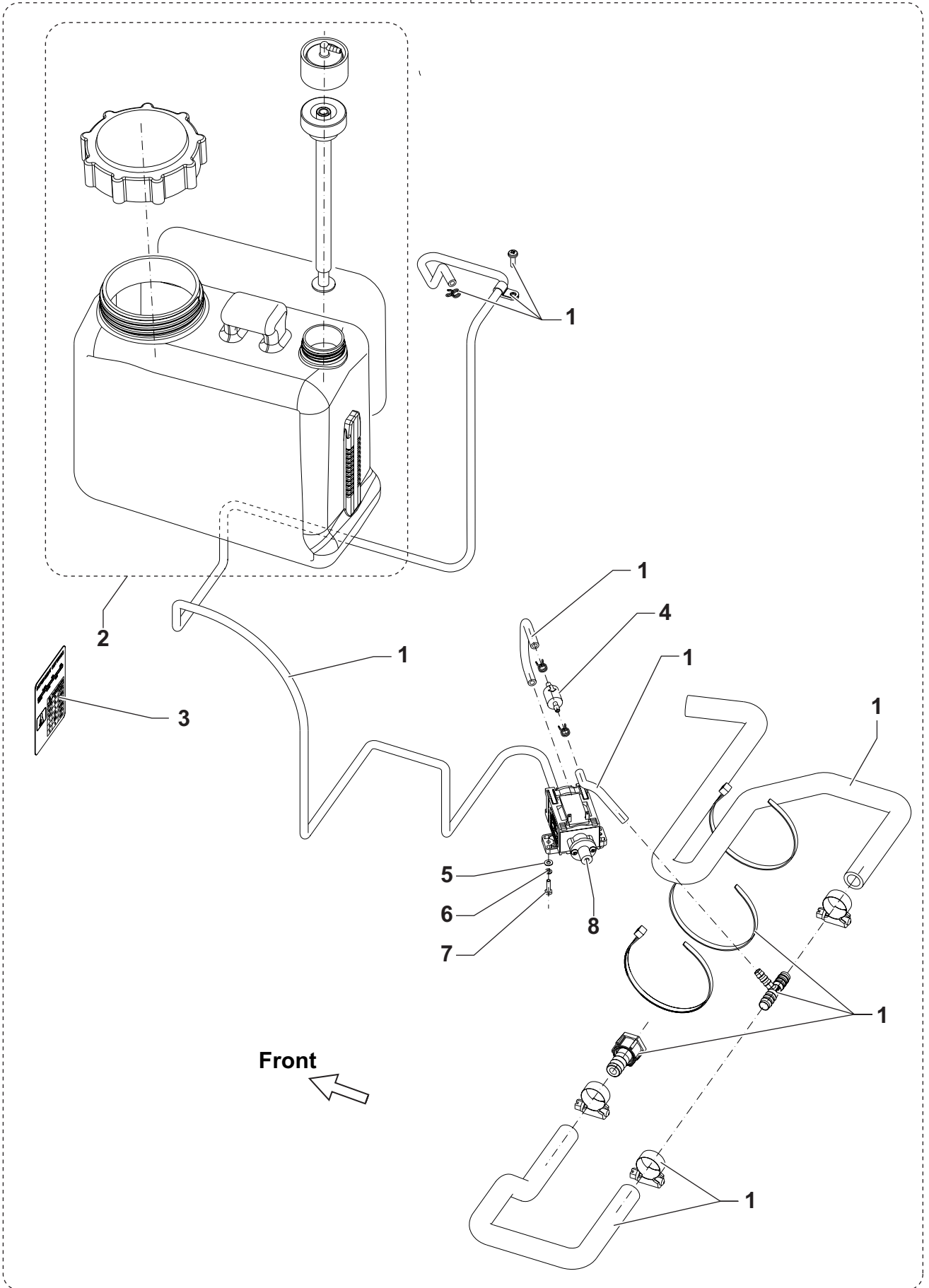


SOLUTION SYSTEM

KIT	ITEM	REF. NO.	QTY	DESCRIPTION
	1*	9096916000	1	FILTER SOLUTION TANK
	2	9097626000	1	VALVE ELBOW KIT
K1	3		1	BODY FILTER
	4	9098120000	1	PIPE MT.0.323
	5	909 6087 000	1	NIPPLE 90° G1/2
	6	9097484000	3	GASKET
K2	7		2	NUT SELF L. M8 UNI7474
	8	909 6555 000	1	SOLENOID VALVE 24V
	9	909 6086 000	1	ELBOW CURVED M/F
	10	9097115000	1	HOLDER RUBBER 1/2 FEMALE
	11	9097821000	1	PIPE MT 1.02
K2	12		2	SCREW M8X75 UNI5737
K2	13		1	CLAMP BLACK 4,8x200
K1	14	9097943000	1	GASKET FOR WATER FILTER
K1	15	9097944000	1	FILTER NET SS 50 MESH FOR
K1	16	9097945000	1	OVER TRASPARENT FOR WATE
K2	17		3	CLAMP 09/12-22
	K1	9098115000	1	FILTER WATER KIT
	[K2]	9098726000	1	HW KIT SOLUTION SYSTEM

ECOFLEX™

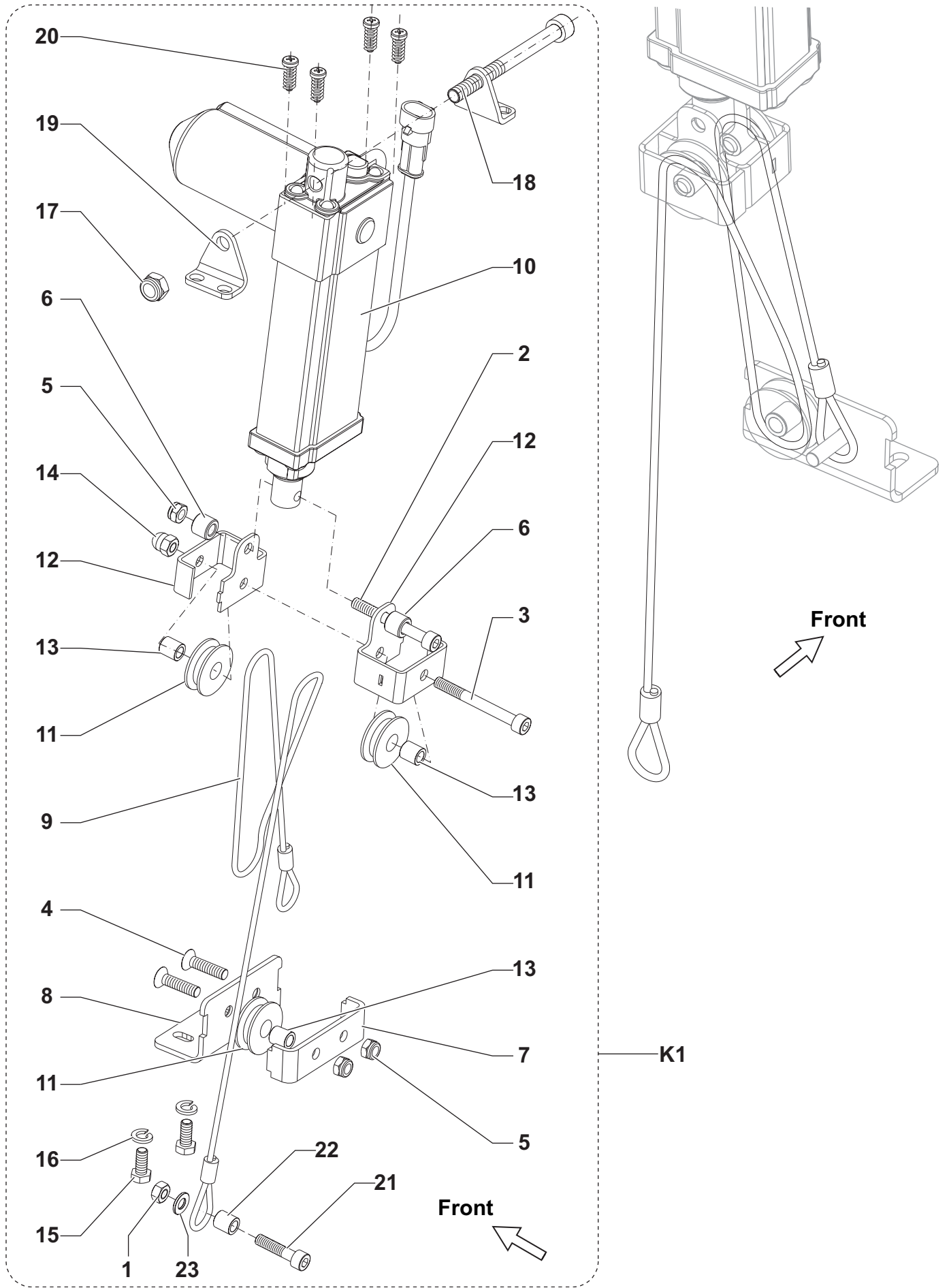
K1



ECOFLEX™

KIT	ITEM	REF. NO.	QTY	DESCRIPTION
K1	1	9099948000	1	HOSES ECOFLEX SYSTEM KIT
K1	2	909 6903 000	1	TANK CHEMICAL KIT
K1	3		1	DECAL DETERGENT ADJUSTING
K1	4	56315522	1	VALVE CHECK
K1	5		2	WASHER M3 UNI6592
K1	6		2	WASHER M3 UNI1751B
K1	7		2	SCREW HEX HD M3X12
K1	8	909 6183 000	1	PUMP CHEMICAL MIX
	K1	9097818000	1	ECOFLEX KIT

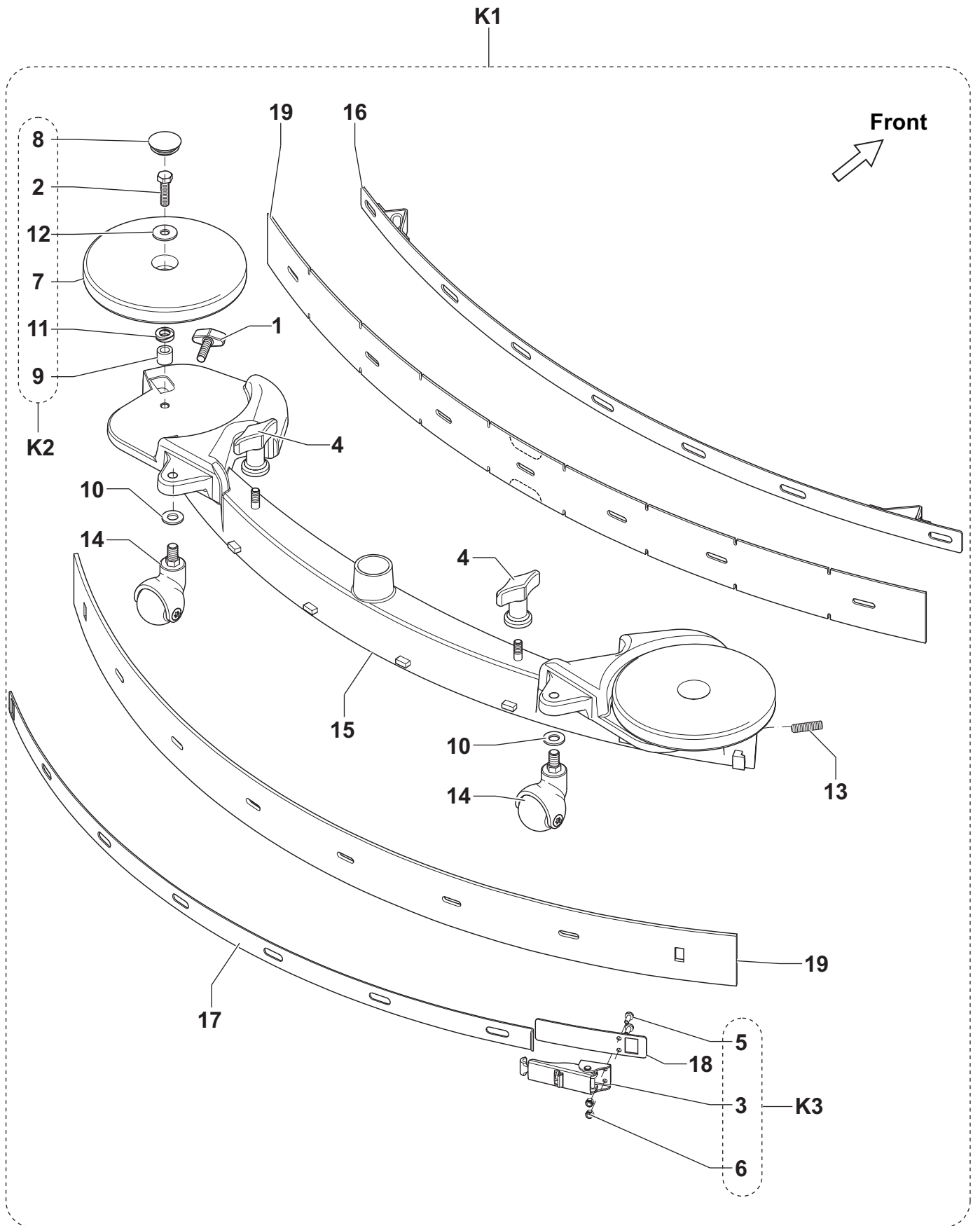
SQUEEGEE RAISING ASSY



SQUEEGEE RAISING ASSY

KIT	ITEM	REF. NO.	QTY	DESCRIPTION
K1	1		1	NUT SELF L. M6 UNI7474 SS
K1	2		1	SCREW M6X50 UNI5931
K1	3		1	SCREW M6X55 UNI5931
K1	4		2	SCREW M6X25 UNI5933
K1	5		3	NUT SELF L. M6 UNI7474
K1	6		2	SPACER 6,5X12X10
K1	7		1	PLATE COUNTER
K1	8		1	SUPPORT COUNTERPLATE
K1	9	9097933000	1	CABLE SQUEEGEE LIFTING
K1	10	9097985000	1	JACK MOTOR 24V FOR SQUEEG
K1	11	9098248000	3	PULLEY D.30
K1	12		2	BRACKET PULLEY SUPPORT
K1	13		3	SPACER D. 6.5X10X10.5
K1	14		1	NUT HEX M6 UNI5721
K1	15		2	SCREW M6X14 UNI5739
K1	16		2	WASHER M6 UNI1751B
K1	17		1	NUT SELF L. M8 UNI7474
K1	18		1	SCREW M8X90 UNI5931
K1	19		1	BRACKET SUPPORT JACK MOTO
K1	20		4	SCREW CYL HD 5X16 SELF L.
K1	21		1	SCREW M6X20 ISO7380 SS
K1	22		1	SPACER 6.5X10X5
K1	23		1	WASHER 6X18X1.5 UNI6593
	K1	9098708000	1	SQUEEGEE LIFTING KIT

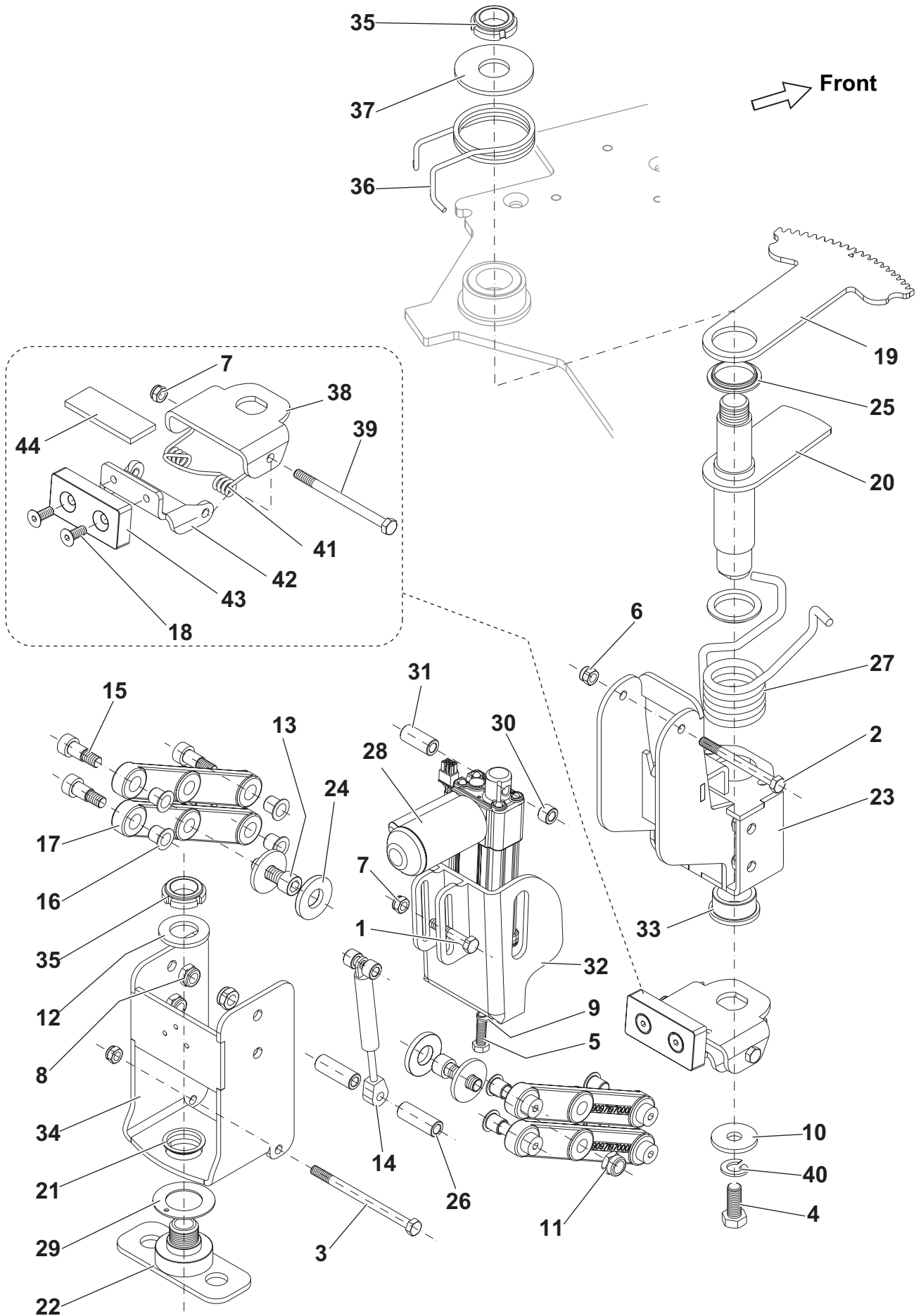
SQUEEGEE SYSTEMS



SQUEEGEE SYSTEMS

KIT	ITEM	REF. NO.	QTY	DESCRIPTION
K1	1	909 6551 000	1	KNOB M8X30 SS
K2	2		2	SCREW M8X30 UNI5739 SS
K3	3		1	LATCH SQUEEGEE
K1	4	9097637000	1	SQUEEGEE FIXING KIT
K3	5		2	SCREW M4X10 UNI7687 SS
K3	6		2	NUT SELF L. M4 UNI7474 SS
K2	7		2	ROLLER BUMPER
K2	8		2	CAP. BLACK
K2	9		2	SPACER 9X15X13
K1	10		2	WASHER M10 UNI6592
K2	11		2	WASHER 10X18 UNI8840A
K2	12		2	WASHER SST
K1	13	909 6600 000	1	SCREW GRUB M8X30 UNI5929
K1	14	9099163000	2	WHEEL CASTOR D.42
K1	15	9098379000	1	WELDMENT SQUEEGEE TOOL
K1	16	9098380000	1	STRAP FRONT SQUEEGEE 35
K1	17	9098381000	1	STRAP SKIRT REAR RIGHT 35
K1	18	9098382000	1	STRAP SKIRT REAR LEFT 35
K1	19	9099855000	1	BLADES PU 890MM/35" KIT
	K1	9098728000	1	SQUEEGEE CPL PU 890MM/35" KIT
K1	K2	909 6887 000	2	ROLLER BUMPER KIT
K1	K3	909 6394 000	1	LATCH SQUEEGEE KIT

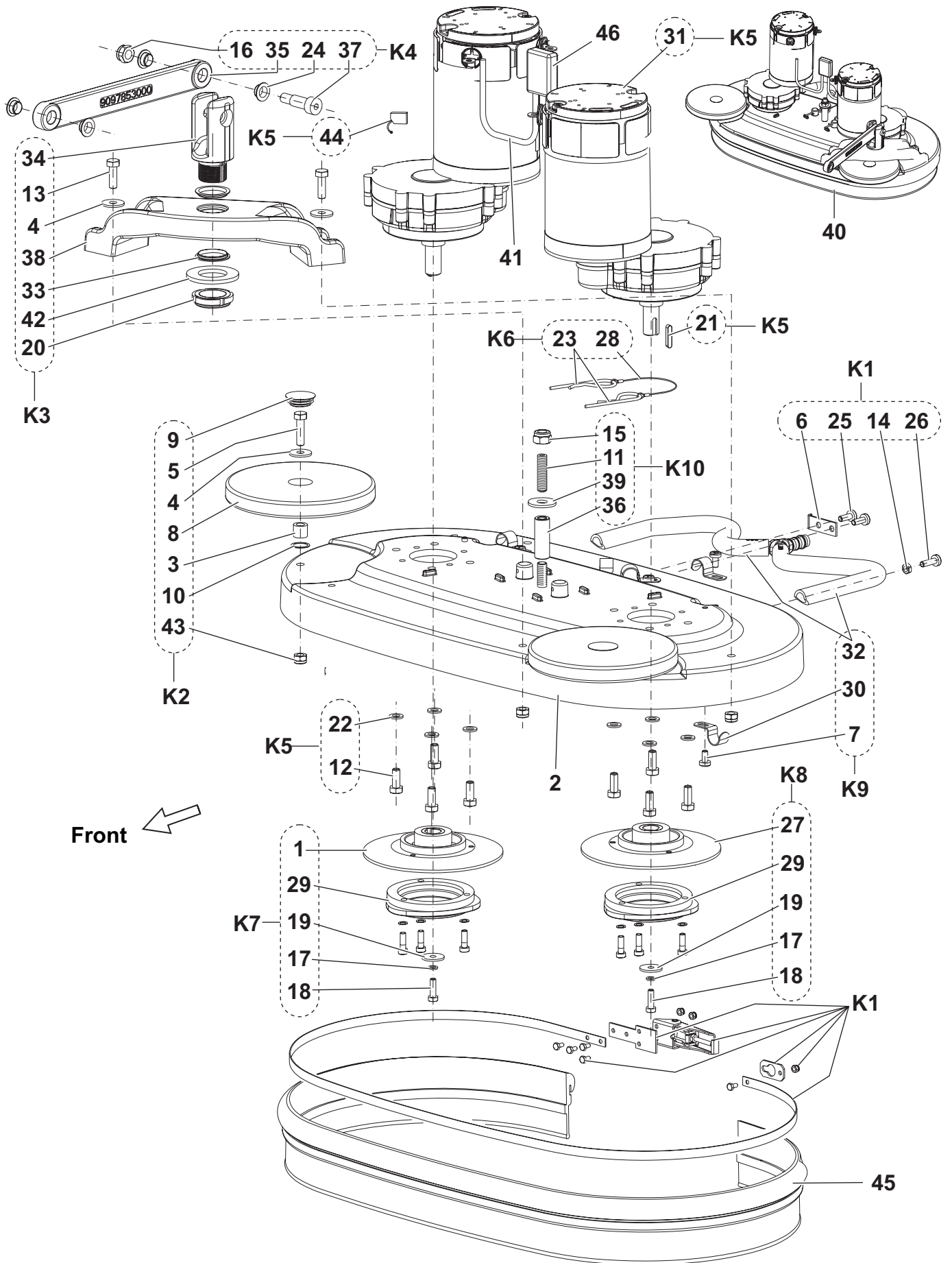
MAGIC DECK ASSEMBLY



MAGIC DECK ASSEMBLY

KIT	ITEM	REF. NO.	QTY	DESCRIPTION
K1	1		1	SCREW M8X45 UNI5737
K1	2		1	SCREW M8X90 UNI5737
K1	3		1	SCREW M8X120 UNI5737
K1	4		1	SCREW M12X30 UNI5739
K1	5		1	SCREW M8X30 UNI5739
K1	6		1	NUT SELF L. M8 UNI7473
K1	7		3	NUT SELF L. M8 UNI7474
K1	8		4	NUT SELF L. M10 UNI7474
K1	9		1	WASHER M8 UNI1751B
K1	10		3	WASHER 12X40X4
K1	11		2	NUT SELF L. M12 UNI7474
K1	12		1	WASHER M24 UNI6592
K1	13		2	SCREW M12X35 UNI5931
	14	909 5637 000	1	SPRING GAS
	15	909 6520 000	8	SCREW SHOULDER M12X16
	16	9097008000	8	BUSH FLANGED
	17	9097197000	4	LEVER
K1	18		2	SCREW M8X20 UNI5933
	19	9097810000	1	GEAR SLAVE
	20	9097811000	1	PIN DRIVEN CROWN
	21	9097812000	1	BUSH FLANGED D.30X32X37
	22	9097819000	1	BRACKET ROTATING SUPPORT
	23	9097822000	1	SUPPORT JACK
	24	9097824000	2	BUSH D.18.2X40
	25	9097835000	2	BUSH FLANGED D.35X39X47
	26	9097836000	2	SPACER D. 8.5X15X42
	27	9097850000	1	SPRING DRAGGING DECK
	28	9097852000	1	JACK MOTOR 24V FOR DECK
	29	9097854000	1	BUSH D.32X54
	30	9097938000	3	SPACER D. 8.5X15X10
	31	9097939000	1	SPACER D. 8.5X15X33
	32	9098176000	1	BRACKET LOWER JACK MOTOR
	33	9098216000	1	BUSH FLANGED D.30X38X44
	34	9098220000	1	BRACKET SUPPORT DECK
	35	33005721	2	NUT RING M25X1,5 KMA5
	36	9097851000	1	SPRING ZERO SETTING BRUSH
	37	9098239000	1	WASHER FLAT D.25.5X65X4
	38	9098195000	1	FLANGE UP DRAGGING
K1	39		1	SCREW M8X110 UNI5737
K1	40		1	WASHER M12 UNI1751B
	41	9098197000	1	SPRING INSERTION DRAGGING
	42	9098196000	1	FLANGE DOWN DRAGGING
	43	9097813000	1	GUIDE DRAGGING DECK
	44	9098857000	1	RUBBER ANTISHOCK
	[K1]	9098727000	1	HW SUPPORT BRUSH DECK KIT

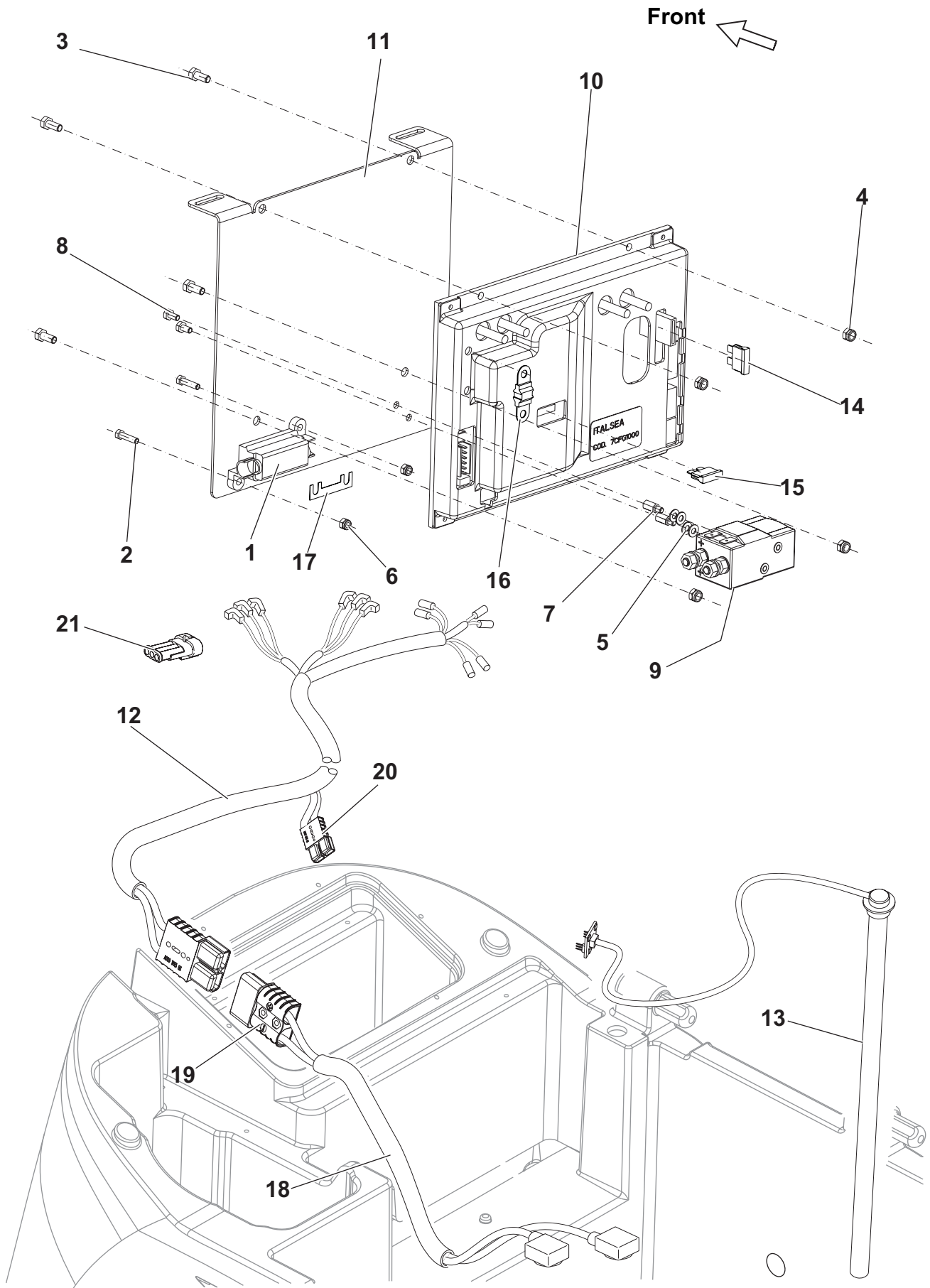
BRUSHES DECK SYSTEMS



BRUSHES DECK SYSTEMS

KIT	ITEM	REF. NO.	QTY	DESCRIPTION
K7	1		1	HOLDER POLYGONAL LEFT
	2	9099414000	1	DECK BRUSH 26"
K2	3		2	WASHER 15
K2-3	4		6	WASHER 8X24 UNI6593
K2	5		2	SCREW M8X30 UNI5739 SS
K1	6		1	PLATE BENT
K9	7		6	SCREW M6X12 UNI7687 SS
K2	8		2	ROLLER BUMPER
K2	9		2	CAP. BLACK
K2	10		2	SPACER 9X15X13
K10	11		1	WASHER 10X30 UNI6593
K5	12		8	SCREW M8X20 UNI5739
K3	13		4	SCREW M8X25 UNI5739
K1	14		1	NUT HEX M6 UNI5589
K10	15		1	NUT SELF L. M10 UNI7473
K4	16		1	NUT SELF L. M10 UNI7474
K7-8	17		2	WASHER
K7-8	18		2	SCREW
K7-8	19		2	WASHER
K3	20		1	NUT RING
K5	21	145 8024 000	2	KEY JOINT
K5	22		8	WASHER
K6	23		2	PIN
K4	24		4	BUSH FLANGED
K1	25		2	SCREW M6X16 UNI7687 SS
K1	26		1	SCREW M6X20 UNI7687 SS
K8	27		1	HOLDER POLYGONAL LEFT
K6	28		1	CABLE STAINLESS STEEL
K7-8	29	L08812480	2	HUB.BRUSH
K9	30		6	CLAMP D.16
K5	31		2	REDUCTION GEARMOTOR 400W
K9	32		1	PIPE WATER
K3	33		2	BUSH FLANGED D.30X32X37
K3	34		1	BRACKET TURNING
K4	35		1	ARM SIDE
K10	36		1	SPACER THREADED
K4	37		1	SCREW SHOULDER M12X25
K3	38		1	SPACER SIDE ARM
K10	39		1	SCREW GRUB M10X40 UNI5929
	40	9098741000	1	DECK BRUSHES 26" KIT
	41	9098374000	1	HARNESS BRUSH DECK
K3	42		1	WASHER M30 UNI6592
K2	43		6	NUT SELFLOCKING LOW M8 UN
K5	44	909 5380 000	2	BRUSH CARBON W/HOLDER KIT
	45	909 5224 000	1	SPLASH GUARD DECK 26"
	45*	9097474000	1	SPLASH GUARD W/BRISTLES 26"
	46	9098761000	1	CONNECTOR 50A RED
	K1	909 5398 000	1	SPLASH GUARD FIXING KIT 26"
	K2	909 6887 000	2	ROLLER BUMPER KIT
	K3	9098730000	1	SPACER SIDE ARM KIT
	K4	9098731000	1	ARM SIDE KIT
	K5	9097638000	2	REDUCTION GEARMOTOR 400W
	K6	909 6354 000	1	SPLIT PINS W/CABLE KIT
	K7	9097640000	1	HOLDER POLYGONAL RIGHT 26"
	K8	9097639000	1	HOLDER POLYGONAL LEFT 26"
	K9	9097644000	1	HOSE WATER BRUSH DECK 26"
	K10	9098732000	1	FIXING DECK KIT

ELECTRICAL COMPONENTS



ELECTRICAL COMPONENTS

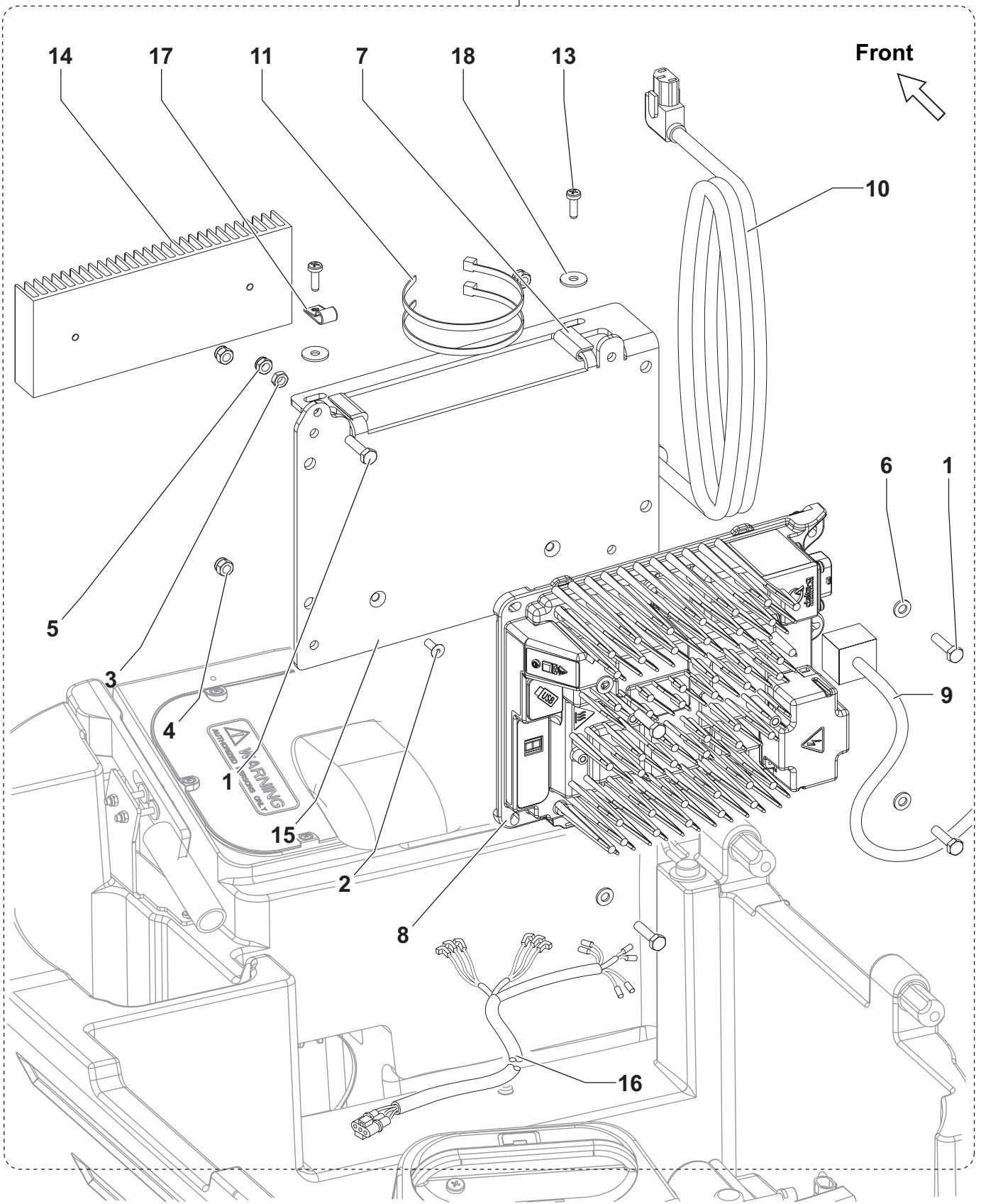
KIT	ITEM	REF. NO.	QTY	DESCRIPTION
	1	145 8046 000	1	STRIP FUSE HOLDER
K1	2		2	SCREW M4X16 UNI5739
K1	3		4	SCREW M5X12 UNI5739
K1	4		4	NUT SELF L. M5 UNI7474
K1	5		4	WASHER M4 UNI6592
K1	6		2	NUT SELF L. M4 UNI7474
K1	7		2	SPACER M4 L10
K1	8		2	SCREW M4X8 UNI5739
	9	9097208000	1	SWITCH ELECTROMAGNETIC
	10	9100000024	1	CARD ELECTRONIC TRACTION KIT
	11	9097860000	1	PLATE FIXING ELECTRONIC C
	12A	9098190000	1	HARNESS EL.COMPON.BOX
	12B	9099681000	1	HARNESS EL.COMPON.BOX
	13	9098897000	1	SENSOR PRESSURE KIT
	14	145 8368 000	1	FUSE 3A
	15	145 9853 000	1	FUSE 15A
	16	9097830000	1	FUSE MIDIFUSE 100A
	17	145 9854 000	1	STRIP FUSE 50A
	18	9099695000	1	HARNESS BATTERY
	19	9098762000	1	CONNECTOR 120A
	20	9098761000	1	CONNECTOR 50A RED
	21	9099203000	1	CONNECTOR 3 WAYS WITH BRIDGE
	[K1]	9098739000	1	HW KIT ELECTRICAL COMPONENTS

A: BEFORE SERIAL NUMBER 3510122204474 - SEE TSB IT 2012-087

B: STARTING FROM SERIAL NUMBER 3510122204474 - SEE TSB IT 2012-087

BATTERY CHARGER

K1

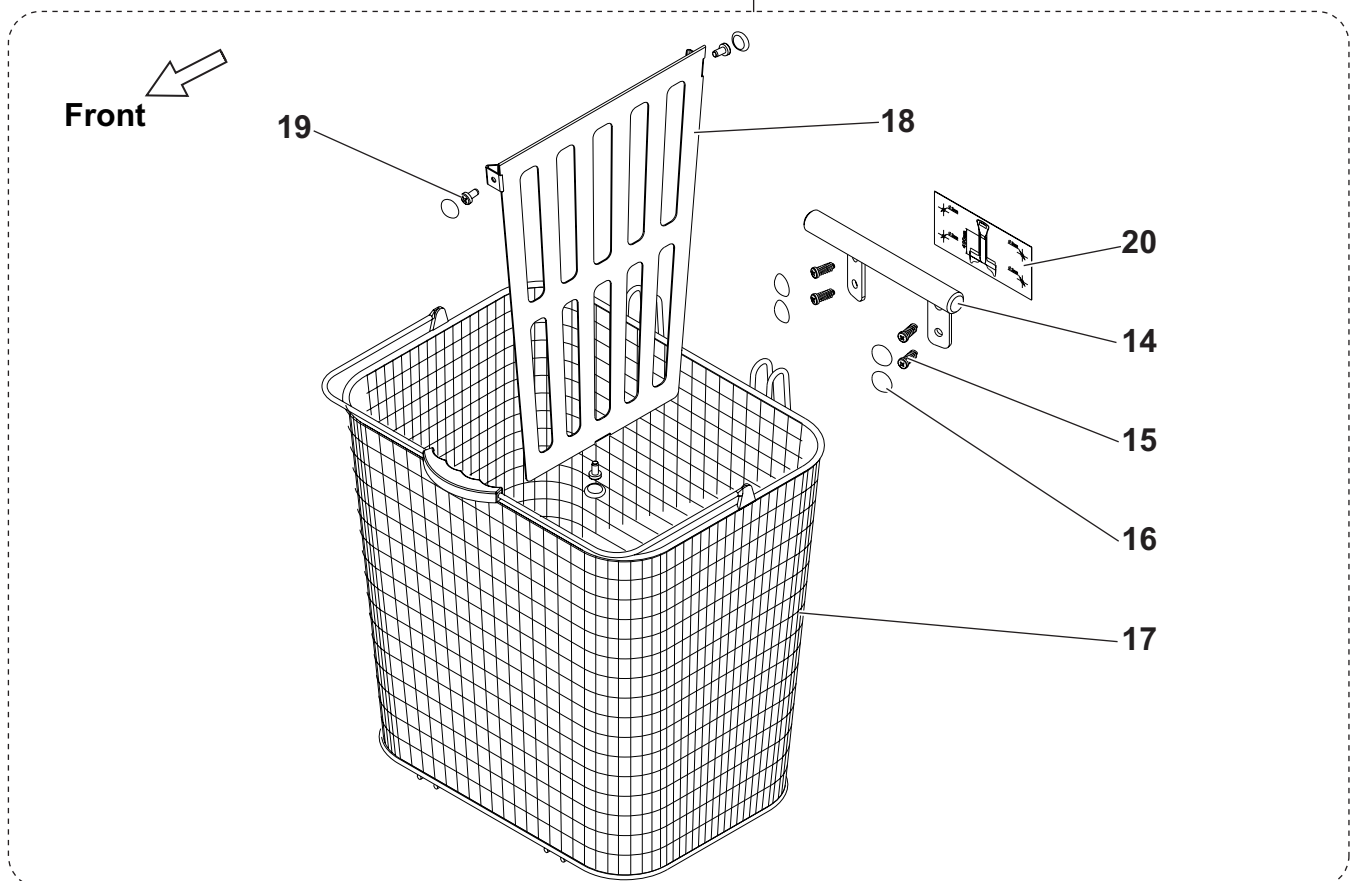
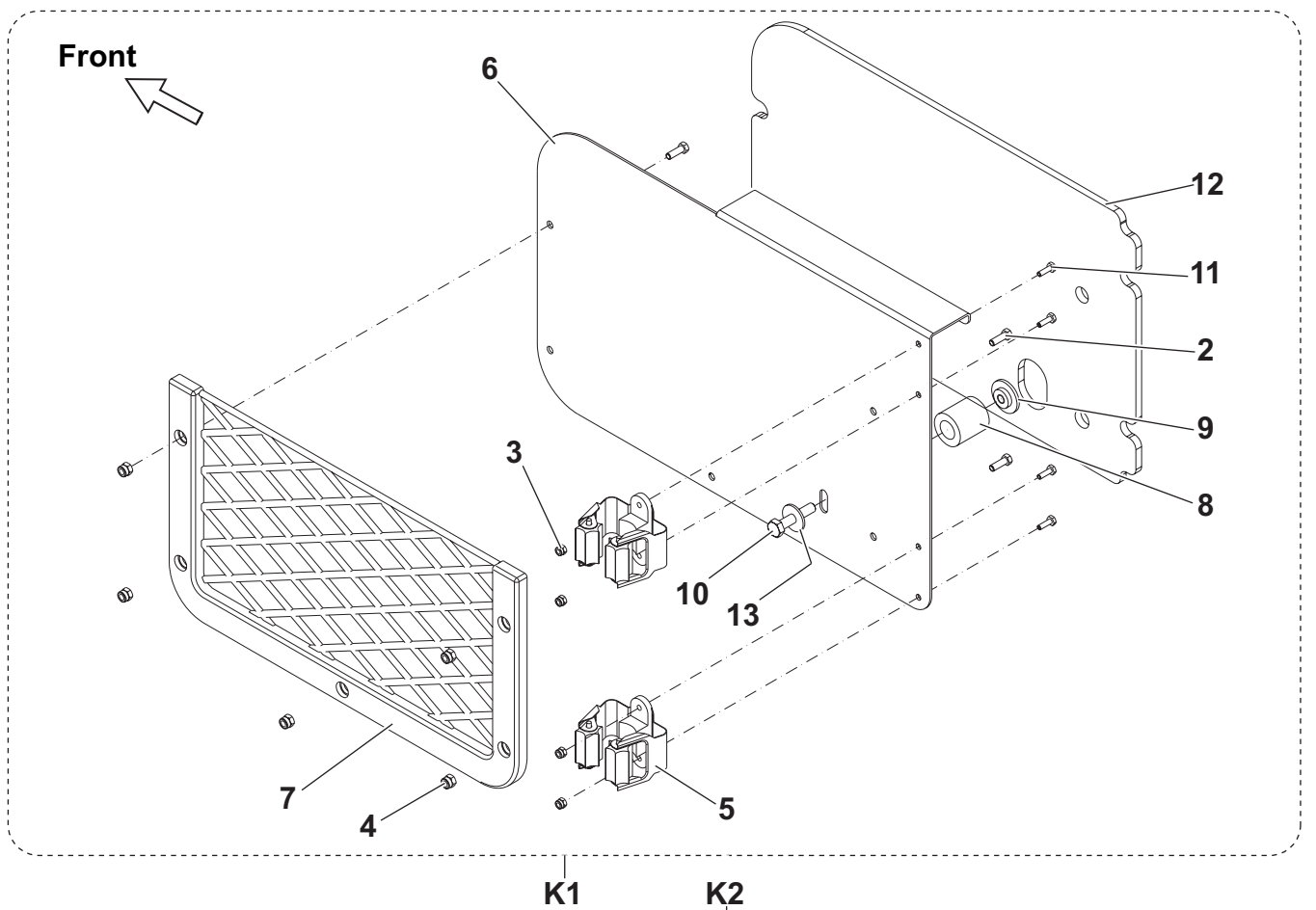


BATTERY CHARGER

KIT	ITEM	REF. NO.	QTY	DESCRIPTION
K1	1		5	SCREW, HEX THD TO HD M6x25
K1	2		2	SCREW FLAT SOCKET HEAD M5X14.0
K1	3		1	NUT, HEX THIN M6
K1	4		4	NUT, HEX NYL LOC HVY M6
K1	5		1	NUT, HEX NYL LOC THIN M6
K1	6		4	WASHER 6.4X12.5 FLAT ISO 7089
K1	7		2	SEAL EDGE PROTECTOR L=30
K1	8#	56383856	1	CHARGER-ONBOARD 24V 650W
K1	9#	56383860	1	SENSOR-DELTAQ CHARGE TEMP
K1	10#	56383866	1	CORD-AC NEMA IEC320 - DELTAQ
K1	11		2	TIE, CABLE 4,8X200
K1	12		1	SILICONE HEAT TRANSFERT
K1	13		2	THREAD ROLLING SCR 5x16 PLASTIC
K1	14	9098859000	1	HEATSINK
K1	15 #	9100000661	1	PLATE BATTERY CHARGER PKD
K1	16 #	9100000662	1	HARNESS BATTERY CHARGER US PKD
K1	17		1	CLAMP CABLE BLACK
K1	18		2	WASHER FLAT XL 6X18X1.5
	K1A#	9100000653	1	CHARGER BATTERY US KIT
	#	9100000654	1	ASSEMBLY INSTRUCION
	[19B]	9098677000	1	CABLE EXTENSION FOR CHARG US

A:	9100000653 - SEE TSB-FC-2013-141
B:	9098677000 - FOR SPE BATTERY CHARGER REF. 9098630000

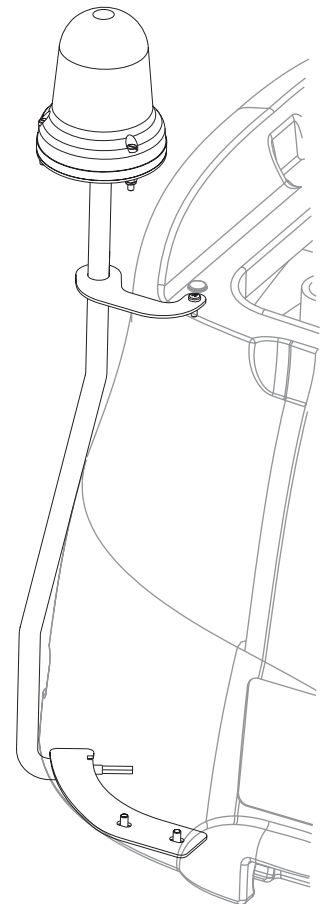
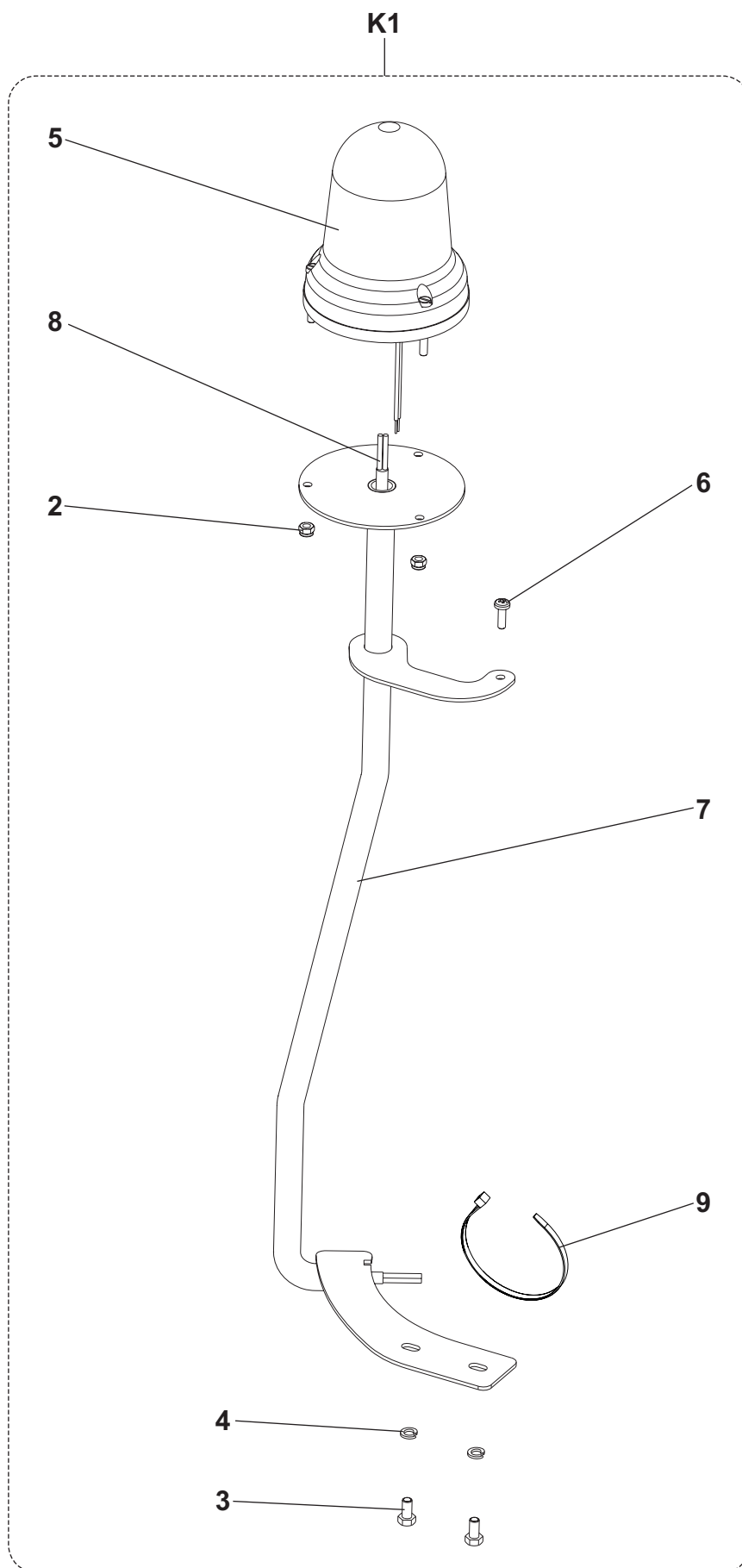
ACCESSORIES



ACCESSORIES

KIT	ITEM	REF. NO.	QTY	DESCRIPTION
	K1*	9097815000	1	MOP AND TRASH KIT
K1	2		5	SCREW M4X12 UNI5739
K1	3		4	NUT SELF L. M3 UNI7474
K1	4		5	NUT SELF L. M4 UNI7473
K1	5	33017513	2	HOLDER BROOM
K1	6		1	SHEET SUPPORT KIT
K1	7	9097947000	1	NET 6x5
K1	8		1	EXPANDER
K1	9		1	EXPANDER FLANGE
K1	10		1	SCREW M6X30 UNI5739 SS
K1	11		4	SCREW M3X10 UNI5739
K1	12		1	MOUSSE
K1	13		1	WASHER, FLAT
	K2*	9098480000	1	BASKET KIT
K2	14		1	BASKET SUPPORT
K2	15		4	READ ROLLING SCR 5x16
K2	16		7	COVER FOR SCREW TCB 4.8mm
K2	17	9098250000	1	BASKET
K2	18		1	PARTITION
K2	19		3	THREAD ROLLING SCR, PAN PHIL
K2	20		1	DECAL TEMPLATE

ACCESSORIES

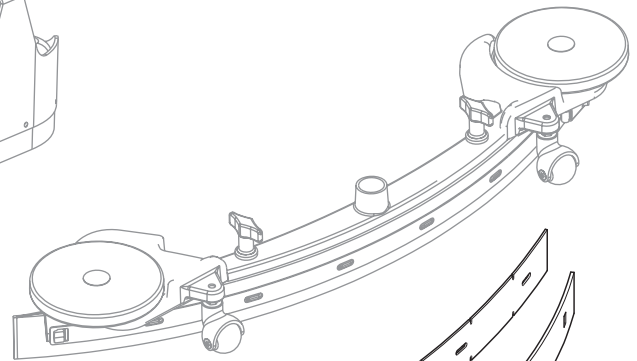
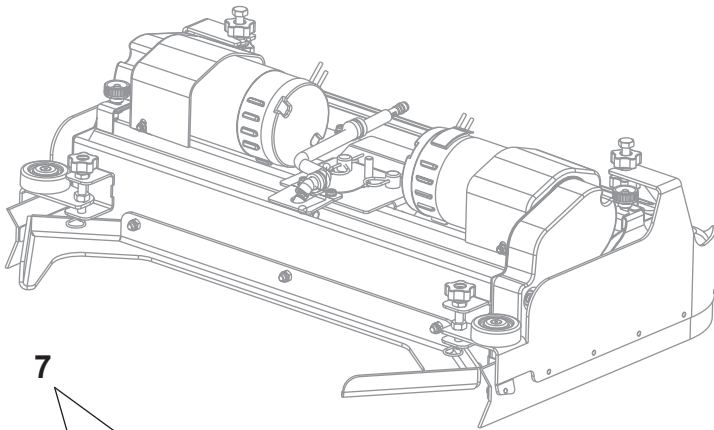
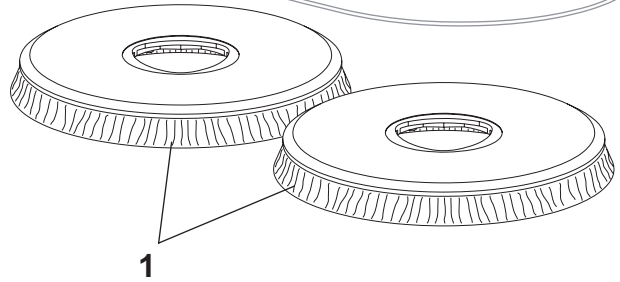
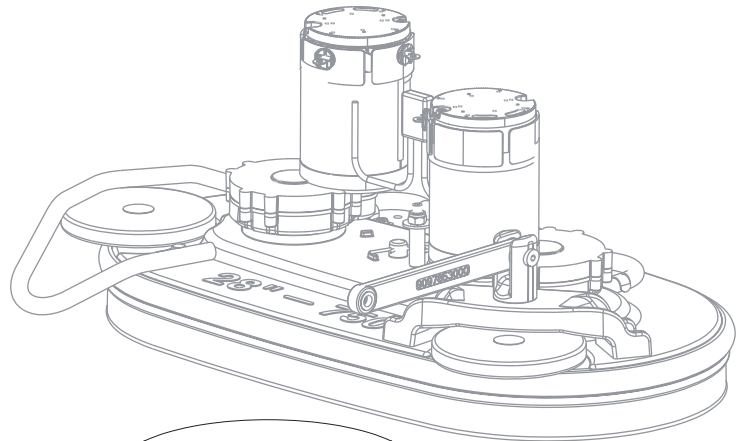
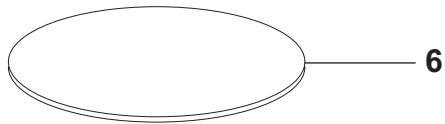
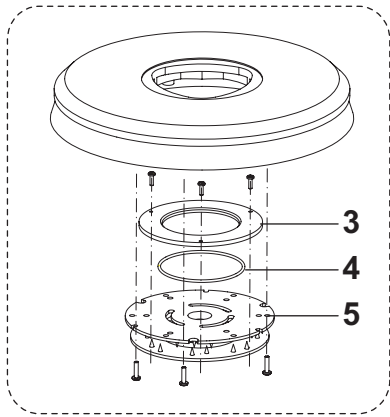


Front

ACCESSORIES

KIT	ITEM	REF. NO.	QTY	DESCRIPTION
	K1*	9098164000	1	FLASHING BEACON KIT
K1	2		3	NUT SELF L. M4 UNI7474 SS
K1	3		2	SCREW M5X10 UNI5739
K1	4		2	WASHER M5 UNI1751B
K1	5	146 1155 000	1	BEACON, WARNING 10-120V
K1	6		1	SCREW 3.9X13 UNI6954
K1	7		1	FLASHING BEACON SUPPORT
K1	8		1	FLASHING BEACON WIRING
K1	9		1	CLAMP BLACK
	[K2]*	9098772000	1	NOISE REDUCTION KIT
		9098773000	1	ASSEMBLY INSTRUCION

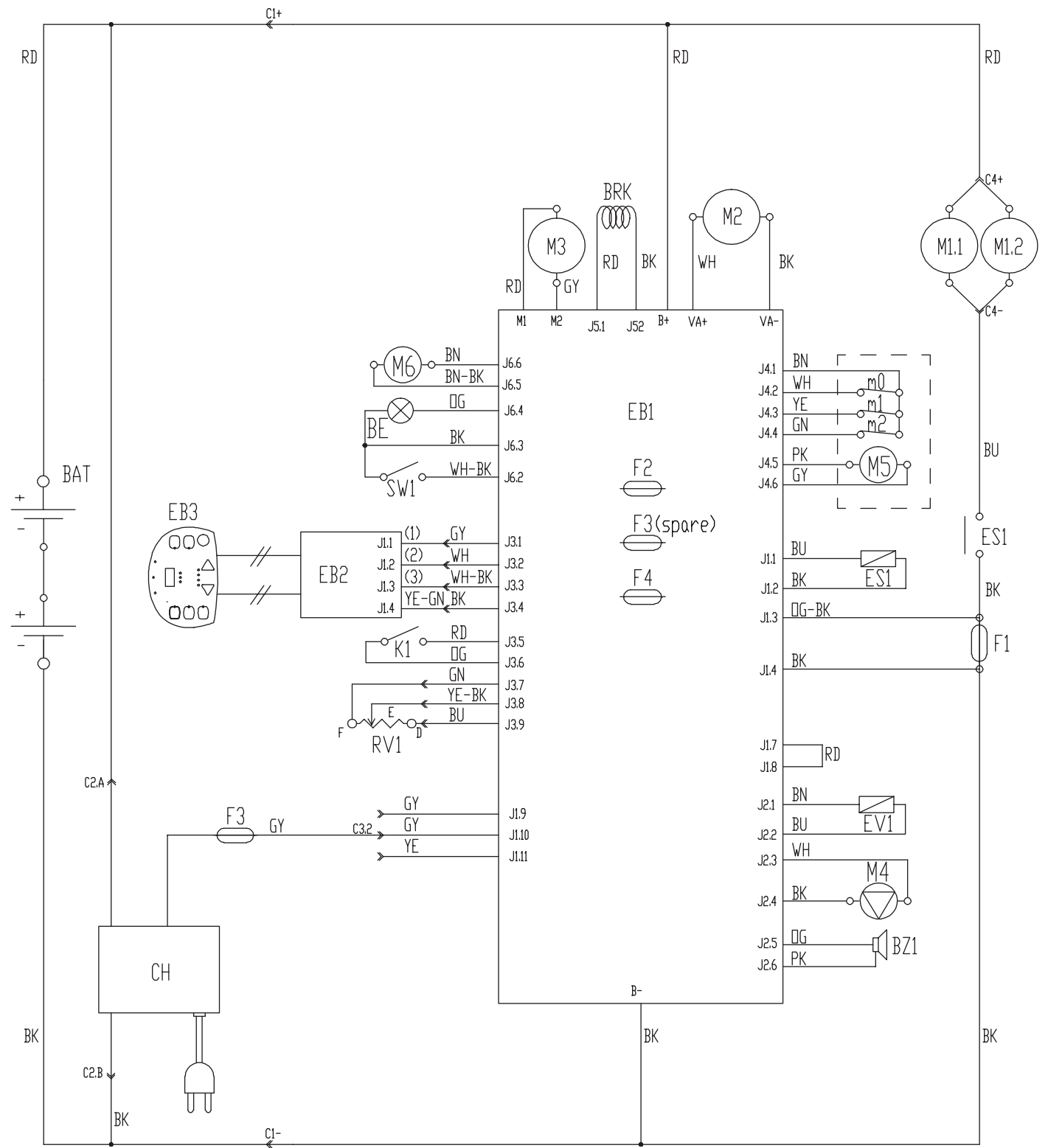
ACCESSORIES



ACCESSORIES

KIT	ITEM	REF. NO.	QTY	DESCRIPTION
				BRUSHES D.330 FOR BRUSH DECK 26"
	1*	909 5340 000	2	UNION MIX
	1*	909 5332 000	2	PROLENE
	1*	909 5338 000	2	PROLITE
	1*	909 5334 000	2	MIDGRIT 240
	1*	909 5336 000	2	MIDLITE GRIT 180
				PAD HOLDERS
	2*	909 5330 000	2	PAD HOLDER 330
	3	L08603936	1	RING NYLON
	4	L08603965	1	SEAL O-RING
	5	L08837030	1	RETAINER PAD
	6*	82256900	2	PAD 13 330MM RED 5PCS
	6*	82257000	2	PAD 13 330MM WHITE 5PCS
	6*	82257100	2	PAD 13 330MM BLACK 5PCS
	6*	82357200	2	PAD 13 330MM GREEN 5PCS
	6*	82322000	2	PAD 13 330MM BLUE 5PCS
	6*	82322100	2	PAD 13 330MM BROWN 5PCS
				BLADES KITS
	7*	9097804000	1	BLADES RUBBER 890MM/35" KIT
	7*	9099211000	1	BLADES SQUEEGEE 890MM/35 KIT

WIRING DIAGRAM



WIRING DIAGRAM

KEY	REF. NO.	DESCRIPTION
BAT	-	24V BATTERIES
BE	146 1155 000	BEACON (OPT)
BRK	9098626000	ELECTROMAGNETIC BRAKE
BZ1	909 6126 000	BUZZER
C1	9098762000	BATTERY CONNECTOR
C2	-	MAIN CHARGER CONNECTOR
C3	-	SECONDARY CHARGER CONNECTOR
C4	9098761000	BRUSH DECK CONNECTOR
CH	56383856	CHARGER-ONBOARD 24V 650W
EB1	9100000024	MAIN ELECTRONIC BOARD
EB2	9097922000	CONTROL PANEL ELECTRONIC BOARD
EB3	9097986000	DECAL CONTROL PANEL ELECTRONIC BOARD
ES1	9097208000	BRUSH MOTOR ELECTROM. SWITCH
EV1	909 6555 000	ELECTROVALVE
F1	145 9854 000	BRUSH DECK FUSE
F2	9097830000	MAIN BOARD FUSE
F3	145 8368 000	LOW POWER CIRCUIT FUSE
F4	145 9853 000	ACTUATOR FUSE
K1	146 2888 000	KEY SWITCH
M1.1,2	9097178000	DISC BRUSH MOTOR
M2	9099929000	VACUUM MOTOR
M3	9100000076	DRIVE MOTOR
M4	909 6183 000	DETERGENT PUMP
M5	9097852000	DISC BRUSH DECK ACTUATOR MOTOR
m0	-	M6 POS. 0 MICROSWITCH
m1	-	M6 POS. 1 MICROSWITCH
m2	-	M6 POS. 2 MICROSWITCH
M6	9097985000	SQUEEGEE ACTUATOR MOTOR
PR1	9098897000	WATER PRESSURE GAGE
RV1	9097934000	DRIVE PEDAL POTENTIOMETER
SW1	909 6242 000	SEAT MICROSWITCH

KEY	COLOUR
BK	BLACK
BU	LIGHT BLUE
BN	BROWN
GN	GREEN
GY	GREY
OG	ORANGE

KEY	COLOUR
PK	PINK
RD	RED
VT	VIOLET
WH	WHITE
YE	YELLOW

RECOMMENDED SPARE PARTS

REF. NO.	QTY	DESCRIPTION
		WEAR PARTS
9098716000	1	BRUSH CARBON KIT
9099855000	1	BLADES PU KIT
909 5224 000	1	SPLASH GUARD DECK
		ORDINARY MAINTENANCE
9097290000	1	HOSE FILLING
9097935000	1	HOSE DRAIN
9098169000	1	HOSE SUCTION
9098172000	1	GASKET COVER
9098407000	1	WHEEL DRIVE
9098627000	1	BRUSH CARBON KIT
9098115000	1	FILTER WATER
9099163000	2	WHEEL CASTOR D.42
9097816000	2	WHEEL REAR D.254 80SH GRE
909 5380 000	2	BRUSH CARBON W/HOLDER KIT
		EXTRAORDINARY MAINTENANCE
9098224000	1	MUFF FRESH WATER
9098709000	1	CAP SOLUTION KIT
909 6242 000	1	MICROSWITCH
9099929000	1	MOTOR VACUUM 3ST 24V 420W
9098177000	1	CABLE TANK STOP
909 6380 000	1	CLAMP KIT
9097796000	1	LEVER BLOCK STEERING WHEEL
9097934000	1	PEDAL SPEED CONTROL
9097922000	1	CARD ELECTRONIC DASHBOARD
9097986000	1	DECAL CONTROL PANEL
146 2888 000	1	SWITCH KEY WITH CAP
146 2887 000	1	KEY -2 PCS-
9097792000	1	CABLE DASHBOARD EXTENSION
9098094000	1	HARNESS STEERING WHEEL
9098430000	1	HARNESS WHEEL MOTOR
9098626000	1	BRAKE ELECTRIC.RELEASED
910000076	1	MOTOR ELECTRIC
909 6555 000	1	SOLENOID VALVE 24V
9098380000	1	STRAP FRONT SQUEEGEE 35
9098381000	1	STRAP SKIRT REAR RIGHT 35
9098382000	1	STRAP SKIRT REAR LEFT 35
9098390000	1	SUPPORT SQUEEGEE DOWN
9097827000	1	SUPPORT SQUEEGEE UPPER
9097931000	2	ROD EYE M10
9097985000	1	JACK MOTOR 24V FOR SQUEEG
9098708000	1	SQUEEGEE LIFTING KIT
9098722000	1	CENTRING SQUEEGEE KIT
909 6394 000	1	LATCH SQUEEGEE KIT
145 8024 000	2	KEY JOINT
9097178000	2	REDUCTION GEAR MOTOR 400W
9097640000	1	HOLDER POLYGONAL RIGHT
9097639000	1	HOLDER POLYGONAL LEFT
9097850000	1	SPRING DRAGGING DECK
9097852000	1	JACK MOTOR 24V FOR DECK
9097851000	1	SPRING ZERO SETTING BRUSH
9097813000	1	GUIDE DRAGGING DECK
9097208000	1	SWITCH ELECTROMAGNETIC
910000024	1	CARD ELECTRONIC TRACTION
9098897000	1	SENSOR PRESSURE KIT
145 8368 000	1	FUSE 3A
145 9853 000	1	FUSE 15A
9097830000	1	FUSE MIDIFUSE 100A

RECOMMENDED SPARE PARTS

	REF. NO.	QTY	DESCRIPTION
	145 9854 000	1	STRIP FUSE 50A
	9098762000	1	CONNECTOR 120A
	56383856	1	CHARGER-ONBOARD 24V 650W
	56383866	1	CORD-AC NEMA IEC320 - DELTAQ
	9098374000	1	HARNES BRUSH DECK

OPTIONS

	REF. NO.	QTY	DESCRIPTION
	9098455000	1	MOTOR VACUUM 3 STAGE 670W
	9097474000	1	SPLASH GUARD W/BRISTLES
	9097818000	1	ECOFLEX™ KIT
	9097815000	1	MOP AND TRASH KIT
	9098164000	1	BEACON KIT
	9098480000	1	BASKET KIT
	9097804000	1	BLADES RUBBER 890MM/35" KIT
	9098772000	1	NOISE REDUCTION KIT
	909 5340 000	2	UNION MIX
	909 5332 000	2	PROLENE
	909 5338 000	2	PROLITE
	909 5334 000	2	MIDGRIT 240
	909 5336 000	2	MIDLITE GRIT 180
	909 5330 000	2	PAD HOLDER 330
	9099211000	1	BLADES SQUEEGEE



14600 21st Avenue North
Plymouth, MN 55447-3408
www.advance-us.com
Phone: 800-989-2235
Fax: 800-989-6566
©2014 Nilfisk-Advance, Inc.

A Nilfisk-Advance Brand