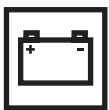
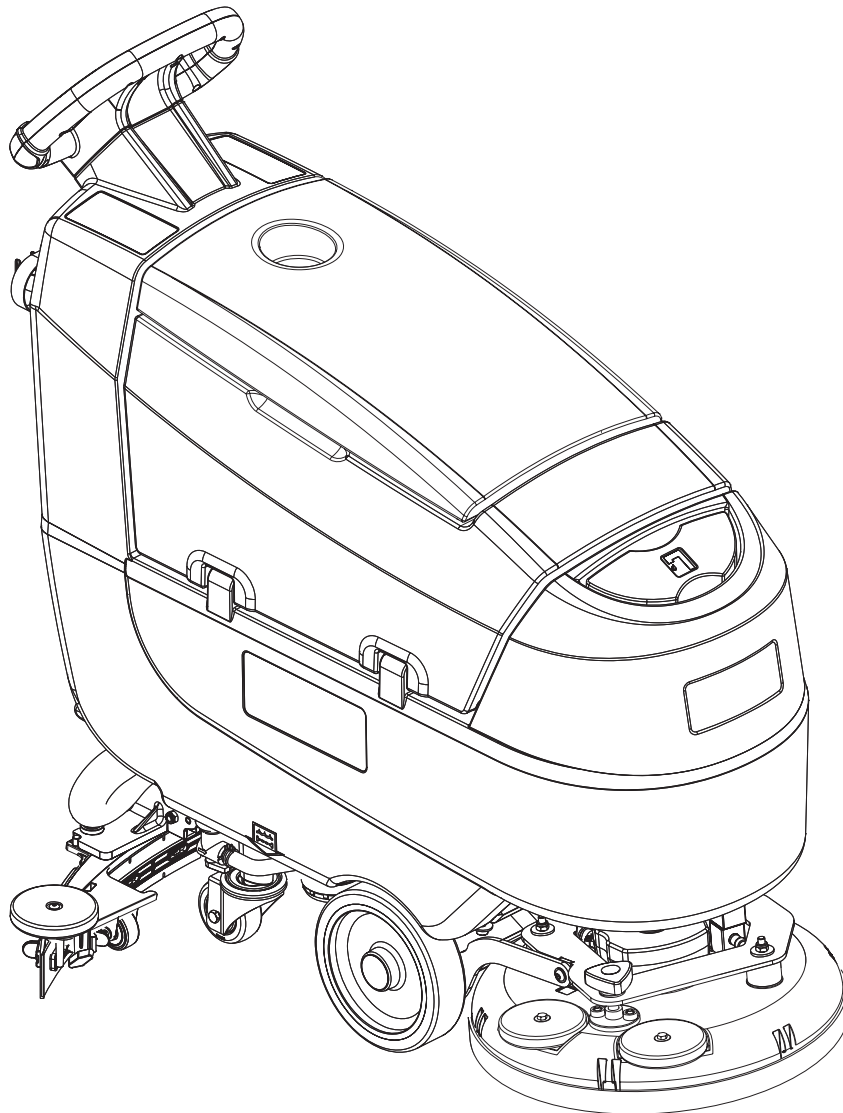


SC401

Parts list

09/2017
(A)
FORM NO. 9100002293



Model No.:
9087394020, 9087395020

TABLE OF CONTENTS

| | |
|-----------------------------------|----|
| GENERAL VIEW | 2 |
| SOLUTION TANK SYSTEM | 4 |
| RECOVERY TANK SYSTEM | 6 |
| VACUUM MOTOR SYSTEM | 8 |
| WHEELS SYSTEM (DRIVE) | 10 |
| WHEELS SYSTEM (NO DRIVE)..... | 12 |
| HANDLEBAR SYSTEM (DRIVE) | 14 |
| HANDLEBAR SYSTEM (NO DRIVE)..... | 16 |
| REAR WHEELS SYSTEM..... | 18 |
| SQUEEGEE SYSTEM..... | 20 |
| BRUSH DECK (DRIVE)..... | 22 |
| BRUSH DECK (NO DRIVE) | 24 |
| ELECTRICAL COMPONENTS SYSTEM..... | 26 |
| COVER ELECTRONIC SYSTEM..... | 28 |
| BATTERY CHARGER | 30 |
| DETERGENT SYSTEM..... | 32 |
| ACCESSORIES - OPTIONALS..... | 34 |
| BRUSHES | 36 |
| WIRING DIAGRAM | 38 |
| RECOMMENDED PARTS..... | 40 |
| ACCESSORIES/OPTIONALS | 41 |

WHEN ORDERING PARTS

- Use the part numbers from the “REF. NO.” columns in this parts list. If the “REF. NO.” column is blank; look under the “KIT” column to identify which kit contains the part in question, then use the kit callout, for example “K1”, to find the “REF. NO.” for that kit.
- Specify the model number and serial number of the machine.
- Use the space below to record the model and serial number for future reference.

Model No.

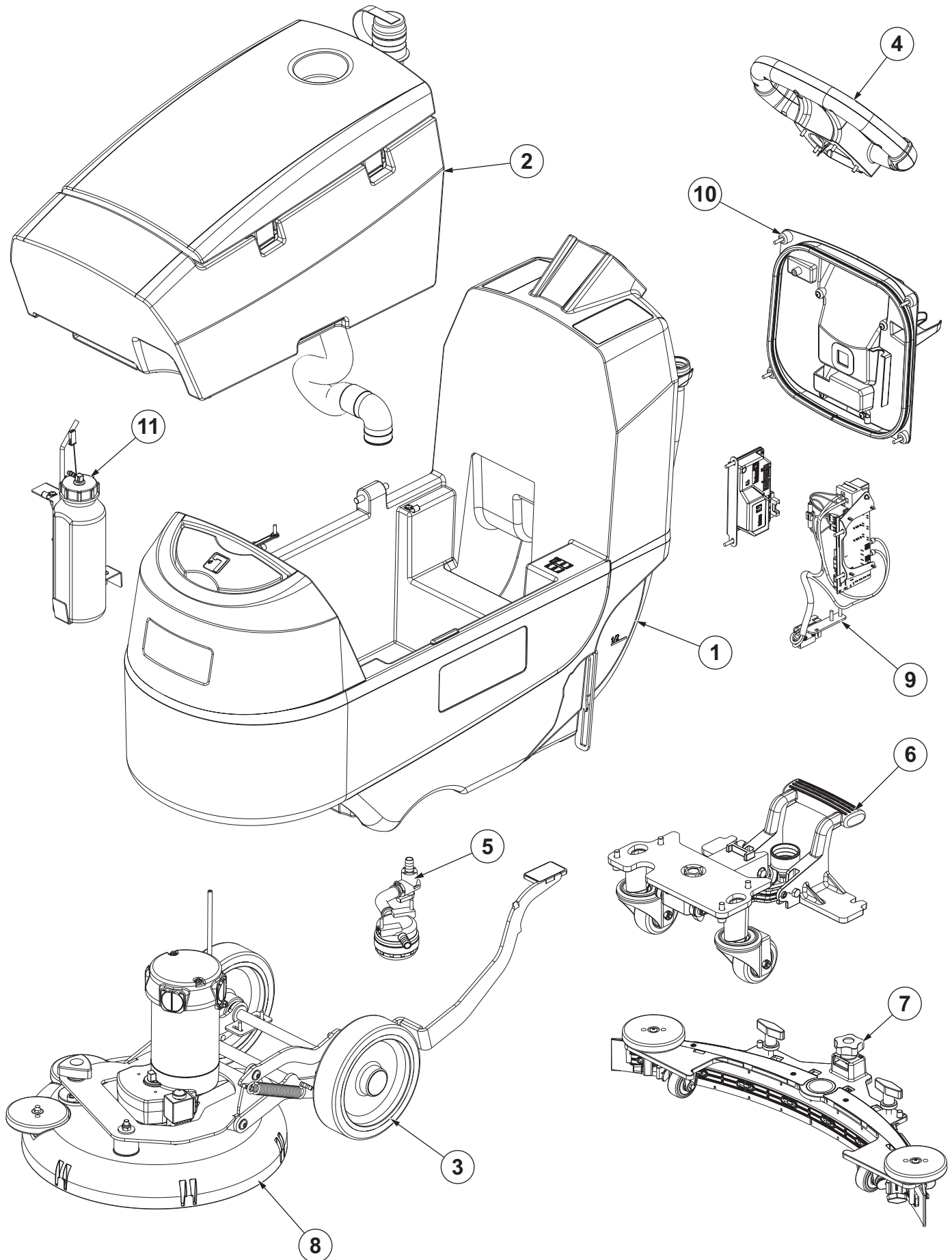
Serial No.

* = Optional

= Modified item No. or New item No.

[] = Not shown

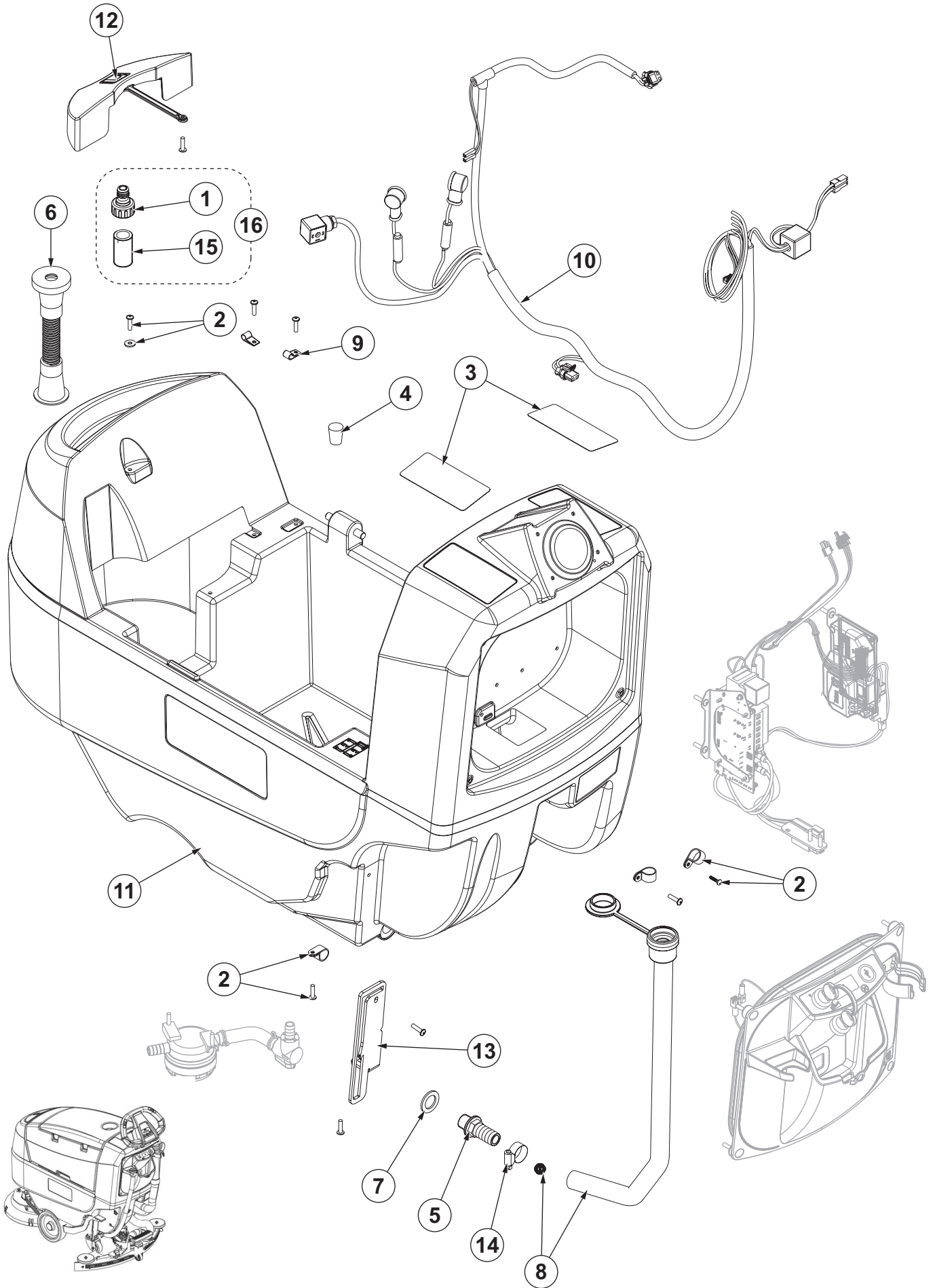
GENERAL VIEW



GENERAL VIEW

| KIT | ITEM | REF. NO. | QTY | DESCRIPTION | NOTE |
|-----|------|----------|-----|------------------------------|------|
| | 1 | - | 1 | SOLUTION TANK SYSTEM | |
| | 2 | - | 1 | RECOVERY TANK SYSTEM | |
| | 3 | - | 1 | WHEELS SYSTEM | |
| | 4 | - | 1 | HANDLEBAR SYSTEM | |
| | 5 | - | 1 | SOLUTION SYSTEM | |
| | 6 | - | 1 | REAR WHEELS SYSTEM | |
| | 7 | - | 1 | SQUEEGEE SYSTEM | |
| | 8 | - | 1 | BRUSH DECK SYSTEM | |
| | 9 | - | 1 | ELECTRICAL COMPONENTS SYSTEM | |
| | 10 | - | 1 | COVER ELECTRONIC SYSTEM | |
| | 11 | - | 1 | DETERGENT SYSTEM | |

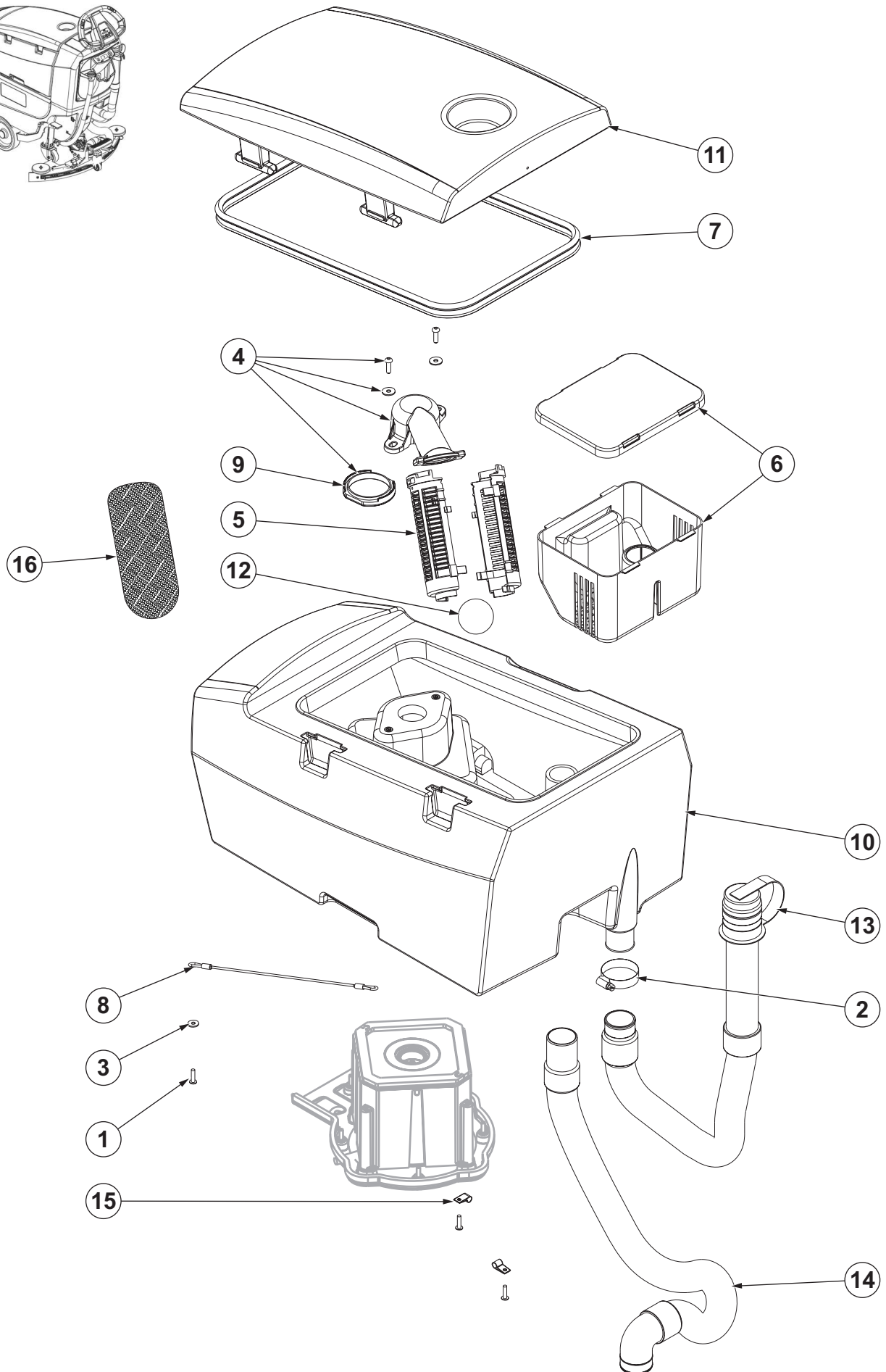
SOLUTION TANK SYSTEM



SOLUTION TANK SYSTEM

| KIT | ITEM | REF. NO. | QTY | DESCRIPTION | NOTE |
|------------|-------------------|--------------|----------|--|----------|
| | 1 | 1402809 | 1 | MALE QUICK COUPLING. COMPLETE | |
| | 2 | 9100002424 | 1 | HARDWARE SOLUTION TANK KIT | |
| | 3 | 9100002434 | 1 | DECALS FUNCTIONS SETTING KIT | |
| | 4 | 909 6236 000 | 1 | CAP BLACK | |
| | 5 | 9100000574 | 1 | BARB HOSE STRAIGHT D.19.8 G1/2 PLAST KIT | |
| | 6 | 9100000703 | 1 | HOSE FILLING SIP | |
| | 7 | 9100001139 | 1 | GASKET RUBBER D.21X33X2.5 BLACK SIP | |
| | 8 | 9100002431 | 1 | HOSE FRESH WATER LEV. W/CAP KIT | |
| | 9 | L08193000 | 2 | CLAMP CABLE BLACK | |
| | 10 | 9100002425 | 1 | HARNESS MACHINE DRIVE SIP | DRIVE |
| | 10 | 9100002426 | 1 | HARNESS MACHINE SIP | NO DRIVE |
| | 11 | 9100002427 | 1 | TANK SOLUTION 30LT PLAST. GREY DRIVE SIP | DRIVE |
| | 11 | 9100002428 | 1 | TANK SOLUTION 30LT PLAST. GREY SIP | NO DRIVE |
| | 12 | 9100002430 | 1 | CAP RUBBER F SOLUTION TANK SIP | |
| | 13 | 9100002432 | 1 | SUPPORT PEDAL SS F DRIVE VERS. SIP | DRIVE |
| | 13 | 9100002433 | 1 | SUPPORT PEDAL SS SIP | NO DRIVE |
| | 14 | L08603916 | 1 | CLAMP 12/16-27 | |
| | 15 | 9100002435 | 1 | CONNECTOR MALE THD 3/4 G PLAST.BLACK SIP | |
| 16* | 9100002572 | 1 | 1 | HOSE QUICK CONNECTION | |

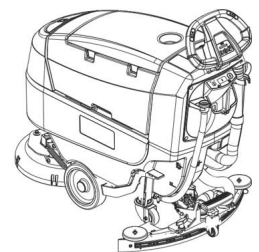
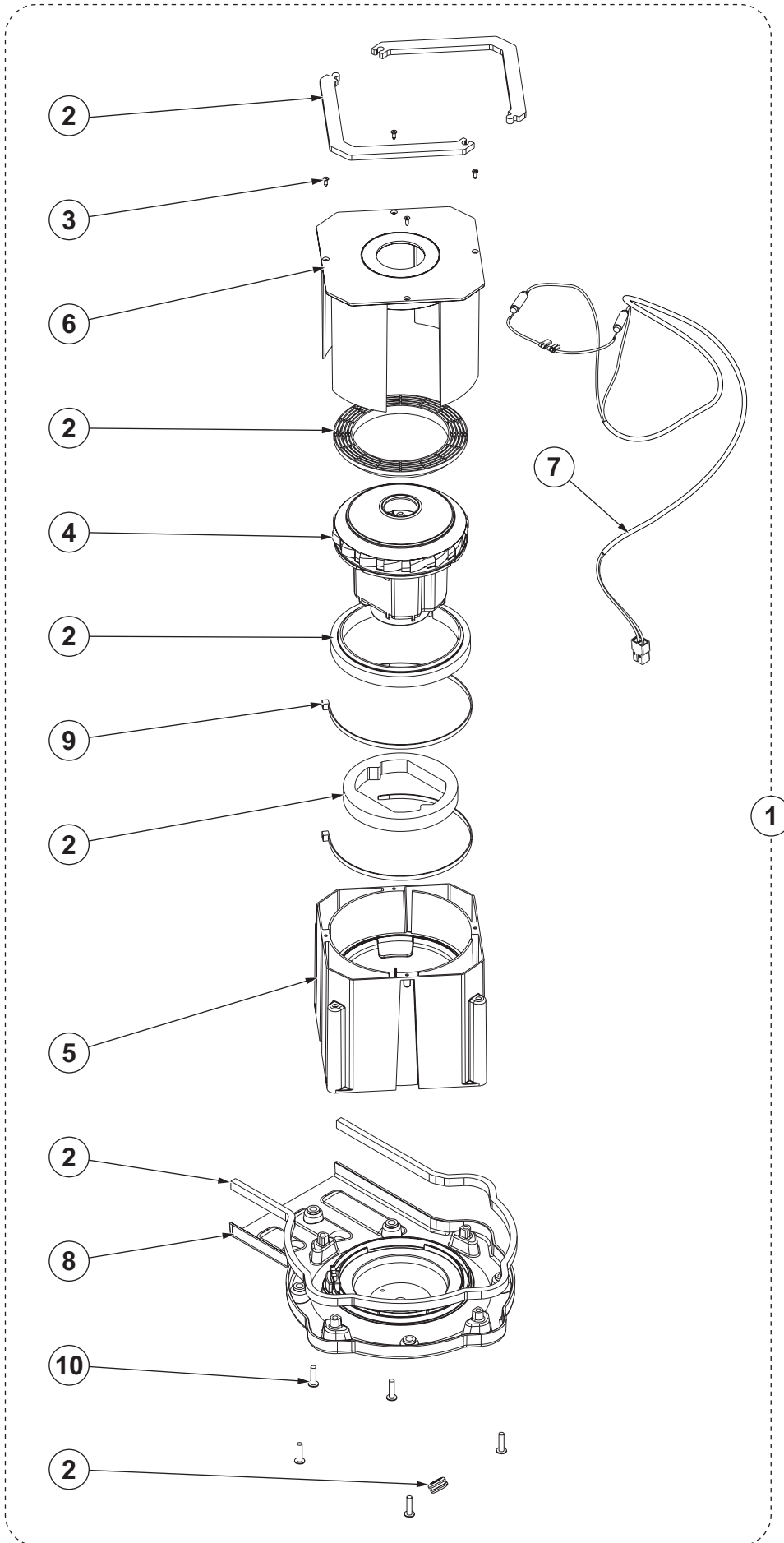
RECOVERY TANK SYSTEM



RECOVERY TANK SYSTEM

| KIT | ITEM | REF. NO. | QTY | DESCRIPTION | NOTE |
|-----|------------|---------------------|----------|---|------|
| | 1 | 9100002437 | 1 | SCREW M5X20 TORX ISO7380-2 10 PCS SET | |
| | 2 | 9100001348 | 1 | CLAMP 14/32-52 10 PCS SET | |
| | 3 | 145 8280 000 | 1 | WASHER PLAIN M5X15 SS ISO7093 | |
| | 4 | 9100001875 | 1 | SUPPORT FLOAT KIT | |
| | 5 | 9100000818 | 1 | CAGE FLOAT HALF 2 PCS SET | |
| | 6 | 9100000795 | 1 | TRAY DEBRIS KIT | |
| | 7 | 9100002436 | 1 | GASKET BULB RUBBER L.1450MM SIP | |
| | 8 | 9100002438 | 1 | CABLE SAFETY F TANK SIP | |
| | 9 | 9100000928 | 1 | GASKET FLOAT SUPPORT SIP | |
| | 10 | 9100002439 | 1 | TANK RECOVERY 30LT PLAST. GREY SIP | |
| | 11 | 9100002441 | 1 | COVER TANK PLAST. GREY SIP | |
| | 12 | 9100000817 | 1 | BALL FLOATING SIP | |
| | 13 | 9100002443 | 1 | HOSE DRAIN BLACK L.530MM SIP | |
| | 14 | 9100002444 | 1 | HOSE SUCTION SQUEE. 90 BLACK L.970MM SIP | |
| | 15 | L08193000 | 2 | CLAMP CABLE BLACK | |
| | 16* | 909 5065 000 | 1 | FILTER ANTIFOAMING | |

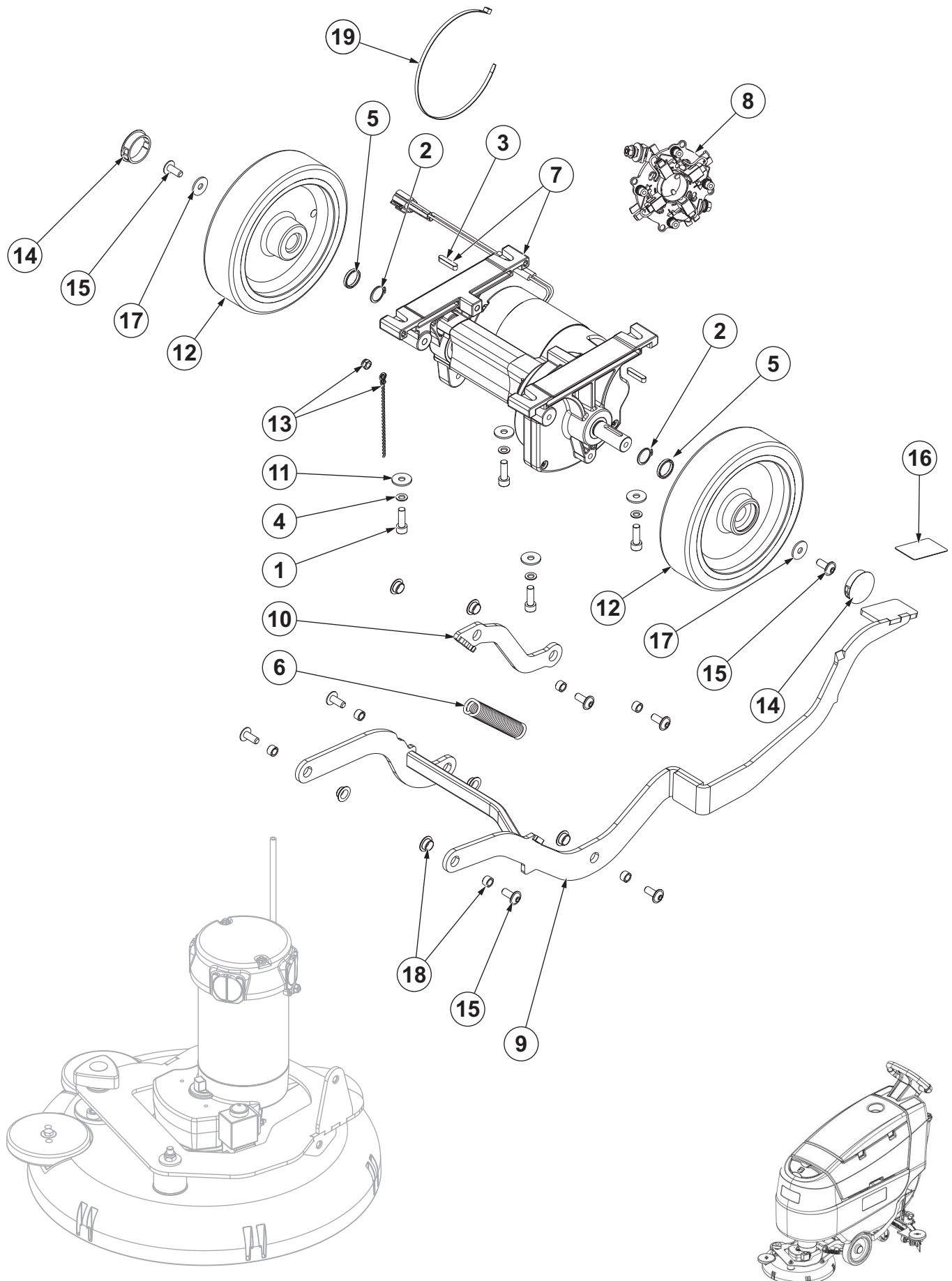
VACUUM MOTOR SYSTEM



VACUUM MOTOR SYSTEM

| KIT | ITEM | REF. NO. | QTY | DESCRIPTION | NOTE |
|-----|------|--------------|-----|--|------|
| | 1 | 9100002533 | 1 | MOTOR VACUUM 24V CPL KIT | |
| | 2 | 9100002447 | 1 | GASKETS VAC. MOTOR KIT | |
| | 3 | 145 1756 000 | 4 | SCREW 2.9X9.5 SELF C/SUNK PHIL ISO7050 | |
| | 4 | 9100000823 | 1 | MOTOR VACUUM 24V 280W SIP | |
| | 5 | 9100001983 | 1 | SUPPORT EXT. PLAST. F VAC. MOTOR SIP | |
| | 6 | 9100001989 | 1 | SUPPORT INT. PLAST. F VAC. MOTOR SIP | |
| | 7 | 9100002445 | 1 | HARNESS VACUUM MOTOR 24V SIP | |
| | 8 | 9100002446 | 1 | SUPPORT PLAST. F VACUUM MOTOR SIP | |
| | 9 | 1466337000 | 1 | TIE CABLE 4.8X430 WHITE 2 PCS SET | |
| | 10 | 9100002437 | 1 | SCREW M5X20 TORX ISO7380-2 10 PCS SET | |

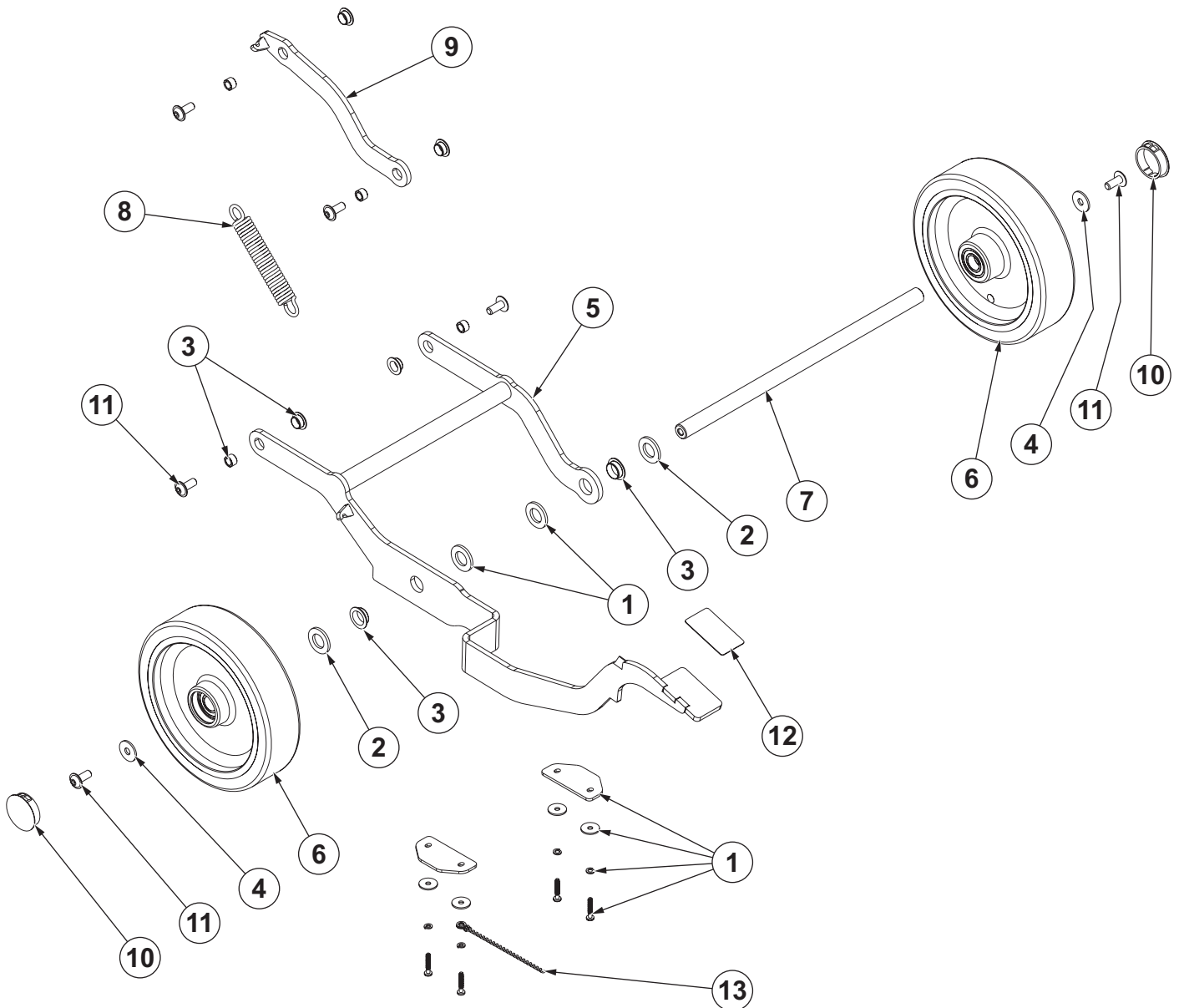
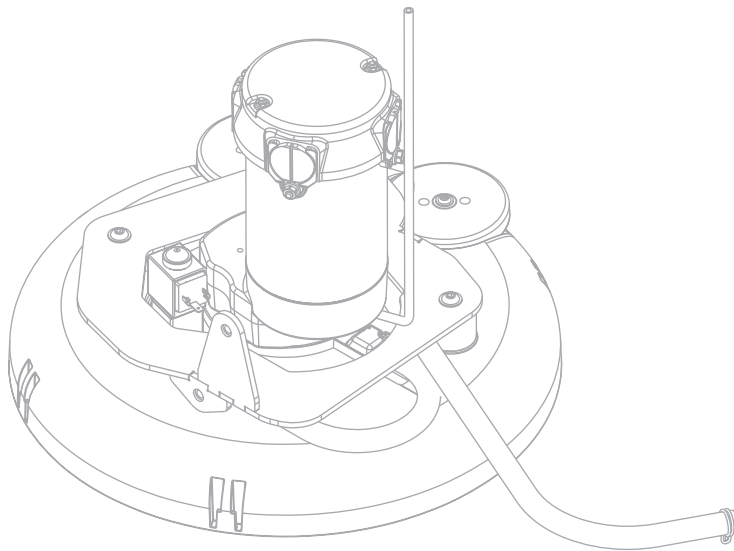
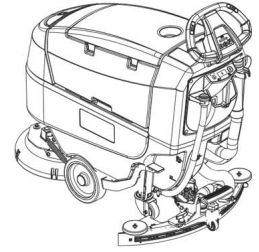
WHEELS SYSTEM (DRIVE)



WHEELS SYSTEM (DRIVE)

| KIT | ITEM | REF. NO. | QTY | DESCRIPTION | NOTE |
|-----|------|------------|-----|--|------|
| | 1 | 3928 | 4 | SCREW M8X30 ISO 4762 8.8 ZN | |
| | 2 | 9100001346 | 1 | RING D 20 UNI7435 10 PCS SET | |
| | 3 | 9100001156 | 1 | KEY JOINT 6X30 UNI6604A 10 PCS SET | |
| | 4 | 9100002448 | 1 | WASHER SELF BL.D.M8 DIN25201 10 PCS SET | |
| | 5 | 9100001161 | 1 | SPACER 20.5X25X4 10 PCS SET | |
| | 6 | 9100002452 | 1 | SPRING EXTENTION D.E.20.5 WIRE D.3.5 SIP | |
| | 7 | 9100002540 | 1 | MOTOR DRIVE 160W 24V SIP | |
| | 8 | 9100000920 | 1 | CARBON BRUSHES W/HOLDER KIT | |
| | 9 | 9100002453 | 1 | PEDAL BRUSH LIFTING GALV.DRIVE SIP | |
| | 10 | 9100002454 | 1 | LEVER GALV. F BRUSH DECK DRIVE SIP | |
| | 11 | 9100002451 | 1 | WASHER PL.M8X20X1.25 DIN522 10 PCS SET | |
| | 12 | 9100002455 | 2 | WHEEL TRACTION D.200X50 BLACK/GREY SIP | |
| | 13 | 9100002459 | 1 | CHAIN W/EYELET GROUND KIT | |
| | 14 | 9100002450 | 1 | PLUG DOME O.D.42.4 PLAST.BLACK 2 PCS SET | |
| | 15 | 9100002456 | 1 | SCREW M8X20 BUTTON ISO7380-2 10 PCS SET | |
| | 16 | 9100002457 | 1 | ANTI-SLIP SURFACING BLACK 35X60MM SIP | |
| | 17 | 33023660 | 1 | WASHER PLAIN M8X24X2 ISO7093 5 PCS SET | |
| | 18 | 9100002458 | 1 | BUSHINGS AND BEARINGS F PEDAL SYST. KIT | |
| | 19 | 9100002449 | 1 | TIE CABLE 4.8X500 BLACK 2 PCS SET | |

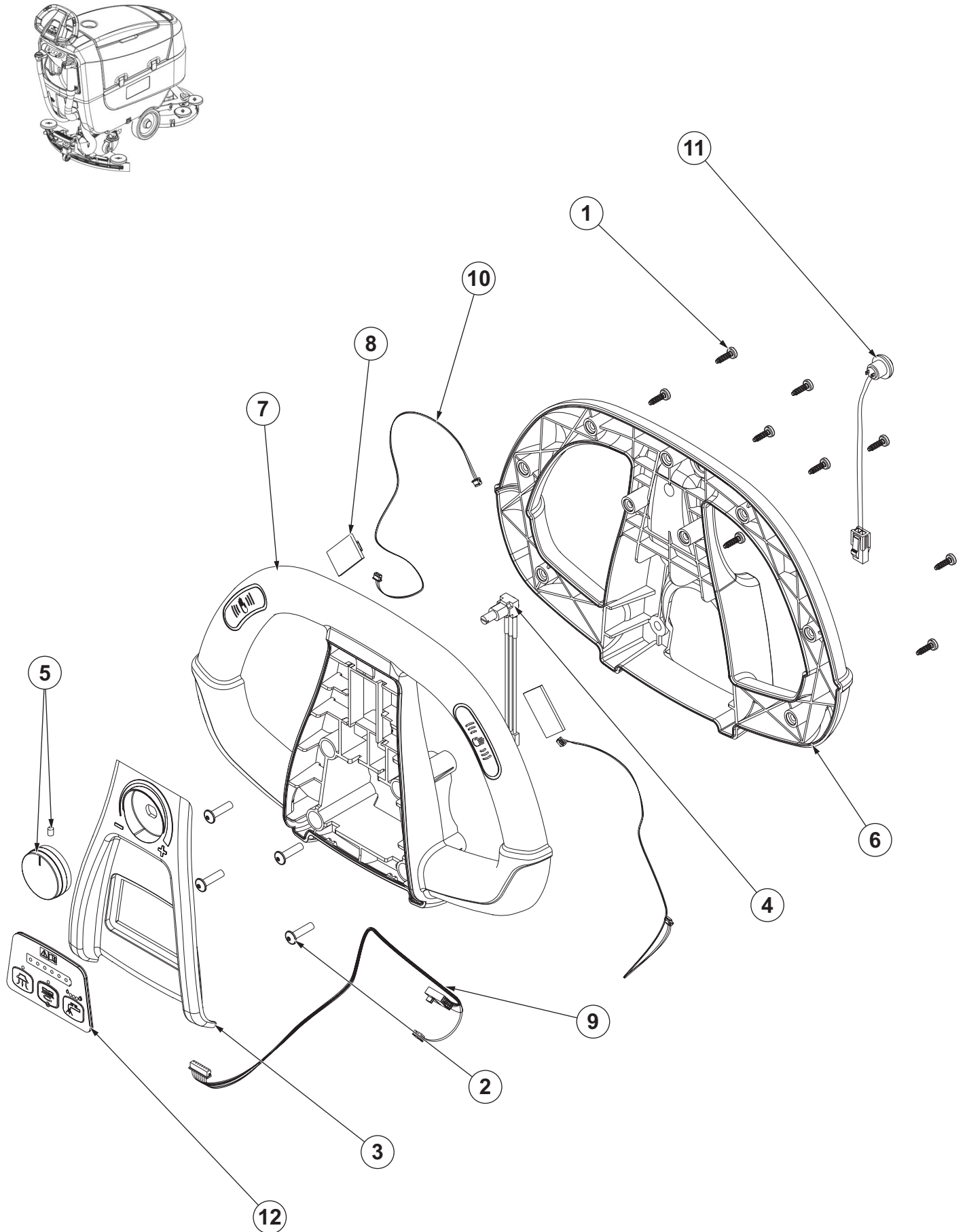
WHEELS SYSTEM (NO DRIVE)



WHEELS SYSTEM (NO DRIVE)

| KIT | ITEM | REF. NO. | QTY | DESCRIPTION | NOTE |
|-----|-----------|-------------------|----------|--|------|
| | 1 | 9100002465 | 1 | HARDWARE FRONT WHEELS SYST.NO DRIVE KIT | |
| | 2 | 33023628 | 1 | WASHER PLAIN M16X30 ISO7089 10PCS.SET | |
| | 3 | 9100002458 | 1 | BUSHINGS AND BEARINGS F PEDAL SYST. KIT | |
| | 4 | 33023660 | 1 | WASHER PLAIN M8X24X2 ISO7093 5 PCS SET | |
| | 5 | 9100002461 | 1 | PEDAL BRUSH LIFTING GALV. SIP | |
| | 6 | 9100002462 | 2 | WHEEL D.200X50 TPE BLACK/GREY SIP | |
| | 6* | 9100002546 | 1 | WHEEL D.200X50 TPU BLACK/GREY 2 PCS SET | |
| | 7 | 9100002463 | 1 | SHAFT WHEELS PHOS. SIP | |
| | 8 | 9100002452 | 1 | SPRING EXTENTION D.E.20.5 WIRE D.3.5 SIP | |
| | 9 | 9100002464 | 1 | LEVER BRUSH DECK GALV. SIP | |
| | 10 | 9100002450 | 1 | PLUG DOME O.D.42.4 PLAST.BLACK 2 PCS SET | |
| | 11 | 9100002456 | 1 | SCREW M8X20 BUTTON ISO7380-2 10 PCS SET | |
| | 12 | 9100002457 | 1 | ANTI-SLIP SURFACING BLACK 35X60MM SIP | |
| | 13 | 9100002459 | 1 | CHAIN W/EYELET GROUND KIT | |

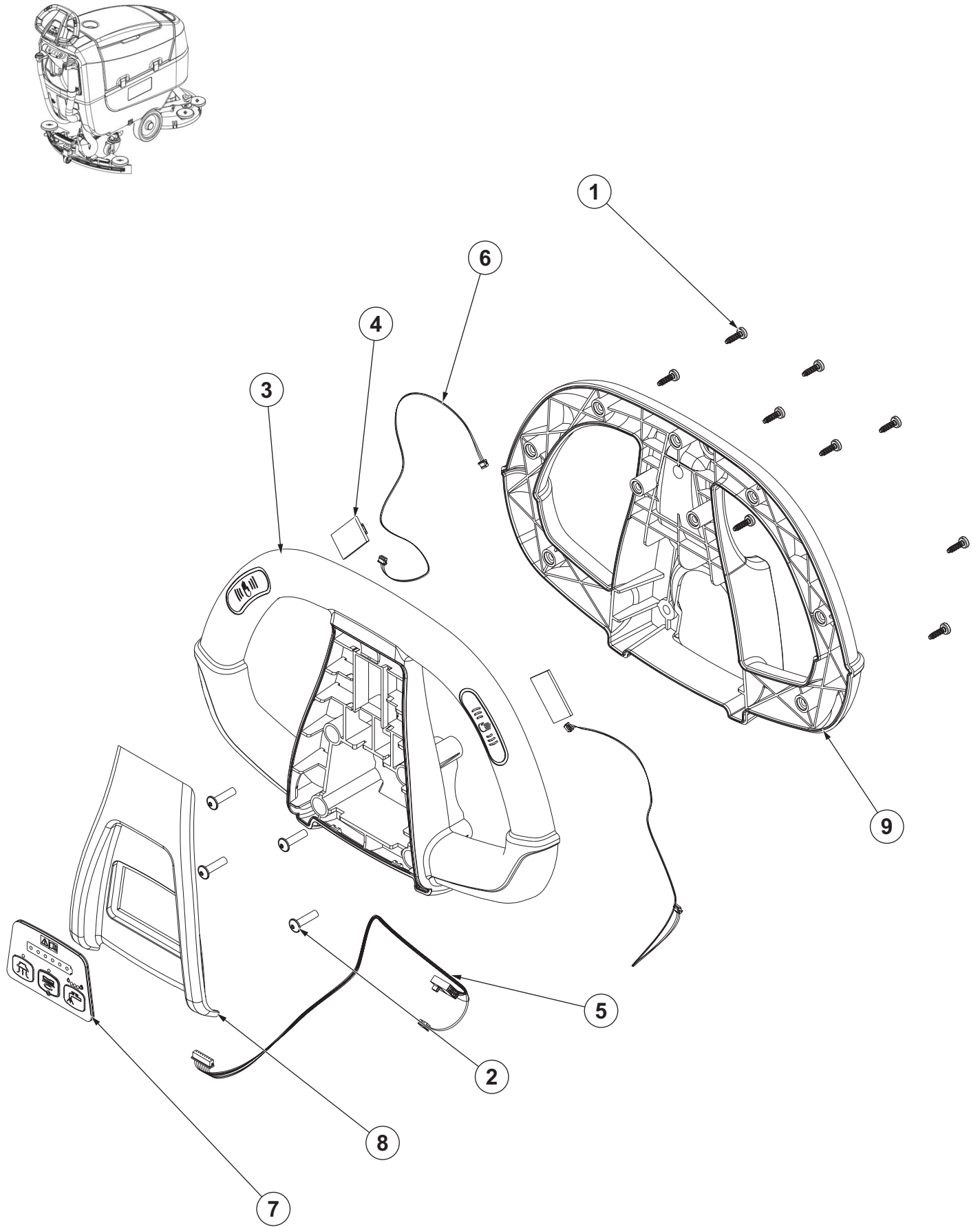
HANDLEBAR SYSTEM (DRIVE)



HANDLEBAR SYSTEM (DRIVE)

| KIT | ITEM | REF. NO. | QTY | DESCRIPTION | NOTE |
|-----|------|--------------|-----|--|------|
| | 1 | 140 9214 040 | 9 | SCREW PT TORX K40X14 FZB | |
| | 2 | 9100002437 | 1 | SCREW M5X20 TORX ISO7380-2 10 PCS SET | |
| | 3 | 9100002471 | 1 | COVER CENTR.PLAST.HANDLE BAR W/DRIVE SIP | |
| | 4 | 9097043000 | 1 | POTENTIOMETER | |
| | 5 | 9098484000 | 1 | KNOB POTENTIOMETER KIT | |
| | 6 | 9100002466 | 1 | FRAME PLAST. F HANDLE BAR W/DRIVE SIP | |
| | 7 | 9100002467 | 1 | COVER PLAST. F HANDLE BAR SIP | |
| | 8 | 9100002016 | 2 | SENSOR CAPACITIVE SIP | |
| | 9 | 9100002468 | 1 | HARNESS DASHBOARD SIP | |
| | 10 | 9100002469 | 2 | HARNESS HANDLE BAR SENSORS SIP | |
| | 11 | 9100002470 | 1 | SWITCH W/CONNECTOR F REVERSE SIP | |
| | 12 | 9100002472 | 1 | CONTROLLER USER INTERFACE 24V SIP | |

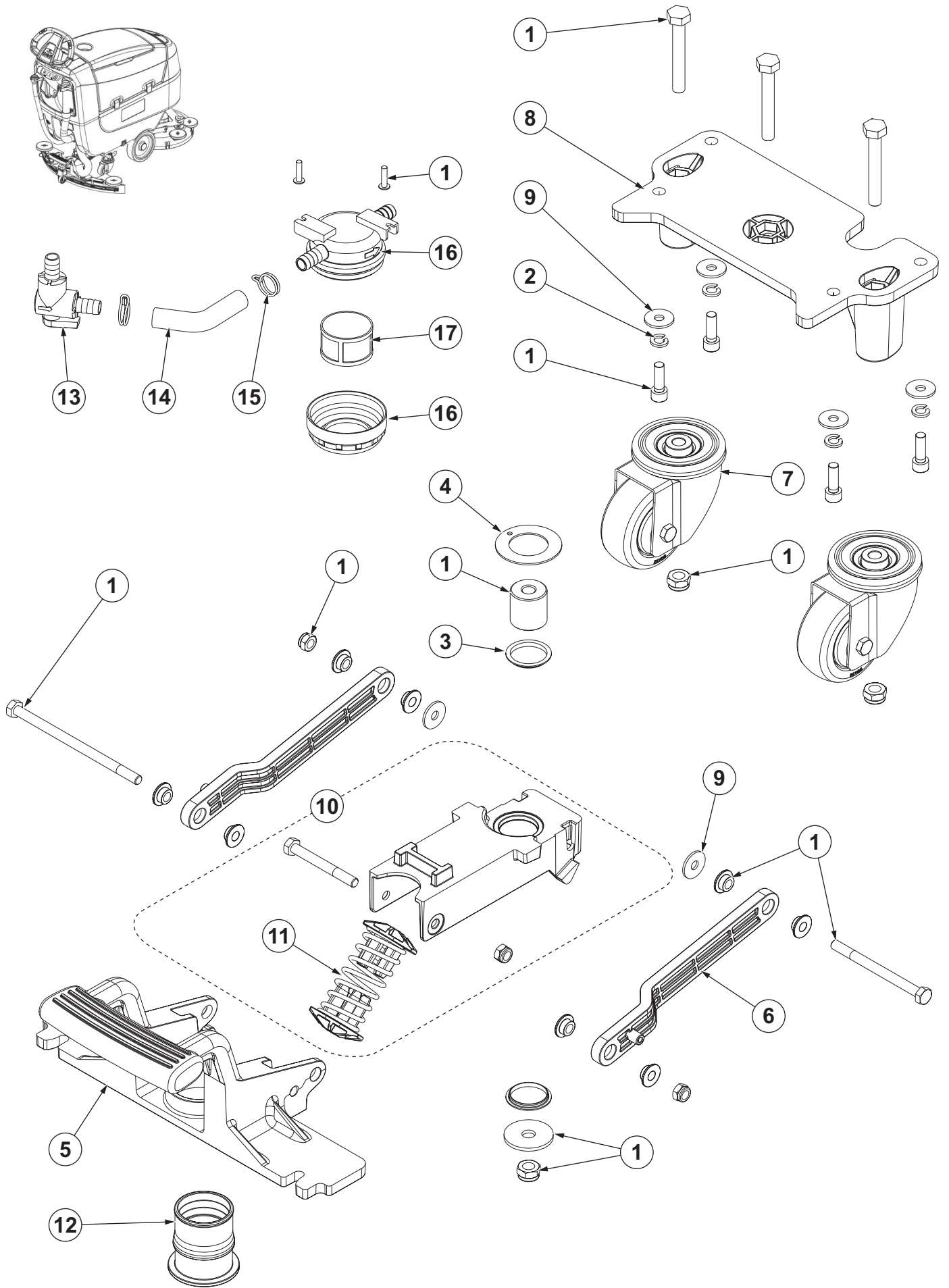
HANDLEBAR SYSTEM (NO DRIVE)



HANDLEBAR SYSTEM (NO DRIVE)

| KIT | ITEM | REF. NO. | QTY | DESCRIPTION | NOTE |
|-----|------|--------------|-----|---------------------------------------|------|
| | 1 | 140 9214 040 | 9 | SCREW PT TORX K40X14 FZB | |
| | 2 | 9100002437 | 1 | SCREW M5X20 TORX ISO7380-2 10 PCS SET | |
| | 3 | 9100002467 | 1 | COVER PLAST. F HANDLE BAR SIP | |
| | 4 | 9100002016 | 2 | SENSOR CAPACITIVE SIP | |
| | 5 | 9100002468 | 1 | HARNESS DASHBOARD SIP | |
| | 6 | 9100002469 | 2 | HARNESS HANDLE BAR SENSORS SIP | |
| | 7 | 9100002472 | 1 | CONTROLLER USER INTERFACE 24V SIP | |
| | 8 | 9100002553 | 1 | COVER CENTRAL HANDLE BAR SIP | |
| | 9 | 9100002554 | 1 | HANDLE BAR SUPPORT SIP | |

REAR WHEELS SYSTEM



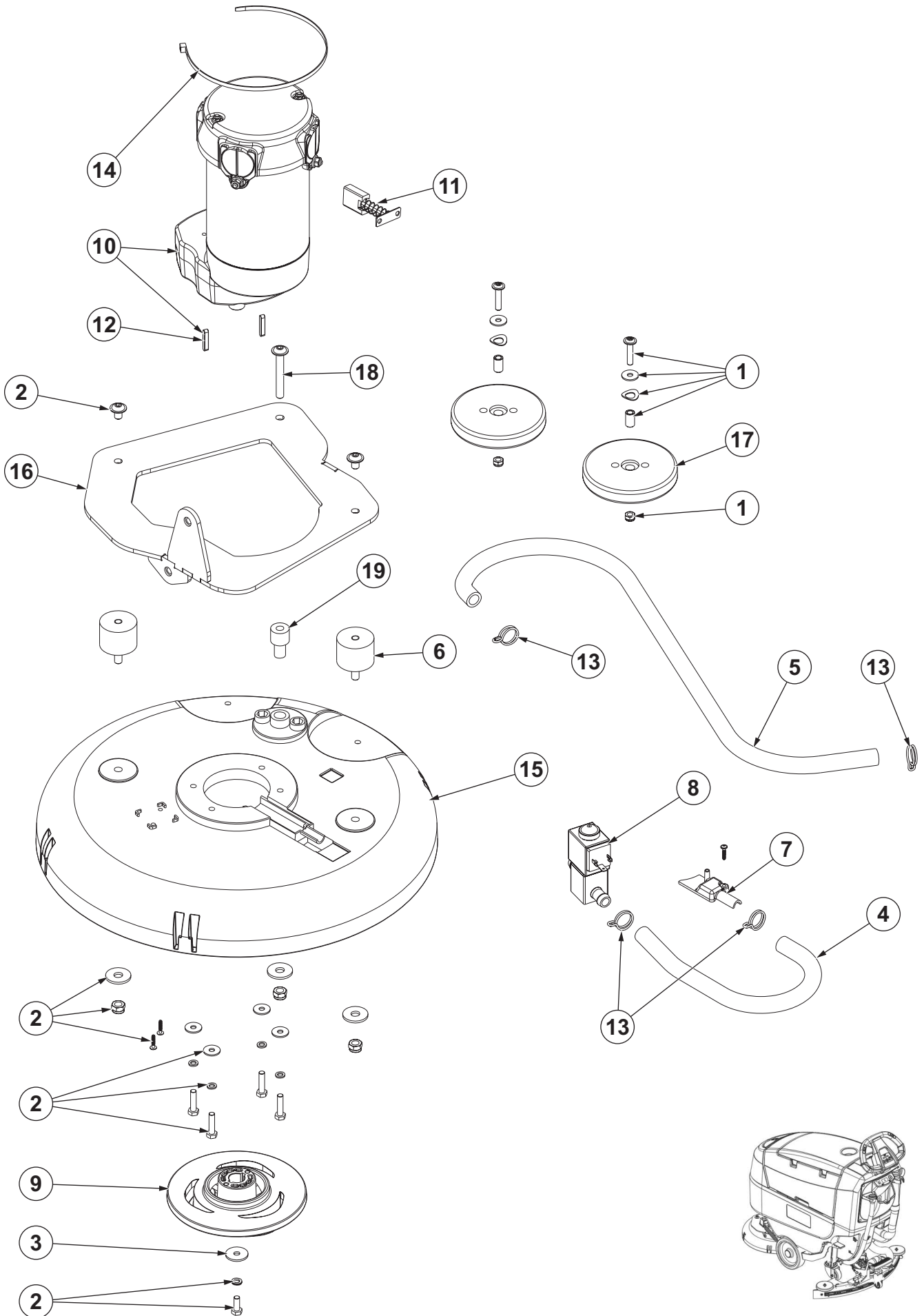
REAR WHEELS SYSTEM

| KIT | ITEM | REF. NO. | QTY | DESCRIPTION | NOTE |
|-----|------|------------|-----|--|------|
| | 1 | 9100002475 | 1 | HARDWARE REAR WHEELS SYSTEM KIT | |
| | 2 | 33023223 | 1 | WASHER SPRING LOCK M8 DIN127B 10 PCS SET | |
| | 3 | 9100000902 | 1 | BEARING FLANGE IGLIDUR 2 PCS SET | |
| | 4 | 9100000903 | 1 | WASHER THRUST GTM 3254-015 SIP | |
| | 5 | 9100000853 | 1 | SUPPORT LOWER F SQUEEGEE SIP | |
| | 6 | 9100000854 | 1 | LEVER SQUEEGEE LIFT 2 PCS SET | |
| | 7 | 9100000856 | 1 | WHEEL CASTOR D.80X32 GALV. 2 PCS SET | |
| | 8 | 9100002473 | 1 | SUPPORT ALU F REAR WHEELS-SQUEEGEE SIP | |
| | 9 | 33023660 | 2 | WASHER PLAIN M8X24X2 ISO7093 5 PCS SET | |
| | 10 | 9100002400 | 1 | SUPPORT UPPER F SQUEEGEE KIT | |
| | 11 | 9100002401 | 1 | SPRING WITH TERMINALS KIT | |
| | 12 | 9100002396 | 1 | SLEEVE RUBBER BLACK F SUCTION HOSE SIP | |
| | 13 | 9100000803 | 1 | VALVE ELBOW SIP | |
| | 14 | 9100002474 | 1 | HOSE PVC W/SPIRAL D.12X18 L.100MM SIP | |
| | 15 | 9100001159 | 1 | CLAMP DOUBLE WIRE SPRING D.18 10 PCS SET | |
| | 16 | 9100000860 | 1 | FILTER WATER SIP | |
| | 17 | 9100000861 | 1 | NET WATER FILTER REINFORCED SIP | |

SQUEEGEE SYSTEM

| KIT | ITEM | REF. NO. | QTY | DESCRIPTION | NOTE |
|-----|-----------|-------------------|----------|--|------|
| | 1 | 9100002570 | 1 | SQUEEGEE 730MM/29 KIT | |
| | 2 | 9100000748 | 1 | HARDWARE SQUEEGEE KIT | |
| | 3 | 9100000862 | 1 | KNOB LOBES M8 FEMALE SIP | |
| | 4 | 9100000747 | 1 | SQUEEGEE 730MM/29 PRE-ASSEMBLED SIP | |
| | 5 | 9100000791 | 2 | KNOB M8X30 THD STUD SS SIP | |
| | 6 | 9097637000 | 1 | SQUEEGEE FIXING KIT | |
| | 7 | 9100000559 | 3 | WHEEL D.51 GREY SIP | |
| | 8* | 9100002541 | 1 | BLADE SQUEEGEE 730MM 29 GUM KIT | |
| | 8* | 9100002542 | 1 | BLADE SQUEEGEE 730MM 29 PU KIT | |
| | 8* | 9100002543 | 1 | BLADE SQUEEGEE 730MM 29 RED GUM KIT | |
| | 9 | 9100000864 | 1 | STRAP ELASTIC F REAR SQUEEGEE BL. SIP | |
| | 10 | 9100000865 | 1 | STRAP FRONT SQUEEGEE BLADE SIP | |
| | 11 | 9100000866 | 1 | SUPPORT SQUEEGEE WHEEL SIP | |
| | 12 | 9100001816 | 1 | WHEEL BUMPER D.100 PLASTIC 2 PCS SET | |
| | 13 | 9100002408 | 1 | SPACER 5.1X8X28.5 PLASTIC 3 PCS SET | |

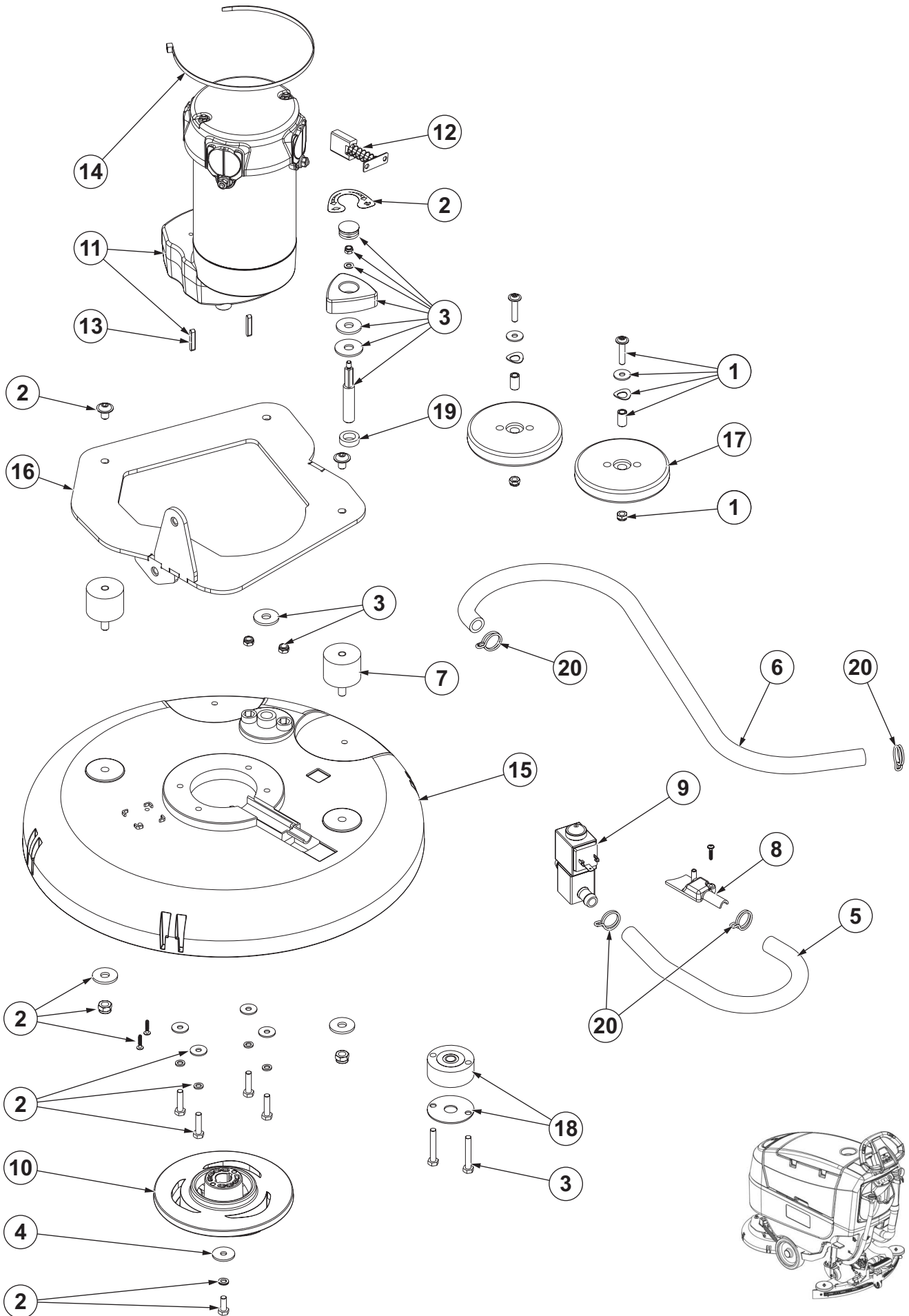
BRUSH DECK (DRIVE)



BRUSH DECK (DRIVE)

| KIT | ITEM | REF. NO. | QTY | DESCRIPTION | NOTE |
|-----|------|------------|-----|--|------|
| | 1 | 9100002481 | 1 | HARDWARE BUMPERS KIT | |
| | 2 | 9100002482 | 1 | HARDWARE BRUSH DECK KIT | |
| | 3 | 9100001272 | 1 | WASHER PLAIN M6X24 SS ISO7093 10 PCS SET | |
| | 4 | 9100002479 | 1 | HOSE PVC W/SPIRAL D.12X18 L.330MM SIP | |
| | 5 | 9100002480 | 1 | HOSE PVC W/SPIRAL D.12X18 L.800MM SIP | |
| | 6 | 9100000868 | 1 | VIBRATION DAMPING M8 60SH 2 PCS SET | |
| | 7 | 9100000869 | 1 | COVER SOLUTION HOSE SUPPORT SIP | |
| | 8 | 9100000870 | 1 | SOLENOID VALVE 24V SIP | |
| | 9 | 9100000871 | 1 | HUB BRUSH SIP | |
| | 10 | 9100000874 | 1 | REDUCTION GEAR MOTOR 450W 24V SIP | |
| | 11 | 9098376000 | 1 | CARBON BRUSH KIT 4 PCS | |
| | 12 | 9100000875 | 1 | KEY 5X5X30 DIN6885 2 PCS SET | |
| | 13 | 9100001159 | 1 | CLAMP DOUBLE WIRE SPRING D.18 10 PCS SET | |
| | 14 | 9100002449 | 1 | TIE CABLE 4.8X500 BLACK 2 PCS SET | |
| | 15 | 9100002477 | 1 | DECK BRUSH 430MM/17 PLAST. SIP | |
| | 16 | 9100002478 | 1 | PLATE BRUSH DECK HOLDER GALV. SIP | |
| | 17 | 9100001816 | 1 | WHEEL BUMPER D.100 PLASTIC 2 PCS SET | |
| | 18 | 9100002460 | 1 | SCREW M8X60 BUTTON HD HEX FLA ISO7380 | |
| | 19 | 9100002476 | 1 | SPACER D.8.25X12X20 H.35 GALV. SIP | |

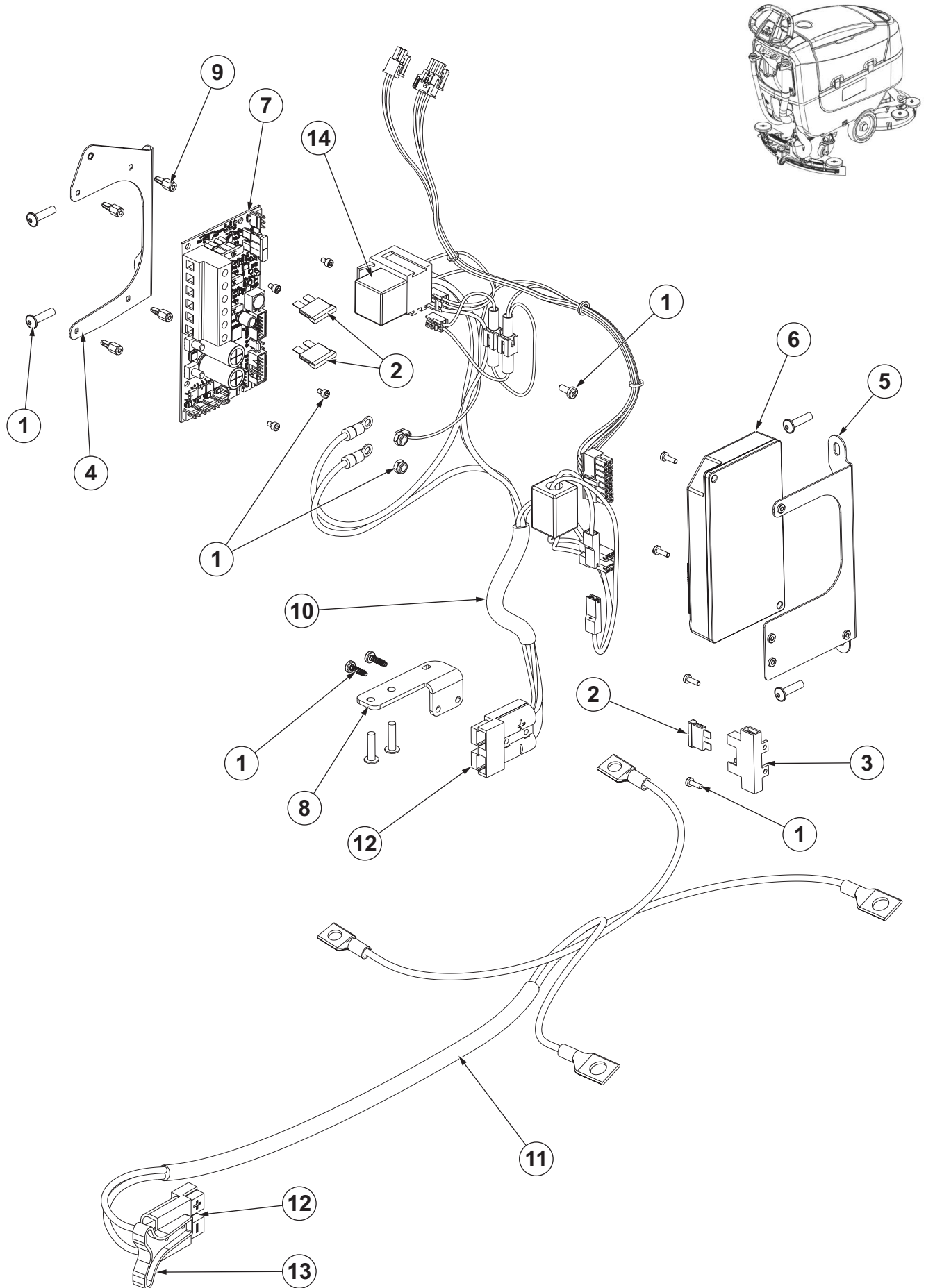
BRUSH DECK (NO DRIVE)



BRUSH DECK (NO DRIVE)

| KIT | ITEM | REF. NO. | QTY | DESCRIPTION | NOTE |
|-----|------|------------|-----|--|------|
| | 1 | 9100002481 | 1 | HARDWARE BUMPERS KIT | |
| | 2 | 9100002482 | 1 | HARDWARE BRUSH DECK KIT | |
| | 3 | 9100002483 | 1 | KNOB BRUSH SPEED ADJUSTM. KIT | |
| | 4 | 9100001272 | 1 | WASHER PLAIN M6X24 SS ISO7093 10 PCS SET | |
| | 5 | 9100002479 | 1 | HOSE PVC W/SPIRAL D.12X18 L.330MM SIP | |
| | 6 | 9100002480 | 1 | HOSE PVC W/SPIRAL D.12X18 L.800MM SIP | |
| | 7 | 9100000868 | 1 | VIBRATION DAMPING M8 60SH 2 PCS SET | |
| | 8 | 9100000869 | 1 | COVER SOLUTION HOSE SUPPORT SIP | |
| | 9 | 9100000870 | 1 | SOLENOID VALVE 24V SIP | |
| | 10 | 9100000871 | 1 | HUB BRUSH SIP | |
| | 11 | 9100000874 | 1 | REDUCTION GEARMOTOR 450W 24V SIP | |
| | 12 | 9098376000 | 1 | CARBON BRUSH KIT 4 PCS | |
| | 13 | 9100000875 | 1 | KEY 5X5X30 DIN6885 2 PCS SET | |
| | 14 | 9100002449 | 1 | TIE CABLE 4.8X500 BLACK 2 PCS SET | |
| | 15 | 9100002477 | 1 | DECK BRUSH 430MM/17 PLAST. SIP | |
| | 16 | 9100002478 | 1 | PLATE BRUSH DECK HOLDER GALV. SIP | |
| | 17 | 9100001816 | 1 | WHEEL BUMPER D.100 PLASTIC 2 PCS SET | |
| | 18 | L08812780 | 1 | PLATE FIXING BRUSH KIT | |
| | 19 | 9100002484 | 1 | SPACER D.12.5X20 H.6 PLAST. SIP | |
| | 20 | 9100001159 | 1 | CLAMP DOUBLE WIRE SPRING D.18 10 PCS SET | |

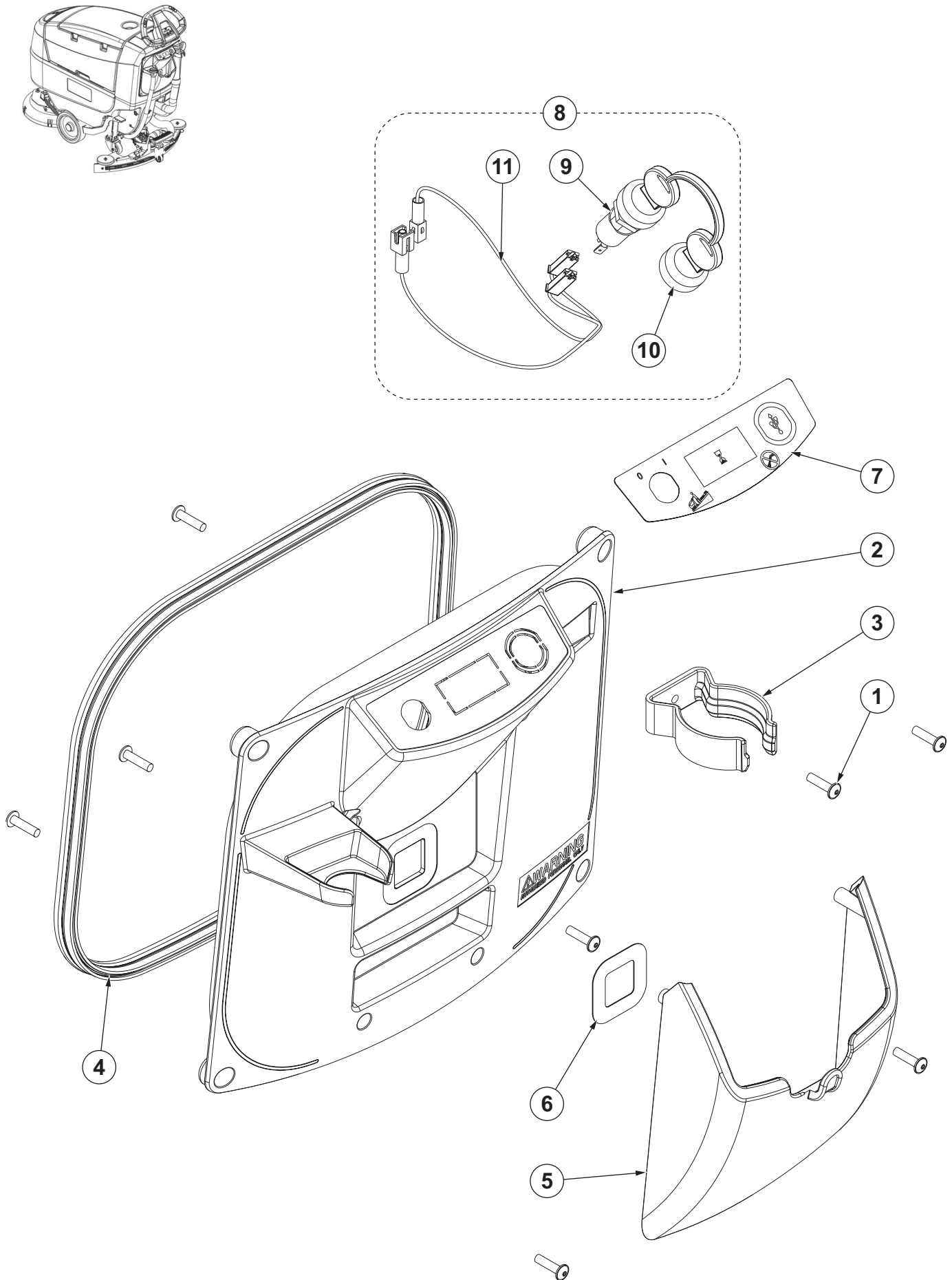
ELECTRICAL COMPONENTS SYSTEM



ELECTRICAL COMPONENTS SYSTEM

| KIT | ITEM | REF. NO. | QTY | DESCRIPTION | NOTE |
|-----|------|--------------|-----|--|----------------|
| | 1 | 9100002492 | 1 | HARDWARE ELECTRICAL SYST. KIT | |
| | 2 | 145 8513 000 | 3 | FUSE BLADE 30A UL | |
| | 3 | 1467035000 | 1 | HOLDER FUSE THERMOPL.UL 94-V0 SIP | ONLY FOR DRIVE |
| | 4 | 9100002485 | 1 | SUPPORT GALV. F CONTR. MAIN MACH. BA SIP | |
| | 5 | 9100002486 | 1 | SUPPORT GALV. F CONTR. DRIVE WHEEL SIP | ONLY FOR DRIVE |
| | 6 | 9100002493 | 1 | CONTROLLER DRIVE WHEEL SIP | ONLY FOR DRIVE |
| | 7 | 9100002494 | 1 | CONTROLLER MAIN MACHINE BAT SIP | |
| | 8 | 9100002487 | 1 | SUPPORT GALV. F BATTERY CONNECTOR SIP | |
| | 9 | 9100002488 | 1 | SUPPORT THD PLAST F CONTROLLER 4 PCS SET | |
| | 10 | 9100002489 | 1 | HARNESS ELECT.COMP.BOX BA DRIVE SIP | |
| | 11 | 9100002491 | 1 | HARNESS BATTERY US SIP | |
| | 12 | 9100002248 | 2 | CONNECTOR RED 50A SIP | |
| | 13 | 9100000885 | 1 | HANDLE FOR BATTERY CONNECTOR SIP | |
| | 14 | 145 3712 000 | 1 | RELAY | |

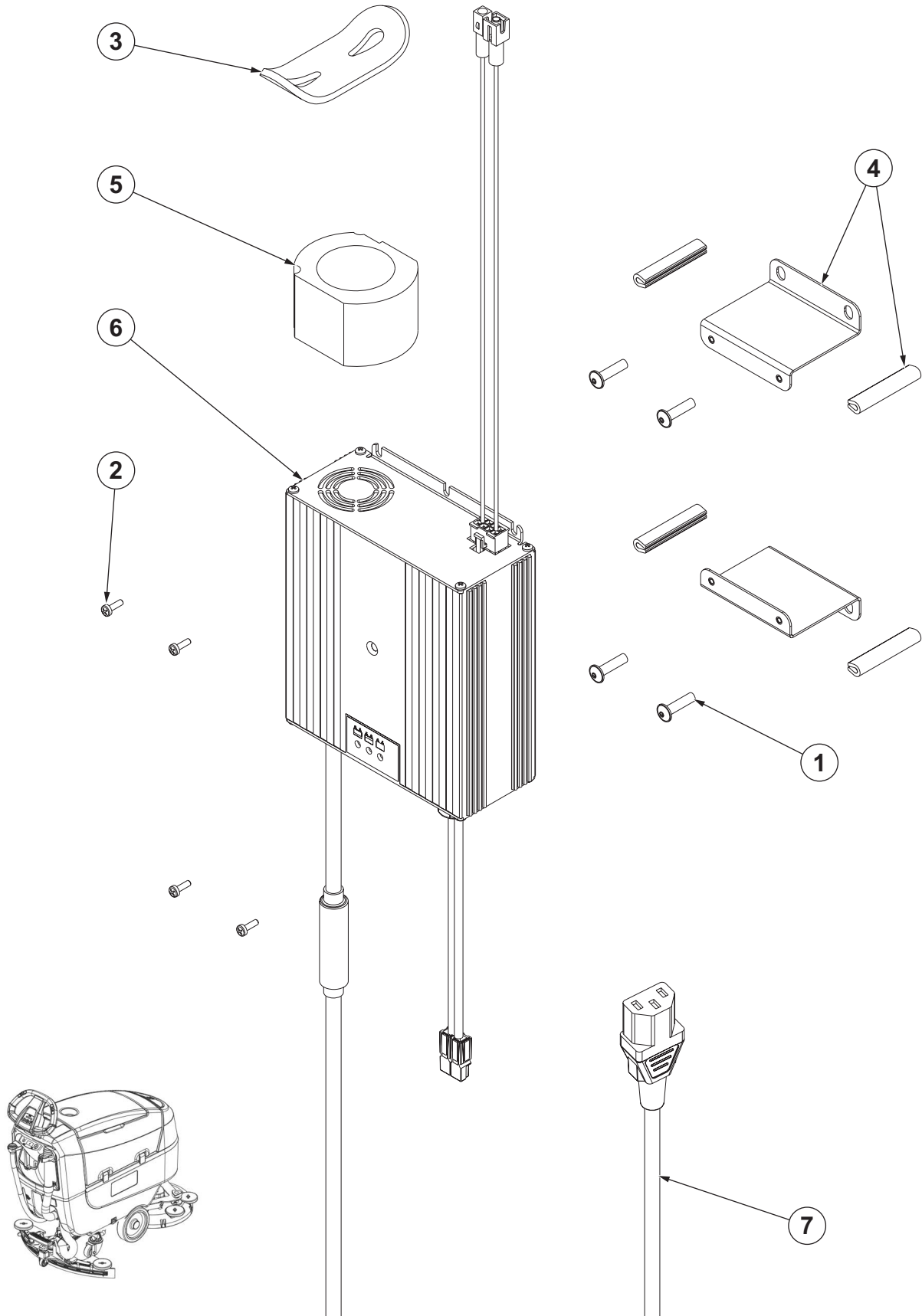
COVER ELECTRONIC SYSTEM



COVER ELECTRONIC SYSTEM

| KIT | ITEM | REF. NO. | QTY | DESCRIPTION | NOTE |
|-----|-----------|-------------------|----------|---|---------------------------------------|
| | 1 | 9100002437 | 1 | SCREW M5X20 TORX ISO7380-2 10 PCS SET | |
| | 2 | 9100002495 | 1 | COVER PLAST. ELECT. COMP. BOX DRIVE SIP | |
| | 3 | 909 6380 000 | 1 | CLAMP KIT | |
| | 4 | 9100002496 | 1 | GASKET BULB REINFORCED L.1048MM SIP | |
| | 5 | 9100002497 | 1 | POCKET PLAST. F ELECTR. BOX COVER SIP | |
| | 6 | 9100002498 | 1 | DECAL TRANSP.BOX F EL.COVER INSPECT. SIP | |
| | 7 | 9100002499 | 1 | DECAL ELECTRIC BOX COVER BA SIP | ONLY FOR NO DRIVE |
| | 7 | 9100002500 | 1 | DECAL ELECTRIC BOX COVER BA DRIVE SIP | ONLY FOR DRIVE |
| | 8* | 9100002532 | 1 | KEY KIT | (910002549) INSTALLATION INSTRUCTIONS |
| | 9 | 9100001354 | 1 | SWITCH IGNITION STARTER WITH CAP SIP | |
| | 10 | 146 2887 000 | 1 | KEY 2 PCS | |
| | 11 | 9100002501 | 1 | HARNESS SWITCH STARTER SIP | |

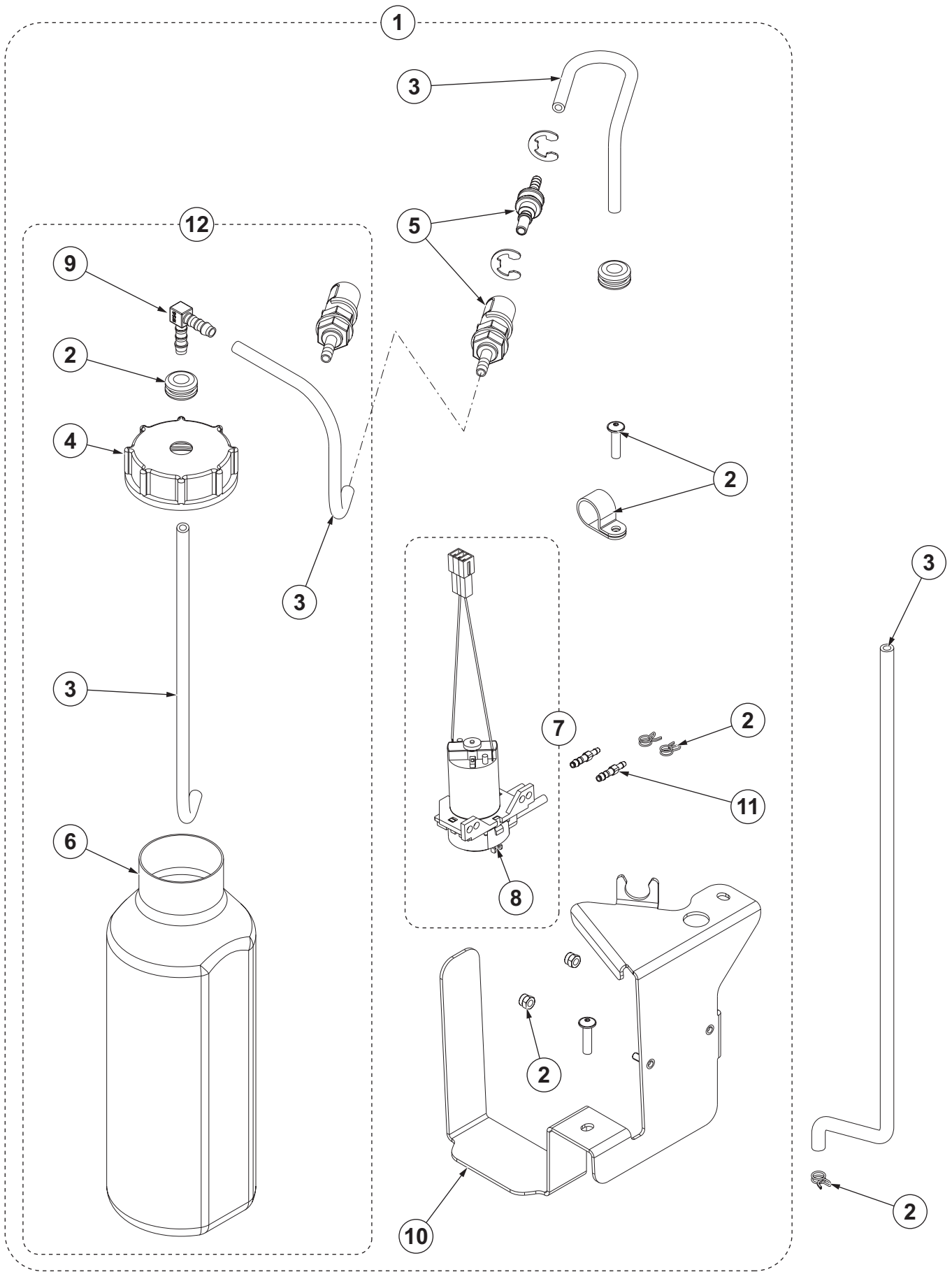
BATTERY CHARGER



BATTERY CHARGER

| KIT | ITEM | REF. NO. | QTY | DESCRIPTION | NOTE |
|-----|------|------------|-----|--|------|
| | 1 | 9100002437 | 1 | SCREW M5X20 TORX ISO7380-2 10 PCS SET | |
| | 2 | 9100002502 | 1 | SCREW M3X10 PAN HD ISO7045 10 PCS SET | |
| | 3 | 9100000829 | 1 | BAND ELASTIC F EXTENSION CABLE SIP | |
| | 4 | 9100002503 | 1 | SUPPORTS F BATTERY CHARG. KIT | |
| | 5 | 9100002504 | 1 | SLEEVE RUBBER BLACK F BATT. CHARGER SIP | |
| | 6 | 9100002506 | 1 | CHARGER BATT.O/B 24V 10A 100-240V US SIP | |
| | 7 | 9100000890 | 1 | CABLE EXTENSION US PLUG L.2000MM SIP | |

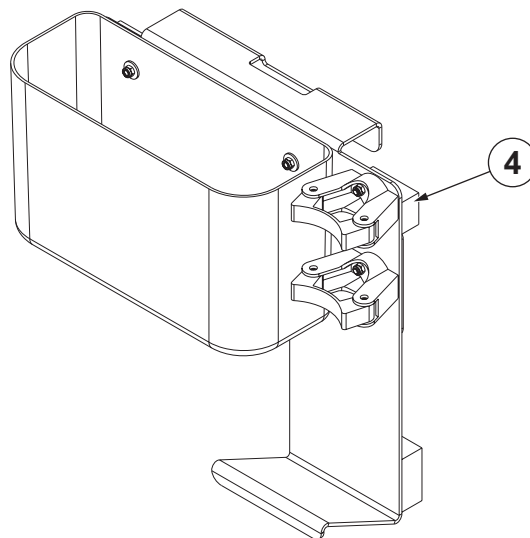
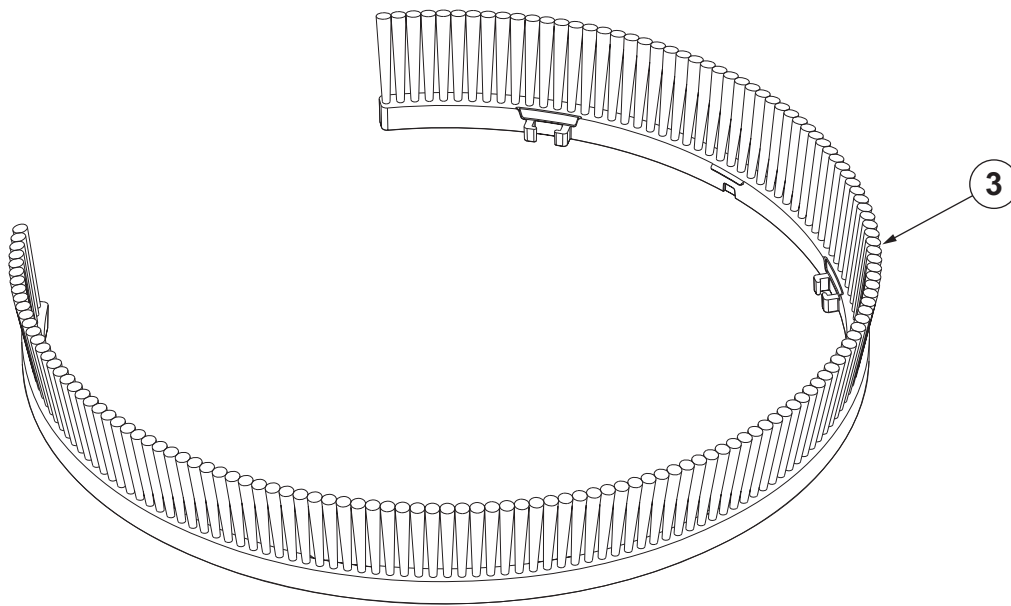
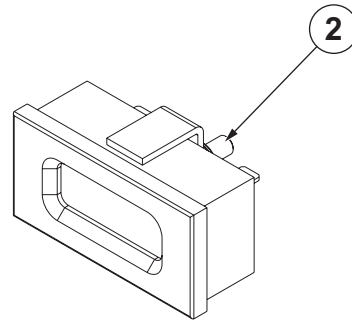
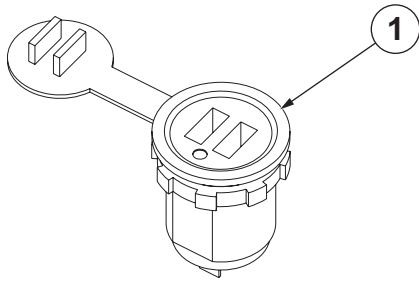
DETERGENT SYSTEM



DETERGENT SYSTEM

| KIT | ITEM | REF. NO. | QTY | DESCRIPTION | NOTE |
|-----|------|------------|-----|---|--|
| | 1* | 9100002531 | 1 | DETERGENT MIX SYSTEM KIT | (9100002550) INSTALLATION INSTRUCTIONS |
| | 2 | 9100002510 | 1 | HARDWARE DETERGENT SYSTEM KIT | |
| | 3 | 9100002534 | 1 | HOSE SILICONE 4X7 KIT | |
| | 4 | 301001004 | 1 | CLOSING CAP WITH Ø13 HOLE | |
| | 5 | 9100002508 | 1 | HOLDERS RUBBER KIT | |
| | 6 | 31000912 | 1 | BOTTLE | |
| | 7 | 9100002398 | 1 | PUMP DETERG. MIX PERISTALTIC 24V SIP | |
| | 8 | 9100002388 | 1 | HEAD PERISTALTIC PUMP DETERG. SIP | |
| | 9 | L08603189 | 1 | HOSE 90° D.6 | |
| | 10 | 9100002509 | 1 | SUPPORT GALV. F PERISTALTIC PUMP SIP | |
| | 11 | 9100002402 | 1 | BARB HOSE STRAIGHT D.5-D.4 PLAST. 2 PCS SET | |
| | 12 | 9100002575 | 1 | BOTTLE DETERGENT 1L KIT | |

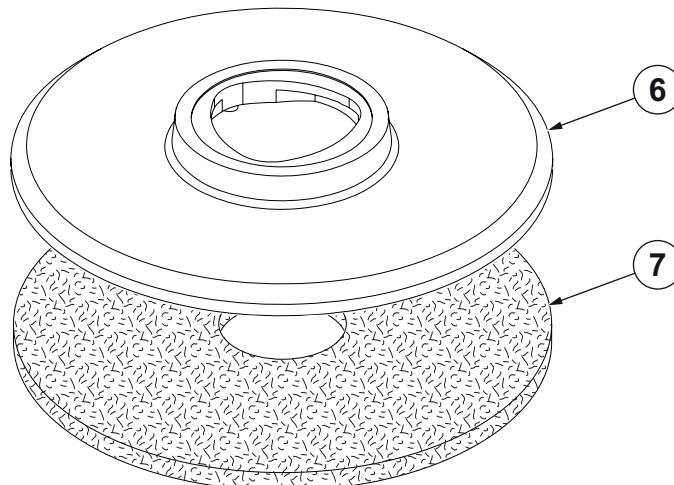
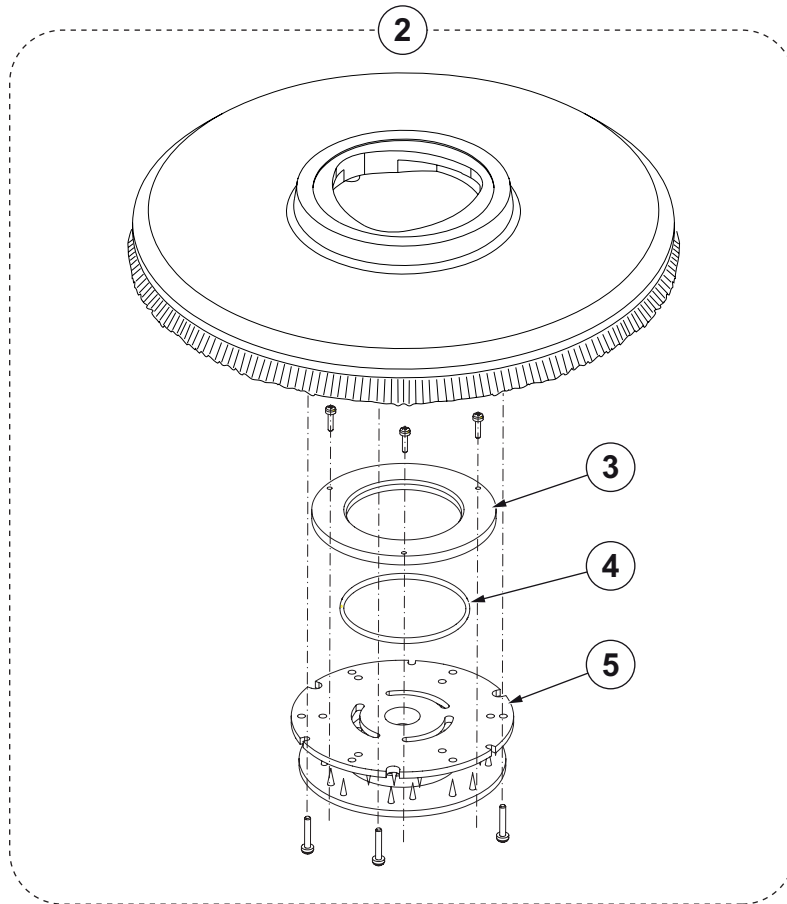
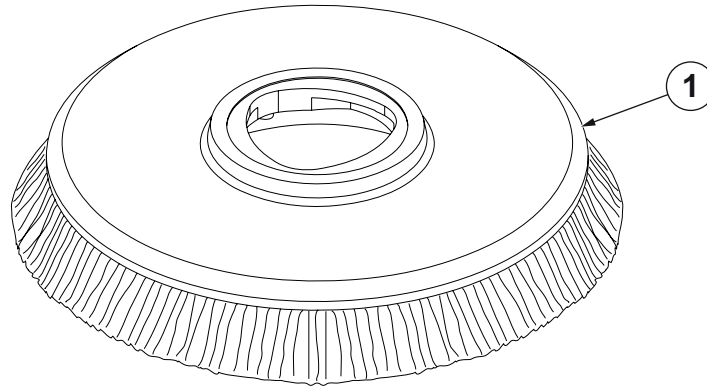
ACCESSORIES - OPTIONALS



ACCESSORIES - OPTIONALS

| KIT | ITEM | REF. NO. | QTY | DESCRIPTION | NOTE |
|-----|------|------------|-----|--|--|
| | 1* | 9100002258 | 1 | USB PORT KIT | (9100002548) INSTALLATION INSTRUCTIONS |
| | 2* | 9100002257 | 1 | COUNTER HOUR 24V KIT | (9100002547) INSTALLATION INSTRUCTIONS |
| | 3* | 9100001927 | 1 | SPLASH GUARD W/BRISTLES F DECK 17 432MM | |
| | 4* | 9100002280 | 1 | MOP AND TRASH KIT | |

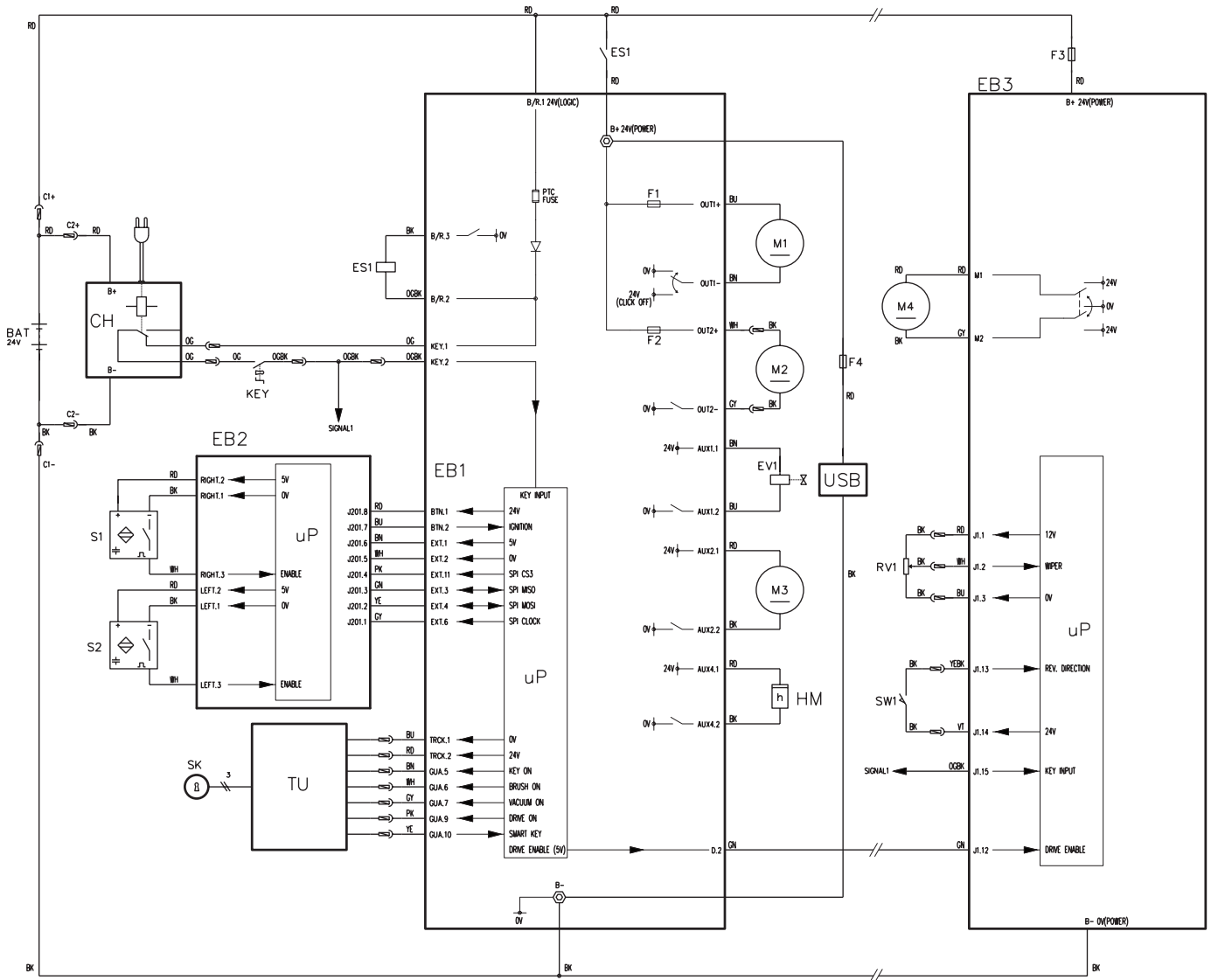
BRUSHES



BRUSHES

| KIT | ITEM | REF. NO. | QTY | DESCRIPTION | NOTE |
|-----|------|--------------|-----|--|------|
| | 1* | L08812891 | 1 | BRUSH DISC 430MM 17 PROLENE BLUE | |
| | 1* | 909 5691 000 | 1 | BRUSH DISC 430MM 17 MIDLITE GRIT 180 | |
| | 1* | 909 5692 000 | 1 | BRUSH DISC 430MM 17 MID GRIT 240 | |
| | 1* | 909 5693 000 | 1 | BRUSH DISC 430MM 17 PROLITE | |
| | 1* | 909 5694 000 | 1 | BRUSH DISC 430MM 17 UNION MIX | |
| | 2* | 9100001897 | 1 | PAD HOLDER BRISTLE 17 430MM | |
| | 3 | L08603966 | 1 | RING NYLON | |
| | 4 | L08603965 | 1 | O-RING 2.62X82.22 -3325-NBR 40SH | |
| | 5 | 56505195 | 1 | PAD RETAINER | |
| | 6* | 9100002050 | 1 | PAD HOLDER FLAT 17 432MM | |
| | 7* | 10001936 | 1 | PAD 17 432MM ECO WHITE 5PCS | |
| | 7* | 10001937 | 1 | PAD 17 432MM ECO TAN 5PCS | |
| | 7* | 10001938 | 1 | PAD 17 432MM ECO BLACK 5PCS | |
| | 7* | 10001939 | 1 | PAD 17 432MM ECO BLUE 5PCS | |
| | 7* | 10001940 | 1 | PAD 17 432MM ECO GREEN 5PCS | |
| | 7* | 10001941 | 1 | PAD 17 432MM ECO RED 5PCS | |
| | 7* | 10002336 | 1 | PAD 17 432MM ECO BRILLIANCE RED 2PCS | |
| | 7* | 10002337 | 1 | PAD 17 430MM ECO BRILLIANCE BLUE 2PCS | |
| | 7* | 10002338 | 1 | PAD 17 430MM ECO BRILLIANCE YELLOW 2PCS | |
| | 7* | 10002339 | 1 | PAD 17 430MM ECO BRILLIANCE GREEN 2PCS | |

WIRING DIAGRAM



WIRING DIAGRAM

| KEY | REF. NO. | DESCRIPTION | NOTE |
|-------|--------------|--|------|
| BAT | - | | |
| C1 | 9100002248 | CONNECTOR RED 50A SIP | |
| C2 | - | | |
| CH | 9100002506 | CHARGER BATT.O/B 24V 10A 100-240V US SIP | |
| EB1 | 9100002494 | CONTROLLER MAIN MACHINE BAT SIP | |
| EB2 | 9100002472 | CONTROLLER USER INTERFACE 24V SIP | |
| EB3 | 9100002493 | CONTROLLER DRIVE WHEEL SIP | |
| ES1 | 145 3712 000 | RELAY | |
| EV1 | 9100000870 | SOLENOID VALVE 24V SIP | |
| F1 | 145 8513 000 | FUSE BLADE 30A UL | |
| F2 | 145 8513 000 | FUSE BLADE 30A UL | |
| F3 | 145 8513 000 | FUSE BLADE 30A UL | |
| F4 | - | | |
| HM | 9100002257 | COUNTER HOUR 24V KIT | |
| KEY | 9100001354 | SWITCH IGNITION STARTER WITH CAP SIP | |
| M1 | 9100000874 | REDUCTION GEARMOTOR 450W 24V SIP | |
| M2 | 9100000823 | MOTOR VACUUM 24V 280W SIP | |
| M3 | 9100002398 | PUMP DETERG. MIX PERISTALTIC 24V SIP | |
| M4 | 9100002540 | MOTOR DRIVE 160W 24V SIP | |
| RV1 | 9097043000 | POTENTIOMETER | |
| S1,S2 | 9100002016 | SENSOR CAPACITIVE SIP | |
| SK | - | | |
| SW1 | 9100002470 | SWITCH W/CONNECTOR F REVERSE SIP | |
| TU | - | | |
| USB | 9100002258 | USB PORT KIT | |

| KEY | COLOUR |
|-----|------------|
| BK | BLACK |
| BU | LIGHT BLUE |
| BN | BROWN |
| GN | GREEN |
| GY | GREY |
| OG | ORANGE |

| KEY | COLOUR |
|-----|--------|
| PK | PINK |
| RD | RED |
| VT | VIOLET |
| WH | WHITE |
| YE | YELLOW |

RECOMMENDED PARTS

| REF. NO. | QTY | DESCRIPTION | NOTE |
|-----------------------------------|-----|--|----------------|
| NORMAL WEAR | | | |
| 910000920 | 1 | CARBON BRUSHES W/HOLDER KIT | |
| 9100002541 | 1 | BLADE SQUEEGEE 730MM 29 GUM KIT | |
| 9100002542 | 1 | BLADE SQUEEGEE 730MM 29 PU KIT | |
| 9100002543 | 1 | BLADE SQUEEGEE 730MM 29 RED GUM KIT | |
| 9098376000 | 1 | CARBON BRUSH KIT 4 PCS | |
| 9098376000 | 1 | CARBON BRUSH KIT 4 PCS | |
| ORDINARY MAINTENANCE | | | |
| 910000703 | 1 | HOSE FILLING SIP | |
| 9100002431 | 1 | HOSE FRESH WATER LEV. W/CAP KIT | |
| 9100002443 | 1 | HOSE DRAIN BLACK L.530MM SIP | |
| 9100002444 | 1 | HOSE SUCTION SQUEE. 90 BLACK L.970MM SIP | |
| 9100002447 | 1 | GASKETS VAC. MOTOR KIT | |
| 910000823 | 1 | MOTOR VACUUM 24V 280W SIP | |
| 9100002540 | 1 | MOTOR DRIVE 160W 24V SIP | |
| 9100002455 | 2 | WHEEL TRACTION D.200X50 BLACK/GREY SIP | |
| 9100002462 | 2 | WHEEL D.200X50 TPE BLACK/GREY SIP | |
| 9100002546 | 1 | WHEEL D.200X50 TPU BLACK/GREY 2 PCS SET | |
| 910000856 | 1 | WHEEL CASTOR D.80X32 GALV. 2 PCS SET | |
| 9100002396 | 1 | SLEEVE RUBBER BLACK F SUCTION HOSE SIP | |
| 910000861 | 1 | NET WATER FILTER REINFORCED SIP | |
| 9100002570 | 1 | SQUEEGEE 730MM/29 KIT | |
| 910000862 | 1 | KNOB LOBES M8 FEMALE SIP | |
| 910000747 | 1 | SQUEEGEE 730MM/29 PRE-ASSEMBLED SIP | |
| 910000559 | 3 | WHEEL D.51 GREY SIP | |
| 910000864 | 1 | STRAP ELASTIC F REAR SQUEEGEE BL. SIP | |
| 910000865 | 1 | STRAP FRONT SQUEEGEE BLADE SIP | |
| 9100001816 | 1 | WHEEL BUMPER D.100 PLASTIC 2 PCS SET | |
| 910000870 | 1 | SOLENOID VALVE 24V SIP | |
| 910000871 | 1 | HUB BRUSH SIP | |
| 910000874 | 1 | REDUCTION GEARMOTOR 450W 24V SIP | |
| 9100001816 | 1 | WHEEL BUMPER D.100 PLASTIC 2 PCS SET | |
| 910000870 | 1 | SOLENOID VALVE 24V SIP | |
| 910000871 | 1 | HUB BRUSH SIP | |
| 910000874 | 1 | REDUCTION GEARMOTOR 450W 24V SIP | |
| 9100001816 | 1 | WHEEL BUMPER D.100 PLASTIC 2 PCS SET | |
| 145 8513 000 | 3 | FUSE BLADE 30A UL | |
| 9100002534 | 1 | HOSE SILICONE 4X7 KIT | |
| 9100002388 | 1 | HEAD PERISTALTIC PUMP DETERG. SIP | |
| EXTRA ORDINARY MAINTENANCE | | | |
| 9100002480 | 1 | HOSE PVC W/SPIRAL D.12X18 L.800MM SIP | |
| 9100002478 | 1 | PLATE BRUSH DECK HOLDER GALV. SIP | |
| 9100002483 | 1 | KNOB BRUSH SPEED ADJUSTM. KIT | |
| 9100002479 | 1 | HOSE PVC W/SPIRAL D.12X18 L.330MM SIP | |
| 9100002480 | 1 | HOSE PVC W/SPIRAL D.12X18 L.800MM SIP | |
| 9100002477 | 1 | DECK BRUSH 430MM/17 PLAST. SIP | |
| 1467035000 | 1 | HOLDER FUSE THERMOPL.UL 94-V0 SIP | ONLY FOR DRIVE |
| 9100002493 | 1 | CONTROLLER DRIVE WHEEL SIP | ONLY FOR DRIVE |
| 9100002494 | 1 | CONTROLLER MAIN MACHINE BAT SIP | |
| 9100002489 | 1 | HARNESS ELECT.COMP.BOX BA DRIVE SIP | |
| 9100002490 | 1 | HARNESS BATTERY EU SIP | |
| 9100002248 | 2 | CONNECTOR RED 50A SIP | |
| 145 3712 000 | 1 | RELAY | |
| 9100002496 | 1 | GASKET BULB REINFORCED L.1048MM SIP | |
| 9100002532 | 1 | KEY KIT | |
| 9100001354 | 1 | SWITCH IGNITION STARTER WITH CAP SIP | |
| 146 2887 000 | 1 | KEY 2 PCS | |
| 9100002501 | 1 | HARNESS SWITCH STARTER SIP | |
| 9100002504 | 1 | SLEEVE RUBBER BLACK F BATT. CHARGER SIP | |
| 910000829 | 1 | BAND ELASTIC F EXTENSION CABLE SIP | |
| 9100002504 | 1 | SLEEVE RUBBER BLACK F BATT. CHARGER SIP | |

RECOMMENDED PARTS

| REF. NO. | QTY | DESCRIPTION | NOTE |
|------------|-----|--|------|
| 9100002506 | 1 | CHARGER BATT.O/B 24V 10A 100-240V US SIP | |
| 9100000890 | 1 | CABLE EXTENSION US PLUG L.2000MM SIP | |
| 301001004 | 1 | CLOSING CAP WITH Ø13 HOLE | |
| 9100002508 | 1 | HOLDERS RUBBER KIT | |
| 31000912 | 1 | BOTTLE | |
| 9100002398 | 1 | PUMP DETERG. MIX PERISTALTIC 24V SIP | |

ACCESSORIES/OPTIONALS

| REF. NO. | QTY | DESCRIPTION | NOTE |
|--------------|-----|---|--|
| 9100002572 | 1 | HOSE QUICK CONNECTION | |
| 909 5065 000 | 1 | FILTER ANTIFOAMING | |
| 9100002546 | 1 | WHEEL D.200X50 TPU BLACK/GREY 2 PCS SET | |
| 9100002541 | 1 | BLADE SQUEEGEE 730MM 29 GUM KIT | |
| 9100002542 | 1 | BLADE SQUEEGEE 730MM 29 PU KIT | |
| 9100002543 | 1 | BLADE SQUEEGEE 730MM 29 RED GUM KIT | |
| 9100002532 | 1 | KEY KIT | (9100002549) INSTALLATION INSTRUCTIONS |
| 9100002531 | 1 | DETERGENT MIX SYSTEM KIT | (9100002550) INSTALLATION INSTRUCTIONS |
| 9100002258 | 1 | USB PORT KIT | (9100002548) INSTALLATION INSTRUCTIONS |
| 9100002257 | 1 | COUNTER HOUR 24V KIT | (9100002547) INSTALLATION INSTRUCTIONS |
| 9100001927 | 1 | SPLASH GUARD W/BRISTLES F DECK 17 432MM | |
| 9100002280 | 1 | MOP AND TRASH KIT | |
| L08812891 | 1 | BRUSH DISC 430MM 17 PROLENE BLUE | |
| 909 5691 000 | 1 | BRUSH DISC 430MM 17 MIDLITE GRIT 180 | |
| 909 5692 000 | 1 | BRUSH DISC 430MM 17 MID GRIT 240 | |
| 909 5693 000 | 1 | BRUSH DISC 430MM 17 PROLITE | |
| 909 5694 000 | 1 | BRUSH DISC 430MM 17 UNION MIX | |
| 9100001897 | 1 | PAD HOLDER BRISTLE 17 430MM | |
| 9100002050 | 1 | PAD HOLDER FLAT 17 432MM | |
| 10001936 | 1 | PAD 17 432MM ECO WHITE 5PCS | |
| 10001937 | 1 | PAD 17 432MM ECO TAN 5PCS | |
| 10001938 | 1 | PAD 17 432MM ECO BLACK 5PCS | |
| 10001939 | 1 | PAD 17 432MM ECO BLUE 5PCS | |
| 10001940 | 1 | PAD 17 432MM ECO GREEN 5PCS | |
| 10001941 | 1 | PAD 17 432MM ECO RED 5PCS | |
| 10002336 | 1 | PAD 17 432MM ECO BRILLIANCE RED 2PCS | |
| 10002337 | 1 | PAD 17 430MM ECO BRILLIANCE BLUE 2PCS | |
| 10002338 | 1 | PAD 17 430MM ECO BRILLIANCE YELLOW 2PCS | |
| 10002339 | 1 | PAD 17 430MM ECO BRILLIANCE GREEN 2PCS | |

9435 Winnetka Avenue North
Brooklyn Park, MN 55445
www.advance-us.com
Phone: 800-989-2235
Fax: 800-989-6566
©2017 Nilfisk, Inc.

