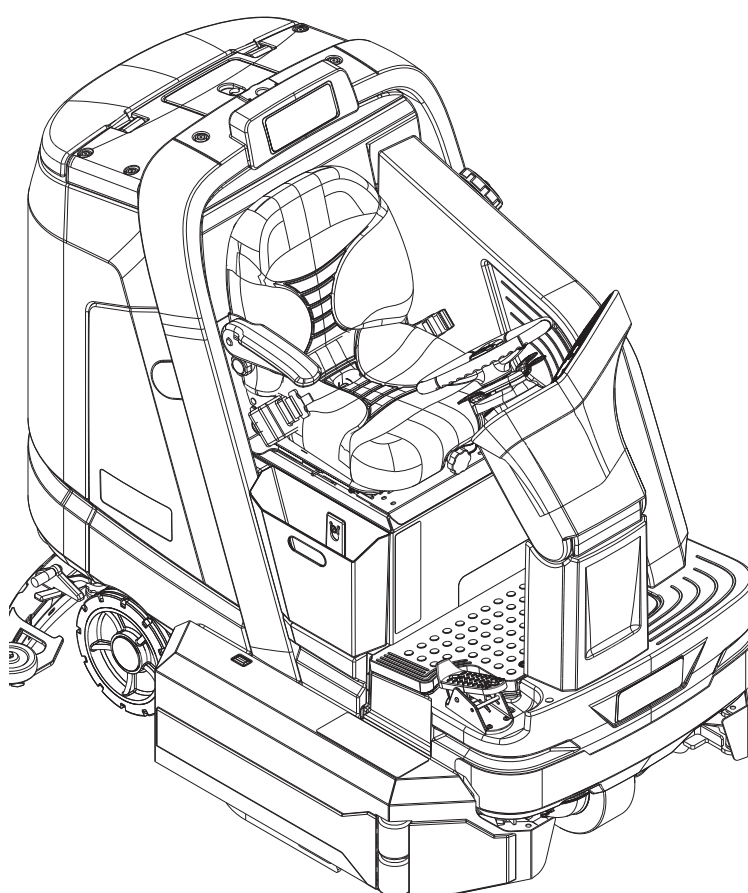


SC6000

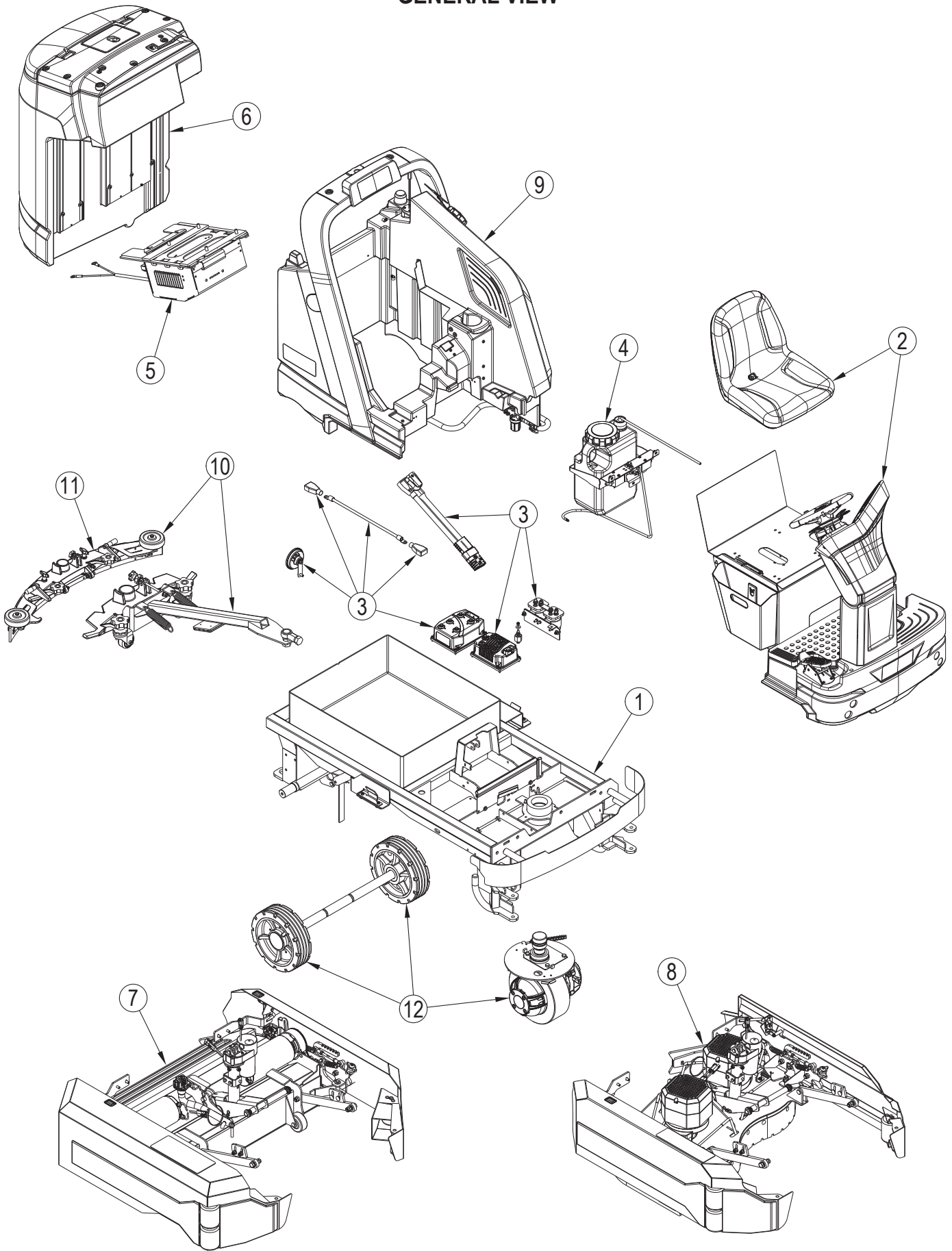
Parts List

2/2016 revised 10/2018 REV F
Form no. 56042639



Models:
56116000 (SC6000 36C)
56116001 (SC6000 40D)
56116002 (SC6000 34D)

GENERAL VIEW



GENERAL VIEW

Kit	Item	Ref. No.	Qty	Description
	1		1	Chassis System
	2		1	Control System
	3		1	Electrical System
	4		1	Ecoflex™ Assembly
	5		1	Onboard-Charger-Assembly
	6		1	Recovery System
	7		1	Scrub System-Cylindrical
	8		1	Scrub System-Disc
	9		1	Solution System
	10		1	Squeegee System
	11		1	Squeegee Assy
	12		1	Wheel System

TABLE OF CONTENTS

DESCRIPTION	PAGE
Chassis System	4-5
Control System Before Serial Number 3510173102367	6-7
Control System After Serial Number 3510173102366	8-9
Control System-Upper Column Assembly	10-11
Control System-Lower Column Assembly	12-13
Decal System	14-15
Electrical System.....	16-17
Ecoflex™ Assembly	18-19
Onboard-Charger-Assembly	20-21
Recovery System	22-23
Scrub System-Cylindrical	24-25
Scrub System-Cylindrical-Deck Assembly	26-27
Scrub System-Cylindrical-Side Blade Assemblies	28-29
Scrub System-Cylindrical-Right Door Assy	30-31
Scrub System-Left Door Assembly-36C&40D.....	32-33
Scrub System-Disc.....	34-35
Scrub System-Disc-Deck Assembly.....	36-37
Scrub System-Disc-Side Blade Assemblies.....	38-39
Scrub System-Disc-Right Door Assembly-34D	40-41
Scrub System-Disc-Left Door Assembly-34D	42-43
Scrub System-Disc-Right Door Assembly-40D	44-45
Solution System	46-47
Squeegee System.....	48-49
Squeegee System-Squeegee Assy J-34D	50-51
Squeegee System-Squeegee Assy K-36C&40D	52-53
Wheel System	54-55
Ladder Diagrams.....	56-61
Options & Accessories	62-63
Recommended Spare Parts.....	64-65
Brush Selector Guide-Disc.....	66
Brush Selector Guide-Cylindrical	67
Squeegee Blade Selector Guide.....	68

WHEN ORDERING PARTS

- * Use the part numbers from the "Ref. No." columns in this parts list. If the "Ref. No." column is blank; look under the "Kit" column to identify which kit contains the part in question, then use the kit callout, for example "K1", to find the "Ref. No." for that kit.

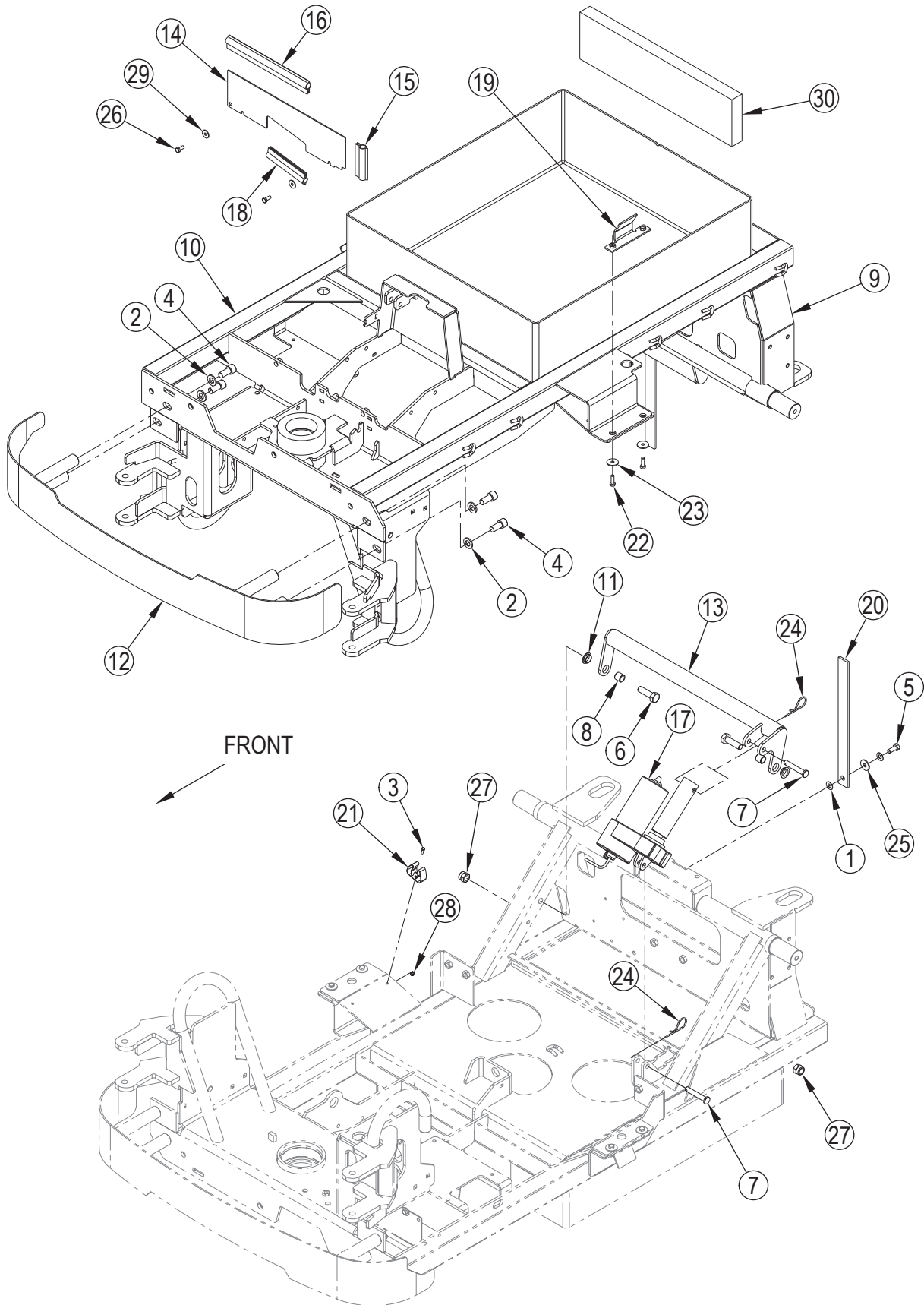
Kit	Item	Ref. No.	Qty	Description
K1	1		16	Washer Flat 3/16 Zinc Plat
K1	2		2	Screw-BHS-Brass-10-32x3/8-MS
K1	3		3	Washer EPDM 7/32 X 1/8
	4	805	1	Chain-Cover
	5	905	2	Caster Swivel 4 Gray Non MA
K1	6		2	Nut, Hex Nyl Loc 10-24
K1	7		3	Scr- Hex SS 1/4-20 X .75
K1	8		16	Scr, Hex Hd Loc 1/4-20 x .50
K1	9		3	Wsh, Flt SS .260 X 1.000 X .074
	10	56113012	1	Solution Tank
	11	56113034	2	Hinge Plate
K1		56113103	1	Kit-Hardware Solution Tank

* Specify the model number and serial number of the machine.

* Use the space below to record the model number and serial number for future reference.

Model No. _____ Serial No. _____

CHASSIS SYSTEM



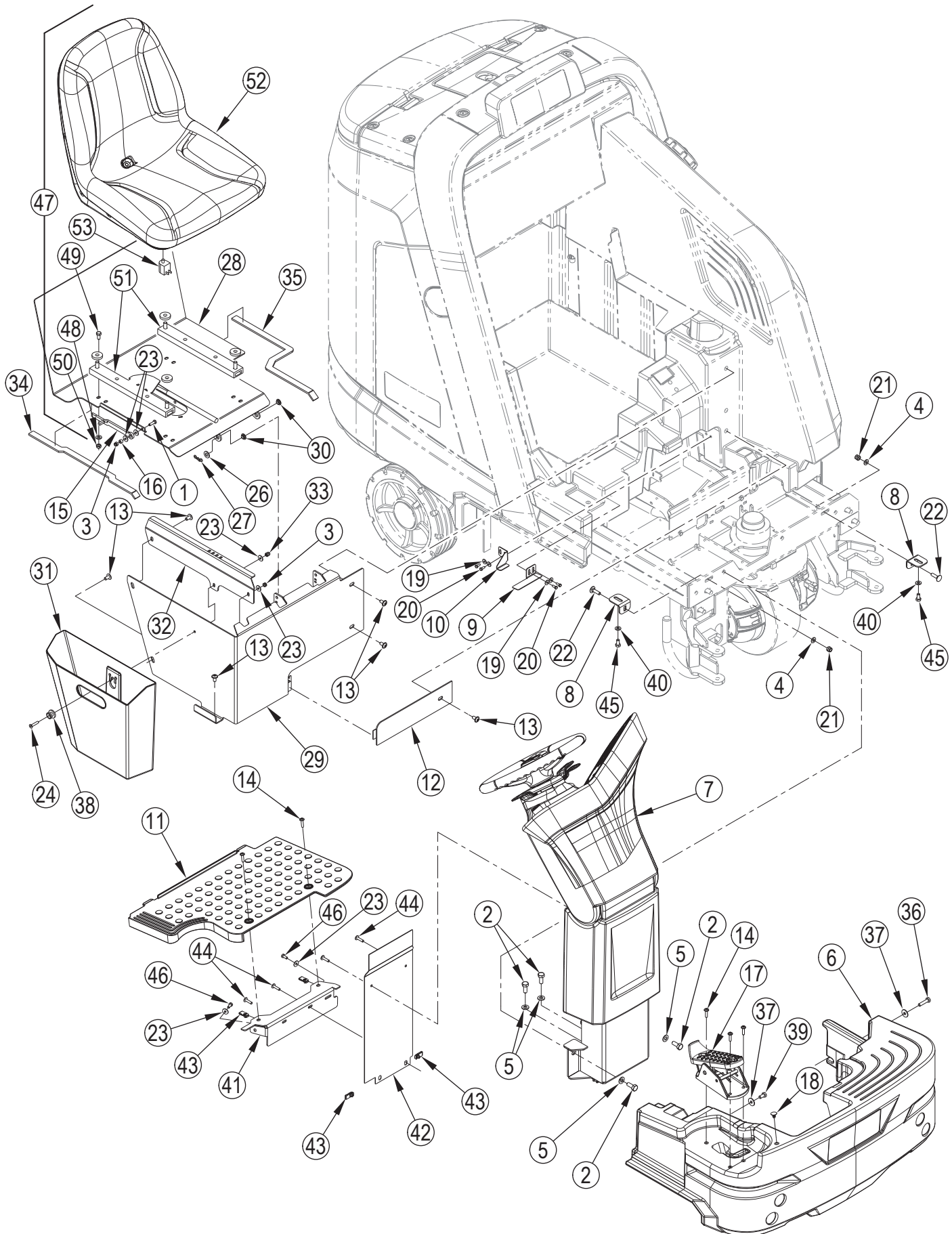
CHASSIS SYSTEM

Kit	Item	Ref. No.	Qty	Description
K5	1		2	Washer M8
K1	2		4	Washer, Flat 13x24
K2	3		1	Screw M4x12 Hex Hd F/Thd
K1	4		4	Screw Soc. Hd M12x25
K5	5		1	Screw M8x20 Hex Hd F/Thd
K2	6		2	Scr M12x40 Hex 10.9 Iso4017
K3	7		2	Pin-Clevis .375 X 2.25
K2	8		2	Bushing-12.5x16x14.48mm
	9	56116171	1	Tray-Battery
	10		1	Chassis Weldment
K2	11		2	Bearing-Flange-16x18x6mm
K1	12		1	Bumper Weldment
	13	56116501	1	Lift Arm Weldment-Squeegee
K4	14		1	Panel-Electrical Wall
K4	15		1	Edge Trim
K4	16		1	Edge Trim
	17	56116781	1	Actuator-Squeegee (M6)
K4	18		1	Trim Seal
	19	56116930	2	Bracket-Crossbar Mount
K5	20		1	Strap,Static, 12.5"
	21	56601598	1	Hose Clip
K2	22		4	Screw M6x20 Hex Hd F/Thd Ss ISO4017
K2	23		4	Washer Flat XI 6.6x24.0x2.0 Ss
K3	24		2	Hair Pin Cotter A2,5
K5	25		1	Washer 8x24x2 Uni6593 Ss
K2,K4	26		2	Screw M6x14 Hex Hd F/Thd Ss
K2	27		2	Nut, Hex Nyl Loc M12 S.S.
K2	28		1	Nut, Hex Nyl Loc Thin M4 Ss
K2,K4	29		2	Washer Flat XI 6x18x1.5 – Ss
	30	56601708	1	Battery Spacer

Service Kits

K1	56116872	1	Bumper Kit
K2	56116873	1	Hardware Kit-Chassis
K3	56118038	1	Hardware Kit-Actuator
K4	56118047	1	Panel Kit-Electrical Wall
K5	56116874	1	Static Strap Kit

CONTROL SYSTEM BEFORE SERIAL NUMBER 3510173102367



CONTROL SYSTEM BEFORE Serial Number 3510173102367

Kit	Item	Ref. No.	Qty	Description
K8	1		1	Screw Hex Hd Uni-5739 M6x20
K7	2		4	Screw M10x25 Hex Hd F/Thd
K8,K9	3		2	Nut Hex Nyl Loc Thin M6 SS
K3	4		2	Washer, Flat 8.4x16x1.6
K7	5		4	Washer, Flat 10.5x21
	6	56116088	1	Tank-Front Floor
	7		1	Steering Column Assembly (See pages 11 and 13)
K3	8		2	Bracket-Mounting
K4	9		1	Clip-Floor Plate-Right
K4	10		1	Clip-Floor Plate-Left
	11	56116779	1	Floor Panel Assembly
	12	56116792	1	Actuator Panel Weldment
K9	13		6	Screw M8x16 Iso7380-2 Flg Blk ZN TSB-FC-2017-044
K3	14		5	Screw M6x20 Iso7380-2 Flg Blk ZN TSB-FC-2017-044
K8	15		1	Bar-Seat Prop NOTE 1
K8	16		1	Bushing-.256x.393x.265in
	17	56118157	1	Foot Pedal Assembly (A11) TSB-FC-2017-053
K3	18		1	Clip, Panel
K4	19		4	Washer Flat XI 5.5x15.0x1.6 Ss
K4	20		4	Screw M5x12 Hex Hd F/Thd
K3	21		2	Nut, Hex Nyl Loc M8 Ss
K3	22		2	Screw M8x30 Carriage
K3,K8	23		6	Washer Plain M6x18 Ss
K9	24		1	Screw Flat Socket Head M6x30.0
K9	26		1	Washer, Flat 10.5x21
K9	27		1	Pin- Bow-Tie Cotter 1/4x 3/8
	28	56116538	1	Seat Mount Weldment
	29	56116656	1	Seat Mount Weldment
K9	30		2	Bearing-Flange-10x12x5mm
	31	56116748	1	Waste Bin-Seat Mount
	32	56116791	1	Bracket-Seat
K9	33		1	Nut, Cap M6 Uni 5721
	34	56116849	1	Gasket-Adhesive 5x20x450mm
	35	56116850	1	Gasket-Adhesive 5x20x550mm
K3	36		1	Screw M8x35 Hex Hd F/Thd Ss
K3	37		2	Washer 8x24x2 Uni6593 Ss
K9	38		1	Lug, Brush Driver
K3	39		1	Screw M8x16 Hex Hd F/Thd Ss
K3	40		2	Washer, Flat 8.4x16x1.6
	41	56116642	1	Bracket-Floor Plate
	42	56116747	1	Cover-Steering Column
K4,K7	43		4	U-Nut-Long M6
K4,K7	44		4	Screw M6x20 Iso7380-2 Flg Blk ZN TSB-FC-2017-044
K3	45		2	Screw M8x16 Hex Hd F/Thd Ss
K3	46		2	Screw M6x14 Hex Hd F/Thd Ss
	47	56116600	1	Standard Seat Kit (48-53)
	48	56001939	4	Wsh, Flt Sae 5/16
	49	56002035	4	Scr-Hex 5/16-18 X .62
	50	56002826	4	Nut, Hex Nyl Loc-Thin 5/16-18
	51	56109300	1	Slide Kit, No Studs
	52	56383292	1	Seat-11.25in Mount
	53	7-82-00050	1	Switch Seat (S1)

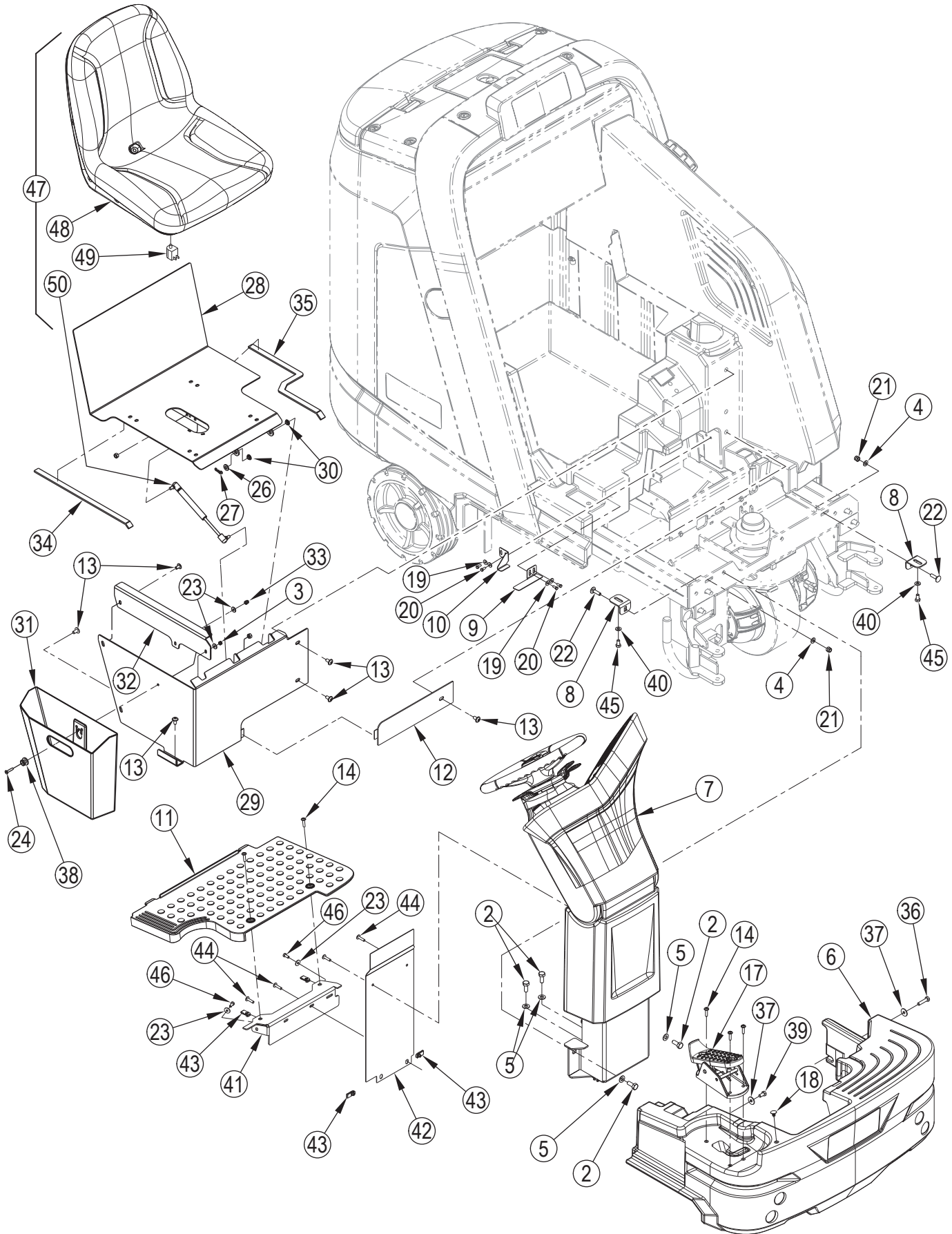
Service Kits

K3	56116901	1	Hardware Kit-Floor Tank
K4	56116903	1	Hardware Kit-Floor Plate
K7	56118568	1	Hardware Kit-Lower Column
K8	56118051	1	Prop Rod Kit NOTE 1
K9	56116915	1	Hardware Kit-Seat Area
K10	56116366	1	Duluxe Seat Kit NOTE 2

NOTE 1: The Prop Rod is only used in machines built before Serial Number 3510173102367.

NOTE 2: The optional Deluxe Seat Kit 56116366 is for machines built before Serial Number 3510173102367 and contains a Gas Spring.

CONTROL SYSTEM AFTER SERIAL NUMBER 3510173102366



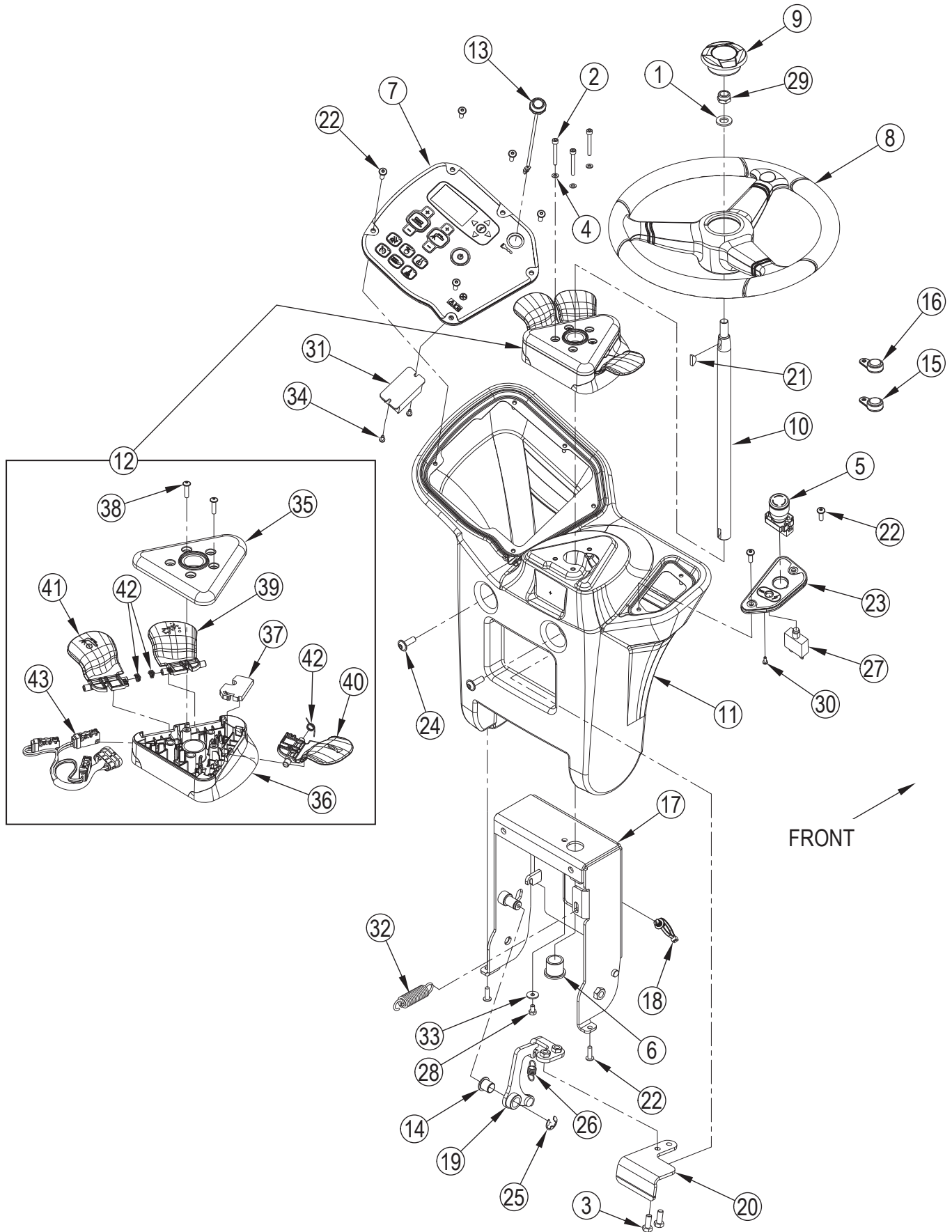
CONTROL SYSTEM AFTER SERIAL NUMBER 3510173102366

Kit	Item	Ref. No.	Qty	Description	Service Kits		
K7	2		4	Screw M10x25 Hex Hd F/Thd	K3	56116901	1 Hardware Kit-Floor Tank
K9	3		2	Nut Hex Nyl Loc Thin M6 SS	K4	56116903	1 Hardware Kit-Floor Plate
K3	4		2	Washer, Flat 8.4x16x1.6	K7	56118568	1 Hardware Kit-Lower Column
K7	5		4	Washer, Flat 10.5x21	K8	56118051	1 Prop Rod Kit NOTE 1
	6	56116088	1	Tank-Front Floor	K9	56116915	1 Hardware Kit-Seat Area
	7		1	Steering Column Assembly	K10	56118147	1 Deluxe Seat Kit No Prop Rod NOTE 3
(See pages 11 and 13)							
K3	8		2	Bracket-Mounting	NOTE 1: The Prop Rod Kit is not used in machines built after Serial Number 3510173102366.		
K4	9		1	Clip-Floor Plate-Right			
K4	10		1	Clip-Floor Plate-Left			
	11	56116779	1	Floor Panel Assembly			
	12	56116792	1	Actuator Panel Weldment			
K9	13		6	Screw M8x16 Iso7380-2 Flg Blk ZN TSB-FC-2017-044			
K3	14		5	Screw M6x20 Iso7380-2 Flg Blk ZN TSB-FC-2017-044			
	17	56118157	1	Foot Pedal Assembly (A11) TSB-FC-2017-053			
K3	18		1	Clip, Panel			
K4	19		4	Washer Flat XI 5.5x15.0x1.6 Ss			
K4	20		4	Screw M5x12 Hex Hd F/Thd			
K3	21		2	Nut, Hex Nyl Loc M8 Ss			
K3	22		2	Screw M8x30 Carriage			
K3,K8	23		6	Washer Plain M6x18 Ss			
K9	24		1	Screw Flat Socket Head M6x30.0			
K9	26		1	Washer, Flat 10.5x21			
K9	27		1	Pin- Bow-Tie Cotter 1/4x 3/8			
	28	56118150	1	Seat Mount Weldment			
	29	56118148	1	Seat Mount Weldment			
K9	30		2	Bearing-Flange-10x12x5mm			
	31	56116748	1	Waste Bin-Seat Mount			
	32	56118149	1	Bracket-Seat			
K9	33		1	Nut, Cap M6 Uni 5721			
	34	56116849	1	Gasket-Adhesive 5x20x450mm			
	35	56116850	1	Gasket-Adhesive 5x20x550mm			
K3	36		1	Screw M8x35 Hex Hd F/Thd Ss			
K3	37		2	Washer 8x24x2 Uni6593 Ss			
K9	38		1	Lug, Brush Driver			
K3	39		1	Screw M8x16 Hex Hd F/Thd Ss			
K3	40		2	Washer, Flat 8.4x16x1.6			
	41	56116642	1	Bracket-Floor Plate			
	42	56116747	1	Cover-Steering Column			
K4,K7	43		4	U-Nut-Long M6			
K4,K7	44		4	Screw M6x20 Iso7380-2 Flg Blk ZN TSB-FC-2017-044			
K3	45		2	Screw M8x16 Hex Hd F/Thd Ss			
K3	46		2	Screw M6x14 Hex Hd F/Thd Ss			
	47	56116600	1	Standard Seat Kit (48-50)			
	48	56383292	1	Seat-11.25in Mount			
	49	7-82-00050	1	Switch Seat (S1)			
	50	56118099	1	Spring-Gas NOTE 2			

NOTE 2: The Gas Spring is standard in machines built after Serial Number 3510173102366.

NOTE 3: The Deluxe Seat Kit 56118147-No Prop Rod is used only on machines built after Serial Number 3510173102366.

CONTROL SYSTEM-UPPER COLUMN ASSEMBLY



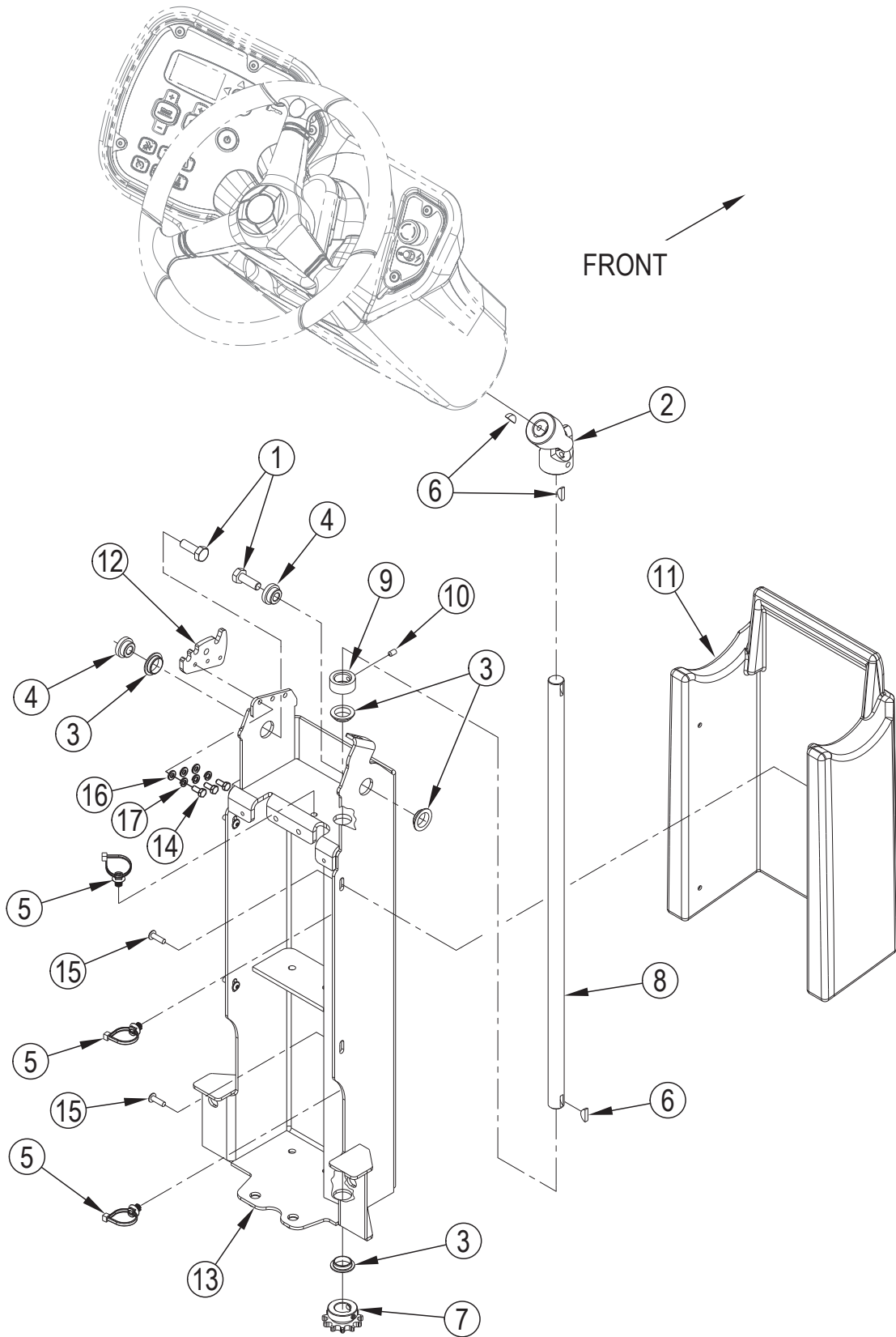
CONTROL SYSTEM-UPPER COLUMN ASSEMBLY

Kit	Item	Ref. No.	Qty	Description
K6	1		1	Washer, Flat 13x24
K2	2		3	Screw Soc. Hd M5x40
K10	3		2	Screw M8x20 Hex Hd F/Thd
K2	4		3	Washer, Flat 5,3x10
	5	56104247	1	Emergency Disconnect (S2)
	6	56104407	1	Bearing-Flange
	7	56116054	1	Pcb Box Assembly
		56116056	1	Membrane Panel Assembly
	8	56116102	1	Wheel-Steering
	9	56116122	1	Cap-Steering Wheel
	10	56116165	1	Shaft-Steering-Upper 20mm
	11	56116312	1	Shroud-Steering Column-Upper
	12		1	Paddle Assembly (35-43)
	13	56116477	1	Ibutton-Probe
K10	14		1	Bearing-Flange-14x16x17mm
	15	56116518	1	Smart Key-User (A10)
	16	56116519	1	Smart Key-Supervisor
	17	56116580	1	Steering Column Weldment-Upper
K6	18		1	Cable Tie Mount
K10	19		1	Lever Weldment-Tilt
K10	20		1	Handle-Tilt Lever
K6	21		1	Key-Wdf 5x7.5x19 Uni6606
K6	22		9	Screw M6x20 Wn1451 Black Zn
	23	56116802	1	Mounting Panel-E-Stop Breaker
K6	24		2	Screw M8x25 Iso7380-2 Flg Blk ZN TSB-FC-2017-044
K10	25		1	Washer-Retaining 12mm Din6799
K10	26		1	Spring-Extension-0.50x1.25in
	27	56507644	1	Circuit Breaker, 10 Amp (CB1)
K6	28		1	Screw M6x10 Hex Hd F/Thd Ss
K6	29		1	Nut, Hex Nyl Loc Thin M12
K6	30		1	Scr, Pan Phil M3.5x10
	31	40892A	1	Relay Dpdt 36vdc (K1)
	32	56116846	1	Spring-Extension 0.75x3.00In
K6	33		1	Washer Flat XI 6x18x1.5
K6	34		2	Scr, Pan Phil M4x10
K2	35		1	Housing-Paddle-Cover
K2	36		1	Housing-Paddle
K2	37		1	Plate-Blank-Paddle
K2	38		2	Screw Ejot Delta Pt50x18wn1451
K1	39		1	Paddle-Boost Of Power
K1	40		1	Paddle-Horn
K1	41		1	Paddle-Solution
K1	42		3	Spring-Torsion .33in-135deg
	43	56116529	1	Harness-Paddle

Service Kits

K1	56116913	1	Paddle Kit
K2	56116914	1	Paddle Housing Kit
K6	56118052	1	Hardware Kit-Upper Column
K10	56118066	1	Column Tilt Kit

CONTROL SYSTEM-LOWER COLUMN ASSEMBLY



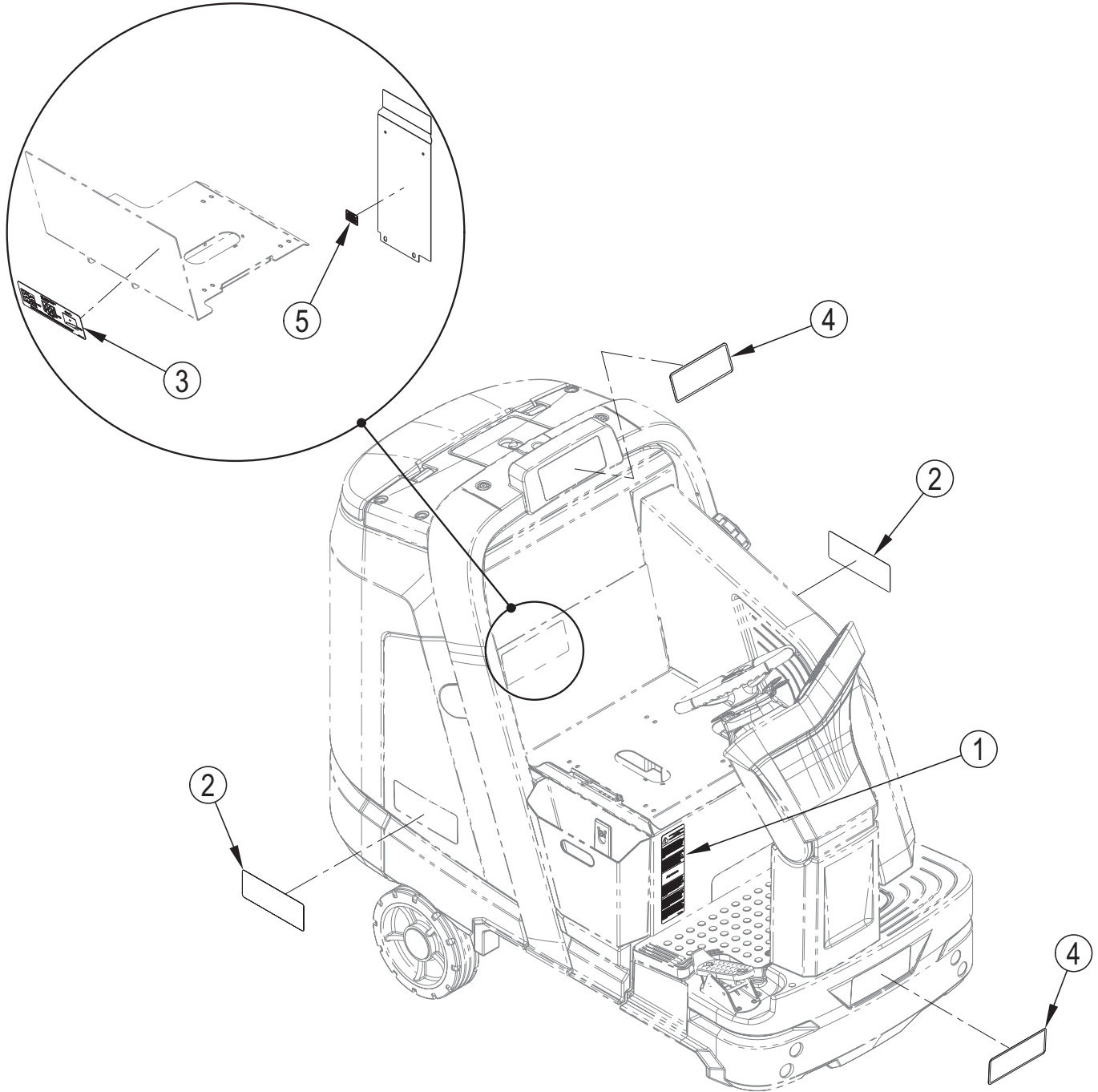
CONTROL SYSTEM-LOWER COLUMN ASSEMBLY

Kit	Item	Ref. No.	Qty	Description
K5,K7	1		2	Screw M10x30 Hex Hd F/Thd ISO417
	2	56116169	1	Joint-Universal
K5,K7	3		3	Bearing-Flange-20x23x7mm
K5	4		3	Bushing-Flange-10x20x12mm
K5	5		3	Cable Tie Mount
K5,K7	6		3	Key-Wdf 5x7.5x19 Uni6606
	7	56104269	1	Sprocket-11 Tooth
	8	56116163	1	Shaft-Steering-Lower-20mm
K7	9		1	Collar-Shaft-20x32x14mm
K7	10		1	Scr-Soc-Set Cup M6x8 Iso4029
	11	56116278	1	Shroud-Steering Column-Lower
	12	56116323	1	Plate-Tilt Adjustment
	13	56116570	1	Steering Column Weldment-Lower
K7	14		3	Screw M6x14 Hex Hd F/Thd IS04017 TSB-FC-2017-065
K7	15		4	Screw M6x20 Wn1451 Black Zn
K5,K7	16	33005913	3	Washer, Plain M6 x 12 ISO7089
K5	17	33005851	3	Washer, Split Lock d.6

Service Kits

K5	56116904	1	Hardware Kit-Column
K7	56118168	1	Hardware Kit-Lower Column

DECAL SYSTEM



DECAL SYSTEM

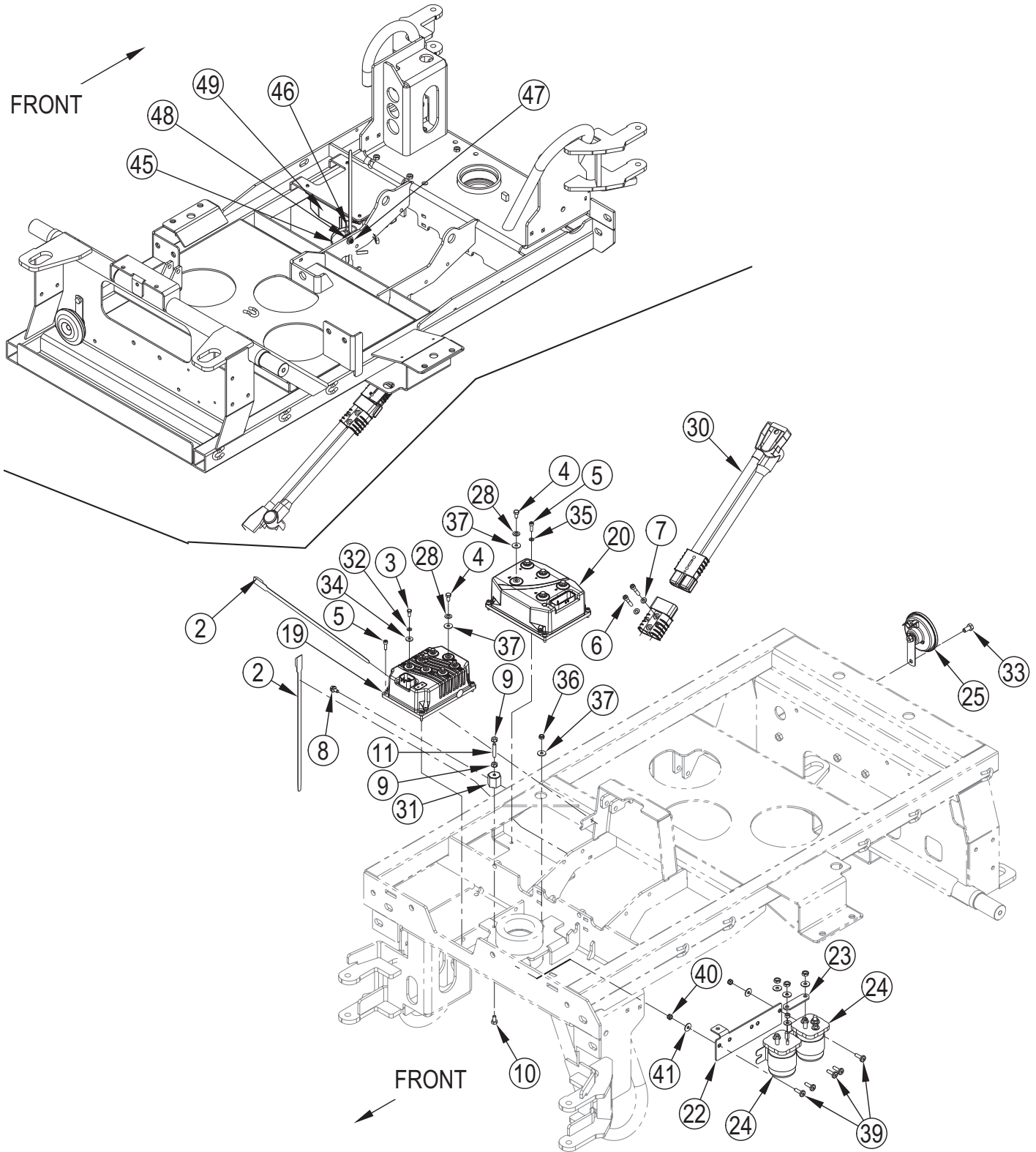
Kit	Item	Ref. No.	Qty	Description
K1	1		1	Decal, Caution
K1	2		2	Decal-SC6000-Advance
K1			2	Decal-SC6000-Ecoflex-Advance
K1	3		1	Decal-Battery Wiring 36V
K1	4		2	Decal Advance Rectangular 210x83
K1	5#		1	Decal, Prop 65

Service Kits

K1	56118068	1	Decal Kit-America
----	----------	---	-------------------

= Revised or new since last update

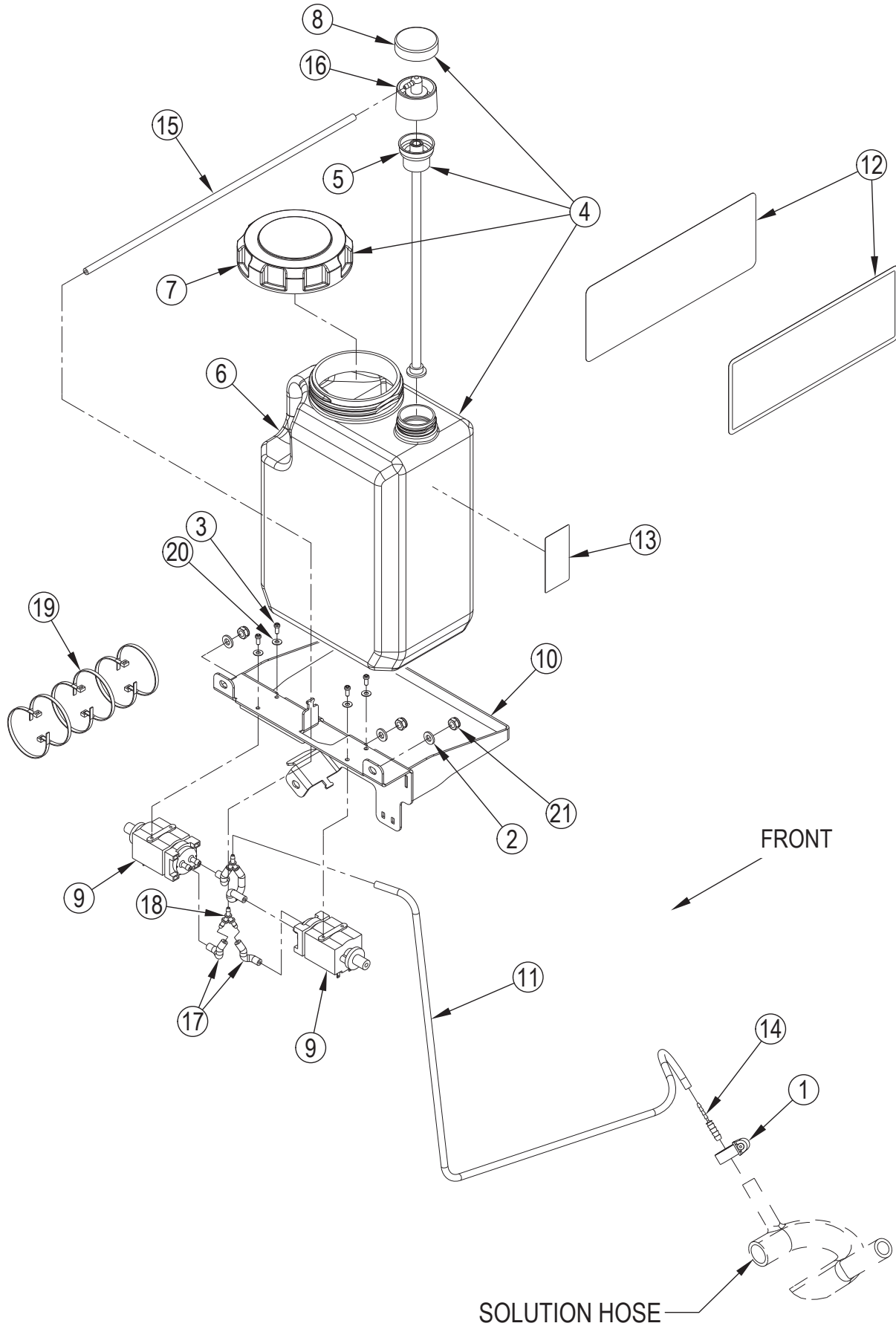
ELECTRICAL SYSTEM



ELECTRICAL SYSTEM

Kit	Item	Ref. No.	Qty	Description	Service Kits
K2	[1]		29	Clamp 290x4.8	K1 56118049 1 Electrical Mount Kit
K2	2		2	Clamp 9x350	K2 56116992 1 Hardware Kit-Electrical
K3	3		5	Screw M5x12 Hex Hd F/Thd	K3 56116926 1 Hardware Kit-Controllers
K3	4		7	Screw M6x12 Hex Hd F/Thd	K4 56116993 1 Hardware Kit-Contactor Assembly
K3	5		8	Screw Soc. Hd M5x16 SS	K5# 56118180 1 Traction Harness Kit
K2	6		2	Screw Soc. Hd M6x30	
K2	7		2	Washer, Flat 6.4x12.5	[] = Not Shown
K2	8		1	Screw Thread Rolling M6x12	# = Revised or new since last update
K1	9		2	Nut, Hex W/ Shprf 1/4-20	
K1	10		1	Scr- Hex Ss 1/4-20 X .50	
K1	11		1	Stud, 1/4-20	
	[12]	56116050	1	Harness-Main	
	[]	56115432	1	Fuse-150 Amp	
K5	[13]#		1	Harness-Traction	
	[14]	56116061	1	Cable-Speed Controller-Red	
	[15]	56116062	1	Cable-Speed Controller-Black	
	[16]	56116063	1	Cable-Power Module-Red	
	[17]	56116064	1	Cable-Power Module-Black	
	[18]	56116065	1	Harness-Machine Power	
	19	56116087	1	Module-High Power (E3) TSB-FC-2017-048	
	20	56116131	1	Speed Control (E4)	
	21		1	Contactor Assembly (Power Module K2, / Speed Controller K3)	
	22	56116300	1	Plate-Contactor Mounting	
	23	56116345	1	Bus Bar-Contactor	
	24	56303198	2	Contactor 36v Type 4 (K2, K3)	
	25	56116375	1	Horn-36v (H1)	
	[26]	56116396	1	Harness-Vacuum Float	
K2	[27]		7	Cable Tie Mount	
K3	28		7	Washer Int Lock M6 Din6798jss	
	[29]	56116909	1	Harness-Seat Switch	
	30	56116977	1	Harness Assembly-Battery	
K1	31		1	Electrical Mount	
K3	32		5	Washer, Ext. Shprf Ø 5 SS	
K2	33		1	Screw M8x16 Hex Hd F/Thd SS	
K3	34		5	Washer Flat XI 5.5x15.0x1.6ss	
	35	L08241500	4	Washer, Flat 5.3x10x1 SS	
K2	36		1	Nut, Hex Nyl Loc Thin M6ss	
K2,K3	37		8	Washer Flat XI 6x18x1.5 -SS	
K2	[38]		15	Tie, Cable 4.8x430	
K4	39		5	Scr, Pan Phil M6x20	
K4	40		2	Nut, Hex Nyl Loc Thin M6 SS	
K4	41		2	Washer Flat XI 6x18x1.5 - SS	
	42	56409485	5	Cable Assembly 1 x 15.00	
	43	2-00-05173	5	Bat Terminal Cover (BLK)	
	44	2-00-05171	5	Bat Terminal Cover (RED)	
	45#	56477613	1	Tie, Cable	
	46#	56496276	1	Clamp, Hose Support	
	47#	L08603682	2	Nut, Lock Hex M6 Low SS IS010511	
	48#	L08603687	1	Screw, M5 x 20, Hex Head F/THD SS ISO4017	
	49#	L08603689	10	Washer, Plain M6 xx 18 SS IS07093	

ECOFLEX™ ASSEMBLY



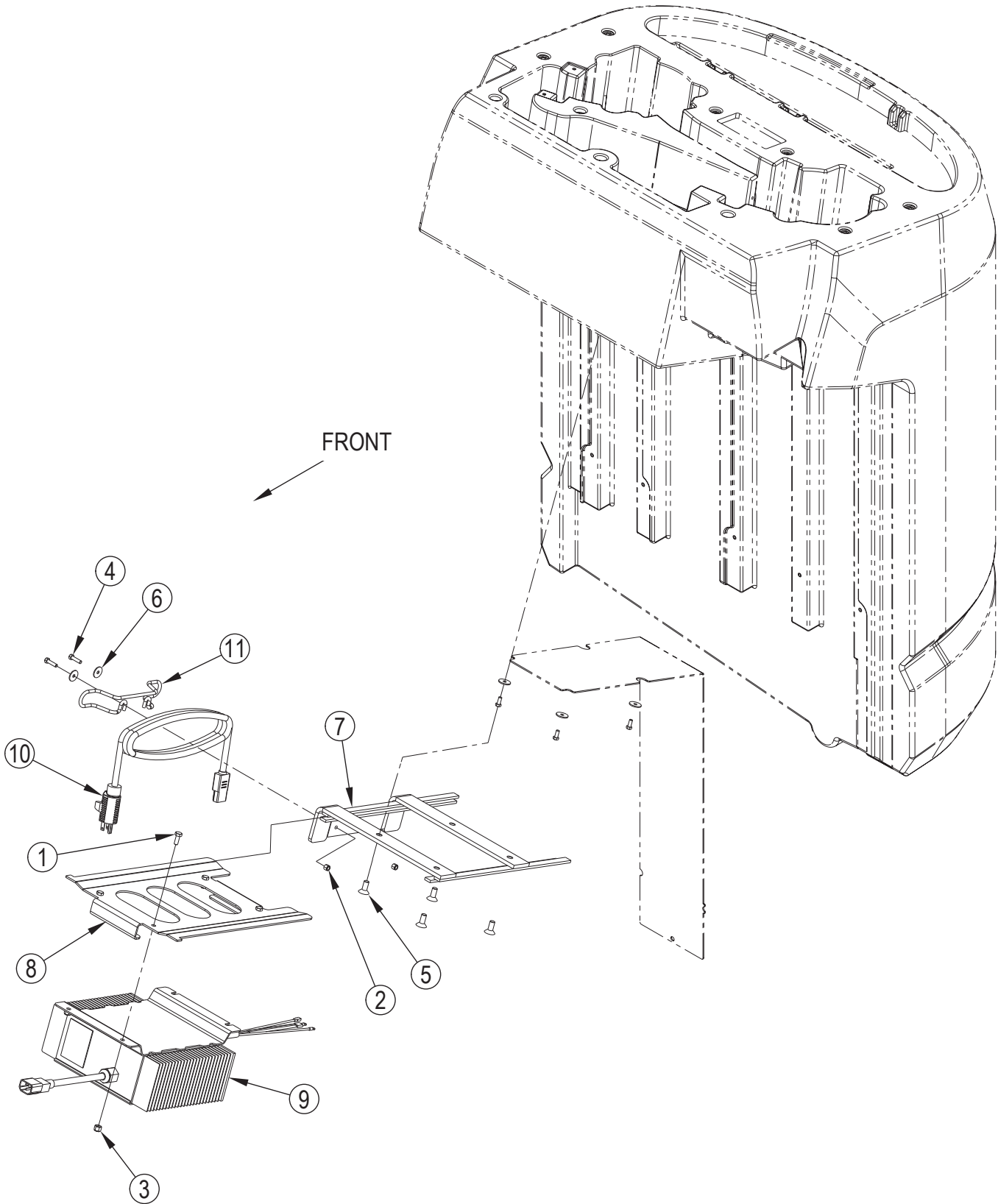
ECOFLEX™ ASSEMBLY

Kit	Item	Ref. No.	Qty	Description
K2	1		1	Clamp Hose 8-16/9 Din3017
K3	2		3	Washer, Flat 6,4x12,5
K3	3		4	Scr-Torx Self Thd M3x7 Plastic
	4	56104190	1	EcoFlex Bottle Assy
	5	56104189	1	Insert-Dry Break
	6	56104408	1	Chemical Bottle Assembly
	7	9100001512	1	Cap Plastic F Chemical Tank
	8	56315690	1	Cap, 38mm Buttress
	9	56110742	2	Pump, Detergent, 12v (M8, M9)
	10	56116726	1	Bracket Weldment
K2	11		1	Hose 1/8 Id X 32 Lg
K1	12		2	Decal-SC6000-Ecoflex-Advance
K1	13		1	Decal-Chemical Ratio
K2	14		1	Reducer, Barb
K2	15		1	Hose, Chem Resistant, 14
	16	56315523	1	Cap Dry Break 1/8 Barb
K2	17		4	Hose, Chem Resistant, 2.00
K2	18		2	Fitting, Y, Barb, .125
K3	19		6	Clamp Black
	20	9100001912	4	Washer Plain M4x9ss Iso7089 10
K3	21		3	Nut, Hex Nyl Loc Thin M6 Ss

Service Kits

K1	56116999	1	Decal Kit-Ecoflex
K2	56116940	1	Hose Kit-Ecoflex
K3	56116941	1	Hardware Kit-Ecoflex

ONBOARD-CHARGER-ASSEMBLY



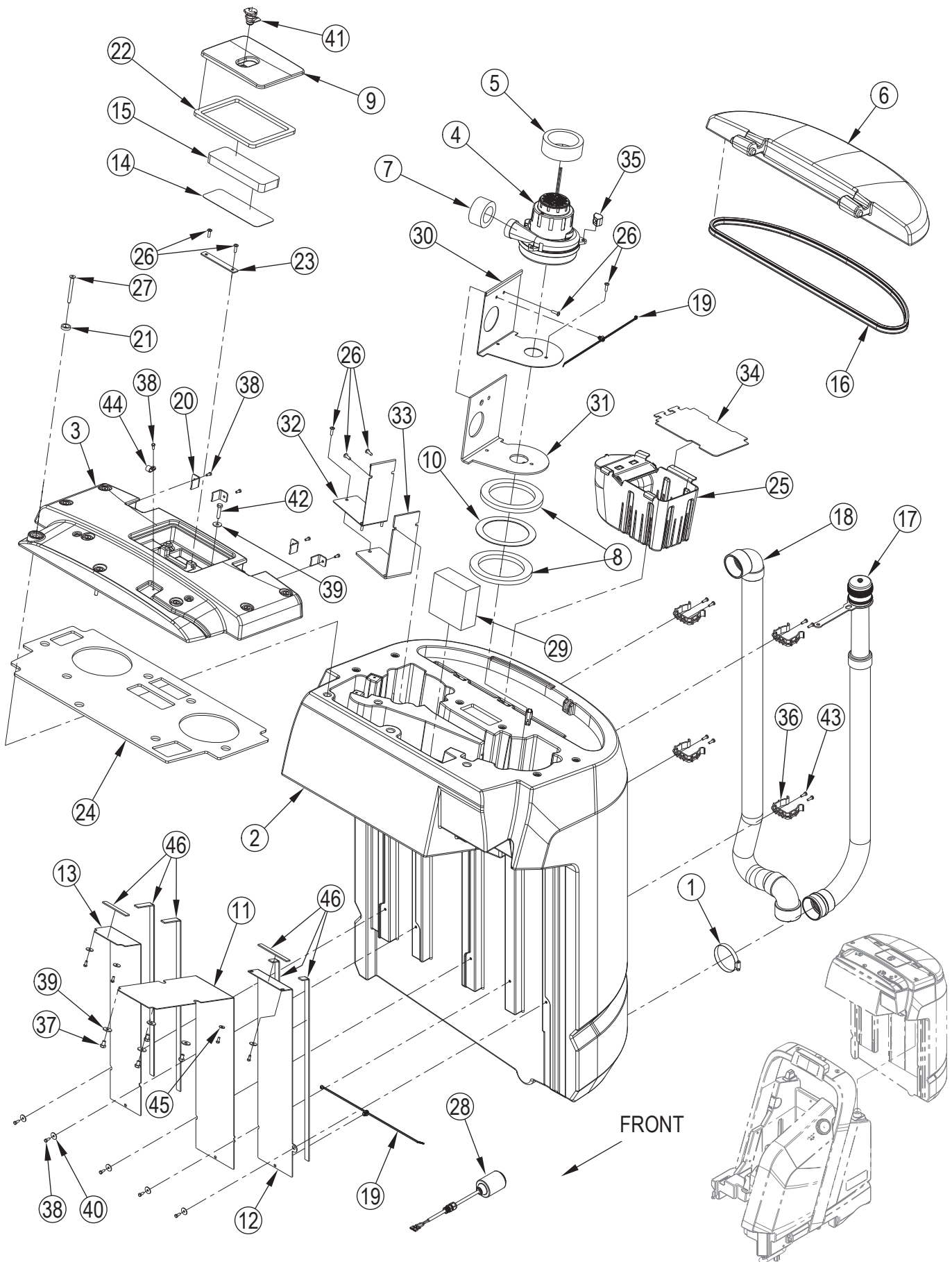
ONBOARD-CHARGER-ASSEMBLY

Kit	Item	Ref. No.	Qty	Description
K1	1		4	Scr, Hex Thd To Hd M6-1 X 16mm
K1	2		2	Nut-Hex Nyl Loc M5-0.8
K1	3		4	Nut-Hex Nyl Loc M6-1
K1	4		2	Scr-Hex M5-0.8 X 20mm
K1	5		4	Scr-Fit Soc M8-1.25 X 20mm
K1	6		2	Wsh-Fit Ss .204 X .750 X .050
	7	56116628	1	Mount Weldt-Onboard Charger
	8	56116631	1	Bracket-Onboard Charger Mount
	9	56315774	1	Charger-On Board 36v (E1)
	10	56383385	1	Cord Charger Yellow Us
	11	9095149000	1	Cable Support

Service Kits

K1	56116947	1	Hardware Kit-Onboard Charger
----	----------	---	------------------------------

RECOVERY SYSTEM



RECOVERY SYSTEM

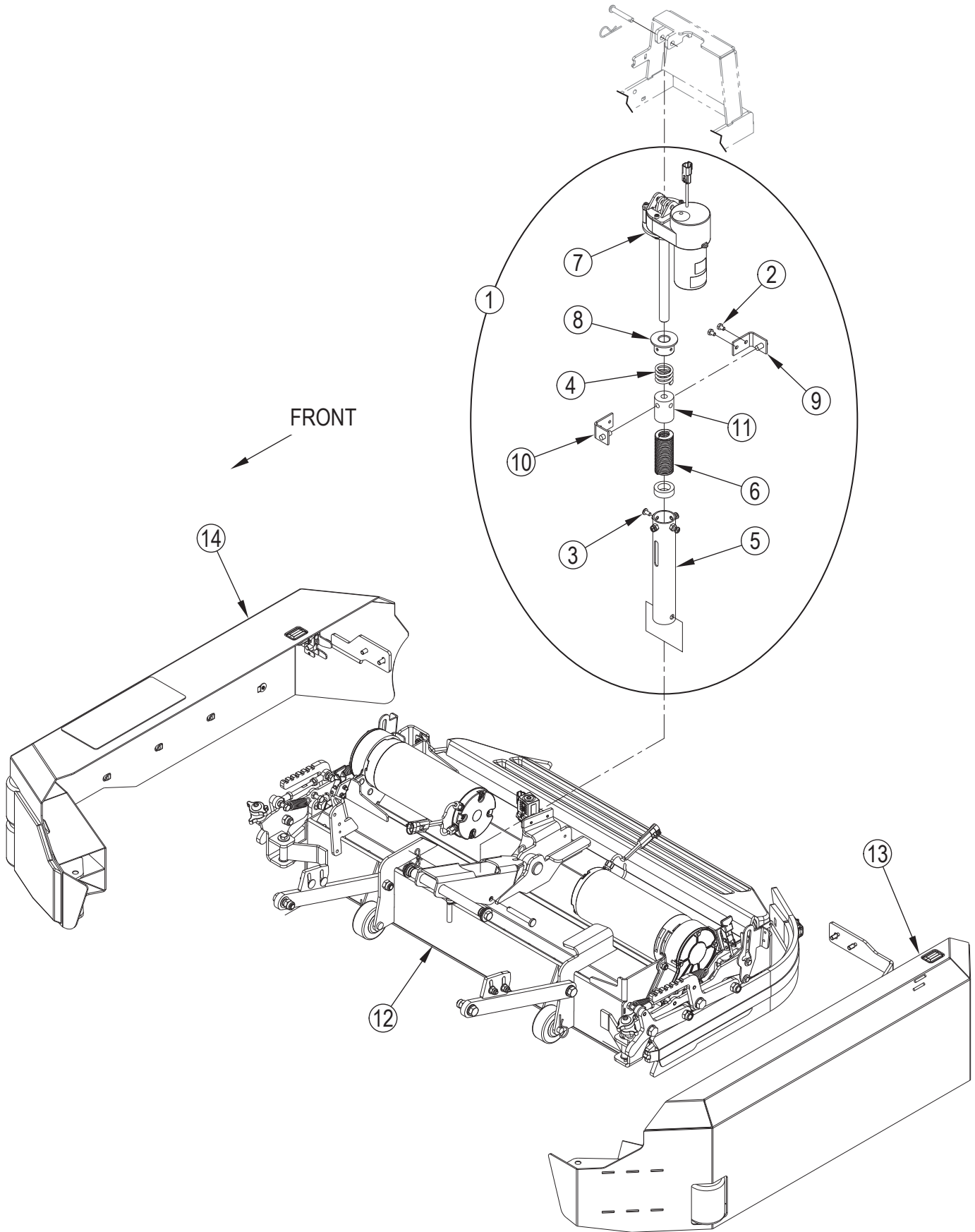
Kit	Item	Ref. No.	Qty	Description
	1	33003458	1	Clamp, Hose 8/62-82 W2
	2	56116093	1	Tank-Recovery
	3	56116104	1	Cover-Vacuum Motor
	4	56116105	1	Motor-Vacuum 36vdc (M4)
		56116107	1	Vacuum Motor Brush Kit
K5	5		1	Seal-Inlet
K4	6	56116111	1	Cover-Recovery Tank
K5	7		1	Seal-Exhaust
K5	8		2	Seal-Vacuum Motor Inlet
K6	9		1	Cover-Filter
K5	10		1	Plate-Gasket Mount
K1	11		1	Panel-Exhaust
K1	12		1	Panel-Vacuum Motor Exhaust
K1	13		1	Panel-Vacuum Exhaust-Dual
K6	14	56116392	1	Screen-Filter
K6	15	56116394	1	Filter-Vacuum Inlet
	16	56116486	1	Seal-Recovery Cover
	17	56116500	1	Drain Hose Assembly
	18	56116537	1	Squeegee Hose Assembly
K1,K7	19		2	Cable Tie-Mount
K3	20		4	Retainer-Hinge
K7	21		8	Washer-Cosmetic-Ss-M8
K6	22		1	Gasket-Vacuum Filter Cover
K6	23		1	Catch-Cover
	24	56116698	1	Gasket-Vacuum Cover
	25	56116722	1	Debris Tray Assembly
K4,K6,K726			10	Screw M6x20 Wn1451 Black Zn

Kit	Item	Ref. No.	Qty	Description
K7	27		8	Screw M8x80 Din7991 Ss Black
	28	56116842	1	Switch-Float Mechanical 120v
K4	29	56118005	1	Seal-Vacuum Block
K4	30		1	Plate-Seal
K4	31		1	Gasket-Seal Vacuum
K4	32		1	Plate-Seal Vacuum
K4	33		1	Gasket-Vacuum
	34	56118017	1	Flap-Debris Tray
K5	35		3	Mount, Vibration
K2	36		4	Clamp, Plastic
K1	37		4	Screw M8x12 Hex Hd F/Thd Ss
K1,K3,K738			14	Screw M5x12 Hex Hd F/Thd
K1,K7	39		6	Washer 8x24x2 Uni6593 Ss
K1	40		9	Washer Flat XI 5.5x20.0x1.6
K6	41	1464896000	1	Latch With Fold Away
K7	42		2	Screw M8x35 Hex Hd F/Thd Ss
K2	43		8	Scr.Pan Phil M5x16 Ss
K7	44		1	Clamp, Cable Ø12.7
K1	45		1	Washer
	46	1463175000	1	Gasket Adhesive 15x3 -Skein

Service Kits

K1	56116920	1	Panel Kit-Recovery Tank
K2	56116988	1	Hose Clip Kit
K3	56116921	1	Door Retainer Kit
K4	56116989	1	Shut-Off Plate Kit-Single
K5	56116922	1	Vacuum Motor Seal Kit
K6	56116990	1	Filter Cover Kit
K7	56116991	1	Hardware Kit-Recovery System

SCRUB SYSTEM-CYLINDRICAL



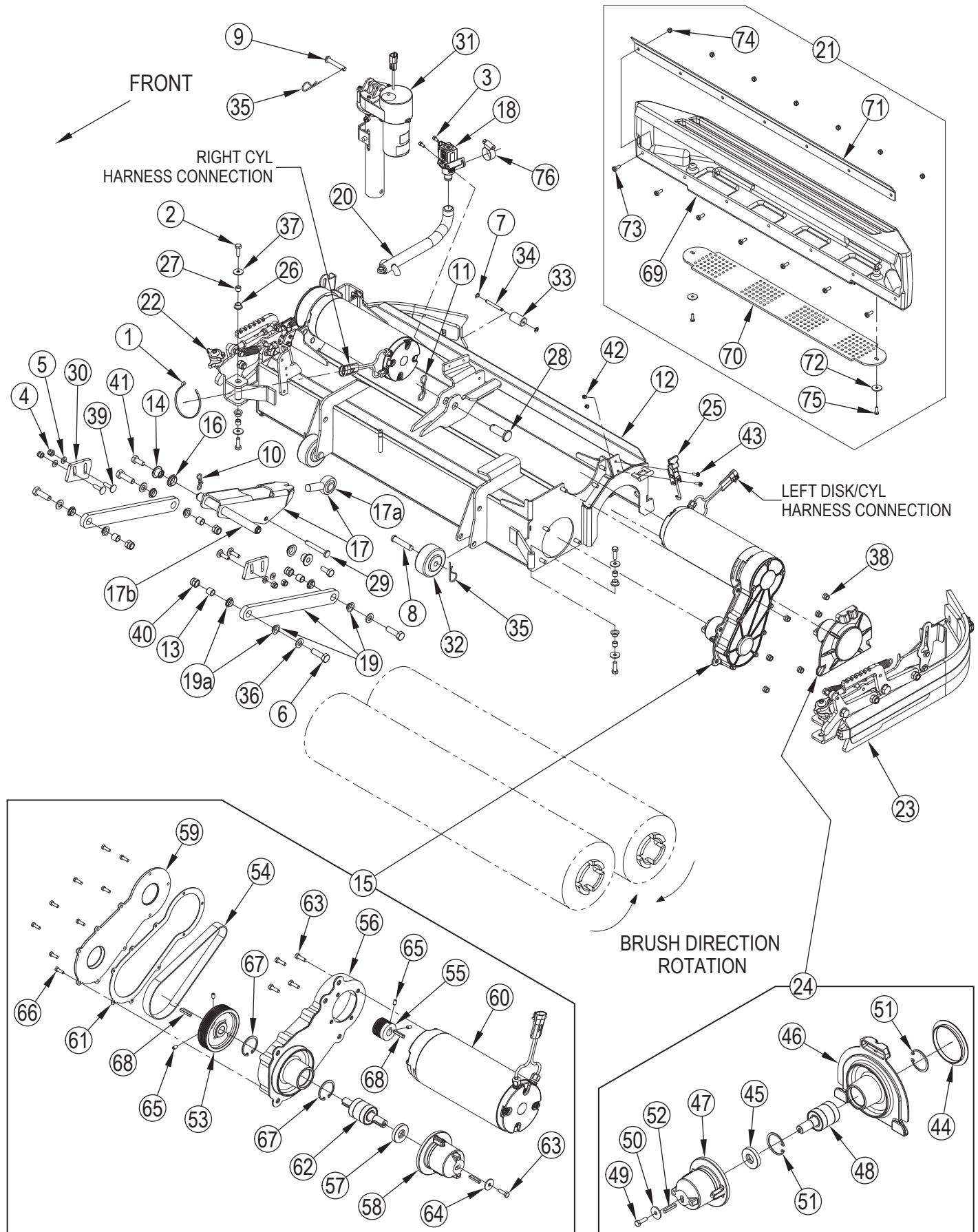
SCRUB SYSTEM-CYLINDRICAL

Kit	Item	Ref. No.	Qty	Description
	1		1	Complete Actuator Assembly (M7)
K1	2		2	Scr, Hex Thd Form 1/4-20 X0.38
K1	3		4	Scr, Pan Phil Thd Form 1/4-20x .50
K1	4		1	Spring-Compression 1.40x1.40in
K1	5		1	Spring Housing Weldment
K1	6		1	Spring-Compression-1.44x3.50 In
K1	7	56118041	1	Actuator Assembly-Heavy Duty
K1	8		1	Spring Housing Guide
K1	9		1	Nut Retainer
K1	10		1	Nut Retainer
K1	11	56388520	1	Nut, Plastic
	12		1	Cylindrical Scrub Assembly-36c
	13		1	Door Assembly-Left-40d/36c
	14		1	Door Assembly-Right-36c

Service Kits

K1	56118048	1	Spring Housing Kit-Actuator
----	----------	---	-----------------------------

SCRUB SYSTEM-CYLINDRICAL-DECK ASSEMBLY



SCRUB SYSTEM-CYLINDRICAL-DECK ASSEMBLY

Kit	Item	Ref. No.	Qty	Description	Kit	Item	Ref. No.	Qty	Description
K30	1		1	Clamp 290x4.8	K26	51		2	Ring D 40 Uni7437
K29	2		4	Screw M8x25 Hex Hd F/Thd Ss	K23	52		1	Key 5x5x30 Din6885
K16	3		2	Screw Soc. Hd M5x12 Ss	K24	53		1	Sheave 95mm-8 Rib
K10	4		4	Nut, Hex Nyl Loc Hvy M8	K21	54		1	Belt-Self Tension-8 Rib
K10	5		4	Washer, Flat 8.4x16x1.6	K24	55		1	Sheave 1.50in-8 Rib
K2	6		4	Scr M12x40 Hex 10.9 Iso4017	K22	56		1	Housing-Cylindrical Drive
K20	7		4	Ring, Ret Ext Type E Reinf. 0.25 Dia	K22	57		1	Seal-Oil
K20	8		2	Clevis Pin	K23	58		1	Lug-Cylindrical Deck Drive
K13	9		1	Pin-Clevis .375 X 2.25	K25	59		1	Cover-Belt Housing
K13	10		1	Pin- Bow-Tie Cotter 7/16 - 1/2		60	56116159	1	Motor-36vdc-1900rpm-1hp (M1, M2)
K1	11		1	Pin-Bow Tie Cotter 3/4		[]	56422152	1	Kit, Wheel Drive Brushes
	12	56116069	1	Cylindrical Scrub Deck Weldt	K25	61		1	Gasket-Cyl Drive Housing
				TSB-FC-2017-031	K22	62		1	Shaft Assembly-Brush
K2	13		4	Bushing-12.5x16x14.48mm	K22,K2363		5Screw M6x20 Hex Hd F/Thd Ss ISO4017		
K1	14		2	Bushing-Lift Arm Pivot	K23	64		1	Washer Flat XI 6.6x24.0x2.0 Ss
	15		2	Cylindrical Drive Housing Assy (53-68)	K24	65		4	Scr-Soc-Set Cup M6x8 Iso4029
K1	16		2	Bearing-Flange-20x23x7mm	K25	66		9	Screw M5x16 Hex Hd F/Thd Ss
K1	17		1	Deck Lift Arm Assembly	K22	67		2	Ring D 40 Uni7437
K1	17a		1	Rod End-Spherical-18mm-Male	K23,K2468			3	Key 5x5x30 Din6885
K1	17b		1	Lift Arm Weldment		69		1	Hopper-36 Inch
K16,K1718#			1	Valve-Solenoid-36vdc (L1)	K19	70		1	Screen-Hopper-36in
K2	19		2	Deck Trailing Arm Assembly		71		1	Threshold-Hopper-36in
K2	19a		8	Bearing-Flange-16x18x6mm	K19	72		2	Washer Flat XI 6.6x24.0x2.0 Ss
	20	56116468	1	Hose-Solution Feed-Cylindrical		73		7	Scr, Pan Phil M6x16 Ss
	21	56116483	1	Hopper Assembly-36in (69-75)		74		7	Nut, Hex Nyl Loc Thin M6 Ss
	22	56116523	1	Side Blade Assembly-Right (pages 26-27)	K19	75		2	Scr,Pan Phil M5x16 Ss
	23	56116524	1	Side Blade Assembly-Left (pages 26-27)	K16	76		1	Clamp, Hose 15-24 Size8
	24		2	Idler Assembly (44-52)					
K18	25		2	Latch-Draw					
K29	26		4	Bearing-Flange-12x14x9mm					
K29	27		4	Bushing					
K1	28		1	Pin-Clevis 18x50 Iso2341-B					
K13	29		1	Pin-Clevis 10x70 Iso2341-B					
K10	30		2	Plate-Stop					
	31		1	Actuator Assembly-Complete (M7)					
				(pages 22-23)					
K20	32		2	Wheel 3.00 X 1.25					
K20	33		2	Roller, Rear					
K20	34		2	Pin					
K20,K1335			3	Hair Pin Cotter A2,5					
K2	36		4	Washer, Flat 13.0x24.0x2.5 Ss					
K29	37		4	Washer 8x24x2 Uni6593 Ss					
K22	38		12	Nut, Hex Nyl Loc M8 Ss					
K10	39		4	Screw M8x30 Carriage					
K2	40		4	Nut, Hex Nyl Loc M12 S.S.					
K1	41		2	Screw M10x25 Hex Hd F/Thd					
K18	42		4	Nut, Hex Nyl Loc Thin M5 Ss					
K18	43		4	Scr-Soc Hd-Low Prfl-M5x16-Znc					
	44	56116032	1	Cap-Hub					
K26	45		1	Seal-Oil					
K26	46		1	Housing-Cylindrical Deck Idler					
K23	47		1	Lug-Cylindrical Deck Drive					
K26	48		1	Shaft Assembly-Idler					
K23	49		1	Screw M6x20 Hex Hd F/Thd Ss ISO4017					
K23	50		1	Washer Flat XI 6.6x24.0x2.0 Ss					

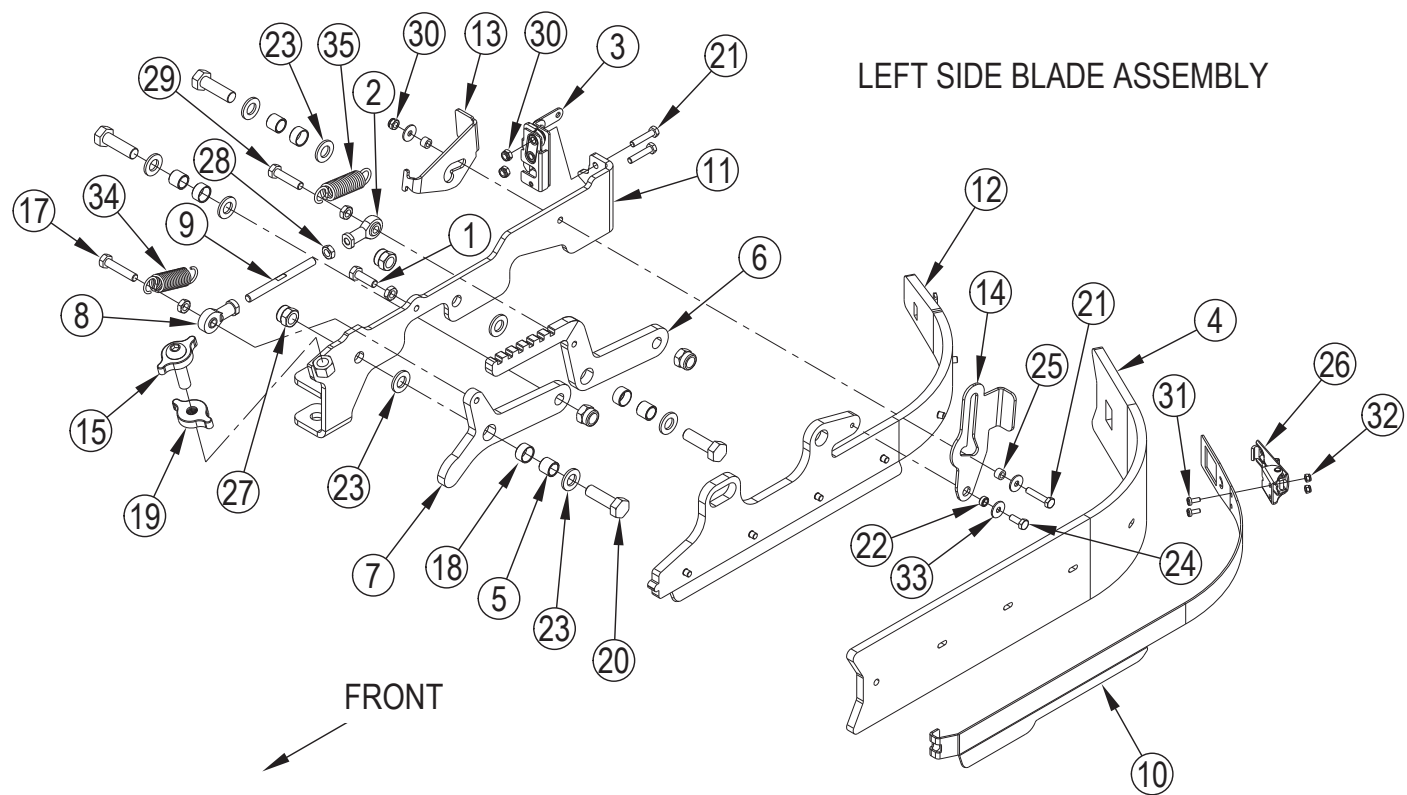
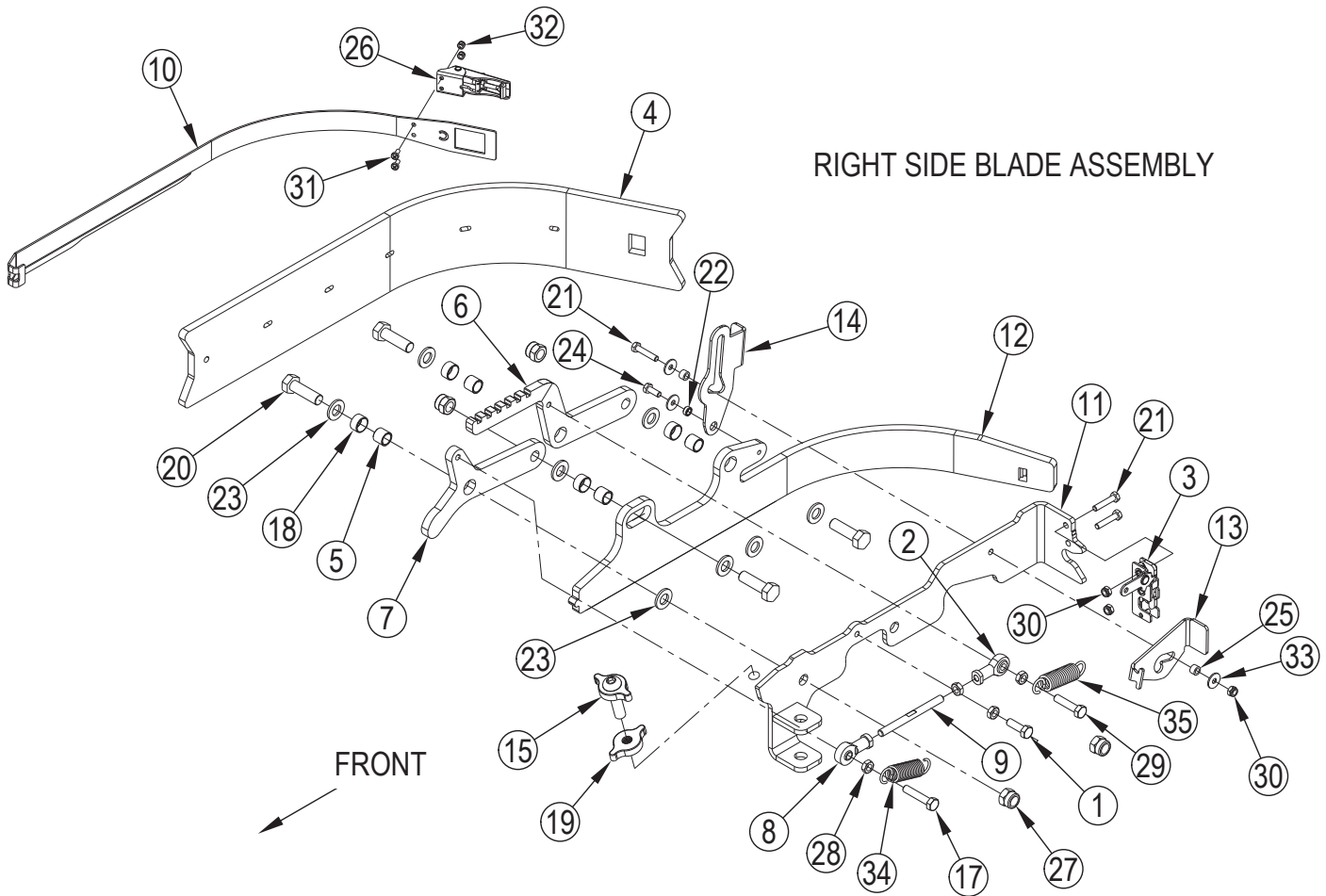
Service Kits

K1	56116881	1	Lift Arm Kit-Center
K2	56116882	1	Trailing Arm Kit
K10	56116928	1	Stop Kit-Both Sides
K13	56118038	1	Hardware Kit-Actuator
K16	56116875	1	Solenoid Valve Kit
K17	56116891	1	Solenoid Seal Kit
K18	56116877	1	Latch Kit-Both Sides
K19	56116879	1	Hopper Floor Kit
K20	56116880	1	Roller Kit-Cylindrical Deck
K21	56116885	1	Belt Kit-Both Sides
K22	56116886	1	Drive Housing Kit
K23	56116890	1	Hub Kit
K24	56116887	1	Sheave Kit
K25	56116888	1	Drive Cover Kit-Both Sides
K26	56116889	1	Idler Housing Kit
K29	56116876	1	Pivot Hardware Kit-Both Sides
K30	56116992	1	Hardware Kit-Electrical

[] = Not Shown

= Revised or new since last update

SCRUB SYSTEM-CYLINDRICAL-SIDE BLADE ASSEMBLIES



SCRUB SYSTEM-CYLINDRICAL-SIDE BLADE ASSEMBLIES

Kit	Item	Ref. No.	Qty	Description
		56116523	1	Side Blade Assembly-Right
K8,K12	1		1	Screw M8x25 Hex Hd F/Thd Ss
K8	2		1	Joint M8
K4	3		1	Latch Rotary
K14	4#		1	Blade-Deck-Linatex
K15	*		1	Blade-Deck-PU
K12	5		4	Bushing-Sleeve-.507x.625x.527
	6	56116233	1	Arm-Side Blade-Rear
	7	56116234	1	Arm-Side Blade-Front
K8	8		1	Rod End-M8-Lh
K8	9		1	Rod-Threaded
K27	10		1	Strap-Cyl Side Blade-Right
	11	56116525	1	Side Blade Mount Weldt-Right
	12	56116652	1	Side Blade Support Weldt-Right
	13	56116660	1	Clip-Spring Adjustment-Right
	14	56116662	1	Latch-Double Scrub-Right
K9	15		1	Knob Assembly
K8	17		1	Screw M8x40 Uni5739 SS
K12	18		4	Bearing, .719 X .625 X .375
K9	19		1	Knob
K12	20		4	Screw M12x40 A2 Din93
K4,K12	21		3	Screw M6x30 Hex Hd F/Thd SS
K12	22		1	Spacer 6.5x10x4.5
K12	23		8	Washer, Flat 13.0x24.0x2.5 SS
K12	24		1	Screw M6x16 Hex Hd F/Thd SS
K12	25		2	Spacer 6.1 X 10 X 6.5
K27	26		1	Latch Squeegee
K12	27		4	Nut, Hex Nyl Loc M12 S.S.
K8,K1228	4		4	Nut Hex M8 Uni5589 Ss
K8	29		1	Screw M8x35 Hex Hd F/Thd SS
K4,K12	30		3	Nut, Hex Nyl Loc Thin M6 SS
K27	31		2	Scr, Pan Phil M4x10 Ss
K27	32		2	Nut, Hex Nyl Loc Thin M4 SS
K12	33		3	Washer Flat XI 6x18x1.5 - SS
	34	56116239	1	Spring-Extension-0.75x2.96in
	35	56116846	1	Spring-Extension 0.75x3.00In

Service Kits

K4	56116979	1	Latch Kit
K8	56116981	1	Level Adjust Kit-Side Wiper
K9	56116983	1	Knob Kit-Side Wiper
K12	56116982	1	Hardware Kit-Side Wiper
K14#	56116706	1	Side Blade Kit-Linatex
K15	56116709	1	Side Blade Kit-PU
K27	56116984	1	Strap Kit-Both Sides-Cylindrical

* = Optional, Not Included

= Revised or new since last update

Kit	Item	Ref. No.	Qty	Description
		56116524	1	Side Blade Assembly-Left
K8,K12	1		1	Screw M8x25 Hex Hd F/Thd Ss
K8	2		1	Joint M8
K4	3		1	Latch Rotary
K14	4#		1	Blade-Deck-Linatex
K15	*		1	Blade-Deck-PU
K12	5		4	Bushing-Sleeve-.507x.625x.527
	6	56116233	1	Arm-Side Blade-Rear
	7	56116234	1	Arm-Side Blade-Front
K8	8		1	Rod End-M8-Lh
K8	9		1	Rod-Threaded
K27	10		1	Strap-Cyl Side Blade-Left
	11	56116526	1	Side Blade Mount Weldt-Left
	12	56116653	1	Side Blade Support Weldt-Left
	13	56116661	1	Clip-Spring Adjustment-Left
	14	56116663	1	Latch-Double Scrub-Left
K9	15		1	Knob Assembly
K8	17		1	Screw M8x40 Uni5739 SS
K12	18		4	Bearing, .719 X .625 X .375
K9	19		1	Knob
K12	20		4	Screw M12x40 A2 Din93
K4,K12	21		3	Screw M6x30 Hex Hd F/Thd SS
K12	22		1	Spacer 6.5x10x4.5
K12	23		8	Washer, Flat 13.0x24.0x2.5 SS
K12	24		1	Screw M6x16 Hex Hd F/Thd SS
K12	25		2	Spacer 6.1 X 10 X 6.5
K27	26		1	Latch Squeegee
K12	27		4	Nut, Hex Nyl Loc M12 S.S.
K8,K1228	4		4	Nut Hex M8 Uni5589 Ss
K8	29		1	Screw M8x35 Hex Hd F/Thd SS
K4,K12	30		3	Nut, Hex Nyl Loc Thin M6 SS
K27	31		2	Scr, Pan Phil M4x10 Ss
K27	32		2	Nut, Hex Nyl Loc Thin M4 SS
K12	33		3	Washer Flat XI 6x18x1.5 - SS
	34	56116239	1	Spring-Extension-0.75x2.96in
	35	56116846	1	Spring-Extension 0.75x3.00In

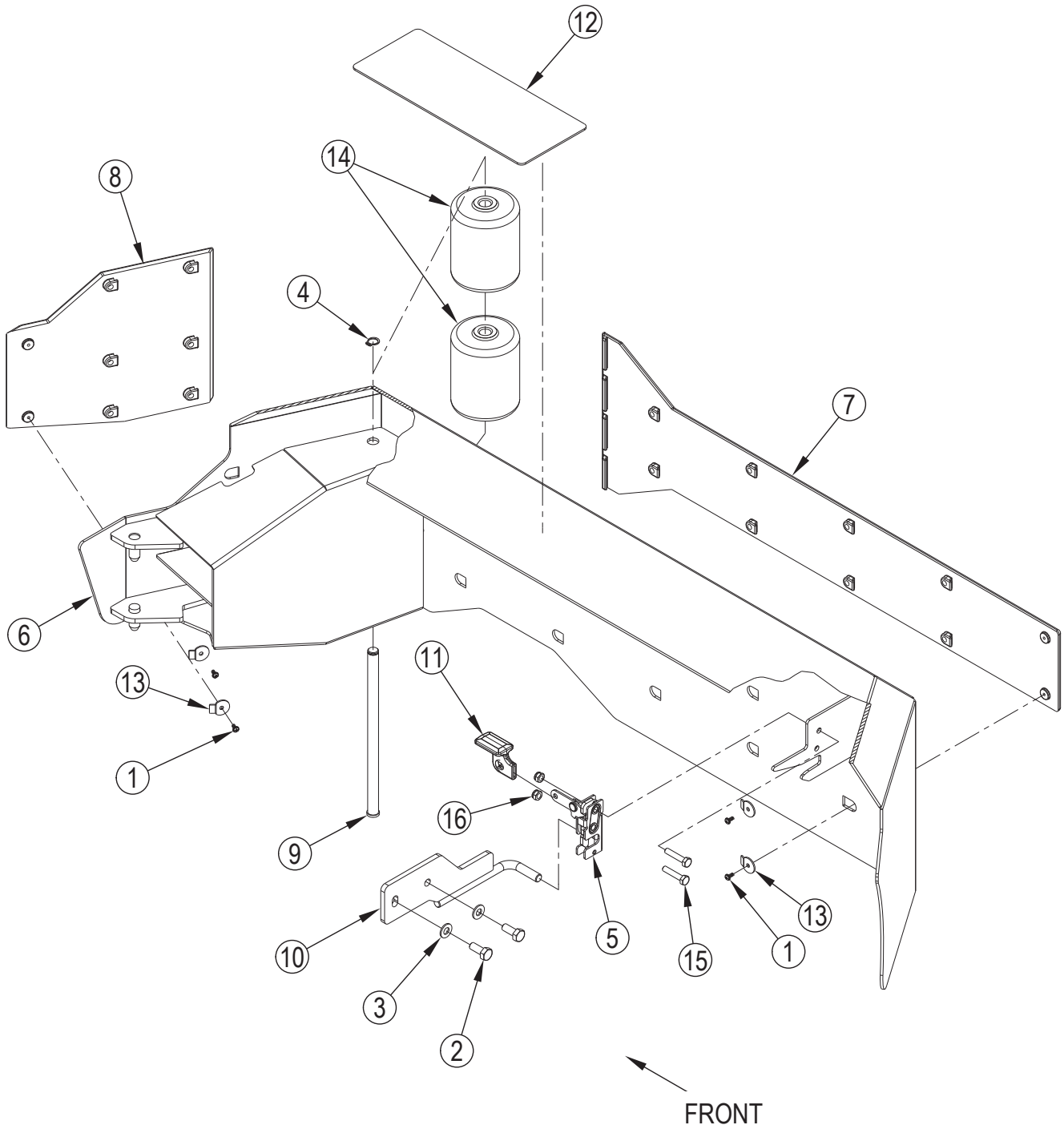
Service Kits

K4	56116979	1	Latch Kit
K8	56116981	1	Level Adjust Kit-Side Wiper
K9	56116983	1	Knob Kit-Side Wiper
K12	56116982	1	Hardware Kit-Side Wiper
K14#	56116706	1	Side Blade Kit-Linatex
K15	56116709	1	Side Blade Kit-PU
K27	56116984	1	Strap Kit-Both Sides-Cylindrical

* = Optional, Not Included

= Revised or new since last update

SCRUB SYSTEM-CYLINDRICAL-RIGHT DOOR ASSEMBLY



SCRUB SYSTEM-CYLINDRICAL-RIGHT DOOR ASSEMBLY

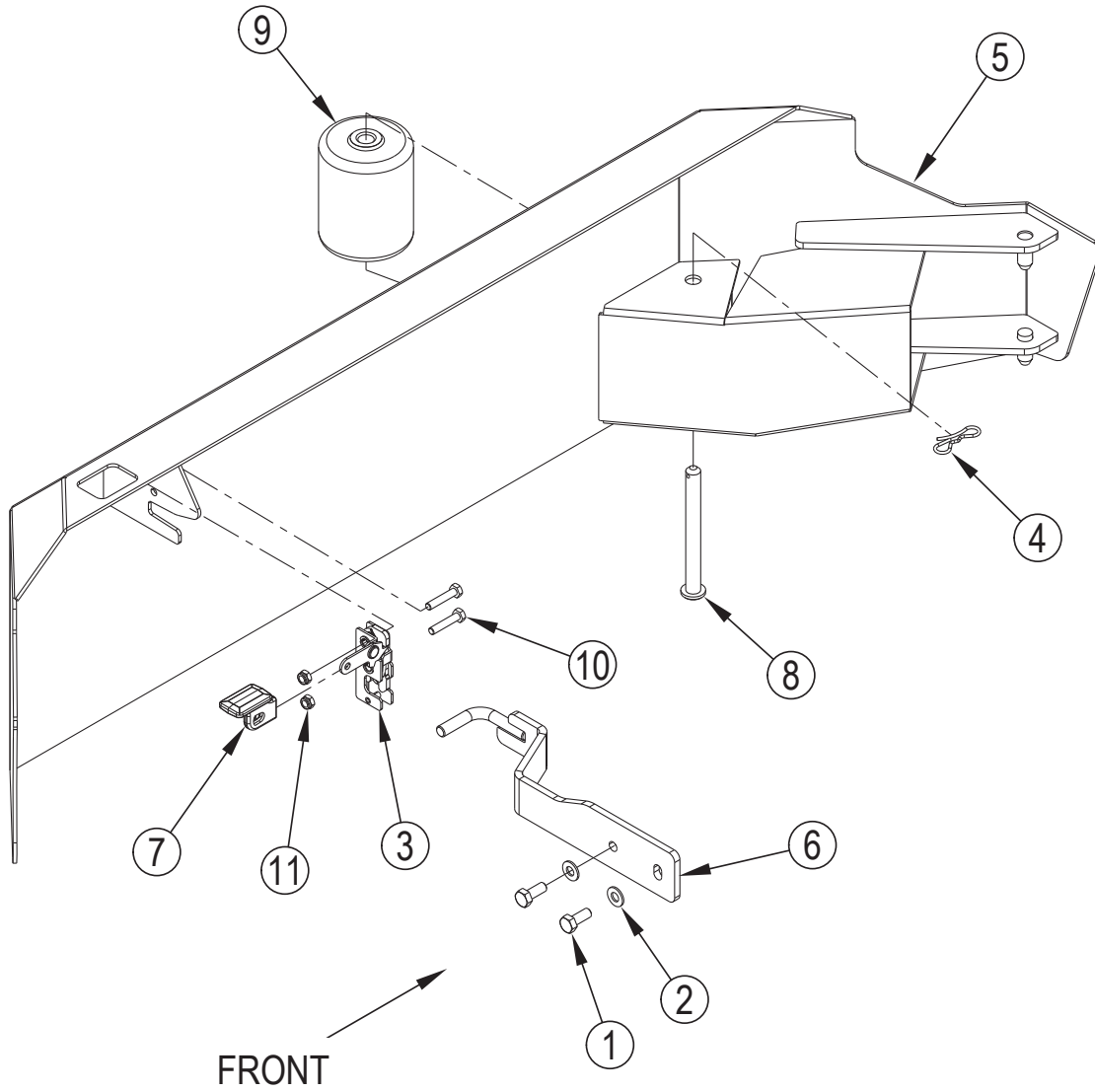
Kit	Item	Ref. No.	Qty	Description
K7	1		4	Ejot 3.5x8 Wn1411
K6,K8	2		2	Screw M8x20 Hex Hd F/Thd
K6,K8	3		2	Washer, Flat 8.4x16x1.6
K5	4		1	Shaft Ring D.12
K4	5		1	Latch Rotary
	6	56118092	1	Door Weldment-Right-36c NOTE 1
K7	7		1	Skid Plate-Right-34d
K7	8		1	Skid Plate-Right-Front-36c
K5	9		1	Pin-Door Roller
K6	10		1	Door Striker Weldment-Right NOTE 1
K8			1	Striker Weldment-Door-Rt-36c
K4	11		1	Handle-Latch
	12	56116720	1	Mat-Door
K7	13		4	Washer-Tab
K5	14		2	Wheel, Roller
K4	15		2	Screw M6x30 Hex Hd F/Thd Ss
K4	16		2	Nut, Hex Nyl Loc Thin M6 Ss

Service Kits

K4	56116979	1	Latch Kit
K5	56116980	1	Roller Kit-Both Doors
K6	56116899	1	Striker Kit-Right NOTE 1
K7	56116900	1	Skid Plate Kit
K8	56118096	1	Striker Kit-Right-Cylindrical

NOTE 1: Right Door Weldment 56116419 and Right Striker Kit 56116899 have been replaced in production with Right Door Weldment 56118092 and Striker Kit 56118096. If you need to replace 56116419 please order Door Weldment Kit 56118094 to replace the door and striker.

SCRUB SYSTEM-LEFT DOOR ASSEMBLY-36C&40D



SCRUB SYSTEM-LEFT DOOR ASSEMBLY-36C&40D

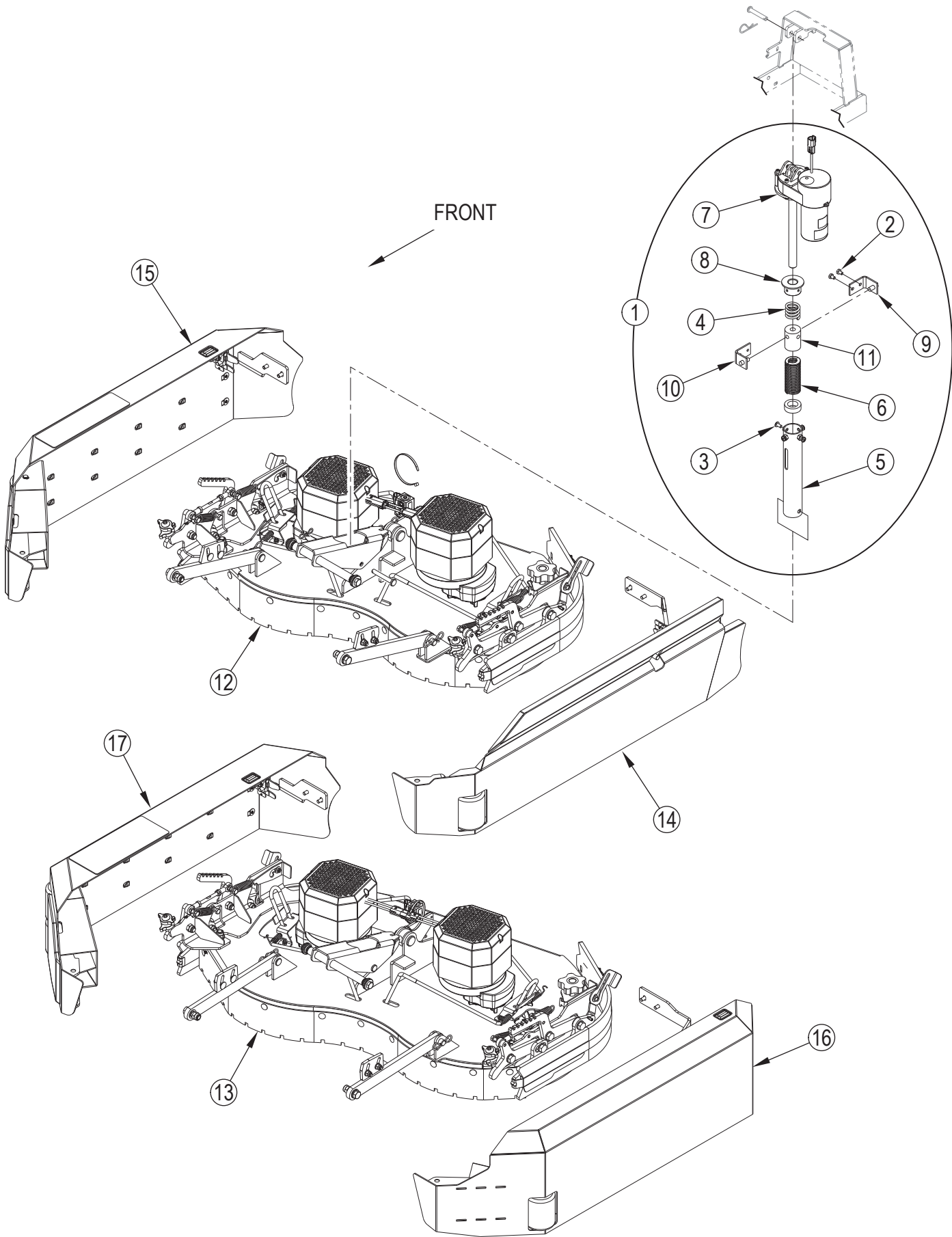
Kit	Item	Ref. No.	Qty	Description
K3	1		2	Screw M8x20 Hex Hd F/Thd
K3	2		2	Washer, Flat 8.4x16x1.6
K4	3		1	Latch Rotary
K5	4		1	Pin- Bow-Tie Cotter 7/16 - 1/2
	5	56116416	1	Door Weldment-Left-40d/36c
K3	6		1	Door Striker Weldment-Left
K4	7		1	Handle-Latch
K5	8		1	Pin-Clevis 12x120 Iso2341-B
K5	9		1	Wheel, Roller
K4	10		2	Screw M6x30 Hex Hd F/Thd Ss
K4	11		2	Nut, Hex Nyl Loc Thin M6 Ss

Service Kits

K3	56116898	1	Striker Kit-Left
K4	56116979	1	Latch Kit
K5	56116980	1	Roller Kit-Both Doors

SCRUB SYSTEM-DISC

FRONT



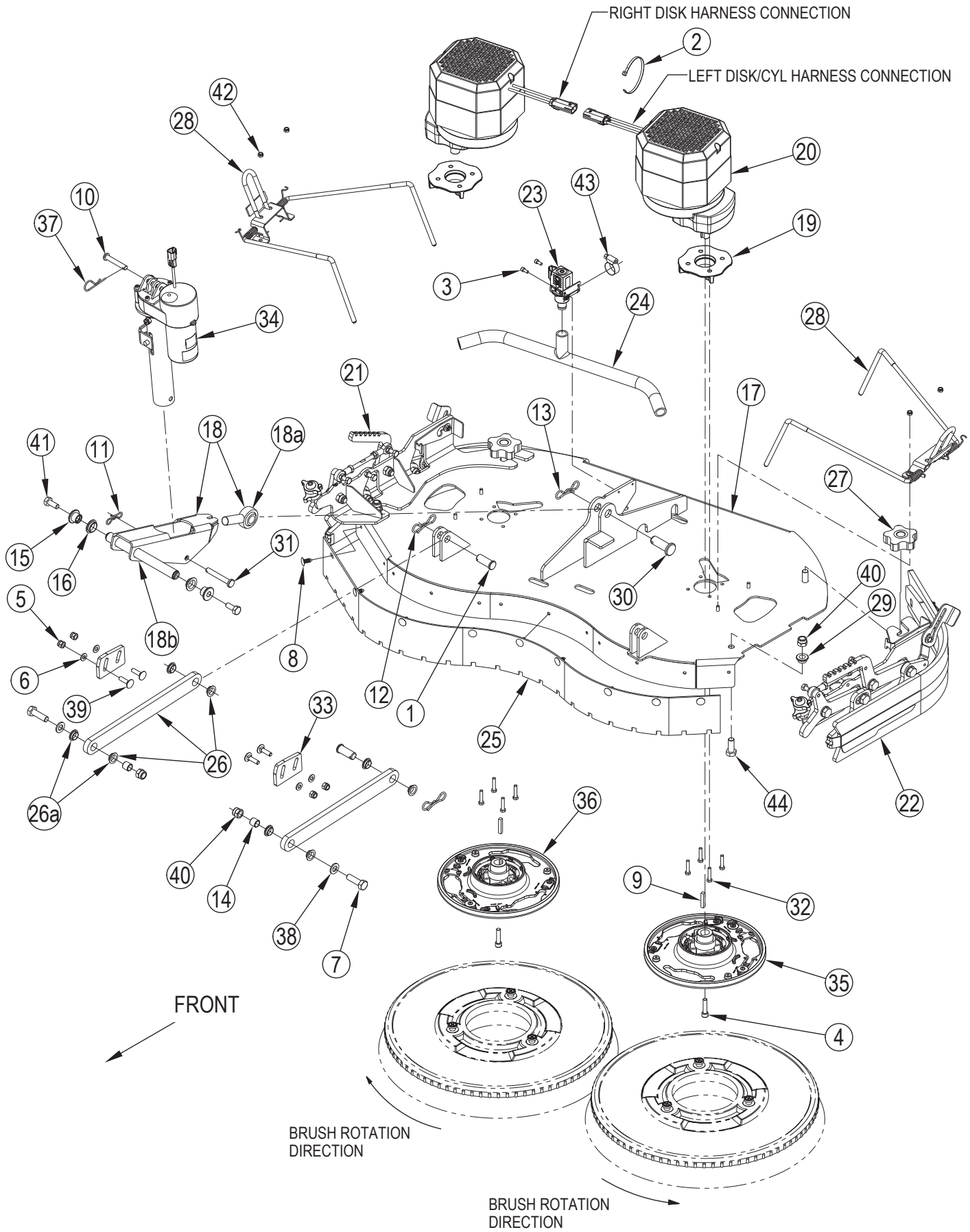
SCRUB SYSTEM-DISC

Kit	Item	Ref. No.	Qty	Description
	1		1	Complete Actuator Assembly (M7)
K1	2		2	Scr, Hex Thd Form 1/4-20 X0.38
K1	3		4	Scr, Pan Phil Thd Form 1/4-20x .50
K1	4		1	Spring-Compression 1.40x1.40in
K1	5		1	Spring Housing Weldment
K1	6		1	Spring-Compression-1.44x3.50 In
K1	7	56118041	1	Actuator Assembly-Heavy Duty
K1	8		1	Spring Housing Guide
K1	9		1	Nut Retainer
K1	10		1	Nut Retainer
K1	11	56388520	1	Nut, Plastic
	12		1	Disc Deck Assembly-34d
	13		1	Disc Deck Assembly-40d
	14		1	Door Assembly-Left-34d
	15		1	Door Assembly-Right-34d
	16		1	Door Assembly-Left-40d/36c (see pages 30-31)
	17		1	Door Assembly-Right-40d

Service Kits

K1	56118048	1	Spring Housing Kit-Actuator
----	----------	---	-----------------------------

SCRUB SYSTEM-DISC-DECK ASSEMBLY



SCRUB SYSTEM-DISC-DECK ASSEMBLY

Kit	Item	Ref. No.	Qty	Description
K2	1		2	Pin D.16
K33	2		1	Clamp 290x4.8
K16	3		2	Screw Soc. Hd M5x12 SS
K32	4		2	Screw Soc. Hd M8x35 SS
K10	5		4	Nut, Hex Nyl Loc Hvy M8
K10	6		4	Washer, Flat 8.4x16x1.6
K2	7		2	Screw M12x40 Hex Hd F/Thd - 12k
K30	8		9	Rivet, Nylon Tree Push-In (.25)
K32	9		2	Key, Square .25 X 1.44
K13	10		1	Pin-Clevis .375 X 2.25
K13	11		1	Pin- Bow-Tie Cotter 7/16 - 1/2
K2	12		2	Pin-Bow Tie Cotter 5/8
K1	13		1	Pin-Bow Tie Cotter 3/4
K2	14		2	Bushing-12.5x16x14.48mm
K1	15		2	Bushing-Lift Arm Pivot
K1	16		2	Bearing-Flange-20x23x7mm
	17	56116201	1	Scrub Deck Weldment-34d
		56116200	1	Scrub Deck Weldment-40d
K1	18		1	Deck Lift Arm Assembly
K1	18a		1	Rod End-Spherical-18mm-Male
K1	18b		1	Lift Arm Weldment
	19	56116212	2	Spacer-Motor
	20	56116213	2	Gearmotor-36vdc-250rpm-1.0hp (M1, M2)
	[]	56422152	1	Kit, Wheel Drive Brushes
	21	56116214	1	Side Blade Assembly-Right (pages 36-37)
	22	56116215	1	Side Blade Assembly-Left (pages 36-37)
K16,K1723#			1	Valve-Solenoid-36vdc (L1)
	24	56116249	1	Hose-Solution Feed-Disc
	25	56116252	1	Blade-Front-34d
		56116250	1	Blade-Front-40d
K2	26		2	Deck Trailing Arm Assembly
K2	26a		8	Bearing-Flange-16x18x6mm
	27	56116545	2	Knob-M12-Lobe
	28	56116755	2	Click-On Assembly-34d
		56116756	2	Click-On Assembly-40d
K32	29		2	Bushing
K1	30		1	Pin-Clevis 18x50 Iso2341-B
K13	31		1	Pin-Clevis 10x70 Iso2341-B
K32	32		8	Screw M6x30 Uni5737 SS
K10	33		2	Plate-Stop
	34		1	Actuator Assembly-Complete (pages 32-33) (M7)
	35	56601276	1	Brush Plate Assy
	36	56601384	1	Brush Plate Assy

Kit	Item	Ref. No.	Qty	Description
K13	37		1	Hair Pin Cotter A2,5
K2	38		2	Washer, Flat 13.0x24.0x2.5 SS
K10	39		4	Screw M8x30 Carriage Iso8677
K2,K32	40		4	Nut, Hex Nyl Loc M12 S.S.
K1	41		2	Screw M10x25 Hex Hd F/Thd
K32	42		4	Nut, Hex Nyl Loc Thin M6 SS
K16	43		1	Clamp, Hose 15-24 Size8
K32	44		2	Screw M12x30 Iso4017 Ss

Service Kits

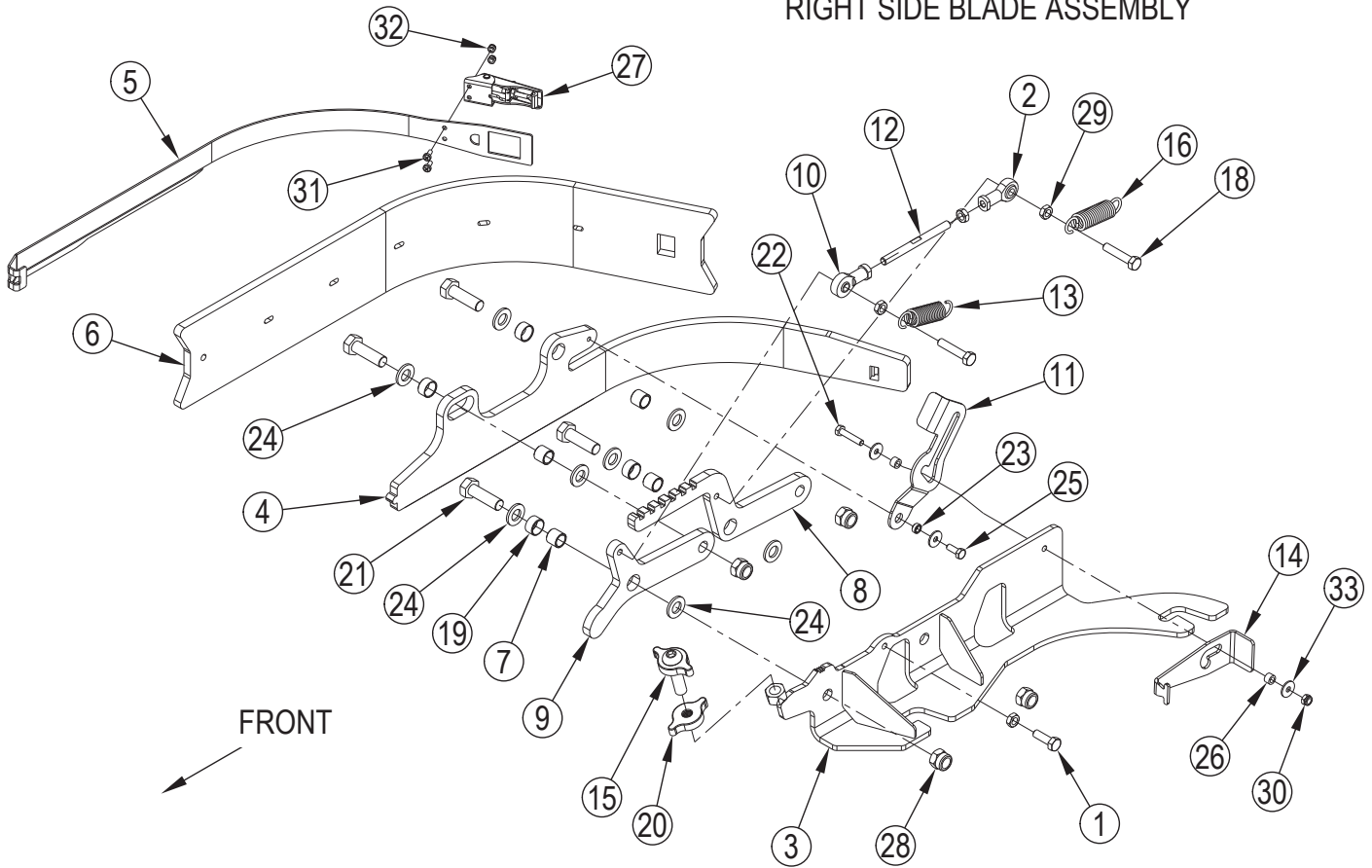
K1	56116881	1	Lift Arm Kit-Center
K2	56116882	1	Trailing Arm Kit
K10	56116928	1	Stop Kit-Both Sides
K12	56116982	1	Hardware Kit-Side Wiper
K13	56118038	1	Hardware Kit-Actuator
K16	56116875	1	Solenoid Valve Kit
K17	56116891	1	Solenoid Seal Kit
K30	56118050	1	Rivet Kit
K32	56116994	1	Hardware Kit-Disc Deck
K33	56116992	1	Hardware Kit-Electrical

[] = Not Shown

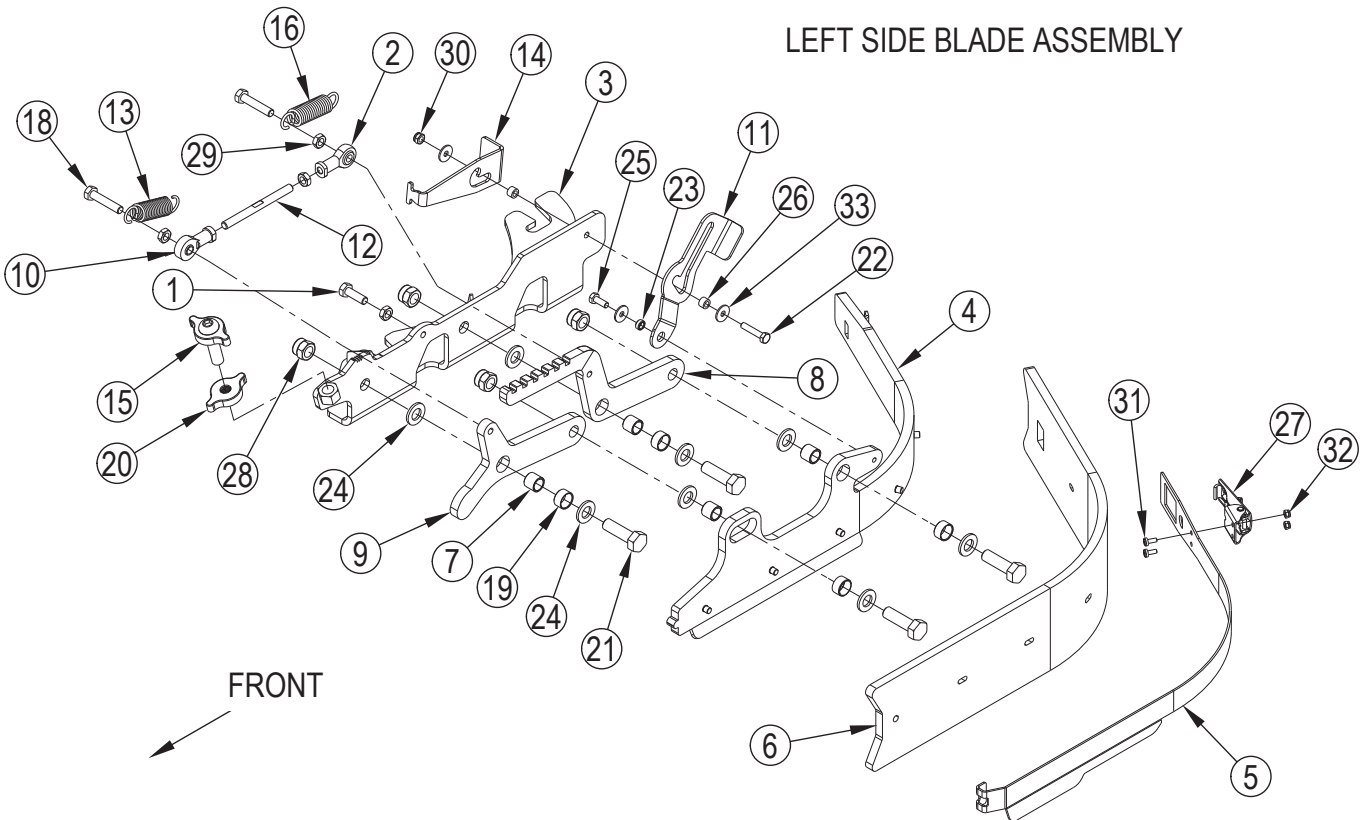
= Revised or new since last update

SCRUB SYSTEM-DISC-SIDE BLADE ASSEMBLIES

RIGHT SIDE BLADE ASSEMBLY



LEFT SIDE BLADE ASSEMBLY



SCRUB SYSTEM-DISC-SIDE BLADE ASSEMBLIES

Kit	Item	Ref. No.	Qty	Description
		56116214	1	Side Blade Assembly-Right
K8.K12	1		1	Screw M8x25 Hex Hd F/Thd SS
K8	2		1	Joint M8
	3	56116216	1	Side Blade Mount Weldment-Rt
	4	56116222	1	Side Blade Support Weldt-Right
K31	5		1	Strap-Side Blade-Right
K14	6#		1	Blade-Deck-Linatex
K15	*		1	Blade-Deck-PU
K12	7		4	Bushing-Sleeve-.507x.625x.527
	8	56116233	1	Arm-Side Blade-Rear
	9	56116234	1	Arm-Side Blade-Front
K8	10		1	Rod End-M8-Lh
	11	56116236	1	Latch-Double Scrub-Right
K8	12		1	Rod-Threaded
	13	56116239	1	Spring-Extension-0.75x2.96in
	14	56116240	1	Clip-Spring Adjustment
K9	15		1	Knob Assembly
	16	56116846	1	Spring-Extension 0.75x3.00in
K8.K12	18		2	Screw M8x40 Uni5739 SS
K12	19		4	Bearing, .719 X .625 X .375
K9.K12	20		1	Knob
K12	21		4	Screw M12x40 A2 Din93
K12	22		1	Screw M6x30 Hex Hd F/Thd SS
K12	23		1	Spacer 6.5x10x4.5
K12	24		8	Washer, Flat 13.0x24.0x2.5 SS
K12	25		1	Screw M6x16 Hex Hd F/Thd SS
K12	26		2	Spacer 6.1 X 10 X 6.5
K31	27		1	Latch Squeegee
K12	28		4	Nut, Hex Nyl Loc M12 S.S.
K8.K12	29		4	Nut Hex M8 Uni5589 SS
K12	30		1	Nut, Hex Nyl Loc Thin M6 SS
K31	31		2	Scr, Pan Phil M4x10 Ss
K31	32		2	Nut, Hex Nyl Loc Thin M4 SS
K12	33		3	Washer Flat XI 6x18x1.5 - SS

Service Kits

K8	56116981	1	Level Adjust Kit-Side Wiper
K9	56116983	1	Knob Kit-Side Wiper
K12	56116982	1	Hardware Kit-Side Wiper
K14#	56116706	1	Side Blade Kit-Linatex
K15	56116709	1	Side Blade Kit-PU
K31	56116929	1	Strap Kit-Both Sides-Disc

* = Optional, Not Included

= Revised or new since last update

Kit	Item	Ref. No.	Qty	Description
		56116215	1	Side Blade Assembly-Left
K8.K12	1		1	Screw M8x25 Hex Hd F/Thd SS
K8	2		1	Joint M8
	3	56116217	1	Side Blade Mount Weldment-Left
	4	56116223	1	Side Blade Support Weldt-Left
K31	5		1	Strap-Side Blade-Left
K14	6#		1	Blade-Deck-Linatex
K15	*		1	Blade-Deck-PU
K12	7		4	Bushing-Sleeve-.507x.625x.527
	8	56116233	1	Arm-Side Blade-Rear
	9	56116234	1	Arm-Side Blade-Front
K8	10		1	Rod End-M8-Lh
	11	56116237	1	Latch-Double Scrub-Left
K8	12		1	Rod-Threaded
	13	56116239	1	Spring-Extension-0.75x2.96in
	14	56116240	1	Clip-Spring Adjustment
K9	15		1	Knob Assembly
	16	56116846	1	Spring-Extension 0.75x3.00in
K8.K12	18		2	Screw M8x40 Uni5739 SS
K12	19		4	Bearing, .719 X .625 X .375
K9.K12	20		1	Knob
K12	21		4	Screw M12x40 A2 Din93
K12	22		1	Screw M6x30 Hex Hd F/Thd SS
K12	23		1	Spacer 6.5x10x4.5
K12	24		8	Washer, Flat 13.0x24.0x2.5 SS
K12	25		1	Screw M6x16 Hex Hd F/Thd SS
K12	26		2	Spacer 6.1 X 10 X 6.5
K31	27		1	Latch Squeegee
K12	28		4	Nut, Hex Nyl Loc M12 S.S.
K8.K12	29		4	Nut Hex M8 Uni5589 SS
K12	30		1	Nut, Hex Nyl Loc Thin M6 SS
K31	31		2	Scr, Pan Phil M4x10 SS
K31	32		2	Nut, Hex Nyl Loc Thin M4 SS
K12	33		3	Washer Flat XI 6x18x1.5 - SS

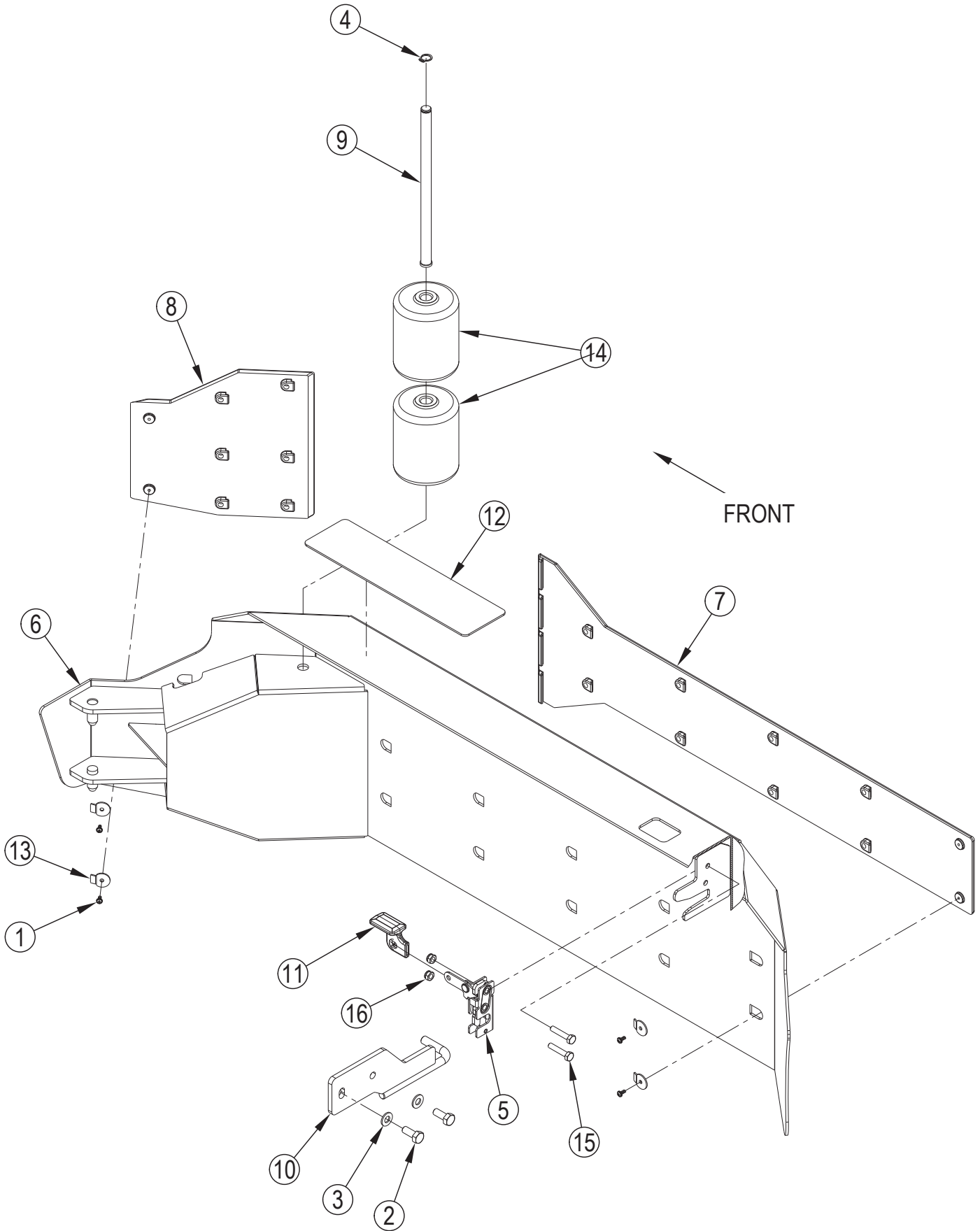
Service Kits

K8	56116981	1	Level Adjust Kit-Side Wiper
K9	56116983	1	Knob Kit-Side Wiper
K12	56116982	1	Hardware Kit-Side Wiper
K14#	56116706	1	Side Blade Kit-Linatex
K15	56116709	1	Side Blade Kit-PU
K31	56116929	1	Strap Kit-Both Sides-Disc

* = Optional, Not Included

= Revised or new since last update

SCRUB SYSTEM-DISC-RIGHT DOOR ASSEMBLY-34D



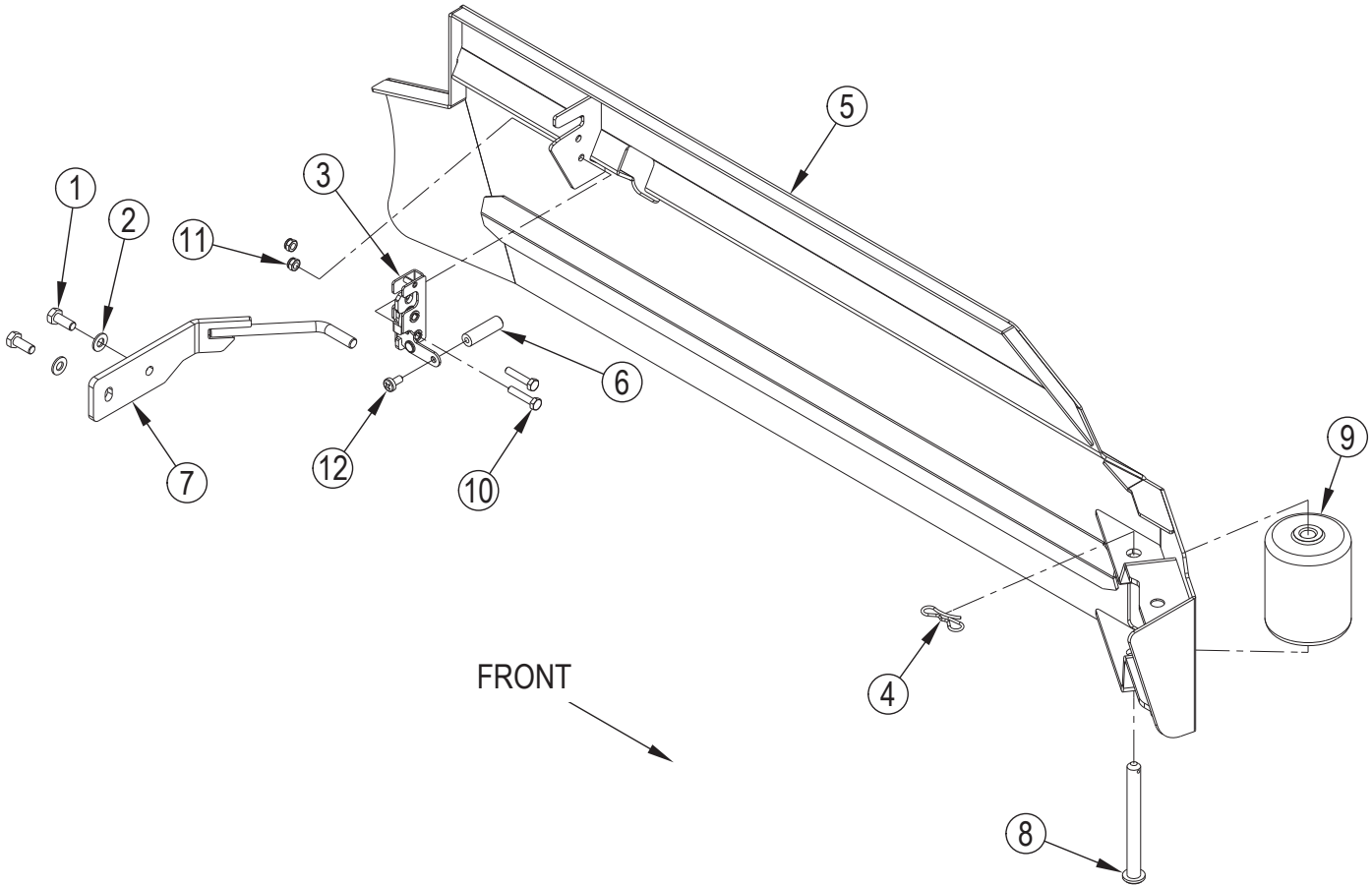
SCRUB SYSTEM-DISC-RIGHT DOOR ASSEMBLY-34D

Kit	Item	Ref. No.	Qty	Description
K7	1		4	Ejot 3.5x8 Wn1411
K6	2		2	Screw M8x20 Hex Hd F/Thd Iso4017
K6	3		2	Washer, Flat 8.4x16x1.6
K5	4		1	Shaft Ring D.12
K4	5		1	Latch Rotary
	6	56116417	1	Door Weldment-Right-34d
K7	7		1	Skid Plate-Right-34d
K7	8		1	Skid Plate-Right-Front-34d
K5	9		1	Pin-Door Roller
K6	10		1	Door Striker Weldment-Right
K4	11		1	Handle-Latch
	12	56116465	1	Mat-Door
K7	13		4	Washer-Tab
K5	14		2	Wheel, Roller
K4	15		2	Screw M6x30 Hex Hd F/Thd Ss Iso4017
K4	16		2	Nut, Hex Nyl Loc Thin M6 Ss

Service Kits

K4	56116979	1	Latch Kit
K5	56116980	1	Roller Kit-Both Sides
K6	56116899	1	Striker Kit-Right
K7	56116900	1	Skid Plate Kit

SCRUB SYSTEM-DISC-LEFT DOOR ASSEMBLY-34D



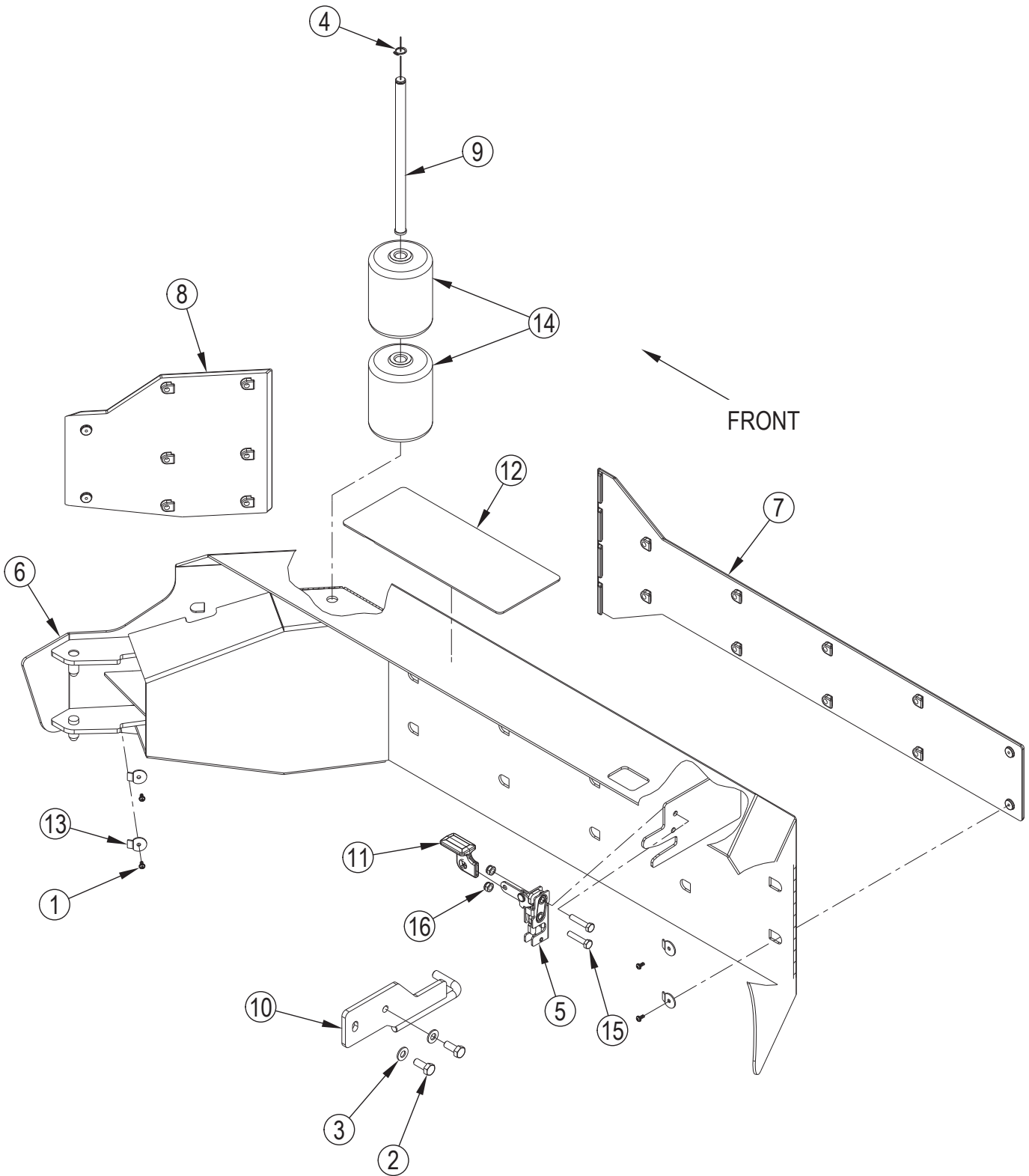
SCRUB SYSTEM-DISC-LEFT DOOR ASSEMBLY-34D

Kit	Item	Ref. No.	Qty	Description
K3	1		2	Screw M8x20 Hex Hd F/Thd
K3	2		2	Washer, Flat 8.4x16x1.6
K4	3		1	Latch Rotary
K5	4		1	Pin- Bow-Tie Cotter 7/16 - 1/2
	5	56116418	1	Door Weldment-Left-34d
K4	6		1	Handle-Latch
K3	7		1	Door Striker Weldment-Left
K5	8		1	Pin-Clevis 12x120 Iso2341-B
K5	9		1	Wheel, Roller
K4	10		2	Screw M6x30 Hex Hd F/Thd Ss
K4	11		2	Nut, Hex Nyl Loc Thin M6 Ss
K4	12		1	Scr, Pan Phil M6x12

Service Kits

K3	56116898	1	Striker Kit-Left
K4	56116979	1	Latch Kit
K5	56116980	1	Roller Kit-Both Sides

SCRUB SYSTEM-DISC-RIGHT DOOR ASSEMBLY-40D



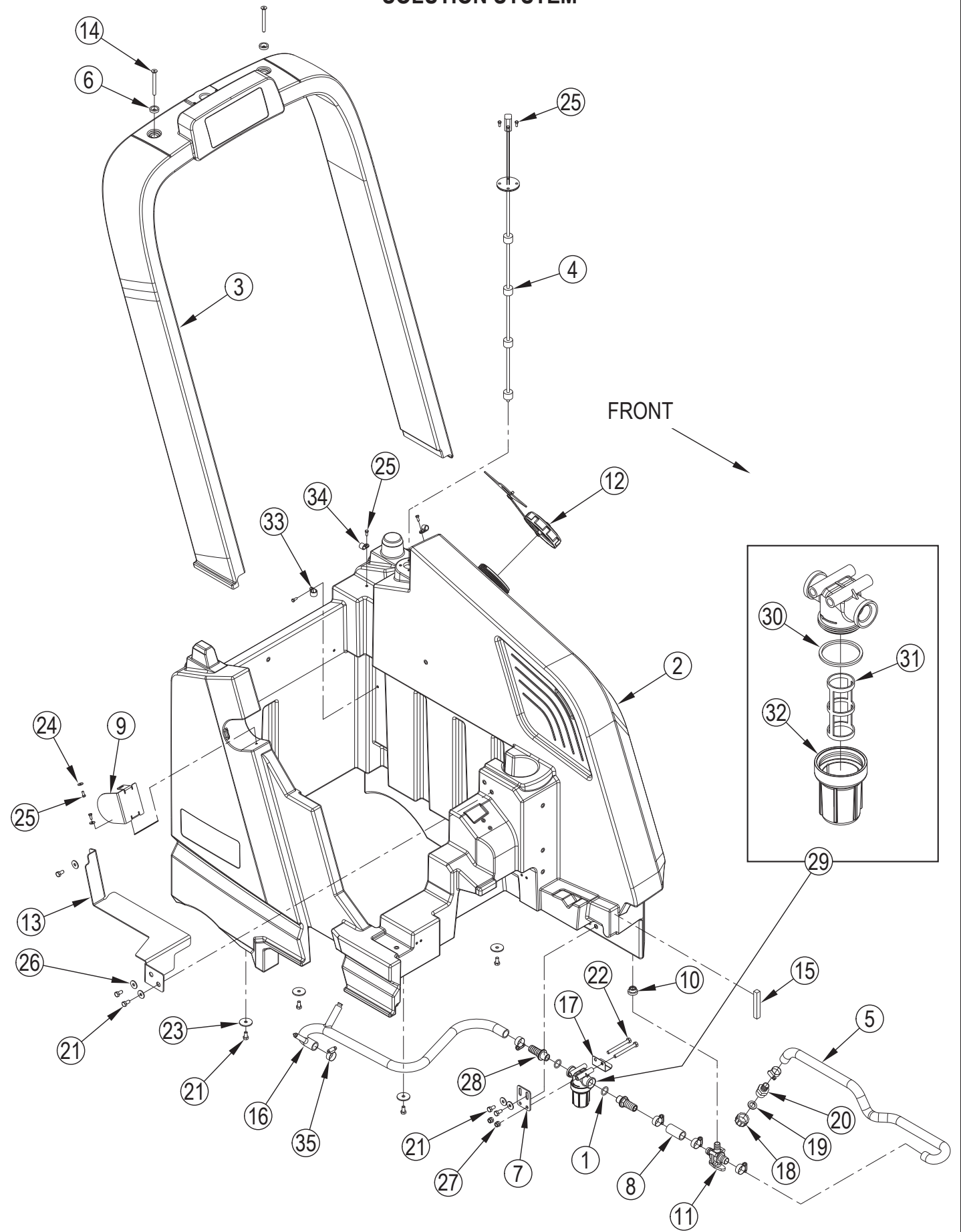
SCRUB SYSTEM-DISC-RIGHT DOOR ASSEMBLY-40D

Kit	Item	Ref. No.	Qty	Description
K7	1		4	Ejot 3.5x8 Wn1411
K6	2		2	Screw M8x20 Hex Hd F/Thd
K6	3		2	Washer, Flat 8.4x16x1.6
K5	4		1	Shaft Ring D.12
K4	5		1	Latch Rotary
	6	56116415	1	Door Weldment-Right-40d
K7	7		1	Skid Plate-Right-34d
K7	8		1	Skid Plate-Right-Front-36c
K5	9		1	Pin-Door Roller
K6	10		1	Door Striker Weldment-Right
K4	11		1	Handle-Latch
	12	56116720	1	Mat-Door
K7	13		4	Washer-Tab
K5	14		2	Wheel, Roller
K4	15		2	Screw M6x30 Hex Hd F/Thd Ss
K4	16		2	Nut, Hex Nyl Loc Thin M6 Ss

Service Kits

K4	56116979	1	Latch Kit
K5	56116980	1	Roller Kit-Both Sides
K6	56116899	1	Striker Kit-Right
K7	56116900	1	Skid Plate Kit

SOLUTION SYSTEM



SOLUTION SYSTEM

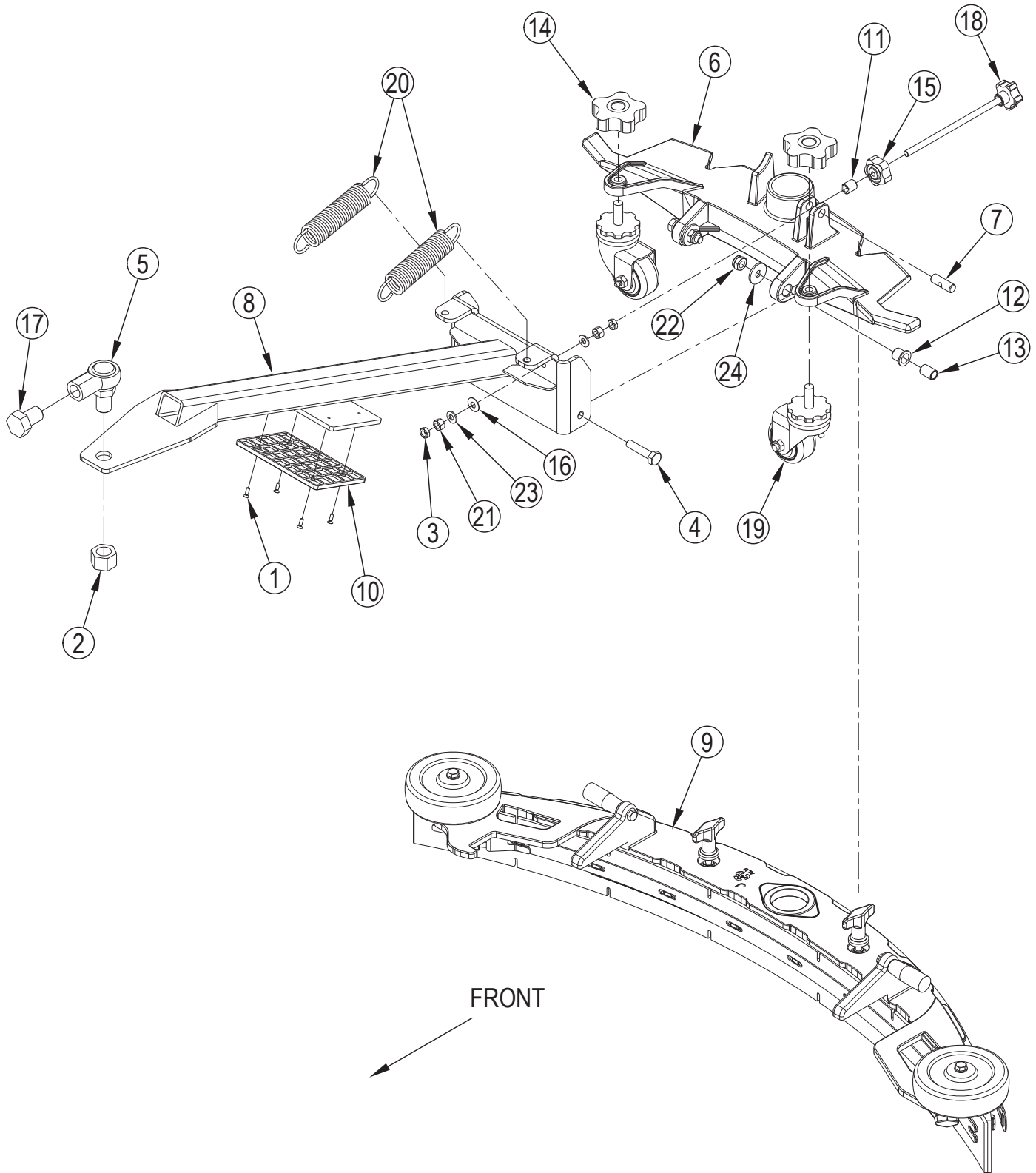
Kit	Item	Ref. No.	Qty	Description
K2	1		2	O-Ring 5X20 Metric NBR 70SH
	2	56116083	1	Tank-Solution
	3	56116101	1	Cross Bar
	4	56116372	1	Sensor-Solution Level (S7)
K1	5		1	Hose-Drain
K3	6		2	Washer-Cosmetic-Ss-M8
	7	56116658	1	Bracket-Filter Mount
	8	56116664	1	Hose-20x26x52mm
	9	56116666	1	Panel-Cover
	10	56116721	1	Grommet-.59x.78x.62
	11	56116759	1	Valve-Ball- 5/8x3/4in Brb
	12	56116763	1	Solution Cap Assembly
	[]	56116683	1	Gasket-Solution Cap
	13	56116790	1	Support-Seat
K3	14		2	Screw M8x80 Din7991 Ss Black
	15	56116931	1	Seal-Tank Gap
	16	56116934	1	Hose-Manifold Assembly
K2	17		1	Clip-Drain Hose
K1	18		1	Cap, Pipe Ght Nylon
K1	19		1	Washer-Rubber
K1	20		1	Barb, Adapter 3/4 X 3/4ght
K3	21		9	Screw M8x16 Hex Hd F/Thd Ss Iso4017
K2	22		2	Screw M8x80 Hex Hd F/Thd Iso4017
K3	23		4	Washer Flat XI 8.5x36.0x3.0
K3	24		2	Washer Flat XI 5.5x15.0x1.6 Ss
K3	25		9	Screw M5x12 Hex Hd F/Thd Iso4017
K3	26		5	Washer 8x24x2 Uni6593 Ss
K2	27		2	Nut, Hex Nyl Loc M8 Ss
K2	28		2	Elbow Ø20
K2	29		1	Filter Water
	30	9097943000	1	Gasket
	31	9097944000	1	Screen-Filter
	32	9097945000	1	Cap with Seal-Solution Filter
K3	33		1	Clamp Cable D.16
K3	34		2	Clamp, Cable Ø12.7
K1,K2,K3	35		6	Clamp, Hose 15-24 Size8

Service Kits

K1	56116923	1	Drain Hose Kit
K2	56118174	1	Filter Kit
K3	56116925	1	Hardware Kit-Solution System

[] = Not Shown

SQUEEGEE SYSTEM



SQUEEGEE SYSTEM

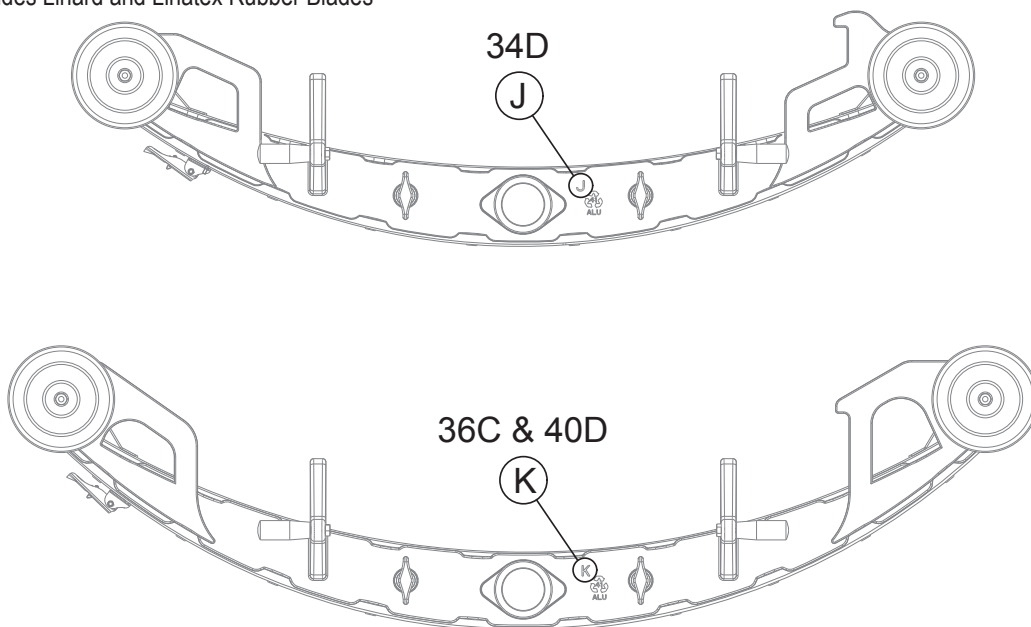
Kit	Item	Ref. No.	Qty	Description
K2	1		4	Countersunk Screw M4x12
K3	2		1	Nut-Hex 220x1.5 Iso8673 8.8
K1	3		2	Nut, Hex Thin M8
K6	4		2	Screw M10x45 Hex Hd F/Thd Ss Iso4017
K3	5		1	Rod End-20mm
	6	56116393	1	Mount-Squeegee
K1	7		1	Pin-Squeegee Tilt
	8	56116398	1	Squeegee Arm Weldment
	9#	56116399	1	Squeegee Assembly-J 34D Disc Model NOTE 1
		56116400	1	Squeegee Assembly-K 36C Cylindrical Model & 40D Disc Model NOTE 1
K2	10		1	Wear Plate-Squeegee
K1	11		1	Spacer-Squeegee Tilt
K6	12		2	Bearing-Flange-14x16x17mm
K6	13		2	Bushing
	14	56116545	2	Knob-M12-Lobe
K1	15		1	Knob-M8-Lobe Short
K1	16		1	Washer-Bevel-8.2x20x0.7x1.35mm
K3	17		1	Screw M20x1.5x30 Uni5740 SS
K1	18		1	Tilt Rod Assembly
	19	56116907	2	Caster Assembly
	20	56116974	2	Spring-Extension
K1	21		2	Nut Hex Hvy M8
K6	22		2	Nut M10 Hex Loc Thin Ss Iso 10511
K1	23		2	Washer, Flat 8x17x1.6 SS
K6	24		2	Washer Flat XI 10x30x2.5-SS

Service Kits

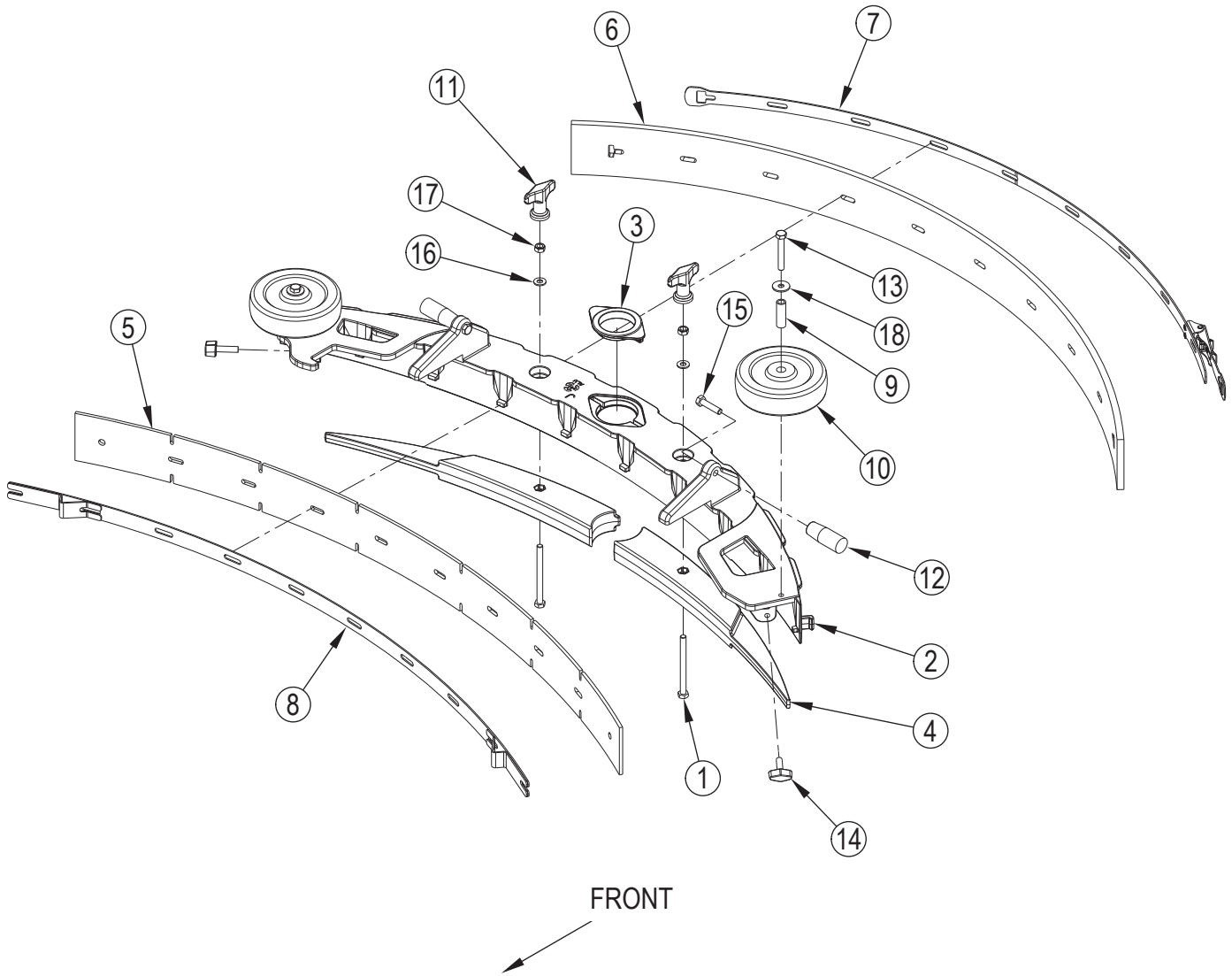
K1	56116894	1	Squeegee Tilt Adjuster Kit
K2	56116895	1	Squeegee Wear Plate Kit
K3	56116896	1	Squeegee Mount Rod End Kit
K6	56116893	1	Hardware Kit-Squeegee

= Revised or new since last update

NOTE 1: Includes Linard and Linatex Rubber Blades



SQUEEGEE SYSTEM-SQUEEGEE ASSY J-34D



SQUEEGEE SYSTEM-SQUEEGEE ASSY J-34D

Kit	Item	Ref. No.	Qty	Description
K5	1		2	Scr-Hex Thd/Hd Ss 5/16-18x3.75
	2	56116378	1	Squeegee-J
	3	56116388	1	Seal-Squeegee
	4	56116491	2	Insert-Squeegee Airflow-J
K7	5#		1	Blade-Squeegee Fr-Linard-J NOTE 1
K7	6#	56116493	1	Blade-Squeegee- Linatex -Rr-J NOTE 1
K9	*		1	Blade-Squeegee-PU J-Front NOTE 1
K9	*	56116702	1	Blade-Squeegee-PU J-Rear NOTE 1
	7	56116497	1	Squeegee Strap Assembly-Rr-J
	8	56116498	1	Squeegee Strap Weldment-Fr-J
K4	9		2	Bushing-.344x.500x1.56in
K4	10		2	Wheel 5.00 X 1.50
K5	11		2	Nut Thumb
K5	12		2	Handle Lever
K4	13		2	Screw M8x55 Hex Hd F/Thd Ss Iso4017
K5	14		2	Knob M8x30 Stainless Steel
K5	15		2	Screw M8x40 Uni5739 Ss
K5	16		2	Washer, Flat 8x17x1.6 Ss
K5	17		2	Nut Self L. 5/16 Unc Ss
K4	18		2	Washer Flat XI Uni-6593 8x24

Service Kits

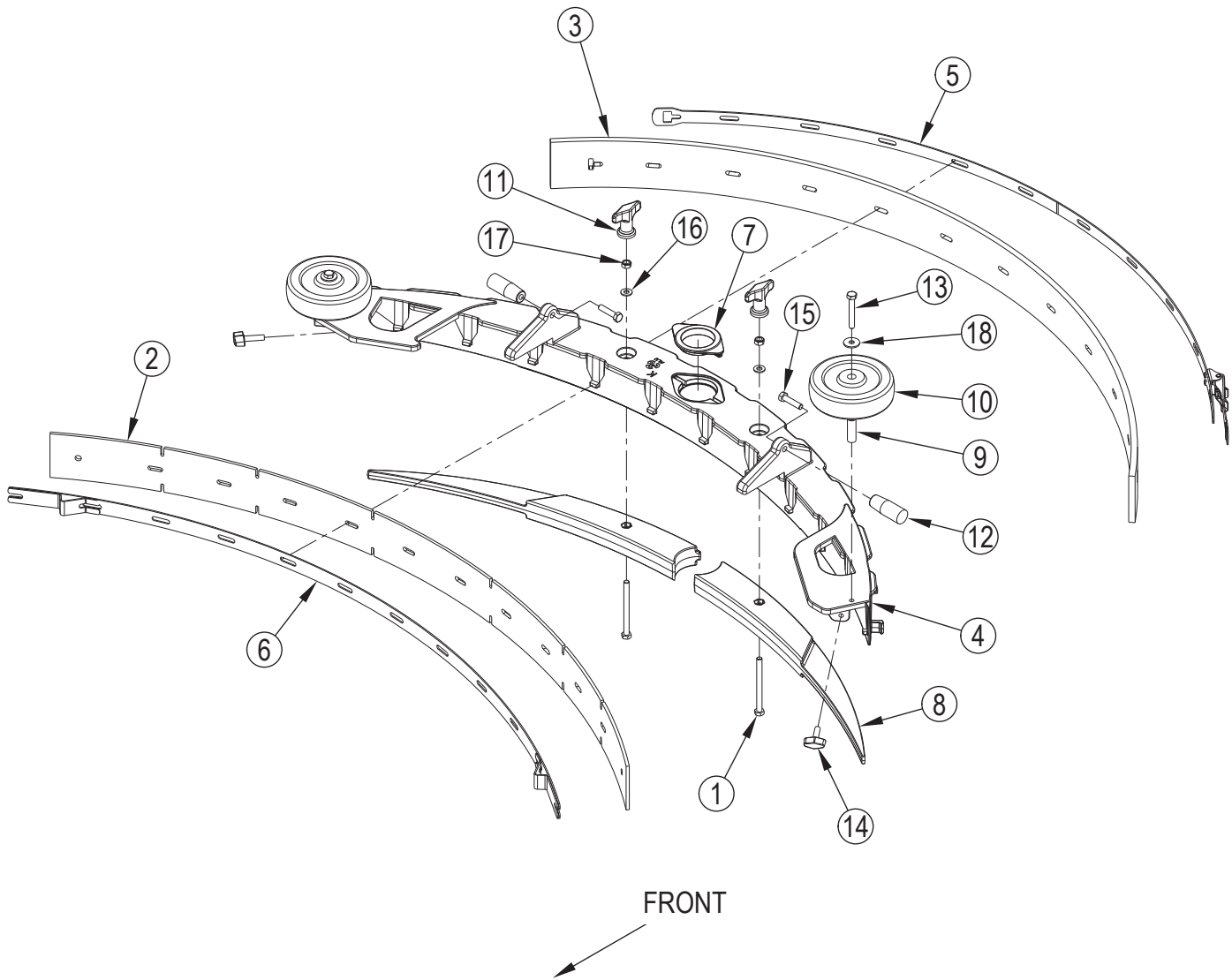
K4	56116911	1	Squeegee Roller Kit-Both
K5	56116912	1	Squeegee Knob Kit
K7#	56116704	1	Squeegee Blade Kit-Linatex J
K9	56116707	1	Squeegee Blade Kit-PU J

* = Optional, Not Included

= Revised or new since last update

NOTE 1: All squeegee blade kits include both front and rear squeegee blades.

SQUEEGEE SYSTEM-SQUEEGEE ASSY K-36C&40D



SQUEEGEE SYSTEM-SQUEEGEE ASSY K-36C&40D

Kit	Item	Ref. No.	Qty	Description
K5	1		2	Scr-Hex Thd/Hd Ss 5/16-18x3.75
K8#	2		1	Blade-Squeegee-Linard K-Fr NOTE 1
K8#	3	56116376	1	Blade-Squeegee-Linatex -Rr-K NOTE 1
K10	*		1	Blade-Squeegee-PU K-Front NOTE 1
K10	*	56116700	1	Blade-Squeegee-PU K-Rear NOTE 1
	4	56116379	1	Squeegee-K
	5	56116381	1	Squeegee Strap Assembly-Rr-K
	6	56116382	1	Squeegee Strap Weldment-Fr-K
	7	56116388	1	Seal-Squeegee
	8	56116492	2	Insert-Squeegee Airflow-K
K4	9		2	Bushing-.344x.500x1.56in
K4	10		2	Wheel 5.00 X 1.50
K5	11		2	Nut Thumb
K5	12		2	Handle Lever
K4	13		2	Screw M8x55 Hex Hd F/Thd Ss Iso4017
K5	14		2	Knob M8x30 Stainless Steel
K5	15		2	Screw M8x40 Uni5739 Ss
K5	16		2	Washer, Flat 8x17x1.6 Ss
K5	17		2	Nut Self L. 5/16 Unc Ss
K4	18		2	Washer Flat XI Uni-6593 8x24

Service Kits

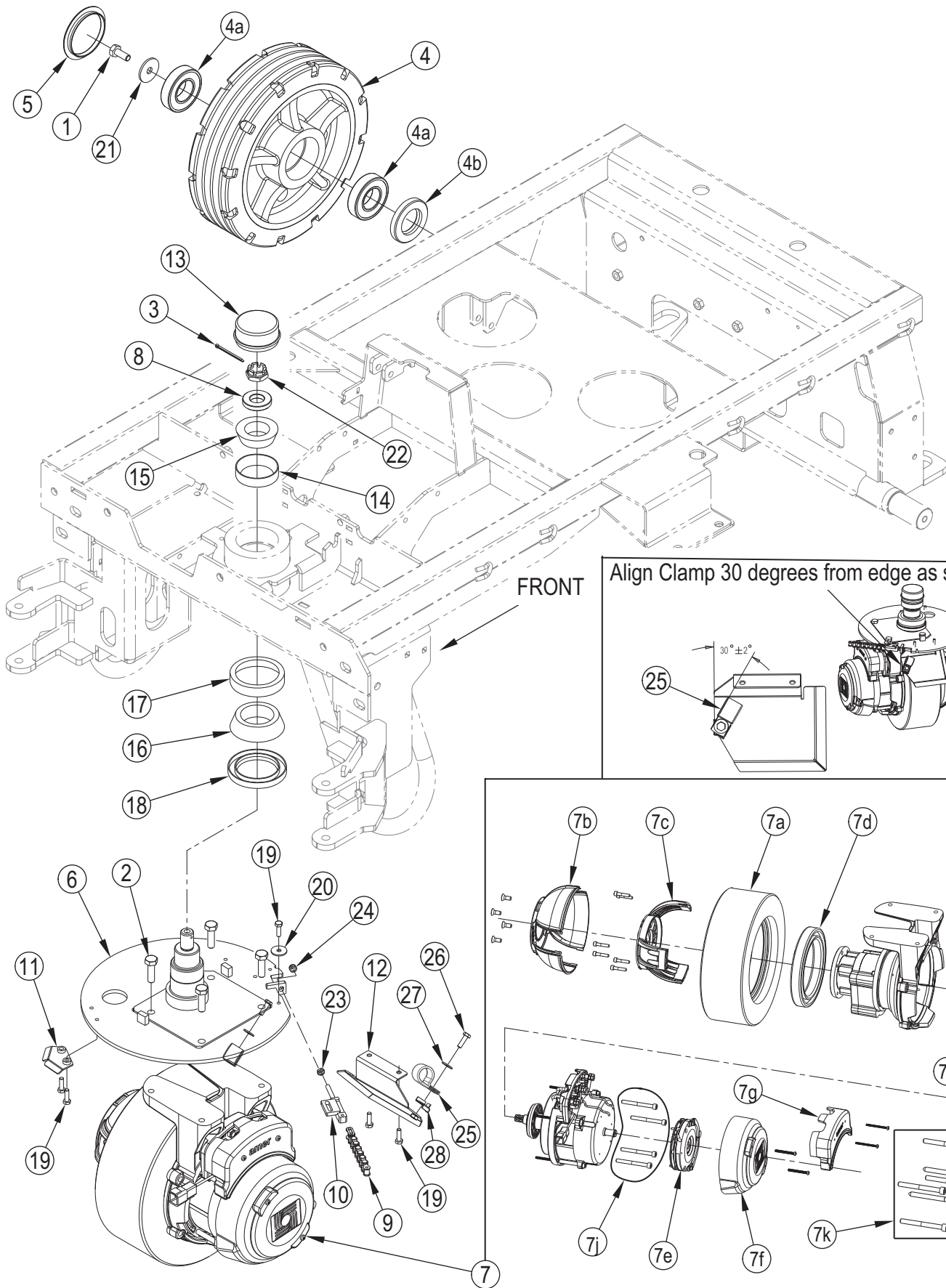
K4	56116911	1	Squeegee Roller Kit-Both
K5	56116912	1	Squeegee Knob Kit
K8#	56116705	1	Squeegee Blade Kit-Linatex K
K10	56116708	1	Squeegee Blade Kit-PU K

* = Optional, Not Included

= Revised or new since last update

NOTE 1: All squeegee blade kits include both front and rear squeegee blades.

WHEEL SYSTEM



WHEEL SYSTEM

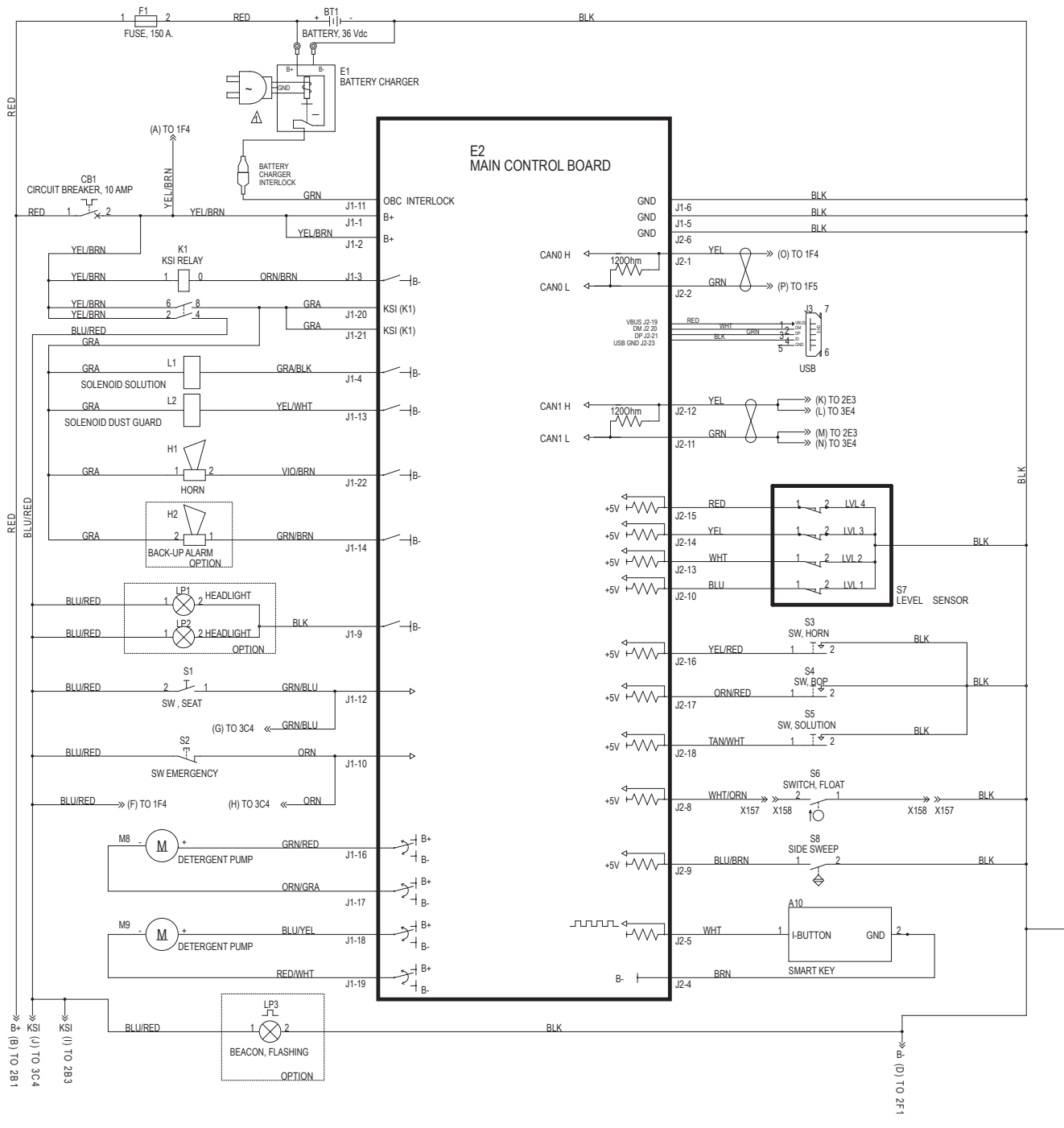
Kit	Item	Ref. No.	Qty	Description
K3,K4,K5	1		2	Screw M10x25 Hex Hd F/Thd
K5	2		4	Screw M10x35 Hex Hd F/Thd
K2,K5	3		1	Pin Cotter 3 X 50 Iso 1324
K4	4		2	Wheel-Rear-Pu 12x3.5in
K3	4a		2	Bearing-Ball-1.378x2.835x.669
K3	4b		1	Seal-Oil
K3,K4	5	56116032	2	Cap-Hub
	6	56116305	1	Spindle Plate Weldment
	7	56116309	1	Wheel-Drive-12in (M11)
	7a	56116039	1	Wheel-Drive 12in
	7b	56116806	1	Cover-Drive Coupler
	7c	56116807	1	Drive Coupler
	7d	56116809	1	Bearing-Drive Wheel
	7e	56118156	1	Parking Brake
	7f	56116811	1	Cover-Brake
	7g	56116812	1	Cover-Terminal
	7h	56118177	1	Drive Motor Encoder Kit
	7i	56118155	1	Shaft Seal-Drive Motor
	7j	56118178	1	Motor Screw Kit
	7k	56422174	1	Tire Puller Kit
K2	8		1	Washer-22x44x8mm
K1	9		1	Chain-Roller
K1	10		1	Chain Tensioner Weldment
K1	11		1	Chain Guide Weldment
	12	56116936	1	Bracket-Wire Guide
K2	13	56483135	1	Cap, Grease
K2	14		1	Bearing, Cup
K2	15		1	Bearing, Cone
K2	16		1	Bearing, Cone
K2	17		1	Bearing, Cup
K2	18		1	Seal-Shaft-88.9x63.5x9.5
K1,K5	19		5	Screw M6x20 Hex Hd F/Thd Ss ISO4017
K1,K5	20		1	Washer Flat XI 6.6x24.0x2.0 Ss
K3,K4,K5	21		2	Washer Flat XI 11.0x40.0x3.0
K2,K5	22		1	Nut Hex M20x1.5 Uni5594
K1	23		1	Nut Hex M6 Uni5589 Ss
K1	24		1	Nut, Hex Nyl Loc Thin M6 Ss
K5	25#		1	Clamp, Hose Support
K5	26		6	Screw M6x20 Hex Hd F/Thd Ss ISO4017
K5	27		1	Washer Flat XI 6x18x1.5 – Ss
K5	28#		1	Bracket Alginment

Service Kits

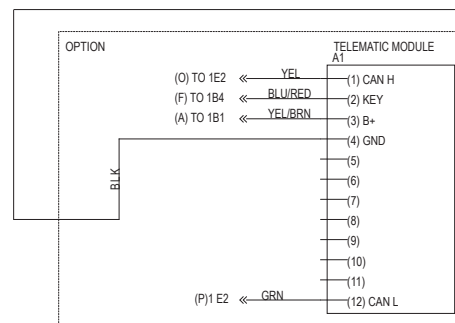
K1	56116916	1	Steering Chain Kit
K2	56116918	1	Spindle Bearing Kit
K3	56116033	1	Bearing Kit-Rear Wheel
K4	56116919	1	Rear Wheel Kit
K5	56116917	1	Hardware Kit-Wheel System

= Revised or new since last update

LADDER DIAGRAM-1



Ladder Diagram 56116048 REV D



LADDER DIAGRAM-1

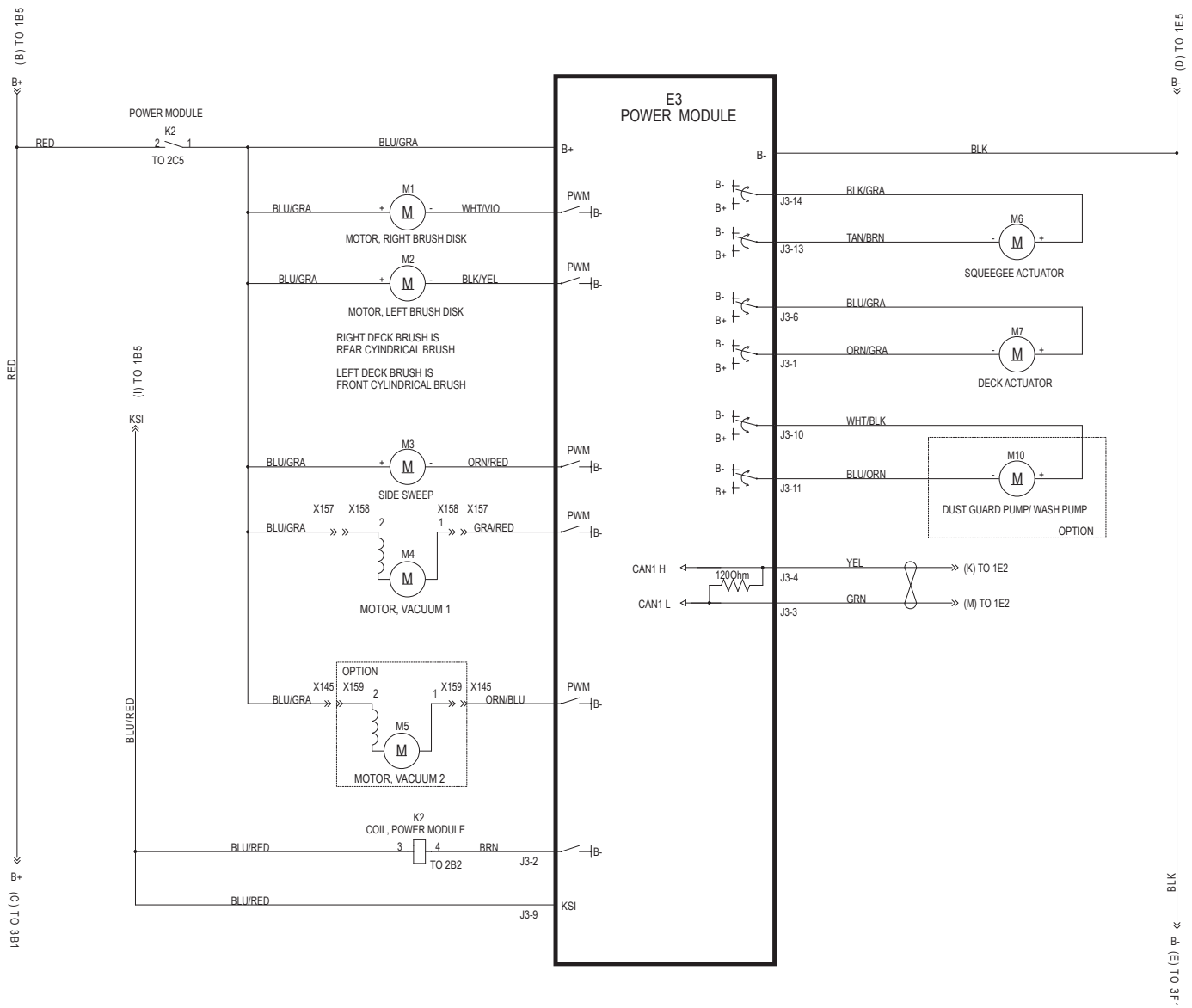
Kit	Item	Ref. No.	Qty	Description
	A1		1	Telematics Module (Optional)
	A10	56116518	1	Smart Key
	A11	56118157	1	Foot Pedal
	BT1	N/A	1	Battery 36VDC
	CB1	56507644	1	10amp Breaker
	E1	56315774	1	Battery Charger (Optional)
	E2	56116054	1	Main Control Board Assy
	E3	56116087	1	Power Module
	E4	56116131	1	Wheel Drive Controller
	F1	56115432	1	150 Amp Fuse
	H1	56116375	1	Horn
	H2	56116374	1	Back-Up Alarm (Optional)
	J3	56116601	1	USB (Optional)
	K1	40892A	1	Main Relay
	K2	56303198	1	Power Module Contactor
	K3	56303198	1	Speed Controller Contactor
	L1#	56118184	1	Solenoid Valve
	L2	56116975	1	Valve-Solenoid-36VDC (Optional)
	LP1	56383032	1	Headlight (Optional)
	LP2	56383032	1	Headlight (Optional)
	LP3	56116353	1	Beacon, Flashing (Optional)
	M1	56116159	1	Motor, Right Brush Disc
	M2	56116159	1	Motor, Left Brush Disc
	M3	56116761	1	Side Sweep (Optional)
	M4	56116105	1	Motor, Vacuum 1
	M5	56116105	1	Motor, Vacuum 2 (Optional)
	M6	56116781	1	Squeegee Actuator
	M7		1	Deck Actuator
	M8	56110742	1	Detergent Pump
	M9	56110742	1	Detergent Pump
	M10	56116767	1	Dust Guard Pump/ Wash Pump (Optional)
	M11	56116309	1	Drive Motor
	S1	7-82-00050	1	SW, Seat
	S2	56104247	1	SW, Emergency
	S3	56104405	1	SW, Horn
	S4	56104405	1	SW, Bop
	S5	56104405	1	SW, Solution
	S6	56116842	1	Switch, Float
	S7	56116372	1	Level Sensor
	S8	56116784	1	Side Sweep (Optional)

= Revised or new since last update

Color Codes

BLK	Black
BLU	Blue
BRN	Brown
GRA	Gray
GRN	Green
ORN	Orange
PINK	Pink
RED	Red
TAN	Tan
VIO	Violet
WHT	White
YEL	Yellow

LADDER DIAGRAM-2



Ladder Diagram 56116048 REV D

LADDER DIAGRAM-2

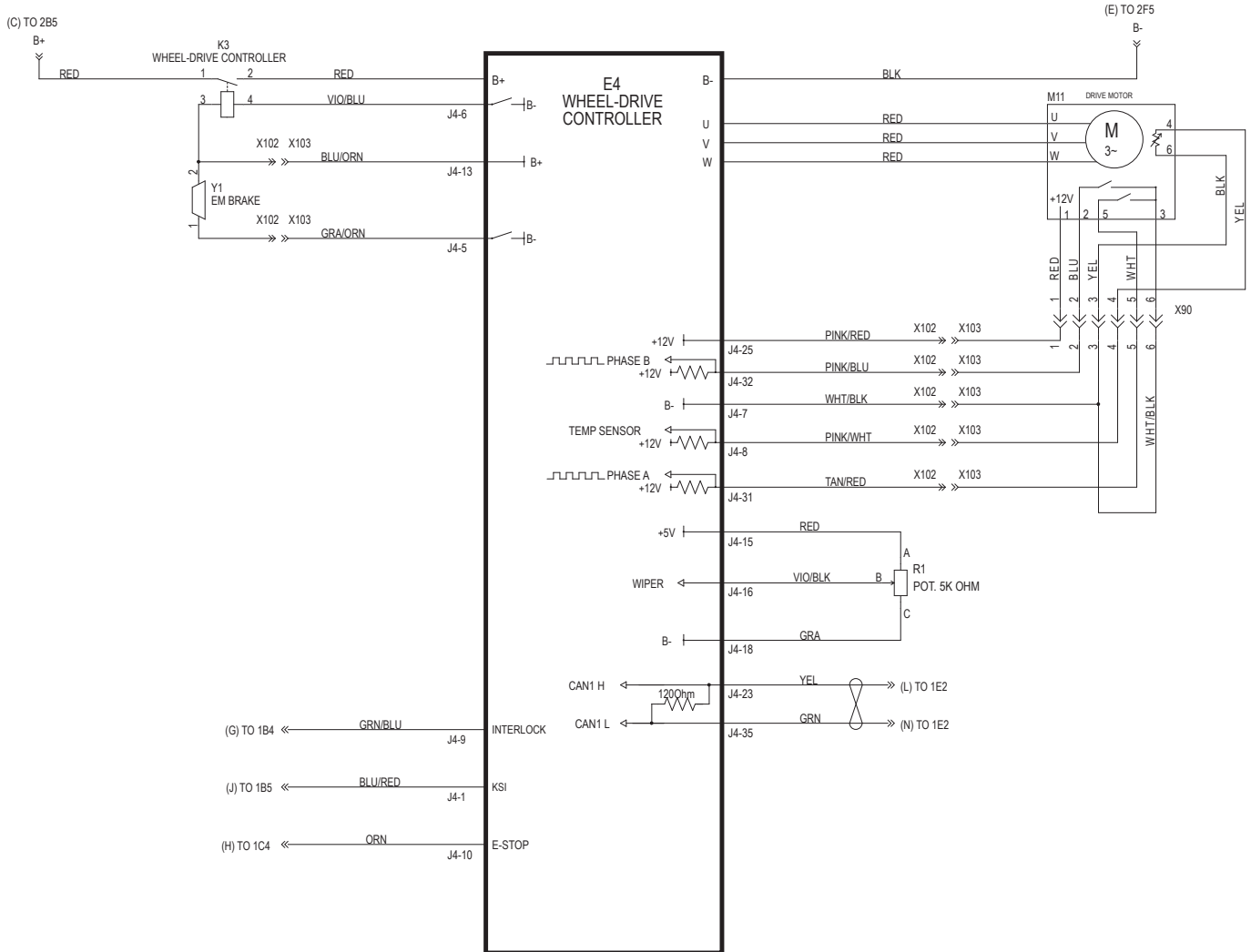
Kit	Item	Ref. No.	Qty	Description
	A1		1	Telematics Module (Optional)
	A10	56116518	1	Smart Key
	A11	56118157	1	Foot Pedal
	BT1	N/A	1	Battery 36VDC
	CB1	56507644	1	10amp Breaker
	E1	56315774	1	Battery Charger (Optional)
	E2	56116054	1	Main Control Board Assy
	E3	56116087	1	Power Module
	E4	56116131	1	Wheel Drive Controller
	F1	56115432	1	150 Amp Fuse
	H1	56116375	1	Horn
	H2	56116374	1	Back-Up Alarm (Optional)
	J3	56116601	1	USB (Optional)
	K1	40892A	1	Main Relay
	K2	56303198	1	Power Module Contactor
	K3	56303198	1	Speed Controller Contactor
	L1#	56118184	1	Solenoid Valve
	L2	56116975	1	Valve-Solenoid-36VDC (Optional)
	LP1	56383032	1	Headlight (Optional)
	LP2	56383032	1	Headlight (Optional)
	LP3	56116353	1	Beacon, Flashing (Optional)
	M1	56116159	1	Motor, Right Brush Disc
	M2	56116159	1	Motor, Left Brush Disc
	M3	56116761	1	Side Sweep (Optional)
	M4	56116105	1	Motor, Vacuum 1
	M5	56116105	1	Motor, Vacuum 2 (Optional)
	M6	56116781	1	Squeegee Actuator
	M7		1	Deck Actuator
	M8	56110742	1	Detergent Pump
	M9	56110742	1	Detergent Pump
	M10	56116767	1	Dust Guard Pump/ Wash Pump (Optional)
	M11	56116309	1	Drive Motor
	S1	7-82-00050	1	SW, Seat
	S2	56104247	1	SW, Emergency
	S3	56104405	1	SW, Horn
	S4	56104405	1	SW, Bop
	S5	56104405	1	SW, Solution
	S6	56116842	1	Switch, Float
	S7	56116372	1	Level Sensor
	S8	56116784	1	Side Sweep (Optional)

= Revised or new since last update

Color Codes

BLK	Black
BLU	Blue
BRN	Brown
GRA	Gray
GRN	Green
ORN	Orange
PINK	Pink
RED	Red
TAN	Tan
VIO	Violet
WHT	White
YEL	Yellow

LADDER DIAGRAM-3



Ladder Diagram 56116048 REV D

LADDER DIAGRAM-3

Kit	Item	Ref. No.	Qty	Description
	A1		1	Telematics Module (Optional)
	A10	56116518	1	Smart Key
	A11	56118157	1	Foot Pedal
	BT1	N/A	1	Battery 36VDC
	CB1	56507644	1	10amp Breaker
	E1	56315774	1	Battery Charger (Optional)
	E2	56116054	1	Main Control Board Assy
	E3	56116087	1	Power Module
	E4	56116131	1	Wheel Drive Controller
	F1	56115432	1	150 Amp Fuse
	H1	56116375	1	Horn
	H2	56116374	1	Back-Up Alarm (Optional)
	J3	56116601	1	USB (Optional)
	K1	40892A	1	Main Relay
	K2	56303198	1	Power Module Contactor
	K3	56303198	1	Speed Controller Contactor
	L1#	56118184	1	Solenoid Valve
	L2	56116975	1	Valve-Solenoid-36VDC (Optional)
	LP1	56383032	1	Headlight (Optional)
	LP2	56383032	1	Headlight (Optional)
	LP3	56116353	1	Beacon, Flashing (Optional)
	M1	56116159	1	Motor, Right Brush Disc
	M2	56116159	1	Motor, Left Brush Disc
	M3	56116761	1	Side Sweep (Optional)
	M4	56116105	1	Motor, Vacuum 1
	M5	56116105	1	Motor, Vacuum 2 (Optional)
	M6	56116781	1	Squeegee Actuator
	M7		1	Deck Actuator
	M8	56110742	1	Detergent Pump
	M9	56110742	1	Detergent Pump
	M10	56116767	1	Dust Guard Pump/ Wash Pump (Optional)
	M11	56116309	1	Drive Motor
	S1	7-82-00050	1	SW, Seat
	S2	56104247	1	SW, Emergency
	S3	56104405	1	SW, Horn
	S4	56104405	1	SW, Bop
	S5	56104405	1	SW, Solution
	S6	56116842	1	Switch, Float
	S7	56116372	1	Level Sensor
	S8	56116784	1	Side Sweep (Optional)

= Revised or new since last update

Color Codes

BLK	Black
BLU	Blue
BRN	Brown
GRA	Gray
GRN	Green
ORN	Orange
PINK	Pink
RED	Red
TAN	Tan
VIO	Violet
WHT	White
YEL	Yellow

OPTIONS & ACCESSORIES

Item	Ref. No.	Qty	Description
			Accessories
*	56116152	1	Overhead Guard Kit
*	56116280	1	Side Sweep Kit
*	56116351	1	Back-Up Alarm Kit
*	56116352	1	Beacon Kit
*	56116355	1	Vacuum Wand Kit
*	56116357	1	On Board Charger Kit
*	56116358	1	Solution Auto Fill Kit
*	56116359	1	Bumper Kit-Heavy Duty-Front
*	56116361	1	Squeegee Guard Kit
*	56116364	1	Foot Guard Kit
*	56116366	1	Deluxe Seat Kit NOTE 2
*	56116370	1	Dual Vacuum Motor Kit
*	56116371	1	Headlight Kit
*	56116512	1	Wash Hose Kit
*	56116513	1	Dust Guard Kit
*	56116517	1	EcoFlex Kit
*	56116576	1	Weight Kit-Steering Column
*	56116600	1	Seat Kit-Standard
*	56116614	1	Battery Watering Kit-36V
*	56116615	1	Battery Watering Assembly
*	56116619	1	Mop Holder Kit
*	56116686	1	Overhead Guard Kit-Short
*	56116731	1	TRACKCLEAN SC6000 Kit
*	56116856	1	USB Kit TSB-FC-2017-033
*	56118147	1	Deluxe Seat Kit – No Prop Rod NOTE 3
*	56383189	1	Arm Rest Kit-R/H Only
*	56383455	1	Seat Belt Kit-Standard Seat
*	56601410	1	Drain Hose Extension
*	56118079	1	Decal-ES Kit
			Options
	56116600	1	Seat Kit-Standard
	56116518	1	Smart Key-User
	56116519	1	Smart Key-Supervisor
	56044693	1	Literature Pack ADVANCE

OPTIONS & ACCESSORIES (CONTINUED)

Item	Ref. No.	Qty	Description
			Kits
			34D Squeegee Blade Kits for 56116378 (See Squeegee Blade Selector Guide)
#	56116704	1	Squeegee Blade Kit-Linatex J NOTE 1
*	56116707	1	Squeegee Blade Kit-PU J NOTE 1
			36C & 40D Squeegee Blade Kits for 56116379 (See Squeegee Blade Selector Guide)
#	56116705	1	Squeegee Blade Kit- Linatex K NOTE 1
*	56116708	1	Squeegee Blade Kit-PU K NOTE 1
			Scrub System Side Blade Kits for Cylindrical and Disc Decks (See Blade Selector Guide)
#	56116706	1	Side Blade Kit- Linatex
*	56116709	1	Side Blade Kit-PU
			34D Disc Scrub Brushes (See Brush Selector Guide)
*	56505780	2	Pad Holder-17 3 Lug
*	56505781	2	Disc Brush-17 Magnagrit 3 Lug
*	56505782	2	Disc Brush-17 Dynagrit 3 Lug
*	56505783	2	Disc Brush-17 Aglite 3 Lug
*	56505784	2	Disc Brush-17 Prolene 3 Lug
*	56505785	2	Disc Brush-17 Prolite 3 Lug
*	56505786	2	Disc Brush-17 Union Mix 3 Lug
*	56505787	2	Disc Brush-17 Midgrit 3 Lug
*	56505788	2	Disc Brush-17 Midlite 3 Lug
			40D Disc Scrub Brushes (See Brush Selector Guide)
*	56505790	2	Pad Holder-20 3 Lug
*	56505791	2	Disc Brush-20 Magnagrit 3 Lug
*	56505792	2	Disc Brush-20 Dyna Grit 3 Lug
*	56505793	2	Disc Brush-20 Aglite 3 Lug
*	56505794	2	Disc Brush-20 Prolene 3 Lug
*	56505795	2	Disc Brush-20 Prolite 3 Lug
*	56505796	2	Disc Brush-20 Union Mix 3 Lug
*	56505797	2	Disc Brush-20 Midgrit 3 Lug
*	56505798	2	Disc Brush-20 Midlite 3 Lug
			36C Cylindrical Scrub Brushes (See Brush Selector Guide)
*	56116043	2	Brush-Cyl-Hard Nyl-Natural-7in
*	56116044	2	Brush-Cyl-180 Grit-Blue-7in
*	56116045	2	Brush-Cyl-80 Grit-Black-7in
*	56116046	2	Brush-Cyl-Soft Nyl-Yellow-7in
*	56116047	2	Brush-Cyl-Polypro-Red-7in
			Side Sweep Brush
*	56116858	1	Poly Broom

* = Optional, Not Included

= Revised or new since last update

NOTE 1: All squeegee blade kits include both front and rear squeegee blades.

NOTE 2: The Deluxe Seat Kit 56116366 Kit contains a Gas Spring for machines built before Serial Number 3510173102367.

NOTE 3: The Deluxe Seat Kit 56118147-No Prop Rod Kit is used only on machines built after Serial Number 3510173102366.

RECOMMENDED SPARE PARTS**WEAR ITEMS****BRUSHES**

Disc Scrub Brushes	34D	40D
Brush Pad Holder	56505780	56505790
MagnaGrit	56505781	56505791
DynaGrit	56505782	56505792
AgLite	56505783	56505793
Prolene	56505784	56505794
ProLite	56505785	56505795
Union Mix	56505786	56505796
MidGrit	56505787	56505797
MidLite Grit	56505788	56505798

Cylindrical Scrub Brushes		36C
Soft Nylon		56116046
Hard Nylon		56116043
Prolene		56116047
180 Grit		56116044
80 Grit		56116045

BROOMS

Side Sweep		36C
Poly Broom		56116858

DECK BLADES

Disc Deck Blade Kits	34D	40D
Kit, Linatex Side Blade	56116706	
Kit, Polyurethane Side Blade	56116709	
Kit, Linatex Side Blade		56116706
Kit, Polyurethane Side Blade		56116709

Cylindrical Deck Blade Kits		36C
Kit, Linatex Side Blade		56116706
Kit, Polyurethane Side Blade		56116709

REAR SQUEEGEE BLADES

Squeegee Blade Kits	34 (J)	36C & 40D (K)
Kit, Linatex Squeegee Blade	56116704	
Kit, Polyurethane Squeegee Blade	56116707	
Kit, Linatex Squeegee Blade		56116705
Kit, Polyurethane Squeegee Blade		56116708

RECOMMENDED SPARE PARTS

PERIODIC SERVICE ITEMS AND SPARES

CLASS

W = Normal Wear
 O = Ordinary Maintenance
 E = Extra-Ordinary Maintenance

Class Ref No. Description

CHASSIS

E 56116781 Actuator-Squeegee

CONTROL SYSTEM

E 56118157 Foot Pedal Assy
 E 56116056 Membrane Panel Assembly
 E 56116054 Pcb Box Assembly
 E 56116477 Ibutton-Probe
 O 56116518 Smart Key-User
 O 56116519 Smart Key-Supervisor
 E 56507644 Circuit Breaker 10 Amp
 E 40892A Relay Dpdt 36vdc
 E 7-82-00050 Switch Seat
 E 56317072 Gas Spring

ELECTRICAL SYSTEM

E 56116087 Module-High Power
 E 56116131 Speed Control
 O 56115432 Fuse-150 Amp
 O 56303198 Contactor 36v Type 4

RECOVERY SYSTEM

O 56116500 Drain Hose Assembly
 O 56116537 Squeegee Hose Assembly
 O 56116698 Gasket-Vacuum Cover
 O 56116722 Debris Tray Assembly
 E 56116842 Switch-Float Mechanical 120v
 O 56116392 Screen-Filter
 O 56116394 Filter-Vacuum Inlet
 O 56116104 Cover-Vacuum Motor
 O 56118005 Seal-Vacuum Block
 O 56116105 Motor-Vacuum 36vdc
 O 56116107 Vacuum Motor Brush Kit
 O 56116486 Seal-Recovery Cover
 O 33003458 Clamp 60-80
 O 56116105 Motor-Vacuum 36vdc
 O 56116107 Vacuum Motor Brush Kit
 O 56116922 Vacuum Motor Seal Kit

SCRUB SYSTEM

O 56118041 Actuator Assembly-Heavy Duty (All)
 E 56116159 Motor-36vdc-1900rpm-1hp (36C)
 O 56422152 Kit Wheel Drive Brushes (All)
 E 56116032 Cap-Hub
 O 56116545 Knob-M12-Lobe Disc (34D, 40D)
 E 56116213 Gearmotor-36vdc-250rpm-1.0hp Disc (34D, 40D)
 O 56601276 Brush Plate Assembly Disc (34D, 40D)
 O 56601384 Brush Plate Assembly Disc (34D, 40D)
 O 56116979 Latch Kit

Class Ref No. Description

SCRUB SYSTEM (CONTINUED)

O 56116983 Knob Kit-Side Wiper
 O 56116929 Disk Strap Kit-Both Sides Disc (34D, 40D)
 O 56116877 Latch Kit-Both Sides (36C)
 E 56116885 Belt Kit-Both Sides (36C)
 E 56116890 Hub Kit (36C)
 E 56116887 Sheave Kit (36C)
 E 56116889 Idler Housing Kit (36C)
 O 56116984 Cylinder Strap Kit-Both Sides (36C)

SOLUTION SYSTEM

E 56116759 Valve-Ball-5/8x3/4in Brb
 O 9097944000 Filter Net Ss 50 Mesh For
 E 9097945000 Cap With Seal-Solution Filter
 O 9097943000 Gasket For Water Filter
 O 56104408 Chemical Bottle Assy
 E 56110742 Pump Detergent 12v
 O 9100001512 Cap Plastic F Chemical Tank
 O 56315523 Cap Dry Break 1/8 Barb
 O 56116923 Drain Hose Kit
 O 56116924 Filter Kit
 O 56116875 Solenoid Valve Kit
 O 56116891 Solenoid Seal Kit

SQUEEGEE SYSTEM

E 56116545 Knob-M12-Lobe
 O 56116907 Caster Assembly
 O 56116894 Squeegee Tilt Adjuster Kit
 E 56116912 Squeegee Knob Kit-Both

SWEEP SYSTEM

E 56116784 Sensor-Proximity
 E 56116761 Gear Motor-Sweep-Right
 O 56116897 Carbon Brushes Kit
 O 1463960000 Clamp With Pin

WHEEL & BRAKE SYSTEM

E 56483135 Cap Grease
 E 56116032 Cap-Hub
 O 56116809 Bearing-Drive Wheel
 E 56116811 Cover-Brake
 E 56116916 Steering Chain Kit
 E 56116918 Spindle Bearing Kit
 E 56116033 Bearing Kit-Rear Wheel
 E 56116919 Rear Wheel Kit
 E 56116917 Hardware Kit-Wheel System

BRUSH SELECTOR GUIDE - DISC

We provide brushes and pad holders that will give you the best possible performance between machine and floor. Following are descriptions of the materials and their applications.

- ProLite:** Bristles are made from light-duty polypropylene for general scrubbing when you do not want to scratch or remove finish from the floor. Recommended for use in place of red pads.
- Prolene:** Polypropylene material for medium-duty scrubbing on concrete, terrazzo and vinyl floor tile. Recommended for use in place of green or blue pads.
- Union Mix:** Medium grade natural fibers for polishing finished floors with standard-speed equipment. Recommended for use in place of white pads.
- AgLite Grit 500:** For light scrubbing when used wet; buffing or polishing when used dry on urethane coated, sealed concrete or other resilient hard surface floors. Recommended for use in place of red or white pads.
- MidGrit 240:** For general purpose scrubbing when you need a lighter action for sealed or unsealed concrete, stone, terrazzo, quarry tile and other resilient hard floor surfaces. Recommended for use in place of green or blue pads.
- MidLite Grit 180:** For general purpose scrubbing of sealed or unsealed concrete, stone, terrazzo, quarry tile and other resilient hard floor surfaces. Recommended for use in place of green or blue pads.
- Dyna Grit 80:** For aggressive, heavy-duty scrubbing or stripping of floors. Recommended for use in place of brown pads.
- Magna Grit 46:** For extreme heavy-duty scrubbing or stripping of floors. This brush has extra large diameter silicon carbide grit impregnated synthetic bristles. Recommended for use in place of black pads.
- Short Trim Pad Holder:** Made with a structural foam block and center ring for correct pad centering. It has a "shower feed" design for getting solution to the floor.

SC6000 34D DISC BRUSHES

- 56505780 - Pad Holder-17 3 Lug
- 56505781 - Disc Brush-17 Magnagrit 3 Lug
- 56505782 - Disc Brush-17 Dynagrit 3 Lug
- 56505783 - Disc Brush-17 Aglite 3 Lug
- 56505784 - Disc Brush-17 Prolene 3 Lug
- 56505785 - Disc Brush-17 Prolite 3 Lug
- 56505786 - Disc Brush-17 Union Mix 3 Lug
- 56505787 - Disc Brush-17 Midgrit 3 Lug
- 56505788 - Disc Brush-17 Midlite 3 Lug

SC6000 40D DISC BRUSHES

- 56505790 - Pad Holder-20 3 Lug
- 56505791 - Disc Brush-20 Magnagrit 3 Lug
- 56505792 - Disc Brush-20 Dyna Grit 3 Lug
- 56505793 - Disc Brush-20 Aglite 3 Lug
- 56505794 - Disc Brush-20 Prolene 3 Lug
- 56505795 - Disc Brush-20 Prolite 3 Lug
- 56505796 - Disc Brush-20 Union Mix 3 Lug
- 56505797 - Disc Brush-20 Midgrit 3 Lug
- 56505798 - Disc Brush-20 Midlite 3 Lug

DISC BRUSH APPLICATION GUIDE (SUGGESTION ONLY)

	46	80	180	240	500	Prolene	Prolite	Union Mix
Application	Grit	Grit	Grit	Grit	Grit			
Stripping:								
Concrete	X	X						
Terrazzo	X	X						
Ceramic/Quarry tile		X						
Vinyl tile		X						
General Scrubbing:								
Concrete	X	X	X	X		X		
Terrazzo			X	X	X	X		
Ceramic/Quarry tile			X	X	X	X		
Marble					X		X	
Vinyl tile			X		X	X		
Raised-rubber tile					X		X	
Polishing:								
Raised Disc Tile								X
Marble								X
Vinyl tile								X

BRUSH SELECTOR GUIDE - CYLINDRICAL

We provide brushes and pad holders that will give you the best possible performance between machine and floor. Following are descriptions of the materials and their applications.

- Soft Nylon:** Least aggressive brush available. Used on soft-finish floors where a more aggressive brush would leave scratch marks, or in applications requiring very light cleaning.
- Stiff Nylon:** Cleaning action similar to polypropylene. More durable and wear-resistant than polypropylene.
- Prolene:** Low cost, yet effective in cleaning many common floor surfaces.
- MidLite Grit 180:** Least aggressive grit brush. Used for daily cleaning of hard-finished floors.
- Dyna Grit 80:** Medium aggressive grit brush. Good all-around brush for medium to heavy buildup removal. Can also be used for general stripping operations.
- Magna Grit 46:** Most aggressive grit brush. Used primarily to clean heavy buildup on concrete floors in factories, or for heavy stripping of finish.

SC6000 36C CYLINDRICAL BRUSHES

- 56116043 - Brush-Cyl-Hard Nyl-Natural-7in
- 56116044 - Brush-Cyl-180 Grit-Blue-7in
- 56116045 - Brush-Cyl-80 Grit-Black-7in
- 56116046 - Brush-Cyl-Soft Nyl-Yellow-7in
- 56116047 - Brush-Cyl-Polypro-Red-7in

CYLINDRICAL BRUSH APPLICATION GUIDE (SUGGESTION ONLY)

Application	46 Grit	80 Grit	180 Grit	Polypro- pylene	Stiff Nylon	Soft Nylon
Stripping:						
Concrete	X	X				
Terrazzo	X	X				
Ceramic/Quarry tile		X				
Vinyl tile		X				
General Scrubbing:						
Concrete	X	X	X	X	X	
Terrazzo			X	X	X	X
Ceramic/Quarry tile			X	X	X	X
Marble			X		X	X
Vinyl tile			X	X	X	X
Raised-rubber tile			X			X

SQUEEGEE BLADE SELECTOR GUIDE

Gum Rubber: Provides superior wiping action on tile, terrazzo, and polished floors.

Linatex: Provides longest life on finished or unfinished concrete floors.

Polyurethane: Oil resistance provides superior life in applications with oily floors.

SQUEEGEE BLADE APPLICATION GUIDE(SUGGESTION ONLY)

	Gum Rubber (Natural Rubber)	Linatex (Natural Rubber)	Polyurethane/ Pentathane
Performance Traits			
Tear Strength		X	X
Abrasion Resistance		X	X
Applications			
Oil Resistant Applications			X
Appearance	Tan	Red	Translucent

9435 Winnetka Ave North
Minneapolis, MN 55445
www.advance-us.com
Phone: 800-989-2235
Fax: 800-989-6566
©2018 Nilfisk, Inc.

