

 **Sanitaire[®]**

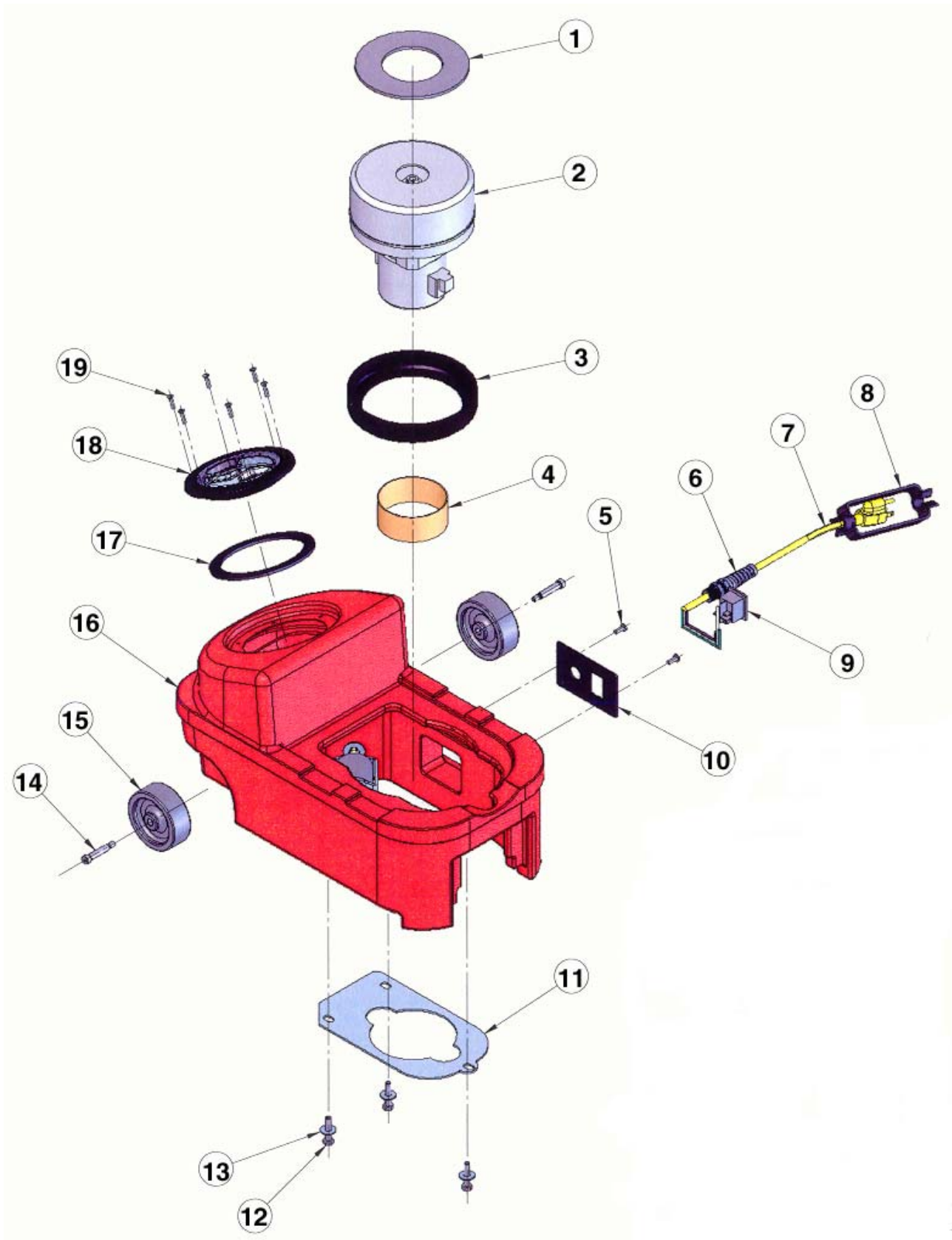
by
EUREKA

REPAIR PARTS LIST

SC6070

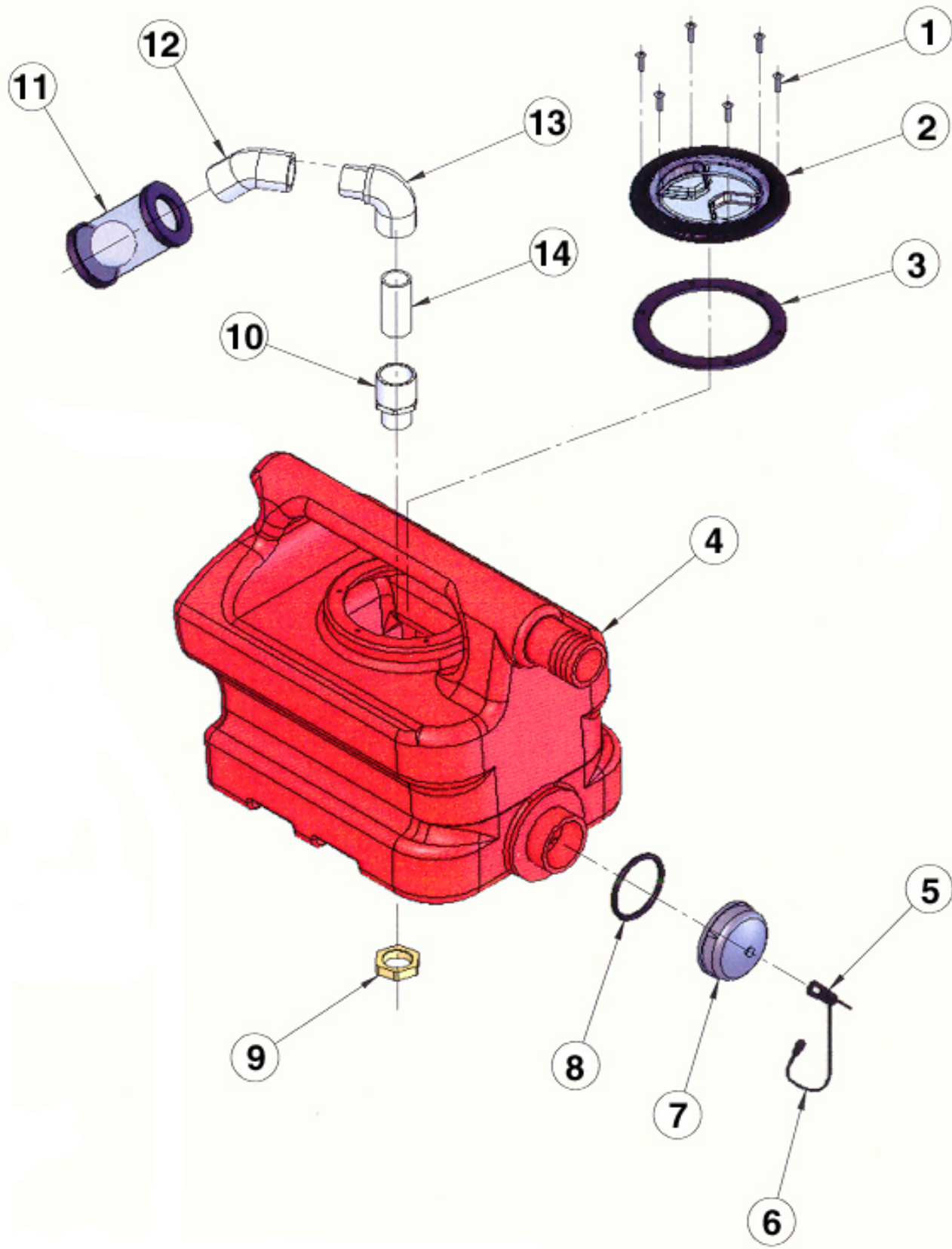
CANISTER CARPET CLEANER

Date: August 2, 2004



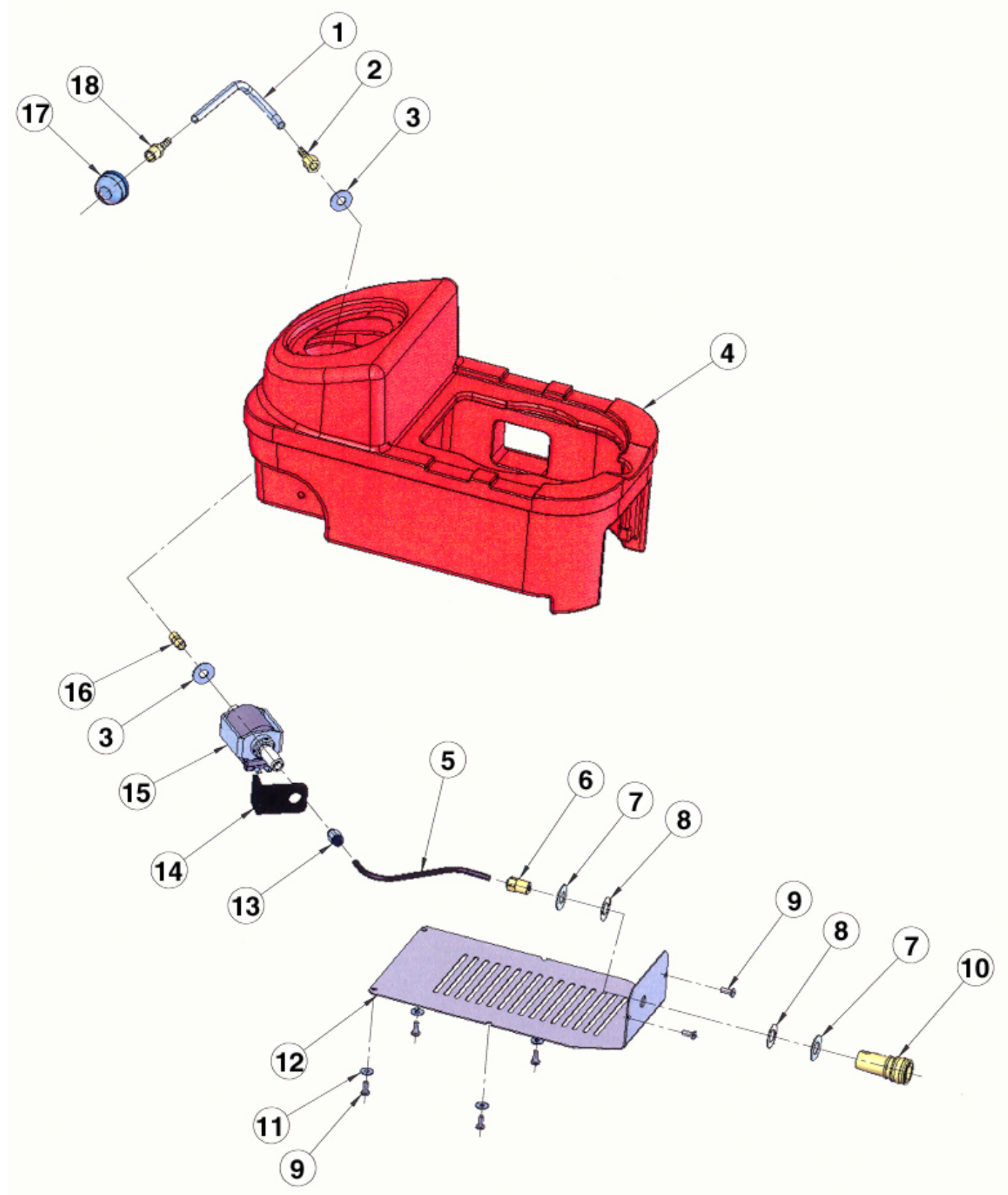
SC6070

| | | |
|-----|------|----------------------------------------|
| 1. | G004 | GASKET, VACUUM MOTOR |
| 2. | C316 | MOTOR, VACUUM |
| 3. | H436 | GASKET, MOTOR MOUNTING |
| 4. | H433 | AIR DUCT, MOTOR |
| 5. | H230 | SCREW, #10-32 X 1/2" LG. PHIL. PAN HD. |
| 6. | H856 | FITTING, STRAIN RELIEF 3/8" NPT |
| 7. | E548 | CORD, POWER, PIGTAIL, 16/3, 18" |
| 8. | G131 | CONNECTOR, CORD |
| 9. | E515 | SWITCH, 2 POSITION ROCKER |
| 10. | H410 | SWITCH PLATE |
| 11. | H646 | MOUNTING PLATE, VACUUM |
| 12. | H203 | HEX BOLT, 1/4-20 X 1-1/4" LG. |
| 13. | H210 | WASHER, FLAT, 1/4" |
| 14. | H650 | SCREW, 5/16" SHOULDER X 1-1/4" LG. |
| 15. | H358 | WHEEL, 3" |
| 16. | P797 | TANK, SOLUTION |
| 17. | G039 | GASKET, VAC TANK LID |
| 18. | G030 | VACUUM LID BASE AND COVER |
| 19. | H304 | SCREW, #8-32 X 5/8" LG. PHIL. OVAL |



SC6070

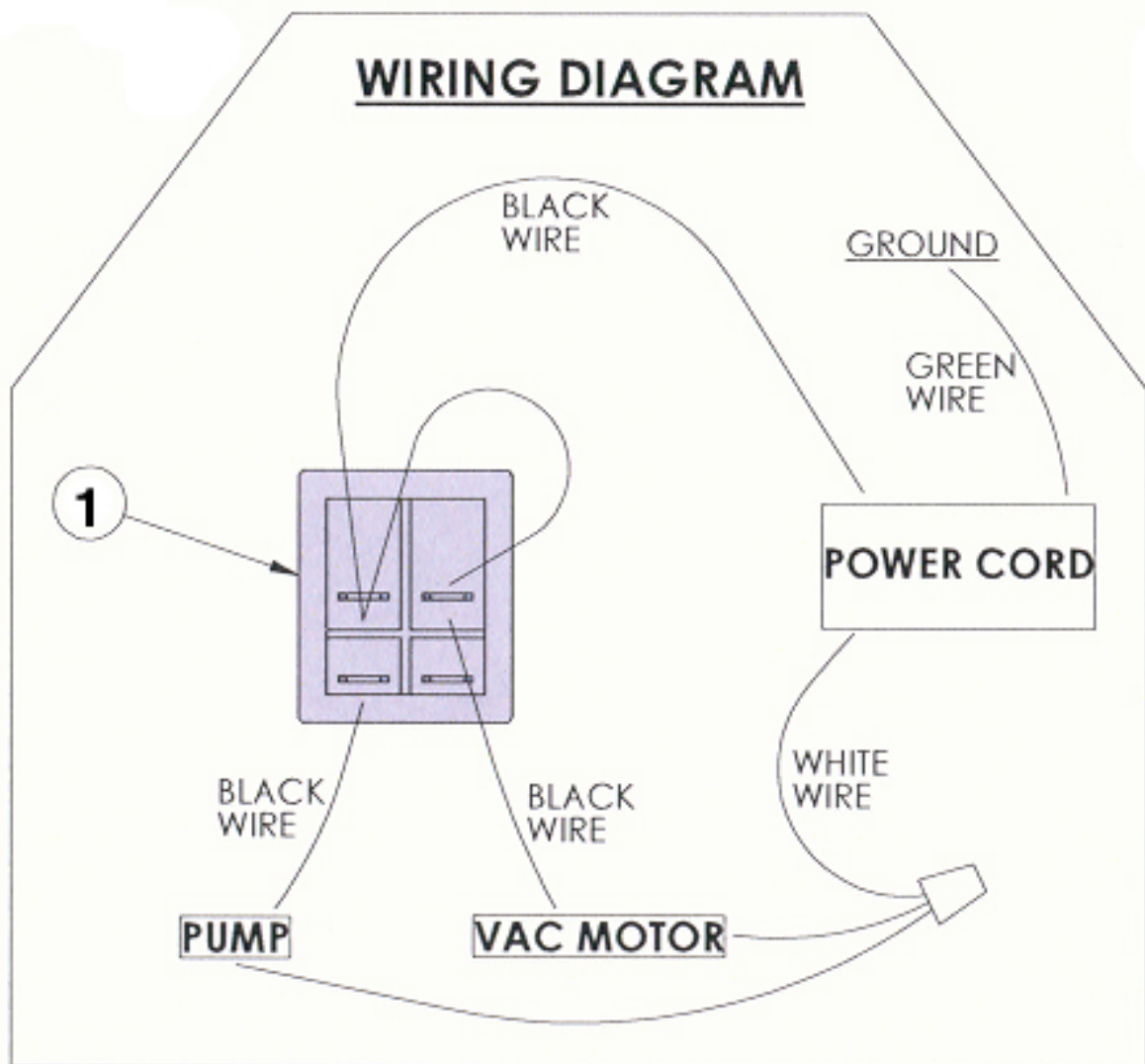
| | | |
|-----|---------|--------------------------------------|
| 1. | H304 | SCREW, #8-32 X 5/8" LG. PHIL. OVAL |
| 2. | G030 | VACUUM LID BASE AND COVER |
| 3. | G039 | GASKET, VAC TANK LID |
| 4. | P798 | TANK, VACUUM |
| 5. | G037 | STRAP ADAPTOR |
| 6. | G038 | TETHER |
| 7. | G036 | CAP, 2" THREADED |
| 8. | G057 | O-RING, BUNA |
| 9. | B653 | LOCK NUT, 3/4" BRASS |
| 10. | H644 | ADAPTER, PVC |
| 11. | H917 | FLOAT CAGE, SHORT |
| 12. | H900 | FITTING, PVC, 45 DEG MOD., 3/4" PIPE |
| 13. | H899 | FITTING, PVC, 90 DEG MOD., 3/4" PIPE |
| 14. | PH610-2 | PIPE, PVC, 3/4 X 2" LG. |



SC6070

| | | |
|-----|----------|-------------------------------------------|
| 1. | PH626-12 | TUBING, 1/4" ID X 3/8" OD VINYL X 12" LG. |
| 2. | B131 | FITTING, 1/4" BARB X 18" FPT |
| 3. | H384 | WASHER, FLAT, 3/8" |
| 4. | P797 | TANK, SOLUTION |
| 5. | PH657-8 | TUBING, NYLON, BLACK, 1/4" OD X 8" LG. |
| 6. | B166 | FITTING, PUSH-IN, 1/4" X 1/4" |
| 7. | H212 | WASHER, 9/16" ID |
| 8. | H413 | WASHER, NYLON |
| 9. | H230 | SCREW, #10-32 X 1/2" LG. PHIL. PAN HD. |
| 10. | B102 | QUICK DISCONNECT, 1/4" FEMALE |
| 11. | H289 | WASHER, FLAT #10 |
| 12. | H898 | COVER, SOLUTION TANK |
| 13. | B140 | FITTING, PUSH-IN, 1/4" X 1/8" |
| 14. | H250 | BRACKET, PUMP |
| 15. | C378 | PUMP, 55psi, 115v, 1/8" NPT |
| 16. | B129 | NIPPLE, HEX, 1/8" |
| 17. | B119 | FILTER STRAINER, 1/4" |
| 18. | B109 | FITTING, 1/4" BARB X 1/4" MPT |

SC6070



1. E515 SWITCH, 2 POSITION ROCKER

SC6070

①



SC6080 -- Optional Items

1. SC81A ACCESSORY HOSE WITH 3" METAL NOZZLE