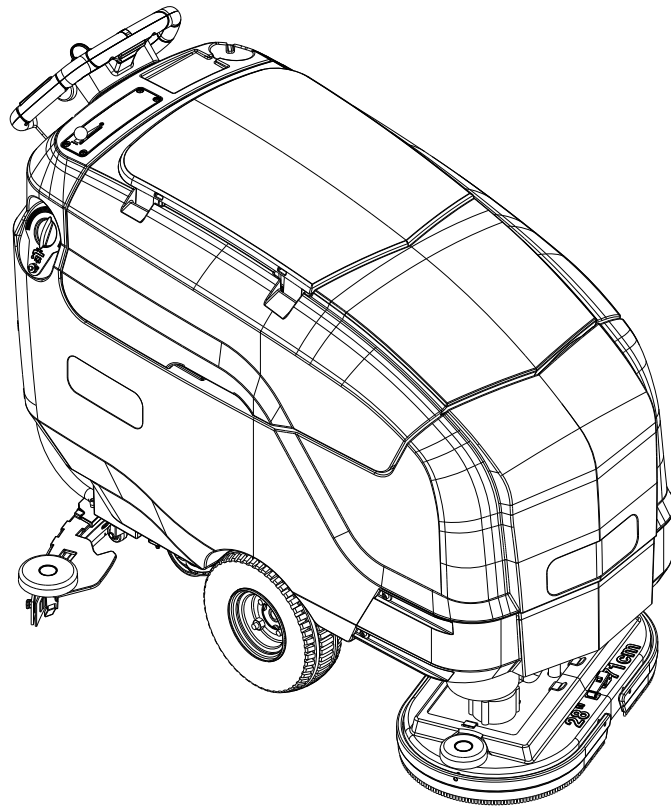


SC900 ST

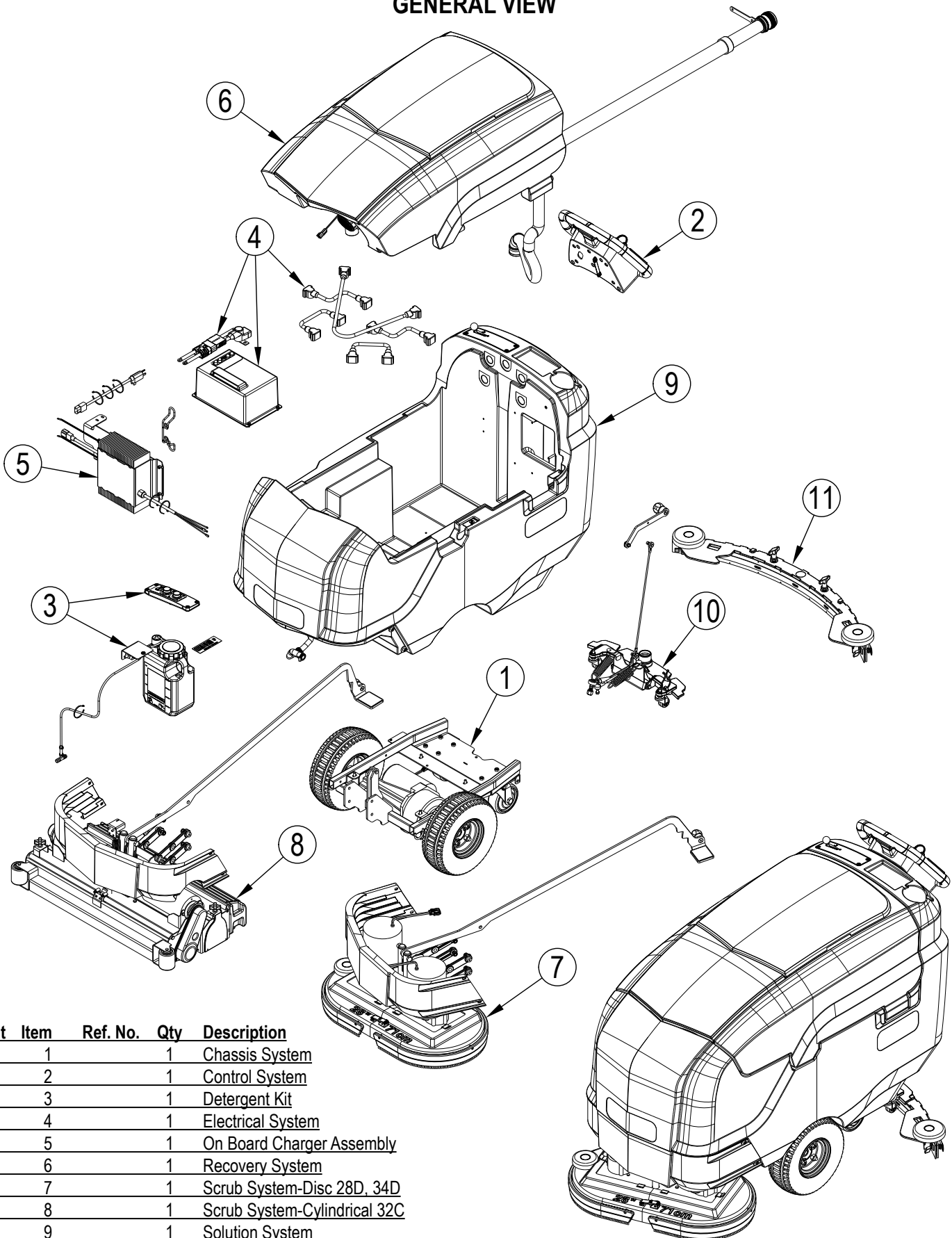
Parts List

1/2016 revised 3/2018 REV E
Form no. 56042634



Model No:
56115201 (SC900 ST-28D)
56115202 (SC900 ST-34D)
56115203 (SC900 ST-32C)

GENERAL VIEW



Kit	Item	Ref. No.	Qty	Description
	1		1	Chassis System
	2		1	Control System
	3		1	Detergent Kit
	4		1	Electrical System
	5		1	On Board Charger Assembly
	6		1	Recovery System
	7		1	Scrub System-Disc 28D, 34D
	8		1	Scrub System-Cylindrical 32C
	9		1	Solution System
	10		1	Squeegee Mount System
	11		1	Squeegee Assy

TABLE OF CONTENTS

DESCRIPTION	PAGE
Chassis System	2-3
Control System.....	4-5
Decal System.....	6-7
Detergent Kit	8-9
Electrical System.....	10-11
On Board Charger Assembly	12-13
Recovery System	14-15
Scrub System-Cylindrical	16-17
Scrub System-Disc.....	18-19
Solution System	20-21
Squeegee Assy	22-23
Squeegee System.....	24-25
Ladder Diagrams.....	26-27
Options & Accessories	28
Recommended Spare Parts.....	29
Brush Selector Guide-Disc.....	30
Brush Selector Guide-Cylindrical	31
Squeegee Blade Selector Guide.....	32

WHEN ORDERING PARTS

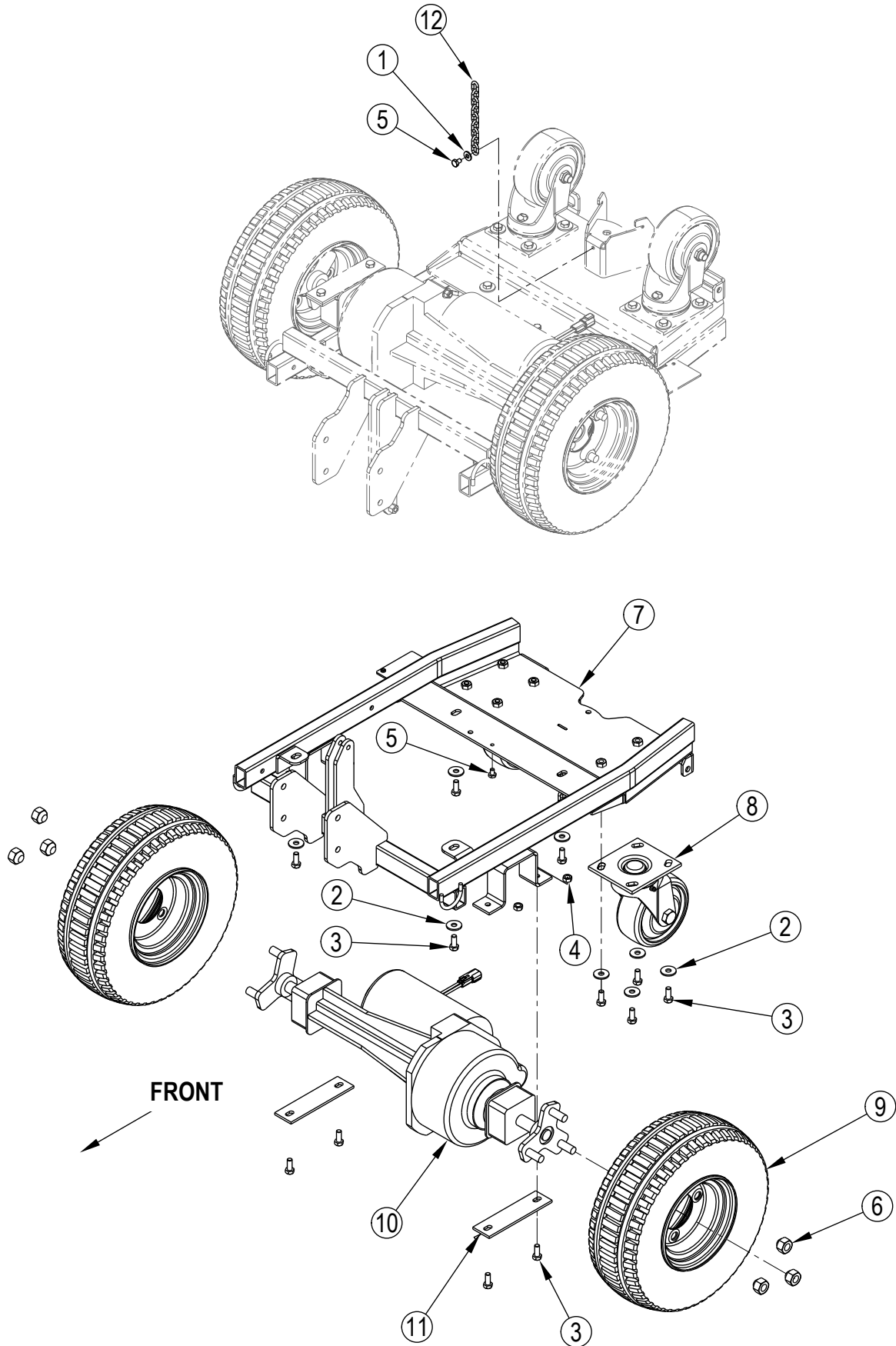
- * Use the part numbers from the "Ref. No." columns in this parts list. If the "Ref. No." column is blank; look under the "Kit" column to identify which kit contains the part in question, then use the kit callout, for example "K1", to find the "Ref. No." for that kit.

Kit	Item	Ref. No.	Qty	Description
K1	1		16	Washer Flat 3/16 Zinc Plat
K1	2		2	Screw-BHS-Brass-10-32x3/8-MS
K1	3		3	Washer EPDM 7/32 X 1/8
	4	805	1	Chain-Cover
	5	905	2	Caster Swivel 4 Gray Non MA
K1	6		2	Nut, Hex Nyl Loc 10-24
K1	7		3	Scr- Hex SS 1/4-20 X .75
K1	8		16	Scr, Hex Hd Loc 1/4-20 x .50
K1	9		3	Wsh, Flt SS .260 X 1.000 X .074
	10	56113012	1	Solution Tank
	11	56113034	2	Hinge Plate
K1		56113103	1	Kit-Hardware Solution Tank

- * Specify the model number and serial number of the machine.
- * Use the space below to record the model number and serial number for future reference.

Model No. _____ Serial No. _____

CHASSIS SYSTEM



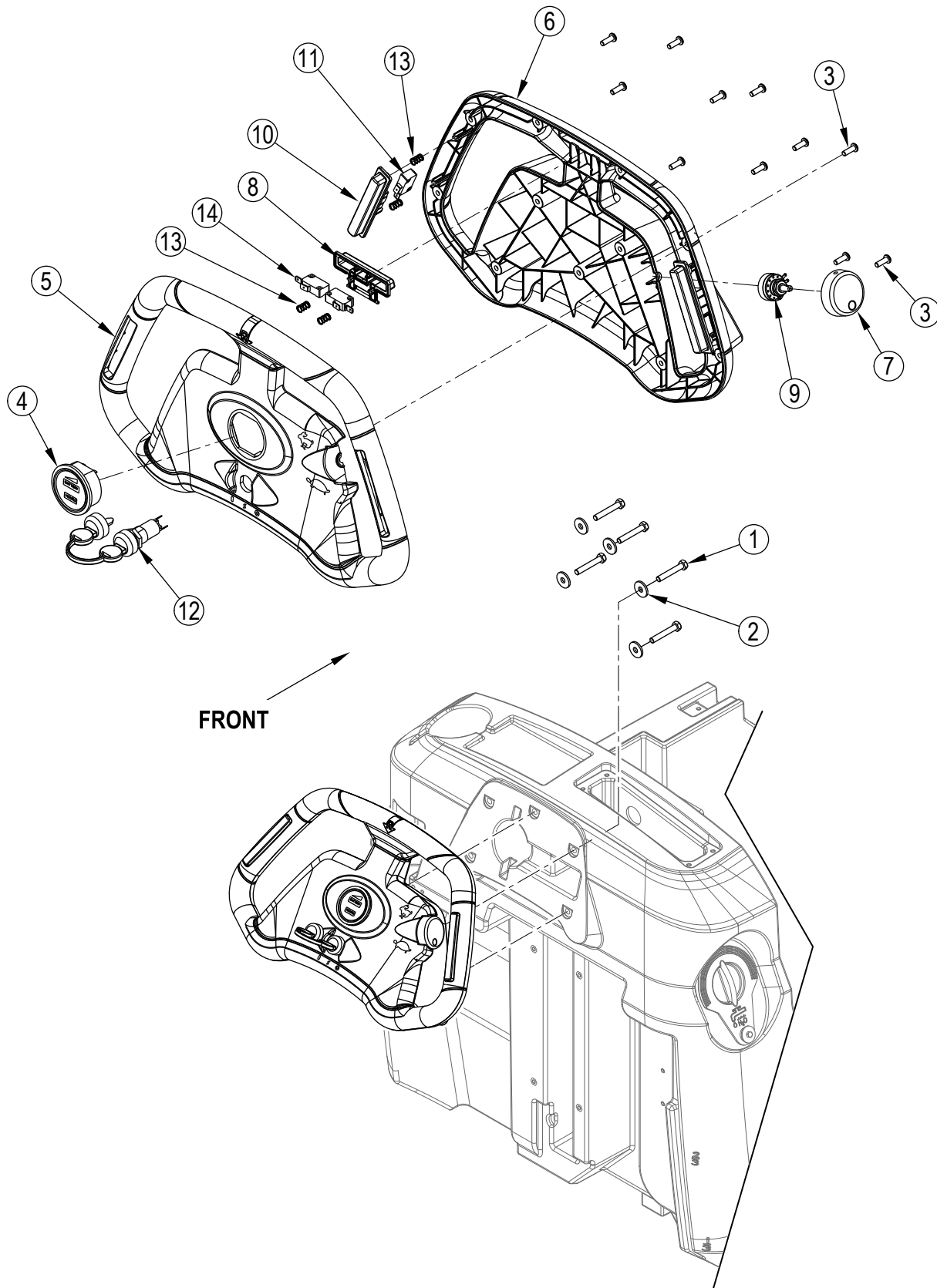
CHASSIS SYSTEM

Kit	Item	Ref. No.	Qty	Description
K1,K4	1		1	Wsh-Fit Sae Ss 1/4
K1,K2	2		12	Wsh, Fit Ss 8mm
K1,K2	3		16	Scr Hex Loc Ss M8-1.25x20mm
K1	4		4	Nut Hex Ss M8-1.25
K1,K4	5		2	Scr, Hex Thd Form 1/4-20 X .50
K1,K3	6		6	Nut- Lug 1/2-20
	7	56115240	1	Chassis Weldment
K2	8		2	Caster-Swivel-5.00x2.00
K3	9		2	Wheel-Drive-13 Inch Diameter
	10	56115378	1	Transaxle-36 Volts M1
	[]	56315676	1	Motor
	[]	56315677	4	Carbon Brush
	[]	56315678	2	Neoprene Mounting Sleeve
	[]	56380164	1	Kit-Coupling
	[]	56381779	1	Transaxle Service Kit
	11	56315202	2	Plate, Transaxle Mount
K4	12		1	Chain

Service Kits

K1	56115390	1	Hardware-Chassis-Kit
K2	56115391	1	Castor Wheel-Kit
K3	56115392	1	Wheel-Drive-Kit
K4	56115393	1	Chain-Grounding-Kit

CONTROL SYSTEM



CONTROL SYSTEM

Kit	Item	Ref. No.	Qty	Description
K1	1		5	Scr-Hex M8-1.25 X 50mm
K1	2		5	Wsh-Flt Ss .344 X 1.00 X .109
		56115384	1	Handle Assy
K1	3#		11	Scr, Pan Phil Plastite 10-14 X .62
	4	56115296	1	Gauge-Battery-Hour (P2)
	5	56115303	1	Handle-Front-Control
K4	6	56115304	1	Handle-Back-Control TSB-FC-2017-027
	7	56115305	1	Knob-2.00 X .62
K2	8		1	Button-Reverse-Yellow
K3	9		1	Harness-Handle (R1)
K2	10#		2	Button-Go-Yellow TSB-FC-2017-051
K2	11		4	Switch, Spdt Snapaction (S2,S3,S6,S7) TSB-FC-2017-051
	12	1462888000	1	Switch, Key With Water Proof Cup (S1)
	[]	1462887000	1	Key 2 PCS
K2	13#		6	Spring
K2	14#		4	Switch

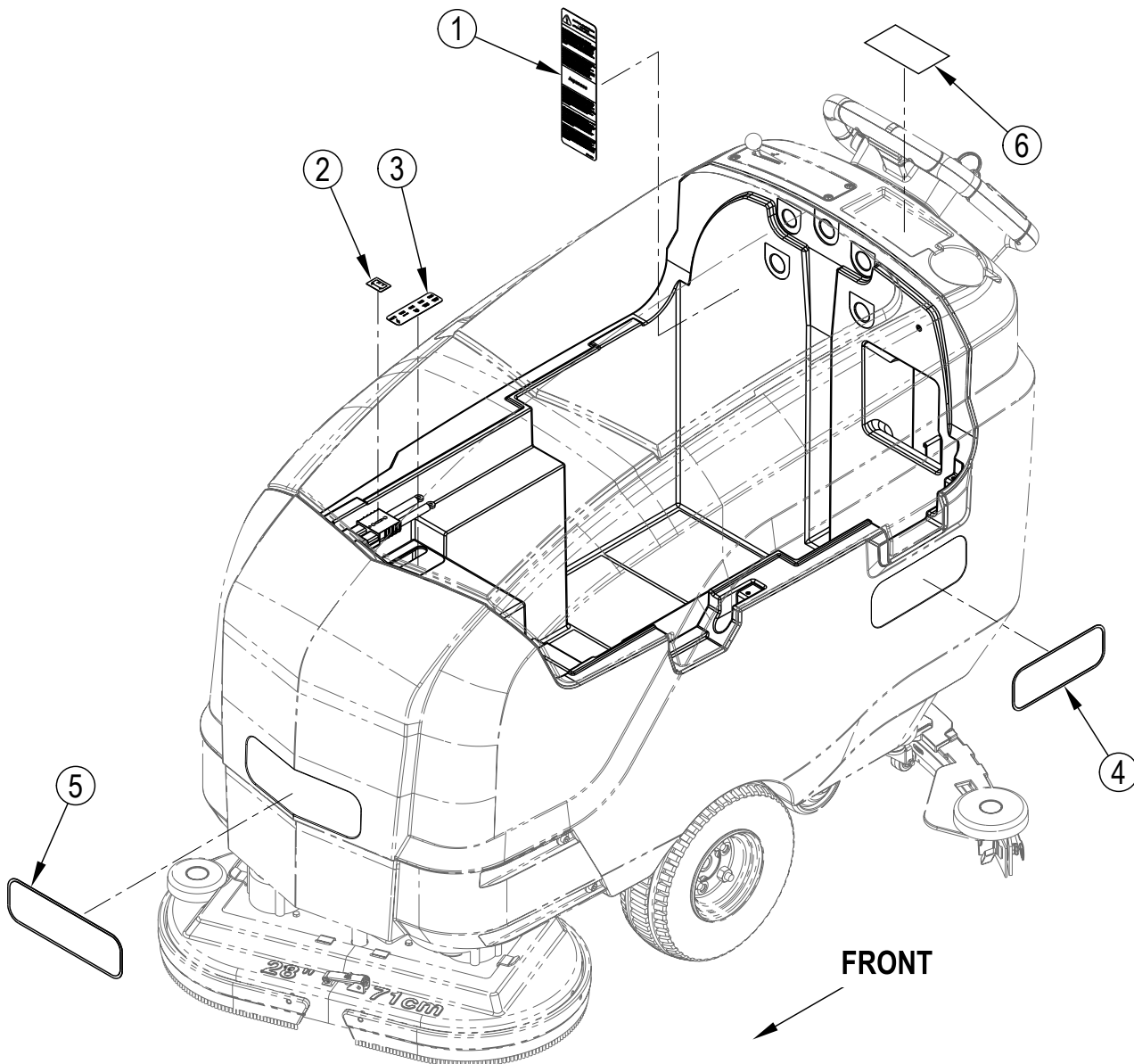
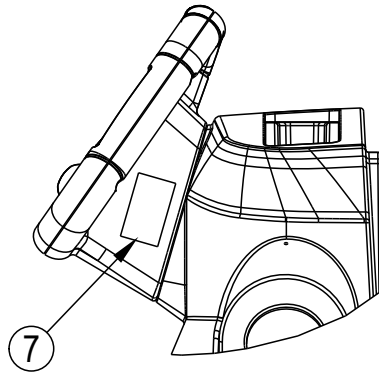
Service Kits

K1	56115400	1	Hardware-Control-Kit
K2#	56115479	1	Switch/Button-Kit TSB-FC-2017-051
K3	56115409	1	Handle Potentiometer Kit
K4	56115471	1	Handle/Squeegee Lever Kit

[] = Not Shown

= Revised or new since last update

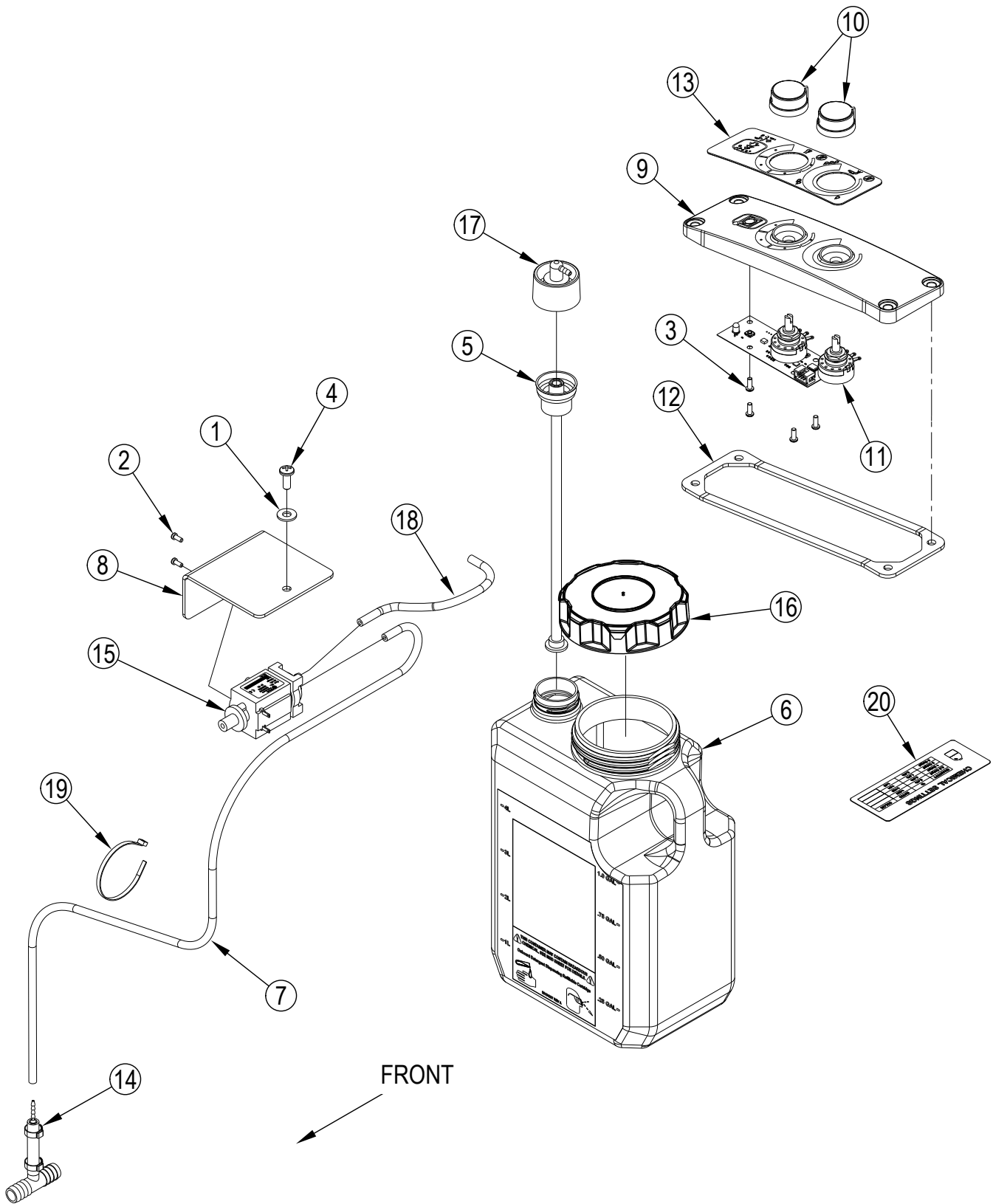
DECAL SYSTEM



DECAL SYSTEM

Kit	Item	Ref. No.	Qty	Description
	1	56014601	1	Decal, Caution
	2	56016324	1	Decal, Charger
K1	3	56115469	1	Decal – Circuit Breaker
	4	56115323	1	Decal-SC900 (STD Models)
		56115386	1	Decal-SC900-EcoFlex (EcoFlex Models)
	5	56016730	1	Decal, Advance
	6	56115461	1	Decal-Battery Watering (only used on package 56115234)
	7	71362A	1	Label, NFSI
Service Kits				
K1	56115403	1		Circuit Breaker Kit (Includes two 30 Amp Fuses one Circuit Breaker Decal)

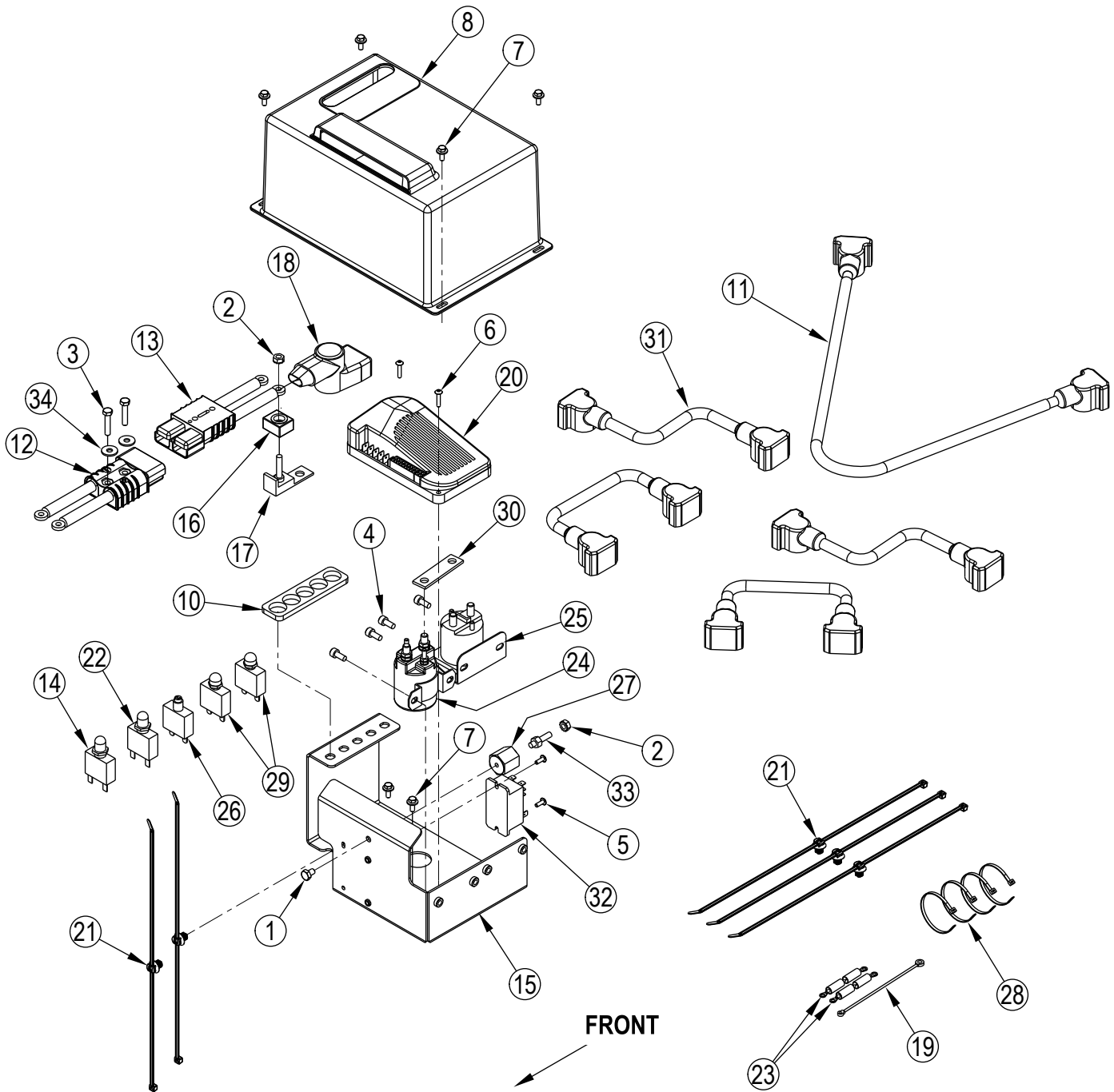
DETERGENT KIT



DETERGENT KIT

Kit	Item	Ref. No.	Qty	Description
	1	56002098	1	Wsh, Flt Sae 1/4
	2	56003970	2	Scr, M3 X 7 Self Thrd Torx Plas
	3	56003196	4	Scr, Pan Phil Plastite 6-18 X .38
	4	56003627	1	Scr-Pan Phil M6-1 X 16mm
	5	56104189	1	Insert-Dry Break
	6	56104408	1	Chemical Bottle Assembly (Detergent Cartridge)
	7	56111511	1	Hose, Chem. Resistant
	8	56112126	1	Bracket-Pump Mount
	9	56115347	1	Cover-Detergent Module
	10	56115359	2	Knob-1.25 X .63
	11	56115363	1	Module-Detergent
	12	56115376	1	Gasket-Detergent Cover
	13	56115382	1	Decal-Detergent Module
	14	56314983	1	Tee Assembly
	15	56315241	1	Pump, Chemical
	16	9100001512	1	Cap, Plastic F Chemical Tank
	17	56315523	1	Cap Dry Break 1/8 Barb
	18	56315524	1	Hose, Chem Resistant, 7.50
	19	56478246	1	Tie, Cable
	20	71489a	1	Label,Chemical Settings

ELECTRICAL SYSTEM



ELECTRICAL SYSTEM

Kit	Item	Ref. No.	Qty	Description
K1	1		1	Scr-Hex 1/4-20 X .38
K1	2		2	Nut, Hex W/ Shprf 1/4-20
K1	3		2	Screw 6mm X 1.00 X 30mm Lg
K1	4		4	Scr Soc Ss M6-1x14mm
K1	5		2	Scr-Button Soc Ss M4-0.7x12
K1	6		2	Scr-Button Soc Ss M4-0.7x20
K1	7		6	Scr-Hex Flange Ss M5-.8x12
	8	56115255	1	Cover-Electrical-Black
	[9]	56115278	1	Harness
	10	56115341	1	Gasket-Circuit Breaker
	11	56115349	1	Cable Battery
	12	56115356	1	Harness-Battery Machine
	13	56115357	1	Harness-Battery Power
	14	56115385	1	Breaker-Circuit-2.5 Amp (CB5)
	15	56115389	1	Panel-Electrical
	16	56115432	1	Fuse-150 Amp (F1)
	17	56115433	1	Holder-Fuse
	18	56115434	1	Boot-Fuse Holder
	19	56115441	1	Diode Assy-36v-Tvs
	20	56115477	1	Controller-Speed (P1)
	21	56116611	5	Cable Tie-Mount
	22	56315256	1	Circuit Breaker, 30 Amp (CB1)
	23	56389265	2	Rectifier Assy
	24	56395450	1	Contactactor 36v (K2)
	25	56395455	1	Contactactor 36v, 100 Amp (K3)
	26	56413822	1	Circuit Breaker, 20 Amp (CB4)
	27	56469858	1	Electrical Mount
	28	56478246	4	Tie, Cable
K2	29		2	Circuit Breaker (CB2,CB3) -30 Amp
	30	56510285	1	Bus Bar-Contactactor
	31	40172A	4	Cable, Battery
	32	40892A	1	Relay Dpdt 36vdc (K1)
K1	33		1	Stud, 1/4-20
K1	34#		2	Wsh Flt Ss 6 mm

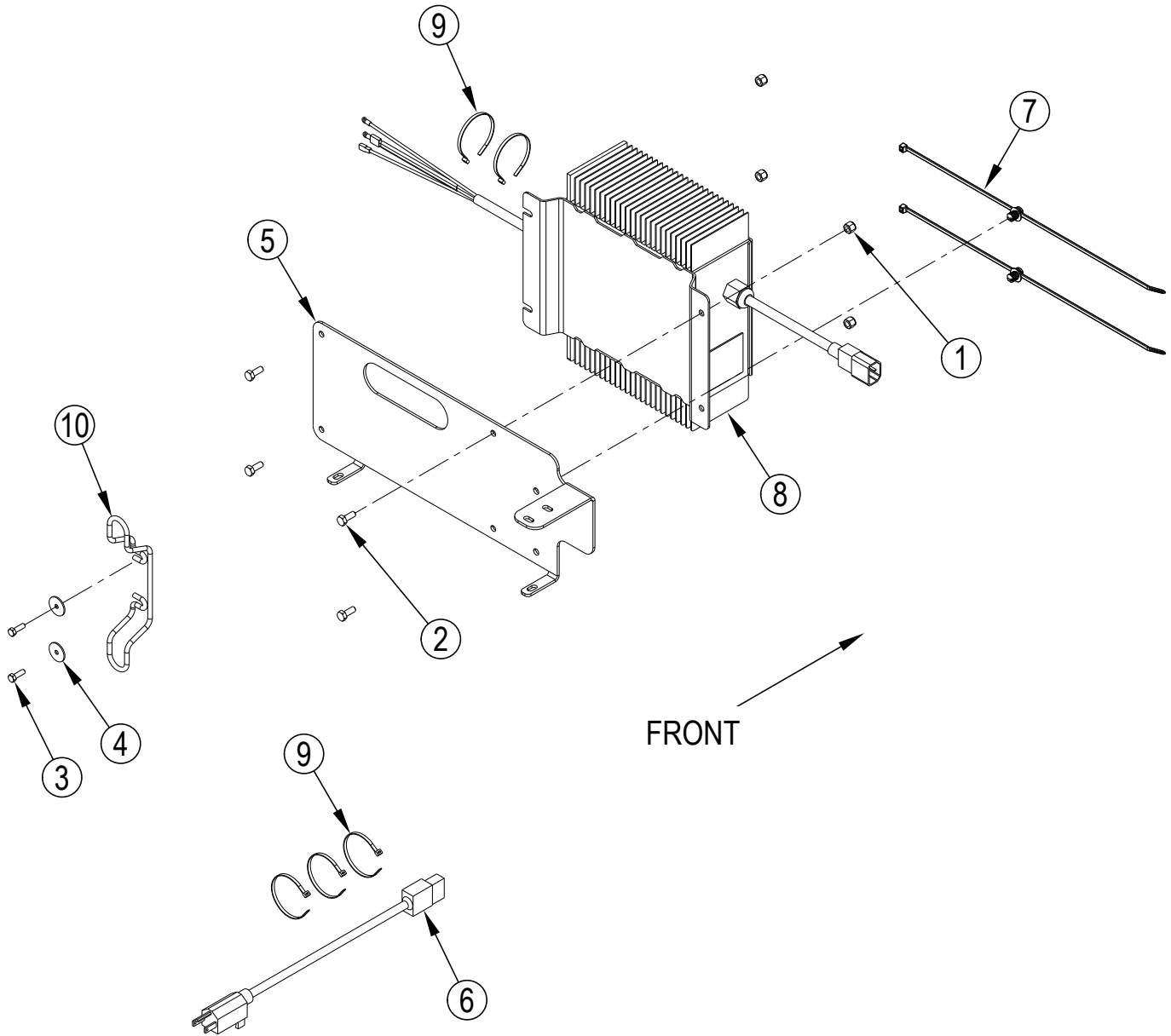
Service Kits

K1#	56115403	1	Electrical Hardware Kit
K2#	56115470	1	Circuit Breaker Kit (Includes two 30 Amp Fuses one Circuit Breaker Decal)

[] = Not Shown

= Revised or new since last update

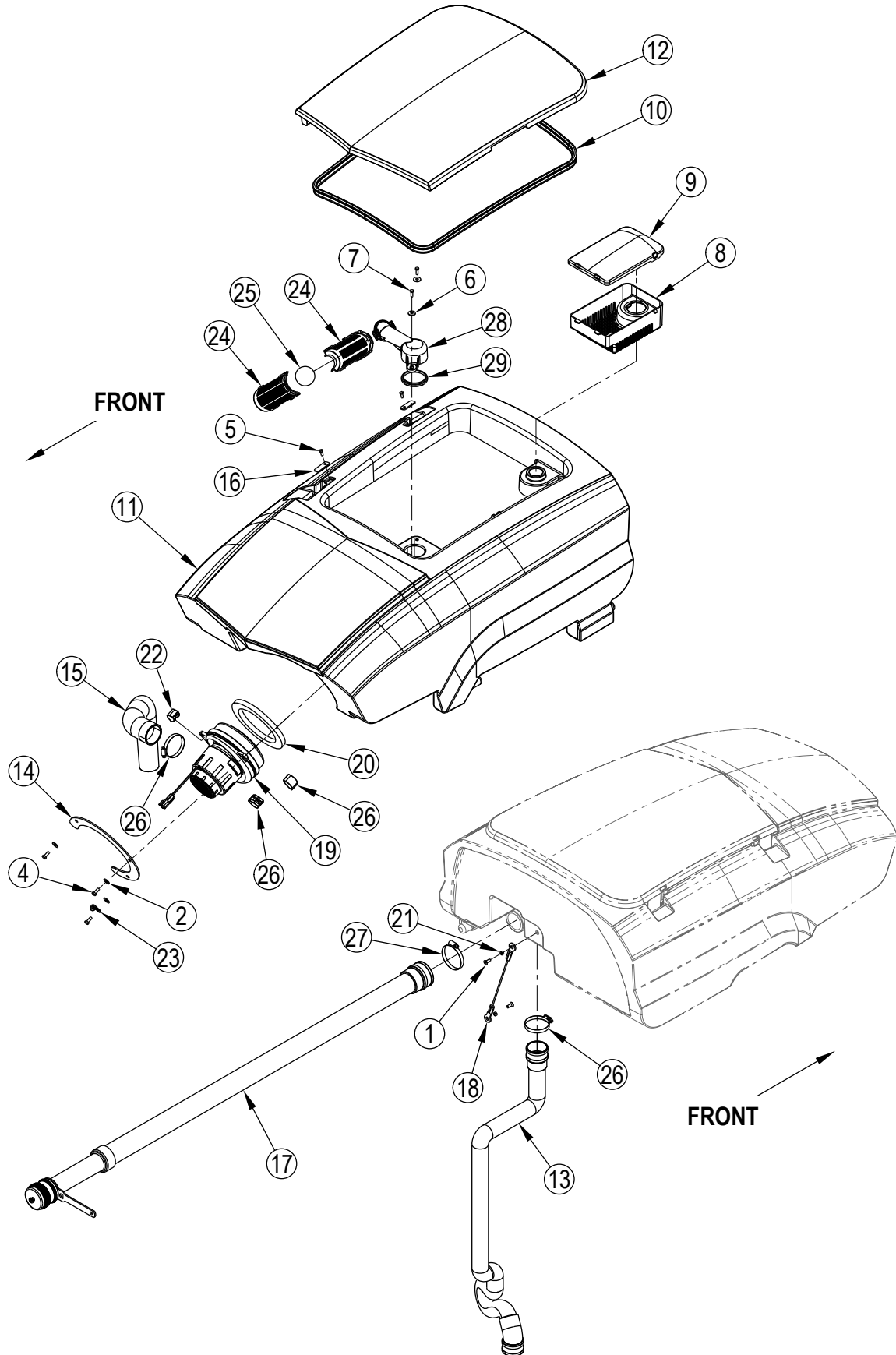
ON BOARD CHARGER ASSEMBLY



ON BOARD CHARGER ASSEMBLY

Kit	Item	Ref. No.	Qty	Description
	1	56003403	4	Nut-Hex Nyl Loc M6-1
	2	56003431	4	Scr-Hex Ss M6-1 X 16mm
	3	56003840	2	Scr-Hex Loc Ss M5-0.8 X 16mm
	4	56009096	2	Wsh, Flt .193 X .875 X .060
	5	56115374	1	Bracket-On Board Charger
	6	56115375	1	Cord-Charger-Yellow- Us
	7	56116611	2	Cable Tie-Mount
	8	56315774	1	Charger-On Board 36v
	9	56478246	5	Tie, Cable
	10	9095149000	1	Cable Support

RECOVERY SYSTEM



RECOVERY SYSTEM

Kit	Item	Ref. No.	Qty	Description
K1,K3	1		2	Screw Flat Socket Head M6 x 16.0
K1,K2	2		3	Wsh-Fit Sae SS 5/16
	3			Intentionally Omitted
K1,K2	4		3	Scr. Hex Loc M6-1 X 16mm
K1	5		2	Scr-Hex Loc M5-0.8 X 5mm
K1,K4	6		2	Wsh, Fit Std Ss #10
K1,K4	7		2	Scr-Hex Loc Ss M5-0.8 X 16mm
K5	8		1	Debris Cage
K5	9		1	Debris Tray Cover
	10	56104164	1	Gasket-Recovery Tank
	11	56115292	1	Tank-Recovery-Light Gray
	12	56115299	1	Lid-Recovery Tank-Light Gray
	13	56115343	1	Vac Hose Assy
K2	14		1	Plate-Vacuum Mount
	15	56115369	1	Tube-Exhaust
	16	56115451	2	Plate-Retainer-Nylon
	17	56115436	1	Hose-Drain-Pu
	17	56381940	1	Hose-Drain (Optional)
	*	56601411	1	Drain Hose Cap Kit
K3	18		1	Cable Assy
K2	19		1	Motor-Vacuum 36vdc (M4)
	[]	56116107	1	Vacuum Motor Brush Kit
K2	20		1	Seal-Vacuum Motor Inlet
K3	21		2	Bushing
K2	22	56315141	3	Mount, Vibration
K2	23		1	Clamp, Hose Support
K4	24		2	Cage, Float
K4	25		1	Ball- Float
	26	56440213	2	Clamp- Hose Sae #32
	27	56456797	1	Clamp- Hose Sae #36
K4	28		1	Support Float System
K4	29		1	Gasket Float Support

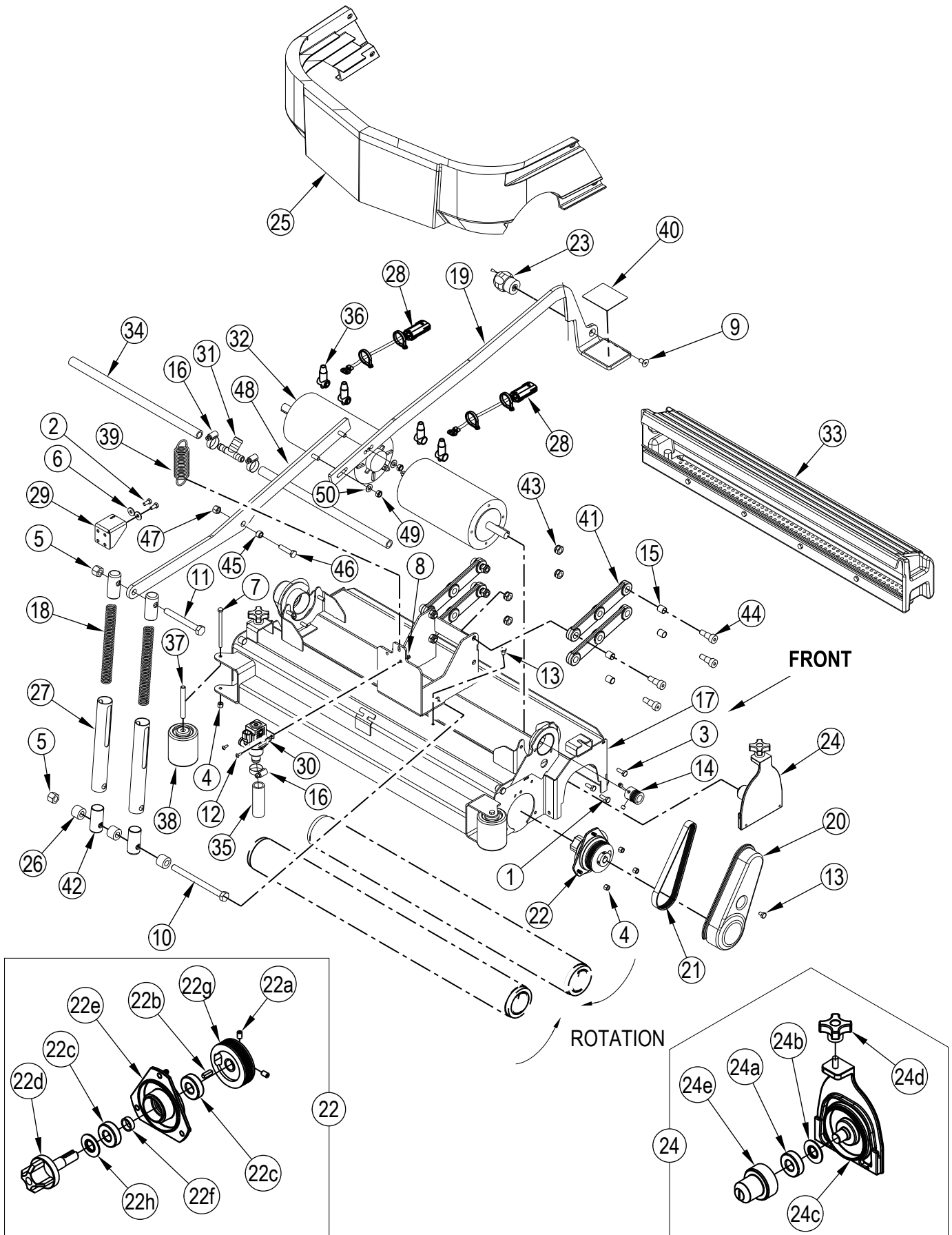
Service Kits

K1	56115396	1	Hardware-Recovery-Kit
K2	56115397	1	Motor-Vac-Kit
K3	56115398	1	Cable-Recovery-Kit
K4	56115399	1	Cage-Ball-Kit
K5	56104360	1	Debris Cage Kit

[] = Not Shown

* = Optional, Not Included

SCRUB SYSTEM-CYLINDRICAL



SCRUB SYSTEM-CYLINDRICAL

Kit	Item	Ref. No.	Qty	Description
K2	1		4	Scr, Soc Set Loc 5/16-18 X .25
K2	2		2	Screw M6-1 X 12 Hex Hd. C.S.
K2	3		6	Scr-Hex Loc Ss 1/4-20 X .75
K2	4		8	Nut, Hex Nyl Loc Ss M6-1
K3	5		2	Nut, Hex Nyl Loc Ss M12-1.75
K2	6		2	Wsh, Flt Ss 6mm
K2	7		2	Scr-Hex Ss M6-1 X 95mm
K2	8		2	Nut-Hex Nyl Loc Ss M4-0.7
K2,K4	9		1	Scr Flt Soc Ss M8-1.25x16mm
K2,K3	10		1	Scr Hex Ss M12-1.75x150mm
K2,K3	11		1	Scr Hex Ss M12-1.75x100mm
K2	12		2	Scr-Button Soc Ss M4-0.7x12
K2	13		3	Scr, Hex Thd Form 1/4-20 X .38
	14	56112166	2	Sheave-Poly-V
K1	15		8	Bushing
	16	56112771	3	Clamp- Hose Sae #10
	17	56115267	1	Housing Weldment-32 Inch Cyl
K3	18		2	Spring-Compression 7 Pound
K4	19		1	Lever-Deck-Cyl
	20	56115314	2	Guard Assy-Belt
	21	56115315	2	Belt-Auto Tension
	22	56115318	2	Drive End Assy
	22a	56002930	2	Scr,Soc Set Loc 1/4-20 X .38
	22b	56003237	1	Key, Sq .19 X .62
	22c	56106070	2	Bearing, Ball
	22d	56115319	1	Spindle-Long
	22e	56381765	1	Bearing Plate
	22f	56407389	1	Spacer
	22g	56115316	1	Sheave-Poly V
	22h	56407558	1	Washer Bearing
K4	23	56115337	1	Knob-M8-1.25
	24	56115344	2	Idler End Assy
	24a	56106070	1	Bearing, Ball
	24b	56407558	1	Washer Bearing
	24c	56315447	1	Idler Bearing Plate
	24d	56407303	1	Knob
	24e	56115273	1	Hub-Idler
	25	56115350	1	Cover-Front-Cyl
K3	26		3	Spacer-Nylon
K3	27		2	Tube-Spring
	28	56115381	2	Jumper-Molex Connector
	29	56115431	1	Bracket-Spring
	30	56116248	1	Valve-Solenoid-36vdc (L1)
	*	56116891	1	Solenoid Seal Kit (for 56116248)
	31	56305760	1	Tee, Barb 3/4 X 1/2 X 1/2
	32	56315611	2	Motor, 36 Vdc, .75 Hp, 1800 Rpm (M2,M3)
	*	56510763	1	Brush Kit-Motor (for 56315611)
	33	56315616	1	Hopper Assembly, 32"
	34	56315647	2	Manifold, Pvc 32
	35	56324041	1	Hose, .75 Clear Pvc
	36	56409538	4	Insulator, Terminal
	37	56412176	2	Bushing
	38	56412459	2	Wheel
	39	56455735	1	Spring, Extension

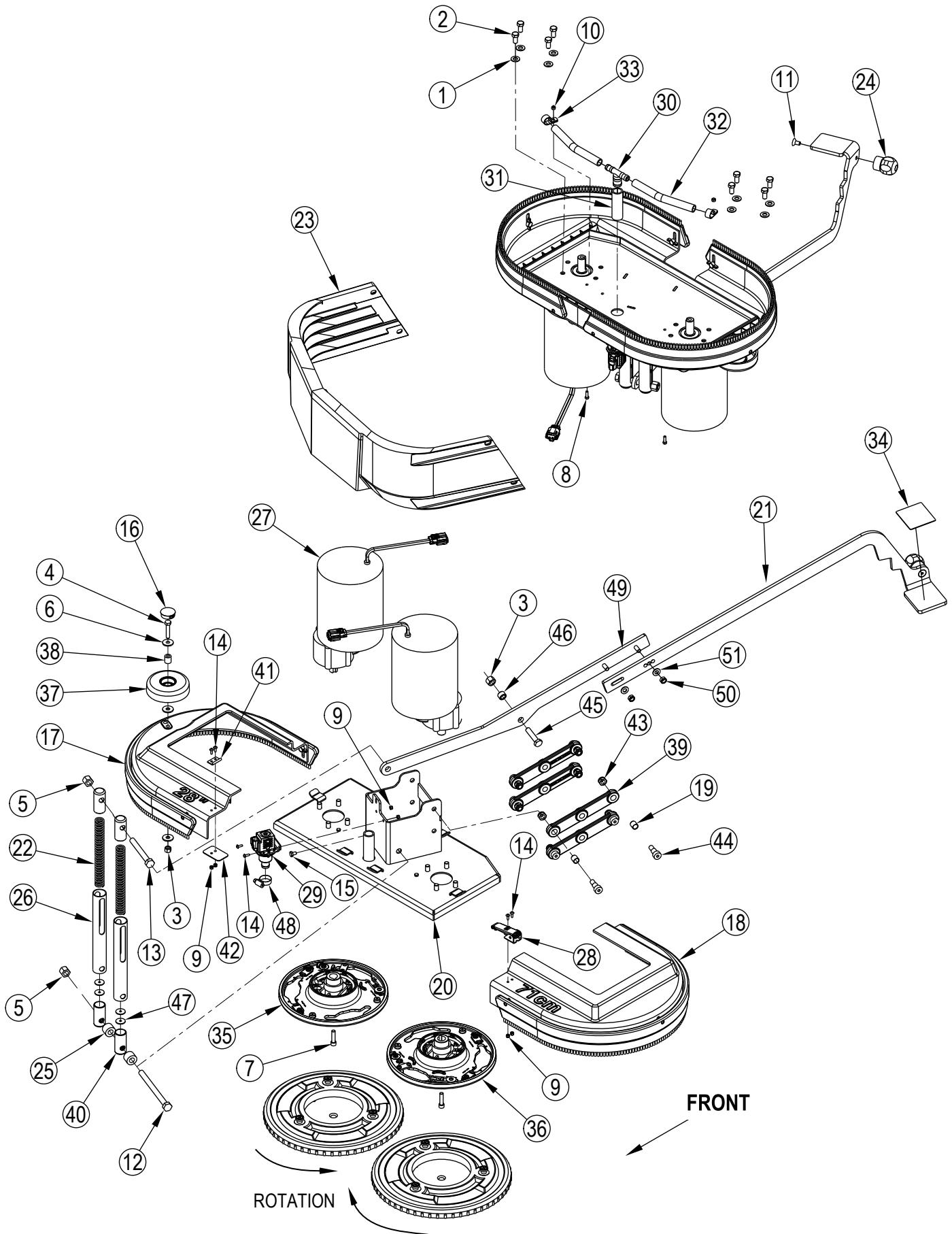
Kit	Item	Ref. No.	Qty	Description
K4	40		1	Mat, Pedal
K1	41		4	Lever, Brush Head Lift
K3	42		4	Guide, Spring
K1,K2	43		8	Nut, M10-1.5 Nylock
K1,K2	44		8	Screw, M10xm12x16mm S.B.S.H.
K4	45		1	Bushing .32x.50x.35
K4	46		1	Scr Hex Ss M8-1.25x35mm
K4	47		1	Nut, Hex Nyl Loc Ss M8-1.25
	48	56115472	1	Lever-Deck Pivot
	49	56002851	2	Nut, Hex Nyl Loc - Thin SS 5/16-18
	50	56002938	2	Wsh-Flt SAE SS 5/16"

Service Kits

K1	56115406	1	Link Arm Scrub Kit
K2	56115410	1	32C Harware Kit
K3	56115411	1	32C Spring Kit
K4	56115412	1	32C Lever Kit
K5	56116891	1	Solenoid Seal-Kit

* = Optional, Not Included

SCRUB SYSTEM-DISC



SCRUB SYSTEM-DISC

Kit	Item	Ref. No.	Qty	Description	Kit	Item	Ref. No.	Qty	Description
K1	1		8	Wsh-Flt Sae Ss 3/8	K1,K3	44		8	Screw, M10xm12x16mm S.B.S.H.
K1	2		8	Scr-Hex Loc Ss 3/8-16 X .75	K4	45		1	Scr Hex SS M8-1.25x35mm
K1,K4	3		1	Nut, Hex Nyl Loc Ss M8-1.25	K4	46		1	Bushing .32x.50x.35
K1,K6	4		1	Scr-Hex Ss M8-1.25 X 40mm	K1	47	56009096	4	Wsh, Flt .193 X .875 X .060
K1,K2	5		2	Nut, Hex Nyl Loc Ss M12-1.75		48	56112771	1	Clamp- Hose SAE #10
K1,K6	6		3	Wsh, Flt Ss 8mm		49	56115472	1	Lever-Deck Pivot
K1	7		2	Scr-Soc Hd 5/16-18 X 1.25 Zinc		50	56002851	2	Nut, Hex Nyl Loc – Thin SS 5/16-18
K1	8		2	Scr-Hex Loc Ss M5-0.8 X 16mm		51	56002938	2	Wsh-Flt SAE SS 5/16"
K1	9		6	Nut-Hex Nyl Loc Ss M4-0.7					
K1	10		2	Nut Hex Nyl Loc Ss M5-0.8					
K1,K4	11		1	Scr Flt Soc Ss M8-1.25x16mm					
K1,K2	12		1	Scr Hex Ss M12-1.75x150mm					
K1,K2	13		1	*Scr Hex Ss M12-1.75x100mm					
K1	14		6	Scr-Button Soc Ss M4-0.7x12					
K1	15		1	Scr, Hex Thd Form 1/4-20 X .38					
K6	16		1	Button Plug-1.25					
	17	56112259	1	Brush Skirt Assy-28d Left (28D)					
		56112261	1	Brush Skirt Assy-34d Left (34D)					
	18	56112260	1	Brush Skirt Assy-28d Right (28D)					
		56112262	1	Brush Skirt Assy-34d Right (34D)					
	[]	56112306	1	Kit-Bristle Skirt 28 (28" models / Includes two skirts and mounting hardware)					
	[]	56112307	1	Kit-Bristle Skirt 34 (34" models / Includes two skirts and mounting hardware)					
K3	19		8	Bushing					
	20	56115248	1	Deck Weldment-28 In Disc (28D)					
		56115245	1	Deck Weldment-34 In Disc (34D)					
K4	21	56115473	1	Lever-Deck-Disc					
K2	22		2	Spring-Compression 25 Pound					
	23	56115298	1	Cover-Front-Disc					
K4	24	56115337	1	Knob-M8-1.25					
K2	25		3	Spacer-Nylon					
K2	26		2	Tube-Spring					
	27	56115377	2	Motor-Gear-Unit 36 Volt (M2,M3)					
	*	56397139	4	Carbon Brush					
	*	56397138	4	Brush Spring					
	28	56115427	1	Latch Assembly					
	29	56116248	1	Valve-Solenoid-36vdc (L1)					
	*	56116891	1	Solenoid Seal-Kit (for 56116248)					
	30	56305760	1	Tee, Barb 3/4 X 1/2 X 1/2					
	31	56324041	1	Hose, .75 Clear Pvc					
	32	56397207	2	Hose Pvc .500 X 7 (28D)					
		56397382	2	Hose Pvc .500 X 8 (34D)					
	33	56442003	2	Clamp-P					
K4	34		1	Mat, Pedal					
	35	56601276	1	Brush Plate Assy					
	36	56601384	1	Brush Plate Assy					
K6	37		1	Wheel, 4.00 Od					
K6	38		1	Bushing, Nylon					
K3	39		4	Lever, Brush Head Lift					
K2	40		4	Guide, Spring					
	41	55451A	1	Keeper, Latch					
	42	69186A	1	Tab, Latch, Brush					
K1,K3	43		8	Nut, M10-1.5 Nylock					

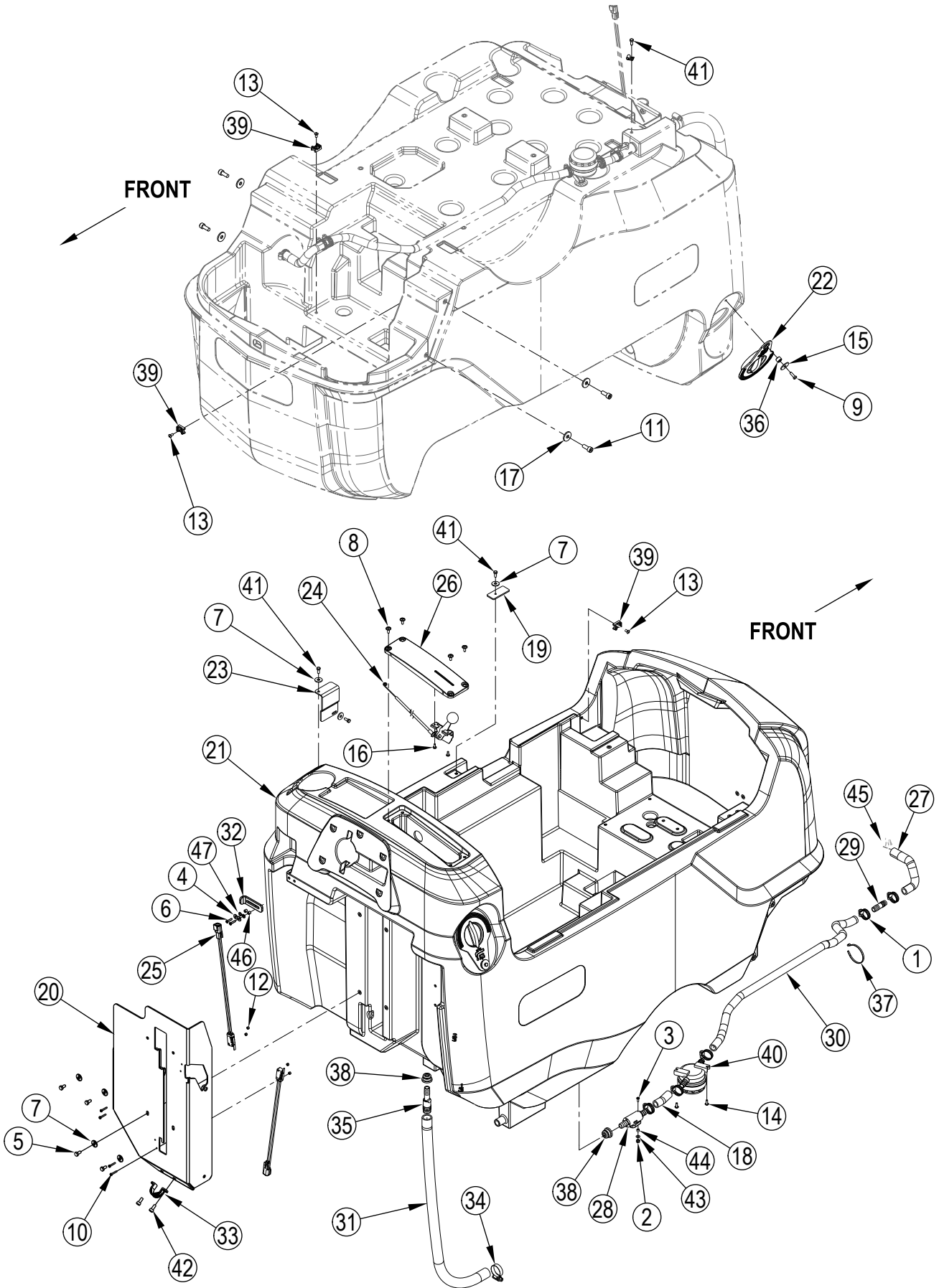
Service Kits

K1	56115404	1	Hardware-28D/34D-Kit
K2	56115405	1	Spring-28D/34D-Kit
K3	56115406	1	Link Arm-Scrub-Kit
K4	56115407	1	Lever-28D/34D-Kit
K5	56116891	1	Solenoid Seal-Kit
K6	56115448	1	Wheel Brush Skirt-Kit

[] = Not Shown

* = Optional, Not Included

SOLUTION SYSTEM



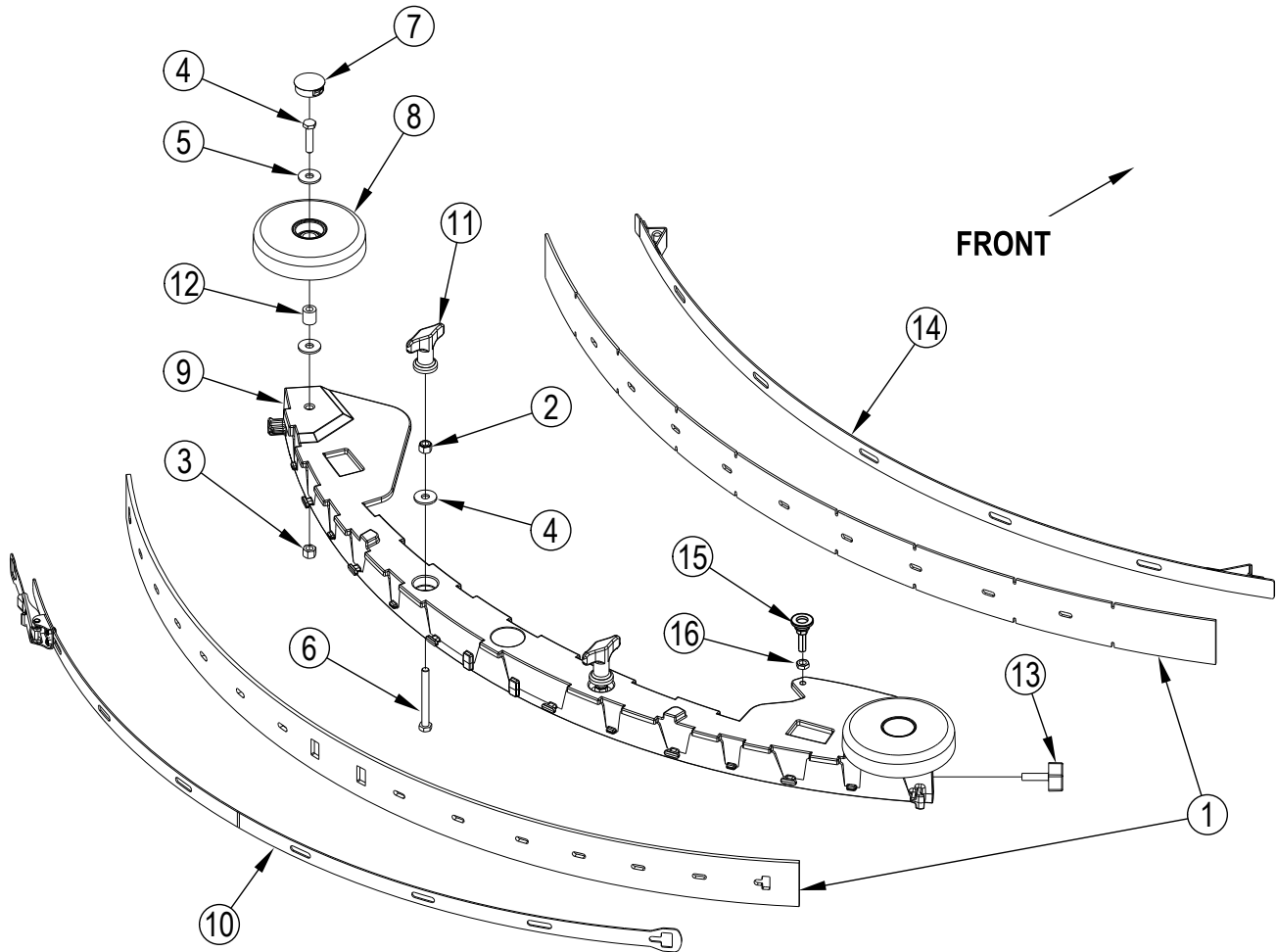
SOLUTION SYSTEM

Kit	Item	Ref. No.	Qty	Description
	1	722030	6	Clamp, Hose
K1,K4	2		1	Nut-Hex Nyl Loc Ss 6-32
K1,K4	3		1	Scr-Pan Phil SS 6-32 X .50
K1,K5	4#		2	Wsh, Flt .266 x .750 x .036
K1	5		4	Scr-Hex Ss M6-1 X 12mm
K1,K5	6#		2	Scr. Pan Phil Plastite 10-14 X 1.00
K1,K2	7		7	Wsh, Flt Ss 6mm
K1,K4	8		4	Scr-Trus-Phil-Blk-SS-M5-0.8X16
K1,K2	9		1	Scr-Hex Loc Ss M5-0.8 X 16mm
K1	10		4	Scr-Pan Phil Ss M3-0.5x20mm
K1	11		4	Scr-Soc Hd Ss M8-1.25x20mm
K1	12		4	Nut Hex Nyl Loc Ss M3-0.5
K1	13		3	Scr-Button Soc Ss M5-0.8x10
K1	14		2	Scr-Button Soc Ss M4-0.7x12
K1	15		1	Wsh-Flt Ss .260 X 1.000 X .074
K1,K4	16		2	Scr. Pan Phil Type B 6 X .38
K1	17		4	Wsh-Flt Ss .344 X 1.000 X .109
	18	56111385	1	Hose.Spiral .500
	19	56115447	1	Plate-Retainer
	20	56115467	1	Support-Deck Lever
	21	56115291	1	Tank-Solution-Dark Gray
K2	22		1	Cap-Solution-Fill-Yellow
	23	56115308	1	Plate-Retainer
K4	24		1	Solution Control Cable Assy
	25	56115336	2	Switch-Sealed (S4,S5)
K4	26		1	Cover-Solution Lever-Table
	27	56115355	1	Hose-Solenoid Adapter
	28	56115388	1	Ball Valve-1/2 X 1/2
	29	56115413	1	Coupler-Barb-1/2 X 1/2
	30	56115439	1	Hose-Spiral-.500
	31	56115440	1	Hose-.75x27.00
K5	32#		1	Retainer-Drain Hose-Slide
	33	56115445	1	Clamp-Plastic-Gray
	34	56244969	1	Clamp- Hose Sae #12
	35	56315625	1	Barb, Coupler 1/2 X 3/4
K2	36		1	Bushing .32x.50x.35
	37	56478246	1	Tie, Cable
	38	9095286000	2	Gasket
	39	9096595000	3	Flat Tie Holder
K3	40		1	Filter Water
K1	41		4	Screw, Hex Thd To Hd M5x12
K1	42		2	Screw Soc SS M6-1 X 164m
K1,K4	43		1	Wsh Flt Sae Ss 6
K4	44		1	Spacer-Nylon-.25x.14x.18
	45	56112771	1	Clamp, Hose SAE #10
K5	46#		2	Bushing .257 x .375 x .265
K1,K547#			2	Wsh-Bow-.375 x .578 x .06-.006 Thk

Service Kits

K1	56115394	1	Hardware Solution Kit	# = Revised or new since last update
K2	56115395	1	Cap Solution Fill Kit	
K3	56104351	1	Solution Filter Kit	
K4	56115446	1	Solution Control Lever-Kit	
K5#	56115476	1	Drain Hose Retainer Kit	

SQUEEGEE ASSY



SQUEEGEE ASSY

Kit	Item	Ref. No.	Qty	Description
		56115428	1	Squeegee Assy-42-Gum 28" & 34" Disc Models
		56115380	1	Squeegee Assy-42-Red Gum 32" Cylindrical Model
	1	56115334	1	Squeegee Kit-Blade-Gum 28" & 34" Disc Models NOTE 1
		56115333	1	Squeegee Kit-Blade-Linatex 32" Cylindrical Model NOTE 1
	2	56002856	2	Nut-Hex Nyl Loc Ss 5/16-18
	3	56003405	2	Nut, Hex Nyl Loc Ss M8-1.25
K1	4		2	Scr Hex Ss M8-1.25x35mm
K1	5		6	Wsh, Flt Ss 8mm
	6	56003649	2	Scr-Hex Thd To Hd SS 5/16-18 X 2.75
K1	7		2	Button Plug-1.25
K1	8		2	Wheel
	9	56115271	1	Casting-Squeegee-Alum
	10	56115293	1	Strap Assy-Squeegee-Rear-42
	11	56370711	2	Nut Thumb
K1	12		2	Bushing, Nylon
	13	54647A	2	Knob, M8 X 30
	14	60546A	1	Strap, Front Squeegee 42
	15	56115468	1	Leveler 5/16-18 x 1.0
	16	56009141	1	Nut-Hex Jam Ss 5/16-18

Squeegee Blade Kits for 56115428

		56115334	1	Squeegee Kit-Blade-Gum NOTE 1
	*	56115333	1	Squeegee Kit-Blade-Red Gum NOTE 1
	*	56115335	1	Squeegee Kit-Blade-Pu NOTE 1

Squeegee Blade Kits for 56115380

		56115333	1	Squeegee Kit-Blade-Red Gum NOTE 1
	*	56115334	1	Squeegee Kit-Blade-Gum NOTE 1
	*	56115335	1	Squeegee Kit-Blade-Pu NOTE 1

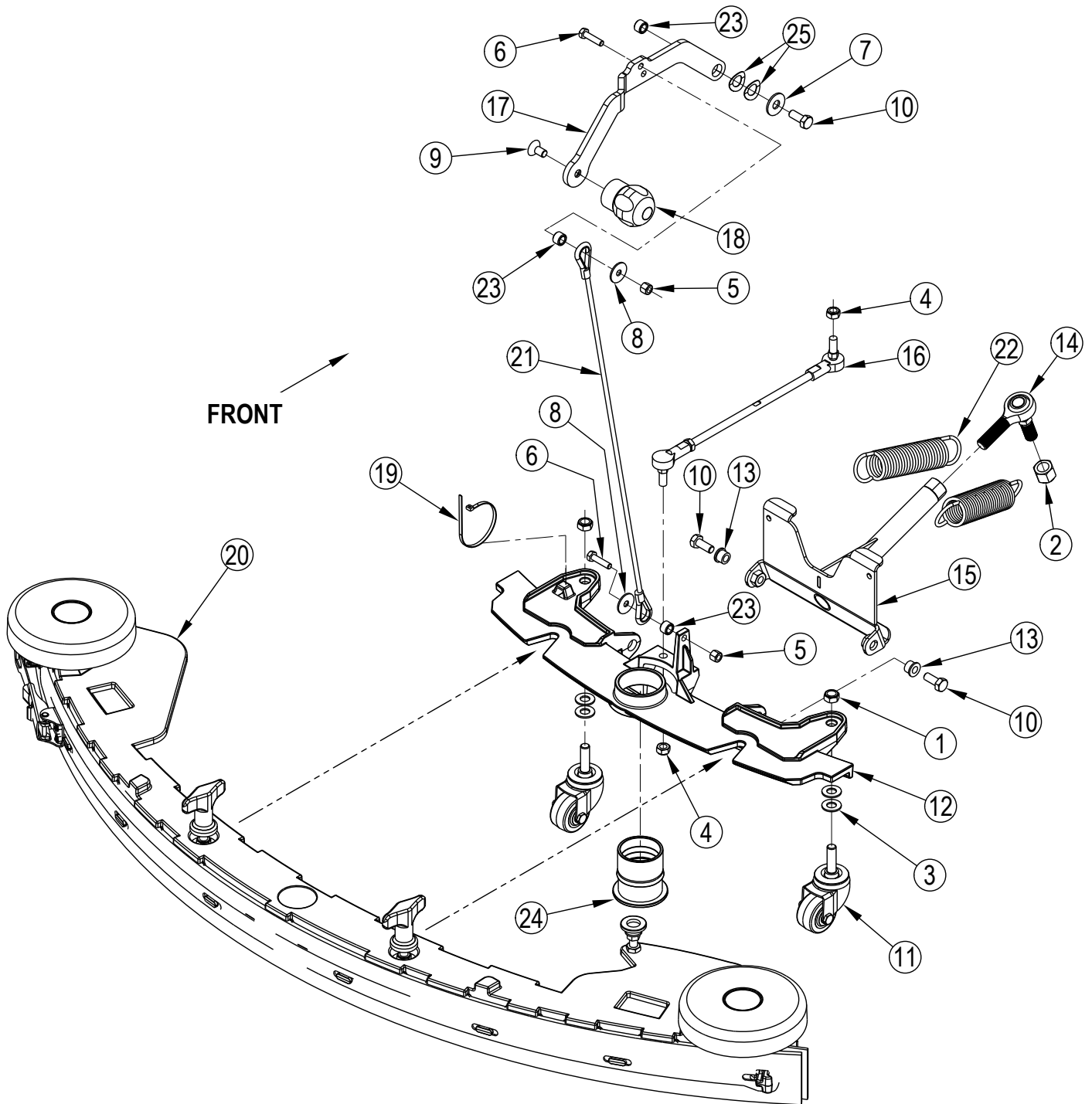
Service Kits

K1		56115449	1	Wheel Squeegee Kit
----	--	----------	---	--------------------

* = Optional, Not Included

NOTE 1: All squeegee blade kits include both front and rear squeegee blades.

SQUEEGEE SYSTEM



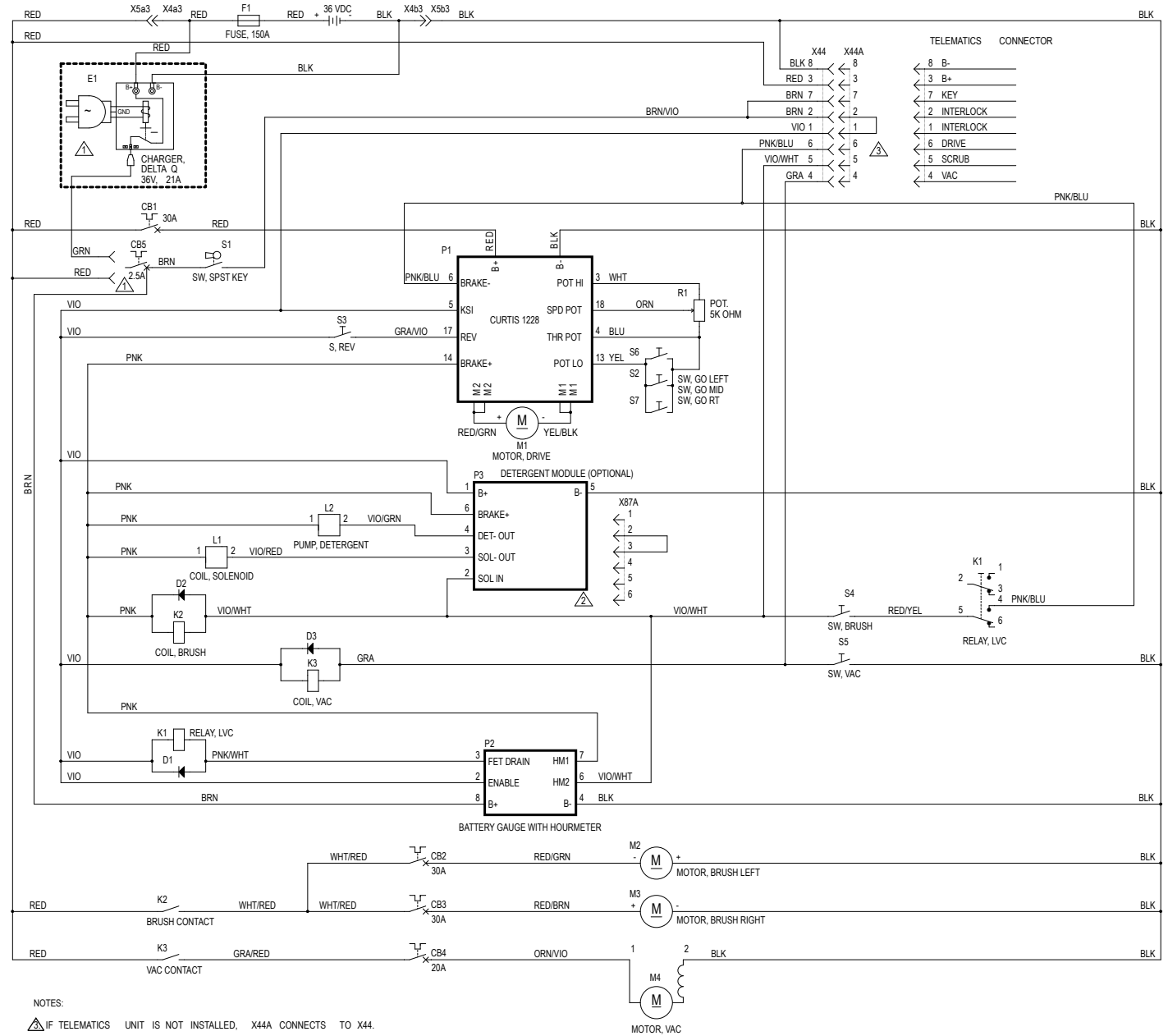
SQUEEGEE SYSTEM

Kit	Item	Ref. No.	Qty	Description
K1	1		2	Nut, Hex Nyl Loc-Thin Ss 3/8-16
K1	2		1	Nut, Hex Nyl Loc Ss 1/2-20
K1	3		4	Wsh-Fit Sae Ss 3/8
K1	4		2	Nut, Hex Nyl Loc-Thin Ss 5/16-24
K1	5		2	Nut, Hex Nyl Loc Ss M6-1
K1	6		2	Scr-Hex Ss M6-1 X 25mm
K1,K2	7		1	Wsh-Fit .392 x 1.00 x .075
K1	8		2	Wsh-Fit Ss .266 X .906 X .060
K1,K2	9		1	Scr Fit Soc Ss M8-1.25x16mm
K1,K2	10		3	Scr Hex Loc Ss M8-1.25x20mm
	11	56104231	2	Caster Wheel
	12	56115261	1	Squeegee-Mount-Aluminum
	13	56115262	2	Bearing-Flange
	14	56115284	1	Rod End-1/2
	15	56115285	1	Bracket Weldment-Squeegee
	16	56115287	1	Turnbuckle Assembly-9.40 Inch
K2, K3	17		1	Lever-Squeegee-Lift TSB-FC-2017-026
K2	18		1	Knob-M8-1.25
	19	56383973	1	Cable Tie-Black-8"
	20	56115428	1	Squeegee Assy-42-Gum 28" & 34" Disc Models / Includes Gum Rubber Blades
		56115380	1	Squeegee Assy-42-Red Gum 32" Cylindrical Models / Includes Red Gum Rubber Blades
	21	56115429	1	Cable Assy
	22	56315295	2	Spring Extension
K2	23		3	Bushing .32x.50x.35
	24	9100000857	1	Sleeve Drain Hose
K1	25		2	Wsh, Bowed .516 x .906 x .008

Service Kits

K1	56115414	1	Hardware Squeegee Kit
K2	56115415	1	Lever Squeegee Kit
K3	56115471	1	Handle/Squeezee Lever Kit

LADDER DIAGRAM



LADDER DIAGRAM

Kit	Item	Ref. No.	Qty	Description
	BAT			Battery-36VDC
	CB1	56315256	1	Circuit Breaker, 30 Amp
	CB2	56509623	1	Circuit Breaker-25 Amp
	CB3	56509623	1	Circuit Breaker-25 Amp
	CB4	56413822	1	Circuit Breaker, 20 Amp
	CB5	56115385	1	Breaker-Circuit-2.5 Amp
	E1			Delta Q Charger (Optional)
	F1	56115432	1	Fuse-150 Amp
	K1	40892A	1	Relay Dpdt 36vdc
	K2	56395450	1	Contactactor 36v (Brush)
	K3	56395455	1	Contactactor 36v, 100 Amp (Vacuum)
	L1	56116248	1	Valve-Solenoid-36vdc
	L2			Detergent Pump (Optional)
	M1	56115378	1	Transaxle-36 Volts
	M2	56115377	1	Motor-Gear-Unit 36 Volt (Disc)
		56315611	1	Motor, 36 Vdc, .75 Hp, 1800 Rpm (Cylindrical)
	M3	56115377	1	Motor-Gear-Unit 36 Volt (Disc)
		56315611	1	Motor, 36 Vdc, .75 Hp, 1800 Rpm (Cylindrical)
	M4	56115397	1	Motor-Vac-Kit
	P1	56115477	1	Controller-Speed
	P2	56115296	1	Gauge-Battery-Hour
	P3			Detergent Module (Optional)
	R1	56115409	1	Potentiometer Kit
	S1	1462888000	1	Switch, Key With Water Proof Cup
	S2	56115401	1	Switch / Button-Kit
	S3	56115401	1	Switch / Button-Kit
	S4	56115336	1	Switch-Sealed
	S5	56115336	1	Switch-Sealed
	S6	56115401	1	Switch / Button-Kit
	S7	56115401	1	Switch / Button-Kit

Color Codes

BLK	Black
BLU	Blue
BRN	Brown
GRA	Gray
GRN	Green
ORN	Orange
PNK	Pink
RED	Red
VIO	Violet
WHT	White
YEL	Yellow

OPTIONS & ACCESSORIES

Item	Ref. No.	Qty	Description
			Options
*	56115373	1	Charger-On Board-Kit
*	56115383	1	Detergent-Kit
*	56115416	1	Track Clean SC900 Kit-US RDR
*	56115417	1	Track Clean SC900 Kit-US
			Accessories
*	56397453	6	Indicator-Battery Level (1 per battery)
*	56314981	1	Kit Battery Watering
*	56383571	1	Programmer-User
*	56383572	1	Programmer-Cable-Molex
*	56104190	1	EcoFlex Bottle Assy
*	56115458	1	Scrub Spring Kit (Disc Models Only)
	56044686	1	Literature Pack
			Kits
			Squeegee Blade Kits for 56115428 (See Squeegee Blade Selector Guide)
	56115334	1	Squeegee Kit-Blade-Gum NOTE 1
*	56115333	1	Squeegee Kit-Blade-Red Gum NOTE 1
*	56115335	1	Squeegee Kit-Blade-Pu NOTE 1
			Squeegee Blade Kits for 56115380 (See Squeegee Blade Selector Guide)
	56115333	1	Squeegee Kit-Blade-Red Gum NOTE 1
*	56115334	1	Squeegee Kit-Blade-Gum NOTE 1
*	56115335	1	Squeegee Kit-Blade-Pu NOTE 1
			28" Disc Scrub Brushes (See Brush Selector Guide)
*	56505800	2	Short Trim Pad Holder
*	56505801	2	Magna Grit 46
*	56505802	2	Dyna Grit 80
*	56505803	2	AgLite Grit 500
*	56505804	2	Prolene
*	56505805	2	ProLite
*	56505806	2	Union Mix
*	56505807	2	MidGrit 240
*	56505808	2	MidLite Grit 180
*	56505195	2	Pad Retainer for 56505750
			34" Disc Scrub Brushes (See Brush Selector Guide)
*	56505780	2	Short Trim Pad Holder
*	56505781	2	Magna Grit 46
*	56505782	2	Dyna Grit 80
*	56505783	2	AgLite Grit 500
*	56505784	2	Prolene
*	56505785	2	ProLite
*	56505786	2	Union Mix
*	56505787	2	MidGrit 240
*	56505788	2	MidLite Grit 180
*	56505195	2	Pad Retainer for 56505750
			32" Cylindrical Scrub Brushes (See Brush Selector Guide)
*	56407473	2	Soft Nylon
*	56407474	2	Hard Nylon
*	56407475	2	Prolene
*	56407476	2	MidLite Grit 180
*	56407477	2	Dyna Grit 80
*	56407478	2	Magna Grit 46

* = Optional, Not Included

NOTE 1: All squeegee blade kits include both front and rear squeegee blades.

RECOMMENDED SPARE PARTS

<u>Item</u>	<u>Ref. No.</u>	<u>Qty</u>	<u>Description</u>
<u>WEAR PARTS</u>			
56315677	4		Carbon Brush
56116107	1		Vacuum Motor Brush Kit
56115315	2		Belt-Auto Tension
56412287	2		Motor Brush/Spring Kit
56397139	4		Carbon Brush
56397138	4		Brush Spring
56115334	1		Squeegee Kit-Blade-Gum NOTE 1
56115333	1		Squeegee Kit-Blade-Red Gum NOTE 1
56115335	1		Squeegee Kit-Blade-Pu NOTE 1
56115333	1		Squeegee Kit-Blade-Red Gum NOTE 1
56115334	1		Squeegee Kit-Blade-Gum NOTE 1
56115335	1		Squeegee Kit-Blade-Pu NOTE 1
56112306	1		Kit-Bristle Skirt 28 (28" models / Includes two skirts and mounting hardware)
56112307	1		Kit-Bristle Skirt 34 (34" models / Includes two skirts and mounting hardware)
<u>ORDINARY MAINTENANCE</u>			
56115391	1		Castor Wheel-Kit
56115395	1		Cap Solution Fill Kit
56104351	1		Solution Filter Kit
<u>EXTRA ORDINARY MAINTENANCE</u>			
56115393	1		Chain-Grounding-Kit
56115305	1		Knob-2.00 X .62
1462888000	1		Switch, Key With Water Proof Cup (S1)
56115401	1		Switch/Button-Kit
56115409	1		Handle Potentiometer Kit
56115385	1		Breaker-Circuit-2.5 Amp (CB5)
56115432	1		Fuse-150 Amp (F1)
56115477	1		Controller-Speed (P1)
56315256	1		Circuit Breaker, 30 Amp (CB1)
56395450	1		Contactactor 36v (K2)
56395455	1		Contactactor 36v, 100 Amp (K3)
56413822	1		Circuit Breaker, 20 Amp (CB4)
56509623	2		Circuit Breaker-25 Amp (CB2, CB3)
40892A	1		Relay Dpdt 36vdc (K1)
56104164	1		Gasket-Recovery Tank
56115343	1		Vac Hose Assy
56115436	1		Hose-Drain-Pu
56115406	1		Link Arm Scrub Kit
56115411	1		32C Spring Kit
56116891	1		Solenoid Seal-Kit
56115337	1		Knob-M8-1.25
56115405	1		Spring-28D/34D-Kit
56115406	1		Link Arm-Scrub-Kit
56116248	1		Valve-Solenoid-36vdc
56115448	1		Wheel Brush Skirt-Kit
56115449	1		Wheel Squeegee Kit
56115293	1		Strap Assy-Squeegee-Rear-42
56370711	2		Nut Thumb
56104231	2		Caster Wheel
9100000857	1		Sleeve Drain Hose

NOTE 1: All squeegee blade kits include both front and rear squeegee blades.

BRUSH SELECTOR GUIDE - DISC

We provide brushes and pad holders that will give you the best possible performance between machine and floor. Following are descriptions of the materials and their applications.

- ProLite:** Bristles are made from light-duty polypropylene for general scrubbing when you do not want to scratch or remove finish from the floor. Recommended for use in place of red pads.
- Prolene:** Polypropylene material for medium-duty scrubbing on concrete, terrazzo and vinyl floor tile. Recommended for use in place of green or blue pads.
- Union Mix:** Medium grade natural fibers for polishing finished floors with standard-speed equipment. Recommended for use in place of white pads.
- AgLite Grit 500:** For light scrubbing when used wet; buffing or polishing when used dry on urethane coated, sealed concrete or other resilient hard surface floors. Recommended for use in place of red or white pads.
- MidGrit 240:** For general purpose scrubbing when you need a lighter action for sealed or unsealed concrete, stone, terrazzo, quarry tile and other resilient hard floor surfaces. Recommended for use in place of green or blue pads.
- MidLite Grit 180:** For general purpose scrubbing of sealed or unsealed concrete, stone, terrazzo, quarry tile and other resilient hard floor surfaces. Recommended for use in place of green or blue pads.
- Dyna Grit 80:** For aggressive, heavy-duty scrubbing or stripping of floors. Recommended for use in place of brown pads.
- Magna Grit 46:** For extreme heavy-duty scrubbing or stripping of floors. This brush has extra large diameter silicon carbide grit impregnated synthetic bristles. Recommended for use in place of black pads.
- Short Trim Pad Holder:** Made with a structural foam block and center ring for correct pad centering. It has a "shower feed" design for getting solution to the floor.

SC900 28" DISC BRUSHES

56505800 - Short Trim Pad Holder
 56505801 - Magna Grit 46
 56505802 - Dyna Grit 80
 56505803 - AgLite Grit 500
 56505804 - Prolene
 56505805 - ProLite
 56505806 - Union Mix
 56505807 - MidGrit 240
 56505808 - MidLite Grit 180
 56505195 - Pad Retainer for 56505800

SC900 34" DISC BRUSHES

56505780 - Short Trim Pad Holder
 56505781 - Magna Grit 46
 56505782 - Dyna Grit 80
 56505783 - AgLite Grit 500
 56505784 - Prolene
 56505785 - ProLite
 56505786 - Union Mix
 56505787 - MidGrit 240
 56505788 - MidLite Grit 180
 56505195 - Pad Retainer for 56505800

DISC BRUSH APPLICATION GUIDE (SUGGESTION ONLY)

	46	80	180	240	500			Union
Application	Grit	Grit	Grit	Grit	Grit	Prolene	Prolite	Mix
Stripping:								
Concrete	X	X						
Terrazzo	X	X						
Ceramic/Quarry tile		X						
Vinyl tile		X						
General Scrubbing:								
Concrete	X	X	X	X		X		
Terrazzo			X	X	X	X		
Ceramic/Quarry tile			X	X	X	X		
Marble					X		X	
Vinyl tile			X		X	X		
Raised-rubber tile					X		X	
Polishing:								
Raised Disc Tile								X
Marble								X
Vinyl tile								X

BRUSH SELECTOR GUIDE - CYLINDRICAL

We provide brushes and pad holders that will give you the best possible performance between machine and floor. Following are descriptions of the materials and their applications.

- Soft Nylon:** Least aggressive brush available. Used on soft-finish floors where a more aggressive brush would leave scratch marks, or in applications requiring very light cleaning.
- Stiff Nylon:** Cleaning action similar to polypropylene. More durable and wear-resistant than polypropylene.
- Prolene:** Low cost, yet effective in cleaning many common floor surfaces.
- MidLite Grit 180:** Least aggressive grit brush. Used for daily cleaning of hard-finished floors.
- Dyna Grit 80:** Medium aggressive grit brush. Good all-around brush for medium to heavy buildup removal. Can also be used for general stripping operations.
- Magna Grit 46:** Most aggressive grit brush. Used primarily to clean heavy buildup on concrete floors in factories, or for heavy stripping of finish.

SC900 32" Cylindrical BRUSHES

- 56407473 - Soft Nylon
- 56407474 - Hard Nylon
- 56407475 - Prolene
- 56407476 - MidLite Grit 180
- 56407477 - Dyna Grit 80
- 56407478 - Magna Grit 46

CYLINDRICAL BRUSH APPLICATION GUIDE (SUGGESTION ONLY)

Application	46 Grit	80 Grit	180 Grit	Polypro- pylene	Stiff Nylon	Soft Nylon
Stripping:						
Concrete	X	X				
Terrazzo	X	X				
Ceramic/Quarry tile		X				
Vinyl tile		X				
General Scrubbing:						
Concrete	X	X	X	X	X	
Terrazzo			X	X	X	X
Ceramic/Quarry tile			X	X	X	X
Marble			X		X	X
Vinyl tile			X	X	X	X
Raised-rubber tile			X			X

SQUEEGEE BLADE SELECTOR GUIDE

Gum Rubber: Provides superior wiping action on tile, terrazzo, and polished floors.

Red Gum Rubber: Provides longest life on finished or unfinished concrete floors.

Polyurethane: Oil resistance provides superior life in applications with oily floors.

SQUEEGEE BLADE APPLICATION GUIDE(SUGGESTION ONLY)

	Gum Rubber (Natural Rubber)	Red Gum Rubber (Natural Rubber)	Polyurethane/ Pentathane
Performance Traits			
Tear Strength		X	X
Abrasion Resistance		X	X
Applications			
Oil Resistant Applications			X
Appearance	Tan	Red	Translucent

9435 Winnetka Ave North
Minneapolis, MN 55445
www.advance-us.com
Phone: 800-989-2235
Fax: 800-989-6566
©2018 Nilfisk, Inc.

