



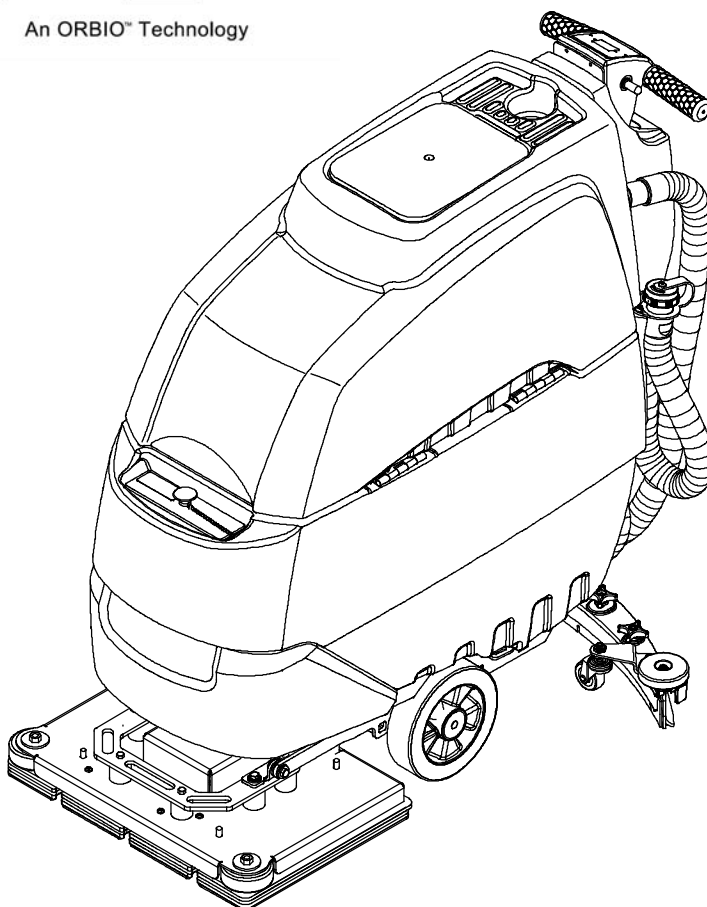
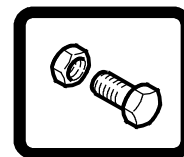
Model Part No:
9010476 Conventional Scrubber
9010475 ec-H2O Scrubber

SPEED SCRUB® ORBITAL

AUTOMATIC SCRUBBER



PARTS MANUAL



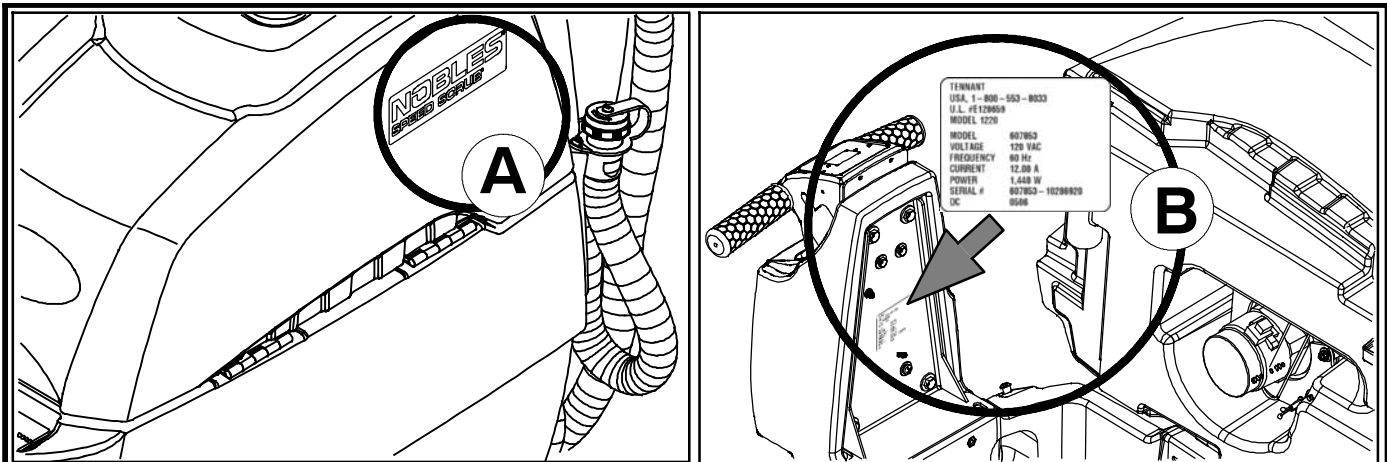
For the latest Parts manuals and other language Operator manuals, visit:

www.nobles.com/manuals

www.nobles.com

9010346
Rev. 03 (11-2015)





Ref	Part No.	Serial Number	Description	Qty.
1	82681	(000000-)	Bracket Wldt, Lpg Mount	1
2	63810	(000000-)	Latch Assy, Lpg Tank Mtg, W/Nut	4
3	51839	(000000-)	Nut Adjustable, Lpg Tank Mtg	2
4	49263	(000000-)	Tie, Cable	3
5	82556	(000000- 001039)	Bracket, Vaporizer	1
6	54930	(000000-)	Vaporizer, LPG	1

HOW TO ORDER PARTS - See diagram above

Only use TENNANT Company supplied or equivalent parts. Parts and supplies may be ordered online, by phone, by fax or by mail.

Follow the steps below to ensure prompt delivery.

1. (A) Identify the machine model.
2. (B) Identify the machine serial number from the data label.
3. (C) Ensure the proper serial number is used from the parts list.
4. Identify the part number and quantity. Do not order by page or reference numbers.
5. Provide your name, company name, customer ID number, billing and shipping address, phone number and purchase order number.
6. Provide detail shipping instructions.

- (D) ▽ - identifies an assembly
 ▲ - identifies parts included in assembly

Please fill out at time of installation for future reference.

Model No. - _____

Serial No. - _____

Machine Options - _____

Sales Rep. - _____

Sales Rep. phone no. - _____

Customer ID Number - _____

Installation Date - _____

Tennant Company

PO Box 1452
 Minneapolis, MN 55440 USA
 Phone: (800) 553- 8033 or (763) 513- 2850

www.nobles.com

Specifications and parts are subject to change without notice.

Copyright © 2013 - 2015 TENNANT Company,
 Printed in U.S.A.

STANDARD PARTS

GENERAL RECOMMENDED MAINTENANCE ITEMS	4
ORBITAL HEAD REPLACEMENT PAD GROUP .	5
RECOVERY TANK GROUP	6
VACUUM MOTOR GROUP	8
SOLUTION TANK GROUP	10
LOWER CONTROL CONSOLE GROUP	12
UPPER CONTROL CONSOLE GROUP	14
COMPONENT PANEL GROUP (S/N JUN2014 -)	16
COMPONENT PANEL GROUP (S/N 00000000 - MAY2014)	18
WHEEL GROUP, DRIVE MODEL	20
ORBITAL HEAD GROUP	22
ORBITAL HEAD ECCENTRIC DRIVE ASSEMBLY GROUP	24
ORBITAL HEAD WATER DISTRIBUTION ASSEMBLY GROUP	26
ORBITAL HEAD WHEEL ASSEMBLY GROUP ..	27
ORBITAL HEAD LIFT GROUP	28
SQUEEGEE GROUP, 500 mm	30
SOLUTION GROUP, STANDARD MODEL	32
SOLUTION GROUP, ec-H2O MODEL	34
SOLUTION GROUP, ec-H2O MODEL - CONT'D	36
ec-H2O MODULE ASSEMBLY BREAKDOWN, 9007970	38
BATTERY AND CABLE GROUP, 12V/155 AH ...	40
BATTERY AND CABLE GROUP, 12V/155 AH ...	41
ELECTRICAL DIAGRAM STANDARD	42
ELECTRICAL DIAGRAM, ec-H2O MODEL	43
WIRE HARNESS GROUP, ec- H2O OPTION ...	44
WIRE HARNESS GROUP, CONSOLE	46
WIRE HARNESS GROUP, MAIN	48
WIRE HARNESS GROUP, MAIN - CONT'D	49
WIRE HARNESS GROUP, FRAME, DRIVE MODEL	51

OPTIONS

ON-BOARD BATTERY CHARGER GROUP, STANDARD MODEL	52
ON-BOARD BATTERY CHARGER GROUP, ec-H2O MODEL	54
PARKING BRAKE GROUP	56
EMERGENCY STOP BUTTON GROUP	58
DOCUMENTATION GROUP	59

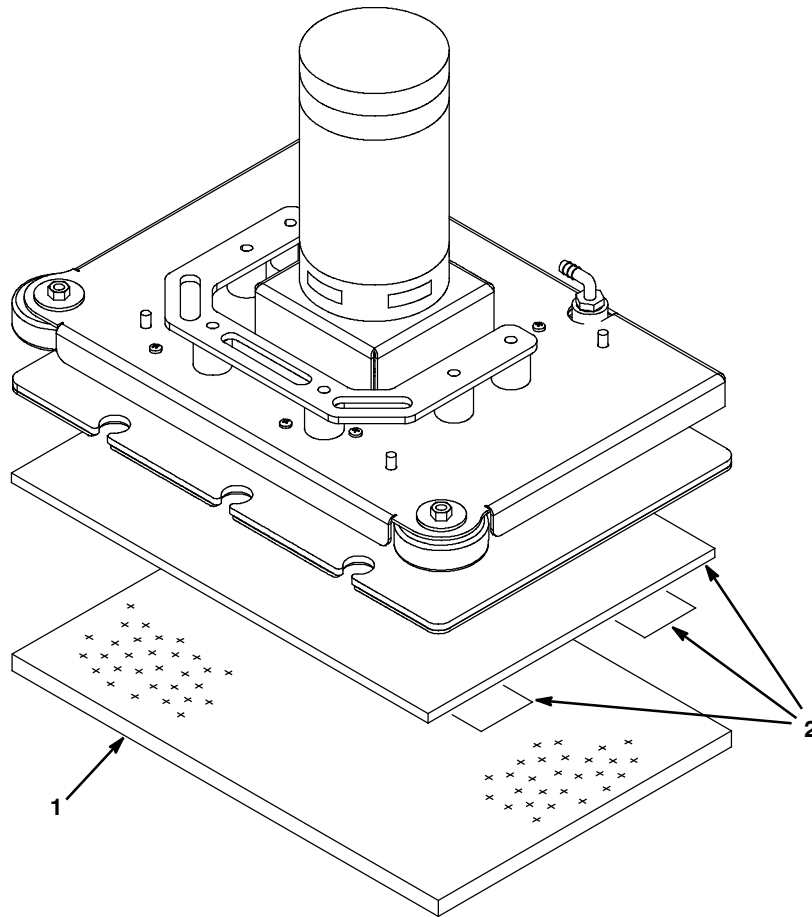
RECOMMENDED MAINTENANCE ITEMS

GENERAL RECOMMENDED MAINTENANCE ITEMS

	Part No.	Serial Number	Description	Qty.
▽	9001178	(00000000-) Squeegee Assy Kit, 500mm, Ci	1
▲	1010560	(00000000-) Wheel, Bmpr, 80d X 25w, Non- Marking	2
▲	1006343	(00000000-) Caster, Swivel, 50mmd, M10 X 30 Stem, Pl	2
	1011232	(00000000-) Blade, Sqge, Front, 784l, Linatex[500mm] (Standard)	1
	1014091	(00000000-) Blade, Sqge, Front, 784mml Gum [500mm] (Optional)	1
	1014092	(00000000-) Blade, Sqge, Front, 784mml Oil- Rstn (Optional)	1
▲	1011456	(00000000-) Blade, Sqge, Rear, 32.68l Linatex[500mm] (Standard)	1
	1014093	(00000000-) Blade, Sqge, Rear, 32.68l Gum [500mm] (Optional)	1
	1014094	(00000000-) Blade, Sqge, Rear, 32.68l Pyu [500mm] (Optional)	1
	1014079	(00000000-) Clip, Hose, Gripper, 1.50id, Dbl, Blk Pp	1
	1014026	(00000000-) Hose, Vacuum, 1.5d X 57l, 2- Short Cuffs	1
▽	1043538	(00000000-) Hose Assy, Drain, 1.50id X 29.5l, Blk	1
▲▽	1008639	(00000000-) Cap, Drain Assy	1
▲▲	1019563	(00000000-) Strap, Cap, Drain	1
▲▲	1008637	(00000000-) Seal, Org, 1.48id 1.76 od	1
	630367	(00000000-) Seal, .50, .50w 33.9l, Adh [D Shape]	1
	630052	(00000000-) Float, Shut- Off, (2)Ball, 1.75d	1
	1013628	(00000000-) Gasket, Mtg, Float, .125th, Neo, Adh	1
	1024602	(00000000-) Gasket, Adapter, Hose .13, Neo, Adh	1
	100038	(00000000-) Gasket, Vacuum Mtr 5.7 Epdm W/Psa	1
	1012965	(00000000-) Cap, Port, Soltn Fill	1
	1029829	(00000000-) Hose, Drain, Soltn Tank [Ss3]	1
	1060173	(00000000-) Cover Assy, Tank, Soltn Fill	1
	1026345	(00000000-) Caster, Swivel, 80mm D, M12 X 25 Stem	2
	1014283	(00000000-) Pad, Adh, Non- Slip, 28mm X 36mm, Blk	1
	1047470	(00000000-) Fuse, Blade, 010a, 32vdc, Red (ec- H2O Model)	1
	1016040	(00000000-) Fuse, Blade, 025a, 32vdc (Main Brush Assist Model)	1
	1016040	(00000000-) Fuse, Blade, 025a, 32vdc (Main Drive Model)	1
	762516	(00000000-) Fuse, Blade, 030a, 32vdc (Main Drive Model)	1
	1059370	(00000000-) Brush, Motor, Replmt [Bag of 4]	1
	1205512	(00000000-) Pad, Polish, 20" X 14", White (Pack of 10)	1
	1205513	(00000000-) Pad, Buff, 20" X 14", Red (Pack of 10)	1
	1205514	(00000000-) Pad, Scrubbing, 20" X 14", Blue (Pack of 10)	1
	1205515	(00000000-) Pad, Surface Prep, 20" X 14", Maroon (Pack of 10)	1
	1074740	(00000000-) Pad, Scb, 14 X 20, Green [1pick=1ctn] (Pack of 10)	1
	9010674	(00000000-) Backer Pad Assy Kit (Includes Pad with Velcro Strips)	1
	9010696	(00000000-) Isolator Kit, Vib Assy, Primary (Includes Hardware)	1
	9010697	(00000000-) Isolator Kit, Vib Assy, Secondary (Includes Hardware)	1
	9010699	(00000000-) Wheel Assy Kit (Includes Hardware)	1
	9010704	(00000000-) Water Distribution Assembly (Includes Hardware)	1
▽	9011656	(00000000-) Drive Assy Kit, Eccentric Complete	1
▲	9010700	(00000000-) Drive Assy Kit, Eccentric (Includes Hardware)	1
▲	9011655	(00000000-) Eccentric Bearing Assembly (Includes Hardware)	1

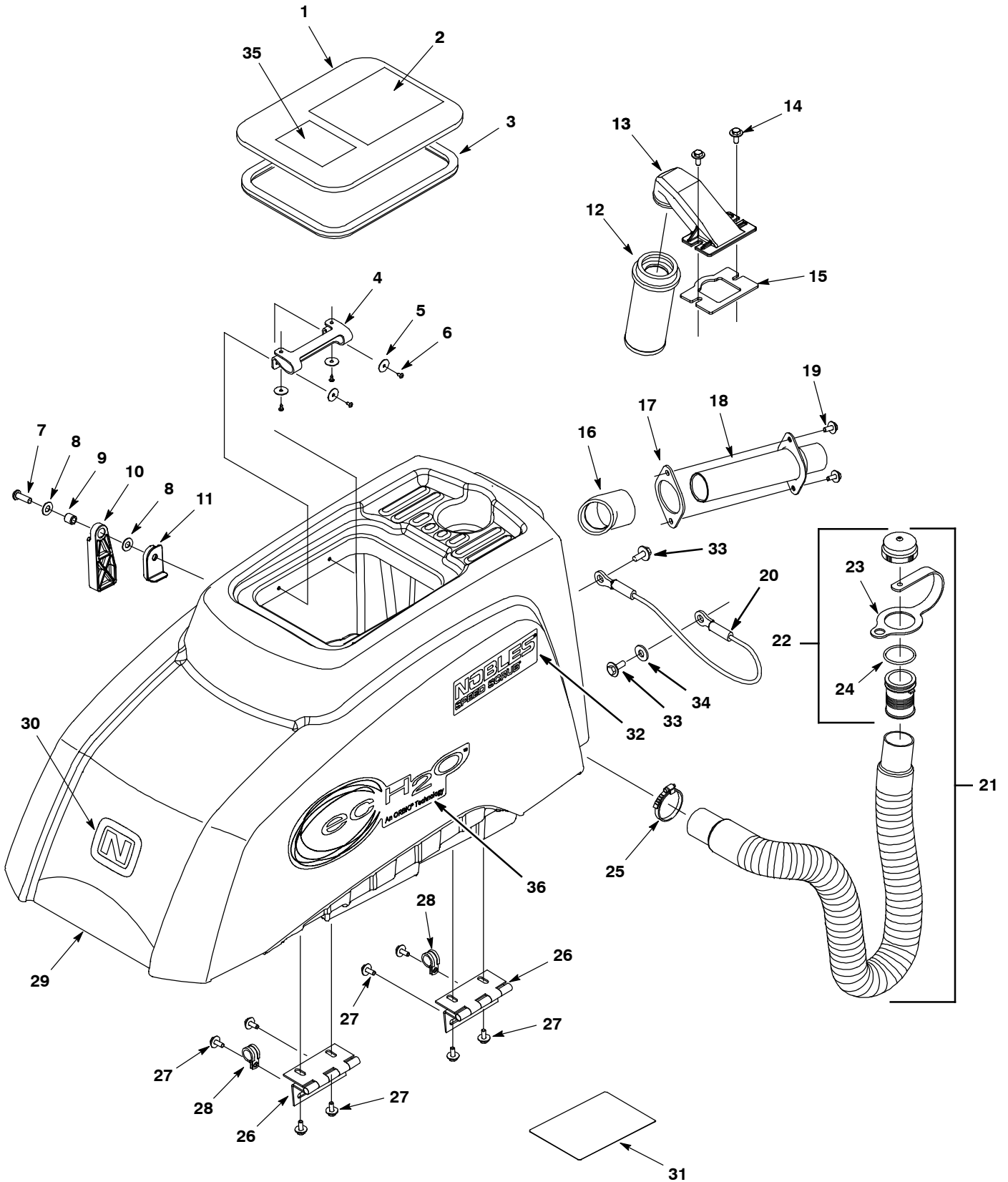
ORBITAL HEAD REPLACEMENT PAD GROUP

356284_01



Ref.	Part No.	Serial Number	Description	Qty.
1	1205512	(00000000-) Pad, Polish, 20" X 14", White (Pack of 10)	1
1	1205513	(00000000-) Pad, Buff, 20" X 14", Red (Pack of 10)	1
1	1205514	(00000000-) Pad, Scrubbing, 20" X 14", Blue (Pack of 10)	1
1	1205515	(00000000-) Pad, Surface Prep, 20" X 14", Maroon (Pack of 10)	1
1	1074740	(00000000-) Pad, Scb, 14 X 20, Green [1pick=1ctn] (Pack of 10)	1
2	9010674	(00000000-) Pad Kit, Backer (Includes Pad with Velcro Strips)	1

RECOVERY TANK GROUP



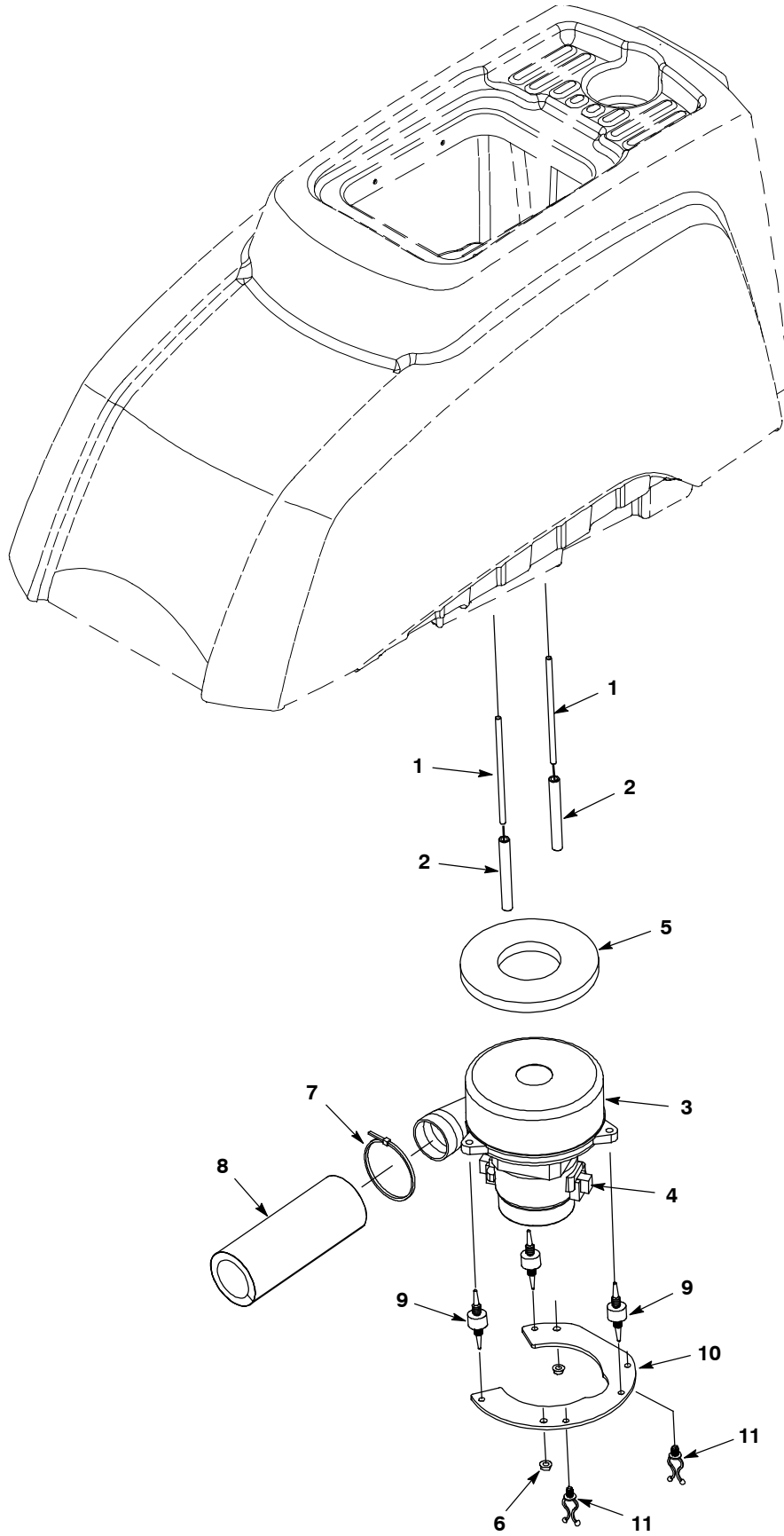
RECOVERY TANK GROUP

Ref.	Part No.	Serial Number	Description	Qty.
▽	1	9003396	(00000000-) Lid Assy, W/ Label [En/Es/Fr/Jp]	1
▲	2	1036679	(00000000-) Label, Warning [Exp,Fre,Shk En/Fr/Es/Jp]	1
▲	3	630367	(00000000-) Seal, .50, .50w 33.9l, Adh [D Shape]	1
	4	630056	(00000000-) Hinge, Cover, Tank Lid	1
	5	1009168	(00000000-) Washer, Flat, 0.17b 0.75d .04, Ss	4
	6	3701.6	(00000000-) Screw, Pan, #06- 32 X 0.38, Phl Ss Shtmtl	4
	7	1039118	(00000000-) Screw, Btn, M8 X 1.25 X 30, Blk	1
	8	140027	(00000000-) Washer, Flat, 0.35b 0.75d .04, Ss	2
	9	222460	(00000000-) Sleeve, P/M, 0.31b 0.50d 0.5l	1
	10	1022399	(00000000-) Support, Tank, Prop, Blk, Nyl	1
	11	1022904	(00000000-) Bracket, Sppt, Stop, Blk, Nyl	1
	12	630052	(00000000-) Float, Shut- Off, (2)Ball, 1.75d	1
	13	1011777	(00000000-) Mount, Float, Mold	1
	14	1034731	(00000000-) Screw, Hex, M6 X 1.00 X 16, Sems, Ss	2
	15	1013628	(00000000-) Gasket, Mtg, Float, .125th, Neo, Adh	1
	16	1028801	(00000000-) Fitting, Plstc, E45, 1.25	1
	17	1024602	(00000000-) Gasket, Adapter, Hose .13, Neo, Adh	1
	18	1021214	(00000000-) Tube, Hose, Adapter, 1.5d	1
	19	1034731	(00000000-) Screw, Hex, M6 X 1.00 X 16, Sems, Ss	2
	20	140960	(00000000-) Cable, Glv .13d 014.5l .34eye /.34eye	1
▽	21	1043538	(00000000-) Hose Assy, Drain, 1.50id X 29.5l, Blk	1
▲▽	22	1008639	(00000000-) Cap, Drain Assy	1
▲▲	23	1019563	(00000000-) Strap, Cap, Drain	1
▲▲	24	1008637	(00000000-) Seal, Org, 1.48id 1.76od	1
	25	11531	(00000000-) Clamp, Hose, Wormdrive, 1.06- 2.00d, .56w	1
	26	1012540	(00000000-) Hinge, 6mmpin 2.5mm Th 73.5mmw 100mml	2
	27	1034731	(00000000-) Screw, Hex, M6 X 1.00 X 16, Sems, Ss	8
	28	1016354	(00000000-) Clamp, Cable, Ss, 0.50d X 0.50w [Insul]	2
▽	29	9007890	(00000000-) Tank, Recovery, Afmkt [Ss3]	1
▲	30	1034637	(00000000-) Label, Front, 3.50 [Nobles Icon]	1
▲	31	1014154	(00000000-) Label, Instr, Battery	1
▲	32	1064991	(00000000-) Label, Model [Speed Scrub]	2
	33	1034731	(00000000-) Screw, Hex, M6 X 1.00 X 16, Sems, Ss	2
	34	01684	(00000000-) Washer, Flat, 0.25 Ss	1
	35	1068925	(00000000-) Label, Do Not Add Detgt[Ec- H2O]	1
	36	1064823	(00000000-) Label, Logo, 12.3l 4color [Ech2o Nobles]	2

▽ ASSEMBLY

▲ INCLUDED IN ASSEMBLY

VACUUM MOTOR GROUP



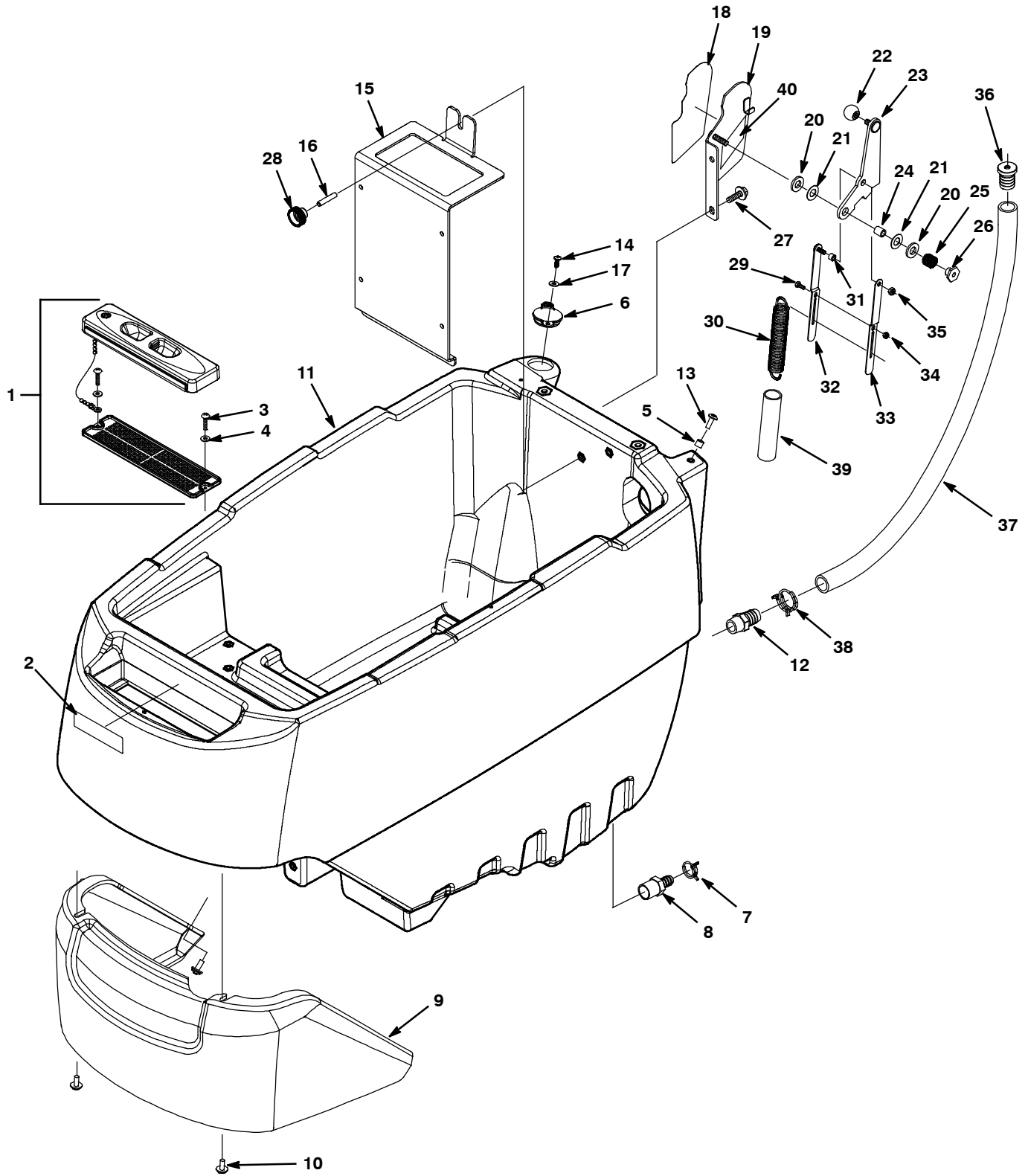
VACUUM MOTOR GROUP

Ref.	Part No.	Serial Number	Description	Qty.	
1	1015412	(00000000-) Rod, Thrd, Full, M6x1.0, 140l	2	
2	1024575	(00000000-) Tube, 0.43d 0.28b 03.3l, PI	2	
▽	3	1023271	(00000000-) Fan, Vacuum, 5.7d 2stage 024vdc [Bpt,Pk]	1
▲	4	372883	(00000000-) Vr, Brush Kit, Motor, Ele	1
5	100038	(00000000-) Gasket, Vacuum Mtr 5.7 Epdm W/Psa	1	
6	1040381	(00000000-) Nut, Hex, Flng, M6 X 1.0, Ss [Serrated]	2	
7	130773	(00000000-) Tie, Cable, Nyl, 11.0l, .14w, 3.0 Max. D	1	
8	1068577	(00000000-) Muffler, Exhaust, Vacfan, 150mml [T2/T3]	1	
9	1062016	(00000000-) Isolator, Vib, .75d	3	
10	1041779	(00000000-) Bracket, Mtg, Vacuum	1	
11	30406	(00000000-) Clip, Keeper	2	

▽ ASSEMBLY

▲ INCLUDED IN ASSEMBLY

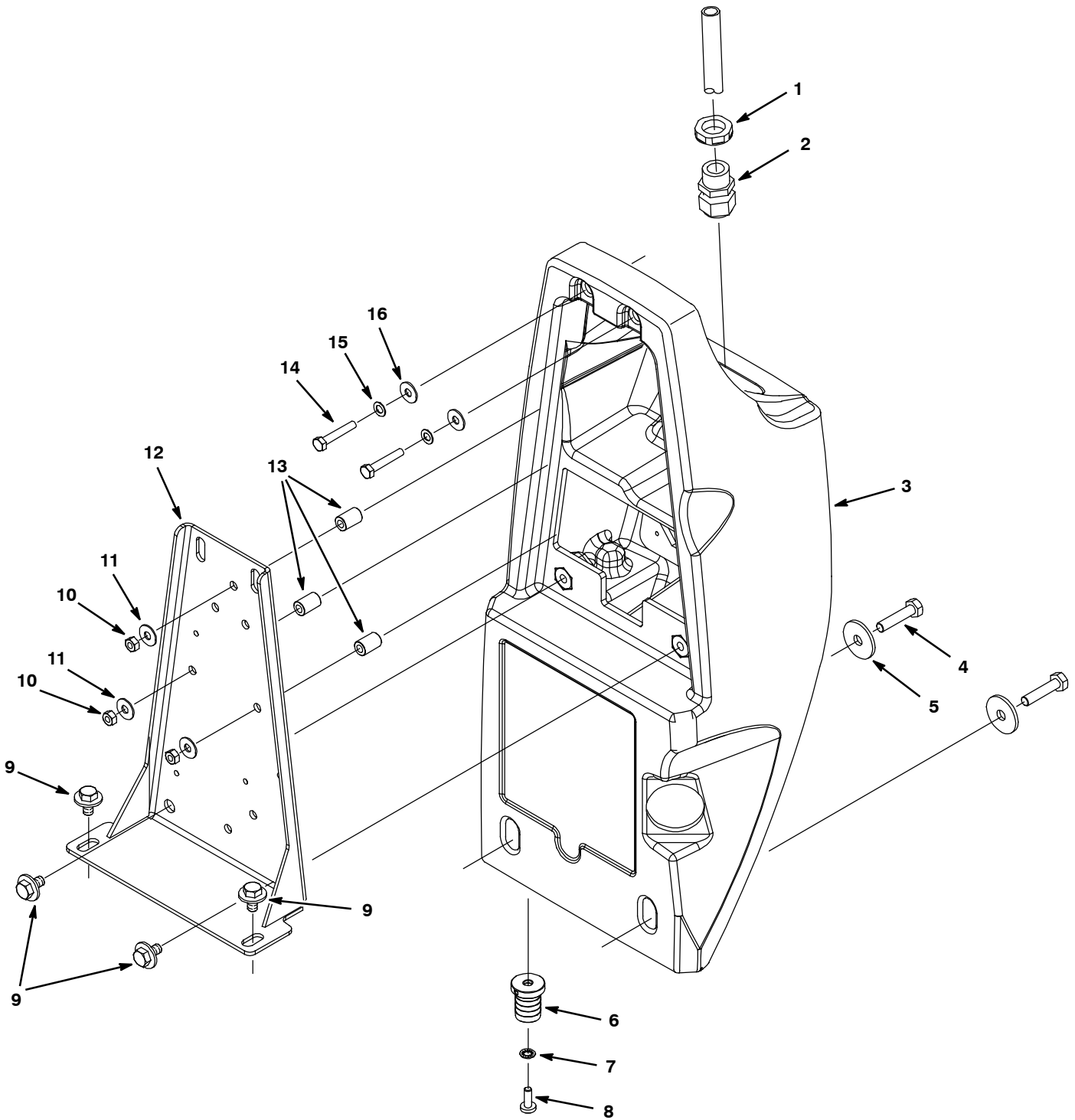
SOLUTION TANK GROUP



SOLUTION TANK GROUP

Ref.	Part No.	Serial Number	Description	Qty.
1	1060173	(00000000-) Cover Assy, Tank, Soltn Fill	1
2	1050003	(00000000-) Label, User, Attention, Ec- H2o (ec-H2O Model)	1
3	140826	(00000000-) Screw, Pan, #06- 32 X 0.75, Phl Ss Shtmtl	2
4	41578	(00000000-) Washer, Flat, #06, Ss	2
5	140154	(00000000-) Sleeve, P/M, 0.25b 0.38d 0.3l, PI	1
6	1012965	(00000000-) Cap, Port, Soltn Fill	1
7	607776	(00000000-) Clamp, Hose, Wir, .73 - .77, Silver	1
8	1023581	(00000000-) Fitting, Plstc, Str, Bm08/Pm08, Nyl	1
9	1028710	(00000000-) Cover, Head, Rm- Blk, Trimmed [Ss3]	1
10	1034731	(00000000-) Screw, Hex, M6 X 1.00 X 16, Ss, Sems	6
11	9007891	(00000000-) Tank, Solution, Afmkt [Ss3]	1
12	78398	(00000000-) Fitting, Plstc, Str, Bm12/Pm08, Nyl	1
13	608322	(00000000-) Screw, Trs, M6 X 1.0 X 16, Phl, Ss	1
14	1018155	(00000000-) Screw, Pan, M5 X 0.8 X16, Ss, Tcut	1
15	1040598	(00000000-) Bracket, Mtg, Chrgr [Ss3]	1
16	1018559	(00000000-) Screw, Set, M6 X 1.00 X 30, Ss [Fltpt]	1
17	01683	(00000000-) Washer, Flat, #10, Ss	1
18	1018389	(00000000-) Label, Lever, Dual Down Press	1
19	1018020	(00000000-) Bracket Wldt, Mtg, Dual Dp Lever	1
20	140127	(00000000-) Bearing, Thrust,0.51b X 1.0 X .12, Brz	2
21	89710	(00000000-) Washer, Flat, 0.51b 1.00d .03, Nyl	2
22	1017156	(00000000-) Knob, Ball, M8 Insert, 40mmd, Plstc	1
23	1017493	(00000000-) Lever, Lift, Dual Down Press	1
24	1014336	(00000000-) Sleeve, P/M, 08.4b 12.6d 14.5l, PI	1
25	1018756	(00000000-) Spring, Cmpr, 0.7od .080wir 00.7l,PI[Mw]	1
26	1018181	(00000000-) Nut, T, M8 X 1.25 X 0.50od X 0.4l	1
27	1020341	(00000000-) Screw, Hex, M8 X 1.25 X 20, Ss, Sems	2
28	578439	(00000000-) Nut, Thumb, M6 X 1.0, 24mm Od	1
29	09738	(00000000-) Screw, Hex, M5 X 0.8 X 12, Ss	1
30	1031783	(00000000-) Spring, Extn, 1.00od 0.12wir 06.3l	1
31	1017884	(00000000-) Bushing, Sleeve, 6mmb 10mmd 7mml	1
32	1017882	(00000000-) Link Wldt, Spring, Lever	1
33	1017805	(00000000-) Link, Spring, Lever	1
34	09739	(00000000-) Nut, Hex, Lock, M5 X 0.8, NI, Ss	1
35	08708	(00000000-) Nut, Hex, Lock, M6 X 1.0, NI	1
36	1035469	(00000000-) Fitting, Plastic, Bm12 [Sight Tube]	1
37	1029829	(00000000-) Hose, Drain, Soltn Tank [Ss3]	1
38	608915	(00000000-) Clamp, Hose, Wir, 1.03 - 1.09	1
39	1206458	(00000000-) Sleeve, Nylon	1
40	1206461	(00000000-) Velcro, Strip	1

LOWER CONTROL CONSOLE GROUP



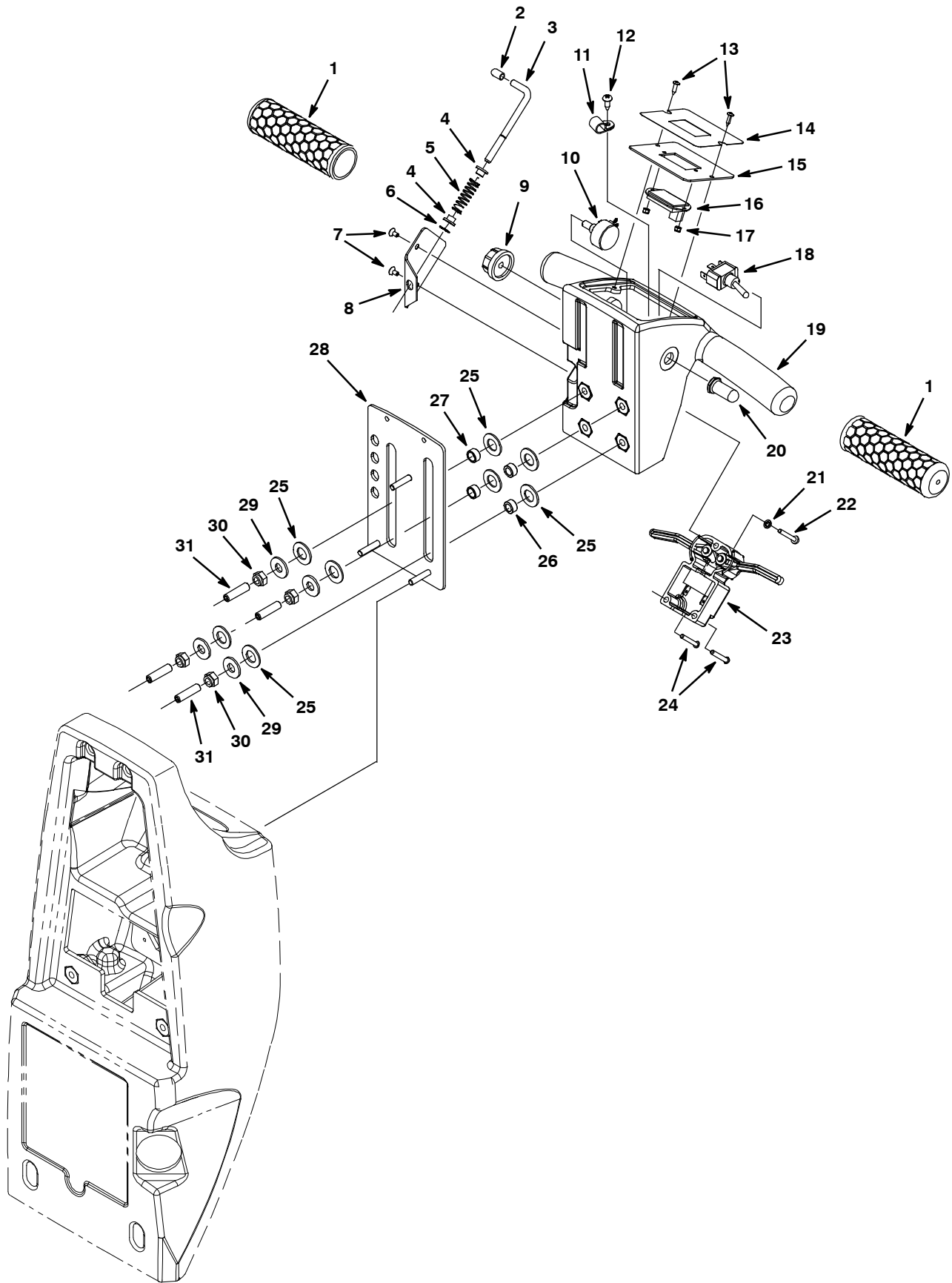
LOWER CONTROL CONSOLE GROUP

Ref.	Part No.	Serial Number	Description	Qty.
1	140638	(00000000-) Nut, Hex, Pf08, Blk Nyl [Conduit]	1
2	130181	(00000000-) Grip, Cord, Strainrelief, .50npt	1
3	1031071	(00000000-) Console, Lower, Rm- Spg, Trimmed [Ss3]	1
4	59658	(00000000-) Screw, Hex, M8 X 1.25 X 35, Ss, NI	2
5	1016331	(00000000-) Washer, Flat, 0.34b 1.25d .11, Ss	2
6	1035469	(00000000-) Fitting, Plstc, Bm12 [Sight Tube]	1
7	07515	(00000000-) Washer, Lock, Int, 0.25 Ss	1
8	367770	(00000000-) Screw, Pan, M6 X 1.0 X 16, Ss	1
9	1020341	(00000000-) Screw, Hex, M8 X 1.25 X 20, Ss, Sems	4
10	41359	(00000000-) Nut, Hex, Std, M6 X 1.00, 8	3
11	01684	(00000000-) Washer, Flat 0.25, Ss	3
12	1054129	(00000000-) Bracket, Hsng, Cntrl, Alm [T3, Ss3]	1
13	1031025	(00000000-) Bushing, Sleeve, 6.5mmb 12mmd 18mml	3
14	07805	(00000000-) Screw, Hex, M6 X 1.0 X 35, Ss	2
15	07515	(00000000-) Washer, Lock, Int, 0.25, Ss	2
16	01684	(00000000-) Washer, Flat 0.25, Ss	2

▽ ASSEMBLY

▲ INCLUDED IN ASSEMBLY

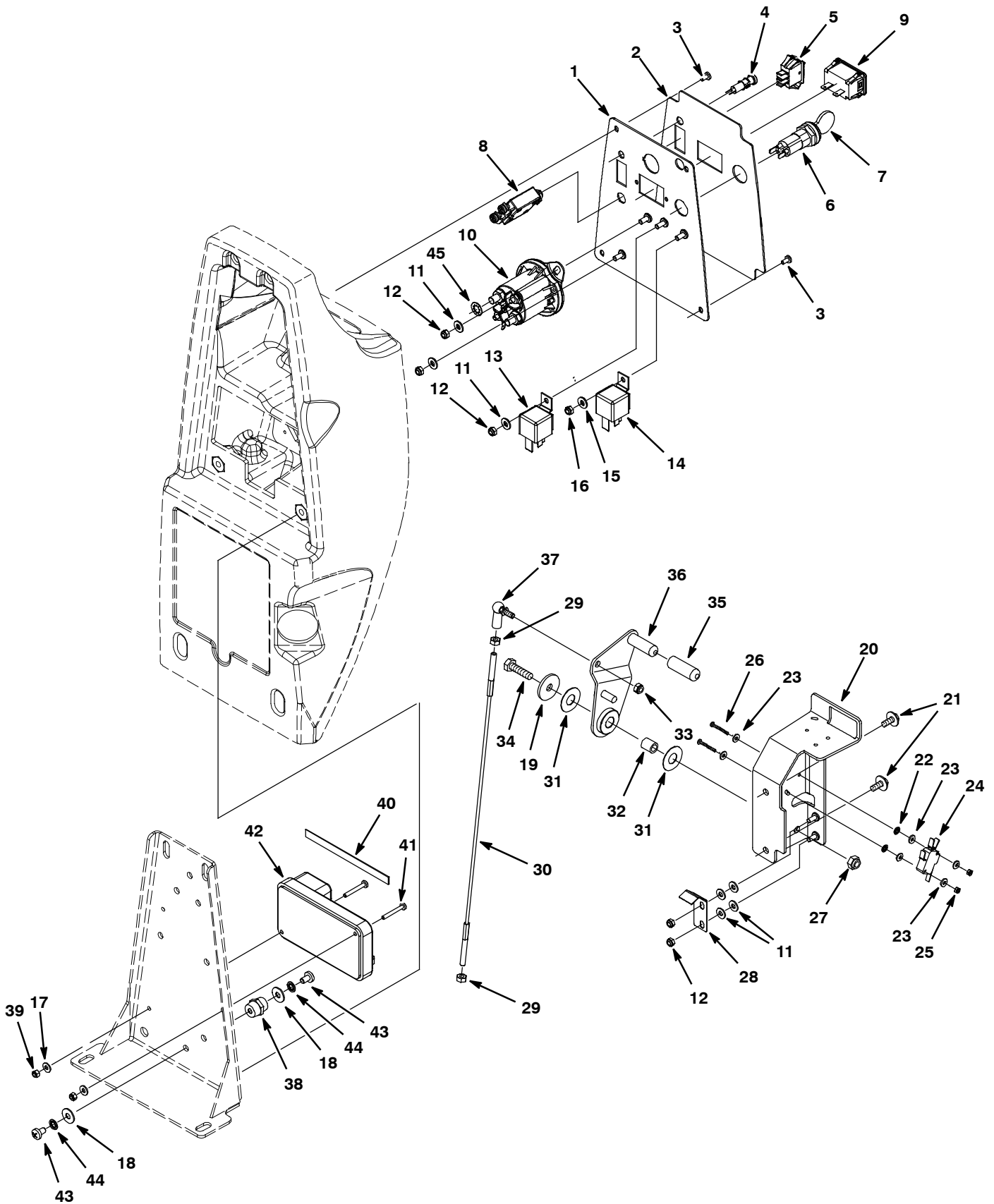
UPPER CONTROL CONSOLE GROUP



UPPER CONTROL CONSOLE GROUP

Ref.	Part No.	Serial Number	Description	Qty.
1	1026407	(00000000-) Grip, Handle, 31.75mm Dia. X 117mm L	2
2	630094	(00000000-) Cap, Vinyl, 2.26 Id X 12.7lg, Blk	1
3	630081	(00000000-) Lever, Latch, Console Adjust	1
4	630083	(00000000-) Bushing, Latch	2
5	630082	(00000000-) Spring, Cmpr, 0.42od .04wir 01.8l, Pl,Mw	1
6	630084	(00000000-) Ring, Retaining, Ext, 4.62mm, [E- Ring]	1
7	49697	(00000000-) Screw, Pan, Phl, M4 X 0.70 X 10, Ss	2
8	630087	(00000000-) Plate, Latch, Retainer	1
9	1028037	(00000000-) Knob, 1.25d	1
10	1042687	(00000000-) Harness, Pot, Wire Assy [45k Ohm]	1
11	140328	(00000000-) Clamp, Cable, Nyl, 0.38d, Blk	1
12	1009324	(00000000-) Screw, Pan, #10- 16 X 0.50,Phl,Blk[Ty- 17]	1
13	140825	(00000000-) Screw, Pan, #06 X 0.50, Phl, Blk,Fmg[Ab]	2
14	1031582	(00000000-) Label, Panel, Cntrl, Upper	1
15	1031162	(00000000-) Panel, Cntrl, Upper, Battery Indicator	1
16	392894	(00000000-) Gauge, Discharge, Battery, 36vdc, Rt,Led	1
17	579211	(00000000-) Nut, Hex, Lock, M3 X 0.50, Ss	2
18	601108	(00000000-) Switch, Toggle, Mom / On / On	1
19	1031000	(00000000-) Console, Upper, Rm- Spg, Trimmmed (Ss3)	1
20	130753	(00000000-) Boot, Switch 1.00l Blk	1
21	02938	(00000000-) Washer, Lock, Int, #08, Ss	1
22	33931	(00000000-) Screw, Pan, Phl, M4 X 0.70 X 30, Ss	1
23	1063203	(00000000-) Controlbox, Assy, Trigger	1
24	1032889	(00000000-) Screw, Pan, #8- 18 X 1.12, F/ Plstc	2
25	608562	(00000000-) Washer, Flat, 0.51b 0.94d .06, Nyl	8
26	607783	(00000000-) Bearing, Sleeve, .31id X .50od X .25,Brz	2
27	630259	(00000000-) Bearing, 9.5id 12.7od 6.4l,Brz	2
28	1030879	(00000000-) Plate, Slide, Console [Ss3]	1
29	01685	(00000000-) Washer, Flat, 0.38b 0.88d .08, Ss	4
30	08709	(00000000-) Nut, Hex, Lock, M8 X 1.25, NI	4
31	607461	(00000000-) Screw, Set, M8 X 1.25 X 35, NI	4

COMPONENT PANEL GROUP (S/N JUN2014 -)



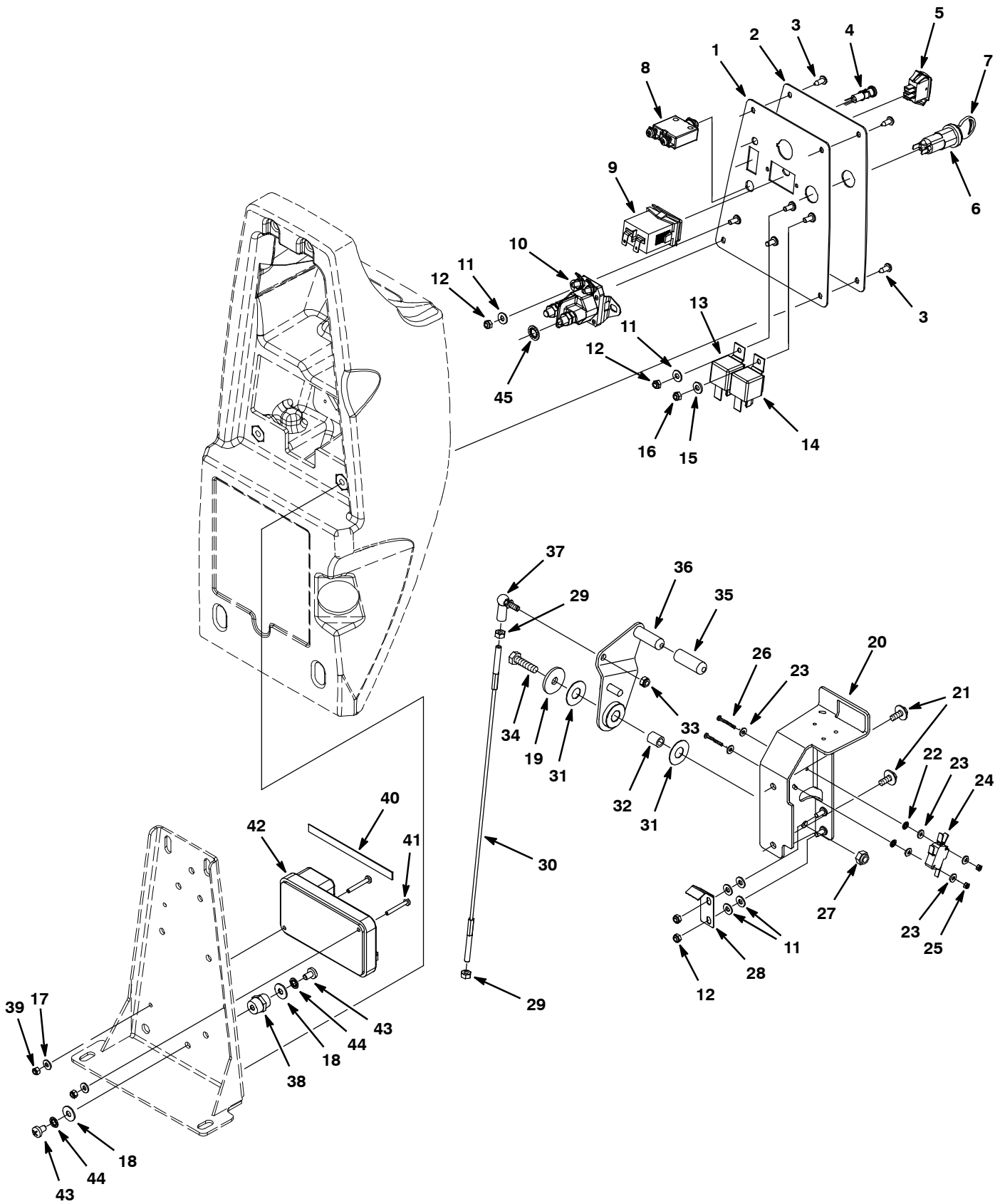
COMPONENT PANEL GROUP (S/N JUN2014 -)

Ref.	Part No.	Serial Number	Description	Qty.	
1	1072584	(JUN2014-) Panel, Instmt, Lower [T3]	1	
2	1074023	(JUN2014-) Label, Panl, Instmt, Lower [T3/T3e/Ss3] (Standard Model)	1	
2	1074016	(JUN2014-) Label, Opertnl, Panl [T3 Ec- H2o, Na/Aej] (ec- H2O Model)	1	
3	1009324	(00000000-) Screw, Pan, #10- 16 X 0.50,Phl,Blk[Ty- 17]	4	
4	1041822	(00000000-) Light, Panel, Mgt, .312" Dia. (ec-H2O Model)	1	
5	130787	(00000000-) Switch, Rocker, Spdt (ec-H2O Model)	1	
▽	6	1011402	(00000000-) Switch, Key	1
▲	7	1017696	(00000000-) Key Set, Replmt [F/ Keyswitch 1011402]	1
8	1057902	(00000000-) Circuitbreaker, 35.0a	1	
9	1064038	(00000000-) Gauge, Hourmeter, 05- 277 Volt, Ac / Dc	1	
10	1066409	(JUN2014-) Relay, 24vdc, 150a, No [Trombetta]	2	
11	01683	(00000000-) Washer, Flat, #10, Ss	7	
12	09739	(00000000-) Nut, Hex, Lock, M5 X 0.80, NI, Ss	4	
13	1012216	(00000000-) Relay, 24vdc, 070a, Spst No, Plug- In	1	
14	1012216	(00000000-) Relay, 24vdc, 070a, Plug- In (ec-H2O Model)	1	
15	01683	(00000000-) Washer, Flat, #10, Ss (ec-H2O Model)	1	
16	09739	(00000000-) Nut, Hex, Lock, M5 X 0.80, NI (ec-H2O Model)	1	
17	41579	(00000000-) Washer, Flat, #08, Ss	2	
18	01684	(00000000-) Washer, Flat, 0.27b 0.69d .05, Ss	2	
19	1016331	(00000000-) Washer, Flat, 0.34b 1.25d .11, Ss	1	
20	1012850	(00000000-) Bracket Wldt, Lever, Sqge	1	
21	1034731	(00000000-) Screw, Hex, M6 X 1.00 X 16, Sems, Ss	2	
22	02938	(00000000-) Washer, Lock, Int, 08, Ss	2	
23	41578	(00000000-) Washer, Flat, #06, Ss	6	
24	1012568	(00000000-) Switch, Snap, 10a, Short	1	
25	579211	(00000000-) Nut, Hex, Lock, M3 X 0.50, Ss	2	
26	1042062	(00000000-) Screw, Hex, M3 X 0.5 X 25, Ss	2	
27	08713	(00000000-) Nut, Hex, Lock, M8 X 1.25, NI, Ss	1	
28	1073852	(00000000-) Spring, Lever, Sqge	1	
29	07785	(00000000-) Nut, Hex, Std, M6 X 1.00, A2, Ss	2	
30	1013479	(00000000-) Cable, Glv 3.18mmd 0412l M06/ M06	1	
31	1013397	(00000000-) Washer, Flat, M13 X 30 X 0.8, Nyl	2	
32	1014336	(00000000-) Sleeve, P/M, 8.40b 12.60d 14.5l, PI	1	
33	08712	(00000000-) Nut, Hex, Lock, M6 X 1.00, Ss, NI	1	
34	09011	(00000000-) Screw, Hex, M8 X 1.25 X 30, Ss	1	
35	1016895	(00000000-) Cap, Handle, Sqge Lift	1	
36	1013329	(00000000-) Lever Wldt, Sqge	1	
37	1012747	(00000000-) Balljoint, M06 X 1.0 Fem, M06 X 1.0 Mal	1	
38	1013523	(00000000-) Stand- Off, Wir, M6, 18 Hex, 20l, Insul	1	
39	33932	(00000000-) Nut, Hex, Lock, M4 X 0.70, NI, Ss	2	
40	1020280	(00000000-) Seal, Afmkt, Rbr, Clsd, Adh, 01ft (C410217)	1	
41	33931	(00000000-) Screw, Pan, M4 X 0.7 X 30, Ss	2	
42	1052260	(00000000-) Module, Drive [T3]	1	
43	48732	(00000000-) Screw, Pan, M6 X 1.0 X 10, Ss	2	
44	07515	(00000000-) Washer, Lock, Int, 0.25, Ss	2	
45	43952	(00000000-) Washer, Lock, Int, 0.31, Ss	1	

▽ ASSEMBLY

▲ INCLUDED IN ASSEMBLY

COMPONENT PANEL GROUP (S/N 0000000 - MAY2014)



COMPONENT PANEL GROUP (S/N 00000000 - MAY2014)

Ref.	Part No.	Serial Number	Description	Qty.	
1	1012134	(00000000- MAY2014)	Panel, Cntrl, Lower	1	
2	1016628	(00000000- MAY2014)	Label, Panl, Instmt, Lower [T3/T3e/Ss3] (Standard Model)	1	
2	1049998	(00000000- MAY2014)	Label, Console, Lower Ec- H2o [T3 Na/Aej] (ec-H2O Model)	1	
3	1009324	(00000000-)	Screw, Pan, #10- 16 X 0.50,Phl,Blk[Ty- 17]	4	
4	1041822	(00000000-)	Light, Panel, Mgt, .312" Dia. (ec-H2O Model)	1	
5	130787	(00000000-)	Switch, Rocker, Spdt (ec-H2O Model)	1	
▽	6	1011402	(00000000-)	Switch, Key	1
▲	7	1017696	(00000000-)	Key Set, Replmt [F/ Keyswitch 1011402]	1
8	1057902	(00000000-)	Circuitbreaker, 35.0a	1	
9	1064038	(00000000-)	Gauge, Hourmeter, 05- 277 Volt, Ac / Dc	1	
10	1038490	(00000000- MAY2014)	Relay, 24vdc, 100a, No [Trombetta]	2	
11	01683	(00000000-)	Washer, Flat, #10, Ss	7	
12	09739	(00000000-)	Nut, Hex, Lock, M5 X 0.80, NI, Ss	4	
13	1012216	(00000000-)	Relay, 24vdc, 070a, Spst No, Plug- In	1	
14	1012216	(00000000-)	Relay, 24vdc, 070a, Plug- In (ec-H2O Model)	1	
15	01683	(00000000-)	Washer, Flat, #10, Ss (ec-H2O Model)	1	
16	09739	(00000000-)	Nut, Hex, Lock, M5 X 0.80, NI (ec-H2O Model)	1	
17	41579	(00000000-)	Washer, Flat, #08, Ss	2	
18	01684	(00000000-)	Washer, Flat, 0.27b 0.69d .05, Ss	2	
19	1016331	(00000000-)	Washer, Flat, 0.34b 1.25d .11, Ss	1	
20	1012850	(00000000-)	Bracket Wldt, Lever, Sqge	1	
21	1034731	(00000000-)	Screw, Hex, M6 X 1.00 X 16, Sems, Ss	2	
22	02938	(00000000-)	Washer, Lock, Int, 08, Ss	2	
23	41578	(00000000-)	Washer, Flat, #06, Ss	6	
24	1012568	(00000000-)	Switch, Snap, 10a, Short	1	
25	579211	(00000000-)	Nut, Hex, Lock, M3 X 0.50, Ss	2	
26	1042062	(00000000-)	Screw, Hex, M3 X 0.5 X 25, Ss	2	
27	08713	(00000000-)	Nut, Hex, Lock, M8 X 1.25, NI, Ss	1	
28	1073852	(00000000-)	Spring, Lever, Sqge	1	
29	07785	(00000000-)	Nut, Hex, Std, M6 X 1.00, A2, Ss	2	
30	1013479	(00000000-)	Cable, Glv 3.18mmd 0412l M06/ M06	1	
31	1013397	(00000000-)	Washer, Flat, M13 X 30 X 0.8, Nyl	2	
32	1014336	(00000000-)	Sleeve, P/M, 8.40b 12.60d 14.5l, PI	1	
33	08712	(00000000-)	Nut, Hex, Lock, M6 X 1.00, Ss, NI	1	
34	09011	(00000000-)	Screw, Hex, M8 X 1.25 X 30, Ss	1	
35	1016895	(00000000-)	Cap, Handle, Sqge Lift	1	
36	1013329	(00000000-)	Lever Wldt, Sqge	1	
37	1012747	(00000000-)	Balljoint, M06 X 1.0 Fem, M06 X 1.0 Mal	1	
38	1013523	(00000000-)	Stand- Off, Wir, M6, 18 Hex, 20l, Insul	1	
39	33932	(00000000-)	Nut, Hex, Lock, M4 X 0.70, NI, Ss	2	
40	1020280	(00000000-)	Seal, Afmkt, Rbr, Clsd, Adh, 01ft (C410217)	1	
41	33931	(00000000-)	Screw, Pan, M4 X 0.7 X 30, Ss	2	
42	1052260	(00000000-)	Module, Drive [T3]	1	
43	48732	(00000000-)	Screw, Pan, M6 X 1.0 X 10, Ss	2	
44	07515	(00000000-)	Washer, Lock, Int, 0.25, Ss	2	
45	43952	(00000000-)	Washer, Lock, Int, 0.31, Ss	1	

▽ ASSEMBLY

▲ INCLUDED IN ASSEMBLY

WHEEL GROUP, DRIVE MODEL

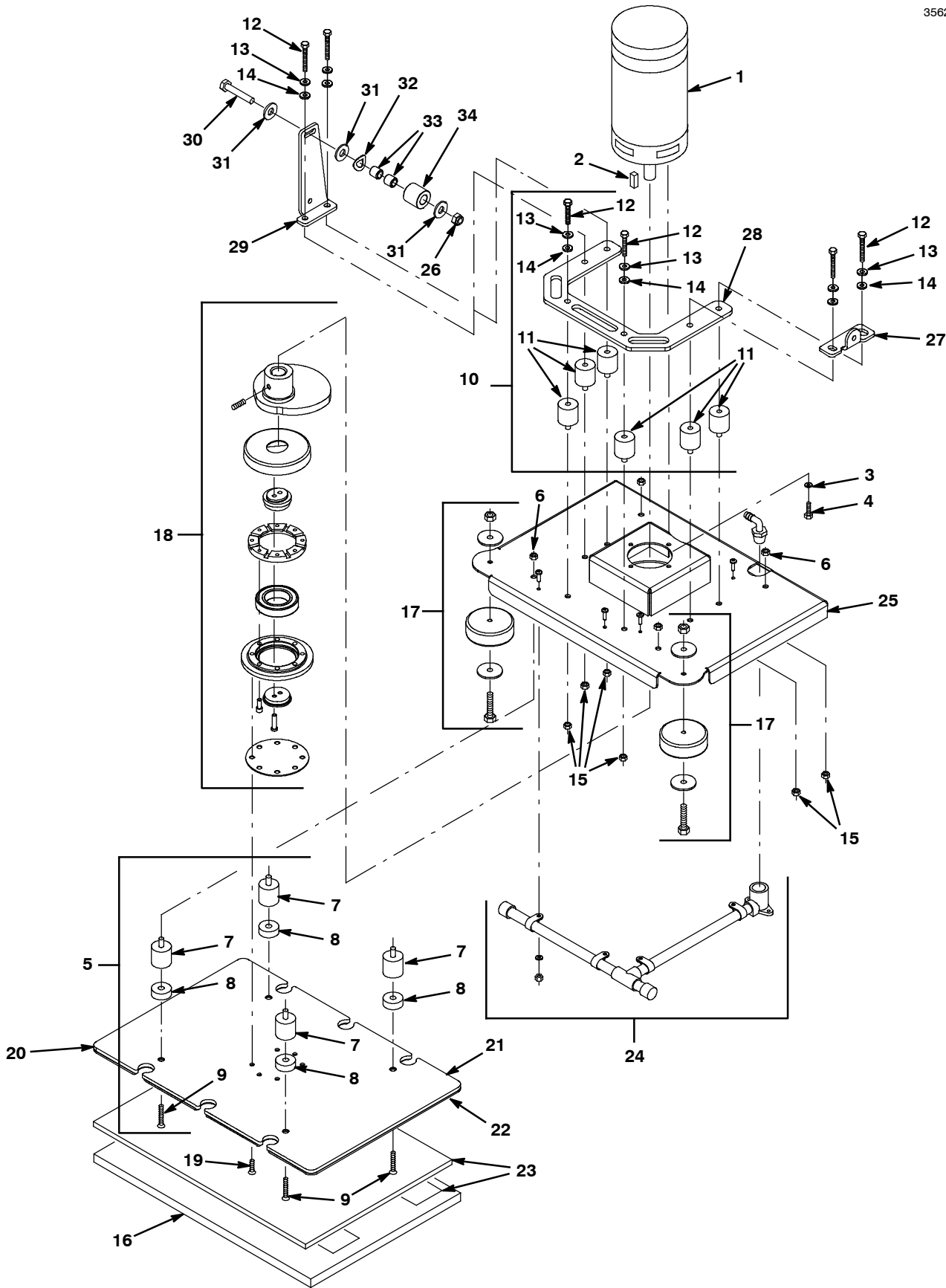
Ref.	Part No.	Serial Number	Description	Qty.
	1	1034731	(00000000-) Screw, Hex, M6 X 1.00 X 16, Ss, Sems	2
▽	2	1062385	(00000000-) Valve, Water, Solenoid, 24vdc Bm10/Bm10	1
▲	614265	(00000000-) Valve Kit, Water [Viton Diaphragm]	1	
	3	1014156	(00000000-) Label, Opertnl, Lower, Soltn Flow	1
	4	1037292	(00000000-) Bracket, Mtg, Valve, Soltn	1
	5	08712	(00000000-) Nut, Hex, Lock, M6 X 1.0, Ss, NI	4
	6	1013946	(00000000-) Bracket, Locking, Pedal, Foot Ylw	1
	7	1034551	(00000000-) Trim, Plstc, Edge, .12 X .56 X 1.75	1
	8	01684	(00000000-) Washer, Flat, 0.25 Ss	2
	9	08712	(00000000-) Nut, Hex, Lock, M6 X 1.00, NI, Ss	1
	10	1016331	(00000000-) Washer, Flat, 0.34b 1.25d .11, Ss	2
	11	1020341	(00000000-) Screw, Hex, M8 X 1.25 X 20, Ss, Sems	4
	12	12309	(00000000-) Screw, Hex, M12 X 1.75 X 30, Ss	2
	13	140045	(00000000-) Washer, Flat, 0.51b 1.25d .06, Ss	7
	14	1013662	(00000000-) Bushing, Sleeve, 12mm 16mm 6.5mml, Pm Yw	2
	15	1023389	(00000000-) Bracket, Sqge, Lift, Mold Blk, Nyl	1
	16	1008721	(00000000-) Spring, Extn, 0.75od 0.09wir 03.5l	1
	17	44906	(00000000-) Pin, Cotter, Hair, 0.69d .092 Wir	1
	18	1013610	(00000000-) Pin, Clevis, 10mmd X 100mml	1
	19	1012747	(00000000-) Balljoint, M6 X 1.0 Fem, M6 X 1.0 Mal	1
▽	20	9008680	(00000000-) Frame Kit, Main, W/ Caster Fastenrs [T3]	1
▲	21	140045	(00000000-) Washer, Flat, 0.51b 1.25d .06, Ss	2
▲	22	09741	(00000000-) Nut, Hex, Lock, M12 X 1.75, NI, Ss	2
	23	09741	(00000000-) Nut, Hex, Lock, M12 X 1.75, NI, Ss	2
	24	07788	(00000000-) Nut, Hex, Std, M12 X 1.75, Ss	2
	25	140024	(00000000-) Washer, Lock, Split, 0.50, Ss	2
	26	1039655	(00000000-) Wheel, Scrbr, 198.00mm, W/ Taper [T3]	2
	27	1028292	(00000000-) Adapter, Mtg, Axle, Alm	2
▽	28	1039475	(00000000-) Transaxle, Ele, 24vdc, 112rpm, Pkrd,Dfma	1
▲	1017782	(00000000-) Coupling Kit, Transaxle, Replmt [11057]	1	
▲	29	1021167	(00000000-) Key, Woodruff, 5mm	2
▲	30	612880	(00000000-) Sleeve, Transaxle, Replmt	2
▲▽	31	1019916	(00000000-) Motor, Transaxle, 24vdc, Replmt	1
▲▲	32	614166	(00000000-) Brush Kit, Carbon [Qty 4]	1
	33	1026345	(00000000-) Caster, Swivel, 80mm D, M12 X 25 Stem	2
	34	1035711	(00000000-) Boot, Switch, Hex Nut, .38- 32 Thd	1
	35	1071996	(00000000-) Switch, Push, Snap Action, 25a	1
	36	08716	(00000000-) Screw, Hex, M6 X 1.00 X 20, SS	2
	37	1066505	(00000000-) Bracket, Mtg, Sqge, Stl [T3]	1
	N/S	130773	(00000000-) Tie, Cable, Nyl, 11.0l, .14w, 3.0 Max. D	4

▽ ASSEMBLY

▲ INCLUDED IN ASSEMBLY

ORBITAL HEAD GROUP

356279_01



ORBITAL HEAD GROUP

Ref.	Part No.	Serial Number	Description	Qty.
▽	9010705	(00000000-) Head Assembly Kit, Complete (Includes Items #1- 35)	1
▲▽	1 9010695	(00000000-) Motor Assy Kit (Includes Key & Hardware)	1
▲▲	1059370	(00000000-) Brush, Motor, Replmt [Bag of 4]	1
▲▲	2 N/A	(00000000-) Key, 8mm x 7mm x 25mm	1
▲▲	3 N/A	(00000000-) Washer, Lock Int 6mm	4
▲▲	4 N/A	(00000000-) Bolt, Mounting 6mm	4
▲▽	5 9010696	(00000000-) Isolator Kit, Vib Assy, Primary (Includes Isolators & Hardware)	1
▲▲	6 N/A	(00000000-) Nut, 5/16- 18 Nyloc	4
▲▲	7 N/A	(00000000-) Cylindrical Vibration Isolators 1.25" L	4
▲▲	8 N/A	(00000000-) Spacer, 1/2" Nylon w/ 5/16" Pass Thru Hole (Note: Could be 1/4" Qty 8)	4
▲▲	9 N/A	(00000000-) Screw, 5/16- 18 x 1 Flathead Socket Capscrew	4
▲▽	10 9010697	(00000000-) Isolator Kit, Vib Assy, Secondary (Includes Isolators & Hardware)	1
▲▲	11 N/A	(00000000-) Cylindrical Vibration Isolators 1.25" L	6
▲▲	12 N/A	(00000000-) Bolt, 5/16- 18 x 3/4" Zinc	6
▲▲	13 N/A	(00000000-) Washer, Lock Int 5/16"	6
▲▲	14 N/A	(00000000-) Washer, Flat 5/16" Zinc	6
▲▲	15 N/A	(00000000-) Nut, Nyloc 5/16- 18	6
▲	16 N/A	(00000000-) Backer Pad, Red (See Page 5 for Pad Options)	1
▲	17 9010699	(00000000-) Wheel Assy Kit (Includes Wheel & Hardware) (See Wheel Assembly Group for Breakdown)	1
▲	18 9011656	(00000000-) Drive Assy Kit, Eccentric Complete (See Eccentric Drive Assembly Group for Breakdown)	1
▲	19 N/A	(00000000-) Screw, 1/4- 20 x 1- 1/8" Flthd Sckt Capscrew w/Patch	6
▲▽	20 9010701	(00000000-) Pad Driver Assy Kit (Includes #9 & #19 Screws)	1
▲▲	21 N/A	(00000000-) Pad Driver, 20 x 14 Black	1
▲▲	22 N/A	(00000000-) Pad Driver Face, 20 x 14	1
▲	9 N/A	(00000000-) Screw, 5/16- 18 x 1 Flathead Socket Capscrew	4
▲	19 N/A	(00000000-) Screw, 1/4- 20 x 1- 1/8" Flthd Sckt Capscrew w/Patch	6
▲	23 9010674	(00000000-) Backer Pad Assy Kit (Includes Pad with Velcro Strips)	1
▲	24 9010704	(00000000-) Water Distribution Assy Kit (Includes Hardware & Fittings) (See Water Distribution Assembly Group for Breakdown)	1
▲	25 N/A	(00000000-) Frame	1
▲	26 08713	(00000000-) Nut, Hex, Lock, M8 X 1.25, NI, Ss	1
▲	27 1054760	(00000000-) Bracket, Mtg, Head (Lh) [T3 60cm Dd]	1
▲	28 N/A	(00000000-) Bracket, Frame, U	1
▲	29 1011432	(00000000-) Bracket, Mtg, Head, Rh	1
▲	30 222505	(00000000-) Screw, Hex, M8 X 1.25 X 45, Ss	1
▲	31 01685	(00000000-) Washer, Flat, 0.38b 0.88d .08, Ss	3
▲	32 1209002	(00000000-) Washer, Wave 1.2mm Zinc Plated	1
▲	33 222460	(00000000-) Sleeve, P/M, 0.31b 0.50d 0.5l (Note: Could be 1.00" L Qty 1)	2
▲	34 1014020	(00000000-) Roller, Lift, Dual Disk Head	1

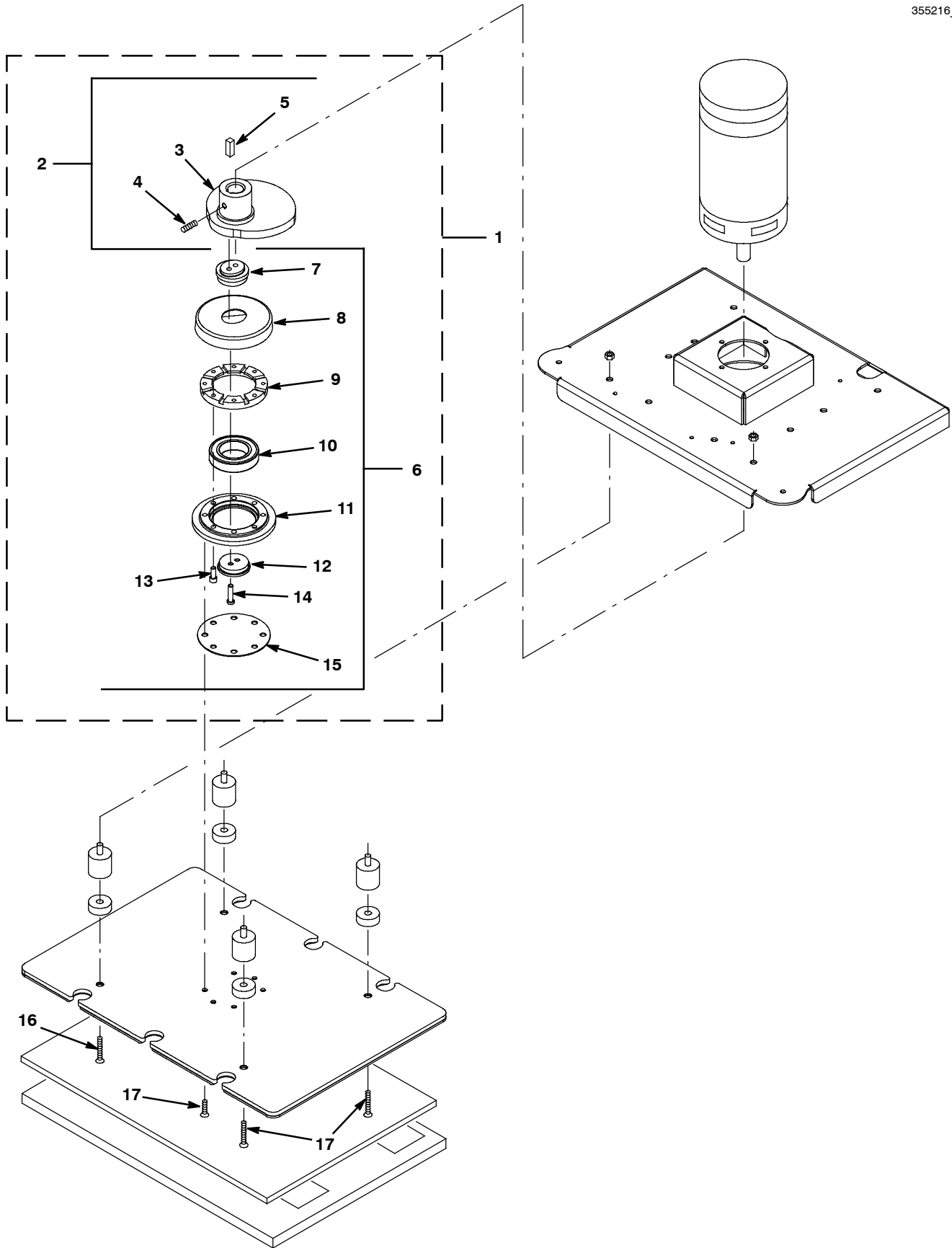
▽ ASSEMBLY

▲ INCLUDED IN ASSEMBLY

N/A Not Available Separately. Included with Kit

ORBITAL HEAD ECCENTRIC DRIVE ASSEMBLY GROUP

355216_00



ORBITAL HEAD ECCENTRIC DRIVE ASSEMBLY GROUP

Ref.	Part No.	Serial Number	Description	Qty.
▽	1	9011656	(00000000-) Drive Assy Kit, Eccentric Complete	1
▲▽	2	9010700	(00000000-) Drive Assy Kit, Eccentric (Includes #16 & #17 Screws)	1
▲▲	3	N/A	(00000000-) Eccentric Weight Weldment	1
▲▲	4	N/A	(00000000-) Screw, Set .312- 18 x .375	1
▲▲	5	N/A	(00000000-) Key, 8mm x 7mm x 25mm	1
▲	16	N/A	(00000000-) Screw, 5/16- 18 x 1 Flathead Socket Capscrew	4
▲	17	N/A	(00000000-) Screw, 1/4- 20 x 1- 1/8" Flthd Sckt Capscrew w/Patch	6
▲▽	6	9011655	(00000000-) Eccentric Bearing Assembly (Includes #16 & #17 Screws)	1
▲▲	7	N/A	(00000000-) Eccentric Hub	1
▲▲	8	N/A	(00000000-) Upper Bearing Shield	1
▲▲	9	N/A	(00000000-) Top Bearing Retainer	1
▲▲	10	N/A	(00000000-) 6008- 2RS1 JEM Bearing	1
▲▲	11	N/A	(00000000-) Bottom Bearing Retainer	1
▲▲	12	N/A	(00000000-) Lower Bearing Axle	1
▲▲	13	N/A	(00000000-) Screw 1/4- 20 x 1/2" Socket Head Capscrew	2
▲▲	14	N/A	(00000000-) Screw, 1/4- 20 x 1.5" Socket Head Capscrew	2
▲▲	15	N/A	(00000000-) Lower Bearing Shield	1
▲▲	16	N/A	(00000000-) Screw, 5/16- 18 x 1 Flathead Socket Capscrew	4
▲▲	17	N/A	(00000000-) Screw, 1/4- 20 x 1- 1/8" Flthd Sckt Capscrew w/Patch	6

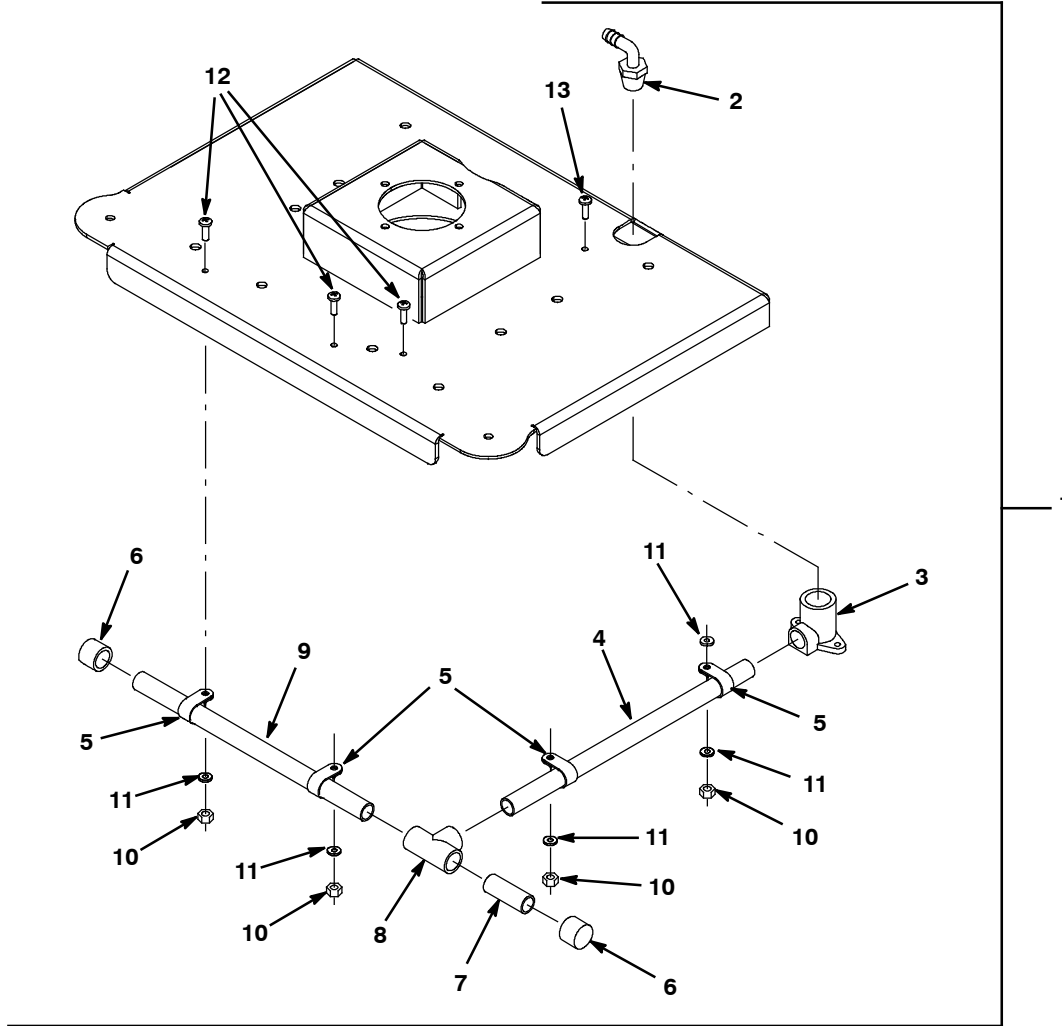
▽ ASSEMBLY

▲ INCLUDED IN ASSEMBLY

N/A Not Available Separately. Included with Kit

ORBITAL HEAD WATER DISTRIBUTION ASSEMBLY GROUP

355217_01



Ref.	Part No.	Serial Number	Description	Qty.
▽	1	9010704	(00000000-) Water Distribution Assembly	1
▲	2	N/A	(00000000-) Fitting, Barbed 3/8" x 1/2" Male 90	1
▲	3	N/A	(00000000-) CPVC 3/8" x 1/2" Female Thread 90	1
▲	4	N/A	(00000000-) CPVC 3/8" x 10- 3/4" Tube	1
▲	5	N/A	(00000000-) Loop Clamp (Large)	4
▲	6	N/A	(00000000-) CPVC 3/8" Caps	2
▲	7	N/A	(00000000-) CPVC 3/8" x 2" Tube	1
▲	8	N/A	(00000000-) CPVC 3/8" T	1
▲	9	N/A	(00000000-) CPVC 3/8" x 8" Tube	1
▲	10	N/A	(00000000-) Nut, 10- 24 Nyloc	4
▲	11	N/A	(00000000-) Washer, Flat #10 Zinc	5
▲	12	N/A	(00000000-) Screw 10- 24 x 3/4"	3
▲	13	N/A	(00000000-) Screw 10- 24 x 1"	1

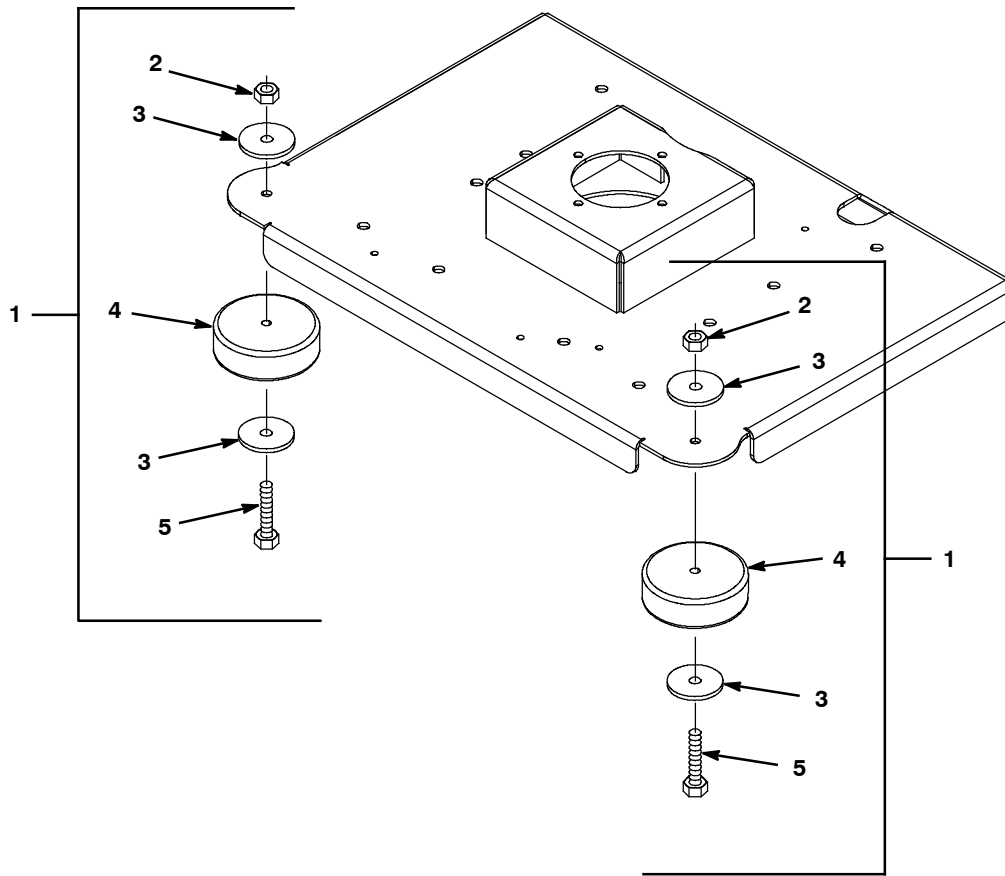
▽ ASSEMBLY

▲ INCLUDED IN ASSEMBLY

N/A Not Available Separately. Included with Kit

ORBITAL HEAD WHEEL ASSEMBLY GROUP

355218_00



Ref.	Part No.	Serial Number	Description	Qty.
▽ 1	9010699	(00000000-) Wheel Assy Kit	2
▲ 2	N/A	(00000000-) Nut, 1/4- 20 Nyloc	1
▲ 3	N/A	(00000000-) Washer, 1/4" Flat Zinc	2
▲ 4	N/A	(00000000-) Wheel, 1" x 3" Ball Bearing	1
▲ 5	N/A	(00000000-) Bolt, 1/4" x 1- 3/4" Zinc	1

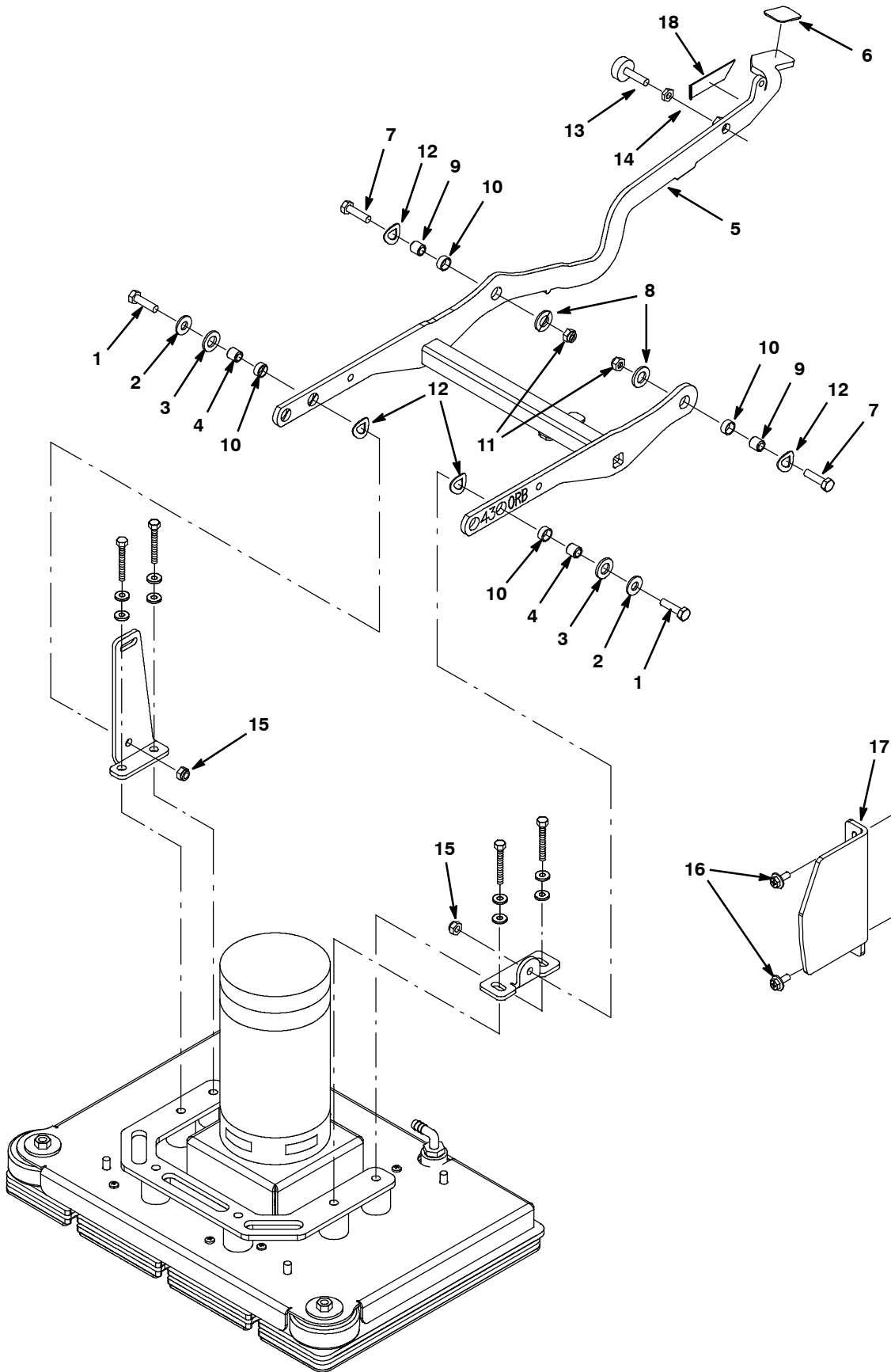
▽ ASSEMBLY

▲ INCLUDED IN ASSEMBLY

N/A Not Available Separately. Included with Kit

ORBITAL HEAD LIFT GROUP

356288_01



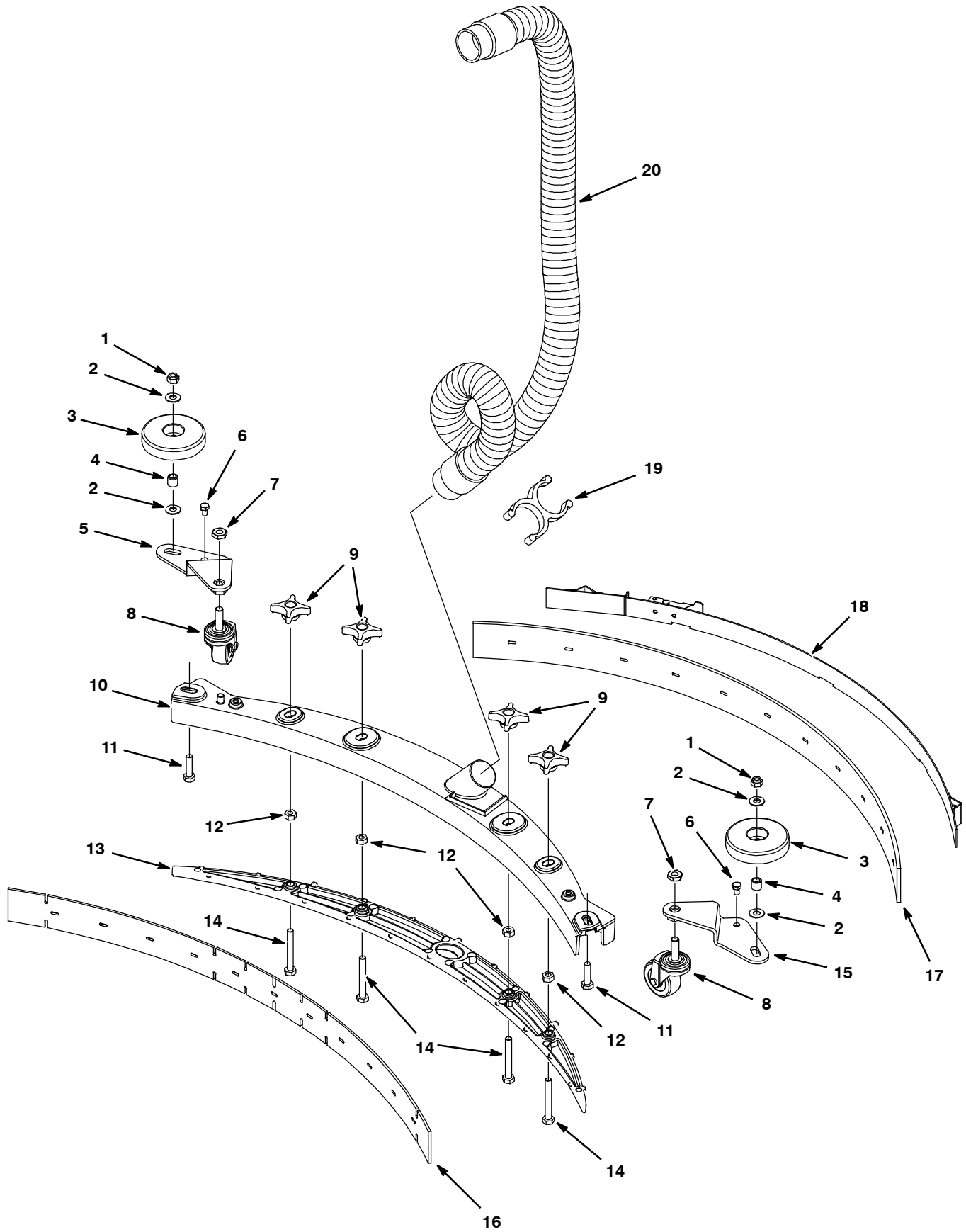
ORBITAL HEAD LIFT GROUP

Ref.	Part No.	Serial Number	Description	Qty.
1	09011	(00000000-) Screw, Hex, M8 X 1.25 X 30, Ss	2
2	01685	(00000000-) Washer, Flat, 0.38b 0.88d .08, Ss	2
3	1013936	(00000000-) Washer, Flat, 0.51b 0.94d .10, Nyl	2
4	222460	(00000000-) Sleeve, P/M, 0.31b 0.50d 0.5l	2
▽	5	1061708	(00000000-) Kit, Lift Assy, Head, Sgl Disk,43cm [T3] (Also Order Qty 4 of P/N 1209002 - Item #12 Not Included In Assembly)	1
▲	6	1014283	(00000000-) Pad, Adh, Non- Slip, 28mm X 36mm, Blk	1
▲	7	09011	(00000000-) Screw, Hex, M8 X 1.25 X 30, Ss	2
▲	8	1013936	(00000000-) Washer, Flat, 0.51b 0.94d .10, Nyl	2
▲	9	222460	(00000000-) Sleeve, P/M, 0.31b 0.50d 0.5l	2
▲	10	630188	(00000000-) Bearing, Journal, .50id X .25l	4
▲	11	08713	(00000000-) Nut, Hex, Lock, M8 X 1.25, NI, Ss	2
	12	1209002	(00000000-) Washer, Wavy, 13.0mm B 24.0mm D 1.2mm	4
	13	1073212	(00000000-) Bumper, Rbr, 1.00d 0.38th M8x1.25	1
	14	200101017	(00000000-) Nut, Hex, Jam, M8 X 1.25	1
	15	08713	(00000000-) Nut, Hex, Lock, M8 X 1.25, NI, Ss	2
	16	1034731	(00000000-) Screw, Hex, M6 X 1.00 X 16, Ss, Sems	2
	17	1055999	(00000000-) Bracket, Guide, Head, 60cm Dd [T3]	1
	18	1206461	(00000000-) Strip, Reclosable Fastener	1

▽ ASSEMBLY

▲ INCLUDED IN ASSEMBLY

SQUEEGEE GROUP, 500 mm



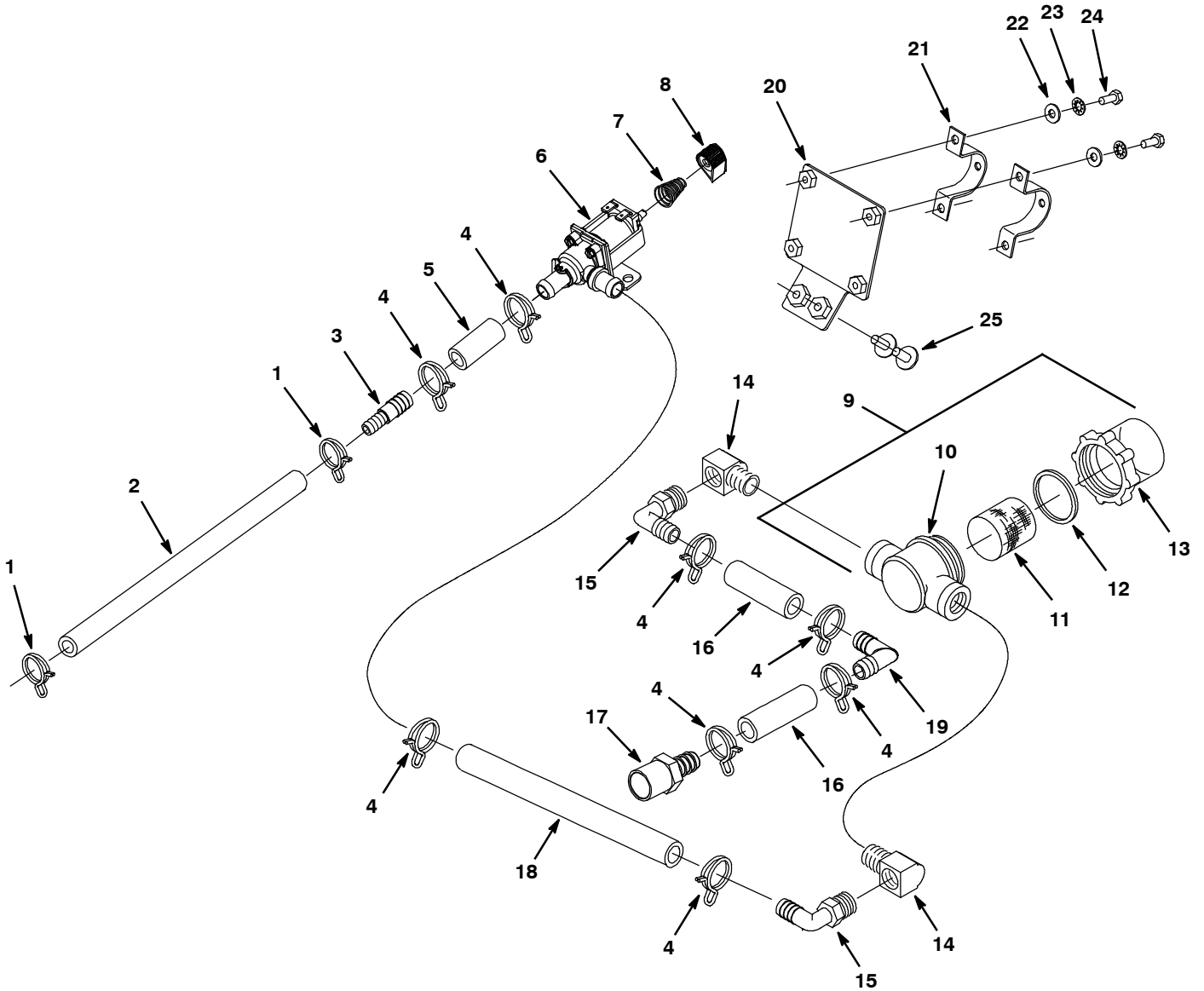
SQUEEGEE GROUP, 500 mm

Ref.	Part No.	Serial Number	Description	Qty.
▽	9001178	(00000000-) Squeegee Assy Kit, 500mm, Ci	1
▲	1 08713	(00000000-) Nut, Hex, Lock, M8 X 1.25, NI, Ss	2
▲	2 140027	(00000000-) Washer, Flat, 0.35b 0.75d .04, Ss	4
▲	3 1010560	(00000000-) Wheel, Bmpr, 80d X 25w, Non- Marking	2
▲	4 222460	(00000000-) Sleeve, P/M, 0.31b 0.50d 0.5l	2
▲	5 1011228	(00000000-) Plate, Mtg, Caster, Sqge, Rh	1
▲	6 74455	(00000000-) Screw, Hex, M6 X 1.0 X 12, Fmg	2
▲	7 32716	(00000000-) Nut, Hex, Jam, M10 X 1.5, Ss	2
▲	8 1006343	(00000000-) Caster, Swivel, 50mmd, M10 X 30 Stem, PI	2
▲	9 1010558	(00000000-) Knob, Star, 2.00d 4ear .73l M8x1.25 Thru	4
▲	10 1011163	(00000000-) Frame, Sqge, 74cm [50cm] Die Cast	1
▲	11 09011	(00000000-) Screw, Hex, M8 X 1.25 X 30, Ss	2
▲	12 07786	(00000000-) Nut, Hex, Std, M8 X 1.25, Ss	4
▲	13 1019919	(00000000-) Retainer, Sqge, 76cm [50cm] Nyl, Blk	1
▲	14 1014163	(00000000-) Screw, Hex, M8 X 1.25 X 60, Fl, Ss	4
▲	15 1011956	(00000000-) Plate, Mtg, Caster, Sqge, Lh	1
▲	16 1011232	(00000000-) Blade, Sqge, Front, 784l, Linatex[500mm] (Standard)	1
	16 1014091	(00000000-) Blade, Sqge, Front, 784mml Gum [500mm] (Optional)	1
	16 1014092	(00000000-) Blade, Sqge, Front, 784mml Oil- Rstn (Optional)	1
▲	17 1011456	(00000000-) Blade, Sqge, Rear, 32.68l Linatex[500mm] (Standard)	1
	17 1014093	(00000000-) Blade, Sqge, Rear, 32.68l Gum [500mm] (Optional)	1
	17 1014094	(00000000-) Blade, Sqge, Rear, 32.68l Pyu [500mm] (Optional)	1
▲	18 1013933	(00000000-) Strap Assy, Sqge, 500mm	1
	19 1014079	(00000000-) Clip, Hose, Gripper, 1.50id, Dbl, Blk Pp	1
	20 1014026	(00000000-) Hose, Vacuum, 1.5d X 57l, 2- Short Cuffs	1

▽ ASSEMBLY

▲ INCLUDED IN ASSEMBLY

SOLUTION GROUP, STANDARD MODEL



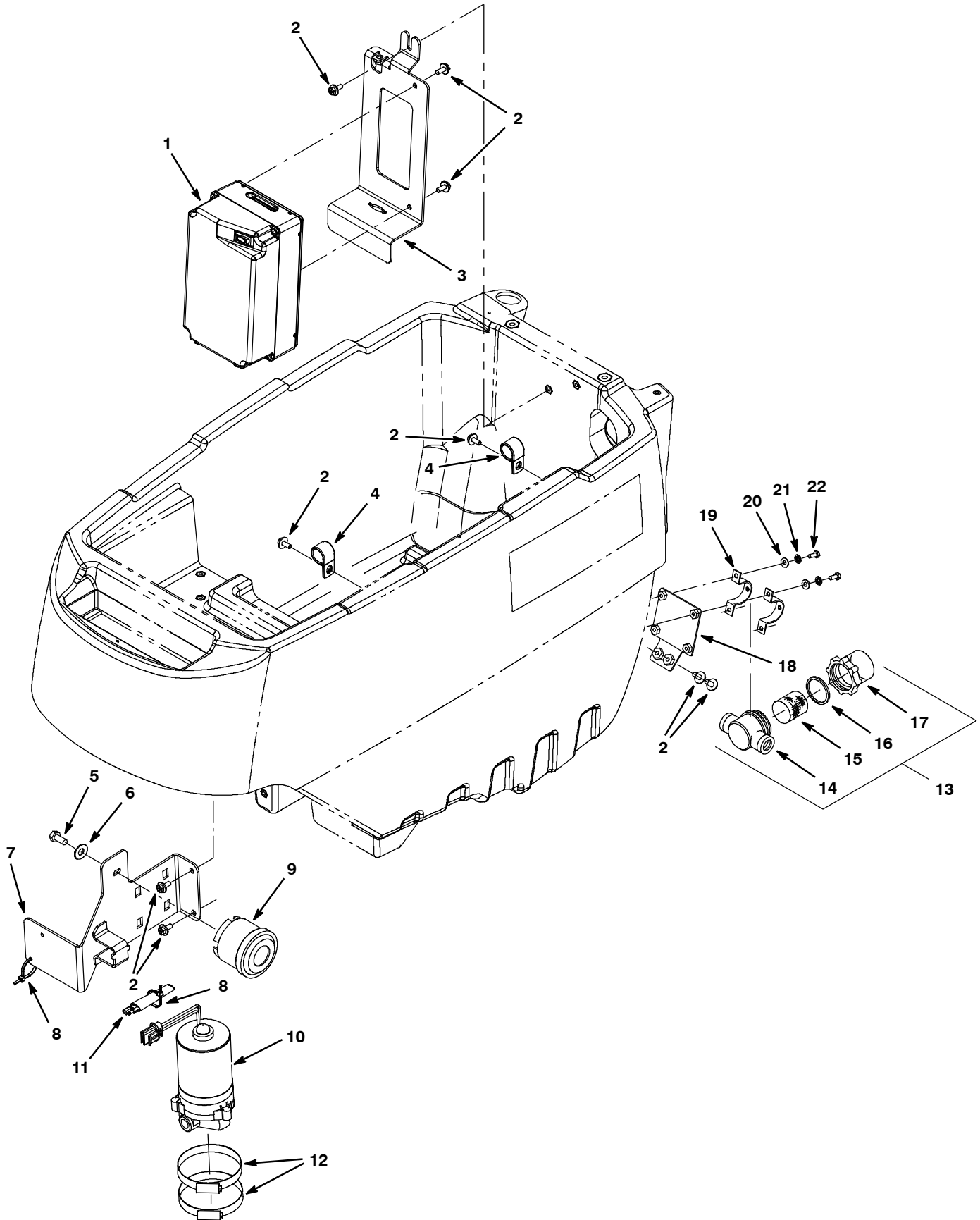
SOLUTION GROUP, STANDARD MODEL

Ref.	Part No.	Serial Number	Description	Qty.	
1	607775	(00000000-) Clamp, Hose, Wir, .63 - .66, Blk	2	
2	606318	(00000000-) Hose, PVC, Brd, 0.38id 0.60od 036.5l, Clr	1	
3	612774	(00000000-) Fitting, Plstc, Str, Bm06/Bm08	1	
4	607776	(00000000-) Clamp, Hose, Wir, .73 - .77, Silver	8	
5	606225	(00000000-) Hose 1/2id X 1.79"	1	
6	1213803	(10729442-) Valve, Water, Solenoid, 24vdc, Bm10/Bm10	1	
▽	6	1062385	(00000000- 10729441) Valve, Water, Solenoid, 24vdc Bm10/Bm10	1	
▲	6	614265	(00000000- 10729441) Valve Kit, Water [Viton Diaphragm]	1	
7	1017091	(00000000-) Spring, Cmpr, .48d, .036w, .75l	1	
8	1013442	(00000000-) Knob, Valve, Indicator, Blk	1	
▽	9	1005302	(00000000-) Filter, In- Line, Pf06/Pf06, 80 Mesh	1
▲	10	613993	(00000000-) Housing, Top, F/1005302	1
▲	11	1005304	(00000000-) Screen, Fltr, 80 Mesh	1
▲	12	613992	(00000000-) Gasket [Viton, F/1005302]	1
▲	13	613991	(00000000-) Bowl, Clr, Short, F/1005302	1
14	150420	(00000000-) Fitting, Brs, E90, Pf06/Pm06 [Taped]	2	
15	1017532	(00000000-) Fitting, Plstc, E90, Bm08/Pm06	2	
16	140957	(00000000-) Hose, Pvc, Clr, 0.50id 0.75od 002.5l	2	
17	1023581	(00000000-) Fitting, Plstc, Str, Bm08/Pm08, Nyl	1	
18	613517	(00000000-) Tube, 0.50id X 0.75od Vyl 0.46ft[611259]	1	
19	63987- 1	(00000000-) Fitting, Plstc, E90, Bm08/Bm08	1	
20	1029533	(00000000-) Bracket, Mtg, Fltr	1	
21	605056	(00000000-) Bracket, Mtg, Fltr	2	
22	01683	(00000000-) Washer, Flat, #10, Ss	4	
23	07514	(00000000-) Washer, Lock, Int, #10, Ss	4	
24	09738	(00000000-) Screw, Hex, M5 X 0.8 X 12, Ss	4	
25	1034731	(00000000-) Screw, Hex, M6 X 1.00 X 16, Ss, Sems	2	

▽ ASSEMBLY

▲ INCLUDED IN ASSEMBLY

SOLUTION GROUP, ec-H2O MODEL



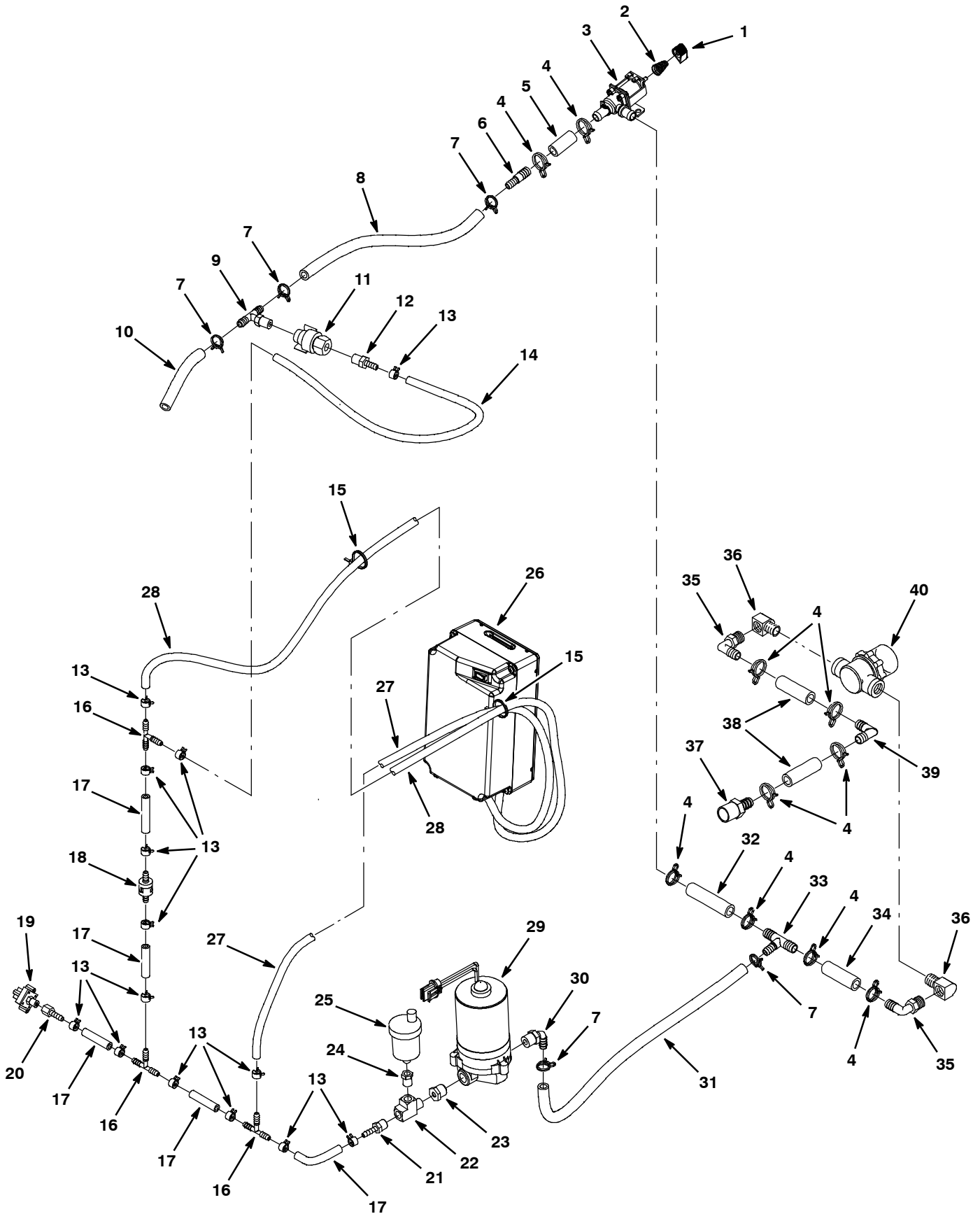
SOLUTION GROUP, ec-H2O MODEL

Ref.	Part No.	Serial Number	Description	Qty.	
1	9007970	(00000000-) Module Kit, Replmt [Ec- H2o] (See Breakdown)	1	
2	1034731	(00000000-) Screw, Hex, M6 X 1.00 X 16, Ss, Sems	9	
3	1045961	(00000000-) Bracket, Mtg, Chrgr [Ss3/T3e Ec- H2o]	1	
4	140314	(00000000-) Clamp, Cable, Stl, 0.75d X 0.75w, 1hole	2	
5	11635	(00000000-) Screw, Hex, M6 X 1.00 X 12, NI, Ss	1	
6	01684	(00000000-) Washer, Flat, 0.27b 0.69d .05, Ss	1	
7	1037242	(00000000-) Bracket Wldt, Mtg, Pump [Fast li+]	1	
8	130773	(00000000-) Tie, Cable, Nyl, 11.0l, .14w, 3.0 Max. D	2	
9	1018505	(00000000-) Horn, 12- 48vdc [88.5 Decibels]	1	
▽	10	1042495	(00000000-) Pump, Soltn, Ele, 24vdc, 35psi	1
▲		9004759	(00000000-) Pump Kit, Head, Soltn [Ec- H2o]	1
▲		78950	(00000000-) Connector, Fem, 2cav, Mp280 Sealed	1
▲		78951	(00000000-) Terminal, Fem, Mp280, Sealed, 18- 16ga	1
▲		10917	(00000000-) Seal, Wire, 14/16ga [Wp / Mp280 Sealed]	1
▲		78952	(00000000-) Lock, Secondary, 2cav, Mp280 Sealed	1
	11	1040868	(00000000-) Capacitor, Plug [.01 Uf, 200v]	1
	12	43555	(00000000-) Clamp, Hose, Wormdrive, 2.50- 3.50d, .50w	3
▽	13	1005302	(00000000-) Filter, In- Line, Pf06/Pf06 080mesh 02.6l	1
▲	14	613993	(00000000-) Housing, Top, F/1005302	1
▲	15	1005304	(00000000-) Screen, Fltr, 80 Mesh, Ss	1
▲	16	613992	(00000000-) Gasket [Viton, F/1005302]	1
▲	17	613991	(00000000-) Bowl, Clr, Short, F/1005302	1
	18	1029533	(00000000-) Bracket, Mtg, Fltr	1
	19	605056	(00000000-) Bracket, Mtg, Fltr	2
	20	01683	(00000000-) Washer, Flat, 10, Ss	4
	21	07514	(00000000-) Washer, Lock, Int, 10, Ss	4
	22	09738	(00000000-) Screw, Hex, M5 X 0.80 X 12, Ss	4

▽ ASSEMBLY

▲ INCLUDED IN ASSEMBLY

SOLUTION GROUP, ec-H2O MODEL - CONT'D



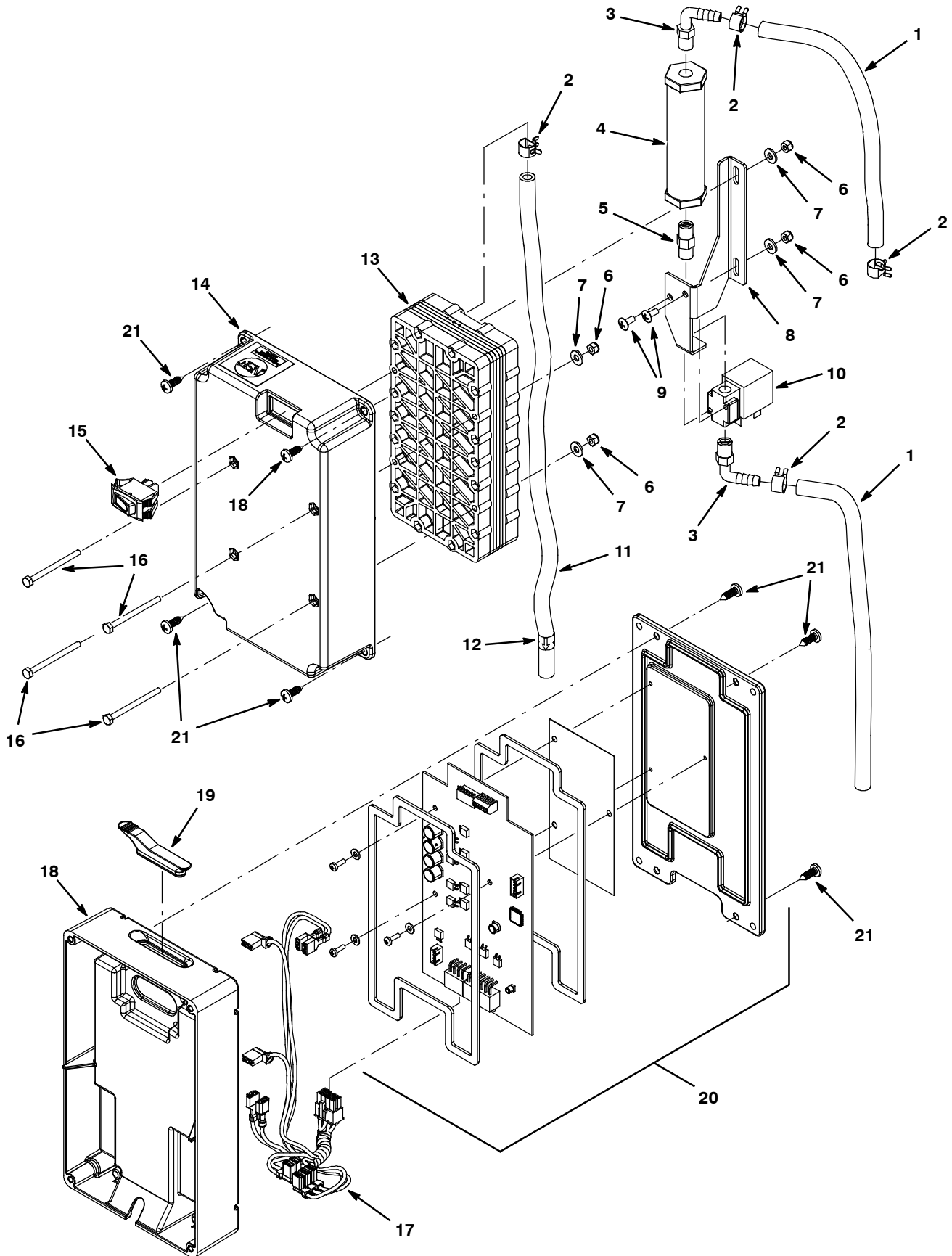
SOLUTION GROUP, ec-H2O MODEL - CONT'D

Ref.	Part No.	Serial Number	Description	Qty.	
1	1013442	(00000000-) Knob, Valve, Indicator, Blk	1	
2	1017091	(00000000-) Spring, Cmpr, 0.50od .04wir 00.8l	1	
3	1213803	(10729442-) Valve, Water, Solenoid, 24vdc, Bm10/Bm10	1	
▽	3	1062385	(00000000- 10729441) Valve, Water, Solenoid, 24vdc Bm10/Bm10	1	
▲	614265	(00000000- 10729441)	Valve Kit, Water [Viton Diaphragm]	1	
4	607776	(00000000-) Clamp, Hose, Wir, .73 - .77, Silver	10	
5	1015071	(00000000-) Hose, Afmkt, Pvc, Clr, 0.50id, 01ft	1	
6	612774	(00000000-) Fitting, Plstc, Str, Bm06/Bm08	1	
7	607775	(00000000-) Clamp, Hose, Wir, .63 - .66, Blk	5	
8	606318	(00000000-) Hose, PVC,Brd, 0.38id 0.60od 036.5l, Clr	1	
9	1017340	(00000000-) Fitting, Plstc, Tee, Bm06/Bm06/Pm04, Br	1	
10	606317	(00000000-) Hose, PVC,Brd, 0.38id 0.60od 019.5l, Clr	1	
11	1043866	(00000000-) Fitting Assy, Qd, Pf04	1	
12	50901	(00000000-) Fitting, Plstc, Str, Bm04/Pm04	1	
13	603654	(00000000-) Clamp, Hose, Ear, .44d [Ctb]	14	
14	578820000	(00000000-) Hose, Pvc, Brd, 0.25id 0.44od 157.2l,Clr	1	
15	130773	(00000000-) Tie, Cable, Nyl, 11.0l, .14w, 3.0 Max. D	2	
16	150713	(00000000-) Fitting, Plstc, Tee, Bm04/Bm04/Bm04	3	
17	578820000	(00000000-) Hose, Pvc, Brd, 0.25id 0.44od 157.2l,Clr	1	
18	1044334	(00000000-) Valve, Check, 0017psi Bm04/Bm04	1	
19	1044335	(00000000-) Switch, Press, 6psi, Pm02	1	
20	150520	(00000000-) Fitting, Brs, Str, Bm04/Pf02	1	
21	150515	(00000000-) Fitting, Brs, Str, Bm04/Pm04 [Taped]	1	
22	150709	(00000000-) Fitting, Brs, Tee, Pm04/Pf04/Pf04, Run	1	
23	1016383	(00000000-) Fitting, Brs, Str, Pf04/Pm06	1	
24	150100	(00000000-) Fitting, Brs, Str, Pf02/Pm04	1	
25	1017386	(00000000-) Valve, Vent, Air, Float Type	1	
▽	26	9007970	(00000000-) Module Kit, Replmt [Ec- H2o] (See Breakdown)	1
▲	27	578820000	(00000000-) Hose, Pvc, Brd, 0.25id 0.44od 157.2l,Clr	1
▲	28	9004606	(00000000-) Hose, Pvc, Brd, .25id .45od 64l, Clr	1
29	1042495	(00000000-) Pump, Soltn, Ele, 24vdc, 35psi	1	
30	1005630	(00000000-) Fitting, Plstc, E90, Bm06/Pm06, Nyl	1	
31	613521	(00000000-) Hose, Pvc, Clr, 0.50id 0.75od 012.0l	1	
32	613514	(00000000-) Hose, Pvc, Clr, 0.50id 0.75od 004.1l	1	
33	630372	(00000000-) Fitting, Plstc, Tee, Bm06/Bm08/Bm08, Br	1	
34	140957	(00000000-) Hose, Pvc, Clr, 0.50id 0.75od 002.5l	1	
35	1017532	(00000000-) Fitting, Plstc, E90, Bm08/Pm06	2	
36	150420	(00000000-) Fitting, Brs, E90, Pf06/Pm06 [Taped]	2	
37	1023581	(00000000-) Fitting, Plstc, Str, Bm08/Pm08, Nyl	1	
38	140957	(00000000-) Hose, Pvc, Clr, 0.50id 0.75od 002.5l	2	
39	63987- 1	(00000000-) Fitting, Plstc, E90, Bm08/Bm08	1	
40	1005302	(00000000-) Filter, In- Line, Pf06/Pf06 080mesh 02.6l	1	

▽ ASSEMBLY

▲ INCLUDED IN ASSEMBLY

ec-H2O MODULE ASSEMBLY BREAKDOWN, 9007970



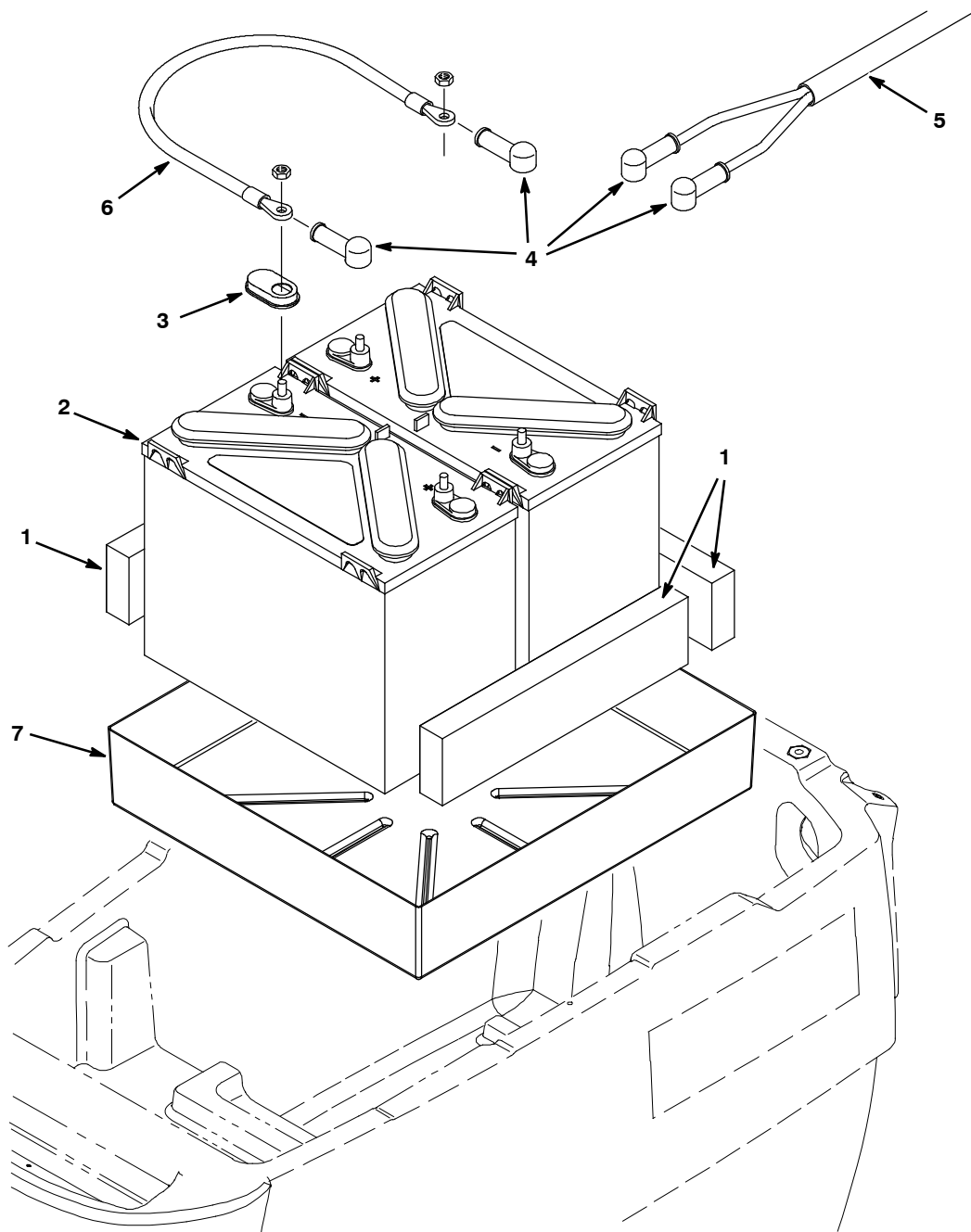
ec-H2O MODULE ASSEMBLY BREAKDOWN, 9007970

Ref.	Part No.	Serial Number	Description	Qty.
▽	9007970	(00000000-) Module Kit, Replmt [Ec- H2o]	1
▲▽	9006324	(00000000-) Ec- H2o Kit [Module B, Plumbing]	1
▲▲	1 578820000	(00000000-) Hose, Pvc, Brd, 0.25id 0.44od 157.2l,Clr	1
▲▲	2 603654	(00000000-) Clamp, Hose, Ear, .44d [Ctb]	4
▲▲	3 1037595	(00000000-) Fitting, Plstc, E90, Bm04/Pm02, Nyl	2
▲▲	4 1062006	(00000000-) Electrode, Cylindrical	1
▲▲	5 1045030	(00000000-) Fitting, Brs, Str, Pm02/Pm02	1
▲▲	6 33932	(00000000-) Nut, Hex, Lock, M4 X 0.70, NI, Ss	4
▲▲	7 41579	(00000000-) Washer, Flat, 08, Ss	4
▲▲	8 1048490	(00000000-) Bracket, Valve	1
▲▲	9 140801	(00000000-) Screw, Trs, Phl, 08- 32 X 0.38, Ss	2
▲▲	10 1013236	(00000000-) Valve, Shutoff, Ele, 24vdc	1
▲▲	11 9006574	(00000000-) Hose, Pvc, Brd, 0.25id 0.45od, 65l, Clr	1
▲▲	12 1049637	(00000000-) Label, Direction [Ec- H2o]	1
▲▲	13 1057637	(00000000-) Electrode, 5 Plate, High Flow	1
▲▲	14 1051519	(00000000-) Housing, Upper, Module, High Flow	1
▲▲	15 1044393	(00000000-) Switch, Rocker, Spst, Mom,	1
▲▲	16 32509	(00000000-) Screw, Hex, M4 X 0.70 X 50, Ss	4
▲▲	17 1049489	(00000000-) Harness, Main, Controller [Ec- H2o, P3]	1
▲	18 1037032	(00000000-) Housing, Bottom	1
▲	19 1054776	(00000000-) Grommet, Blind	1
▲	20 9007969	(00000000-) Controller Kit, Replmt [Ec- H2o]	1
▲	21 1018155	(00000000-) Screw, Pan, Phl, M5 X 0.80 X 16, Tcut,Ss	8

▽ ASSEMBLY

▲ INCLUDED IN ASSEMBLY

BATTERY AND CABLE GROUP, 12V/155 AH



BATTERY AND CABLE GROUP, 12V/155 AH

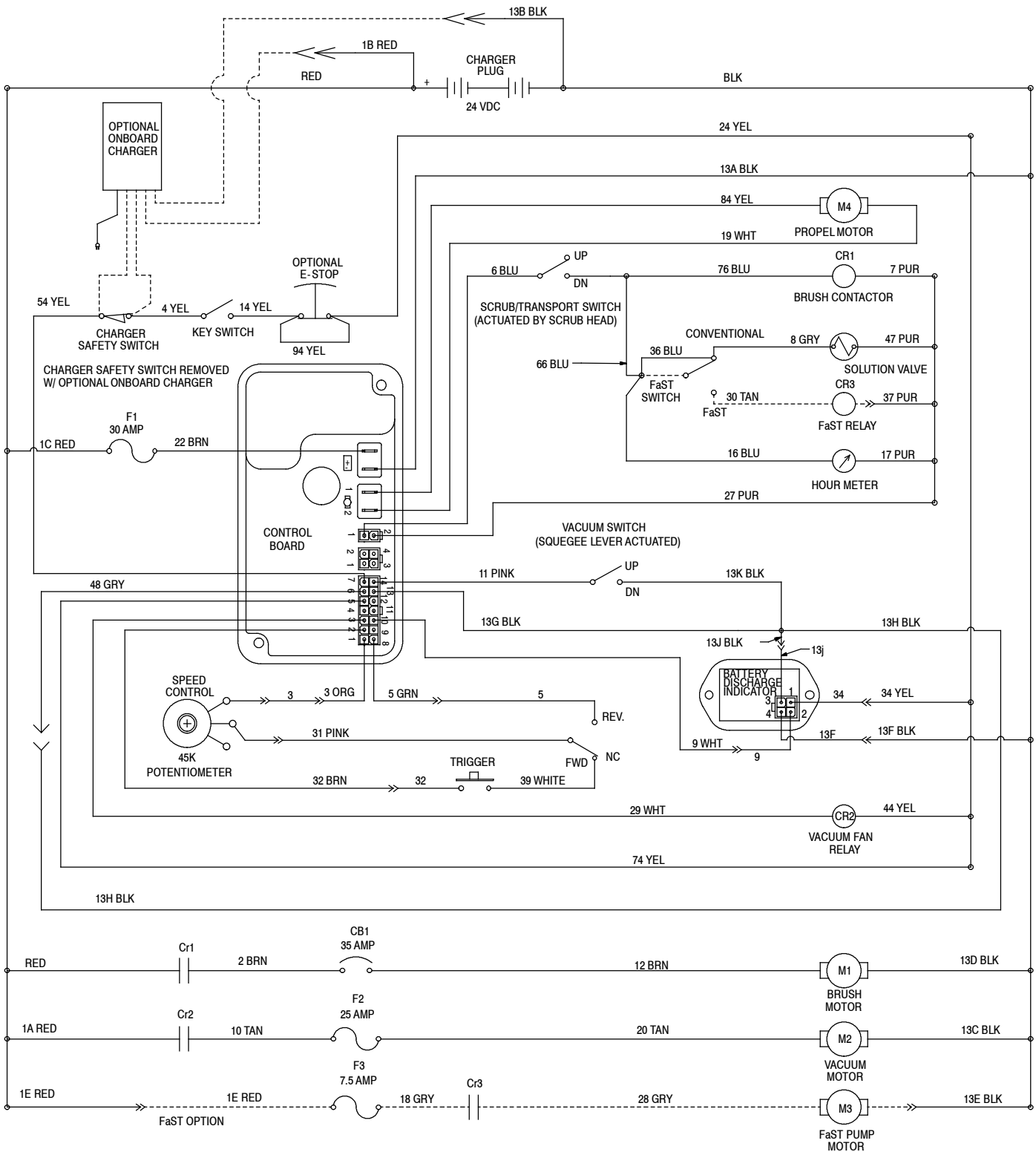
Ref.	Part No.	Serial Number	Description	Qty.	
1	630375	(00000000-) Spacer, Battery, 1.25 X 3.25 X 13.7 Foam	3	
▽	2	1015046	(00000000-) Battery, 12vdc, 155ah, Wet	2
▲	3	1041030	(00000000-) Cap, Battery (Short Black - Standard)	4
	4	611221	(00000000-) Boot, Terminal, Battery, 25.4mm, Blk	4
	5	1015941	(00000000-) Harness, Battery	1
	6	130364	(00000000-) Cable, 06ga 15.0l Blk .31ring /.38ring	1
	7	1059486	(00000000-) Tray, Battery [Ss3 / T3]	1

▽ ASSEMBLY

▲ INCLUDED IN ASSEMBLY

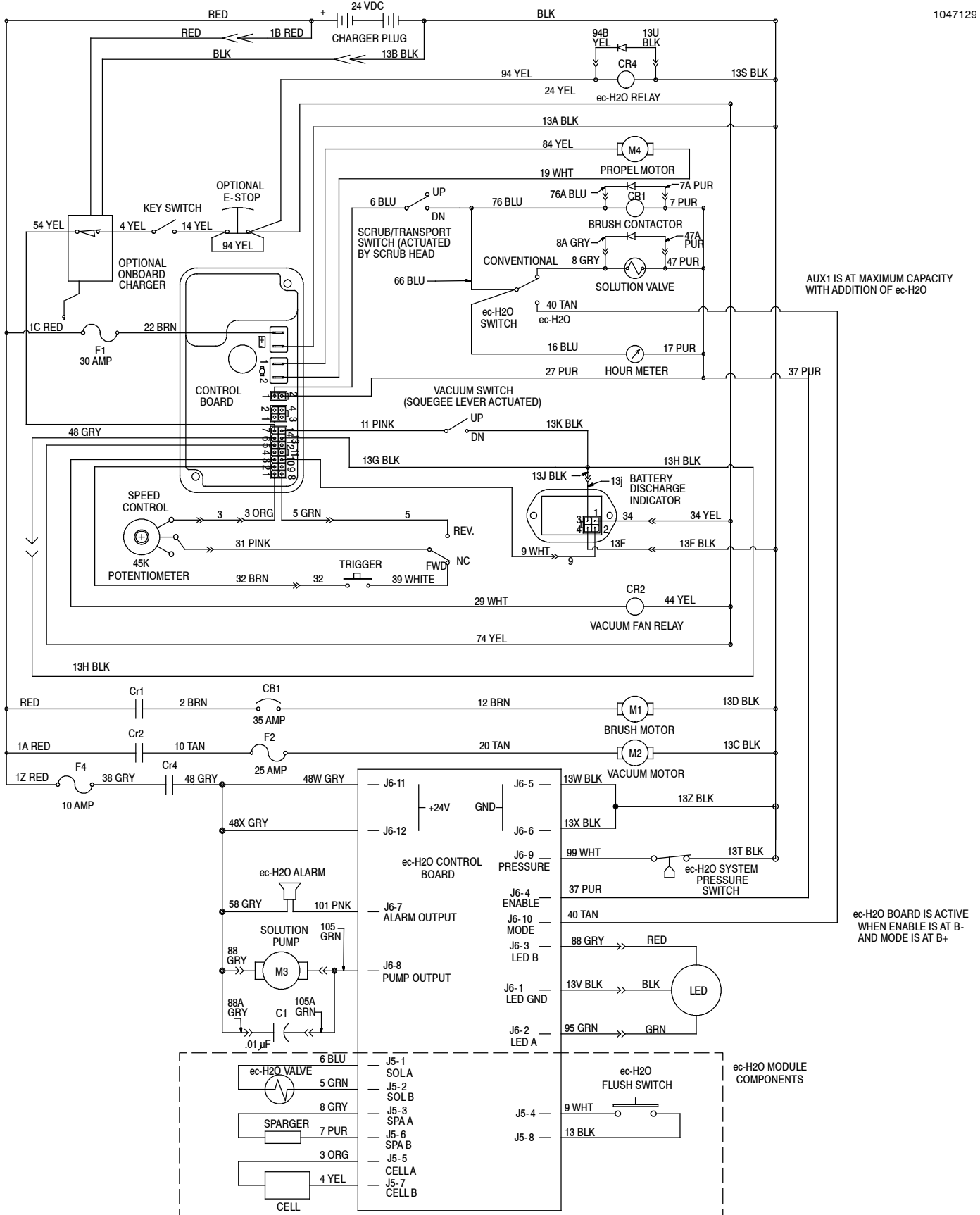
ELECTRICAL DIAGRAM STANDARD

1032396

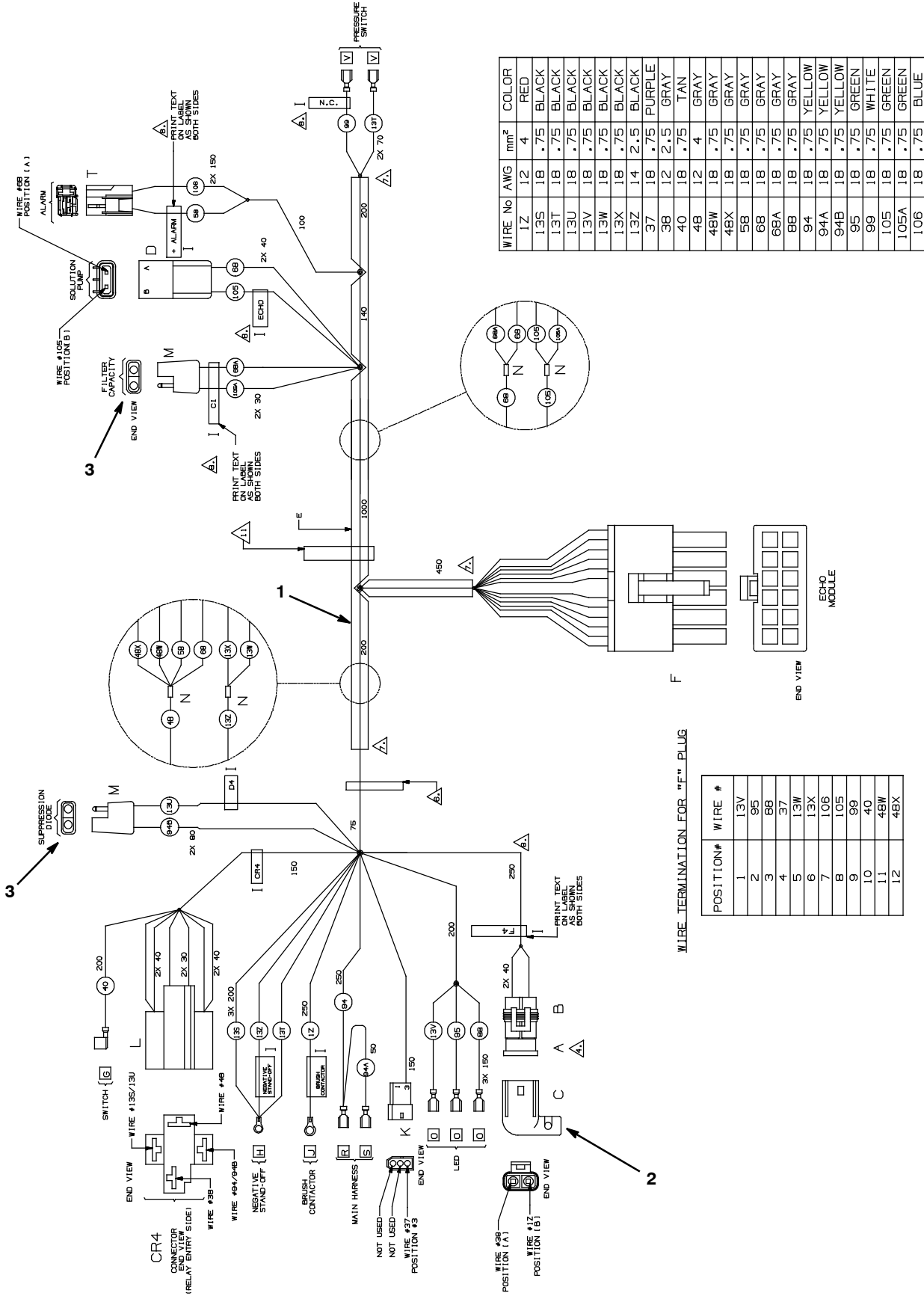


ELECTRICAL DIAGRAM, ec-H2O MODEL

1047129



WIRE HARNESS GROUP, ec-H2O OPTION



WIRE No	AWG	mm ²	COLOR
1Z	12	4	RED
13S	18	.75	BLACK
13T	18	.75	BLACK
13U	18	.75	BLACK
13V	18	.75	BLACK
13W	18	.75	BLACK
13X	18	.75	BLACK
13Z	14	2.5	BLACK
37	18	.75	PURPLE
38	12	2.5	GRAY
40	18	.75	TAN
48	12	4	GRAY
48W	18	.75	GRAY
48X	18	.75	GRAY
58	18	.75	GRAY
68	18	.75	GRAY
68A	18	.75	GRAY
88	18	.75	GRAY
94	18	.75	YELLOW
94A	18	.75	YELLOW
94B	18	.75	YELLOW
95	18	.75	GREEN
99	18	.75	WHITE
105	18	.75	GREEN
105A	18	.75	GREEN
106	18	.75	BLUE

WIRE TERMINATION FOR "F" PLUG

POSITION#	WIRE #
1	13V
2	95
3	88
4	37
5	13W
6	13X
7	106
8	105
9	99
10	40
11	48W
12	48X

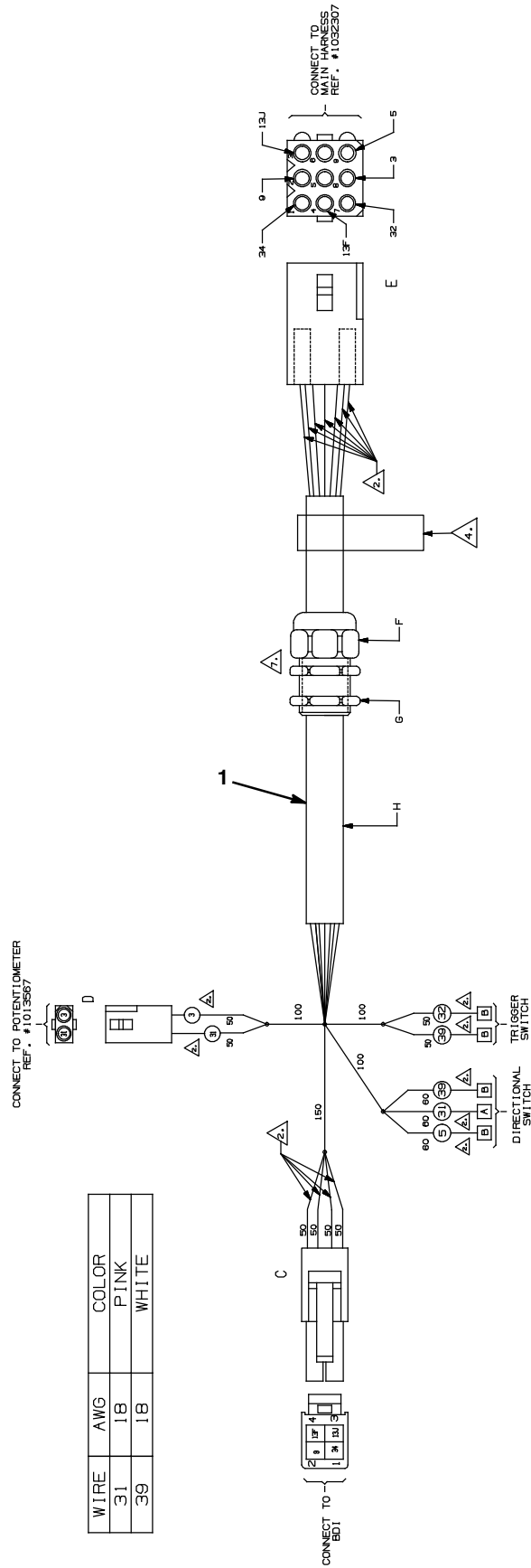
WIRE HARNESS GROUP, *ec-H2O* OPTION

	Ref.	Part No.	Serial Number	Description	Qty.
▽	1	1055408	(00000000-) Harness Assy, Wire [T3e Ec- H2o]	1
▲	2	1047470	(00000000-) Fuse, Blade, 010a, 32vdc, Red	1
▲	3	222290	(00000000-) Diode, Ele, Plug	2

▽ ASSEMBLY

▲ INCLUDED IN ASSEMBLY

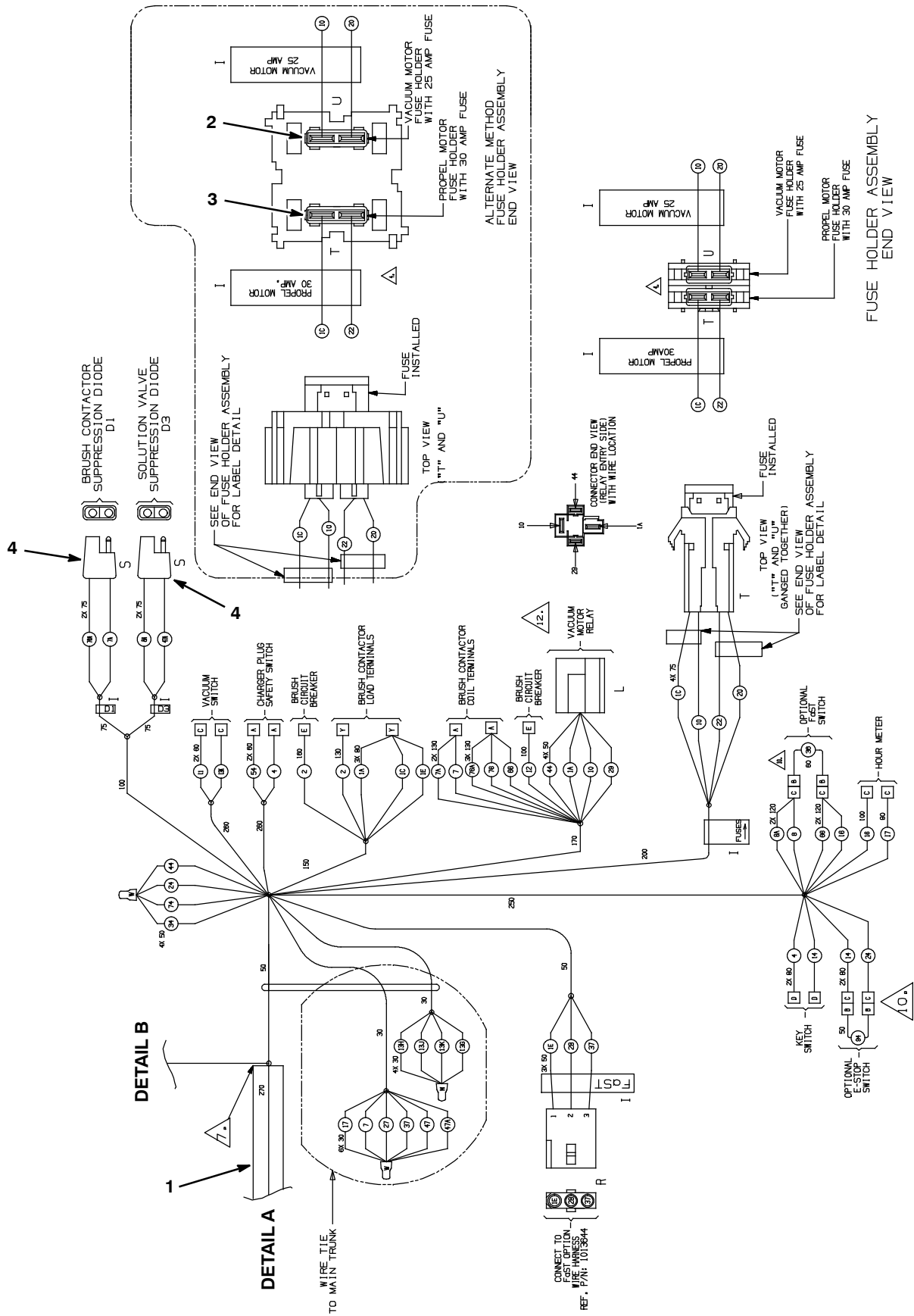
WIRE HARNESS GROUP, CONSOLE



WIRE HARNESS GROUP, CONSOLE

Ref.	Part No.	Serial Number	Description	Qty.
1	1032325	(00000000-) Harness, Wire, Console, Drive [Ss3]	1

WIRE HARNESS GROUP, MAIN



STANDARD PARTS

WIRE HARNESS GROUP, MAIN - CONT'D

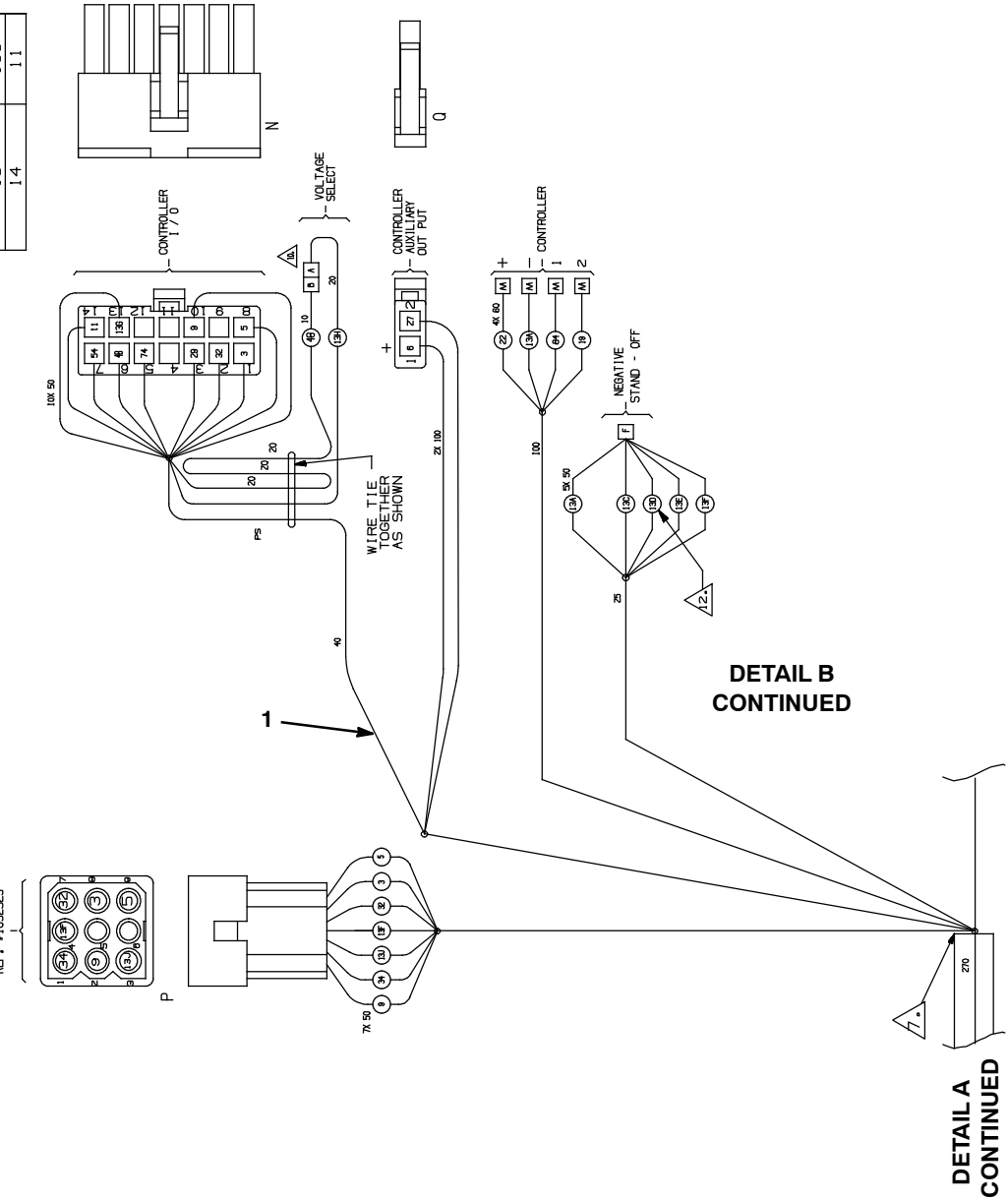
WIRE TERMINATION FOR "N" PLUG

POSITION #	WIRE #
1	3
2	32
3	29
4	-
5	74
6	48
7	54
8	5
9	-
10	9
11	-
12	-
13	13G
14	11

WIRE TERMINATION FOR "P" PLUG

POSITION #	WIRE #
1	34
2	9
3	13J
4	13F
5	-
6	-
7	32
8	3
9	5

CONNECT TO
CONSOLE HARNESS
REF. # 1032325

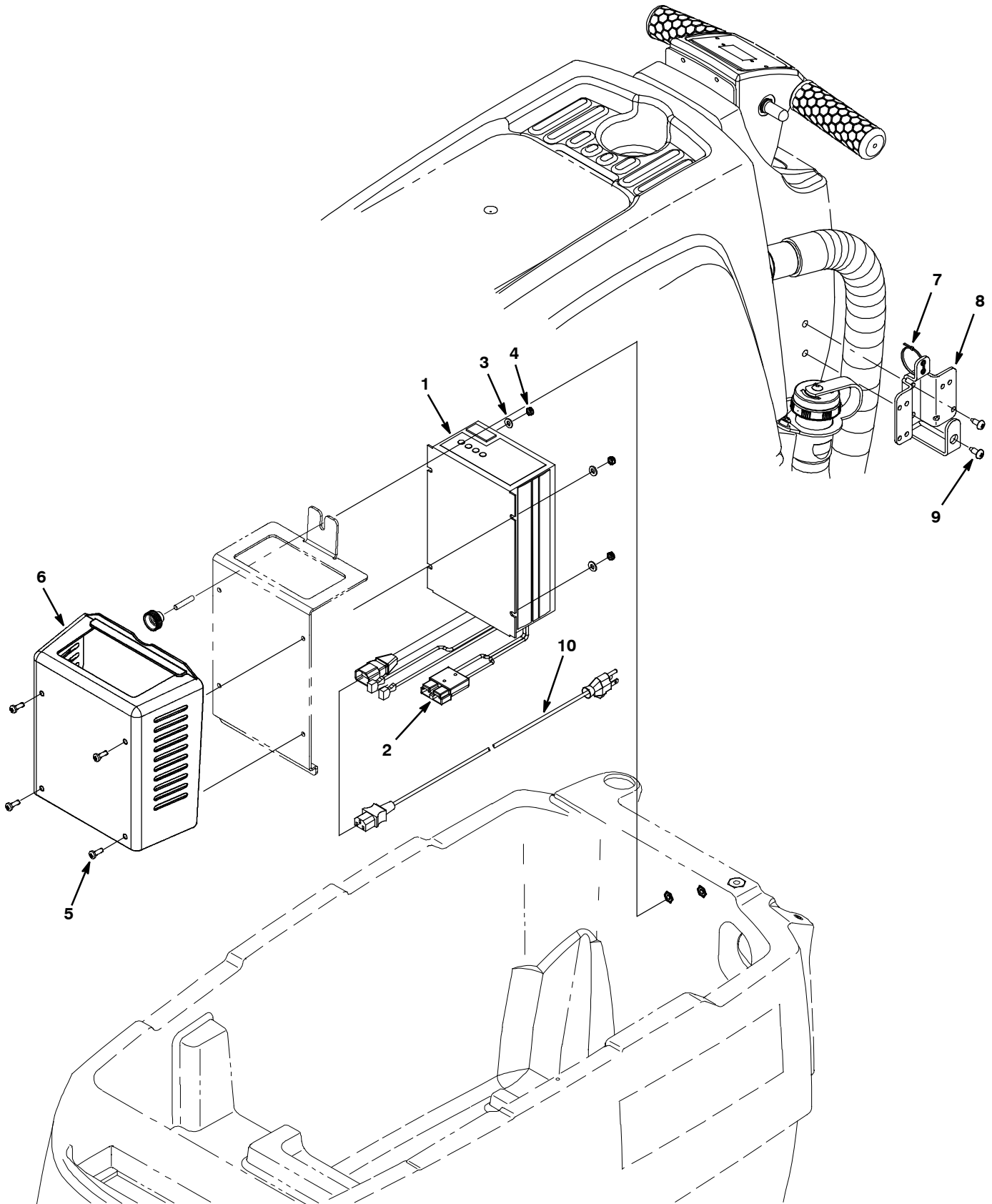


Ref.	Part No.	Serial Number	Description	Qty.
▽	1	1048337	(00000000-) Harness, Main, Drive [Ss3]	1
▲	2	1016040	(00000000-) Fuse, Blade, 025a, 32vdc	1
▲	3	762516	(00000000-) Fuse, Blade, 030a, 32vdc	1
▲	4	222290	(00000000-) Diode, Ele, Plug	2

▽ ASSEMBLY

▲ INCLUDED IN ASSEMBLY

ON-BOARD BATTERY CHARGER GROUP, STANDARD MODEL



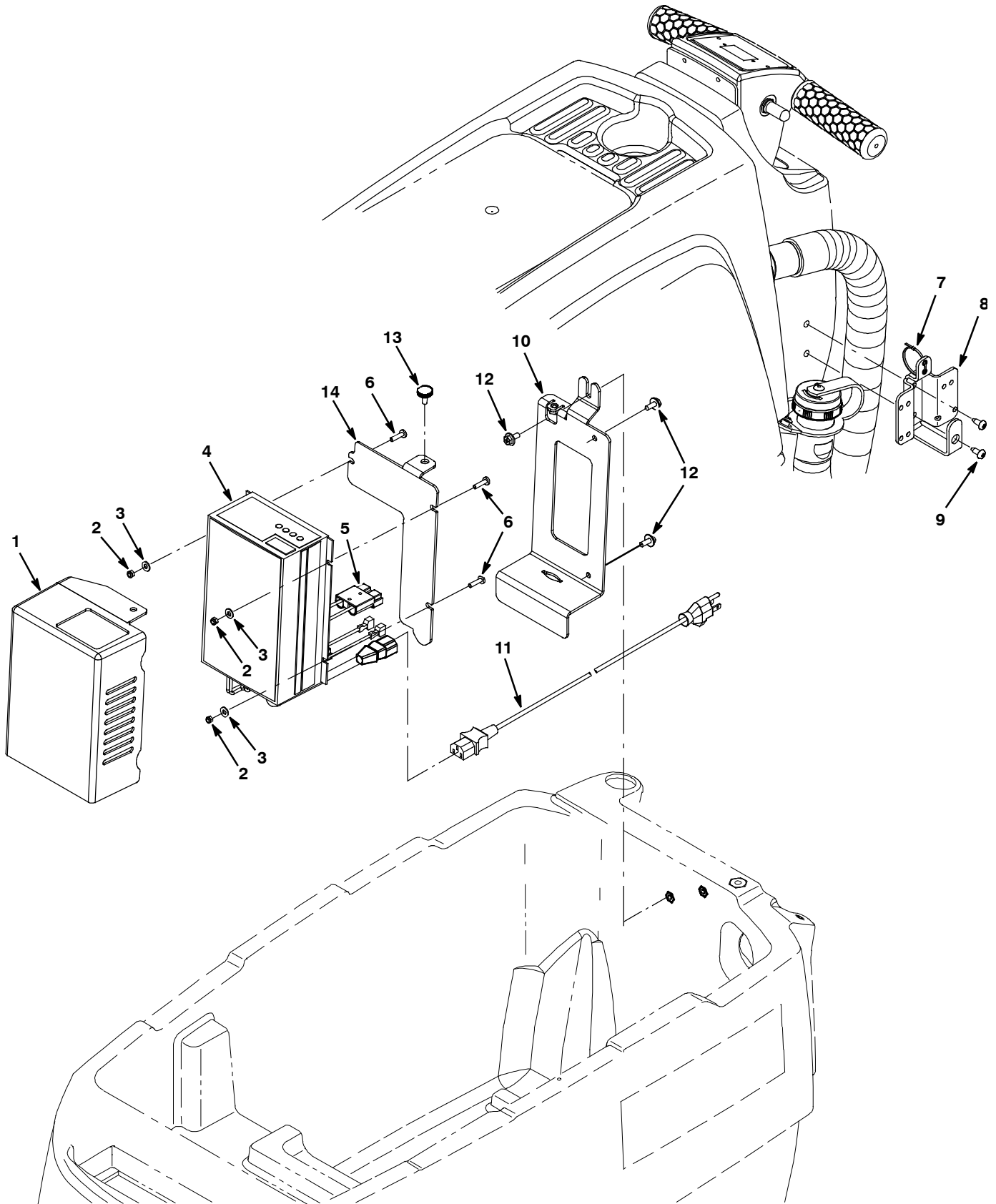
ON-BOARD BATTERY CHARGER GROUP, STANDARD MODEL

	Ref.	Part No.	Serial Number	Description	Qty.
▽		9007343	(00000000-) Charger Kit, On- Board [T3e/Ss3]	1
▲▽	1	1073625	(00000000-) Charger, 24vdc 11a 100/240vac 50/60hz	1
▲▲	2	605387	(00000000-) Connector, Anderson, 50a,Red W/O Contact	1
▲	3	01683	(00000000-) Washer, Flat, 0.22b 0.50d .05, Ss [#10]	4
▲	4	09739	(00000000-) Nut, Hex, Lock, M5 X 0.80, NI, Ss	4
▲	5	06934	(00000000-) Screw, Pan, Phl, M5 X 0.80 X 20, 4.8	4
▲	6	1040600	(00000000-) Cover, Charger [Ss3]	1
▲	7	130773	(00000000-) Tie, Cable, Nyl, 11.0l, .14w, 3.0 Max. D	6
▲	8	1061192	(00000000-) Retainer,Cord, Charger [Ss3/T3e]	1
▲	9	1009324	(00000000-) Screw, Pan, Phl, 10- 16 X 0.50,Blk[Typ17]	2
▲	N/S	1045989	(00000000-) Harness, Chrgr [Onboard, T3e/Ss3 Ec- H2o]	1
	10	1025642	(00000000-) Cord, Power, 16/3, 4.5 Meters, Blk [Us]	1

▽ ASSEMBLY

▲ INCLUDED IN ASSEMBLY

ON-BOARD BATTERY CHARGER GROUP, ec-H2O MODEL



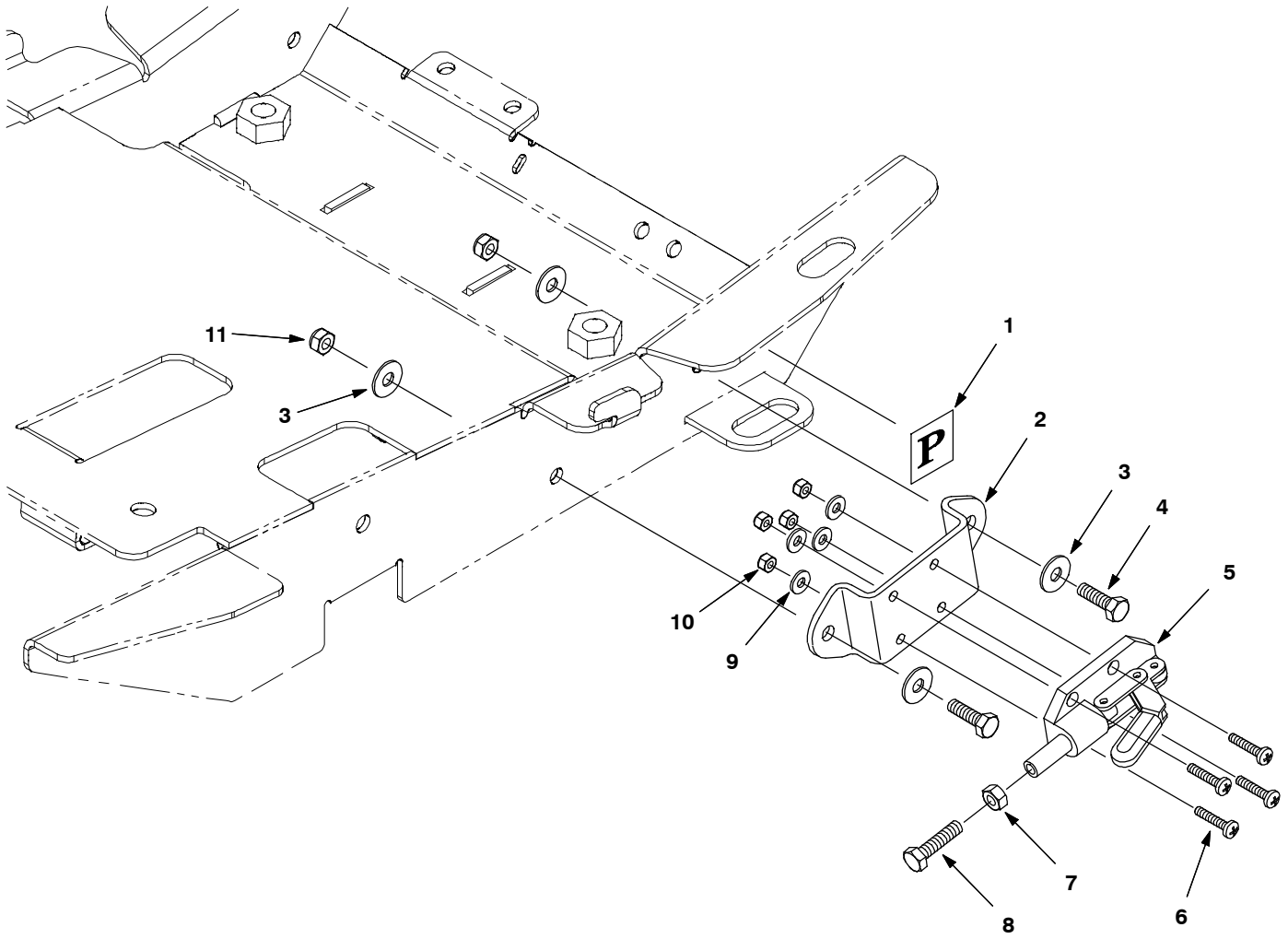
ON-BOARD BATTERY CHARGER GROUP, ec-H2O MODEL

	Ref.	Part No.	Serial Number	Description	Qty.
▽		9007344	(00000000-) Charger Kit [On- Board, T3e/Ss3 Ec- H2o]	1
▲	1	1045985	(00000000-) Cover, Chrgr [T2 Ec- H2o Concept]	1
▲	2	09739	(00000000-) Nut, Hex, Lock, M5 X 0.80, NI, Ss	3
▲	3	01683	(00000000-) Washer, Flat, 10, Ss	3
▲▽	4	1073625	(00000000-) Charger, 24vdc 11a 100/240vac 50/60hz	1
▲▲	5	605387	(00000000-) Connector, Anderson, 50a,Red W/O Contact	1
▲	6	06934	(00000000-) Screw, Pan, Phl, M5 X 0.80 X 20, 4.8	3
▲	7	130773	(00000000-) Tie, Cable, Nyl, 11.0l, .14w, 3.0 Max. D	6
▲	8	1061192	(00000000-) Retainer,Cord, Charger [Ss3/T3e]	1
▲	9	1009324	(00000000-) Screw, Pan, Phl, 10- 16 X 0.50,Blk[Typ17]	2
▲	N/S	1045989	(00000000-) Harness, Chrgr [Onboard, T3e/Ss3 Ec- H2o]	1
	10	1045961	(00000000-) Brkt, Mntg, Echo, Chrgr [Ss3/T3e]	1
	11	1025642	(00000000-) Cord, Power, 16/3, 4.5 Meters, Blk [Us]	1
	12	1034731	(00000000-) Screw, Hex, M6 X 1.00 X 16, Ss, Sems	3
	13	1046631	(00000000-) Knob,Rnd,19mmod,M6x20,Stud,Plstc,PI	1
	14	1045966	(00000000-) Brkt, Mntg, Chrgr [Ss3] W/Echo	1

▽ ASSEMBLY

▲ INCLUDED IN ASSEMBLY

PARKING BRAKE GROUP



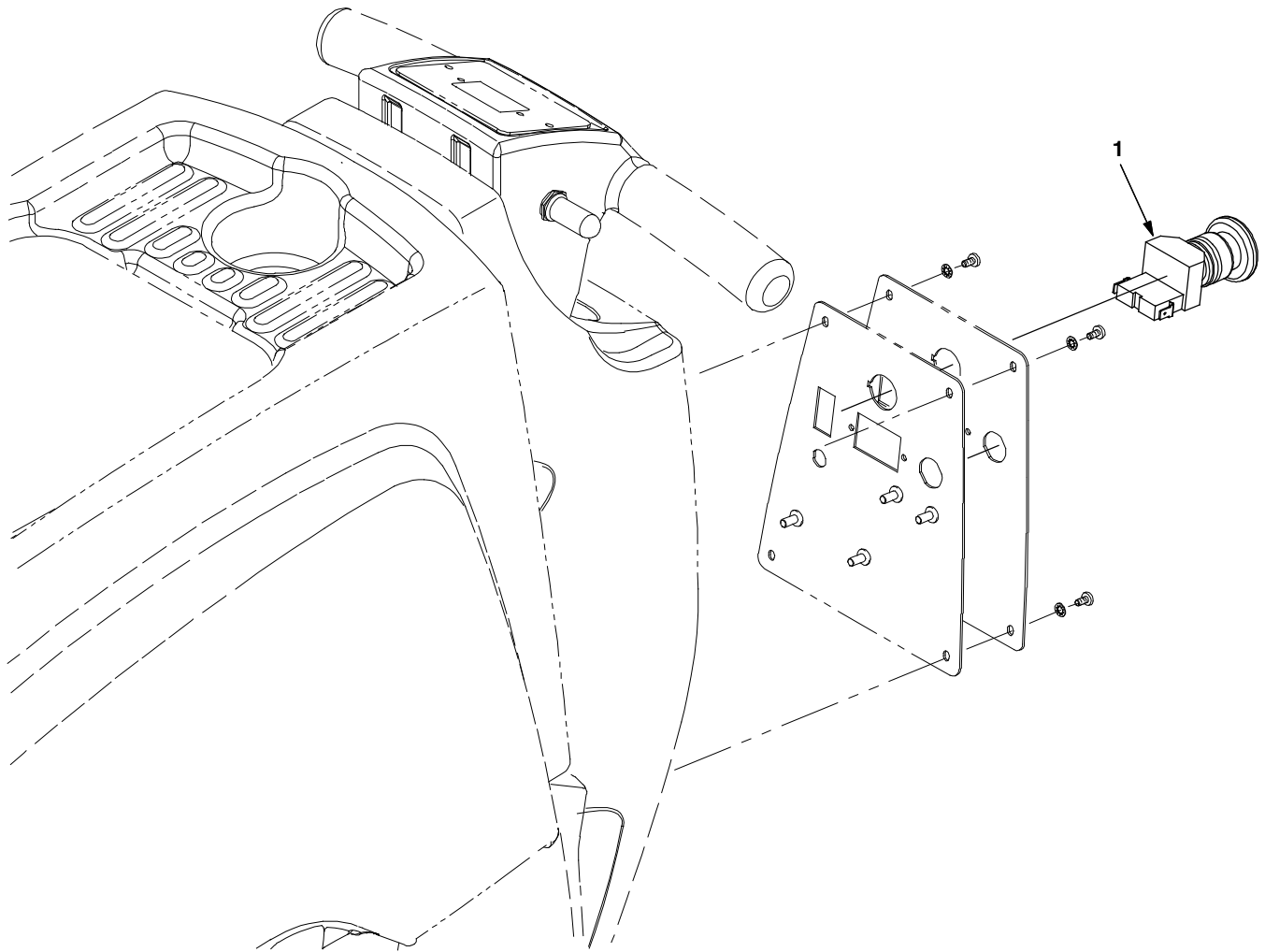
PARKING BRAKE GROUP

	Ref.	Part No.	Serial Number	Description	Qty.
▽		9003351	(00000000-) Kit, Parking Brake	1
▲	1	600624	(00000000-) Label, Parking Brake, Symbol	1
▲	2	1013840	(00000000-) Bracket, Brake, Frame	1
▲	3	01684	(00000000-) Washer, Flat, 0.27b 0.69d .05, Ss	4
▲	4	08716	(00000000-) Screw, Hex, M6 X 1.0 X 20, Ss	2
▲	5	1013718	(00000000-) Clamp, Brake, Parking	1
▲	6	12323	(00000000-) Screw, Pan, M4 X 0.7 X 20, Ss	4
▲	7	07785	(00000000-) Nut, Hex, Std, M6 X 1.00, A2, Ss	1
▲	8	09007	(00000000-) Screw, Hex, M6 X 1.00 X 25, Ss	1
▲	9	41579	(00000000-) Washer, Flat, #08, Ss	4
▲	10	33932	(00000000-) Nut, Hex, Lock, M4 X 0.70, NI, Ss	4
▲	11	08712	(00000000-) Nut, Hex, Lock, M6 X 1.00, Ss, NI	2

▽ ASSEMBLY

▲ INCLUDED IN ASSEMBLY

EMERGENCY STOP BUTTON GROUP

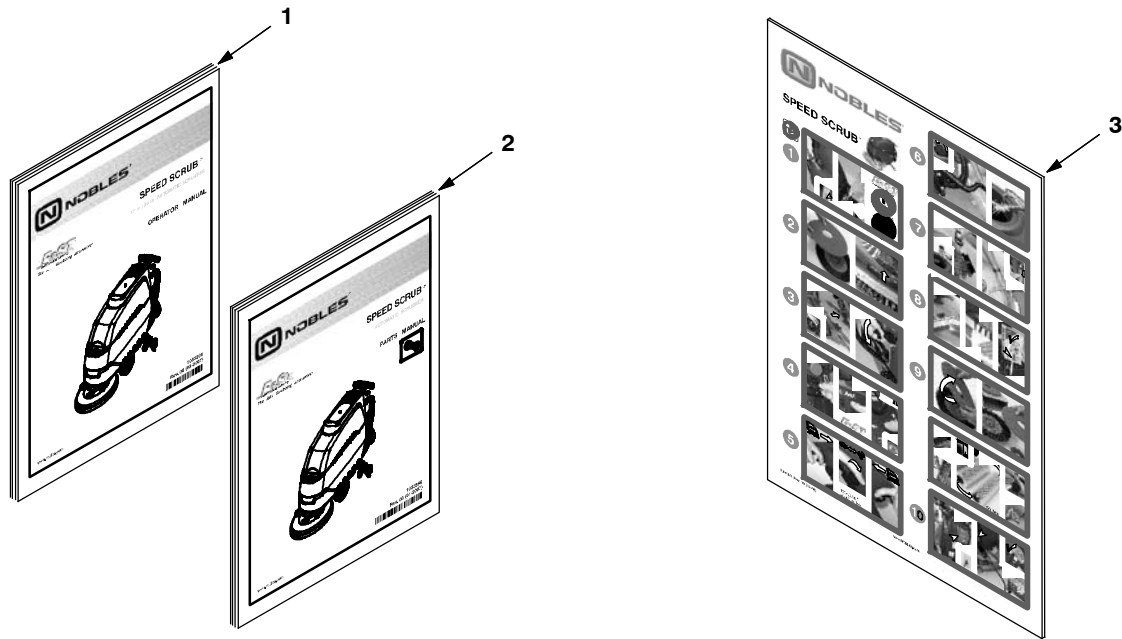


Ref.	Part No.	Serial Number	Description	Qty.
▽	9003350	(00000000-) Kit, E- Stop	1
▲	1 1011735	(00000000-) Switch, Safety, Shutoff	1

▽ ASSEMBLY

▲ INCLUDED IN ASSEMBLY

DOCUMENTATION GROUP



Ref.	Part No.	Serial Number	Description	Qty.
1	9010343	(00000000-) Manual, Oprtr [SpeedScrub Orbital, En]	1
1	9010344	(00000000-) Manual, Oprtr [SpeedScrub Orbital, Es]	1
1	9010345	(00000000-) Manual, Oprtr [SpeedScrub Orbital, Fr]	1
2	9010346	(00000000-) Manual, Parts [SpeedScrub Orbital]	1
3	9010347	(00000000-) Instr, Wall Chart [SpeedScrub Orbital]	1



To view, print, order, download the latest Parts manual, other language Operator manuals, and Use and Care Guides (wall charts), visit:

www.nobles.com/manual