



FaST
Foam Scrubbing Technology
The Safe Scrubbing Alternative®

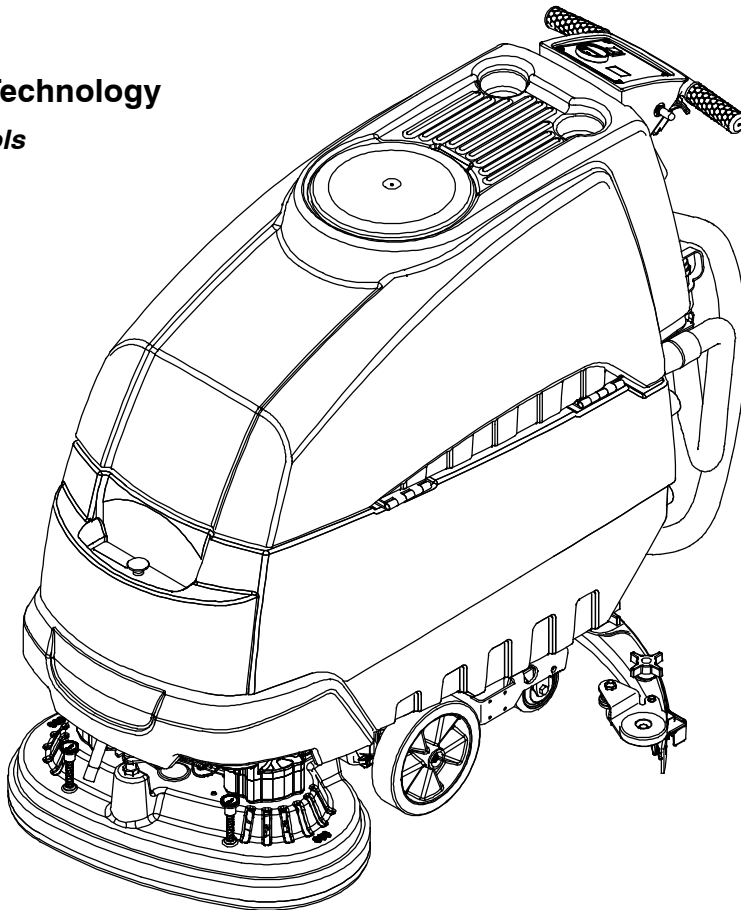
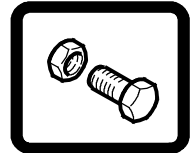


IRIS® a Tennant Technology
Quick-Train™ Controls

SPEED SCRUB®

AUTOMATIC SCRUBBER

PARTS MANUAL



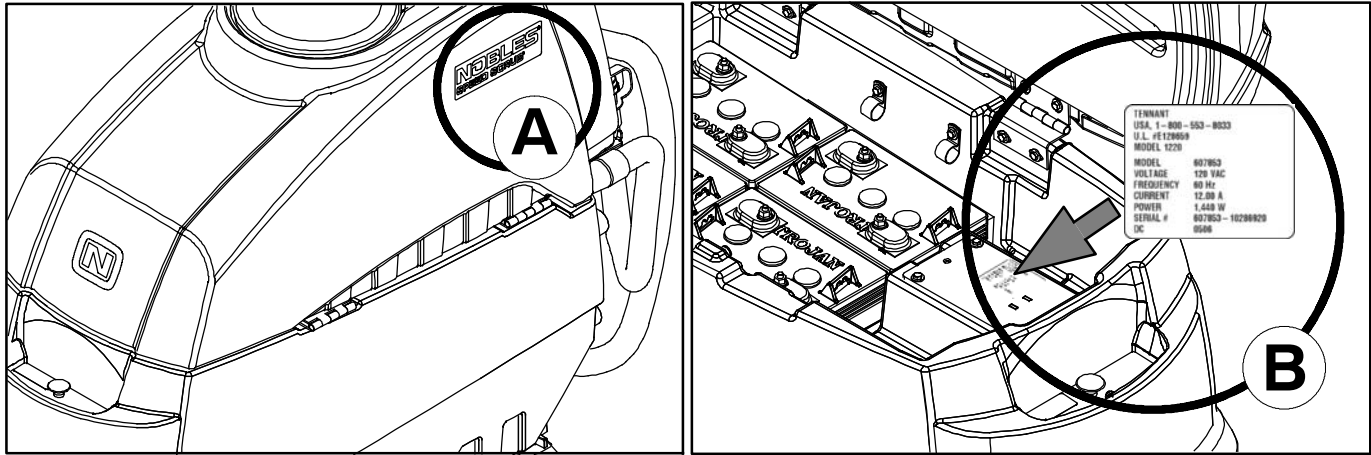
For the latest Parts manuals and other language Operator manuals, visit:

www.nobles.com/manuals

www.nobles.com

9002373
Rev. 16 (04-2016)





Ref	Part No.	Serial Number	Description	Qty.
1	82681	(000000-)	Bracket Wldt, Lpg Mount	1
▽ 2	63810	(000000-)	Latch Assy, Lpg Tank Mtg, W/Nut	4
▲ 3	51839	(000000-)	Nut Adjustable, Lpg Tank Mtg	2
4	49263	(000000-)	Tie, Cable	3
(D)	82556	(000000- 001039)	Bracket, Vaporizer	1
	54930	(000000-)	Vaporizer, LPG	1

HOW TO ORDER PARTS - See diagram above

Only use TENNANT Company supplied or equivalent parts. Parts and supplies may be ordered online, by phone, by fax or by mail.

Follow the steps below to ensure prompt delivery.

1. (A) Identify the machine model.
2. (B) Identify the machine serial number from the data label.
3. (C) Ensure the proper serial number is used from the parts list.
4. Identify the part number and quantity. Do not order by page or reference numbers.
5. Provide your name, company name, customer ID number, billing and shipping address, phone number and purchase order number.
6. Provide detail shipping instructions.

- (D) ▽ - identifies an assembly
 ▲ - identifies parts included in assembly

Please fill out at time of installation for future reference.

Model No. - _____
 Serial No. - _____
 Machine Options - _____
 Sales Rep. - _____
 Sales Rep. phone no. - _____
 Customer ID Number - _____
 Installation Date - _____

Tennant Company
 PO Box 1452
 Minneapolis, MN 55440
 Phone: (800) 553-8033 or (763) 513-2850
 www.nobles.com

FaST-PAK is a US registered and unregistered trademark of Tennant Company.

Specifications and parts are subject to change without notice.

Copyright © 2006-2016 TENNANT Company, Printed in U.S.A.

<p>GENERAL RECOMMENDED MAINTENANCE ITEMS 4</p> <p>STANDARD PARTS</p> <p>REPLACEMENT CYLINDRICAL BRUSHES 10</p> <p>REPLACEMENT BRUSHES AND PAD DRIVERS 12</p> <p>RECOVERY TANK GROUP 14</p> <p>VACUUM MOTOR GROUP 16</p> <p>SOLUTION TANK GROUP 18</p> <p>CONTROL CONSOLE GROUP 20</p> <p>COMPONENT PANEL GROUP (S/N 10722199-) 22</p> <p>COMPONENT PANEL GROUP (S/N 10000000- 10722198) 24</p> <p>FRAME GROUP 26</p> <p>SCRUB HEAD GROUP, DISK 24 in / 600 mm ... 28</p> <p>SCRUB HEAD GROUP, DISK 28 in / 700 mm ... 32</p> <p>SCRUB HEAD GROUP, DISK 32 in / 800 mm ... 36</p> <p>SCRUB HEAD GROUP, CYLINDRICAL 26 in / 650 mm 40</p> <p>SCRUB HEAD GROUP, CYLINDRICAL 32 in / 800 mm 44</p> <p>SCRUBHEAD LIFT GROUP 48</p> <p>SOLUTION GROUP, FaST MODEL 50</p> <p>9008847 FAST INJECTOR ASSEMBLY BREAKDOWN (S/N 10538043-), 600 mm DISK & 650 mm CYLINDRICAL MODELS 54</p> <p>9003907 FAST INJECTOR ASSEMBLY BREAKDOWN (S/N 10348538- 10538042) 600 mm DISK & 650 mm CYLINDRICAL MODELS 55</p> <p>9003810 FAST INJECTOR ASSEMBLY BREAKDOWN (S/N 10000000- 10348537) 600 mm DISK & 650 mm CYLINDRICAL MODELS 56</p> <p>9008887 FAST INJECTOR ASSEMBLY BREAKDOWN (S/N 10582617-), 700 mm / 800 mm DISK & 800 mm CYLINDRICAL MODELS 57</p> <p>9003908 FAST INJECTOR ASSEMBLY BREAKDOWN (S/N 10347532- 10582616) 700 mm / 800 mm DISK & 800 mm CYLINDRICAL MODELS 58</p> <p>9003812 FAST INJECTOR ASSEMBLY BREAKDOWN (S/N 10000000- 10347531) 700 mm / 800 mm DISK & 800 mm CYLINDRICAL MODELS 59</p>	<p>SOLUTION GROUP, ec-H2O NANOCLEAN MODEL (S/N 10740996-) 60</p> <p>ec-H2O NANOCLEAN MODULE BREAKDOWN, 9011810 (S/N 10740996-) 64</p> <p>SOLUTION GROUP, ec-H2O MODEL (S/N 10000000- 10740995) 66</p> <p>ec-H2O MODULE ASSEMBLY BREAKDOWN, 9007970 (S/N 10448305- 10740995) 70</p> <p>ec-H2O MODULE ASSEMBLY BREAKDOWN, 9006161 (S/N 10378380- 10448304) 72</p> <p>SOLUTION GROUP, STANDARD MODEL 74</p> <p>SQUEEGEE LIFT GROUP 76</p> <p>SQUEEGEE GROUP, 20 in / 500 mm 78</p> <p>SQUEEGEE GROUP, 24 in / 600 mm 80</p> <p>SQUEEGEE GROUP, 26 in / 650 mm & 28 in / 700 mm 82</p> <p>SQUEEGEE GROUP, 32 in / 800 mm 84</p> <p>TELEMETRY GROUP 86</p> <p>BATTERY GROUP, MAINTENANCE FREE 220 Ah 88</p> <p>BATTERY GROUP, LEAD-ACID 235 Ah 89</p> <p>ON-BOARD CHARGER GROUP - 120V (S/N 10409250-) 90</p> <p>ON-BOARD CHARGER GROUP - 120V (S/N 10000000- 10409249) 92</p> <p>ELECTRICAL DIAGRAMS 94</p> <p>WIRE HARNESSSES 102</p> <p>OPTIONS</p> <p>POWER WAND HOSE GROUP 119</p> <p>WAND PUMP KIT 120</p> <p>DELUXE POWER WAND GROUP 122</p> <p>OFF- BOARD CHARGER GROUP 124</p> <p>BUMPER WHEEL KIT 126</p> <p>HYDROLINK® BATTERY WATERING SYSTEM KIT 128</p> <p>OPTIONAL WHEEL KIT 129</p>
---	--

RECOMMENDED MAINTENANCE ITEMS

GENERAL RECOMMENDED MAINTENANCE ITEMS

Ref.	Part No.	Serial Number	Description	Qty.
	1017959	(10000000-20000000)	Seal, Bulb, Str, 0.50h .50w 032.0l, Adh	1
▽	1043538	(10000000-20000000)	Hose Assy, Drain, 1.50id X 29.5l, Blk	1
▲▽	1008639	(10000000-20000000)	Cap, Drain Assy	1
▲▲	1019563	(10000000-20000000)	Strap, Cap, Drain	1
▲▲	1008637	(10000000-20000000)	Seal, Org, 1.48id 1.76od	1
	630255	(10000000-20000000)	Gasket, Float, Mount	1
	630052	(10000000-20000000)	Float, Shut- Off, (2)Ball, 1.75d	1
▽	1025106	(10000000-20000000)	Fan, Vacuum, 5.7d, 3s, 24vdc, Us	1
▲	1073334	(10000000-20000000)	Brush, Carbon, Motor, Ele [1pick=1pkg] (1Pkg=2Brushes)	1
	100038	(10000000-20000000)	Gasket, Vacuum Mtr 5.7 Epdm W/Psa	1
	606146	(10000000-20000000)	Screen, Fltr, Soltn Fill, Nat	1
	86379	(10000000-20000000)	Fuse, 100a 125volt 0.88 X 3.2l	1
	1049048	(10000000-20000000)	Caster, Swivel, 4.0d 1.4w, 4hole [400lb]	2
	614166	(10000000-20000000)	Brush Kit, Carbon [Qty 4] (For Transaxle Motor 1031723)	1
	1031775	(10000000-20000000)	Brush, Brush- Motor, Afmkt (For Disk Scrub Head Motor 1023067)	1
	1035888	(10338658-20000000)	Belt, Drive, 6Grv, 508l X 14w, [6P]	2
	377500	(10000000-10338657)	Belt,Synchronous, 500l,15mm [05p,Plychn]	2
	1022401	(10000000-20000000)	Gasket, Cover, Belt	2
	1049739	(10419662-20000000)	Brush Kit, Carbon, Motor, Replmt [4pcs]	2
	190152	(10000000-10419661)	Brush, Carbon [Pk=4]	2
	1025272	(10000000-20000000)	Skirt, Tray, Debris, 65cm	1
	1025273	(10000000-20000000)	Skirt, Tray, Debris, 80cm	1
▽	1005302	(10000000-20000000)	Filter, In- Line, Pf06/Pf06, 80 Mesh	1
▲	1005304	(10000000-20000000)	Screen, Fltr, 80 Mesh	1
▲	613992	(10000000-20000000)	Gasket [Viton, F/1005302]	1
	1008675	(10000000-20000000)	Gasket, Edge, Foam, 24.00l [Fr]	1
	1024105	(10000000-20000000)	Cable, Lift, Sqge	1
	578074000	(10000000-20000000)	Blade, Sqge, 300.8mml, Wand (Optional Power Wand)	2
▽	9004459	(10000000-20000000)	Wheel Kit, Bumper, Retrofit [T5]	1
▲	614317	(10000000-20000000)	Wheel, 04.0d 1.00w 0.38b, Rbr, Gray	2
▲	1014918	(10000000-20000000)	Wheel, 03.0d 0.88w 0.31b, W/ Bshg, Rbr	2
▽	9004903	(10000000-20000000)	Wheel Kit, Pneumatic, Ci [T5 T5e Ss5]	1
▲	1059452	(10000000-20000000)	Tire Assy, Pneu, Grey, 2.8/2.5- 04 2.75bc	2
▽	9004909	(10000000-20000000)	Wheel Kit, Solid, Ci [T5 T5e Ss5]	1
▲	1218753	(10771597-)	Wheel, Scrbr, 213mm, W/ Taper	2
	1020688	(10000000-10771596)	Wheel, Scrbr, 213.00mm With Taper (Replaced by 9004909)	2
	1017019	(10000000-20000000)	Detergent Pkg, 2 Liter, Sgl [Mp]	1
	1017025	(10000000-20000000)	Detergent Pkg, 2 Liter, Sgl [Mpd]	1
	9006161	(10378380-10448304)	Module Kit, Replmt [Ec- H2o] (See Breakdown)	1
	9007970	(10448305-10740995)	Module Kit, Replmt [Ec- H2o] (See Breakdown)	1
	9011810	(10740996-20000000)	Module Kit, Replmt [Ec- H2o, B 02] (See Breakdown)	1
	9013646	(10740996-20000000)	Cartridge, Ec- H2o Nanoclean Wcm, 270ml	1
	1216973	(10740996-20000000)	Pump Assy, Dispenser	1
	9010085	(10744996-20000000)	Control Box Assy Kit, Replmt, Telem[Usa]	1
	9010086	(10744996-20000000)	Control Box Assy Kit, Replmt, Telem[Intl]	1
	1070659	(10744996-20000000)	Antenna, Telem, 70 In [Gprs]	1

RECOMMENDED MAINTENANCE ITEMS

CYLINDRICAL 26 in / 650 mm MODEL RECOMMENDED MAINTENANCE ITEMS

Ref.	Part No.	Serial Number	Description	Qty.
	399251	(10000000- 20000000)	Brush, Scb, Cyl, 26l, 18 Sr, Nyl (Soft Nylon)	2
	399252	(10000000- 20000000)	Brush, Scb, Cyl, 26.0l, Poly (Medium Polypropylene)	2
	399253	(10000000- 20000000)	Brush, Scb, Cyl, 26.0l, Hd Poly (Stiff Polypropylene)	2
	399254	(10000000- 20000000)	Brush, Scb, Cyl, 26.0l, Abr (Abrasive)	2
	1060864	(10000000- 20000000)	Brush, Scb, Cyl, 26l, 18sr, Abr, Spl (Abrasive - Light Duty)	2

CYLINDRICAL 32 in / 800 mm MODEL RECOMMENDED MAINTENANCE ITEMS

Ref.	Part No.	Serial Number	Description	Qty.
	222308	(10000000- 20000000)	Brush, Scb, Cyl, 32l, 18 Sr, Nyl, Spl (Soft Nylon)	2
	374042	(10000000- 20000000)	Brush, Scb, Cyl, 32l, 18 Sr, Pyp ,Spl (Medium Polypropylene)	2
	222307	(10000000- 20000000)	Brush, Scb, Cyl, 32l, 18 Sr, Pyp Grout, Spl (Stiff Polypropylene)	2
	222309	(10000000- 20000000)	Brush, Scb, Cyl, 32l, 18 Sr, Abr, Spl (Abrasive)	2

DISK 24 in / 600 mm MODEL RECOMMENDED MAINTENANCE ITEMS

Ref.	Part No.	Serial Number	Description	Qty.
	1220203	(10000000- 20000000)	Brush Assy, Disk, Scb, 12.0d, Nyl (Soft Nylon)	2
	1220204	(10000000- 20000000)	Brush Assy, Disk, Scb, 12.0d, Pyp (Med Polypropylene)	2
	1220205	(10000000- 20000000)	Brush Assy, Disk, Scb, 12.0d, Sab (Super Abrasive)	2
	370095	(10000000- 20000000)	Device, Centering, Clip- On, Teal, Gf Pp	1
	385940	(10000000- 20000000)	Pad, Polish, 12.0d, White [1pad=1pc] (Polishing)	2
	385941	(10000000- 20000000)	Pad, Buff, 12.0d, Red [1pad=1pc] (Light Scrub & Buff)	2
	385942	(10000000- 20000000)	Pad, Scb, 12.0d, Blu [1pick = 1 Pad] (Blue) (Med Scrub)	2
	385943	(10000000- 20000000)	Pad, Stripping, 12.0d, Brown [1pad=1pc] (Scrub/Strip)	2
	1051020	(10000000- 20000000)	Pad, Surf Prep, 12.0d [Mar, 1pick=1pad] (Maroon- Prep)	2

RECOMMENDED MAINTENANCE ITEMS

DISK 28 in / 700 mm MODEL RECOMMENDED MAINTENANCE ITEMS

Ref.	Part No.	Serial Number	Description	Qty.
	1221541	(10000000- 20000000)	Brush Assy, Disk, Scb, 14.0d, Nyl (Soft Nylon)	2
	1220218	(10000000- 20000000)	Brush Assy, Disk, Scb, 14.0d, Pyp (Med Polypropylene)	2
	1220217	(10000000- 20000000)	Brush Assy, Disk, Scb, 14.0d, Sab (Super Abrasive)	2
	370095	(10000000- 20000000)	Device, Centering, Clip- On, Teal, Gf Pp	1
	222324	(10000000- 20000000)	Pad, Polish, 14.0d, White [1pad=1pc] (Polish)	2
	222325	(10000000- 20000000)	Pad, Buff, 14.0d, Red (Light Scrub & Buff)	2
	222326	(10000000- 20000000)	Pad, Scb, 14.0d, Blu [1pad=1pc] (Blue) (Med Scrub)	2
	222327	(10000000- 20000000)	Pad, Stripping, 14.0d, Brown [1pad=1pc] (Scrub/Strip)	2
	1051026	(10000000- 20000000)	Pad, Surf Prep, 14.0d [Mar, 1pick=1pad] (Maroon- Prep)	2

DISK 32 in / 800 mm MODEL RECOMMENDED MAINTENANCE ITEMS

Ref.	Part No.	Serial Number	Description	Qty.
	1220215	(10000000- 20000000)	Brush Assy, Disk, Scb, 16.0d, Nyl (Soft Nylon)	2
	1220216	(10000000- 20000000)	Brush Assy, Disk, Scb, 16.0d, Pyp (Med Polypropylene)	2
	1220214	(10000000- 20000000)	Brush Assy, Disk, Scb, 16.0d, Sab (Super Abrasive)	2
	370095	(10000000- 20000000)	Device, Centering, Clip- On, Teal, Gf Pp	1
	63248- 4	(10000000- 20000000)	Pad, Polish, 16.0d, White [1pad=1pc] (Polish)	2
	63248- 3	(10000000- 20000000)	Pad, Buff, 16.0d, Red (Light Scrub & Buff)	2
	63248- 2	(10000000- 20000000)	Pad, Scb, 16.0d, Blu [1pad=1pc] (Blue) (Med Scrub)	2
	63248- 1	(10000000- 20000000)	Pad, Stripping, 16.0d, Brown [1pad=1pc] (Scrub/Strip)	2
	1051027	(10000000- 20000000)	Pad, Surf Prep, 16.0d [Mar, 1pick=1pad] (Maroon- Prep)	2

RECOMMENDED MAINTENANCE ITEMS

SQUEEGEE GROUP, 20 in / 500 mm, RECOMMENDED MAINTENANCE ITEMS

Ref.	Part No.	Serial Number	Description	Qty.
▽	9001178	(10000000- 20000000)	Squeegee Assy Kit, 500mm, Ci	1
▲	1010560	(10000000- 20000000)	Wheel, Bmpr, 80d X 25w, Non- Marking	2
▲	1006343	(10000000- 20000000)	Caster, Swivel, 50mmd, M10 X 30 Stem, Pl	2
▲	1010558	(10000000- 20000000)	Knob, Star, 2.00d 4ear 0.7l M8x1.25 Thru	4
▲	1011232	(10000000- 20000000)	Blade, Sqge, Front, 500mml (Linatex Red Standard)	1
	1014091	(10000000- 20000000)	Blade, Sqge, Front, 500mm, Gum (Gum Rubber Tan Optional)	1
	1014092	(10000000- 20000000)	Blade, Sqge, Front, 500mml, Oil- Rstn (Polyurethane Natural Optional)	1
▲	1011456	(10000000- 20000000)	Blade, Sqge, Rear, 500mm Linatex (Linatex Red Standard)	1
	1014093	(10000000- 20000000)	Blade, Sqge, Rear, 500mm Gum (Gum Rubber Tan Optional)	1
	1014094	(10000000- 20000000)	Blade, Sqge, Rear, 500mm Oil- Rstn (Polyurethane Natural Optional)	1
▲	1013933	(10000000- 20000000)	Strap Assy, Sqge, 500mm	1
	1014026	(10000000- 20000000)	Hose, Vacuum, 1.5d X 57l, 2- Short Cuffs	1

SQUEEGEE GROUP, 24 in / 600 mm, RECOMMENDED MAINTENANCE ITEMS

Ref.	Part No.	Serial Number	Description	Qty.
▽	9002679	(10000000- 20000000)	Kit, Squeegee, 600mm Ci	1
▲	1010560	(10000000- 20000000)	Wheel, Bmpr, 80d X 25w, Non- Marking	2
▲	1006343	(10000000- 20000000)	Caster, Swivel, 50mm D, M10 X 30 Stem,Zn	2
▲	1054375	(10000000- 20000000)	Knob, Star, 2.75d 4ear 1.1l M8x1.25 Thru	4
▲	1021804	(10000000- 20000000)	Blade, Sqge, Front, 88cml [Lnx, 60cm] (Linatex Red Standard)	1
	1025333	(10000000- 20000000)	Blade, Sqge, Front, 88cml, Gum [60cm] (Gum Rubber Tan Optional)	1
	1025334	(10000000- 20000000)	Blade, Sqge, Front, 88cml, Ure [60cm] (Polyurethane Natural Optional)	1
▲	630477	(10000000- 20000000)	Wheel, Pyu, 2.0d 0.38w, Gray	1
▲	1021333	(10000000- 20000000)	Blade, Sqge, Rear, 88cm,Linatex[60cm] (Linatex Red Standard)	1
	1025335	(10000000- 20000000)	Blade, Sqge, Rear, 88cml, Gum [60cm] (Gum Rubber Tan Optional)	1
	1025336	(10000000- 20000000)	Blade, Sqge, Rear, 88cm, Ure [60cm] (Polyurethane Natural Optional)	1
	1014026	(10000000- 20000000)	Hose, Vacuum, 1.5d X 57l, 2- Short Cuffs	1

RECOMMENDED MAINTENANCE ITEMS

SQUEEGEE GROUP, 26 in / 650 mm & 28 in / 700 mm RECOMMENDED MAINTENANCE ITEMS

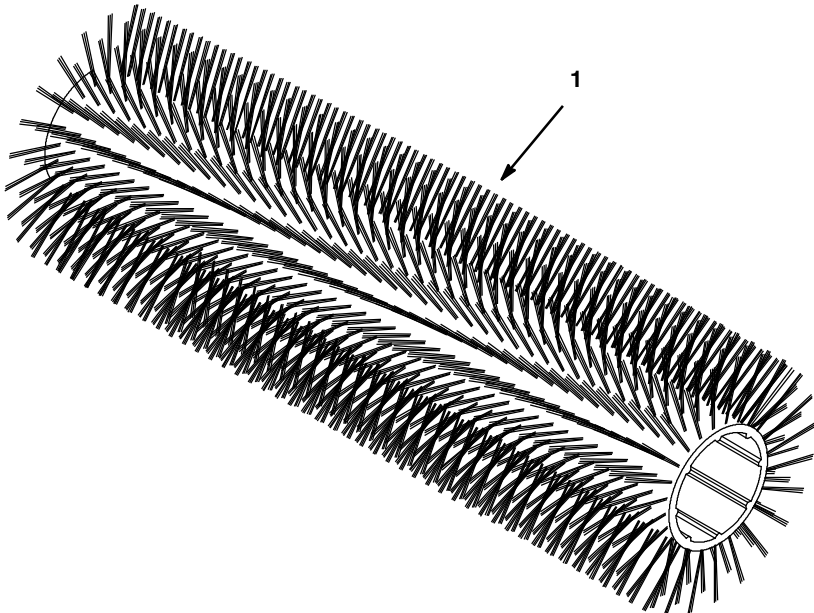
Ref.	Part No.	Serial Number	Description	Qty.
▽	9002680	(10000000-20000000)	Kit, Squeegee, 700mm Ci	1
▲	1010560	(10000000-20000000)	Wheel, Bmpr, 80d X 25w, Non- Marking	2
▲	1006343	(10000000-20000000)	Caster, Swivel, 50mm D, M10 X 30 Stem,Zn	2
▲	1054375	(10000000-20000000)	Knob, Star, 2.75d 4ear 1.1l M8x1.25 Thru	4
▲	1023327	(10000000-20000000)	Blade, Sqge, Front, 98cml [Lnx, 70cm] (Linatex Red Standard)	1
	1025337	(10000000-20000000)	Blade, Sqge, Front, 98cml, Gum [70cm] (Gum Rubber Tan Optional)	1
	1025339	(10000000-20000000)	Blade, Sqge, Front, 98cml, Ure [70cm] (Polyurethane Natural Optional)	1
▲	630477	(10000000-20000000)	Wheel, Pyu, 2.0d 0.38w, Gray	1
▲	1023329	(10000000-20000000)	Blade, Sqge, Rear, 98cm,Linatex[70cm] (Linatex Red Standard)	1
	1025340	(10000000-20000000)	Blade, Sqge, Rear, 98cml, Gum [70cm] (Gum Rubber Tan Optional)	1
	1025341	(10000000-20000000)	Blade, Sqge, Rear, 98cm, Ure [70cm] (Polyurethane Natural Optional)	1
	1014026	(10000000-20000000)	Hose, Vacuum, 1.5d X 57l, 2- Short Cuffs	1

SQUEEGEE GROUP, 32 in / 800 mm, RECOMMENDED MAINTENANCE ITEMS

Ref.	Part No.	Serial Number	Description	Qty.
▽	9002681	(10000000-20000000)	Kit, Squeegee, 800mm Ci	1
▲	1010560	(10000000-20000000)	Wheel, Bmpr, 80d X 25w, Non- Marking	2
▲	1006343	(10000000-20000000)	Caster, Swivel, 50mm D, M10 X 30 Stem,Zn	2
▲	1054375	(10000000-20000000)	Knob, Star, 2.75d 4ear 1.1l M8x1.25 Thru	4
▲	1023398	(10000000-20000000)	Blade, Sqge, Front, 105cm [Linx 80cm] (Linatex Red Standard)	1
	1025342	(10000000-20000000)	Blade, Sqge, Front, 105cml, Gum[80cm] (Gum Rubber Tan Optional)	1
	1025343	(10000000-20000000)	Blade, Sqge, Front, 105cm, Ure [80cm] (Polyurethane Natural Optional)	1
▲	630477	(10000000-20000000)	Wheel, Pyu, 2.0d 0.38w, Gray	1
▲	1023399	(10000000-20000000)	Blade, Sqge, Rear, 105cml[Linx, 80cm] (Linatex Red Standard)	1
	1025344	(10000000-20000000)	Blade, Sqge, Rear, 105cml, Gum [80cm] (Gum Rubber Tan Optional)	1
	1025346	(10000000-20000000)	Blade, Sqge, Rear, 105cml, Ure [80cm] (Polyurethane Natural Optional)	1
	1014026	(10000000-20000000)	Hose, Vacuum, 1.5d X 57l, 2- Short Cuffs	1

RECOMMENDED MAINTENANCE ITEMS

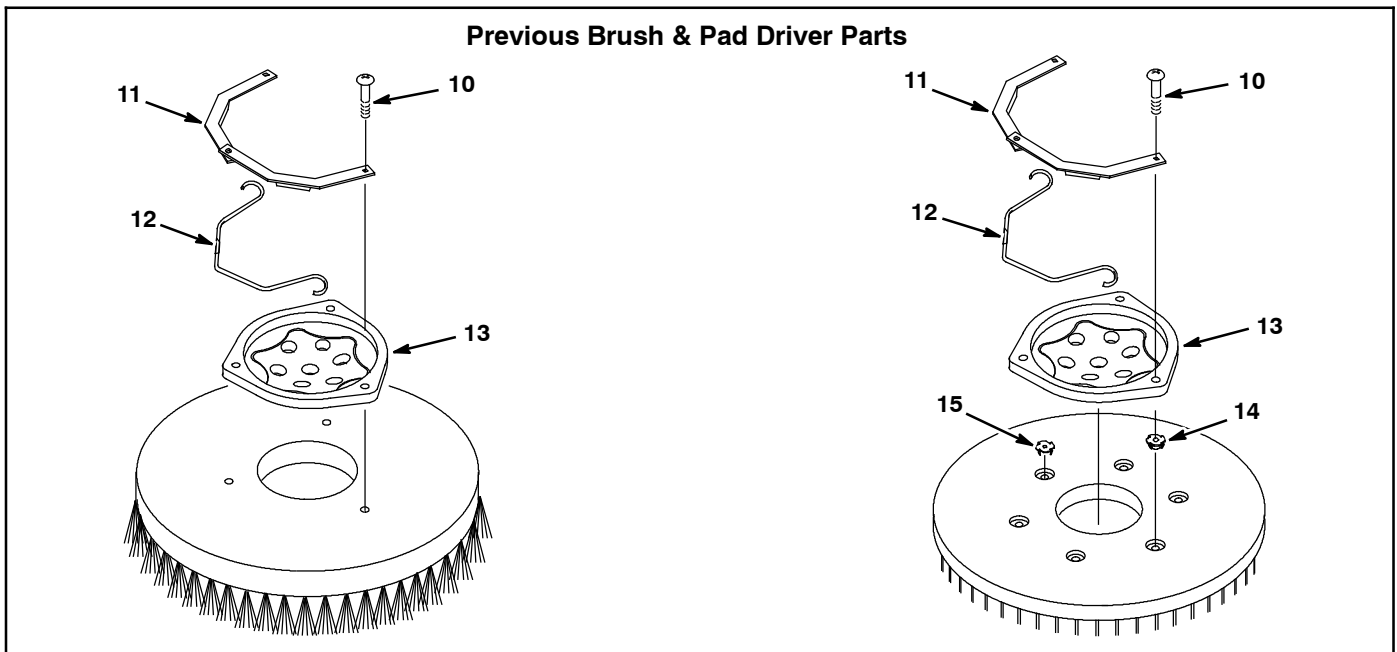
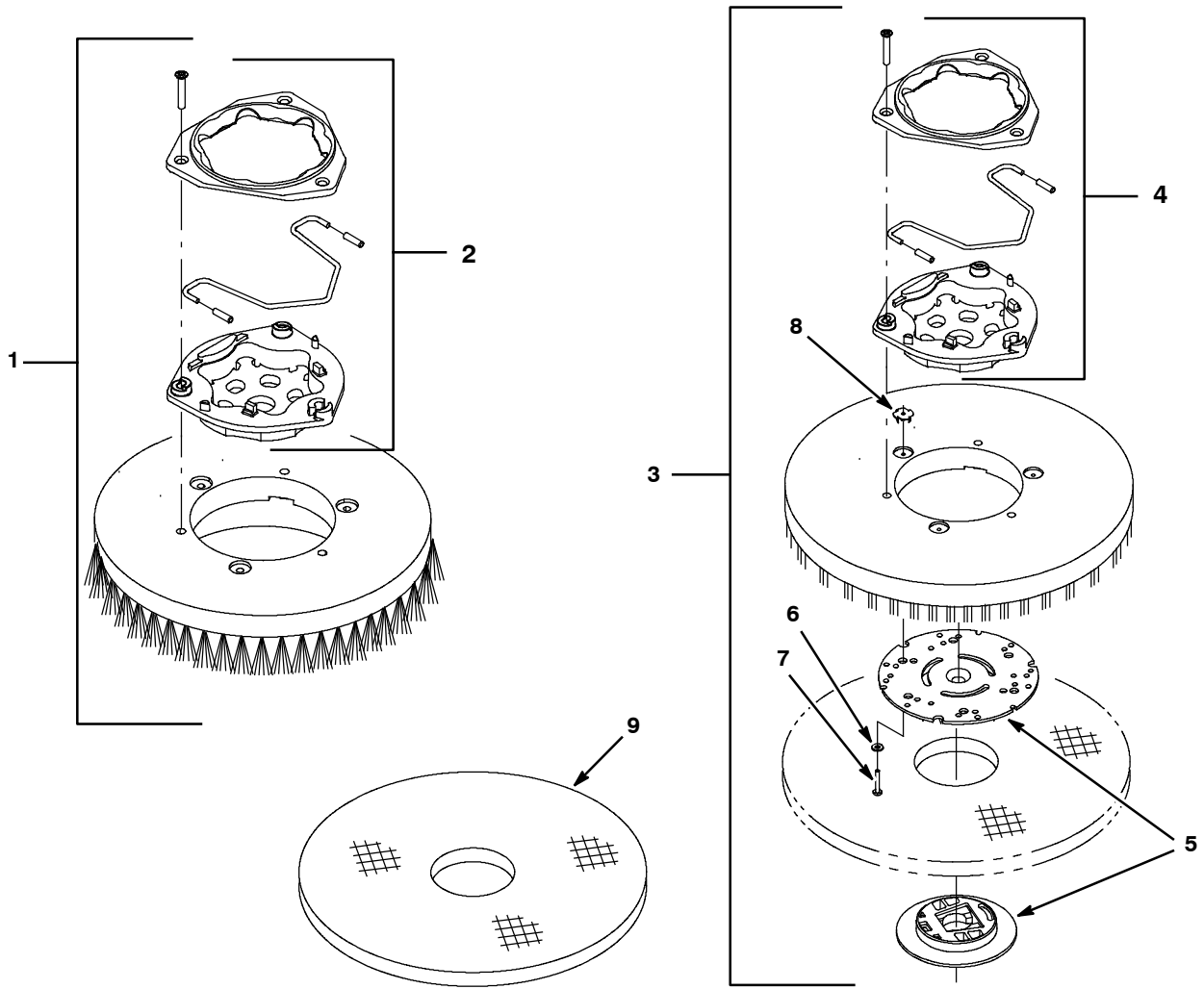
REPLACEMENT CYLINDRICAL BRUSHES



REPLACEMENT CYLINDRICAL BRUSHES

Ref.	Part No.	Serial Number	Description	Qty.
1	399251	(10000000- 20000000)	Brush, Scb, 26l, 18 Sr, Nyl (Soft Nylon)	2
1	399252	(10000000- 20000000)	Brush, Scb, Cyl, 26.0l, Poly (Medium Polypropylene)	2
1	399253	(10000000- 20000000)	Brush, Scb, Cyl, 26.0l, Hd Poly (Stiff Polypropylene)	2
1	399254	(10000000- 20000000)	Brush, Scb, Cyl, 26.0l, Abr (Abrasive)	2
1	1060864	(10000000- 20000000)	Brush, Scb, 26l, 18sr, Abr, Spl (Abrasive- Light Duty)	2
1	222308	(10000000- 20000000)	Brush, Scb, 32l, 18 Sr, Nyl, Spl (Soft Nylon)	2
1	374042	(10000000- 20000000)	Brush, Scb, 32l, 18 Sr, Pyp, Spl (Medium Polypropylene)	2
1	222307	(10000000- 20000000)	Brush, Scb, 32l, 18 Sr, Pyp Grout, Spl (Stiff Polypropylene)	2
1	222309	(10000000- 20000000)	Brush, Scb, 32l, 18 Sr, Abr, Spl (Abrasive)	2
1	1062078	(10000000- 20000000)	Brush, Scb, 32l, 18sr, Abr, Spl (Abrasive- Light Duty)	2

REPLACEMENT BRUSHES AND PAD DRIVERS



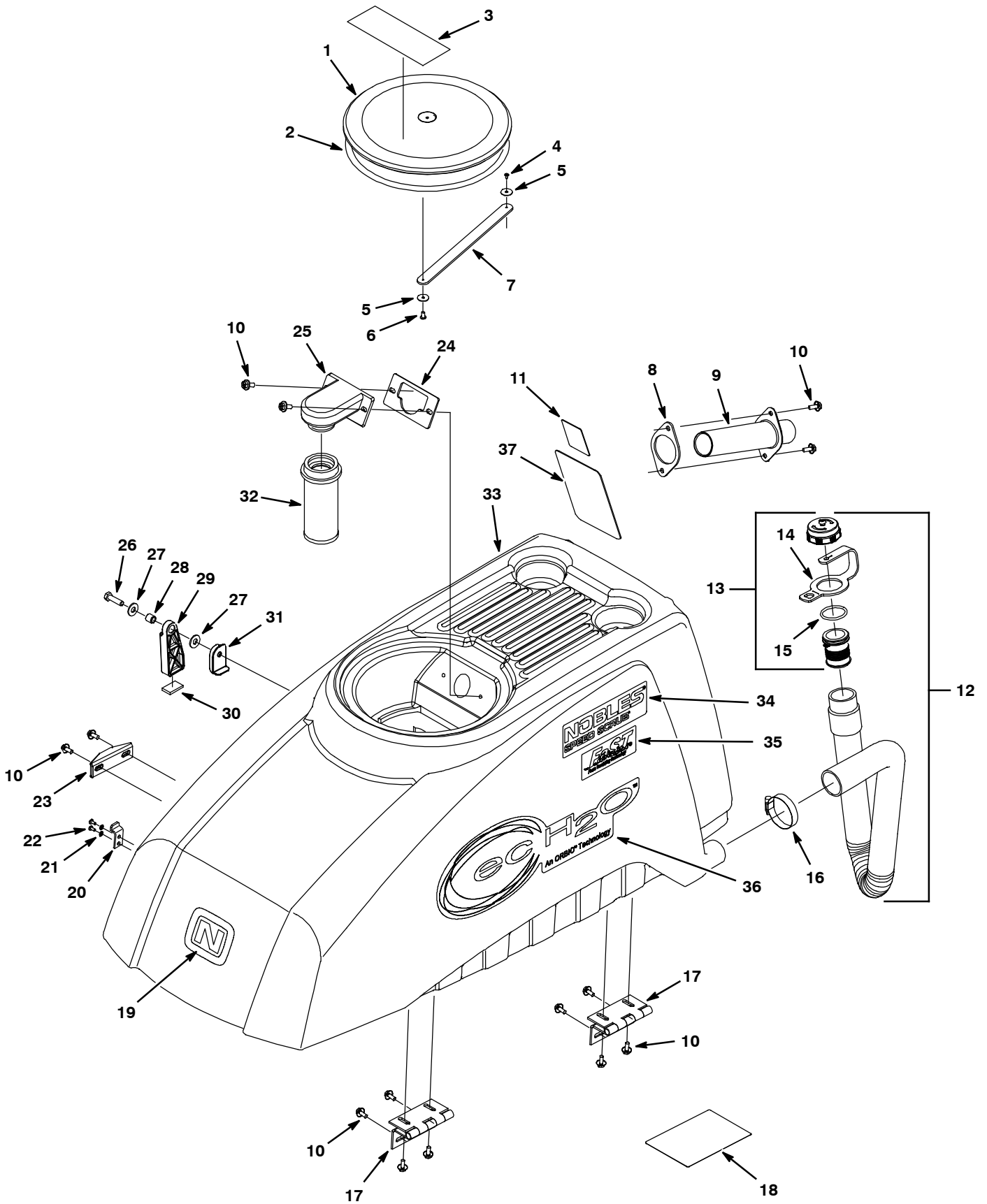
REPLACEMENT BRUSHES AND PAD DRIVERS

Ref.	Part No.	Serial Number	Description	Qty.
∇	1	1220203	(10000000-20000000) Brush Assy, Disk, Scb, 12.0d, Nyl (Soft Nylon)	2
∇	1	1220204	(10000000-20000000) Brush Assy, Disk, Scb, 12.0d, Pyp (Med Polypropylene)	2
∇	1	1220205	(10000000-20000000) Brush Assy, Disk, Scb, 12.0d, Sab (Super Abrasive)	2
∇	1	1221541	(10000000-20000000) Brush Assy, Disk, Scb, 14.0d, Nyl (Soft Nylon)	2
∇	1	1220218	(10000000-20000000) Brush Assy, Disk, Scb, 14.0d, Pyp (Med Polypropylene)	2
∇	1	1220217	(10000000-20000000) Brush Assy, Disk, Scb, 14.0d, Sab (Super Abrasive)	2
∇	1	1220215	(10000000-20000000) Brush Assy, Disk, Scb, 16.0d, Nyl (Soft Nylon)	2
∇	1	1220216	(10000000-20000000) Brush Assy, Disk, Scb, 16.0d, Pyp (Med Polypropylene)	2
∇	1	1220214	(10000000-20000000) Brush Assy, Disk, Scb, 16.0d, Sab (Super Abrasive)	2
▲	2	9014667	(10000000-20000000) Brush Kit, Hub Assy, Drive Ci [Comm]	1
∇	3	1220219	(10000000-20000000) Driver Assy, Pad, 12.0d, Brush	2
∇	3	1220221	(10000000-20000000) Driver Assy, Pad, 14.0d, Brush	2
∇	3	1220222	(10000000-20000000) Driver Assy, Pad, 16.0d, Brush	2
▲	4	9014667	(10000000-20000000) Brush Kit, Hub Assy, Drive Ci [Comm]	2
▲	5	370095	(10000000-20000000) Device, Centering, Clip- On, Teal, Gf Pp	1
▲	6	41579	(10000000-20000000) Washer, Flat, #8, Ss	3
▲	7	04403	(10000000-20000000) Screw, Pan, M4 X 0.7 X 25, Ss, NI	3
▲	8	10908	(10000000-20000000) Nut, T, M4 X 0.7	3
	9	385940	(10000000-20000000) Pad, Polish, 12.0d, White [1pad=1pc] (Polishing)	2
	9	385941	(10000000-20000000) Pad, Buff, 12.0d, Red [1pad=1pc] (Light Scrub & Buff)	2
	9	385942	(10000000-20000000) Pad, Scb, 12.0d, Blu [1pick = 1 Pad] (Blue) (Med Scrub)	2
	9	385943	(10000000-20000000) Pad, Stripping, 12.0d, Brown [1pad=1pc] (Strip)	2
	9	1051020	(10000000-20000000) Pad, Surf Prep, 12.0d [Mar, 1pick=1pad] (Maroon- Prep)	2
	9	222324	(10000000-20000000) Pad, Polish, 14.0d, White [1pad=1pc] (Polishing)	2
	9	222325	(10000000-20000000) Pad, Buff, 14.0d, Red (Light Scrub & Buff)	2
	9	222326	(10000000-20000000) Pad, Scb, 14.0d, Blu [1pad=1pc] (Blue) (Med Scrub)	2
	9	222327	(10000000-20000000) Pad, Stripping, 14.0d, Brown [1pad=1pc] (Scrub/Strip)	2
	9	1051026	(10000000-20000000) Pad, Surf Prep, 14.0d [Mar, 1pick=1pad] (Maroon- Prep)	2
	9	63248- 4	(10000000-20000000) Pad, Polish, 16.0d, White [1pad=1pc] (Polishing)	2
	9	63248- 3	(10000000-20000000) Pad, Buff, 16.0d, Red (Light Scrub & Buff)	2
	9	63248- 2	(10000000-20000000) Pad, Scb, 16.0d, Blu [1pad=1pc] (Blue) (Med Scrub)	2
	9	63248- 1	(10000000-20000000) Pad, Stripping, 16.0d, Brown [1pad=1pc] (Scrub/Strip)	2
	9	1051027	(10000000-20000000) Pad, Surf Prep, 16.0d [Mar, 1pick=1pad] (Maroon- Prep)	2

PREVIOUS BRUSH AND PAD DRIVER PARTS

10	32747	(10000000-20000000)	Screw, Pan, M6 X 1.0 X 40, Ss	3
11	21852	(10000000-20000000)	Bracket, Retainer, Spring	2
12	21853	(10000000-20000000)	Spring, Wir, 0.16d, Brush Retaining (12" Brush)	1
12	1028905	(10000000-20000000)	Spring, Wir, 0.16d, Brush Retaining,(14" & 16" Brush)	1
13	1017112	(10000000-20000000)	Hub, Drive, Brush, Disk, 3hole 5.8bc	1
14	05709	(10000000-20000000)	Nut, T, M6 X 1.00	3
15	10908	(10000000-20000000)	Nut, T, M4 X 0.7	3
	1025094	(10000000-20000000)	Brush Assy, Disk, Scb, 11.90d, Nyl (Repld By 1220203)	2
	1025095	(10000000-20000000)	Brush Assy, Disk, Scb, 11.90d, Pyp (Repld By 1220204)	2
	1025096	(10000000-20000000)	Brush Assy, Disk, Scb, 11.9d, Sab (Repld By 1220205)	2
	399246	(10000000-20000000)	Brush, Disk, Scr, 13.90d, Assy, Nyl (Repld By 1221541)	2
	399247	(10000000-20000000)	Brush, Disk, Scr, 13.90d, Assy, Pyp (Repld By 1220218)	2
	399245	(10000000-20000000)	Brush, Disk, Scr, 13.90d, Assy, Sab (Repld By 1220217)	2
	399243	(10000000-20000000)	Brush, Disk, Scr, 15.9d, Assy, Nyl (Repld By 1220215)	2
	399244	(10000000-20000000)	Brush, Disk, Scr, 15.9d, Assy, Pyp (Repld By 1220216)	2
	399242	(10000000-20000000)	Brush, Disk, Scr, 15.9d, Assy, Sab (Repld By 1220214)	2
	385944	(10000000-20000000)	Driver Assy, Pad, 12.0d, Brush (Repld By 1220219)	2
	399249	(10000000-20000000)	Driver Assy, Pad, 14.0d, Brush (Repld By 1220221)	2
	399250	(10000000-20000000)	Driver Assy, Pad, 16.0d, Brush (Repld By 1220222)	2

RECOVERY TANK GROUP



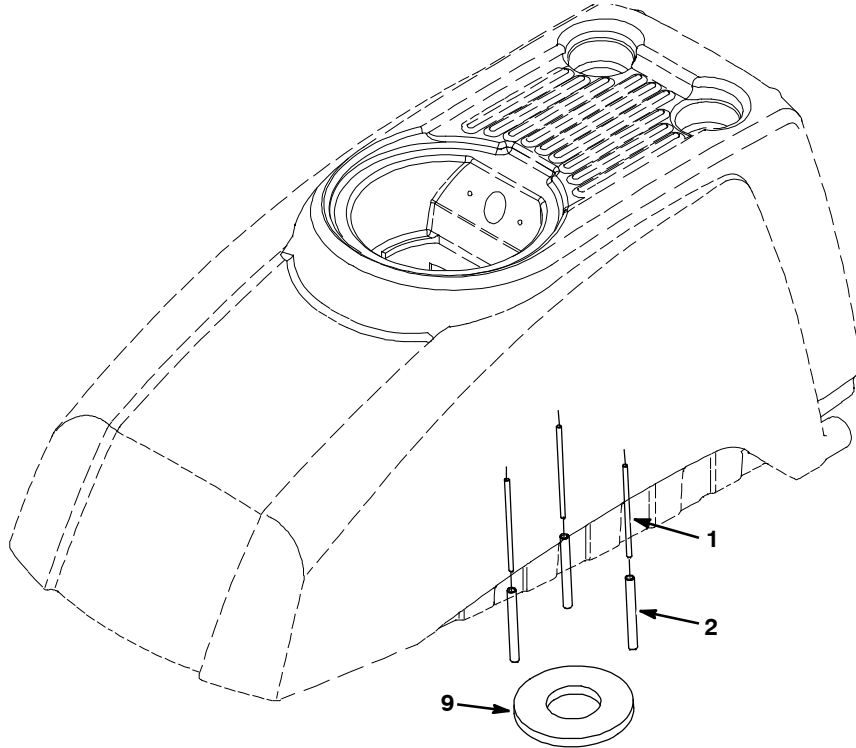
RECOVERY TANK GROUP

Ref.	Part No.	Serial Number	Description	Qty.
▽	1	1017958	(10000000- 20000000) Lid Assy, Tank, Recvy	1
▲	2	1017959	(10000000- 20000000) Seal, Bulb, Str, 0.50h .50w 032.0l, Adh	1
▲	3	1026386	(10000000- 20000000) Label, Warning [Expl,Fire,Shk En/Fr/Es]	1
	4	3701.6	(10000000- 20000000) Screw, Pan, #06- 32 X 0.38, Phl Ss Shtmtl	1
	5	1009168	(10000000- 20000000) Washer, Flat, 0.17b 0.75d .04, Ss	2
	6	606915	(10000000- 20000000) Screw, Pan, #10- 16 X 0.38, Ss, F/ Plstc	1
	7	1001005	(10000000- 20000000) Strap, Retaining, Cover	1
	8	1024602	(10000000- 20000000) Gasket, Adapter, Hose .13, Neo, Adh	1
	9	1021214	(10000000- 20000000) Tube, Hose, Adapter, 1.5d	1
	10	1034731	(10000000- 20000000) Screw, Hex, M6 X 1.00 X 16, Ss, Sems	14
	11	1025660	(10000000- 20000000) Label, Nfsi, Thk Adh (Fast & ec-H2O Models)	1
▽	12	1043538	(10000000- 20000000) Hose Assy, Drain, 1.50id X 29.5l, Blk	1
▲▽	13	1008639	(10000000- 20000000) Cap, Drain Assy	1
▲▲	14	1019563	(10000000- 20000000) Strap, Cap, Drain	1
▲▲	15	1008637	(10000000- 20000000) Seal, Org, 1.48id 1.76od	1
	16	11531	(10000000- 20000000) Clamp, Hose, Wormdrive, 1.06- 2.00d, .56w	1
	17	1022380	(10000000- 20000000) Hinge, 7mmpin 3mm Th 73.5mmw 100mml	2
	18	1024802	(10000000- 20000000) Label, Instr, Battery	1
	19	1034637	(10000000- 20000000) Label, Front, 3.50 [Nobles Icon]	1
	20	49800	(10000000- 20000000) Latch	1
	21	02938	(10000000- 20000000) Washer, Lock, Int, #08, Ss	2
	22	391403	(10000000- 20000000) Screw, Pan, M4 X 0.7 X 8, Ss	2
	23	1061143	(10000000- 20000000) Bracket, Guide, Recvy Tank, [T5, Ss5]	1
	24	630255	(10000000- 20000000) Gasket, Float, Mount	1
	25	630053	(10000000- 20000000) Mount, Cage, Float [20.0 Scrubber]	1
	26	1039118	(10000000- 20000000) Screw, Btn, M8 X 1.25 X 30, Blk	1
	27	140027	(10000000- 20000000) Washer, Flat, 0.35b 0.75d .04, Ss	2
	28	222460	(10000000- 20000000) Sleeve, P/M, 0.31b 0.50d 0.5l	1
	29	1022399	(10000000- 20000000) Support, Tank, Prop, Blk, Nyl	1
	30	1032763	(10000000- 20000000) Gasket, Stand, Support	1
	31	1022904	(10000000- 20000000) Bracket, Sppt, Stop, Blk, Nyl	1
	32	630052	(10000000- 20000000) Float, Shut- Off, (2)Ball, 1.75d	1
	33	9003652	(10000000- 20000000) Tank Kit, Recvy [Ss5]	1
	34	1064991	(10000000- 20000000) Label, Model [Speed Scrub]	2
	35	1064994	(10000000- 20000000) Label, Logo, 06.1l Dk Gr [Fast]	2
	36	1216533	(10740996- 20000000) Label, Logo [Ech2o Nano Nobles]	2
	36	1064823	(10000000- 10740995) Label, Logo, 12.3l 4color [Ech2o Nobles]	2
	37	1217056	(10740996- 20000000) Label, Instr [Ec- H20 Nc]	1
	37	1071570	(10000000- 10740995) Label, Instr, Ec- H2o, 4.0x6.50	1

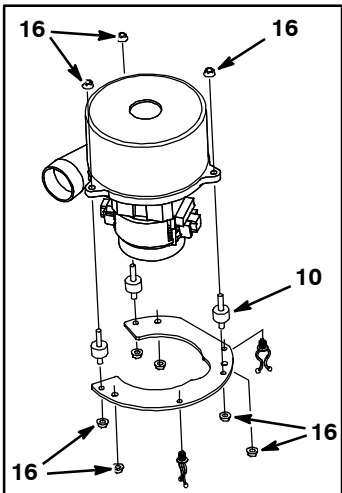
▽ ASSEMBLY

▲ INCLUDED IN ASSEMBLY

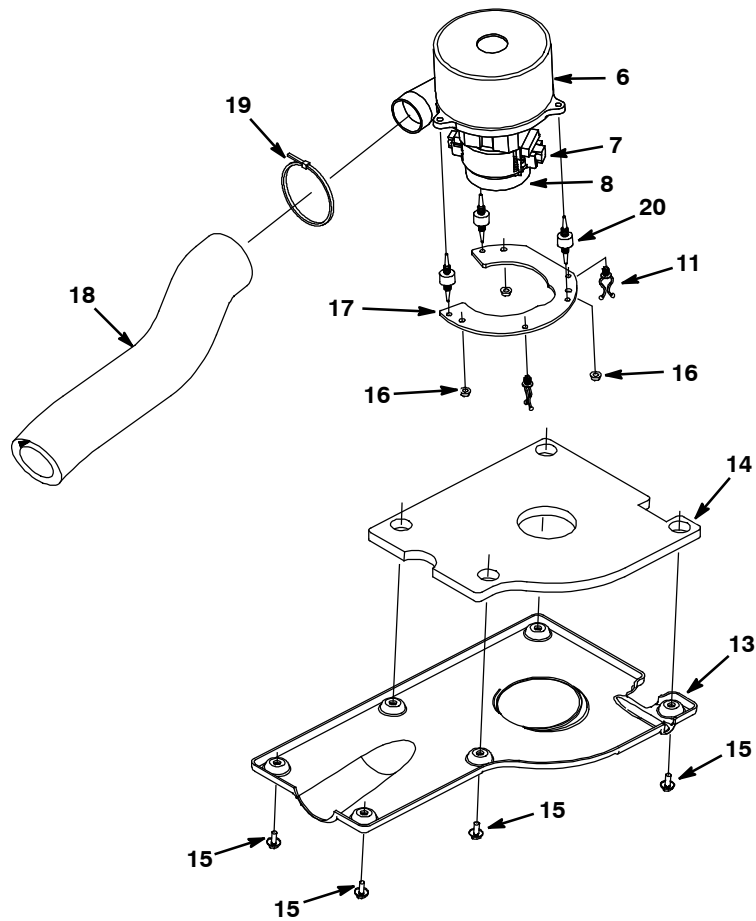
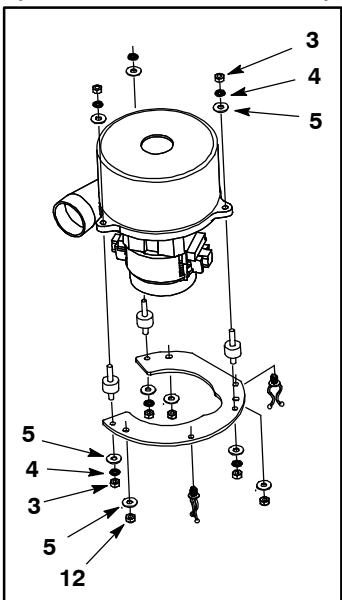
VACUUM MOTOR GROUP



(S/N 10358065-10519188)



(S/N 10000000-10358064)



VACUUM MOTOR GROUP

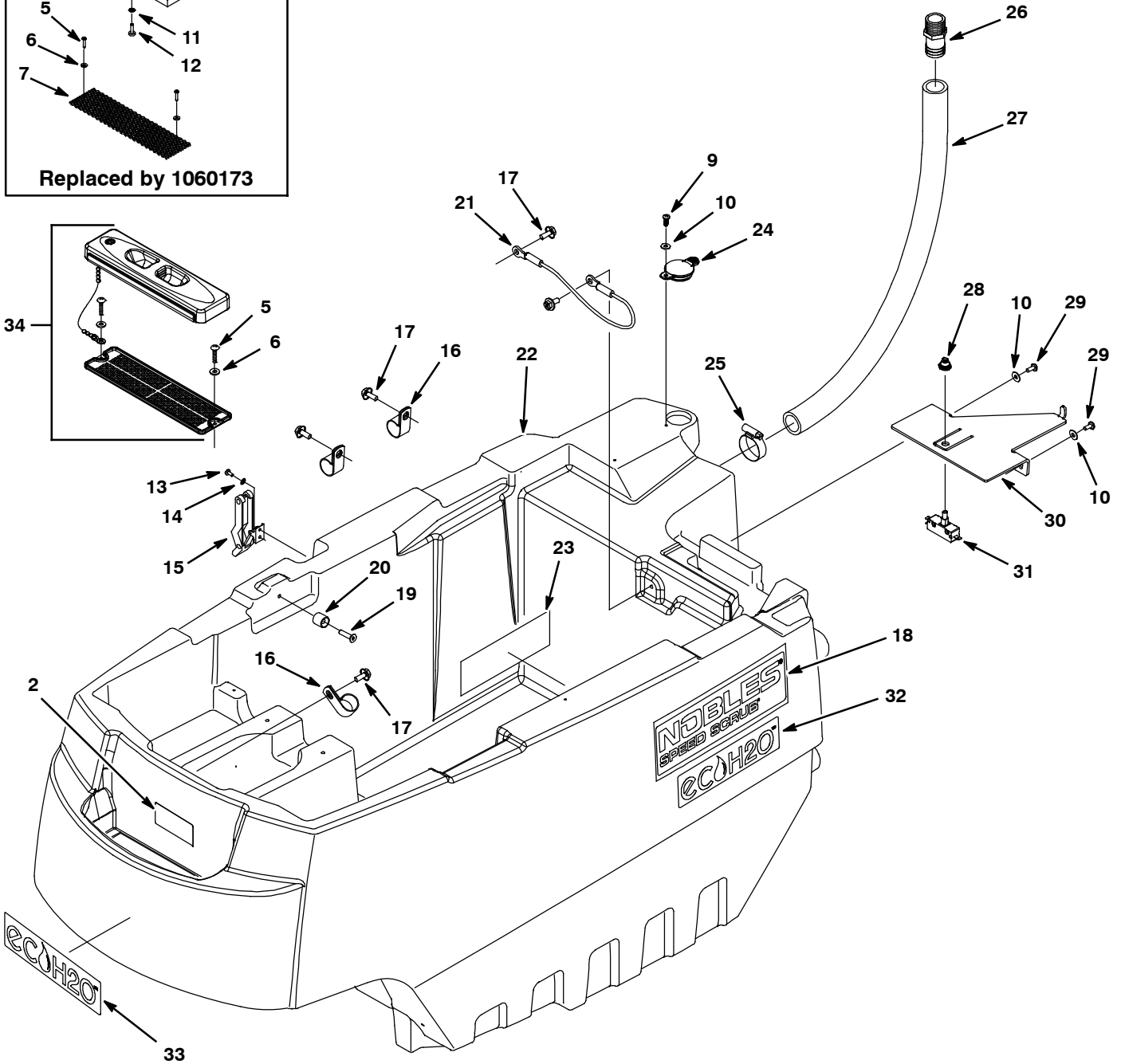
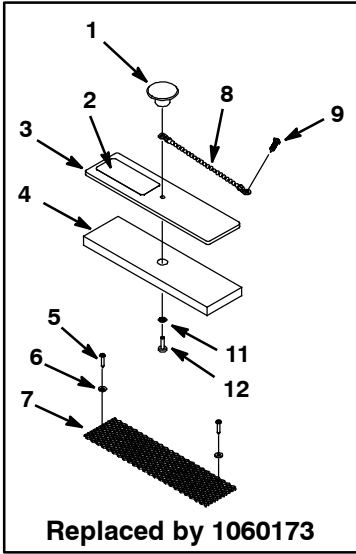
Ref.	Part No.	Serial Number	Description	Qty.	
1	1015412	(10000000- 20000000)	Rod, Thrd, Full, M06 X 1.0 05.5l	3	
2	1022406	(10000000- 20000000)	Tube, 0.43d 0.28b 04.2l, Stl, Pl	3	
3	07785	(10000000- 10358064)	Nut, Hex, Std, M6 X 1.0, A2, Ss	6	
4	07515	(10000000- 10358064)	Washer, Lock, Int, 0.25 Ss	6	
5	01684	(10000000- 10358064)	Washer, Flat, 0.25 Ss	9	
▽	6	1025106	(10000000- 20000000)	Fan, Vacuum, 5.7d, 3s, 24vdc, Us	1
▲	7	1073334	(10000000- 20000000)	Brush, Carbon, Motor, Ele [1pick=1pkg] (1Pkg=2Brushes)	1
▲	8	130487	(10000000- 20000000)	Housing, Motor, Fan, Vent	1
	9	100038	(10000000- 20000000)	Gasket, Vacuum Mtr 5.7 Epdm W/Psa	1
	10	1011093	(10000000- 10519188)	Isolator, Vib, .75d, M6 Stud Both Ends	3
	11	30406	(10000000- 20000000)	Clip, Keeper	2
	12	08712	(10000000- 10358064)	Nut, Hex, Lock, M6 X 1.0, Ss, NI	3
	13	1022268	(10000000- 20000000)	Cover, Vac, Noise	1
	14	1024112	(10000000- 20000000)	Pad, Foam, Insulator	1
	15	1034731	(10000000- 20000000)	Screw, Hex, M6 X 1.00 X 16, Ss, Sems	6
	16	1040381	(10519189- 20000000)	Nut, Hex, Flng, M6 X 1.0, Ss [Serrated]	3
	16	1040381	(10358065- 10519188)	Nut, Hex, Flng, M6 X 1.0, Ss [Serrated]	9
	17	1022375	(10000000- 20000000)	Bracket, Mtg, Vacuum	1
	18	390677	(10000000- 20000000)	Muffler, Exhaust, Vacuum Fan, Long	1
	19	130773	(10000000- 20000000)	Tie, Cable, Nyl, 11.0l, .14w, 3.0 Max. D	1
	20	1062016	(10519189- 20000000)	Isolator, Vib, .75d	3

▽ ASSEMBLY

▲ INCLUDED IN ASSEMBLY

SOLUTION TANK GROUP

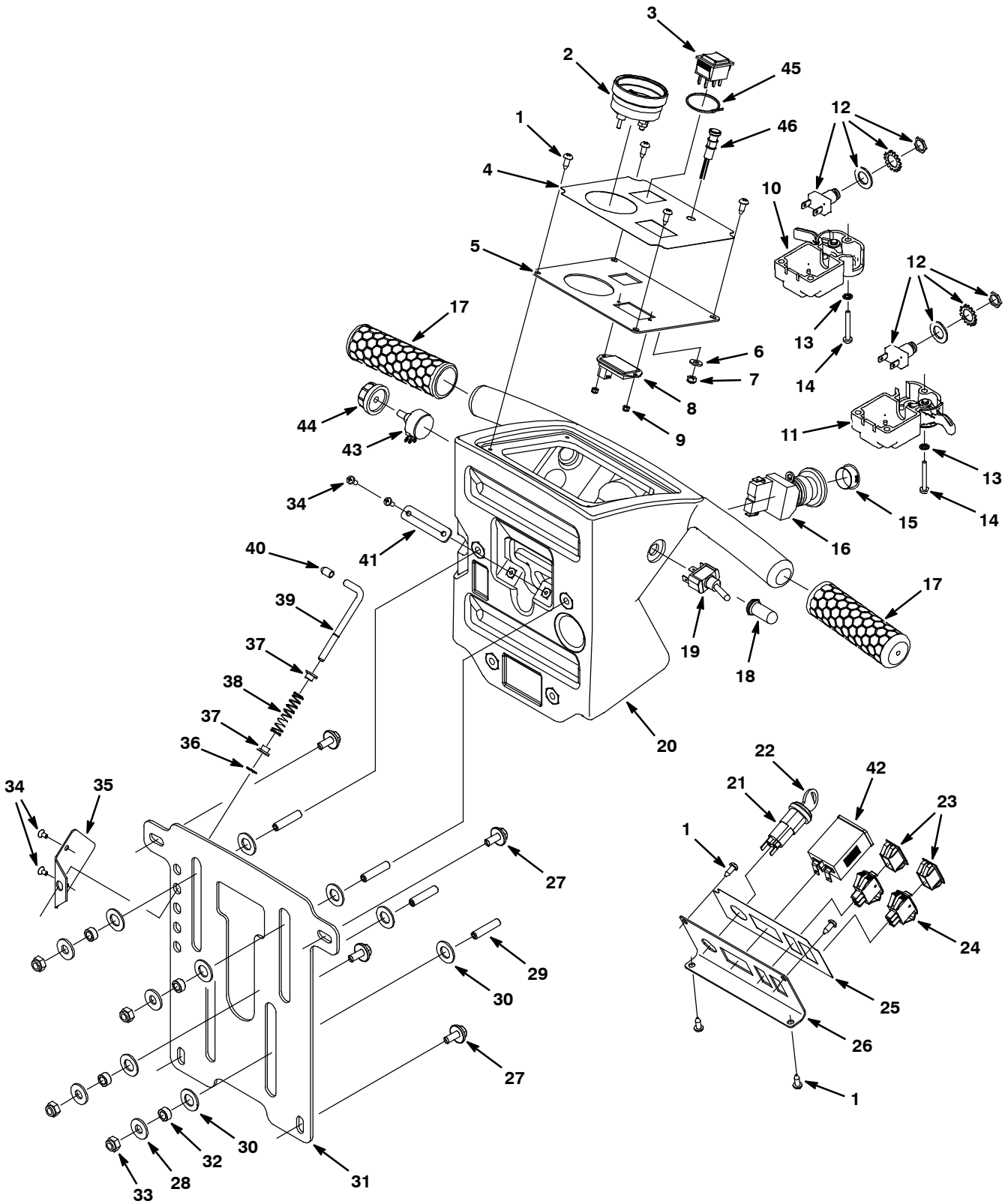
(S/N 1000000- 10517541)



SOLUTION TANK GROUP

Ref.	Part No.	Serial Number	Description	Qty.
1	578301	(10000000- 10517541)	Knob 10- 32f Fill- Cover	1
2	391451	(10000000- 20000000)	Label [Attention Fast Users] (Fast Model)	1
2	1050003	(10378380- 20000000)	Label, User, Attention, Ec- H2o	1
3	605061	(10000000- 10517541)	Cover Solution Fill (Replaced by 1060173)	1
4	605062	(10000000- 10517541)	Gasket, Cover, Soltn Fill (Replaced by 1060173)	1
5	140826	(10000000- 20000000)	Screw, Pan, #06- 32 X 0.75, Ss, Fmg [Ab]	2
6	140032	(10000000- 20000000)	Washer, Flat, #6, Ss	2
7	606146	(10000000- 10517541)	Screen, Fltr, Soltn Fill, Nat (Replaced by 1060173)	1
8	621443	(10000000- 10517541)	Chain, Ball, #10, 157mml, Ss	1
9	1018155	(10000000- 10517541)	Screw, Pan, M5 X 0.8 X16, Ss, Tcut	2
10	01684	(10000000- 20000000)	Washer,Flat 0.25, Ss	3
11	07514	(10000000- 10517541)	Washer, Lock, Int, #10, Ss	1
12	140841	(10000000- 10517541)	Screw, Pan, #10- 32 X 0.62, Phl, Ss	1
13	391403	(10000000- 20000000)	Screw, Pan, M4 X 0.7 X 8, Ss	2
14	02938	(10000000- 20000000)	Washer, Lock, Int, #08, Ss	2
15	49800	(10000000- 20000000)	Latch	1
16	630428	(10000000- 20000000)	Clamp, Cable, Stl, 1.00d X 0.50w,.25mnt	3
17	1034731	(10000000- 20000000)	Screw, Hex, M6 X 1.00 X 16, Ss, Sems	5
18	1024781	(10000000- 20000000)	Label, Side [Spdscrub] (Replaced by 1064991)	2
19	222692	(10000000- 20000000)	Screw, Flt, M8 X1.25 X 25, Ss, 18- 8, NI	1
20	1027028	(10000000- 20000000)	Spacer, Guide, Tank	1
21	140960	(10000000- 20000000)	Cable, Glv .13d 014.5l .34eye /.34eye	1
22	9003653	(10000000- 20000000)	Tank Kit, Soltn [Ss5]	1
23	1028175	(10000000- 20000000)	Label, Instr [Charger Setting]	1
24	1012965	(10000000- 20000000)	Cap, Port, Soltn Fill	1
25	11399	(10000000- 20000000)	Clamp, Hose, Wormdrive, 0.81- 1.50d, .50w	1
26	1041082	(10000000- 20000000)	Fitting, Plstc, Str, Bm16/Pm12	1
27	1023809	(10000000- 20000000)	Hose, Drain, 1.00id X 22.8l, Vyl [T5]	1
28	1035711	(10000000- 20000000)	Boot, Switch, Hex Nut, .38- 32 Thd	1
29	609062	(10000000- 20000000)	Screw, Trs, M5 X 0.80 X 12, Phl, Ss	2
30	1026571	(10000000- 20000000)	Bracket, Hose, Cable Stay	1
31	1071996	(10000000- 20000000)	Switch, Push, Snap Action, 25a	1
32	1050019	(10378380- 20000000)	Label, Side, Ec- H2o [Ss3/Ss5/Ssrider] (NLA - Rpld by 1064823 - see Recovery Tank Group)	2
33	1050020	(10378380- 20000000)	Label, Front, Ec- H2o [Ss5] (NLA - No Longer Available)	1
34	1060173	(10517542- 20000000)	Cover Assy, Tank, Soltn Fill	1

CONTROL CONSOLE GROUP



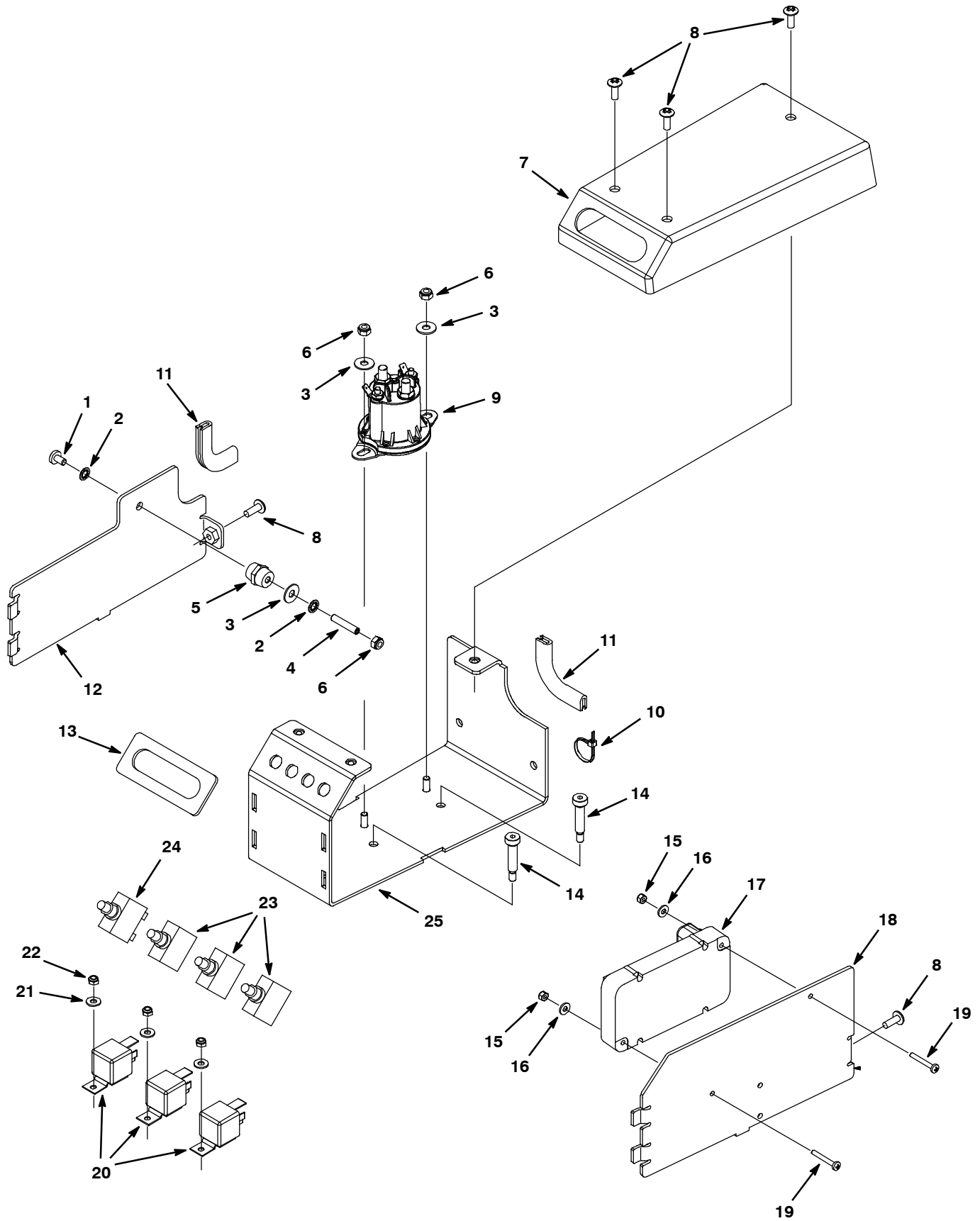
CONTROL CONSOLE GROUP

Ref.	Part No.	Serial Number	Description	Qty.	
1	1009324	(10000000-20000000)	Screw, Pan, #10- 16 X 0.50, Phl, Blk [Ty- 17]	8	
2	1041318	(10000000-20000000)	Gauge, Press, Brush, Afmkt 0- 20- 40a [Ss5]	1	
3	1007012	(10000000-20000000)	Switch, Rocker, Dpdt Mom/Off/Mom	1	
4	1025114	(10000000-20000000)	Label, Opertnl, Upper (Standard & Fast Models)	1	
4	1050010	(10378380-20000000)	Label, Console, Upper Ec- H2o [T5e/Ss5]	1	
5	1041719	(10000000-20000000)	Panel, Opertnl, Upper [Ss5]	1	
6	01683	(10000000-20000000)	Washer, Flat, #10, Ss	1	
7	09739	(10000000-20000000)	Nut, Hex, Lock, M5 X 0.80, NI, Ss	1	
8	392894	(10000000-20000000)	Gauge, Discharge, Battery, 36vdc, Rt, Led	1	
9	579211	(10000000-20000000)	Nut, Hex, Lock, M3 X 0.50, Ss	2	
▽	10	1063175	(10000000-20000000)	Controlbox Assy, Trigger, Rh	1
▽	11	1063198	(10000000-20000000)	Controlbox Assy, Trigger, Lh	1
▲	12	9010860	(10000000-20000000)	Switch Kit, W/ Washers, Fr/ F/1072041	2
	13	02938	(10000000-20000000)	Washer, Lock, Int, #08, Ss	6
	14	33931	(10000000-20000000)	Screw, Pan, Phl, M4 X 0.70 X 30, Ss	6
	15	130161	(10000000-20000000)	Plug, Hole, Rnd, 0.875d, Blk	1
	16	1011735	(10000000-20000000)	Switch, Safety, Shutoff (Optional)	1
	17	1026407	(10000000-20000000)	Grip, Handle, 1.25d X 4.75l	2
	18	130753	(10000000-20000000)	Boot, Switch 1.00l Blk	1
	19	601108	(10000000-20000000)	Switch, Toggle, Mom/On/On	1
	20	9003654	(10000000-20000000)	Housing Kit, Cntrl [Ss5]	1
▽	21	1011402	(10000000-20000000)	Switch, Key	1
▲	22	1017696	(10000000-20000000)	Key, Replmt [F/ Keyswitch 1011402]	1
	23	582150	(10000000-20000000)	Plug, Hole, Rt, 1.23 X 1.12, Nyl	2
	24	130787	(10000000-20000000)	Switch, Rocker, Spdt (Optional)	2
	25	1025116	(10000000-20000000)	Label, Opertnl, Lower (Standard & Fast Models)	1
	25	1050011	(10378380-20000000)	Label, Console, Lower, Ec- H2o [T5e/Ss5]	1
	26	1024111	(10000000-20000000)	Panel, Instmt, Lower	1
	27	1020341	(10000000-20000000)	Screw, Hex, M8 X 1.25 X 20, Ss, Sems	4
	28	01685	(10000000-20000000)	Washer, Flat, 0.31, Ss	4
	29	607461	(10000000-20000000)	Screw, Set, M8 X 1.25 X 35, NI	4
	30	608562	(10000000-20000000)	Washer, Flat, 0.51b 0.94d .06, Nyl	8
	31	1022888	(10000000-20000000)	Bracket, Mtg, Console	1
	32	607783	(10000000-20000000)	Bearing, Sleeve, .31id X .50od X .25, Bnz	4
	33	08709	(10000000-20000000)	Nut, Hex, Lock, M8 X 1.25, NI	4
	34	607006	(10000000-20000000)	Screw, Trs, M4 X 0.70 X 12, Phl, PI	4
	35	630087	(10000000-20000000)	Plate, Latch, Retainer	1
	36	630084	(10000000-20000000)	Ring, Retaining, Ext, 4.62mm, [E- Ring]	1
	37	630083	(10000000-20000000)	Bushing, Latch	2
	38	630082	(10000000-20000000)	Spring, Cmpr, 10.7d, 0.9w, 44.4l, PI[Mw]	1
	39	630081	(10000000-20000000)	Lever, Latch, Console Adjust	1
	40	630094	(10000000-20000000)	Cap, Vinyl, 2.26 ld X 12.7lg, Blk	1
	41	1026699	(10000000-20000000)	Bracket, Retaining	1
	42	1064038	(10000000-20000000)	Gauge, Hourmeter, 05- 277 Volt, Ac / Dc	1
	43	1042687	(10000000-20000000)	Harness, Pot, Wire Assy [45k Ohm]	1
	44	1028037	(10000000-20000000)	Knob, 1.25 Dia	1
	45	130773	(10000000-20000000)	Tie, Cable, Nyl, 11.0l, .14w, 3.0 Max. D	1
	46	1041822	(10378380-20000000)	Light, Led, .312D, 5 Volt [Tri- Color] (ec-H2O Model)	1

▽ ASSEMBLY

▲ INCLUDED IN ASSEMBLY

COMPONENT PANEL GROUP (S/N 10722199-)



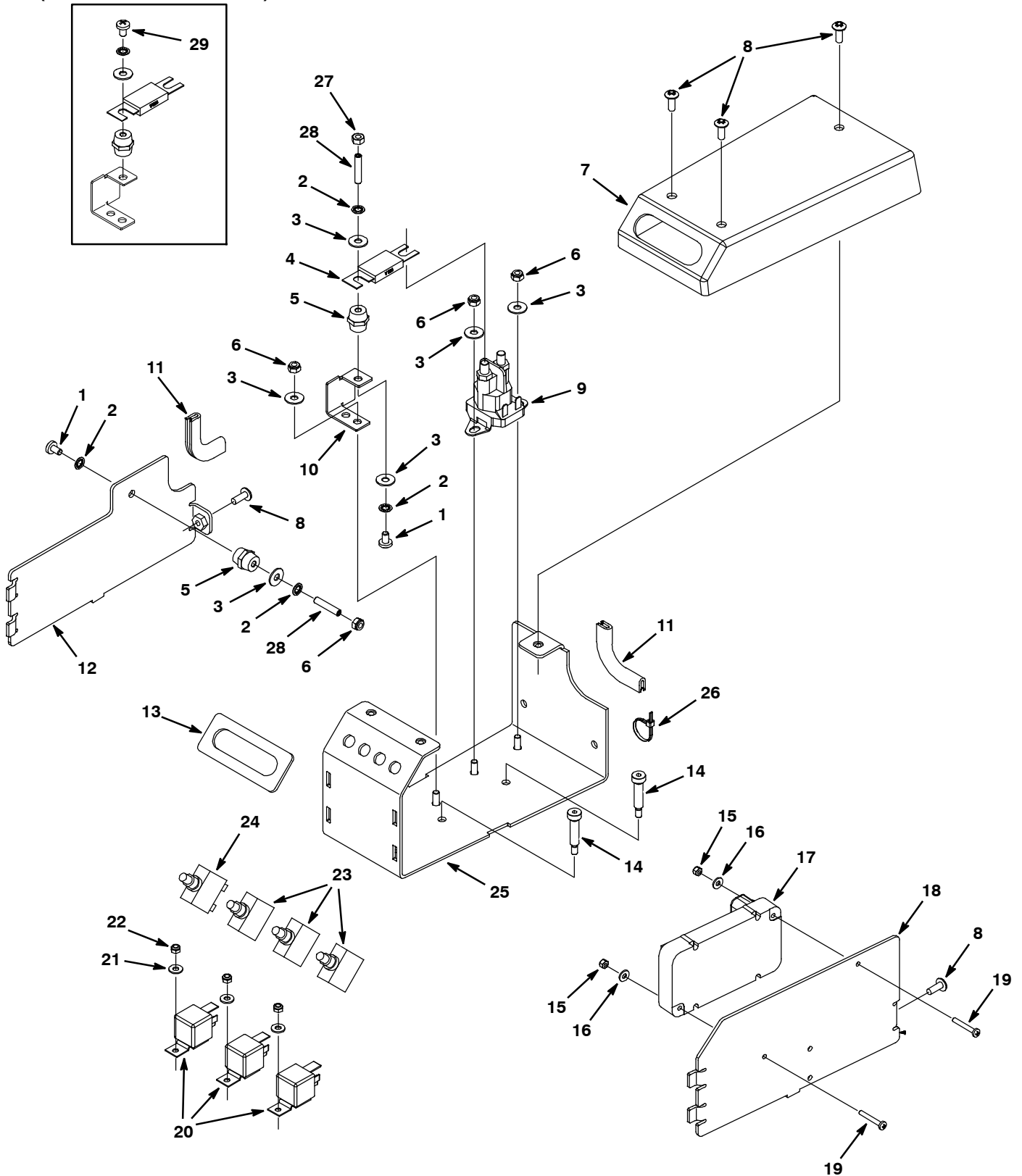
COMPONENT PANEL GROUP (S/N 10722199-)

Ref.	Part No.	Serial Number	Description	Qty.
1	48732	(10722199- 20000000)	Screw, Pan, M6 X 1.0 X 10, Ss	1
2	07515	(10722199- 20000000)	Washer, Lock, Int, 0.25, Ss	2
3	01684	(10722199- 20000000)	Washer, Flat, 0.25, Ss	3
4	1018559	(10722199- 20000000)	Screw, Set, M6 X 1.0 X 30, Ss	1
5	1013523	(10722199- 20000000)	Stand- Off, Wir, M6, 18 Hex, 20l, Insul	1
6	08712	(10000000- 20000000)	Nut, Hex, Lock, M6 X 1.00, Ss, NI	4
7	1024712	(10000000- 20000000)	Cover, Electronics	1
8	608322	(10000000- 20000000)	Screw, Trs, M6 X 1.00 X 16, Phl, Ss	5
9	1066409	(10722199- 20000000)	Relay, 24vdc, 150a, No [Trombetta]	1
10	130773	(10000000- 20000000)	Tie, Cable, Nyl, 11.0l, .14w, 3.0 Max. D	1
11	1027209	(10000000- 20000000)	Trim, Edge, Plstc, .12 X 65mm	2
12	1026777	(10000000- 20000000)	Brkt, Side, Rh	1
13	1025658	(10000000- 20000000)	Gasket, Cover, Electronics	1
14	1024965	(10000000- 20000000)	Bolt, Shld, 08mmd X 030mm, M06 X 1.0	2
15	33932	(10000000- 20000000)	Nut, Hex, Lock, M4 X 0.70, NI, Ss	2
16	41579	(10000000- 20000000)	Washer, Flat, #08, Ss	2
17	1052261	(10000000- 20000000)	Module, Cntrl, Drive [Ss5]	1
18	1029123	(10000000- 20000000)	Brkt, Side, Lh	1
19	33931	(10000000- 20000000)	Screw, Pan, M4 X 0.7 X 30, Ss	2
20	1012216	(10000000- 20000000)	Relay, 24vdc, 070a, Spst No, Plug- In	3
21	01683	(10000000- 20000000)	Washer, Flat, #10, Ss	3
22	09739	(10000000- 20000000)	Nut, Hex, Lock, M5 X 0.80, NI, Ss	3
23	383724	(10000000- 20000000)	Circuitbreaker, 25.0a, Resetable	3
24	383721	(10000000- 20000000)	Circuitbreaker, 10.0a	1
25	1072645	(10722199- 20000000)	Panel, Instmt [Ss5] Trombetta	1

STANDARD PARTS

COMPONENT PANEL GROUP (S/N 1000000-10722198)

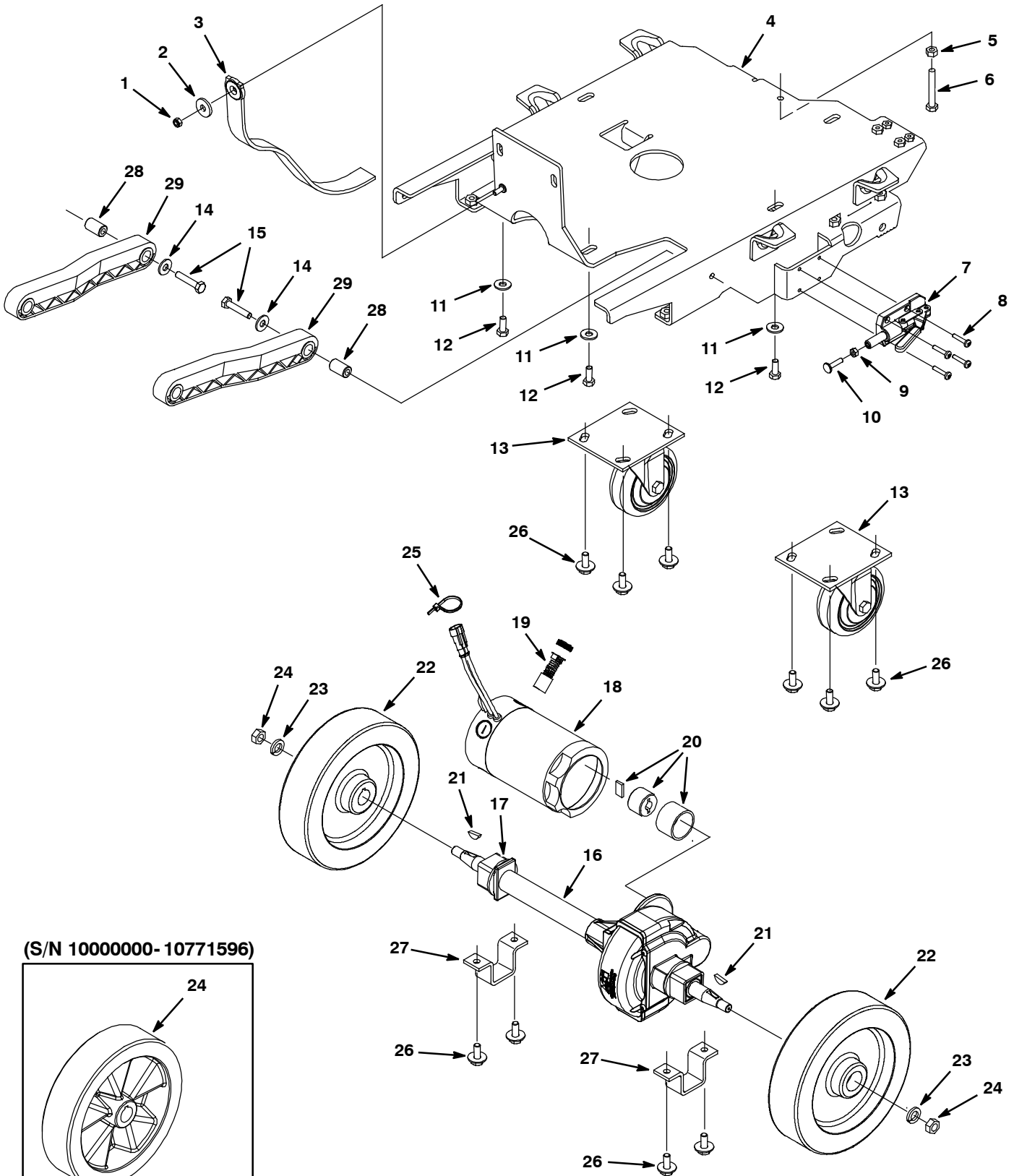
(S/N 1000000-10473939)



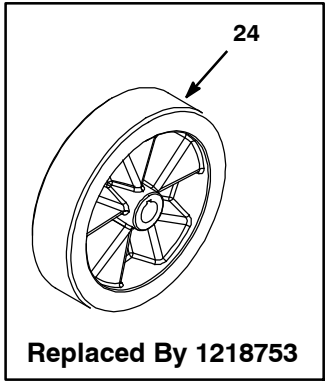
COMPONENT PANEL GROUP (S/N 1000000- 10722198)

Ref.	Part No.	Serial Number	Description	Qty.
1	48732	(10473940- 10722198)	Screw, Pan, M6 X 1.0 X 10, Ss	2
2	07515	(10000000- 10722198)	Washer, Lock, Int, 0.25, Ss	4
3	01684	(10000000- 10722198)	Washer, Flat, 0.25, Ss	6
4	86379	(10000000- 10722198)	Fuse, 100a 125volt 0.88 X 3.2l	1
5	1013523	(10000000- 10722198)	Stand- Off, Wir, M6, 18 Hex, 20l, Insul	2
6	08712	(10000000- 10722198)	Nut, Hex, Lock, M6 X 1.00, Ss, NI	4
7	1024712	(10000000- 20000000)	Cover, Electronics	1
8	608322	(10000000- 20000000)	Screw, Trs, M6 X 1.00 X 16, Phl, Ss	5
9	1038490	(10000000- 10722198)	Relay, 24vdc, 100a, No [Trombetta]	1
10	1023868	(10000000- 10722198)	Bracket, Stand- Off	1
11	1027209	(10000000- 20000000)	Trim, Edge, Plstc, .12 X 65mm	2
12	1026777	(10000000- 20000000)	Brkt, Side, Rh	1
13	1025658	(10000000- 20000000)	Gasket, Cover, Electronics	1
14	1024965	(10000000- 20000000)	Bolt, Shld, 08mmd X 030mm, M06 X 1.0	2
15	33932	(10000000- 20000000)	Nut, Hex, Lock, M4 X 0.70, NI, Ss	2
16	41579	(10000000- 20000000)	Washer, Flat, #08, Ss	2
17	1052261	(10000000- 20000000)	Module, Cntrl, Drive [Ss5]	1
18	1029123	(10000000- 20000000)	Brkt, Side, Lh	1
19	33931	(10000000- 20000000)	Screw, Pan, M4 X 0.7 X 30, Ss	2
20	1012216	(10000000- 20000000)	Relay, 24vdc, 070a, Spst No, Plug- In	3
21	01683	(10000000- 20000000)	Washer, Flat, #10, Ss	3
22	09739	(10000000- 20000000)	Nut, Hex, Lock, M5 X 0.80, NI, Ss	3
23	383724	(10000000- 20000000)	Circuitbreaker, 25.0a, Resetable	3
24	383721	(10000000- 20000000)	Circuitbreaker, 10.0a	1
25	1026776	(10000000- 10722198)	Wldt, Panel, Elec	1
26	130773	(10000000- 20000000)	Tie, Cable, Nyl, 11.0l, .14w, 3.0 Max. D	1
27	07785	(10473940- 10722198)	Nut, Hex, Std, M6 X 1.00, Ss	1
28	1018559	(10473940- 10722198)	Screw, Set, M6 X 1.0 X 30, Ss	2
29	48732	(10000000- 10473939)	Screw, Pan, M6 X 1.0 X 10, Ss (Replaced By #27 & 28)	1

FRAME GROUP



(S/N 1000000- 10771596)



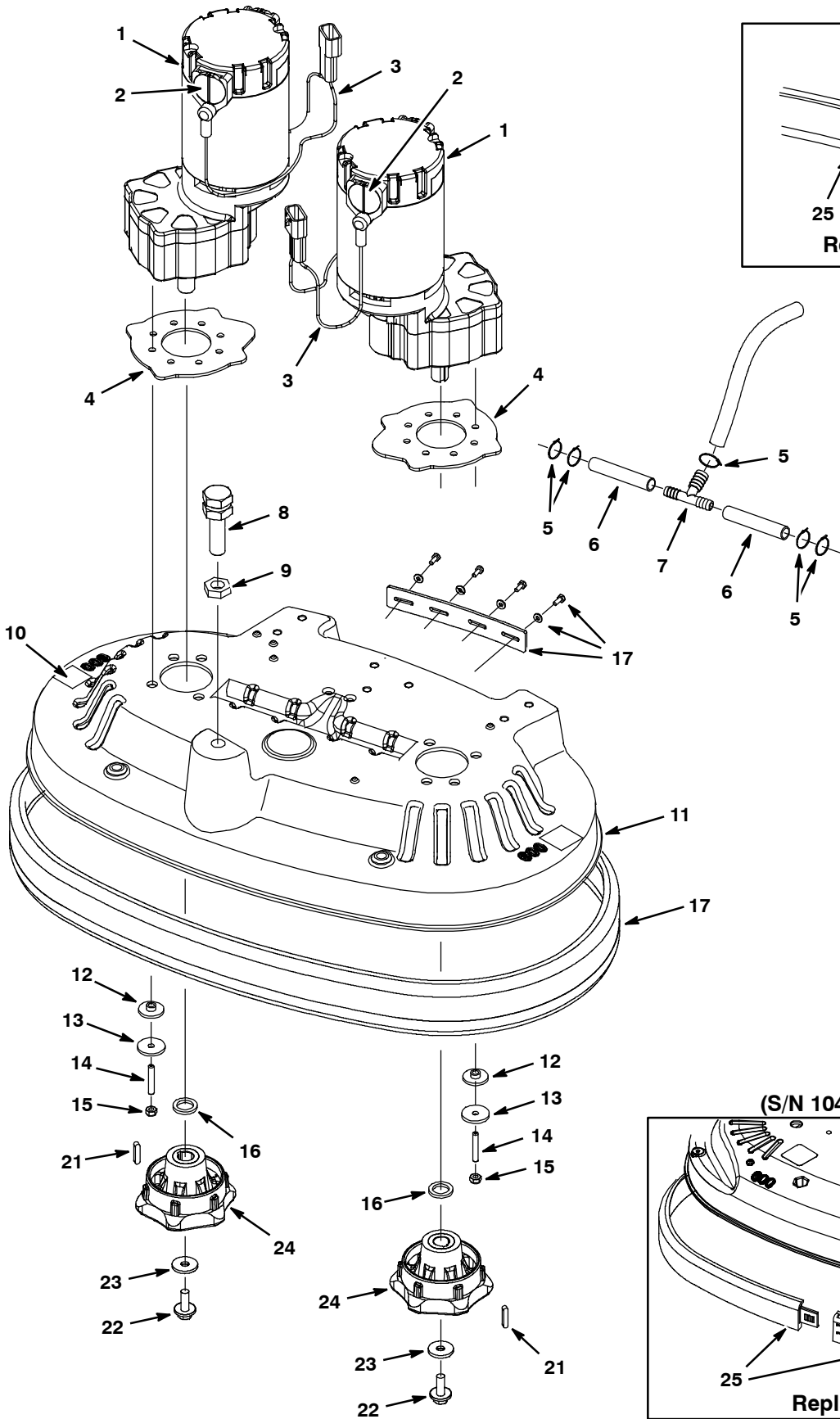
FRAME GROUP

Ref.	Part No.	Serial Number	Description	Qty.	
1	08712	(10000000- 20000000)	Nut, Hex, Lock, M6 X 1.0, Ss, NI	1	
2	140053	(10000000- 20000000)	Washer, Flat, 0.28b 0.88d .12, Ss	1	
3	1029181	(10000000- 20000000)	Strap, Static	1	
4	1020959	(10000000- 20000000)	Frame Wldt, Transaxle	1	
5	07786	(10000000- 20000000)	Nut, Hex, Std, M8 X 1.25, Ss	1	
6	222504	(10000000- 20000000)	Screw, Hex, M8 X 1.25 X 55, Ss	1	
7	1022878	(10000000- 20000000)	Clamp, Str, 30mm Strk (Optional)	1	
8	1030769	(10000000- 20000000)	Screw, Pan, M5 X 0.8 X 25 Fmg	4	
9	07785	(10000000- 20000000)	Nut, Hex, Std, M6 X 1.0, A2, Ss	1	
10	1017416	(10000000- 20000000)	Screw, Weld, M06 X 1.00 X 25, Thru, Ss	1	
11	1016331	(10000000- 20000000)	Washer, Flat, 0.34b 1.25d .11, Ss	5	
12	12273	(10000000- 20000000)	Screw, Hex, M8 X 1.25 X 20, Ss, NI	5	
13	1049048	(10000000- 20000000)	Caster, Swivel, 4.0d 1.4w, 4hole [400lb]	2	
14	01685	(10000000- 20000000)	Washer, Flat, 0.31 Ss	2	
15	74440	(10000000- 20000000)	Screw, Hex, M8 X 1.25 X 40, Ss, NI	2	
▽	16	1021168	(10000000- 20000000)	Transaxle, 24vdc, 110rpm [Asi]	1
▲	17	612880	(10000000- 20000000)	Sleeve, Transaxle, Replmt	2
▲▽	18	1031723	(10000000- 20000000)	Motor, Transaxle, 24vdc, Replmt, Asi	1
▲▲	19	614166	(10000000- 20000000)	Brush Kit, Carbon [Qty 4]	1
▲	20	1017782	(10000000- 20000000)	Coupling Kit, Transaxle, Replmt [11057]	1
▲	21	1021167	(10000000- 20000000)	Key, Woodruff, 5mm	2
▽		9004909	(10000000- 20000000)	Wheel Kit, Solid, Ci [T5 T5e Ss5]	1
▲	22	1218753	(10771597-)	Wheel, Scrbr, 213mm, W/ Taper	2
	22	1020688	(10000000- 10771596)	Wheel, Scrbr, 213.00mm With Taper (Replaced by 9004909)	2
	23	140024	(10000000- 20000000)	Washer, Lock, Splt, 0.50, Ss	2
	24	07788	(10000000- 20000000)	Nut, Hex, Std, M12 X 1.75, Ss	2
	25	130773	(10000000- 20000000)	Tie, Cable, Nyl, 11.0l, .14w, 3.0 Max. D	4
	26	1020341	(10000000- 20000000)	Screw, Hex, M8 X 1.25 X 20, Ss, Sems	12
	27	606001	(10000000- 20000000)	Bracket, Transaxle, Mtg, Ylw Zn	2
	28	606056	(10000000- 20000000)	Tube, 00.62d 00.32b 01.0l Stl Plt	2
	29	222027	(10000000- 20000000)	Arm, Lift, Head,	2

▽ ASSEMBLY

▲ INCLUDED IN ASSEMBLY

SCRUB HEAD GROUP, DISK 24 in / 600 mm



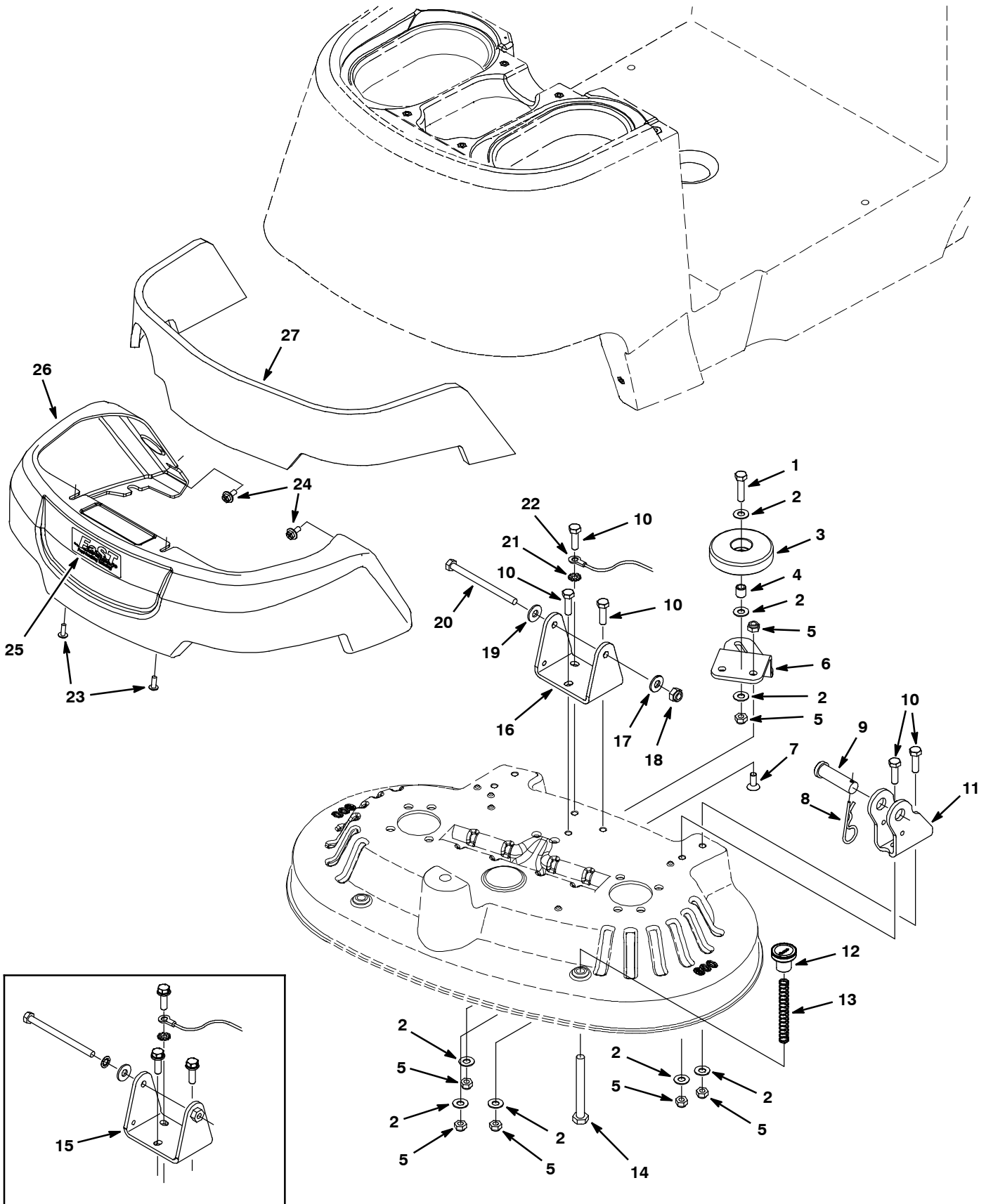
SCRUB HEAD GROUP, DISK 24 in / 600 mm

Ref.	Part No.	Serial Number	Description	Qty.
▽	1	1023067	(10000000- 20000000) Motor, Gearbox,24vdc, 220rpm, 0.75hp	2
▲	2	1031775	(10000000- 20000000) Brush, Brush- Motor, Afmkt	1
▲	3	1031681	(10000000- 20000000) Harness, Connector, Brush- Motor- Us	1
	4	1024321	(10000000- 20000000) Spacer, Rbr, Motor	2
	5	130773	(10000000- 20000000) Tie, Cable, Nyl, 11.0l, .14w, 3.0 Max. D	7
	6	606362	(10000000- 20000000) Hose 3/8IdX5/8OdX6.5 (611254)	2
	7	1022556	(10000000- 20000000) Fitting, Plstc, Tee, Bm06/Bm06/Bm08	1
	8	1022424	(10000000- 20000000) Stud, Adj, M16, Scrub Head	1
	9	763066	(10000000- 20000000) Nut, Hex, Jam, M16 X 2.0	1
	10	578769	(10000000- 20000000) Label, Moving Parts	2
	11	1022402	(10000000- 20000000) Housing, Casting, Head, 60cm, Mach	1
	12	1025160	(10000000- 20000000) Grommet, Isolator, 6b X 10od X 26.0fl	8
	13	386063	(10000000- 20000000) Washer, Flat, 0.25b 1.12d .12, Ss	8
	14	1025853	(10000000- 20000000) Screw, Set, M6 X 1.00 X 35, Ss, NI	8
	15	08712	(10000000- 20000000) Nut, Hex, Lock, M6 X 1.0, Ss, NI	8
	16	1022549	(10000000- 20000000) Spacer, Shaft, 17.15b, 25.0d, 3.0t	2
	17	1072656	(xxxxxxx- 20000000) Bumper, Head, 60cm, Bristle Skirt (Includes Mounting Hardware & Retaining Strap)	1
	18	1020234	(10000000- 10443635) Screw, Hex, M4 X 0.7 X 10, Ss	4
	19	41578	(10000000- 10443635) Washer, Flat, #06 Ss	4
	20	1023573	(10000000- 10443635) Strap, Retaining, Skirt (Replaced by 1053609)	1
	21	1014328	(10000000- 20000000) Key, Sq, 05mm X 05mm, 25l	2
	22	1072628	(10000000- 20000000) Screw, Hex, M8 X 1.25 X 25, Ss, Sems	2
	23	1017218	(10000000- 20000000) Washer, Flat, 0.32b 1.00d .12, Ss	2
	24	1071637	(10617685- 20000000) Hub, Drive, Brush, Disk, 17mmb	2
	24	1022550	(10000000- 10617684) Hub, Drive, Brush, Disk, 17mm (Replaced by 1071637)	2
	25	1053609	(10443636- xxxxxxxx) Bumper, Head, 60cm, Bristle Skirt (Replaced by 1072656)	1
	25	1024938	(10000000- 10443635) Bumper, Head, 60cm, Bristle Skirt, Assy (Replaced by 1053609)	1

▽ ASSEMBLY

▲ INCLUDED IN ASSEMBLY

SCRUB HEAD GROUP, DISK 24 in / 600 mm - CONT'D



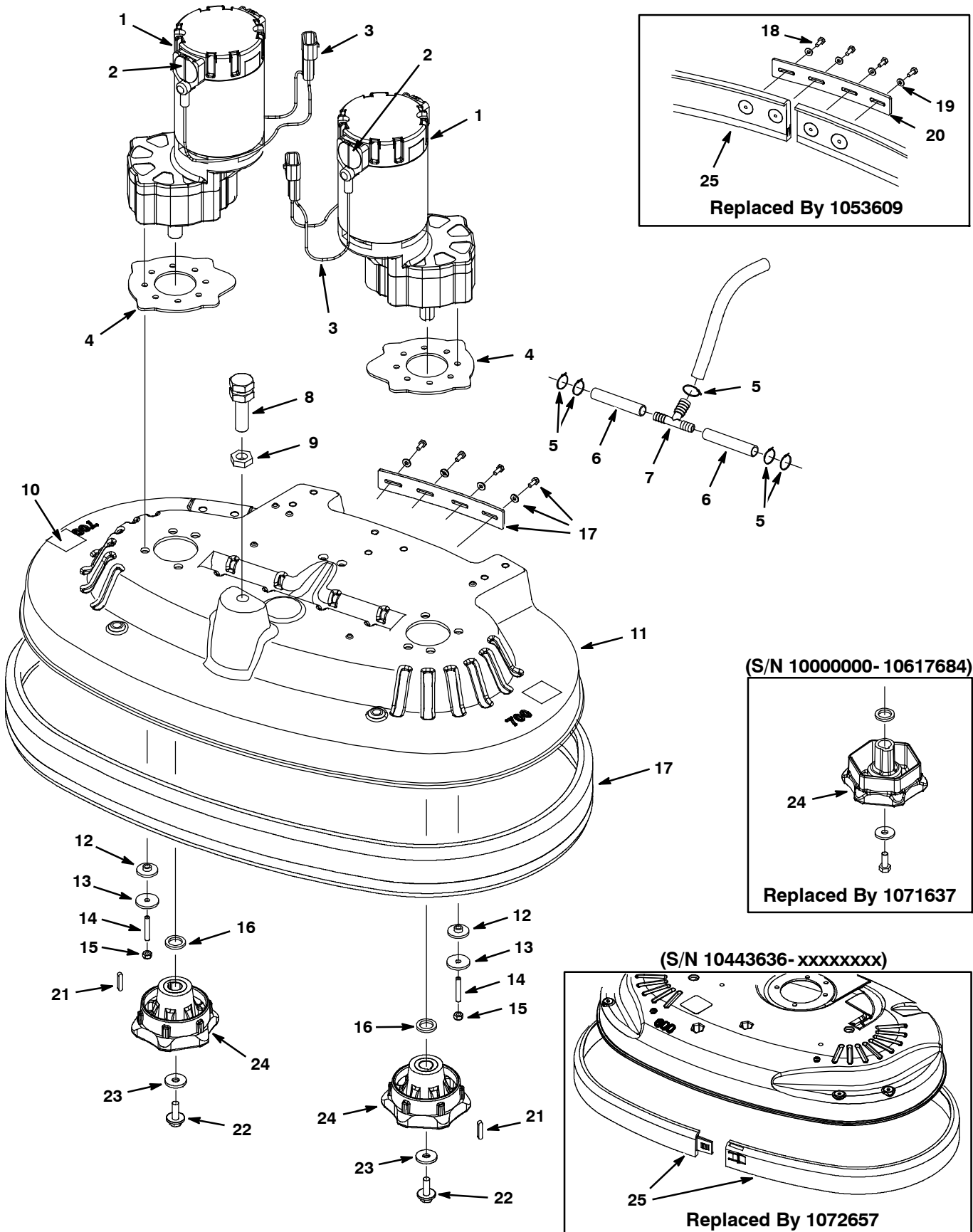
SCRUB HEAD GROUP, DISK 24 in / 600 mm - CONT'D

Ref.	Part No.	Serial Number	Description	Qty.	
1	09023	(10000000- 20000000)	Screw, Hex, M8 X 1.25 X 35, Ss, Fl	1	
2	140027	(10000000- 20000000)	Washer, Flat, 0.35b 0.75d .04, Ss	10	
3	1010560	(10000000- 20000000)	Wheel, Bmpr, 80d X 25w, Non- Marking	1	
4	222460	(10000000- 20000000)	Sleeve, P/M, 0.496d 0.318b 0.50l 430ss	1	
5	08713	(10000000- 20000000)	Nut, Hex, Lock, M8 X 1.25, Ni, Ss	10	
6	1022344	(10000000- 20000000)	Bracket, Roller, Wall, Scrubhead, 60cm	1	
7	79246	(10000000- 20000000)	Screw, Flt, M8 X 1.25 X 20, Ss 18- 8	2	
8	02942	(10000000- 20000000)	Pin, Hair Cotter, 0.62 D .120 Wir	2	
9	222210	(10000000- 20000000)	Pin, Clevis, 0.62 D X 2.12l	2	
10	09011	(10000000- 20000000)	Screw, Hex, M8 X 1.25 X 30, Ss	7	
11	1022227	(10000000- 20000000)	Bracket, Link, Scrubhead	2	
12	1024179	(10000000- 20000000)	Knob, Knurled, M10 Thread	2	
13	626081	(10000000- 20000000)	Spring, Cmpr, 12.1d, 0.9w, 90.0l	2	
14	09746	(10000000- 20000000)	Screw, Hex, M10 X 1.5 X 90, Ss	2	
15	N/A	(10000000- 10325113)	(Replaced By Items #16, 17, & 18)	1	
16	1036022	(10325114- 20000000)	Bracket, Mtg, Actuator, Scb Head	1	
17	01685	(10325114- 20000000)	Washer, Flat, 0.31 Ss	1	
18	08713	(10325114- 20000000)	Nut, Hex, Lock, M8 X 1.25, Ni, Ss	1	
19	01685	(10000000- 20000000)	Washer, Flat, 0.31 Ss	1	
20	364441	(10000000- 20000000)	Screw, Hex, M8 X 1.25 X 110, Ss	1	
21	43952	(10000000- 20000000)	Washer, Lock, Int, 0.31, Ss	1	
22	1031370	(10000000- 20000000)	Wire, 12 Awg X 250mm	1	
23	608322	(10000000- 20000000)	Screw, Trs, M6 X 1.0 X 16, Phl, Ss	2	
24	1034731	(10000000- 20000000)	Screw, Hex, M6 X 1.00 X 16, Ss, Sems	2	
25	1034921	(10000000- 20000000)	Label, Logo, White/Black, 4.00l [Fast] (NLA - No Longer Available)	1	
▽	26	9003252	(10000000- 20000000)	Cover Kit, Head, Disc, Replmt [Ss5]	1
▲	27	1027068	(10000000- 20000000)	Insulation, Sound, Front	1

▽ ASSEMBLY

▲ INCLUDED IN ASSEMBLY

SCRUB HEAD GROUP, DISK 28 in / 700 mm



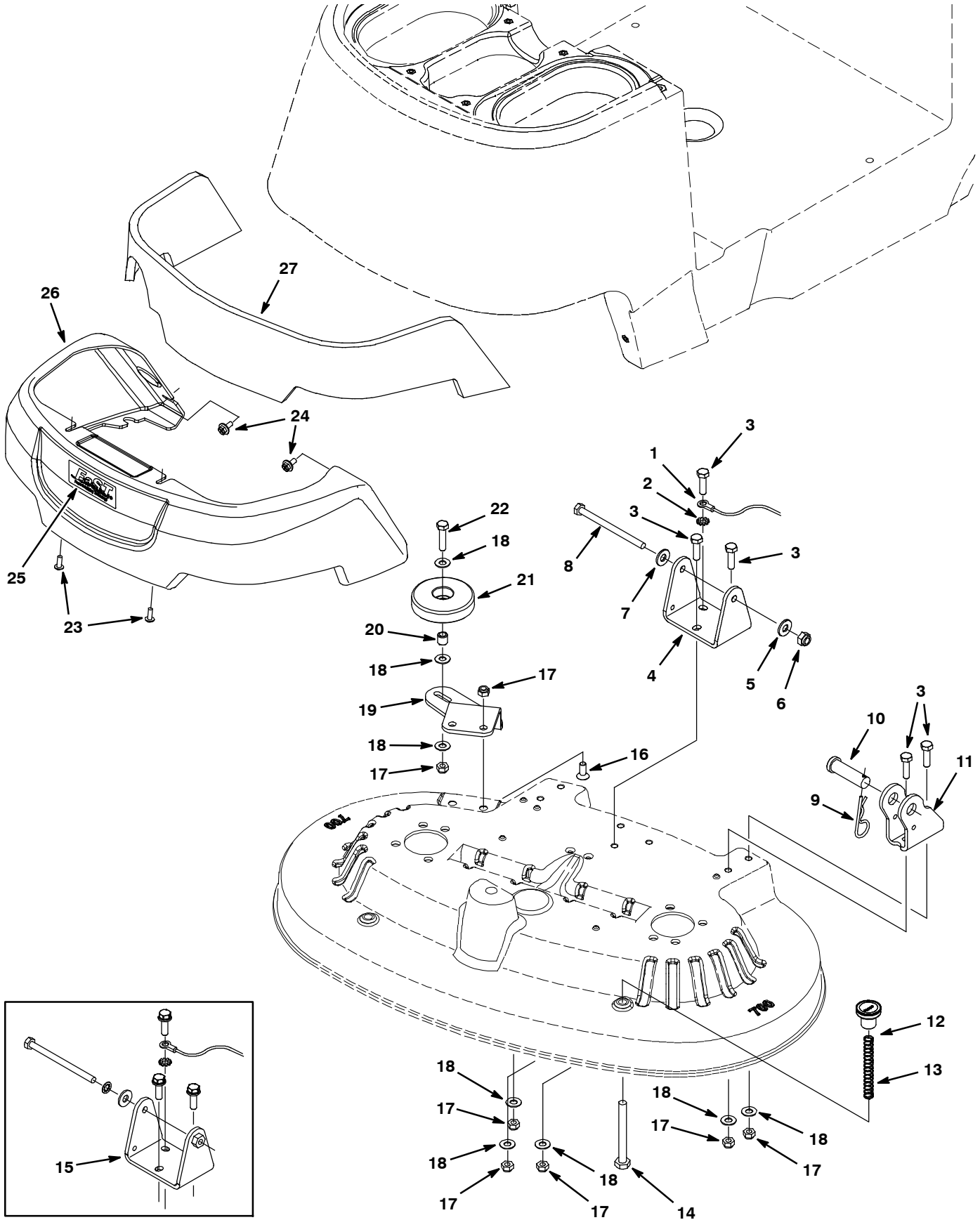
SCRUB HEAD GROUP, DISK 28 in / 700 mm

Ref.	Part No.	Serial Number	Description	Qty.
▽	1	1023067	(10000000- 20000000) Motor, Gearbox,24vdc, 220rpm, 0.75hp	2
▲	2	1031775	(10000000- 20000000) Brush, Brush- Motor, Afmkt	1
▲	3	1031681	(10000000- 20000000) Harness, Connector, Brush- Motor- Us	1
	4	1024321	(10000000- 20000000) Spacer, Rbr, Motor	2
	5	130773	(10000000- 20000000) Tie, Cable, Nyl, 11.0l, .14w, 3.0 Max. D	7
	6	606362	(10000000- 20000000) Hose 3/8IdX5/8OdX6.5 (611254)	2
	7	1022556	(10000000- 20000000) Fitting, Plstc, Tee, Bm06/Bm06/Bm08	1
	8	1022424	(10000000- 20000000) Stud, Adj, M16, Scrub Head	1
	9	763066	(10000000- 20000000) Nut, Hex, Jam, M16 X 2.0	1
	10	578769	(10000000- 20000000) Label, Moving Parts	2
	11	1023182	(10000000- 20000000) Housing, Casting, Head, 70cm, Mach	1
	12	1025160	(10000000- 20000000) Grommet, Isolator, 6b X 10od X 26.0fl	8
	13	386063	(10000000- 20000000) Washer, Flat, 0.25b 1.12d .12, Ss	8
	14	1025853	(10000000- 20000000) Screw, Set, M6 X 1.00 X 35, Ss, NI	8
	15	08712	(10000000- 20000000) Nut, Hex, Lock, M6 X 1.0, Ss, NI	8
	16	1022549	(10000000- 20000000) Spacer, Shaft, 17.15b, 25.0d, 3.0t	2
	17	1072657	(xxxxxxx- 20000000) Bumper, Head, 70cm, Bristle Skirt (Includes Mounting Hardware & Retaining Strap)	1
	18	1020234	(10000000- 10446231) Screw, Hex, M4 X 0.7 X 10, Ss	4
	19	41578	(10000000- 10446231) Washer, Flat, #06 Ss	4
	20	1023573	(10000000- 10446231) Strap, Retaining, Skirt (Replaced by 1053613)	1
	21	1014328	(10000000- 20000000) Key, Sq, 05mm X 05mm, 25l	2
	22	1072628	(10000000- 20000000) Screw, Hex, M8 X 1.25 X 25, Ss, Sems	2
	23	1017218	(10000000- 20000000) Washer, Flat, 0.32b 1.00d .12, Ss	2
	24	1071637	(10617685- 20000000) Hub, Drive, Brush, Disk, 17mmb	2
	24	1022550	(10000000- 10617684) Hub, Drive, Brush, Disk, 17mm (Replaced by 1071637)	2
	25	1053613	(10446232- xxxxxxxx) Bumper, Head, 70cm, Bristle Skirt (Replaced by 1072657)	1
	25	1023802	(10000000- 10446231) Bumper, Head, 70cm, Bristle Skirt, Assy (Replaced by 1053613)	1

▽ ASSEMBLY

▲ INCLUDED IN ASSEMBLY

SCRUB HEAD GROUP, DISK 28 in / 700 mm - CONT'D



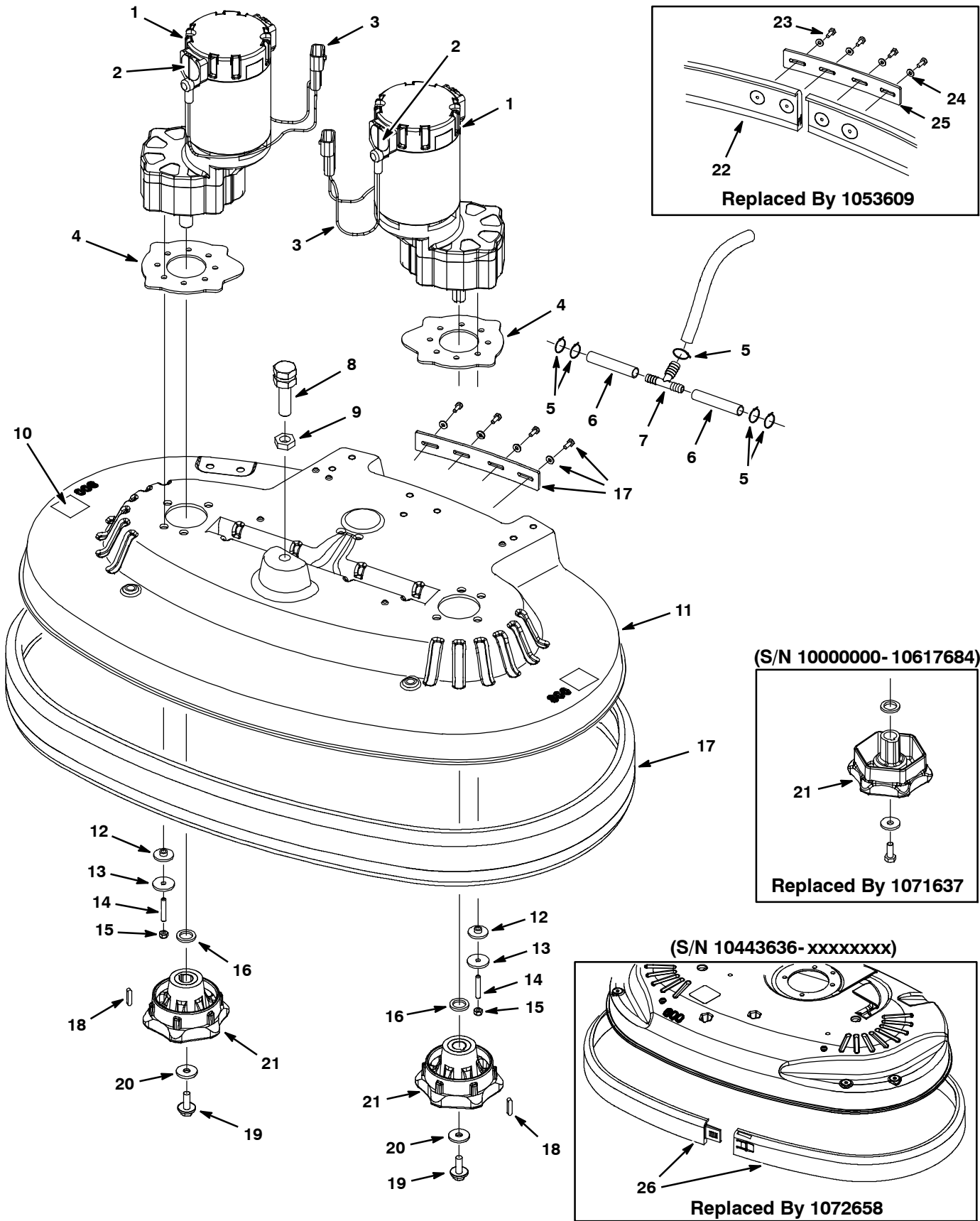
SCRUB HEAD GROUP, DISK 28 in / 700 mm - CONT'D

Ref.	Part No.	Serial Number	Description	Qty.	
1	1031370	(10000000- 20000000)	Wire, 12 Awg X 250mm	1	
2	43952	(10000000- 20000000)	Washer, Lock, Int, 0.31, Ss	1	
3	09011	(10000000- 20000000)	Screw, Hex, M8 X 1.25 X 30, Ss	7	
4	1036022	(10325114- 20000000)	Bracket, Mtg, Actuator, Scb Head	1	
5	01685	(10325114- 20000000)	Washer, Flat, 0.31 Ss	1	
6	08713	(10325114- 20000000)	Nut, Hex, Lock, M8 X 1.25, NI, Ss	1	
7	01685	(10000000- 20000000)	Washer, Flat, 0.31 Ss	1	
8	364441	(10000000- 20000000)	Screw, Hex, M8 X 1.25 X 110, Ss	1	
9	02942	(10000000- 20000000)	Pin, Hair Cotter, 0.62 D .120 Wir	2	
10	222210	(10000000- 20000000)	Pin, Clevis, 0.62 D X 2.12l	2	
11	1022227	(10000000- 20000000)	Bracket, Link, Scrubhead	2	
12	1024179	(10000000- 20000000)	Knob, Knurled, M10 Thread	2	
13	626081	(10000000- 20000000)	Spring, Cmpr, 12.1d, 0.9w, 90.0l	2	
14	09746	(10000000- 20000000)	Screw, Hex, M10 X 1.5 X 90, Ss	2	
15	N/A	(10000000- 10325113)	(Replaced By Items #4, 5, & 6)	1	
16	79246	(10000000- 20000000)	Screw, Flt, M8 X 1.25 X 20, Ss 18- 8	2	
17	08713	(10000000- 20000000)	Nut, Hex, Lock, M8 X 1.25, NI, Ss	10	
18	140027	(10000000- 20000000)	Washer, Flat, 0.35b 0.75d .04, Ss	10	
19	1023268	(10000000- 20000000)	Bracket, Roller, Wall, Scb Head, 70cm	1	
20	222460	(10000000- 20000000)	Sleeve, P/M, 0.496d 0.318b 0.50l 430ss	1	
21	1010560	(10000000- 20000000)	Wheel, Bmpr, 80d X 25w, Non- Marking	1	
22	09023	(10000000- 20000000)	Screw, Hex, M8 X 1.25 X 35, Ss, Fl	1	
23	608322	(10000000- 20000000)	Screw, Trs, M6 X 1.0 X 16, Phl, Ss	2	
24	1034731	(10000000- 20000000)	Screw, Hex, M6 X 1.00 X 16, Ss, Sems	2	
25	1034921	(10000000- 20000000)	Label, Logo, White/Black, 4.00l [Fast] (NLA - No Longer Available)	1	
▽	26	9003252	(10000000- 20000000)	Cover Kit, Head, Disc, Replmt [Ss5]	1
▲	27	1027068	(10000000- 20000000)	Insulation, Sound, Front	1

▽ ASSEMBLY

▲ INCLUDED IN ASSEMBLY

SCRUB HEAD GROUP, DISK 32 in / 800 mm



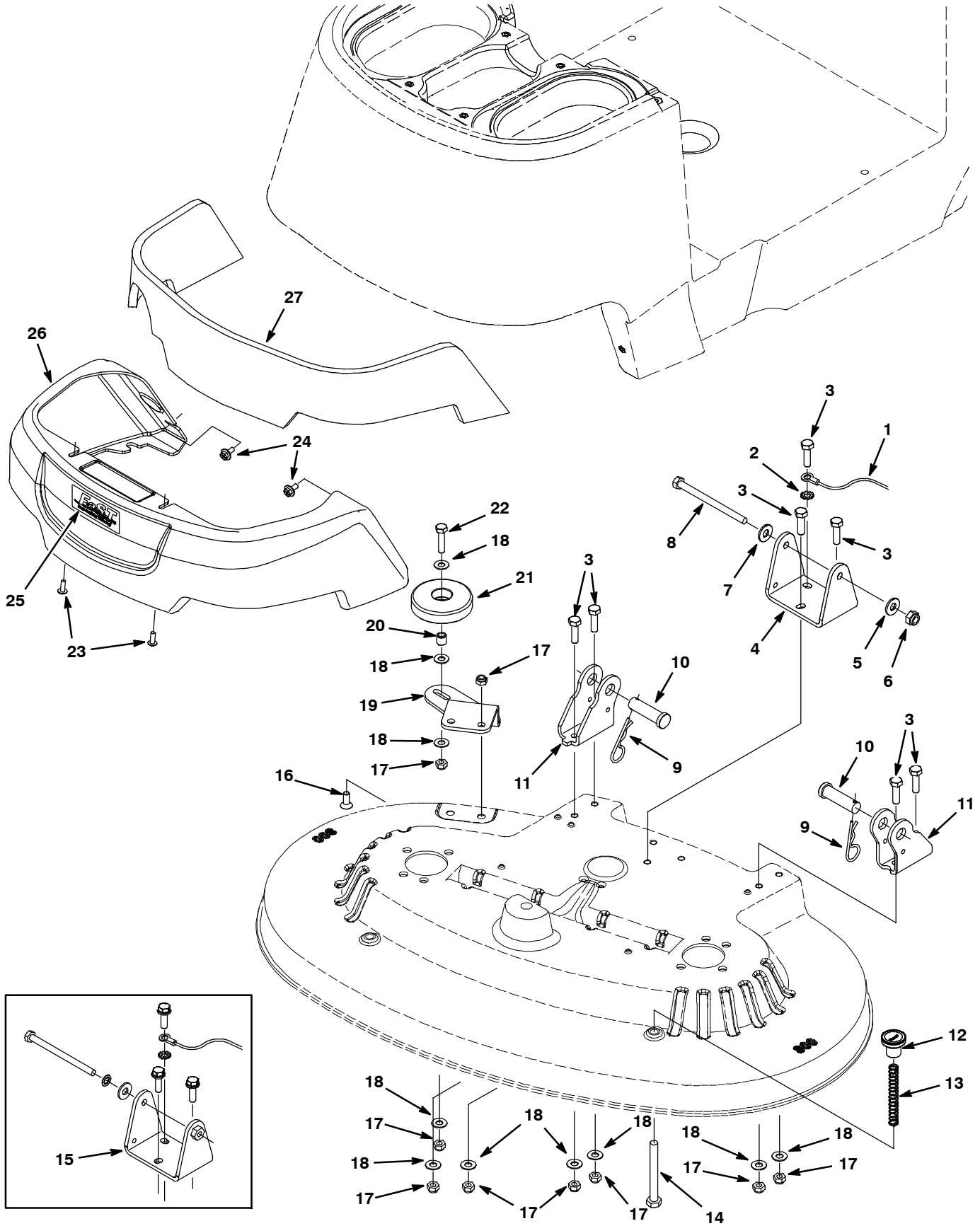
SCRUB HEAD GROUP, DISK 32 in / 800 mm

Ref.	Part No.	Serial Number	Description	Qty.
▽	1	1023067	(10000000- 20000000) Motor, Gearbox,24vdc, 220rpm, 0.75hp	2
▲	2	1031775	(10000000- 20000000) Brush, Brush- Motor, Afmkt	1
▲	3	1031681	(10000000- 20000000) Harness, Connector, Brush- Motor- Us	1
	4	1024321	(10000000- 20000000) Spacer, Rbr, Motor	2
	5	130773	(10000000- 20000000) Tie, Cable, Nyl, 11.0l, .14w, 3.0 Max. D	7
	6	606885	(10000000- 20000000) Hose 3/8idx5/8odx7.75 (611254)	2
	7	1022556	(10000000- 20000000) Fitting, Plstc, Tee, Bm06/Bm06/Bm08	1
	8	1022424	(10000000- 20000000) Stud, Adj, M16, Scrub Head	1
	9	763066	(10000000- 20000000) Nut, Hex, Jam, M16 X 2.0	1
	10	578769	(10000000- 20000000) Label, Moving Parts	2
	11	1023697	(10000000- 20000000) Housing, Casting, Head, 80cm, Mach	1
	12	1025160	(10000000- 20000000) Grommet, Isolator, 6b X 10od X 26.0fl	8
	13	386063	(10000000- 20000000) Washer, Flat, 0.25b 1.12d .12, Ss	8
	14	1025853	(10000000- 20000000) Screw, Set, M6 X 1.00 X 35, Ss, NI	8
	15	08712	(10000000- 20000000) Nut, Hex, Lock, M6 X 1.0, Ss, NI	8
	16	1022549	(10000000- 20000000) Spacer, Shaft, 17.15b, 25.0d, 3.0t	2
	17	1072658	(xxxxxxx- 20000000) Bumper, Head, 80cm, Bristle Skirt (Includes Mounting Hardware & Retaining Strap)	1
	18	1014328	(10000000- 20000000) Key, Sq, 05mm X 05mm, 25l	2
	19	1072628	(10000000- 20000000) Screw, Hex, M8 X 1.25 X 25, Ss, Sems	2
	20	1017218	(10000000- 20000000) Washer, Flat, 0.32b 1.00d .12, Ss	2
	21	1071637	(10617685- 20000000) Hub, Drive, Brush, Disk, 17mmb	2
	21	1022550	(10000000- 10617684) Hub, Drive, Brush, Disk, 17mm (Replaced by 1071637)	2
▽	22	1024941	(10000000- 10423042) Bumper Assy, Skirt, Scrub Head, 80cm (Replaced by 1053618)	1
▲	23	1020234	(10000000- 10423042) Screw, Hex, M4 X 0.7 X 10, Ss	4
▲	24	41578	(10000000- 10423042) Washer, Flat, #06 Ss	4
▲	25	1023573	(10000000- 10423042) Strap, Retaining, Skirt (Replaced by1053618)	1
	26	1053618	(10423043- xxxxxxxx) Bumper, Head, 80cm, Bristle Skirt (Replaced by 1072658)	1

▽ ASSEMBLY

▲ INCLUDED IN ASSEMBLY

SCRUB HEAD GROUP, DISK 32 in / 800 mm - CONT'D



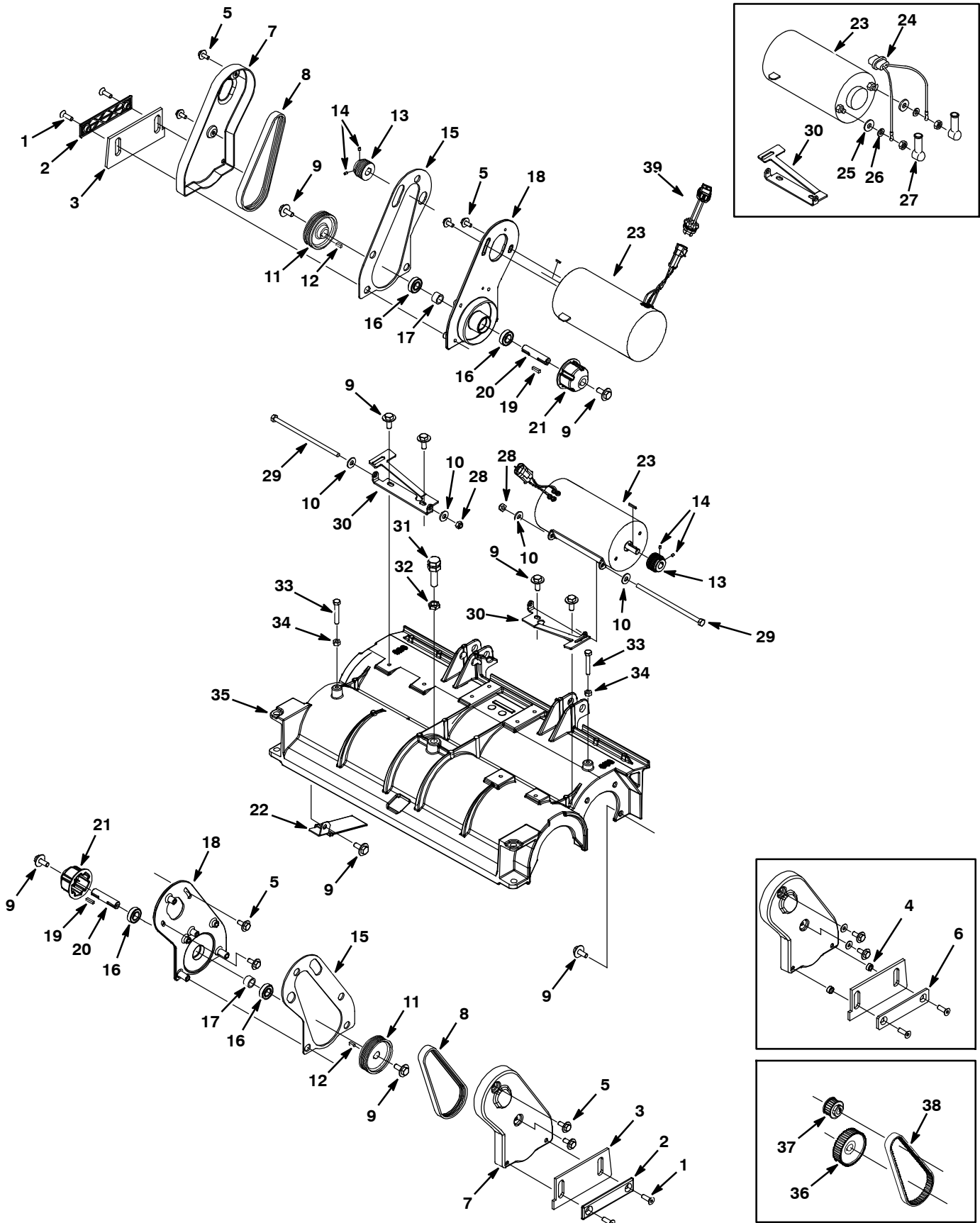
SCRUB HEAD GROUP, DISK 32 in / 800 mm - CONT'D

Ref.	Part No.	Serial Number	Description	Qty.	
1	1031370	(10000000- 20000000)	Wire, 12 Awg X 250mm	1	
2	43952	(10000000- 20000000)	Washer, Lock, Int, 0.31, Ss	1	
3	09011	(10000000- 20000000)	Screw, Hex, M8 X 1.25 X 30, Ss	7	
4	1036022	(10325114- 20000000)	Bracket, Mtg, Actuator, Scb Head	1	
5	01685	(10325114- 20000000)	Washer, Flat, 0.38b 0.88d .08, Ss	1	
6	08713	(10325114- 20000000)	Nut, Hex, Lock, M8 X 1.25, NI, Ss	1	
7	01685	(10000000- 20000000)	Washer, Flat, 0.31 Ss	1	
8	364441	(10000000- 20000000)	Screw, Hex, M8 X 1.25 X 110, Ss	1	
9	02942	(10000000- 20000000)	Pin, Hair Cotter, 0.62 D .120 Wir	2	
10	222210	(10000000- 20000000)	Pin, Clevis, 0.62 D X 2.12l	2	
11	1022227	(10000000- 20000000)	Bracket, Link, Scrubhead	2	
12	1024179	(10000000- 20000000)	Knob, Knurled, M10 Thread	2	
13	626081	(10000000- 20000000)	Spring, Cmpr, 12.1d, 0.9w, 90.0l	2	
14	09746	(10000000- 20000000)	Screw, Hex, M10 X 1.5 X 90, Ss	2	
15	N/A	(10000000- 10325113)	(Replaced By Items #4, 5, & 6)	1	
16	79246	(10000000- 20000000)	Screw, Flt, M8 X 1.25 X 20, Ss 18- 8	2	
17	08713	(10000000- 20000000)	Nut, Hex, Lock, M8 X 1.25, NI, Ss	10	
18	140027	(10000000- 20000000)	Washer, Flat, 0.35b 0.75d .04, Ss	10	
19	1023268	(10000000- 20000000)	Bracket, Roller, Wall, Scb Head, 70cm	1	
20	222460	(10000000- 20000000)	Sleeve, P/M, 0.496d 0.318b 0.50l 430ss	1	
21	1010560	(10000000- 20000000)	Wheel, Bmpr, 80d X 25w, Non- Marking	1	
22	09023	(10000000- 20000000)	Screw, Hex, M8 X 1.25 X 35, Ss, Fl	1	
23	608322	(10000000- 20000000)	Screw, Trs, M6 X 1.0 X 16, Phl, Ss	2	
24	1034731	(10000000- 20000000)	Screw, Hex, M6 X 1.00 X 16, Ss, Sems	2	
25	1034921	(10000000- 20000000)	Label, Logo, White/Black, 4.00l [Fast] (NLA - No Longer Available)	1	
▽	26	9003252	(10000000- 20000000)	Cover Kit, Head, Disc, Replmt [Ss5]	1
▲	27	1027068	(10000000- 20000000)	Insulation, Sound, Front	1

▽ ASSEMBLY

▲ INCLUDED IN ASSEMBLY

SCRUB HEAD GROUP, CYLINDRICAL 26 in / 650 mm



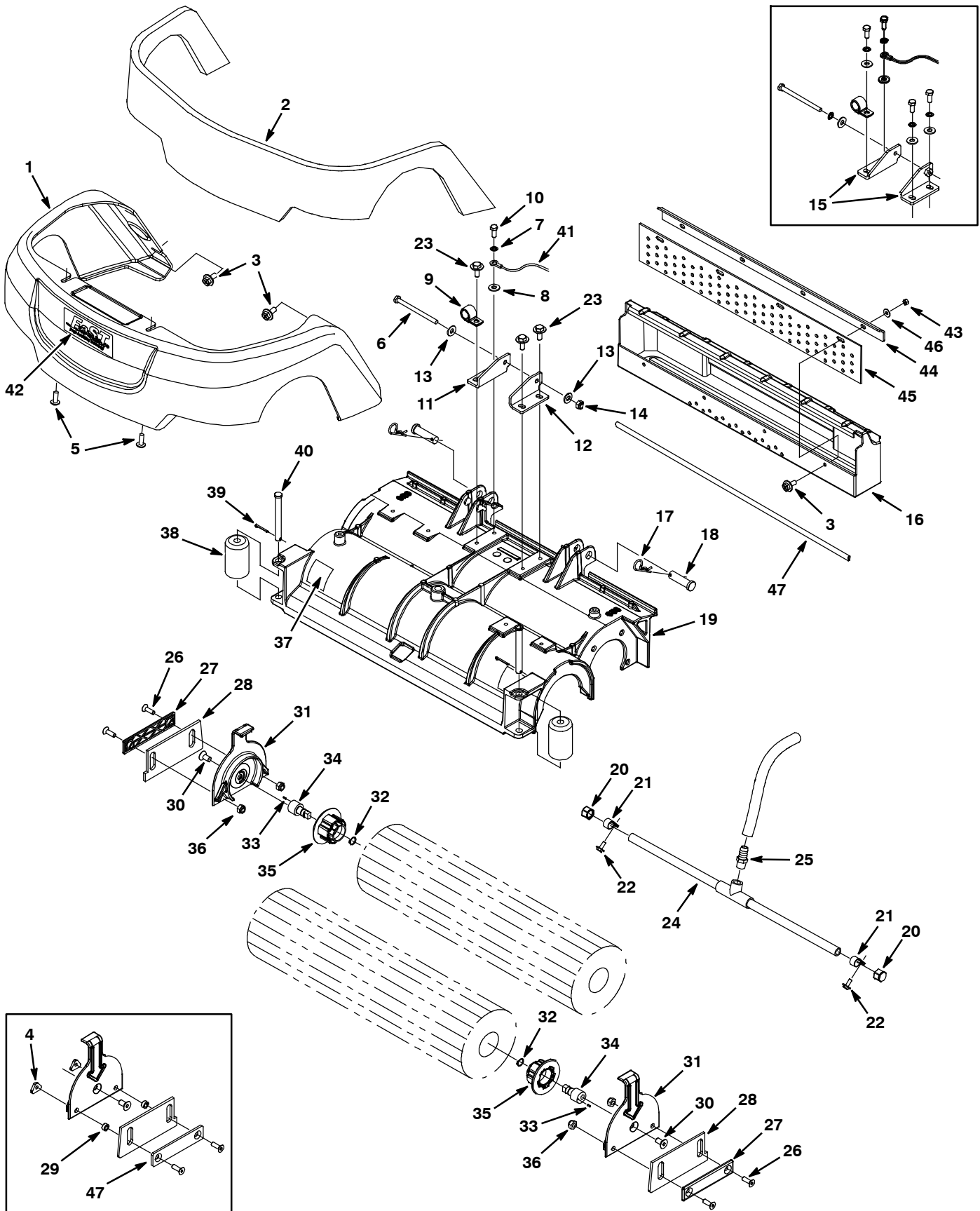
SCRUB HEAD GROUP, CYLINDRICAL 26 in / 650 mm

Ref.	Part No.	Serial Number	Description	Qty.	
1	222692	(10000000- 20000000)	Screw, Flt, M8 X1.25 X 25, Ss, 18- 8, NI	4	
2	1036245	(10353861- 20000000)	Retainer, Blade, Sqge, Side, Blk, Nyl	2	
3	1026292	(10000000- 20000000)	Skirt, Side, Scb, Cyl	2	
4	1027221	(10000000- 10353860)	Bushing, .325id .235h (Replaced by 1036245)	4	
5	1034731	(10000000- 20000000)	Screw, Hex, M6 X 1.00 X 16, Sems, Ss	8	
6	1026398	(10000000- 10353860)	Link, 0.18, 1.3w 05.7l, 2/0.4h, Cham (Replaced by 1036245)	2	
7	1022807	(10000000- 20000000)	Cover, Belt	2	
8	1035888	(10338658- 20000000)	Belt, Drive, 6Grv, 508l X 14w, [6Pj]	2	
9	1020341	(10000000- 20000000)	Screw, Hex, M8 X 1.25 X 20, Sems, Ss	16	
10	01685	(10000000- 20000000)	Washer, Flat, 0.31 Ss	4	
11	1035173	(10338658- 20000000)	Sheave, 06Grv, 2.96pd, 0.59b, Alm [Pj]	2	
12	00961	(10000000- 20000000)	Key, Sq, 0.19 X 0.19, 0.50l	2	
13	1033528	(10338658- 20000000)	Sheave, 06Grv, 1.33pd, 0.50b, Alm [Pj]	2	
14	222818	(10000000- 20000000)	Screw, Set, #08- 32 X 0.25, NI	4	
15	1022401	(10000000- 20000000)	Gasket, Cover, Belt	2	
16	41360	(10000000- 20000000)	Bearing, Ball, 0.59b 1.26d 0.35w [2seal]	4	
17	1002077	(10000000- 20000000)	Spacer, 0.59b 0.81d 0.50l	2	
18	1021036	(10000000- 20000000)	Bracket, Motor, Machined	2	
19	00911	(10000000- 20000000)	Key, Sq, 0.19 X 0.19, 0.75l	2	
20	1021050	(10000000- 20000000)	Shaft, Drive	2	
21	378805	(10000000- 20000000)	Plug, Drive, Brush, Mach	2	
22	1029358	(10000000- 20000000)	Deflector, Water, Cyl Head	1	
▽	23	1042228	(10419662- 20000000)	Motor, Ele, 24vdc 1500rpm 0.75hp 23.0a	2
▲		1049739	(10419662- 20000000)	Brush Kit, Carbon, Motor, Replmt [4pcs]	2
▽	23	1050369	(10000000- 10419661)	Motor Kit, Cylrcl, Replmt, F/604980 [T5]	2
▲		190152	(10000000- 10419661)	Brush, Carbon [Pk=4]	2
▲		605305	(10000000- 10419661)	Spring, Motor, F/ Carbon Brush	8
24	606795	(10000000- 10419661)	Harness Motor Cyl- Brush	2	
25	140027	(10000000- 10419661)	Washer, Flat, 0.35b 0.75d .04, Ss	4	
26	43952	(10000000- 10419661)	Washer, Lock, Int, 0.31 Ss	6	
27	608964	(10000000- 10419661)	Boot, 90deg .27id 0.64id 1.79l, Blk	4	
28	08713	(10353861- 20000000)	Nut, Hex, Lock, M8 X 1.25, NI, Ss	2	
29	1025026	(10000000- 20000000)	Screw, Hex, M8 X 1.25 X 180, Ss	2	
30	1044386	(10000000- 20000000)	Bracket, Mounting, Motor	2	
31	1022424	(10000000- 20000000)	Stud, Adj, M16, Scrub Head	1	
32	763066	(10000000- 20000000)	Nut, Hex, Jam, M16 X 2.0	1	
33	578717	(10000000- 20000000)	Screw, Hex, M8 X 1.25 X 50, Ss	2	
34	07786	(10000000- 20000000)	Nut, Hex, Std, M8 X 1.25, Ss	2	
35	1022624	(10000000- 20000000)	Housing, Head, 65cm Cyl, Mach	1	
36	1024636	(10000000- 10338657)	Sprocket, 48t, 5p V2	2	
37	375195	(10000000- 10338657)	Sprocket, Timing, 22tooth, 0.50b, [Gt/2]	2	
38	377500	(10000000- 10338657)	Belt, Synchronous, 500l, 15mm [05p, Plychn]	2	
39	1052895	(10419662- 20000000)	Harness, Adapter, Motor [T7/T5]	1	

▽ ASSEMBLY

▲ INCLUDED IN ASSEMBLY

SCRUB HEAD GROUP, CYLINDRICAL 26 in / 650 mm - CONT'D



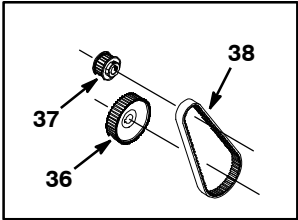
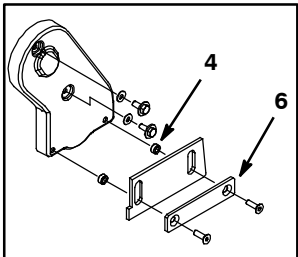
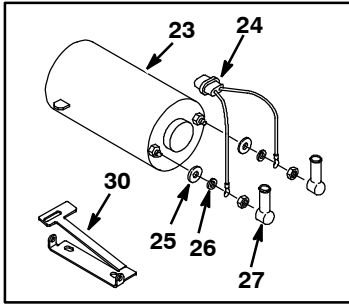
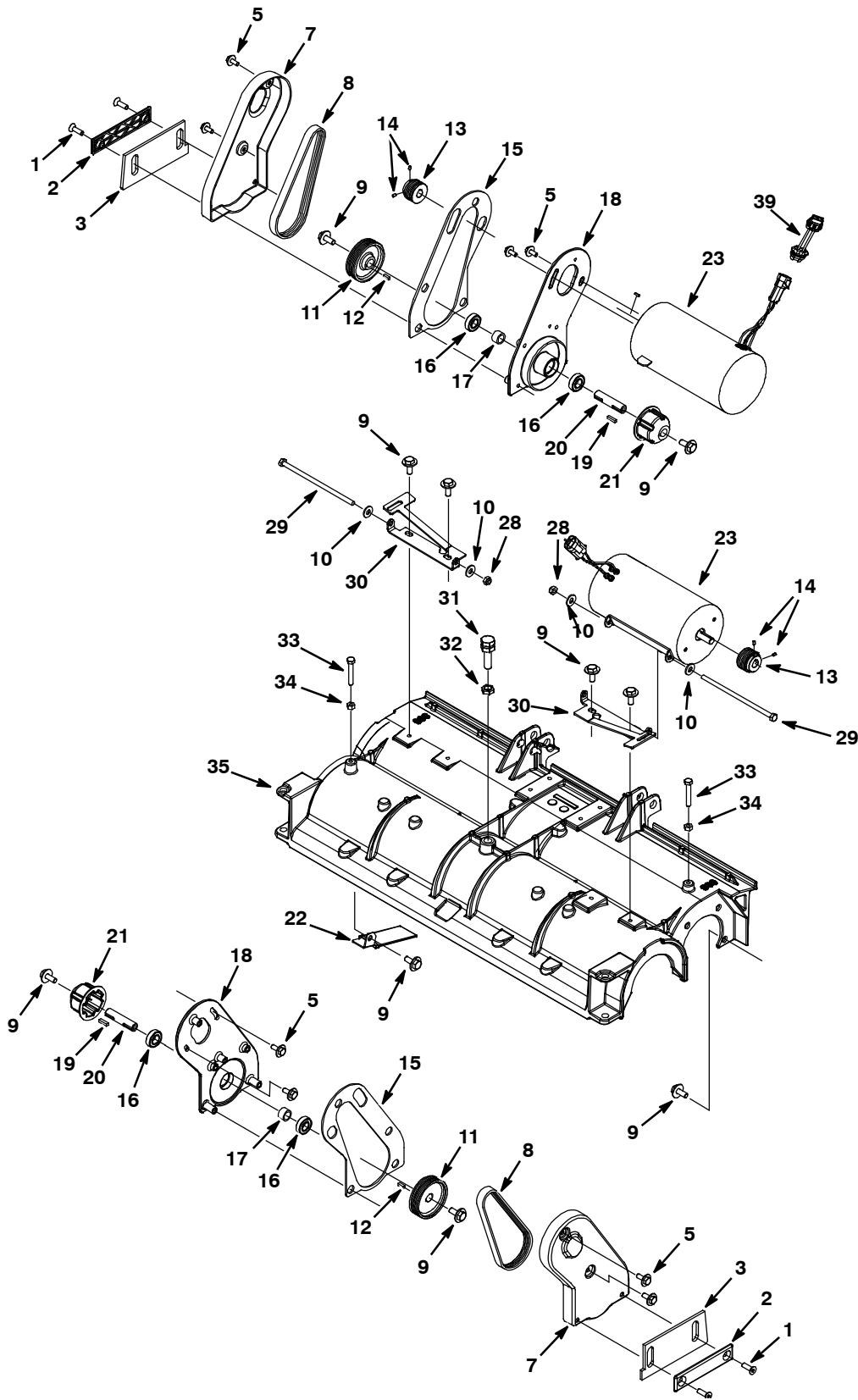
SCRUB HEAD GROUP, CYLINDRICAL 26 in / 650 mm - CONT'D

Ref.	Part No.	Serial Number	Description	Qty.
▽	1	9003253	(10000000- 20000000) Cover Kit, Head, Cyl, Replmt [Ss5]	1
▲	2	1027069	(10000000- 20000000) Insulation, Sound, Front, Cyl	1
	3	1034731	(10000000- 20000000) Screw, Hex, M6 X 1.00 X 16, Sems, Ss	6
	4	607256	(10000000- 10353860) Nut, Retainer, Spcl, M8, Ss	4
	5	608322	(10000000- 20000000) Screw, Trs, M6 X 1.0 X 16, Phl, Ss	2
	6	364441	(10000000- 20000000) Screw, Hex, M8 X 1.25 X 110, Ss	1
	7	43952	(10000000- 20000000) Washer, Lock, Int, 0.31 Ss	1
	8	01685	(10000000- 20000000) Washer, Flat, 0.31 Ss	1
	9	140314	(10000000- 20000000) Clamp, Cable, Stl, 0.75d X 0.75w, 1h, Yl	1
	10	12273	(10000000- 20000000) Screw, Hex, M8 X 1.25 X 20, Ss, NI	1
	11	1036032	(10330480- 20000000) Bracket, Lift, Head, Rh	1
	12	1036025	(10330480- 20000000) Bracket, Lift, Head, Lh	1
	13	01685	(10000000- 20000000) Washer, Flat, 0.31 Ss	1
	14	08713	(10330480- 20000000) Nut, Hex, Lock, M8 X 1.25, NI, Ss	1
	15	N/A	(10000000- 10330479) (Replaced By Items #11, 12, 13, & 14)	1
	16	1023465	(10000000- 20000000) Hopper, 65cm, Rm- Blk	1
	17	02942	(10000000- 20000000) Pin, Hair Cotter, 0.62 D .120 Wir	2
	18	222210	(10000000- 20000000) Pin, Clevis, 0.62 D X 2.12l	2
	19	1022624	(10000000- 20000000) Housing, Head, 65cm Cyl, Mach	1
	20	1025580	(10000000- 20000000) Cap, Plstc, Pf12	2
	21	33584	(10000000- 20000000) Clamp, Cable, Stl, 0.63d X 0.50w, 1h	2
	22	1034731	(10000000- 20000000) Screw, Hex, M6 X 1.00 X 16, Sems, Ss	2
	23	1020341	(10000000- 20000000) Screw, Hex, M8 X 1.25 X 20, Sems, Ss	3
	24	1046049	(10000000- 20000000) Tube Assy, Bar, Spray	1
	25	64743	(10000000- 20000000) Fitting, Plstc, Str, Bm08/Pm06	1
	26	222692	(10000000- 20000000) Screw, Flt, M8 X1.25 X 25, Ss, 18- 8, NI	4
	27	1036245	(10353861- 20000000) Retainer, Blade, Sqge, Side, Blk, Nyl	2
	28	1026292	(10000000- 20000000) Skirt, Side, Scb, Cyl	2
	29	1027221	(10000000- 10353860) Bushing, .325id .235h (Replaced by 1036245)	4
▽		1057922	(10000000- 20000000) Door Assy, Cyl Head, [7100]	2
▲	30	390996	(10000000- 20000000) Screw, Flt, M10 X 1.5 X 20, 10.9, NI	1
▲	31	1044145	(10000000- 20000000) Door, Brush	1
▲	32	01516	(10000000- 20000000) Ring, Retaining, Ext, 0.59d, Basic	1
▲	33	222184	(10000000- 20000000) Pin, Roll, .094 D X 0.25l, .094/.097	1
▲	34	222177	(10000000- 20000000) Shaft, Idler Plug	1
▲	35	1057629	(10000000- 20000000) Plug, Idler, Brush, [Sgl Brg]	1
	36	08713	(10353861- 20000000) Nut, Hex, Lock, M8 X 1.25, NI, Ss	4
	37	578769	(10000000- 20000000) Label, Moving Parts	2
	38	222178	(10000000- 20000000) Roller, Pyu, 1.88d 0.53b 3.05l	2
	39	578421	(10000000- 20000000) Pin, Cotter, .125d X 1.00l	2
	40	222196	(10000000- 20000000) Pin, Clevis, 0.50 D X 4.25l	2
	41	1031370	(10000000- 20000000) Wire, 12 Awg X 250mm	1
	42	1034921	(10000000- 20000000) Label, Logo, White/Black, 4.00l [Fast] (NLA - No Longer Available)	1
	43	07785	(10000000- 20000000) Nut, Hex, Std, M6 X 1.0, A2, Ss	4
	44	1023536	(10000000- 20000000) Lip, Tray, Debris, Scrubhead, 65cm	1
	45	1025272	(10000000- 20000000) Skirt, Tray, Debris, 65cm	1
	46	01684	(10000000- 20000000) Washer, Flat, 0.27b 0.69d .05, Ss	4
	47	1026398	(10000000- 10353860) Link, 0.18, 1.3w 05.7l, 2/0.4h, Cham (Replaced by 1036245)	2
	47	374006	(10000000- 20000000) Channel, Nyl, 0.5h 0.27w 29.0l	1

▽ ASSEMBLY

▲ INCLUDED IN ASSEMBLY

SCRUB HEAD GROUP, CYLINDRICAL 32 in / 800 mm



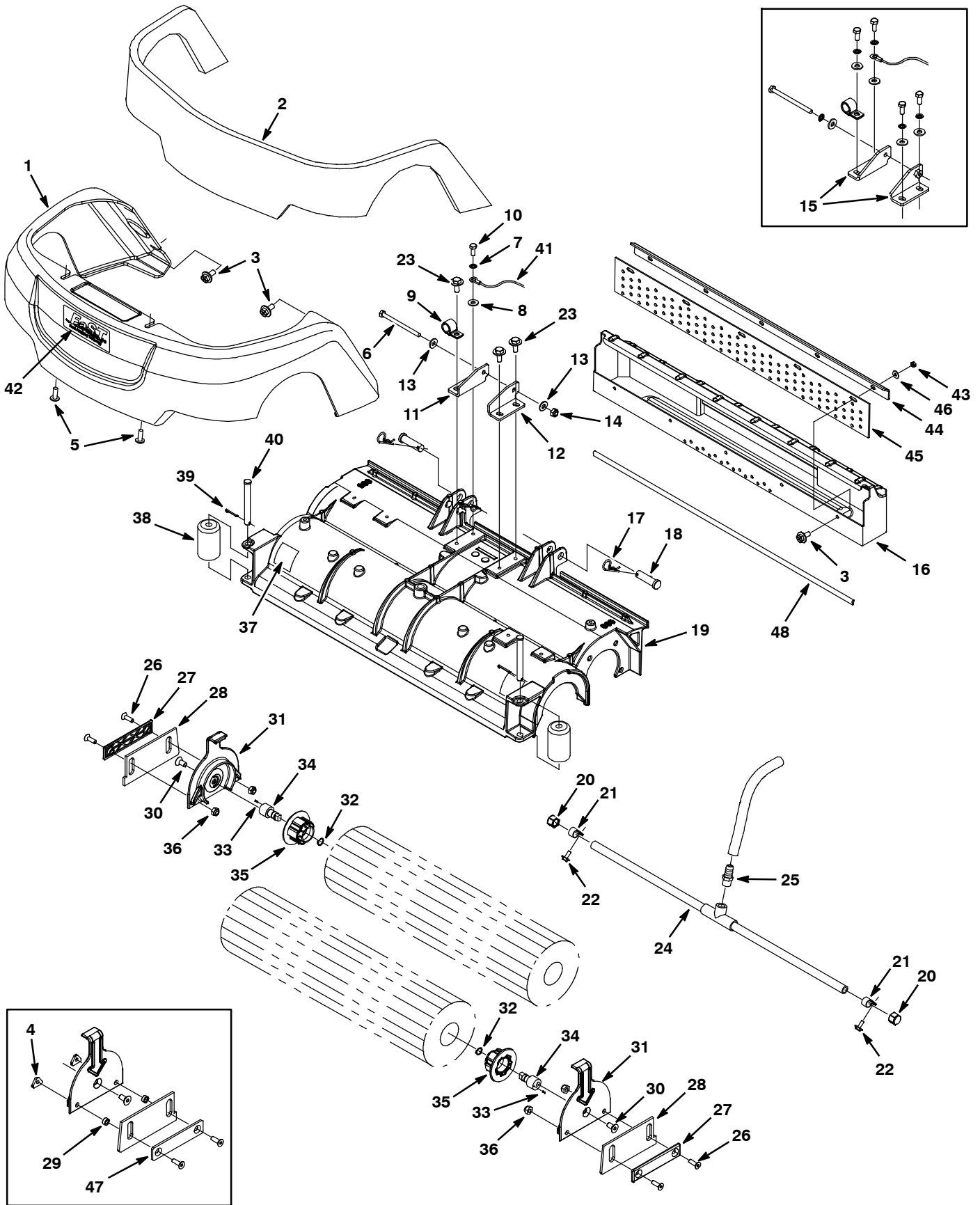
SCRUB HEAD GROUP, CYLINDRICAL 32 in / 800 mm

Ref.	Part No.	Serial Number	Description	Qty.	
1	222692	(10000000- 20000000)	Screw, Flt, M8 X1.25 X 25, Ss, 18- 8, NI	4	
2	1036245	(10353861- 20000000)	Retainer, Blade, Sqge, Side, Blk, Nyl	2	
3	1026292	(10000000- 20000000)	Skirt, Side, Scb, Cyl	2	
4	1027221	(10000000- 10353860)	Bushing, .325id .235h (Replaced by 1036245)	4	
5	1034731	(10000000- 20000000)	Screw, Hex, M6 X 1.00 X 16, Sems, Ss	8	
6	1026398	(10000000- 10353860)	Link, 0.18, 1.3w 05.7l, 2/0.4h, Cham (Replaced by 1036245)	2	
7	1022807	(10000000- 20000000)	Cover, Belt	2	
8	1035888	(10338658- 20000000)	Belt, Drive, 6Grv, 508l X 14w, [6Pj]	2	
9	1020341	(10000000- 20000000)	Screw, Hex, M8 X 1.25 X 20, Sems, Ss	16	
10	01685	(10000000- 20000000)	Washer, Flat, 0.31 Ss	4	
11	1035173	(10338658- 20000000)	Sheave, 06Grv, 2.96pd, 0.59b, Alm [Pj]	2	
12	00961	(10000000- 20000000)	Key, Sq, 0.19 X 0.19, 0.50l	2	
13	1033528	(10338658- 20000000)	Sheave, 06Grv, 1.33pd, 0.50b, Alm [Pj]	2	
14	222818	(10000000- 20000000)	Screw, Set, #08- 32 X 0.25, NI	4	
15	1022401	(10000000- 20000000)	Gasket, Cover, Belt	2	
16	41360	(10000000- 20000000)	Bearing, Ball, 0.59b 1.26d 0.35w [2seal]	4	
17	1002077	(10000000- 20000000)	Spacer, 0.59b 0.81d 0.50l	2	
18	1021036	(10000000- 20000000)	Bracket, Motor, Machined	2	
19	00911	(10000000- 20000000)	Key, Sq, 0.19 X 0.19, 0.75l	2	
20	1021050	(10000000- 20000000)	Shaft, Drive	2	
21	378805	(10000000- 20000000)	Plug, Drive, Brush, Mach	2	
22	1029358	(10000000- 20000000)	Deflector, Water, Cyl Head	1	
▽	23	1042228	(10419662- 20000000)	Motor, Ele, 24vdc 1500rpm 0.75hp 23.0a	2
▲		1049739	(10419662- 20000000)	Brush Kit, Carbon, Motor, Replmt [4pcs]	2
▽	23	1050369	(10000000- 10419661)	Motor Kit, Cylrcl, Replmt, F/604980 [T5]	2
▲		190152	(10000000- 10419661)	Brush, Carbon [Pk=4]	2
▲		605305	(10000000- 10419661)	Spring, Motor, F/ Carbon Brush	8
24	606795	(10000000- 10419661)	Harness Motor Cyl- Brush	2	
25	140027	(10000000- 10419661)	Washer, Flat, 0.35b 0.75d .04, Ss	4	
26	43952	(10000000- 10419661)	Washer, Lock, Int, 0.31 Ss	6	
27	608964	(10000000- 10419661)	Boot, 90deg .27id 0.64id 1.79l, Blk	4	
28	08713	(10000000- 20000000)	Nut, Hex, Lock, M8 X 1.25, NI, Ss	2	
29	1025026	(10000000- 20000000)	Screw, Hex, M8 X 1.25 X 180, Ss	2	
30	1044386	(10000000- 20000000)	Bracket, Mounting, Motor	2	
31	1022424	(10000000- 20000000)	Stud, Adj, M16, Scrub Head	1	
32	763066	(10000000- 20000000)	Nut, Hex, Jam, M16 X 2.0	1	
33	578717	(10000000- 20000000)	Screw, Hex, M8 X 1.25 X 50, Ss	2	
34	07786	(10000000- 20000000)	Nut, Hex, Std, M8 X 1.25, Ss	2	
35	1025039	(10000000- 20000000)	Housing, Head, 80cm Cyl, Mach	1	
36	1024636	(10000000- 10338657)	Sprocket, 48t, 5p V2	2	
37	375195	(10000000- 10338657)	Sprocket, Timing, 22tooth, 0.50b, [Gt/2]	2	
38	377500	(10000000- 10338657)	Belt, Synchronous, 500l, 15mm [05p, Plychn]	2	
39	1052895	(10409662- 20000000)	Harness, Adapter, Motor [T7/T5]	1	

▽ ASSEMBLY

▲ INCLUDED IN ASSEMBLY

SCRUB HEAD GROUP, CYLINDRICAL 32 in / 800 mm - CONT'D



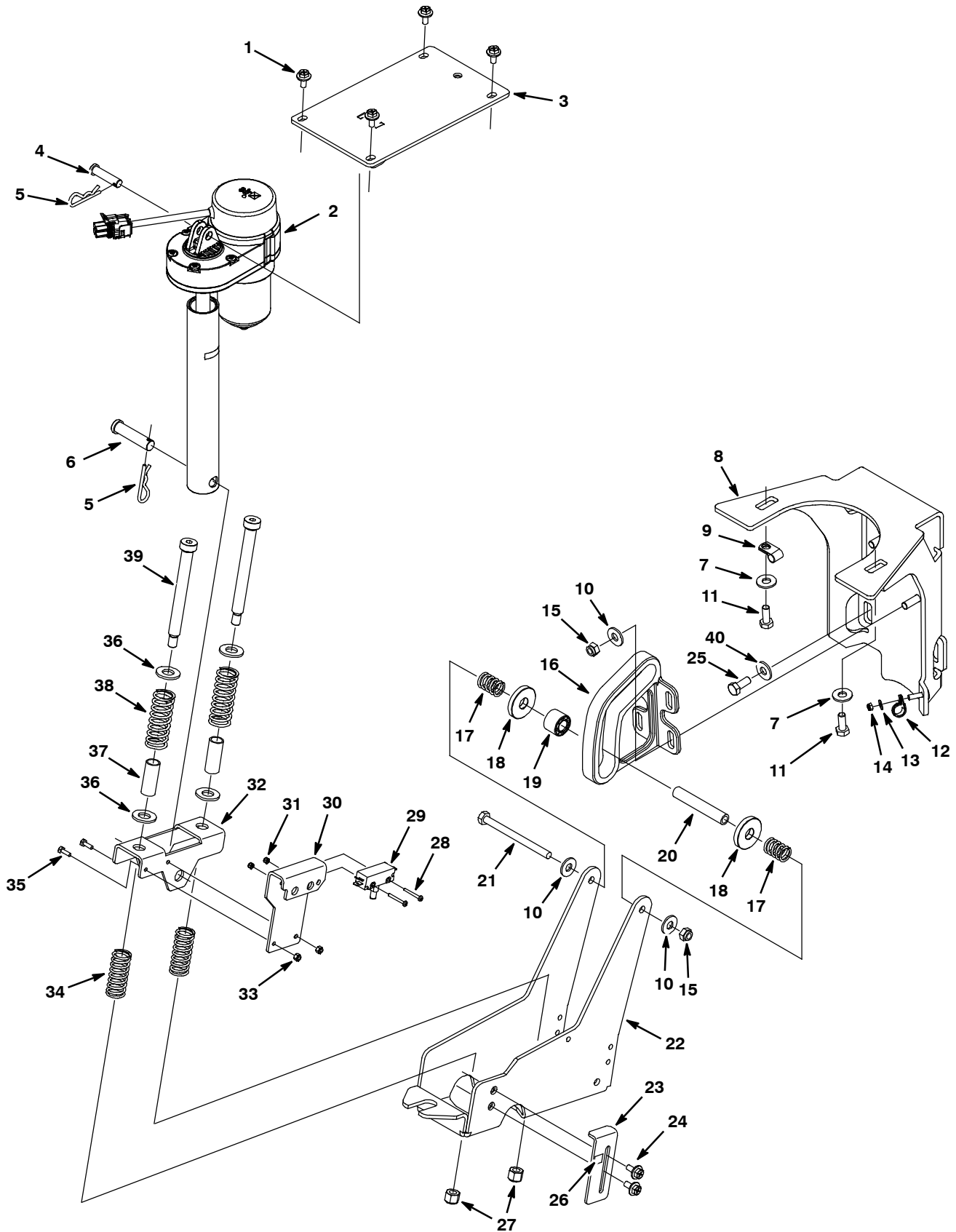
SCRUB HEAD GROUP, CYLINDRICAL 32 in / 800 mm - CONT'D

Ref.	Part No.	Serial Number	Description	Qty.
▽	1	9003253	(10000000- 20000000) Cover Kit, Head, Cyl, Replmt [Ss5]	1
▲	2	1027069	(10000000- 20000000) Insulation, Sound, Front, Cyl	1
	3	1034731	(10000000- 20000000) Screw, Hex, M6 X 1.00 X 16, Sems, Ss	7
	4	607256	(10000000- 10353860) Nut, Retainer, Spcl, M8, Ss	4
	5	608322	(10000000- 20000000) Screw, Trs, M6 X 1.0 X 16, Phl, Ss	2
	6	364441	(10000000- 20000000) Screw, Hex, M8 X 1.25 X 110, Ss	1
	7	43952	(10000000- 20000000) Washer, Lock, Int, 0.31 Ss	1
	8	01685	(10000000- 20000000) Washer, Flat, 0.31 Ss	1
	9	140314	(10000000- 20000000) Clamp, Cable, Stl, 0.75d X 0.75w, 1h, Yl	1
	10	12273	(10000000- 20000000) Screw, Hex, M8 X 1.25 X 20, Ss, NI	1
	11	1036032	(10330480- 20000000) Bracket, Lift, Head, Rh	1
	12	1036025	(10330480- 20000000) Bracket, Lift, Head, Lh	1
	13	01685	(10330480- 20000000) Washer, Flat, 0.38b 0.88d .08, Ss	1
	14	08713	(10330480- 20000000) Nut, Hex, Lock, M8 X 1.25, NI, Ss	1
	15	N/A	(10000000- 10330479) (Replaced By Items #11, 12, 13, & 14)	1
	16	1025127	(10000000- 20000000) Hopper, 80cm [Rm]	1
	17	02942	(10000000- 20000000) Pin, Hair Cotter, 0.62 D .120 Wir	2
	18	222210	(10000000- 20000000) Pin, Clevis, 0.62 D X 2.12l	2
	19	1025039	(10000000- 20000000) Housing, Head, 80cm Cyl, Mach	1
	20	1025580	(10000000- 20000000) Cap, Plstc, Pf12	2
	21	33584	(10000000- 20000000) Clamp, Cable, Stl, 0.63d X 0.50w, 1h	2
	22	1034731	(10000000- 20000000) Screw, Hex, M6 X 1.00 X 16, Sems, Ss	2
	23	1020341	(10000000- 20000000) Screw, Hex, M8 X 1.25 X 20, Sems, Ss	3
	24	1025276	(10000000- 20000000) Tube Assy, Bar, Spray [85cm]	1
	25	64743	(10000000- 20000000) Fitting, Plstc, Str, Bm08/Pm06	1
	26	222692	(10000000- 20000000) Screw, Flt, M8 X1.25 X 25, Ss, 18- 8, NI	4
	27	1036245	(10353861- 20000000) Retainer, Blade, Sqge, Side, Blk, Nyl	2
	28	1026292	(10000000- 20000000) Skirt, Side, Scb, Cyl	2
	29	1027221	(10000000- 10353860) Bushing, .325id .235h (Replaced by 1036245)	4
▽		1057922	(10000000- 20000000) Door Assy, Cyl Head, [7100]	2
▲	30	390996	(10000000- 20000000) Screw, Flt, M10 X 1.5 X 20, 10.9, NI	1
▲	31	1044145	(10000000- 20000000) Door, Brush	1
▲	32	01516	(10000000- 20000000) Ring, Retaining, Ext, 0.59d, Basic	1
▲	33	222184	(10000000- 20000000) Pin, Roll, .094 D X 0.25l, .094/.097	1
▲	34	222177	(10000000- 20000000) Shaft, Idler Plug	1
▲	35	1057629	(10000000- 20000000) Plug, Idler, Brush, [Sgl Brg]	1
	36	08713	(10353861- 20000000) Nut, Hex, Lock, M8 X 1.25, NI, Ss	4
	37	578769	(10000000- 20000000) Label, Moving Parts	2
	38	222178	(10000000- 20000000) Roller, Pyu, 1.88d 0.53b 3.05l	2
	39	578421	(10000000- 20000000) Pin, Cotter, .125d X 1.00l	2
	40	222196	(10000000- 20000000) Pin, Clevis, 0.50 D X 4.25l	2
	41	1031370	(10000000- 20000000) Wire, 12 Awg X 250mm	1
	42	1034921	(10000000- 20000000) Label, Logo, White/Black, 4.00l [Fast] (NLA - No Longer Available)	1
	43	07785	(10000000- 20000000) Nut, Hex, Std, M6 X 1.0, A2, Ss	5
	44	1025150	(10000000- 20000000) Lip, Tray, Debris, Scrubhead, 80cm	1
	45	1025273	(10000000- 20000000) Skirt, Tray, Debris, 80cm	1
	46	01684	(10000000- 20000000) Washer, Flat, 0.25 Ss	5
	47	1026398	(10000000- 10353860) Link, 0.18, 1.3w 05.7l, 2/0.4h, Cham (Replaced by 1036245)	2
	48	374007	(10000000- 20000000) Channel, .18, 0.3w 0.5 33.0l	1

▽ ASSEMBLY

▲ INCLUDED IN ASSEMBLY

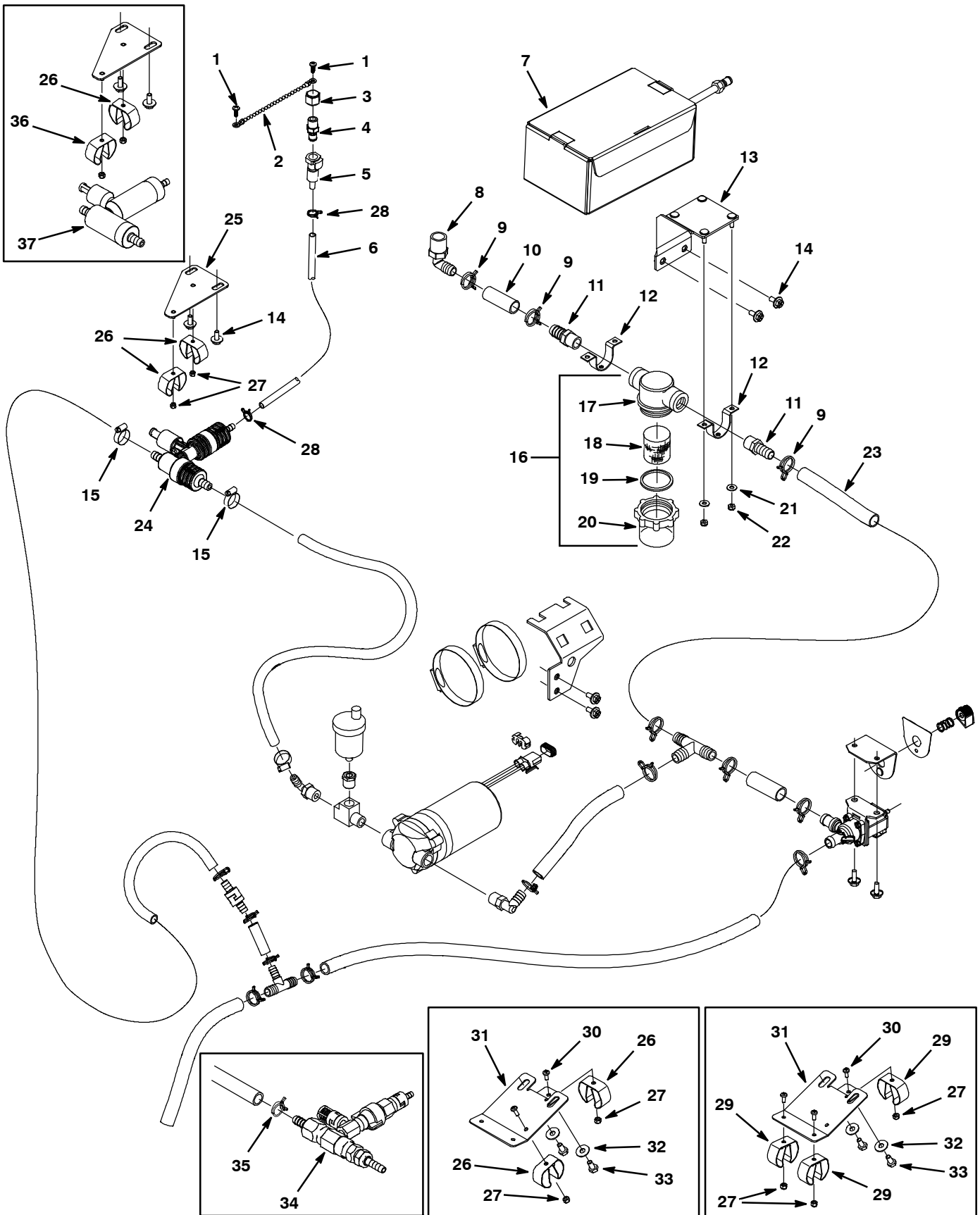
SCRUBHEAD LIFT GROUP



SCRUBHEAD LIFT GROUP

Ref.	Part No.	Serial Number	Description	Qty.
1	1034731	(10000000- 20000000)	Screw, Hex, M6 X 1.00 X 16, Ss, Sems	4
2	1050452	(10000000- 20000000)	Actuator, 24vdc, 6.0 Strk, 600 Lb	1
3	1022913	(10000000- 20000000)	Bracket Wldt, Actuator, Upper	1
4	29558	(10000000- 20000000)	Pin, Clevis, 0.37 D X 1.50l	1
5	140626	(10000000- 20000000)	Pin, Hair Cotter, 0.25 D .125 Wir	2
6	51534	(10000000- 20000000)	Pin, Clevis, 0.50 D X 2.00l	1
7	69461	(10000000- 20000000)	Washer, Flat, 0.38b 0.88d .12, Stl, Pl	2
8	1049367	(10000000- 20000000)	Bracket, Sppt, Guide, Rlr	1
9	40678	(10000000- 20000000)	Clamp, Cable, Stl, 0.44d X 0.62w, 1h	1
10	01685	(10000000- 20000000)	Washer, Flat, 0.31 Ss	6
11	12273	(10000000- 20000000)	Screw, Hex, M8 X 1.25 X 20, Ss, NI	2
12	33584	(10000000- 20000000)	Clamp, Cable, Stl, 0.63d X 0.50w, 1hole	1
13	01683	(10000000- 20000000)	Washer, Flat, #10 Ss	1
14	09739	(10000000- 20000000)	Nut, Hex, Lock, M5 X 0.8, NI, Ss	1
15	08713	(10000000- 20000000)	Nut, Hex, Lock, M8 X 1.25, NI, Ss	5
16	1023592	(10000000- 20000000)	Bracket, Guide, Rlr, Head Lift, Brz [T5]	1
17	607920	(10000000- 20000000)	Spring, Cmpr, 18.3d, 2.4w, 25.4l Mw	2
18	607568	(10000000- 20000000)	Washer, P/M, 1.500d, 0.500b 0.25l Bnz	2
19	1023658	(10000000- 20000000)	Roller, Linkage, Head Lift	1
20	1023653	(10000000- 20000000)	Shaft, Rlr, Head- Lift	1
21	386299	(10000000- 20000000)	Screw, Hex, M8 X 1.25 X 100, Ss	1
22	1024911	(10000000- 20000000)	Bracket, Roller, Scrubhead, Sheet Metal	1
23	1073623	(10679874- 20000000)	Bracket, Switch, Shut- Off	1
23	1025002	(10000000- 10679873)	Bracket, Switch, Shut- Off (Replaced by Kit 9010902)	1
24	1034731	(10000000- 20000000)	Screw, Hex, M6 X 1.00 X 16, Ss, Sems	2
25	12333	(10000000- 20000000)	Screw, Hex, M8 X 1.25 X 25, Ss, NI	2
26	1031984	(10000000- 20000000)	Label, Switch, Scrub Head	1
27	59156	(10000000- 20000000)	Nut, Hex, Lock, .38- 16, NI, Ss	2
28	06923	(10000000- 20000000)	Screw, Pan, M3 X 0.50 X 25, 4.8	2
29	1071996	(10679874- 20000000)	Switch, Push, Snap Action, 25a	1
29	606292	(10000000- 10679873)	Switch, Push, Actuator, 20a (Replaced by Kit 9010902)	1
30	1072283	(10679874- 20000000)	Bracket Wldt, Switch, Down Press	1
30	1025001	(10000000- 10679873)	Bracket, Switch, Down Press (Replaced by Kit 9010902)	1
31	579211	(10000000- 20000000)	Nut, Hex, Lock, M3 X 0.50, Ss	2
32	1023575	(10000000- 20000000)	Bracket, Spring, Down Press	1
33	33932	(10000000- 20000000)	Nut, Hex, Lock, M4 X 0.70, NI, Ss	2
34	63185	(10000000- 20000000)	Spring, Cmpr, 0.85od .09wir 2.0l	2
35	09206	(10000000- 20000000)	Screw, Hex, M4 X 0.7 X 12, 8.8	2
36	32486	(10000000- 20000000)	Washer, Flat, 0.50 Sae	4
37	1024969	(10000000- 20000000)	Sleeve, P/M, 0.629d 09.5	2
38	45261	(10000000- 20000000)	Spring, Cmpr, 0.97od .11wir 2.5l	2
39	45960	(10000000- 20000000)	Bolt, Shld, .50d X 4.25, .38- 16	2
40	1016331	(10000000- 20000000)	Washer, Flat, 0.34b 1.25d .11, Ss	2
N/S	130773	(10000000- 20000000)	Tie, Cable, Nyl, 11.0l, .14w, 3.0 Max. D	3

SOLUTION GROUP, FaST MODEL



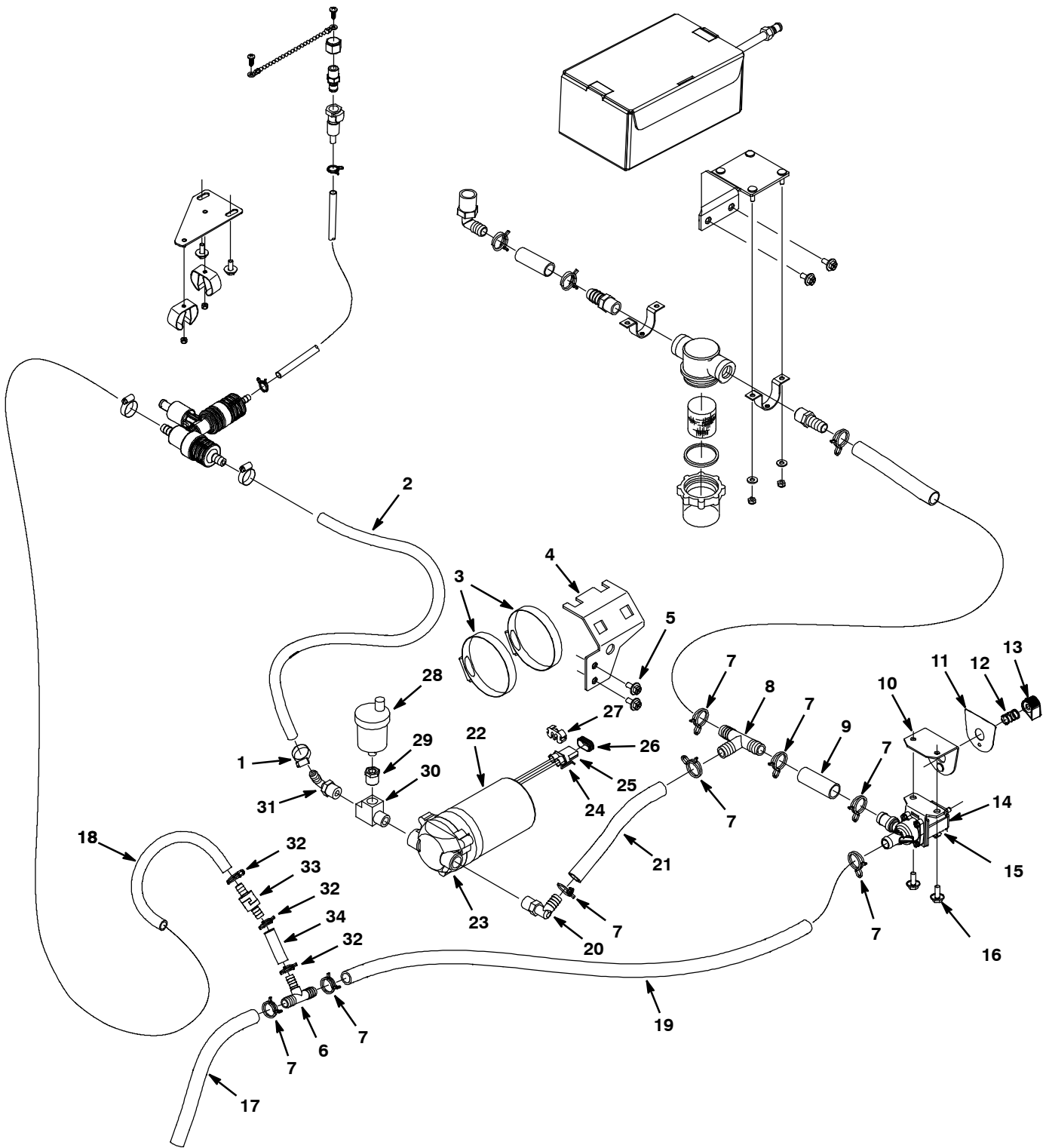
SOLUTION GROUP, FaST MODEL

Ref.	Part No.	Serial Number	Description	Qty.	
1	1018155	(10000000- 20000000)	Screw, Pan, M5 X 0.8 X16, Ss, Tcut	2	
2	621443	(10000000- 20000000)	Chain, Ball, #10 X 157l, Ss	1	
3	1005435	(10000000- 20000000)	Fitting, Plstc, Cap, Pf04, Pipe	1	
4	1006206	(10000000- 20000000)	Fitting, Plstc, Str, Pm04, Cplg, Mal[Nob]	1	
5	1006204	(10000000- 20000000)	Coupling, Fem, W/Valve, .25 Brb[Nobles]	1	
6	1006415	(10000000- 20000000)	Hose, Afmkt, Pvc, Clr 0.25id 3ft [C460126]	1	
7	1017019	(10000000- 20000000)	Detergent Pkg, 2 Liter, Sgl [Mp]	1	
7	1017025	(10000000- 20000000)	Detergent Pkg, 2 Liter, Sgl [Mpd]	1	
8	1013505	(10000000- 20000000)	Fitting, Plstc, E90, Bm08/Pm08, Nyl	1	
9	607776	(10000000- 20000000)	Clamp, Hose, Wire, .73 - .77, Silver	3	
10	069760725	(10000000- 20000000)	Hose Sol 1/2idx3.25" [611259]	1	
11	14884	(10000000- 20000000)	Fitting, Brs, Str, Bm08/Pm06 [Taped]	2	
12	605056	(10000000- 20000000)	Bracket, Mtg, Fltr	2	
13	1023543	(10000000- 20000000)	Bracket Wldt, Mtg, Filter	1	
14	1034731	(10369603- 20000000)	Screw, Hex, M6 X 1.00 X 16, Ss, Sems	4	
15	54333	(10348538- 20000000)	Clamp, Hose, Wormdrive, 0.31- 0.88d, .31w	2	
▽	16	1005302	(10000000- 20000000)	Filter, In- Line, Pf06/Pf06, 80 Mesh	1
▲	17	613993	(10000000- 20000000)	Housing, Top, F/1005302	1
▲	18	1005304	(10000000- 20000000)	Screen, Fltr, 80 Mesh	1
▲	19	613992	(10000000- 20000000)	Gasket [Viton, F/1005302]	1
▲	20	613991	(10000000- 20000000)	Bowl, Clr, Short, F/1005302	1
	21	01683	(10000000- 20000000)	Washer, Flat, #10, Ss	4
	22	09739	(10000000- 20000000)	Nut, Hex, Lock, M5 X 0.80, NI, Ss	4
	23	613521	(10000000- 20000000)	Tube, 0.50id X 0.75od Vyl 1.00ft[611259]	1
	24	9008847	(10538043- 20000000)	Fast Kit, Injector[T5 60/65cm, Fast lii] (600 mm Disk & 650 mm Cyl Models) (See Breakdown)	1
	24	9008887	(10582617- 20000000)	Fast Kit, Injector[T5 70/80cm, Fast lii] (See Breakdown)	1
	25	1040982	(10369603- 20000000)	Plate, Mtg, Injector [T5/Ss5 Fast li+]	1
	26	573073	(10538043- 20000000)	Clip, Grip, Hose, 1.00- 1.50, Stl, PI (600 mm Disk & 650 mm Cyl Models)	2
	26	573073	(10347532- 20000000)	Clip, Grip, Hose, 1.00- 1.50, Stl, PI (700 mm/800 mm Disk & 800 mm Cyl Models)	1
	27	33932	(10347532- 20000000)	Nut, Hex, Lock, M4 X 0.7, NI, Ss	2
	27	33932	(10000000- 10347531)	Nut, Hex, Lock, M4 X 0.7, NI, Ss	3
	28	613735	(10000000- 20000000)	Clamp, Hose, Wir, .40 - .42, Yel	2
	29	1014295	(10000000- 10347531)	Clip, Spring, Holder, Blk Vyl Coated	3
	30	49697	(10347532- 10369602)	Screw, Pan, M4 X 0.7 X 10, Ss	2
	30	49697	(10000000- 10347531)	Screw, Pan, M4 X 0.7 X 10, Ss	3
	31	N/A	(10000000- 10369602)	(Replaced By Item #25)	1
	32	01684	(10000000- 10369602)	Washer, Flat, 0.25 Ss	2
	33	11635	(10000000- 20000000)	Screw, Hex, M6 X 1.0 X 12, Ss, NI	2
	34	9003810	(10000000- 10348537)	Fast Kit, Conv, Ci[T5 60/65cm, Fast li+] (600mm Disk & 650mm Cyl Models) (See Breakdown)	1
	34	9003812	(10000000- 10347531)	Fast Kit, Conv, Ci[T5 70/80cm, Fast li+] (See Breakdown) (700mm/800mm Disk & 800mm Cyl Models)	1
	35	607775	(10000000- 10348537)	Clamp, Hose, Wir, .63 - .66, Blk	1
	36	1014295	(10000000- 20000000)	Clip, Grip, Hose, 0.75- 1.12, Stl, Blk Vyl (700 mm/800 mm Disk & 800 mm Cyl Models)	1
	37	9003907	(10348538- 10538042)	Fast Kit, Injector[T5 60/65cm, Fast li+] (See Breakdown) (Replaced by 9008847)	1
	37	9003908	(10347532- 10582616)	Fast Kit, Injector[T5 70/80cm, Fast li+] (See Breakdown)	1

▽ ASSEMBLY

▲ INCLUDED IN ASSEMBLY

SOLUTION GROUP, FaST MODEL - CONT'D



SOLUTION GROUP, FaST MODEL - CONT'D

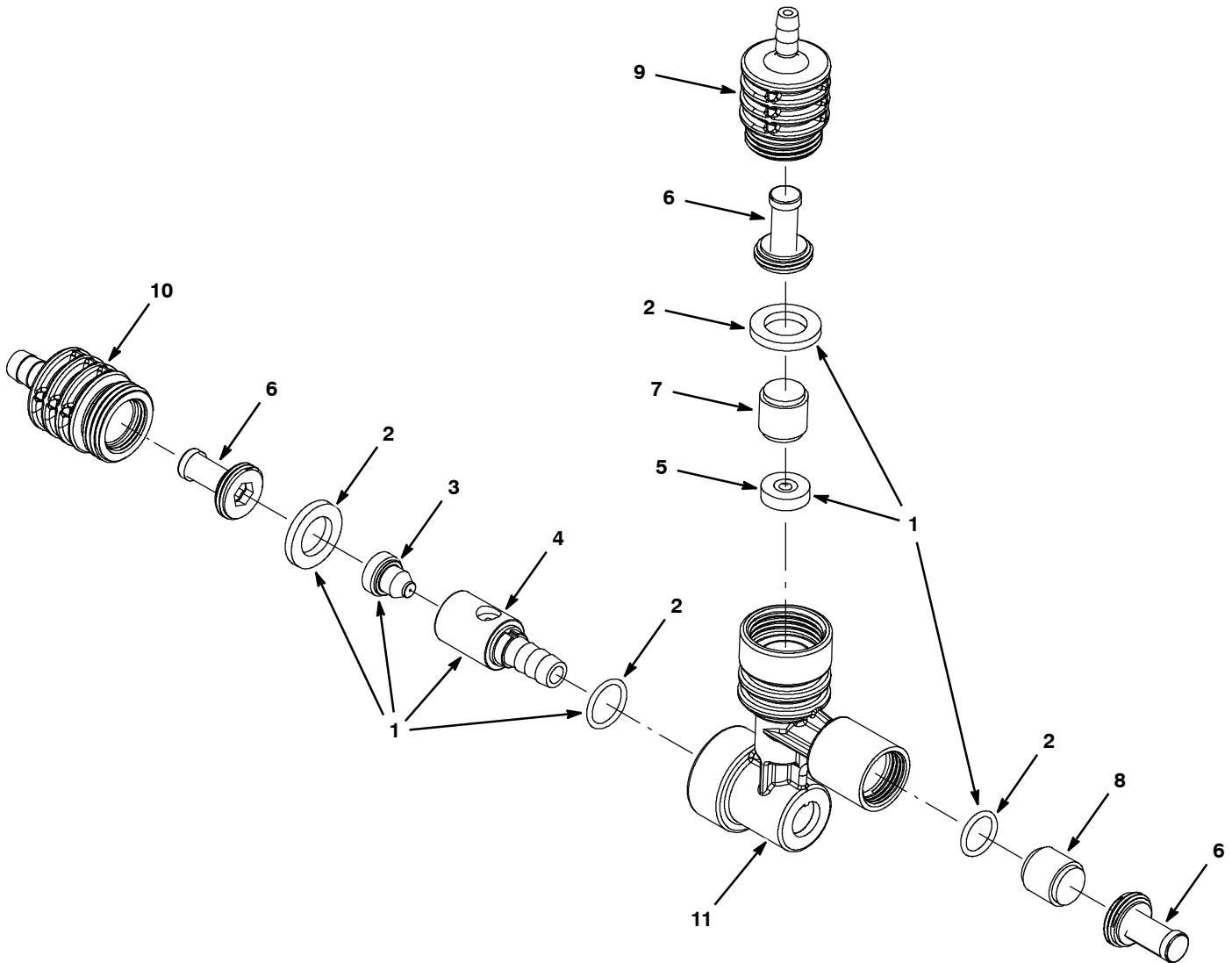
Ref.	Part No.	Serial Number	Description	Qty.	
1	54333	(10000000- 20000000)	Clamp, Hose, Wormdrive, 0.31- 0.88d, .31w	1	
2	9002542	(10000000- 20000000)	Hose, .38id X 0.6od Pvc 376720 Ft 3.5	1	
3	43555	(10000000- 20000000)	Clamp, Hose, Wormdrive, 2.50- 3.50d, .50w	2	
4	1023463	(10000000- 20000000)	Bracket, Mtg, Pump	1	
5	1034731	(10000000- 20000000)	Screw, Hex, M6 X 1.00 X 16, Ss, Sems	2	
6	630372	(10000000- 20000000)	Fitting, Plstc, Tee, Bm08/Bm06/Bm08	1	
7	607776	(10000000- 20000000)	Clamp, Hose, Wire, .73 - .77, Silver	8	
8	63245- 1	(10000000- 20000000)	Fitting, Plstc, Tee, Bm08/Bm08/Bm08	1	
9	613521	(10000000- 20000000)	Tubing 1/2idx3/4od Vnyl 611259 Ft 1.000	1	
10	1023537	(10000000- 20000000)	Bracket, Label, Soltn	1	
11	1024343	(10000000- 20000000)	Label, Soltn, Flow	1	
12	1017091	(10000000- 20000000)	Spring, Cmpr, 0.5od .036wir 00.8l	1	
13	1013442	(10000000- 20000000)	Knob, Valve, Indicator, Blk	1	
14	1213803	(10753815- 20000000)	Valve, Water, Solenoid, 24vdc Bm10/Bm10	1	
▽	14	1062385	(10000000- 10753814)	Valve, Water, Solenoid, 24vdc Bm10/Bm10	1
▲	15	614265	(10000000- 10753814)	Valve Kit, Water [Viton Diaphragm] (Repair Kit)	1
	16	1034731	(10000000- 20000000)	Screw, Hex, M6 X 1.00 X 16, Ss, Sems	2
	17	613521	(10000000- 20000000)	Tube, 0.50id X 0.75od Vyl 1.00ft[611259]	1
	18	9004748	(10000000- 20000000)	Hose, Pyu, Clr, 0.38id 0.62od 42l	1
	19	613531	(10000000- 20000000)	Tubing 1/2idx3/4od Vinyl 611259 Ft 3.750	1
	20	1017532	(10000000- 20000000)	Fitting, Plstc, E90, Bm08/Pm06	1
	21	613521	(10000000- 20000000)	Tube, 0.50id X 0.75od Vyl 1.00ft[611259]	1
▽	22	1014282	(10000000- 20000000)	Pump, Soltn, Ele, 24vdc, 60psi, Packard	1
▲	23	9001240	(10000000- 20000000)	Pump Kit, Head, Soltn	1
▲	24	78950	(10000000- 20000000)	Connector, Fem, 02cav, Mp280 Sealed	1
▲	25	78951	(10000000- 20000000)	Terminal, Fem, Mp280, Sealed, 18- 16ga	1
▲	26	10917	(10000000- 20000000)	Seal, Wire, 14/16ga [Wp / Mp280 Sealed]	1
▲	27	78952	(10000000- 20000000)	Lock, Secondary, 2cav, Mp280 Sealed	1
	28	1017386	(10000000- 20000000)	Valve, Air Vent, Float Type	1
	29	24698	(10000000- 20000000)	Fitting, Brs, Str, Pf02/Pm06	1
	30	601483	(10000000- 20000000)	Fitting, Brs, Tee, Pm06/Pf06, Strt, T	1
	31	1005630	(10000000- 20000000)	Fitting, Plstc, E90, Bm06/Pm06, Nyl	1
	32	607775	(10348538- 20000000)	Clamp, Hose, Wir, .63 - .66, Blk	3
	32	607775	(10000000- 10348537)	Clamp, Hose, Wir, .63 - .66, Blk	4
	33	1015455	(10000000- 20000000)	Valve, Check, Bm06/Bm06, 5psi	1
	34	606362	(10000000- 20000000)	Hose 3/8idx5/8odx6.5 (611254)	1

▽ ASSEMBLY

▲ INCLUDED IN ASSEMBLY

STANDARD PARTS

9008847 FAST INJECTOR ASSEMBLY BREAKDOWN (S/N 10538043-), 600 mm DISK & 650 mm CYLINDRICAL MODELS

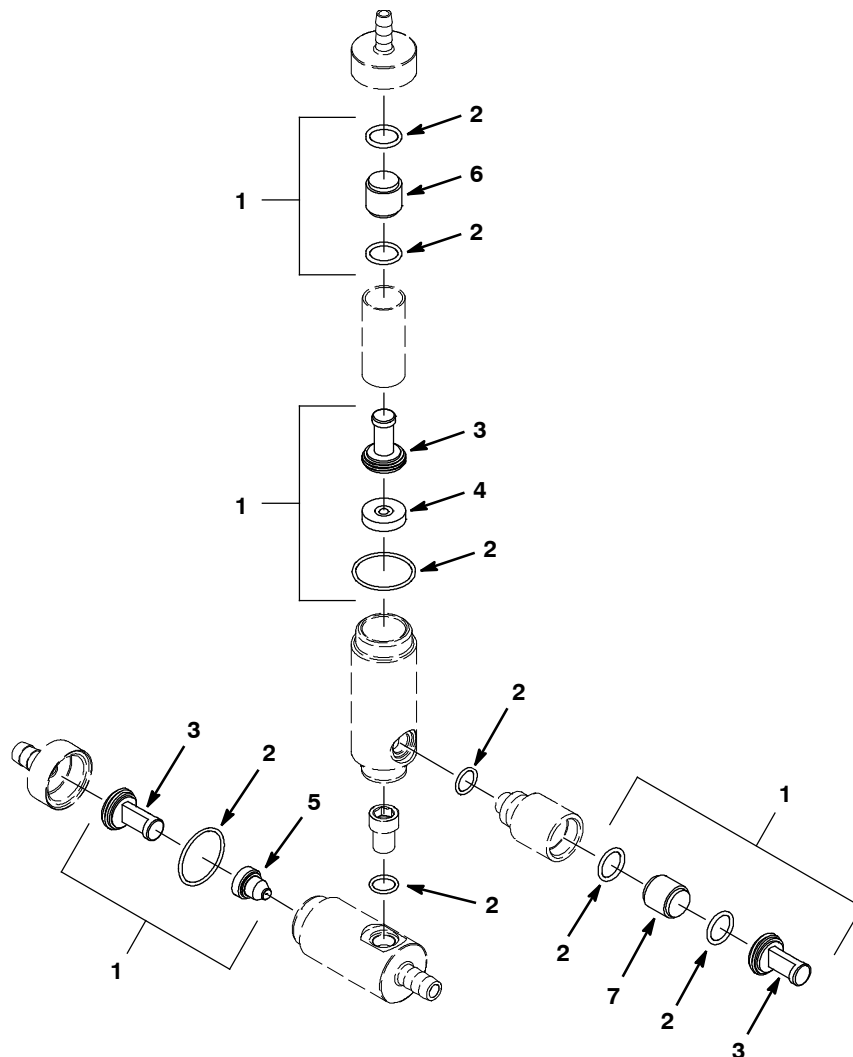


Ref.	Part No.	Serial Number	Description	Qty.
▽	9008847	(10538043-20000000)	Fast Kit, Injector[T5 60/65cm, Fast lii]	1
▲▽	1	9003811 (10538043-20000000)	Fast Kit, Ci[Inj Reblid, T5 60/65cm, li+]	1
▲▲	2	9008848 (10538043-20000000)	Fast Kit, Seal, Injector, Ci [Fast lii]	1
▲▲	3	1039989 (10348538-20000000)	Plug, Orifice, 0.030, Ss [Fast li+]	1
▲▲	4	1059250 (10538043-20000000)	Insert, Venturi, Medium, [Fast lii]	1
▲▲	5	1059869 (10538043-20000000)	Plate Assy, Orifice, 0.007id, Red	1
▲	6	9003009 (10348538-20000000)	Fast Kit, Ci, Injector Filters[Fast li+]	1
▲	7	1030444 (10348538-20000000)	Valve, Check, 0002psi [Fast li+]	1
▲	8	1030441 (10348538-20000000)	Valve, Check, 0005psi [Fast li+]	1
▲	9	1058126 (10538043-20000000)	Housing, Fltr, Upper [Fast lii]	1
▲	10	1057811 (10538043-20000000)	Housing, Fltr, Lower [Fast lii]	1
▲	11	1053564 (10538043-20000000)	Housing, Body, Injector [Fast lii]	1

▽ ASSEMBLY

▲ INCLUDED IN ASSEMBLY

**9003907 FAST INJECTOR ASSEMBLY BREAKDOWN (S/N 10348538- 10538042)
600 mm DISK & 650 mm CYLINDRICAL MODELS**



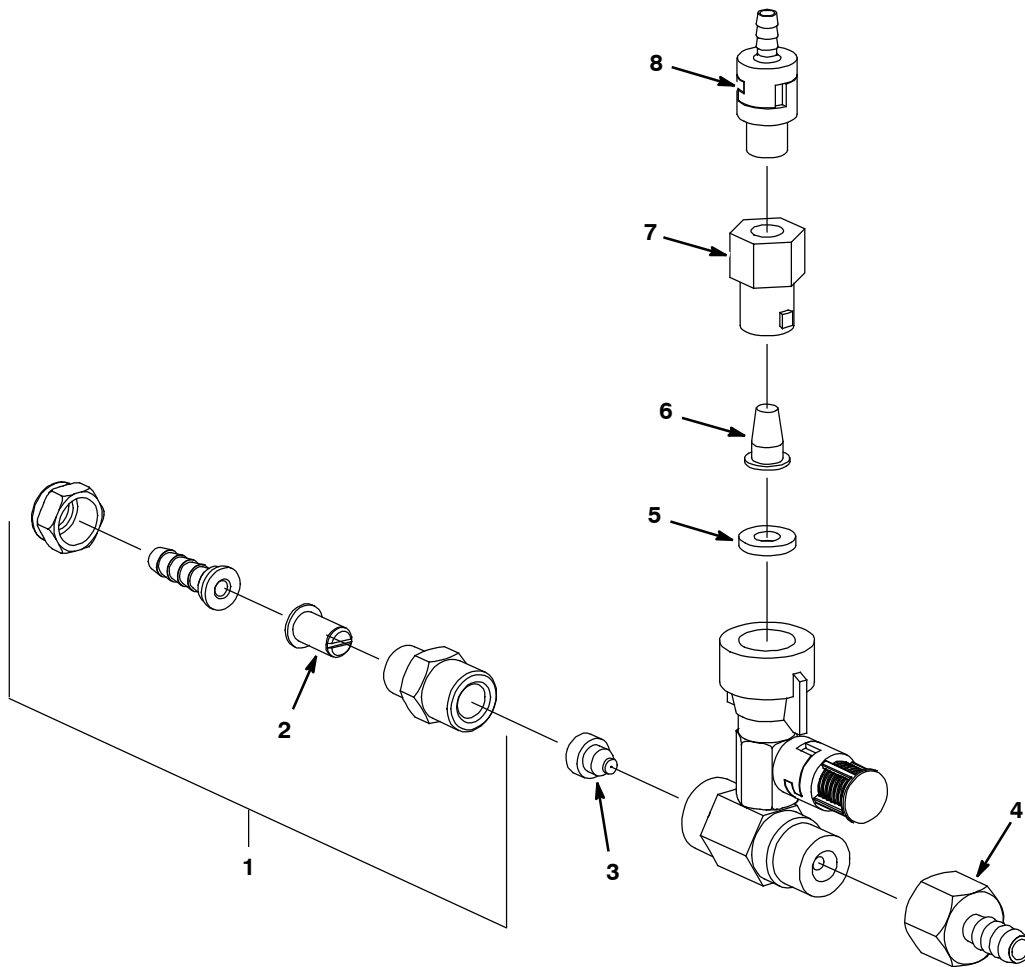
Ref.	Part No.	Serial Number	Description	Qty.
▽	9003907	(10348538- 10538042)	Fast Kit, Injector[T5 60/65cm, Fast li+]	1
▲	1	(10348538- 10538042)	Fast Kit, Ci[Inj Reblid, T5 60/65cm, li+]	1
▲	2	(10348538- 10538042)	Fast Kit, Ci, Injector Seals [Fast li+]	1
▲	3	(10348538- 20000000)	Fast Kit, Ci, Injector Filters[Fast li+]	1
▲	4	(10348538- 10538042)	Plate Assy, Orifice, 0.007id, Red	1
▲	5	(10348538- 20000000)	Plug, Orifice, 0.030, Ss [Fast li+]	1
▲	6	(10348538- 20000000)	Valve, Check, 0002psi [Fast li+]	1
▲	7	(10348538- 20000000)	Valve, Check, 0005psi [Fast li+]	1

▽ ASSEMBLY

▲ INCLUDED IN ASSEMBLY

STANDARD PARTS

9003810 FAST INJECTOR ASSEMBLY BREAKDOWN (S/N 10000000- 10348537) 600 mm DISK & 650 mm CYLINDRICAL MODELS

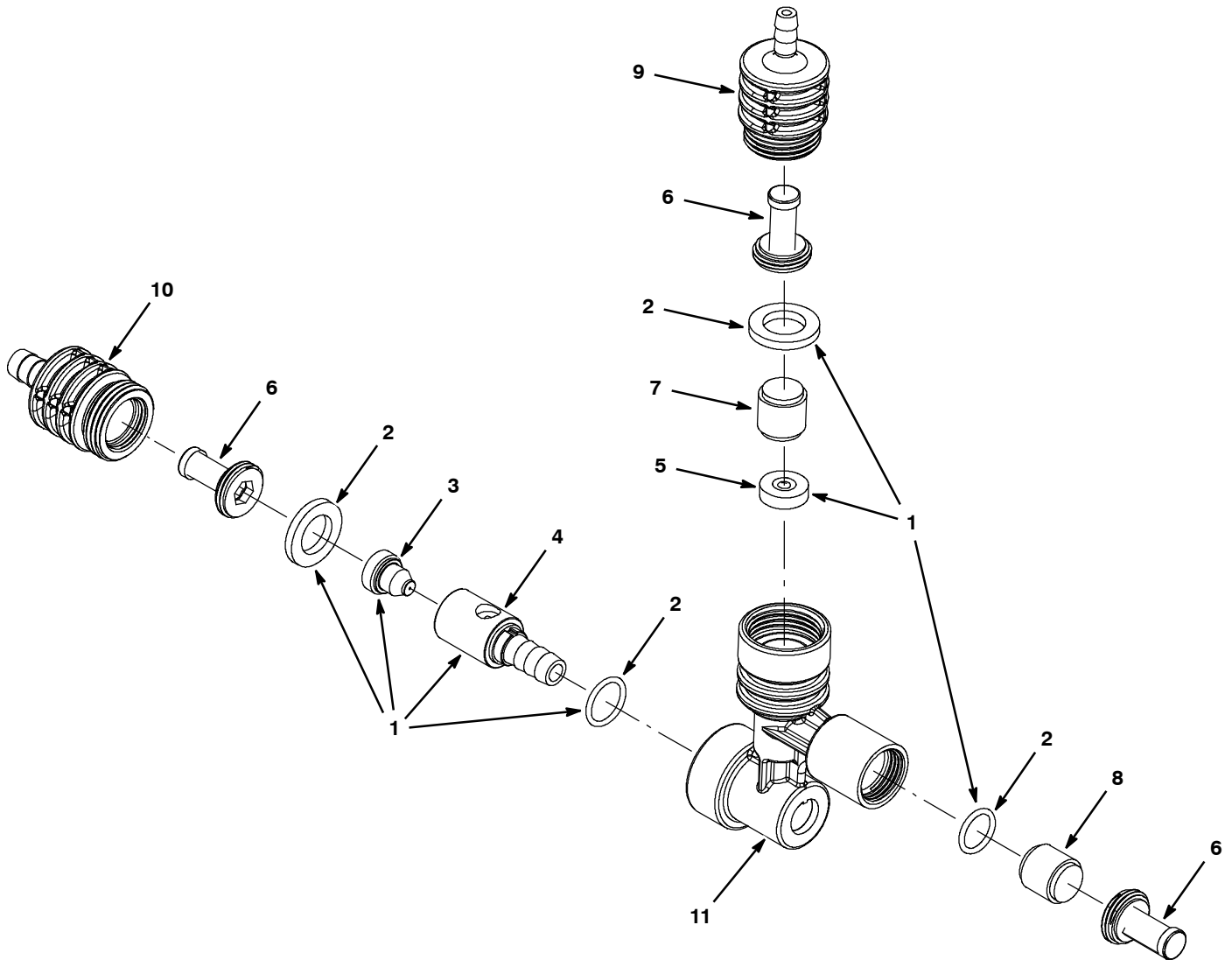


Ref.	Part No.	Serial Number	Description	Qty.
▽	9003810	(10000000- 10348537)	Fast Kit, Conv, Ci[T5 60/65cm, Fast li+]	1
▲	1	1013411 (10000000- 10348537)	Filter Assy, 050mesh	1
▲	2	1006447 (10000000- 10348537)	Vr, Filter, Screen, 050 Mesh .59d .8l Ss	1
	3	1039988 (10000000- 10348537)	Plug, Orifice, 0.027, Ss [Fast li+]	1
	4	1014276 (10000000- 10348537)	Fitting, Brs, Str, Bm06/Pf08	1
	5	1032284 (10000000- 10348537)	Plate Assy, Orifice, 0.007id, Red	1
	6	1029355 (10000000- 10348537)	Vr, Filter, Screen, 200 Mesh .59d .8l Ss	1
	7	1005507 (10000000- 10348537)	Fitting, Plstc, Body, Spray, Pf04	1
	8	1014254 (10000000- 10348537)	Valve, Check, 0002psi Bm04/Pm04	1

▽ ASSEMBLY

▲ INCLUDED IN ASSEMBLY

9008887 FAST INJECTOR ASSEMBLY BREAKDOWN (S/N 10582617-700 mm / 800 mm DISK & 800 mm CYLINDRICAL MODELS),



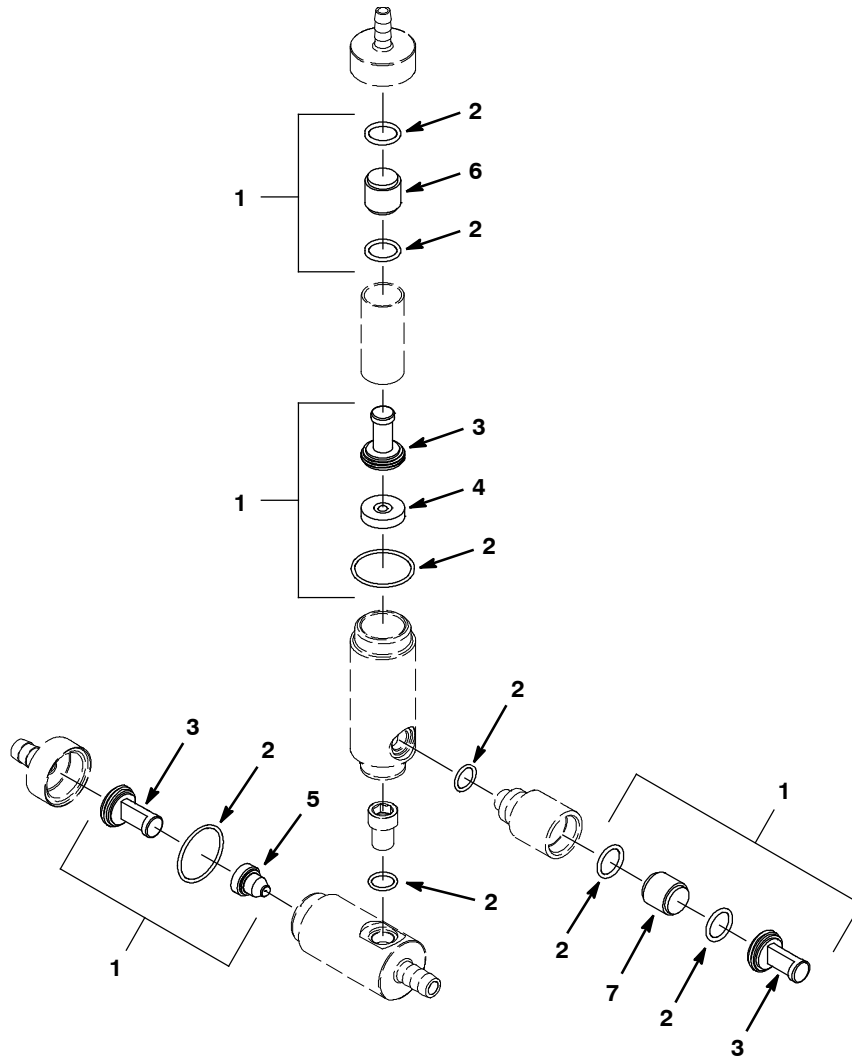
Ref.	Part No.	Serial Number	Description	Qty.
▽	9008887	(10582617-20000000)	Fast Kit, Injector[T5 70/80cm, Fast lii]	1
▲▽	1	9008888	Fast Kit, Ci[Inj Reblid, T5 70/80cm, lii]	1
▲▲	2	9008848	Fast Kit, Seal, Injector, Ci [Fast lii]	1
▲▲	3	1039579	Plug, Orifice, 0.033, Ss [Fast li+]	1
▲▲	4	1059250	Insert, Venturi, Medium, [Fast lii]	1
▲▲	5	1059875	Plate Assy, Orifice, 0.0075id, Blue	1
▲	6	9003009	Fast Kit, Ci, Injector Filters[Fast li+]	1
▲	7	1030444	Valve, Check, 0002psi [Fast li+]	1
▲	8	1030441	Valve, Check, 0005psi [Fast li+]	1
▲	9	1058126	Housing, Fltr, Upper [Fast lii]	1
▲	10	1057811	Housing, Fltr, Lower [Fast lii]	1
▲	11	1053564	Housing, Body, Injector [Fast lii]	1

▽ ASSEMBLY

▲ INCLUDED IN ASSEMBLY

STANDARD PARTS

9003908 FAST INJECTOR ASSEMBLY BREAKDOWN (S/N 10347532- 10582616) 700 mm / 800 mm DISK & 800 mm CYLINDRICAL MODELS

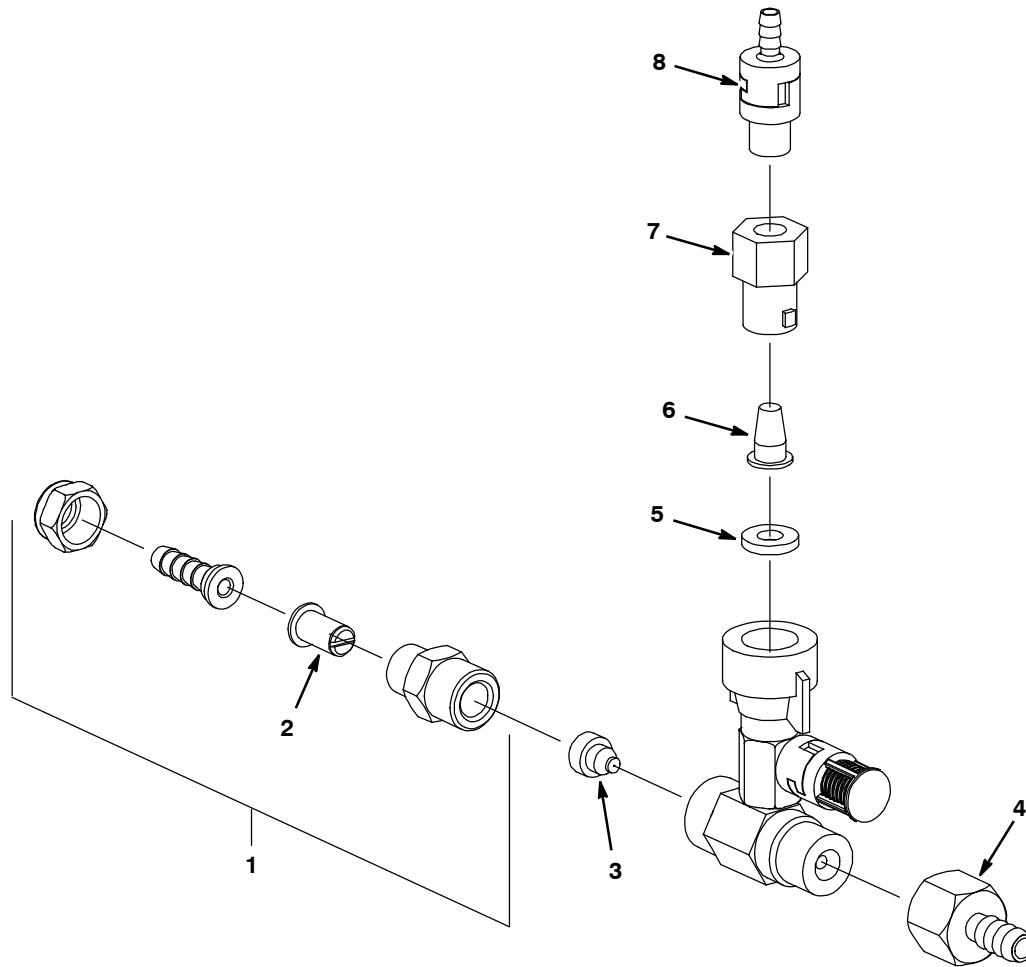


Ref.	Part No.	Serial Number	Description	Qty.
▽	9003908	(10347532- 10582616)	Fast Kit, Injector[T5 70/80cm, Fast li+]	1
▲	1	9003813	(10347532- 10582616) Fast Kit, Ci[lnj Reblid, T5 70/80cm, li+]	1
▲	2	9003008	(10347532- 10582616) Fast Kit, Ci, Injector Seals [Fast li+]	1
▲	3	9003009	(10347532- 20000000) Fast Kit, Ci, Injector Filters[Fast li+]	1
▲	4	1039978	(10347532- 10582616) Plate Assy, Orifice, 0.0075id, Blu	1
▲	5	1039579	(10347532- 20000000) Plug, Orifice, 0.033, Ss [Fast li+]	1
▲	6	1030444	(10347532- 20000000) Valve, Check, 0002psi [Fast li+]	1
▲	7	1030441	(10347532- 20000000) Valve, Check, 0005psi [Fast li+]	1

▽ ASSEMBLY

▲ INCLUDED IN ASSEMBLY

**9003812 FAST INJECTOR ASSEMBLY BREAKDOWN (S/N 1000000- 10347531)
700 mm / 800 mm DISK & 800 mm CYLINDRICAL MODELS**

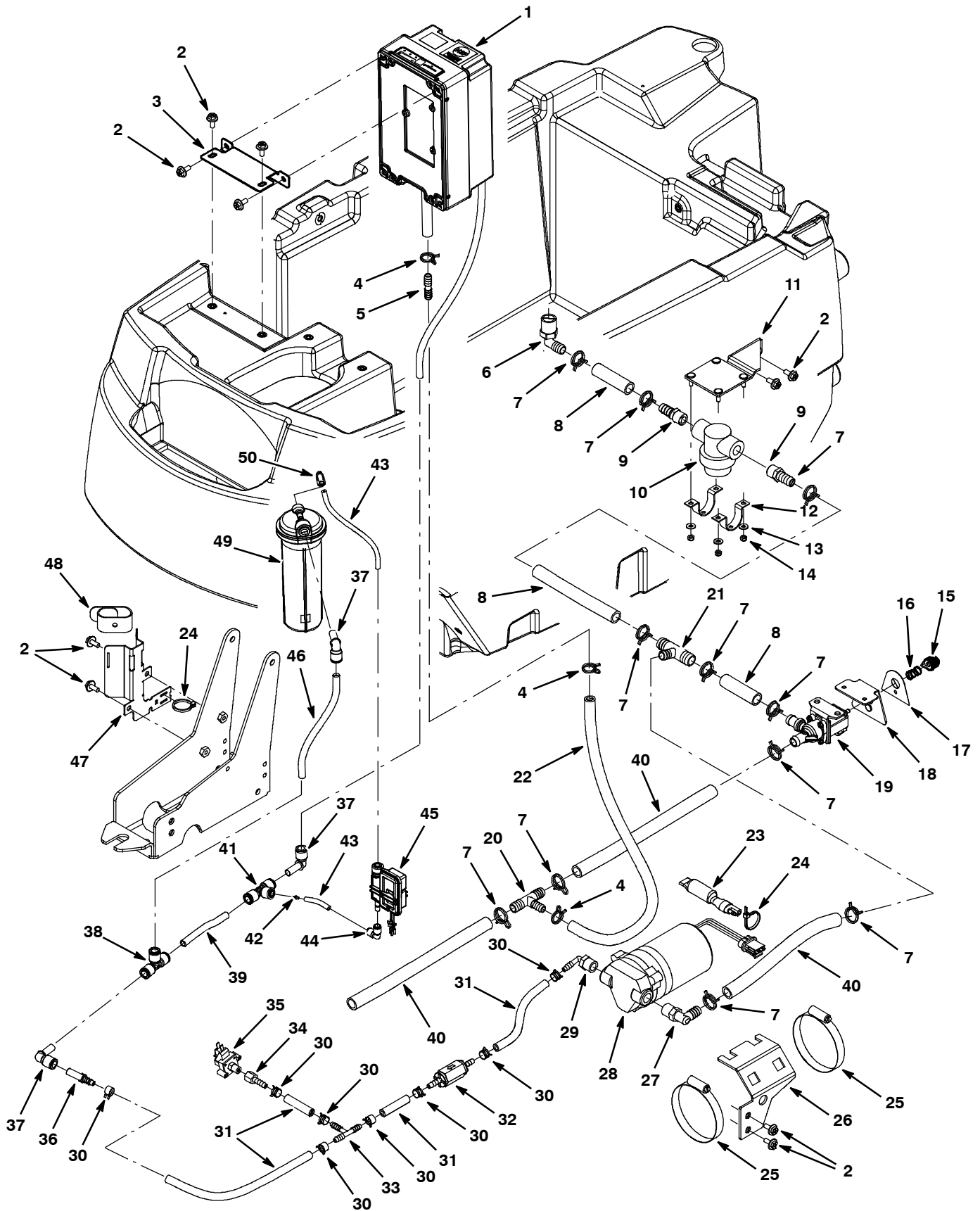


Ref.	Part No.	Serial Number	Description	Qty.
▽	9003812	(1000000- 10347531)	Fast Kit, Conv, Ci[T5 70/80cm, Fast li+]	1
▲	1	1013411 (1000000- 10347531)	Filter Assy, 050mesh	1
▲	2	1006447 (1000000- 10347531)	Vr, Filter, Screen, 050 Mesh .59d .8l Ss	1
	3	1039579 (1000000- 10347531)	Plug, Orifice, 0.033, Ss [Fast li+]	1
	4	1014276 (1000000- 10347531)	Fitting, Brs, Str, Bm06/Pf08	1
	5	1039978 (1000000- 10347531)	Plate Assy, Orifice, 0.0075id, Blu	1
	6	1029355 (1000000- 10347531)	Vr, Filter, Screen, 200 Mesh .59d .8l Ss	1
	7	1005507 (1000000- 10347531)	Fitting, Plstc, Body, Spray, Pf04	1
	8	1014254 (1000000- 10347531)	Valve, Check, 0002psi Bm04/Pm04	1

▽ ASSEMBLY

▲ INCLUDED IN ASSEMBLY

SOLUTION GROUP, *ec-H2O* NANOCLEAN MODEL (S/N 10740996-)



SOLUTION GROUP, *ec-H2O* NANOCLEAN MODEL (S/N 10740996-)

Ref.	Part No.	Serial Number	Description	Qty.	
1	9011810	(10740996- 20000000)	Module Kit, Replmt [Ec- H2o, B 02] (See Breakdown)	1	
2	1034731	(10740996- 20000000)	Screw, Hex, M6 X 1.00 X 16, Sems, Ss	10	
3	1040881	(10740996- 20000000)	Bracket, Mtg, Martini [T5]	1	
4	607775	(10740996- 20000000)	Clamp, Hose, Wir, .63 - .66, Blk	3	
5	20950	(10740996- 20000000)	Fitting, Plstc, Str, Bm06/Bm06	1	
6	1013505	(10740996- 20000000)	Fitting, Plstc, E90, Bm08/Pm08, Hdpe	1	
7	607776	(10740996- 20000000)	Clamp, Hose, Wir, .73 - .77, Silver	11	
8	613512	(10740996- 20000000)	Hose, Pvc, Clr, 0.50id 0.75od 003.1l	1	
9	14884	(10740996- 20000000)	Fitting, Brs, Str, Bm08/Pm06 [Taped]	2	
▽	10	1005302	(10740996- 20000000)	Filter, In- Line, Pf06/Pf06 080mesh 02.6l	1
▲		613993	(10740996- 20000000)	Housing, Top, F/1005302	1
▲		1005304	(10740996- 20000000)	Screen, Fltr, 80 Mesh, Ss	1
▲		613992	(10740996- 20000000)	Gasket [Viton, F/1005302]	1
▲		613991	(10740996- 20000000)	Bowl, Clr, Short, F/1005302	1
	11	1023543	(10740996- 20000000)	Bracket Wldt, Mtg, Filter	1
	12	605056	(10740996- 20000000)	Bracket, Mtg, Fltr	1
	13	01683	(10740996- 20000000)	Washer, Flat, 10, Ss	1
	14	09739	(10740996- 20000000)	Nut, Hex, Lock, M5 X 0.80, Nl, Ss	1
	15	1013442	(10740996- 20000000)	Knob, Valve, 0.70d 0.61l, 0.21b	1
	16	1017091	(10740996- 20000000)	Spring, Cmpr, 0.50od .04wir 00.8l	1
	17	1024343	(10740996- 20000000)	Label, Opertnl, Soltn Flow	1
	18	1023537	(10740996- 20000000)	Bracket, Label, Soltn	1
	19	1213803	(10753815- 20000000)	Valve, Water, Solenoid, 24vdc Bm10/Bm10	1
▽	19	1062385	(10740996- 10753814)	Valve, Water, Solenoid, 24vdc Bm10/Bm10	1
▲		614265	(10740996- 10753814)	Valve Kit, Water [Viton Diaphragm] (Repair Kit)	1
	20	630372	(10740996- 20000000)	Fitting, Plstc, Tee, Bm06/Bm08/Bm08, Br	1
	21	63245- 1	(10740996- 20000000)	Fitting, Plstc, Tee, Bm08/Bm08/Bm08	1
	22	1006400	(10740996- 20000000)	Hose, Afmkt, Pvc, Brd, 0.38id, 03ft, Clr	1
	23	1040868	(10740996- 20000000)	Capacitor, Plug [.01 Uf, 200v]	1
	24	130773	(10740996- 20000000)	Tie, Cable, Nyl, 11.0l, .14w, 3.0 Max. D	2
	25	43555	(10740996- 20000000)	Clamp, Hose, Wormdrive, 2.62- 3.50d	2
	26	1023463	(10740996- 20000000)	Bracket, Mtg, Pump [T5]	1
	27	1017532	(10740996- 20000000)	Fitting, Plstc, E90, Bm08/Pm06	1
	28	1042495	(10740996- 20000000)	Pump, Soltn, Ele, 24vdc, 35psi	1
	29	150417	(10740996- 20000000)	Fitting, Plstc, E90, Bm04/Pm06	1
	30	603654	(10740996- 20000000)	Clamp, Hose, Ear, .44d [Ctb]	3
	31	9014210	(10740996- 20000000)	Hose, Afmkt. Pvc, Brd .25id .44od, 05ft	1
	32	1216878	(10740996- 20000000)	Valve, Check, 0001psi Bm04/Bm04	1
	33	150713	(10740996- 20000000)	Fitting, Plstc, Tee, Bm04/Bm04/Bm04	1
	34	150520	(10740996- 20000000)	Fitting, Brs, Str, Bm04/Pf02	1
	35	1044414	(10740996- 20000000)	Switch, Press, 15psi, Pm02	1
	36	1212857	(10740996- 20000000)	Fitting, Plstc, Str, Qm06/Bm04	1
	37	1215186	(10740996- 20000000)	Fitting, Plstc, E90, Qf06/Qm06	1
	38	1212573	(10740996- 20000000)	Fitting, Plstc, Tee, Qf06/Qf06/Qf06	1
	39	1014987	(10740996- 20000000)	Hose, Afmkt, Pvc, Clr, 0.25id, 01ft	1
	40	613531	(10740996- 20000000)	Hose, Pvc, Clr, 0.50id 0.75od 045.0l	1

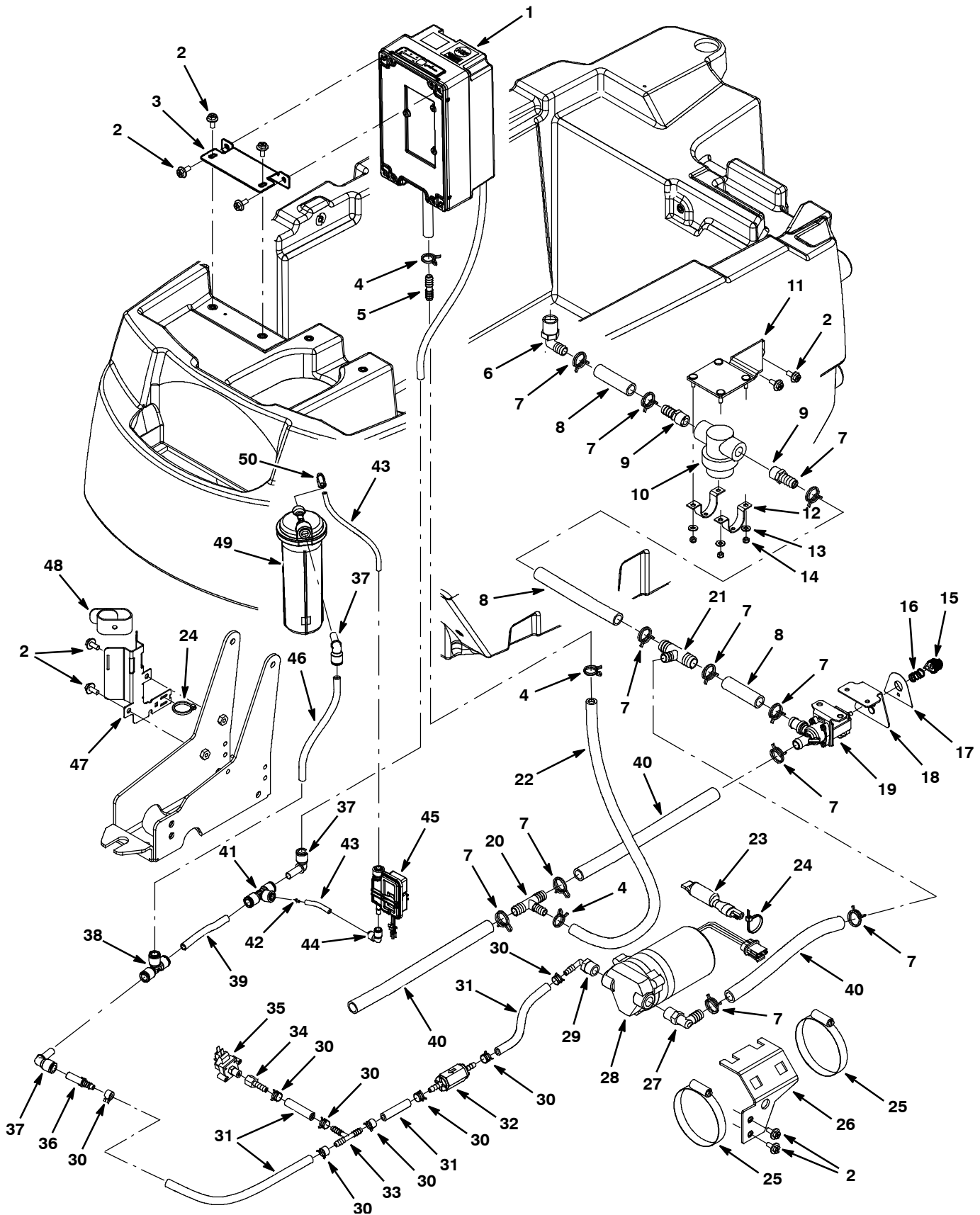
▽ ASSEMBLY

▲ INCLUDED IN ASSEMBLY

STANDARD PARTS

SOLUTION GROUP, *ec-H2O* NANOCLEAN MODEL (S/N 10740996-

) - CONT'D



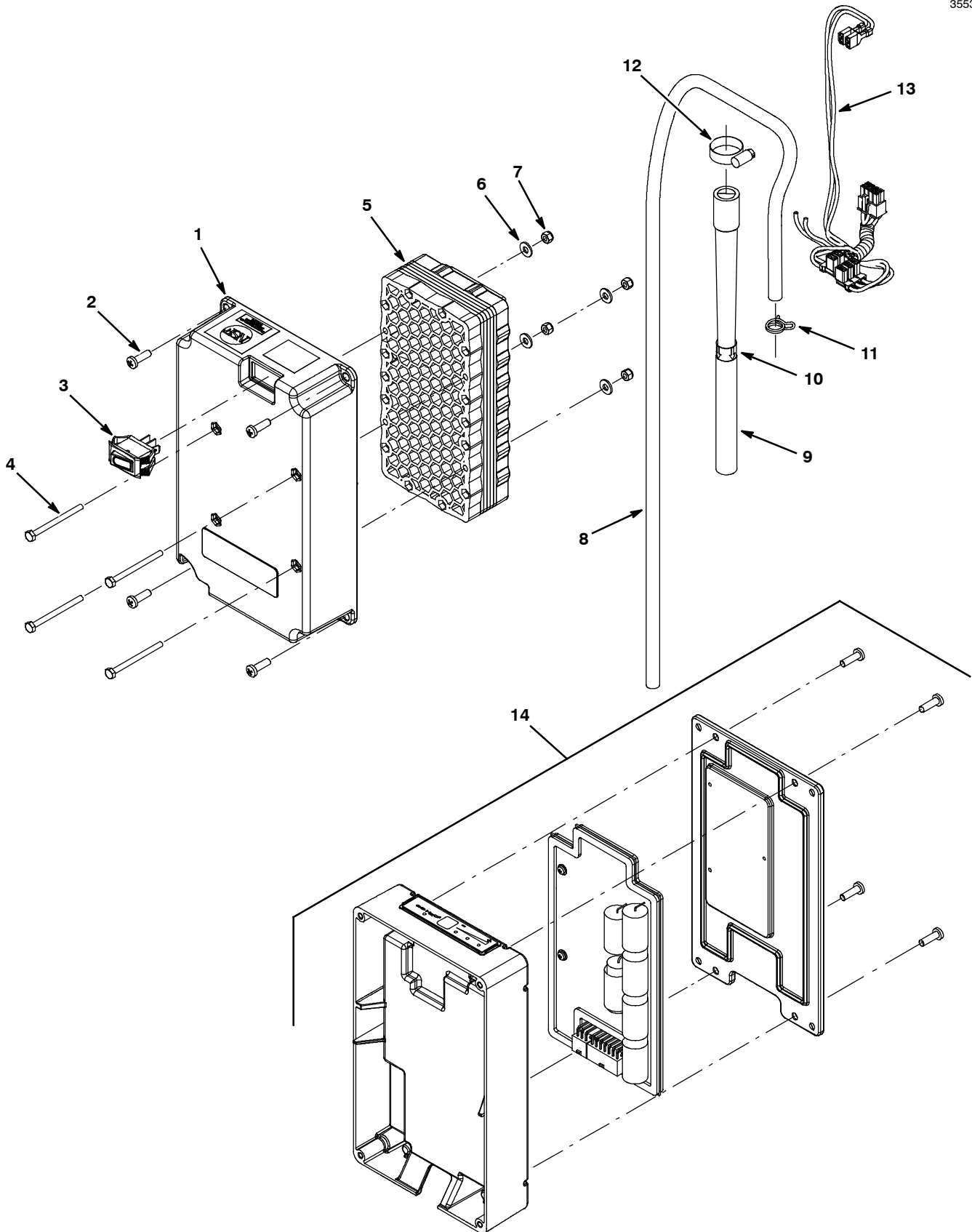
SOLUTION GROUP, *ec-H2O* NANOCLEAN MODEL (S/N 10740996-) - CONT'D

Ref.	Part No.	Serial Number	Description	Qty.
41	1212855	(10740996- 20000000)	Fitting, Plstc, Tee, Qf04/Qf06/Qf06	1
42	1214972	(10740996- 20000000)	Fitting, Orifice, Str, Bm01/Bm/01	1
43	9014211	(10740996- 20000000)	Hose, Afmkt, Pvc, Grn .06id .25od, 02ft	1
44	1217763	(10740996- 20000000)	Fitting, Plstc, E90, Qf04/Qf04	1
45	1216973	(10740996- 20000000)	Pump Assy, Dispenser	1
46	9014212	(10740996- 20000000)	Hose, Afmkt, Pvc, Grn 0.06id .38od, 02ft	1
47	1215755	(10740996- 20000000)	Bracket, Mtg, Ec- H20 Wcm [T5 Disk]	1
47	1220598	(10740996- 20000000)	Bracket, Mtg, Ec- H20 Wcm [T5 Cyl]	1
48	1059534	(10740996- 20000000)	Fastener, 09.00l [Hook & Loop]	1
49	9013646	(10740996- 20000000)	Cartridge, Ec- H2o Nanoclean Wcm, 270ml	1
50	1214339	(10740996- 20000000)	Fitting, Plstc, E90, Qfo4/Qm04	1

STANDARD PARTS

ec-H2O NANOCLEAN MODULE BREAKDOWN, 9011810 (S/N 10740996-)

355317



ec-H2O NANOCLEAN MODULE BREAKDOWN, 9011810 (S/N 10740996-)

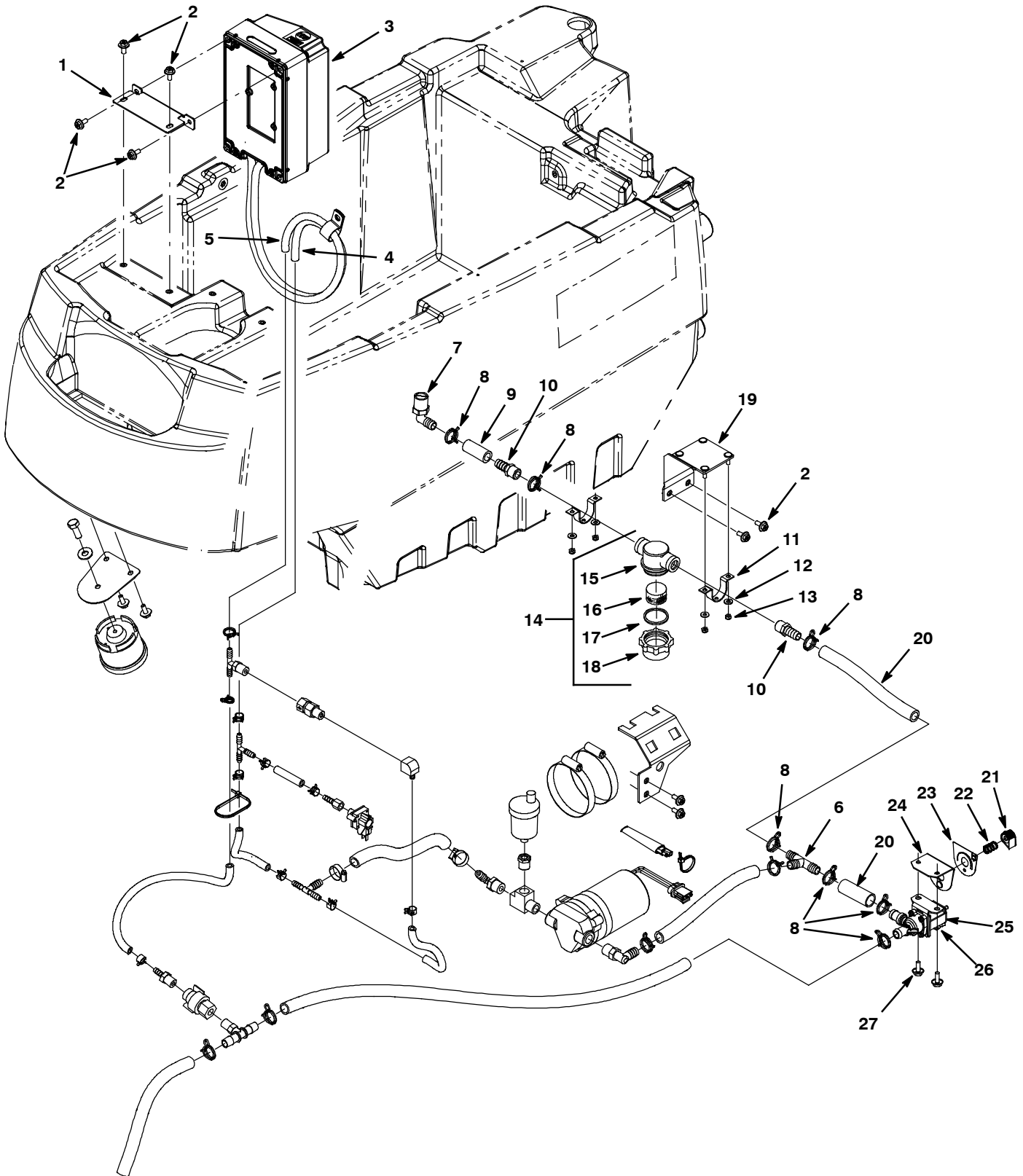
Ref.	Part No.	Serial Number	Description	Qty.
▽	9011810	(10740996- 20000000)	Module Kit, Replmt [Ec- H2o, B 02]	1
▲▽	9014126	(10740996- 20000000)	Ec- H2o Nc Kit [Module B, Plumbing]	1
▲▲	1 1208823	(10740996- 20000000)	Housing, Module, Upper, Ec- H2o	1
▲▲	2 1015506	(10740996- 20000000)	Screw, Pan, Phl, M5 X 16, Tcut [Plastic]	4
▲▲	3 1044393	(10740996- 20000000)	Switch, Rocker, Spst, Mom	1
▲▲	4 32509	(10740996- 20000000)	Screw, Hex, M4 X 0.70 X 50, Ss	4
▲▲	5 1208164	(10740996- 20000000)	Electrode, 5 Plate, High Flow	1
▲▲	6 41579	(10740996- 20000000)	Washer, Flat, 08, Ss	4
▲▲	7 33932	(10740996- 20000000)	Nut, Hex, Lock, M4 X 0.70, Nl, Ss	4
▲▲	8 1006415	(10740996- 20000000)	Hose, Afmkt, Pvc, Clr, 0.25id, 03ft	1
▲▲	9 1208526	(10740996- 20000000)	Hose, Molded, Bm08/Bm06	1
▲▲	10 1049637	(10740996- 20000000)	Label, Direction [Ec- H2o]	1
▲▲	11 613735	(10740996- 20000000)	Clamp, Hose, Wir, .40 - .42, Yel	1
▲▲	12 54333	(10740996- 20000000)	Clamp, Hose, Wormdrive, 0.31- 0.88d, .31w	1
▲▲	13 1073286	(10740996- 20000000)	Harness, Ele, Module B2 [Ec- H2o]	1
▲	14 9014127	(10740996- 20000000)	Controller Kit, Replmt [Ec- H2o Nc]	1

▽ ASSEMBLY

▲ INCLUDED IN ASSEMBLY

STANDARD PARTS

SOLUTION GROUP, *ec-H2O* MODEL (S/N 1000000-10740995)



SOLUTION GROUP, *ec-H2O* MODEL (S/N 1000000- 10740995)

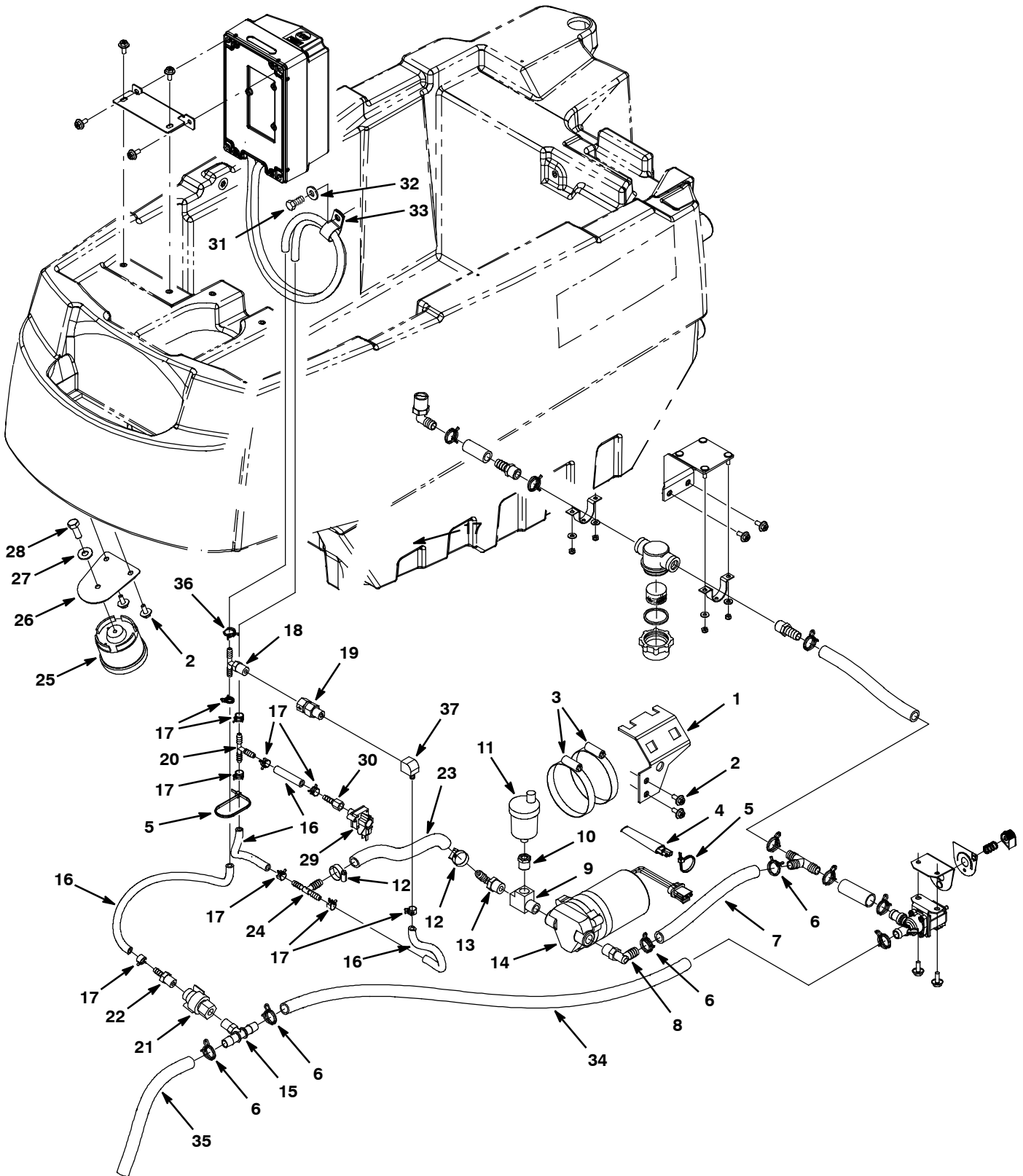
Ref.	Part No.	Serial Number	Description	Qty.
	1	1045965	(10378380- 10740995) Bracket, Mtg, Martini [No2][Ss5]	1
	2	1034731	(10378380- 10740995) Screw, Hex, M6 X 1.00 X 16, Sems, Ss	6
▽	3	9007970	(10448305- 10740995) Module Kit, Replmt [Ec- H2o] (See Breakdown)	1
▲	4	578820000	(10378380- 10740995) Hose, Pvc, Brd, 0.25id 0.44od 157.2l,Clr	1
▲	5	9004606	(10378380- 10740995) Hose, Pvc, Clr, 0.25id 0.38od 064.0l	1
	6	63245- 1	(10000000- 10740995) Fitting, Plstc, Tee, Bm08/Bm08/Bm08	1
	7	1013505	(10000000- 10740995) Fitting, Plstc, E90, Bm08/Pm08, Nyl	1
	8	607776	(10000000- 10740995) Clamp, Hose, Wir, .73 - .77, Silver	7
	9	069760725	(10000000- 10740995) Hose, Pvc, Clr, 0.50id 0.75od 003.0l	1
	10	14884	(10000000- 10740995) Fitting, Brs, Str, Bm08/Pm06 [Taped]	2
	11	605056	(10000000- 10740995) Bracket, Mtg, Fltr	2
	12	01683	(10000000- 10740995) Washer, Flat, 10, Ss	4
	13	09739	(10000000- 10740995) Nut, Hex, Lock, M5 X 0.80, NI, Ss	4
▽	14	1005302	(10000000- 10740995) Filter, In- Line, Pf06/Pf06 080mesh 02.6l	1
▲	15	613993	(10000000- 10740995) Housing, Top, F/1005302	1
▲	16	1005304	(10000000- 10740995) Screen, Fltr, 80 Mesh, Ss	1
▲	17	613992	(10000000- 10740995) Gasket [Viton, F/1005302]	1
▲	18	613991	(10000000- 10740995) Bowl, Clr, Short, F/1005302	1
	19	1023543	(10000000- 10740995) Bracket Wldt, Mtg, Filter	1
	20	613521	(10000000- 10740995) Hose, Pvc, Clr, 0.50id 0.75od 012.0l	1
	21	1013442	(10000000- 10740995) Knob, Valve, Indicator, Blk	1
	22	1017091	(10000000- 10740995) Spring, Cmpr, 0.50od .04wir 00.8l	1
	23	1024343	(10000000- 10740995) Label, Opertnl, Soltn Flow	1
	24	1023537	(10000000- 10740995) Bracket, Label, Soltn	1
▽	25	1062385	(10000000- 10740995) Valve, Water, Solenoid, 24vdc Bm10/Bm10	1
▲	26	614265	(10000000- 10740995) Valve Kit, Water [Viton Diaphram] (Repair Kit)	1
	27	1034731	(10000000- 10740995) Screw, Hex, M6 X 1.00 X 16, Ss, Sems	2

▽ ASSEMBLY

▲ INCLUDED IN ASSEMBLY

STANDARD PARTS

SOLUTION GROUP, *ec-H2O* MODEL (S/N 1000000-10740995) - CONT'D



SOLUTION GROUP, *ec-H2O* MODEL (S/N 1000000- 10740995) - CONT'D

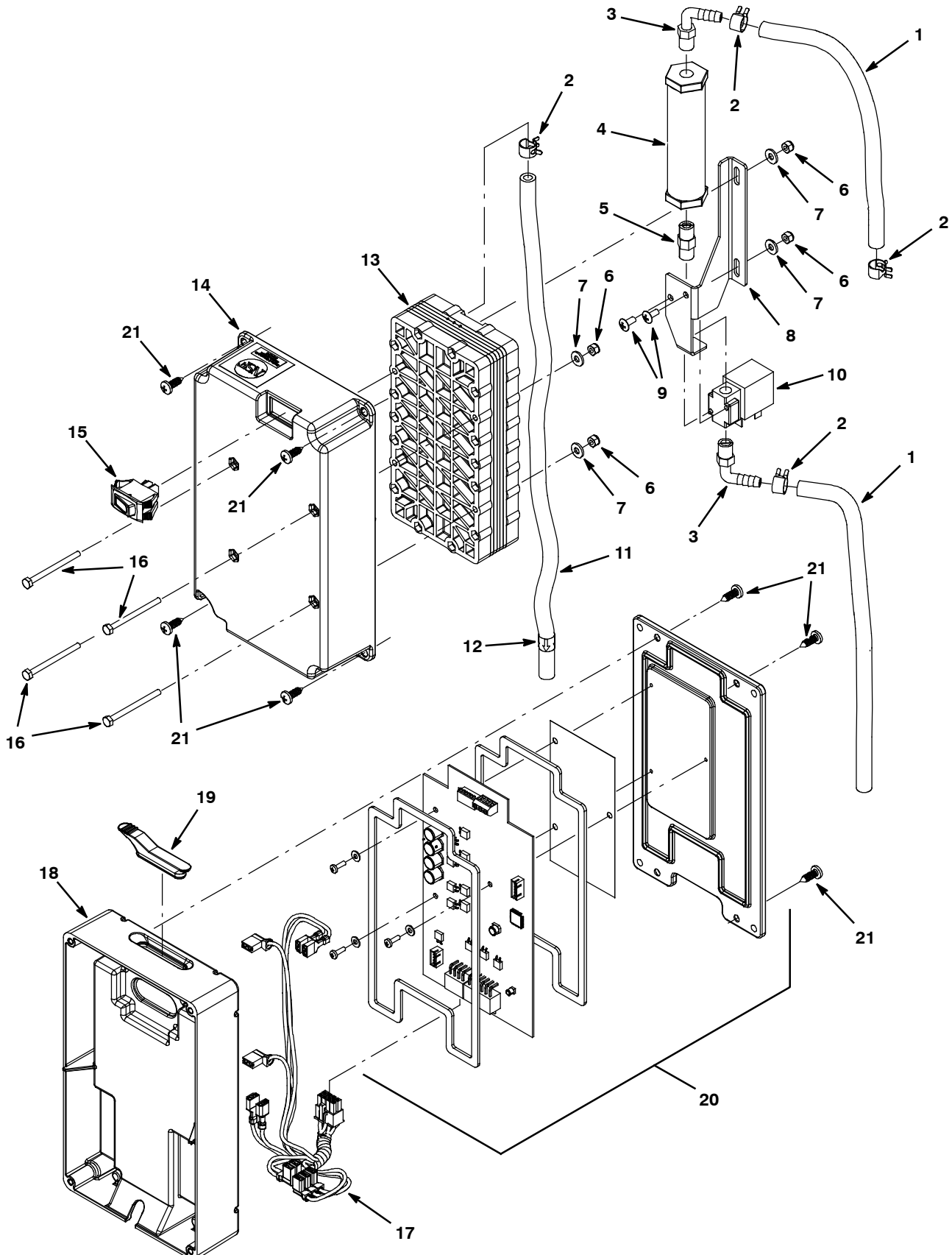
Ref.	Part No.	Serial Number	Description	Qty.	
1	1023463	(1000000- 10740995)	Bracket, Mtg, Pump [T5]	1	
2	1034731	(1000000- 10740995)	Screw, Hex, M6 X 1.00 X 16, Sems, Ss	4	
3	43555	(1000000- 10740995)	Clamp, Hose, Wormdrive, 2.50- 3.50d, .50w	2	
4	1040868	(10378380- 10740995)	Capacitor, Plug [.01 Uf, 200v]	1	
5	130773	(10378380- 10740995)	Tie, Cable, Nyl, 11.0l, .14w, 3.0 Max. D	2	
6	607776	(1000000- 10740995)	Clamp, Hose, Wir, .73 - .77, Silver	4	
7	613521	(10378380- 10740995)	Hose, Pvc, Clr, 0.50id 0.75od 012.0l	1	
8	1017532	(1000000- 10740995)	Fitting, Plstc, E90, Bm08/Pm06	1	
9	601483	(1000000- 10740995)	Fitting, Brs, Tee, Pf06/Pf06/Pm06, Run	1	
10	24698	(1000000- 10740995)	Fitting, Brs, Str, Pf02/Pm06	1	
11	1017386	(1000000- 10740995)	Valve, Vent, Air, Float Type	1	
12	54333	(1000000- 10740995)	Clamp, Hose, Wormdrive, 0.31- 0.88d, .31w	2	
13	1005630	(1000000- 10740995)	Fitting, Plstc, E90, Bm06/Pm06, Nyl	1	
▽	14	1042495	(10378380- 10740995)	Pump, Soltn, Ele, 24vdc, 35psi	1
▲		9004759	(10378380- 10740995)	Pump Kit, Head, Soltn [Echo]	1
▲		78950	(1000000- 10740995)	Connector, Fem, 2cav, Mp280 Sealed	1
▲		78951	(1000000- 10740995)	Terminal, Fem, Mp280, Sealed, 18- 16ga	1
▲		10917	(1000000- 10740995)	Seal, Wire, 14/16ga [Wp / Mp280 Sealed]	1
▲		78952	(1000000- 10740995)	Lock, Secondary, 2cav, Mp280 Sealed	1
15	1010791	(10378380- 10740995)	Fitting, Plstc, Tee, Bm08/Bm08/Pm04, Br	1	
16	578820000	(10378380- 10740995)	Hose, Pvc, Brd, 0.25id 0.44od 157.2l,Clr	1	
17	603654	(10378380- 10740995)	Clamp, Hose, Ear, .44d [Ctb]	9	
18	607306	(10378380- 10740995)	Fitting, Plstc, Tee, Bm04/Bm04/Pm04, Br	1	
19	1044790	(10378380- 10740995)	Valve, Check, 0025psi Pm04/Pf04	1	
20	150713	(10378380- 10740995)	Fitting, Plstc, Tee, Bm04/Bm04/Bm04	1	
21	1043866	(10378380- 10740995)	Fitting Assy, Qd, Pf04	1	
22	50901	(10378380- 10740995)	Fitting, Plstc, Str, Bm04/Pm04	2	
23	1006400	(10378380- 10740995)	Hose, Afmkt, Pvc, Brd, 0.38id, 03ft, Clr	1	
24	1014441	(10378380- 10740995)	Fitting, Plstc, Tee, Bm04/Bm04/Bm06, Br	1	
25	1018505	(10455033- 10740995)	Horn, 12- 48vdc [88.5 Decibels]	1	
25	392937	(10378380- 10455032)	Horn, 12- 48vdc [94 Decibels]	1	
26	1044192	(10378380- 10740995)	Bracket, Mtg, Horn, Echo	1	
27	01685	(10378380- 10740995)	Washer, Flat, 0.38b 0.88d .08, Ss	1	
28	01697	(10378380- 10740995)	Screw, Hex, .25- 20 X 0.62, Ss	1	
29	1044414	(10378380- 10740995)	Switch, Press, 12psi, Pm02	1	
30	150520	(10378380- 10740995)	Fitting, Brs, Str, Bm04/Pf02	1	
31	12273	(10378380- 10740995)	Screw, Hex, M8 X 1.25 X 20, NI, Ss	1	
32	69461	(10378380- 10740995)	Washer, Flat, 0.38b 0.88d .12, Stl, Pl	1	
33	69234	(10378380- 10740995)	Clamp, Cable, Stl, 1.00d X 0.75w, 1hole	1	
34	613531	(1000000- 10740995)	Hose, Pvc, Clr, 0.50id 0.75od 045.0l	1	
35	613521	(1000000- 10740995)	Hose, Pvc, Clr, 0.50id 0.75od 012.0l	1	
36	613735	(10378380- 10740995)	Clamp, Hose, Wir, .40 - .42, Yel	1	
37	1028773	(1000000- 10740995)	Fitting, Brs, E90, Bm04/Pf04	1	

▽ ASSEMBLY

▲ INCLUDED IN ASSEMBLY

STANDARD PARTS

ec-H2O MODULE ASSEMBLY BREAKDOWN, 9007970 (S/N 10448305- 10740995)



ec-H2O MODULE ASSEMBLY BREAKDOWN, 9007970 (S/N 10448305- 10740995)

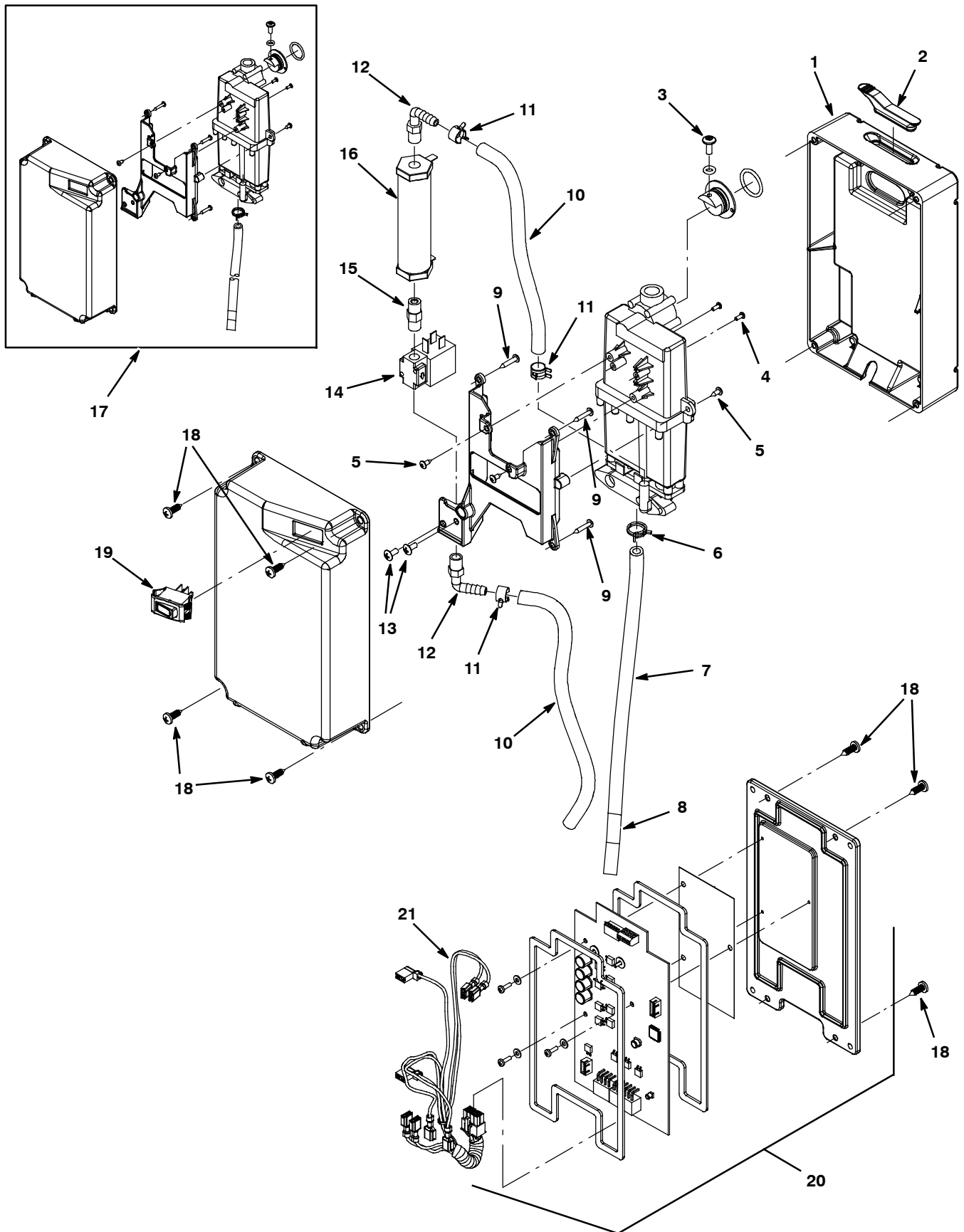
Ref.	Part No.	Serial Number	Description	Qty.
▽	9007970	(10448305- 10740995)	Module Kit, Replmt [Ec- H2o]	1
▲▽	9006324	(10448305- 10740995)	Ec- H2o Kit [Module B, Plumbing]	1
▲▲	1 578820000	(10378380- 10740995)	Hose, Pvc, Brd, 0.25id 0.44od 157.2l,Clr	1
▲▲	2 603654	(10378380- 10740995)	Clamp, Hose, Ear, .44d [Ctb]	4
▲▲	3 1037595	(10378380- 10740995)	Fitting, Plstc, E90, Bm04/Pm02, Nyl	2
▲▲	4 1062006	(10448305- 10740995)	Electrode, Cylindrical	1
▲▲	5 1045030	(10378380- 10740995)	Fitting, Brs, Str, Pm02/Pm02	1
▲▲	6 33932	(10448305- 10740995)	Nut, Hex, Lock, M4 X 0.70, NI, Ss	4
▲▲	7 41579	(10448305- 10740995)	Washer, Flat, 08, Ss	4
▲▲	8 1048490	(10448305- 10740995)	Bracket, Valve	1
▲▲	9 140801	(10378380- 10740995)	Screw, Trs, Phl, 08- 32 X 0.38, Ss	2
▲▲	10 1013236	(10378380- 10740995)	Valve, Shutoff, Ele, 24vdc	1
▲▲	11 9006574	(10448305- 10740995)	Hose, Pvc, Brd, 0.25id 0.45od, 65l, Clr	1
▲▲	12 1049637	(10378380- 10740995)	Label, Direction [Ec- H2o]	1
▲▲	13 1057637	(10448305- 10740995)	Electrode, 5 Plate, High Flow	1
▲▲	14 1051519	(10448305- 10740995)	Housing, Upper, Module, High Flow	1
▲▲	15 1044393	(10378380- 10740995)	Switch, Rocker, Spst, Mom,	1
▲▲	16 32509	(10448305- 10740995)	Screw, Hex, M4 X 0.70 X 50, Ss	4
▲▲	17 1049489	(10448305- 10740995)	Harness, Main, Controller [Ec- H2o, P3]	1
▲	18 1037032	(10378380- 10740995)	Housing, Bottom	1
▲	19 1054776	(10378380- 10740995)	Grommet, Blind	1
▲	20 9007969	(10448305- 10740995)	Controller Kit, Replmt [Ec- H2o]	1
▲	21 1018155	(10378380- 10740995)	Screw, Pan, Phl, M5 X 0.80 X 16, Tcut,Ss	8

▽ ASSEMBLY

▲ INCLUDED IN ASSEMBLY

STANDARD PARTS

ec-H2O MODULE ASSEMBLY BREAKDOWN, 9006161 (S/N 10378380- 10448304)



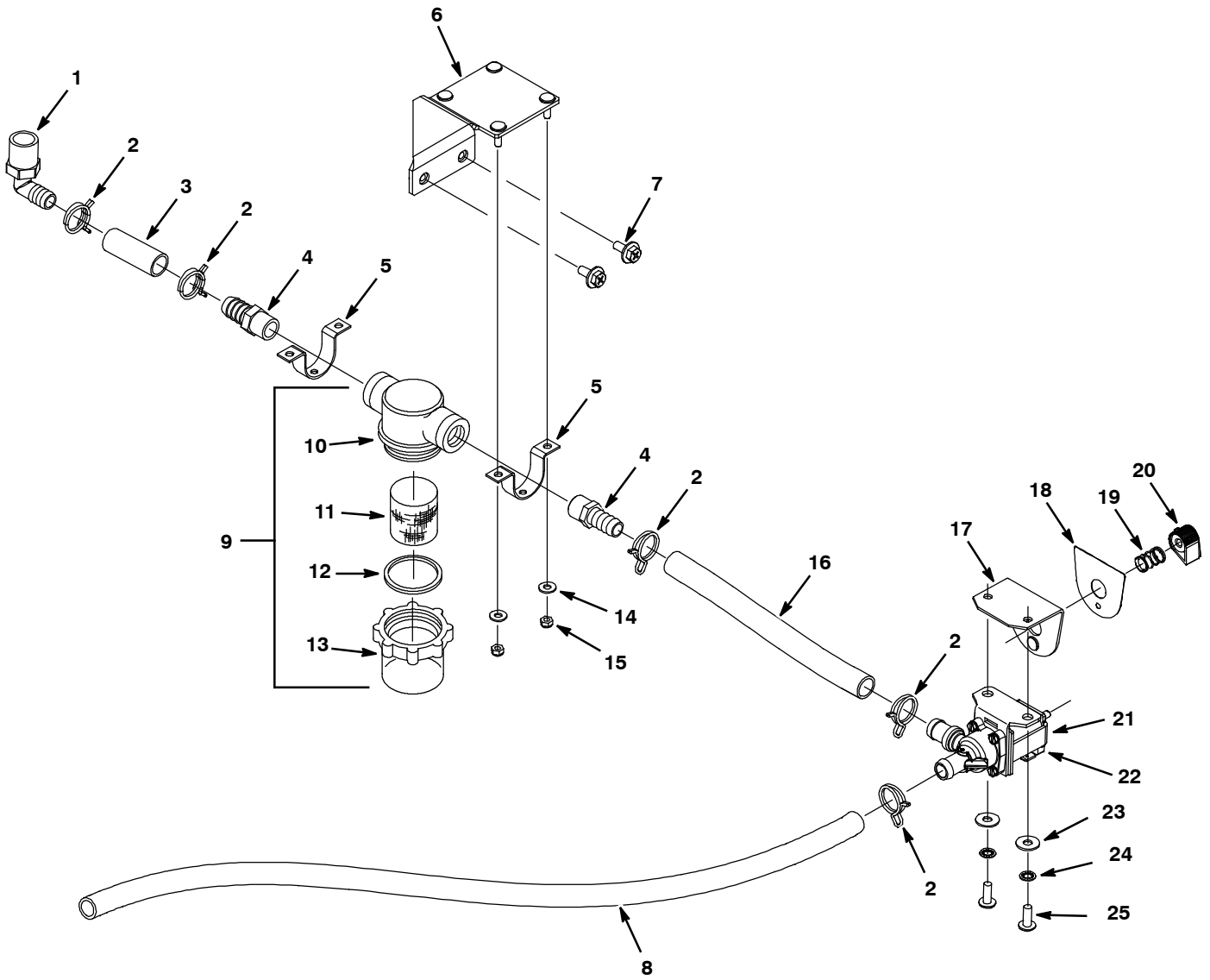
ec-H2O MODULE ASSEMBLY BREAKDOWN, 9006161 (S/N 10378380- 10448304)

Ref.	Part No.	Serial Number	Description	Qty.
▽	9006161	(10378380- 10448304)	Module Kit, Replmt [Ec- H2o]	1
▲	1 1037032	(10378380- 20000000)	Housing, Bottom	1
▲	2 1054776	(10378380- 20000000)	Grommet, Blind	1
▲	3 609062	(10378380- 10448304)	Screw, Trs, Phl, 08- 32 X 0.38, Ss	1
▲	4 578860	(10378380- 10448304)	Screw, Pan, Phl, 04- 40 X 0.31, Pl	2
▲	5 3701.6	(10378380- 10448304)	Screw, Pan, Phl, 06- 32 X 0.38, Shtmtl,Ss	4
▲	6 613735	(10378380- 20000000)	Clamp, Hose, Wir, .40 - .42, Yel	1
▲	7 9004606	(10378380- 10448304)	Hose, Pvc, Brd, .25id .45od 46l, Clr	1
▲	8 1049637	(10378380- 20000000)	Label, Direction [Ec- H2o]	1
▲	9 140826	(10378380- 10448304)	Screw, Pan, 06- 32 X 0.75, Fmg/Ab, Ss	4
▲	10 578820000	(10378380- 20000000)	Hose, Pvc, Brd, 0.25id 0.44od 157.2l,Clr	1
▲	11 603654	(10378380- 20000000)	Clamp, Hose, Ear, .44d [Ctb]	4
▲	12 1037595	(10378380- 20000000)	Fitting, Plstc, E90, Bm04/Pm02, Nyl	2
▲	13 140801	(10378380- 20000000)	Screw, Trs, Phl, 08- 32 X 0.38, Ss	2
▲	14 1013236	(10378380- 20000000)	Valve, Shutoff, Ele, 24vdc	1
▲	15 1045030	(10378380- 20000000)	Fitting, Brs, Str, Pm02/Pm02	1
▲	16 1038159	(10378380- 20000000)	Electrode, Cylindrical	1
▲	17 N/A	(10378380- 10448304)	Part Not Sold Separately - Order E- Cell Upgrade Kit P/N 9006324	1
▲	18 1018155	(10378380- 20000000)	Screw, Pan, Phl, M5 X 0.80 X 16, Tcut,Ss	8
▲	19 1044393	(10378380- 20000000)	Switch, Rocker, Spst, Mom,	1
▲	20 9006159	(10378380- 10448304)	Controller Kit, Replmt [Ec- H2o]	1
▲	21 1044399	(10378380- 10448304)	Harness, Main, Controller [Ec- H2o, P3]	1

▽ ASSEMBLY

▲ INCLUDED IN ASSEMBLY

SOLUTION GROUP, STANDARD MODEL



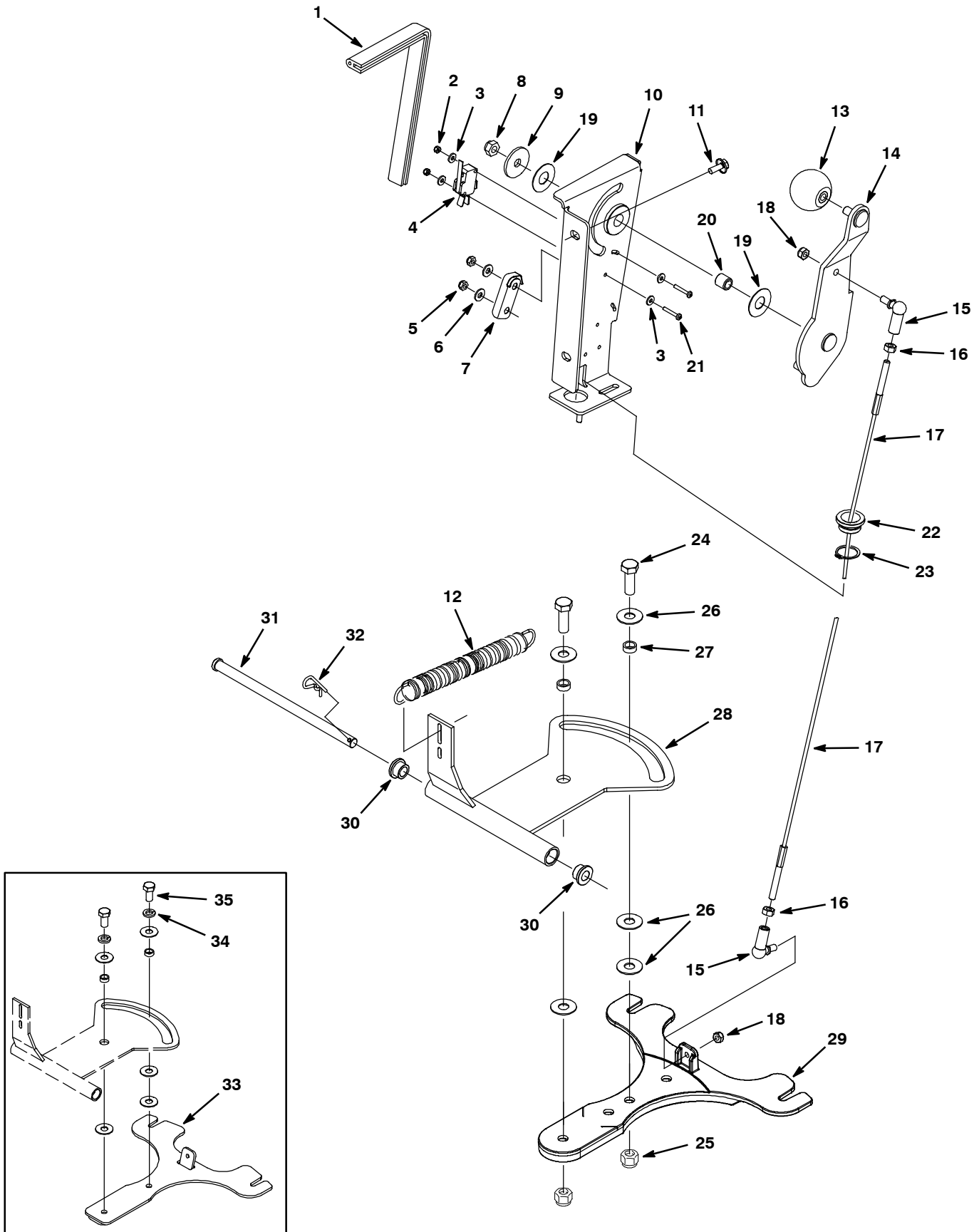
SOLUTION GROUP, STANDARD MODEL

Ref.	Part No.	Serial Number	Description	Qty.	
1	1013505	(10000000-20000000)	Fitting, Plstc, E90, Bm08/Pm08, Nyl	1	
2	607776	(10000000-20000000)	Clamp, Hose, Wir, .73 - .77, Silver	5	
3	069760725	(10000000-20000000)	Hose Sol 1/2idx3.25" [611259]	1	
4	14884	(10000000-20000000)	Fitting, Brs, Str, Bm08/Pm06 [Taped]	2	
5	605056	(10000000-20000000)	Bracket, Mtg, Fltr	2	
6	1023543	(10000000-20000000)	Bracket Wldt, Mtg, Filter	1	
7	1034731	(10000000-20000000)	Screw, Hex, M6 X 1.00 X 16, Ss, Sems	2	
8	613531	(10000000-20000000)	Tube, 0.50id X 0.75od Vyl 3.75ft[611259]	1	
▽	9	1005302	(10000000-20000000)	Filter, In- Line, Pf06/Pf06, 80 Mesh	1
▲	10	613993	(10000000-20000000)	Housing, Top, F/1005302	1
▲	11	1005304	(10000000-20000000)	Screen, Fltr, 80 Mesh	1
▲	12	613992	(10000000-20000000)	Gasket [Viton, F/1005302]	1
▲	13	613991	(10000000-20000000)	Bowl, Clr, Short, F/1005302	1
	14	01683	(10000000-20000000)	Washer, Flat, #10, Ss	4
	15	09739	(10000000-20000000)	Nut, Hex, Lock, M5 X 0.80, NI, Ss	4
	16	613521	(10000000-20000000)	Tube, 0.50id X 0.75od Vyl 1.00ft[611259]	1
	17	1023537	(10000000-20000000)	Bracket, Label, Soltn	1
	18	1024343	(10000000-20000000)	Label, Soltn, Flow	1
	19	1017091	(10000000-20000000)	Spring, Cmpr, 0.5od .036wir 00.8l	1
	20	1013442	(10000000-20000000)	Knob, Valve, Indicator, Blk	1
	21	1213803	(10753815-20000000)	Valve, Water, Solenoid, 24vdc Bm10/Bm10	1
▽	21	1062385	(10000000-10753814)	Valve, Water, Solenoid, 24vdc Bm10/Bm10	1
▲	22	614265	(10000000-10753814)	Valve Kit, Water [Viton Diaphragm] (Repair Kit)	1
	23	01684	(10000000-20000000)	Washer, Flat, 0.25, Ss	2
	24	07515	(10000000-20000000)	Washer, Lock, Int, 0.25, Ss	2
	25	608322	(10000000-20000000)	Screw, Trs, M6 X 1.00 X 16, Phl, Ss	2

▽ ASSEMBLY

▲ INCLUDED IN ASSEMBLY

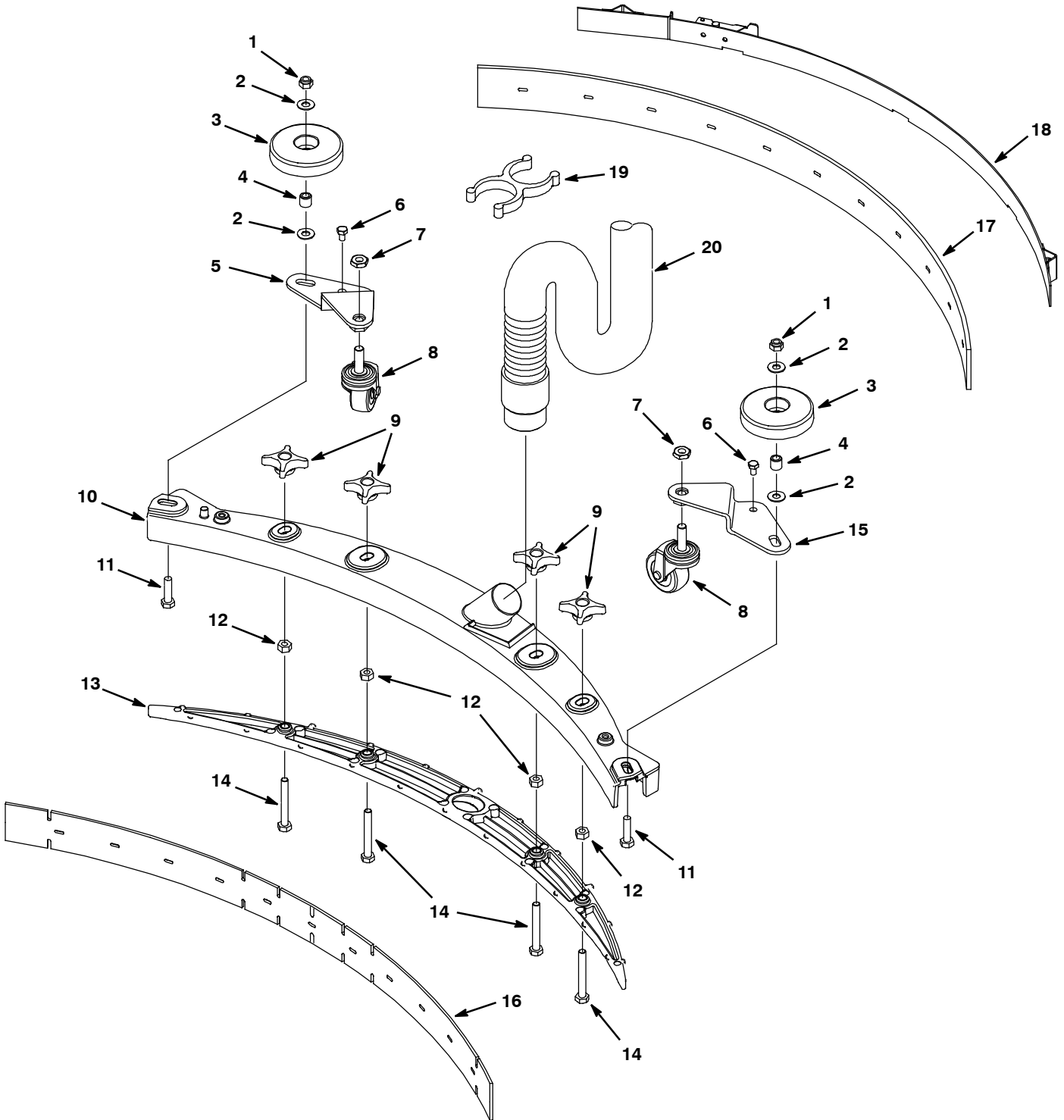
SQUEEGEE LIFT GROUP



SQUEEGEE LIFT GROUP

Ref.	Part No.	Serial Number	Description	Qty.
1	1008675	(10000000-20000000)	Gasket, Edge, Foam, 24.00l [Fr]	1
2	579211	(10000000-20000000)	Nut, Hex, Lock, M3 X .5, Ss	2
3	41578	(10000000-20000000)	Washer, Flat, #06, Ss	4
4	1012568	(10000000-20000000)	Switch, Snap, 10a, Short	1
5	09739	(10000000-20000000)	Nut, Hex, Lock, M5 X 0.8, NI, Ss	2
6	01683	(10000000-20000000)	Washer, Flat, #10, Ss	2
7	1024060	(10000000-20000000)	Spring, Lever, Sqge, W/ 90° Bend	1
8	08713	(10000000-20000000)	Nut, Hex, Lock, M8 X 1.25, NI, Ss	1
9	1016331	(10000000-20000000)	Washer, Flat, 0.34b 1.25d .11, Ss	1
10	1020922	(10000000-20000000)	Bracket, Lift, Sqge	1
11	1034731	(10000000-20000000)	Screw, Hex, M6 X 1.00 X 16, Ss, Sems	2
12	140423	(10000000-20000000)	Spring, Brush Press	1
13	1017156	(10000000-20000000)	Knob, Ball, M8 Insert, 40mmd, Plstc	1
14	1024354	(10000000-20000000)	Lever, Sqge	1
15	1012747	(10000000-20000000)	Balljoint, M6 X 1.0 Fem, M6 X 1.0 Mal	2
16	07785	(10000000-20000000)	Nut, Hex, Std, M6 X 1.00, A2, Ss	2
17	1024105	(10000000-20000000)	Cable, Lift, Sqge	1
18	08712	(10000000-20000000)	Nut, Hex, Lock, M6 X 1.0, Ss, NI	2
19	1013397	(10000000-20000000)	Washer, Flat, M13 X 30 X 0.8, Nyl	2
20	222460	(10000000-20000000)	Sleeve, P/M, 0.31b 0.50d 0.5l	1
21	06922	(10000000-20000000)	Screw, Pan, M3 X 0.5 X 20, 4.8	2
22	1009363	(10000000-20000000)	Bushing, Cable	1
23	621236	(10000000-20000000)	Ring, Retaining, Ext, 0.81d	1
24	12309	(10387970-20000000)	Screw, Hex, M12 X 1.75 X 30, Ss	2
25	09741	(10387970-20000000)	Nut, Hex, Lock, M12 X 1.75, NI, Ss	2
26	140045	(10000000-20000000)	Washer, Flat, 0.51b 1.25d .06, Ss	5
27	1013662	(10000000-20000000)	Bushing, Sleeve, 12mm 16mm 6.5mml, Pm Yw	2
28	1020974	(10000000-20000000)	Bracket Wldt, Pivot, Sqge	1
29	1038515	(10387970-20000000)	Bracket Kit, Sqge, Conversion [T5]	1
30	606058	(10000000-20000000)	Bearing, Flng .505id .753od	2
31	1026232	(10000000-20000000)	Pin, Clevis, 0.50 D X 9.25l	1
32	140626	(10000000-20000000)	Pin, Hair Cotter, 0.25 D .125 Wir	1
33	1038515	(10000000-10387969)	Bracket Kit, Sqge, Conversion [T5]	1
34	140024	(10000000-10387969)	Washer, Lock, Split, 0.50, Ss	2
35	1033003	(10000000-10387969)	Screw, Hex, M12 X 1.75 X 25, NI, Ss	2

SQUEEGEE GROUP, 20 in / 500 mm



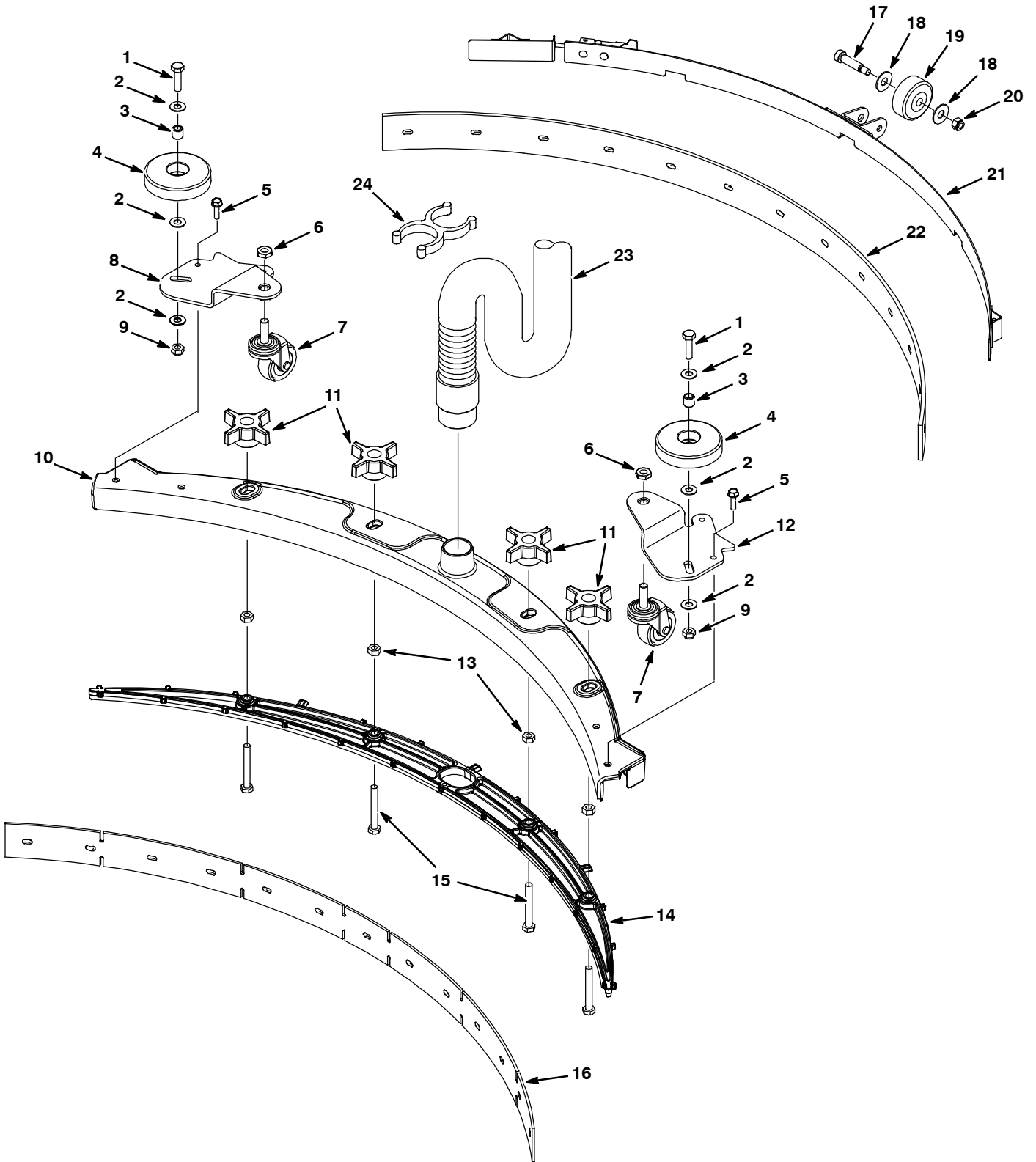
SQUEEGEE GROUP, 20 in / 500 mm

Ref.	Part No.	Serial Number	Description	Qty.
▽	9001178	(10000000- 20000000)	Squeegee Assy Kit, 500mm, Ci	1
▲	1 08713	(10000000- 20000000)	Nut, Hex, Lock, M8 X 1.25, NI, Ss	2
▲	2 140027	(10000000- 20000000)	Washer, Flat, 0.35b 0.75d .04, Ss	4
▲	3 1010560	(10000000- 20000000)	Wheel, Bmpr, 80d X 25w, Non- Marking	2
▲	4 222460	(10000000- 20000000)	Sleeve, P/M, 0.31b 0.50d 0.5l	2
▲	5 1011228	(10000000- 20000000)	Plate, Mtg, Caster, Sqge, Rh	1
▲	6 74455	(10000000- 20000000)	Screw, Hex, M6 X 1.0 X 12, Fmg	2
▲	7 32716	(10000000- 20000000)	Nut, Hex, Jam, M10 X 1.5, Ss	2
▲	8 1006343	(10000000- 20000000)	Caster, Swivel, 50mmd, M10 X 30 Stem, PI	2
▲	9 1010558	(10000000- 20000000)	Knob, Star, 2.00d 4ear 0.7l M8x1.25 Thru	4
▲	10 1011163	(10000000- 20000000)	Frame, Sqge, 74cm, Die Cast [50cm]	1
▲	11 09011	(10000000- 20000000)	Screw, Hex, M8 X 1.25 X 30, Ss	2
▲	12 07786	(10000000- 20000000)	Nut, Hex, Std, M8 X 1.25, Ss	4
▲	13 1019919	(10000000- 20000000)	Retainer, Sqge, 76cm [50cm] Nyl, Blk	1
▲	14 1014163	(10000000- 20000000)	Screw, Hex, M8 X 1.25 X 60, Fl, Ss	4
▲	15 1011956	(10000000- 20000000)	Plate, Mtg, Caster, Sqge, Lh	1
▲	16 1011232	(10000000- 20000000)	Blade, Sqge, Front, 500mml (Linatex Red Standard)	1
	16 1014091	(10000000- 20000000)	Blade, Sqge, Front, 500mm, Gum (Gum Rubber Tan Optional)	1
	16 1014092	(10000000- 20000000)	Blade, Sqge, Front, 500mml, Oil- Rstn (Polyurethane Natural Optional)	1
▲	17 1011456	(10000000- 20000000)	Blade, Sqge, Rear, 500mm Linatex (Linatex Red Standard)	1
	17 1014093	(10000000- 20000000)	Blade, Sqge, Rear, 500mm Gum (Gum Rubber Tan Optional)	1
	17 1014094	(10000000- 20000000)	Blade, Sqge, Rear, 500mm Oil- Rstn (Polyurethane Natural Optional)	1
▲	18 1013933	(10000000- 20000000)	Strap Assy, Sqge, 500mm	1
	19 1014079	(10000000- 20000000)	Clip, Grip, Hose, 1.50id, Dbl, Blk Pyp	1
	20 1014026	(10000000- 20000000)	Hose, Vacuum, 1.5d X 57l, 2- Short Cuffs	1

▽ ASSEMBLY

▲ INCLUDED IN ASSEMBLY

SQUEEGEE GROUP, 24 in / 600 mm



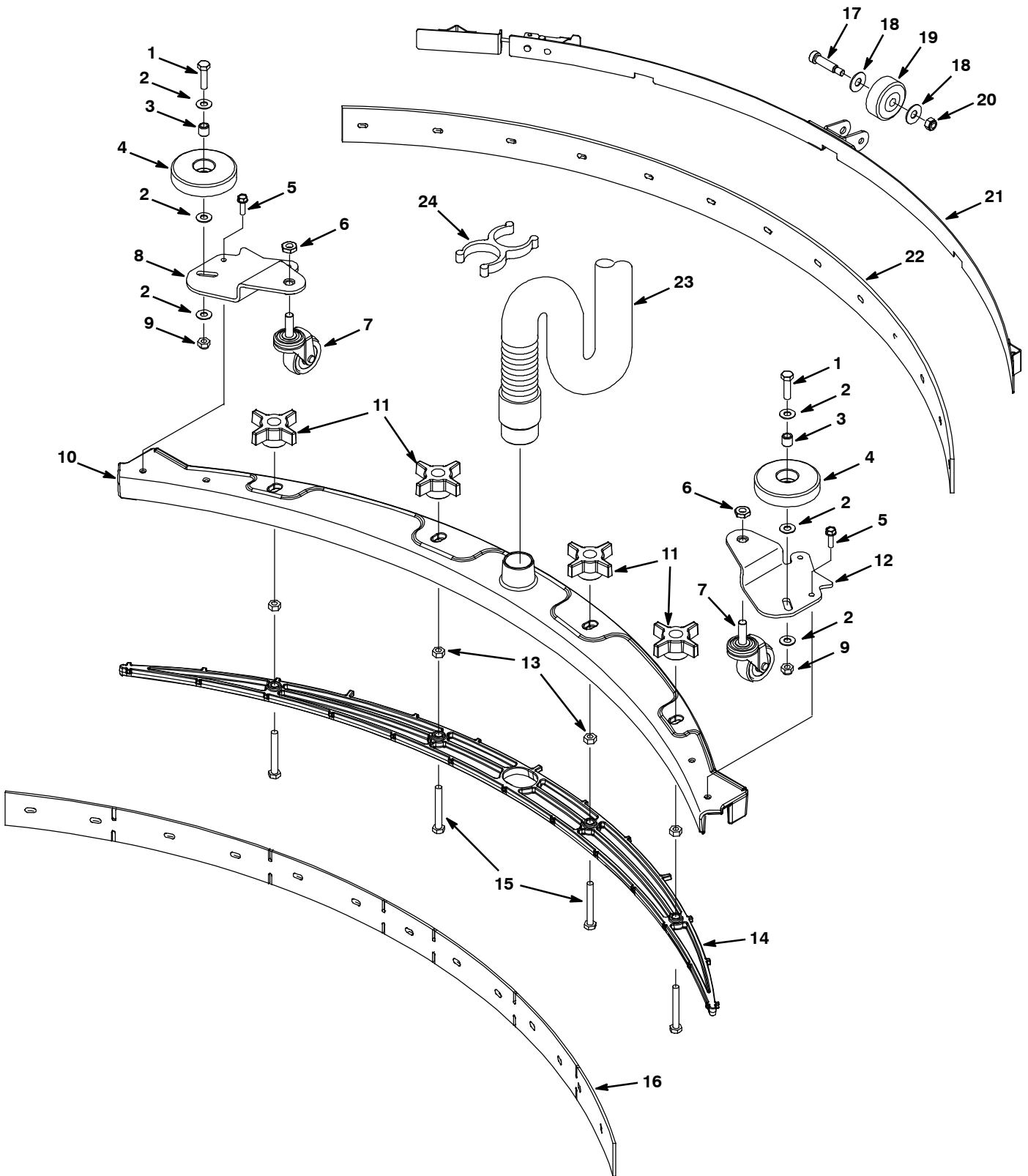
SQUEEGEE GROUP, 24 in / 600 mm

Ref.	Part No.	Serial Number	Description	Qty.
▽	9002679	(10000000-20000000)	Kit, Squeegee, 600mm Ci	1
▲	1 09011	(10000000-20000000)	Screw, Hex, M8 X 1.25 X 30, Ss	2
▲	2 140027	(10000000-20000000)	Washer, Flat, 0.35b 0.75d .04, Ss	6
▲	3 222460	(10000000-20000000)	Sleeve, P/M, 0.496d 0.318b 0.50l 430ss	2
▲	4 1010560	(10000000-20000000)	Wheel, Bmpr, 80d X 25w, Non- Marking	2
▲	5 12459	(10000000-20000000)	Screw, Hex, M6 X 1.0 X 20, Fmg	4
▲	6 32716	(10000000-20000000)	Nut, Hex, Jam, M10 X 1.5, Ss	2
▲	7 1006343	(10000000-20000000)	Caster, Swivel, 50mm D, M10 X 30 Stem,Zn	2
▲	8 1023273	(10000000-20000000)	Plate, Caster, Mtg, Sqge, Rh	1
▲	9 08713	(10000000-20000000)	Nut, Hex, Lock, M8 X 1.25, NI, Ss	2
▲	10 1021798	(10000000-20000000)	Frame, Sqge, 89cm [60cm]	1
▲	11 1054375	(10000000-20000000)	Knob, Star, 2.75d 4ear 1.1l M8x1.25 Thru	4
▲	12 1023291	(10000000-20000000)	Plate, Caster, Mtg, Sqge, Lh	1
▲	13 07786	(10000000-20000000)	Nut, Hex, Std, M8 X 1.25, Ss	4
▲	14 1026354	(10000000-20000000)	Retainer , Blade, Sqge, 600mm [Plstc]	1
▲	15 1014163	(10000000-20000000)	Screw, Hex, M8 X 1.25 X 60, Fl, Ss	4
▲	16 1021804	(10000000-20000000)	Blade, Sqge, Front, 88cml [Lnx, 60cm] (Linatex Red Standard)	1
	16 1025333	(10000000-20000000)	Blade, Sqge, Front, 88cml, Gum [60cm] (Gum Rubber Tan Optional)	1
	16 1025334	(10000000-20000000)	Blade, Sqge, Front, 88cml, Ure [60cm] (Polyurethane Natural Optional)	1
▲	17 600187	(10000000-20000000)	Bolt, Shld, .38d X 1.25, .31- 18	1
▲	18 140028	(10000000-20000000)	Washer, Flat, 0.42b 1.00d .05, Ss	2
▲	19 630477	(10000000-20000000)	Wheel, Pyu, 2.0d 0.38w, Gray	1
▲	20 32983	(10000000-20000000)	Nut, Hex, Lock, .31- 18, NI	1
▲	21 1022456	(10000000-20000000)	Retainer Assy, Blade, Sqge, 600mm	1
▲	22 1021333	(10000000-20000000)	Blade, Sqge, Rear, 88cm,Linatex[60cm] (Linatex Red Standard)	1
	22 1025335	(10000000-20000000)	Blade, Sqge, Rear, 88cml, Gum [60cm] (Gum Rubber Tan Optional)	1
	22 1025336	(10000000-20000000)	Blade, Sqge, Rear, 88cm, Ure [60cm] (Polyurethane Natural Optional)	1
	23 1014026	(10000000-20000000)	Hose, Vacuum, 1.5d X 57l, 2- Short Cuffs	1
	24 1014079	(10000000-20000000)	Clip, Hose, Gripper, 1.50id, Dbl, Blk Pp	1

▽ ASSEMBLY

▲ INCLUDED IN ASSEMBLY

SQUEEGEE GROUP, 26 in / 650 mm & 28 in / 700 mm



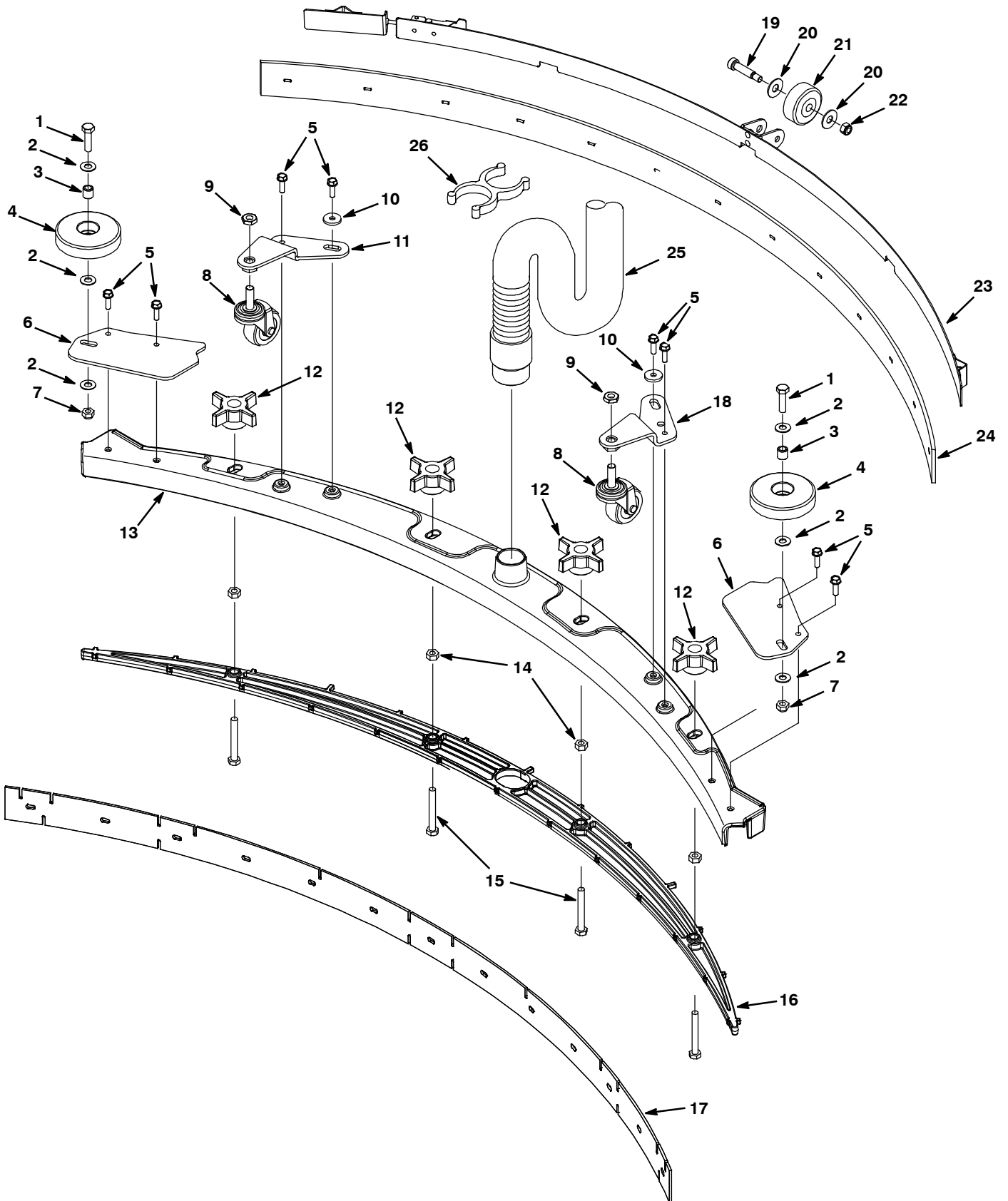
SQUEEGEE GROUP, 26 in / 650 mm & 28 in / 700 mm

Ref.	Part No.	Serial Number	Description	Qty.
▽	9002680	(10000000- 20000000)	Kit, Squeegee, 700mm Ci	1
▲	1 09011	(10000000- 20000000)	Screw, Hex, M8 X 1.25 X 30, Ss	2
▲	2 140027	(10000000- 20000000)	Washer, Flat, 0.35b 0.75d .04, Ss	6
▲	3 222460	(10000000- 20000000)	Sleeve, P/M, 0.496d 0.318b 0.50l 430ss	2
▲	4 1010560	(10000000- 20000000)	Wheel, Bmpr, 80d X 25w, Non- Marking	2
▲	5 12459	(10000000- 20000000)	Screw, Hex, M6 X 1.0 X 20, Fmg	4
▲	6 32716	(10000000- 20000000)	Nut, Hex, Jam, M10 X 1.5, Ss	2
▲	7 1006343	(10000000- 20000000)	Caster, Swivel, 50mm D, M10 X 30 Stem,Zn	2
▲	8 1023273	(10000000- 20000000)	Plate, Caster, Mtg, Sqge, Rh	1
▲	9 08713	(10000000- 20000000)	Nut, Hex, Lock, M8 X 1.25, NI, Ss	2
▲	10 1023326	(10000000- 20000000)	Frame, Sqge, 104cm [70cm]	1
▲	11 1054375	(10000000- 20000000)	Knob, Star, 2.75d 4ear 1.1l M8x1.25 Thru	4
▲	12 1023291	(10000000- 20000000)	Plate, Caster, Mtg, Sqge, Lh	1
▲	13 07786	(10000000- 20000000)	Nut, Hex, Std, M8 X 1.25, Ss	4
▲	14 1026416	(10000000- 20000000)	Retainer, Blade, Sqge, 700mm [Plstc]	1
▲	15 1014163	(10000000- 20000000)	Screw, Hex, M8 X 1.25 X 60, Fl, Ss	4
▲	16 1023327	(10000000- 20000000)	Blade, Sqge, Front, 98cml [Lnx, 70cm] (Linatex Red Standard)	1
	16 1025337	(10000000- 20000000)	Blade, Sqge, Front, 98cml, Gum [70cm] (Gum Rubber Tan Optional)	1
	16 1025339	(10000000- 20000000)	Blade, Sqge, Front, 98cml, Ure [70cm] (Polyurethane Natural Optional)	1
▲	17 600187	(10000000- 20000000)	Bolt, Shld, .38d X 1.25, .31- 18	1
▲	18 140028	(10000000- 20000000)	Washer, Flat, 0.42b 1.00d .05, Ss	2
▲	19 630477	(10000000- 20000000)	Wheel, Pyu, 2.0d 0.38w, Gray	1
▲	20 32983	(10000000- 20000000)	Nut, Hex, Lock, .31- 18, NI	1
▲	21 1023335	(10000000- 20000000)	Bracket Wldt, Sqge, Band Clamp, 98cm	1
▲	22 1023329	(10000000- 20000000)	Blade, Sqge, Rear, 98cm,Linatex[70cm] (Linatex Red Standard)	1
	22 1025340	(10000000- 20000000)	Blade, Sqge, Rear, 98cml, Gum [70cm] (Gum Rubber Tan Optional)	1
	22 1025341	(10000000- 20000000)	Blade, Sqge, Rear, 98cm, Ure [70cm] (Polyurethane Natural Optional)	1
	23 1014026	(10000000- 20000000)	Hose, Vacuum, 1.5d X 57l, 2- Short Cuffs	1
	24 1014079	(10000000- 20000000)	Clip, Hose, Gripper, 1.50id, Dbl, Blk Pp	1

▽ ASSEMBLY

▲ INCLUDED IN ASSEMBLY

SQUEEGEE GROUP, 32 in / 800 mm



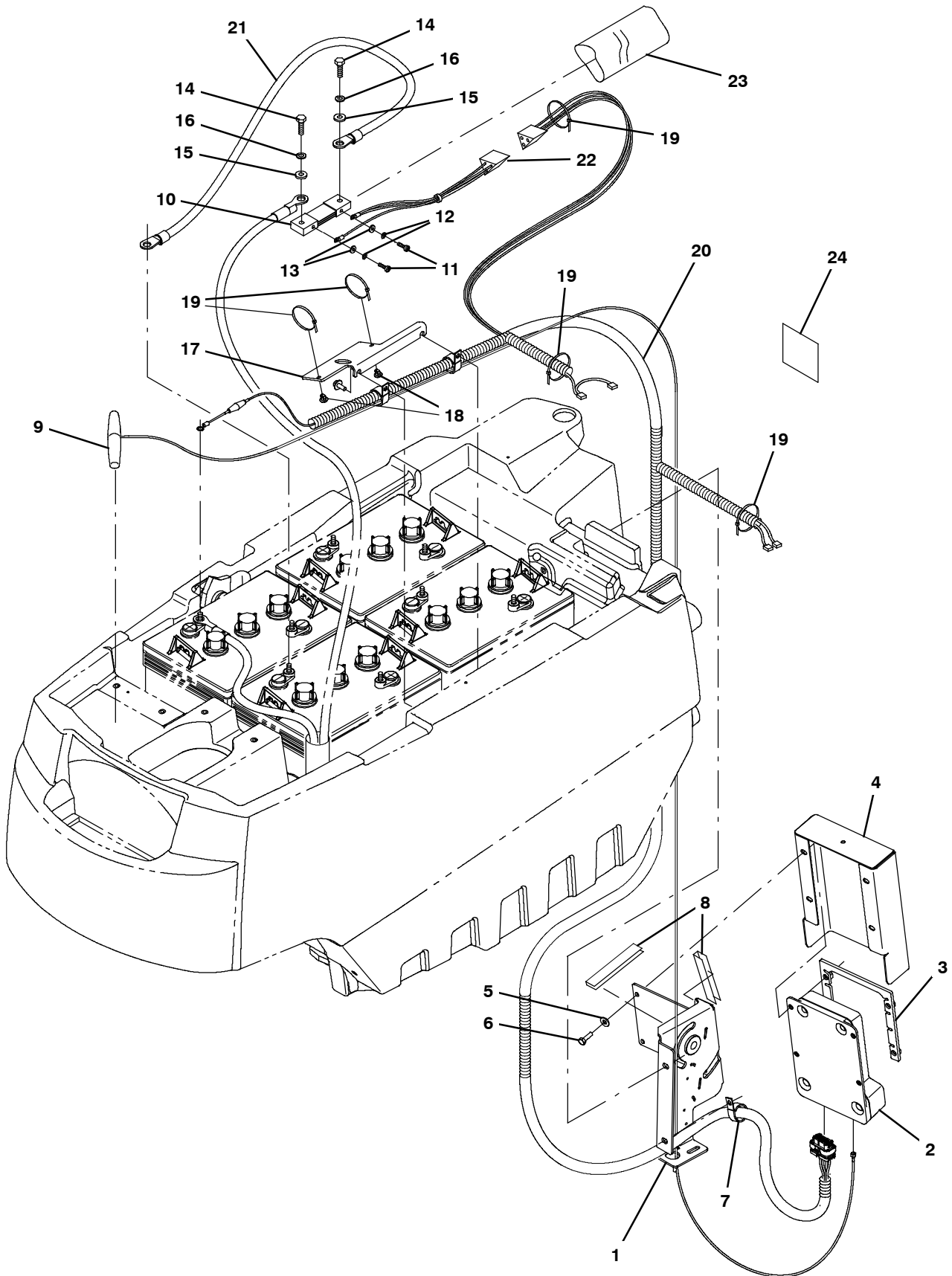
SQUEEGEE GROUP, 32 in / 800 mm

Ref.	Part No.	Serial Number	Description	Qty.
▽	9002681	(10000000-20000000)	Kit, Squeegee, 800mm Ci	1
▲	1 09011	(10000000-20000000)	Screw, Hex, M8 X 1.25 X 30, Ss	2
▲	2 140027	(10000000-20000000)	Washer, Flat, 0.35b 0.75d .04, Ss	6
▲	3 222460	(10000000-20000000)	Sleeve, P/M, 0.496d 0.318b 0.50l 430ss	2
▲	4 1010560	(10000000-20000000)	Wheel, Bmpr, 80d X 25w, Non- Marking	2
▲	5 12459	(10000000-20000000)	Screw, Hex, M6 X 1.0 X 20, Fmg	8
▲	6 1023426	(10000000-20000000)	Bracket, Mtg, Sqge Bumper	2
▲	7 08713	(10000000-20000000)	Nut, Hex, Lock, M8 X 1.25, NI, Ss	2
▲	8 1006343	(10000000-20000000)	Caster, Swivel, 50mm D, M10 X 30 Stem,Zn	2
▲	9 32716	(10000000-20000000)	Nut, Hex, Jam, M10 X 1.5, Ss	2
▲	10 140053	(10000000-20000000)	Washer, Flat, 0.28b 0.88d .12, Ss	2
▲	11 1011228	(10000000-20000000)	Plate, Mtg, Caster, Sqge, Rh	1
▲	12 1054375	(10000000-20000000)	Knob, Star, 2.75d 4ear 1.1l M8x1.25 Thru	4
▲	13 1023396	(10000000-20000000)	Frame, Sqge, 117cm [80cm]	1
▲	14 07786	(10000000-20000000)	Nut, Hex, Std, M8 X 1.25, Ss	4
▲	15 1014163	(10000000-20000000)	Screw, Hex, M8 X 1.25 X 60, Fl, Ss	4
▲	16 1024970	(10000000-20000000)	Retainer, Blade, Sqge, 800mm [Plstc]	1
▲	17 1023398	(10000000-20000000)	Blade, Sqge, Front, 105cm [Linx 80cm] (Linatex Red Standard)	1
	17 1025342	(10000000-20000000)	Blade, Sqge, Front, 105cml, Gum[80cm] (Gum Rubber Tan Optional)	1
	17 1025343	(10000000-20000000)	Blade, Sqge, Front, 105cm, Ure [80cm] (Polyurethane Natural Optional)	1
▲	18 1011956	(10000000-20000000)	Plate, Mtg, Caster, Sqge, Lh	1
▲	19 600187	(10000000-20000000)	Bolt, Shld, .38d X 1.25, .31- 18	1
▲	20 140028	(10000000-20000000)	Washer, Flat, 0.42b 1.00d .05, Ss	2
▲	21 630477	(10000000-20000000)	Wheel, Pyu, 2.0d 0.38w, Gray	1
▲	22 32983	(10000000-20000000)	Nut, Hex, Lock, .31- 18, NI	1
▲	23 1023400	(10000000-20000000)	Retainer Assy, Blade, Sqge, 800mm	1
▲	24 1023399	(10000000-20000000)	Blade, Sqge, Rear, 105cml[Linx, 80cm] (Linatex Red Standard)	1
	24 1025344	(10000000-20000000)	Blade, Sqge, Rear, 105cml, Gum [80cm] (Gum Rubber Tan Optional)	1
	24 1025346	(10000000-20000000)	Blade, Sqge, Rear, 105cml, Ure [80cm] (Polyurethane Natural Optional)	1
	25 1014026	(10000000-20000000)	Hose, Vacuum, 1.5d X 57l, 2- Short Cuffs	1
	26 1014079	(10000000-20000000)	Clip, Hose, Gripper, 1.50id, Dbl, Blk Pp	1

▽ ASSEMBLY

▲ INCLUDED IN ASSEMBLY

TELEMETRY GROUP



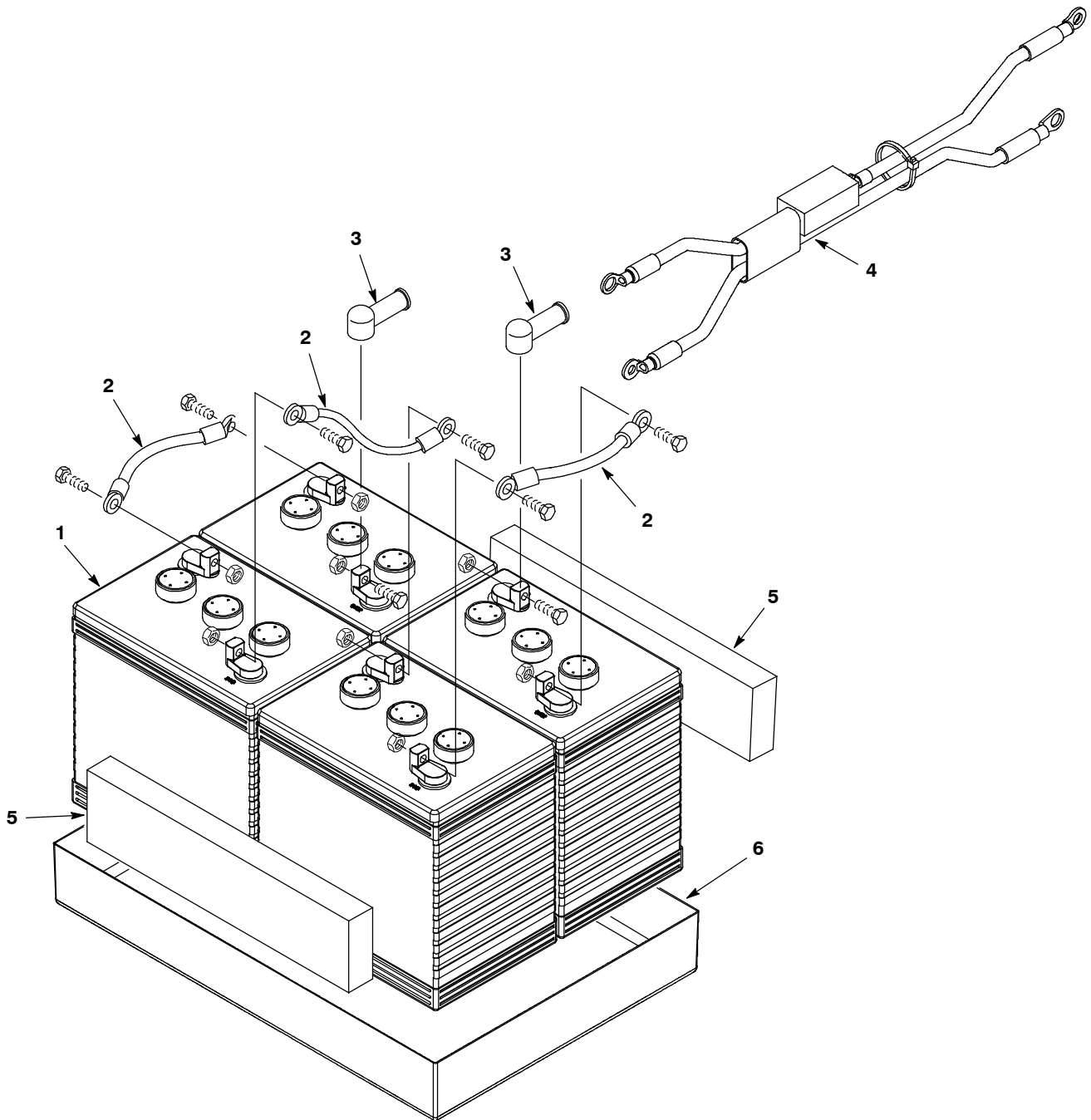
TELEMETRY GROUP

Ref.	Part No.	Serial Number	Description	Qty.	
1	1216219	(10740996-20000000)	Bracket Wldt, Lift, Sqge [Ss5]	1	
2	9010085	(10740996-20000000)	Control Box Assy Kit, Replmt, Telem[Usa]	1	
2	9010086	(10740996-20000000)	Control Box Assy Kit, Replmt, Telem[Intl]	1	
3	1216841	(10740996-20000000)	Guard Wldt, Controlbox	1	
4	1216739	(10740996-20000000)	Cover, Guard	4	
5	32483	(10740996-20000000)	Washer, Flat, 0.25, Sae	4	
6	06943	(10740996-20000000)	Screw, Hex, M6 X 1.00 X 20, 8.8	1	
7	630428	(10740996-20000000)	Clamp, Cable, Stl, 1.00d X 0.50w, .25mnt	1	
8	1006267	(10740996-20000000)	Seal, Edge, Foam, .37, .75w, Bulk	2	
9	1070659	(10740996-20000000)	Antenna, Telem, 70 In [Gprs]	1	
10	1217304	(10740996-20000000)	Shunt [Empro, 250amp/50mv, Metric]	1	
11	391403	(10740996-20000000)	Screw, Pan, Phl, M4 X 0.70 X 8, Ss	2	
12	02938	(10740996-20000000)	Washer, Lock, Int, 08, Ss	2	
13	41578	(10740996-20000000)	Washer, Flat, 06, Ss	2	
14	15675	(10740996-20000000)	Screw, Hex, M8 X 1.25 X 16, Ss	2	
15	01685	(10740996-20000000)	Washer, Flat, 0.38b 0.88d .08, Ss	2	
16	43952	(10740996-20000000)	Washer, Lock, Int, 0.31, Ss	2	
17	1216629	(10740996-20000000)	Bracket, Shunt	1	
18	1202868	(10740996-20000000)	Clip, Tie, 0.25d, Plstc	2	
19	130773	(10740996-20000000)	Tie, Cable, Nyl, 11.0l, .14w, 3.0 Max. D	10	
▽	20	1074457	(10740996-20000000)	Harness, Ele, Telem [Ss5]	1
▲		9009990	(10740996-20000000)	Vr, Fuse, 002a, 250vdc, Cartridge	1
	21	130364	(10740996-20000000)	Cable, 06ga 15.0l Blk .31ring /.38ring	1
	22	1074595	(10740996-20000000)	Harness, Ele, Telem, Shunt	1
	23	1217818	(10740996-20000000)	Sleeve, Heatshrink, 1.50id, 07.0l	1
	24	1069580	(10740996-20000000)	Label, Mach, Telem [Usa, Intl]	1

▽ ASSEMBLY

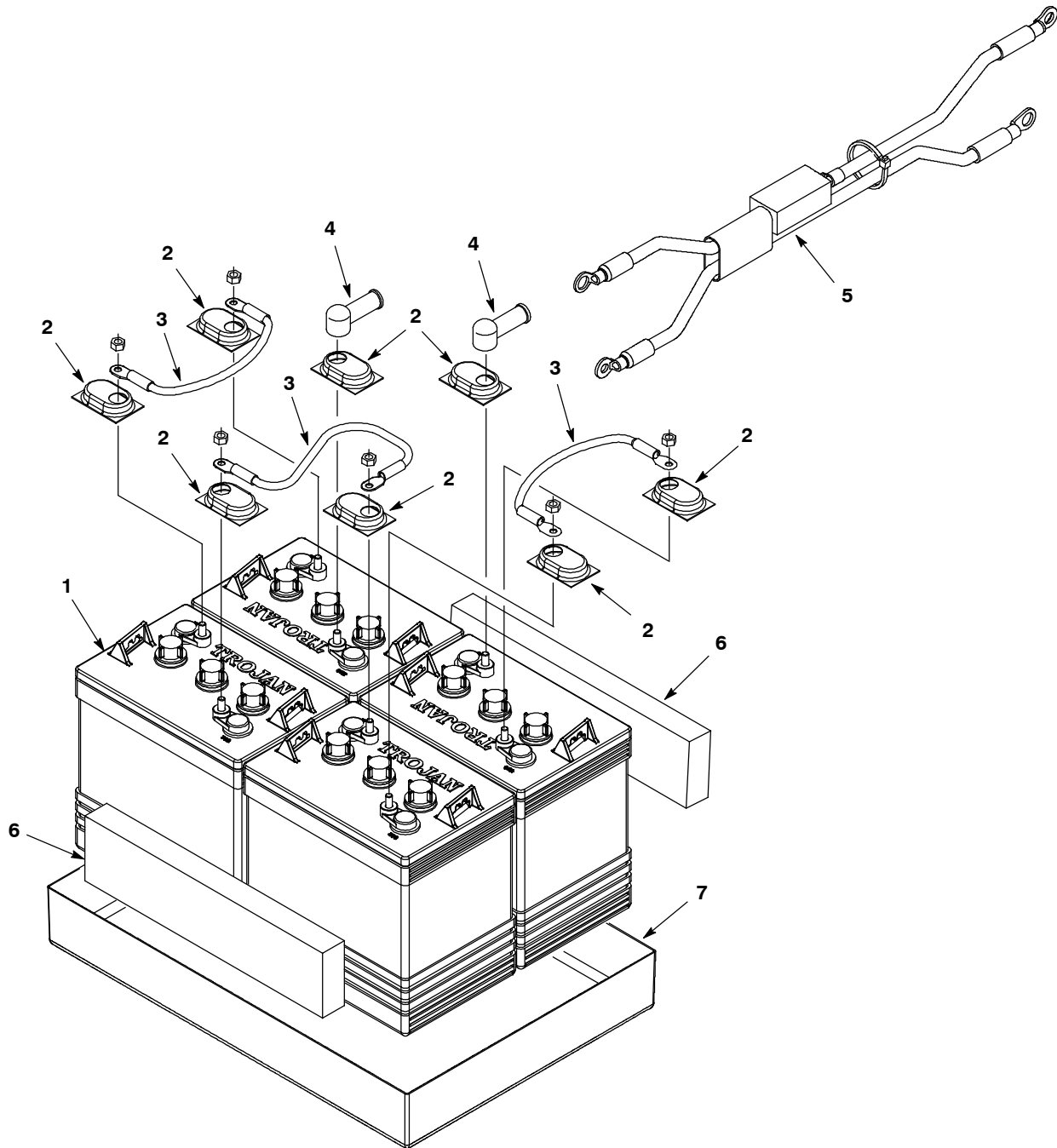
▲ INCLUDED IN ASSEMBLY

BATTERY GROUP, MAINTENANCE FREE 220 Ah



Ref.	Part No.	Serial Number	Description	Qty.
1	1074042	(10000000-20000000)	Battery, Agm, 06vdc, 220ah (Discover)	4
2	130364	(10000000-20000000)	Cable, 06ga 15.0l Blk .31ring /.38ring	3
3	611221	(10000000-20000000)	Boot, Terminal, Battery, 25.4mm, Blk	8
4	1072874	(10722199-20000000)	Harness, Battery [Ss5] (Includes Fuse)	1
4	1027088	(10000000-10722198)	Harness, Battery	1
5	630375	(10000000-20000000)	Spacer, Battery, 1.25 X 3.25 X 13.7 Foam	2
6	613971	(10000000-20000000)	Tray, Battery, Trimmed	1

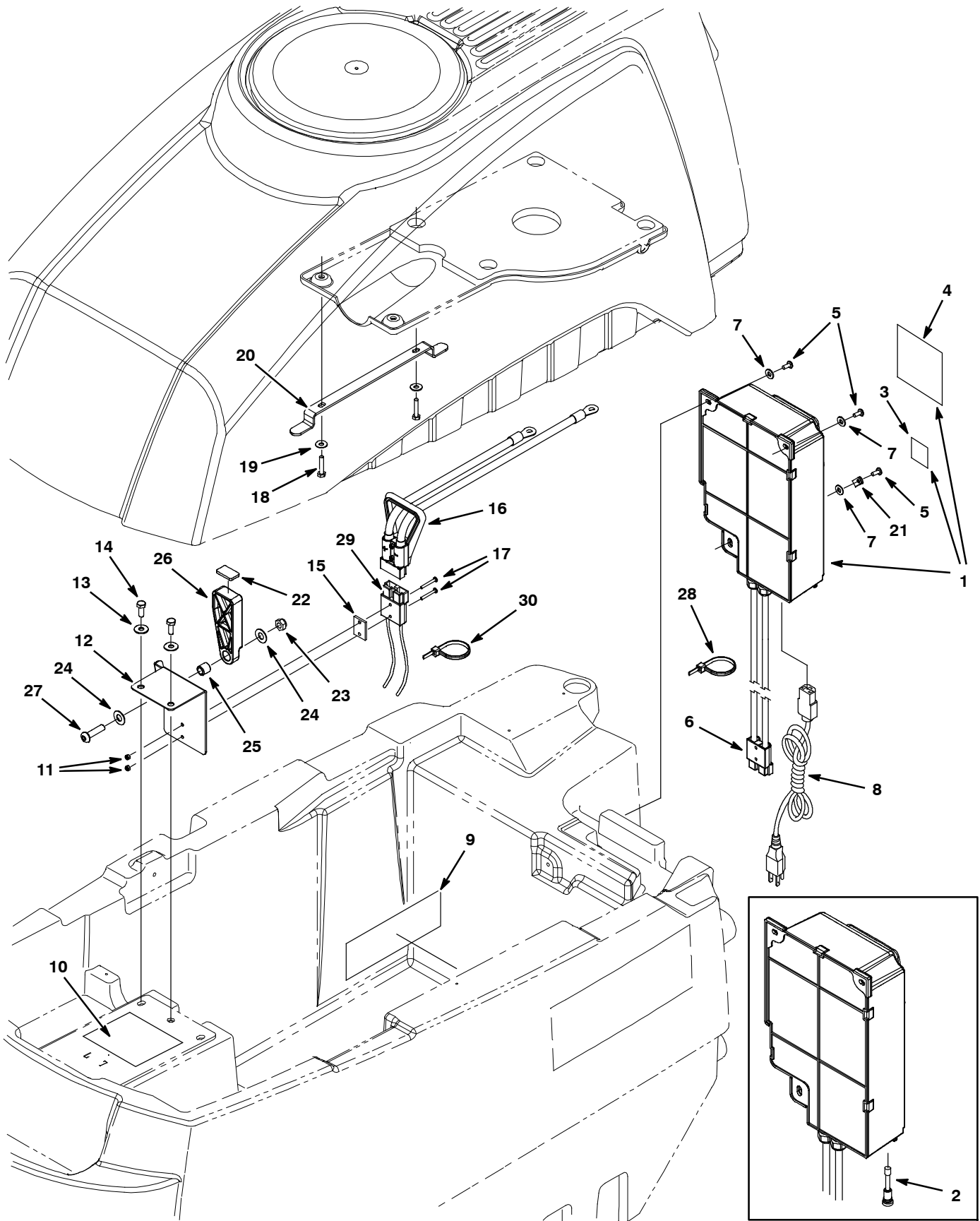
BATTERY GROUP, LEAD-ACID 235 Ah



Ref.	Part No.	Serial Number	Description	Qty.
1	222280	(10000000- 20000000)	Battery, 06vdc, 235ah, Wet	4
2	45962	(10000000- 20000000)	Cap, Plstc, .04 1.38 X 2.30 0.5l (Tall Clear - Standard)	8
2	1041030	(10000000- 20000000)	Cap, Battery (Short Black - Optional)	8
3	130364	(10000000- 20000000)	Cable, 06ga 15.0l Blk .31ring /.38ring	3
4	611221	(10000000- 20000000)	Boot, Terminal, Battery, 25.4mm, Blk	8
5	1072874	(10722199- 20000000)	Harness, Battery [Ss5] (Includes Fuse)	1
5	1027088	(10000000- 10722198)	Harness, Battery	1
6	630375	(10000000- 20000000)	Spacer, Battery, 1.25 X 3.25 X 13.7 Foam	2
7	613971	(10000000- 20000000)	Tray, Battery, Trimmed	1

STANDARD PARTS

ON-BOARD CHARGER GROUP - 120V (S/N 10409250-)



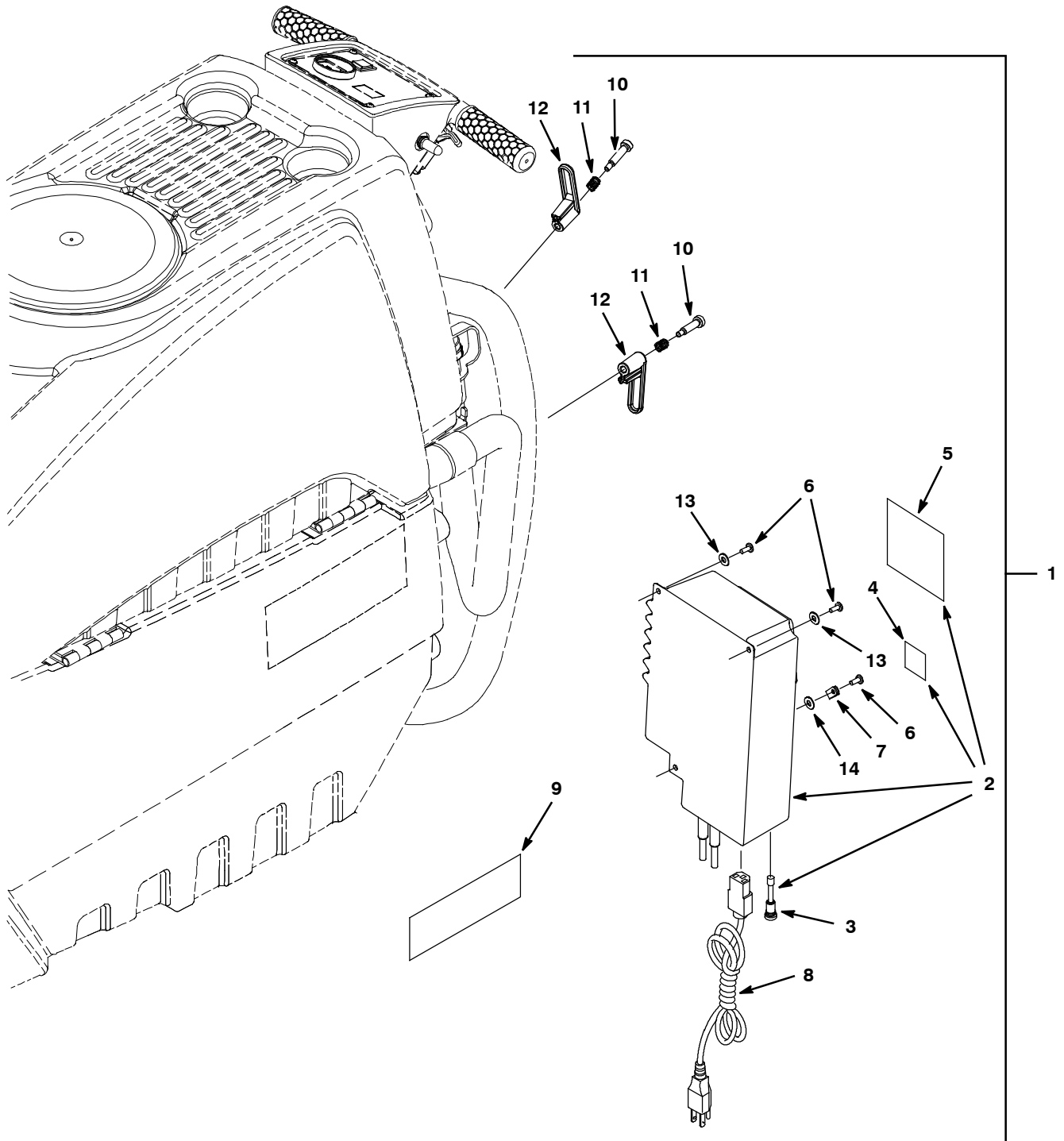
ON-BOARD CHARGER GROUP - 120V (S/N 10409250-)

Ref.	Part No.	Serial Number	Description	Qty.
▽	9005738	(10409250- 20000000)	Charger Kit, 24vdc, 120vac, Ci [Ss5]	1
▲▽	1 1050399	(10409250- 20000000)	Charger, 120vac [Onboard]	1
▲▲	2 1030692	(10000000- 20000000)	Vr, Fuse, 15a, Replmt (For Chargers With External Fuse Replacement On Bottom Of Charger)	1
▲▲	3 578768	(10000000- 20000000)	Label, Hzrd, [Hazardous Voltage] Txtls	1
▲▲	4 1025158	(10000000- 20000000)	Label, Charger, Afmkt	1
▲▲	5 578144000	(10000000- 20000000)	Screw, Pan, M5 X 0.80 X 16, Pozi, Ss	3
▲▲	6 605387	(10000000- 20000000)	Connector, Anderson, 050a, Red [W/O Con]	1
▲	7 01684	(10000000- 20000000)	Washer, Flat, 0.27b 0.69d .05, Ss	1
▲	8 1025642	(10000000- 20000000)	Cord, Power, 16/3, 4.5 Meters, Blk [Us]	1
▲	9 1028175	(10000000- 20000000)	Label, Instr [Charger Setting]	1
▲	10 1051362	(10409250- 20000000)	Label, Instr, Charge	1
▲	11 579211	(10409250- 20000000)	Nut, Hex, Lock, M3 X 0.50, NI, Ss	2
▲	12 1049592	(10409250- 20000000)	Bracket, Mtg	1
▲	13 01684	(10409250- 20000000)	Washer, Flat, 0.27b 0.69d .05, Ss	2
▲	14 11329	(10409250- 20000000)	Screw, Hex, M6 X 1.00 X 16, NI, Ss	2
▲	15 603331	(10409250- 20000000)	Spacer, Plug, Chrgr	1
▲▽	16 1049591	(10409250- 20000000)	Harness, Cable, Battery, W/ Handle	1
▲▲	1049583	(10409250- 20000000)	Handle, Connector [Anderson Smh] (Includes Mtg Hardware)	1
▲▲	605387	(10409250- 20000000)	Connector, Anderson, 050a, Red [W/O Con]	1
▲	17 33933	(10409250- 20000000)	Screw, Pan, Phl, M3 X 0.50 X 25, Ss	2
▲	18 06945	(10409250- 20000000)	Screw, Hex, M6 X 1.00 X 30, 8.8	2
▲	19 01684	(10409250- 20000000)	Washer, Flat, 0.27b 0.69d .05, Ss	2
▲	20 1049610	(10409250- 20000000)	Hook, Cord	1
▲	21 26395- 2	(10000000- 20000000)	Clamp, Cable, Stl, 0.38d X 0.38w, 1h	1
▲	22 1032763	(10558135- 20000000)	Gasket, Stand, Support	1
▲	23 08713	(10558135- 20000000)	Nut, Hex, Lock, M8 X 1.25, NI, Ss	1
▲	24 140027	(10558135- 20000000)	Washer, Flat, 0.35b 0.75d .04, Ss	2
▲	25 222460	(10558135- 20000000)	Sleeve, P/M, 0.32b 0.50d 0.5l [430ss]	1
▲	26 1022399	(10558135- 20000000)	Support, Tank, Prop, Blk, Nyl	1
▲	27 1039118	(10558135- 20000000)	Screw, Btn, M8 X 1.25 X 30, Blk	1
▲	28 130773	(10000000- 20000000)	Tie, Cable, Nyl, 11.0l, .14w, 3.0 Max. D	6
▲	29 605387	(10000000- 20000000)	Connector, Anderson, 050a, Red [W/O Con]	1
▲	30 130040	(10000000- 20000000)	Tie, Cable, Nyl, 06.0l .12w	4

▽ ASSEMBLY

▲ INCLUDED IN ASSEMBLY

ON-BOARD CHARGER GROUP - 120V (S/N 1000000- 10409249)

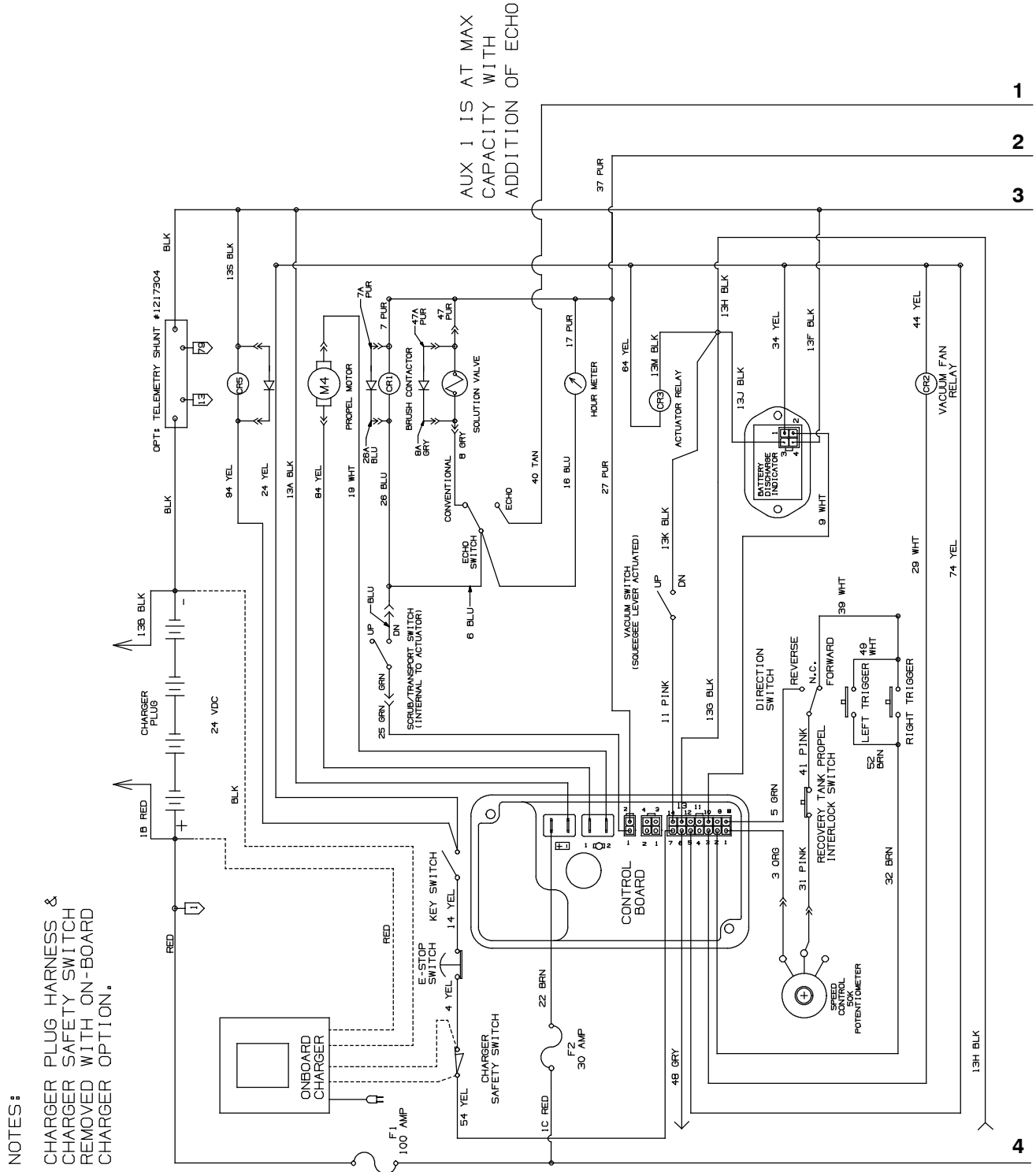


ON-BOARD CHARGER GROUP - 120V (S/N 10000000- 10409249)

Ref.	Part No.	Serial Number	Description	Qty.
1	N/A	(10000000- 10409249)	Charger Kit, Battery, Ci [120v Ss T5e] (Replaced By Kit 9005738)	1
2	N/A	(10000000- 10409249)	Charger, 120vac [Onboard] (Replaced By Kit 9005738)	1
3	1030692	(10000000- 20000000)	Vr, Fuse, 15a, Replmt (For Chargers With External Fuse Replacement On Bottom Of Charger)	1
4	578768	(10000000- 20000000)	Label, Hzrd, [Hazardous Voltage] Txtls	1
5	1025158	(10000000- 20000000)	Label, Charger, Afmkt	1
6	578144000	(10000000- 20000000)	Screw, Pan, M5 X 0.80 X 16, Pozi, Ss	3
7	26395- 2	(10000000- 20000000)	Clamp, Cable, Stl, 0.38d X 0.38w, 1h	1
8	1025642	(10000000- 20000000)	Cord, Power, 16/3 X 4.5 Meters, Blk [Us]	1
9	1028175	(10000000- 20000000)	Label, Instr [Charger Setting]	1
10	1024965	(10000000- 20000000)	Bolt, Shld, 8mmd X 30, M6x1.0	2
11	611311	(10000000- 20000000)	Spring, Cmpr, 10.9d, 1.1w, 12.7l Mw Zn	2
12	610906	(10000000- 20000000)	Hook, Cord Viper	2
13	01683	(10000000- 20000000)	Washer, Flat, 10, Ss	2
14	01684	(10000000- 20000000)	Washer, Flat, 0.27b 0.69d .05, Ss	1

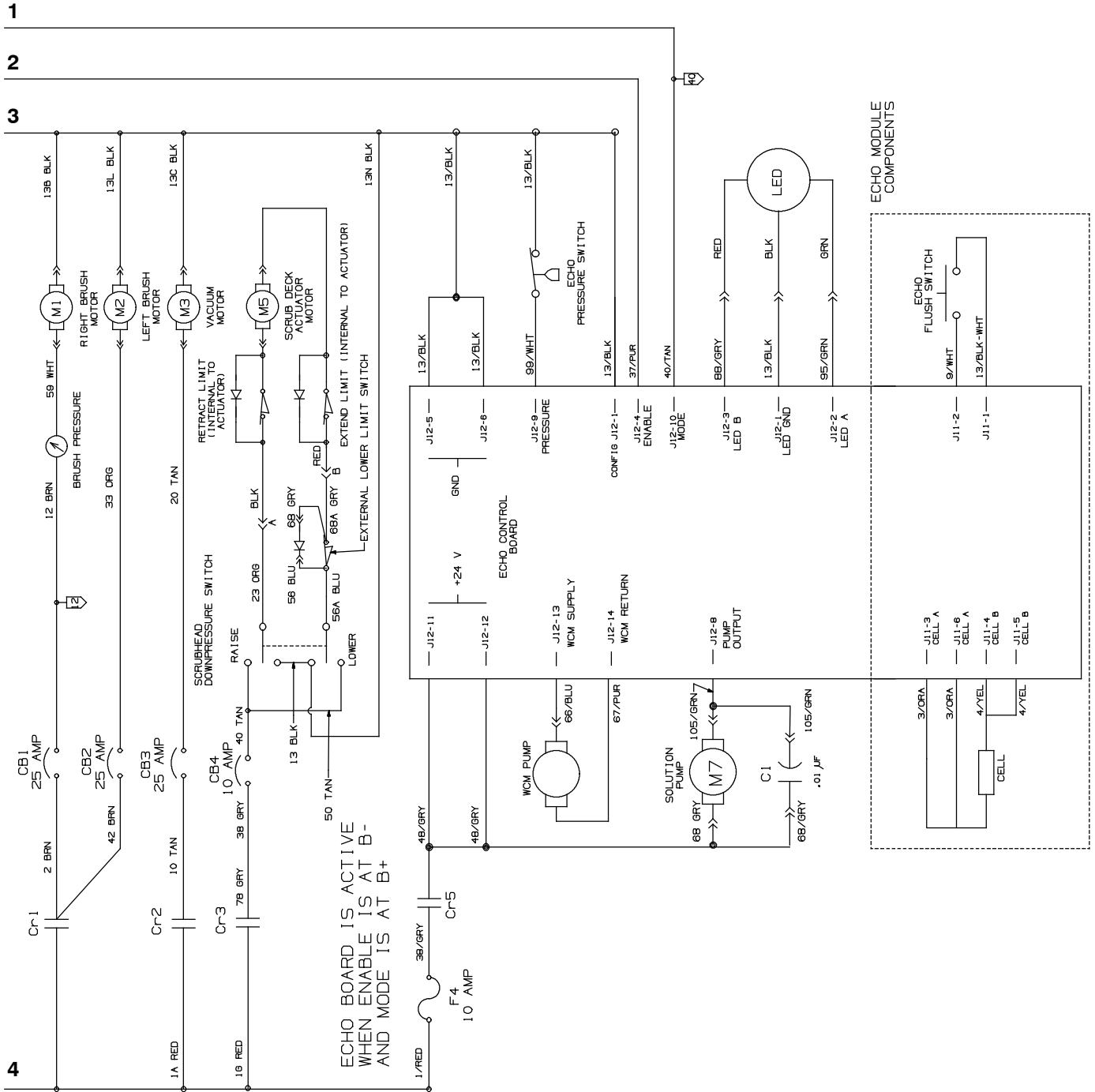
ELECTRICAL DIAGRAM, STANDARD, FaST & ec-H2O MODELS
(S/N 10740996-)

1043227_E



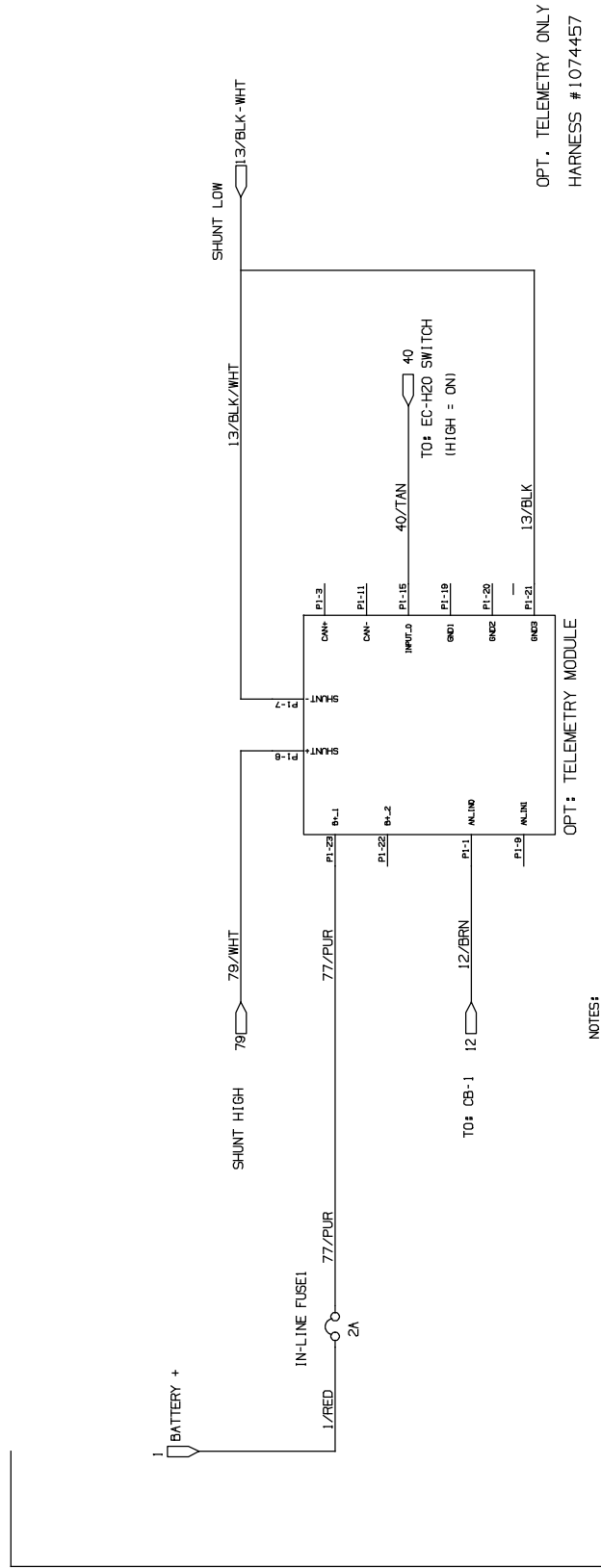
ELECTRICAL DIAGRAM, STANDARD, FaST & ec-H2O MODELS
(S/N 10740996-)

1043227_E



ELECTRICAL DIAGRAM, STANDARD, FaST & ec-H2O MODELS (S/N 10740996-)

1043227_E



OPT. TELEMTRY ONLY
HARNES # 1074457

OPT: TELEMTRY MODULE

NOTES:
1) WHEN THE MACHINE IS SCRUBBING, AND THE EC-H2O SYSTEM IS SELECTED OFF:
- WIRE 40/TAN, INPUT P1-8 IS LOW (0 VDC).
- WIRE 12/BRN, INPUT P1-1 IS HIGH (36VDC).

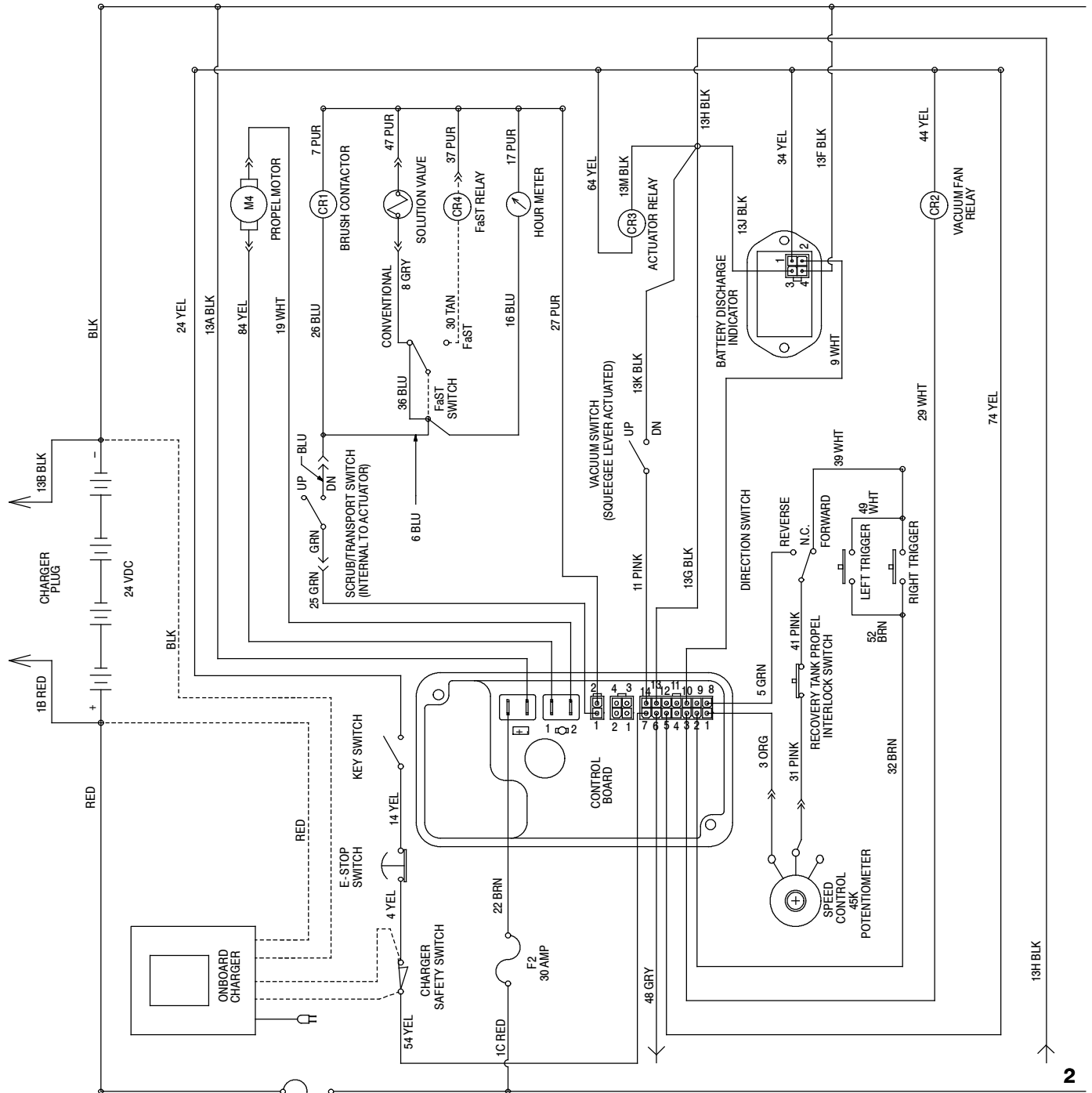
2) WHEN THE MACHINE IS SCRUBBING, AND THE EC-H2O/FAST SYSTEM IS SELECTED ON:
- WIRE 40/TAN, INPUT P1-15 IS HIGH (36VDC).
- WIRE 12/BRN, INPUT P1-1 IS HIGH (36VDC).

OPTIONAL :
TELEMTRY ONLY

ELECTRICAL DIAGRAM, STANDARD & FaST MODEL (S/N 1000000- 10740995)

1020931

1



2

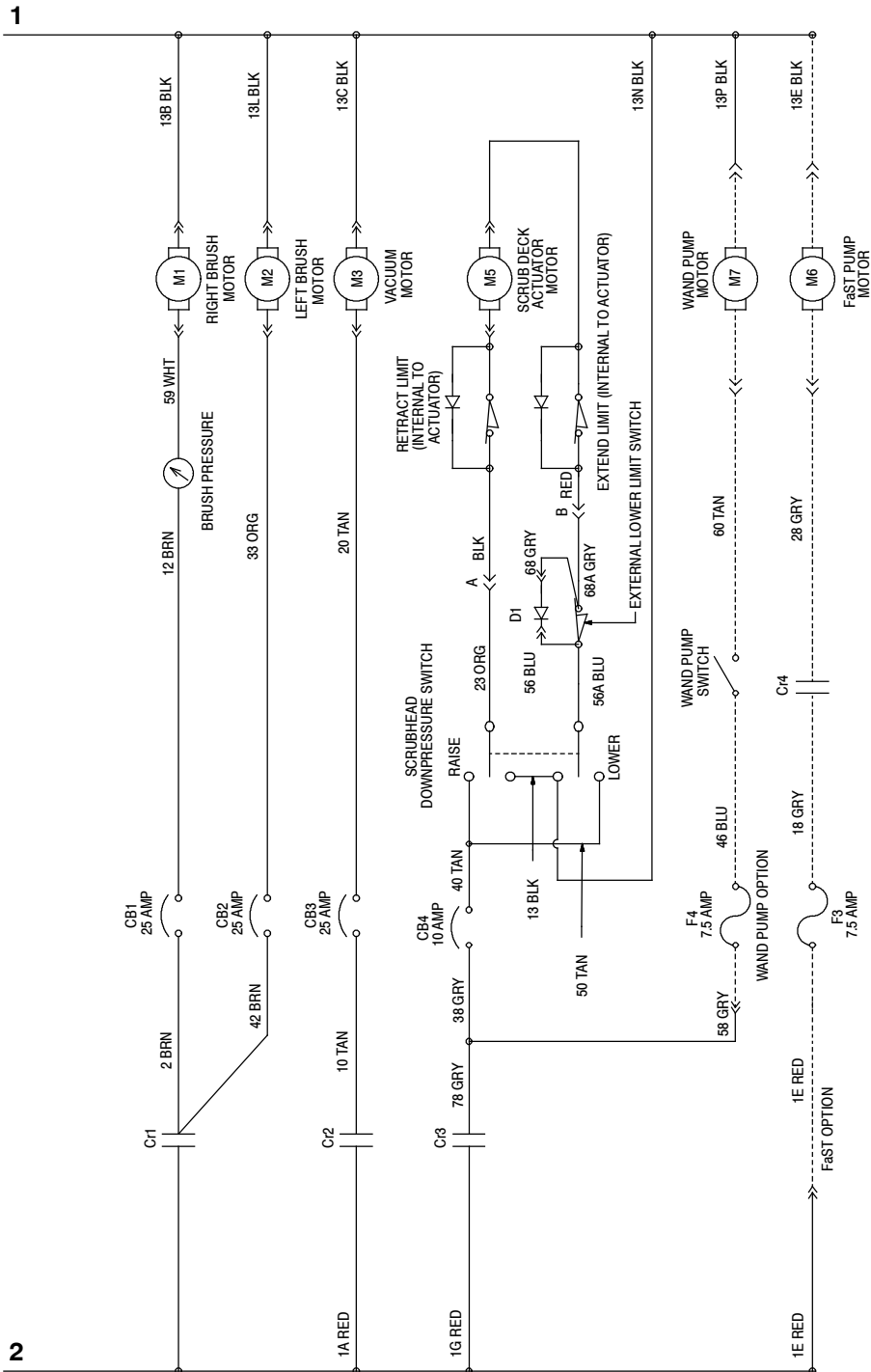
NOTES:
 CHARGER PLUG HARNESS &
 CHARGER SAFETY SWITCH
 REMOVED WITH ON-BOARD
 CHARGER OPTION.

F1
 100 AMP

F2
 30 AMP

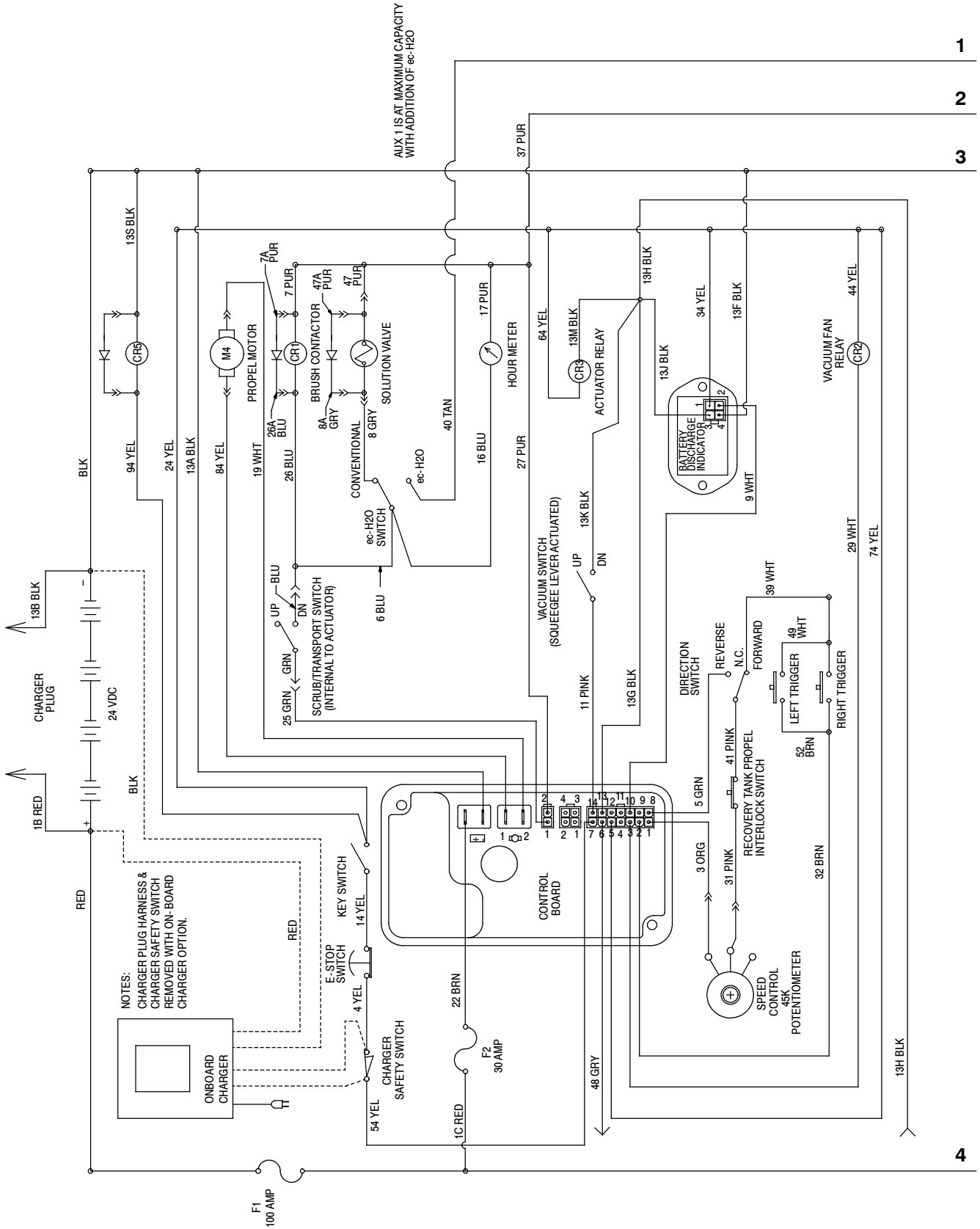
ELECTRICAL DIAGRAM, STANDARD & FaST MODEL (S/N 1000000- 10740995)

1020931



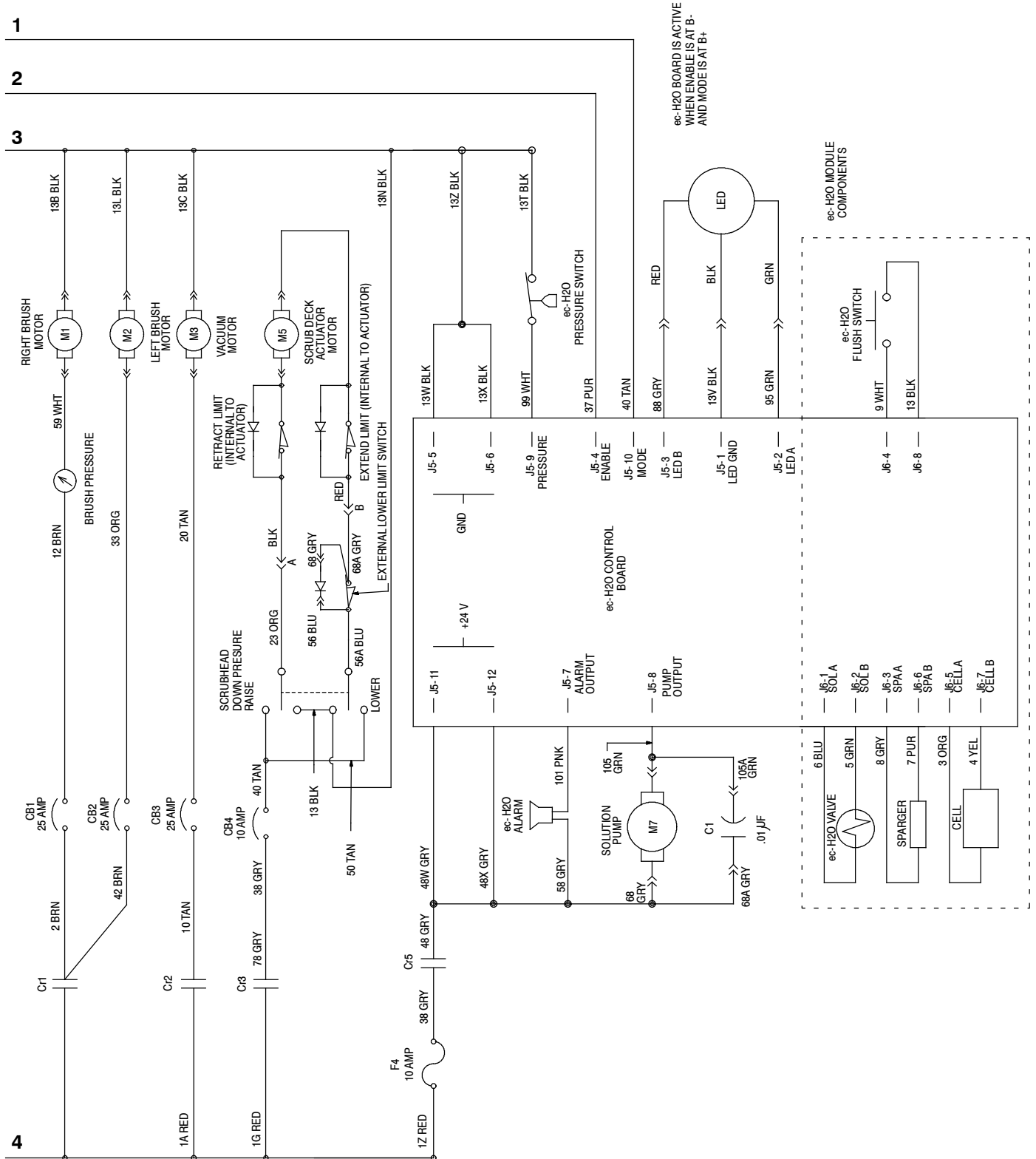
ELECTRICAL DIAGRAM, *ec-H2O* MODEL (S/N 10378380- 10740995)

1043227_C

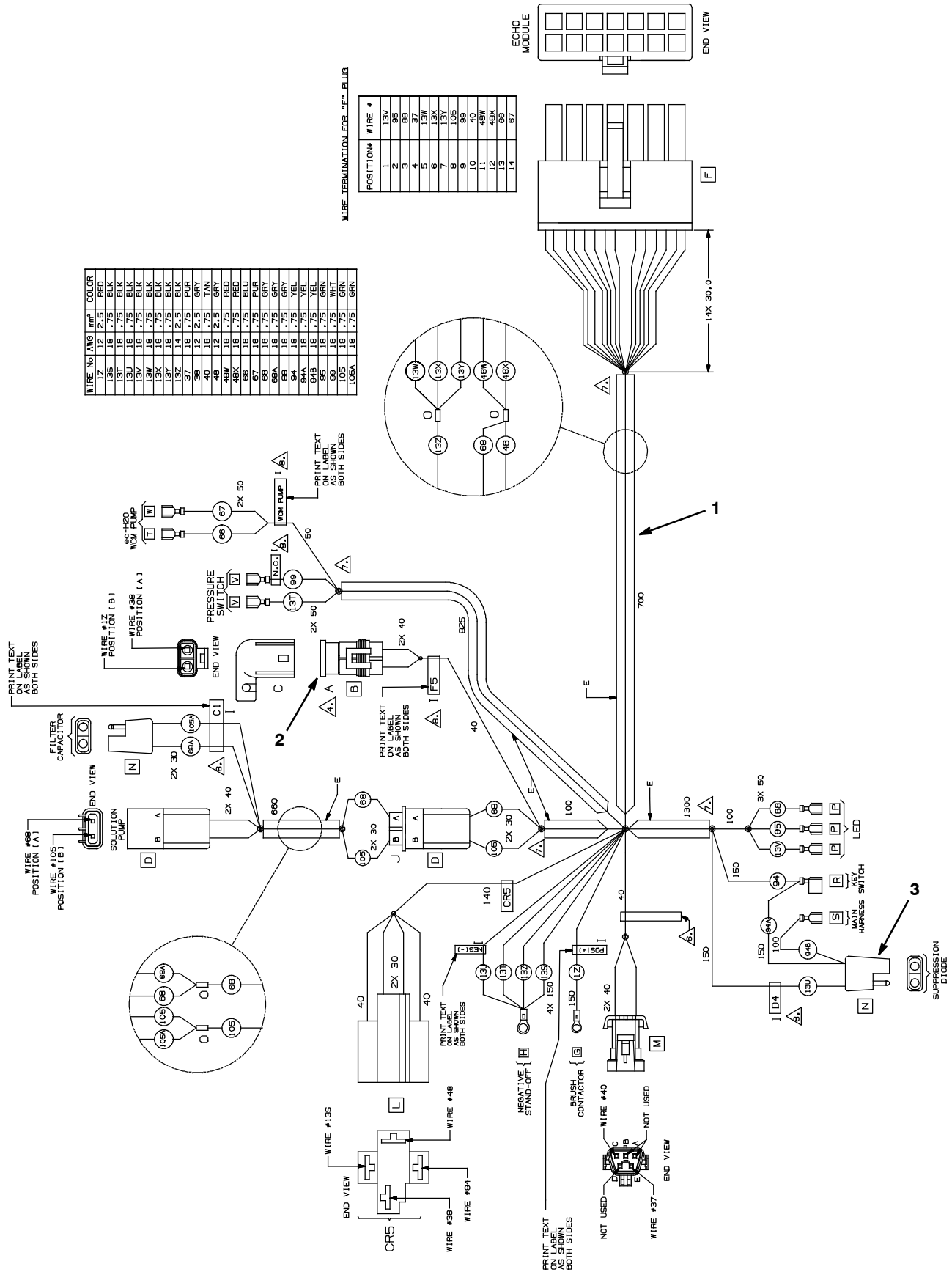


ELECTRICAL DIAGRAM, *ec-H2O* MODEL (S/N 10378380- 10740995)

1043227_C



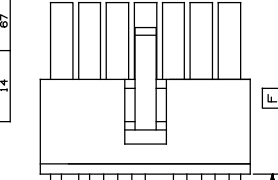
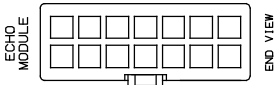
WIRE HARNESS GROUP, *ec-H2O* NANOCLEAN (S/N 10740996-)



WIRE No	AWG	mm ²	COLOR
12	12.5		RED
13	18		BLK
13U	18		BLK
13V	18		BLK
13W	18		BLK
13X	18		BLK
13Y	18		BLK
13Z	14		BLK
37	18		PUR
38	12		GRY
40	18		TAN
41	12		GRY
48W	18		RED
48X	18		RED
66	18		BLU
67	18		PUR
68	18		GRY
68A	18		GRY
68B	18		GRY
68C	18		GRY
68D	18		GRY
68E	18		GRY
68F	18		GRY
68G	18		GRY
68H	18		GRY
68I	18		GRY
68J	18		GRY
68K	18		GRY
68L	18		GRY
68M	18		GRY
68N	18		GRY
68O	18		GRY
68P	18		GRY
68Q	18		GRY
68R	18		GRY
68S	18		GRY
68T	18		GRY
68U	18		GRY
68V	18		GRY
68W	18		GRY
68X	18		GRY
68Y	18		GRY
68Z	18		GRY
105A	18		GRN

WIRE TERMINATION FOR "IFC" PLUG

POSITION#	WIRE #
1	13V
2	95
3	95
4	95
5	13W
6	13X
7	13Y
8	105
9	90
10	90
11	48W
12	48X
13	66
14	67



14x 30.0

700

100

1300

150

150

150

150

150

WIRE HARNESS GROUP, *ec-H2O* NANOCLEAN (S/N 10740996-)

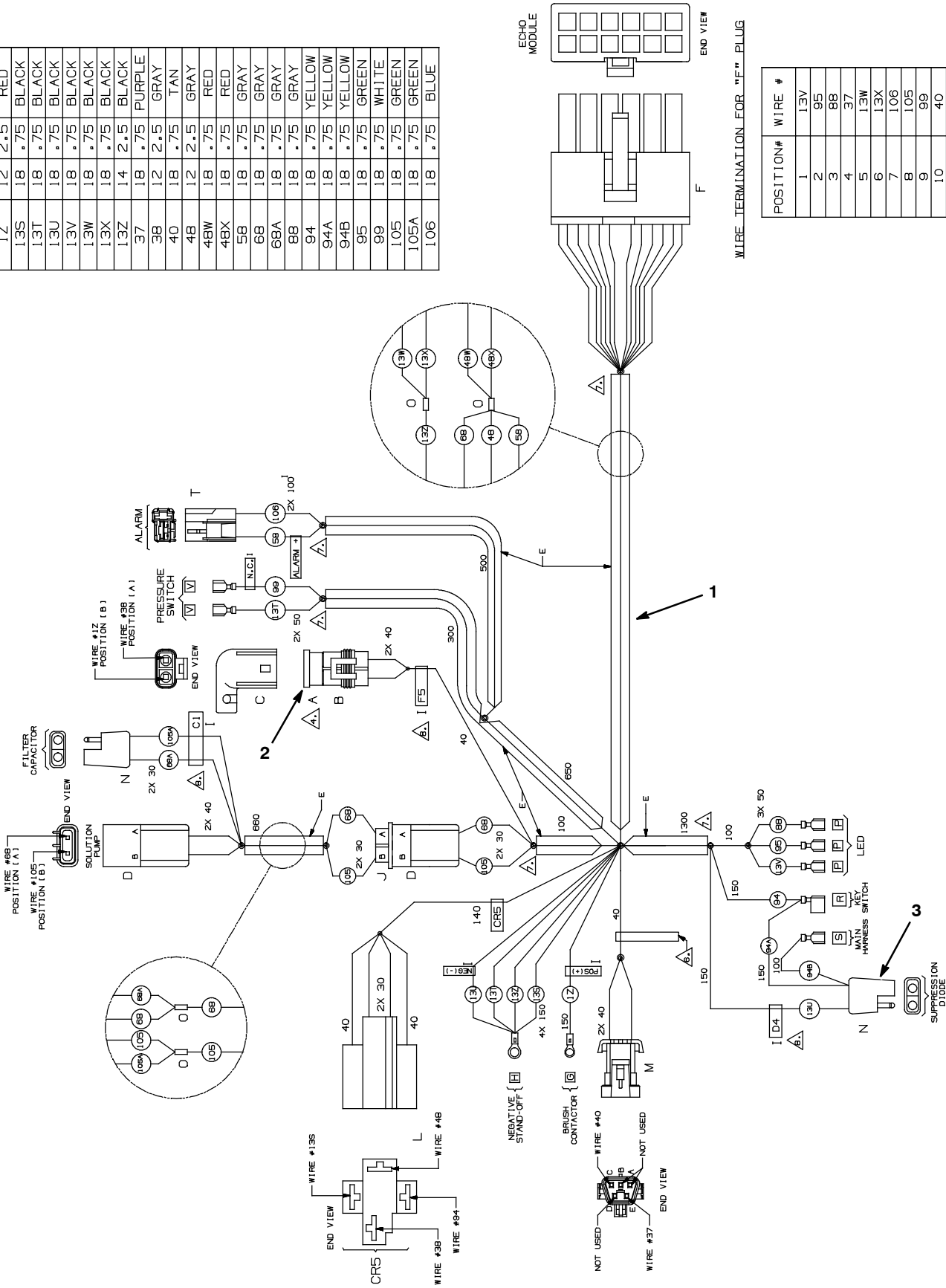
	Ref.	Part No.	Serial Number	Description	Qty.
▽	1	1074376	(10740996- 20000000)	Harness Assy, Wire [Ss5 Ec- H2o G2]	1
▲	2	1047470	(10000000- 20000000)	Fuse, Blade, 010a, 32vdc, Red	1
	3	222290	(10000000- 20000000)	Diode, Ele, Plug	1

▽ ASSEMBLY

▲ INCLUDED IN ASSEMBLY

WIRE HARNESS GROUP, ec-H2O (S/N 10455033-10740995)

WIRE No	AWG	mm ²	COLOR
1Z	12	2.5	RED
13S	18	.75	BLACK
13T	18	.75	BLACK
13U	18	.75	BLACK
13V	18	.75	BLACK
13W	18	.75	BLACK
13X	18	.75	BLACK
13Z	14	2.5	BLACK
37	18	.75	PURPLE
38	12	2.5	GRAY
40	18	.75	TAN
48	12	2.5	GRAY
48W	18	.75	RED
48X	18	.75	RED
58	18	.75	GRAY
68	18	.75	GRAY
68A	18	.75	GRAY
88	18	.75	GRAY
94	18	.75	YELLOW
94A	18	.75	YELLOW
94B	18	.75	YELLOW
95	18	.75	GREEN
99	18	.75	WHITE
105A	18	.75	GREEN
106	18	.75	BLUE



WIRE TERMINATION FOR "F" PLUG

POSITION#	WIRE #
1	13V
2	95
3	88
4	37
5	13W
6	13X
7	106
8	105
9	99
10	40
11	48W
12	48X

WIRE HARNESS GROUP, *ec-H2O* (S/N 10455033- 10740995)

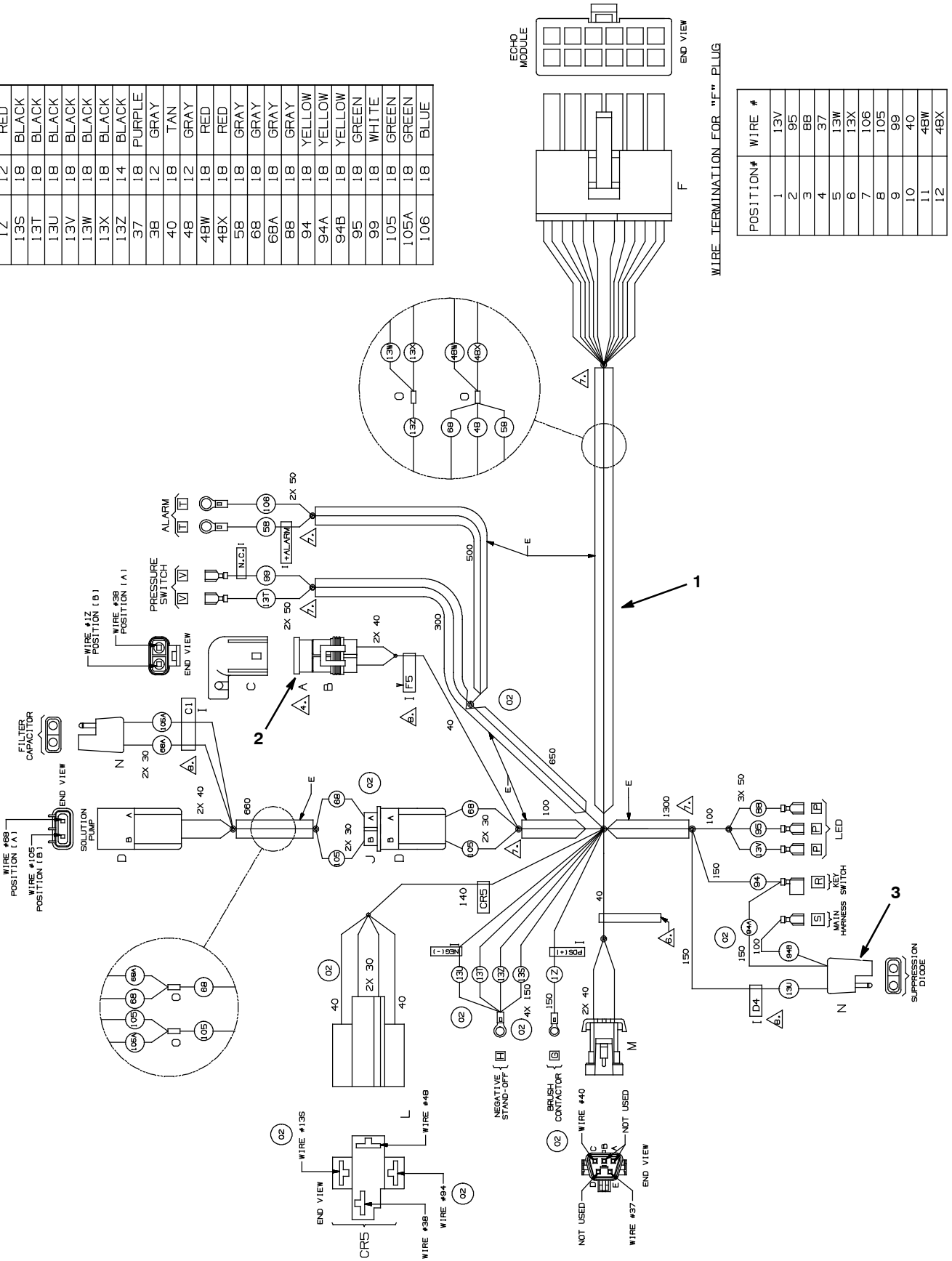
	Ref.	Part No.	Serial Number	Description	Qty.
▽	1	1055447	(10455033- 10740995)	Harness Assy, Wire [Ss5 Ec- H2o]	1
▲	2	1047470	(10000000- 20000000)	Fuse, Blade, 010a, 32vdc, Red	1
	3	222290	(10000000- 20000000)	Diode, Ele, Plug	1

▽ ASSEMBLY

▲ INCLUDED IN ASSEMBLY

WIRE HARNESS GROUP, *ec-H2O* (S/N 1000000-10455032)

WIRE No	AWG	COLOR
1Z	12	RED
13S	18	BLACK
13T	18	BLACK
13U	18	BLACK
13V	18	BLACK
13W	18	BLACK
13X	18	BLACK
13Z	14	BLACK
37	18	PURPLE
38	12	GRAY
40	18	TAN
48	12	GRAY
48W	18	RED
48X	18	RED
58	18	GRAY
68	18	GRAY
68A	18	GRAY
88	18	GRAY
94	18	YELLOW
94A	18	YELLOW
94B	18	YELLOW
95	18	GREEN
99	18	WHITE
105	18	GREEN
105A	18	GREEN
106	18	BLUE



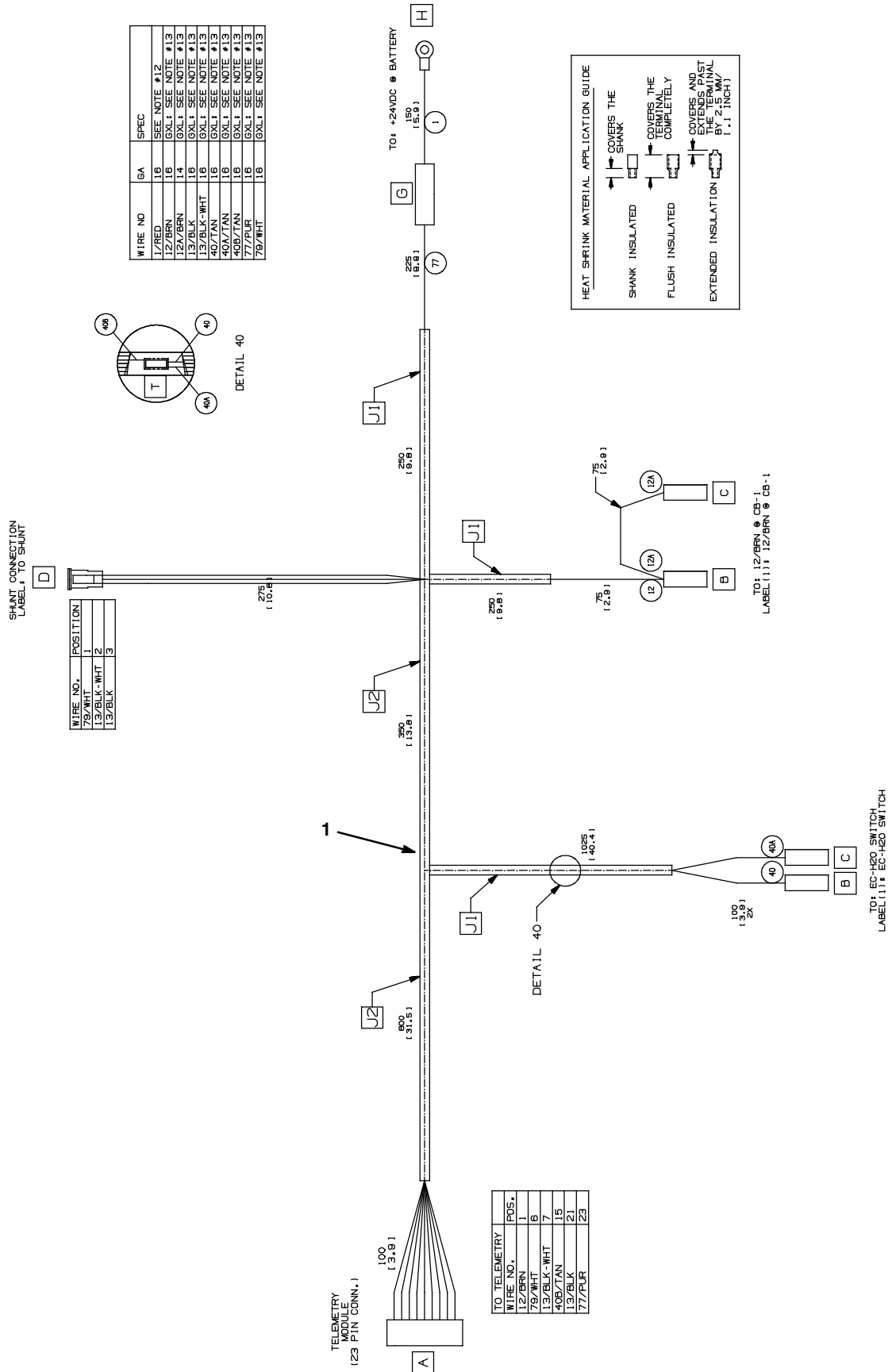
WIRE HARNESS GROUP, *ec-H2O* (S/N 10000000- 10455032)

	Ref.	Part No.	Serial Number	Description	Qty.
▽	1	1045956	(10000000- 10455032)	Harness Assy, Wire [Ss5 Ec- H2o, P3]	1
▲	2	1047470	(10000000- 20000000)	Fuse, Blade, 010a, 32vdc, Red	1
	3	222290	(10000000- 20000000)	Diode, Ele, Plug	1

▽ ASSEMBLY

▲ INCLUDED IN ASSEMBLY

WIRE HARNESS GROUP, TELEMETRY



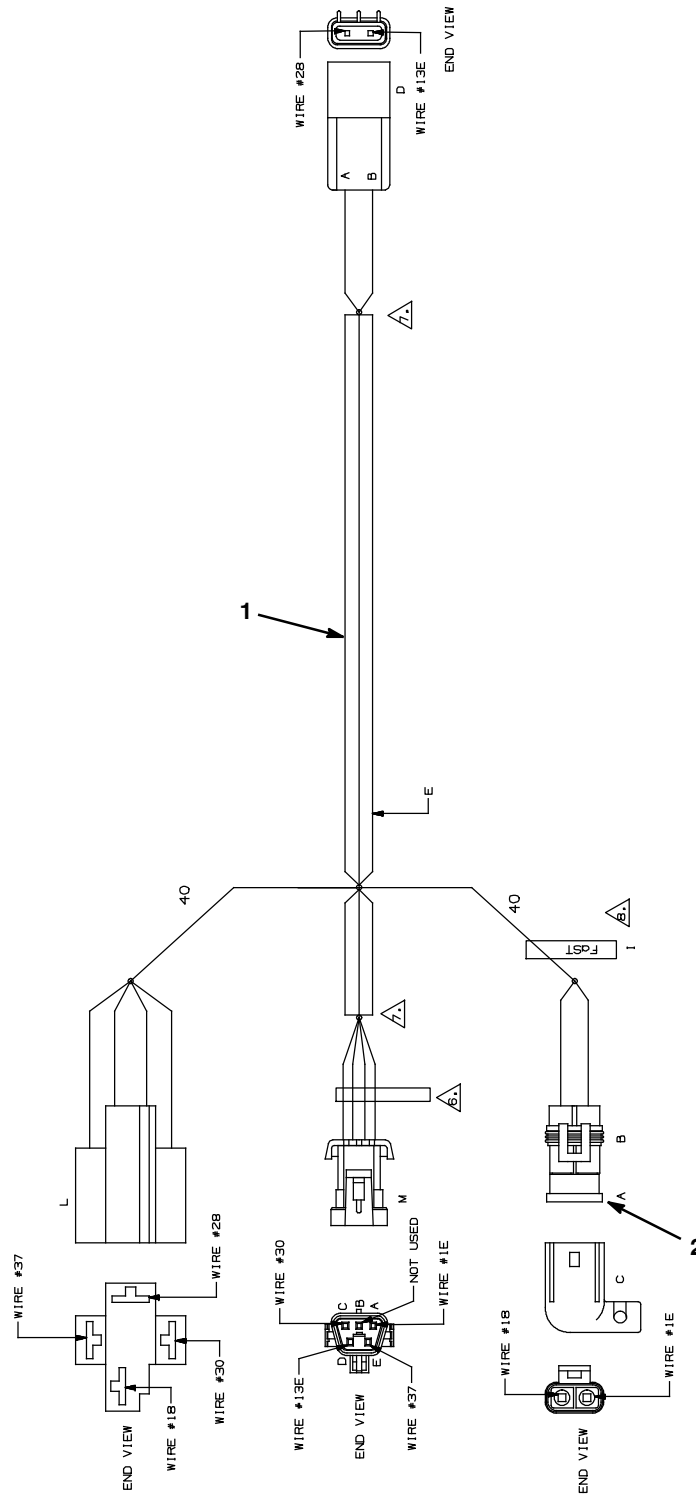
WIRE HARNESS GROUP, TELEMETRY

	Ref.	Part No.	Serial Number	Description	Qty.
▽	1	1074457	(10740996-20000000)	Harness, Ele, Telem [Ss5]	1
▲		9009990	(10740996-20000000)	Vr, Fuse, 002a, 250vdc, Cartridge	1

▽ ASSEMBLY

▲ INCLUDED IN ASSEMBLY

WIRE HARNESS GROUP, FAST

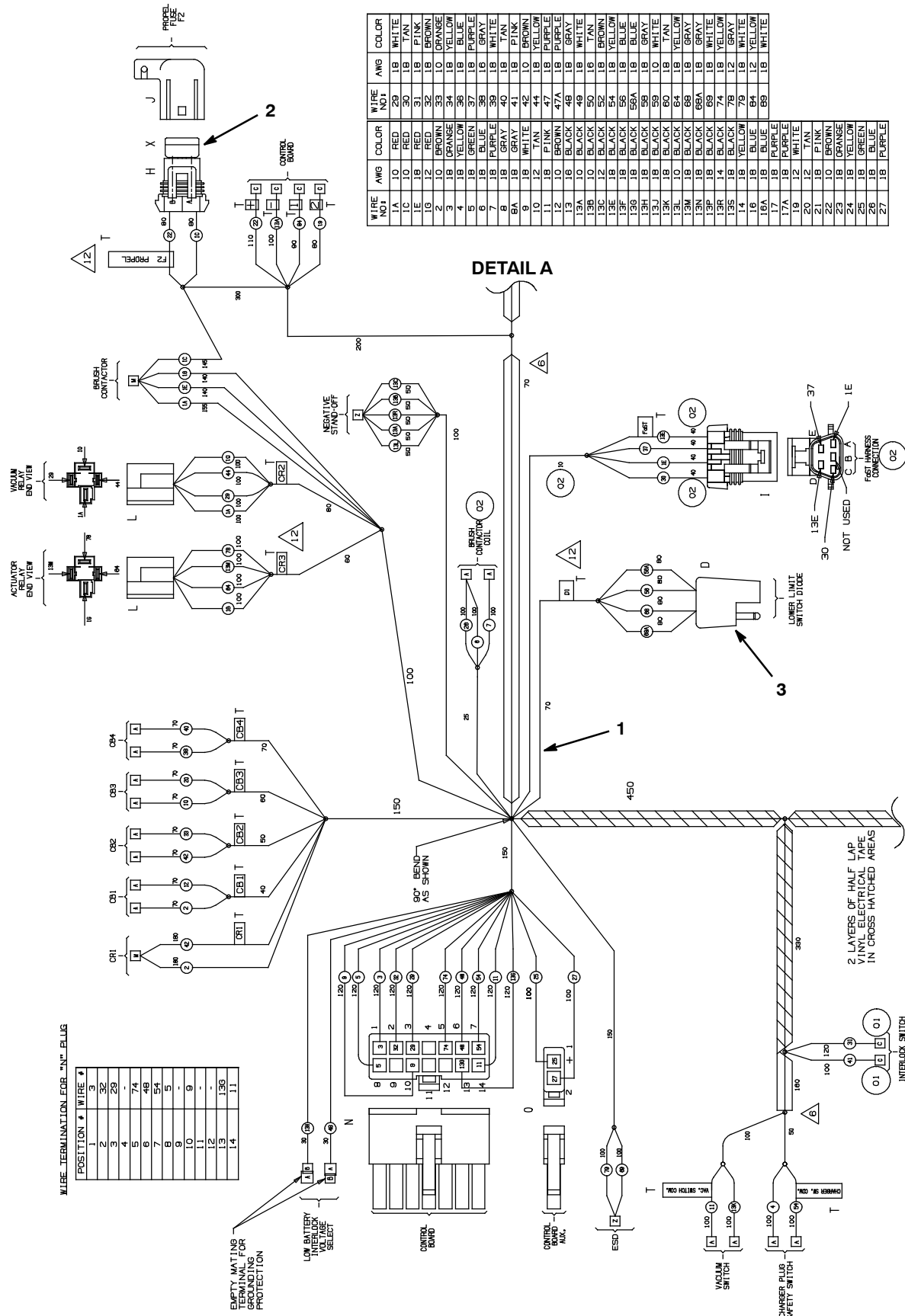


Ref.	Part No.	Serial Number	Description	Qty.
▽ 1	1028396	(10000000- 20000000)	Harness Assy, Wire [Fast Option, Ss5]	1
▲ 2	1016039	(10000000- 20000000)	Fuse, Blade, 007.5a, 32vdc	1

▽ ASSEMBLY

▲ INCLUDED IN ASSEMBLY

WIRE HARNESS GROUP, MAIN (S/N 10722199-)

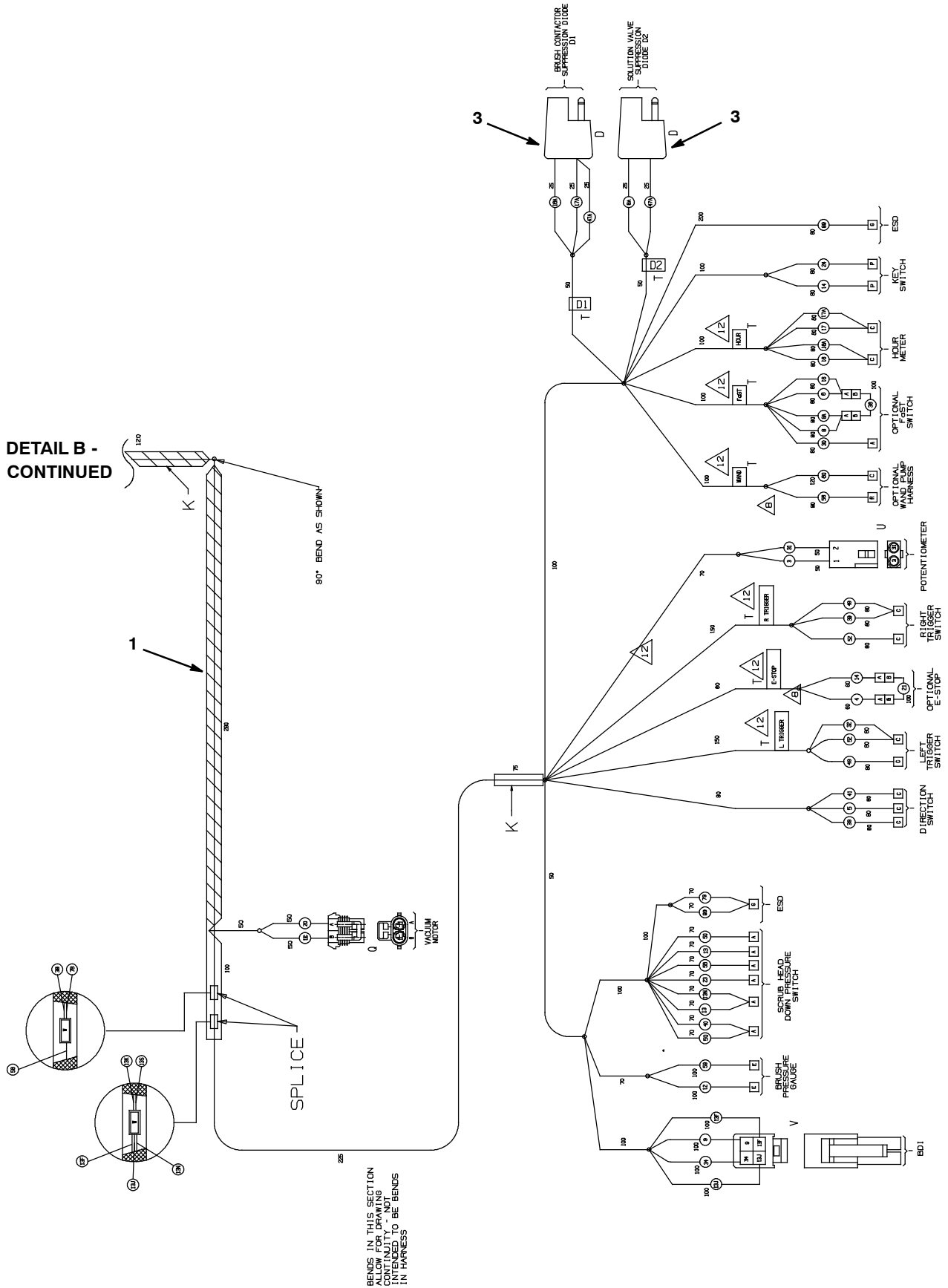


WIRE NO.1	AWG	COLOR	WIRE NO.1	AWG	COLOR
1	10	RED	29	18	WHITE
2	10	RED	30	18	TAN
3	10	RED	31	18	PINK
4	10	BROWN	32	18	ORANGE
5	18	ORANGE	34	18	YELLOW
6	18	YELLOW	36	18	BLUE
7	18	GREEN	37	18	PURPLE
8	18	BLUE	38	18	GRAY
9	18	PURPLE	39	18	WHITE
10	18	GRAY	40	18	TAN
11	18	GRAY	41	18	PINK
12	18	WHITE	42	18	YELLOW
13	18	TAN	44	18	YELLOW
14	18	PINK	47	18	PURPLE
15	18	BROWN	47A	18	PURPLE
16	18	BLACK	48	18	GRAY
17	18	BLACK	49	18	WHITE
18	10	BLACK	50	18	TAN
19	18	BLACK	52	18	BROWN
20	18	BLACK	54	18	YELLOW
21	18	BLACK	54A	18	YELLOW
22	18	BLACK	58	18	BLUE
23	18	BLACK	58A	18	BLUE
24	18	BLACK	59	18	GRAY
25	18	BLACK	59A	18	GRAY
26	18	BLACK	60	18	TAN
27	18	BLACK	64	18	YELLOW
28	18	BLACK	68	18	GRAY
29	18	BLACK	68A	18	GRAY
30	18	BLACK	69	18	GRAY
31	18	BLACK	78	18	WHITE
32	18	BLACK	78A	18	WHITE
33	18	BLACK	79	18	WHITE
34	18	BLACK	79A	18	WHITE
35	18	BLACK	78	12	GRAY
36	18	BLACK	79	12	GRAY
37	18	BLACK	78	18	WHITE
38	18	BLACK	79	18	WHITE
39	18	BLACK	84	12	YELLOW
40	18	BLACK	84A	12	YELLOW
41	18	BLACK	89	18	WHITE
42	18	BLACK	89A	18	WHITE
43	18	BLACK	90	18	WHITE
44	18	BLACK	90A	18	WHITE
45	18	BLACK	91	18	WHITE
46	18	BLACK	91A	18	WHITE
47	18	BLACK	92	18	WHITE
48	18	BLACK	92A	18	WHITE
49	18	BLACK	93	18	WHITE
50	18	BLACK	93A	18	WHITE
51	18	BLACK	94	18	WHITE
52	18	BLACK	94A	18	WHITE
53	18	BLACK	95	18	WHITE
54	18	BLACK	95A	18	WHITE
55	18	BLACK	96	18	WHITE
56	18	BLACK	96A	18	WHITE
57	18	BLACK	97	18	WHITE
58	18	BLACK	97A	18	WHITE
59	18	BLACK	98	18	WHITE
60	18	BLACK	98A	18	WHITE
61	18	BLACK	99	18	WHITE
62	18	BLACK	99A	18	WHITE
63	18	BLACK	100	18	WHITE
64	18	BLACK	100A	18	WHITE
65	18	BLACK	101	18	WHITE
66	18	BLACK	101A	18	WHITE
67	18	BLACK	102	18	WHITE
68	18	BLACK	102A	18	WHITE
69	18	BLACK	103	18	WHITE
70	18	BLACK	103A	18	WHITE
71	18	BLACK	104	18	WHITE
72	18	BLACK	104A	18	WHITE
73	18	BLACK	105	18	WHITE
74	18	BLACK	105A	18	WHITE
75	18	BLACK	106	18	WHITE
76	18	BLACK	106A	18	WHITE
77	18	BLACK	107	18	WHITE
78	18	BLACK	107A	18	WHITE
79	18	BLACK	108	18	WHITE
80	18	BLACK	108A	18	WHITE
81	18	BLACK	109	18	WHITE
82	18	BLACK	109A	18	WHITE
83	18	BLACK	110	18	WHITE
84	18	BLACK	110A	18	WHITE
85	18	BLACK	111	18	WHITE
86	18	BLACK	111A	18	WHITE
87	18	BLACK	112	18	WHITE
88	18	BLACK	112A	18	WHITE
89	18	BLACK	113	18	WHITE
90	18	BLACK	113A	18	WHITE
91	18	BLACK	114	18	WHITE
92	18	BLACK	114A	18	WHITE
93	18	BLACK	115	18	WHITE
94	18	BLACK	115A	18	WHITE
95	18	BLACK	116	18	WHITE
96	18	BLACK	116A	18	WHITE
97	18	BLACK	117	18	WHITE
98	18	BLACK	117A	18	WHITE
99	18	BLACK	118	18	WHITE
100	18	BLACK	118A	18	WHITE

WIRE TERMINATION FOR "N" PLUG

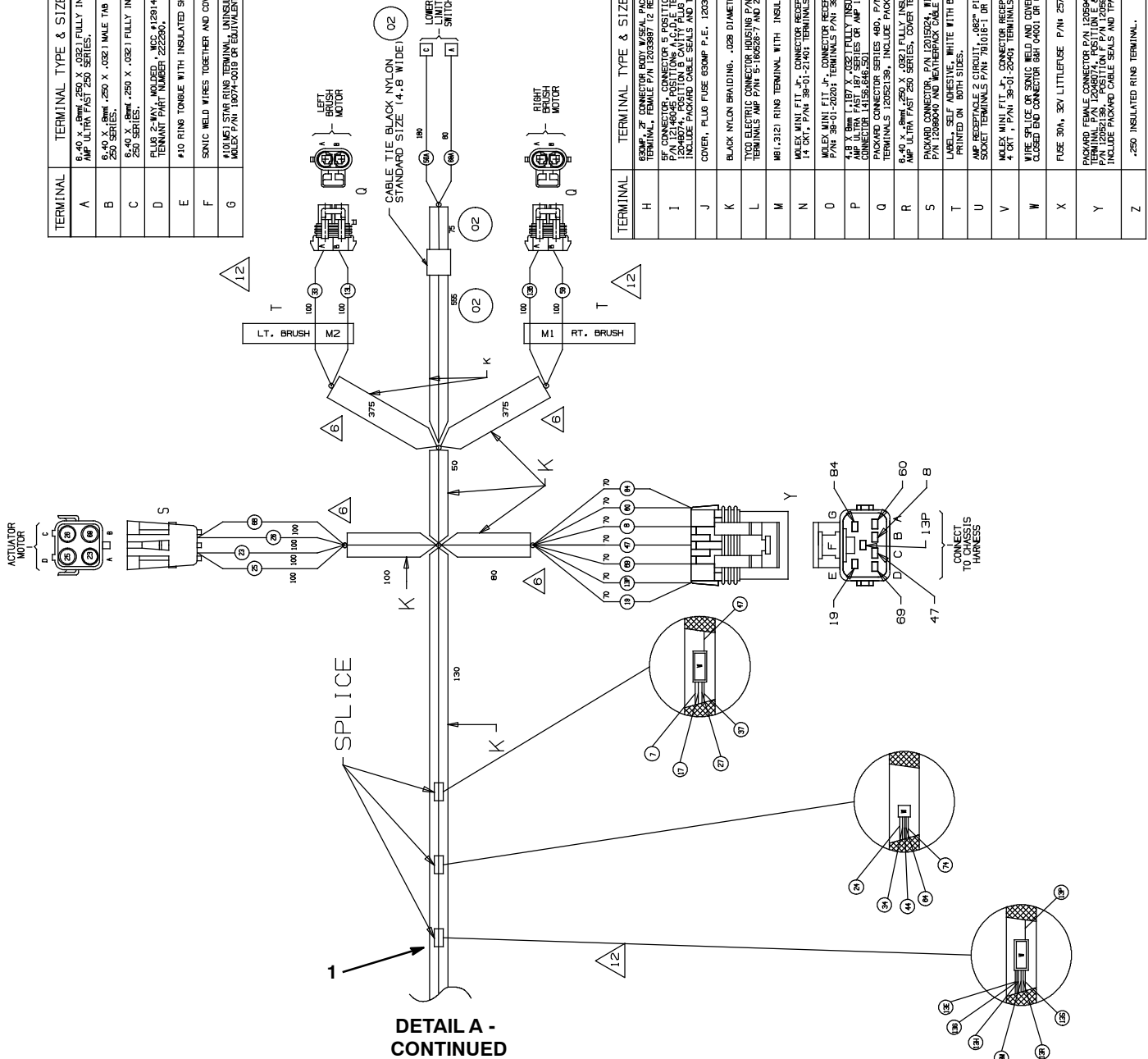
POSITION #	WIRE #
1	3
2	32
3	23
4	71
5	48
6	54
7	5
8	9
9	9
10	9
11	-
12	-
13	136
14	11

WIRE HARNESS GROUP, MAIN (S/N 10722199-)



WIRE HARNESS GROUP, MAIN (S/N 10722199-)

TERMINAL	TERMINAL TYPE & SIZE
A	6.40 X .250 X .0321 FULLY INSULATED FEMALE RECEPTACLE AMP ULTRA FAST 250 SERIES.
B	6.40 X .250 X .0321 MALE TAB FULLY INSULATED ULTRA FAST. 250 SERIES.
C	6.40 X .250 X .0321 FULLY INSULATED PLUG RECEPTACLE 250 SERIES.
D	PLUG 2-WAY INSULATED, M3, #12914, MUST MATE WITH TERMINAL PART NUMBER 222290.
E	#10 RING TONGUE WITH INSULATED SHANK, AMP
F	SONIC WELD WIRES TOGETHER AND COVER WITH SHRINK TUBING.
G	#100 M3 STAR RING TERMINAL, UNINSULATED MALE, P/N 18074-0018 OR EQUIVALENT.

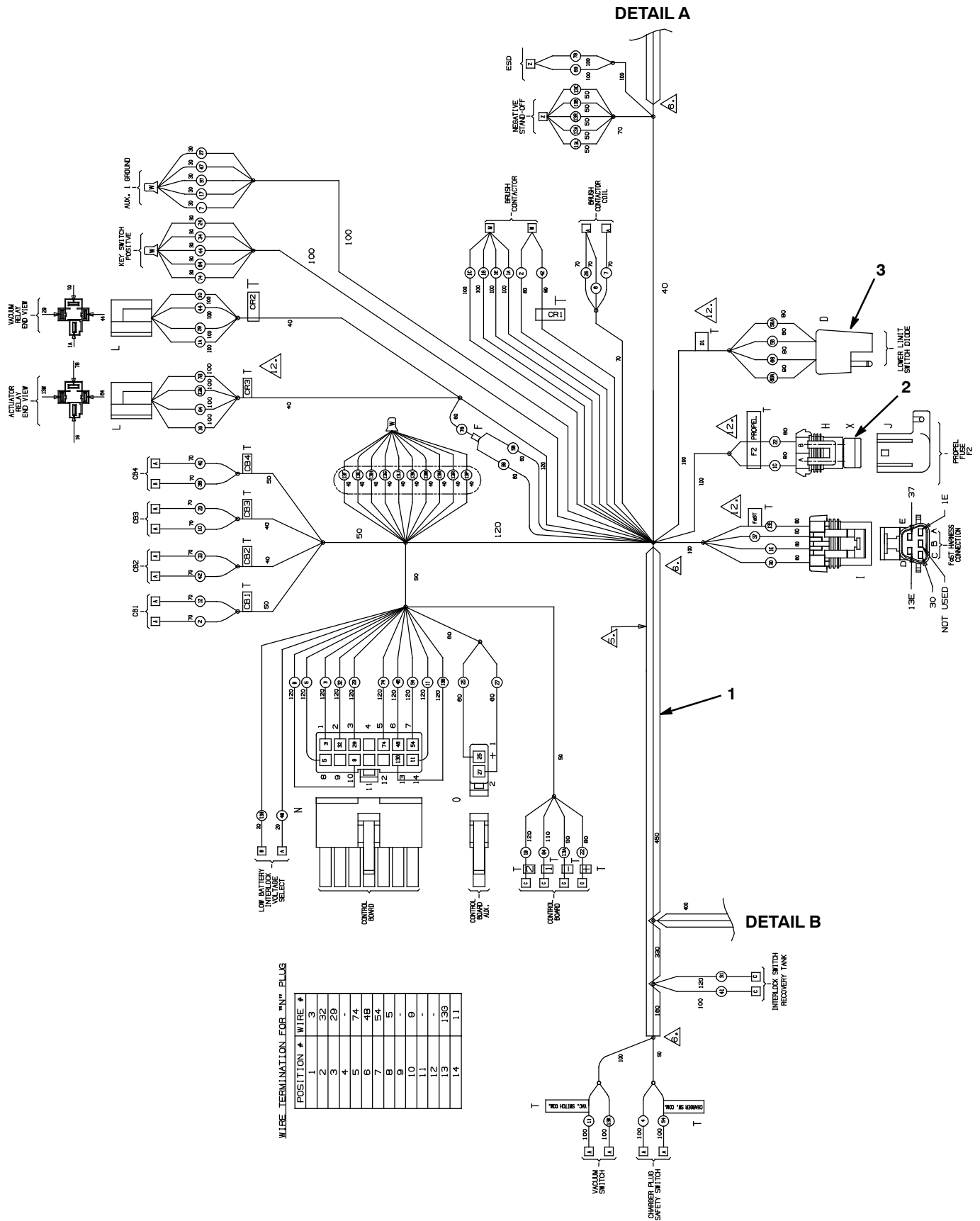


TERMINAL	TERMINAL TYPE & SIZE
H	60MP AMP CONNECTOR BODY, 250 X .0321 MALE TAB FULLY INSULATED FEMALE P/N 12069039
I	60MP AMP CONNECTOR HOUSING, 250 X .0321 MALE TAB FULLY INSULATED FEMALE P/N 12069040
J	60MP AMP CONNECTOR HOUSING, 250 X .0321 MALE TAB FULLY INSULATED FEMALE P/N 12069041
K	60MP AMP CONNECTOR HOUSING, 250 X .0321 MALE TAB FULLY INSULATED FEMALE P/N 12069042
L	60MP AMP CONNECTOR HOUSING, 250 X .0321 MALE TAB FULLY INSULATED FEMALE P/N 12069043
M	60MP AMP CONNECTOR HOUSING, 250 X .0321 MALE TAB FULLY INSULATED FEMALE P/N 12069044
N	60MP AMP CONNECTOR HOUSING, 250 X .0321 MALE TAB FULLY INSULATED FEMALE P/N 12069045
O	60MP AMP CONNECTOR HOUSING, 250 X .0321 MALE TAB FULLY INSULATED FEMALE P/N 12069046
P	60MP AMP CONNECTOR HOUSING, 250 X .0321 MALE TAB FULLY INSULATED FEMALE P/N 12069047
Q	60MP AMP CONNECTOR HOUSING, 250 X .0321 MALE TAB FULLY INSULATED FEMALE P/N 12069048
R	60MP AMP CONNECTOR HOUSING, 250 X .0321 MALE TAB FULLY INSULATED FEMALE P/N 12069049
S	60MP AMP CONNECTOR HOUSING, 250 X .0321 MALE TAB FULLY INSULATED FEMALE P/N 12069050
T	60MP AMP CONNECTOR HOUSING, 250 X .0321 MALE TAB FULLY INSULATED FEMALE P/N 12069051
U	60MP AMP CONNECTOR HOUSING, 250 X .0321 MALE TAB FULLY INSULATED FEMALE P/N 12069052
V	60MP AMP CONNECTOR HOUSING, 250 X .0321 MALE TAB FULLY INSULATED FEMALE P/N 12069053
W	60MP AMP CONNECTOR HOUSING, 250 X .0321 MALE TAB FULLY INSULATED FEMALE P/N 12069054
X	60MP AMP CONNECTOR HOUSING, 250 X .0321 MALE TAB FULLY INSULATED FEMALE P/N 12069055
Y	60MP AMP CONNECTOR HOUSING, 250 X .0321 MALE TAB FULLY INSULATED FEMALE P/N 12069056
Z	60MP AMP CONNECTOR HOUSING, 250 X .0321 MALE TAB FULLY INSULATED FEMALE P/N 12069057

Ref.	Part No.	Serial Number	Description	Qty.
▽	1	1073813	(10722199-20000000) Harness, Main [Ss5]	1
▲	2	762516	(10000000-20000000) Fuse, Blade, 030a, 32vdc	1
	3	222290	(10000000-20000000) Diode, Ele, Plug	3

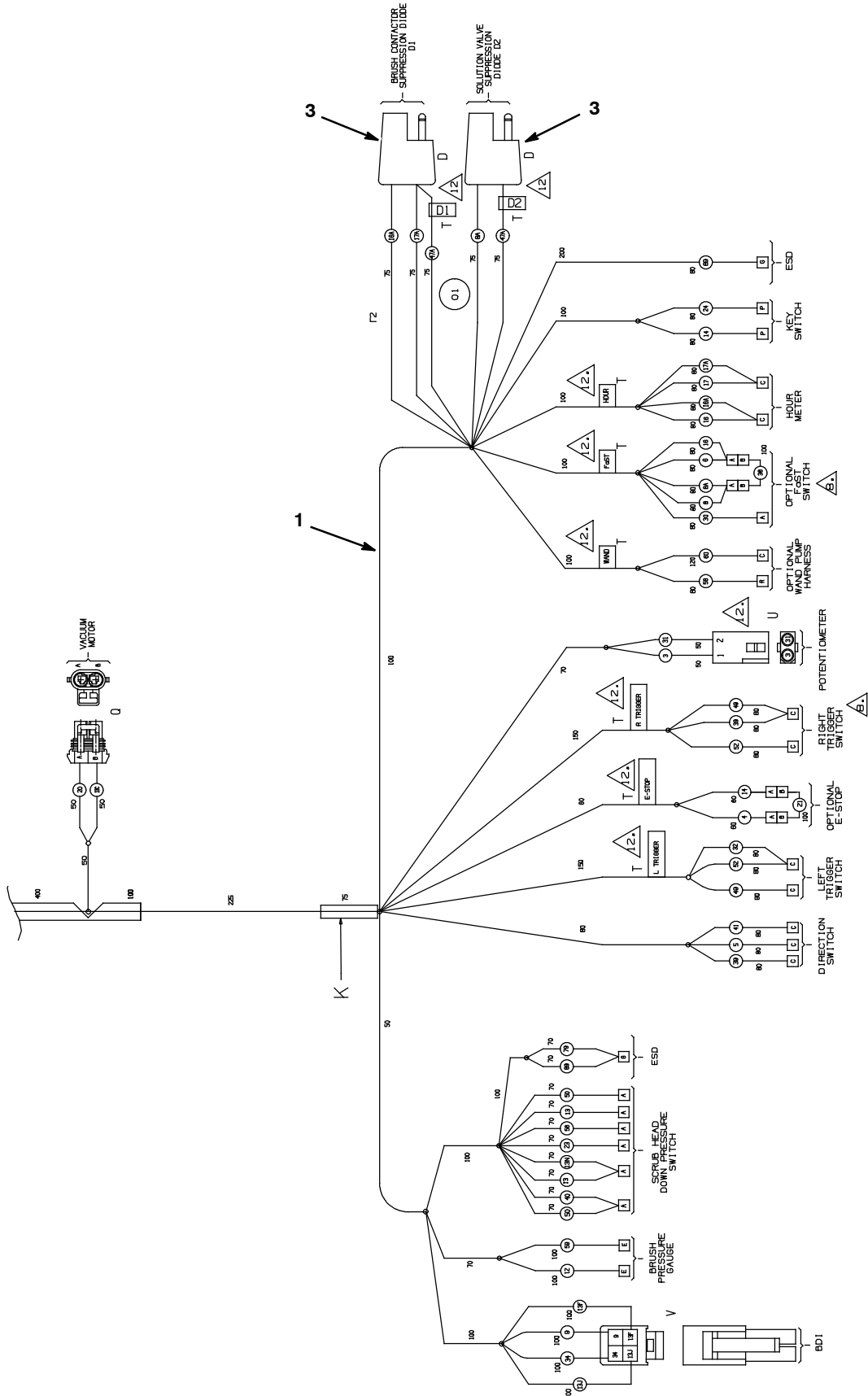
▽ ASSEMBLY
 ▲ INCLUDED IN ASSEMBLY

WIRE HARNESS GROUP, MAIN (S/N 1000000-10722198)



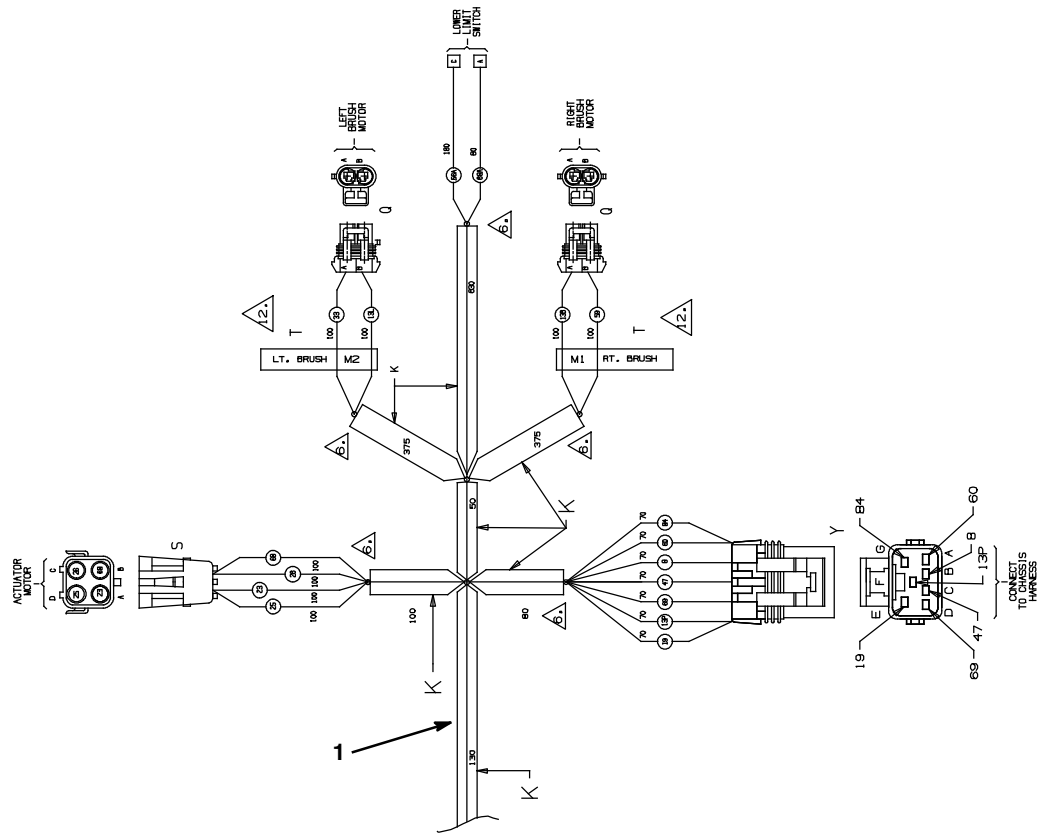
WIRE HARNESS GROUP, MAIN (S/N 1000000- 10722198)

DETAIL B -
CONTINUED



STANDARD PARTS

WIRE HARNESS GROUP, MAIN (S/N 1000000-10722198)



DETAIL A - CONTINUED

WIRE NO:	AWG	COLOR
28	18	WHITE
30	18	TAN
31	18	PINK
32	18	BROWN
33	10	ORANGE
34	18	YELLOW
36	18	BLUE
37	18	PURPLE
38	16	GRAY
39	18	WHITE
40	18	TAN
41	18	PINK
42	10	BROWN
44	18	YELLOW
47	18	PURPLE
47A	18	PURPLE
48	18	GRAY
49	18	WHITE
50	16	TAN
52	18	BROWN
54	18	YELLOW
56	18	BLUE
56A	18	BLUE
58	18	GRAY
58	10	WHITE
60	18	TAN
64	18	YELLOW
68	18	GRAY
68A	18	GRAY
69	18	WHITE
74	18	YELLOW
78	12	GRAY
79	18	WHITE
84	12	YELLOW
89	18	WHITE

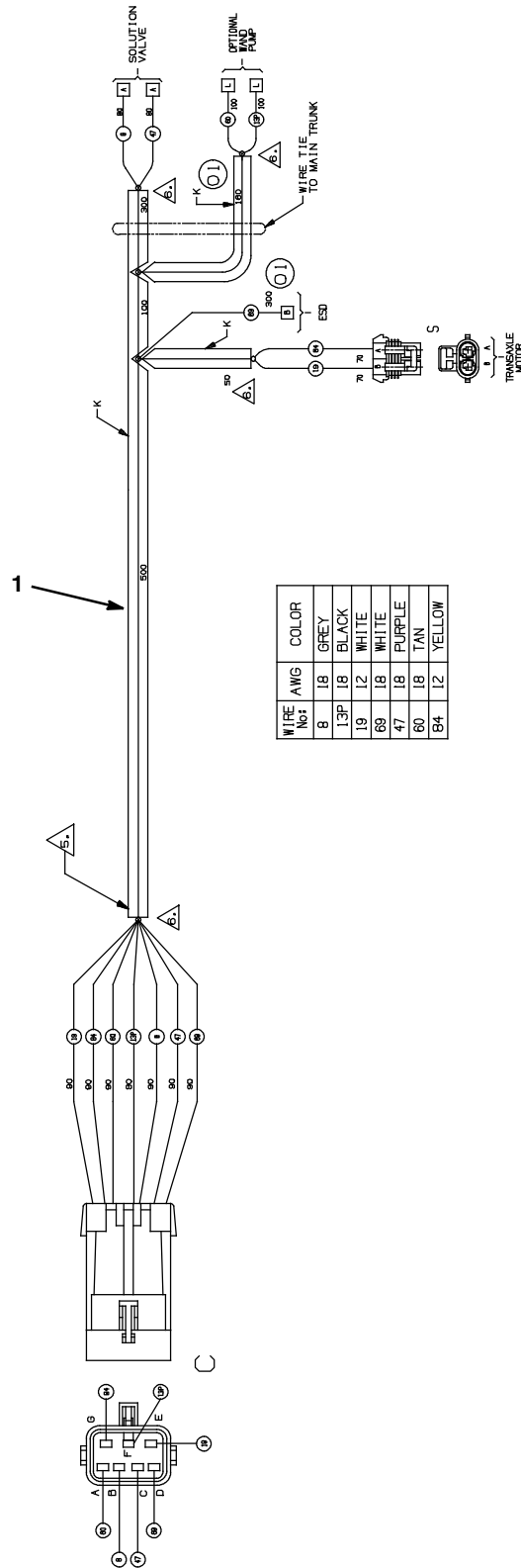
WIRE NO:	AWG	COLOR
1A	10	RED
1C	10	RED
1E	18	RED
16	12	RED
2	10	BROWN
3	18	ORANGE
4	18	YELLOW
5	18	GREEN
6	18	BLUE
7	18	PURPLE
8	18	GRAY
8A	18	GRAY
9	18	WHITE
10	12	TAN
11	18	PINK
12	10	BROWN
13	16	BLACK
13A	10	BLACK
13B	10	BLACK
13C	12	BLACK
13E	18	BLACK
13F	18	BLACK
13G	18	BLACK
13H	18	BLACK
13J	18	BLACK
13K	18	BLACK
13L	10	BLACK
13M	18	BLACK
13N	18	BLACK
13P	18	BLACK
13R	14	BLACK
14	18	YELLOW
16	18	BLUE
16A	18	BLUE
17	18	PURPLE
17A	18	PURPLE
19	12	WHITE
20	12	TAN
21	18	PINK
22	10	BROWN
23	18	ORANGE
24	18	YELLOW
25	18	GREEN
26	18	BLUE
27	18	PURPLE

Ref.	Part No.	Serial Number	Description	Qty.
▽	1	1048405	(1000000-10722198) Harness, Main [Ss5]	1
▲	2	762516	(1000000-2000000) Fuse, Blade, 030a, 32vdc	1
	3	222290	(1000000-2000000) Diode, Ele, Plug	3

▽ ASSEMBLY

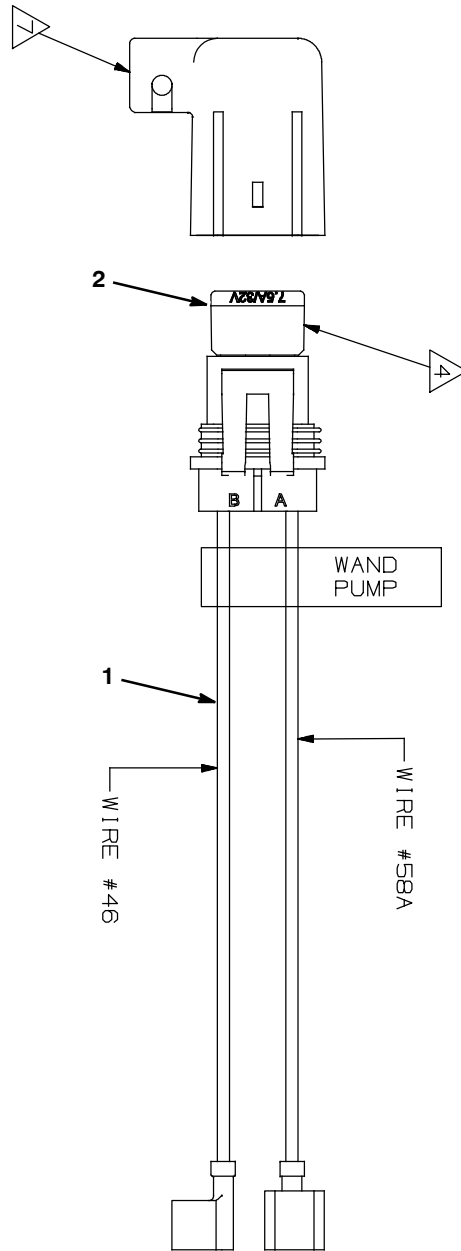
▲ INCLUDED IN ASSEMBLY

WIRE HARNESS GROUP, FRAME



Ref.	Part No.	Serial Number	Description	Qty.
1	1024721	(10000000-20000000)	Harness, Chassis, Wire [Ss5]	1

WIRE HARNESS GROUP, WAND OPTION

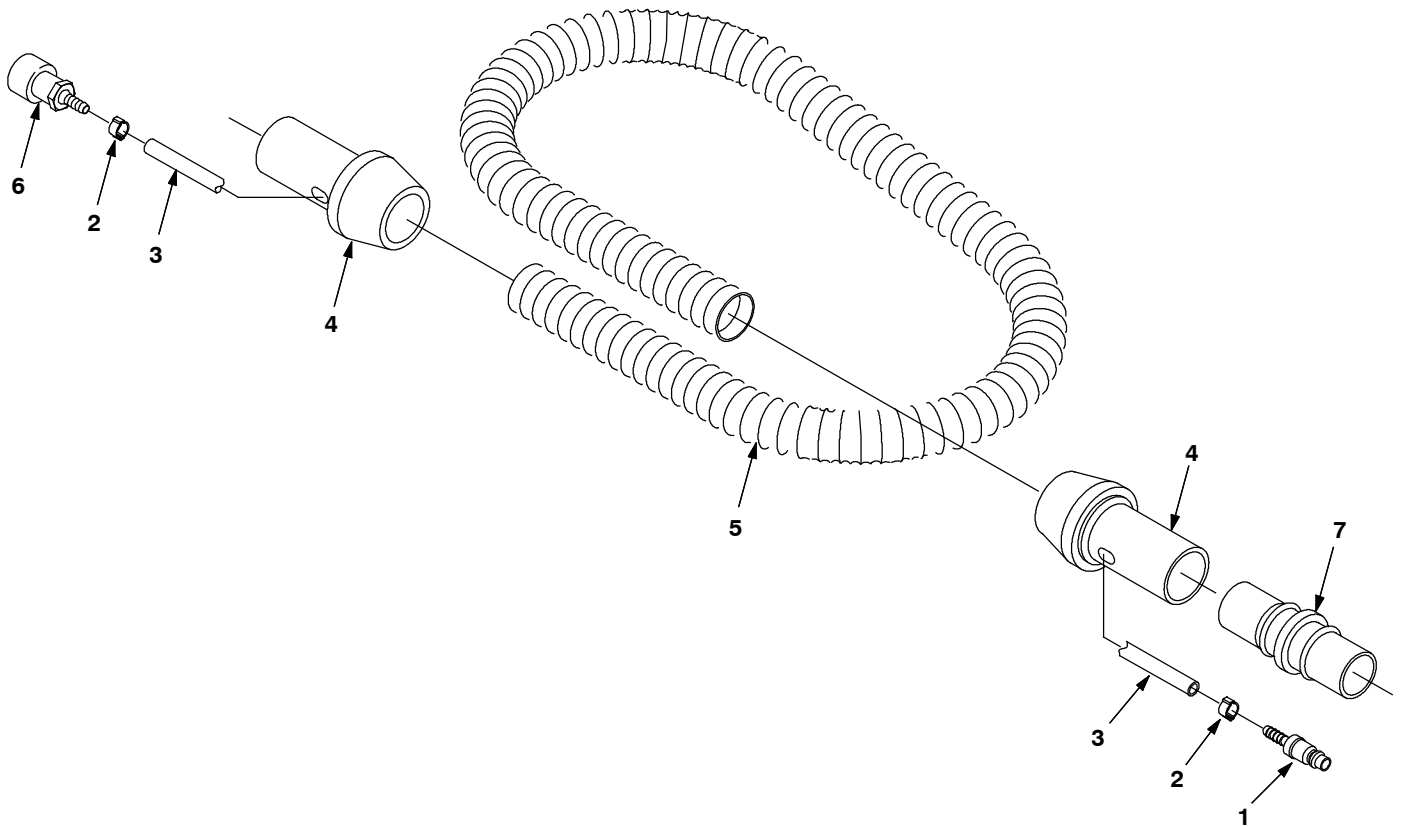


	Ref.	Part No.	Serial Number	Description	Qty.
▽	1	1026870	(10000000-20000000)	Harness, Wand [Ss5]	1
▲	2	1016039	(10000000-20000000)	Fuse, Blade, 007.5a, 32vdc	1

▽ ASSEMBLY

▲ INCLUDED IN ASSEMBLY

POWER WAND HOSE GROUP

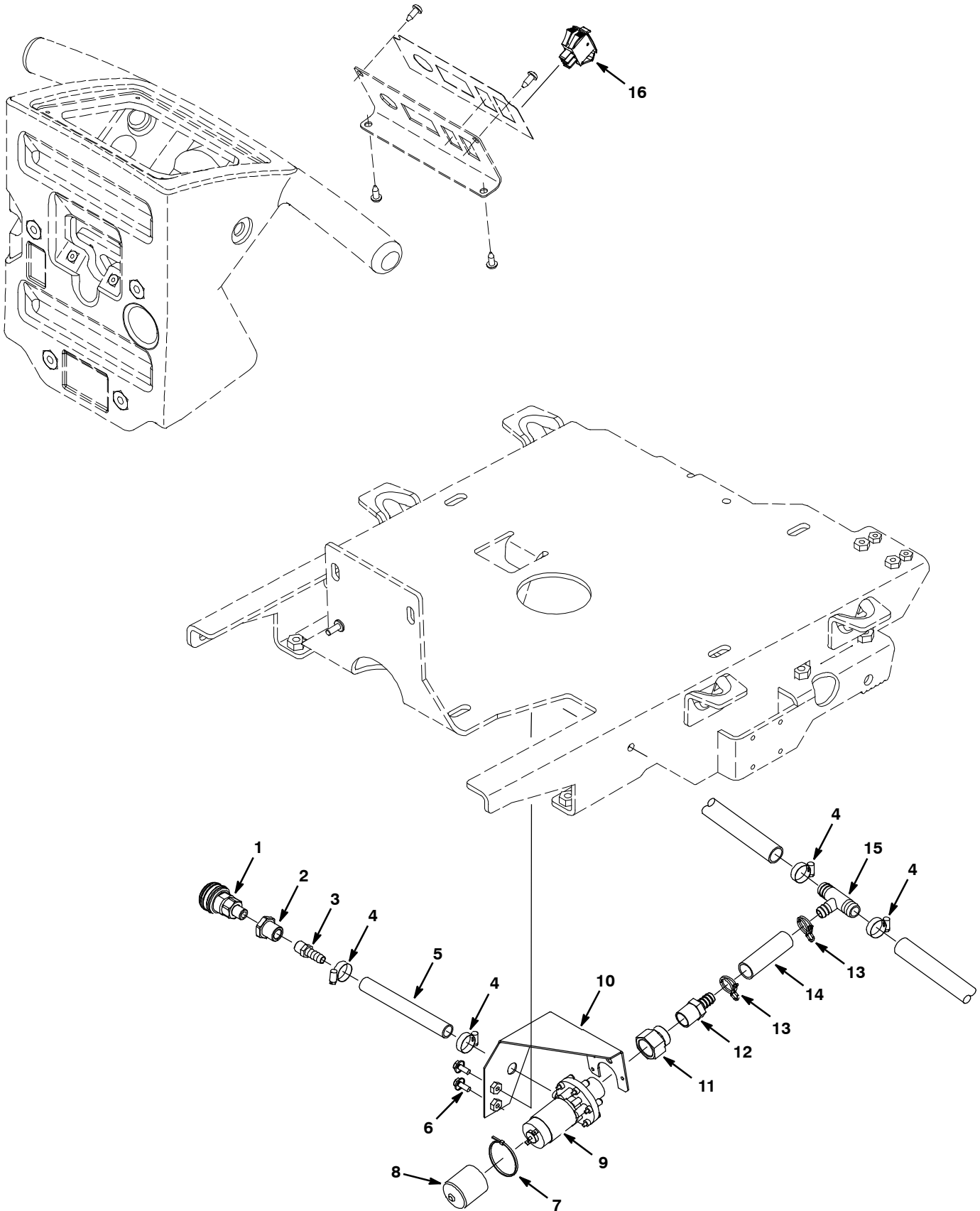


Ref.	Part No.	Serial Number	Description	Qty.
▽	65341	(10000000- 20000000)	Hose Assy, Wand, Power	1
▲	1	578318000 (10000000- 20000000)	Fitting, Stl, Qdc, Bm04	1
▲	2	578160000 (10000000- 20000000)	Clamp, Hose, Ear, 11- 13mm, Ss	2
▲	3	578820000 (10000000- 20000000)	Hose, Pvc, 0.25id X 157l	1
▲	4	578072000 (10000000- 20000000)	Cuff, Swivel, 1.5 Blk	2
▲	5	1052212 (10000000- 20000000)	Hose, Vacuum, 1.50id X 10ft, Gray	1
▲	6	578071000 (10000000- 20000000)	Fitting, Brs, Qdc, Bm04/Pf04	1
	7	12694 (10000000- 20000000)	Fitting, Plstc, Str, Bm24/Bm24	1

▽ ASSEMBLY

▲ INCLUDED IN ASSEMBLY

WAND PUMP KIT



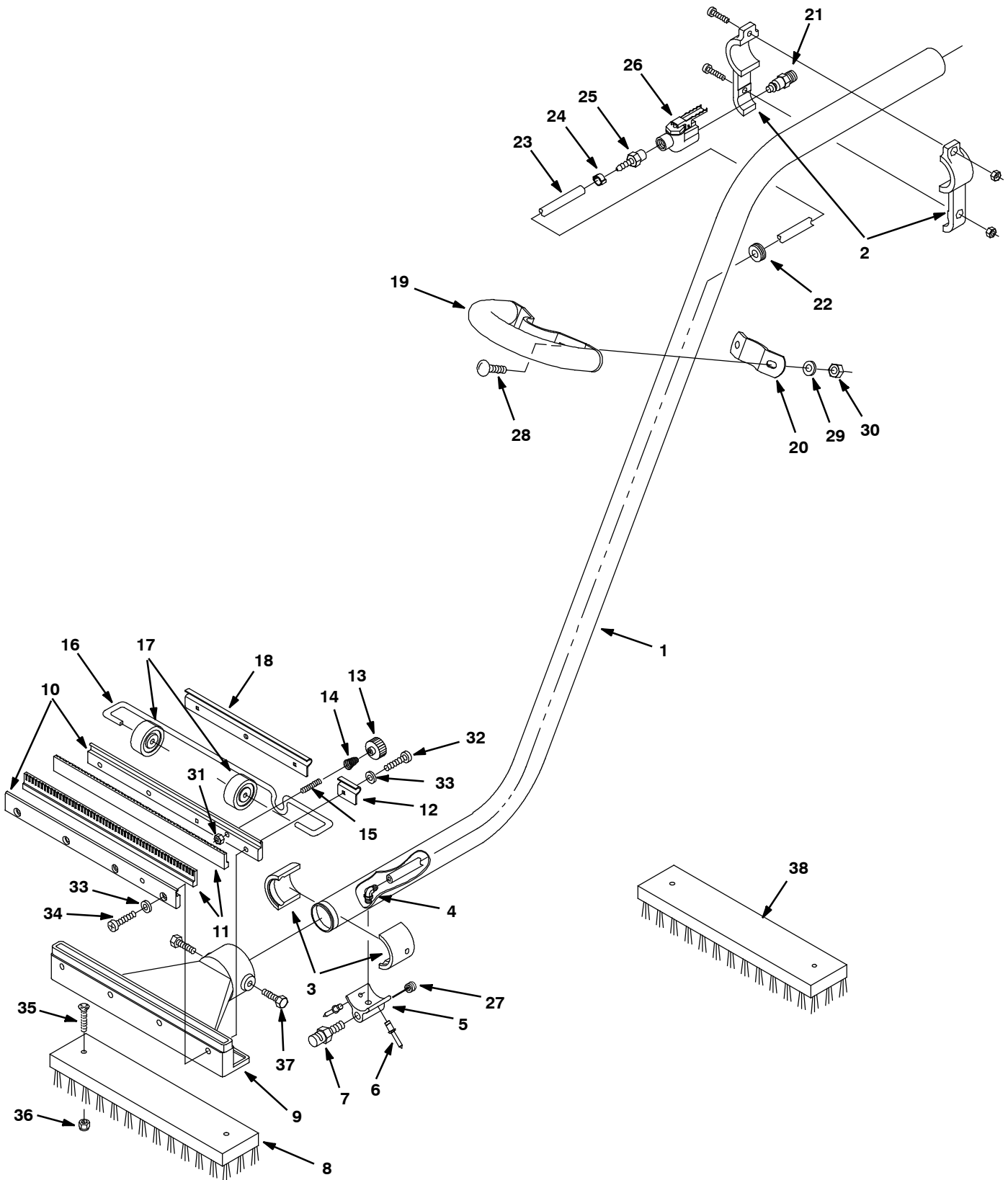
WAND PUMP KIT

Ref.	Part No.	Serial Number	Description	Qty.
▽	9003399	(10000000- 20000000)	Pump Kit, Wand, Power, Ci [Ss5, T5e]	1
▲	1 608292	(10000000- 20000000)	Connection, Quick, Fem .375" X .25" Npt	1
▲	2 78122	(10000000- 20000000)	Fitting, Brs, Str, Pf04/Pf04, Bh	1
▲	3 150516	(10000000- 20000000)	Fitting, Brs, Str, Pm04/Bm06	1
▲	4 54333	(10000000- 20000000)	Clamp, Hose, Wormdrive, 0.31- 0.88d, .31w	4
▲	5 575501000	(10000000- 20000000)	Hose 3/8idx5/8odx8" (376720)	1
▲	6 1034731	(10000000- 20000000)	Screw, Hex, M6 X 1.00 X 16, Ss, Sems	2
▲	7 130773	(10000000- 20000000)	Tie, Cable, Nyl, 11.0l, .14w, 3.0 Max. D	2
▲	8 605064	(10000000- 20000000)	Cap, Vinyl, 1.38 D 1.6l	1
▲	9 630136	(10000000- 20000000)	Pump, Soltn, Ele, 24vdc, 3116" Term 3/4"	1
▲	10 1023515	(10000000- 20000000)	Bracket, Mtg, Pump, Wand	1
▲	11 150017	(10000000- 20000000)	Fitting, Brs, Str, Pf08/Pf12, Cplg[Redr]	1
▲	12 1023581	(10000000- 20000000)	Fitting, Plstc, Str, Bm08/Pm08, Nyl	1
▲	13 607776	(10000000- 20000000)	Clamp, Hose, Wir, .73 - .77, Silver	2
▲	14 613521	(10000000- 20000000)	Hose, Pvc, Clr, 0.50id 0.75od 012.0l	1
▲	15 1015486	(10000000- 20000000)	Fitting, Plstc, Tee, Bm08/Bm10/Bm10, Br	1
▲	16 130787	(10000000- 20000000)	Switch, Rocker, Spdt	1
▲	N/S 1026870	(10000000- 20000000)	Harness, Wand	1

▽ ASSEMBLY

▲ INCLUDED IN ASSEMBLY

DELUXE POWER WAND GROUP



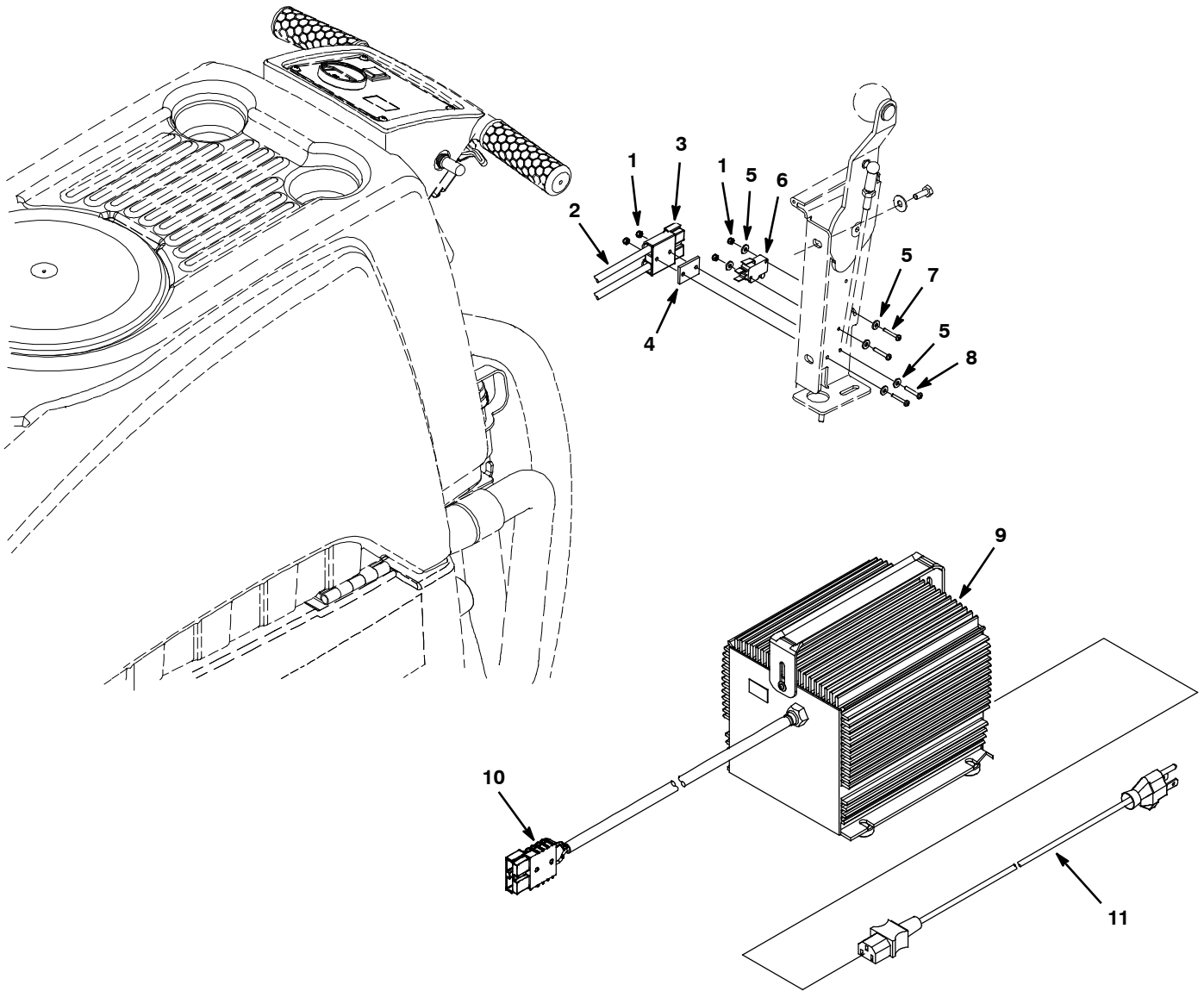
DELUXE POWER WAND GROUP

Ref.	Part No.	Serial Number	Description	Qty.
▽	65340	(10000000- 20000000)	Wand Assy, Power	1
▲	1 578060000	(10000000- 20000000)	Wand, Dbl Bend, 38.1mmd	1
▲	2 578077000	(10000000- 20000000)	Bracket Valve Mounting Wand	1
▲	3 578061000	(10000000- 20000000)	Adapter, Head / Wand	2
▲	4 1037595	(10000000- 20000000)	Fitting, Plstc, E90, Bm04/Pm02, Nyl	1
▲	5 579112	(10000000- 20000000)	Fitting Spray Nozzle Adapter	1
▲	6 602036000	(10000000- 20000000)	Rivet, Blind	2
▲	7 578066000	(10000000- 20000000)	Fitting, Brs, Tip [75, .125k- Jet]	1
▲	8 65610	(10000000- 20000000)	Brush, Power Wand, W/ Fastener, Pyp	1
▲	9 578063000	(10000000- 20000000)	Head, Wand	1
▲	10 578078000	(10000000- 20000000)	Retainer, Sqge, Wand	2
▲	11 578074000	(10000000- 20000000)	Blade, Sqge, 300.8mml, Wand	2
▲	12 578124000	(10000000- 20000000)	Bracket,Axle,1hole	1
▲	13 578439	(10000000- 20000000)	Nut, Thumb, M6 X 1.0, 30d	1
▲	14 613732	(10000000- 20000000)	Spring, Cmpr, Conical 15mm	1
▲	15 578143000	(10000000- 20000000)	Screw, Set, M6 X 1.0 X 40, Cuppt, Ss	1
▲	16 578126000	(10000000- 20000000)	Axle,Wand	1
▲	17 578125000	(10000000- 20000000)	Wheel, 41.3d, 19.1w, Rbr	2
▲	18 578123000	(10000000- 20000000)	Bracket,Axle,3hole	1
▲	19 578155000	(10000000- 20000000)	Handle Wldt, Wand	1
▲	20 578154000	(10000000- 20000000)	Bracket Handle Wand	1
▲	21 578091000	(10000000- 20000000)	Fitting, Brs, Qdc, Pm04, Plug	1
▲	22 578164000	(10000000- 20000000)	Grommet,0.38"Id,0.62"Gd,.06"Gw	1
▲	23 578821000	(10000000- 20000000)	Hose 1/4id X 3/8od X 1.22m	1
▲	24 578161000	(10000000- 20000000)	Clamp, Hose, Ear, 8- 11mm, Ss	1
▲	25 578094000	(10000000- 20000000)	Fitting, Nyl, Str, Pm04/Bm04	1
▲	26 578064000	(10000000- 20000000)	Valve, Cntrl, Water	1
▲	27 150208	(10000000- 20000000)	Fitting, Brs, Str, Pm02, Plug [Skhd]	1
▲	28 20399	(10000000- 20000000)	Bolt, Carriage, .25- 20 X 0.75	2
▲	29 200304017	(10000000- 20000000)	Washer, Flat, M6.4 X 13 X 1.6, Pl	2
▲	30 41169	(10000000- 20000000)	Nut, Hex, Lock, .25- 20, NI, Ss	2
▲	31 07785	(10000000- 20000000)	Nut, Hex, Std, M6 X 1.0, A2, Ss	1
▲	32 1026454	(10000000- 20000000)	Screw, Pan, M5 X 0.8 X 10, Ss	4
▲	33 07514	(10000000- 20000000)	Washer, Lock, Int, #10, Ss	8
▲	34 578144000	(10000000- 20000000)	Screw, Pan, M5 X 0.8 X 16,Phl,Ss,Dn7985a	4
▲	35 578566	(10000000- 20000000)	Screw 4x30 Fltphl Ss	2
▲	36 33932	(10000000- 20000000)	Nut, Hex, Lock, M4 X 0.7, NI, Ss	2
▲	37 140885	(10000000- 20000000)	Screw, Trs, .25- 20 X 0.50, Phl, Ss	2
▲	38 65582	(10000000- 20000000)	Brush, Power Wand, W/ Fastener, Abr (Optional)	1

▽ ASSEMBLY

▲ INCLUDED IN ASSEMBLY

OFF-BOARD CHARGER GROUP



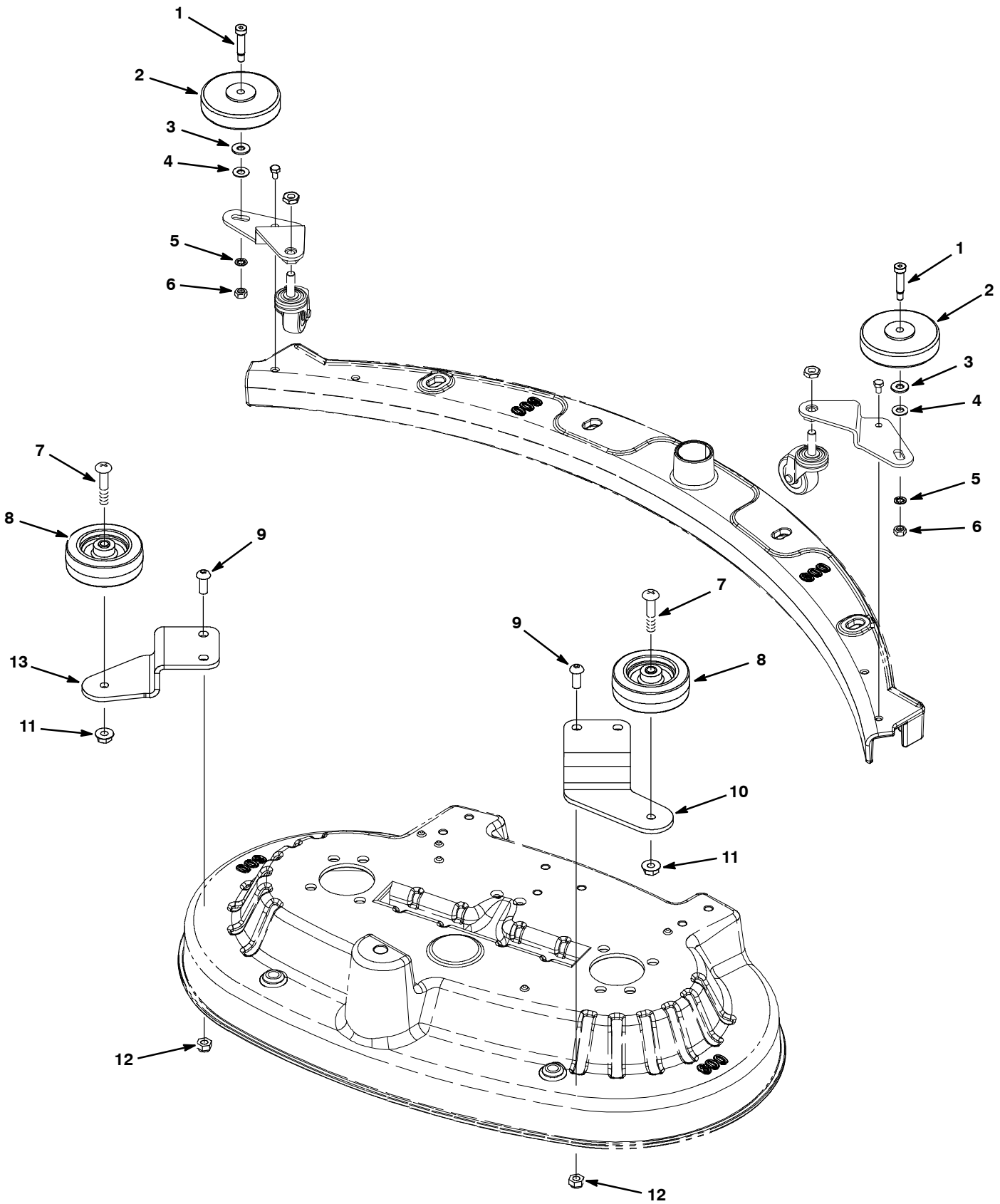
OFF- BOARD CHARGER GROUP

Ref.	Part No.	Serial Number	Description	Qty.
	1	579211	(10000000- 20000000) Nut, Hex, Lock, M3 X .5, Ss	4
▽	2	1073276	(10722199- 20000000) Harness, Chrgr [Ss5]	1
▲	3	605387	(10000000- 20000000) Connector, 50a, Red W/O Contact[Anderson	1
▽	2	1027096	(10000000- 10722198) Harness, Chrgr	1
▲	3	605387	(10000000- 20000000) Connector, 50a, Red W/O Contact[Anderson	1
	4	603331	(10000000- 20000000) Spacer, Chrgr Plug	1
	5	41578	(10000000- 20000000) Washer, Flat, #06, Ss	6
	6	611005	(10000000- 20000000) Switch, Rlr, 16a, Micro	1
	7	06922	(10000000- 20000000) Screw, Pan, M3 X 0.5 X 20, 4.8	2
	8	33933	(10000000- 20000000) Screw, Pan, M3 X 0.5 X 25, Ss	2
▽	9	1029256	(10000000- 20000000) Charger, 24vdc, 19a Var Vac 1ph 50/60hz	1
▲	10	605387	(10000000- 20000000) Connector, Anderson, 50a,Red W/O Contact	1
▲	11	1017079	(10000000- 20000000) Cord, Extn, 16ga /3, 010ft [Sjt]	1

▽ ASSEMBLY

▲ INCLUDED IN ASSEMBLY

BUMPER WHEEL KIT



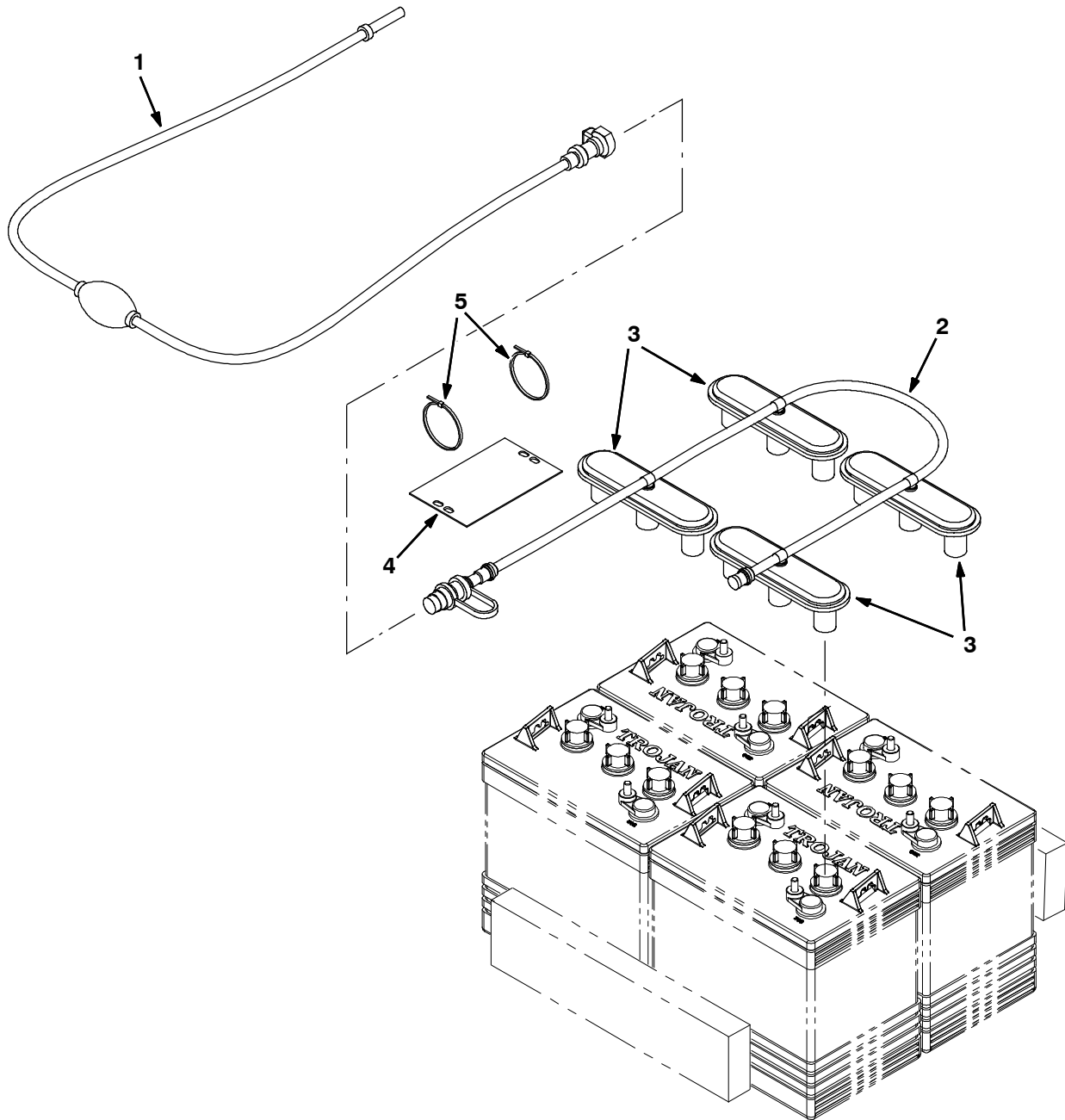
BUMPER WHEEL KIT

	Ref.	Part No.	Serial Number	Description	Qty.
▽		9004459	(10000000- 20000000)	Wheel Kit, Bumper, Retrofit [T5]	1
▲	1	600187	(10000000- 20000000)	Bolt, Shld, .38d X 1.25, .31- 18	2
▲	2	614317	(10000000- 20000000)	Wheel, 04.0d 1.00w 0.38b, Rbr, Gray	2
▲	3	01685	(10000000- 20000000)	Washer, Flat, 0.38b 0.88d .08, Ss	2
▲	4	069762311	(10000000- 20000000)	Washer, Flat, M7.9b X 19d X 1.7 Ss	2
▲	5	43952	(10000000- 20000000)	Washer, Lock, Int, 0.31, Ss	2
▲	6	140506	(10000000- 20000000)	Nut, Hex, Std, .31- 18, Ss	2
▲	7	606983	(10000000- 20000000)	Screw, Trs, M8 X 1.25 X 40, Phl, Pl	2
▲	8	1014918	(10000000- 20000000)	Wheel, 03.0d 0.88w 0.31b, W/ Bshg, Rbr	2
▲	9	393135	(10000000- 20000000)	Screw, Btn, M8 X 1.25 X 20, Blk	4
▲	10	1023268	(10000000- 20000000)	Bracket, Roller, Wall, Scb Head, 70cm	1
▲	11	07791	(10000000- 20000000)	Nut, Hex, Flng, M8 X 1.25	2
▲	12	08713	(10000000- 20000000)	Nut, Hex, Lock, M8 X 1.25, Nl, Ss	4
▲	13	1022344	(10000000- 20000000)	Bracket, Roller, Wall, Scb Head, 60cm	1

▽ ASSEMBLY

▲ INCLUDED IN ASSEMBLY

HYDROLINK® BATTERY WATERING SYSTEM KIT



Ref.	Part No.	Serial Number	Description	Qty.
▽	9010300	(10000000-20000000)	Watering Kit, Battery, 24vdc, Ci [Trojan]	1
▲	1 1058939	(10000000-20000000)	Kit, Pump, Fill, Battery	1
▲	2 1070394	(10000000-20000000)	Hose Kit, Battery, 24vdc [J305h Snake]	1
▲	3 1204142	(10000000-20000000)	Cap, Watering, Battery [Trojan]	4
▲	4 1071084	(10000000-20000000)	Label, Tag, Battery [Hydrolink Watering]	1
▲	5 130773	(10000000-20000000)	Tie, Cable, Nyl, 11.0l, .14w, 3.0 Max. D	2

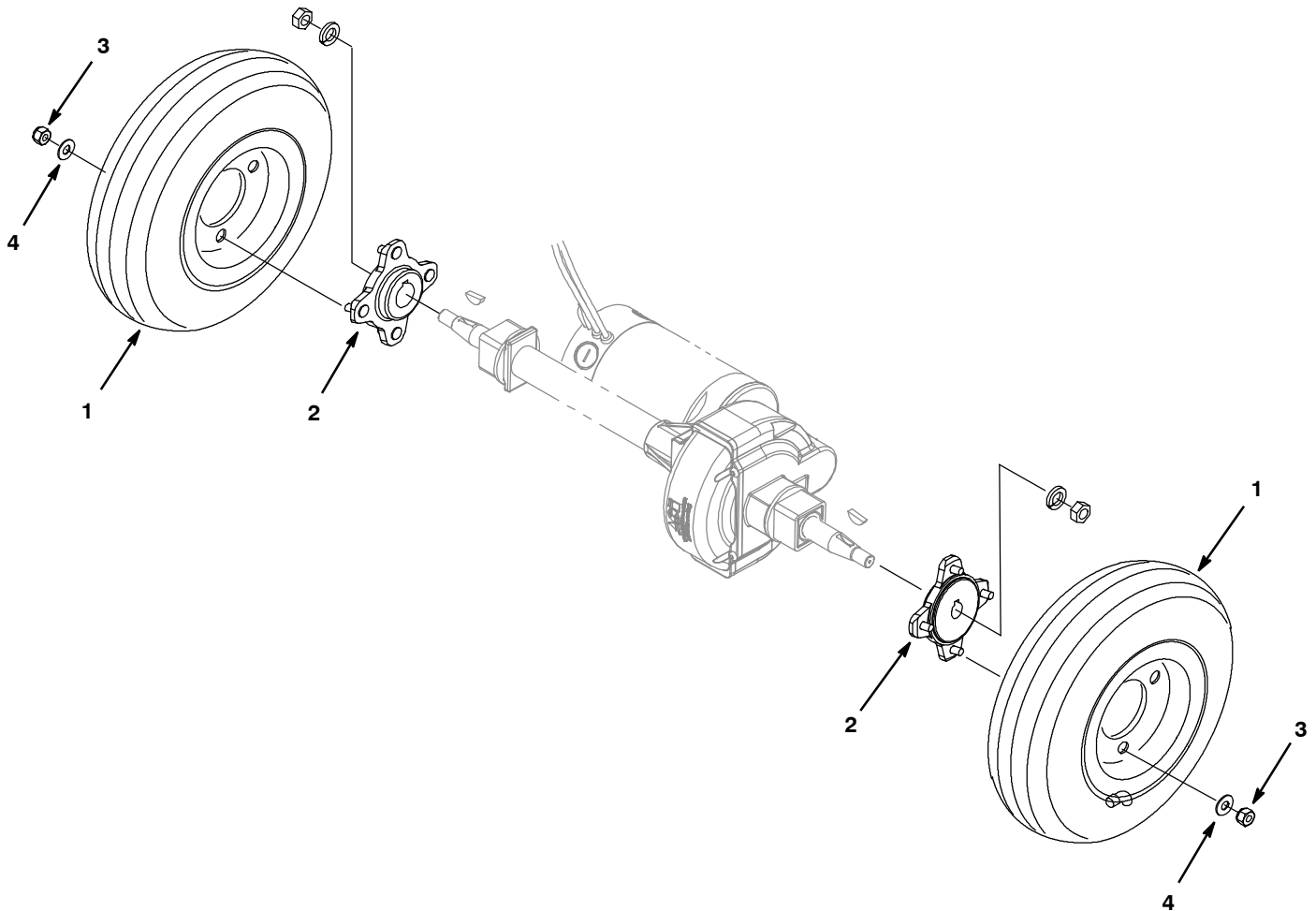
▽ ASSEMBLY

▲ INCLUDED IN ASSEMBLY

*THIS KIT IS INTENDED FOR USE WITH TROJAN® LEAD ACID BATTERIES ONLY.

HYDROLINK® IS A REGISTERED TRADEMARK OF TROJAN® BATTERY COMPANY.

OPTIONAL WHEEL KIT



Ref.	Part No.	Serial Number	Description	Qty.
▽	9004903	(10000000- 20000000)	Wheel Kit, Pneumatic, Ci [T5 T5e Ss5]	1
▲ 1	1059452	(10000000- 20000000)	Tire Assy, Pneu, Grey, 2.8/2.5- 04 2.75bc	2
▲ 2	1048125	(10000000- 20000000)	Hub, Wheel [Tapered Shaft]	2
▲ 3	08712	(10000000- 20000000)	Nut, Hex, Lock, M6 X 1.00, NI, Ss	8
▲ 4	140000	(10000000- 20000000)	Washer, Flat, 0.28b 0.62d .04, Ss	8
▽	9004904	(10000000- 20000000)	Wheel Kit, Foam Filled, Ci [T5 T5e Ss5]	1
▲ 1	1068472	(10000000- 20000000)	Tire Assy, Foam, Hi- Dns, Grey,2.8/2.5- 04	2
▲ 2	1048125	(10000000- 20000000)	Hub, Wheel [Tapered Shaft]	2
▲ 3	08712	(10000000- 20000000)	Nut, Hex, Lock, M6 X 1.00, NI, Ss	8
▲ 4	140000	(10000000- 20000000)	Washer, Flat, 0.28b 0.62d .04, Ss	8

▽ ASSEMBLY

▲ INCLUDED IN ASSEMBLY