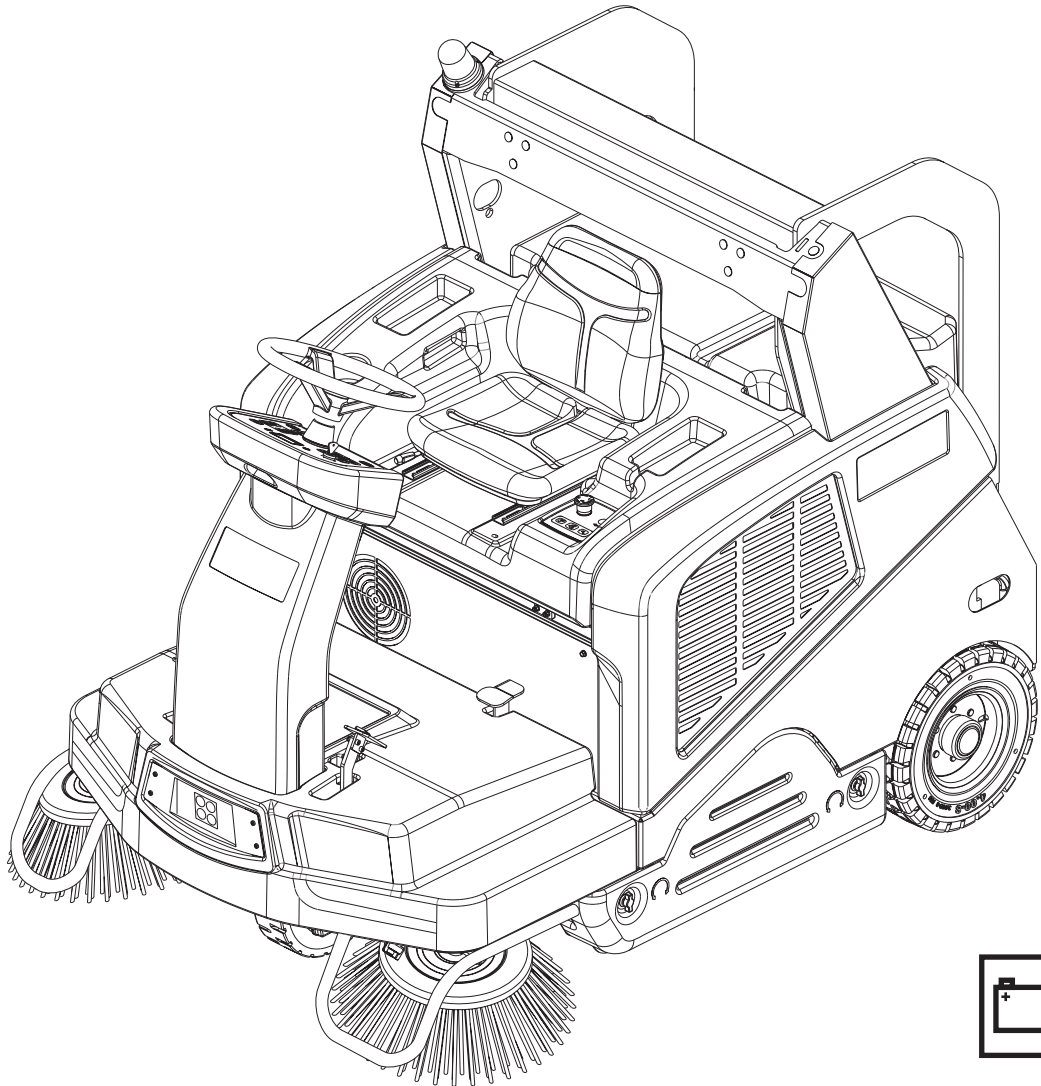


# SW5500



## Parts List

**Model:** 9084416010, 9084417010





**TABLE OF CONTENTS**

FOOTBOARD ASSY .....	2
SUPPORT SEAT ASSY .....	4
PLATE ASSY .....	6
COVERS ASSY .....	8
HATCHES ASSY .....	10
COLUMN DASHBOARD ASSY .....	12
STEERING MOTORWHEEL ASSY .....	14
MOTORWHEEL ASSY .....	16
ACCELERATOR PEDAL ASSY .....	18
BRAKE PEDAL ASSY .....	20
REAR WHEELS ASSY .....	22
ELECTRICAL COMPONENTS ASSY .....	24
RIGHT BROOM ASSY .....	26
LEFT BROOM ASSY .....	28
MAIN BROOM ASSY .....	30
MAIN BROOM ADJUSTMENT .....	32
LEFT ARM MAIN BROOM ASSY .....	34
SKIRTS ASSY .....	36
FRONT SKIRT ASSY .....	38
LIFTING HOPPER ASSY .....	40
CYLINDERS ASSY .....	44
HYDRAULIC ASSY .....	46
FAN SUPPORT ASSY .....	50
SHAKER FILTER ASSY .....	52
VACUUM FAN ASSY .....	54
ENGINE FAN ASSY .....	58
LPG ENGINE ASSY .....	60
LPG ENGINE SPARES .....	62
ALTERNATOR SPARES .....	64
ENGINE ISOLATION .....	66
LPG SYSTEM ASSY .....	68
LPG TANK SUPPORT ASSY .....	70
WIRING DIAGRAM BATTERY .....	82
WIRING DIAGRAM LPG .....	84
RECOMMENDED SPARE PARTS .....	86
OPTIONALS, ACCESSORIES .....	88

**WHEN ORDERING PARTS**

- Use the part numbers from the “REF. NO.” columns in this parts list. If the “REF. NO.” column is blank; look under the “KIT” column to identify which kit contains the part in question, then use the kit callout, for example “K1”, to find the “REF. NO.” for that kit.
- Specify the model and serial number of the machine.
- Use the space below to record the model and serial number for future reference.

Model

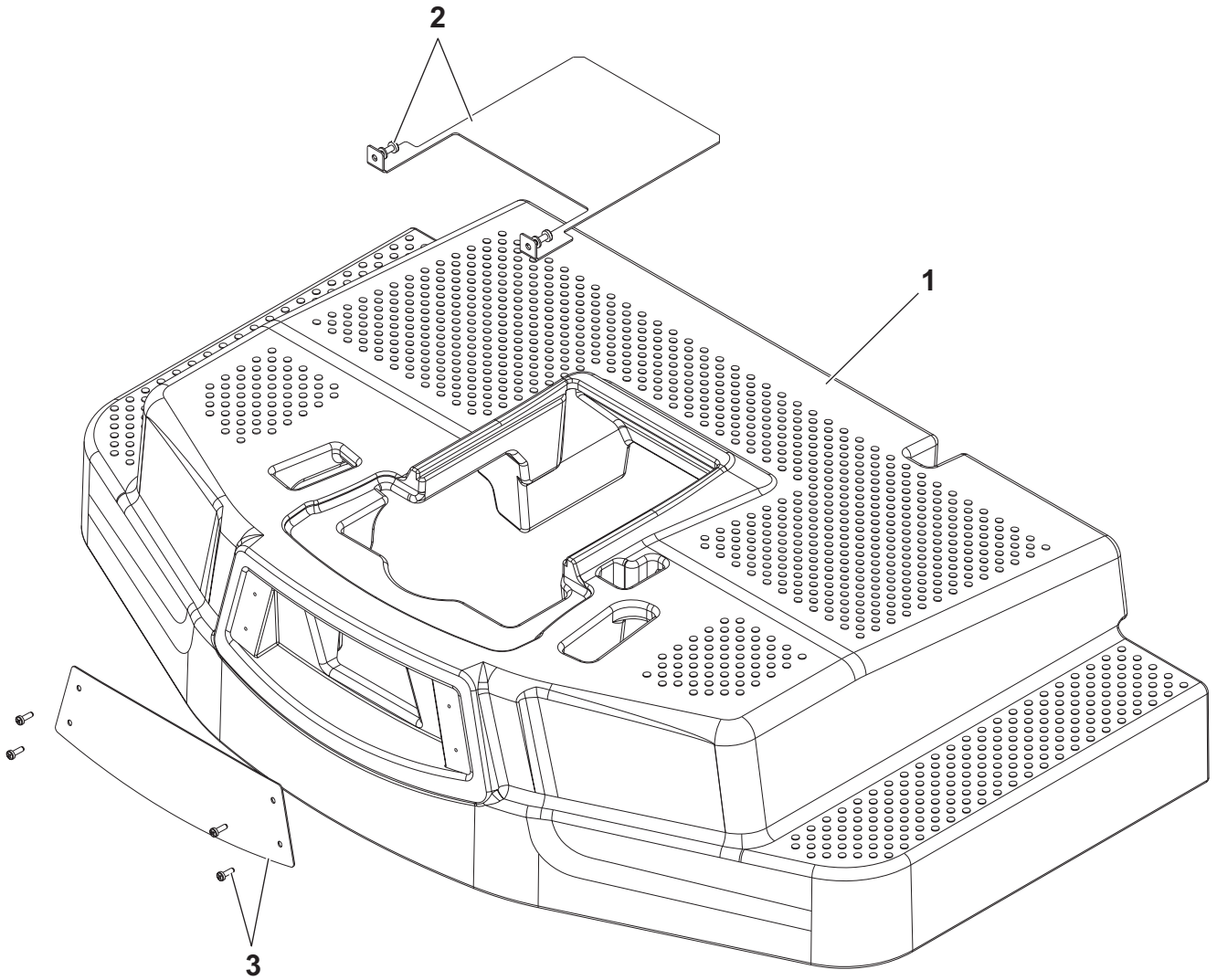
Serial No.

\* = Optional

# = Modified item No. or New item No.

[ ] = Not shown

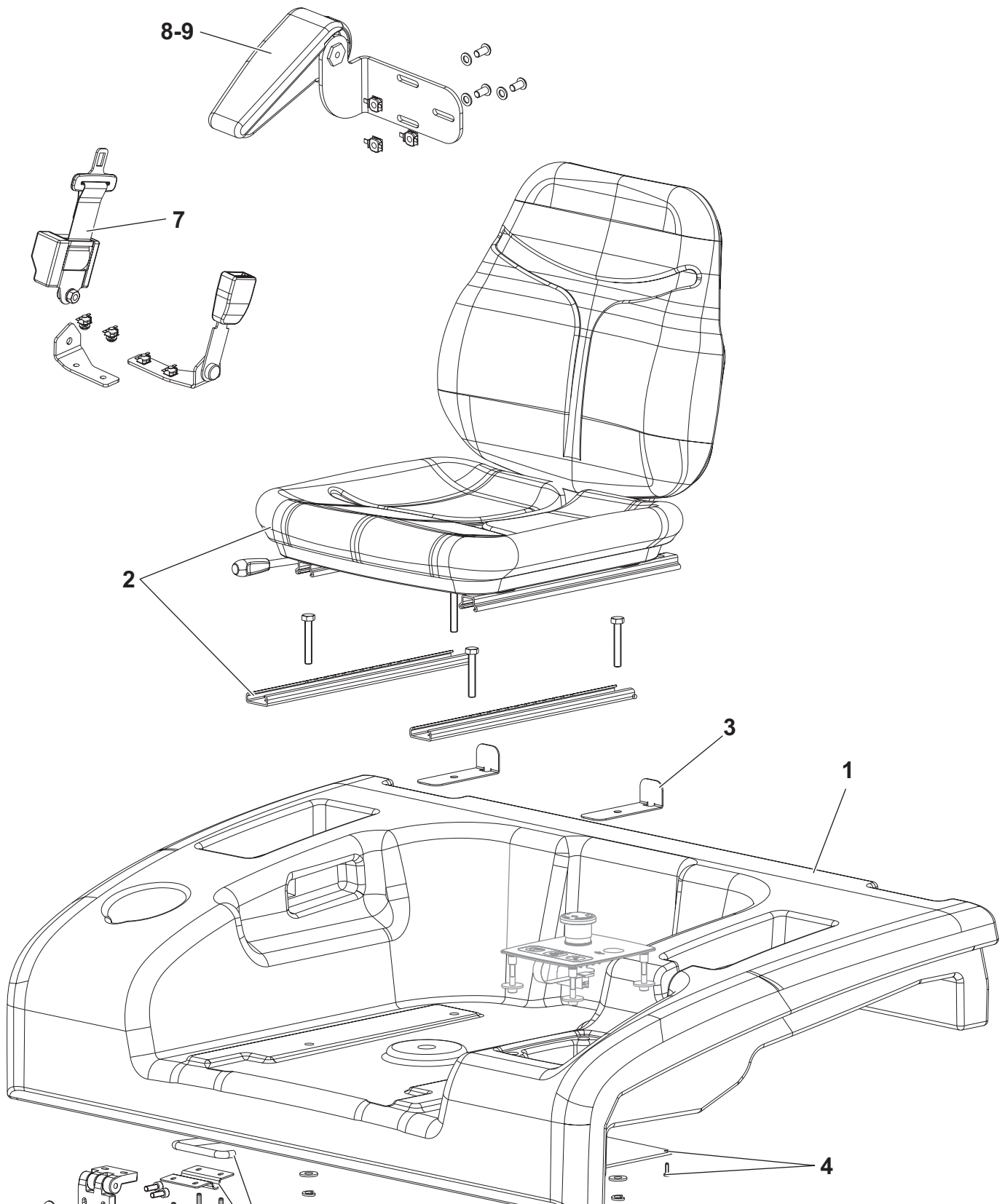
FOOTBOARD ASSY



**FOOTBOARD ASSY**

KIT	ITEM	REF. NO.	QTY	DESCRIPTION
	1	1466852000	1	FOOTBOARD PLASTIC BLACK KIT
	2	1466847000	1	PLATE MET. F FOOTBOARD INSPECTION KIT
	3	1466848000	1	PLATE MET. BLACK FRONT F FOOTBOARD KIT

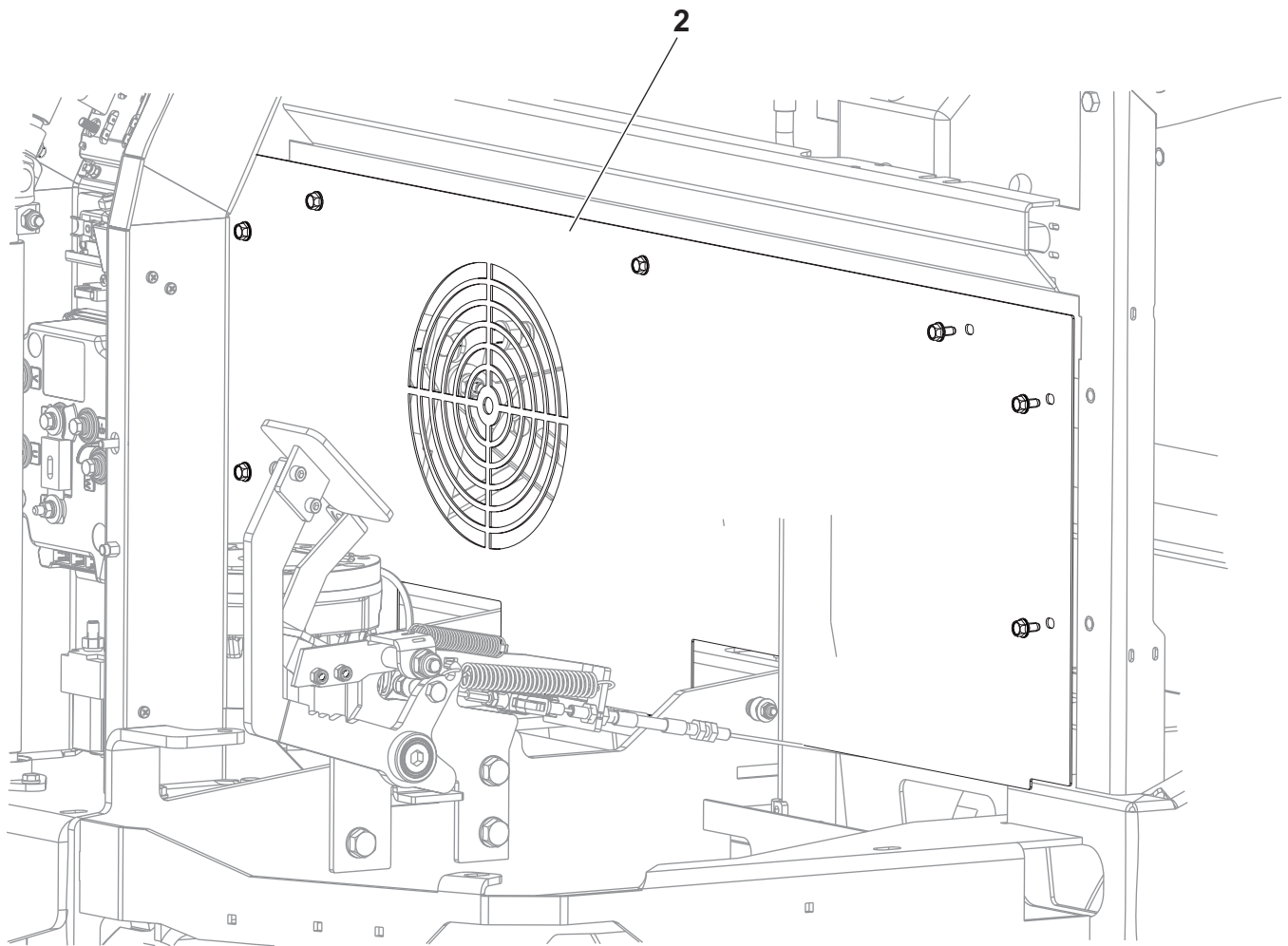
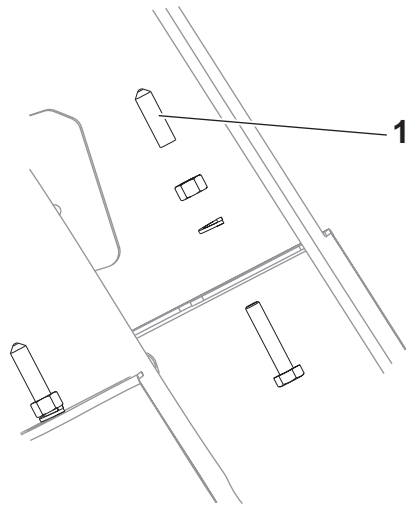
SUPPORT SEAT ASSY



**SUPPORT SEAT ASSY**

KIT	ITEM	REF. NO.	QTY	DESCRIPTION
	1	1466837000	1	SUPPORT PLASTIC GREY F SEAT PKD
	2	1467028000	1	SEAT PKD
	3	1466937000	2	BRACKET MET. BLACK F SEAT BLOCK PKD
	4	1466839000	1	COVER PLASTIC F SAFETY SWITCH KIT
	5	9098329000	1	HINGES KIT
	6	1465042000	1	SUPPORT F SAFETY BAR KIT
	<b>7*</b>	<b>1464954000</b>	<b>1</b>	<b>BELTS SAFETY KIT</b>
	<b>8*</b>	<b>1464960000</b>	<b>1</b>	<b>ARMREST LT SEAT KIT</b>
	<b>9*</b>	<b>33019556</b>	<b>1</b>	<b>ARMREST RT SEAT KIT</b>

PLATE ASSY

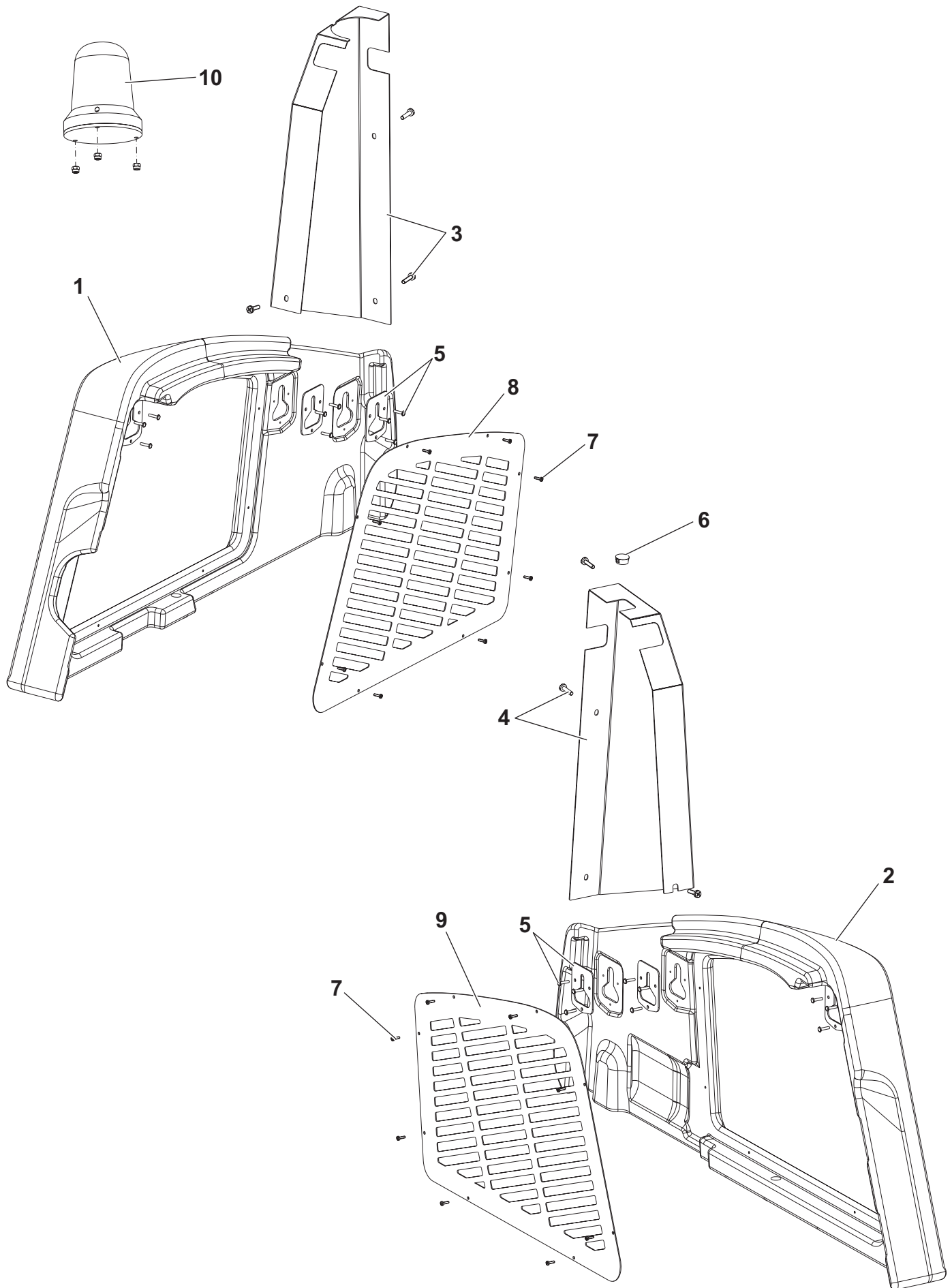




**PLATE ASSY**

KIT	ITEM	REF. NO.	QTY	DESCRIPTION
	1	1467013000	2	CAP VINYL 3 PCS SET
	2	1466864000	1	PANEL METAL FRONT F CHASSIS BLACK KIT

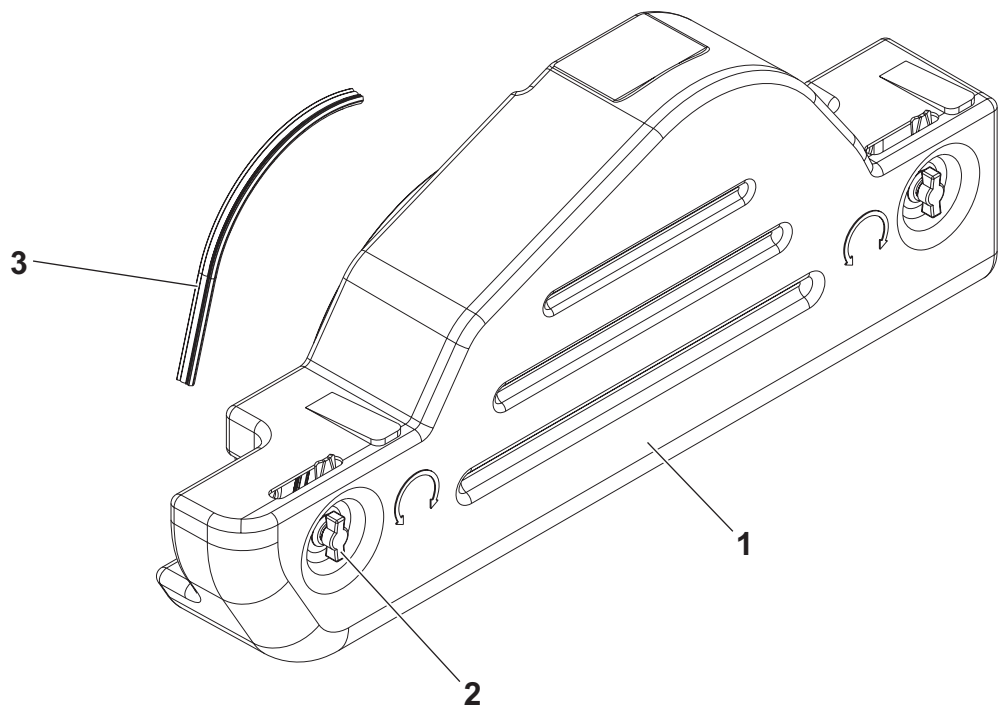
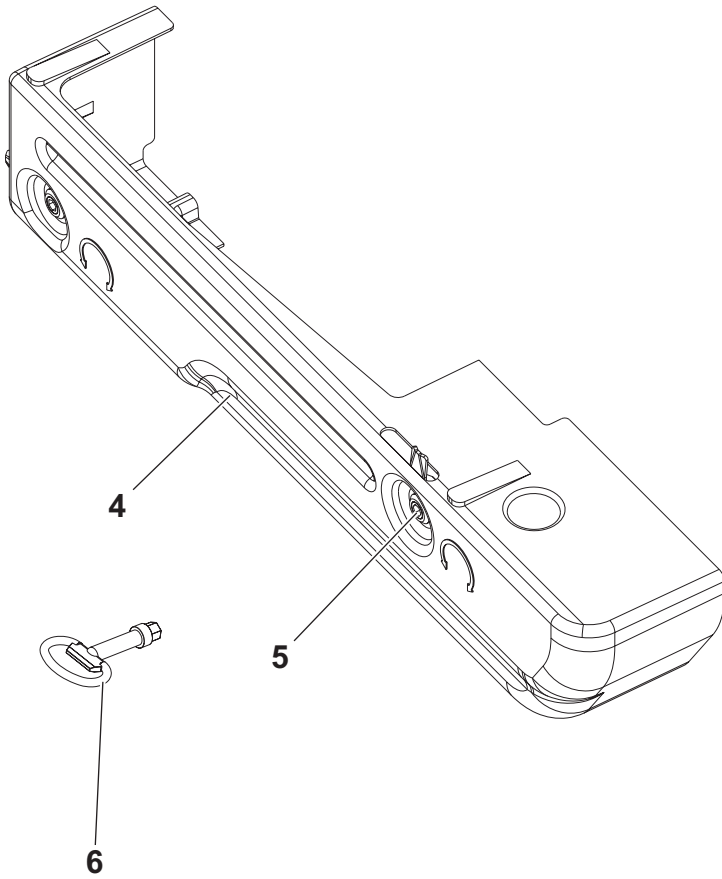
COVERS ASSY



**COVERS ASSY**

KIT	ITEM	REF. NO.	QTY	DESCRIPTION
	1	1466844000	1	COVER RT PLASTIC GREY KIT
	2	1466843000	1	COVER LT PLASTIC GREY KIT
	3	1466841000	1	COVER METALLIC BLACK RT SHOULDER KIT
	4	1466840000	1	COVER METALLIC BLACK LT SHOULDER KIT
	5	1466842000	6	PLATE F SIDE PANEL FIXING KIT
	6	1467027000	1	CAP D.22.6 PKD
	7	1467008000	2	SCREW 3.5X12 PAN PHIL W/O BIT 10 PCS SET BATTERY
	8	1466794000	1	GRID SIDE MET. BLACK KIT
	9	1466794000	1	GRID SIDE MET. BLACK KIT LPG
	8	1466799000	1	GRID RT SIDE MET. BLACK LPG VERSION KIT
	9	1466794000	1	GRID SIDE MET. BLACK KIT
	10	1464948000	1	BEACON KIT

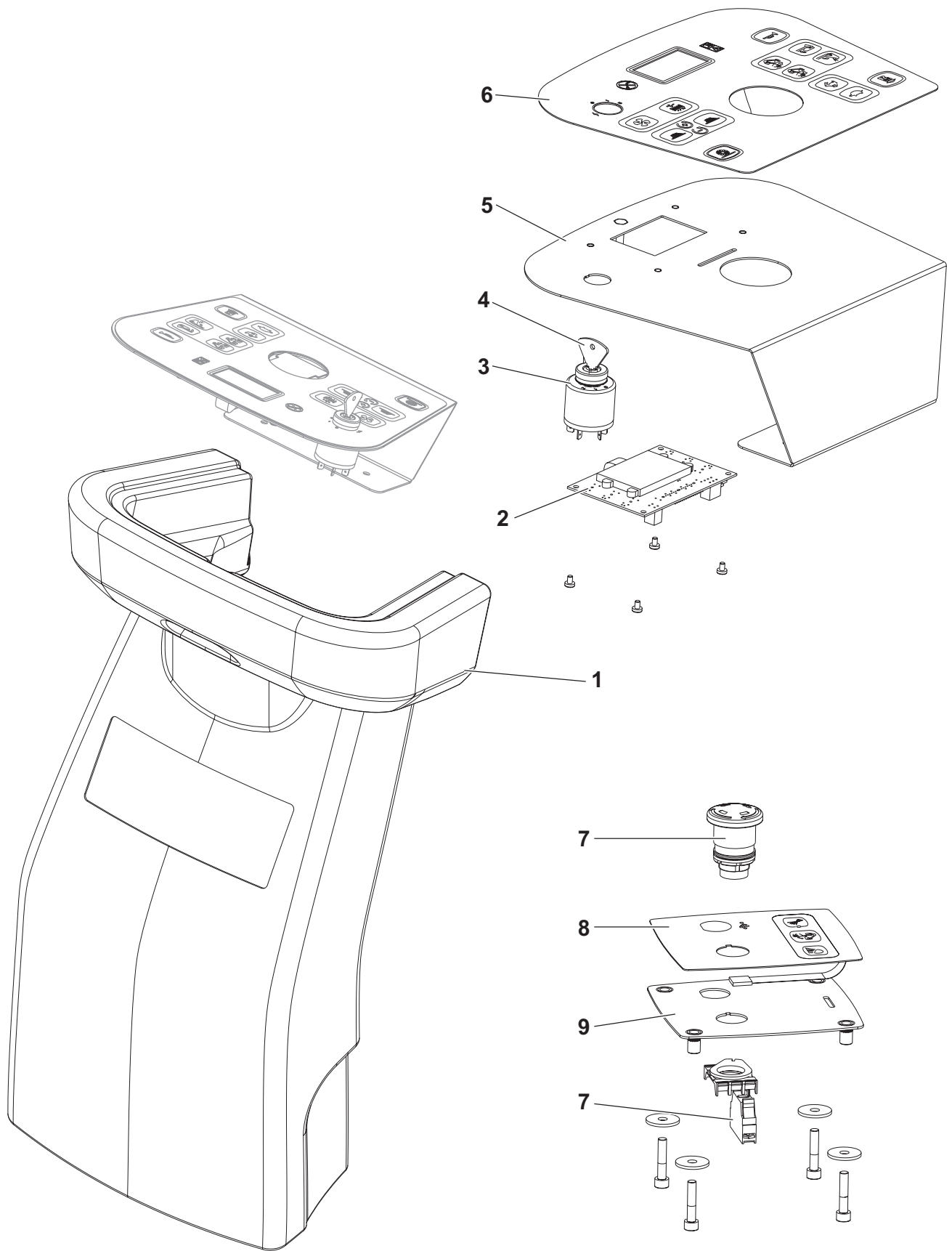
HATCHES ASSY



**HATCHES ASSY**

KIT	ITEM	REF. NO.	QTY	DESCRIPTION
	1	1466849000	1	HATCH LOWER BLACK LT SIDE KIT
	2	1467041000	2	LOCK PKD
	3	1466850000	1	GASKET DOUBLE BULB RUBBER L. 415 PKD
	4	1466851000	1	HATCH LOWER BLACK RT SIDE KIT
	5	1467109000	1	LOCK WITH KEY FOR HATCH PKD
	6	1467057000	1	KEY HEX 10MM MALE PKD

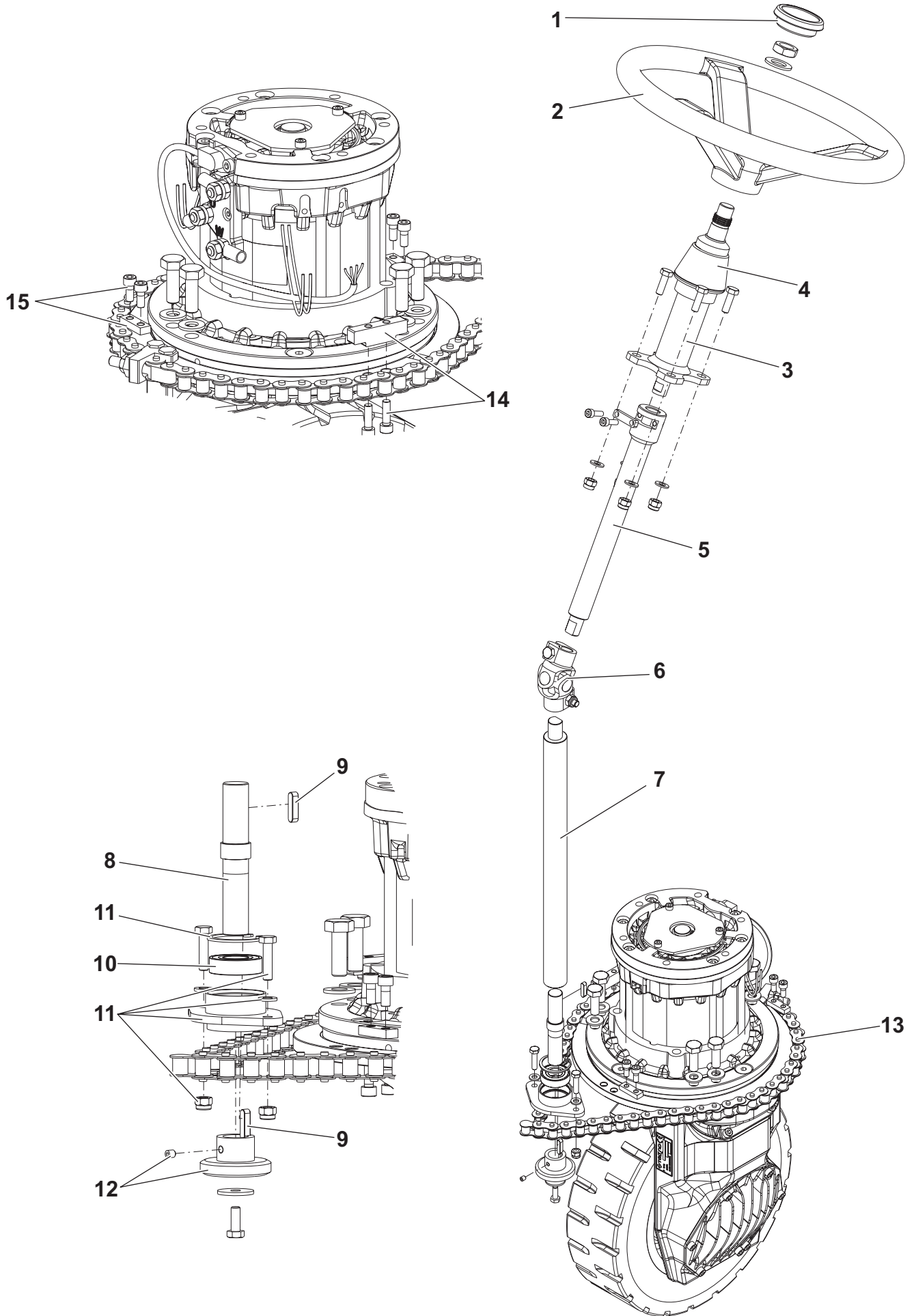
### COLUMN DASHBOARD ASSY



**COLUMN DASHBOARD ASSY**

KIT	ITEM	REF. NO.	QTY	DESCRIPTION
	1	1466677000	1	COLUMN PLASTIC GREY PKD
	2	1466681000	1	CONTROLLER DISPLAY PKD
	3	33020442	1	KEY STARTER SWITCH W/SPARE KEY KIT
	4	1467014000	1	KEY F STARTER SWITCH 2 PCS SET
	5	1466682000	1	PLATE MET. BLACK F MAIN DASHBOARD PKD
	6	1466679000	1	DASHBOARD CONTROL PANEL BLUE PKD
	7	1466683000	1	SWITCH EMERGENCY KIT
	8	1466684000	1	DASHBOARD SIDE CONTROL PANEL PKD
	9	1466685000	1	PLATE MET. BLACK F SIDE DASHBOARD PKD

STEERING MOTORWHEEL ASSY

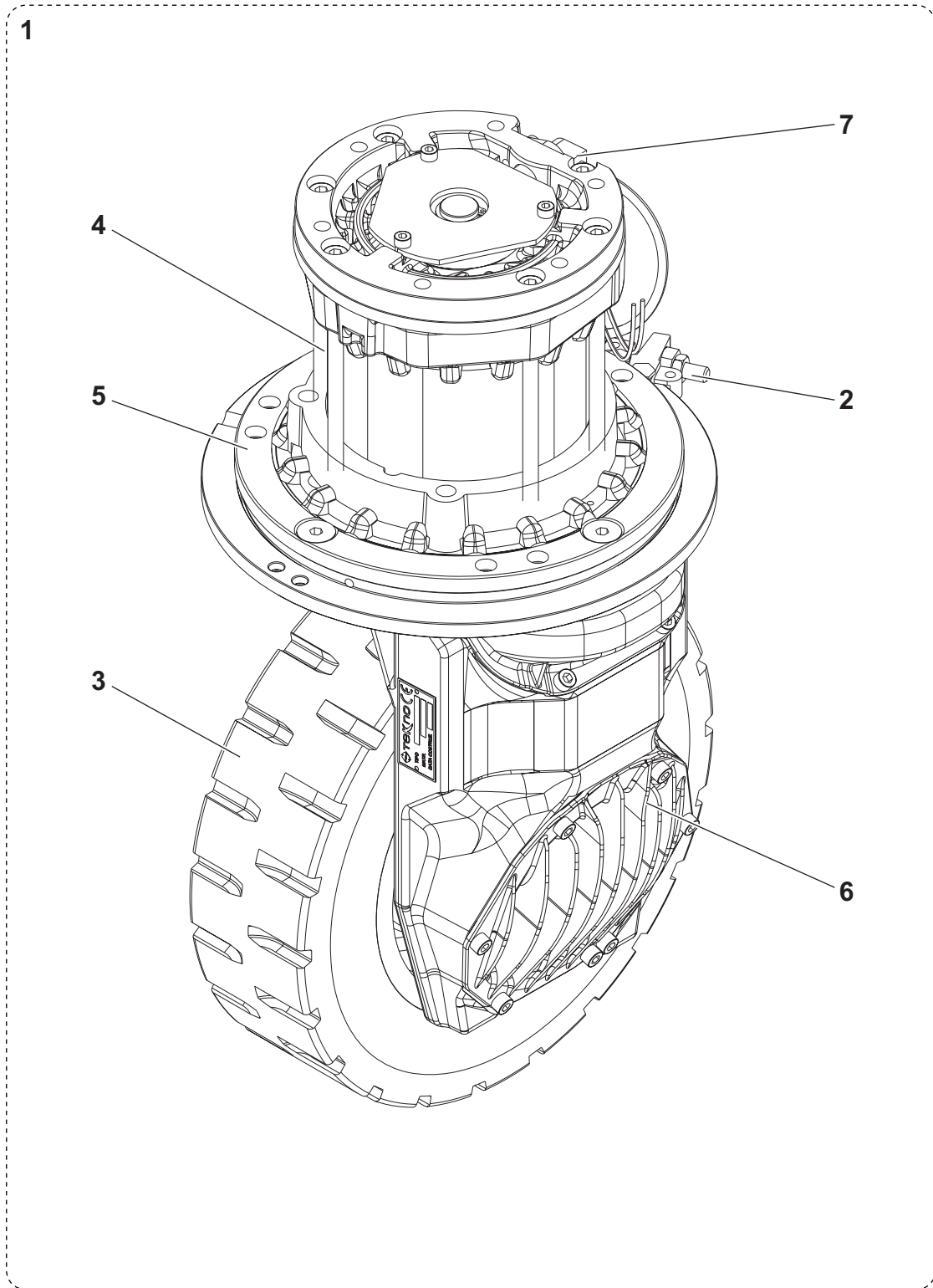




**STEERING MOTORWHEEL ASSY**

KIT	ITEM	REF. NO.	QTY	DESCRIPTION
	1	1467031000	1	CAP PKD
	2	1467048000	1	WHEEL STEERING D.362 PKD
	3	1466525000	1	COLUMN STEERING PKD
	4	1467055000	1	COVER FOR STEERING COLUMN PKD
	5	1466593000	1	SHAFT GALV. UPPER F STEERING KIT
	6	1466319000	1	JOINT UNIVERSAL D.17 PKD
	7	1466594000	1	SHAFT GALV. VERTICAL F STEERING PKD
	8	1466595000	1	SHAFT GALV. F STEERING PKD
	9	1466147000	2	KEY 5X5X20 UNI6604A PKD
	10	1467030000	1	BEARING BALL 6003 2RS PKD
	11	1466601000	1	HOUSING PHOS. F STEERING BEARING KIT
	12	1466599000	1	PINION Z8 5/8X3/8 MET. KIT
	13	1466600000	1	CHAIN ISO 10B-1 57 PITCHES 2 LINKS PKD
	14	1466597000	1	STOP F STEERING ON MOTORWHEEL KIT
	15	1466596000	1	STOP F STEERING GALV. ON CHASSIS KIT

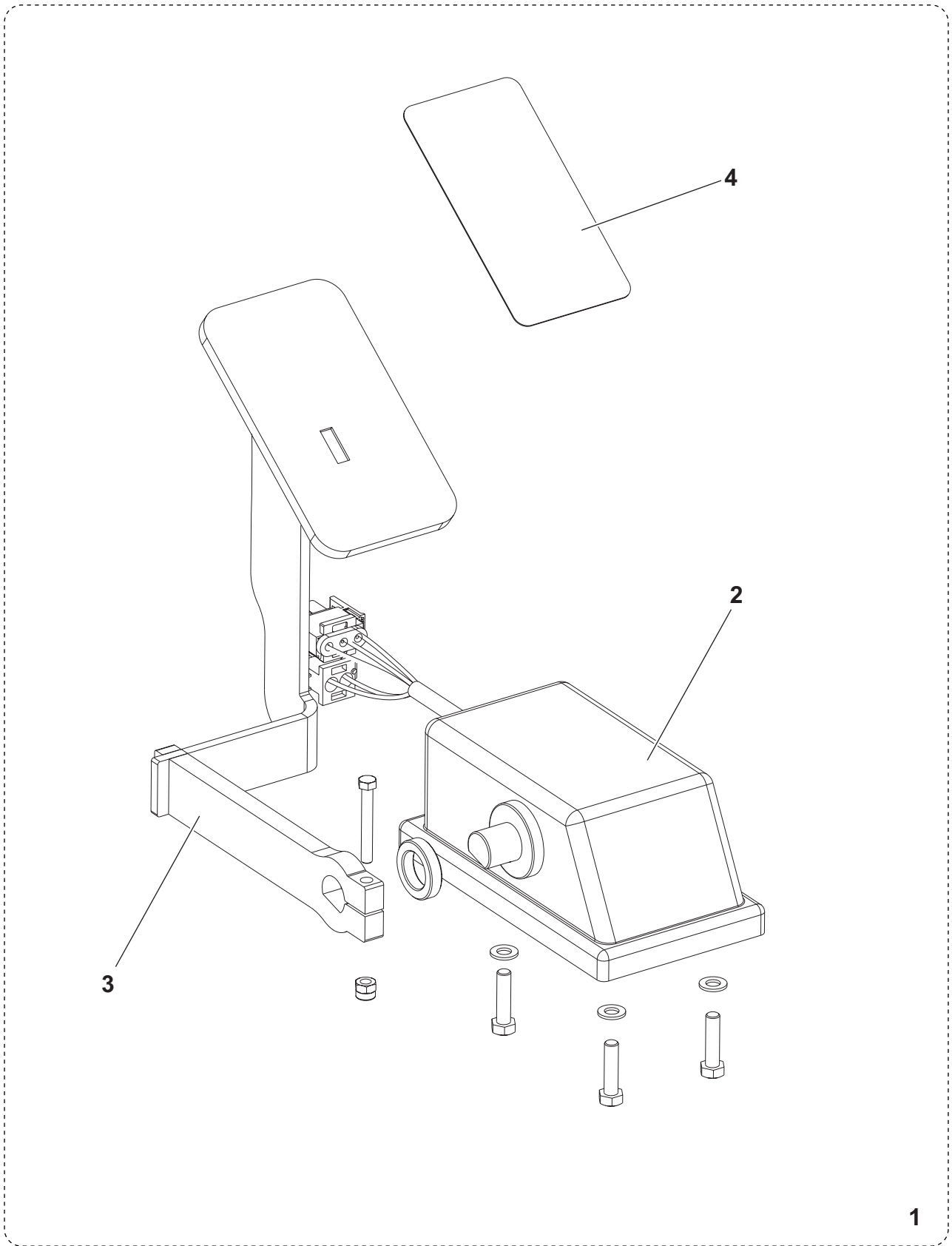
MOTORWHEEL ASSY



**MOTORWHEEL ASSY**

KIT	ITEM	REF. NO.	QTY	DESCRIPTION
	1	1467191000	1	MOTORWHEEL TV-130 24V AC 1.2KW PKD
	2	1465990000	1	STRETCHER F CHAIN
	3	1466255000	1	WHEEL NON MARKING D300X85
	4	1466461000	1	MOTOR AC 24v 1.2kw
	5	1466468000	1	PLATE STEERING F MOTORWHEEL TV-130MF
	6	1466474000	1	GEAR BOX F MOTORWHEEL TV-130 1/28.4
	7	1467192000	1	SENSOR SPEED KIT

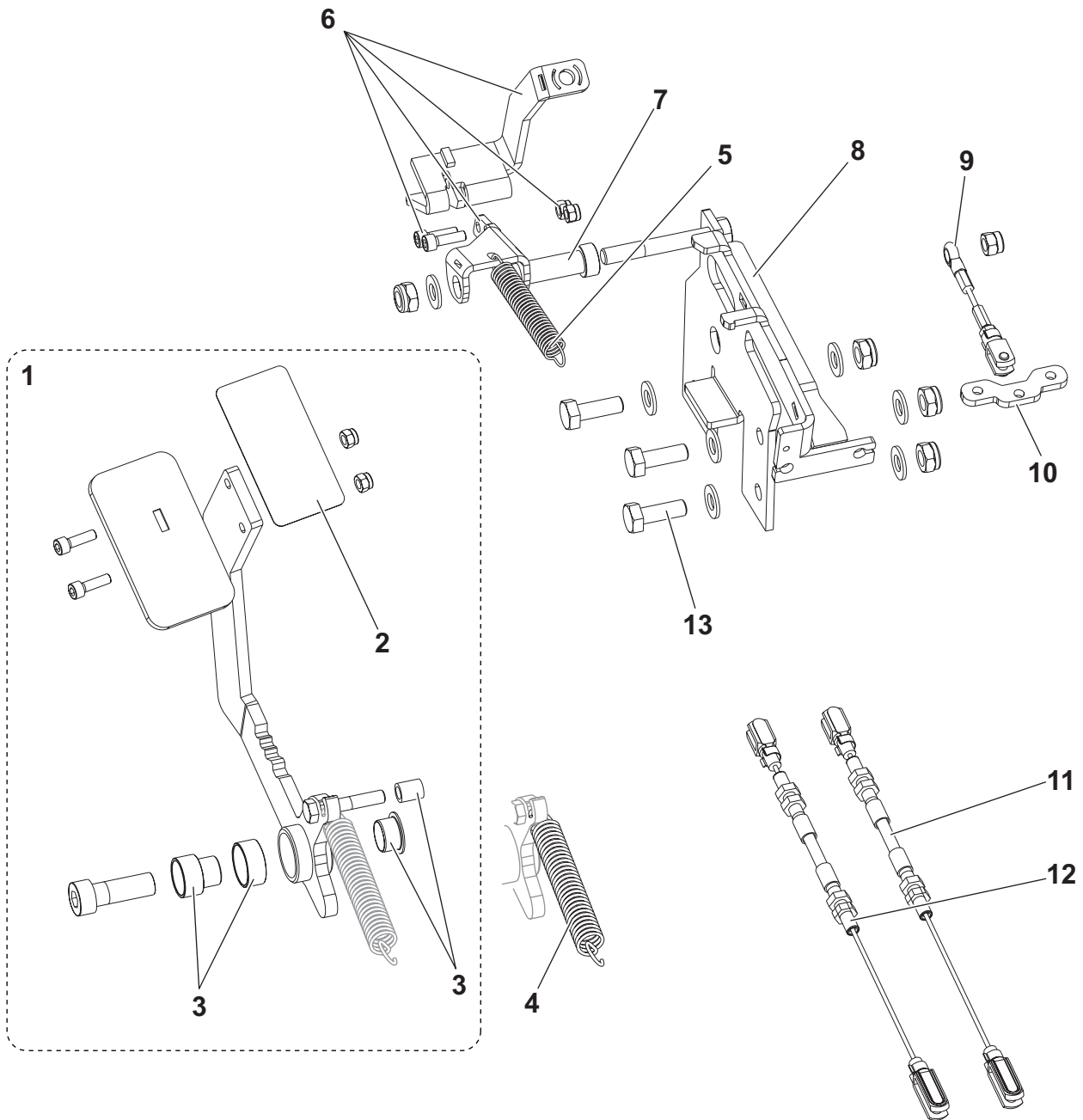
ACCELERATOR PEDAL ASSY



**ACCELERATOR PEDAL ASSY**

KIT	ITEM	REF. NO.	QTY	DESCRIPTION
	1	1466589000	1	PEDAL ELECTRONIC ACCELERATOR KIT
	2	1466592000	1	ACCELERATOR ELECTRONIC PKD
	3	1466590000	1	PEDAL F ACCELERATOR KIT
	4	1466591000	1	ANTI-SLIP SURFACING BLACK 50X95MM KIT

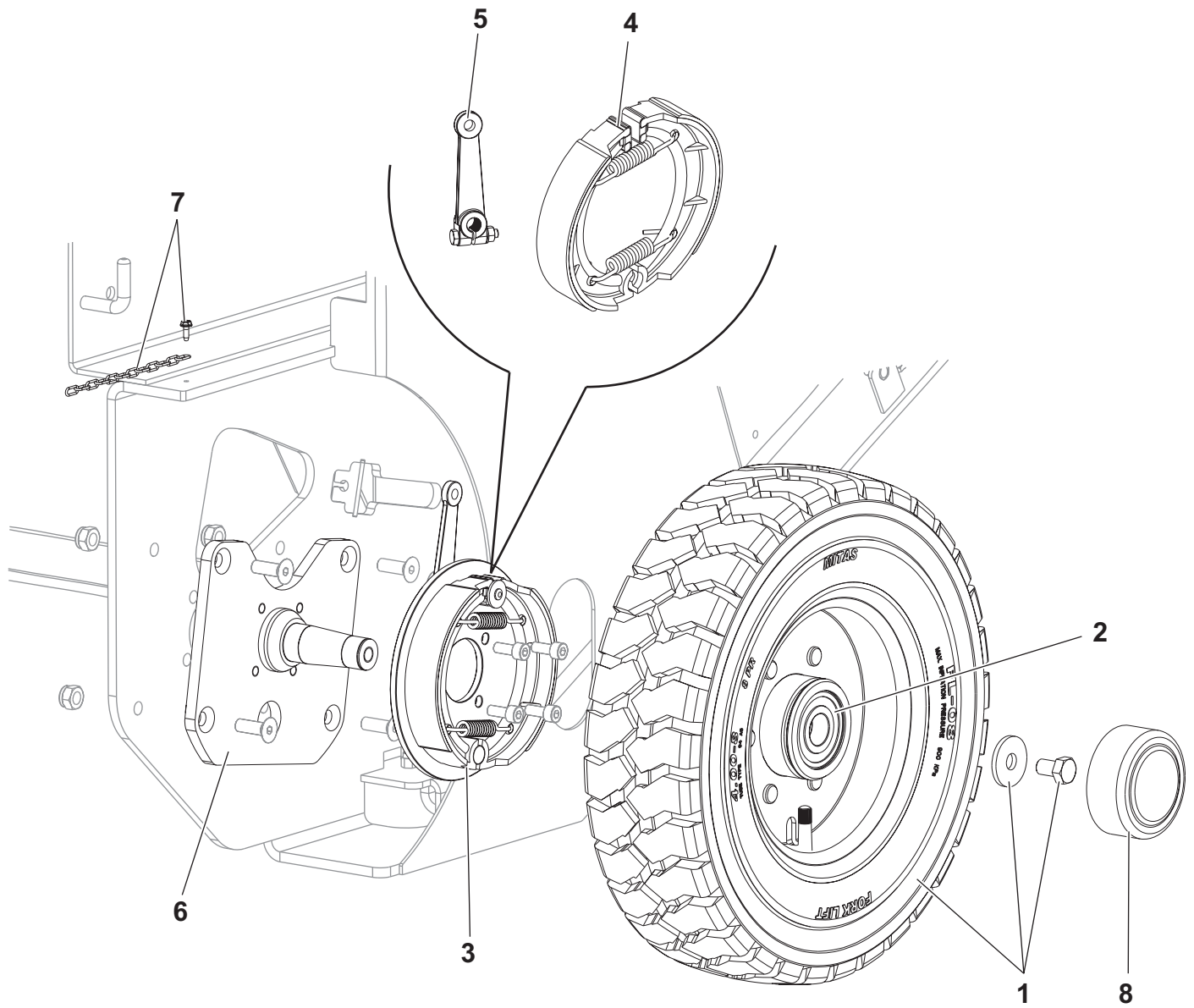
**BRAKE PEDAL ASSY**



**BRAKE PEDAL ASSY**

KIT	ITEM	REF. NO.	QTY	DESCRIPTION
	1	1466653000	1	PEDAL F BRAKE KIT
	2	1466591000	1	ANTI-SLIP SURFACING BLACK 50X95MM KIT
	3	1466654000	1	BUSHING F BRAKE PEDAL KIT
	4	1467046000	1	SPRING BRAKE PKD
	5	1467039000	1	SPRING TRACTION CARBON STEEL PKD
	6	1466660000	1	PEDAL PARKING BRAKE KIT
	7	1466877000	1	SPACER 54X14X10.2 GALV. PKD
	8	1466659000	1	PLATE BLACK F BRAKE PEDAL SUPP. PKD
	9	1466658000	1	WIRE PRIMARY BRAKE PKD
	10	1466657000	1	PLATE GALV. F BRAKES BALANCING PKD
	11	1466655000	1	WIRE F RT BRAKE PKD
	12	1466656000	1	WIRE F LT BRAKE PKD
	13	1466661000	1	HARDWARE F BRAKE PEDAL KIT

## REAR WHEELS ASSY

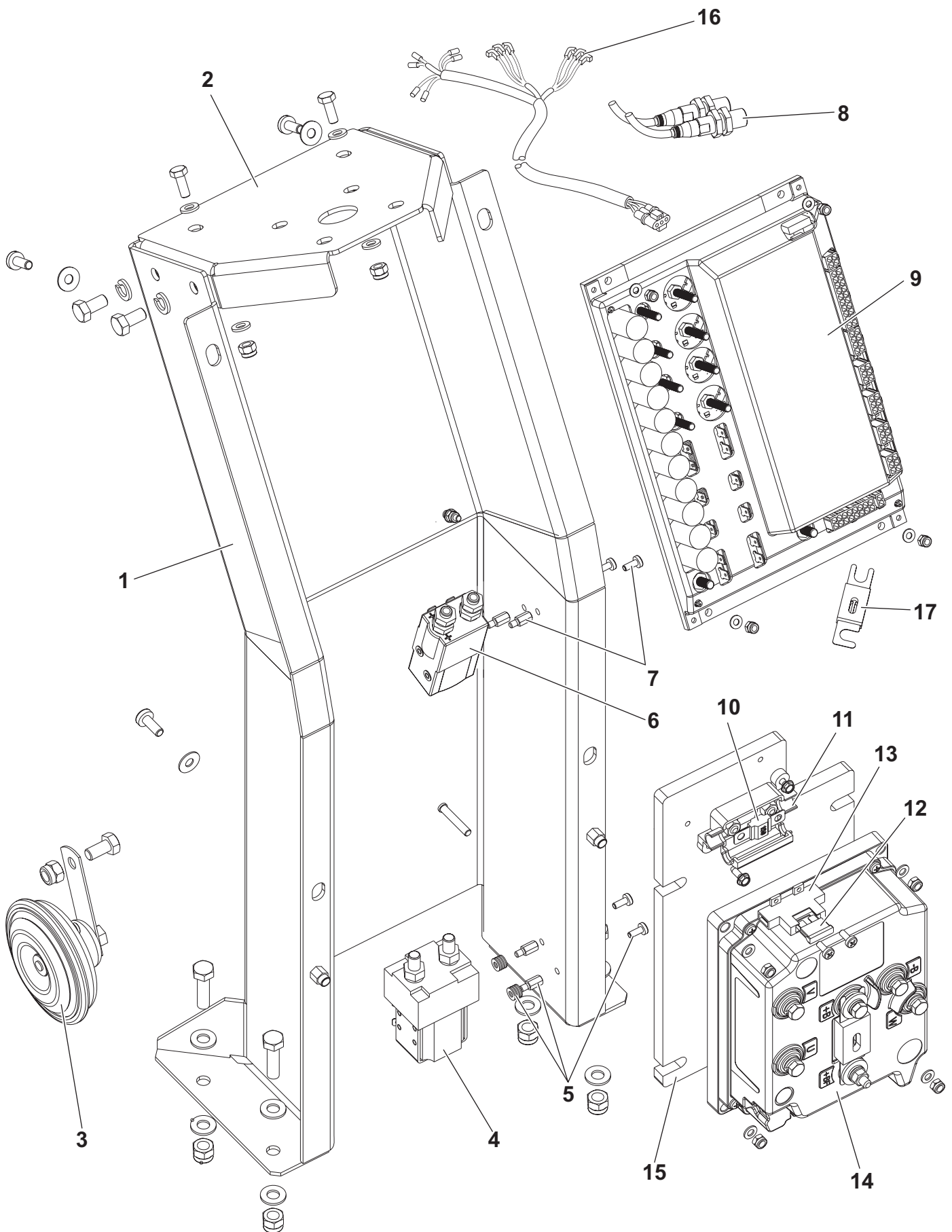




**REAR WHEELS ASSY**

KIT	ITEM	REF. NO.	QTY	DESCRIPTION
	1	1466587000	2	WHEEL FOAMED 4.00-8 WITH DRUM KIT
	<b>1*</b>	<b>1466588000</b>	<b>2</b>	<b>WHEEL SOLID 4.00-8 NON MARK DRUM KIT</b>
	<b>1*</b>	<b>1466860000</b>	<b>2</b>	<b>WHEEL SOLID 4.00-8 DRUM KIT</b>
	2	33023318	2	BEARING AND SPACER F 5.00-8 WHEEL KIT
	3	33020205	2	DRUM BRAKE KIT
	4	1467066000	2	SHOE BRAKE PKD
	5	1467244000	2	LEVER F DRUM BRAKE PKD
	6	1467060000	2	SUPPORT FRONT WHEEL PKD
	7	1466586000	1	CHAIN GROUND L. 160MM KIT
	8	1467021000	1	CAP 2 PCS SET

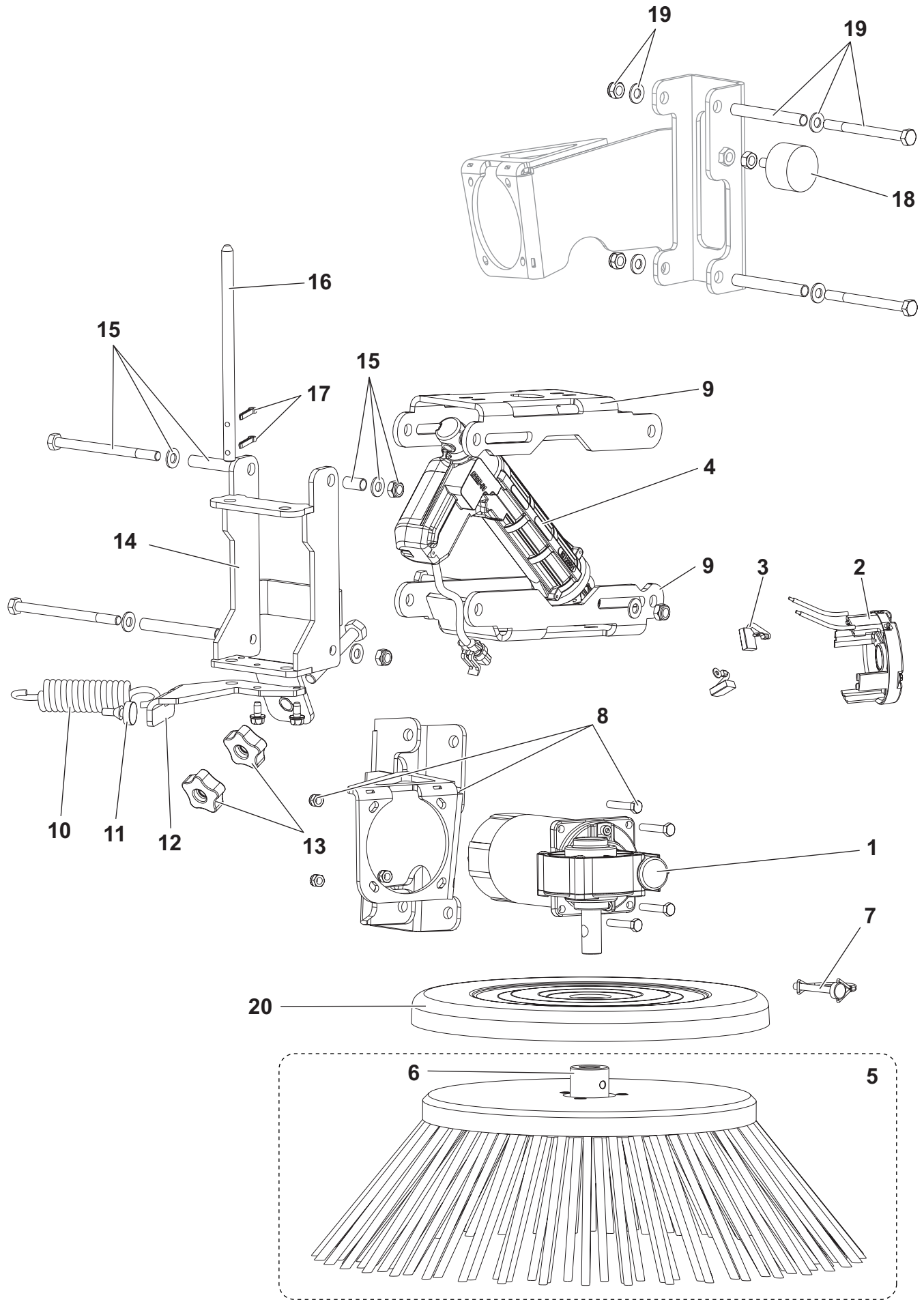
## ELECTRICAL COMPONENTS ASSY



**ELECTRICAL COMPONENTS ASSY**

KIT	ITEM	REF. NO.	QTY	DESCRIPTION
	1	1466648000	1	COLUMN METALLIC BLACK F STEERING PKD
	2	1466651000	1	PLATE UPPER STEERING COLUMN MET. PKD
	3	1467032000	1	HORN 24V PKD
	4	1466644000	1	CONTACTOR 24V 200A PKD
	5	1466643000	1	HARDWARE F HIGH CONTACTOR FIXING KIT
	6	1466645000	1	CONTACTOR 24V 100A PKD
	7	1466628000	1	HARDWARE F HIGH CONTACTOR FIXING KIT
	8	1467062000	2	SWITCH BACK UP PROXIMITY PKD
	9#	9100001879	1	CONTROLLER MAIN MACHINE PKD
	10	1466652000	1	FUSE BOLT DOWN 150A PKD
	11	1465073000	1	HOLDER FUSE KIT
	12	1467034000	1	FUSE BLADE 10A PKD
	13	1467035000	1	HOLDER FUSE THERMOPL. UL 94-V0 PKD
	14	1466649000	1	CONTROLLER DRIVE 24V 240A A.C. PKD
	15	1466650000	1	PLATE TRAC. BOARD HEAT SINK ALLUM. PKD
	16#	1467551000	1	HARNESS STEERING COLUMN PKD
	17	1467241000	1	FUSE BOLT-DOWN 160A PKD

RIGHT BROOM ASSY

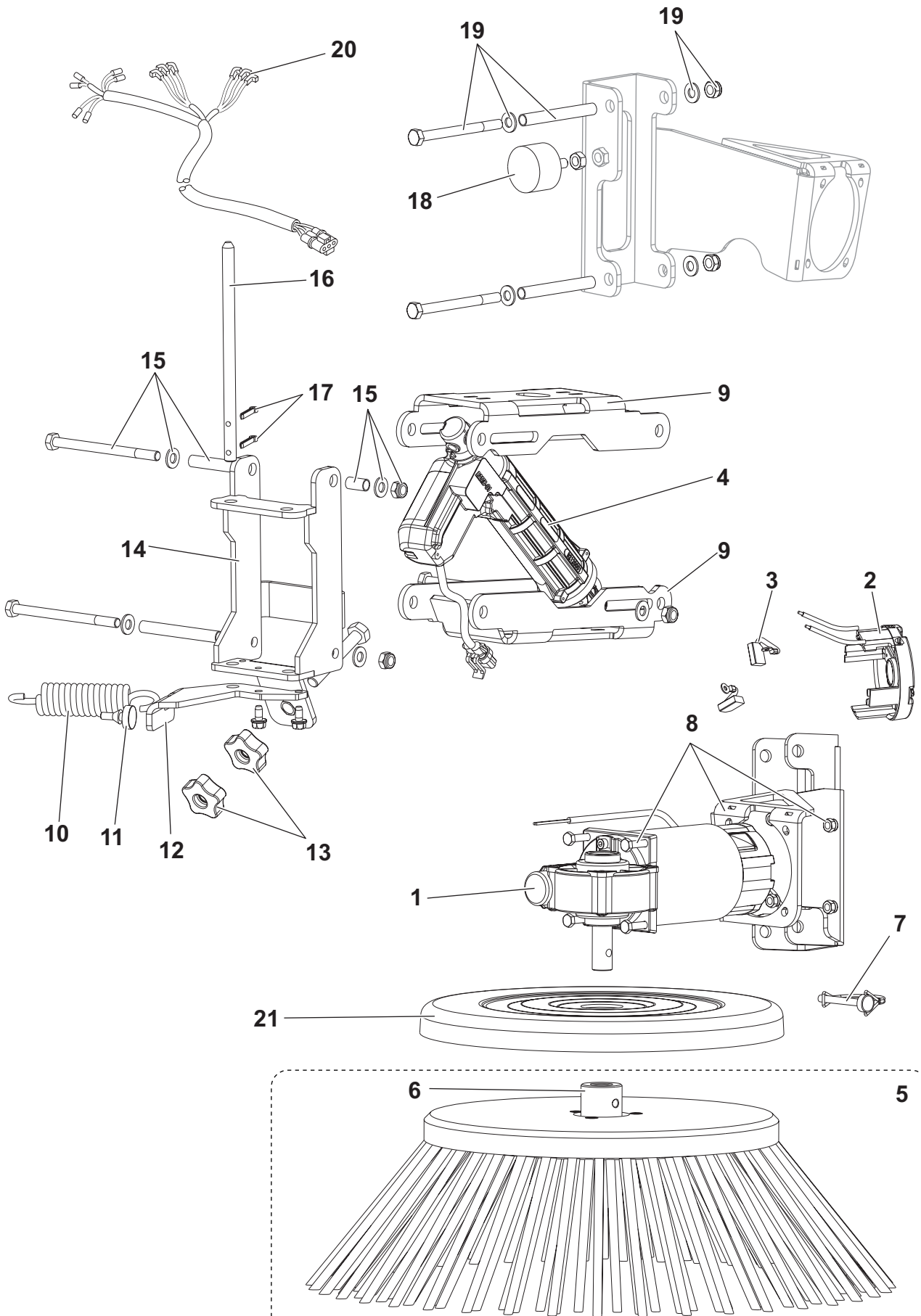


## RIGHT BROOM ASSY

KIT	ITEM	REF. NO.	QTY	DESCRIPTION
	1	1466668000	1	MOTOR GEARBOX 24VDC 120W RT B PKD
	2	1467215000	1	CAP F MOTOR BRUSHES PKD
	3	1467083000	1	CARBON BRUSH 2 PCS SET
	4	1466663000	1	ACTUATOR LINEAR 24V DC STRK 45MM PKD
	5	1466670000	1	BROOM SIDE 302X500 PPL 1.5 BLACK
	<b>5*</b>	<b>1466936000</b>	<b>1</b>	<b>BROOM SIDE 302X500 MIX STEEL</b>
	<b>5*</b>	<b>1467076000</b>	<b>1</b>	<b>BROOM SIDE 302X500 MIX 5</b>
	6	1466859000	1	HUB F SIDE BROOM PKD
	7	1467070000	1	PIN D.10 LOCKING BRUSH PKD
	8	1466667000	1	BRACKET BLACK F RT GEARBOX SUPP KIT
	9	1466662000	2	ARM MET. BLACK F SIDE BROOM SUPP. PKD
	10	1467071000	1	SPRING PKD
	11	1467006000	1	PLUG ANTI VIBRATION D.8-D.20 10 PCS SET
	12	1466665000	1	PLATE SIDE BROOM STOP PKD
	13	1467036000	2	KNOB LOBES M10 FEMALE PKD
	14	1466671000	1	SUPPORT MET. BLACK F SIDE BROOM PKD
	15	1466675000	1	HARDWARE F SIDE BROOM SUPPORT KIT
	16	1466676000	1	PIN GALV. F SIDE BROOM PKD
	17	1467005000	1	PIN SPLIT 4X25 UNI1336 10 PCS SET
	18	1467047000	1	BUMPER M8 40x25MM PKD
	19	1466673000	1	HARDWARE F RT GEARBOX BRAKET SUPP. KIT
	20	1466669000	1	COVER PLASTIC SIDE BROOM PROTECT. PKD

LEFT BROOM ASSY

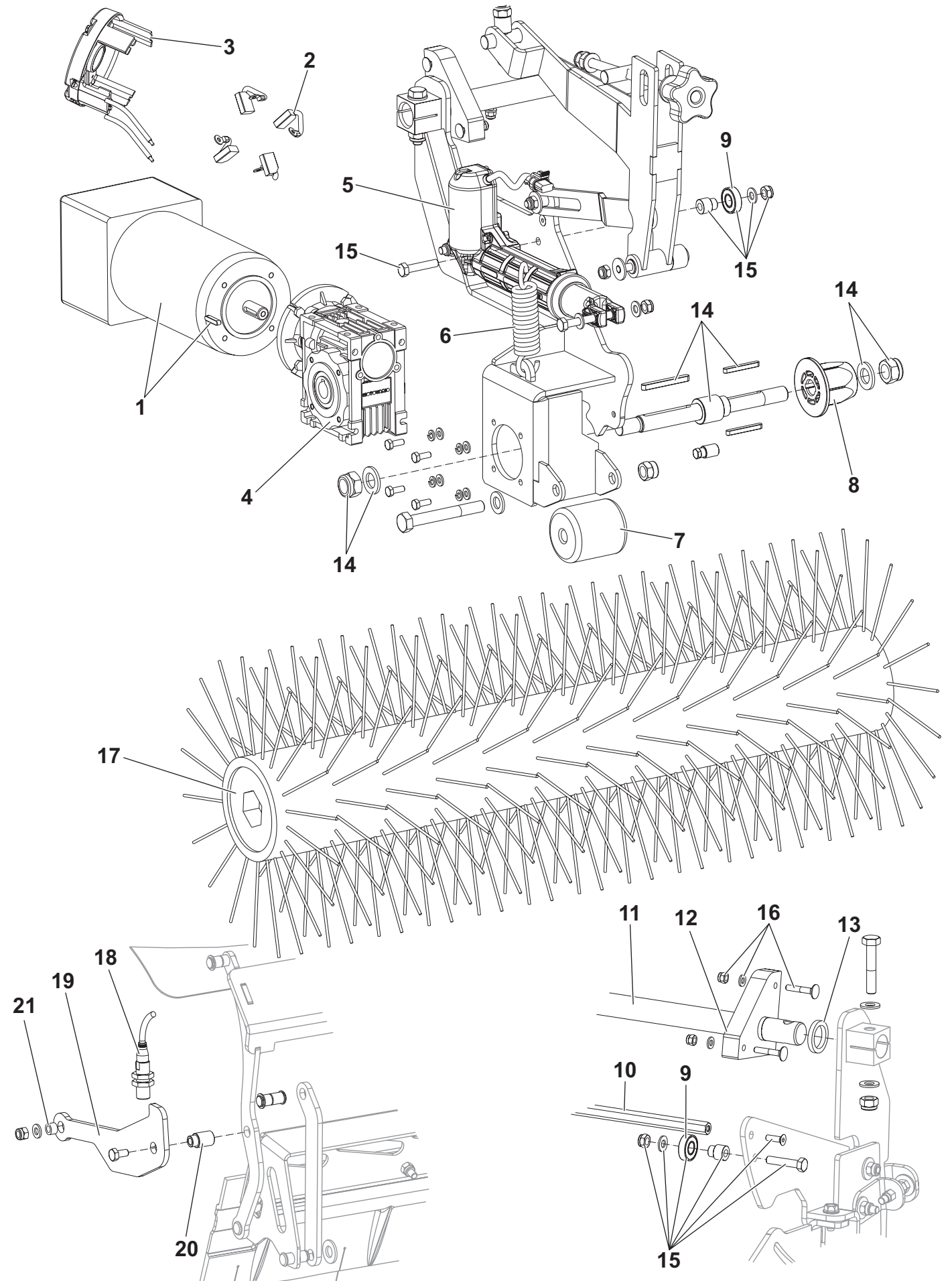
22



**LEFT BROOM ASSY**

KIT	ITEM	REF. NO.	QTY	DESCRIPTION
	1	1466674000	1	MOTOR GEARBOX 24VDC 120W LT B PKD
	2	1467215000	1	CAP F MOTOR BRUSHES PKD
	3	1467083000	1	CARBON BRUSH 2 PCS SET
	4	1466663000	1	ACTUATOR LINEAR 24V DC STRK 45MM PKD
	5	1466670000	1	BROOM SIDE 302X500 PPL 1.5 BLACK
	<b>5*</b>	<b>1466936000</b>	<b>1</b>	<b>BROOM SIDE 302X500 MIX STEEL</b>
	<b>5*</b>	<b>1467076000</b>	<b>1</b>	<b>BROOM SIDE 302X500 MIX 5</b>
	6	1466859000	1	HUB F SIDE BROOM PKD
	7	1467070000	1	PIN D.10 LOCKING BRUSH PKD
	8	1466666000	1	BRACKET MET. F LT GEARBOX SUPP. KIT
	9	1466662000	2	ARM MET. BLACK F SIDE BROOM SUPP. PKD
	10	1467071000	1	SPRING PKD
	11	1467006000	1	PLUG ANTI VIBRATION D.8-D.20 10 PCS SET
	12	1466665000	1	PLATE SIDE BROOM STOP PKD
	13	1467036000	2	KNOB LOBES M10 FEMALE PKD
	14	1466671000	1	SUPPORT MET. BLACK F SIDE BROOM PKD
	15	1466675000	1	HARDWARE F SIDE BROOM SUPPORT KIT
	16	1466676000	1	PIN GALV. F SIDE BROOM PKD
	17	1467005000	1	PIN SPLIT 4X25 UNI1336 10 PCS SET
	18	1467047000	1	BUMPER M8 40x25MM PKD
	19	1466672000	1	HARDWARE F LT GEARBOX BRAKET SUPP. KIT
	20#	1467555000	1	HARNESS F LT SIDE BROOM PKD
	21	1466669000	1	COVER PLASTIC SIDE BROOM PROTECT. PKD
	<b>22*</b>	<b>1466888000</b>	<b>1</b>	<b>BROOM LEFT SIDE PPL 1.5 KIT</b>
		1466898000	1	INSTRUCTIONS F LEFT SIDE BROOM KIT

MAIN BROOM ASSY

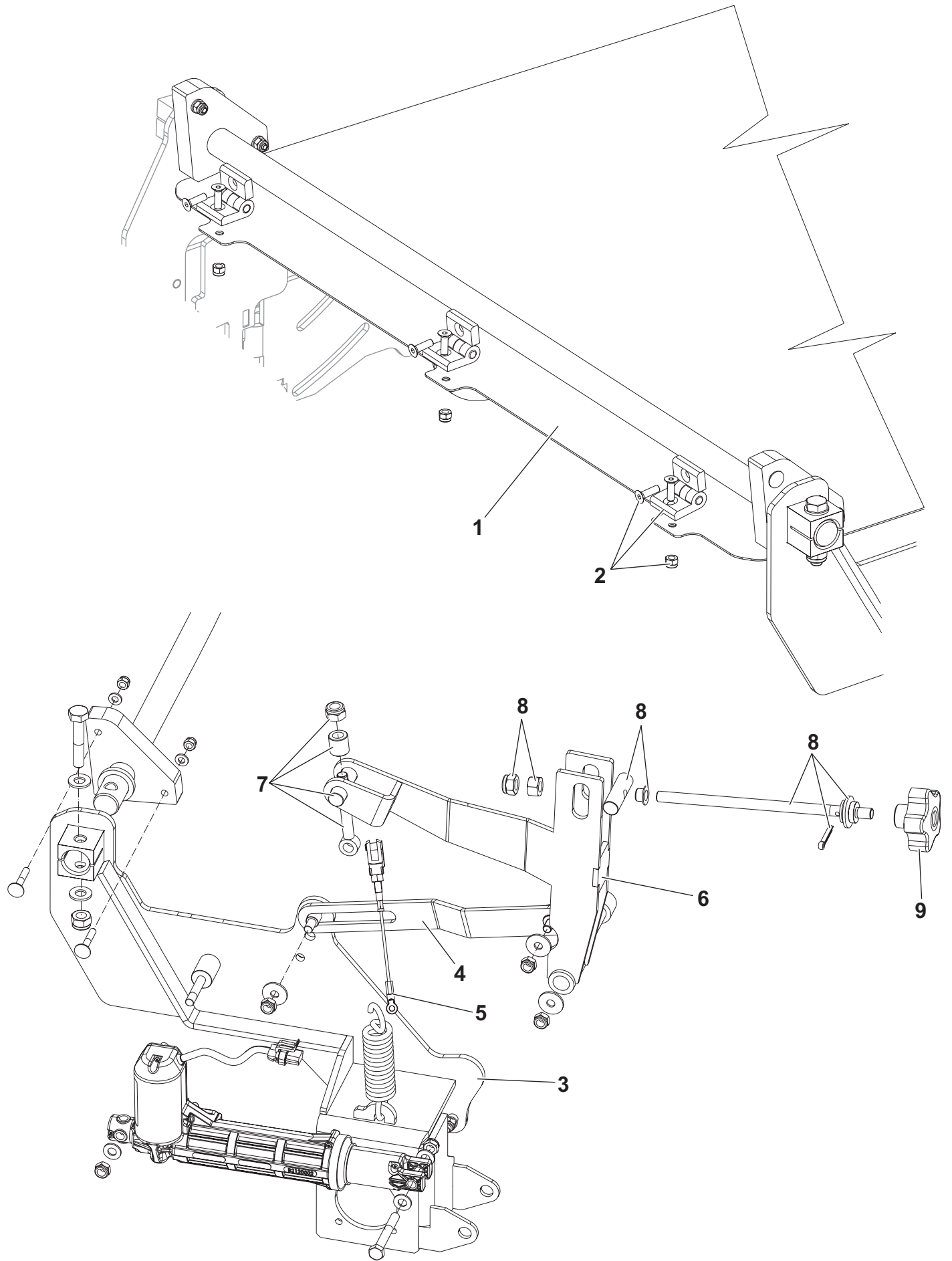




## MAIN BROOM ASSY

KIT	ITEM	REF. NO.	QTY	DESCRIPTION
				BATTERY
	1	1466946000	1	MOTOR 24V 1250W 3800 RPM IP44 MP80L KIT
				LPG
	1	1466687000	1	MOTOR 24V 1000W 3800 RPM IP44 MP80L KIT
	2	L08603949	1	CARBON BRUSHES SET 4 PCS
	3	1467214000	1	CAP F MP80L MOTOR BRUSHES PKD
	4	1466691000	1	GEAR BOX 7.5/1 71 B14 PKD
	5	1466663000	1	ACTUATOR LINEAR 24V DC STRK 45MM PKD
	6	1467071000	1	SPRING PKD
	7	1467069000	1	ROLLER SIDE BLADE PKD
	8	1467056000	1	HUB MAIN BROOM PKD
	9	44905699	2	BEARING BALL 6001 2RS PKD
	10	1466689000	1	SHAFT HEX REINFORCE F MAIN BROOM PKD
	11	1466693000	1	SHAFT GALV. MAIN BROOM PKD
	12	1466694000	2	SUPPORT PLASTIC F MAIN BROOM SHAFT KIT
	13	1466695000	2	SPACER PLASTIC F MAIN BROOM SHAFT KIT
	14	1466690000	1	SHAFT F MAIN BROOM KIT
	15	1466688000	1	SUPPORT F MOVABLE GUIDE KIT
	16	1466692000	2	HARDWARE F MAIN BROOM SUPPORT KIT
	17	1465717000	1	BROOM MAIN 360X850 8R PPL 0.8
	<b>17*</b>	<b>1465730000</b>	<b>1</b>	<b>BROOM MAIN 360X850 8R MIX STEEL WHITE</b>
	<b>17*</b>	<b>1465731000</b>	<b>1</b>	<b>BROOM MAIN 360X850 8R PPL 1 BLACK</b>
	18	1467062000	1	SWITCH BACK UP PROXIMITY PKD
	19	1466705000	1	PLATE LINKING GALV. F FRONT SKIRT PKD
	20	1466865000	1	PIN D10/13 GALV. PKD
	21	1467037000	1	SPACER 6.1X10X6.5 PKD

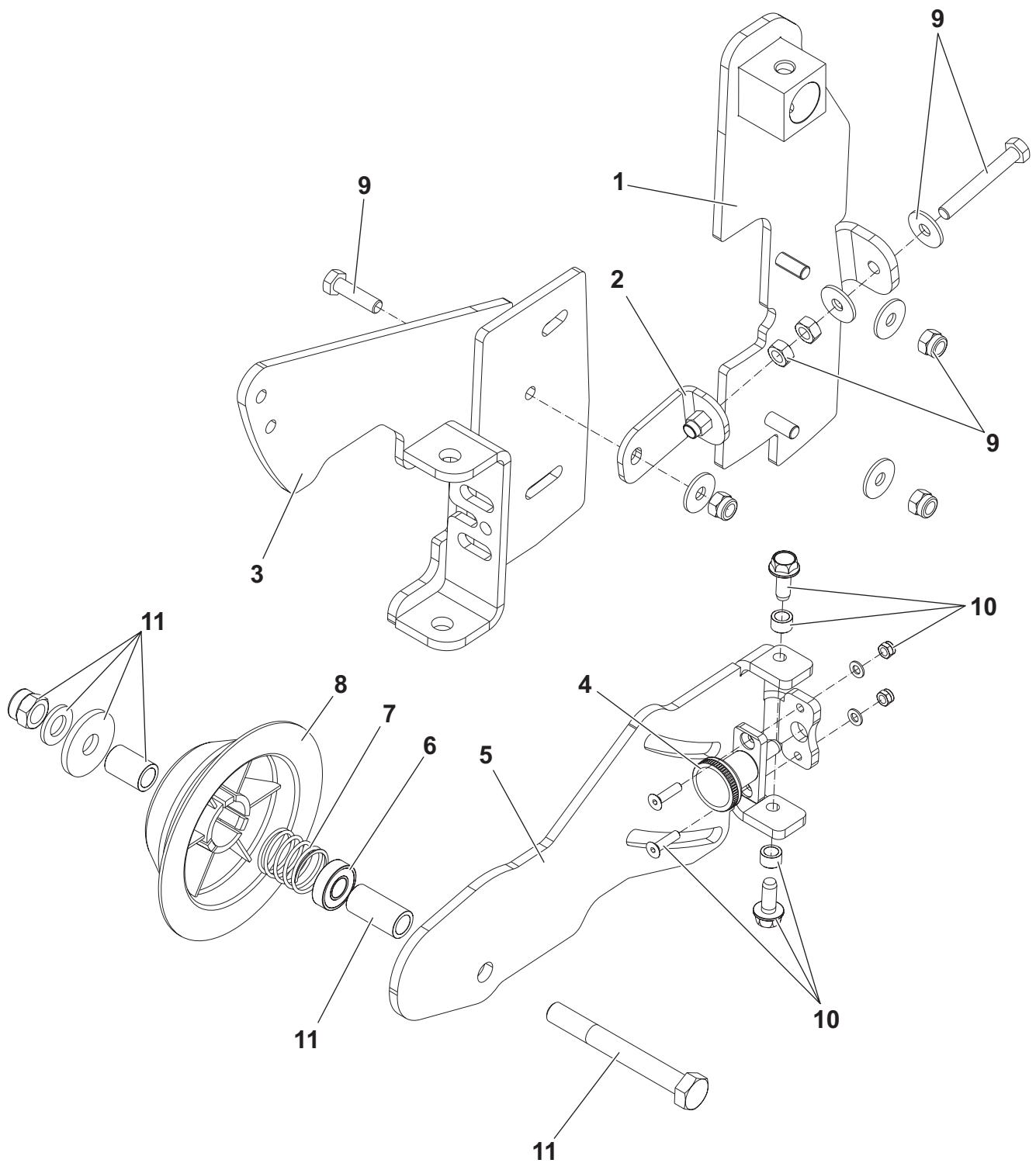
# MAIN BROOM ADJUSTMENT



**MAIN BROOM ADJUSTMENT**

KIT	ITEM	REF. NO.	QTY	DESCRIPTION
	1	1466699000	1	PLATE GALV. MOBILE WALL PKD
	2	1466698000	3	HINGES F MOVABLE WALL KIT
	3#	1467527000	1	ARM RT GALV. F MAIN BROOM SUPPORT PKD
	4	1466704000	1	LEVER GALV. F MAIN BROOM SUPPORT PKD
	5	1466697000	1	TIE-ROD METALLIC F BROOM SPRING PKD
	6	1466702000	1	LEVER GALV. F MAIN BROOM LIFTING PKD
	7	1466696000	1	ADJUSTING F MAIN BROOM SPRING KIT
	8	1466700000	1	SCREW F MAIN BROOM SETTING KIT
	9	1466701000	1	KNOB LOBES M10 F W/ ORANGE CAP PKD

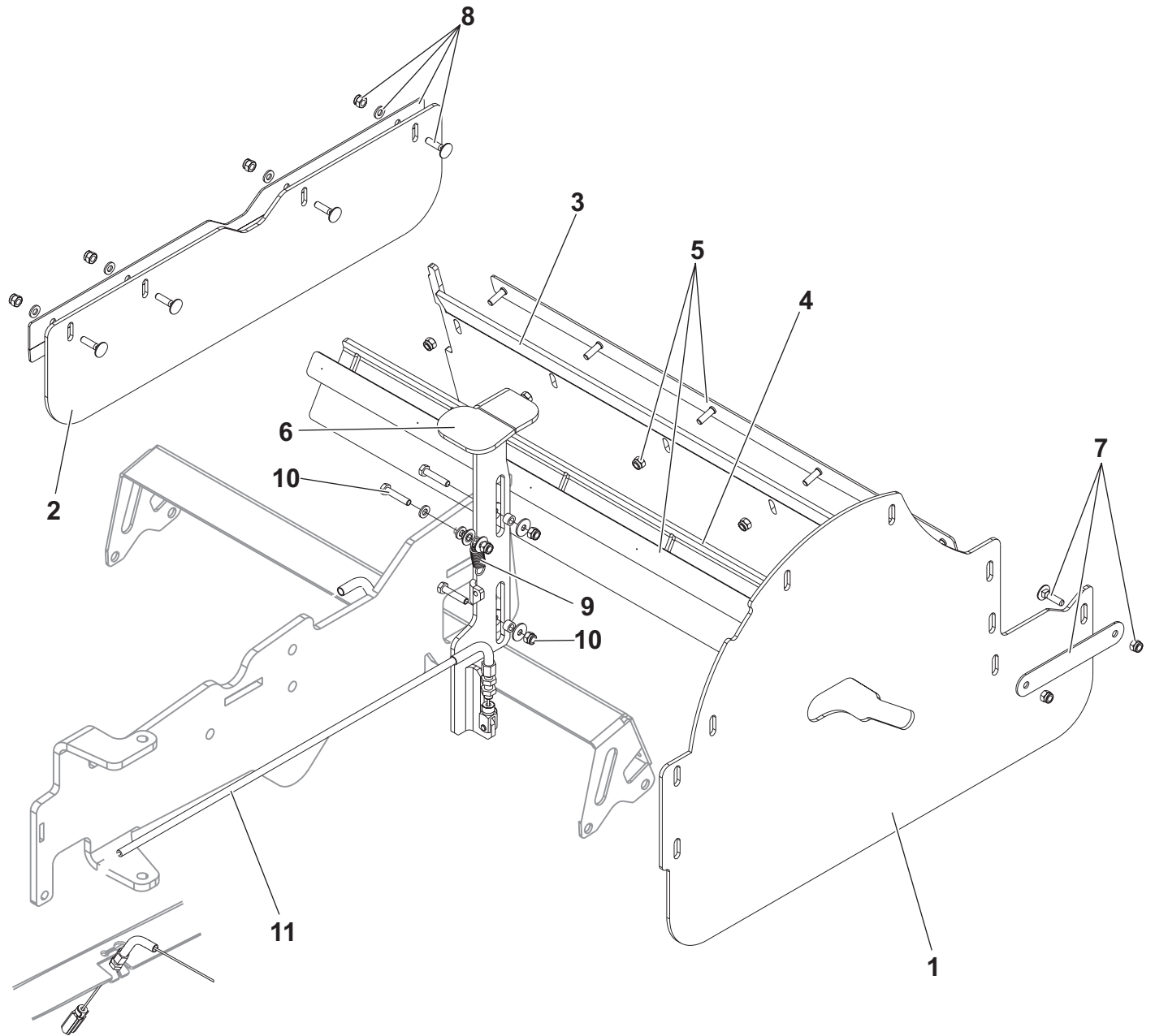
## LEFT ARM MAIN BROOM ASSY



**LEFT ARM MAIN BROOM ASSY**

KIT	ITEM	REF. NO.	QTY	DESCRIPTION
	1	1466625000	1	ARM LT GALV. F MAIN BROOM FIXED PKD
	2	1466627000	1	PLATE GALV. F MAIN BROOM SETTING PKD
	3	1466626000	1	ARM LT GALV. F MAIN BROOM MOBILE PKD
	4	1466623000	1	PLUNGER INDEXING WITH FLANGE PKD
	5	1466621000	1	BRACKET GALV. F MAIN BR. INSPECTION PKD
	6	44905699	1	BEARING BALL 6001 2RS PKD
	7	1467024000	1	SPRING PKD
	8	1467023000	1	HUB LEFT MAIN BROOM PKD
	9	1466624000	1	HW F MAIN BROOM LT ARM KIT
	10	1466622000	1	HW F MAIN BR. INSPECT. BRACKET KIT
	11	1466620000	1	HARDWARE F IDLE HUB KIT

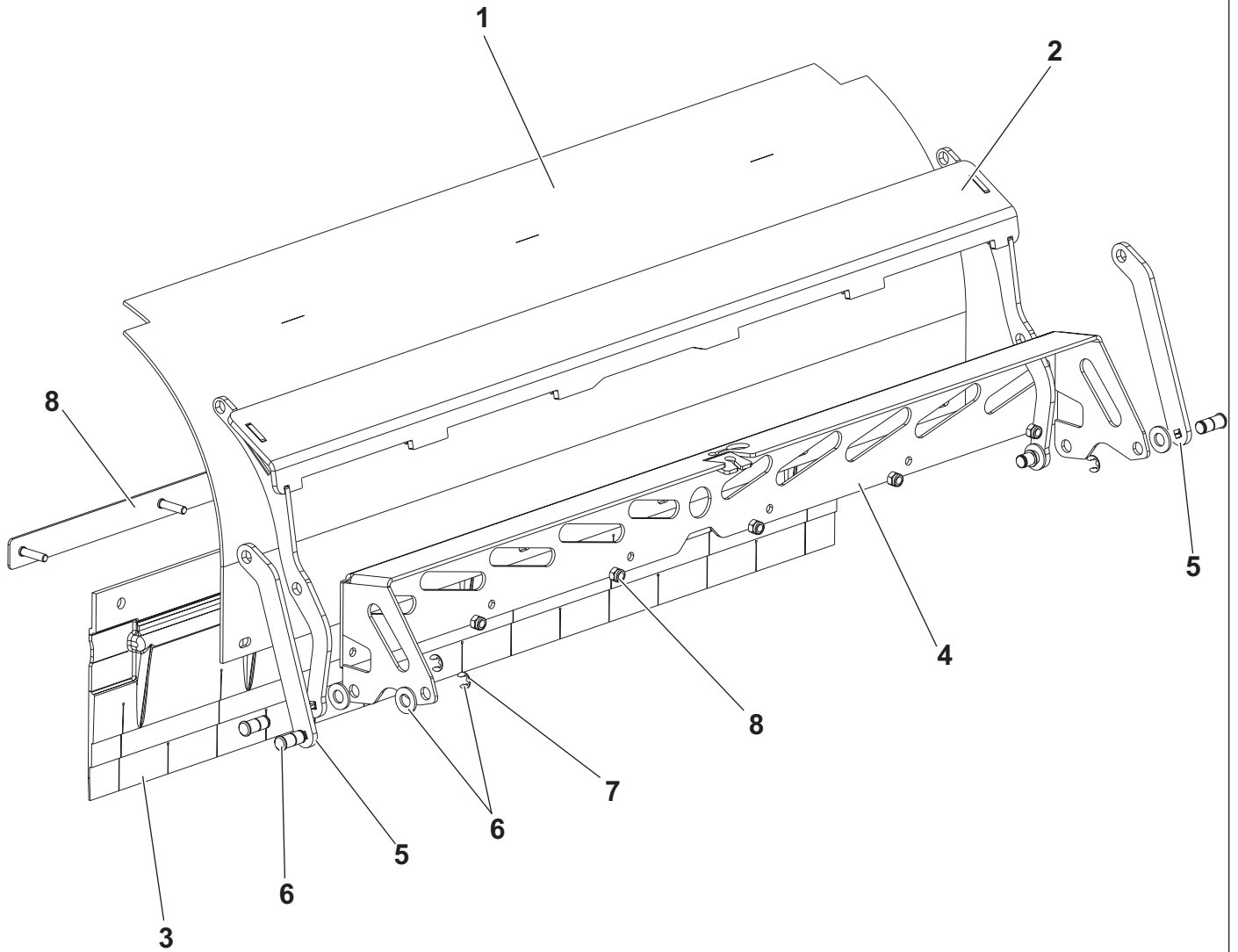
SKIRTS ASSY



**SKIRTS ASSY**

KIT	ITEM	REF. NO.	QTY	DESCRIPTION
	1	1466614000	1	SKIRT LT SIDE BLACK RUBBER PKD
	2	1466619000	1	SKIRT RT SIDE BLACK RUBBER PKD
	3	1466613000	1	SKIRT REAR PRIMARY BLACK RUBBER PKD
	4	1466616000	1	SKIRT REAR RECYCLING BLACK RUBBER PKD
	5	1466617000	1	PLATE GALV. F PRIMARY REAR SKIRT KIT
	6	1466611000	1	PEDAL GALV.F FRONT SKIRT RAISING PKD
	7	1466615000	1	PLATE GALV. F LT SKIRT KIT
	8	1466618000	1	PLATE GALV. F RT SIDE SKIRT KIT
	9	1467039000	1	SPRING TRACTION CARBON STEEL PKD
	10	1466610000	1	HARDWARE F FRONT SKIRT PEDAL KIT
	11	1466612000	1	WIRE F FRONT SKIRT RAISING PKD

FRONT SKIRT ASSY

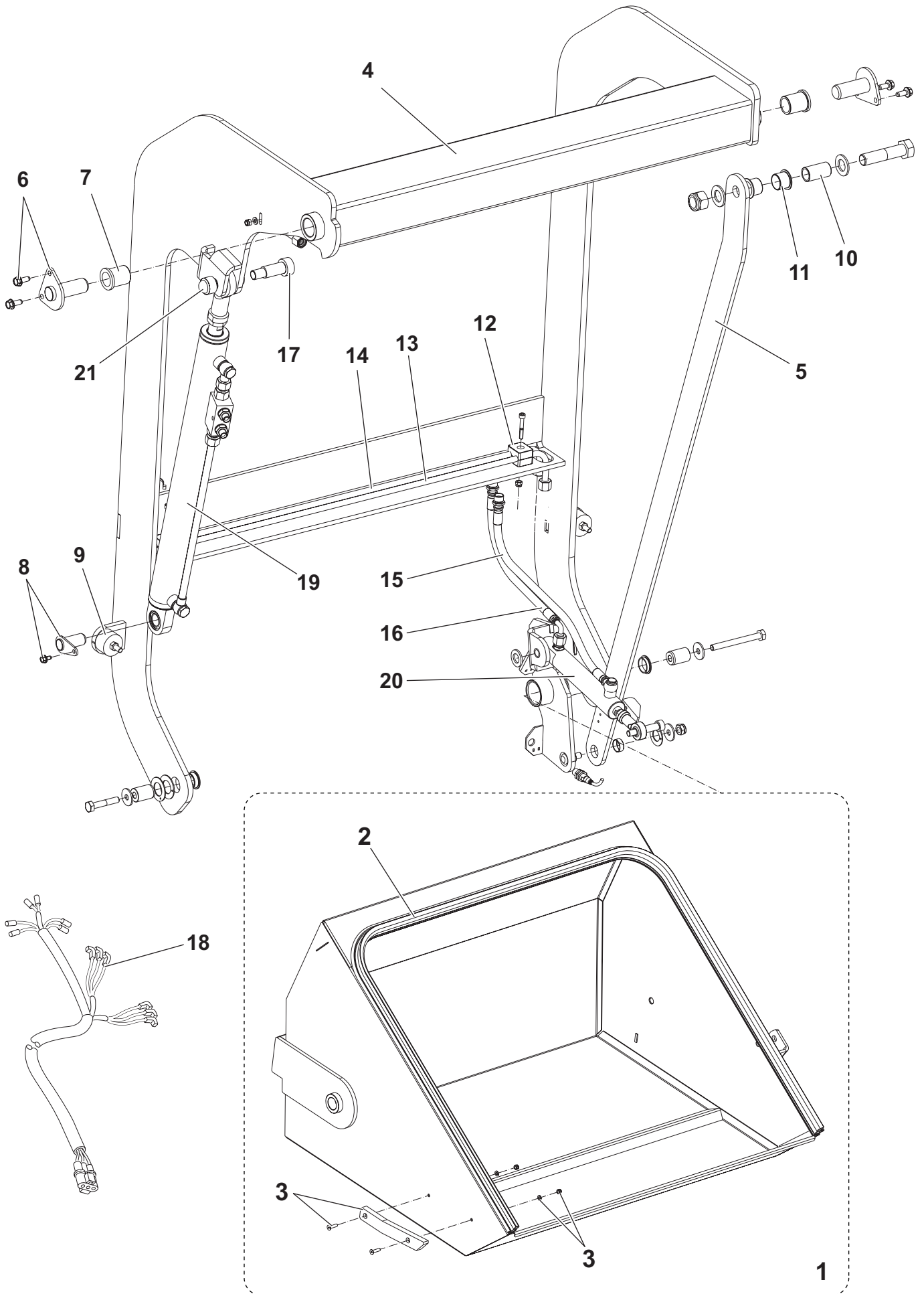




**FRONT SKIRT ASSY**

KIT	ITEM	REF. NO.	QTY	DESCRIPTION
	1	1466605000	1	WALL MOBILE LOWER BLACK RUBBER PKD
	2	1466609000	1	SUPP PRIMARY GALV. F FRONT SKIRT PKD
	3	1466606000	1	SKIRT FRONT OVERM BLACK RUBBER PKD
	4	1466603000	1	SUPPORT GALV. F FRONT SKIRT PKD
	5	1466604000	2	PLATE SECONDARY GALV. F FRONT SKIRT KIT
	6	1466607000	1	PINS D10 FRONT SKIRT SUPPORT FIXING KIT
	7	1466608000	1	SEEGER RING D.7 DIN6799 10 PCS SET
	8	1466602000	1	PLATE GALV. F FRONT SKIRT KIT

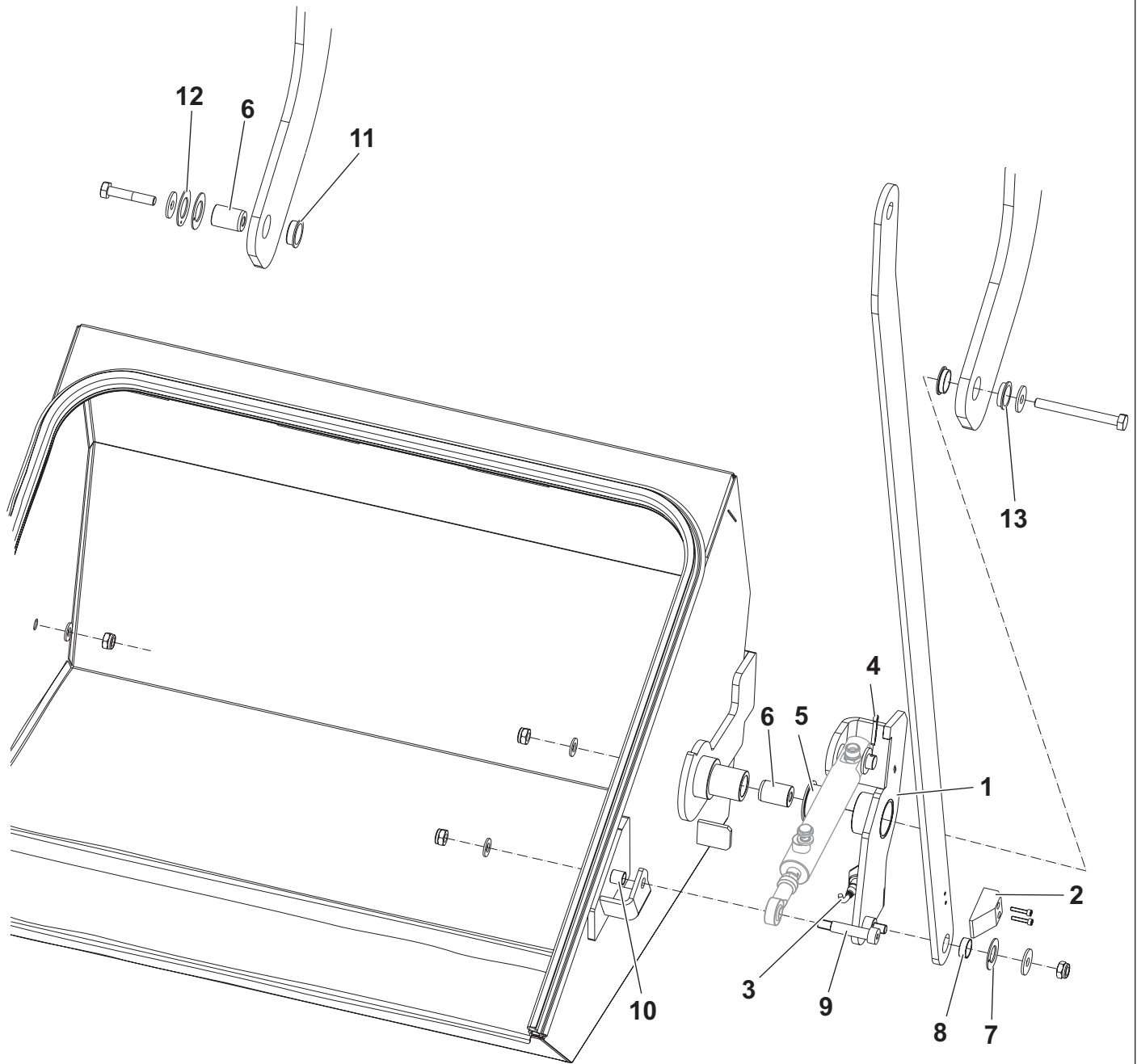
LIFTING HOPPER ASSY



**LIFTING HOPPER ASSY**

KIT	ITEM	REF. NO.	QTY	DESCRIPTION
	1	1466718000	1	HOPPER WASTE CPL KIT
	2	1466862000	1	GASKET D BULB RUBBER L.2020MM PKD
	3	1466861000	1	CAM PLASTIC F HOPPER POSITIONING KIT
	4	1466715000	1	ARM PRIMARY F HOPPER LIFTING BLACK PKD
	5	1466716000	1	ARM SECONDARY F HOPPER LIFTING PKD
	6	1466713000	2	PIN PIVOTING F HOPPER ARM KIT
	7	1467045000	2	BEARING FLANGE IGLIDUR MFM-2532-40 PKD
	8	1466714000	1	PIN F LIFTING CYLINDER KIT
	9	1467047000	2	BUMPER M8 40x25MM PKD
	10	1466719000	1	SPACER 20X25X43.5 GALV. PKD
	11	1466720000	1	BEARING FL.IGLIDUR GFM-2528-21 2 PCS SET
	12	1466717000	3	CLAMP TWIN D.10 PLASTIC BLUE 3 PCS SET
	13	1466728000	1	HOSE SEMI RIGID D.10 HOPPER DUMP PKD
	14	1466729000	1	HOSE SEMI RIGID D.10 HOPPER RECALL PKD
	15	1466730000	1	HOSE HYDRAULIC 1/4 R1AT L. 550MM PKD
	16	1466731000	1	HOSE HYDRAULIC 1/4 R1AT L. 490MM PKD
	17	1467018000	1	SCREW SHOU 20X40 M16 ISO7379 2 PCS SET
	18#	1467553000	1	HARNESS HOPPER PKD
	19	1466790000	1	CYLINDER HYDRAULIC 40/25/470 CPL KIT
	20	1466723000	1	CYLINDER HYDRAULIC 25/16/120 CPL KIT
	21	1466732000	1	CAP PLASTIC BLACK F M16 NUT PKD

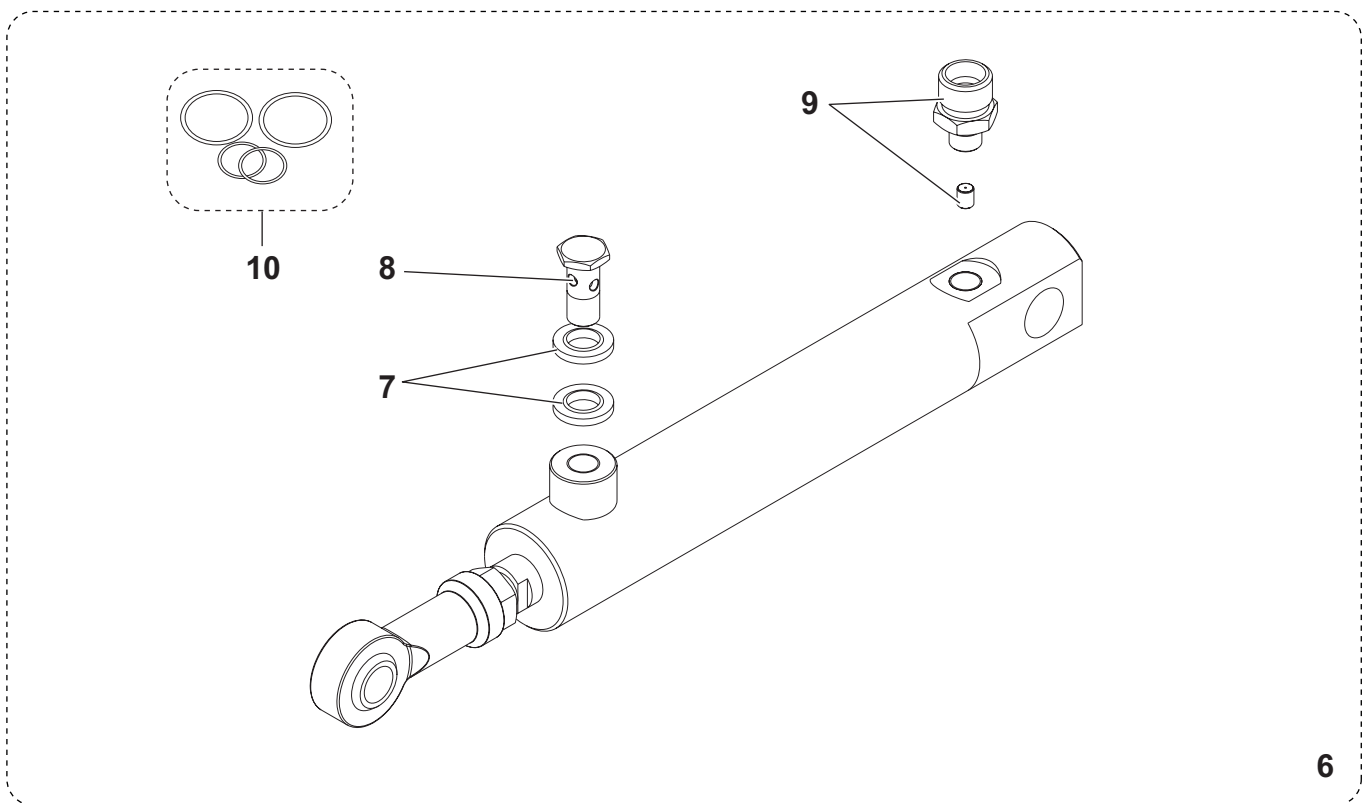
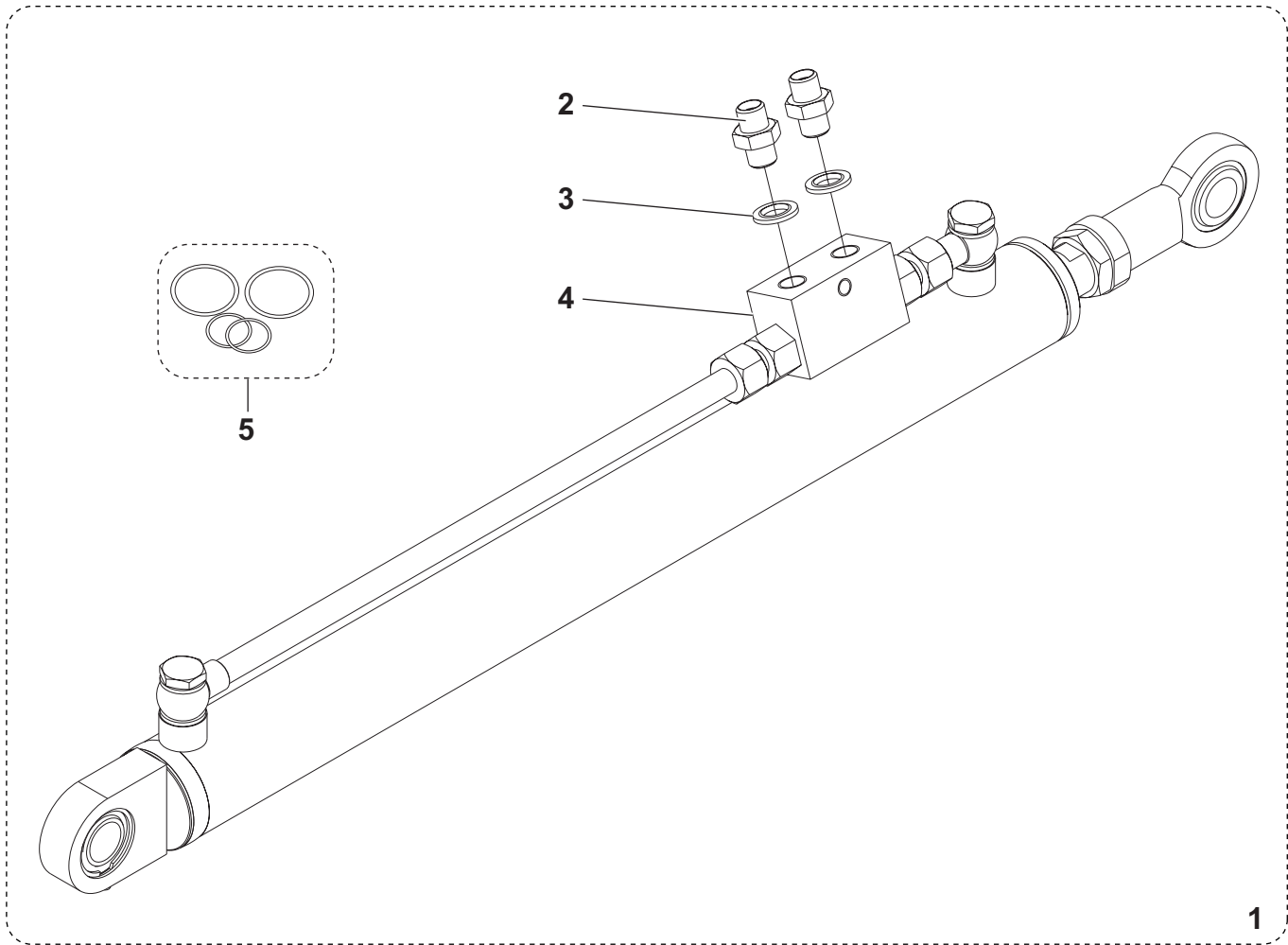
## LIFTING HOPPER ASSY



**LIFTING HOPPER ASSY**

KIT	ITEM	REF. NO.	QTY	DESCRIPTION
	1	1466722000	1	BRACKET MET. F LIFTING ARMS JOINT PKD
	2	1466724000	1	BLOCK PLASTIC F LIFTING ARM GUIDE PKD
	3	1467062000	1	SWITCH BACK UP PROXIMITY PKD
	4	1467005000	1	PIN SPLIT 4X25 UNI1336 10 PCS SET
	5	1466721000	1	BEARING FLANGE IGLIDUR GFM-3539-36 PKD
	6	1467043000	1	PIN HOPPER PKD
	7	1467017000	1	WASHER THRUST GTM 2036-015 2 PCS SET
	8	1466726000	1	BEARING FLANGE IGLIDUR GSM-2022-08 PKD
	9	1467019000	1	SCREW SHOU 12X45 M10 ISO7379 2 PCS SET
	10	1466725000	1	SPACER 12.5X15X14 BLACK PLAST. PKD
	11	1467044000	3	BEARING FLANGE IGLIDUR GFM-2427-10 PKD
	12	1467016000	1	WASHER THRUST GTM 2442-015 2 PCS SET
	13	1466727000	1	BEARING FL.IGLIDUR GFM-2427-07 2 PCS SET

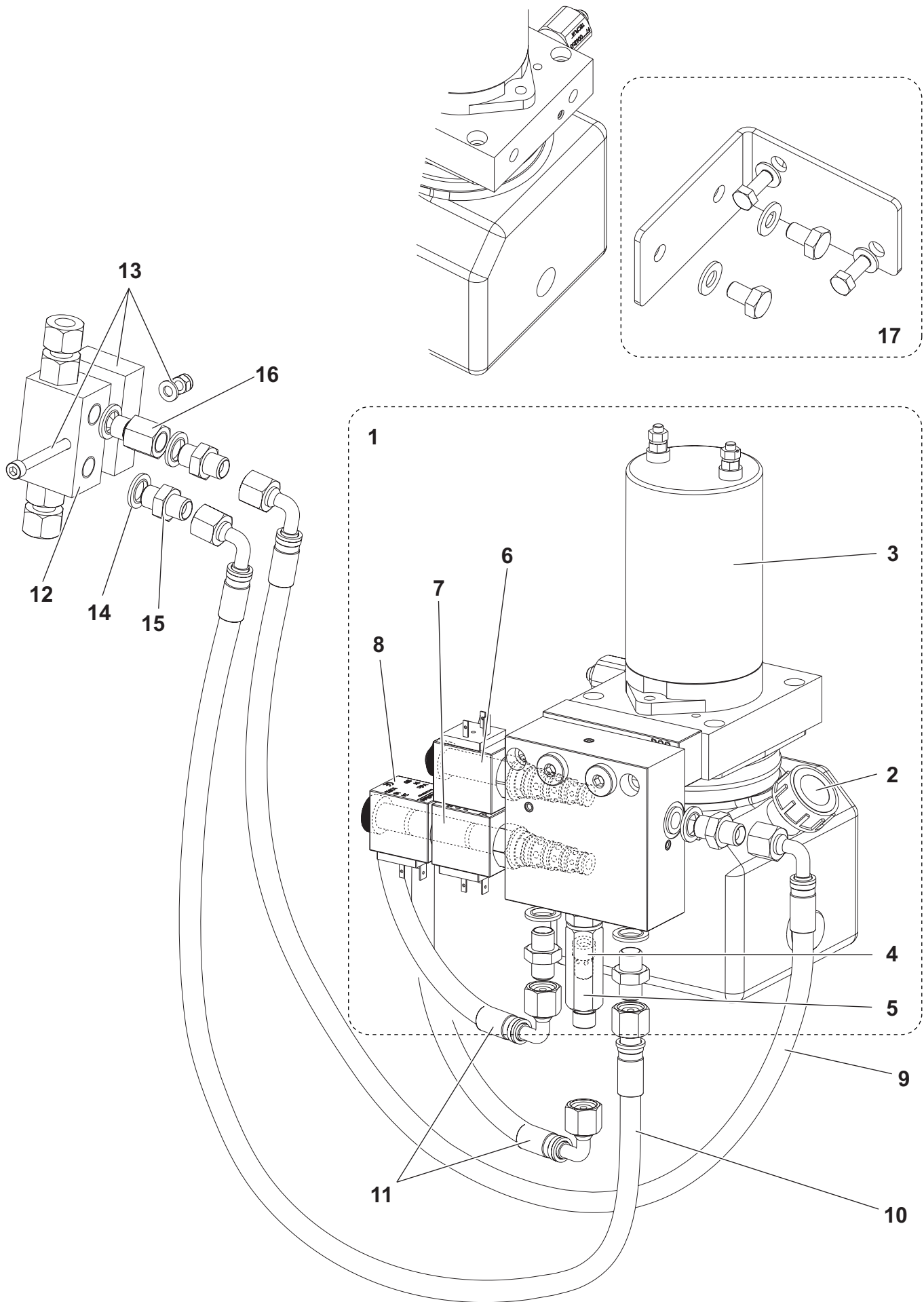
CYLINDERS ASSY



**CYLINDERS ASSY**

KIT	ITEM	REF. NO.	QTY	DESCRIPTION
	1	1466790000	1	CYLINDER HYDRAULIC 40/25/470 CPL KIT
	2	1467011000	1	NIPPLE 1/4 4 PCS SET
	3	1467007000	1	WASHER SEALING 1/4 10 PCS SET
	4	1467054000	1	VALVE BLOCK PKD
	5	1466553000	1	SEAL HYDRAULIC CYLINDER 40/25/470 KIT
	6	1466723000	1	CYLINDER HYDRAULIC 25/16/120 CPL KIT
	7	1467004000	1	WASHER 1/8 10 PCS SET
	8	1467015000	1	BANJO BOLT 1/8 G 2 PCS SET
	9	1466791000	1	FITTING 1/8 GAS WITH CAIBRATED DOWEL KIT
	10	1466552000	1	SEAL HYDRAULIC CYLINDER 25/16/120 KIT

HYDRAULIC ASSY

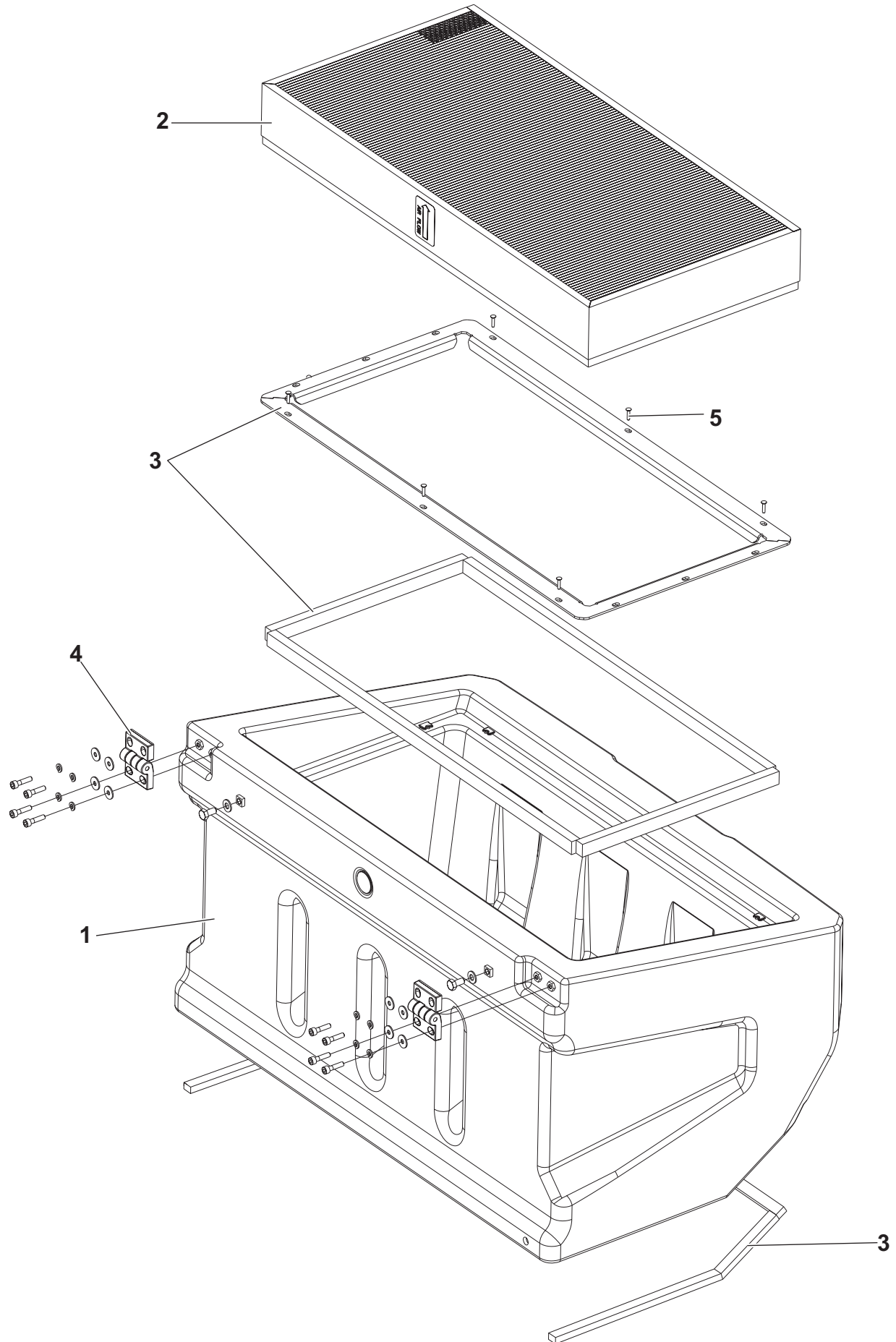




**HYDRAULIC ASSY**

KIT	ITEM	REF. NO.	QTY	DESCRIPTION
	1	1466712000	1	GEARCASE HYDRAULIC 24V 800W 1CC PKD
	2	1467213000	1	CAP PRESSURE D19 PKD
	3	1467242000	1	MOTOR ELECTRIC 24V 800W PKD
	4	1467209000	1	VALVE FLOW CONTROL 5L/MIN 1/4 GAS PKD
	5	1467243000	1	STUD BOLT M/F 1/4 BSP ES. 19
	6	1467211000	1	CARTRIDGE SOLENOID VALVE 4/2 PKD
	7	1467212000	1	CARTRIDGE SOLENOID VALVE 4/3 PKD
	8	1467210000	3	SOLENOID 24V 18W N-H13 PKD
	9	1466709000	1	HOSE HYDRAULIC 1/4 R1AT L. 780MM PKD
	10	1466710000	1	HOSE HYDRAULIC 1/4 R1AT L. 680MM PKD
	11	1466711000	2	HOSE HYDRAULIC 1/4 R1AT L. 600MM PKD
	12	1467054000	1	VALVE BLOCK PKD
	13	1466707000	1	SPACER F VALVE PLASTIC BLACK KIT
	14	1467007000	1	WASHER SEALING 1/4 10 PCS SET
	15	1467011000	1	NIPPLE 1/4 4 PCS SET
	16	1467059000	1	STUD BOLT 1/4 20MM PKD
	17	1466708000	1	BRACKET MET. F HYDRAULIC GEARCASE KIT

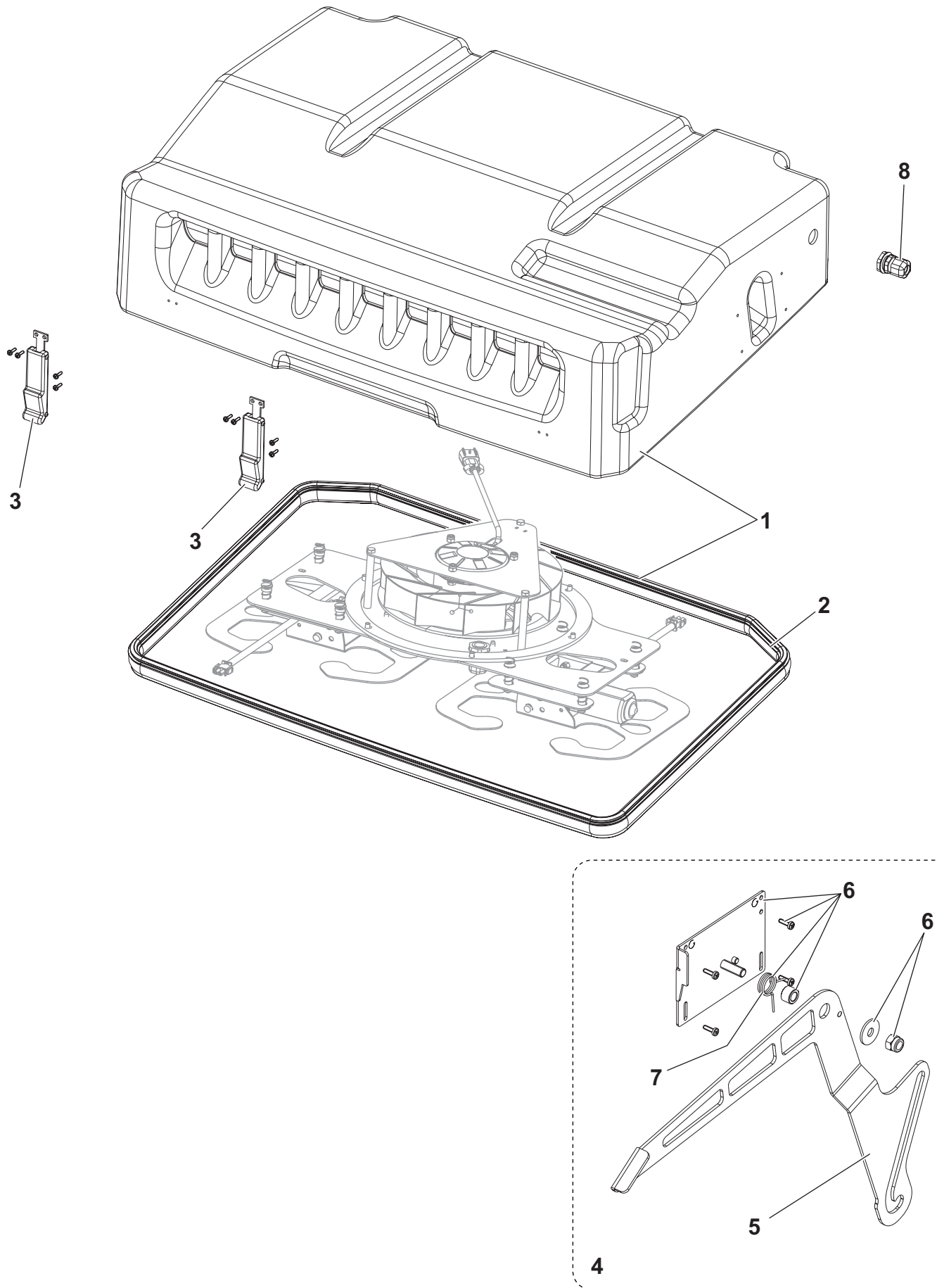
FILTER SUPPORT ASSY



**FILTER SUPPORT ASSY**

KIT	ITEM	REF. NO.	QTY	DESCRIPTION
	1	1466835000	1	SUPPORT PLASTIC BLACK F VAC FILTER KIT
	2	1467174000	1	FILTER PANEL PAPER ULTRA WEB
	<b>2*</b>	<b>1467173000</b>	<b>1</b>	<b>FILTER PANEL POLYESTER ULTRA WEB</b>
	3	1466836000	1	SUPPORT PLAIN GALV. F FILTER KIT
	4	9098329000	1	HINGES KIT
	5	1466908000	1	SCREW 3.5X16 C/SUNK PHIL F PC 10 PCS SET

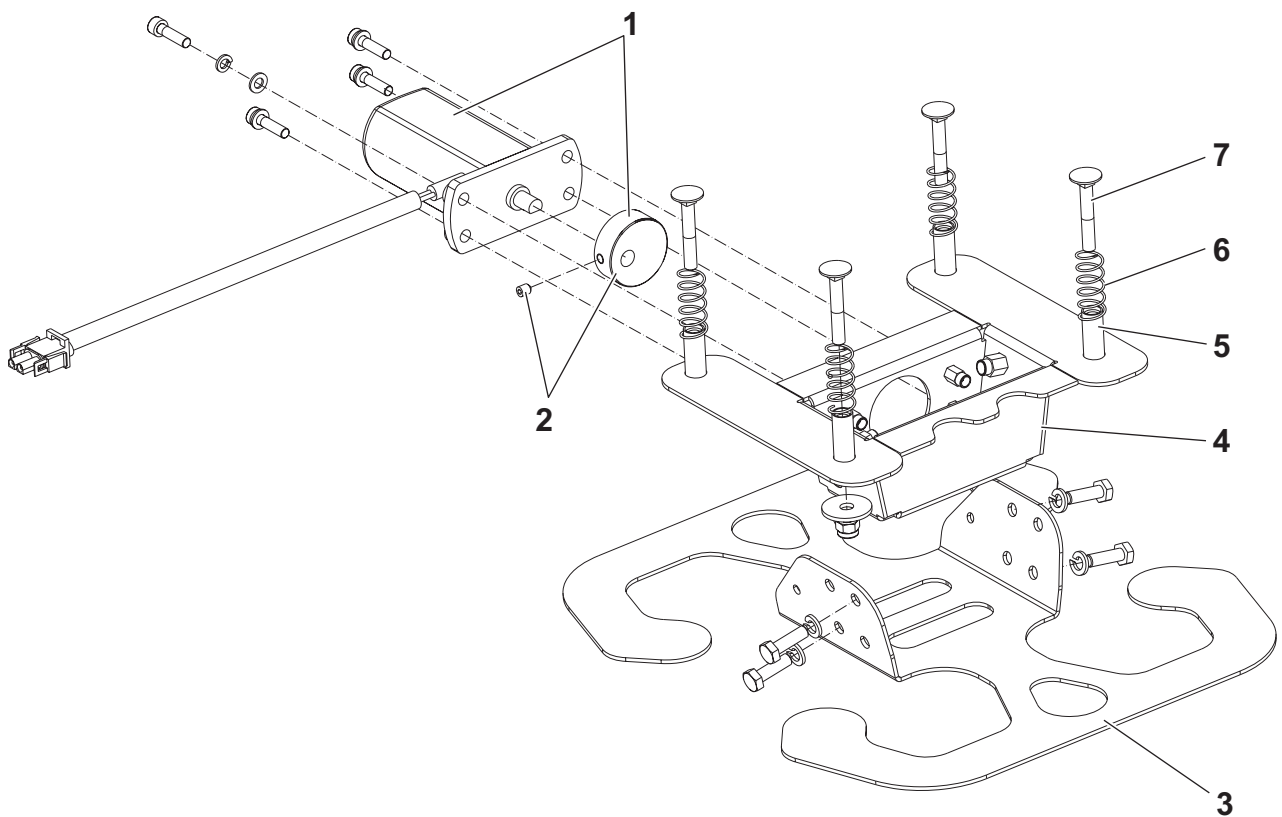
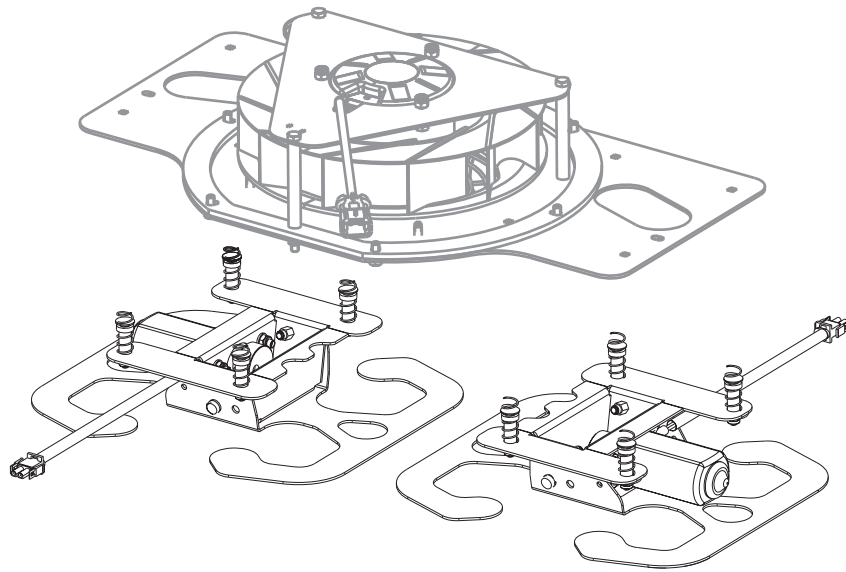
FAN SUPPORT ASSY



**FAN SUPPORT ASSY**

KIT	ITEM	REF. NO.	QTY	DESCRIPTION
	1	1466853000	1	SUPPORT PLASTIC GREY F FAN KIT
	2	1466855000	1	GASKET BULB RUBBER L. 2390MM PKD
	3	1467042000	2	HATCH RUBBER PKD
	4	1466856000	1	LEVER F FAN HOLDER BLOCK KIT
	5	1466869000	1	LEVER GALV. F FAN HOLDER RETAINER PKD
	6	1466870000	1	PLATE GALV. F FAN HOLDER RETAINER KIT
	7	1467038000	1	PEDAL SPRING PKD
	8	9100001779	1	GLAND CABLE PLASTIC W/NUT PG13.5 PKD

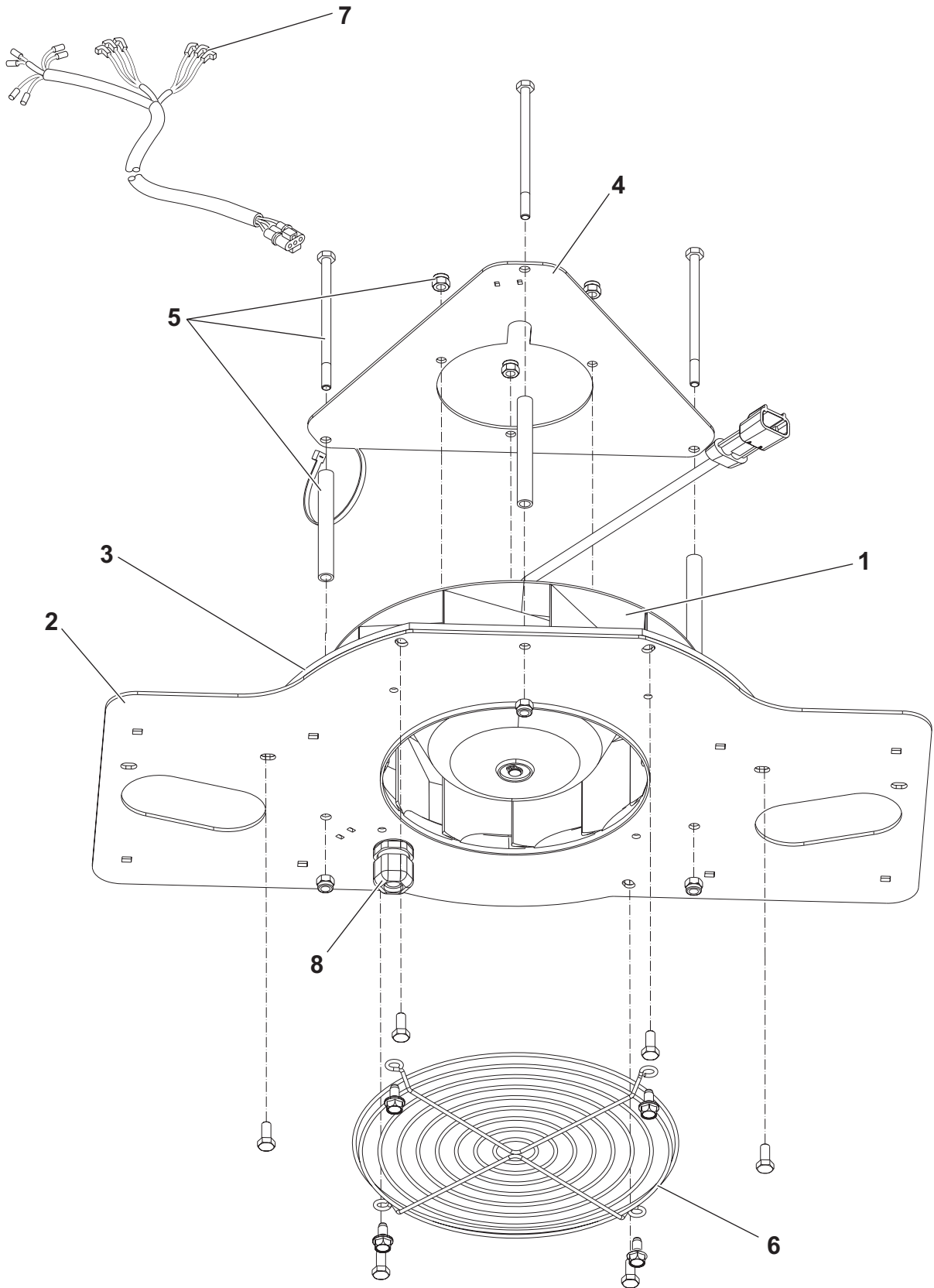
## SHAKER FILTER ASSY



**SHAKER FILTER ASSY**

KIT	ITEM	REF. NO.	QTY	DESCRIPTION
	1	1466314000	2	MOTOR FILTER SHAKER 12W 24V KIT
	2	1466857000	2	CAM F FILTER SHAKER KIT
	3	1466879000	2	BRACKET GALV. F FILTER SHAKER PKD
	4	1466878000	2	SUPPORT F FILTER SHAKER MOTOR PKD
	5	1467010000	2	SPACER 6.5X10X26 GALV. 4 PCS SET
	6	1467009000	2	SPRING 1X11.5 4 PCS SET
	7	1467003000	1	SCREW M6X40 CARR. ISO8677 10 PCS SET

VACUUM FAN ASSY

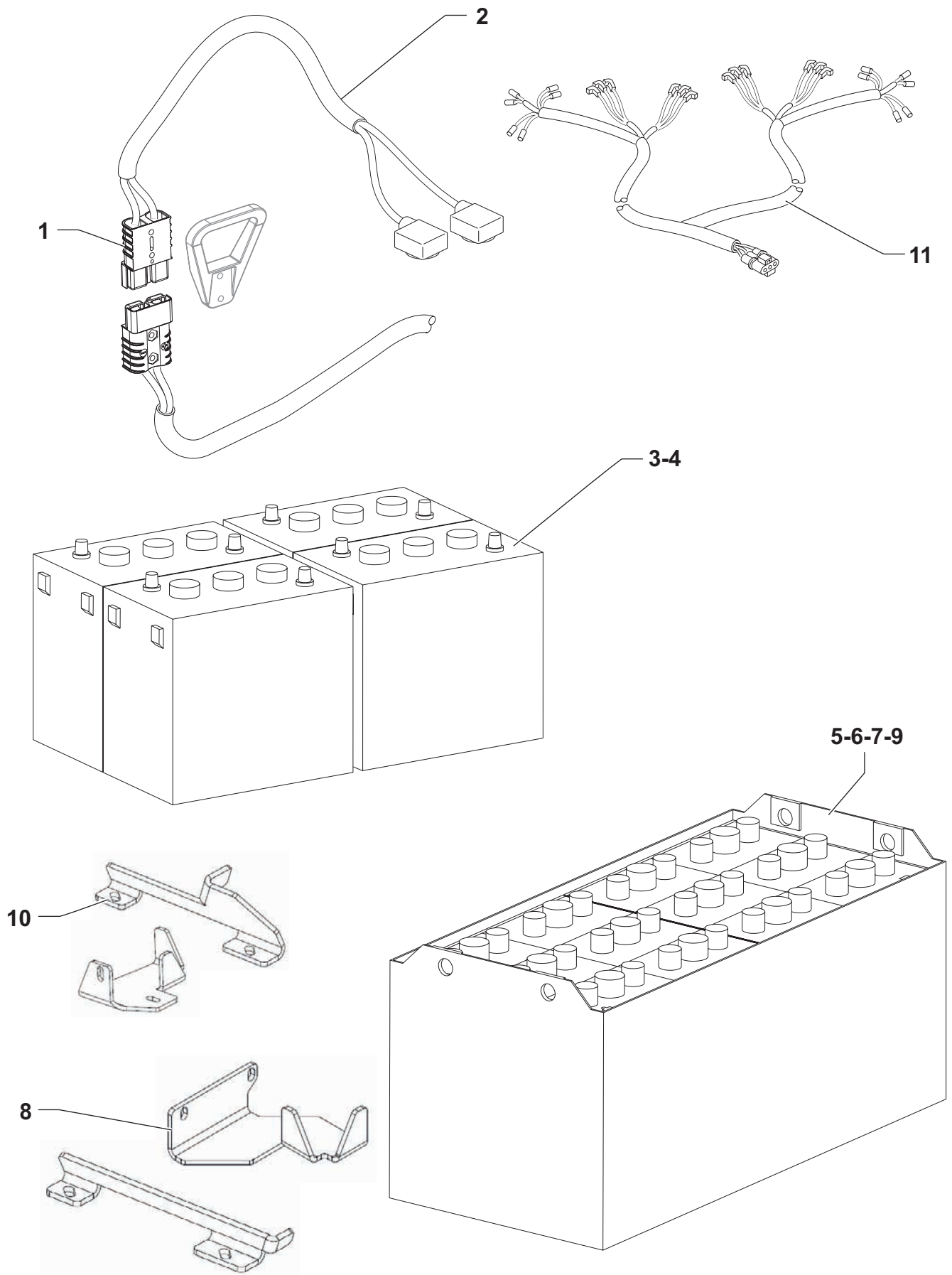




**VACUUM FAN ASSY**

KIT	ITEM	REF. NO.	QTY	DESCRIPTION
	1	1467040000	1	FAN RADIAL 24V PKD
	2	1466866000	1	PLATE GALV. F FAN AND FILTER SHAKER PKD
	3	33023192	1	GASKET MOTOR VACUUM PKD
	4	1467061000	1	SUPPORT MOTOR VACUUM PKD
	5	1466868000	1	SPACERS CPL F VAC FAN KIT
	6	33018805	1	GRILL ELECTROFAN KIT
	7#	1467552000	1	HARNESS F FILTER SHAKER AND FAN PKD
	8	9100001779	1	GLAND CABLE PLASTIC W/NUT PG13.5 PKD

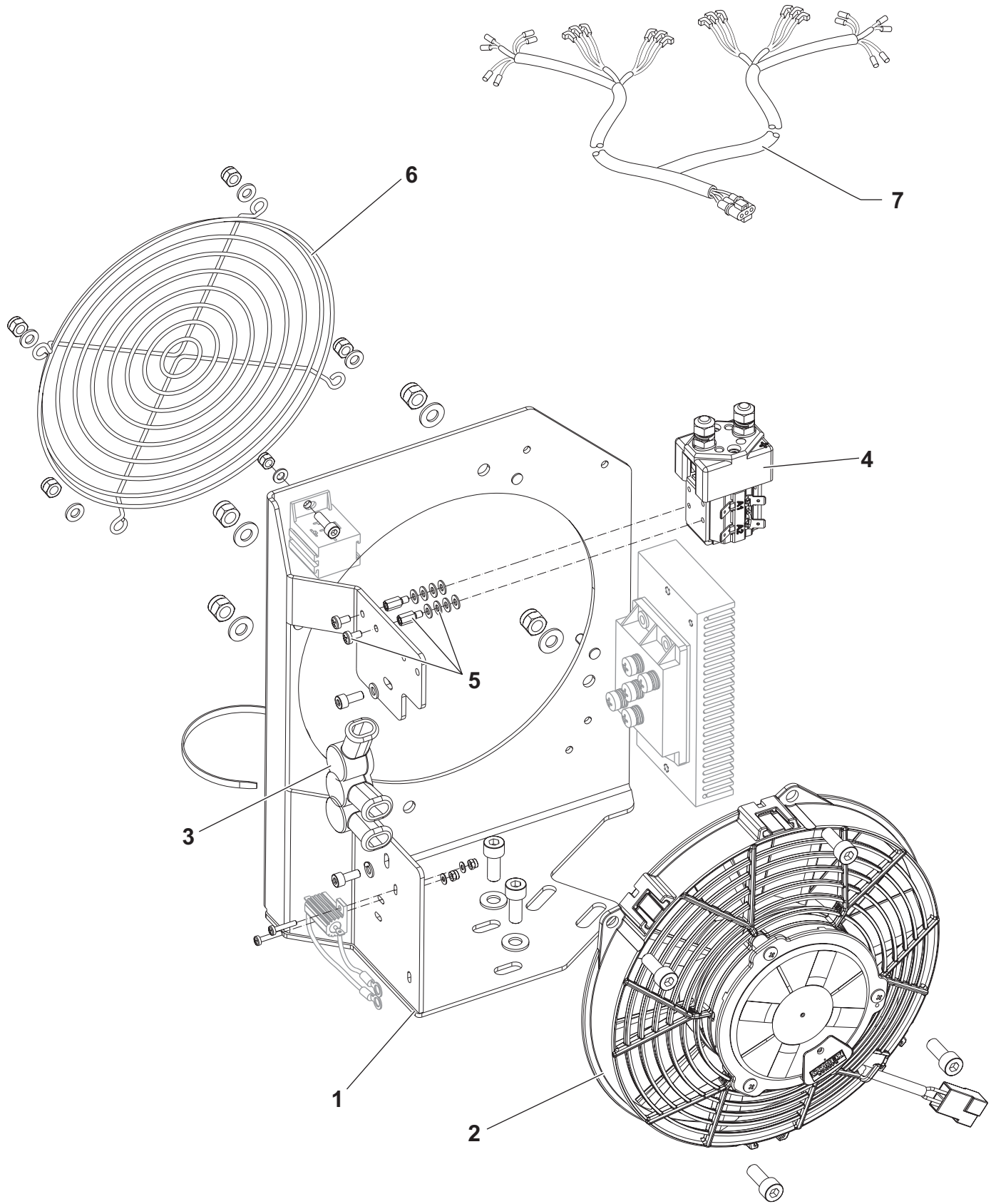
ELECTRIC SYSTEM



**ELECTRIC SYSTEM**

KIT	ITEM	REF. NO.	QTY	DESCRIPTION
	1	1467029000	2	CONNECTOR 175A RED
	2#	1467294000	1	HARNESS BATTERY US PKD
	3*	80564100	4	BATT. 6V-240AH GEL MONOBLOC
	4*	80565000	4	BATT. 6V-255AH WET SEMI T MONOBLOC
	5*	80562442	1	BATT.24V-420AH GEL SINGLE CELLS IN TRAY
	6*	80565300	1	BATTERY TRACTION 24V 330 Ah GEL
	7*	80562448	1	BATTERY TRACTION 24V 480 AH - 8 EPZS 480
	8*	1466420000	1	BATTERY FIXING 480AH BATTERY TRAY KIT
	9*	80565200	1	BATTERY TRACTION 24V 360 AH
	10*	1465750000	1	BATTERY FIXING 360AH BATTERY TRAY KIT
	11#	1467292000	1	HARNESS MACHINE BATTERY US VERSION PKD

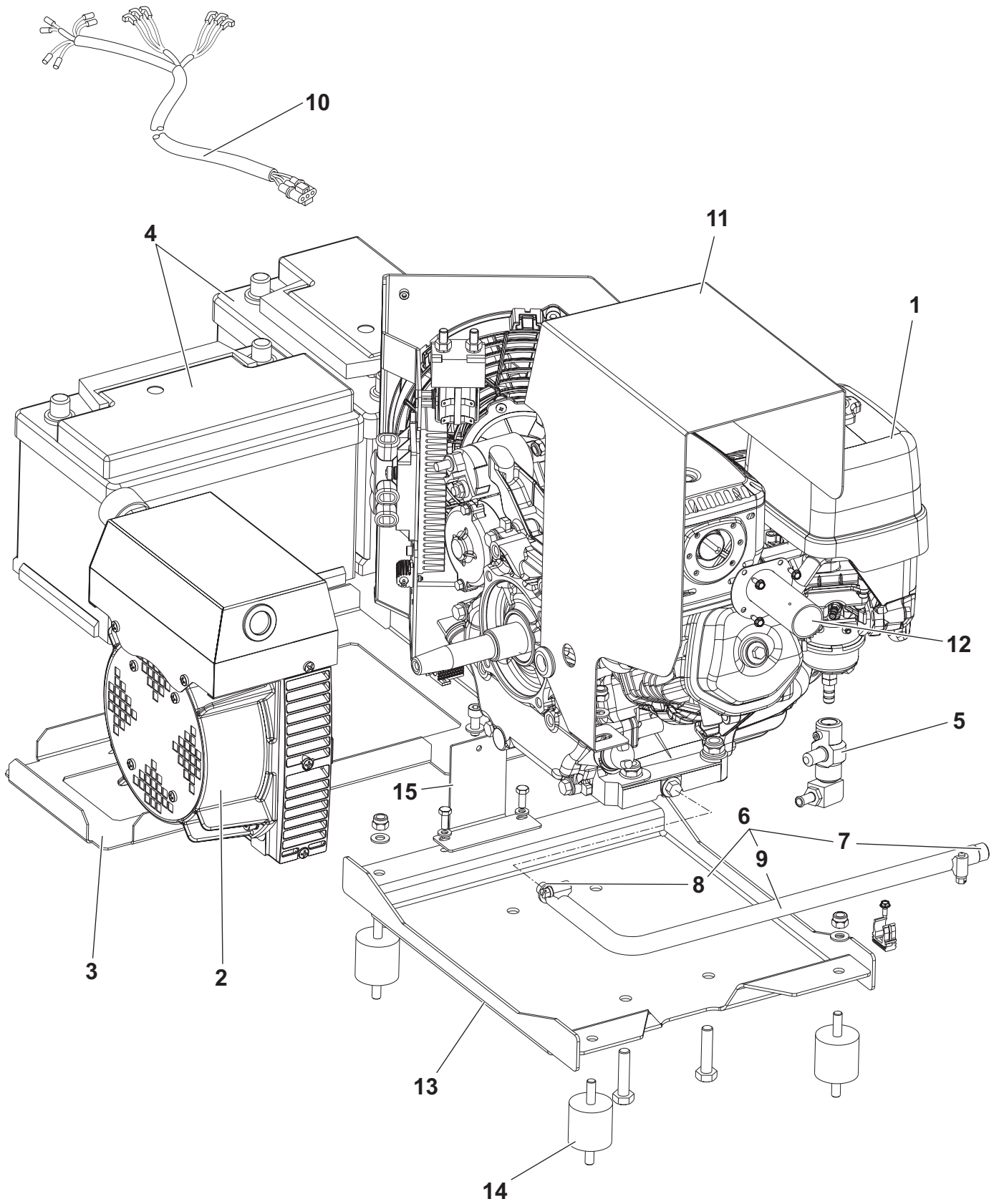
ENGINE FAN ASSY



**ENGINE FAN ASSY**

KIT	ITEM	REF. NO.	QTY	DESCRIPTION
	1	1466792000	1	SUPPORT F COOLING FAN MET. BLACK PKD
	2	1466793000	1	FAN AXIAL 24VDC 170W D.225 PKD
	3	1467012000	1	BOOT BATTERY NEGATIVE POLE BL 3 PCS SET
	4	1466644000	1	CONTACTOR 24V 200A PKD
	5	1466643000	1	HARDWARE F HIGH CONTACTOR FIXING KIT
	6	33018805	1	GRILL ELECTROFAN KIT
	7#	1467293000	1	HARNESS MACHINE ENGINE US VERSION PKD

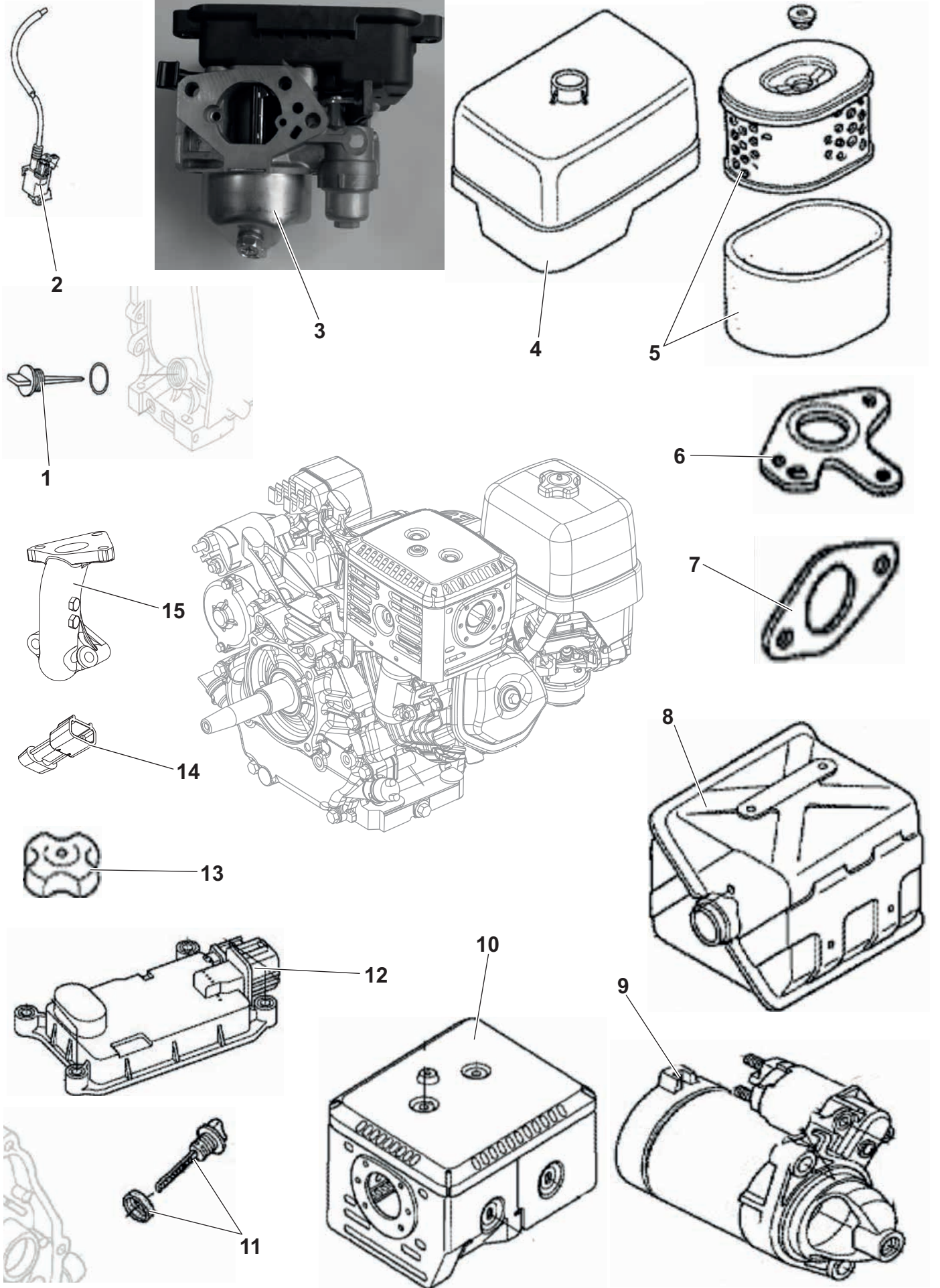
## LPG ENGINE ASSY



**LPG ENGINE ASSY**

KIT	ITEM	REF. NO.	QTY	DESCRIPTION
	1	1466814000	1	ENGINE GX270 MODIFIED F LPG KIT
	2	1466804000	1	ALTERNATOR PMG 24V 3.8KW PKD
	3	1466816000	1	STOPPER MET. F BATTE LPG VERSION KIT
	4	1467085000	2	BATTERY START 12V 77 AH PKD
	5	1466933000	1	SETTING F LPG FEEDING KIT
	6	1466820000	1	HOSE LPG ENGINE OIL DRAIN KIT
	7	1467033000	1	SETTING F LPG FEEDING KIT
	8	1466824000	1	BARB HOSE M12X1.5 BRASS PKD
	9	145 5037 000	1	HOSE OIL DRAIN D.10X17 PKD
	10#	1467554000	1	HARNESS F LPG VERSION PKD
	11	1466823000	1	PROTECTION MUFFLER MET. LPG VERS. PKD
	12	1466822000	1	EXTENSION F LPG MUFFLER MET. BLACK KIT
	13	1466818000	1	SUPPORT GALV. F LPG ENGINE CPL KIT
	14	1466817000	4	VIBRATION DAMP M8 M/M D40X40 70SHA KIT
	15	1466819000	1	BRACKET SUPPORT F ENGINE RELAY PKD

LPG ENGINE SPARES

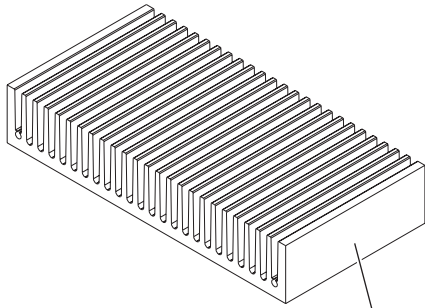




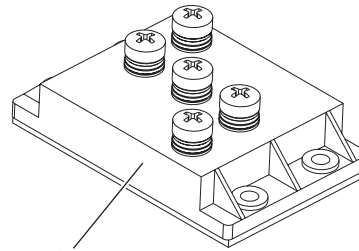
**LPG ENGINE SPARES**

KIT	ITEM	REF. NO.	QTY	DESCRIPTION
	1	1467020000	1	NUT WING M6 UNI5448A 2 PCS SET
	2	1467216000	1	COIL IGNITION ENGINE COMPLETE PKD
	3	1466815000	1	CARBURETOR F LPG ENGINE KIT
	4	1467217000	1	COVER F AIR FILTER BOX PKD
	5	1467218000	1	FILTER AIR ENGINE PKD
	6	1467219000	1	GASKET MUFFLER ENGINE PKD
	7	1467220000	1	GASKET EXHAUST PIPE ENGINE PKD
	8	1467239000	1	MUFFLER LPG ENGINE KIT
	9	1467221000	1	MOTOR STARTER 12V 0.6KW ENGINE PKD
	10	1467222000	1	GUARD F MUFFLER ENGINE PKD
	11	1467223000	1	CAP W/LUB.OIL GAUGE ENGINE PKD
	12	1467224000	1	CONTROL UNIT F ENGINE CARBURETOR PKD
	13	1467225000	1	KNOB F AIR FILTER COVER PKD
	14	1466858000	1	CONNECTORS EQUIPMENT F ENGINE PKD
	15	1467167000	1	EXHAUST MANIFOLD CPL F LPG ENGINE KIT

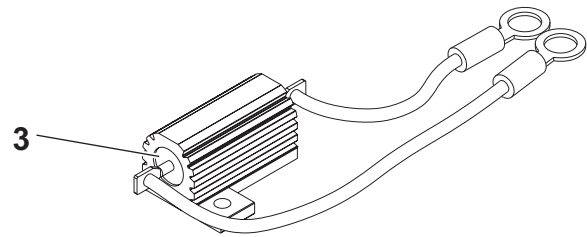
ALTERNATOR SPARES



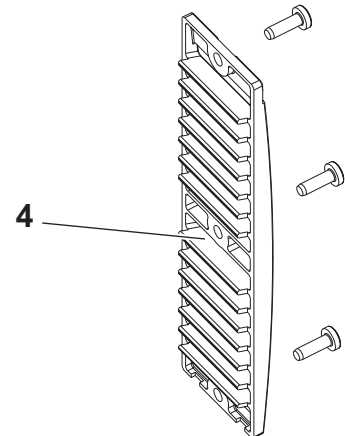
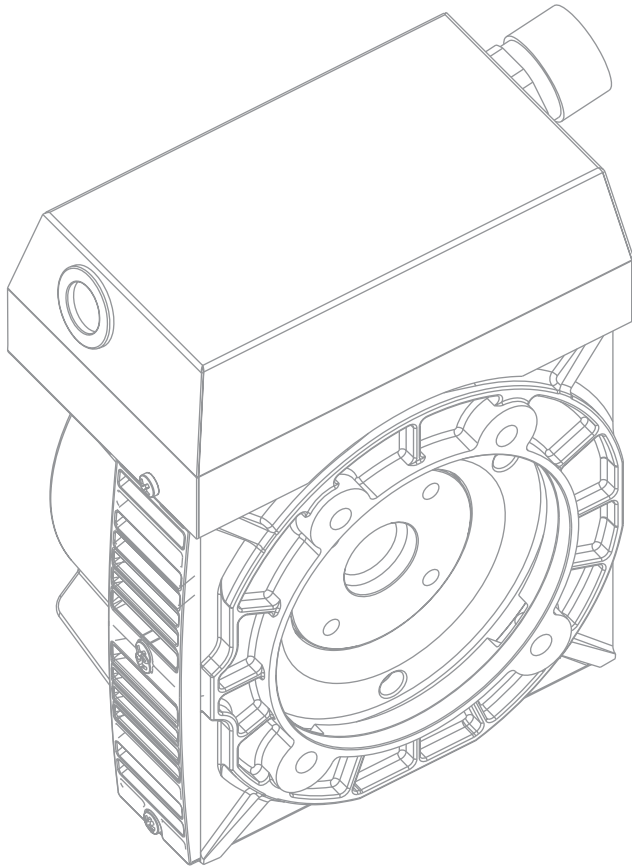
1



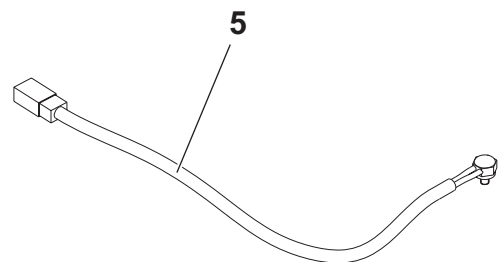
2



3



4

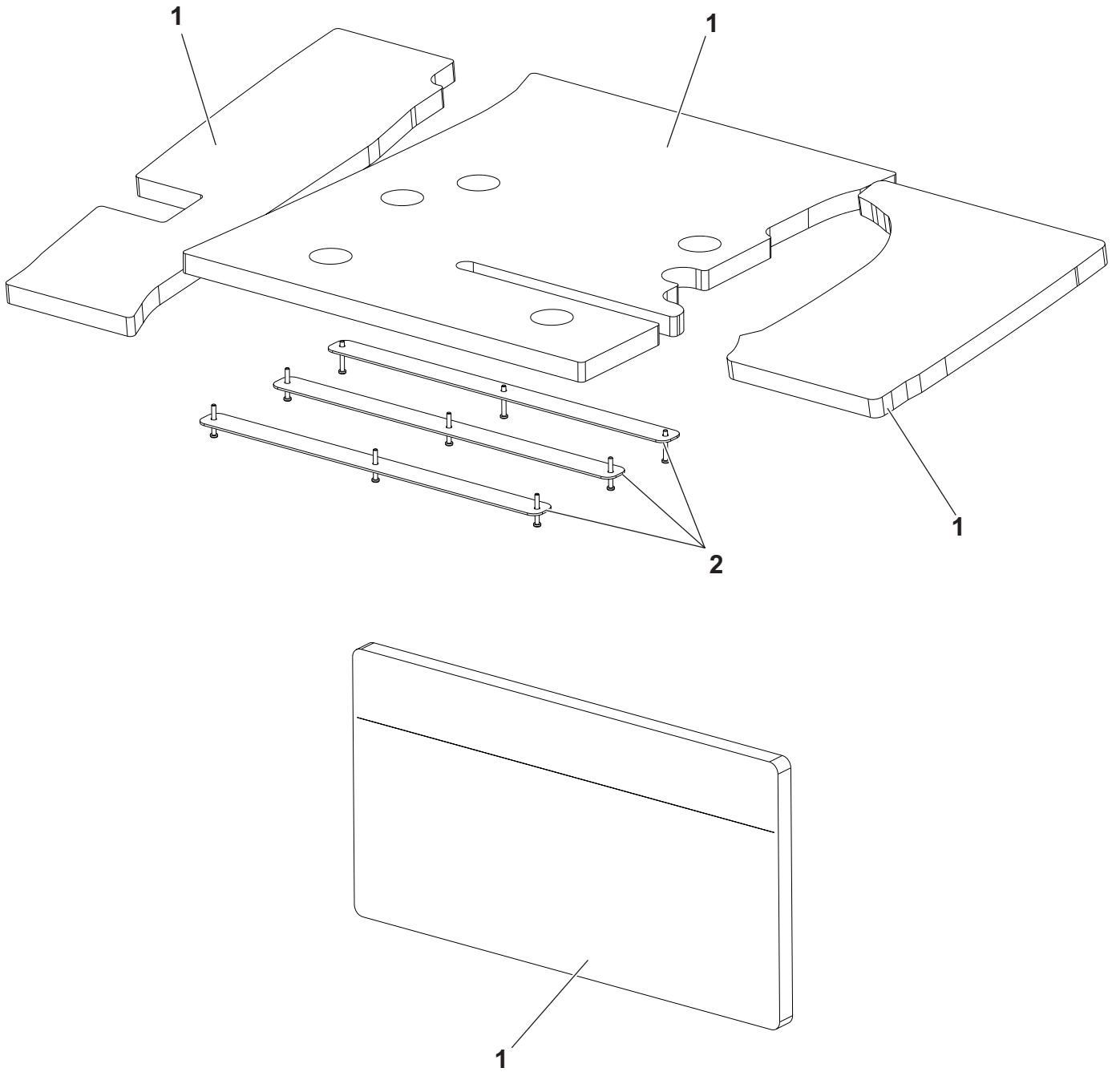


5

**ALTERNATOR SPARES**

KIT	ITEM	REF. NO.	QTY	DESCRIPTION
	1	1466233000	1	HEAT SINK ALLUMINIUM
	2	1466297000	1	RECTIFIER BRIDGE 180A
	3	1466426000	1	RESISTOR 100 OHM 25W
	4	1466480000	1	GRID SIDE F ALTERNATOR PLASTIC BLACK
	5	1466578000	1	SENSOR TEMPERATURE 90C N/C

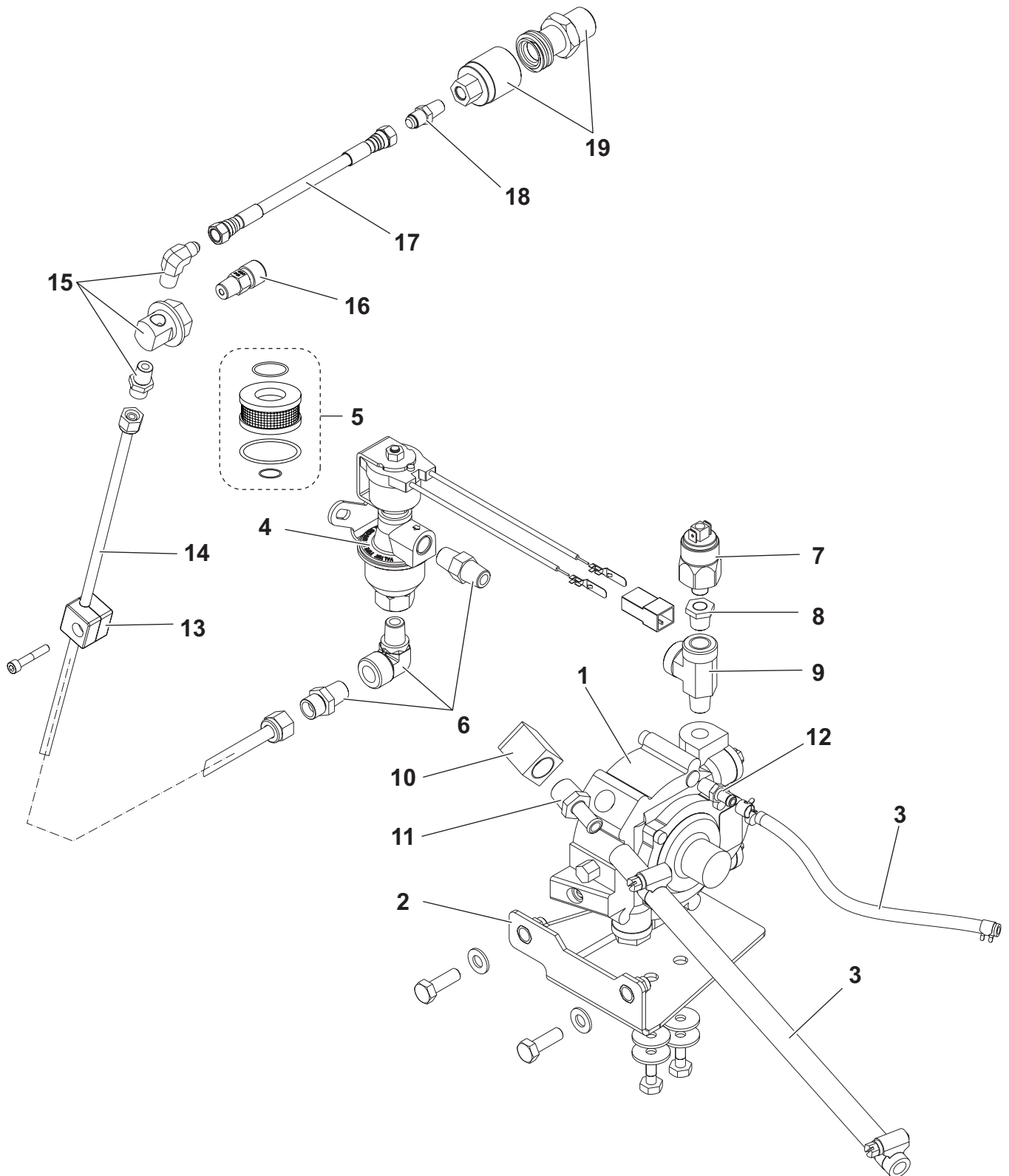
ENGINE ISOLATION



**ENGINE ISOLATION**

KIT	ITEM	REF. NO.	QTY	DESCRIPTION
	1	1466873000	1	PANELS SOUNDPROOFING KIT
	2	1466874000	1	PLATE F SOUND PROOFING PANEL 3 PCS SET

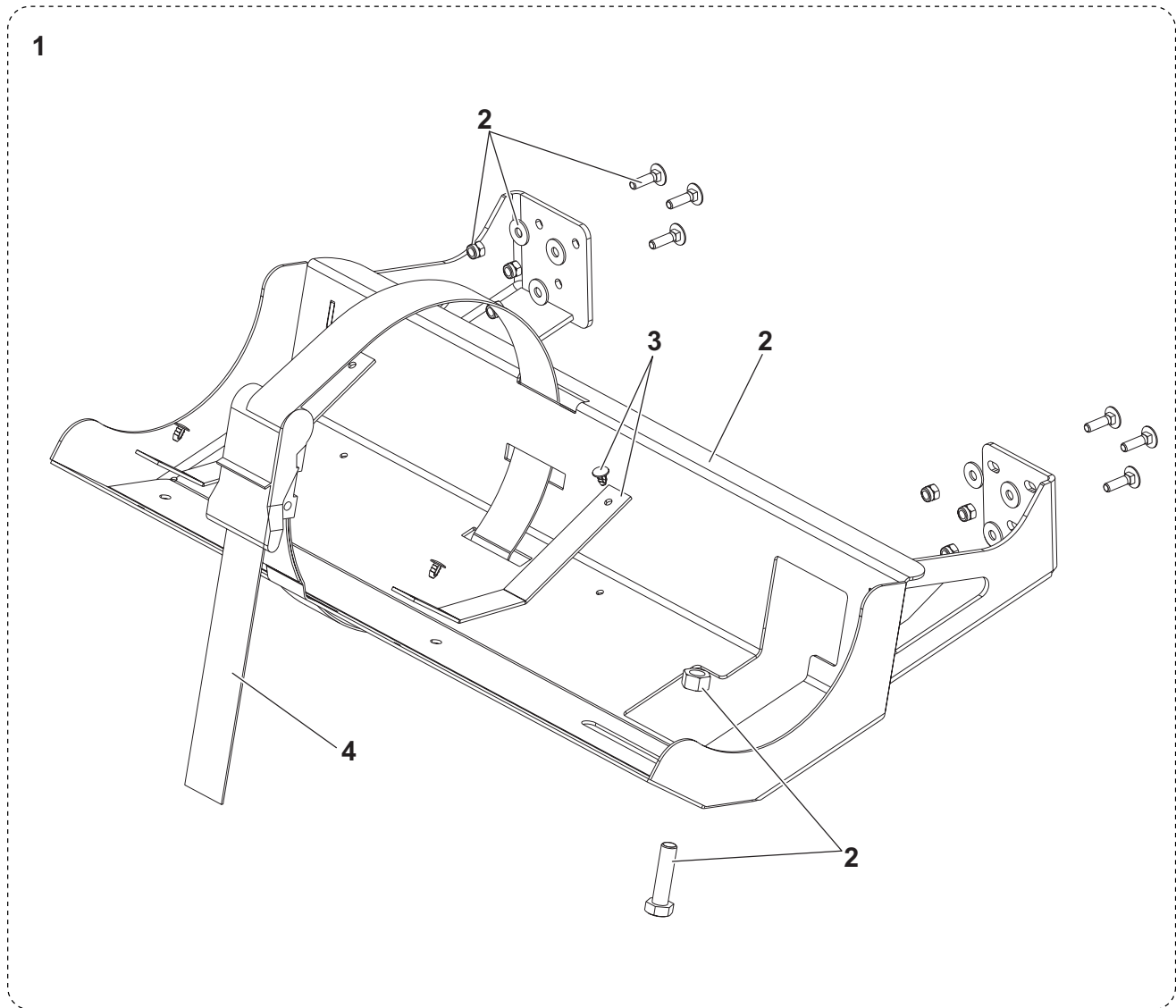
## LPG SYSTEM ASSY



**LPG SYSTEM ASSY**

KIT	ITEM	REF. NO.	QTY	DESCRIPTION
	1	1467051000	1	REGULATOR LPG T60 PKD
	2	1466830000	1	BRACKET MET. F LPG REGULATOR SUPP. PKD
	3#	1467483000	1	HOSES LPG REGULATOR KIT
	4	1465633000	1	SOLENOID VALVE LPG/CNG 12V 8W KIT
	5	1466778000	1	REPAIR SOLENOID VALVE LPG PKD
	6	1466827000	1	FITTINGS F LPG SOLENOID VALVE KIT
	7	33022290	1	SWITCH PRESSURE 1.1 BAR PKD
	8	1467050000	1	REDUCTION M1/4 - F1/8 NPT PKD
	9	1467049000	1	FITTING T F-F-M 1/4 NPT PKD
	10	1466828000	1	ELBOW 90 3/8 NPT M-F PKD
	11	1467052000	1	HOLDER RUBBER D.10 3/8 NPT M PKD
	12	1467053000	1	HOLDER RUBBER D.6 1/8 NPT PKD
	13	33022437	1	PLATE FIXING KIT
	14	1466826000	1	HOSE RIGID D.8MM THK 1.5MM F GAS PKD
	15	1466825000	1	FITTINGS LPG TANK SIDE KIT
	16	1467063000	1	VALVE SECURITY 400PSI PKD
	17	1467068000	1	HOSE LPG L400 MM PKD
	18	1467067000	1	PIN D.10 LOCKING BRUSH PKD
	19	1465350000	1	ADAPTER F LPG TANK KIT

LPG TANK SUPPORT ASSY

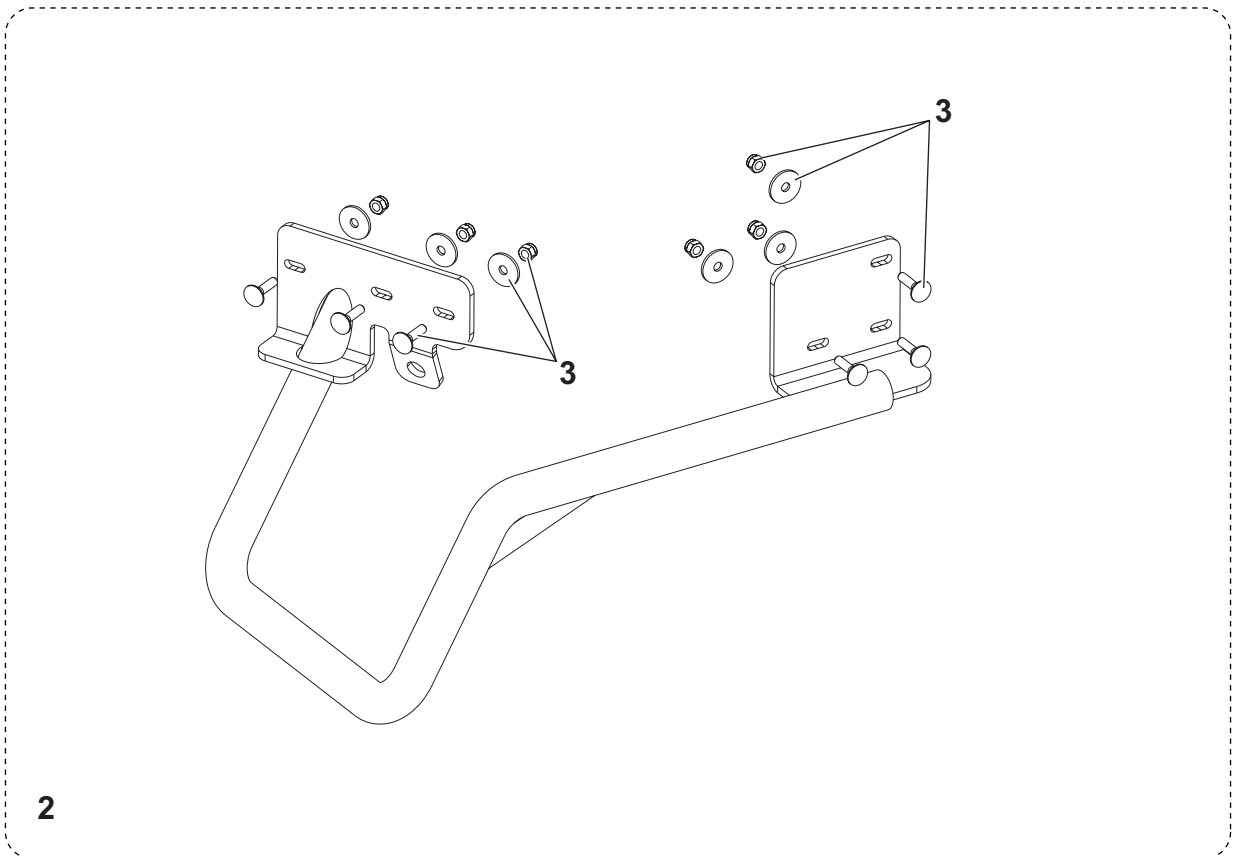
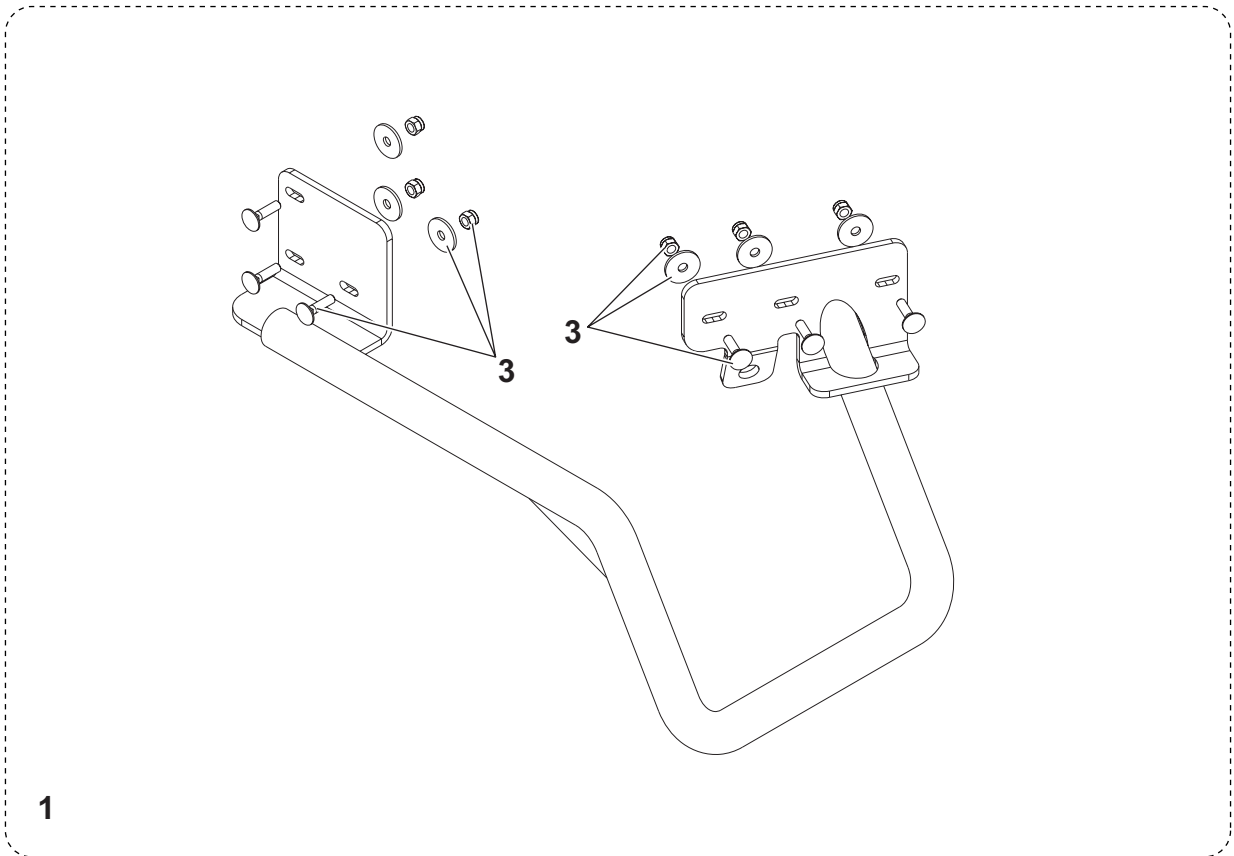




**LPG TANK SUPPORT ASSY**

KIT	ITEM	REF. NO.	QTY	DESCRIPTION
	1	1466833000	1	SUPPORT MET. BLACK F LPG TANK KIT
	2	1466832000	1	HARDWARE F LPG TANK SUPPORT KIT
	3	1466831000	1	RUBBER ANTI-SKID FOR LGP TANK KIT
	4	1467064000	1	BAND POLYESTER W/RACKET PKD

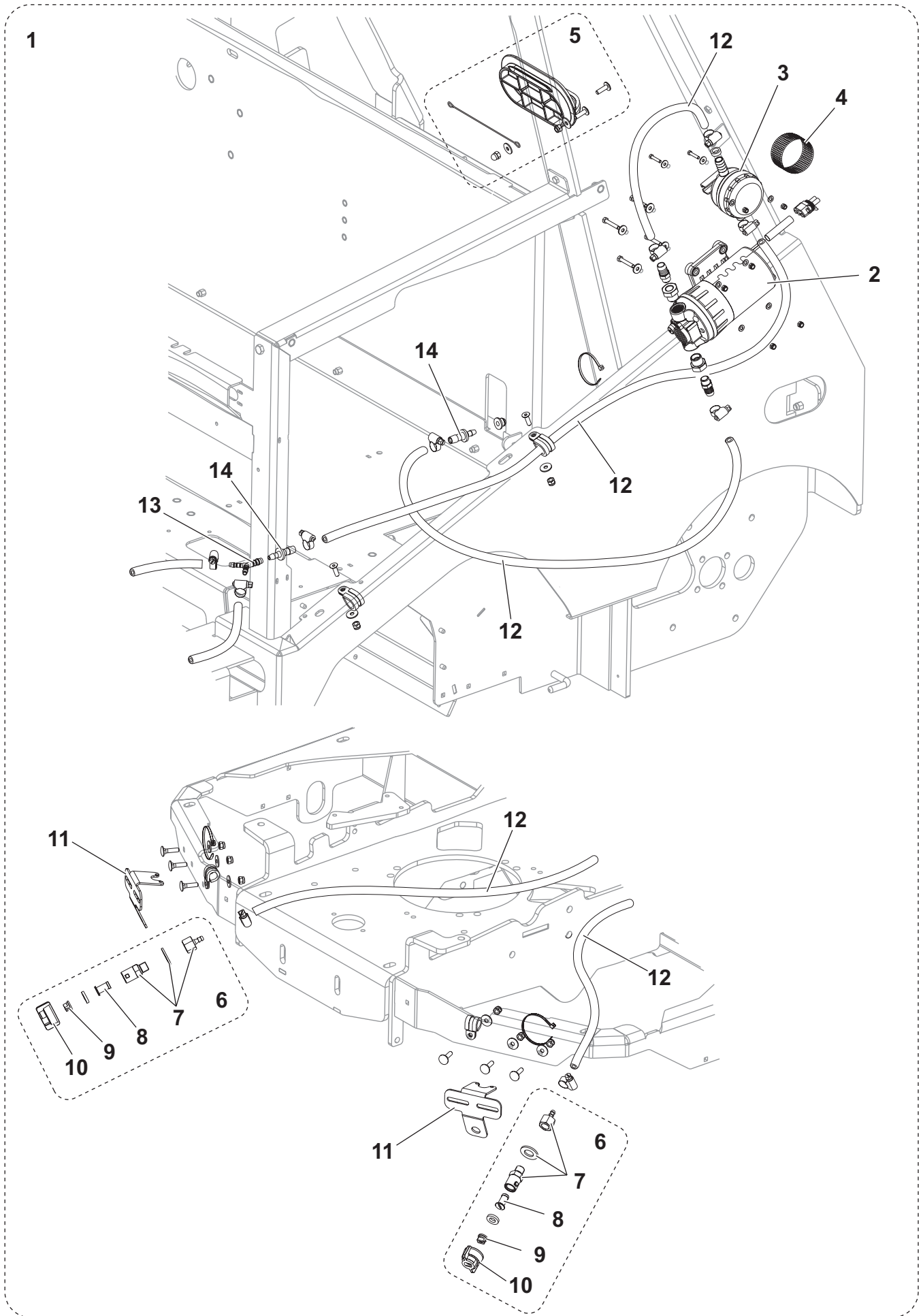
OPTIONALS, ACCESSORIES



**OPTIONALS, ACCESSORIES**

KIT	ITEM	REF. NO.	QTY	DESCRIPTION
	<b>1*</b>	<b>1466891000</b>	<b>1</b>	<b>GUARD RIGHT SIDE BROOM KIT</b>
		1466901000	1	INSTRUCTIONS F SIDE BROOM GUARD KIT
	<b>2*</b>	<b>1466892000</b>	<b>1</b>	<b>GUARD LEFT SIDE BROOM KIT</b>
		1466901000	1	INSTRUCTIONS F SIDE BROOM GUARD KIT
	<b>3</b>	<b>1466927000</b>	<b>2</b>	<b>HARDWARE F SIDE BROOM GUARD KIT</b>

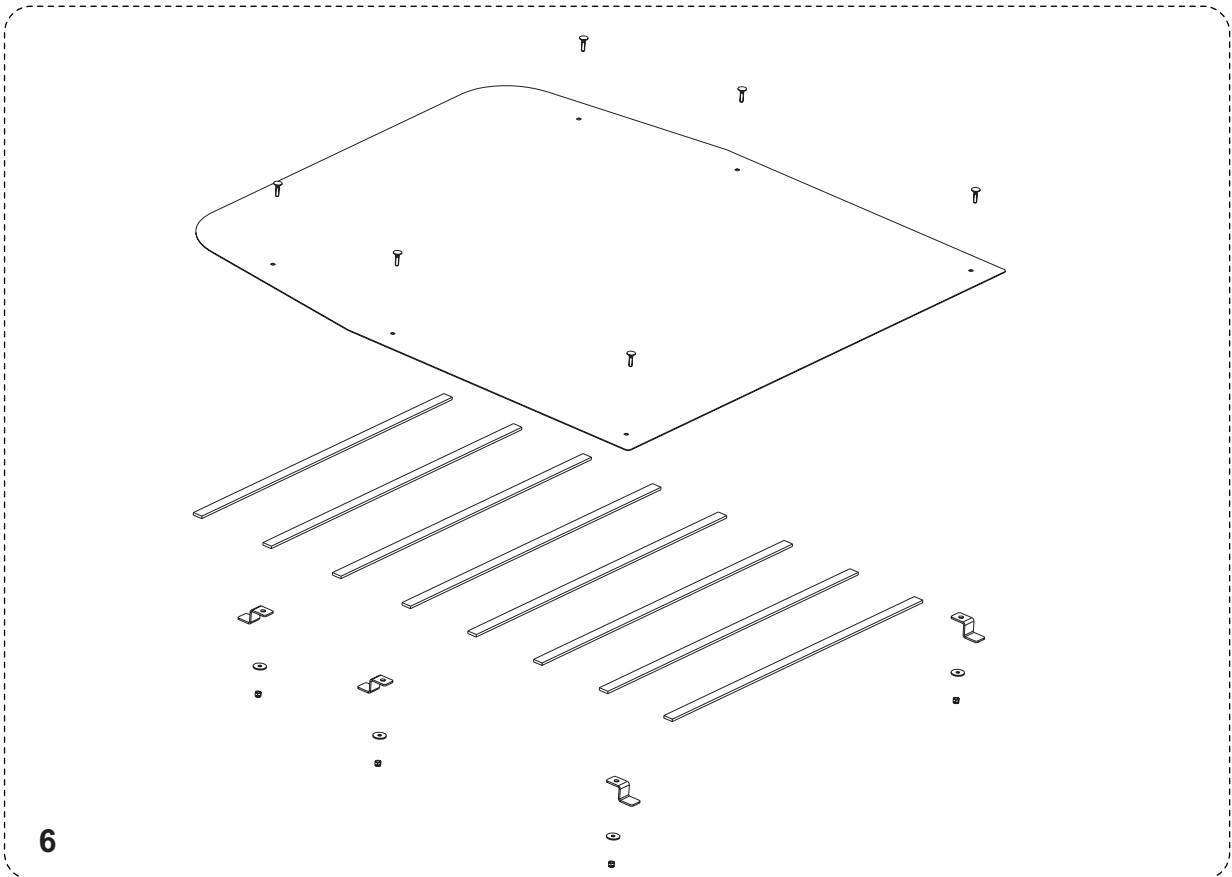
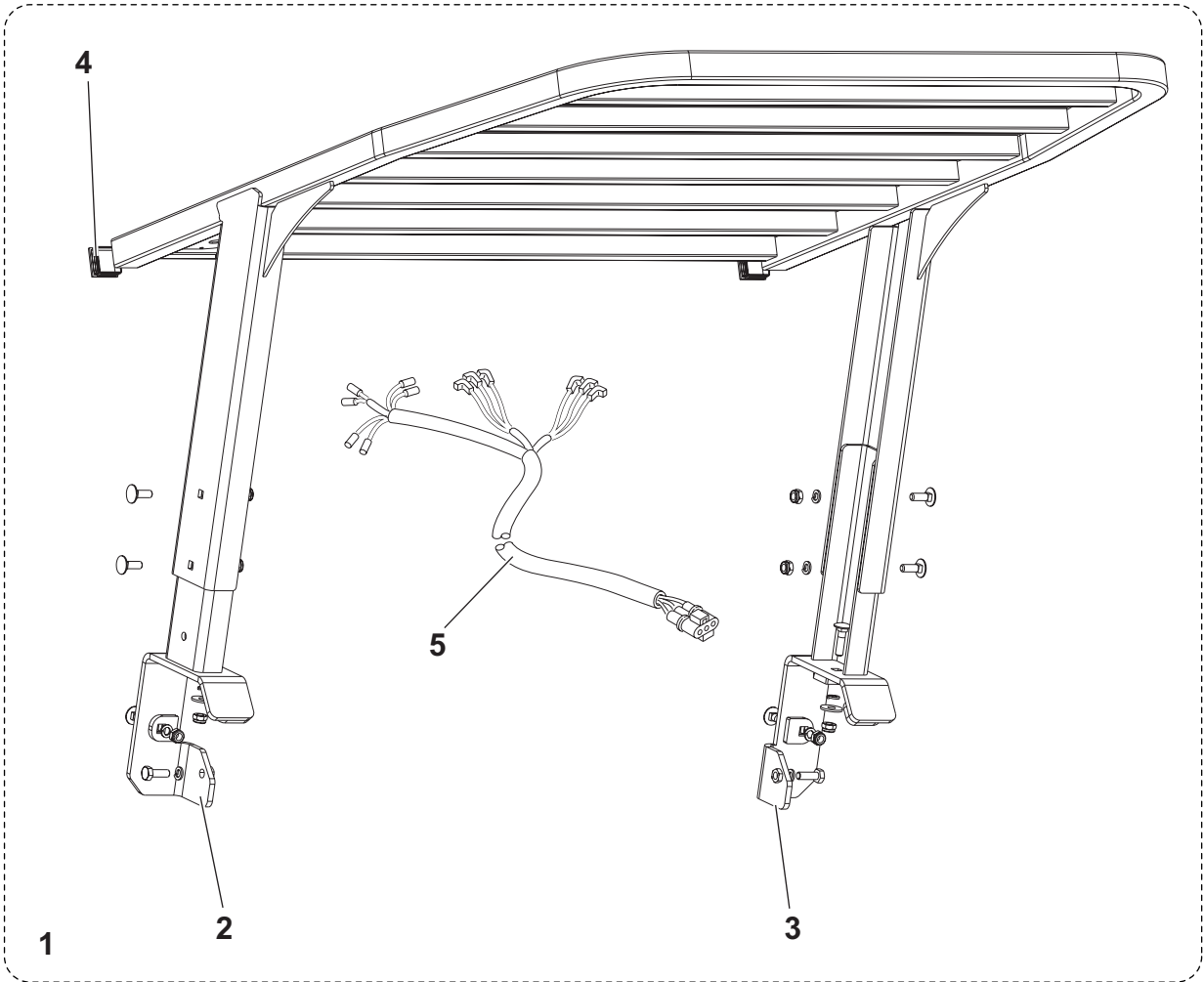
OPTIONALS, ACCESSORIES



## OPTIONALS, ACCESSORIES

KIT	ITEM	REF. NO.	QTY	DESCRIPTION
	1*	1466890000	1	DUSTGUARD KIT
		1466900000	1	INSTRUCTIONS F DUSTGUARD SYSTEM KIT
	2	1465647000	1	PUMP WATER KIT
	3	9100000860	1	FILTER WATER PKD
	4	9100000861	1	NET WATER FILTER REINFORCED PKD
	5	1465355000	1	CAP SOLUTION TANK KIT
	6	33019324	2	NOZZLE SPRAY KIT
	7	33020865	2	ADAPTER SPRAY KIT
	8	1467245000	2	CHECK VALVE FILTER PKD
	9	1467246000	2	NOZZLE SPRAY DIAM 0.33 S.S. PKD
	9	1467247000	2	NOZZLE SPRAY 0.53 BRASS PKD
	10	1467248000	2	RING NUT QUICK COUPLING PKD
	11	1467177000	2	SUPPORT GALV. F NOZZLE PKD
	12	1467178000	1	HOSE F DUSTGUARD KIT
	13	1467179000	1	ELBOW Y D.6-8-6 SET
	14	1467180000	2	FITTING STRAIGHT REDUCER PKD

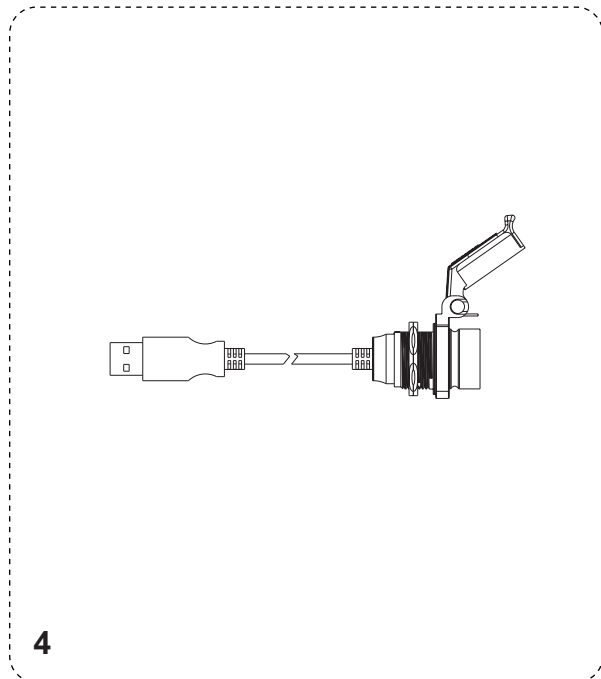
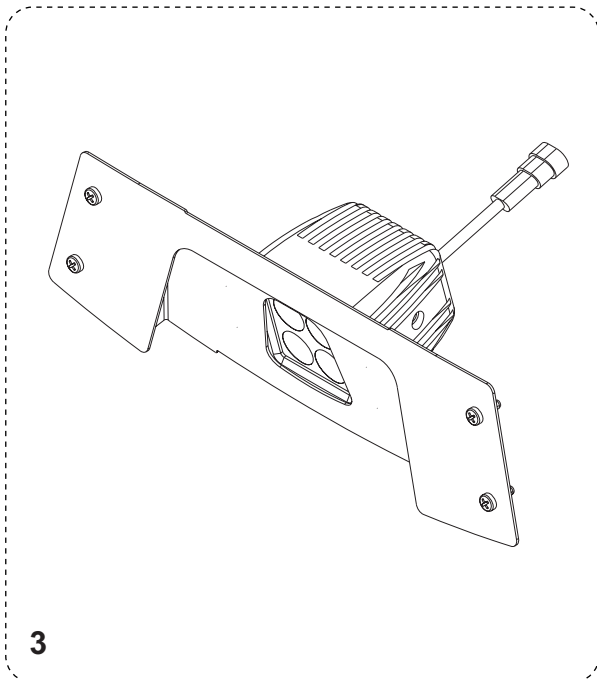
OPTIONALS, ACCESSORIES



**OPTIONALS, ACCESSORIES**

KIT	ITEM	REF. NO.	QTY	DESCRIPTION
	<b>1*</b>	<b>1466096000</b>	<b>1</b>	<b>GUARD OVERHEAD KIT</b>
		1466894000	1	INSTRUCTIONS F OVERHEAD GUARD KIT
	2	1466924000	1	SUPPORT RT F OHG MET. BLACK PKD
	3	1466926000	1	SUPPORT LT F OHG MET. BLACK PKD
	4	1467084000	1	CAP SQUARE 40X40 2 PCS SET
	5#	1467556000	1	HARNESS F OHG PKD
	<b>6*</b>	<b>1466886000</b>	<b>1</b>	<b>CANOPY FOR OHG KIT</b>
		1466895000	1	INSTRUCTIONS F CANOPY F OHG KIT

OPTIONALS, ACCESSORIES

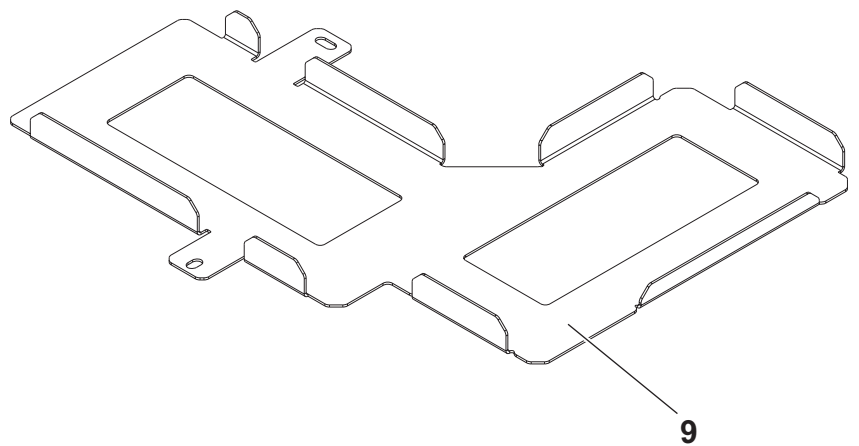
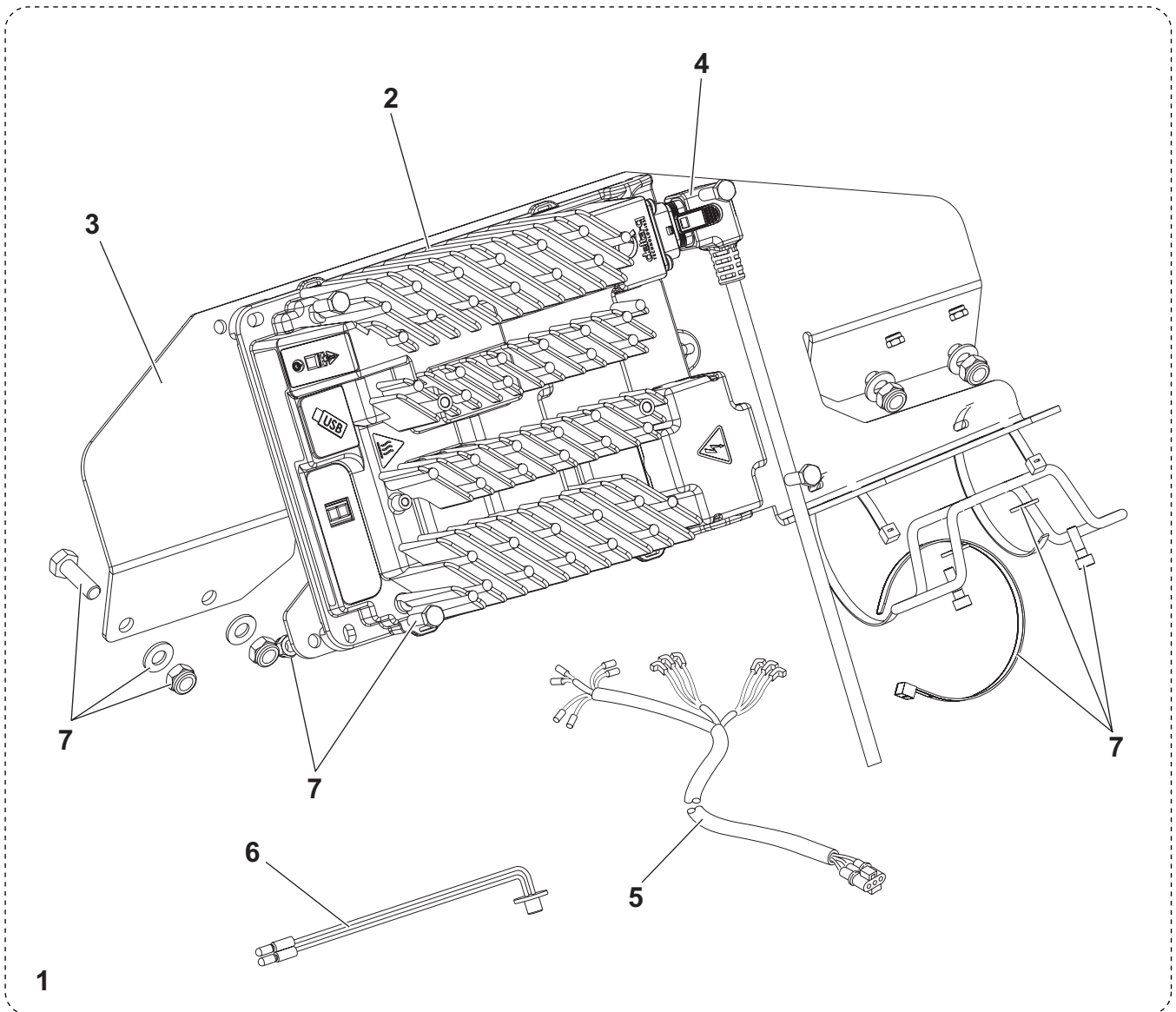




**OPTIONALS, ACCESSORIES**

KIT	ITEM	REF. NO.	QTY	DESCRIPTION
	3	1466889000	1	LIGHT FRONT KIT
		1466899000	1	INSTRUCTIONS F FRONT LIGHT KIT
	<b>4*</b>	<b>1466247000</b>	<b>1</b>	<b>USB PORT KIT</b>
		1466896000	1	INSTRUCTIONS F USB PORT KIT
	<b>[5]*</b>	<b>1466947000</b>	<b>1</b>	<b>CABLE POWER SUPPLY UK L.3000MM PKD</b>

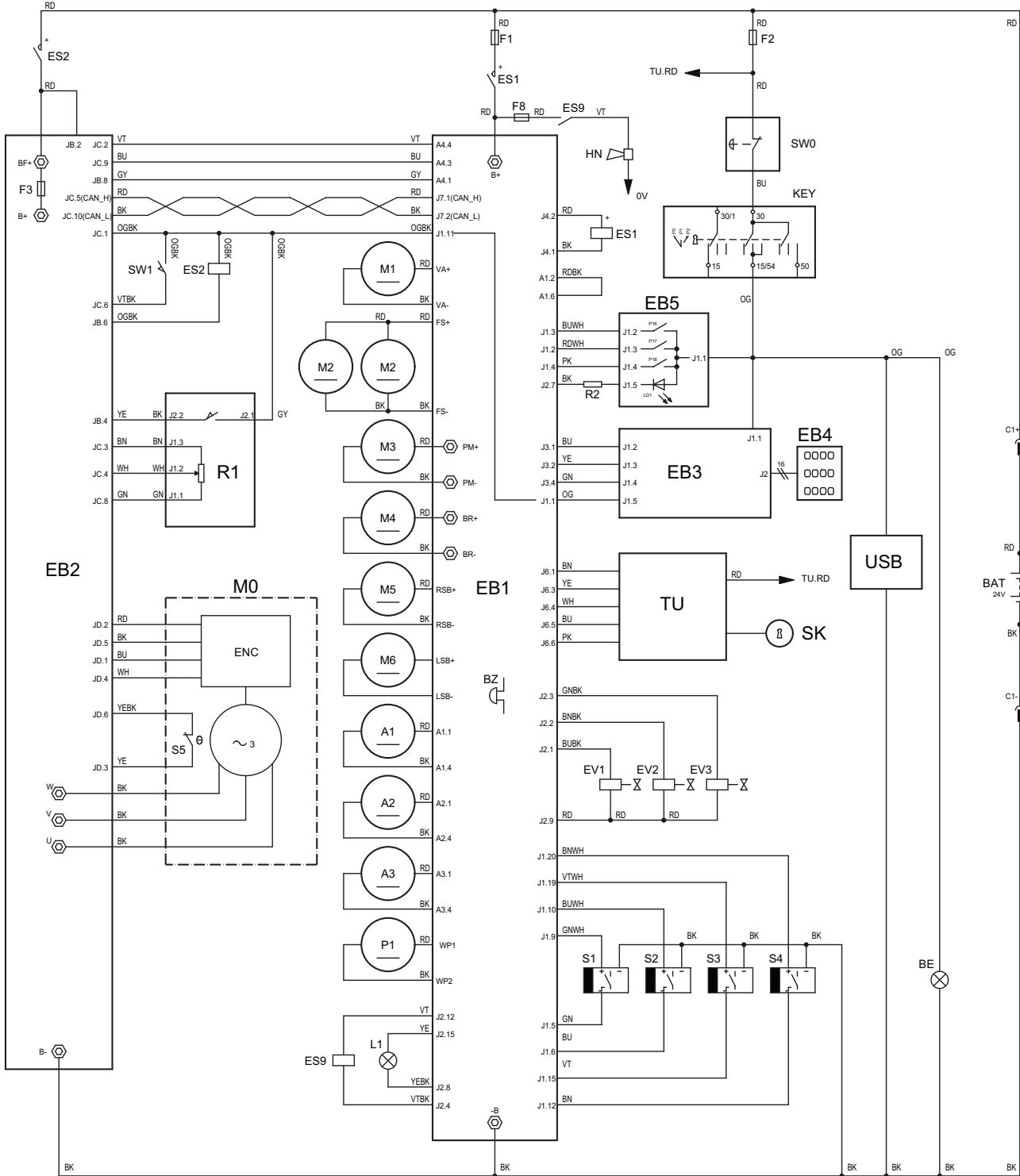
OPTIONALS, ACCESSORIES



**OPTIONALS, ACCESSORIES**

KIT	ITEM	REF. NO.	QTY	DESCRIPTION
	<b>1*#</b>	<b>1467307000</b>	<b>1</b>	<b>HYBRID KIT US VERSION</b>
		1466903000	1	INSTRUCTION F HYBRID KIT
	2	56383856	1	CHARGER-ONBOARD 24V 650W
	3	1467097000	1	SUPPORT BLACK OBC F HYBRID VERS. PKD
	4#	56383866	1	CORD-AC NEMA IEC320 - DELTAQ
	5#	1467557000	1	HARNESS F HYBRID VERSION PKD
	6	1466561000	1	SWITCH W/ CONNECTOR KIT
	7	1467098000	1	HARDWARE F HYBRID KIT
	<b>9*</b>	<b>1467092000</b>	<b>1</b>	<b>STOPPER MET. F BATTERIES LPG HYB KIT</b>

WIRING DIAGRAM BATTERY



**WIRING DIAGRAM BATTERY**

KEY	REF. NO.	DESCRIPTION
A1	1466663000	ACTUATOR LINEAR 24V DC STRK 45MM PKD
A2	1466663000	ACTUATOR LINEAR 24V DC STRK 45MM PKD
A3	1466663000	ACTUATOR LINEAR 24V DC STRK 45MM PKD
BE	1464948000	BEACON KIT
C1	1467029000	CONNECTOR 175A RED
C2	1467029000	CONNECTOR 175A RED
EB1	9100001879	CONTROLLER MAIN MACHINE PKD
EB2	1466649000	CONTROLLER DRIVE 24V 240A A.C. PKD
EB3	1466681000	CONTROLLER DISPLAY PKD
EB4	1466679000	DASHBOARD CONTROL PANEL BLUE PKD
	1466680000	DASHBOARD CONTROL PANEL BLACK PKD
EB5	1466684000	DASHBOARD SIDE CONTROL PANEL PKD
	1466686000	DASHBOARD SIDE CONTR PANEL BLACK PKD
ES1	1466645000	CONTACTOR 24V 100A PKD
ES2	1466644000	CONTACTOR 24V 200A PKD
F1	1466652000	FUSE BOLT DOWN 150A PKD
F2	1467034000	FUSE BLADE 10A PKD
F3	1467241000	FUSE BOLT-DOWN 160A PKD
HN	1467032000	HORN 24V PKD
KEY	33020442	KEY STARTER SWITCH W/SPARE KEY KIT
L1	1466889000	LIGHT FRONT KIT
M0	1466461000	MOTOR AC 24v 1.2kw
M1	1467040000	FAN RADIAL 24V PKD
M2	1466314000	MOTOR FILTER SHAKER 12W 24V KIT
M3	1466712000	GEARCASE HYDRAULIC 24V 800W 1CC PKD
M4	1466946000	MOTOR 24V 1250W 3800 RPM IP44 MP80L KIT
M5	1466668000	MOTOR GEARBOX 24VDC 120W RT B PKD
M6	1466674000	MOTOR GEARBOX 24VDC 120W LT B PKD
R1	1466589000	PEDAL ELECTRONIC ACCELERATOR KIT
S1	1467062000	SWITCH BACK UP PROXIMITY PKD
S2	1467062000	SWITCH BACK UP PROXIMITY PKD
S3	1467062000	SWITCH BACK UP PROXIMITY PKD
S4	1467062000	SWITCH BACK UP PROXIMITY PKD
SW0	1466683000	SWITCH EMERGENCY KIT
SW1	1467028000	SEAT PKD
USB	1466247000	USB PORT KIT

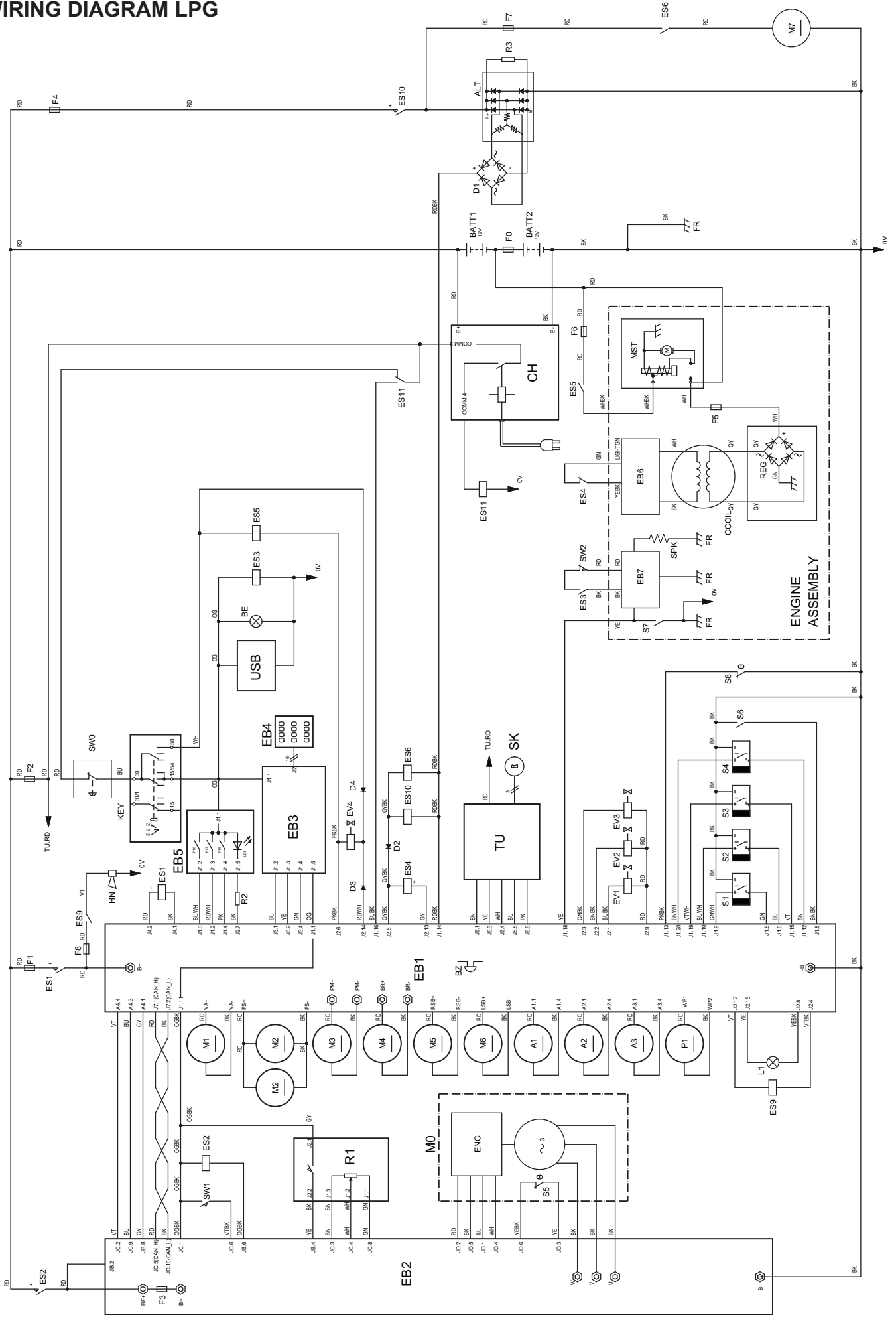
**KEY COLOUR**

BK	BLACK
BU	LIGHT BLUE
BN	BROWN
GN	GREEN
GY	GREY
OG	ORANGE

**KEY COLOUR**

PK	PINK
RD	RED
VT	VIOLET
WH	WHITE
YE	YELLOW

WIRING DIAGRAM LPG



**WIRING DIAGRAM LPG**

KEY	REF. NO.	DESCRIPTION
A1	1466663000	ACTUATOR LINEAR 24V DC STRK 45MM PKD
A2	1466663000	ACTUATOR LINEAR 24V DC STRK 45MM PKD
A3	1466663000	ACTUATOR LINEAR 24V DC STRK 45MM PKD
ALT	1466804000	ALTERNATOR PMG 24V 3.8KW PKD
BE	1464948000	BEACON KIT
CH#	1467307000	HYBRID KIT US VERSION
EB1#	9100001879	CONTROLLER MAIN MACHINE PKD
EB2	1466649000	CONTROLLER DRIVE 24V 240A.A.C. PKD
EB3	1466681000	CONTROLLER DISPLAY PKD
EB4	1466679000	DASHBOARD CONTROL PANEL BLUE PKD
	1466680000	DASHBOARD CONTROL PANEL BLACK PKD
EB5	1466684000	DASHBOARD SIDE CONTROL PANEL PKD
	1466686000	DASHBOARD SIDE CONTR PANEL BLACK PKD
EV4	1465633000	SOLENOID VALVE LPG/CNG 12V 8W KIT
ES1	1466645000	CONTACTOR 24V 100A PKD
ES2	1466644000	CONTACTOR 24V 200A PKD
F1	1466652000	FUSE BOLT DOWN 150A PKD
F2	1467034000	FUSE BLADE 10A PKD
F3	1467241000	FUSE BOLT-DOWN 160A PKD
F4	1466652000	FUSE BOLT DOWN 150A PKD
HN	1467032000	HORN 24V PKD
KEY	33020442	KEY STARTER SWITCH W/SPARE KEY KIT
L1	1466889000	LIGHT FRONT KIT
M0	1466461000	MOTOR AC 24v 1.2kw
M1	1467040000	FAN RADIAL 24V PKD
M2	1466314000	MOTOR FILTER SHAKER 12W 24V KIT
M3	1466712000	GEARCASE HYDRAULIC 24V 800W 1CC PKD
M4	1466687000	MOTOR 24V 1000W 3800 RPM IP44 MP80L KIT
M5	1466668000	MOTOR GEARBOX 24VDC 120W RT B PKD
M6	1466674000	MOTOR GEARBOX 24VDC 120W LT B PKD
R1	1466589000	PEDAL ELECTRONIC ACCELERATOR KIT
S1	1467062000	SWITCH BACK UP PROXIMITY PKD
S2	1467062000	SWITCH BACK UP PROXIMITY PKD
S3	1467062000	SWITCH BACK UP PROXIMITY PKD
S4	1467062000	SWITCH BACK UP PROXIMITY PKD
S6	33022290	SWITCH PRESSURE 1.1 BAR PKD
SW0	1466683000	SWITCH EMERGENCY KIT
SW1	1467028000	SEAT PKD
USB	1466247000	USB PORT KIT

KEY	COLOUR
BK	BLACK
BU	LIGHT BLUE
BN	BROWN
GN	GREEN
GY	GREY
OG	ORANGE

KEY	COLOUR
PK	PINK
RD	RED
VT	VIOLET
WH	WHITE
YE	YELLOW

**RECOMMENDED SPARE PARTS**

REF. NO.	QTY	DESCRIPTION	SW5500 B	SW5500 LPG	
<b>NORMAL WEAR</b>					
1466255000	1	WHEEL NON MARKING D300X85	.	.	
1466587000	1	WHEEL FOAMED 4.00-8 WITH DRUM KIT	.	.	
1466588000	1	WHEEL SOLID 4.00-8 NON MARK DRUM KIT	.	.	
1466606000	1	SKIRT FRONT OVERM BLACK RUBBER PKD	.	.	
1466613000	1	SKIRT REAR PRIMARY BLACK RUBBER PKD	.	.	
1466614000	1	SKIRT LT SIDE BLACK RUBBER PKD	.	.	
1466616000	1	SKIRT REAR RECYCLING BLACK RUBBER PKD	.	.	
1466619000	1	SKIRT RT SIDE BLACK RUBBER PKD	.	.	
1466670000	1	BROOM SIDE 302X500 PPL 1.5 BLACK	.	.	
1466860000	1	WHEEL SOLID 4.00-8 DRUM KIT	.	.	
1466936000	1	BROOM SIDE 302X500 MIX STEEL	.	.	
1467066000	1	SHOE BRAKE PKD	.	.	
1467069000	1	ROLLER SIDE BLADE PKD	.	.	
1467076000	1	BROOM SIDE 302X500 MIX 5	.	.	
1467218000	1	FILTER AIR PETROL ENGINE	.	.	
1467083000	1	CARBON BRUSH 2 PCS SET	.	.	
L08603949	1	CARBON BRUSHES SET 4 PCS	.	.	
<b>EXTRAORDINARY MAINTENANCE</b>					
33020442	1	KEY STARTER SWITCH W/SPARE KEY KIT	.	.	
33022290	1	SWITCH PRESSURE 1.1 BAR PKD	.	.	
33023192	1	GASKET MOTOR VACUUM PKD	.	.	
44905699	1	BEARING BALL 6001 2RS PKD	.	.	
1465350000	1	ADAPTER F LPG TANK KIT	.	.	
1465633000	1	SOLENOID VALVE LPG/CNG 12V 8W KIT	.	.	
1466297000	1	RECTIFIER BRIDGE 180A	.	.	
1466314000	1	MOTOR FILTER SHAKER 12W 24V KIT	.	.	
1466426000	1	RESISTOR 100 OHM 25W	.	.	
1466461000	1	MOTOR AC 24v 1.2kw	.	.	
1466474000	1	GEAR BOX F MOTORWHEEL TV-130 1/28.4	.	.	
1467192000	1	SENSOR SPEED	.	.	
1466552000	1	SEAL HYDRAULIC CYLINDER 25/16/120 KIT	.	.	
1466553000	1	SEAL HYDRAULIC CYLINDER 40/25/470 KIT	.	.	
1466578000	1	SENSOR TEMPERATURE 90C N/C	.	.	
1466592000	1	ACCELERATOR ELECTRONIC PKD	.	.	
1467191000	1	MOTORWHEEL TV-130 24V AC 1.2KW KIT	.	.	
1466599000	1	PINION Z8 5/8X3/8 MET. KIT	.	.	
1466600000	1	CHAIN ISO 10B-1 57 PITCHES 2 LINKS PKD	.	.	
1466602000	1	PLATE GALV. F FRONT SKIRT KIT	.	.	
1466612000	1	WIRE F FRONT SKIRT RAISING PKD	.	.	
1466644000	1	CONTACTOR 24V 200A PKD	.	.	
1466645000	1	CONTACTOR 24V 100A PKD	.	.	
#	1467551000	1	HARNESS STEERING COLUMN PKD	.	.
#	9100001879	1	CONTROLLER MAIN MACHINE	.	.
1466649000	1	CONTROLLER DRIVE 24V 240A A.C. PKD	.	.	
1466652000	1	FUSE BOLT DOWN 150A PKD	.	.	
1466653000	1	PEDAL F BRAKE KIT	.	.	
1466655000	1	WIRE F RT BRAKE PKD	.	.	
1466656000	1	WIRE F LT BRAKE PKD	.	.	
1466658000	1	WIRE PRIMARY BRAKE PKD	.	.	
1466663000	1	ACTUATOR LINEAR 24V DC STRK 45MM PKD	.	.	
1466668000	1	MOTOR GEARBOX 24VDC 120W RT B PKD	.	.	
1466674000	1	MOTOR GEARBOX 24VDC 120W LT B PKD	.	.	
1466679000	1	DASHBOARD CONTROL PANEL BLUE PKD	.	.	
1466680000	1	DASHBOARD CONTROL PANEL BLACK PKD	.	.	
1466681000	1	CONTROLLER DISPLAY PKD	.	.	
1466691000	1	GEAR BOX 7.5/1 71 B14 PKD	.	.	
1466697000	1	TIE-ROD METALLIC F BROOM SPRING PKD	.	.	
<b>EXTRAORDINARY MAINTENANCE</b>					



**RECOMMENDED SPARE PARTS**

REF. NO.	QTY	DESCRIPTION	SW5500 B	SW5500 LPG
1466701000	1	KNOB LOBES M10 F W/ ORANGE CAP PKD	.	.
1466712000	1	GEARCASE HYDRAULIC 24V 800W 1CC PKD	.	.
1466723000	1	CYLINDER HYDRAULIC 25/16/120 CPL KIT	.	.
1466724000	1	BLOCK PLASTIC F LIFTING ARM GUIDE PKD	.	.
1466778000	1	REPAIR SOLENOID VALVE LPG PKD	.	.
1466790000	1	CYLINDER HYDRAULIC 40/25/470 CPL KIT	.	.
1466793000	1	FAN AXIAL 24VDC 170W D.225 PKD	.	.
1466804000	1	ALTERNATOR PMG 24V 3.8KW PKD	.	.
1466814000	1	ENGINE GX270 MODIFIED F LPG KIT	.	.
1466815000	1	CARBURETOR F LPG ENGINE KIT	.	.
1466827000	1	FITTINGS F LPG SOLENOID VALVE KIT	.	.
# 1467483000	1	HOSES LPG REGULATOR KIT	.	.
1466856000	1	LEVER F FAN HOLDER BLOCK KIT	.	.
1466859000	1	HUB F SIDE BROOM PKD	.	.
1466861000	1	CAM PLASTIC F HOPPER POSITIONING KIT	.	.
1466862000	1	GASKET D BULB RUBBER L.2020MM PKD	.	.
1466879000	2	BRACKET GALV. F FILTER SHAKER PKD	.	.
1466946000	1	MOTOR 24V 1250W 3800 RPM IP44 MP80L KIT	.	.
1466687000	1	MOTOR 24V 1000W 3800 RPM IP44 MP80L KIT	.	.
1467009000	2	SPRING 1X11.5 4 PCS SET	.	.
1467023000	1	HUB LEFT MAIN BROOM PKD	.	.
1467024000	1	SPRING PKD	.	.
1467030000	1	BEARING BALL 6003 2RS PKD	.	.
1467034000	1	FUSE BLADE 10A PKD	.	.
1467036000	2	KNOB LOBES M10 FEMALE PKD	.	.
1467039000	1	SPRING TRACTION CARBON STEEL PKD	.	.
1467040000	1	FAN RADIAL 24V PKD	.	.
1467042000	1	HATCH RUBBER PKD	.	.
1467046000	1	SPRING BRAKE PKD	.	.
1467051000	1	REGULATOR LPG T60 PKD	.	.
1467054000	1	VALVE BLOCK PKD	.	.
1467056000	1	HUB MAIN BROOM PKD	.	.
1467062000	2	SWITCH BACK UP PROXIMITY PKD	.	.
1467063000	1	VALVE SECURITY 400PSI PKD	.	.
1467070000	1	PIN D.10 LOCKING BRUSH PKD	.	.
1467071000	1	SPRING PKD	.	.
1467209000	1	VALVE FLOW CONTROL 5L/MIN 1/4 GAS	.	.
1467210000	1	SOLENOID 24V 18W N-H13	.	.
1467211000	1	CARTRIDGE SOLENOID VALVE 4/2	.	.
1467212000	1	CARTRIDGE SOLENOID VALVE 4/3	.	.
1467213000	1	CAP PRESSURE D19	.	.
1467214000	1	CAP F MP80L MOTOR BRUSHES	.	.
1467215000	1	CAP F MOTOR BRUSHES	.	.
1467216000	1	COIL IGNITION PETROL ENGINE COMPLETE	.	.
1467217000	1	COVER F AIR FILTER BOX	.	.
1467219000	1	GASKET MUFFLER ENGINE PKD	.	.
1467220000	1	GASKET EXHAUST PIPE ENGINE PKD	.	.
1467221000	1	MOTOR STARTER 12V 0.6KW PETROL ENGINE	.	.
1467222000	1	GUARD F MUFFLER ENGINE PKD	.	.
1467223000	1	CAP W/LUB.OIL GAUGE PETROL ENGINE	.	.
1467224000	1	CONTROL UNIT F PETROL ENGINE CARBURETOR	.	.
1467241000	1	FUSE BOLT-DOWN 160A	.	.
1467242000	1	MOTOR ELECTRIC 24V 800W	.	.
1467243000	1	STUD BOLT M/F 1/4 BSP ES. 19 PKD	.	.
9098329000	1	HINGES KIT	.	.

## OPTIONALS, ACCESSORIES

REF. NO.	QTY	DESCRIPTION	SW5500 B	SW5500 LPG
1464954000	1	BELTS SAFETY KIT	•	•
1464960000	1	ARMREST LT SEAT KIT	•	•
33019556	1	ARMREST RT SEAT KIT	•	•
1466588000	2	WHEEL SOLID 4.00-8 NON MARK DRUM KIT	•	•
1466860000	2	WHEEL SOLID 4.00-8 DRUM KIT	•	•
1466936000	1	BROOM SIDE 302X500 MIX STEEL	•	•
1467076000	1	BROOM SIDE 302X500 MIX 5	•	•
1465730000	1	BROOM MAIN 360X850 8R MIX STEEL WHITE	•	•
1465731000	1	BROOM MAIN 360X850 8R PPL 1 BLACK	•	•
1467173000	1	FILTER PANEL POLYESTER ULTRA WEB	•	•
80564100	4	BATT. 6V-240AH GEL MONOBLOC	•	
80565000	4	BATT. 6V-255AH WET SEMI T MONOBLOC	•	
80562442	1	BATT.24V-420AH GEL SINGLE CELLS IN TRAY	•	
80565300	1	BATTERY TRACTION 24V 330 Ah GEL	•	
80562448	1	BATTERY TRACTION 24V 480 AH - 8 EPZS 480	•	
1466420000	1	BATTERY FIXING 480AH BATTERY TRAY KIT	•	
80565200	1	BATTERY TRACTION 24V 360 AH	•	
1465750000	1	BATTERY FIXING 360AH BATTERY TRAY KIT	•	
1466891000	1	GUARD RIGHT SIDE BROOM KIT	•	•
1466892000	1	GUARD LEFT SIDE BROOM KIT	•	•
1466890000	1	DUSTGUARD KIT	•	•
1466096000	1	GUARD OVERHEAD KIT	•	•
1466886000	1	CANOPY FOR OHG KIT	•	•
1466889000	1	LIGHT FRONT KIT	•	•
1466247000	1	USB PORT KIT	•	•
1466947000	1	CABLE POWER SUPPLY UK L.3000MM PKD	•	•
# 1467307000	1	HYBRID KIT US VERSION		•
1467093000	1	STOPPER MET. F BATTERIES D HYB KIT	•	•
1467092000	1	STOPPER MET. F BATTERIES LPG HYB KIT	•	•





**Advance**

9435 Winnetka Avenue North  
Brookly Park, MN 55445  
[www.advance-us.com](http://www.advance-us.com)  
Phone: 800-989-2235  
Fax: 800-989-6566  
©2016 Nilfisk, Inc.

---

**A Nilfisk Brand**