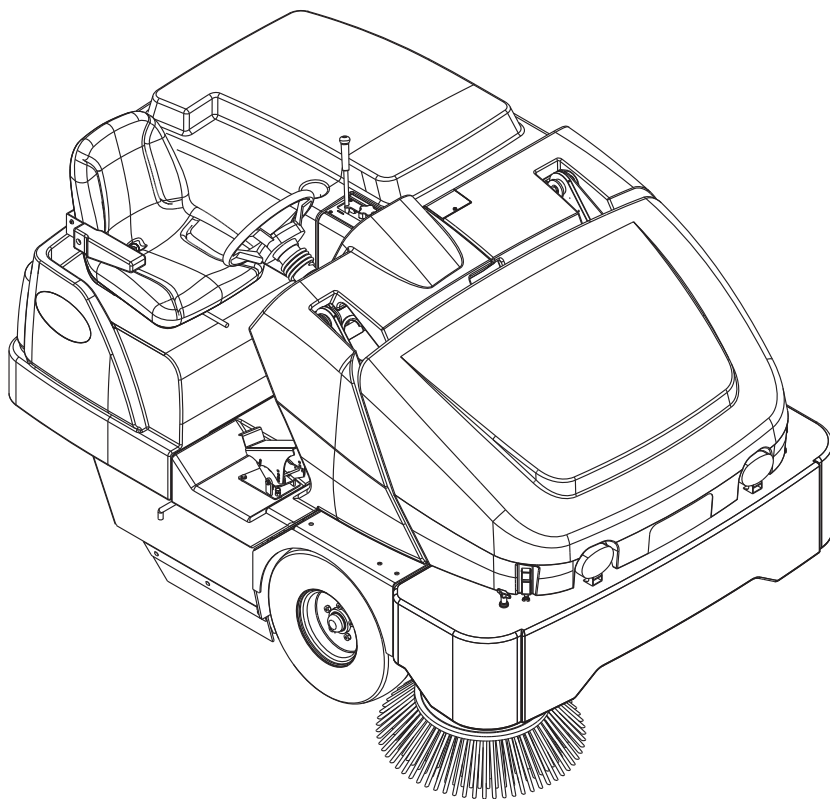


SW8000

Parts List

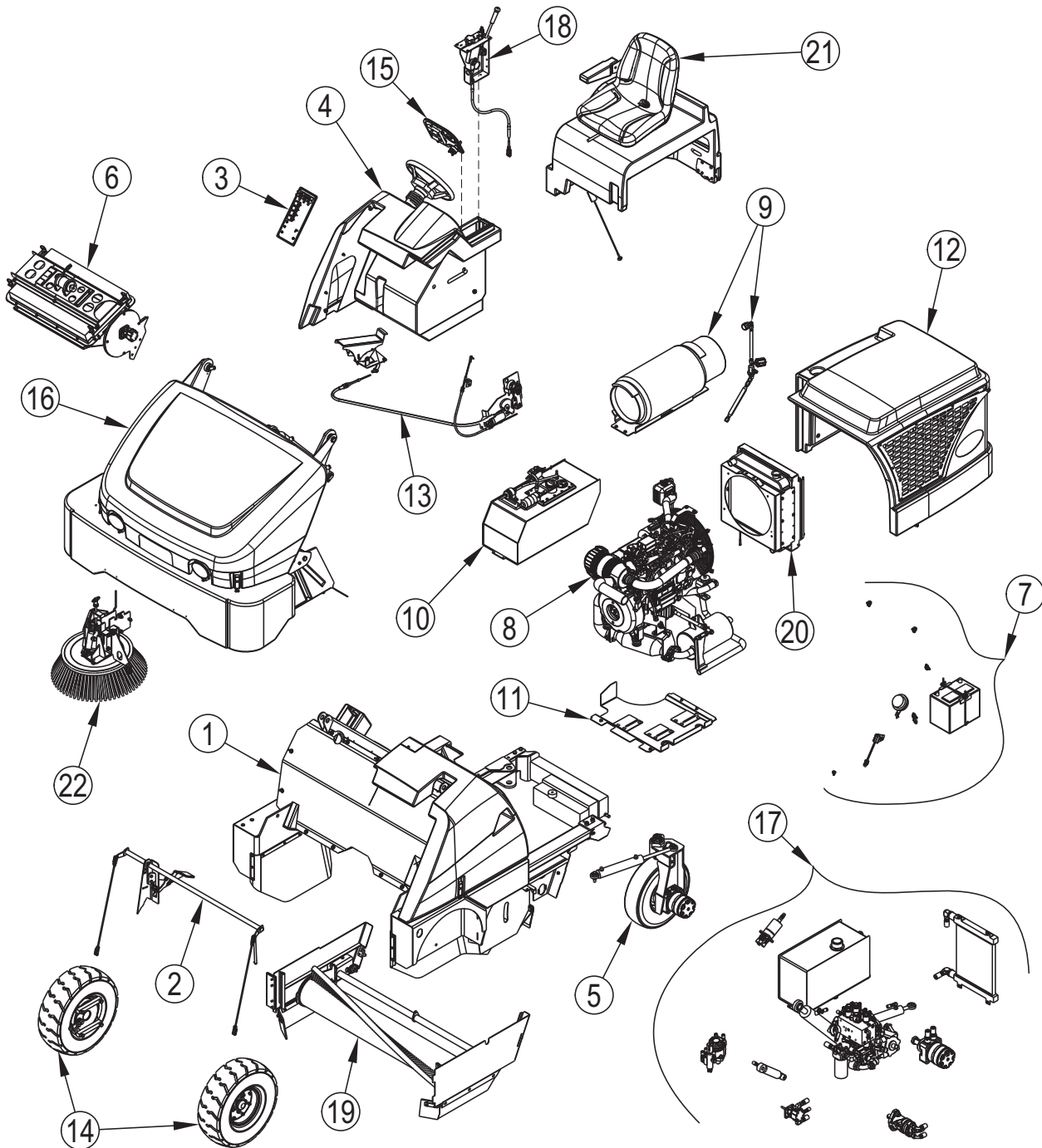
11/2012 revised 8/2018 REV L
Form no. 56042600



Model No:

56107503 (4 cyl LPG), 56107501 (4 cyl Petrol),
56107505 (4 cyl Diesel), 56107509 (4 cyl LPG / cab),
56107507 (4 cyl Petrol / cab), 56107511 (4 cyl Diesel / cab)

GENERAL VIEW



Item	Ref. No.	Qty	Description
1		1	Chassis System
2		1	Brake Pedal Assy
3		1	Circuit Breaker Panel Assy
4		1	Control System
5		1	Drive Wheel System
6		1	Dust Control System
7		1	Electrical System
8		1	Engine System
9		1	Engine LPG Tank & Filter Assy
10		1	Engine Diesel/Petrol Fuel Tank Assy
11		1	Engine Bottom Cover Assy

Item	Ref. No.	Qty	Description
12		1	Engine Rear Cover Assy
13		1	Forward-Reverse Control Assy
14		1	Front Wheel System
15		1	Gauge Panel Assy
16		1	Hopper System
17		1	Hydraulic System
18		1	Broom Lift Assy
19		1	Main Broom Assy
20		1	Radiator Assy
21		1	Seat Assy
22		1	Side Broom System

TABLE OF CONTENTS

DESCRIPTION	PAGE
Chassis System.....	4-5
Chassis Assy	6-7
Brake Pedal Assy	8-9
Circuit Breaker Panel Assy	10-11
Control System.....	12-13
Decal System	14-15
Drive Wheel System.....	16-17
Dust Control System-1	18-19
Dust Control System-2	20-21
Electrical System.....	22-23
Engine LPG System-1.....	24-25
Engine LPG System-2.....	26-27
Engine Base Assy - LPG	28-29
Engine Petrol System-1.....	30-31
Engine Petrol System-2.....	32-33
Engine Base Assy – Petrol	34-35
Engine [Kubota] Diesel System-1.....	36-37
Engine [Kubota] Diesel System-2.....	38-39
Engine Base Assy – Diesel	40-41
Engine LPG Tank & Filter Assy.....	42-43
Engine [Kubota] Diesel Fuel Tank Assy.....	44-45
Engine Petrol Fuel Tank Assy.....	46-47
Engine Bottom Cover Assy – Diesel.....	48
Engine Bottom Cover Assy – LPG-Petrol.....	49
Engine Rear Cover Assy	50-51
Forward-Reverse Control Assy.....	52-53
Front Wheel System.....	54-55
Gauge Panel Assy.....	56-57
Hopper System-1 thru 4	58-63
Hydraulic Schematic – 37° Flare (Before April 1, 2018).....	64
Hydraulic Schematic – ORFS (April 1 Or After, 2018).....	65
Hydraulic System	
Hydraulic System – 37° Flare – ORFS (Serial Number Break).....	66
Hydraulic System – ORFS – Hose Description Key.....	67
Hydraulic System – 37° Flare (Before April 1, 2018).....	68-69
Hydraulic System – ORFS (April 1 Or After, 2018).....	70-71
Hydraulic System – Mounting – 37° Flare (Before April 1, 2018).....	72-73
Hydraulic System – Mounting – ORFS (April 1 Or After, 2018).....	74-75
Hydraulic System – Cylinder Assemblies – 37° Flare (Before April 1, 2018)	76-77
Hydraulic System – Cylinder Assemblies – ORFS (April 1 Or After, 2018)	78-79
Hydraulic System – Manifold Assy – 37° Flare (Before April 1, 2018)	80-81
Hydraulic System – Manifold Assy – ORFS (April 1 Or After, 2018).....	82-83
Hydraulic System – Motor Assemblies – 37° Flare (Before April 1, 2018)	84-85
Hydraulic System – Motor Assemblies – ORFS (April 1 Or After, 2018)	86-87
Hydraulic System – Oil Filter-Reservoir – 37° Flare (Before April 1, 2018).....	88-89
Hydraulic System – Oil Filter-Reservoir – ORFS (April 1 Or After, 2018).....	90-91
Hydraulic System – Pump Assy – 37° Flare (Before April 1, 2018).....	92-93
Hydraulic System – Pump Assy – ORFS (April 1 Or After, 2018).....	94-95
Broom Lift Assy	96-97
Main Broom Assy -1	98-99
Main Broom Assy -2	100-101
Radiator Assy	102-103
Seat Assy	104-105
Side Broom System.....	106-107

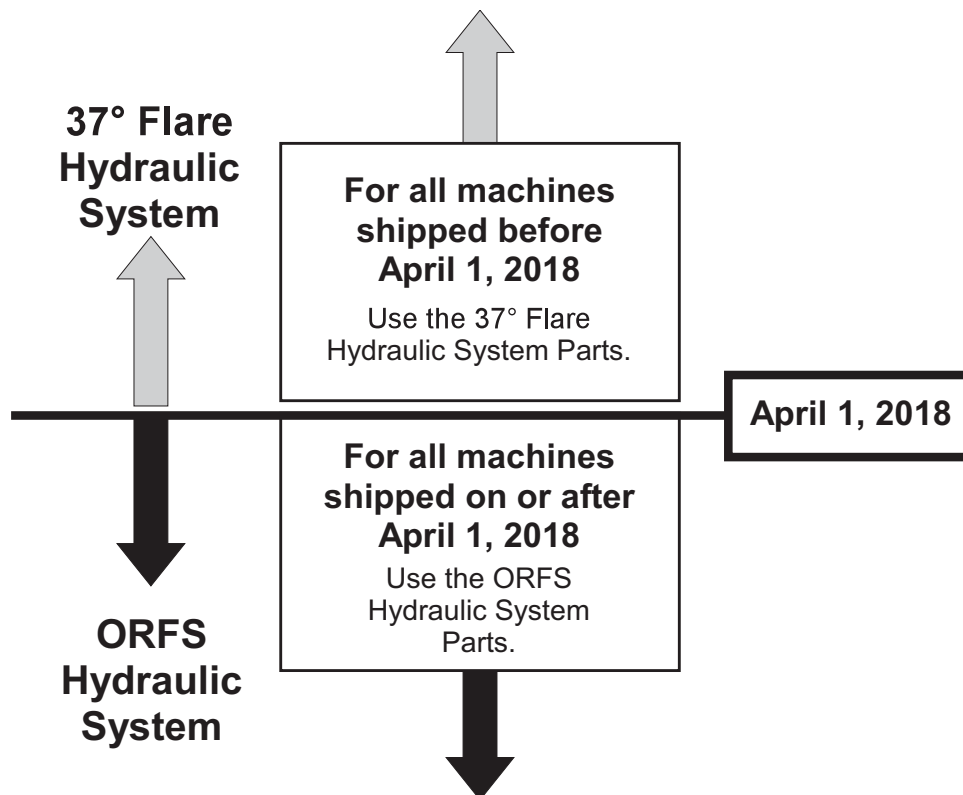
TABLE OF CONTENTS

DESCRIPTION	PAGE
Ladder Diagram-1	108-109
Ladder Diagram-2	110-111
Ladder Diagram-3	112-113
Optional Kits & Accessories	114
Recommended Spare Parts	115
Broom Selector Guide	116
Left Hand Side Broom Option-1 – 37° Flare (Before April 1, 2018)	117
Left Hand Side Broom Option-1 – ORFS (April 1 Or After, 2018).....	118-119
Left Hand Side Broom Option-2	120-121
Side Broom Speed Control Option – ORFS (April 1 Or After, 2018)	122-123
Tilt Steering Option – 37° Flare (Before April 1, 2018).....	124-125
Tilt Steering Option – ORFS (April 1 Or After, 2018).....	126-127

WHEN ORDERING PARTS

- * Use the numbers from the "Ref. No." columns in this parts list.
- * Specify the model number and serial number of the machine.
- * Use the space below to record the model number and serial number for future reference.

Model No. _____ Serial No. _____



Use your machine's serial number and the chart below to determine which style hydraulics your machine has. See the Hydraulic System pages in this parts list that cover all the 37° flare Hydraulic Systems and ORFS Hydraulic Systems.

ItemNum	ItemDescription	SerialNumber	Hydraulic System
56107507	SW8000 65 G CAB	1000065864	ORFS
56107502	SW8000 77 LPG 3DG	1000065990	37° flare
56107503	SW8000 65 LPG	1000066066	37° flare
56107503	SW8000 65 LPG	1000066068	37° flare
56107504	SW8000 77 D 3DG	1000066156	37° flare
56107503	SW8000 65 LPG	1000066158	37° flare
56107502	SW8000 77 LPG 3DG	1000066163	37° flare
56107502	SW8000 77 LPG 3DG	1000066164	37° flare
56107502	SW8000 77 LPG 3DG	1000066169	37° flare
56107502	SW8000 77 LPG 3DG	1000066184	37° flare
56107510	SW8000 77 D 3DG CAB	1000066198	37° flare
56107510	SW8000 77 D 3DG CAB	1000066200	37° flare
56107510	SW8000 77 D 3DG CAB	1000066201	37° flare
56107502	SW8000 77 LPG 3DG	1000066204	37° flare
56107502	SW8000 77 LPG 3DG	1000066210	37° flare
56107502	SW8000 77 LPG 3DG	1000066216	ORFS
56107502	SW8000 77 LPG 3DG	1000066218	ORFS
56107502	SW8000 77 LPG 3DG	1000066220	ORFS
56107502	SW8000 77 LPG 3DG	1000066222	ORFS
56107513	SW8000 165 D 4-CYL	1000066225	37° flare
56107506	SW8000 77 G 3DG CAB	1000066272	37° flare
56107502	SW8000 77 LPG 3DG	1000066284	37° flare
56383691	SW8000 165D CAB HEATER	1000066318	37° flare
56107503	SW8000 65 LPG	1000066322	37° flare
56107508	SW8000 77 LPG 3DG CAB	1000066343	37° flare
56107502	SW8000 77 LPG 3DG	1000066345	37° flare
56107513	SW8000 165 D 4-CYL	1000066347	ORFS
56107513	SW8000 165 D 4-CYL	1000066349	37° flare
56107502	SW8000 77 LPG 3DG	1000066353	37° flare
56107502	SW8000 77 LPG 3DG	1000066354	37° flare
56107503	SW8000 65 LPG	1000066394	37° flare
56107503	SW8000 65 LPG	1000066397	37° flare
56107502	SW8000 77 LPG 3DG	1000066398	37° flare
56107508	SW8000 77 LPG 3DG CAB	1000066399	37° flare
56107513	SW8000 165 D 4-CYL	1000066403	ORFS
56107502	SW8000 77 LPG 3DG	1000066404	37° flare
56107502	SW8000 77 LPG 3DG	1000066405	37° flare
56107502	SW8000 77 LPG 3DG	1000066406	37° flare
56107502	SW8000 77 LPG 3DG	1000066407	37° flare
56107502	SW8000 77 LPG 3DG	1000066419	37° flare
56107502	SW8000 77 LPG 3DG	1000066424	ORFS
56107501	SW8000 65 G	1000066427	ORFS
56107502	SW8000 77 LPG 3DG	1000066428	37° flare
56107504	SW8000 77 D 3DG	1000066429	37° flare
56107502	SW8000 77 LPG 3DG	1000066430	37° flare
56107502	SW8000 77 LPG 3DG	1000066431	37° flare
56107502	SW8000 77 LPG 3DG	1000066434	ORFS
56107502	SW8000 77 LPG 3DG	1000066453	37° flare
56107503	SW8000 65 LPG	1000066506	37° flare
56107502	SW8000 77 LPG 3DG	1000066508	37° flare
56107502	SW8000 77 LPG 3DG	1000066511	ORFS
56107513	SW8000 165 D 4-CYL	1000066515	ORFS
56107504	SW8000 77 D 3DG	1000066566	ORFS
56107506	SW8000 77 G 3DG CAB	1000066589	ORFS
56107512	SW8000 165 LPG 4-CYL	1000066627	37° flare
56107512	SW8000 165 LPG 4-CYL	1000066628	37° flare

37° Flare Hydraulic System



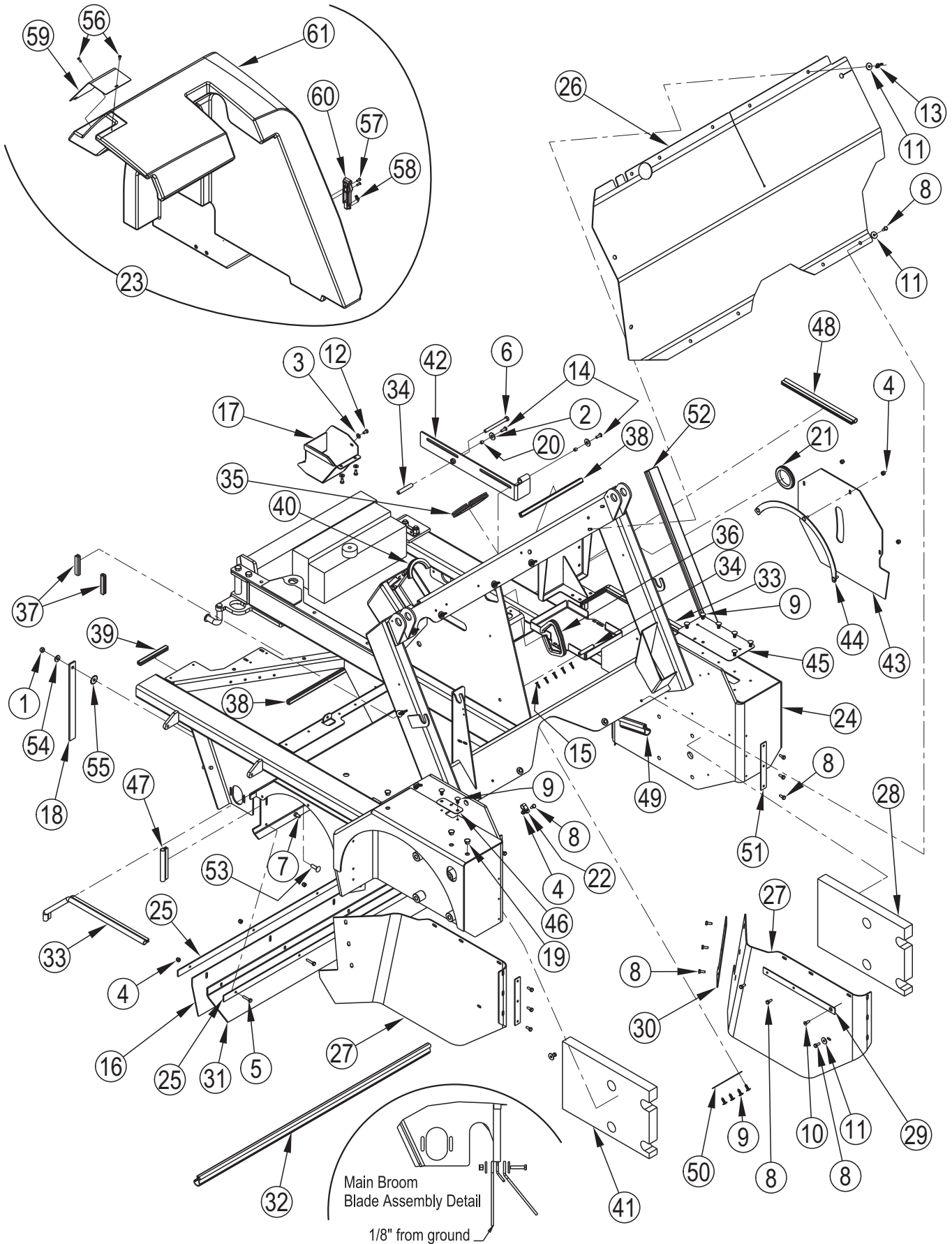
All machines built before Serial Number 1000065864 use 37° flare hydraulics

All machines built after Serial Number 1000066628 use ORFS hydraulics



ORFS Hydraulic System

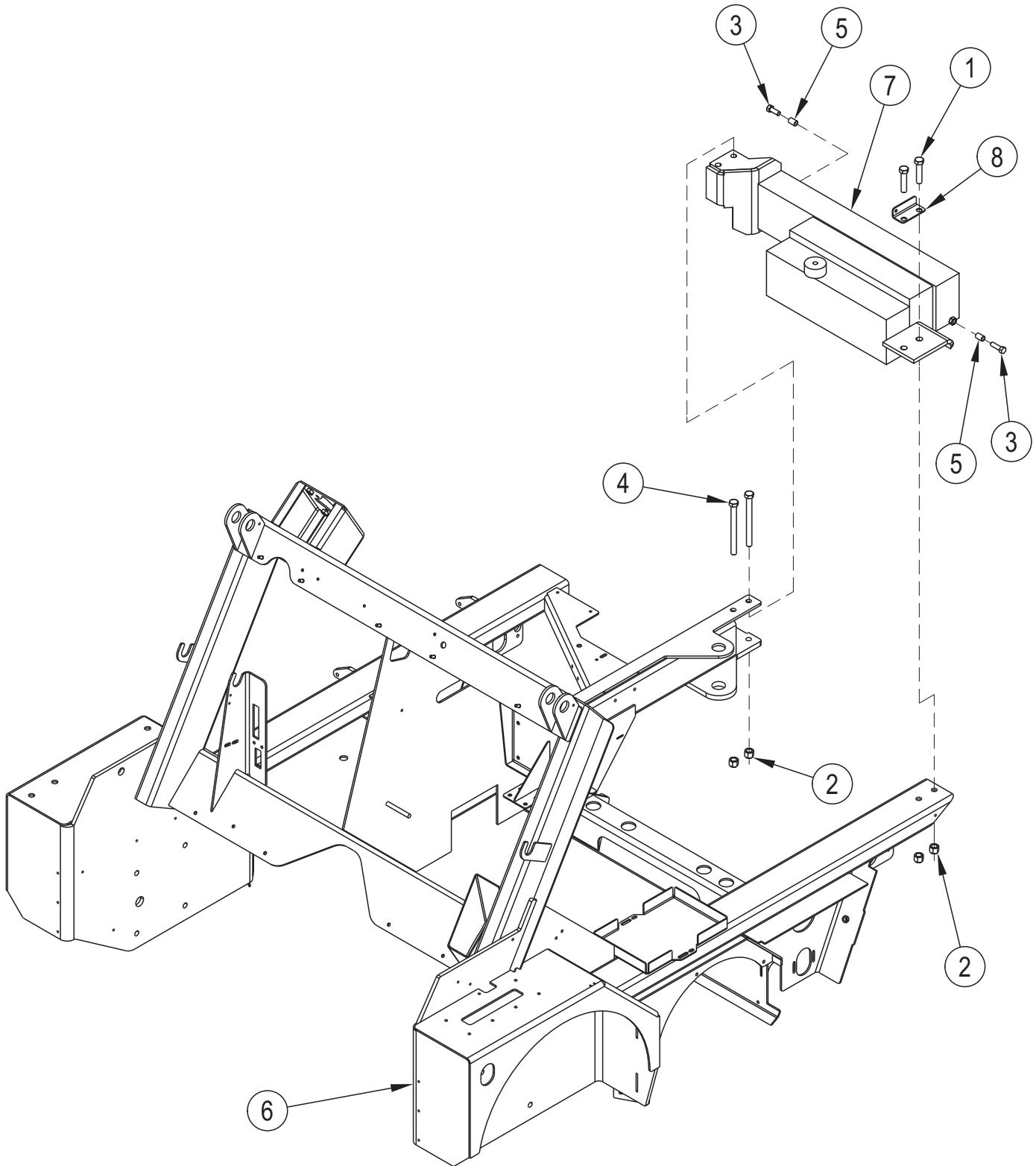
CHASSIS SYSTEM



CHASSIS SYSTEM

Item	Ref. No.	Qty	Description	Item	Ref. No.	Qty	Description
1	2-95-04182	1	Nut, Hex, Stop, 3/8-16	53	2-00-05187	1	3/8-16 X 1.0", Carriage Bolt
2	56002055	2	Wsh, Flt Std 3/8	54	2-00-04801	1	Flat Washer, 1.00 X .39 X .06
3	56002098	3	Wsh, Flt SAE 1/4	55	2-00-03829	1	Lock Washer, 3/8 Int./Ext. Tooth
4	56002491	9	Nut-Hex Nyl Loc SS 1/4-20	56	56009206	2	Scr Truss Phil Bk 10-24X.50
5	56002897	5	Scr- Hex Ss 1/4-20 X 1.25	57	56003093	2	Scr, Pan Phil Plastite 8-16 X .50
6	56002977	1	Scr, Hex Thd To Hd 3/8-16 X 4.00	58	56002523	2	Scr Pan Hd Phil HP5 8-32 X .38
7	56002988	1	Scr- Hex SS 5/16-18 X .62	59	56107698	1	Plate-Cover
8	56003047	23	Scr- Hex SS 1/4-20 X .62	60	56507188	1	Latch
9	56003263	12	Rivet, Nylon Tree Push-In (.25)	61	56507565	1	Intermediate Cover Assy
10	56003922	2	Scr-Flt Soc SS 1/4-20 X .75				
11	56003923	13	Wsh-Flt SS .266 X .906 X .060				
12	56009033	3	Scr, Hex Thd Form 1/4-20 X .50				
13	56009111	7	Nut, Wing SS 1/4-20				
14	56009126	2	Scr, Pan Phil Thd Form 1/4-20 X .75				
15	56009388	6	Rivet, Nylon Tree Push-In (.189)				
16	56107621	1	Flap Broom Rear				
17	56107784	1	Vacuum Exhaust Assy				
18	56416517	1	Strap, Static, 12.5"				
19	56418888	3	Plug, Cap				
20	56453849	2	Bushing .26 x .37 x .28				
21	56459362	1	Grommet				
22	56486112	1	Clamp-P				
23	56507042	1	Cover, Center Assy (items 56-61)				
24	56507043	1	Chassis Assy				
25	56507117	2	Strap				
26	56507141	1	Cover, Rubber				
27	56507473	2	Flap				
28	56507474	1	Foam, LH				
29	56507475	2	Strap				
30	56507476	2	Strap				
31	56507569	1	Flap Broom Rear				
32	56507895	1	Gasket				
33	56507896	2	Gasket				
34	56507897	2	Cap, Vinyl				
35	56507900	1	Trim, Edge				
36	56507901	1	Trim, Edge				
37	56507903	2	Trim, Edge				
38	56507904	2	Trim, Edge				
39	56507905	1	Trim, Edge				
40	56507906	1	Trim, Edge				
41	56507967	1	Foam, Rh				
42	56507981	1	Slide Weldt				
43	56508317	1	Flap LH Main Broom				
44	56508319	1	Clamp Weldt				
45	56508372	1	Flap, Dust				
46	56508373	1	Flap-Dust				
47	56508380	1	Gasket				
48	56508382	1	Gasket				
49	56508385	2	Gasket				
50	56508387	1	Flap, Dust				
51	56508399	2	Strap				
52	56508516	1	Seal Chassis				

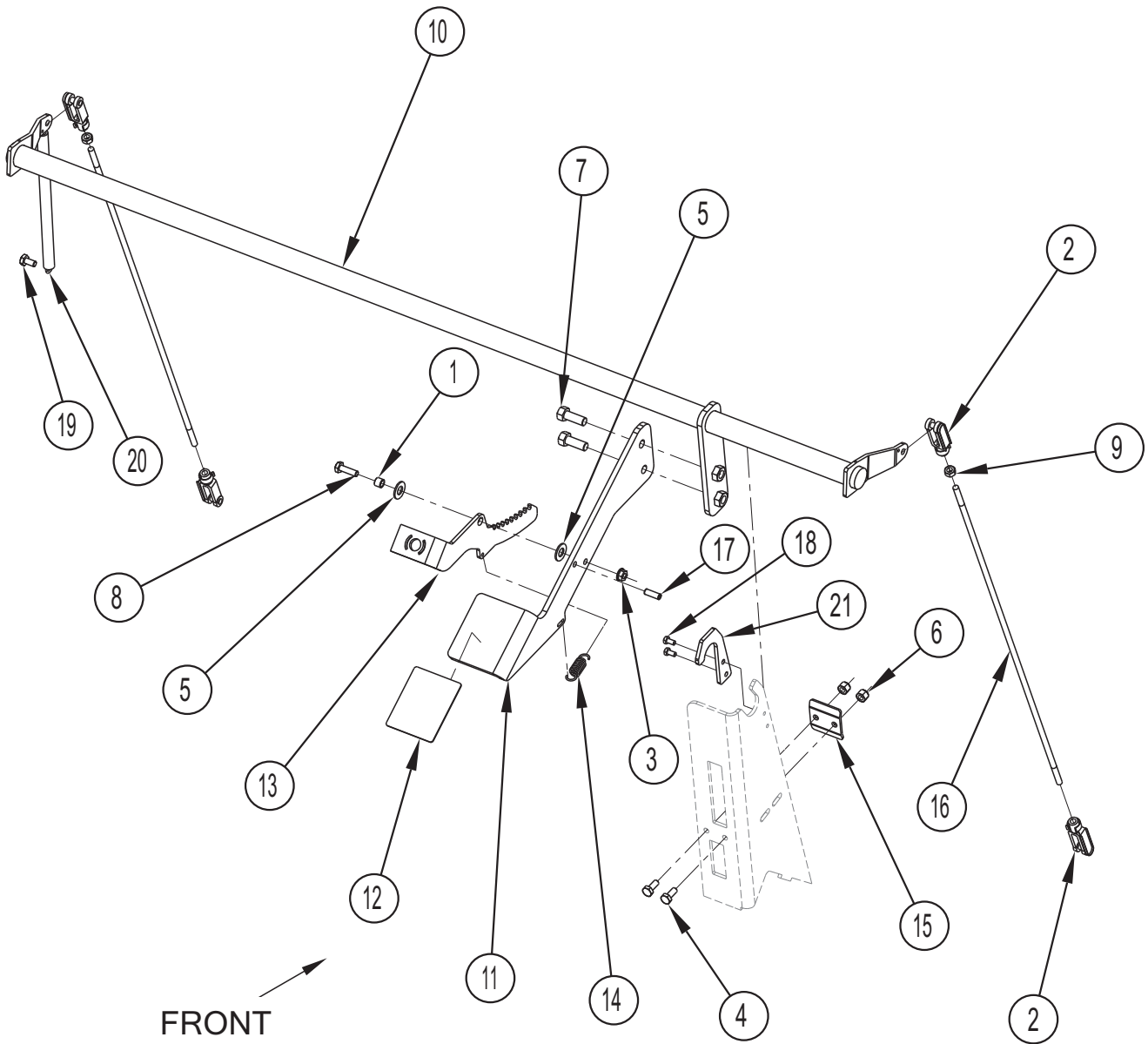
CHASSIS ASSY



CHASSIS ASSY

Item	Ref. No.	Qty	Description
	56507043	1	Chassis Assembly
1	56001968	2	Scr, Hex 1/2-13 x 1.50
2	56002770	4	Nut, Hex Nyl Loc 1/2-13
3	56002663	2	Scr, Hex 3/8-16 x 1.00
4	56003471	2	Scr, Hex 1/2-13 x 5.50
5	56244859	2	Bushing .37 x .50 x .75
6	56507300	1	Chassis Weldment
7	56508880	1	Rear Bumper Weldment
8	56507553	1	Bracket, Cover Lanyard

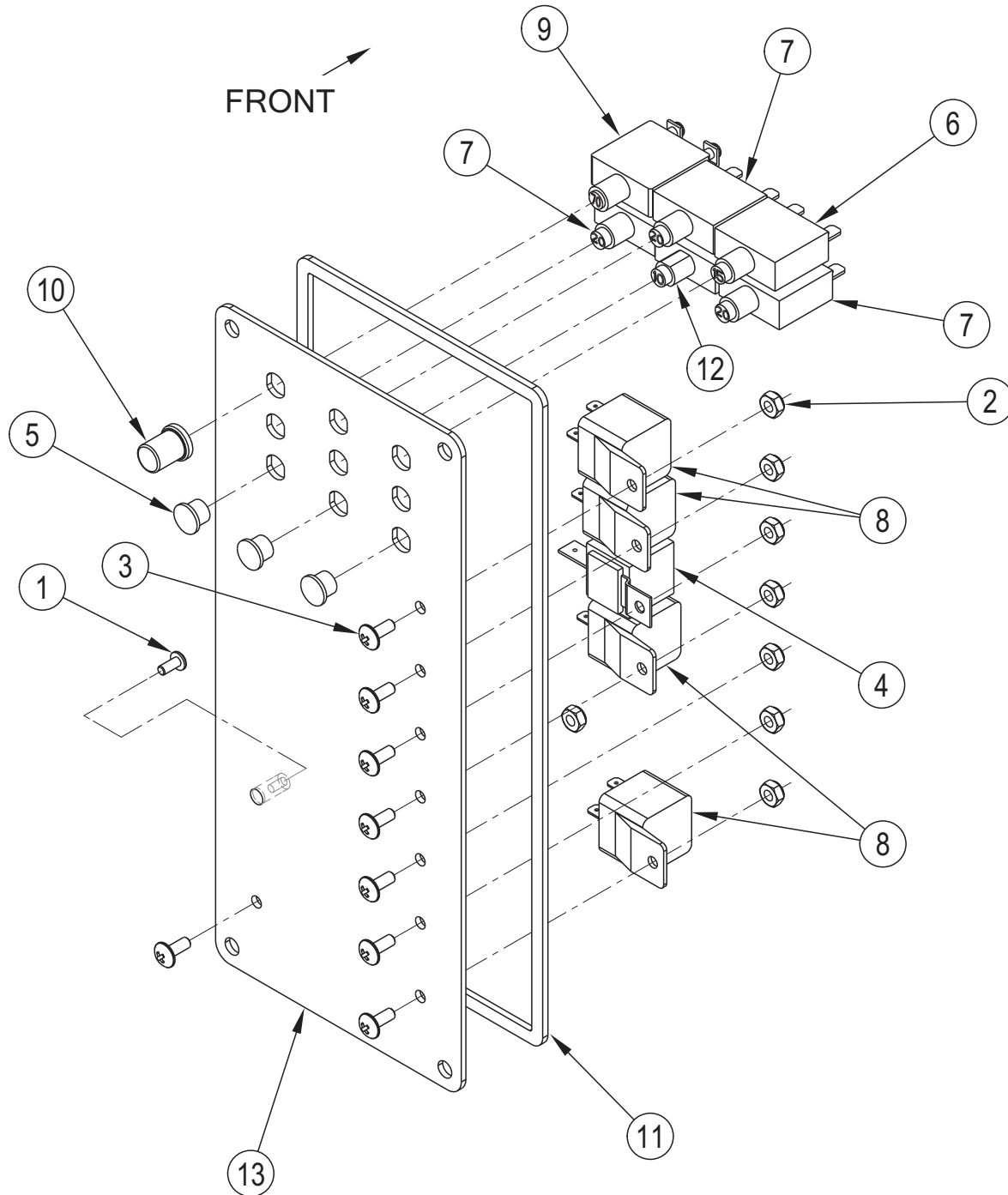
BRAKE PEDAL ASSY



BRAKE PEDAL ASSY

Item	Ref. No.	Qty	Description
	56507044	1	Brake Pedal Assembly
1	56368989	1	Bushing
2	56407133	4	Yoke, Clevis
3	56003920	1	Nut-Hex Flange Loc SS 1/4-20
4	56003047	2	Scr-Hex SS 1/4-20 x .62
5	56002910	2	Wsh-Fit SAE SS 3/8
6	56002491	2	Nut Hex Nyl Loc SS 1/4-20
7	56002947	2	Scr. Hex Hd Loc 3/8-16 x 1.00
8	56003921	1	Scr-Hex Loc SS 1/4-20 x .88
9	56009142	2	Nut, Hex Machine 1/4-28
10	56507210	1	Brake Connecting Rod Weldment
11	56107688	1	Brake Pedal
12	56507226	1	Mat. Pedal
13	56507450	1	Parking Brake Lever
14	56507451	1	Spring, Extension
15	56507453	1	Plate
16	56507456	2	Rod
17	56003138	1	Pin, Spr .25 x .75
18	56009012	2	Scr, Hex Thd Form 10-24 x .38
19	56009033	1	Scr, Hex Thd Form 1/4-20 x .50
20	56382000	1	Spring, Extension
21	56508329	1	Tab, Brake Rod Locking

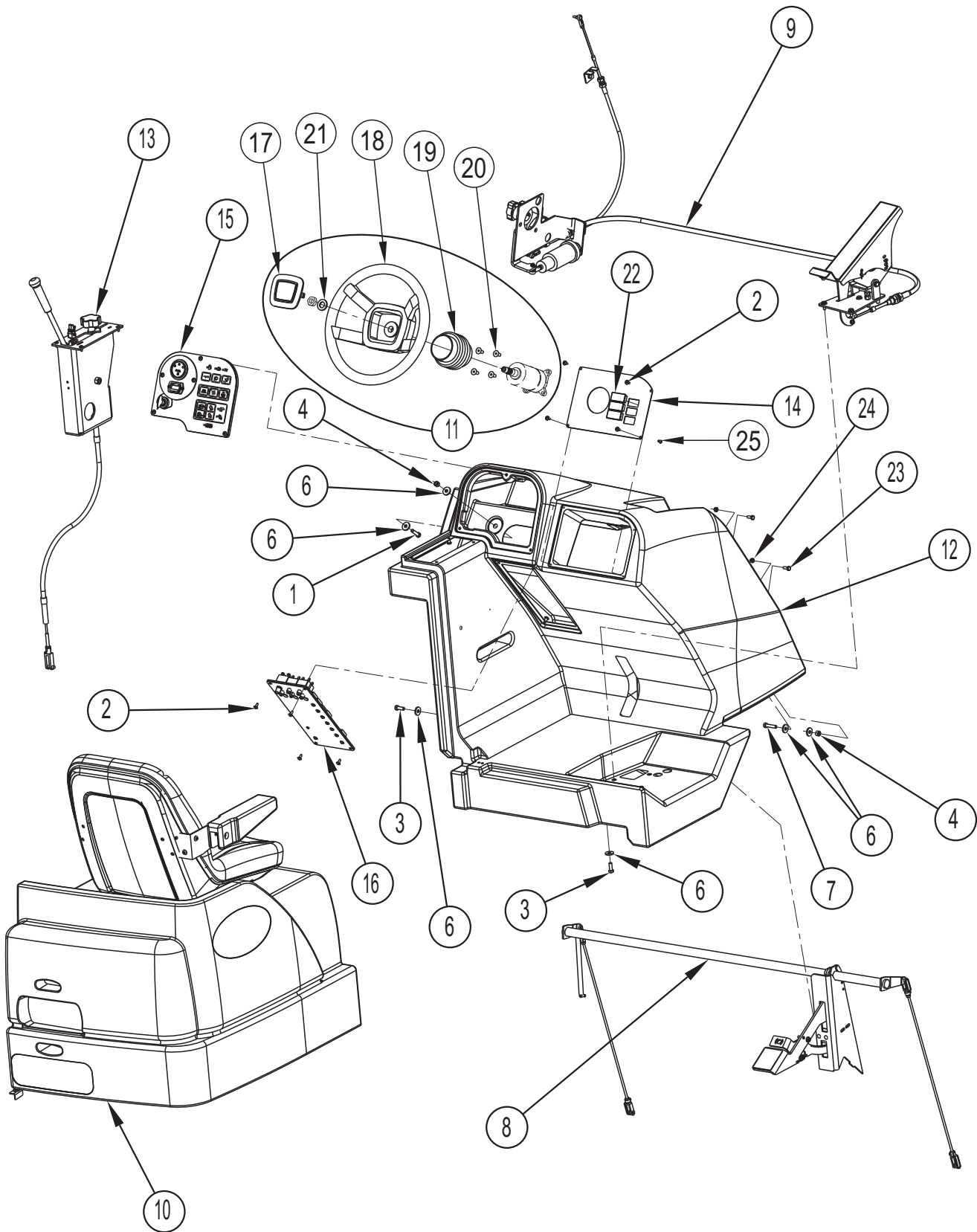
CIRCUIT BREAKER PANEL ASSY



CIRCUIT BREAKER PANEL ASSY

Item	Ref. No.	Qty	Description
	56507615	1	Panel Assembly, Diesel (items 1-13)
	56507646	1	Panel Assembly, LPG / Petrol (items 1-13)
1	56001818	1	Scr-Pan Phil 8-32 X .38
2	56002849	8	Nut, Hex Nyl Loc-Thin SS 10-24
3	56003902	8	Scr-Truss Phil SS Blk 10-24 x .50
4	56107639	1	Relay
5	56153126	3	Plug, Cap
6	56413407	1	Circuit Breaker, 15 Amp
7	56413822	3	Circuit Breaker, 20 Amp
8	56418387	3	Relay, SPDT (qty 4 on Diesel)
9	56454429	1	Circuit Breaker, 70 Amp
10	56459369	1	Boot, Reset Button
11	56507441	1	Gasket, RS Strip
12	56507644	1	Circuit Breaker, 10 Amp
13	56107693	1	Panel- Circuit Breakers Assy

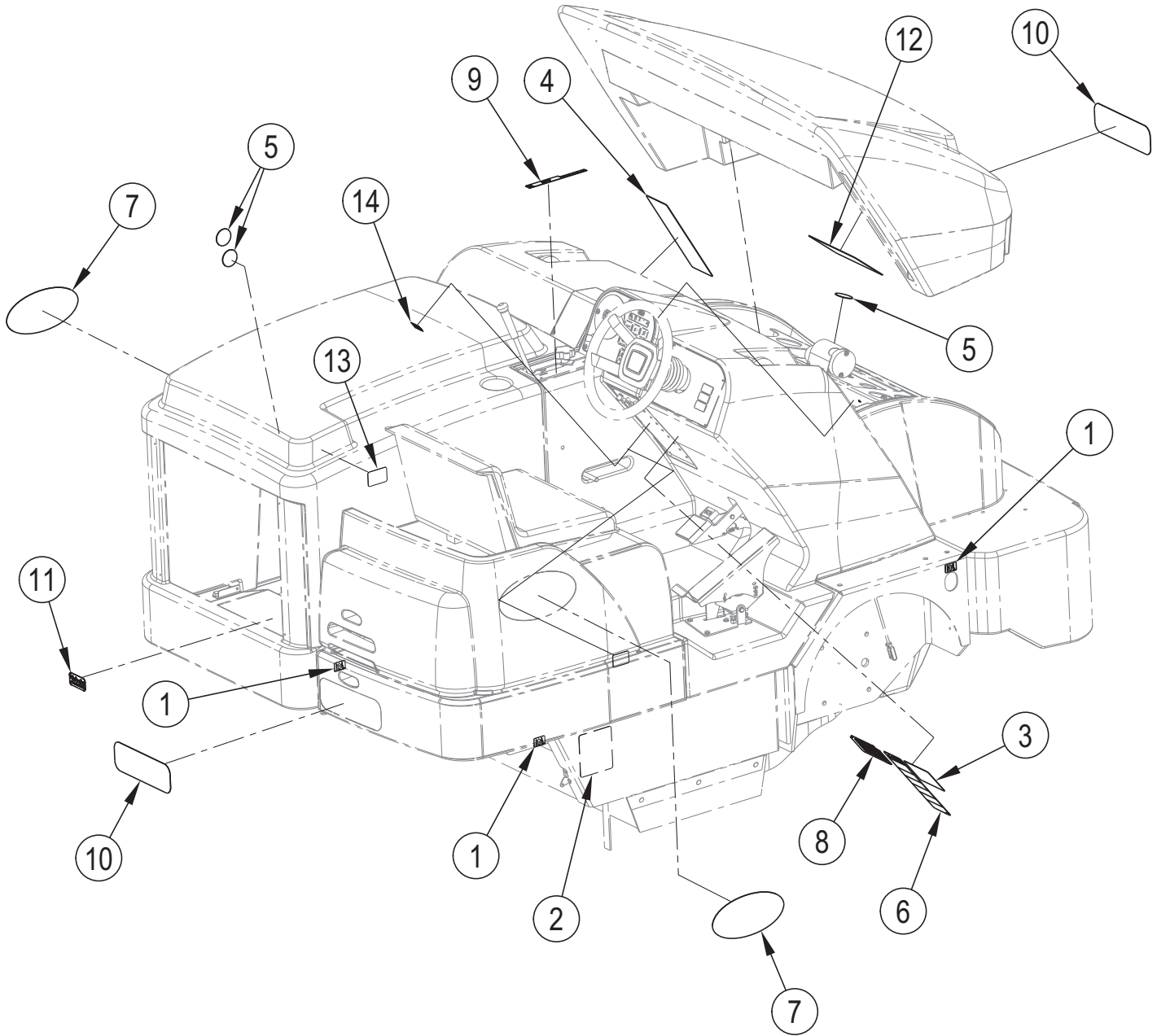
CONTROL SYSTEM



CONTROL SYSTEM

Item	Ref. No.	Qty	Description
1	56001834	1	Scr, Hex 5/16-18 x 1.25
2	56003902	8	Scr-Truss Phil SS Blk 10-24 x .50
3	56002037	2	Scr, Hex 5/16-18 x .88
4	56002701	2	Nut, Hex Nyl Loc 5/16-18
6	56009122	6	Wsh, Flt .344 x .938 x .125
7	56009256	1	Scr, Hex 5/16-18 x 1.38
8	56507044	1	Pedal Brake Assy See Brake Pedal Assembly
9	56507049	1	Fwd / Rev 4 Cyl Control Assy See Forward/Reverse Control Assembly
10	56507052	1	Seat Assy (non-cab models) See Seat Assembly
11	56507053	1	Steering Assembly (items 17-21)
12	56507083	1	Console
13	56507407	1	Lift Broom Assy See Broom Lift Assy
14	56107696	1	Panel-Standard Assy.
15	56107641	1	Gauge Panel Assy – LPG Model See Gauge Panel Assembly
	56107640	1	Gauge Panel Assy – Petrol Model See Gauge Panel Assembly
	56107642	1	Gauge Panel Assy – Diesel Model See Gauge Panel Assembly
16	56507646	1	Panel Assy, LPG / Petrol See Circuit Breaker Panel Assembly
	56507615	1	Panel Assy, Diesel See Circuit Breaker Panel Assembly
17	7-16-07428	1	Cover, Steering Wheel
18	56418460	1	Steering Wheel
19	8-33-02360	1	Hose, Heat Shield
20	56003752	4	Scr, Flt Soc M8 x 1.25 x 20mm
21	56009218	1	Wsh, Flt .688 x 1.250 x .125
22	2-00-05758	3	Cover, Blank Switch
23	56001836	2	Scr, Hex 1/4-20 x .62
24	56002840	2	Nut, Hex Nyl Loc-Thin 1/4-20
25	56001818	1	Scr, Pan Phil 8-32 x .38

DECAL SYSTEM



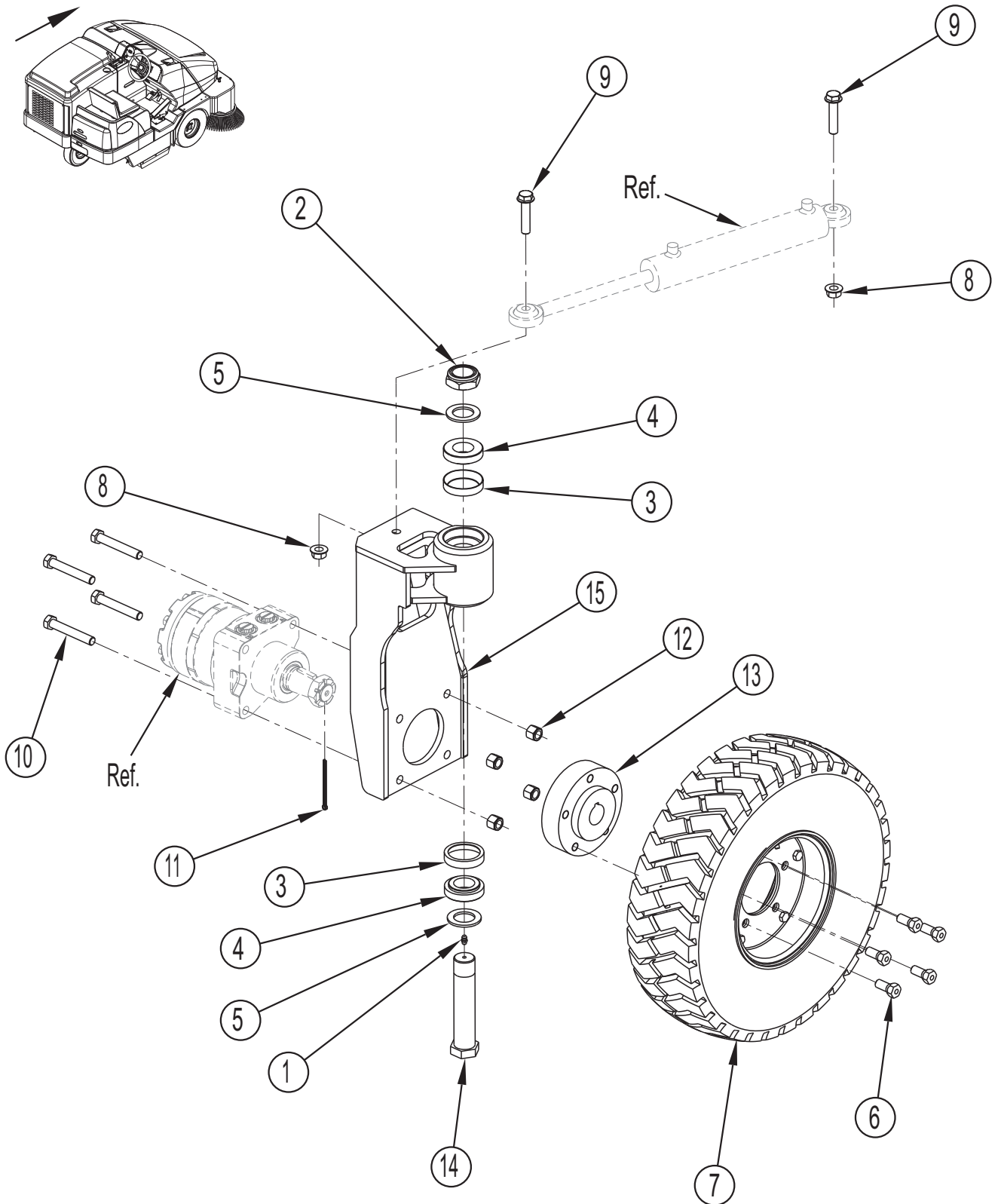
DECAL SYSTEM

Item	Ref. No.	Qty	Description
1	56015370	5	Decal, Tie Down
2	56015425	2	Decal, Warning Broom
3	56015427	1	Decal, Warning Tip Over
4	56015428	1	Decal, Warning Hopper
5	56030080	3	Decal, Hands Clear
6	56014601	1	Decal, Caution
7	56107604	2	Decal SW8000 ADV
8	56016356	1	Decal, Circuit Breaker
9	56016365	1	Decal, Main Broom
10	56016730	2	Decal, Advance
11	56107775	1	Decal-Kubota
12	56384707	1	Decal-Warning-Hopper Cover NOTE 1
13#	56015463	1	Decal Coolant Level
14#	56394259	1	Decal-Prop 65
#	56394260	1	Decal-Prop 65 Diesel

= Revised or new since last update

NOTE:1 All machines built starting with serial number 1000061823 and after have this warning decal added to the inside area of the hopper cover.

DRIVE WHEEL SYSTEM



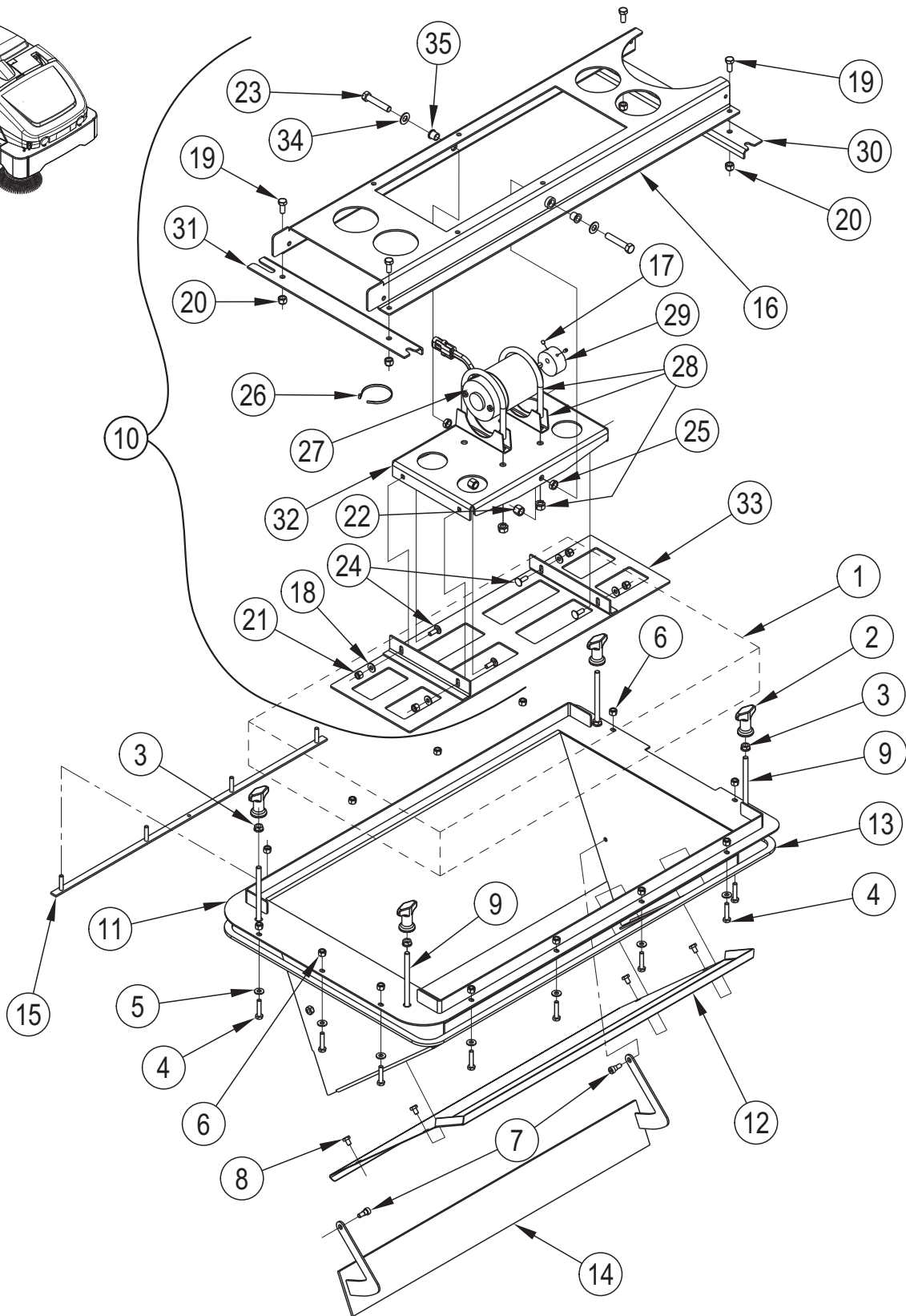
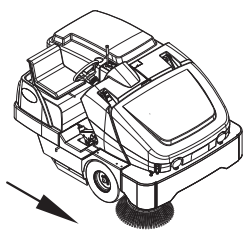
DRIVE WHEEL SYSTEM

Item	Ref. No.	Qty	Description
1	56101737	1	Fitting, Lube 1/4-28
2	2-00-04454	1	Nut, Nyl Thin 1 1/4"
3	2-00-04621	2	Bearing Cup
4	2-00-04622	2	Bearing Cone
5	8-75-01136	2	Washer, 1 1/4"
6	56385067	5	Stud - Wheel-1/2-20 x 1
7	56385068	1	Pneumatic Tire Kit-6MM-5 x 8
[]		1	Rim Assy, 5 x 8 x 3.75
[]	8-85-06021	1	Tire - Pneumatic 5 x 8
[]	8-70-00085	1	Tube - Inner Pneu Tire
[]		1	Flap-Pneumatic Tire-4 x 8
* 8-89-08064		1	Wheel Assy (Heavy Duty Pneumatic)
[]	8-85-06023	1	Rim Assy
[]	8-85-06021	1	Tire - Pneumatic 5 x 8
[]	8-70-00093	1	Tube - Inner Pneu Tire
* 8-89-08065		1	Wheel Assy (Heavy Duty Solid)
[]	8-85-06023	1	Rim Assy
[]	56508943	1	Tire Solid 5 x 8 x 3
* 56508875		1	Wheel Assy Non-Marking Solid Tire
* 56385071		1	Soft Shoe Tire Kit-6MM-5 x 8
* 7-85-06029		1	Tire-Solid-Pro G5-5 x 8 x 3.75
8	56003872	2	Nut-Hex Flange 1/2-20 Spiralock
9	56003871	2	Scr-Hex Flange 1/2-20 x 2.25
10	56002116	4	Scr, Hex 1/2-13 x 3.25
11	56002574	1	Pin, Cotter 5/32 x 3.00
12	56002770	4	Nut, Hex Nyl Loc 1/2-13
13	56507462	1	Hub, Drive Wheel
14	56507099	1	Pin, Drive Yoke Pivot
15	56507280	1	Drive Yoke Weldment

[] = Not Shown

* = Optional, Not Included

DUST CONTROL SYSTEM-1



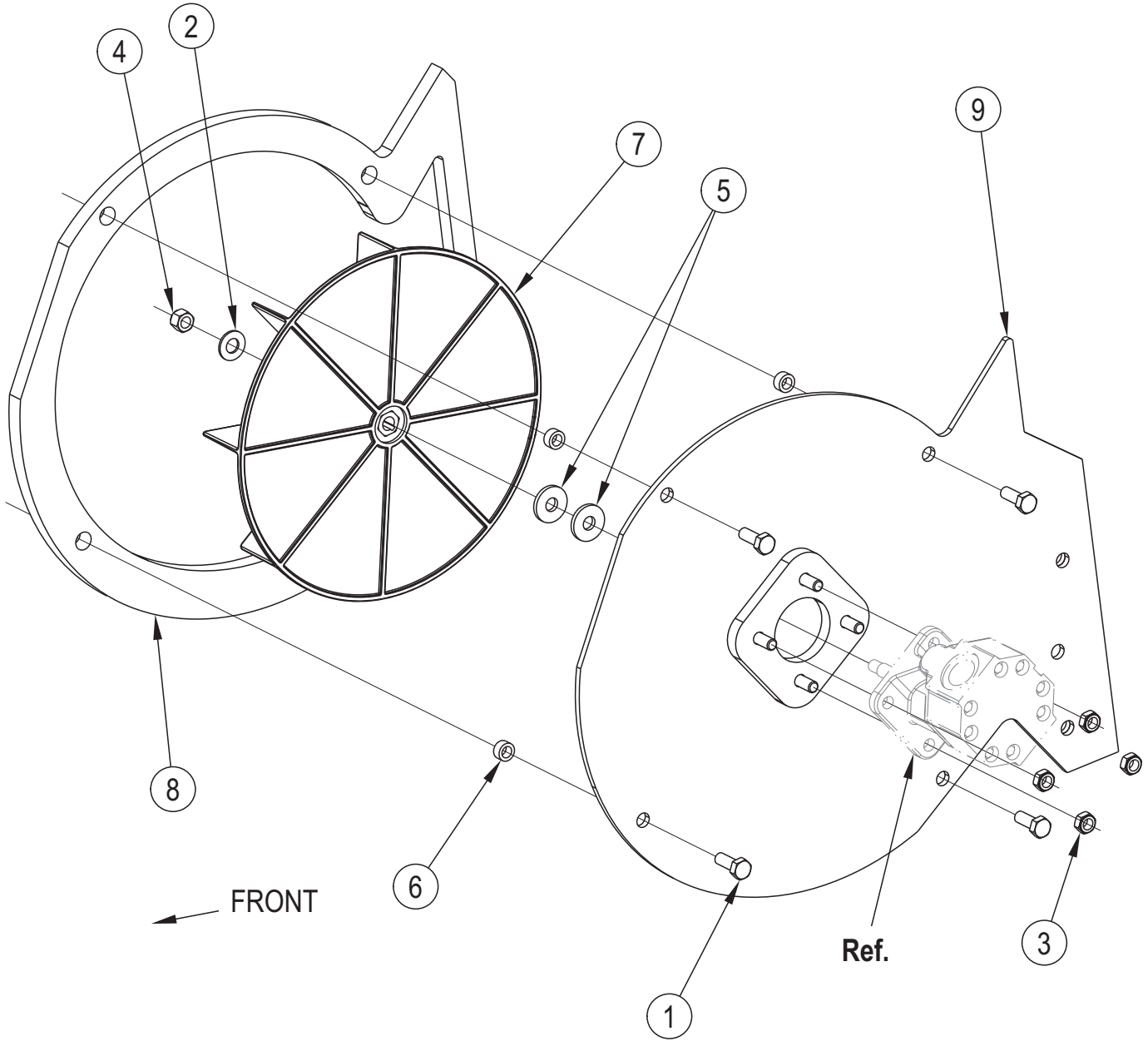
DUST CONTROL SYSTEM-1

Item	Ref. No.	Qty	Description
	56507058	1	Panel Filter Shaker Assembly (1-15)
1	8-24-04139-1	1	Filter Panel Ultra-Web Cellulose
*	56382789	1	Filter Panel Poly High Flow
*#			DELETED
2	56370711	4	Nut, Thumb
3	56001806	4	Nut, Hex Whiz W/Flange Loc 5/16-18
4	56001878	9	Scr, Hex 1/4-20 x 1.25
5	56002098	8	Wsh, Flt SAE 1/4
6	56002708	13	Nut, Hex Nyl Loc 1/4-20
7	56003717	2	Scr, Soc Shd .31 x .25 x 1/4-20
8	56009019	4	Scr, Hex Thd Form 1/4-20 x .38
9	56109163	4	Rod, Threaded
10	56507190	1	Filter Shaker Assembly (items 16-35)
11	56508070	1	Weldment, Seal Plate
12	56508073	1	Plate, Dust
13	56508088	1	Gasket, 1/2 x 1/4
14	56508089	1	Door Filter Chamber Weldment
15	56508700	1	Clamp Filter Seal Weldment
16	8-13-07170	1	Plate, Filter Shaker
17	56002015	2	Scr, Soc Set Loc 10-24 x .25
18	56002098	4	Wsh, Flt SAE 1/4
19	56002667	4	Scr, Hex 5/16-18 x .75
20	56002701	4	Nut, Hex Nyl Loc 5/16-18
21	56002708	4	Nut, Hex Nyl Loc 1/4-20
22	56002769	2	Nut, Hex Nyl Loc 3/8-16
23	56003779	2	Scr, Hex 3/8-16 x 2.00 Grade 8
24	56003715	4	Scr, Carriage SS 1/4-20 x .75
25	56009085	2	Nut, Hex Jam 3/8-16
26	56478246	1	Tie, Cable
27	56508664	1	Motor, 12VDC
28	56508887	2	Clamp, Muffler 3"
29	56508772	1	Eccentric
30	56508703	1	Bracket LH, Filter Shaker
31	56508704	1	Bracket RH, Filter Shaker
32	56508705	1	Plate Shaker Motor Mtg
33	56508706	1	Shaker Weldment
34	56002063	2	Wsh, Flt SAE 3/8
35	56508737	2	Bearing, Flange

* = Optional, Not Included

= Revised or new since last update

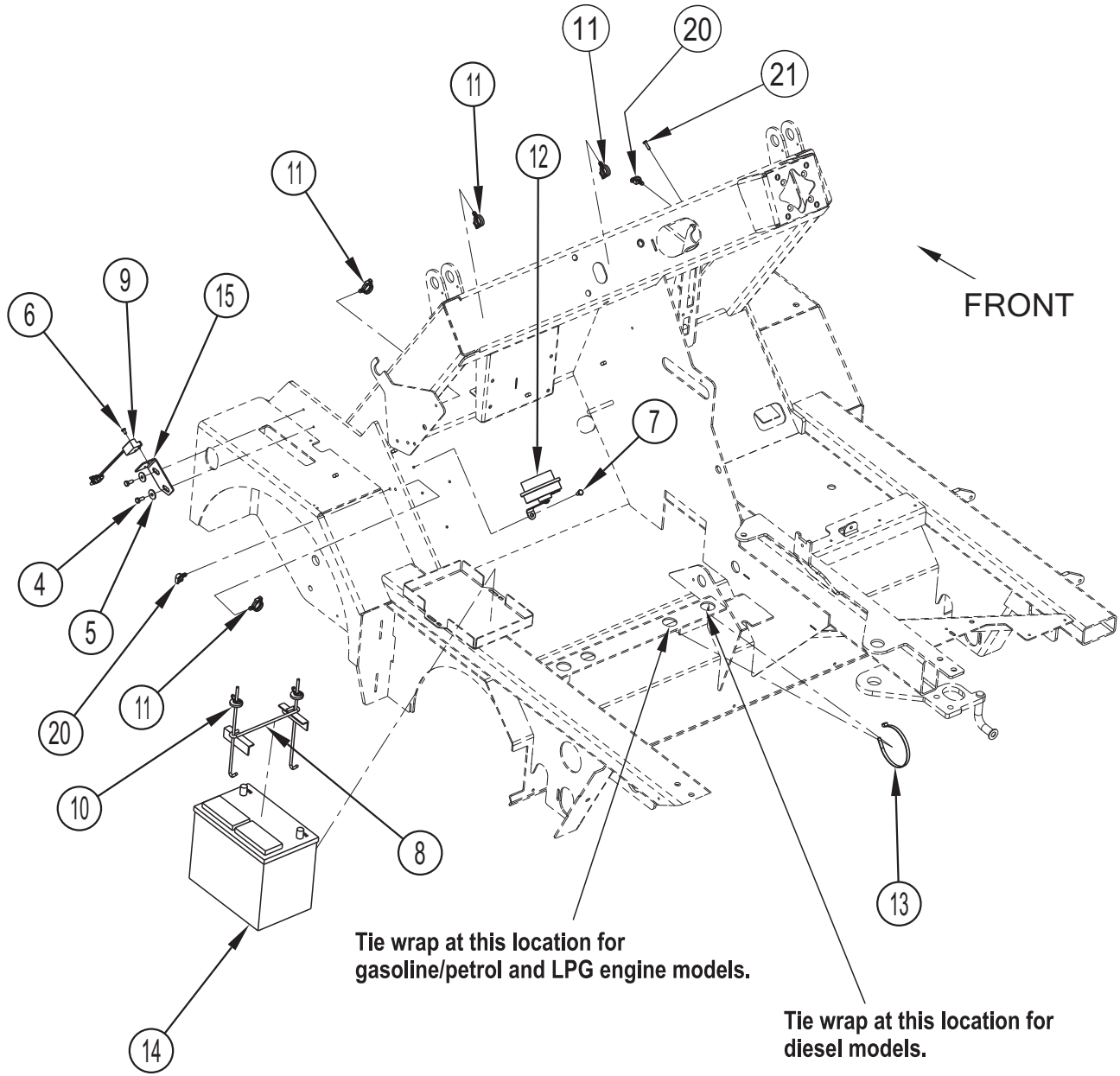
DUST CONTROL SYSTEM-2



DUST CONTROL SYSTEM-2

Item	Ref. No.	Qty	Description
	56507059	1	Vacuum Fan Assembly (items 1-9)
1	56002037	4	Scr, Hex 5/16-18 x .88
2	56001939	1	Wsh, Flt SAE 5/16
3	56002826	4	Nut, Hex Nyl Loc-Thin 5/16-18
4	56002950	1	Nut, Hex Nyl Loc 5/16-24
5	56009107	2	Wsh, Flt SS .378 x 1.000 x .120
6	56052581	4	Spacer, .315 ID x .50 OD x .25 Lg
7	56418897	1	Impeller
8	56507198	1	Seal, Vac Fan
9	56507200	1	Plate Weldment, Vac Motor

ELECTRICAL SYSTEM

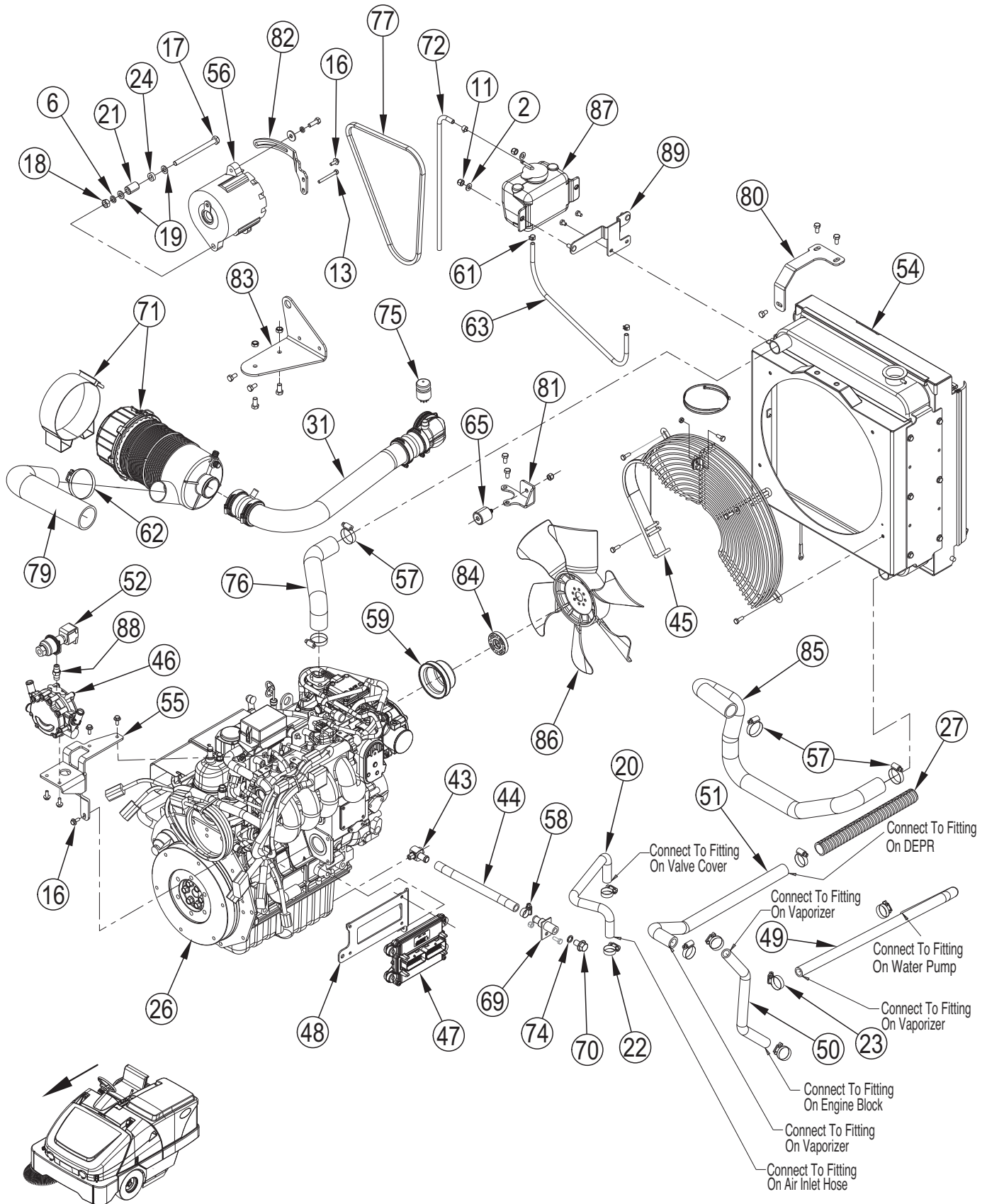


ELECTRICAL SYSTEM

Item	Ref. No.	Qty	Description
[]	56462361	1	Conn, 2 Way Female
[]	56492305	1	Boot, Rubber
[]	56493357	1	Insulator, Terminal
4	56001836	2	Scr, Hex 1/4-20 x .62
5	56009002	2	Wsh, Flt .266 x .906 x .060
6	56009030	1	Scr, Pan Phil Thd Form 10-24 x .38
7	56009033	1	Scr, Hex Thd Form 1/4-20 x .50
8	56304445	1	Starter Battery Hold Down
9	56305053	1	Sensor, Proximity
10	56305112	2	10" J Type Hold Down
11	56410247	4	Clip, Conduit
12	56442054	1	Horn, 12V
13	56477613	1	Tie, Cable (location is dependent upon model)
14	0875-008	1	Battery 12V
15	56507457	1	Mount, Sensor
[]	56381701	1	Harness, Main
[]	56507679	1	Wire Asm, Yel/Blk 18-11 (diesel models only)
[]	56507680	1	Cable, Pos. Battery
[]	56507681	1	Cable, Neg. Battery
20	56507793	3	Clip, Conduit
[]	56508006	1	Harness, Diesel Relay (diesel models only)
[]	56508010	1	Wire Asm, Grn/Red 10-1 (diesel models only)
[]	56508013	1	Cable, Asm, Blk 6-1
21	56009005	1	Scr, Pan Phil SS Type AB 10-16 x .75

[] = Not Shown

ENGINE LPG SYSTEM-1



ENGINE LPG SYSTEM-1

Item	Ref. No.	Qty	Description
1#			DELETED
2#	56001939	2	Wsh, Flt SAE5/16
3#			DELETED
4#			DELETED
5#			DELETED
6	56003684	1	Wsh, Nord-Lock M10
7#			DELETED
8#			DELETED
9#			DELETED
10#			DELETED
11#	56002701	2	Nut, Hex Nyl Loc 5/16-18
12#			DELETED
13	56003764	1	Scr-Hex M6-1 X 55mm
14#			DELETED
15#			DELETED
16	56003943	6	Scr-Hex Flange SS M6-1 X 16mm
17	56003944	1	Scr-Hex M10-1.25 X 130mm
18	56003945	1	Nut-Hex M10-1.25
19	56009214	2	Wsh-Flt .406 x .750 x .090
20	56107735	1	Hose Breather
21	56107747	1	Spacer
22	56112771	2	Clamp- Hose SAE #10
23	56244969	6	Clamp- Hose SAE #12
24	56507795	1	Spacer, Coil Bracket
25#			DELETED
26		1	Engine Base-Kubota 4-Cyl LPG NOTE 1
27	56459890	1	Conduit, 12 IN.
31	56107577	1	Hose Intake Assy Lp
43	56107618	1	Remote Oil Drain Valve Assy
44	56107620	1	Hose-Hydraulic
45	56107643	1	Fan Guard Assy
46	56107646	1	Vaporizer
47	56107647	1	ECU-Kubota Lpg
48	56107648	1	ECU-Mount Plate
49	56107649	1	Hose-Coolant-Vaporizer Supply
50	56107650	1	Hose-Coolant-Vaporizer Return
51	56107651	1	LPG Hose-Vaporizer
52	56107652	1	Fuel-Solenoid
[]	56107653	1	Operator Manual
54		1	Radiator Assy-6 Fin (See Radiator Assembly)
55	56107676	1	Bracket-Vaporizer
56	56110738	1	Alternator, 105 Amp
[]	56510971	1	Pulley-Alternator
57	56131601	4	Clamp- Hose SAE #16
58	56219932	1	Clamp- Hose SAE #6
59	56307249	1	Pulley, Fan (89mm)

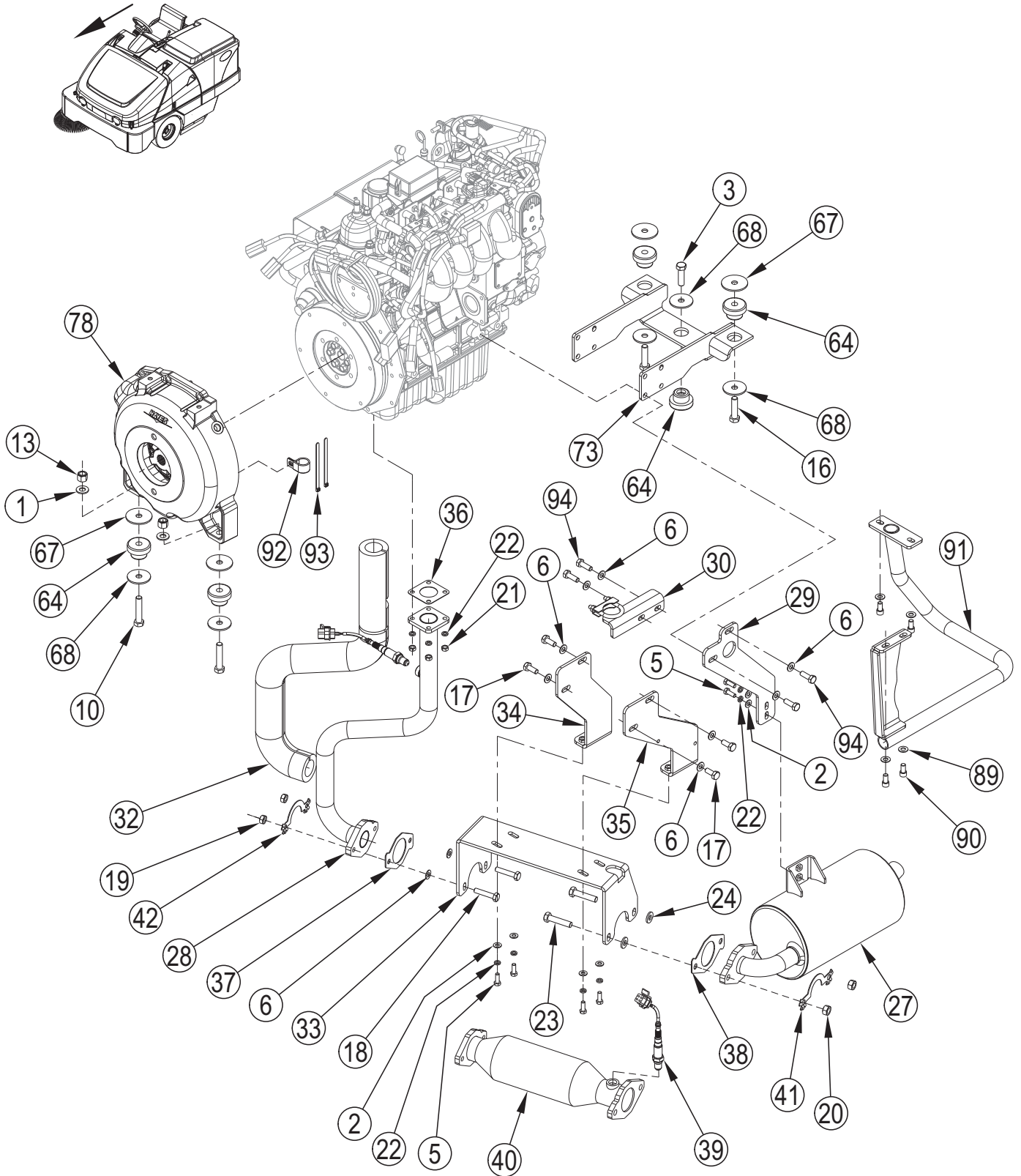
Item	Ref. No.	Qty	Description
60#			DELETED
61	56419118	3	Clamp, Hose Band
62	56456797	1	Clamp- Hose SAE #36
63	56465028	1	Hose, Coolant Overflow
65	56507372	1	Isolator-Engine
66#			DELETED
69	56507496	1	Remote Oil Drain Outlet
70	56507497	1	Oil Drain Plug
71	56384031	1	Air Cleaner Assy
[]	7-24-04065	1	Filter Element (Outer)
[]	7-24-04066	1	Filter Element (Inner)
72	56507798	1	Hose, Coolant Overflow
74	56507998	1	Seal
75	56507999	1	Indicator, Air
76	56508378	1	Hose, Upper Radiator
77	56508393	1	Belt, Vee
79	56508404	1	Hose, Air Intake
80	56508427	1	Bracket Radiator Support
81	56508428	1	Bracket, Radiator Iso Support
82	56508429	1	Bracket, Alternator Diesel
83	56508938	1	Bracket Air Filter
84	56508941	1	Spacer Fan
85	56508942	1	Hose Lower Coolant
86	56510140	1	Fan-Cooling
87#	56394241	1	Bottle-Overflow
88	2-00-05674	1	Fitting, 1/4 NPT Hex Nipple, Brass
89#	56107822	1	Bracket-Overflow Bottle

[] = Not Shown

= Revised or new since last update

NOTE 1: See Engine Base Assy - LPG.

ENGINE LPG SYSTEM-2



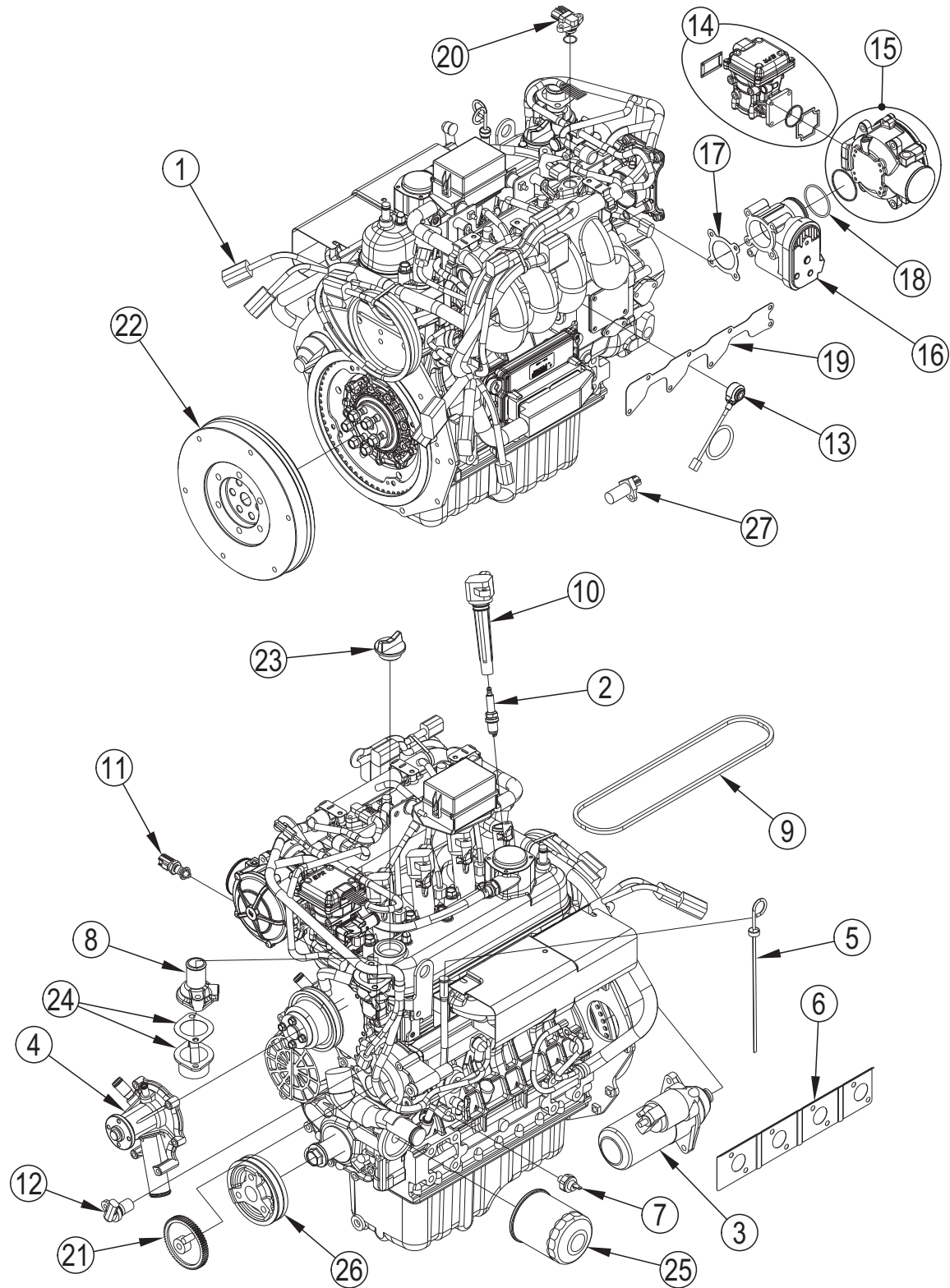
ENGINE LPG SYSTEM-2

Item	Ref. No.	Qty	Description
1	56001879	2	Wsh-Flt SAE1/2
2	56001939	6	Wsh, Flt SAE5/16
3	56001995	1	Scr-Hex 1/2-13 X 1.75
5	56002037	6	Scr-Hex 5/16-18 X .88
6	56002063	10	Wsh, Flt SAE 3/8
10	56002533	2	Scr-Hex 1/2-13 X 2.50
13	56002770	2	Nut-Hex Nyl Loc 1/2-13
16	56002983	2	Scr-Hex 1/2-13 X 2.00
17	56003019	4	Scr-Hex M10-1.25 X 25mm
18#	33004014	2	Screw Hex Hd Uni-5739 M10x50
19	56003409	2	Nut, Hex M10-1.5
20	56003410	2	Nut, Hex M12-1.75
21	56003352	4	Nut, Hex M8-1.25
22	56003685	10	Wsh, Nord-Lock M8
23	56003708	2	Scr-Hex M12-1.75 X 55mm
24	56003889	2	Wsh-Flt 12mm
27	56107550	1	Muffler
28	56107558	1	Exhaust Tube Weldment
29	56107566	1	Hanger Muffler
30	56107568	1	Clamp Bracket Weldment
32	56107581	1	Blanket Exhaust
33	56107582	1	Hanger Catalytic
34	56107585	1	Mount Rt Weldment
35	56107586	1	Mount Lt Weldment
36	56107590	1	Gasket Manifold
37	56107591	1	Gasket-Cat Inlet
38	56107592	1	Gasket-Cat Outlet
39	56107613	2	Sensor Oxygen
40	56107614	1	Catalyst Kubota
41	56107616	1	Lock Screw
42	56107617	1	Lock Screw
64	56478685	5	Mount, Rubber
67	56507444	4	Washer, Isolator Head
68	56507448	5	Washer, Isolator Tail
73	56507988	1	Bracket, Engine Mount, Diesel
78	56508403	1	Bell Housing
89	56002063	4	Wsh, Flt SAE 3/8
90	56003080	4	Scr-Soc Hd 3/8-16 x 0.75
91	56107645	1	Guard Muffler Weldt
92	56303651	1	Clamp, Hose Support
93	2-00-04345	2	Ty-Rap (Thomas&Betts Ty-28M)
94	2-00-05961	4	Screw Hhc M10 X 1.25 X 30mm

[] = Not Shown

= Revised or new since last update

ENGINE BASE ASSY - LPG

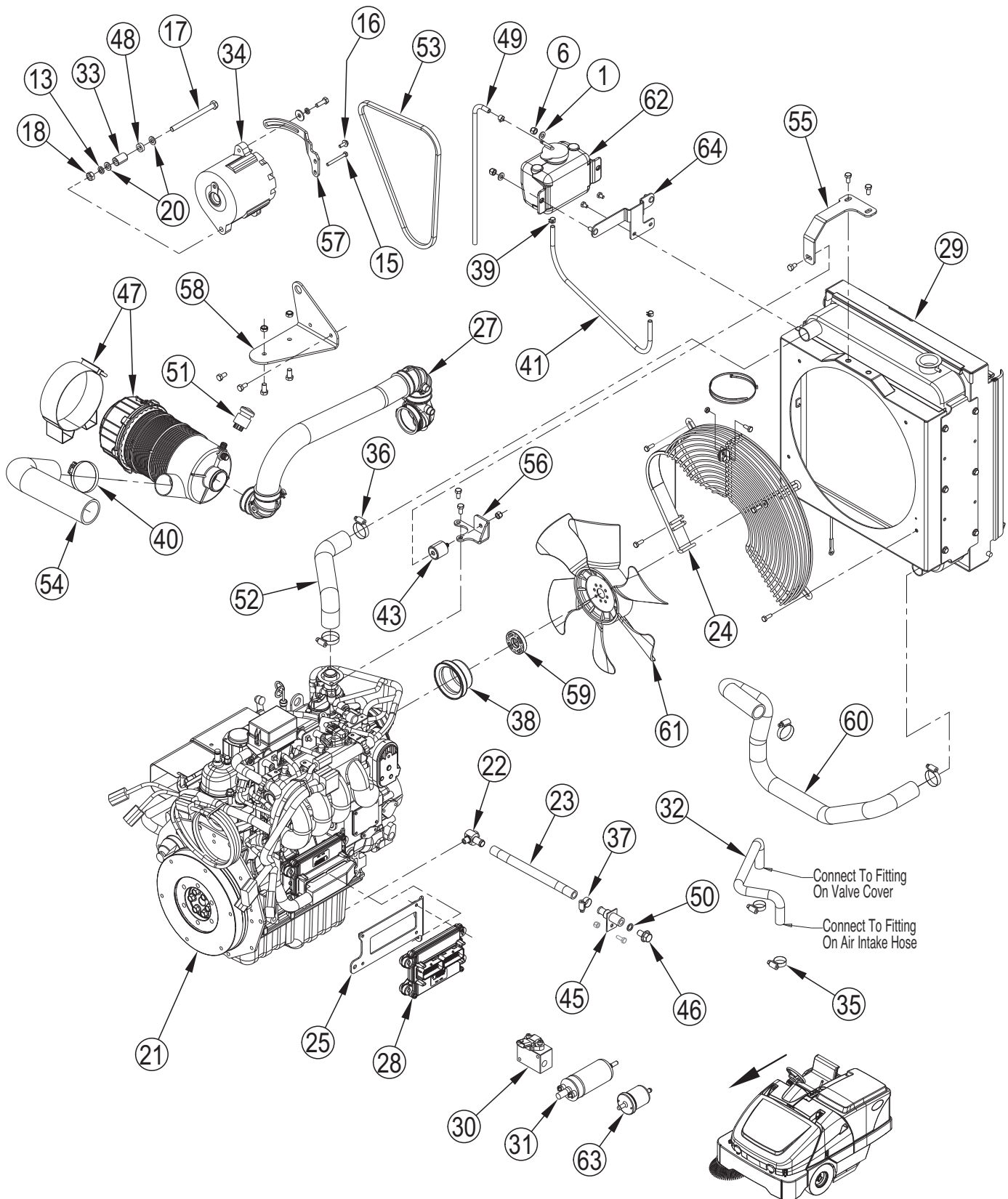


ENGINE BASE ASSY - LPG

Item	Ref. No.	Qty	Description
1	56107705	1	Harness-Kubota 4 Cyl LPG
2	56107706	4	Spark Plug
3	56107707	1	Starter
4	56107708	1	Water Pump Assy-Lpg
5	56107710	1	Dipstick
6	56107711	1	Gasket-Exhaust Manifold
7	56107712	1	Oil Pressure Switch
8	56107716	1	Cover-Thermostat
9	56107717	1	Gasket-Valve Cover
10	56107718	4	Ignition Coil
11	56107721	1	Water Temp Sensor W/Seal
12	56107736	1	Cam Sensor
13	56107737	1	Knock Sensor
14	56107738	1	DEPR Assy
15	56107739	1	Mixer Assy
16	56107740	1	Throttle Body
17	56107741	1	Gasket Throttle Body
18	56107742	1	O-Ring
19	56107743	1	Gasket Intake Manifold
20	56107744	1	Tmap Sensor
21	56107745	1	Cam Gear
22	56107746	1	Flywheel
23	56383025	1	Cap-Oil Fill
24	56508454	1	Thermostat Kit
25	56482659	1	Oil Filter Spin On
26	56510973	1	Pulley-Crankshaft
27	2-00-06354	1	Crank/RPM Sensor
[]	56107713	1	Gasket Set-Upper
[]	56107714	1	Gasket Set-Lower
[]	56107748	2	Fuse-15 Amp
[]	56107749	1	Fuse-10 Amp
[]	56107750	2	Fuse-5 Amp
[]	56107751	1	Micro Relay-35A/20A
[]	56107752	1	Mini Relay-50A/30A

[] = Not Shown

ENGINE PETROL SYSTEM-1



ENGINE PETROL SYSTEM-1

Item	Ref. No.	Qty	Description
1#	56001939	2	Wsh, Flt SAE 5/16
2#			DELETED
3#			DELETED
4#			DELETED
5#			DELETED
6#	56002701	2	Nut, Hex Nyl Loc 5/16-18
7#			DELETED
8#			DELETED
9#			DELETED
10#			DELETED
11#			DELETED
12#			DELETED
13	56003684	1	Wsh, Nord-Lock M10
14#			DELETED
15	56003764	1	Scr-Hex M6-1 X 55mm
16	56003943	1	Scr-Hex Flange SS M6-1 X 16mm
17	56003944	1	Scr-Hex M10-1.25 X 130mm
18	56003945	1	Nut-Hex M10-1.25
19#			DELETED
20	56009214	2	Wsh-Flt .406 x .750 x .090
21		1	Engine Base-Kubota 4cyl Petrol NOTE 1
22	56107618	1	Remote Oil Drain Valve Assy
23	56107620	1	Hose-Hydraulic
24	56107643	1	Fan Guard Assy
25	56107648	1	ECU-Mount Plate
[]	56107653	1	Operator Manual
27	56107663	1	Air Intake Assy-Petrol
28	56107664	1	ECU-Kubota Petrol
29		1	Radiator Assy-6 Fin (See Radiator Assembly)
30	56107670	1	Fuel Manifold
31	56107671	1	Fuel Pump
32	56107735	1	Hose Breather
33	56107747	1	Spacer
34	56110738	1	Alternator, 105 Amp
[]	56510971	1	Pulley-Alternator
35	56112771	2	Clamp- Hose SAE #10
36	56131601	4	Clamp- Hose SAE #16
37	56219932	1	Clamp- Hose SAE #6
38	56307249	1	Pulley, Fan (89mm)
39	56419118	3	Clamp, Hose Band
40	56456797	1	Clamp- Hose SAE #36
41	56465028	1	Hose, Coolant Overflow
42#			DELETED
43	56507372	1	Isolator-Engine
44#			DELETED
45	56507496	1	Remote Oil Drain Outlet
46	56507497	1	Oil Drain Plug
47	56384031	1	Air Cleaner Assy
[]	7-24-04065	1	Filter Element (Outer)
[]	7-24-04066	1	Filter Element (Inner)
48	56507795	1	Spacer, Coil Bracket
49	56507798	1	Hose, Coolant Overflow

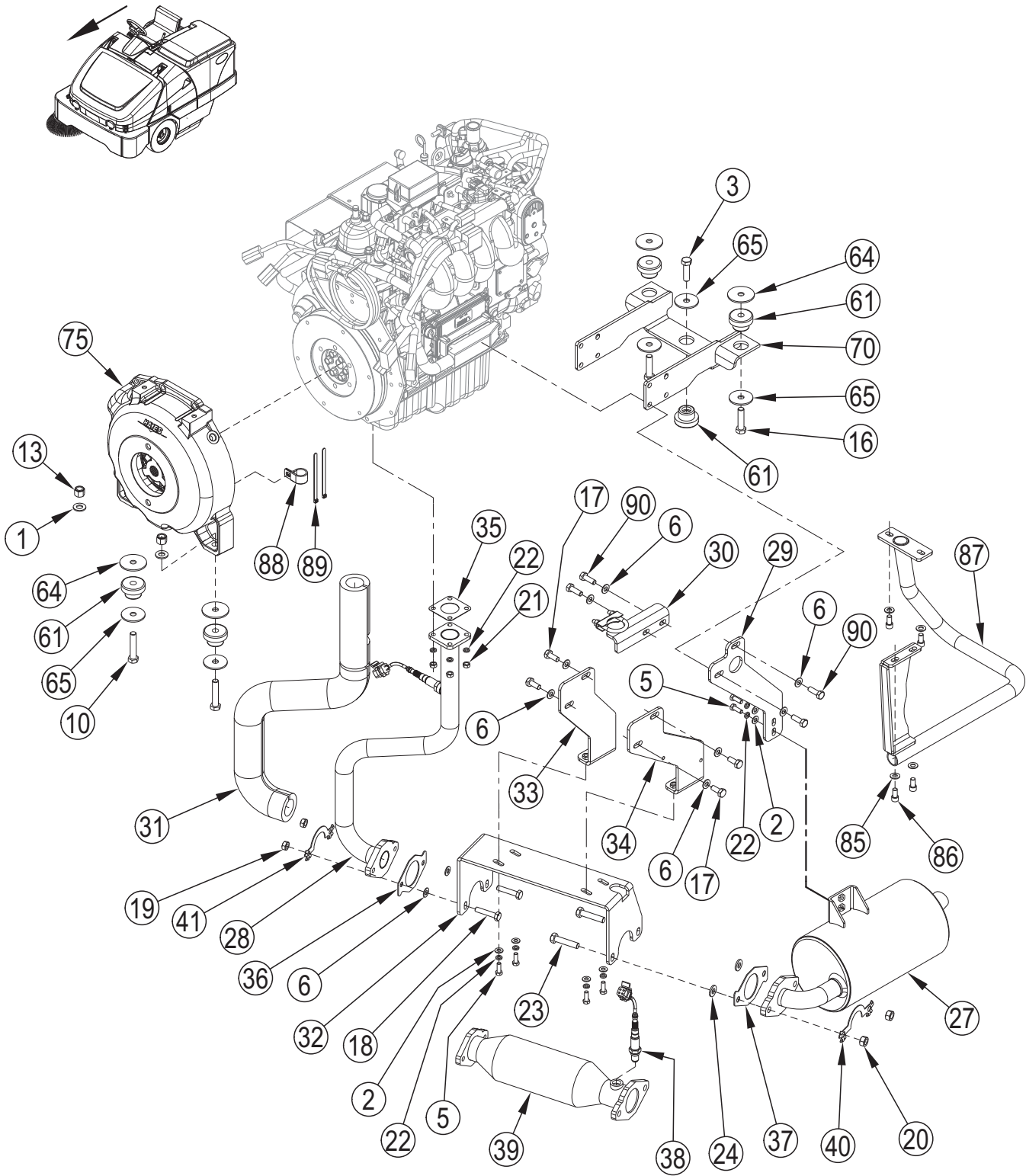
Item	Ref. No.	Qty	Description
50	56507998	1	Seal
51	56507999	1	Indicator, Air
52	56508378	1	Hose, Upper Radiator
53	56508393	1	Belt, Vee
54	56508404	1	Hose, Air Intake
55	56508427	1	Bracket Radiator Support
56	56508428	1	Bracket, Radiator Iso Support
57	56508429	1	Bracket, Alternator Diesel
58	56508938	1	Bracket Air Filter
59	56508941	1	Spacer Fan
60	56508942	1	Hose Lower Coolant
61	56510140	1	Fan-Cooling
62#	56394241	1	Bottle-Overflow
63	7-24-04059	1	Fuel Filter
64#	56107822	1	Bracket-Overflow Bottle

[] = Not Shown

= Revised or new since last update

NOTE 1: See Engine Base Assy - Petrol.

ENGINE PETROL SYSTEM-2



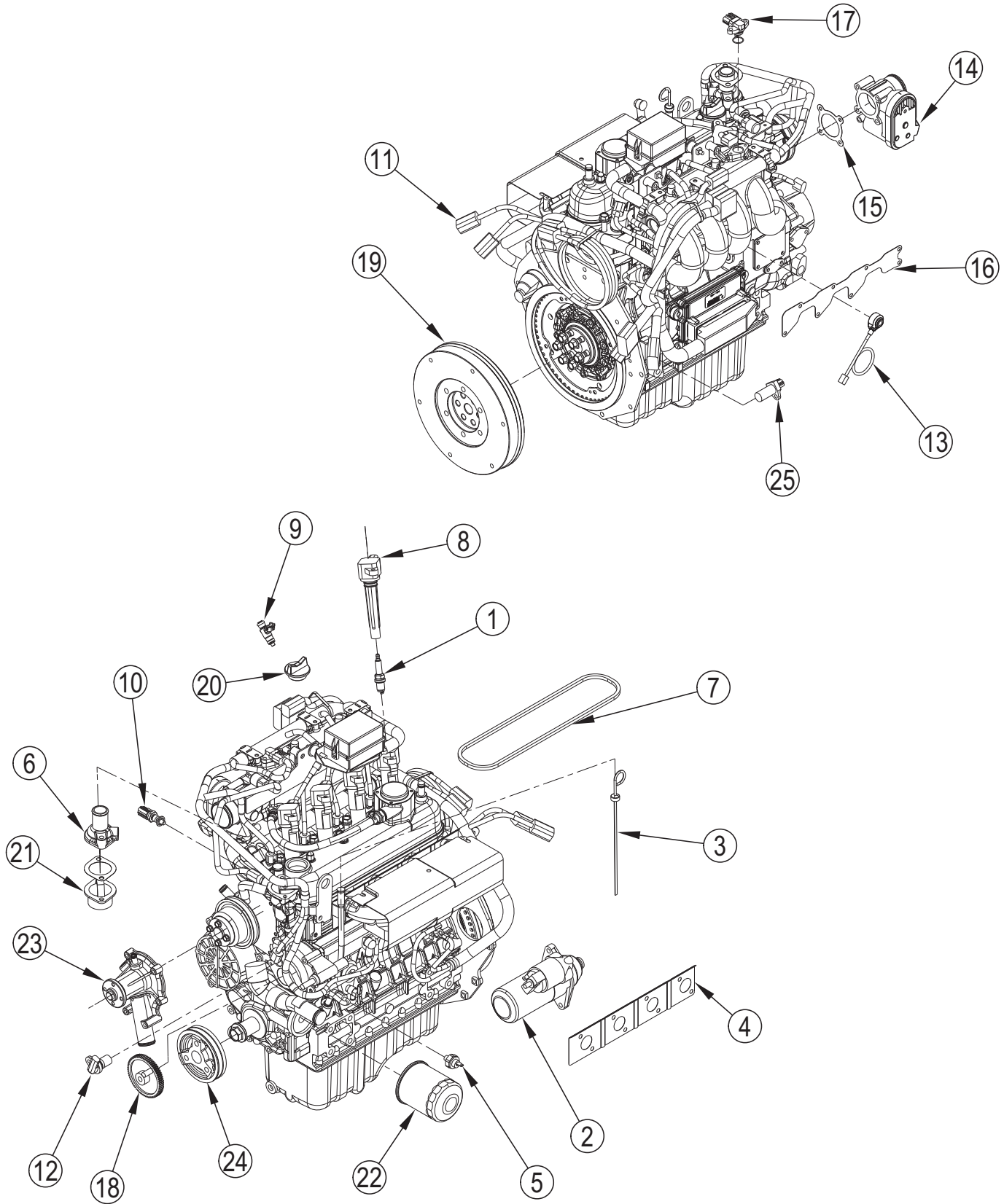
ENGINE PETROL SYSTEM-2

Item	Ref. No.	Qty	Description
1	56001879	2	Wsh-Fit SAE 1/2
2	56001939	6	Wsh, Flt SAE 5/16
3	56001995	1	Scr-Hex 1/2-13 X 1.75
5	56002037	6	Scr-Hex 5/16-18 X .88
6	56002063	10	Wsh, Flt SAE 3/8
10	56002533	2	Scr-Hex 1/2-13 X 2.50
13	56002770	2	Nut-Hex Nyl Loc 1/2-13
16	56002983	2	Scr-Hex 1/2-13 X 2.00
17	56003019	4	Scr-Hex M10-1.25 X 25mm
18#	33004014	2	Screw Hex Hd Uni-5739 M10x50
19	56003409	2	Nut, Hex M10-1.5
20	56003410	2	Nut, Hex M12-1.75
21	56003352	4	Nut, Hex M8-1.25
22	56003685	10	Wsh, Nord-Lock M8
23	56003708	2	Scr-Hex M12-1.75 X 55mm
24	56003889	2	Wsh-Fit 12mm
27	56107550	1	Muffler
28	56107558	1	Exhaust Tube Weldment
29	56107566	1	Hanger Muffler
30	56107568	1	Clamp Bracket Weldment
31	56107581	1	Blanket Exhaust
32	56107582	1	Hanger Catalytic
33	56107585	1	Mount Rt Weldment
34	56107586	1	Mount Lt Weldment
35	56107590	1	Gasket Manifold
36	56107591	1	Gasket-Cat Inlet
37	56107592	1	Gasket-Cat Outlet
38	56107613	2	Sensor Oxygen
39	56107614	1	Catalyst Kubuta
40	56107616	1	Lock Screw
41	56107617	1	Lock Screw
61	56478685	5	Mount, Rubber
64	56507444	4	Washer, Isolator Head
65	56507448	5	Washer, Isolator Tail
70	56507988	1	Bracket, Engine Mount, Diesel
75	56508403	1	Bell Housing
85	56002063	4	Wsh, Flt SAE 3/8
86	56003080	4	Scr-Soc HD 3/8-16 x 0.75
87	56107645	1	Guard Muffler Weldt
88	56303651	1	Clamp, Hose Support
89	2-00-04345	2	Ty-Rap (Thomas&Betts Ty-28M)
90	2-00-05961	4	Screw Hhc M10 X 1.25 X 30mm

[] = Not Shown

= Revised or new since last update

ENGINE BASE ASSY - PETROL

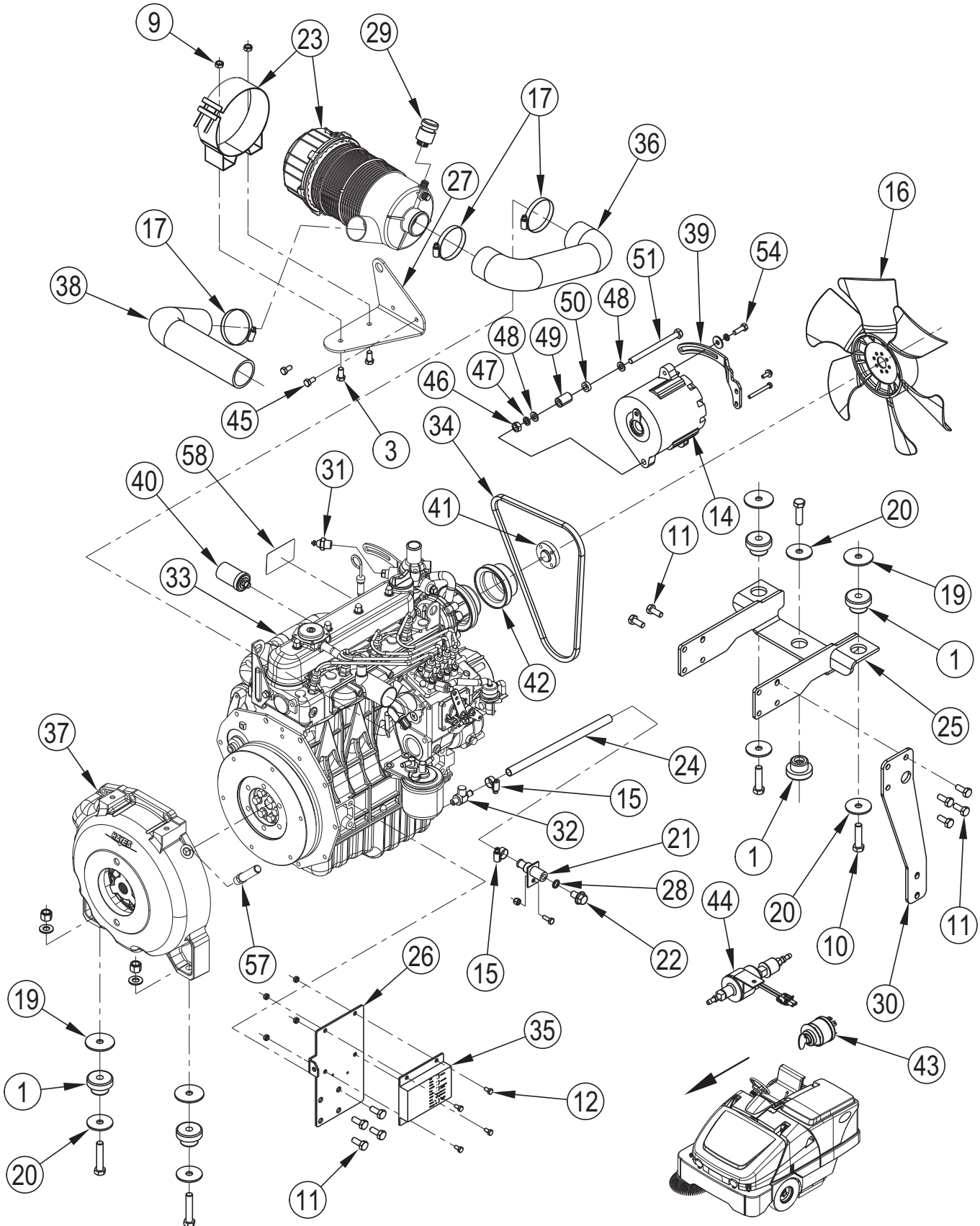


ENGINE BASE ASSY - PETROL

Item	Ref. No.	Qty	Description
1	56107706	4	Spark Plug
2	56107707	1	Starter
3	56107710	1	Dipstick
4	56107711	1	Gasket-Exhaust Manifold
5	56107712	1	Oil Pressure Switch
6	56107716	1	Cover-Thermostat
7	56107717	1	Gasket-Valve Cover
8	56107718	4	Ignition Coil
9	56107720	4	Injector
10	56107721	1	Water Temp Sensor W/Seal
11	56107723	1	Harness-Kubota 4cyl Petrol
12	56107736	1	Cam Sensor
13	56107737	1	Knock Sensor
14	56107740	1	Throttle Body
15	56107741	1	Gasket Throttle Body
16	56107743	1	Gasket Intake Manifold
17	56107744	1	Tmap Sensor
18	56107745	1	Cam Gear
19	56107746	1	Flywheel
20	56383025	1	Cap-Oil Fill
21	56508454	1	Thermostat Kit
22	56482659	1	Oil Filter Spin On
23	56510970	1	Water Pump-D1305
24	56510973	1	Pulley-Crankshaft
25	2-00-06354	1	Crank/RPM Sensor
[]	56107713	1	Gasket Set-Upper
[]	56107714	1	Gasket Set-Lower
[]	56107748	3	Fuse-15 Amp
[]	56107749	1	Fuse-10 Amp
[]	56107750	1	Fuse-5 Amp
[]	56107751	2	Micro Relay-35A/20A
[]	56107752	1	Mini Relay-50A/30A

[] = Not Shown

ENGINE [KUBOTA] DIESEL SYSTEM-1



ENGINE [KUBOTA] DIESEL SYSTEM-1

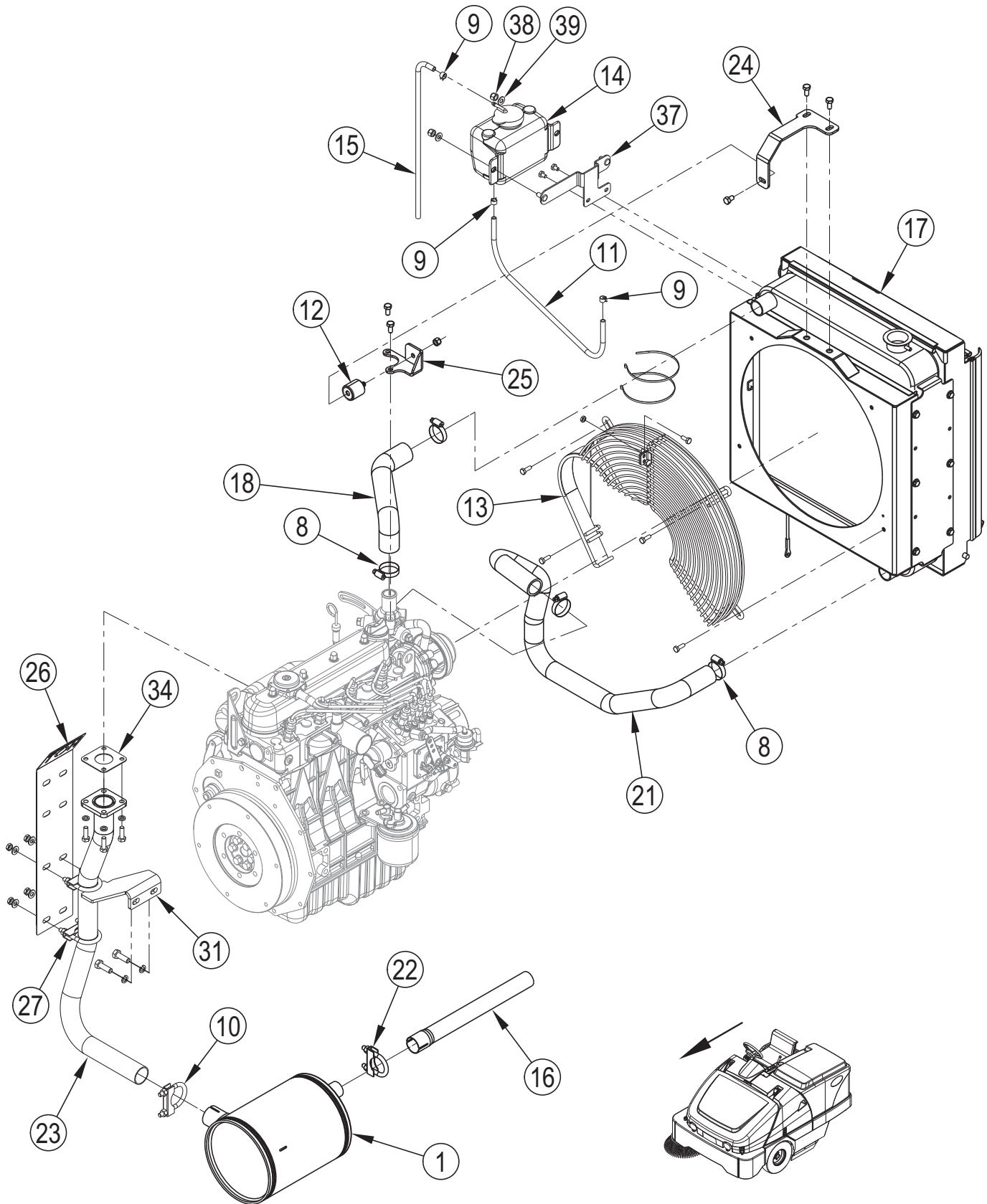
Item	Ref. No.	Qty	Description
1	56478685	5	Mount, Rubber
2#			DELETED
3	56002127	2	Scr, Hex 3/8-16 X .75
4#			DELETED
5#			DELETED
6#			DELETED
7#			DELETED
8#			DELETED
9	56002841	2	Nut, Hex Nyl Loc-Thin 3/8-16
10	56002983	2	Scr, Hex 1/2-13 X 2.00
11	56003019	10	Scr, Hex M10-1.25 X 25mm
12	56003155	4	Scr, Hex M6-1 X 12mm
13#			DELETED
14	56110738	1	Alternator, 105 Amp
15	56219932	2	Clamp, Hose SAE #6
16	56510140	1	Fan
17#	56440213	3	Clamp Hose Sae 32e00047
18#			DELETED
19#	56507444	2	Washer, Isolator Head
20#	56507448	7	Washer, Isolator Tail
21	56507496	1	Remote Oil Drain Outlet
22	56507497	1	Oil Drain Plug
23	56384031	1	Air Cleaner Assy
[]	7-24-04066	1	Air Filter Cartridge, Safety
[]	7-24-04065	1	Air Filter Cartridge, Primary
24	56507964	1	Hose, Remote Oil Drain
25	56507988	1	Bracket, Engine Mount, Diesel
26	56507991	1	Bracket, Fuel Pump
27	56508938	1	Bracket, Air Cleaner
28	56507998	1	Seal
29	56507999	1	Indicator, Air

Item	Ref. No.	Qty	Description
30	56508212	1	Bracket, Muffler Hanger
31	56419091	1	Switch, Temp
32	56508375	1	Engine Oil Drain Valve
33		1	Engine, 4 Cyl Diesel
34	56508393	1	Belt, Vee
35#	56508400	1	Controller-Throttle
36	56508402	1	Hose, Air Intake
37	56508403	1	Bell Housing
38	56508404	1	Hose, Air Intake
39	56508429	1	Bracket, Alternator Diesel
[]	56508004	1	Harness, Kubota Diesel
40	56508444	1	Switch, Pressure
41	56508941	1	Spacer-Fan
42	56307249	1	Pulley, Fan (89 mm)
43	56497754	1	Key Switch
44	56508355	1	Fuel Pump Electronic
45	56003178	2	Scr Hex Thd To Hd M8-1.25X16mm
46	56003945	1	Nut-Hex M10-1.25
47	56003684	1	Wsh Nord-Lock M10
48	56009214	2	Wsh Flt .406X.750X.090
49	56107747	1	Spacer
50	56507795	1	Spacer Coil Bracket
51	56003944	1	Scr-Hex M10-1.25 X 130mm
52#			DELETED
53#			DELETED
54	56003436	1	Scr Hex SS M8-1.25X25MM
55#			DELETED
56#			DELETED
57	56111319	1	Speed Sensor
58#	56394264	1	Label-Epa Emissions-Diesel

[] = Not Shown

= Revised or new since last update

ENGINE [KUBOTA] DIESEL SYSTEM-2



ENGINE [KUBOTA] DIESEL SYSTEM-2

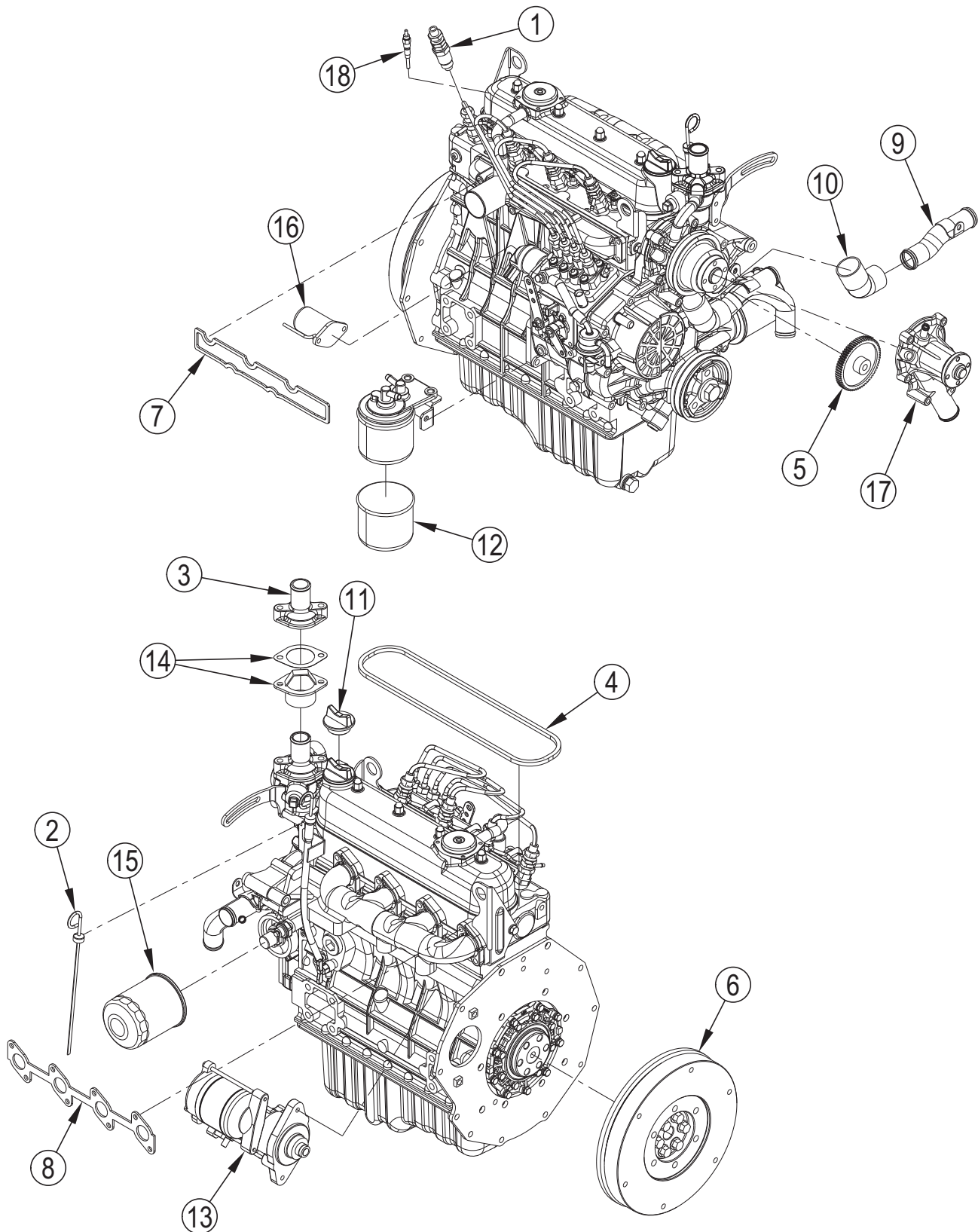
Item	Ref. No.	Qty	Description
1	7-49-00038	1	Muffler
2#			DELETED
3#			DELETED
4#			DELETED
5#			DELETED
6#			DELETED
7#			DELETED
8#	56413839	5	Clamp Hose Worm Drive
9	56419118	3	Clamp. Hose Band
10	56456833	1	Clamp. Muffler 1.62
11	56465028	1	Hose, Coolant Overflow
12	56507372	1	Isolator, Engine
13	56107643	1	Fan Guard Assy
14#	56394231	1	Bottle-Overflow
15	56507798	1	Hose, Coolant Overflow
16	56507871	1	Tail Pipe
17		1	Radiator Assy (See Radiator Assembly)
18	56508378	1	Hose, Upper Radiator
19#			DELETED
21	56508942	1	Hose Lower Radiator
[]	56381962	1	Hose Lower Radiator NOTE 1
22	56508391	1	Clamp. Muffler
23	56508397	1	Exhaust Assembly
24	56508427	1	Bracket, Radiator Support
25	56508428	1	Bracket, Radiator Iso Support
26	56507449	1	Shield, Exhaust Heat
27	56343236	2	Clamp. Muffler 1.50
28#			DELETED
29#			DELETED
30#			DELETED
31	56508910	1	Exhaust Pipe Bracket
32#			DELETED
33#			DELETED
34	56419107	1	Exhaust Gasket
35#			DELETED
36#			DELETED
37#	56107822	1	Bracket-Overflow Bottle
38#	56002701	2	Nut Hex Nyl Loc 5/16-18
39#	56001939	2	Wsh Flt Sae 5/16

[] = Not Shown

= Revised or new since last update

NOTE 1: Replacement part for rubber elbow which connects directly to the water pump.

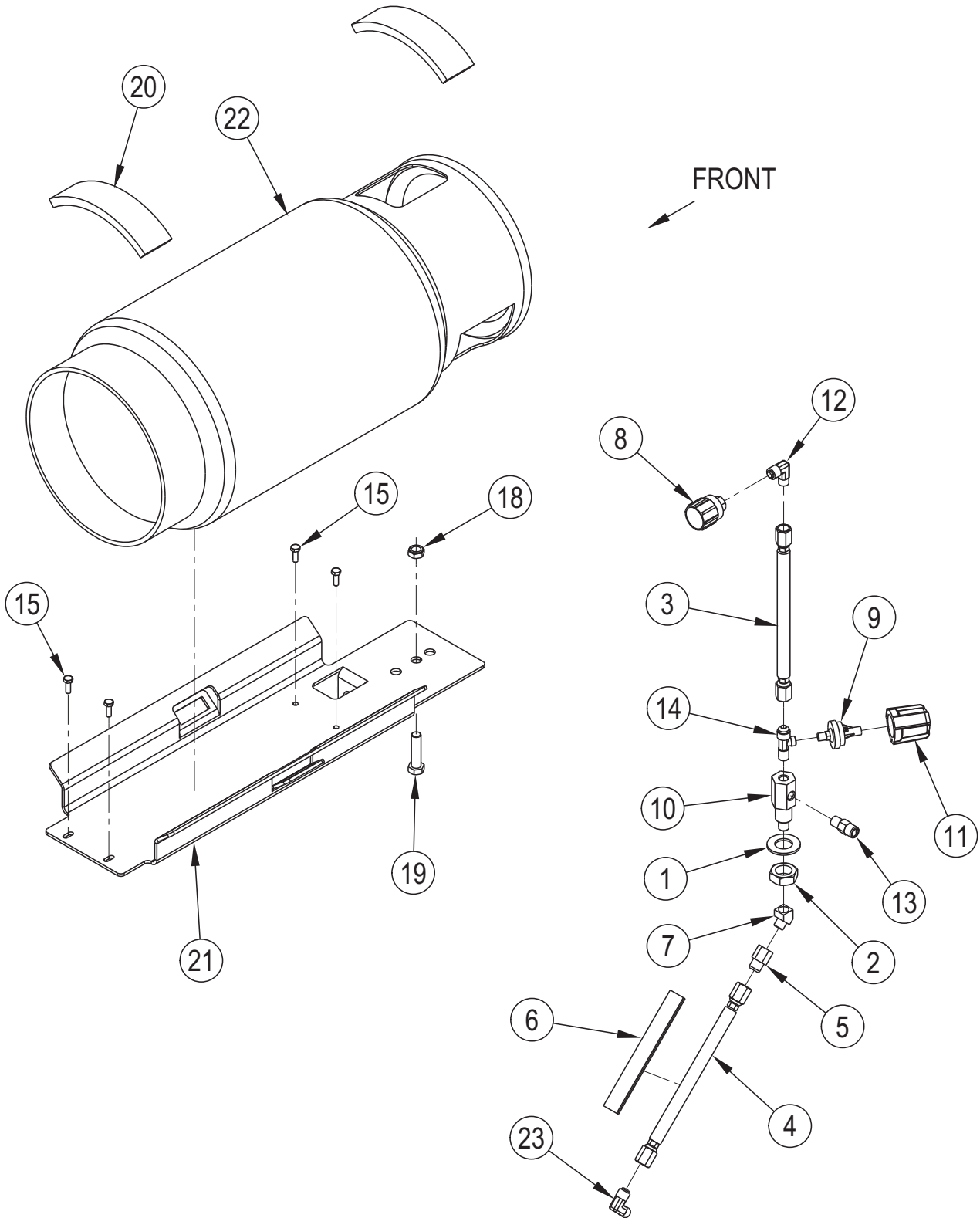
ENGINE BASE ASSY - DIESEL



ENGINE BASE ASSY - DIESEL

Item	Ref. No.	Qty	Description
1	33019750	4	Injector
2	56107710	1	Dipstick
3	56107716	1	Cover-Thermostat
4	56107717	1	Gasket-Valve Cover
5	56107758	1	Cam Gear
6	56107759	1	Flywheel
7	56107760	1	Gasket Intake
8	56107761	1	Gasket Exhaust
9	56381961	1	Tube Coolant
10	56381962	1	Hose Lower Radiator
11	56383025	1	Cap-Oil Fill
12	56419086	1	Fuel Filter Cartridge
13	56419089	1	Starter Motor
14	56508454	1	Thermostat Kit
15	56482659	1	Oil Filter Spin On
16	56508490	1	Throttle/Shut Down Actuator
17	56510970	1	Water Pump-D1305
18	56510975	4	Glow Plug
[]	56463590	1	Glow Plug Timer
[]	56110738	1	Alternator 105A
[]	56508393	1	Belt, Vee
[]	56419088	1	Thermostat Assembly
[]	56508489	1	Thermostat Gasket
[]	56508444	1	Oil Pressure Switch
[]	56419091	1	Switch, Temp
[]	56508355	1	Fuel Pump Assembly
[]	56508470	1	Engine Operator Manual
[]	56504545	1	Seal-Crank Oil Front
[]	56504546	1	Seal-Crank Oil Rear
[]	56382861	1	Coupling Pump Drive-Kubota
[]	56107762	1	Gasket Set-Upper
[]	56107763	1	Gasket Set-Lower

ENGINE LPG TANK & FILTER ASSY

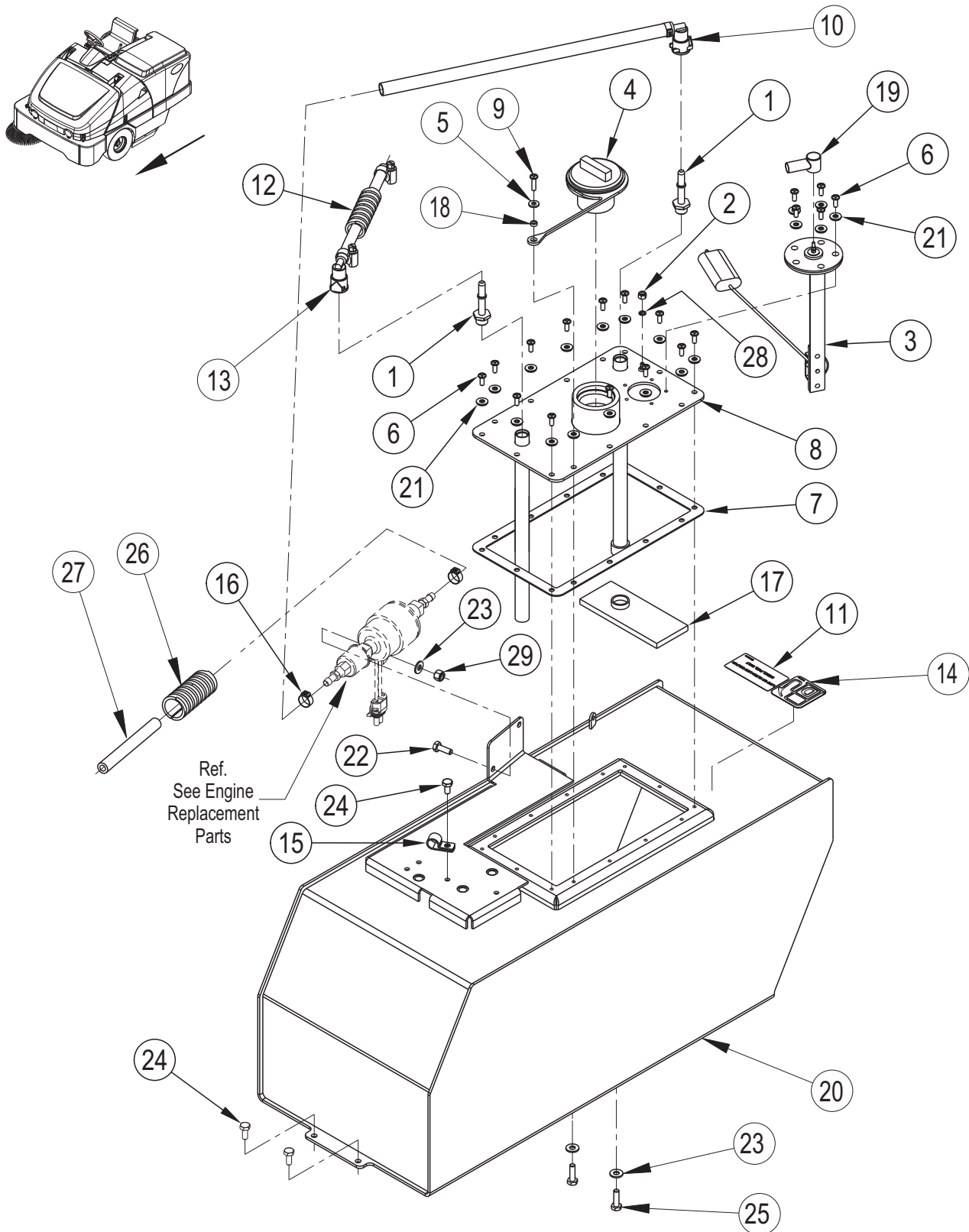


ENGINE LPG TANK & FILTER ASSY

Item	Ref. No.	Qty	Description
	56507347	1	LPG Filter Assembly (items 1-14) (used on Non-Cab models only)
1	56002228	1	Wsh, Flt SAE 7/8
2	56002615	1	Nut, Hex Jam 7/8-14
3	56305503	1	Hose Assy
4	56305504	1	Hose Assy
5	56305505	1	Adapter-SAE 45 Deg.
6	56305506	1	Conduit
7	56368938	1	Elbow-45 Street
8	56369675	1	Coupler-Female
9	56418381	1	Switch-N.C. Pressure
10	56418934	1	Fitting-Bulkhead
11	56419241	1	Dust Boot
12	56456608	1	Elbow-Male 90
13	56456624	1	Vent-1/4 NPT
14	56900921	1	Tee 1/4 NPT X 1/8 NPT X 3/8 JIC
	56507057	1	LP Tank Assy (items 15-22) (used on both Cab & Non-Cab models)
15	56009033	4	Scr, Hex Thd Form 1/4-20 x .50
16#			DELETED
18	56002843	1	Nut, Hex Nyl Loc-Thin 1/2-13
19	56003740	1	Scr, Hex Thd To Hd 1/2-13 x 2.00
20	56507336	2	Gasket, LP Tank Mtg
21	56507558	1	Support, LP Tank
22	56456590	1	LP Tank, 33lb.
23	56456608	1	Elbow-Male 90

= Revised or new since last update

ENGINE [KUBOTA] DIESEL FUEL TANK ASSY



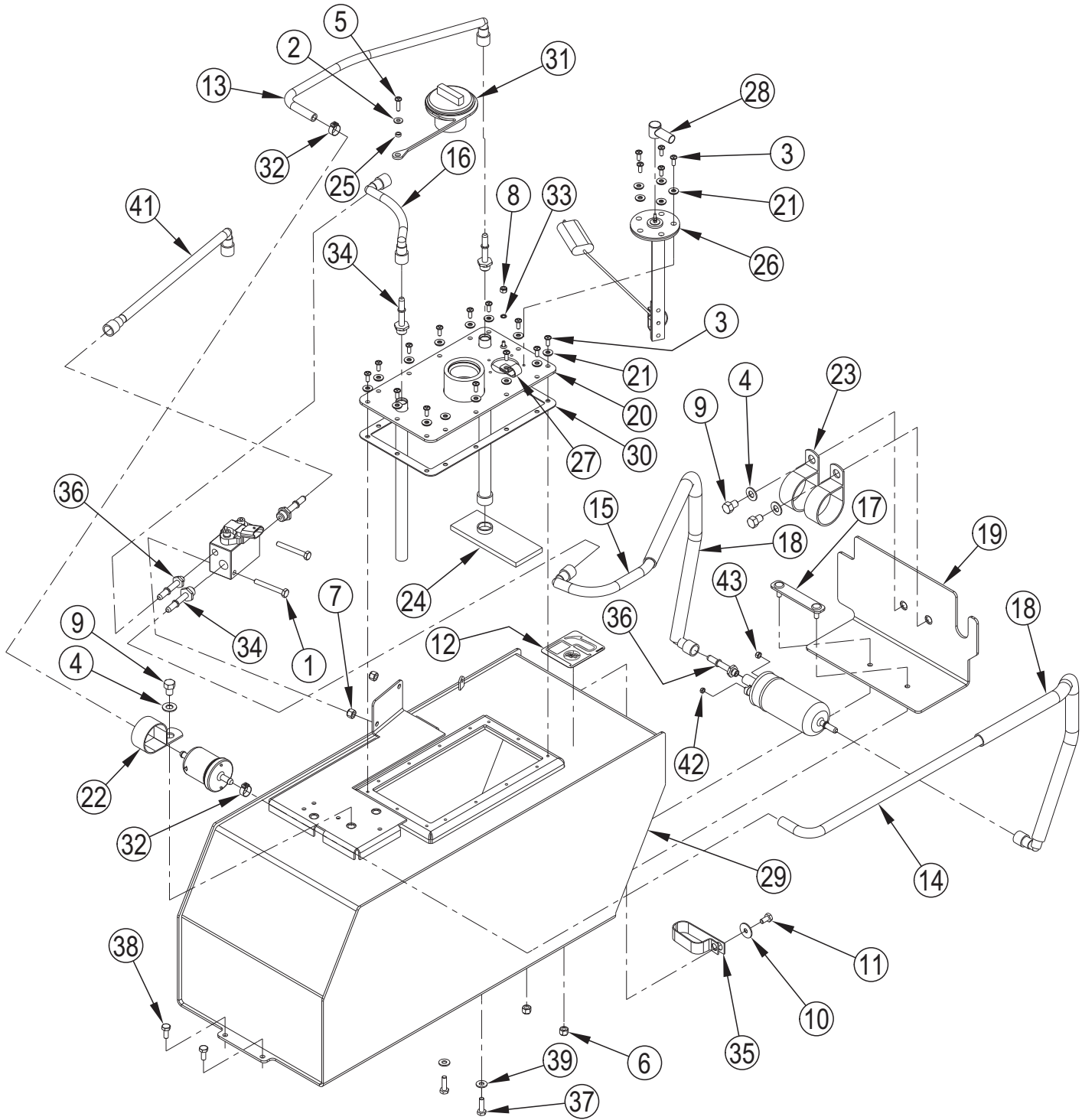
ENGINE [KUBOTA] DIESEL FUEL TANK ASSY

Item	Ref. No.	Qty	Description
	56108183	1	Diesel Tank Assembly (items 1-11, 14-24, 28-30)
1	7-11-04083	2	-6 SAE x 5/16 Quick Connect Fitting
2	56002808	1	Nut, Hex Nyl Loc 8-32
3	56478358	1	Sender, Fuel Level
4	56508354	1	Fuel Cap
5	56001954	1	Wsh, Flt SAE #10
6	56001993	18	Scr, Pan Phil 10-24 x .50
7	56508349	1	Gasket, Cover
8	56508348	1	Cover Plate Weldt
9	56002192	1	Scr, Pan Phil 10-24 x .75
10	56507957	1	Hose Assy TSB-FC-2015-011
11	56109404	1	Decal, Low Sulfur Diesel
12	56508654	1	Conduit
13	56508646	1	Hose Assembly
14	56025454	1	Decal, Diesel Fuel
15	56486112	1	Clamp-P
16	56508515	2	Clamp
17	56419307	1	Strainer, Fuel
18	56454275	1	Bushing, .20 x .31 x .12
19	56492305	1	Boot, Rubber
20	56507946	1	Fuel Tank Weldt
21	56209261	19	Washer, Sealing 9/16
22	2-00-00221	1	Scw-HHC .25-20 x .75 GR 8 ZN
23	56002098	3	Wsh, Flt SAE 1/4
24	56009033	3	Scr Hex Thd Form 1/4-20 x .50
25#	56002948	2	Scr Hex Loc-1/4-20 X 0.75
26	56508357	1	Conduit
27	56508358	1	Hose, Fuel Line
28	2-00-00506	1	Lk Wash Int Tooth 8 Dia Screw
29	56002708	1	Nut Hex Nyl Loc 1/4-20
[]	56384497	2	Gasket-Fuel Pump-6.50

[] = Not Shown

= Revised or new since last update

ENGINE PETROL FUEL TANK ASSY

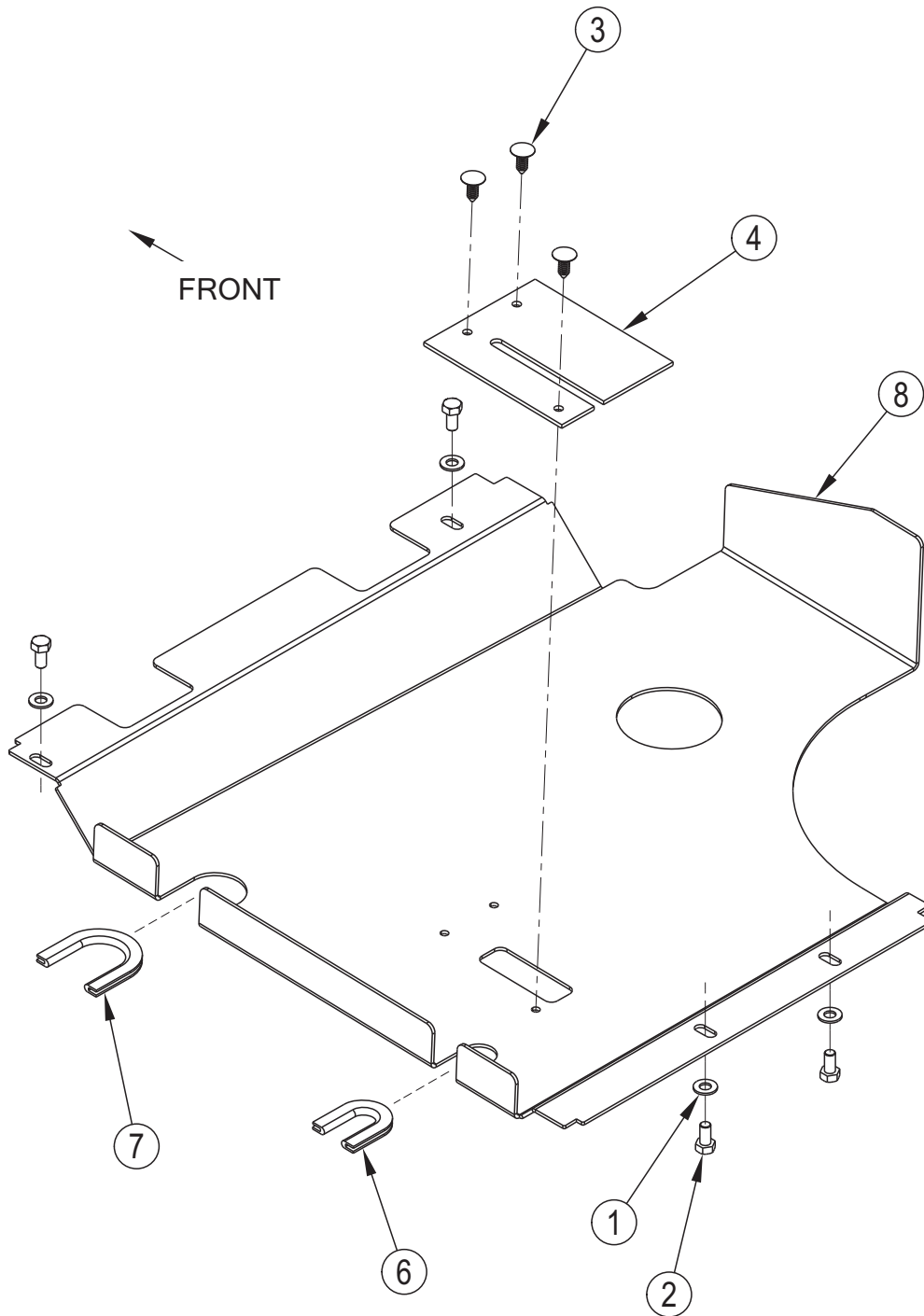


ENGINE PETROL FUEL TANK ASSY

Item	Ref. No.	Qty	Description
	56107666	1	Tank-Petrol Assy (items 1-36)
1	56001874	2	Scr-Hex 1/4-20 X 2.00
2	56001954	1	Wsh, Flt SAE #10
3	56001993	18	Scr-Pan Phil 10-24 X .50
4	56002063	3	Wsh, Flt SAE 3/8
5	56002192	1	Scr-Pan Phil 10-24 X .75
6	56002491	2	Nut-Hex Nyl Loc Ss 1/4-20
7	56002708	2	Nut, Hex Nyl Loc 1/4-20
8	56002808	1	Nut, Hex Nyl Loc 8-32
9	56003023	3	Scr-Hex Hd Loc 3/8-16x.50
10	56009002	1	Wsh, Flt .266 X .906 X .060
11	56009033	1	Scr, Hex Thd Form 1/4-20 X .50
12	56016226	1	Decal, Unleaded Fuel
13	56107594	1	Fuel Hose Assy
14	56107595	1	Fuel Hose Assy
15	56107596	1	Fuel Hose Assy
16	56107754	1	Fuel Hose Assy
17	56107767	1	Plate-Screw
18	56107772	2	Conduit-Black-20x.75
19	56107773	1	Guard-Fuel Pump Weldment
20	56107776	1	Cover Plate Weldt
21	56209261	19	Washer, Sealing 9/16
22	56305024	1	P-Clamp
23	56305492	2	Clamp, P
24	56419307	1	Strainer, Fuel
25	56454275	1	Bushing, .20 X .31 X .12
26	56478358	1	Sender, Fuel Level
27	56486112	1	Clamp-P
28	56492305	1	Boot, Rubber
29	56507946	1	Fuel Tank Weldt
30	56508349	1	Gasket, Cover
31	56508354	1	Fuel Cap
32	56508515	2	Clamp
33	2-00-00506	1	Lk Wash Int Tooth 8 Dia Screw
34	7-11-04083	4	-6 SAE X 5/16 Quick Connect Fitting
35	2-00-05253	1	Clamp, 3/4" Wire, Double
36	7-11-04084	2	-3 SAE X 5/16 Quick Connect Fitting
37#	56002948	2	Scr Hex Loc-1/4-20 X 0.75
38	56009033	2	Scr Hex Thd Form 1/4-20x.50
39	56002098	2	Wsh, Flt SAE 1/4
40			Intentionally Omitted
41	56107597	1	Fuel Hose Assy
42#	2-00-06572	1	M4 Distorted Thread Locknut
43#	2-00-06573	1	M5 Distorted Thread Locknut
[]	56305790	1	Wire Asm, Pigtail (fuel pump jumper)
[]	56508003	1	Harness, Gasoline Sensor
[]	56508357	1	Conduit Black .75

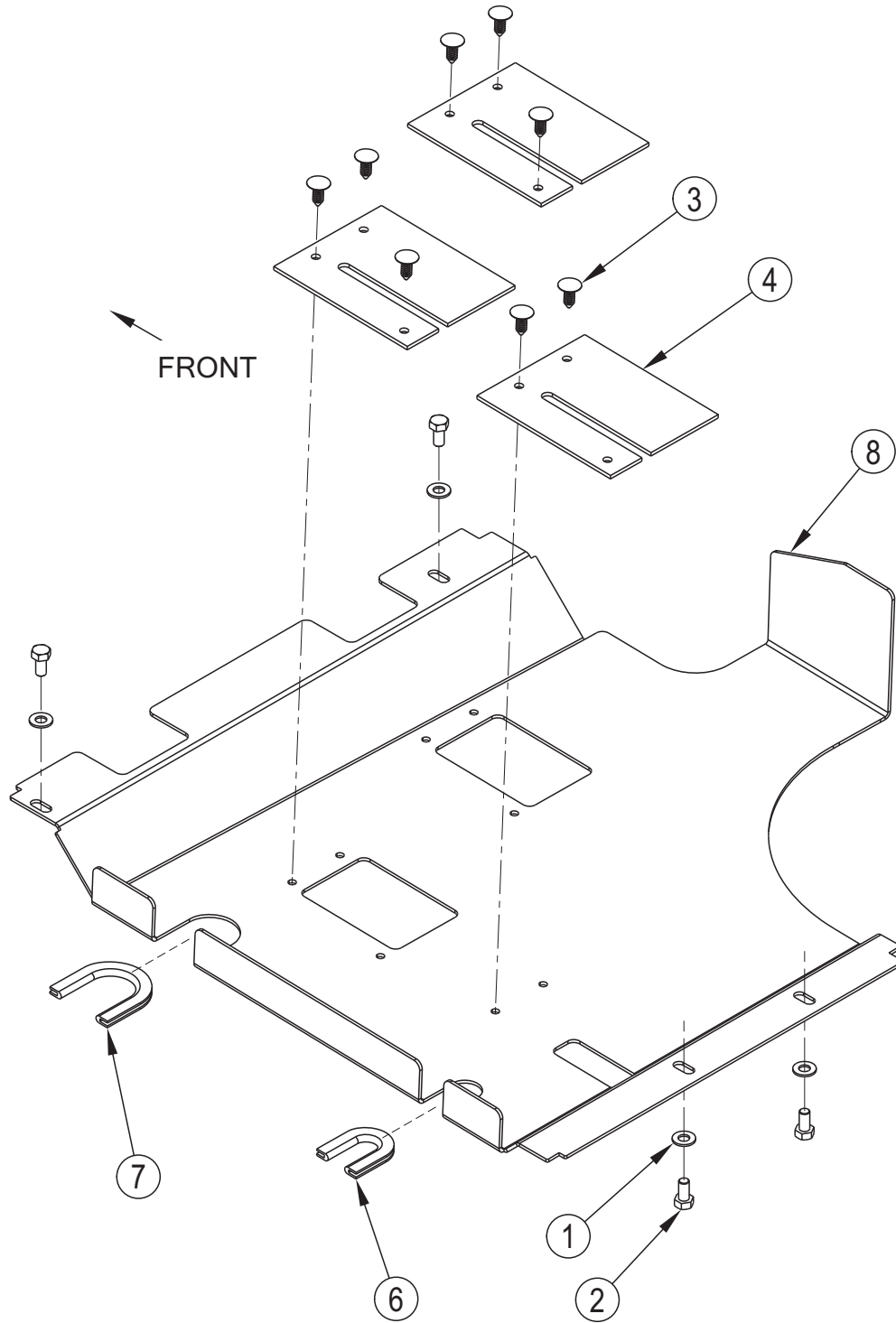
[] = Not Shown

= Revised or new since last update



ENGINE BOTTOM COVER ASSY - DIESEL

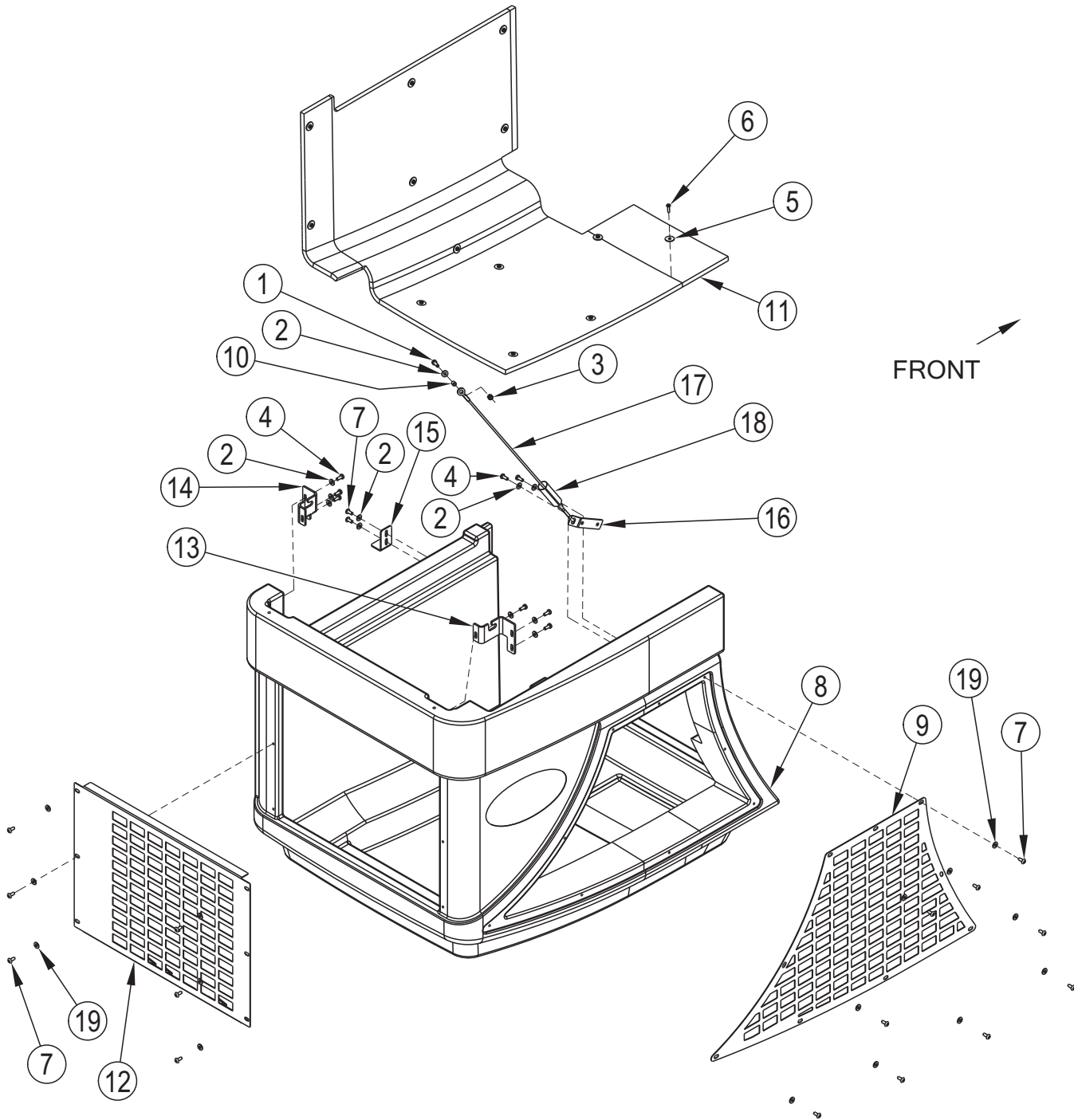
Item	Ref. No.	Qty	Description
	56107622	1	Bottom Engine Cover Assy (items 1-8)
1	56001939	4	Wsh, Flt SAE 5/16
2	56002929	4	Scr-Hex Hd Loc 5/16-18x.62
3	56003263	3	Rivet, Nylon Tree Push-In (.25)
4	56107608	1	Seal Bottom Cover
6	56107610	1	Trim-Edge
7	56107611	1	Trim-Edge
8	56107623	1	Bottom Engine Cover



ENGINE BOTTOM COVER ASSY - LPG-PETROL

Item	Ref. No.	Qty	Description
	56107606	1	Bottom Engine Cover Assy (items 1-8)
1	56001939	4	Wsh, Flt SAE 5/16
2	56002929	4	Scr-Hex Hd Loc 5/16-18x.62
3	56003263	8	Rivet, Nylon Tree Push-In (.25)
4	56107608	3	Seal Bottom Cover
6	56107610	1	Trim-Edge
7	56107611	1	Trim-Edge
8	56107607	1	Bottom Engine Cover

ENGINE REAR COVER ASSY



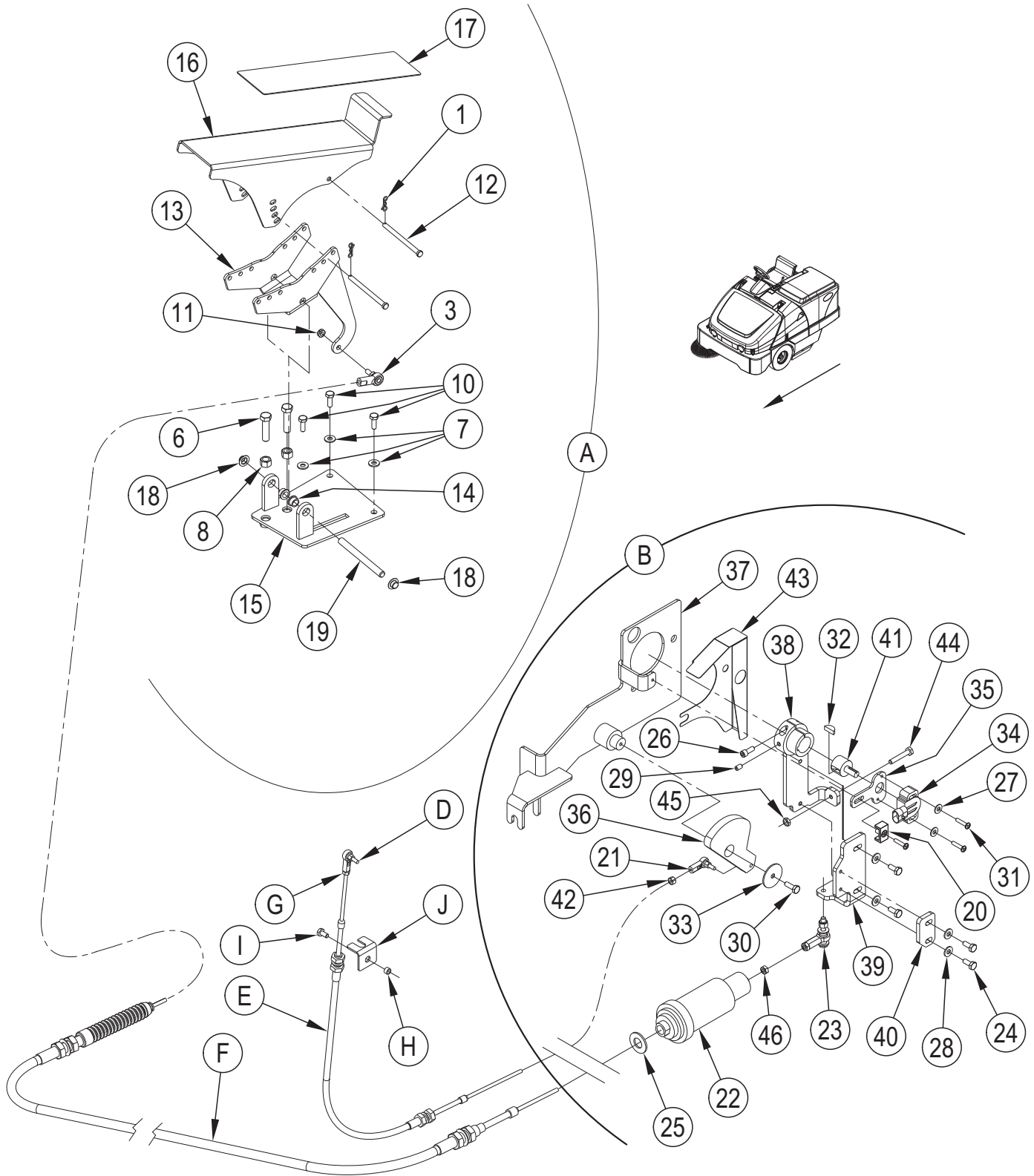
ENGINE REAR COVER ASSY

Kit	Item	Ref. No.	Qty	Description
		56107576	1	Cover Rear Assy (items 1-18)
	1	56002093	1	Scr-Hex 1/4-20 x 1.00
	2	56002098	11	Wsh, Flt SAE 1/4
	3	56002708	1	Nut, Hex Nyl Loc 1/4-20
	4	56002922	8	Scr-Hex Hd Loc 1/4-20 x .62
K1	5	56009002	13	Wsh, Flt .266 x .906 x .060
K1	6	56009005	13	Scr. Pan Phil SS Type AB 10-16 x .75
K1	7	56009120	17	Scr Panphil SS Type B 1/4-14 x .62
K1	8	56107579	1	Engine Cover Assy
K1	9	56107580	1	Vent Cover
	10	56321532	1	Bushing .25 x .37 x .40
K1	11	56507339	1	Foam Insulation
K1	12	56107657	1	Shroud Radiator
	13	56507401	1	Bracket, Engine Cover
	14	56507402	1	Bracket, Engine Cover
	15	56507584	1	Bracket, Engine Cover Clamp
	16	56508181	1	Bracket, Eng. Hood
	17	56508335	1	Cable Assembly
	18	56508774	1	Shrink Tube .75 x 2.5
	19	56002859	15	Wsh-Flt SAE SS 1/4

Service Kit

K1	56107615	1	Kit-Engine Cover Assy
----	----------	---	-----------------------

FORWARD-REVERSE CONTROL ASSY



FORWARD-REVERSE CONTROL ASSY

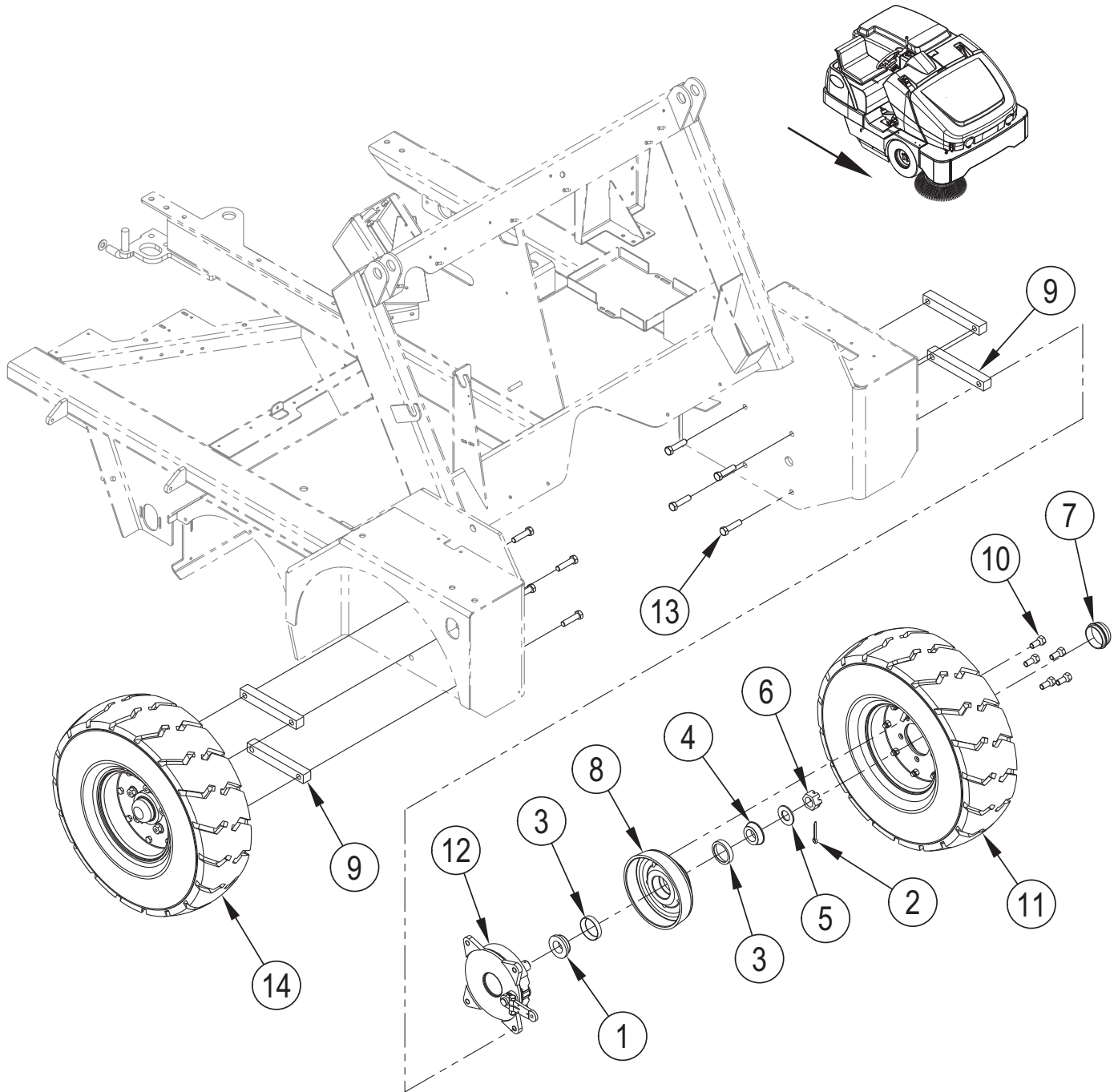
Item	Ref. No.	Qty	Description
	56507049	1	FWD / REV 4 Cyl Control Assembly (A, B, D-J)
A	56507647	1	Foot Pedal Assembly (items 1-17)
1#	56004061	2	Pin-Bow-Tie Cot-3/16-1/4x.046
2#			DELETED
3	56463720	1	Rod End
4#			DELETED
6	56003918	2	Scr-Hex Thd/Hd SS 3/8-16 x 1.50
7#	56002859	3	Wsh-Flt SAE SS 1/4
8	56003928	2	Nut-Hex Machine SS 3/8-16
9#			DELETED
10	56003221	3	Scr-Hex Loc SS 1/4-20 x .75
11	56003917	1	Nut-Hex Nyl Loc-Thin SS 1/4-28
12	56003669	2	Pin, Clevis .25 x 3.50
13	56107687	1	Pedal Weldt
14	56304554	2	Bearing, Fl.500 x .375 x .313
15	56107686	1	Plate-Foot Throttle
16	56107685	1	Foot Pedal
17	56507227	1	Mat, Pedal
18#	56009123	2	Nut Push Cap 3/8
19#	56385409	1	Pin-Axle-.375 X 4.2
B	56507541	1	Pump Control Assembly (items 18-42)
20#	56111895	1	Guide-Encoder
21#	56488290	1	Rod End
22#	56455799	1	Hydroback
23#	56383880	1	Rod End Throttle Kit TSB-FC-2014-007
24#	56001836	4	Scr. Hex 1/4-20 x .62
25#	56002022	1	Wsh, Flt SAE 5/8
26#	56002032	1	Scr, Soc Hd 1/4-20 x 0.62
27#	56001954	2	Wsh, Flt SAE 10
28#	56002098	4	Wsh, Flt SAE 1/4
29#	56002930	1	Scr, Soc Set Loc 1/4-20 x .38
30#	56002948	1	Scr, Hex Hd Loc 1/4-20 x .75
31#	56002996	3	Scr, Pan Phil 10-32 x .88
32#	56003230	1	Key, Wdf .75 x .25
33	56009225	1	Wsh, Fender .281 x 1.50 x .074
34	56305129	1	Rotary Sensor
35	56305980	1	Plate-Sensor
36	56419337	1	Cam, Nylon
37	56507124	1	RTN Bracket
38	56507126	1	Lever Weldment
39	56507152	1	Lever
40	56507153	1	Plate, Cam
41	56507979	1	Adapter, Shaft
42	56001987	1	Nut, Hex Machine 10-32
43	56384037	1	Guard-Pintle
44#	56003709	1	Scr Hex Thd To Hd 1/4-20 X 1.5
45#	56009087	1	Nut Hex Jam 1/4-20
46#	2-95-01999	1	Nut-Hex-Jam .25-28 Zn

Item	Ref. No.	Qty	Description
D	56488290	1	Rod End
E	56418615	1	Cable, Push-Pull Control
F	56384088	1	Cable, Push-Pull Control NOTE 1
TSB-FC-2015-015			
G	56001987	1	Nut, Hex Machine 10-32
H	56379298	1	Bushing
I	56003039	1	Scr, Hex Hd Loc 1/4-20 x .50
J	56508500	1	Bracket, Speed Limit Cable

= Revised or new since last update

NOTE 1: 56507648 is OBSOLETE and replaced by 56384088. All machines built starting with serial number 1000058489 and after use Push-Pull Control Cable 56384088.

FRONT WHEEL SYSTEM



FRONT WHEEL SYSTEM

Item	Ref. No.	Qty	Description
1	2-00-02079	1	Bearing Cone NOTE 1
2	2-00-02436	1	Pin, Cotter NOTE 1
3	2-00-04621	2	Bearing Cup NOTE 1
4	2-00-04622	1	Bearing Cone NOTE 1
5	56004012	1	Wsh-Flt 18-8 SS-1.062 X 2 X 0.13 NOTE 1
6	2-00-05026	1	1" x 14 Slotted Nut NOTE 1
7	8-11-00030	1	Grease Cap NOTE 1
8	56107724	1	Hub And Drum-Machined NOTE 1
9	8-75-01216	4	Spacer NOTE 2
10	56385067	5	Stud - Wheel-1/2-20 x 1 NOTE 1
11	8-89-08054	1	Whl Assy Pneumatic Front 6X9 NOTE 1
[]	8-65-05016	1	Rim Assy, 6 x 9 x 4
[]	8-85-06022	1	Tire - Pneumatic 6 x 9
[]	8-70-00087	1	Tube
[]	8-70-00086	1	Flap
12	0860-703	1	Axle / Shaft Assembly NOTE 1
	8-71-05007	1	Replacement Shoe (usage 2 per brake assy)
	56418581	1	Replacement Spring (usage 2 per brake assy)
13	56003162	8	Scr, Hex 1/2-20 x 2.00 NOTE 2
13	56003958	8	Scr-Hex 1/2-20 X 2.25 NOTE 3
14	56507045	2	Front Wheel Assembly (items 1-8, 10-12)
*	8-89-08056	2	Wheel Assy-Solid-Soft-6 x 9

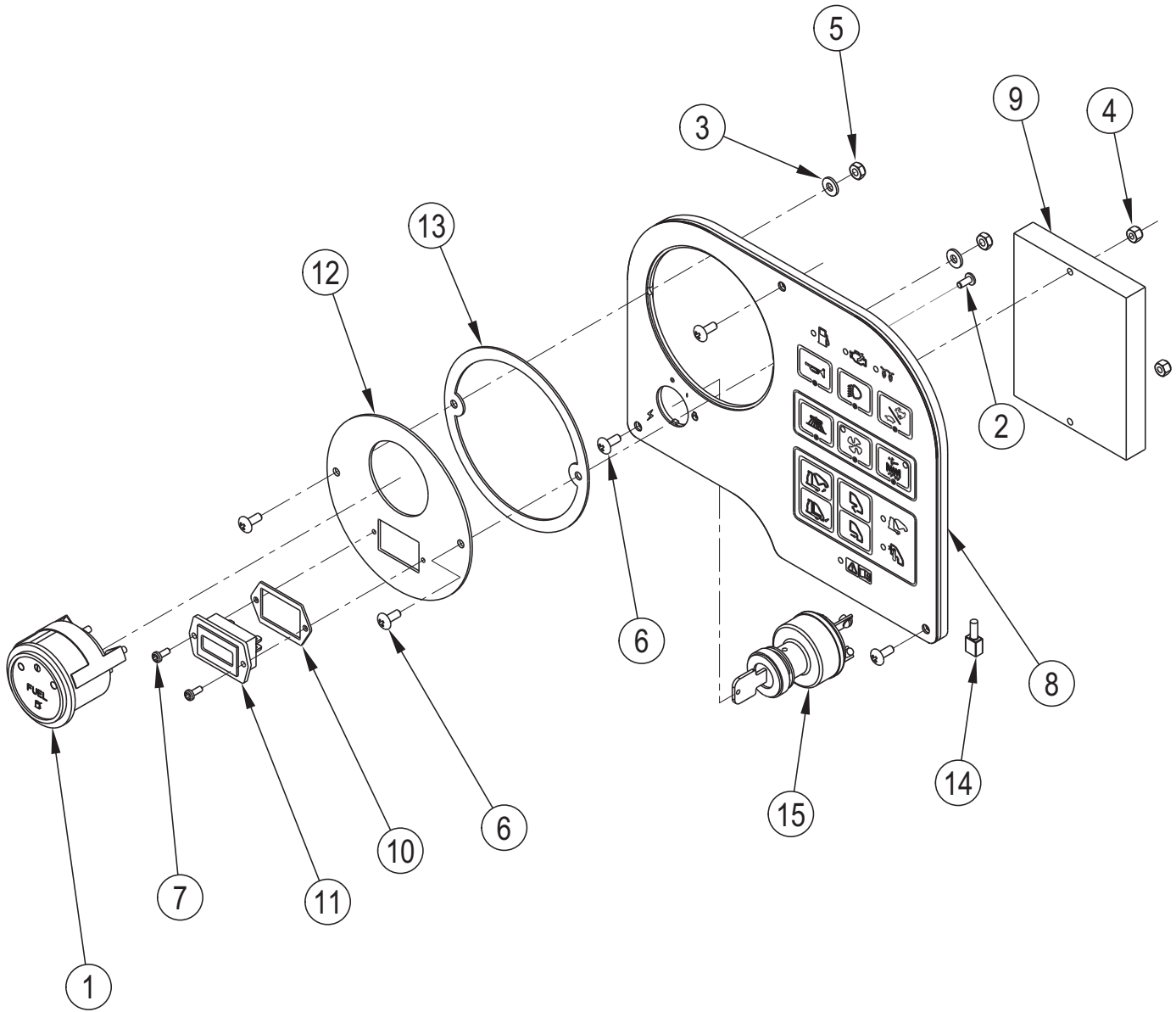
[] = Not Shown

NOTE 1: These quantities reflect one Front Wheel Assembly only, there are two Front Wheel Assemblies on the machine.

NOTE 2: These items are only used on machines that do not have standoffs welded onto the chassis for mounting the wheel assemblies.

NOTE 3: 56003958 Screws are only used on machines that do have standoffs welded onto the chassis for mounting the wheel assemblies.

GAUGE PANEL ASSY

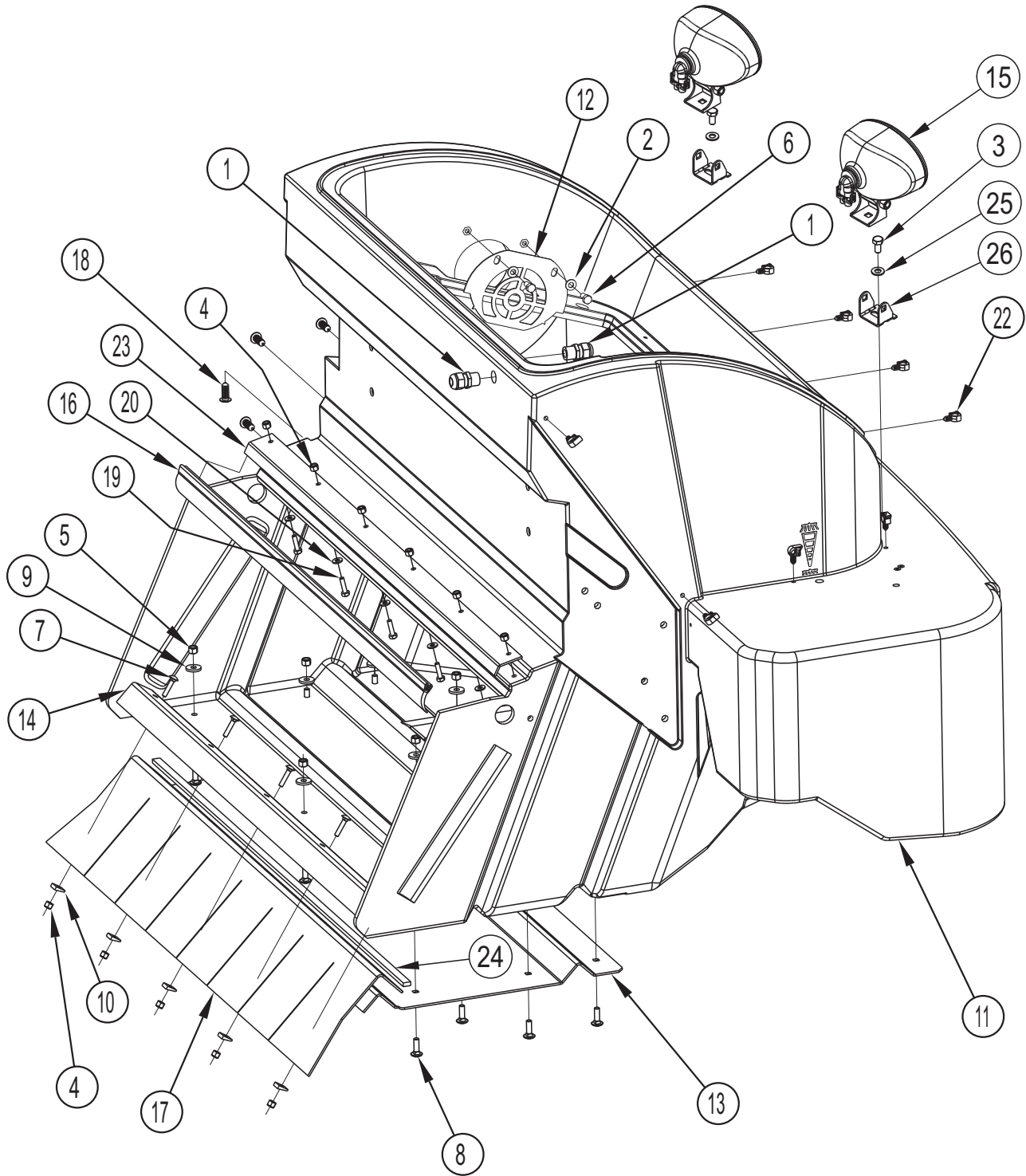


GAUGE PANEL ASSY

Item	Ref. No.	Qty	Description
	56107642	1	Gauge Panel Assy - Diesel Model (items 1-14, 16)
	56107641	1	Gauge Panel Assy - LPG Model (items 2-13, 15)
	56107640	1	Gauge Panel Assy - Petrol Model (items 1-16)
1	8-48-05032	1	Gauge, Fuel (used on petrol and diesel models only)
2	56001818	1	Scr-Pan Phil 8-32 X .38
3	56009205	2	Wsh-Flt SS .219 x .500 x .047/.062
4	56002808	2	Nut, Hex Nyl Loc 8-32
5	56002849	2	Nut, Hex Nyl Loc-Thin SS 10-24
6	56003902	5	Scr-Truss Phil Ss Blk10-24x.50
7	56009013	2	Scr, Pan Phil Thd Form-Blk 6-32 X .38
8	56107601	1	Panel LPG Assy (used on LPG and petrol models)
	56107603	1	Panel Diesel Assy (used on diesel models only)
9	56107624	1	Control Box
10	56392845	1	Gasket
11	56393718	1	Hourmeter
12	56507381	1	Cover Plate - Petrol Gauge (used on petrol and diesel models)
	56507382	1	Cover Plate - LPG Gauge (used on LPG models only)
13	56507383	1	Gasket, Cover Plate
14	8-11-00015	1	Connector
15	56418685	1	Switch, Starter (LPG and petrol models)
[]	56419123	A/R	Key (for 56418685)
	56497754	1	Switch, Starter (diesel models)
[]	56508655	A/R	Key (for 56497754)
[16]	8-40-05030	1	Light-Instrument

[] = Not Shown

HOPPER SYSTEM-1

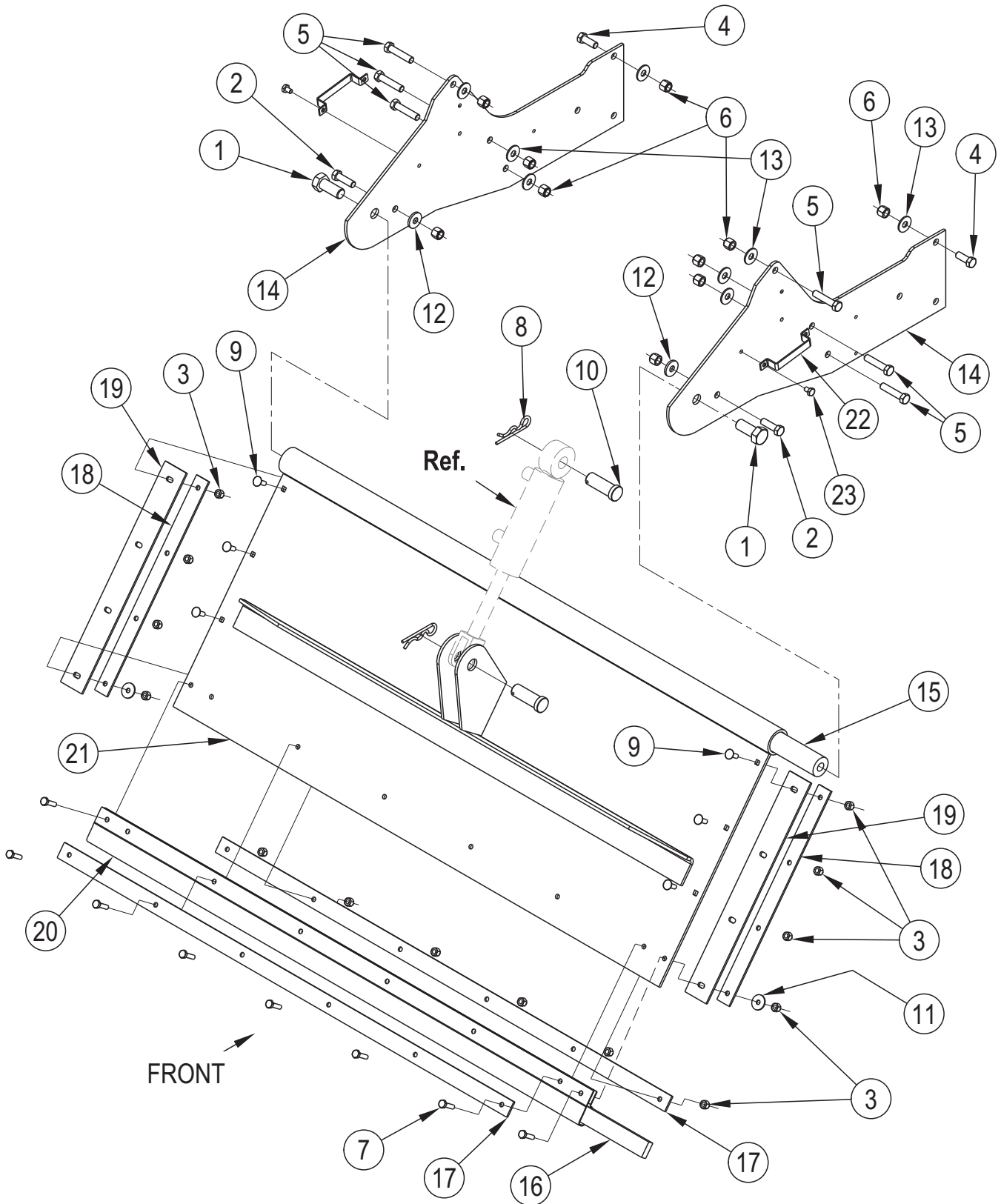


HOPPER SYSTEM-1

Item	Ref. No.	Qty	Description
1	56323135	2	Strain Relief
2	56001939	2	Wsh, Flt SAE 5/16
3	56002035	2	Scr, Hex 5/16-18 x .62
4	56002491	11	Nut, Hex Nyl Loc SS 1/4-20
5	56002856	10	Nut, Hex Nyl Loc SS 5/16-18
6	56002929	2	Scr, Hex Hd Loc 5/16-18 x .62
7	56003714	5	Scr, Carriage SS 1/4-20 x 1.25
8	56003720	10	Scr, Carriage SS 5/16-18 x 1.00
9	56009122	10	Wsh, Flt .344 x .938 x .125
10	56009345	5	Wsh, Beveled 1/4
11	56507087	1	Hopper
12	56507159	1	Screen, Vac Fan
13	56507162	1	Skid Plate, Hopper
14	56507187	1	Clamp, Hopper Flap
15	56507223	2	Head Light Assembly
[]	56507224	A/R	Bulb, Light (for 56507223)
16	56508325	1	Seal, Door Hinge
17	56508083	1	Flap, Hopper
18	56508211	4	Clip, Panel
19	56002883	6	Scr- Hex SS 1/4-20 x 1.00
20	56002859	6	Wsh-Flt SAE SS 1/4
22	56507793	8	Clip, Conduit
23	56107729	1	Clamp Door Seal
24	56508728	1	Seal, Hopper Skid Plate
25	56001939	2	Wsh, Flt SAE 5/16
26	56385029	2	Bracket-Head Light

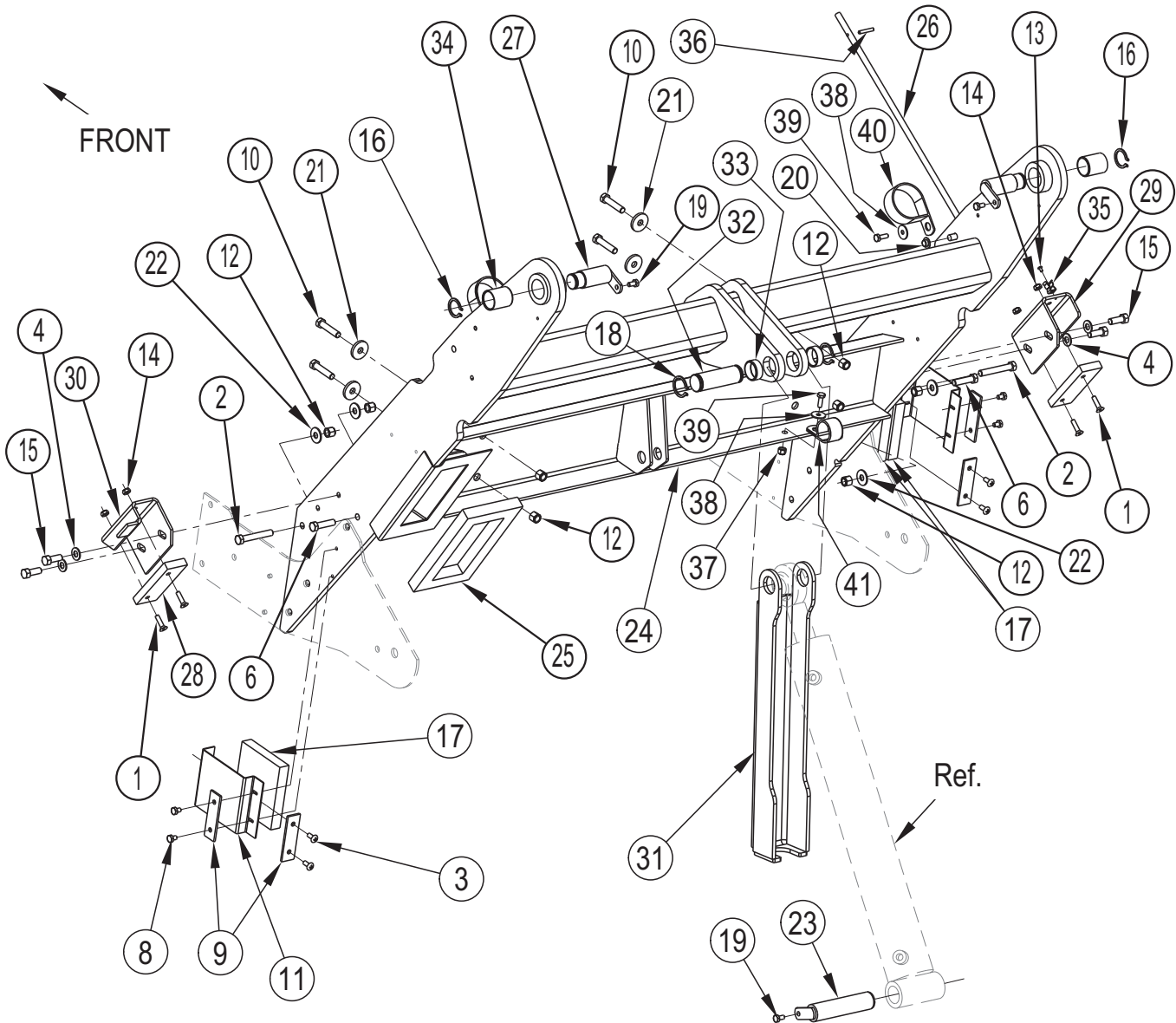
[] = Not Shown

HOPPER SYSTEM-2



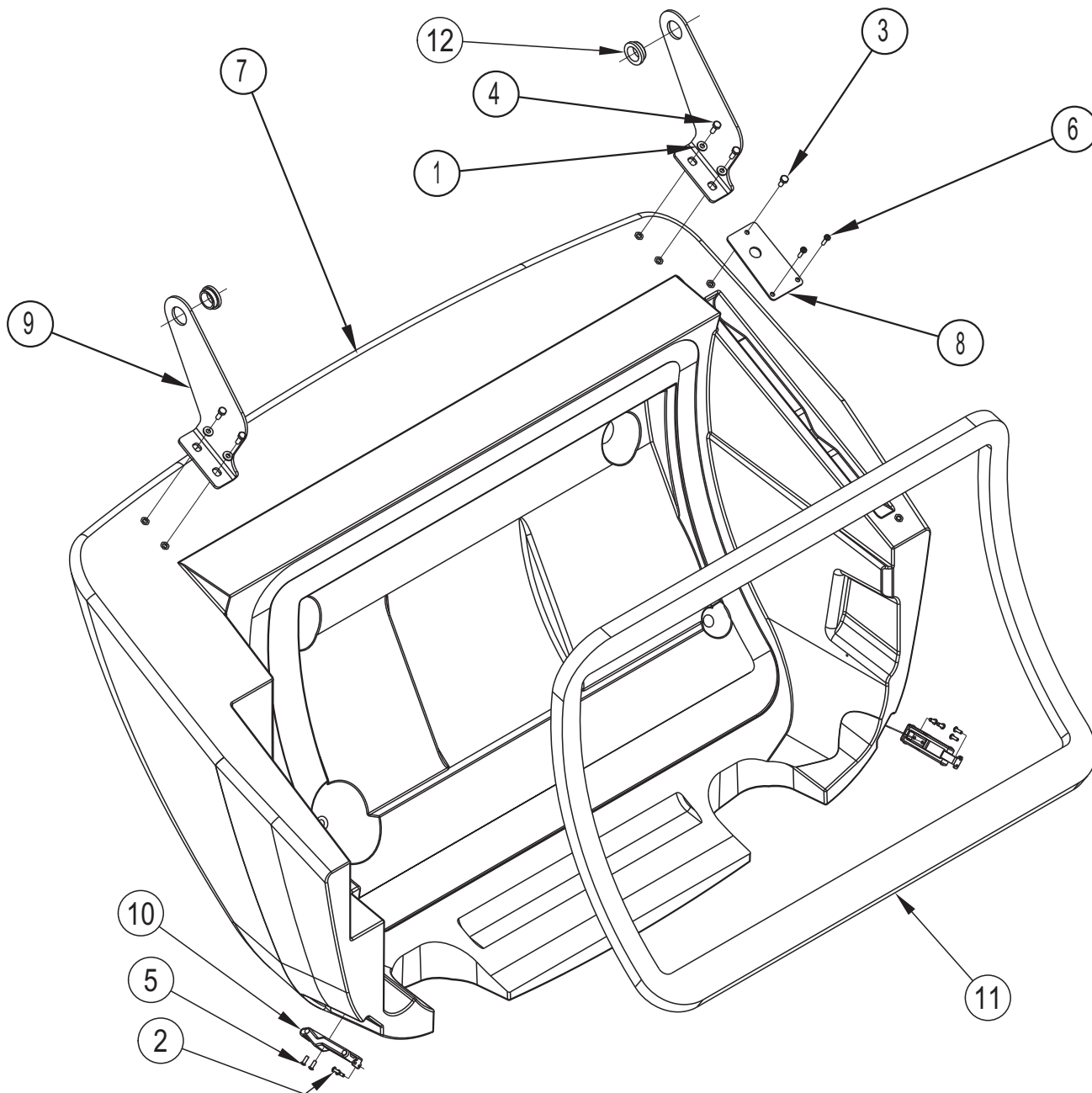
HOPPER SYSTEM-2

Item	Ref. No.	Qty	Description
1	56001843	2	Scr, Hex 5/8-11 x 1.50
2	56001858	2	Scr, Hex 3/8-16 x 1.25
3	56002491	14	Nut, Hex Nyl Loc SS 1/4-20
4	56002663	2	Scr, Hex 3/8-16 x 1.00
5	56002684	6	Scr, Hex 3/8-16 x 1.75
6	56002769	10	Nut, Hex Nyl Loc 3/8-16
7	56002883	8	Scr, Hex Ss 1/4-20 x 1.00
8	56003152	2	Pin, Cot Hair SS .148 x Dia .62/1.00
9	56003715	6	Scr, Carriage SS 1/4-20 x .75
10	56003732	2	Pin, Clevis .750 x 2.00
11	56003923	2	Wsh-Flt SS .266 X .906 X .060
12	56009107	2	Wsh, Flt SS .378 x 1.000 x .120
13	56009213	8	Wsh, Flt .392 x 1.00 x .075
14	56507164	2	Bracket, Side Broom Arm
15	56507168	1	Pivot, Hopper Door
16	56507169	1	Seal, Hopper Door Bottom
17	56507176	2	Clamp, Hopper Door Bottom
18	56507177	2	Clamp, Hopper Door Side
19	56507178	2	Seal, Hopper Door Side
20	56507179	1	Seal, Hopper Door Bottom
21	56107728	1	Hopper Door Weldt
22	2-00-04603	2	P-Clamp
23	56002933	2	Scr, Hex Hd Loc 1/4-20 x .38



HOPPER SYSTEM-3

Item	Ref. No.	Qty	Description	Item	Ref. No.	Qty	Description
1	56002457	4	Scr, Flt Soc 1/4-20 x 1.00	23	56304683	1	Pin Hinge Weldt
2	56001873	2	Scr, Hex 3/8-16 x 2.50	24	56507100	1	Arm, Hopper Lift Weldment
3	56009120	4	Scr, Pan Phil SS Type B 1/4-14 x .62	25	56507189	1	Seal, Air Exhaust
4	56002063	4	Wsh, Flt SAE 3/8	26	56507197	1	Rod, Cover
6	56002747	2	Scr Hex Thd/Hd 3/8-16 X 1.50	27	56507204	2	Pin Hopper Hinge Wldt
8	56009019	4	Scr, Hex Thd Form 1/4-20 x .38	28	56507289	2	Bumper, Hopper Lift
9	56508248	4	Strap, Front Tire Rear Flap	29	56507334	1	Stop Hopper, Rh
10	56002684	4	Scr, Hex 3/8-16 x 1.75	30	56507335	1	Stop Hopper, Lh
11	56508389	2	Flap Hopper Side	31	56507477	1	Prop Rod
12	56002769	8	Nut, Hex Nyl Loc 3/8-16	32	56507885	1	Pin, Cylinder
13	56002811	1	Scr-Pan Phil 6-32 x .25	33	56507939	2	Bearing, Sleeve 1.125 x 1.281 x .500
14	56002840	4	Nut, Hex Nyl Loc-Thin 1/4-20	34	56507940	2	Bearing, Sleeve 1.125 x 1.281 x 1.500
15	56002947	4	Scr, Hex Hd Loc 3/8-16 x 1.00	35	56508234	1	Clip, 3/8
16	56003258	2	Ring, Ret Ext 1.00 Shaft	36	56003137	1	Pin-Spr .19 x 1.12
17	56508390	3	Foam Hopper Side	37	56002708	1	Nut, Hex Nyl Loc 1/4-20
18	56003750	2	Ring, Ret Ext 1.125 Shaft	38	56009002	3	Wsh, Flt .266 x .906 x .060
19	56009033	3	Scr, Hex Thd Form 1/4-20 x .50	39	56009018	3	Scr, Hex Thd Form 1/4-20 x .75
20	56009123	1	Nut, Push Cap 3/8	40	56315257	2	Clamp, P
21	56009195	4	Wsh, Flt .406 x 1.25 x .164	41	56409463	1	Clamp, 1.25 Hose Support
22	56009213	4	Wsh, Flt .392 x 1.00 x .075				

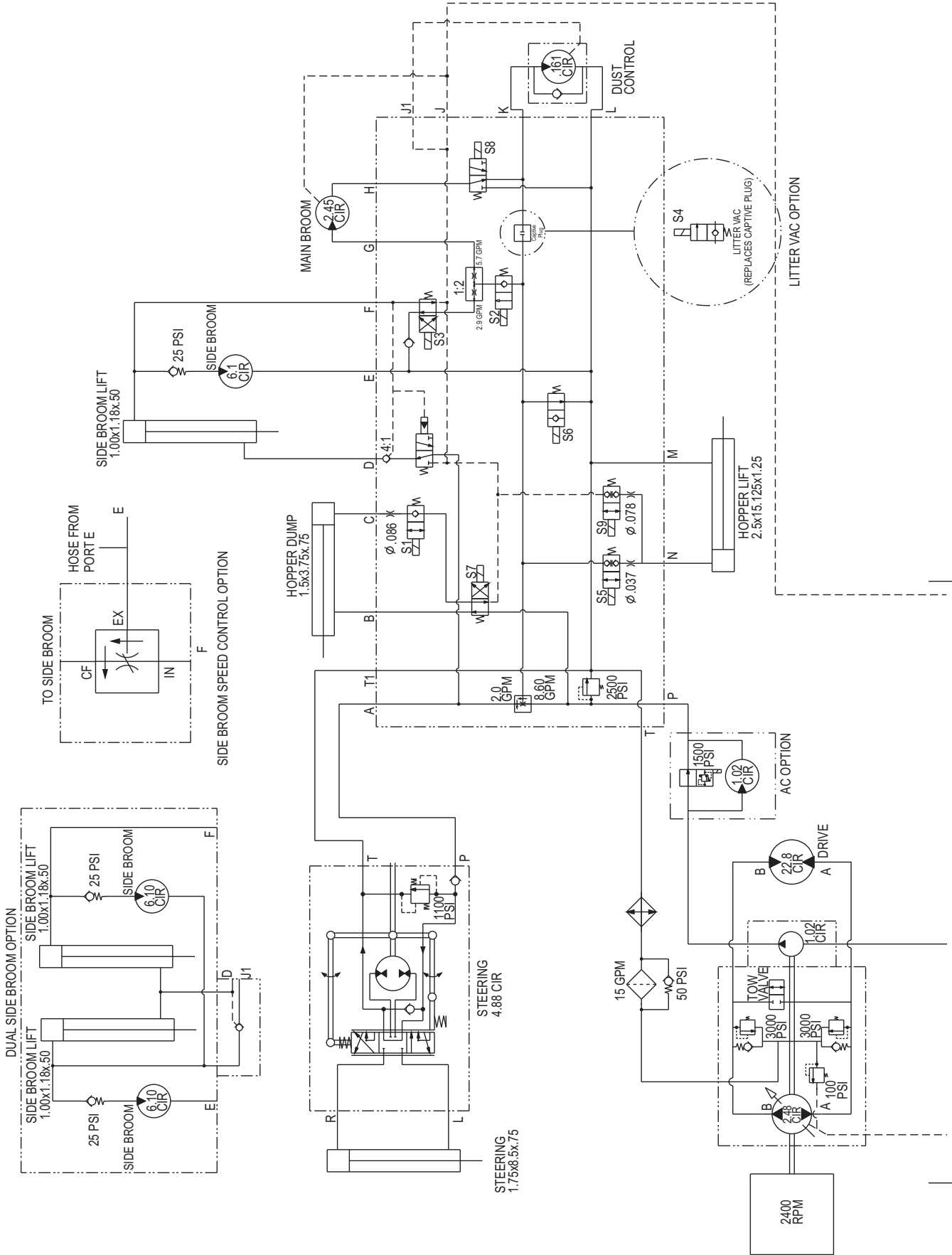


HOPPER SYSTEM-4

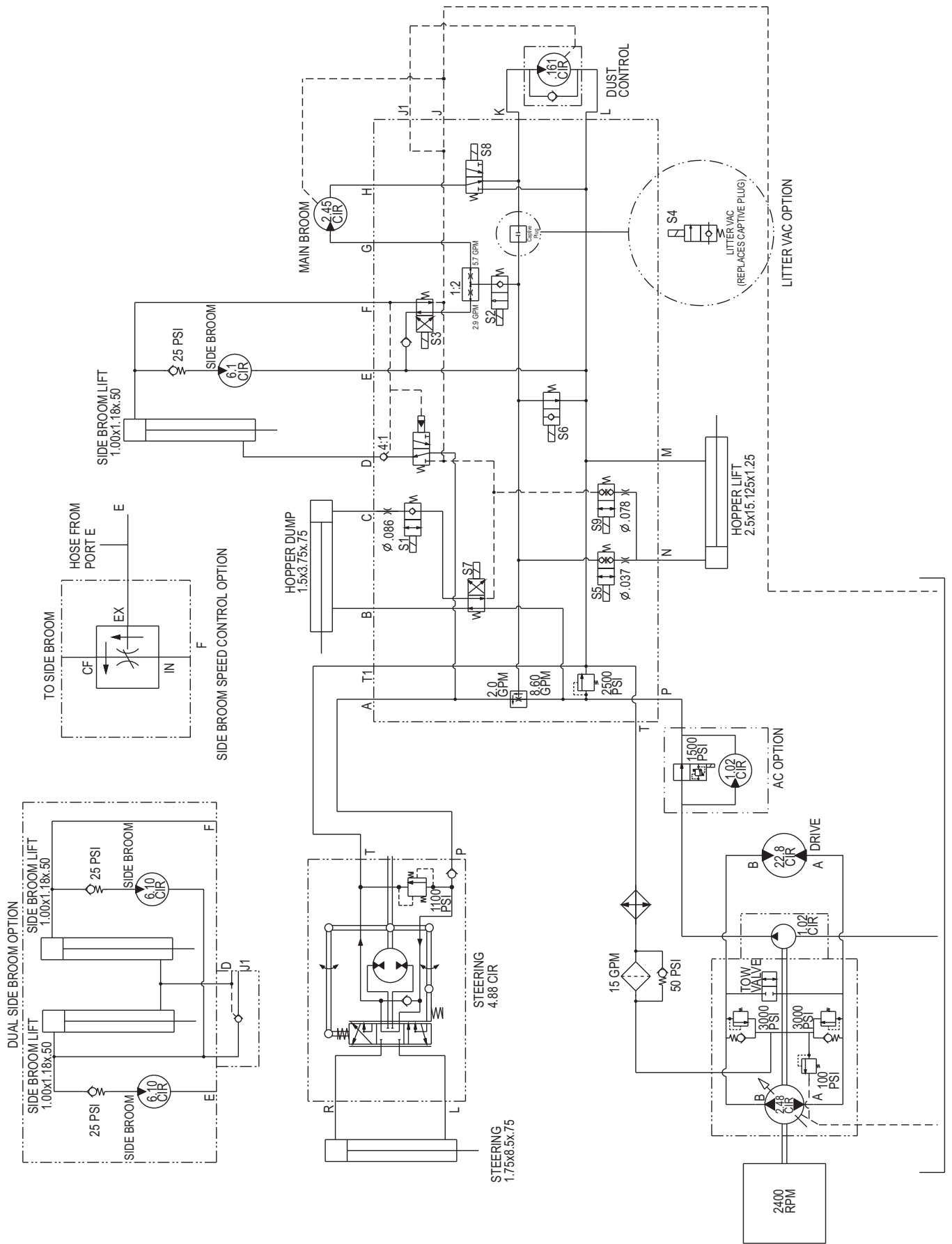
Item	Ref. No.	Qty	Description
1	56002098	4	Wsh, Flt SAE 1/4
2	56002876	4	Scr, Pan Phil SS 8-32 x .50
3	56002922	1	Scr, Hex Hd Loc 1/4-20 x .62
4	56002948	4	Scr, Hex Hd Loc 1/4-20 x .75
5	56003093	4	Scr, Pan Phil Plastite 8-16 x .50
6	56009005	2	Scr, Pan Phil SS Type AB 10-16 x .75

Item	Ref. No.	Qty	Description
7	56507086	1	Cover, Hopper
8	56508226	1	Plate, Hopper Prop Rod
9	56507185	2	Bracket, Hopper Cover, LH
10	56507188	2	Latch, Hopper Cover
11	56507219	1	Seal, Hopper Cover
12	56507767	2	Bearing, FL 1 ID x 1-1/4 OD x 1/2 L

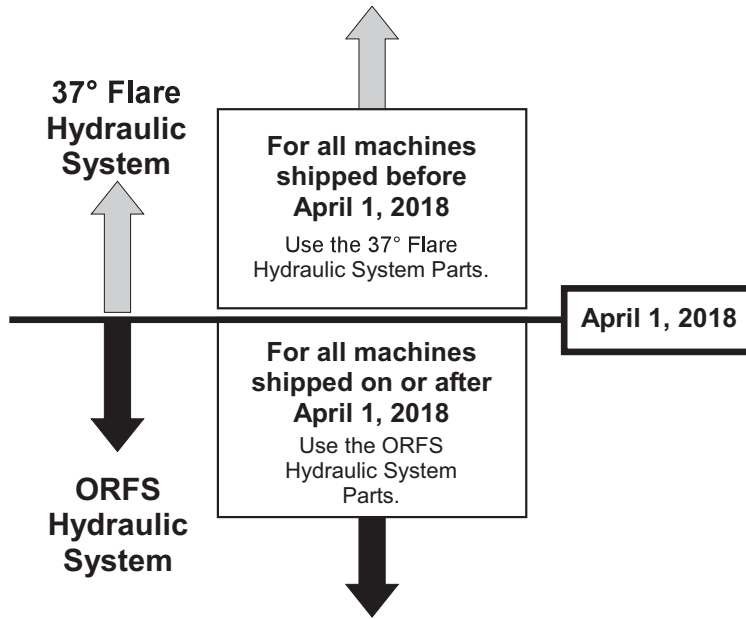
HYDRAULIC SCHEMATIC – 37° FLARE (BEFORE APRIL 1, 2018)



HYDRAULIC SCHEMATIC – ORFS (APRIL 1 OR AFTER, 2018)

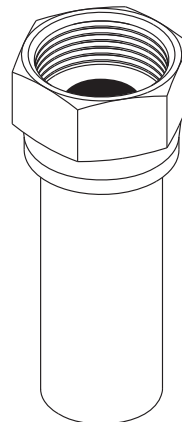
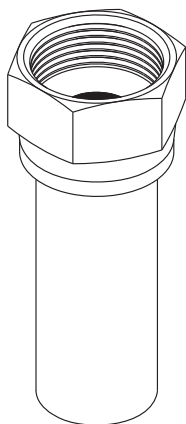
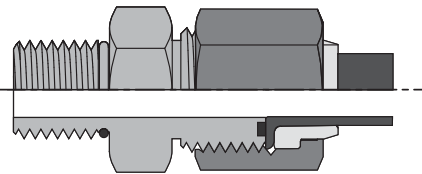
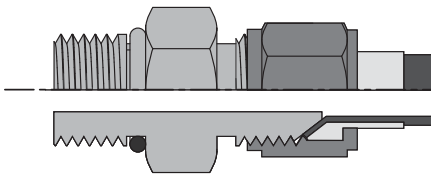
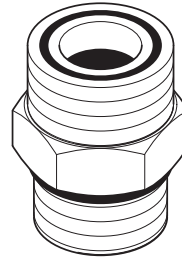
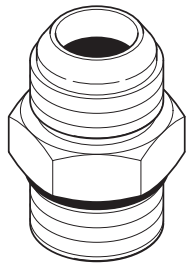


HYDRAULIC SYSTEM – 37° FLARE – ORFS (SERIAL NUMBER BREAK)



37° Flare

O-Ring Face Seals (ORFS)



HYDRAULIC SYSTEM – ORFS – HOSE DESCRIPTION KEY

Hose Description Key

DESCRIPTION = HOSE-HYD-A1-1A1-1A1-123																						
HYDRAULIC HOSE			HOSE MATERIAL		HOSE SIZE		FIRST FITTING END TYPE	FIRST FITTING END ANGLE	FIRST FITTING SIZE		SECOND FITTING END	SECOND FITTING END ANGLE	SECOND FITTING SIZE		HOSE LENGTH (NEAREST mm)							
H	O	S	E	-	H	Y	D	-	A	1	-	1	A	1	-	1	A	1	-	1	2	3

HOSE MATERIAL:

- A= SAE100R1
- B= SAE100R2
- C= SAE100R17
- D= SAE100R4
- E= SAE100R16

HOSE AND FITTING SIZE:

- 0= -2 (1/8")
- 1= -4 (1/4")
- 2= -5 (5/16")
- 3= -6 (3/8")
- 4= -8 (1/2")
- 5= -10 (5/8")
- 6= -12 (3/4")
- 7= -16 (1")
- 8= -20 (1-1/4")
- 9= -24 (1-1/2")

***IF THERE IS "NO HOSE FITTING" USE THE HOSE SIZE.

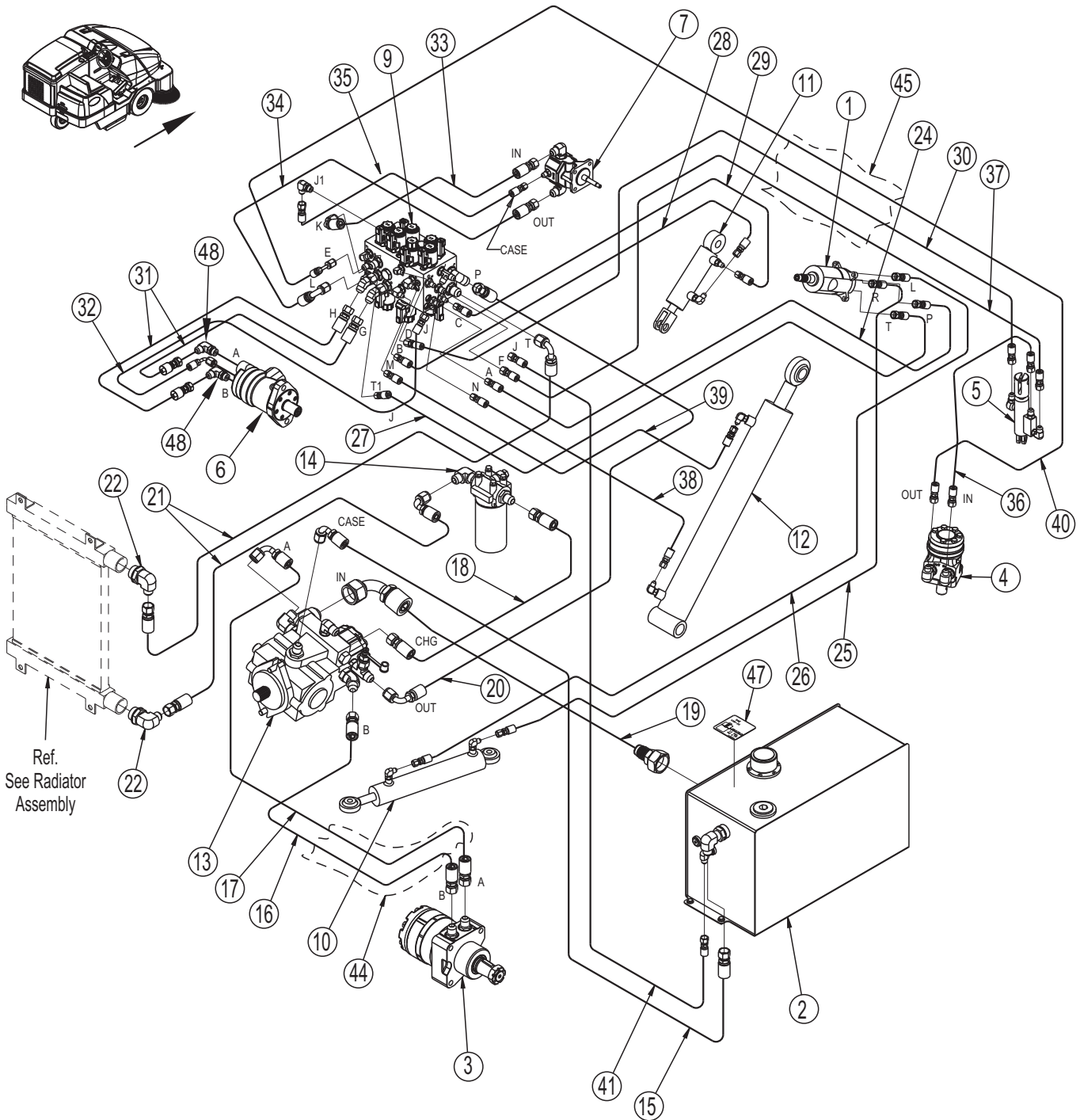
FITTING END TYPE:

- 1= ORFS
- 2= JIC 37° FLARE
- 3= BSPP
- 4= NPT
- 5= ORB
- 6= SAE 45°
- 7= BSPT
- 8= FLANGE
- 9= NO HOSE FITTING (FOR USE WITH BARB FITTING) ***

FITTING END ANGLE:

- A= 00°
- B= 45°
- C= 90°
- D= 22.5°
- E= 30°
- F= 60°
- G= 67.5°
- H= 110°
- I= 135°
- J= 150°
- K= 180°
- L= BANJO
- M = NO HOSE FITTING (FOR USE WITH BARB FITTING) ***

HYDRAULIC SYSTEM - 37° FLARE (BEFORE APRIL 1, 2018)



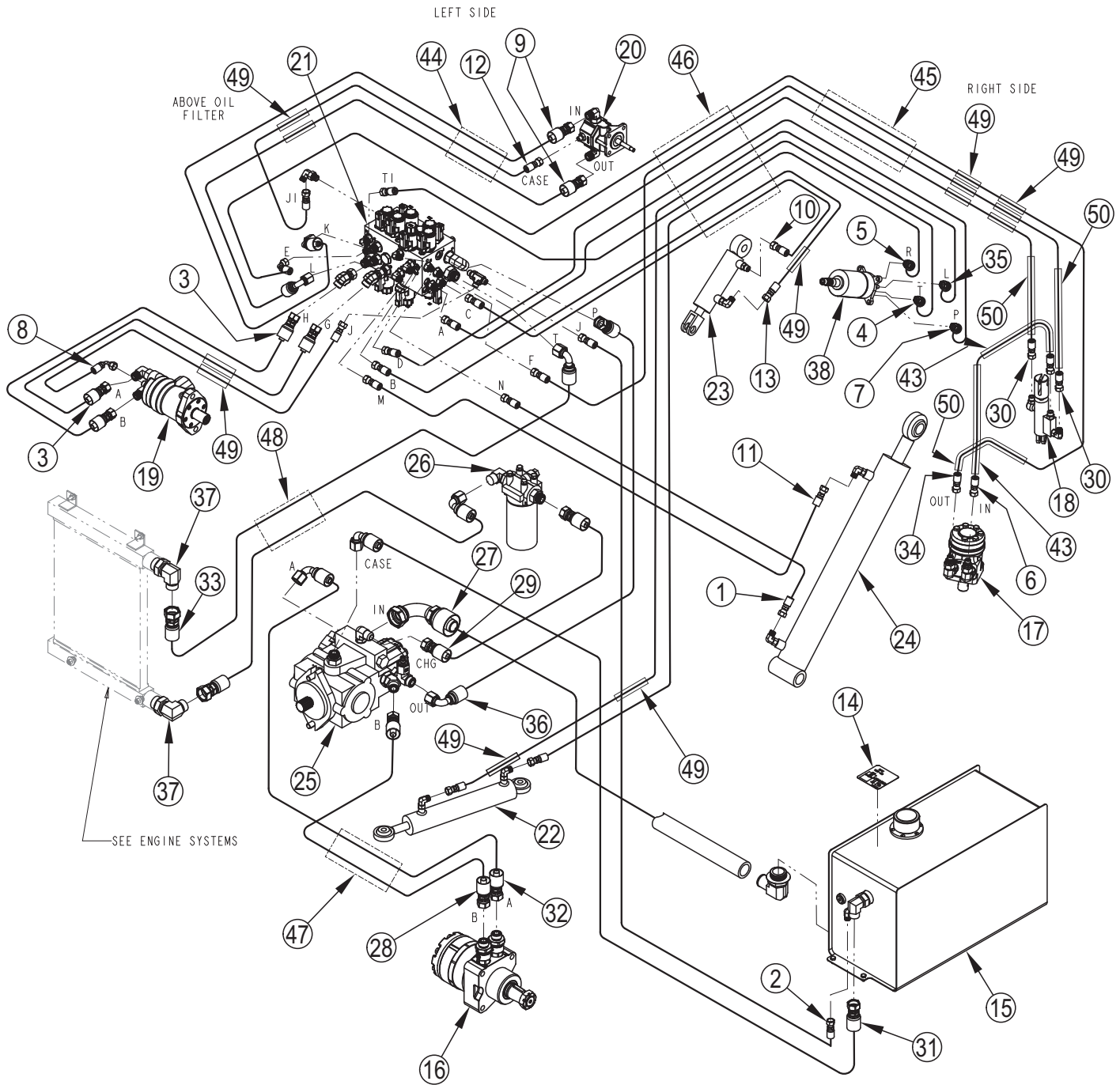
HYDRAULIC SYSTEM – 37° FLARE (BEFORE APRIL 1, 2018)

Item	Ref. No.	Qty	Description
1	8-60-05034	1	Steering Control Unit
	7-70-00127	1	Seal Kit for 8-60-05034
2	56507072	1	Reservoir Assembly See Hydraulic Reservoir Assembly
3	56507603	1	Drive Motor Assembly See Hydraulic Motor Assemblies
4	56507604	1	Side Broom Motor Assembly See Hydraulic Motor Assemblies
5	56507605	1	Side Broom Cylinder Assy, Right See Hydraulic Cylinder Assemblies
6	56507066	1	Main Broom Motor See Hydraulic Motor Assemblies, TSB-FC-2017-030
7	56507067	1	Dust Control Motor See Hydraulic Motor Assemblies
9	56507609	1	Manifold Assembly See Hydraulic Valve Block Assembly
10	56507610	1	Steering Cylinder Assembly See Hydraulic Cylinder Assemblies
11	56507611	1	Hopper Door Cylinder Assembly See Hydraulic Cylinder Assemblies
12	56507612	1	Hopper Lift Cylinder Assembly See Hydraulic Cylinder Assemblies
13	56507613	1	Pump Assembly See Hydraulic Pump Assembly
14	56507614	1	Filter Assembly
15	56507516	1	Hose, Hydraulic (Hose ID# 15)
16	56507517	1	Hose, Hydraulic (Hose ID# 16)
17	56507518	1	Hose, Hydraulic (Hose ID# 17)
18	56507519	1	Hose, Hydraulic (Hose ID# 18)
19	56507520	1	Hose, Hydraulic (Hose ID# 19)
20	56507521	1	Hose, Hydraulic (Hose ID# 20)
21	56507522	2	Hose Hyd, #10 SAE37,2x7/8-14 Str x str x 72 Lg (Hose ID# 21)
22	56900480	2	Elbow, 90 O-Ring
24	56507525	1	Hose Hyd, #4 SAE37, 2 x 7/16-20 Str x 37 Lg (Hose ID# 24)
25	56507526	1	Hose Hyd, #4 SAE37, Str 7/16-20 x 9/16-18 x 63 Lg (Hose ID# 25)
26	56507527	1	Hose Hyd, #4 SAE37 2 x str, 7/16-20 x 9/16-18 x 52 Lg (Hose ID# 26)
27	56507528	1	Hose Hyd, #4 2 x str, 7/16-20 x 9/16-18 x 43 Lg (Hose ID# 27)
28	56507529	1	Hose Hyd, #4 SAE37,2 x str, 7/16-20 x 7/16-20 x 89.50 Lg (Hose ID# 28)
29	56507530	1	Hose Hyd, #4 SAE37 7/16-20, Str x str x 79.50 Lg (Hose ID# 29)
30	56507531	1	Hose Hyd, #4 SAE37,2 x str, 9/16-18 x 7/16-20 x 102.50 Lg (Hose ID# 30)
31	56384510	2	Hose-Hydraulic Kit NOTE 1
31		2	Hose-Hyd 451tc-8 7/8x3/4 48lg NOTE 2
32	56507788	1	Hose, Hydraulic (Hose ID# 11)
33	56507534	1	Hose Hyd, #8 SAE37 3/4-16, 90 x Str x 67 Lg (Hose ID# 33)
34	56507535	1	Hose Hyd, #8 SAE37, 3/4-16, 90 x Str x 69 Lg (Hose ID# 34)
35	56507536	1	Hose Hyd, #4 SAE37,2 x Str, 9/16-18 x 7/16-20 x 71.50 Lg (Hose ID# 35)
36	56507537	1	Hose Hyd, #4, SAE37, 2 x Str 9/16-18 x 21.50 Lg (Hose ID# 36)
37	56507538	1	Hose Hyd, #4, SAE37,2 x Str, 9/16-18 x 102.50 Lg (Hose ID# 37)
38	56507539	1	Hose Hyd, #4, SAE37, 2 x Str 7-16-20 x 27.50 Lg (Hose ID# 38)
39	56507540	1	Hose Hyd, #4, SAE37, 2 x Str 7/16-20 x 15.50 Lg (Hose ID# 39)
40	56507718	1	Hose Hyd, #4, SAE37, 90 x Str, 9/16-18 x 108.50 Lg (Hose ID# 40)
41	56507719	1	Hose Hyd, #4, SAE37, 2 x str, 9/16-18 x 75.50 Lg (Hose ID# 41)
42		A/R	Oil, Multi-Vis SAE 10w-30 (11 gallons) Not Shown
44	56508814	1	Sleeve, Nylon Not Shown
45	56462977	1	Sleeve, 24 In. Nylon Not Shown
46	56409463	1	P-Clamp Not Shown
47	56016259	1	Decal, Oil Fill
48		2	Elbow-Hydraulic 90-O-Ring NOTE 2, TSB-FC-2017-030

NOTE 1: For machines built before serial number 1000060163 (which used Hose 56507532), order Hydraulic Hose Kit 56384510.

NOTE 2: For machines built after serial number 1000060162, order Hydraulic Hose Kit 56384510 to replace items 31 and 48.

HYDRAULIC SYSTEM – ORFS (APRIL 1 OR AFTER, 2018)



HYDRAULIC SYSTEM – ORFS (APRIL 1 OR AFTER, 2018)

Item	Ref. No.	Qty	Description
1#	7-33-02184	1	HOSE-HYD-A1-1A1-1A1-648
2#	7-33-02188	1	HOSE-HYD-A1-1A1-1A1-1930
3#	7-33-02298	2	HOSE-HYD-B4-1A4-1A4-1219
4#	7-33-02574	1	HOSE-HYD-A1-1A1-1B1-1156
5#	7-33-02575	1	HOSE-HYD-A1-1A1-1B1-1207
6#	7-33-02577	1	HOSE-HYD-A1-1A1-1A1-552
7#	7-33-02582	1	HOSE-HYD-A1-1A1-1B1-953
8#	7-33-02603	1	HOSE-HYD-A1-1A1-1C1-1473
9#	7-33-02734	2	HOSE-HYD-A4-1A4-1C4-1727
10#	8-33-02173	1	HOSE-HYD-A1-1A1-1A1-2032
11#	8-33-02178	1	HOSE-HYD-A1-1A1-1A1-381
12#	8-33-02189	1	HOSE-HYD-A1-1A1-1A1-1676
13#	8-33-02216	1	HOSE-HYD-A1-1A1-1A1-2235
14#	56016259	1	Decal, Oil Fill
15#	56107791	1	Reservoir Assembly See Hydraulic Reservoir Assembly
16#	56107792	1	Drive Motor Assembly See Hydraulic Motor Assemblies
17#	56107793	1	Side Broom Motor Assembly See Hydraulic Motor Assemblies
18#	56107794	1	Side Broom Cylinder Assy-Right See Hydraulic Cylinder Assemblies
19#	56107795	1	Main Broom Motor Assembly See Hydraulic Motor Assemblies
20#	56107796	1	Dust Control Motor Assembly See Hydraulic Motor Assemblies
21#	56107797	1	Manifold Assembly See Hydraulic Valve Block Assembly
22#	56107798	1	Steering Cylinder Assembly See Hydraulic Cylinder Assemblies
23#	56107799	1	Hopper Door Cylinder Assembly See Hydraulic Cylinder Assemblies
24#	56107800	1	Hopper Lift Cylinder Assembly See Hydraulic Cylinder Assemblies
25#	56107801	1	Pump Assembly See Hydraulic Pump Assembly
26#	56107802	1	Filter Assembly
27#	56119241	1	HOSE-HYD-D8-1C8-9M8-1219
28#	56119268	1	HOSE-HYD-C5-1A5-1A5-1194
29#	56119269	1	HOSE-HYD-C5-1A5-1A5-533
30#	56119277	2	HOSE-HYD-A1-1A1-1A1-2604
31#	56119284	1	HOSE-HYD-C5-1A5-1C5-1854
32#	56119285	1	HOSE-HYD-C5-1A5-1C5-1524
33#	56119287	2	HOSE-HYD-C5-1A5-1C5-1829
34#	56119294	1	HOSE-HYD-A1-1A1-1C1-2756
35#	56119298	1	HOSE-HYD-A1-1A1-1B1-1473
36#	56394022	1	HOSE-HYD-C5-1A5-1C5-686
37#	2-00-04920	2	Fitting, 90 Deg Elbow
38#	8-60-05034	1	Steering Control Unit
#	7-70-00127	1	Seal Kit for 8-60-05034
[42]#	56501004	11	Oil, Multi-VIS SAE 10W-30 (11 Gallons)
43#	56394046	2	Wrap-Spiral-5/8 IN DIA X 9IN
44#	56508814	1	Sleeve, 2.38 ID X 30 LG. Nylon
45#	56462977	1	Sleeve, 2.38 ID X 24 LG. Nylon
46#	56507208	1	Sleeve, 2.38 ID X 12 LG. Nylon
47#	56508972	1	Sleeve-Nylon-2.38IN ID X 42IN
48#	56508973	1	Sleeve-Nylon-2.38IN ID X 18IN
49#	56508975	13	Wrap-Spiral-5/8in DIA X 6in
50#	56508977	3	Wrap-Spiral-5/8in DIA X 16in

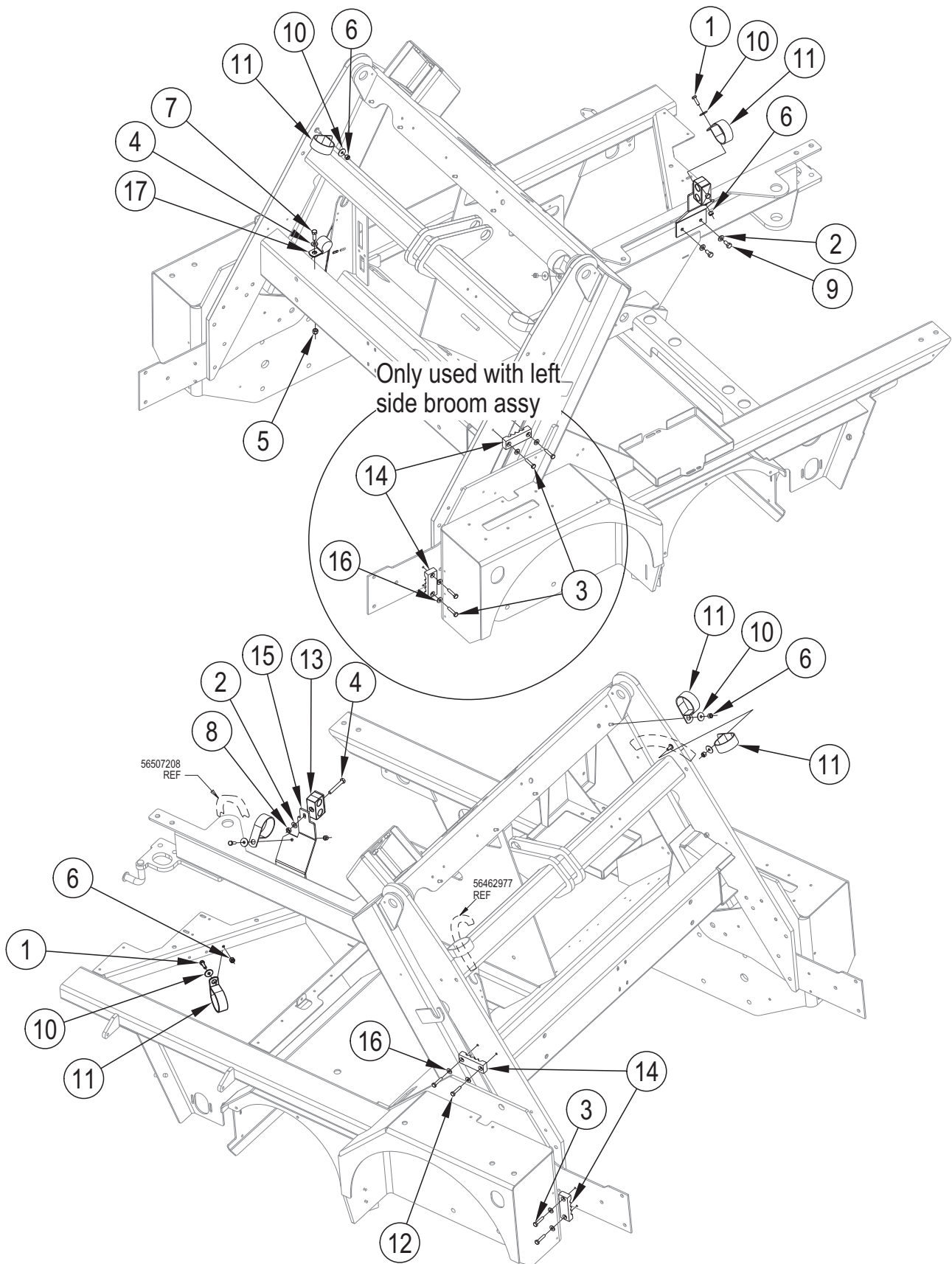
[] = Not Shown

= Revised or new since last update

Hose Description Key

DESCRIPTION = HOSE-HYD-A1-1A1-1A1-123 (See Page iv)

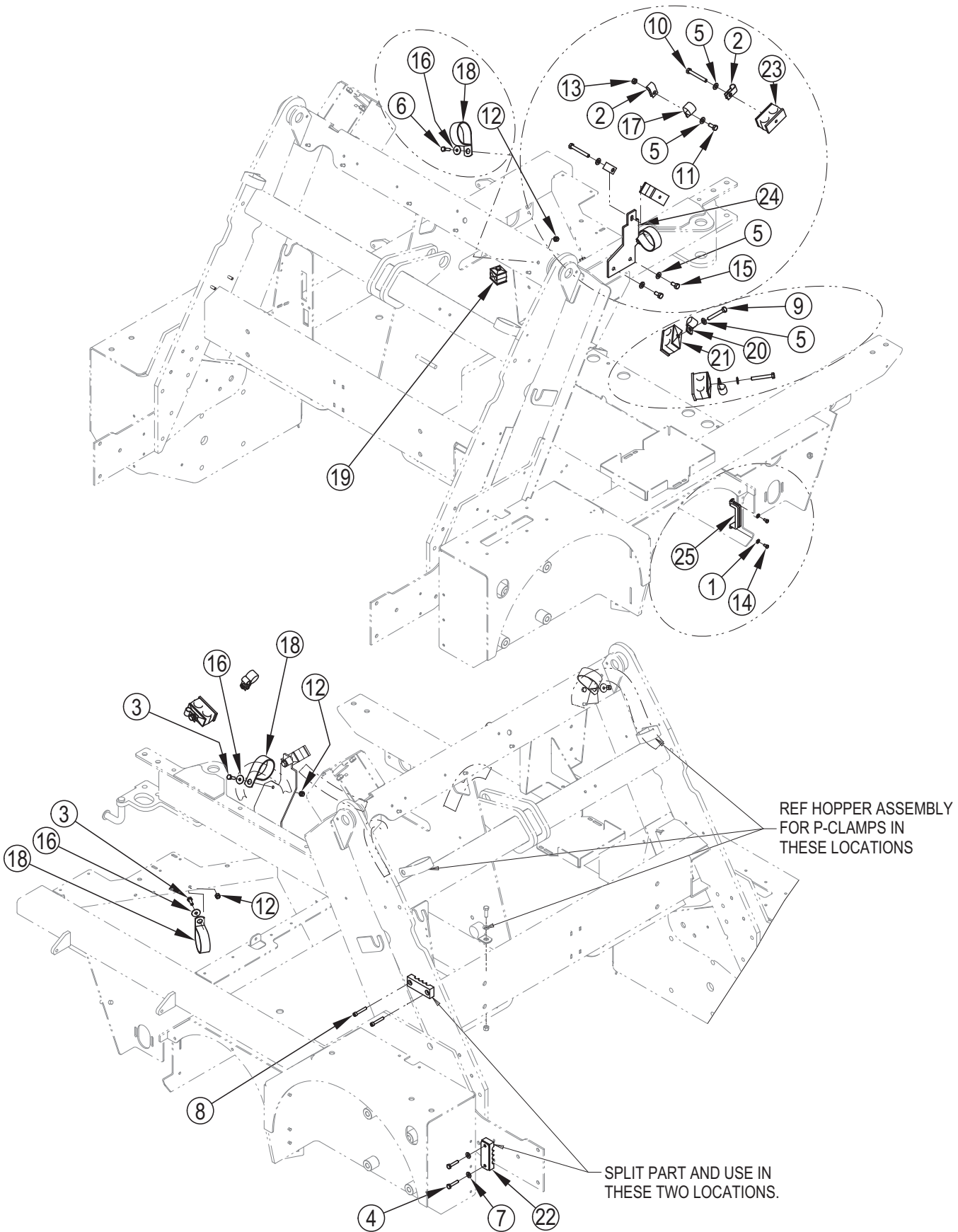
HYDRAULIC SYSTEM - MOUNTING - 37° FLARE (BEFORE APRIL 1, 2018)



HYDRAULIC SYSTEM – MOUNTING – 37° FLARE (BEFORE APRIL 1, 2018)

Item	Ref. No.	Qty	Description
1	56001821	2	Scr, Hex 1/4-20 x .88
2	56001939	4	Wsh, Flt SAE 5/16
3	56001878	4	Scr, Hex 1/4-20 x 1.25 (qty of 8 if equipped with left side broom)
4	56002420	1	Scr, Hex 5/16-18 x 2.25
5	56002701	1	Nut, Hex Nyl Loc 5/16-18
6	56002708	5	Nut, Hex Nyl Loc 1/4-20
7	56002221	1	Scr, Hex 5/16-18 x 1.00
8	56002826	1	Nut, Hex Nyl Loc-Thin 5/16-18
9	56002929	2	Scr, Hex Hd Loc 5/16-18 x .62
10	56009002	6	Wsh, Flt .266 x .906 x .060
11	56315257	5	Clamp, P
12	56002242	2	Scr, Soc Hd 1/4-20 x 1.50
13	56507218	1	Hose Clamp, Hydraulic
14	56507922	1	Hose Clamp, Hydraulic (qty of 2 if equipped with left side broom)
15	56508327	1	Bracket, Hose Clamp
16	56002098	4	Wsh, Flt SAE 1/4 (qty of 8 if equipped with left side broom)
17	56409463	1	Clamp, 1.25 Hose Support
18	56002093	1	Scr, Hex 1/4-20 x 1.00

HYDRAULIC SYSTEM – MOUNTING – ORFS (APRIL 1 OR AFTER, 2018)

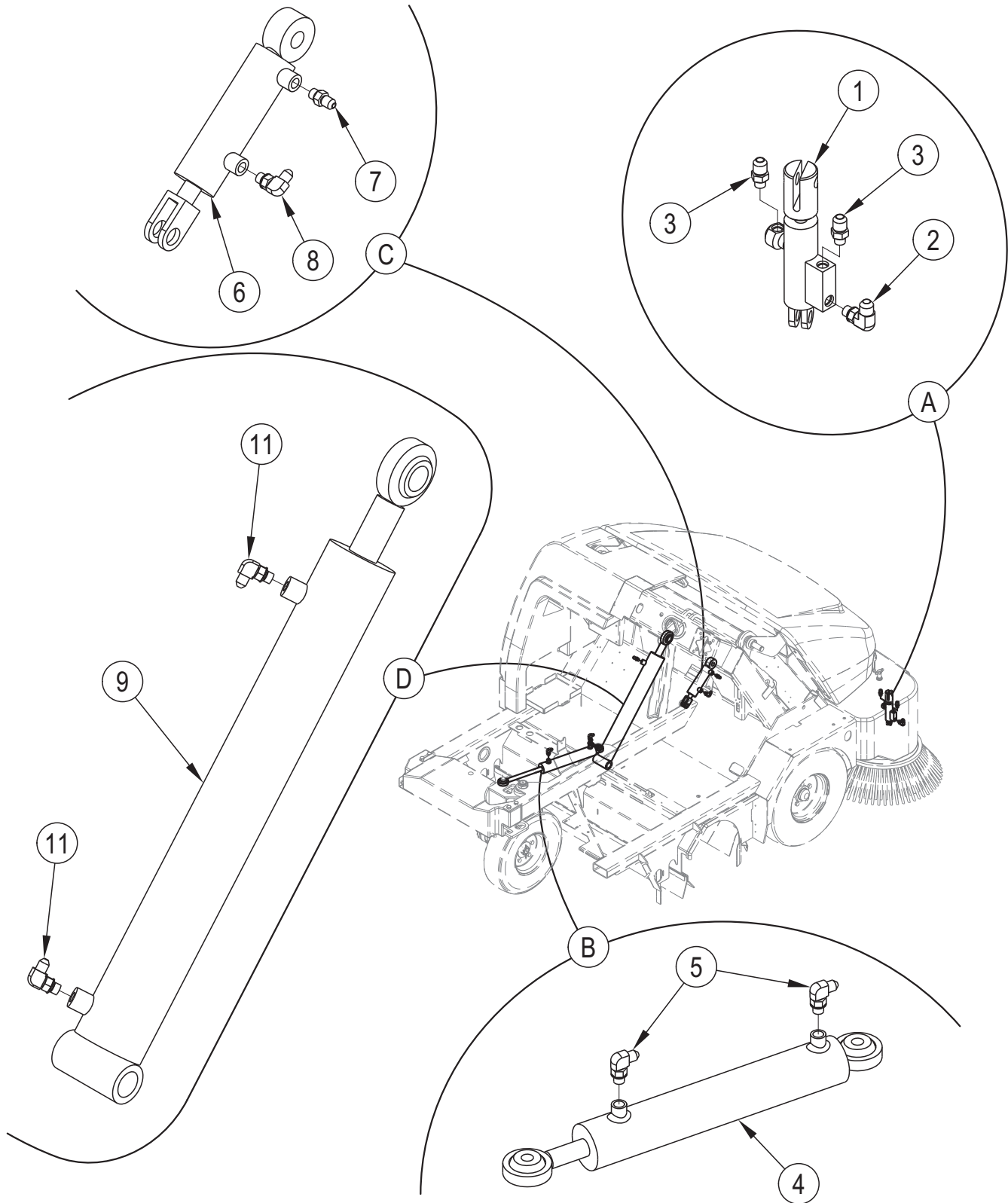


HYDRAULIC SYSTEM – MOUNTING – ORFS (APRIL 1 OR AFTER, 2018)

Item	Ref. No.	Qty	Description
1#	2-00-00460	2	Washer-Flat .438 X .192 X .031
2#	2-00-04873	3	Cable Clamp
3#	56001821	2	Scr-Hex 1/4-20 X .88
4#	56001878	2	Scr-Hex 1/4-20 X 1.25
5#	56001939	7	Wsh, Flt SAE 5/16
6#	56002093	1	Scr-Hex 1/4-20 X 1.00
7#	56002098	2	Wsh, Flt SAE 1/4
8#	56002242	2	Scr-Soc Hd 1/4-20 X 1.50
9#	56002420	2	Scr-Hex 5/16-18 X 2.25
10#	56002426	2	Scr-Hex 5/16-18 X 2.50
11#	56002667	1	Scr-Hex 5/16-18 X .75
12#	56002708	3	Nut, Hex Nyl Loc 1/4-20
13#	56002826	1	Nut, Hex Nyl Loc-Thin 5/16-18
14#	56002879	2	Scr- Hex SS 10-24 X .38
15#	56002929	2	Scr-Hex Hd Loc 5/16-18 x .62
16#	56009002	3	Wsh, Flt .266 X .906 X .060
17#	56303651	1	Clamp, Hose Support
18#	56315257	3	Clamp, P
19#	56394096	1	Clamp-Hose-Twin-12mm
20#	56419120	2	Clamp, Hose Support
21#	56507218	2	Hose Clamp, Hydraulic
22#	56507922	1	Hose Clamp, Hydraulic
23#	56508238	2	Hose Clamp, Hydraulic
24#	56508327	1	Bracket, Hose Clamp
25#	56508979	1	Strap-Retaining-2.5in x .88in

= Revised or new since last update

HYDRAULIC SYSTEM – CYLINDER ASSEMBLIES – 37° FLARE (BEFORE APRIL 1, 2018)

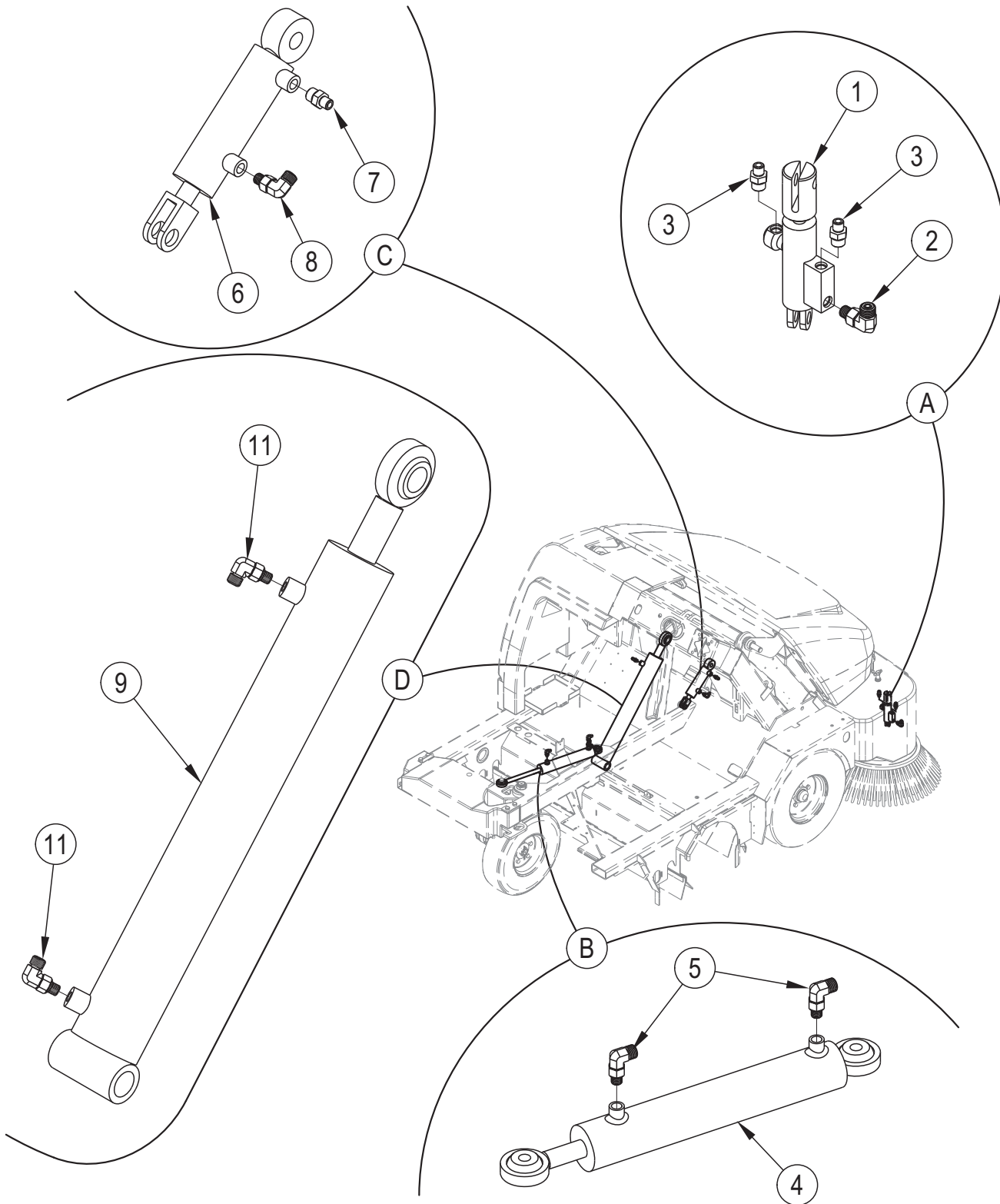


HYDRAULIC SYSTEM – CYLINDER ASSEMBLIES – 37° FLARE (BEFORE APRIL 1, 2018)

Item	Ref. No.	Qty	Description
A 56507605 1 Side Broom Cylinder Assy, Right (items 1-3)			
1	56507065	1	Cylinder, Side Broom, Right
[]	56109100	1	Seal Kit
2	56900286	1	Elbow, 90 O-Ring
3	56900370	2	Connector, O-Ring
B 56507610 1 Steering Cylinder Assembly (items 4-5)			
4	56507095	1	Steering Cylinder
[]	56380809	1	Seal Kit
5	56900101	2	Elbow, 90 O-Ring
C 56507611 1 Hopper Door Cylinder Assembly (items 6-8)			
6	56507155	1	Cylinder, Hopper Door
7	56900001	1	Connector, O-Ring
8	56900101	1	Elbow, 90 O-Ring
D 56507612 1 Hopper Lift Cylinder Assembly (items 9-11)			
9	56507241	1	Cylinder Hyd, Hopper Lift
[]	56380813	1	Seal Kit
11	56900101	1	Elbow, 90 O-Ring

[] = Not Shown

HYDRAULIC SYSTEM – CYLINDER ASSEMBLIES – ORFS (APRIL 1 OR AFTER, 2018)



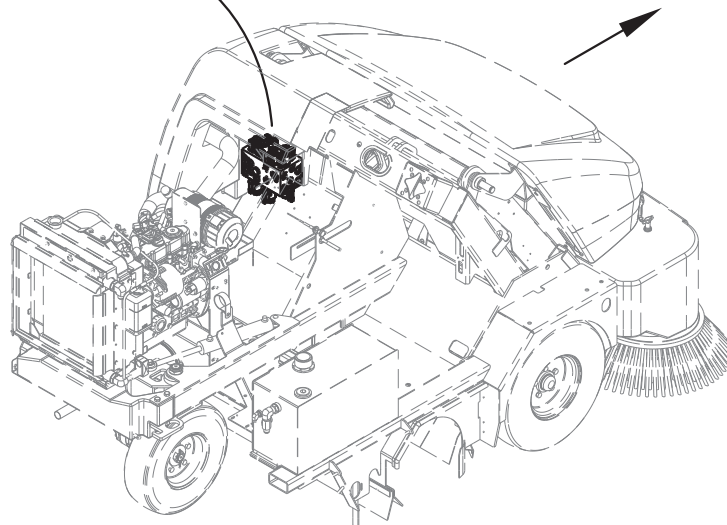
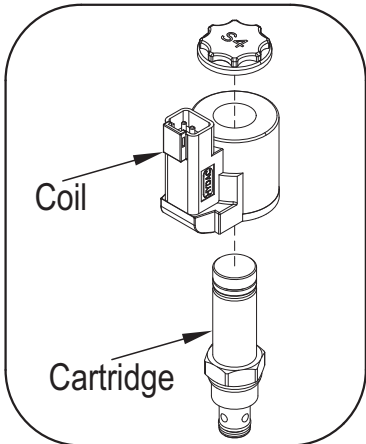
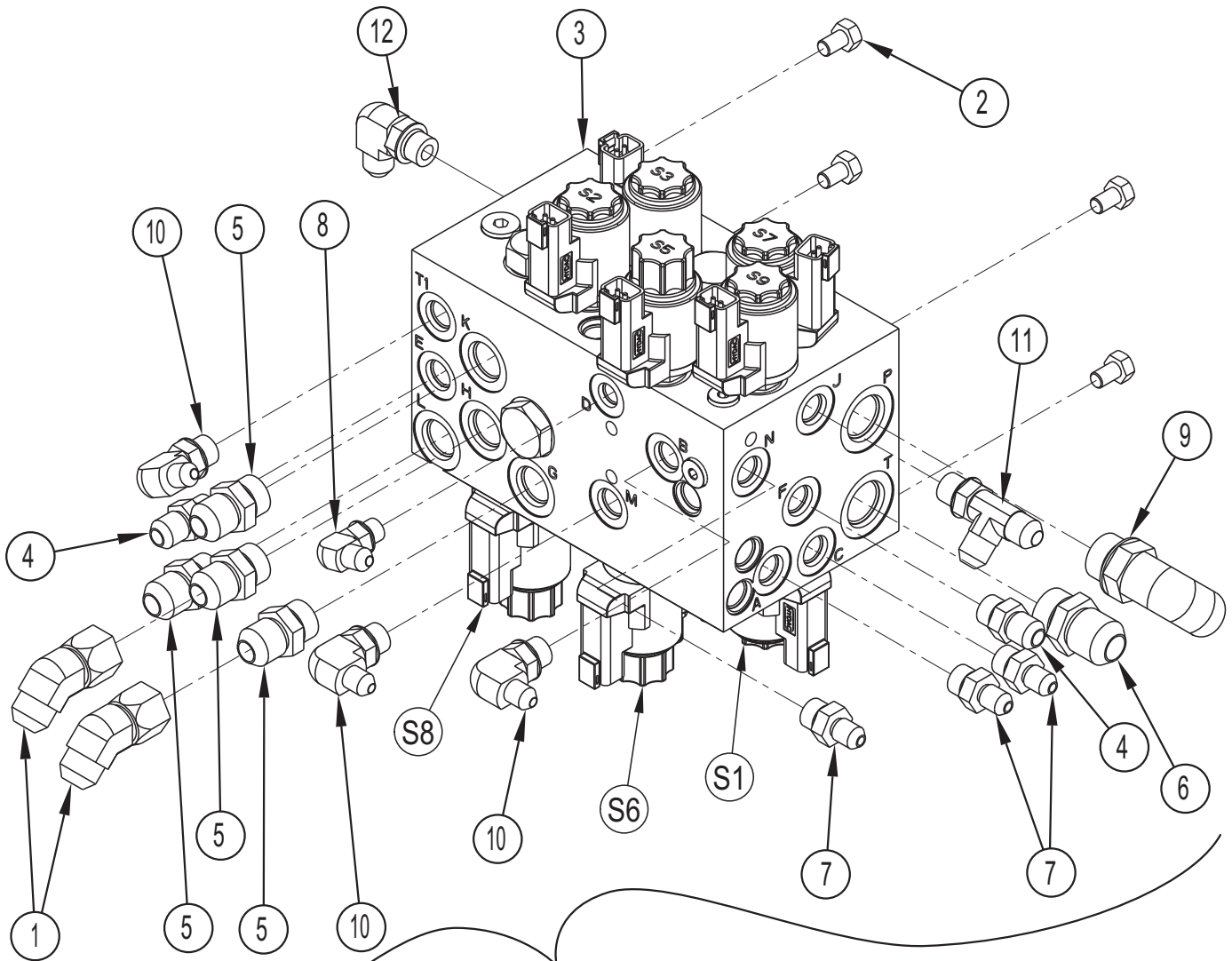
HYDRAULIC SYSTEM – CYLINDER ASSEMBLIES – ORFS (APRIL 1 OR AFTER, 2018)

Item	Ref. No.	Qty	Description
A#	56107794	1	Side Broom Cylinder Assy, Right (items 1-3)
1#	56507065	1	Cylinder, Side Broom, Right
[]#	56109100	1	Seal Kit
2#	2-00-04892	1	FTG-90-4MORFS-4MORB
3#	2-00-04895	2	FTG-STR-4MORFS-4MORB
B#	56107798	1	Steering Cylinder Assembly (items 4-5)
4#	56507095	1	Steering Cylinder
[]#	56380809	1	Seal Kit
5#	2-00-04892	2	FTG-90-4MORFS-4MORB
C#	56107799	1	Hopper Door Cylinder Assembly (items 6-8)
6#	56507155	1	Cylinder, Hopper Door
7#	2-00-04895	1	Connector, O-Ring
8#	2-00-04892	1	FTG-90-4MORFS-4MORB
D#	56107800	1	Hopper Lift Cylinder Assembly (items 9-11)
9#	56507241	1	Cylinder Hyd, Hopper Lift
[]#	56380813	1	Seal Kit
11#	2-00-04892	1	FTG-90-4MORFS-4MORB

[] = Not Shown

= Revised or new since last update

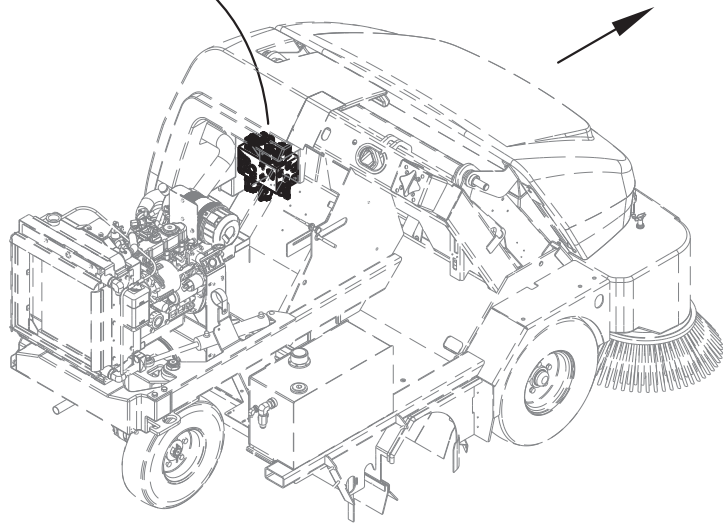
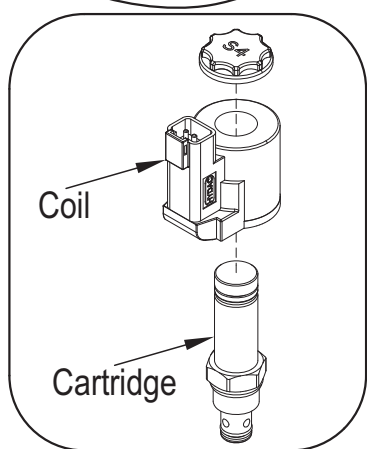
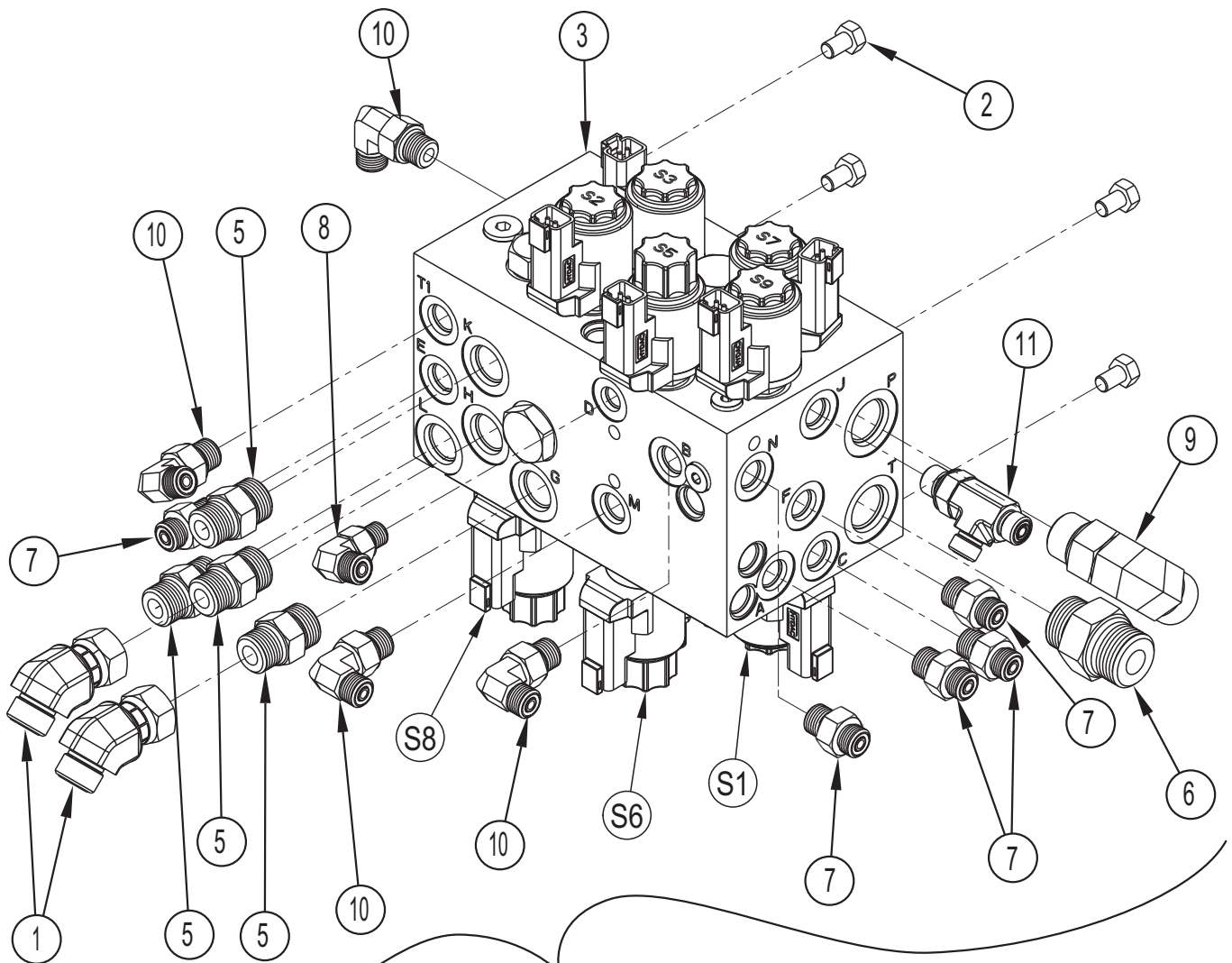
HYDRAULIC SYSTEM – MANIFOLD ASSY – 37° FLARE (BEFORE APRIL 1, 2018)



HYDRAULIC SYSTEM – MANIFOLD ASSY – 37° FLARE (BEFORE APRIL 1, 2018)

Item	Ref. No.	Qty	Description
	56507609	1	Manifold Assembly (items 1-10)
1	56900324	2	Elbow, 45 W/Nut
2	56002923	4	Scr. Hex Hd Loc 5/16-18 x .50
3	56507073	1	Hydraulic Manifold
	56305368	3	Cartridge for S1, S2 (S4 is part of litter vac option)
	56305369	2	Cartridge for S3, S7
	56305367	2	Cartridge for S5, S9
	56305531	1	Cartridge for S6
	56507686	1	Cartridge for S8
	56507687	1	Cartridge for Flow Control, 2.0 GPM
	56507688	1	Cartridge for Flow Divider
	56508223	1	Seal Kit for 56507688
	56419397	1	Cartridge for Relief Valve
	56507690	1	Cartridge for Piloted 3/2 Directional Valve
	56305370	1	Cartridge for Check Valve
	56507692	1	Cartridge for PO Check Valve
	56507983	1	Orifice, .086
	56508184	1	Orifice, .078
	56507693	1	Orifice, .038
	56507694	8	Solenoid Coil with Connector For S1-S7, S9
	56507695	1	Solenoid Coil with Connector For S8
	56305354	8	Seal Kit for S1, S2, S4, S5, S6, S9, Relief, Check Valve
	56305355	2	Seal Kit for S3, S7
	56507702	1	Seal Kit for Po Check Valve
	56508840	1	Cavity Plug
	56507699	1	Seal Kit for S8
	56507700	1	Seal Kit for Piloted 3/2 Directional Valve
	56507701	1	Seal Kit for Flow Control, 2.0 GPM
4	56900003	2	Connector, O-Ring
5	56900004	4	Connector, O-Ring
6	56900005	1	Connector, O-Ring
7	56900011	3	Connector, O-Ring
8	56900101	1	Elbow, 90 O-Ring
9	56900105	1	Elbow, 90 O-Ring
10	56900110	3	Elbow, 90 O-Ring
11	56900203	1	Tee, Run O-Ring
12	56900103	1	Elbow, 90 O-Ring

HYDRAULIC SYSTEM – MANIFOLD ASSY – ORFS (APRIL 1 OR AFTER, 2018)

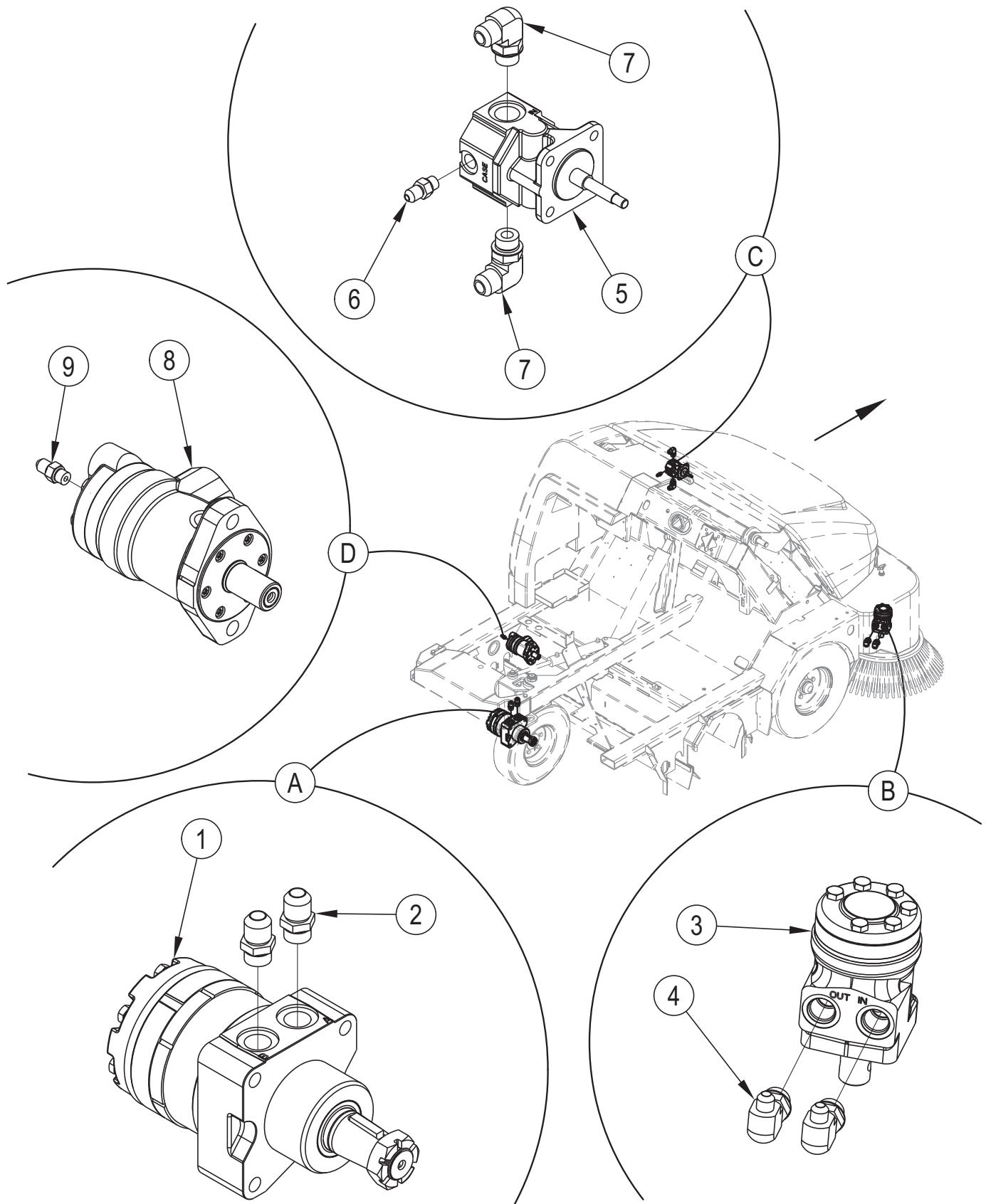


HYDRAULIC SYSTEM – MANIFOLD ASSY – ORFS (APRIL 1 OR AFTER, 2018)

Item	Ref. No.	Qty	Description
#	56107797	1	Manifold Assembly (items 1-10)
1#	56394036	2	FTG-45-8MORFS-8FSWORFS
2#	56002923	4	Scr. Hex Hd Loc 5/16-18 x .50
3#	56507073	1	Hydraulic Manifold
#	56305368	3	Cartridge for S1, S2 (S4 is part of litter vac option)
#	56305369	2	Cartridge for S3, S7
#	56305367	2	Cartridge for S5, S9
#	56305531	1	Cartridge for S6
#	56507686	1	Cartridge for S8
#	56507687	1	Cartridge for Flow Control, 2.0 GPM
#	56507688	1	Cartridge for Flow Divider
#	56508223	1	Seal Kit for 56507688
#	56419397	1	Cartridge for Relief Valve
#	56507690	1	Cartridge for Piloted 3/2 Directional Valve
#	56305370	1	Cartridge for Check Valve
#	56507692	1	Cartridge for PO Check Valve
#	56507983	1	Orifice, .086
#	56508184	1	Orifice, .078
#	56507693	1	Orifice, .038
#	56507694	8	Solenoid Coil with Connector For S1-S7, S9
#	56507695	1	Solenoid Coil with Connector For S8
#	56305354	8	Seal Kit for S1, S2, S4, S5, S6, S9, Relief, Check Valve
#	56305355	2	Seal Kit for S3, S7
#	56507702	1	Seal Kit for Po Check Valve
#	56508840	1	Cavity Plug
#	56507699	1	Seal Kit for S8
#	56507700	1	Seal Kit for Piloted 3/2 Directional Valve
#	56507701	1	Seal Kit for Flow Control, 2.0 GPM
5#	2-00-04970	4	FTG-STR-8MORFS-8MORB
6#	2-00-06021	1	FTG-STR-10MORFS-10MORB
7#	2-00-04918	5	FTG-STR-4MORFS-6MORB
8#	2-00-04892	1	FTG-90-4MORFS-4MORB
9#	56394023	1	FTG-90-10MORFS-10MORB
10#	2-00-04926	4	FTG-90-4MORFS-6MORB
11#	56394033	1	FTG-Run Tee-4MORFS-6MORB

= Revised or new since last update

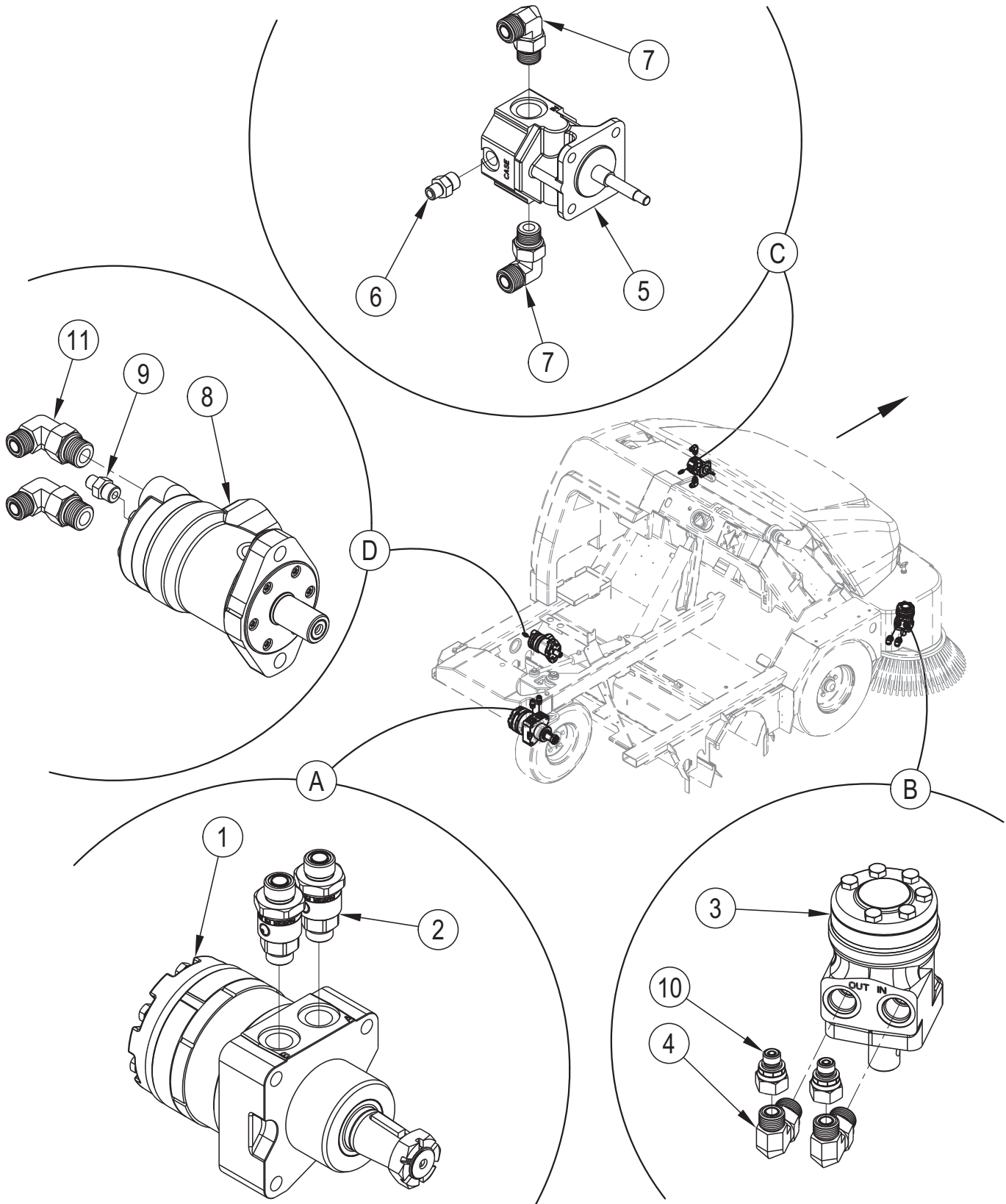
HYDRAULIC SYSTEM – MOTOR ASSEMBLIES – 37° FLARE (BEFORE APRIL 1, 2018)



HYDRAULIC SYSTEM – MOTOR ASSEMBLIES – 37° FLARE (BEFORE APRIL 1, 2018)

Item	Ref. No.	Qty	Description
A	56507603	1	Drive Motor Assembly (items 1-2)
1	56507063	1	Motor, Traction Drive TSB-FC-2017-039
	56507618	1	Seal Kit (for 56507063)
	56462927	1	Castle Nut (for 56507063)
2	56109735	2	Swivel Adapter
B	56507604	1	Side Broom Motor Assembly (items 3-4)
3	56507064	1	Side Broom Motor
	56507619	1	Seal Kit (for 56507064)
4	56900113	2	Elbow, 90 O-Ring
C	NA	1	Dust Control Motor Assembly (items 5-7)
5	56507067	1	Hydraulic Motor – Vac Fan
	56418823	1	Seal Kit (for 56507067)
6	56900001	1	Connector, O-Ring
7	56900104	2	Elbow, 90 O-Ring
D	NA	1	Main Broom Motor Assembly (items 8-9)
8	56507066	1	Main Broom Motor TSB-FC-2017-030
	56507620	1	Shaft Seal Kit (for 56507066)
9	56900001	1	Connector, O-Ring

HYDRAULIC SYSTEM – MOTOR ASSEMBLIES – ORFS (APRIL 1 OR AFTER, 2018)

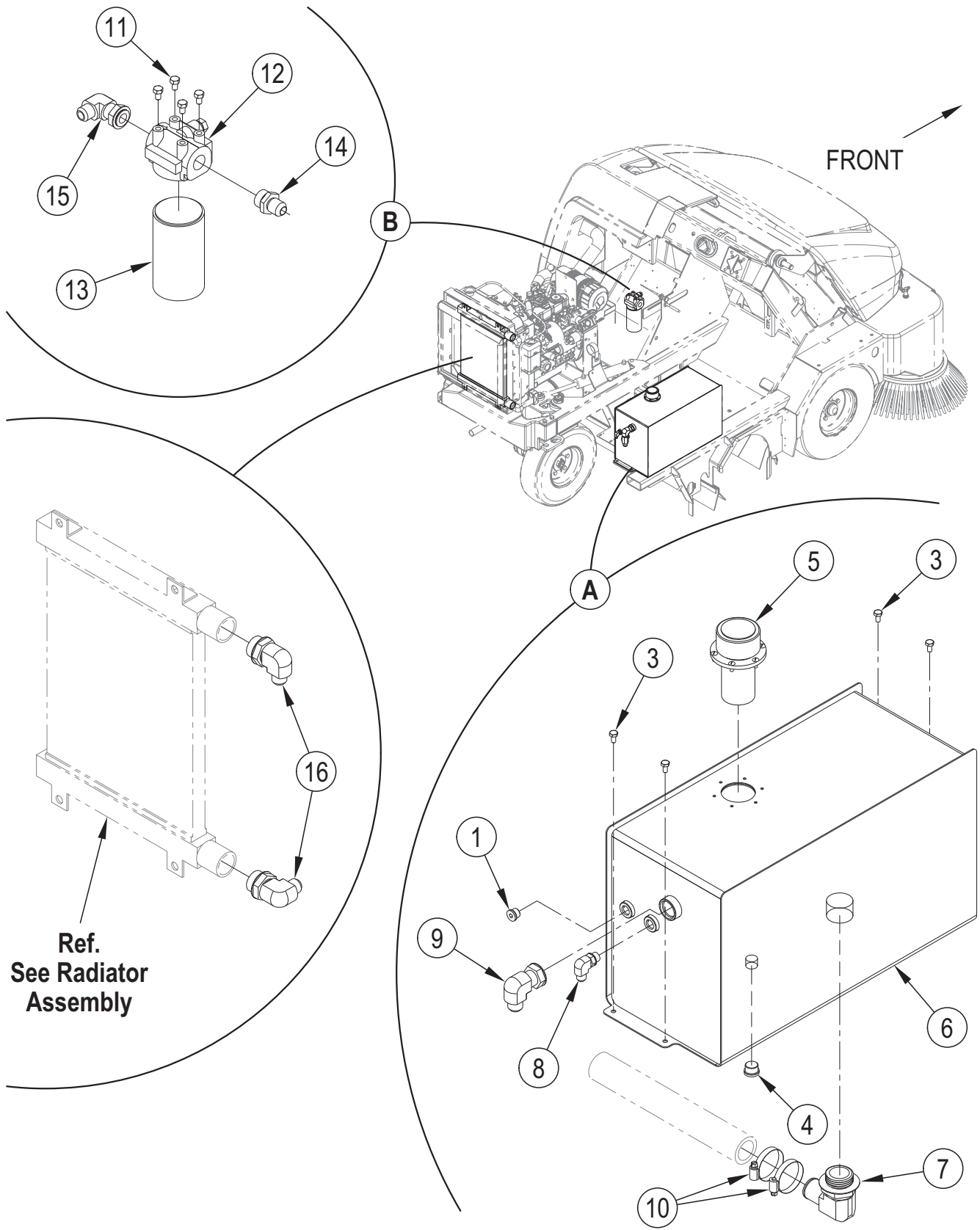


HYDRAULIC SYSTEM – MOTOR ASSEMBLIES – ORFS (APRIL 1 OR AFTER, 2018)

Item	Ref. No.	Qty	Description
A#	56107792	1	Drive Motor Assembly (items 1-2)
1#	56507063	1	Motor, Traction Drive
#	56507618	1	Seal Kit (for 56507063)
#	56462927	1	Castle Nut (for 56507063)
2#	56394073	2	FTG-Swivel-STR-10MORB-10MORFS
B#	56107793	1	Side Broom Motor Assembly (items 3-4, 10)
3#	56507064	1	Side Broom Motor
#	56507619	1	Seal Kit (for 56507064)
4#	2-00-04921	2	FTG-90-8MORFS-10MORB
10#	56394072	2	FTG-STR-8FSWORFS-4MORFS
C#	56107796	1	Dust Control Motor Assembly (items 5-7)
5#	56507067	1	Hydraulic Motor – Vac Fan
#	56418823	1	Seal Kit (for 56507067)
6#	2-00-04895	1	FTG-STR-4MORFS-4MORB
7#	2-00-04885	2	FTG-90-8MORFS-8MORB
D#	56107795	1	Main Broom Motor Assembly (items 8-9, 11)
8#	56507066	1	Main Broom Motor
#	56507620	1	Shaft Seal Kit (for 56507066)
9#	2-00-04895	1	FTG-STR-4MORFS-4MORB
11#	2-00-04921	2	FTG-90-8MORFS-10MORB

= Revised or new since last update

HYDRAULIC SYSTEM – OIL FILTER-RESERVOIR – 37° FLARE (BEFORE APRIL 1, 2018)

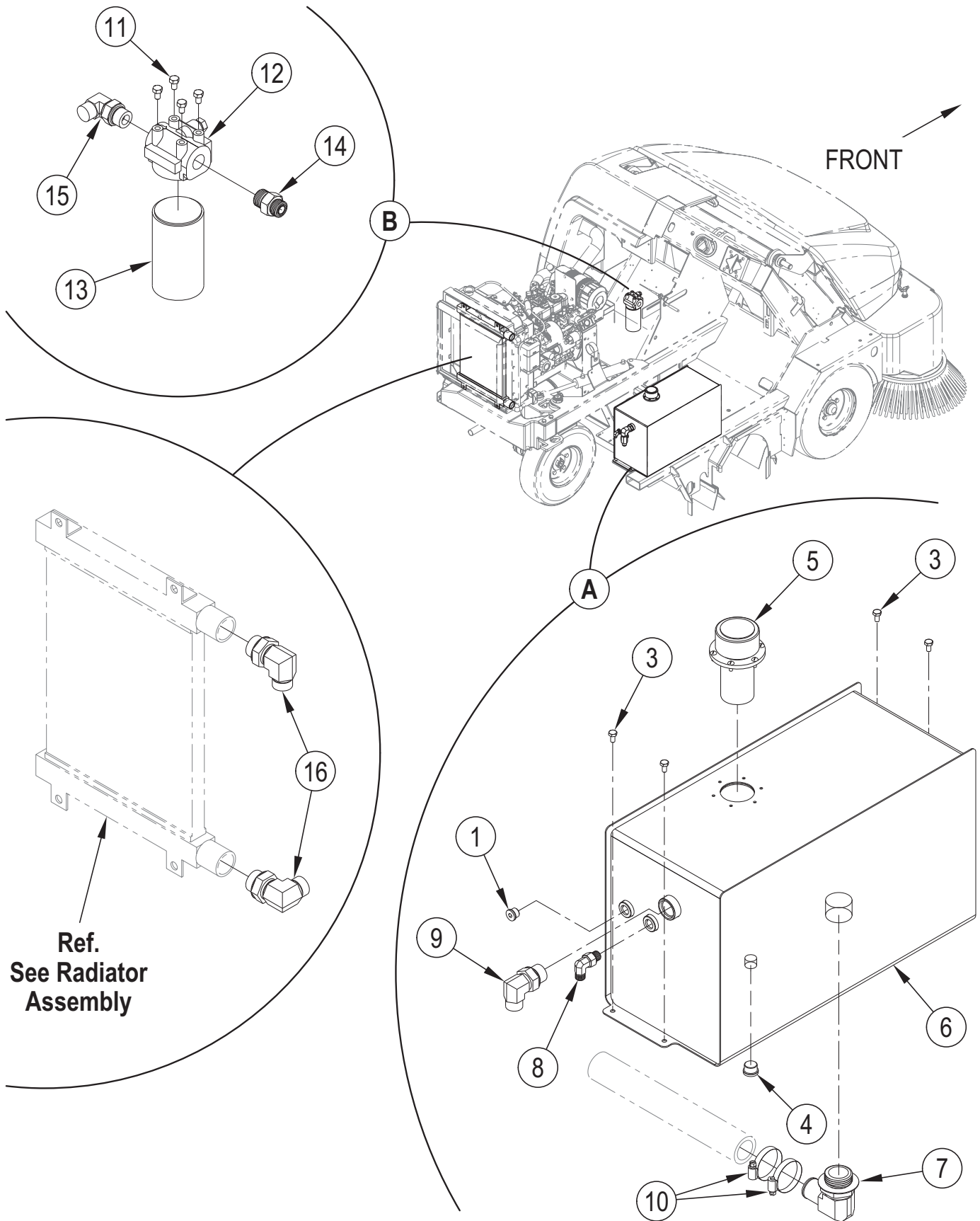


HYDRAULIC SYSTEM – OIL FILTER-RESERVOIR – 37° FLARE (BEFORE APRIL 1, 2018)

Item	Ref. No.	Qty	Description
A	56507072	1	Reservoir Assembly (items 1-9)
1	56418776	1	Plug, Hex Soc O-Ring
3	56009033	4	Scr, Hex Thd Form 1/4-20 X .50
4	56463403	1	Plug, Hex Soc O-Ring
5	56479656	1	Cap, Filler
6	56507507	1	Reservoir Weldment
7	56508846	1	Elbow Barbed Hyd Fitting
8	56900103	1	Elbow, 90 O-Ring
9	56900116	1	Elbow, 90 O-Ring
10#	56329145	2	Clamp Hose Sae 24 E00047
B	56507614	1	Filter Assembly (items 11-15)
11	56002923	4	Scr, Hex Hd Loc 5/16-18 x .50
12	56419253	1	Head, Oil Filter
13	56419254	1	Oil Filter Cartridge
14	56900017	1	Connector, O-Ring
15	56900116	1	Elbow, 90 O-Ring
16	56900480	2	Elbow, 90 O-Ring

= Revised or new since last update

HYDRAULIC SYSTEM – OIL FILTER-RESERVOIR – ORFS (APRIL 1 OR AFTER, 2018)



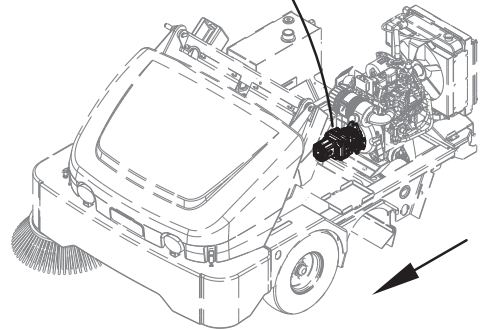
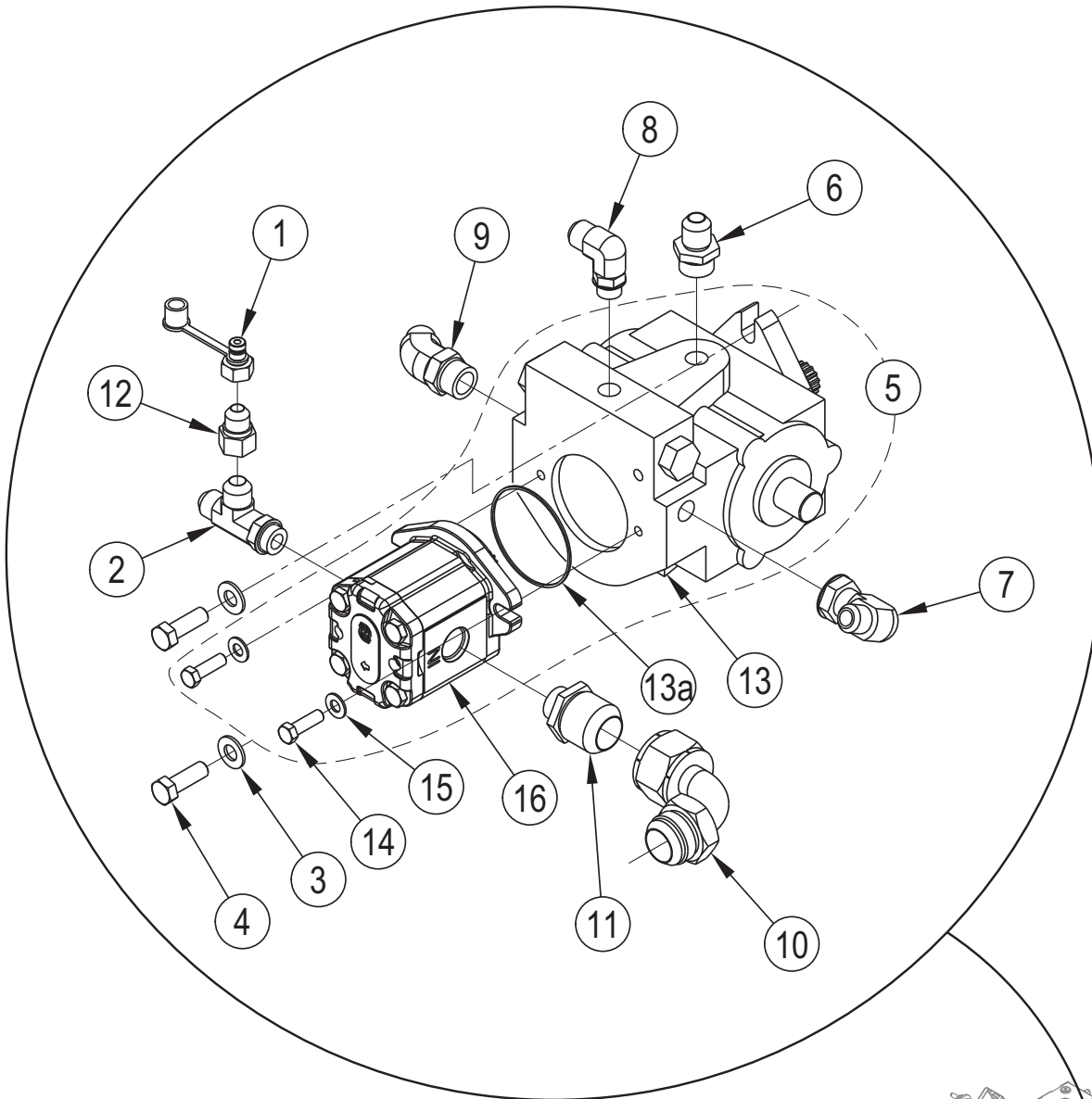
Ref.
See Radiator
Assembly

HYDRAULIC SYSTEM – OIL FILTER-RESERVOIR – ORFS (APRIL 1 OR AFTER, 2018)

Item	Ref. No.	Qty	Description
A#	56107791	1	Reservoir Assembly (items 1-9)
1#	56418776	1	Plug, Hex Soc O-Ring
3#	56009033	4	Scr. Hex Thd Form 1/4-20 X .50
4#	56463403	1	Plug, Hex Soc O-Ring
5#	56479656	1	Cap, Filler
6#	56507507	1	Reservoir Weldment
7#	56508846	1	Elbow Barbed Hyd Fitting
8#	2-00-04926	1	FTG-90-4MORFS-6MORB
9#	2-00-04961	1	FTG-90-10MORFS-12MORB
10#	56329145	2	Clamp Hose Sae 24 E00047
B#	56107802	1	Filter Assembly (items 11-15)
11#	56002923	4	Scr. Hex Hd Loc 5/16-18 x .50
12#	56419253	1	Head, Oil Filter
13#	56419254	1	Oil Filter Cartridge
14#	2-00-05730	1	FTG-STR-10MORFS-12MORB
15#	2-00-04961	1	FTG-90-10MORFS-12MORB
16#	2-00-04920	2	FTG-90-12MORFS-16MORB

= Revised or new since last update

HYDRAULIC SYSTEM – PUMP ASSY – 37° FLARE (BEFORE APRIL 1, 2018)

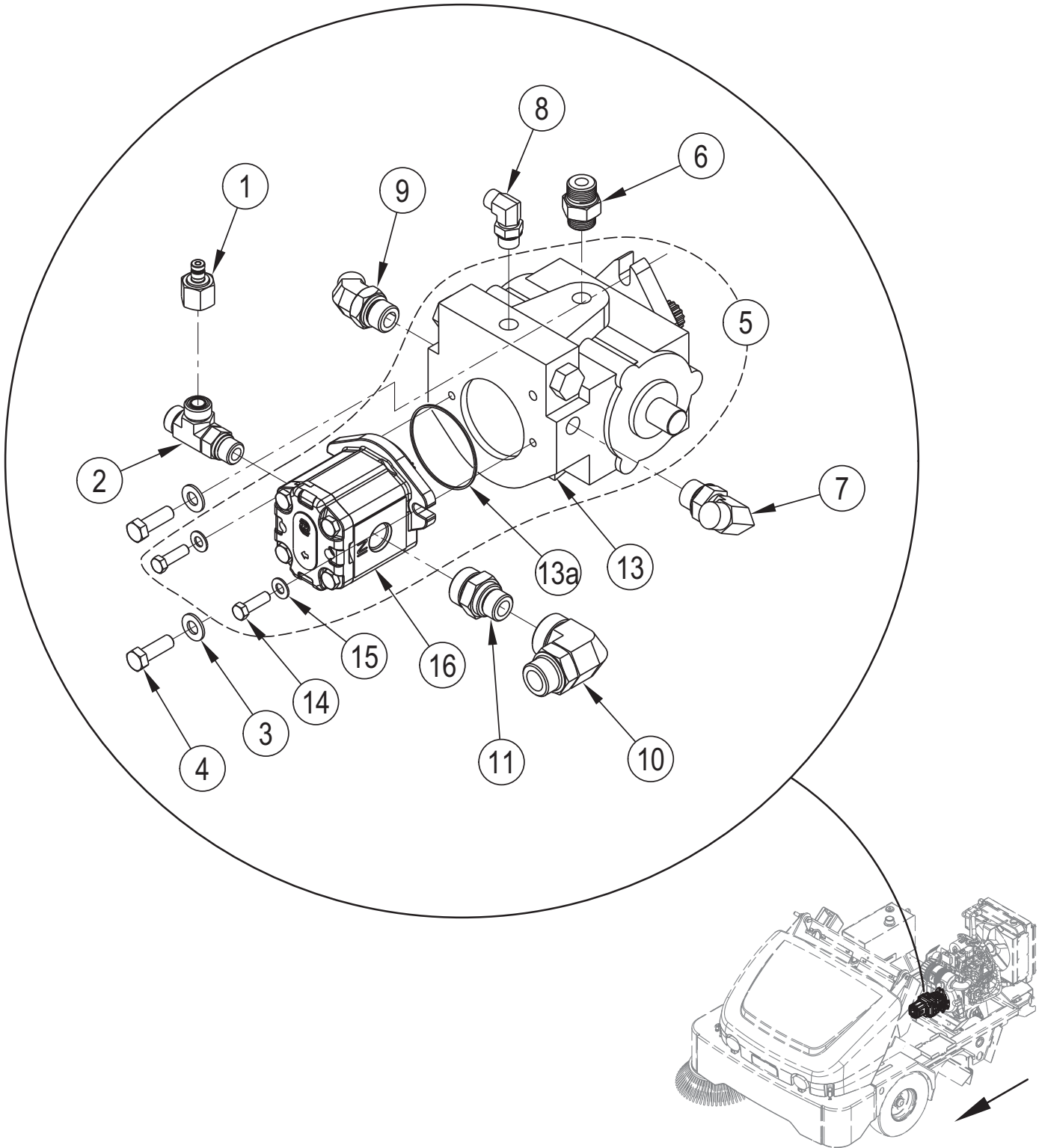


HYDRAULIC SYSTEM – PUMP ASSY – 37° FLARE (BEFORE APRIL 1, 2018)

Item	Ref. No.	Qty	Description
	56507613	1	Pump Assembly (items 1-12)
1	56418866	1	Coupling, #8 Test Port
2	56900205	1	Tee, Run O-Ring
3	56001879	2	Wsh, Flt SAE 1/2
4	56001968	2	Scr, Hex 1/2-13 X 1.50
5	56507511	1	Hydrostatic/Aux Pump Assy (items 13-16)
6	56900017	1	Connector, O-Ring
7	56900116	1	Elbow, 90 O-Ring
8	56900119	1	Elbow, 90 O-Ring
9	56900357	1	Elbow, 45 O-Ring W/Nut
10	56107662	1	Tube Elbow 90 Deg-20
11	56900391	1	Connector, O-Ring
12	56900466	1	Reducer Nut
13	56497918	1	Pump, Piston TSB-FC-2014-029, TSB-FC-2017-039
13a	56488002	1	O-Ring
[]	56418825	1	Seal Kit
14	56001858	2	Scr, Hex 3/8-16 x 1.25
15	56002063	2	Wsh, Flt SAE 3/8
16	56507069	1	Pump, Gear

[] = Not Shown

HYDRAULIC SYSTEM – PUMP ASSY – ORFS (APRIL 1 OR AFTER, 2018)



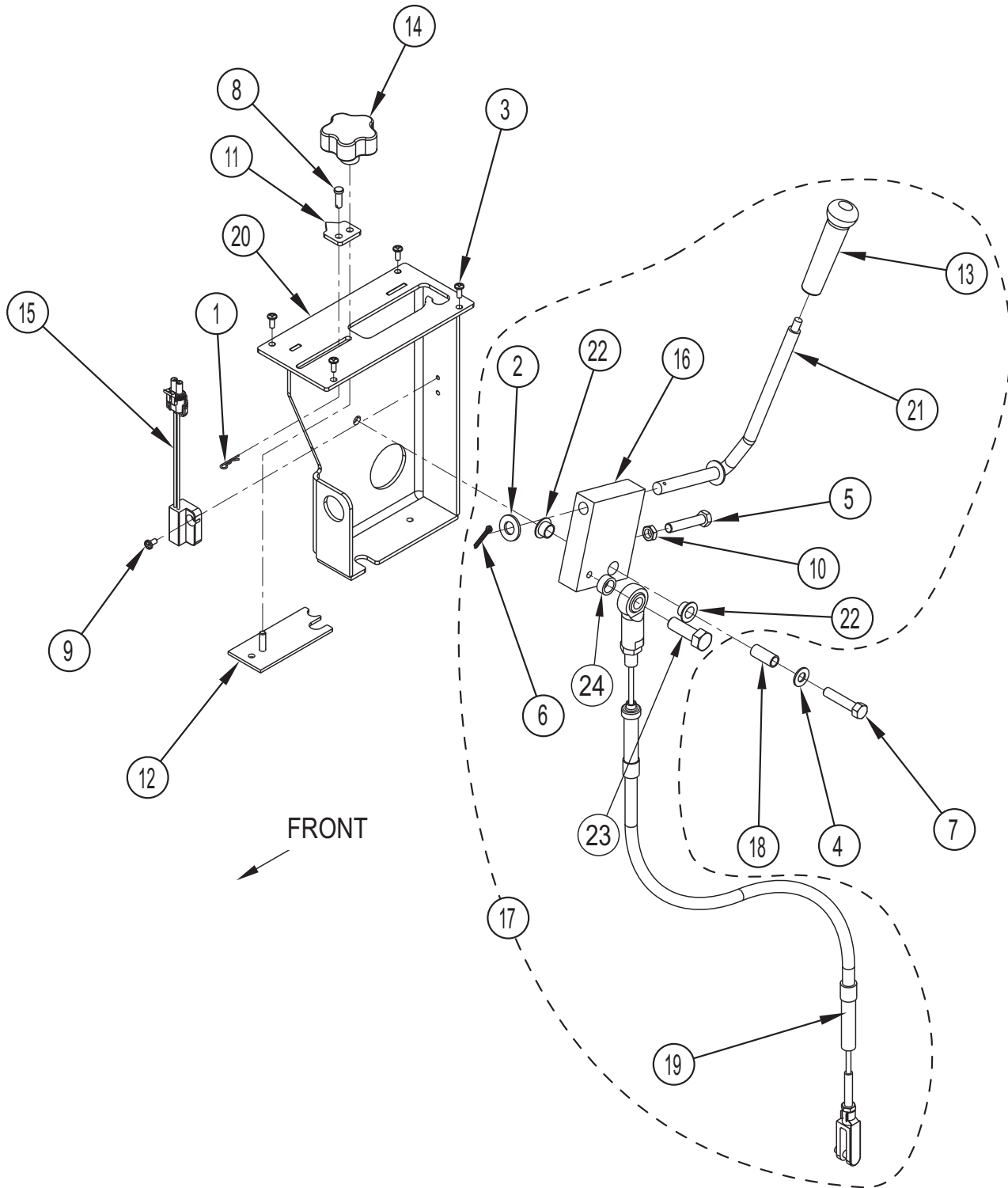
HYDRAULIC SYSTEM – PUMP ASSY – ORFS (APRIL 1 OR AFTER, 2018)

<u>Item</u>	<u>Ref. No.</u>	<u>Qty</u>	<u>Description</u>
#	56107801	1	Pump Assembly (items 1-12)
1#	56394095	1	FTG-Nipple-Test Port-10-FORFS
2#	56394025	1	FTG-Run Tee-10MORFS-10MORB
3#	56001879	2	Wsh, Flt SAE 1/2
4#	56001968	2	Scr, Hex 1/2-13 X 1.50
5#	56507511	1	Hydrostatic/Aux Pump Assy (items 13-16)
6#	2-00-05730	1	FTG-STR-10MORFS-12MORB
7#	2-00-04961	1	FTG-90-10MORFS-12MORB
8#	2-00-06030	1	FTG-90-10MORFS-8MORB
9#	56394070	1	FTG-45-10MORFS-12MORB
10#	56394071	1	FTG-90-20MORFS-16MORB
11#	56394029	1	FTG-STR-16MORFS-12MORB
12#			Intentionally Omitted
13#	56497918	1	Pump, Piston
13a#	56488002	1	O-Ring
[]#	56418825	1	Seal Kit
14#	56001858	2	Scr, Hex 3/8-16 x 1.25
15#	56002063	2	Wsh, Flt SAE 3/8
16#	56507069	1	Pump, Gear

[] = Not Shown

= Revised or new since last update

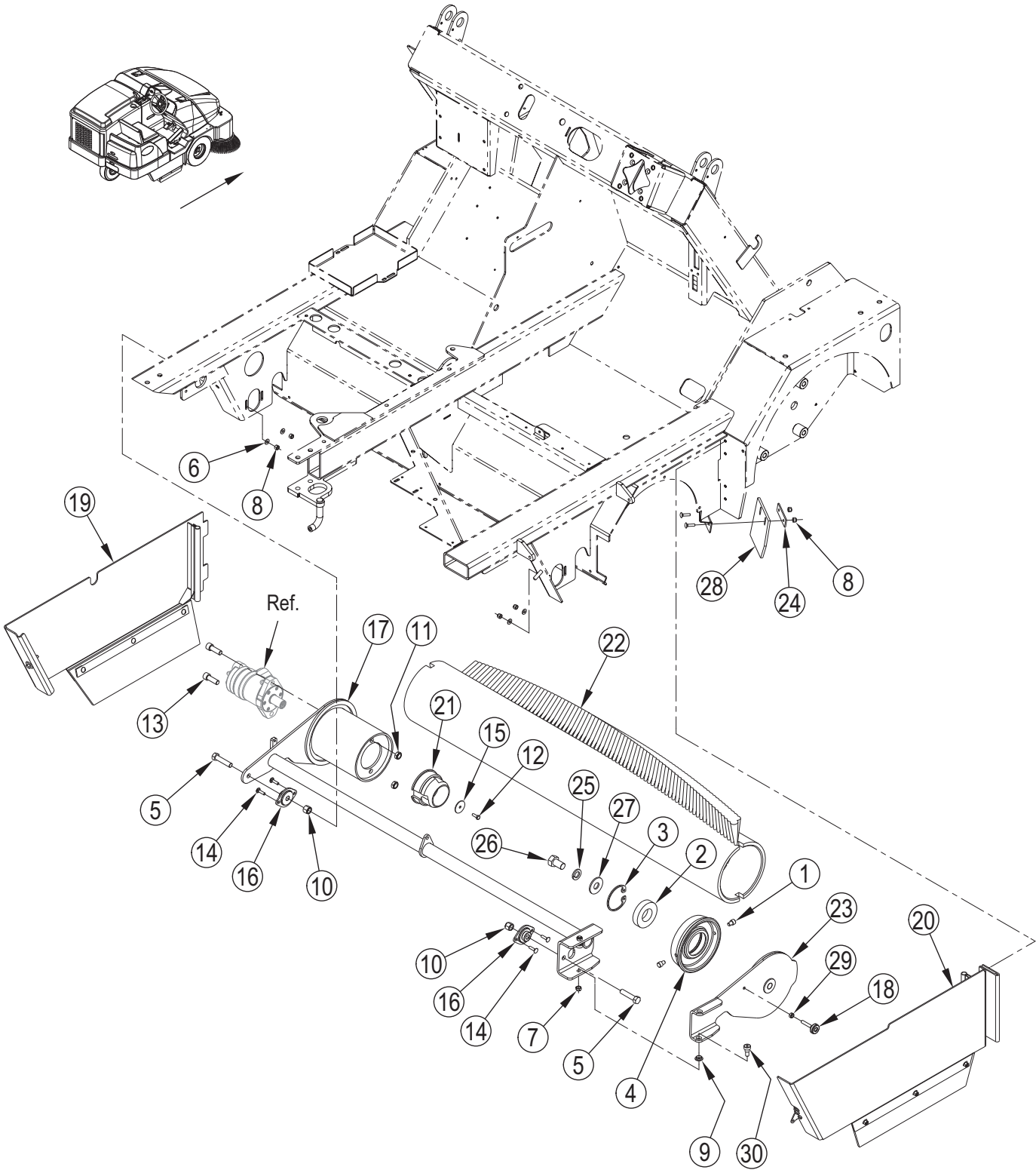
BROOM LIFT ASSY



BROOM LIFT ASSY

Item	Ref. No.	Qty	Description
1	56003332	1	Pin, Cot Hair .042 x .188
2	56001879	1	Wsh, Flt SAE 1/2
3	56003902	4	Scr-Truss Phil SS Blk 10-24 x .50
4	56002063	1	Wsh, Flt SAE 3/8
5	56002091	1	Scr, Hex 3/8-16 x 2.00
6	56002529	1	Pin, Cotter 1/8 x 1
7	56003771	1	Scr, Hex Hd Loc 3/8-16 x 1.75 Grade 8
8	56003663	1	Pin, Clevis .25 x .75
9	56009030	1	Scr, Pan Phil Thd Form 10-24 x .38
10	56009085	1	Nut, Hex Jam 3/8-16
11	56304821	1	Plate, Indicator
12	56304822	1	Stop Plate Weldment
13	56305010	1	Knob, Broom
14	56305030	1	Knob, Adjust
15	56305053	1	Sensor, Proximity
16	56507109	1	Block, Broom Arm Pivot
17	56507110	1	Broom Arm Pivot Assembly (items 2, 5, 6, 10, 13, 16, 19, 21-24)
18	56507111	1	Bushing, 0.5 Dia x 1.12
19	56508742	1	Cable, Broom Lift Assy
20	56107695	1	Broom Lift Weldt
21	56507408	1	Handle, Broom Lift
22	56507560	2	Bearing, Pivot
23	56003778	1	Scr, Hex Loc 1/2-20 x 1.50 Grade 8
24	56051691	1	Spacer, Steel

MAIN BROOM ASSEMBLY-1



MAIN BROOM ASSEMBLY-1

Kit	Item	Ref. No.	Qty	Description
	1	2-00-04886	2	Shoulder Bolt
	2	2-00-04889	1	Bearing
	3	2-00-04890	1	Retaining Ring
	4	8-33-09090	1	Hub
	5	56003929	2	Scr-Hex SS 1/2-13 x 2.25
	6	56002859	4	Wsh-Flt SAE SS 1/4
	7#	56002852	2	Nut Hex Nyl Loc-Thin Ss 3/8-16
	8	56002491	8	Nut-Hex Nyl Loc SS 1/4-20
	9#	56413211	2	Bearing Flange .625x.500x.250
	10	56002846	2	Nut-Hex Nyl Loc SS 1/2-13
	11	56002854	2	Nut, Hex Nyl Loc-Thin SS 1/2-13
	12	56003221	1	Scr-Hex Loc SS 1/4-20 x .75
	13	56003930	2	Scr-Soc Hd SS 1/2-13 x 1.50
	14	56003828	8	Scr-Carriage SS 1/4-20 x 1.00
	15	56003931	1	Wsh-Fender SS .281 x 1.50 x .074
	16	56507230	2	Bearing
K1	17#		1	Broom Hanger Weldment
	18	56382765	1	Leveler 5/16-18
	19	56507396	1	Left Broom Door Assy (see Main Broom Assy-2)
	20	56507397	1	Right Broom Door Assy (see Main Broom Assy-2)
K1	21#		1	Hub
	22	56507424	1	Main Broom, Proex-Wire (standard)
	23#	56107815	1	Broom Bracket Kit NOTE 1
	24	56508248	2	Strap, Front Tire Rear Flap
	25	2-00-00522	1	Split Lock Washer 3/4
	26	56003932	1	Scr-Hex SS 3/4-10 X 1.25
	27	8-75-01157	1	Thrust Washer .812 Id X 2.00 OD
	28	56508247	2	Flap, Front Tire Trail
	29	56002851	1	Nut, Hex Nyl Loc-Thin SS 5/16-18
	30#	56003673	2	Scr Soc Hd Shd .50x.38x3/8-16

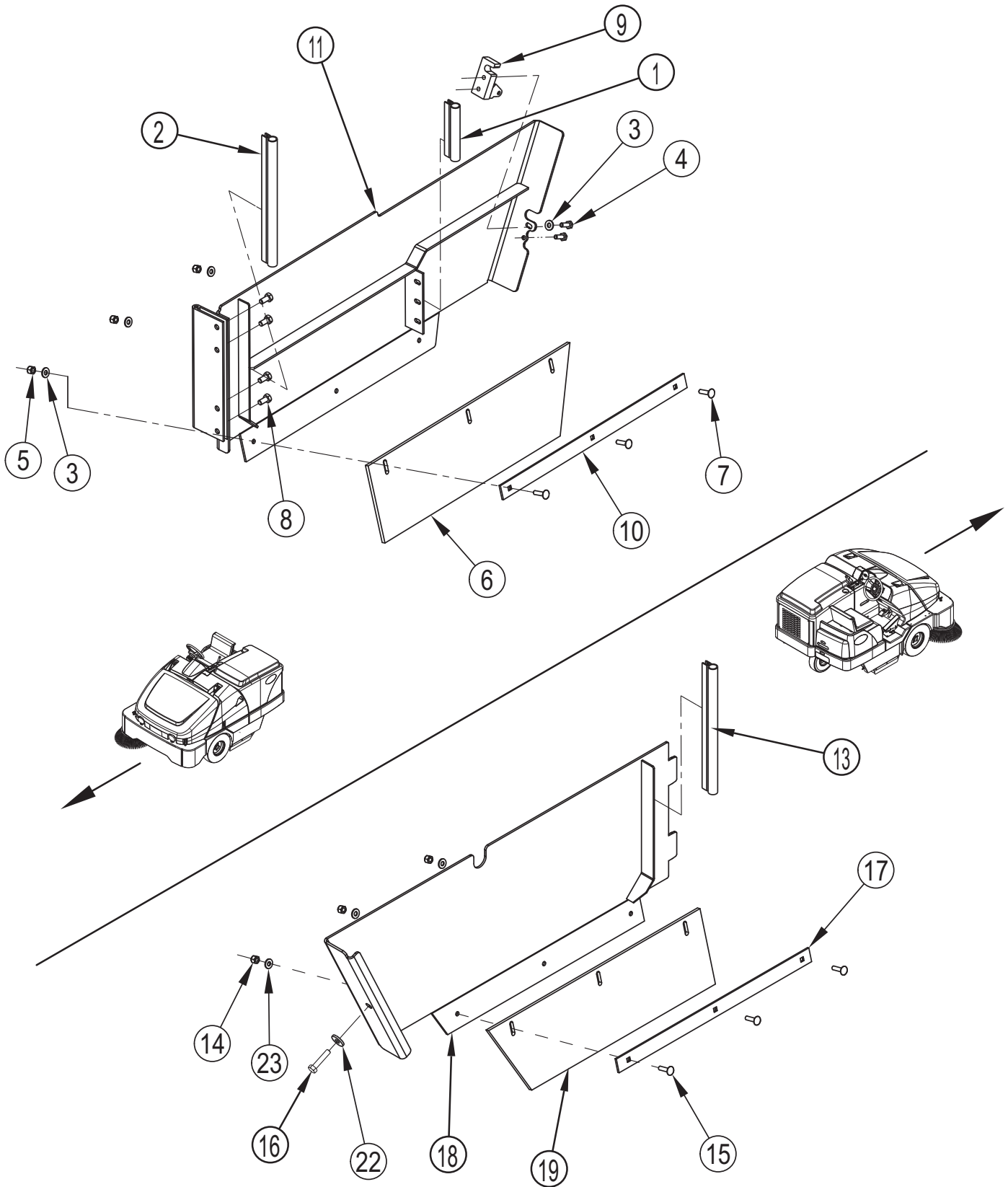
SERVICE KITS

K1	56107811	1	Broom Hanger/Hub Kit
----	----------	---	----------------------

= Revised or new since last update

NOTE 1:# For service/replacement of the Broom Bracket Weldment 56107689, order the Broom Bracket Service Kit 56107815.

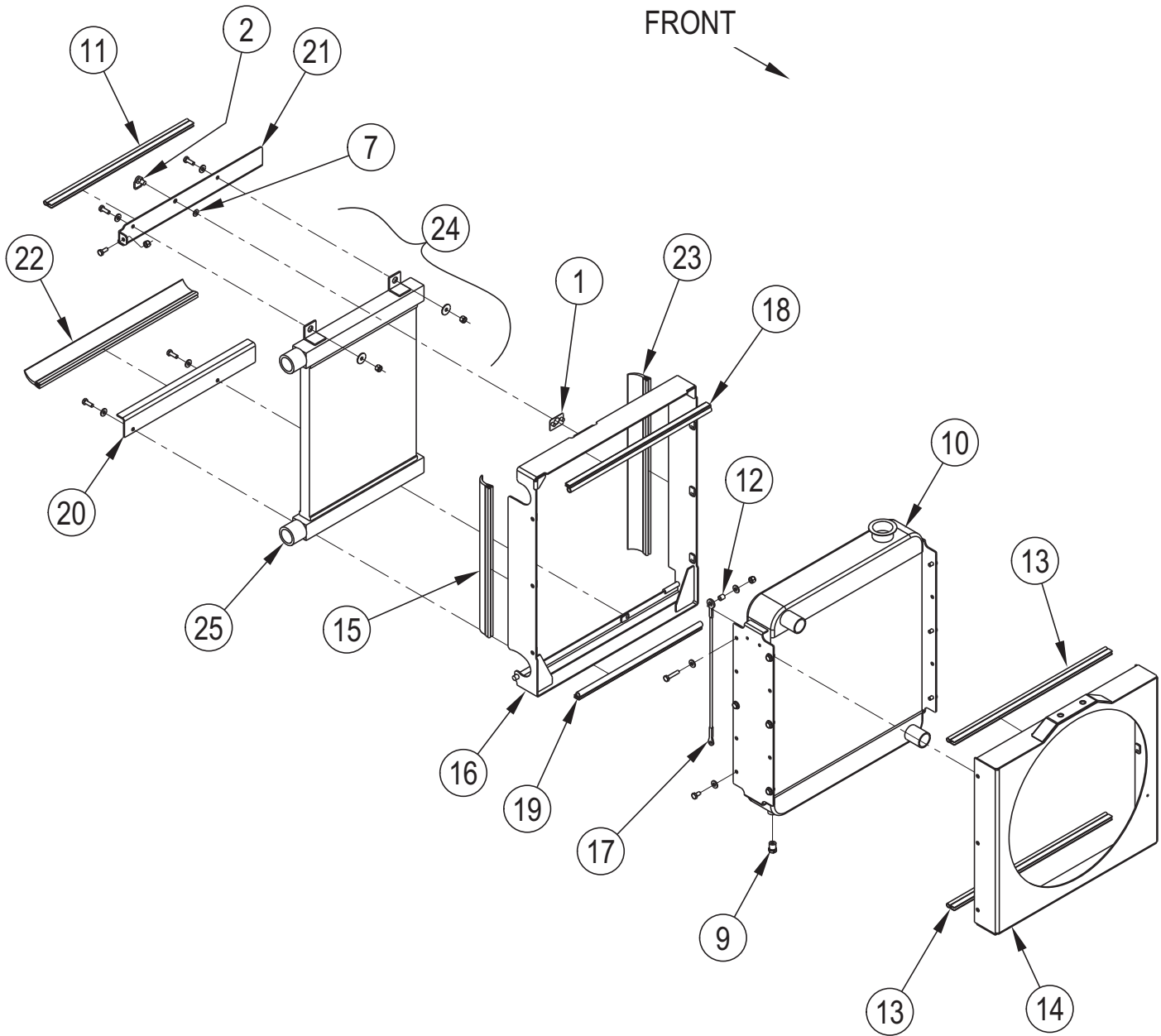
MAIN BROOM ASSY-2



MAIN BROOM ASSEMBLY-2

Item	Ref. No.	Qty	Description
	56507397	1	Right Broom Door Assembly (items 1-11)
1	56508377	1	Gasket
2	56508376	1	Gasket
3	56002859	4	Wsh-Flt SAE SS 1/4
4	56003221	2	Scr-Hex Loc SS 1/4-20 x .75
5	56002491	3	Nut-Hex Nyl Loc SS 1/4-20
6	56507417	1	Flap, Door
7	56003916	3	Scr-Carriage SS 1/4-20 X .88 TSB-FC-2014-015
8	56002937	4	Scr-Hex Loc SS 5/16-18 x .62
9	56413802	1	Latch, RH
10	56507118	1	Strap, Door Flap
11	56107692	1	Door-Broom Rt Weldt
	56507396	1	Left Broom Door Assembly (items 13-19)
13	56508376	1	Gasket (10")
14	56002491	3	Nut-Hex Nyl Loc SS 1/4-20
15	56003916	3	Scr-Carriage SS 1/4-20 X .88 TSB-FC-2014-015
16	56003455	1	Hex Hd SS 5/16-18 X 1.5
17	56507118	1	Strap, Door Flap
18	56107691	1	Door-Broom Lt Weldt
19	56507417	1	Flap, Door
22	56009382	1	Wsh-Flt SS .344 x 1.000 x .109
23	56002859	3	Wsh-Flt SAE SS 1/4

RADIATOR ASSY



RADIATOR ASSY

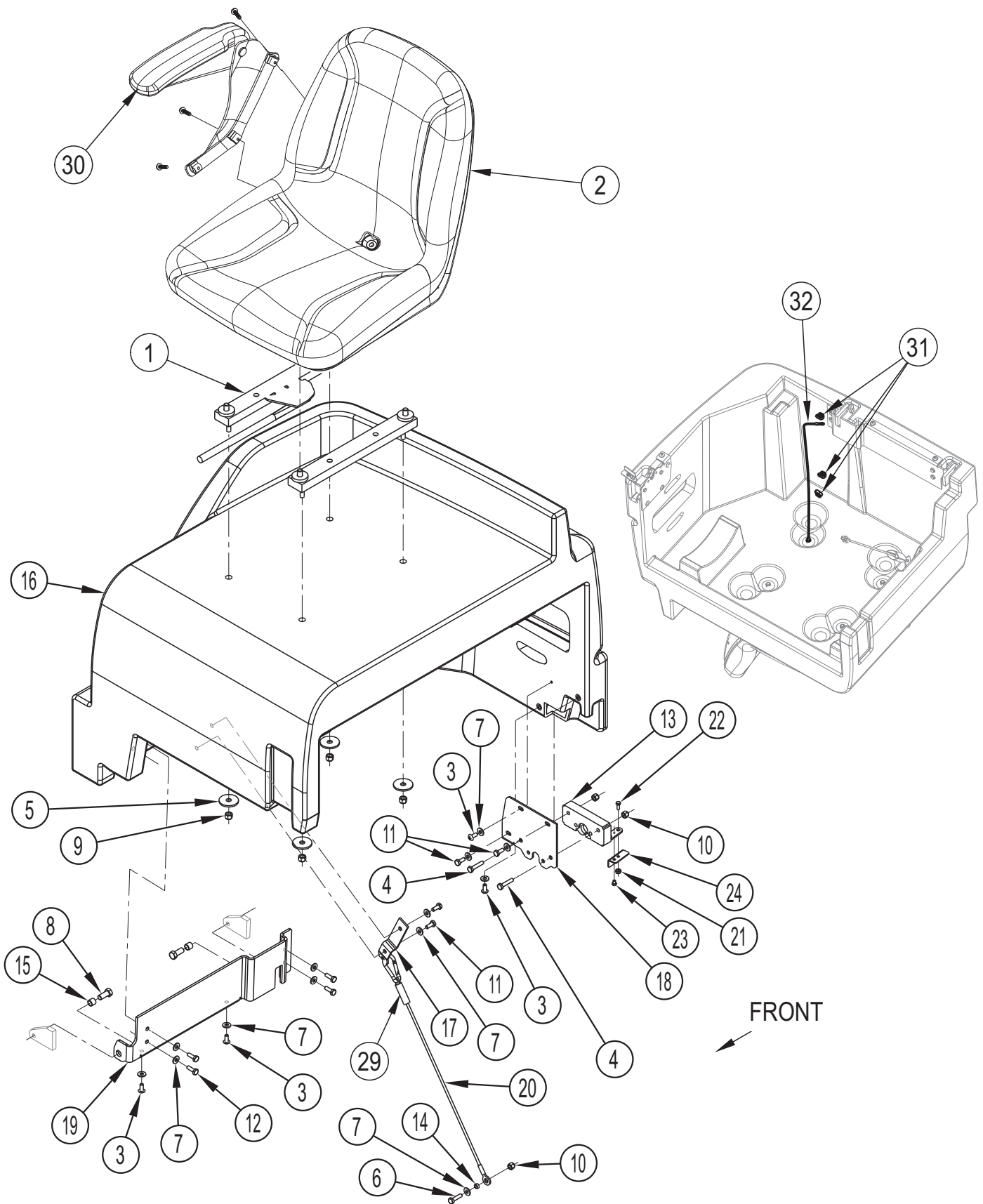
Item	Ref. No.	Qty	Description
		1	Radiator Assembly (items 1-24)
1	7-23-03108	1	U Clip-Screw-Captivated
2	7-23-03113	1	Fastener-Qtr. Turn
3#			DELETED
4#			DELETED
5#			DELETED
6#			DELETED
7	7-23-03106	1	Washer-Screw-Captivated
8#			
9	56740136	1	Plug, Pipe
10	56107665	1	Radiator-6 Fin
[]	56456431	1	Radiator Cap (std)
*	56305638	1	Radiator Cap (small)
11	56508435	1	Gasket
12	56321532	1	Bushing .25 x .37 x .40
13	56418955	2	Gasket
14	56508194	1	Shroud, Radiator
15	56508315	1	Gasket, Radiator
16	56508240	1	Shroud, Cooler Weldment
17	56107644	1	Cable Assy
18	56508309	1	Trim-Seal
19	56508310	1	Trim-Seal
20	56508311	1	Bracket
21	56508312	1	Bracket
22	56508313	1	Gasket, Radiator
23	56508314	1	Gasket, Radiator
24	56507608	1	Oil Cooler Assembly (items 25-29)
25	56463678	1	Cooler, Oil
26#			DELETED
27#			DELETED
28#			DELETED
29#			DELETED

[] = Not Shown

* = Optional, Not Included

= Revised or new since last update

SEAT ASSY



SEAT ASSY

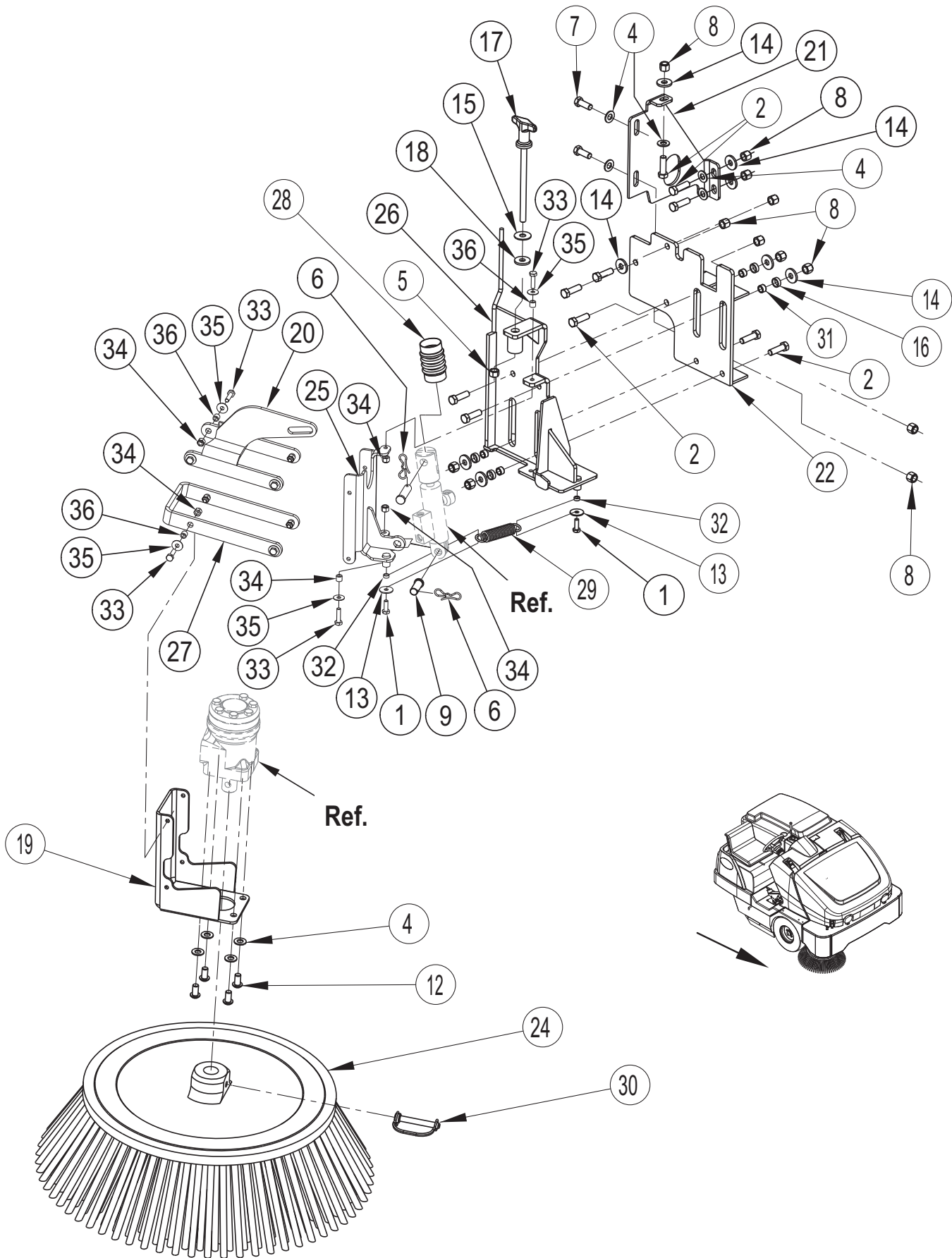
Item	Ref. No.	Qty	Description
1	7-72-05005	1	Slide, Seat
2	56383291	1	Seat-8 In. Mount NOTE 1
3	56009120	4	Scr Pan Phil SS Type B 1/4-14 x .62
4	56001878	2	Scr, Hex 1/4-20 x 1.25
5	56009242	4	Wsh, Flt .406 x 1.500 x .125
6	56001836	1	Scr, Hex 1/4-20 x .62
7	56002098	13	Wsh, Flt SAE 1/4
8	56002271	2	Scr, Hex 3/8-16 x .88
9	56002701	4	Nut, Hex Nyl Loc 5/16-18
10	56002708	3	Nut, Hex Nyl Loc 1/4-20
11	56002922	4	Scr, Hex Hd Loc 1/4-20 x .62
12	56002948	4	Scr, Hex Hd Loc 1/4-20 x .75
13	56304827	1	Latch, RH
14	56163872	1	Bushing
15	56388326	2	Bushing
16	56507088	1	Seat Support
17	56508097	1	Bracket
18	56508322	1	Bracket Seat Latch Mtg
19	56508330	1	Seat Pivot Weldt
20	56508335	1	Cable Assembly
21	56002832	1	Nut, Hex Nyl Loc-Thin 10-24
22	56009039	1	Scr, Hex Thd Form 10-24 x .50
23	56009063	1	Scr, Hex Thd Form 10-24 x .25
24	56107694	1	Handle Latch
29	56508774	1	Shrink Tube .75 x 2.5
30	56383189	1	Arm Rest Kit-R/H Only NOTE 2
30	7-03-04250	1	Arm Rest RH Only NOTE 3
31	56507793	3	Clip, Conduit
32	56508924	1	Wire-Assembly

NOTE 1: Seat 7-69-00008 has been replaced in production with Seat 56383291. If you need to replace Seat 7-69-00008 please order Seat Kit 56383467.

NOTE 2: Arm Rest Kit 56383189 is only for use on Seat 56383291.

NOTE 3: Arm Rest Kit 7-03-04250 is only for use on Seat 7-69-00008.

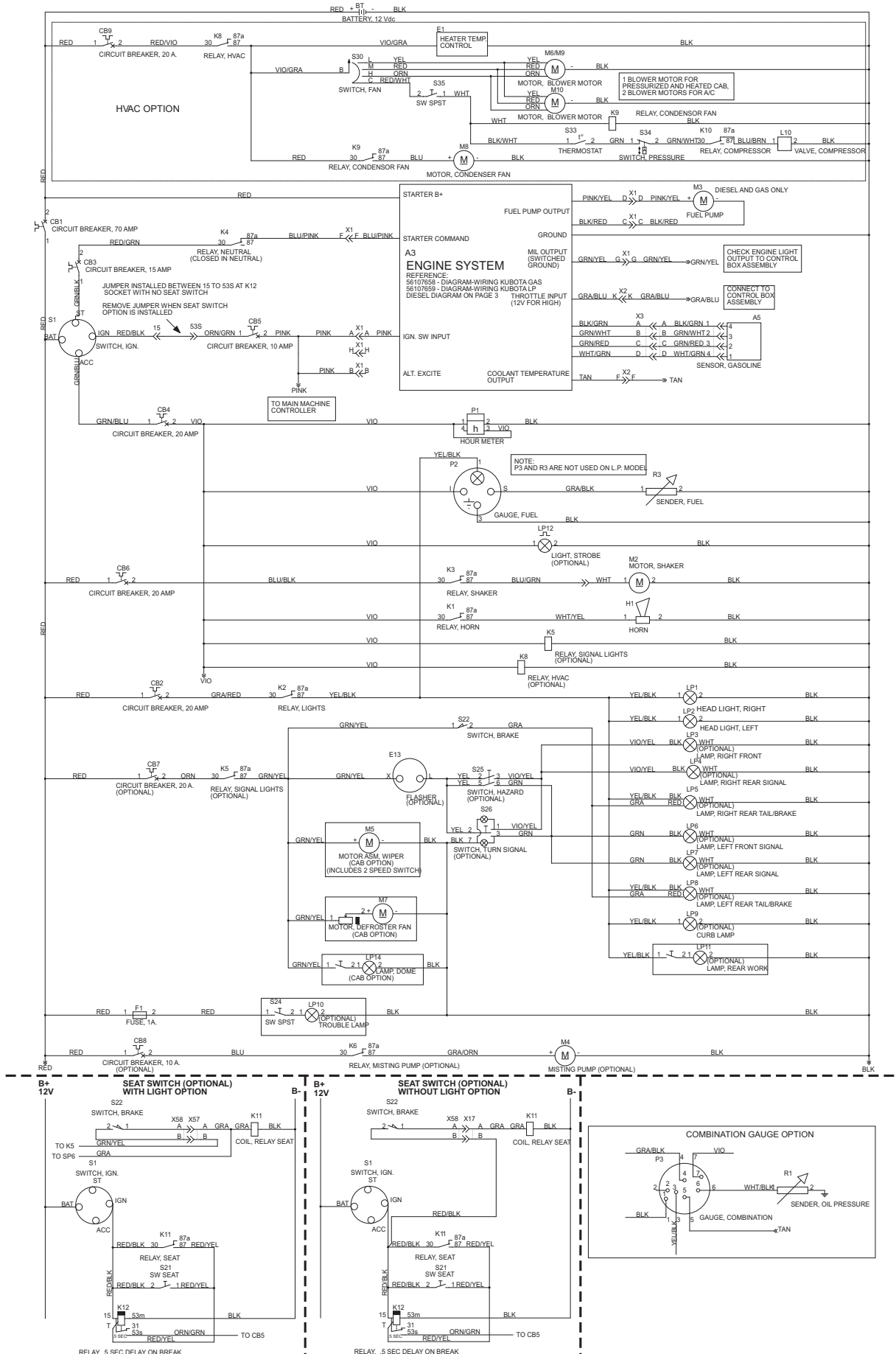
SIDE BROOM SYSTEM



SIDE BROOM SYSTEM

Item	Ref. No.	Qty	Description
1	56002948	2	Scr, Hex Hd Loc 1/4-20 x .75
2	56001858	10	Scr, Hex 3/8-16 x 1.25
3			Intentionally Omitted
4	56002063	9	Wsh, Flt SAE 3/8
5	56002123	1	Nut, Hex Machine 3/8-16
6	56003814	2	Pin-Bow-Tie Cot 7/16-1/2x.091
7	56002663	2	Scr, Hex 3/8-16 x 1.00
8	56002769	12	Nut, Hex Nyl Loc 3/8-16
9	56003514	1	Pin, Clevis .50 x 1.25
10			Intentionally Omitted
11	56003728	1	Pin, Clevis .50 x 1.75
12	56003729	4	Scr, Soc Hd But 3/8-16 x .75
13	56009002	2	Wsh, Flt .266 x .906 x .060
14	56009107	8	Wsh, Flt SS .378 x 1.000 x .120
15	56151068	1	Washer, Fibre
16	56365030	4	Bushing
17	56413576	1	Knob
18	56413599	1	Washer, Rubber
19	56507078	1	Mount, Side Broom Motor
20	56508959	1	Linkage, Side Broom Weldment TSB-FC-2016-280
21	56507122	1	Bracket
22	56507148	1	RH Bracket Weldment
24	56508498	1	Side Broom-Polypropylene, 41°
25	56507502	1	Bracket, Side Broom Pivot
26	56508962	1	Bracket, Side Broom Mount TSB-FC-2016-280
27	56508957	1	Side Broom Linkage TSB-FC-2016-280
28	56507634	1	Side Broom Cylinder Bellows
29	56507707	1	Spring, Side Broom
30	56508392	1	Pin, T-Lock
31	56508363	4	Bushing, .377 x .49 x .29
32	56163872	2	Bushing
33	56002093	10	Scr, Hex 1/4-20 x 1.00
34	56002708	10	Nut, Hex Nyl Loc 1/4-20
35	56009025	10	Wsh, Flt .266 x .750 x .036
36	56107786	10	Bushing .256 x .393 x .340

LADDER DIAGRAM-1



LADDER DIAGRAM-1

Item	Ref. No.	Qty	Description
A3	56107647	1	ECU-Kubota LPG (LPG only)
	56107664	1	ECU-Kubota Petrol (Petrol only)
A5	56107670	1	Manifold, Fuel (Petrol only)
BT	0875-008	1	Battery, 12Vdc
CB1	56454429	1	Circuit Breaker, 70 Amp, Main
CB2	56413822	1	Circuit Breaker, 20 Amp, Headlights
CB3	56413407	1	Circuit Breaker, 15 Amp, Starter
CB4	56413822	1	Circuit Breaker, 20 Amp, Accessories
CB5	56507644	1	Circuit Breaker, 10 Amp, Ignition
CB6	56413822	1	Circuit Breaker, 20 Amp, Shaker
CB7	56413822	1	Circuit Breaker, 20 Amp (signal lights option)
CB8	56507644	1	Circuit Breaker, 10 Amp (misting pump option)
CB9		1	Circuit Breaker, 40 Amp (for cab option)
E1	56508776	1	Heat Temp. Control
E13	56507887	1	Flasher (optional)
F1		1	Fuse, 1 Amp
H1	56442054	1	Horn
K1	56418387	1	Relay, Horn
K2	56418387	1	Relay, Lights
K3	56107639	1	Relay, Shaker
K4	56418387	1	Relay, Neutral
K5	56418387	1	Relay, Signal Lights (optional)
K6	56418387	1	Relay, Misting Pump (optional)
K8	56418387	1	Relay, HVAC (HVAC option)
K9	56508897	1	Relay, Condenser Fan (HVAC option)
K10	56418387	1	Relay, Compressor (HVAC option)
L10	56508798	1	Valve, Compressor (HVAC option)
LP1	56507223	1	Head Light, Right
LP2	56507223	1	Head Light, Left
LP3	56507113	1	Lamp, Right Front (optional)
LP4	56507113	1	Lamp, Right Rear Signal (optional)
LP5	56507112	1	Lamp, Right Rear Tail/Brake (optional)
LP6	56507113	1	Lamp, Left Front Signal (optional)
LP7	56507113	1	Lamp, Left Rear Signal (optional)
LP8	56507112	1	Lamp, Left Rear Tail/Brake (optional)
LP9	56507830	1	Lamp, Curb (optional)
LP10	56305627	1	Lamp, Trouble (optional)
LP11	56507830	1	Lamp, Rear Work (optional)
LP12	56305223	1	Light, Strobe (optional)
LP14	56508819	1	Lamp, Dome (cab option)
M2	56508664	1	Motor, Shaker
M3		1	Pump, Fuel NOTE 2
M4	56507851	1	Pump, Misting (optional)
M5	56508636	1	Motor, Assy Wiper (cab option)
M6	0882-055	1	Motor, Blower Motor (heater)
M7	56508820	1	Motor, Defroster Fan (cab option)
M8	56508896	1	Motor, Condenser Fan
M9	56508898	1	Motor, Blower Motor (A/C)
M10	56508898	1	Motor, Blower Motor (A/C)

Item	Ref. No.	Qty	Description
P1	56393718	1	Hourmeter
P2	8-48-05032	1	Gauge, Fuel (not used on LPG models)
P3	56304589	1	Gauge, Combination (optional- LPG)
	56304569	1	Gauge, Combination (optional- Petrol and Diesel)
R1	56305619	1	Sender, Oil Pressure (optional)
R3	56478358	1	Sender, Fuel (not used on LPG models)
S1	56418685	1	Switch, Ignition (LPG and Petrol)
	56497754	1	Switch, Ignition (Diesel)
S22	56508191	1	Switch, Brake
S24		1	Switch (part of LP10)
S25	56507889	1	Switch, Hazard (optional)
S26	56507888	1	Switch, Turn Signal (optional)
S30		1	Switch, Fan
S33	56508899	1	Thermostat
S34	56508871	1	Switch, Pressure
S35	56507889	1	Switch SPST

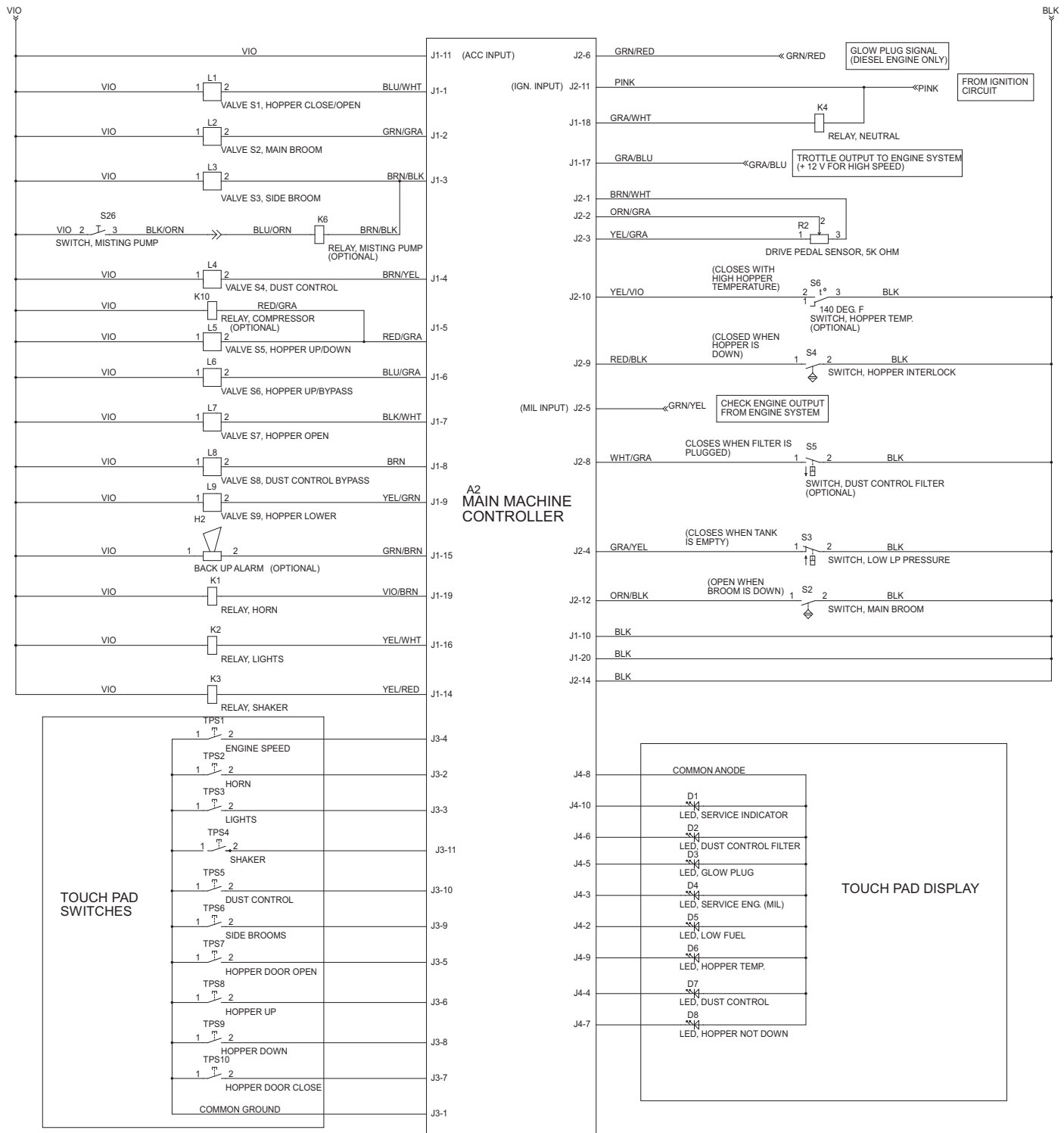
Color Codes

BLK	Black
BLU	Blue
BRN	Brown
GRA	Gray
GRN	Green
ORN	Orange
PINK	Pink
RED	Red
TAN	Tan
VIO	Violet
WHT	White
YEL	Yellow

NOTE 1: Reference; 56382530 = Ladder Diagram & 56382531 = Wiring Diagram.

NOTE 2: Part number is dependent on engine, see "ENGINE REPLACEMENT PARTS" of appropriate engine.

LADDER DIAGRAM-2



LADDER DIAGRAM-2

Item	Ref. No.	Qty	Description
A2	56107627	1	Control Box Assy
H2	56409232	1	Back Up Alarm (optional)
K1	56418387	1	Relay, Horn
K2	56418387	1	Relay, Lights
K3	56107639	1	Relay, Shaker
K4	56418387	1	Relay, Neutral
K6	56418387	1	Relay, Misting Pump (optional)
L1		1	Valve S1, Hopper Close/Open
L2		1	Valve S2, Main Broom
L3		1	Valve S3, Side Broom
L4		1	Valve S4, Dust Control
L5		1	Valve S5, Hopper Up/Down
L6		1	Valve S6, Hopper Up/Bypass
L7		1	Valve S7, Hopper Open
L8		1	Valve S8, Dust Control Bypass
L9		1	Valve S9, Hopper Lower
R2	56305129	1	Drive Pedal Sensor, 5K Ohm
S2	56305053	1	Switch, Main Broom
S3	56418381	1	Switch, Low LP Pressure
S4	56305053	1	Switch, Hopper Interlock
S5	56305518	1	Switch, Dust Control Filter (optional)
S6	56418405	1	Switch, Hopper Temp. (optional)
S26		1	Switch, Misting Pump (optional)
TPS1		1	Touch Pad Switch, Engine Speed NOTE 1
TPS2		1	Touch Pad Switch, Horn NOTE 1
TPS3		1	Touch Pad Switch, Lights NOTE 1
TPS4		1	Touch Pad Switch, Shaker NOTE 1
TPS5		1	Touch Pad Switch, Dust Control NOTE 1
TPS6		1	Touch Pad Switch, Side Brooms NOTE 1
TPS7		1	Touch Pad Switch, Hopper Door Open NOTE 1
TPS8		1	Touch Pad Switch, Hopper Up NOTE 1
TPS9		1	Touch Pad Switch, Hopper Down NOTE 1
TPS10		1	Touch Pad Switch, Hopper Door Close NOTE 1

Color Codes

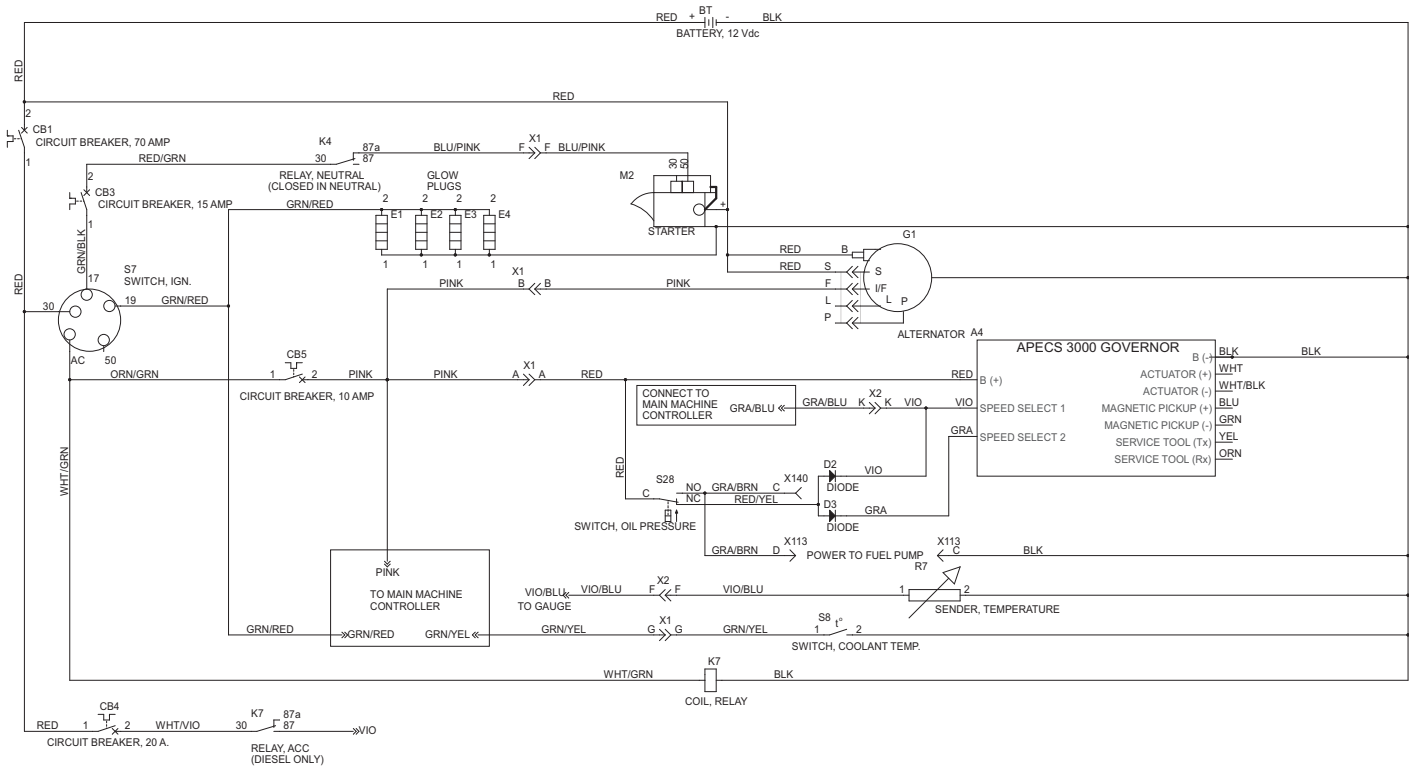
BLK	Black
BLU	Blue
BRN	Brown
GRA	Gray
GRN	Green
ORN	Orange
PINK	Pink
RED	Red
TAN	Tan
VIO	Violet
WHT	White
YEL	Yellow

NOTE 1: Part of Touch Pad 56107601 for petrol and LPG or 56107603 for diesel.

NOTE 2: Reference; 56382530 = Ladder Diagram & 56382531 = Wiring Diagram.

LADDER DIAGRAM-3

KUBOTA DIESEL ENGINE SYSTEM



LADDER DIAGRAM-3

Item	Ref. No.	Qty	Description
A4	56508400	1	ACPECS 3000 Governor
BT	0875-008	1	Battery, 12 Vdc
CB1	56454429	1	Circuit Breaker, 70 Amp
CB3	56413407	1	Circuit Breaker, 15 Amp
CB4	56413822	1	Circuit Breaker, 20 Amp
CB5	56507644	1	Circuit Breaker, 10 Amp
D2		1	Diode
D3		1	Diode
E1		1	Glow Plug
E2		1	Glow Plug
E3		1	Glow Plug
E4		1	Glow Plug
G1	56110738	1	Alternator
K4	56418387	1	Relay, Neutral
K7	56418387	1	Relay, Acc (Diesel only)
M2	56419089	1	Starter
R7	56305873	1	Sender, Temperature
S7	56497754	1	Switch, Ignition
S8	56419091	1	Switch, Coolant Temp.
S28	N/A	1	Switch, Oil Pressure

Color Codes

BLK	Black
BLU	Blue
BRN	Brown
GRA	Gray
GRN	Green
ORN	Orange
PINK	Pink
RED	Red
TAN	Tan
VIO	Violet
WHT	White
YEL	Yellow

NOTE 1: Reference; 56382530 = Ladder Diagram & 56382531 = Wiring Diagram.

OPTIONAL KITS & ACCESSORIES

Item	Ref. No.	Qty	Description	Item	Ref. No.	Qty	Description
Options				Main Brooms			
*	56507184	1	Left Side Broom Option	*	56507424	1	Main Broom-Proex-Wire
*	56507228	1	Tilt Steering Option	*	56507340	1	Main Broom-Proex-Wire Chevron
*	56507025	1	Cab Heater & Pressurizer Option NOTE 3	*	56507342	1	Main Broom-Proex-Wire-12 Row
*	56507021	1	Cab A/C Option w/Heater & Pressurizer NOTE 3	*	56507345	1	Main Broom-Nylon
*	56107780	1	Assy Heater-Pressr And AC NOTE 4	*	56507346	1	Main Broom-Proex
*	56107781	1	Assy Heater-Pressurizer NOTE 4	*	56507344	1	Main Broom-Polypro-Wire-12 Row
Cab Model Accessories				*	56507343	1	Main Broom-Polypropylene
*	56385015	1	Break Signal Light / Bumper Kit - Cab NOTE 1	*	56107638	1	Main Broom Chevron-Prope
*	56510605	1	Fire Extinguisher Kit NOTE 1	Side Brooms			
*	56508663	1	Mirror Option	*	56507350	1	Side Broom-Polypropylene
*	56508826	1	Raised Air Intake Kit – Cab NOTE 1	*	56507351	1	Side Broom-Nylon
Accessories				*	56507352	1	Side Broom-Flat Wire
*	56507030	1	Litter Vac Kit NOTE 1	*	56508498	1	Side Broom Poly 41
*	56510605	1	Fire Extinguisher Kit NOTE 1	*	56508499	1	Side Broom Nylon 41
*	56507029	1	Hopper Temp Sensor Kit NOTE 1	* = Optional, Not Included			
*	56507036	1	Plugged Filter Switch Kit NOTE 1	# = Revised or new since last update			
*	56507033	1	Raised Air Intake Kit W/O OHG NOTE 1				
*	56507037	1	Foam Filled Tire Kit (2 front & 1 rear tire)				
*	56384822	1	Solid Tire Kit (2 front & 1 rear tire)				
*	56508873	1	Solid Tire Kit (2 front & 1 rear tire)				
*	56507023	1	Backup Alarm Kit NOTE 1				
*	56507024	1	Brake / Signal Light Kit NOTE 1				
*	56507034	1	Work Light Kit NOTE 1				
*	56507038	1	Amber Strobe W/O OHG Kit NOTE 1				
*	56507039	1	Amber Strobe W/ OHG Kit NOTE 1				
*	56508825	1	Amber Strobe Cab (cab models)				
*	56507394	1	OHG Kit (Over Head Guard) NOTE 1				
*	56507040	1	Suspension Seat Kit NOTE 1				
*	56383455	1	Seat Belt Kit NOTE 1				
*	56383885	1	Kubota Diesel Gauge Kit-BSPP (Standard on all Diesel models) NOTE 1 / NOTE 5				
*	56508722	1	Kubota Diesel Gauge Kit (Standard on all Diesel models) NOTE 1 / NOTE 6				
*	56107674	1	Kubota Gasoline Gauge Kit-4 Cyl NOTE 1				
*	56107673	1	Kubota LPG Gauge Kit-4Cyl NOTE 1				
*	56507850	1	Side Broom Misting Kit NOTE 1				
*	56508364	1	Right Side Broom Guard Kit NOTE 1				
*	56508365	1	Left Side Broom Guard Kit NOTE 1				
*	56385008	1	Break Signal Light / Bumper Kit NOTE 1				
*	56107612	1	Front Bumper Kit NOTE 1				
*	8-24-04139-1	1	Filter Panel Ultra-Web Cellulose				
*	56382789	1	Filter Panel Poly High Flow				
**			DELETED				
*	56508433	1	Floor Mat Kit				
*	56508889	1	Hopper Bottom Plate Kit				
*	56044635	1	SW8000 Literature Pack				
*	56044636	1	SW8000 (cab) Literature Pack				
*	56504516	1	Kit-Hydraulic Test				
*	56107680	1	Side Broom Speed Control Kit				
*	56107668	1	Switch Kit-Operator Presence				
Special Tools							
*	56107764	1	Cd-Kubota Engine Software				

NOTE 1: Replacement parts for the kits listed above can be found on each kit's associated instruction sheet.

NOTE 2: Kits 56508812 (Broom Guard / Rear Bumper – Cab) and 56508741 (Broom Guard / Rear Bumper) are no longer available.

NOTE 3: Factory installed kit only for diesel cab models.

NOTE 4: Factory installed kit only for gasoline/petrol and LPG cab models.

NOTE 5: All Diesel machines built **after serial number 1000053695** needing to replace the **Temperature Sender 56383884** or a dealer installed **Diesel Gauge Kit**, use **Diesel Gauge Kit – BSPP 56383885**. All Diesel machines getting a first time installation of a **Diesel Gauge Kit** regardless of the serial number, use **Diesel Gauge Kit – BSPP 56383885**.

NOTE 6: All Diesel machines built **before serial number 1000053696** with factory installed temperature gauge use **Diesel Gauge Kit 56508722** or **Temperature Sender 56305873**.

All Diesel machines with dealer installed **Diesel Gauge Kit 56508722**, use **Diesel Gauge Kit 56508722** or **Temp Sender 56305873**.

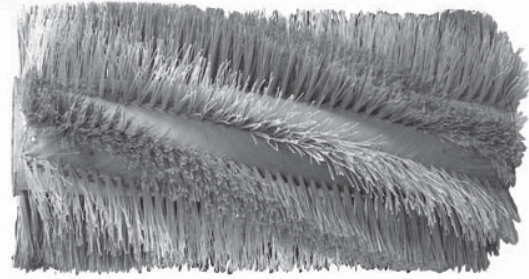
RECOMMENDED SPARE PARTS

Item	Ref No.	Qty	Description	Item	Ref No.	Qty	Description
			Normal Wear		56508003		Harness Gasoline Sensor
	56507998		Seal (Oil Drain Plug)		56305010		Knob Broom
	56504545		Seal Crank Oil Front (Diesel)		56305030		Knob Adjusting
	56504546		Seal Crank Oil Rear (Diesel)		2-00-04886		Screw HSHC 3/8 16 X 1/2 (for Broom Hub)
	56508325		Seal Door Hinge		2-00-04889		Bearing Main Broom Idler
	56107729		Clamp Door Seal		56507065		Side Broom Cylinder
	56507189		Seal Air Exhaust		56507095		Steering Cylinder
	56507219		Seal Hopper Cover 4 Parts		56507155		Cylinder Hydraulic Hopper Door
	8-85-06021		Tire 5.00 x 8 Pneumatic		56507241		Cylinder Hydraulic Hopper Lift
	56508943		Tire Solid 5 X 8 X 3		56305369		Cartridge (S3, S7)
	56508372		Flap Dust		56305367		Cartridge (S5, S9)
	56508373		Flap Dust		56305531		Cartridge (S6)
	56508387		Flap Dust		56507686		Cartridge (S8)
	8-70-00086		Flap Pneumatic Tire 9.0 x 6.7		56507687		Cartridge Flow Control 2 GPM
	56508389		Flap Hopper Side		56507688		Cartridge (for Flow Divider)
	56508247		Flap Front Tire Trail		56419397		Relief Valve Cartridge
	56507473		Flap		56507690		Directional Valve
	56507569		Flap Broom Rear		56305370		Check Valve Cartridge
	56508317		Flap (LH Main Broom)		56507692		Cartridge
	56508083		Flap Hopper		56507983		Orifice (.086)
	56507417		Flap Door (Main Broom)		56508184		Orifice (.078)
	56107621		Flap Broom Rear		56507694		Coil 12 VDC (S1-S7, S9)
			Ordinary Maintenance		56507695		Coil 12 VDC (S8)
	56507619		Seal Kit (For Side Broom Motor)		56497754		Key Switch (Diesel)
	56507895		Gasket (Broom Chamber)		56418685		Switch Starter (LPG & Petrol)
	56507198		Seal Vacuum Fan		56419091		Switch Temperature (Diesel)
	56508728		Seal Hopper Skid Plate		56508400		Governor Controller (Diesel)
	56507169		Seal Hopper		56454429		Circuit Breaker 70Amp
	56507178		Seal Hopper Door Side		56413407		Circuit Breaker 15 Amp
	7-70-00127		Seal Kit (for Steering Control Unit)		56413822		Circuit Breaker 20 Amp
	56109100		Seal Kit (for Right Side Broom Cylinder)		56507644		Circuit Breaker 10 Amp
	56380809		Seal Kit (for Steering Cylinder)		56110738		Alternator 105 Amp
	56380813		Seal Kit (for Hopper Lift Cylinder)		56418387		Relay SPDT
	56508223		Seal Kit (for 56507688)		56383884		Sender-Temperature-BSP (Diesel) / NOTE 1
	56305354		Seal Kit (for S1, S2, S4, S5, S6, S9, Relief, Check Valve)		56305873		Sender Temperature (Diesel) / NOTE 2
	56305355		Seal Kit (S3, S7)		56508191		Switch Assembly N.O. (Brake Switch)
	56507702		Seal Kit (for PO Check Valve)		56507889		Switch SPDT Rocker
	56418823		Seal Kit (for Vac Fan)		56507888		Switch SPDT Rocker
	8-70-00085		Tube Inner Pneu Tire 5.00 x 8		56508899		Switch Thermostat
	8-70-00093		Tube Inner Pneu. Tire		56508871		Switch Binary
	56507618		Seal Kit (for Drive Motor)		56418381		Switch N C Pressure (LPG)
	56507620		Seal Kit (for Main Broom Motor)		56107613		Sensor Oxygen (LPG & Petrol)
	56482659		Oil Filter Spin On		56107712		Oil Pressure Switch (LPG & Petrol)
	56107706		Spark Plug		56508444		Oil Pressure Switch (Diesel)
			Extra-Ordinary Maintenance		56107721		Kit Water Temp Sensor (LPG & Petrol)
	56507064		Motor Side Broom		2-00-06354		Crank/RPM Sensor (LPG & Petrol)
	56508664		Motor 12vdc		56107707		Starter (LPG & Petrol)
	56419089		Starter Motor (Diesel)		56107708		Water Pump Assy LPG (LPG)
	56507063		Motor Traction Drive		56510970		Water Pump-D1305 (Petrol)
	56507067		Hydraulic Motor Vac Fan		56107710		Dipstick (LPG & Petrol)
	56507066		Main Broom Motor		56107711		Gasket Exhaust Manifold (LPG & Petrol)
	8-85-06023		Rim Assy 3.00 x 8 Lockring		56107718		Ignition Coil (LPG & Petrol)
	56305053		Sensor Proximity		56510971		Pulley Alternator (LPG & Petrol)
	56305129		Rotary Sensor		56383025		Cap Oil Fill (LPG & Petrol)
	56508454		Thermostat Kit (LPG & Petrol)		56107668		Switch Kit Operator Presence

NOTE 1: All Diesel machines built after serial number 1000053695 with factory installed temperature gauge.

NOTE 2: All Diesel machines built before serial number 1000053696 with factory installed temperature gauge.

BROOM SELECTOR GUIDE



Main Broom: **56507424 Proex & Wire (STD.) (8 Double Rows)**
56507340 Proex & Wire (optional) (Chevron)
56507342 Proex & Wire (optional) (12 D-Rows)

This broom has a more aggressive cleaning action, used to pick up heavier debris.

56507345 Nylon (optional) (8 D-Rows)

General purpose broom that can be used for all types of light soil. High wear material so uneven surfaces do not cause excessive wear. Nylon has a high heat deflection temperature, is chemical resistant and will absorb water in wet conditions. Truly a general purpose broom.

56507346 Proex (optional) (8 Double Rows)

Synthetic fiber made of polypropylene designed to pick up paper gravel, sand and other lighter less bulky litter.

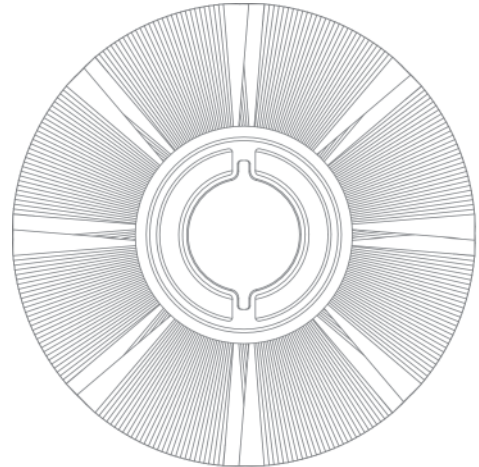
56507344 Polypropylene/Wire (optional) (12 D-Rows)

56507343 Polypropylene (optional) (8 D-Rows)

8 Double Row

Length.....50" (127.6 cm)

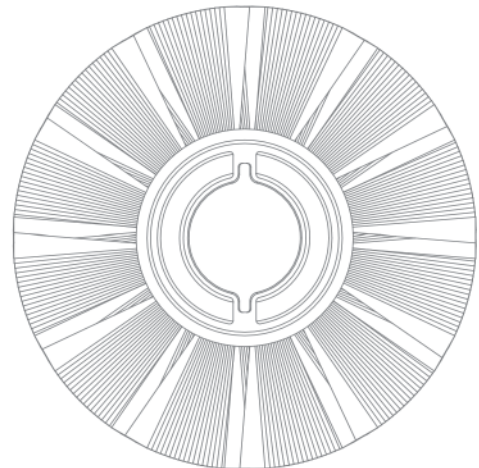
Diameter.....14" (35.56 cm)



12 Double Row

Length.....50" (127.6 cm)

Diameter.....14" (35.56 cm)



Side Broom: **56507350 Polypropylene 30° (STD.)**

The side broom function is to sweep the dirt and debris away from the curb, wall, pallet, etc. into the path of the main broom.

56507351 Nylon 30° (optional)

56507352 Wire 30° (optional)

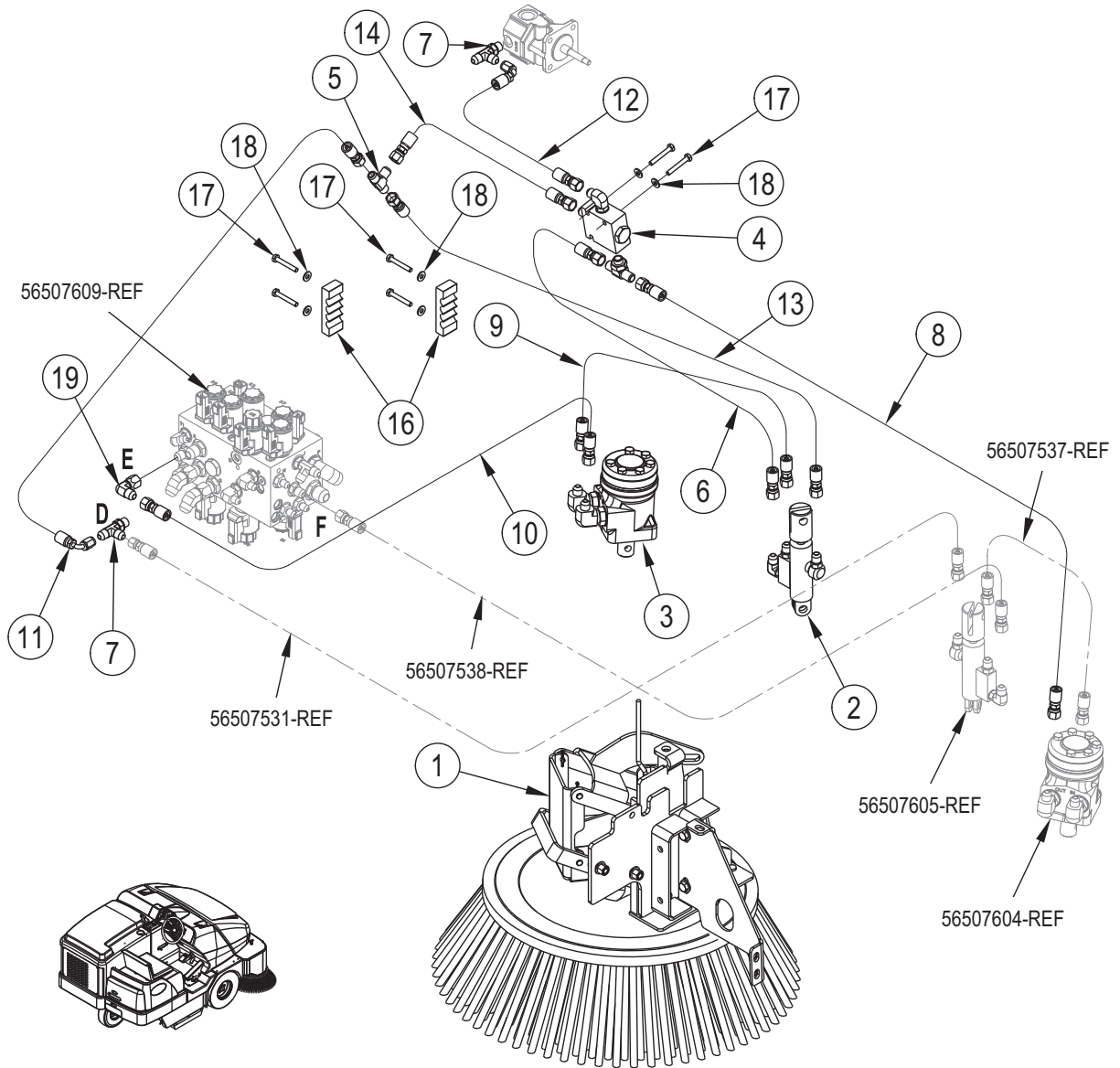
56508498 Polypropylene 41° (optional)

56508499 Nylon 41° (optional)



(30°) Diameter.....22" (58 cm)

(41°) Diameter.....26" (66 cm)



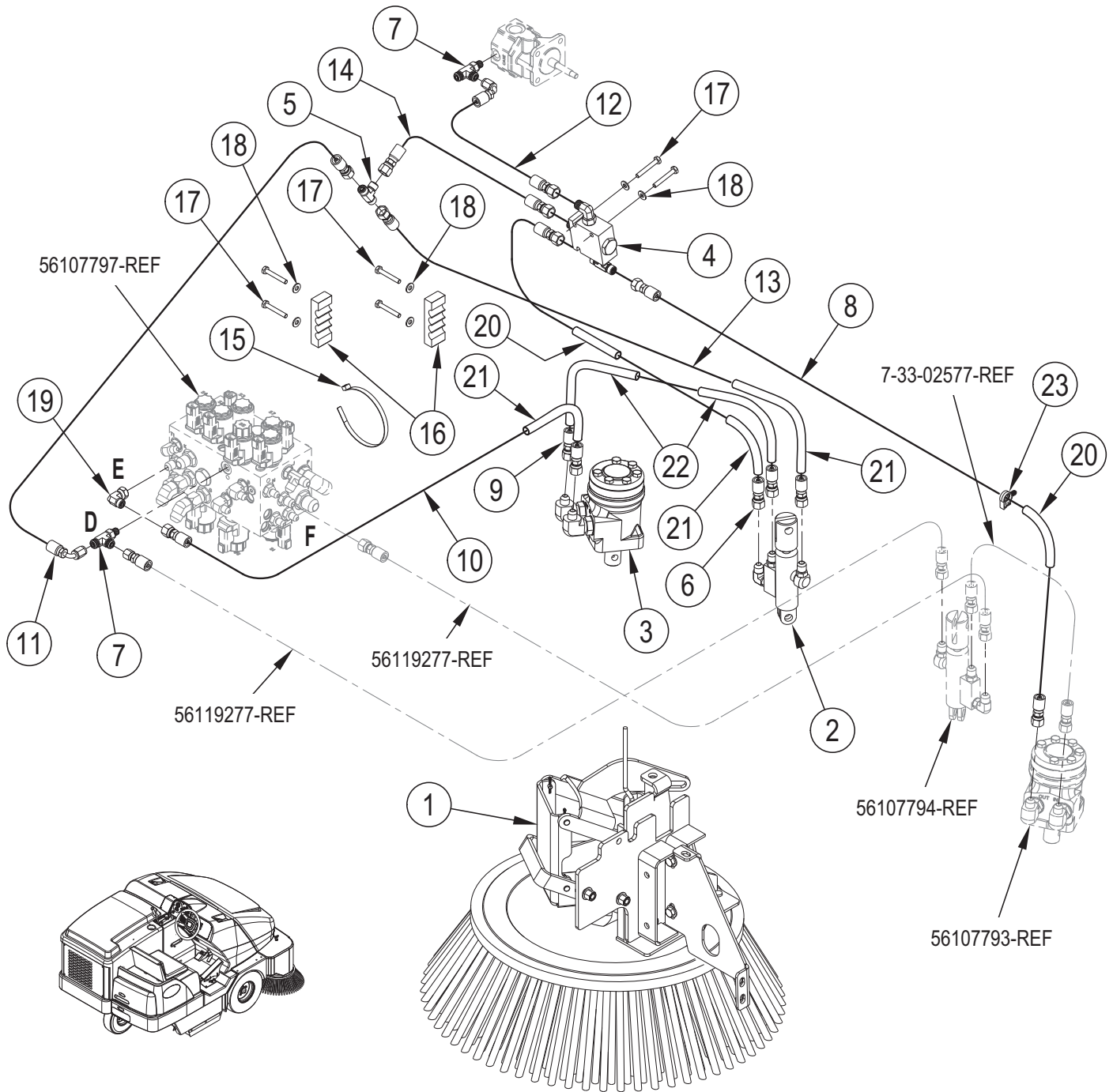
LEFT HAND SIDE BROOM OPTION-1 – 37° FLARE (BEFORE APRIL 1, 2018)

Item	Ref. No.	Qty	Description
1	56507026	1	Left Hand Side Broom Option
See Left Hand Side Broom Option-2			
2	56507367	1	Side Broom Cylinder Assy, Left
	56507202	1	Cylinder, Side Broom, Left
	56900286	1	Elbow, 90 O-Ring
	56900370	2	Connector, O-Ring
3	56507604	1	Side Broom Motor Assembly
	56507064	1	Side Broom Motor
	56507619	1	Seal Kit (for 56507064)
	56900113	2	Elbow, 90 O-Ring
4	56109781	1	Valve Assy
	56109780	1	Valve, PO Check
	56900003	1	Connector, O-Ring
	56900103	1	Elbow, 90 O-Ring
	56900353	1	Tee, Branch O-Ring
5	56900443	1	Tee, Union

Item	Ref. No.	Qty	Description
6	56508305	1	Hose, Hydraulic
7	56900201	2	Tee, Run O-Ring
8	56507356	1	Hose, Hydraulic
9	56507537	1	Hose, Hydraulic
10	56507538	1	Hose, Hydraulic
11	56507788	1	Hose, Hydraulic
12	56508308	1	Hose, Hydraulic
13	56508306	1	Hose, Hydraulic
14	56508307	1	Hose, Hydraulic
15	56477613	3	Wire Tie (not shown)
16	56507922	1	Hose Clamp, 1/4 Quadruple
17	56001967	6	Scr. Hex 1/4-20 x 1.75
18	56002098	6	Wsh, Fit SAE 1/4
19	56900303	1	Elbow, 90 W/Nut

- This factory installed option is obsolete and no longer available. Parts can be ordered individually For 37° Flare machines shipped before April 1, 2018. Refer to the ORFS Systems for machines shipped after April 1, 2018. If unsure of the ship date, please use the serial number to look it up.

LEFT HAND SIDE BROOM OPTION-1 – ORFS (APRIL 1 OR AFTER, 2018)



LEFT HAND SIDE BROOM OPTION-1 – ORFS (APRIL 1 OR AFTER, 2018)

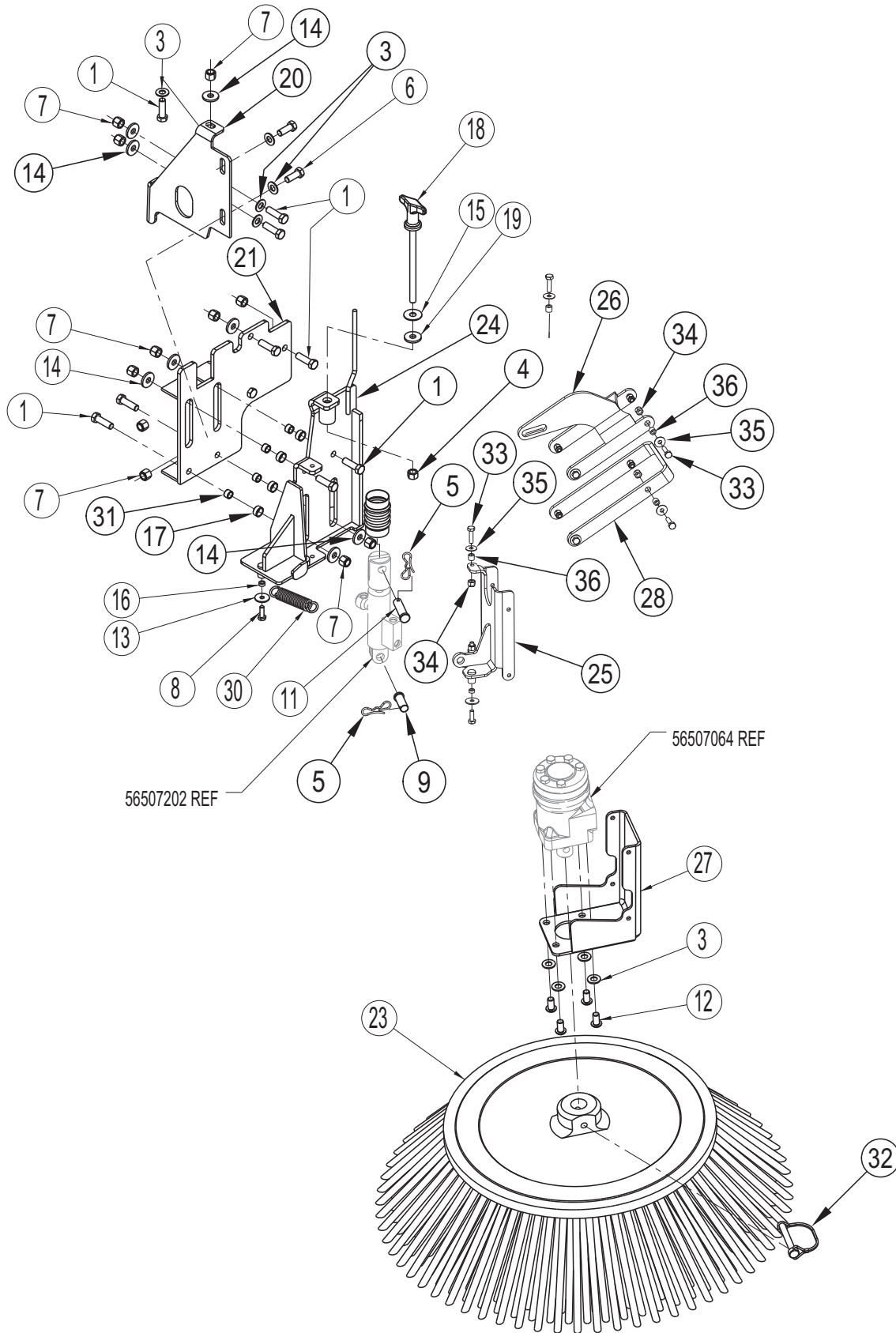
Item	Ref. No.	Qty	Description
#	56107803	1	Left Hand Side Broom Option (items 1-23) includes all components for this option
1#	56507026	1	Left Hand Side Broom Assembly (excludes cylinder, hoses & fittings)
2#	56107804	1	Side Broom Cylinder Assy, Left
#	56507202	1	Cylinder, Side Broom, Left
#	2-00-04892	1	FTG-90-4MORFS-4MORB
#	2-00-04895	2	FTG-STR-4MORFS-4MORB
3#	56107793	1	Side Broom Motor Assembly
#	56507064	1	Side Broom Motor
#	56507619	1	Seal Kit (for 56507064)
#	56394072	2	FTG-STR-8FSWORFS-4MORFS
#	2-00-04921	2	FTG-90-8MORFS-10MORB
4#	56107805	1	Valve Assy
#	56109780	1	Valve, PO Check
#	2-00-04918	1	FTG-STR-4MORFS-6MORB
#	2-00-04926	1	FTG-90-4MORFS-6MORB
#	56394032	1	FTG-Branch Tee-4MORFS-6MORB
5#	56394034	1	FTG-Union Tee-4MORFS
6#	8-33-02189	1	HOSE-HYD-A1-1A1-1A1-1676
7#	2-00-04927	2	FTG-RUN TEE-4MORFS-4MORB
8#	7-33-02188	1	HOSE-HYD-A1-1A1-1A1-1930
9#	7-33-02577	1	HOSE-HYD-A1-1A1-1A1-552
10#	56119277	1	HOSE-HYD-A1-1A1-1A1-2604
11#	7-33-02603	1	HOSE-HYD-A1-1A1-1C1-1473
12#	7-33-02189	1	HOSE-HYD-A1-1A1-1C1-660
13#	8-33-02184	1	HOSE-HYD-A1-1A1-1A1-1283
14#	56119283	1	HOSE-HYD-A1-1A1-1A1-279
15#	56477613	3	Wire Tie
16#	56507922	1	Hose Clamp, 1/4 Quadruple
17#	56001967	6	Scr, Hex 1/4-20 x 1.75
18#	56002098	6	Wsh, Flt SAE 1/4
19#	56394035	1	FTG-90-4MORFS-4FSWORFS
20#	56508975	2	Wrap-Spiral-5/8in Dia X 6in
21#	56508977	3	Wrap-Spiral-5/8in Dia X 16in
22#	56394046	2	Wrap-Spiral-5/8 In Dia X 9in
23#	56507794	1	Clip Conduit

= Revised or new since last update

Hose Description Key

DESCRIPTION = HOSE-HYD-A1-1A1-1A1-123 (See Page iv)

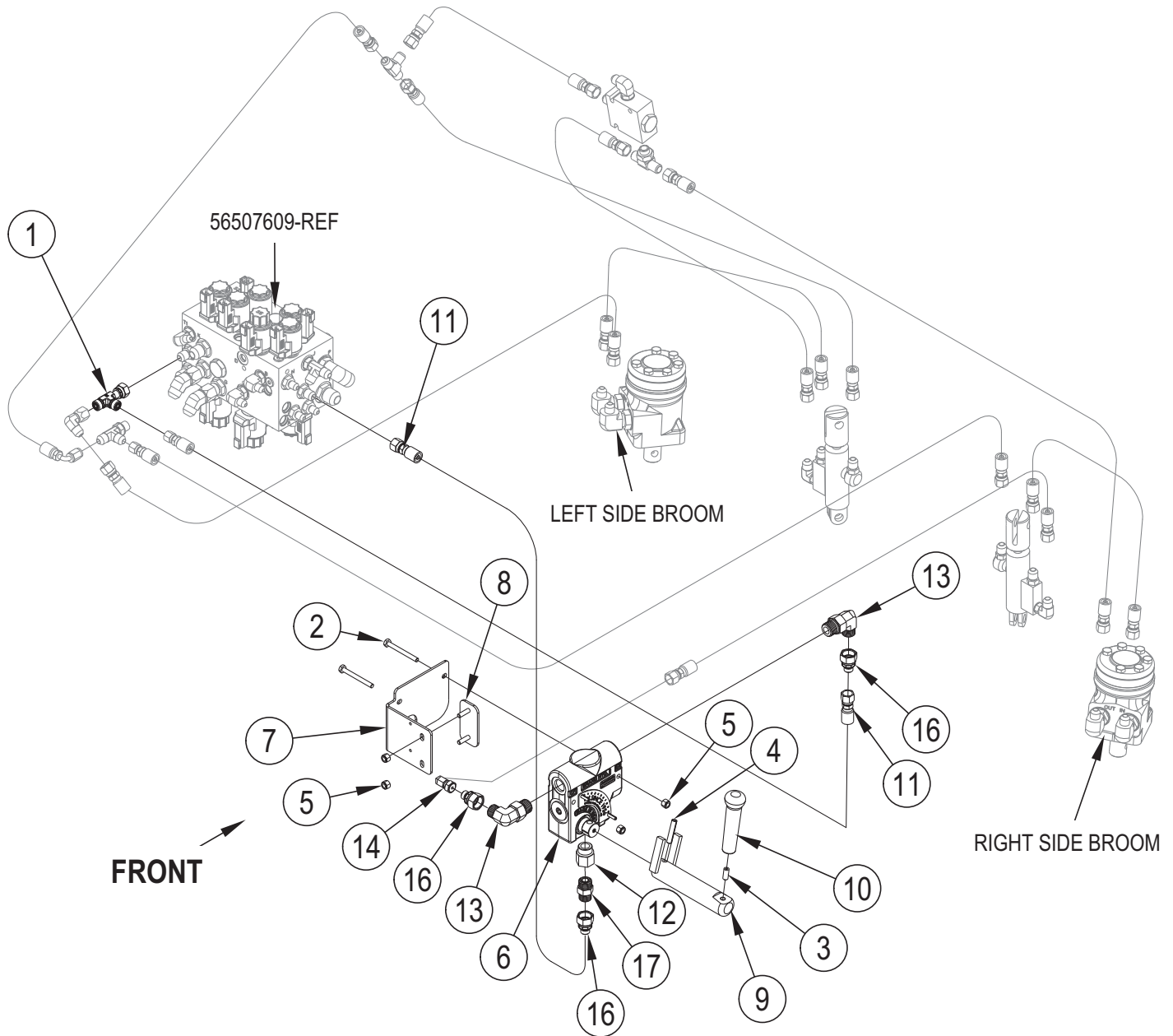
LEFT HAND SIDE BROOM OPTION-2



LEFT HAND SIDE BROOM OPTION-2

Item	Ref. No.	Qty	Description
1	56001858	10	Scr, Hex 3/8-16 X 1.25
2			Intentionally Omitted
3	56002063	9	Wsh, Flt SAE 3/8
4	56002123	1	Nut, Hex Machine 3/8-16
5	56003814	2	Pin-Bow-Tie Cot 7/16-1/2x.091
6	56002663	2	Scr, Hex 3/8-16 X 1.00
7	56002769	12	Nut, Hex Nyl Loc 3/8-16
8	56002948	2	Scr, Hex Hd Loc 1/4-20 x .75
9	56003514	1	Pin, Clevis .50 x 1.25
10			Intentionally Omitted
11	56003728	1	Pin, Clevis .50 x 1.75
12	56003729	4	Scr, Soc Hd But 3/8-16 X .75
13	56009002	2	Wsh, Flt .266 X .906 X .060
14	56009107	8	Wsh, Flt SS .378 X 1.000 X .120
15	56151068	1	Washer, Fibre
16	56163872	2	Bushing
17	56365030	4	Bushing
18	56413576	1	Knob
19	56413599	1	Washer, Rubber
20	56507122	1	Bracket
21	56507150	1	LH Bracket Weldment
23	56508498	1	Side Broom-Polypropylene, 41°
24	56508963	1	Side Broom Mounting Bracket
25	56507628	1	Side Broom Pivot Bracket
26	56508960	1	Side Broom Linkage Weldment
27	56507630	1	Side Broom Motor Mount
28	56508957	1	Side Broom Linkage
29	56507634	1	Side Broom Cylinder Bellows
30	56507707	1	Spring, Side Broom
31	56508363	4	Bushing, .377 X .49 X .29
32	56508392	1	Pin, T-Lock
33	56002093	10	Scr, Hex 1/4-20 x 1.00
34	56002708	10	Nut, Hex Nyl Loc 1/4-20
35	56009025	10	Wsh, Flt .266 x .750 x .036
36	56107786	10	Bushing .256 x .393 x .340

SIDE BROOM SPEED CONTROL OPTION – ORFS (APRIL 1 OR AFTER, 2018)



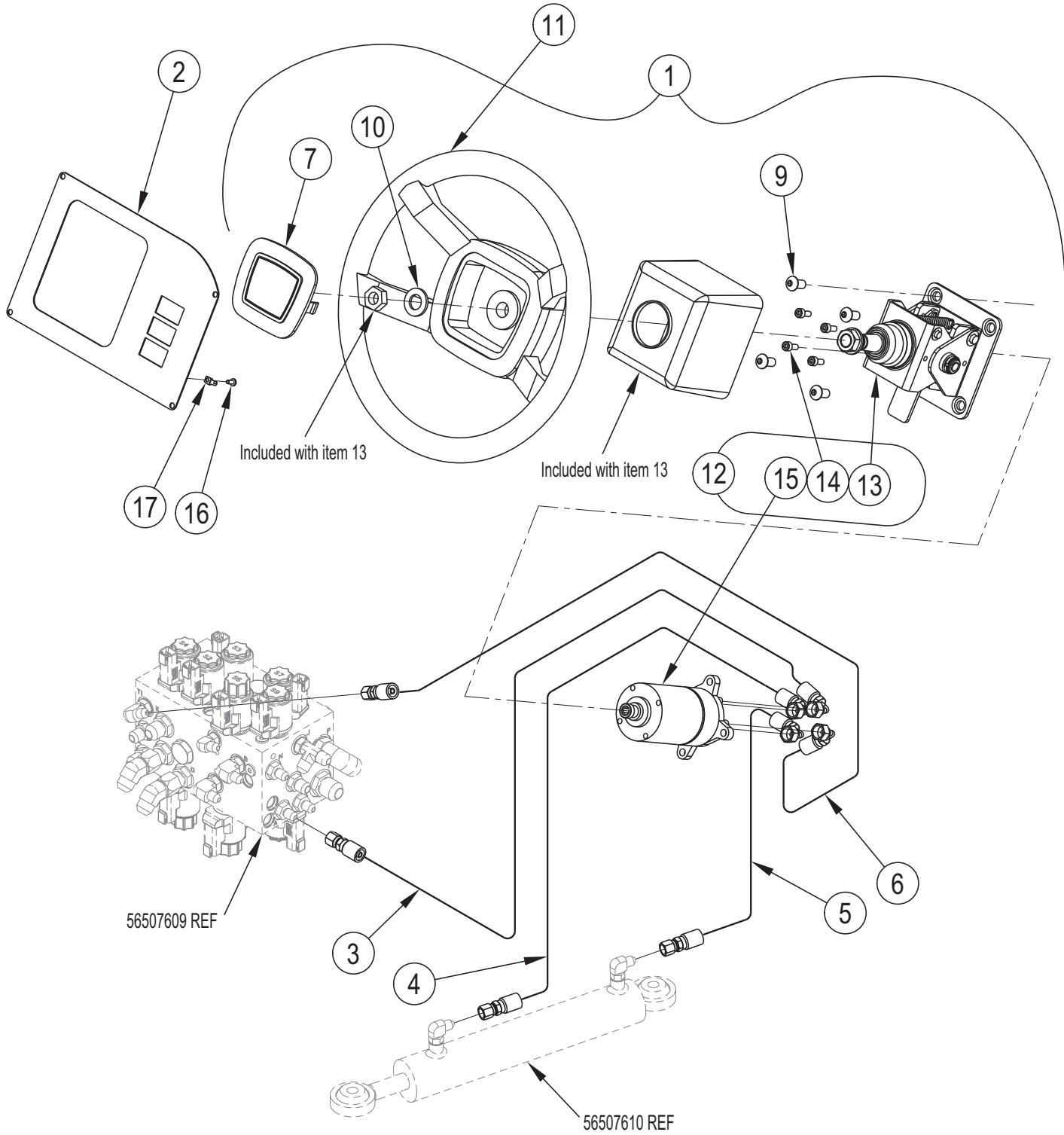
SIDE BROOM SPEED CONTROL OPTION – ORFS (APRIL 1 OR AFTER, 2018)

Item	Ref. No.	Qty	Description
1#	56394084	1	Ftg-Run Tee-4Morfs-4Fsworfs orfs
2#	56001855	2	Scr-Hex 1/4-20 x 2.50
3#	56002085	1	Scr. Soc Set Loc 5/16-18 x .75
4#	56002225	1	Pin-Spr .31 x 1.5
5#	56002708	4	Nut, Hex Nyl Loc 1/4-20
6#	56107677	1	Flow Control Valve
7#	56107678	1	Bracket
8#	56107679	1	Plate
9#	56107681	1	Handle Extension Weldt
10#	56305010	1	Knob, Broom
11#	7-33-02577	2	HOSE-HYD-A1-1A1-1A1-552
12#	56900602	1	Reducer O-Ring
13#	2-00-04921	2	Fitting 10 SAE 90° - Bors
14#	56394035	1	Ftg-90-4 Morfs-4Fsworfs
[15]#	56107547	1	Decal-Side Broom Speed
16#	56394072	3	Ftg-Str-8 Fsworfs-4Morfs
17#	2-00-04970	1	Fitting Str. -8 Ors x -8 SAE

[] = Not Shown

= Revised or new since last update

TILT STEERING OPTION - 37° FLARE (BEFORE APRIL 1, 2018)

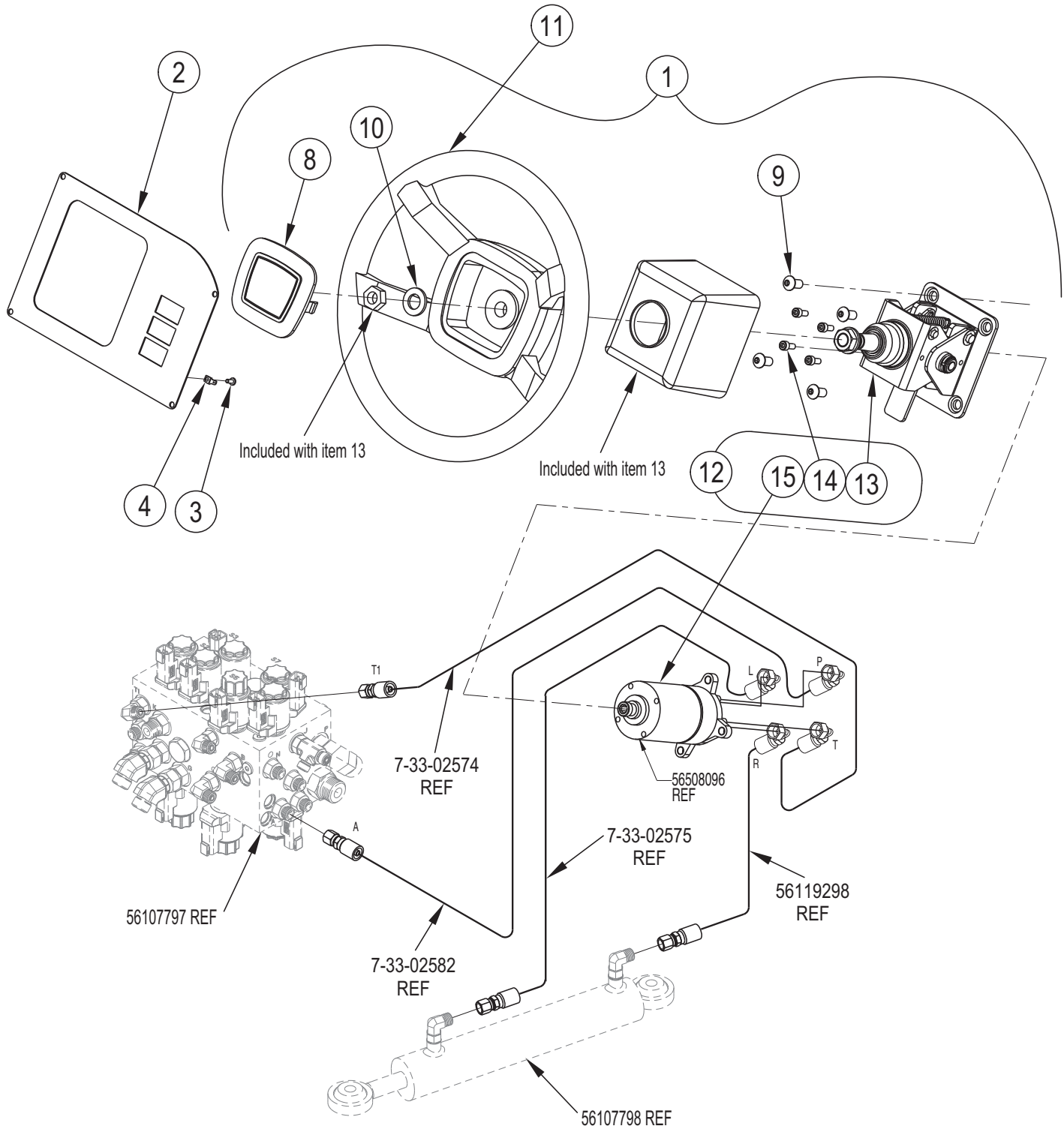


TILT STEERING OPTION – 37° FLARE (BEFORE APRIL 1, 2018)

Item	Ref. No.	Qty	Description
	56507228	1	Tilt Steering Option Assembly (includes items 1-6, 16-17)
	56040962	1	Instruction Sheet
1	56507239	1	Tilt Steering Option (includes items 7-12)
2	56107699	1	Plate-Tilt Steering Assy
3	56507360	1	Hose, Hydraulic
4	56507361	1	Hose, Hydraulic
5	56507362	1	Hose, Hydraulic
6	56507363	1	Hose, Hydraulic
7	7-16-07428	1	Cover, Steering Wheel
9	56003729	4	Scr. Soc Hd But 3/8-16 x 0.75
10	56009218	1	Wsh, Flt .688 x 1.250 x 0.125
11	56418460	1	Steering Wheel
12	56508224	1	Steering Unit Assembly (includes items 13-15)
13	7-70-05207	1	Column, Tilt
14	56003425	4	Scr. Soc SS M6-1 X 14mm
15	56508096	1	Steering Control Unit
16	56001818	1	Scr. Pan Phil 8-32 x .38
17	56508923	1	Tab-Quick Connect .187 x #8

- This factory installed option is obsolete and no longer available. Parts can be ordered individually For 37° Flare machines shipped before April 1, 2018. Refer to the ORFS Systems for machines shipped after April 1, 2018. If unsure of the ship date, please use the serial number to look it up.

TILT STEERING OPTION – ORFS (APRIL 1 OR AFTER, 2018)



TILT STEERING OPTION – ORFS (APRIL 1 OR AFTER, 2018)

Item	Ref. No.	Qty	Description
#	56107810	1	Tilt Steering Option Assembly (includes items 1-4)
	56090365	1	Instruction Sheet
1#	56507239	1	Tilt Steering Option (includes items 8-12)
2#	56107697	1	Plate-Tilt Steering Assy
3#	56001818	1	Scr. Pan Phil 8-32 x .38
4#	56508923	1	Tab-Quick Connect .187 x #8
8#	7-16-07428	1	Cover, Steering Wheel
9#	56003729	4	Scr. Soc Hd But 3/8-16 x 0.75
10#	56009218	1	Wsh, Flt .688 x 1.250 x 0.125
11#	56418460	1	Steering Wheel
12#	56508224	1	Steering Unit Assembly (includes items 13-15)
13#	7-70-05207	1	Column, Tilt
14#	56003425	4	Scr. Soc SS M6-1 X 14mm
15#	56508096	1	Steering Control Unit

= Revised or new since last update

9435 Winnetka Ave North
Minneapolis, MN 55445
www.advance-us.com
Phone: 800-989-2235
Fax: 800-989-6566
©2018 Nilfisk, Inc.

