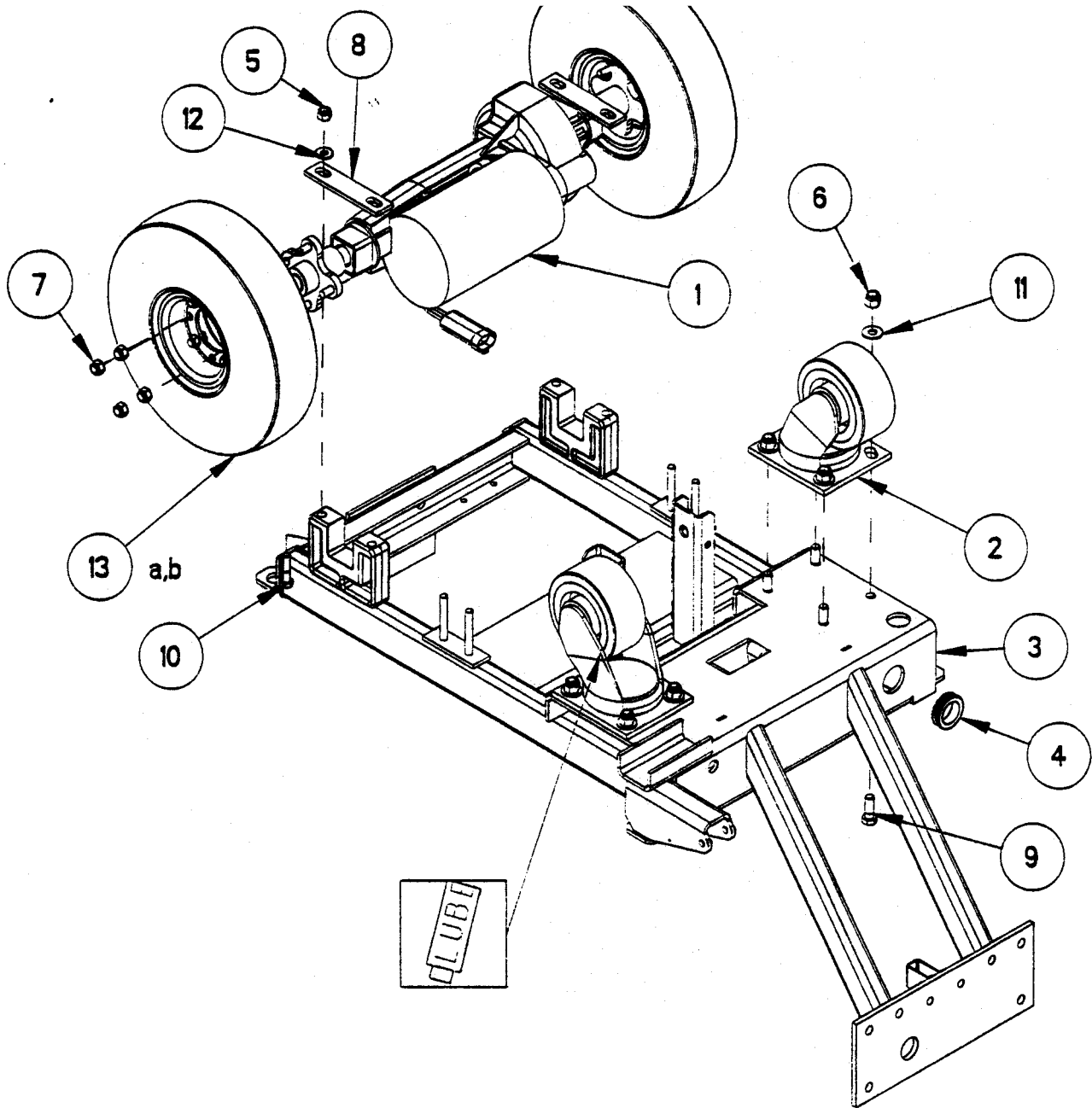
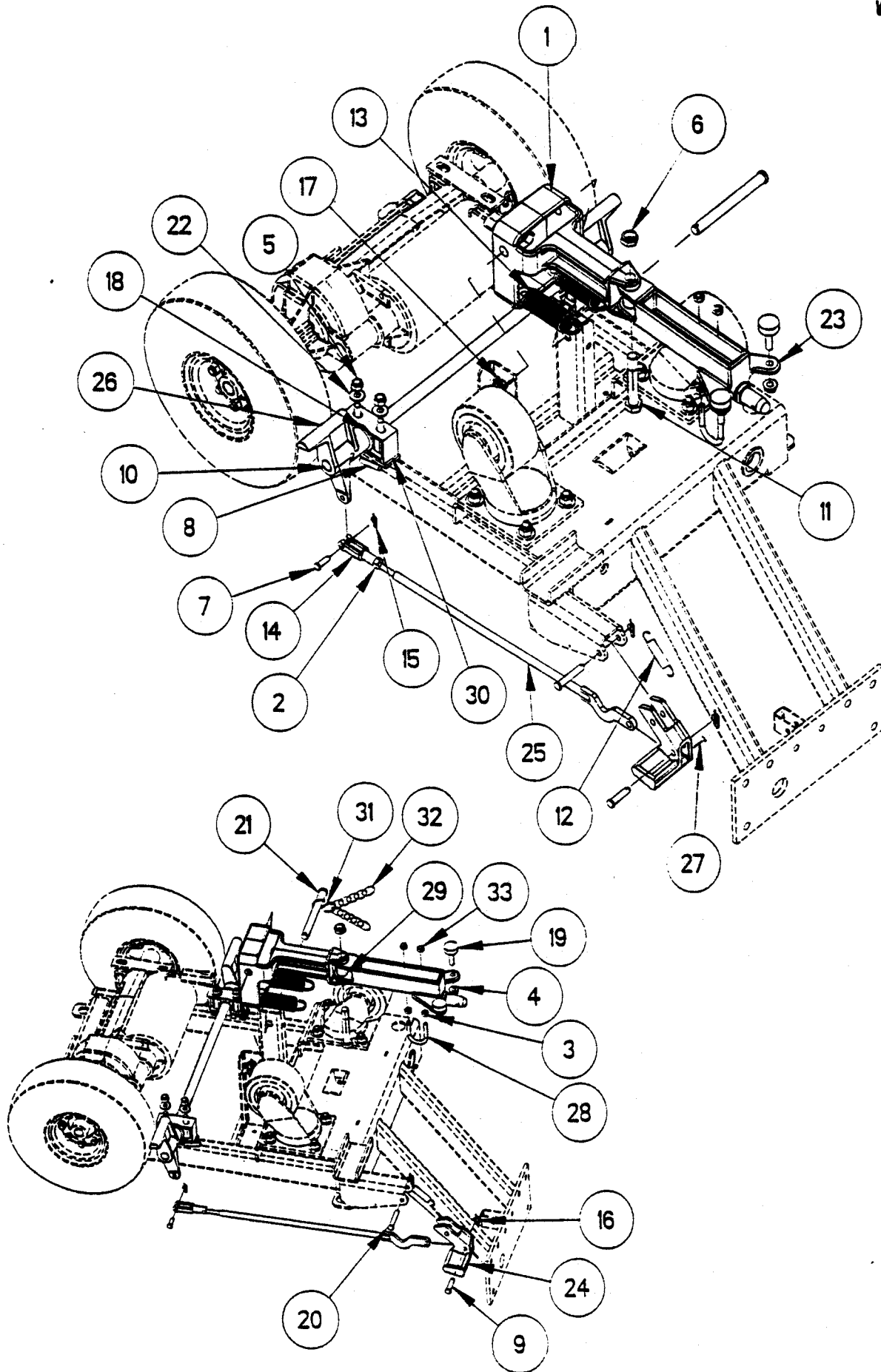


MAIN FRAME ASSEMBLY



MAIN FRAME ASSEMBLY PARTS LIST

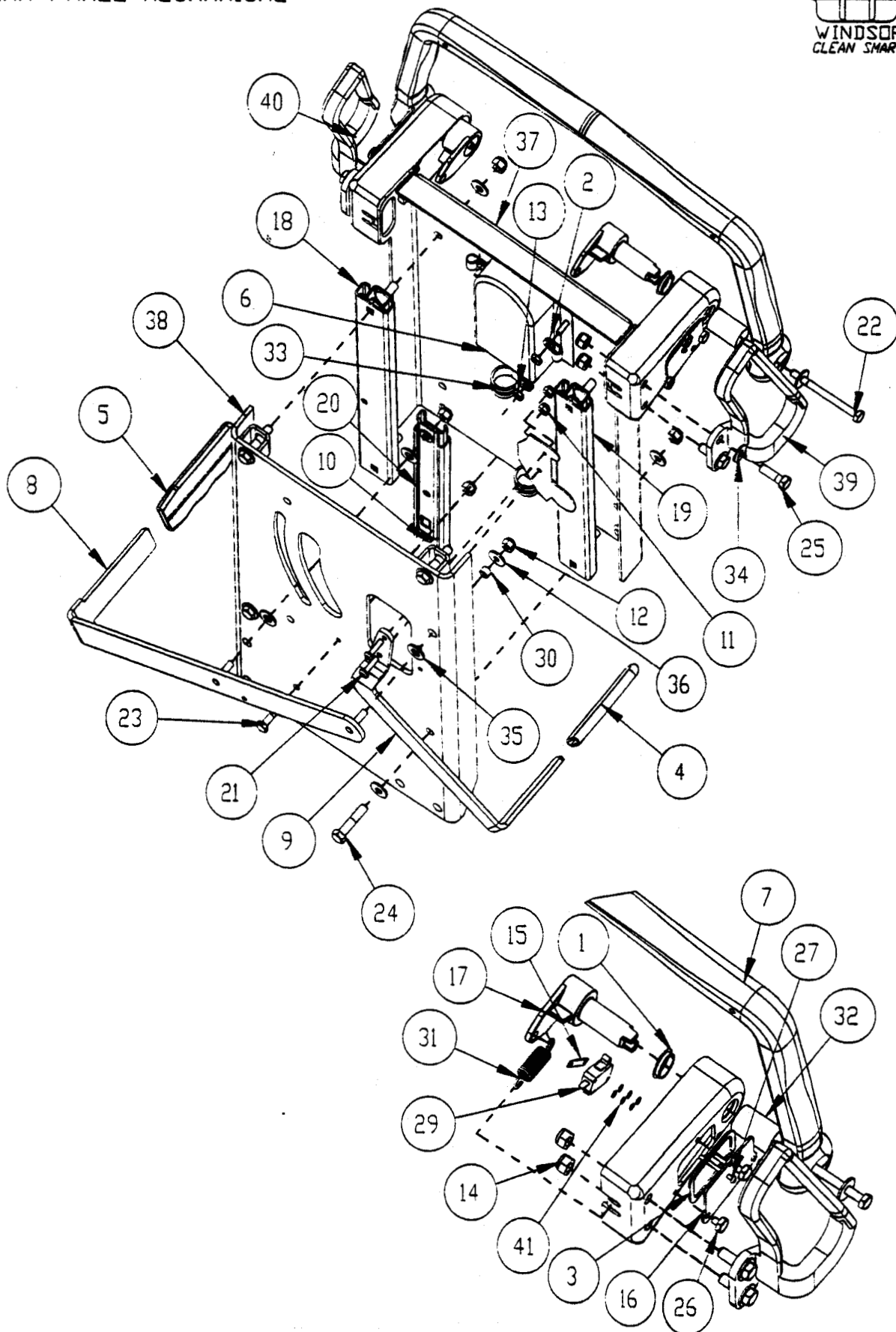
Ref	Part No.	Qty	Description	Serial Nos		Notes
				From	To	
1	05128	1	AXLE MOTOR DRIVE, 24VDC			
2	18041	2	CASTER, 4" DIA. X 2 X 3.56 R			
3	34328	1	FRAME, 24 SABER			
4	36191	1	GROMMET 1.00 ID 3/16 GRIP			
5	57113	4	NUT, 5/16-18 HEX NYLCK			
6	57119	8	NUT, 3/8-16 HEX NYLOCK			
7	57128	a	NUT, 5/16-24 HEX NYLCK			
a	62714	2	PLATE, DRIVE AXLE			
9	70266	a	SCR, 3/8-16 X 1.00 HHCS GR5			
10	70325	4	SCR, 5/16-18 X 1.25 HHCS GR5			
11	87003	a	WASHER, 3/8 X 7/8 FLAT SS			
12	87029	4	WASHER. 5/16 X 3/4 SS			
13A	89155	2	WHEEL, 10" PNEU. NON-MARKING, GRAY			
138	89175	REF	WHEEL, 10" PNEU.. BUCK			
	78414		TUBE. 10' TIRE	(not shown)		Service Part for 89155/89175



BRAKE/SQUEEGEE LINK ASSEMBLY PARTS UST

Ref	Part No.	Qty	Description	Serial Nos.		Notes
				From	To	
1	51291	1	LINKAGE, SQUEEGEE PIVOT			
2	57029	1	NUT, 1/4-28 HEX SS			
3	57105	2	NUT, 1/4-20 HEX W/STAR			
4	57112	2	NUT, 5/16-18 HEX FLG			
5	57113	4	NUT, 5/16-18 HEX NYLOCK			
6	57153	1	NUT, 1/2-13 HEX NYLCK THIN			
7	66116	1	PIN, CLEVIS 1/4 X 3/4			
8	66192	2	PIN, ROLL 1/4 X 1.25			
9	66304	1	PIN, CLEVIS 5/16 X 1.25			
10	67400	1	ROD, TORSION S24 BRAKE			
11	70347	1	SCR, 1/2-13 X 3.00 HHCS GR5			
12	73426	1	SPRING, PT17 SQUEEGEE			
13	73885	2	SPRING, EXT 1.00 OD X 4.0L			
14	80603	1	CLEVIS, 1/4 YOKE END 1/4-28			
15	80604	1	COTTER, 1/4 RING			
16	80605	2	COTTER, 5/16 RING			
17	80607	1	COTTER, 1/2 RING			
18	80633	2	WASHER, .63 X 1.41 FLAT			
19	80654	2	BUMPER, ADJUSTMENT			
20	80831	1	PIN, CLEVIS 5/16 X 1.75			
21	82322	1	PIN, CLEVIS 1/2 X 4.80			
22	87029	4	WASHER, 5/16 X 3/4 SS			
23	89119	1	LINKAGE, SQUEEGEE LIFT			
24	89151	1	WELDMENT, PEDAL PARKING BRAKE			
25	89152	1	WELDMENT, ROD PARKING BRAKE			
26	89153	2	PAD, SABER BRAKE	1000021265		
27	66073	1	PIN, COTTER 1/16 X 3/4 L PLTD			
28	140125	1	U-BOLT, 1/4-20 X 1.0 X 1.75			
29	140293	1	SPACER, .750D X .50ID X 1.50 L			
30	140331	2	BUSHING, PILLOW BLOCX			
31	73831	1	S-HOOK.2			
32	80582	1	CHAIN, #1/O 7-LINKS GROUNDING			
33	57245	2	NUT, 1/4-20 HEX NYLOCK SS			

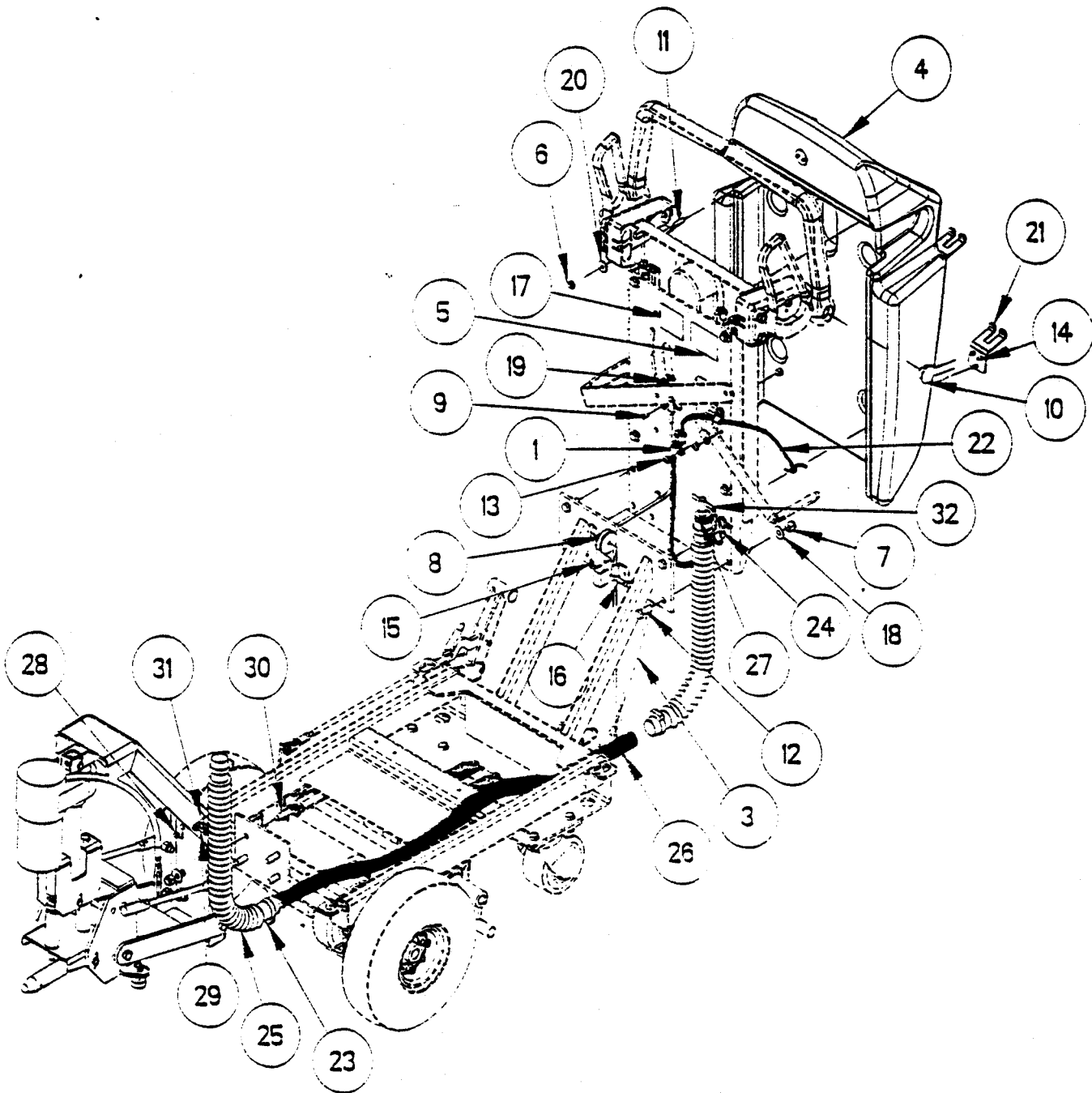
REAR PANEL MECHANICAL



REAR PANEL MECHANICAL PARTS LIST

Ref	Part No.	Qty	Description	Serial No.		Notes
				From	To	
1	09129	2	EAAING. 314 NYLINER SI			
2	20005	2	CLAMP, 5/16 NYLON			
3	35220	2	GASKET, MICRO SWITCH COVER			
4	36004	1	GRIP, VINYL HANDLE			
5	36133	1	GRIP, 3/16 X 1.0 FLAT BAR			
6	36190	1	GUARD, HARNESS COVER			
7	38275	1	HANDLE, SABER			
8	51289	1	LEVER, SQUEEGEE LIFT			
9	51290	1	LEVER, CONSOLE LIFT			
10	57006	1	NUT, 1/4-20 HEX			
11	57030	2	NUT, 10-32 HEX NYLOCK			
12	57047	5	NUT, 1/4-20 HEX NYLOCK			
13	57104	4	NUT, 10-32 HEX W/STAR			
14	57113	12	NUT, 5/16-18 HEX NYLOCK			
15	57247	2	NUT, PLATE SWITCH MOUNTING	6655		
16	52726	2	PLATE, MICROSWITCH MOUNT			
17	66293	2	PIVOT, HANDLE			
18	67387	1	RAIL, SLIDING			
19	67388	1	RAIL LOCKING			
20	67392	1	RAIL, RATCHET			
21	70066	6	SCR, 10-32 X 314 PPHMS SS			
22	70129	2	SCR, 1/4-20 X 3.00 HHCS			
23	70249	1	SCR, 1/4-20 X 1.25 HHCS			
24	70258	4	SCR, 5/16-18 X 1.50 HHCS GR5			
25	70302	4	SCR, 5/16-18 X 1.00 HHCS GR5			
26	70351	6	SCR, 10-32 X 318 HHTR W/ STAR			
27	70245	4	SCR, 4-40 X 3/4 PPHMS			
28	98721	1	SERVICE TAGS			NOT SHOWN
29	72093	2	SWITCH, MICRO			
30	73181	1	SPACER .259 ID A 3/8 OD X 1/4			
31	73938	2	SPRING, EXT. .5D X 2.75L X .075W			
32	73913	2	SPACER, 7/8 OD X .78 ID X 1.375L			
33	80887	2	CLAMP, 7/8 DIA. P CUSHIONED			
34	87029	12	WASHER, 5/16 X 3/4 SS			
35	87030	3	WASHER, 3/8 X 3/4 NYL			
36	87090	5	WASHER, 1/4 X 314 FLAT			
37	89117	1	WELDMENT, CONSOLE MOUNTING			
38	89118	1	WELDMENT, TOWER			
39	140247	1	BAR, GRAB HANDLE LEFT			
40	140248	1	EAR, GRAB HANDLE RIGHT			
41	87068	12	WASHER, 1/8 RIVET BACKUP			
42	14382	1	BAND, SERVICE TAGS			NOT SHOWN

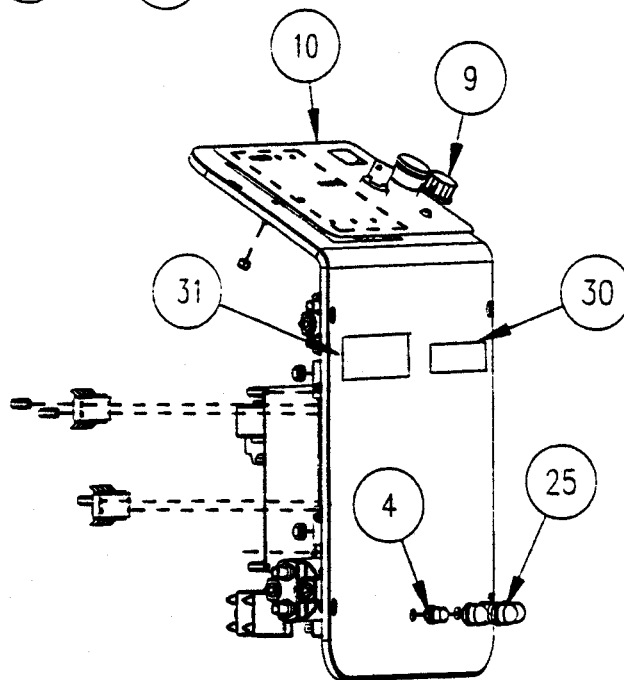
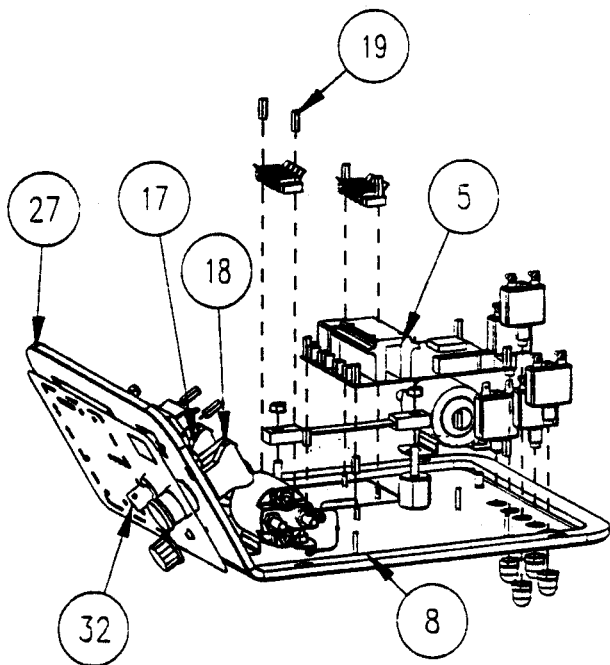
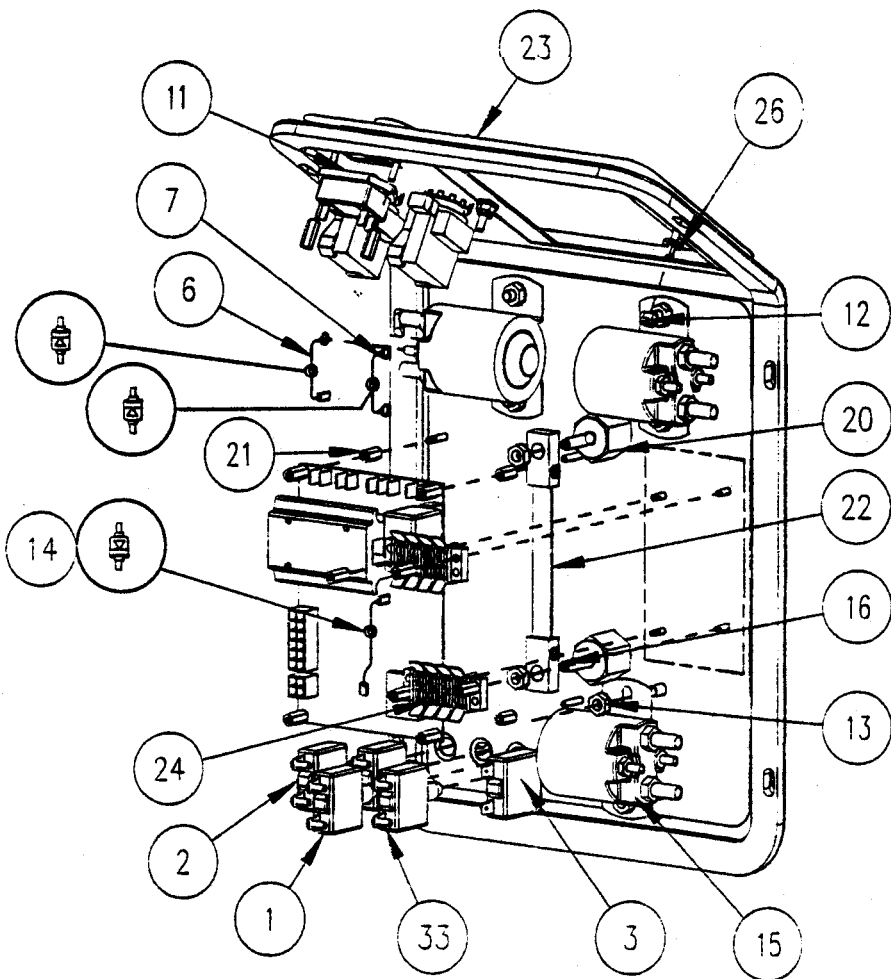
CONTROL PANEL COVER



CONTROL PANEL COVER PARTS LIST

Ref.	Part No.	Qty.	Description	Serial No.	Notes
1	20054	4	CLAMP, 3 8 NYLON		(NOT SHOWN)
2	27757	1	CONSOLE, REAR		
3	27794	1	CABLE, 23.70X 1/8		
4	41335	1	HARNESS, SABER MAIN		
5	50776	1	LABEL, FOR SAFETY		
6	57105	4	NUT, 1/4-20 HEX W/STAR		
7	57119	8	NUT, 3/8-16 HEX NYLOCK		
8	64096	1	PULLEY, 1.5 OD X .5 W X .25 B		
9	66191	1	PIN, CLEVIS 3/16" X 1/2" PLTD		
10	66301	2	PLUG, 1.00 HOLE		
11	70251	3	SCR, 1/4-20 X 1.00		
12	70266	4	SCR. 3/8-16 X 1.00 HHCS GR5		
13	70187	4	SCR, 10-24 X 1/2 PHTC -F-		
14	70403	6	SCR, #10 X 1/2 PHSTTYPE B		
15	80604	2	COTTER, 1/4 RING		
16	80612	1	PIN, CLEVIS 1/4 X 1.0		
17	80885	1	SAFETY DECAL, BATTERY CAUTION		
18	87003	8	WASHER, 3/8 X 7/8 FLAT SS		
19	87058	1	WASHER. M6 FIAT		
20	87090	4	WASHER, 1/4 X 3/4 FLAT		
21	140133	2	BRACKET. RECOVERY HOSE MTG.		
22	880208	2	CABLE, ELECTRICAL 4 GA X 80.0		
23	20090	4	CLAMP, 1.0 NYLON RATCHET		
24	27670	1	CORD, DRAIN PLUG TRIDENT		
25	39505	2	HOSE. 1.0 X 18.0 DRAIN		
26	39514	1	HOSE, 3/4 D X .12 W X 3 2 CLR		
27	40076	1	SLEEVE, .63 ID X 1.0 OD		
28	57030	1	NUT, 10-32 HEX NYLOCK		
29	70066	1	SCR. 10-32 X 3/4 PPHMS SS		
30	70377	4	SCR, 3/8-16 X 1.25 HHCS GR5 PLTD		
31	80887	1	CLAMP, 7/8 DIA "P" CUSHIONED		
32	82267	1	PLUG, 5/8" DRAIN HOSE		

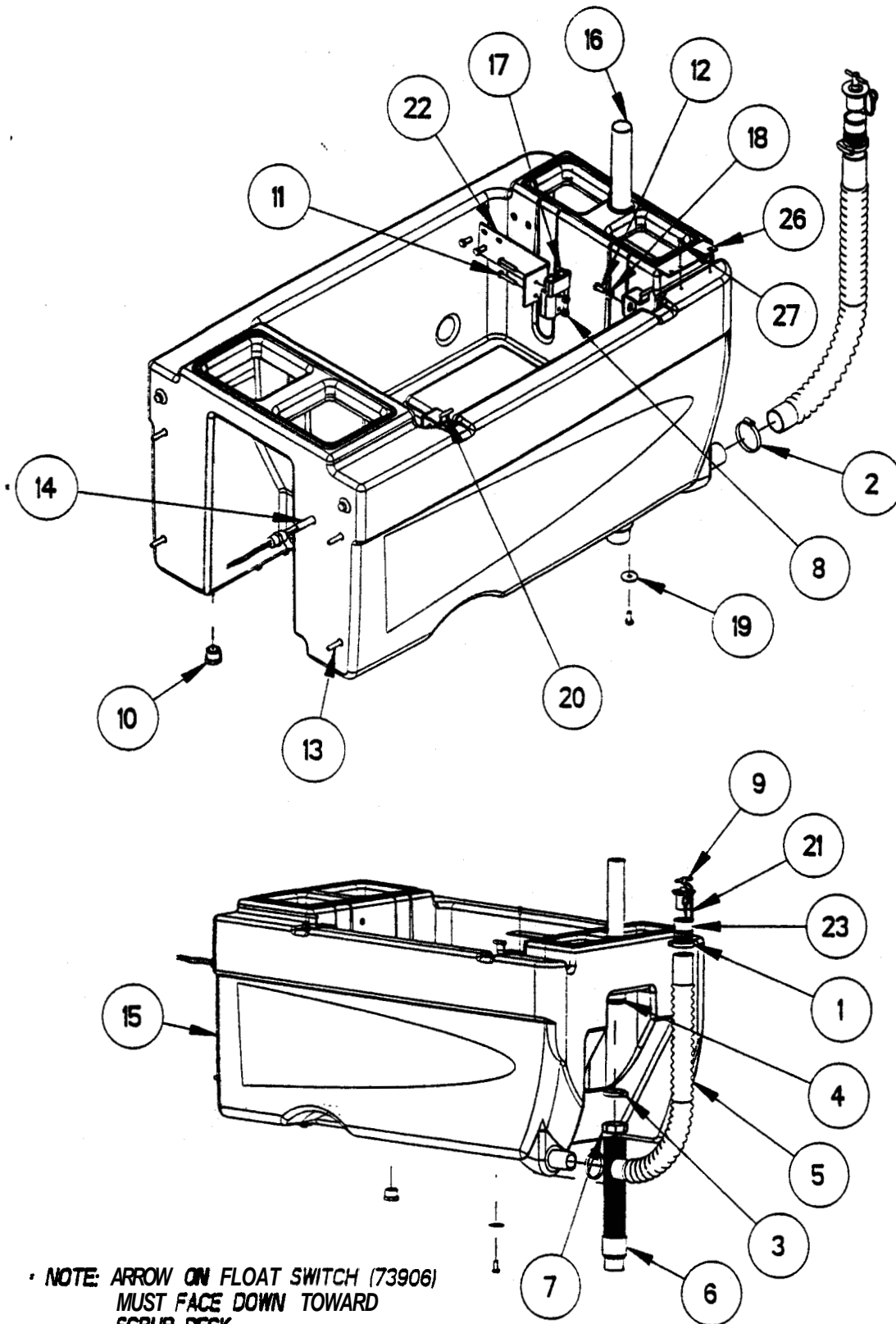
REAR ELECTRICAL CONTROL PANEL



REAR PANEL ELECTRICAL PARTS UST

Part No.	Qty	Description		
1	14606	2	BREAKER, 30A 250VAC 50VDC	
2	14607	2	BREAKER, 25A 250VAC 50 VDC	
3	14717	1	BREAKER, 3A 250VAC, 50VDC	
4	14942	1	BOOT, 3/8 CIRCUIT BREAKER	
5	27782	1	CONTROLLER 24 VDC	
6	29203	1	DIODE ASM, 76008 X 76042	
7	29215	1	DIODE ASM., 76075 X 76075	
8	35210	1	GASKET, ELECTRIC PANEL	
9	48072	1	KNOB, 1.06" OD X .25 ID W/SET SCR	
10	50919	1	LABEL, SCRUBBER PANEL	
11	54154	1	METER, 24-28 VDC LED HOUR	
12	57026	2	NUT, 8-32 HEX NYLOCK	
13	57105	8	NUT, 1/4-20 HEX W/STAR	
14	29216	1	DIODE ASM, 76042 X 76043	27076
15	67393	3	RELAY, 24VDC 100 AMP	
16	70393	2	SCR, 1/4-20 X 1.25 SSSCU	
17	72159	1	SWITCH, KEY 2 POSITION	
18	72160	1	SWITCH, EMERGENCY STOP	
19	73538	10	STANDOFF, 5/8 L, 6-32	
20	73659	2	STANDOFF, INS. 1.0L, 1/4-20THD	
21	73811	4	STANDOFF, 1/2 L 5-32	
22	73905	1	SHUNT, TYPE A DC ANMETER 35 AMP	
23	78392	1	TOUCHPANELASM.	
24	80834	2	TERM. STRIP 8-POSITION 1/4	
25	80845	4	BOOT, 3/8 CIRCUIT BREAKER	
26	87056	2	WASHER, M6 FLAT	
27	89120	1	WELDMENT, ELECTRIC PANEL	
28	41341	1	HARNESS, SABER CONTROL	(NOT SHOWN)
29	41342	1	HARNESS, SABER MOTOR	(NOT SHOWN)
30	50776	1	LABEL, FOR SAFETY	
31	81505	1	LABEL, SAFETY DECAL SOL WARNING	
32	48073	1	KEY, FOR SWITCH#72159 (REF # 18)	
33	70067	8	SCR, 6-32 X 3/8 PPHMS SS	
34	880244	1	WIRE, 10.5" RED/14 76066 X 76066	(NOT SHOWN)
35	66193	1	POTENTIOMETER, 5K OHMS	(NOT SHOWN)

RECOVERY T/M ASSEMBLY

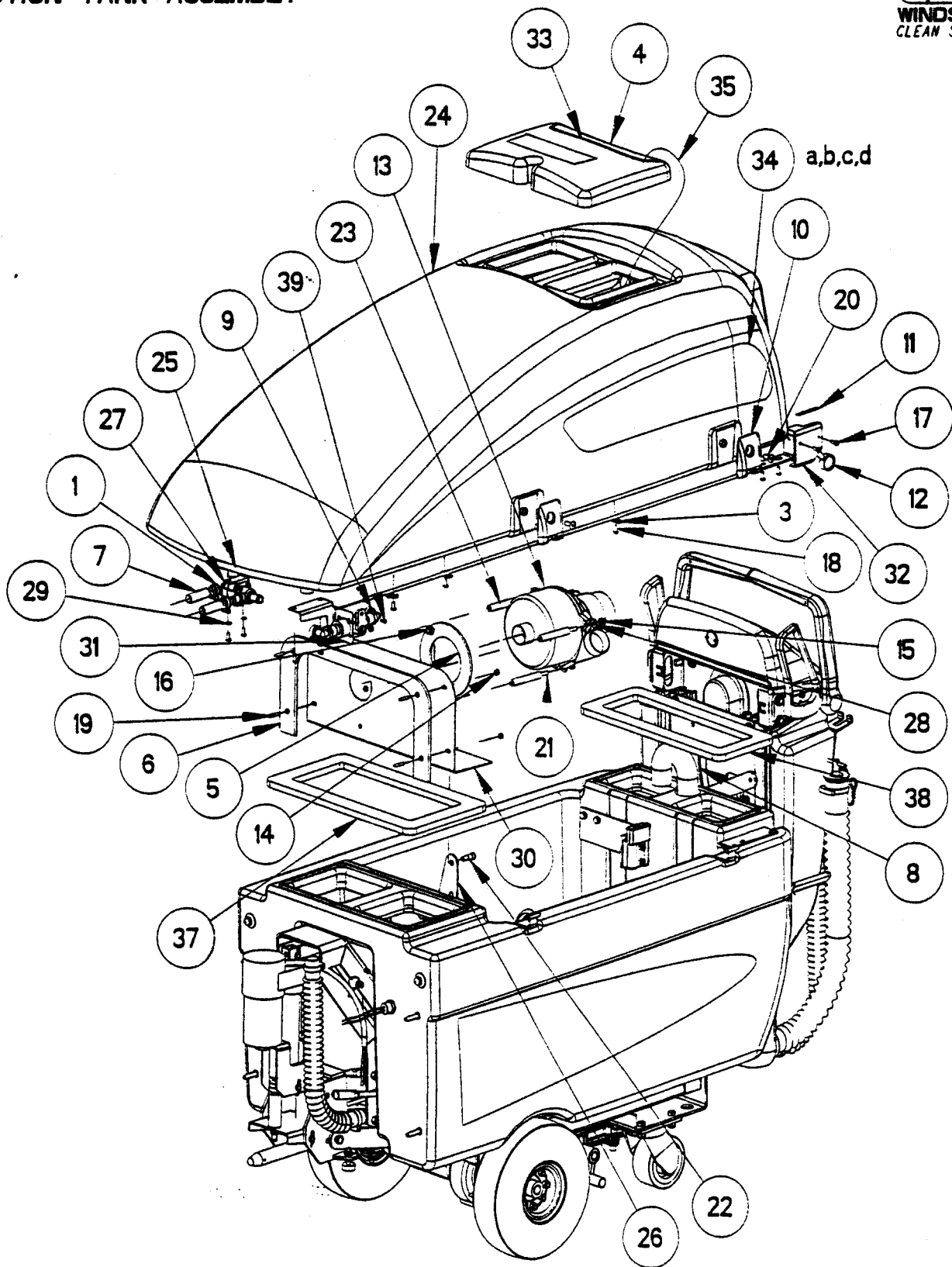


NOTE: ARROW ON FLOAT SWITCH (73906) MUST FACE DOWN TOWARD SCRUB DECK.

RECOVERY TANK PARTS LIST

Ref	Part No.	Qty	Description	Serial No.		Notes
				From	To	
1	20002	1	CLAMP, 2.00 NYLON RATCHET			
2	20046	1	CLAMP, 2.25 WORM GEAR			
3	20064	1	CLAMP, 2.00 WORM GEAR X .312			
4	35219	1	GASKET, 1-1/2 COMPRESSION			
5	39472	1	HOSE, 1.5 X 24.0 DRAIN			
6	39511	1	HOSE ASM., 1.5 X 11 BLKVAC			
7	57033	1	NUT, 1.5 SLIP JOINT			
8	57245	2	NUT, 1/4-20 HEX HYLOCK			
9	66227	1	PLUG, DRAIN HOSE			
10	66240	1	PLUG, 3/4 MPT PVC			
	70010	2	SCR, 1/4-20 X 1.50 HHCS SS			
12	70305	8	SCR, 5/16-18 X 3/4 HHCS SS			
13	70639	4	SCR, 5/16-18 X 1.75 SSSCU			
14	73906	1	SWITCH, FLOAT ASM.			
15	75246	1	TANK, RECOVERY 24			
16	78406	1	TUBE, 1.50 X 8.0 PVC			
17	82803	1	CONNECTOR, RED 24v			
18	87029	2	WASHER, 5/16 X 3/4 SS			
19	87102	4	WASHER, 5/16 X 1-114 FLAT			
20	89127	2	WELDMENT. HINGE ?IN			
21	27670	1	CORD, DRAIN PLUG TRIDENT			
22	140322	1	BRACKET, BATT CONNECTOR MOUNT			
23	40019	1	HOSEBARB, 1.5 DOUBLE MCHND.			
24	880209	1	WIRE ASM, CHARGER ADAPTER 24V			(NOTSHOWN)
	OPEN					
26	62728	1	PLATE, CABLE MOUNT			
27	70403	2	SCR, #10 X 112 PHSTTYPE B			

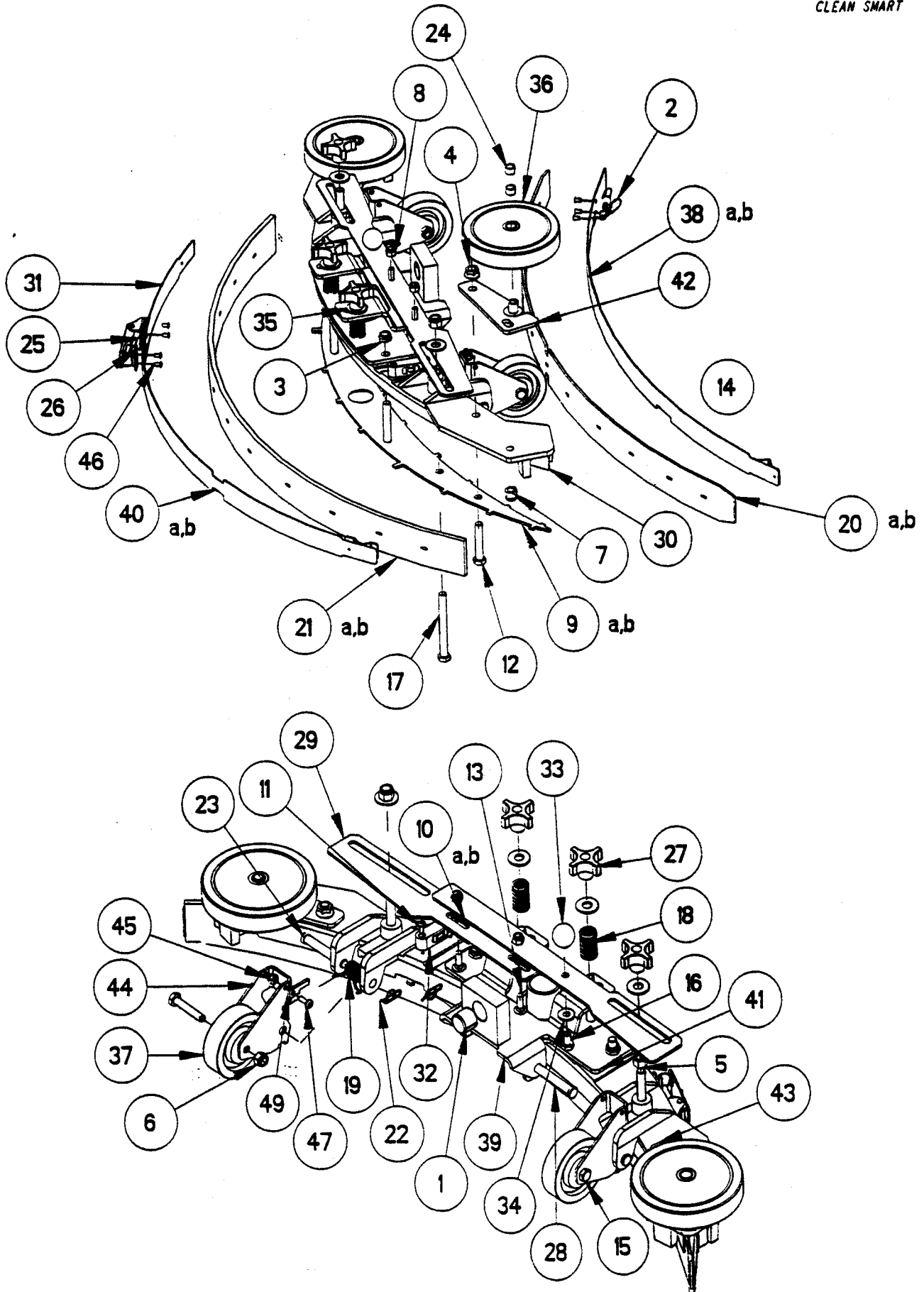
SOLUTION TANK ASSEMBLY



SOLUTION TANK ASSEMBLY PARTS LIST

Ref	Part No.	Qty	Description	Serial No.		Notes
				From	To	
1	20042	4	CLAMP, 3/8 WORM GEAR OPEN			
3	22080	3	CLIP, SINGLE CONDUIT			
4	27772	1	COVER, SOLUTION TANK			
5	35122	1	GASKET. 5.7 OD C 3.5 ID X .19 THK			
6	35214	1	GASKET, 24 VAC MOTOR			
7	39512	2	HOSE, 112 NYLOBRAID X 18			
8	39519	1	HOSE, P-TRAP			
9	40039	3	HOSEBARB. 1/2 MPT X 1/2 HOSE 90			
10	41333	2	HINGE, SCRUBBER TANK			
11	50939	1	LABEL, SOLUTION FLOW			
12	51295	1	LEVER, SOLUTION VALVE CNTRL ASM.			
13	53631	1	VAC MOTOR ASM. 24VDC			
14	57104	4	NUT, 10-32 HEX W/STAR WASHER			
15	57105	3	NUT, 1/4-20 HEX W/STAR			
16	57112	1	NUT, 5/16-18 HEX W/STAR			
17	70088	8	SCR, 10-32 X 1/2 PPHMS SS DL			
18	70403	3	SCR. #10 X 112 PHST TYPE B			
19	70607	3	SCR, 10-32 X 1.00 SSSCU SS			
20	70632	2	SCR, 5/16-18 X 3/4 FHSCS			
21	70638	3	SCR, 1/4-20 Z 1.75 SSSCU			
22	70641	2	SHOULDER BOLT, 3/8 OD X 3/8L SS			
23	73566	3	SPACER, 112 OD X 3.0 W/1/4-20 AL			
24	75245	1	TANK. SOLUTION 20/24			
25	82017	1	FILTER, SCREEN PLASTIC			
26	82575	1	PLATE. TANK SUPPORT			
27	84141	1	VALVE, 24VDC SOL 112 HOSEBARB			
28	87013	3	WASHER, 1/4 X 5/8 FLAT SS			
29	87095	6	WASHER. 110 X .40 FLAT			
30	89139	1	WELDMENT. VAC MTR. PLATE			
31	84156	1	VALVE. METERING ASSEMBLY STANDARD			
32	140264	1	BRACKET. SOLUTION LEVER			
33	81494	1	LABEL, SAFETY SOLUTION WARNING			
34A	50940	1	LABEL, STRIDE II (LEFT)			MODELS: QQS24, QQS26, QQS428, QQS24SP
34B	50943	1	LABEL, STRIDE II (RIGHT)			MODELS: QQS24, QQS26, QQS428, QQS24SP
34C	50915	1	LABEL. SABER (LEFT)			MODELS: S24, S26, S428, S24SP
34D	50916	1	LABEL. SABER (RIGHT)			MODELS: S24, S26, S428, S24SP
35	27425	1	CORD, INSTRUCTION CARD			
36	14548	1	BRUSH SET, 5.7 3STG			(NOT SHOWN)
37	35211	1	GASKET, 8.50 X 16.40 X .50 T			
38	35212	1	GASKET. 6.30 X 16.1 X .50 T			
39	73886	1	SWIVEL, SOLUTION CABLE			
40	34337	1	FILTER. SABER 24 VAC			(NOT SHOWN)
41	140159	2	BLOCK, 3" X 5.5" X 7" FOAM			(NOT SHOWN)

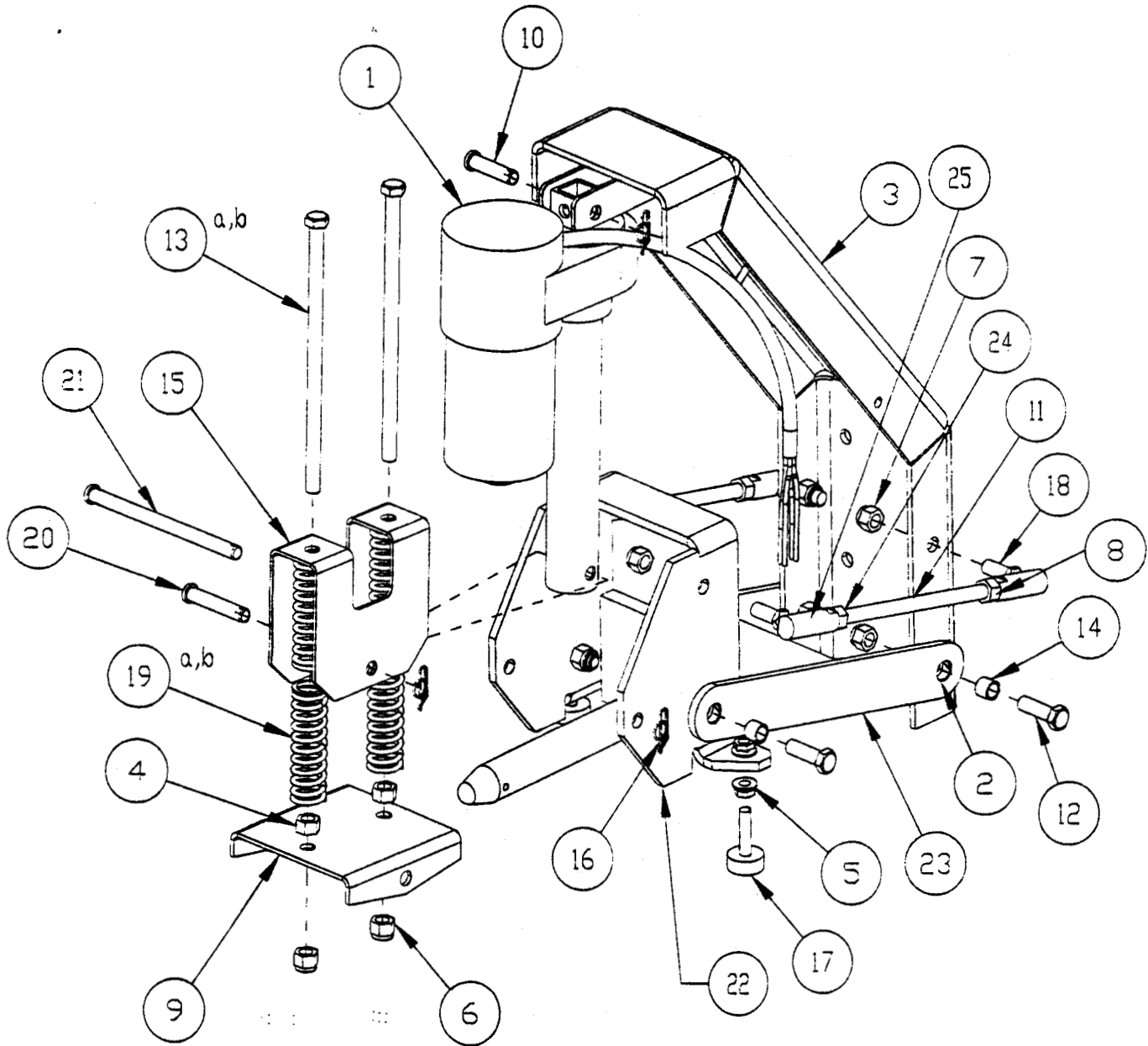
SQUEEGEE ASSEMBLY



SQUEEGEE ASSEMBLY PARTS UST

Ref.	Part No.	Qty.	Description	Notes
1	090	1	BLA FIBER 3/4 ID X 1 L	
2	27797	1	CLAMP, STRAIGHTLINE MANUAL	
3	57022	2	NUT, 3/8-16 HEX NYLOCK THINSS	
4	57032	2	NUT, 3/8-16 SERRATED FLG	
5	57111	2	NUT, 3/8-16 HEX	
6	57113	2	NUT, 5/16-18 HEX NYLOCK	
7	57119	3	NUT, 3/8-16 HEX NYLOCK SS	
8	57245	2	NUT, 1/4-20 HEX NYLOCK SS	
9A	62675	1	PLATE, SQUEEGEE RETAINER BLADE	MODELS: S24/26, QQS24, QQS26
98	82518	1	PLATE, SQUEEGEE BLADE RETAINER	MODELS: S428, S24SP, QQS428, QQS24SP
10A	82684	1	PLATE, SQUEEGEE ADJUST LONG	MODELS: S24/26, QQS24, QQS26
10B	82532	1	PLATE, SUDE SQUEEGEE LONG	MODELS: S428, S24SP, QQS428, QQS24SP
11	70052	2	SCR, 8-32 X 3/8 PPHMSSS	
12	70070	2	SCR, 3/8-16 X 200 HHCS SS	
13	70112	2	SCR, 1/4-20 X 3/4 CARRIAGE	
14	70266	4	SCR, 3/8-16 X 1.00 HHCS GR5 PLTDL	
15	70259	2	SCR, 5/16-18 X 1.75 HHCS	
16	70375	1	SCR, 5/16-18 X 112 HHCS GR5	
17	70461	2	SCR, 3/8-16 X 3.50 HHCS GR5 PLTD.	
18	73855	2	SPRING, COMP. 66 OD X 25 L	
19	73887	2	SPRING, 120 DEGREE TORSION	
20A	73894	1	SQUEEGEE BLADE, FRONT UNATEX 35"	MODELS: S24/26, QQS24, QQS26
20B	82528	1	SQUEEGEE BLADE, FRONT UNATEX	MODELS: S428, S24SP, QQS428, QQS24SP
21A	73895	1	SQUEEGEE BLADE, REAR LINATEX 37"	MODELS: S24/26, QQS24, QQS26
21B	82529	1	SQUEEGEE BLADE, REAR LINATEX	MODELS: S428, S24SP, QQS428, QQS24SP
22	80606	3	COTTER, 3/8 RING	
23	80637	2	PIN, CLEVIS 3/8 X 2.38	
24	81247	4	SPACER, 500 OD X .391 ID X .300	
25	81488	1	LATCH, SQUEEGEE STRAP	
26	81489	1	STRIKER, SQUEEGEE STRAP REAR	
27	81535	3	KNOB, SQUEEGEE ADJ. PLATE	
28	82060	1	PIN, CLEVIS 3/8 X 5.25	
29	82531	1	PLATE, SQUEEGEE ADJUST SHORT	
30A	82535	1	SQUEEGEE, 32 IN	MODELS: S24/26, QQS24, QQS26
30B	82514	1	SQUEEGEE, 37 IN	MODELS: S428, S24SP, QQS428, QQS24SP
31	82553	1	WELDMENT, REAR SQG. BAND SHORT	
32	82576	1	VIAL, LEVEL	
33	82922	1	BALL, KNOB ADJ.	
34	87029	1	WASHER, 5/16 X 3/4 SS	
35	87143	8	WASHER, 7/16 X 1" RAT	
36	89086	2	WHEEL 3D X 1 X .51D GREY	
37	89095	2	WHEEL 3" DIA. CUSHION RUBBER	
38A	89123	1	WELDMENT, FRONT SQUEEGEE BAND	MODELS: S24/26, QQS24, QQS26
38B	82558	1	WELDMENT, FRONT SQUEEGEE BAND	MODELS: S428, S24SP, QQS428, QQS24SP
39	89124	1	WELDMENT, SQUEEGEE MOUNT	
40A	89125	1	WELDMENT, BAND REAR-LONG	MODELS: S24/26, QQS24, QQS26
40B	82525	1	WELDMENT, REAR SQUEEGEE BAND	MODELS: S428, S24SP, QQS428, QQS24SP
41	89132	1	WELDMENT, SQUEEGEE MOUNT	
42	89164	1	WELDMENT, SQUEEGEE WHEEL RIGHT	
43	89165	1	WELDMENT, SQUEEGEE WHEEL LEFT	
44	140275	2	BRACKET, SQUEEGEE WHEEL SUPPORT	
45	57252	1	NUT, 10-24 HEX NYLOCK SS	
46	67380	7	RIVET, 5/32 OF X 1/8 GRP	
47	70086	1	SCR, 10-24 X 1/2 PHMS SS	
48	OPEN			
49	82799	1	PLATE, POINTER	
50	82844	1	OVERLAY, SQUEEGEE	(NOT SHOWN)

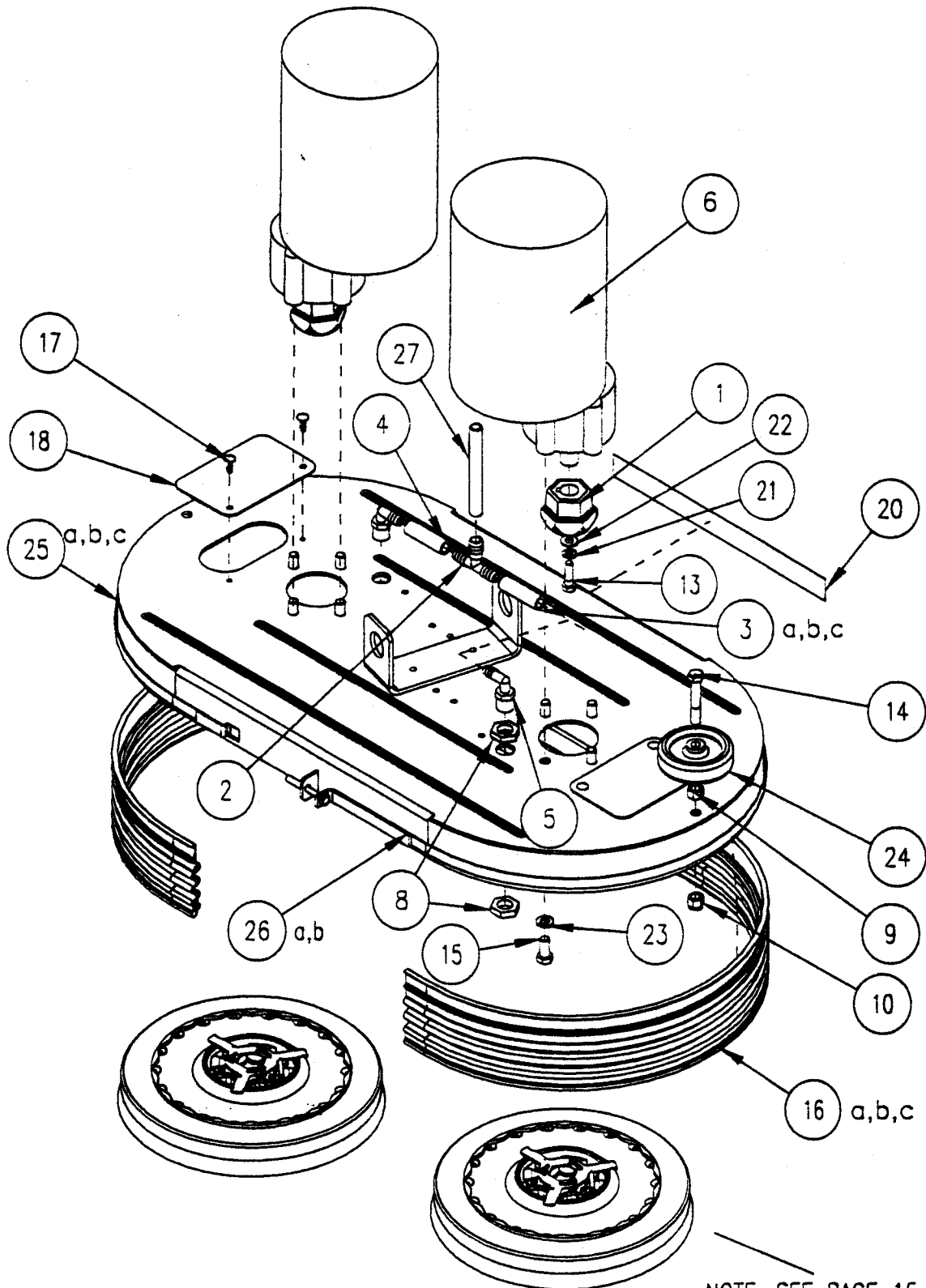
BRUSH/ DECK LIFT ASSEMBLY



BRUSH/SCRUB HEAD LIFT ASSEMBLY PARTS LIST

Ref	Part No.	Qty	Description	Serial No.		Notes
				From	To	
1	05123	1	ACTUATOR, 24 VDC 5.0 STROKE			
2	09130	4	BEARING. 112 NYLINER SF			
3	140227	1	BRACKET. ACTUATOR WELDMENT			
4	57111	2	NUT, 3/8-16 HEX			
5	57112	4	NUT, 5/16-18 SERRATED FLANGE			
6	57119	6	NUT, 3/8-16 HEX NYLOCK			
7	57216	4	NUT, 3/8-24 HEX NYLOCK			
8'	57217	4	NUT, 3/8-24 HEX JAM PLTD.	0000	7299	
8	57217	2	NUT, 3/8-24 HEX JAM PLTD.	7300		
9	62676	1	PLATE, SPRING SUPPORT			
10	66232	1	PIN, CLEVIS 3/8 X 1.50			
11	67406	2	ROD, 3/8-24 X 1.00 X 7.50L	6965	7299	
11	67415	2	ROD, SCRUB LIFT	7300		
12	70377	4	SCR. 3/8-16 X 1.25 HHCS GR5			
13A	70574	2	SCR, 3/8-16 X 7.5 HHCS GR5 PLTD.			MODELS: S24, S26, S428, QQS24, QQS26, QQS428
138	70650	2	SCR, 3/8-16 X 6.0 HHCS GR5 PLTD.			MODELS: S24SP, QQS24SP
14	80102	8	SPACER, .500 OD X .391 ID X .400	0000	6964	MODELS: S24, S26, S428, QQS24, QQS26, QQS428
14	80102	4	SPACER, .500 OD X .391 ID X .400	6965		
15	80459	1	PLATE, SPRING RETAINER			
16	80606	3	COTTER, 3/8" RING			
17	80654	2	BUMPER. ADJUSTMENT			
18	80697	4	BALL JOINT ASM, 3/8-24 RH	6965	7299	
18	80697	2	BALL JOINT ASM. 3/8-24 RH	7300		
19A	73883	4	SPRING, COMP. .97 OD X 3.5L			MODELS: S24, S26, S428, QQS24, QQS26, QQS428
19B	73914	4	SPRING, COMP. .97 OD X 2.5L			MODELS: S24SP, QQS24SP
20	81406	1	PIN, CLEVIS 3/8" X 2"			
21	82060	1	PIN, CLEVIS 3/8 X 5.25			
22	89121	1	WELDMENT, SCRUB DECK PIN			
23	89142	2	WELDMENT, SCRUB DECK LINKAGE	0000	6964	MODELS: S24, S26, S428, QQS24, QQS26, QQS428
23	89142	1	WELDMENT, SCRUB DECK LINKAGE	6965		
24	57263	2	NUT, 3/8-24 UNF LH	7300		
25	140353	2	BALL JOINT ASM.. 3/8-24 LH	7300		

SCRUB DECK ASSEMBLY

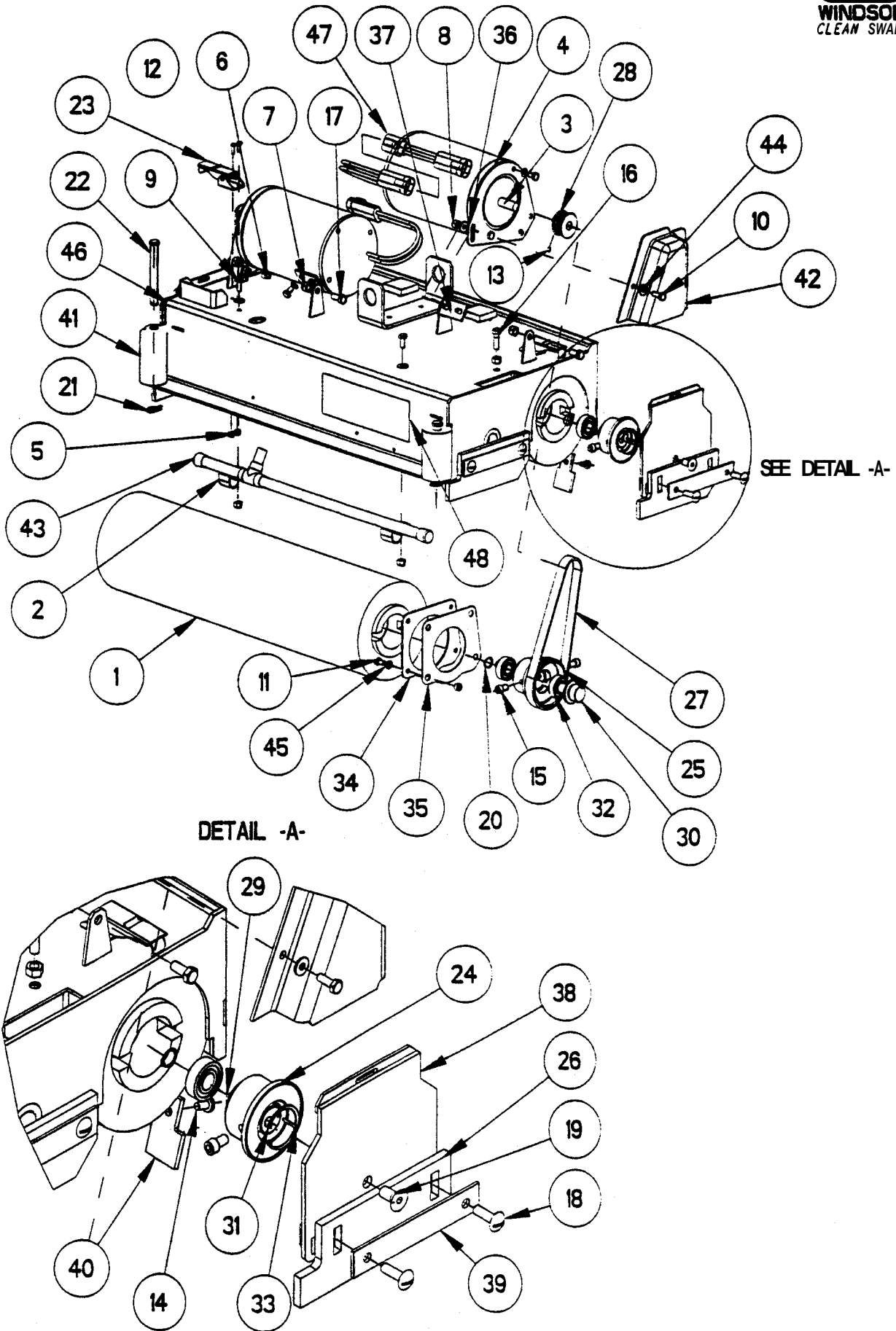


NOTE: SEE PAGE 15 FOR
BRUSH OPTION CHART.

SCRUB DECK ASSEMBLY PARTS LIST

Ref	Part No.	Qty	Description	Serial No.		Notes:
				From	To	
1	29119	2	DRIVER, BRUSH			
2	34327	1	FITTING. 112X 3/8 X 3/8 RED. TEE			
3A	39452	1	HOSE. 3/8 NYLOBRAID X 5.5"			MODELS: S428, QQS428
3B	39486	1	HOSE, 3/8 NYLOBRAID X 2"			MODELS: S24, QQS24
3C	39477	1	HOSE, 3/8 NYLOBRAID X 3"			MODELS: S26, QQS26
4	39053	1	HOSE, 3/8 NYLOBRAID X 7.0"			
5	40043	2	HOSEBARB, 3/8 MPT X 3 8 HOSE 90			
6	53630	2	MOTOR ASM., 24VDC 200 RPM GEAR MTR.			
7	OPEN					
8	81380	4	NUT. SEALED BULKHEAD			
9	57111	1	NUT, 3/8-16 HEX			
10	57119	1	NUT, 3/8-16 HEX NYLOCK			
11A	14695	-	BRUSH SET, IMPERIAL MTR 53185/630			(NOT SHOWN)
11B	140394	-	BRUSH SET .53185/630/632 WINDSOR			(NOT SHOWN)
12	OPEN					
13	70083	2	SCR. 5/16-18 X 1.00 HHCS SS			
14	70385	1	SCR. 3/8-16 X 2.00 HHCS GR5			
15	70507	8	SCR. 3/8-16 X 3/4 HHCS GR5			
16A	73889	1	SKIRT, SHROUD 3.25 X 65.0 L			MODELS: S428, QQS428
16B	73790	1	SKIRT, SHROUD 3.25 X 58.0 L			MODELS: S24, QQS24
16C	73959	1	SKIRT, SHROUD 3.25 X 62.0 L			MODELS: S26, QQS26
17	80805	4	CLIP, TREE .19 HOLE FIAT HEAD			
18	81898	2	COVER. BRUSH RELEASE			
19	OPEN					
20	82923	1	PAD, ANT SLIP 1.00 x 12 L			
21	87083	2	WASHER, 5/16 SPLIT			
22	87142	2	WASHER. 34X 69 FLAT			
23	87163	8	WASHER, 3/8 SPLIT			
24	89059	1	WHEEL. PT20 SQUEEGEE			
25A	89146	1	WELDMENT, SCRUB HEAD 24"			MODELS: S24, QQS24
25B	89143	1	WELDMENT. SCRUB HEAD 28"			MODELS: S428, QQS428
25C	89180	1	WELDMENT, SCRUB HEAD 26"			MODELS: S26, QQS26
26A	89156	1	WELDMENT. SKIRT RETAINER 24"			MODELS: S24, S26, QQS24, QQS26
26B	89145	1	WELDMENT. SKIRT RETAINER 28"			MODELS: S428, QQS428
27	39521	1	HOSE, 1/2 NYLOBRAID X 36"			

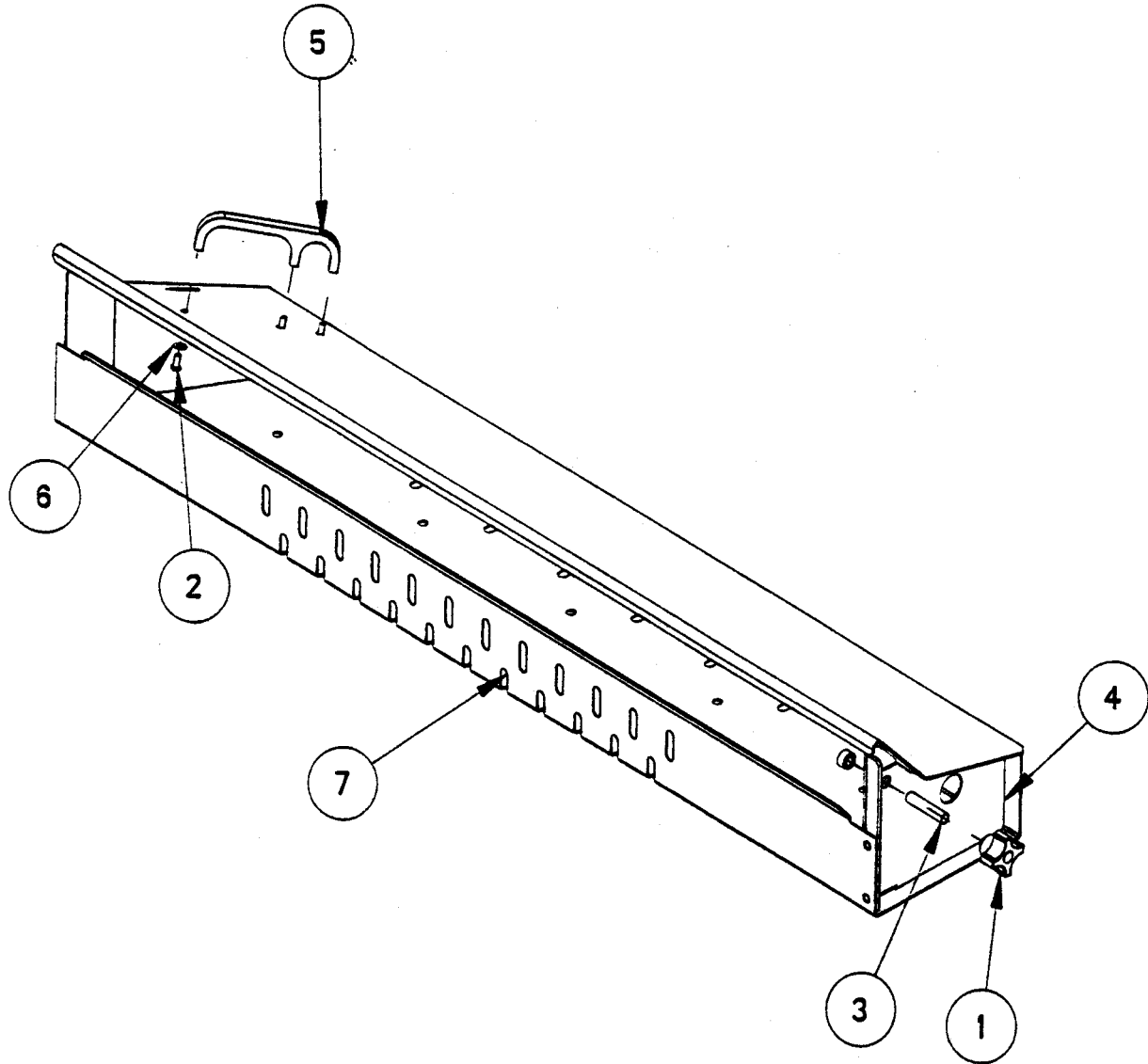
CYLINDRICAL BRUSH HEAD ASSEMBLY



CYLINDRICAL BRUSH HEAD ASSEMBLY PARTS UST

Ref	Part NO.	Qty	Description	Serial No.		Notes
				From	To	
						SEE OPTIONS PAGE 15
1		2	BRUSH			
2	20003	2	CLAMP, 1/2 DIA. THINWALL CONDUIT			
3	48050	2	KEY, 1/4 X 3/4			
4	53634	2	MOTOR ASM, 24VDC 1725 RPM			
5	57026	4	NUT, 8-32 HEX NYLOCK			
6	57031	2	NUT, 5/16-18 HEX			
7	57113	4	NUT, 5/16-18 HEX NYLOCK			
8	57245	6	NUT, 1/4-20 HEX NYLOCK SS			
9	70011	2	SCR. 1/4-20 X 5/8 HHCS SS			
10	70015	4	SCR, 1/4-20 x 3/4 HHCS SS			
11	70020	20	SCR. 1/4-20 X 1/2 PPHMS SS			
12	70051	4	SCR. 8-32 X 112 PPHMS SS			
13	70074	4	SCR, 10-32 X 114 SSSCU DL			
14	70085	2	SCR, 1/4-20 X 112 PPHMS SS DL			
15	70176	8	SCR, 5/16-18 X 1/2 SHCS			
16	70302	2	SCR. 5/16-18 X 1.00 STHMS			
17	70305	4	SCR, 5/16-18 X 3/4 HHCS GR5			
18	70514	8	SCR, 5/16-18 X 1.00 STHMS			
19	70572	2	SCR. 3/8-16 X 3/4 FHSCS			
20	73166	4	RING, 19/32 RETAINING SH			
21	80607	2	COTTER, 1/2" RING			
22	80818	2	PIN, CLEVIS 1/2 X 3.75			
23	81488	2	LATCH, SQUEEGEE STRAP			
24	81547	2	HUB, IDLER CYL SCRUB			
25	81548	2	HUB, DRIVE CYL SCRUB			
26	81555	4	SQUEEGEE. SIDE CYL SCRUB			
27	830670	2	BELT, CYL BRUSH DRIVE			
28	830669	2	PULLEY, MOTOR DRIVE CYL. BRUSH			
29	82034	2	SHAFT, IDLER CYL SCRUB			
30	82035	2	SHAFT. DRIVER CYL SCRUB			
31	82043	2	RING, 1.38 RETAINING HO			
32	82045	6	BEARING, 1.38 X .59 X .43			
33	82070	2	PIN, ROLL 3/32 X 5/8 SS			
34	82225	2	PLATE. SEAL RETAINER			
35	82226	2	SEAL, DRIVER CYL SCRUB			
36	82227	2	PLATE. MOTOR MOUNT			
37	82228	2	ANGLE, MOTOR MOUNT			
38	82229	2	WELDMENT. DOOR CYL SCRUB			
39	82234	4	BAR, RETAINER			
40	82236	2	FLAP, SIDE CYL SCRUB			
41	82242	2	ROLLER, SIDE CYL SCRUB			
42	82254	2	GUARD, BELT CYL SCRUB MACH.			
43	82446	1	TUBE ASM.. SOL DELIVERY			
44	87013	10	WASHER, 1/4 X 5/8 FLAT SS			
45	87025	16	WASHER. 1/4 EXT STAR SS			
46	89166	1	WELDMENT, CYL SCRUBHEAD 24			
47	880212	1	WIRE ASM, REV POLARITY JUMPER			
48	82552	1	DECAL. SCRUB PLUS			

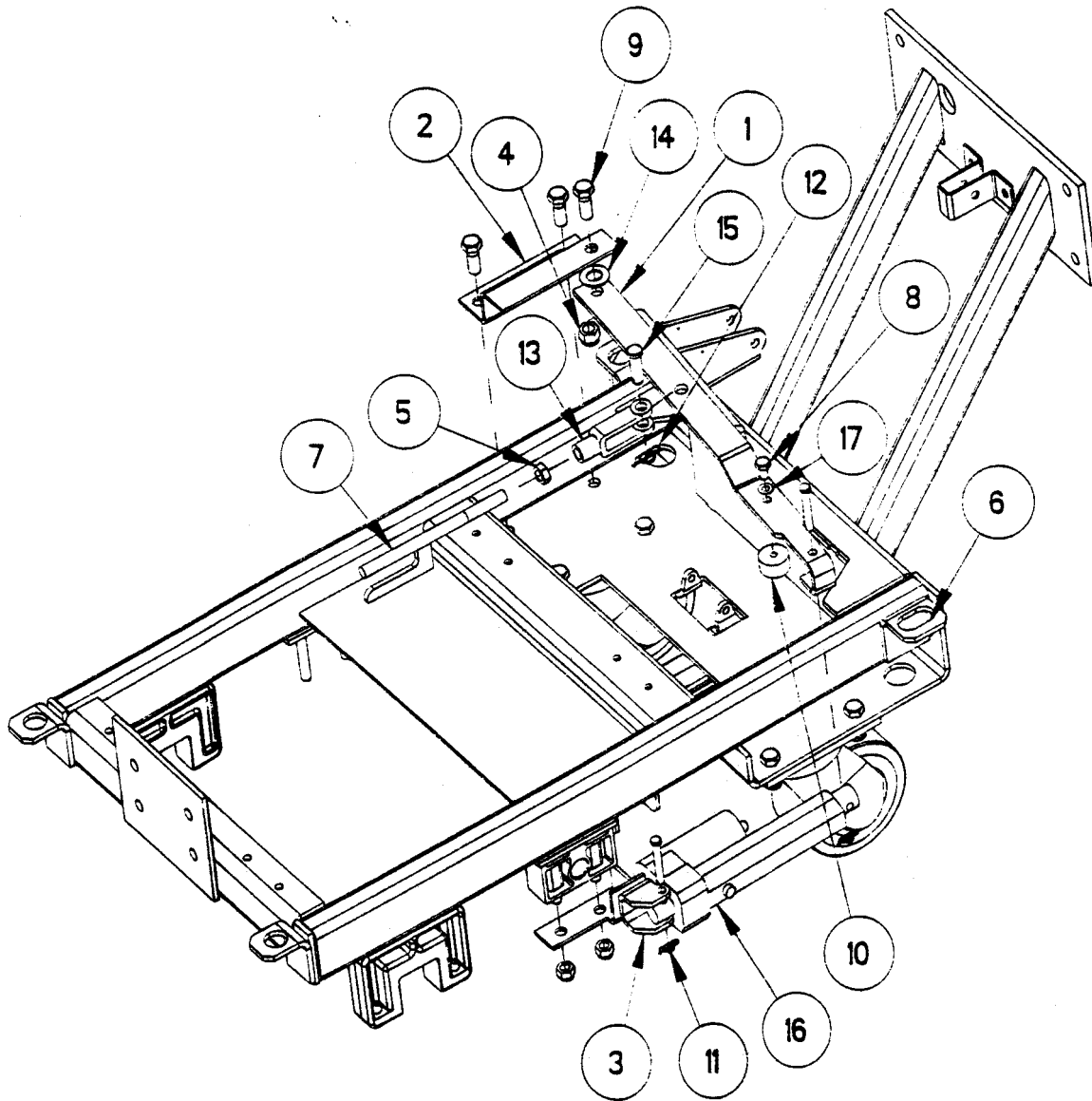
HOPPER ASSEMBLY



HOPPER ASSEMBLY PARTS LIST

Ref	Part No	Qty	Description	Unit	Notes
1	48012	1	KNOB, ADM ASM. 5/16-18		
2	70162	3	SCR, 8-32 X 3/8" HHCS SS		
3	81491	1	STUD, 5/16-18 X 1.50 SS		
4	81569	1	PLATE, COVER CYL SCRUB TRACER		
5	82530	1	HANDLE, CYL SCRUB HOPPER		
6	87007	3	WASHER, #8 EXT. STAR		
7	89167	1	WELDMENT, TRAY 24 CYL SCRUB		

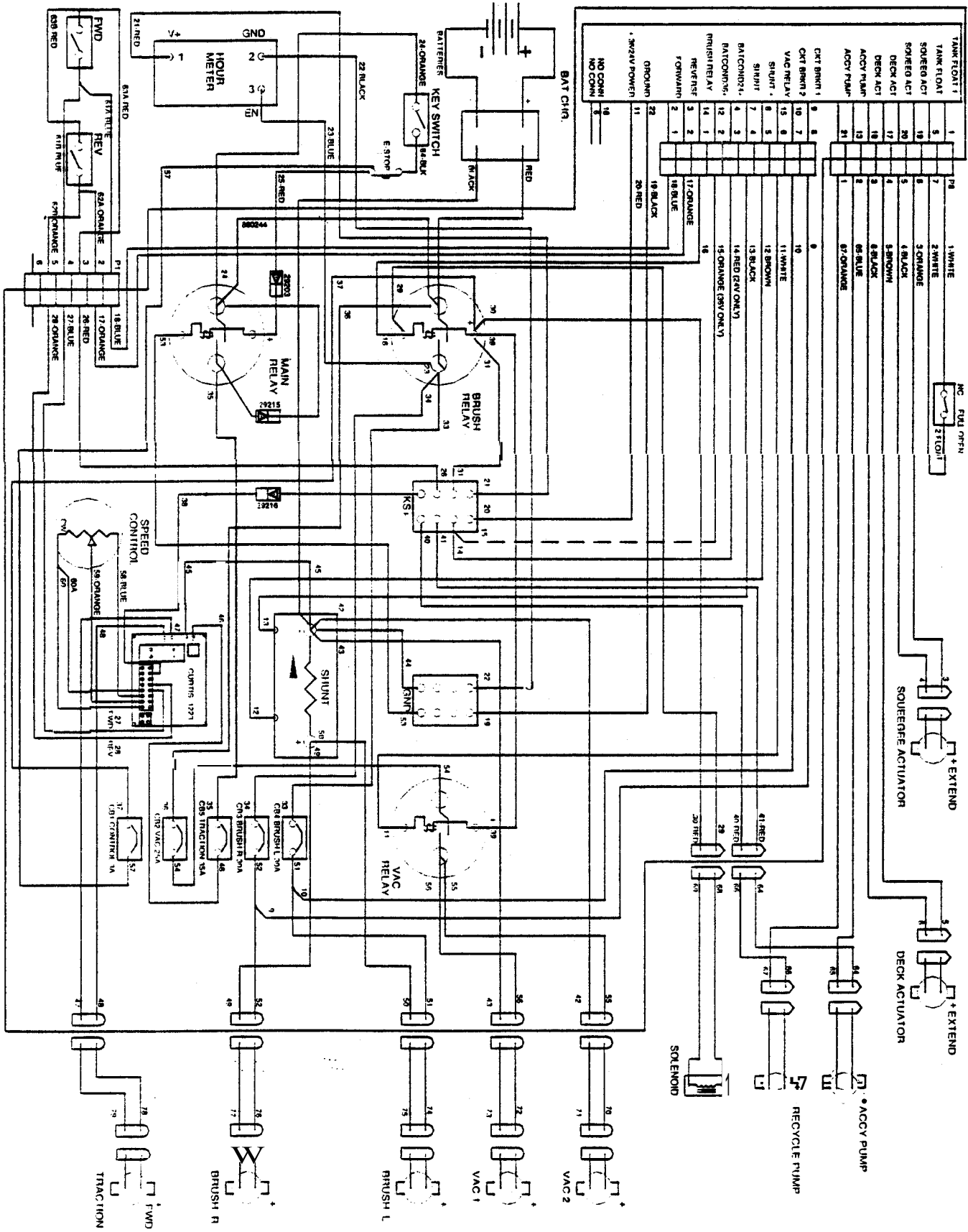
AUTOMATIC SQUEEGEE LIFT



AUTOMATIC SQUEEGEE LIFT PARTS LIST

Ref	Part No.	Qty	Description	Serial No.		Notes
				From	To	
1	05134	1	ARM, 24 AUTO LIFT			
2	140350	1	BRKT, ACTUATOR ASM			
3	54171	1	MOUNT, AUTO LIFT ACTUATOR			
4	57119	1	NUT, 3/8-16 HEX NYLCK			
5	57217	1	NUT, 3/8-24 HEX JAM SS			
6	66275	2	PIN, CLEVIS 1/4 X 1.63			
7	67409	1	ROD, S24 AUTO LIFT PUSH			
8	70020	1	SCR, 1/4-20 X 1/2 HHCS SS			
9	70257	1	SCR, 3/8-16 X 1.00 HHCS			
10	73953	1	SPACER, 1.0 OD X .50 L			
11	80604	2	COTTER. 114 RING			
12	80606	1	COTTER, 3/8 RING			
13	80610	1	CLEVIS, 3/8 IN YOKE END 3/8-24			
14	80613	1	WASHER, .506 X .94 NYL			
15	80806	1	PIN, CLEVIS 3/8 X 1.13			
16	82693	1	ACTUATOR ASM, 24VDC 3IN STROKE			
17	87025	1	WASHER, 1/4 EXT STAR SS			

WIRING DIAGRAM 24V





LIMITED WARRANTY

Windsor Industries, Inc. warrants new machines against defects in material and workmanship under normal use and service to the original purchaser. The warranty **period** is subject to the conditions stated below.

3 YEARS FOR PARTS AND 1 YEAR FOR SERVICE LABOR

Exceptions: Rotationally molded polyethylenetanks carry a **6 year parts** and 1 year service labor warranty. **VERSAMATIC®** models carry a 3 year warranty on brush motors, vacuum motors, and **belts**, and a 1 year service labor warranty. **SENSOR®** models carry a 2 year warranty on vacuum motors and **belts**, and a 1 year service labor warranty. **Extractor** brush motors, pump motors, pc boards and electronics, vac motors (other than **VERSAMATIC®** and **SENSOR®**), pumps, and **FLEXSOL™** diaphragms. all **RADIUST™** carry a 1 year parts and service labor warranty.

Normal wear items including, but not limited to, brushes, capacitors, carbon brushes, clutches, cords, filters, finishes, gaskets, hoses, light bulbs, rectifiers, switches, squeegees, bearings, pulleys, relays, actuating cables and tires will be warranted for manufacturing defects for 90 days from the purchase date.

The warranty commences on the purchase date by the original end user from an authorized Windsor Agent, subject to proof of purchase. The Machine Registration Card must be completed and returned immediately at the time of purchase. If proof of purchase cannot be identified, the warranty start date is 90 days after date of sale to an authorized Windsor distributor. Pans replaced or repaired under warranty are guaranteed for the remainder of the original warranty period.

90 DAY WARRANTY EXTENSION AVAILABLE

Upon receipt of the Machine Registration Card, Windsor will extend the warranty period an additional 90 days from the purchase date.

STATED WARRANTIES ARE IN LIEU OF ALL OTHER WARRANTIES, EXPRESSED OR IMPLIED.

Any statutory implied warranties, including any warranty of merchantability or fitness for a particular purpose, are expressly limited to the duration of this written warranty. Windsor will not be liable for any other damages, including but not limited to indirect or special consequential damages arising out of or in connection with the furnishing; **performance**, use or inability to use the machine. This remedy shall be the exclusive remedy of the buyer.

This warranty shall not apply to: 1. damage in transit; 2. misuse or abuse (including the use of incompatible or corrosive chemicals or overloading of capacity); 3. failure due to lack of proper maintenance and care (including cleaning); 4. any design alterations performed by an organization not authorized or specified by Windsor; 5. batteries and chargers; 6. high pressure washing; 7. electrical components exposed to moisture.

If difficulty develops during the warranty period, contact the authorized Windsor Agent from whom the product was purchased. Windsor, Inc. may elect to require the return of components to validate a claim. Any defective **part** to be returned must be shipped freight pre-paid to an authorized Windsor Distributor/Service Center or to the Windsor factory.

USE OF PARTS NOT APPROVED BY WINDSOR, INC. WILL VOID ALL WARRANTIES.

This warranty **is** valid only for all products sold after July 1, 1995. A product sold before that date shall **be** covered by the limited Warranty in effect at the date of sale to the original purchaser.

Revised 1/98



GARANTÍA LIMITADA

Windsor Industries, Inc., garantiza las nuevas máquinas al comprador original contra defectos de materiales y **mano** de obra bajo uso y servicio normal. El periodo de garantía está sujeto a las condiciones indicadas en lo que sigue.

3 AÑOS PARA PIEZAS Y 1 AÑO PARA MANO DE OBRA DE REPARACIONES

Excepciones: Los depósitos de polietileno moldeados rotacionalmente tienen una garantía de seis años en las piezas y uno en la **mano** de obra de reparaciones. Los modelos VERSAMATICÒ tienen una garantía de tres años en los motores de escobillas, los de vacío y las bandas y un año de **mano de obra** de reparaciones. Por su parte, los modelos SENSORO tienen dos años de garantía sobre los motores de vacío y las bandas y un año de **mano de obra** de reparaciones. Los motores de escobillas extractoras, los de bombas, los tableros de circuitos impresos y los dispositivos electrónicos, los motores de vacío (aparte de los VERSAMATICÒ y SENSORO), las bombas, los diafragmas FLEX-SOLÒ y todos los RADIUSá tienen un año de garantía en las piezas y la **mano de obra** de reparaciones.

Los artículos de desgaste normal, incluyendo, sin limitaciones, escobillas, capacitores, escobillas de carbono, embragues, cables, filtros, acabados, empaques, mangueras, focos, rectificadores, interruptores, secadoras, cojinetes, poleas, relés (relevadores), cables actuadores y neumáticos se garantizan contra defectos de fabricación durante 90 días a partir de la fecha de compra.

La garantía se inicia en la fecha de compra por el usuario final original en un agente autorizado de Windsor, sujeto a la prueba de adquisición. La tarjeta de registro de máquina se deberá cumplimentar y devolver inmediatamente en el momento de la compra. Si no se puede identificar la prueba de adquisición, la fecha de comienzo de la garantía será 90 días después de la fecha de venta a un distribuidor autorizado de Windsor. Las piezas reemplazadas o reparadas bajo garantía se aseguran durante el resto del periodo de cobertura original.

EXTENSIÓN DISPONIBLE DE GARANTÍA DE 90 DÍAS

Al recibir la tarjeta de registro de máquina, Windsor extenderá el periodo de garantía otros 90 días desde la fecha de compra.

LAS GARANTÍAS INDICADAS SONEN LUGAR DE TODAS LAS DEMÁS. EXPRESADAS O IMPLÍCITAS

Cualesquiera que sean las garantías implícitas estatutarias, incluyendo cualquiera de comerciabilidad o idoneidad para un fin dado, se limitan de modo expreso a la duración de esta garantía escrita. Windsor no será responsable de ningún otro daño, incluyendo, sin limitaciones, los daños indirectos o consecuentes especiales que se deriven de la conexión con la provision, el rendimiento, el uso o la imposibilidad de utilizar la máquina. Este remedio será el único que tendrá el comprador.

La garantía no se aplicará a: 1. Daños en tránsito; 2. Mal uso o malos tratos (incluyendo el empleo de productos químicos incompatibles o corrosivos o la sobrecarga de la capacidad); 3. Fallo debido a falta de cuidados y mantenimiento apropiado (incluyendo limpieza); 4. Cualquier modificación del diseño llevada a cabo por alguna organización no autorizada ni especificada por Windsor. 5. Baterías y cargadores. 6. Lavado a alta presión. 7. Componentes eléctricos expuestos a la humedad.

Si se presentan dificultades durante el periodo de garantía, pongase en contacto con el distribuidor autorizado de Windsor al que le haya adquirido el producto. Windsor, Inc., puede optar por exigir la devolución de los componentes para validar una reclamación. Cualquier pieza defectuosa que se devuelva se deberá enviar con flete previamente pagado a un centro de servicio o distribuidor autorizado de Windsor o la fábrica de esta última empresa.

LA UTILIZACIÓN DE PIEZAS NO APROBADAS POR WINDSOR, INC. ANULARÁ TODAS LAS GARANTÍAS

Esta garantía es válida solo para todos los productos vendidos después del 1 de julio de 1995. Cualquier producto vendido antes de esa fecha debería estar cubierto por la garantía limitada en vigor en la fecha de la venta al comprador original.

Revised 1/98



GARANZIA LIMITATA

Windsor Industries, Inc. garantisce all'acquirente originale che le nuove macchine, in condizioni di normale utilizzo e manutenzione, sono prive di difetti nei materiali e nella lavorazione. Il periodo di garanzia è soggetto alle condizioni elencate di seguito.

3 ANNI PER I COMPONENTI ED I ANNO PER LA MANODOPERA DI RIPARAZIONE

Eccezioni: i serbatoi di polietilene modellati in modo rotazionale hanno una garanzia di sei anni per i componenti e di un anno per i costi di manutenzione o riparazione. I modelli VERSAMATIC* hanno una garanzia di tre anni sui motori delle spazzole, i motori di aspirazione e le cinghie ed una garanzia di un anno per i costi di manodopera di manutenzione o riparazione. I modelli SENSOR* hanno una garanzia di due anni sui motori di aspirazione e le cinghie ed una garanzia di un anno per i costi di manodopera di manutenzione o riparazione. I motori della spazzola di estrazione, i motori a pompa, le schede PC e i componenti elettronici, i motori a vuoto (diversi da VERSAMATIC* e SENSOR*), le pompe e i diaframmi FLEXSOL*, tutti i RADIUS* hanno una garanzia di un anno per i componenti e i costi di manodopera di manutenzione o riparazione.

I normali accessori soggetti ad usura, compresi ma non limitati a: spazzole, condensatori, spazzole di carbone, frizioni, cavi, filtri, finiture, guarnizioni, tubi, lampadine, raddrizzatori, commutatori, seccatoi, cuscinetti, pulegge, relè, cavi di azionamento e pneumatici sono garantiti contro difetti di fabbricazione per novanta giorni dalla data di acquisto.

La garanzia ha inizio dalla data di acquisto da parte dell'utente finale originale presso un rappresentante Windsor autorizzato, previa prova dell'acquisto. La scheda di registrazione della macchina deve essere compilata e consegnata immediatamente al momento dell'acquisto. Se risulta impossibile identificare la prova di acquisto, la data di inizio della garanzia va da novanta giorni dopo la data di vendita presso un distributore autorizzato Windsor. I componenti sostituiti o riparati sotto garanzia sono garantiti per il resto del periodo di garanzia originale.

DISPONIBILITÀ DI PROLUNGAMENTO DI GARANZIA DI NOVANTA GIORNI

Alla ricezione della scheda di registrazione della macchina, la Windsor estenderà il periodo di garanzia di altri novanta giorni dalla data di acquisto.

LE GARANZIE QUI INDICATE SOSTITUISCONO OGNI ALTRA GARANZIA, ESPRESSA O IMPLICITA.

Tutte le garanzie statutarie implicite, compresa qualsiasi garanzia di commerciabilità o adeguatezza per un particolare scopo, sono espressamente limitate alla durata della presente garanzia scritta. La Windsor non è responsabile di alcun altro eventuale danno, compresi ma non limitati a danni indiretti o conseguenti, derivanti o connessi con il materiale, le prestazioni, l'utilizzo o l'impossibilità di utilizzo della macchina. Tale rimedio sarà esclusivamente a carico dell'acquirente.

Questa garanzia non si applica a: 1. danneggiamento durante il trasporto; 2. cattivo utilizzo o abuso (compreso l'uso di sostanze chimiche incompatibili o corrosive o sovraccarico di capacità); 3. guasto dovuto a mancanza di manutenzione e cura appropriate (compresa la pulizia); 4. qualsiasi alterazione apportata da un'organizzazione non autorizzata o indicata dalla Windsor; 5. batterie e caricatori; 6. lavaggio ad alta pressione; 7. esposizione dei componenti elettrici all'umidità.

In caso di problemi durante il periodo di garanzia, rivolgersi al rappresentante Windsor autorizzato presso il quale il prodotto è stato acquistato. È possibile che la Windsor, Inc. chieda la restituzione dei componenti per convalidare il reclamo. Qualsiasi componente difettoso da restituire deve essere spedito a carico prepagato ad un distributore/centro di assistenza Windsor o allo stabilimento Windsor.

L'USO DI COMPONENTI NON APPROVATI DALLA WINDSOR, INC. ANNULLA TUTTE LE GARANZIE.

La presente garanzia è valida solo per tutti i prodotti venduti dopo il primo luglio 1995. Un prodotto venduto prima di quella data sarà coperto dalla garanzia limitata in vigore alla data di vendita all'acquirente originale.

Revised 1/98



GARANTIE LIMITÉE

Windsor Industries, Inc. garantit à l'acheteur d'origine les machines neuves contre tout vice de matière et de fabrication dans des conditions normales d'utilisation et d'entretien. La période de garantie est régie par les dispositions ci-après.

3 ANS POUR LES PIÈCES ET 1 AN POUR LA MAIN-D'OEUVRE

Exceptions : Les réservoirs en polyéthylène rotomoulé sont garantis 6 ans pour les pièces et 1 an pour la main-d'oeuvre. Les modèles VERSAMATIC® sont garantis 3 ans pour les moteurs de brosses, moteurs et courroies d'aspiration, et 1 an pour la main-d'oeuvre. Les modèles SENSOR® sont garantis 2 ans pour les moteurs et courroies d'aspiration et 1 an pour la main-d'oeuvre. Les moteurs de brosses extractrices, les moteurs de pompes, les cartes à circuits imprimés et l'électronique, les moteurs d'aspiration (autres que ceux des VERSAMATIC® et SENSOR®), les pompes, les membranes FLEXSOL™ et tous les RADIUS™ sont garantis 1 an pièces et main-d'oeuvre.

Les pièces dont il est normal qu'elles s'usent, y compris, entre autres, les brosses, condensateurs, charbons, embrayages, cordons, filtres, revêtements, joints, tuyaux flexibles, ampoules électriques, redresseurs, interrupteurs, raciettes, roulements, poulies, relais, câbles de commande et pneus, sont garanties contre tout vice de fabrication pendant 90 jours à compter de la date d'achat.

La garantie entre en vigueur le jour de l'achat de la machine chez un concessionnaire agréé Windsor par l'utilisateur final d'origine, sous réserve de présentation d'une preuve de l'achat. La carte d'enregistrement de la machine doit être remplie et renvoyée immédiatement au moment de l'achat. Si la preuve de l'achat ne peut être identifiée, la garantie entre en vigueur 90 jours après la date de la vente à un distributeur agréé Windsor. Les pièces remplacées ou réparées au titre de la garantie sont couvertes pendant la période restant à courir de la garantie d'origine.

PROLONGATION POSSIBLE DE 90 JOURS DE LA GARANTIE

Lors de la réception de la carte d'enregistrement de la machine, Windsor prolongera la période de garantie de 90 jours supplémentaires à compter de la date de l'achat.

LES GARANTIES DECLAREES SE SUBSTITUENT A TOUTE AUTRE GARANTIE EX-PRESSE OU TACITE

Toute garantie tacite réglementaire, y compris toute garantie de valeur marchande ou d'adaptation à un usage particulier, est expressément limitée à la durée de la présence garantie. Windsor ne sera responsable d'aucun autre dommage, y compris, entre autres, les dommages indirects ou fortuits spéciaux résultant de ou liés à la mise à disposition de la machine, à son fonctionnement, à son utilisation ou à l'impossibilité de l'utiliser. Ce dédommagement sera le seul offert à l'acheteur.

La présence garantie ne s'applique pas : 1) aux dommages en cours de transport; 2) à un usage incorrect ou abusif (y compris l'utilisation de produits chimiques corrosifs ou incompatibles, ou un dépassement de capacité); 3) à une panne due à un manque d'entretien approprié (y compris le nettoyage); 4) à toute modification effectuée par un établissement non agréé ni spécifié par Windsor; 5) aux batteries et chargeurs; 6) au lavage haute pression; 7) aux composants électriques exposés à l'humidité.

Si un problème se pose pendant la période de garantie, prendre contact avec le concessionnaire agréé auquel la machine a été achetée. Windsor peut choisir de demander le retour des organes concernés pour valider un recours en garantie. Toute pièce défectueuse à renvoyer doit être expédiée en port payé à un concessionnaire/centre de réparation agréé Windsor ou à l'usine.

L'UTILISATION DE PIÈCES NON AUTORISÉES PAR WINDSOR ANNULERA TOUTE GARANTIE.

La présence garantie n'est valable que pour toutes les machines vendues après le 1er juillet 1995. Une machine vendue avant cette date sera couverte par la garantie limitée en vigueur à la date de sa vente à l'acheteur d'origine.

Revised 1/98