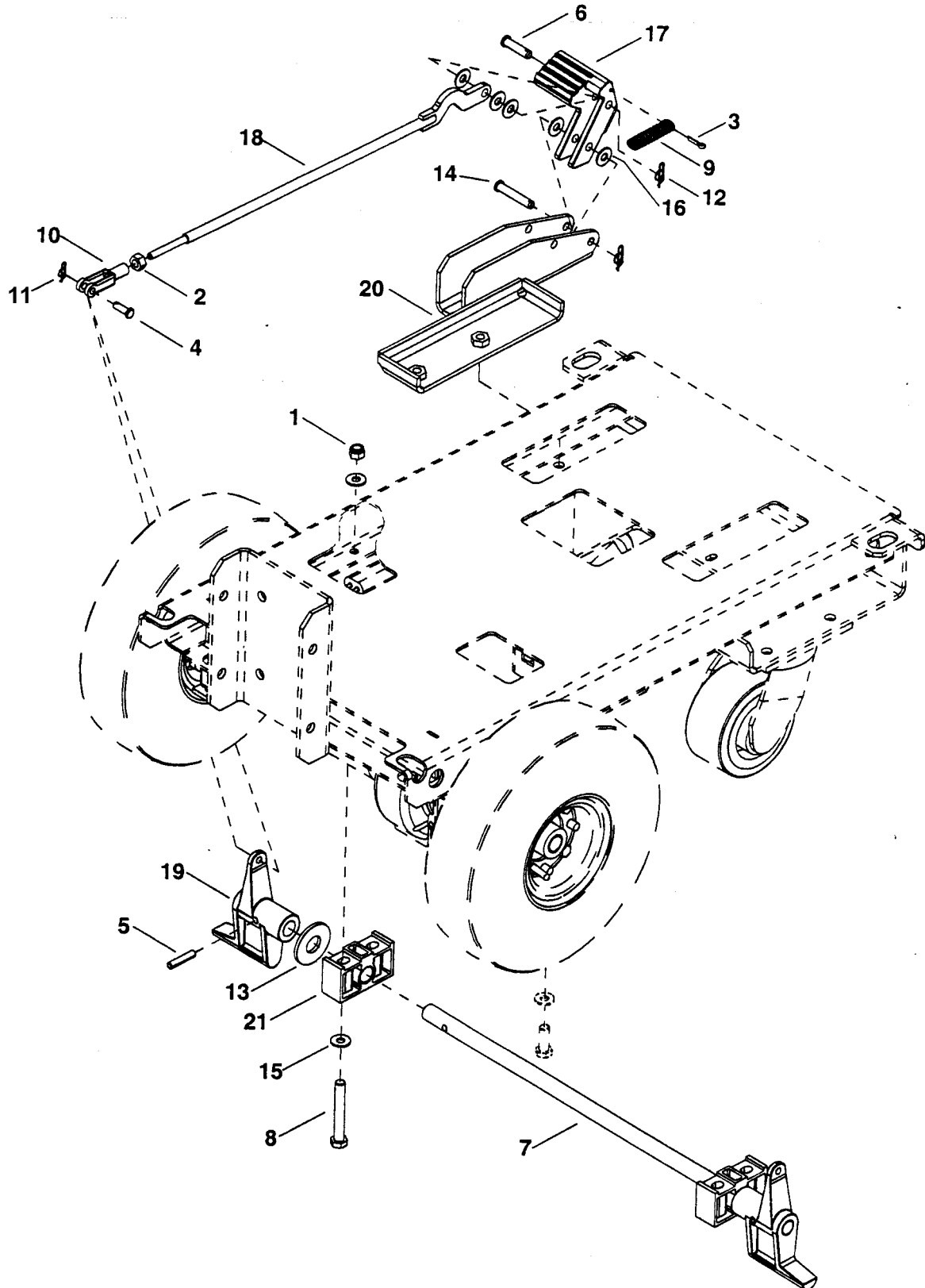


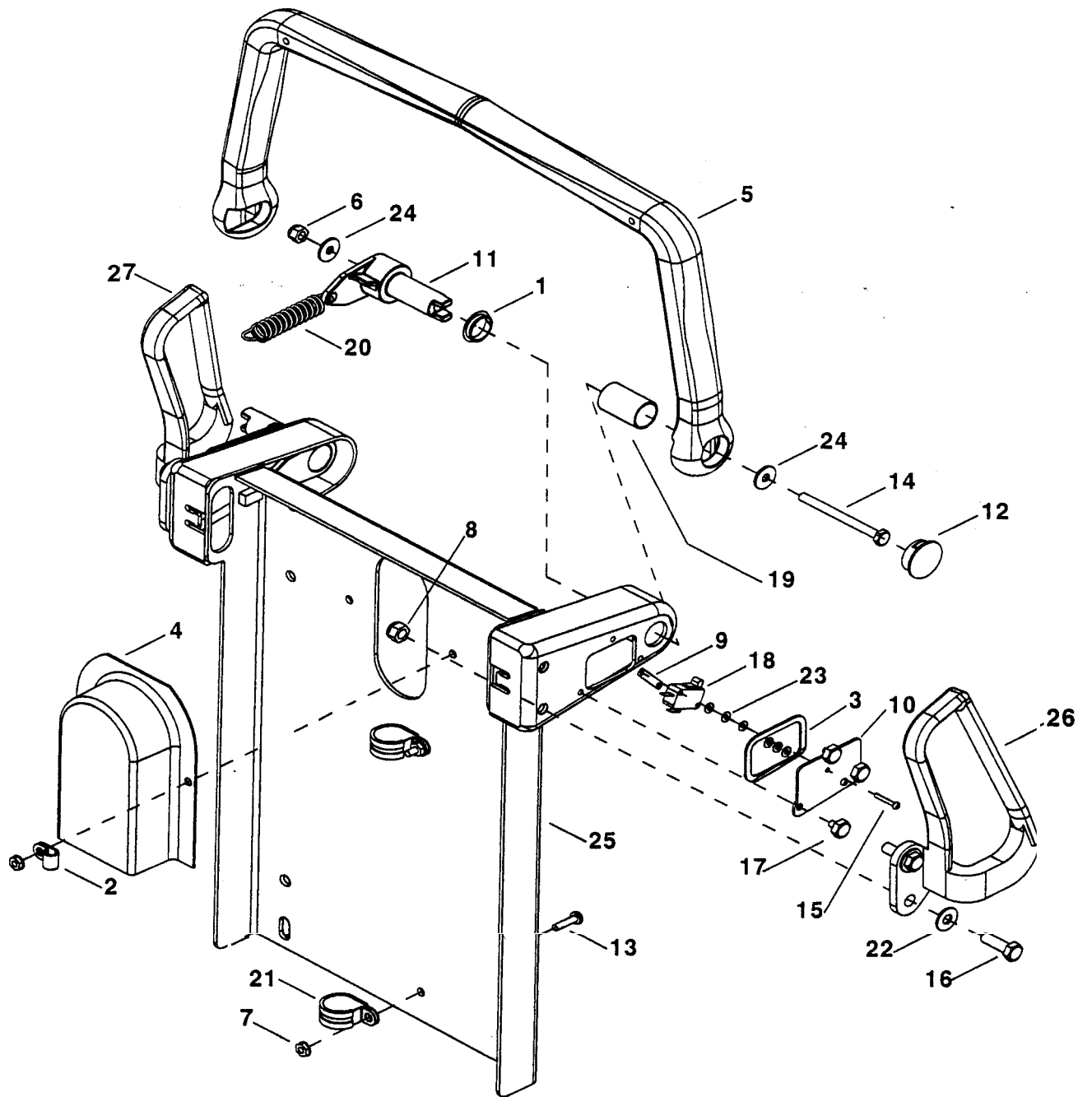
BRAKE GROUP



BRAKE GROUP

REF	PART NO.	QTY	DESCRIPTION	SERIAL NO. FROM	NOTES:
1	57113	4	NUT, 5/16-18 HEX NYLOCK		
2	57029	1	NUT, 1/4-28 HEX SS		
3	66073	1	PIN, COTTER 1/16" X 3/4"L PLTD		
4	66116	1	PIN, CLEVIS 1/4" X 3/4" PLTD		
5	66192	2	PIN, ROLL 1/4 X 1.25L		
6	66304	1	PIN, CLEVIS 5/16 X 1-1/4		
7	67400	1	ROD, TORSION BRAKE		
8	70349	4	SCR, 5/16-18 X 2.5 HHCS		
9	73426	1	SPRING, EXT .43D X2.50L X.047W		
10	80603	1	CLEVIS, 1/4" YOKE END 1/4-28		
11	80604	1	COTTER, 1/4" RING		
12	80605	2	COTTER, 5/16" RING		
13	80633	2	WASHER, .634ID X1.407D X.09T		
14	80831	1	PIN, CLEVIS 5/16" X 1.75"L PLT		
15	87029	8	WASHER, 5/16 FLAT SS		
16	87030	5	WASHER, 3/8 ID X 3/4 OD NYLON		
17	89151	1	PEDAL, BRAKE		
18	89152	1	WELDMT, ROD PRK. BRAKE		
19	89153	2	PAD, BRAKE		
20	89196	1	WELDMENT, BRAKE PEDAL		
21	140331	2	BUSHING, PILLOW BLOCK		

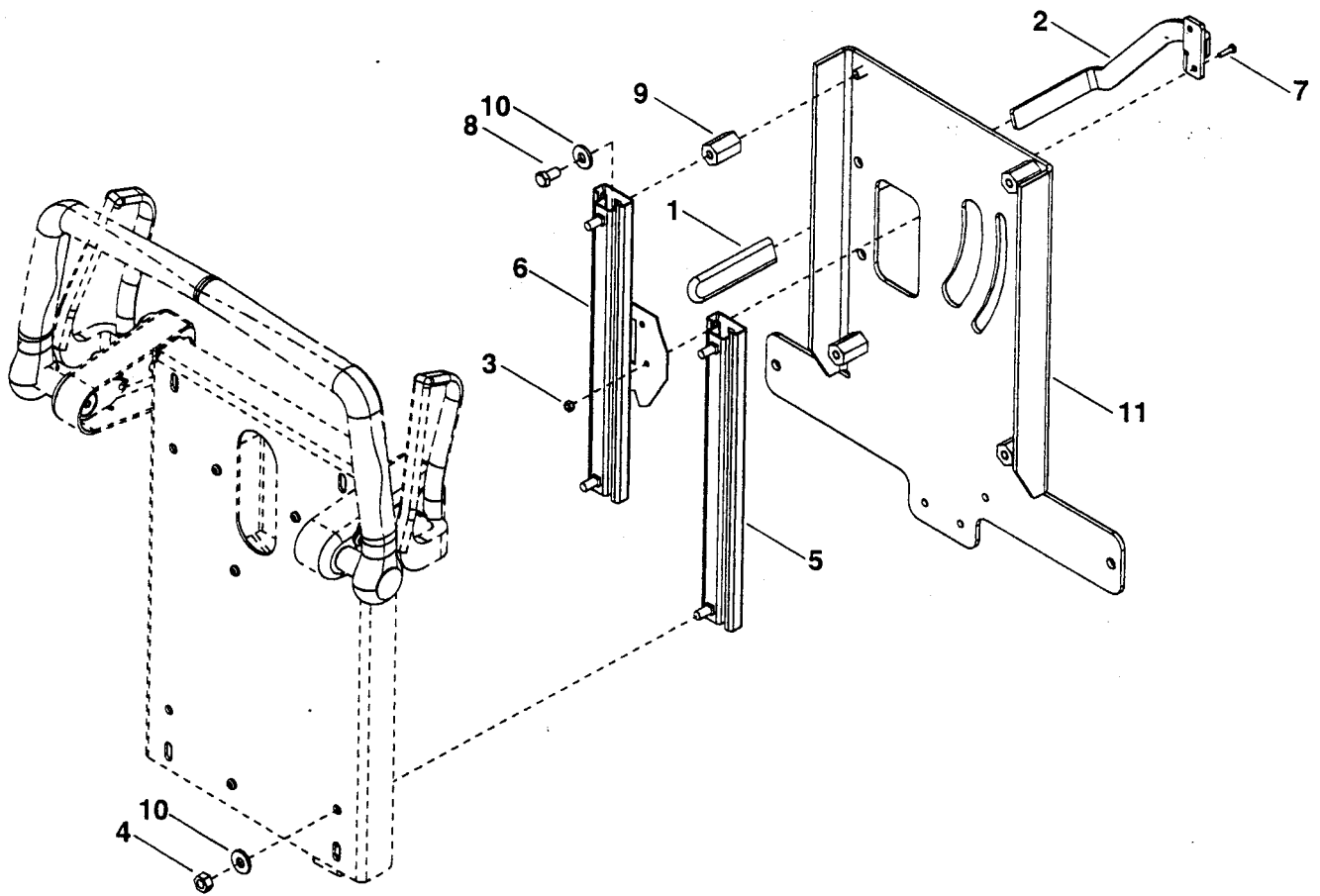
CONTROL HANDLE GROUP



CONTROL HANDLE GROUP

REF	PART NO.	QTY	DESCRIPTION	SERIAL NO. FROM	NOTES:
1	09129	2	BEARING, 3/4 NYLINER SI		
2	20005	2	CLAMP, 5/16 NYLON		
3	35220	2	GASKET, MICRO SWITCH COVER		
4	36190	1	GUARD, HARNESS COVER		
5	38275	1	HANDLE, CONTROL		
6	57047	2	NUT, 1/4-20 HEX NYLOCK		
7	57104	4	NUT, 10-32 W/STAR WASHER PLTD		
8	57113	4	NUT, 5/16-18 HEX NYLOCK		
9	57247	2	NUT, PLATE SWITCH MOUNTING		
10	62726	2	PLATE, MICROSWITCH MOUNT		
11	66293	2	PIVOT, HANDLE		
12	66301	2	PLUG, 1.00 HOLE		
13	70066	4	SCR, 10-32 X 3/4 PPHMS SS		
14	70129	2	SCR, 1/4-20 X 3.00 HHCS		
15	70245	4	SCR, 4-40 X 3/4 PPHMS		
16	70302	4	SCR, 5/16-18 X 1.00 HHCS GR5		
17	70351	6	SCR, 10-32 X 3/8 HHTR W/STAR		
18	72093	2	SWITCH, MICRO		
19	73913	2	SPACER, 7/8 OD X .78 ID X 1.375 L		
20	73938	2	SPRING, EXT. .5D X 2.75L X .075W		
21	80887	2	CLAMP, 7/8 DIA "P"CUSHIONED		
22	87029	4	WASHER, 5/16 X 3/4 SS		
23	87068	12	WASHER, 1/8 RIVET BACKUP		
24	87090	4	WASHER, 1/4 X 3/4 FLAT		
25	89117	1	WELDMENT, TOWER		
26	140247	1	BAR, GRAB HANDLE LEFT		
27	140248	1	BAR, GRAB HANDLE RIGHT		

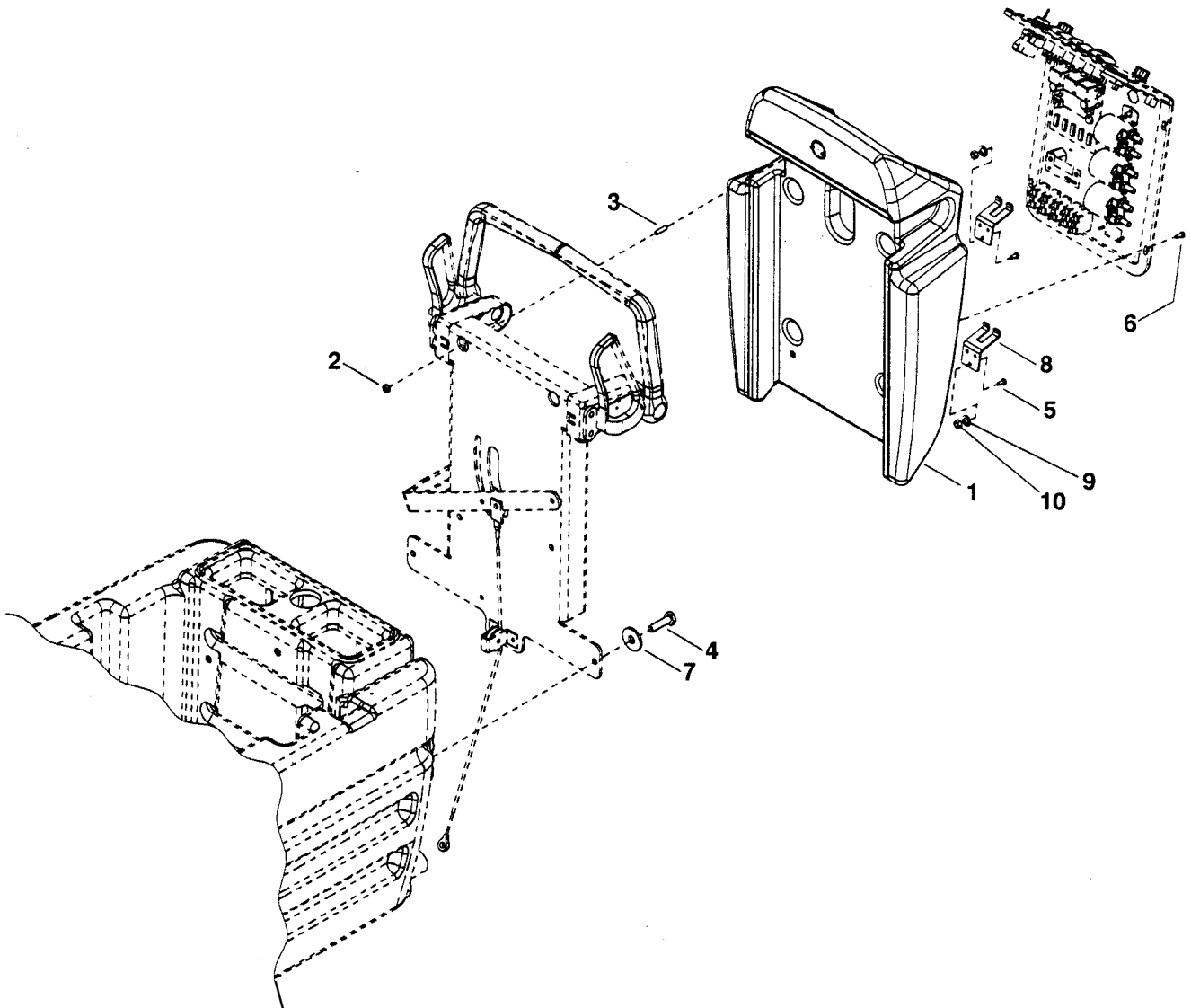
CONTROL TOWER ADJUSTMENT GROUP



CONTROL TOWER ADJUSTMENT GROUP

-- REF	PART NO.	QTY	DESCRIPTION	SERIAL NO. FROM	NOTES:
1	36004	1	GRIP, VINYL HANDLE		
2	51325	1	LEVER, TOWER ADJUST		
3	57030	2	NUT, 10-32 HEX NYLOCK		
4	57113	4	NUT, 5/16-18 HEX NYLOCK		
5	67387	1	RAIL ASSY, SLIDING		
6	67388	1	RAIL ASSY, LOCKING		
7	70066	2	SCR, 10-32 X 3/4 PPHMS SS		
8	70375	4	SCR, 5/16-18 X 1/2 HHCS GR5 DL		
9	730004	4	STANDOFF, 1.19L, 5/16-18 THD		
10	87029	8	WASHER, 5/16 FLAT SS		
11	89203	1	WELDMENT, TOWER ADJUST		

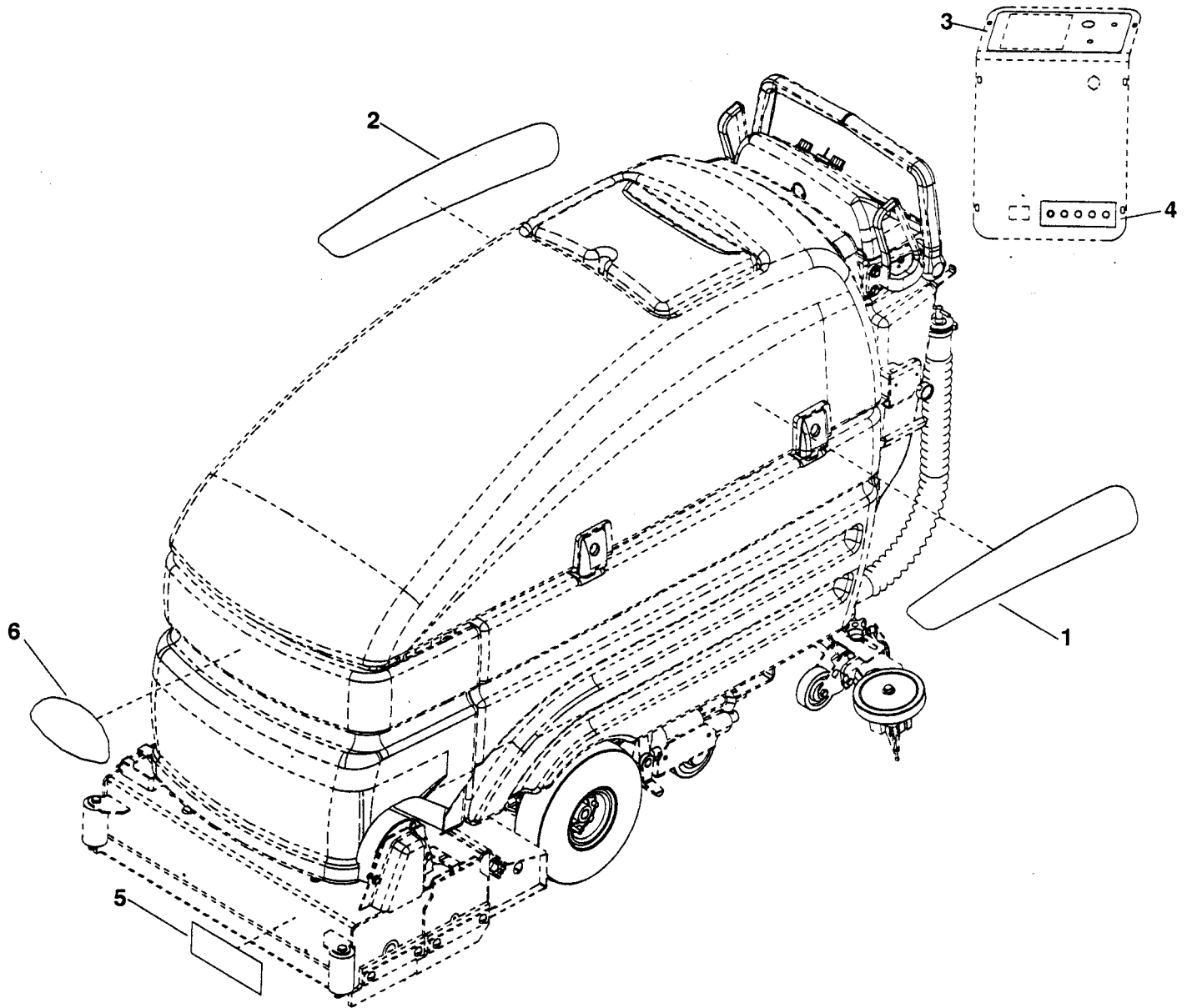
CONTROL TOWER GROUP



CONTROL TOWER GROUP

REF	PART NO.	QTY	DESCRIPTION	SERIAL NO. FROM	NOTES:
1	27757	1	CONSOLE, REAR		
2	57189	4	NUT, 1/4-20 FLANGE LOCK		
3	70251	4	SET SCR, 1/4-20 X 1.0 PLTD DL		
4	70305	4	SCR, 5/16-18 X 3/4HHCSGR5PLTDL		
5	70604	6	SCR, 10-32 X 5/8 PPHMS BLACK		
6	70532	6	SCR, 10-32 X 1/2 PPHMS BLK		
7	87029	4	WASHER, 5/16 FLAT SS		
8	140133	2	BRACKET, RECOVERY HOSE		
9	87018	6	WASHER, #10 X 9/16 OD		
10	57030	6	NUT, 10-32 HEX NYLOCK		

DECAL GROUP

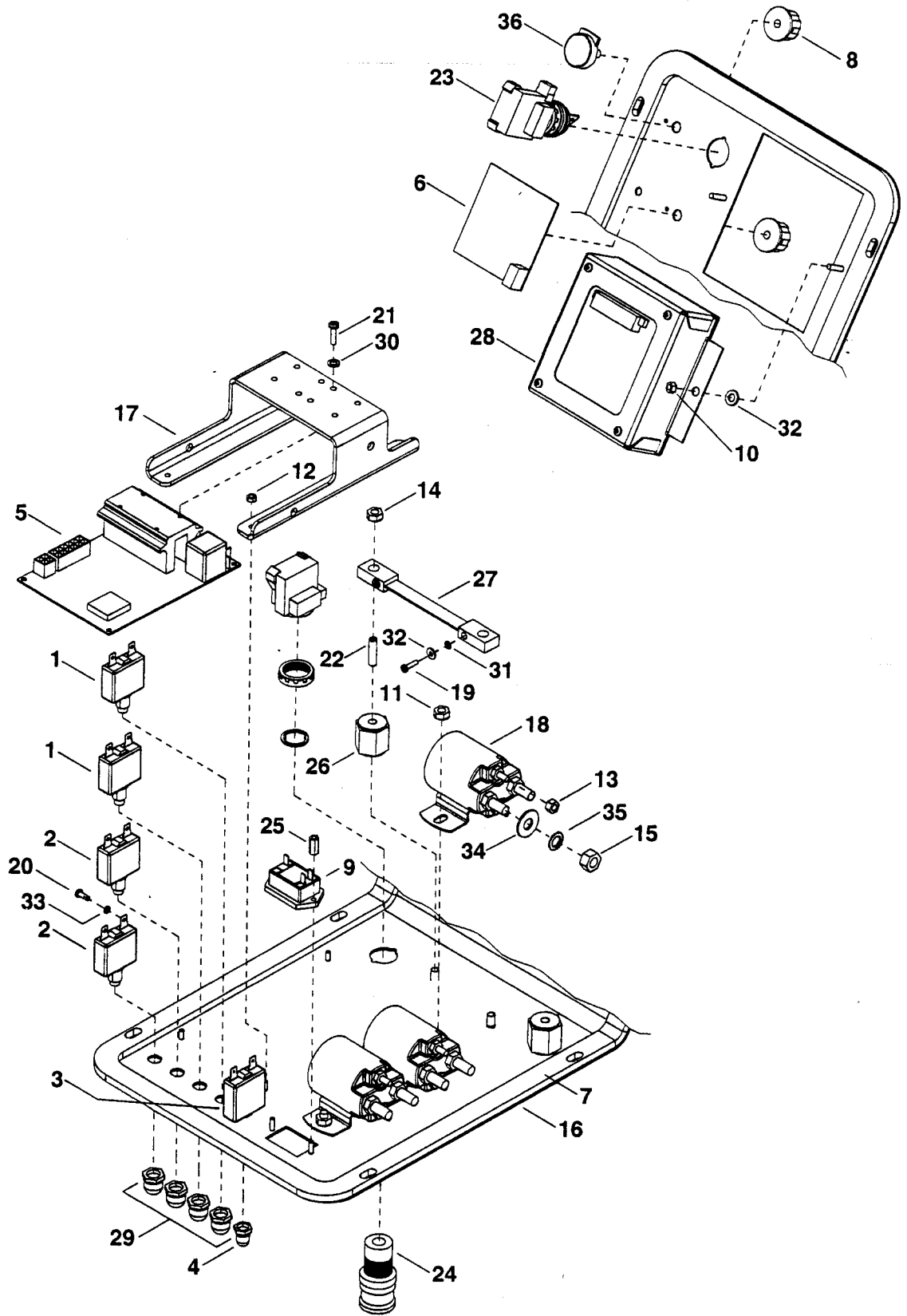


DECAL GROUP

REF	PART NO.	QTY	DESCRIPTION	SERIAL NO. FROM	NOTES:
1	50915	1	LABEL, SABER (LEFT)		
2	50916	1	LABEL, SABER (RIGHT)		
3	500080	1	LABEL, SCRUBBER		
4	500081	1	LABEL, CIRCUIT BREAKER		
5	82552	1	DECAL, SCRUB PLUS		SCRUB PLUS ONLY
6	50990	1	LABEL, WINDSOR LOGO DOMED		
7	98721	1	CARD, WINDSOR SERVICE		NOT SHOWN
8	14382	1	BAND, SERVICE CARD		NOT SHOWN

NOTE: SEE "SAFETY LABEL LOCATION" PAGE FOR SAFETY LABEL INFORMATION.

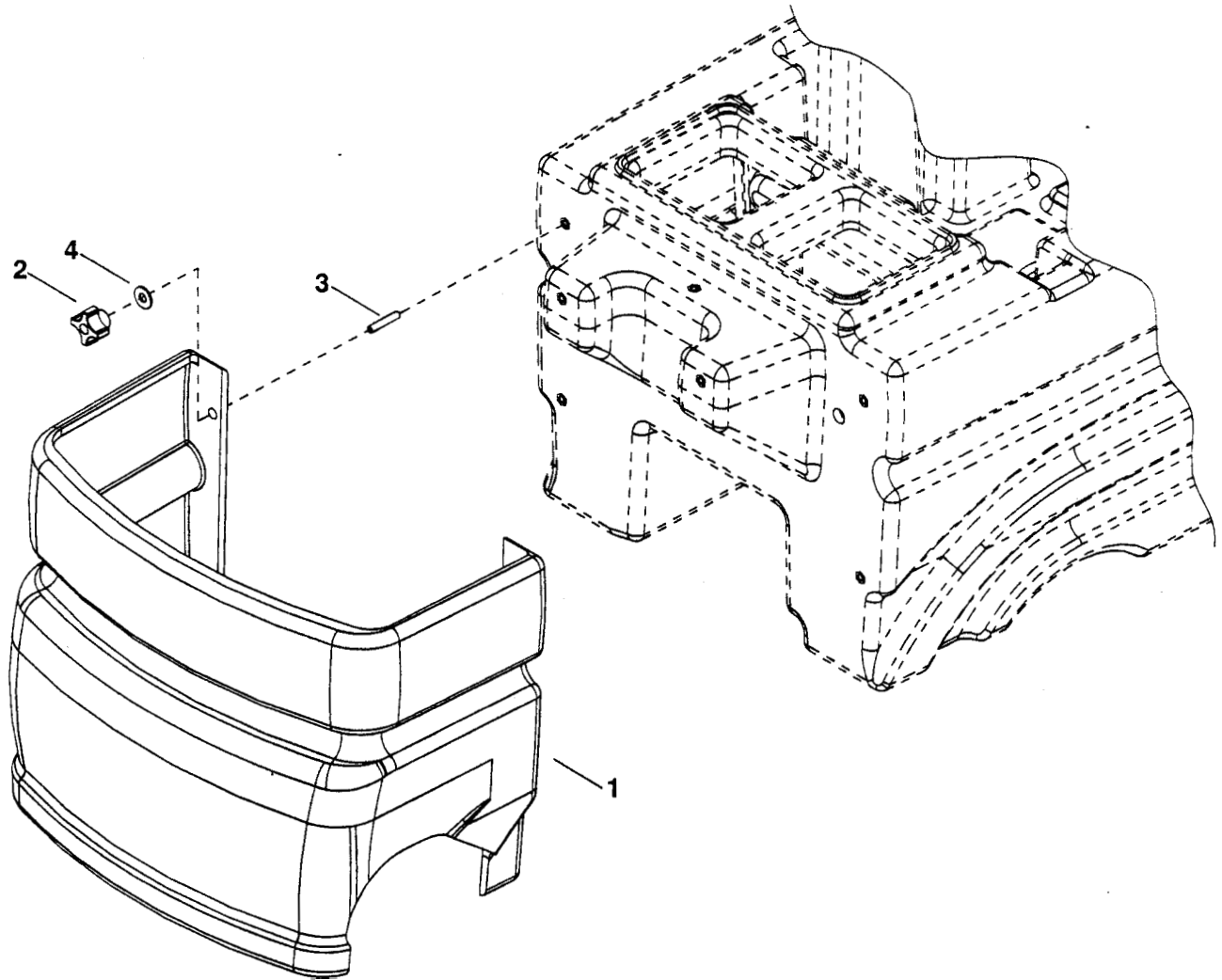
ELECTRICAL PANEL GROUP



ELECTRICAL PANEL GROUP

REF	PART NO.	QTY	DESCRIPTION	SERIAL NO. FROM	NOTES:
1	14606	2	BREAKER, 30A 250VAC 50VDC		
2	14607	2	BREAKER, 25A 250VAC 50VDC		
3	14717	1	BREAKER, 3A 250VAC 50VDC		
4	14942	1	BOOT, 3/8 CIRCUIT BREAKER		
5	27782	1	CONTROLLER, 24 VDC		
6	27858	1	CIRCUIT BOARD, SOLUTION/FLOAT		
7	35210	1	GASKET, ELECTRIC PANEL		
8	48072	2	KNOB, 1.06 OD X .25 ID W/SET SCR		
9	54154	1	METER, 12-48 VDC LED HOUR		
10	57026	2	NUT, 8-32 HEX NYLOCK		
11	57047	4	NUT, 1/4-20 HEX NYLOCK		
12	57049	4	NUT, 6-32 HEX NYLOCK SS		
13	57104	6	NUT, 10-32 W/STAR WASHER PLTD		
14	57105	2	NUT, 1/4-20 HEX W/STAR		
15	57117	6	NUT, 5/16-24 HEX PLTD		
16	62830	1	PLATE, ELECTRIC PANEL		
17	62831	1	PLATE, HEAT SINK		
18	67393	3	RELAY, 24VDC 100 AMP		
19	70052	2	SCR, 8-32 X 3/8 PPHMS SS		
20	70067	8	SCR, 6-32 X 3/8 PPHMS SS		
21	70142	4	SCR, M4 X.7X10PPHMS DIN7985PLT		
22	70393	2	SET SCR, 1/4-20X 1.25L		
23	72159	1	SWITCH, KEY 2 POSITION		
24	72160	1	SWITCH, EMERGENCY STOP		
25	73538	2	STANDOFF, 5/8 L, 6-32		
26	73659	2	STANDOFF, INS. 1.0L, 1/4-20 THD		
27	73905	1	SHUNT, TYPE A DC AMMETER 30AMP		
28	78392	1	TOUCH PANEL ASM		
29	80845	4	BOOT, 3/8 CIRCUIT BREAKER		
30	87007	4	WASHER, #8 LOCK EXT. STAR PLT		
31	87016	2	WASHER, #10 LOCK EXT STAR SS		
32	87017	2	WASHER, #8 FLAT		
33	87134	8	WASHER, #6 SPLIT		
34	87142	6	WASHER, .344X.69X.066 FLAT PLT		
35	87166	6	WASHER, 5/16 EXT LOCK PLTD		
36	66193	REF	POTENTIOMETER, 5X OHMS		SERVICE ONLY

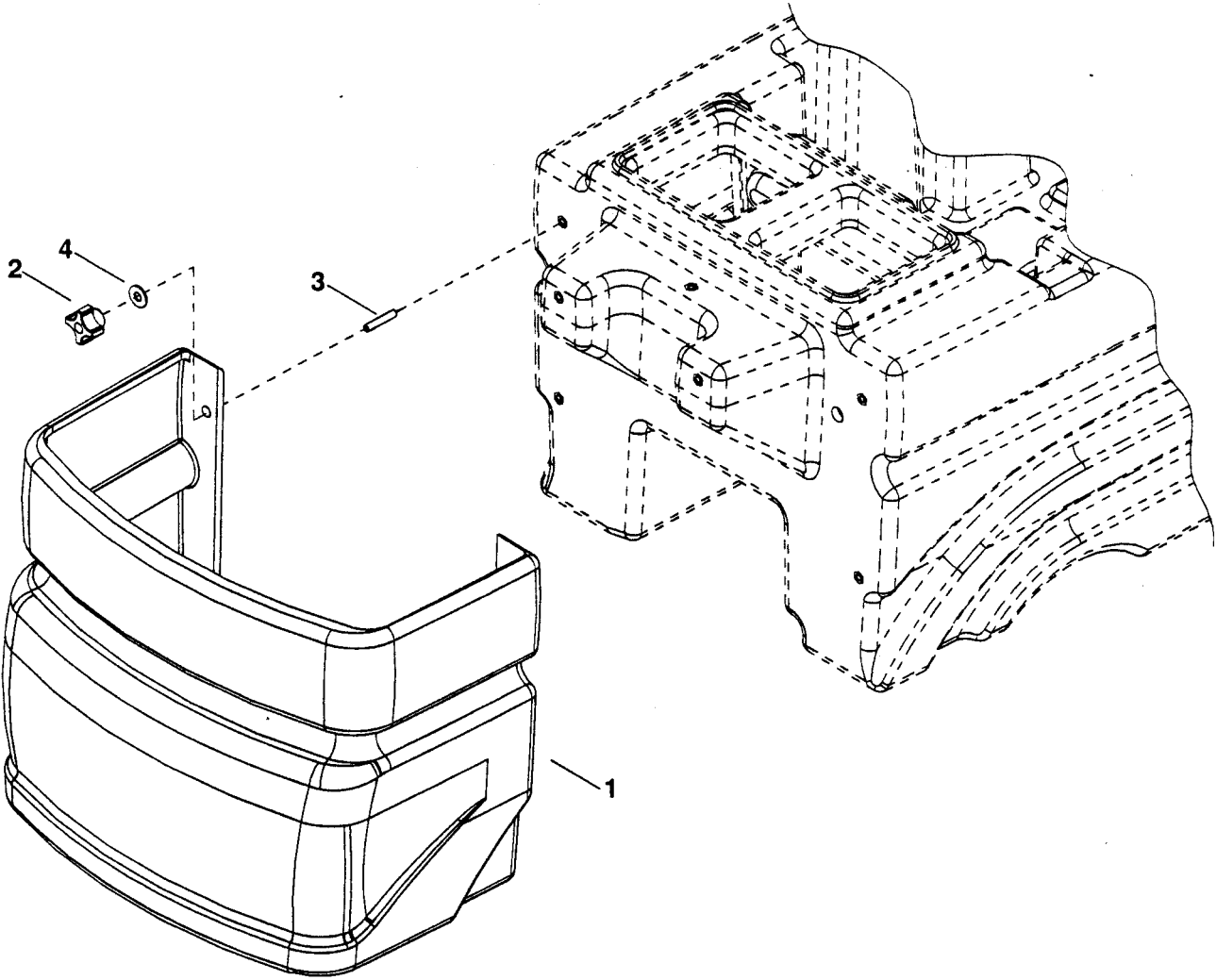
FRONT COVER GROUP - CYLINDRICAL SCRUBHEAD



FRONT COVER GROUP – CYLINDRICAL SCRUBHEAD

REF	PART NO.	QTY	DESCRIPTION	SERIAL NO. FROM	NOTES:
1	27863	1	COVER, FRONT 24V CYLINDRICAL		
2	48012	2	KNOB, 5/16-18 4 PRONG		
3	70639	4	SCR, 5/16 X 1.75 SSSCU		
4	87029	2	WASHER, 5/16 FLAT SS		

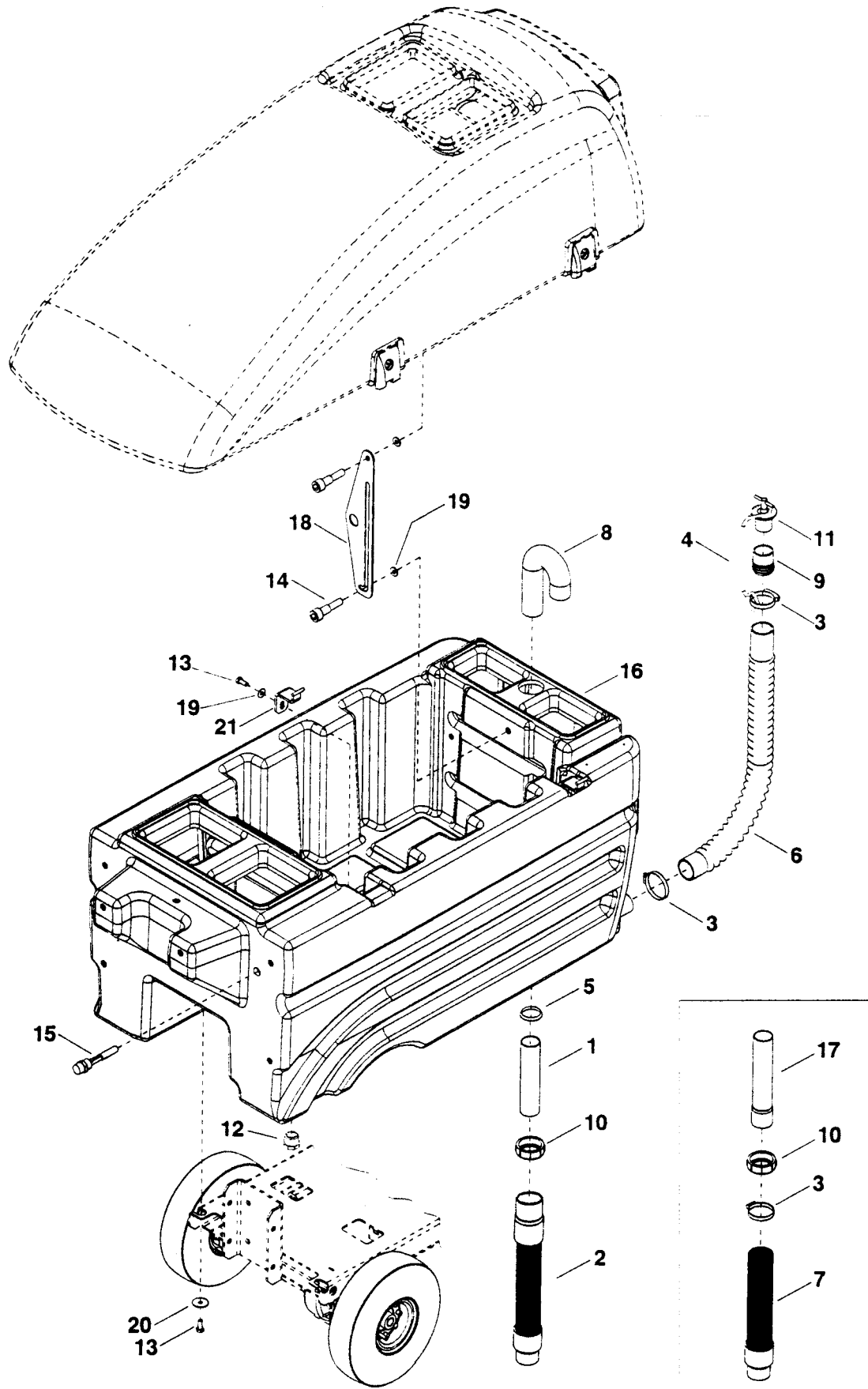
FRONT COVER GROUP - DISK SCRUBHEAD



FRONT COVER GROUP - DISK SCRUBHEAD

1	27860	1	COVER, FRONT 24V DISK		
2	48012	2	KNOB , 5/16-18 4 PRONG		
3	70639	4	SCR, 5/16 X 1.75 SSSCU		
4	87029	2	WASHER, 5/16 FLAT SS		

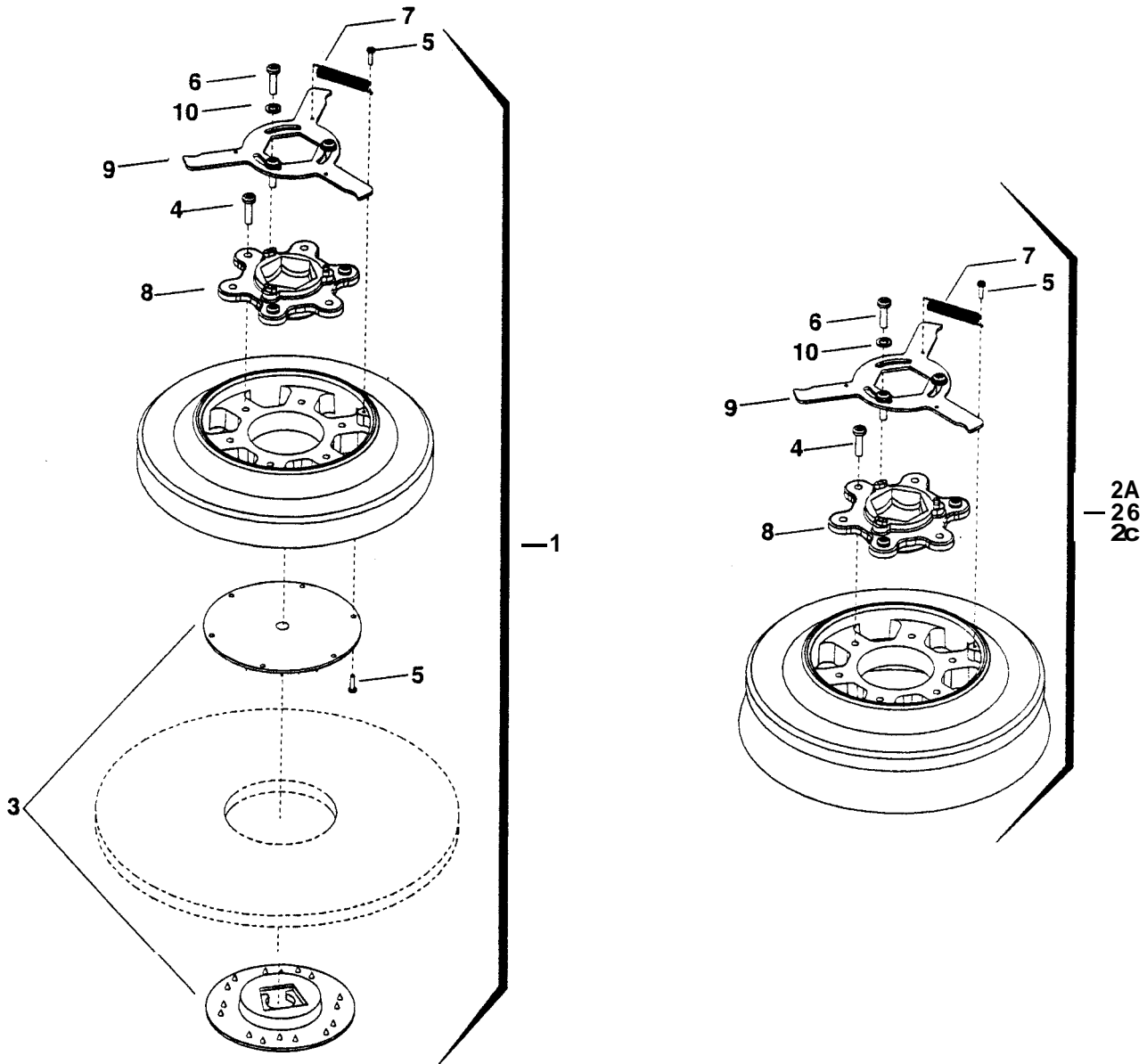
RECOVERY TANK GROUP



RECOVERY TANK GROUP

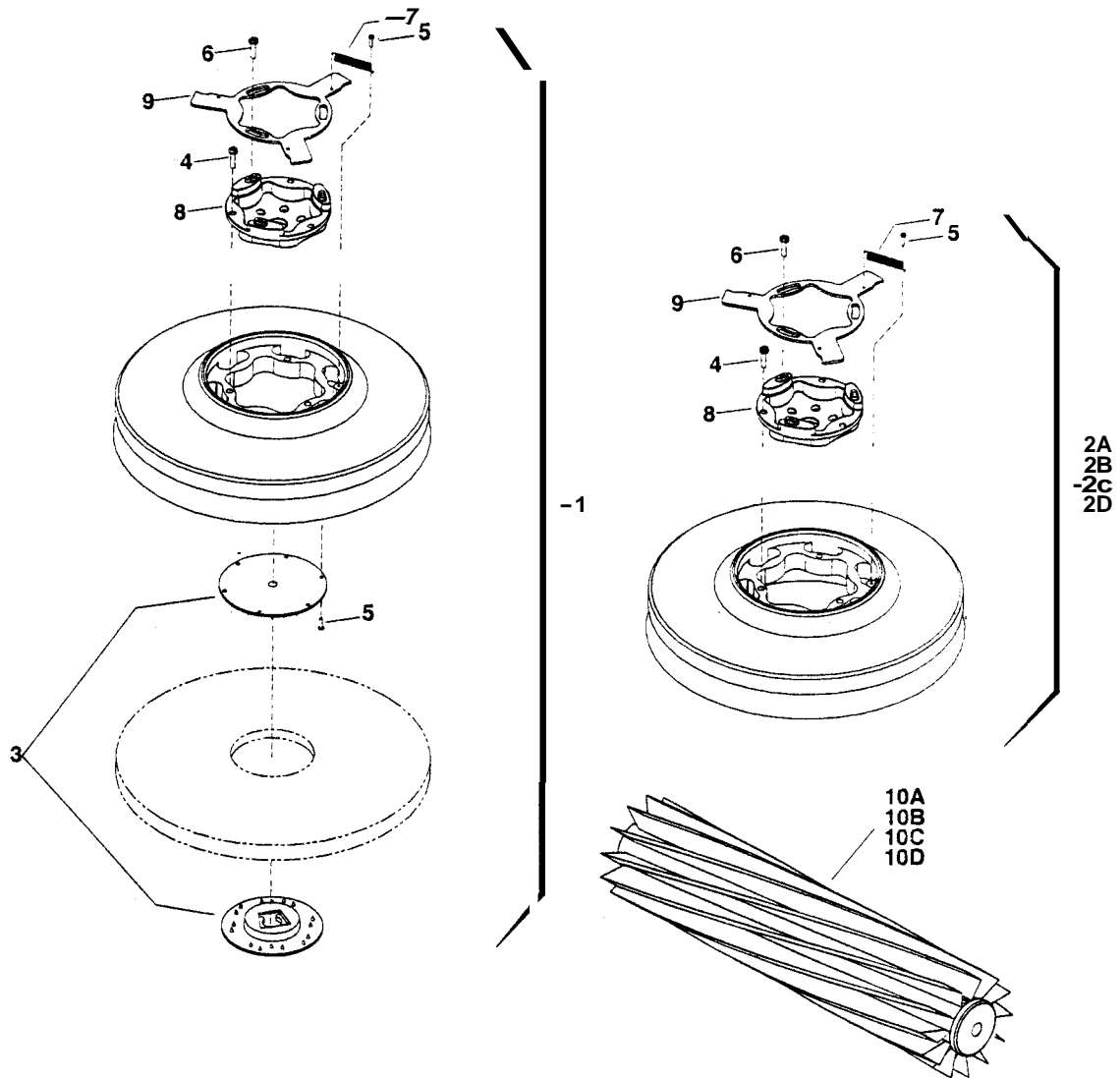
REF	PART NO.	QTY	DESCRIPTION	SERIAL NO. FROM	NOTES:
1	78480	1	TUBE, 1.5 X 12 PVC	1000078636	
2	39307	1	HOSE, ASM, 1.5 VAC	1000078636	
3	20064	3	CLAMP, 2.0" WORM GEAR X .312W		
4	27670	1	CORD, DRAIN PLUG		
5	35219	1	GASKET, 1 1/2 COMPRESSION		
6	39472	1	HOSE, 1.5 X 24.0 DRAIN		
7	39511	1	HOSE ASM, 1.5 X 11 BLK VAC		
8	39519	1	HOSE, P-TRAP		
9	40019	1	HOSEBARB, 1.5 DOUBLE MCHD		
10	57033	1	NUT, 1.5 SLIP JOINT		
11	66227	1	PLUG, DRAIN HOSE		
12	66240	1	PLUG, 3/4" MPT PVC		
13	70305	6	SCR, 5/16-18 X 3/4HHCSGR5PLTDL		
14	70641	2	SHOULDER BOLT, 3/8OD X 3/8L SS		
15	73906	1	SWITCH ASM, FLOAT		
16	75296	1	TANK, RECOVERY		
17	78443	1	TUBE, 1.50X 12.0" PVC		
18	82575	1	PLATE, TANK SUPPORT		
19	87029	4	WASHER, 5/16FLAT SS		
20	87212	4	WASHER, .344ID X 1.1 3OD X .09T PLTD		
21	89127	2	WLDMNT, HINGE PIN		

SCRUB BRUSH/PAD DRIVER GROUP (HEX DRIVE)-24 IN



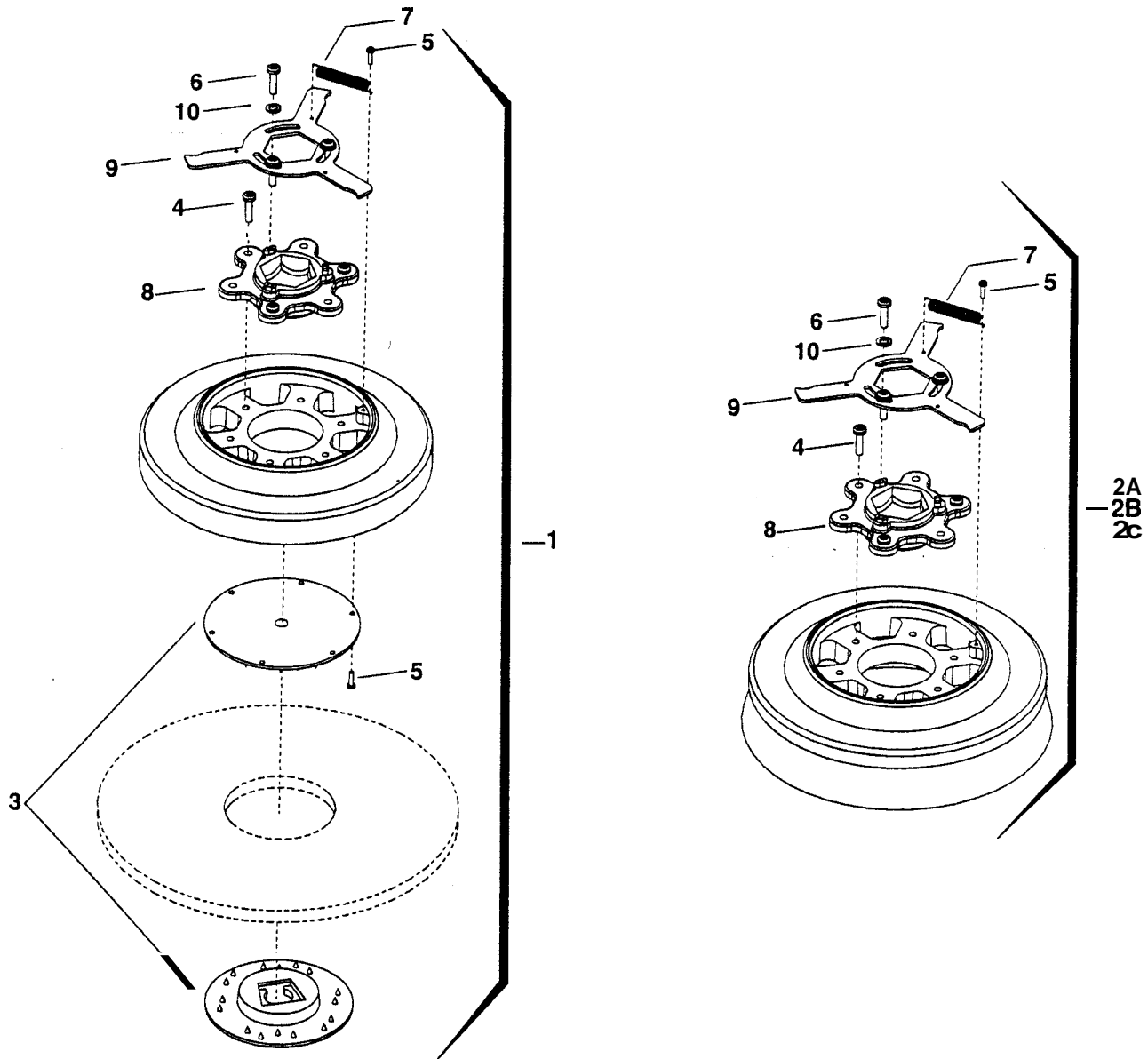
REF	PART NO.	QTY	DESCRIPTION	SERIAL NO. FROM	NOTES:
1	02336	2	PAD DRIVER, 12" HEX		
2A	02341	2	BRUSH, 12" POLYPROPYLENE HEX		
2B	02342	2	BRUSH, 12" NYLON HEX		
2C	02343	2	BRUSH, 12" MILD GRIT HEX		
3	51284	1	LOCK, PAD CENTER SNAP, TWO STEP		
4	70682	6	SCR, 1/4-20 X 5/8 PPHTC SS		
5	70576	4	SCR, #8 X 1/2 PPH T/S SS		
6	70682	3	SCR, 1/4-20 X 5/8 PPHTC SS		
7	73817	1	SPRING, EXT .31 D X 2.0 L X .03 W SS		
8	73861	1	CLUTCH, HEX DRIVE		
9	81471	1	PALTE, BRUSH RELEASE		
10	87013	3	WASHER, 1/4 ID X 5/8 OD SS		

SCRUB BRUSH/PAD DRIVER GROUP (STAR DRIVE)-24 IN



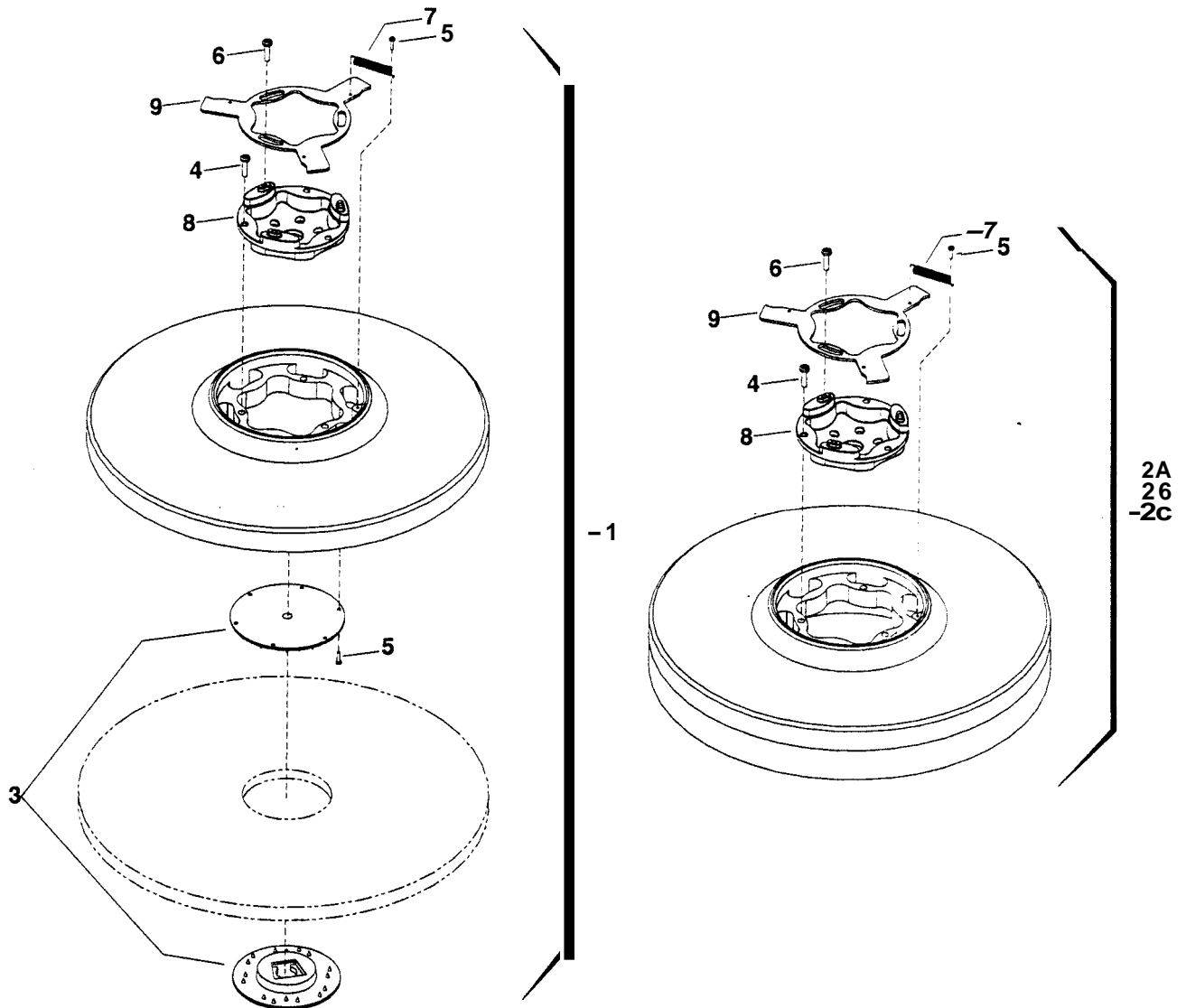
REF	PART NO.	QTY	DESCRIPTION	SERIAL NO. FROM	NOTES:
1	02400	2	PAD DRIVER, 12" SD		
2A	02401	2	BRUSH, 12" POLYPROPYLENE SD		
2B	02402	2	BRUSH, 12" NYLON SD		
2C	02404	2	BRUSH, 12" MILD GRIT SD		
2D	02405	2	BRUSH, 12" SUPER AGG SD		
3	51284	1	LOCK, PAD CENTER SNAP, TWO STEP		
4	70695	3	SCR, 12-24 X 1.0 PPHMS SS		
5	70694	4	SCR, 8-32 X 3/4 PTHMS		
6	70696	3	SCR, 10-32 X 3/4 PTHMS		
7	73817	1	SPRING, EXT .31 D X 2.0 L X .03 W SS		
8	730011	1	SOCKET, DRIVE BRUSH		
9	62852	1	PLATE, BRUSH RELEASE		
10A	02362	1	BRUSH, 23" CYL. POLY		
10B	02379	1	BRUSH, 23" CYL. NYLON		
10C	02380	1	BRUSH, 23" CYL. STANDARD GRIT		
10D	02381	1	BRUSH, 23" CYL. SUPER AGG GRIT		

SCRUBBRUSH/PAD DRIVER GROUP (HEX DRIVE)-26 IN



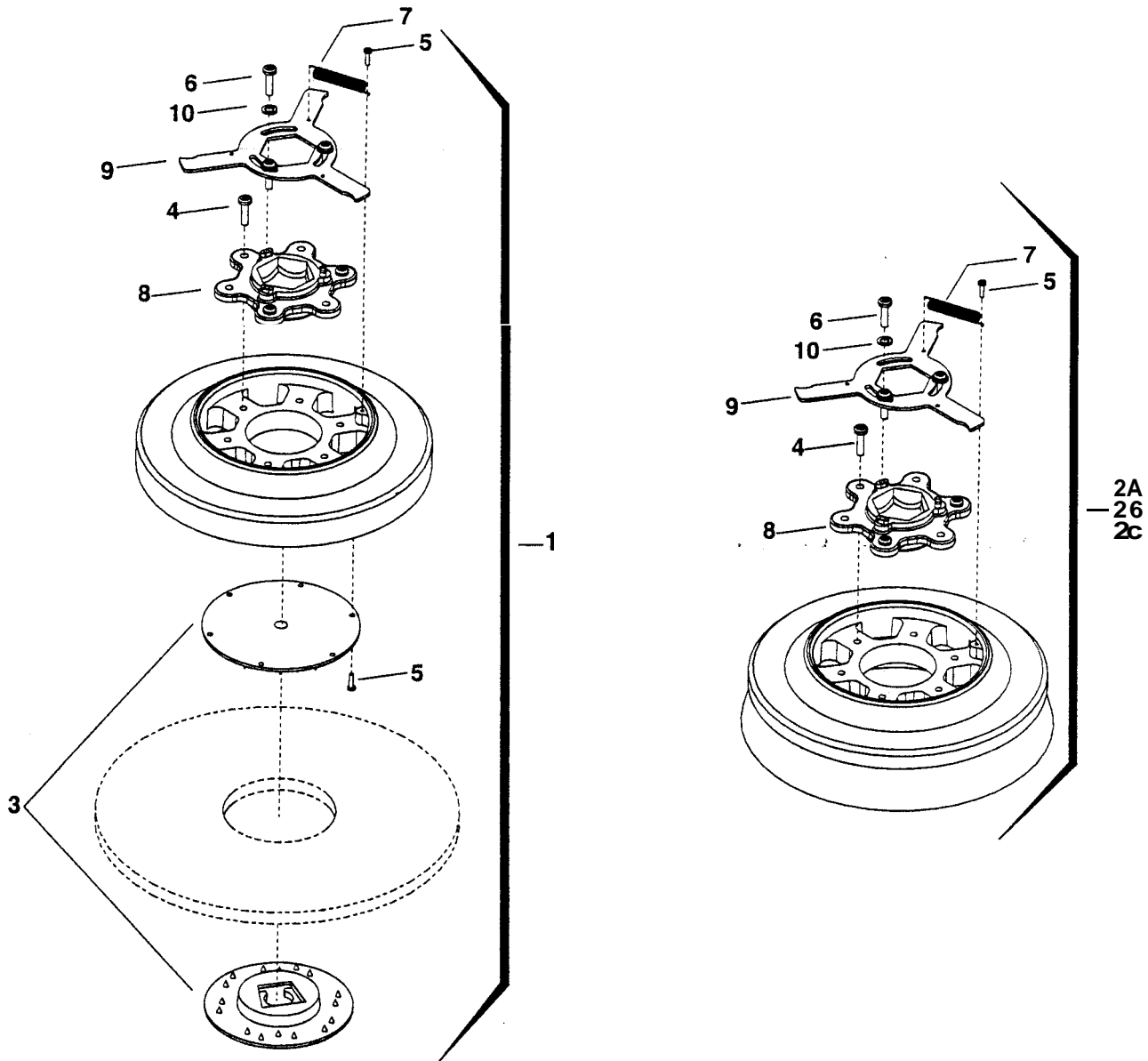
REF	PART NO.	QTY	DESCRIPTION	SERIAL NO. FROM	NOTES:
1	02390	2	PAD DRIVER, 13" HEX		
2A	02387	2	BRUSH, 13" POLYPROPYLENE HEX		
2B	02388	2	BRUSH, 13" NYLON HEX		
2C	02389	2	BRUSH, 13" MILD GRIT HEX		
3	51284	1	LOCK, PAD CENTER SNAP, TWO STEP		
4	70682	6	SCR, 1/4-20 X 5/8 PPHTC SS		
5	70576	4	SCR, #8 X 1/2 PPH T/S SS		
6	70682	3	SCR, 1/4-20 X 5/8 PPHTC SS		
7	73817	1	SPRING, EXT .31 D X 2.0 L X .03 W SS		
8	73861	1	CLUTCH, HEX DRIVE		
9	81471	1	PLATE, BRUSH RELEASE		
10	87013	3	WASHER, 1/4 ID X 5/8 OD SS		

SCRUB BRUSH/PAD DRIVER GROUP (STAR DRIVE)-26 IN



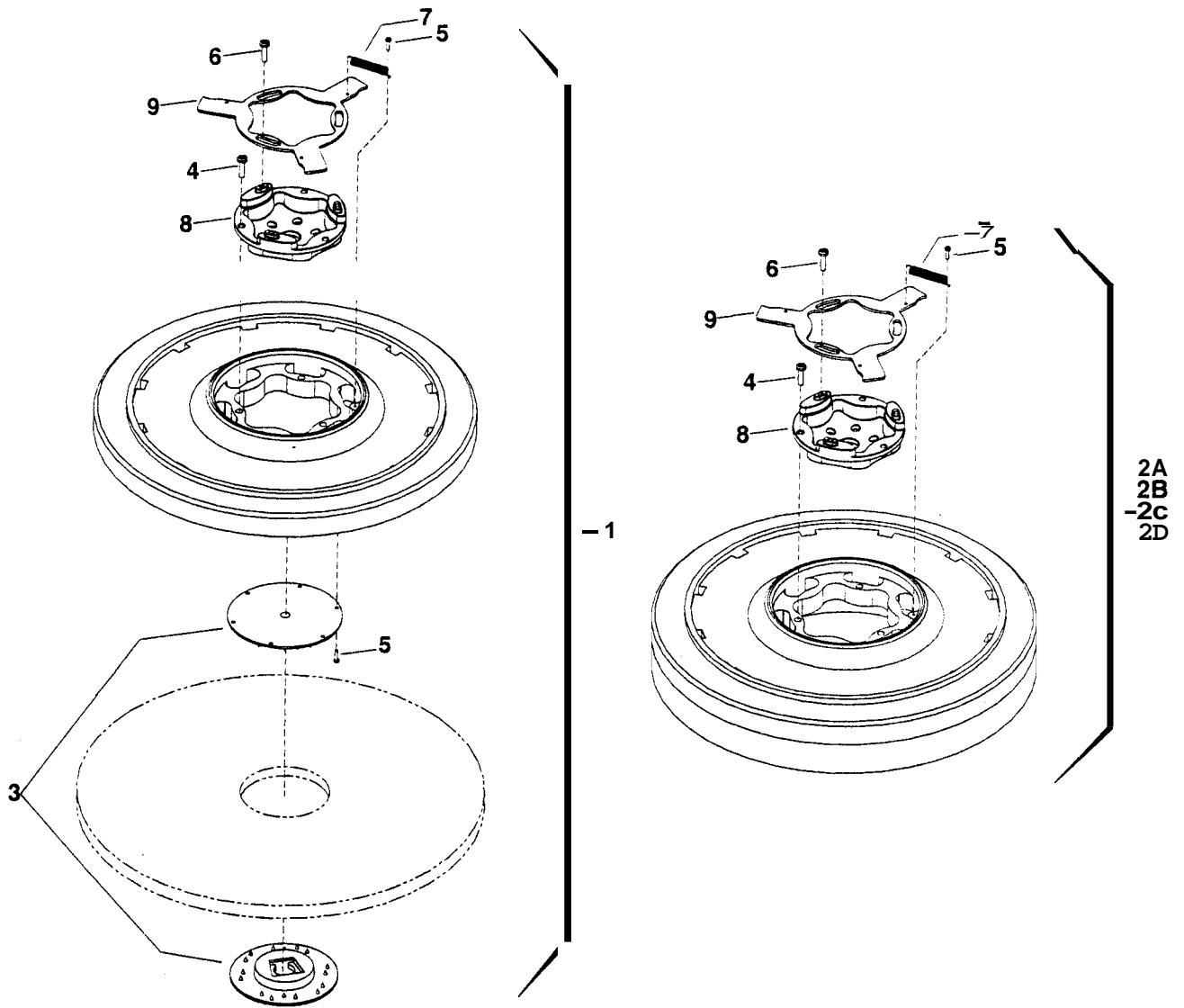
REF	PART NO.	QTY	DESCRIPTION	SERIAL NO. FROM	NOTES:
1	02406	2	PAD DRIVER, 13" SD		
2A	02407	2	BRUSH, 13" POLYPROPYLENE SD		
2B	02408	2	BRUSH, 13" NYLON SD		
2C	02410	2	BRUSH, 13" MILD GRIT SD		
3	51284	1	LOCK, PAD CENTER SNAP, TWO STEP		
4	70695	3	SCR, 12-24 X 1.0 PPHMS SS		
5	70694	4	SCR, 8-32 X 3/4 PTHMS		
6	70696	3	SCR, 10-32 X 3/4 PTHMS		
7	73817	1	SPRING, EX .31 D X 2.0 L X .03 W SS		
8	730011	1	SOCKET, DRIVE BRUSH		
9	62852	1	PLATE, BRUSH RELEASE		

SCRUB BRUSH/PAD DRIVER GROUP (HEX DRIVE)-28 IN



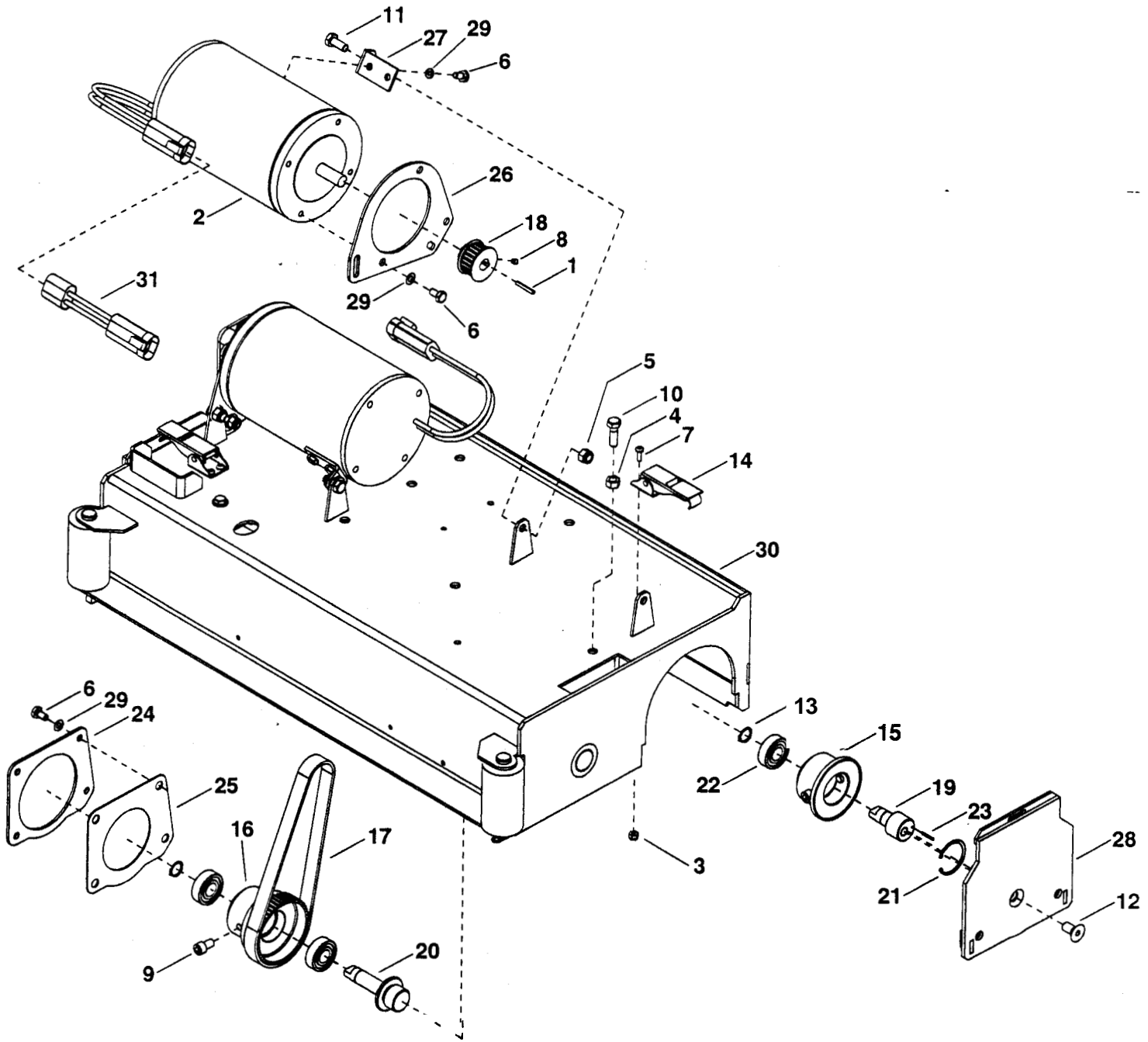
REF	PART NO.	QTY	DESCRIPTION	SERIAL NO. FROM	NOTES:
1	02337	2	PAD DRIVER, 14" HEX		
2A	02344	2	BRUSH, 14" POLYPROPYLENE HEX		
2B	02345	2	BRUSH, 14" NYLON HEX		
2C	02346	2	BRUSH, 14" MILD GRIT HEX		
3	51284	1	LOCK, PAD CENTER SNAP, TWO STEP		
4	70682	6	SCR, 1/4-20 X 5/8 PPHTC SS		
5	70576	4	SCR, #8 X 1/2 PPH T/S SS		
6	70682	3	SCR, 1/4-20 X 5/8 PPHTC SS		
7	73817	1	SPRING, EXT .31 D X 2.0 L X .03 W SS		
8	73861	1	CLUTCH, HEX DRIVE		
9	81471	1	PLATE, BRUSH RELEASE		
10	87013	3	WASHER, 1/4 ID X 5/8 OD SS		

SCRUBBRUSH/PAD DRIVER GROUP (STAR DRIVE)-28 IN



REF	PART NO.	QTY	DESCRIPTION	SERIAL NO. FROM	NOTES:
1	02412	2	PAD DRIVER, 14" SD		
2A	02413	2	BRUSH, 14" POLYPROPYLENE SD		
2B	02414	2	BRUSH, 14" NYLON SD		
2C	02416	2	BRUSH, 14" MILD GRIT SD		
2D	02417	2	BRUSH, 14" SUPER AGG SD		
3	51284	1	LOCK, PAD CENTER SNAP, TWO STEP		
4	70695	3	SCR, 12-24 X 1.0 PPHMS SS		
5	70694	4	SCR, 8-32 X 3/4 PTHMS		
6	70696	3	SCR, 10-32 X 3/4 PTHMS		
7	73817	1	SPRING, EXT .31 D X 2.0 L X .03 W SS		
8	730011	1	SOCKET, DRIVE BRUSH		
9	62852	1	PLATE, BRUSH RELEASE		

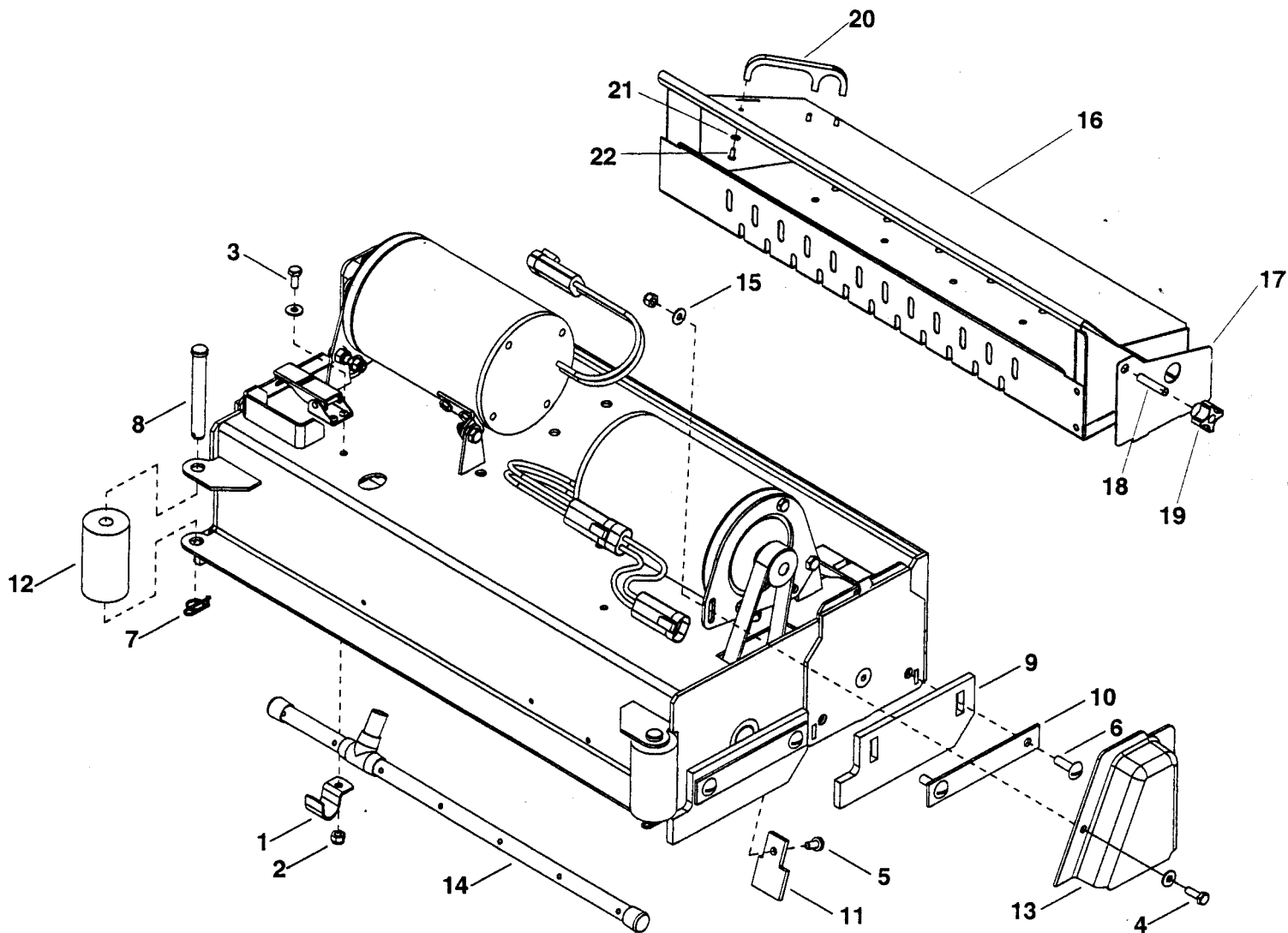
SCRUBHEAD GROUP - 24 IN CYLINDRICAL BRUSH DRIVE



SCRUBHEAD GROUP - 24 IN CYLINDRICAL BRUSH DRIVE

REF	PART NO.	QTY	DESCRIPTION	SERIAL NO. FROM	NOTES:
1	48050	2	KEY, 1/8 X 1/8 X 3/4		
2	53634	2	MOTOR, 24V 1/2HP 1725RPM		
3	57026	4	NUT, 8-32 HEX NYLOCK		
4	57031	2	NUT, 5/16-18 HEX		
5	57113	4	NUT, 5/16-18 HEX NYLOCK		
6	70020	16	SCR, 1/4-20 X 1/2 HHCS SS DL		
7	70051	4	SCR, 8-32 X 1/2 PPHMS NP		
8	70074	4	SET SCR, 10-32 X 1/4 KCP DL		
9	70176	8	SCR, 5/16-18 X 1/2 SHCS DL		
10	70302	2	SCR, 5/16-18 X 1"HHCSGR5PLT DL		
11	70305	4	SCR, 5/16-18 X 3/4HHCSGR5PLTDL		
12	70572	2	SCR, 3/8-16 X 3/4 FHSCS		
13	73166	4	SNAP RING, EXTERNAL		
14	81488	2	LATCH, SQUEEGEE STRAP		
15	81547	2	HUB, IDLER CYL. SCRUB		
16	81548	2	HUB, DRIVE CYL. SCRUB		
17	830670	2	BELT, CYL. BRUSH DRIVE		
18	830669	2	PULLEY, MOTOR DRIVE CYL. BRUSH		
19	82034	2	SHAFT, IDLER CYL. SCRUB		
20	82035	2	SHAFT, DRIVER CYL. SCRUB		
21	82043	2	RING, 1-3/8 INT. SNAP		
22	82045	6	BEARING, 1.38 X .59 X .43L		
23	82070	2	PIN, ROLL 3/32 X 3/8 SS		
24	82225	2	PLATE, SEAL RETAINER		
25	82226	2	SEAL, DRIVER CYL. SCRUB		
26	82227	2	PLATE, MOTOR MOUNT		
27	82228	2	ANGLE, MOTOR MOUNT		
28	82229	2	WELDMENT, DOOR CYL SCRUB		
29	87025	16	WASHER, 1/4 LOCK EXT STAR SS		
30	89166	1	WELDMENT, CYL SCRUBHEAD 24		
31	880212	1	WIRE ASM, REV POLARITY JUMPER		

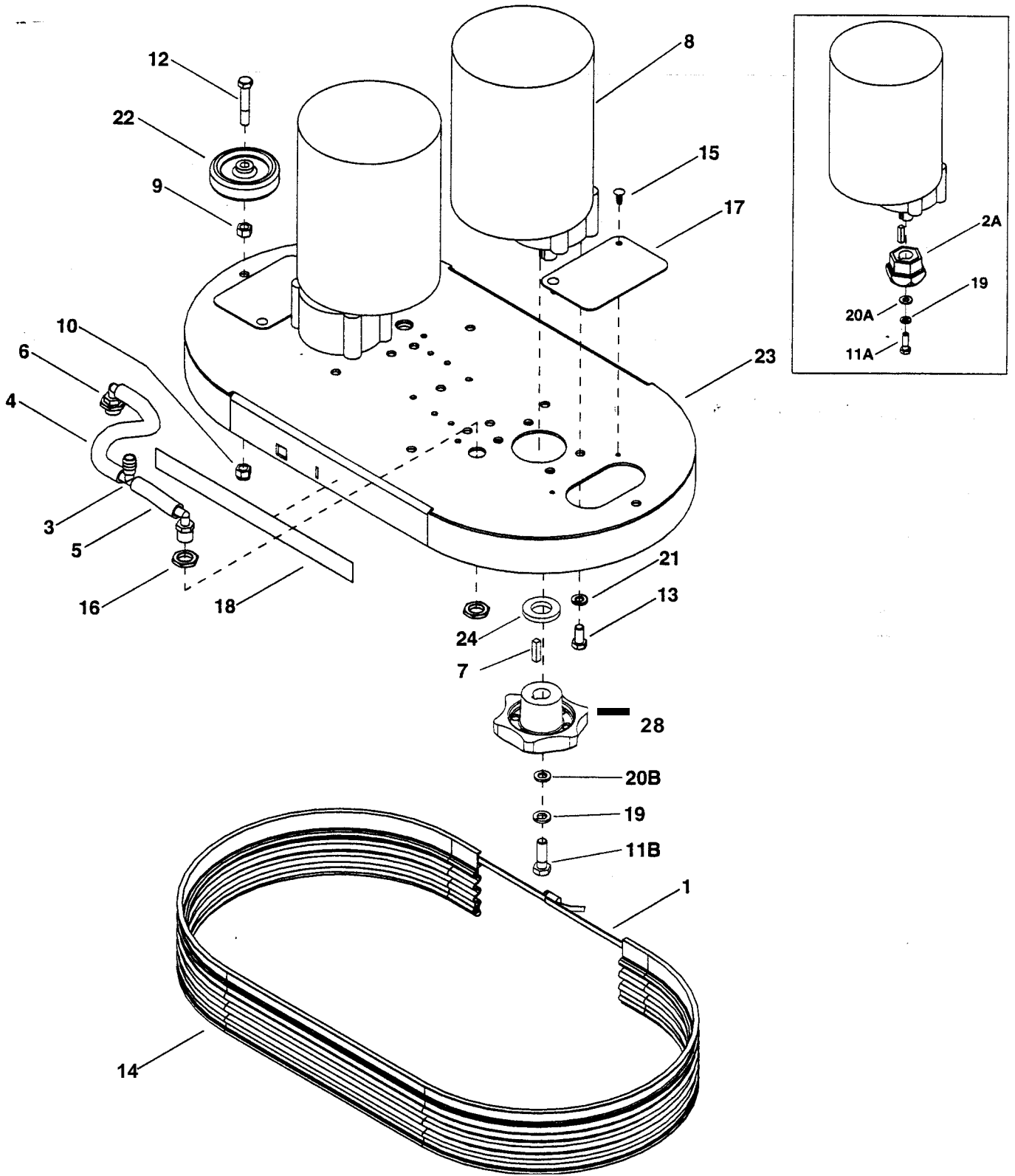
SCRUBHEAD GROUP - 24 IN CYLINDRICAL HEAD ASSEMBLY



SCRUBHEAD GROUP – 24 IN CYLINDRICAL HEAD ASSEMBLY

REF	PART NO.	QTY	DESCRIPTION	SERIAL NO. FROM	NOTES:
1	20003	2	CLAMP, 1/2DIA THINWALL CONDUIT		
2	57245	6	NUT, 1/4-20 HEX NYLOCK SS		
3	70011	2	SCR, 1/4-20 X 5/8 HHCS SS DL		
4	70015	4	SCR, 1/4-20 X 3/4 HHCS SS DL		
5	70085	2	SCR, 1/4-20 X 1/2 PPHMS SS DL		
6	70514	8	SCR, 5/16-18 X 1.00 STHMS		
7	80607	2	COTTER, 1/2" RING		
8	80818	2	PIN, CLEVIS 1/2"D X 3.75"L PLT		
9	81555	4	SQUEEGEE, SIDE CYL. SCRUB		
10	82234	4	BAR, RETAINER		
11	82236	2	FLAP, SIDE CYL. SCRUBV		
12	82242	2	ROLLER, SIDE CYL. SCRUB		
13	82254	2	GUARD, BELT CYL SCRUB MACHINED		
14	82446	1	TUBE ASSEMBLY, SOL DELIVERY		
15	87013	10	WASHER, 1/4 ID X 5/8 OD SS		
16	89167	1	WELDMENT, TRAY 24 CYL SCRUB		
17	81569	1	PLATE, COVER CYL SCRUB TRACER		
18	81491	1	SET SCR, 5/16-18 X 1.5 CP SS DL		
19	48012	1	KNOB, 5/16-18 4 PRONG		
20	82530	1	HANDLE, CYL. SCRUB HOPPER		
21	87007	2	WASHER, #8 LOCK EXT STAR PLT		
22	70612	2	SCR, 8-32 X 3/8" HHCS SS		

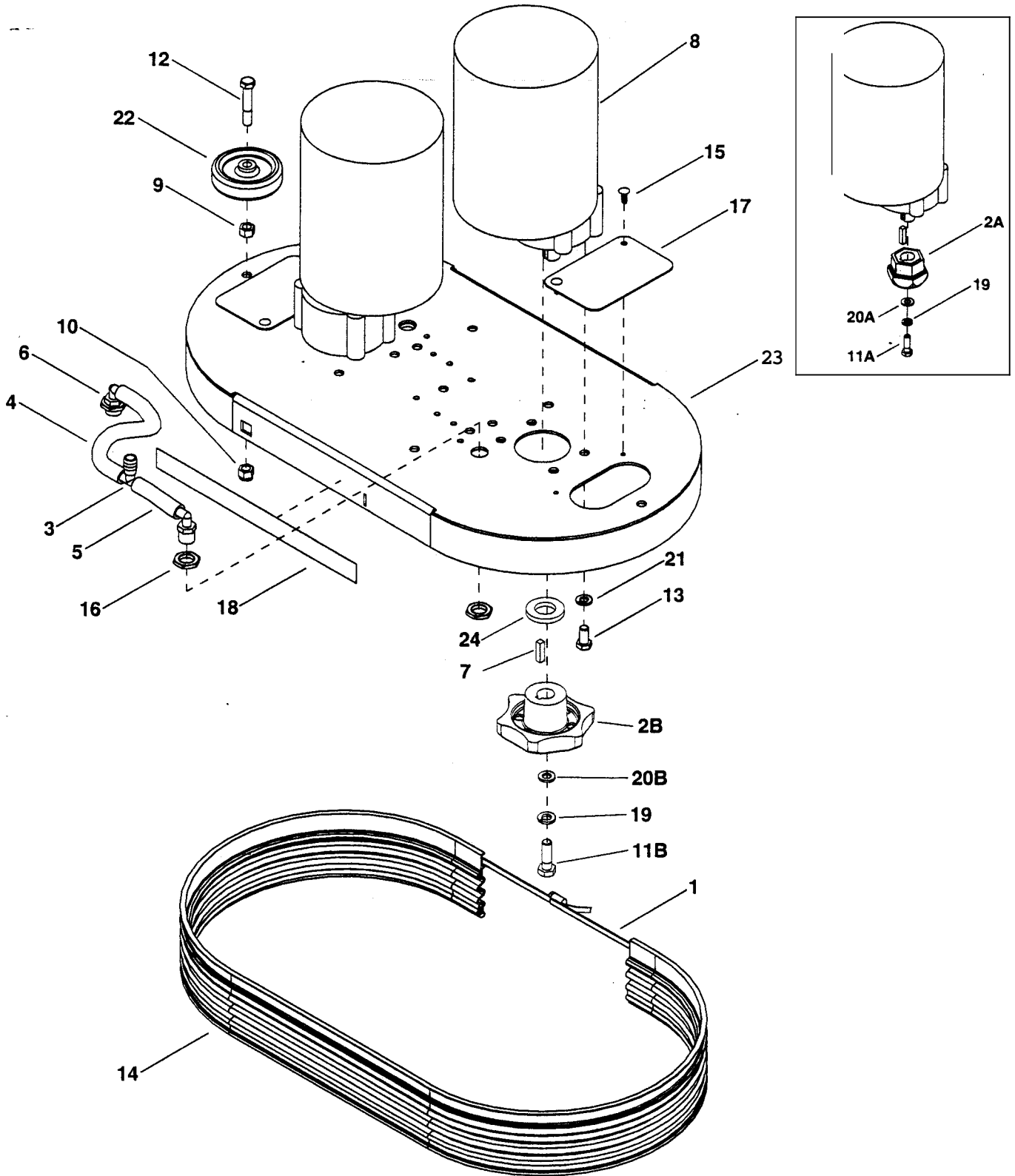
SCRUBHEAD GROUP - 24 IN DISK



SCRUBHEAD GROUP - 24 IN DISK

REF	PART NO.	QTY	DESCRIPTION	SERIAL NO. FROM	NOTES:
1	20077	1	CLAMP, L2000D/22 WORM #HS356		
2A	29119	2	DRIVER, BRUSH HEX		
2B	29220	2	DRIVER, BRUSH SD	1000042127	
3	34327	1	FITTING, 1/2 X 3/8 X 3/8 RED. TEE		
4	39053	1	HOSE, 3/8 NYLOBRAID X 7.0"		
5	39486	1	HOSE, 3/8 NYLOBRAID X 2"		
6	40043	2	HOSEBARB, 3/8 MPT X 3/8 HOSE 90		
7	48040	2	KEY, 1/4 SQ X 1.00		
8	53630	2	MOTOR ASM, 24VDC 200 RPM GEAR		
-	14695	-	BRUSH SET, BRUSH MOTOR (IMPERIAL)		(NOT SHOWN)
-	140394	-	BRUSH SET, BRUSH MOTOR (WINDSOR)		(NOT SHOWN)
9	57111	1	NUT, 3/8-16 HEX		
10	57119	1	NUT, 3/8-16 HEX NYLOCK		
11A	70083	2	SCR, 5/16-18 X 1.00 HHCS SS		
11B	70673	2	SCR, 5/16-18 X 1.25 HHCS SS	1000042127	
12	70385	1	SCR, 3/8-16 X 2.00 HHCS GR5		
13	70507	8	SCR, 3/8-16 X 3/4 HHCS GR5		
14	73790	1	SKIRT, SHROUD 3.25 X 58.0 L		
15	80805	4	CLIP, TREE .19 HOLE FLAT HEAD		
16	81380	4	NUT, SEALED BULKHEAD		
17	81898	2	COVER, BRUSH RELEASE		
18	82923	1	PAD, ANTI SLIP 1.00 X 12.0 L		
19	87083	2	WASHER, 5/16 SPLIT		
20A	87142	2	WASHER, .34 X .69 FLAT		
20B	87212	2	WASHER, .344 ID X 1.12 OD X .09 T	1000042127	
21	87163	8	WASHER, 3/8 SPLIT		
22	89059	1	WHEEL, PT20 SQUEEGEE		
23	89187	1	WELDMENT, SCRUB HEAD 24IN		
24	87213	2	WASHER, .78 ID X 1.63 OD X .25 T	1000042127	

SCRUBHEAD GROUP - 26 IN DISK



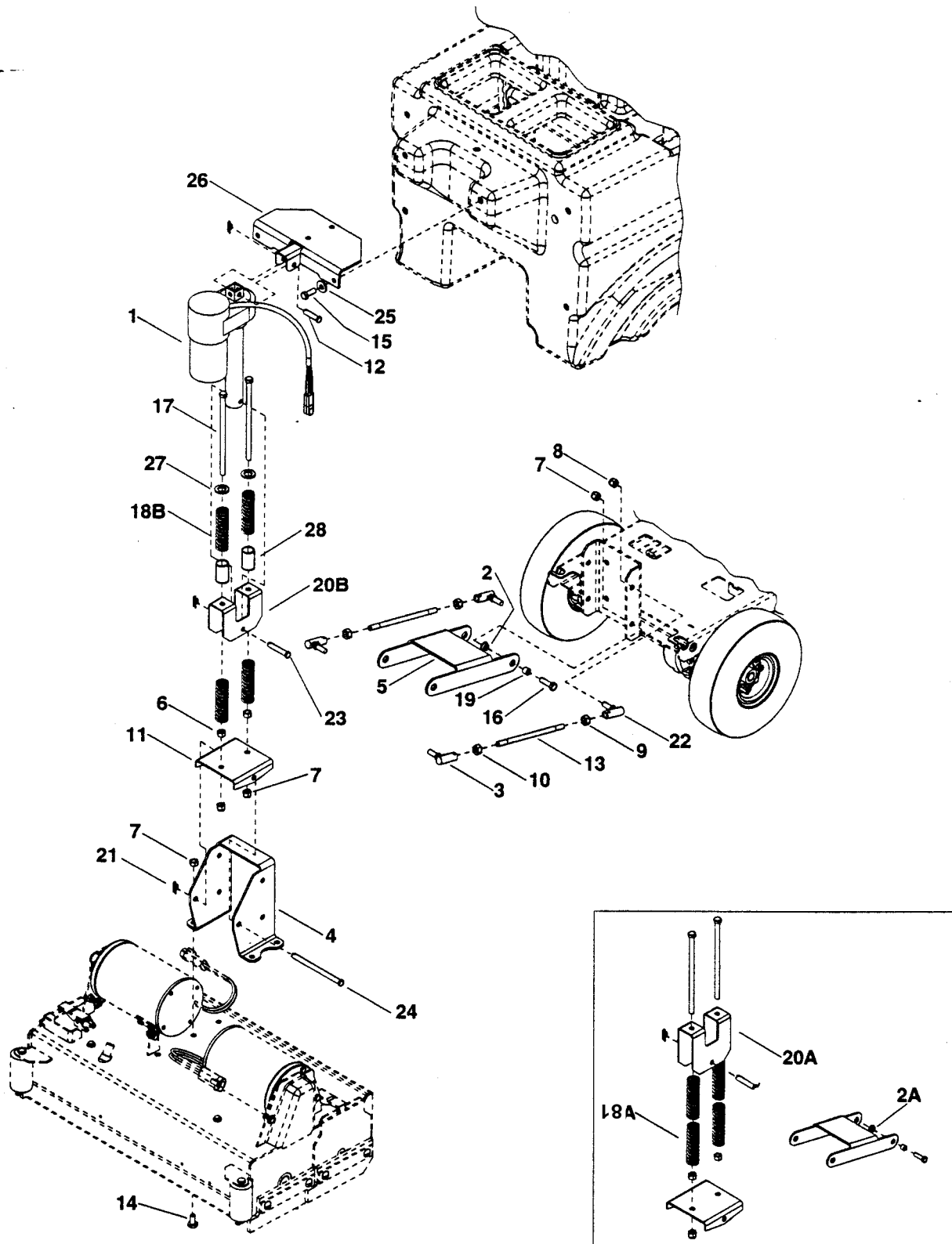
SCRUBHEAD GROUP – 26 IN DISK

REF	PART NO.	QTY	DESCRIPTION	SERIAL NO. FROM	NOTES:
1	20076	1	CLAMP, WORM GEAR .5WX24 #390		
2A	29119	2	DRIVER, BRUSH HEX		
2B	29220	2	DRIVER, BRUSH SD	*	
3	34327	1	FITTING, 1/2 X 3/8 X 3/8 RED. TEE		
4	39053	1	HOSE, 3/8 NYLOBRAID X 7.0"		
5	39477	1	HOSE, 3/8 NYLOBRAID X 3"		
6	40043	2	HOSEBARB, 3/8 MPT X 3/8 HOSE 90		
7	48040	2	KEY, 1/4 SQ X 1.00		
8	53630	2	MOTOR ASM, 24VDC 200 RPM GEAR		
-	14695	-	BRUSH SET, BRUSH MOTOR (IMPERIAL)		(NOT SHOWN)
-	140394	-	BRUSH SET, BRUSH MOTOR (WINDSOR)		(NOT SHOWN)
9	57111	1	NUT, 3/8-16 HEX		
10	57119	1	NUT, 3/8-16 HEX NYLOCK		
11A	70083	2	SCR, 5/16-18 X 1.00 HHCS SS		
11B	70673	2	SCR, 5/16-18 X 1.25 HHCS SS	*	
12	70385	1	SCR, 3/8-16 X 2.00 HHCS GR5		
13	70507	8	SCR, 3/8-16 X 3/4 HHCS GR5		
14	73959	1	SKIRT, SHROUD 3.25 X 62.0 L		
15	80805	4	CLIP, TREE .19 HOLE FLAT HEAD		
16	81380	4	NUT, SEALED BULKHEAD		
17	81898	2	COVER, BRUSH RELEASE		
18	82923	1	PAD, ANTI SLIP 1.00 X 12.0 L		
19	87083	2	WASHER, 5/16 SPLIT		
20A	87142	2	WASHER, .34 X .69 FLAT		
20B	87212	2	WASHER, .344 ID X 1.13 OD X .09 T	*	
21	87163	8	WASHER, 3/8 SPLIT		
22	89059	1	WHEEL, SQUEEGEE		
23	89195	1	WELDMENT, SCRUB HEAD 26IN		
24	87213	2	WASHER, .78 ID X 1.63 OD X .25 T	*	

SCRUBHEAD GROUP - 28 IN DISK

REF	PART NO.	QTY	DESCRIPTION	SERIAL NO. FROM	NOTES:
1	20076	1	CLAMP, WORM GEAR .5WX24 #390		
2A	29119	2	DRIVER, BRUSH HEX		
2B	29220	2	DRIVER, BRUSH SD	*	
3	34327	1	FITTING, 1/2 X 3/8 X 3/8 RED. TEE		
4	39053	1	HOSE, 3/8 NYLOBRAID X 7.0"		
5	39452	1	HOSE, 3/8 NYLOBRAID X 5-1/2"		
6	40043	2	HOSEBARB, 3/8 MPT X 3/8 HOSE 90		
7	48040	2	KEY, 1/4 SQ X 1.00		
8	53630	2	MOTOR ASM, 24VDC 200 RPM GEAR		
-	14695	-	BRUSH SET, BRUSH MOTOR (IMPERIAL)		(NOT SHOWN)
-	140394	-	BRUSH SET, BRUSH MOTOR (WINDSOR)		(NOT SHOWN)
9	57111	1	NUT, 3/8-16 HEX		
10	57119	1	NUT, 3/8-16 HEX NYLOCK		
11A	70083	2	SCR, 5/16-18 X 1.00 HHCS SS		
11B	70673	2	SCR, 5/16-18 X 1.25 HHCS SS	*	
12	70385	1	SCR, 3/8-16 X 2.00 HHCS GR5		
13	70507	8	SCR, 3/8-16 X 3/4 HHCS GR5		
14	73889	1	SKIRT, SHROUD 3.25 X 65.0 L		
15	80805	4	CLIP, TREE .19 HOLE FLAT HEAD		
16	81380	4	NUT, SEALED BULKHEAD		
17	81898	2	COVER, BRUSH RELEASE		
18	82923	1	PAD, ANTI SLIP 1.00 X 12.0 L		
19	87083	2	WASHER, 5/16 SPLIT		
20A	87142	2	WASHER, .34 X .69 FLAT		
20B	87212	2	WASHER, .344 ID X 1.13 OD X .09 T	*	
21	87163	8	WASHER, 3/8 SPLIT		
22	89059	1	WHEEL, SQUEEGEE		
23	89193	1	WELDMENT, SCRUB HEAD 28IN		
24	87213	2	WASHER, .78 ID X 1.63 OD X .09 T	*	

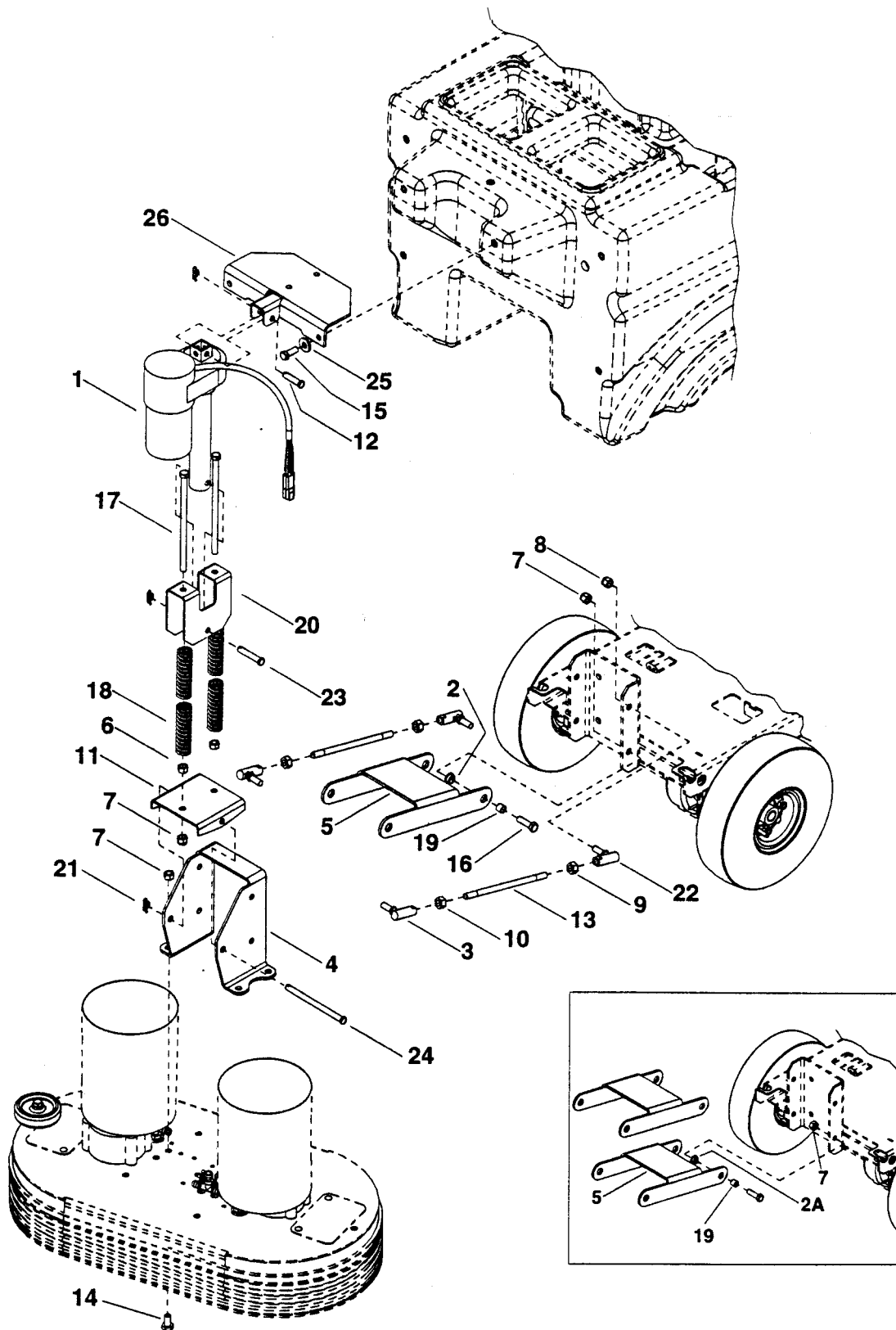
SCRUBHEAD LIFT GROUP - CYLINDRICAL



SCRUBHEADLIFT GROUP - CYLINDRICAL

REF	PART NO.	QTY	DESCRIPTION	SERIAL NO. FROM	NOTES:
1	05123	1	ACTUATOR, 24 VDC 5.0 STROKE		
2	81324	4	BEARING, 1/2 ID X 11/32L NYLON	1000062420	
2A	09130	4	BEARING, 1/2 NYLINER 7/32		
3	140353	2	BALL JOINT ASSY, 3/8-24 LH		
4	140372	1	BRKT, SCRUB HEAD MOUNT		
5	27856	1	LINKAGE, SCRUB DECK		
6	57111	2	NUT, 3/8-16 HEX		
7	57119	10	NUT, 3/8-16 HEX NYLOCK		
8	57216	4	NUT, 3/8-24 HEX NYLOCK		
9	57217	2	NUT, 3/8-24 HEX JAM PLTD		
10	57263	2	NUT, 3/8-24 UNF LH		
11	62676	1	PLATE, SPRING SUPPORT		
12	66232	1	PIN, CLEVIS 3/8 X 1.50		
13	67415	2	ROD, SCRUB LIFT		
14	70266	4	SCR, 3/8-16 X 1" HHCSGR5PLT DL		
15	70305	3	SCR, 5/16-18 X 3/4HHCSGR5PLTDL		
16	70377	4	SCR, 3/8-16 X 1.25 HHCS GR5		
17	70650	2	SCR, 3/8-16 X 6.0 HHCS GR5 PLTD		
18A	73914	4	SPRING, COMP. .97OD X 2.5L		
18B	730025	4	SPRING, COMP. .97OD X 3.5L X .12 W	1000042257	
19	80102	4	SPACER, .500 OD X .391 ID X .400		
20A	80459	1	CHANNEL, SPRING RETAINER		
20B	27898	1	CHANNEL, SPRING RETAINER	1000042257	
21	80606	3	COTTER, 3/8" RING		
22	80697	2	BALL JOINT ASY, 3/8-24 RH		
23	81406	1	PIN, CLEVIS 3/8" X 2"		
24	82060	1	PIN, CLEVIS 3/8 X 5.25		
25	87029	3	WASHER, 5/16 FLAT SS		
26	89204	1	WELDMENT, ACTUATOR BRKT		
27	87143	2	WASHER, 7/16 ID X 1 D X .08 FLT SS	1000042257	
28	78451	2	TUBE, SPRING RETAINER	1000042257	

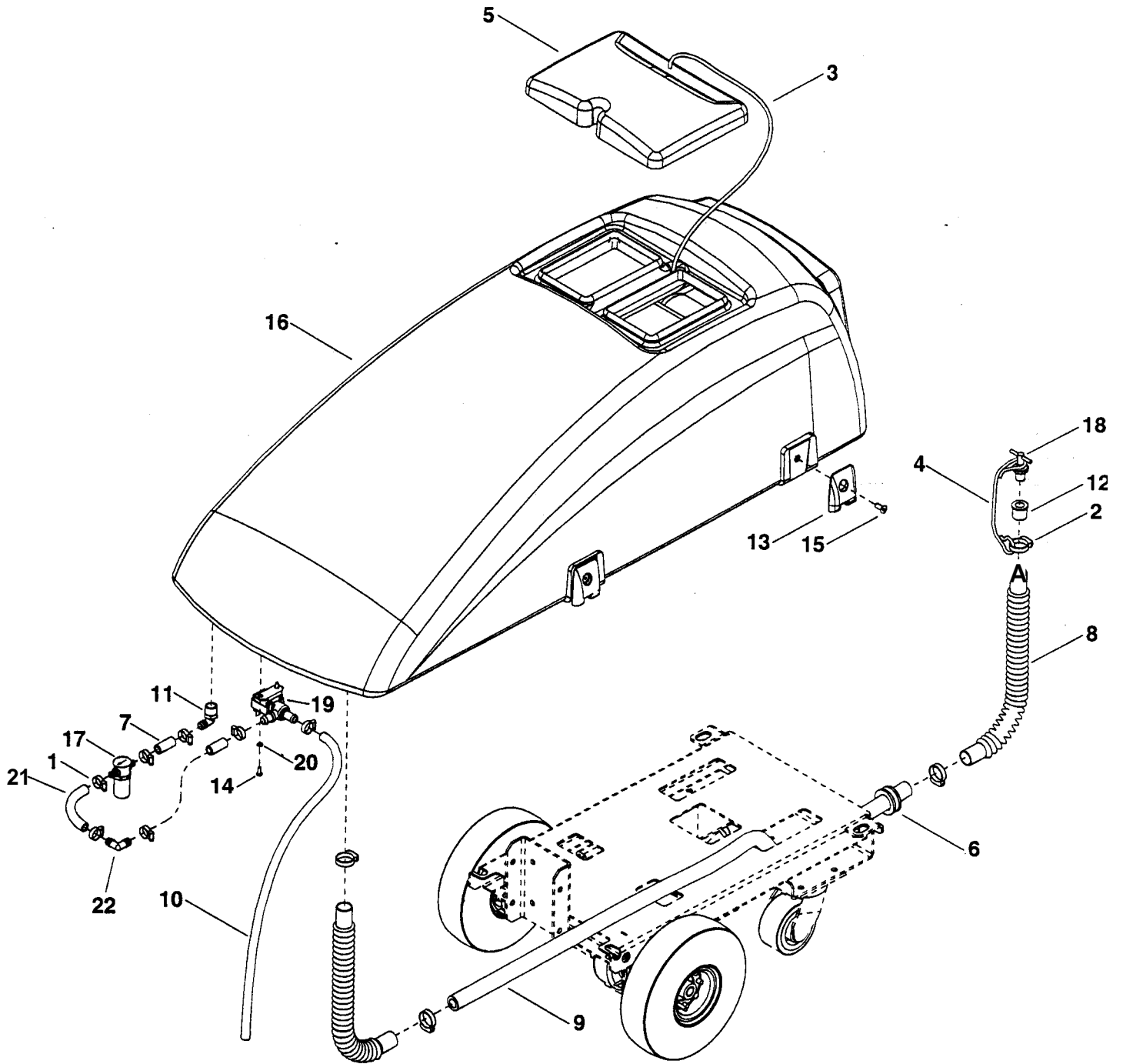
SCRUBHEAD LIFT GROUP - DISK



SCRUBHEAD LIFT GROUP – DISK

REF	PART NO.	QTY	DESCRIPTION	SERIAL NO. FROM	NOTES:
1	05123	1	ACTUATOR, 24 VDC 5.0 STROKE		
2	81324	4	BEARING, 1/2 ID X 11/32L NYLON	1000062420	
2A	09130	8	BEARING 1/2 NYLINER 7/32		
3	140353	2	BALL JOINT ASSY, 3/8-24 LH	1000039265	
4	140372	1	BRKT, SCRUB HEAD MOUNT		
5	27856	1	LINKAGE, SCRUB DECK	1000039265	WAS QUANTITY 2
6	57111	2	NUT, 3/8-16 HEX		
7	57119	10	NUT, 3/8-16 HEX NYLOCK		WAS QUANTITY 14
8	57216	4	NUT, 3/8-24 HEX NYLOCK	1000039265	
9	57217	2	NUT, 3/8-24 HEX JAM PLTD	1000039265	
10	57263	2	NUT, 3/8-24 UNF LH	1000039265	
11	62676	1	PLATE, SPRING SUPPORT		
12	66232	1	PIN, CLEVIS 3/8 X 1.50		
13	67415	2	ROD, SCRUB LIFT	1000039265	
14	70266	4	SCR, 3/8-16 X 1" HHCSGR5PLT DL		
15	70305	3	SCR, 5/16-18 X 3/4HHCSGR5PLTDL		
16	70377	8	SCR, 3/8-16 X 1.25 HHCS GR5		
17	70574	2	SCR, 3/8-16 X 7.5 HHCS GR5 PLTD		
18	73883	4	SPRING, COMP. .97 OD X 3.5 L		
19	80102	4	SPACER, .500 OD X .391 ID X .400		WAS QUANTITY 8
20	80459	1	PLATE, SPRING RETAINER		
21	80606	3	COTTER, 3/8" RING		
22	80697	2	BALL JOINT ASY, 3/8-24 RH	1000039265	
23	81406	1	PIN, CLEVIS 3/8" X 2"		
24	82060	1	PIN, CLEVIS 3/8 X 5.25		
25	87029	3	WASHER, 5/16 FLAT SS		
26	89204	1	WELDMENT, ACTUATOR BRKT		

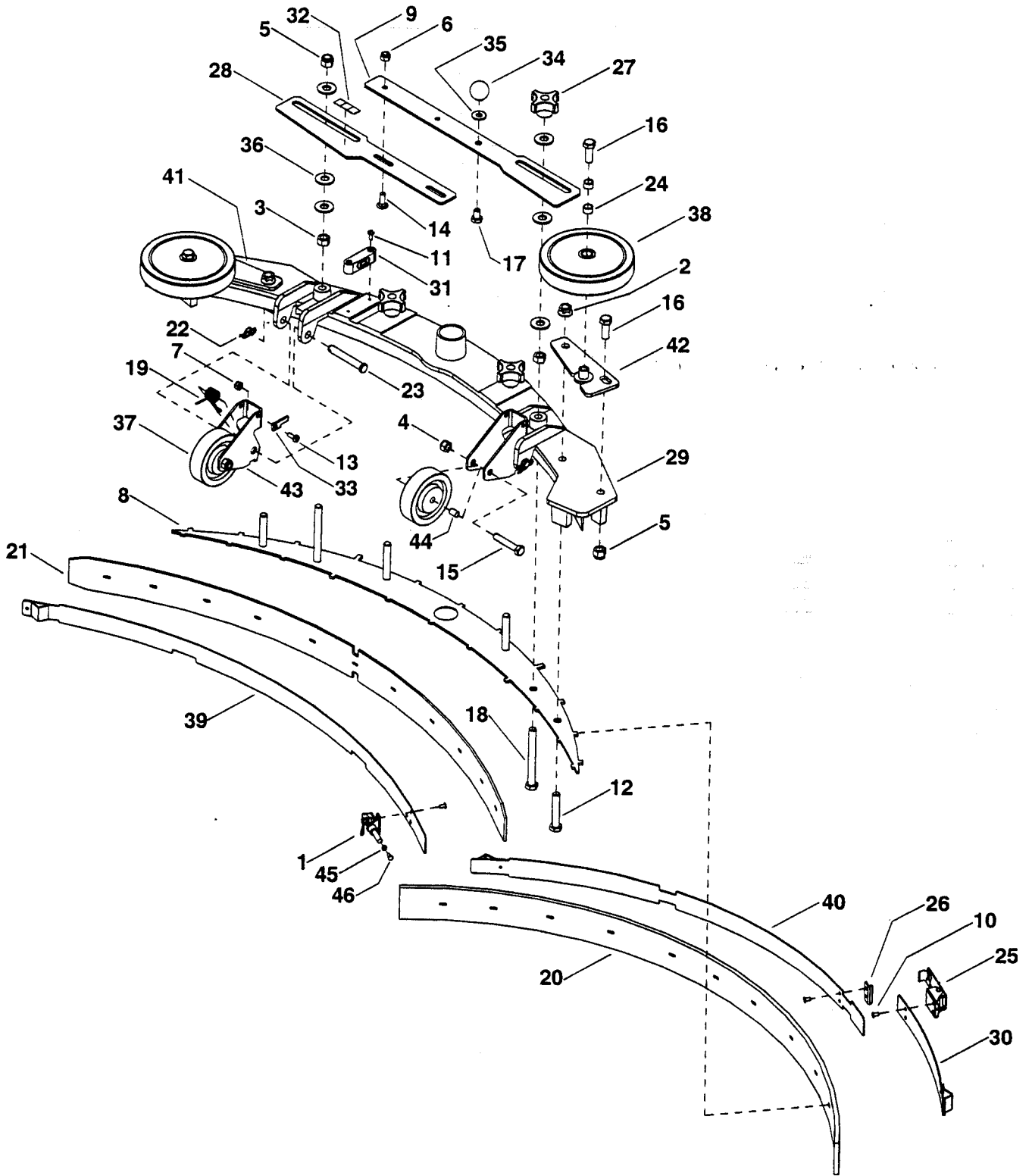
SOLUTION TANK GROUP



SOLUTION TANK GROUP

REF	PART NO.	QTY	DESCRIPTION	SERIAL NO. FROM	NOTES:
1	20042	7	CLAMP, 3/8 HOSE (D-SLOT)		
2	20090	4	CLAMP, 1.0 NYLON RACHET		
3	27425	1	CORD, SOLUTION COVER		
4	27670	1	CORD, DRAIN PLUG		
5	27772	1	COVER, SOLUTION TANK		
6	36191	1	GROMMET 1.00 ID 3/16 GRIP		
7	39498	2	HOSE, 1/2" NYLOBRAID X 1 1/2"		
8	39505	2	HOSE, 1.0 X 18.0 DRAIN		
9	39514	1	HOSE, 3/4 ID X .12W X 32" CLR		
10	39521	1	HOSE, 1/2 NYLOBRAID X 36"		
11	40039	1	HOSEBARB, 1/2MPT X 1/2 HOSE 90		
12	40076	1	SLEEVE .63 ID X 1.0 OD		
13	41333	2	HINGE, SCRUBBER TANK		
14	70088	2	SCR, 10-32 X 1/2 PPHMS SS		
15	70632	2	SCR, 5/16-18 X 3/4 FHSCS BLKZC		
16	75245	1	TANK, SOLUTION		
17	73999	1	STRAINER, 1/2 HOSE 40 MESH		
-	730000	-	SCREEN, DEEP 40 MESH		SERVICE ONLY
18	82267	1	PLUG, 5/8" DRAIN HOSE		
19	84141	1	VALVE, 24VDC SOL.1/2"HOSEBARB		
20	87095	2	WASHER, #10 FLAT PLTD		
21	39549	1	HOSE, 1/2" WIRE BOUND X 5"		
22	40082	1	HOSEBARB, 1/2 X 90D		

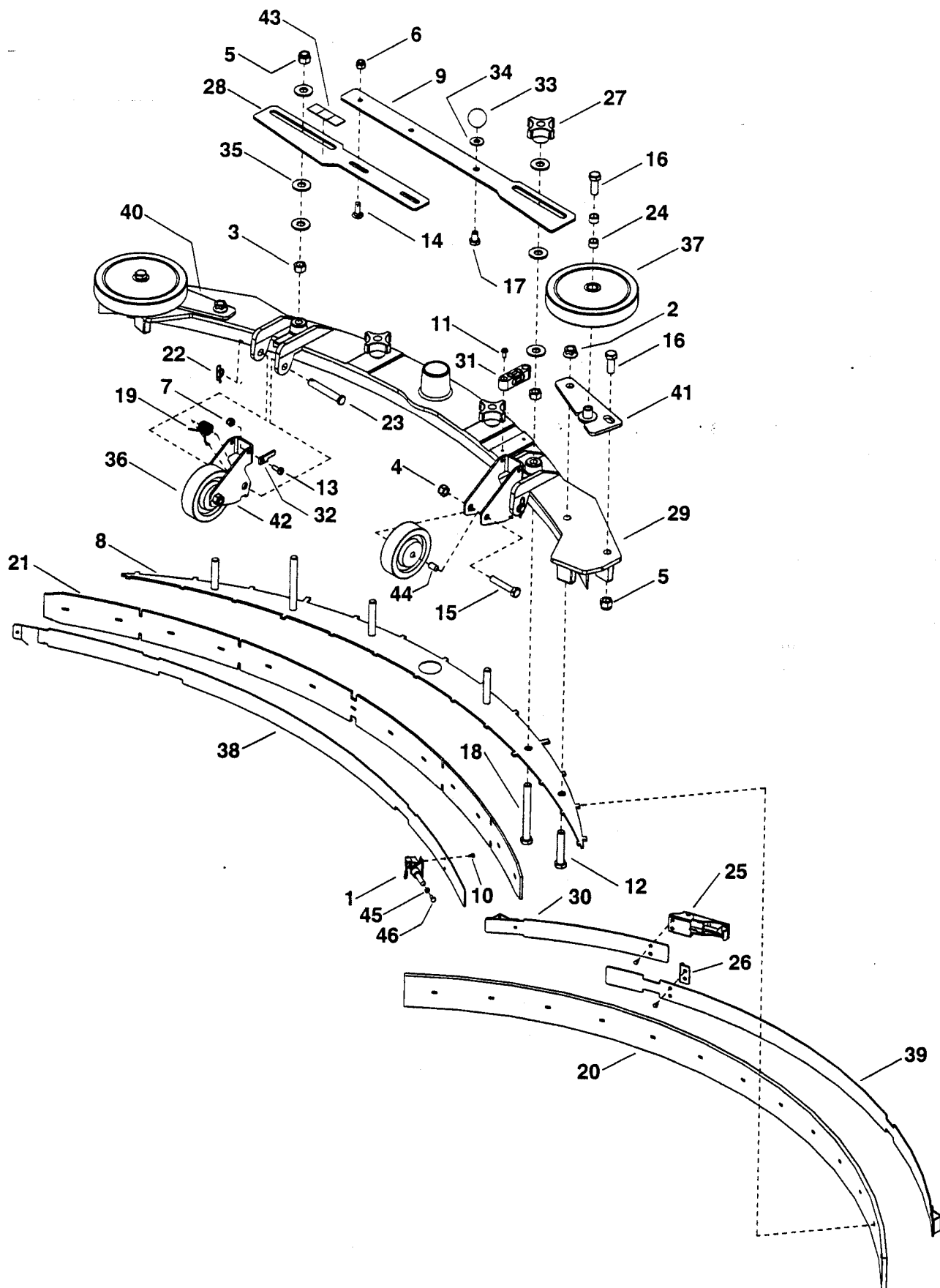
SQUEEGEE GROUP - 24 IN & 26 IN DISK SCRUBHEADS



SQUEEGEE GROUP - 24 IN & 26 IN DISK SCRUBHEADS

REF	PART NO.	QTY	DESCRIPTION	SERIAL NO. FROM	NOTES:
1	27797	1	CLAMP, STRAIGHT LINE MANUAL		
2	57032	2	NUT, 3/8-16 SERRATED FLANGE		
3	57111	2	NUT, 3/8-16 HEX		
4	57113	2	NUT, 5/16-18 HEX NYLOCK		
5	57119	3	NUT, 3/8-16 HEX NYLOCK SS		
6	57245	2	NUT, 1/4-20 HEX NYLOCK SS		
7	57252	1	NUT, 10-24 HEX NYLOCK SS		
8	62675	1	PLATE, SQUEEGEE RETAINER BLADE		
9	62684	1	PLATE, SQUEEGEE ADJUST LONG		
10	67380	7	RIVET, 5/32 OD X 1/8 GRIP		
11	70052	2	SCR, 8-32 X 3/8 PPHMS SS		
12	70070	2	SCR, 3/8-16 X 2.00 HHCS SS		
13	70086	1	SCR, 10-24 X 1/2 PHMS SS		
14	70112	2	SCR, 1/4-20 X 3/4 CARRIAGE		
15	70259	2	SCR, 5/16-18 X 1.75 HHCS		
16	70266	4	SCR, 3/8-16 X 1.00 HHCS GR5 PLT DL		
17	70375	1	SCR, 5/16-18 X 1/2 HHCS GR5		
18	70461	2	SCR, 3/8-16 X 3.50 HHCS GR5 PLTD		
19	73887	2	SPRING, 120 DEGREE TORSION		
20	73895	1	SQGE BLADE, REAR LINATEX 37"		(STANDARD)
-	73899	-	SQGE BLADE, REAR (TILE) 37"		(OPTION)
-	73897	-	SQGE BLADE, REAR (BUTTONS) 37"		(OPTION)
-	730061	-	BLADE SQGE, REAR URETHANE 37"		(OPTION)
21	73894	1	SQGE BLADE, FRONT LINATEX 35"		(STANDARD)
-	73898	-	SQGE BLADE, FRONT (TILE) 35"		(OPTION)
-	73896	-	SQGE BLADE, FRONT (BUTTONS) 35"		(OPTION)
22	80606	2	COTTER, 3/8 RING		
23	80637	2	PIN, CLEVIS 3/8 X 2.38		
24	81247	4	SPACER, .500 OD X .391 ID X .300		
25	81488	1	LATCH, SQUEEGEE STRAP		
26	81489	1	STRIKER, SQUEEGEE STRAP REAR		
27	81535	3	KNOB, SQUEEGEE ADJ. PLATE		
28	82531	1	PLATE, SQUEEGEE ADJUST SHORT		
29	82535	1	SQUEEGEE, 32 IN		
30	82553	1	WELDMENT, REAR SQG. BAND SHORT		
31	82576	1	VIAL, LEVEL		
32	82644	1	OVERLAY, SQUEEGEE		
33	82799	1	PLATE, POINTER		
34	82922	1	BALL, KNOB ADJ.		
35	87029	1	WASHER, 5/16 X 3/4 SS		
36	87143	6	WASHER, 7/16 X 1" FLAT		
37	89202	2	WHEEL, 3" DIA CUSHION RUBBER		
38	89086	2	WHEEL, 5"D X 1" X .5"ID GRY		
39	89123	1	WELDMENT, FRONT SQUEEGEE BAND		
40	89125	1	WELDMENT, BAND REAR-LONG		
41	89164	1	WELDMENT, SQUEEGEE WHEEL RT		
42	89165	1	WELDMENT, SQUEEGEE WHEEL LT		
43	140275	2	BRKT, SQUEEGEE WHEEL SUPPORT		
44	140390	2	BUSHING, SPANNER .435 X 1.10		
45	57261	1	NUT, 8-32 HEX SS		
46	70013	1	SCR, 8-32 X 3/4 PPHMS SS		

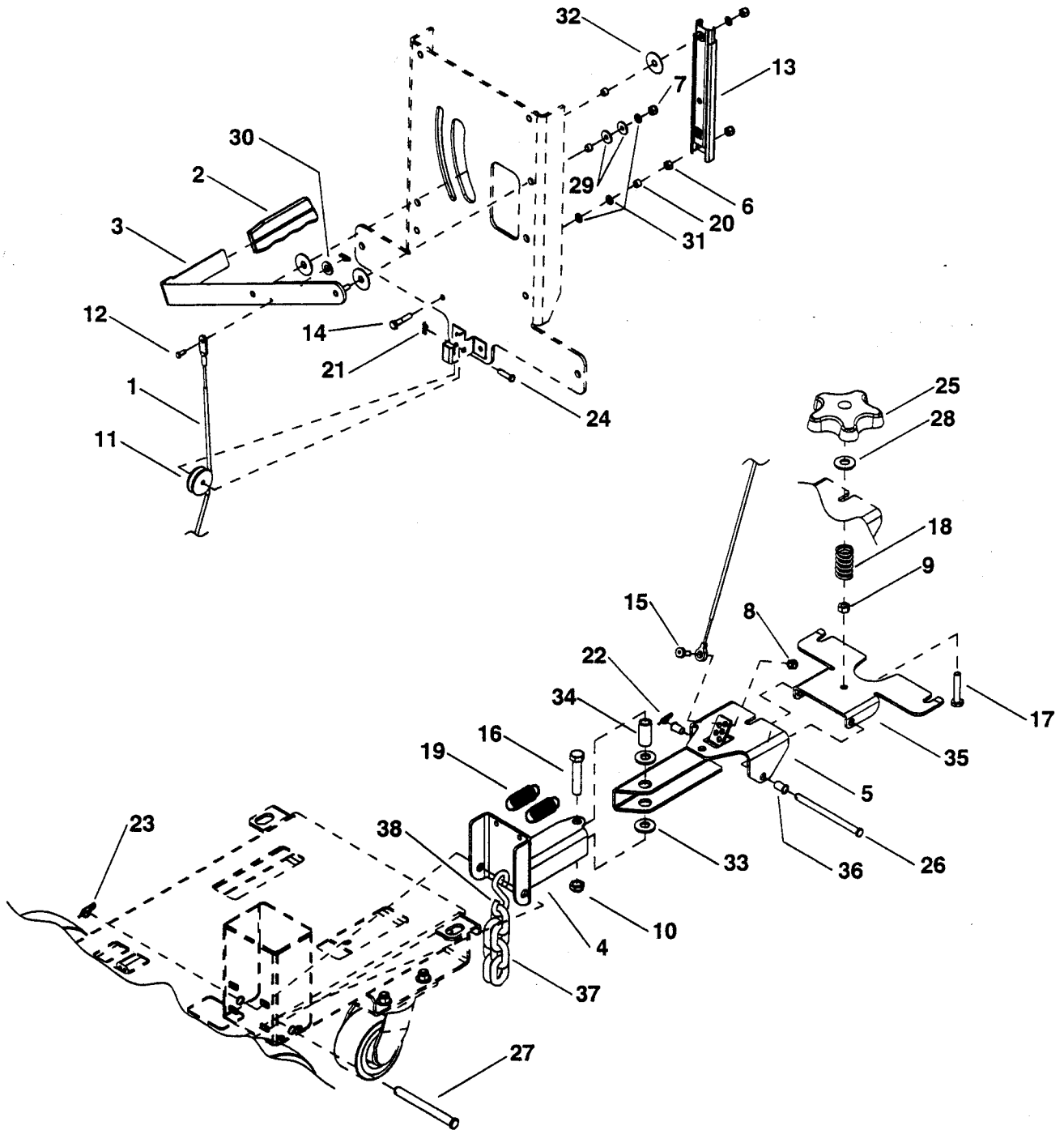
SQUEEGEE GROUP - 28 IN DISK & 24 IN CYLINDRICAL SCRUBHEADS



SQUEEGEE GROUP - 28 IN DISK & 24 IN CYLINDRICAL SCRUBHEADS

REF	PART NO.	QTY	DESCRIPTION	SERIAL NO. FROM	NOTES:
1	27797	1	CLAMP, STRAIGHT LINE MANUAL		
2	57032	2	NUT, 3/8-16 SERRATED FLANGE		
3	57111	2	NUT, 3/8-16 HEX		
4	57113	2	NUT, 5/16-18 HEX NYLOCK		
5	57119	3	NUT, 3/8-16 HEX NYLOCK SS		
6	57245	2	NUT, 1/4-20 HEX NYLOCK SS		
7	57252	1	NUT, 10-24 HEX NYLOCK SS		
8	82518	1	PLATE, SQUEEGEE BLADE RETAINER		
9	82532	1	PLATE, SLIDE SQUEEGEE LONG		
10	67380	7	RIVET, 5/32 OD X 1/8 GRIP		
11	70052	2	SCR, 8-32 X 3/8 PPHMS SS		
12	70070	2	SCR, 3/8-16 X 2.00 HHCS SS		
13	70086	1	SCR, 10-24 X 1/2 PHMS SS		
14	70112	2	SCR, 1/4-20 X 3/4 CARRIAGE		
15	70259	2	SCR, 5/16-18 X 1.75 HHCS		
16	70266	4	SCR, 3/8-16 X 1.00 HHCS GR5 PLT DL		
17	70375	1	SCR, 5/16-18 X 1/2 HHCS GR5		
18	70461	2	SCR, 3/8-16 X 3.50 HHCS GR5 PLTD		
19	73887	2	SPRING, 120 DEGREE TORSION		
20	82529	1	SQGE BLADE, REAR LINATEX 41"		(STANDARD)
-	82638	-	SQGE BLADE, REAR (TILE) 41"		(OPTION)
-	82641	-	SQGE BLADE, REAR (BUTTONS) 41"		(OPTION)
-	730062	-	SQGE BLADE, REAR URETHANE 41"		(OPTION)
21	82528	1	SQUEEGEE, FRONT BLADE LINATEX		(STANDARD)
-	82637	-	SQUEEGEE, FRONT BLADE (TILE)		(OPTION)
-	82640	-	SQUEEGEE, FRONT BLADE (BUTTON)		(OPTION)
22	80606	2	COTTER, 3/8 RING		
23	80637	2	PIN, CLEVIS 3/8 X 2.38		
24	81247	4	SPACER, .500 OD X .391 ID X .300		
25	81488	1	LATCH, SQUEEGEE STRAP		
26	81489	1	STRIKER, SQUEEGEE STRAP REAR		
27	81535	3	KNOB, SQUEEGEE ADJ. PLATE		
28	82531	1	PLATE, SQUEEGEE ADJUST SHORT		
29	82514	1	SQUEEGEE, 37 INCH		
30	82553	1	WELDMENT, REAR SQG. BAND SHORT		
31	82576	1	VIAL, LEVEL		
32	82799	1	PLATE, POINTER		
33	82922	1	BALL, KNOB ADJ.		
34	87029	1	WASHER, 5/16 X 3/4 SS		
35	87143	6	WASHER, 7/16 X 1" FLAT		
36	89202	2	WHEEL, 3" DIA CUSHION RUBBER		
37	89086	2	WHEEL, 5"D X 1" X .5"ID GR5		
38	82558	1	WELDMENT, FRONT SQUEEGEE BAND		
39	82525	1	WELDMENT, REAR SQUEEGEE BAND		
40	89164	1	WELDMENT, SQUEEGEE EXT RT		
41	89165	1	WELDMENT, SQUEEGEE EXT LT		
42	140275	2	BRKT, SQUEEGEE WHEEL SUPPORT		
43	82644	1	OVERLAY, SQUEEGEE		
44	140390	2	BUSHING, SPANNER .435 X 1.10		
45	57261	1	NUT, 8-32 HEX SS		
46	70013	1	SCR, 8-32 X 3/4 PPHMS SS		

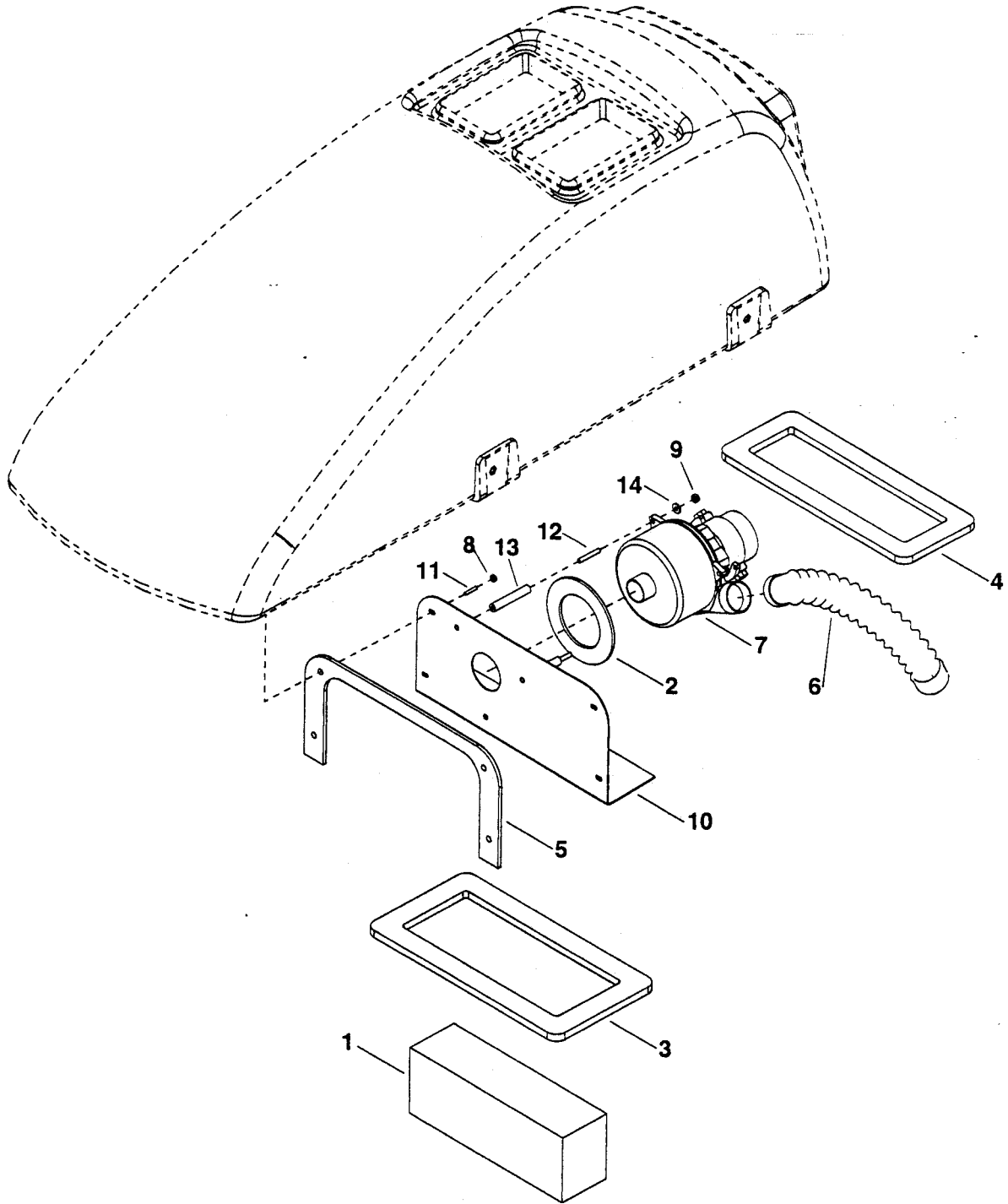
SQUEEGEE LIFT GROUP



SQUEEGEE LIFT GROUP

REF	PART NO.	QTY	DESCRIPTION	SERIAL NO. FROM	NOTES:
1	27794	1	CABLE, 23.70 X 1/8		
2	36133	1	GRIP, 3/16 X 1.0 FLAT BAR		
3	51289	1	LEVER, SQUEEGEE LIFT		
4	51322	1	LINKAGE, SQUEEGEE LIFT		
5	51323	1	LINKAGE, SQUEEGEE PIVOT		
6	57006	1	NUT, 1/4-20 HEX		
7	57047	3	NUT, 1/4-20 HEX NYLOCK		
8	57113	1	NUT, 5/16-18 HEX NYLOCK		
9	57119	1	NUT, 3/8-16 HEX NYLOCK		
10	57153	1	NUT, 1/2-13 X HEX NYLOCK THIN		
11	64096	1	PULLEY, 1.5 OD X .5 W X .25 B		
12	66191	1	PIN, CLEVIS 3/16" X 1/2" PLTD		
13	67423	1	RAIL RACHET		
14	70297	1	SCR, 1/4-20 X 1.5 HHMS		
15	70641	1	SHOULDER BOLT, 3/8OD X 3/8L SS		
16	70341	1	SCR, 1/2-13 X 2.5 HHCS GR5PLT		
17	70685	1	SCR, 3/8-16 X2.75 HHTB GR5 PLTD		
18	730006	1	SPRING, COMP 1.100DX2.0LX.148W		
19	73265	2	SPRING, EXT. .80D X 4.00L X .120W	1000037808	WAS 73979
20	78430	3	TUBE, .38 OD X .26 ID X .38 LG		
21	80604	2	COTTER, 1/4 RING		
22	80606	1	COTTER, 3/8 RING		
23	80607	1	COTTER, 1/2 RING		
24	80612	1	PIN, CLEVIS 1/4 X 1.0		
25	48077	1	KNOB, 3.50 ODX3/8-16 THRU HOLE		
26	82060	1	PIN, CLEVIS 3/8 X 5.25		
27	82322	1	PIN, CLEVIS 1/2 X 4.80		
28	87086	1	WASHER, M10 X 30 PLTD		
29	87030	2	WASHER, 3/8 ID X 3/4 OD NYLON		
30	87056	1	WASHER, M6 FLAT		
31	87135	4	WASHER, .26 ID X .50 OD		
32	87200	3	WASHER, .4 ID X 1.3 OD NYLON		
33	80627	2	WASHER,.75IDX1.5 OD FIBERGLIDE		
34	140293	1	SPACER, .75 OD X .50 ID X 1.50 L		
35	140379	1	BRACKET, SQUEEGEE MOUNT		
36	80815	2	BEARING, FLANGED PLASTIC		
37	80582	1	CHAIN, #1/0 7-LINKS GROUNDING		
38	73831	1	S-HOOK, 2"		

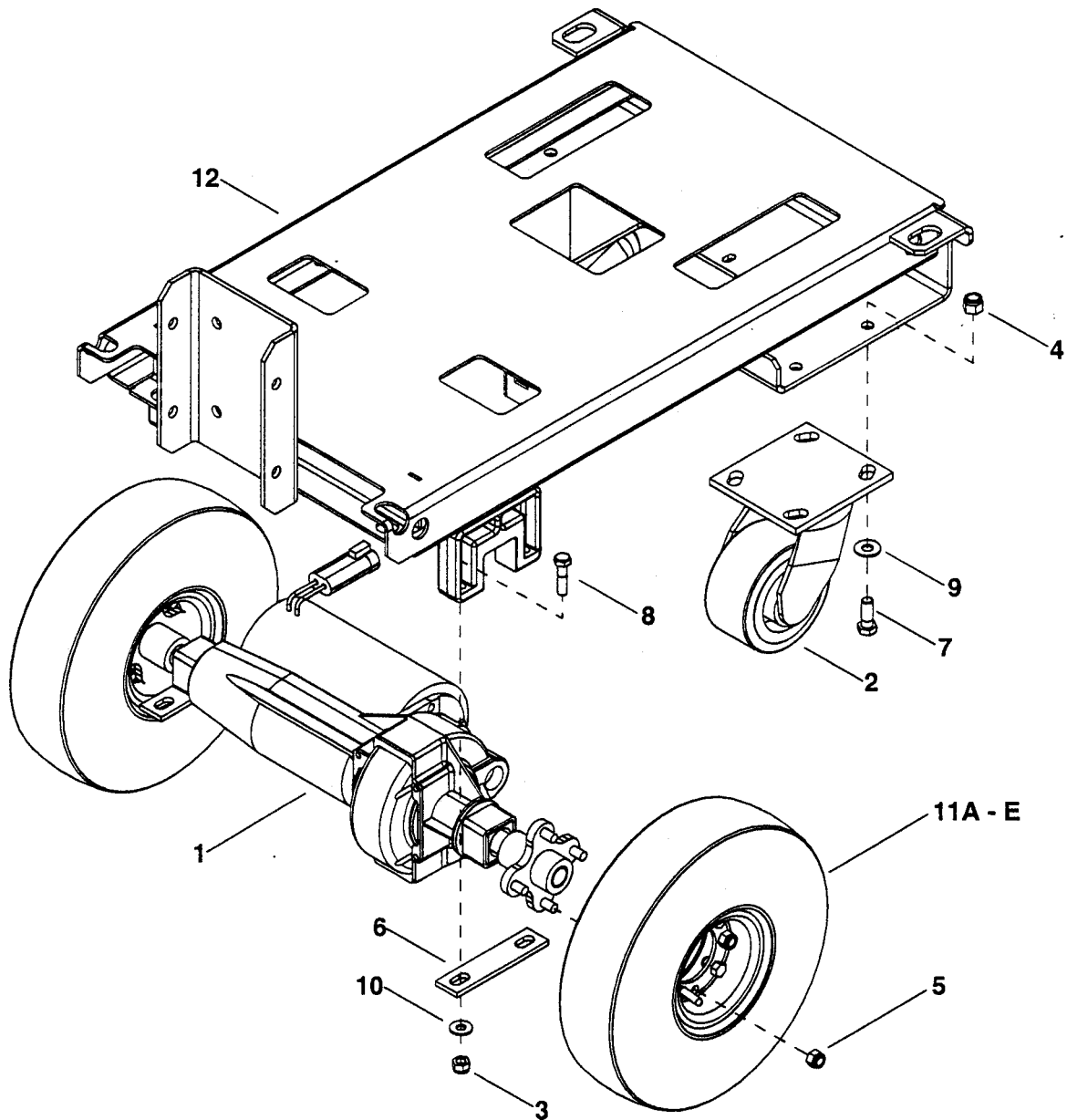
VACUUM GROUP



VACUUM GROUP

REF	PART NO.	QTY	DESCRIPTION	SERIAL NO. FROM	NOTES:
1	34337	1	FILTER, VAC		
2	35122	1	GASKET, 230V C17EI/C20 VAC MOTOR		
3	35211	1	GASKET, 8.50 X 16.40 X .50T		
4	35212	1	GASKET, 6.30 X 16.1 C .50T		
5	35214	1	GASKET, VAC MOTOR		
6	39547	1	HOSE ASM, 1.5 BLK VAC X 21		
7	53631	1	VAC MOTOR ASM, 24VDC 3 STAGE		
-	14548	-	BRUSH SET, 24VDC 5.7 3ST VCMTR		(NOT SHOWN)
8	57104	4	NUT, 10-32 W/STAR WASHER PLTD		
9	57245	3	NUT, 1/4-20 HEX NYLOCK SS		
10	62805	1	PLATE, VAC MOUNT		
11	70607	4	SET SCR, #10-32 X 1.00 SS		
12	70638	3	SCR, 1/4-20 X 1.75 SSSCU		
13	73566	3	SPACER, 1/2 OD X 3.0 W/1/4-20 AL		
14	87013	3	WASHER, 1/4 ID X 5/8 OD SS		

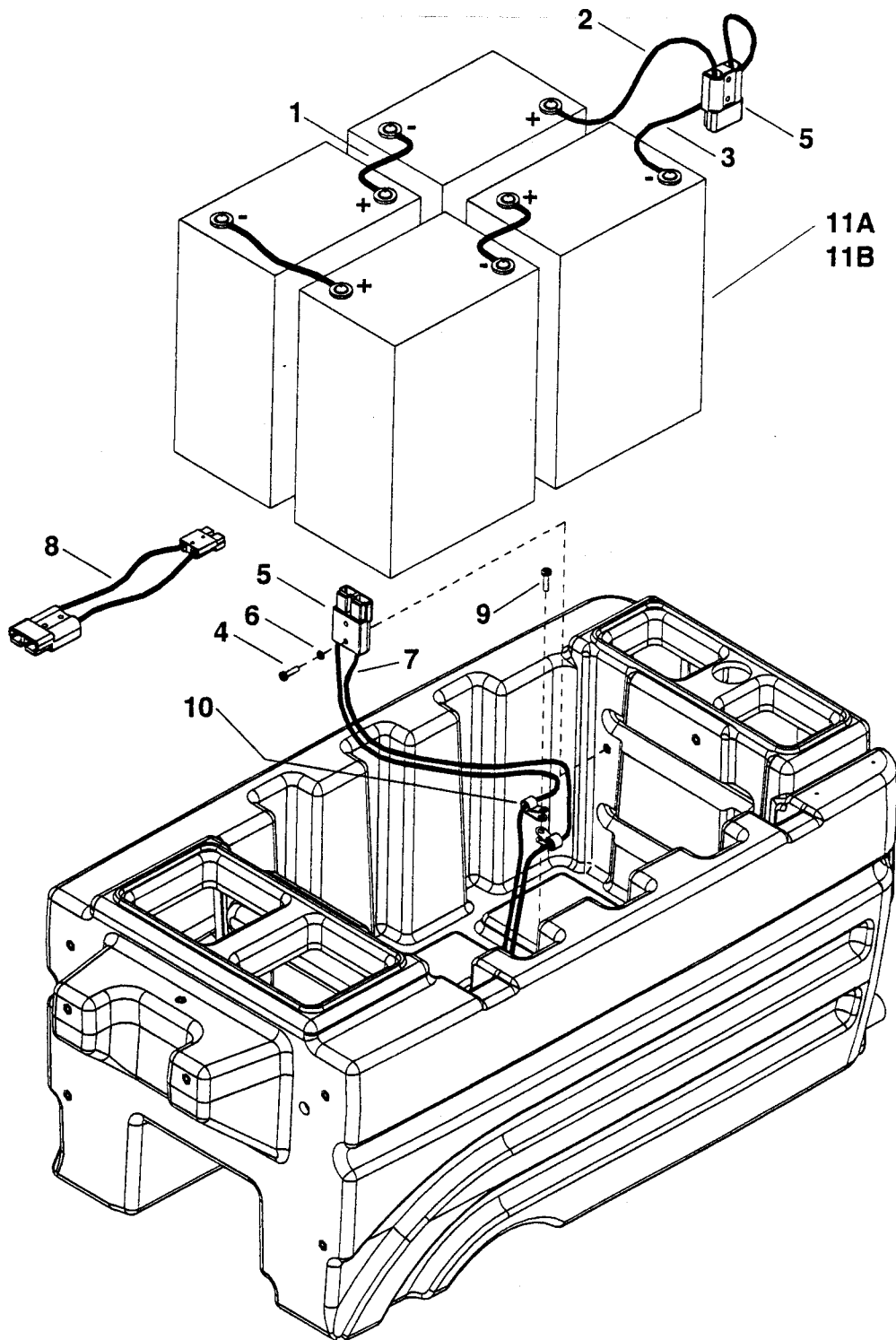
WHEELS AND FRAME GROUP



WHEELS AND FRAME GROUP

REF	PART NO.	QTY	DESCRIPTION	SERIAL NO. FROM	NOTES:
1	05128	1	AXLE, MOTOR DRIVE 24 VDC		
2	18041	2	CASTER, 4" DIA. X 2 X 3.56 R		
3	57113	4	NUT, 5/16-18 HEX NYLCK		
4	57119	6	NUT, 3/8-16 HEX NYLOCK		
5	57128	8	NUT, 5/16-24 HEX NYLOCK		
6	62714	2	PLATE, DRIVE AXLE		
7	70266	8	SCR, 3/8-16 X 1.00 HHCS GR5		
8	70325	4	SCR, 5/16-18 X 1.25 HHCS GR5		
9	87003	8	WASHER, 3/8 X 7/8 FLAT SS		
10	87029	4	WASHER, 5/16 FLAT SS		
11A	89155	2	WHEEL, 10" PNEU. NON-MARKING		(STANDARD)
-	78414	-	TUBE, 10" TIRE		(NOT SHOWN)
11B	89175	-	WHEEL ASY, 10IN PNEU, BLACK		(OPTION)
-	78414	-	TUBE, 10" TIRE		(NOT SHOWN)
11C	830748	-	WHEEL ASM, 10" SOLID SPCL SCBR		(OPTION)
11D	89211	-	WHEEL ASM, 10" FMFLN-MARKING		(OPTION)
11E	89212	-	WHEEL ASM, 10" FMFL BLK KNOBBY		(OPTION)
12	89190	1	WELDMENT, FRAME		

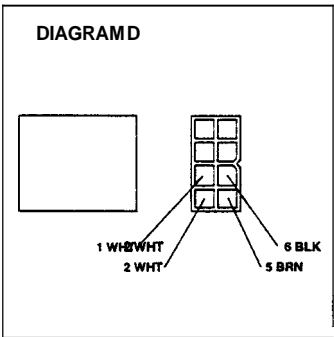
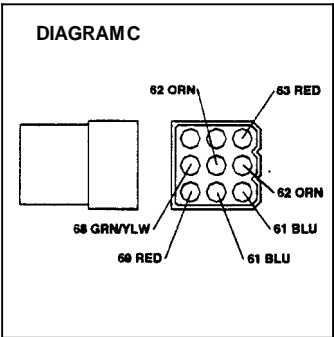
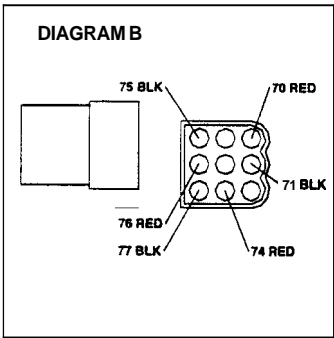
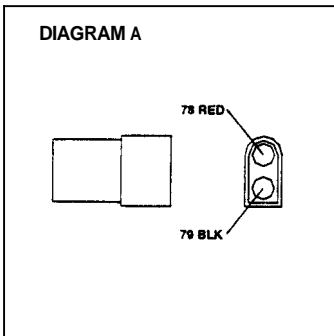
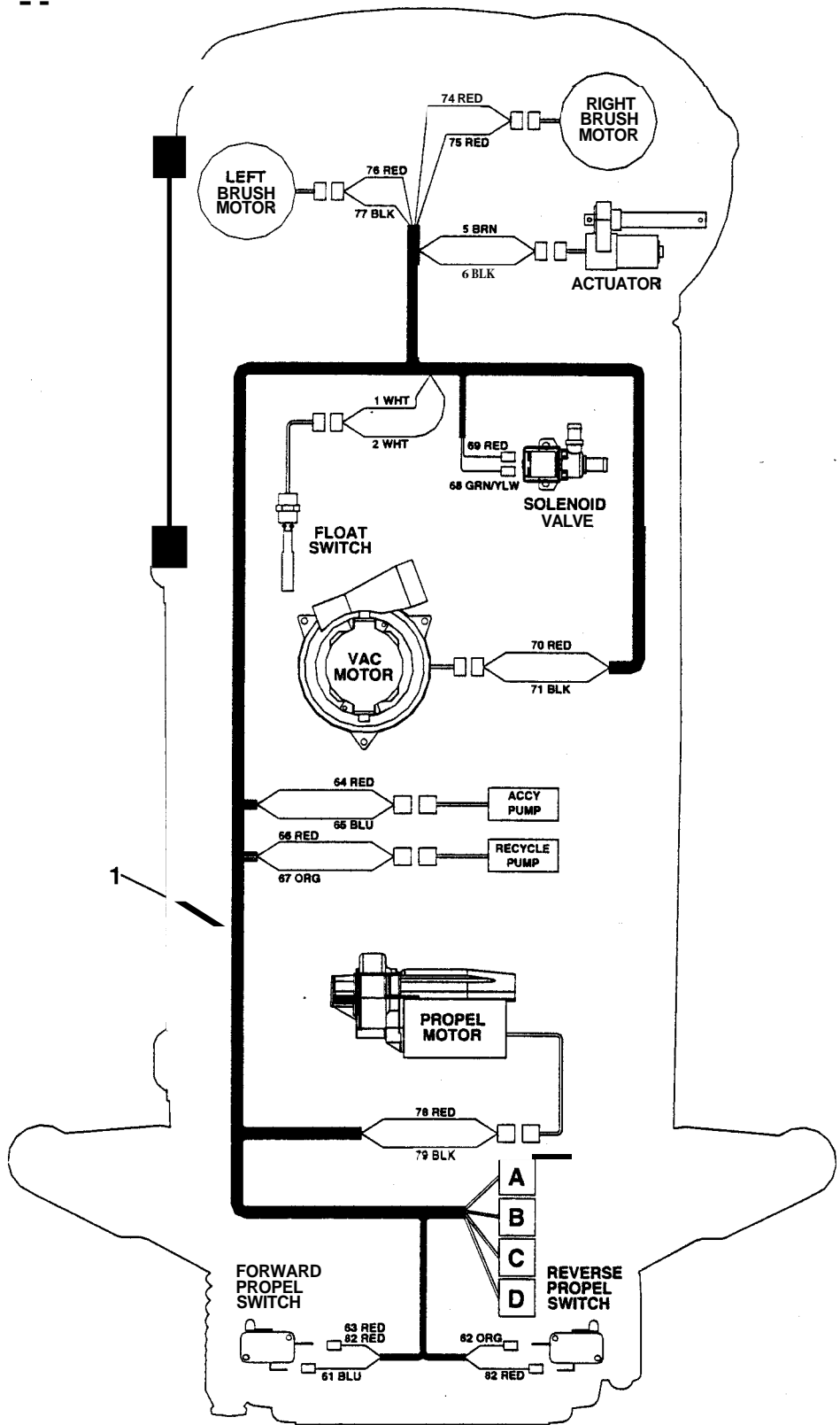
WIRING GROUP - BATTERY & CABLES



WIRING GROUP - BATTERY & CABLES

REF	PART NO.	QTY	DESCRIPTION	SERIAL NO. FROM	NOTES:
1	23125	3	WIRE, 4 X 15 B CLAMP		
2	23190	1	CABLE, 4 X 27 RED		
3	23191	1	CABLE, 4 X 27 BLK		
4	70010	2	SCR, 1/4-20 X 1.5 HHCS SS		
5	82803	2	CONNECTOR, RED 24V		
6	87025	2	WASHER, 1/4 LOCK EXT STAR SS		
7	81366	2	CABLE, ELECTRICAL 4GA X 82.5		
8	880209	1	CHARGER ADAPTER, 24V, C175 TO C50		OPTION
9	70114	1	SCR, #10 X 3/4 PPHST TYPE B		
10	20054	2	CLAMP, 3/8 NYLON UL/CSA		
11A	10009	REF	BATTERY, 6V / 305 AH		4 REQ'D
11B	10006	REF	BATTERY, 6V / 250 AH		4 REQ'D
12A	02453	REF	CHRGR, 24V, 25A, 115V, C175		NOT SHOWN
12B	02454	REF	CHRGR, 24V, 18A, 115V, C175		NOT SHOWN

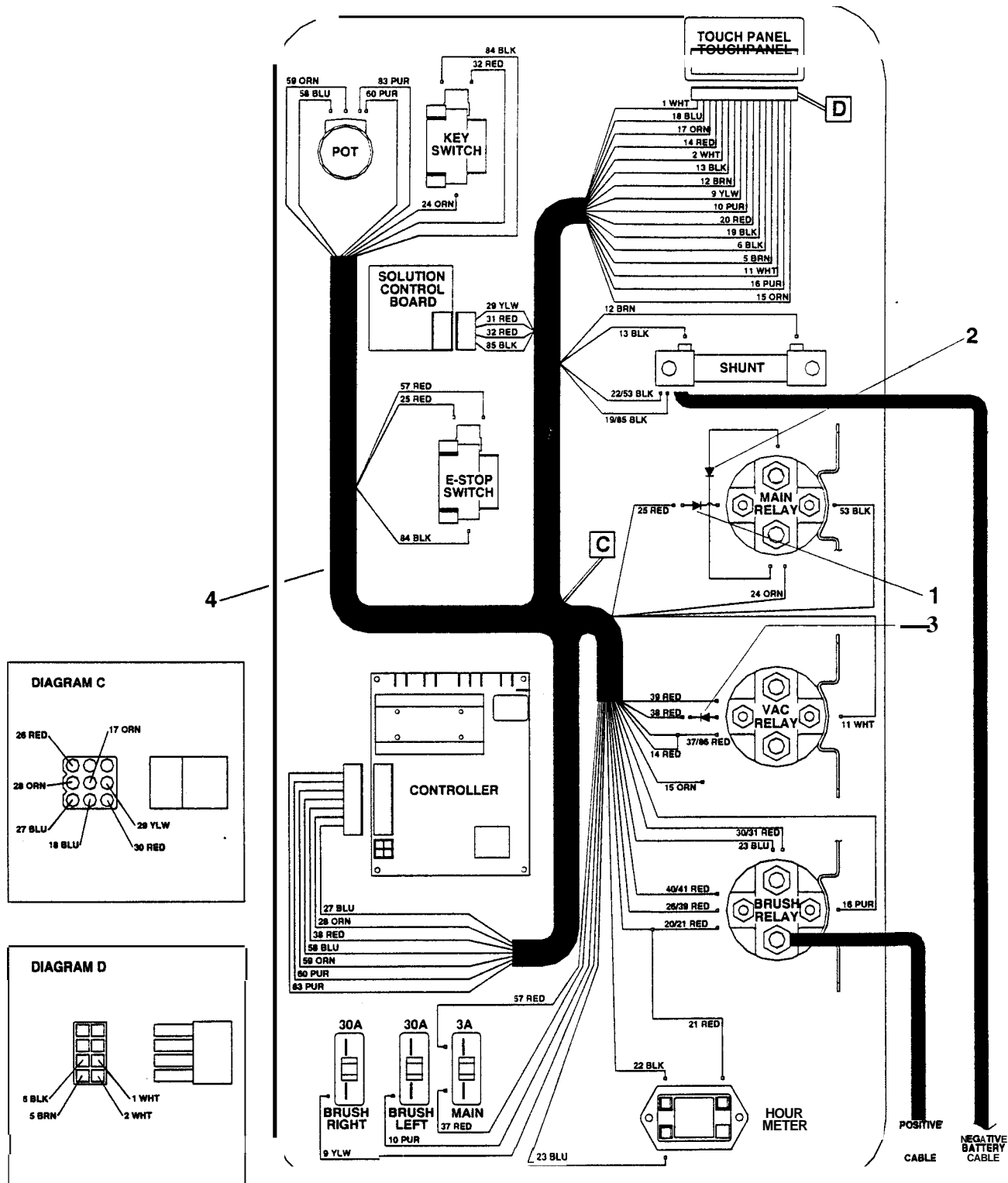
WIRING GROUP – MAIN HARNESS



WIRING GROUP – MAIN HARNESS

REF	PART NO.	QTY	DESCRIPTION	SERIAL NO. FROM	NOTES:
1	41335	1	HARNESS, MAIN		

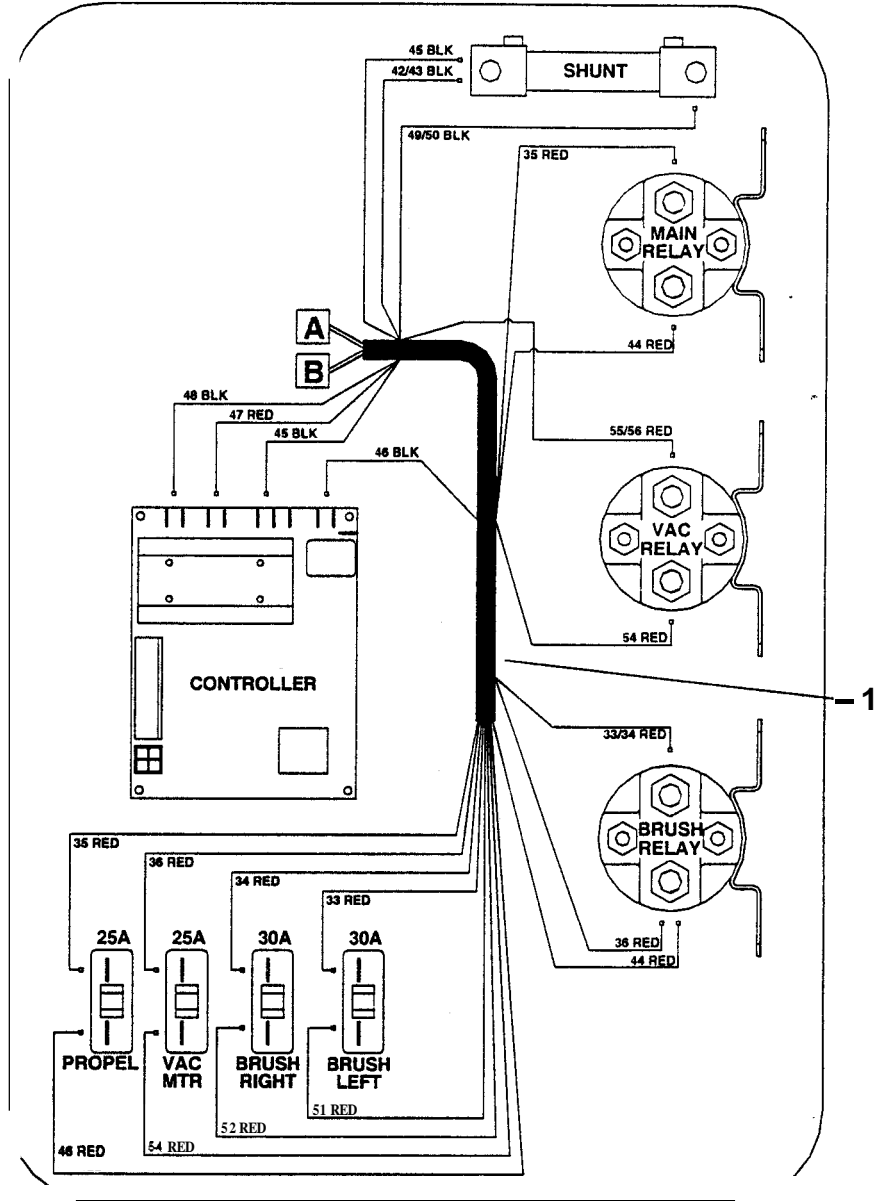
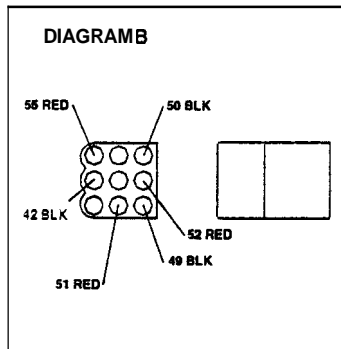
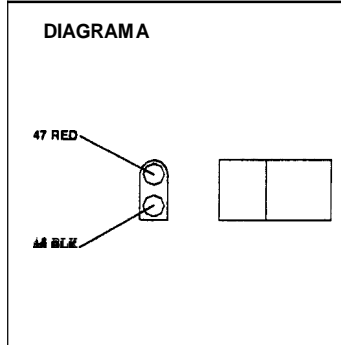
WIRING GROUP - CONTROL HARNESS



WIRING GROUP - CONTROL HARNESS

REF	PART NO.	QTY	DESCRIPTION	SERIAL NO. FROM	NOTES:
1	29203	1	DIODE ASM, 76008 X 76042		
2	29215	1	DIODE ASM, 76075 X 76075		
3	29228	1	DIODE ASM, 76042 X 76008		
4	41368	1	HARNESS, CONTROL		

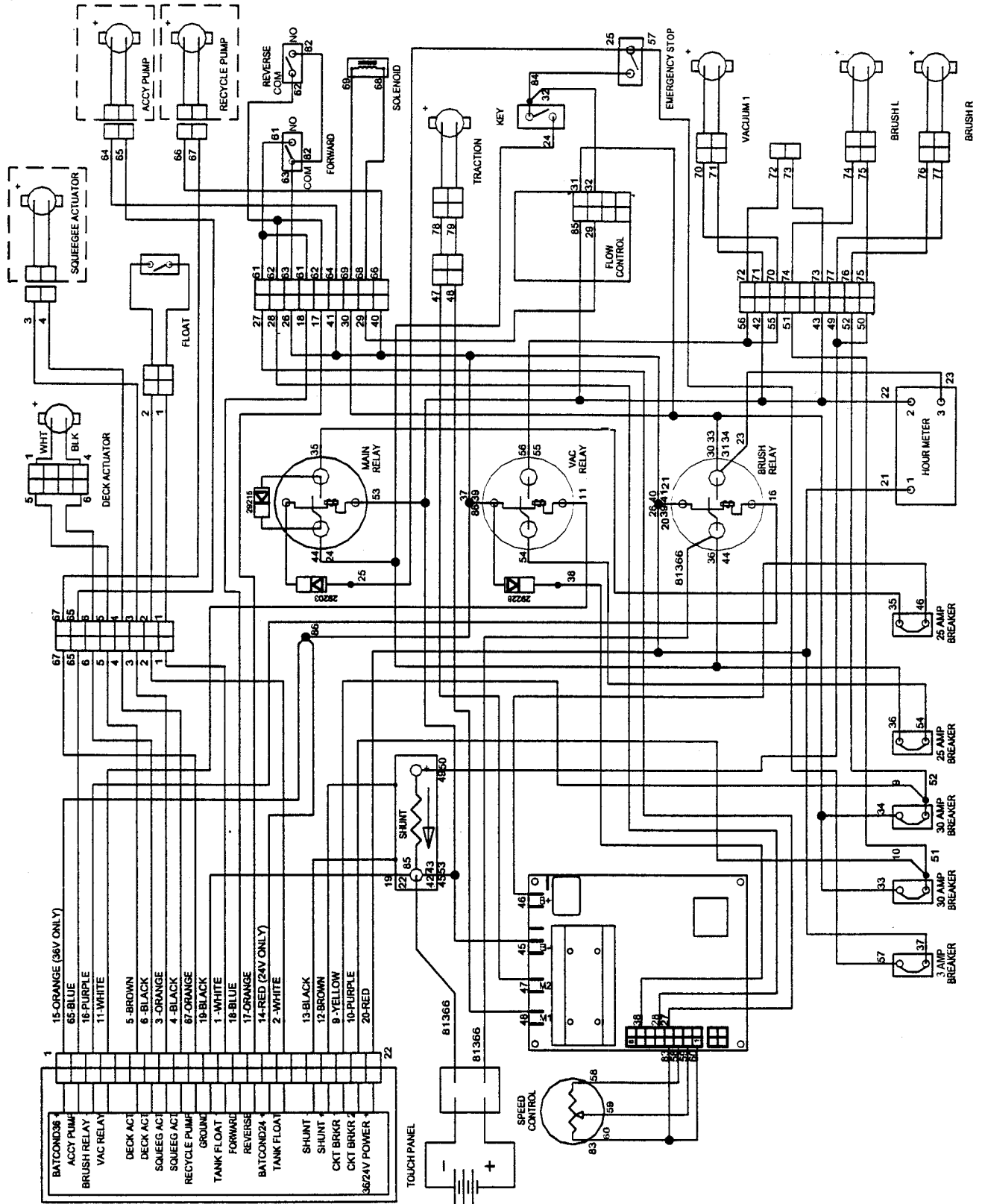
WIRING GROUP- MOTOR HARNESS



WIRING GROUP - MOTOR HARNESS

REF	PART NO.	QTY	DESCRIPTION	SERIAL NO. FROM	NOTES:

WIRING GROUP - SCHEMATIC

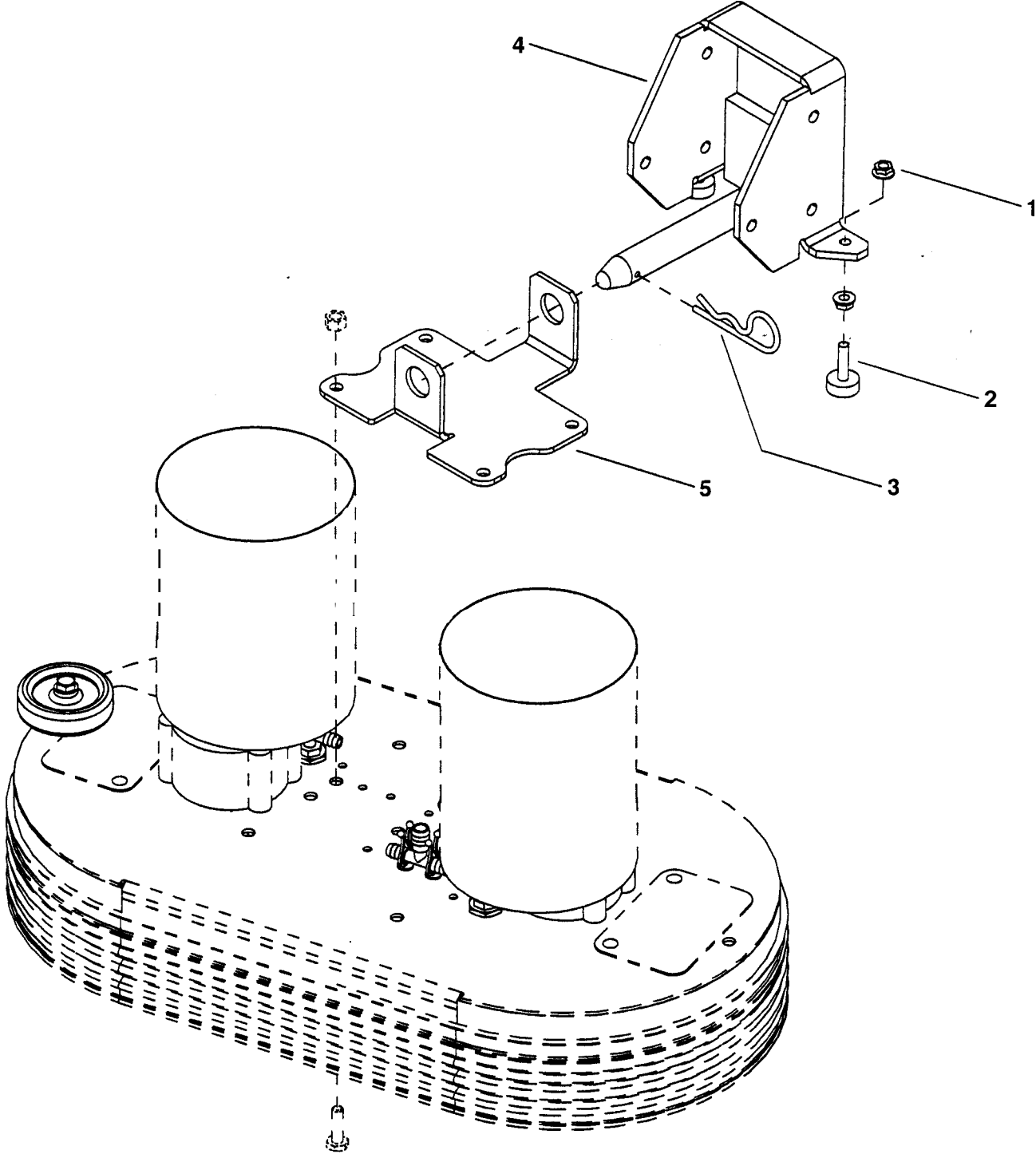


SUGGESTED SPARE PARTS

PART NO.	DESCRIPTION	SERIAL NO.	NOTES:
14606	BREAKER, 30A 50VDC		
14717	BREAKER, 3A		
35122	GASKET, VAC MOTOR		
35211	GASKET, 8.50 X 16.40		
35212	GASKET, 6.30 X 16.10		
67393	RELAY, 24VDC 100A		
73938	SPRING, EXTENSION		
81535	KNOB		
-	BLADE, SQUEEGEE REAR		
-	BLADE, SQUEEGEE FRONT		
66193	POTENTIOMETER, 5X OHMS		
48012	KNOB, 5/16-18 4 PRONG		
34337	FILTER, VAC		
81555	SQUEEGEE, SIDE CYL SCRUB		SCRUB PLUS ONLY
830670	BELT, CYL BRUSH DRIVE		SCRUB PLUS ONLY
73790	SKIRT, SHROUD		24 IN. DISK ONLY
73959	SKIRT, SHROUD		26 IN. DISK ONLY
73889	SKIRT, SHROUD		28 IN. DISK ONLY

NOTES:

OPTION- QUICK SCRUBHEAD CONNECT

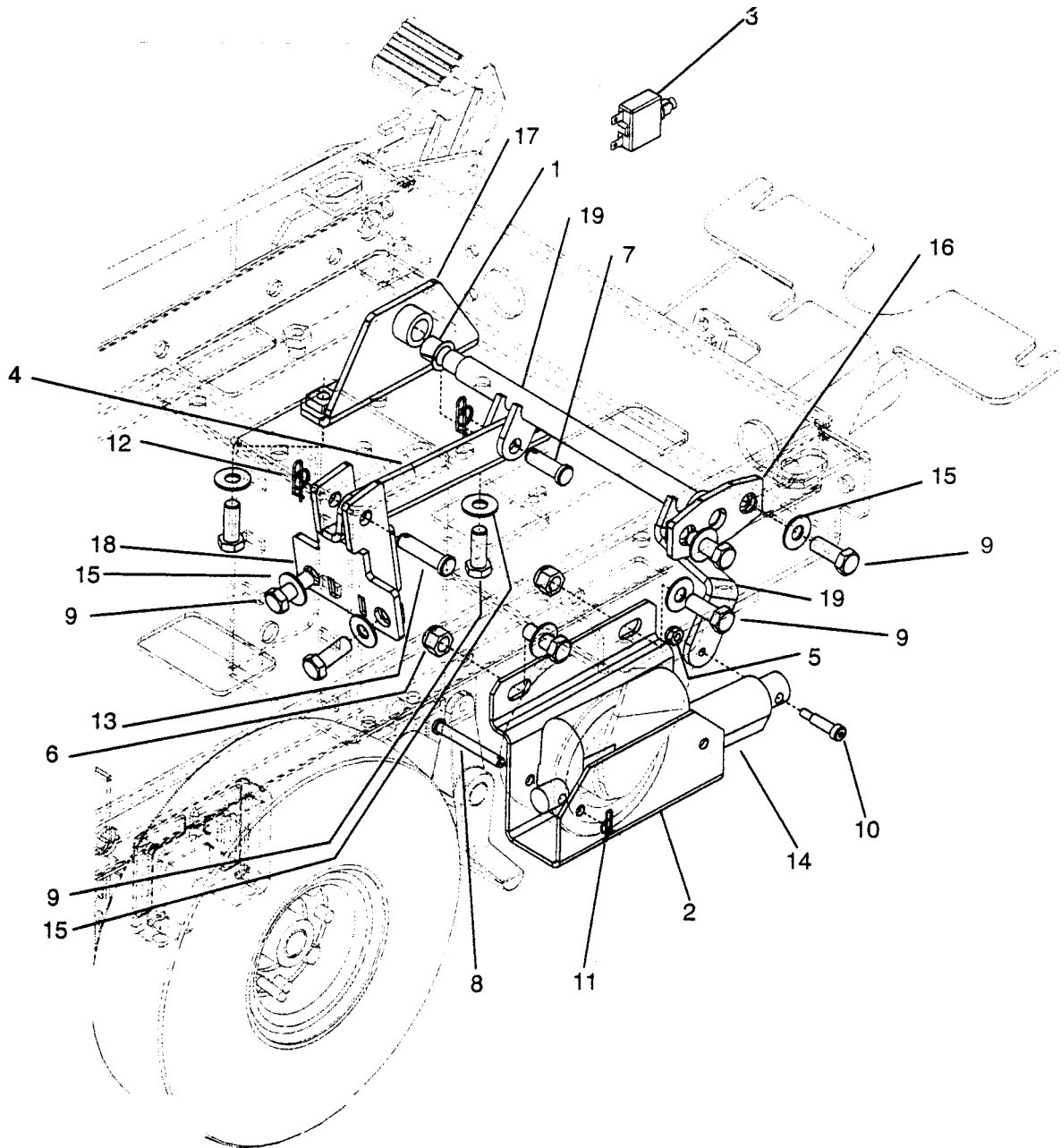


OPTION - QUICKSCRUBHEAD CONNECT

1	57112	4	NUT, 5/16-18 SERRATED FLG	
2	80654	2	BUMPER, ADJUSTMENT	
3	82191	1	PIN, COTTER HAIR .178 DIA X 1"	
4	89121	1	WELDMENT, SCRUB DECK PIN	
5	140389	1	BRKT, SCRUB HEAD MOUNT	

OPTION- AUTO SQUEEGEE

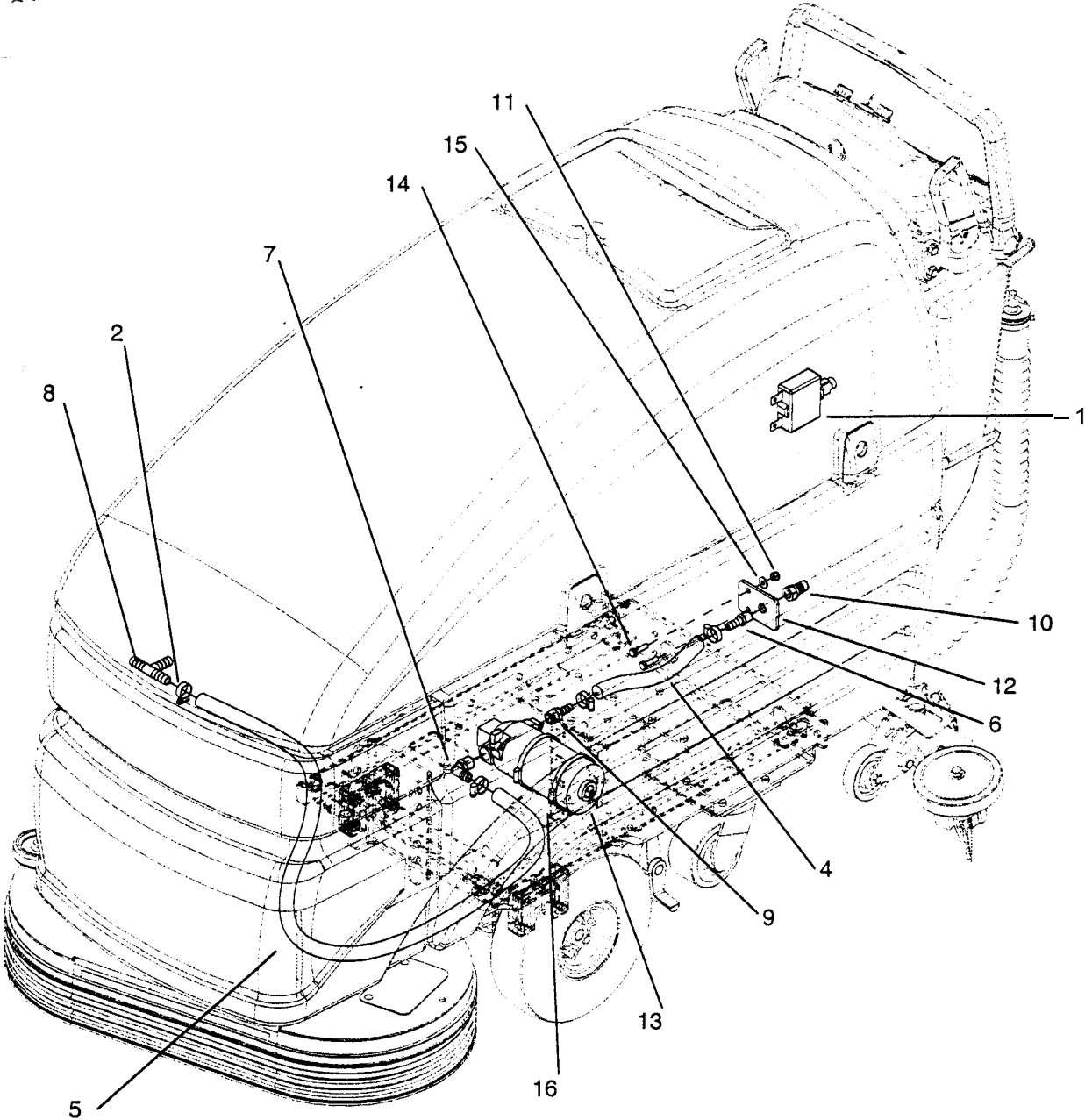
--



OPTION- AUTO SQUEEGEE

REF	PART NO.	QTY	DESCRIPTION	SERIAL NO. FROM	NOTES:
1	09131	2	BEARING, 112 NYLINER SF		
2	14355	1	BRKT, SQG ACTUATOR MOUNT		
3	14832	1	BREAKER, 6A VDE CIRCUIT		
4	51331	1	LINK, AUTO SQG LIFT 24V		
5	57018	1	NUT, 10-24 HEX NYLOCK		
6	57119	2	NUT, 3/8-16 HEX NYLOCK		
7	66232	1	PIN, CLEVIS 3/8" X 1.50" PLT		
8	66336	1	PIN, CLEVIS 1/4" X 2.13" PLT		
9	70266	8	SCR, 3/8-16 X 1" HHSC PLT		
10	70478	1	SHOULDER BOLT, 1/4 OD X 3/4 SS		
11	80604	1	COTTER, 1/4" RING		
12	80606	2	COTTER, 3/8" RING		
13	80806	1	PIN, CLEVIS 3/8" X 1.125" PLT		
14	82693	1	ACTUATOR ASM, 24 VDC 3" STROKE		
15	87003	8	WASHER, 3/8 ID X 7/8 OD SS		
16	89207	1	WELDMENT, AUTO SQUEEGEE		
17	89208	1	WELDMENT, AUTO SQG LIFT		
18	89210	1	WELDMENT, AUTO SQUEEGEELIFT		
19	89213	1	WELDMENT, AUTO SQG LIFT 24V		

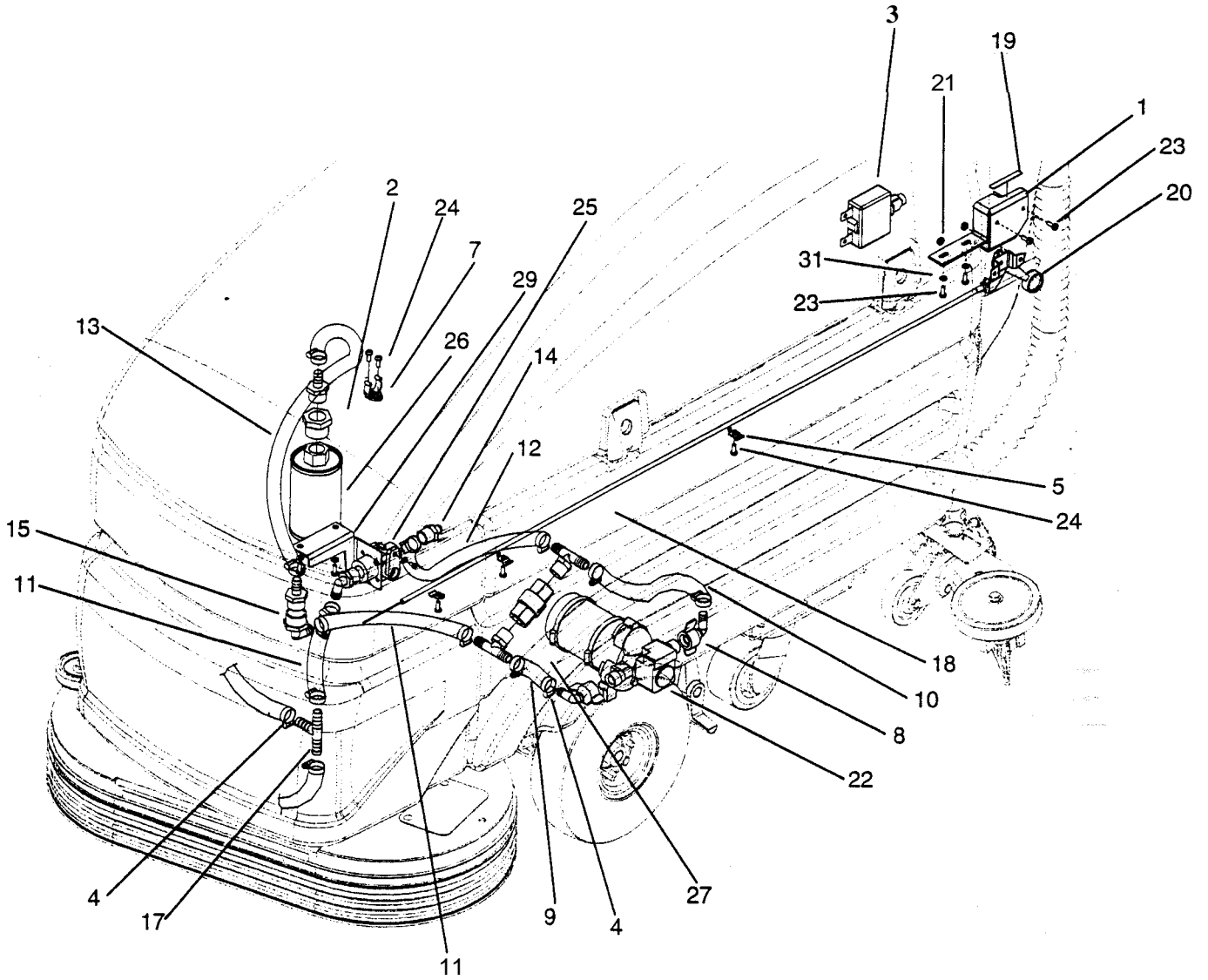
OPTION- ACCESSORY PUMP



OPTION- ACCESSORY PUMP

REF	PART NO.	QTY	DESCRIPTION	SERIAL NO. FROM	NOTES:
1	14832	1	BREAKER, 6A VDE CIRCUIT		
2	20042	4	CLAMP, 3/8 HOSE (D-SLOT)		
3	27051	2	CABLE TIE, 11.38 UL/CSA		NOT SHOWN
4	39036	1	HOSE, 3/8 ID NYLOBRAID X 12" L		
5	39538	1	HOSE, 1/2 ID NYLOBRAID X 52" L		
6	40014	1	HOSEBARB, 1/4 MPT X 3/8		
7	40027	1	HOSEBARB, 3/8 MPT X 1/2 90 D		
8	40078	1	HOSEBARB, 1/2 TEE		
9	40083	1	HOSEBARB, 3/8 MPT X 3/8		
10	56012	1	NIPPLE, 1/4 FPT QD		
11	57245	2	NUT, 1/4-20 HEX NYLOCK SS		
12	62838	1	PLATE, ACCESSORY BULKHEAD		
13	65180	1	PUMP ASM, 24V ACCESSORY		
14	70018	2	SCR, 1/4-20 X 1.0 HHCS SS		
15	87013	2	WASHER, 1/4 ID X 5/8 OD SS		
16	80651	2	CLAMP, 2.7-3.7 WORM GEAR		

OPTION - RECYCLING PUMP



OPTION- RECYCLING PUMP

REF	PART NO.	QTY	DESCRIPTION	SERIAL NO. FROM	NOTES:
1	140264	1	BRKT, SOLUTION LEVER		
2	140342	1	BUSHING, 1.0 MPT X 3/4 FPT PVC		
3	14832	1	BREAKER, 6A VDE CIRCUIT		
4	20042	14	CLAMP, 3/8 HOSE (D-SLOT)		
5	22080	3	CLIP, SINGLE CONDUIT		
6	27051	2	CABLE TIE, 11.38" UL/CSA		NOT SHOWN
7	27857	1	CLIP, C 7/8" PLASTIC		
8	31071	2	ELBOW, SWIVEL 1/2 X 3/8 HOSE		
9	39439	1	HOSE, 1/2 ID NYLOBRAID X 9"		
10	39497	1	HOSE, 1/2 ID NYLOBRAID X 11"		WAS 39479
11	39482	2	HOSE, 1/2 ID NYLOBRAID X 15"		
12	39538	1	HOSE, 1/2 ID NYLOBRAID X 52"		
13	39541	1	HOSE, SPRING BOUND X 32"		
14	40039	2	HOSEBARB, 1/2 MPT X 1/2 HOSE 90°		
15	40075	1	HOSEBARB, 3/4 MPT X 1/2 90°		
16	40077	2	HOSEBARB, 3/4 MPT X 1/2 HOSE		
17	40078	1	HOSEBARB, 1/2 TEE		
18	40081	2	HOSEBARB, 1/2 MPT X 1/2 TEE		
19	50939	1	LABEL, SOLUTION FLOW		
20	51295	1	LEVER, SOL'N VALVE CONTROL		
21	57104	2	NUT, 10-32 HEX W/STAR		
22	65177	1	PUMP ASM, 24V RECYCLING		
23	70088	6	SCR, 10-32 X 1/2 PPHMS SS		
24	70403	5	SCR, #10 X 1/2 PPHST TYPE B		
25	73886	1	SWIVEL, SOLUTION CABLE		
26	73942	1	STRAINER, 1.0 NPT 60 MESH		
27	80651	2	CLAMP, 2.7-3.7 WORM GEAR		
28	-	-	OPEN		
29	84156	1	VALVE, METERING ASS'Y		
30	84159	1	VALVE, CHECK 1/2 FPT X 1/2 MPT		
31	87095	4	WASHER, #10 FLAT PLTD		



Manufacturers of Innovative Building Maintenance Equipment

EC Declaration of Conformity

We herewith declare,

Windsor Industries, Inc.
1351 W. Stanford Ave.
Englewood, CO 80110-5545 USA

that the following product complies with the appropriate essential health and safety requirements of the relevant EC Directives listed below, based on the relevant sections of the applicable EC standards and other normative documents.

Product: Saber SX 24 SP, Stride II SX 24 SP
Product Identification: SX24SP, QQSX24SP

Trademark:



Model/Type Ref.:

Product Description: This product is a battery powered, self-propelled, wet floor scrubber intended for commercial use.

Applicable EC Directives: EC Machinery Directive
(89/392/EEC & 91/368/EEC & 93/44/EEC & 93/68/EEC)
EC Low Voltage Directive
(73/23/EEC & 93/68/EEC)
EC Directive of Electromagnetic Compatibility
(89/336/EEC & 93/68/EEC)

Applicable Harmonized Standards: EN 60335-1; 1991
EN 60335-2-67; 1992
EN 60335-2-72; 1995
EN 50081-2; 1993
EN 55011; 1990
EN 50082-2; 1994
EN 61000-4-2; 1995
EN 61000-4-3; 1997

Tom Betts
Authorized Signature

10-19-99
Date

Title of Signature: Vice President, Windsor Industries, Inc.

Windsor Industries, Inc.,
1351 West Stanford Avenue,
Englewood, CO 80110 USA
303.762.1800 FAX 303.762.0817

QUEST .. for Continuous Improvement.
Windsor's Quality Management System is Certified ISO 9001



Manufacturers of Innovative Building Maintenance Equipment

EC Declaration of Conformity

We herewith declare, Windsor Industries, Inc.
1351 W. Stanford Ave.
Englewood, CO 80110-5545 USA

that the following product complies with the appropriate essential health and safety requirements of the relevant EC Directives listed below, based on the relevant sections of the applicable EC standards and other normative documents.

Product: Saber Deluxe 26
Stride II Deluxe 26

Product Identification: Rated 24 VDC 60 A

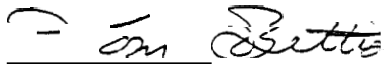
Trademark:


Model/Type Ref.: SX26
QQSX26

Product Description: This product is a battery powered, self-propelled, wet floor scrubber intended for commercial use.

Applicable EC Directives: EC Machinery Directive
(89/392/EEC & 91/368/EEC & 93/44/EEC & 93/68/EEC)
EC Low Voltage Directive
(73/23/EEC & 93/68/EEC)
EC Directive of Electromagnetic Compatibility
(89/336/EEC & 93/68/EEC)

Applicable Harmonized Standards: EN 60335-1: 1991
EN 60335-2-67: 1992
EN 60335-2-72: 1995
EN 50081-2: 1993
EN 55011: 1990
EN 50082-2: 1994
EN 61000-4-2: 1995
EN 61000-4-3: 1997



Authorized Signature

3-23-00

Date

Title of Signature: Vice President, Windsor Industries, Inc.
Windsor Industries, Inc.,
1351 West Stanford Avenue,
Englewood, CO 80110 USA
303.762.1800 FAX 303.762.0817



Manufacturers of Innovative Building Maintenance Equipment

EC Declaration of Conformity

We herewith declare,

Windsor Industries, Inc.
1351 W. Stanford Ave.
Englewood, CO 80110-5545 USA

that the following product complies with the appropriate essential health and safety requirements of the relevant EC Directives listed **below**, based on the relevant sections of the applicable EC standards and other normative documents.

Product: Saber Deluxe 428
Stride II Deluxe 328

Product Identification: Rated 24 VDC 60 A

Trademark:



Model/Type Ref.: SX428
QQSX428

Product Description: This product is a battery powered, self-propelled, wet floor scrubber intended for commercial use.

Applicable EC Directives: EC Machinery Directive
(89/392/EEC & 91/368/EEC & 93/44/EEC & 93/68/EEC)
EC Low Voltage Directive
(73/23/EEC & 93/68/EEC)
EC Directive of Electromagnetic Compatibility
(89/336/EEC & 93/68/EEC)

Applicable Harmonized Standards: EN 60335-1: 1991
EN 60335-2-67: 1992
EN 60335-2-72: 1995
EN 50081-2: 1993
EN 55011: 1990
EN 50082-2: 1994
EN 61000-4-2: 1994
EN 61000-4-3: 1997


Authorized Signature

3-23-00
Date

Title of Signature: Vice President, Windsor Industries, Inc.
Windsor Industries, Inc.
1351 West Stanford Avenue.
Englewood, CO 80110 USA
303.762.1800 FAX 303.762.0817



Manufacturers of Innovative Building Maintenance Equipment

EC Declaration of Conformity

We herewith declare,

Windsor Industries, Inc.
1351 W. Stanford Ave.
Englewood, CO 801 10-5545 USA

that the following product complies with the appropriate essential health and safety requirements of the relevant EC Directives listed below, based on the relevant sections of the applicable EC standards and other normative documents.

Product: Saber Deluxe 24
Stride II Deluxe 24

Product Identification: Rated 24 VDC 60 A

Trademark:



Model/Type Ref.: SX 24
QOSX 24

Product Description: This product is a battery powered, self-propelled, wet floor scrubber intended for commercial use.

Applicable EC Directives: EC Machinery Directive
(89/392/EEC & 91/368/EEC & 93/44/EEC & 93/68/EEC)
EC Low Voltage Directive
(73/23/EEC & 93/68/EEC)
EC Directive of Electromagnetic Compatibility
(89/336/EEC & 93/68/EEC)

Applicable Harmonized Standards: EN 60335-1: 1991
EX 60335-2-67: 1992
EN 60335-2-72: 1995
EN 50081-2: 1993
EN 55011: 1990
EN 50082-2: 1994
EN 61000-4-2: 1995
EN 61000-4-3: 1997

Authorized Signature

3-23-00
Date

Title of Signature: Vice President, Windsor Industries, Inc.
Windsor Industries, Inc.,
1351 West Stanford Avenue,
Englewood, CO 80110 USA
303.762.1800 FAX 303.762.0817