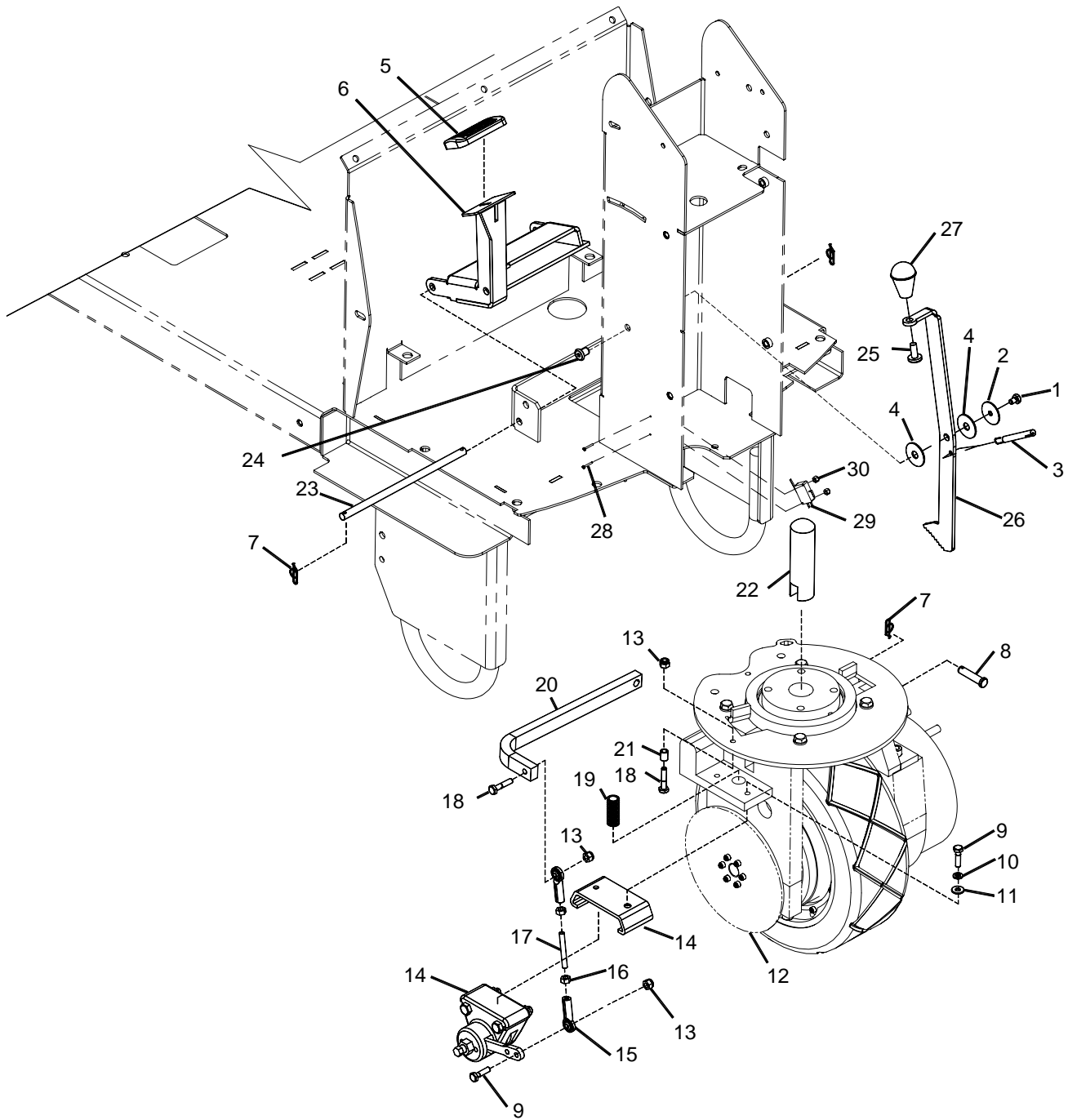


SABER™
GLIDE
PARTS LIST

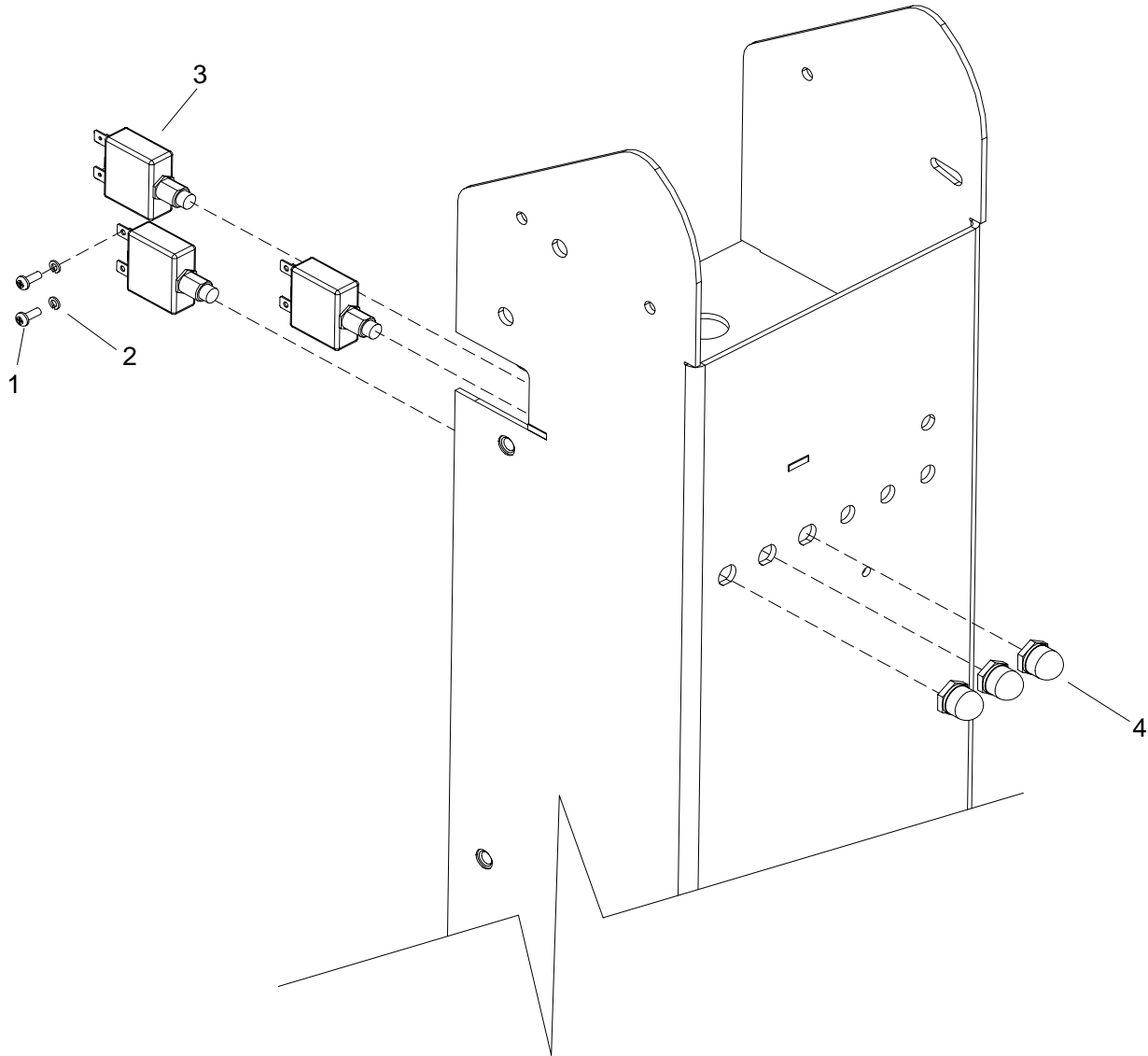
BRAKE



BRAKE

REF	PART NO.	PRV NO.	QTY	DESCRIPTION	SERIAL NO. FROM	NOTES:
1	86276880	70751	1	SCR, 1/4-20 X 3/8 HHCS SS		
2	86278940	87008	1	WASHER, 1/4ID X 1-1/4OD PLTD		
3	86255560	82855	1	SPRING, .31 X .04 X 3.0 EXT CS ZC		
4	86279620	87200	2	WASHER, .4ID X 1.3OD NYLON		
5	86009440	81972	1	PAD, BRAKE PEDAL		
6	86093360	66363	1	PEDAL, BRAKE SRS		
7	86008670	80606	3	COTTER, 3/8" RING		
8	86248980	81438	1	PIN, CLEVIS 3/8" X 1.75 PLTD		
9	86273810	70018	3	SCR, 1/4-20 X 1 HHCS SS		
10	86010780	87162	2	WASHER, 1/4 SPLIT LOCK PLTD		
11	86010630	87013	2	WASHER, 1/4ID X 5/8OD SS		
12	86215650	29251	1	DISK, BRAKE		
13	86005810	57245	3	NUT, 1/4-20 HEX NYLOCK SS		
14	86073850	140466	1	CALIPER, CLOCKWISE BRAKE		
14A	86135470	83050	1	CALIPER ACTUATING PIN		SERVICE ONLY
14B	86134940	83051	1	BACKING PLATE, CALIPER		SERVICE ONLY
14C	86135480	83052	1	PUCK CALIPER		SERVICE ONLY
14D	86010330	83053	1	CALIPER, ANVIL SUB-ASSEMBLY		SERVICE ONLY
15	86251790	67480	2	ROD END, BALL JOINT 1/4-28		
16	86271600	57225	2	NUT, 1/4-28 HEX		
17	86065800	05003	1	ARM, LOWER VAC CONTROL		
18	86273820	70019	2	SCR, 1/4-20 X 1.25 HHCS		
19	86254960	730266	1	SPRING, COMP .67 OD X 1.63 X .08		
20	86066010	140458	1	ARM, BRAKE LEVER		
21	86087430	73206	1	SPACER, 3/8OD X .058W X 1/2L CRS		
22	86252040	67470	1	ROD, BRAKE PUSH		
23	86078400	66356	1	PIN, CLEVIS 0.375 X 8.26L		
24	86005860	57273	1	NUT, 1/4-20 X 12MM HEX BARREL		
25	86276890	70752	1	SCR, 5/16-18 X 3/4 PTHMS SS		
26	86077270	51367	1	LEVER, PARKING BRAKE		
27	86004800	48030	1	KNOB		
28	86006720	70245	2	SCR, 4-40 X 3/4 PPHMS		
29	86028630	72082	1	SWITCH, SOL LEVER BENT		
30	86271280	57163	2	NUT, 4-40 W/STAR WASHER		

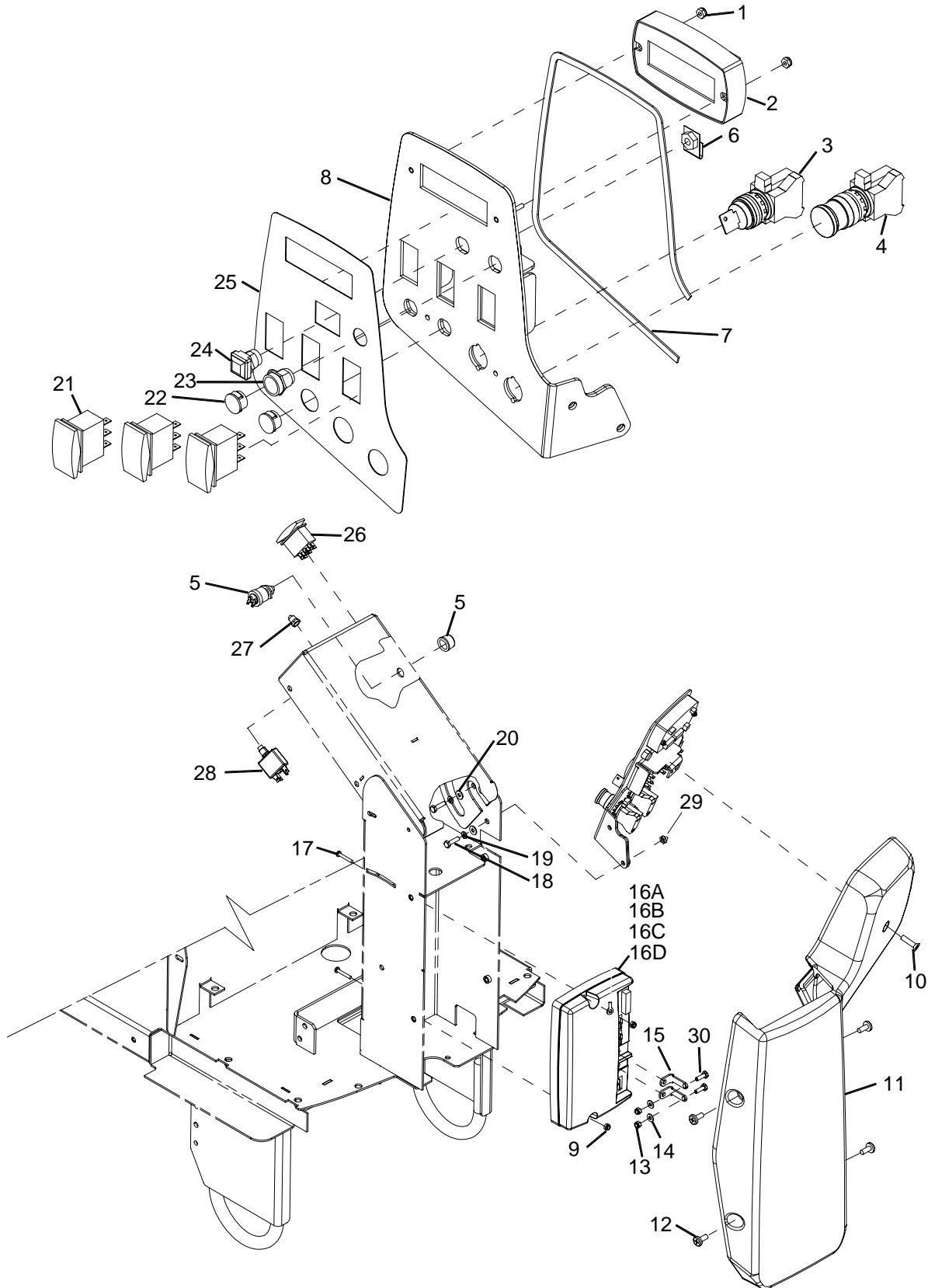
CIRCUIT BREAKER



CIRCUIT BREAKER

REF	PART NO.	PRV NO.	QTY	DESCRIPTION	SERIAL NO. FROM	NOTES:
1	86273990	70067	4/6	SCR, 6-32 X 3/8 PPHMS		4 per 28&32/6 per 36
2	86279300	87134	4/6	WASHER, #6 LOCK		4 per 28&32/6 per 36
3	86001920	14607	2/3	BREAKER, 25A 50VDC CIRCUIT		2 per 28&32/3 per 36
4	86008900	80845	2/3	BOOT, SEAL-PUSH BUTTON 7/16-28		2 per 28&32/3 per 36

CONTROL PANEL

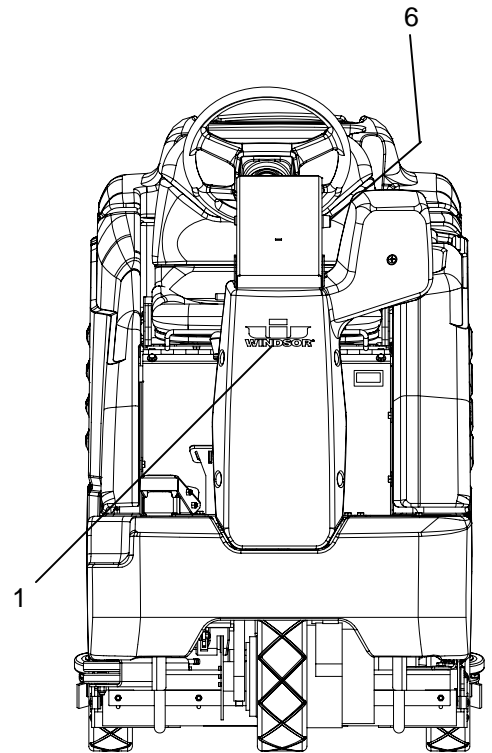
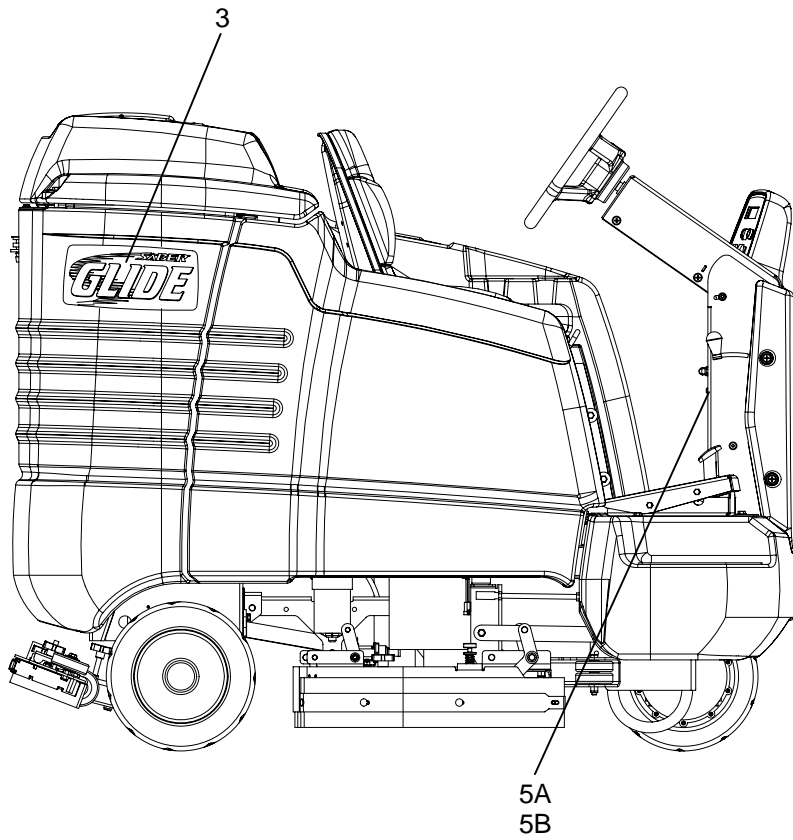
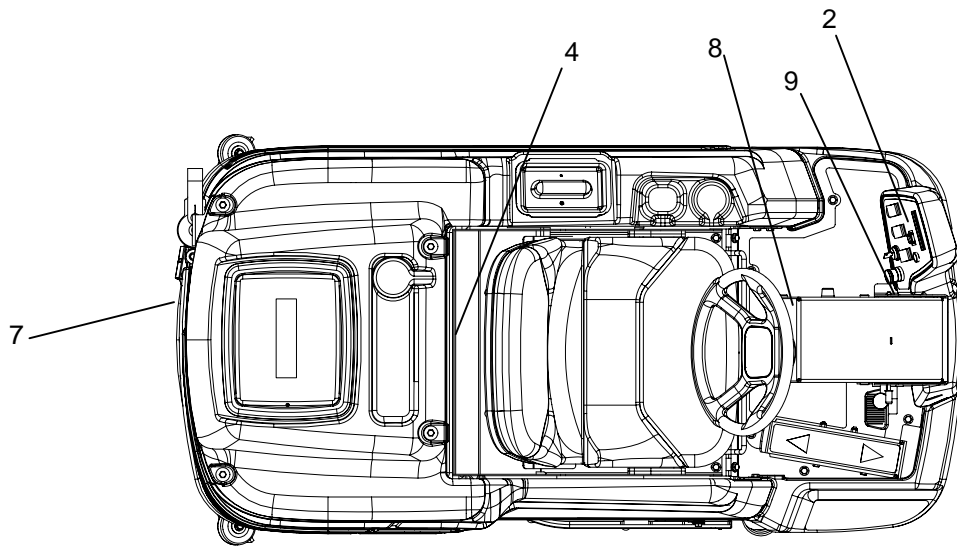


CONTROL PANEL

REF	PART NO.	PRV NO.	QTY	DESCRIPTION	SERIAL NO. FROM	NOTES:
1	86270920	57049	2	NUT, 6-32 HEX NYLOCK SS		
2	86005550	54183	1	MODULE, LCD		
3A	86007190	72161	1	SWITCH, KEY DPST		
3B	86004860	48073	REF	KEY		SERVICE ONLY
4	86007180	72160	1	SWITCH, EMERGENCY STOP		
5	86257280	81371	1	SWITCH, PUSH BUTTON		
6	86271820	57270	1	NUT, 5/16-18 CAPTIVE "J" PLTD		
7	86238000	36216	1	GASKET, .06T X .25W X 26.5L		
8	86093320	66364	1	PANEL CONTROL		
9	86270990	57090	2	NUT, 10-32 HEX NYLOCK SS		
10	86276900	70753	1	SCR, 5/16-18 X 1-1/4 PFMMS SS		
11	86003230	27936	1	COVER, FRONT SMALL RIDER		
12	86276890	70752	4	SCR, 5/16-18 X 3/4 PTHMS SS		
13	86271910	57295	2	NUT, 5/16-18 FLEXLOCK		
14	86010670	87029	2	WASHER, 5/16 FLAT SS		
15	86068850	140219	2	BRACKET, CABLE ATTACH	*(1)	
16A	86002660	270070	1	CONTROLLER, GLIDE 28/32		28 IN & 32 IN, WAS 27950
16B	86002670	270071	1	CONTROLLER, GLIDE 36		36 IN, WAS 27967
16C	86002680	270072	1	CONTROLLER, GLIDE 28/32 GEL		28 IN & 32 IN WITH SEALED BATTERIES, WAS 27972
16D	86027700	270075	1	CONTROLLER, GLIDE 36 GEL		36 IN WITH SEALED BATTERIES, WAS 270009
17	86274410	70195	2	SCR, 10-32 X 1.25 SS		
18	86273810	70018	2	SCR, 1/4-20 X 1 HHCS SS		
19	86010780	87162	2	WASHER, 1/4 SPLIT LOCK		
20	86010630	87013	2	WASHER, 1/4ID X 5/8 OD SS		
21	86007520	730142	3	SWITCH, SPDT 3-POSITION MOM		
22	86250190	66365	2	PLUG, DD .625-.550		
23	86007480	730124	1	SWITCH ASM, SEALED PUSHBUTTON		
24	86007470	730123	1	SWITCH ASM, SEALED PUSH SQ		
25	86243510	500563	REF	LABEL, CONTROL PANEL		
26	86007210	72165	1	SWITCH, DPDT 3-POSITION ROCKER		36 IN. ONLY
27	86002010	14942	1	BOOT, 3/8 CIRCUIT BREAKER		36 IN. ONLY
28	86001450	140541	1	BREAKER, 2A 250VAC, 50VDC		36 IN. ONLY
29	86271940	57299	1	NUT, 1/4-20 ACORN SS		
30	86275760	70540	2	SCR, 5/16-18 X 1 HHCS GR8 PLTD	*(1)	

*SEE SERIAL NUMBER PAGE.

DECAL GROUP

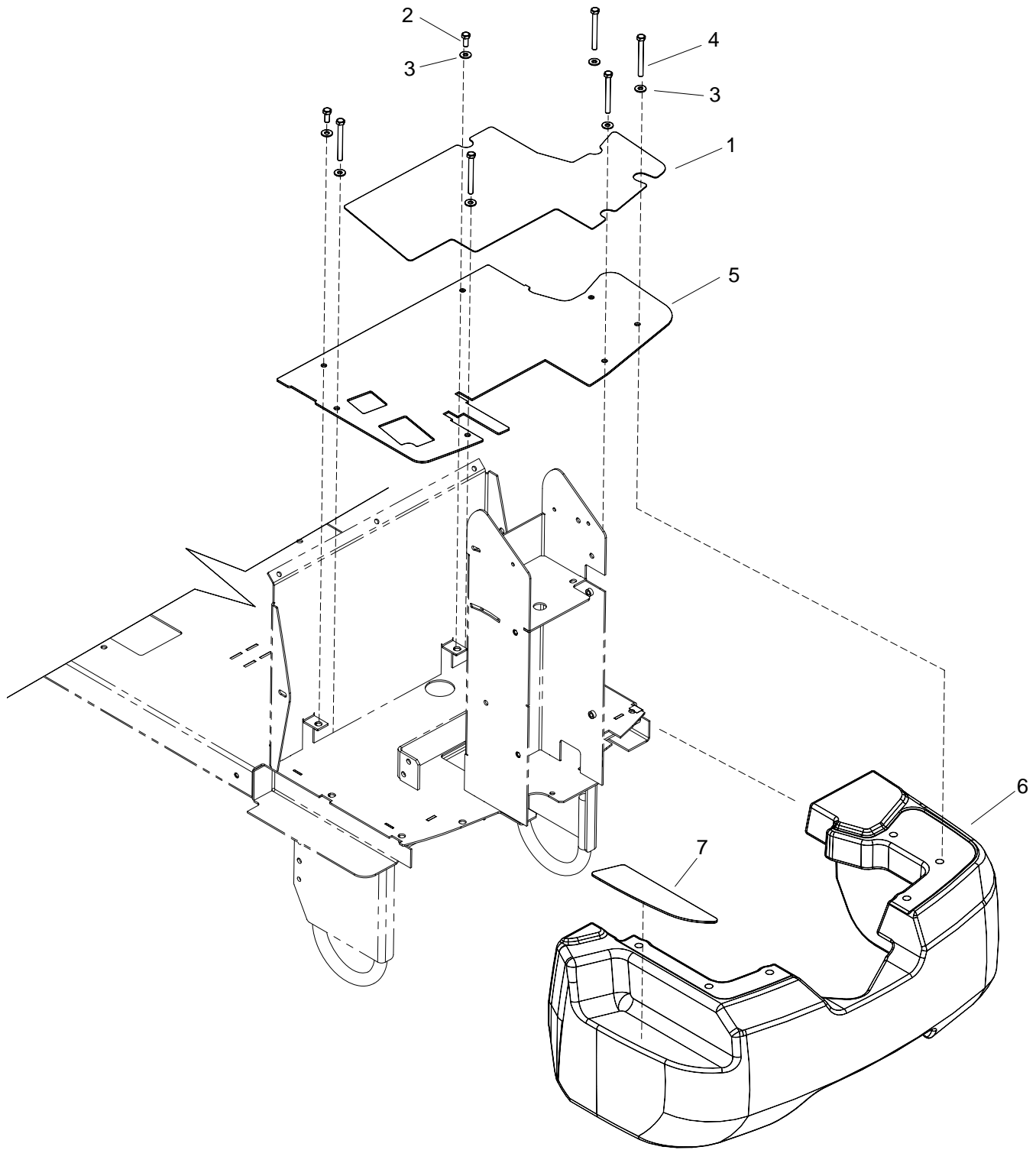


DECAL GROUP

REF	PART NO.	PRV NO.	QTY	DESCRIPTION	SERIAL NO. FROM	NOTES:
1	86004970	50990	1	LABEL, WINDSOR LOGO DOMED		
2	86243510	500563	1	LABEL, CONTROL PANEL		
3	86243570	500574	2	LABEL, GLIDE		
4	86243500	500562	1	LABEL, SRS CHARGING		
5A	86244130	500859	1	LABEL, CIRCUIT BREAKER GLIDE		28 IN & 32 IN
5B	86244140	500861	1	LABEL, CIRCUIT BREAKER 36 SRS		36 IN.
6	86248210	81349	1	OVERLAY, HORN		
7	86243580	500575	1	LABEL, SOLUTION FILL GLIDE		
8	86243810	500651	1	LABEL, DECK SHIFT 36 INCH		36 IN. ONLY
9	86243830	500662	1	LABEL, COVER SMALL RIDER		

NOTE: SEE "SAFETY LABEL LOCATION" PAGE FOR SAFETY LABEL INFORMATION.

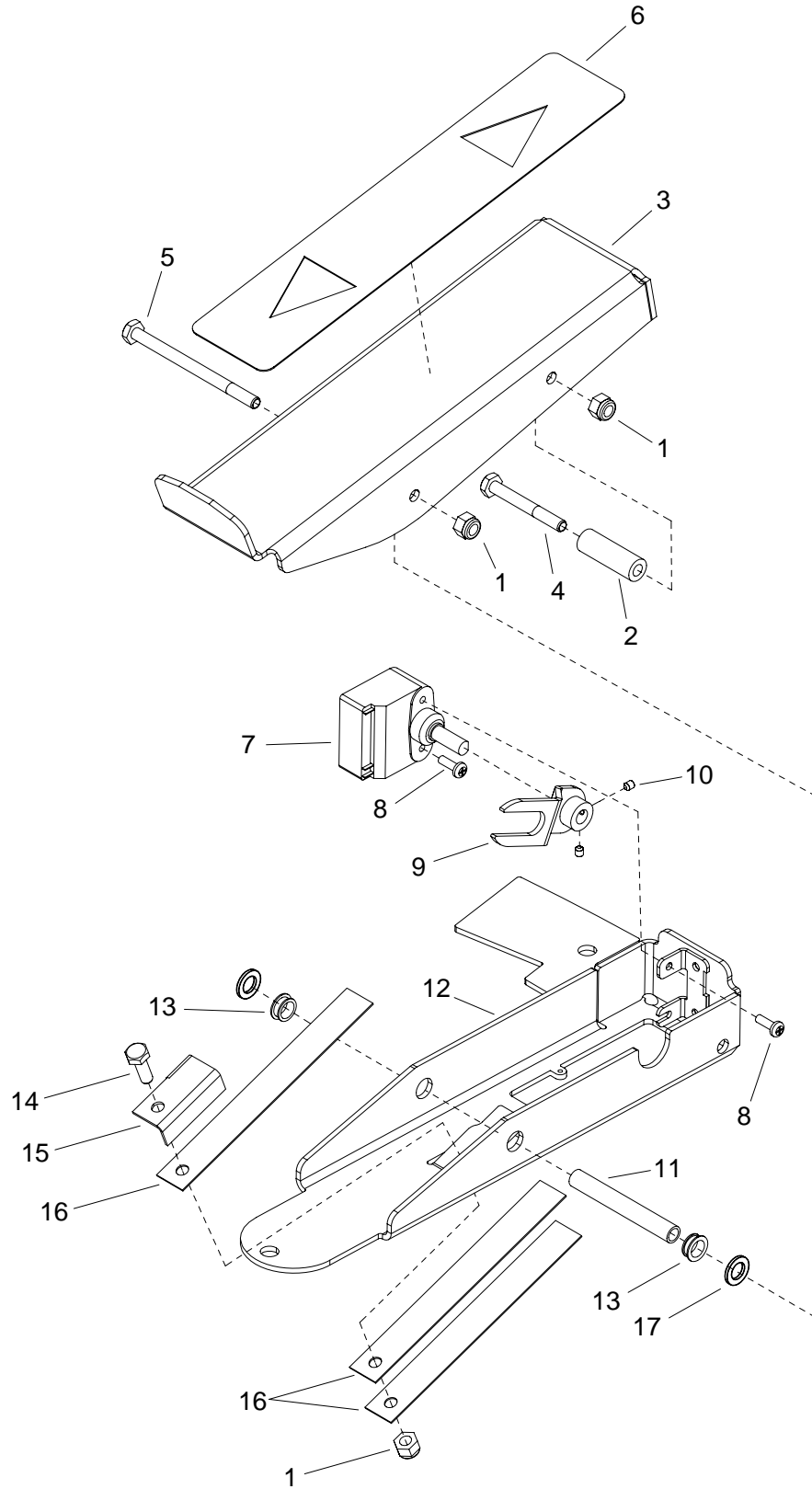
FRONT BUMPER & FLOOR



FRONT BUMPER & FLOOR

REF	PART NO.	PRV NO.	QTY	DESCRIPTION	SERIAL NO.	NOTES:
1	86248350	66360	1	PAD, FLOOR		
2	86276780	70728	2	SCR, 5/16-18 X 3/4 HHCS SS		
3	86010670	87029	7	WASHER, 5/16 FLAT SS		
4	86204070	70754	5	SCR, 5/16-18 X 3 HHCS SS NP		
5	86082320	62952	1	PLATE, FLOOR		
6	86031820	27934	1	COVER, BUMPER SMALL RIDER		
7	86248360	66361	1	PAD, STEP		

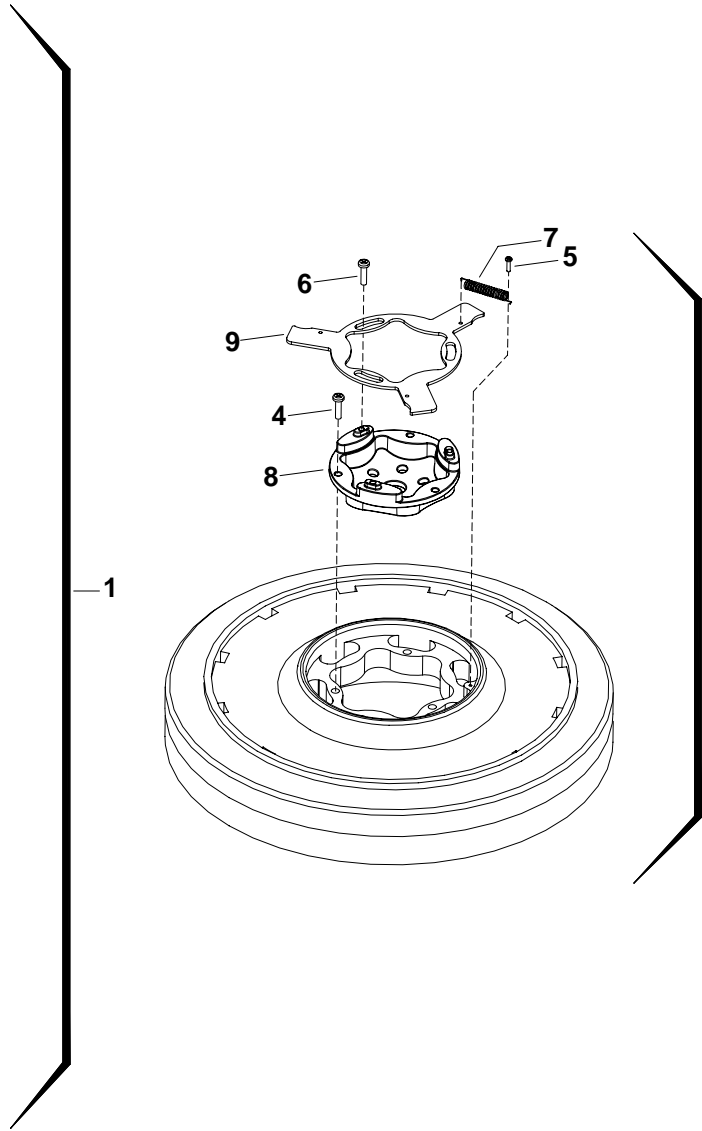
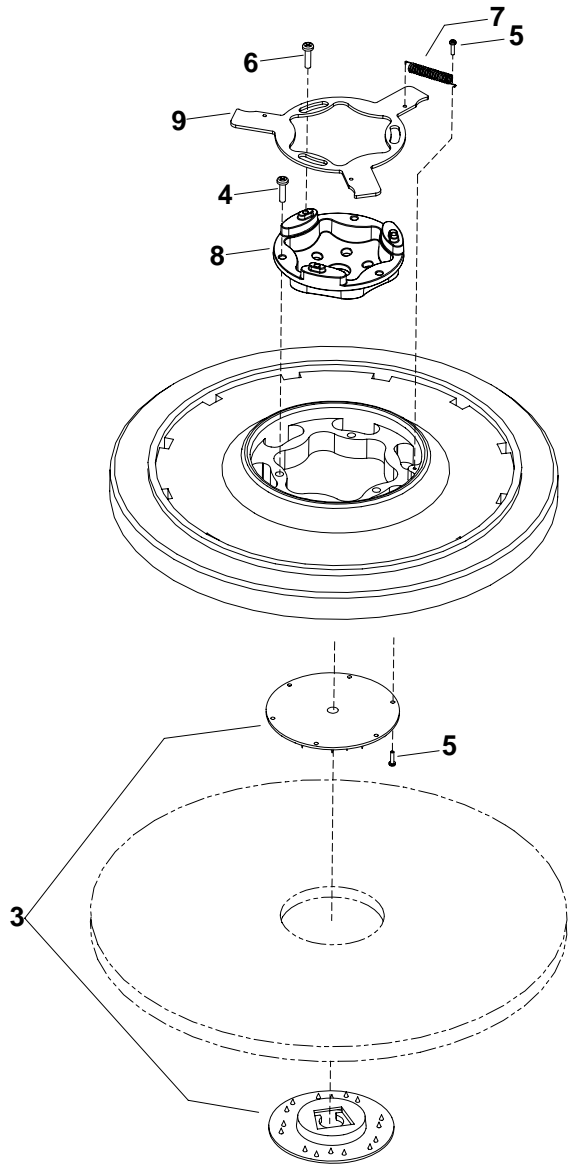
FORWARD/REVERSE PEDAL



FORWARD/REVERSE PEDAL

REF	PART NO.	PRV NO.	QTY	DESCRIPTION	SERIAL NO.	NOTES:
1	86005810	57245	3	NUT, 1/4-20 HEX NYLOCK SS		
2	86007380	730088	1	SPACER, .50D X .26ID X 1.5L		
3	86078310	66382	1	PEDAL, SMALL RIDER		
4	86273850	70022	1	SCR, 1/4-20 X 2 HHCS		
5	86276940	70758	1	SCR, 1/4-20 X 3.5 HHCS SS NP		
6	86248340	66346	1	PAD, FWD/REV PEDAL		
7	86006330	66343	1	POTENTIMETER, TROTTLE		
8	86276930	70757	2	SCR, 8X1/2 PPH TYPE B SMS SP		
9	86093140	51379	1	LINK, SMALL RIDER THROTTLE		
10	86278060	70759	2	SET SCR, M4 X 4MM NP		
11	86089660	78532	1	TUBE, 3/8 OD X 2.96 L		
12	86091500	140577	1	BASE, SMALL RIDER PEDAL		
13	86228750	09082	2	BEARING, 3/8" FLANGED NYLON		
14	86273780	70015	1	SCR, 1/4-20 X 3/4 HHCS SS NP		
15	86010300	830117	1	BRKT, SPRING ALIGNMENT		
16	86010290	830116	3	SPRING, FLAT		
17	86010680	87030	2	WASHER, 3/8 ID X 3/4 OD NYLON		

SCRUB BRUSHPAD /DRIVER



2A
2B
2C
2D

SCRUB BRUSH/PAD DRIVER

28 IN. DISK:

REF	PART NO.	PRV NO.	QTY	DESCRIPTION	SERIAL NO.	NOTES:
1	86000250	02412	2	PAD DRIVER, 14" SD		
2A	86000260	02413	2	BRUSH, 14" POLYPROPYLENE SD		
2B	86000270	02414	2	BRUSH, 14" NYLON SD		
2C	86000280	02416	2	BRUSH, 14" MILD GRIT SD		
2D	86283850	02417	2	BRUSH, 14" SUPER AGG SD		
3	86005070	51284	1	LOCK, PAD CENTER SNAP, TWO STEP		
4	86276590	70695	3	SCR, #12 X 1 PPHSMS SS		
5	86210940	70694	1	SCR, 8-32 X 3/4 PTHMS		
6	86276600	70696	3	SCR, #10 X 3/4 PTHSMS SS		
7	86007910	73817	1	SPRING, EXT .31 D X 2.0 L X .03 W SS		
8	86007280	730011	1	SOCKET, DRIVE BRUSH		
9	86005940	62852	1	PLATE, BRUSH RELEASE		

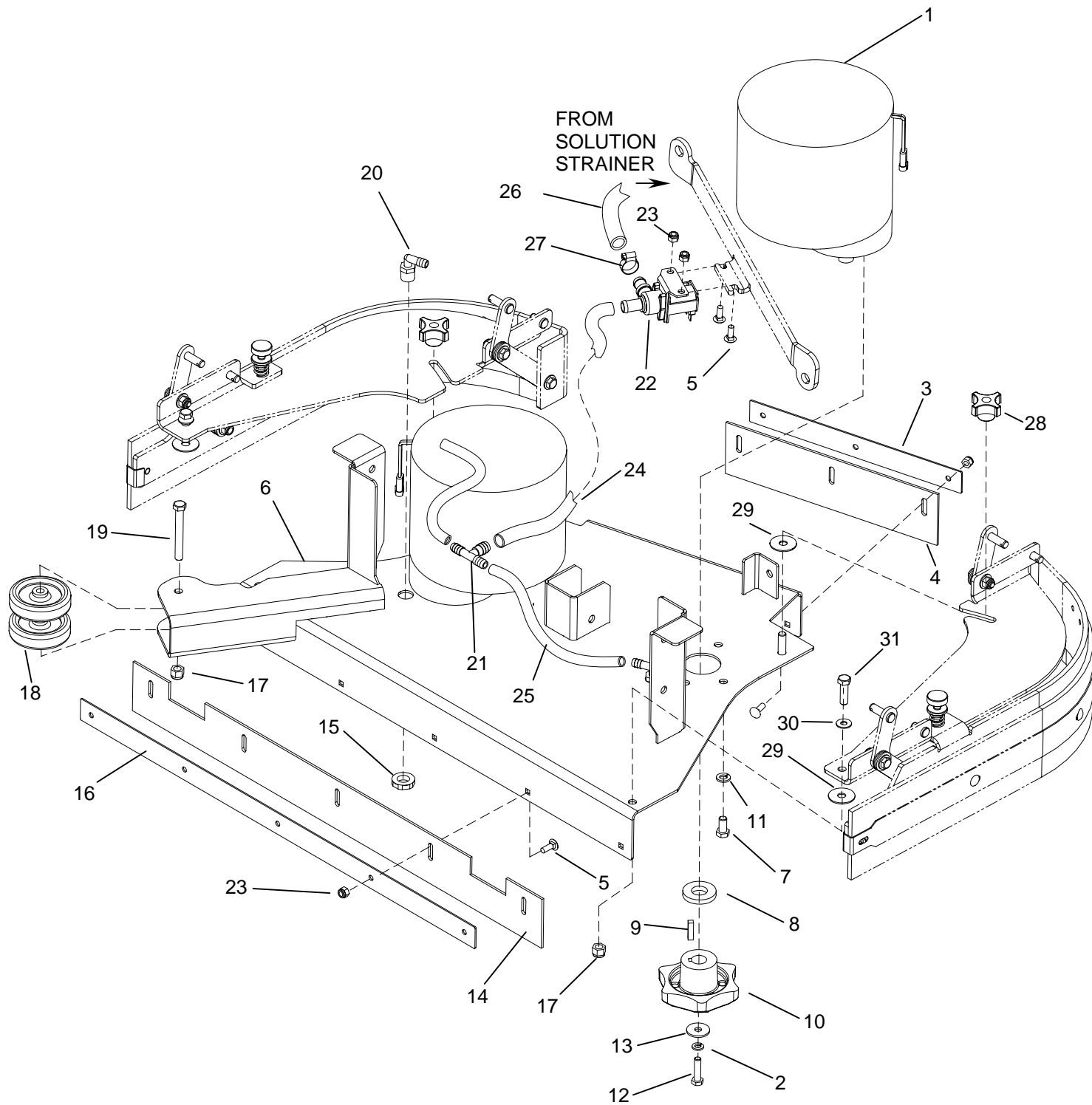
32 IN. DISK:

REF	PART NO.	PRV NO.	QTY	DESCRIPTION	SERIAL NO.	NOTES:
1	86000290	02418	2	PAD DRIVER, 16" SD		
2A	86000300	02419	2	BRUSH, 16" POLYPROPYLENE SD		
2B	86000310	02420	2	BRUSH, 16" NYLON SD		
2C	86000330	02422	2	BRUSH, 16" MILD GRIT SD		
2D	86000340	02423	2	BRUSH, 16" SUPER AGG SD		
3	86005070	51284	1	LOCK, PAD CENTER SNAP, TWO STEP		
4	86276590	70695	3	SCR, #12 X 1 PPHSMS SS		
5	86276580	70694	1	SCR, 8-32 X 3/4 PTHMS		
6	86276600	70696	3	SCR, #10 X 3/4 PTHSMS SS		
7	86007910	73817	1	SPRING, EXT .31 D X 2.0 L X .03 W SS		
8	86007280	730011	1	SOCKET, DRIVE BRUSH		
9	86005940	62852	1	PLATE, BRUSH RELEASE		

36 IN. DISK:

REF	PART NO.	PART NO.	QTY	DESCRIPTION	SERIAL NO.	NOTES:
1	86000170	02400	3	PAD DRIVER, 12" SD		
2A	86000180	02401	3	BRUSH, 12" POLYPROPYLENE SD		
2B	86168070	02402	3	BRUSH, 12" NYLON SD		
2C	86000200	02404	3	BRUSH, 12" MILD GRIT SD		
2D	86283820	02405	3	BRUSH, 12" SUPER AGG SD		
3	86005070	51284	1	LOCK, PAD CENTER SNAP, TWO STEP		
4	86276590	70695	3	SCR, #12 X 1 PPHSMS SS		
5	86276580	70694	1	SCR, 8-32 X 3/4 PTHMS		
6	86276600	70696	3	SCR, #10 X 3/4 PTHSMS SS		
7	86007910	73817	1	SPRING, EXT .31 D X 2.0 L X .03 W SS		
8	86007280	730011	1	SOCKET, DRIVE BRUSH		
9	86005940	62852	1	PLATE, BRUSH RELEASE		

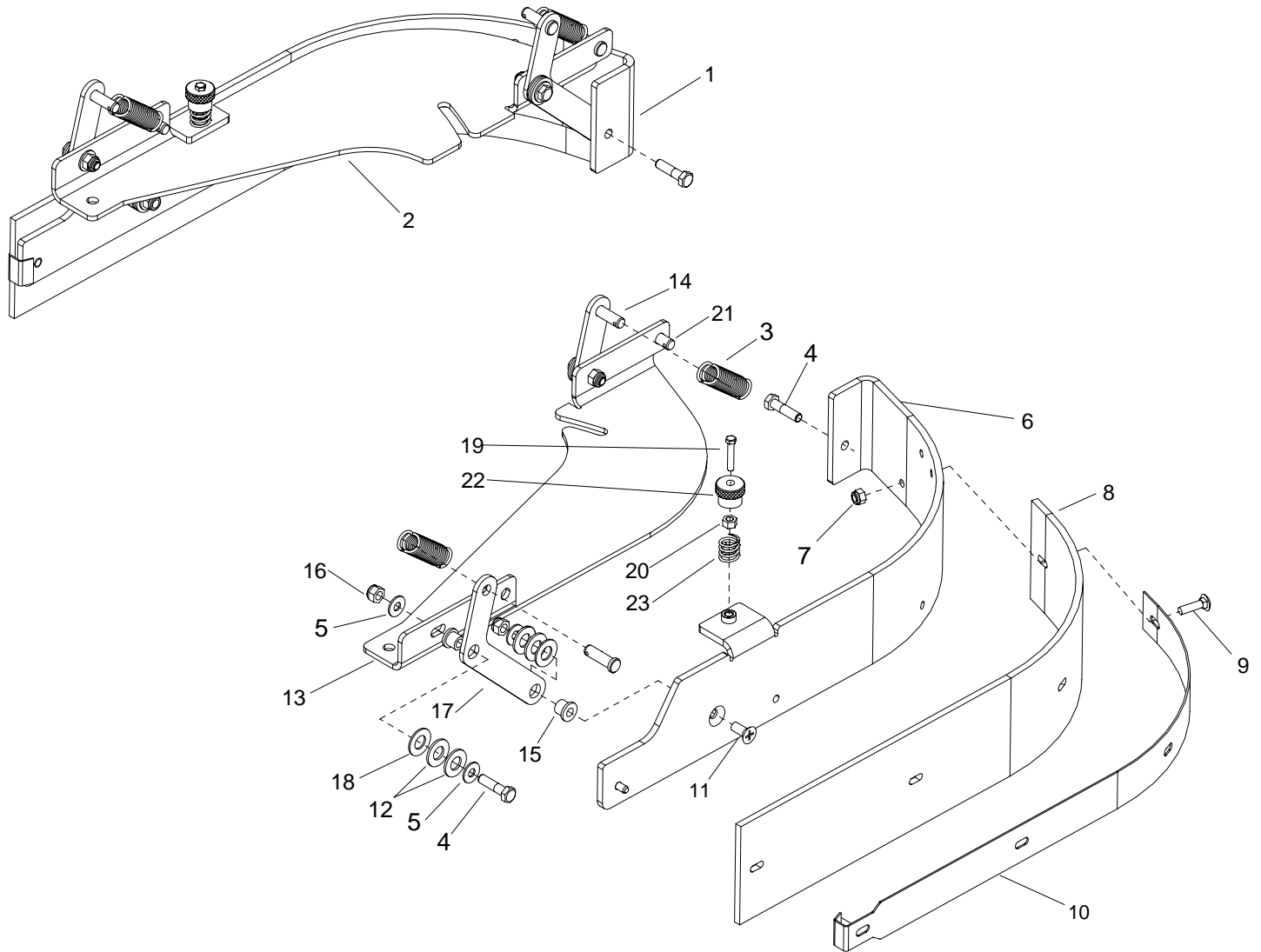
SCRUB DECK-28 IN DISK



SCRUB DECK-28 IN DISK

REF	PART NO.	PRV NO.	QTY	DESCRIPTION	SERIAL NO. FROM	NOTES:
1	86005250	53258	2	MOTOR ASM, 36V 330 RPM GEAR		
1A	86001890	14418	REF	BRUSH SET, MOTOR		SERVICE ONLY
2	86279130	87083	2	WASHER, 5/16 SPLIT		
3	86087940	730104	1	STRAP, REAR SQUEEGEE		
4	86253910	730101	1	SKIRT, REAR		
5	86276950	70772	10	SCR, 1/4-20 X 3/4 CARRIAGE SS		
6	86093960	62962	1	SCRUB DECK, 28 SMALL RIDER		
7	86276970	70774	8	SCR, 3/8-16 X 3/4 HHCS SS		
8	86279530	87173	2	WASHER, .765 ID X 1.31 OD X .090 T SS		
9	86004810	48040	2	KEY, 1/4 SQ X 1.00		
10	86003420	29220	2	DRIVER, BRUSH SD		
11	86010790	87163	8	WASHER, 3/8 SPLIT LOCK		
12	86007020	70673	2	SCR, 5/16-18 X 1.25 HHCS SS		
13	86279630	87212	2	WASHER, .344ID X 1.13OD X .09T		
14	86253900	730099	1	SKIRT, FRONT		
15	86271830	57283	2	NUT, 3/8 NPT PLASTIC		
16	86087930	730103	1	STRAP, FRONT SQUEEGEE		
17	86005630	57022	3	NUT, 3/8-16 HEX NYLOCK THIN SS		
18	86010890	89059	2	WHEEL, BUMPER		
19	86276400	70642	1	SCR, 3/8-16 X 3 HHCS		
20	86001550	40043	2	HOSEBARB, 3/8MPT X 3/8 90D		
21	86003580	34327	1	FITTING, 1/8" X 3/8" X 3/8" RED		
22	86009710	82312	1	VALVE, 36VDC SOL. 1/2" HOSEBARB		
-	86003460	29260	-	DIAPHRAGM SRVC PART SLND		SERVICE ONLY
-	86136820	47395	-	SOLENOID SPRING KIT		SERVICE ONLY
23	86005810	57245	10	NUT, 1/4-20 HEX NYLOCK SS		
24	86281480	39390	1	HOSE, 1/2 ID NYLOBRAID 14"		
25	86280860	39053	2	HOSE, 3/8 NYLOBRAID X 7"		
26	86282180	39613	1	HOSE, 1/2 ID NYLOBRAID X 17"		
27	86233150	20042	1	CLAMP, 3/8 HOSE (D-SLOT)		
28	86009200	81535	2	KNOB, 3/8-16 4 PRONG ALUM		
29	86279620	87200	4	WASHER, .4 ID X 1.3 OD NYLON		
30	86010770	87143	2	WASHER, 7/16 ID X 1 D X .08 FLT SS		
31	86276920	70755	2	SCR, 3/8-16 X 1 HHCS SS NP		

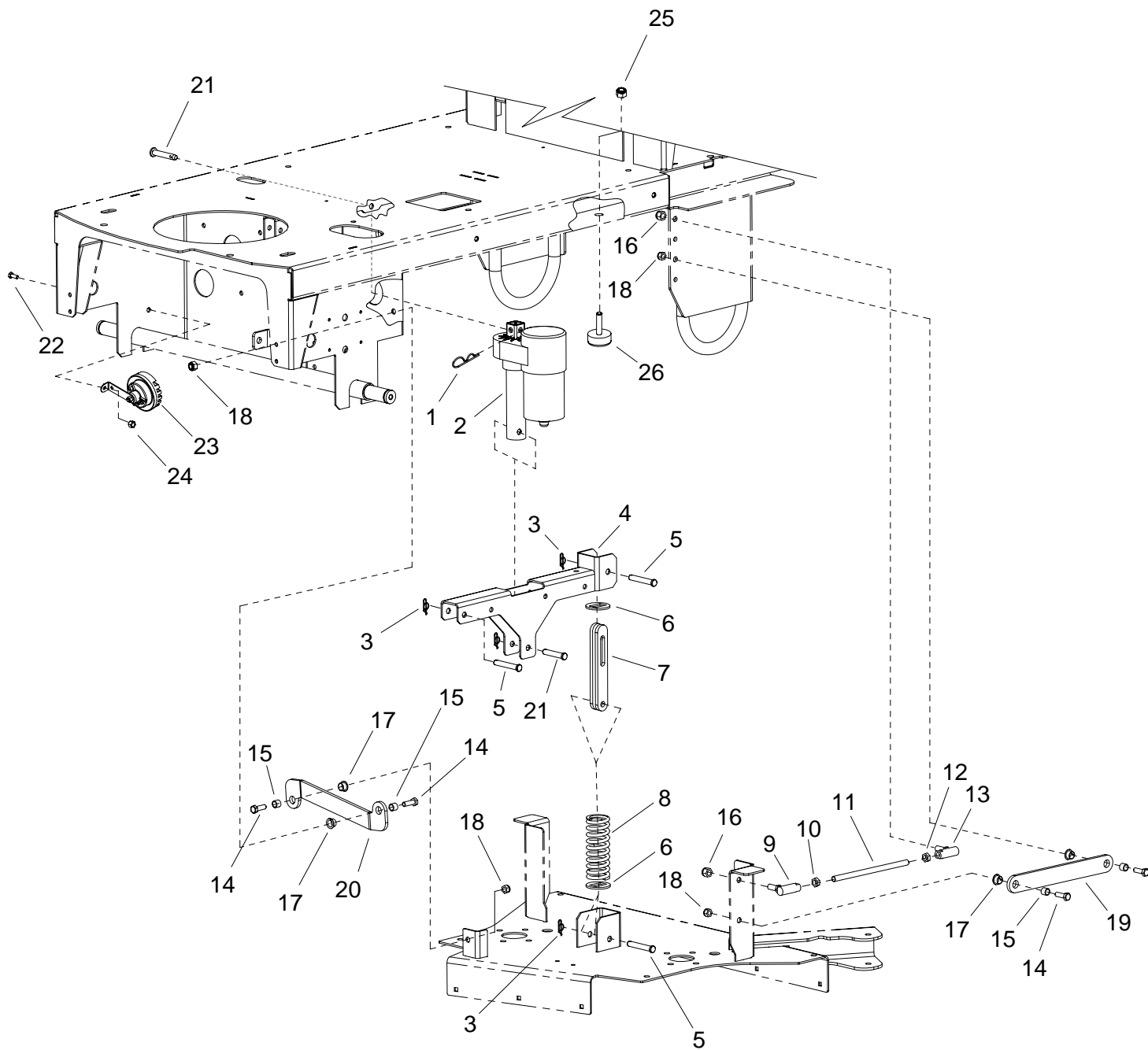
SCRUB DECK SIDE SQUEEGEE-28 IN DISK



SCRUB DECK SIDE SQUEEGEE-28 IN DISK

REF	PART NO.	PRV NO.	QTY	DESCRIPTION	SERIAL NO. FROM	NOTES:
1	86094220	730106	1	SKIRT, RIGHT		
2	86082160	62923	1	PLATE, RIGHT DECK		
3	86226830	73268	4	SPRING, EXT .68D X 3.00L X .098W		
4	86007020	70673	6	SCR, 5/16-18 X 1.25 HHCS SS		
5	86010670	87029	10	WASHER, 5/16 FLAT SS		
6	86094230	730107	1	SKIRT, LEFT		
7	86005810	57245	6	NUT, 1/4-20 HEX NYLOCK SS		
8	86007420	730100	2	SQUEEGEE, SIDE BLADE LINATEX		
9	86276960	70773	6	SCR, 1/4-20 X1.0 CARRIAGE SS		
10	86087920	730102	2	STRAP, SIDE SQUEEGEE		
11	86276900	70753	2	SCR, 5/16-18 X 1.25 PFHMS SS NP		
12	86279380	87146	16	WASHER, 1/2" ID X 1" D X .08" NYL		
13	86082170	62924	1	PLATE, LEFT DECK		
14	86272580	80638	4	PIN, CLEVIS 3/8" X 1.25" PLTD		
15	86228840	09124	8	BEARING, FLANGED .314 D X .502 OD		
16	86270830	57023	8	NUT, 5/16-18 HEX NYLOCK SS		
17	86065960	05162	4	ARM, SKIRT LINKAGE		
18	86259410	87206	8	WASHER, THRUST .51 ID X 1 OD X .063		
19	86277090	70786	2	SCR, 5/16-18 X 3 HHMS FL THD SS		
20	86005650	57031	2	NUT, 5/16-18 HEX		
21	86272380	66217	4	PIN, CLEVIS 3/8 X 3/4		
22	86242120	48090	2	KNOB, 1.0 OD X 5/16-18		
23	86226810	73245	2	SPRING, COMP .72D X 2.0L X .067W		

SCRUB DECK LIFT-28 IN & 32 IN

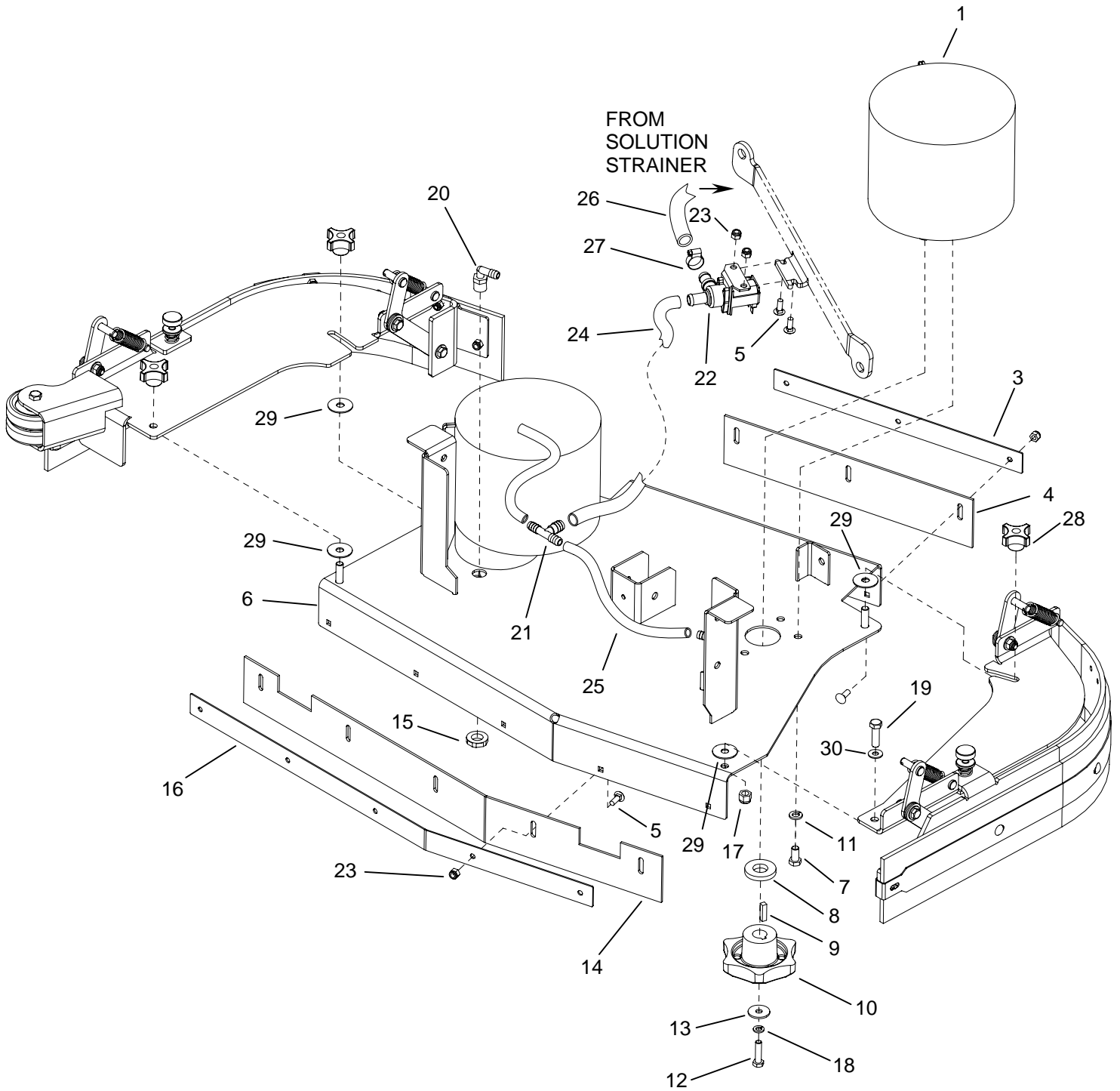


SCRUB DECK LIFT-28 IN & 32 IN

REF	PART NO.	PRV NO.	QTY	DESCRIPTION	SERIAL NO. FROM	NOTES:
1	86272600	80657	1	PIN, COTTER HAIR .148" DIA X 3/4	*(2)	
2	86014500	-	1	ACTUATOR, 36VDC 2.0 STRK SG28	*(3)	WAS 86000820
3	86008670	80606	4	COTTER, 3/8" RING		
4	86092250	29254	1	DECK LIFT ASM		
5	86008720	80637	3	PIN, CLEVIS 3/8" X 2.375 PLTD		
6	86090270	87204	2	WASHER, RECTANGULAR HOLE		
7	86077470	51362	2	LINK, DECK LIFT		
8	86254880	730005	1	SPRING, COMP 1.687OD X 4.5L X .234W		
9	86001320	140353	2	BALL JOINT ASSY, 3/8-24 LH		
10	86005830	57263	2	NUT, 3/8-24 UNF LH		
11	86006440	67415	2	ROD, SCRUB LIFT		
12	86005800	57217	2	NUT, 3/8-24 HEX JAM		
13	86008810	80697	2	BALL JOINT ASSY, 3/8-24 RH		
14	86276920	70755	6	SCR, 3/8-16 X 1 HHCS SS NP		
15	86008460	80102	6	SPACER, .500OD X .391ID X .400		
16	86271530	57216	4	NUT, 3/8-24 HEX NYLOCK		
17	86009050	81324	6	BEARING, 1/2ID X 11/32L NYLON		
18	86005630	57022	6	NUT, 3/8-16 HEX NYLOCK THIN SS		
19	86077330	31373	2	LINKAGE, .25 X 1.25 X 9.25		
20	86066790	140503	1	BAR, PANHARD		
21	86248970	81406	2	PIN, CLEVIS 3/8 X 2		
22	86276780	70728	1	SCR, 5-16-18 X 3/4 HHCS SS		
23	86008550	80583	1	HORN, 36VDC		
24	86270830	57023	1	NUT, 5/16-1/8 HEX NYLOCK SS		
25	86005740	57112	2	NUT, 5/16-18 SERRATED FLG		
26	86008740	80654	2	BUMPER, ADJUSTMENT		

*SEE SERIAL NUMBER PAGE.

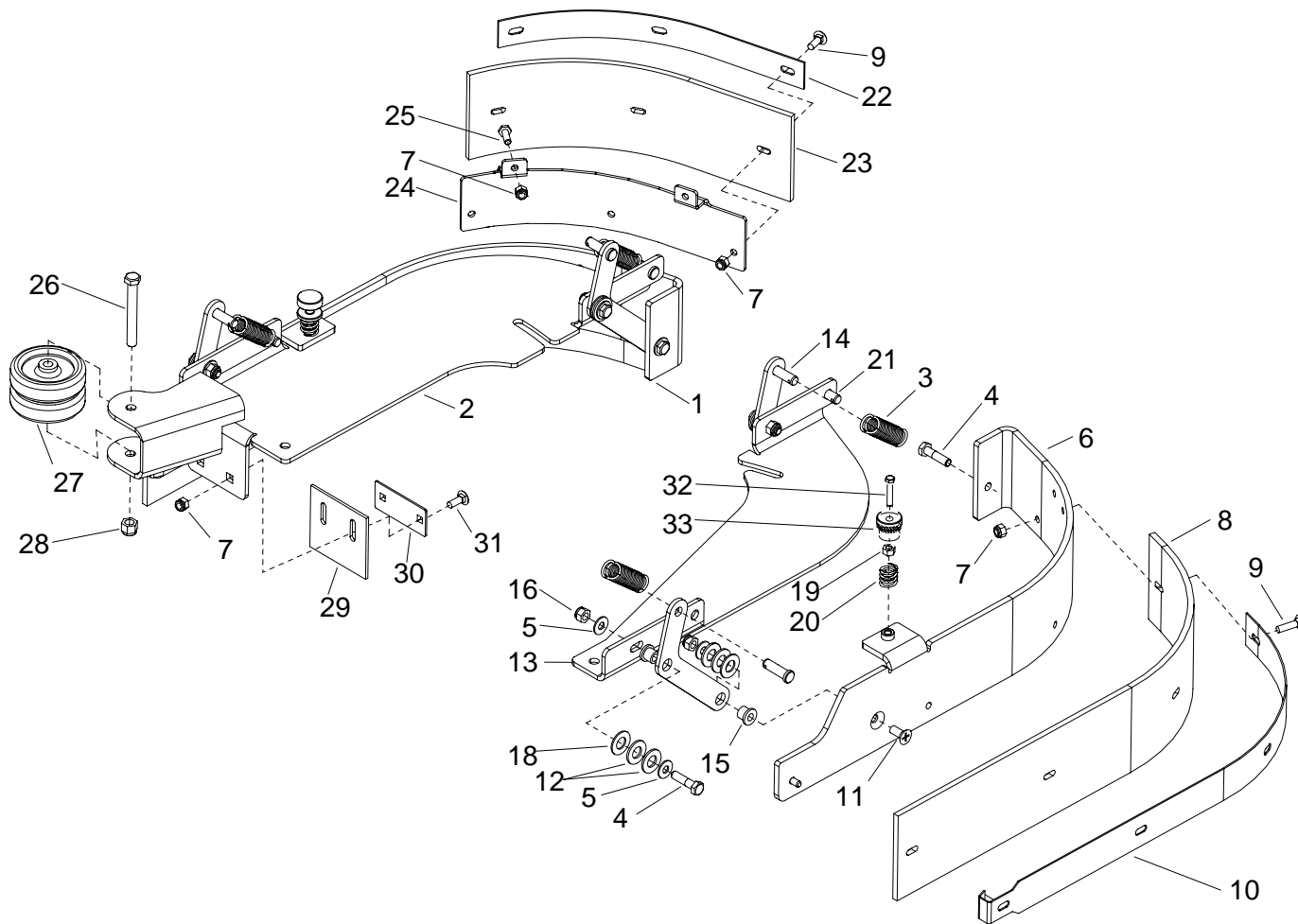
SCRUB DECK -32 IN



SCRUB DECK -32 IN

REF	PART NO.	PRV NO.	QTY	DESCRIPTION	SERIAL NO. FROM	NOTES:
1	86005250	53258	2	MOTOR ASM, 36V 330 RPM GEAR		
1A	86001890	14418	REF	BRUSH SET, MOTOR		SERVICE ONLY
2	86273810	70018	2	SCR, 1/4-20 X 1 HHCS SS		
3	86087950	730157	1	STRAP, 32 IN REAR SQUEEGEE		
4	86253950	730158	1	SKIRT, 32 IN REAR		
5	86276950	70772	10	SCR, 1/4-20 X 3/4 CARRIAGE SS		
6	86093980	730155	1	SCRUB DECK, 32 SMALL RIDER		
7	86276970	70774	8	SCR, 3/8-16 X 3/4 HHCS SS		
8	86279530	87173	2	WASHER, .765 ID X 1.31 OD X .09 T SS		
9	86004810	48040	2	KEY, 1/4 SQ X 1.00		
10	86003420	29220	2	DRIVER, BRUSH SD		
11	86010790	87163	8	WASHER, 3/8 SPLIT LOCK		
12	86007020	70673	2	SCR, 5/16-18 X 1.25 HHCS SS		
13	86279630	87212	2	WASHER, .344ID X 1.13OD X .09T		
14	86253900	730099	1	SKIRT, FRONT		
15	86271830	57283	2	NUT, 3/8 NPT PLASTIC		
16	86087930	730103	1	STRAP, FRONT SQUEEGEE		
17	86005630	57022	1	NUT, 3/8-16 HEX NYLOCK THIN SS		
18	86279130	87083	2	WASHER, 5/16 SPLIT		
19	86276920	70755	1	SCR, 3/8-16 X 1 HHCS SS NP		
20	86001550	40043	2	HOSEBARB, 3/8MPT X 3/8 90D		
21	86003580	34327	1	FITTING, 1/8" X 3/8" X 3/8" RED		
22	86009710	82312	1	VALVE, 36VDC SOL. 1/2" HOSEBARB		
-	86003460	29260	-	DIAPHRAGM SRVC PART SLND		SERVICE ONLY
-	86136820	47395	-	SOLENOID SPRING KIT		SERVICE ONLY
23	86005810	57245	10	NUT, 1/4-20 HEX NYLOCK SS		
24	86281480	39390	1	HOSE, 1/2 ID NYLOBRAID 14"		
25	86280860	39053	2	HOSE, 3/8 NYLOBRAID X 7"		
26	86282180	39613	1	HOSE, 1/2 ID NYLOBRAID X 17"		
27	86233150	20042	1	CLAMP, 3/8 HOSE (D-SLOT)		
28	86009200	81535	3	KNOB, 3/8-16 4 PRONG ALUM		
29	86279620	87200	4	WASHER, .4 ID X 1.3 OD NYLON		
30	86010770	87143	1	WASHER, 7/16 ID X 1 D X .08 FLT SS		

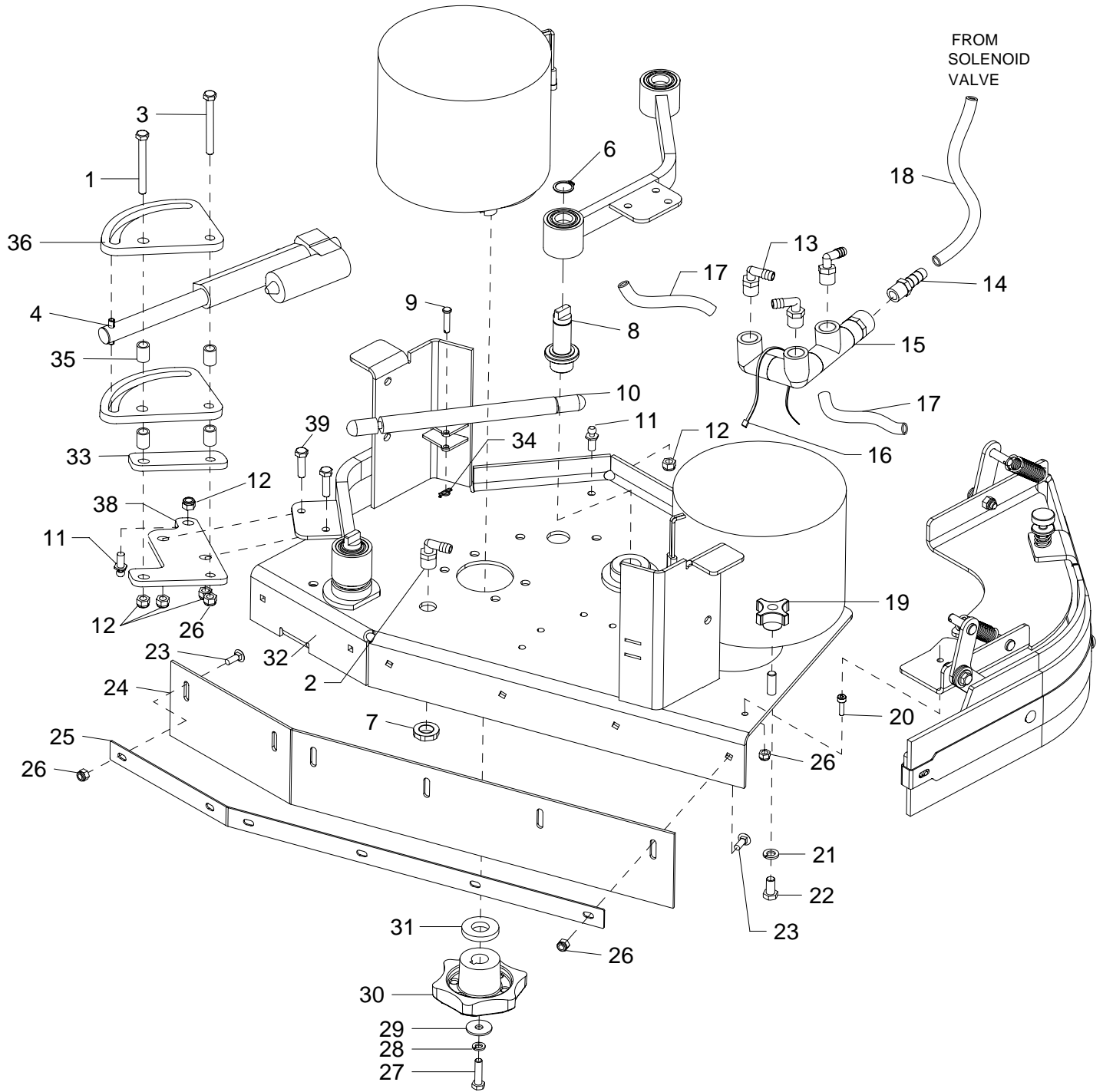
SCRUB DECK SIDE SQUEEGEE -32 IN



SCRUB DECK SIDE SQUEEGEE -32 IN

REF	PART NO.	PRV NO.	QTY	DESCRIPTION	SERIAL NO. FROM	NOTES:
1	86094220	730106	1	SKIRT, RIGHT		
2	86086840	730156	1	SCRUB DECK 32 SIDE SQUEEGEE		
3	86226830	73268	4	SPRING, EXT .68D X 3.00L X .098W		
4	86007020	70673	6	SCR, 5/16-18 X 1.25 HHCS SS		
5	86010670	87029	10	WASHER, 5/16 FLAT SS		
6	86094230	730107	1	SKIRT, LEFT		
7	86005810	57245	13	NUT, 1/4-20 HEX NYLOCK SS		
8	86007420	730100	2	SQUEEGEE, SIDE BLADE LINATEX		
9	86276320	70633	9	SCR, 1/4-20 X1.0 CARRIAGE BZ		
10	86087920	730102	2	STRAP, SIDE SQUEEGEE		
11	86276900	70753	2	SCR, 5/16-18 X 1.25 PHFMS SS		
12	86279380	87146	16	WASHER, 1/2" ID X 1" D X .08" NYL		
13	86082170	62924	1	PLATE, LEFT DECK		
14	86272580	80638	4	PIN, CLEVIS 3/8" X 1.25" PLTD		
15	86228840	09124	8	BEARING, FLANGED .314 D X .502 OD		
16	86270830	57023	8	NUT, 5/16-18 HEX NYLOCK SS		
17	86065960	05162	4	ARM, SKIRT LINKAGE		
18	86259410	87206	10	WASHER, THRUST .51 ID X 1 OD X .063		
19	86005650	57031	2	NUT, 5/16-18 HEX		
20	86226810	73245	2	SPRING, COMP .72D X 2.0L X .067W		
21	86272380	66217	4	PIN, CLEVIS 3/8 X 3/4		
22	86087960	730166	1	STRAP, 32 IN SIDE SQUEEGEE		
23	86007580	730167	1	SQUEEGEE, 32 SIDE BLADE		
24	86001480	140584	1	BRKT, 32 SIDE SQUEEGEE		
25	86273780	70015	2	SCR, 1/4-20 X 3/4 HHCS SS NP		
26	86276400	70642	1	SCR, 3/8-16 X 3 HHCS		
27	86010890	89059	2	WHEEL, BUMPER		
28	86005630	57022	1	NUT, 3/8-16 HEX NYLOCK THIN SS		
29	86253960	730169	1	SKIRT, 32 IN SIDE DECK		
30	86087970	730168	1	STRAP, 32 IN SIDE DECK		
31	86276950	70772	2	SCR, 1/4-20 X 3/4 CARRIAGE SS		
32	86277090	70786	2	SCR, 5/16-18 X 3 HHMS FL THD SS		
33	86242120	48090	2	KNOB, 1.0 OD X 5/16-18		

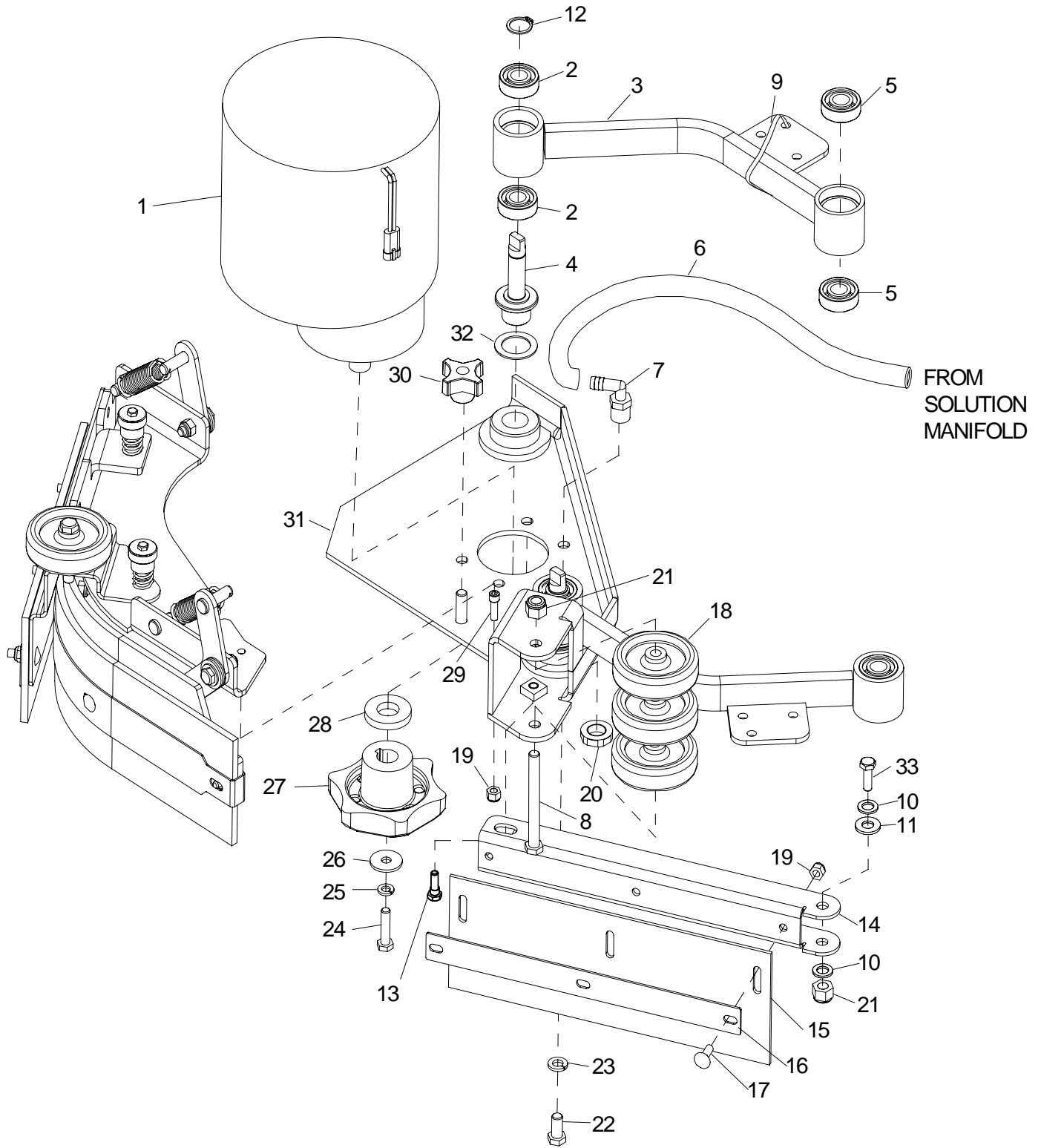
SCRUB DECK-36 IN MAIN



SCRUB DECK-36 IN MAIN

REF	PART NO.	PRV NO.	QTY	DESCRIPTION	SERIAL NO. FROM	NOTES:
1	86276910	70754	1	SCR, 5/16-18 X 3 HHCS SS NP		
2	86001550	40043	2	HOSEBARB, 3/8 MPT X 3/8 90 D		
3	86273960	70061	1	SCR, 1/4-20 X 3 HHCS F. THD SS		
4	86000840	05171	1	ACTUATOR ASM		
5	86005250	53258	2	MOTOR ASM, 36V 330 RPM GEAR		
5A	86001890	14418	REF	BRUSH SET, MOTOR		SERVICE ONLY
6	86223470	67449	2	RING, 20MM EXTERNAL SNAP		
7	86271830	57283	2	NUT, 3/8 NPT PLASTIC		
8	86253250	730152	2	SHAFT, PIVOT		
9	86272620	80670	1	PIN, CLEVIS 1/4 X 1.125 PLTD		
10	86007570	730165	1	SPRING, GAS 300 NEWTONS		
11	86256500	80649	2	STUD, BALL GAS SPRING		
12	86270830	57023	5	NUT, 5/16-18 HEX NYLOCK SS		
13	86236170	34277	3	FITTING, 1/2 MPT X 3/8 BARB 90		
14	86197910	40022	1	HOSEBARB, 1/2 MPT X 1/2 POLY DL		
15	86033220	54185	1	MANIFOLD, SOLUTION FEED SRS		
16	86264920	27049	2	CABLE TIE, 7"		
17	86281410	39361	2	HOSE, 3/8 NYLOBRAID X 7.5		
18	86281480	39390	1	HOSE, 1/2 ID NYLOBRAID X 14"		
19	86009200	81535	1	KNOB, 3/8-16 4 PRONG ALUM		
20	86274110	70094	1	SCR, 1/4-20 X 1/2 SHCS		
21	86010790	87163	8	WASHER, 3/8 SPLIT LOCK		
22	86276970	70774	8	SCR, 3/8-16 X 3/4 HHCS		
23	86276950	70772	6	SCR, 1/4-20 X 3/4 CARRIAGE SS		
24	86007410	730098	1	SKIRT, FRONT 36" DECK		
25	86087900	730090	1	STRAP, FRONT SKIRT		
26	86005810	57245	8	NUT, 1/4-20 HEX NYLOCK SS		
27	86007020	70673	2	SCR, 5/16-18 X 1.25 HHCS SS		
28	86279130	87083	2	WASHER, 5/16 SPLIT LOCK PLTD		
29	86279630	87212	2	WASHER, .344 ID X 1.13 OD X .09 T		
30	86003420	29220	2	DRIVER, BRUSH SD		
31	86279530	87173	2	WASHER, .765 ID X 1.31 OD X .09 T SS		
32	86093970	730111	1	SCRUB DECK, 36" MIN		
33	86087280	730183	1	SPACER, PLATE		
34	86008650	80604	1	COTTER, 1/4 RING		
35	86087290	730195	4	SPACER, .5OD X .334ID X .860L		
36	86082570	62993	2	PLATE, ACTUATOR RETAINER		
37		OPEN	-	-		
38	86070300	140610	1	BRKT, ACTUATOR RETAINER		
39	86276780	70728	2	SCR, 5/16-18 X 3/4 HHCS SS		

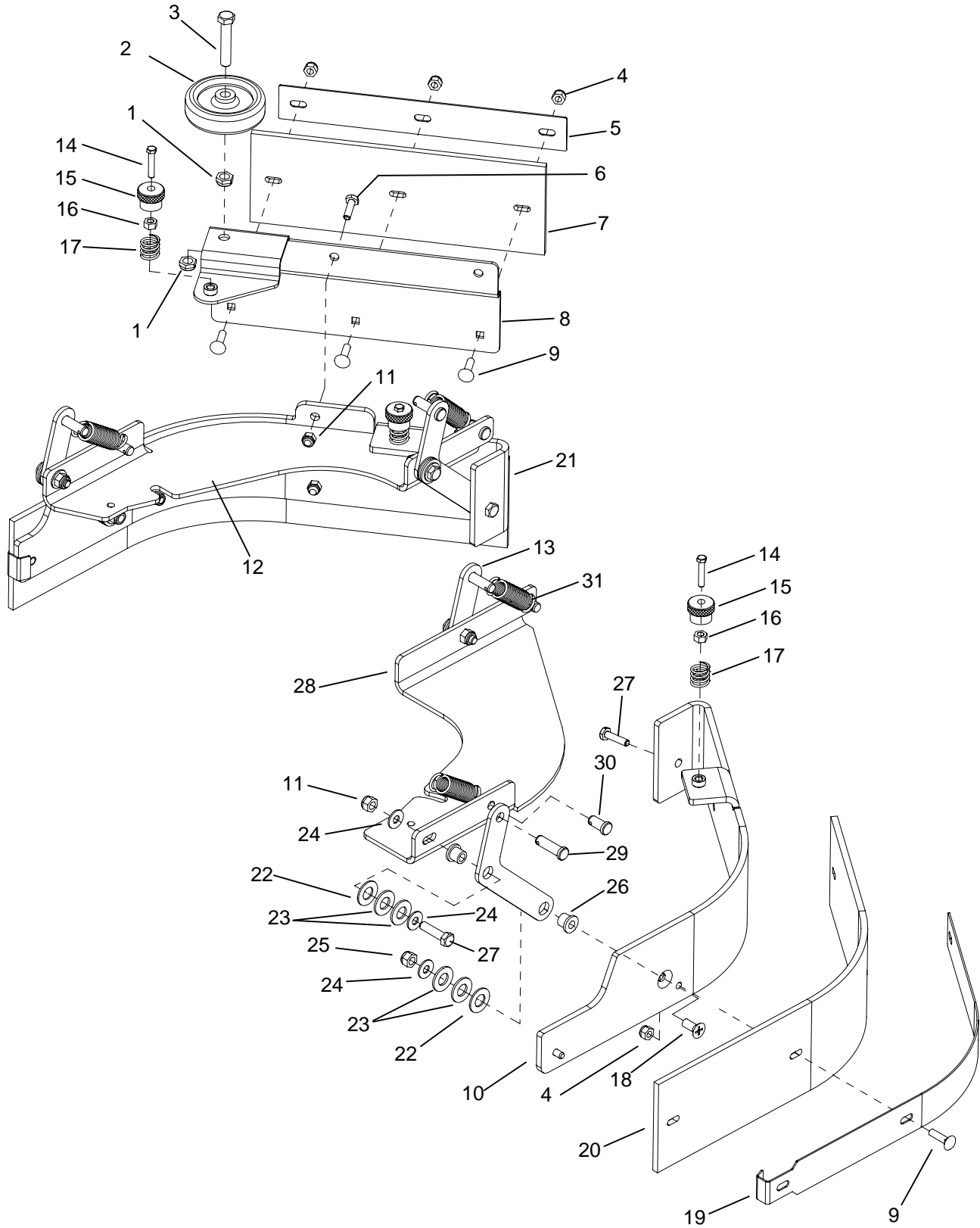
SCRUB DECK-36 IN RETRACTABLE



SCRUB DECK-36 IN RETRACTABLE

REF	PART NO.	PRV NO.	QTY	DESCRIPTION	SERIAL NO. FROM	NOTES:
1	86005250	53258	1	MOTOR ASM, 36V 330 RPM GEAR		
1A	86001890	14418	REF	BRUSH SET, MOTOR		SERVICE ONLY
2	86009550	82045	4	BEARING, 1.38 X .59 X .43 L SS		
3	86093020	05165	2	LINKAGE, SWING		
4	86009520	82035	2	SHAFT, DRIVER CYL. SCRUB		
5	86228930	09145	4	BEARING, BALL 20MM X 37MM		
6	86281440	39365	1	HOSE, 3/8 ID NYLOBRAID X 25"		
7	86001550	40043	1	HOSEBARB, 3/8 MPT X 3/8 90 D		
8	86277860	70787	1	SCR, 3/8-16 X 3.75 HHCS SS		
9	86264920	27049	1	CABLE TIE, 7"		
10	86010770	87143	2	WASHER, 7/16 ID X 1 D X .08 FLT SS		
11	86279620	87200	1	WASHER, .41 D X 1.3 OD NYLON		
12	86007670	73166	2	SNAP RING, EXTERNAL		
13	86278360	70737	1	SHOULDER BOLT, 3/8 X 3/8 SS		
14	86069540	140472	1	BRKT, SWING SKIRT CHANNEL		
15	86007400	730095	1	SKIRT, SWING BLADE		
16	86087910	730091	1	STRAP, SWING SKIRT		
17	86276950	70772	3	SCR, 1/4-20 X 3/4 CARRIAGE		
18	86010890	89059	3	WHEEL, BUMPER		
19	86005810	57245	4	NUT, 1/4-20 HEX NYLOCK SS		
20	86271830	57283	1	NUT, 3/8 NPT PLASTIC		
21	86005630	57022	2	NUT, 3/8-16 HEX NYLOCK THIN SS		
22	86276970	70774	4	SCR, 3/8-16 X 3/4 HNCS SS		
23	86010790	87163	4	WASHER, 3/8 SPLIT LOCK		
24	86007020	70673	1	SCR, 5/19-18 X 1.25 HHCS SS		
25	86279130	87083	1	WASHER, 5/16 SPLIT LOCK PLTD		
26	86279630	87212	1	WASHER, .344 ID X 1.12 OD X .09 T PLT		
27	86003420	29220	1	DRIVER, BRUSH SD		
28	86279530	87173	1	WASHER, .765 ID X 1.31 OD X .09 T SS		
29	86274110	70094	1	SCR, 1/4-20 X 1/2 SHCS		
30	86009200	81535	1	KNOB, 3/8-16 4 PRONG ALUM		
31	86094490	730110	1	SWING, DECK ASM		
32	86278870	80634	2	WASHER, 1.015 ID X 1.5 D X .055 T		
33	86276470	70652	1	SCR, 3/8-16 X 2.25 HHCS SS		

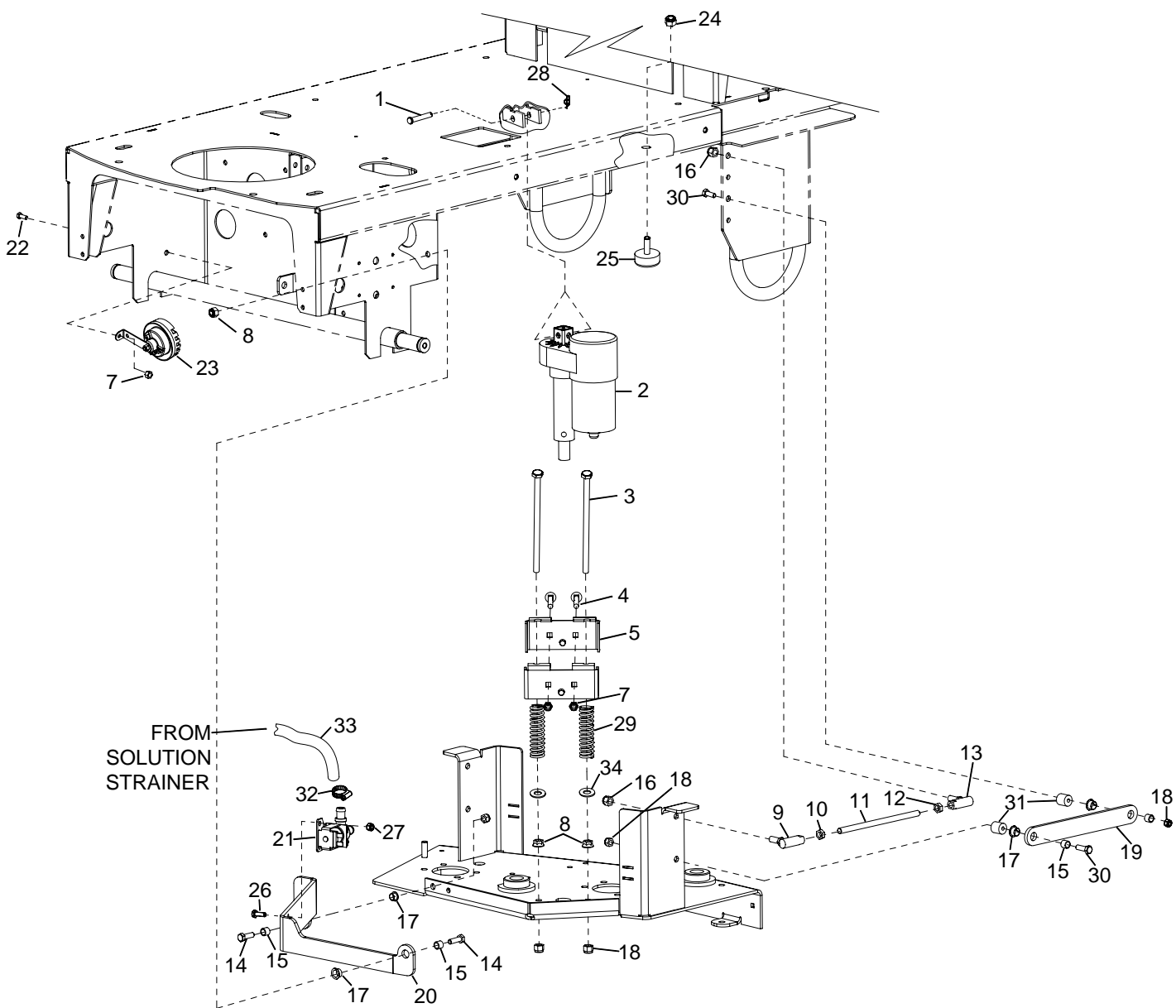
SCRUB DECK SIDE SQUEEGEE-36 IN



SCRUB DECK SIDE SQUEEGEE-36 IN

REF	PART NO.	PRV NO.	QTY	DESCRIPTION	SERIAL NO. FROM	NOTES:
1	86005630	57022	2	NUT, 3/8-16 HEX NYLOCK THIN SS		
2	86010890	89059	1	WHEEL, BUMPER		
3	86274010	70070	1	SCR, 3/8-16 X 2 HHCS		
4	86005810	57245	9	NUT, 1/4-20 HEX NYLOCK SS		
5	86087860	62944	1	STRAP, SECONDARY SQUEEGEE		
6	86276780	70728	2	SCR, 5/16-08 X 3/4 HHCS SS		
7	86007550	730154	1	SQUEEGEE BLADE, SECONDARY		
8	86069580	140478	1	BRKT, SECONDARY SQUEEGEE		
9	86276960	70773	9	SCR, 1/4-20 X 1 CARRIAGE SS		
10	86083740	730094	1	PLATE, SQUEEGEE LEFT		
11	86270830	57023	6	NUT, 5/16-18 HEX NYLOCK SS		
12	86082220	62934	1	PLATE, RIGHT SQUEEGEE		
13	86065960	05162	4	ARM, SKIRT LINKAGE		
14	86277090	70786	3	SCR, 5/16-18 X 3 HHMS FL THD SS		
15	86242120	48090	3	KNOB, 1.0 OD X 5/16-18		
16	86005650	57031	3	NUT, 5/16-18 HEX		
17	86226810	73245	3	SPRING, COMP .72 X 2.0 L X .067 W		
18	86277120	70792	2	SCR, 5/16-18 X 1.00 PFHMS SS		
19	86087890	730089	2	STRAP, SIDE SQUEEGEE		
20	86007390	730093	2	SQUEEGEE, SIDE BLADE LINATEX		
21	86083730	730092	1	PLATE, SQUEEGEE RIGHT		
22	86259410	87206	8	WASHER, THRUST .51 ID X 1 OD X .063		
23	86279380	87146	16	WASHER 1/2 ID X 1 D X .08 NYL		
24	86010670	87029	10	WASHER, 5/16 FLAT SS		
25	86271840	57285	2	NUT, 5/16-18 HEX NYLOCK THIN SS		
26	86228840	09124	8	BEARING, FLANGED .314 D X .502 OD		
27	86007020	70673	6	SCR, 5/16-18 X 1.25 HHCS SS		
28	86082200	62932	1	PLATE, LEFT SQUEEGEE		
29	86272580	80638	4	PIN, CLEVIS 3/8 X 1.25 PLTD		
30	86272380	66217	4	PIN, CLEVIS 3/8 X 3/4 PLTD		
31	86226830	73268	4	SPRING, EXT .68D X 3.00L X .098W		

SCRUB DECK LIFT-36 IN

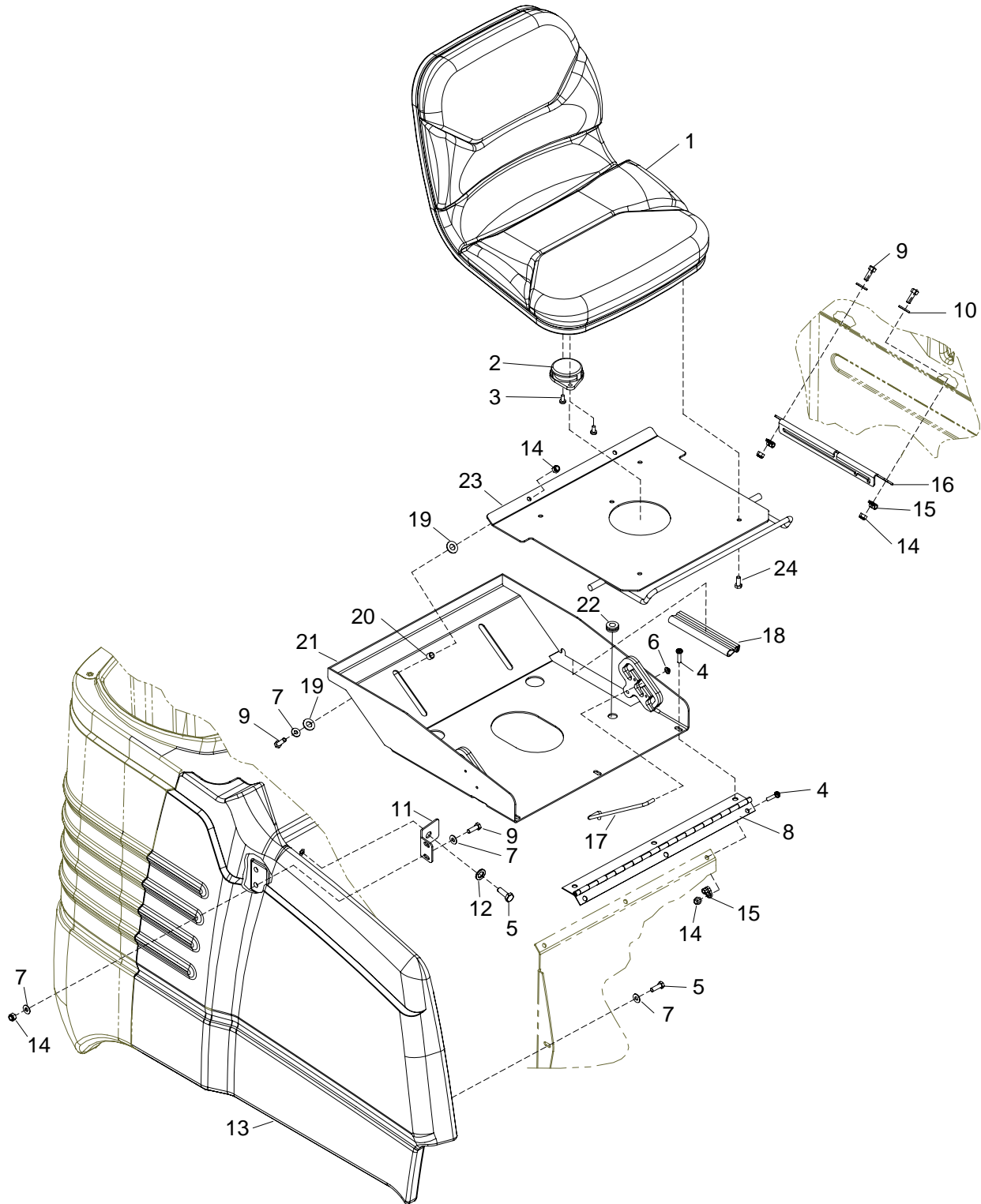


SCRUB DECK LIFT-36 IN

REF	PART NO.	PRV NO.	QTY	DESCRIPTION	SERIAL NO. FROM	NOTES:
1	86008720	80637	1	PIN, CLEVIS 3/8" X 2.375" PLTD		
2	86014490	-	1	ACTUATOR, 36VDC 5.0 STRK SG36	*(3)	WAS 86000830
3	86277860	70787	2	SCR, 3/8-16 X 3.75 HHCS SS		
4	86275960	70570	2	SCR, 5/16-18 X 2.5 CARRIAGE GR5		
5	86091720	140579	2	BRKT, ACTUATOR LIFT SRS		
6	86093970	730111	1	SCRUB DECK, 36" MIN		
7	86270830	57023	3	NUT, 5/16-18 HEX NYLOCK SS		
8	86270880	57032	2	NUT, 3/8-16 SERRATED FLG		
9	86001320	140353	2	BALL JOINT ASSY, 3/8-24 LH		
10	86005830	57263	2	NUT, 3/8-24 UNF LH		
11	86006440	67415	2	ROD, SCRUB LIFT		
12	86005800	57217	2	NUT, 3/8-24 HEX JAM		
13	86008810	80697	2	BALL JOINT ASSY, 3/8-24 RH		
14	86276920	70755	4	SCR, 3/8-16 X 1 HHCS SS NP		
15	86008460	80102	6	SPACER, .500OD X .391ID X .400		
16	86271530	57216	4	NUT, 3/8-24 HEX NYLOCK		
17	86009050	81324	6	BEARING, 1/2ID X 11/32L NYLON		
18	86005630	57022	8	NUT, 3/8-16 HEX NYLOCK THIN SS		
19	86077330	31373	2	LINKAGE, .25 X 1.25 X 9.25		
20	86066780	140500	1	BAR, PANHARD		
21	86009710	82312	1	VALVE, 36VDC SOL 1/2" HOSEBARB		
-	86003460	29260	-	DIAPHRAGM, SRVC PART SLND		SERVICE ONLY
-	86004620	47295	-	SOLENOID SPRING KIT		SERVICE ONLY
22	86276760	70728	1	SCR, 5-16-18 X 3/4 HHCS SS		
23	86008550	80583	1	HORN, 36VDC		
24	86005740	57112	2	NUT, 5/16-1/8 SERRATED FLANGE		
25	86008740	80654	2	BUMPER, ADJUSTMENT		
26	86273780	70015	2	SCR, 1/4-20 X 3/4 HHCS SS NP		
27	86005810	57245	2	NUT, 1/4-20 HEX NYLOCK SS		
28	86008670	80606	1	COTTER, 3/8 RING		
29	86255430	81311	2	SPRING, COMP 1.00 X 3.5 L X .135 W		
30	86274010	70070	2	SCR, 3/8-16 X 2 HHCS		
31	86254250	730163	2	SPACER, 1.0 OD X .391 ID X 1.13 L		
32	86233150	20042	1	CLAMP, 3/8 HOSE		
33	86282060	39563	1	HOSE, 1/2 ID NYLOBRAID X 21.5		
34	86010730	87088	2	WASHER, 5/8 ID X 1.18 X .06 SS		

*SEE SERIAL NUMBER PAGE.

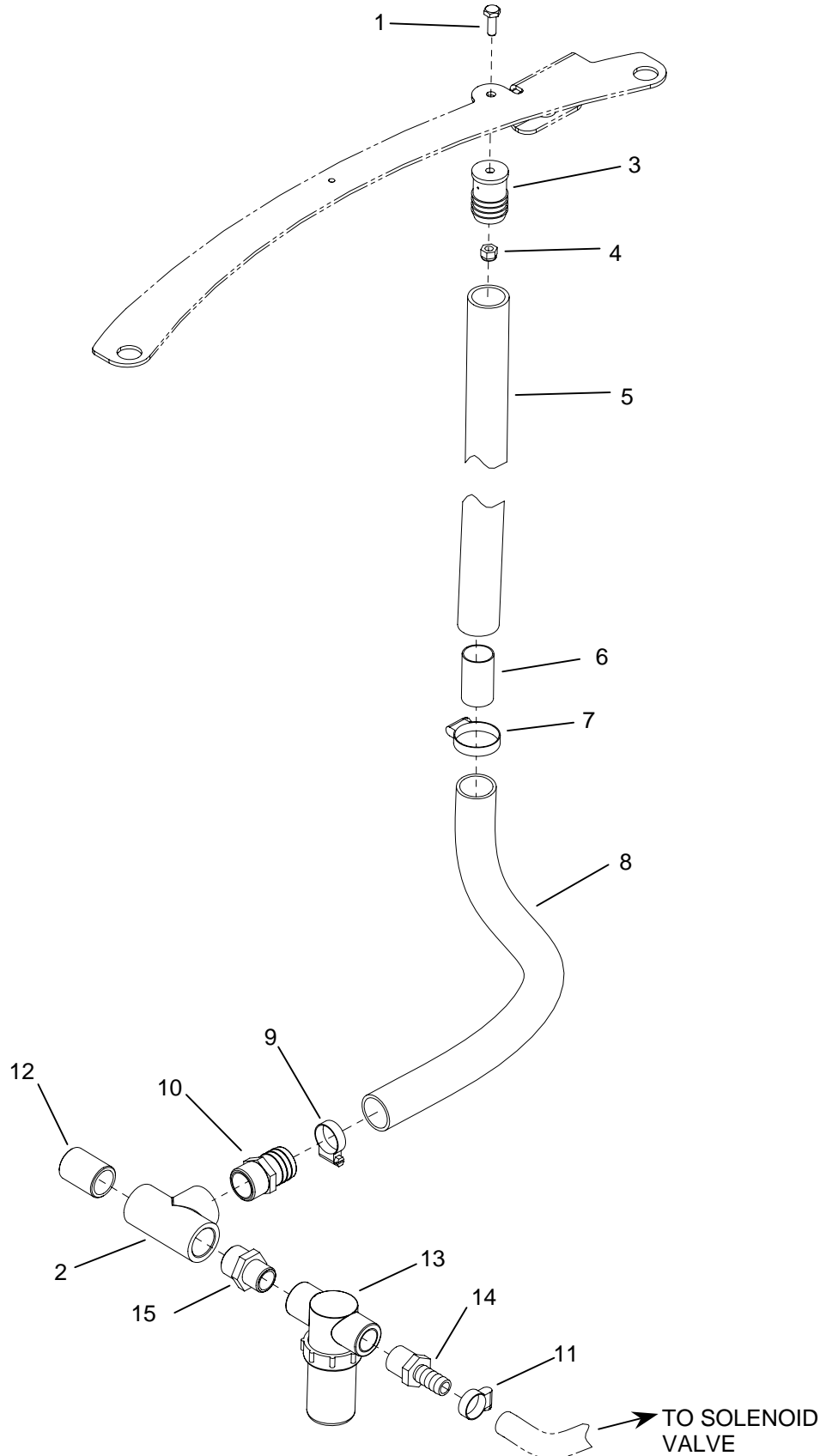
SEAT & SIDE COVER



SEAT & SIDE COVER

REF	PART NO.	PRV NO.	QTY	DESCRIPTION	SERIAL NO. FROM	NOTES:
1	86253150	730087	1	SEAT, SUPER SUBURBAN BLK VINYL		
2	86257070	72175	1	SWITCH, SEAT		
3	86006580	70085	2	SCR, 1/4-20 X 1/2 PPHMS SS		
4	86276890	70752	6	SCR, 5/16-18 X 3/4 PTHMS SS		
5	86276780	70728	2	SCR, 5/16-18 X 3/4 HHCS SS		
6	86271240	57154	1	NUT, CAP 1/4 DIA RETAINING PLT		
7	86010670	87029	7	WASHER, 5/16 FLAT SS		
8	86239640	41430	1	HINGE, SMALL RIDER		
9	86006560	70083	6	SCR, 5/16-18 X 1 HHCS SS		
10	86279650	87222	2	WASHER, SEAL 5/16 X 3/4 OD		
11	86215490	140494	1	BRKT, SIDE COVER		
12	86279630	87212	1	WASHER, .344ID X 1.13OD X .09T PLT		
13	86284450	27937	1	COVER, SIDE SMALL RIDER		
14	86270830	57023	7	NUT, 5/16-18 HEX NYLOCK SS		
15	86066530	82857	3	CLAMP, 1/4 CUSHIONED		
16	86215490	140496	1	BRKT, PROP ROD		
17	86086550	67477	1	ROD, PROP		
18	86282780	32053	1	EDGING, SEAT DECK		
19	86279380	87146	4	WASHER, 1/2" ID X 1" D X .08" NYL		
20	86008460	80102	2	SPACER, .500 OD X .91 ID X .400		
21	86093760	62960	1	PLATE, SEAT SLIDE		
22	86238470	80690	1	GROMMET, INSULATION 1/2"		
23	86093750	62959	1	PLATE, ROD ASM		
24	86277040	70781	4	SCR, 5/16-18 X 1/2 HHCS SS NP		

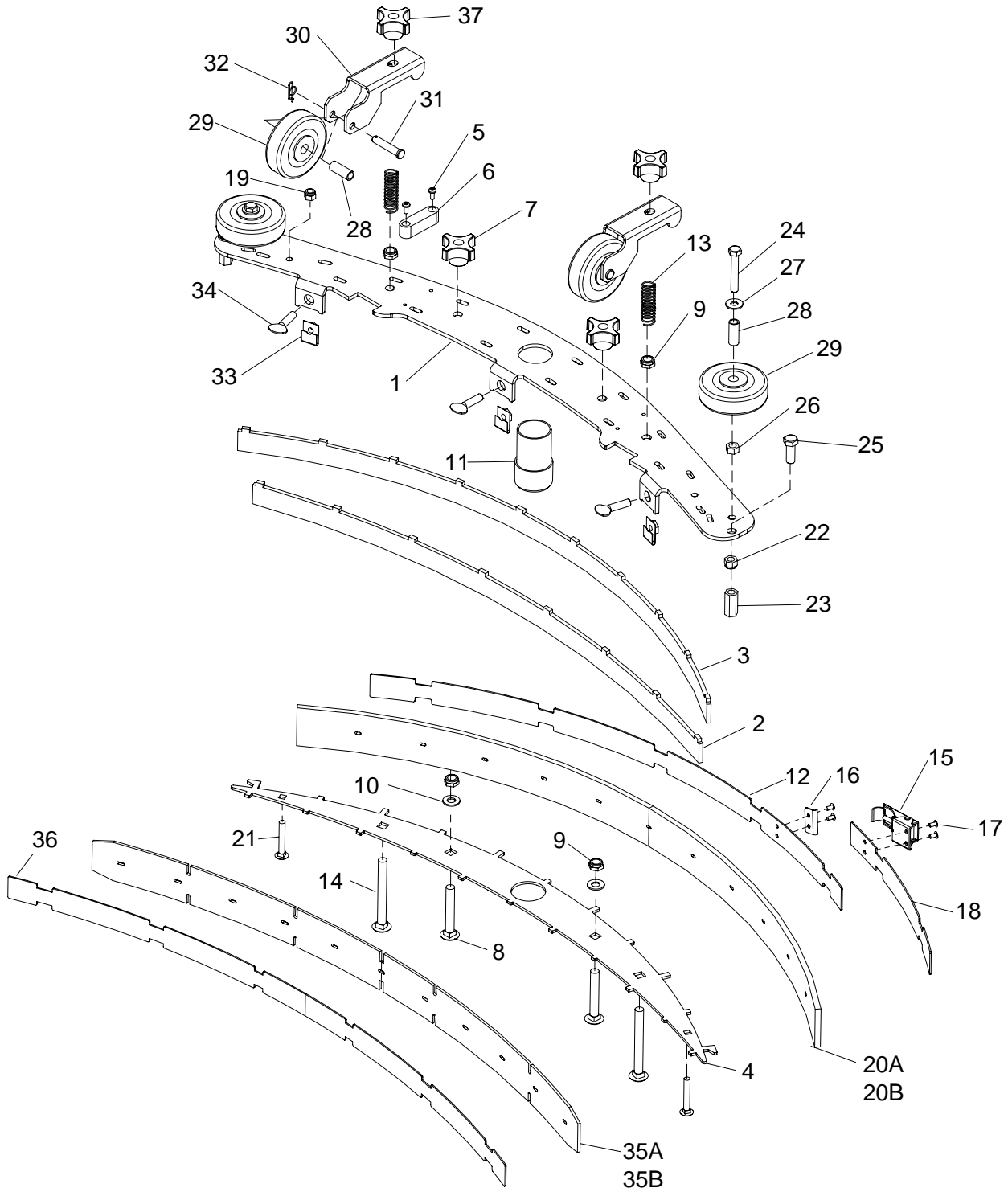
SOLUTION DELIVERY



SOLUTION DELIVERY

REF	PART NO.	PRV NO.	QTY	DESCRIPTION	SERIAL NO. FROM	NOTES:
1	86273780	70015	1	SCR, 1/4-20 X 3/4 HHCS SS NP		
2	86198050	81923	1	TEE, 3/4 FPT		
3	86076820	40053	1	HOSEBARB, SOLUTION HOSE MTG		
4	86005810	57245	1	NUT, 1/4-20 HEX NYLOCK SS		
5	86282150	39596	1	HOSE, 1" X 28 VINYL		
6	86236180	34387	1	FITTING, 3/4" COUPLING		
7	86233300	20101	1	CLAMP, 1.25" WORM GEAR SS		
8	86240150	39595	1	HOSE, 1 X 12" DRAIN		
9	86233110	20018	1	CLAMP, 1.0" WORM GEAR		
10	86240330	40051	1	HOSEBARB, 3/4 MPT X 1"H PVC DL		
11	86233150	20042	1	CLAMP, 3/8 HOSE (D-SLOT)		
12	86247760	80960	1	NIPPLE, 3/4 CLOSE		
13	86256040	730151	1	STRAINER, 1/2 FPT 40 MESH		
13A	86007250	730000	REF	STRAINER, DEEP 40 MESH		SERVICE ONLY
13B	86005870	59021	REF	O-RING, FILTER SEAL		SERVICE ONLY
14	86197910	40022	1	HOSEBARB, 1/2 MPT X 1/2 POLY		
15	86236860	82362	1	FITTING, 3/4 MPT X 1/2 MPT REDUCER		

SQUEEGEE – 28 IN & 36 IN

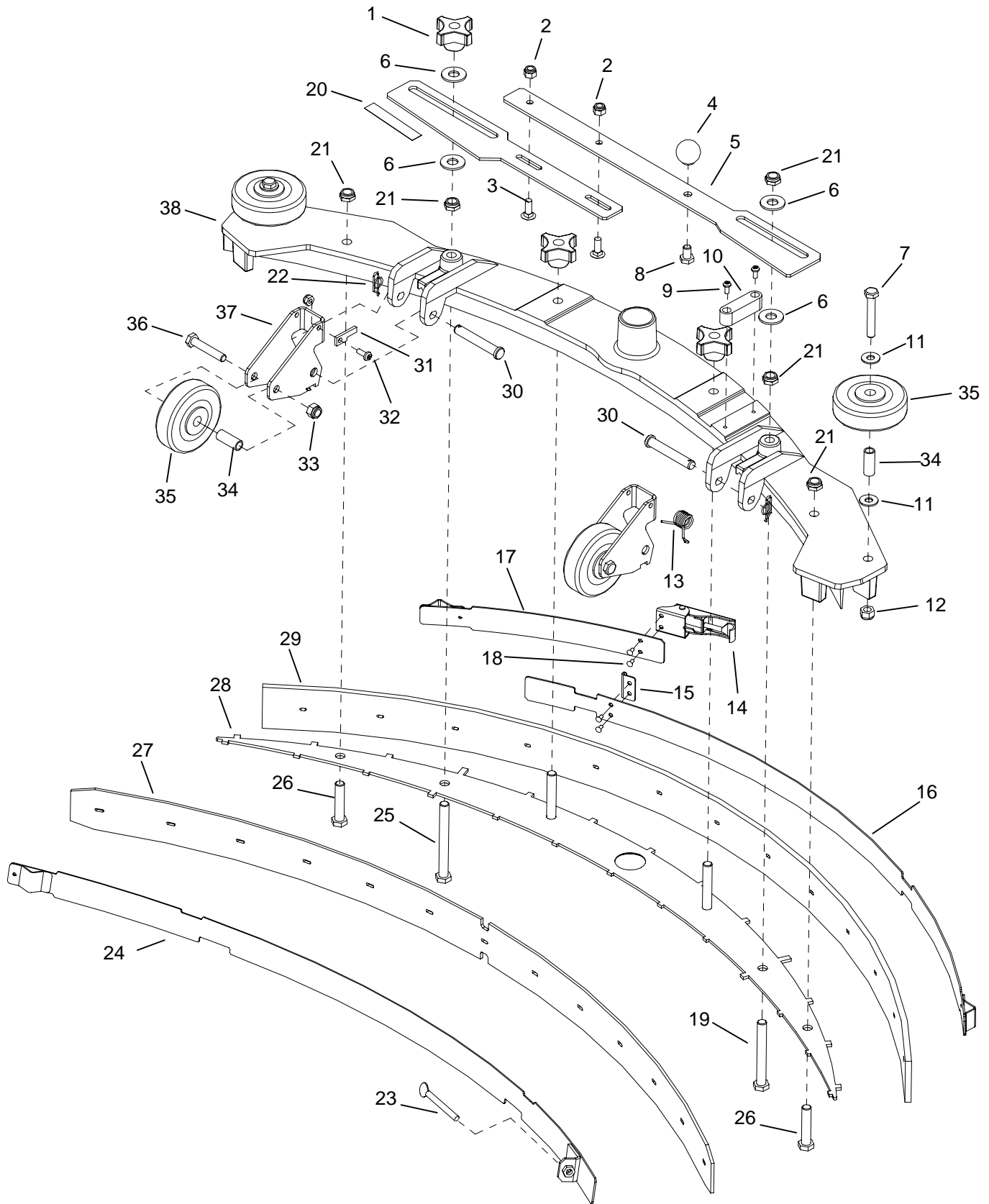


SQUEEGEE –28 IN & 36 IN

REF	PART NO.	PRV NO.	QTY	DESCRIPTION	SERIAL NO. FROM	NOTES:
1	86082500	62979	1	PLATE, SQUEEGEE TOP 32 IN		
2	86082510	62980	1	PLATE, SQG VERTICAL FILLER (F)		
3	86082520	62981	1	PLATE, SQG VERTICAL FILLER (R)		
4	86082530	62982	1	PLATE, SQUEEGEE BOTTOM 32 IN		
5	86274130	70098	2	SCR, 8-32 X 3/8 PHTC 'F' PLTD		
6	86009910	82576	1	VIAL, LEVEL		
7	86009200	81535	2	KNOB, 3/8-16 4 PRONG ALUM		
8	86276870	70748	2	SCR, 3/8-16 X 2.50 CARRIAGE SS		
9	86005630	57022	4	NUT, 3/8-16 HEX NYLOCK THIN SS		
10	86010680	87030	2	WASHER, 3/8ID X 3/4OD NYLON		
11	86008390	78493	1	TUBE ASM, SQUEEGEE VAC		
12	86001850	14413	1	BAND, REAR SQUEEGEE		
13	86007780	73576	2	SPRING, COMP .60D X 2.0L X .045W		
14	86276990	70776	2	SCR, 3/8-16 X 3.5 CARRIAGE SS		
15	86009170	81488	1	LATCH, SQUEEGEE STRAP		
16	86009180	81489	1	STRIKER, SQUEEGEE STRAP REAR		
17	86006400	67380	4	RIVET, 5/32 OF X 1/8 GRIP		
18	86001860	14414	1	BAND, REAR SQUEEGEE		
19	86005810	57290	2	NUT, 1/4-20 HEX NYLOCK THIN SS		
20A	86001440	140533	1	BLADE, SQUEEGEE REAR LINATEX 1/4		
20B	86229610	140585	REF	BLADE, SQUEEGEE REAR GUM 1/4		OPTION
20C	86001880	14416	REF	BLADE, SQUEEGEE REAR LINATEX 3/16		OPTION
20D	86229620	140597	REF	BLADE, SQUEEGEE REAR URETHANE		OPTION
21	86277000	70777	2	SCR, 1/4-20 X 1.5 CARRIAGE SS		
22	86270830	57023	2	NUT, 5/16-18 HEX NYLOCK SS		
23	86005840	57269	2	NUT, 3/8-16 HEX COUPLING SS		
24	86276980	70775	2	SCR, 5/16-18 X 2 HHCS SS		
25	86276920	70755	2	SCR, 3/8-16 X 1 HHCS SS NP		
26	86005650	57031	2	NUT, 5/16-18 HEX		
27	86010670	87029	2	WASHER, 5/16 FLAT SS		
28	86001350	140390	4	BUSHING, SPANNER .435 X 1.10		
29	86011020	89202	4	WHEEL, 3" DIA CUSHION RUBBER		
30	86069870	140531	2	BRACKET, SQG WHEEL		
31	86006270	66276	2	PIN, CLEVIS 5/16 X 1.625 LG		
32	86008660	80605	2	COTTER, 5/16" RING		
33	86271820	57270	3	NUT, 5/16-18 CAPTIVE "J" PLTD		
34	86007040	70680	3	SCR, 5/16-18 X 1 THUMB SS TYPE P		
35A	86001490	140598	1	BLADE, SQUEEGEE FRONT (5-SLOTS)		
35B	86001870	14415	REF	BLADE, SQUEEGEE FRONT (3-SLOTS)		OPTION
36	86001480	14412	1	BAND, SQUEEGEE FRONT		
37	86004890	48095	2	KNOB, ALUM 3/8-16 NYLOCK NUT SS		

NOTE: COMPLETE SQUEEGEE ASSEMBLY IS AVAILABLE, PN 47405.

SQUEEGEE- 32 IN

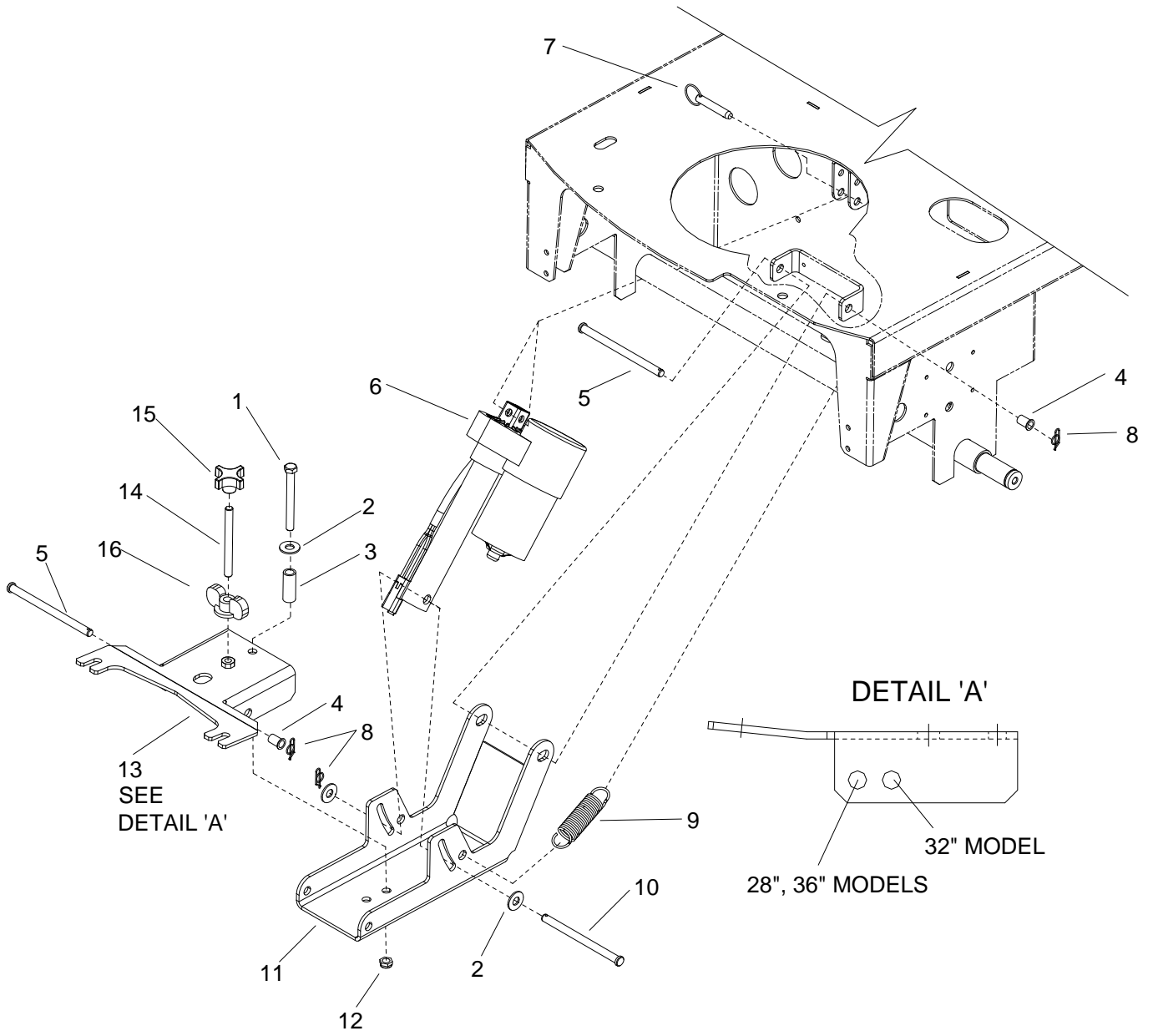


SQUEEGEE-32 IN

REF	PART NO.	PRV NO.	QTY	DESCRIPTION	SERIAL NO. FROM	NOTES:
1	86009200	81535	3	KNOB, 3/8-16 4 PRONG ALUM		
2	86005810	57245	2	NUT, 1/4-20 HEX NYLOCK SS		
3	86276950	70772	2	SCR, 1/4-20 X 3/4 CARRIAGE SS		
4	86164280	82922	4	KNOB, 1" BALL 5/16-18 INSERT		
5	86065450	82532	1	PLATE, SLIDE SQUEEGEE LONG		
6	86010770	87143	4	WASHER, 7/16ID X 1D X .08 FLT SS		
7	86276980	70775	2	SCR, 5/16-18 X 2 HHCS SS		
8	86277040	70781	1	SCR, 5/16-18 X 1/2 HHCS SS NP		
9	86276440	70648	2	SCR, 8-32 X 7/8 PFHMS SS		
10	86009910	82576	1	VIAL, LEVEL		
11	86010670	87029	4	WASHER, 5/16 FLAT SS		
12	86270830	57023	2	NUT, 5/16-18 HEX NYLOCK SS		
13	86008000	73887	2	SPRING, 120 DEGREE TORSION		
14	86009170	81488	1	LATCH, SQUEEGEE STRAP		
15	86009180	81489	1	STRIKER, SQUEEGEE STRAP REAR		
16	86009820	82525	1	REAR SQUEEGEE BAND		
17	86009890	82553	1	REAR SQG BAND SHORT		
18	86006400	67380	4	RIVET, 5/32 OF X 1/8 GRIP		
19	86276400	70642	1	SCR, 3/8-16 X 3 HHCS		
20	86248230	82644	1	OVERLAY, SQUEEGEE		
21	86005630	57022	5	NUT, 3/8-16 HEX NYLOCK THIN SS		
22	86008670	80606	2	COTTER 3/8" RING		
23	86277140	70796	1	SCR, 1/4-20 X 2.0 THUMB SS TYPE P		
24	86091450	140596	1	BAND, 32" FRONT SQUEEGEE		
25	86276450	70649	1	SCR, 3/8-16 X 3.25 HHCS SS		
26	86276430	70647	2	SCR, 3/8-16 X 1.75 HHCS SS		
27	86009830	82528	1	SQUEEGEE, FRONT BLADE LINATEX		
28	86009800	82518	1	PLATE, SQUEEGEE BLADE RETAINER		
29A	86009840	82529	1	SQUEEGEE, REAR BLADE LINATEX		
29B	86009960	82638	REF	SQUEEGEE REAR BLADE BLUE TILE		OPTION
29C	86009980	82641	REF	SQUEEGEE, REAR BLADE BUTTONS		OPTION
29D	86255700	730061	REF	SQUEEGEE BLADE REAR URETHANE 37"		OPTION
30	86008720	80637	2	PIN, CLEVIS 3/8" X 2.375" PLTD		
31	86263820	82799	1	PLATE, POINTER		
32	86274070	70086	1	SCR, 10-24 X 1/2 PPHMS SS		
33	86270830	57023	2	NUT, 5/16-18 HEX NYLOCK SS		
34	86001350	140390	4	BUSHING, SPANNER .435 X 1.10		
35	86011020	89202	4	WHEEL, 3" DIA CUSHION RUBBER		
36	86276790	70732	2	SCR, 5/16-18 X 1.75 HHCS SS		
37	86069030	140275	2	BRKT, SQUEEGEE WHEEL SUPPORT		
38	86009790	82514	1	SQUEEGEE, 37 INCH		

NOTE: COMPLETE SQUEEGEE ASSEMBLY IS AVAILABLE, PN 800615.

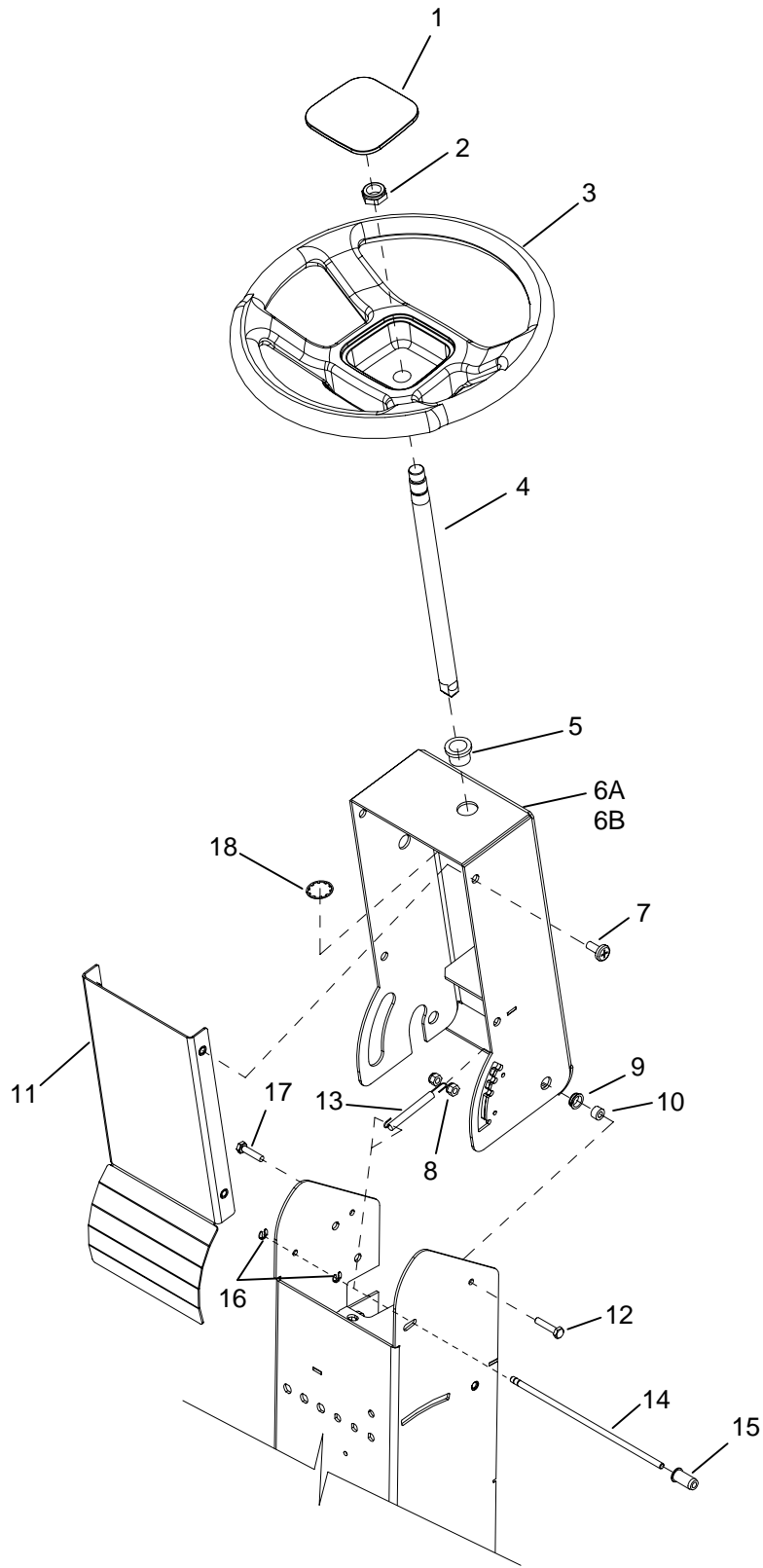
SQUEEGEE LIFT



SQUEEGEE LIFT

REF	PART NO.	PRV NO.	QTY	DESCRIPTION	SERIAL NO. FROM	NOTES:
1	86277860	70787	1	SCR, 3/8-16 X 3.75 HHCS SS		
2	86010770	87143	3	WASHER, 7/16ID X 1D X .08 FLT SS		
3	86010160	82830	1	SPRING, .62 X .09 X 1.6 CS ZC GRND		
4	86008870	80815	4	BEARING, FLANGED 3/8" ID 1 1/16"		
5	86008860	80808	2	PIN, CLEVIS 3/8" X 5.5"L PLTD		
6	86000810	05167	1	ACTUATOR, 36VDC 2-0 STK		
7	86248910	66369	1	PIN, QUICK RELEASE 0.38 X 1.5		
8	86008670	80606	3	COTTER, 3/8" RING		
9	86255310	73979	2	SPRING, EXT. 1.00OD X 4.0L		
10	86272710	82060	1	PIN, CLEVIS 3/8 X 5.25 PLTD		
11	86091710	140473	1	BRACKET, SQUEEGEE LIFT		
12	86005630	57022	1	NUT, 3/8-16 HEX NYLOCK THIN SS		
13	86009860	82541	1	WELDMENT, SQUEEGEE MOUNT		
14	86088270	730121	1	STUD, 3/8-24 X 4.0 SS		
15	86010050	82696	1	KNOB, 3/8-24 INSERT		
16	86271980	57303	1	NUT, 3/8-24 WING, SS		

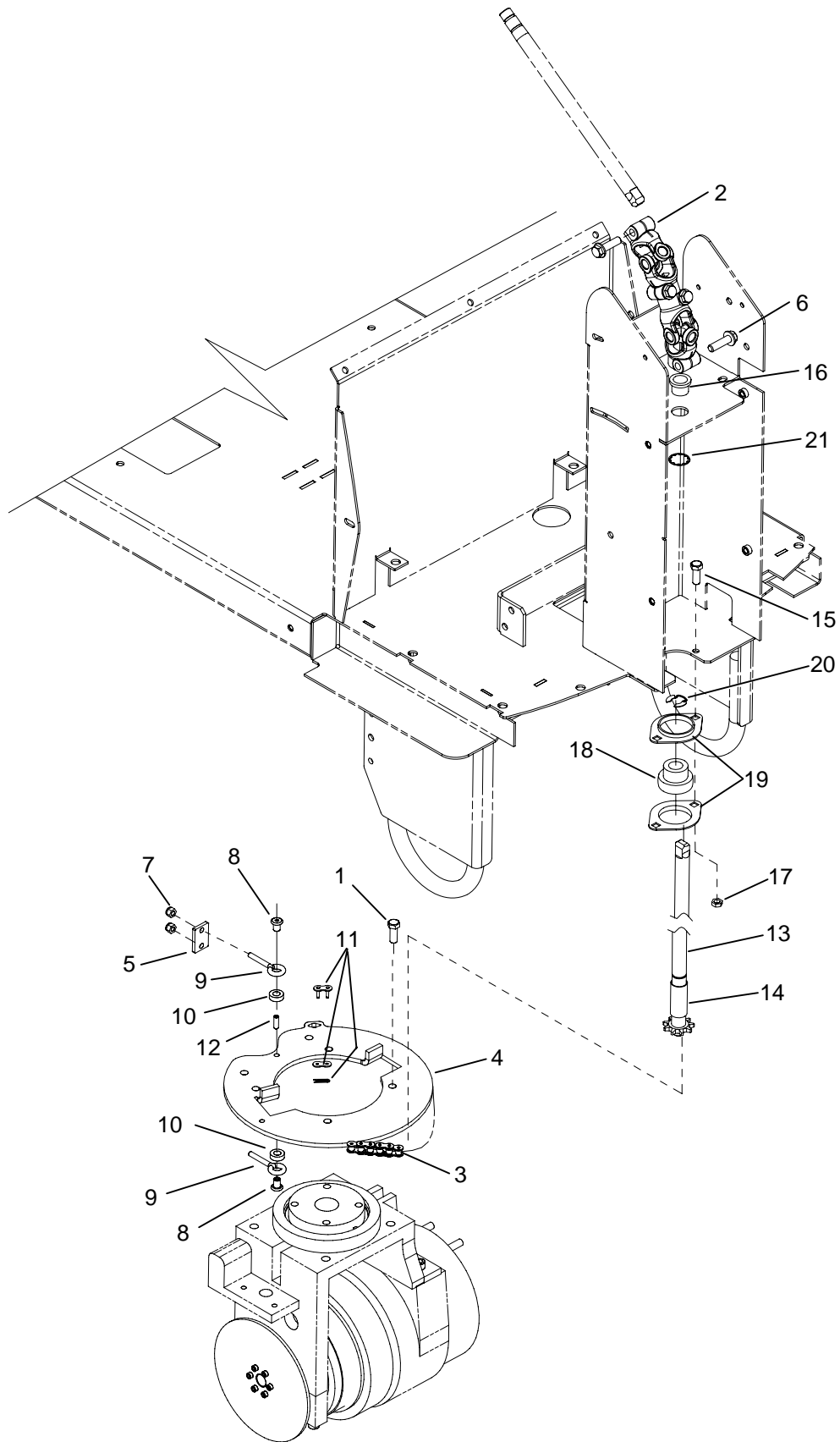
STEERING-UPPER



STEERING-UPPER

REF	PART NO.	PRV NO.	QTY	DESCRIPTION	SERIAL NO. FROM	NOTES:
1	86234810	27945	1	COVER, STEERING WHEEL		
2	86271610	57228	1	NUT, 5/8-18 HEX NYLOCK THIN		
3	86259610	730117	1	WHEEL, STEERING 40 SPLINE HUB		
4	86253230	730085	1	SHAFT, UPPER STEERING		
5	86228790	09111	2	BEARING, FLANGE .88OD X .75ID X .75		
6A	86093970	730118	1	COLUMN, UPPER STEERING		28 IN. & 32 IN.
6B	86092200	730160	1	COLUMN, 36 UPPER STEERING		36 IN.
7	86276890	70752	4	SCR, 5/16-8 X 3/4 PTHMS SS		
8	86005810	57245	3	NUT, 1/4-20 HEX NYLOCK SS		
9	86228580	09025	2	BEARING, 1/2 ID CYLINDER		
10	86231260	140486	2	BUSHING, .50D X .26 X .3L SS		
11	86075360	23697	1	COVER, STEERING COLUMN		
12	86273820	70019	1	SCR, 1/4-20 X 1.25 HHCS		
13	86255560	82855	1	SPRING, .31 X .04 X .3.0		
14	86252060	67475	1	ROD, STEERING LOCK		
15	86005620	57021	1	NUT, 1/4-20 X .962 WELL		
16	86006410	67381	2	RING, 1/4 CLIP		
17	86273810	70018	1	SCR, 1/4-20 X 1 HHCS SS		
18	86005610	57016	2	NUT, 7/8 DIA PUSHLOCK		

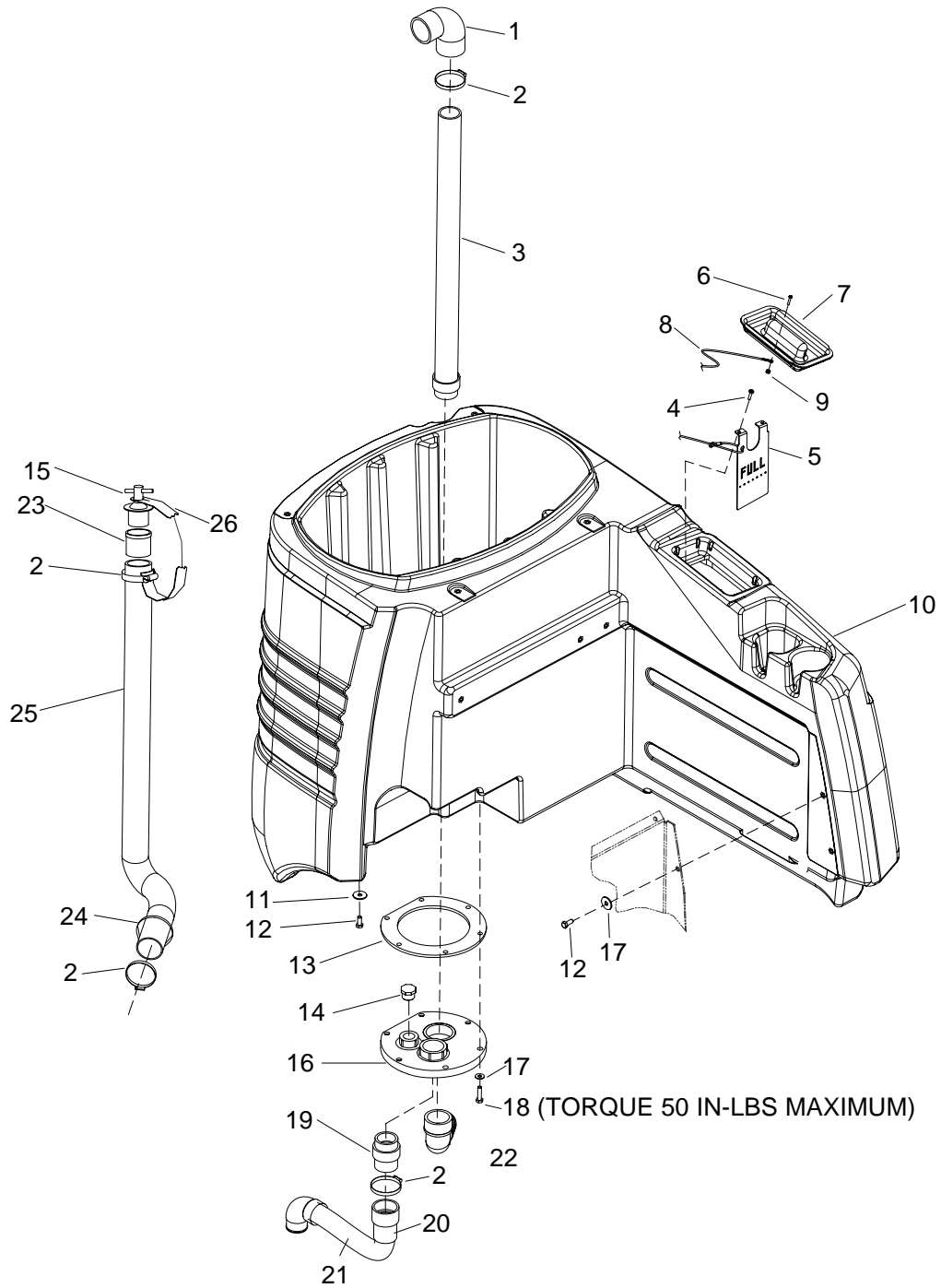
STEERING- LOWER



STEERING- LOWER

8628 8410	PART NO.	PRV NO.	QTY	DESCRIPTION	SERIAL NO. FROM	NOTES:
1	86276970	70774	4	SCR, 3/8-16 X 3/4 HHCS SS NP		
2	86258330	45011	1	UNIVERSAL JOINT, DOUBLE		
3	86232800	27946	1	CHAIN, #40-1/2 PITCH X 36		
4	86082310	62951	1	PLATE, STEERING		
5	86082840	66362	1	PLATE, CHAIN TENSIONER		
6	86286410	70762	4	SCR, M10-1.5 X 35MM HHFS		
7	86005810	57245	2	NUT, 1/4-20 HEX NYLOCK SS		
8	86005860	57273	2	NUT, 1/4-20 X 12MM HEX BARREL		
9	86270310	70760	2	EYEBOLT, 1/4-20 X 1.5 PLTD		
10	86264490	73440	2	SPACER, .75OD X .39ID X .25 HDPE		
11	86002850	27343	2	CHAIN, #40-1/2" P MASTER LINK		
12	86278070	70761	1	SET SCREW, 1/4-20 X 3/4 SS		
13	86094330	730116	1	STEERING ASM, LOWER SHAFT		
14	86087260	730132	1	SPACER, 7/8 OD X .049W X 1.75L		
15	86276780	70728	2	SCR, 5/16-18 X 3/4 HHCS SS		
16	86228790	09111	1	BEARING, FLANGE .88OD X .75ID X.75		
17	86270830	57023	2	NUT, 5/16-18 HEX NYLOCK SS		
18	86001030	09148	1	BEARING, BALL 3/4 BORE SPHERED		
19	86008610	80595	2	FLANGE, BEARING PRESS STEEL		
20	86272900	67416	1	RING, 3/4" CLIP		
21	86005610	57016	1	NUT, 7/8 DIA PUSHLOCK		

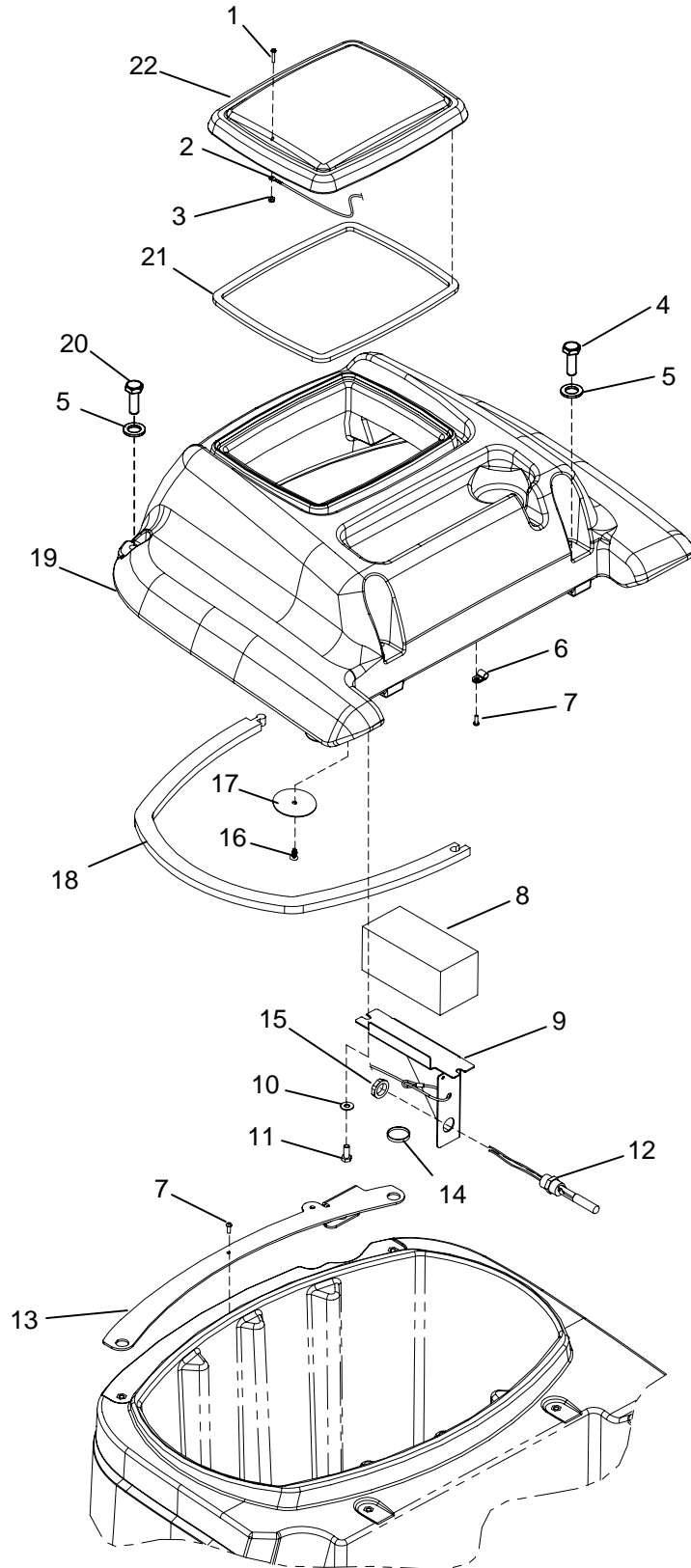
TANK



TANK

REF	PART NO.	PRV NO.	QTY	DESCRIPTION	SERIAL NO. FROM	NOTES:
1	83235580	81220	1	ELBOW, 90° RUBBER		
2	86233430	81431	4	CLAMP, 2.50 WORM GEAR		
3	86033270	78482	1	TUBE ASM, SQUEEGEE VAC		
4	86276600	70696	2	SCR, #10 X 3/4 PTHSMS SS		
5	86066310	140535	1	BAFFLE, SMALL RIDER		
6	86273950	70056	1	SCR, 6-32 X 1/2 PPHMS		
7	86234790	27827	1	COVER, CLP SOLUTION		
8	86246080	51368	1	LANYARD, 18.0 W/ LOOP & EYE		
9	86270920	57049	1	NUT, 6-32 HEX NYLOCK SS		
10	86032570	75374	1	TANK, SMALL RIDER		
11	86279630	87212	2	WASHER, .344ID X 1.13OD X .09T PLTD		
12	86276780	70728	4	SCR, 5/16-18 X 3/4 HHCS SS		
13	86237790	35260	1	GASKET, TANK PLATE		
14	86006260	66240	1	PLUG, 3/4" MPT PVC		
15	86006340	66347	1	PLUG, 1-3/4 DRAIN HOSE		
16	86033140	62930	1	PLATE ASM, TANK FITTING		
17	86010670	87029	8	WASHER, 5/16 FLAT SS		
18	86007020	70673	6	SCR, 5/16-18 X 1.25 HHCS SS		
19	86033290	78500	1	TUBE ASM, SQUEEGEE		
20	86234900	27508	1	CUFF, VAC HOSE BLACK		
21	86004420	39609	1	HOSE ASM, 1.5 BLK VAC X 14		
22	86240450	40085	1	HOSEBARB, 90° 2 NPT X 2		
23	86076830	40086	1	HOSEBARB, 2.0		
24	86002830	27196	1	CABLE TIE, .375 X 24.7		
25	86004410	39594	1	HOSE, 2 X 33.5" DRAIN		
26	86008400	78499	1	TETHER, 2 IN DRAIN PLUG		

TANK COVER

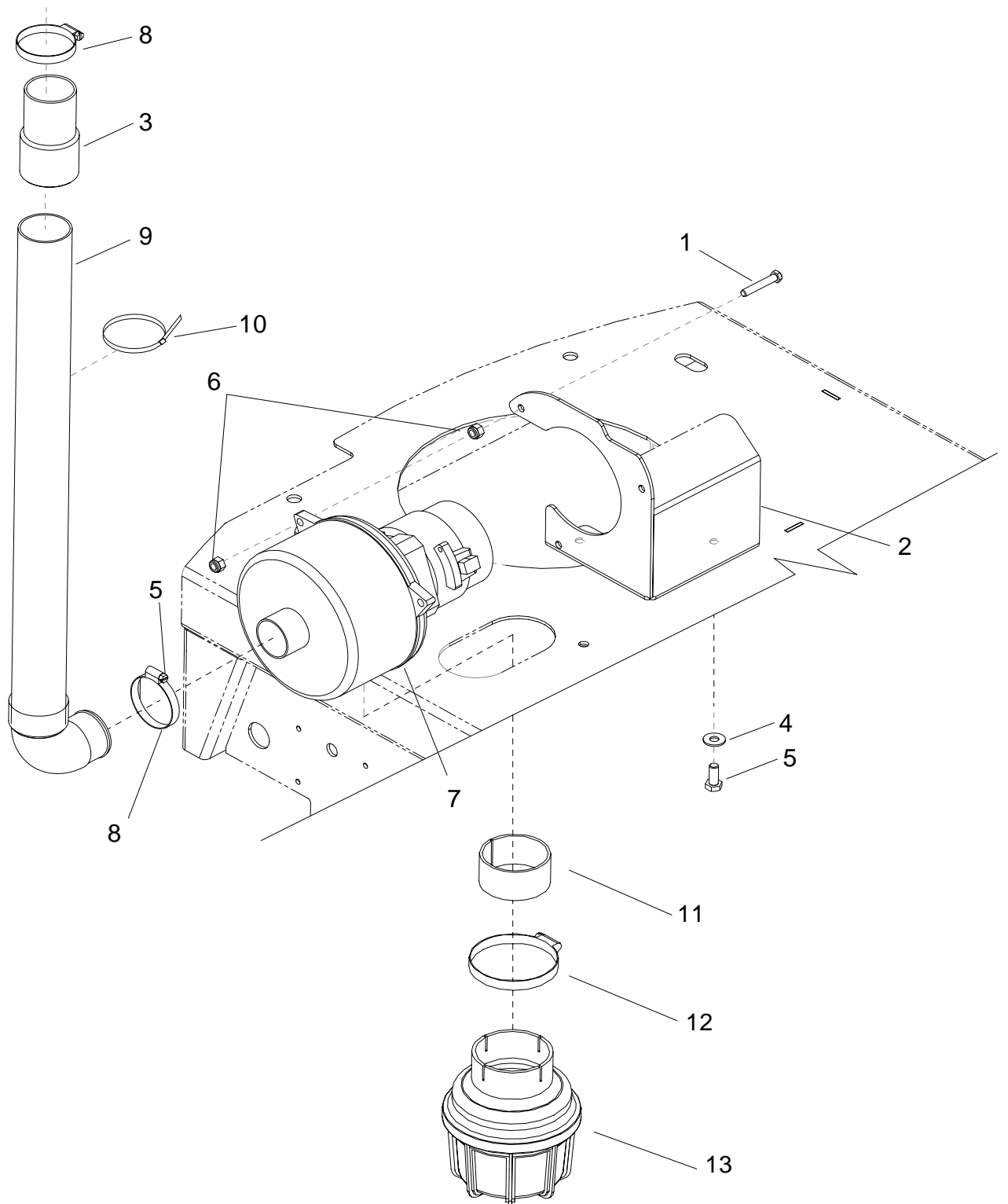


TANK COVER

REF	PART NO.	PRV NO.	QTY	DESCRIPTION	SERIAL NO. FROM	NOTES:
1	86273950	70056	1	SCR, 6-32 X 1/2 PPHMS		
2	86246080	51368	1	LANYARD, 18.0 W/ LOOP & EYE		
3	86270920	57049	1	NUT, 6-32 HEX NYLOCK SS		
4	86276910	70754	2	SCR, 5/16-18 X 3 HHCS SS NP		
5	86279630	87212	4	WASHER, .344ID X 1.13OD X .09T PLTD		
6	86198450	20005	4	CLAMP, 5/16 NYLON		
7	86903670	70024	5	SCR, #8 X 1/2 SHT METAL SS		
8	86003690	34390	1	FILTER, VAC		
9	86069740	140505	1	BRACKET, RECOVERY FILTER		
10	86010670	87029	2	WASHER, 5/16 FLAT SS		
11	86277040	70781	2	SCR, 5/16-18 X 1/2 HHCS SS		
12	86007460	730122	1	SWITCH ASM, FLOAT		
13	86082360	62956	1	PLATE, HOSE MOUNT		
14	86264930	27050	1	CABLE TIE, 3.5" UL/CSA		
15	86271850	57287	1	NUT, 1/2 NPT PLASTIC		
16	86233560	80805	1	CLIP, TREE .19 HOLE FLAT HEAD		
17	86258670	81473	1	VALVE, DISK DRAIN		
18	86238010	36217	2	GASKET, 1/2T X 1.0W X 36.88L		
19	86031830	27935	1	COVER, TANK SMALL RIDER		
20	86276790	70732	2	SCR, 5/16-18 X 1.75 HHCS SS		
21	86004010	35274	1	GASKET, DOME	*(4)	
22	86003340	28062	1	DOME, 13 X 11		

*SEE SERIAL NUMBER PAGE.

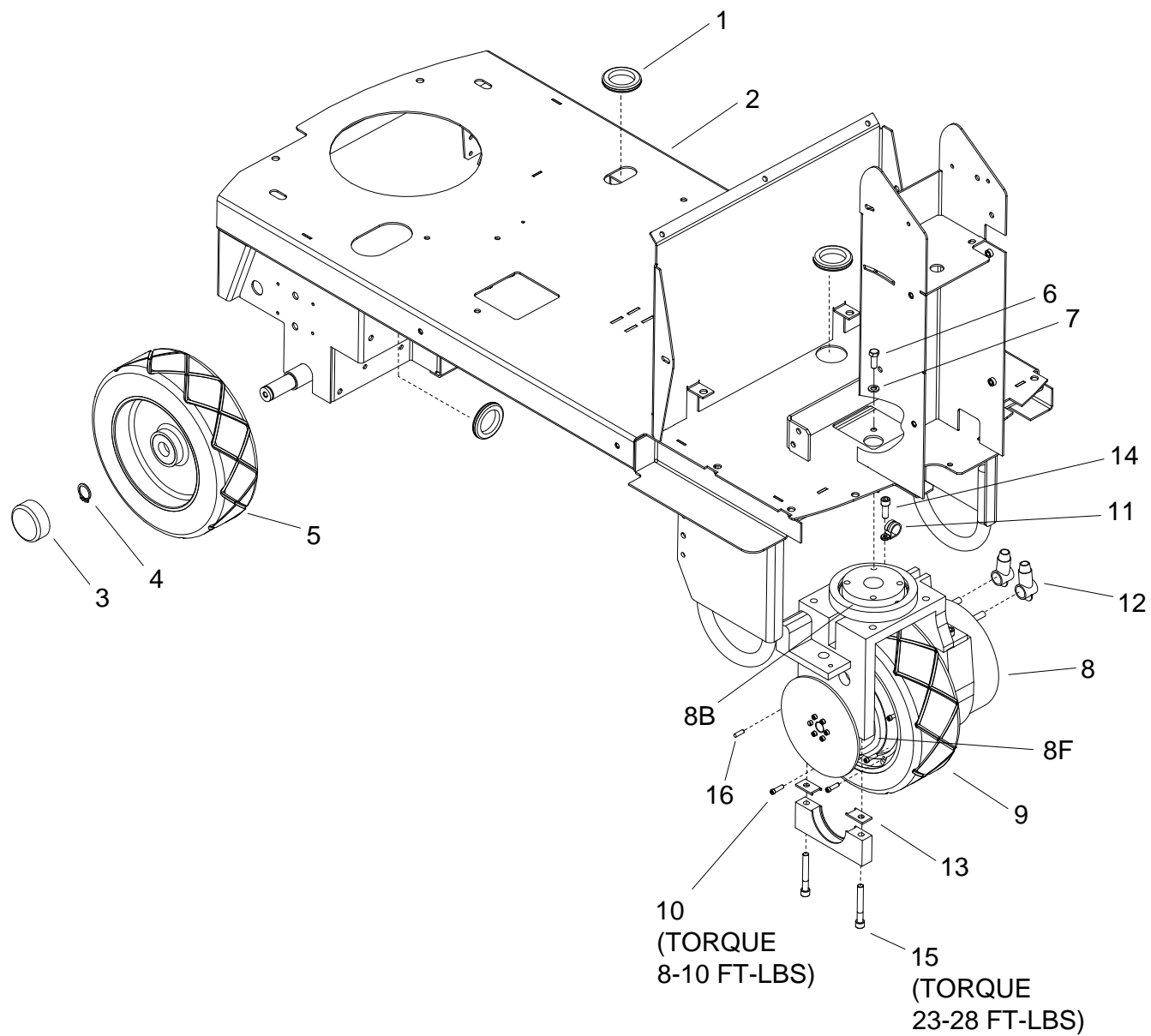
VACUUM



VACUUM

REF	PART NO.	PRV NO.	QTY	DESCRIPTION	SERIAL NO. FROM	NOTES:
1	86274800	70297	3	SCR, 1/4-20 X 1.5 HHMS		
2	86069560	140476	1	BRACKET, VACUUM MOUNTING		
3	86003010	27759	1	CUFF, HOSE 1.5" BLK A2161		
4	86279130	87083	2	WASHER, 5/16 SPLIT LOCK PLTD		
5	86276780	70728	2	SCR, 5/16-18 X 3/4 HHCS SS		
6	86005810	57245	6	NUT, 1/4-20 HEX NYLOCK SS		
7	86005450	53799	1	VAC MOTOR ASM, 36VDC 3 STAGE		
-	86230800	140550	1	BRUSH SET, VACUUM AMETEK		SERVICE ONLY
-	86135310	140686	1	BRUSH SET, VAC 24V/36V WINDSOR		SERVICE ONLY
8	86233140	20041	2	CLAMP, 2.0" WORM GEAR		
9	86240170	39614	1	HOSE ASM, 1.5 BLK VAC X 19		
10	86264920	27049	3	CABLE TIE, 7" UL/CSA		
11	86091170	730174	1	TUBE, 2.0 OD X .05 W X 1.0 L		
12	86233430	81431	1	CLAMP, 2.50 WORM GEAR		
13	86064910	54194	1	MUFFLER, VAC MOTOR		

WHEEL & FRAME



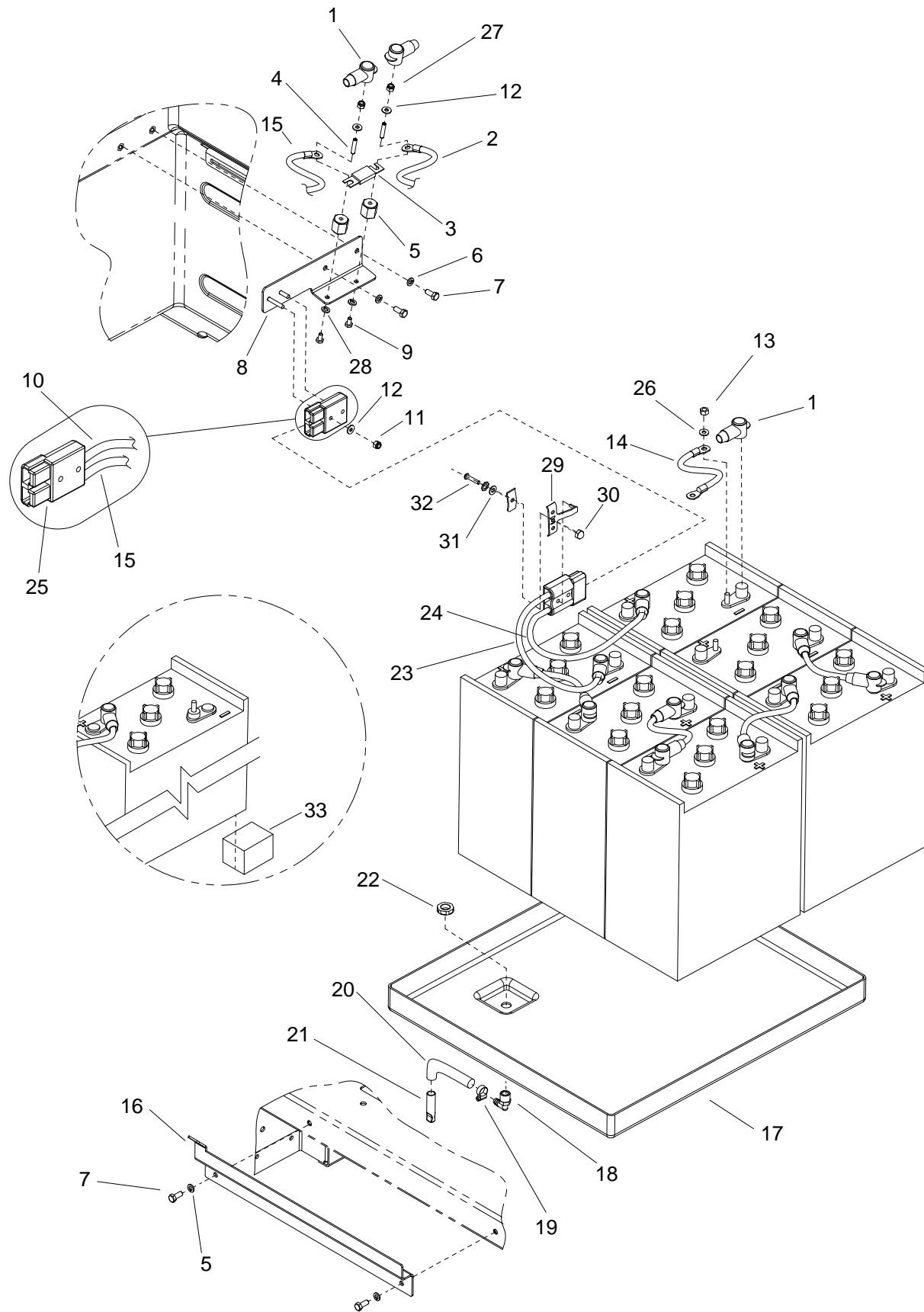
WHEELS & FRAME

REF	PART NO.	PRV NO.	QTY	DESCRIPTION	SERIAL NO. FROM	NOTES:
1	86238500	81427	3	GROMMET, 1.703ID X 2.5OD X .125 GRY		
2	86092430	34385	1	FRAME, RIDER SCRUBBER		
3	86232130	17309	2	CAP, 2.75 ID X 1.0 L BLK VINYL		
4	86272910	67471	2	RING, 63/64 EXTERNAL SNAP		
5A	86011090	89224	2	WHEEL ASM, 12 X 3.5 X 8 SCRUBBER COMPOUND		
5B	86259890	89230	REF	WHEEL ASM, 12 X 3.5 X 8 GRAY		OPTION
6	86276920	70755	4	SCR, 3/8-16 X 1 HHCS SS NP		
7	86010790	87163	4	WASHER, 3/8 SPLIT LOCK		
8	86003450	29256	1	MOTOR ASM, 36V DRV. WHEEL		
8A	86001460	140552	REF	BRUSH SET, MOTOR		SERVICE ONLY
8B	86215180	09142	REF	BEARING, STEERING		SERVICE ONLY
8C	86004760	47417	REF	KIT, ARMATURE ASM FOR 29256		SERVICE ONLY
8D	86222190	54188	REF	MOTOR & GEARBOX FOR 29256		SERVICE ONLY
8E	86217990	34403	REF	FRAME, STEERING MOUNT ASM (29256)		SERVICE ONLY
8F	86217990	09143	REF	BEARING, 60ID X 95OD		SERVICE ONLY
9	86259880	89225	1	WHEEL, 12 X 4 X 8 SCRUB COMPOUND		
9A	86259900	89253	REF	WHEEL, 12 X 4 X 8 GRAY		OPTION
10	86277250	70818	8	SCR, M6 X 25MM HSNCS NP		
11	86233410	81270	1	CLAMP, 3/4 DIA. CUSHION .406 DIA.		
12	86008920	80889	2	BOOT, RUBBER TERM. ISOLATER		
13	86087380	730419	2	SPACER, CLAMP	*(5)	
14	86274120	70096	4	SCR, 3/8-16 X 1.0 SHCS BLK		
15	86173150	70946	2	SCR, 3/8-16 X 2.5 SHCS BLK		
16	86317210	-	2	DOWEL, M8 X 25MM	**	

*SEE SERIAL NUMBER PAGE.

**CALL MANUFACTURER FOR SERIAL NUMBER.

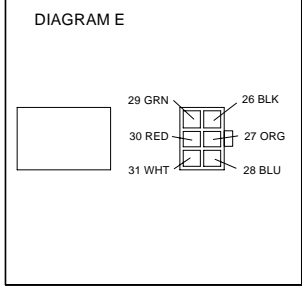
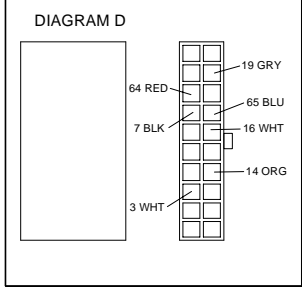
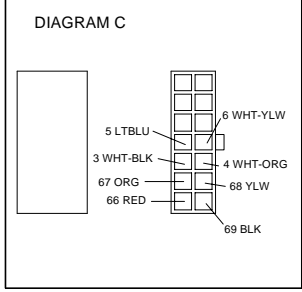
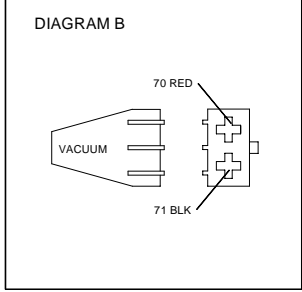
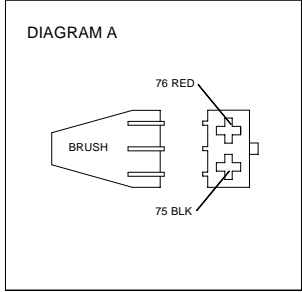
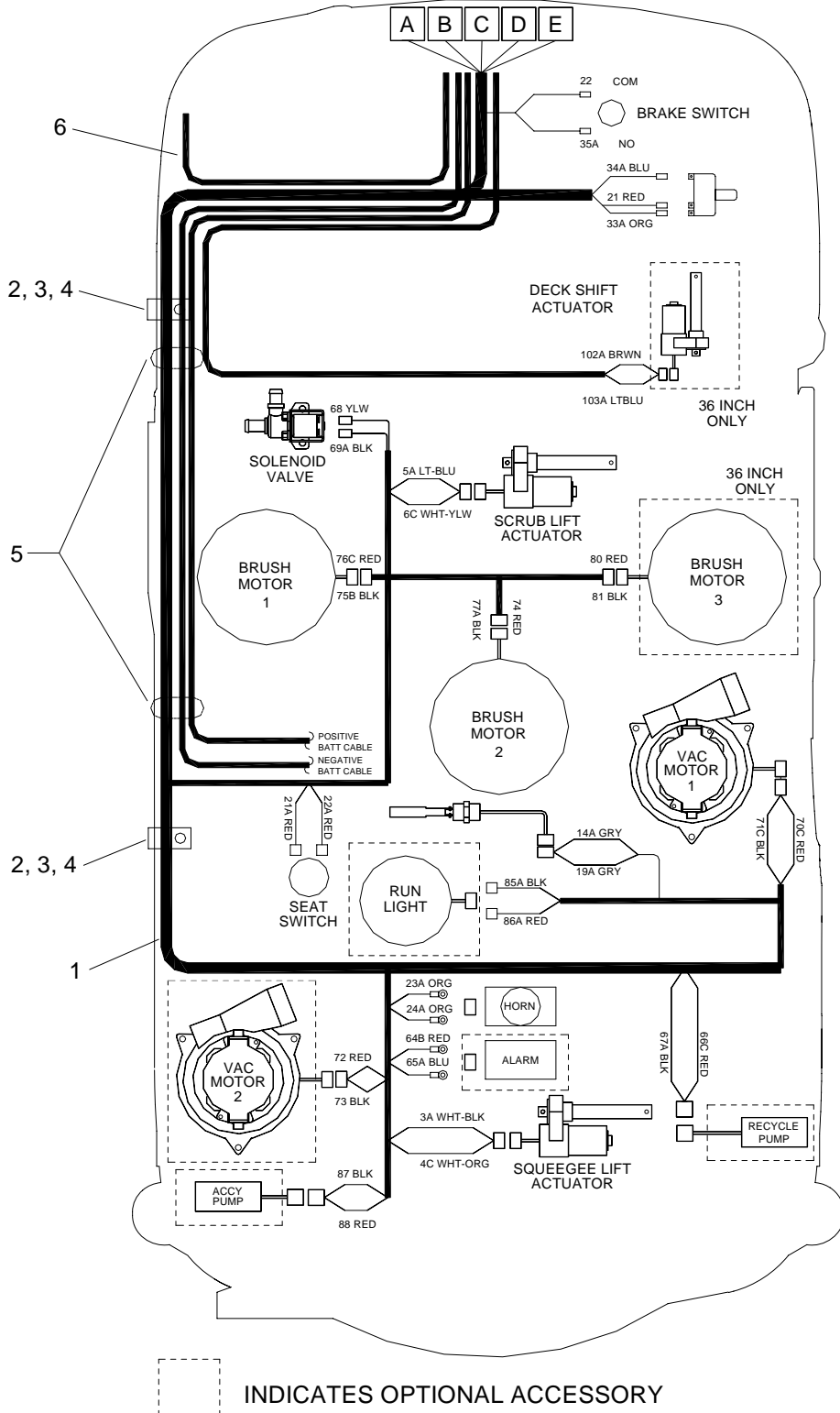
WIRING-BATTERY



WIRING-BATTERY

REF	PART NO.	PRV NO.	QTY	DESCRIPTION	SERIAL NO. FROM	NOTES:
1	86008920	80889	14	BOOT, RUBBER TERM. ISOLATOR		
2	86232040	830957	1	CABLE, 4GA BLACK X 78.5"		
3	86008790	80687	1	FUSE, 125 AMP		
4	8606850	70393	2	SET SCR, 1/4-20 X 1.25L		
5	86255910	73659	2	STANDOFF, 1/4-20 X 1.0 HEX INS		
6	86279130	87083	4	WASHER, 5/16 SPLIT LOCK PLTD		
7	86276780	70728	4	SCR, 5/16-18 X 3/4 HHCS SS		
8	86069720	140497	1	BRACKET, BATTERY CONNECTOR		
9	86273830	70020	2	SCR, 1/4-20 X 1/2 HHCS SS		
10	86260310	82687	1	WIRE, 4 X 77BK C. TERM X 5/16 RING		
11	86005810	57245	1	NUT, 1/4-20 HEX NYLOCK SS		
12	86010630	87013	3	WASHER, 1/4ID X 5/8OD SS		
13	86271910	57295	12	NUT, 5/16-18 FLEXLOCK		
14	86009000	81131	5	WIRE, 4 X 9.5BK 5/16 RING X 5/16 RING		
15	86260510	880377	1	WIRE, 4 X 6 BK C.TERM X 5/16 RING		
16	86069690	140493	1	BRACKET, BATTERY		
17	86064860	78498	1	TRAY, BATTERY		
18	86001550	40043	1	HOSEBARB, 3/8 MPT X 3/8 90D		
19	86233090	20016	1	CLAMP, 1/4ID HOSE		
20	86281820	39509	1	HOSE, 3/8 VINYL X 16"		
21	86002030	17298	1	CAP, .460ID X 1.5L BLK VINYL		
22	86271830	57283	1	NUT, 3/8 NPT PLASTIC		
23	86010860	880353	1	WIRE, 4 X 20 BK C.TERM X 5/16 RING		
24	86010850	880352	1	WIRE, 4 X 27 RD C.TERM X 5/16 RING		
25	86008760	80682	2	CONNECTOR, BATTERY GRY 175 AMP		
26	86010670	87029	12	WASHER, 5/16 FLAT SS		
27	86005710	57105	2	NUT, 1/4-20 HEX W/ STAR WASHER		
28	86010780	87162	2	WASHER, 1/4 SPLIT LOCK		
29	8623360	28038	1	CLAMP, CABLE KIT SY945		
30	86270890	57034	1	NUT, ACORN 10-32		
31	86010650	87018	1	WASHER, #10 X 9/16 OD		
32	86273980	70066	1	SCR, 10-32 X 3/4 PPHMS SS		
33	86312710	-	2	BLOCK, 3.5 X 4 X 5		FOR 86312720 BATTERIES

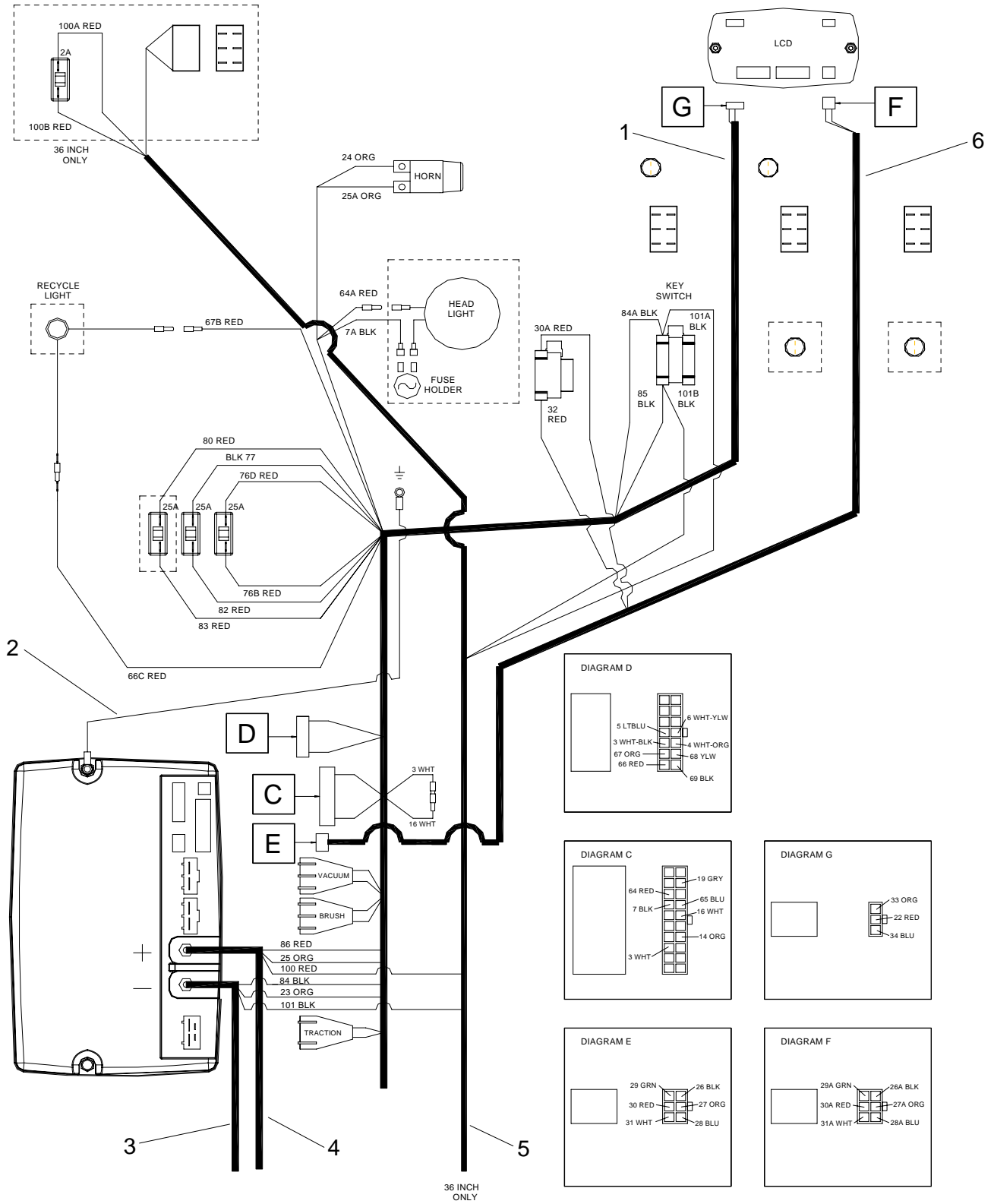
WIRING-MAIN HARNESS



WIRING-MAIN HARNESS

REF	PART NO.	PRV NO.	QTY	DESCRIPTION	SERIAL NO. FROM	NOTES:
1	86239500	880421	1	HARNESS, GLIDE TRIO		
2	86233390	80887	2	CLAMP, 7/8 DIA "P" CUSHIONED		
3	86233780	70015	2	SCR, 1/4-20 X 3/4 HHCS SS		
4	86005810	57245	2	NUT, 1/4-20 HEX NYLOCK SS		
5	86264920	27049	2	CABLE TIE, 7" UL/CSA		
6	86239510	880422	REF	LCD HARNESS		

WIRING - MAIN HARNESS CONNECTION



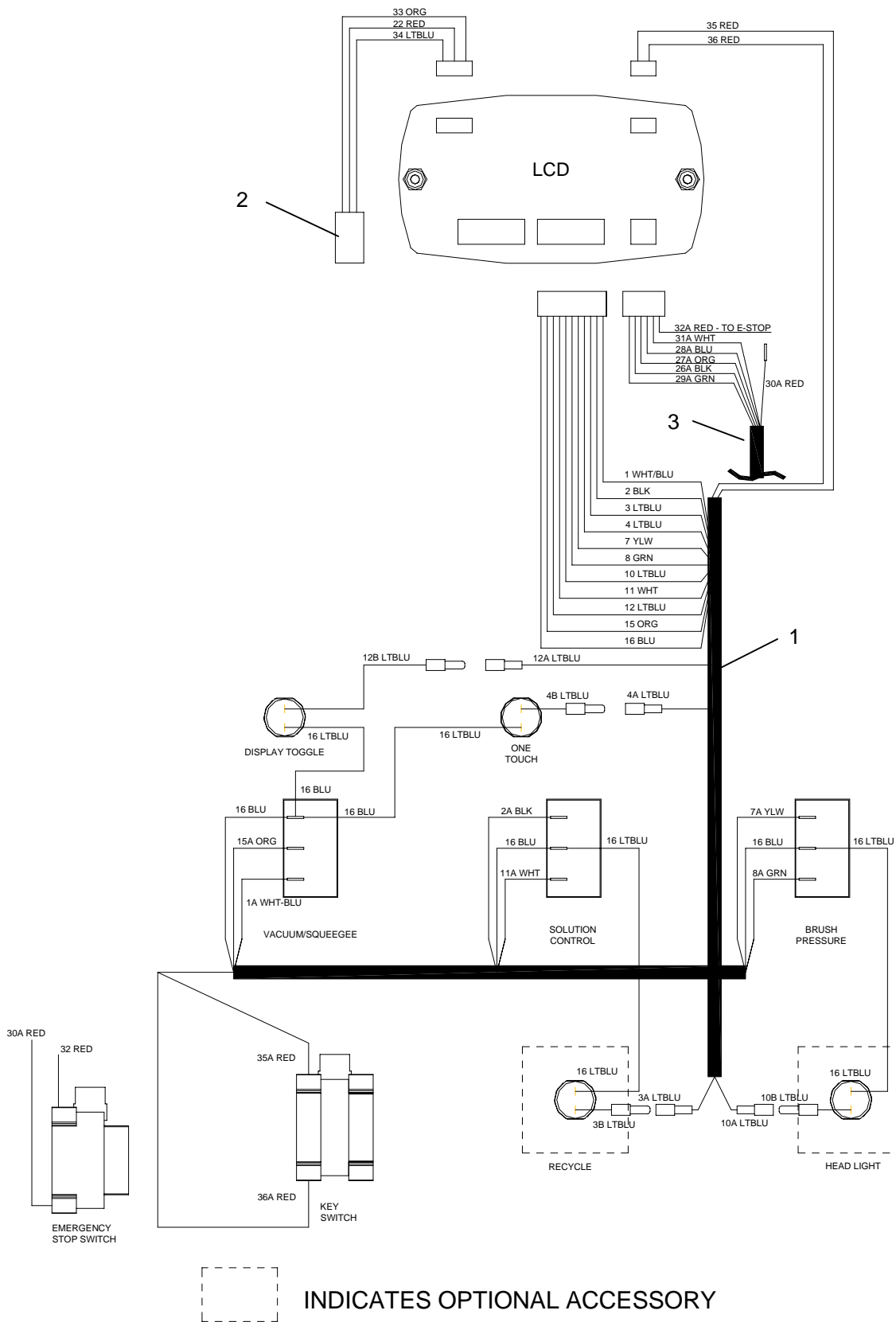
INDICATES OPTIONAL ACCESSORY

WIRING -MAIN HARNESS CONNECTION

REF	PART NO.	PRV NO.	QTY	DESCRIPTION	SERIAL NO. FROM	NOTES:
1	86239500	880421	REF	HARNESS GLIDE TRIO		
2	86267290	880262	1	WIRE, 14" GRN/18 76008 X 76011		
3	86230310	82687	REF	WIRE, 4 X 77BK C. TERM X 5/16 RING		
4	86232040	830957	REF	CABLE, 4GA BLACK X 78.5"		
5	86239010	41462	1	HARNESS, DECK SHIFT		36 IN ONLY
6	86239510	880422	1	LCD HARNESS		

NOTE: Maximum speed of machine can be decreased to 80% of maximum by disconnecting wire 3 white from wire 16 white. Machine is set at 100% speed setting at factory.

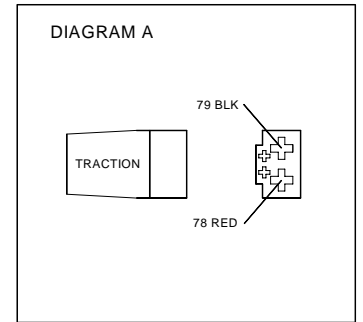
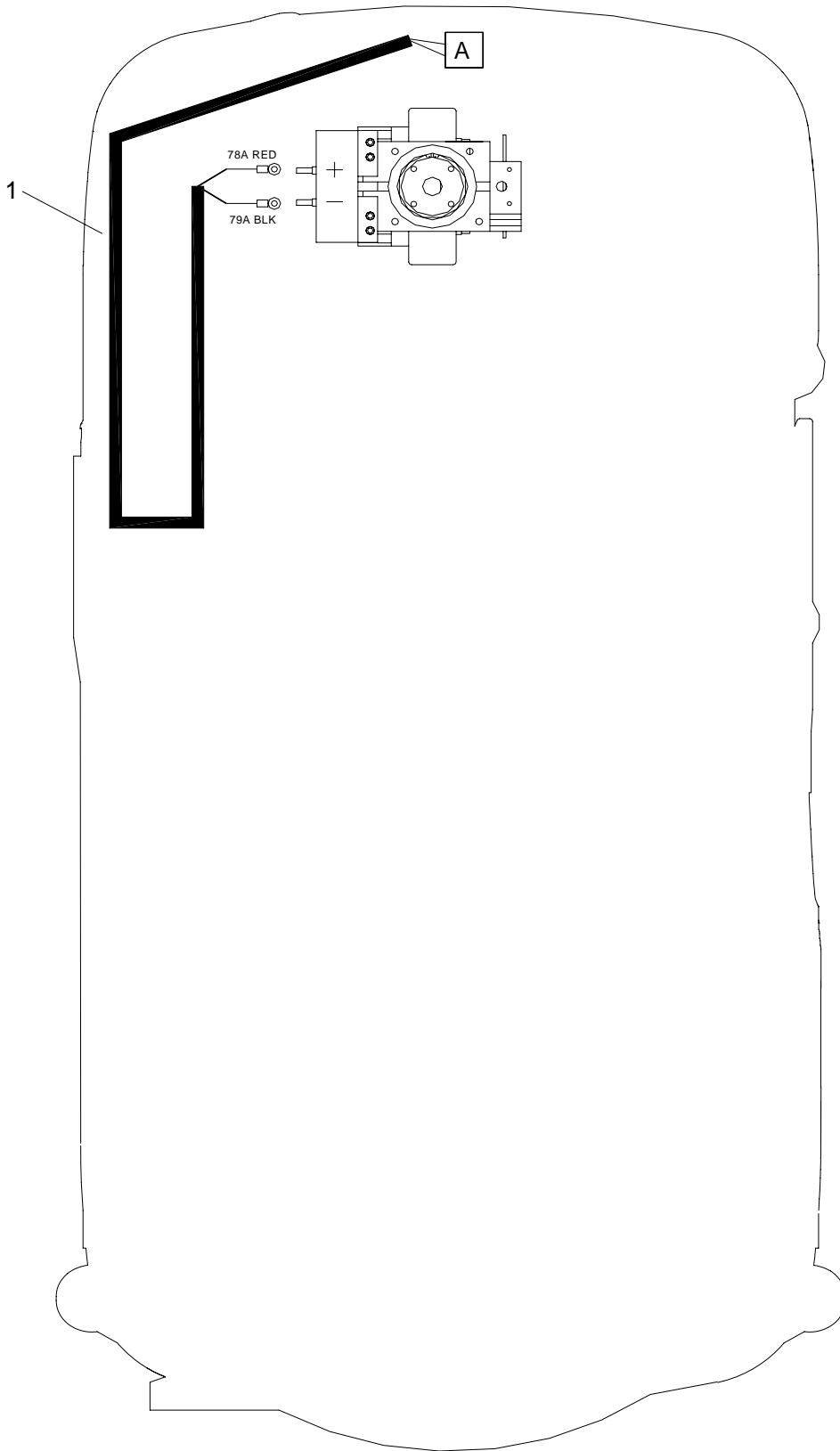
WIRING-CONTROL PANEL



WIRING-CONTROL PANEL

REF	PART NO.	PRV NO.	QTY	DESCRIPTION	SERIAL NO. FROM	NOTES:
1	86239490	880378	1	HARNESS, CONTROL		
2	86239500	880421	REF	HARNESS, MAIN		
2	86239510	880422	REF	HARNESS, LCD		

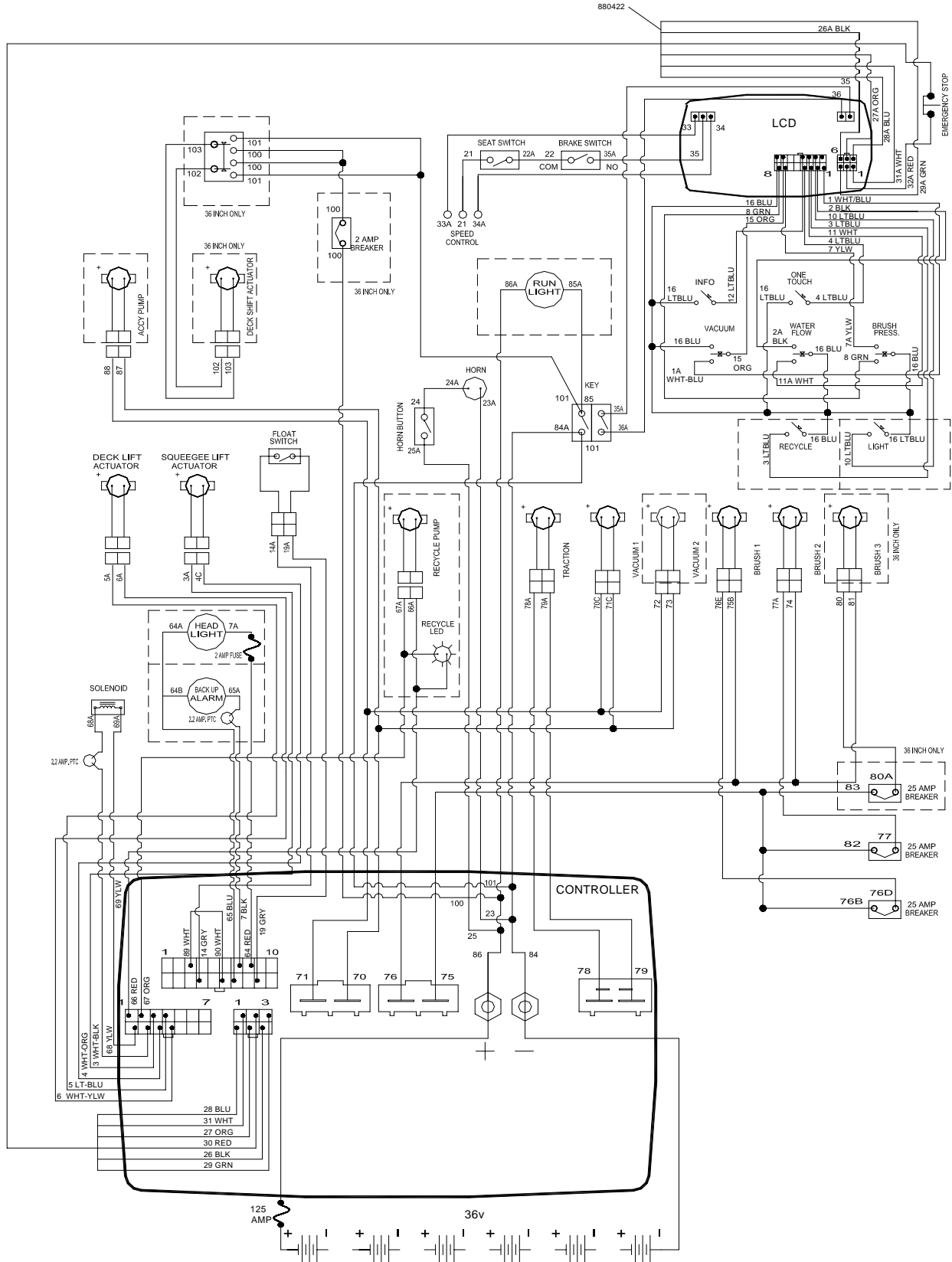
WIRING-DRIVE MOTOR



WIRING GROUP-DRIVE MOTOR

REF	PART NO.	PRV NO.	QTY	DESCRIPTION	SERIAL NO. FROM	NOTES:
1	86010870	880379	1	HARNESS, PROPEL		

WIRING DIAGRAM

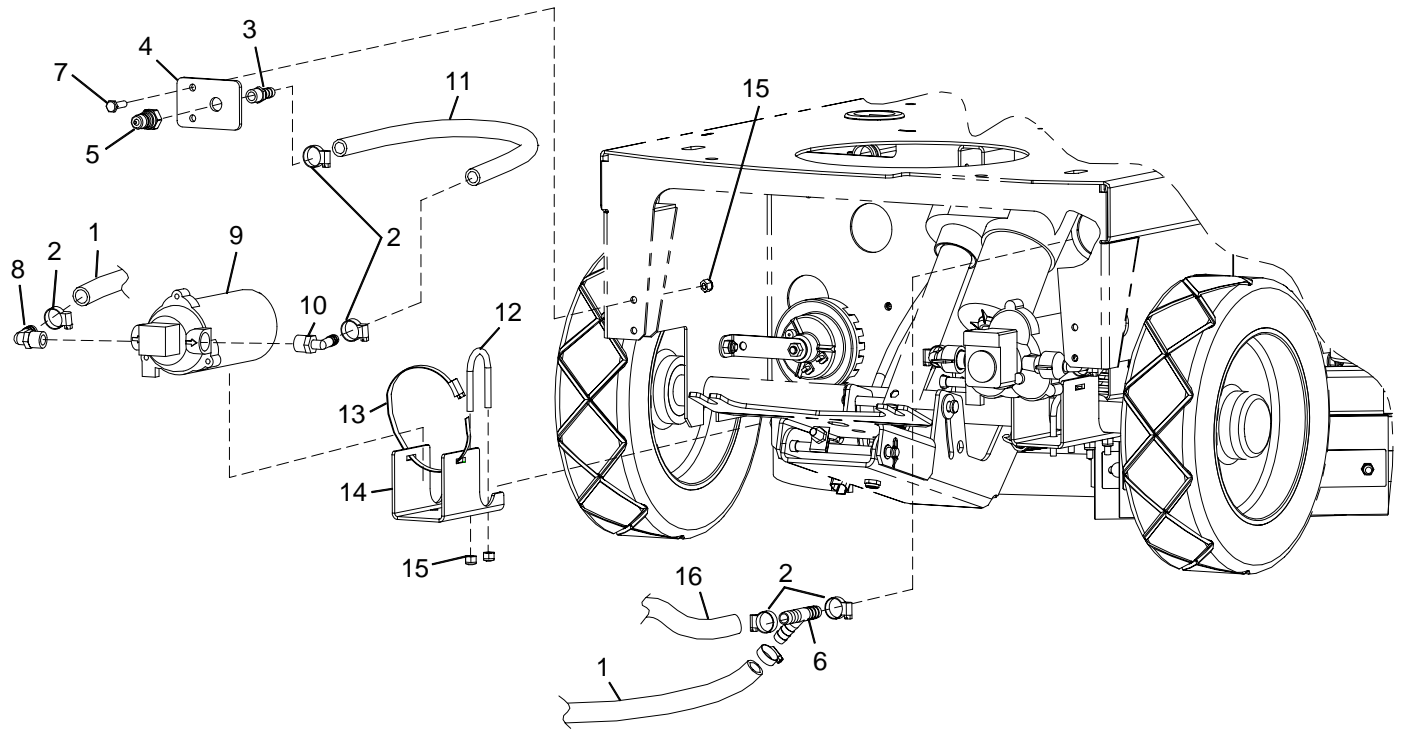


SUGGESTED SPARE PARTS

PART NO.	PRV NO.	DESCRIPTION	SERIAL NO.	NOTES:
86008790	80687	FUSE, 125 AMP		
86001870	14415	BLADE, SQUEEGEE FRONT		
86001440	140533	BLADE. SQUEEGEE REAR		
86003690	34390	FILTER, VAC		
86007420	730100	SQUEEGEE, SIDE BLADE LINATEX		28 IN. & 32 IN.
86007580	730167	SQUEEGEE, 32 SIDE BLADE		32 IN.
86007390	730093	SQUEEGEE, SIDE BLADE LINATEX		36 IN.
86007550	730154	SQUEEGEE BLADE, SECONDARY		36 IN.
86004860	48073	KEY, SWITCH		
86005450	53799	VAC MOTOR ASM, 36VDC 3 STAGE		
86230800	140550	BRUSH SET, VACUUM MOTOR AMETEK		
86135310	140686	BRUSH SET, VAC 24V/36V WINDSOR		
86001460	140552	BRUSH SET, DRIVE MOTOR		
86001890	14418	BRUSH SET, SCRUB MOTOR		
86009200	81535	KNOB, 3/8-16 4 PRONG ALUM		
86215180	09142	STEERING PIVOT BEARING		
86002850	27343	CHAIN, #40, 1/2" P MASTER LINK		
86007380	730088	SPACER, .5 OD X .26 ID X 1.5L		
86005610	57016	NUT, 7/8 DIA PUSHLOCK		
86007460	730122	SWITCH ASM, FLOAT		
86001920	14607	BREAKER, 25A 50VDC CIRCUIT		
86002010	14942	BOOT, 3/8 CIRCUIT BREAKER		
86008900	80845	BOOT, SEAL-PUSH BUTTON		
86004420	39609	HOSE ASM, 1.5 BLK VAC X 14		
86002030	17298	CAP, .460ID X 1.25L VINYL		
86007250	73000	40 MESH, STRAINER		
86135480	83052	BRAKE PUCK		
86010330	83053	BRAKE ANVIL		
86006340	66347	RECOVERY DRAIN PLUG		

NOTES:

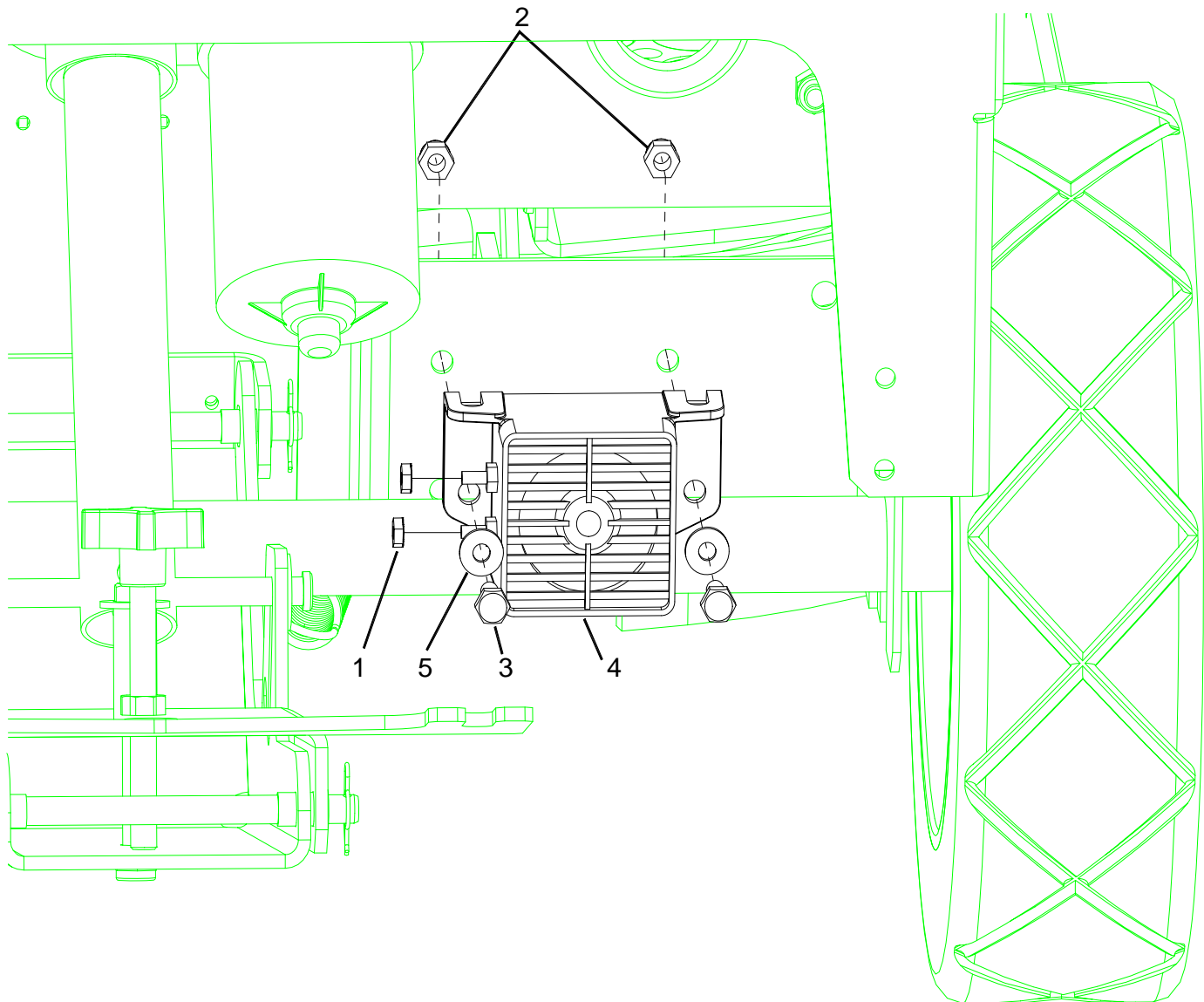
ACCESSORY PUMP-OPTION



ACCESSORY PUMP-OPTION

REF	PART NO.	PRV NO.	QTY	DESCRIPTION	SERIAL NO. FROM	NOTES:
1	86282170	39611	1	HOSE, 1/2 NYLOBRAID X 26		
2	86233150	20042	6	CLAMP, 3/8 HOSE (D-SLOT)		
3	86197550	40014	1	HOSEBARB, 1/4MPT X 3/8 DL		
4	86081820	62838	1	PLATE, ACCESSORY BULKHEAD		
5	86005580	56012	1	NIPPLE, 1/4 FPT OD		
6	86240410	40078	1	HOSEBARB, 1/2 TEE		
7	86273810	70018	2	SCR, 1/4-20 X 1 HHCS SS		
8	86197940	40027	1	HOSEBARB, 3/8 MPT X 1/2 90 D DL		
9	86006100	65176	1	PUMP ASM, 36V ACCESSORY		
10	86001550	40043	1	HOSEBARB, 3/8 MPT X 3/8 90D		
11	86281520	39413	1	HOSE, 3/8 NYLOBRAID X 17"		
12	86226900	14236	2	U-BOLT, 1/4-20 X 1.5		
13	86233370	80651	1	CLAMP, HOSE WORM DRIVE 2.7-3.7		
14	86069980	140556	1	BRKT, PUMP MOUNT		
15	86005810	57245	6	NUT, 1/4-20 HEX NYLOCK SS		
16	86281000	39241	1	HOSE, 1/2 WIRE BOUND X 10"		

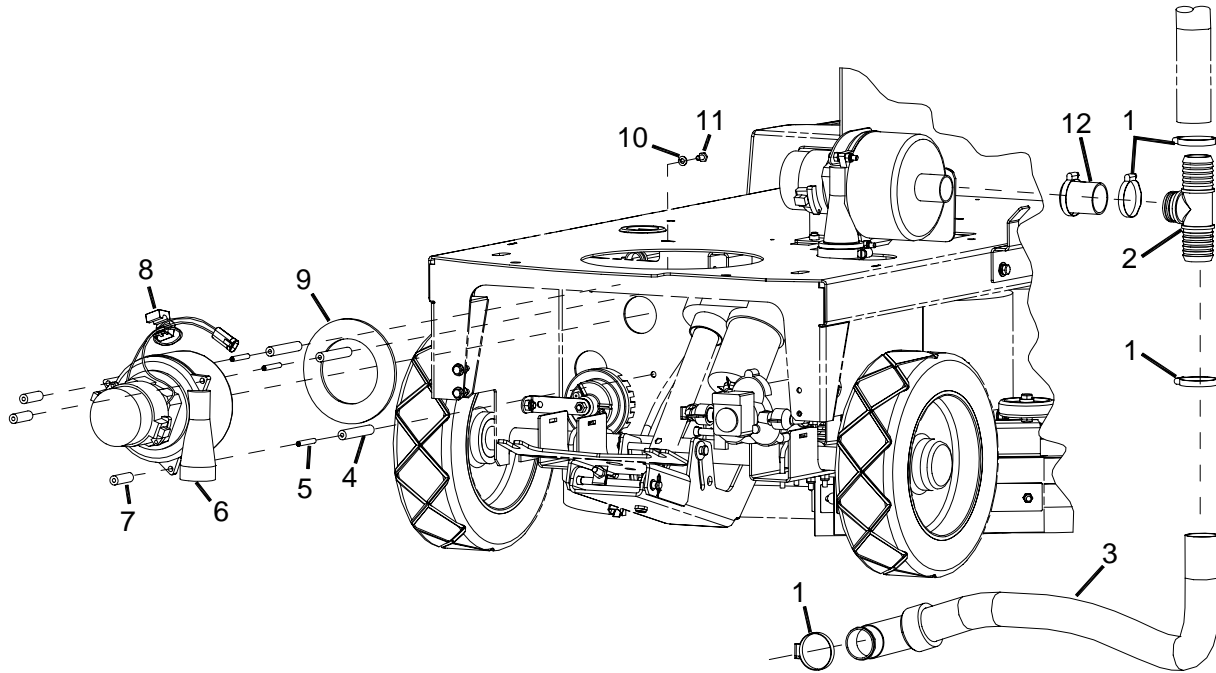
BACK-UP ALARM-OPTION



BACK-UP ALARM-OPTION

REF	PART NO.	PRV NO.	QTY	DESCRIPTION	SERIAL NO. FROM	NOTES:
1	86005720	57106	2	NUT, 8-32 W/ STAR WASHER PLTD		
2	86005810	57245	2	NUT, 1/4-20 HEX NYLOCK SS		
3	86273750	70011	2	SCR, 1/4-20 X 5/8 HHCS SS NP		
4	86227260	82332	1	ALARM, BACK UP		
5	86010630	87013	2	WASHER, 1/4 ID X 5/8 OD SS		

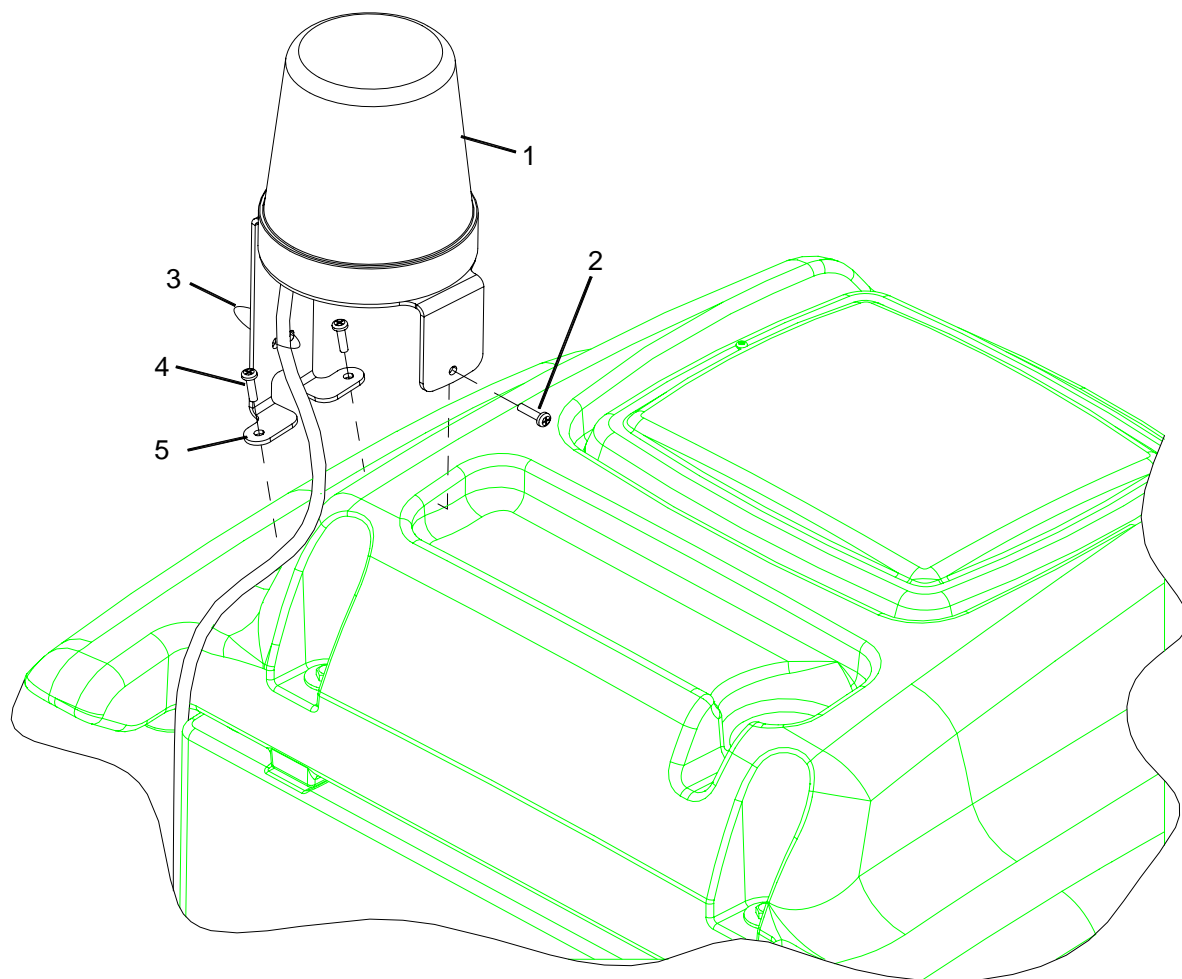
DUAL VACUUM MOTOR-OPTION



DUAL VACUUM MOTOR-OPTION

REF	PART NO.	PRV NO.	QTY	DESCRIPTION	SERIAL NO. FROM	NOTES:
1	86233140	20041	4	CLAMP, 2.0" WORM GEAR		
2	86076840	40092	1	HOSEBARB, 1.50 TEE MACHINED		
3	86004370	39547	1	HOSE ASM, 1.5 BLK VAC X 21		
4	86007770	73566	3	SPACER, 1/2 OD X 3.0 W/1/4-20 AL		
5	86276370	70638	3	SCR, 1/4-20 X 1.75 SSSCU		
6	86005450	53799	1	VAC MOTOR ASM, 36VDC 3 STAGE		
-	86230800	140550	1	BRUSH SET, VACUUM AMETEK		SERVICE ONLY
-	86135310	140686	1	BRUSH SET, VAC 24V/36V WINDSOR		SERVICE ONLY
7	86005620	57021	3	NUT, 1/4-20 X .962 WELL		
8	86235780	34164	1	FERRITE CLAMP, 1.14 X 1.28 X .583		
9	86003750	35122	1	GASKET, 230V C17EI/C20 VAC MOTOR		
10	86010780	87162	3	WASHER, 1/4 SPLIT LOCK		
11	86273830	70020	3	SCR, 1/4-20 X 1.2 HHCS SS		
12	86076800	39612	1	HOSE, 1.5 ID X 2.0 L		

WARNING LIGHT-OPTION



WARNING LIGHT-OPTION

REF	PART NO.	PRV NO.	QTY	DESCRIPTION	SERIAL NO. FROM	NOTES:
1	86025990	51286	1	LIGHT ASM, FLASHING 36V AMBER		
2	86276600	70696	3	SCR, #10 X 3/4 PTHSMS SS		
3	86264950	27746	5	CABLE TIE, .19W X 11.5L BLK		
4	86275730	70534	3	SCR, 1/4-14 X 3/4 TEKS/3 HWHS PLTD		
5	86069970	140555	1	BRKT, LIGHT MOUNT		



Manufacturers of Innovative Building Maintenance Equipment

Windsor Industries, Inc.
1351 West Stanford Avenue
Englewood, CO 80110 USA

Phone: 303.762.1800
FAX: 303.762.0817
<http://www.windsorind.com>

EC Declaration of Conformity

We herewith declare, Windsor Industries, Inc.
1351 W. Stanford Ave.
Englewood, CO 80110-5545 USA

that the following product complies with the appropriate essential health and safety requirements of the relevant EC Directives listed below, based on the relevant sections of the applicable EC standards and other normative documents.

Product:	Saber Glide 28	Saber Glide 32
	Saber Glide 28 Gel	Saber Glide 32 Gel
	Saber Glide 28 Euro	Saber Glide 32 Euro

Product Identification: Rated 36 VDC 80 A

Trademark:



Model/Type Ref.:	SG28	SG32
	SGG28	SGG32
	SGE28	SGE32

Product Description: This product is a battery powered, self-propelled, wet floor scrubber intended for commercial use.

Applicable EC Directives:
EC Machinery Directive
(89/392/EEC & 91/368/EEC & 93/44/EEC & 93/68/EEC)
EC Low Voltage Directive
(73/23/EEC & 93/68/EEC)
EC Directive of Electromagnetic Compatibility
(89/336/EEC & 93/68/EEC)

Applicable Harmonized Standards:
EN 60335-1: 1991
EN 60335-2-67: 1992
EN 60335-2-72: 1995
EN 55022: 1998-09
EN 55011: 1998-05
EN 61000-6-2: 1999
EN 61000-4-2: 1995
EN 61000-4-3: 1997

Authorized Signature

3/20/03
Date

Title of Signature: Vice President, Windsor Industries, Inc.





Manufacturers of Innovative Building Maintenance Equipment

Windsor Industries, Inc.
1351 West Stanford Avenue
Englewood, CO 80110 USA

Phone: 303.762.1800
FAX: 303.762.0817
<http://www.windsorind.com>

EC Declaration of Conformity

We herewith declare, Windsor Industries, Inc.
1351 W. Stanford Ave.
Englewood, CO 80110-5545 USA

that the following product complies with the appropriate essential health and safety requirements of the relevant EC Directives listed below, based on the relevant sections of the applicable EC standards and other normative documents.

Product: Saber Glide 36
Saber Glide 36

Product Identification: Rated 36 VDC 95 A

Trademark:




Model/Type Ref.: SG36
SGE36

Product Description: This product is a battery powered, self-propelled, wet floor scrubber intended for commercial use.

Applicable EC Directives: EC Machinery Directive
(89/392/EEC & 91/368/EEC & 93/44/EEC & 93/68/EEC)
EC Low Voltage Directive
(73/23/EEC & 93/68/EEC)
EC Directive of Electromagnetic Compatibility
(89/336/EEC & 93/68/EEC)

Applicable Harmonized Standards: EN 60335-1: 1991
EN 60335-2-67: 1992
EN 60335-2-72: 1995
EN 55022: 1998-09
EN 55011: 1998-05
EN 61000-6-2: 1999
EN 61000-4-2: 1995
EN 61000-4-3: 1997


Authorized Signature


Date

Title of Signature: Vice President, Windsor Industries, Inc.

QUEST for Continuous Improvement.
Windsor's Quality Management System is Certified ISO 9001.



Manufacturers of Innovative Building Maintenance Equipment

Windsor Industries, Inc.
1351 West Stanford Avenue
Englewood, CO 80110 USA

Phone: 303.762.1800
FAX: 303.762.0817
<http://www.windsorind.com>

EC Declaration of Conformity

We herewith declare, Windsor Industries, Inc.
1351 W. Stanford Ave.
Englewood, CO 80110-5545 USA

that the following product complies with the appropriate essential health and safety requirements of the relevant EC Directives listed below, based on the relevant sections of the applicable EC standards and other normative documents.

Product: Saber Glide 28 Saber Glide 28 Gel
Saber Glide 32 Saber Glide 32 Gel

Product Identification: Rated 36 VDC 80 A

Trademark:



Model/Type Ref.: SG28 SGG28
SG32 SGG32

Product Description: This product is a battery powered, self-propelled, wet floor scrubber intended for commercial use.

Applicable EC Directives: EC Machinery Directive
(89/392/EEC & 91/368/EEC & 93/44/EEC & 93/68/EEC)
EC Low Voltage Directive
(73/23/EEC & 93/68/EEC)
EC Directive of Electromagnetic Compatibility
(89/336/EEC & 93/68/EEC)

Applicable Harmonized Standards: EN 60335-1: 1991
EN 60335-2-67: 1992
EN 60335-2-72: 1995
EN 55022: 1998-09
EN 55011: 1998-05
EN 61000-6-2: 1999
EN 61000-4-2: 1995
EN 61000-4-3: 1997

Authorized Signature

8-19-02
Date

Title of Signature: Vice President, Windsor Industries, Inc.

QUEST ...for Continuous Improvement.
Windsor's Quality Management System is Certified ISO 9001.

SERIAL NUMBERS

REF. NO.	MODEL: SERIAL #
1	SG28, SG32, SG36: 1000167297
2	SG28, SG32, SG36: 1000160306
3	SG28, SG32, SG36: 1000168775
4	SG28, SG32, SG36: 1000167777
5	SG28, SG32, SG36: 1000161812