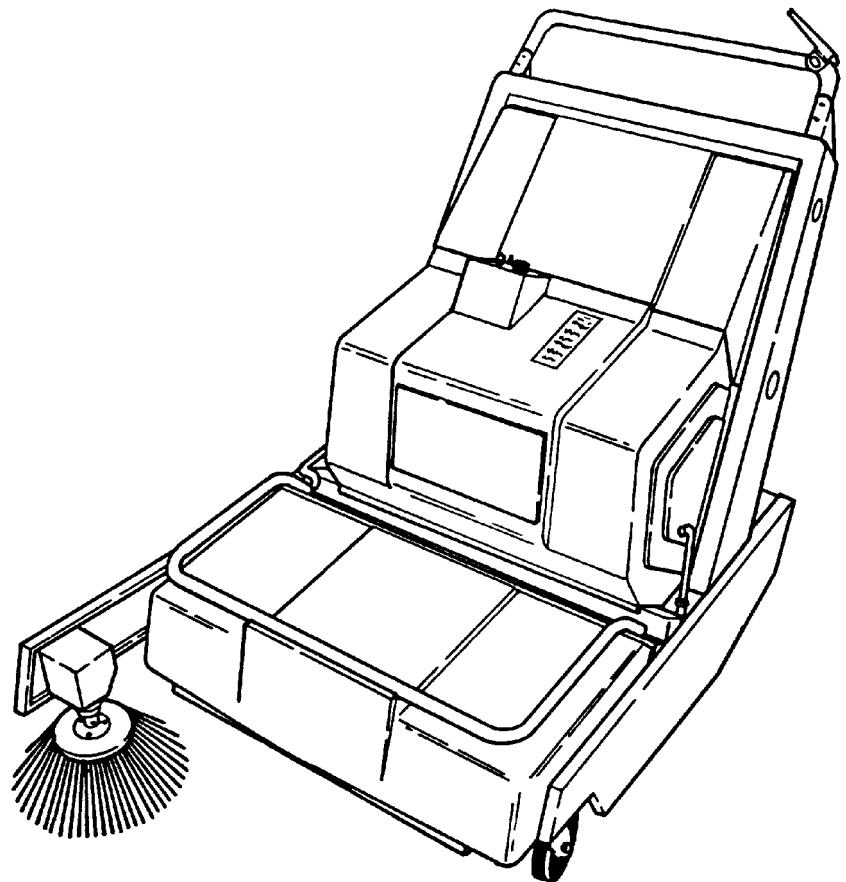




# Scout™ 37B

**Model: 608790**

**Operator and Parts Manual**



**NOBLES**  
12875 RANSOM STREET  
HOLLAND MI 49424

FAX: 1-800-678-4240  
CUSTOMER SERVICE: 1-800-365-6625

**608792**  
**Rev. 03 (03-02)**



## HOW TO USE THIS MANUAL

This section on *HOW TO USE THIS MANUAL* will tell you how to:

- Find important machine information for ordering correct repair parts.
- Find part numbers.
- Order parts and supplies.

### IMPORTANT INFORMATION

When placing an order for parts, the machine model and machine serial number are important. Refer to the *MACHINE DATA* box which is filled out during the installation of your machine. The *MACHINE DATA* box is located on the inside of the front cover of this manual.

**MACHINE DATA**  
*Please fill out at time of installation.*

Machine Serial Number - \_\_\_\_\_

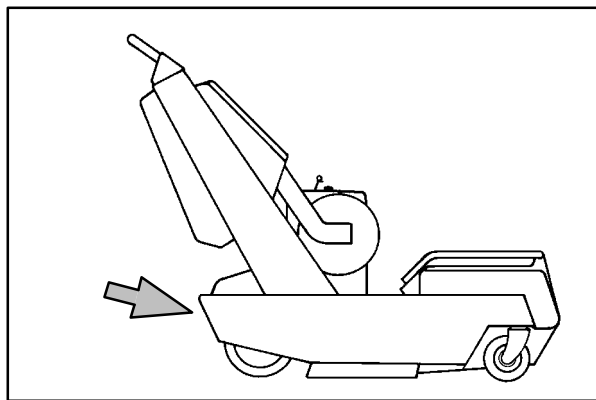
Date Of Installation - \_\_\_\_\_

Manual Number - \_\_\_\_\_

Revision Number: 01

Published: 01-01

The serial number of your machine is printed on the machine data plate located as shown.

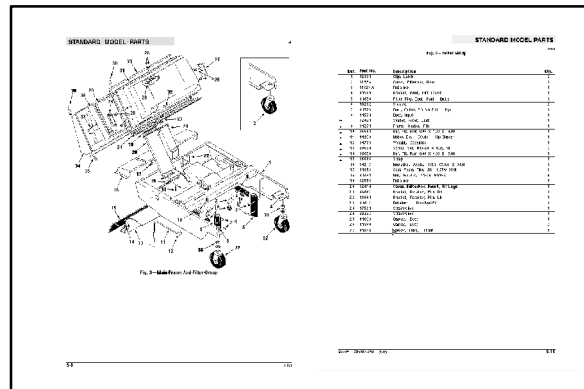


### FINDING A PART NUMBER

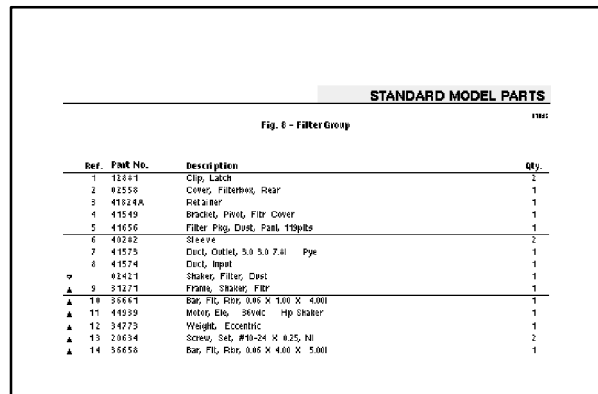
The STANDARD PARTS section lists repair parts for standard machines. They are grouped in this general order:

- How to use this manual.
- General wear parts.
- Machine frame and related parts.
- Machine propelling system.
- Scrubbing components.
- Electrical parts.

All sections in this manual consist of parts illustrations and corresponding parts lists.



The parts illustrations are numbered with **Ref** numbers which refer to corresponding parts lists.



## STANDARD MODEL PARTS

---

The parts lists include a number of columns of information:

- **Ref** - column refers to the reference number on the parts illustration.  
▽ - indicates the part is an assembly.  
▲ - indicates the part is included in the assembly listed just before it.
- **Part No.** - column lists the part number for the part.
- **Description** - column is a brief description of the part.
- **Qty.** - column lists the quantity of that part used in that area of the machine.

*NOTE: If a service kit is installed on your machine, be sure to keep the INSTRUCTION BULLETIN which came with the kit. It contains repair parts numbers needed for ordering future parts.*

*NOTE: Fasteners used in this machine may be metric or non-metric. Take care when replacing hardware to replace with same thread size.*

---

## PLACING AN ORDER

---

Orders may be placed by phone, fax, or by mail. Phone orders may need written confirmation. Follow the steps below to insure prompt delivery:

1. Identify the model number of your machine.
2. Identify the serial number of your machine.
3. Find the part number of the part you need. Do not order by page number or reference number. If you are not able to find the part number, call your Castex/Nobles representative for help or send the old part as a sample.
4. Determine the quantity of the part you need.
5. Provide the following company information:
  - Company name
  - Customer ID Number
  - Shipping address
  - Billing address
  - First and last name of person ordering parts
  - Telephone number
  - Purchase order number
6. Provide definitive shipping instructions.

Any claim for loss or damage to a shipment in transit should be filed promptly with the transportation company making the delivery. Shipments will be complete unless the packing list or order acknowledgement indicates items back ordered.

If parts received are suspected to be incorrect or defective, please contact the Castex/Nobles representative from whom you ordered the part. They will give authorization for return and/or handle replacement shipments when required.

Fig. 1 - Recommended General Maintenance Items

| Ref. | Part No. | Description                           | Qty. |
|------|----------|---------------------------------------|------|
| ▽    | 59455    | Replmt.Parts Pkg                      | 1    |
| ▲    | 41656    | Filter Pkg, Dust, Panl, 119plts       | 1    |
| ▲    | 32862    | Belt, V, [3vx] 28.0l                  | 1    |
| ▲    | 23243    | Belt, V, [3l] 36.0l                   | 1    |
| ▲    | 23279    | Belt, V                               | 1    |
| ▲    | 09944    | Skirt                                 | 2    |
| ▲    | 41563    | Skirt, .06th, 10.00w 30.00l, 06/0.31h | 1    |
| ▲    | 41396    | Skirt                                 | 2    |
| ▲    | 09944    | Skirt                                 | 1    |
| ▲    | 16232    | Skirt                                 | 1    |
| ▲    | 16230    | Skirt                                 | 1    |
| ▲    | 01847    | Wheel, 1.6d 0.72w 0.21b               | 2    |
|      | 41678    | Belt, V, [3l] 80.0l                   | 1    |
| ▲    | 47037    | Adhesive, Contact, [1357 5.0oz]       | 1    |
| ▲    | 02592    | Seal, Rbr, Open, 0.19th, 0.62w 04.6l  | 2    |
| ▲    | 41838    | Gasket, Duct, Output                  | 1    |
| ▲    | 41837    | Hinge, Pyp, .06 2.0 W 03.3l 4/0.34h   | 1    |
| ▲    | 41840    | Gasket, Duct                          | 2    |
| ▲    | 60378    | Seal, Rbr, Open, 0.19th, 0.62w        | 1    |
| ▽    | 03973    | Kit, Maint, Skirt, Gas                | 1    |
| ▲    | 16232    | Skirt                                 | 1    |
| ▲    | 41396    | Skirt                                 | 2    |
| ▲    | 61088    | Washer, 0.19b 1.00d .06, Stl, Pl      | 10   |
| ▲    | 16230    | Skirt                                 | 1    |
| ▲    | 09944    | Skirt                                 | 1    |
| ▲    | 61110    | Nut, U, .25-20                        | 3    |
| ▲    | 09944    | Skirt                                 | 1    |
| ▲    | 41563    | Skirt, .06th, 10.00w 30.00l, 06/0.31h | 1    |

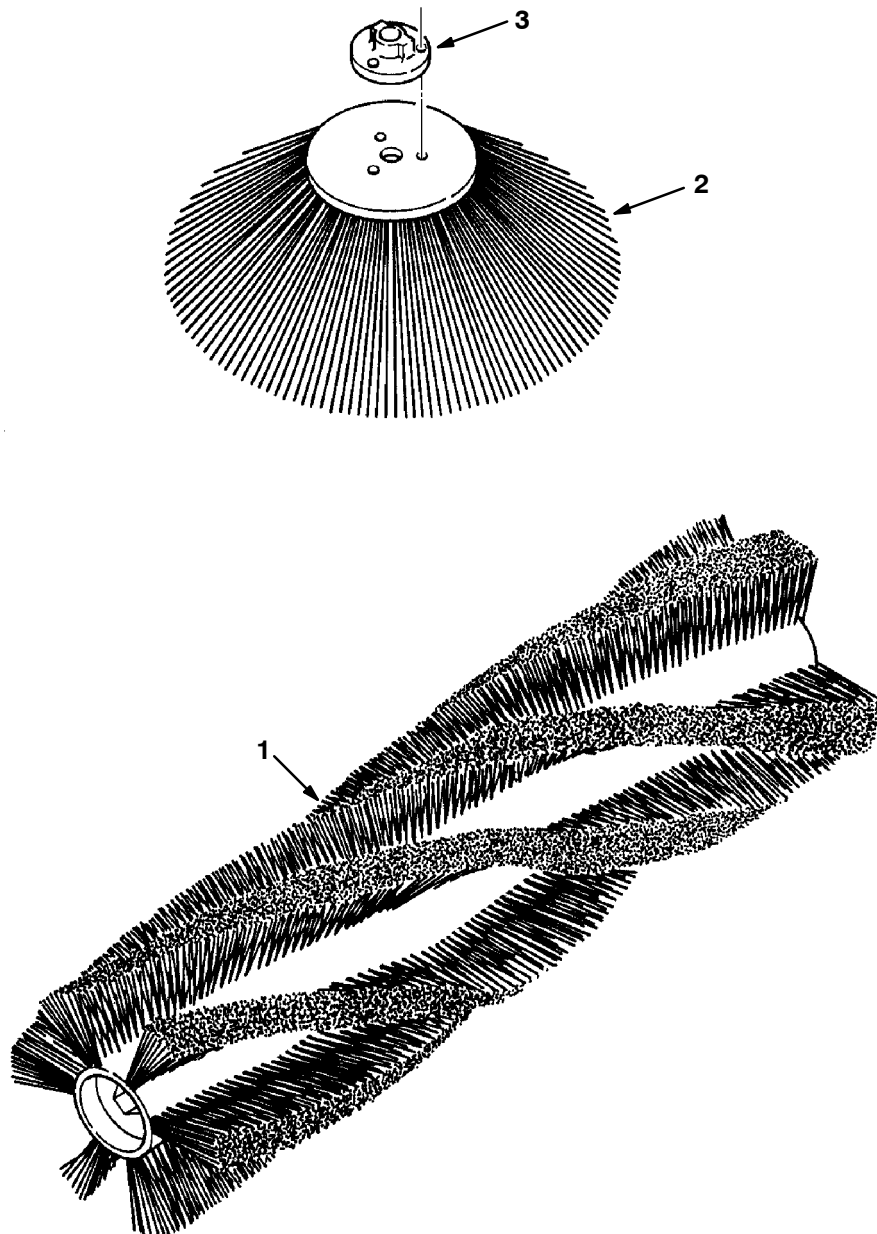


Fig. 2 - Replacement Brushes

Fig. 2 - Replacement Brushes

|   | <b>Ref.</b> | <b>Part No.</b> | <b>Description</b>                 | <b>Qty.</b> |
|---|-------------|-----------------|------------------------------------|-------------|
|   | 1           | 60341           | Brush, Swp, 28l, 6 Dr, Pyp         | 1           |
|   | 1           | 60340           | Brush, Swp, 28l, 12 Sr, Umx Carpet | 1           |
| ▽ | 2           | 41673           | Brush Assy, Disk, Swp, 13.0 D, Pyp | 1           |
| ▲ | 3           | 28013B          | Adaptor, Brush, Side, .628b        | 1           |

# STANDARD MODEL PARTS

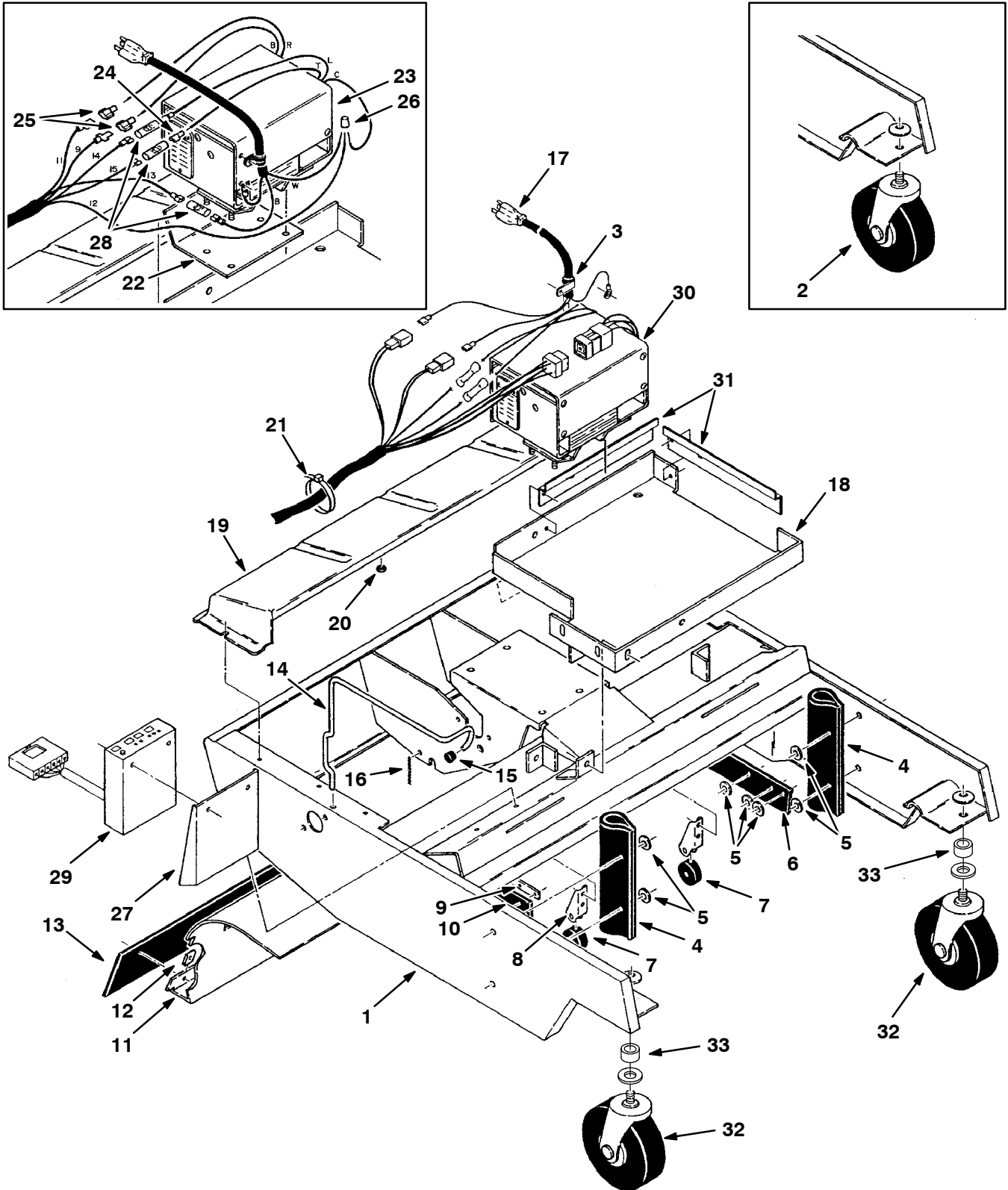
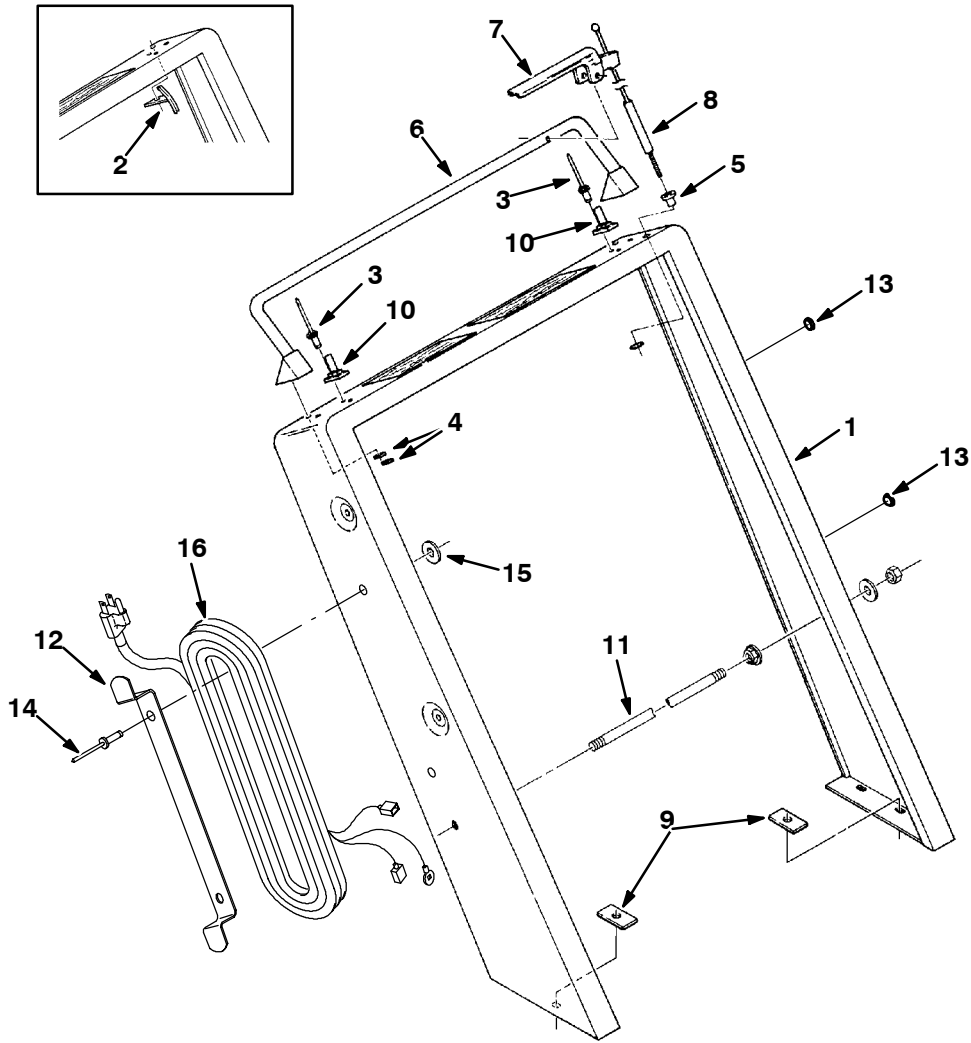


Fig. 3 - Main Frame and Charger Group



Fig. 3 - Main Frame and Charger Group

| Ref. | Part No. | Description                           | Qty. |
|------|----------|---------------------------------------|------|
| 1    | 06234    | Frame Assy, F/[61010b]                | 1    |
| 1    | 04010    | Frame Wldt, Main                      | 1    |
| 2    | 41624    | Caster Rep.By23252                    | 2    |
| 3    | 26395-2  | Clamp, Cable, Stl, 0.38d X 0.38w, 1h  | 1    |
| 4    | 41396    | Skirt                                 | 2    |
| 5    | 61088    | Washer, 0.19b 1.00d .06, Stl, Pl      | 10   |
| 6    | 16230    | Skirt                                 | 1    |
| ▽    | 41608    | Bracket / Wheel Assy                  | 2    |
| ▲    | 7 01847  | Wheel, 1.6d 0.72w 0.21b               | 1    |
| ▲    | 8 41600  | Bracket, Mtg, Caster                  | 1    |
| 9    | 41449    | Strip                                 | 1    |
| 10   | 16232    | Skirt                                 | 1    |
| 11   | 41701    | Panel, Brush                          | 1    |
| 12   | 61110    | Nut, U, .25-20                        | 3    |
| 13   | 09944    | Skirt                                 | 1    |
| 14   | 41670    | Handle                                | 1    |
| 15   | 50609    | Cap, Plug                             | 1    |
| 16   | 28499-2  | Chain, Sash, #35, 05.3l 09 Link       | 1    |
| 17   | 60496    | Cord, Ele, 16-3 18.0inch              | 1    |
| 18   | 04007    | Tray                                  | 1    |
| 19   | 41827    | Cover, Frame, Rear                    | 1    |
| 20   | 64757    | Bumper, Rbr, 0.5d 0.14t Adh           | 1    |
| 21   | 49266    | Tie, Cable, Nyl, 07.3l .19w 1.8 Max D | 4    |
| 22   | 61046    | Bracket, Mounting (Replaced by none)  | 1    |
| 23   | 60493    | Kit, Replmt, Chrgr, F/ 50708          | 1    |
| ▽    | 23 60507 | Kit, Replmt, Chrgr, F/ 50709          | 1    |
| ▲    | 24 43942 | Terminal, Qdc, [.25f, Ins ,14]        | 1    |
|      | 25 50456 | Terminal, Qdc, [.25m, Insf,10]        | 2    |
|      | 26 04756 | Wire                                  | 1    |
|      | 27 60494 | Bracket, Mtg, Cntrl Panl              | 1    |
| 28   | 15006    | Terminal, Qdc, [.25m, Inss, ]         | 3    |
| 29   | 50049    | Controlbox, Charger                   | 1    |
| 30   | 50050    | Charger, 24vdc 015a 60hz 120vac Auto  | 1    |
| 30   | 50116    | Charger, 24vdc 15a 50hz               | 1    |
| 31   | 70004    | Bracket, Spacer, Battery              | 2    |
| 32   | 23155    | Caster, Stem, Swivel, 4.0 D           | 2    |
| 33   | 82229    | Sleeve                                | 2    |



**Fig. 4 - Handle Group**

02632

| Ref. | Part No. | Description                            | Qty. |
|------|----------|--|------|
| 1    | 31914    | Kit, Replmt, Frame, F/ 48625-1         | 1    |
| 1    | 31912    | Kit, Replmt, Frame, F/ 09003           | 1    |
| 1    | 31918    | Handle Assy, W/ Label                  | 1    |
| 2    | 61379    | Kit, Replmt, Cable Guide, Clutch       | 1    |
| 3    | 60428    | Rivet, Blind, .188d X 0.58 X .38d, Stl | 4    |
| 4    | 41665    | Nut, Speed, Retainer, .25-20           | 4    |
| 5    | 61377    | Bushing, Flng, 0.28b 0.50d 0.50l, Pye  | 1    |
| 6    | 41567-1  | Handle Assy, Tube, 1.00d 24.9w         | 1    |
| 7    | 41832    | Handle, Clutch                         | 1    |
| 8    | 41829    | Cable, .13d, 28.5l, .25-20 /.38ball    | 1    |
| 9    | 08868    | Bar, Flt, Stl, 0.12 X 0.9 X 2.0 L      | 2    |
| 10   | 23709    | Catch                                  | 2    |
| 11   | 60426    | Rod                                    | 1    |
| 12   | 41783    | Bracket, Cord                          | 2    |
| 13   | 379000   | Plug Button                            | 2    |
| 14   | 06524    | Rivet, Blind, .196d X 0.62 X .38d, Alm | 2    |
| 15   | 61088    | Washer, 0.19b 1.00d .06, Stl, PI       | 2    |
| 16   | 60565    | Cord, Ele, 16-3 127.0 Inch             | 2    |

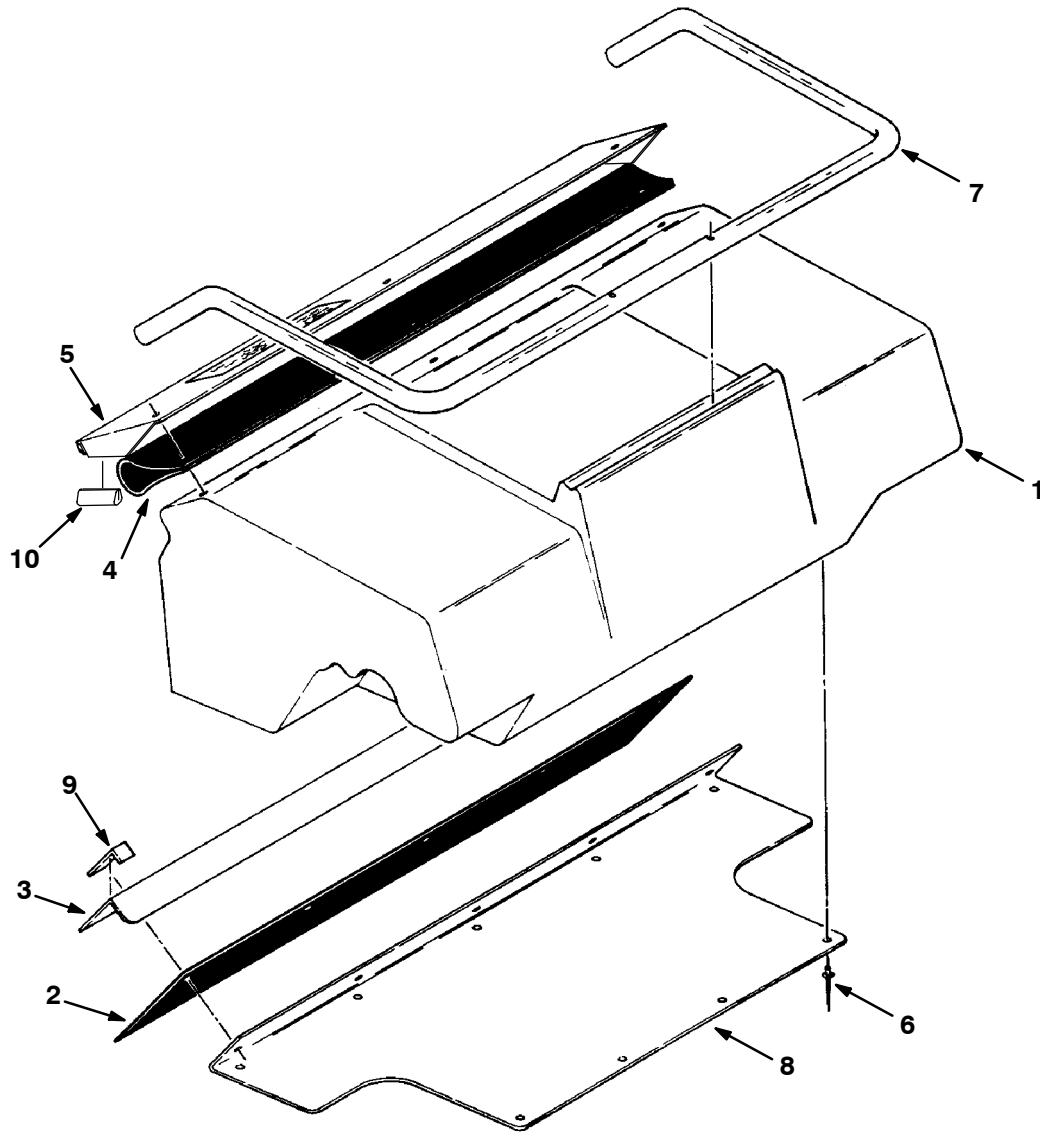


Fig. 5 - Hopper Assembly

| Ref. | Part No.  | Description                            | Qty. |
|------|-----------|--|------|
| ▽    | 1 41870   | Hopper Assy                            | 1    |
| ▲    | 2 09944   | Skirt                                  | 1    |
| ▲    | 3 41447   | Retainer, Skirt, Hppr, Rear,           | 1    |
| ▲    | 4 41563   | Skirt, .06th, 10.00w 30.00l, 06/0.31h  | 1    |
| ▲    | 5 41568   | Retainer, Seal, W/ Label, Rear         | 1    |
| ▲    | 6 06524   | Rivet, Blind, .196d X 0.62 X .38d, Alm | 9    |
| ▲    | 7 41513   | Handle, Hppr                           | 1    |
| ▲    | 8 41448   | Shield, Hppr                           | 1    |
| ▲    | 9 02592   | Seal, Rbr, Open, 0.19th, 0.62w 04.6l   | 2    |
| ▲    | 10 398207 | Molding, Trim, Rubber, .06 1.4l        | 2    |

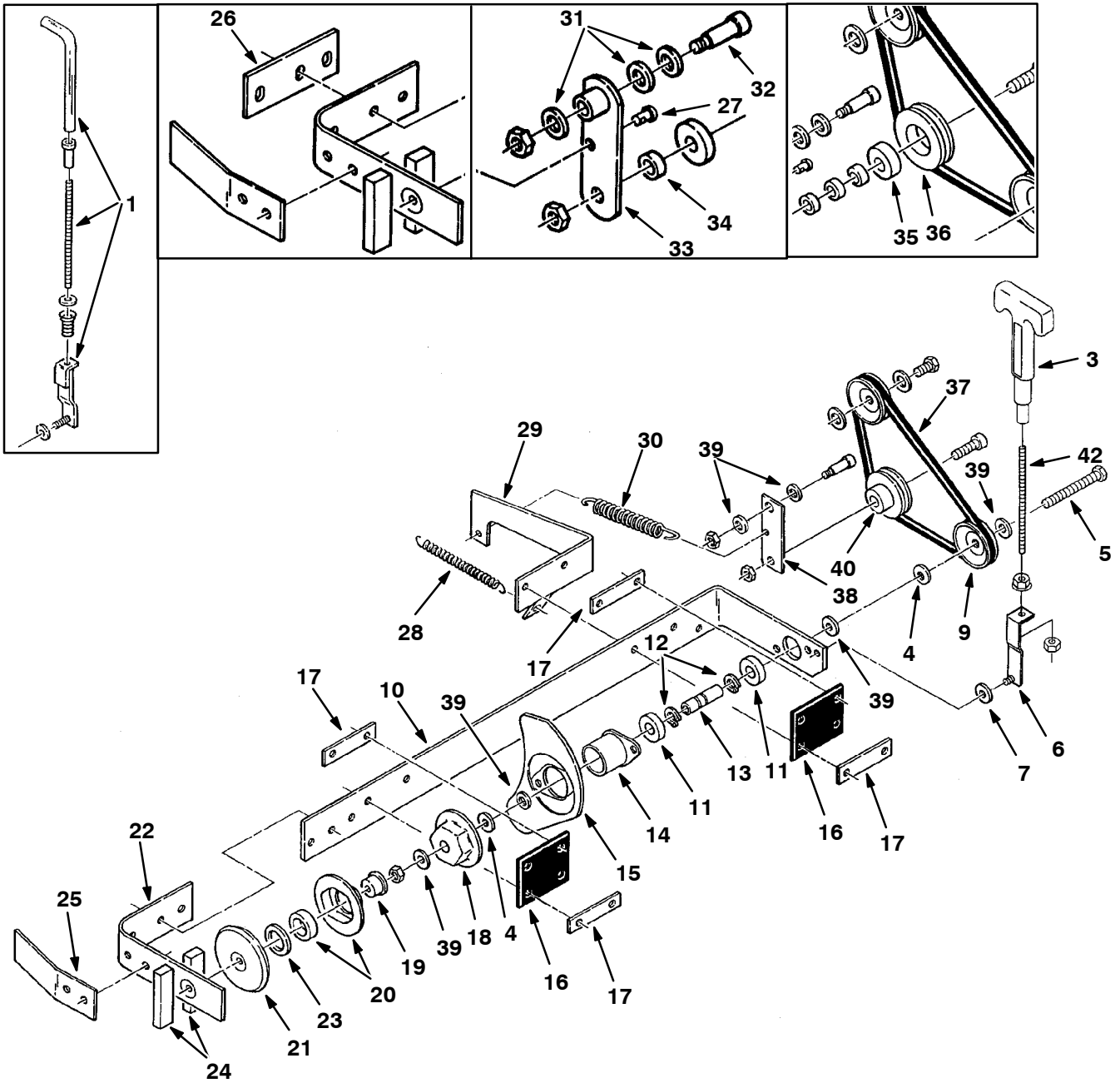


Fig. 6 - Brush Drive Group

Fig. 6 - Brush Drive Group

| Ref. | Part No. | Description                          | Qty. |
|------|----------|--------------------------------------|------|
| 1    | 25147    | Kit, Replmt, Handle / Bracket        | 1    |
| 2    | 41743    | Bushing, Flng, 0.30b 0.52d . L, Nyl  | 1    |
| 3    | 25950    | Handle, Lift, Brush                  | 1    |
| 4    | 41142    | Washer, Lock, Int-Ext, .38           | 1    |
| 5    | 21198    | Screw, Hex, .38-16 X 1.25, 5         | 1    |
| 6    | 25148    | Bracket Wldt, Brush Lift             | 1    |
| 7    | 24924    | Washer, 0.28b 0.62d .06, Nyl         | 1    |
| 8    | 32553    | Spring, Cmpr, 0.72od .55wir 3.0l     | 1    |
| 9    | 32562    | Sheave, [3v], 1grv, 03.5pd 0.38b     | 1    |
| 10   | 16237    | Arm, Brush, Main, Drive              | 1    |
| ▽    | 41648    | Shaft                                | 1    |
| ▲    | 11 41360 | Bearing, Ball, 0.59b 1.26d 0.35w     | 2    |
| ▲    | 12 01516 | Ring, Retaining, Ext, 0.59d, Basic   | 2    |
| ▲    | 13 47751 | Shaft                                | 1    |
| ▲    | 14 41362 | Bushing Assy, Flng, 2 Hole, 1.25b    | 1    |
|      | 15 41363 | Cover, Flng, Drive, Gray             | 1    |
|      | 16 41837 | Hinge, Pyp, .06 2.0 W 03.3l 4/0.34h  | 2    |
|      | 17 41411 | Strip, Stl, 0.07th X 00.90w, 03.30l  | 4    |
|      | 18 41357 | Cup, Drive, Brush Tube-Grey          | 1    |
| ▽    | 41518    | Arm Assy, Brush, Main                | 1    |
| ▲    | 19 41385 | Bar, Hex, Stl, Mach, Sleeve, Idler   | 1    |
| ▲    | 20 41649 | Cup & Bearing Assy -Brush            | 1    |
| ▲    | 21 41386 | Guard, Cup, Gray                     | 1    |
| ▲    | 22 41509 | Arm, Brush, Main, Rh                 | 1    |
| ▲    | 23 09006 | Washer                               | 1    |
|      | 24 41637 | Seal, Foam, Rbr, .50 0.75w 03.0l     | 2    |
|      | 25 41669 | Plate                                | 1    |
|      | 26 41864 | Plate Rep.Bynone                     | 1    |
|      | 27 39019 | Pin, Clevis, 0.37 D X 0.75l          | 1    |
|      | 28 29260 | Spring, Extn, 0.75od X 0.06wir, 5.3l | 1    |
|      | 29 41741 | Bracket, Mtg, Spring                 | 1    |
|      | 30 29499 | Spring, Extn, 0.75od X 0.11wir, 4.5l | 1    |
|      | 31 41818 | Washer, 0.38b 0.56d .03, Stl         | 3    |
|      | 32 56060 | Bolt, Shld, .38d X 1.00, .31-18      | 1    |
|      | 33 09971 | Kit, Replmt, Idler Arm, F/ 41817     | 1    |
|      | 34 49566 | Sleeve                               | 1    |
|      | 35 01845 | Bearing, Ball, 0.39b 1.18d 0.35w     | 1    |
|      | 36 50038 | Kit, Replmt, Idler, F/ [41819&47]    | 1    |
|      | 37 32862 | Belt, V, [3vx] 28.0l                 | 1    |
|      | 38 09945 | Idler Arm                            | 1    |
|      | 39 32491 | Washer, Flt, .31 Std                 | 6    |
|      | 40 02355 | Sheave, [3v], 1grv, 03.0pd 0.38brg   | 1    |
|      | 41 24227 | Washer, Flat                         | 1    |
|      | 42 31906 | Rod, Thrd, Full, .31-18 05.7l        | 1    |

# STANDARD MODEL PARTS

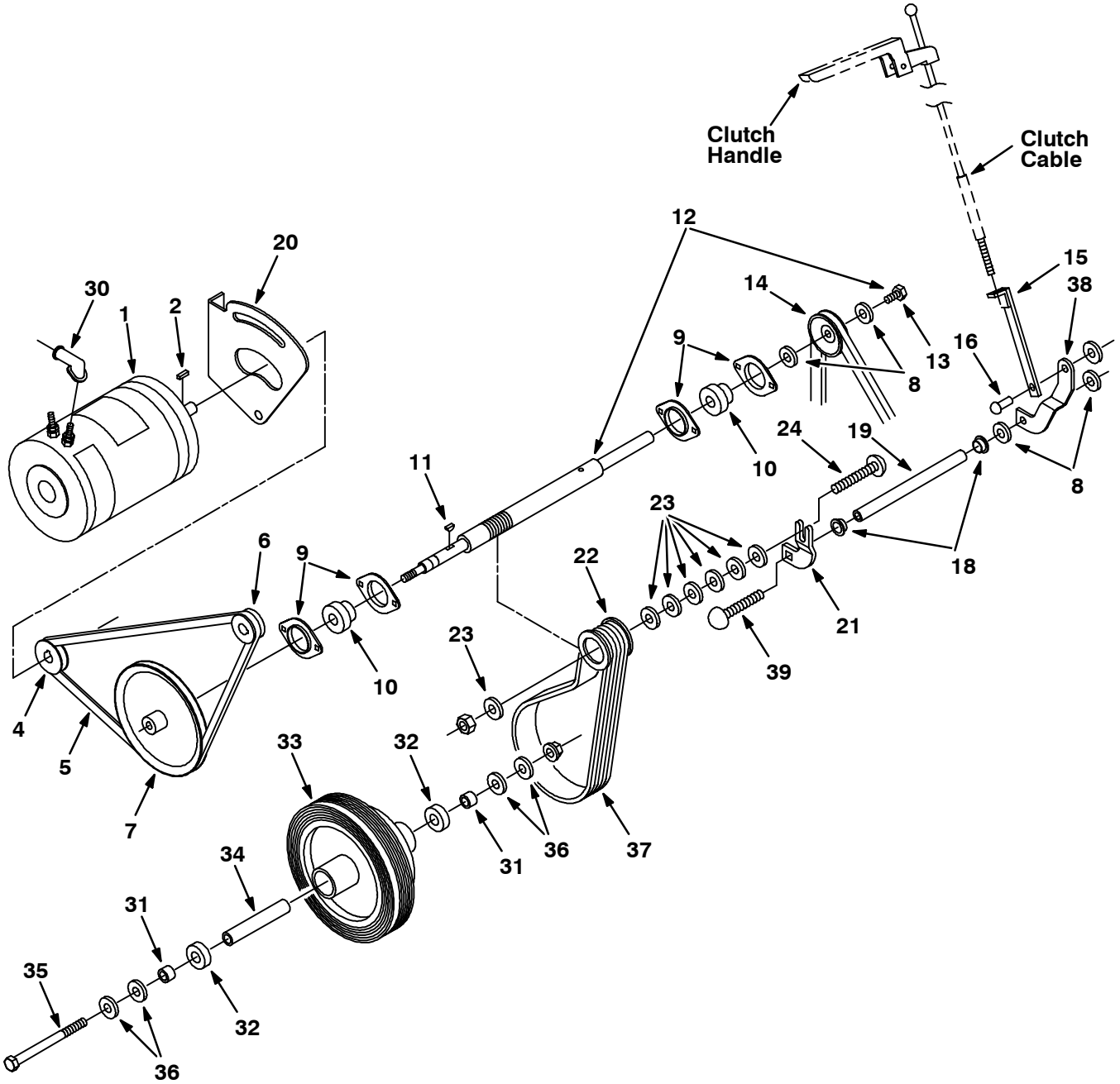
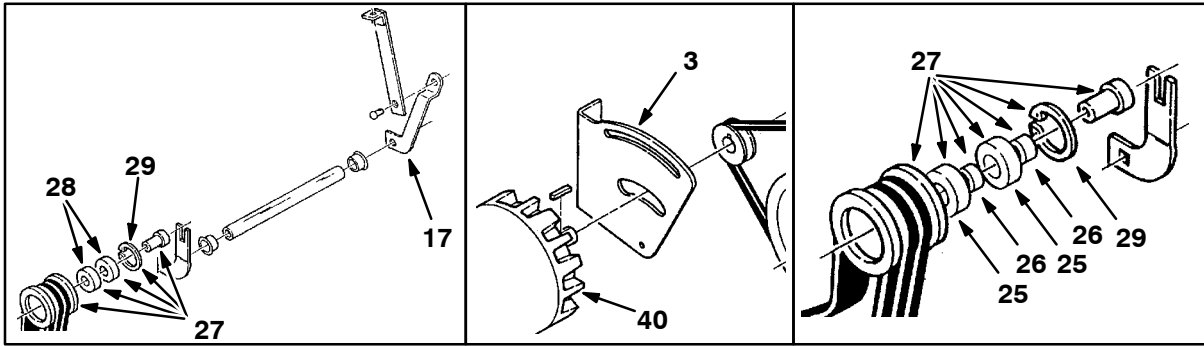


Fig. 7 - Motor and Wheel Drive Group

Fig. 7 - Motor and Wheel Drive Group

|   | Ref. | Part No. | Description                                | Qty. |
|---|------|----------|--|------|
| ▽ | 1    | 50091    | Kit, Replmt, Motor, F/ 61035 & 600 079 000 | 1    |
| ▲ |      | 37490    | Brush, Motor, Set                          | 1    |
| ▽ | 1    | 50066    | Motor, Ele, .8hp [Ohio, Elec. Motor]       | 1    |
| ▲ |      | 50122    | Brush, Motor, Set                          | 1    |
| ▲ |      | 50125    | Brush Holder, With Brushes                 | 1    |
| ▲ |      | 86041    | Bearing, Ball, 0.67b 1.57d 0.47w           | 1    |
| ▲ |      | 46390    | Bearing, Ball, 0.79b 1.85d 0.55w           | 1    |
| ▲ | 2    | 00911    | Key, Sq, 0.19 X 0.19, 00.75l               | 1    |
|   | 3    | 41844    | Bracket, Mtg, Motor, [Prestolite]          | 1    |
|   | 4    | 28760    | Sheave, [3l], 1grv, 01.8pd 0.62b           | 1    |
|   | 5    | 23243    | Belt, V, [3l] 36.0l                        | 1    |
|   | 6    | 16925    | Sheave, [3l], 1grv, 01.6pd 0.62b           | 1    |
|   | 7    | 41863    | Sheave, [3l], 1grv, 06.4pd 0.38b           | 1    |
|   | 8    | 41187    | Washer, Belleville, .38                    | 4    |
|   | 9    | 48636    | Flange, Brg, 1.5id 2h                      | 4    |
|   | 10   | 48635    | Bearing, W/ Collar, 0.63b 1.57d 1.12w      | 2    |
|   | 11   | 00500-1  | Key, Woodruff, 0.09 0.50, [Asa#0304]       | 1    |
| ▽ | 12   | 04594    | Kit, Replmt, Shaft, F/39571                | 1    |
| ▲ | 13   | 06460    | Screw, Hex, .38-16 X 1.00, Lh              | 1    |
|   | 14   | 32563    | Sheave, [3v], 1grv, 02.2pd 0.38b           | 1    |
|   | 15   | 41828-1  | Bracket Wldt, Clutch, Propel               | 1    |
|   | 16   | 04733-2  | Pin, Clevis, 0.37 D X 0.62l                | 1    |
|   | 17   | 31905    | Kit, Replmt, Arm, Clutch, F/ 41611         | 1    |
|   | 18   | 41434    | Bushing, Flng, 0.62b 0.68d 0.00l, Nyl      | 2    |
|   | 19   | 41571    | Shaft, Cntrl, Clutch                       | 1    |
|   | 20   | 50090    | Bracket Wldt, Motor, [Ohio]                | 1    |
| ▽ |      | 31233    | Arm Assy, Clutch, Propel                   | 1    |
| ▲ | 21   | 41521    | Arm, Idler, Clutch, Propel, Rh             | 1    |
| ▲ | 22   | 01199    | Sheave, Flat, 1.8d 1.38w 0.67b             | 1    |
| ▲ | 23   | 32491    | Washer, Flt, .31 Std                       | 7    |
| ▲ | 24   | 378964   | Bolt, Carriage, .38-16 X 2.00              | 1    |
|   | 25   | 28010    | Bearing, Ball, 0.62b 1.38d 0.43w           | 2    |
|   | 26   | 29091    | Sleeve                                     | 2    |
|   | 27   | 61487    | Kit, Replmt, Idler, F/31230/1/2            | 1    |
|   | 28   | 50040    | Kit, Replmt, Bearing, F/41646              | 2    |
|   | 29   | 01513    | Ring, Retaining, Int, 1.38d, Basic         | 1    |
|   | 30   | 02076    | Boot, 90deg .50d .57d X .84                | 1    |
| ▽ |      | 41871    | Tire Assy, Solid, 08.0x2.0 , W/ Brg        | 1    |
| ▲ | 31   | 29091    | Sleeve                                     | 2    |
| ▲ | 32   | 28010    | Bearing, Ball, 0.62b 1.38d 0.43w           | 2    |
| ▲ | 33   | 50111    | Tire Assy, Solid, 08.0x2.0 1.37b           | 1    |
| ▲ | 34   | 41504    | Tube, Steel                                | 1    |
| ▲ | 35   | 45872    | Screw, Hex, .50-13 X 6.50, 2, Unpl         | 1    |
| ▲ | 36   | 32486    | Washer, Flt, .50 Sae                       | 4    |
|   | 37   | 23279    | Belt, V                                    | 1    |
|   | 38   | 25997    | Arm, Clutch, Propel, Lh                    | 1    |
|   | 39   | 10819    | Bolt, Carriage, .38-16 X 1.00              | 1    |
|   | 40   | See Note | Motor, Ele                                 | 1    |

**Note:** Old style motor is no longer available. Order 50091 for motor and bracket replacement. Order 41844 for only bracket replacement.

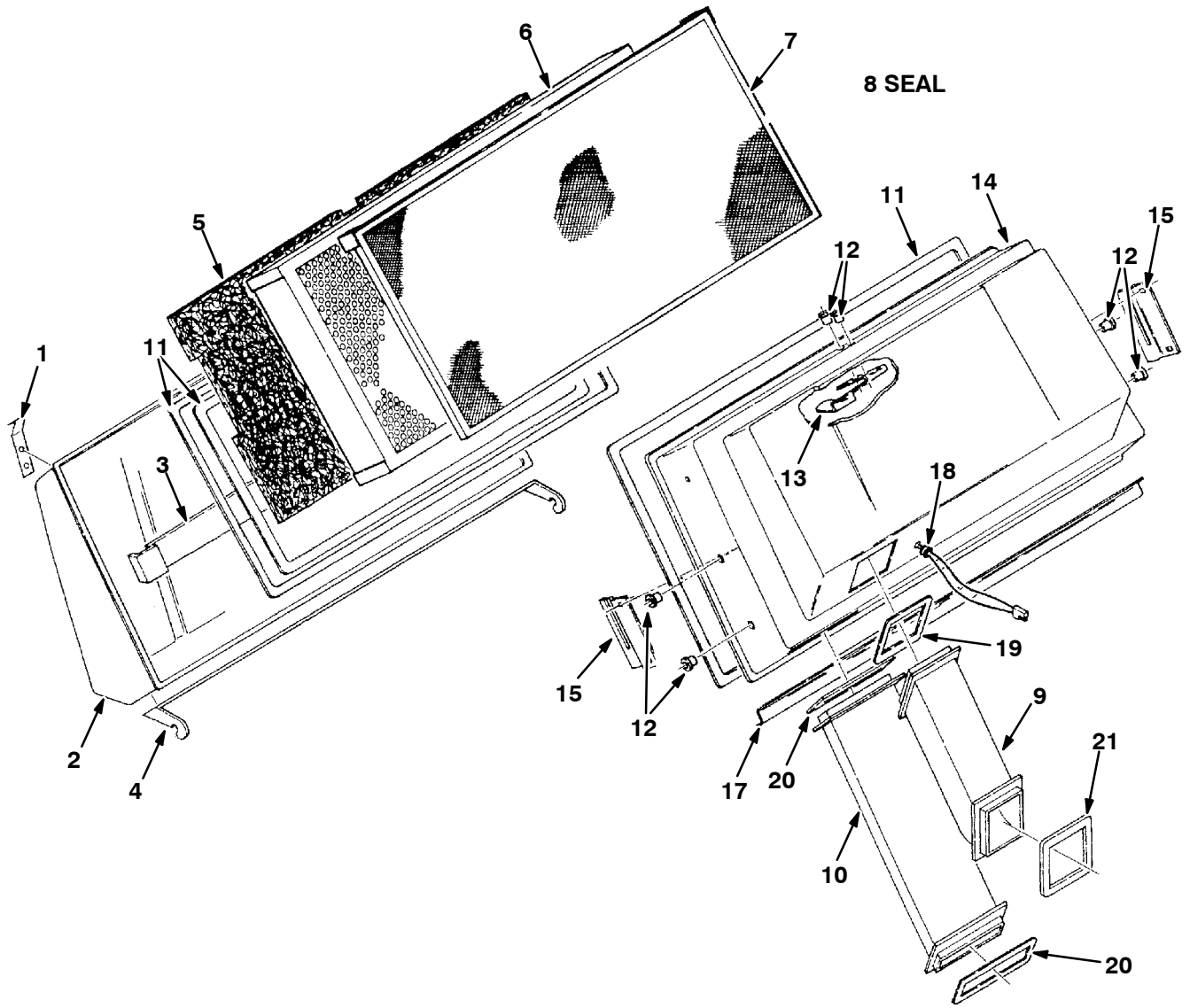


Fig. 8 - Filter Group



Fig. 8 - Filter Group

| Ref. | Part No. | Description                      | Qty. |
|------|----------|----------------------------------|------|
| 1    | 12881    | Clip, Latch                      | 2    |
| 2    | 02558    | Cover, Filterbox, Rear           | 1    |
| 3    | 41824A   | Retainer                         | 1    |
| 4    | 41549    | Bracket, Pivot, Fltr Cover       | 1    |
| 5    | 65358    | Screen, Filter                   | 1    |
| 6    | 60368    | Filter, Pkg, Dust, Panl, 119plts | 1    |
| 7    | 32557    | Filter, Pkg, Dust, Panl, Fine    | 1    |
| 8    | 60378    | Seal (Not Shown)                 | 1    |
| 9    | 41573    | Duct, Outlet, 3.0 3.0 7.8l Pye   | 1    |
| 10   | 41574    | Duct, Input                      | 1    |
| 11   | 41858    | Seal, Foam, Rbr, .38 0.75w 94.0l | 3    |
| 12   | 41845    | Nut, Isolator, .25-20 #1/4-S     | 6    |
| 13   | 32556    | Retainer                         | 1    |
| 14   | 02414    | Cover, Filterbox, Front          | 1    |
| 15   | 48662    | Bracket, Retainer, Fltr, Rh      | 1    |
| 16   | 48661    | Bracket, Retainer, Fltr, Lh      | 1    |
| 17   | 41612    | Retainer Rep.By61381             | 1    |
| 18   | 29232    | Strainrelief                     | 1    |
| 19   | 41839    | Gasket, Duct                     | 1    |
| 20   | 41840    | Gasket, Duct                     | 2    |
| 21   | 41838    | Gasket, Duct, Output             | 1    |

# STANDARD MODEL PARTS

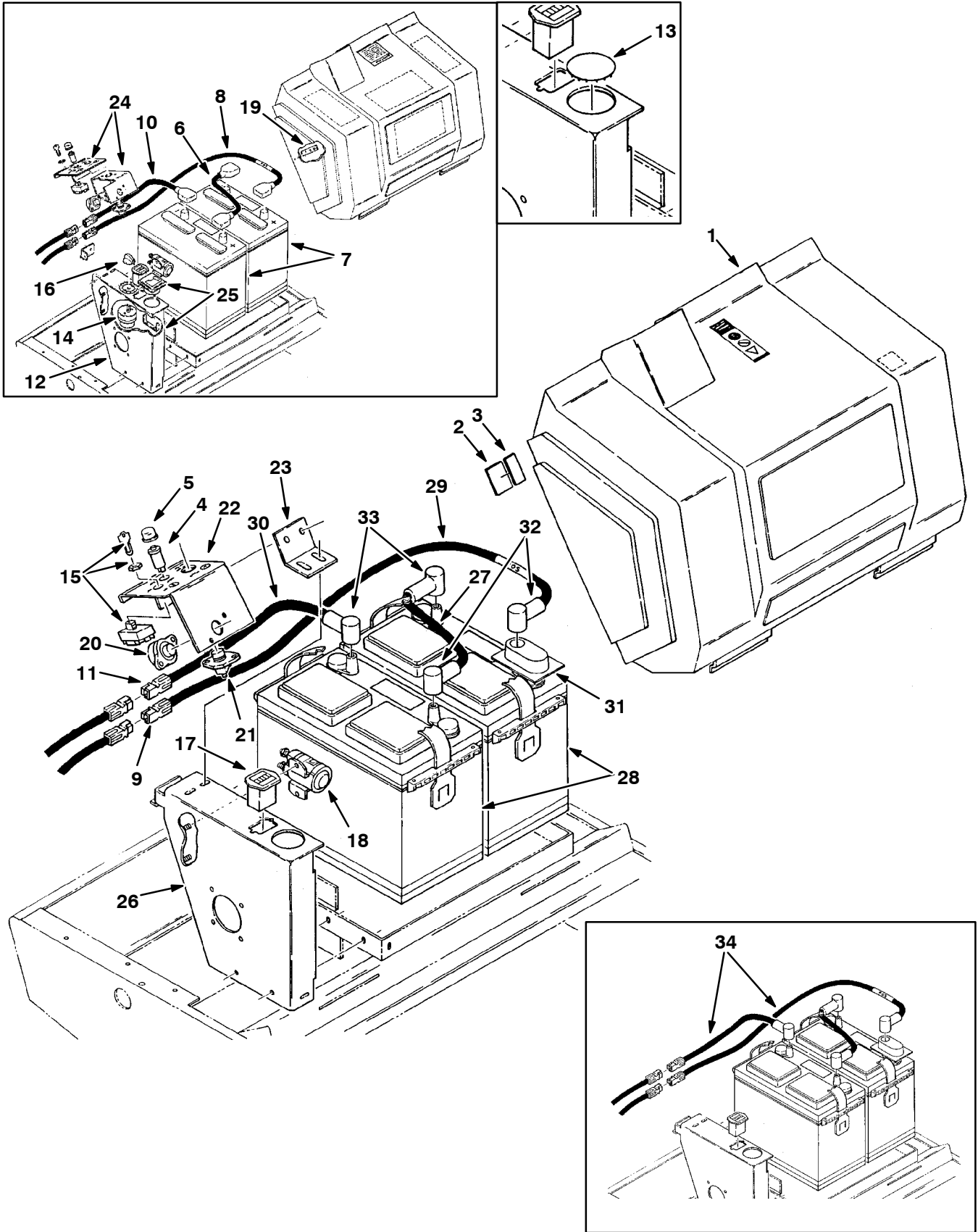
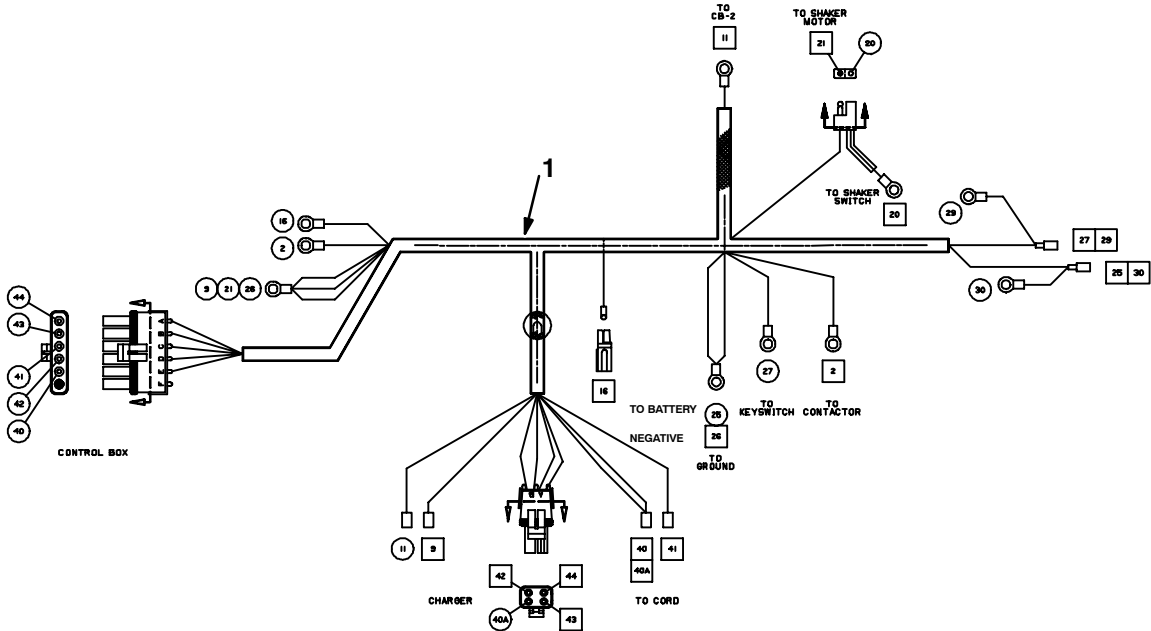


Fig. 9 - Battery Group

Fig. 9 - Battery Group

|   | Ref. | Part No. | Description                              | Qty. |
|---|------|----------|--|------|
| ▽ | 1    | 02422    | Shroud                                   | 1    |
| ▲ | 2    | 08896    | Fastener, Velcro 1.0w Hook               | 2    |
| ▲ | 3    | 25953    | Fastener, Velcro, .5x1 White B           | 2    |
|   | 4    | 57803    | Circuitbreaker, 15.0a, Resetable         | 1    |
|   | 5    | 57751    | Boot, Circuitbreaker                     | 1    |
|   | 6    | 50480    | Cable, Battery, Blk 4ga 13.5l Pos/Neg    | 1    |
|   | 7    | 61384    | Kit, Replmt, Battery,Wet F/10146         | 2    |
| ▽ | 8    | 41882    | Cable Assy, Battery, 6ga 18l [Anderson]  | 1    |
| ▲ | 9    | 12827    | Connector                                | 1    |
| ▽ | 10   | 41883    | Cable Assy, Battery, 6ga 14l, [Anderson] | 1    |
| ▲ | 11   | 12828    | Connector                                | 1    |
|   | 12   | 60593    | Panel, Fan, Spprt, Rework, [60495]       | 1    |
|   | 13   | 82747    | Button, Plug, 2.09h .05-.06 [Black Stl]  | 1    |
|   | 14   | 61104    | Switch Rep.By70089                       | 1    |
| ▽ | 15   | 31203    | Switch                                   | 1    |
| ▲ |      | 31204    | Key, Ignition, [Set Of 2], F/11651       | 1    |
|   | 16   | 61106    | Knob Rep.Bynone                          | 1    |
|   | 17   | 31988    | Gauge, Hourmeter, Electronic             | 1    |
|   | 18   | 02424    | Contacto, 24vdc                          | 1    |
|   | 19   | 60463    | Parts Unique, Hd Bmpr, Lpg, MI-D         | 2    |
|   | 20   | 375119   | Circuitbreaker, 50.0 Amp, Resetable      | 1    |
|   | 21   | 44078    | Switch                                   | 1    |
|   | 22   | 25116    | Bracket, Mtg, Switch                     | 1    |
|   | 23   | 25115    | Angle, Sppt, Switch Bracket              | 1    |
|   | 24   | 25118    | Kit, Replmt, Bracket                     | 1    |
|   | 25   | 29688    | Gauge, Ammeter, Chrgr, 24vdc             | 1    |
|   | 26   | 60495    | Support Wldt, Fan                        | 1    |
|   | 27   | 61361    | Wire, 06ga 13.5l Blk .38ring /.31ring    | 1    |
|   | 28   | 61355    | Battery, 12vdc, Wet                      | 2    |
|   | 28   | 61356    | Battery, 12vdc, Mdry                     | 2    |
|   | 29   | 61359    | Wire, 06ga 18.5l Red .38ring /Anderson   | 1    |
|   | 30   | 61360    | Wire, 06ga 14.5l Blk .31ring /Anderson   | 1    |
|   | 31   | 45962    | Cover, Terminal, Battery, Pye            | 4    |
|   | 32   | 61364    | Boot, 90deg .62d .44d Red                | 2    |
|   | 33   | 61365    | Boot, 90deg .62d .44d Black              | 2    |
|   | 34   | 23287    | Kit, Replmt, Battery Harness             | 1    |



**Fig. 10 - Wire Harnesses Group**

02640

| Ref. | Part No. | Description   | Qty. |
|------|----------|---------------|------|
| 1    | 60487    | Harness, Main | 1    |

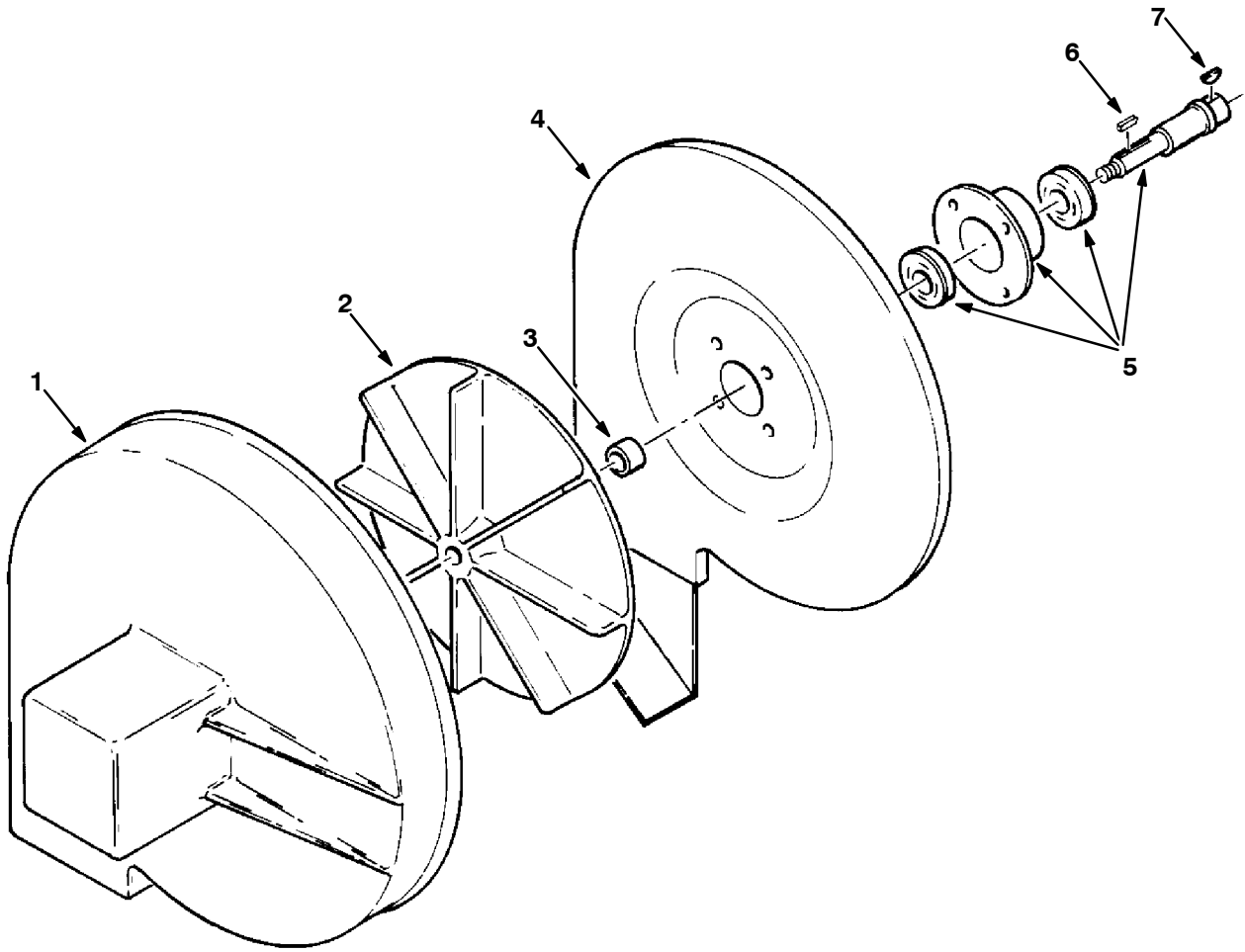
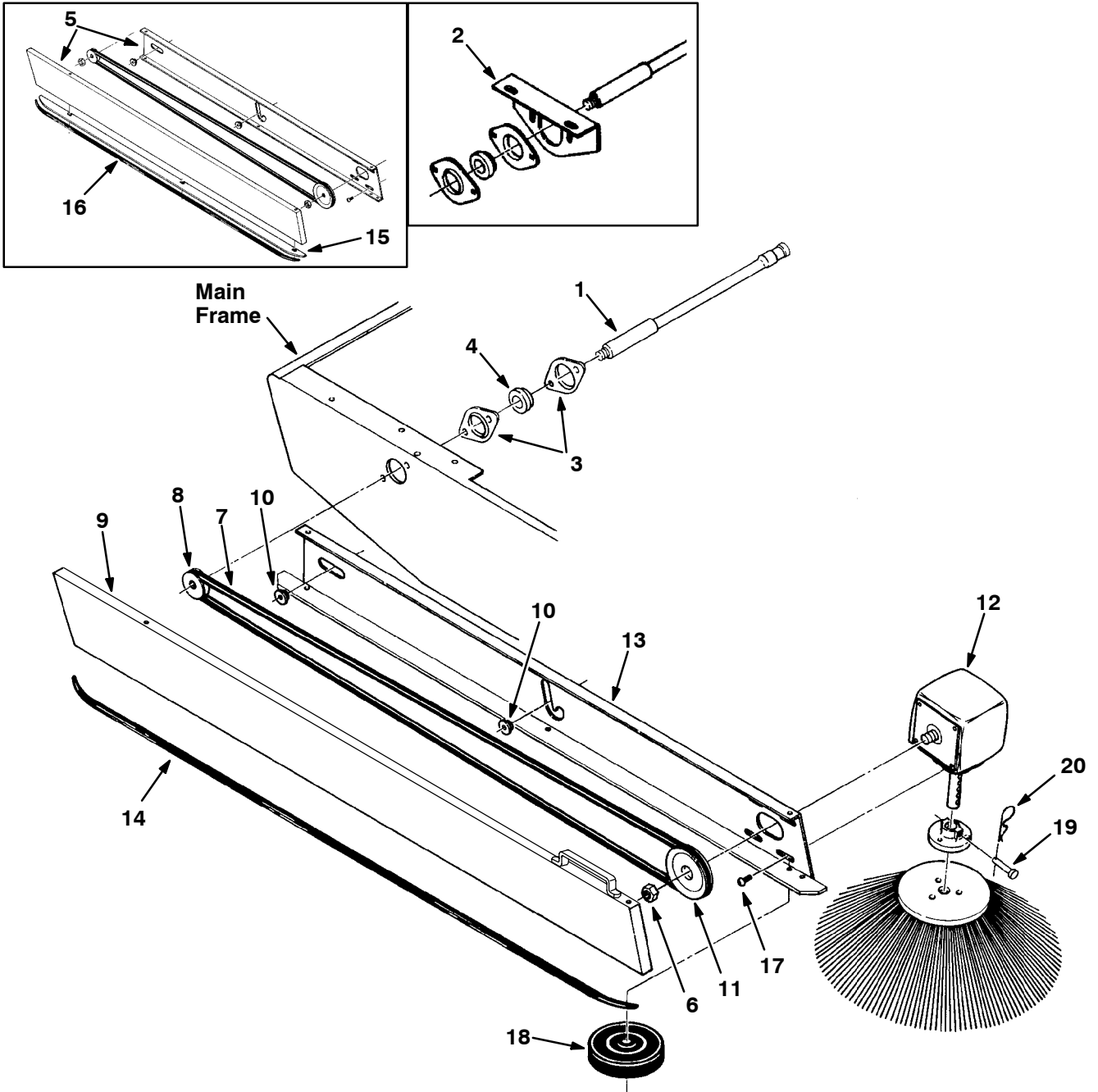


Fig. 11 - Vacuum Fan Group

01048

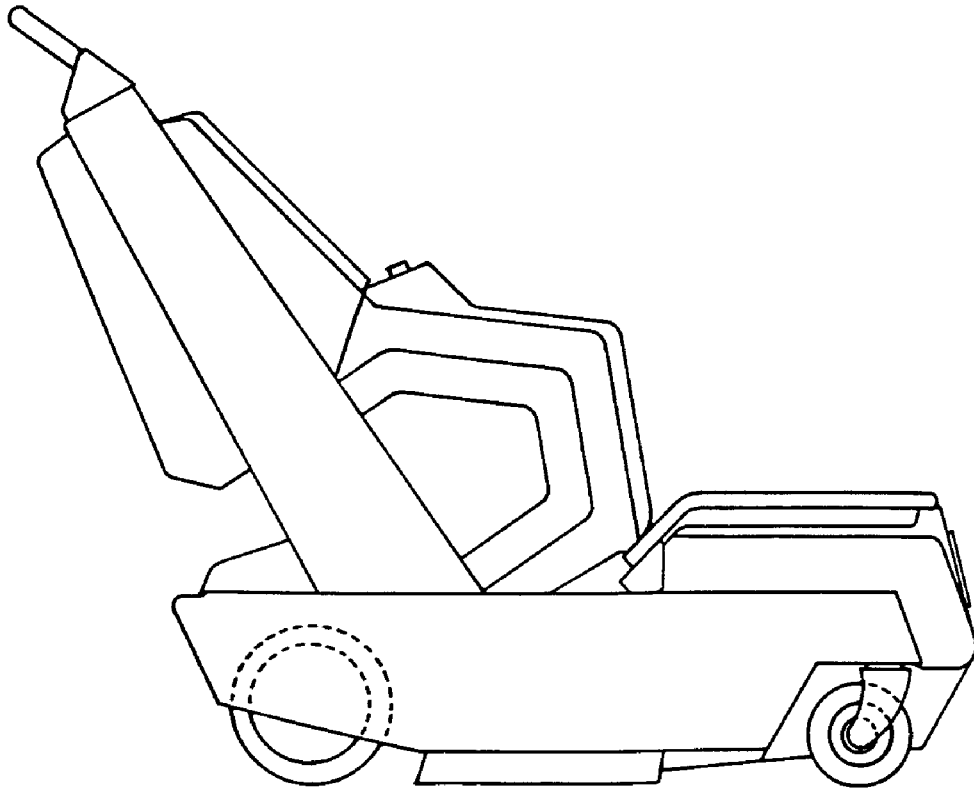
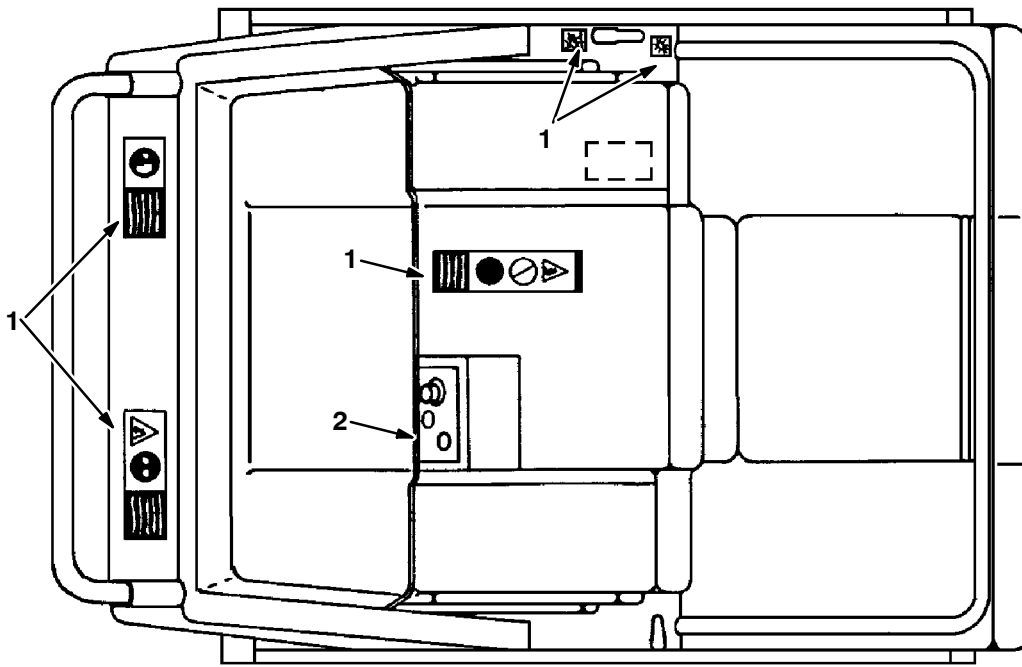
| Ref. | Part No. | Description                           | Qty. |
|------|----------|---------------------------------------|------|
| 1    | 41351    | Housing, Vacfan, Rear, 9.0d, Impeller | 1    |
| 2    | 08143    | Impeller, 9.00d X 0.376b              | 1    |
| 3    | 10362    | Spacer                                | 1    |
| 4    | 41582    | Panel Wldt, Backing, Vacfan           | 1    |
| 5    | 16934    | Shaft                                 | 1    |
| 6    | 00960    | Key, Sq, 0.12 X 0.12, 00.50l          | 1    |
| 7    | 00500-4  | Key, Woodruff, 0.12 0.50, [Asa#0404]  | 1    |



**Fig. 12 - Side Brush Group**

Fig. 12 - Side Brush Group

| Ref. | Part No. | Description                           | Qty. |
|------|----------|---------------------------------------|------|
| 1    | 48451    | Shaft, Drive, Brush, Side             | 1    |
| 2    | 48423    | Plate, Mtg, Bracket                   | 1    |
| 3    | 48636    | Flange, Brg, 1.5id 2h                 | 2    |
| 4    | 48635    | Bearing, W/ Collar, 0.63b 1.57d 1.12w | 1    |
| 5    | 07894    | Arm, Brush, Side                      | 1    |
| 6    | 39562    | Nut, Hex, Jam, .38-16, Lh             | 1    |
| 7    | 41678    | Belt, V, [3l] 80.0l                   | 1    |
| 8    | 48452    | Sheave, [3l], 1grv, 01.4pd .38-16     | 1    |
| 9    | 07890    | Cover Wldt, Brush Arm                 | 1    |
| 10   | 01047    | Retainer                              | 2    |
| 11   | 07872    | Sheave, [3l], 1grv, 02.9pd .38-16     | 1    |
| 12   | 41731    | Gearbox, 90, :1ratio, Brush, Side     | 1    |
| 13   | 07891    | Arm, Brush, Side                      | 1    |
| 14   | 07887    | Molding, Trim, .08-.11 39.20          | 1    |
| 15   | 41927    | Bumper, Side Brush                    | 1    |
| 16   | 62595-14 | Molding, Trim, .08-.11 44.00          | 1    |
| 17   | 41708    | Screw, Btn, .25-20 X 0.62, NI         | 4    |
| 18   | 04188    | Wheel Assy, 4.0d 0.81w                | 1    |
| 19   | 15173    | Pin, Clevis, 0.25 D X 1.25l           | 1    |
| 20   | 08085    | Pin, Hair Cotter, 0.31 D .058 Wir     | 1    |



**Fig. 13 - Label Kit**

04655

| Ref. | Part No. | Description                  | Qty. |
|------|----------|------------------------------|------|
| ▽    | 1 02575  | Kit, Replmt, Label, Complt   | 1    |
| ▲    | 2 25117  | Label, Opertnl, Instmt Panel | 1    |