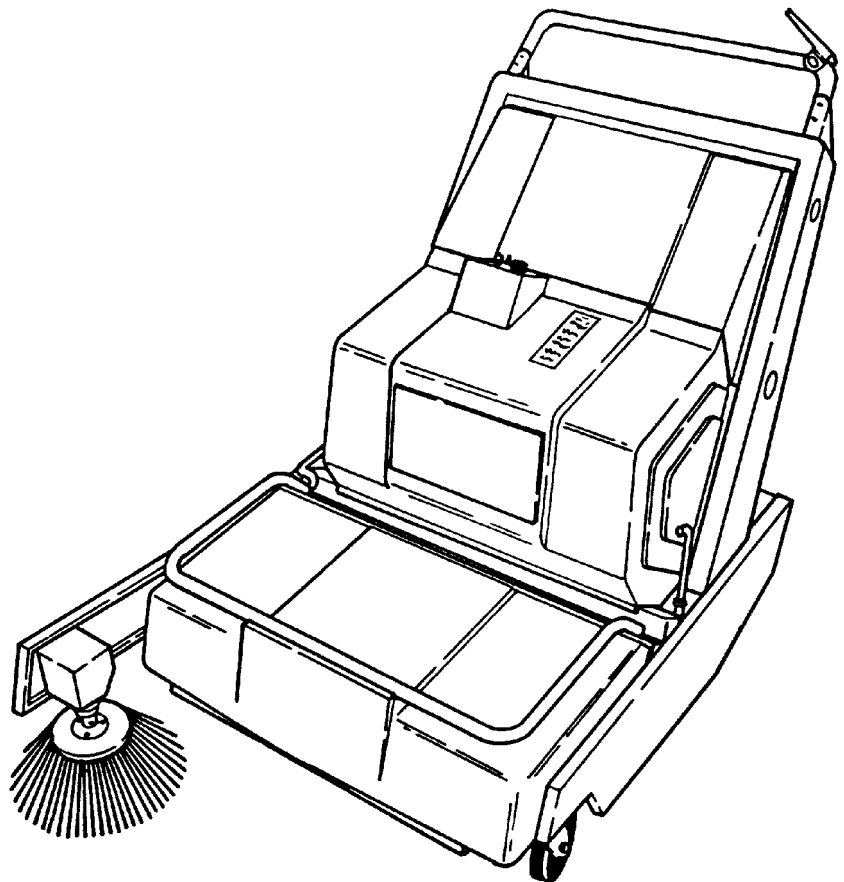




Scout™ 37B

Model: 608790

Operator and Parts Manual

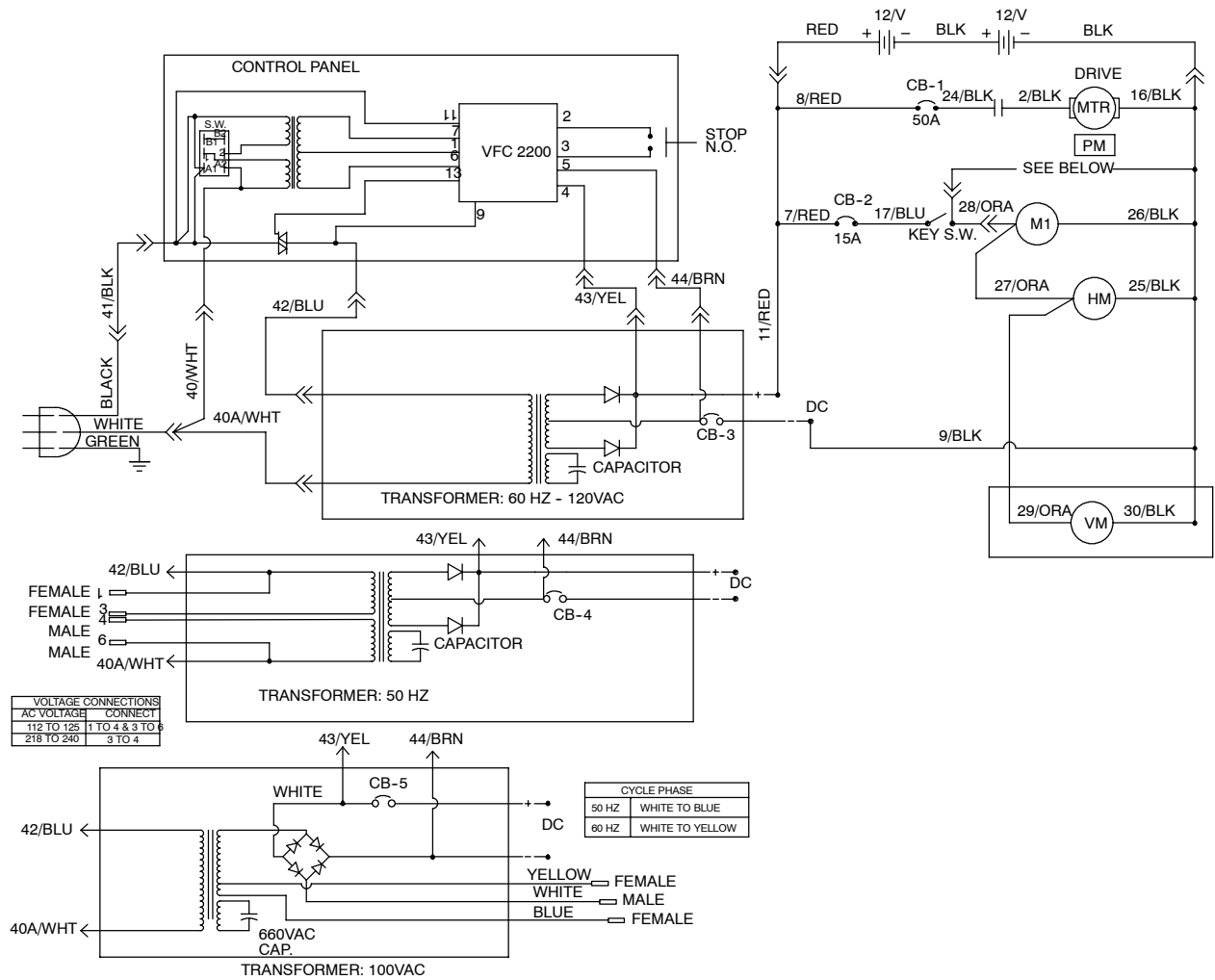


NOBLES
12875 RANSOM STREET
HOLLAND MI 49424

FAX: 1-800-678-4240
CUSTOMER SERVICE: 1-800-365-6625

608792
Rev. 02 (08-01)

ELECTRICAL SCHEMATIC



06985

HOW TO USE THIS MANUAL

This section on *HOW TO USE THIS MANUAL* will tell you how to:

- Find important machine information for ordering correct repair parts.
- Find part numbers.
- Order parts and supplies.

IMPORTANT INFORMATION

When placing an order for parts, the machine model and machine serial number are important. Refer to the *MACHINE DATA* box which is filled out during the installation of your machine. The *MACHINE DATA* box is located on the inside of the front cover of this manual.

MACHINE DATA
Please fill out at time of installation.

Machine Serial Number - _____

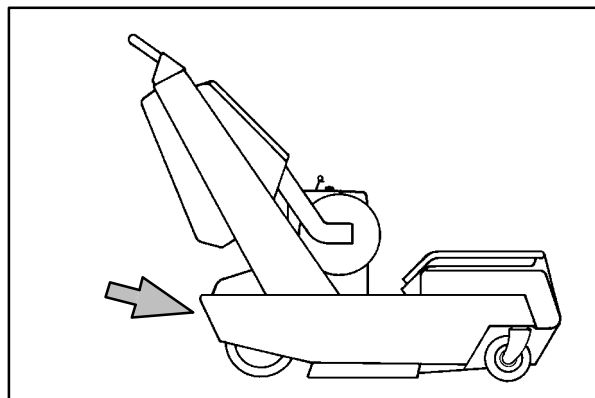
Date Of Installation - _____

Manual Number - _____

Revision Number: 01

Published: 01-01

The serial number of your machine is printed on the machine data plate located as shown.

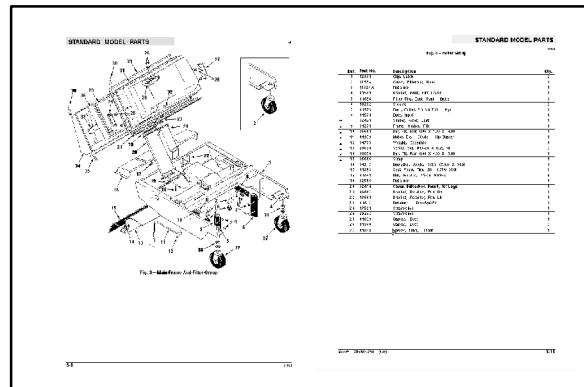


FINDING A PART NUMBER

The STANDARD PARTS section lists repair parts for standard machines. They are grouped in this general order:

- How to use this manual.
- General wear parts.
- Machine frame and related parts.
- Machine propelling system.
- Scrubbing components.
- Electrical parts.

All sections in this manual consist of parts illustrations and corresponding parts lists.



The parts illustrations are numbered with **Ref** numbers which refer to corresponding parts lists.

STANDARD MODEL PARTS

Fig. 6 - Filter Group

Ref. Part No.	Description	Qty.
1	CLIP, LATCH	2
2	CLAMP, FILTERBOX, REAR	1
3	BELT, RIB	1
4	BRACKET, PIVOT, FILTER COVER	1
5	FILTER, PAPER, 5.0 5.0 7.0	1
6	SLAVE PIVOT	2
7	DUCT, OUTLET, 5.0 5.0 7.0	1
8	DUCT, INPUT	1
9	SHAKER, FILTER, CASE	1
10	FRONT, SHAKER, FILTER	1
11	WHEEL, ELEC. SKATE, HP SHAKER	1
12	WEIGHT, ECCENTRIC	1
13	SCREW, SET, #10-24 X .25, NI	2
14	BAR, FLU, REAR, .88 X 4.00 X 5.00	1

STANDARD MODEL PARTS

The parts lists include a number of columns of information:

- **Ref** - column refers to the reference number on the parts illustration.
▽ - indicates the part is an assembly.
▲ - indicates the part is included in the assembly listed just before it.
- **Part No.** - column lists the part number for the part.
- **Description** - column is a brief description of the part.
- **Qty.** - column lists the quantity of that part used in that area of the machine.

NOTE: If a service kit is installed on your machine, be sure to keep the INSTRUCTION BULLETIN which came with the kit. It contains repair parts numbers needed for ordering future parts.

NOTE: Fasteners used in this machine may be metric or non-metric. Take care when replacing hardware to replace with same thread size.

PLACING AN ORDER

Orders may be placed by phone, fax, or by mail. Phone orders may need written confirmation. Follow the steps below to insure prompt delivery:

1. Identify the model number of your machine.
2. Identify the serial number of your machine.
3. Find the part number of the part you need. Do not order by page number or reference number. If you are not able to find the part number, call your Castex/Nobles representative for help or send the old part as a sample.
4. Determine the quantity of the part you need.
5. Provide the following company information:
 - Company name
 - Customer ID Number
 - Shipping address
 - Billing address
 - First and last name of person ordering parts
 - Telephone number
 - Purchase order number
6. Provide definitive shipping instructions.

Any claim for loss or damage to a shipment in transit should be filed promptly with the transportation company making the delivery. Shipments will be complete unless the packing list or order acknowledgement indicates items back ordered.

If parts received are suspected to be incorrect or defective, please contact the Castex/Nobles representative from whom you ordered the part. They will give authorization for return and/or handle replacement shipments when required.

Fig. 1 - Recommended General Maintenance Items

Ref.	Part No.	Description	Qty.
▽	59455	Replmt.Parts Pkg	1
▲	41656	Filter Pkg, Dust, Panl, 119plts	1
▲	32862	Belt, V, [3vx] 28.0l	1
▲	23243	Belt, V, [3l] 36.0l	1
▲	23279	Belt, V	1
▲	09944	Skirt	2
▲	41563	Skirt, .06th, 10.00w 30.00l, 06/0.31h	1
▲	41396	Skirt	2
▲	09944	Skirt	1
▲	16232	Skirt	1
▲	16230	Skirt	1
▲	01847	Wheel, 1.6d 0.72w 0.21b	2
	41678	Belt, V, [3l] 80.0l	1
▲	47037	Adhesive, Contact, [1357 5.0oz]	1
▲	02592	Seal, Rbr, Open, 0.19th, 0.62w 04.6l	2
▲	41838	Gasket, Duct, Output	1
▲	41837	Hinge, Pyp, .06 2.0 W 03.3l 4/0.34h	1
▲	41840	Gasket, Duct	2
▲	60378	Seal, Rbr, Open, 0.19th, 0.62w	1
▽	03973	Kit, Maint, Skirt, Gas	1
▲	16232	Skirt	1
▲	41396	Skirt	2
▲	61088	Washer, 0.19b 1.00d .06, Stl, PI	10
▲	16230	Skirt	1
▲	09944	Skirt	1
▲	61110	Nut, U, .25-20	3
▲	09944	Skirt	1
▲	41563	Skirt, .06th, 10.00w 30.00l, 06/0.31h	1

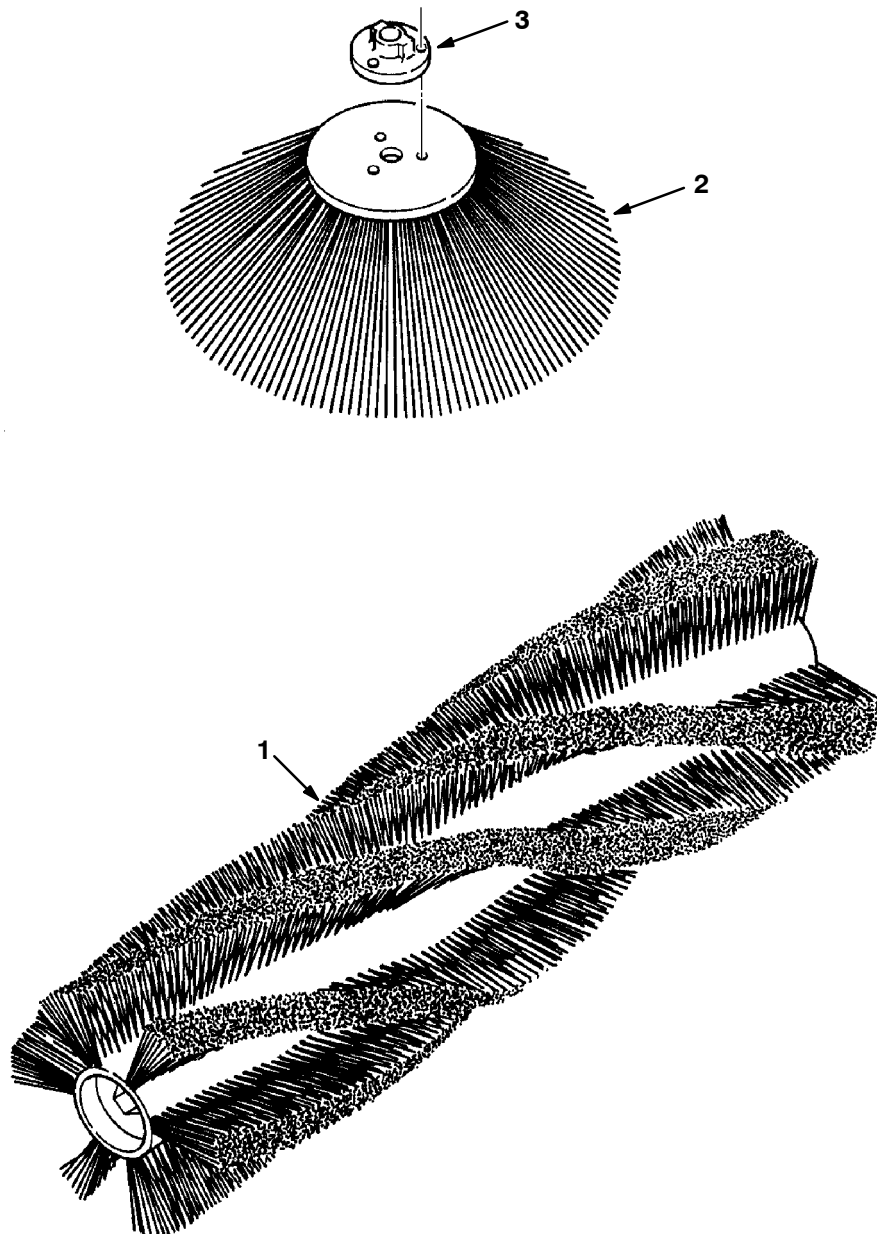


Fig. 2 - Replacement Brushes

Fig. 2 - Replacement Brushes

	Ref.	Part No.	Description	Qty.
	1	41457	Brush, Swp, 28l, 6 Dr, Pyp	1
	1	32856	Brush, Swp, 28l, 12 Sr, Umx Carpet	1
▽	2	41673	Brush Assy, Disk, Swp, 13.0 D, Pyp	1
▲	3	28013B	Adaptor, Brush, Side, .628b	1

STANDARD MODEL PARTS

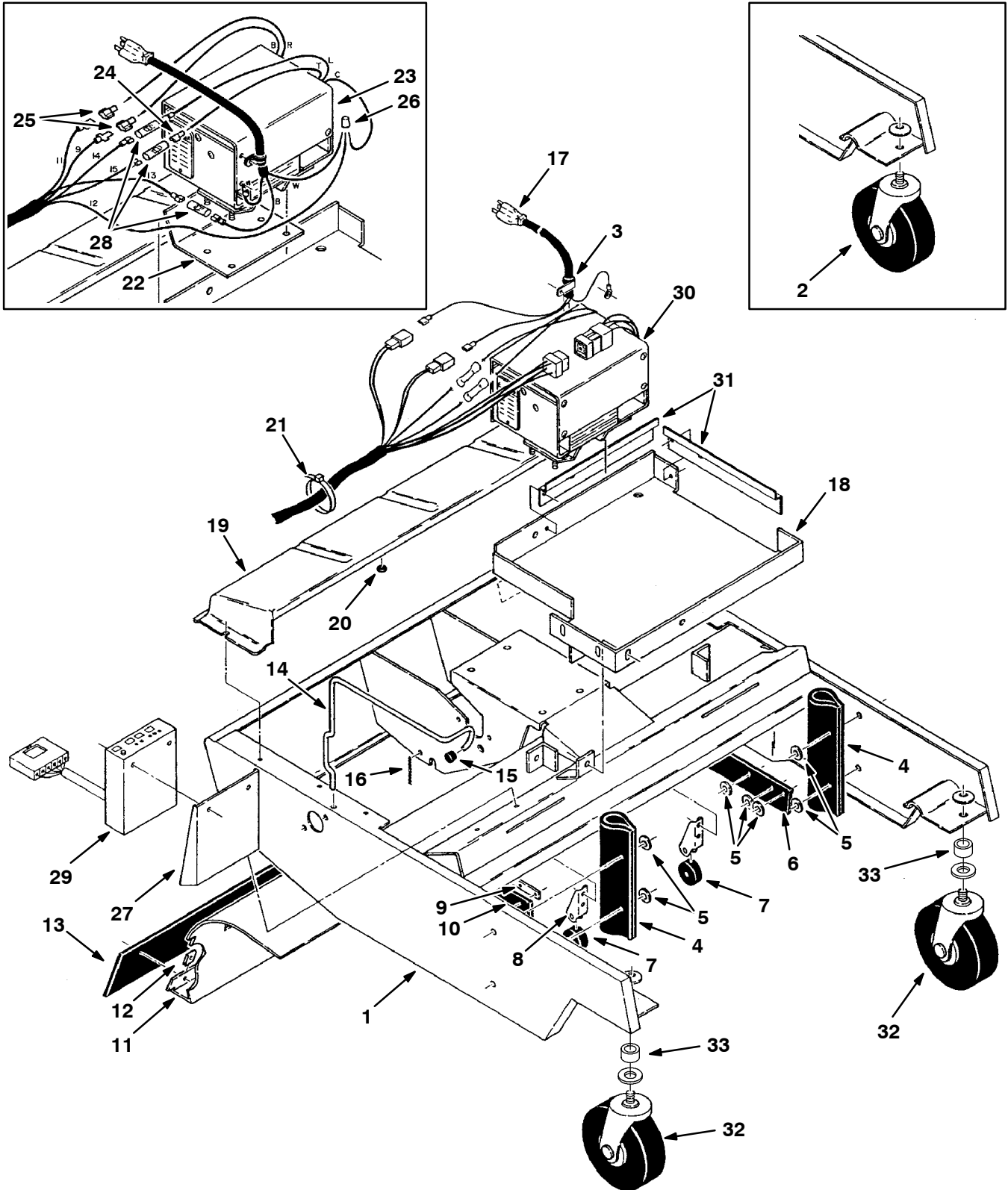


Fig. 3 - Main Frame and Charger Group

Fig. 3 - Main Frame and Charger Group

Ref.	Part No.	Description	Qty.
1	06234	Frame Assy, F/[61010b]	1
1	04010	Frame Wldt, Main	1
2	41624	Caster Rep.By23252	2
3	26395-2	Clamp, Cable, Stl, 0.38d X 0.38w, 1h	1
4	41396	Skirt	2
5	61088	Washer, 0.19b 1.00d .06, Stl, Pl	10
6	16230	Skirt	1
▽	41608	Bracket / Wheel Assy	2
▲	7 01847	Wheel, 1.6d 0.72w 0.21b	1
▲	8 41600	Bracket, Mtg, Caster	1
9	41449	Strip	1
10	16232	Skirt	1
11	41701	Panel, Brush	1
12	61110	Nut, U, .25-20	3
13	09944	Skirt	1
14	41670	Handle	1
15	50609	Cap, Plug	1
16	28499-2	Chain, Sash, #35, 05.3l 09 Link	1
17	60496	Cord, Ele, 16-3 18.0inch	1
18	04007	Tray	1
19	41827	Cover, Frame, Rear	1
20	64757	Bumper, Rbr, 0.5d 0.14t Adh	1
21	49266	Tie, Cable, Nyl, 07.3l .19w 1.8 Max D	4
22	61046	Bracket, Mounting (Replaced by none)	1
23	60493	Kit, Replmt, Chrgr, F/ 50708	1
▽	23 60507	Kit, Replmt, Chrgr, F/ 50709	1
▲	24 43942	Terminal, Qdc, [.25f, Ins ,14]	1
25	50456	Terminal, Qdc, [.25m, Insf,10]	2
26	04756	Wire	1
27	60494	Bracket, Mtg, Cntrl Panl	1
28	15006	Terminal, Qdc, [.25m, Inss,]	3
29	50049	Controlbox, Charger	1
30	50050	Charger, 24vdc 015a 60hz 120vac Auto	1
30	50116	Charger, 24vdc 15a 50hz	1
31	70004	Bracket, Spacer, Battery	2
32	23155	Caster, Stem, Swivel, 4.0 D	2
33	82229	Sleeve	2

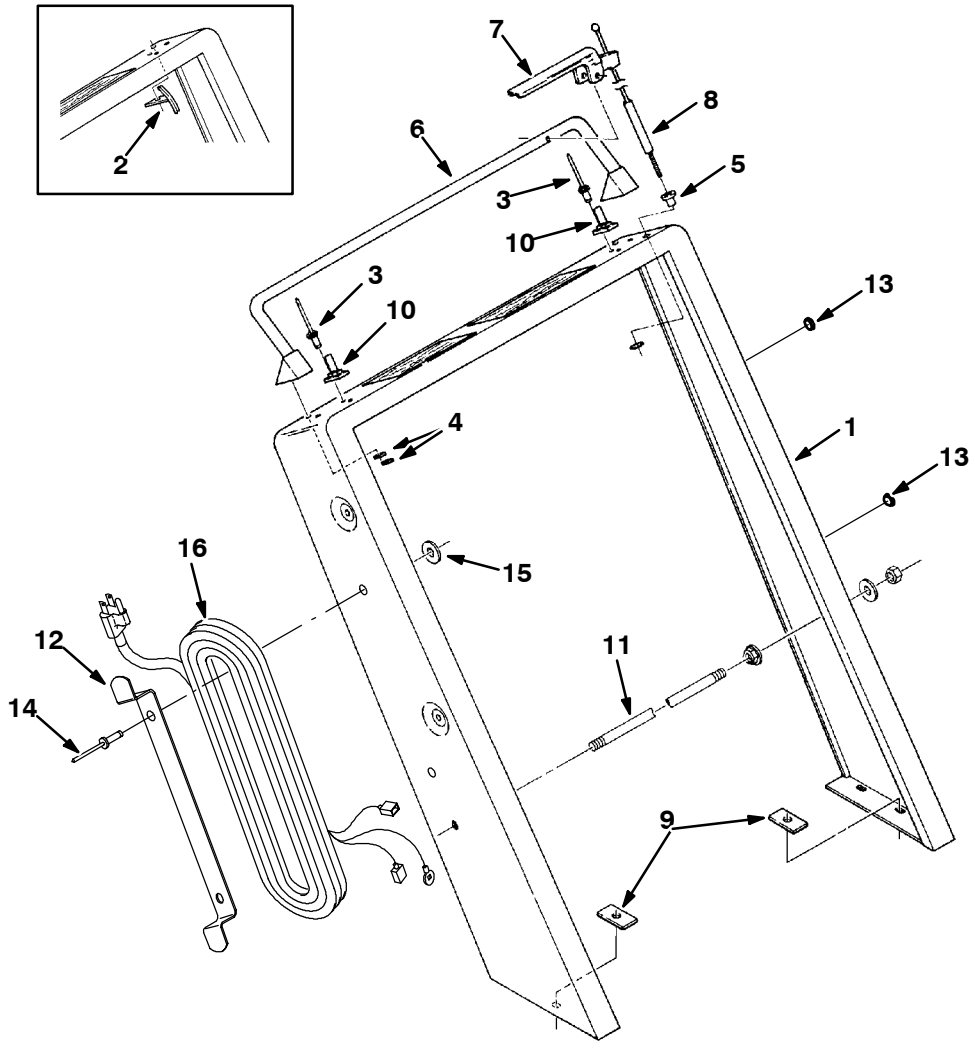


Fig. 4 - Handle Group

02632

Ref.	Part No.	Description	Qty.
1	31914	Kit, Replmt, Frame, F/ 48625-1	1
1	31912	Kit, Replmt, Frame, F/ 09003	1
1	31918	Handle Assy, W/ Label	1
2	61379	Kit, Replmt, Cable Guide, Clutch	1
3	60428	Rivet, Blind, .188d X 0.58 X .38d, Stl	4
4	41665	Nut, Speed, Retainer, .25-20	4
5	61377	Bushing, Flng, 0.28b 0.50d 0.50l, Pye	1
6	41567-1	Handle Assy, Tube, 1.00d 24.9w	1
7	41832	Handle, Clutch	1
8	41829	Cable, .13d, 28.5l, .25-20 /.38ball	1
9	08868	Bar, Flt, Stl, 0.12 X 0.9 X 2.0 L	2
10	23709	Catch	2
11	60426	Rod	1
12	41783	Bracket, Cord	2
13	379000	Plug Button	2
14	06524	Rivet, Blind, .196d X 0.62 X .38d, Alm	2
15	61088	Washer, 0.19b 1.00d .06, Stl, PI	2
16	60565	Cord, Ele, 16-3 127.0 Inch	2

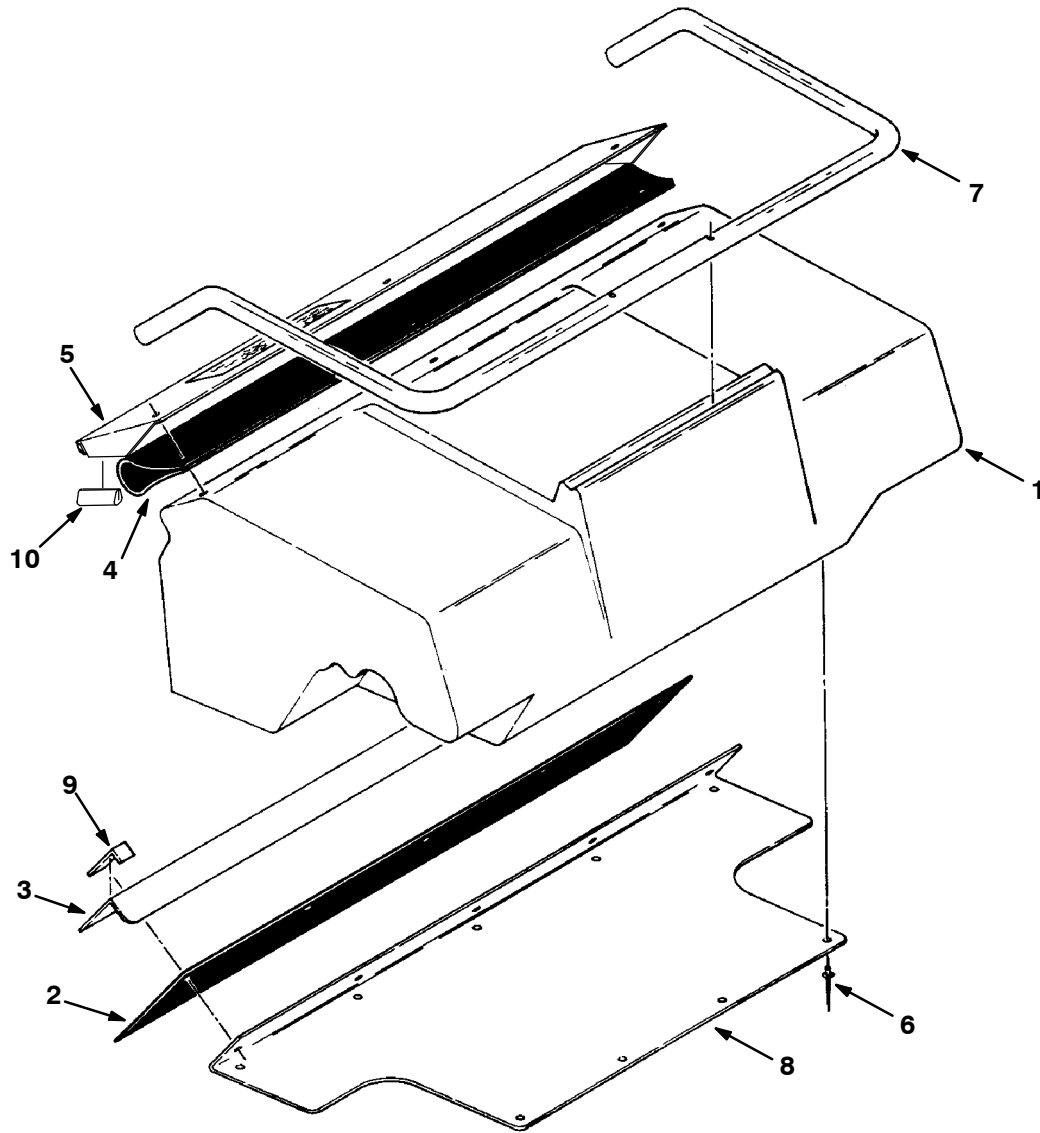


Fig. 5 - Hopper Assembly

Ref.	Part No.	Description	Qty.
▽	1 41870	Hopper Assy	1
▲	2 09944	Skirt	1
▲	3 41447	Retainer, Skirt, Hppr, Rear,	1
▲	4 41563	Skirt, .06th, 10.00w 30.00l, 06/0.31h	1
▲	5 41568	Retainer, Seal, W/ Label, Rear	1
▲	6 06524	Rivet, Blind, .196d X 0.62 X .38d, Alm	9
▲	7 41513	Handle, Hppr	1
▲	8 41448	Shield, Hppr	1
▲	9 02592	Seal, Rbr, Open, 0.19th, 0.62w 04.6l	2
▲	10 398207	Molding, Trim, Rubber, .06 1.4l	2

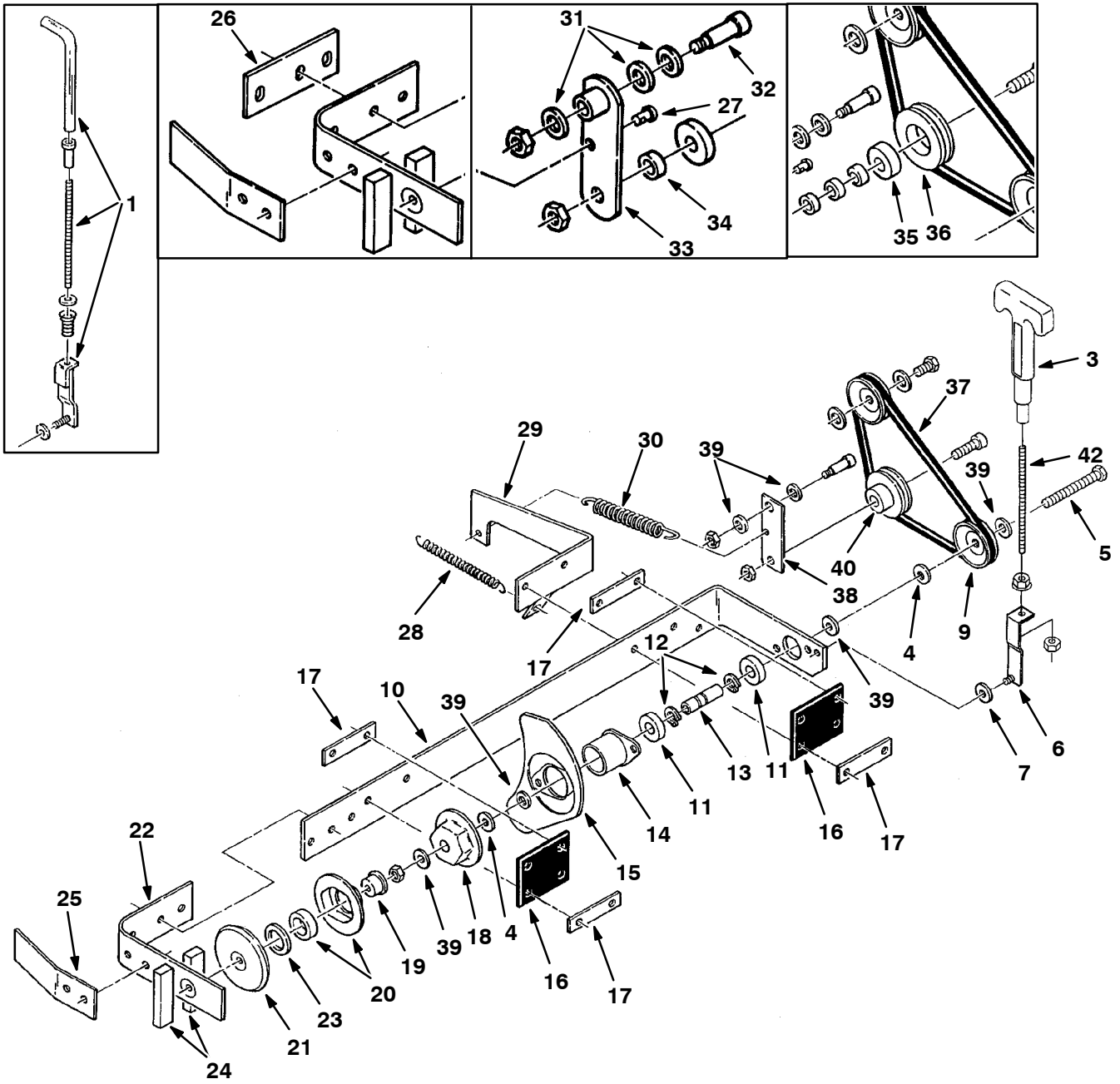


Fig. 6 - Brush Drive Group

Fig. 6 - Brush Drive Group

Ref.	Part No.	Description	Qty.
1	25147	Kit, Replmt, Handle / Bracket	1
2	41743	Bushing, Flng, 0.30b 0.52d . L, Nyl	1
3	25950	Handle, Lift, Brush	1
4	41142	Washer, Lock, Int-Ext, .38	1
5	21198	Screw, Hex, .38-16 X 1.25, 5	1
6	25148	Bracket Wldt, Brush Lift	1
7	24924	Washer, 0.28b 0.62d .06, Nyl	1
8	32553	Spring, Cmpr, 0.72od .55wir 3.0l	1
9	32562	Sheave, [3v], 1grv, 03.5pd 0.38b	1
10	16237	Arm, Brush, Main, Drive	1
▽	41648	Shaft	1
▲	11 41360	Bearing, Ball, 0.59b 1.26d 0.35w	2
▲	12 01516	Ring, Retaining, Ext, 0.59d, Basic	2
▲	13 47751	Shaft	1
▲	14 41362	Bushing Assy, Flng, 2 Hole, 1.25b	1
	15 41363	Cover, Flng, Drive, Gray	1
	16 41837	Hinge, Pyp, .06 2.0 W 03.3l 4/0.34h	2
	17 41411	Strip, Stl, 0.07th X 00.90w, 03.30l	4
	18 41357	Cup, Drive, Brush Tube-Grey	1
▽	41518	Arm Assy, Brush, Main	1
▲	19 41385	Bar, Hex, Stl, Mach, Sleeve, Idler	1
▲	20 41649	Cup & Bearing Assy -Brush	1
▲	21 41386	Guard, Cup, Gray	1
▲	22 41509	Arm, Brush, Main, Rh	1
▲	23 09006	Washer	1
	24 41637	Seal, Foam, Rbr, .50 0.75w 03.0l	2
	25 41669	Plate	1
	26 41864	Plate Rep.Bynone	1
	27 39019	Pin, Clevis, 0.37 D X 0.75l	1
	28 29260	Spring, Extn, 0.75od X 0.06wir, 5.3l	1
	29 41741	Bracket, Mtg, Spring	1
	30 29499	Spring, Extn, 0.75od X 0.11wir, 4.5l	1
	31 41818	Washer, 0.38b 0.56d .03, Stl	3
	32 56060	Bolt, Shld, .38d X 1.00, .31-18	1
	33 09971	Kit, Replmt, Idler Arm, F/ 41817	1
	34 49566	Sleeve	1
	35 01845	Bearing, Ball, 0.39b 1.18d 0.35w	1
	36 50038	Kit, Replmt, Idler, F/ [41819&47]	1
	37 32862	Belt, V, [3vx] 28.0l	1
	38 09945	Idler Arm	1
	39 32491	Washer, Flt, .31 Std	6
	40 02355	Sheave, [3v], 1grv, 03.0pd 0.38brg	1
	41 24227	Washer, Flat	1
	42 31906	Rod, Thrd, Full, .31-18 05.7l	1

STANDARD MODEL PARTS

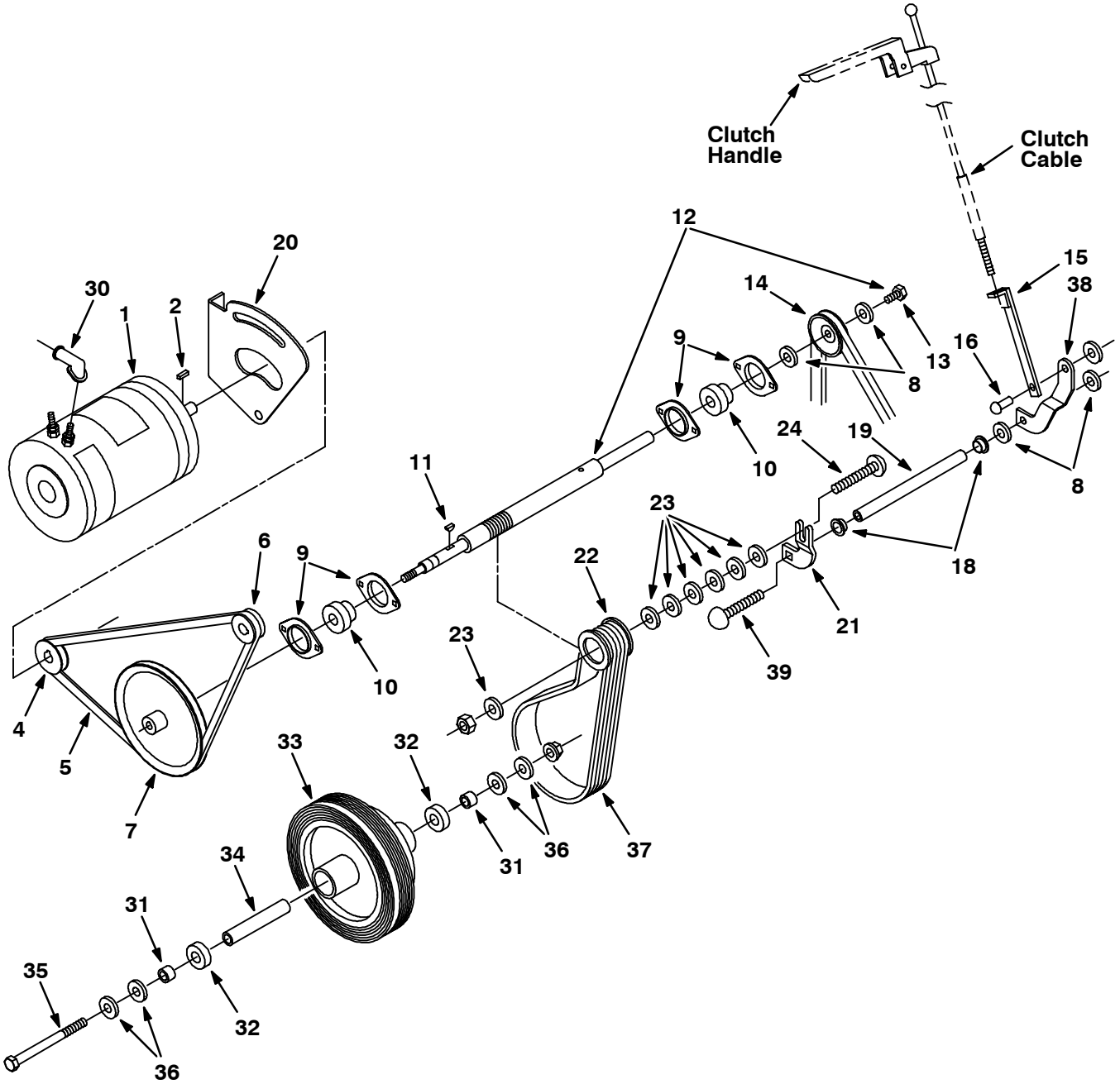
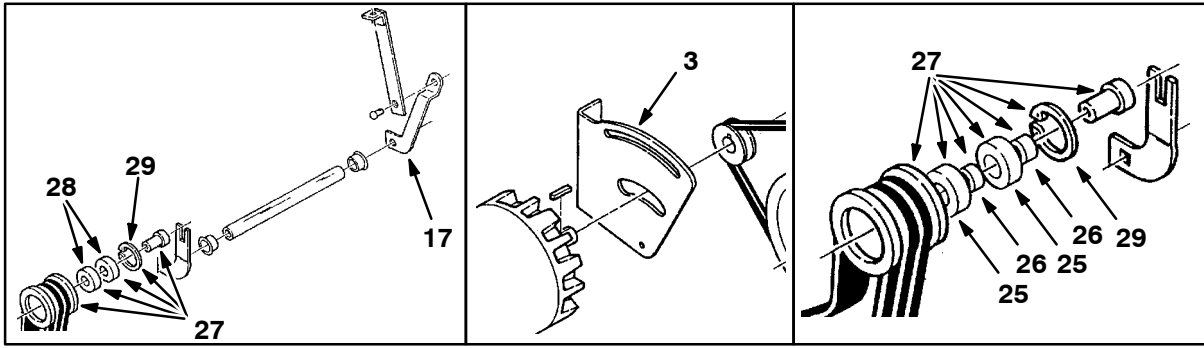


Fig. 7 - Motor and Wheel Drive Group

Fig. 7 - Motor and Wheel Drive Group

	Ref.	Part No.	Description	Qty.
▽	1	50091	Kit, Replmt, Motor, F/ 61035	1
▲		37490	Brush, Motor, Set	1
▽	1	50066	Motor, Ele, .8hp	1
▲		50122	Brush, Motor, Set	1
▲		50125	Brush Holder, With Brushes	1
▲		86041	Bearing, Ball, 0.67b 1.57d 0.47w	1
▲		46390	Bearing, Ball, 0.79b 1.85d 0.55w	1
▲	2	00911	Key, Sq, 0.19 X 0.19, 00.75l	1
	3	41844	Bracket, Mtg, Motor, [Prestolite]	1
	4	28760	Sheave, [3l], 1grv, 01.8pd 0.62b	1
	5	23243	Belt, V, [3l] 36.0l	1
	6	16925	Sheave, [3l], 1grv, 01.6pd 0.62b	1
	7	41863	Sheave, [3l], 1grv, 06.4pd 0.38b	1
	8	41187	Washer, Belleville, .38	4
	9	48636	Flange, Brg, 1.5id 2h	4
	10	48635	Bearing, W/ Collar, 0.63b 1.57d 1.12w	2
	11	00500-1	Key, Woodruff, 0.09 0.50, [Asa#0304]	1
▽	12	04594	Kit, Replmt, Shaft, F/39571	1
▲	13	06460	Screw, Hex, .38-16 X 1.00, Lh	1
	14	32563	Sheave, [3v], 1grv, 02.2pd 0.38b	1
	15	41828-1	Bracket Wldt, Clutch, Propel	1
	16	04733-2	Pin, Clevis, 0.37 D X 0.62l	1
	17	31905	Kit, Replmt, Arm, Clutch, F/ 41611	1
	18	41434	Bushing, Flng, 0.62b 0.68d 0.00l, Nyl	2
	19	41571	Shaft, Cntrl, Clutch	1
	20	50090	Bracket Wldt, Motor, [Ohio]	1
▽		31233	Arm Assy, Clutch, Propel	1
▲	21	41521	Arm, Idler, Clutch, Propel, Rh	1
▲	22	01199	Sheave, Flat, 1.8d 1.38w 0.67b	1
▲	23	32491	Washer, Flt, .31 Std	7
▲	24	378964	Bolt, Carriage, .38-16 X 2.00	1
	25	28010	Bearing, Ball, 0.62b 1.38d 0.43w	2
	26	29091	Sleeve	2
	27	61487	Kit, Replmt, Idler, F/31230/1/2	1
	28	50040	Kit, Replmt, Bearing, F/41646	2
	29	01513	Ring, Retaining, Int, 1.38d, Basic	1
	30	02076	Boot, 90deg .50d .57d X .84	1
▽		41871	Tire Assy, Solid, 08.0x2.0 , W/ Brg	1
▲	31	29091	Sleeve	2
▲	32	28010	Bearing, Ball, 0.62b 1.38d 0.43w	2
▲	33	50111	Tire Assy, Solid, 08.0x2.0 1.37b	1
▲	34	41504	Tube, Steel	1
▲	35	45872	Screw, Hex, .50-13 X 6.50, 2, Unpl	1
▲	36	32486	Washer, Flt, .50 Sae	4
	37	23279	Belt, V	1
	38	25997	Arm, Clutch, Propel, Lh	1
	39	10819	Bolt, Carriage, .38-16 X 1.00	1

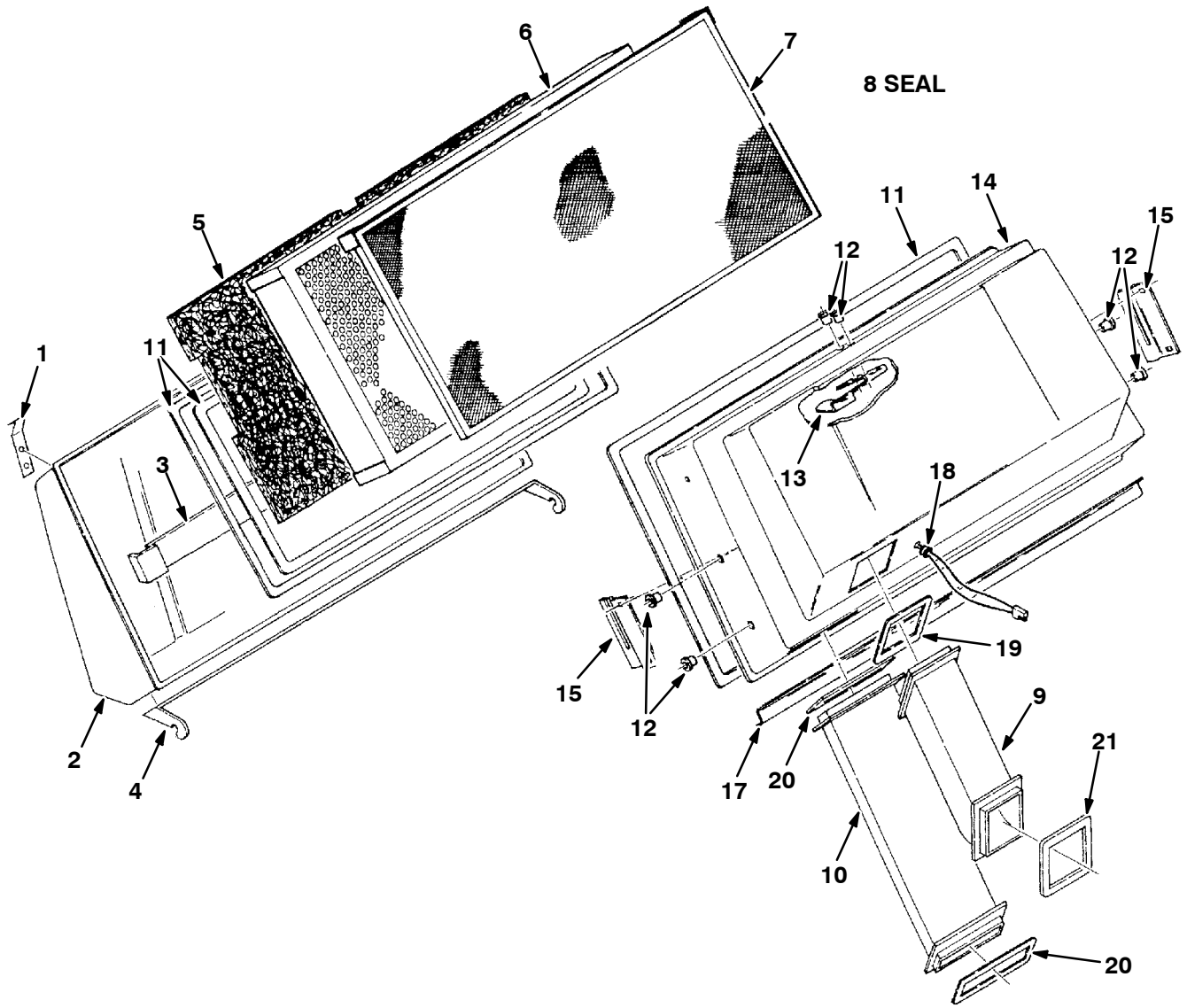


Fig. 8 - Filter Group

Fig. 8 - Filter Group

Ref.	Part No.	Description	Qty.
1	12881	Clip, Latch	2
2	02558	Cover, Filterbox, Rear	1
3	41824A	Retainer	1
4	41549	Bracket, Pivot, Fltr Cover	1
5	65358	Screen, Filter	1
6	60368	Filter, Pkg, Dust, Panl, 119plts	1
7	32557	Filter, Pkg, Dust, Panl, Fine	1
8	60378	Seal (Not Shown)	1
9	41573	Duct, Outlet, 3.0 3.0 7.8l Pye	1
10	41574	Duct, Input	1
11	41858	Seal, Foam, Rbr, .38 0.75w 94.0l	3
12	41845	Nut, Isolator, .25-20 #1/4-S	6
13	32556	Retainer	1
14	02414	Cover, Filterbox, Front	1
15	48662	Bracket, Retainer, Fltr, Rh	1
16	48661	Bracket, Retainer, Fltr, Lh	1
17	41612	Retainer Rep.By61381	1
18	29232	Strainrelief	1
19	41839	Gasket, Duct	1
20	41840	Gasket, Duct	2
21	41838	Gasket, Duct, Output	1

STANDARD MODEL PARTS

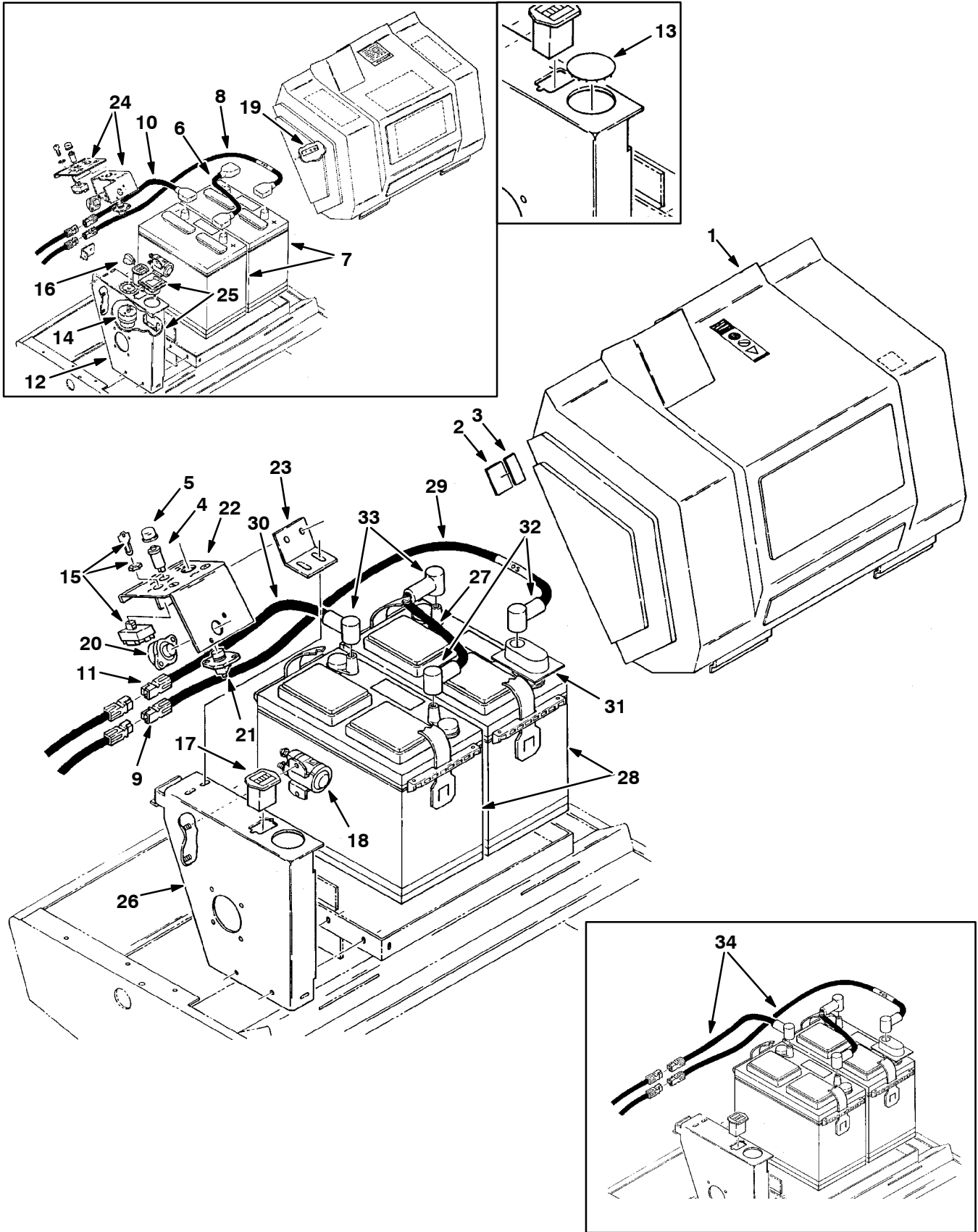


Fig. 9 - Battery Group

Fig. 9 - Battery Group

	Ref.	Part No.	Description	Qty.
▽	1	02422	Shroud	1
▲	2	08896	Fastener, Velcro 1.0w Hook	2
▲	3	25953	Fastener, Velcro, .5x1 White B	2
	4	57803	Circuitbreaker, 15.0a, Resetable	1
	5	57751	Boot, Circuitbreaker	1
	6	50480	Cable, Battery, Blk 4ga 13.5l Pos/Neg	1
	7	61384	Kit, Replmt, Battery, Wet F/10146	2
	7	61385	Kit, Replmt, Battery, Dry, F/10148	2
▽	8	41882	Cable Assy, Battery, 6ga 18l [Anderson]	1
▲	9	12827	Connector	1
▽	10	41883	Cable Assy, Battery, 6ga 14l, [Anderson]	1
▲	11	12828	Connector	1
	12	60593	Panel, Fan, Spprt, Rework, [60495]	1
	13	82747	Button, Plug, 2.09h .05-.06 [Black Stl]	1
	14	61104	Switch Rep.By70089	1
▽	15	31203	Switch	1
▲		31204	Key, Ignition, [Set Of 2], F/11651	1
	16	61106	Knob Rep. Bynone	1
	17	31988	Gauge, Hourmeter, Electronic	1
	18	02424	Contacto, 24vdc	1
	19	60463	Parts Unique, Hd Bmpr, Lpg, MI-D	2
	20	375119	Circuitbreaker, 50.0 Amp, Resetable	1
	21	44078	Switch	1
	22	25116	Bracket, Mtg, Switch	1
	23	25115	Angle, Sppt, Switch Bracket	1
	24	25118	Kit, Replmt, Bracket	1
	25	29688	Gauge, Ammeter, Chrgr, 24vdc	1
	26	60495	Support Wldt, Fan	1
	27	61361	Wire, 06ga 13.5l Blk .38ring /.31ring	1
	28	61355	Battery, 12vdc, Wet	2
	28	61356	Battery, 12vdc, Mdry	2
	29	61359	Wire, 06ga 18.5l Red .38ring /Anderson	1
	30	61360	Wire, 06ga 14.5l Blk .31ring /Anderson	1
	31	45962	Cover, Terminal, Battery, Pye	4
	32	61364	Boot, 90deg .62d .44d Red	2
	33	61365	Boot, 90deg .62d .44d Black	2
	34	23287	Kit, Replmt, Battery Harness	1

STANDARD MODEL PARTS

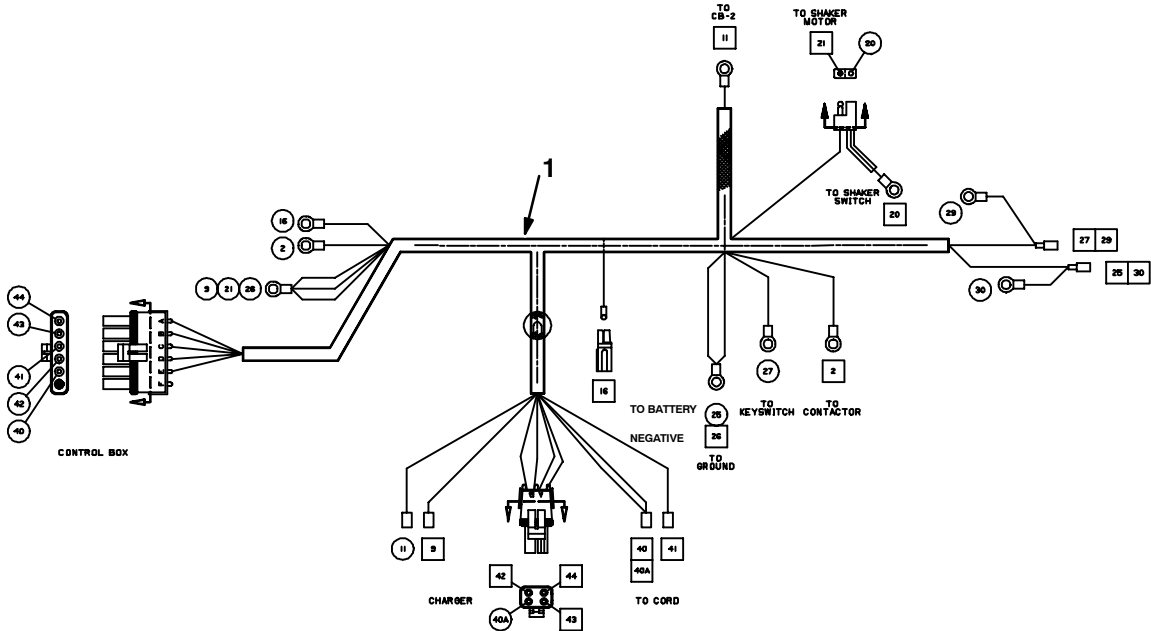


Fig. 10 - Wire Harnesses Group

02640

Ref.	Part No.	Description	Qty.
1	60487	Harness, Main	1

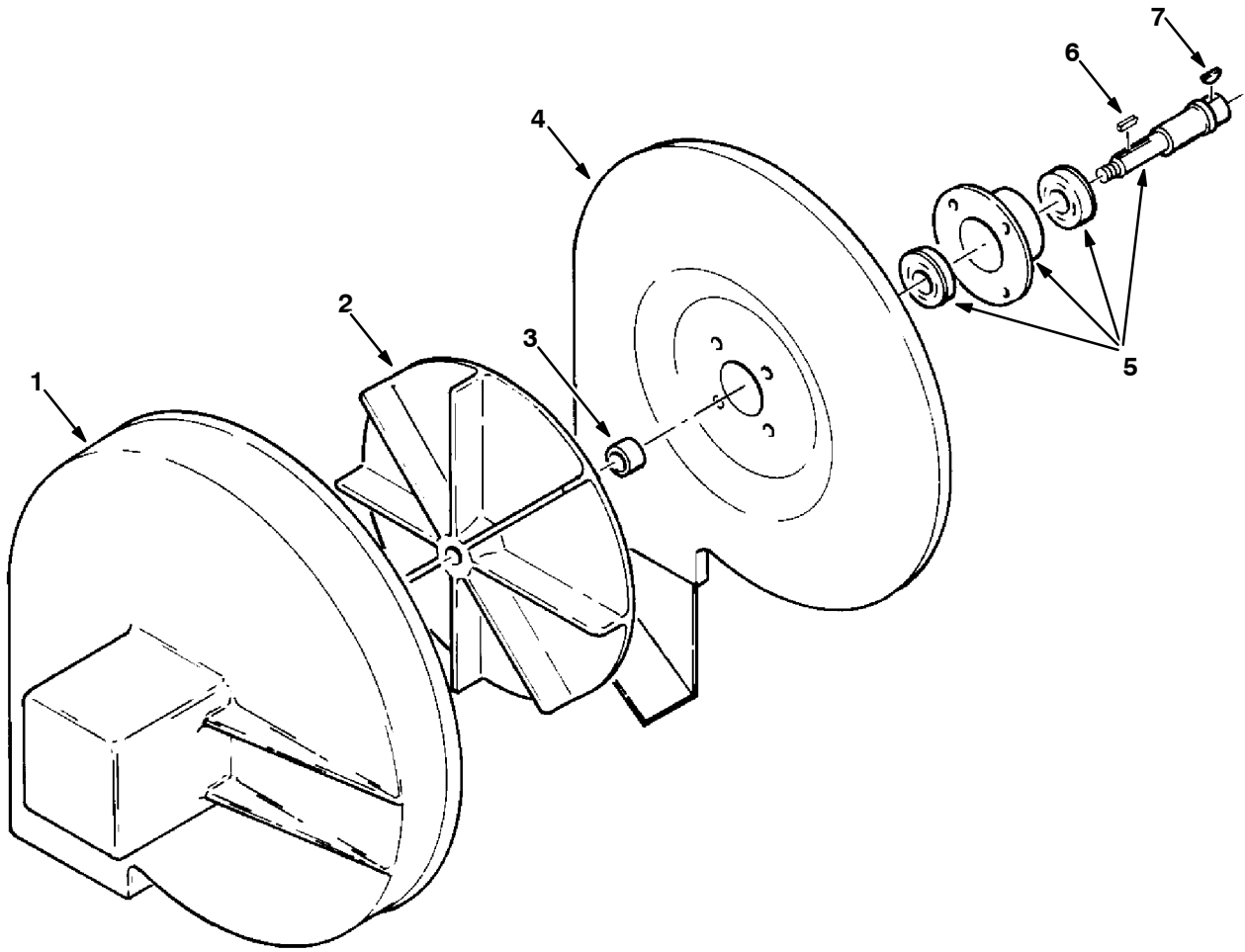


Fig. 11 - Vacuum Fan Group

01048

Ref.	Part No.	Description	Qty.
1	41351	Housing, Vacfan, Rear, 9.0d, Impeller	1
2	08143	Impeller, 9.00d X 0.376b	1
3	10362	Spacer	1
4	41582	Panel Wldt, Backing, Vacfan	1
5	16934	Shaft	1
6	00960	Key, Sq, 0.12 X 0.12, 00.50l	1
7	00500-4	Key, Woodruff, 0.12 0.50, [Asa#0404]	1

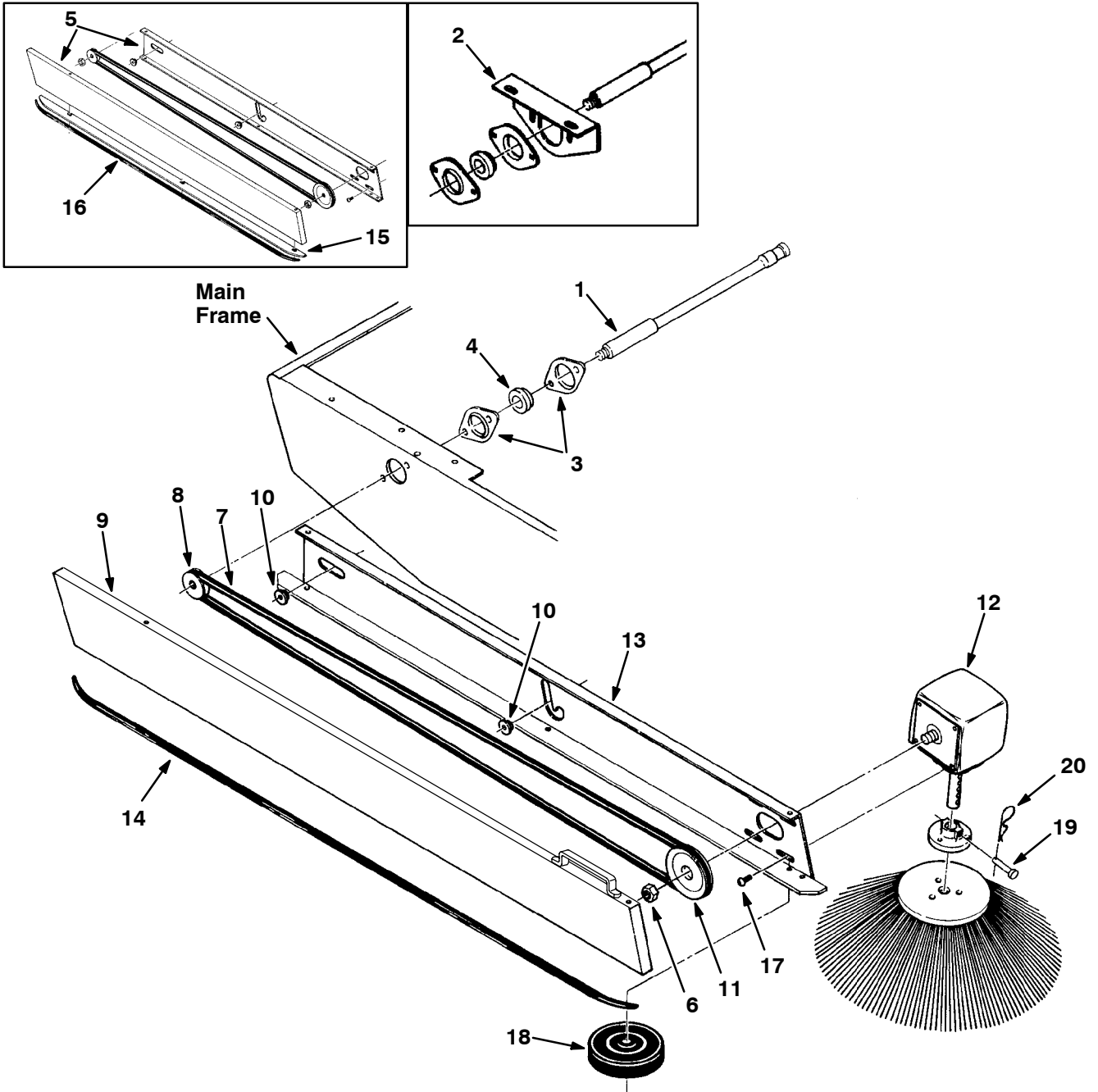


Fig. 12 - Side Brush Group

Fig. 12 - Side Brush Group

Ref.	Part No.	Description	Qty.
1	48451	Shaft, Drive, Brush, Side	1
2	48423	Plate, Mtg, Bracket	1
3	48636	Flange, Brg, 1.5id 2h	2
4	48635	Bearing, W/ Collar, 0.63b 1.57d 1.12w	1
5	07894	Arm, Brush, Side	1
6	39562	Nut, Hex, Jam, .38-16, Lh	1
7	41678	Belt, V, [3l] 80.0l	1
8	48452	Sheave, [3l], 1grv, 01.4pd .38-16	1
9	07890	Cover Wldt, Brush Arm	1
10	01047	Retainer	2
11	07872	Sheave, [3l], 1grv, 02.9pd .38-16	1
12	41731	Gearbox, 90, :1ratio, Brush, Side	1
13	07891	Arm, Brush, Side	1
14	07887	Molding, Trim, .08-.11 39.20	1
15	41927	Bumper, Side Brush	1
16	62595-14	Molding, Trim, .08-.11 44.00	1
17	41708	Screw, Btn, .25-20 X 0.62, NI	4
18	04188	Wheel Assy, 4.0d 0.81w	1
19	15173	Pin, Clevis, 0.25 D X 1.25l	1
20	08085	Pin, Hair Cotter, 0.31 D .058 Wir	1

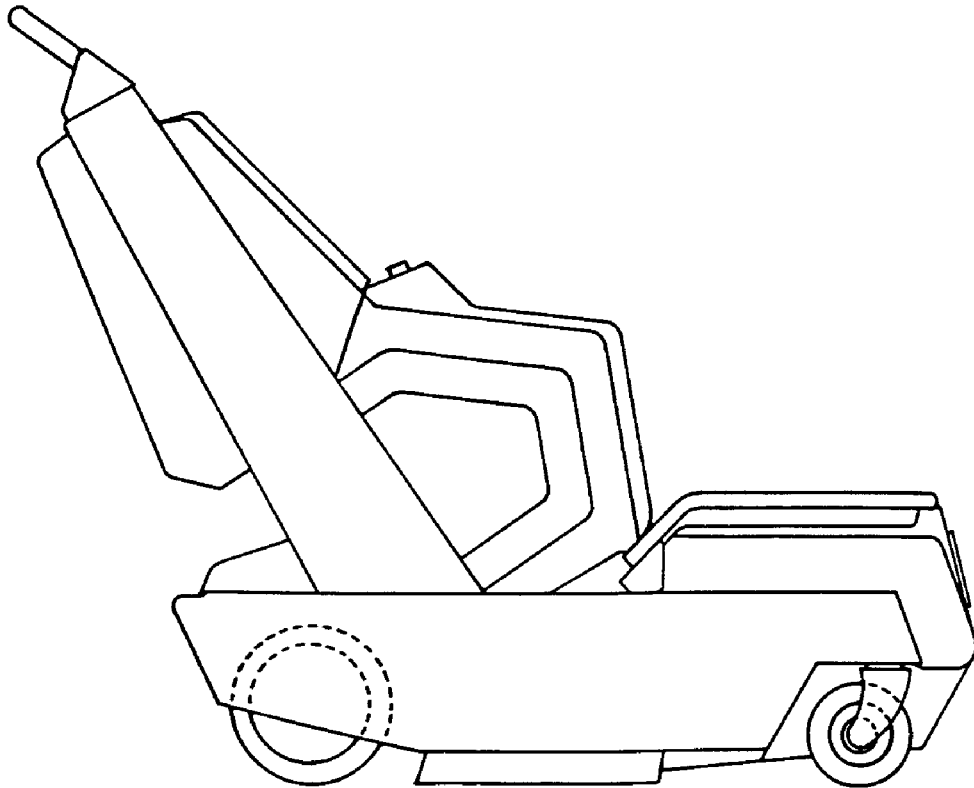
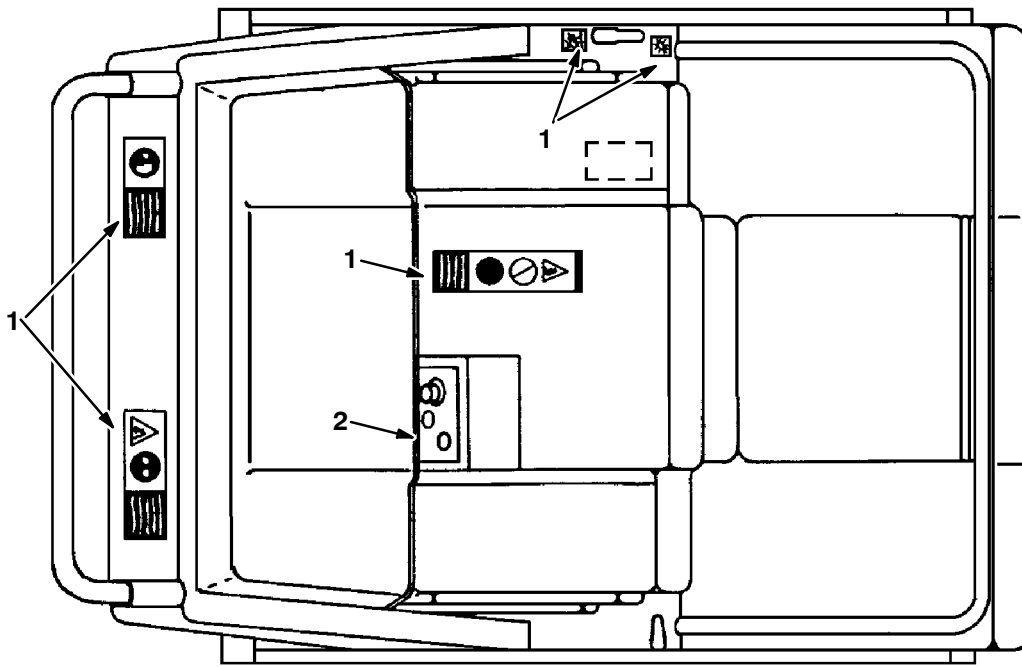


Fig. 13 - Label Kit

04655

Ref.	Part No.	Description	Qty.
▽	1 02575	Kit, Replmt, Label, Complt	1
▲	2 25117	Label, Opertrnl, Instmt Panel	1