

POLISHERS

PX-170

Sea Ray 170

PX-175

Sea Ray 175

PX-200

Sea Ray 200

PX-205

Sea Ray 205

INTRODUCTION

OPERATING & MAINTENANCE INSTRUCTIONS

READ THIS BOOK

This operator's book has important information for the use and safe operation of this machine. Read this book carefully before starting the machine. Keep this book and tell all operators to read the book. If you do not follow the instructions, you can cause an injury or damage equipment, furniture or buildings.

For new books write to:

Pacific
2259 S. Sheridan
Muskegon, MI 49442-6252

Carefully inspect all components to ensure that there is no concealed freight damage. If such damage is discovered, file a "CONCEALED DAMAGE REPORT" immediately with the delivering carrier.

The contents of this manual are based on the latest product information available at the time of publication. Pacific Steamex reserves the right to make changes or improvements to its machines without notice.

FOR YOUR CONVENIENCE, RECORD THE MACHINE MODEL AND SERIAL NUMBER:

MODEL _____

SERIAL NUMBER _____

PART NUMBER _____

DATE PURCHASED _____

IMPORTANT SAFETY INSTRUCTIONS

To assure the safe operation of this machine, you must read and understand all warnings and instructions in this book. If you do not understand, ask your supervisor.

READ ALL INSTRUCTIONS BEFORE USING THIS MACHINE

WARNING: To reduce the risk of fire, electric shock, or injury:

1. You must be trained to operate this machine. This machine is to be operated for its intended use only.
2. Do not operate this machine unless it is completely assembled.
3. Always use a three-wire electrical system connected to the electrical ground. For maximum protection against electrical shock, use a circuit that is protected by a ground fault circuit interrupter. Consult your electrical contractor.
4. To prevent electric shock, always remove the electrical plug from the electrical outlet before doing any repairs or maintenance and when leaving the machine unattended.
5. To prevent electric shock, keep the machine surface dry. Do not subject to rain. Store the machine in a dry building area. Clean the machine with a dry cloth only.
6. Machines can cause an explosion when near flammable materials and vapors. Do not use this machine with or near fuels, grain dust, solvents, thinners, or other flammable materials. Do not use flammables to clean this machine.
7. A qualified or authorized person must do maintenance and repairs.
8. To prevent damage to the power cord, do not move this machine over the power cord. Always lift the power cord over the machine. Do not pull or carry cord, use cord as a handle, close a door on cord, or pull cord around sharp edges or corners. Keep cord away from heated surfaces.
9. Do not use with damaged cord or plug. If the machine is not working as it should, has been dropped, damaged, left outdoors, or dropped into water, return it to a service center.

Grounding Instructions

This machine must be grounded. If it should malfunction or break down, grounding provides a path of least resistance for electric current to reduce the risk of electric shock. This machine is equipped with a cord having an equipment-grounding conductor and grounding plug. The plug must be inserted into an appropriate outlet that is properly installed and grounded in accordance with all local codes and ordinances.

WARNING - Improper connection of the equipment-grounding conductor can result in a risk of electric shock. Check with a qualified electrician or service person if you are in doubt as to whether the outlet is properly grounded. Do not modify the plug provided with the machine - if it will not fit the outlet, have a proper outlet installed by a qualified electrician.

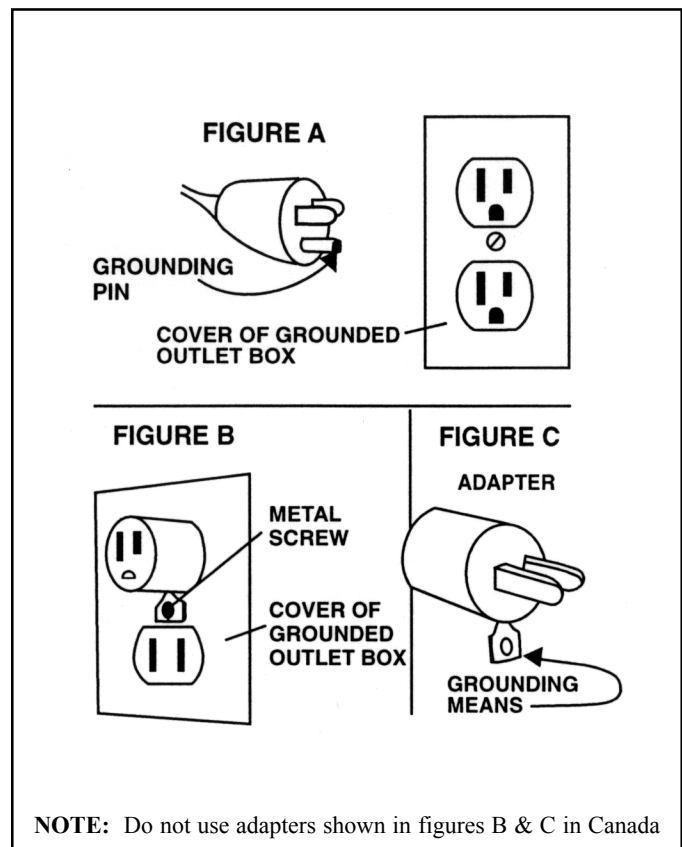
This machine is for use on a nominal 120-volt circuit, and has a grounded plug that looks like the plug illustrated in figure A. A temporary adapter that looks like the adapter illustrated in figures B and C may be used to connect this plug to a 2-pole receptacle as shown in figure B if a properly grounded outlet is not available. The temporary adapter should be used only until a properly grounded outlet (figure A) can be installed by a qualified electrician. The green colored rigid ear, lug, or the like extending from the adapter must be connected to a permanent ground such as a properly grounded outlet box cover. Whenever the adapter is used, it must be held in place by a metal screw.

NOTE: In Canada, the use of a temporary adapter is not permitted by the Canadian Electrical Code

EXTENSION CORDS

Use only three-wire 12/3 or larger gauge approved extension cords that have three-prong grounding type plugs and three-pole receptacles that accept the appliance's plug. Replace or repair any damaged cords or plugs.

When servicing, refer to authorized person only. Use only identical replacement parts.



OPERATING PROCEDURES

WARNING! For the safe operation of this machine follow the instructions given in this manual and the training given by your supervisor. Failure to do so can result in personal injury and/or damage to machine and property!

DO NOT OPERATE MACHINE IN AN EXPLOSIVE ENVIRONMENT!

This machine is intended for commercial use.

PREPARATION

To prepare the machine for operation, make sure it is of correct voltage and properly assembled.

Your new floor machine operates in the normal side to side motion of a conventional single disc machine. Be prepared before starting by removing all obstructions or other obstacles in the area to be cleaned. Check the proper application recommendations and procedures found on the label of your cleaning or finish container. **IF IN DOUBT, CALL YOUR SUPERVISOR.**

WARNING! NEVER USE THIS MACHINE WITH FLAMMABLE OR EXPLOSIVE MATERIAL!

For Scrubbing or Polishing: Select the correct floor pad or brush (your supplier can help you). If in doubt, ask your supervisor.

NEVER OPERATE THE MACHINE WITHOUT THE FLOOR PAD OR BRUSH INSTALLED!

To properly attach the brush, **UNPLUG THE FLOOR MACHINE**, place the handle in the vertical position, then tilt the machine back until the handle rests on the floor. Straddle the handle, facing the motor, and grasp the brush with the block toward you. Place the brush or pad clutch plate over the three lugs on the motor drive adapter. Twist the brush right to lock it into position. To remove the brush, **UNPLUG THE MACHINE** and follow the same procedure as above, but by twisting the brush off with a firm jerk to the left. Remove the brush or pad driver when the machine is not in use. This will help prevent brush damage and reduce wobble problems.

OPERATION

Plug the machine's power cable into a properly grounded outlet (see Safety Instructions). Next, adjust the handle height to a comfortable position.

Pull out on the "Watch Dog" Safety Lock button and start the machine by depressing either the left or right switch levers.

Both hands should be placed on the handle when the machine is in operation. The machine will glide sideways over the floor by a slight raising and lowering of the handle. Raise the handle slightly to go to the right. Lower the handle slightly to go left. **Releasing the switch lever stops the machine at once.**

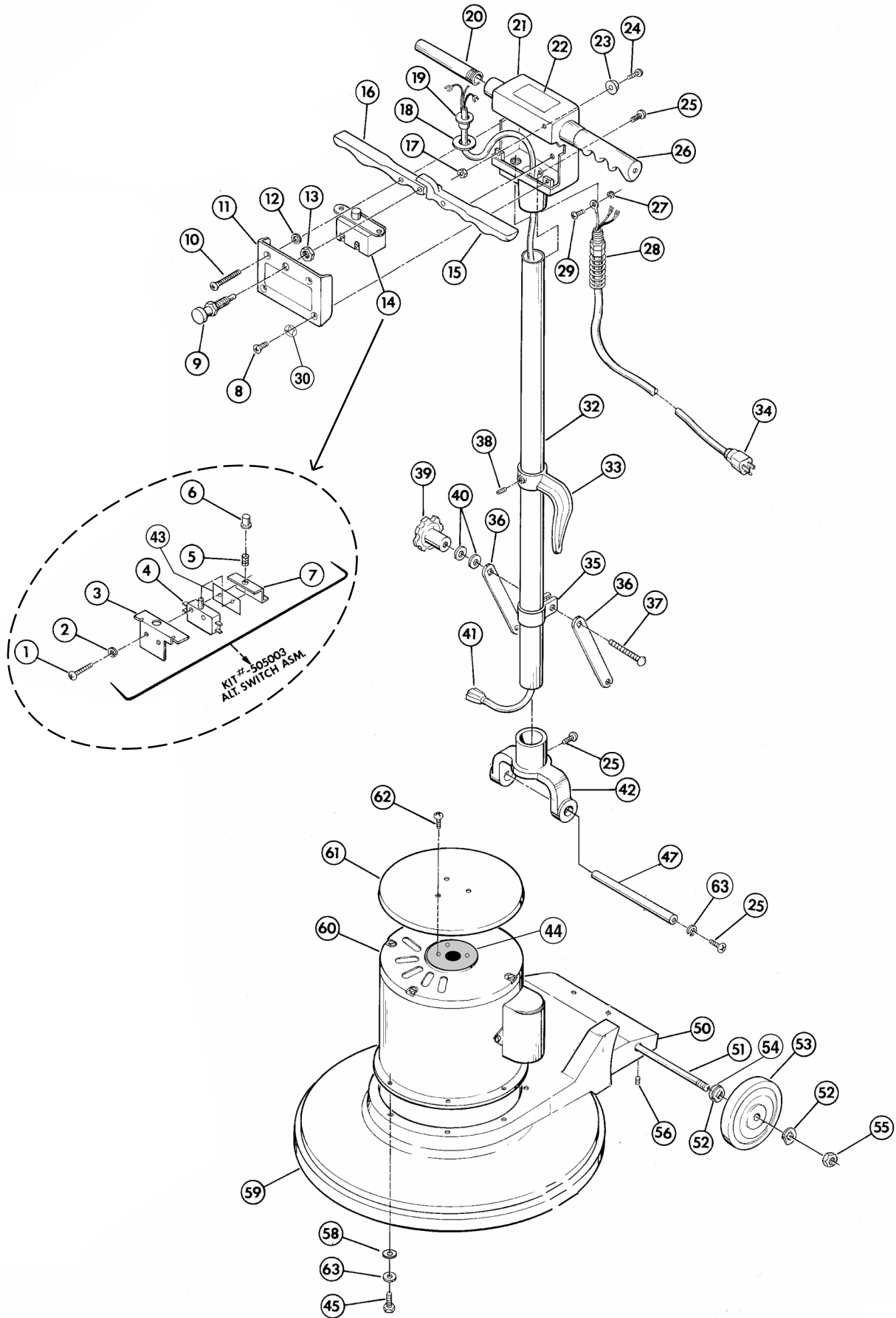
MAINTENANCE

AFTER EACH USE: Store the machine in a clean dry area. Wipe the entire machine and cord down with a clean cloth. Remove the pad or brush and clean thoroughly. Wrap the machine's electrical cord onto the handles and the cord hook provided. **CHECK** the cord and plug for nicks, cuts or damage. Report these to your supervisor for correction.

WARNING! Always disconnect the machine's electrical plug from the electrical outlet before performing any service, maintenance, pad changing or inspection of the machine.

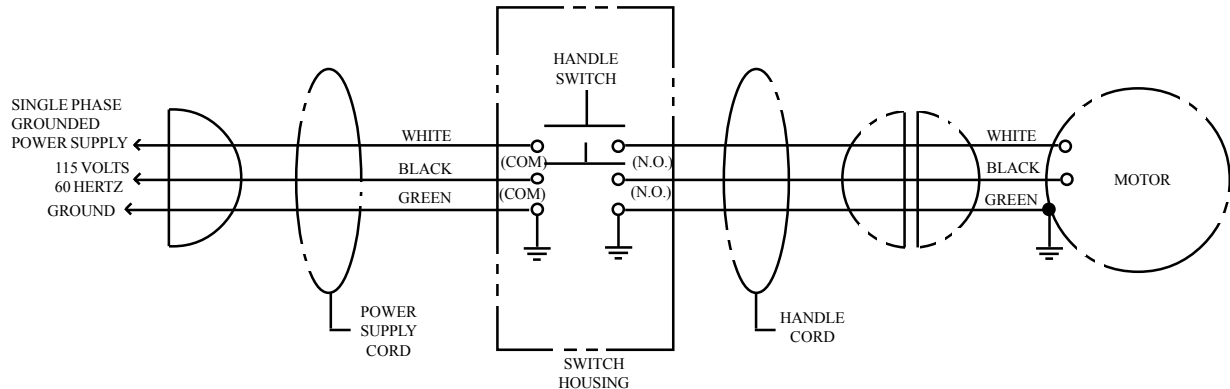
MOTOR: The motor is lubricated for life under normal use. No oiling or greasing is necessary. However, if the machine is used in dusty areas or is used for spray buffing, the motor should be cleaned. Blowing the motor out with compressed air or with the exhaust from a vacuum is suggested. Keeping the motor clean will allow the clear passage of air for ventilation and prevent overheating. If you have any questions regarding the maintenance of your floor machine, **ASK YOUR SUPERVISOR.**

PX and SEA RAY Model Polishers



PX and SEA RAY Parts List

ITEM	PART NO.	DESCRIPTION	QTY.	ITEM	PART NO.	DESCRIPTION	QTY.
1	W323D	Screw, 6-32x1 Pan Hd.	2	30	980018	Washer, #10 Countersunk	1
2	980016	Washer, #6 Ext. Tooth	2	32	509082	Handle Tube	1
3	500801	Bracket, Switch Mounting	1	33	504420	Cord Hook	1
4	911135	Switch	1	34	502421	Cord Asm.-50 ft. Grey	
5	508301	Spring	1		502422	Cord Asm.-50 ft. Yellow	1
6	507001	Plunger	1	35	502021	Clamp-Handle	1
7	500802	Bracket, Switch	1	36	500840	Arm, Handle Support	2
8	962002	Screw, 10-32 x 1/2 Oval Hd.	2	37	962009	Bolt, Carriage 5/16-18 x 2-1/2	1
9	504810	Interlock Asm.-Switch	1	38	962005	Screw, 1/4-20 x 3/8 Allen	1
10	962011	Screw, 10-32 x 3/4 Oval Hd.	2	39	505010	Turn Knob	1
11	486404	Switch Cover Plate	1	40	980007	Washer, 5/16 Flat	2
12	509821	Washer, Rubber	2	41	908004	Handle Cord	1
13	920005	Nut, 3/8-24 Hex	1	42	509920	Yoke, Handle	1
14	505003	Switch Assembly	1	43	504702	Insulator-Switch	1
15	505121	Lever, Switch Left	1	44	509823	Washer, Felt	1
16	505120	Lever, Switch Right	1	45	962010	Screw, 1/4-20 x 1 HH	4
17	920001	Nut, 10-32 Elastic Stop	1	47	507480	Shaft, Handle Pivot	1
18	509830	Washer, Handle Tube	1	50	483210	Base 17"	1
19	503320	Flange, Strain Relief	1		483211	Base 20"	1
20	505720	Handle Nipple	2	51	487702	Wheel Axle	1
21	481304	Switch Housing,w/o Circuit Brk	1	52	980005	Washer, Wave	2
22	515150	Warning Label	1	53	509781	Wheel, 5"	2
23	501210	Bumper, Handle	1	54	509820	Washer, Fiber	2
24	962003	Screw, 10-32 x 3/4 Pan Hd.	1	55	W502D	Nut, 1/2-13 Hex	2
25	962006	Screw, 1/4-20 x 1/2 Pan Hd.	6	56	962016	Screw, 10-32 x 3/8 Set	1
26	503711	Handle Grip, Grey	2	58	980004	Washer, 1/4 Flat	4
	501501	Cap, Protective End (Blue)	2	59	481202	Bumper, 17"	1
27	980015	Washer, #10 Shakeproof	2		481203	Bumper, 20"	1
28	508520	Strain Relief-Complete	1	60	See Page 6	Motor Assembly	1
	502020	Strain Relief-Brass Clamp	1	61	502373	Drip Cover	1
29	962015	Screw, 10-32 x 3/8 Pan Hd.	2	62	962019	Screw, 10-32 x 5/8 PHP	3
				63	980002	Washer, 1/4 Lock	6



MOTOR PARTS LIST

for

PX & Sea Ray Single Speed Polishers

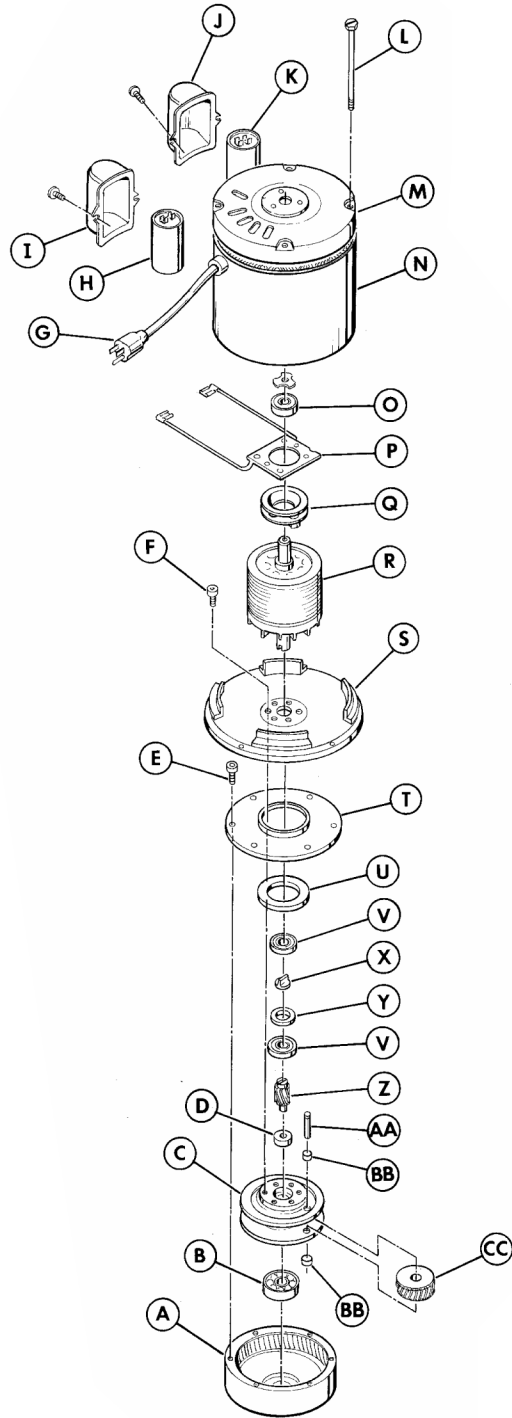
*Prior to
Nov-98*

Nov-98 to Sep-99

Sep-99 to Present

ITEM	HOWELL	BALDOR	DESCRIPTION	BALDOR	DESCRIPTION	QTY.
	505289	505297	Motor Only, 1 HP 115V 60CY	505297	Motor Only, 1 HP 115V 60CY - Ref. A	1
	#88400-040		Baldor #36H873X814G2		Baldor #36J377Y799	
	505293	505294	Motor Only, 1.5HP 115V 60CY	505294	Motor Only, 1.5HP 115V 60CY - Ref. C	1
	#88419-055GL		Baldor #36H890X450G2		Baldor #36J377Y800	
	503522	503522	Gear Asm.-10:1 for 1 HP - 2 Planet	503522	Motor Only, 1.5 HP 230V 50CY - Ref. D	
	503523	503523	Gear Asm.-10:1 for 1.5 HP - 3 Planet	503523	Gear Asm.-10:1 for 1 HP - 2 Planet	1
	503524	503524	Gear Asm.-6:1 for 1.5 HP (for HS)	503524	Gear Asm.-10:1 for 1.5 HP - 3 Planet	1
	505256	505298	Motor&Gear, 1 HP 230V 50CY	505298	Gear Asm.-6:1 for 1.5 HP (for HS)	1
	505257	505276	Motor&Gear, 1.5HP 230V 50CY	505276	Motor&Gear, 1 HP 230V 50CY	1
A	504211	504209	Ring Gear Housing-10:1	504209	Motor&Gear, 1.5HP 230V 50CY	1
	504201		Ring Gear Housing-6.25:1 (HS)		Ring Gear Housing-10:1	1
B	902007	902007	Bearing	902007	Ring Gear Housing-6.25:1 (HS)	1
C	504212	504216	Planet Gear Hsing,10:1-2 Idler	504216	Bearing	1
	504206	504208	Planet Gear Hsing,10:1-3 Idler	504208	Planet Gear Hsing,10:1-2 Idler	1
	504203		Planet Gear Hsing, 6.25:1-2 Idler (HS)		Planet Gear Hsing,10:1-3 Idler	1
D	902006	902005	Bearing	902005	Planet Gear Hsing, 6.25:1-2 Idler (HS)	1
E	960016		Screw		Bearing	1
F	960017		Screw		Screw	6
G	908022	908090	Motor Cord	908090	Screw	6
H					Motor Cord	1
	911040	911217	Run Capacitor for 1.5 HP	911235	Run Capacitor for 1 HP (115V) - A	1
				911236	Run Capacitor for 1.5 HP (115V) - C	1
				911237	Run Capacitor for 1 HP (230V) - B	1
				911238	Run Capacitor for 1.5 HP (230V) - D	1
I	502313	502375	Cover, Run Capacitor, 1.5 HP	502375	Cover,Run Capacitor - A, B, C & D	1
J	502312	502398	Cover, Start Capacitor, 1 HP	502375	Cover, Start Capacitor, 1 HP - A & B	1
	502312	502375	Cover, Start Capacitor, 1.5 HP	502375	Cover, Start Capacitor, 1.5 HP - C & D	1
K	911037	911202	Start Capacitor, 1 HP	911239	Start Capacitor, 1 HP (115V) - A	1
	911039	911218	Start Capacitor, 1.5 HP	911240	Start Capacitor, 1.5 HP (115V) - C	1
				911242	Start Capacitor, 1 HP (230V) - B	1
				911243	Start Capacitor, 1.5 HP (230V) - D	1
L	960010	960034	Bolt (For 1 HP)	960035	Bolt for 1 HP and 1.5 HP, 115V - A, B & C	4
	960015	960035	Bolt (For 1.5 HP)	960037	Bolt (For 1.5 HP, 230V) - D	4
M	507911	502931	End Bell (For 1.5 HP)	502931	End Bell (For 1.5 HP) - C & D	1
	502910	502931	End Bell (For 1 HP)	502931	End Bell (For 1 HP) - A & B	1
N	503101	503120	Stator Asm,115/230V-60C (For 1HP)	503124	Stator Asm,115V-60C (For 1HP) - A	1
	503104	503122	Stator Asm,115/230V-60C(For 1.5HP)	503126	Stator Asm,115V-60C(For 1.5HP) - C	1
				503128	Stator Asm,230V-50C (For 1HP) - B	1
				503129	Stator Asm,230V-50C (For 1.5HP) - D	1
O	902003	902003	Bearing, Motor Top	902003	Bearing, Motor Top	1
P	911036	911215	Stationary Switch (For 1 HP)	911251	Stationary Switch (For 1 HP) - A & B	1
	911038	911216	Stationary Switch (For 1.5 HP)	911251	Stationary Switch (For 1.5 HP) - C & D	1
Q	911035	911219	Rotary Switch (For 60 Cycle)	911219	Rotary Switch (For 60 Cycle) - A & C	1
	911123		Rotary Switch (For 50 Cycle)		Rotary Switch (For 50 Cycle) - B & D	1
R	500401	500426	Rotor Assembly (For 1 HP)	500428	Rotor Assembly (For 115V,1 HP) - A	1
	500402	500427	Rotor Assembly(For 1.5 HP)	500430	Rotor Assembly(For 115V, 1.5 HP) - C	1
				500432	Rotor Assembly (For 230V,1 HP) - B	1
				500433	Rotor Assembly(For 230V, 1.5 HP) - D	1
S	502915	502927	End Bell-Motor Lower	502927	End Bell-Motor Lower	1
T	502314	502317	Cover, Ring Gear	502317	Cover, Ring Gear	1
U	504207	902015	Bearing	902015	Bearing	1
V	902005	902005	Bearing	902005	Bearing	2
X	502460	502465	Coupling Flexible	502465	Coupling Flexible	1
Y	508222	508211	Spacer	508211	Spacer	1
Z	503514	503510	Pinion, 10:1	503510	Pinion, 10:1	1
	503506		Pinion, 6.25:1		Pinion, 6.25:1	1
AA	507724	507701	Shaft-Planet Gear	507701	Shaft-Planet Gear	2/3
BB	902008	902016	Bearing-Planet Shaft	902016	Bearing-Planet Shaft	4/6
CC	503513	503511	Gear-Planet, 10:1	503511	Gear-Planet, 10:1	2/3
	503509		Gear-Planet, 11:1			2/3
	503508		Gear-Planet, 6.25:1		Gear-Planet, 6.25:1	2/3

AC MOTOR ILLUSTRATION



WARRANTY POLICY
POLISHER MODELS PX & SEA RAY

The **Pacific Steamex Inc.** Polisher has been manufactured, tested and inspected in accordance with specific engineering requirements and is WARRANTED to be free from defects in workmanship and materials as follows:

Three (3) years parts, One (1) year labor - AC Motor and Gear Unit, except motor switches, capacitors and flex couplings which have a one (1) year warranty.

Three (3) years parts, One (1) year labor - Castings

One (1) year parts and labor - All other components unless excluded below.

This warranty extends to the original user/purchaser and only when used, operated and maintained in accordance with **Pacific Steamex Inc.** Operating and Maintenance instructions.

This warranty does not apply to the following wear parts and accessories of the machine including:

Part Number	Part Name
502421	Cord Assembly, Black
502422	Cord Assembly, Yellow
509781	Wheel, 5"
503711	Handle Grip, Grey
481202	Bumper, 17"
481203	Bumper, 20"

Nor does it apply to damage or failure caused by improper use, abuse or neglect. Warranty credit or replacement of return parts including motors, etc., is subject to incoming inspection of those items.

To secure repair under this warranty, the following procedure should be taken:

- The inoperative machine or warranted parts must be delivered to the authorized dealer with shipping and delivery charges prepaid. If unable to locate the Dealer, you may contact **Pacific Steamex Inc.** at the address listed herein for the location of the nearest **Pacific Steamex Inc.** repair center or agent or for other instructions pertaining to your warranty difficulty.
- Upon compliance with the above warranty procedure, all warranted repairs would be completed at no additional charge or cost to the user.
- Only **Pacific Steamex Inc.** or its authorized dealers and agents may make no charge warranty repairs on this product. All others do so at their own risk.

This warranty limits **Pacific Steamex Inc.** liability to the repair of the product and/or warranted parts replacement and does not include incidental or consequential damages arising from the use of a **Pacific Steamex Inc.** machine whether defective or not.

This warranty is in lieu of all other expressed or implied warranties and is extended to the original purchaser/user.

PACIFIC

2259 Sheridan

Muskegon, Michigan 49442

Ph: (800) 968-1332 Fax: (231) 773-1642

www.nextwaveofclean.com