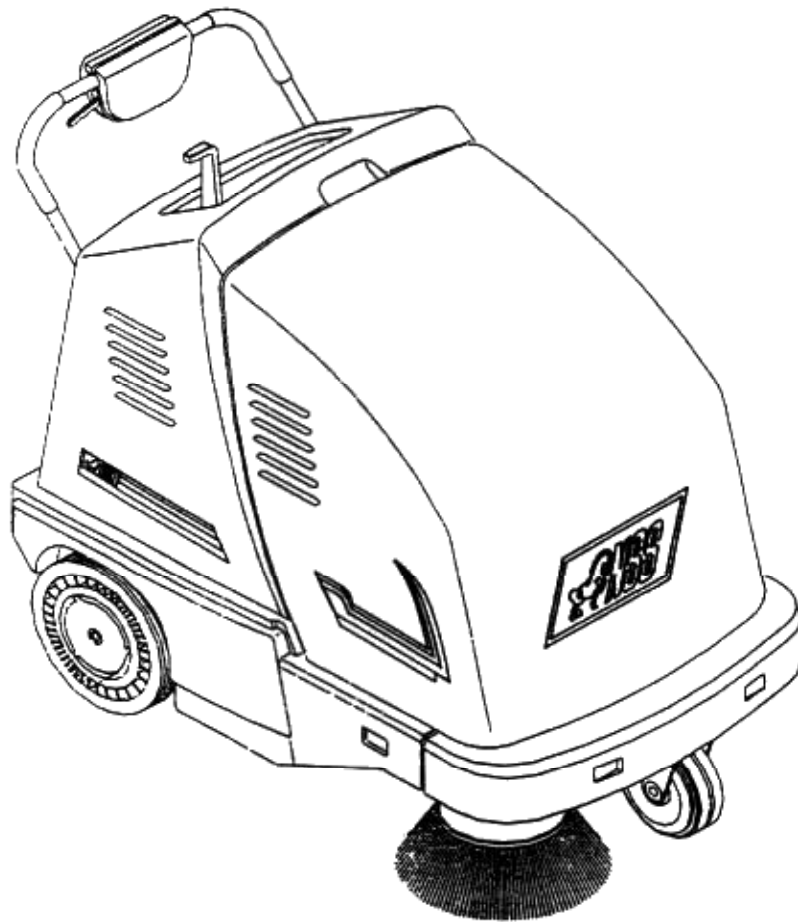


SIDEWINDER 28B

Spare Parts List



SAFETY WARNING

ALWAYS KEEP THE MACHINE OUT OF CHILDRENS REACH.

Precautions to be taken before attempting to start the machine.

To facilitate transport, the side brush, and the handle bar have not been assembled in their actual work position. Therefore before using the machine these parts will have to be assembled.

- Do not use the machine to pick up (recover) liquid.
- Do not use the machine to sweep up cables, straps, wires, or similar materials.
- Do not use the machine near cables, straps, wires, or similar materials.

The machine must be used by authorized, qualified, personnel only.

Before cleaning or servicing the machine, always turn it off.

Do not leave the machine unattended on sloping surfaces. As the machine is not provided with a parking brake or service brake, pay attention when you are using it on sloping surfaces.

NEVER:

- use this machine to transport people;
- touch the moving parts of the machine;
- remove the machine's guards when it is running;
- do not leave the operating machine unattended;

Always wear proper clothing suited for the kind of work you are carrying out. For instance if you are working in an particularly dusty or hazardous environment (such as: cement factories, sawmills, or marble processing factories), it is recommended that you wear:

- a mask
- protective goggles
- gloves
- helmet (if there is a danger of falling objects).

NOTE:

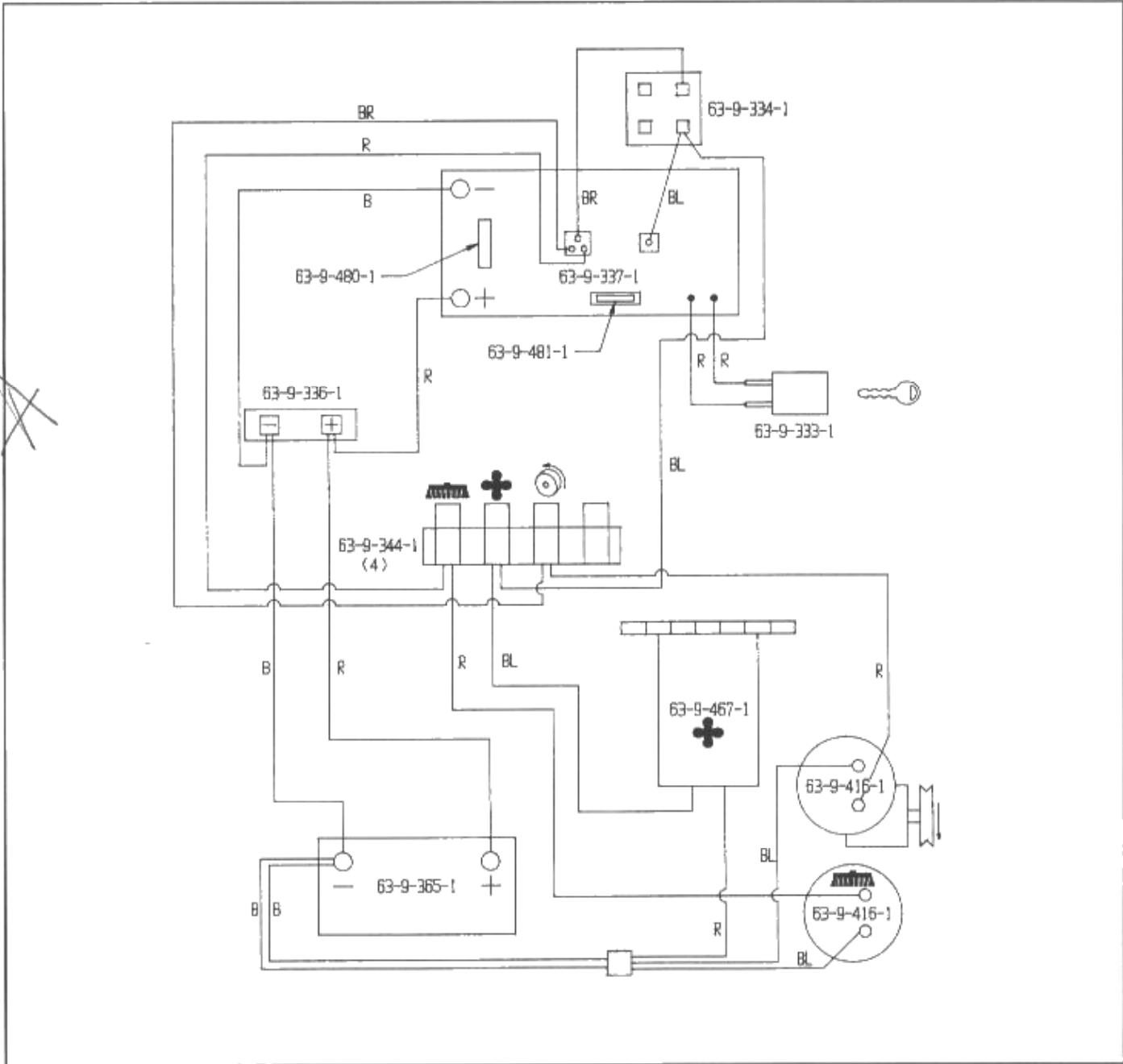
- Do not use a jet of water in order to wash the machine.
- Do not use this machine for the recovery of toxic or hazardous materials.
- Do not leave the machine with the key in the dashboard unattended.

Use this machine in the presence of light.

IMPORTANT:

The manufacturer cannot be held responsible for damage in the event that the machine is used for purposes other than those it was designed for.

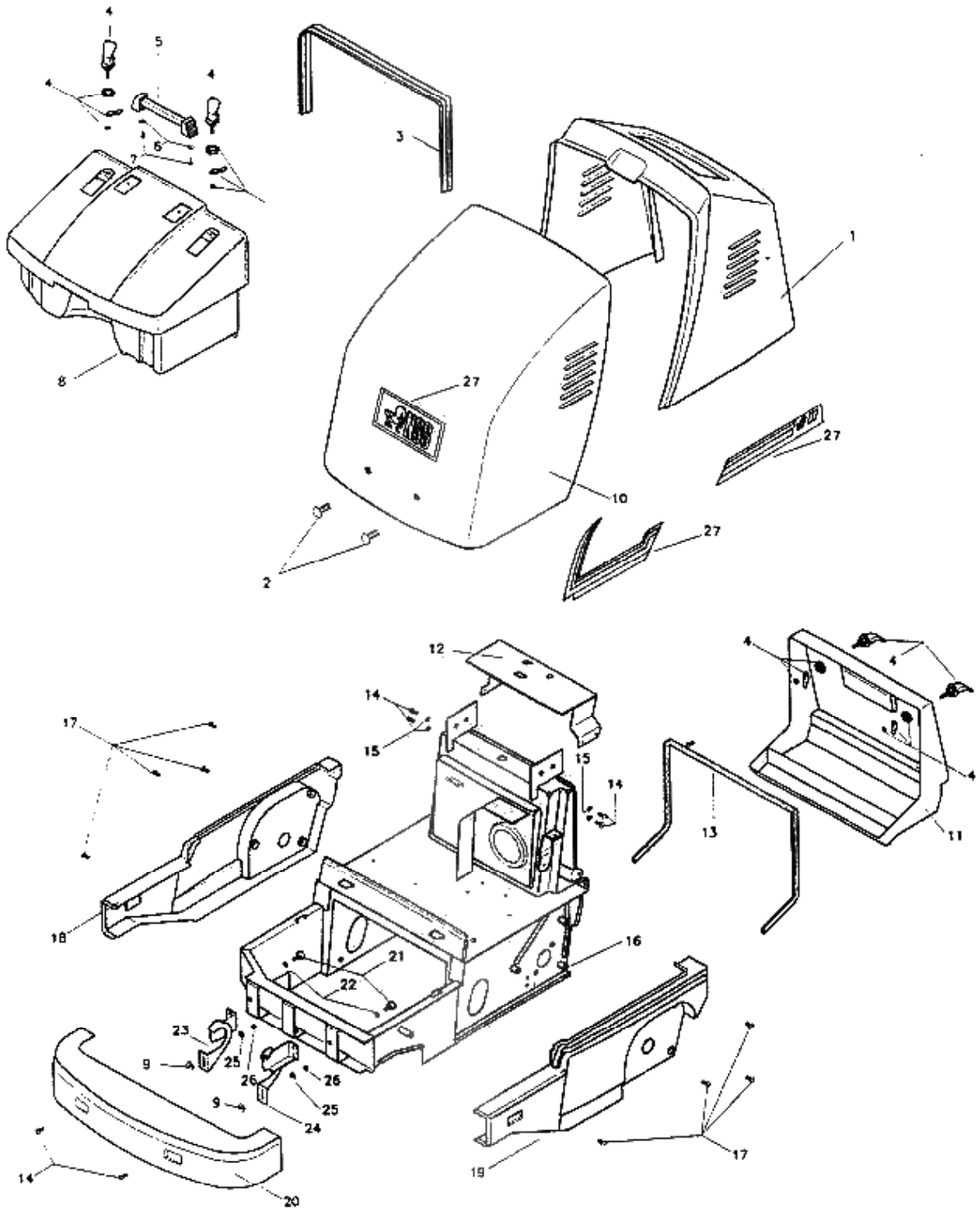
This machine **must never** be tampered with for any reason whatsoever ever; in this event, the manufacture will accept no responsibility for improper use or damage to the machine.



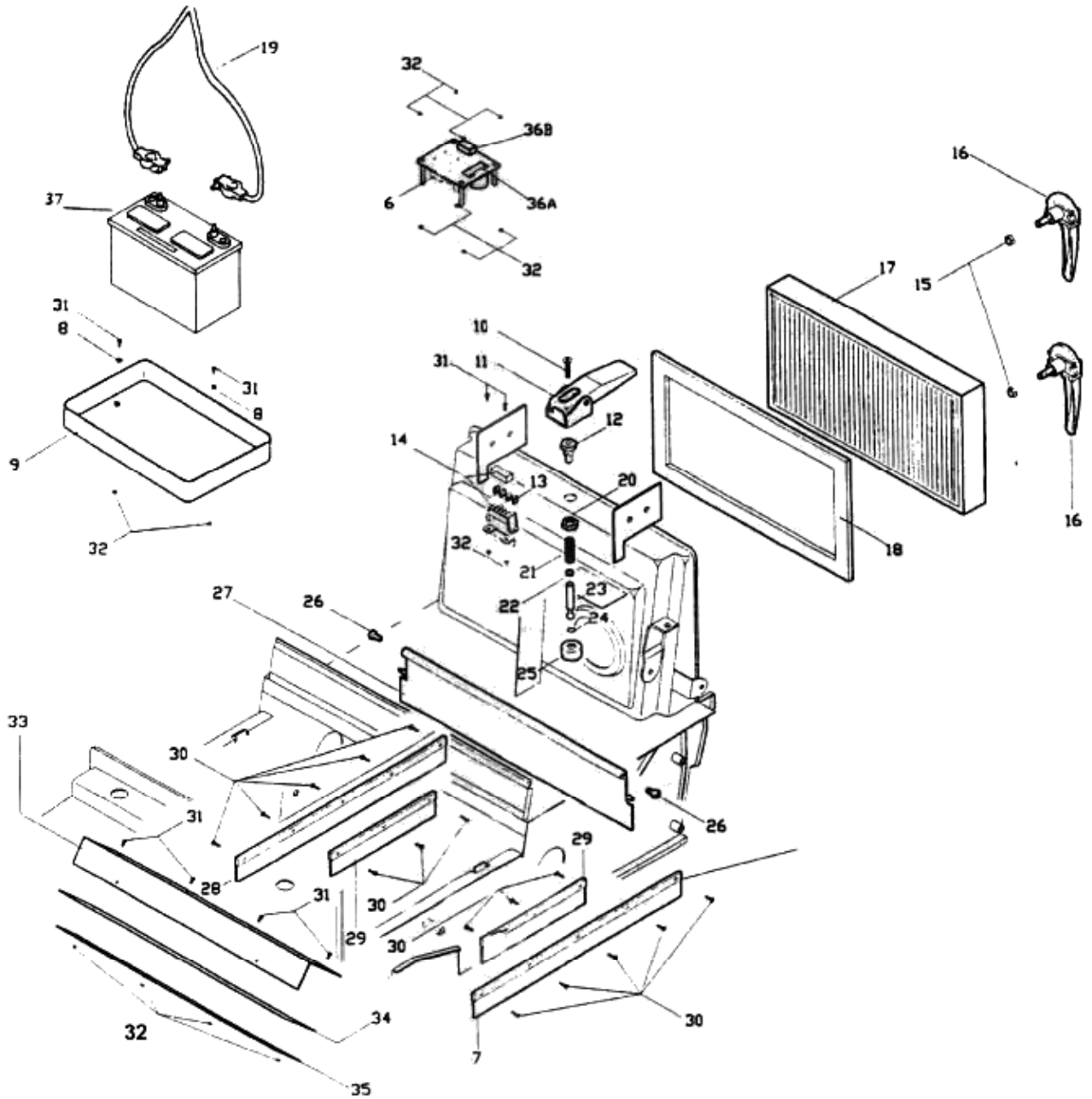
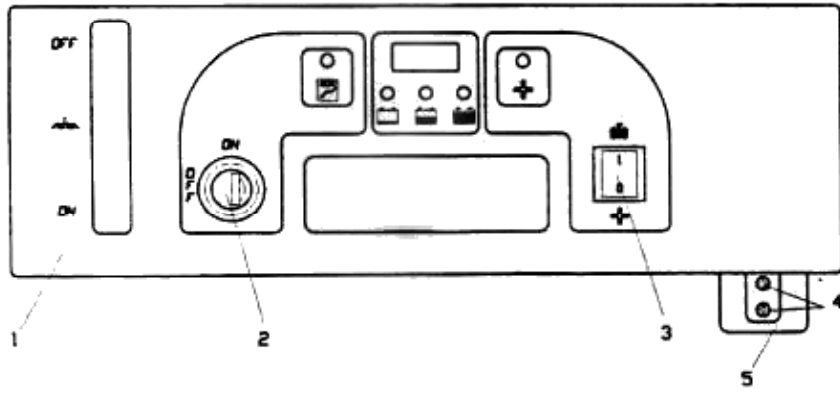
PART NO.	DESCRIPTION	QTY.
63-9-416-1	MAIN BRUSH MOTOR	1
63-9-416-1	GEAR MOTOR	1
63-9-467-1	DRIVE MOTOR	1
63-9-480-1	50 AMP BAR FUSE	1
63-9-481-1	1.6 AMP / 250VOLT FUSE	1
63-9-344-1	30 AMP FUSE	4
63-9-333-1	KEY SWITCH	1
63-9-334-1	VAC SWITCH	1
63-9-336-1	BATTERY CHARGER CONNECTOR	1
63-9-365-1	BATTERY	1

B = BLACK
R = RED
BL = BLUE
BR = BROWN

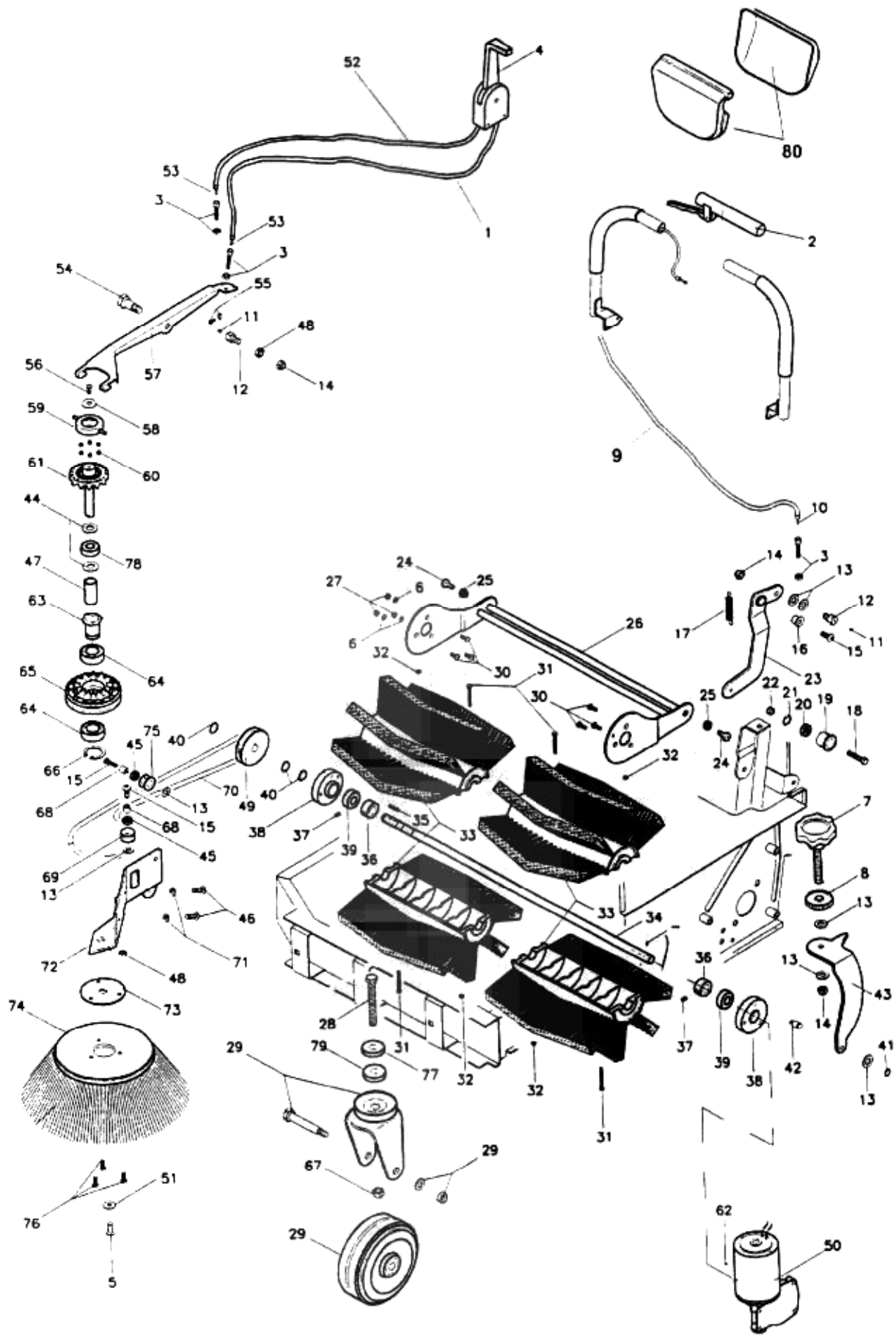
ITEM NO.	PART NO.	DESCRIPTION	QTY.
1	63-9-314-1	BATTERY / MOTOR COVER - BLACK	1
2	63-9-471-1	SCREW, HOOD	2
3	63-9-366-1	GASKET, HOPPER	1
4	63-9-316-1	TEK LOCKING	4
5	63-9-318-1	COMPLETE HANDLE	1
6	63-9-319-1	WASHER, 6 X 24 X 2	2
7	63-9-322-1	SCREW, 6.3 X 19	2
8	63-9-317-1	HOPPER, DIRT - BLACK	1
9	63-9-472-1	BUSHING, HINGE	2
10	63-9-473-1	HOOD, BLACK	1
11	63-9-331-1	BACK DRAWER	1
12	63-9-474-1	DASH BOARD	1
13	63-9-320-1	REINFORCED GASKET	1
14	63-9-321-1	SCREW, 8 X 16	6
15	63-9-380-1	WASHER 8 X 17	4
16	63-9-323-1	FRAME	1
17	63-9-412-1	SCREW, 8 X 10	8
18	63-9-325-1	RIGHT SIDE COVER - BLACK	1
19	63-9-326-1	LEFT SIDE COVER - BLACK	1
20	63-9-327-1	FRONT FRAME COVER - BLACK	1
21	63-9-328-1	SCREW, 8 X 16	2
22	63-9-329-1	NUT, M6, FOOT	2
23	63-9-476-1	RIGHT HINGE	1
24	63-9-477-1	LEFT HINGE	1
25	63-9-478-1	BUSHING	2
26	63-9-414-1	LOCK NUT M8	2
27	63-9-310-1	LABEL SET	1



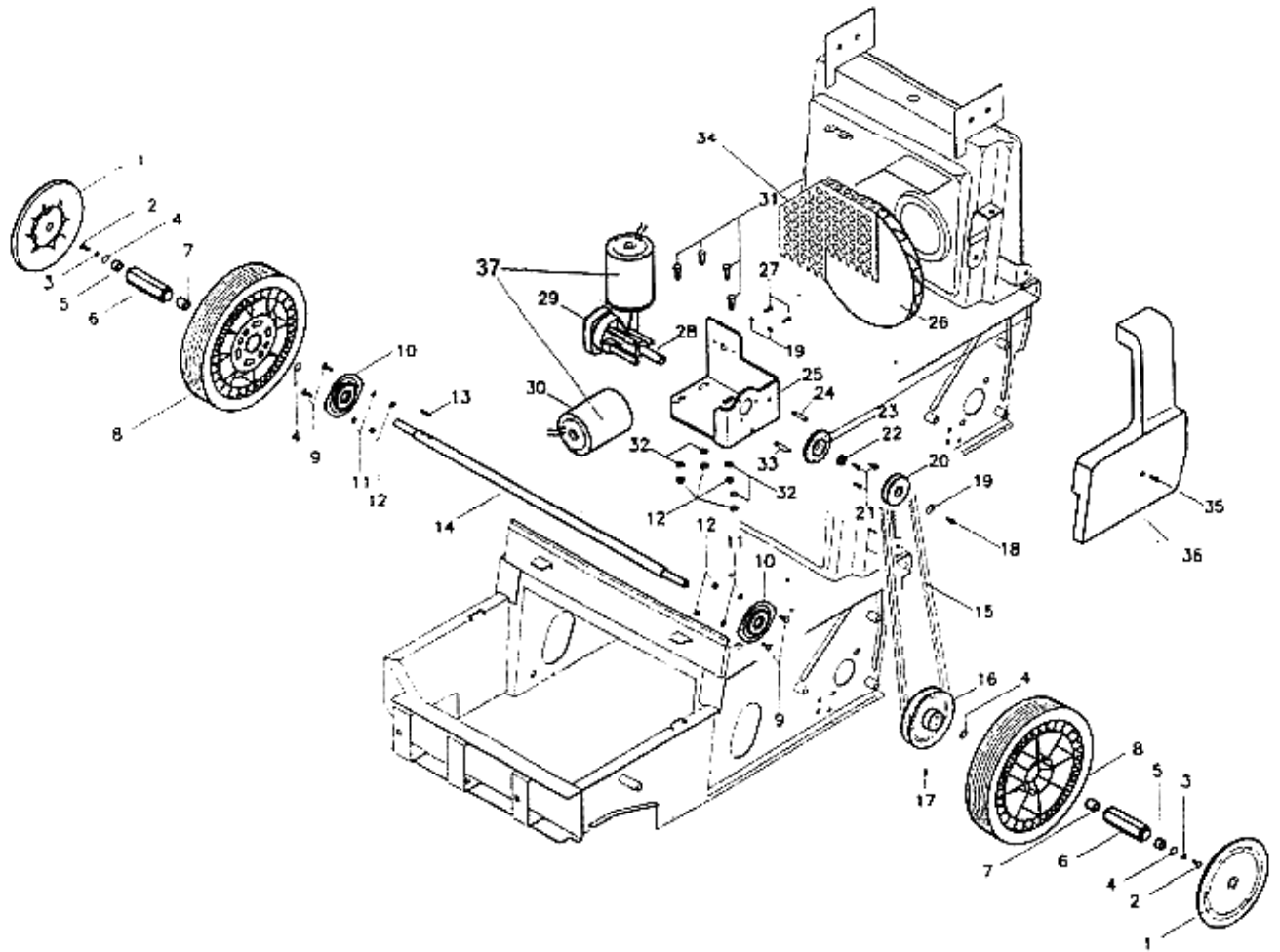
ITEM NO.	PART NO.	DESCRIPTION	QTY.
1	63-9-332-1	DASHBOARD DECAL	1
2	63-9-333-1	KEY SWITCH	1
3	63-9-334-1	SWITCH, VAC	1
4	63-9-335-1	SCREW, 5 X 20	2
5	63-9-336-1	BATTERY CHARGER CONNECTOR	1
6	63-9-337-1	CIRCUIT BOARD	1
7	63-9-338-1	LEFT SIDE FLAP	1
8	63-9-339-1	WASHER, 5 X 10	2
9	63-9-340-1	BATTERY CONTAINER	1
10	63-9-341-1	SCREW, 6 X 25	1
11	63-9-342-1	COMPLETE FILTERSHAKERS LEVER	1
12	63-9-343-1	FILTERSHAKERS RAIL	1
13	63-9-344-1	FUSE 30 AMP	4
14	63-9-345-1	FUSE BOX AND COVER	1
15	63-9-315-1	NUT M8	2
16	63-9-330-1	UNLOCKING FILTER HANDLE	2
17	63-9-346-1	FILTER	1
	63-9-506-1	HOSPITAL GRADE FILTER - OPTIONAL	
18	63-9-347-1	GASKET, FILTER	1
19	63-9-348-1	BATTERY LEADS	1
20	63-9-349-1	NUT, M18	1
21	63-9-350-1	FILTERSHAKERS SPRING	1
22	63-9-351-1	GASKET	1
23	63-9-352-1	PIN	1
24	63-9-353-1	INNER SNAP RING	1
25	63-9-354-1	ARTICULATED BAR	1
	63-9-479-1	COMPLETE FILTERSHAKER JOINTED ROD ASSEMBLY (INCLUDES 22, 23, 24, & 25)	1
26	63-9-355-1	SCREW, 10 X 16	2
27	63-9-356-1	BACKSIDE FLAP	1
28	63-9-357-1	RIGHT SIDE FLAP	1
29	63-9-358-1	INNER FLAP	2
	63-9-486-1	FLAP KIT (INCLUDES 7, 28, & 2 OF 29)	1
30	63-9-359-1	SCREW, 3.5 X 9.5	16
31	63-9-360-1	SCREW, 4 X 16	8
32	63-9-361-1	NUT, M4	8
33	63-9-362-1	CLAMP, FRONT GUARD	1
34	63-9-363-1	GUARD, FRONT RUBBER	1
35	63-9-364-1	SKIRT, HOPPER	1
36A	63-9-480-1	FUSE, 50 AMP	1
36B	63-9-481-1	FUSE 1.6	1
37	63-9-365-1	12 VOLT BATTERY	1



ITEM	PART NO.	DESCRIPTION	QTY.
1	63-9-368-1	CASING, SIDE BRUSH CABLE - REAR	1
2	63-9-369-1	HANDLE, DRIVE	1
3	63-9-370-1	TURNED ADJUSTER	3
4	63-9-371-1	LEVER, SIDEBRUSH DRIVE	1
5	63-9-372-1	SCREW, 6 X 16	1
6	63-9-373-1	WASHER, 6 X 12	6
7	63-9-374-1	HANDWHEEL, 12 X 67	1
8	63-9-375-1	KNURLED RINGNUT, M12	1
9	63-9-376-1	DRIVE CABLE SHEATH	1
10	63-9-377-1	DRIVE CABLE	1
11	63-9-378-1	DOWEL 5 X 6	2
12	63-9-379-1	SCREW, WIRE FIXING	2
13	63-9-380-1	WASHER, 8 X 17	7
14	63-9-381-1	LOCK NUT, M8	3
15	63-9-382-1	SCREW, 8 X 25	3
16	63-9-383-1	BELT TIGHTENER BEARING	1
17	63-9-384-1	TRACTION SPRING	1
18	63-9-385-1	SCREW TIGHTENER ROLLER	1
19	63-9-386-1	BELT TIGHTENER ROLL	1
20	63-9-387-1	BEARING, ROLL	1
21	63-9-388-1	INNER SNAP RING, ROLL	1
22	63-9-389-1	SPACER, ROLL	1
23	63-9-390-1	BELT TIGHTENER BRACKET	1
24	63-9-391-1	PIN FOR ROCKER	2
25	63-9-392-1	ROCKER BUSHING	2
26	63-9-393-1	ROCKER	1
27	63-9-394-1	LOCK NUT, M6,	6
28	63-9-395-1	SCREW, 12 X 40	1
29	63-9-396-1	CASTER	1
30	63-9-397-1	SCREW, 6 X 20	6
31	63-9-398-1	SCREW, 5 X 70	4
32	63-9-367-1	NUT, M5	4
33	63-9-399-1	BRUSH, MAIN (SET OF 4 BRUSHES)	1
	63-9-501-1	BRUSH, MAIN - OPTIONAL STEEL MIX	
	63-9-502-1	BRUSH, MAIN-OPTIONAL STIFF WHITE	
34	63-9-400-1	BRUSH SHAFT	1
35	63-9-401-1	KEY, 5 X 5 X 15	1
36	63-9-402-1	SPACER BRUSH SHAFT	2
37	63-9-403-1	DOWEL, 6 X 5	2
38	63-9-404-1	BEARING SUPPORT, BRUSH	2
39	63-9-405-1	BEARING, BRUSH	2
40	63-9-406-1	SNAP RING - PULLEY END	3
41	63-9-407-1	SNAP RING - OPPOSITE PULLEY END	1
42	63-9-408-1	BRUSH ADJUSTING FIXING PIVOT	1
43	63-9-409-1	MAIN BRUSH ADJUSTMENT BRACKET	1
44	63-9-410-1	SIDE ARMS FELT WASHER	2
45	63-9-411-1	BEARING, PULLEY	2
46	63-9-412-1	SCREW, 8 X 10	2
47	63-9-413-1	SIDE BRUSH SHAFT SPACER	1
48	63-9-414-1	NUT, M8, SIDE BRUSH	2
49	63-9-415-1	PULLEY, BRUSH	1
50	63-9-416-1	GEAR MOTOR	1
51	63-9-319-1	WASHER, 6 X 24	1
52	63-9-417-1	CASING, SIDE BRUSH CABLE - FRONT	1
53	63-9-418-1	CABLE, LIFT SIDE BRUSH	1
54	63-9-419-1	PIN, 17 X 34	1
55	63-9-420-1	CLAMP, UPPER SIDE BRUSH	1
56	63-9-421-1	SCREW, 8 X 22 - UPPER	1
57	63-9-422-1	SIDE BRUSH LIFTING LEVER	1
58	63-9-423-1	WASHER, 8 X 22	1
59	63-9-424-1	CLAMP, LOWER SIDE BRUSH	1
60	63-9-425-1	SCREW, 8 X 22 - LOWER	6
61	63-9-426-1	SIDE BRUSH MOVING TOOTHED RING	1
62	63-9-465-1	KEY 3 X 3	1
63	63-9-428-1	BUSHING FOR BEARINGS	1
64	63-9-429-1	BEARING, LOWER SIDE BRUSH	2
65	63-9-430-1	IDLE TOOTHED RING	1
66	63-9-431-1	OUTER SNAP RING, SIDE BRUSH	1
67	63-9-432-1	LOCK NUT, M12	1
68	63-9-433-1	SPACER, PULLEY	2
69	63-9-434-1	PULLEY, 27 X 15	1
70	63-9-435-1	BELT, BRUSH SIDE	1
71	63-9-436-1	WASHER, 8 X 24	2
72	63-9-437-1	SIDE BRUSH SUPPORT	1
73	63-9-438-1	SIDE BRUSH DRAGGING FLANGE	1
74	63-9-439-1	SIDE BRUSH	1
	63-9-503-1	SIDE BRUSH - OPTIONAL STIFF	
75	63-9-440-1	PULLEY, 30 X 1	1
76	63-9-441-1	SCREW, 6 X 10	3
77	63-9-442-1	SPACER, CASTER	1
78	63-9-443-1	BEARING, UPPER BRUSH	1
79	63-9-482-1	SPACER	1
80	63-9-483-1	HANDLE CASING	2



ITEM NO.	PART NO.	DESCRIPTION	QTY.
1	63-9-444-1	COVER, WHEEL, BLACK	2
2	63-9-445-1	SCREW, 6 X 10 - WHEEL	2
3	63-9-319-1	WASHER 6 X 24	2
4	63-9-446-1	OUTER SNAP RING, WHEEL	4
5	63-9-447-1	BEARING, WHEEL	2
6	63-9-448-1	HEXAGONAL BUSHING	2
7	63-9-443-1	BEARING	2
8	63-9-449-1	WHEEL, 10 INCH	2
	63-9-488-1	RIGHT WHEEL ASSEMBLY (INCL. 4, 5, 6, 7, & 8)	1
	63-9-489-1	LEFT WHEEL ASSEMBLY (INCL. 4, 5, 6, 7, & 8)	1
9	63-9-469-1	SCREW, 6 X 16	4
10	63-9-450-1	SUPPORT	2
11	63-9-373-1	WASHER, 6 X 12	4
12	63-9-394-1	LOCK NUT, M6	8
13	63-9-451-1	KEY, 5 X 5 X 25	1
14	63-9-452-1	DRIVE SHAFT	1
15	63-9-453-1	BELT, DRIVE	1
16	63-9-454-1	PULLEY, WHEEL DRIVE	1
17	63-9-455-1	DOWEL, 6 X 10	1
18	63-9-456-1	SCREW, 4 X 12	1
19	63-9-457-1	WASHER, 5 X 20	3
20	63-9-458-1	PULLEY, MOTOR DRIVE	1
21	63-9-470-1	SCREW, 6 X 20	3
22	63-9-459-1	BEARING, MOTOR	1
23	63-9-460-1	BEARING SUPPORT, MOTOR	1
	63-9-490-1	SUPPORT WITH BEARING ASSEMBLY (INCL. 22 & 23)	1
24	63-9-461-1	BELT SUPPORT PIN	1
25	63-9-462-1	MOTOR SUPPORT	1
26	63-9-463-1	FAN	1
27	63-9-464-1	SCREW, 5 X 16	2
28	63-9-465-1	KEY	1
29	63-9-416-1	GEAR MOTOR	1
30	63-9-467-1	DRIVE MOTOR	1
31	63-9-372-1	SCREW, 6 X 16	4
32	63-9-468-1	WASHER, 6 X 18	4
33	63-9-475-1	PIVOT	1
34	63-9-484-1	FAN GUARD	1
35	63-9-441-1	SCREW, 6 X 16	1
36	63-9-485-1	AIR SHROUD	1
37	63-9-495-1	CARBON BRUSH (ALL MOTORS)	2





NSS® Enterprises, Inc.

3115 FRENCHMENS ROAD, TOLEDO, OHIO 43607-2958

PHONE (419) 531-2121 • FAX (419) 531-3761

**NSS® Enterprises, Inc.
European Distribution Centre**

Unit II, Pinfold Trading Estate • 55 Nottingham Road
STAPLEFORD, NOTTINGHAM NG9 8AD ENGLAND U.K.

PHONE: (44) 0115 939 1568 • FAX: (44) 0115 949 0615

Sidewinder 28B Illustrated Parts List Orig. 06-99 9097131