

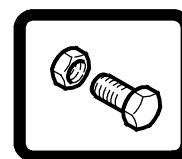
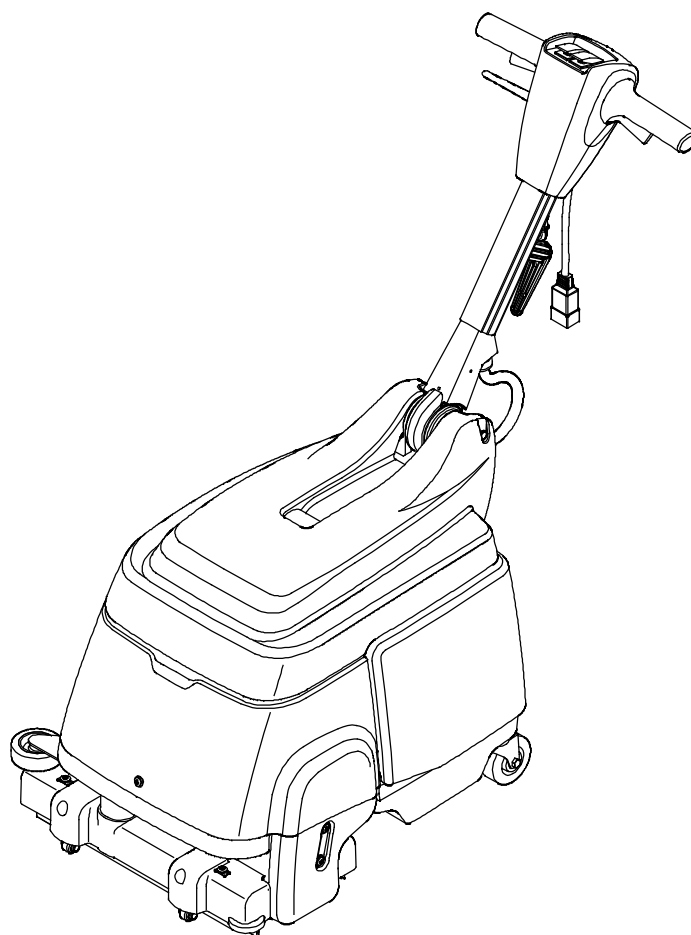


Model 9004200 - 120V

SPEED SCRUB®

CORDED FLOOR SCRUBBER
(S/N 10000000-20000000)

PARTS MANUAL



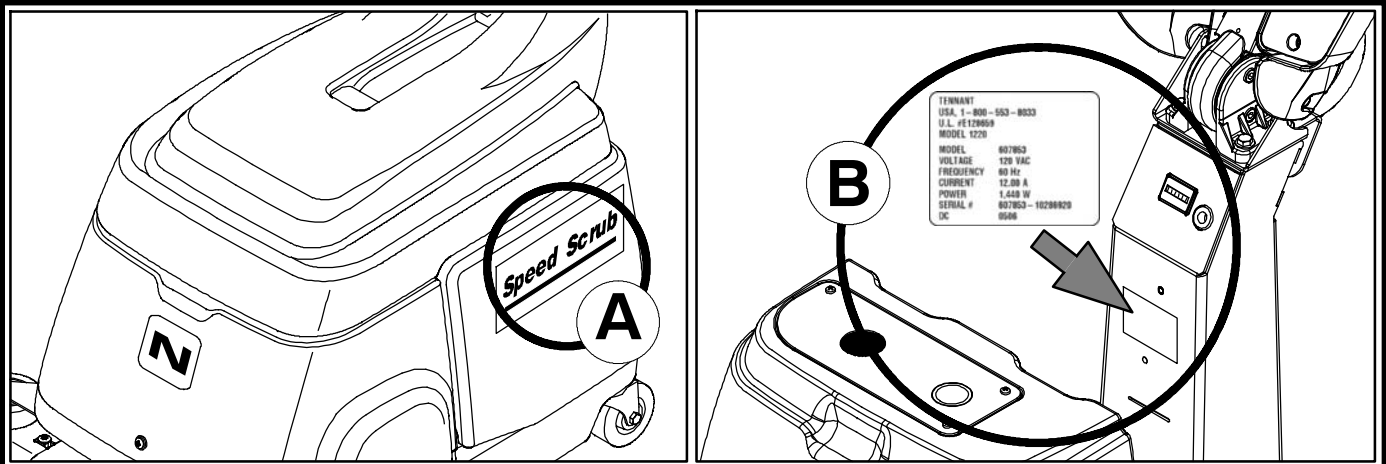
For the latest Parts manuals and other
language Operator manuals, visit:

www.nobles.com/manuals

www.nobles.com

9006288
Rev. 05 (04-2016)





Ref	Part No.	Serial Number	Description	Qty.
1	82681	(000000-)	Bracket Wldt, Lpg Mount	1
▽ 2	63810	(000000-)	Latch Assy, Lpg Tank Mtg, W/Nut	4
▲ 3	51839	(000000-)	Nut Adjustable, Lpg Tank Mtg	2
4	49263	(000000-)	Tie, Cable	3
(D)	82556	(000000- 001039)	Bracket, Vaporizer	1
	54930	(000000-)	Vaporizer, LPG	1

HOW TO ORDER PARTS - See diagram above

Only use TENNANT Company supplied or equivalent parts. Parts and supplies may be ordered online, by phone, by fax or by mail.

Follow the steps below to ensure prompt delivery.

1. (A) Identify the machine model.
2. (B) Identify the machine serial number from the data label.
3. (C) Ensure the proper serial number is used from the parts list.
4. Identify the part number and quantity.
Do not order by page or reference numbers.
5. Provide your name, company name, customer ID number, billing and shipping address, phone number and purchase order number.
6. Provide detail shipping instructions.

- (D) ▽ - identifies an assembly
 ▲ - identifies parts included in assembly

Please fill out at time of installation for future reference.

Model No. - _____

Serial No. - _____

Machine Options - _____

Sales Rep. - _____

Sales Rep. phone no. - _____

Customer ID Number - _____

Installation Date - _____

Tennant Company

PO Box 1452
 Minneapolis, MN 55440
 Phone: (800) 553-8033 or (763) 513-2850

www.nobles.com

Specifications and parts are subject to change without notice.

Copyright © 2009-2016 TENNANT Company, Printed in U.S.A.

STANDARD PARTS

RECOMMENDED MAINTENANCE ITEMS 5
HANDLE GROUP 6
FRAME GROUP 8
TANKS AND SHROUD GROUP 10
TANK COVER GROUP 12
VACUUM FAN GROUP 14
SOLUTION GROUP 16
SCRUB HEAD GROUP
(S/N 10507590-) 18
SCRUB HEAD GROUP
(S/N 10000000- 10507589) 20
SCRUB HEAD LIFT GROUP 22
SQUEEGEE GROUP, FRONT AND REAR 24
ELECTRICAL DIAGRAM 26

RECOMMENDED MAINTENANCE ITEMS

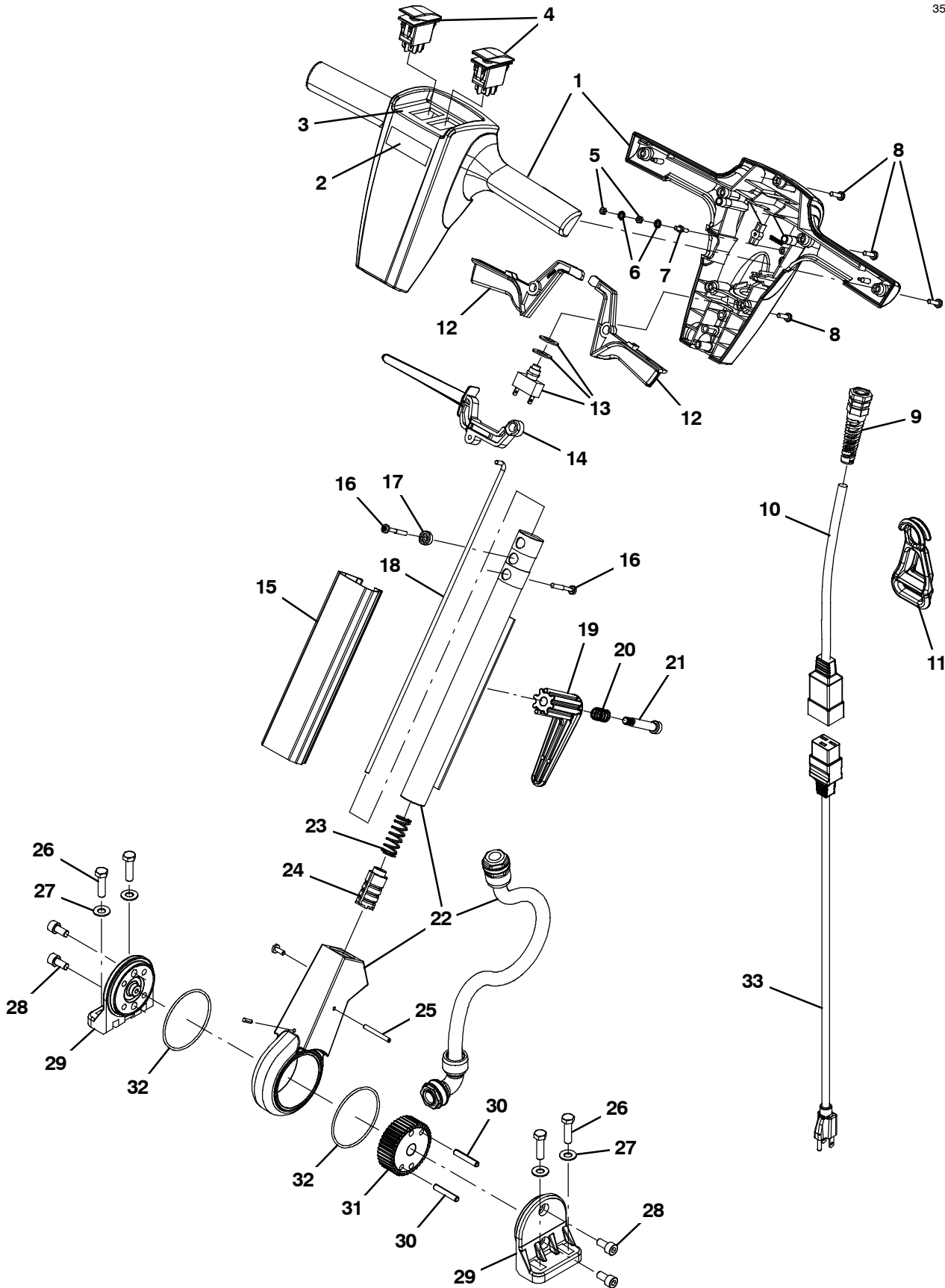
RECOMMENDED MAINTENANCE ITEMS

GENERAL RECOMMENDED MAINTENANCE ITEMS

Ref.	Part No.	Serial Number	Description	Qty.
	1014918	(10000000- 20000000)	Wheel, 03.0d 0.88w 0.31b, W/ Bshg, Rbr	3
	601443	(10000000- 20000000)	Caster, Swivel, 3.0d 1.3w, .50- 13 Stem	2
	9004283	(10000000- 20000000)	Belt Kit, W/ Installation Tool	1
	1037197	(10000000- 20000000)	Brush, Scrub, 89mm Od X 386mm, Nylon (Standard)	1
	1037277	(10000000- 20000000)	Brush, Scrub, 89mm Od X 386mm, Poly (Optional)	1
	1037278	(10000000- 20000000)	Brush, Scrub, 89mm Od X 386mm, Grit (Optional)	1
	9008581	(10000000- 20000000)	Wheel Kit, Sqge, W/ Hdwr	1
	1057241	(10000000- 20000000)	Blade Assy, Sqge, Inner, Ure	2
	1050943	(10000000- 20000000)	Blade Assy, Sqge, Outer, Ure	2
	1052876	(10000000- 20000000)	Gasket, Tank	2
	1074694	(10000000- 20000000)	Filter, Tube, Soltn, 200mesh	1

HANDLE GROUP

355054



HANDLE GROUP

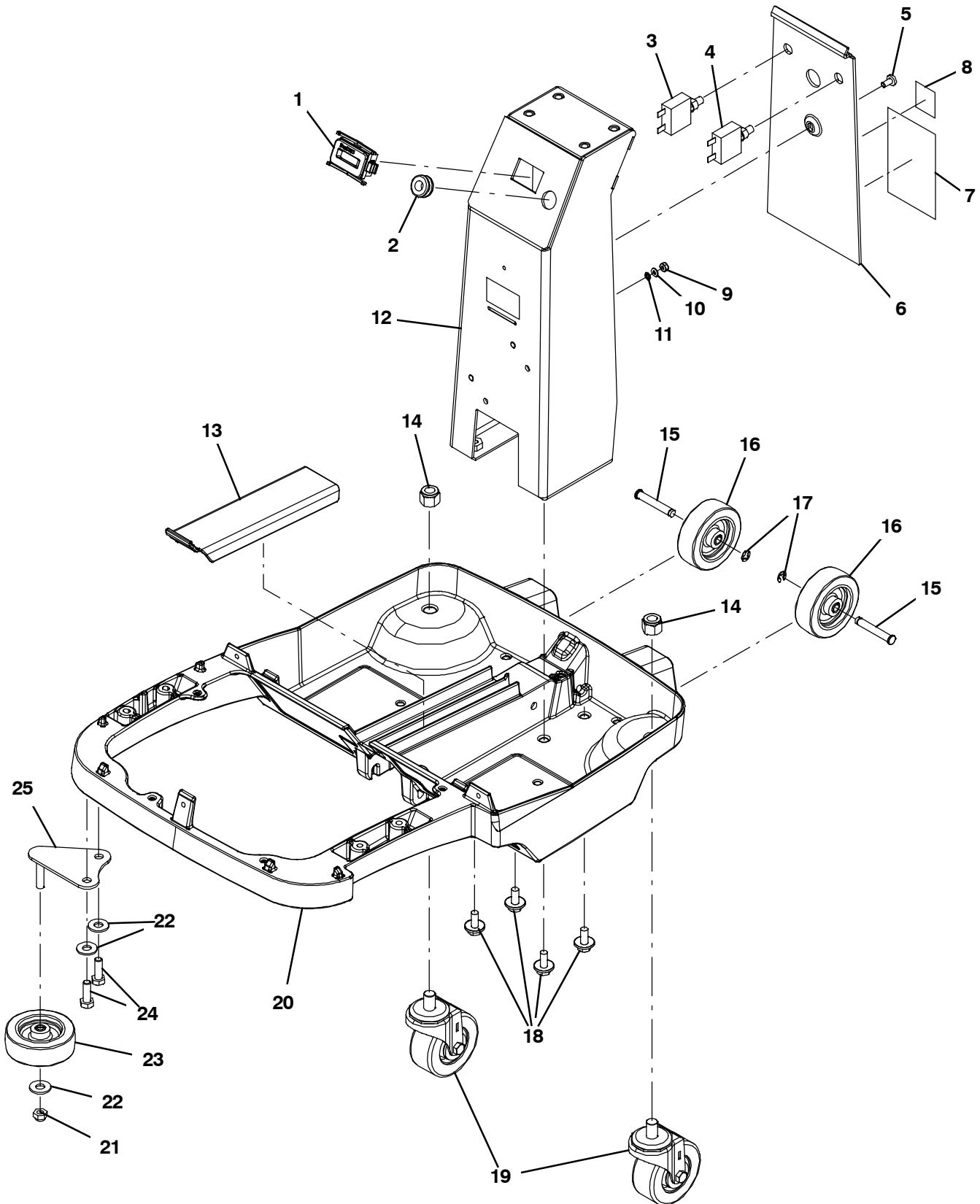
Ref.	Part No.	Serial Number	Description	Qty.
▽	9005511	(10000000- 20000000)	Handle, Nobles Speed Scrub 15"	1
▲▽	1 9004323	(10000000- 20000000)	Cover, Handle Front/Rear Nobles Ss Kit	1
▲▲	2 1039088	(10000000- 20000000)	Label, Logo, Handle [Nobles]	1
▲▲	3 1037324	(10000000- 20000000)	Label, Opertnl, Instrmt Panl, Scrubber	1
▲	4 602919	(10000000- 20000000)	Switch, Rocker, Dpdt, On / On	2
▲	5 42368	(10000000- 20000000)	Nut, Hex, Std, M4 X 0.70, 8	2
▲	6 140061	(10000000- 20000000)	Washer, Lock, Ext, 08, Pl	2
▲	7 1034952	(10000000- 20000000)	Screw, Hex, M4 X 0.7 X 12, Dbl Thrd	1
▲	8 1043573	(10000000- 20000000)	Screw, #10- 14 X 0.675, Spl[Shcs,Selftap]	7
▲	9 130166	(10000000- 20000000)	Grip, Cord, Strainrelief Pg- 11 W/Nut Bk	1
▲	10 1042410	(10000000- 20000000)	Cord, 14ga /3, 16.0l, W/ Receptacle, Yel	1
▲	11 1037147	(10000000- 20000000)	Clip, Cord, Strainrelief, Black	1
▲	12 1033893	(10000000- 20000000)	Lever, Cntrl, Switch [Trex]	2
▲	13 9008568	(10000000- 20000000)	Switch Kit, W/ Washers, Fr/ F/1063165	1
▲	14 1034945	(10000000- 20000000)	Lever, Adjmt, Handle	1
▲	15 1036599	(10000000- 20000000)	Cover, Handle, Nobles [Trex]	1
▲	16 1043572	(10000000- 20000000)	Screw, #10- 14 X 01.5, Spl[Shcs Selftap]	2
▲	17 1034176	(10000000- 20000000)	Bushing, Flng, 5mmb 12mmd 8mml, Pa6	1
▲	18 1034180	(10000000- 20000000)	Rod, Release [Trex]	1
▲	19 603104	(10000000- 20000000)	Hook, Cord, Blk [Quick- Release]	1
▲	20 603108	(10000000- 20000000)	Spring, Cmpr, Switch	1
▲	21 140239	(10000000- 20000000)	Bolt, Shld, .38d X 1.75, .31- 18	1
▲	22 1045239	(10000000- 20000000)	Tube, Assy, Handle [W/harnesses]	1
▲	23 1013295	(10000000- 20000000)	Spring, Cmpr [2100 Series]	1
▲	24 9006059	(10000000- 20000000)	Plunger Kit, Handle	1
▲	25 1034924	(10000000- 20000000)	Pin, Roll, 04mmd X 40mml	1
▲	26 1016399	(10000000- 20000000)	Screw, Hex, M8 X 1.25 X 30, NI, Ss	4
▲	27 140027	(10000000- 20000000)	Washer, Flat, 0.35b 0.75d .04, Ss	4
▲	28 49609	(10000000- 20000000)	Screw, Soc, M8 X 1.25 X 16, 12.9	4
▲	29 1000307	(10000000- 20000000)	Handle, Pivot, Half	2
▲	30 1034155	(10000000- 20000000)	Pin, Roll, 06mmd X 36mml	2
▲	31 1034872	(10000000- 20000000)	Gear, Lock, Handle	1
▲	32 612422	(10000000- 20000000)	Seal, Org, Gear Seat	2
	33 1042403	(10000000- 20000000)	Cord, Power, 1.5mm /3 Yel[2x15m 50ft Us]	1

▽ ASSEMBLY

▲ INCLUDED IN ASSEMBLY

FRAME GROUP

355056



FRAME GROUP

Ref.	Part No.	Serial Number	Description	Qty.	
1	1064038	(10000000- 20000000)	Gauge, Hourmeter, 05- 277 Volt, Ac / Dc	1	
2	86726	(10000000- 20000000)	Grommet, Rbr, 0.44id, F/0.5h, .19 Matl	1	
3	383720	(10000000- 20000000)	Circuitbreaker, 05.0a, Resetable	1	
4	383722	(10000000- 20000000)	Circuitbreaker, 15.0a, Resetable	1	
5	74027	(10000000- 20000000)	Screw, Pan, Phl, M6 X 1.00 X 12, NI, PI	1	
▽	6	9004277	(10000000- 20000000)	Cover Kit, Column, W/ Label [3gal 120v]	1
▲	7	1039105	(10000000- 20000000)	Label,Warning,Ac Scrbr/Extr [En/Fr/Es/Jp]	1
▲	8	NA	(10000000- 20000000)	Label, Safety, 120vac [Et]	1
9	1044427	(10000000- 20000000)	Nut, Hex, Lock, #8- 32, NI, Ss	1	
10	41578	(10000000- 20000000)	Washer, Flat, 06, Ss	1	
11	02938	(10000000- 20000000)	Washer, Lock, Int, 08, Ss	1	
12	9004276	(10000000- 20000000)	Column Kit, Sppt, W/ Label [3 Gal]	1	
13	1030718	(10000000- 20000000)	Cover, Frame, Rear [Trex]	1	
14	02931	(10000000- 20000000)	Nut, Hex, Lock, .50- 13, NI, Ss	2	
15	1035137	(10000000- 20000000)	Pin, Clevis, Grvd 0.31d X 2.00l, Ss	2	
16	1014918	(10000000- 20000000)	Wheel, 03.0d 0.88w 0.31b, W/ Bshg, Rbr	2	
17	1035139	(10000000- 20000000)	Ring, Retaining, Ext, 0.31d, E- Type	2	
18	1020341	(10000000- 20000000)	Screw, Hex, M8 X 1.25 X 20, Ss, Sems	4	
19	601443	(10000000- 20000000)	Caster, Swivel, 3.0d 1.3w, .50- 13 Stem	2	
20	1034013	(10000000- 20000000)	Frame (Machined)	1	
21	08713	(10000000- 20000000)	Nut, Hex, Lock, M8 X 1.25, NI, Ss	1	
22	140027	(10000000- 20000000)	Washer, Flat, 0.35b 0.75d .04, Ss	3	
23	1014918	(10000000- 20000000)	Wheel, 03.0d 0.88w 0.31b, W/ Bshg, Rbr	1	
24	49826	(10000000- 20000000)	Screw, Hex, M8 X 1.25 X 16, NI, Ss	2	
25	1034805	(10000000- 20000000)	Bracket, Bumper Wheel	1	
N/S	1033825	(10000000- 20000000)	Harness, Chassis, Ele, Scrbr, [T- Rex]	1	

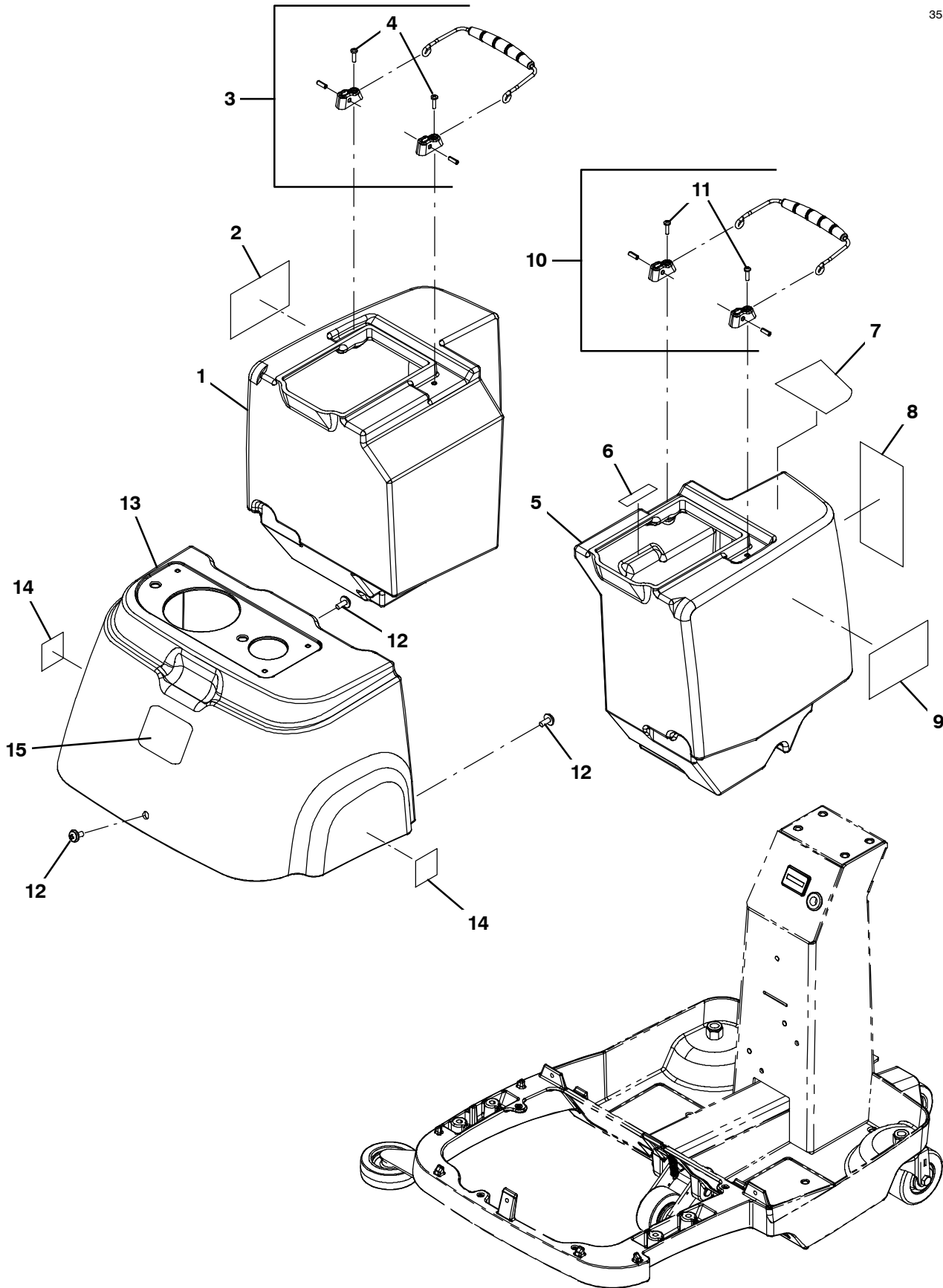
▽ ASSEMBLY

▲ INCLUDED IN ASSEMBLY

N/S = NOT SHOWN

TANKS AND SHROUD GROUP

355074



TANKS AND SHROUD GROUP

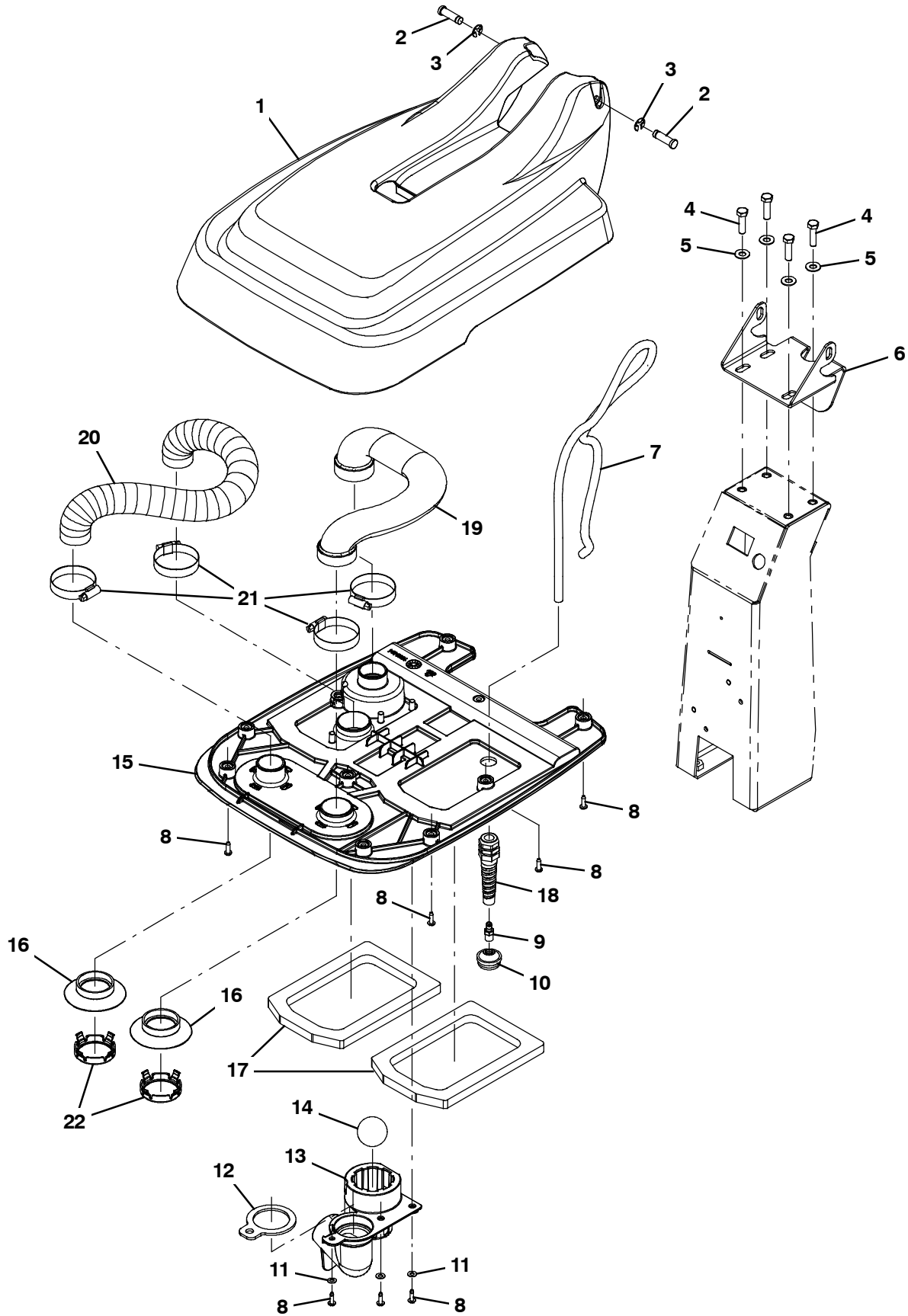
	Ref.	Part No.	Serial Number	Description	Qty.
▽	1	9004313	(10000000- 20000000)	Tank, Rec W/ Labels Nobles 3 Gal Kit	1
▲	2	1039498	(10000000- 20000000)	Label, Side, Speed Scrub	1
▲▽	3	9004285	(10000000- 20000000)	Handle, Tank Kit	1
▲▲	4	24265	(10000000- 20000000)	Screw, Pan, Phl, M4 X 0.70 X 16, Ss	2
▽	5	9004315	(10000000- 20000000)	Tank, Sol W/ Labels Nobles 3 Gal Kit	1
▲	6	1044865	(10000000- 20000000)	Label, Solution, Tank, Max. Fill, 3 Gal.	1
▲	7	1039138	(10000000- 20000000)	Label, Tank, Soltn, 3.0gal	1
▲	8	1040112	(10000000- 20000000)	Label, Oper, Instr [Scrubber]	1
▲	9	1039498	(10000000- 20000000)	Label, Side, Speed Scrub	1
▲▽	10	9004285	(10000000- 20000000)	Handle, Tank Kit	1
▲▲	11	24265	(10000000- 20000000)	Screw, Pan, Phl, M4 X 0.70 X 16, Ss	2
	12	1019349	(10000000- 20000000)	Screw, Trs, M6 X 1.00 X 16, Ss, Sems	3
▽	13	9004302	(10000000- 20000000)	Shroud, W/ Labels Nobles 3 Gal Kit	1
▲	14	578769	(10000000- 20000000)	Decal, Moving Parts Textless	2
▲	15	1034636	(10000000- 20000000)	Label, Front, 3.00 [Nobles Icon]	1

▽ ASSEMBLY

▲ INCLUDED IN ASSEMBLY

TANK COVER GROUP

355055



TANK COVER GROUP

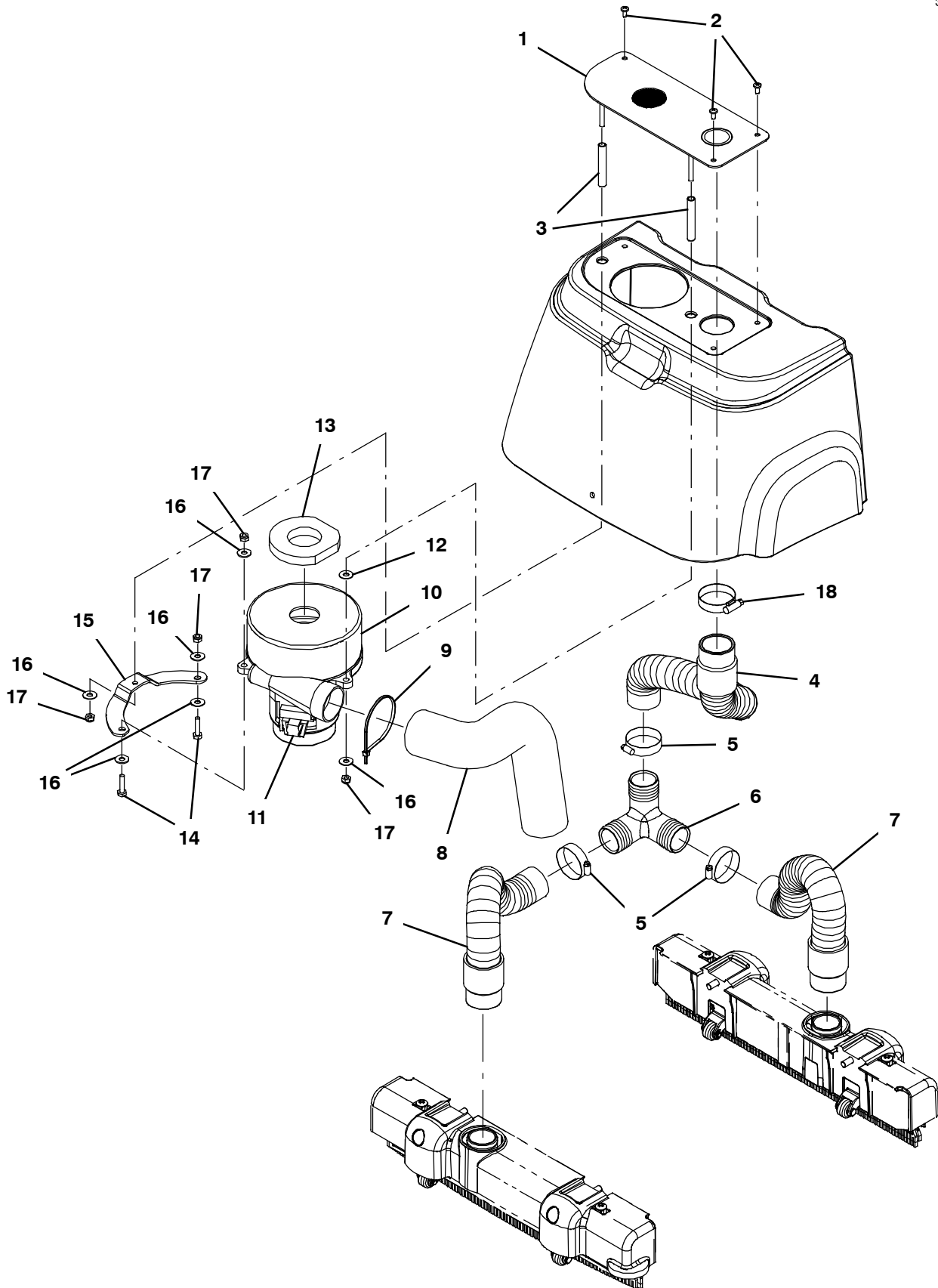
Ref.	Part No.	Serial Number	Description	Qty.	
1	1037759	(10000000- 20000000)	Cover , Tanks, Upper, Nobles [Trex]	1	
2	1035358	(10000000- 20000000)	Pin, Grvd, 0.375d, 1.25l	2	
3	24555	(10000000- 20000000)	Ring, Retaining, Ext, 0.38d, [E- Ring]	2	
4	1016399	(10000000- 20000000)	Screw, Hex, M8 X 1.25 X 30, NI, Ss	4	
5	140027	(10000000- 20000000)	Washer, Flat, 0.35b 0.75d .04, Ss	4	
6	1034346	(10000000- 20000000)	Bracket, Pivot, Cover, Mtg	1	
7	1036078	(10000000- 20000000)	Hose, Soltn, .25 Id, .453 Od, 39.25 L	1	
8	140340	(10000000- 20000000)	Screw, Pan, Phl, 10- 24 X 0.62, Ss[Typ25]	13	
9	1042715	(10000000- 20000000)	Fitting, Brs, Str, Bm04/Pm02	1	
10	1074694	(10000000- 20000000)	Filter, Tube, Soltn, 200mesh	1	
11	140011	(10000000- 20000000)	Washer, Flat, 0.21b 0.45d .03, Ss	2	
12	1051274	(10000000- 20000000)	Gasket, Shield, Float	1	
13	1042277	(10000000- 20000000)	Shield, Float	1	
14	1044370	(10000000- 20000000)	Ball, Float, W/O Cage	1	
▽	15	9005924	(10000000- 20000000)	Cover, Tank, Inner W/ Seals, Kit	1
▲	16	1036090	(10000000- 20000000)	Seal, Vacuum [Trex]	2
▲	17	1052876	(10000000- 20000000)	Gasket, Tank	2
▲	18	602849	(10000000- 20000000)	Strainrelief, Cord, Ele, Pm08, Blk Nyl	1
	19	1035866	(10000000- 20000000)	Hose, Recvy, Formed [Trex]	1
	20	1037756	(10000000- 20000000)	Hose, Vacuum, 1.5od, 18.0l [Wire- Reinf]	1
	21	140308	(10000000- 20000000)	Clamp, Hose, Wormdrive, 1.31- 2.25d, .50w	4
	22	1054345	(10000000- 20000000)	Clip, Retaining, Seal	2

▽ ASSEMBLY

▲ INCLUDED IN ASSEMBLY

VACUUM FAN GROUP

355061



VACUUM FAN GROUP

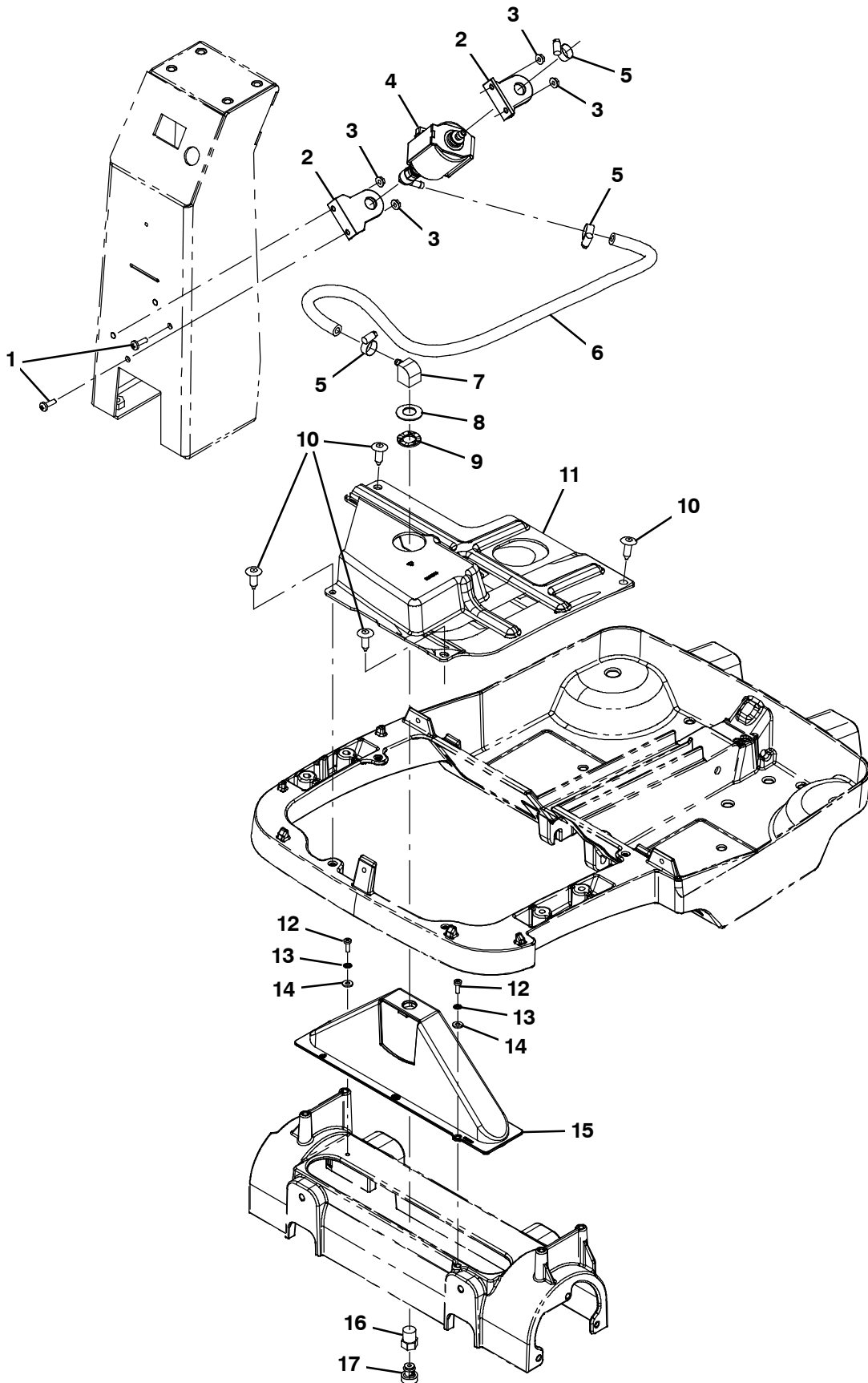
Ref.	Part No.	Serial Number	Description	Qty.
1	1031960	(10000000- 20000000)	Plate, Mtg, Vacuum	1
2	1026454	(10000000- 20000000)	Screw, Pan, Phl, M5 X 0.80 X 10, Ss	3
3	610144	(10000000- 20000000)	Spacer, Fan	2
4	1038394	(10000000- 20000000)	Hose, Vacuum, 38.0id X 380.0l, 1cuff	1
5	79381	(10000000- 20000000)	Clamp, Hose, Wormdrive, 1.25- 2.00d, .50w	3
6	1031965	(10000000- 20000000)	Fitting, Brb, Pvc, 1.5in 3 Way X 90	1
7	1038391	(10000000- 20000000)	Hose, Vacuum, 38.0id X 330.0l, 1cuff	2
8	390677	(10000000- 20000000)	Muffler, Exhaust, Vacfan, Long	1
9	130773	(10000000- 20000000)	Tie, Cable, Nyl, 11.0l, .14w, 3.0 Max. D	1
▽	10 9012566	(10669373- 20000000)	Fan Kit, Vacuum, 5.7d, 120vac, 2 Stage	1
10	1071839	(10000000- 10669372)	Fan, Vacuum, 5.7d, 120 Vac, 2 Stage (Replaced by Kit 9012566)	1
▲	11 1071842	(10669373- 20000000)	Vr, Brush Kit, Vac Fan 1071839	1
▲	12 01684	(10000000- 20000000)	Washer, Flat, 0.27b 0.69d .05, Ss	1
13	630010	(10000000- 20000000)	Gasket, 12.7mm Th, 43mmid 73mmmod	1
14	09007	(10000000- 20000000)	Screw, Hex, M6 X 1.00 X 25, Ss	2
15	1034069	(10000000- 20000000)	Plate, Vac Mounting	1
16	01684	(10000000- 20000000)	Washer, Flat, 0.27b 0.69d .05, Ss	6
17	08708	(10000000- 20000000)	Nut, Hex, Lock, M6 X 1.00, NI	4
18	11531	(10000000- 20000000)	Clamp, Hose, Wormdrive, 1.06- 2.00d, .56w	1

▽ ASSEMBLY

▲ INCLUDED IN ASSEMBLY

SOLUTION GROUP

355060

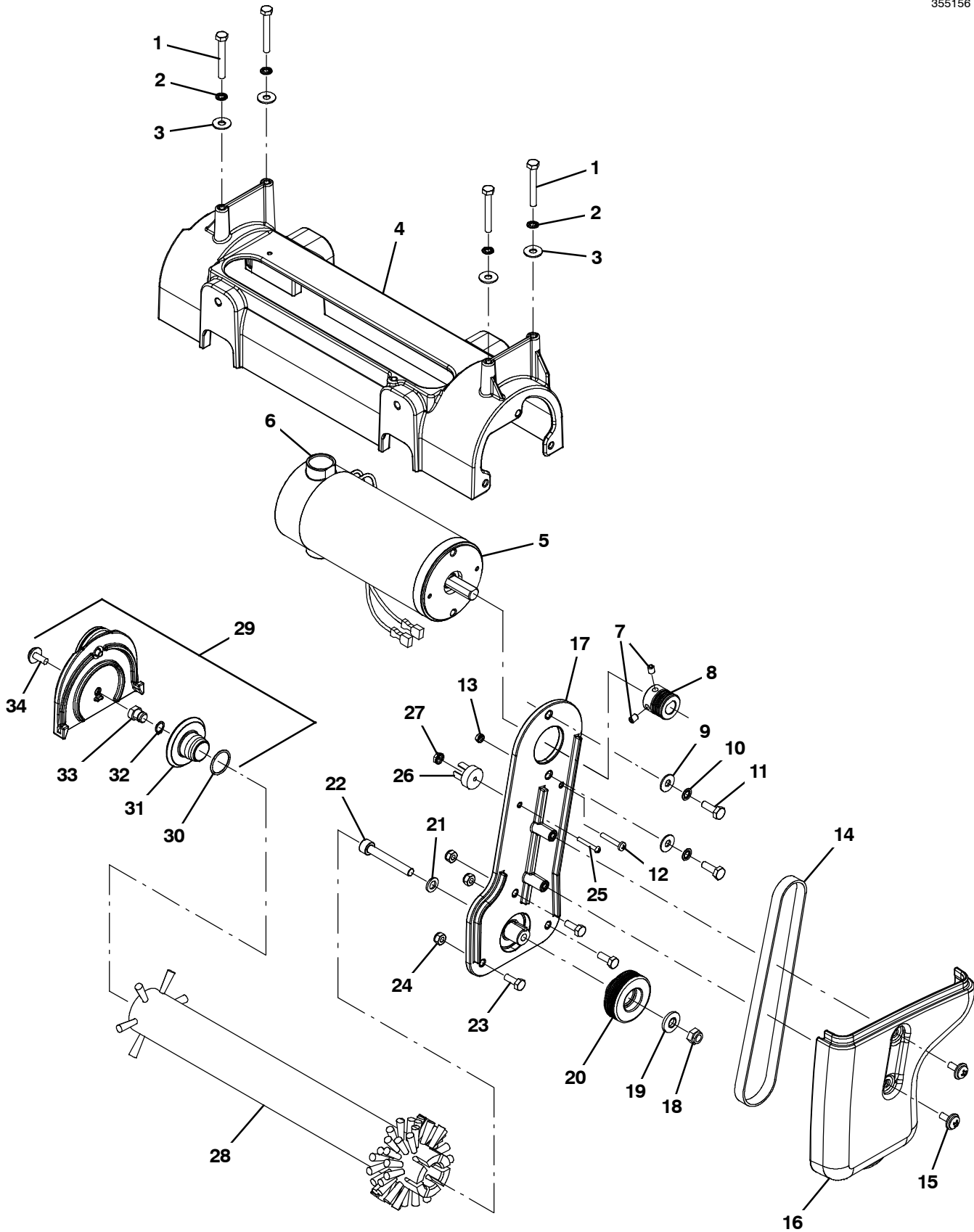


SOLUTION GROUP

Ref.	Part No.	Serial Number	Description	Qty.
1	06933	(10000000- 20000000)	Screw, Pan, Phl, M5 X 0.80 X 16, 4.8	4
2	1036121	(10000000- 20000000)	Mount, Pump, Cp6	2
3	07789	(10000000- 20000000)	Nut, Hex, Flng, M5 X 0.80	4
4	1035850	(10000000- 20000000)	Pump, Solution, Solenoid 120v	1
5	43844	(10000000- 20000000)	Clamp, Hose, Wormdrive, 0.25- 0.62d, .31w	3
6	613435	(10000000- 20000000)	Hose, Pvc, Brd, 0.25id 0.50od 25.9l,Gray (160204)	1
7	1028773	(10000000- 20000000)	Fitting, Brs, E90, Bm04/Pf04	1
8	1035296	(10000000- 20000000)	Washer, Flat, Belleville, .567	1
9	1042714	(10000000- 20000000)	Washer, Wavy, 0.59b 1.01d .02	1
10	140262	(10000000- 20000000)	Rivet, Plstc, .250d, Blk [Xmas Tree]	3
11	1037573	(10000000- 20000000)	Shield, Access [Trex]	1
12	579237	(10000000- 20000000)	Screw, Pan, Phl, M4 X 0.70 X 12, Ss	2
13	02938	(10000000- 20000000)	Washer, Lock, Int, 08, Ss	2
14	41579	(10000000- 20000000)	Washer, Flat, 08, Ss	2
15	1034395	(10000000- 20000000)	Shroud, Splash, Nozzle [Trex]	1
16	1034582	(10000000- 20000000)	Nozzle Adapter, Qppm	1
17	1033942	(10000000- 20000000)	Nozzle [Qmvv 110- 015]	1

SCRUB HEAD GROUP (S/N 10507590-)

355156



SCRUB HEAD GROUP (S/N 10507590-)

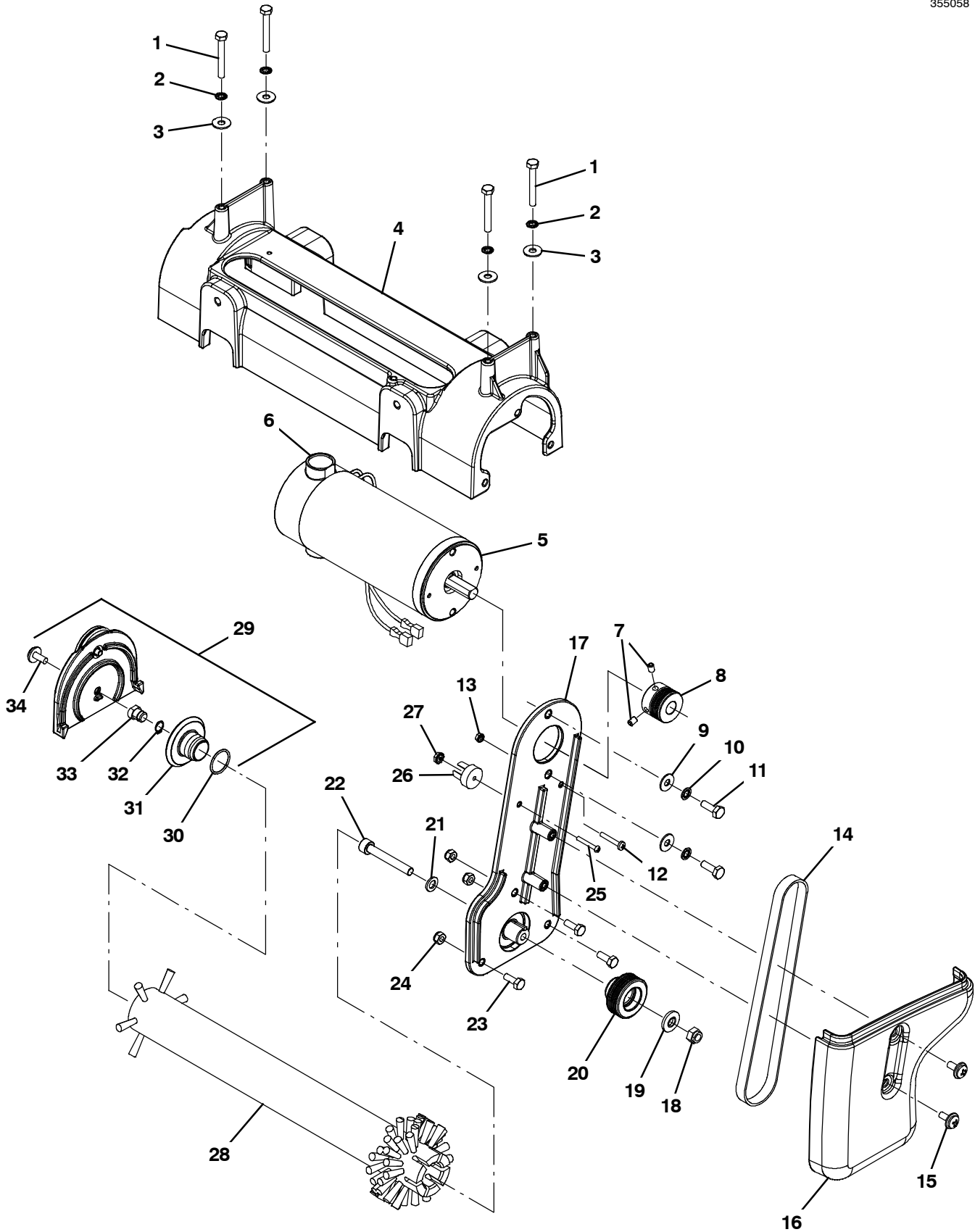
Ref.	Part No.	Serial Number	Description	Qty.
	1	1045325	(10000000- 20000000) Screw, Hex, M6 X 1.00 X 45, Ss	4
	2	07515	(10000000- 20000000) Washer, Lock, Int, 0.25, Ss	4
	3	01684	(10000000- 20000000) Washer, Flat, 0.27b 0.69d .05, Ss	4
	4	1034380	(10000000- 20000000) Housing, Brush, Sngl, 40cm	1
▽	5	1072719	(10656884- 20000000) Motor, Ele, 115vdc 2200rpm .33hp	1
▲	6	1067897	(10656884- 20000000) Vr, Brush Kit, Motor	2
▽	5	1034457	(10507590- 10656883) Motor, .25hp, 115vdc, 2.5a, 2400 Rpm (Replaced by 1072719)	1
▲	6	1045234	(10000000- 10656883) Brush, Carbon (Pk=2) Ref Part 1034457	2
	7	09162	(10000000- 20000000) Screw, Set, Soc, M6 X 1.00 X 8, NI	2
	8	1063530	(10507590- 20000000) Sheave, 07grv, 25.8pd [Ph]	1
	9	01684	(10000000- 20000000) Washer, Flat, 0.27b 0.69d .05, Ss	2
	10	07515	(10000000- 20000000) Washer, Lock, Int, 0.25, Ss	2
	11	34323	(10000000- 20000000) Screw, Hex, .25- 20 X 0.75, NI	2
	12	1033197	(10000000- 20000000) Screw, Pan, Phl, M4 X 0.70 X 25, Ss	1
	13	1007109	(10000000- 20000000) Nut, Hex, Lock, M4 X 0.70, Kep, Ext	1
	14	9004283	(10000000- 20000000) Belt Kit, W/ Installation Tool	1
	15	1019349	(10000000- 20000000) Screw, Trs, M6 X 1.00 X 16, Ss, Sems	2
	16	1064397	(10000000- 20000000) Cover, Belt, Spg (Single Roller)	1
▽	17	9008296	(10507590- 20000000) Bracket, Motor Mount W/ Bearing/Seal Kit	1
▲	18	08713	(10451589- 20000000) Nut, Hex, Lock, M8 X 1.25, NI, Ss	1
▲	19	41186	(10000000- 20000000) Washer, Flat, Belleville, .31	1
▲	20	1030625	(10507590- 20000000) Sheave, 07grv, 49.3pd	1
▲	21	1057482	(10451589- 20000000) Washer, Flat, 0.328b 0.571d 0.063, Ss	1
▲	22	1057476	(10451589- 20000000) Screw, Soc, M8 X 1.25 X 55, Ss	1
	23	15678	(10000000- 20000000) Screw, Hex, M6 X 1.00 X 16, Ss	3
	24	08712	(10000000- 20000000) Nut, Hex, Lock, M6 X 1.00, NI, Ss	3
	25	140946	(10000000- 20000000) Screw, Rnd, Sltd, 06- 32 X 1.00, Nyl	1
	26	130288	(10000000- 20000000) Rectifier, Bridge, Rnd, 12a 1000volt, Ce	1
	27	140534	(10000000- 20000000) Nut, Hex, #06- 32, Nyl	1
	28	1037197	(10000000- 20000000) Brush, Scrub, 89mm Od X 386mm, Nylon (Standard)	1
	28	1037277	(10000000- 20000000) Brush, Scrub, 89mm Od X 386mm, Poly (Optional)	1
	28	1037278	(10000000- 20000000) Brush, Scrub, 89mm Od X 386mm, Grit (Optional)	1
▽	29	9007962	(10000000- 20000000) Door Kit, Brush, W/ Hdwr	1
▲	30	1042312	(10000000- 20000000) Seal, Org, .070 X .875 Id, 020	1
▲	31	1030680	(10000000- 20000000) Hub, Idler, Brush	1
▲	32	01543	(10000000- 20000000) Ring, Retaining, Ext, 0.39d, Basic	1
▲	33	1030682	(10000000- 20000000) Shaft, Idler Plug	1
▲	34	1019349	(10000000- 20000000) Screw, Trs, M6 X 1.00 X 16, Ss, Sems	1

▽ ASSEMBLY

▲ INCLUDED IN ASSEMBLY

SCRUB HEAD GROUP (S/N 1000000-10507589)

355058



SCRUB HEAD GROUP (S/N 1000000- 10507589)

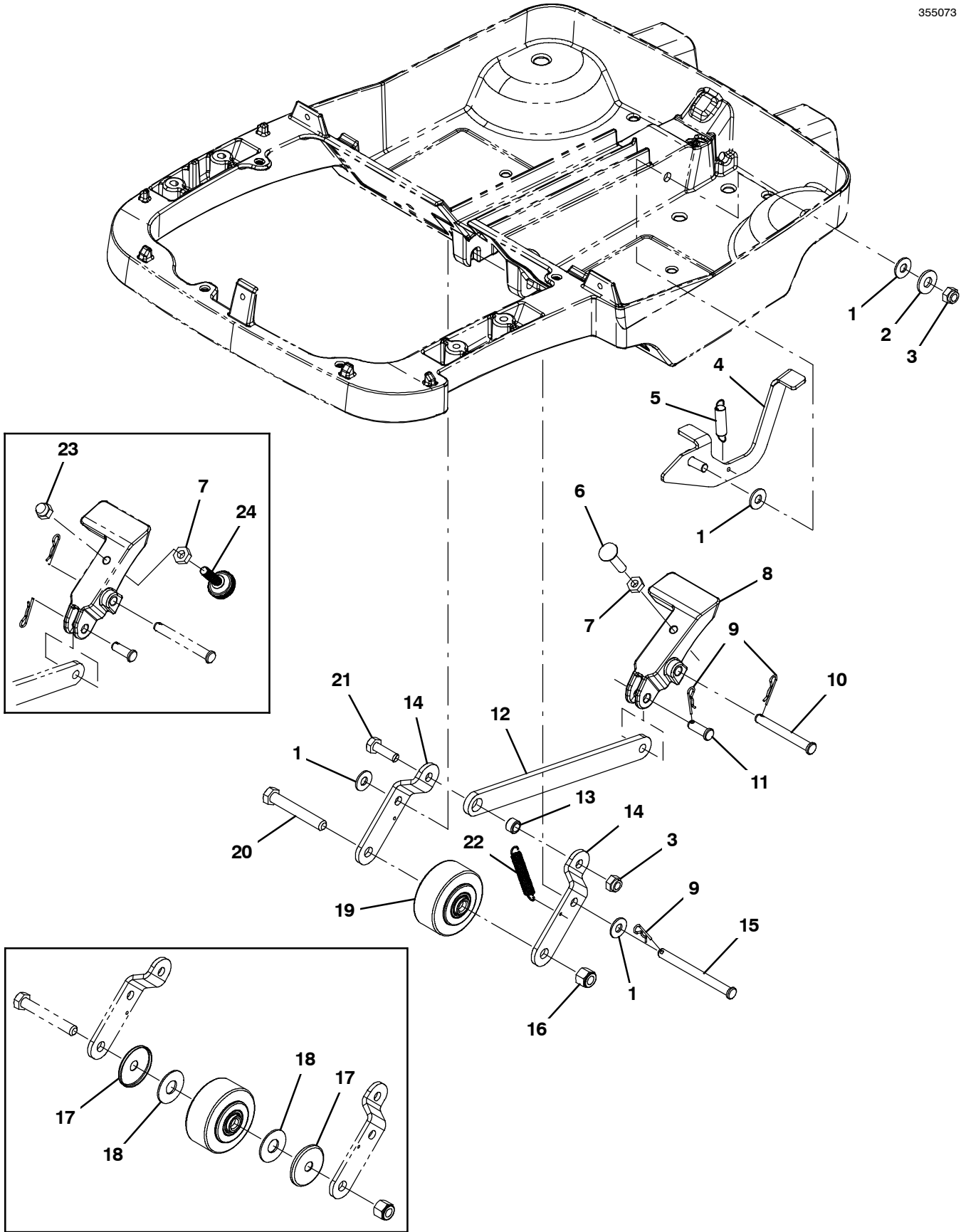
Ref.	Part No.	Serial Number	Description	Qty.
	1	1045325	(10000000- 20000000) Screw, Hex, M6 X 1.00 X 45, Ss	4
	2	07515	(10000000- 20000000) Washer, Lock, Int, 0.25, Ss	4
	3	01684	(10000000- 20000000) Washer, Flat, 0.27b 0.69d .05, Ss	4
	4	1034380	(10000000- 20000000) Housing, Brush, Sngl, 40cm	1
▽	5	9008300	(10000000- 10507589) Motor Kit, Sheaves, 115vdc [Ss 15"]	1
▲	6	1045234	(10000000- 20000000) Brush, Carbon (Pk=2) Ref Part 1034457	2
	7	09162	(10000000- 20000000) Screw, Set, Soc, M6 X 1.00 X 8, NI	2
	8	9008298	(10000000- 10507589) Sheave Kit, Cover [Ss 15"]	1
	9	01684	(10000000- 20000000) Washer, Flat, 0.27b 0.69d .05, Ss	2
	10	07515	(10000000- 20000000) Washer, Lock, Int, 0.25, Ss	2
	11	34323	(10000000- 20000000) Screw, Hex, .25- 20 X 0.75, NI	2
	12	1033197	(10000000- 20000000) Screw, Pan, Phl, M4 X 0.70 X 25, Ss	1
	13	1007109	(10000000- 20000000) Nut, Hex, Lock, M4 X 0.70, Kep, Ext	1
	14	9004283	(10000000- 20000000) Belt Kit, W/ Installation Tool	1
	15	1019349	(10000000- 20000000) Screw, Trs, M6 X 1.00 X 16, Ss, Sems	2
	16	1064397	(10000000- 20000000) Cover, Belt, Spg (Single Roller)	1
▽	17	9008301	(10000000- 10507589) Bracket, Motor Mount W/ Bearing/Seal Kit	1
▲	18	08713	(10451589- 20000000) Nut, Hex, Lock, M8 X 1.25, NI, Ss	1
▲	19	41186	(10000000- 20000000) Washer, Flat, Belleville, .31	1
▲	20	9008298	(10000000- 10507589) Sheave Kit, Cover [Ss 15"]	1
▲	21	1057482	(10451589- 20000000) Washer, Flat, 0.328b 0.571d 0.063, Ss	1
▲	22	1057476	(10451589- 20000000) Screw, Soc, M8 X 1.25 X 55, Ss	1
	23	15678	(10000000- 20000000) Screw, Hex, M6 X 1.00 X 16, Ss	3
	24	08712	(10000000- 20000000) Nut, Hex, Lock, M6 X 1.00, NI, Ss	3
	25	140946	(10000000- 20000000) Screw, Rnd, Sltd, 06- 32 X 1.00, Nyl	1
	26	130288	(10000000- 20000000) Rectifier, Bridge, Rnd, 12a 1000volt, Ce	1
	27	140534	(10000000- 20000000) Nut, Hex, #06- 32, Nyl	1
	28	1037197	(10000000- 20000000) Brush, Scrub, 89mm Od X 386mm, Nylon (Standard)	1
	28	1037277	(10000000- 20000000) Brush, Scrub, 89mm Od X 386mm, Poly (Optional)	1
	28	1037278	(10000000- 20000000) Brush, Scrub, 89mm Od X 386mm, Grit (Optional)	1
▽	29	9007962	(10000000- 20000000) Door Kit, Brush, W/ Hdwr	1
▲	30	1042312	(10000000- 20000000) Seal, Org, .070 X .875 Id, 020	1
▲	31	1030680	(10000000- 20000000) Hub, Idler, Brush	1
▲	32	01543	(10000000- 20000000) Ring, Retaining, Ext, 0.39d, Basic	1
▲	33	1030682	(10000000- 20000000) Shaft, Idler Plug	1
▲	34	1019349	(10000000- 20000000) Screw, Trs, M6 X 1.00 X 16, Ss, Sems	1

▽ ASSEMBLY

▲ INCLUDED IN ASSEMBLY

SCRUB HEAD LIFT GROUP

355073

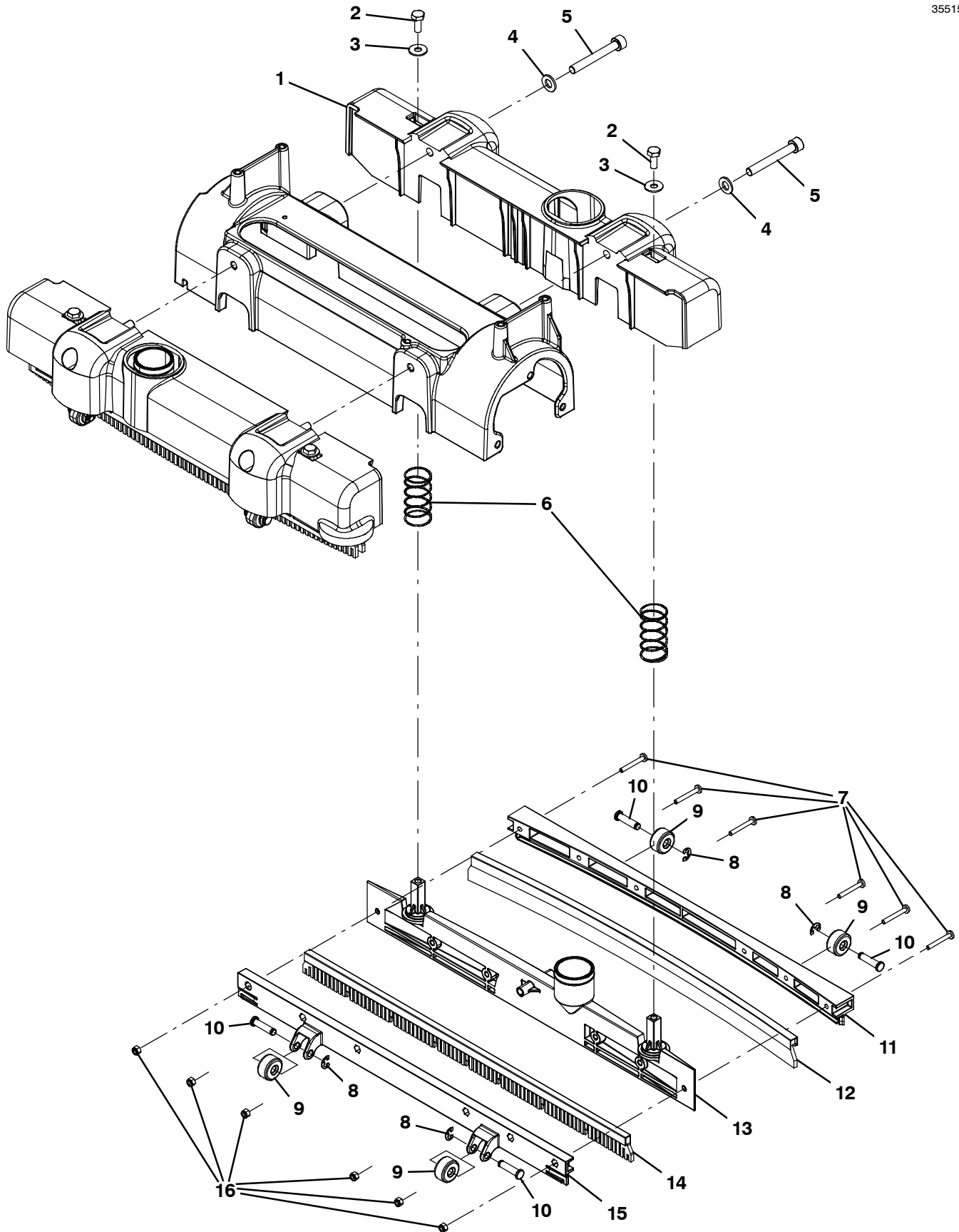


SCRUB HEAD LIFT GROUP

Ref.	Part No.	Serial Number	Description	Qty.
1	630446	(10000000- 20000000)	Washer, Flat, 0.31b 0.75d .06, Nyl	3
2	140027	(10000000- 20000000)	Washer, Flat, 0.35b 0.75d .04, Ss	1
3	08713	(10000000- 20000000)	Nut, Hex, Lock, M8 X 1.25, NI, Ss	2
4	1034420	(10000000- 20000000)	Lever, Pedal, Wheel Release	1
5	605812	(10000000- 20000000)	Spring, Extn	1
6	1053751	(10467313- 20000000)	Bolt, Carriage, .31- 18 X 1.25, Ss	1
7	140548	(10000000- 20000000)	Nut, Hex, Jam, Fin .31, Ss	1
8	1034376	(10000000- 20000000)	Pedal, Foot	1
9	08085	(10000000- 20000000)	Pin, Cotter, Hair, 0.31d .058 Wir	3
10	71274	(10000000- 20000000)	Pin, Clevis, 0.31d X 2.62l	1
11	386987	(10000000- 20000000)	Pin, Clevis, 0.31d X 0.88l	1
12	1034368	(10000000- 20000000)	Arm, Linkage, Transport	1
13	222516	(10000000- 20000000)	Sleeve, P/M, 0.32b 0.50d 0.3l [430ss]	1
14	1034371	(10000000- 20000000)	Bracket, Transport, Wheel	2
15	1034513	(10000000- 20000000)	Pin, Clevis, 0.31d X 3.50l	1
16	59156	(10000000- 20000000)	Nut, Hex, Lock, .38- 16, NI, Ss	1
17	1034351	(10000000- 20000000)	Guard, Thread, Wheel (NLA - Replaced By 1034351)	2
18	140045	(10000000- 20000000)	Washer, Flat, 0.51b 1.25d .06, Ss (NLA - Replaced By 1034351)	2
19	1034355	(10000000- 20000000)	Wheel, 02.5d 1.25w 0.38b, Rbr, Gray	1
20	27992	(10000000- 20000000)	Screw, Hex, .38- 16 X 2.50, G5	1
21	09010	(10000000- 20000000)	Screw, Hex, M8 X 1.25 X 25, Ss	1
22	140402	(10000000- 20000000)	Spring, Extn, 0.375od 0.045wir 01.8l, Mw	1
23	41128	(10000000- 10467312)	Nut, Low Crown, .31- 18	1
24	240191	(10000000- 10467312)	Knob, Rnd, 1.00d 0.41l, .31- 18x2.0l Stud	1

SQUEEGEE GROUP, FRONT AND REAR

355158



SQUEEGEE GROUP, FRONT AND REAR

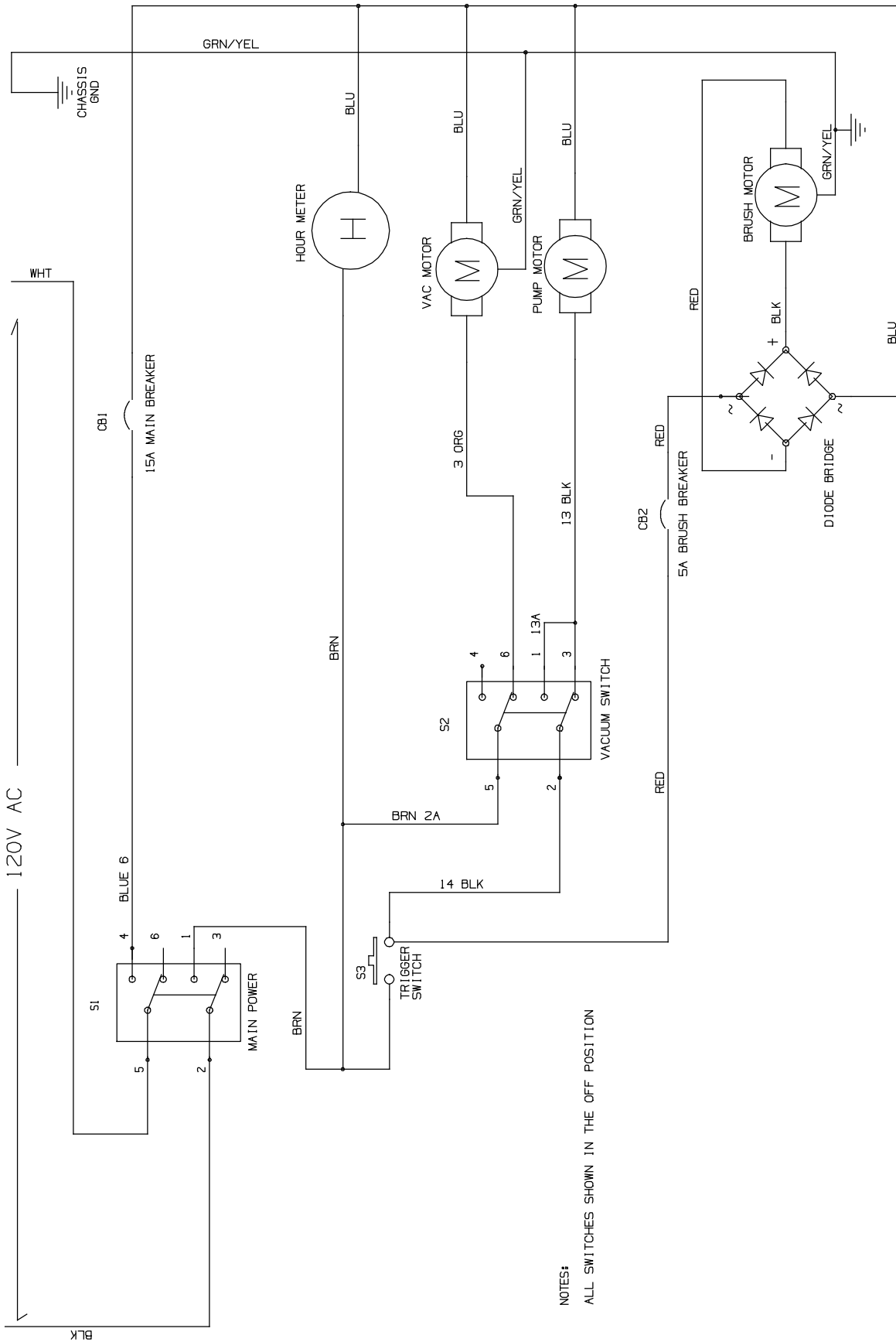
Ref.	Part No.	Serial Number	Description	Qty.
1	1034109	(10000000- 20000000)	Housing, Squeegee	2
2	01697	(10000000- 20000000)	Screw, Hex, .25- 20 X 0.62, Ss	4
3	01684	(10000000- 20000000)	Washer, Flat, 0.27b 0.69d .05, Ss	4
4	39349	(10000000- 20000000)	Washer, Flat, 0.31, Sae	4
5	09294	(10000000- 20000000)	Screw, Soc, M8 X 1.25 X 60, 12.9	4
6	1030427	(10000000- 20000000)	Spring, Cmpr, 0.92id .05wir 02.0l	4
7	33931	(10000000- 20000000)	Screw, Pan, Phl, M4 X 0.70 X 30, Ss	12
▲▽	9008581	(10000000- 20000000)	Wheel Kit, Sqge, W/ Hdwr	1
▲▲	8 1035647	(10000000- 20000000)	Ring, Retaining, Ext, 0.25", [E- Ring]	8
▲▲	9 1030852	(10000000- 20000000)	Roller, Squeegee	8
▲▲	10 1065608	(10000000- 20000000)	Pin, Grv, 6.22d, 23.0l, Ss	8
	11 1036706	(10000000- 20000000)	Retainer, Sqge, Outer, Acetal, Ig	2
	12 1050943	(10000000- 20000000)	Blade Assy, Sqge, Outer, Ure	2
	13 1036676	(10000000- 20000000)	Frame, Squeegee	2
	14 1057241	(10000000- 20000000)	Blade Assy, Sqge, Inner, Ure	2
	15 1057243	(10000000- 20000000)	Retainer, Sqge, Inner, Acetal, Blk	2
	16 33932	(10000000- 20000000)	Nut, Hex, Lock, M4 X 0.70, NI, Ss	12

▽ ASSEMBLY

▲ INCLUDED IN ASSEMBLY

ELECTRICAL DIAGRAM

1046178



NOTES:
ALL SWITCHES SHOWN IN THE OFF POSITION

