

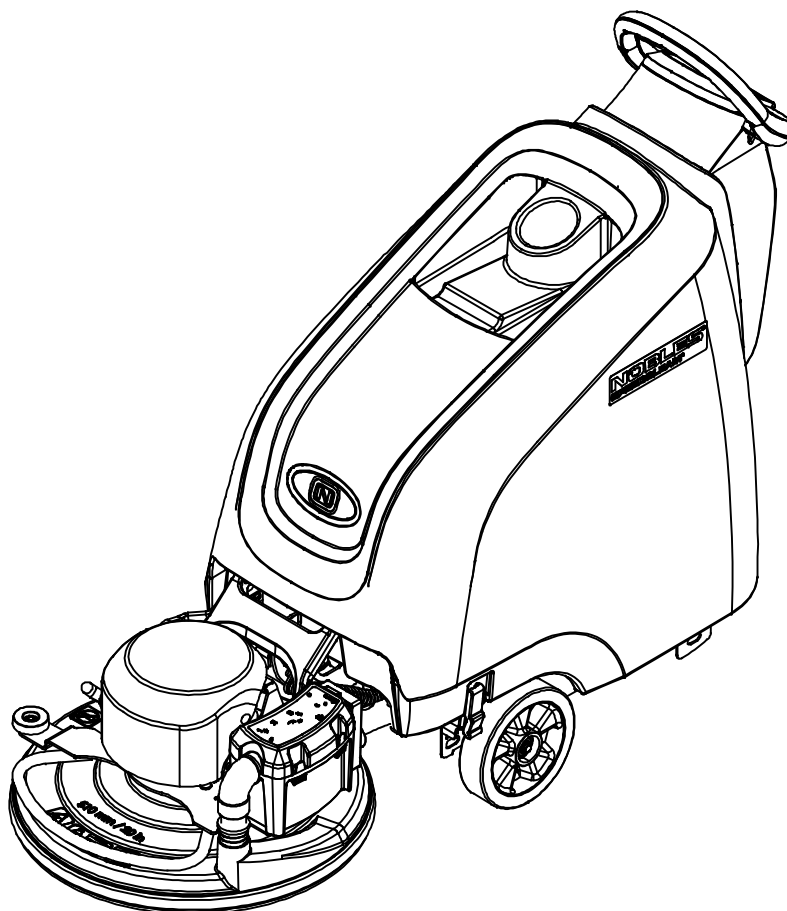
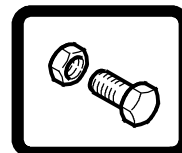


Tennant True® Parts  
IRIS® a Tennant Technology

# SPEEDGLEAM® 5

WALK-BEHIND BATTERY BURNISHER

## PARTS MANUAL

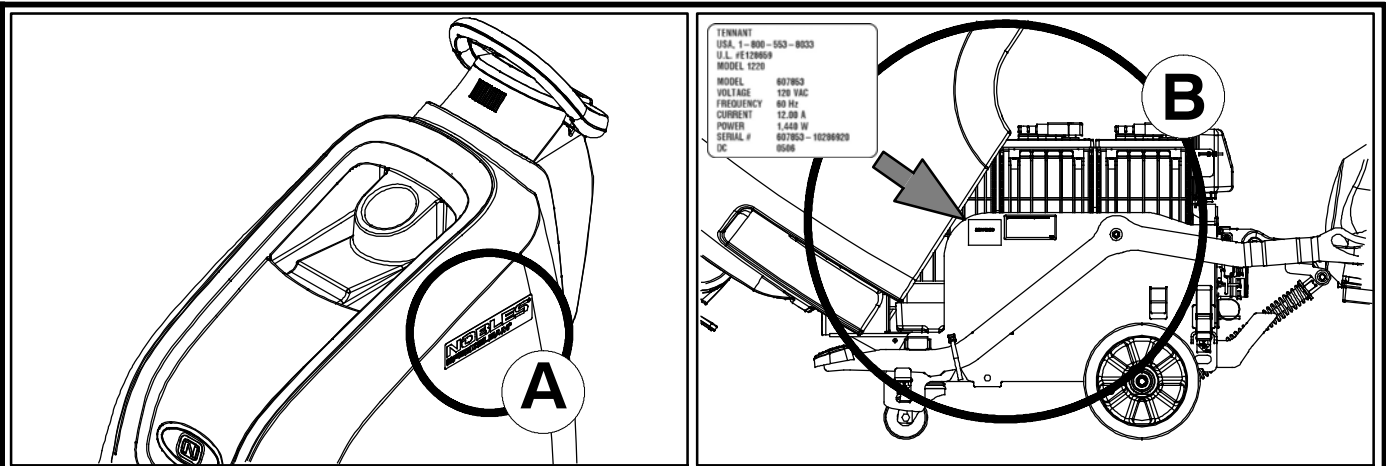


For the latest Parts manuals and other  
language Operator manuals, visit:

[www.nobles.com/manual](http://www.nobles.com/manual)

9011614  
Rev. 06 (06-2018)





Ref	Part No.	Serial Number	Description	Qty.
1	82681	(000000- )	Bracket Wldt, Lpg Mount	1
▽ 2	63810	(000000- )	Latch Assy, Lpg Tank Mtg, W/Nut	4
▲ 3	51839	(000000- )	Nut Adjustable, Lpg Tank Mtg	2
4	49263	(000000- )	Tie, Cable	3
(D) 5	82556	(000000- 001039)	Bracket, Vaporizer	1
	54930	(000000- )	Vaporizer, LPG	1

**HOW TO ORDER PARTS - See diagram above**

Only use TENNANT Company supplied or equivalent parts. Parts and supplies may be ordered online, by phone, by fax or by mail.

Follow the steps below to ensure prompt delivery.

1. (A) Identify the machine model.
2. (B) Identify the machine serial number from the data label.
3. (C) Ensure the proper serial number is used from the parts list.
4. Identify the part number and quantity.  
Do not order by page or reference numbers.
5. Provide your name, company name, customer ID number, billing and shipping address, phone number and purchase order number.
6. Provide detail shipping instructions.

- (D) ▽ - identifies an assembly  
▲ - identifies parts included in assembly

**Please fill out at time of installation for future reference.**

Model No. - \_\_\_\_\_

Serial No. - \_\_\_\_\_

Machine Options - \_\_\_\_\_

Sales Rep. - \_\_\_\_\_

Sales Rep. phone no. - \_\_\_\_\_

Customer ID Number - \_\_\_\_\_

Installation Date - \_\_\_\_\_

**Tennant Company**

PO Box 1452  
Minneapolis, MN 55440  
Phone: (800) 553- 8033

www.nobles.com

Specifications and parts are subject to change without notice.

Copyright © 2014- 2018 TENNANT Company, Printed in U.S.A.

**STANDARD PARTS**

GENERAL RECOMMENDED MAINTENANCE ITEMS .....	4	PARKING BRAKE GROUP .....	46
COVER GROUP .....	6	IRIS® TELEMETRY GROUP .....	48
FRAME GROUP, PUSH .....	8	LABEL GROUP .....	50
FRAME GROUP, DRIVE .....	10	DOCUMENT GROUP .....	51
HEAD GROUP, 510 MM (20 IN) .....	12	ELECTRICAL DIAGRAM, PUSH MODEL .....	52
HEAD LIFT GROUP .....	14	ELECTRICAL DIAGRAM, DRIVE MODEL .....	58
DOWN PRESSURE GROUP, AUTOMATED ....	16	WIRE HARNESS, TELEMETRY .....	63
DOWN PRESSURE GROUP, MECHANICAL ...	18	WIRE HARNESS, MAIN, PUSH MODEL .....	64
DUST CONTROL GROUP, ACTIVE .....	20	WIRE HARNESS, MAIN, PUSH MODEL - CONT'D .....	65
DUST CONTROL GROUP, PASSIVE .....	22	WIRE HARNESS, MAIN, DRIVE MODEL .....	66
ELECTRICAL COMPONENTS GROUP .....	24	WIRE HARNESS, MAIN, DRIVE MODEL - CONT'D .....	67
CONSOLE GROUP, PUSH, OFF BOARD CHARGER .....	26	WIRE HARNESS, CONSOLE, PUSH MODEL ..	68
CONSOLE GROUP, PUSH, ON BOARD CHARGER .....	28	WIRE HARNESS, CONSOLE, DRIVE MODEL ..	69
CONSOLE GROUP, BASE, DRIVE, OFF BOARD CHARGER .....	30	WIRE HARNESS, BAIL SWITCH .....	70
CONSOLE GROUP, BASE, DRIVE, ON BOARD CHARGER .....	32	WIRE HARNESS, KEY SWITCH .....	71
CONSOLE GROUP, POWER, DRIVE, OFF BOARD CHARGER .....	34	WIRE HARNESS, BATTERY/CHARGER CABLE .....	72
CONSOLE GROUP, POWER, DRIVE, ON BOARD CHARGER .....	36		
BATTERY GROUP, 185AH C20 WET LEAD ACID .....	38		
BATTERY GROUP, 225AH C20 WET LEAD ACID .....	40		
BATTERY GROUP, 234AH C20 AGM SEALED .	42		
HYDROLINK® BATTERY WATERING SYSTEM KIT .....	44		

# RECOMMENDED MAINTENANCE ITEMS

## GENERAL RECOMMENDED MAINTENANCE ITEMS

Part No.	Serial Number	Description	Qty.	
1207285	(00000000-	) Latch, Draw, Rbr, W/ Keeper, Yellow	2	
1205533	(00000000-	) Damper	1	
1203776	(00000000-	) Cover, Pedal	1	
71579	(00000000-	) Strap, Static, W/Grommet, .19 1.1w 25.0l	1	
9012767	(00000000-	) Caster Kit, Afmkt, W/ Hdwr	1	
1223913	(10849232-	) Wheel, Scrbr, 213mm, W/ Brg (Push Model)	2	
1218755	(10790232- 10849231	) Wheel, Scrbr, 213mm, W/ Brg (Push Model) (Replaced By 1223913 - Order Qty 2)	2	
1202505	(00000000- 10790231	) Wheel, W/ Brg, 213mm (Push Model) (Replaced By 1223913 - Order Qty 2)	2	
1223583	(10817425-	) Wheel, Scrbr, 213mm, W/ Taper (Drive Model)	2	
1218753	(10771448- 10817424	) Wheel, Scrbr, 213mm, W/ Taper (Drive Model) (Replaced by 1223583 - Order Qty 2)	2	
1020688	(00000000- 10771447	) Wheel, Scrbr, 213mm, W/ Taper (Drive Model) (Replaced by 1223583 - Order Qty 2)	2	
▽	1206634	(00000000-	) Transaxle, 24vdc [458h- 2100 Asij]	1
▲	1021167	(00000000-	) Key, Woodruff, 5mm	2
▲	612880	(00000000-	) Joint, Transaxle, Replmt	2
▲▽	1212352	(00000000-	) Motor, Transaxle, 24vdc, UI	1
▲▲	1212351	(00000000-	) Brush, Kit, Carbon, Transaxle, UI (1 Pkg = 4 Brushes)	1
▽	1210910	(00000000-	) Motor, Ele, 24- 60vdc, 3900rpm, 6.00hp#	1
▲	1212017	(00000000-	) Brush Assy, Carbon, Afmkt	1
▲	00928	(00000000-	) Key, Sq, 0.25 X 0.25, 1.00l	1
	9012768	(00000000-	) Wheel Kit, Bmpr, Afmkt, W/ Hdwr	1
▽	1210491	(00000000-	) Driver Assy, Pad, 20d	1
▲	32506	(00000000-	) Device, Centering, Rh Pad Retainer	1
▲	1205787	(00000000-	) Collar, Locking, Pad Driver, 6.1"	1
	1208033	(00000000-	) Skirt Assy, Shrd, 20.0d	1
	611788	(00000000-	) Pad, 20.0[Burnish, Hairblend, 1pick=1ctn] (Qty 5 Pads)	1
▽	9012779	(00000000-	) Arm, Lift, Head, Afmkt, W/Bearings	1
▲	9012780	(00000000-	) Bearing Kit, 12mmb 16mmd 12mmw, Qty=4	1
	1203378	(00000000-	) Pin, Spring, .50d 1.00b	1
	1205700	(00000000-	) Actuator, 36vdc, 60mm Strk, 2sw, 350n	1
	1205304	(00000000-	) Spring, Cmpr, 1.378od .177wir 3.95l	1
	1203333	(00000000-	) Spring, Cmpr, 1.314od .145wir 10.85l	1
	607275	(00000000-	) Hose, Vacuum, 1.50id X 040.0l, 2cuff, E90	1
	9012781	(00000000-	) Fan Kit, Vacuum, Afmkt, W/ Gasket	1
	1203349	(00000000-	) Gasket, Vac Motor	1
	1203162	(00000000-	) Filter, Hepa (Active Dust Control)	1
	1204900	(00000000-	) Hose, Assy, 1.50 Id	1
	1210869	(00000000-	) Bag, Dust, Paper[1 Pick=1 Pkg] (1 Pkg = 10 Bags) (Standard)	1
	1208744	(00000000-	) Bag, Dust, Cloth (Optional for Passive Dust Control Only)	1
	1205971	(00000000-	) Gasket, Cover, Circuitboard	1
▽	9012782	(00000000-	) Circuitboard Kit, Bridge, Afmkt, W/Strap	1
▲	1205845	(00000000-	) Circuitboard, Silpad [1/2 Bridge, Lower]	1
	9012783	(00000000-	) Circuitboard Kit, Base, Afmkt, W/ Strap (For Models w/ mechanical pad pressure and passive dust control)	1
	9012796	(00000000-	) Circuitboard Kit, Option, Afmkt, W/Strap (For Models w/ automated pad pressure and/or active dust control)	1

▽ ASSEMBLY

▲ INCLUDED IN ASSEMBLY

# RECOMMENDED MAINTENANCE ITEMS

## GENERAL RECOMMENDED MAINTENANCE ITEMS

Part No.	Serial Number	Description	Qty.
1210283	(00000000-	) Box, Wire [Ferrite, Emi Filter] (No Longer Available - Replaced by Cable 1072935 or 1072372 Includes Ferrite)	2
1207893	(00000000-	) Switch, Push, Snap Action, 25a [No]	1
1064184	(00000000-	) Circuitbreaker, 02.5a, Resetable	1
1064188	(00000000-	) Circuitbreaker, 15.0a, Resetable	1
383725	(00000000-	) Circuitbreaker, 30.0a, Resetable	1
9012826*	(00000000-	) Controller, Drive, Afmkt, W/ Usb Cable (Drive Model)	1
1205323	(00000000-	) Switch, 0.1a, Spdt [Micro, Straight]	1
∇ 9012784*	(00000000-	) Bezel Kit, Mechanical, Push, Afmkt	1
∇ 9012785*	(00000000-	) Bezel Kit, Mechanical, Propel, Afmkt	1
∇ 9012786*	(00000000-	) Bezel Kit, Actuator, Propel, Afmkt	1
▲ 1205618	(00000000-	) Cap, Usb	1
9012787	(00000000-	) Circuitboard Kit, Console, W/ Usb Cable	1
1205323	(00000000-	) Switch, 0.1a, Spdt [Micro, Straight]	1
1205781	(00000000-	) Spring, Return, Bail	1
∇ 1072939	(00000000-	) Cable, Assy [B7/B5, Ground]	1
▲ 130155	(00000000-	) Connector, Battery, 6ga 50a, Gray[2cont]	1
1215716	(00000000-	) Switch, 0.1a, Spdt[Micro, Gold Contacts]	1
∇ 1011402	(00000000-	) Switch, Key	1
▲ 1017696	(00000000-	) Key Set, Replmt [F/Keyswitch 1011402]	1
1064038	(00000000-	) Gauge, Hourmeter, 05- 277 Volt, Ac / Dc	1
1011735	(00000000-	) Switch, Safety, Shutoff	1
1234365	(00000000-	) Dial, Range, Speed	1
1204930	(00000000-	) Potentiometer [100k, 1 Turn, B5/B7]	1
1209730	(00000000-	) Cap, Toggle, Direction	1
1209673	(00000000-	) Switch Assy, Toggle, Direction	1
1205496	(00000000-	) Hook, Cord	2
∇ 1208644	(00000000-	) Charger, 36vdc, 25a 85- 265vac [Offboard] (180- 250 AH Wet Lead Acid Batteries)	1
∇ 9012740	(00000000-	) Charger, 36vdc 25a [P/N 1208644, #31] (200- 350 AH AGM Batteries)	1
∇ 9012739	(00000000-	) Charger, 36vdc 25a [P/N 1208644, #03] (260- 360 AH Wet Lead Acid Batteries)	1
▲ 130155	(00000000-	) Connector, Battery, 6ga 50a, Gray[2cont]	1
∇ 1202585	(00000000-	) Charger, 36vdc, 25a 85- 265vac [On- Board]	1
▲ 130155	(00000000-	) Connector, Battery, 6ga 50a, Gray[2cont]	1
1073882	(00000000-	) Cord, Power, 16/3, 15a, 15ft Blk [Us]	1

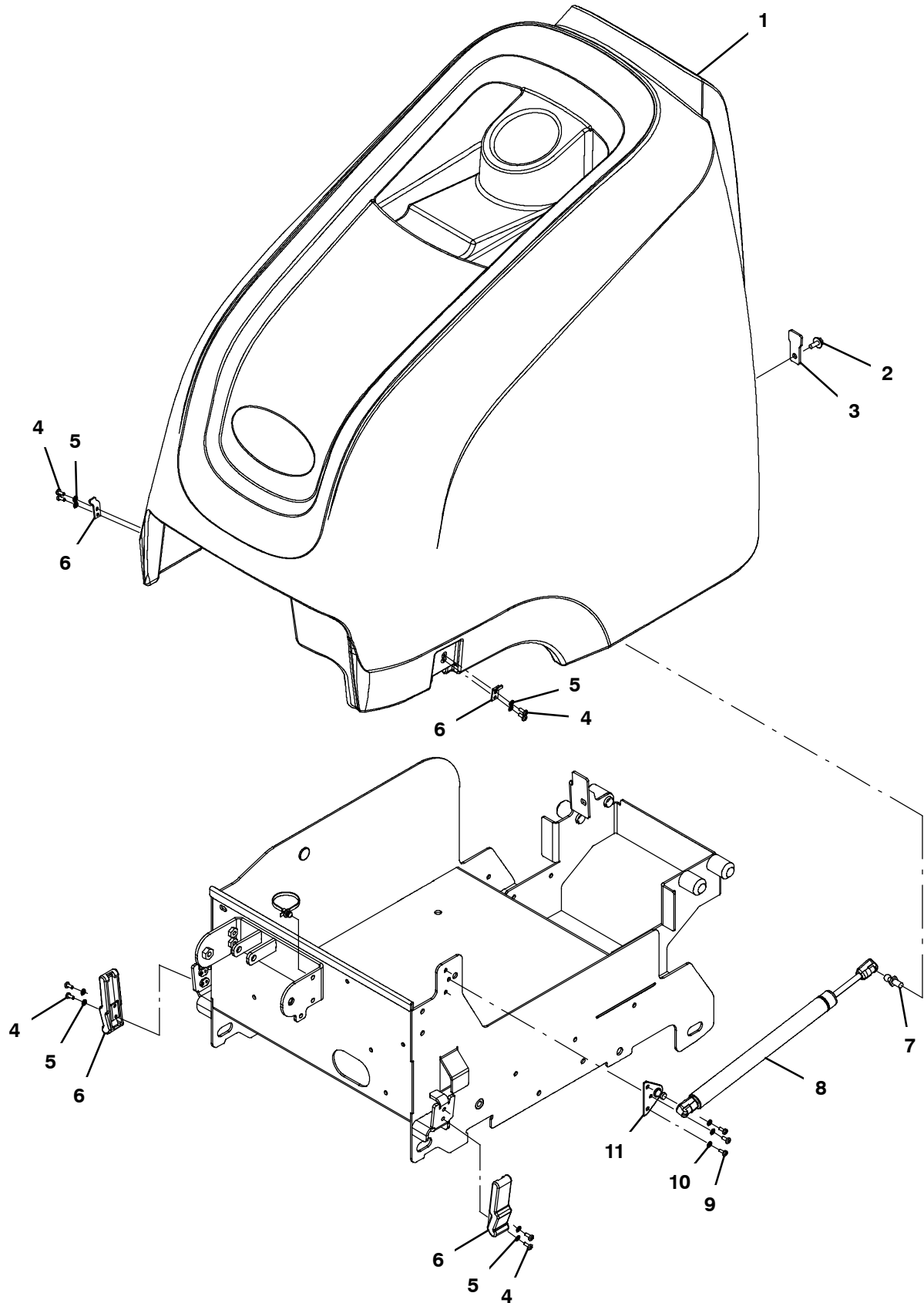
\* Requires Tennant *True* service or an authorized Tennant service provider.

∇ ASSEMBLY

▲ INCLUDED IN ASSEMBLY

COVER GROUP

355220

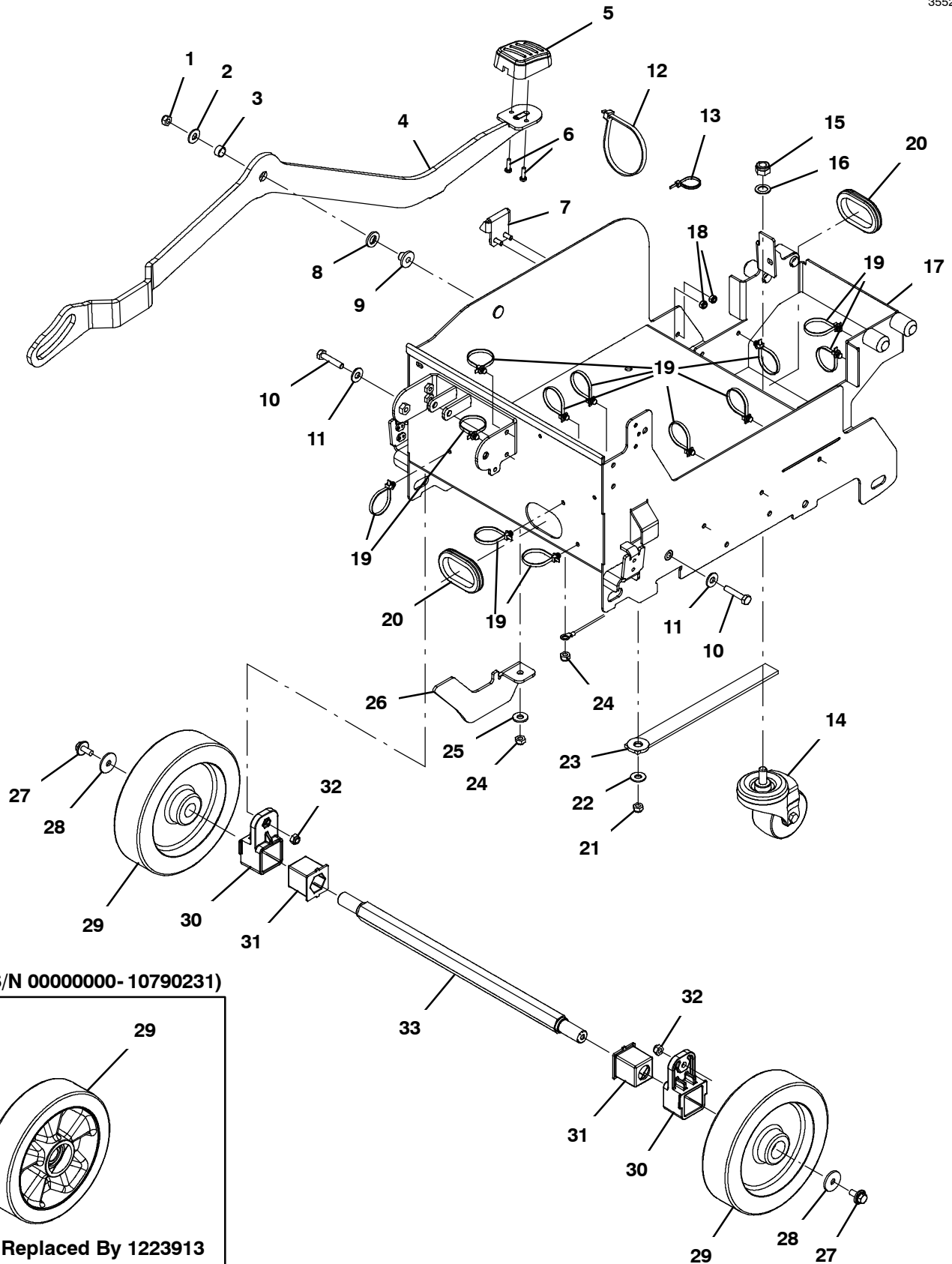


## COVER GROUP

Ref.	Part No.	Serial Number	Description	Qty.
1	9014012	(00000000-	) Cover, Afmkt [Sg5] (Does Not Include Labels - Order Separately See Label Group)	1
1	1034731	(00000000-	) Screw, Hex, M6 X 1.00 X 16, Ss, Sems	1
2	1204697	(00000000-	) Bracket, Pivot, Body	1
3	49697	(00000000-	) Screw, Pan, Phl, M4 X 0.70 X 10, Ss	4
4	02938	(00000000-	) Washer, Lock, Int, 08, Ss	4
6	1207285	(00000000-	) Latch, Draw, Rbr, W/ Keeper, Yellow	2
7	1205551	(00000000-	) Stud, Ball, 10mm Ball, M8x1.25 Stud	1
8	1205533	(00000000-	) Damper	1
9	49697	(00000000-	) Screw, Pan, Phl, M4 X 0.70 X 10, Ss	3
10	02938	(00000000-	) Washer, Lock, Int, 08, Ss	3
11	1205549	(00000000-	) Bracket, Stud, Ball, .389 Dia	1

FRAME GROUP, PUSH

355222





## FRAME GROUP, PUSH

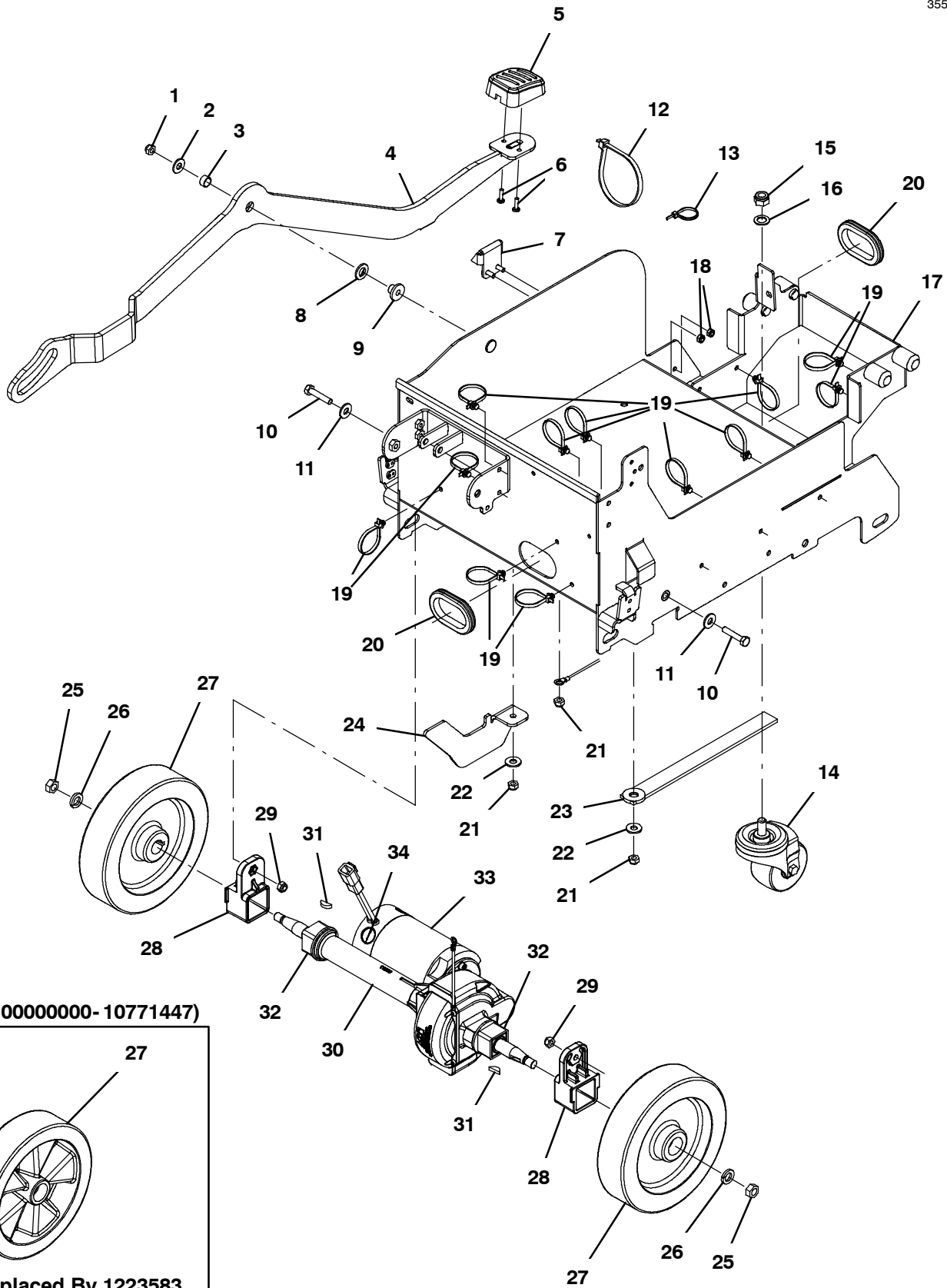
Ref.	Part No.	Serial Number	Description	Qty.	
1	08713	(00000000-	) Nut, Hex, Lock, M8 X 1.25, NI, Ss	1	
2	01685	(00000000-	) Washer, Flat, 0.38b 0.88d .08, Ss	1	
3	1205534	(00000000-	) Bearing, .50idx.31lg Journal	1	
4	1205104	(00000000-	) Pedal Wldt, Lift, Head	1	
5	1203776	(00000000-	) Cover, Pedal	1	
6	1043573	(00000000-	) Screw, #10- 14 X 0.675, Spl[Shcs,Selftap]	2	
7	1013946	(00000000-	) Bracket, Locking, Pedal, Foot	1	
8	1013936	(00000000-	) Washer, Flat, 0.51b 0.94d .10, Nyl	1	
9	1203351	(00000000-	) Bushing, FIng, 8.3mmb 12.6mmd 10.7mml	1	
10	74440	(00000000-	) Screw, Hex, M8 X 1.25 X 40, NI, Ss	2	
11	01685	(00000000-	) Washer, Flat, 0.38b 0.88d .08, Ss	2	
12	44961	(00000000-	) Tie, Cable, Nyl, 14.5l .30w 4.0 Max D	1	
13	130773	(00000000-	) Tie, Cable, Nyl, 11.0l, .14w, 3.0 Max. D	1	
▽	14	9012767	(00000000-	) Caster Kit, Afmkt, W/ Hdwr	1
▲	15	09741	(00000000-	) Nut, Hex, Lock, M12 X 1.75, NI, Ss	1
▲	16	140058	(00000000-	) Washer, Flat, 0.54b 0.88d .06, Ss [Wand]	1
17	1204572	(00000000-	) Frame Wldt, Main [B5]	1	
18	08712	(00000000-	) Nut, Hex, Lock, M6 X 1.00, NI, Ss	2	
19	1210807	(00000000-	) Wire, Tie [W/.25" Fir Tree Clip]	15	
20	10632- 19	(00000000-	) Grommet, Rbr, 2.13id, F/2.5h, .12 Matl	2	
21	08713	(00000000-	) Nut, Hex, Lock, M8 X 1.25, NI, Ss	1	
22	01685	(00000000-	) Washer, Flat, 0.38b 0.88d .08, Ss	1	
23	71579	(00000000-	) Strap, Static, W/Grommet, .19 1.1w 25.0l	1	
24	08713	(00000000-	) Nut, Hex, Lock, M8 X 1.25, NI, Ss	2	
25	01685	(00000000-	) Washer, Flat, 0.38b 0.88d .08, Ss	1	
26	1205501	(00000000-	) Bracket, Follower, Head, 50cm	1	
27	1020341	(00000000-	) Screw, Hex, M8 X 1.25 X 20, Ss, Sems	2	
28	1016331	(00000000-	) Washer, Flat, 0.34b 1.25d .11, Ss	2	
29	1223913	(10849232-	) Wheel, Scrbr, 213mm, W/ Brg	2	
29	1218755	(10790232- 10849231	) Wheel, Scrbr, 213mm, W/ Brg (Replaced By 1223913 - Order Qty 2)	2	
29	1202505	(00000000- 10790231	) Wheel, W/ Brg, 213mm (Replaced By 1223913 - Order Qty 2)	2	
30	1028292	(00000000-	) Adapter, Mtg, Axle, Alm [T3]	2	
31	1028381	(00000000-	) Grommet, Axle [Tpu, T3 Push]	2	
32	08713	(00000000-	) Nut, Hex, Lock, M8 X 1.25, NI, Ss	2	
33	1202931	(00000000-	) Axle, Wheel, Hex [B5 Push]	1	

▽ ASSEMBLY

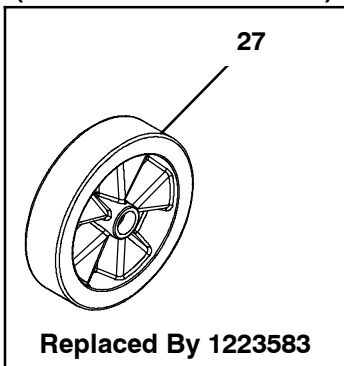
▲ INCLUDED IN ASSEMBLY

FRAME GROUP, DRIVE

355223



(S/N 0000000-10771447)



## FRAME GROUP, DRIVE

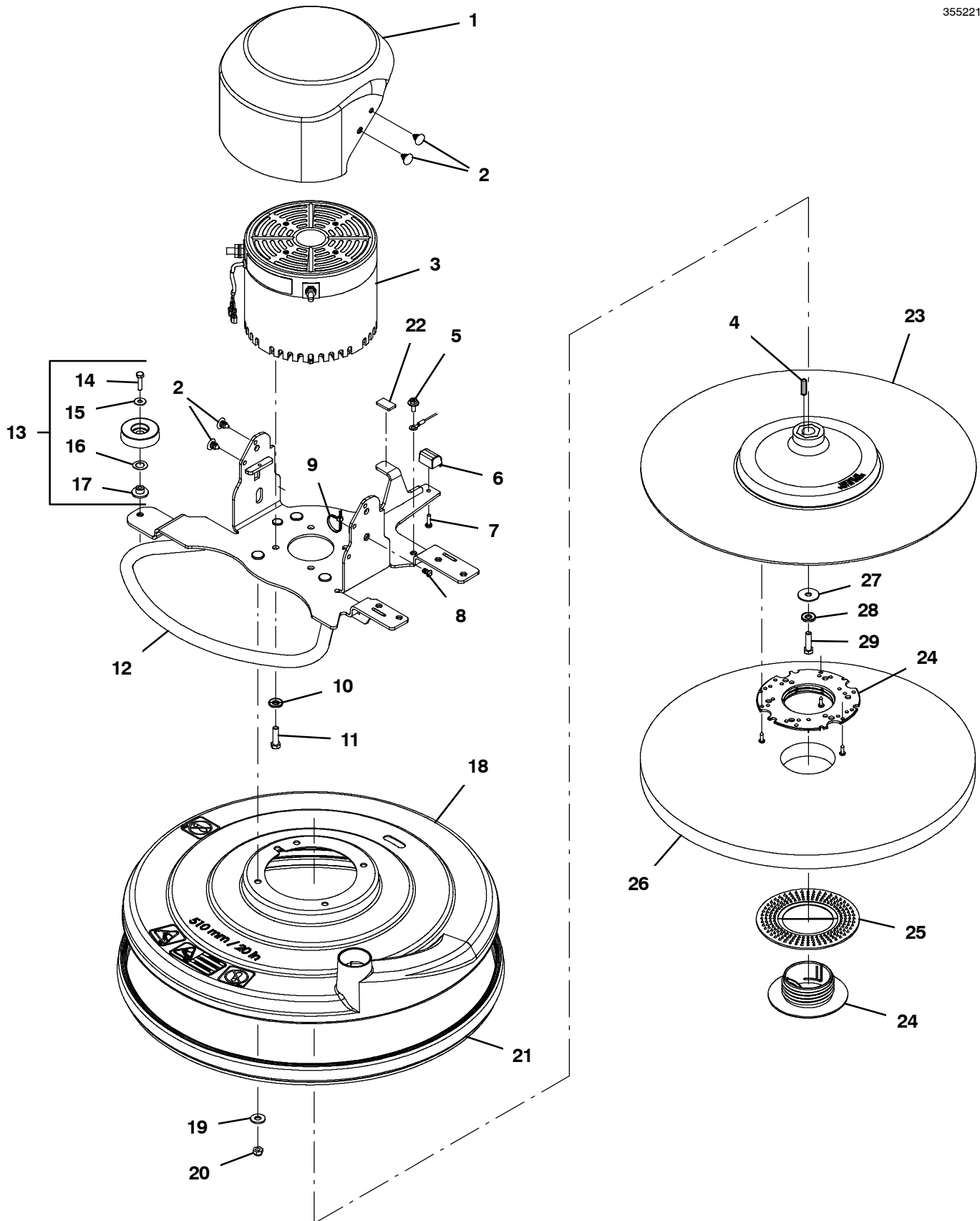
Ref.	Part No.	Serial Number	Description	Qty.	
1	08713	(00000000-	) Nut, Hex, Lock, M8 X 1.25, NI, Ss	1	
2	01685	(00000000-	) Washer, Flat, 0.38b 0.88d .08, Ss	1	
3	1205534	(00000000-	) Bearing, .50idx.31lg Journal	1	
4	1205104	(00000000-	) Pedal Wldt, Lift, Head	1	
5	1203776	(00000000-	) Cover, Pedal	1	
6	1043573	(00000000-	) Screw, #10- 14 X 0.675, Spl[Shcs,Selftap]	2	
7	1013946	(00000000-	) Bracket, Locking, Pedal, Foot	1	
8	1013936	(00000000-	) Washer, Flat, 0.51b 0.94d .10, Nyl	1	
9	1203351	(00000000-	) Bushing, FIng, 8.3mmb 12.6mmd 10.7mml	1	
10	74440	(00000000-	) Screw, Hex, M8 X 1.25 X 40, NI, Ss	2	
11	01685	(00000000-	) Washer, Flat, 0.38b 0.88d .08, Ss	2	
12	44961	(00000000-	) Tie, Cable, Nyl, 14.5l .30w 4.0 Max D	1	
13	130773	(00000000-	) Tie, Cable, Nyl, 11.0l, .14w, 3.0 Max. D	1	
▽	14	9012767	(00000000-	) Caster Kit, Afmkt, W/ Hdwr	1
▲	15	09741	(00000000-	) Nut, Hex, Lock, M12 X 1.75, NI, Ss	2
▲	16	140058	(00000000-	) Washer, Flat, 0.54b 0.88d .06, Ss [Wand]	2
17	1204572	(00000000-	) Frame Wldt, Main [B5]	1	
18	08712	(00000000-	) Nut, Hex, Lock, M6 X 1.00, NI, Ss	2	
19	1210807	(00000000-	) Wire, Tie [W/.25" Fir Tree Clip]	15	
20	10632- 19	(00000000-	) Grommet, Rbr, 2.13id, F/2.5h, .12 Matl	2	
21	08713	(00000000-	) Nut, Hex, Lock, M8 X 1.25, NI, Ss	3	
22	01685	(00000000-	) Washer, Flat, 0.38b 0.88d .08, Ss	2	
23	71579	(00000000-	) Strap, Static, W/Grommet, .19 1.1w 25.0l	1	
24	1205501	(00000000-	) Bracket, Follower, Head, 50cm	1	
25	09741	(00000000-	) Nut, Hex, Lock, M12 X 1.75, NI, Ss	2	
26	140058	(00000000-	) Washer, Flat, 0.54b 0.88d .06, Ss [Wand]	2	
27	1223583	(10817425-	) Wheel, Scrbr, 213mm, W/ Taper	2	
27	1218753	(10771448- 10817424	) Wheel, Scrbr, 213mm, W/ Taper (Replaced by 1223583 - Order Qty 2)	2	
27	1020688	(00000000- 10771447	) Wheel, Scrbr, 213mm, W/ Taper (Replaced by 1223583 - Order Qty 2)	2	
28	1028292	(00000000-	) Adapter, Mtg, Axle, Alm [T3]	2	
29	08713	(00000000-	) Nut, Hex, Lock, M8 X 1.25, NI, Ss	2	
▽	30	1206634	(00000000-	) Transaxle, 24vdc [458h- 2100 Asij]	1
▲	31	1021167	(00000000-	) Key, Woodruff, 5mm	2
▲	32	612880	(00000000-	) Joint, Transaxle, Replmt	2
▲▽	33	1212352	(00000000-	) Motor, Transaxle, 24vdc, UI	1
▲▲	34	1212351	(00000000-	) Brush, Kit, Carbon, Transaxle, UI (1 Pkg = 4 Brushes)	1

▽ ASSEMBLY

▲ INCLUDED IN ASSEMBLY

HEAD GROUP, 510 MM (20 IN)

355221



## HEAD GROUP, 510 MM (20 IN)

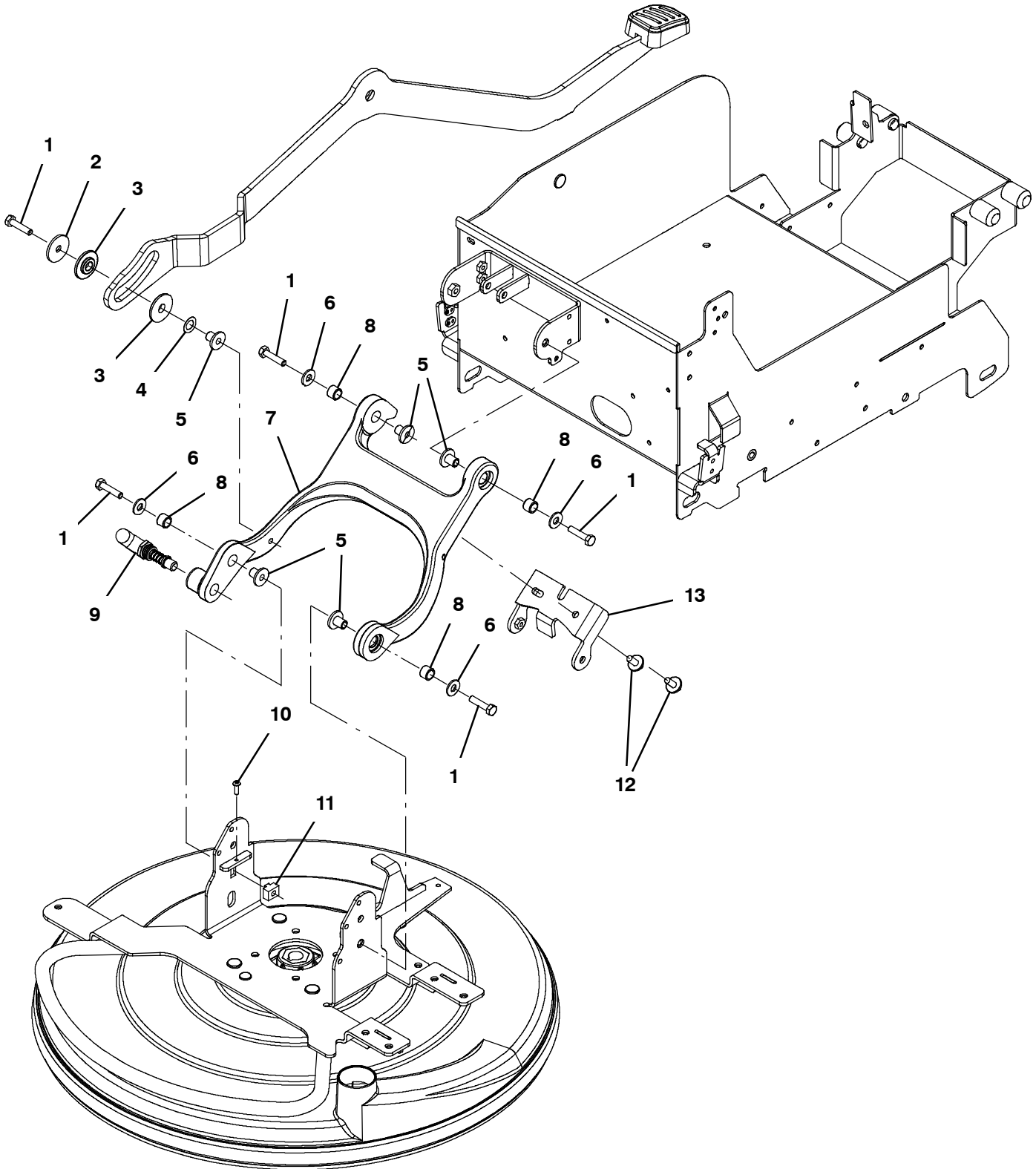
Ref.	Part No.	Serial Number	Description	Qty.
	1	1205768	(00000000- ) Cover, Motor, Spg	1
	2	140262	(00000000- ) Clip, Snap- In	4
▽	3	1210910	(00000000- ) Motor, Ele, 24- 60vdc, 3900rpm, 6.00hp#	1
▲		1212017	(00000000- ) Brush Assy, Carbon, Afmkt	1
▲	4	00928	(00000000- ) Key, Sq, 0.25 X 0.25, 1.00l	1
	5	1034731	(00000000- ) Screw, Hex, M6 X 1.00 X 16, Ss, Sems	1
	6	1205755	(00000000- ) Roller, Guide	1
	7	1043573	(00000000- ) Screw, #10- 14 X 0.675, Spl[Shcs,Selftap]	1
	8	1071085	(00000000- ) Clip, Tie, 0.25d, Plstc	1
	9	130773	(00000000- ) Tie, Cable, Nyl, 11.0l, .14w, 3.0 Max. D	1
	10	41186	(00000000- ) Washer, Flat, Belleville, .31	4
	11	1016399	(00000000- ) Screw, Hex, M8 X 1.25 X 30, NI, Ss	4
	12	1204800	(00000000- ) Motor Wldt, Mount, 50cm	1
▽	13	9012768	(00000000- ) Wheel Kit, Bmpr, Afmkt, W/ Hdwr	1
▲	14	1016005	(00000000- ) Screw, Hex, M6 X 1.00 X 25, NI, Fl, Ss	1
▲	15	01684	(00000000- ) Washer, Flat, 0.27b 0.69d .05, Ss	1
▲	16	1210221	(00000000- ) Washer, Wave, .515b, .875d, .013, Ss	1
▲	17	1210186	(00000000- ) Bushing, Flng, 6.3mmb 12.6mmd 7.7mml	1
	18	9012769	(00000000- ) Shroud, Dust, Afmkt, 51cm, [Na]	1
	19	01685	(00000000- ) Washer, Flat, 0.38b 0.88d .08, Ss	4
	20	08713	(00000000- ) Nut, Hex, Lock, M8 X 1.25, NI, Ss	4
	21	1208033	(00000000- ) Skirt Assy, Shrd, 20.0d	1
	22	1032763	(00000000- ) Gasket, Stand, Support	1
▽	23	1210491	(00000000- ) Driver Assy, Pad, 20d	1
▲	24	32506	(00000000- ) Device, Centering, Rh Pad Retainer	1
▲	25	1205787	(00000000- ) Collar, Locking, Pad Driver, 6.1"	1
	26	611788	(00000000- ) Pad, 20.0[Burnish, Hairblend, 1pick=1ctn] (Qty 5 Pads)	1
	27	41186	(00000000- ) Washer, Flat, Belleville, .31	1
	28	25732	(00000000- ) Washer, Flat, 0.36b 1.25d .09, PI	1
	29	1016399	(00000000- ) Screw, Hex, M8 X 1.25 X 30, NI, Ss	1

▽ ASSEMBLY

▲ INCLUDED IN ASSEMBLY

HEAD LIFT GROUP

355224



## HEAD LIFT GROUP

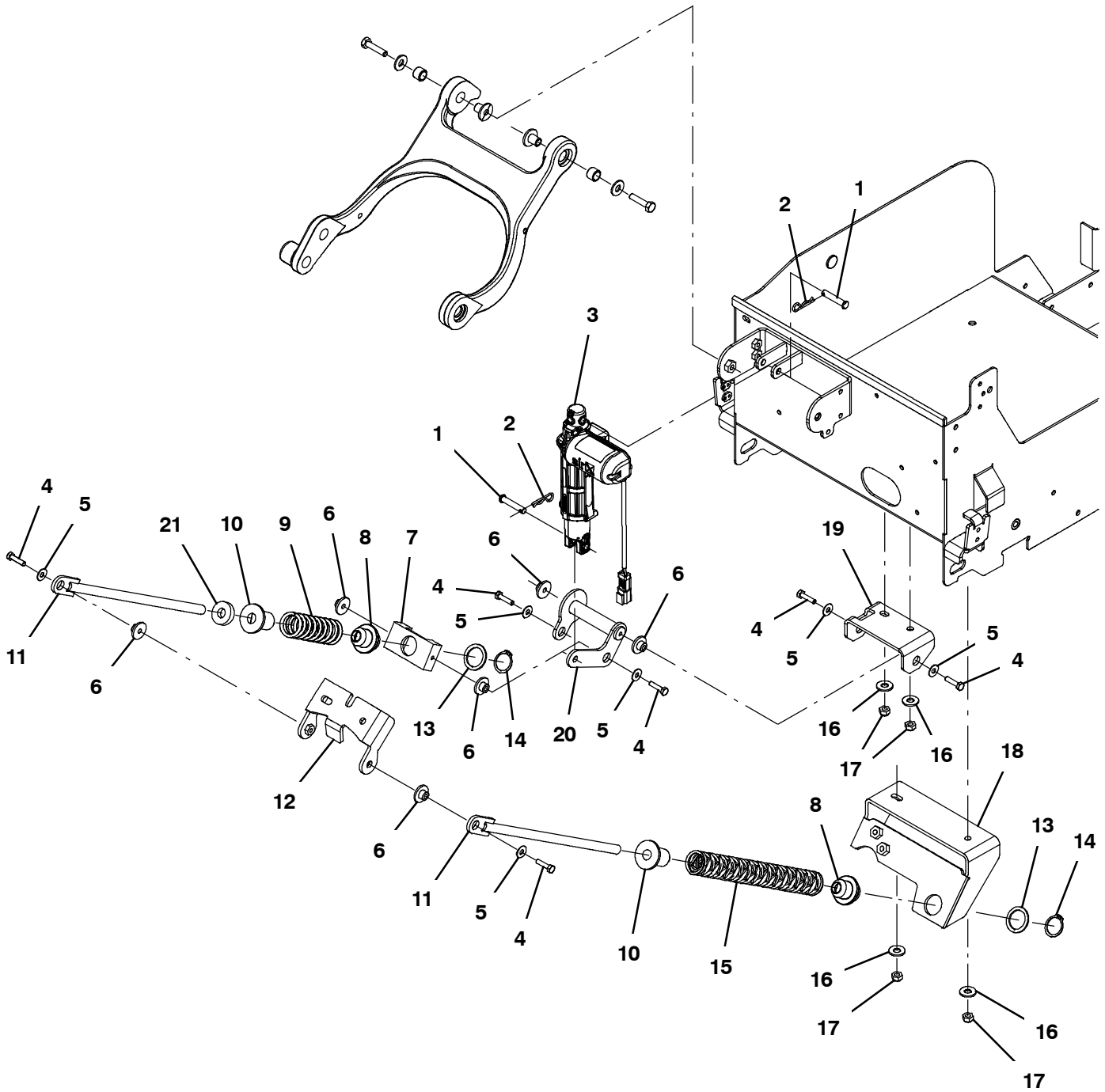
Ref.	Part No.	Serial Number	Description	Qty.	
1	59658	(00000000-	) Screw, Hex, M8 X 1.25 X 35, NI, Ss	4	
2	379829	(00000000-	) Washer, Flat, 0.34b 1.50d .12, Stl, Pl	1	
3	1205779	(00000000-	) Roller, Flng, 12mmb 39.94mmd 6.5mml	2	
4	1210221	(00000000-	) Washer, Wave, .515b, .875d, .013, Ss	1	
5	1205562	(00000000-	) Bushing, Flng, 8.3mmb 11.7mmd 15mml	5	
6	01685	(00000000-	) Washer, Flat, 0.38b 0.88d .08, Ss	4	
▽	7	9012779	(00000000-	) Arm, Lift, Head, Afmkt, W/Bearings	1
▲	8	9012780	(00000000-	) Bearing Kit, 12mmb 16mmd 12mmw, Qty=4	1
9	1203378	(00000000-	) Pin, Spring, .50d 1.00b	1	
10	1205799	(00000000-	) Screw, Btn, Torx, M5 X 0.8 X 16, 8.8, NI	1	
11	1221434	(00000000-	) Nut, T, M8 X 1.25, Pm Ss [B5/B7, T300]	1	
12	1020341	(00000000-	) Screw, Hex, M8 X 1.25 X 20, Ss, Sems	2	
13	1204894	(00000000-	) Guide Wldt, Rod	1	

▽ ASSEMBLY

▲ INCLUDED IN ASSEMBLY

DOWN PRESSURE GROUP, AUTOMATED

355225



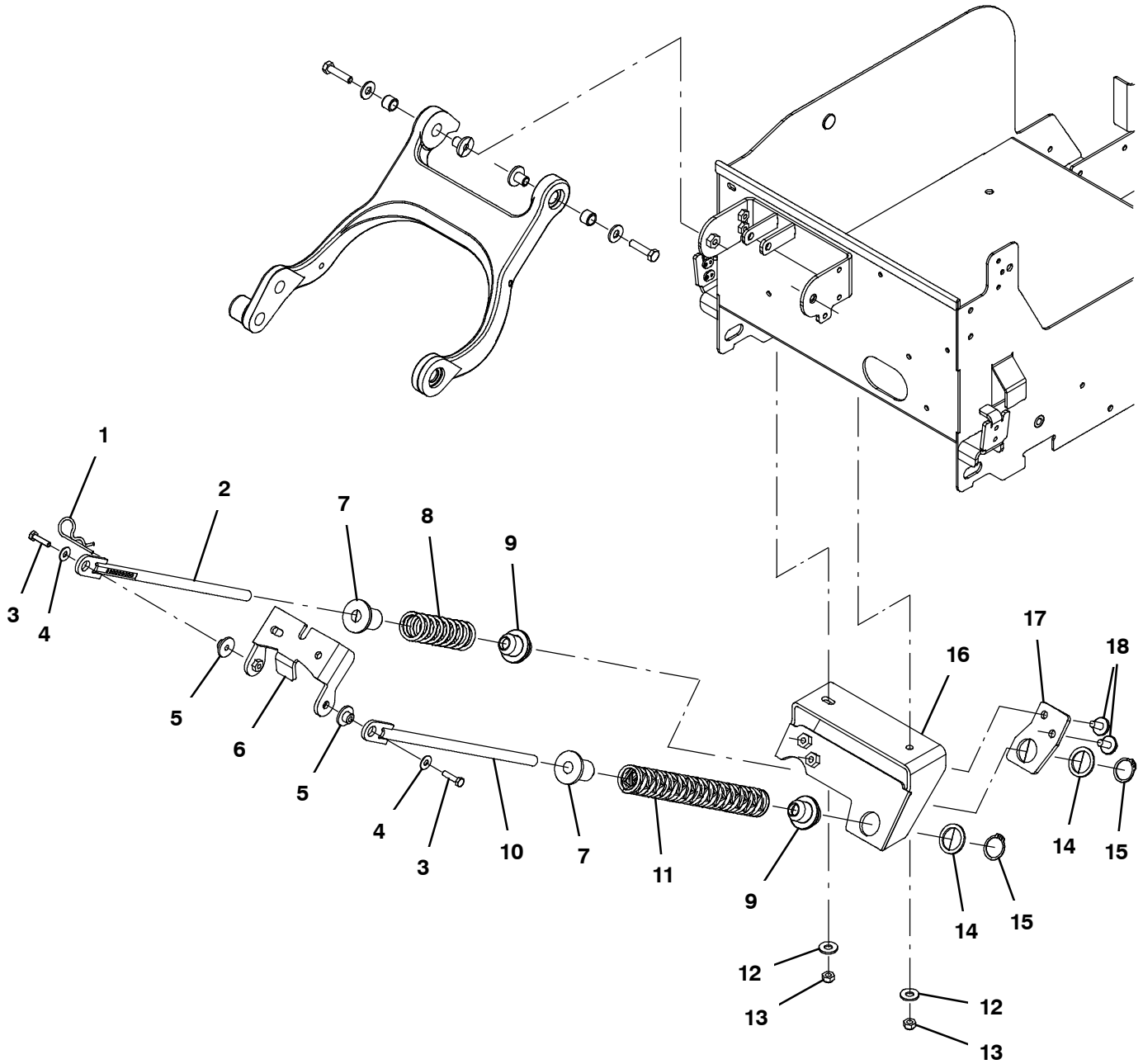


## DOWN PRESSURE GROUP, AUTOMATED

Ref.	Part No.	Serial Number	Description	Qty.
1	397249	(00000000-	) Pin, Clevis, 0.31d X 1.62l	2
2	44906	(00000000-	) Pin, Cotter, Hair, 0.38d .093 Wir	2
3	1205700	(00000000-	) Actuator, 36vdc, 60mm Strk, 2sw, 350n	1
4	1016005	(00000000-	) Screw, Hex, M6 X 1.00 X 25, NI, Fl, Ss	6
5	01684	(00000000-	) Washer, Flat, 0.27b 0.69d .05, Ss	6
6	1210186	(00000000-	) Bushing, Flng, 6.3mmb 12.6mmd 7.7mml	6
7	1220923	(00000000-	) Block, Guide, Rod, Pm, PI [B5, B7 Auto]	1
8	1205548	(00000000-	) Bushing, Guide, Rod	2
9	1205883	(00000000-	) Spring, Cmpr, 1.364od .162wir 4.462l[Brn]	1
10	1205557	(00000000-	) Bushing, Spring	2
11	1203314	(00000000-	) Rod Wldt, Guide	2
12	1204894	(00000000-	) Guide Wldt, Rod	1
13	1205832	(00000000-	) Washer, Flat, 1.06b 1.42d .09thk, Nyl	2
14	1205567	(00000000-	) Ring, Retaining, Ext, 26mmd	2
15	1203333	(00000000-	) Spring, Cmpr, 1.33od .145wir 10.35l[Red]	1
16	01685	(00000000-	) Washer, Flat, 0.38b 0.88d .08, Ss	4
17	08713	(00000000-	) Nut, Hex, Lock, M8 X 1.25, NI, Ss	4
18	1204575	(00000000-	) Bracket Wldt, Rod	1
19	1205738	(00000000-	) Bracket, Bellcrank	1
20	1203198	(00000000-	) Bracket Wldt, Bellcrank	1
21	140063	(00000000-	) Washer, Flat, 0.51b 1.25d .31, Nyl	1

DOWN PRESSURE GROUP, MECHANICAL

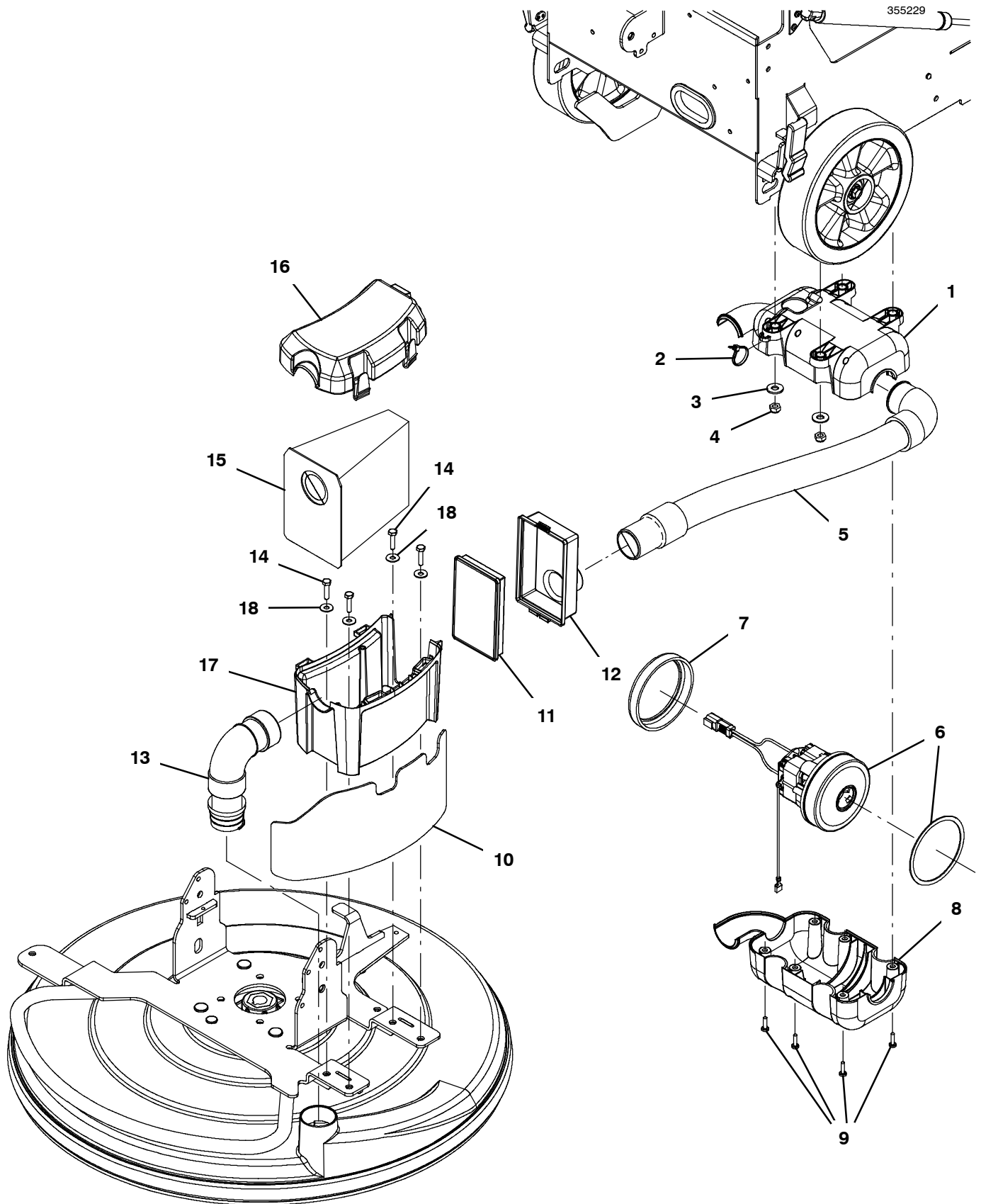
355226



## DOWN PRESSURE GROUP, MECHANICAL

Ref.	Part No.	Serial Number	Description	Qty.
1	02942	(00000000-	) Pin, Hair, Cotter, 0.62d .120 Wir	1
2	1207690	(00000000-	) Rod Wldt, Guide, Adj	1
3	1016005	(00000000-	) Screw, Hex, M6 X 1.00 X 25, NI, Fl, Ss	2
4	01684	(00000000-	) Washer, Flat, 0.27b 0.69d .05, Ss	2
5	1210186	(00000000-	) Bushing, Flng, 6.3mmb 12.6mmd 7.7mml	2
6	1204569	(00000000-	) Bracket, Rod, Guide	1
7	1205557	(00000000-	) Bushing, Spring	2
8	1210790	(00000000-	) Spring, Cmpr, 1.38od .170wir 5.4l[Ornge]	1
9	1205548	(00000000-	) Bushing, Guide, Rod	2
10	1203314	(00000000-	) Rod Wldt, Guide	1
11	1203333	(00000000-	) Spring, Cmpr, 1.33od .145wir 10.35l[Red]	1
12	01685	(00000000-	) Washer, Flat, 0.38b 0.88d .08, Ss	2
13	08713	(00000000-	) Nut, Hex, Lock, M8 X 1.25, NI, Ss	2
14	1205832	(00000000-	) Washer, Flat, 1.06b 1.42d .09thk, Nyl	2
15	1205567	(00000000-	) Ring, Retaining, Ext, 26mmd	2
16	1204575	(00000000-	) Bracket Wldt, Rod	1
17	1208110	(00000000-	) Plate, Spring	1
18	1020341	(00000000-	) Screw, Hex, M8 X 1.25 X 20, Ss, Sems	2

DUST CONTROL GROUP, ACTIVE

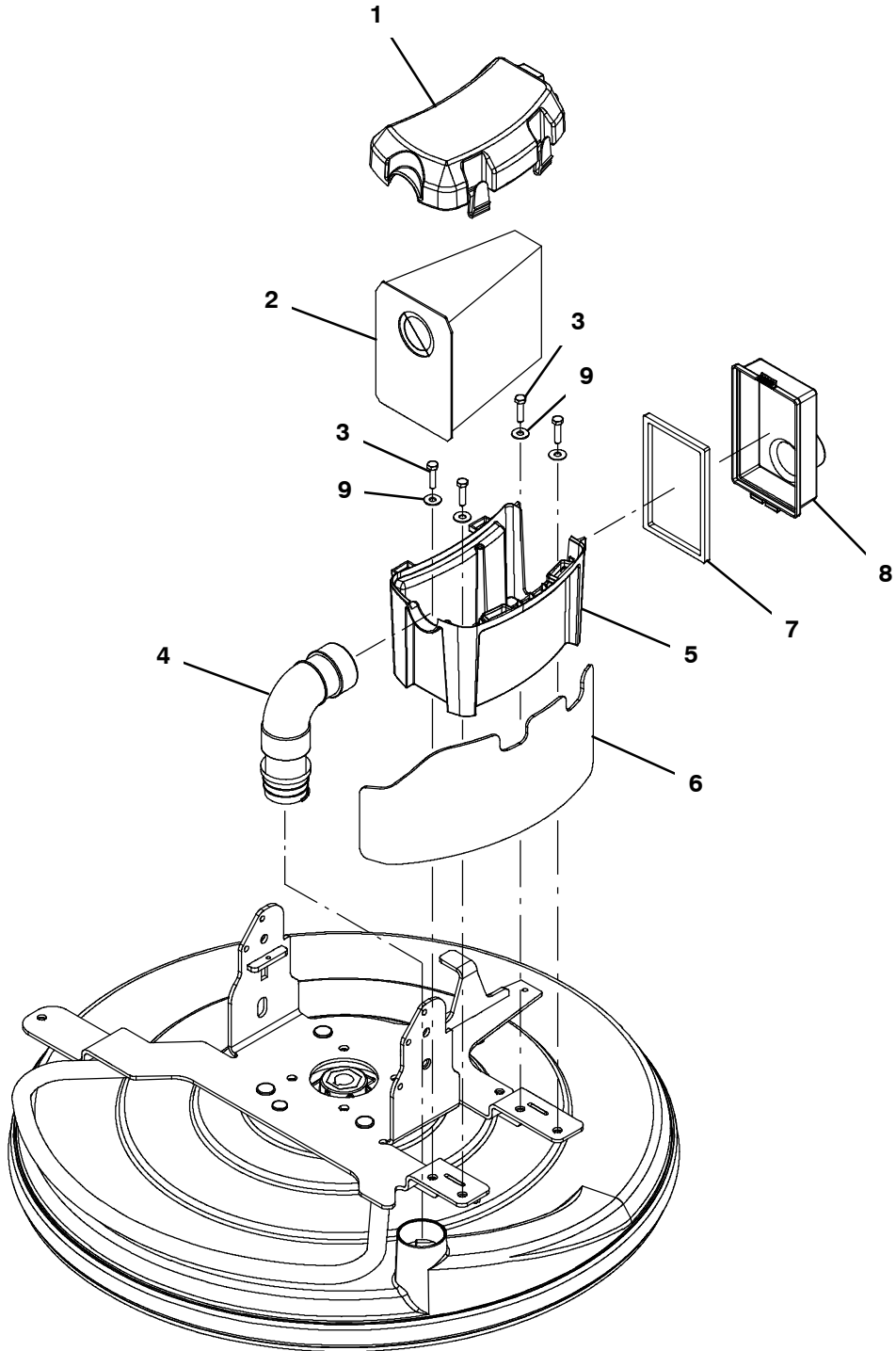


## DUST CONTROL GROUP, ACTIVE

Ref.	Part No.	Serial Number	Description	Qty.
1	1203164	(00000000-	) Housing, Vacuum Motor, Left	1
2	130773	(00000000-	) Tie, Cable, Nyl, 11.0l, .14w, 3.0 Max. D	1
3	01685	(00000000-	) Washer, Flat, 0.38b 0.88d .08, Ss	4
4	08713	(00000000-	) Nut, Hex, Lock, M8 X 1.25, NI, Ss	4
5	607275	(00000000-	) Hose, Vacuum, 1.50id X 040.0l, 2cuff,E90	1
6	9012781	(00000000-	) Fan Kit, Vacuum, Afmkt, W/ Gasket	1
7	1203349	(00000000-	) Gasket, Vac Motor	1
8	1203165	(00000000-	) Housing, Vacuum Motor, Right	1
9	1043573	(00000000-	) Screw, #10- 14 X 0.675, Spl[Shcs,Selftap]	6
10	1215720	(10729501-	) Guard, Wldt, Dust Box	1
10	1211826	(00000000- 10729500	) Guard, Wldt, Dust Box	1
11	1203162	(00000000-	) Filter, Hepa	1
12	1206013	(00000000-	) Housing, Filter, Hepa, Spg	1
13	1204900	(00000000-	) Hose, Assy, 1.50 Id	1
14	1016005	(00000000-	) Screw, Hex, M6 X 1.00 X 25, NI, FI, Ss	4
15	1210869	(00000000-	) Bag, Dust, Paper[1 Pick=1 Pkg] (1 Pkg=10 Bags) (Standard)	1
16	1206015	(00000000-	) Cover, Dust Control, Spg	1
17	1206014	(00000000-	) Base, Dust Control, Spg	1
18	01684	(00000000-	) Washer, Flat, 0.27b 0.69d .05, Ss	4

DUST CONTROL GROUP, PASSIVE

355230

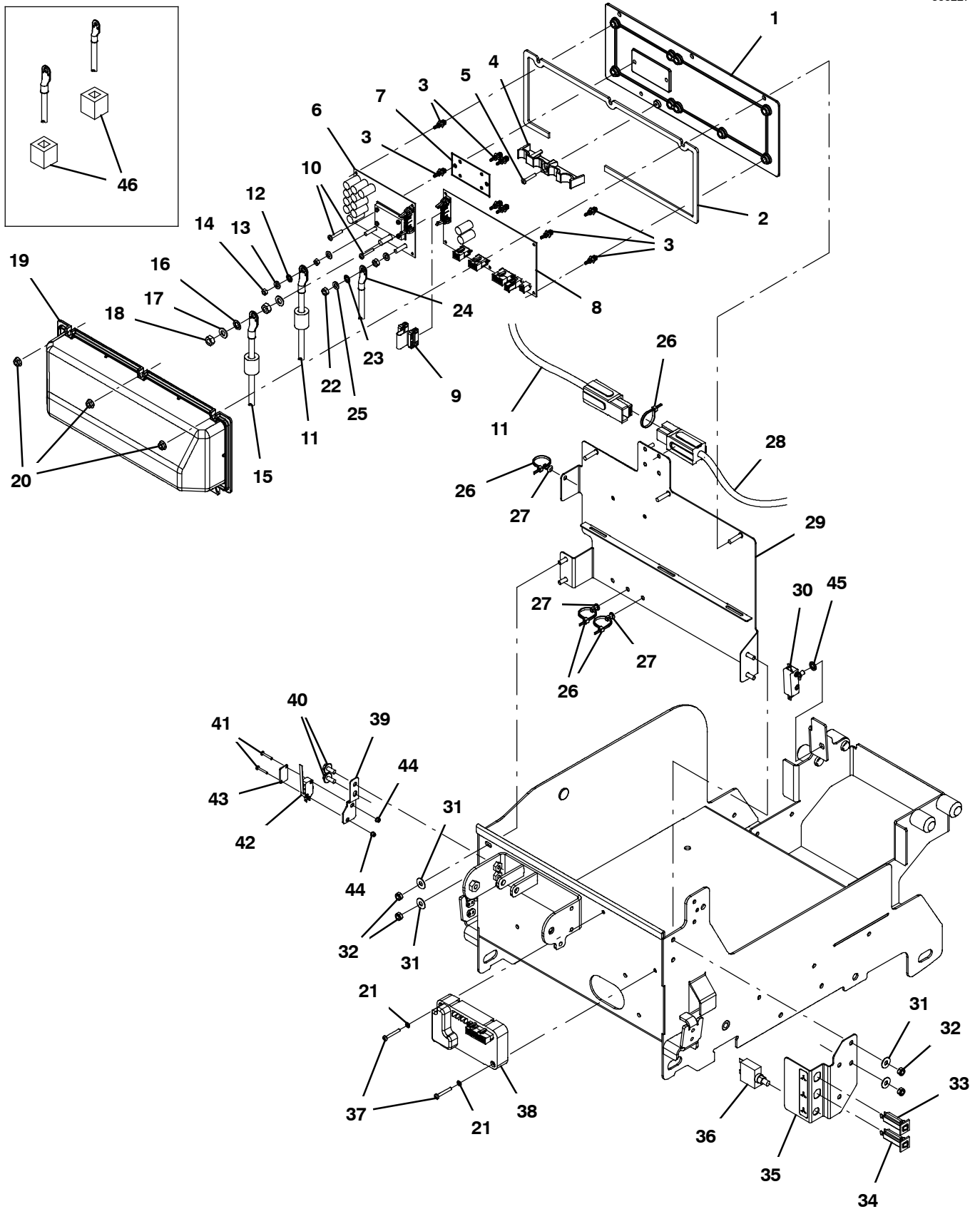


## DUST CONTROL GROUP, PASSIVE

Ref.	Part No.	Serial Number	Description	Qty.
1	1206015	(00000000-	) Cover, Dust Control, Spg	1
2	1210869	(00000000-	) Bag, Dust, Paper[1 Pick=1 Pkg] (1 Pkg=10 Bags) (Standard)	1
2	1208744	(00000000-	) Bag, Dust, Cloth (Optional for Passive Dust Control Only)	1
3	1016005	(00000000-	) Screw, Hex, M6 X 1.00 X 25, NI, FI, Ss	4
4	1204900	(00000000-	) Hose, Assy, 1.50 Id	1
5	1206014	(00000000-	) Base, Dust Control, Spg	1
6	1215720	(10729501-	) Guard, Wldt, Dust Box	1
6	1211826	(00000000- 10729500	) Guard, Wldt, Dust Box	1
7	1212532	(00000000-	) Gasket, Cover, Box, Dust	1
8	1206013	(00000000-	) Housing, Filter, Hepa, Spg	1
9	01684	(00000000-	) Washer, Flat, 0.27b 0.69d .05, Ss	4

ELECTRICAL COMPONENTS GROUP

355227





## ELECTRICAL COMPONENTS GROUP

Ref.	Part No.	Serial Number	Description	Qty.	
1	1207928	(00000000-	) Panel, Mounting, Cast	1	
2	1205971	(00000000-	) Gasket, Cover, Circuitboard	1	
3	1209448	(00000000-	) Standoff, Circuitboard, .25	9	
4	1203975	(00000000-	) Spacer, Terminal	1	
5	04403	(00000000-	) Screw, Pan, Phl, M4 X 0.70 X 25, Ni, Ss	1	
∇	6	9012782	(00000000-	) Circuitboard Kit, Bridge, Afmkt, W/Strap	1
▲	7	1205845	(00000000-	) Circuitboard, Silpad [1/2 Bridge, Lower]	1
8	9012783	(00000000-	) Circuitboard Kit, Base, Afmkt, W/ Strap (For Models w/ mechanical pad pressure and passive dust control)	1	
8	9012796	(00000000-	) Circuitboard Kit, Option, Afmkt, W/Strap (For Models w/ automated pad pressure and/or active dust control)	1	
9	1206669	(00000000-	) Cable, Assy [Ribbon, 20 Pos., 2.0]	1	
10	04403	(00000000-	) Screw, Pan, Phl, M4 X 0.70 X 25, Ni, Ss	2	
11	1072935	(00000000-	) Cable, Assy, Fuse [B5, 100a, Propel] (Includes Ferrite)	1	
12	07515	(00000000-	) Washer, Lock, Int, 0.25, Ss	1	
13	1061918	(00000000-	) Washer, Flat, 0.25b 0.47d .06, Brs	1	
14	1202864	(00000000-	) Nut, Hex, Std, M5 X 0.80, Brs	1	
15	1072372	(00000000-	) Cable, 04ga 36.4l Blu[M8Ring/M8Ring] (Includes Ferrite)	1	
16	43952	(00000000-	) Washer, Lock, Int, 0.31, Ss	1	
17	1209373	(00000000-	) Washer, Flat, M8.4b X 16d X 1.6, Brs	1	
18	41361	(00000000-	) Nut, Hex, Std, M8 X 1.25, Brs	1	
19	1207594	(00000000-	) Cover, Board, Cntrl	1	
20	07790	(00000000-	) Nut, Hex, Flng, M6 X 1.00	3	
21	02938	(00000000-	) Washer, Lock, Int, 08, Ss	2	
22	1061910	(00000000-	) Nut, Hex, Std, M6 X 1.00, Brs	1	
23	07515	(00000000-	) Washer, Lock, Int, 0.25, Ss	1	
24	1072939	(00000000-	) Cable, Assy [B7/B5, Ground]	1	
25	1061918	(00000000-	) Washer, Flat, 0.25b 0.47d .06, Brs	1	
26	130773	(00000000-	) Tie, Cable, Nyl, 11.0l, .14w, 3.0 Max. D	4	
27	1071085	(00000000-	) Clip, Tie, 0.25d, Plstc	3	
28	1072365	(00000000-	) Cable, 02ga 21.6l Red [M8 Ring / And.]	1	
29	1204898	(00000000-	) Panel Wldt, Mounting	1	
30	1207893	(00000000-	) Switch, Push, Snap Action, 25a [No]	1	
31	01684	(00000000-	) Washer, Flat, 0.27b 0.69d .05, Ss	2	
32	08712	(00000000-	) Nut, Hex, Lock, M6 X 1.00, Ni, Ss	2	
33	1064184	(00000000-	) Circuitbreaker, 02.5a, Resetable	1	
34	1064188	(00000000-	) Circuitbreaker, 15.0a, Resetable	1	
35	1208453	(00000000-	) Bracket, Circuit Breaker	1	
36	383725	(00000000-	) Circuitbreaker, 30.0a, Resetable	1	
37	33931	(00000000-	) Screw, Pan, Phl, M4 X 0.70 X 30, Ss	2	
38	9012826*	(00000000-	) Controller, Drive, Afmkt, W/ Usb Cable (Drive Model)	1	
39	1207555	(00000000-	) Bracket, Thread, Switch, M3 Nut [B5, B7]	1	
40	1034731	(00000000-	) Screw, Hex, M6 X 1.00 X 16, Ss, Sems	2	
41	06922	(00000000-	) Screw, Pan, Phl, M3 X 0.50 X 20, 4.8	2	
42	1205323	(00000000-	) Switch, 0.1a, Spdt [Micro, Straight]	1	
43	601359	(00000000-	) Plate, Backing, Switch	1	
44	1016603	(00000000-	) Nut, Clinch, M3 X 0.5, Ni	2	
45	32988	(00000000-	) Washer, Lock, Int, 0.38	1	
46	1210283	(00000000-	) Box, Wire [Ferrite, Emi Filter] (No Longer Available - Replaced by Cable 1072935 or 1072372 Includes Ferrite)	2	

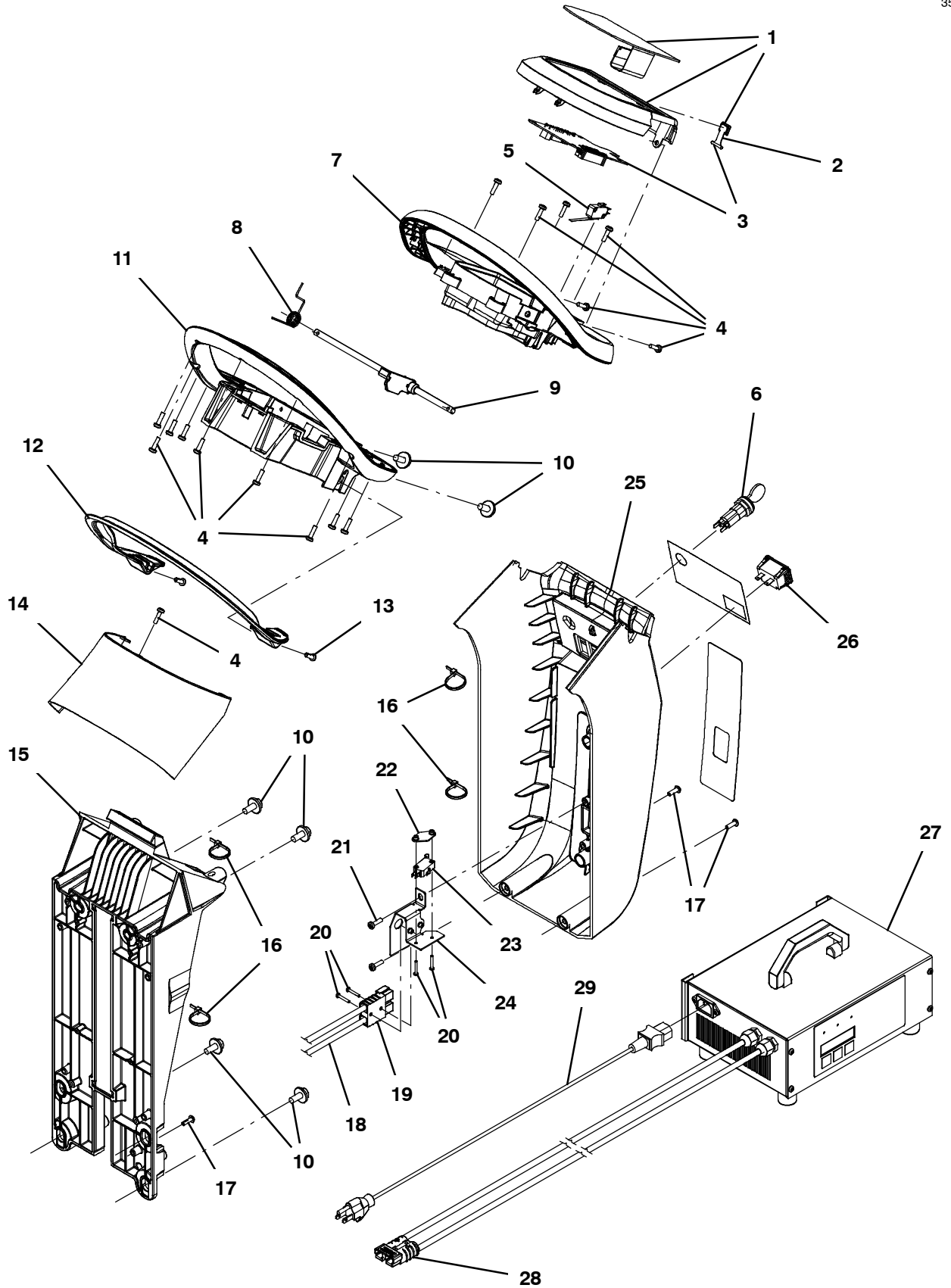
\* Requires Tennant *True* service or an authorized Tennant service provider.

∇ ASSEMBLY

▲ INCLUDED IN ASSEMBLY

CONSOLE GROUP, PUSH, OFF BOARD CHARGER

355251



## CONSOLE GROUP, PUSH, OFF BOARD CHARGER

Ref.	Part No.	Serial Number	Description	Qty.
▽	1	9012784*	(00000000- ) Bezel Kit, Mechanical, Push, Afmkt	1
▲	2	1205618	(00000000- ) Cap, Usb	1
	3	9012787	(00000000- ) Circuitboard Kit, Console, W/ Usb Cable	1
	4	1043573	(00000000- ) Screw, #10- 14 X 0.675, Spl[Shcs,Selftap]	16
	5	1205323	(00000000- ) Switch, 0.1a, Spdt [Micro, Straight]	1
▽	6	1011402	(00000000- ) Switch, Key	1
▲		1017696	(00000000- ) Key Set, Replmt [F/ Keyswitch 1011402]	1
	7	1203787	(00000000- ) Housing, Handle, Cntrl, Top	1
	8	1205781	(00000000- ) Spring, Return, Bail	1
	9	1205143	(00000000- ) Shaft Asm, Bail, Handle	1
	10	1020341	(00000000- ) Screw, Hex, M8 X 1.25 X 20, Ss, Sems	6
	11	1222608	(00000000- ) Housing, Handle, Cntrl, Bottom, Slotted	1
	12	1205778	(00000000- ) Handle, Bail [Machined]	1
	13	1205799	(00000000- ) Screw, Btn, Torx, M5 X 0.8 X 16, 8.8, NI	2
	14	1207004	(00000000- ) Cover, Handle, Cntrl	1
	15	1216531	(00000000- ) Frame, Column, Cntrl [Revised Machined]	1
	16	130773	(00000000- ) Tie, Cable, Nyl, 11.0l, .14w, 3.0 Max. D	4
	17	1205799	(00000000- ) Screw, Btn, Torx, M5 X 0.8 X 16, 8.8, NI	3
▽	18	1072939	(00000000- ) Cable, Assy [B7/B5, Ground]	1
▲	19	605387	(00000000- ) Connector, Anderson, 050a, Red [W/O Con]	1
	20	06922	(00000000- ) Screw, Pan, Phl, M3 X 0.50 X 20, 4.8	4
	21	1043573	(00000000- ) Screw, #10- 14 X 0.675, Spl[Shcs,Selftap]	2
	22	1013705	(00000000- ) Plate, Thread, Switch, M3 Nut, 96hr PI	1
	23	1215716	(00000000- ) Switch, 0.1a, Spdt[Micro, Gold Contacts]	1
	24	1208599	(00000000- ) Bracket Assy, Plug, Charger	1
	25	9012789	(00000000- ) Cover, Console, Afmkt, W/ Label [Na]	1
	26	1064038	(00000000- ) Gauge, Hourmeter, 05- 277 Volt, Ac / Dc	1
▽	27	1208644	(00000000- ) Charger, 36vdc, 25a 85- 265vac [Offboard] (180- 250 AH Wet Lead Acid Batteries)	1
▽	27	9012740	(00000000- ) Charger, 36vdc 25a [P/N 1208644, #31] (200- 350 AH AGM Batteries)	1
▽	27	9012739	(00000000- ) Charger, 36vdc 25a [P/N 1208644, #03] (260- 360 AH Wet Lead Acid Batteries)	1
▲	28	130155	(00000000- ) Connector, Battery, 6ga 50a, Gray[2cont]	1
	29	1073882	(00000000- ) Cord, Power, 16/3, 15a, 15ft Blk [Us]	1

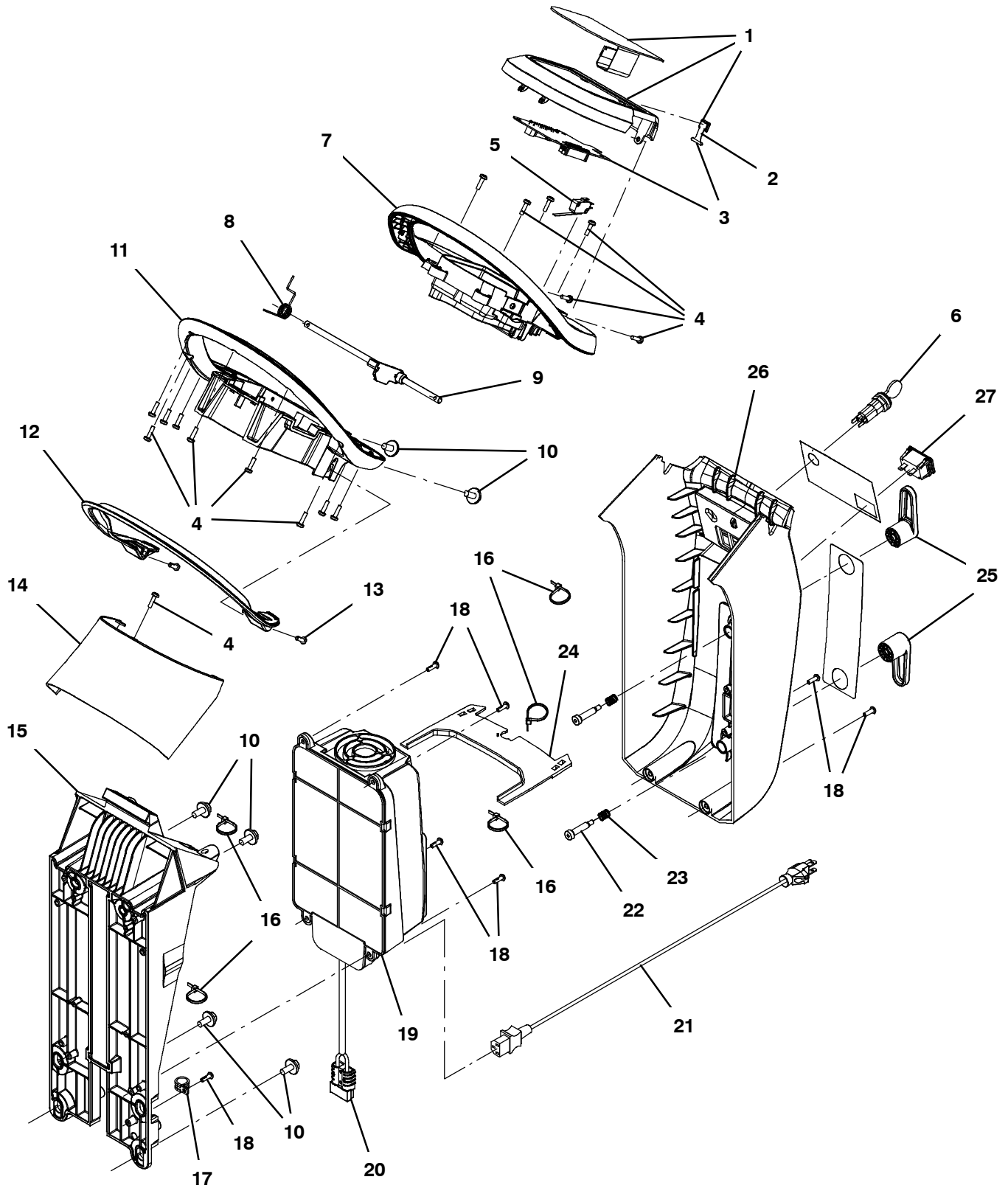
\* Requires Tennant *True* service or an authorized Tennant service provider.

▽ ASSEMBLY

▲ INCLUDED IN ASSEMBLY

CONSOLE GROUP, PUSH, ON BOARD CHARGER

355252



## CONSOLE GROUP, PUSH, ON BOARD CHARGER

Ref.	Part No.	Serial Number	Description	Qty.
▽	1	9012784*	(00000000- ) Bezel Kit, Mechanical, Push, Afmkt	1
▲	2	1205618	(00000000- ) Cap, Usb	1
	3	9012787	(00000000- ) Circuitboard Kit, Console, W/ Usb Cable	1
	4	1043573	(00000000- ) Screw, #10- 14 X 0.675, Spl[Shcs,Selftap]	16
	5	1205323	(00000000- ) Switch, 0.1a, Spdt [Micro, Straight]	1
▽	6	1011402	(00000000- ) Switch, Key	1
▲		1017696	(00000000- ) Key Set, Replmt [F/ Keyswitch 1011402]	1
	7	1203787	(00000000- ) Housing, Handle, Cntrl, Top	1
	8	1205781	(00000000- ) Spring, Return, Bail	1
	9	1205143	(00000000- ) Shaft Asm, Bail, Handle	1
	10	1020341	(00000000- ) Screw, Hex, M8 X 1.25 X 20, Ss, Sems	6
	11	1222608	(00000000- ) Housing, Handle, Cntrl, Bottom, Slotted	1
	12	1205778	(00000000- ) Handle, Bail [Machined]	1
	13	1205799	(00000000- ) Screw, Btn, Torx, M5 X 0.8 X 16, 8.8, NI	2
	14	1207004	(00000000- ) Cover, Handle, Cntrl	1
	15	1216531	(00000000- ) Frame, Column, Cntrl [Revised Machined]	1
	16	130773	(00000000- ) Tie, Cable, Nyl, 11.0l, .14w, 3.0 Max. D	4
	17	378969	(00000000- ) Clamp, Cable, Stl, 0.56d X 0.38w, 1hole	1
	18	1205799	(00000000- ) Screw, Btn, Torx, M5 X 0.8 X 16, 8.8, NI	5
▽	19	1202585	(00000000- ) Charger, 36vdc, 25a 85- 265vac [On- Board]	1
▲	20	130155	(00000000- ) Connector, Battery, 6ga 50a, Gray[2cont]	1
	21	1073882	(00000000- ) Cord, Power, 16/3, 15a, 15ft Blk [Us]	1
	22	1024965	(00000000- ) Bolt, Shld, 08mmd X 030mm, M06 X 1.0	2
	22	611311	(00000000- ) Spring, Cmpr, 0.40od .05wir 00.5l, Pl,Mw	2
	24	1207290	(00000000- ) Cover, Charger	1
	25	1205496	(00000000- ) Hook, Cord	2
	26	9012789	(00000000- ) Cover, Console, Afmkt, W/ Label [Na]	1
	27	1064038	(00000000- ) Gauge, Hourmeter, 05- 277 Volt, Ac / Dc	1

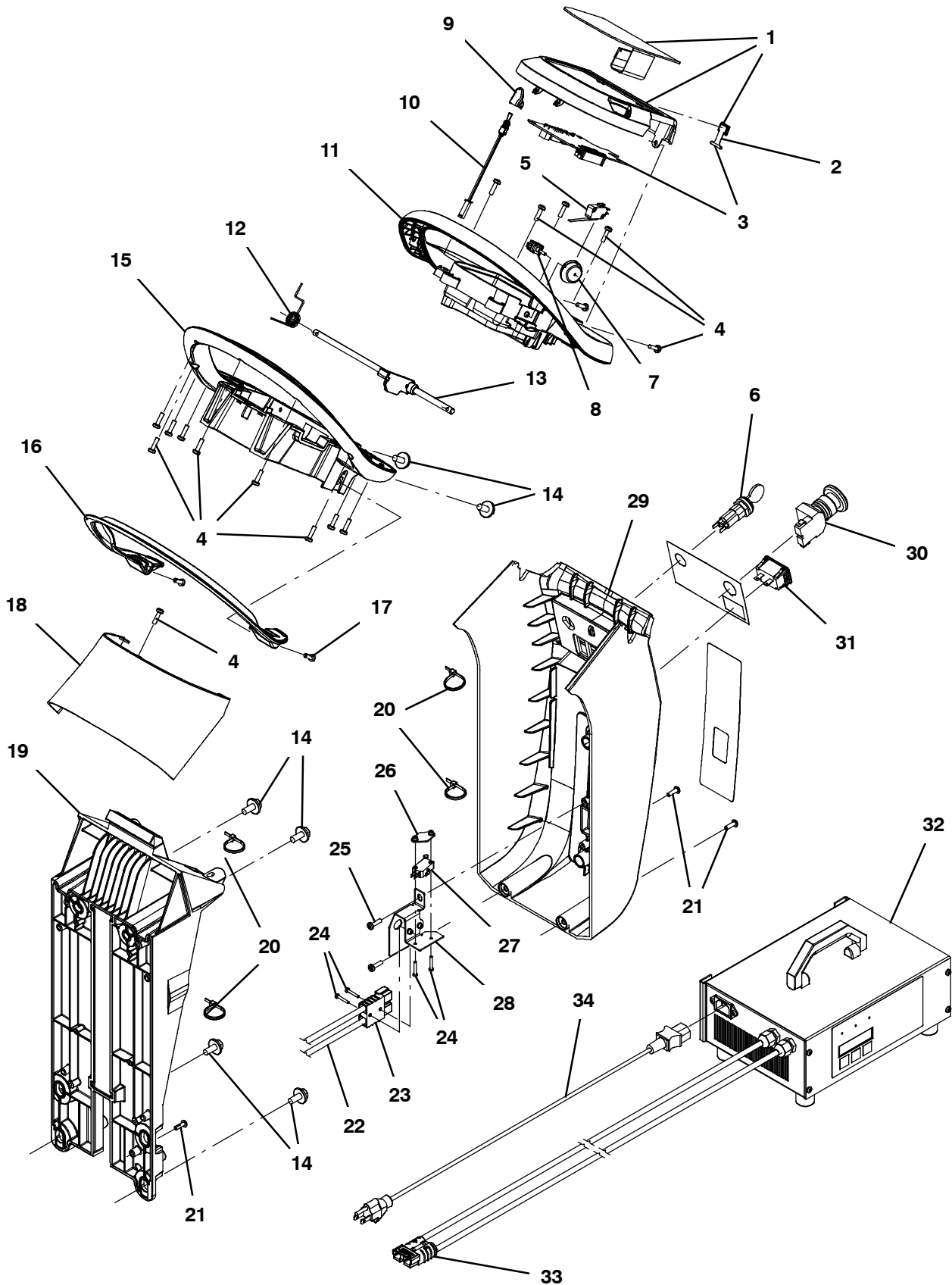
\* Requires Tennant *True* service or an authorized Tennant service provider.

▽ ASSEMBLY

▲ INCLUDED IN ASSEMBLY

CONSOLE GROUP, BASE, DRIVE, OFF BOARD CHARGER

355249



## CONSOLE GROUP, BASE, DRIVE, OFF BOARD CHARGER

Ref.	Part No.	Serial Number	Description	Qty.
▽	1	9012785*	(00000000- ) Bezel Kit, Mechanical, Propel, Afmkt	1
▲	2	1205618	(00000000- ) Cap, Usb	1
	3	9012787	(00000000- ) Circuitboard Kit, Console, W/ Usb Cable	1
	4	1043573	(00000000- ) Screw, #10- 14 X 0.675, Spl[Shcs,Selftap]	16
	5	1205323	(00000000- ) Switch, 0.1a, Spdt [Micro, Straight]	1
▽	6	1011402	(00000000- ) Switch, Key	1
▲		1017696	(00000000- ) Key Set, Replmt [F/ Keyswitch 1011402]	1
	7	1234365	(00000000- ) Dial, Range, Speed	1
	8	1204930	(00000000- ) Potentiometer [100k, 1 Turn, B5/B7]	1
	9	1209730	(00000000- ) Cap, Toggle, Direction	1
	10	1209673	(00000000- ) Switch Assy, Toggle, Direction	1
	11	1203787	(00000000- ) Housing, Handle, Cntrl, Top	1
	12	1205781	(00000000- ) Spring, Return, Bail	1
	13	1205143	(00000000- ) Shaft Asm, Bail, Handle	1
	14	1020341	(00000000- ) Screw, Hex, M8 X 1.25 X 20, Ss, Sems	6
	15	1222608	(00000000- ) Housing, Handle, Cntrl, Bottom, Slotted	1
	16	1205778	(00000000- ) Handle, Bail [Machined]	1
	17	1205799	(00000000- ) Screw, Btn, Torx, M5 X 0.8 X 16, 8.8, NI	2
	18	1207004	(00000000- ) Cover, Handle, Cntrl	1
	19	1216531	(00000000- ) Frame, Column, Cntrl [Revised Machined]	1
	20	130773	(00000000- ) Tie, Cable, Nyl, 11.0l, .14w, 3.0 Max. D	4
	21	1205799	(00000000- ) Screw, Btn, Torx, M5 X 0.8 X 16, 8.8, NI	3
▽	22	1072939	(00000000- ) Cable, Assy [B7/B5, Ground]	1
▲	23	605387	(00000000- ) Connector, Anderson, 050a, Red [W/O Con]	1
	24	06922	(00000000- ) Screw, Pan, Phl, M3 X 0.50 X 20, 4.8	4
	25	1043573	(00000000- ) Screw, #10- 14 X 0.675, Spl[Shcs,Selftap]	2
	26	1013705	(00000000- ) Plate, Thread, Switch, M3 Nut, 96hr PI	1
	27	1215716	(00000000- ) Switch, 0.1a, Spdt[Micro, Gold Contacts]	1
	28	1208599	(00000000- ) Bracket Assy, Plug, Charger	1
	29	9012789	(00000000- ) Cover, Console, Afmkt, W/ Label [Na]	1
	30	1011735	(00000000- ) Switch, Safety, Shutoff	1
	31	1064038	(00000000- ) Gauge, Hourmeter, 05- 277 Volt, Ac / Dc	1
▽	32	1208644	(00000000- ) Charger, 36vdc, 25a 85- 265vac [Offboard] (180- 250 AH Wet Lead Acid Batteries)	1
▽	32	9012740	(00000000- ) Charger, 36vdc 25a [P/N 1208644, #31] (200- 350 AH AGM Batteries)	1
▽	32	9012739	(00000000- ) Charger, 36vdc 25a [P/N 1208644, #03] (260- 360 AH Wet Lead Acid Batteries)	1
▲	33	130155	(00000000- ) Connector, Battery, 6ga 50a, Gray[2cont]	1
	34	1073882	(00000000- ) Cord, Power, 16/3, 15a, 15ft Blk [Us]	1

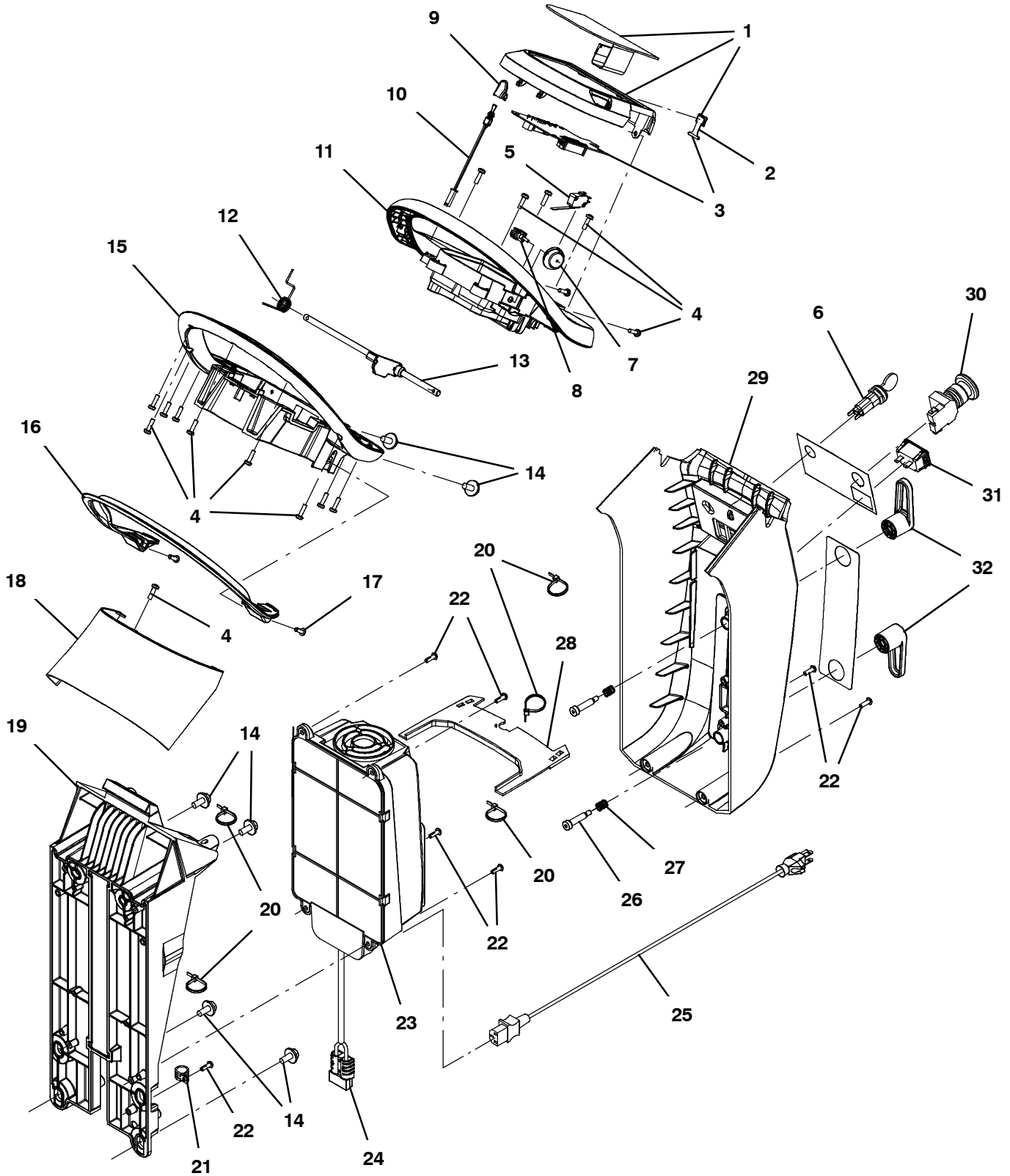
\* Requires Tennant *True* service or an authorized Tennant service provider.

▽ ASSEMBLY

▲ INCLUDED IN ASSEMBLY

CONSOLE GROUP, BASE, DRIVE, ON BOARD CHARGER

355250





## CONSOLE GROUP, BASE, DRIVE, ON BOARD CHARGER

Ref.	Part No.	Serial Number	Description	Qty.
▽	1	9012785*	(00000000- ) Bezel Kit, Mechanical, Propel, Afmkt	1
▲	2	1205618	(00000000- ) Cap, Usb	1
	3	9012787	(00000000- ) Circuitboard Kit, Console, W/ Usb Cable	1
	4	1043573	(00000000- ) Screw, #10- 14 X 0.675, Spl[Shcs,Selftap]	16
	5	1205323	(00000000- ) Switch, 0.1a, Spdt [Micro, Straight]	1
▽	6	1011402	(00000000- ) Switch, Key	1
▲		1017696	(00000000- ) Key Set, Replmt [F/ Keyswitch 1011402]	1
	7	1234365	(00000000- ) Dial, Range, Speed	1
	8	1204930	(00000000- ) Potentiometer [100k, 1 Turn, B5/B7]	1
	9	1209730	(00000000- ) Cap, Toggle, Direction	1
	10	1209673	(00000000- ) Switch Assy, Toggle, Direction	1
	11	1203787	(00000000- ) Housing, Handle, Cntrl, Top	1
	12	1205781	(00000000- ) Spring, Return, Bail	1
	13	1205143	(00000000- ) Shaft Asm, Bail, Handle	1
	14	1020341	(00000000- ) Screw, Hex, M8 X 1.25 X 20, Ss, Sems	6
	15	1222608	(00000000- ) Housing, Handle, Cntrl, Bottom, Slotted	1
	16	1205778	(00000000- ) Handle, Bail [Machined]	1
	17	1205799	(00000000- ) Screw, Btn, Torx, M5 X 0.8 X 16, 8.8, NI	2
	18	1207004	(00000000- ) Cover, Handle, Cntrl	1
	19	1216531	(00000000- ) Frame, Column, Cntrl [Revised Machined]	1
	20	130773	(00000000- ) Tie, Cable, Nyl, 11.0l, .14w, 3.0 Max. D	4
	21	378969	(00000000- ) Clamp, Cable, Stl, 0.56d X 0.38w, 1hole	1
	22	1205799	(00000000- ) Screw, Btn, Torx, M5 X 0.8 X 16, 8.8, NI	5
▽	23	1202585	(00000000- ) Charger, 36vdc, 25a 85- 265vac [On- Board]	1
▲	24	130155	(00000000- ) Connector, Battery, 6ga 50a, Gray[2cont]	1
	25	1073882	(00000000- ) Cord, Power, 16/3, 15a, 15ft Blk [Us]	1
	26	1024965	(00000000- ) Bolt, Shld, 08mmd X 030mm, M06 X 1.0	2
	27	611311	(00000000- ) Spring, Cmpr, 0.40od .05wir 00.5l, Pl,Mw	2
	28	1207290	(00000000- ) Cover, Charger	1
	29	9012789	(00000000- ) Cover, Console, Afmkt, W/ Label [Na]	1
	30	1011735	(00000000- ) Switch, Safety, Shutoff	1
	31	1064038	(00000000- ) Gauge, Hourmeter, 05- 277 Volt, Ac / Dc	1
	32	1205496	(00000000- ) Hook, Cord	2

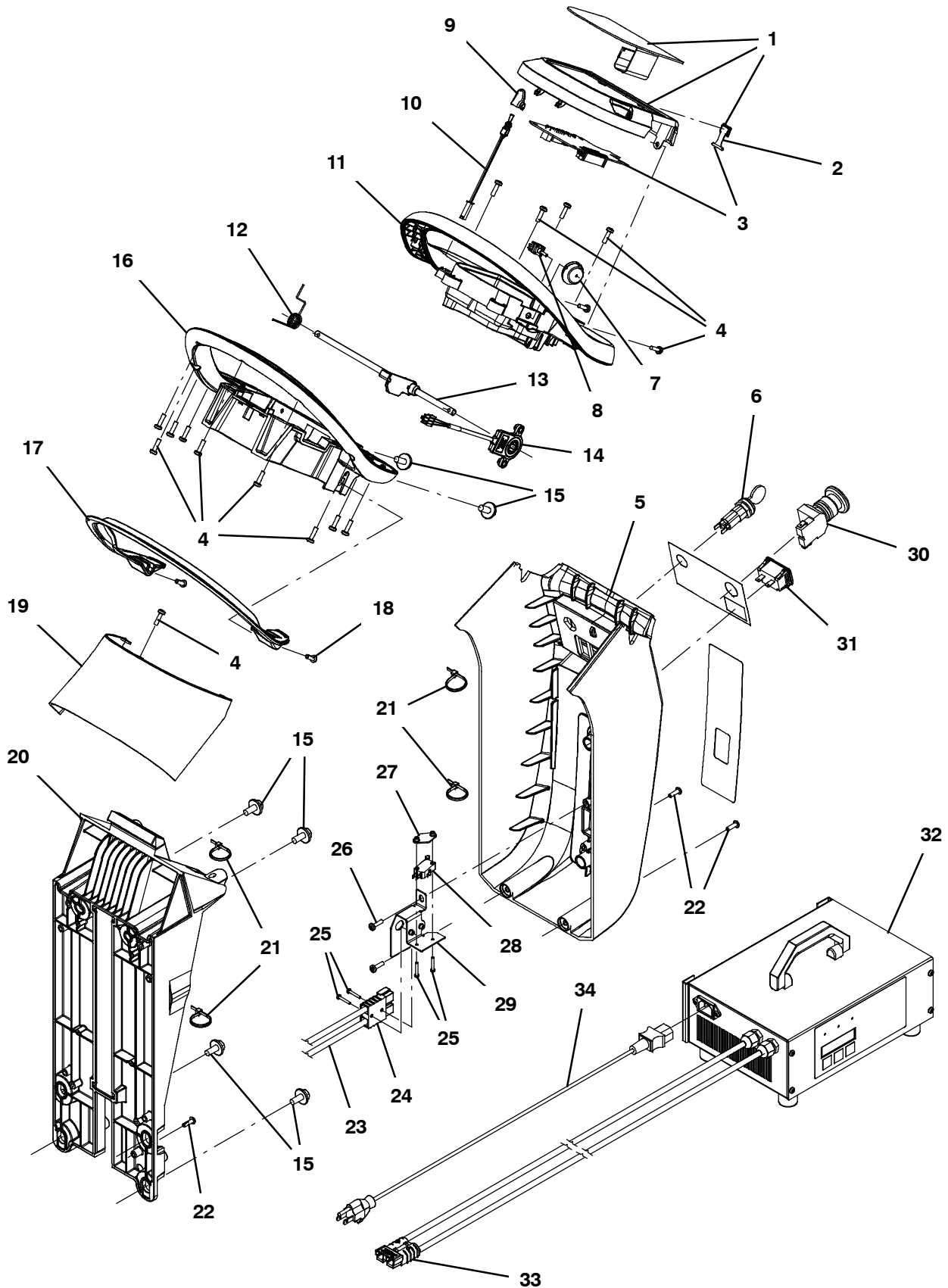
\* Requires Tennant *True* service or an authorized Tennant service provider.

▽ ASSEMBLY

▲ INCLUDED IN ASSEMBLY

CONSOLE GROUP, POWER, DRIVE, OFF BOARD CHARGER

355253



## CONSOLE GROUP, POWER, DRIVE, OFF BOARD CHARGER

Ref.	Part No.	Serial Number	Description	Qty.
▽	1	9012786*	(00000000- ) Bezel Kit, Actuator, Propel, Afmkt	1
▲	2	1205618	(00000000- ) Cap, Usb	1
	3	9012787	(00000000- ) Circuitboard Kit, Console, W/ Usb Cable	1
	4	1043573	(00000000- ) Screw, #10- 14 X 0.675, Spl[Shcs,Selftap]	16
	5	9012789	(00000000- ) Cover, Console, Afmkt, W/ Label [Na]	1
▽	6	1011402	(00000000- ) Switch, Key	1
▲		1017696	(00000000- ) Key Set, Replmt [F/ Keyswitch 1011402]	1
	7	1234365	(00000000- ) Dial, Range, Speed	1
	8	1204930	(00000000- ) Potentiometer [100k, 1 Turn, B5/B7]	1
	9	1209730	(00000000- ) Cap, Toggle, Direction	1
	10	1209673	(00000000- ) Switch Assy, Toggle, Direction	1
	11	1203787	(00000000- ) Housing, Handle, Cntrl, Top	1
	12	1205781	(00000000- ) Spring, Return, Bail	1
	13	1205143	(00000000- ) Shaft Asm, Bail, Handle	1
	14	1205127	(00000000- ) Sensor, Rotary [B5/B7, Bail Sensor]	1
	15	1020341	(00000000- ) Screw, Hex, M8 X 1.25 X 20, Ss, Sems	6
	16	1222608	(00000000- ) Housing, Handle, Cntrl, Bottom, Slotted	1
	17	1205778	(00000000- ) Handle, Bail [Machined]	1
	18	1205799	(00000000- ) Screw, Btn, Torx, M5 X 0.8 X 16, 8.8, NI	2
	19	1207004	(00000000- ) Cover, Handle, Cntrl	1
	20	1216531	(00000000- ) Frame, Column, Cntrl [Revised Machined]	1
	21	130773	(00000000- ) Tie, Cable, Nyl, 11.0l, .14w, 3.0 Max. D	4
	22	1205799	(00000000- ) Screw, Btn, Torx, M5 X 0.8 X 16, 8.8, NI	3
▽	23	1072939	(00000000- ) Cable, Assy [B7/B5, Ground]	1
▲	24	605387	(00000000- ) Connector, Anderson, 050a, Red [W/O Con]	1
	25	06922	(00000000- ) Screw, Pan, Phil, M3 X 0.50 X 20, 4.8	4
	26	1043573	(00000000- ) Screw, #10- 14 X 0.675, Spl[Shcs,Selftap]	2
	27	1013705	(00000000- ) Plate, Thread, Switch, M3 Nut, 96hr PI	1
	28	1215716	(00000000- ) Switch, 0.1a, Spdt[Micro, Gold Contacts]	1
	29	1208599	(00000000- ) Bracket Assy, Plug, Charger	1
	30	1011735	(00000000- ) Switch, Safety, Shutoff	1
	31	1064038	(00000000- ) Gauge, Hourmeter, 05- 277 Volt, Ac / Dc	1
▽	32	1208644	(00000000- ) Charger, 36vdc, 25a 85- 265vac [Offboard] (180- 250 AH Wet Lead Acid Batteries)	1
▽	32	9012740	(00000000- ) Charger, 36vdc 25a [P/N 1208644, #31] (200- 350 AH AGM Batteries)	1
▽	31	9012739	(00000000- ) Charger, 36vdc 25a [P/N 1208644, #03] (260- 360 AH Wet Lead Acid Batteries)	1
▲	33	130155	(00000000- ) Connector, Battery, 6ga 50a, Gray[2cont]	1
	34	1073882	(00000000- ) Cord, Power, 16/3, 15a, 15ft Blk [Us]	1

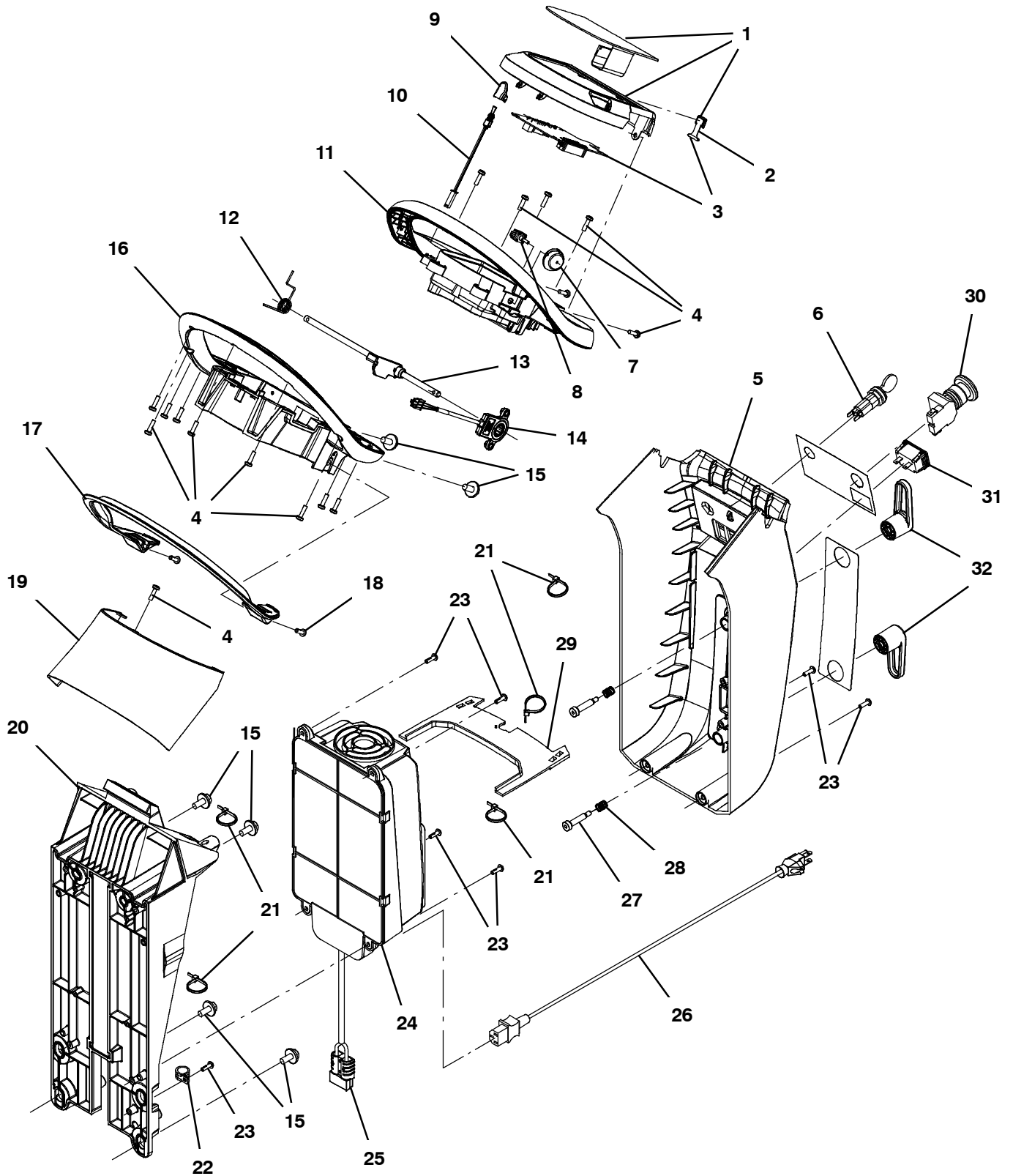
\* Requires Tennant *True* service or an authorized Tennant service provider.

▽ ASSEMBLY

▲ INCLUDED IN ASSEMBLY

CONSOLE GROUP, POWER, DRIVE, ON BOARD CHARGER

355254



## CONSOLE GROUP, POWER, DRIVE, ON BOARD CHARGER

Ref.	Part No.	Serial Number	Description	Qty.
▽	1	9012786*	(00000000- ) Bezel Kit, Actuator, Propel, Afmkt	1
▲	2	1205618	(00000000- ) Cap, Usb	1
	3	9012787	(00000000- ) Circuitboard Kit, Console, W/ Usb Cable	1
	4	1043573	(00000000- ) Screw, #10- 14 X 0.675, Spl[Shcs,Selftap]	16
	5	9012789	(00000000- ) Cover, Console, Afmkt, W/ Label [Na]	1
▽	6	1011402	(00000000- ) Switch, Key	1
▲		1017696	(00000000- ) Key Set, Replmt [F/ Keyswitch 1011402]	1
	7	1234365	(00000000- ) Dial, Range, Speed	1
	8	1204930	(00000000- ) Potentiometer [100k, 1 Turn, B5/B7]	1
	9	1209730	(00000000- ) Cap, Toggle, Direction	1
	10	1209673	(00000000- ) Switch Assy, Toggle, Direction	1
	11	1203787	(00000000- ) Housing, Handle, Cntrl, Top	1
	12	1205781	(00000000- ) Spring, Return, Bail	1
	13	1205143	(00000000- ) Shaft Asm, Bail, Handle	1
	14	1205127	(00000000- ) Sensor, Rotary [B5/B7, Bail Sensor]	1
	15	1020341	(00000000- ) Screw, Hex, M8 X 1.25 X 20, Ss, Sems	6
	16	1222608	(00000000- ) Housing, Handle, Cntrl, Bottom, Slotted	1
	17	1205778	(00000000- ) Handle, Bail [Machined]	1
	18	1205799	(00000000- ) Screw, Btn, Torx, M5 X 0.8 X 16, 8.8, NI	2
	19	1207004	(00000000- ) Cover, Handle, Cntrl	1
	20	1216531	(00000000- ) Frame, Column, Cntrl [Revised Machined]	1
	21	130773	(00000000- ) Tie, Cable, Nyl, 11.0l, .14w, 3.0 Max. D	4
	22	378969	(00000000- ) Clamp, Cable, Stl, 0.56d X 0.38w, 1hole	1
	23	1205799	(00000000- ) Screw, Btn, Torx, M5 X 0.8 X 16, 8.8, NI	5
▽	24	1202585	(00000000- ) Charger, 36vdc, 25a 85- 265vac [On- Board]	1
▲	25	130155	(00000000- ) Connector, Battery, 6ga 50a, Gray[2cont]	1
	26	1073882	(00000000- ) Cord, Power, 16/3, 15a, 15ft Blk [Us]	1
	27	1024965	(00000000- ) Bolt, Shld, 08mmd X 030mm, M06 X 1.0	2
	28	611311	(00000000- ) Spring, Cmpr, 0.40od .05wir 00.5l, Pl,Mw	2
	29	1207290	(00000000- ) Cover, Charger	1
	30	1011735	(00000000- ) Switch, Safety, Shutoff	1
	31	1064038	(00000000- ) Gauge, Hourmeter, 05- 277 Volt, Ac / Dc	1
	32	1205496	(00000000- ) Hook, Cord	2

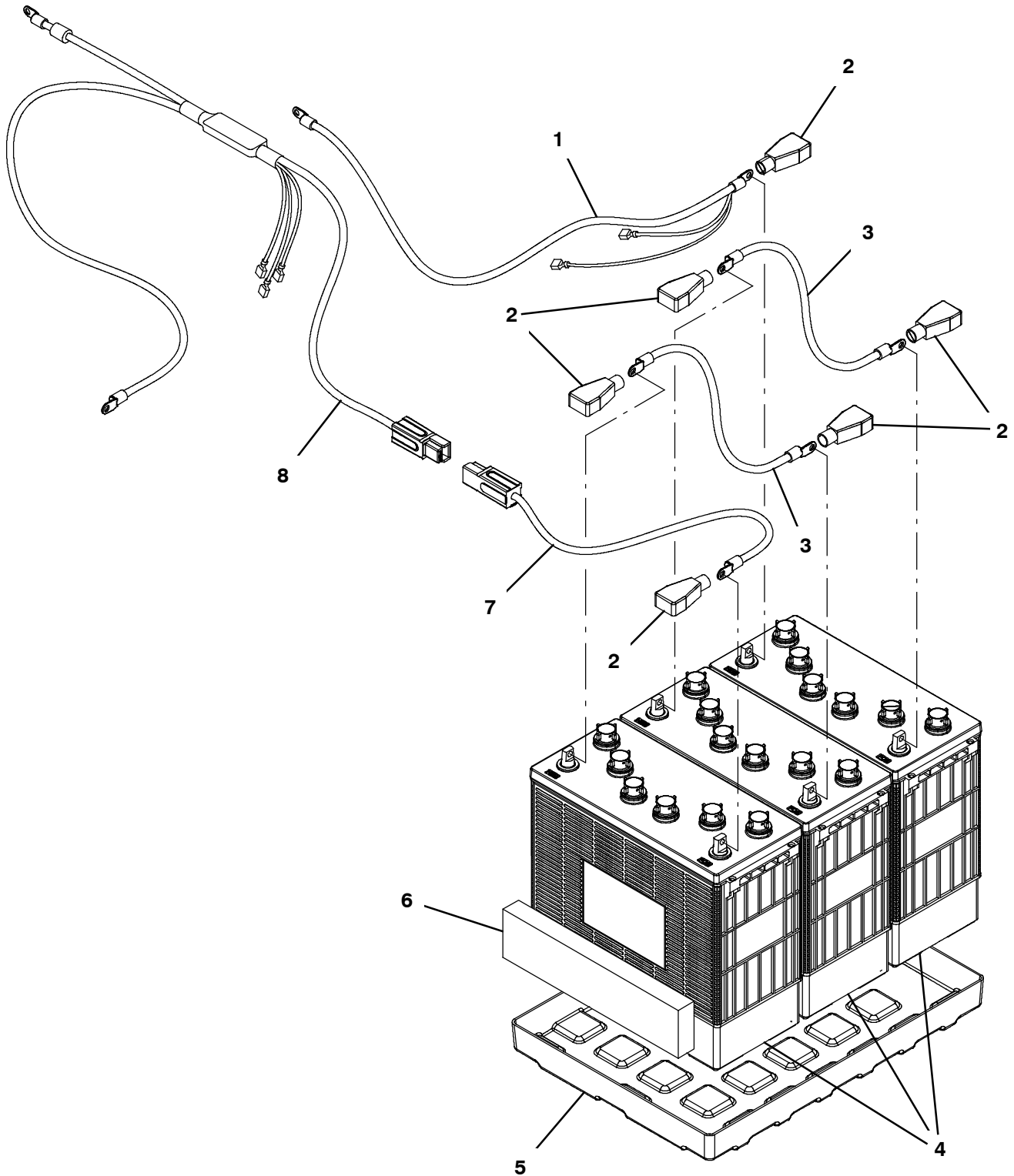
\* Requires Tennant *True* service or an authorized Tennant service provider.

▽ ASSEMBLY

▲ INCLUDED IN ASSEMBLY

BATTERY GROUP, 185AH C20 WET LEAD ACID

355231

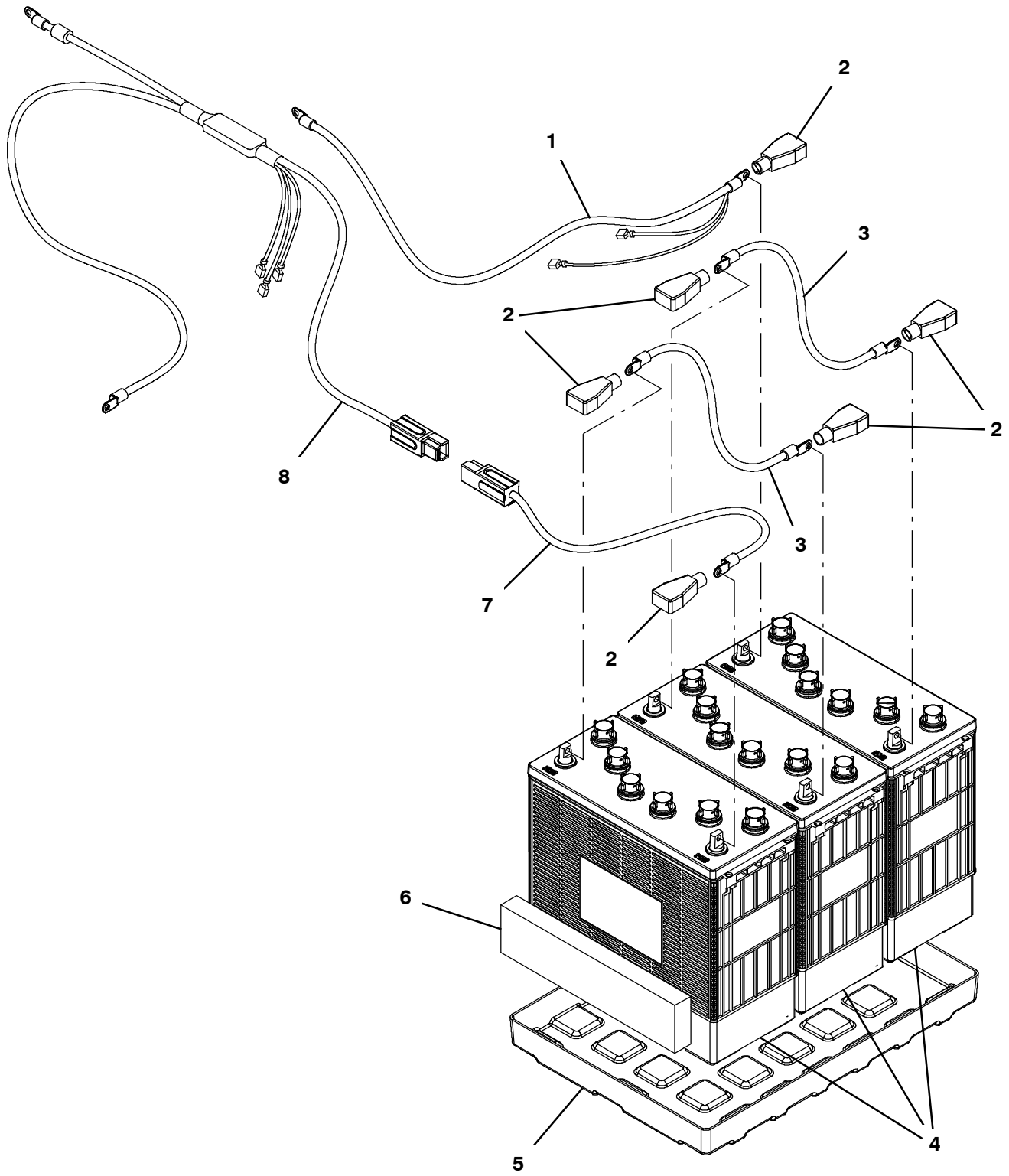


**BATTERY GROUP, 185AH C20 WET LEAD ACID**

<b>Ref.</b>	<b>Part No.</b>	<b>Serial Number</b>	<b>Description</b>	<b>Qty.</b>
1	1072939	(00000000-	) Cable, Assy [B7/B5, Ground]	1
2	1205540	(00000000-	) Boot, Terminal, Battery, 1/0- 2/0ga, Blk	6
3	1072368	(00000000-	) Cable, 02ga 13.3l Red [M8 Ring/M8 Ring]	2
4	1206317	(00000000-	) Battery, Wet, 12vdc 185ah C/20, W/Ca	3
5	1203979	(00000000-	) Tray, Battery [B5]	1
6	630375	(00000000-	) Spacer, Battery, Foam, 1.25 X 3.3 X 13.7	1
7	1072365	(00000000-	) Cable, 02ga 21.6l Red [M8 Ring / And.]	1
8	1072935	(00000000-	) Cable, Assy, Fuse [B5, 100a, Propel] (Includes Ferrite)	1

BATTERY GROUP, 225AH C20 WET LEAD ACID

355232



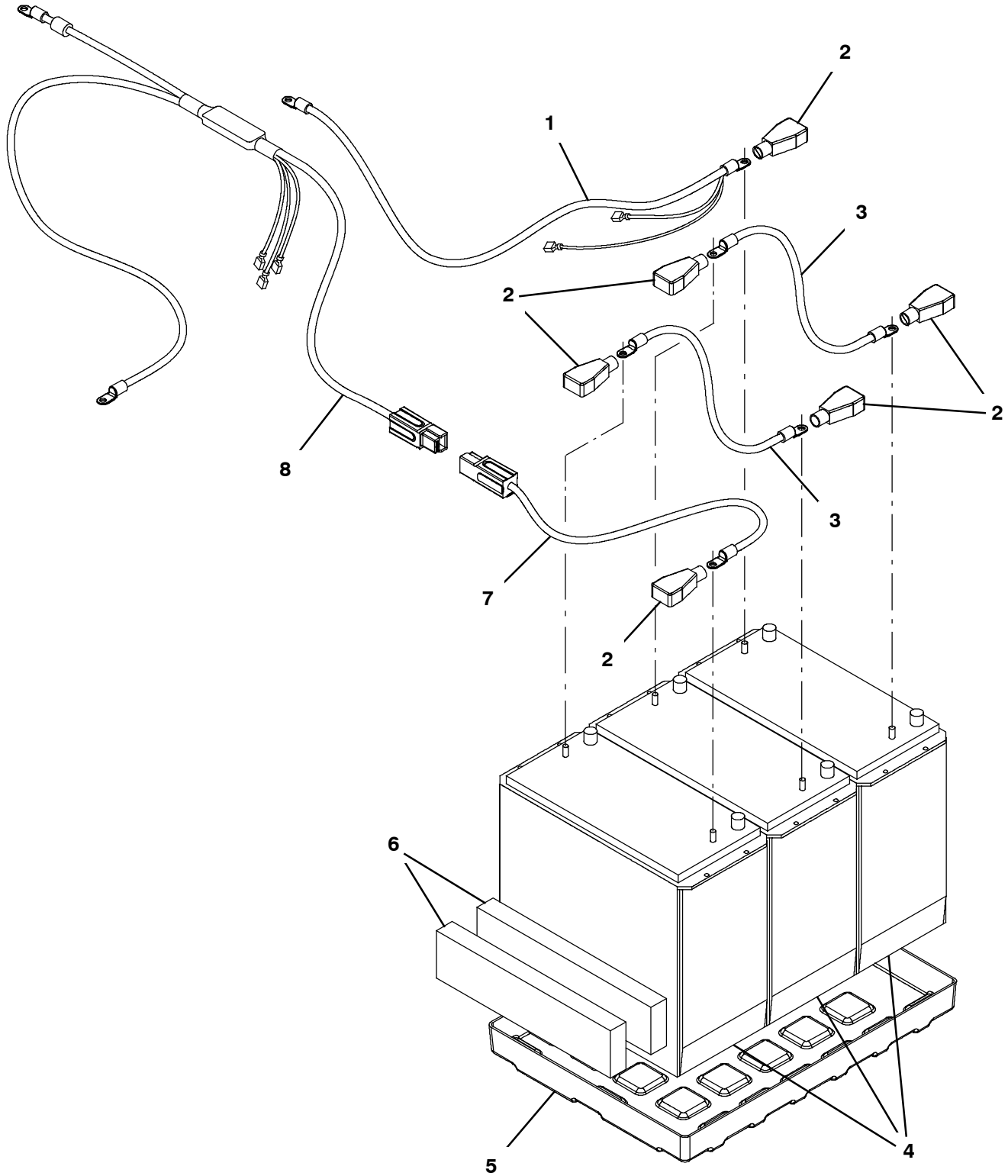


**BATTERY GROUP, 225AH C20 WET LEAD ACID**

<b>Ref.</b>	<b>Part No.</b>	<b>Serial Number</b>	<b>Description</b>	<b>Qty.</b>
1	1072939	(00000000-	) Cable, Assy [B7/B5, Ground]	1
2	1205540	(00000000-	) Boot, Terminal, Battery, 1/0- 2/0ga, Blk	6
3	1072368	(00000000-	) Cable, 02ga 13.3l Red [M8 Ring/M8 Ring]	2
4	1070591	(00000000-	) Battery, Wet, 12vdc 0225ah, W/ Carton	3
5	1203979	(00000000-	) Tray, Battery [B5]	1
6	630375	(00000000-	) Spacer, Battery, Foam, 1.25 X 3.3 X 13.7	1
7	1072365	(00000000-	) Cable, 02ga 21.6l Red [M8 Ring / And.]	1
8	1072935	(00000000-	) Cable, Assy, Fuse [B5, 100a, Propel] (Includes Ferrite)	1

BATTERY GROUP, 234AH C20 AGM SEALED

355233

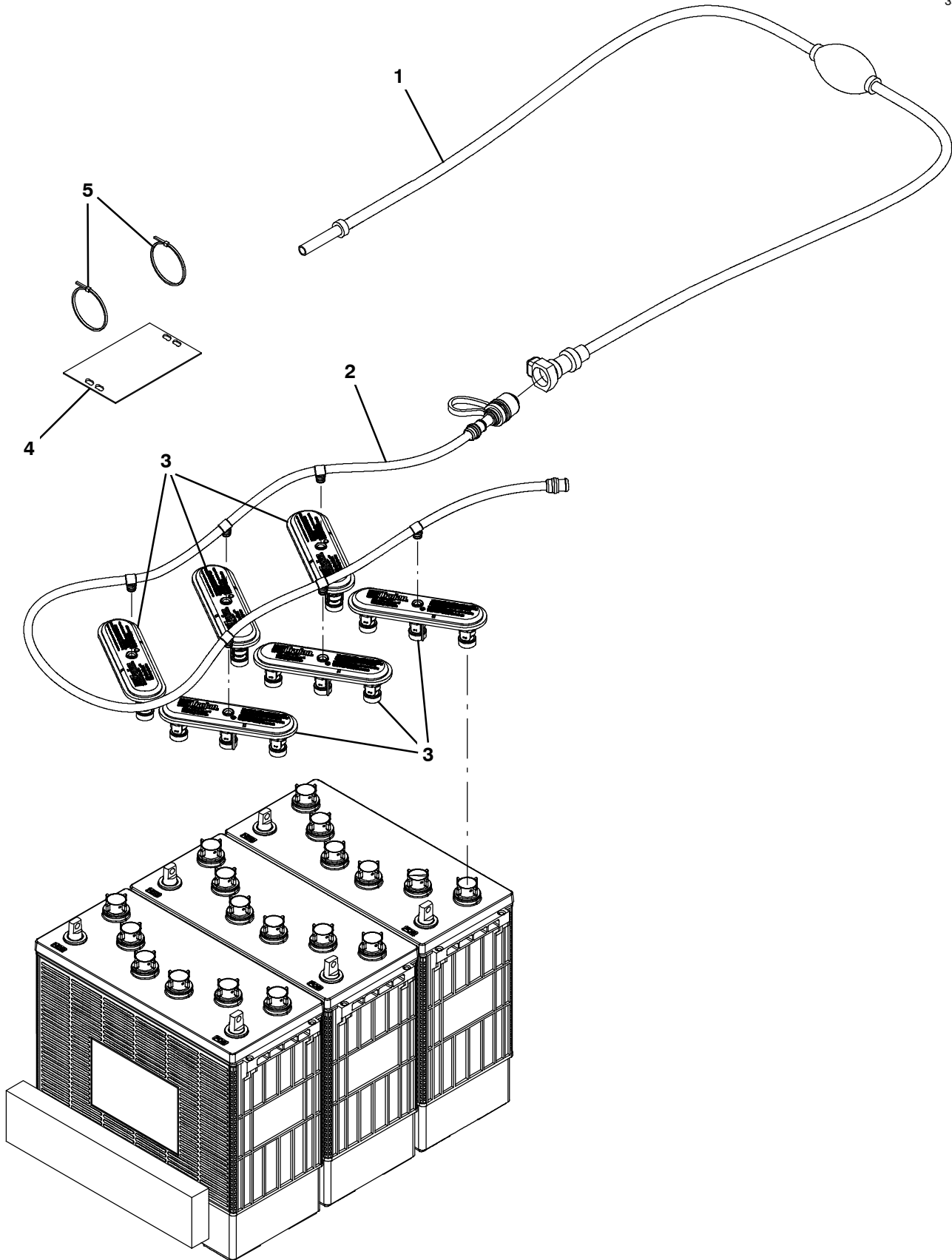


**BATTERY GROUP, 234AH C20 AGM SEALED**

<b>Ref.</b>	<b>Part No.</b>	<b>Serial Number</b>	<b>Description</b>	<b>Qty.</b>
1	1072939	(00000000-	) Cable, Assy [B7/B5, Ground]	1
2	1205540	(00000000-	) Boot, Terminal, Battery, 1/0- 2/0ga, Blk	6
3	1072368	(00000000-	) Cable, 02ga 13.3l Red [M8 Ring/M8 Ring]	2
4	1053427	(00000000-	) Battery, 12vdc 0234ah Agm	3
5	1203979	(00000000-	) Tray, Battery [B5]	1
6	630375	(00000000-	) Spacer, Battery, Foam, 1.25 X 3.3 X 13.7	2
7	1072365	(00000000-	) Cable, 02ga 21.6l Red [M8 Ring / And.]	1
8	1072935	(00000000-	) Cable, Assy, Fuse [B5, 100a, Propel] (Includes Ferrite)	1

HYDROLINK® BATTERY WATERING SYSTEM KIT

355255



---

**HYDROLINK® BATTERY WATERING SYSTEM KIT**

	<b>Ref.</b>	<b>Part No.</b>	<b>Serial Number</b>	<b>Description</b>	<b>Qty.</b>
▽		9010301*	(00000000-	) Pump Kit, Fill, Battery,36vdc,Ci[Trojan]	1
▲	1	1058939	(00000000-	) Pump Kit, Fill, Battery	1
▲	2	1201997	(00000000-	) Tube, Water, Battery, 36vdc [Trojan]	1
▲	3	1204142	(00000000-	) Cap, Fill, Battery [Trojan]	6
▲	4	1071084	(00000000-	) Label, Tag, Battery [Hydrolink Watering]	1
▲	5	130773	(00000000-	) Tie, Cable, Nyl, 11.0l, .14w, 3.0 Max. D	2

▽ ASSEMBLY

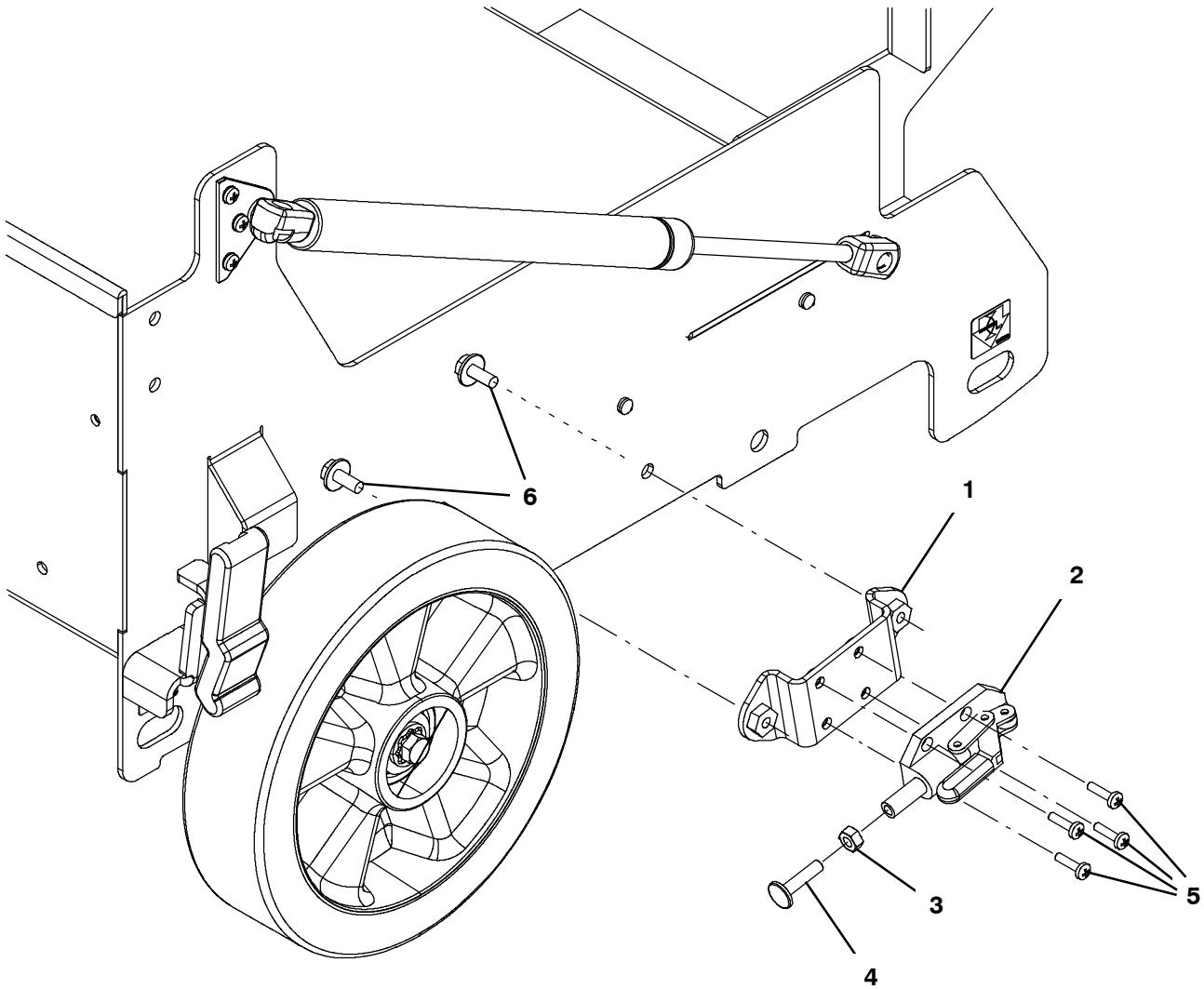
▲ INCLUDED IN ASSEMBLY

\*THIS KIT IS INTENDED FOR USE WITH TROJAN® LEAD ACID BATTERIES ONLY.

HYDROLINK® IS A REGISTERED TRADEMARK OF TROJAN® BATTERY COMPANY.

**PARKING BRAKE GROUP**

355228



Ref.	Part No.	Serial Number	Description	Qty.
▽	9012792	(00000000-	) Brake Kit, Parking, Afmkt, W/ Hdwr	1
▲ 1	1206560	(00000000-	) Brake, Wldt	1
▲ 2	1013718	(00000000-	) Clamp, Brake, Parking [T3]	1
▲ 3	07785	(00000000-	) Nut, Hex, Std, M6 X 1.00, Ss	1
▲ 4	1017416	(00000000-	) Screw, Weld, M6 X 1.00 X 25, Thru, Ss	1
▲ 5	24265	(00000000-	) Screw, Pan, Phl, M4 X 0.70 X 16, Ss	4
▲ 6	1034731	(00000000-	) Screw, Hex, M6 X 1.00 X 16, Ss, Sems	2

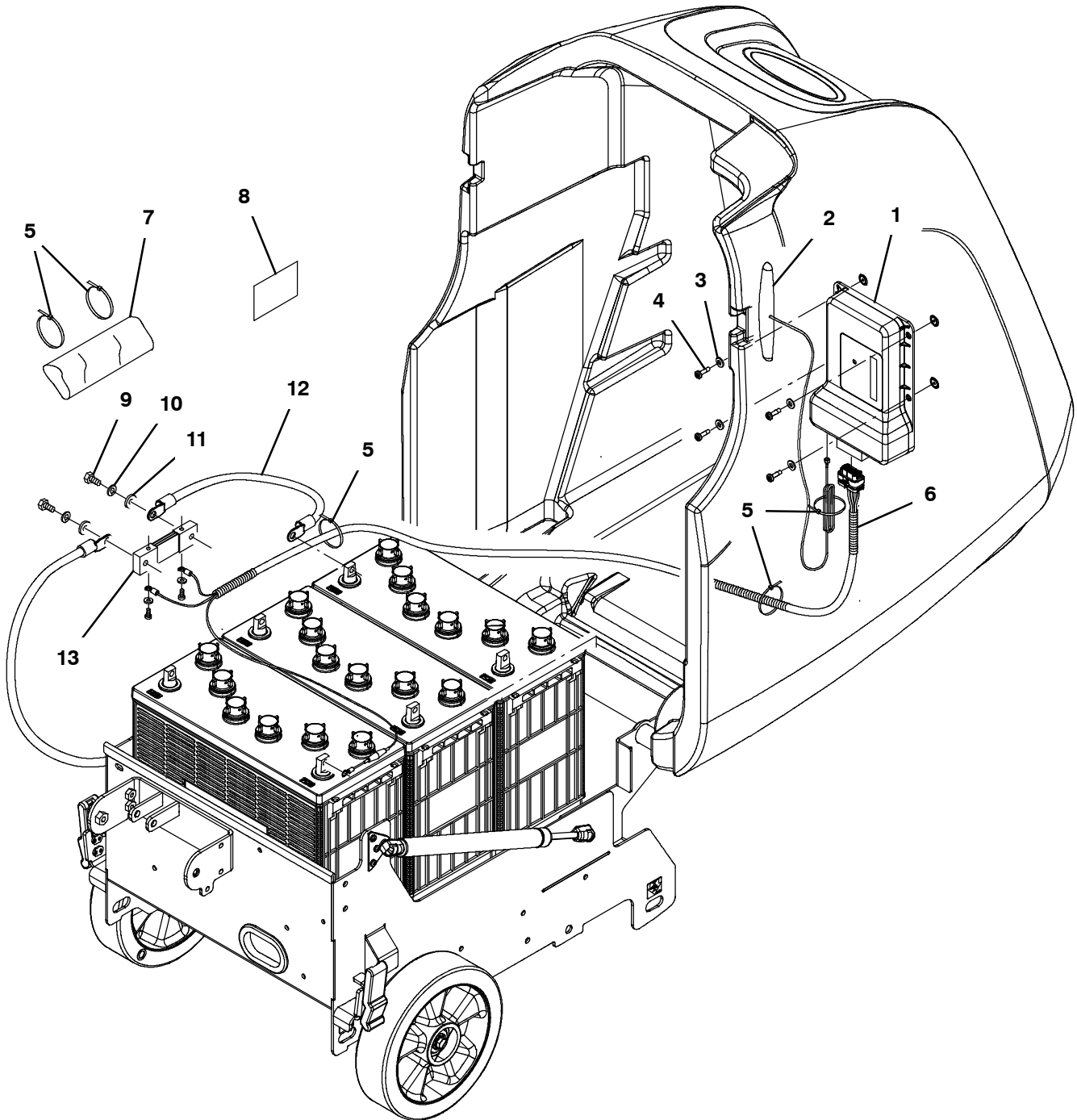
▽ ASSEMBLY

▲ INCLUDED IN ASSEMBLY



IRIS® TELEMETRY GROUP

355707





## IRIS® TELEMETRY GROUP

	Ref.	Part No.	Serial Number	Description	Qty.
▽		9015256*	(00000000-	) Telemetry Kit, Ci [B7/Sg7 B5/Sg5 Usa]	1
▽		9015257*	(00000000-	) Telemetry Kit, Ci [B7/Sg7 B5/Sg5 Intl]	1
▲	1	9010085*	(00000000-	) Control Box Assy Kit, Replmt, Telem[Usa]	1
▲	1	9010086*	(00000000-	) Control Box Assy Kit, Rplmt, Telem[Intl]	1
▲	2	1070659	(00000000-	) Antenna, Telem, 70 In [Gprs]	1
▲	3	01683	(00000000-	) Washer, Flat, 10, Ss	4
▲	4	1043573	(00000000-	) Screw, #10- 14 X 0.675, Spl[Shcs,Selftap]	4
▲	5	49266	(00000000-	) Tie, Cable, Nyl, 07.3l .19w 1.8 Max D	5
▲▽	6	1070495	(00000000-	) Harness, Ele [Telemetry, 6200e]	1
▲▲		9009990	(00000000-	) Vr, Fuse, 002a, 250vdc, Cartridge	1
▲	7	1217818	(00000000-	) Sleeve, Heatshrink, 1.50id, 07.0l	1
▲	8	1069580	(00000000-	) Label, Mach, Telem [Usa, Intl]	1
▲	9	15675	(00000000-	) Screw, Hex, M8 X 1.25 X 16, Ss	2
▲	10	43952	(00000000-	) Washer, Lock, Int, 0.31, Ss	2
▲	11	01685	(00000000-	) Washer, Flat, 0.38b 0.88d .08, Ss	2
▲	12	63740	(00000000-	) Cable, 06ga 09.0l Blk .31ring /.31ring	1
▲	13	1217304	(00000000-	) Shunt [Empro, 250amp/50mv, Metric]	1

\* Requires Tennant *True* service or an authorized Tennant service provider.

▽ ASSEMBLY

▲ INCLUDED IN ASSEMBLY



## DOCUMENT GROUP

Ref.	Part No.	Serial Number	Description	Qty.
1	9011614	(00000000-	) Manual, Parts [Sg5]	1
2	9011478	(00000000-	) Manual, Service [B5/7, Sg5/7]	1
3	9011615	(00000000-	) Manual, Oprtr, En [Sg5/ Sg7]	1
3	9011617	(00000000-	) Manual, Oprtr, Es [Sg5/ Sg7]	1
3	9011618	(00000000-	) Manual, Oprtr, Fr [Sg5/ Sg7]	1
4	9011616	(00000000-	) Instr, Wall Chart [Sg5/Sg7]	1
5	1206167	(00000000-	) Guide, Onboard Use And Care	1

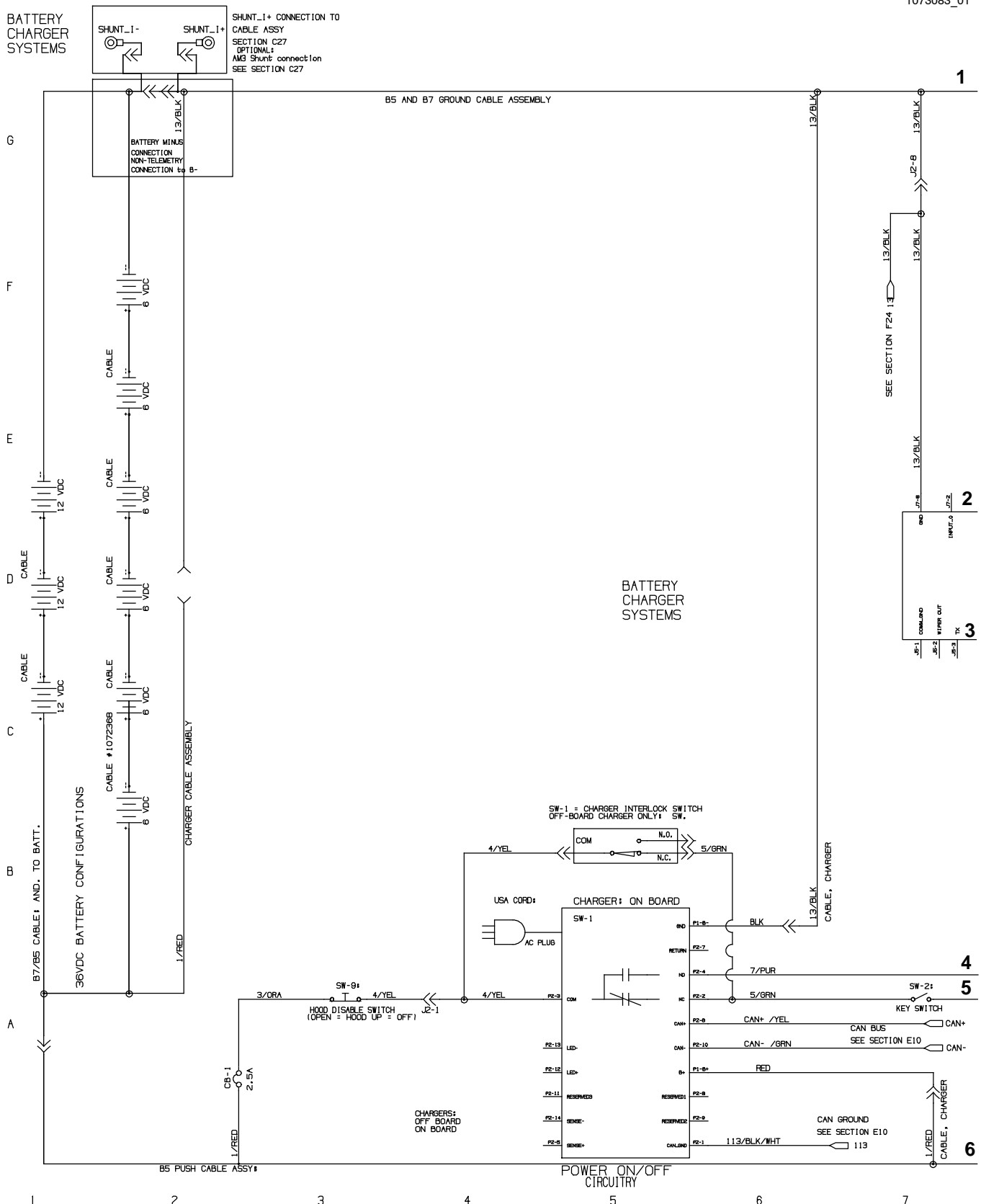


To view, print, order, download the latest Parts manual, other language Operator manuals, and Use and Care Guides (wall charts), visit:

[www.nobles.com/manual](http://www.nobles.com/manual)

ELECTRICAL DIAGRAM, PUSH MODEL (Page 1 of 5)

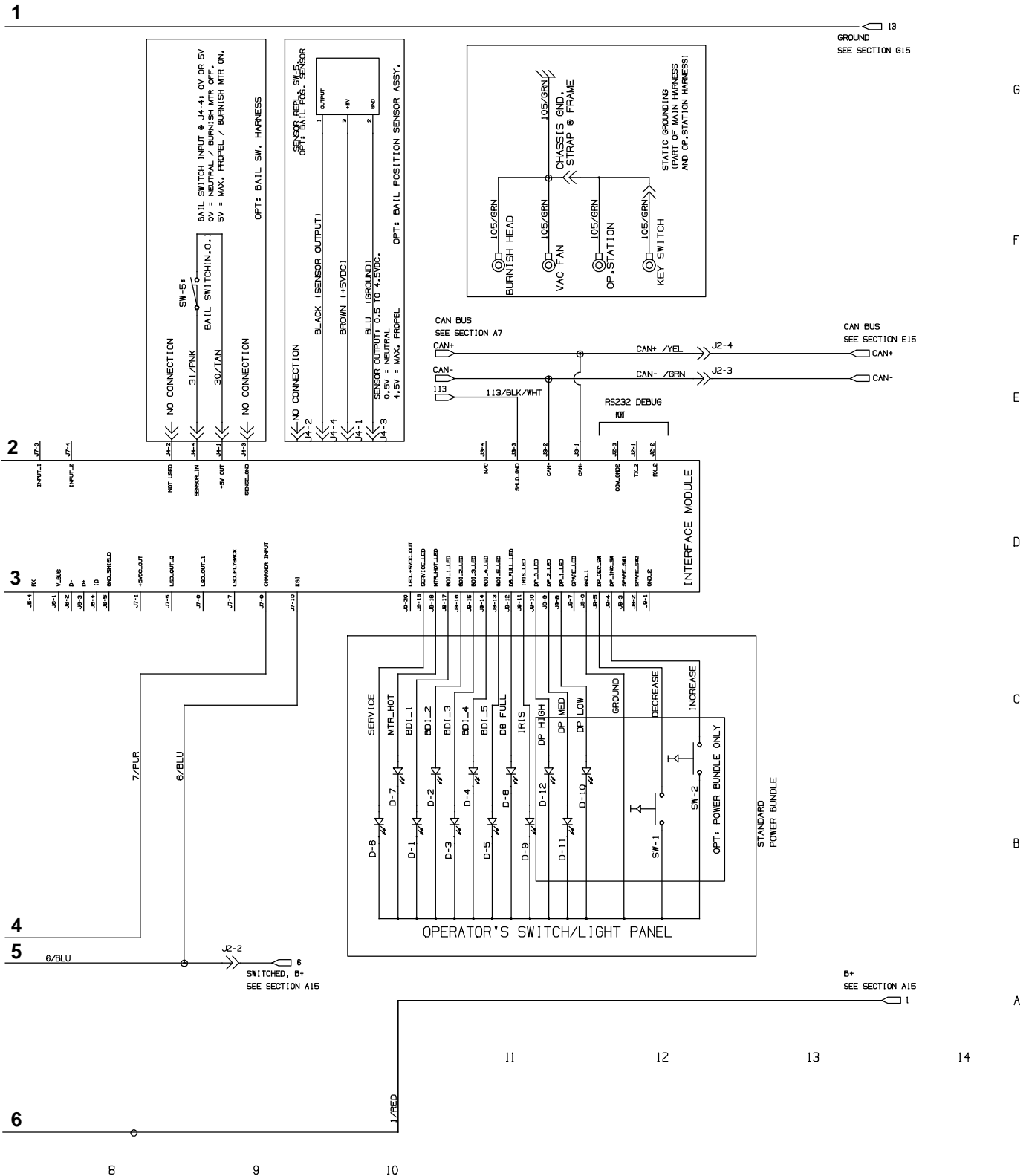
1073083\_01



ELECTRICAL DIAGRAM, PUSH MODEL (Page 2 of 5)

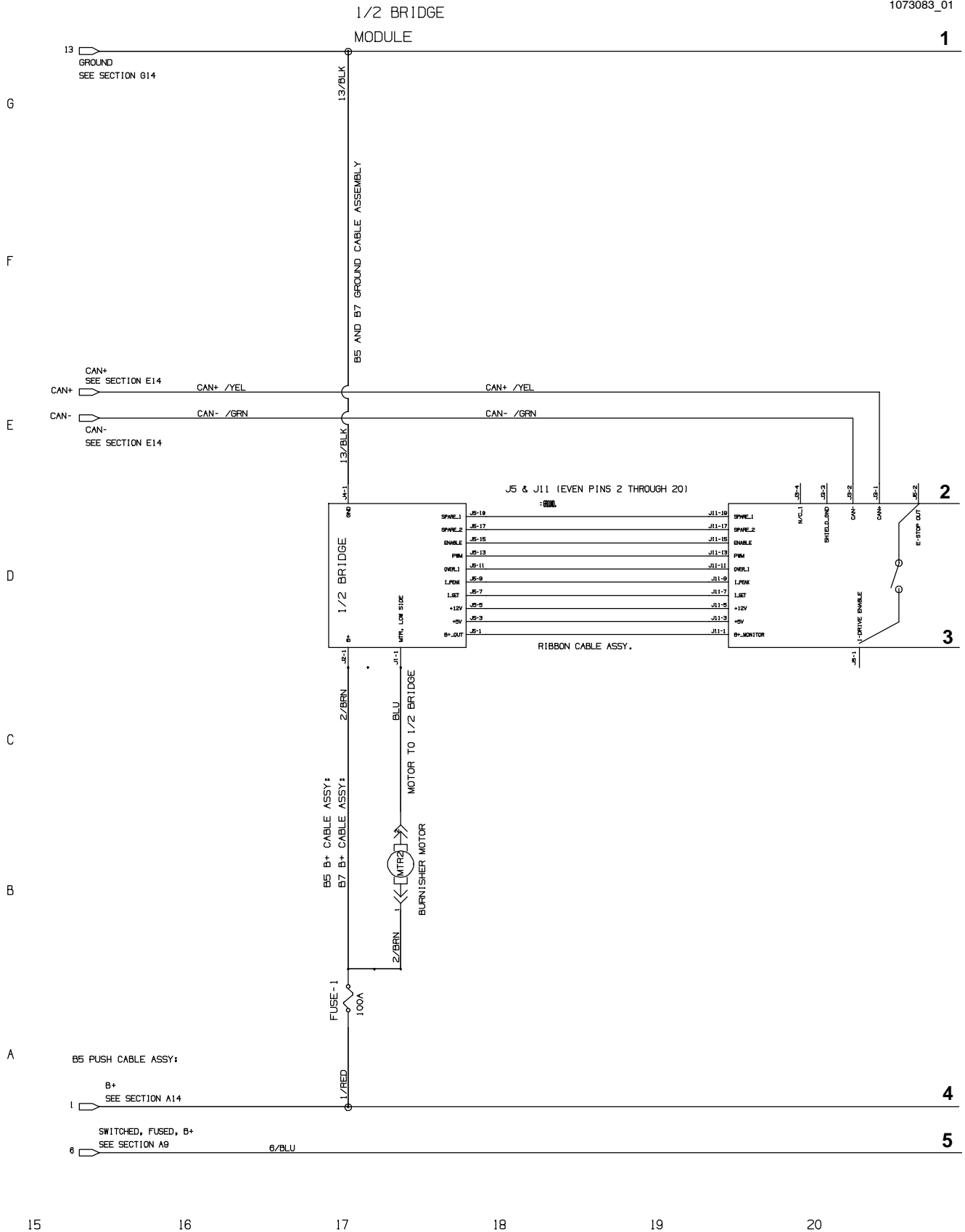
1073083\_01

USER INTERFACE  
MODULE



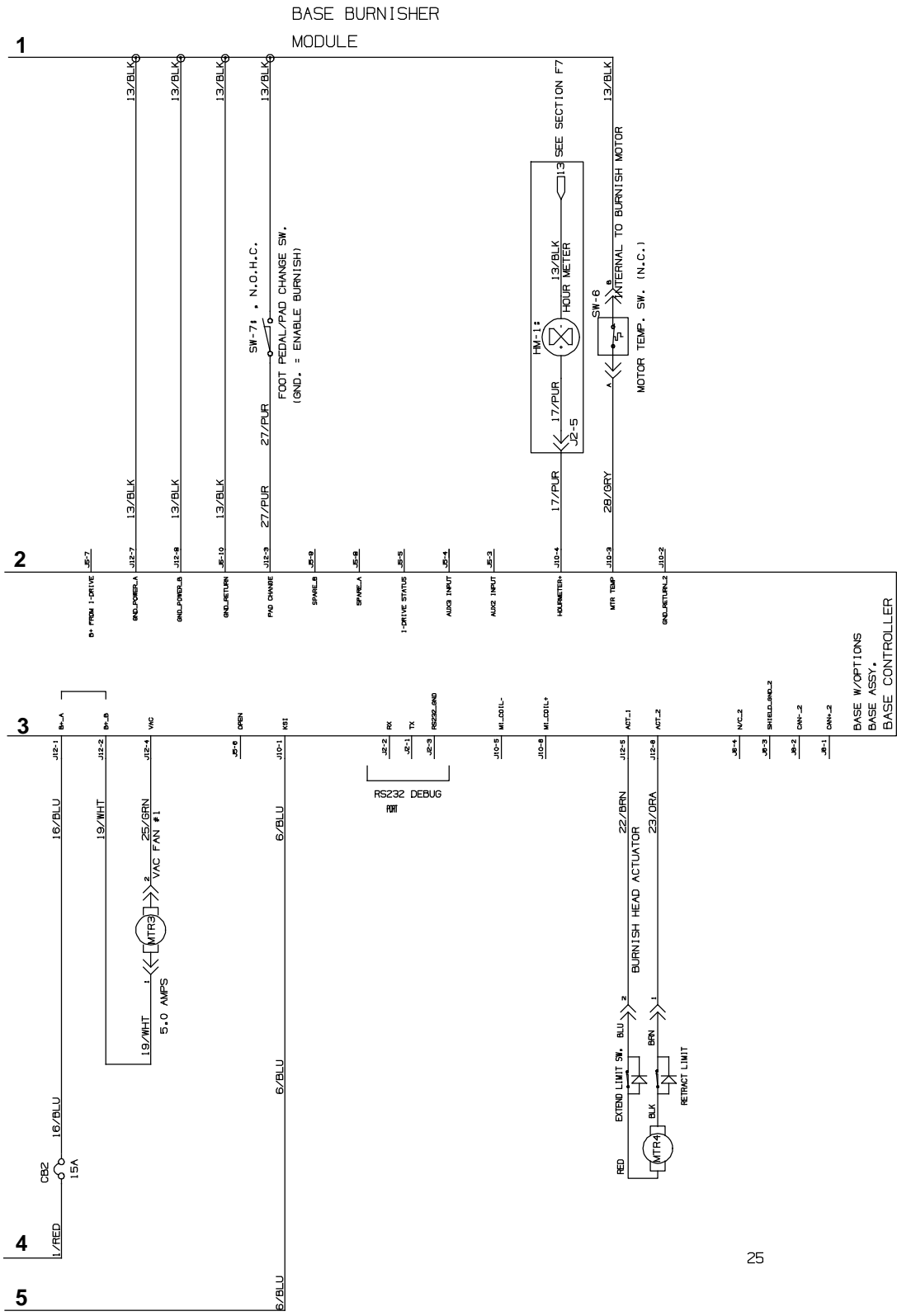
ELECTRICAL DIAGRAM, PUSH MODEL (Page 3 of 5)

1073083\_01



ELECTRICAL DIAGRAM, PUSH MODEL (Page 4 of 5)

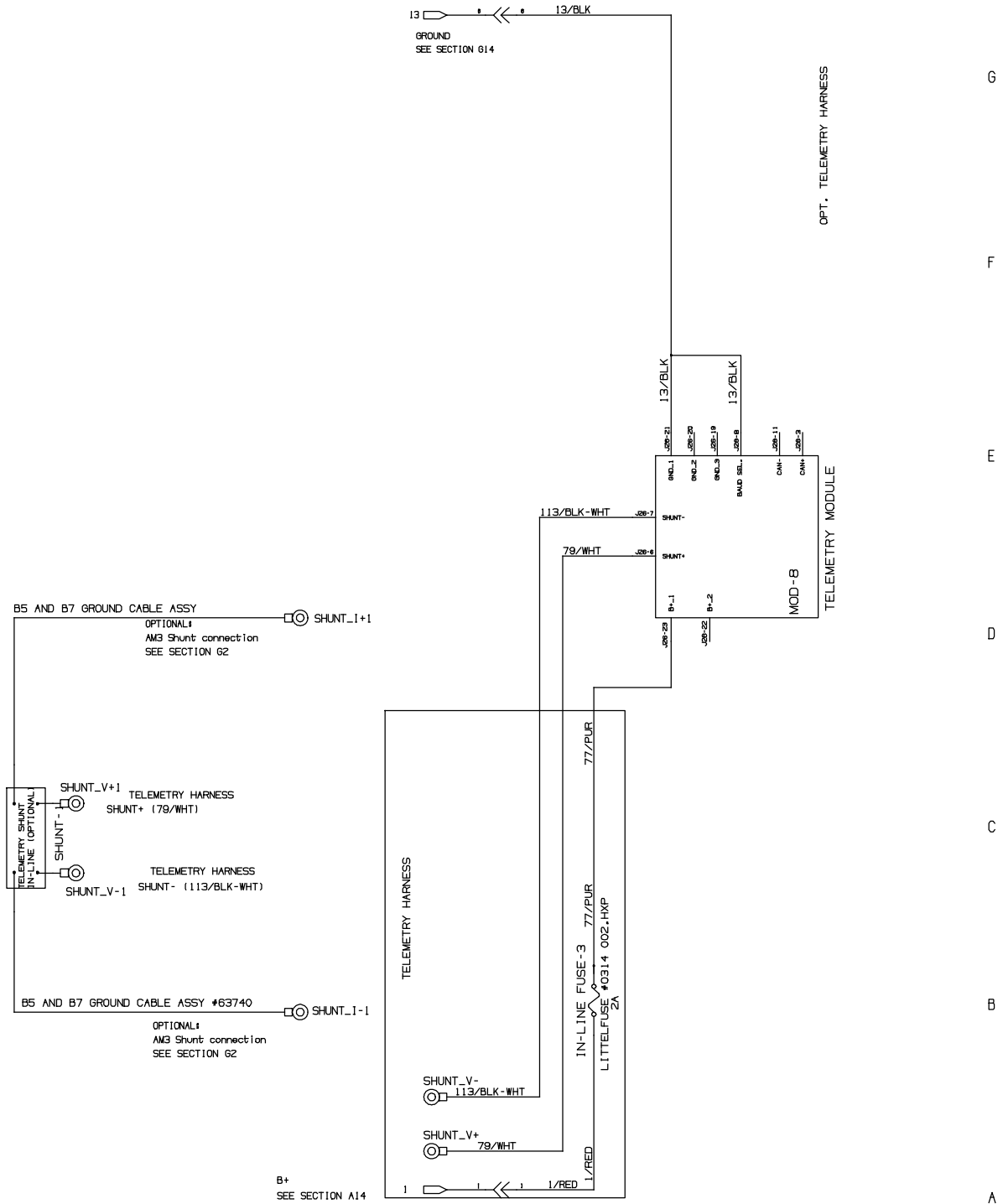
1073083\_01



ELECTRICAL DIAGRAM, PUSH MODEL (Page 5 of 5)

1073083\_01

TELEMETRY SYSTEM



26

27

28

29

30

31



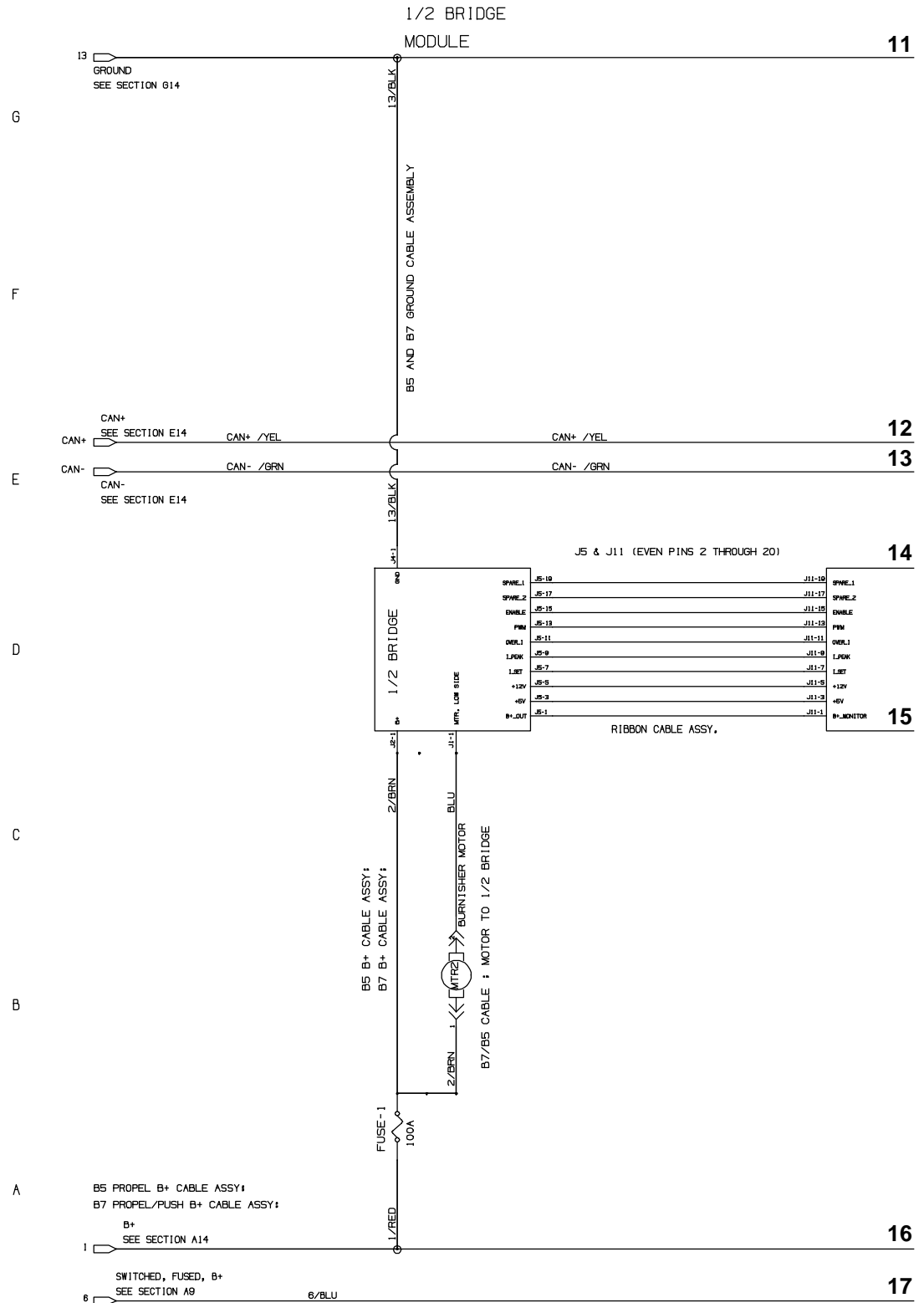






ELECTRICAL DIAGRAM, DRIVE MODEL (Page 3 of 5)

1073082\_01



15

16

17

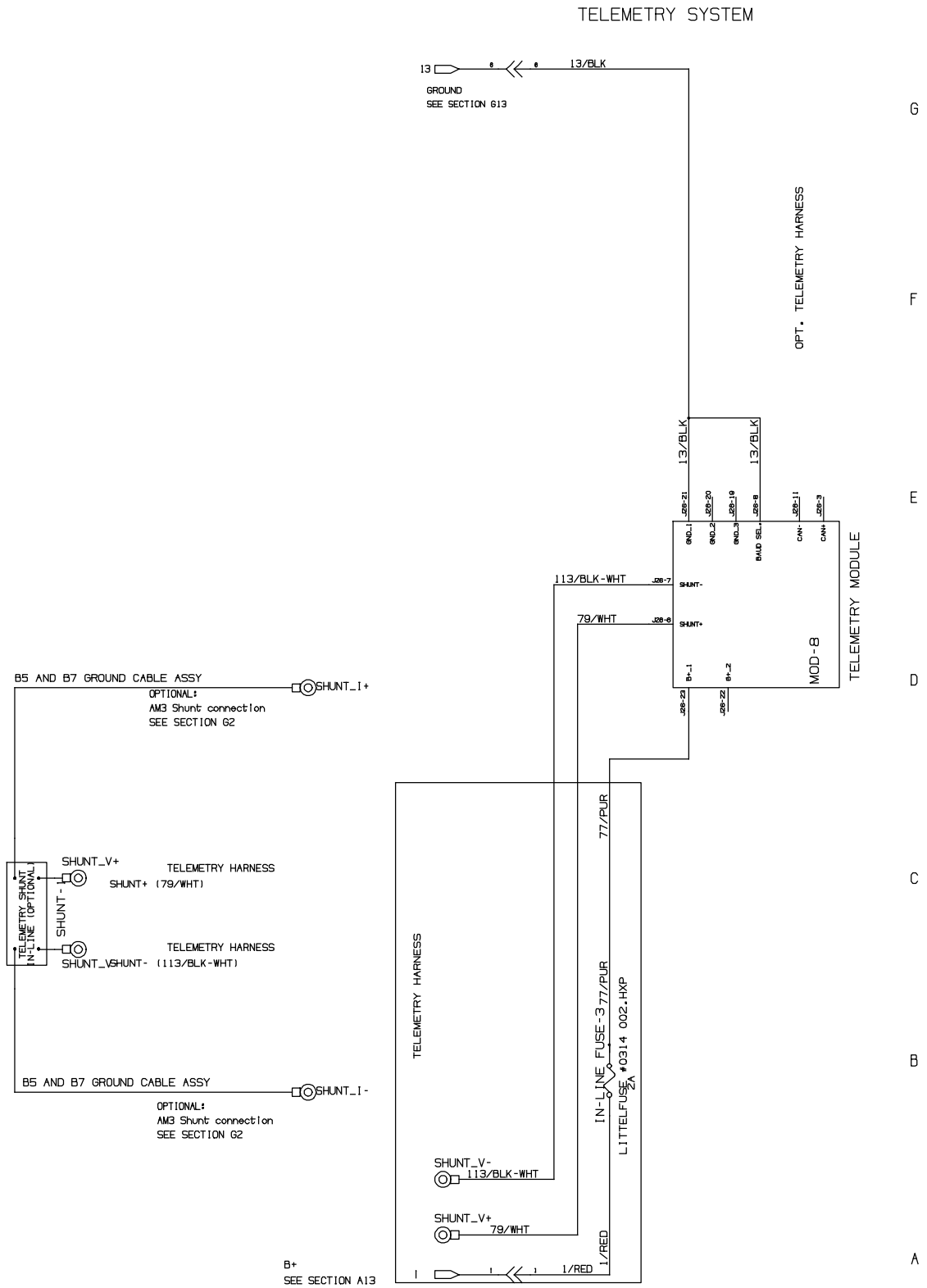
18

19



ELECTRICAL DIAGRAM, DRIVE MODEL (Page 5 of 5)

1073082\_01



26

27

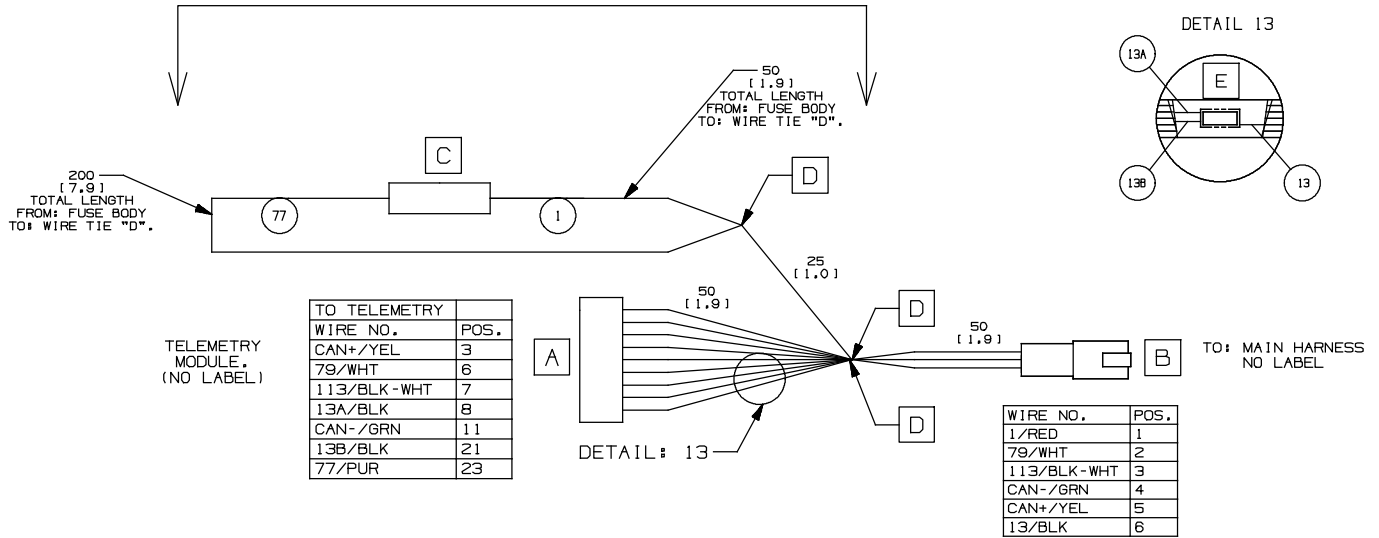
28

29

WIRE HARNESS, TELEMETRY

1075352\_00

THIS SECTION OF HARNESS (FUSE "C" AND WIRES 77/PUR AND 1/RED) IS TO BE BUNDLED AND WIRE TIED TO THE SECTION OF HARNESS ROUTING FROM CONNECTOR "A" TO CONNECTOR "B".



WIRE NO	GA	SPEC
1/RED	20	SEE NOTE #12
13/BLK	20	SEE NOTE #12
13A/BLK	20	SEE NOTE #12
13B/BLK	20	SEE NOTE #12
77/PUR	20	SEE NOTE #12
79/WHT	20	SEE NOTE #12
113/BLK-WHT	20	SEE NOTE #12
CAN-/GRN	20	SEE NOTE #12
CAN+/YEL	20	SEE NOTE #12

ITEM	DESCRIPTION
A	CONNECTOR (1), AMPSEAL, FEMALE, 23F, 770680-1. TERMINAL (23), FEMALE, AMPSEAL, 770854-1. UNUSED POSITIONS ARE SEALED INTERNALLY, AND DO NOT REQUIRE SEAL PLUG #770678-1.
B	CONNECTOR, BODY (1), DEUTSCH, DTM, 6M, #DTM04-6P. LOCK (1), #WM6P. TERMINALS, 6, MALE, 16-20GA, #1060-20-0122-PS.
C	BULGIN, IN-LINE FUSEHOLDER, #FX0185. LOADED WITH 2.0AMP FUSE: BUSSMANN #ABC-2-R, OR LITTELFUSE #0314 002.HXP.
D	WIRE TIE, PANDUIT, PLT1M-M OR EQUIVALENT.
E	CLIP SPLICE. SEE NOTE #6.

Ref.	Part No.	Serial Number	Description	Qty.
1	1075352	(00000000-	) Harness, Ele [Telem, T500e]	1

WIRE HARNESS, MAIN, PUSH MODEL

355256

22506

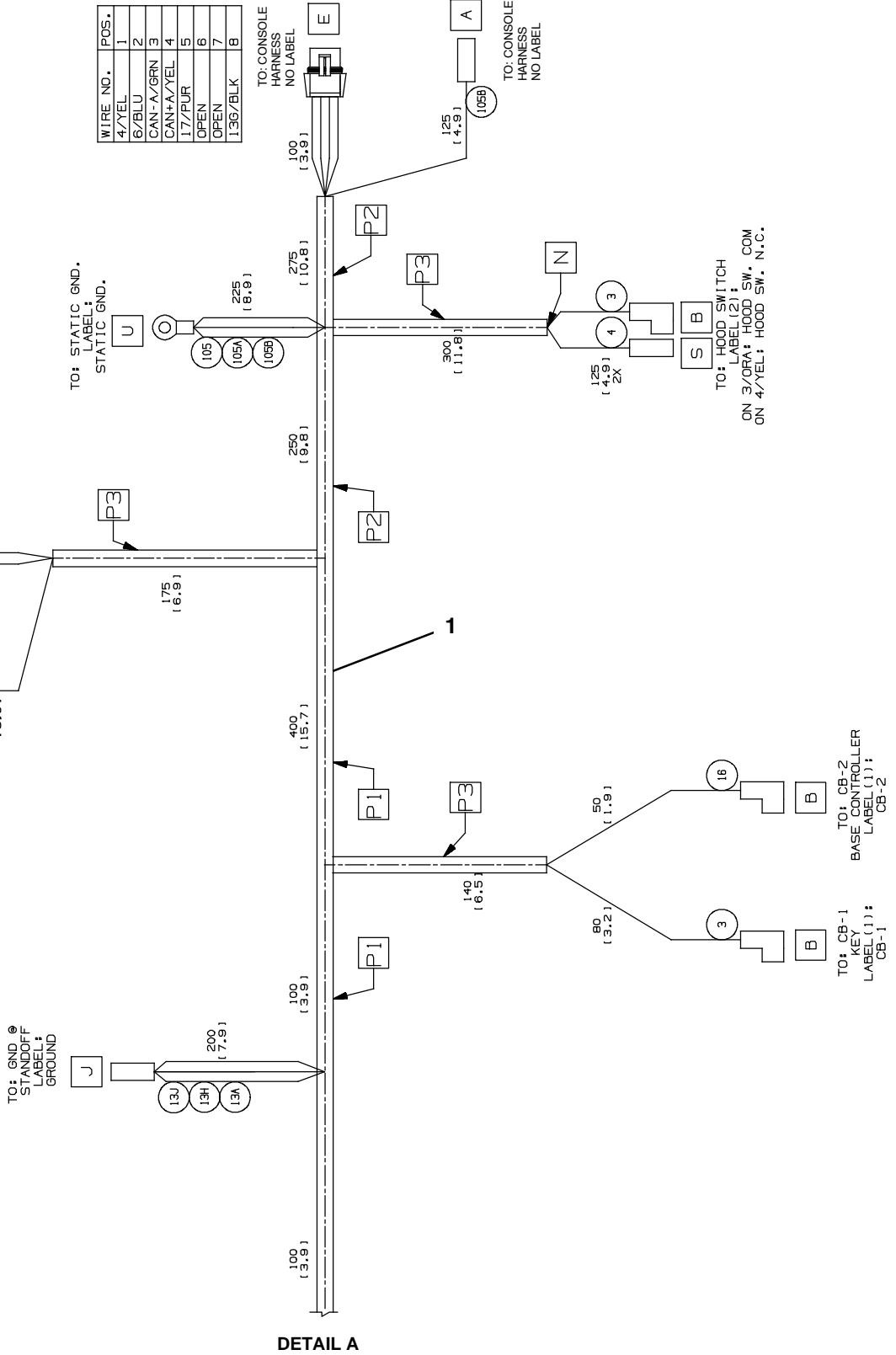
TO: VACUUM FAN  
LABEL: VAC FAN

WIRE NO.	POS.
19/WHT	1
25/GRN	2

TO: STATIC GND.  
LABEL: 19/WHT  
STATIC GND.

TO: GND. @  
STANDOFF  
LABEL: GROUND

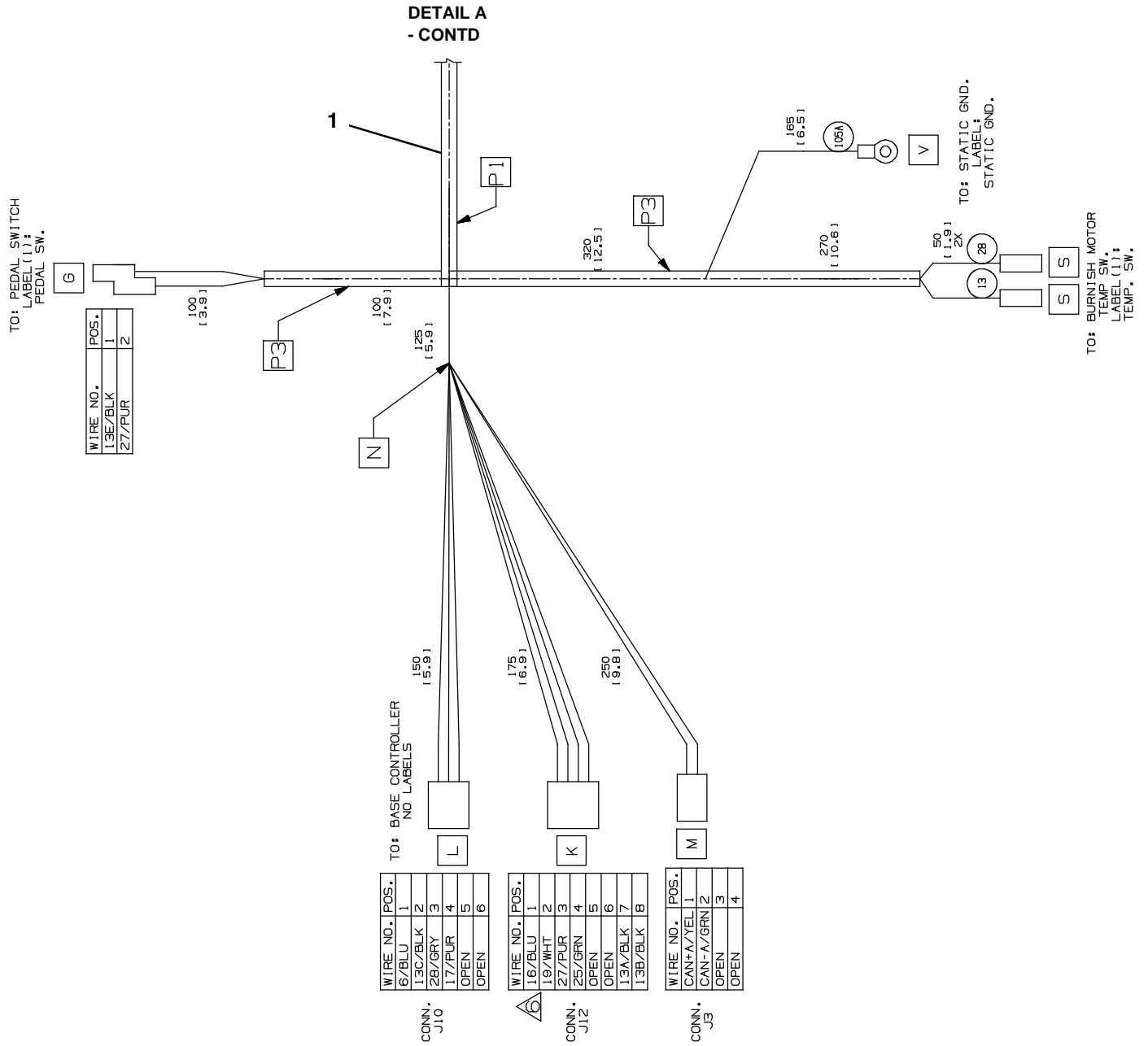
TO: STATIC GND.  
LABEL: 25/GRN  
STATIC GND.





WIRE HARNESS, MAIN, PUSH MODEL - CONT'D

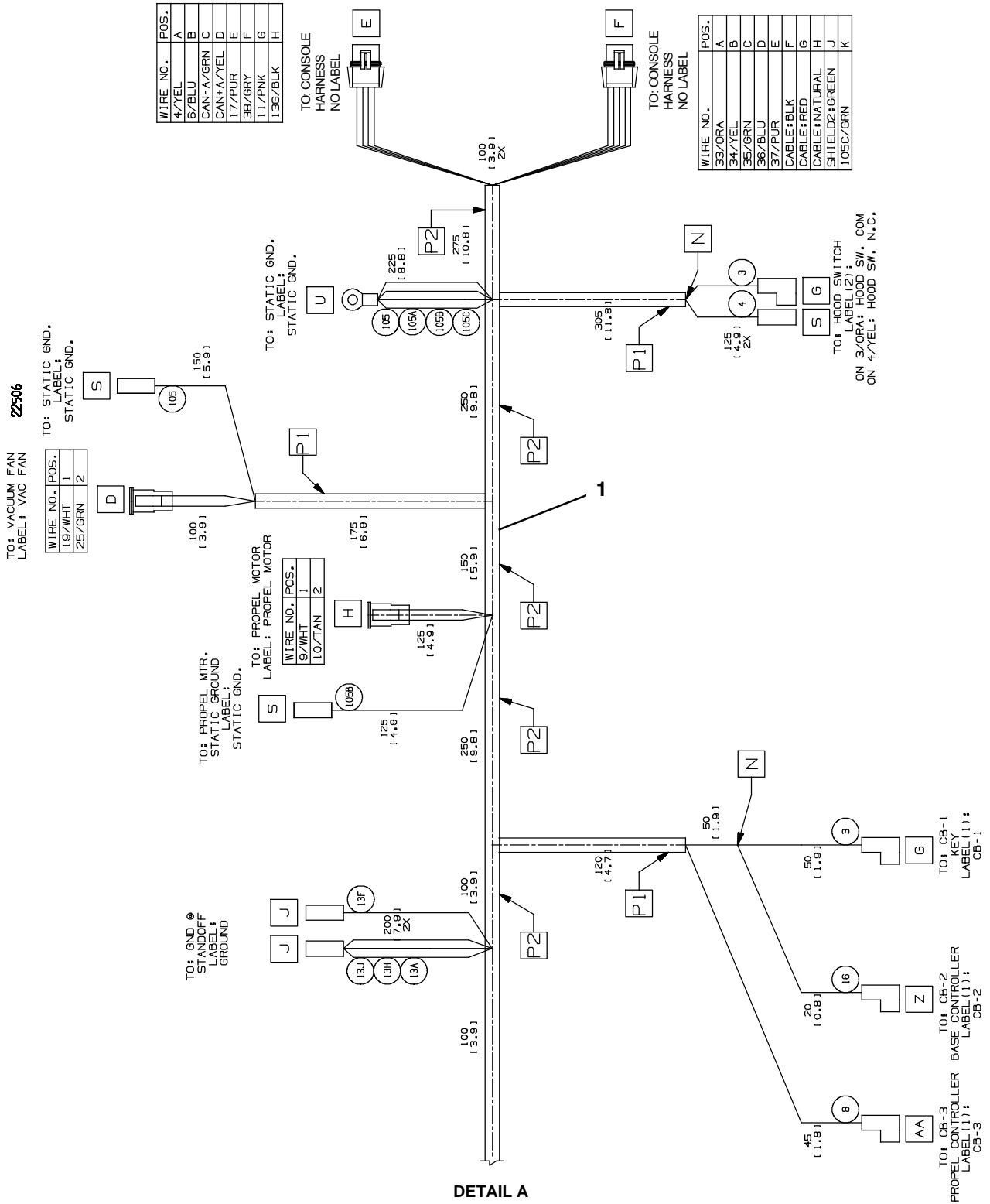
355256



Ref.	Part No.	Serial Number	Description	Qty.
1	1072291	(00000000-	) Harness, Main, Ele [Volga, B5, Push]	1

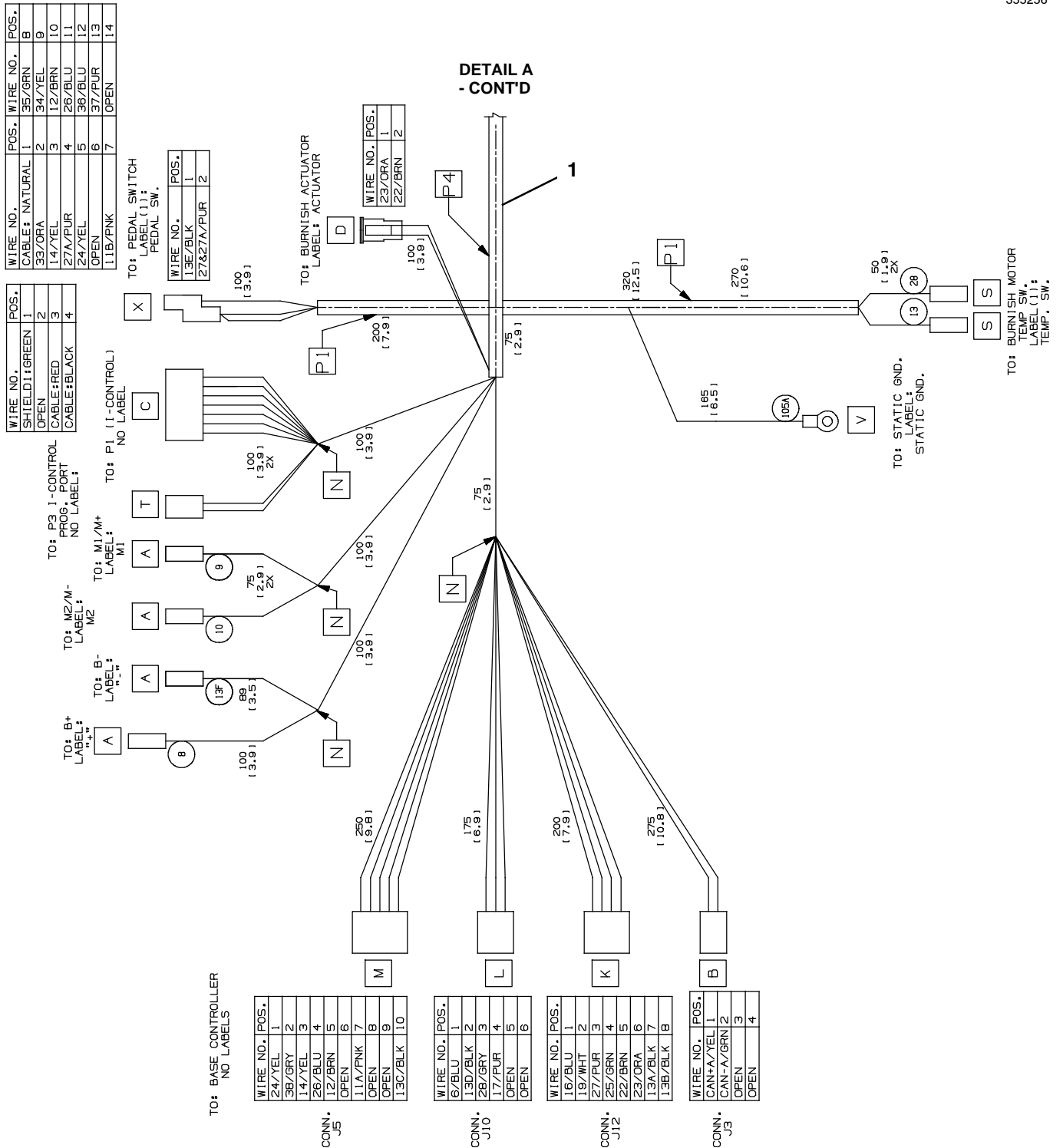
WIRE HARNESS, MAIN, DRIVE MODEL

355256



WIRE HARNESS, MAIN, DRIVE MODEL - CONT'D

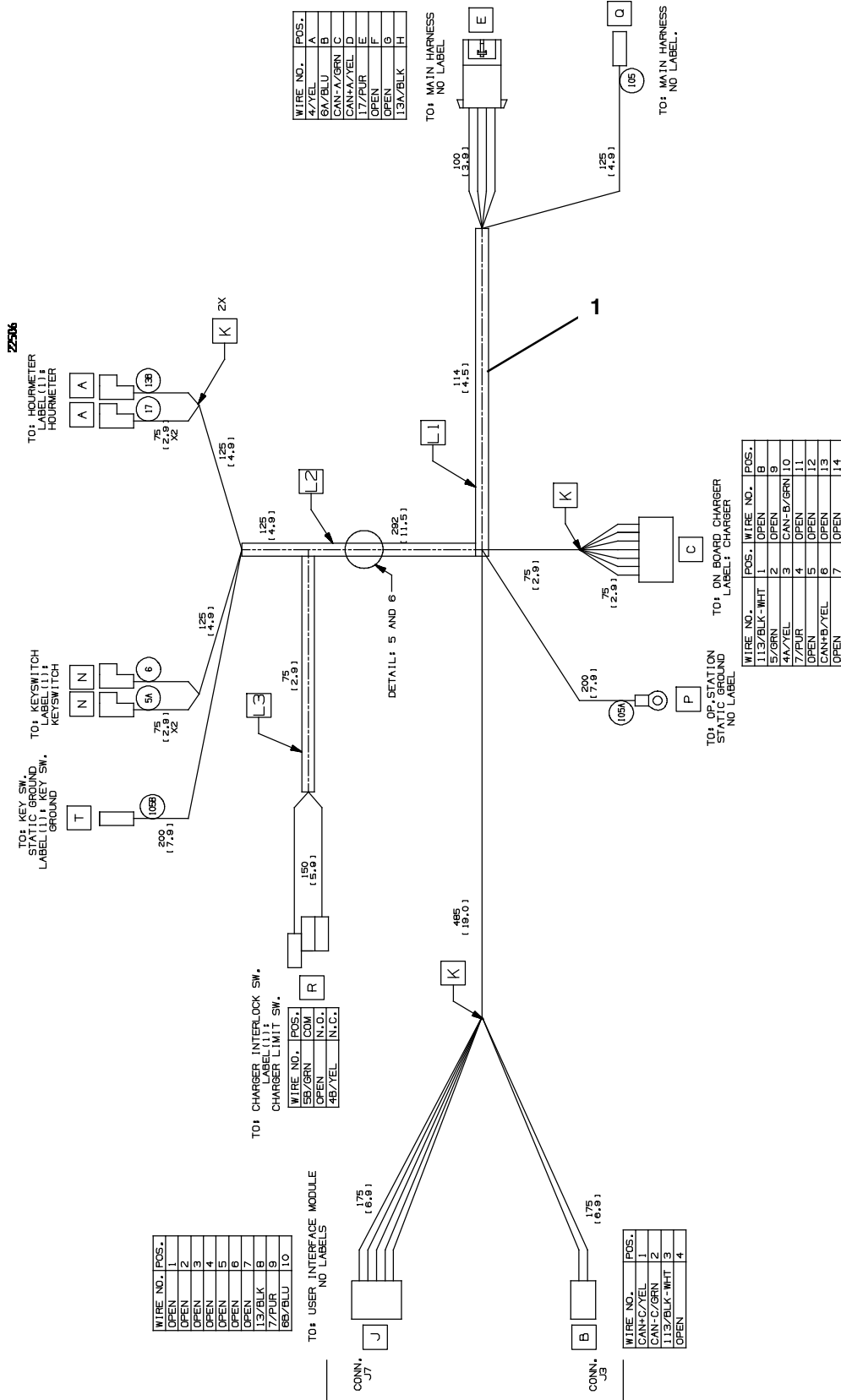
355256



Ref.	Part No.	Serial Number	Description	Qty.
1	1072287	(0000000-	) Harness, Main, Ele [Volga, B5, Propel]	1

WIRE HARNESS, CONSOLE, PUSH MODEL

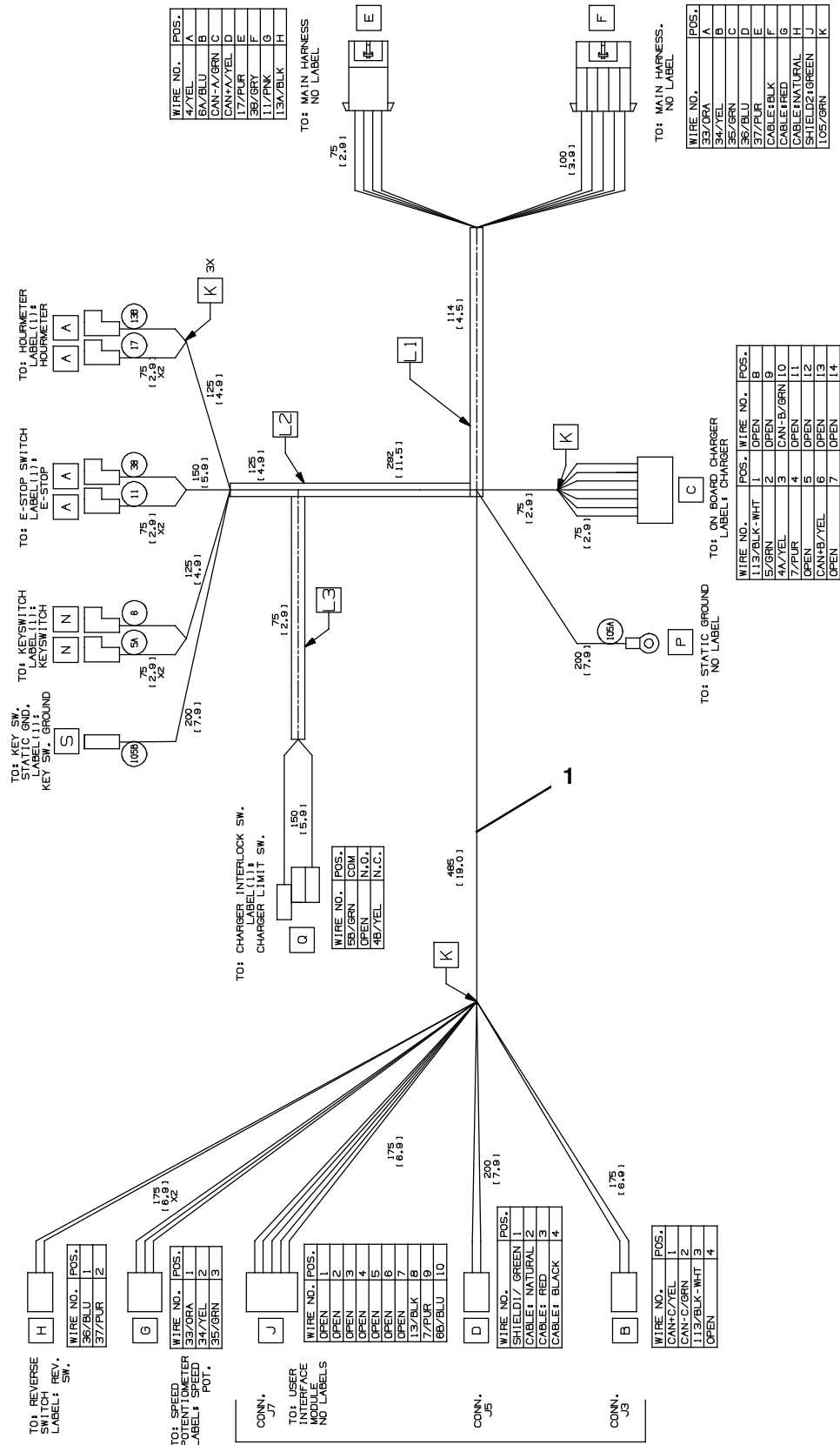
355259



Ref.	Part No.	Serial Number	Description	Qty.
1	1072293	(0000000-	) Harness, Ele [B5/B7, Op.Station, Push]	1

WIRE HARNESS, CONSOLE, DRIVE MODEL

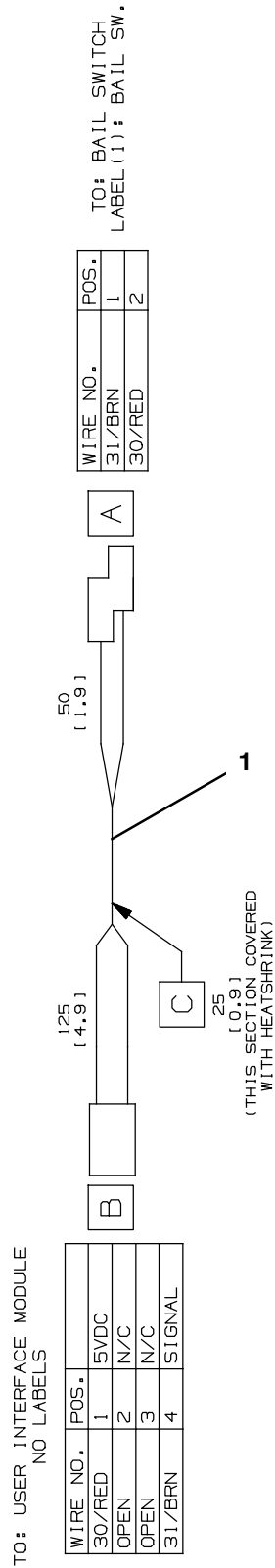
355260



Ref.	Part No.	Serial Number	Description	Qty.
1	1072282	(0000000-	) Harness, Ele [B5/B7, Op.Sta., W/Propel]	1

WIRE HARNESS, BAIL SWITCH

355261

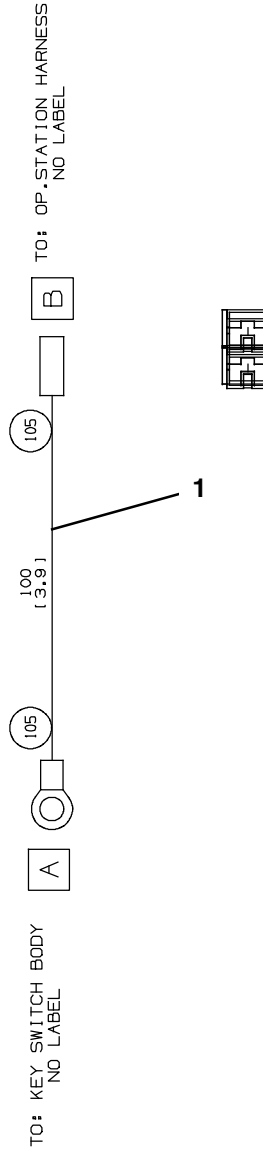


Ref.	Part No.	Serial Number	Description	Qty.
1	1072524	(00000000- )	Harness, Ele [Bail Switch]	1

WIRE HARNESS, KEY SWITCH

355262

COMPONENT ALPHA	COMPONENT DESCRIPTIONS
A	TERMINAL, RING, .750", INSULATED, 14-16GA, TYCO #322724.
B	TERMINAL, SNAP PLUG, .156", MALE, 14-16GA, INSULATED, MOLEX #19034-0009.

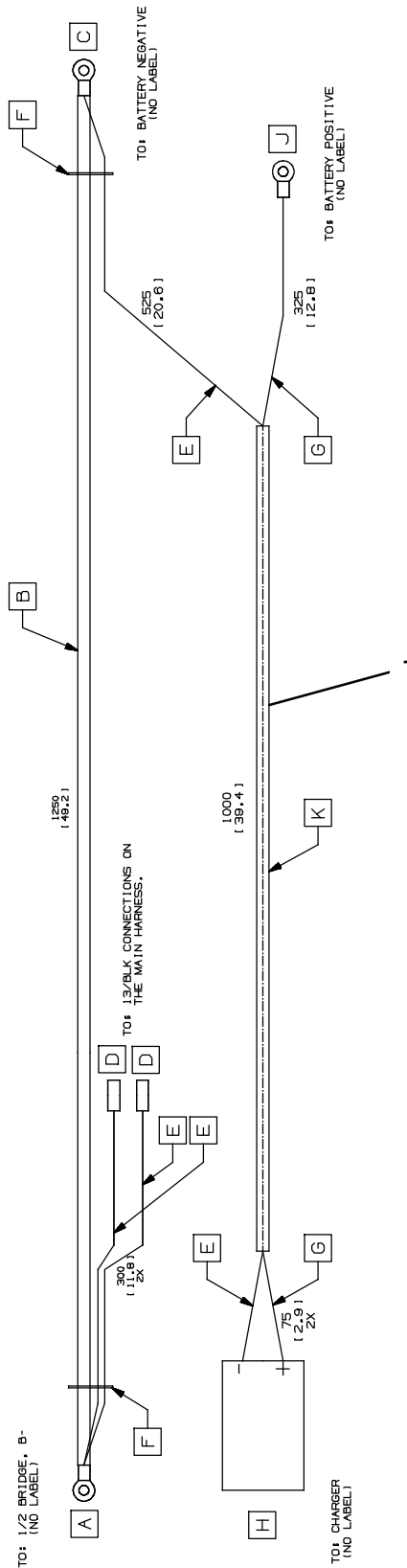


WIRE NO.	COLOR	GAU GE	TYPE
105	GRN	16	UL-GXL

Ref.	Part No.	Serial Number	Description	Qty.
1	1073037	(00000000-	) Harness, Ele [Key Sw.,Static Gnd]	1

WIRE HARNESS, BATTERY/CHARGER CABLE

355400



Ref.	Part No.	Serial Number	Description	Qty.
▽	1	1072939	(00000000- ) Cable, Assy [B7/B5, Ground]	1
▲	130155	(00000000- )	Connector, Battery, 6ga 50a, Gray[2cont]	1



