

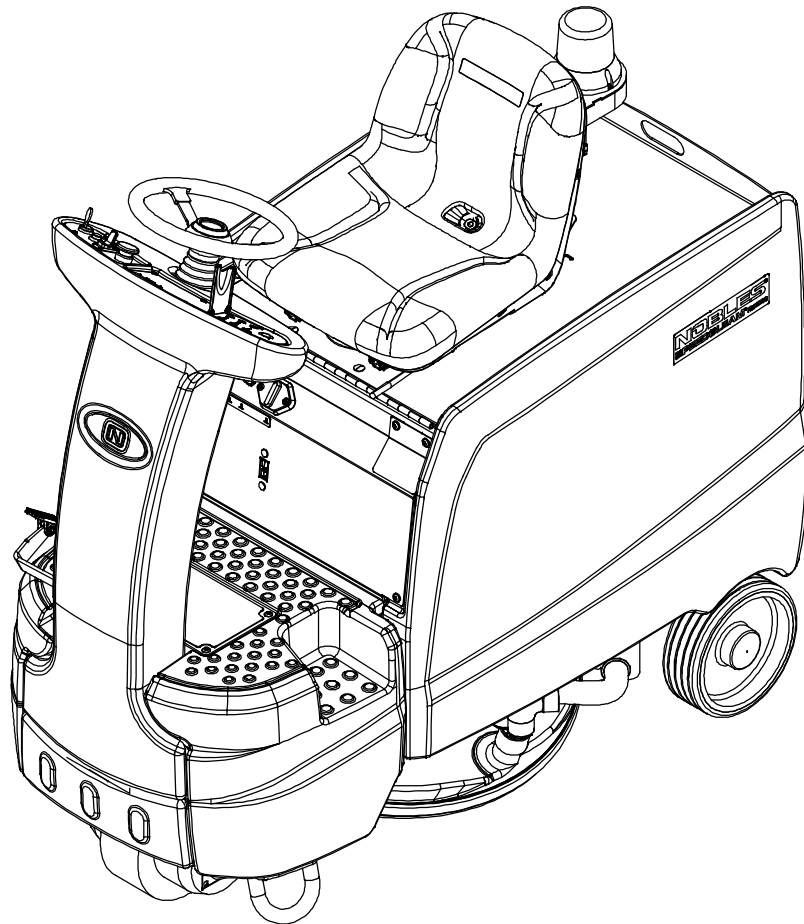
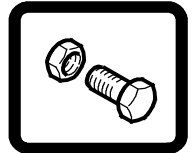


SPEEDGLEAM® RIDER

TennantTrue® Parts

RIDER BURNISHER

PARTS MANUAL



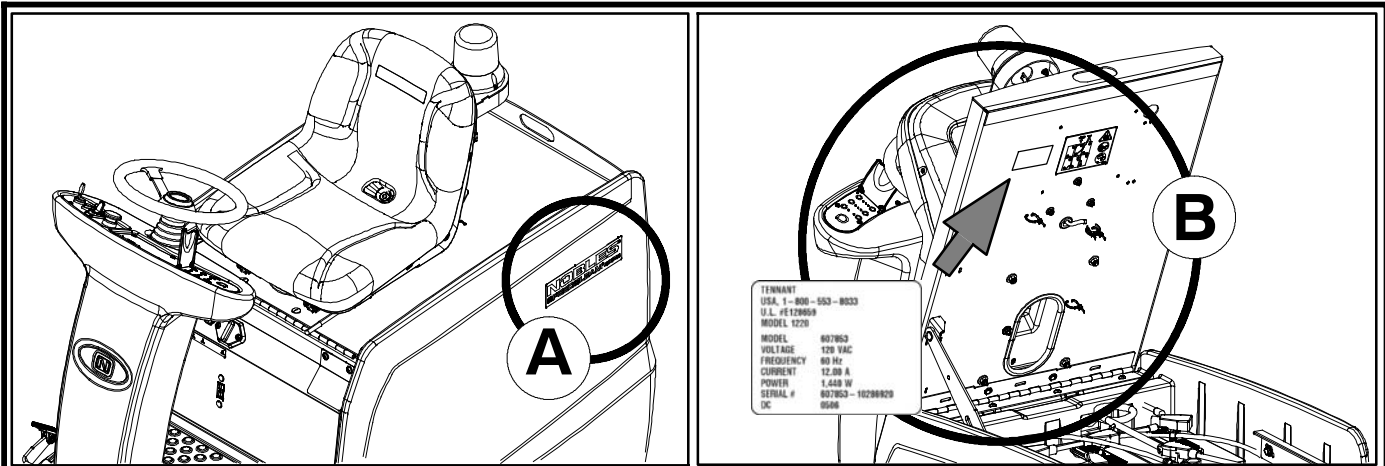
For the latest Parts manuals and other language Operator manuals, visit:

www.nobles.com/manuals

www.nobles.com

9010724
Rev. 04 (08-2018)





Ref	Part No.	Serial Number	Description	Qty.
1	82681	(000000-)	Bracket Wldt, Lpg Mount	1
▽ 2	63810	(000000-)	Latch Assy, Lpg Tank Mtg, W/Nut	4
▲ 3	51839	(000000-)	Nut Adjustable, Lpg Tank Mtg	2
4	49263	(000000-)	Tie, Cable	3
(D)	82556	(000000- 001039)	Bracket, Vaporizer	1
	54930	(000000-)	Vaporizer, LPG	1

HOW TO ORDER PARTS - See diagram above

Only use TENNANT Company supplied or equivalent parts. Parts and supplies may be ordered online, by phone, by fax or by mail.

Follow the steps below to ensure prompt delivery.

1. (A) Identify the machine model.
2. (B) Identify the machine serial number from the data label.
3. (C) Ensure the proper serial number is used from the parts list.
4. Identify the part number and quantity.
Do not order by page or reference numbers.
5. Provide your name, company name, customer ID number, billing and shipping address, phone number and purchase order number.
6. Provide detail shipping instructions.

- (D) ▽ - identifies an assembly
▲ - identifies parts included in assembly

Please fill out at time of installation for future reference.

Model No. - _____

Serial No. - _____

Machine Options - _____

Sales Rep. - _____

Sales Rep. phone no. - _____

Customer ID Number - _____

Installation Date - _____

Tennant Company

PO Box 1452
Minneapolis, MN 55440
Phone: (800) 553-8033

www.nobles.com

Specifications and parts are subject to change without notice.

Copyright © 2013 - 2018 TENNANT Company, Printed in U.S.A.

STANDARD PARTS

GENERAL RECOMMENDED MAINTENANCE ITEMS	4
PAD DRIVER GROUP, 610 MM (24 IN)	6
PAD DRIVER GROUP, 686 MM (27 IN)	8
MAIN FRAME GROUP	10
SEAT GROUP	12
STEERING GROUP	14
INSTRUMENT PANEL GROUP	16
FRONT DRIVE WHEEL GROUP	18
BRAKE AND ACCELERATOR PEDAL GROUP (S/N 10644214-)	20
BRAKE AND ACCELERATOR PEDAL GROUP (S/N 00000000- 10644213)	22
HEAD LIFT GROUP	24
MAIN HOUSING GROUP	26
FRONT SHROUD GROUP	28
ELECTRICAL PANEL GROUP	30
ELECTRICAL COMPONENTS GROUP	32
CIRCUITBOARD GROUP	34
PASSIVE DUST CONTROL GROUP	36
BATTERY GROUP, WET 435AH	38
ON- BOARD CHARGER GROUP	40
LABEL GROUP	42
ELECTRICAL SCHEMATIC	44
HARNESS GROUP, MAIN	46
HARNESS GROUP, MAIN - CONT'D	47
HARNESS GROUP, MOTOR	49
HARNESS GROUP, CONTROL BOARD	50
HARNESS GROUP, LIGHT	51
HARNESS GROUP, ALARM	52
HARNESS GROUP, MOTOR BRAKE	53

OPTIONS

BATTERY GROUP, AGM 390AH	54
OFF- BOARD CHARGER GROUP	56
HYDROLINK® BATTERY WATERING SYSTEM KIT	58
FLASHING LIGHT KIT	60
WALL ROLLER (686 MM / 27 IN HEAD) GROUP	62
ACTIVE DUST CONTROL GROUP	64

BREAKDOWNS

ACTIVE DUST CONTROL BREAKDOWN, 1200929	66
FRONT DRIVE WHEEL BREAKDOWN, 9008999	68
STEERING CONTROL BREAKDOWN, 1019724	70

GENERAL RECOMMENDED MAINTENANCE

GENERAL RECOMMENDED MAINTENANCE ITEMS

	Part No.	Serial Number	Description	Qty.
▽	9013143	(00000000-) Motor Kit, Burnish, Replmt [B10]	1
▲	1206641	(00000000-) Brush Assy, Carbon, Afmkt (Includes Qty 8- Carbon Brushes, 8- Springs & 2- Electrical Terminals)	1
	00928	(00000000-) Key, Sq, 0.25 X 0.25, 1.00l	1
	1205730	(00000000-) Shroud Assy, Dust- Cntrl, Stepped, 24.0d	1
	1205728	(00000000-) Shroud Assy, Dust- Cntrl, Stepped, 27.0d	1
	1200750	(00000000-) Skirt Assy, Shrd, 24.0d	1
	1200686	(00000000-) Skirt Assy, Shrd, 27.0d	1
▽	1213331	(00000000-) Driver Assy, Pad, 24d	1
▽	1213332	(00000000-) Driver Assy, Pad, 27d	1
▲	32506	(00000000-) Device, Centering, Rh Pad Retainer	1
▲	1205787	(00000000-) Collar, Locking, Pad Driver, 6.1"	1
	1204254	(00000000-) Pad, Burnish, 24.0d, Hairblend [1Pk = 1Pad]	1
	1204255	(00000000-) Pad, Burnish, 27.0d, Hairblend [1Pk = 1Pad]	1
	9010993	(00000000-) Bumper, Strip, Afmkt, 3 Ft	1
	1048955	(00000000-) Switch, Seat, No [Delta 6440- 04]	1
	1202142	(00000000-) Pad, Rbr, 0.12 X 1.4 X 22.7, Adh	1
▽	1011402	(00000000-) Switch, Key	1
▲	1017696	(00000000-) Key Set, Replmt [F/ Keyswitch 1011402]	1
	1018505	(00000000-) Horn, 12- 48vdc [88.5 Decibels]	1
	9014886	(00000000-) Actuator Kit, Install, Afmkt [B10]	1
	1205672	(00000000-) Spring, Extn, 1.211od 0.200wir 05.5l	2
	1202188	(00000000-) Bushing, FIng, 0.63b 0.75d 0.63l, Bnz	2
	1014020	(00000000-) Roller, Lift, Dual Disk Head	2
	1202820	(00000000-) Spring, Comp, 0.520b, 3.95l	2
	1202539	(00000000-) Bushing, FIng, Ss, 0.404b 0.612d 0.674l	10
	1202378	(00000000-) Bushing, 0.63b 0.75d 0.50l, Bnz	8
	1202821	(00000000-) Spring, Comp, 0.520b, 6.5l	2
	1202544	(00000000-) Spring, Comp, 0.550id, 0.120wir, 0.850l	2
	1200585	(00000000-) Shunt, Current, 200a	1
	1203357	(00000000-) Contactor Assy, 36vdc, 250a, Spst, No	1
	1201381	(00000000-) Wire, Assy, Cable 16.0 2awg, Red	1
	1201383	(00000000-) Harness, Battery, Orion	1
▽	9011014	(00000000-) Circuitboard Kit, Afmkt	1
▲	1030692	(00000000-) Vr, Fuse, 15a, Replmt	1
▲	1016816	(00000000-) Pad, Thermal, Heat Sink	1
	1205540	(00000000-) Boot, Terminal, Battery, 1/0- 2/0ga, Blk	12
	1204146	(00000000-) Battery, Wet, 06vdc 435ah, W/ Box (Includes Hardware)	6
	1204248	(00000000-) Battery, Agm, 06vdc 390ah, W/Box (Includes Hardware)	6
	1201394	(00000000-) Harness, Charger, On Board [Orion]	1
	1201389	(00000000-) Harness, Charger, Off Board [Orion]	1
	1069053	(00000000-) Harness, Main [Orion]	1
	1069866	(00000000-) Harness, Motor, [Orion]	1

▽ ASSEMBLY

▲ INCLUDED IN ASSEMBLY

GENERAL RECOMMENDED MAINTENANCE

GENERAL RECOMMENDED MAINTENANCE ITEMS

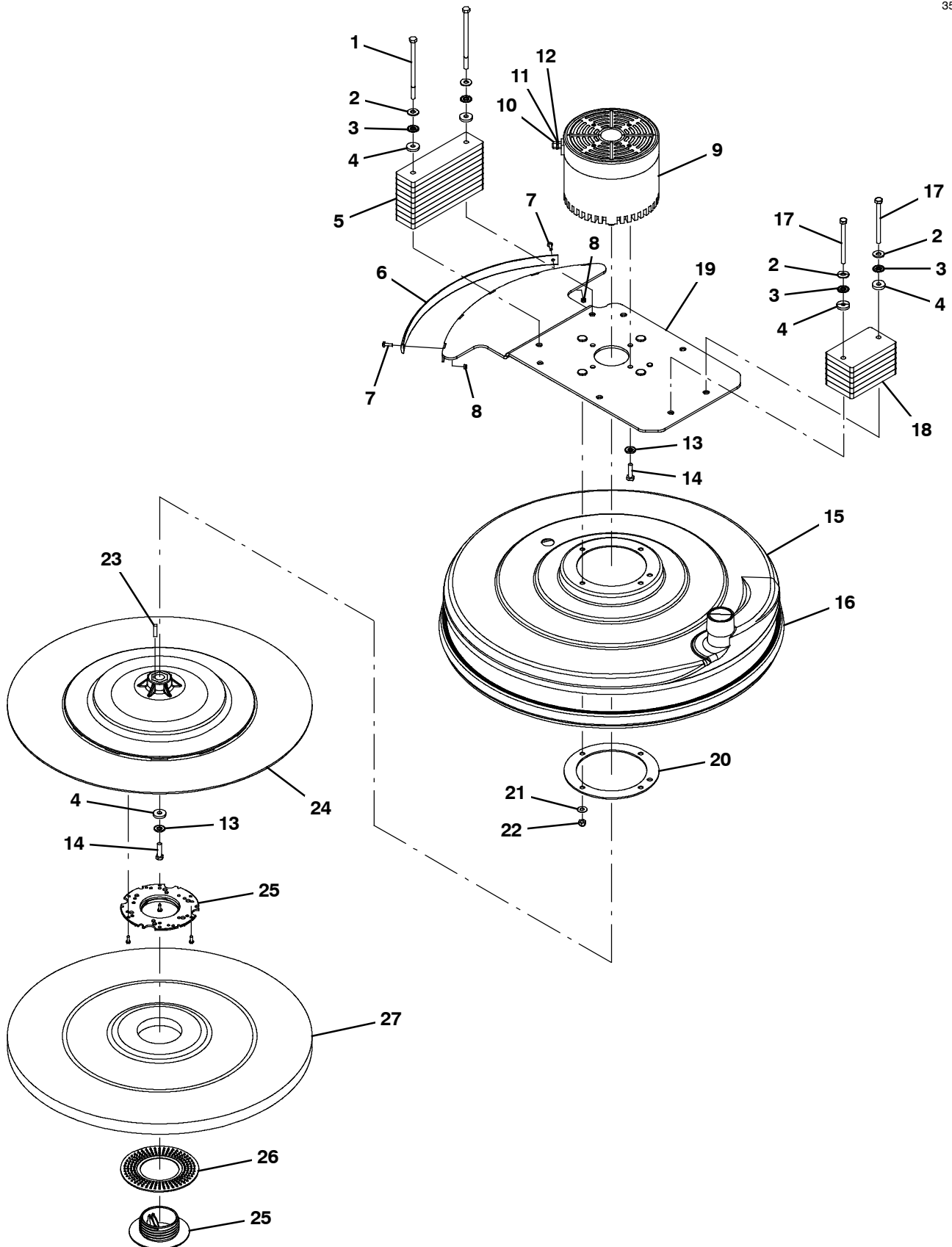
	Part No.	Serial Number	Description	Qty.
▽	9011001	(00000000-) Charger Kit, 36vdc 120vac, On- Brd, [Na]	1
▲	1206662	(00000000-) Fuse, 015a, 250vac [Baf- 15]	1
▲	130155	(00000000-) Connector, Battery, 6ga 50a, Gray[2cont]	1
▽	9011009	(00000000-) Charger Kit, 36vdc 120vac, Off- Brd, [Na]	1
▲	1206662	(00000000-) Fuse, 015a, 250vac [Baf- 15]	1
▲	130155	(00000000-) Connector, Battery, 6ga 50a, Gray[2cont]	1
	1011735	(00000000-) Switch, Safety, Shutoff	1
	1072040	(00000000-) Switch, Rocker, Spst, Paddle	1
	1013132	(00000000-) Switch, Lever, Snap Actn	1
	222460	(00000000-) Sleeve, P/M, 0.32b 0.50d 0.5l [430ss]	10
	222178	(00000000-) Roller, Pyu, 1.88d 0.53b 3.05l	1
	9007784	(00000000-) Bag, Vacuum, 6 Qt [1pick=1pkg/12 Bags] (Qty 1 Included w/ Machine) (Active Dust Control Model)	1
	9007866	(00000000-) Bag, Vacuum, 6 Qt [1pk=1ctn/16=192 Bags] (Active Dust Control Model)	1
	9007785	(00000000-) Bag, Cloth, Afkmt, 6 Qt (Qty 1 Included w/ Machine) (Active Dust Control Model)	1
	9007800	(00000000-) Filter, Exhaust [1pick=1pkg] (1 Pkg = 6 Filters) (Active Dust Control Model)	1
	9007812	(00000000-) Filter, Hepa, Fr/ (Active Dust Control Model)	1
	9007802	(00000000-) Fan, Vacuum, Backpack, Fr(Includes 1- M4x6 Set Screw) (Active Dust Control Model)	1
	1068845	(00000000-) Bag, Vacuum, Paper [1pick=1pkg] (1 Pkg = 10 Bags) (Passive Dust Control Model)	1

▽ ASSEMBLY

▲ INCLUDED IN ASSEMBLY

PAD DRIVER GROUP, 610 MM (24 IN)

355194



PAD DRIVER GROUP, 610 MM (24 IN)

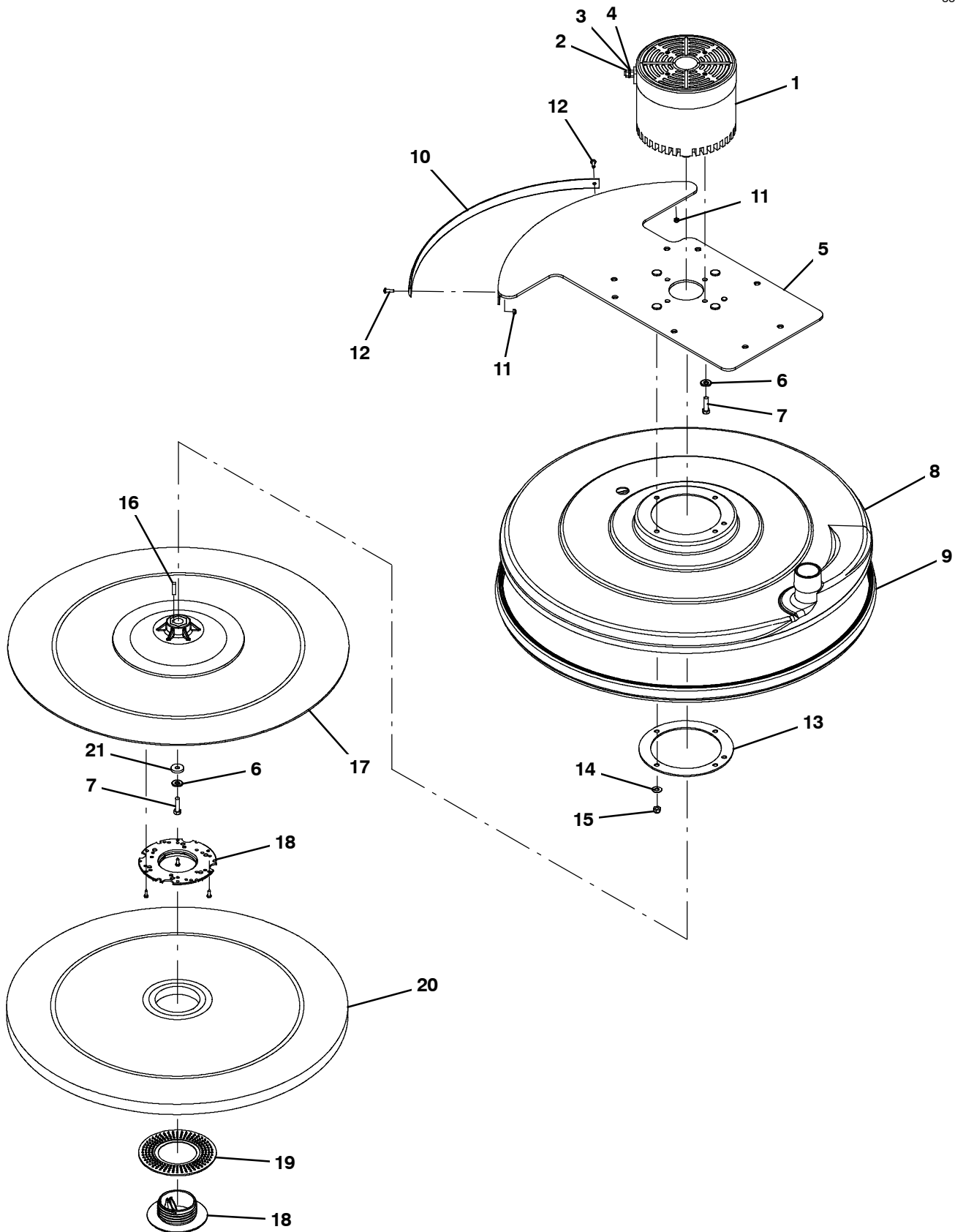
Ref.	Part No.	Serial Number	Description	Qty.
1	1201996	(00000000-) Screw, Hex, M8 X 1.25 X 140, Ss	2
2	01685	(00000000-) Washer, Flat, 0.38b 0.88d .08, Ss	4
3	41141	(00000000-) Washer, Lock, Int- Ext, 0.31	4
4	1028796	(00000000-) Washer, Flat, 0.33b 1.00d .18, Stl, Pl	5
5	1205469	(00000000-) Block, Mass, 24in Scrub Head, Long	9
6	9010993	(00000000-) Bumper, Strip, Afmkt, 3 Ft	1
7	1045487	(00000000-) Screw, Pan, Phl, M5 X 0.80 X 16, Blk	2
8	09739	(00000000-) Nut, Hex, Lock, M5 X 0.80, NI, Ss	2
▽	9	9013143	(00000000-) Motor Kit, Burnish, Replmt [B10]	1
▲		1206641	(00000000-) Brush Assy, Carbon, Afmkt (Includes Qty 8- Carbon Brushes, 8- Springs & 2- Electrical Terminals)	1
▲	10	87435	(00000000-) Nut, Hex, Flexlock, .31- 18	2
▲	11	39349	(00000000-) Washer, Flat, 0.31, Sae	2
▲	12	32984	(00000000-) Washer, Lock, Int, 0.31	2
	13	41186	(00000000-) Washer, Flat, Belleville, .31	5
	14	1016399	(00000000-) Screw, Hex, M8 X 1.25 X 30, NI, Ss	5
	15	1205730	(00000000-) Shroud Assy, Dust- Cntrl, Stepped, 24.0d	1
	16	1200750	(00000000-) Skirt Assy, Shrd, 24.0d	1
	17	386299	(00000000-) Screw, Hex, M8 X 1.25 X 100, Ss	2
	18	1205475	(00000000-) Block, Mass, 24in Scrub Head, Short	6
	19	1200757	(00000000-) Plate Wldt, Mount, Motor, 24in	1
	20	1200676	(00000000-) Plate, Backing, Dust- Cntrl	1
	21	01685	(00000000-) Washer, Flat, 0.38b 0.88d .08, Ss	4
	22	08713	(00000000-) Nut, Hex, Lock, M8 X 1.25, NI, Ss	4
	23	00928	(00000000-) Key, Sq, 0.25 X 0.25, 1.00l	1
▽	24	1213331	(00000000-) Driver Assy, Pad, 24d	1
▲	25	32506	(00000000-) Device, Centering, Rh Pad Retainer	1
▲	26	1205787	(00000000-) Collar, Locking, Pad Driver, 6.1"	1
	27	1204254	(00000000-) Pad, Burnish, 24.0d, Hairblend [1Pk = 1Pad]	1

▽ ASSEMBLY

▲ INCLUDED IN ASSEMBLY

PAD DRIVER GROUP, 686 MM (27 IN)

355195



PAD DRIVER GROUP, 686 MM (27 IN)

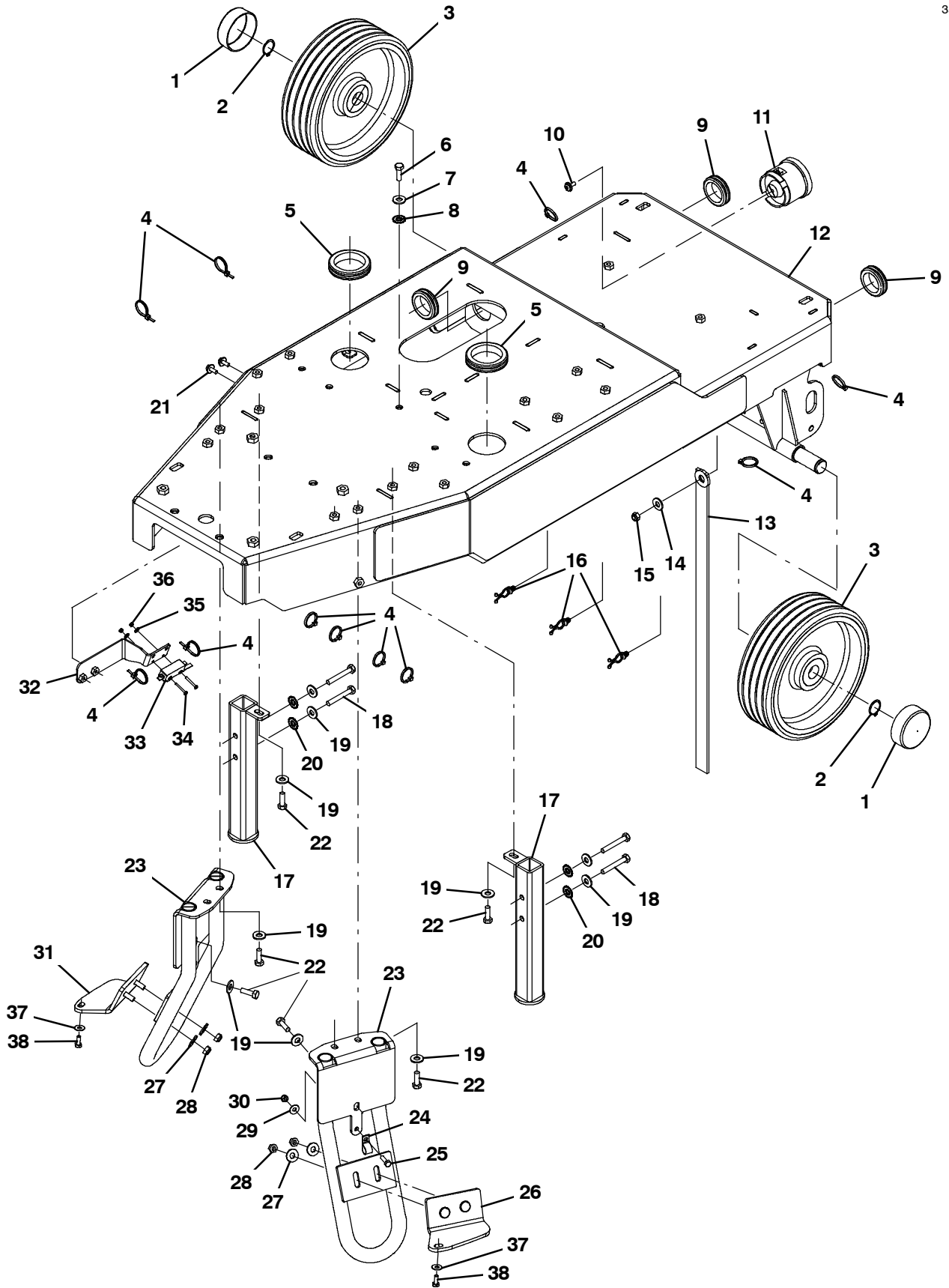
	Ref.	Part No.	Serial Number	Description	Qty.
▽	1	9013143	(00000000-) Motor Kit, Burnish, Replmt [B10]	1
▲		1206641	(00000000-) Brush Assy, Carbon, Afmkt (Includes Qty 8- Carbon Brushes, 8- Springs & 2- Electrical Terminals)	1
▲	2	87435	(00000000-) Nut, Hex, Flexlock, .31- 18	2
▲	3	39349	(00000000-) Washer, Flat, 0.31, Sae	2
▲	4	32984	(00000000-) Washer, Lock, Int, 0.31	2
	5	1200543	(00000000-) Plate Wldt, Mount, Motor, 27in	1
	6	41186	(00000000-) Washer, Flat, Belleville, .31	5
	7	1016399	(00000000-) Screw, Hex, M8 X 1.25 X 30, NI, Ss	5
	8	1205728	(00000000-) Shroud Assy, Dust- Cntrl, Stepped, 27.0d	1
	9	1200686	(00000000-) Skirt Assy, Shrd, 27.0d	1
	10	9010993	(00000000-) Bumper, Strip, Afmkt, 3 Ft	1
	11	09739	(00000000-) Nut, Hex, Lock, M5 X 0.80, NI, Ss	2
	12	1045487	(00000000-) Screw, Pan, Phl, M5 X 0.80 X 16, Blk	2
	13	1200676	(00000000-) Plate, Backing, Dust- Cntrl	1
	14	01685	(00000000-) Washer, Flat, 0.38b 0.88d .08, Ss	4
	15	08713	(00000000-) Nut, Hex, Lock, M8 X 1.25, NI, Ss	4
	16	00928	(00000000-) Key, Sq, 0.25 X 0.25, 1.00l	1
▽	17	1213332	(00000000-) Driver Assy, Pad, 27d	1
▲	18	32506	(00000000-) Device, Centering, Rh Pad Retainer	1
▲	19	1205787	(00000000-) Collar, Locking, Pad Driver, 6.1"	1
	20	1204255	(00000000-) Pad, Burnish, 27.0d, Hairblend [1Pk = 1Pad]	1
	21	1028796	(00000000-) Washer, Flat, 0.33b 1.00d .18, Stl, PI	1

▽ ASSEMBLY

▲ INCLUDED IN ASSEMBLY

MAIN FRAME GROUP

355180

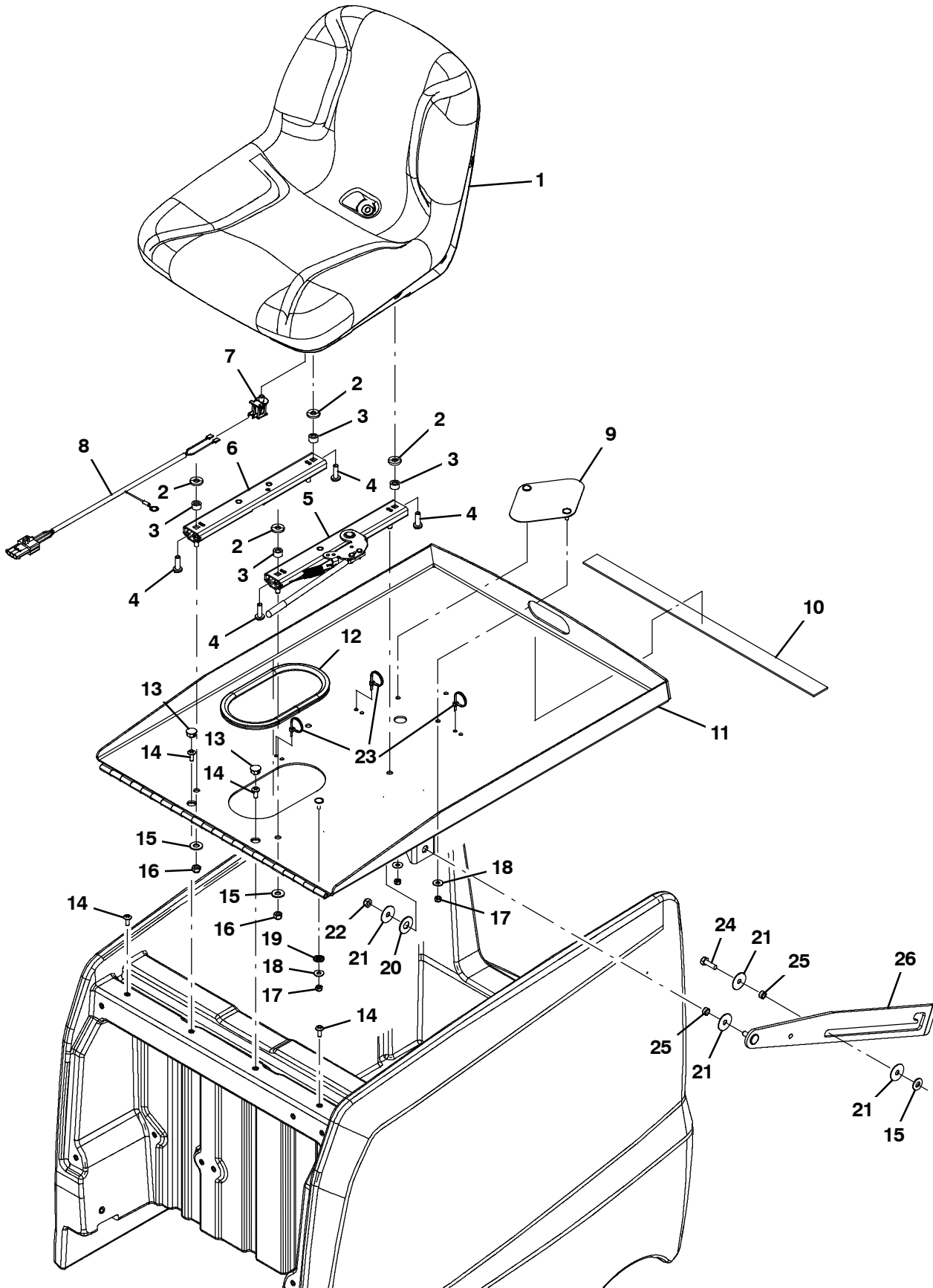


MAIN FRAME GROUP

Ref.	Part No.	Serial Number	Description	Qty.
1	1016957	(00000000-) Cap, Vyl, 70mmid X 25mml	2
2	09005	(00000000-) Ring, Retaining, Ext, 1.00d, Basic	2
3	1038560	(00000000-) Tire Assy, Solid, 250mm X 80mm, 25mmid	2
4	130773	(00000000-) Tie, Cable, Nyl, 11.0l, .14w, 3.0 Max. D	11
5	1202181	(00000000-) Grommet, Rbr, 2.13id, F/2.5h, .19 Matl	2
6	12333	(00000000-) Screw, Hex, M8 X 1.25 X 25, Ss, NI	1
7	01685	(00000000-) Washer, Flat, 0.38b 0.88d .08, Ss	1
8	41141	(00000000-) Washer, Lock, Int- Ext, 0.31	1
9	10632- 13	(00000000-) Grommet, Rbr, 1.50id, F/1.8h, .19 Matl	3
10	1019349	(00000000-) Screw, Trs, M6 X 1.00 X 16, Ss, Sems	1
11	1018505	(00000000-) Horn, 12- 48vdc [88.5 Decibels]	1
12	1200530	(00000000-) Frame Wldt, Sppt, Main	1
13	71579	(00000000-) Strap, Static, W/Grommet, .19 1.1w 25.0l	1
14	01685	(00000000-) Washer, Flat, 0.38b 0.88d .08, Ss	1
15	08713	(00000000-) Nut, Hex, Lock, M8 X 1.25, NI, Ss	1
16	30406	(00000000-) Clip, Keeper	3
17	1201529	(00000000-) Jack Wldt	2
18	222504	(00000000-) Screw, Hex, M8 X 1.25 X 55, Ss	4
19	01685	(00000000-) Washer, Flat, 0.38b 0.88d .08, Ss	12
20	41141	(00000000-) Washer, Lock, Int- Ext, 0.31	4
21	1034731	(00000000-) Screw, Hex, M6 X 1.00 X 16, Ss, Sems	2
22	12333	(00000000-) Screw, Hex, M8 X 1.25 X 25, Ss, NI	8
23	1200540	(00000000-) Tube Wldt, Rop	2
24	140300	(00000000-) Clamp, Cable, Stl, 0.50d [Insulated]	1
25	08716	(00000000-) Screw, Hex, M6 X 1.00 X 20, Ss	1
26	1202858	(00000000-) Bracket Wldt, Sppt, Front, Lh	1
27	01685	(00000000-) Washer, Flat, 0.38b 0.88d .08, Ss	4
28	08713	(00000000-) Nut, Hex, Lock, M8 X 1.25, NI, Ss	4
29	01684	(00000000-) Washer, Flat, 0.27b 0.69d .05, Ss	1
30	08712	(00000000-) Nut, Hex, Lock, M6 X 1.00, NI, Ss	1
31	1202846	(00000000-) Bracket Wldt, Sppt, Front, Rh	1
32	1201742	(00000000-) Bracket Wldt, Mounting, Switch	1
33	1013132	(00000000-) Switch, Lever, Snap Actn	1
34	33933	(00000000-) Screw, Pan, Phl, M3 X 0.50 X 25, Ss	2
35	41578	(00000000-) Washer, Flat, 06, Ss	2
36	579211	(00000000-) Nut, Hex, Lock, M3 X 0.50, NI, Ss	2
37	01684	(00000000-) Washer, Flat, 0.27b 0.69d .05, Ss	2
38	11329	(00000000-) Screw, Hex, M6 X 1.00 X 16, NI, Ss	2

SEAT GROUP

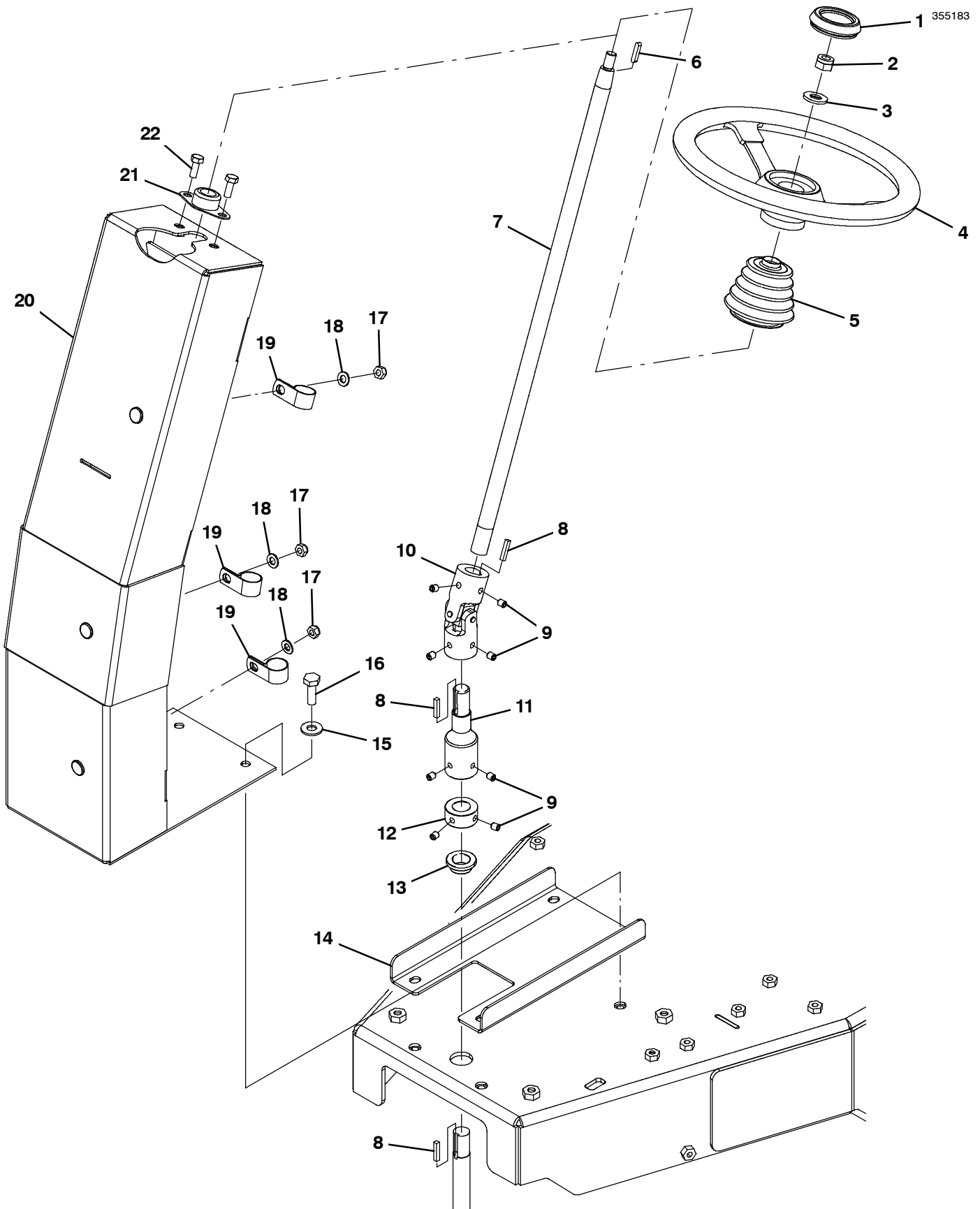
355184



SEAT GROUP

Ref.	Part No.	Serial Number	Description	Qty.
1	9005082	(10611440-) Seat Kit, Std, Replmt (Kit Includes Screw and Spacer)	1
1	1048932	(00000000- 10611439) Seat, Std [Michigan, Model V- 2505] (Replaced by 9005082)	1
2	69461	(00000000-) Washer, Flat, 0.38b 0.88d .12, Stl, Pl	4
3	1051052	(00000000-) Spacer, Rnd, .38b .88d .38l	4
4	49177	(00000000-) Screw, Pan, Phl, .31- 18 X 1.00, G2	4
5	1017054	(00000000-) Rail, Adj, Slide, Seat, 11.5l, W/ Latch	1
6	1017053	(00000000-) Rail, Adj, Slide, Seat, 11.5l	1
7	1048955	(00000000-) Switch, Seat, No [Delta 6440- 04]	1
8	391951	(00000000-) Harness, Seat [T7/Ssr]	1
9	1204413	(00000000-) Plate Wldt, Cover, Hole, Flasher (Models w/out Flashing Light Option)	1
10	1202142	(00000000-) Pad, Rbr, 0.12 X 1.4 X 22.7, Adh	1
11	9010992	(00000000-) Plate, Seat, Afmkt, Pdc [Sgr] [Na]	1
11	9010990	(00000000-) Plate, Seat, Afmkt, Adc [B10] [Na/Aus]	1
12	1020170	(00000000-) Molding, Afmkt, Trim, Pvc, .08 .11, 02ft	1
13	1058340	(00000000-) Plug, Hole, Rnd, .63h 0.1l, Blk	2
14	1202143	(00000000-) Screw, Trs, M6 X 1.00 X 16, Phl, NI, Blk	4
15	01685	(00000000-) Washer, Flat, 0.38b 0.88d .08, Ss	5
16	41437	(00000000-) Nut, Hex, Lock, .31- 18, NI, Ss	4
17	08712	(00000000-) Nut, Hex, Lock, M6 X 1.00, NI, Ss	3
18	01684	(00000000-) Washer, Flat, 0.27b 0.69d .05, Ss	3
19	41140	(00000000-) Washer, Lock, Int- Ext, 0.25	1
20	86952	(00000000-) Washer, Flat, 0.52b 1.25d .06, Nyl	1
21	30013	(00000000-) Washer, Flat, 0.31, Fendr	4
22	08713	(00000000-) Nut, Hex, Lock, M8 X 1.25, NI, Ss	1
23	130773	(00000000-) Tie, Cable, Nyl, 11.0l, .14w, 3.0 Max. D	3
24	12333	(00000000-) Screw, Hex, M8 X 1.25 X 25, Ss, NI	1
25	360801	(00000000-) Sleeve, 0.32b 0.50d 0.3l, 2cham, Ss	2
26	1201445	(00000000-) Bracket Wldt, Arm, Prop	1

STEERING GROUP

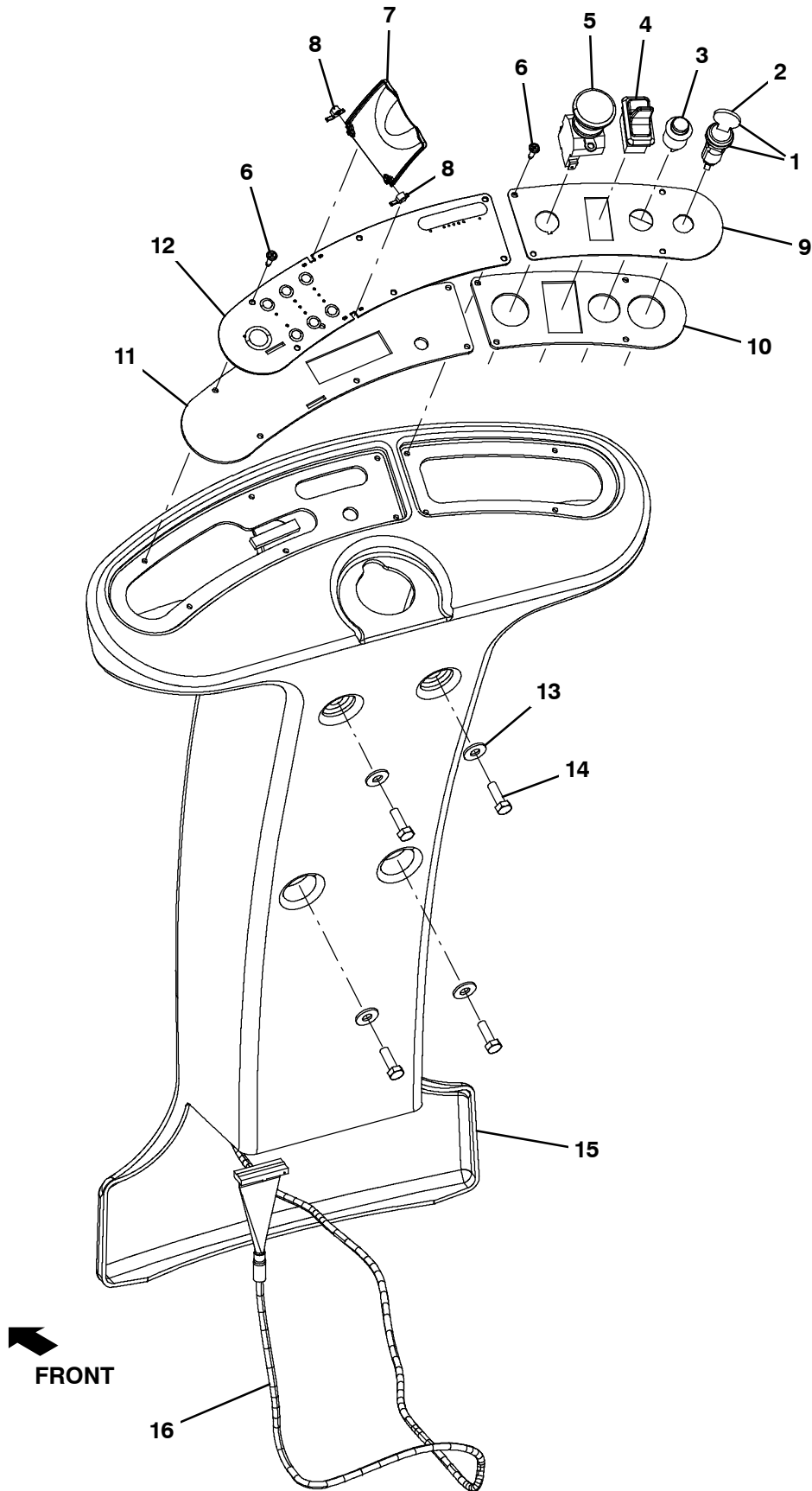


STEERING GROUP

Ref.	Part No.	Serial Number	Description	Qty.
1	1019706	(00000000-) Cap, Wheel, Steering	1
2	08711	(00000000-) Nut, Hex, Lock, M12 X 1.75, NI	1
3	64154	(00000000-) Washer, Flat, 0.53b 1.12d .11, Stl, PI	1
4	1012002	(00000000-) Wheel, Steering, 300mm	1
5	1012437	(00000000-) Bellows, Shaft, Steering	1
6	1014328	(00000000-) Key, Sq, 05mm X 05mm, 25mml	1
7	1013164	(00000000-) Shaft, Steering, Wheel	1
8	00912	(00000000-) Key, Sq, 0.19 X 0.19, 1.00l	3
9	46820	(00000000-) Screw, Set, .31- 18 X 0.38, NI	8
10	1040295	(00000000-) Joint, U, 0.75id	1
11	1200662	(00000000-) Shaft, Adapter, Steering	1
12	1202031	(00000000-) Collar, Shaft, 20.4b X 18.0w, Clr Zn PI	1
13	1202305	(00000000-) Bushing, Flng, 20.0b 26.0d 12.0l, Bnz	1
14	1202861	(00000000-) Plate, Stiffener, Steering Sppt [B10]	1
15	01686	(00000000-) Washer, Flat, 0.44b 1.00d .08, Ss	4
16	09770	(00000000-) Screw, Hex, M10 X 1.50 X 25, NI, Ss	4
17	08713	(00000000-) Nut, Hex, Lock, M8 X 1.25, NI, Ss	3
18	01685	(00000000-) Washer, Flat, 0.38b 0.88d .08, Ss	3
19	69234	(00000000-) Clamp, Cable, Stl, 1.00d X 0.75w, 1hole	3
20	1018561	(00000000-) Support Wldt, Steering	1
21	223065	(00000000-) Bearing, Flng, 2hole, 0.75b [Nyl]	1
22	49826	(00000000-) Screw, Hex, M8 X 1.25 X 16, NI, Ss	2

INSTRUMENT PANEL GROUP

355181



INSTRUMENT PANEL GROUP

	Ref.	Part No.	Serial Number	Description	Qty.
▽	1	1011402	(00000000-) Switch, Key	1
▲	2	1017696	(00000000-) Key Set, Replmt [F/ Keyswitch 1011402]	1
	3	1014832	(00000000-) Switch, Horn	1
	4	1072040	(00000000-) Switch, Rocker, Spst, Paddle	1
	5	1011735	(00000000-) Switch, Safety, Shutoff	1
	6	72969	(00000000-) Rivet, Plstc, .181d X 0.72	10
	7	1012197	(00000000-) Cover, Panl, Instmt	1
	8	1011952	(00000000-) Block, Pivot, Cover	2
	9	1046313	(00000000-) Panel, Instmt, Rh	1
	10	1014080	(00000000-) Gasket, Panl, Instmt, Rh, .13, Foam, Adh	1
	11	1052607	(00000000-) Gasket, Panl, Instmt, Lh, .13, Foam, Adh	1
	12	1069937	(00000000-) Panel, Instmt, Lh [Orion]	1
	13	01685	(00000000-) Washer, Flat, 0.38b 0.88d .08, Ss	4
	14	12333	(00000000-) Screw, Hex, M8 X 1.25 X 25, Ss, NI	4
	15	9010995	(00000000-) Column, Cntrl, Afmkt, Rm- Spg	1
	16	1016865	(00000000-) Cable, Ribbon, 90.6l	1

▽ ASSEMBLY

▲ INCLUDED IN ASSEMBLY

FRONT DRIVE WHEEL GROUP

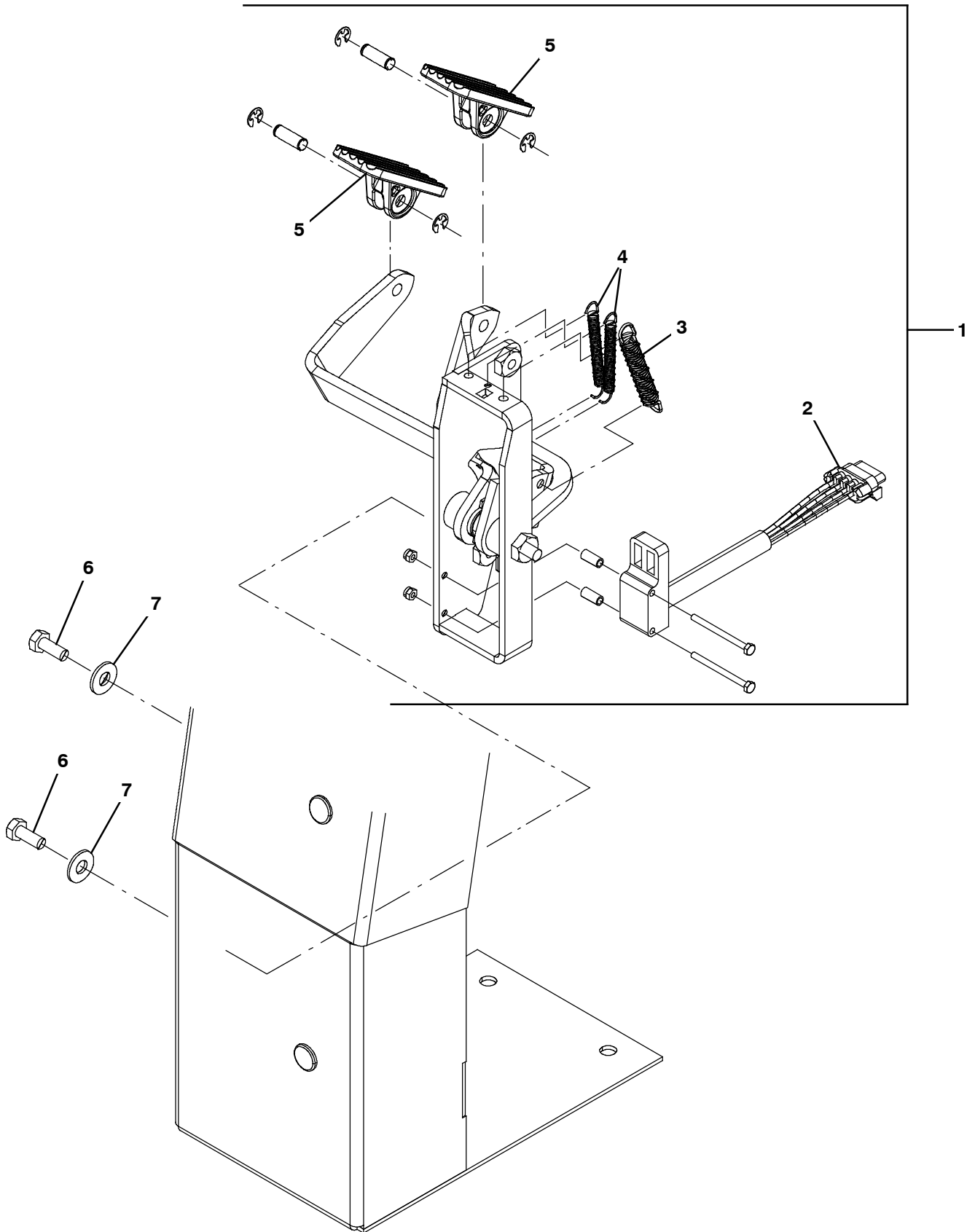
Ref.	Part No.	Serial Number	Description	Qty.
1	1200717	(00000000-) Bracket, Sppt, Power Wheel	1
2	09770	(00000000-) Screw, Hex, M10 X 1.50 X 25, NI, Ss	8
3	01686	(00000000-) Washer, Flat, 0.44b 1.00d .08, Ss	8
4	1019724	(00000000-) Steer- Control Assy, Wheel Drive	1
5	00912	(00000000-) Key, Sq, 0.19 X 0.19, 1.00l	1
6	12333	(00000000-) Screw, Hex, M8 X 1.25 X 25, Ss, NI	4
▽	7	1065808	(00000000-) Harness, Motor, Brake [T7/Ssr]	1
▲	8	1047186	(00000000-) Connector, Fem, 3 Recept [Mp630] (Assembly Only - No Breakdown Available)	1
	9	1019224	(00000000-) Strap, Nyl	1
	10	19066	(00000000-) Washer, Flat, 0.25b 0.56d .05, PI, 10	1
▽	11	9008999	(00000000-) Gearbox Kit, Wheel, 250mm, W/ Connector	1
▲		25837	(00000000-) Terminal, Fem, Mp280, Sealed, 22- 20ga	2
▲		25830	(00000000-) Seal, Wire, 18- 22ga [Wp / Mp280 Sealed]	2
▲	12	78950	(00000000-) Connector, Fem, 2cav, Mp280 Sealed (Connector Only - No Assembly Available)	1
▲	13	78952	(00000000-) Lock, Secondary, 2cav, Mp280 Sealed	1
	14	130773	(00000000-) Tie, Cable, Nyl, 11.0l, .14w, 3.0 Max. D	4
	15	361339	(00000000-) Screw, Hex, M6 X 1.00 X 16, Fmg	2
	16	1016354	(00000000-) Clamp, Cable, Ss, 0.50d X 0.50w [Insul]	2
	17	130161	(00000000-) Plug, Hole, Rnd, 0.88d, Blk	1
	18	1064972	(00000000-) Bracket, Cord	2
	19	33931	(00000000-) Screw, Pan, Phl, M4 X 0.70 X 30, Ss	2
	20	01685	(00000000-) Washer, Flat, 0.38b 0.88d .08, Ss	2
	21	02938	(00000000-) Washer, Lock, Int, 08, Ss	2

▽ ASSEMBLY

▲ INCLUDED IN ASSEMBLY

BRAKE AND ACCELERATOR PEDAL GROUP (S/N 10644214-)

355276



BRAKE AND ACCELERATOR PEDAL GROUP (S/N 10644214-)

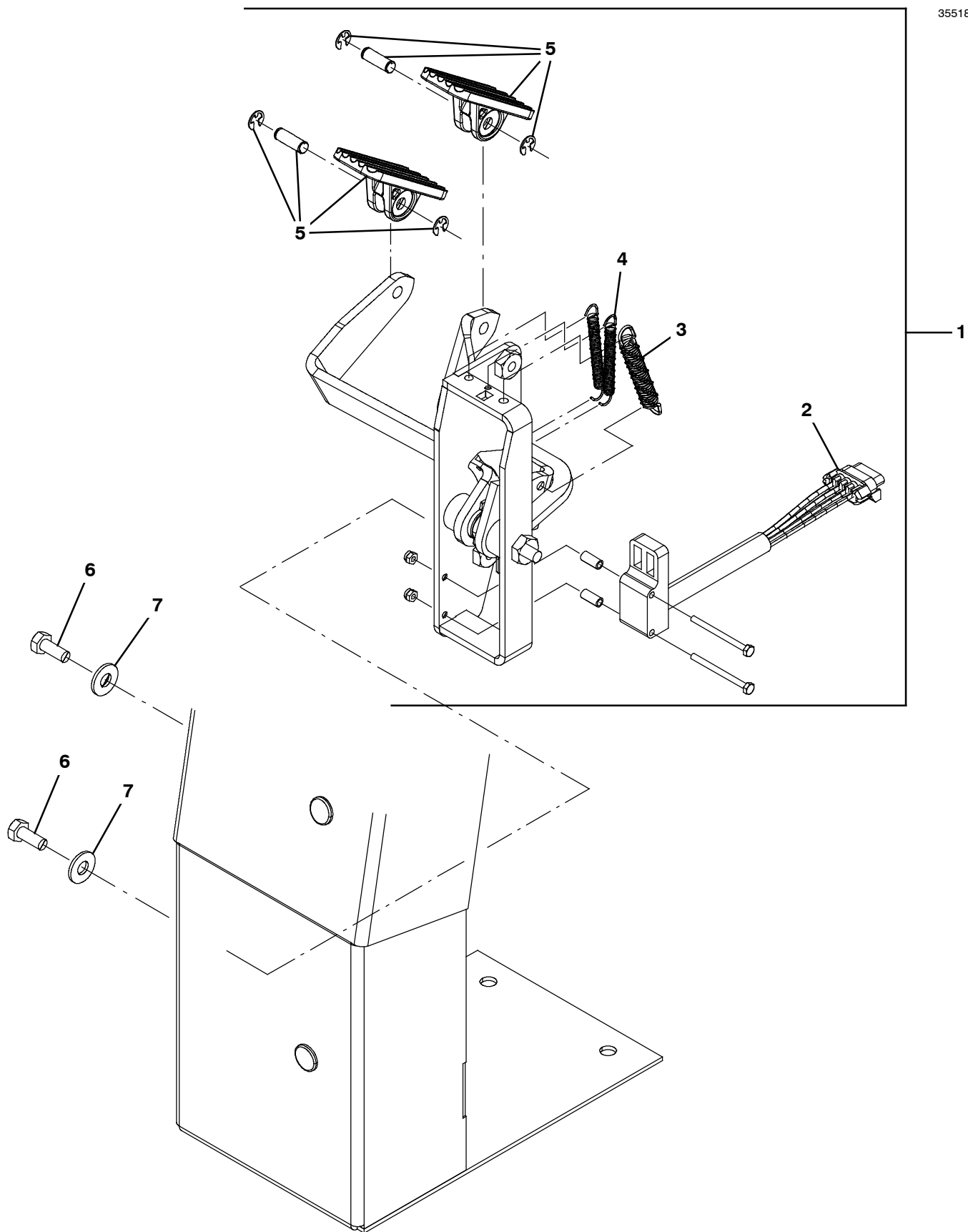
	Ref.	Part No.	Serial Number	Description	Qty.
▽	1	1072477	(10644214-) Pedal Assy, Accelerator, Brake	1
▲	2	1058687	(00000000-) Vr, Sensor, Position [Hall]	1
▲	3	1031716	(00000000-) Spring, Extn, 0.50od 0.07wir 03.0l	1
▲	4	1061049	(00000000-) Vr, Spring, Extn, 0.35od 0.05wir 02.8l	2
▲	5	1072478	(10644214-) Vr, Pedal, Foot, W/ Tread	1
	6	12273	(00000000-) Screw, Hex, M8 X 1.25 X 20, NI, Ss	2
	7	01685	(00000000-) Washer, Flat, 0.38b 0.88d .08, Ss	2

▽ ASSEMBLY

▲ INCLUDED IN ASSEMBLY

BRAKE AND ACCELERATOR PEDAL GROUP (S/N 0000000- 10644213)

355187



BRAKE AND ACCELERATOR PEDAL GROUP (S/N 00000000- 10644213)

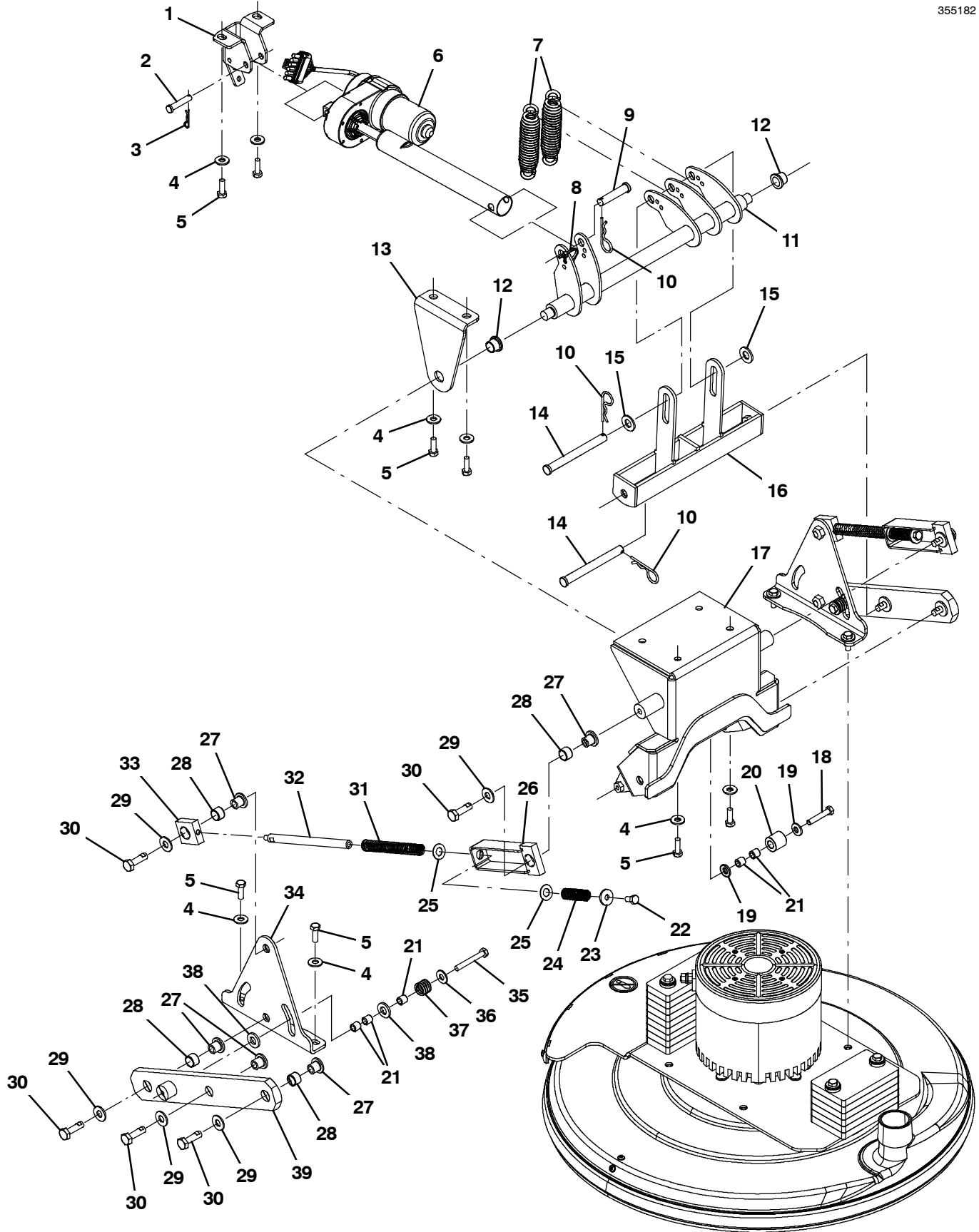
Ref.	Part No.	Serial Number	Description	Qty.
▽ 1	9010657	(00000000- 10644213)	Pedal Assy Kit, Accelerator, Brake (Replaced by 1072477)	1
▲ 2	1058687	(00000000-) Vr, Sensor, Position [Hall]	1
▲ 3	1031716	(00000000-) Spring, Extn, 0.50od 0.07wir 03.0l	1
▲ 4	1061049	(00000000-) Vr, Spring, Extn, 0.35od 0.05wir 02.8l	2
▲ 5	9010656	(00000000- 10644213)	Pedal Kit, Accelerator, Brake (Replaced by 1072478)	1
6	12273	(00000000-) Screw, Hex, M8 X 1.25 X 20, NI, Ss	2
7	01685	(00000000-) Washer, Flat, 0.38b 0.88d .08, Ss	2

▽ ASSEMBLY

▲ INCLUDED IN ASSEMBLY

HEAD LIFT GROUP

355182

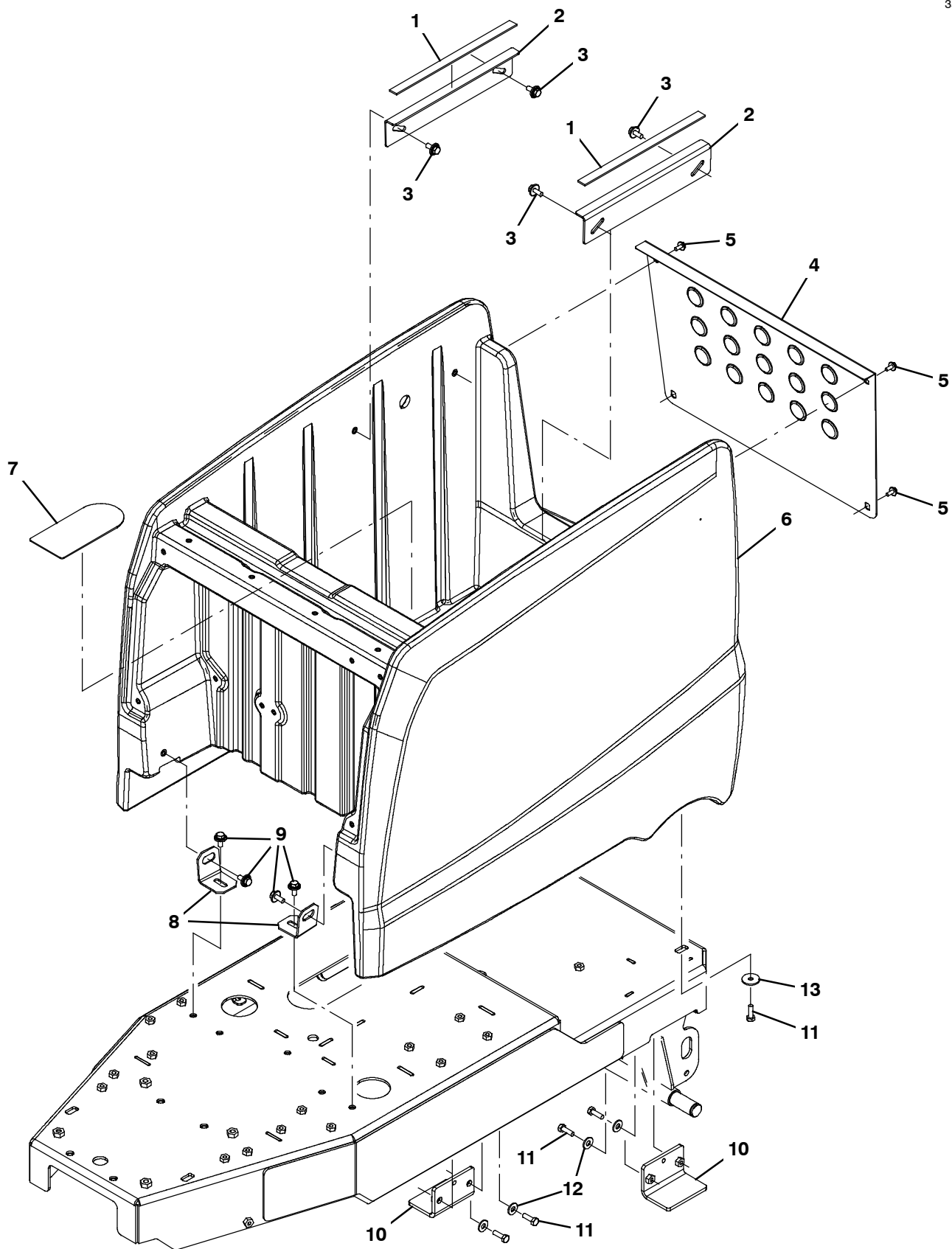


HEAD LIFT GROUP

Ref.	Part No.	Serial Number	Description	Qty.
1	1200818	(00000000-) Bracket, Mtg, Actuator	1
2	17461	(00000000-) Pin, Clevis, 0.37d X 1.75l	1
3	86866	(00000000-) Pin, Cotter, Hair, 0.38d .072 Wir	1
4	01685	(00000000-) Washer, Flat, 0.38b 0.88d .08, Ss	12
5	12333	(00000000-) Screw, Hex, M8 X 1.25 X 25, Ss, NI	12
6	9014886	(00000000-) Actuator Kit, Install, Afmkt [B10]	1
7	1205672	(00000000-) Spring, Extn, 1.211od 0.200wir 05.5l	2
8	130773	(00000000-) Tie, Cable, Nyl, 11.0l, .14w, 3.0 Max. D	1
9	11211	(00000000-) Pin, Clevis, 0.50d X 2.25l	1
10	02942	(00000000-) Pin, Hair, Cotter, 0.62d .120 Wir	3
11	1200702	(00000000-) Bracket, Wldt, Bellcrank	1
12	1202188	(00000000-) Bushing, Flng, 0.63b 0.75d 0.63l, Bnz	2
13	1200731	(00000000-) Bracket, Mount, Pivot	1
14	51538	(00000000-) Pin, Clevis, 0.50d X 5.00l	2
15	32486	(00000000-) Washer Flat,0.50,Sae	2
16	1201192	(00000000-) Actuator, Lift Wldt, Linkage	1
17	1200950	(00000000-) Bracket Wldt, Main, Linkage	1
18	1203909	(00000000-) Screw, Hex, M8 X 1.25 X 45, Ss, NI	2
19	41186	(00000000-) Washer, Flat, Belleville, .31	4
20	1014020	(00000000-) Roller, Lift, Dual Disk Head	2
21	222460	(00000000-) Sleeve, P/M, 0.32b 0.50d 0.5l [430ss]	10
22	49826	(00000000-) Screw, Hex, M8 X 1.25 X 16, NI, Ss	2
23	1017218	(00000000-) Washer, Flat, 0.32b 1.00d .12, Ss	2
24	1202820	(00000000-) Spring, Comp, 0.520b, 3.95l	2
25	20536- 2	(00000000-) Washer, Flat, 0.50b 1.00d .03, Nyl	4
26	1202401	(00000000-) Arm Wldt, Upper, 4bar	2
27	1202539	(00000000-) Bushing, Flng, Ss, 0.404b 0.612d 0.674l	10
28	1202378	(00000000-) Bushing, 0.63b 0.75d 0.50l, Bnz	8
29	01686	(00000000-) Washer, Flat, 0.44b 1.00d .08, Ss	10
30	1202948	(00000000-) Screw, Hex, M10 X 1.50 X 35, Ss, NI	10
31	1202821	(00000000-) Spring, Comp, 0.520b, 6.5l	2
32	1202454	(00000000-) Rod, Guide, Spring	2
33	1200628	(00000000-) Spring, Knuckle, Guide	2
34	1202300	(00000000-) Plate Wldt, Pivot, Head	2
35	1014163	(00000000-) Screw, Hex, M8 X 1.25 X 60, Fl, Ss	2
36	01685	(00000000-) Washer, Flat, 0.38b 0.88d .08, Ss	2
37	1202544	(00000000-) Spring, Comp, 0.550id, 0.120wir, 0.850l	2
38	140127	(00000000-) Washer, Thrust, 0.51b 1.00d 0.12w, Brz	4
39	1205904	(00000000-) Arm Wldt, Lower 4bar Link	2

MAIN HOUSING GROUP

355188

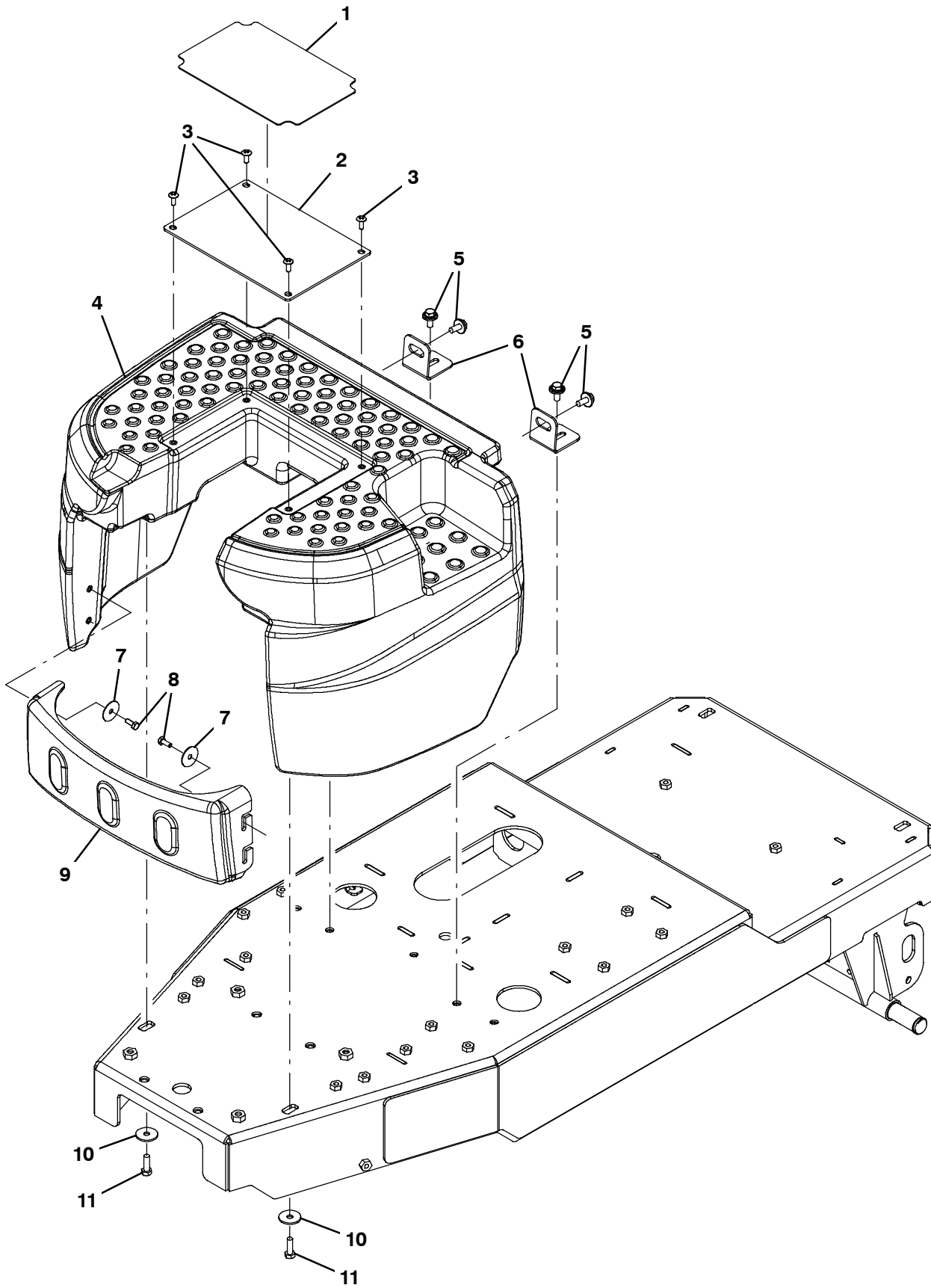


MAIN HOUSING GROUP

Ref.	Part No.	Serial Number	Description	Qty.
1	1202128	(00000000-) Pad, Rbr, 0.12 X 0.7 X 12.0, Adh	2
2	1201264	(00000000-) Bracket, Spprt, Seat	2
3	1020341	(00000000-) Screw, Hex, M8 X 1.25 X 20, Ss, Sems	4
4	1200942	(00000000-) Panel, Access, Battery	1
5	1034731	(00000000-) Screw, Hex, M6 X 1.00 X 16, Sems, Ss	4
6	1204359	(00000000-) Body, Rear, Rm- Spg, Trimmed, Rdr Brnshr	1
7	1202377	(00000000-) Cover, Motor	1
8	1014072	(00000000-) Bracket, Mtg, Tank	2
9	1020341	(00000000-) Screw, Hex, M8 X 1.25 X 20, Ss, Sems	4
10	1202404	(00000000-) Bracket Assy, Arm, Sppt,	2
11	12333	(00000000-) Screw, Hex, M8 X 1.25 X 25, Ss, NI	6
12	01685	(00000000-) Washer, Flat, 0.38b 0.88d .08, Ss	4
13	1016331	(00000000-) Washer, Flat, 0.34b 1.25d .11, Ss	2

FRONT SHROUD GROUP

355190

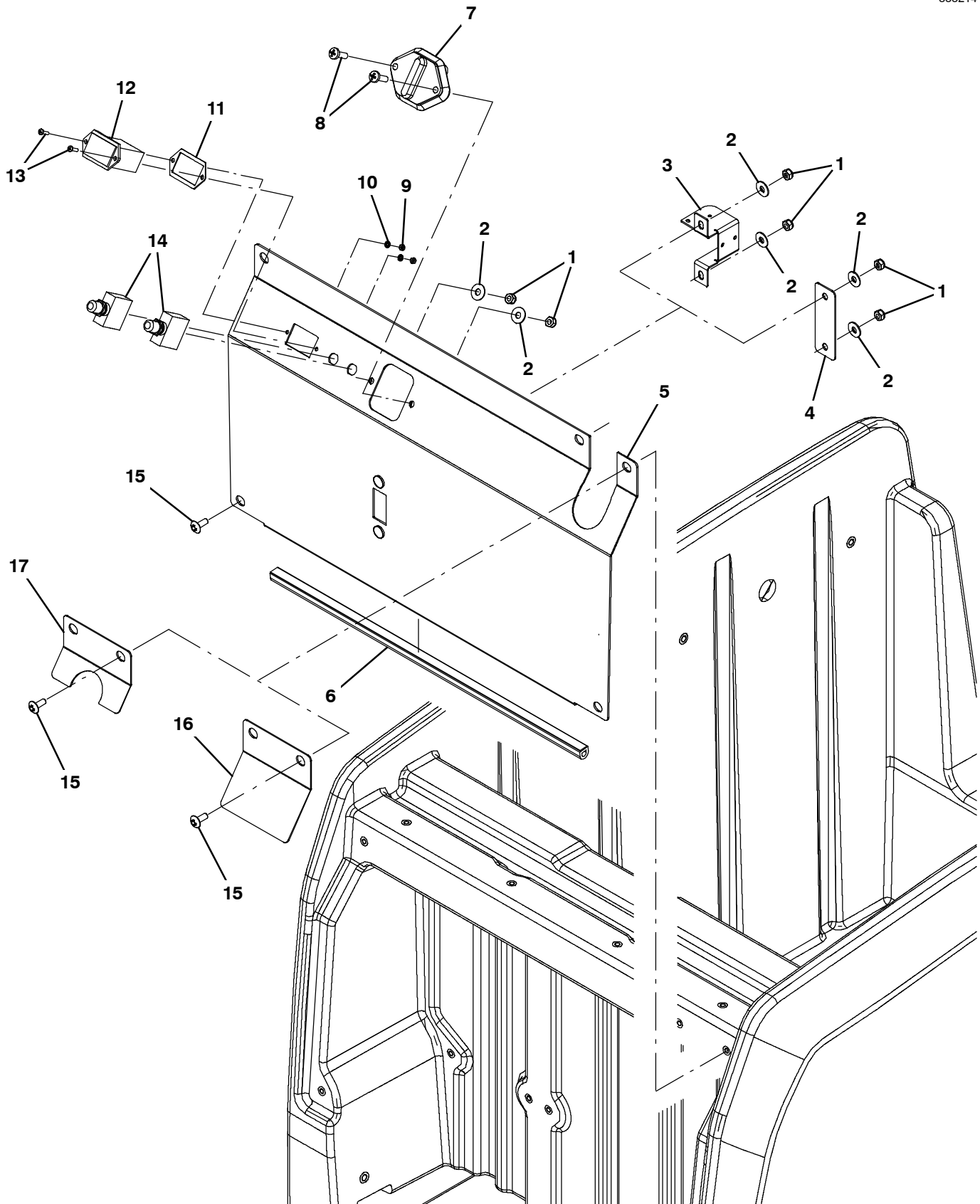


FRONT SHROUD GROUP

Ref.	Part No.	Serial Number	Description	Qty.
1	1201772	(00000000-) Tread, Non- Skid, Cover	1
2	1200553	(00000000-) Cover, Access, Bolt	1
3	1202143	(00000000-) Screw, Trs, M6 X 1.00 X 16, Phl, NI, Blk	4
4	1204360	(00000000-) Shroud, Front, Rm- Spg, Rdr Brnshr	1
5	1020341	(00000000-) Screw, Hex, M8 X 1.25 X 20, Ss, Sems	4
6	1202258	(00000000-) Bracket, Mtg, Tank	2
7	41178	(00000000-) Washer, Flat, 0.25, Fendr	4
8	11329	(00000000-) Screw, Hex, M6 X 1.00 X 16, NI, Ss	4
9	1201371	(00000000-) Cover, Wheel, Drive	1
10	1016331	(00000000-) Washer, Flat, 0.34b 1.25d .11, Ss	2
11	12333	(00000000-) Screw, Hex, M8 X 1.25 X 25, Ss, NI	2

ELECTRICAL PANEL GROUP

355214

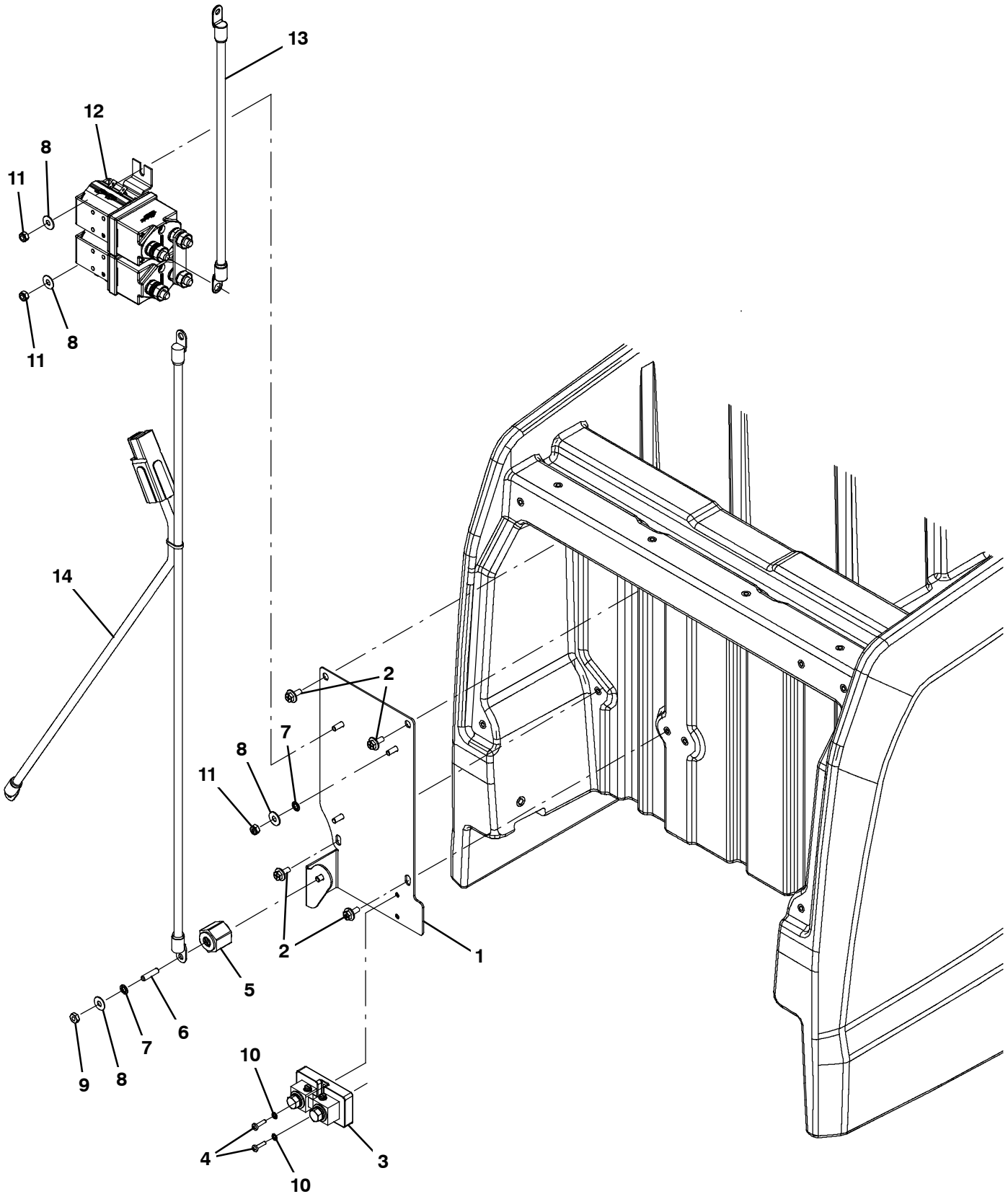


ELECTRICAL PANEL GROUP

Ref.	Part No.	Serial Number	Description	Qty.
1	08712	(00000000-) Nut, Hex, Lock, M6 X 1.00, NI, Ss	4
2	01684	(00000000-) Washer, Flat, 0.27b 0.69d .05, Ss	4
3	1200885	(00000000-) Bracket, Connector, Plug (Models w/ Off- Board Charger)	1
4	1202117	(00000000-) Cover, Chrgr, Panel, Ele (Models w/ On- Board Charger)	1
5	1201337	(00000000-) Panel Wldt, Access, Ele	1
6	9010997	(00000000-) Seal, Bulb, Afrmkt, 24 In (Bulk #578303000)	1
7	1204520	(00000000-) Circuitbreaker, 150a, Panel	1
8	1065954	(00000000-) Screw, Pan, Phl, M6 X 1.0 X 20, Blk	2
9	579211	(00000000-) Nut, Hex, Lock, M3 X 0.50, NI, Ss	2
10	39658	(00000000-) Washer, Lock, Int, 04	2
11	222683	(00000000-) Gasket, Hourmeter	1
12	377433	(00000000-) Gauge, Hourmeter, 12- 60vdc, Analog [10k]	1
13	1069314	(00000000-) Screw, Pan, Phl, M3 X 0.50 X 12, Blk	2
14	383720	(00000000-) Circuitbreaker, 05.0a, Resetable	2
15	1202143	(00000000-) Screw, Trs, M6 X 1.00 X 16, Phl, NI, Blk	5
16	1201700	(00000000-) Cover, Panel, Access, Ele (Models w/ Passive Dust Control)	1
17	1202116	(00000000-) Bracket, Hose, Vacuum (Models w/ Active Dust Control)	1

ELECTRICAL COMPONENTS GROUP

355201

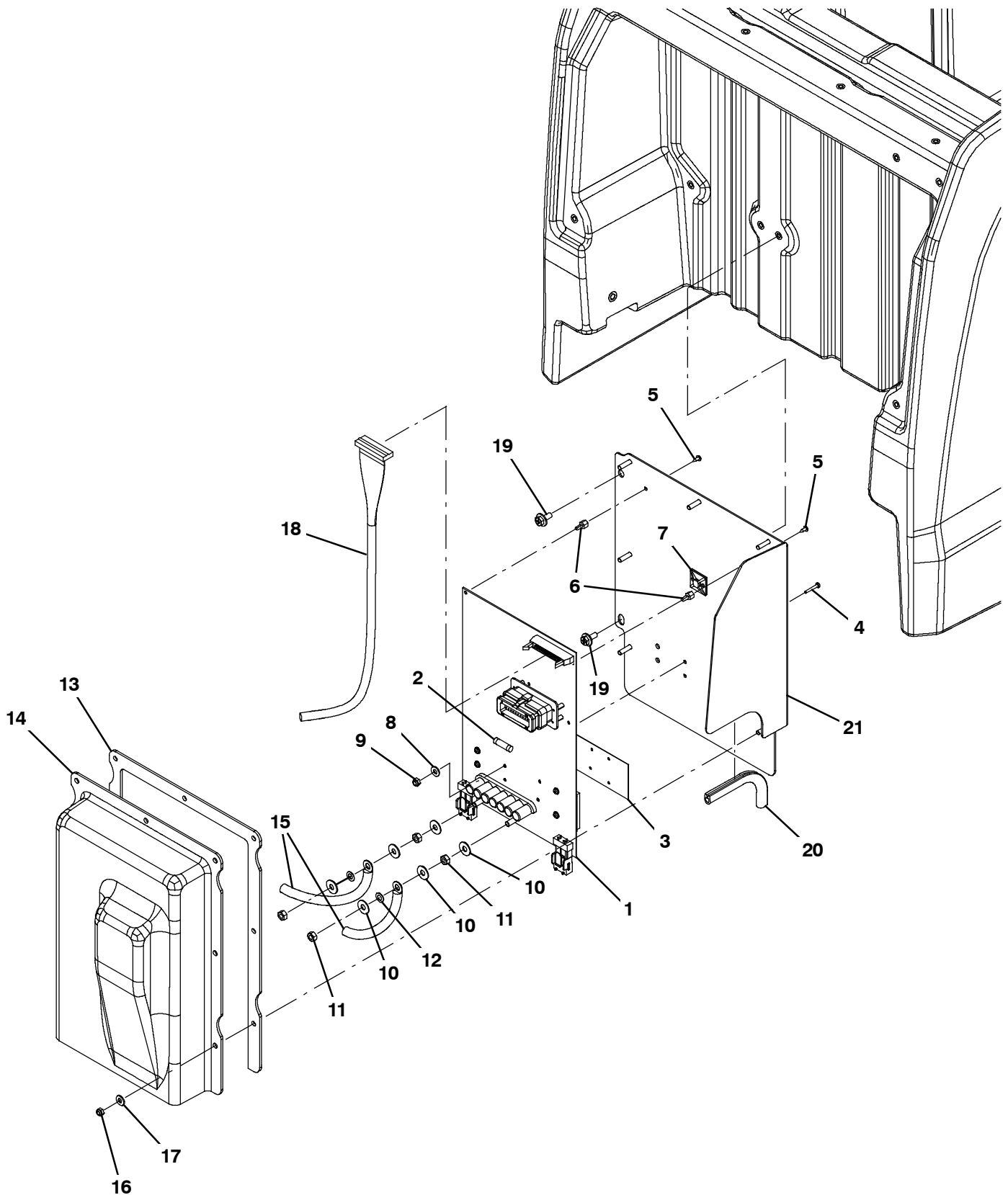


ELECTRICAL COMPONENTS GROUP

Ref.	Part No.	Serial Number	Description	Qty.
1	1201292	(00000000-) Panel Wldt, Component, Ele	1
2	1034731	(00000000-) Screw, Hex, M6 X 1.00 X 16, Ss, Sems	4
3	1200585	(00000000-) Shunt, Current, 200a	1
4	24265	(00000000-) Screw, Pan, Phl, M4 X 0.70 X 16, Ss	2
5	76062	(00000000-) Stand- Off, Wir, 0.25, Insulator, Panel	1
6	41702	(00000000-) Rod, Thrd, Full, .25- 20 01.5l	1
7	07515	(00000000-) Washer, Lock, Int, 0.25, Ss	2
8	01684	(00000000-) Washer, Flat, 0.27b 0.69d .05, Ss	4
9	32520	(00000000-) Nut, Hex, Jam, .25- 20	1
10	02938	(00000000-) Washer, Lock, Int, 08, Ss	2
11	08712	(00000000-) Nut, Hex, Lock, M6 X 1.00, NI, Ss	3
12	1203357	(00000000-) Contactor Assy, 36vdc, 250a, Spst, No	1
13	1201381	(00000000-) Wire, Assy, Cable 16.0 2awg, Red	1
14	1201383	(00000000-) Harness, Battery, Orion	1

CIRCUITBOARD GROUP

355202



CIRCUITBOARD GROUP

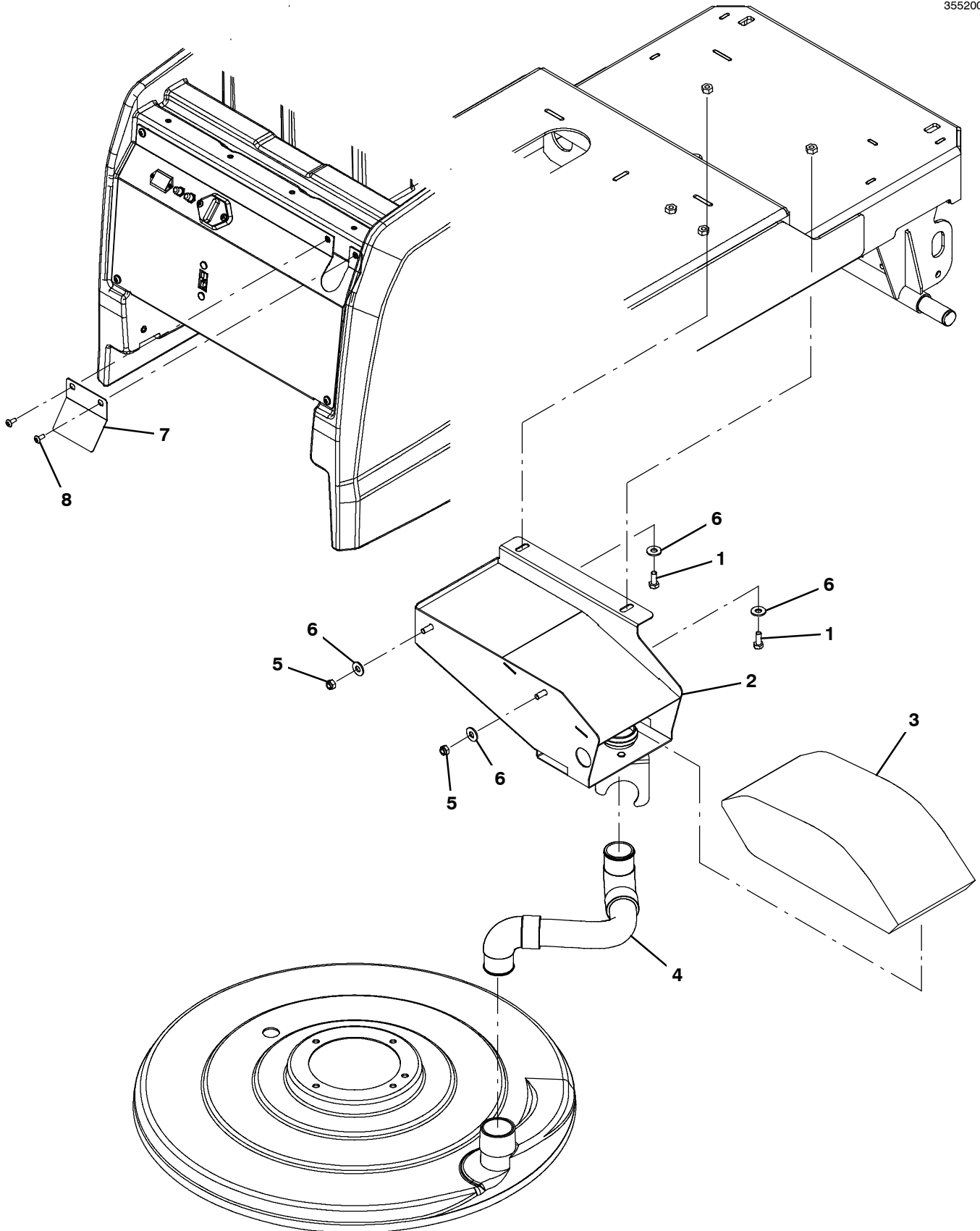
	Ref.	Part No.	Serial Number	Description	Qty.
▽	1	9011014	(00000000-) Circuitboard Kit, Afmkt	1
▲	2	1030692	(00000000-) Vr, Fuse, 15a, Replmt	1
▲	3	1016816	(00000000-) Pad, Thermal, Heat Sink	1
	4	06922	(00000000-) Screw, Pan, Phl, M3 X 0.50 X 20, 4.8	4
	5	3701.6	(00000000-) Screw, Pan, Phl, 06- 32 X 0.38, Shtmtl,Ss	2
	6	1016825	(00000000-) Support, Circuitboard	2
	7	55248	(00000000-) Mount, Cable Tie	1
	8	1019218	(00000000-) Washer, Flat, 0.14b 0.31d .03, Nyl	4
	9	579211	(00000000-) Nut, Hex, Lock, M3 X 0.50, NI, Ss	4
	10	01684	(00000000-) Washer, Flat, 0.27b 0.69d .05, Ss	6
	11	07785	(00000000-) Nut, Hex, Std, M6 X 1.00, Ss	4
	12	32982	(00000000-) Washer, Lock, Int, 0.25	2
	13	1201152	(00000000-) Seal, Rbr, Adh	1
	14	9010999	(00000000-) Cover, Circuitboard, Afmkt	1
	15	1070076	(00000000-) Harness, Control Board [Orion]	1
	16	09739	(00000000-) Nut, Hex, Lock, M5 X 0.80, NI, Ss	7
	17	01683	(00000000-) Washer, Flat, 10, Ss	7
	18	1016865	(00000000-) Cable, Ribbon, 90.6l	1
	19	1034731	(00000000-) Screw, Hex, M6 X 1.00 X 16, Ss, Sems	4
	20	1020168	(00000000-) Molding, Afmkt, Trim, Pvc, .08 .11, 01ft	1
	21	1201311	(00000000-) Panel Wldt, Circuitboard	1

▽ ASSEMBLY

▲ INCLUDED IN ASSEMBLY

PASSIVE DUST CONTROL GROUP

355200

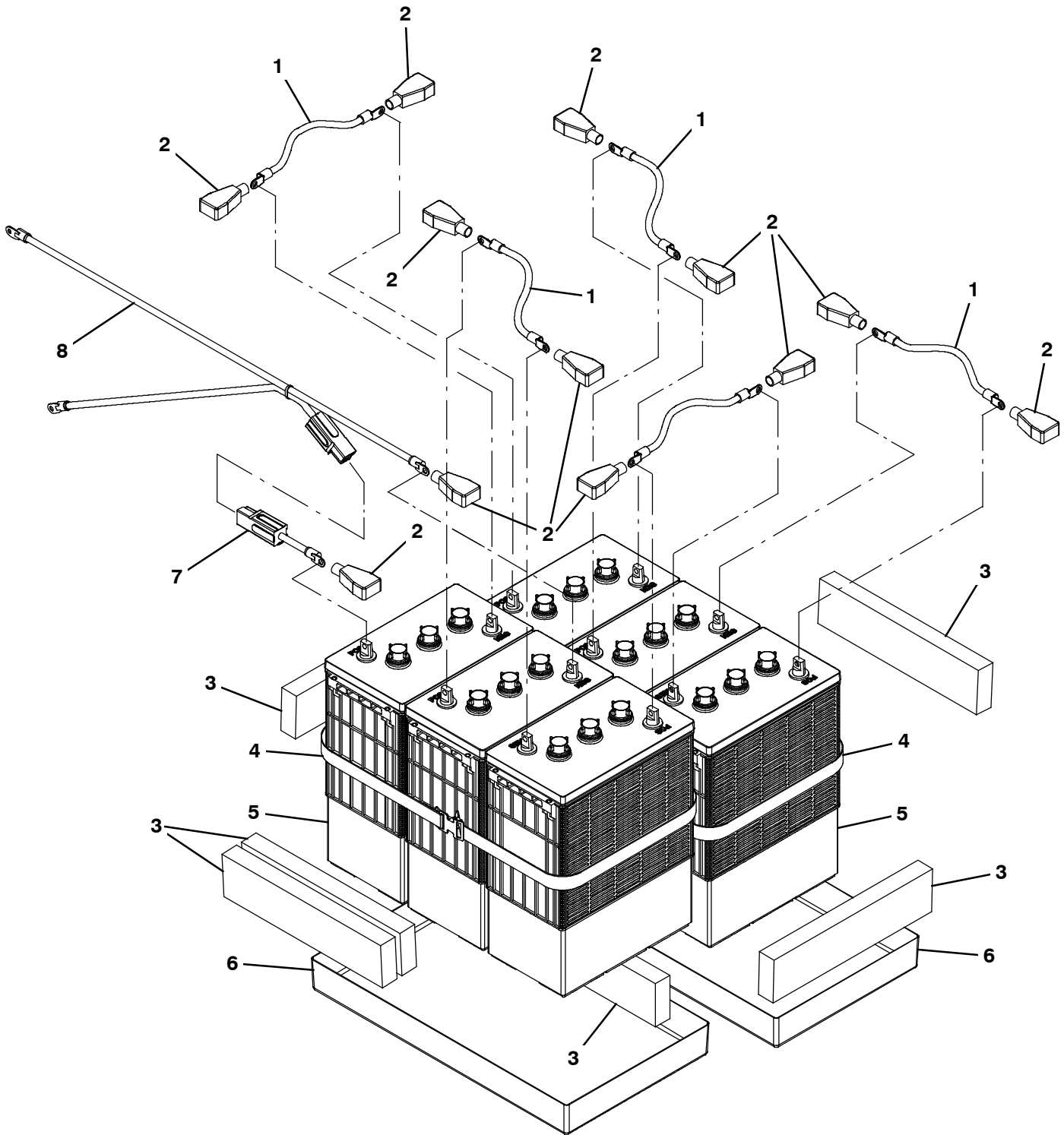


PASSIVE DUST CONTROL GROUP

Ref.	Part No.	Serial Number	Description	Qty.
1	12273	(00000000-) Screw, Hex, M8 X 1.25 X 20, NI, Ss	2
2	1201217	(00000000-) Box Assy, Bag, Vacuum	1
3	1068845	(00000000-) Bag, Vacuum, Paper [1pick=1pkg] (1 Pkg = 10 Bags)	1
4	1201368	(00000000-) Hose Assy, Vac, 1.50 Id, 2 Cuff, E90	1
5	08713	(00000000-) Nut, Hex, Lock, M8 X 1.25, NI, Ss	2
6	01685	(00000000-) Washer, Flat, 0.38b 0.88d .08, Ss	4
7	1201700	(00000000-) Cover, Panel, Access, Ele	1
8	1202143	(00000000-) Screw, Trs, M6 X 1.00 X 16, Phl, NI, Blk	2

BATTERY GROUP, WET 435AH

355206

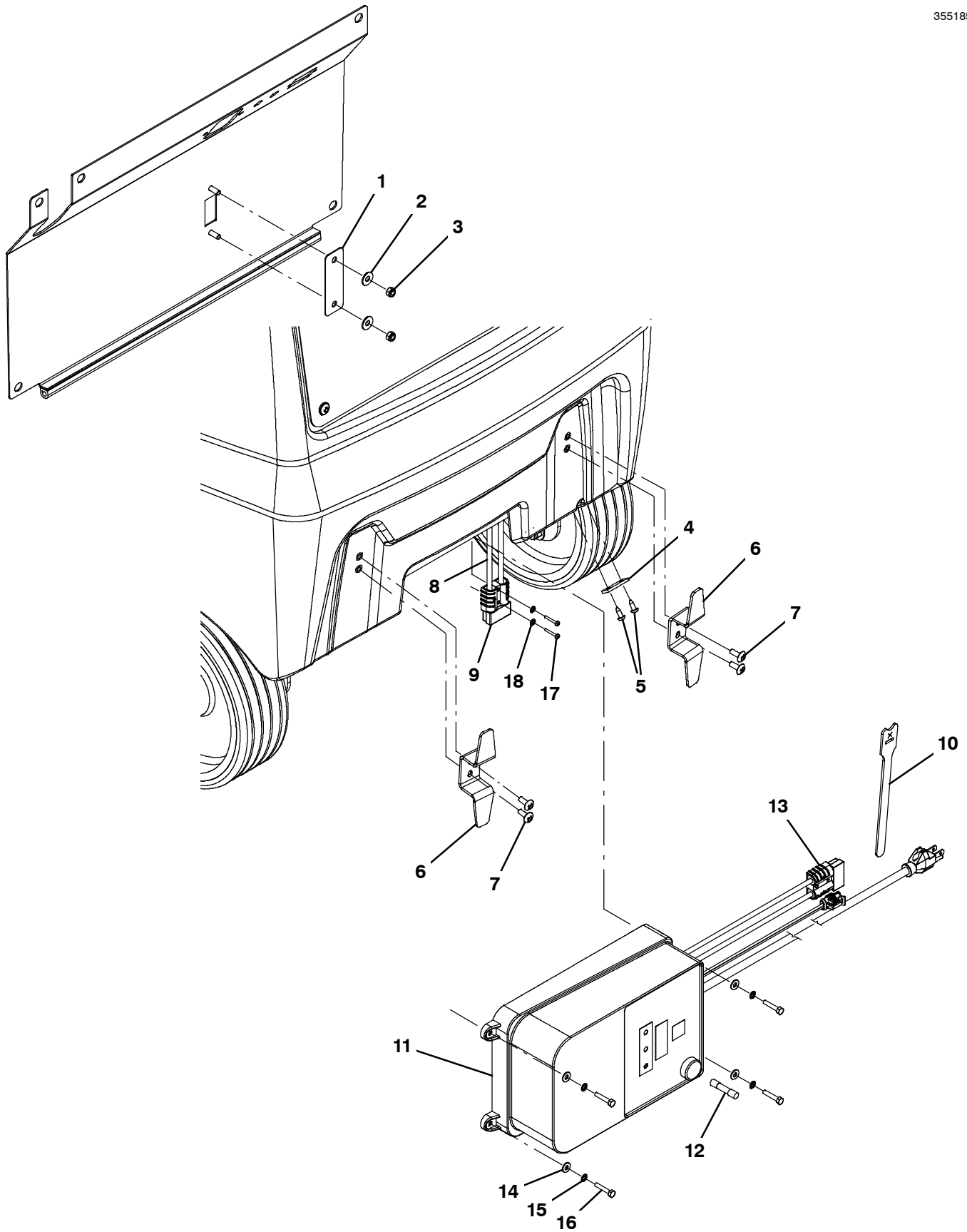


BATTERY GROUP, WET 435AH

Ref.	Part No.	Serial Number	Description	Qty.
1	59996	(00000000-) Cable, 02ga 13.0l Blk .34ring /.34ring	5
2	1205540	(00000000-) Boot, Terminal, Battery, 1/0- 2/0ga, Blk	12
3	630375	(00000000-) Spacer, Battery, Foam, 1.25 X 3.3 X 13.7	6
4	222682	(00000000-) Strap, Poly, Webbing 1.0 X 100.0	2
5	1204146	(00000000-) Battery, Wet, 06vdc 435ah, W/ Box (Includes Hardware)	6
6	1200734	(00000000-) Tray, Battery [Orion]	2
7	1205990	(00000000-) Cable Assy, 02ga Red, .31ring/Pp180	1
8	1201383	(00000000-) Harness, Battery, Orion	1

ON-BOARD CHARGER GROUP

355185



ON- BOARD CHARGER GROUP

Ref.	Part No.	Serial Number	Description	Qty.	
1	1202117	(00000000-) Cover, Chrgr, Panel, Ele	1	
2	01684	(00000000-) Washer, Flat, 0.27b 0.69d .05, Ss	2	
3	08712	(00000000-) Nut, Hex, Lock, M6 X 1.00, NI, Ss	2	
4	600168	(00000000-) Plate, Clamp, Strap	1	
5	1009324	(00000000-) Screw, Pan, Phl, 10- 16 X 0.50,Blk[Typ17]	2	
6	1202266	(00000000-) Hook, Cord, Dbl	2	
7	1202143	(00000000-) Screw, Trs, M6 X 1.00 X 16, Phl, NI, Blk	4	
▽	8	1201394	(00000000-) Harness, Charger, On Board [Orion]	1
▲	9	130155	(00000000-) Connector, Battery, 6ga 50a, Gray[2cont]	1
	10	1067526	(00000000-) Fastener, 8.0l [Hook And Loop]	1
▽	11	9011001	(00000000-) Charger Kit, 36vdc 120vac, On- Brd, [Na]	1
▲	12	1206662	(00000000-) Fuse, 015a, 250vac [Baf- 15]	1
▲	13	130155	(00000000-) Connector, Battery, 6ga 50a, Gray[2cont]	1
	14	01683	(00000000-) Washer, Flat, 10, Ss	4
	15	07514	(00000000-) Washer, Lock, Int, 10, Ss	4
	16	12316	(00000000-) Screw, Hex, M5 X 0.80 X 25, Ss	4
	17	06922	(00000000-) Screw, Pan, Phl, M3 X 0.50 X 20, 4.8	2
	18	140019	(00000000-) Washer, Lock, Ext, 06	2

▽ ASSEMBLY

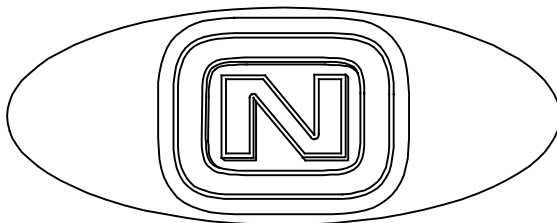
▲ INCLUDED IN ASSEMBLY

LABEL GROUP

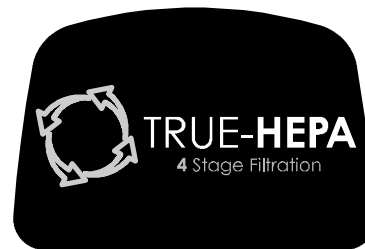
1

NOBLES[®]
SPEEDGLEAM[®] RIDER

2



3



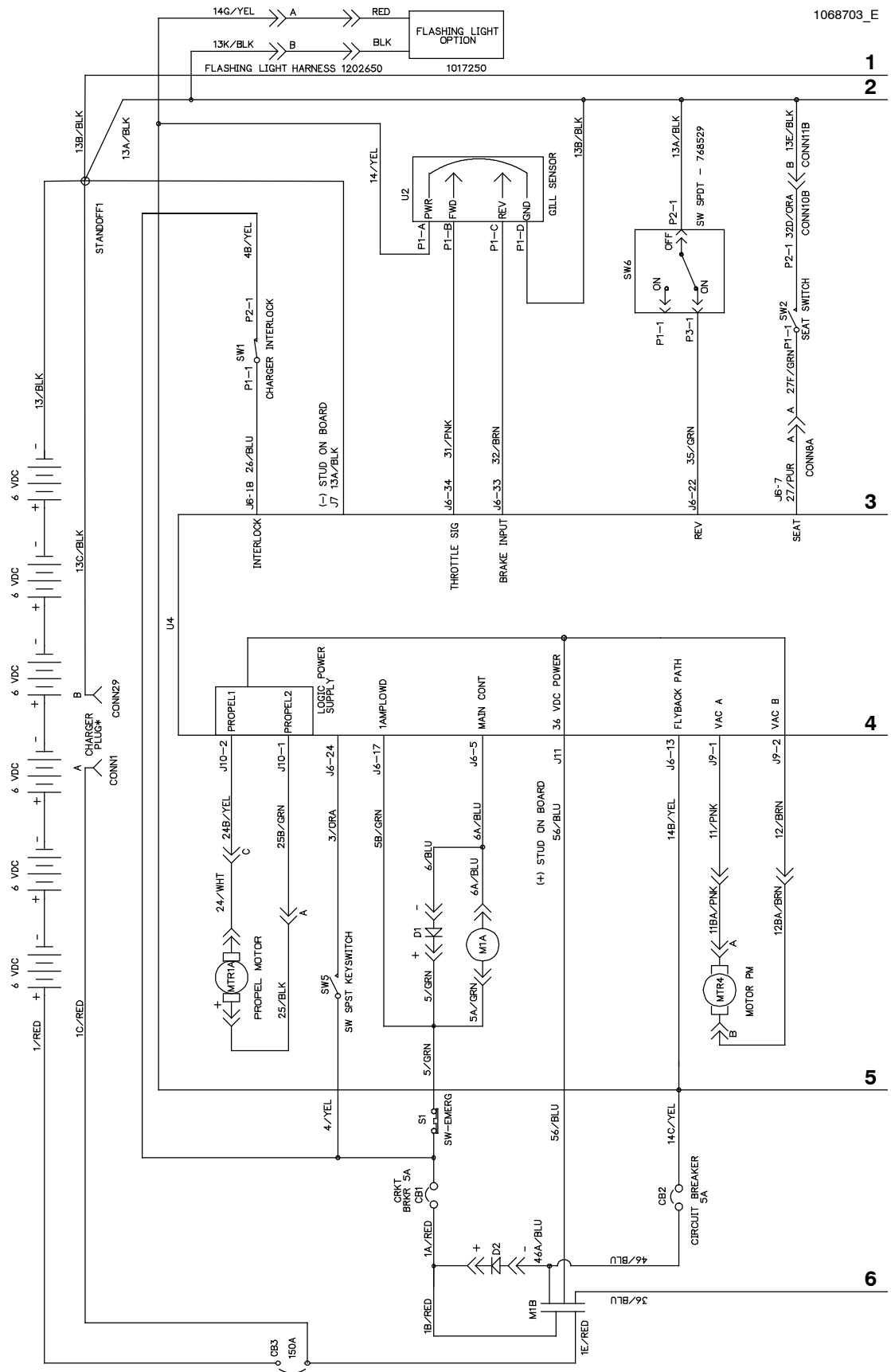
4

LABEL GROUP

Ref.	Part No.	Serial Number	Description	Qty.
1	1204362	(00000000-) Label, Set, Info/Hzrd [Na/Ce] [B10]	1
2	1203729	(00000000-) Label, Model, Speedgleam Rider	2
3	1206159	(00000000-) Label, Logo, 05.5l [Nobles]	1
4	1205356	(00000000-) Label, True- Hepa [Filtration] (Models w/ Active Dust Control Option)	1

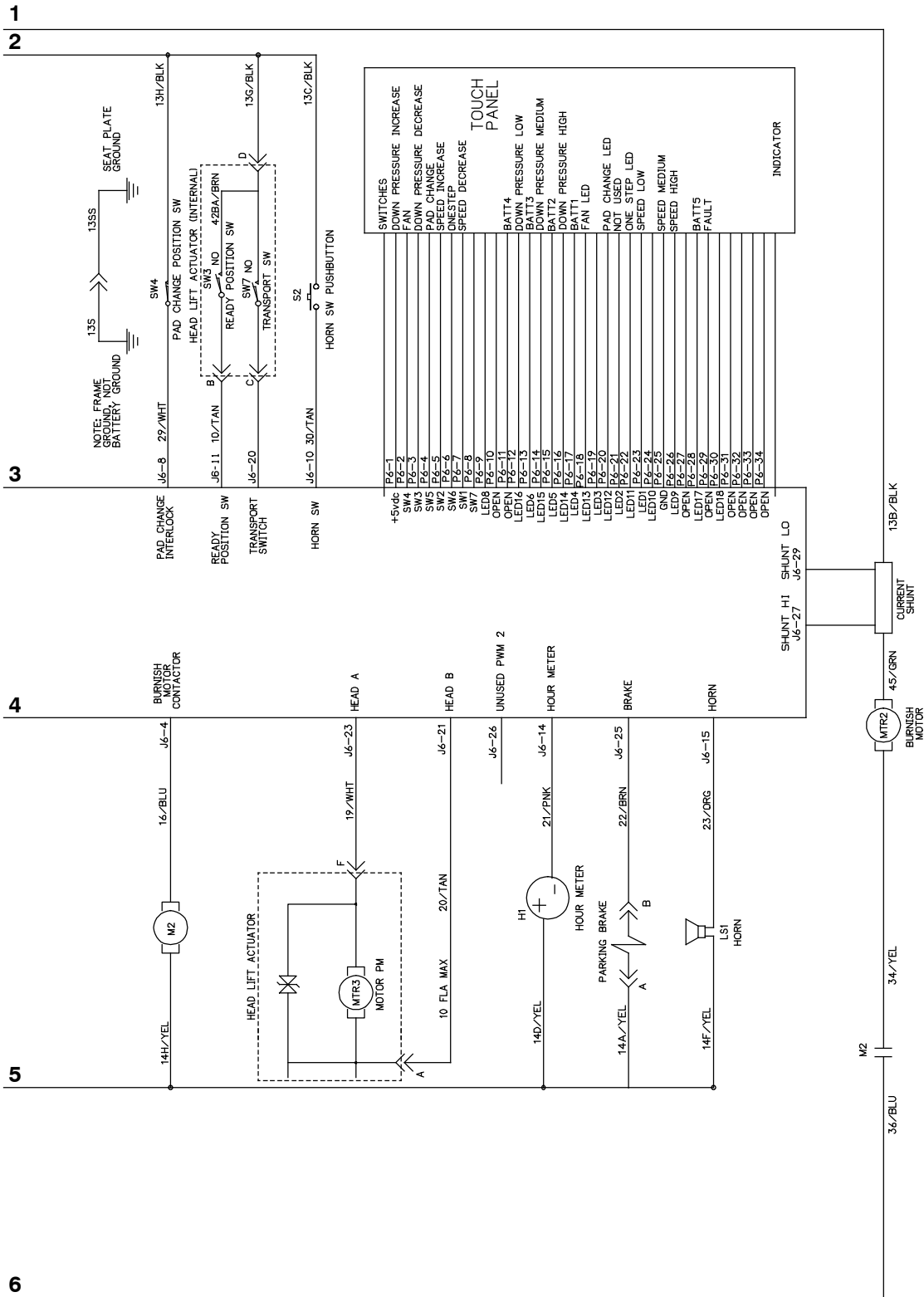
ELECTRICAL SCHEMATIC

1068703_E



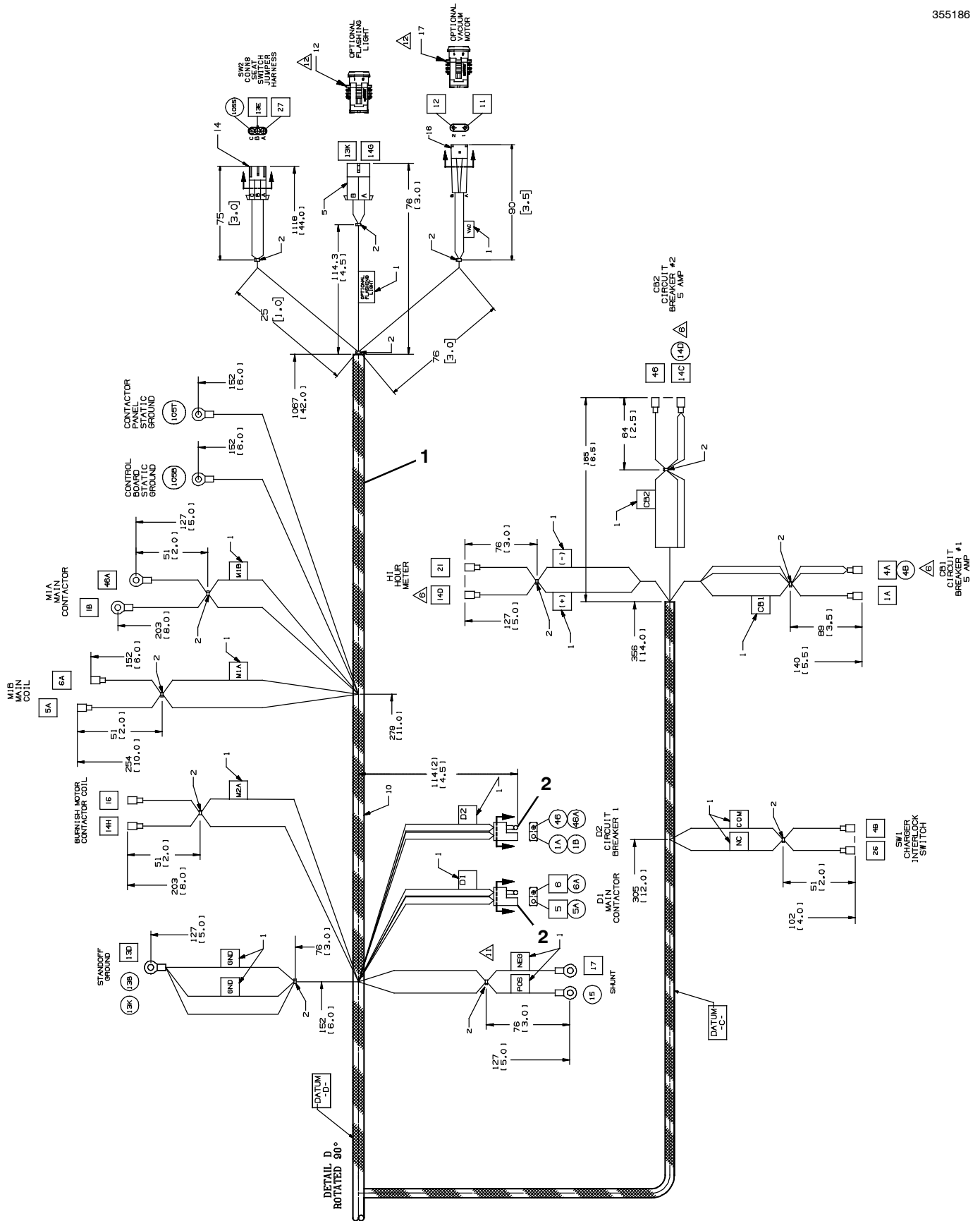
ELECTRICAL SCHEMATIC

1068703_E



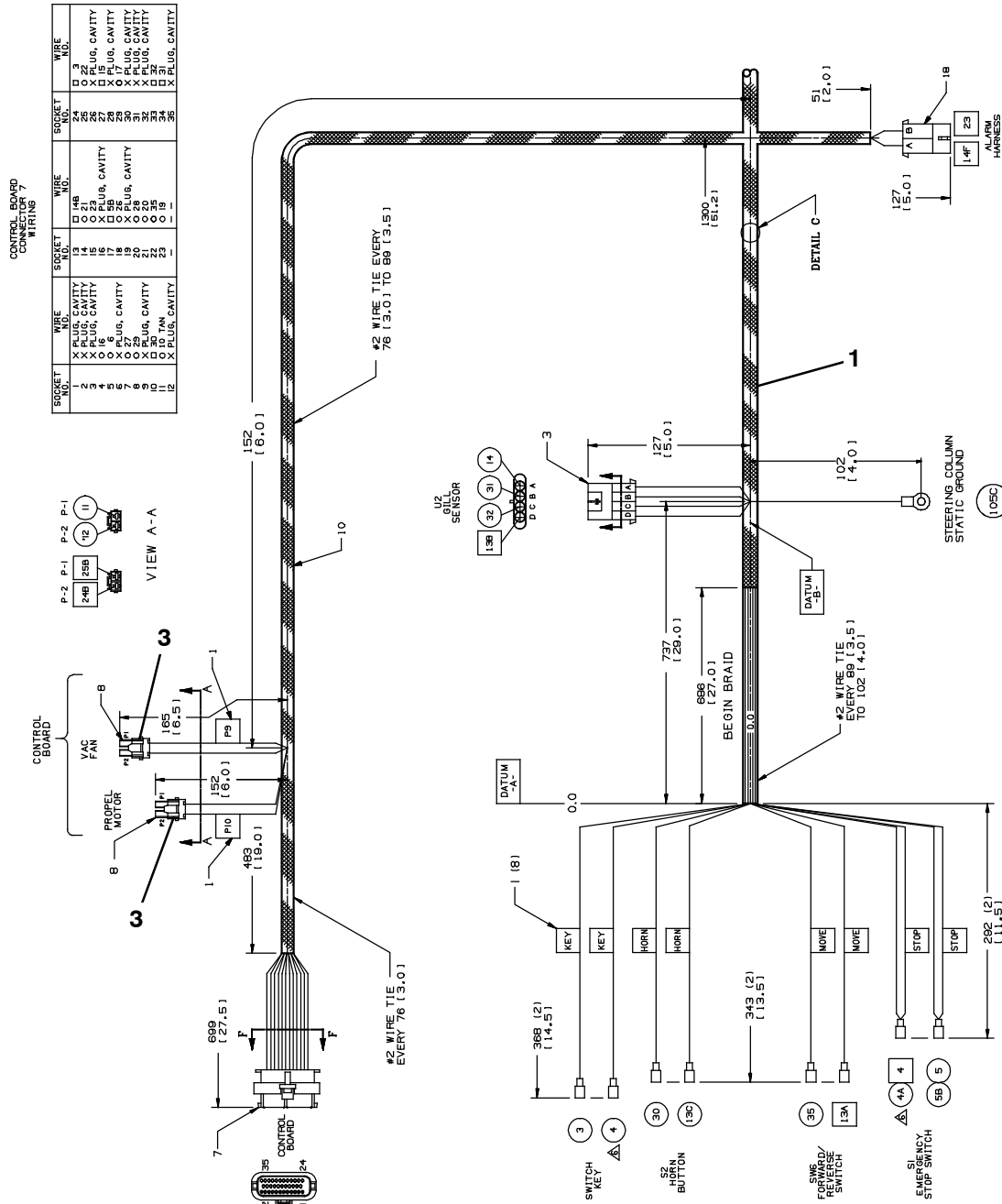
HARNES GROUP, MAIN

355186



HARNESS GROUP, MAIN - CONT'D

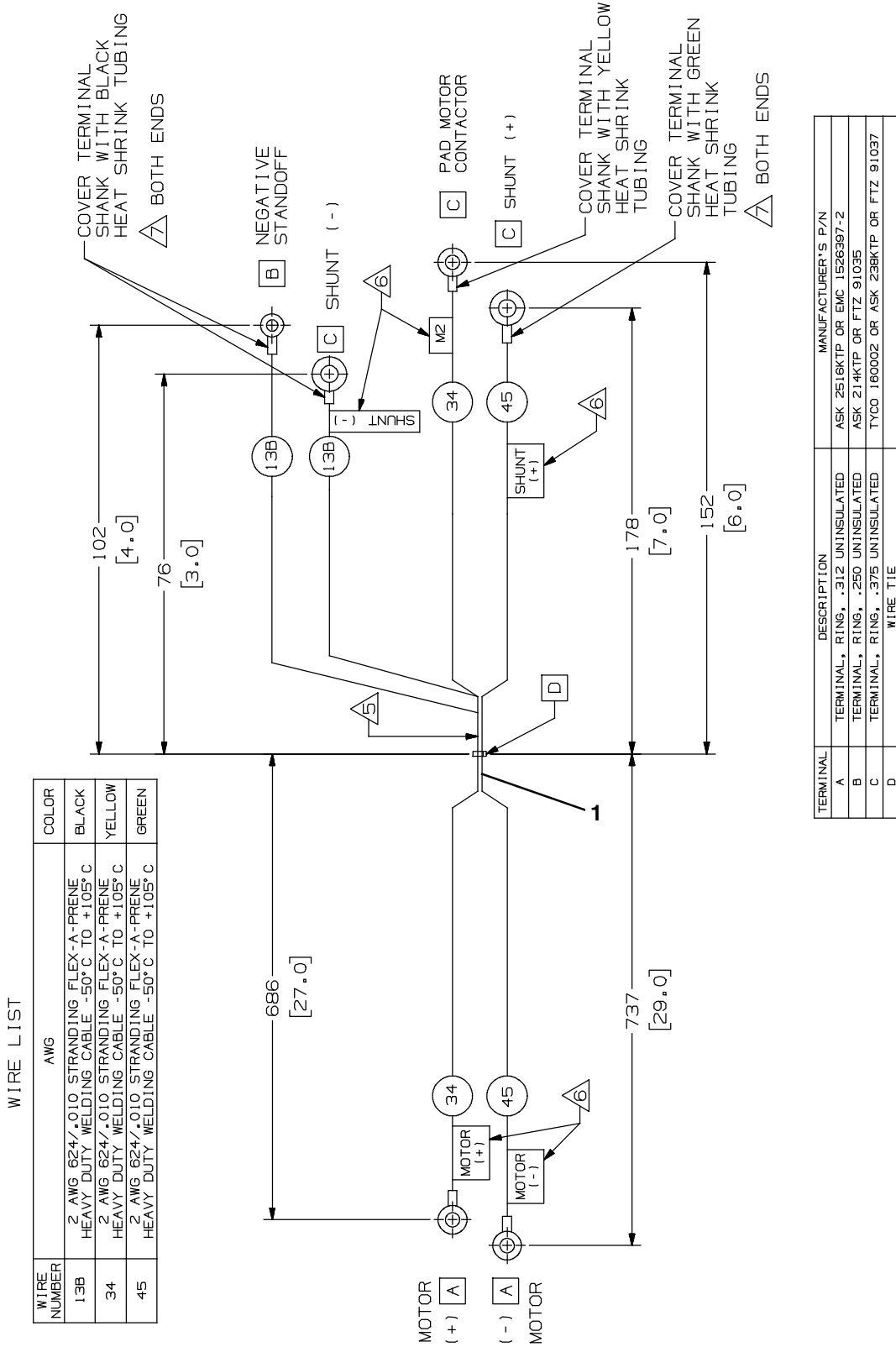
355186



Ref.	Part No.	Serial Number	Description	Qty.
▽	1	1069053	(00000000-) Harness, Main [Orion]	1
▲	2	222290	(00000000-) Diode, Ele, Plug	2
▲	3	1013835	(00000000-) Connector Body, Fem, 2 Recept.[Molex]	2

▽ ASSEMBLY
 ▲ INCLUDED IN ASSEMBLY

HARNESS GROUP, MOTOR



Ref.	Part No.	Serial Number	Description	Qty.
1	1069866	(00000000-) Harness, Motor, [Orion]	1

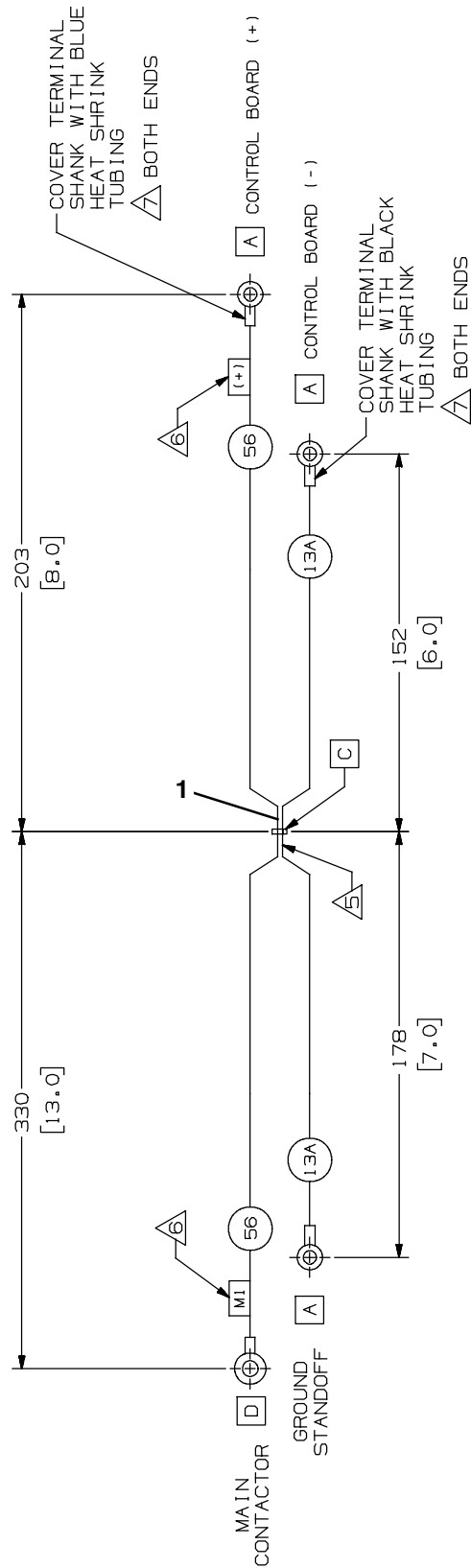
HARNESS GROUP, CONTROL BOARD

355210

WIRE LIST

WIRE NUMBER	AWG	COLOR
13A	2 AWG 624/.010 STRANDING FLEX-A-PRENE HEAVY DUTY WELDING CABLE -50°C TO +105°C	BLACK
56	2 AWG 624/.010 STRANDING FLEX-A-PRENE HEAVY DUTY WELDING CABLE -50°C TO +105°C	BLUE (PREFERRED) BLACK (ALTERNATE)

TRM	DESCRIPTION	MANUFACTURER'S P/N(S)
A	TERMINAL, RING, .250 UNINSULATED	ASK 214KTP, OR, ASK 214L FTZ 91035 MOLEX 19221-0418; OPTIONAL MOLEX 19221-0419 AND SOLDER DIPPING
B	NOT USED	NOT USED
C	WIRE TIE	
D	TERMINAL, RING, 1.0MM, UNINSULATED	TYCO 160002 ASK 238KTP, OR ASK 238L, OR, FTZ 91037 MOLEX 19221-0235; OPTIONAL MOLEX 19221-0380 AND SOLDER DIPPING

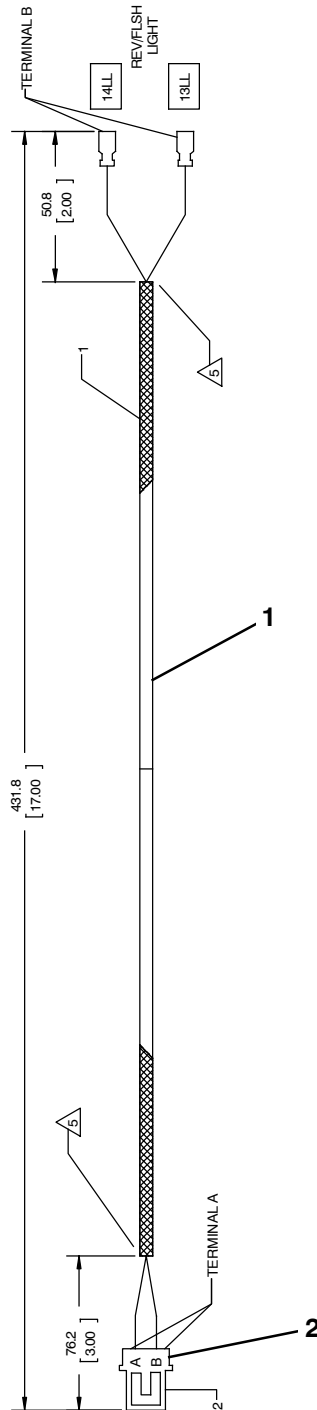


Ref.	Part No.	Serial Number	Description	Qty.
1	1070076	(00000000-) Harness, Control Board [Orion]	1

HARNES GROUP, LIGHT

355213

WIRE #	AWG	COLOR	WIRE SPEC	TERMINAL A	TERMINAL B
13LL	18	BLK	UL-1015/AWM	P.E. 12077411 FEMALE TERMINAL WITH CABLE SEAL	BULLET .156F
14LL	18	YEL	UL-1015/AWM	P.E. 12077411 FEMALE TERMINAL WITH CABLE SEAL	BULLET .156F



ITEM	DESCRIPTION	QTY
1	BLACK NYLON BRAIDING	AS NEEDED
2	CONNECTOR BODY 2F, 280MP/SERIES P.E. 15300027 CONNECTOR TPA, 280MP/SERIES PE. 15300014	1

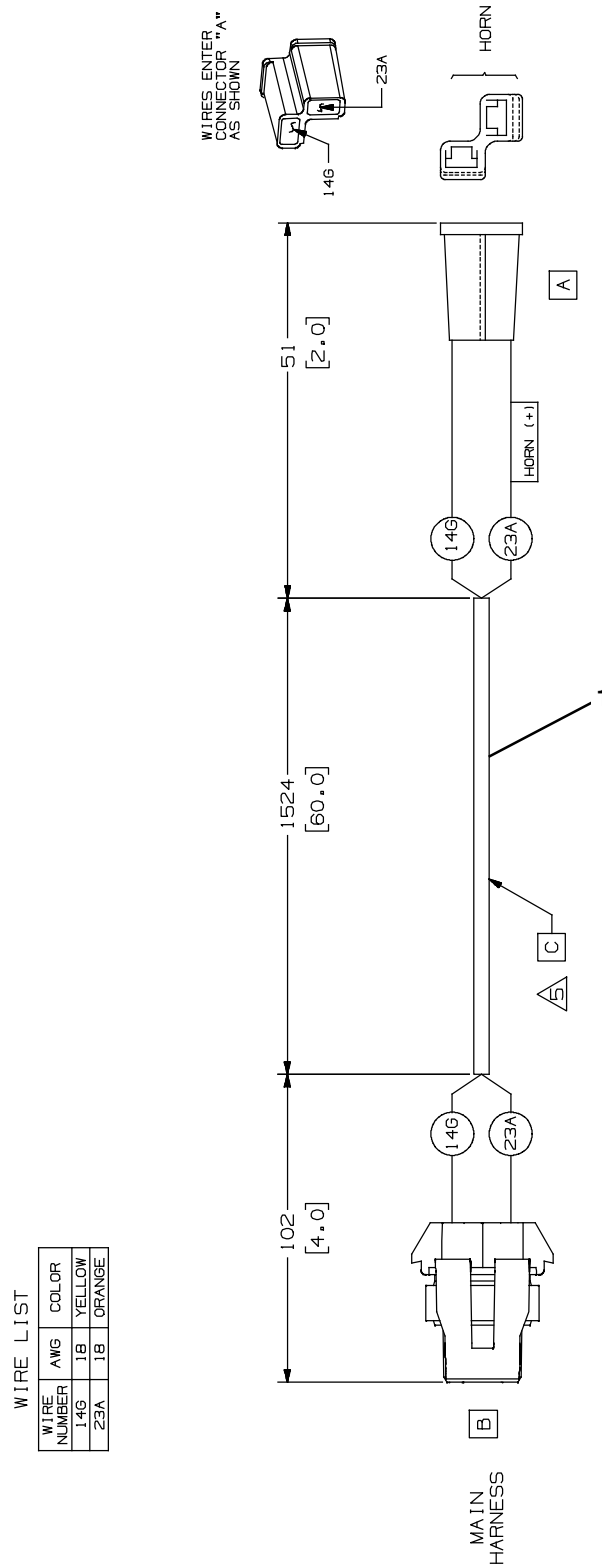
Ref.	Part No.	Serial Number	Description	Qty.
▽	1	1202650	(00000000-) Harness, Light [Orion]	1
▲	2	78950	(00000000-) Connector, Fem, 2cav, Mp280 Sealed (Connector Only - No Assembly Available)	1
▲	2	25837	(00000000-) Terminal, Fem, Mp280, Sealed, 22- 20ga	2
▲	2	25830	(00000000-) Seal, Wire, 18- 22ga [Wp / Mp280 Sealed]	2
▲	2	78952	(00000000-) Lock, Secondary, 2cav, Mp280 Sealed	1

▽ ASSEMBLY

▲ INCLUDED IN ASSEMBLY

HARNESS GROUP, ALARM

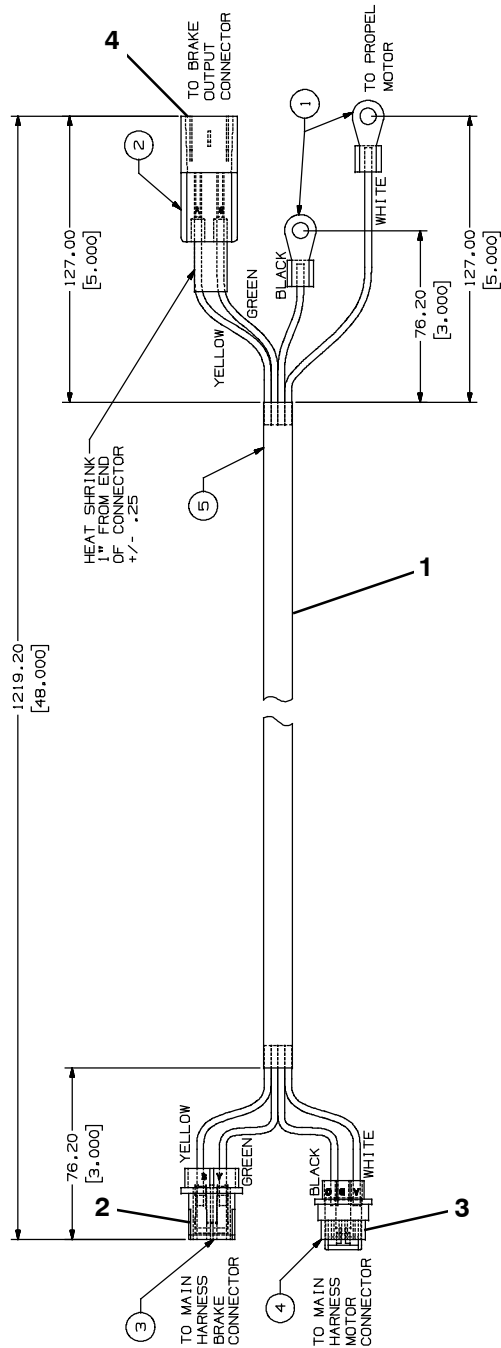
355211



Ref.	Part No.	Serial Number	Description	Qty.
1	1070046	(00000000-)	Harness, Alarm, Orion	1

HARNES GROUP, MOTOR BRAKE

355212



ITEM	P/N	DESCRIPTION	QTY.
1	-----	TERMINAL, RING .343 ID REF X .625 OD MAX WITH HEAT SHRINK INS	2
2	-----	CONNECTOR, MAL, 2CAV, MP280 SEALED	1
3	-----	CONNECTOR, FEM, 2CAV, MP280 SEALED	1
4	-----	CONNECTOR, FEM, 3CAV, MP630 SEALED	1
5	-----	MULTI CONDUCTOR CORD, TWO 10 AWG (ONE BLACK AND ONE WHITE) X TWO 18 AWG (ONE GREEN AND ONE YELLOW), ENDUROFLEX CRXM CABLE	AS REQ'D

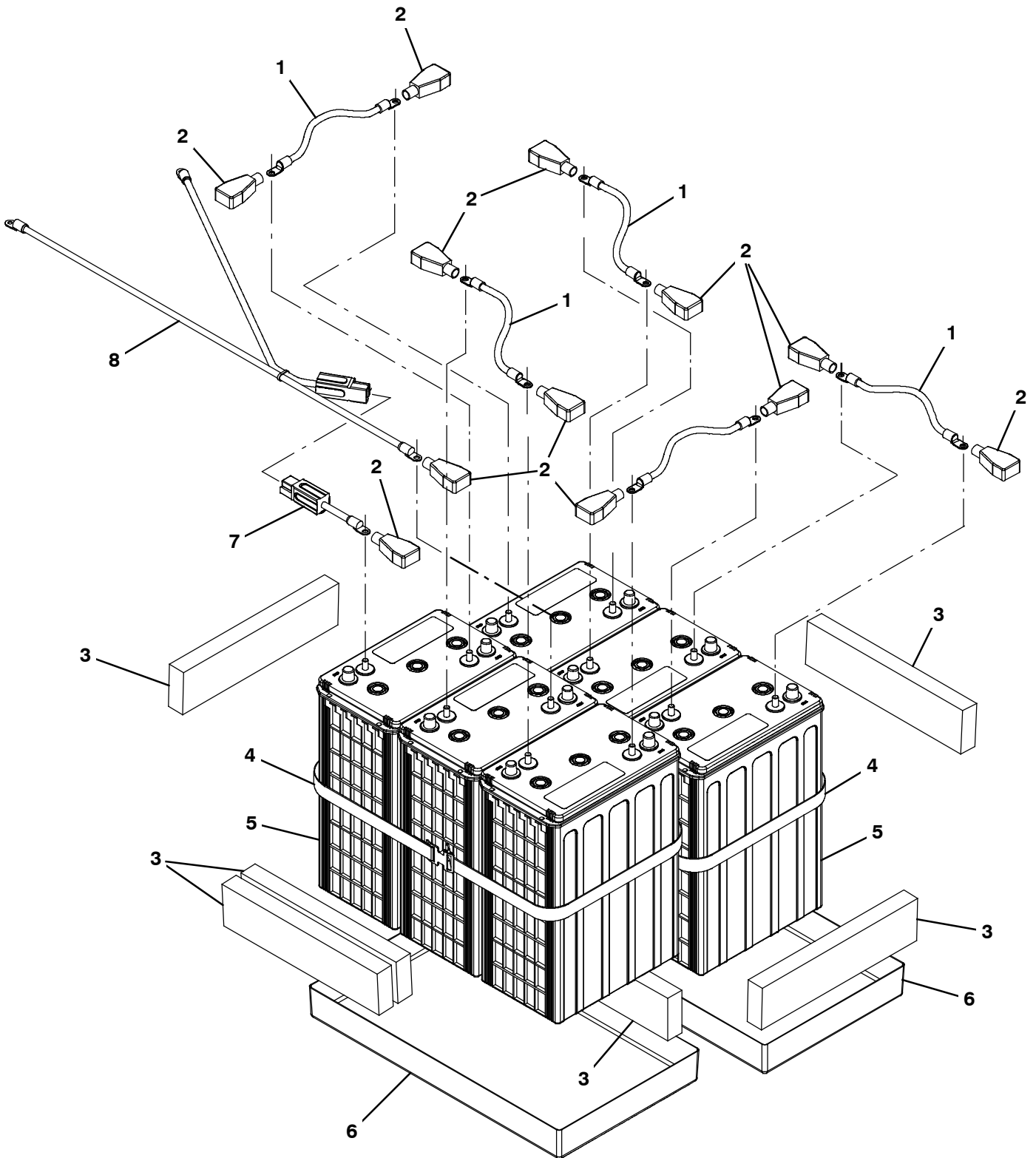
Ref.	Part No.	Serial Number	Description	Qty.
▽	1	1065808	(00000000-) Harness, Motor, Brake [T7/Ssr]	1
▲	2	78950	(00000000-) Connector, Fem, 2cav, Mp280 Sealed (Connector Only - No Assembly Available)	1
▲	2	25837	(00000000-) Terminal, Fem, Mp280, Sealed, 22- 20ga	2
▲	2	25830	(00000000-) Seal, Wire, 18- 22ga [Wp / Mp280 Sealed]	2
▲	2	78952	(00000000-) Lock, Secondary, 2cav, Mp280 Sealed	1
▲	3	1047186	(00000000-) Connector, Fem, 3 Recept [Mp630]	1
▲	4	25850	(00000000-) Connector, Mal, 2cav, Mp280 Sealed	1
▲	4	25832	(00000000-) Terminal, Mal, Mp280, Sealed, 18- 16ga	2

▽ ASSEMBLY

▲ INCLUDED IN ASSEMBLY

BATTERY GROUP, AGM 390AH

355207

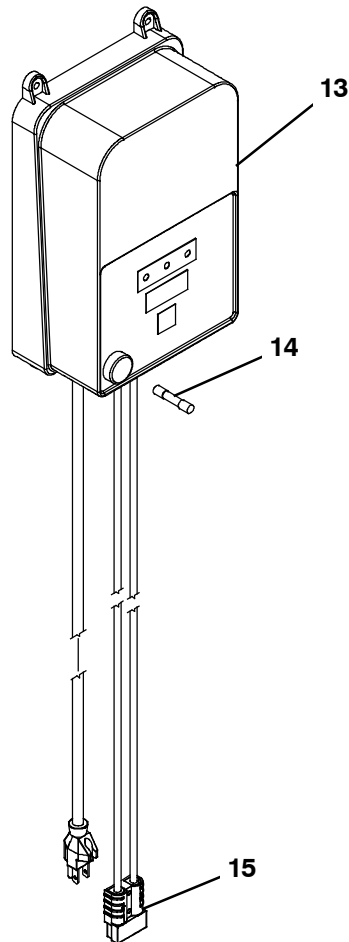
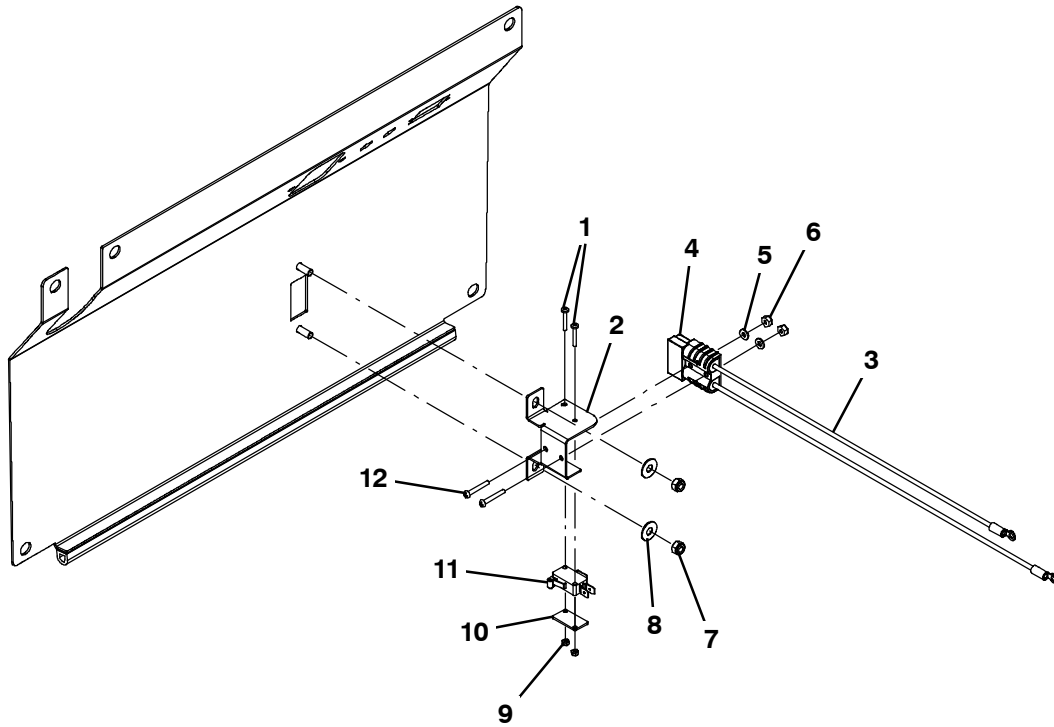


BATTERY GROUP, AGM 390AH

Ref.	Part No.	Serial Number	Description	Qty.
1	59996	(00000000-) Cable, 02ga 13.0l Blk .34ring /.34ring	5
2	1205540	(00000000-) Boot, Terminal, Battery, 1/0- 2/0ga, Blk	12
3	630375	(00000000-) Spacer, Battery, Foam, 1.25 X 3.3 X 13.7	6
4	222682	(00000000-) Strap, Poly, Webbing 1.0 X 100.0	2
5	1204248	(00000000-) Battery, Agm, 06vdc 390ah, W/Box (Includes Hardware)	6
6	1200734	(00000000-) Tray, Battery [Orion]	2
7	1205990	(00000000-) Cable Assy, 02ga Red, .31ring/Pp180	1
8	1201383	(00000000-) Harness, Battery, Orion	1

OFF-BOARD CHARGER GROUP

355215



OFF- BOARD CHARGER GROUP

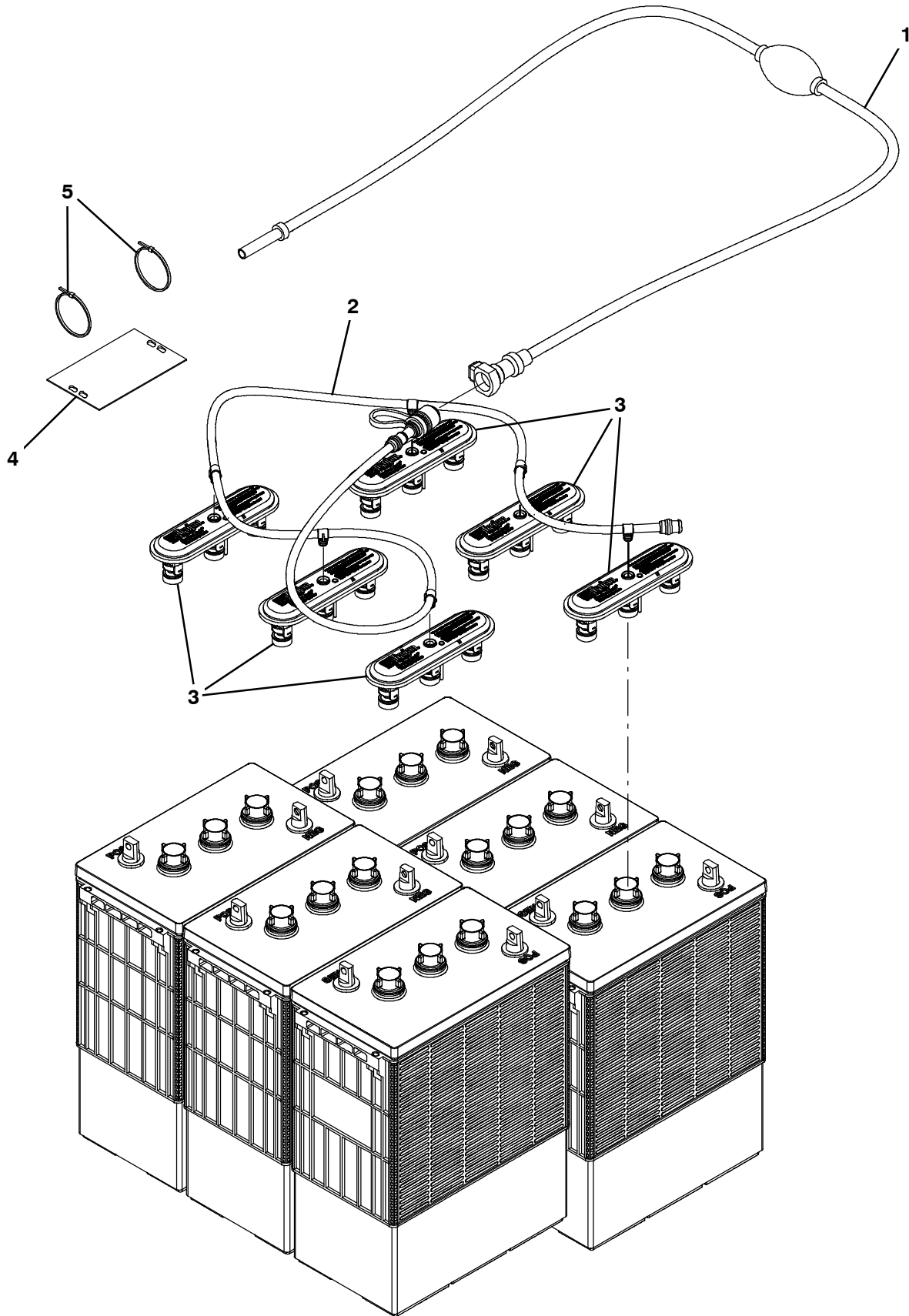
Ref.	Part No.	Serial Number	Description	Qty.	
1	06922	(00000000-) Screw, Pan, Phl, M3 X 0.50 X 20, 4.8	2	
2	1200885	(00000000-) Bracket, Connector, Plug	1	
▽	3	1201389	(00000000-) Harness, Charger, Off Board [Orion]	1
▲	4	130155	(00000000-) Connector, Battery, 6ga 50a, Gray[2cont]	1
5	19064	(00000000-) Washer, Flat, 0.16b 0.38d .05, Pl, 06	2	
6	75939	(00000000-) Nut, Hex, Lock, #06- 32, NI	2	
7	08712	(00000000-) Nut, Hex, Lock, M6 X 1.00, NI, Ss	2	
8	01684	(00000000-) Washer, Flat, 0.27b 0.69d .05, Ss	2	
9	579211	(00000000-) Nut, Hex, Lock, M3 X 0.50, NI, Ss	2	
10	601359	(00000000-) Plate, Backing, Switch	1	
11	600437	(00000000-) Switch, Snap, 15a, Rlr	1	
12	25005	(00000000-) Screw, Pan, Phl, 06- 32 X 1.00, G1	2	
▽	13	9011009	(00000000-) Charger Kit, 36vdc 120vac, Off- Brd, [Na]	1
▲	14	1206662	(00000000-) Fuse, 015a, 250vac [Baf- 15]	1
▲	15	130155	(00000000-) Connector, Battery, 6ga 50a, Gray[2cont]	1

▽ ASSEMBLY

▲ INCLUDED IN ASSEMBLY

HYDROLINK® BATTERY WATERING SYSTEM KIT

355205



HYDROLINK® BATTERY WATERING SYSTEM KIT

	Ref.	Part No.	Serial Number	Description	Qty.
▽		9010301*	(00000000-) Pump Kit, Fill, Battery,36vdc,Ci[Trojan]	1
▲	1	1058939	(00000000-) Pump Kit, Fill, Battery	1
▲	2	1201997	(00000000-) Tube, Water, Battery, 36vdc [Trojan]	1
▲	3	1204142	(00000000-) Cap, Fill, Battery [Trojan]	6
▲	4	1071084	(00000000-) Label, Tag, Battery [Hydrolink Watering]	1
▲	5	130773	(00000000-) Tie, Cable, Nyl, 11.0l, .14w, 3.0 Max. D	2

▽ ASSEMBLY

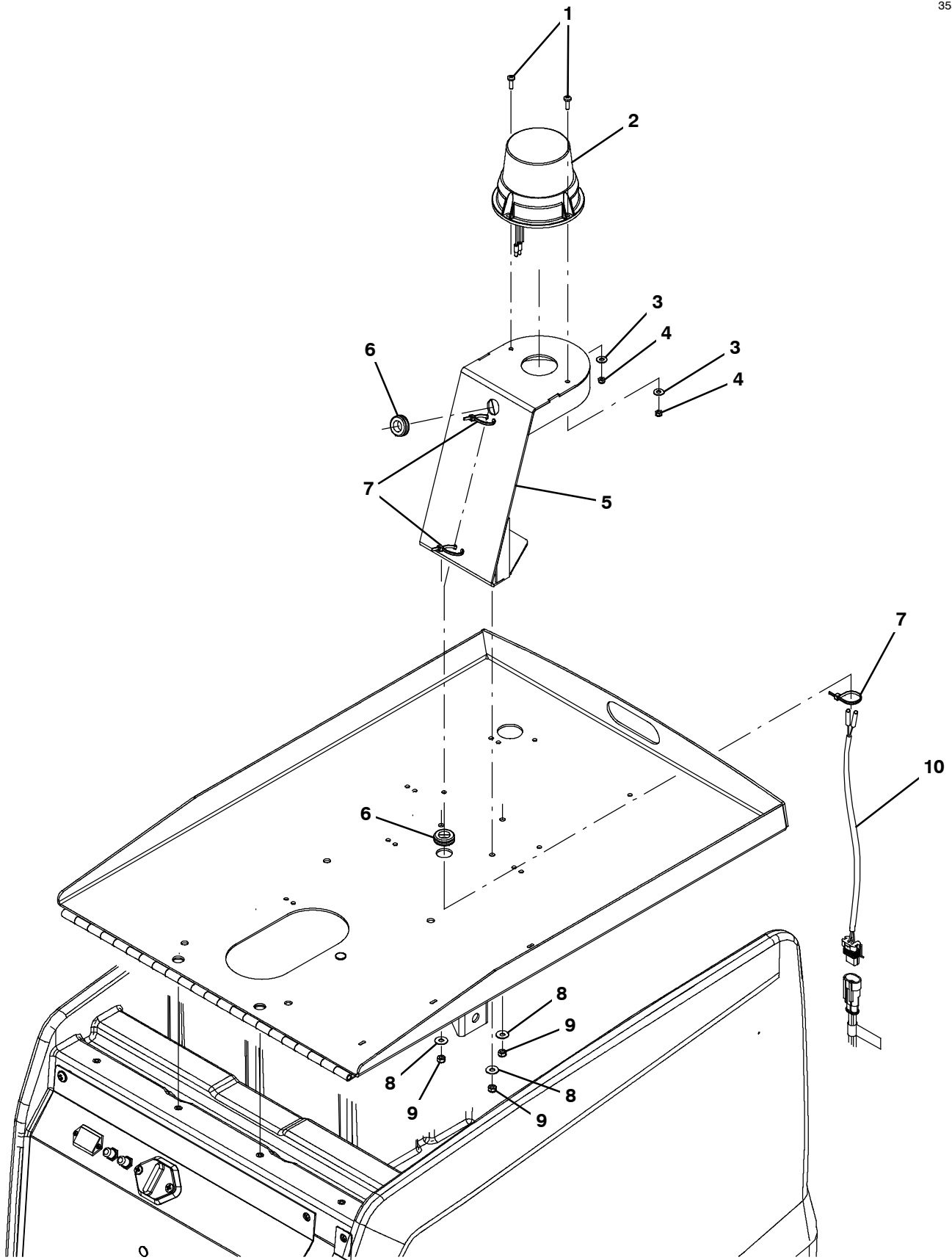
▲ INCLUDED IN ASSEMBLY

*THIS KIT IS INTENDED FOR USE WITH TROJAN® LEAD ACID BATTERIES ONLY.

HYDROLINK® IS A REGISTERED TRADEMARK OF TROJAN® BATTERY COMPANY.

FLASHING LIGHT KIT

355203



FLASHING LIGHT KIT

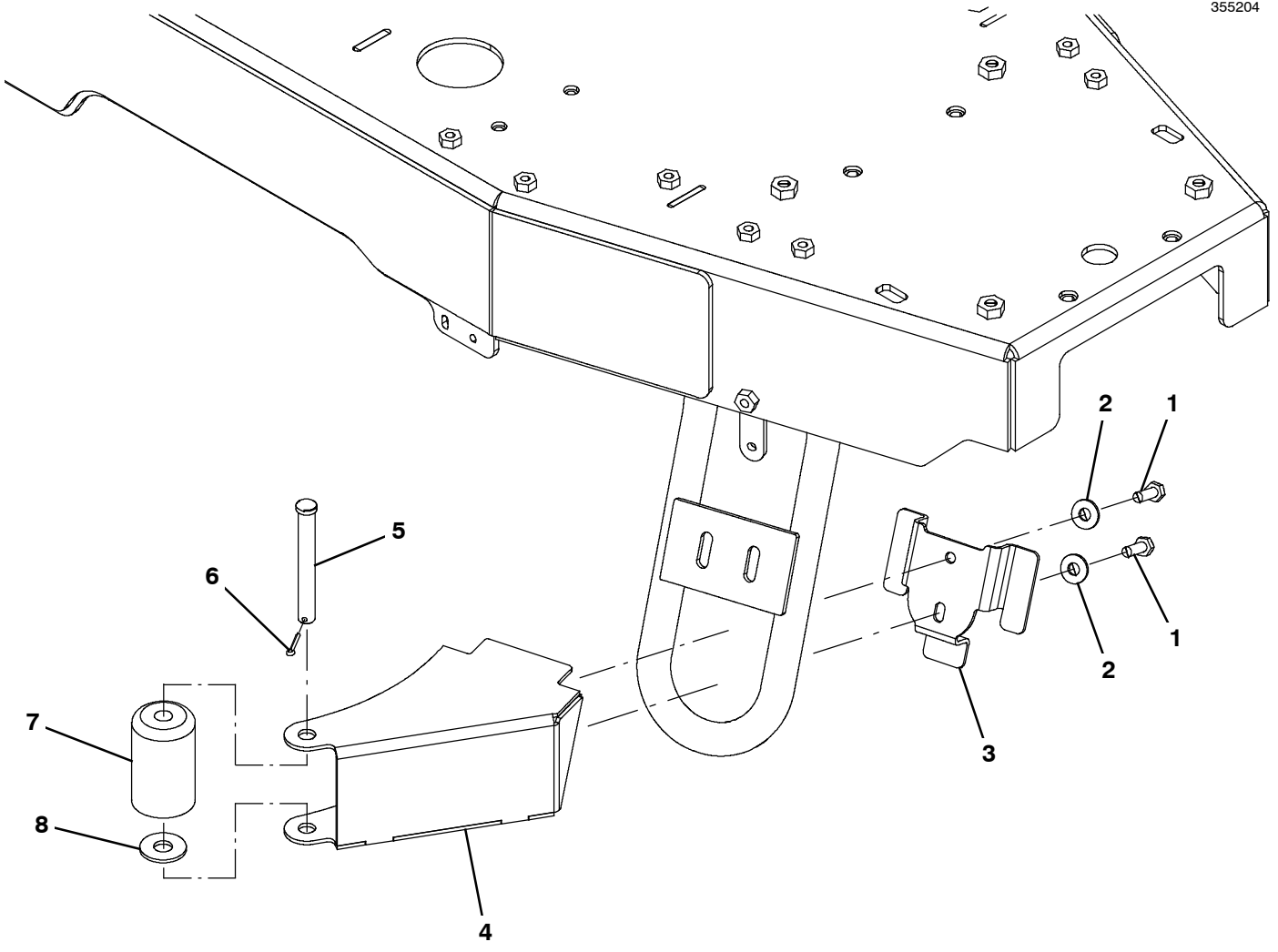
	Ref.	Part No.	Serial Number	Description	Qty.
▽		9013017	(00000000-) Light Kit, Strobe, Ci, [B10/Sg Rider]	1
▲	1	1045487	(00000000-) Screw, Pan, Phl, M5 X 0.80 X 16, Blk	2
▲	2	1075283	(00000000-) Light, Strobe, Amb, 12- 48vdc [Led] (Does Not Include Terminals - Need to Order Separately)	1
▲		55272	(00000000-) Terminal, Bullet, Mal, .157d, 12ga	2
▲	3	01683	(00000000-) Washer, Flat, 10, Ss	2
▲	4	09739	(00000000-) Nut, Hex, Lock, M5 X 0.80, Ni, Ss	2
▲	5	1202081	(00000000-) Bracket Wldt, Light, Flsh	1
▲	6	10632- 2	(00000000-) Grommet, Rbr, 0.62id, F/0.9h, .12 Matl	2
▲	7	130773	(00000000-) Tie, Cable, Nyl, 11.0l, .14w, 3.0 Max. D	3
▲	8	01684	(00000000-) Washer, Flat, 0.27b 0.69d .05, Ss	3
▲	9	08712	(00000000-) Nut, Hex, Lock, M6 X 1.00, Ni, Ss	3
▲	10	1202650	(00000000-) Harness, Light [Orion]	1

▽ ASSEMBLY

▲ INCLUDED IN ASSEMBLY

WALL ROLLER (686 MM / 27 IN HEAD) GROUP

355204

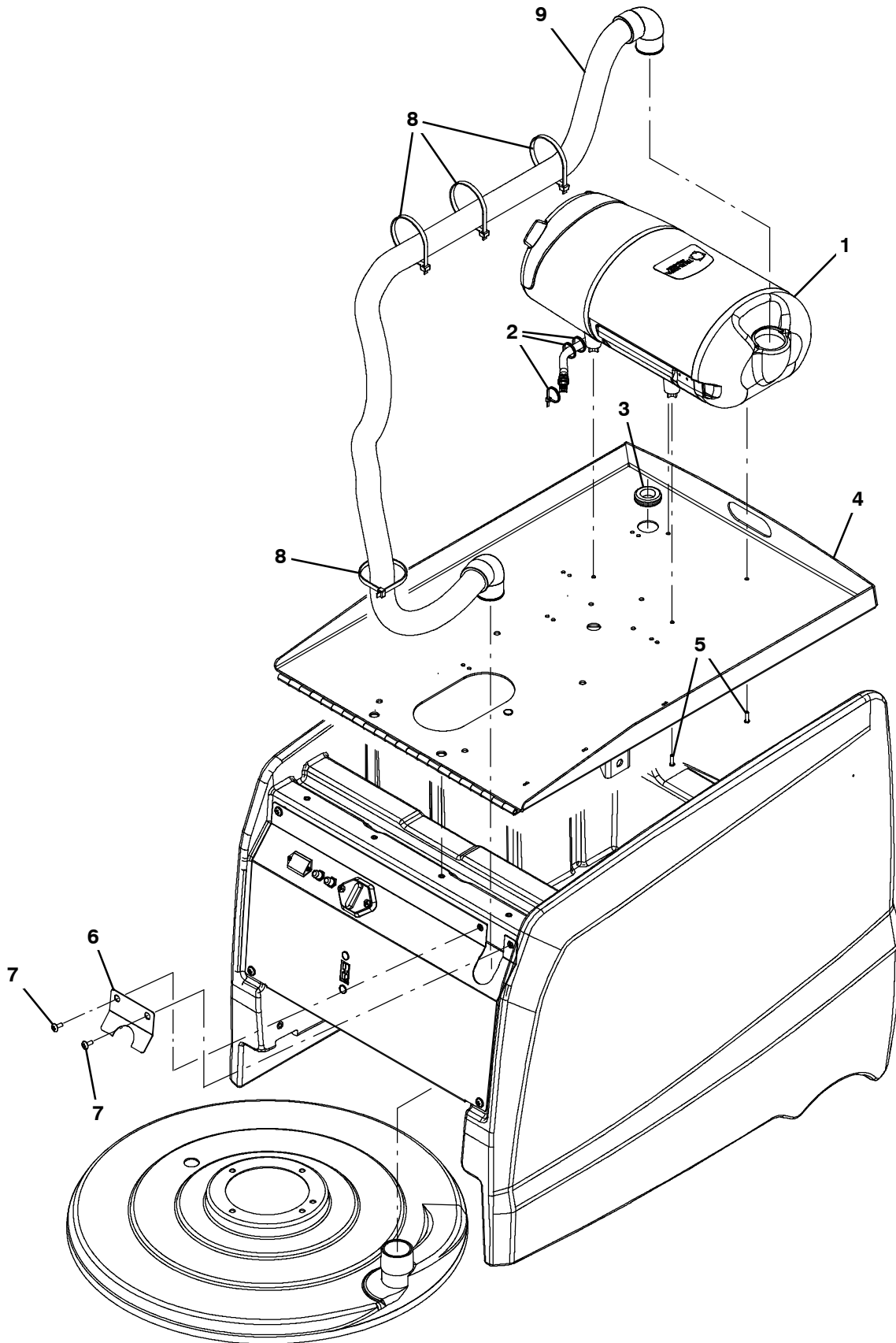


WALL ROLLER (686 MM / 27 IN HEAD) GROUP

Ref.	Part No.	Serial Number	Description	Qty.
1	12333	(00000000-) Screw, Hex, M8 X 1.25 X 25, Ss, NI	2
2	01685	(00000000-) Washer, Flat, 0.38b 0.88d .08, Ss	2
3	1202105	(00000000-) Bracket, Mtg, Rlr, Wall	1
4	1206643	(00000000-) Bracket Wldt, Rlr,Wall	1
5	51528	(00000000-) Pin, Clevis, 0.50d X	1
6	08346	(00000000-) Pin, Cotter, .125 X 0.75	1
7	222178	(00000000-) Roller, Pyu, 1.88d 0.53b 3.05l	1
8	41619	(00000000-) Washer, Flat, 0.56b 1.38d .11, Ss	1

ACTIVE DUST CONTROL GROUP

355199



ACTIVE DUST CONTROL GROUP

Ref.	Part No.	Serial Number	Description	Qty.
1	1200929	(00000000-) Vacuum, Recvy, Dust (See Breakdown)	1
2	130773	(00000000-) Tie, Cable, Nyl, 11.0l, .14w, 3.0 Max. D	3
3	10632- 14	(00000000-) Grommet, Rbr, 1.00id, F/1.4h, .12 Matl	1
4	9010990	(00000000-) Plate, Seat, Afmkt, Adc [B10] [Na/Aus]	1
5	360943	(00000000-) Screw, Pan, Phl, 10- 14 X 0.75, F/ Plstc	4
6	1202116	(00000000-) Bracket, Hose, Vacuum	1
7	1202143	(00000000-) Screw, Trs, M6 X 1.00 X 16, Phl, NI, Blk	2
8	44961	(00000000-) Tie, Cable, Nyl, 14.5l .30w 4.0 Max D	4
9	1201536	(00000000-) Hose Assy, Vac, 1.50id, 2 Cuff, E90	1

OPTIONS

DOCUMENTATION GROUP

Ref.	Part No.	Serial Number	Description	Qty.
	9010724	(00000000-) Manual, Parts, [Speed Gleam Rider, En]	1
	9010727	(00000000-) Manual, Oprtr [Speed Gleam Rider, En]	1
	9010726	(00000000-) Manual, Oprtr [Speed Gleam Rider, Es]	1
	9010725	(00000000-) Manual, Oprtr [Speed Gleam Rider, Fr]	1
	9010735	(00000000-) Manual, Service [Speed Gleam Rider]	1
	9010723	(00000000-) Instr, Wall Chart [Speed Gleam Rider]	1

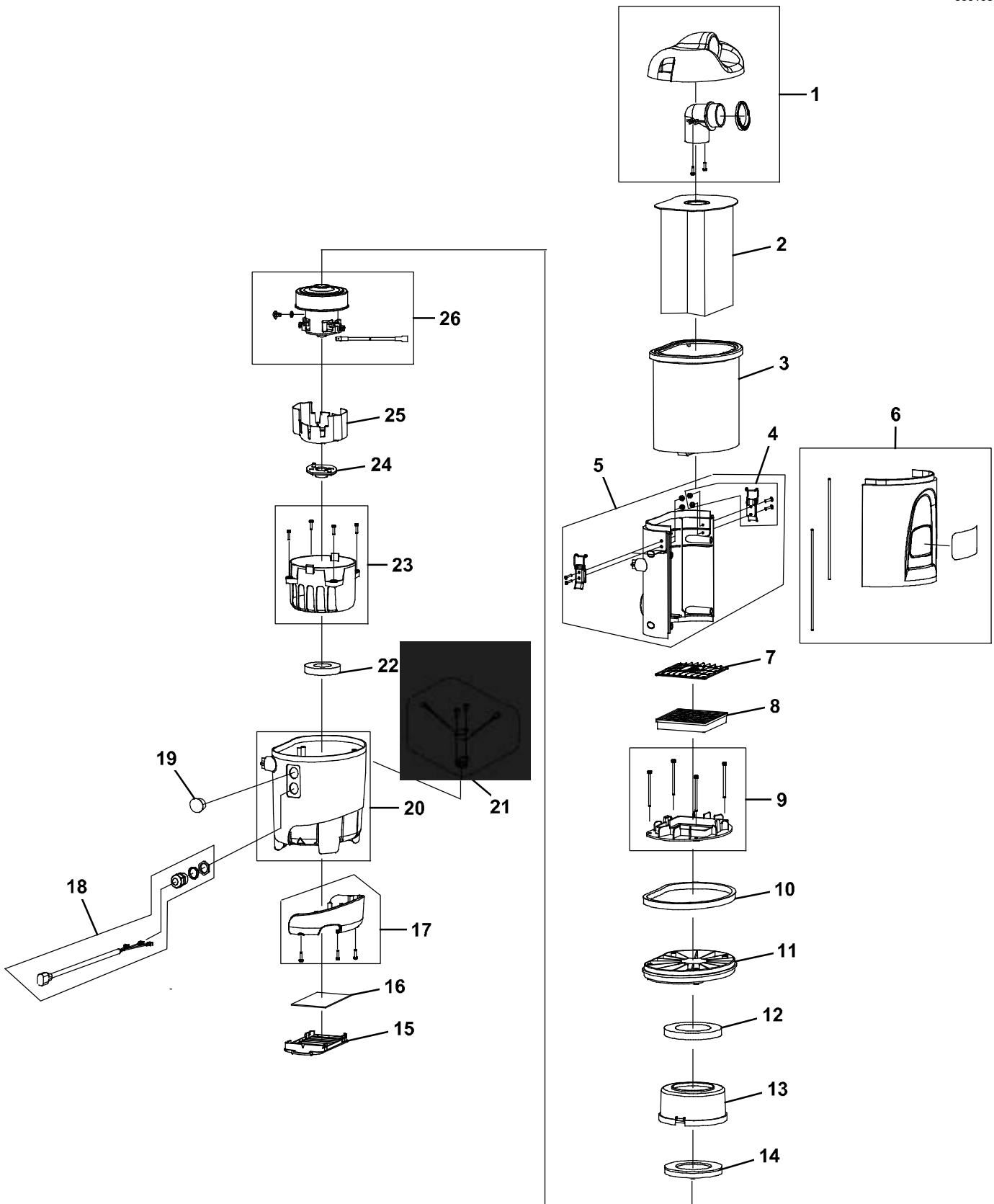


To view, print, order, download the latest Parts manual, other language Operator manuals, and Use and Care Guides (wall charts), visit:

www.nobles.com/manuals

ACTIVE DUST CONTROL BREAKDOWN, 1200929

355198



ACTIVE DUST CONTROL BREAKDOWN, 1200929

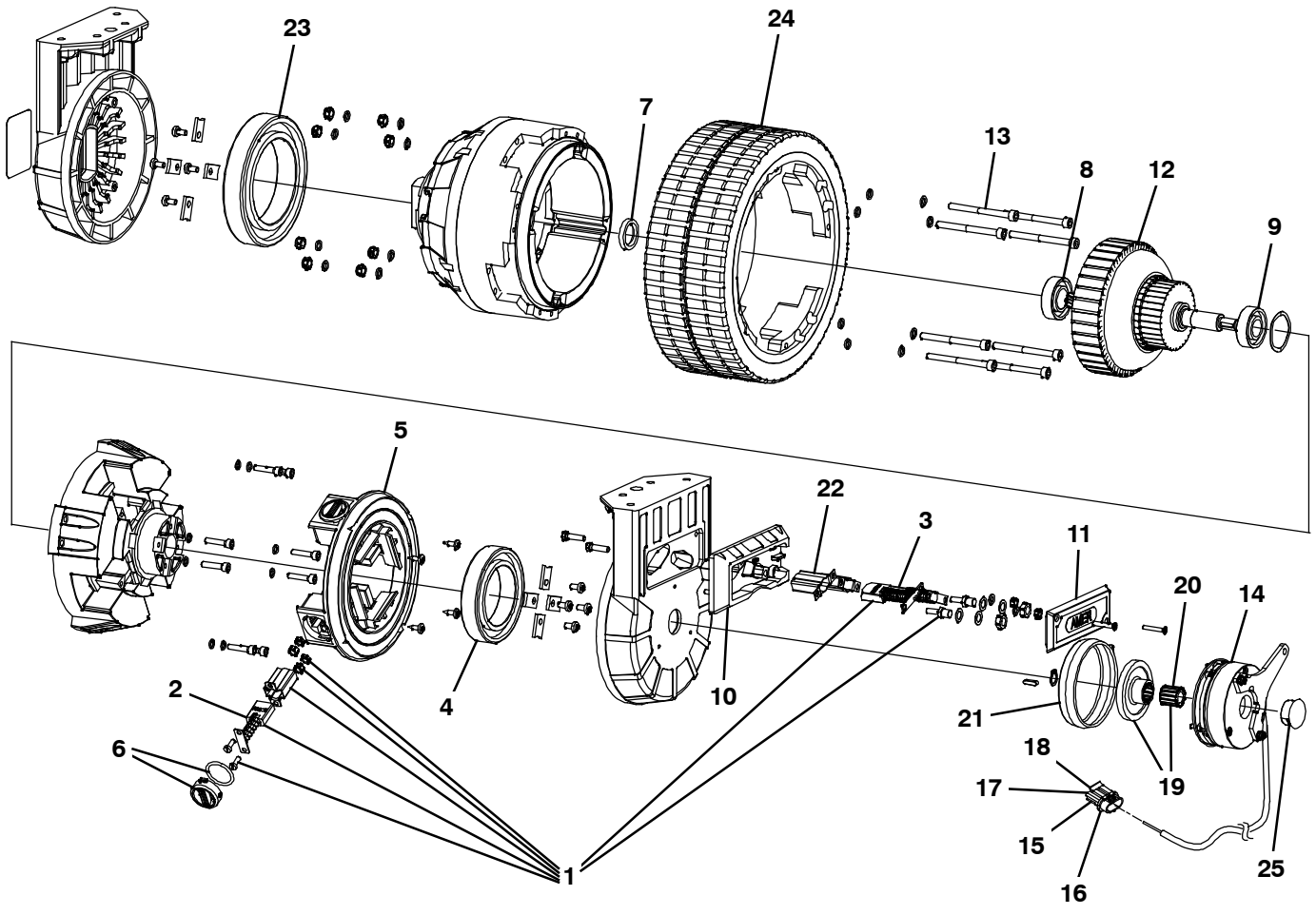
Ref.	Part No.	Serial Number	Description	Qty.
▽	1200929	(00000000-) Vacuum, Recvy, Dust	1
▲	1	9007783	(00000000-) Cover, Hsng, Fr/ (Includes 2- #8x0.624" Screw)	1
▲	2	9007784	(00000000-) Bag, Vacuum, 6 Qt [1pick=1pkg/12 Bags] (Qty 1 Included w/ Machine)	1
	2	9007866	(00000000-) Bag, Vacuum, 6 Qt [1pk=1ctn/16=192 Bags]	1
▲	3	9007785	(00000000-) Bag, Cloth, Afkmt, 6 Qt (Qty 1 Included w/ Machine)	1
▲	4	9007788	(00000000-) Latch, Backpack, Fr/ (Includes 4- #8x0.624" Screw & 4- M3 Washer)	1
▲	5	9007789	(00000000-) Cover, Rear, Fr/ 6 Qt [V- Bp- 6]	1
▲	6	9010838	(00000000-) Cover, Front, W/Hepa Label	1
▲	7	9007813	(00000000-) Frame, Fltr, Cap, Fr/	1
▲	8	9007812	(00000000-) Filter, Hepa, Fr/	1
▲	9	9007811	(00000000-) Plate, Filter, Fr/ (Includes 4- #8x0.625" Screw)	1
▲	10	9007810	(00000000-) Seal, Body, Fr/	1
▲	11	9007809	(00000000-) Cover, Motor, Fr/	1
▲	12	9007806	(00000000-) Mount, Motor, Kit, Fr/	1
▲	13	9007808	(00000000-) Shroud, Motor, Top, Fr/	1
▲	14	9007807	(00000000-) Mount, Motor, Bottom, Fr/	1
▲	15	9007801	(00000000-) Frame, Fltr, Bottom	1
▲	16	9007800	(00000000-) Filter, Exhaust [1pick=1pkg] (1 Pkg = 6 Filters) (Qty 1 Included w/ Machine)	1
▲	17	9007799	(00000000-) Bumper, Fr/ (Includes 3- #8x0.625" Screw)	1
▲	18	9010840	(00000000-) Cord, Power, W/Strainrelief W/Nut	1
▲	19	9010841	(00000000-) Plug	1
▲	20	9010839	(00000000-) Housing, Motor	1
▲	21	9007817	(00000000-) Switch, Thermal, Fr/ (Includes 2- #6x0.375" Screw)	1
▲	22	9007806	(00000000-) Mount, Motor, Kit, Fr/	1
▲	23	9007805	(00000000-) Shroud, Motor, Bottom, Fr/ (Includes 4- #8x0.625" Screw)	1
▲	24	9007804	(00000000-) Mount, Motor, Bottom, Fr/	1
▲	25	9007803	(00000000-) Shroud, Motor, Bottom, Fr/	1
▲	26	9007802	(00000000-) Fan, Vacuum, Backpack, Fr/ (Includes 1- M4x6 Set Screw)	1

▽ ASSEMBLY

▲ INCLUDED IN ASSEMBLY

FRONT DRIVE WHEEL BREAKDOWN, 9008999

355192



FRONT DRIVE WHEEL BREAKDOWN, 9008999

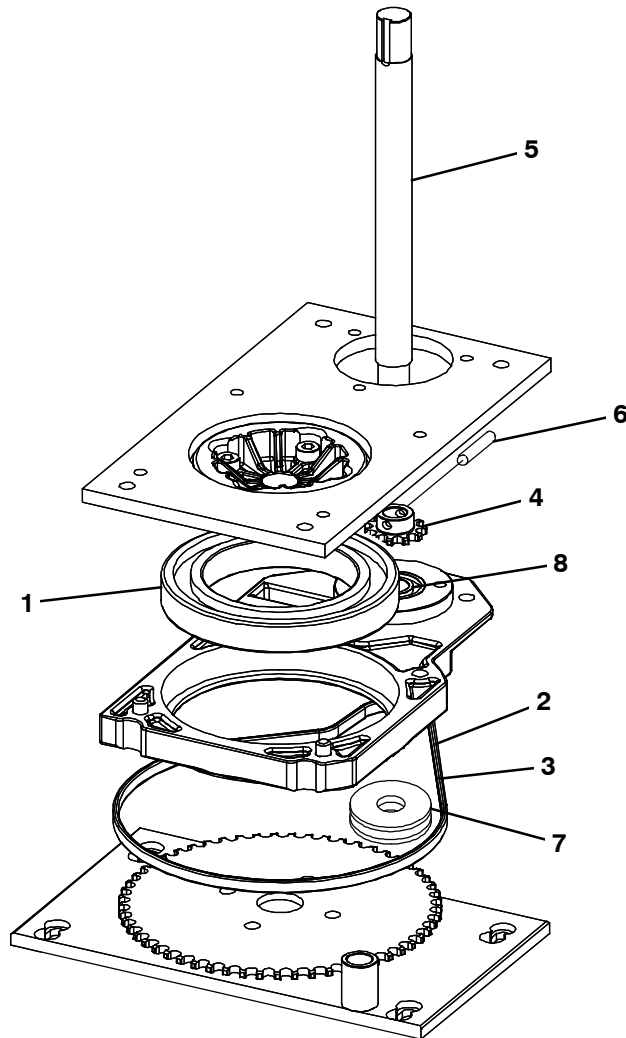
	Ref.	Part No.	Serial Number	Description	Qty.
▽		9008999	(00000000-) Gearbox Kit, Wheel, 250mm, W/ Connector	1
▲	1	391261	(00000000-) Vr, Brush Kit, Motor [Amer, 1pick=1kit]	1
▲▽		1029225	(00000000-) Vr, Brush Kit, Carbon [1 Pac = 4pcs]	1
▲▲	2	1029224	(00000000-) Vr, Brush, Carbon [1 Pc]	4
▲▽		1029226	(00000000-) Vr, Brush Kit, Carbon [1 Pac = 2 Pcs]	1
▲▲	3	398492	(00000000-) Brush, Carbon, Motor, Ele [Amer 1 Pc]	2
▲	4	1029227	(00000000-) Vr, Bearing, Ball, Brush Side	1
▲	5	1029228	(00000000-) Vr, Ring, Brushholder	1
▲	6	391262	(00000000-) Vr, Brush Kit, Cover [Amer]	4
▲	7	391263	(00000000-) Vr, Seal, Ring [Amer]	1
▲	8	391264	(00000000-) Vr, Bearing, Gearbox, Side [Amer]	1
▲	9	391265	(00000000-) Vr, Bearing, Motor Side [Amer]	1
▲	10	391467	(00000000-) Vr, Box, Ele, Connection	1
▲	11	391468	(00000000-) Vr, Cover, Ele, Connection	11
▲	12	372867	(00000000-) Vr, Armature	1
▲	13	1029218	(00000000-) Vr, Screw, Mount, Wheel	8
▲▽	14	9008896	(00000000-) Brake Kit, W/Connector	1
▲▲	15	78950	(00000000-) Connector, Fem, 2cav, Mp280 Sealed	1
▲▲	16	78952	(00000000-) Lock, Secondary, 2cav, Mp280 Sealed	1
▲▲	17	25837	(00000000-) Terminal, Fem, Mp280, Sealed, 22- 20ga	2
▲▲	18	25830	(00000000-) Seal, Wire, 18- 22ga [Wp / Mp280 Sealed]	2
▲▲	19	372870	(00000000-) Vr, Disc, Brake (Set Includes Spline)	1
▲▲	20	372871	(00000000-) Vr, Adapter, Brake, Spl (NLA - Replaced By Set 372870)	1
▲	21	372872	(00000000-) Vr, Sleeve, Rbr	1
▲	22	372877	(00000000-) Vr, Guide, Brushholder, Slip Ring [Amer]	1
▲	23	372874	(00000000-) Vr, Bearing, Steering	1
▲	24	391259	(00000000-) Vr, Tire, Solid, 250mm X 90mm Red	1
▲	25	130161	(00000000-) Plug, Hole, Rnd, 0.88d, Blk	1

▽ ASSEMBLY

▲ INCLUDED IN ASSEMBLY

STEERING CONTROL BREAKDOWN, 1019724

355193



Ref.	Part No.	Serial Number	Description	Qty.
▽	1019724	(00000000-) Steer- Control Assy, Wheel Drive	1
▲	1	372874) Vr, Bearing, Steering	1
▲	2	372875) Vr, Chain, Steering	1
▲	3	372876) Vr, Link, Master	1
▲	4	372881) Vr, Sprocket	1
▲	5	1029229) Vr, Shaft, Steering	1
▲	6	1038313) Vr, Pin, Roll, 06mm X 28mmI[T7/Ssrsteer]	1
▲	7	1043371) Vr, Pulley, Tens	1
▲	8	9008719) Vr, Bearing [6003 2rs]	2

▽ ASSEMBLY

▲ INCLUDED IN ASSEMBLY

