

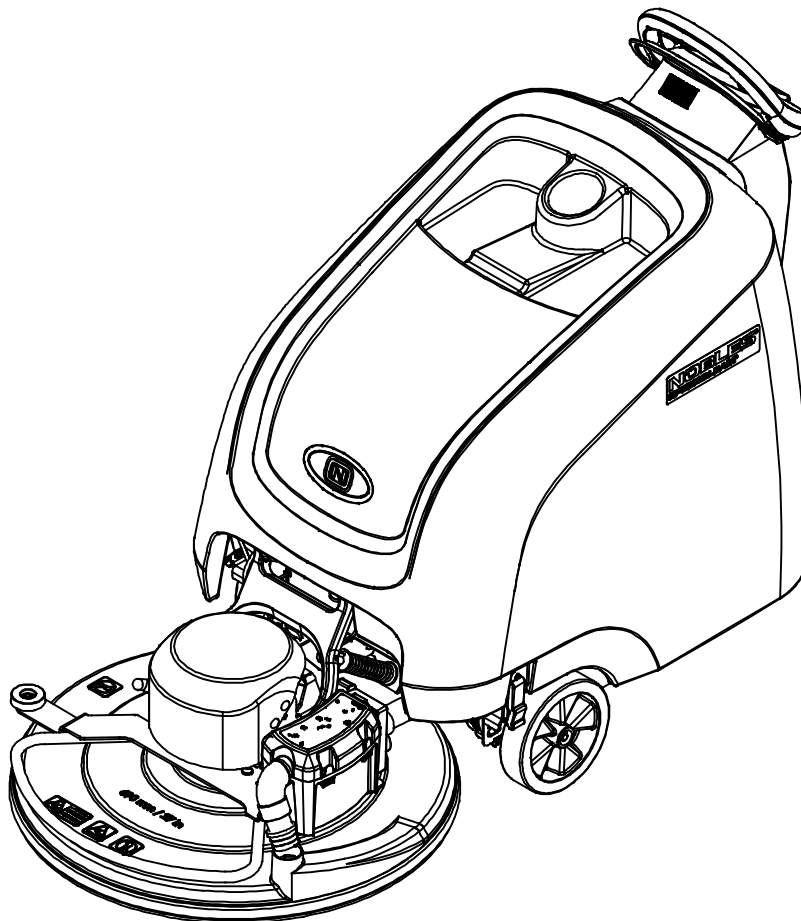
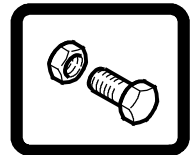


TennantTrue® Parts

SPEEDGLEAM® 7

WALK-BEHIND BATTERY BURNISHER

PARTS MANUAL

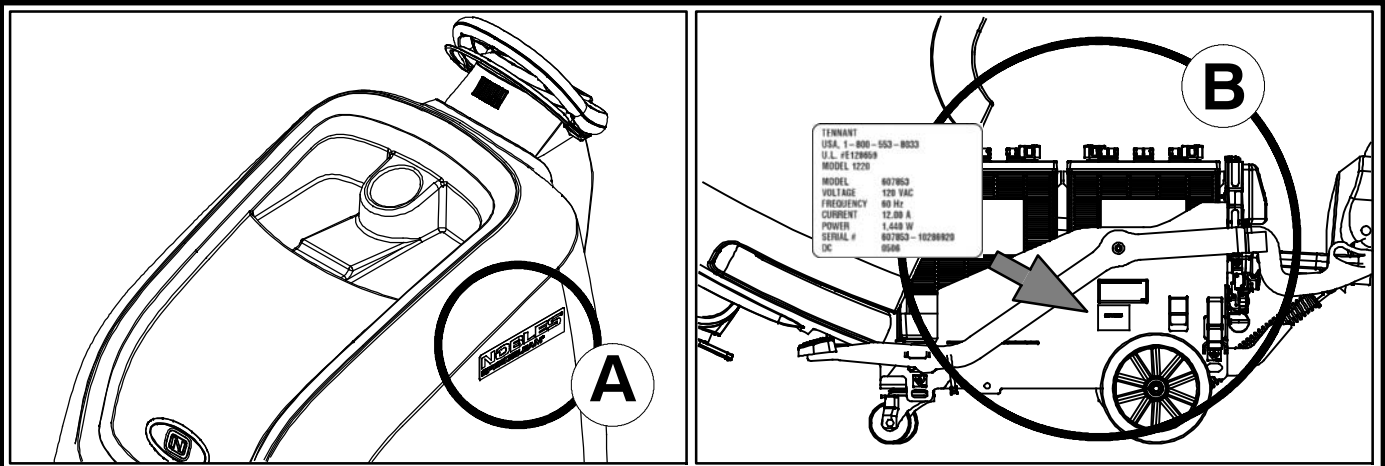


For the latest Parts manuals and other language Operator manuals, visit:

www.nobles.com/manuals

9011619
Rev. 05 (04-2016)





Ref	Part No.	Serial Number	Description	Qty.
1	82681	(000000-)	Bracket Wldt, Lpg Mount	1
▽ 2	63810	(000000-)	Latch Assy, Lpg Tank Mtg, W/Nut	4
▲ 3	51839	(000000-)	Nut Adjustable, Lpg Tank Mtg	2
4	49263	(000000-)	Tie, Cable	3
(D)	82556	(000000- 001039)	Bracket, Vaporizer	1
	54930	(000000-)	Vaporizer, LPG	1

HOW TO ORDER PARTS - See diagram above

Only use TENNANT Company supplied or equivalent parts. Parts and supplies may be ordered online, by phone, by fax or by mail.

Follow the steps below to ensure prompt delivery.

1. (A) Identify the machine model.
2. (B) Identify the machine serial number from the data label.
3. (C) Ensure the proper serial number is used from the parts list.
4. Identify the part number and quantity.
Do not order by page or reference numbers.
5. Provide your name, company name, customer ID number, billing and shipping address, phone number and purchase order number.
6. Provide detail shipping instructions.

- (D) ▽ - identifies an assembly
▲ - identifies parts included in assembly

Please fill out at time of installation for future reference.

Model No. - _____

Serial No. - _____

Machine Options - _____

Sales Rep. - _____

Sales Rep. phone no. - _____

Customer ID Number - _____

Installation Date - _____

Tennant Company

PO Box 1452
 Minneapolis, MN 55440
 Phone: (800) 553-8033 or (763) 513-2850
 www.nobles.com

Specifications and parts are subject to change without notice.

Copyright © 2014-2016 TENNANT Company, Printed in U.S.A.

STANDARD PARTS

GENERAL RECOMMENDED MAINTENANCE ITEMS	4	PARKING BRAKE GROUP	44
COVER GROUP	6	LABEL GROUP	45
FRAME GROUP, DRIVE	8	DOCUMENT GROUP	46
HEAD GROUP, 610 MM (24 IN)	10	ELECTRICAL DIAGRAM, DRIVE MODEL	48
HEAD GROUP, 690 MM (27 IN)	12	WIRE HARNESS, MAIN, DRIVE MODEL	52
HEAD LIFT GROUP	14	WIRE HARNESS, CONSOLE, DRIVE MODEL ..	54
DOWN PRESSURE GROUP, AUTOMATED	16	WIRE HARNESS, BAIL SWITCH	55
DOWN PRESSURE GROUP, MECHANICAL ...	18	WIRE HARNESS, KEY SWITCH	56
DUST CONTROL GROUP, ACTIVE	20	WIRE HARNESS, BATTERY/CHARGER CABLE	57
DUST CONTROL GROUP, PASSIVE	22		
ELECTRICAL COMPONENTS GROUP	24		
CONSOLE GROUP, BASE, DRIVE, OFF BOARD CHARGER	26		
CONSOLE GROUP, BASE, DRIVE, ON BOARD CHARGER	28		
CONSOLE GROUP, POWER, DRIVE, OFF BOARD CHARGER	30		
CONSOLE GROUP, POWER, DRIVE, ON BOARD CHARGER	32		
BATTERY GROUP, 330AH C20 WET LEAD ACID	34		
BATTERY GROUP, 360AH C20 WET LEAD ACID	36		
BATTERY GROUP, 240AH C20 WET LEAD ACID	38		
BATTERY GROUP, 312AH C20 AGM SEALED .	40		
HYDROLINK® BATTERY WATERING SYSTEM KIT	42		

RECOMMENDED MAINTENANCE ITEMS

GENERAL RECOMMENDED MAINTENANCE ITEMS

Part No.	Serial Number	Description	Qty.	
1207285	(00000000-) Latch, Draw, Rbr, W/ Keeper, Yellow	2	
1205533	(00000000-) Damper	1	
1203776	(00000000-) Cover, Pedal	1	
71579	(00000000-) Strap, Static, W/Grommet, .19 1.1w 25.0l	1	
9012767	(00000000-) Caster Kit, Afmkt, W/ Hdwr	2	
1218753	(10771448-) Wheel, Scrbr, 213mm, W/ Taper	2	
1020688	(00000000- 10771447) Wheel, Scrbr, 213mm, W/ Taper (Replaced by 1218753 - Order Qty 2)	2	
▽	1202920	(00000000-) Transaxle, 24vdc [458f- 2100 Asi]	1
▲	1021167	(00000000-) Key, Woodruff, 5mm	2
▲	612880	(00000000-) Joint, Transaxle, Replmt	2
▲▽	1212352	(00000000-) Motor, Transaxle, 24vdc, UI	1
▲▲	1212351	(00000000-) Brush, Kit, Carbon, Transaxle, UI (1 Pkg = 4 Brushes)	1
▽	1205478	(00000000-) Motor, Ele, 24- 72vdc, 3900rpm, 8.83hp	1
▲	1212017	(00000000-) Brush Assy, Carbon, Afmkt	1
▲	00928	(00000000-) Key, Sq, 0.25 X 0.25, 1.00l	1
	9012768	(00000000-) Wheel Kit, Bmpr, Afmkt, W/ Hdwr	1
▽	1208141	(00000000-) Driver Assy, Pad, 24d	1
▲	32506	(00000000-) Device, Centering, Rh Pad Retainer	1
▲	1205787	(00000000-) Collar, Locking, Pad Driver, 6.1"	1
	1204254	(00000000-) Pad, Burnish, 24.0d, Hairblend 1pk=1pad (Qty 1 Pad)	1
	1200750	(00000000-) Skirt Assy, Shrd, 24.0d	1
▽	1213332	(00000000-) Driver Assy, Pad, 27d	1
▲	32506	(00000000-) Device, Centering, Rh Pad Retainer	1
▲	1205787	(00000000-) Collar, Locking, Pad Driver, 6.1"	1
	1204255	(00000000-) Pad, Burnish, 27.0d, Hairblend 1pk=1pad (Qty 1 Pad)	1
	1200686	(00000000-) Skirt Assy, Shrd, 27.0d	1
▽	9012779	(00000000-) Arm, Lift, Head, Afmkt, W/Bearings	1
▲	9012780	(00000000-) Bearing Kit, 12mmb 16mmd 12mmw, Qty=4	1
	1203378	(00000000-) Pin, Spring, .50d 1.00b	1
	1205700	(00000000-) Actuator, 36vdc, 60mm Strk, 2sw, 350n	1
	1205304	(00000000-) Spring, Cmpr, 1.378od .177wir 3.95l	1
	1203333	(00000000-) Spring, Cmpr, 1.314od .145wir 10.85l	1
	607275	(00000000-) Hose, Vacuum, 1.50id X 040.0l, 2cuff,E90	1
	9012781	(00000000-) Fan Kit, Vacuum, Afmkt, W/ Gasket	1
	1203349	(00000000-) Gasket, Vac Motor	1
	1203162	(00000000-) Filter, Hepa (Active Dust Control)	1
	1204900	(00000000-) Hose, Assy, 1.50 Id	1
	1210869	(00000000-) Bag, Dust, Paper[1 Pick=1 Pkg] (Standard) (1 Pkg = 10 Bags)	1
	1208744	(00000000-) Bag, Dust, Cloth (Optional for Passive Dust Control Only)	1
	1205971	(00000000-) Gasket, Cover, Circuitboard	1
▽	9012782	(00000000-) Circuitboard Kit, Bridge, Afmkt, W/Strap	1
▲	1205845	(00000000-) Circuitboard, Silpad [1/2 Bridge, Lower]	1
	9012783	(00000000-) Circuitboard Kit, Base, Afmkt, W/ Strap (For Models w/ mechanical pad pressure and passive dust control)	1
	9012796	(00000000-) Circuitboard Kit, Option, Afmkt, W/Strap (For Models w/ automated pad pressure and/or active dust control)	1
	1210283	(00000000-) Box, Wire [Ferrite, Emi Filter] (No Longer Available - Replaced by Cable 1072935 or 1072372 Includes Ferrite)	2
	1207893	(00000000-) Switch, Push, Snap Action, 25a [No]	1

▽ ASSEMBLY

▲ INCLUDED IN ASSEMBLY

RECOMMENDED MAINTENANCE ITEMS

GENERAL RECOMMENDED MAINTENANCE ITEMS

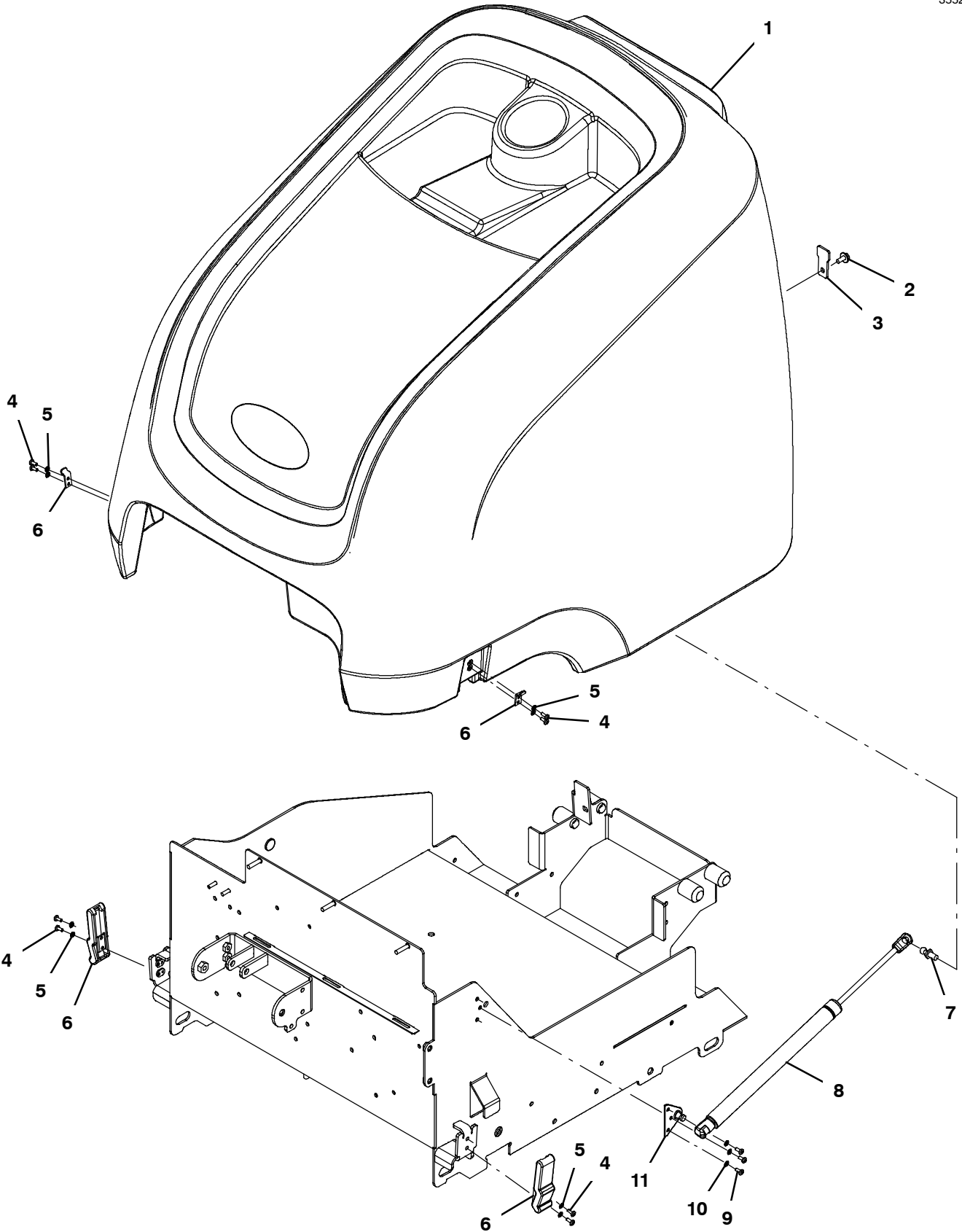
Part No.	Serial Number	Description	Qty.
	1064184 (00000000-) Circuitbreaker, 02.5a, Resetable	1
	1064188 (00000000-) Circuitbreaker, 15.0a, Resetable	1
	383725 (00000000-) Circuitbreaker, 30.0a, Resetable	1
▽	9012826 (00000000-) Controller, Drive, Afmkt, W/ Usb Cable (Drive Model)	1
▲	9012788 (00000000-) Software Kit, Installation, W/Usb Cable	1
	1205323 (00000000-) Switch, 0.1a, Spdt [Micro, Straight]	1
▽	9012785 (00000000-) Bezel Kit, Mechanical, Propel, Afmkt	1
▽	9012786 (00000000-) Bezel Kit, Actuator, Propel, Afmkt	1
▲	1205618 (00000000-) Cap, Usb	1
▽	9012787 (00000000-) Circuitboard Kit, Console, W/ Usb Cable	1
▲	9012788 (00000000-) Software Kit, Installation, W/Usb Cable	1
	1205323 (00000000-) Switch, 0.1a, Spdt [Micro, Straight]	1
	1205781 (00000000-) Spring, Return, Bail	1
▽	1072939 (00000000-) Cable, Assy [B7/B5, Ground]	1
▲	605387 (00000000-) Connector, Anderson, 050a, Red [W/O Con]	1
	1215716 (00000000-) Switch, 0.1a, Spdt[Micro, Gold Contacts]	1
▽	1011402 (00000000-) Switch, Key	1
▲	1017696 (00000000-) Key Set, Replmt [F/Keyswitch 1011402]	1
	1064038 (00000000-) Gauge, Hourmeter, 05- 277 Volt, Ac / Dc	1
	1011735 (00000000-) Switch, Safety, Shutoff	1
	1206586 (00000000-) Dial, Range, Speed	1
	1204930 (00000000-) Potentiometer [100k, 1 Turn, B5/B7]	1
	1209730 (00000000-) Cap, Toggle, Direction	1
	1209673 (00000000-) Switch Assy, Toggle, Direction	1
	1205496 (00000000-) Hook, Cord	2
▽	1208644 (00000000-) Charger, 36vdc, 25a 85- 265vac [Offboard] (180- 250 AH Wet Lead Acid Batteries)	1
▽	9012740 (00000000-) Charger, 36vdc 25a [P/N 1208644, #31] (200- 350 AH AGM Batteries)	1
▽	9012739 (00000000-) Charger, 36vdc 25a [P/N 1208644, #03] (260- 360 AH Wet Lead Acid Batteries)	1
▲	130155 (00000000-) Connector, Battery, 6ga 50a, Gray[2cont]	1
▽	1202585 (00000000-) Charger, 36vdc, 25a 85- 265vac [On- Board]	1
▲	130155 (00000000-) Connector, Battery, 6ga 50a, Gray[2cont]	1
	1073882 (00000000-) Cord, Power, 16/3, 15a, 15ft Blk [Us]	1

▽ ASSEMBLY

▲ INCLUDED IN ASSEMBLY

COVER GROUP

355235

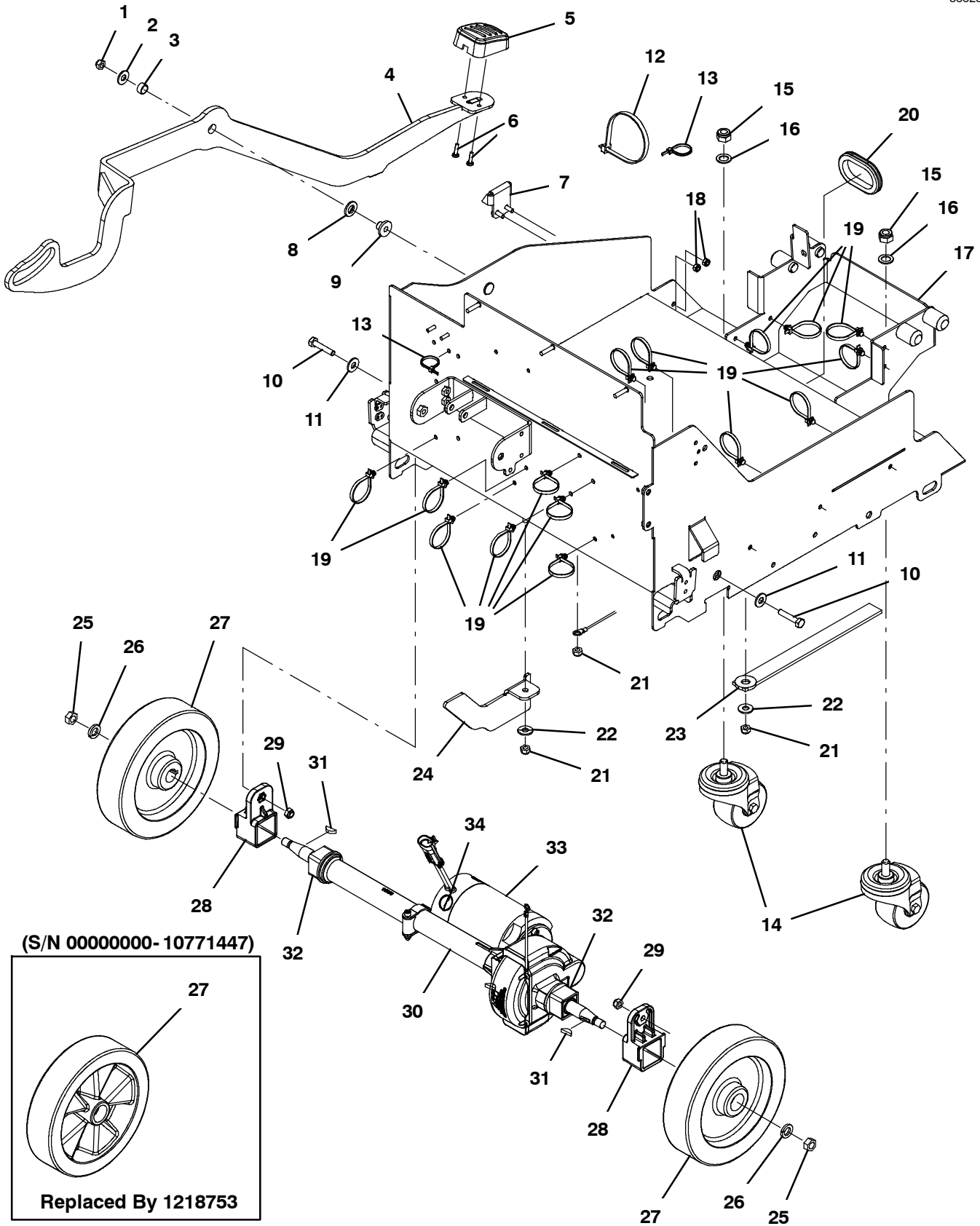


COVER GROUP

Ref.	Part No.	Serial Number	Description	Qty.
1	9014013	(00000000-) Cover, Afmkt [Sg7] (Does Not Include Labels - Order Separately See Label Group)	1
2	1034731	(00000000-) Screw, Hex, M6 X 1.00 X 16, Ss, Sems	1
3	1204697	(00000000-) Bracket, Pivot, Body	1
4	49697	(00000000-) Screw, Pan, Phl, M4 X 0.70 X 10, Ss	4
5	02938	(00000000-) Washer, Lock, Int, 08, Ss	4
6	1207285	(00000000-) Latch, Draw, Rbr, W/ Keeper, Yellow	2
7	1205551	(00000000-) Stud, Ball, 10mm Ball, M8x1.25 Stud	1
8	1205533	(00000000-) Damper	1
9	49697	(00000000-) Screw, Pan, Phl, M4 X 0.70 X 10, Ss	3
10	02938	(00000000-) Washer, Lock, Int, 08, Ss	3
11	1205549	(00000000-) Bracket, Stud, Ball, .389 Dia	1

FRAME GROUP, DRIVE

355238



FRAME GROUP, DRIVE

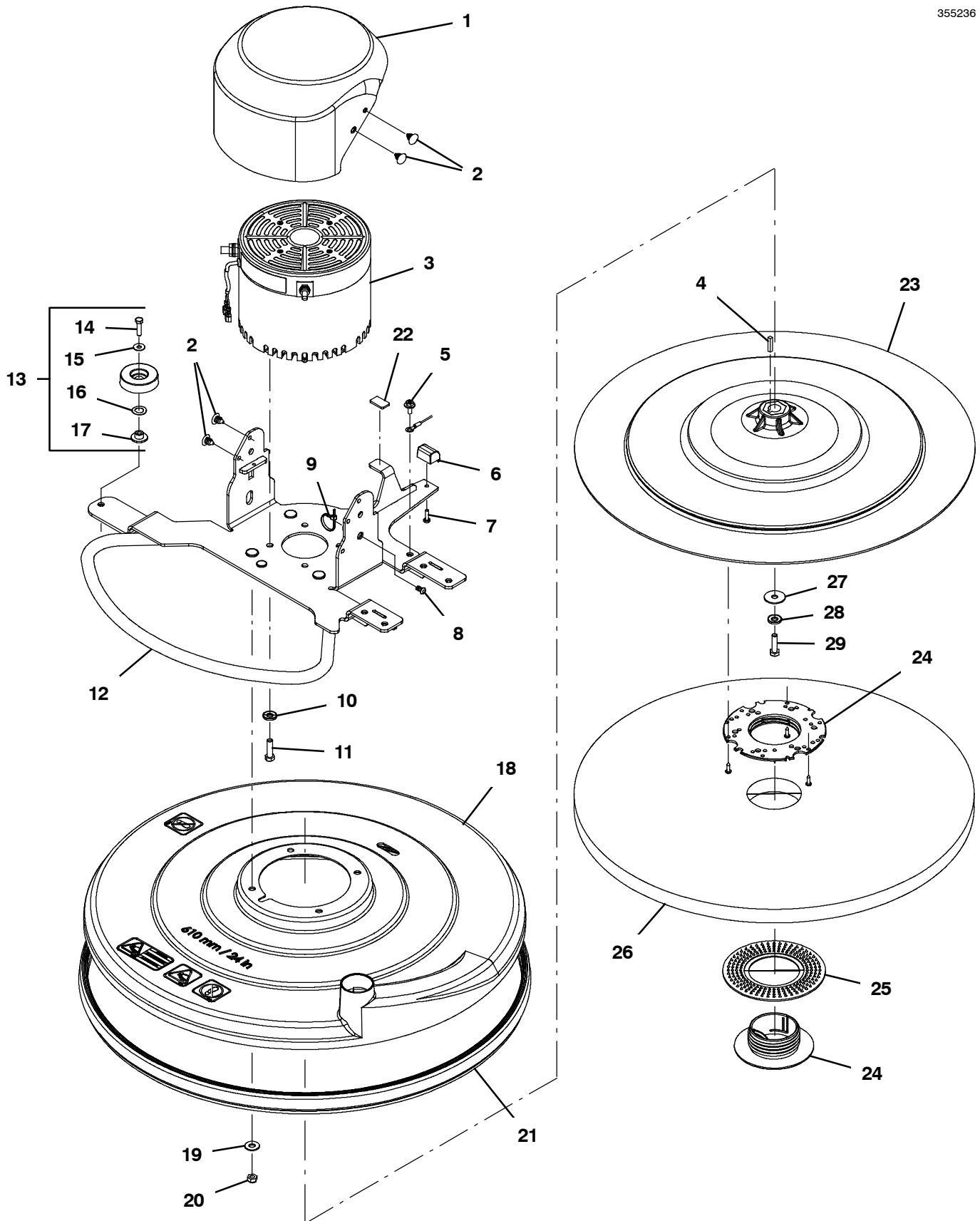
Ref.	Part No.	Serial Number	Description	Qty.	
1	08713	(00000000-) Nut, Hex, Lock, M8 X 1.25, NI, Ss	1	
2	01685	(00000000-) Washer, Flat, 0.38b 0.88d .08, Ss	1	
3	1205534	(00000000-) Bearing, .50idx.31lg Journal	1	
4	1203257	(00000000-) Pedal Wldt, Lift, Head	1	
5	1203776	(00000000-) Cover, Pedal	1	
6	1043573	(00000000-) Screw, #10- 14 X 0.675, Spl[Shcs,Selftap]	2	
7	1013946	(00000000-) Bracket, Locking, Pedal, Foot	1	
8	1013936	(00000000-) Washer, Flat, 0.51b 0.94d .10, Nyl	1	
9	1203351	(00000000-) Bushing, FIng, 8.3mmb 12.6mmd 10.7mml	1	
10	74440	(00000000-) Screw, Hex, M8 X 1.25 X 40, NI, Ss	2	
11	01685	(00000000-) Washer, Flat, 0.38b 0.88d .08, Ss	2	
12	44961	(00000000-) Tie, Cable, Nyl, 14.5l .30w 4.0 Max D	1	
13	130773	(00000000-) Tie, Cable, Nyl, 11.0l, .14w, 3.0 Max. D	2	
▽	14	9012767	(00000000-) Caster Kit, Afmkt, W/ Hdwr	2
▲	15	09741	(00000000-) Nut, Hex, Lock, M12 X 1.75, NI, Ss	2
▲	16	140058	(00000000-) Washer, Flat, 0.54b 0.88d .06, Ss [Wand]	2
17	1204444	(00000000-) Frame Wldt, Main [B7]	1	
18	08712	(00000000-) Nut, Hex, Lock, M6 X 1.00, NI, Ss	2	
19	1210807	(00000000-) Wire, Tie [W/.25" Fir Tree Clip]	19	
20	10632- 19	(00000000-) Grommet, Rbr, 2.13id, F/2.5h, .12 Matl	1	
21	08713	(00000000-) Nut, Hex, Lock, M8 X 1.25, NI, Ss	3	
22	01685	(00000000-) Washer, Flat, 0.38b 0.88d .08, Ss	2	
23	71579	(00000000-) Strap, Static, W/Grommet, .19 1.1w 25.0l	1	
24	1205732	(00000000-) Bracket, Follower, Head	1	
25	07788	(00000000-) Nut, Hex, Std, M12 X 1.75, Ss	2	
26	140024	(00000000-) Washer, Lock, Split, 0.50, Ss	2	
27	1218753	(10771448-) Wheel, Scrbr, 213mm, W/ Taper	2	
27	1020688	(00000000- 10771447) Wheel, Scrbr, 213mm, W/ Taper (Replaced by 1218753 - Order Qty 2)	2	
28	1028292	(00000000-) Adapter, Mtg, Axle, Alm [T3]	2	
29	08713	(00000000-) Nut, Hex, Lock, M8 X 1.25, NI, Ss	2	
▽	30	1202920	(00000000-) Transaxle, 24vdc [458f- 2100 Asi]	1
▲	31	1021167	(00000000-) Key, Woodruff, 5mm	2
▲	32	612880	(00000000-) Joint, Transaxle, Replmt	2
▲▽	33	1212352	(00000000-) Motor, Transaxle, 24vdc, UI	1
▲▲	34	1212351	(00000000-) Brush, Kit, Carbon, Transaxle, UI (1 Pkg = 4 Brushes)	1

▽ ASSEMBLY

▲ INCLUDED IN ASSEMBLY

HEAD GROUP, 610 MM (24 IN)

355236



HEAD GROUP, 610 MM (24 IN)

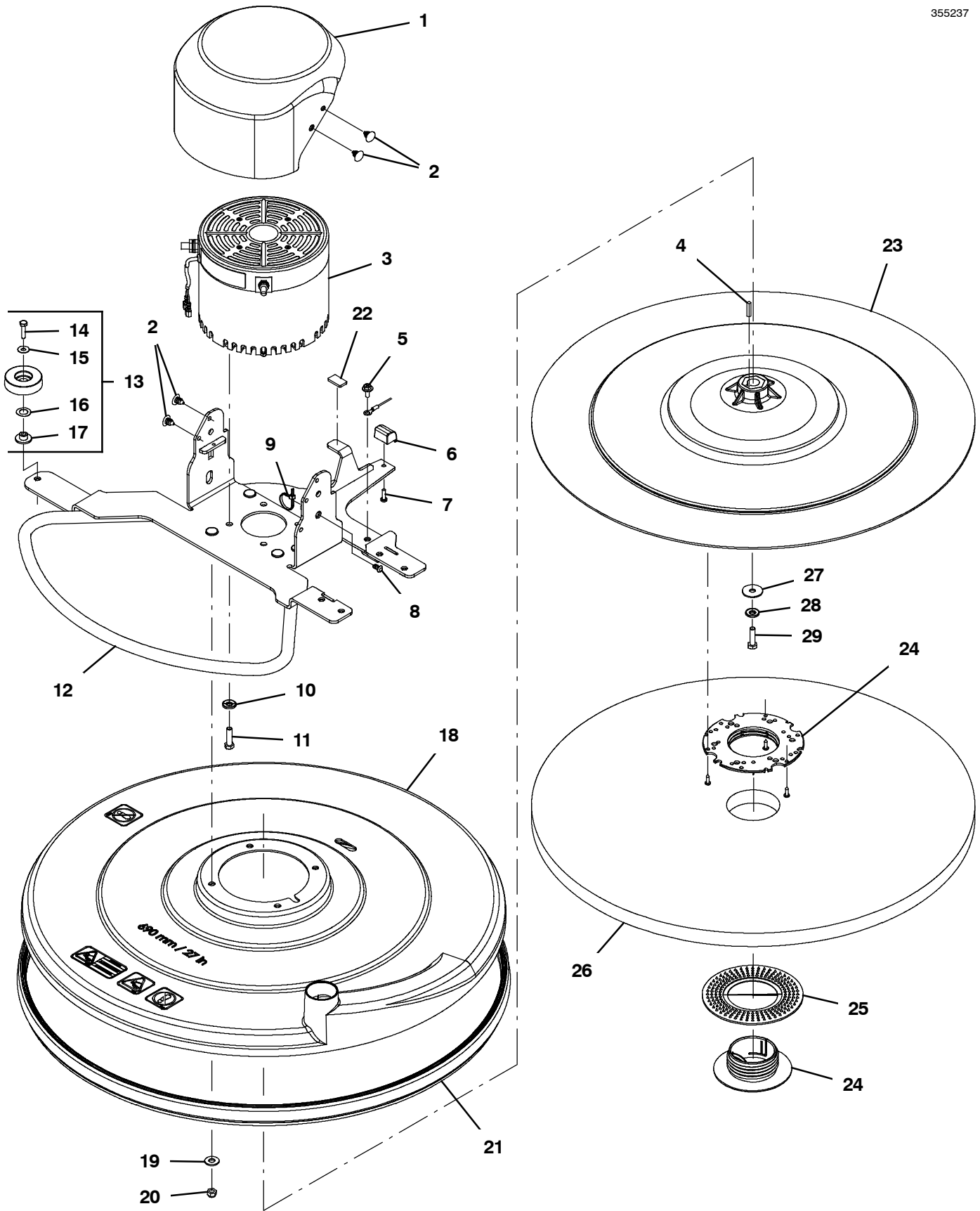
Ref.	Part No.	Serial Number	Description	Qty.	
1	1205768	(00000000-) Cover, Motor, Spg	1	
2	140262	(00000000-) Clip, Snap- In	4	
▽	3	1205478	(00000000-) Motor, Ele, 24- 72vdc, 3900rpm, 8.83hp	1
▲	1212017	(00000000-) Brush Assy, Carbon, Afmkt	1	
▲	4	00928	(00000000-) Key, Sq, 0.25 X 0.25, 1.00l	1
5	1034731	(00000000-) Screw, Hex, M6 X 1.00 X 16, Ss, Sems	1	
6	1205755	(00000000-) Roller, Guide	1	
7	1043573	(00000000-) Screw, #10- 14 X 0.675, Spl[Shcs,Selftap]	1	
8	1071085	(00000000-) Clip, Tie, 0.25d, Plstc	1	
9	130773	(00000000-) Tie, Cable, Nyl, 11.0l, .14w, 3.0 Max. D	1	
10	41186	(00000000-) Washer, Flat, Belleville, .31	4	
11	1016399	(00000000-) Screw, Hex, M8 X 1.25 X 30, NI, Ss	4	
12	1216453	(10729501-) Motor Wldt, Mount, 60cm	1	
12	1205095	(00000000- 10729500) Motor Wldt, Mount, 60cm	1	
▽	13	9012768	(00000000-) Wheel Kit, Bmpr, Afmkt, W/ Hdwr	1
▲	14	1016005	(00000000-) Screw, Hex, M6 X 1.00 X 25, NI, FI, Ss	1
▲	15	01684	(00000000-) Washer, Flat, 0.27b 0.69d .05, Ss	1
▲	16	1210221	(00000000-) Washer, Wave, .515b, .875d, .013, Ss	1
▲	17	1210186	(00000000-) Bushing, Flng, 6.3mmb 12.6mmd 7.7mml	1
18	9012773	(00000000-) Shroud, Dust, Afmkt, 61cm, [Na]	1	
18	9012774	(00000000-) Shroud, Dust, Afmkt, 61cm, [Jp]	1	
18	9012775	(00000000-) Shroud, Dust, Afmkt, 61cm, [Ce]	1	
19	01685	(00000000-) Washer, Flat, 0.38b 0.88d .08, Ss	4	
20	08713	(00000000-) Nut, Hex, Lock, M8 X 1.25, NI, Ss	4	
21	1200750	(00000000-) Skirt Assy, Shrd, 24.0d	1	
22	1032763	(00000000-) Gasket, Stand, Support	1	
▽	23	1208141	(00000000-) Driver Assy, Pad, 24d	1
▲	24	32506	(00000000-) Device, Centering, Rh Pad Retainer	1
▲	25	1205787	(00000000-) Collar, Locking, Pad Driver, 6.1"	1
26	1204254	(00000000-) Pad, Burnish, 24.0d, Hairblend 1pk=1pad (Qty 1 Pad)	1	
27	41186	(00000000-) Washer, Flat, Belleville, .31	1	
28	25732	(00000000-) Washer, Flat, 0.36b 1.25d .09, PI	1	
29	1016399	(00000000-) Screw, Hex, M8 X 1.25 X 30, NI, Ss	1	

▽ ASSEMBLY

▲ INCLUDED IN ASSEMBLY

HEAD GROUP, 690 MM (27 IN)

355237



HEAD GROUP, 690 MM (27 IN)

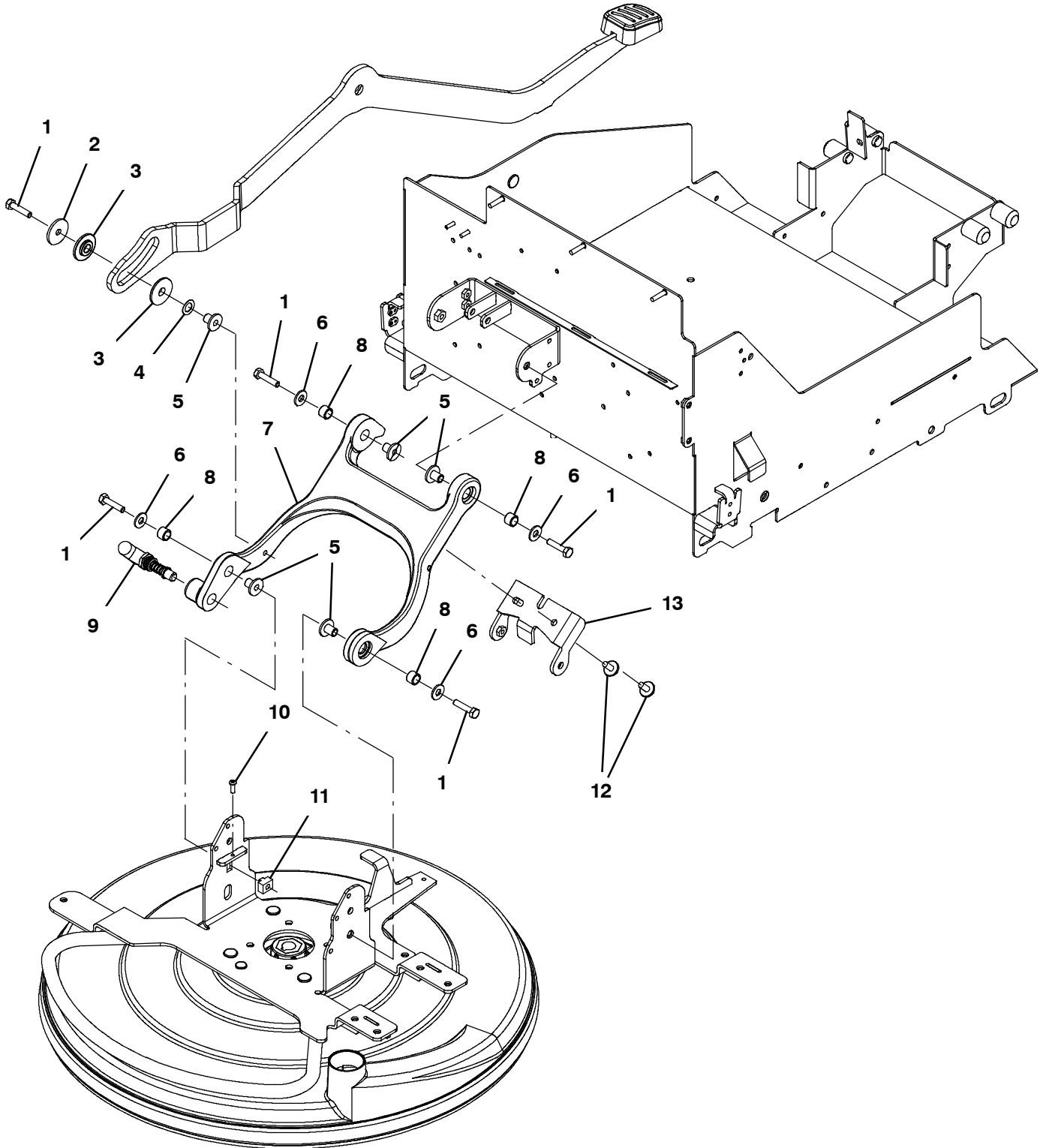
Ref.	Part No.	Serial Number	Description	Qty.	
1	1205768	(00000000-) Cover, Motor, Spg	1	
2	140262	(00000000-) Clip, Snap- In	4	
▽	3	1205478	(00000000-) Motor, Ele, 24- 72vdc, 3900rpm, 8.83hp	1
▲	1212017	(00000000-) Brush Assy, Carbon, Afmkt	1	
▲	4	00928	(00000000-) Key, Sq, 0.25 X 0.25, 1.00l	1
5	1034731	(00000000-) Screw, Hex, M6 X 1.00 X 16, Ss, Sems	1	
6	1205755	(00000000-) Roller, Guide	1	
7	1043573	(00000000-) Screw, #10- 14 X 0.675, Spl[Shcs,Selftap]	1	
8	1071085	(00000000-) Clip, Tie, 0.25d, Plstc	1	
9	130773	(00000000-) Tie, Cable, Nyl, 11.0l, .14w, 3.0 Max. D	1	
10	41186	(00000000-) Washer, Flat, Belleville, .31	4	
11	1016399	(00000000-) Screw, Hex, M8 X 1.25 X 30, NI, Ss	4	
12	1215727	(10729501-) Motor Wldt, Mount, 68cm	1	
12	1204707	(00000000- 10729500) Motor Wldt, Mount, 68cm	1	
▽	13	9012768	(00000000-) Wheel Kit, Bmpr, Afmkt, W/ Hdwr	1
▲	14	1016005	(00000000-) Screw, Hex, M6 X 1.00 X 25, NI, FI, Ss	1
▲	15	01684	(00000000-) Washer, Flat, 0.27b 0.69d .05, Ss	1
▲	16	1210221	(00000000-) Washer, Wave, .515b, .875d, .013, Ss	1
▲	17	1210186	(00000000-) Bushing, Flng, 6.3mmb 12.6mmd 7.7mml	1
18	9012776	(00000000-) Shroud, Dust, Afmkt, 69cm, [Na]	1	
19	01685	(00000000-) Washer, Flat, 0.38b 0.88d .08, Ss	4	
20	08713	(00000000-) Nut, Hex, Lock, M8 X 1.25, NI, Ss	4	
21	1200686	(00000000-) Skirt Assy, Shrd, 27.0d	1	
22	1032763	(00000000-) Gasket, Stand, Support	1	
▽	23	1213332	(00000000-) Driver Assy, Pad, 27d	1
▲	24	32506	(00000000-) Device, Centering, Rh Pad Retainer	1
▲	25	1205787	(00000000-) Collar, Locking, Pad Driver, 6.1"	1
26	1204255	(00000000-) Pad, Burnish, 27.0d, Hairblend 1pk=1pad (Qty 1 Pad)	1	
27	41186	(00000000-) Washer, Flat, Belleville, .31	1	
28	25732	(00000000-) Washer, Flat, 0.36b 1.25d .09, PI	1	
29	1016399	(00000000-) Screw, Hex, M8 X 1.25 X 30, NI, Ss	1	

▽ ASSEMBLY

▲ INCLUDED IN ASSEMBLY

HEAD LIFT GROUP

355239



HEAD LIFT GROUP

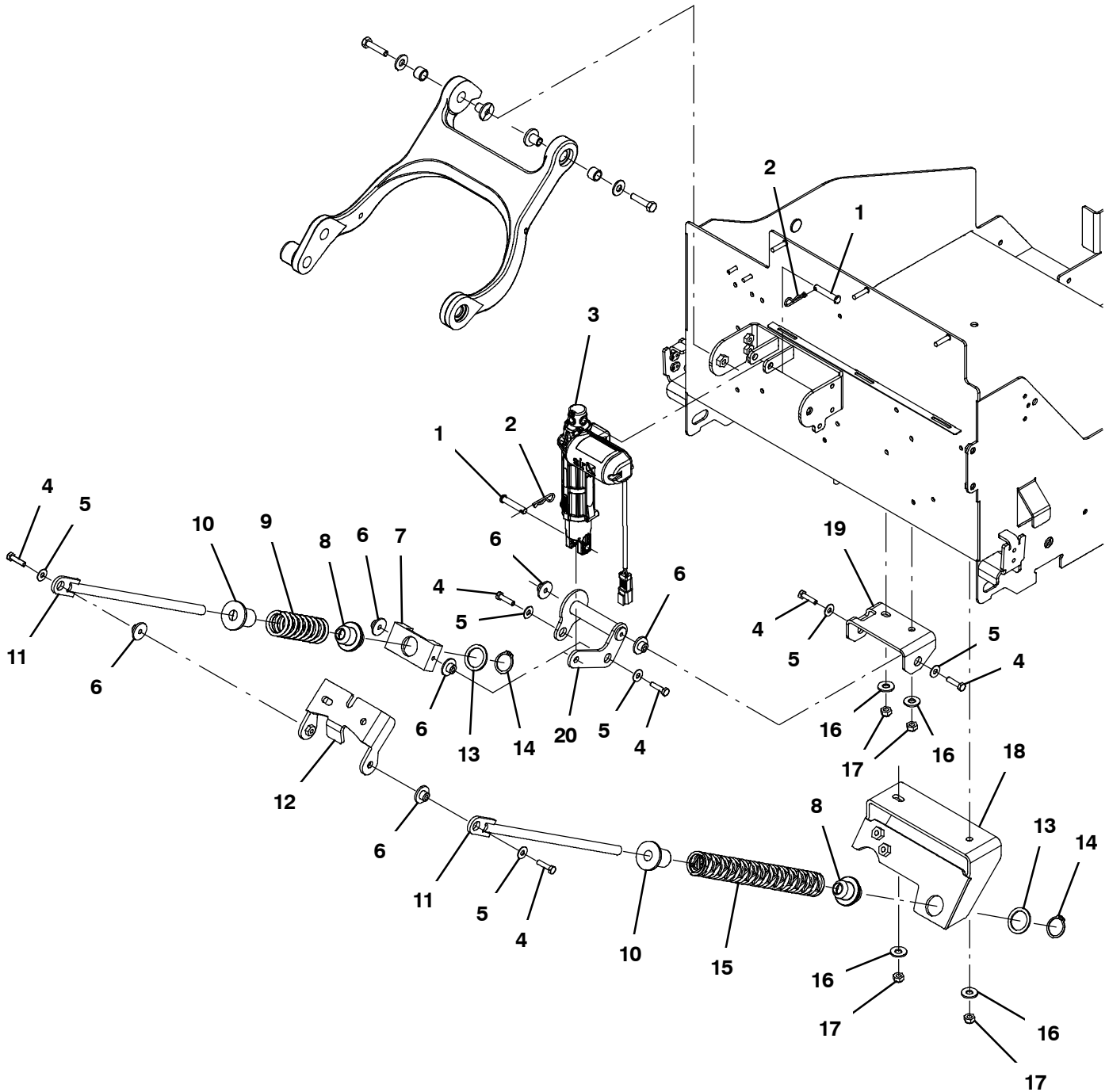
Ref.	Part No.	Serial Number	Description	Qty.	
1	59658	(00000000-) Screw, Hex, M8 X 1.25 X 35, NI, Ss	4	
2	379829	(00000000-) Washer, Flat, 0.34b 1.50d .12, Stl, Pl	1	
3	1205779	(00000000-) Roller, Flng, 12mmb 39.94mmd 6.5mml	2	
4	1210221	(00000000-) Washer, Wave, .515b, .875d, .013, Ss	1	
5	1205562	(00000000-) Bushing, Flng, 8.3mmb 11.7mmd 15mml	5	
6	01685	(00000000-) Washer, Flat, 0.38b 0.88d .08, Ss	4	
▽	7	9012779	(00000000-) Arm, Lift, Head, Afmkt, W/Bearings	1
▲	8	9012780	(00000000-) Bearing Kit, 12mmb 16mmd 12mmw, Qty=4	1
9	1203378	(00000000-) Pin, Spring, .50d 1.00b	1	
10	1205799	(00000000-) Screw, Btn, Torx, M5 X 0.8 X 16, 8.8, NI	1	
11	1221434	(00000000-) Nut, T, M8 X 1.25, Pm Ss [B5/B7, T300]	1	
12	1020341	(00000000-) Screw, Hex, M8 X 1.25 X 20, Ss, Sems	2	
13	1204894	(00000000-) Guide Wldt, Rod	1	

▽ ASSEMBLY

▲ INCLUDED IN ASSEMBLY

DOWN PRESSURE GROUP, AUTOMATED

355240

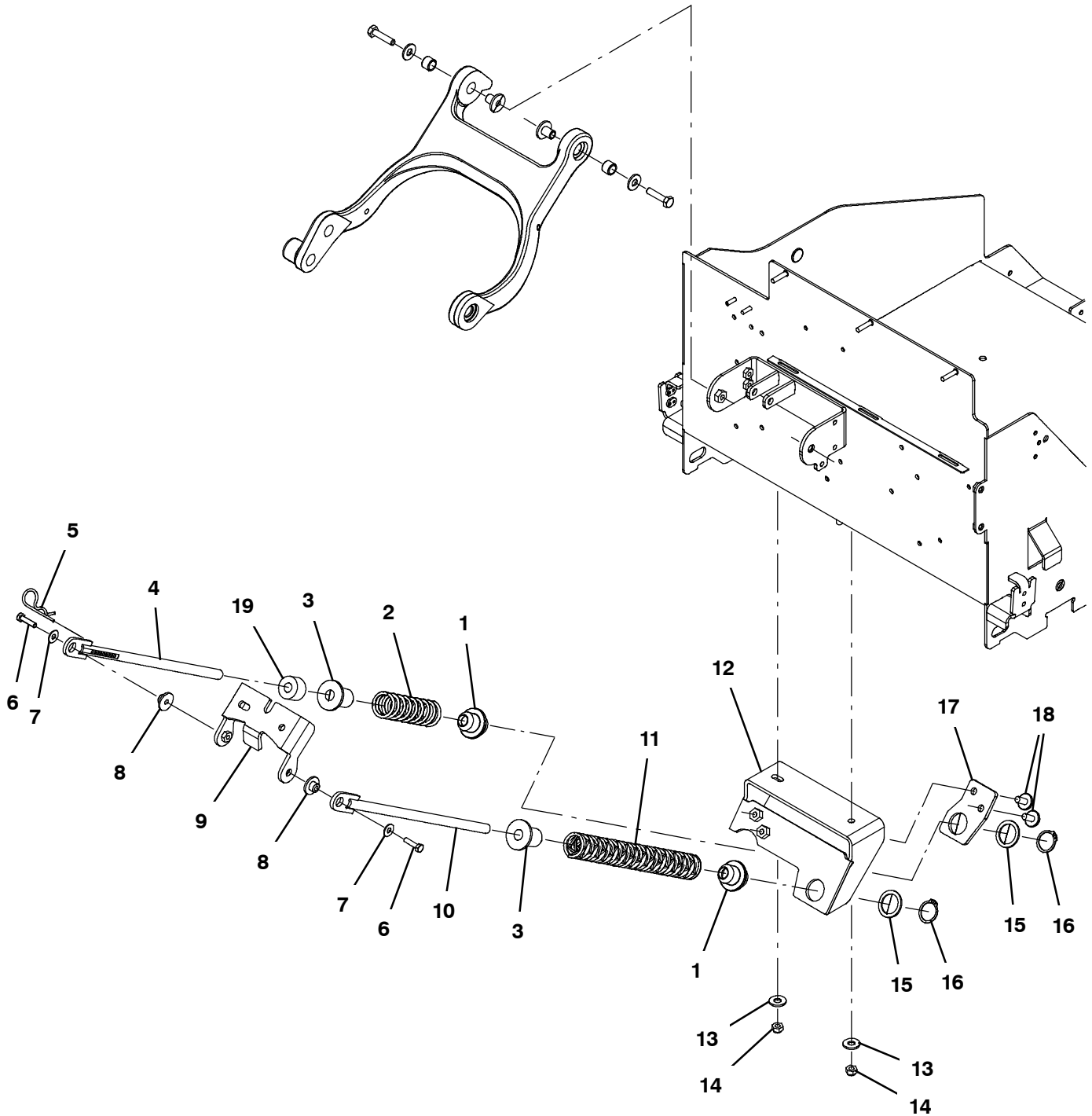


DOWN PRESSURE GROUP, AUTOMATED

Ref.	Part No.	Serial Number	Description	Qty.
1	397249	(00000000-) Pin, Clevis, 0.31d X 1.62l	2
2	44906	(00000000-) Pin, Cotter, Hair, 0.38d .093 Wir	2
3	1205700	(00000000-) Actuator, 36vdc, 60mm Strk, 2sw, 350n	1
4	1016005	(00000000-) Screw, Hex, M6 X 1.00 X 25, NI, FI, Ss	6
5	01684	(00000000-) Washer, Flat, 0.27b 0.69d .05, Ss	6
6	1210186	(00000000-) Bushing, Flng, 6.3mmb 12.6mmd 7.7mml	6
7	1220923	(00000000-) Block, Guide, Rod, Pm, PI [B5, B7 Auto]	1
8	1205548	(00000000-) Bushing, Guide, Rod	2
9	1205304	(00000000-) Spring, Cmpr, 1.38od .170wir 4.3l[Yellow] (610mm / 24" Model)	1
9	1210789	(00000000-) Spring, Cmpr, 1.424od .192wir 4.40l[Blue] (690mm / 27" Model)	1
10	1205557	(00000000-) Bushing, Spring	2
11	1203314	(00000000-) Rod Wldt, Guide	2
12	1204894	(00000000-) Guide Wldt, Rod	1
13	1205832	(00000000-) Washer, Flat, 1.06b 1.42d .09thk, Nyl	2
14	1205567	(00000000-) Ring, Retaining, Ext, 26mmd	2
15	1205882	(00000000-) Spring, Cmpr, 1.35od .156wir 11l[Purple] (610mm / 24" Model)	1
15	1210788	(00000000-) Spring, Cmpr, 1.364od .162wir 11.0l[Grn] (690mm / 27" Model)	1
16	01685	(00000000-) Washer, Flat, 0.38b 0.88d .08, Ss	4
17	08713	(00000000-) Nut, Hex, Lock, M8 X 1.25, NI, Ss	4
18	1204575	(00000000-) Bracket Wldt, Rod	1
19	1205738	(00000000-) Bracket, Bellcrank	1
20	1203198	(00000000-) Bracket Wldt, Bellcrank	1

DOWN PRESSURE GROUP, MECHANICAL

355241

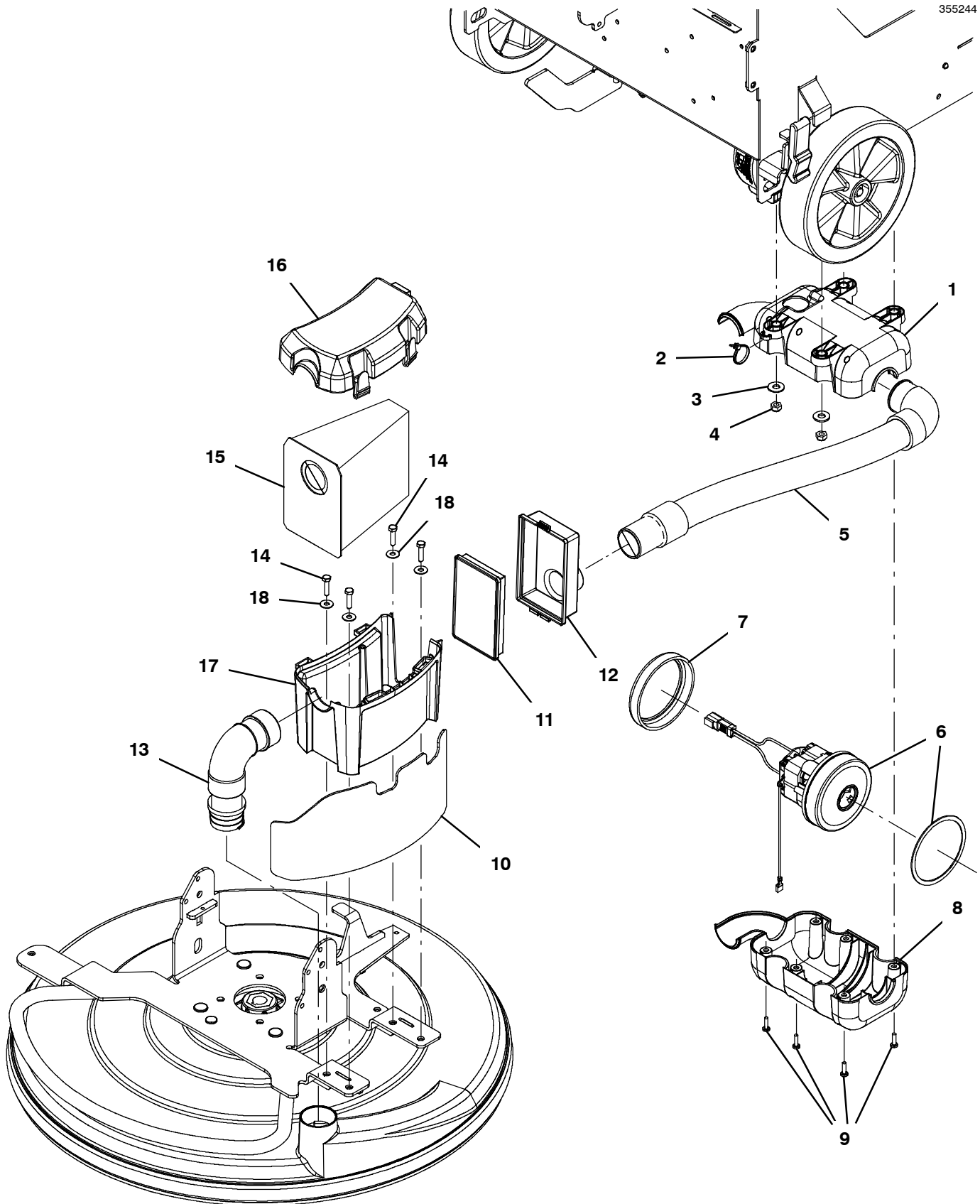


DOWN PRESSURE GROUP, MECHANICAL

Ref.	Part No.	Serial Number	Description	Qty.
1	1205548	(00000000-) Bushing, Guide, Rod	2
2	1210790	(00000000-) Spring, Cmpr, 1.38od .170wir 5.4l[Ornge]	1
3	1205557	(00000000-) Bushing, Spring	2
4	1207690	(00000000-) Rod Wldt, Guide, Adj	1
5	02942	(00000000-) Pin, Hair, Cotter, 0.62d .120 Wir	1
6	1016005	(00000000-) Screw, Hex, M6 X 1.00 X 25, NI, Fl, Ss	2
7	01684	(00000000-) Washer, Flat, 0.27b 0.69d .05, Ss	2
8	1210186	(00000000-) Bushing, Flng, 6.3mmb 12.6mmd 7.7mml	2
9	1204894	(00000000-) Guide Wldt, Rod	1
10	1203314	(00000000-) Rod Wldt, Guide	1
11	1205882	(00000000-) Spring, Cmpr, 1.35od .156wir 11l[Purple] (610mm / 24" Model)	1
11	1210788	(00000000-) Spring, Cmpr, 1.364od .162wir 11.0l[Grn] (690mm / 27" Model)	1
12	1204575	(00000000-) Bracket Wldt, Rod	1
13	01685	(00000000-) Washer, Flat, 0.38b 0.88d .08, Ss	2
14	08713	(00000000-) Nut, Hex, Lock, M8 X 1.25, NI, Ss	2
15	1205832	(00000000-) Washer, Flat, 1.06b 1.42d .09thk, Nyl	2
16	1205567	(00000000-) Ring, Retaining, Ext, 26mmd	2
17	1208110	(00000000-) Plate, Spring	1
18	1020341	(00000000-) Screw, Hex, M8 X 1.25 X 20, Ss, Sems	2
19	608198	(00000000-) Roller, 0.99d 0.50b 0.71l, Acetal [1610]	1

DUST CONTROL GROUP, ACTIVE

355244

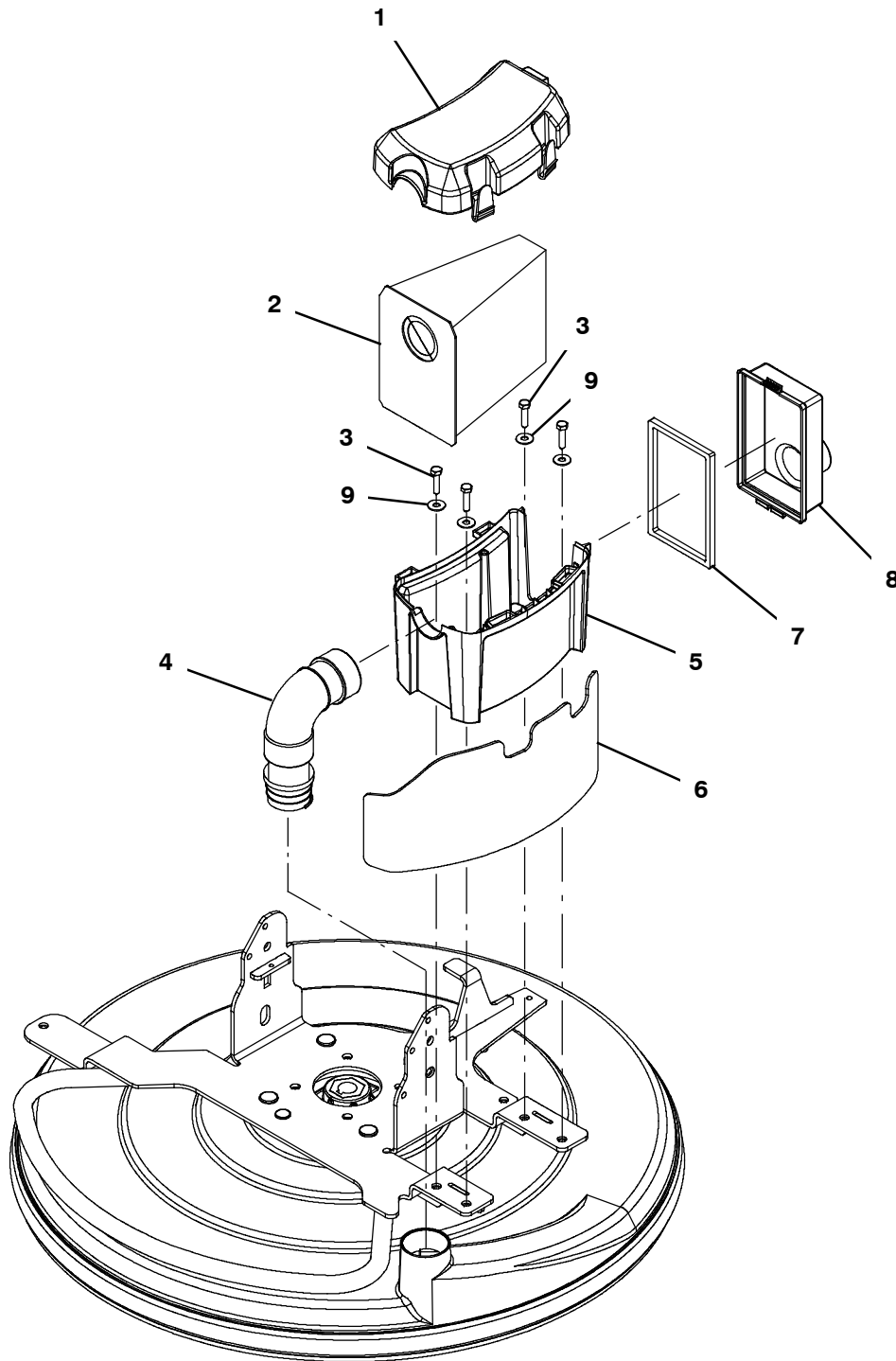


DUST CONTROL GROUP, ACTIVE

Ref.	Part No.	Serial Number	Description	Qty.
1	1203164	(00000000-) Housing, Vacuum Motor, Left	1
2	130773	(00000000-) Tie, Cable, Nyl, 11.0l, .14w, 3.0 Max. D	1
3	01685	(00000000-) Washer, Flat, 0.38b 0.88d .08, Ss	4
4	08713	(00000000-) Nut, Hex, Lock, M8 X 1.25, NI, Ss	4
5	607275	(00000000-) Hose, Vacuum, 1.50id X 040.0l, 2cuff,E90	1
6	9012781	(00000000-) Fan Kit, Vacuum, Afmkt, W/ Gasket	1
7	1203349	(00000000-) Gasket, Vac Motor	1
8	1203165	(00000000-) Housing, Vacuum Motor, Right	1
9	1043573	(00000000-) Screw, #10- 14 X 0.675, Spl[Shcs,Selftap]	6
10	1215720	(10729501-) Guard, Wldt, Dust Box	1
10	1211826	(00000000- 10729500) Guard, Wldt, Dust Box	1
11	1203162	(00000000-) Filter, Hepa	1
12	1206013	(00000000-) Housing, Filter, Hepa, Spg	1
13	1204900	(00000000-) Hose, Assy, 1.50 Id	1
14	1016005	(00000000-) Screw, Hex, M6 X 1.00 X 25, NI, FI, Ss	4
15	1210869	(00000000-) Bag, Dust, Paper[1 Pick=1 Pkg] (1 Pkg=10 Bags) (Standard)	1
16	1206015	(00000000-) Cover, Dust Control, Spg	1
17	1206014	(00000000-) Base, Dust Control, Spg	1
18	01684	(00000000-) Washer, Flat, 0.27b 0.69d .05, Ss	4

DUST CONTROL GROUP, PASSIVE

355230

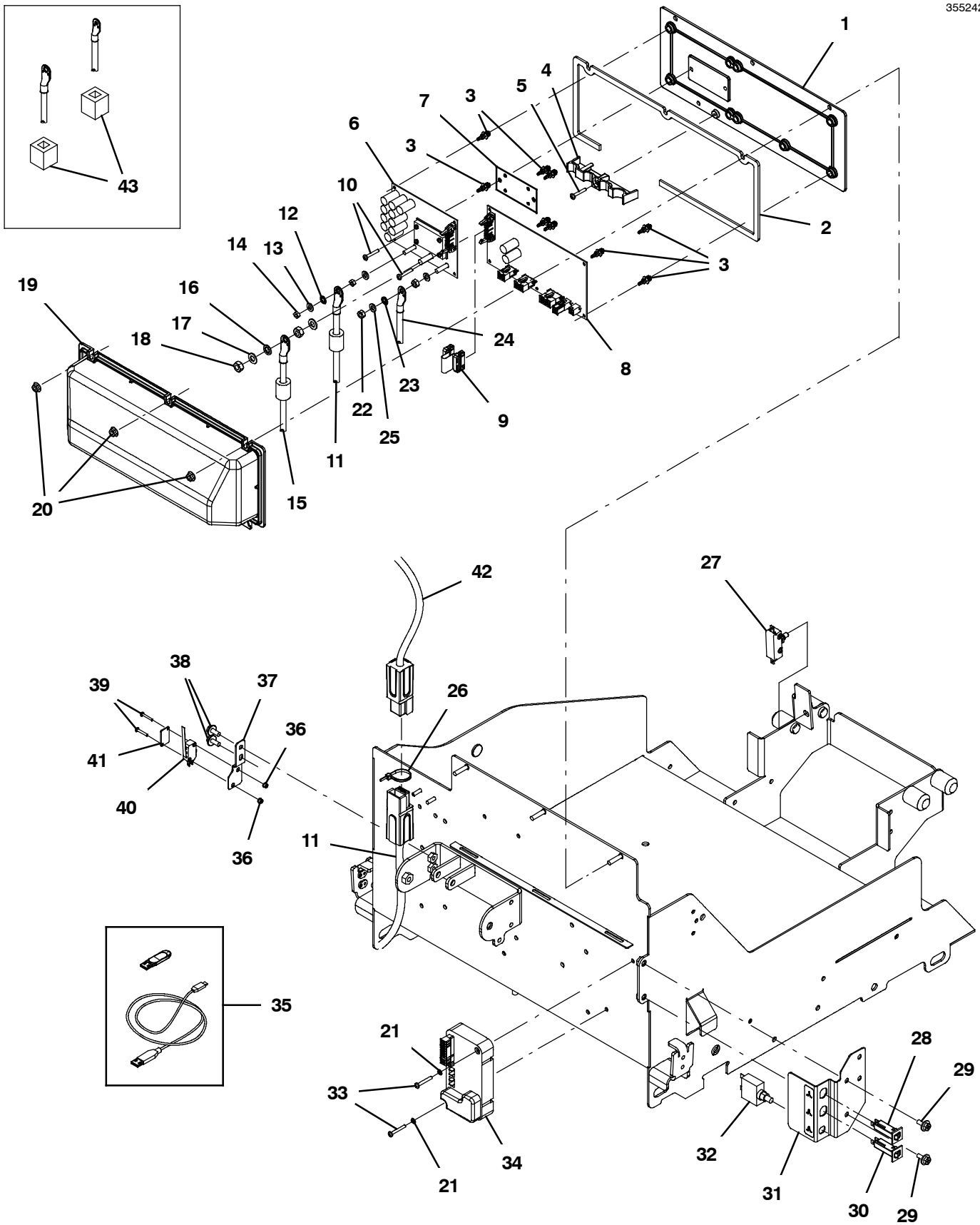


DUST CONTROL GROUP, PASSIVE

Ref.	Part No.	Serial Number	Description	Qty.
1	1206015	(00000000-) Cover, Dust Control, Spg	1
2	1210869	(00000000-) Bag, Dust, Paper[1 Pick=1 Pkg] (1 Pkg=10 Bags) (Standard)	1
2	1208744	(00000000-) Bag, Dust, Cloth (Optional for Passive Dust Control Only)	1
3	1016005	(00000000-) Screw, Hex, M6 X 1.00 X 25, NI, FI, Ss	4
4	1204900	(00000000-) Hose, Assy, 1.50 Id	1
5	1206014	(00000000-) Base, Dust Control, Spg	1
6	1215720	(10729501-) Guard, Wldt, Dust Box	1
6	1211826	(00000000- 10729500) Guard, Wldt, Dust Box	1
7	1212532	(00000000-) Gasket, Cover, Box, Dust	1
8	1206013	(00000000-) Housing, Filter, Hepa, Spg	1
9	01684	(00000000-) Washer, Flat, 0.27b 0.69d .05, Ss	4

ELECTRICAL COMPONENTS GROUP

355242



ELECTRICAL COMPONENTS GROUP

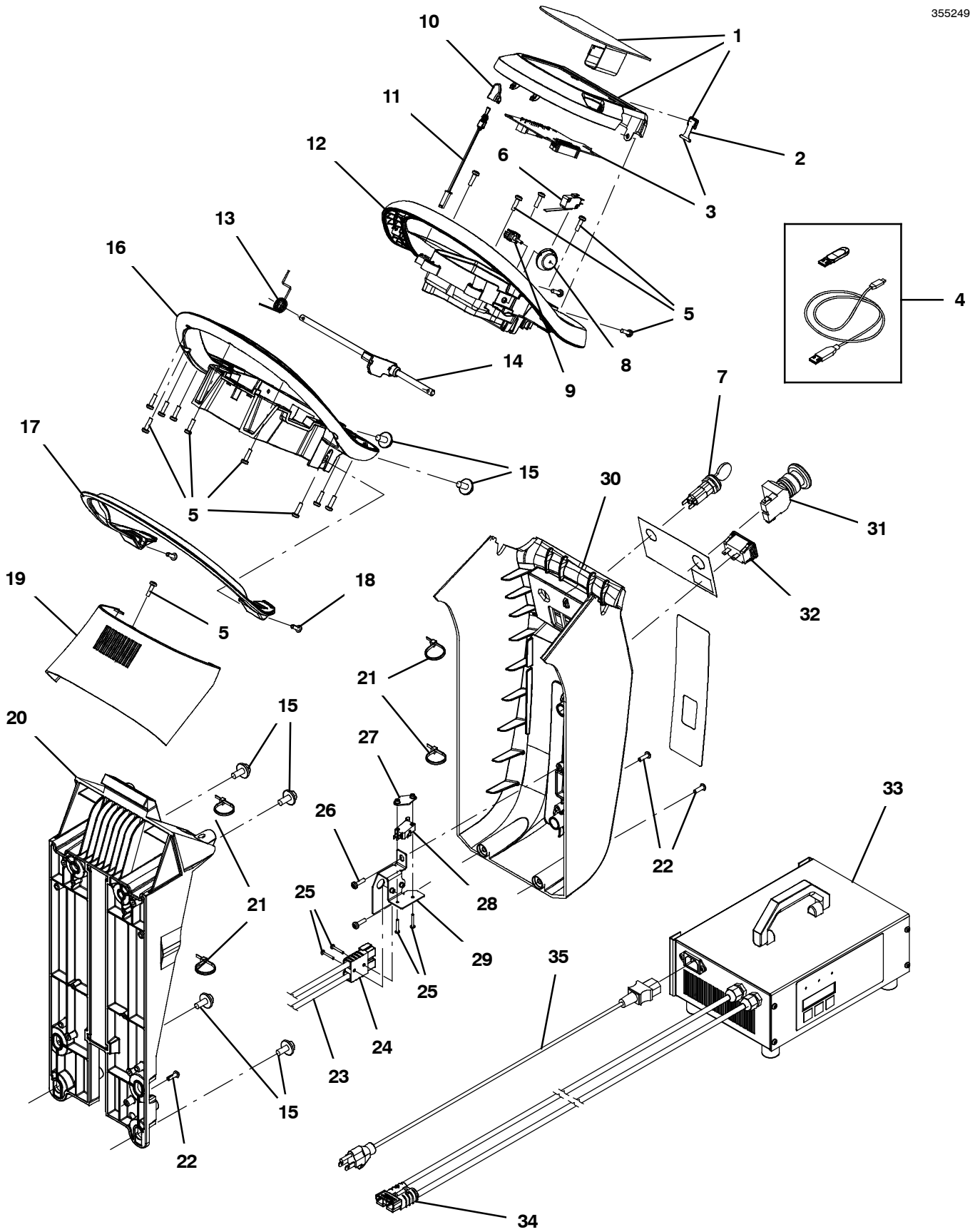
Ref.	Part No.	Serial Number	Description	Qty.	
1	1207928	(00000000-) Panel, Mounting, Cast	1	
2	1205971	(00000000-) Gasket, Cover, Circuitboard	1	
3	1209448	(00000000-) Standoff, Circuitboard, .25	9	
4	1203975	(00000000-) Spacer, Terminal	1	
5	04403	(00000000-) Screw, Pan, Phl, M4 X 0.70 X 25, Ni, Ss	1	
▽	6	9012782	(00000000-) Circuitboard Kit, Bridge, Afmkt, W/Strap	1
▲	7	1205845	(00000000-) Circuitboard, Silpad [1/2 Bridge, Lower]	1
8	9012783	(00000000-) Circuitboard Kit, Base, Afmkt, W/ Strap (For Models w/ mechanical pad pressure and passive dust control)	1	
8	9012796	(00000000-) Circuitboard Kit, Option, Afmkt, W/Strap (For Models w/ automated pad pressure and/or active dust control)	1	
9	1206669	(00000000-) Cable, Assy [Ribbon, 20 Pos., 2.0]	1	
10	04403	(00000000-) Screw, Pan, Phl, M4 X 0.70 X 25, Ni, Ss	2	
11	1072936	(00000000-) Cable, Assy, Fuse [B7, 100a] (Includes Ferrite)	1	
12	07515	(00000000-) Washer, Lock, Int, 0.25, Ss	1	
13	1061918	(00000000-) Washer, Flat, 0.25b 0.47d .06, Brs	1	
14	1202864	(00000000-) Nut, Hex, Std, M5 X 0.80, Brs	1	
15	1072372	(00000000-) Cable, 04ga 36.4l Blue [M8 Ring/M8 Ring] (Includes Ferrite)	1	
16	43952	(00000000-) Washer, Lock, Int, 0.31, Ss	1	
17	1209373	(00000000-) Washer, Flat, M8.4b X 16d X 1.6, Brs	1	
18	41361	(00000000-) Nut, Hex, Std, M8 X 1.25, Brs	1	
19	1207594	(00000000-) Cover, Board, Cntrl	1	
20	07790	(00000000-) Nut, Hex, Flng, M6 X 1.00	3	
21	02938	(00000000-) Washer, Lock, Int, 08, Ss	2	
22	1061910	(00000000-) Nut, Hex, Std, M6 X 1.00, Brs	1	
23	07515	(00000000-) Washer, Lock, Int, 0.25, Ss	1	
24	1072939	(00000000-) Cable, Assy [B7/B5, Ground]	1	
25	1061918	(00000000-) Washer, Flat, 0.25b 0.47d .06, Brs	1	
26	130773	(00000000-) Tie, Cable, Nyl, 11.0l, .14w, 3.0 Max. D	1	
27	1207893	(00000000-) Switch, Push, Snap Action, 25a [No]	1	
28	1064184	(00000000-) Circuitbreaker, 02.5a, Resetable	1	
29	1034731	(00000000-) Screw, Hex, M6 X 1.00 X 16, Ss, Sems	2	
30	1064188	(00000000-) Circuitbreaker, 15.0a, Resetable	1	
31	1208453	(00000000-) Bracket, Circuit Breaker	1	
32	383725	(00000000-) Circuitbreaker, 30.0a, Resetable	1	
33	33931	(00000000-) Screw, Pan, Phl, M4 X 0.70 X 30, Ss	2	
▽	34	9012826	(00000000-) Controller, Drive, Afmkt, W/ Usb Cable (Drive Model)	1
▲	35	9012788	(00000000-) Software Kit, Installation, W/Usb Cable	1
36	1016603	(00000000-) Nut, Clinch, M3 X 0.5, Ni	2	
37	1207555	(00000000-) Bracket, Thread, Switch, M3 Nut [B5, B7]	1	
38	1034731	(00000000-) Screw, Hex, M6 X 1.00 X 16, Ss, Sems	2	
39	06922	(00000000-) Screw, Pan, Phl, M3 X 0.50 X 20, 4.8	2	
40	1205323	(00000000-) Switch, 0.1a, Spdt [Micro, Straight]	1	
41	601359	(00000000-) Plate, Backing, Switch	1	
42	1072365	(00000000-) Cable, 02ga 21.6l Red [M8 Ring / And.]	1	
43	1210283	(00000000-) Box, Wire [Ferrite, Emi Filter] (No Longer Available - Replaced by Cable 1072935 or 1072372 Includes Ferrite)	2	

▽ ASSEMBLY

▲ INCLUDED IN ASSEMBLY

CONSOLE GROUP, BASE, DRIVE, OFF BOARD CHARGER

355249



CONSOLE GROUP, BASE, DRIVE, OFF BOARD CHARGER

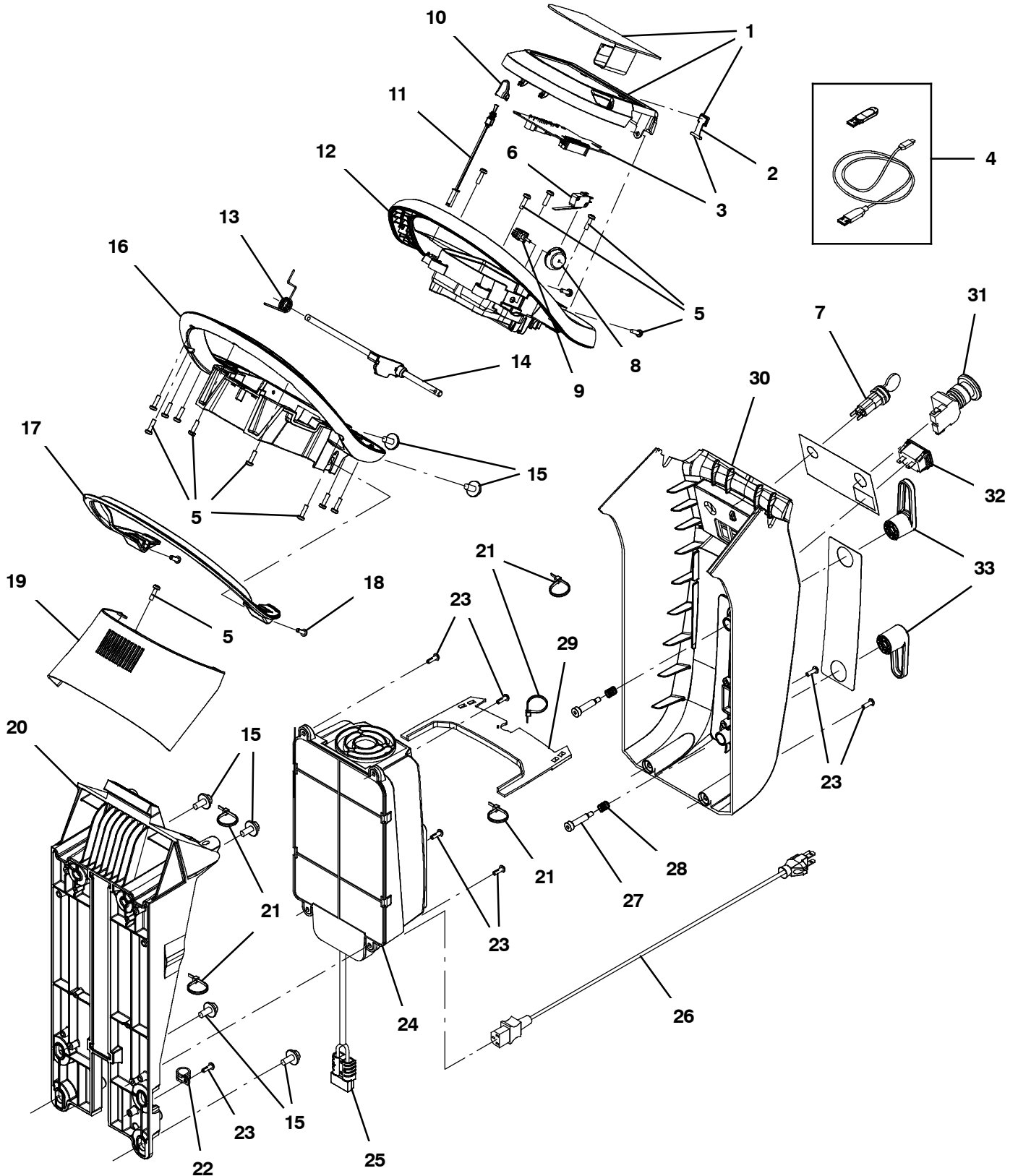
Ref.	Part No.	Serial Number	Description	Qty.
▽	1	9012785	(00000000-) Bezel Kit, Mechanical, Propel, Afmkt	1
▲	2	1205618	(00000000-) Cap, Usb	1
▽	3	9012787	(00000000-) Circuitboard Kit, Console, W/ Usb Cable	1
▲	4	9012788	(00000000-) Software Kit, Installation, W/Usb Cable	1
	5	1043573	(00000000-) Screw, #10- 14 X 0.675, Spl[Shcs,Selftap]	16
	6	1205323	(00000000-) Switch, 0.1a, Spdt [Micro, Straight]	1
▽	7	1011402	(00000000-) Switch, Key	1
▲		1017696	(00000000-) Key Set, Replmt [F/ Keyswitch 1011402]	1
	8	1206586	(00000000-) Dial, Range, Speed	1
	9	1204930	(00000000-) Potentiometer [100k, 1 Turn, B5/B7]	1
	10	1209730	(00000000-) Cap, Toggle, Direction	1
	11	1209673	(00000000-) Switch Assy, Toggle, Direction	1
	12	1203787	(00000000-) Housing, Handle, Cntrl, Top	1
	13	1205781	(00000000-) Spring, Return, Bail	1
	14	1205143	(00000000-) Shaft Asm, Bail, Handle	1
	15	1020341	(00000000-) Screw, Hex, M8 X 1.25 X 20, Ss, Sems	6
	16	1222608	(00000000-) Housing, Handle, Cntrl, Bottom, Slotted	1
	17	1205778	(00000000-) Handle, Bail [Machined]	1
	18	1205799	(00000000-) Screw, Btn, Torx, M5 X 0.8 X 16, 8.8, NI	2
	19	1207004	(00000000-) Cover, Handle, Cntrl	1
	20	1216531	(00000000-) Frame, Column, Cntrl [Revised Machined]	1
	21	130773	(00000000-) Tie, Cable, Nyl, 11.0l, .14w, 3.0 Max. D	4
	22	1205799	(00000000-) Screw, Btn, Torx, M5 X 0.8 X 16, 8.8, NI	3
▽	23	1072939	(00000000-) Cable, Assy [B7/B5, Ground]	1
▲	24	605387	(00000000-) Connector, Anderson, 050a, Red [W/O Con]	1
	25	06922	(00000000-) Screw, Pan, Phl, M3 X 0.50 X 20, 4.8	4
	26	1043573	(00000000-) Screw, #10- 14 X 0.675, Spl[Shcs,Selftap]	2
	27	1013705	(00000000-) Plate, Thread, Switch, M3 Nut, 96hr PI	1
	28	1215716	(00000000-) Switch, 0.1a, Spdt[Micro, Gold Contacts]	1
	29	1208599	(00000000-) Bracket Assy, Plug, Charger	1
	30	9012789	(00000000-) Cover, Console, Afmkt, W/ Label [Na]	1
	31	1011735	(00000000-) Switch, Safety, Shutoff	1
	32	1064038	(00000000-) Gauge, Hourmeter, 05- 277 Volt, Ac / Dc	1
▽	33	1208644	(00000000-) Charger, 36vdc, 25a 85- 265vac [Offboard] (180- 250 AH Wet Lead Acid Batteries)	1
▽	33	9012740	(00000000-) Charger, 36vdc 25a [P/N 1208644, #31] (200- 350 AH AGM Batteries)	1
▽	33	9012739	(00000000-) Charger, 36vdc 25a [P/N 1208644, #03] (260- 360 AH Wet Lead Acid Batteries)	1
▲	34	130155	(00000000-) Connector, Battery, 6ga 50a, Gray[2cont]	1
	35	1073882	(00000000-) Cord, Power, 16/3, 15a, 15ft Blk [Us]	1

▽ ASSEMBLY

▲ INCLUDED IN ASSEMBLY

CONSOLE GROUP, BASE, DRIVE, ON BOARD CHARGER

355250



CONSOLE GROUP, BASE, DRIVE, ON BOARD CHARGER

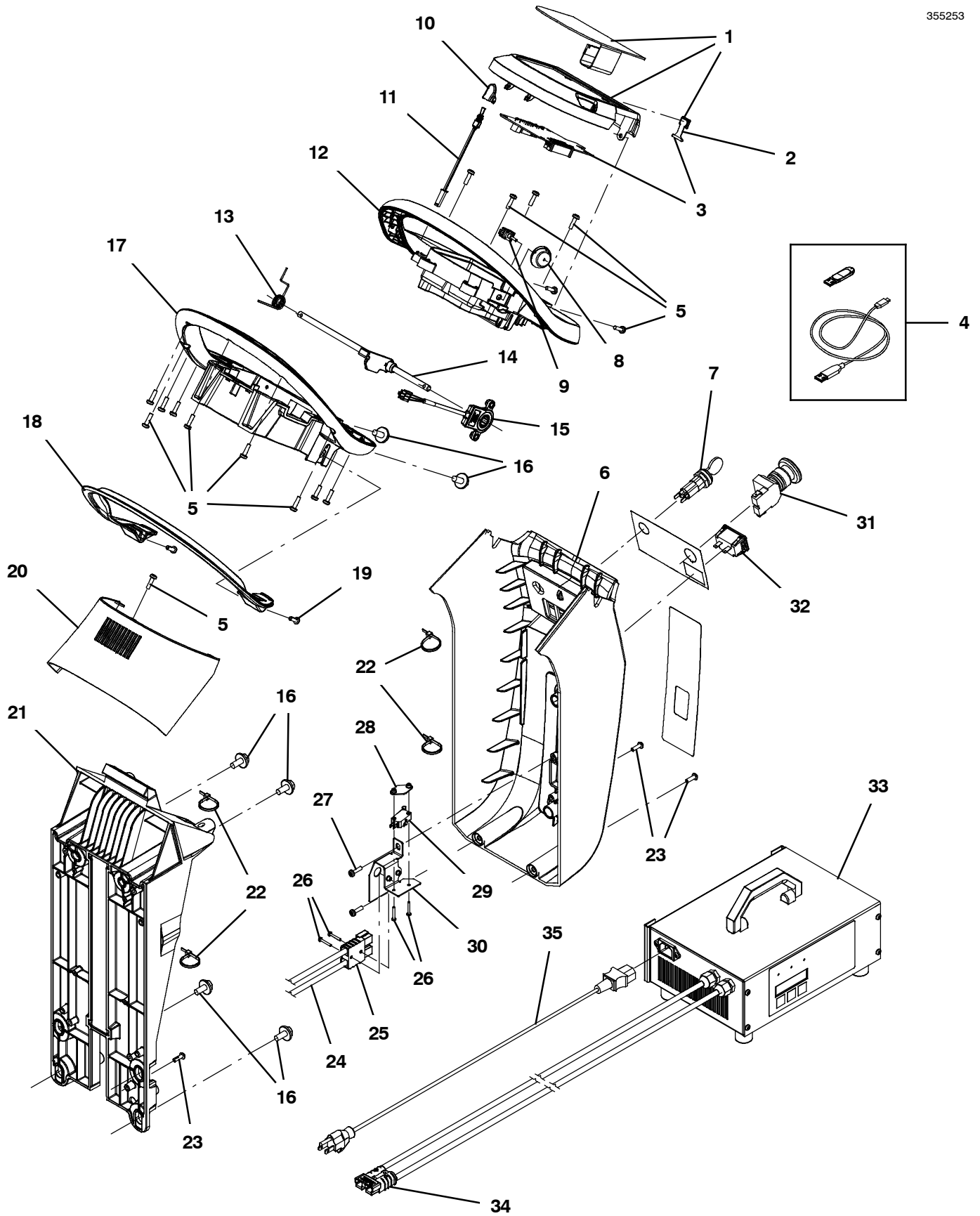
Ref.	Part No.	Serial Number	Description	Qty.
▽	1	9012785	(00000000-) Bezel Kit, Mechanical, Propel, Afmkt	1
▲	2	1205618	(00000000-) Cap, Usb	1
▽	3	9012787	(00000000-) Circuitboard Kit, Console, W/ Usb Cable	1
▲	4	9012788	(00000000-) Software Kit, Installation, W/Usb Cable	1
	5	1043573	(00000000-) Screw, #10- 14 X 0.675, Spl[Shcs,Selftap]	16
	6	1205323	(00000000-) Switch, 0.1a, Spdt [Micro, Straight]	1
▽	7	1011402	(00000000-) Switch, Key	1
▲		1017696	(00000000-) Key Set, Replmt [F/ Keyswitch 1011402]	1
	8	1206586	(00000000-) Dial, Range, Speed	1
	9	1204930	(00000000-) Potentiometer [100k, 1 Turn, B5/B7]	1
	10	1209730	(00000000-) Cap, Toggle, Direction	1
	11	1209673	(00000000-) Switch Assy, Toggle, Direction	1
	12	1203787	(00000000-) Housing, Handle, Cntrl, Top	1
	13	1205781	(00000000-) Spring, Return, Bail	1
	14	1205143	(00000000-) Shaft Asm, Bail, Handle	1
	15	1020341	(00000000-) Screw, Hex, M8 X 1.25 X 20, Ss, Sems	6
	16	1222608	(00000000-) Housing, Handle, Cntrl, Bottom, Slotted	1
	17	1205778	(00000000-) Handle, Bail [Machined]	1
	18	1205799	(00000000-) Screw, Btn, Torx, M5 X 0.8 X 16, 8.8, NI	2
	19	1207004	(00000000-) Cover, Handle, Cntrl	1
	20	1216531	(00000000-) Frame, Column, Cntrl [Revised Machined]	1
	21	130773	(00000000-) Tie, Cable, Nyl, 11.0l, .14w, 3.0 Max. D	4
	22	378969	(00000000-) Clamp, Cable, Stl, 0.56d X 0.38w, 1hole	1
	23	1205799	(00000000-) Screw, Btn, Torx, M5 X 0.8 X 16, 8.8, NI	5
▽	24	1202585	(00000000-) Charger, 36vdc, 25a 85- 265vac [On- Board]	1
▲	25	130155	(00000000-) Connector, Battery, 6ga 50a, Gray[2cont]	1
	26	1073882	(00000000-) Cord, Power, 16/3, 15a, 15ft Blk [Us]	1
	27	1024965	(00000000-) Bolt, Shld, 08mmd X 030mm, M06 X 1.0	2
	28	611311	(00000000-) Spring, Cmpr, 0.40od .05wir 00.5l, Pl,Mw	2
	29	1207290	(00000000-) Cover, Charger	1
	30	9012789	(00000000-) Cover, Console, Afmkt, W/ Label [Na]	1
	31	1011735	(00000000-) Switch, Safety, Shutoff	1
	32	1064038	(00000000-) Gauge, Hourmeter, 05- 277 Volt, Ac / Dc	1
	33	1205496	(00000000-) Hook, Cord	2

▽ ASSEMBLY

▲ INCLUDED IN ASSEMBLY

CONSOLE GROUP, POWER, DRIVE, OFF BOARD CHARGER

355253



CONSOLE GROUP, POWER, DRIVE, OFF BOARD CHARGER

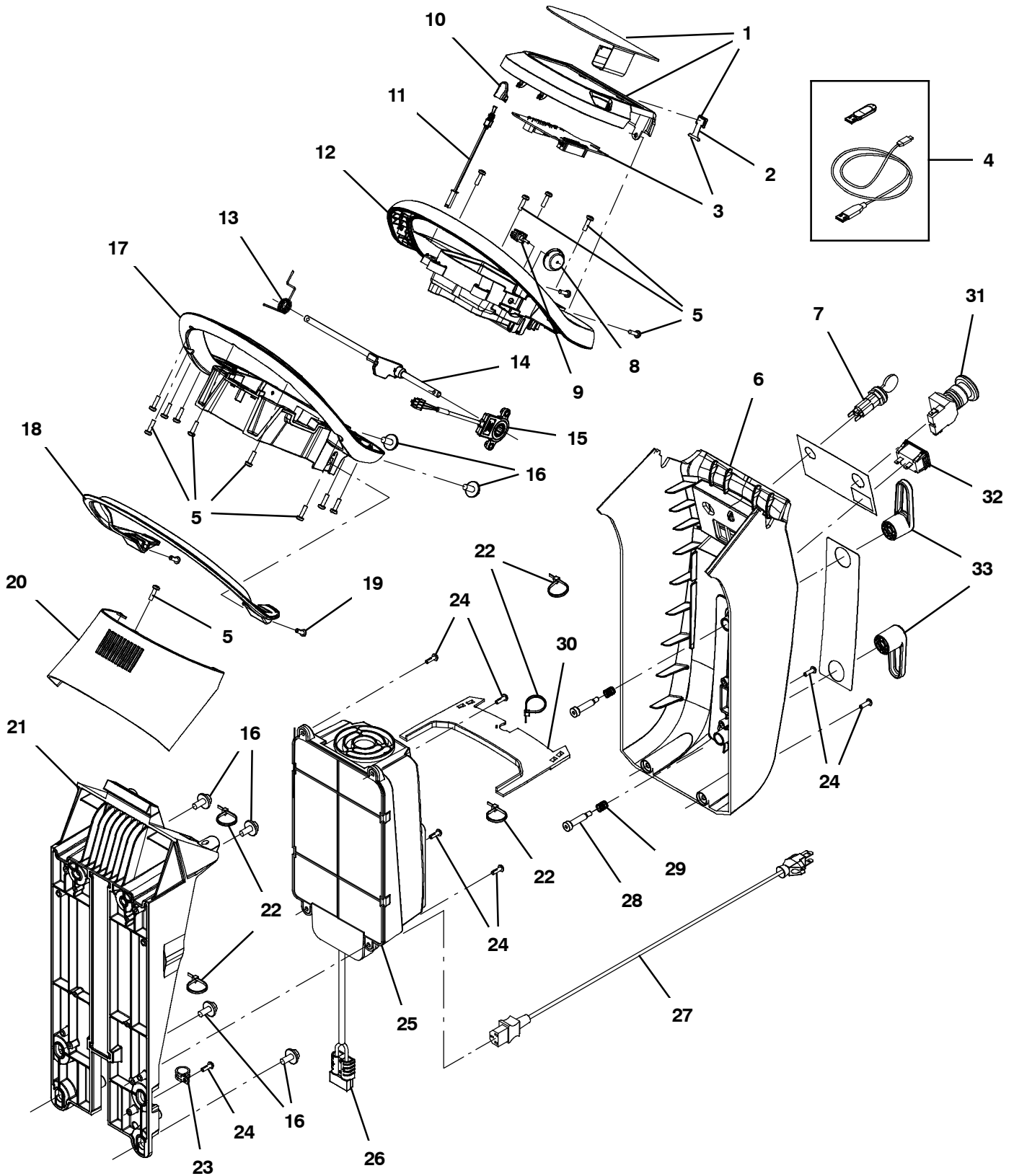
Ref.	Part No.	Serial Number	Description	Qty.
▽	1	9012786	(00000000-) Bezel Kit, Actuator, Propel, Afmkt	1
▲	2	1205618	(00000000-) Cap, Usb	1
▽	3	9012787	(00000000-) Circuitboard Kit, Console, W/ Usb Cable	1
▲	4	9012788	(00000000-) Software Kit, Installation, W/Usb Cable	1
	5	1043573	(00000000-) Screw, #10- 14 X 0.675, Spl[Shcs,Selftap]	16
	6	9012789	(00000000-) Cover, Console, Afmkt, W/ Label [Na]	1
▽	7	1011402	(00000000-) Switch, Key	1
▲		1017696	(00000000-) Key Set, Replmt [F/ Keyswitch 1011402]	1
	8	1206586	(00000000-) Dial, Range, Speed	1
	9	1204930	(00000000-) Potentiometer [100k, 1 Turn, B5/B7]	1
	10	1209730	(00000000-) Cap, Toggle, Direction	1
	11	1209673	(00000000-) Switch Assy, Toggle, Direction	1
	12	1203787	(00000000-) Housing, Handle, Cntrl, Top	1
	13	1205781	(00000000-) Spring, Return, Bail	1
	14	1205143	(00000000-) Shaft Asm, Bail, Handle	1
	15	1205127	(00000000-) Sensor, Rotary [B5/B7, Bail Sensor]	1
	16	1020341	(00000000-) Screw, Hex, M8 X 1.25 X 20, Ss, Sems	6
	17	1222608	(00000000-) Housing, Handle, Cntrl, Bottom, Slotted	1
	18	1205778	(00000000-) Handle, Bail [Machined]	1
	19	1205799	(00000000-) Screw, Btn, Torx, M5 X 0.8 X 16, 8.8, NI	2
	20	1207004	(00000000-) Cover, Handle, Cntrl	1
	21	1216531	(00000000-) Frame, Column, Cntrl [Revised Machined]	1
	22	130773	(00000000-) Tie, Cable, Nyl, 11.0l, .14w, 3.0 Max. D	4
	23	1205799	(00000000-) Screw, Btn, Torx, M5 X 0.8 X 16, 8.8, NI	3
▽	24	1072939	(00000000-) Cable, Assy [B7/B5, Ground]	1
▲	25	605387	(00000000-) Connector, Anderson, 050a, Red [W/O Con]	1
	26	06922	(00000000-) Screw, Pan, Phl, M3 X 0.50 X 20, 4.8	4
	27	1043573	(00000000-) Screw, #10- 14 X 0.675, Spl[Shcs,Selftap]	2
	28	1013705	(00000000-) Plate, Thread, Switch, M3 Nut, 96hr PI	1
	29	1215716	(00000000-) Switch, 0.1a, Spdt[Micro, Gold Contacts]	1
	30	1208599	(00000000-) Bracket Assy, Plug, Charger	1
	31	1011735	(00000000-) Switch, Safety, Shutoff	1
	32	1064038	(00000000-) Gauge, Hourmeter, 05- 277 Volt, Ac / Dc	1
▽	33	1208644	(00000000-) Charger, 36vdc, 25a 85- 265vac [Offboard] (180- 250 AH Wet Lead Acid Batteries)	1
▽	33	9012740	(00000000-) Charger, 36vdc 25a [P/N 1208644, #31] (200- 350 AH AGM Batteries)	1
▽	33	9012739	(00000000-) Charger, 36vdc 25a [P/N 1208644, #03] (260- 360 AH Wet Lead Acid Batteries)	1
▲	34	130155	(00000000-) Connector, Battery, 6ga 50a, Gray[2cont]	1
	35	1073882	(00000000-) Cord, Power, 16/3, 15a, 15ft Blk [Us]	1

▽ ASSEMBLY

▲ INCLUDED IN ASSEMBLY

CONSOLE GROUP, POWER, DRIVE, ON BOARD CHARGER

355254



CONSOLE GROUP, POWER, DRIVE, ON BOARD CHARGER

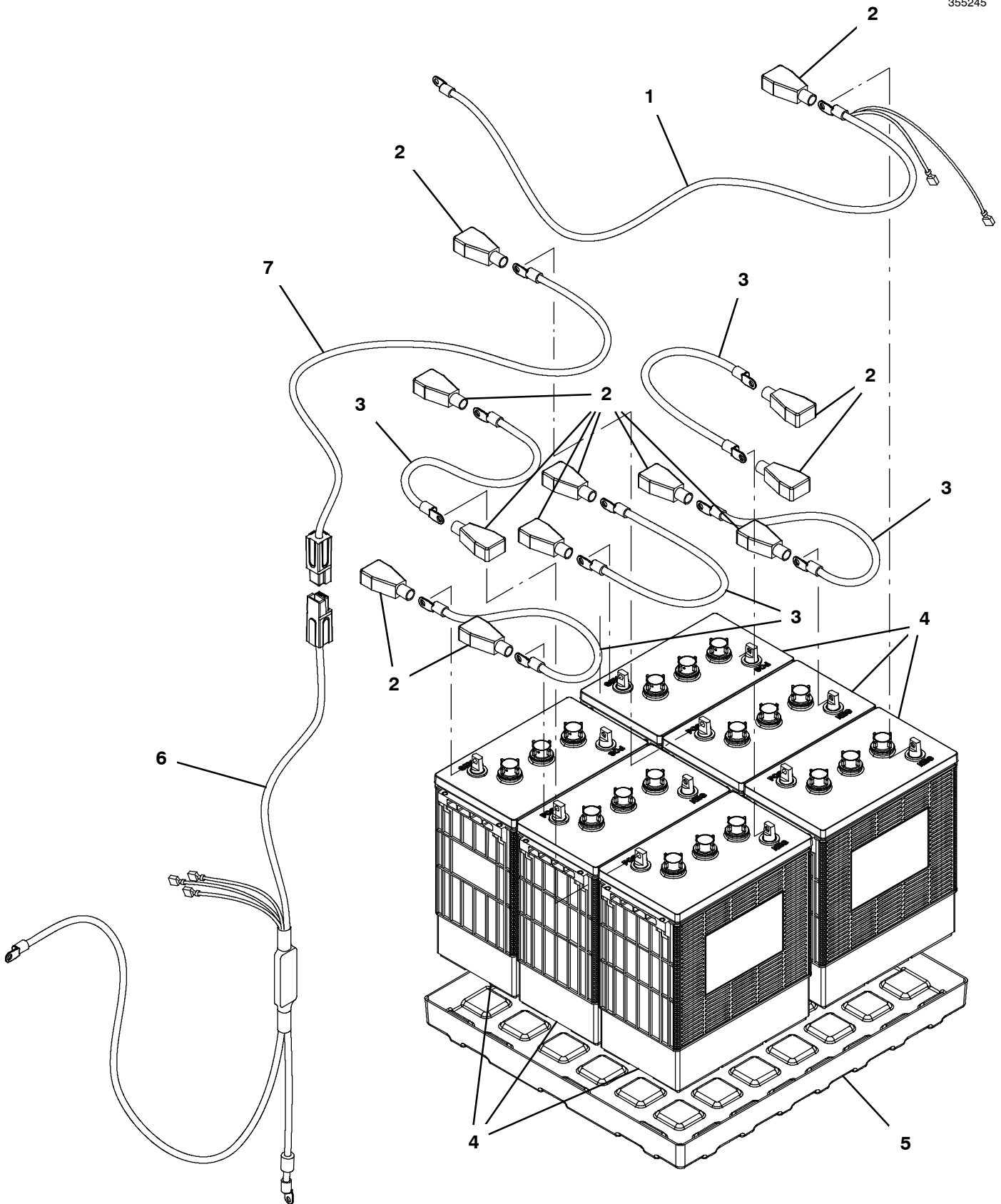
Ref.	Part No.	Serial Number	Description	Qty.
▽	1	9012786	(00000000-) Bezel Kit, Actuator, Propel, Afmkt	1
▲	2	1205618	(00000000-) Cap, Usb	1
▽	3	9012787	(00000000-) Circuitboard Kit, Console, W/ Usb Cable	1
▲	4	9012788	(00000000-) Software Kit, Installation, W/Usb Cable	1
	5	1043573	(00000000-) Screw, #10- 14 X 0.675, Spl[Shcs,Selftap]	16
	6	9012789	(00000000-) Cover, Console, Afmkt, W/ Label [Na]	1
▽	7	1011402	(00000000-) Switch, Key	1
▲		1017696	(00000000-) Key Set, Replmt [F/ Keyswitch 1011402]	1
	8	1206586	(00000000-) Dial, Range, Speed	1
	9	1204930	(00000000-) Potentiometer [100k, 1 Turn, B5/B7]	1
	10	1209730	(00000000-) Cap, Toggle, Direction	1
	11	1209673	(00000000-) Switch Assy, Toggle, Direction	1
	12	1203787	(00000000-) Housing, Handle, Cntrl, Top	1
	13	1205781	(00000000-) Spring, Return, Bail	1
	14	1205143	(00000000-) Shaft Asm, Bail, Handle	1
	15	1205127	(00000000-) Sensor, Rotary [B5/B7, Bail Sensor]	1
	16	1020341	(00000000-) Screw, Hex, M8 X 1.25 X 20, Ss, Sems	6
	17	1222608	(00000000-) Housing, Handle, Cntrl, Bottom, Slotted	1
	18	1205778	(00000000-) Handle, Bail [Machined]	1
	19	1205799	(00000000-) Screw, Btn, Torx, M5 X 0.8 X 16, 8.8, NI	2
	20	1207004	(00000000-) Cover, Handle, Cntrl	1
	21	1216531	(00000000-) Frame, Column, Cntrl [Revised Machined]	1
	22	130773	(00000000-) Tie, Cable, Nyl, 11.0l, .14w, 3.0 Max. D	4
	23	378969	(00000000-) Clamp, Cable, Stl, 0.56d X 0.38w, 1hole	1
	24	1205799	(00000000-) Screw, Btn, Torx, M5 X 0.8 X 16, 8.8, NI	5
▽	25	1202585	(00000000-) Charger, 36vdc, 25a 85- 265vac [On- Board]	1
▲	26	130155	(00000000-) Connector, Battery, 6ga 50a, Gray[2cont]	1
	27	1073882	(00000000-) Cord, Power, 16/3, 15a, 15ft Blk [Us]	1
	28	1024965	(00000000-) Bolt, Shld, 08mmd X 030mm, M06 X 1.0	2
	29	611311	(00000000-) Spring, Cmpr, 0.40od .05wir 00.5l, Pl,Mw	2
	30	1207290	(00000000-) Cover, Charger	1
	31	1011735	(00000000-) Switch, Safety, Shutoff	1
	32	1064038	(00000000-) Gauge, Hourmeter, 05- 277 Volt, Ac / Dc	1
	33	1205496	(00000000-) Hook, Cord	2

▽ ASSEMBLY

▲ INCLUDED IN ASSEMBLY

BATTERY GROUP, 330AH C20 WET LEAD ACID

355245

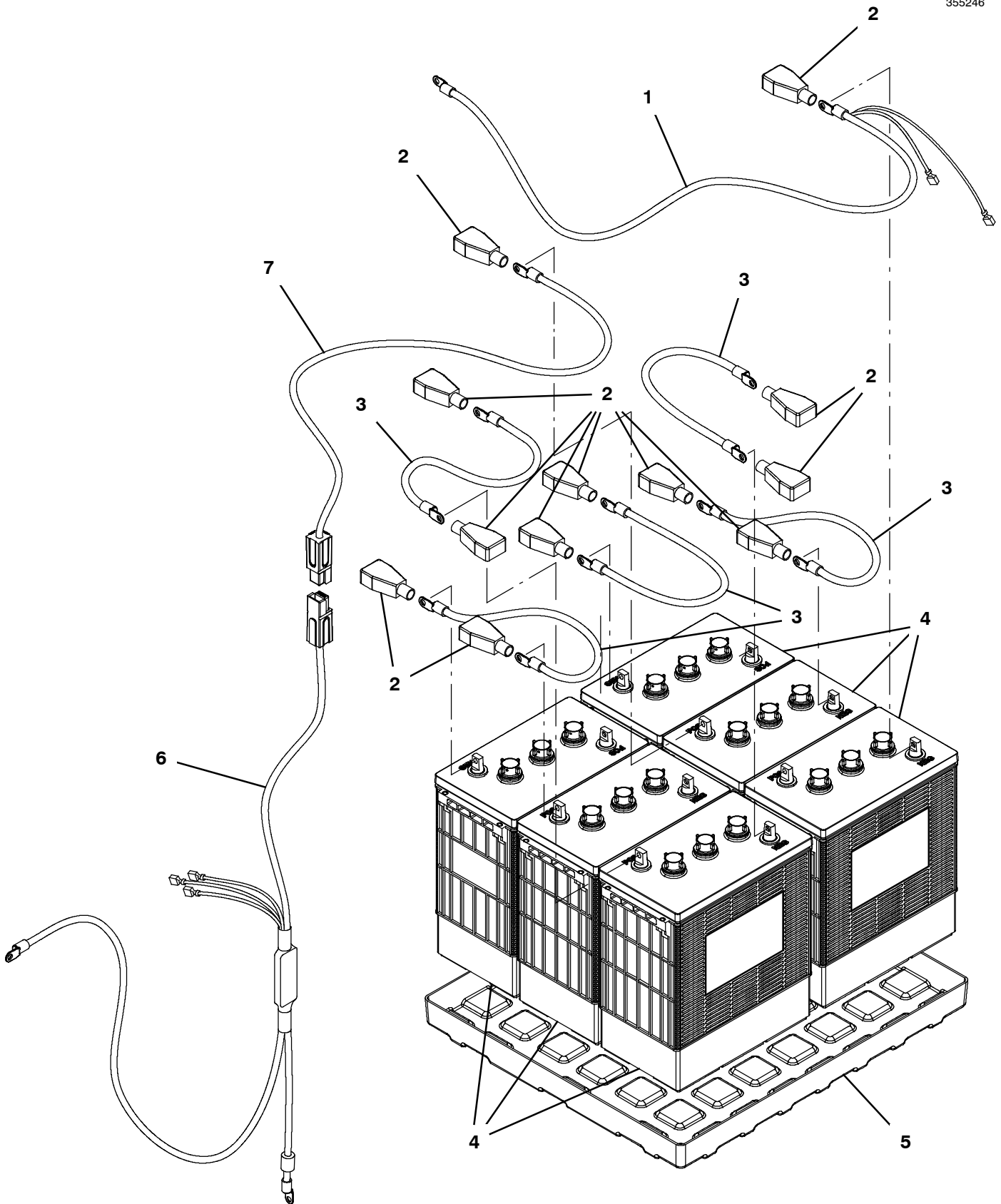


BATTERY GROUP, 330AH C20 WET LEAD ACID

Ref.	Part No.	Serial Number	Description	Qty.
1	1072939	(00000000-) Cable, Assy [B7/B5, Ground]	1
2	1205540	(00000000-) Boot, Terminal, Battery, 1/0- 2/0ga, Blk	12
3	1072368	(00000000-) Cable, 02ga 13.3l Red [M8 Ring/M8 Ring]	5
4	1205632	(00000000-) Battery, Wet, 6vdc 330ah C/20, W/Ca	6
5	1203978	(00000000-) Tray, Battery [B7]	1
6	1072936	(00000000-) Cable, Assy, Fuse [B7, 100a]	1
7	1072365	(00000000-) Cable, 02ga 21.6l Red [M8 Ring / And.] (Includes Ferrite)	1

BATTERY GROUP, 360AH C20 WET LEAD ACID

355246

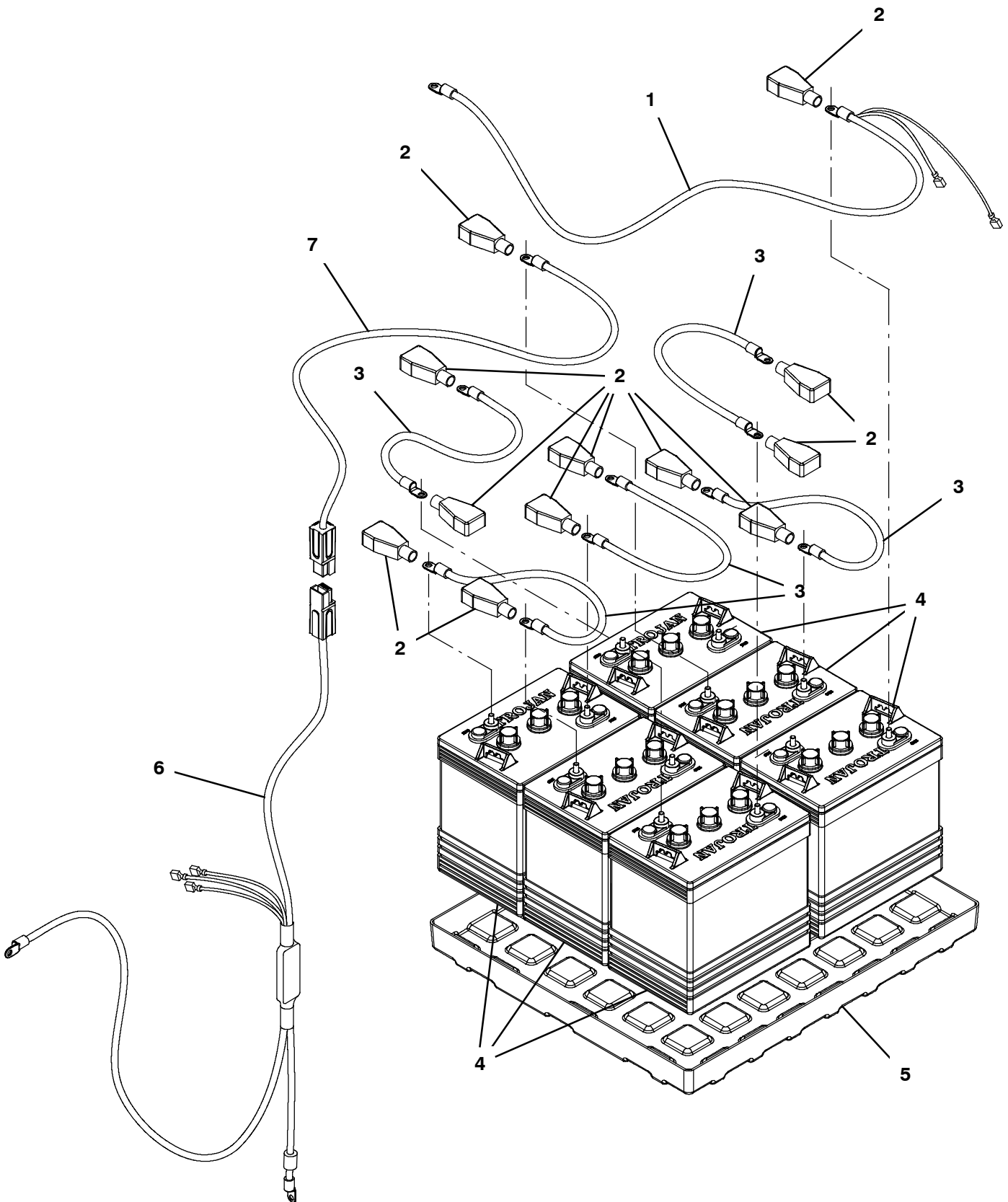


BATTERY GROUP, 360AH C20 WET LEAD ACID

Ref.	Part No.	Serial Number	Description	Qty.
1	1072939	(00000000-) Cable, Assy [B7/B5, Ground]	1
2	1205540	(00000000-) Boot, Terminal, Battery, 1/0- 2/0ga, Blk	12
3	1072368	(00000000-) Cable, 02ga 13.3l Red [M8 Ring/M8 Ring]	5
4	1070587	(00000000-) Battery, Wet, 06vdc 0360ah, W/ Carton	6
5	1203978	(00000000-) Tray, Battery [B7]	1
6	1072936	(00000000-) Cable, Assy, Fuse [B7, 100a]	1
7	1072365	(00000000-) Cable, 02ga 21.6l Red [M8 Ring / And.] (Includes Ferrite)	1

BATTERY GROUP, 240AH C20 WET LEAD ACID

355247

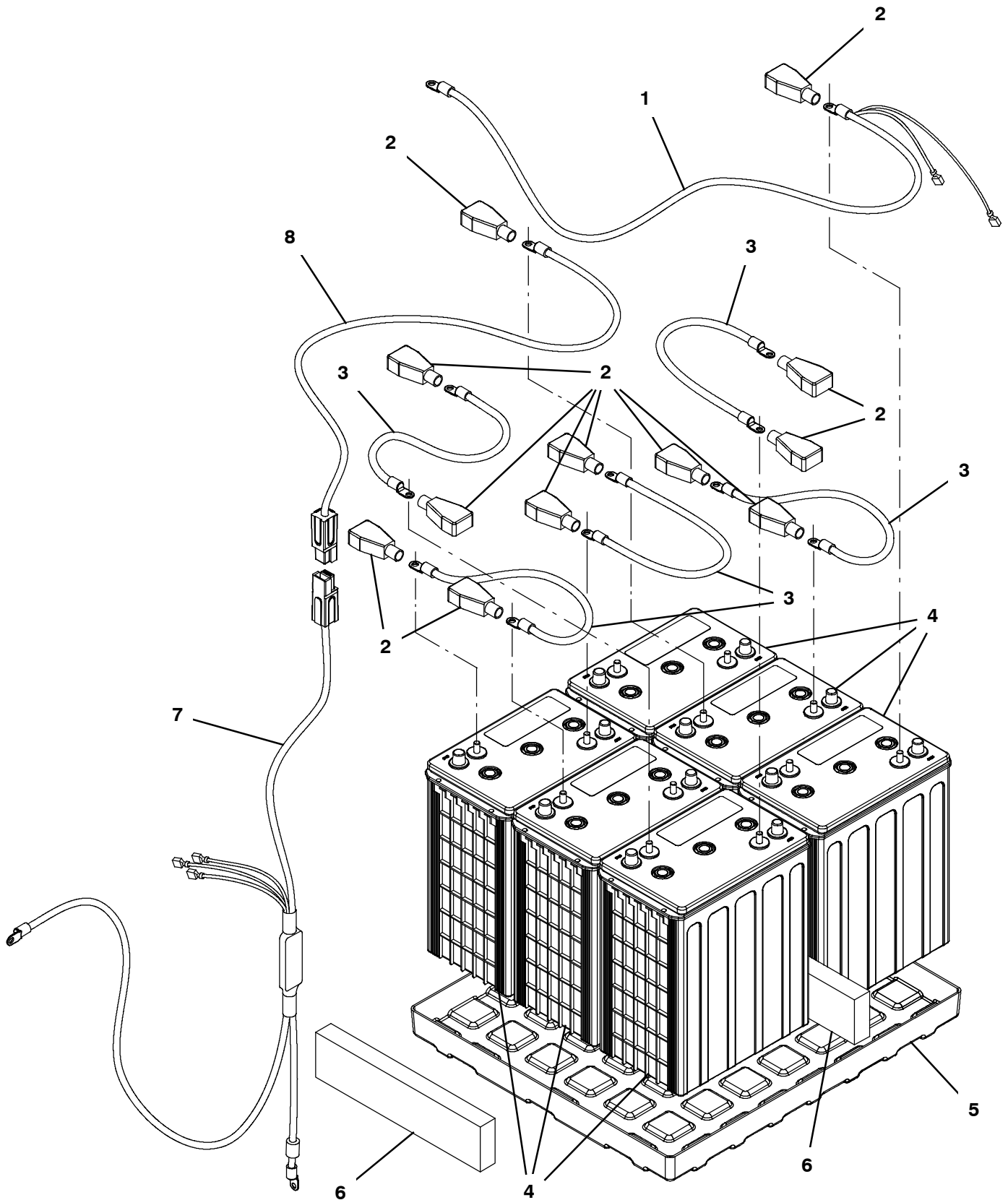


BATTERY GROUP, 240AH C20 WET LEAD ACID

Ref.	Part No.	Serial Number	Description	Qty.
1	1072939	(00000000-) Cable, Assy [B7/B5, Ground]	1
2	1205540	(00000000-) Boot, Terminal, Battery, 1/0- 2/0ga, Blk	12
3	1072368	(00000000-) Cable, 02ga 13.3l Red [M8 Ring/M8 Ring]	5
4	222280	(00000000-) Battery, Wet, 06vdc 0240ah	6
5	1203978	(00000000-) Tray, Battery [B7]	1
6	1072936	(00000000-) Cable, Assy, Fuse [B7, 100a]	1
7	1072365	(00000000-) Cable, 02ga 21.6l Red [M8 Ring / And.] (Includes Ferrite)	1

BATTERY GROUP, 312AH C20 AGM SEALED

355248

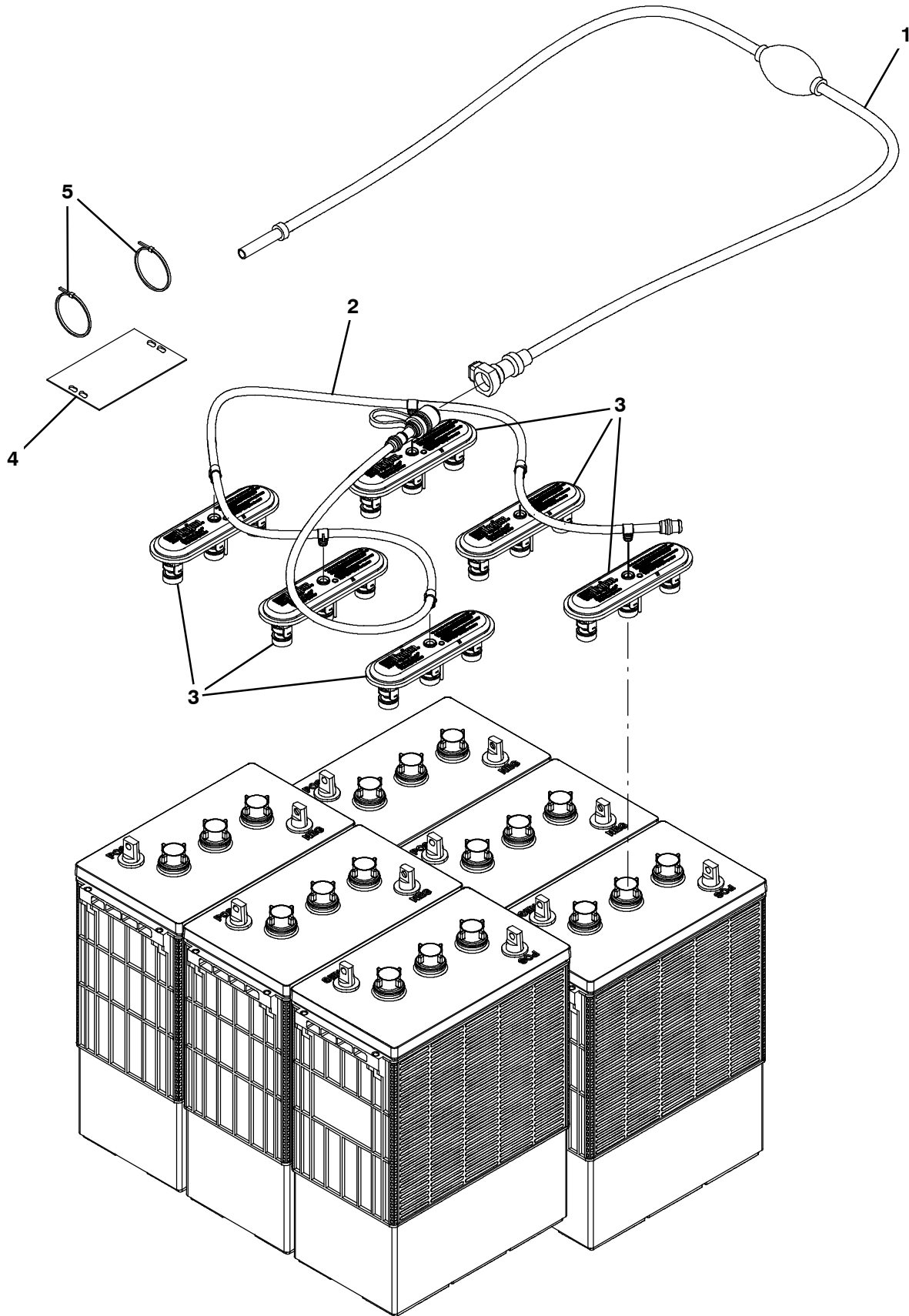


BATTERY GROUP, 312AH C20 AGM SEALED

Ref.	Part No.	Serial Number	Description	Qty.
1	1072939	(00000000-) Cable, Assy [B7/B5, Ground]	1
2	1205540	(00000000-) Boot, Terminal, Battery, 1/0- 2/0ga, Blk	12
3	1072368	(00000000-) Cable, 02ga 13.3l Red [M8 Ring/M8 Ring]	5
4	1031914	(00000000-) Battery, 06vdc, Ev305a- A, Agm	6
5	1203978	(00000000-) Tray, Battery [B7]	1
6	630375	(00000000-) Spacer, Battery, Foam, 1.25 X 3.3 X 13.7	2
7	1072936	(00000000-) Cable, Assy, Fuse [B7, 100a]	1
8	1072365	(00000000-) Cable, 02ga 21.6l Red [M8 Ring / And.] (Includes Ferrite)	1
1	1072939	(00000000-) Cable, Assy [B7/B5, Ground]	1
2	1205540	(00000000-) Boot, Terminal, Battery, 1/0- 2/0ga, Blk	12
3	1072368	(00000000-) Cable, 02ga 13.3l Red [M8 Ring/M8 Ring]	5
4	1031914	(00000000-) Battery, 06vdc, Ev305a- A, Agm (271AH Europe)	6
5	1203978	(00000000-) Tray, Battery [B7]	1
6	630375	(00000000-) Spacer, Battery, Foam, 1.25 X 3.3 X 13.7	2
7	1072936	(00000000-) Cable, Assy, Fuse [B7, 100a]	1
8	1072365	(00000000-) Cable, 02ga 21.6l Red [M8 Ring / And.] (Includes Ferrite)	1

HYDROLINK® BATTERY WATERING SYSTEM KIT

355205



HYDROLINK[®] BATTERY WATERING SYSTEM KIT

	Ref.	Part No.	Serial Number	Description	Qty.
▽		9010301*	(00000000-) Pump Kit, Fill, Battery,36vdc,Ci[Trojan]	1
▲	1	1058939	(00000000-) Pump Kit, Fill, Battery	1
▲	2	1201997	(00000000-) Tube, Water, Battery, 36vdc [Trojan]	1
▲	3	1204142	(00000000-) Cap, Fill, Battery [Trojan]	6
▲	4	1071084	(00000000-) Label, Tag, Battery [Hydrolink Watering]	1
▲	5	130773	(00000000-) Tie, Cable, Nyl, 11.0l, .14w, 3.0 Max. D	2

▽ ASSEMBLY

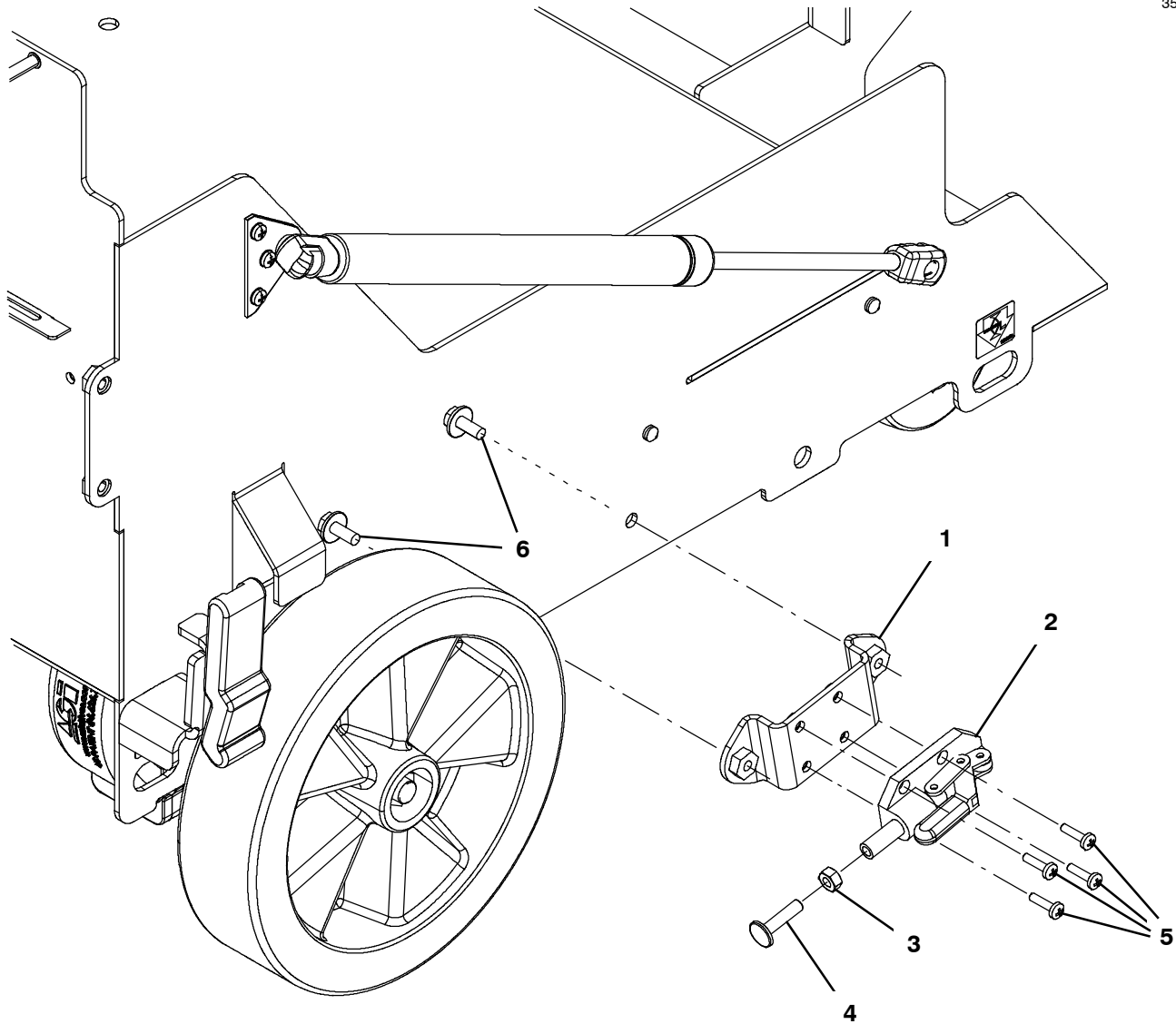
▲ INCLUDED IN ASSEMBLY

*THIS KIT IS INTENDED FOR USE WITH TROJAN[®] LEAD ACID BATTERIES ONLY.

HYDROLINK[®] IS A REGISTERED TRADEMARK OF TROJAN[®] BATTERY COMPANY.

PARKING BRAKE GROUP

355228

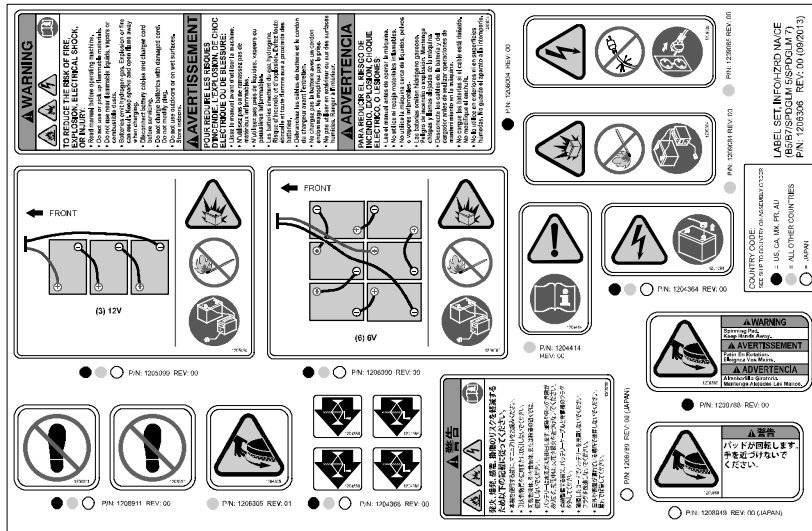


Ref.	Part No.	Serial Number	Description	Qty.
▽	9012792	(00000000-) Brake Kit, Parking, Afmkt, W/ Hdwr	1
▲ 1	1206560	(00000000-) Brake, Wldt	1
▲ 2	1013718	(00000000-) Clamp, Brake, Parking [T3]	1
▲ 3	07785	(00000000-) Nut, Hex, Std, M6 X 1.00, Ss	1
▲ 4	1017416	(00000000-) Screw, Weld, M6 X 1.00 X 25, Thru, Ss	1
▲ 5	24265	(00000000-) Screw, Pan, Phl, M4 X 0.70 X 16, Ss	4
▲ 6	1034731	(00000000-) Screw, Hex, M6 X 1.00 X 16, Ss, Sems	2

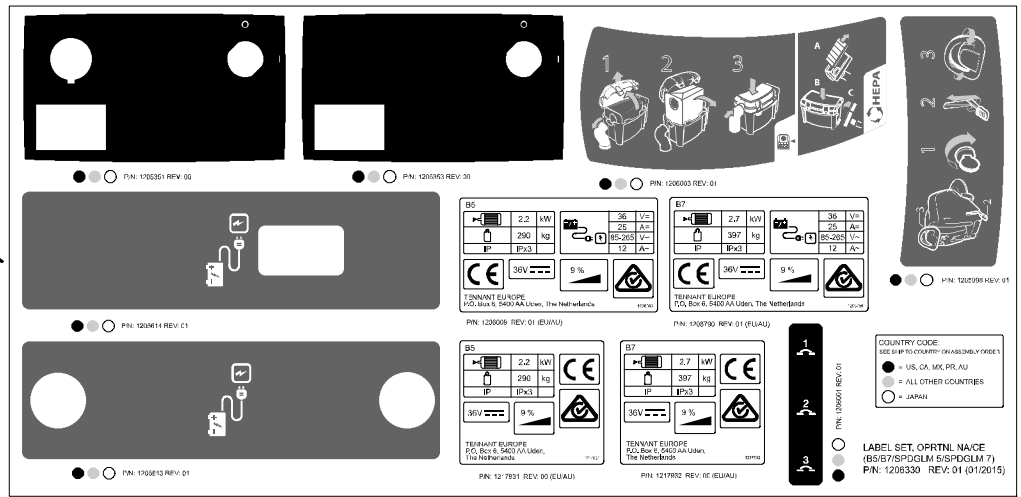
▽ ASSEMBLY

▲ INCLUDED IN ASSEMBLY

LABEL GROUP



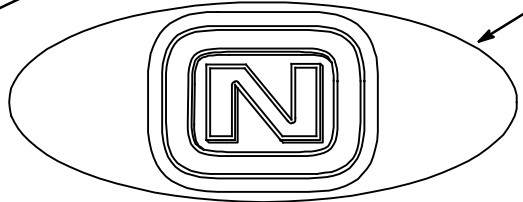
2



3



4



Ref.	Part No.	Serial Number	Description	Qty.
1	1206306	(00000000-) Label, Set, Info/Hzrd [Na/Ce]	1
2	1206330	(00000000-) Label, Set, Operational	1
3	1035550	(00000000-) Label, Model [Nobles Speedgleam]	2
4	1206159	(00000000-) Label, Logo, 05.5l [Nobles]	1

STANDARD PARTS

DOCUMENT GROUP

Ref.	Part No.	Serial Number	Description	Qty.
1	9011619	(00000000-) Manual, Parts [Sg7]	1
2	9011478	(00000000-) Manual, Service [B5/7, Sg5/7]	1
3	9011615	(00000000-) Manual, Oprtr, En [Sg5/ Sg7]	1
3	9011617	(00000000-) Manual, Oprtr, Es [Sg5/ Sg7]	1
3	9011618	(00000000-) Manual, Oprtr, Fr [Sg5/ Sg7]	1
4	9011616	(00000000-) Instr, Wall Chart [Sg5/Sg7]	1
5	1206167	(00000000-) Guide, Onboard Use And Care	1

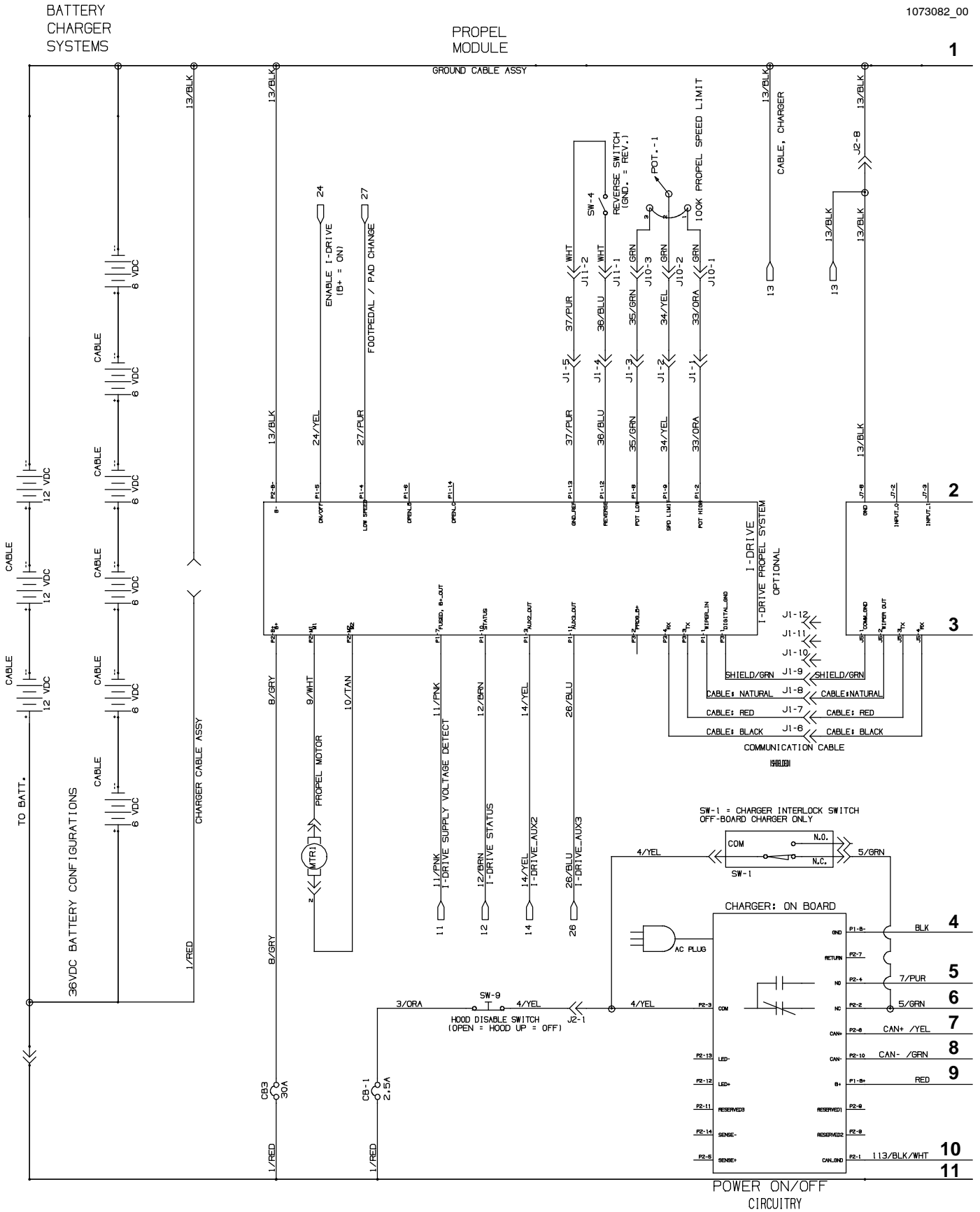


To view, print, order, download the latest Parts manual, other language Operator manuals, and Use and Care Guides (wall charts), visit:

www.nobles.com/manual

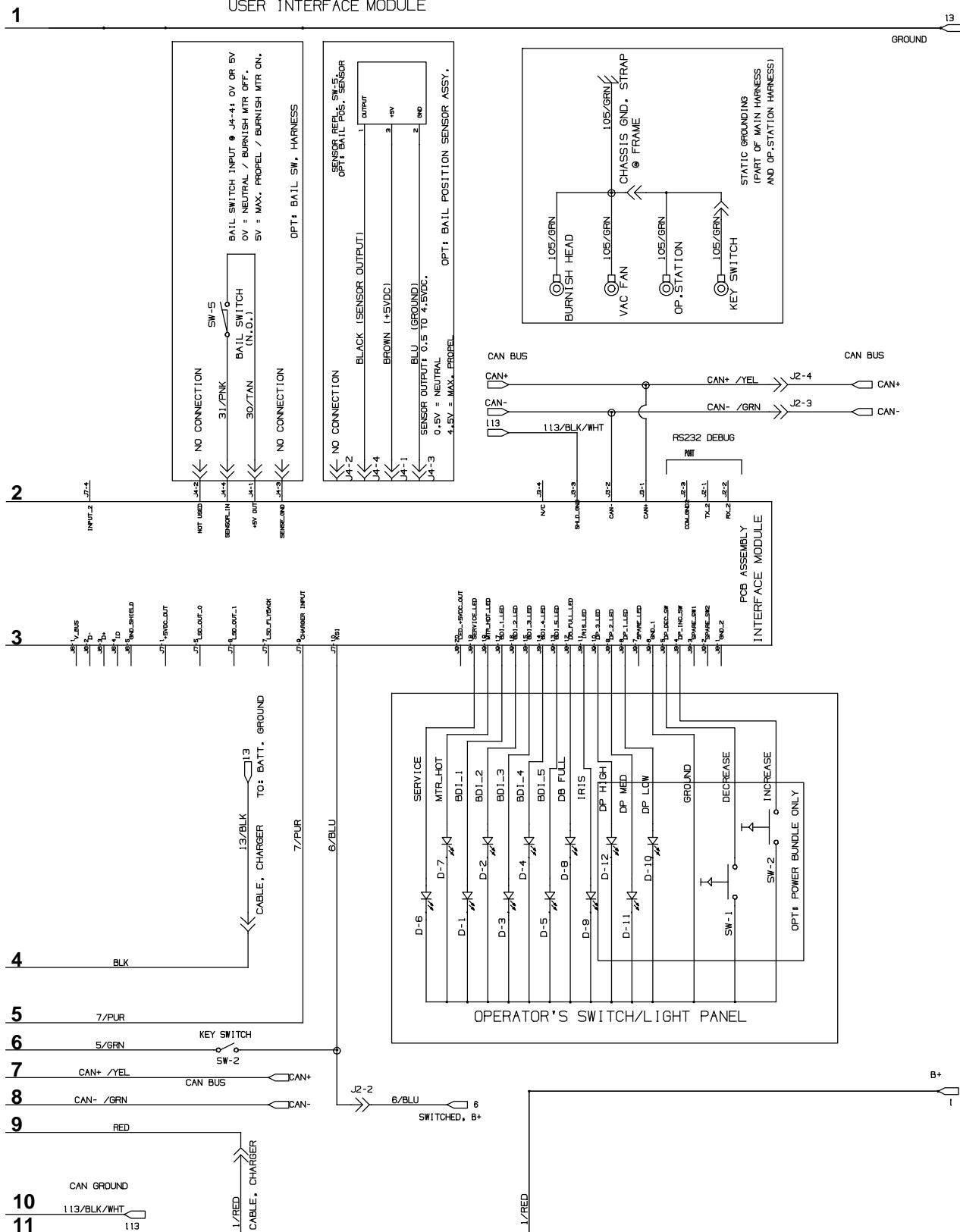
ELECTRICAL DIAGRAM, DRIVE MODEL (Page 1 of 4)

1073082_00



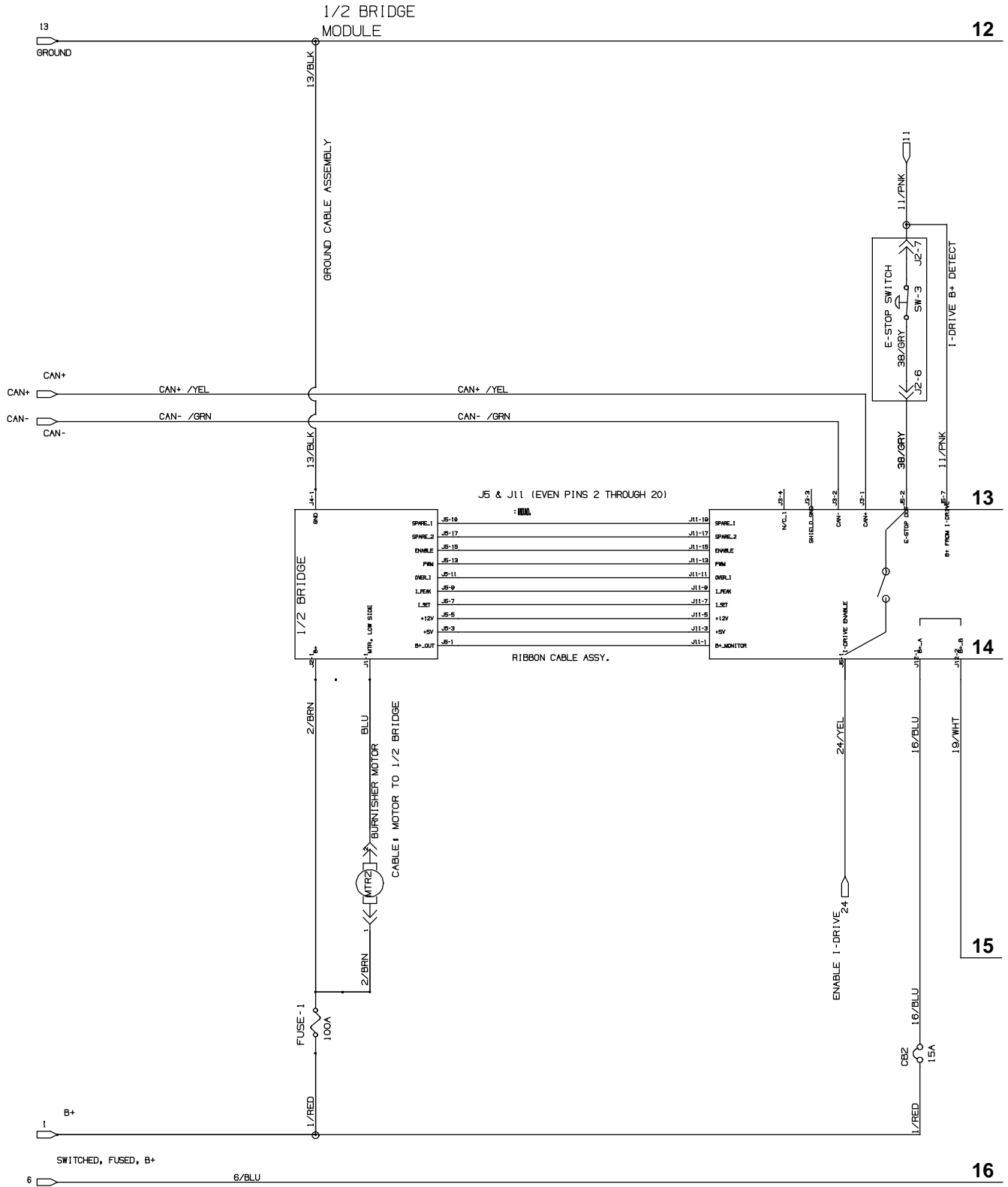
ELECTRICAL DIAGRAM, DRIVE MODEL (Page 2 of 4)

1073082_00



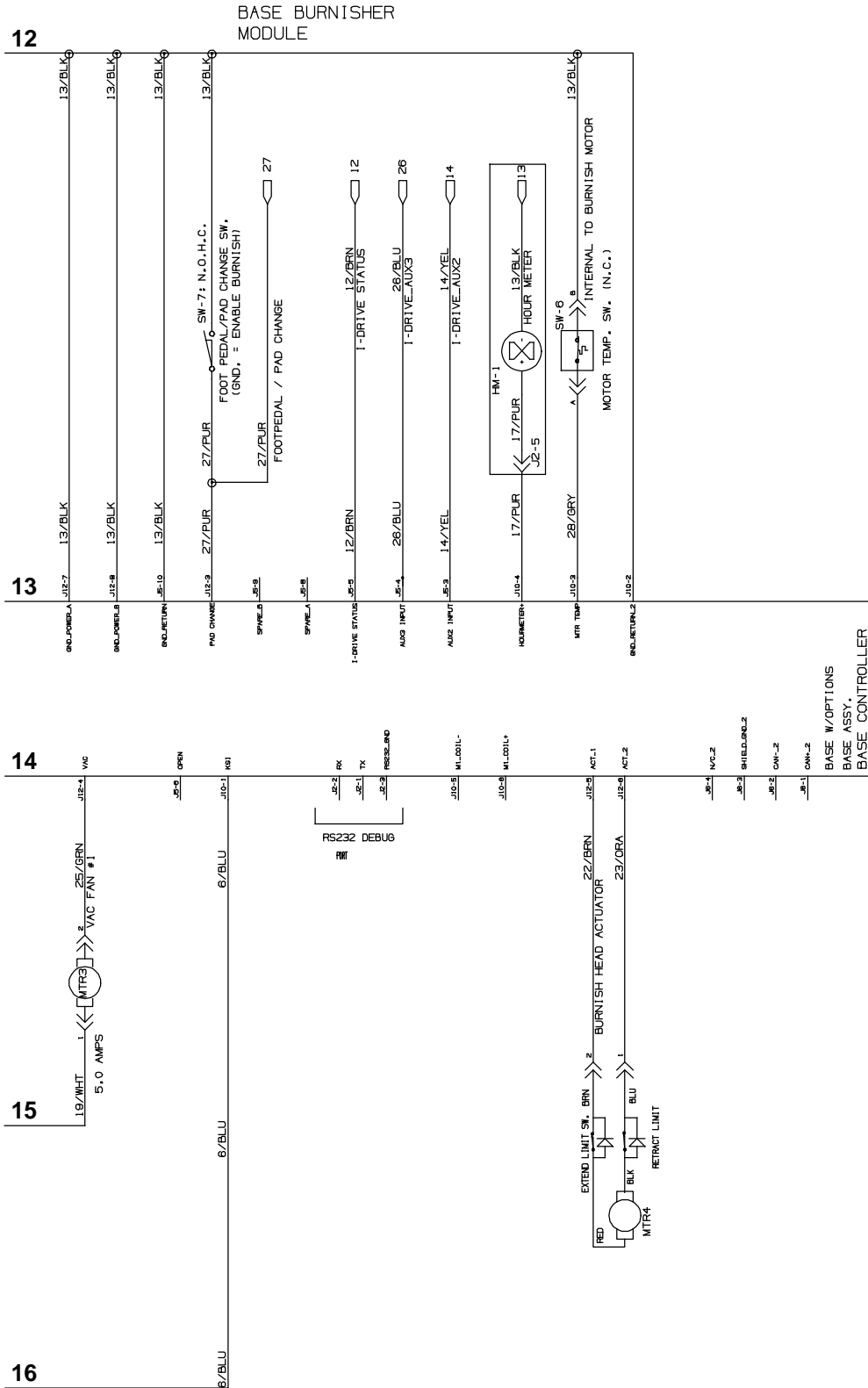
ELECTRICAL DIAGRAM, DRIVE MODEL (Page 3 of 4)

1073082_00



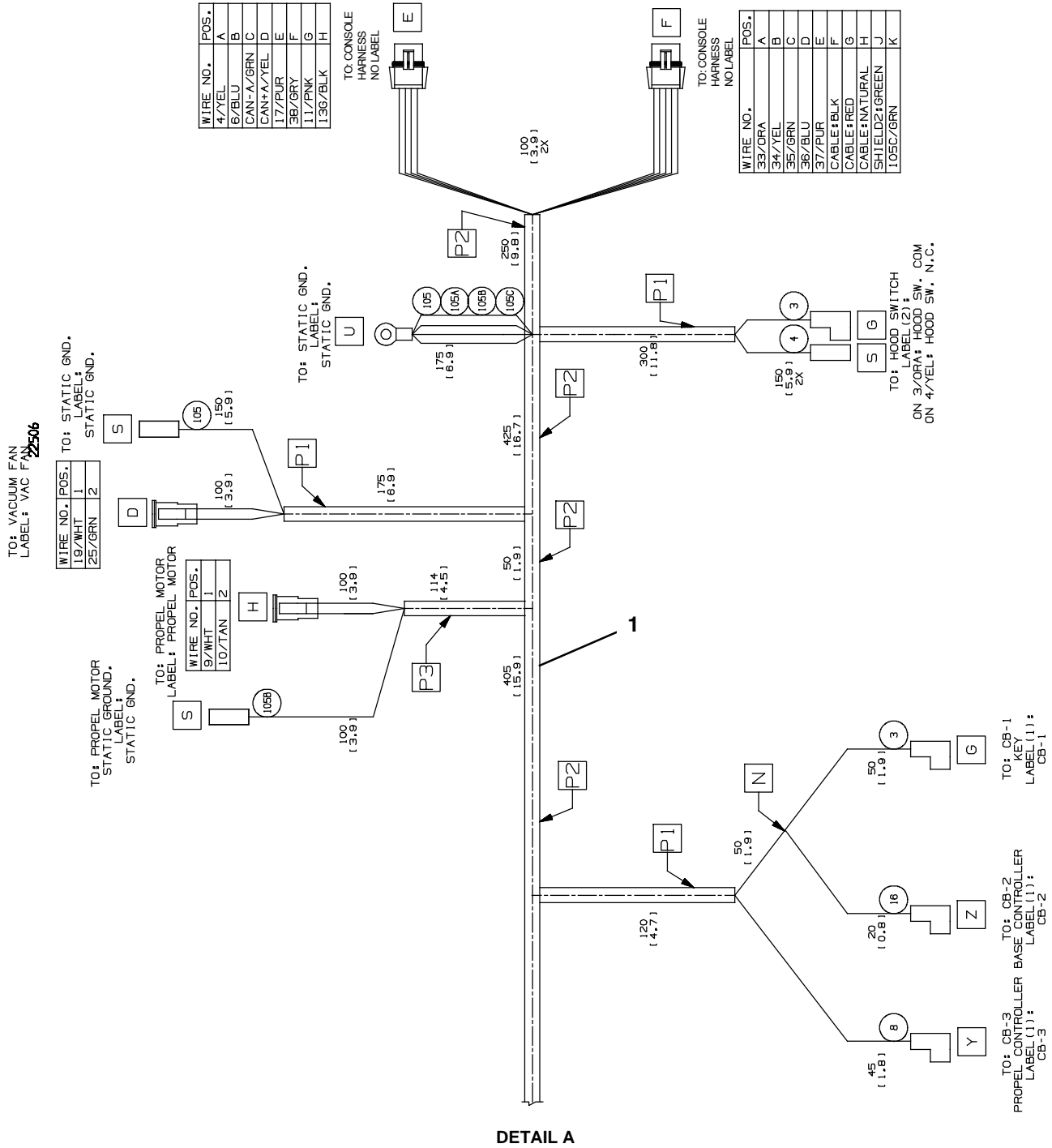
ELECTRICAL DIAGRAM, DRIVE MODEL (Page 4 of 4)

1073082_00



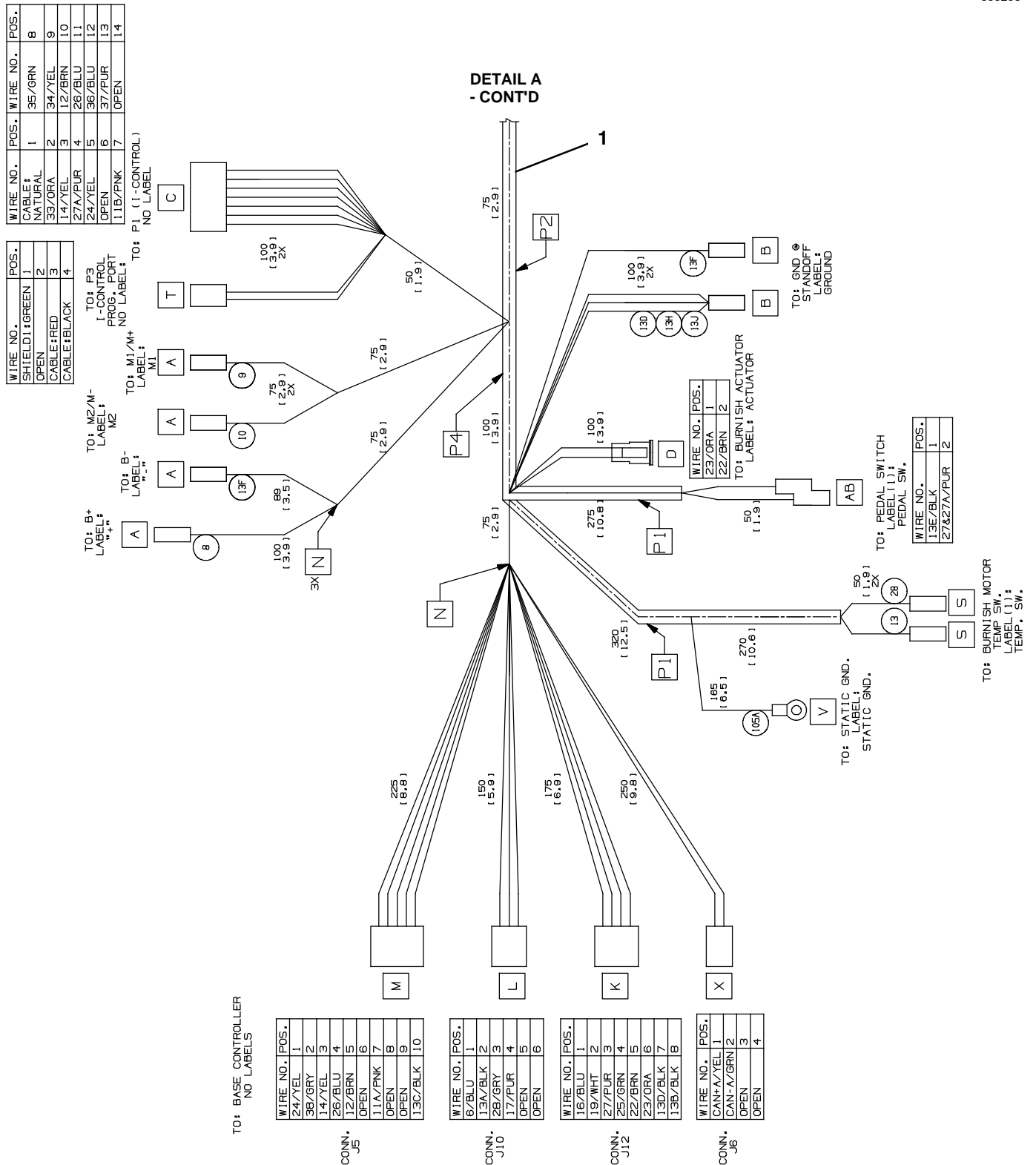
WIRE HARNESS, MAIN, DRIVE MODEL (Page 1 of 2)

355258



WIRE HARNESS, MAIN, DRIVE MODEL (Page 2 of 2)

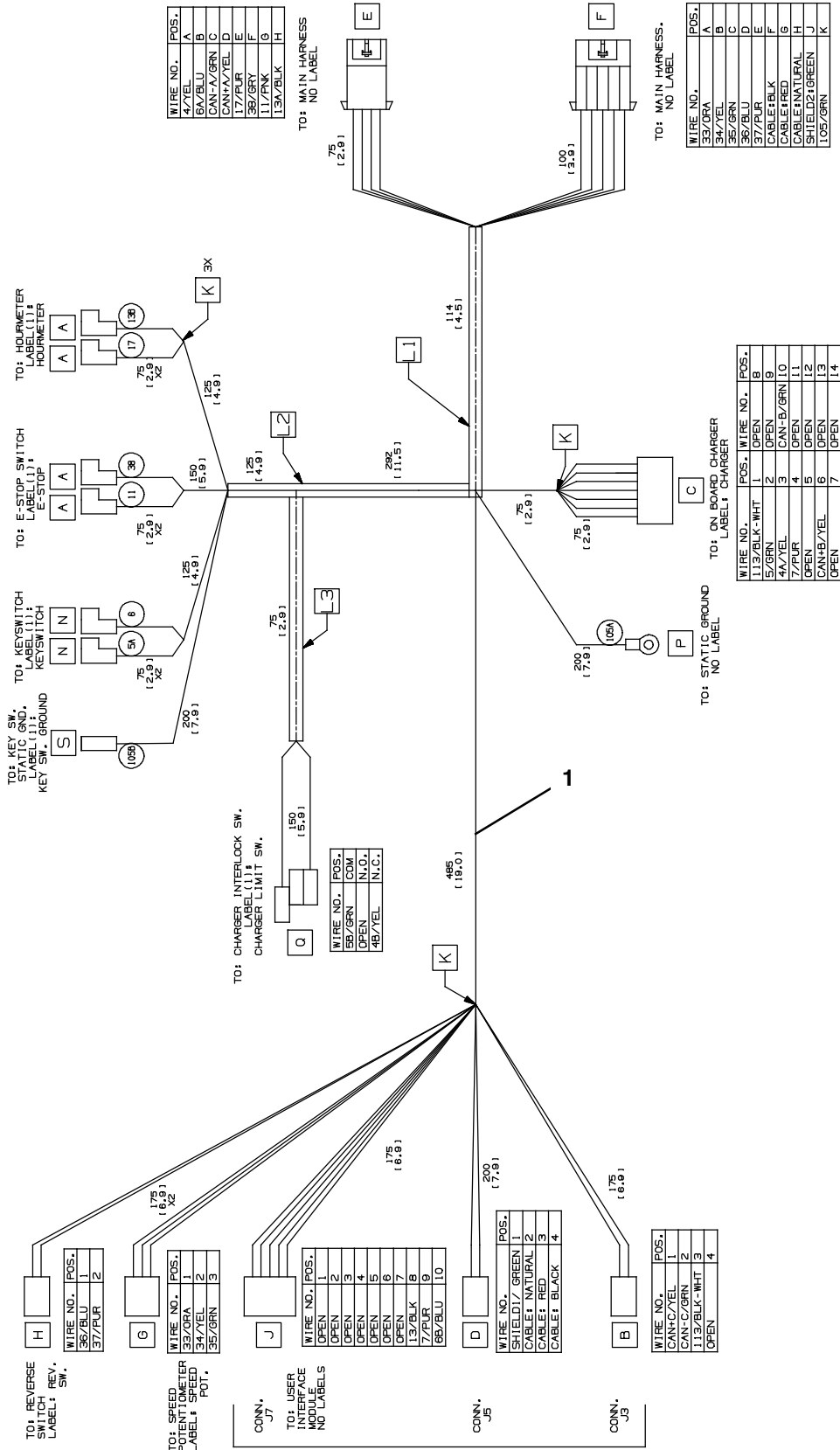
355258



Ref.	Part No.	Serial Number	Description	Qty.
1	1072292	(0000000-) Harness, Main, Ele [Volga, B7, Propel]	1

WIRE HARNESS, CONSOLE, DRIVE MODEL

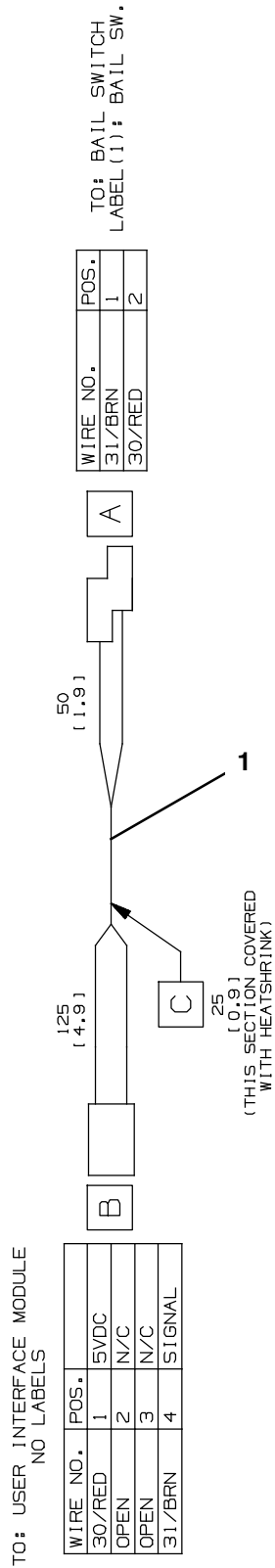
355260



Ref.	Part No.	Serial Number	Description	Qty.
1	1072282	(0000000-) Harness, Ele [B5/B7, Op.Sta., W/Propel]	1

WIRE HARNESS, BAIL SWITCH

355261

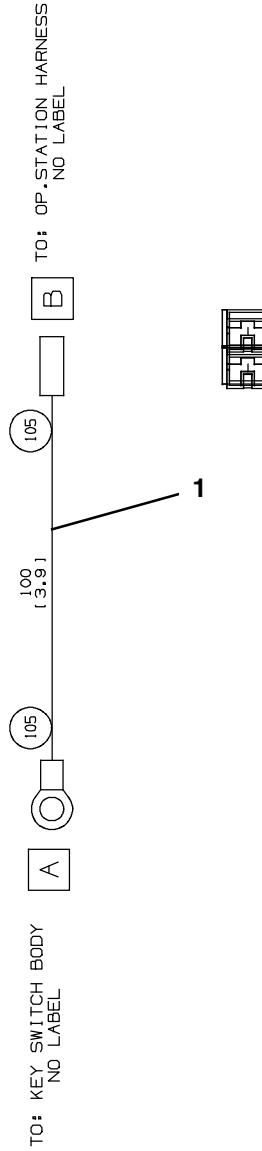


Ref.	Part No.	Serial Number	Description	Qty.
1	1072524	(00000000-) Harness, Ele [Bail Switch]	1

WIRE HARNESS, KEY SWITCH

355262

COMPONENT ALPHA	COMPONENT DESCRIPTIONS
A	TERMINAL, RING, .750", INSULATED, 14-16GA, TYCO #322724.
B	TERMINAL, SNAP PLUG, .156", MALE, 14-16GA, INSULATED, MOLEX #19034-0009.

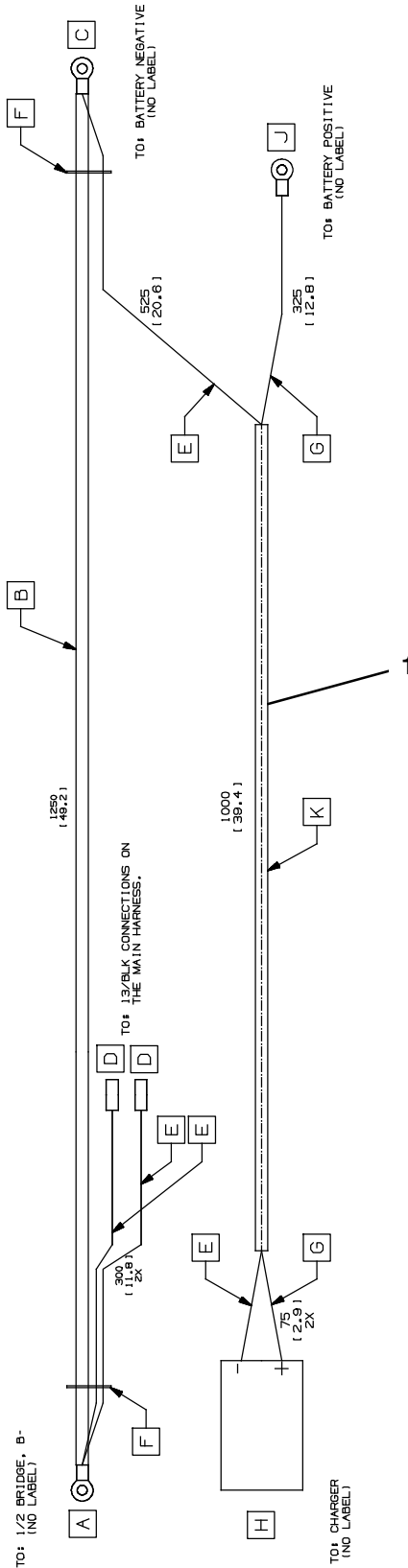


WIRE NO.	COLOR	GAU GE	TYPE
105	GRN	16	UL - GXL

Ref.	Part No.	Serial Number	Description	Qty.
1	1073037	(00000000-) Harness, Ele [Key Sw.,Static Gnd]	1

WIRE HARNESS, BATTERY/CHARGER CABLE

355400



Ref.	Part No.	Serial Number	Description	Qty.
▽	1	1072939	(00000000-) Cable, Assy [B7/B5, Ground]	1
▲	605387	(00000000-)	Connector, Anderson, 050a, Red [W/O Con]	1