



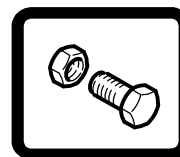
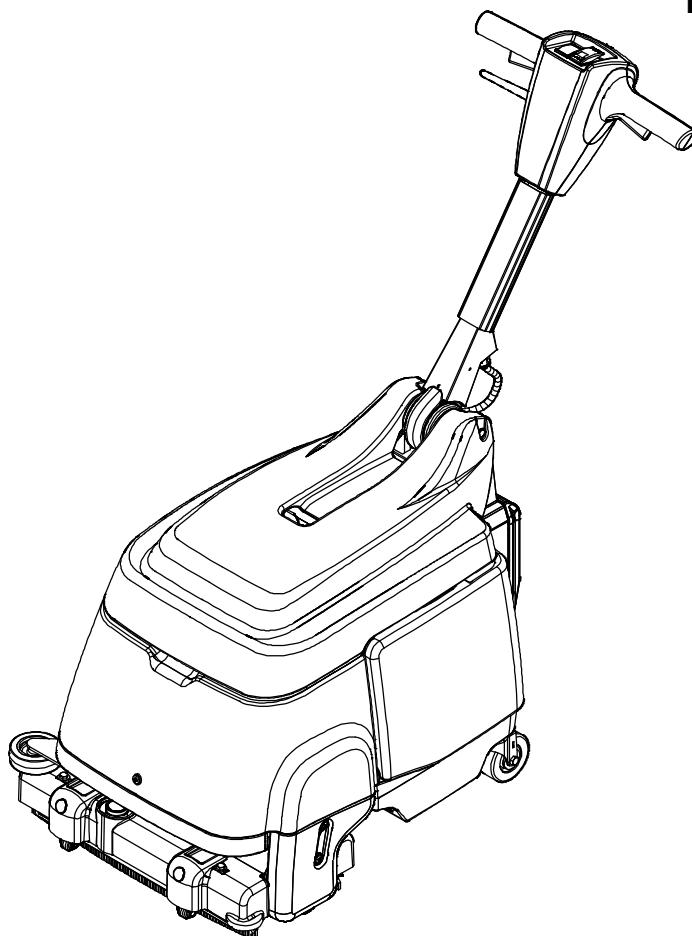
Models

- 9008637 – Speed Scrub 15 in, AGM Battery
- 9008640 – Speed Scrub 15 in, Lithium-ion Battery
- 9016492 – Speed Scrub 15 in, AGM Battery w/ Iris

SPEED SCRUB®

15 in BATTERY FLOOR SCRUBBER
(S/N 10000000–20000000)

PARTS MANUAL

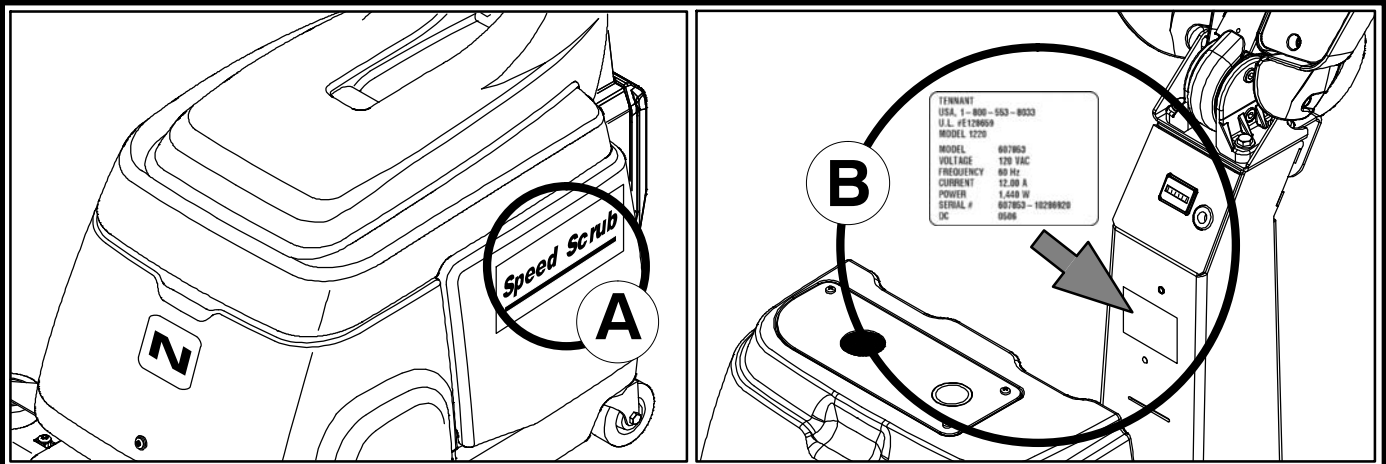


For the latest Parts manuals and other language Operator manuals, visit:

www.nobles.com/manuals

9008730
Rev. 05 (10-2018)





Ref	Part No.	Serial Number	Description	Qty.
1	82681	(000000—)	Bracket W/dt, Lpg Mount	1
2	63810	(000000—)	Latch Assy, Lpg Tank Mtg, W/Nut	4
3	51839	(000000—)	Nut Adjustable, Lpg Tank Mtg	2
4	49263	(000000—)	Tie, Cable	3
	82556	(000000—001039)	Bracket, Vaporizer	1
	54930	(000000—)	Vaporizer, LPG	1

HOW TO ORDER PARTS – See diagram above

Only use TENNANT Company supplied or equivalent parts. Parts and supplies may be ordered online, by phone, by fax or by mail.

Follow the steps below to ensure prompt delivery.

1. **(A)** Identify the machine model.
2. **(B)** Identify the machine serial number from the data label.
3. **(C)** Ensure the proper serial number is used from the parts list.
4. Identify the part number and quantity.
Do not order by page or reference numbers.
5. Provide your name, company name, customer ID number, billing and shipping address, phone number and purchase order number.
6. Provide detail shipping instructions.

- (D)** ▽ – identifies an assembly
 ▲ – identifies parts included in assembly

Please fill out at time of installation for future reference.

Model No. – _____

Serial No. – _____

Machine Options – _____

Sales Rep. – _____

Sales Rep. phone no. – _____

Customer ID Number – _____

Installation Date – _____

Tennant Company

PO Box 1452
 Minneapolis, MN 55440
 Phone: (800) 553-8033

www.nobles.com

Specifications and parts are subject to change without notice.

Copyright © 2011 – 2018 TENNANT Company, Printed in U.S.A.

RECOMMENDED MAINTENANCE ITEMS

GENERAL RECOMMENDED MAINTENANCE
ITEMS 5

STANDARD PARTS

HANDLE GROUP 6
HANDLE MOUNT GROUP 8
FRAME GROUP 10
RECOVERY AND SOLUTION TANKS GROUP . 12
TANK COVER GROUP 14
VACUUM FAN GROUP 16
SCRUB HEAD GROUP 18
SCRUB HEAD LIFT GROUP 20
SOLUTION GROUP 22
SQUEEGEE GROUP, FRONT AND REAR 24
BATTERY AND CHARGER GROUP (LITHIUM) . 26
BATTERY AND CHARGER GROUP (AGM) 27
ELECTRICAL DIAGRAM, AGM BATTERY 28
ELECTRICAL DIAGRAM, AGM BATTERY –
CONT'D 29
ELECTRICAL DIAGRAM, LITHIUM BATTERY .. 30
ELECTRICAL DIAGRAM, LITHIUM BATTERY –
CONT'D 31
ELECTRICAL DIAGRAM, IRIS TELEMETRY
OPTION 32
WIRE HARNESS, MAIN 33
WIRE HARNESS, MAIN – CONT'D 34
WIRE HARNESS, JUMPER (LITHIUM) 35
WIRE HARNESS, JUMPER (AGM)
(S/N 10552859–20000000) 36
WIRE HARNESS, JUMPER (AGM)
(S/N 10000000–10552859) 37
WIRE HARNESS, IRIS TELEMETRY 38

OPTIONS

IRIS TELEMETRY GROUP 40
BATTERY CONVERSION KIT
(AGM TO LITHIUM) 42
BATTERY CONVERSION KIT
(LITHIUM TO AGM) 43
DOCUMENTATION GROUP 44

RECOMMENDED MAINTENANCE ITEMS

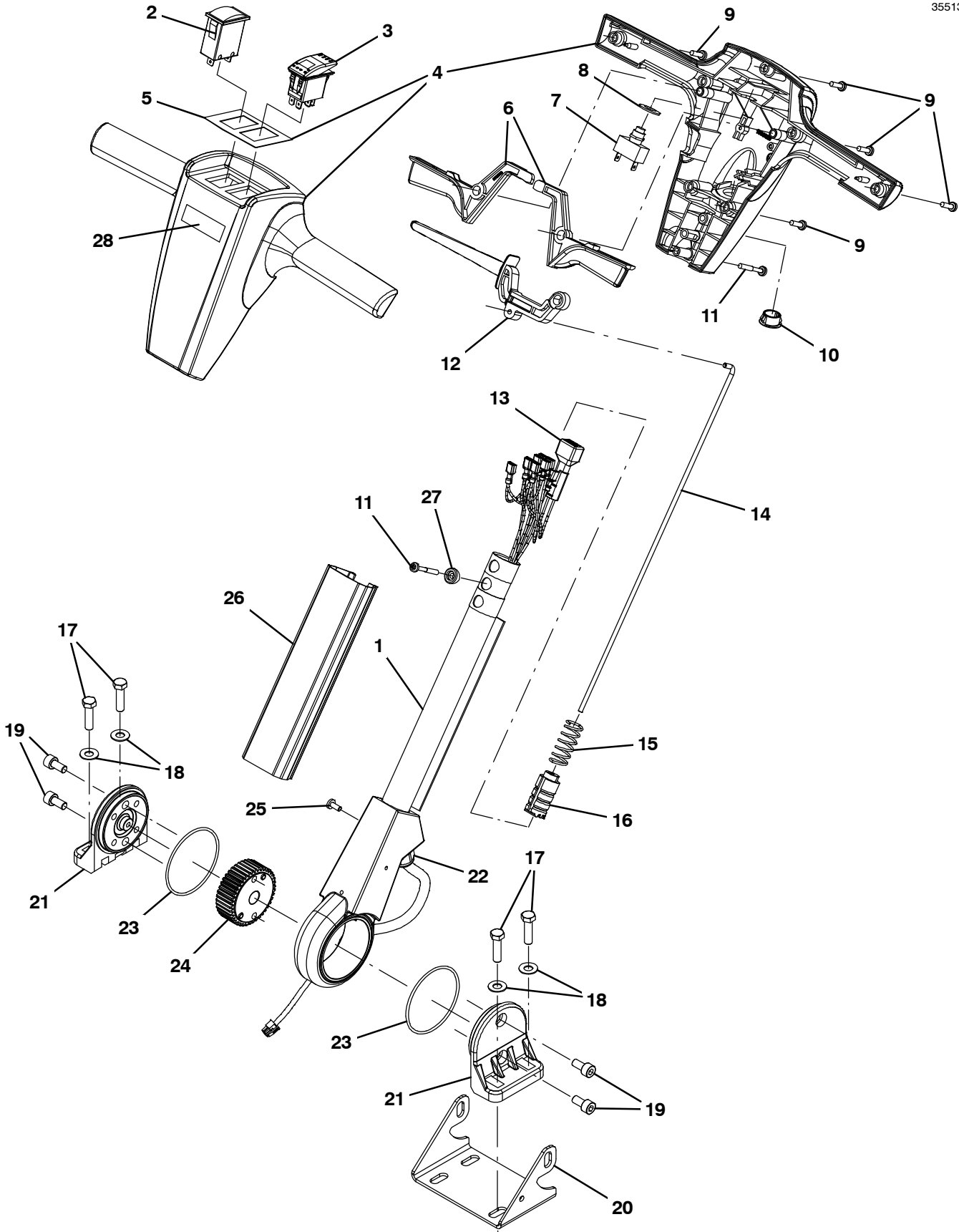
RECOMMENDED MAINTENANCE ITEMS

GENERAL RECOMMENDED MAINTENANCE ITEMS

Ref.	Part No.	Serial Number	Description	Qty.
	1014918	(00000000-) Wheel, 03.0d 0.88w 0.31b, W/ Bshg, Rbr	3
	601443	(00000000-) Caster, Swivel, 3.0d 1.3w, .50-13 Stem	2
	9004283	(00000000-) Belt Kit, W/ Installation Tool	1
	1037197	(00000000-) Brush, Scrub, 89mm Od X 386mm, Nylon (Standard)	1
	1037277	(00000000-) Brush, Scrub, 89mm Od X 386mm, Poly (Optional)	1
	1037278	(00000000-) Brush, Scrub, 89mm Od X 386mm, Grit (Optional)	1
	9008581	(00000000-) Wheel Kit, Sqge, W/ Hdwr	1
	1064751	(00000000-) Blade Assy, Sqge, Ure, Cast, 4.2thk	2
	1049397	(00000000-) Blade Assy, Sqge, Ure, Millable	2
	1052876	(00000000-) Gasket, Tank	2

HANDLE GROUP

355133



HANDLE GROUP

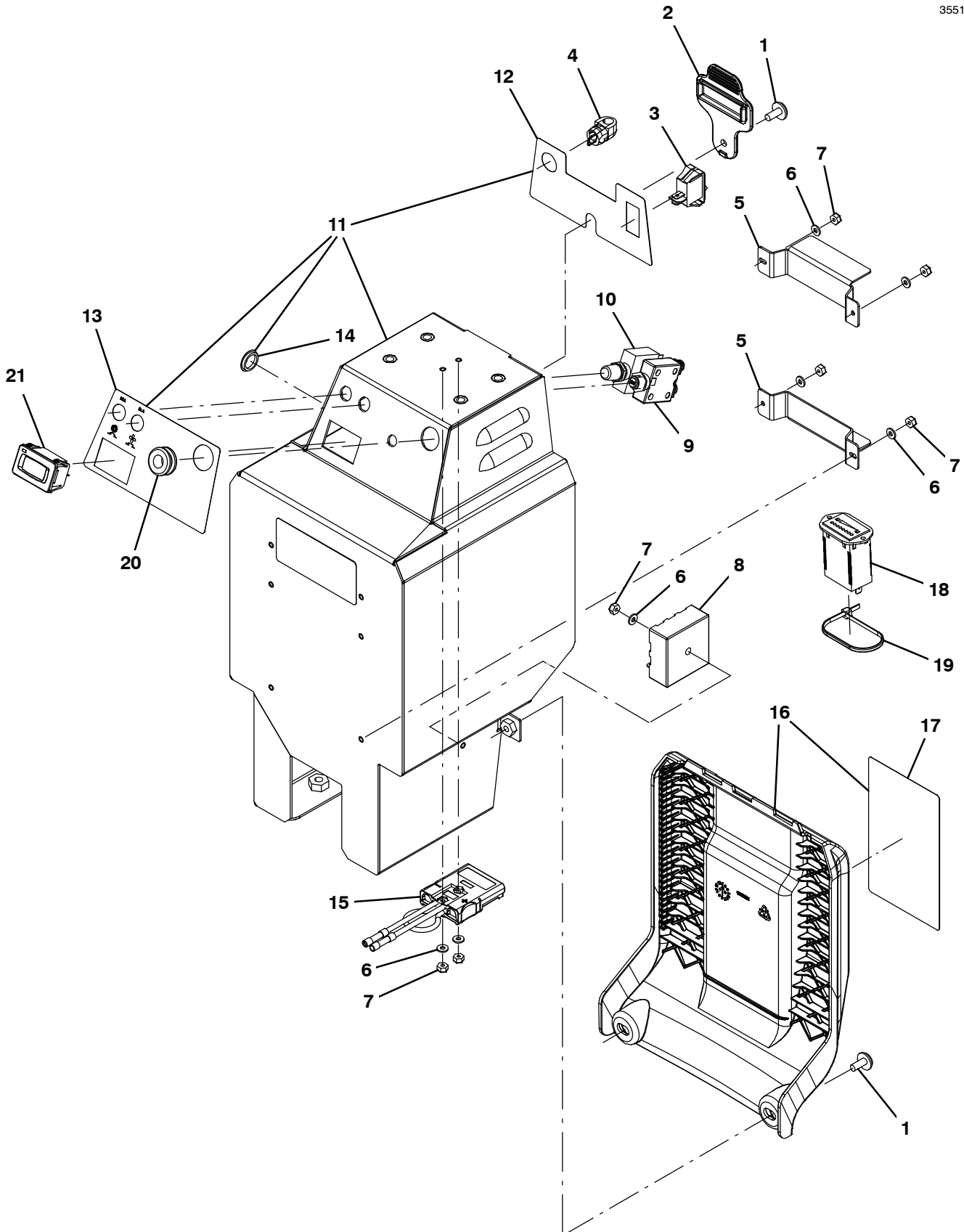
Ref.	Part No.	Serial Number	Description	Qty.
▽	1	9008682	(10000000-20000000) Handle Kit, Assy [Nob, Li+] (Li-Ion Model)	1
▽	1	9008683	(10000000-20000000) Handle Kit, Assy [Nob, Agm] (AGM Model)	1
▲	2	1048378	(10000000-20000000) Gauge, Voltmeter, 12vdc, Nominal (Li-Ion Model)	1
▲	2	1065438	(10000000-20000000) Gauge, Voltmeter, 12vdc Nominal [Agm] (AGM Model)	1
▲	3	1053503	(10000000-20000000) Switch, Rocker [Lighted] 12v Dpdt	1
▲▽	4	9008684	(10000000-20000000) Cover Kit, Front/Rear [Nob]	1
▲▲	5	1049028	(10000000-20000000) Label, Opertnl, Instrmt Panl	1
▲	6	1033893	(10000000-20000000) Lever, Cntrl, Switch	2
▲	7	1063165	(10000000-20000000) Switch, Push, Spst, No	1
▲	8	578430	(10000000-20000000) Washer, Flat, 0.50d, Pl [Spring-Disc]	2
▲	9	1043573	(10000000-20000000) Screw, #10-14 X 0.675, Spl[Shcs,Selftap]	7
▲	10	130175	(10000000-20000000) Plug, Hole, Rnd, 0.75d, Blk	1
▲	11	1043572	(10000000-20000000) Screw, #10-14 X 0.15, Spl[Shcs Selftap]	2
▲	12	1034945	(10000000-20000000) Lever, Adjmt, Handle	1
▲	13	222290	(10000000-20000000) Diode, Ele, Plug	1
▲	14	1034180	(10000000-20000000) Rod, Release	1
▲	15	1013295	(10000000-20000000) Spring, Cmpr [2100 Series]	1
▲	16	9006059	(10000000-20000000) Plunger Kit, Handle	1
	17	1016399	(10000000-20000000) Screw, Hex, M8 X 1.25 X 30, NI, Ss	4
	18	140027	(10000000-20000000) Washer, Flat, 0.35b 0.75d .04, Ss	4
▲	19	49609	(10000000-20000000) Screw, Soc, M8 X 1.25 X 16, 12.9	4
▲	20	1048219	(10000000-20000000) Bracket, Pivot, Cover, Mtg	1
▲	21	1000307	(10000000-20000000) Handle, Pivot, Half	2
▲	22	1053722	(10000000-20000000) Cordgrip, Str, Pg-11	1
▲	23	612422	(10000000-20000000) Seal, Org, Gear Seat	2
▲	24	1034872	(10000000-20000000) Gear, Lock, Handle	1
▲	25	1035681	(10000000-20000000) Screw, Pan, M5 X 0.80 X 12	1
▲	26	1034181	(10876910-20000000) Cover, Handle, Gray	1
▲	26	1036599	(10000000-10876909) Cover, Handle, Nobles	1
▲	27	1034176	(10000000-20000000) Bushing, Flng, 05mmb 12mmd 08mml [Pa6]	1
▲	28	1039088	(10000000-20000000) Label, Logo, 02.8l 3color [Nobles]	1

▽ ASSEMBLY

▲ INCLUDED IN ASSEMBLY

HANDLE MOUNT GROUP

355134



HANDLE MOUNT GROUP

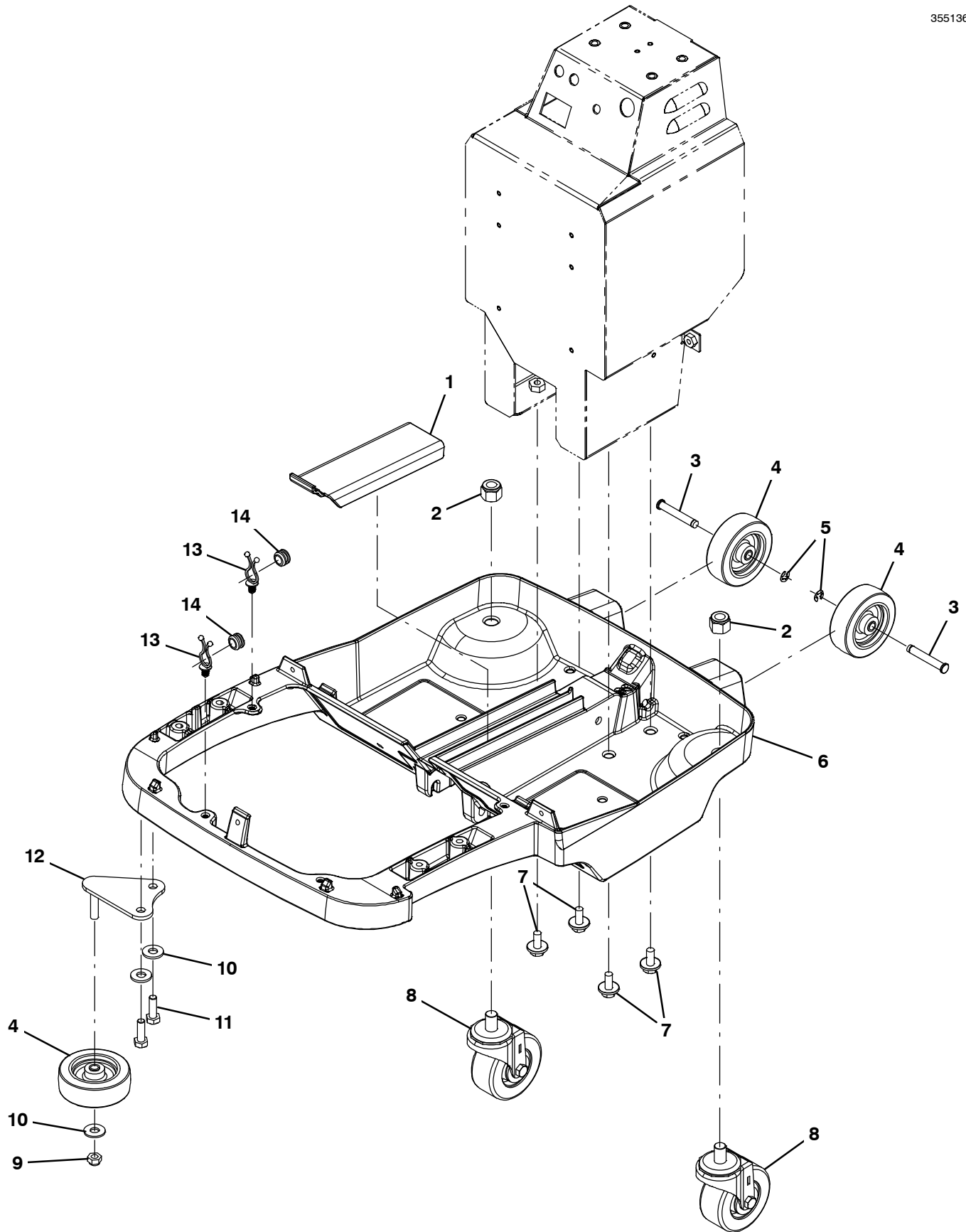
Ref.	Part No.	Serial Number	Description	Qty.	
1	1019349	(10000000-20000000)	Screw, Trs, M6 X 1.00 X 16, Ss, Sems	3	
2	1048989	(10000000-20000000)	Cover, Chrgr Plug	1	
3	578005000	(10000000-20000000)	Switch, Rocker, Spst	1	
4	1049283	(10000000-20000000)	Strain Relief, Cord, Right Angle	1	
5	1059709	(10000000-20000000)	Channel, Stand-Off	2	
6	41578	(10000000-20000000)	Washer, Flat, 06, Ss	7	
7	75939	(10000000-20000000)	Nut, Hex, Lock, #06-32, NI	7	
8	1053209	(10000000-20000000)	Module, Timer, 12v, 5s Interval (Li-Ion Model)	1	
9	1067771	(10000000-20000000)	Circuitbreaker, 35.0a	1	
10	383725	(10000000-20000000)	Circuitbreaker, 30.0a, Resetable	1	
▽	11	9008687	(10000000-20000000)	Column Kit, Suppt, W/ Label	1
▲	12	1053739	(10000000-20000000)	Label, Opertnl, Instmt Panl, Lwr	1
▲	13	1065072	(10000000-20000000)	Label, Circuitbreaker [Conventional]	1
▲	14	57167	(10000000-20000000)	Plug, Hole, Rnd, 0.62h .03-.12, Blk Nyl (Non-Telemetry Models)	1
	15	1066279	(10000000-20000000)	Plug Kit, Chrgr, T1b [Psbs 75x]	1
▽	16	9008685	(10000000-20000000)	Cover Kit, Battery, W/Labels [Na]	1
▲	17	1049889	(10000000-20000000)	Label, Warning, Dc Scrubber	1
	18	1064516	(10000000-20000000)	Indicator, Battery, 12vdc, 1.73volt/Cell (AGM Model)	1
	19	130773	(10000000-20000000)	Tie, Cable, Nyl, 11.0l, .14w, 3.0 Max. D (AGM Model)	1
	20	86726	(10000000-20000000)	Grommet, Rbr, 0.44id, F/0.5h, .19 Matl	1
	21	1064038	(10000000-20000000)	Gauge, Hourmeter, 05-277 Volt, Ac / Dc	1

▽ ASSEMBLY

▲ INCLUDED IN ASSEMBLY

FRAME GROUP

355136

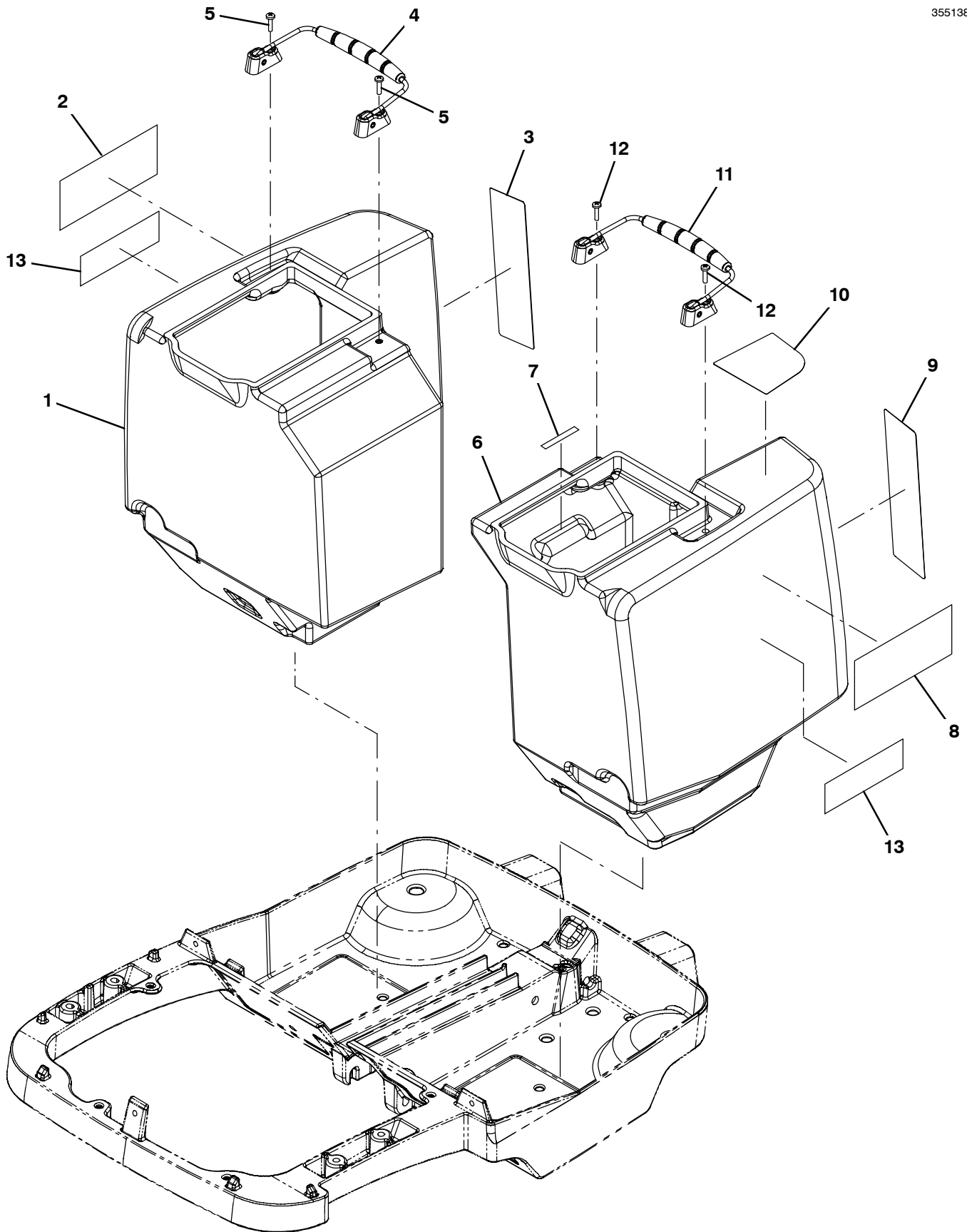


FRAME GROUP

Ref.	Part No.	Serial Number	Description	Qty.
1	1053149	(10000000-20000000)	Cover, Frame, Rear	1
2	02931	(10000000-20000000)	Nut, Hex, Lock, .50-13, NI, Ss	2
3	1035137	(10000000-20000000)	Pin, Clevis, Grvd 0.31d X 2.00l, Ss	2
4	1014918	(10000000-20000000)	Wheel, 03.0d 0.88w 0.31b, W/ Bshg, Rbr	3
5	1035139	(10000000-20000000)	Ring, Retaining, Ext, 0.31d, E-Type	2
6	1034013	(10000000-20000000)	Frame (Machined)	1
7	1020341	(10000000-20000000)	Screw, Hex, M8 X 1.25 X 20, Ss, Sems	4
8	601443	(10000000-20000000)	Caster, Swivel, 3.0d 1.3w, .50-13 Stem	2
9	08713	(10000000-20000000)	Nut, Hex, Lock, M8 X 1.25, NI, Ss	1
10	140027	(10000000-20000000)	Washer, Flat, 0.35b 0.75d .04, Ss	3
11	49826	(10000000-20000000)	Screw, Hex, M8 X 1.25 X 16, NI, Ss	2
12	1034805	(10000000-20000000)	Bracket, Bumper Wheel	1
13	30406	(10000000-20000000)	Clip, Keeper	2
14	10632-12	(10000000-20000000)	Grommet, Rbr, 0.38id, F/0.5h, .12 Matl	2

RECOVERY AND SOLUTION TANKS GROUP

355138



RECOVERY AND SOLUTION TANKS GROUP

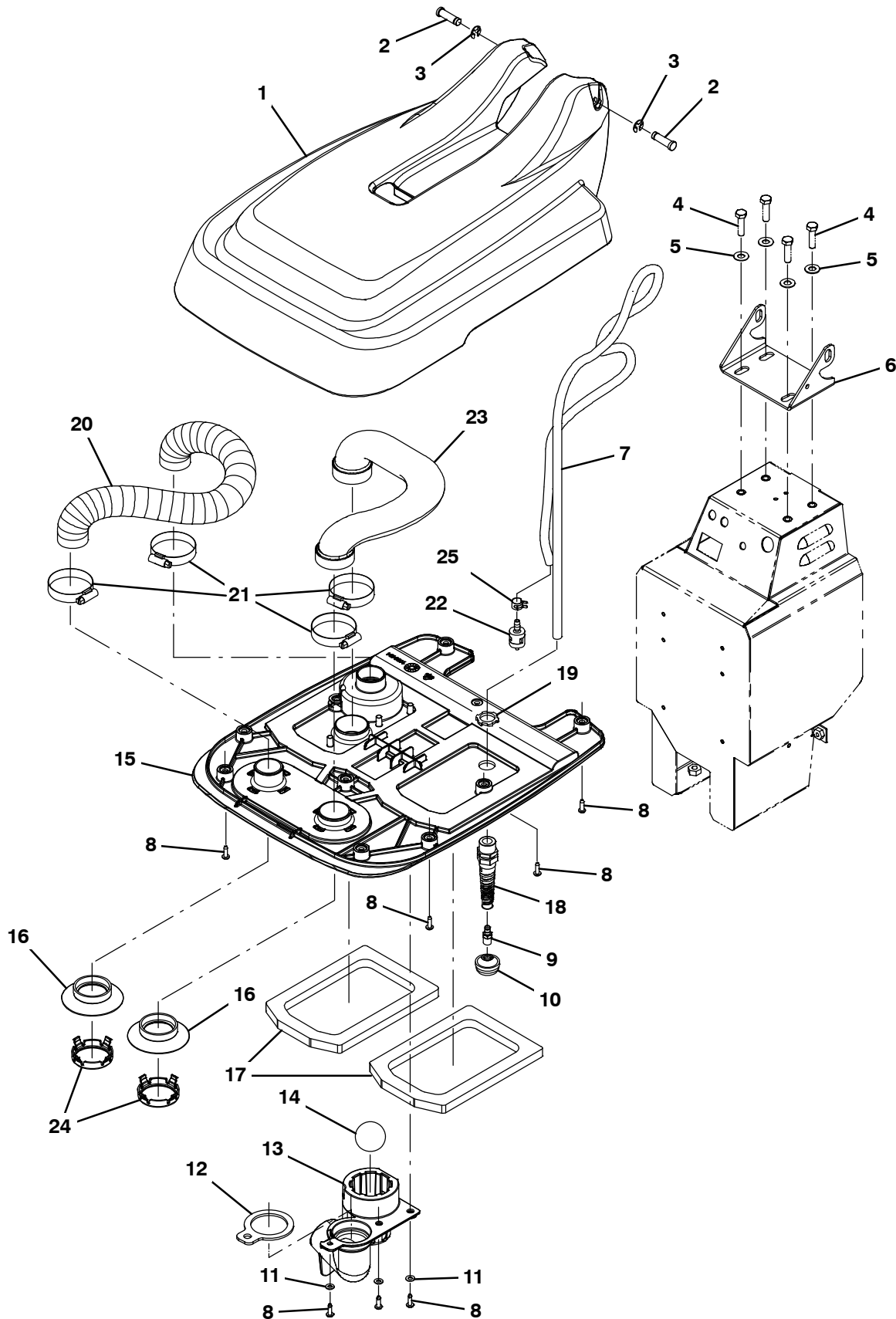
Ref.	Part No.	Serial Number	Description	Qty.
▽	1	9016186	(10876910-20000000) Tank Kit, Recvy W/Labels [Gray Ss15 B]	1
▽	1	9008693	(10000000-10876909) Tank Kit, Recvy W/Labels [Ssb]	1
▲	2	1039498	(10000000-20000000) Label, Side [Speedscrub]	1
▲	3	1067554	(10000000-20000000) Label, Oprtn, Instr, Rh [T1b]	1
▲▽	4	9004285	(10000000-20000000) Handle Kit, Tank	1
▲▲	5	24265	(10000000-20000000) Screw, Pan, Phl, M4 X 0.70 X 16, Ss	2
▽	6	9016187	(10876910-20000000) Tank Kit, Soltn W/Labels [Gray Ss15 B]	1
▽	6	9008694	(10000000-10876909) Tank Kit, Soltn W/Labels [Ssb]	1
▲	7	1044865	(10000000-20000000) Label, Solution, Tank, Max. Fill, 3 Gal.	1
▲	8	1039498	(10000000-20000000) Label, Side [Speedscrub]	1
▲	9	1067553	(10000000-20000000) Label, Oprtn, Instr, Lh [T1b]	1
▲	10	1065771	(10000000-20000000) Label, Tank, Soltn	1
▲▽	11	9004285	(10000000-20000000) Handle Kit, Tank	1
▲▲	12	24265	(10000000-20000000) Screw, Pan, Phl, M4 X 0.70 X 16, Ss	2
	13	1066224	(10000000-20000000) Label, Lithium-Ion, Black [Speedscrub]	2

▽ ASSEMBLY

▲ INCLUDED IN ASSEMBLY

TANK COVER GROUP

355139

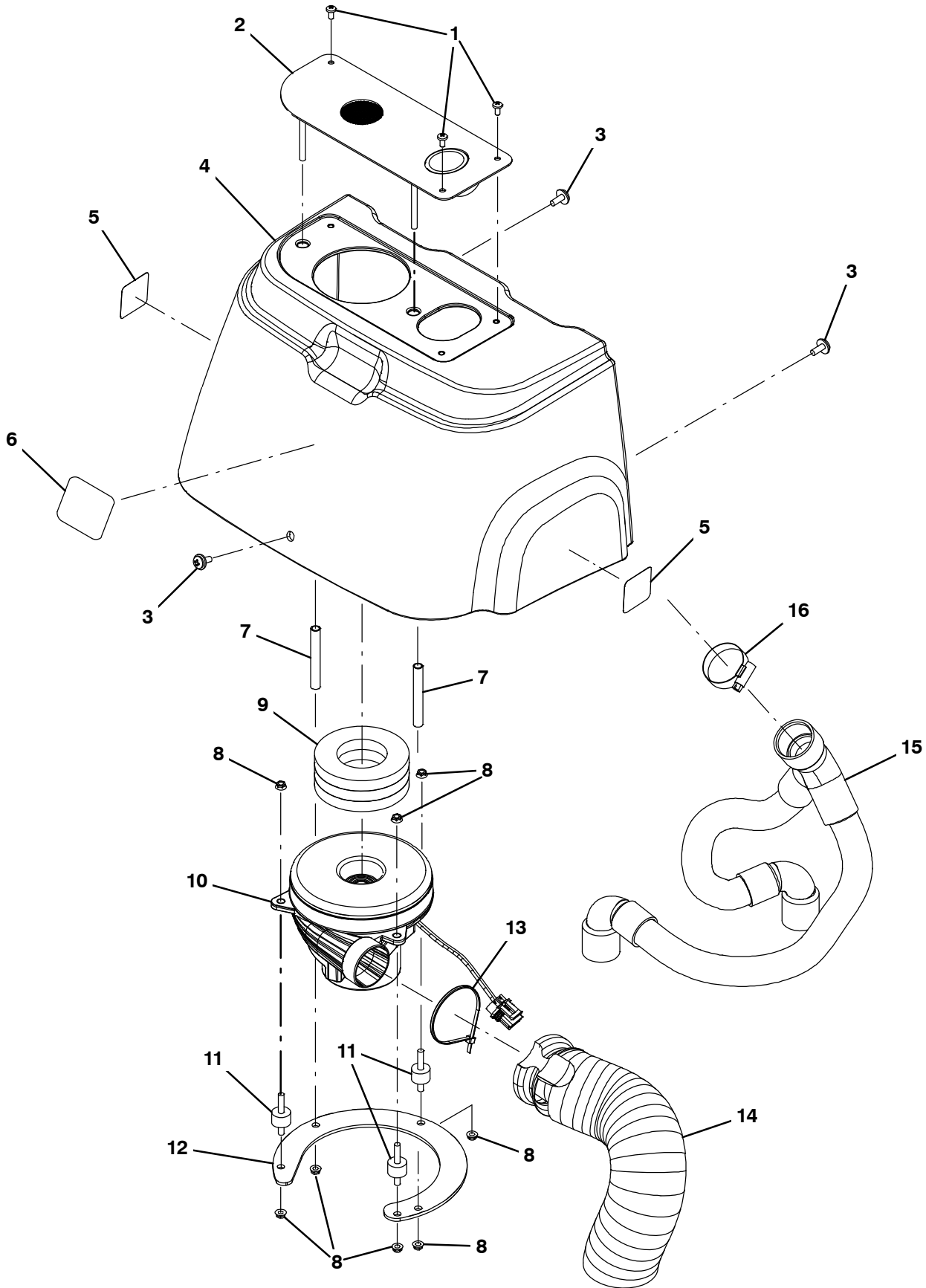


TANK COVER GROUP

Ref.	Part No.	Serial Number	Description	Qty.
1	1037759	(10000000-20000000)	Cover , Tanks, Upper, Nobles	1
2	1035358	(10000000-20000000)	Pin, Grvd, 0.375d, 1.25l	2
3	24555	(10000000-20000000)	Ring, Retaining, Ext, 0.38d, [E-Ring]	2
4	1016399	(10000000-20000000)	Screw, Hex, M8 X 1.25 X 30, NI, Ss	4
5	140027	(10000000-20000000)	Washer, Flat, 0.35b 0.75d .04, Ss	4
6	1034346	(10000000-20000000)	Bracket, Pivot, Cover, Mtg	1
7	1036063	(10000000-20000000)	Hose, Soltn, .25 Id, .453 Od, 56.0 L	1
8	140340	(10000000-20000000)	Screw, Pan, Phl, 10-24 X 0.62, Ss[Typ25]	13
9	1042715	(10000000-20000000)	Fitting, Brs, Str, Bm04/Pm02	1
10	1074694	(10000000-20000000)	Filter, Tube, Soltn, 200mesh	1
11	140011	(10000000-20000000)	Washer, Flat, 0.21b 0.45d .03, Ss	3
12	1051274	(10000000-20000000)	Gasket, Shield, Float	1
13	1042277	(10000000-20000000)	Shield, Float	1
14	1044370	(10000000-20000000)	Ball, Float, W/O Cage	1
15	1050434	(10000000-20000000)	Cover, Tank, Inner, Black	1
16	1036090	(10000000-20000000)	Seal, Vacuum [Trex]	2
17	1052876	(10000000-20000000)	Gasket, Tank	2
18	602849	(10000000-20000000)	Strainrelief, Cord, Ele, Pm08, Blk Nyl	1
19	140504	(10000000-20000000)	Nut, Lock, Conduit, Pm08	1
20	1037756	(10000000-20000000)	Hose, Vacuum, 1.5od, 18.0l [Wire-Reinf]	1
21	140308	(10000000-20000000)	Clamp, Hose, Wormdrive, 1.31-2.25d, .50w	4
22	1059000	(10000000-20000000)	Valve, Check, 0001psi Bm02/Bm04	1
23	1035866	(10000000-20000000)	Hose, Recvy, Formed [Trex]	1
24	1054345	(10000000-20000000)	Clip, Retaining, Seal	2
25	603654	(10000000-20000000)	Clamp, Hose, Ear, .44d [Ctb]	1

VACUUM FAN GROUP

355141



VACUUM FAN GROUP

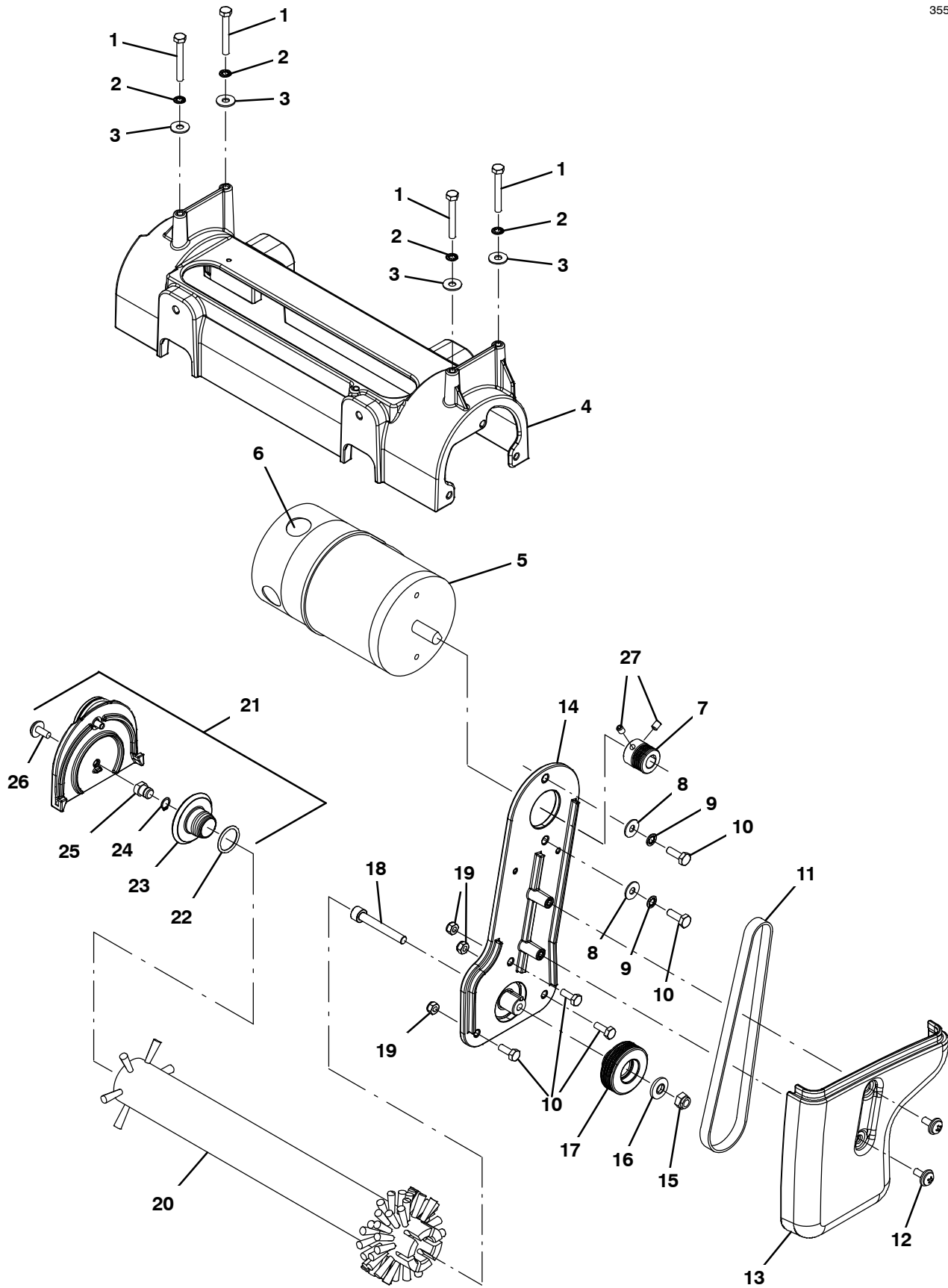
Ref.	Part No.	Serial Number	Description	Qty.
1	1026454	(10000000-20000000)	Screw, Pan, Phl, M5 X 0.80 X 10, Ss	3
2	1048251	(10000000-20000000)	Wldt, Plate, Mtg, Vacuum	1
3	1019349	(10000000-20000000)	Screw, Trs, M6 X 1.00 X 16, Ss, Sems	3
▽	4	9004302	(10000000-20000000) Shroud Kit, W/ Labels [Nobles 3 Gal]	1
▲	5	578769	(10000000-20000000) Label, Parts, Moving [Textless]	2
▲	6	1034636	(10000000-20000000) Label, Front, 3.00 [Nobles Icon]	1
7	1050480	(10000000-20000000)	Spacer, 9.52od X 7.14id X 72.3l Ss	2
8	1040381	(10000000-20000000)	Nut, Hex, Flng, M6 X 1.0, Ss [Serrated]	8
9	1053269	(10000000-20000000)	Gasket, 38.1mm Th, 50.8mmid 95.25mmod	1
10	1048362	(10000000-20000000)	Fan, Vacuum, Domel	1
11	1011093	(10000000-20000000)	Isolator, Vib, .75d, M6 Stud Both Ends	3
12	1057236	(10000000-20000000)	Bracket, Mtg, Vacuum	1
13	130773	(10000000-20000000)	Tie, Cable, Nyl, 11.0l, .14w, 3.0 Max. D	1
14	390677	(10000000-20000000)	Muffler, Exhaust, Vacfan, Long	1
15	1067430	(10000000-20000000)	Hose Assy, Vacuum, Wye	1
16	11531	(10000000-20000000)	Clamp, Hose, Wormdrive, 1.06-2.00d, .56w	1

▽ ASSEMBLY

▲ INCLUDED IN ASSEMBLY

SCRUB HEAD GROUP

355142



SCRUB HEAD GROUP

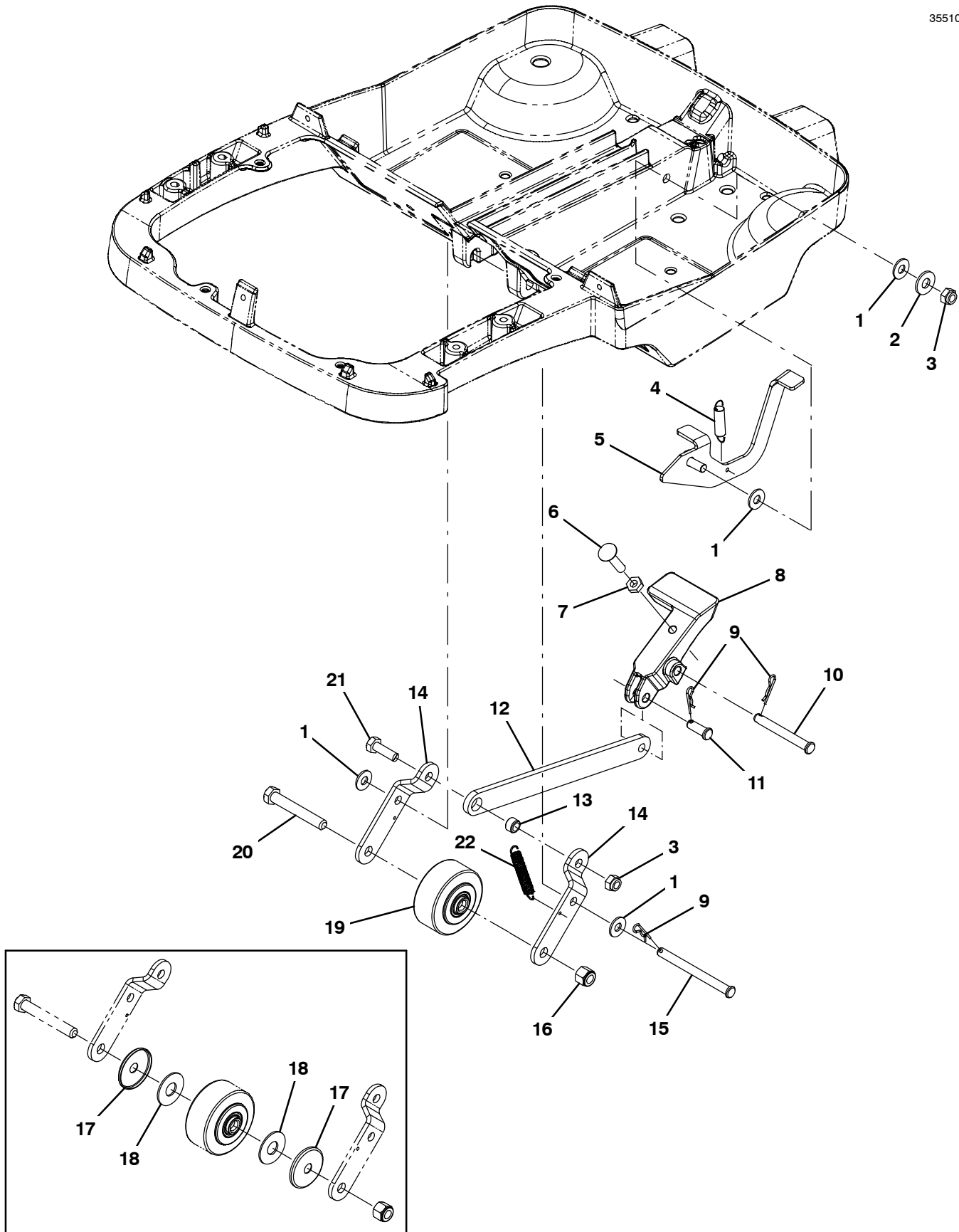
Ref.	Part No.	Serial Number	Description	Qty.
1	1045325	(10000000-20000000)	Screw, Hex, M6 X 1.00 X 45, Ss	4
2	07515	(10000000-20000000)	Washer, Lock, Int, 0.25, Ss	4
3	01684	(10000000-20000000)	Washer, Flat, 0.27b 0.69d .05, Ss	4
4	1034380	(10000000-20000000)	Housing, Brush, Sngl, 40cm	1
▽	5	1048393	(10000000-20000000) Motor, 12vdc, 3.98 Dia. X 6.5 L	1
▲	6	9008737	(10000000-20000000) Vr, Brush, Motor	1
7	1063530	(10000000-20000000)	Sheave, 07grv, 25.8pd [Ph]	1
8	01684	(10000000-20000000)	Washer, Flat, 0.27b 0.69d .05, Ss	2
9	07515	(10000000-20000000)	Washer, Lock, Int, 0.25, Ss	2
10	15678	(10000000-20000000)	Screw, Hex, .25-20 X 0.75, NI	5
11	9004283	(10000000-20000000)	Belt Kit, W/ Installation Tool	1
12	1019349	(10000000-20000000)	Screw, Trs, M6 X 1.00 X 16, Ss, Sems	2
13	1064397	(10000000-20000000)	Cover, Belt, Spg (Single Roller)	1
▽	14	9008296	(10000000-20000000) Bracket Kit, Motor Mount	1
▲	15	08713	(10000000-20000000) Nut, Hex, Lock, M8 X 1.25, NI, Ss	1
▲	16	41186	(10000000-20000000) Washer, Flat, Belleville, .31	1
▲	17	1030625	(10000000-20000000) Sheave, 07grv, 49.3pd	1
▲	18	1057476	(10000000-20000000) Screw, Soc, M8 X 1.25 X 55, Ss	1
19	08712	(10000000-20000000)	Nut, Hex, Lock, M6 X 1.00, NI, Ss	3
20	1037197	(10000000-20000000)	Brush, Scrub, 89mm Od X 386mm, Nylon (Standard)	1
20	1037277	(10000000-20000000)	Brush, Scrub, 89mm Od X 386mm, Poly (Optional)	1
20	1037278	(10000000-20000000)	Brush, Scrub, 89mm Od X 386mm, Grit (Optional)	1
▽	21	9007962	(10000000-20000000) Door Kit, Brush, W/ Hdwr	1
▲▽	9018438	(10000000-20000000)	Door Kit, Brush, Repair [T1b, E5]	1
▲▲	22	1042312	(10000000-20000000) Seal, Org, .070 X .875 Id, 020	1
▲▲	23	1030680	(10000000-20000000) Hub, Idler, Brush	1
▲▲	24	01543	(10000000-20000000) Ring, Retaining, Ext, 0.39d, Basic	1
▲▲	25	1030682	(10000000-20000000) Shaft, Idler Plug	1
▲▲	26	1019349	(10000000-20000000) Screw, Trs, M6 X 1.00 X 16, Ss, Sems	1
27	09162	(10000000-20000000)	Screw, Set, Soc, M6 X 1.00 X 8, NI	2

▽ ASSEMBLY

▲ INCLUDED IN ASSEMBLY

SCRUB HEAD LIFT GROUP

355106

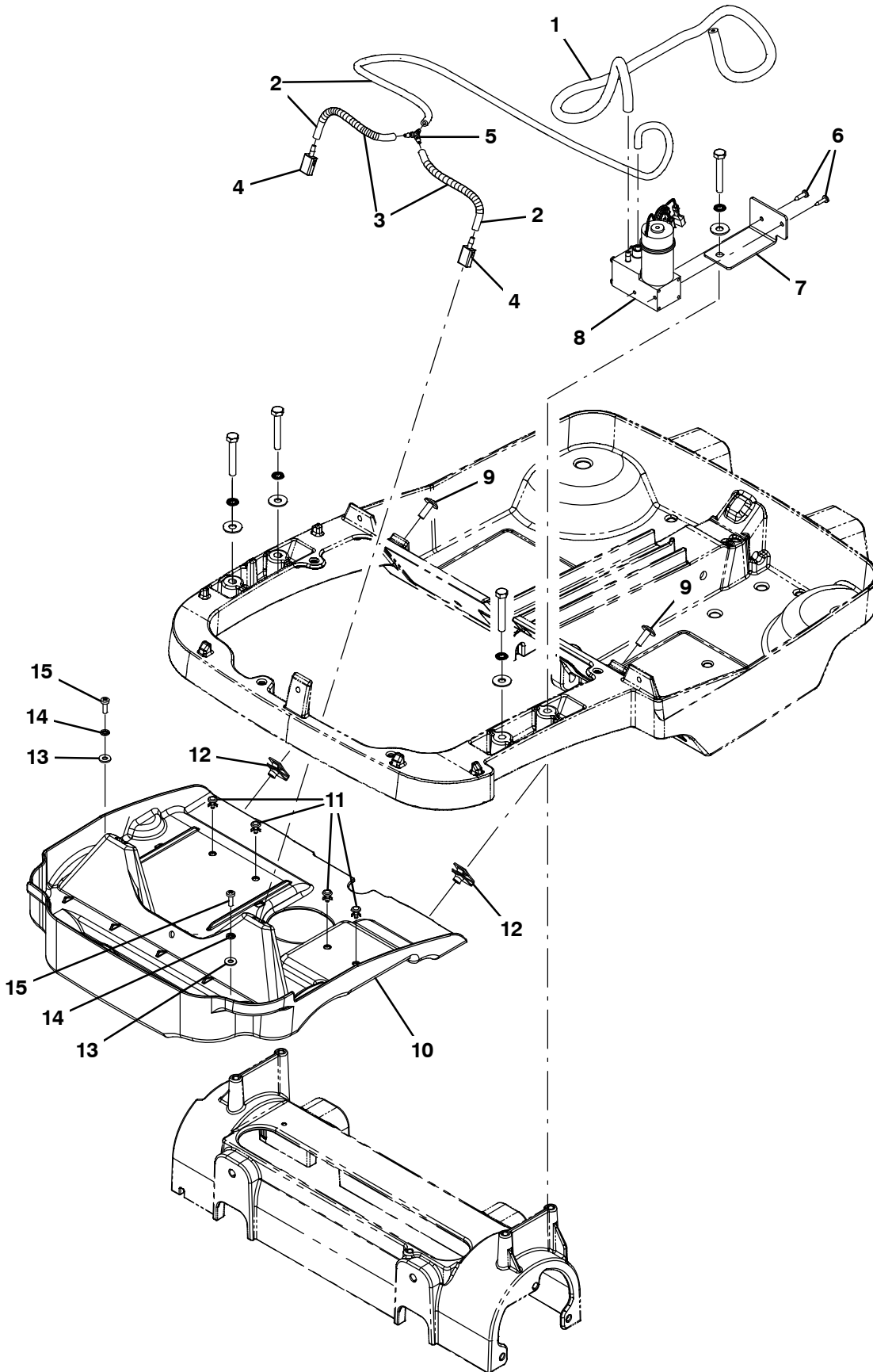


SCRUB HEAD LIFT GROUP

Ref.	Part No.	Serial Number	Description	Qty.
1	630446	(10000000-20000000)	Washer, Flat, 0.31b 0.75d .06, Nyl	3
2	140027	(10000000-20000000)	Washer, Flat, 0.35b 0.75d .04, Ss	1
3	08713	(10000000-20000000)	Nut, Hex, Lock, M8 X 1.25, NI, Ss	2
4	605812	(10000000-20000000)	Spring, Extn	1
5	1034420	(10000000-20000000)	Lever, Pedal, Wheel Release	1
6	1053751	(10000000-20000000)	Bolt, Carriage, .31-18 X 1.25, Ss	1
7	140548	(10000000-20000000)	Nut, Hex, Jam, Fin .31, Ss	1
8	1034376	(10000000-20000000)	Pedal, Foot	1
9	08085	(10000000-20000000)	Pin, Cotter, Hair, 0.31d .058 Wir	3
10	71274	(10000000-20000000)	Pin, Clevis, 0.31d X 2.62l	1
11	386987	(10000000-20000000)	Pin, Clevis, 0.31d X 0.88l	1
12	1034368	(10000000-20000000)	Arm, Linkage, Transport	1
13	222516	(10000000-20000000)	Sleeve, P/M, 0.32b 0.50d 0.3l [430ss]	1
14	1034371	(10000000-20000000)	Bracket, Transport, Wheel	2
15	1034513	(10000000-20000000)	Pin, Clevis, 0.31d X 3.50l	1
16	59156	(10000000-20000000)	Nut, Hex, Lock, .38-16, NI, Ss	1
17	1034351	(10000000-20000000)	Guard, Thread, Wheel (NLA - Replaced by 1034355)	2
18	140045	(10000000-20000000)	Washer, Flat, 0.51b 1.25d .06, Ss (NLA - Replaced by 1034355)	2
19	1034355	(10000000-20000000)	Wheel, 02.5d 1.25w 0.38b, Rbr, Gray	1
20	27992	(10000000-20000000)	Screw, Hex, .38-16 X 2.50, G5	1
21	09010	(10000000-20000000)	Screw, Hex, M8 X 1.25 X 25, Ss	1
22	140402	(10000000-20000000)	Spring, Extn, 0.375od 0.045wir 01.8l, Mw	1

SOLUTION GROUP

355143

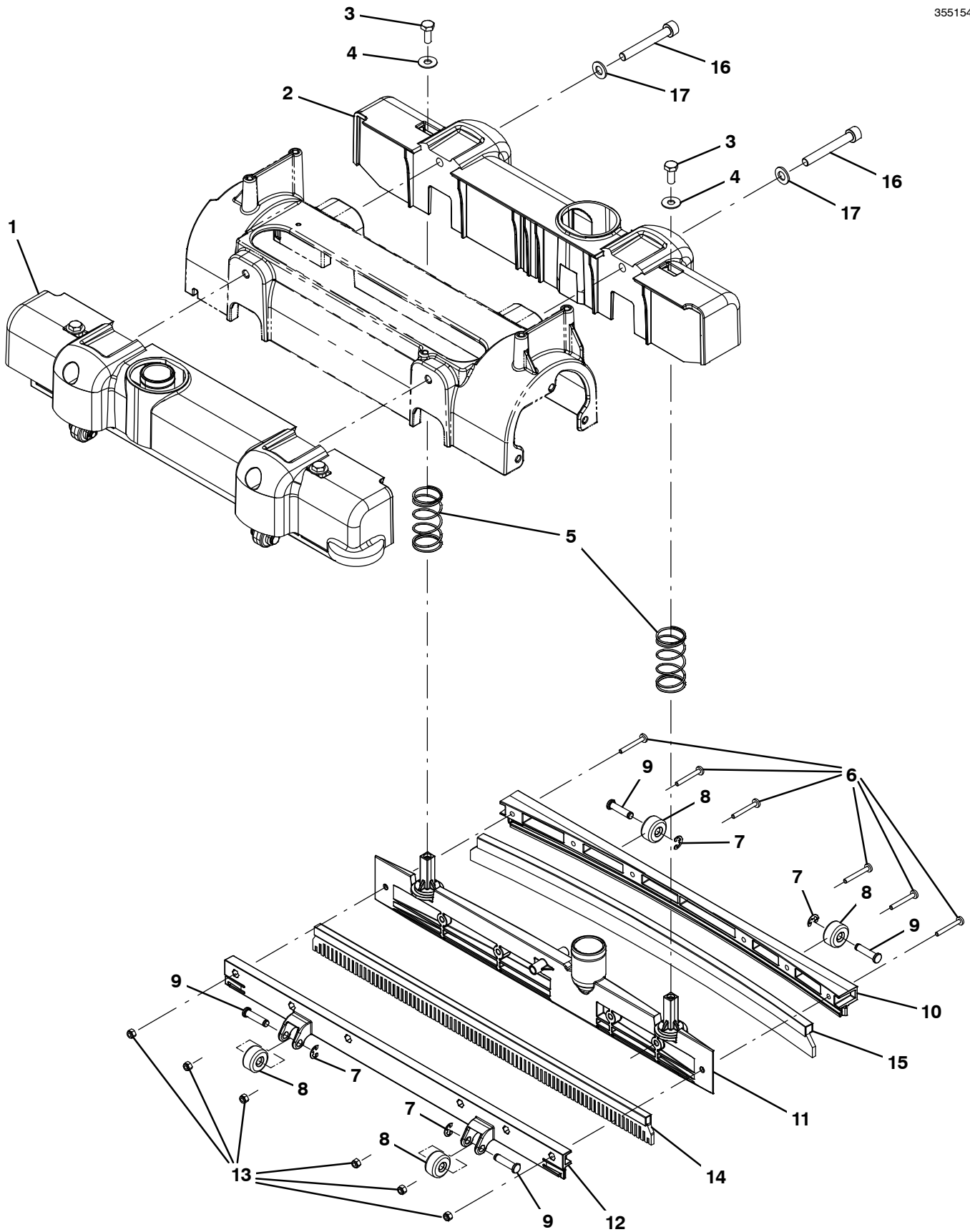


SOLUTION GROUP

Ref.	Part No.	Serial Number	Description	Qty.
1	9006630	(10000000-20000000)	Tube, 3.175 Id 9.0 Od 1120mm L	1
2	9006631	(10000000-20000000)	Tube, 1/8" Id, 780mm L	1
3	160123	(10000000-20000000)	Sleeve, Heatshrink, .025, Bulk	2
4	1049141	(10000000-20000000)	Nozzle, Fluidic	2
5	1055763	(10000000-20000000)	Fitting, Plstc, Y, Bm02/Bm02/Bm02	1
6	222267	(10000000-20000000)	Screw, Pan, Phl, 06-20 X 0.50, Fmg/Ab	2
7	1048289	(10000000-20000000)	Bracket, Mtg, Pump, Soltn	1
8	1048528	(10000000-20000000)	Pump, Diaphragm, Liquid	1
9	140824	(10000000-20000000)	Screw, Trs, .25-20 X 0.62, Phl, Ss	2
10	1067972	(10000000-20000000)	Shrd, Splash, Nozzle	1
11	578852	(10000000-20000000)	Rivet, Plstc, .200d X 0.20, Snap	4
12	82138	(10000000-20000000)	Nut, Spd, Clip, .25-20 [.025-.150]	2
13	41579	(10000000-20000000)	Washer, Flat, 08, Ss	2
14	02938	(10000000-20000000)	Washer, Lock, Int, 08, Ss	2
15	579237	(10000000-20000000)	Screw, Pan, Phl, M4 X 0.70 X 12, Ss	2

SQUEEGEE GROUP, FRONT AND REAR

355154



SQUEEGEE GROUP, FRONT AND REAR

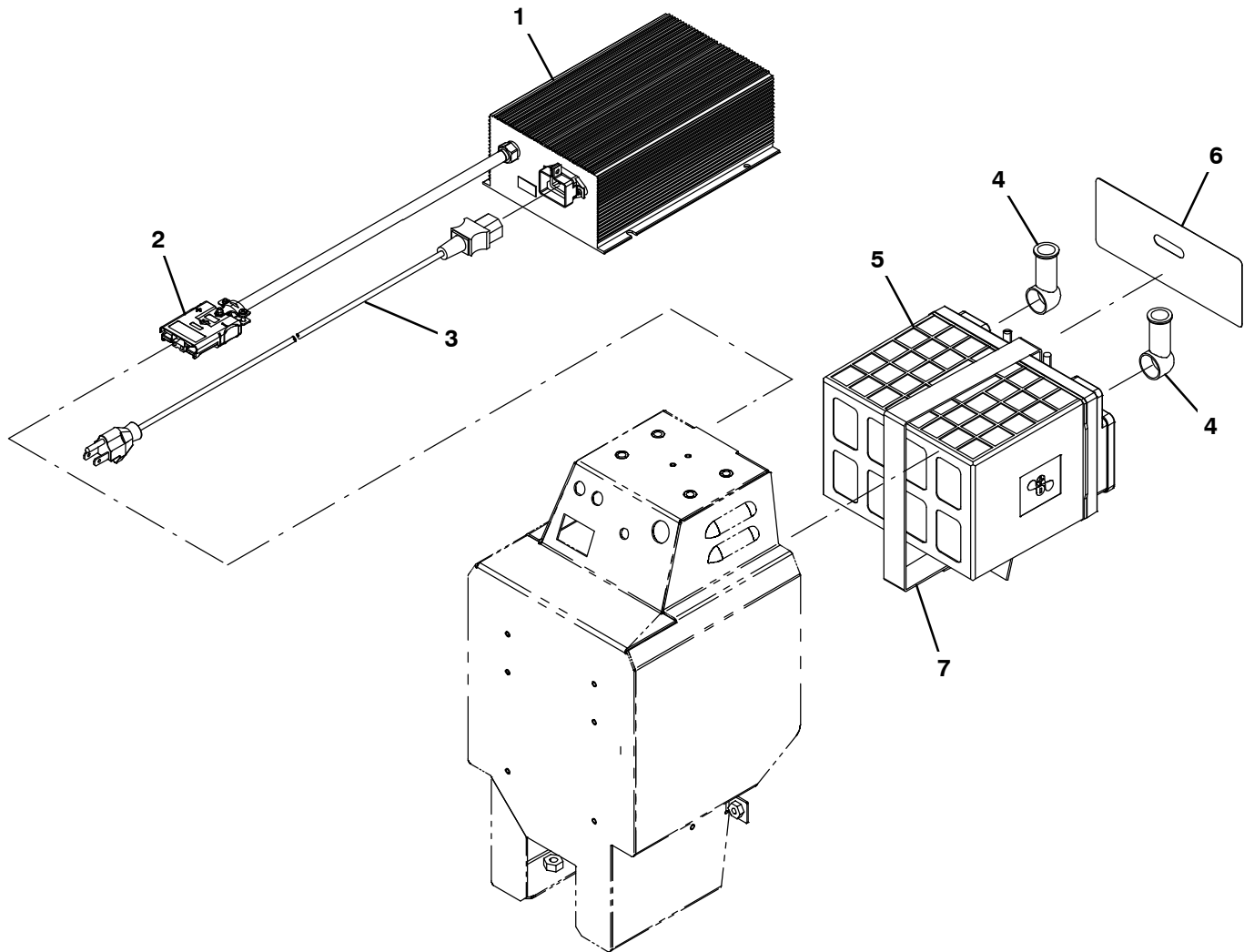
Ref.	Part No.	Serial Number	Description	Qty.
▽	1	9009283	(10000000-20000000) Squeegee Assy [T1b Afmkt]	2
▲	2	1034109	(10000000-20000000) Housing, Squeegee	2
▲	3	01697	(10000000-20000000) Screw, Hex, .25-20 X 0.62, Ss	4
▲	4	01684	(10000000-20000000) Washer, Flat, 0.27b 0.69d .05, Ss	4
▲	5	1030427	(10000000-20000000) Spring, Cmpr, 0.92id .05wir 02.0l	4
▲	6	33931	(10000000-20000000) Screw, Pan, Phl, M4 X 0.70 X 30, Ss	12
▲▽		9008581	(10000000-20000000) Wheel Kit, Sqge, W/ Hdwr	1
▲▲	7	1035647	(10000000-20000000) Ring, Retaining, Ext, 0.25", [E-Ring]	8
▲▲	8	1030852	(10000000-20000000) Roller, Squeegee	8
▲▲	9	1065608	(10000000-20000000) Pin, Grv, 6.22d, 23.0l, Ss	8
▲	10	1049957	(10000000-20000000) Retainer, Squeegee, Outer	2
▲	11	1049358	(10000000-20000000) Frame, Sqge, 44cm [Newt]	2
▲	12	1057243	(10000000-20000000) Retainer, Squeegee, Inner	2
▲	13	33932	(10000000-20000000) Nut, Hex, Lock, M4 X 0.70, NI, Ss	12
	14	1049397	(10000000-20000000) Blade Assy, Sqge, Ure, Millable	2
	15	1064751	(10000000-20000000) Blade Assy, Sqge, Ure, Cast, 4.2thk	2
	16	09294	(10000000-20000000) Screw, Soc, M8 X 1.25 X 60, 12.9	4
	17	39349	(10000000-20000000) Washer, Flat, 0.31, Sae	4

▽ ASSEMBLY

▲ INCLUDED IN ASSEMBLY

BATTERY AND CHARGER GROUP (LITHIUM)

355144



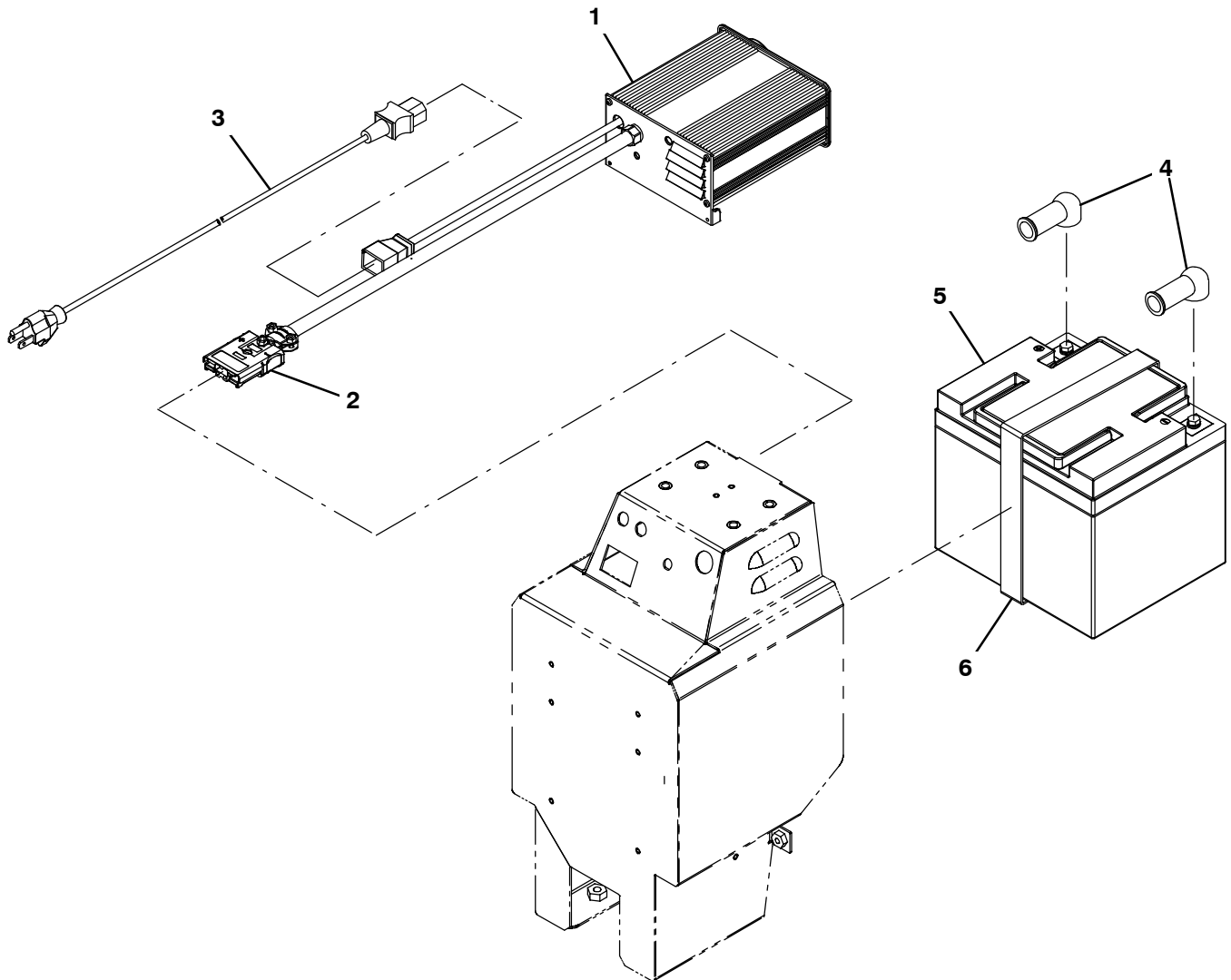
Ref.	Part No.	Serial Number	Description	Qty.	
1	1065754	(10000000-20000000)	Charger, 12vdc, 16a, 120/240vdc [Li-Ion]	1	
2	1066279	(10000000-20000000)	Plug Kit, Chrgr, T1b [Psubs 75x]	1	
3	1044067	(10000000-20000000)	Cord, Power, 16/3 Blk [2.5meter, Us/Jpn]	1	
3	1026325	(10000000-20000000)	Cord, Power, 1.0mm2/3 Blk[2.5meter, Aus]	1	
3	1044068	(10000000-20000000)	Cord, Power, Blk [2.5meter, Ce]	1	
3	1044069	(10000000-20000000)	Cord, Power, Blk [2.5meter, Uk]	1	
4	611221	(10000000-20000000)	Boot, Terminal, Battery, 25.4mm, Blk	2	
▽	5	9008690	(10000000-20000000)	Battery Replmt Kit, [Li+]	1
▲	6	1067699	(10000000-20000000)	Label, Battery, Li-Ion	1
	7	1065070	(10000000-20000000)	Strap, Poly, Webbing 1.0 X 28.0	1
	N/S	1063936	(10000000-20000000)	Harness, Jumper [Phantom Pi Lithium]	1

▽ ASSEMBLY

▲ INCLUDED IN ASSEMBLY

BATTERY AND CHARGER GROUP (AGM)

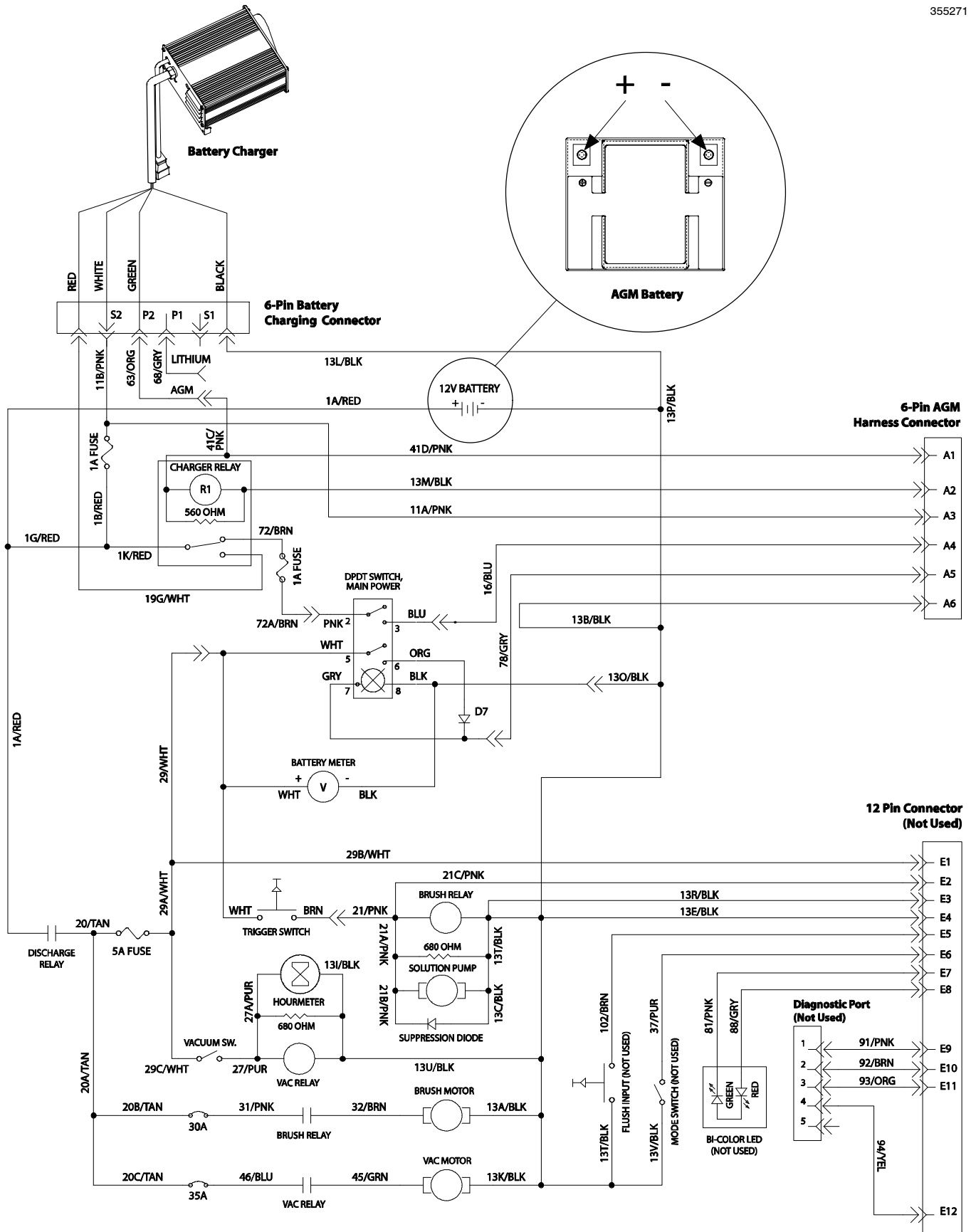
355145



Ref.	Part No.	Serial Number	Description	Qty.
1	1067790	(10000000-20000000)	Charger, Battery, 12vdc [Spe Eu & Na]	1
2	1066279	(10000000-20000000)	Plug Kit, Chrgr, T1b [Psb5 75x]	1
3	1044067	(10000000-20000000)	Cord, Power, 16/3 Blk [2.5meter, Us/Jpn]	1
3	1026325	(10000000-20000000)	Cord, Power, 1.0mm2/3 Blk[2.5meter, Aus]	1
3	1044068	(10000000-20000000)	Cord, Power, Blk [2.5meter, Ce]	1
3	1044069	(10000000-20000000)	Cord, Power, Blk [2.5meter, UK]	1
4	611221	(10000000-20000000)	Boot, Terminal, Battery, 25.4mm, Blk	2
5	1065086	(10000000-20000000)	Battery, 12vdc 0050ah	1
6	1065070	(10000000-20000000)	Strap, Poly, Webbing 1.0 X 28.0	1
N/S	1069703	(10552860-20000000)	Harness, Jumper [Phantom Agm / Tppl]	1
N/S	1064899	(10000000-10552859)	Harness, Jumper [Phantom Agm / Tppl] (Replaced by 1069703)	1

ELECTRICAL DIAGRAM, AGM BATTERY

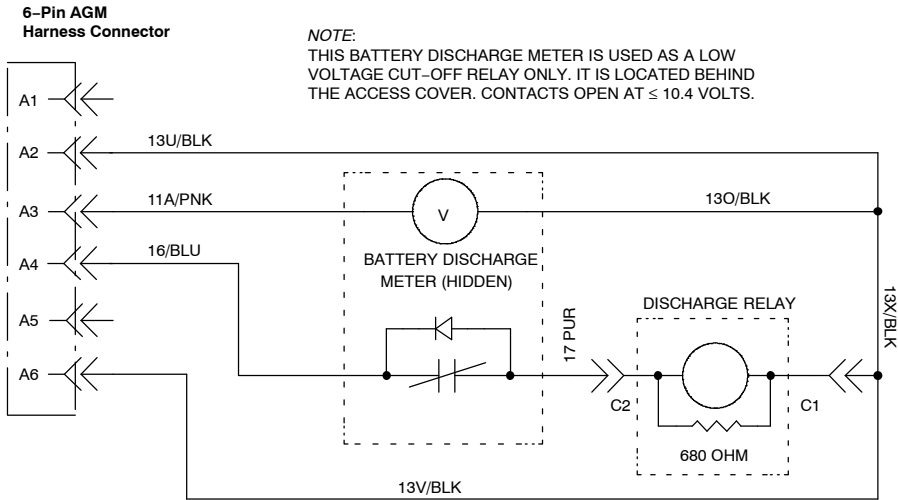
355271



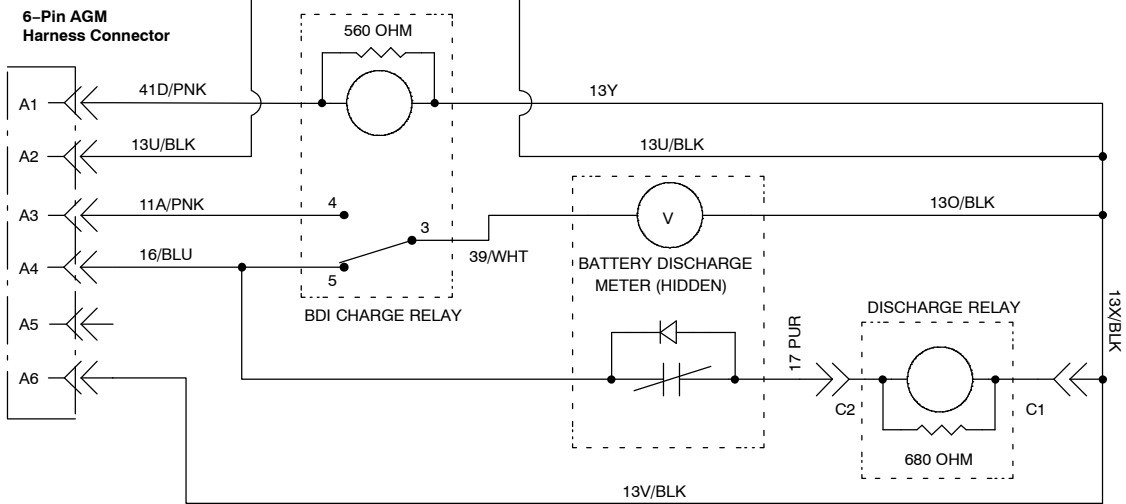
ELECTRICAL DIAGRAM, AGM BATTERY – CONT'D

355272

Early AGM Models

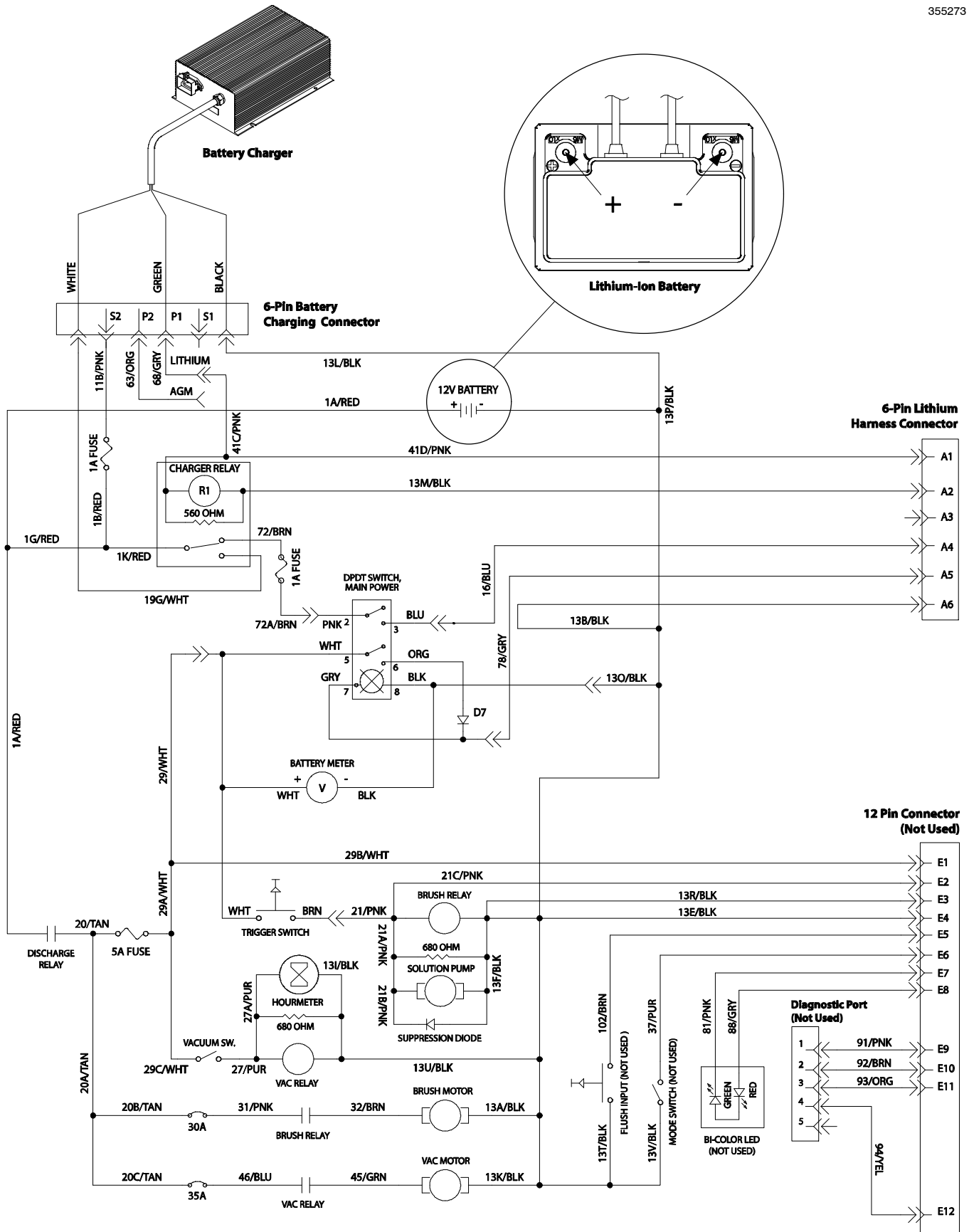


Late AGM Models



ELECTRICAL DIAGRAM, LITHIUM BATTERY

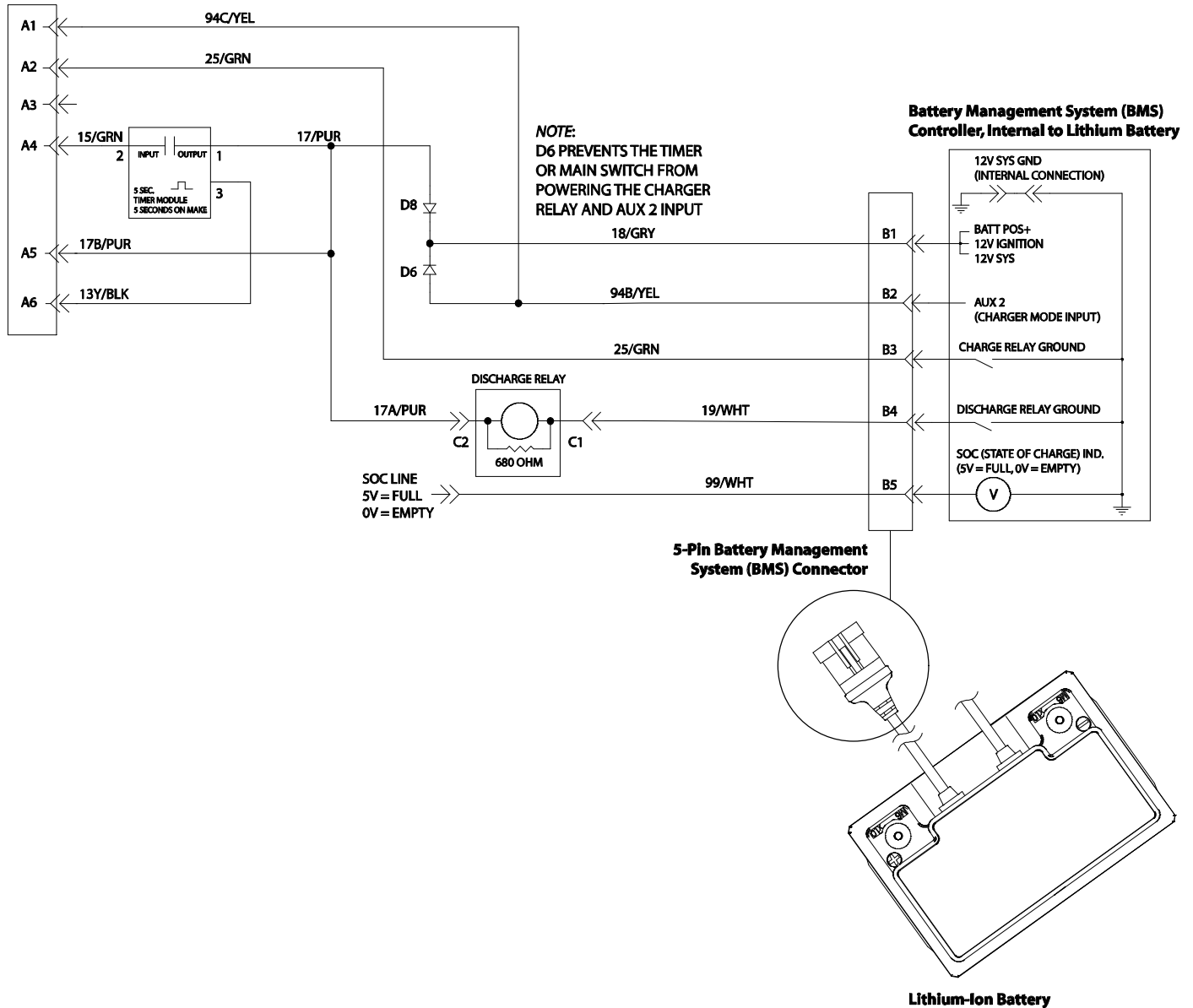
355273



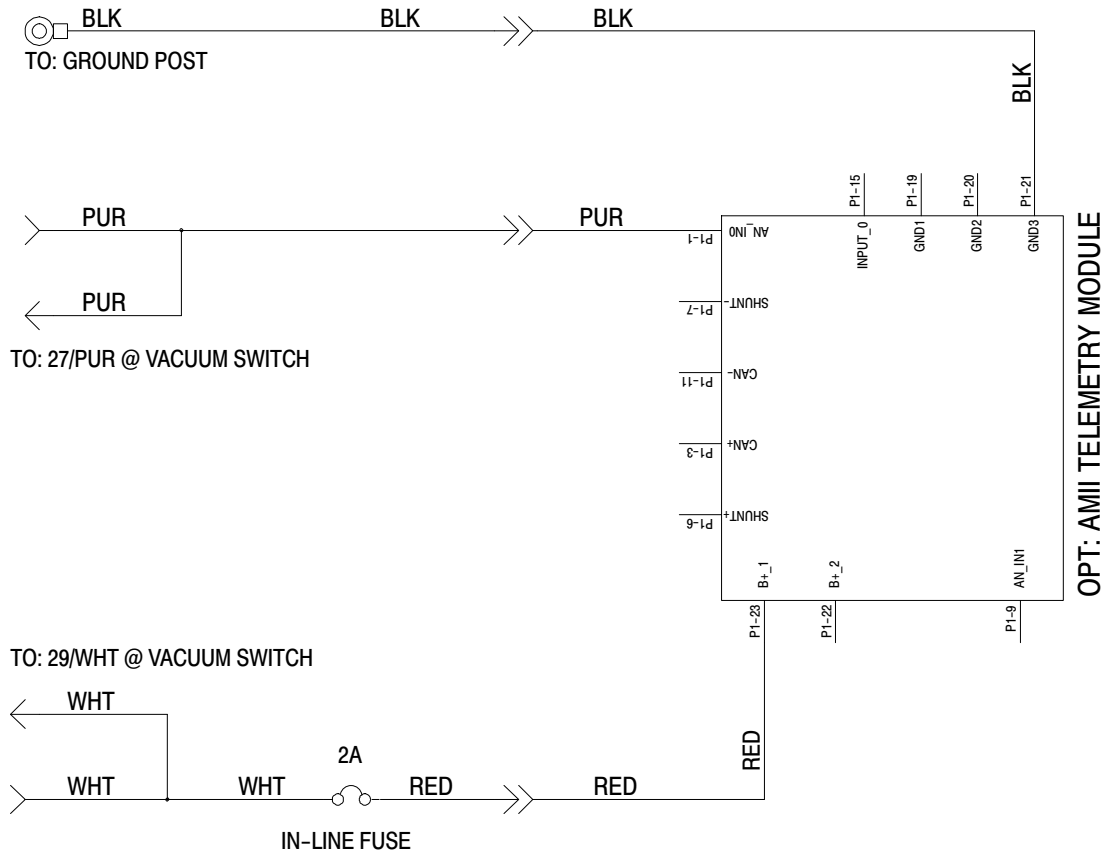
ELECTRICAL DIAGRAM, LITHIUM BATTERY – CONT'D

355274

6-Pin Lithium Harness Connector



ELECTRICAL DIAGRAM, IRIS TELEMETRY OPTION



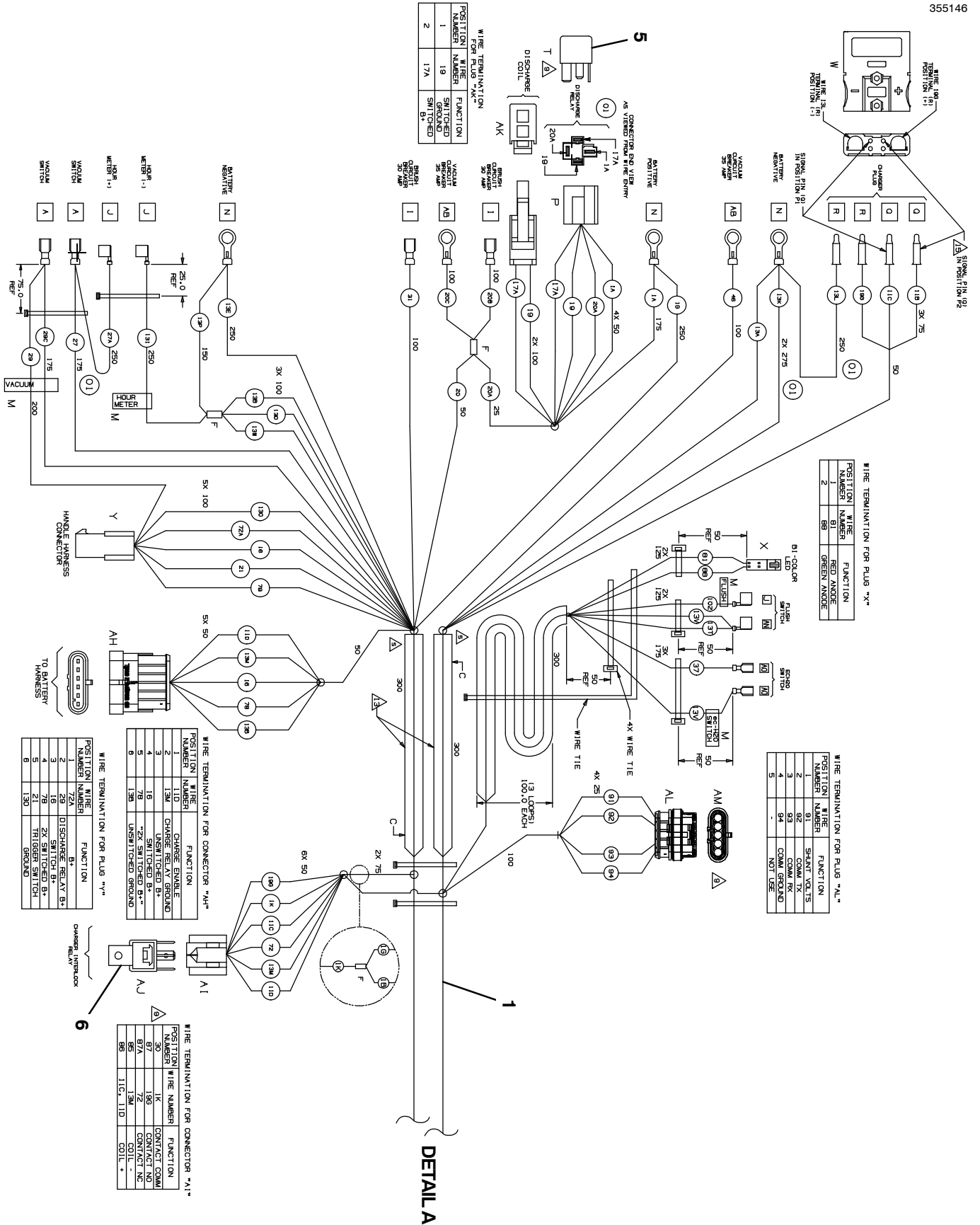
NOTES:

- 29/WHT @ VACUUM SWITCH HAS VOLTAGE WHEN THE MACHINE IS TURNED ON.
- 27/PUR @ VACUUM SWITCH HAS VOLTAGE WHEN THE VACUUM FAN IS TURNED ON.

OPTIONAL:
TELEMETRY ONLY

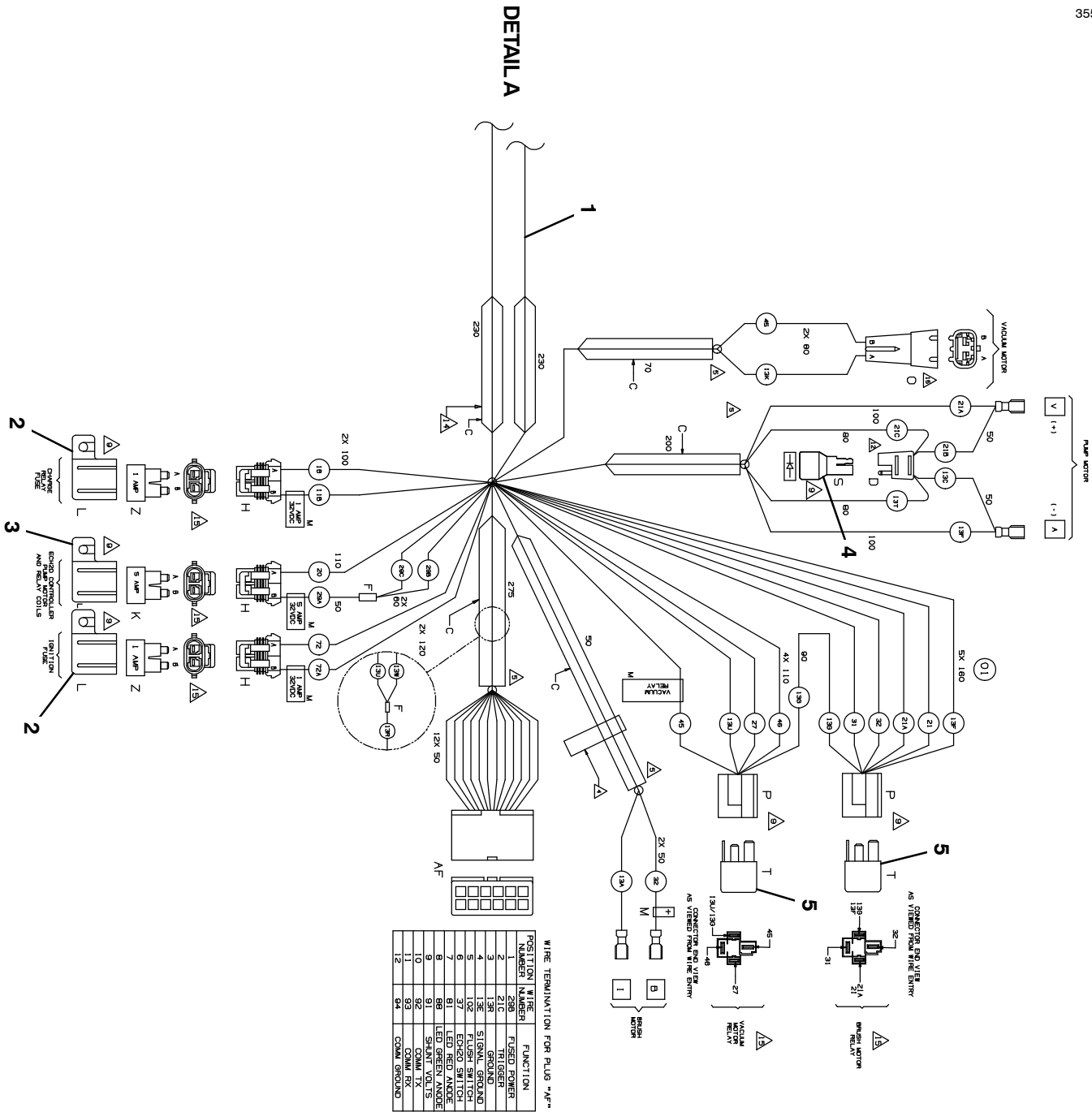
WIRE HARNESS, MAIN

355146



WIRE HARNESS, MAIN - CONT'D

355147



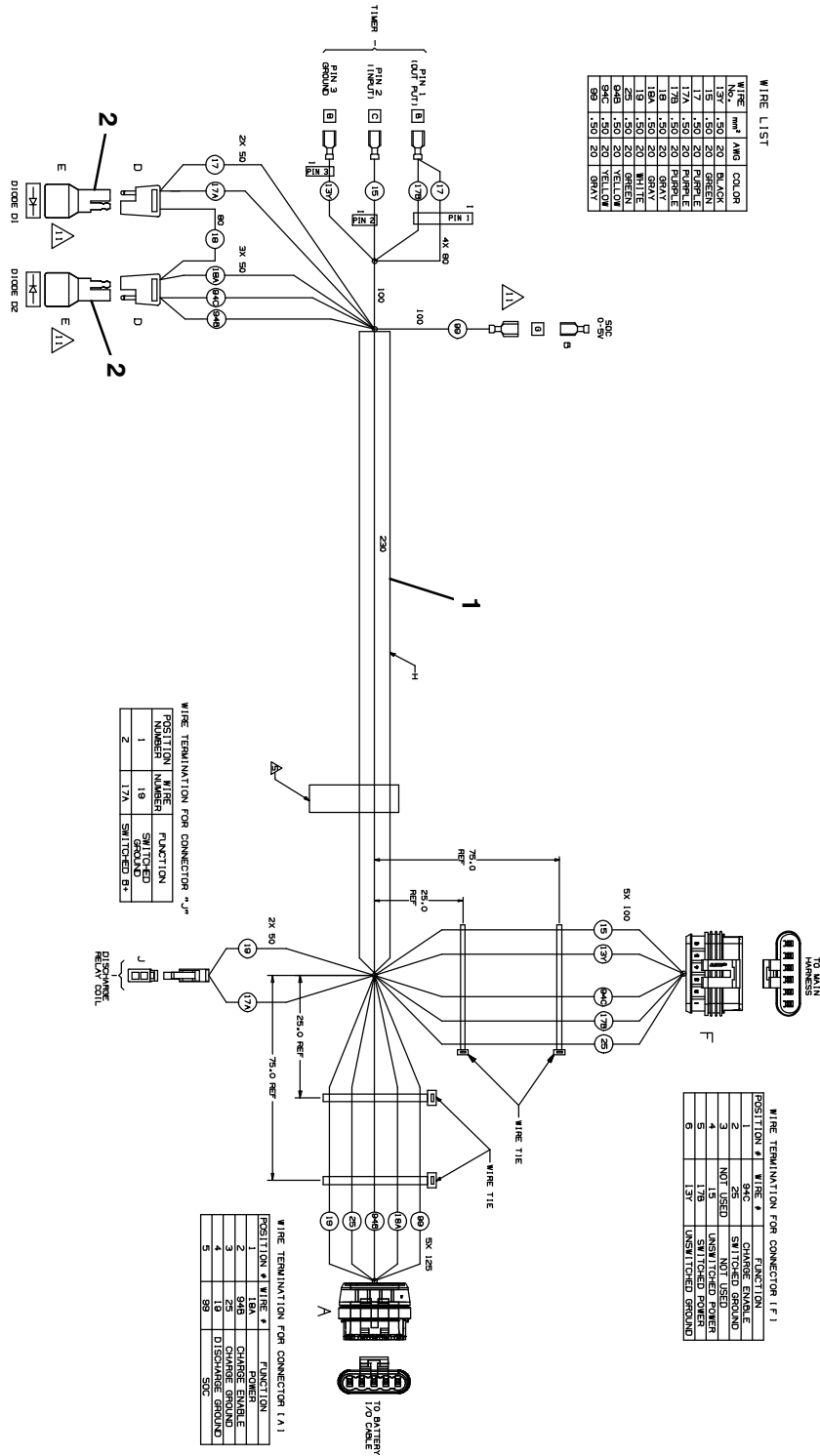
Ref.	Part No.	Serial Number	Description	Qty.
▽	1	1064897	(1000000-2000000) Harness, Chassis, 12 Volt [T1b]	1
▲	2	1052127	(1000000-2000000) Fuse, Blade, 001a, 32vdc	2
▲	3	1016029	(1000000-2000000) Fuse, Blade, 005a, 32vdc	1
▲	4	222290	(1000000-2000000) Diode, Ele, Plug	1
▲	5	1060940	(1000000-2000000) Contactor, 12vdc, 080a, Spst, No	3
▲	6	1066293	(1000000-2000000) Relay, 12vdc, 040a, Spdt	1

▽ ASSEMBLY

▲ INCLUDED IN ASSEMBLY

355148

WIRE HARNESS, JUMPER (LITHIUM)



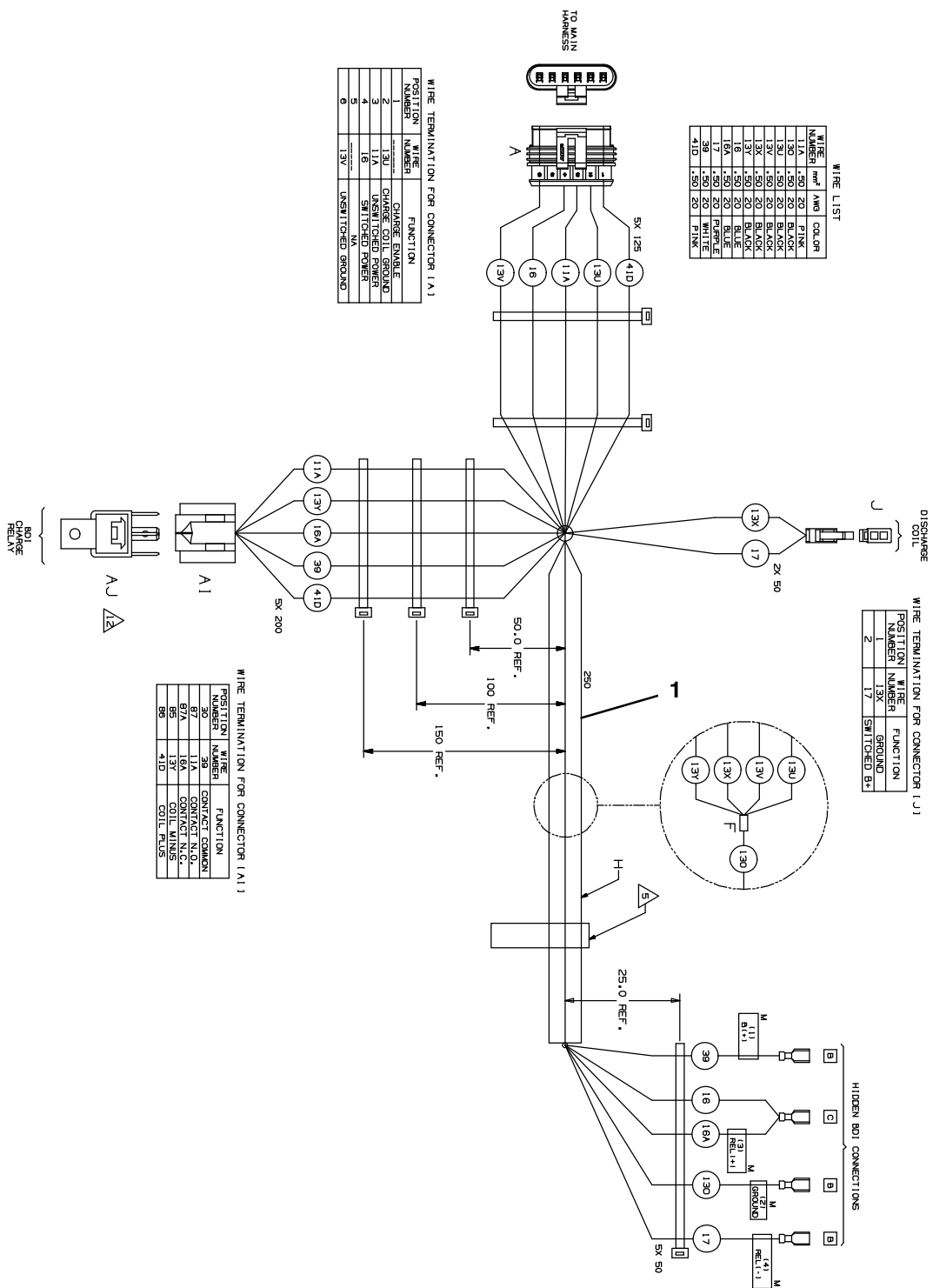
Ref.	Part No.	Serial Number	Description	Qty.
▽	1	1063936 (10000000-20000000)	Harness, Jumper [Phantom Pi Lithium]	1
▲	2	222290 (10000000-20000000)	Diode, Ele, Plug	2

▽ ASSEMBLY
 ▲ INCLUDED IN ASSEMBLY

STANDARD PARTS

WIRE HARNESS, JUMPER (AGM) (S/N 10552859-2000000)

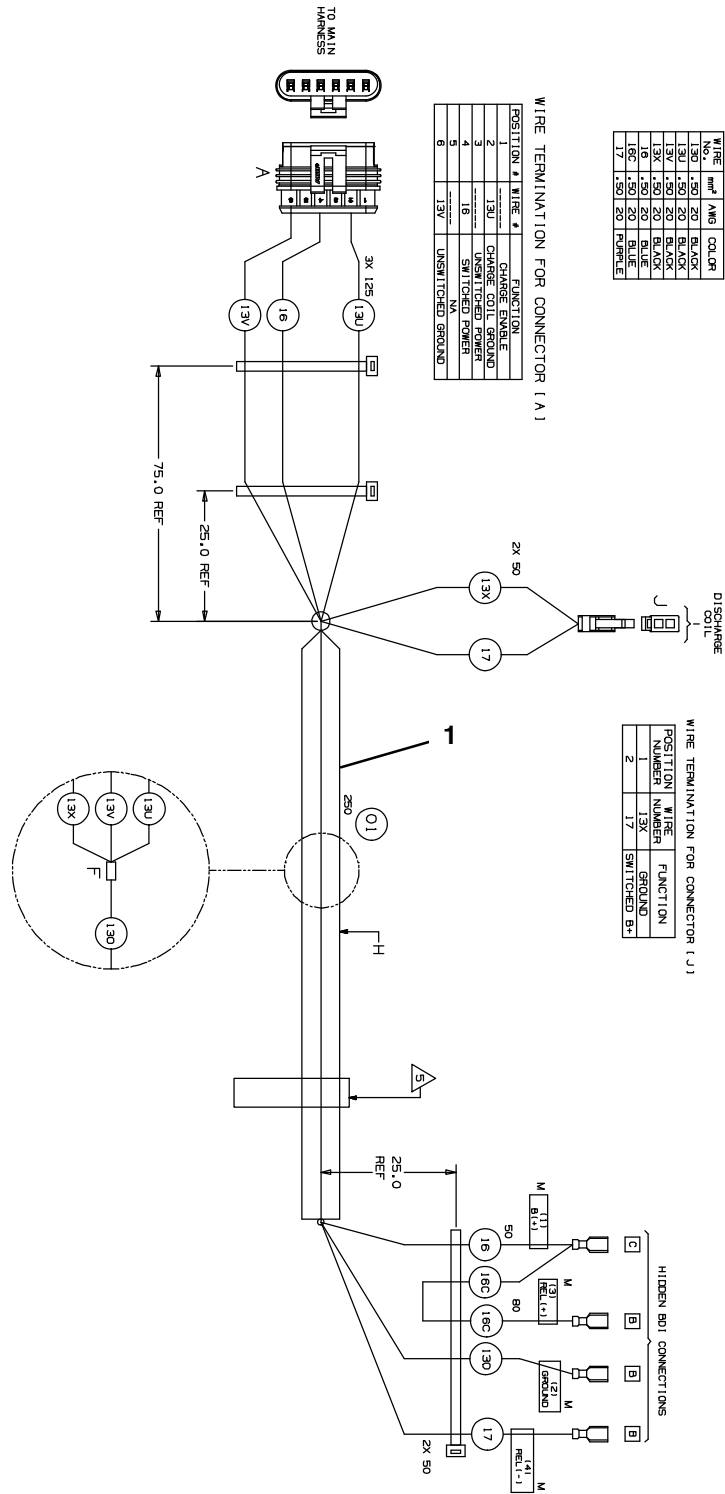
355270



Ref.	Part No.	Serial Number	Description	Qty.
1	1069703	(10552860-2000000)	Harness, Jumper [Phantom Agm / Tpp]	1

355149

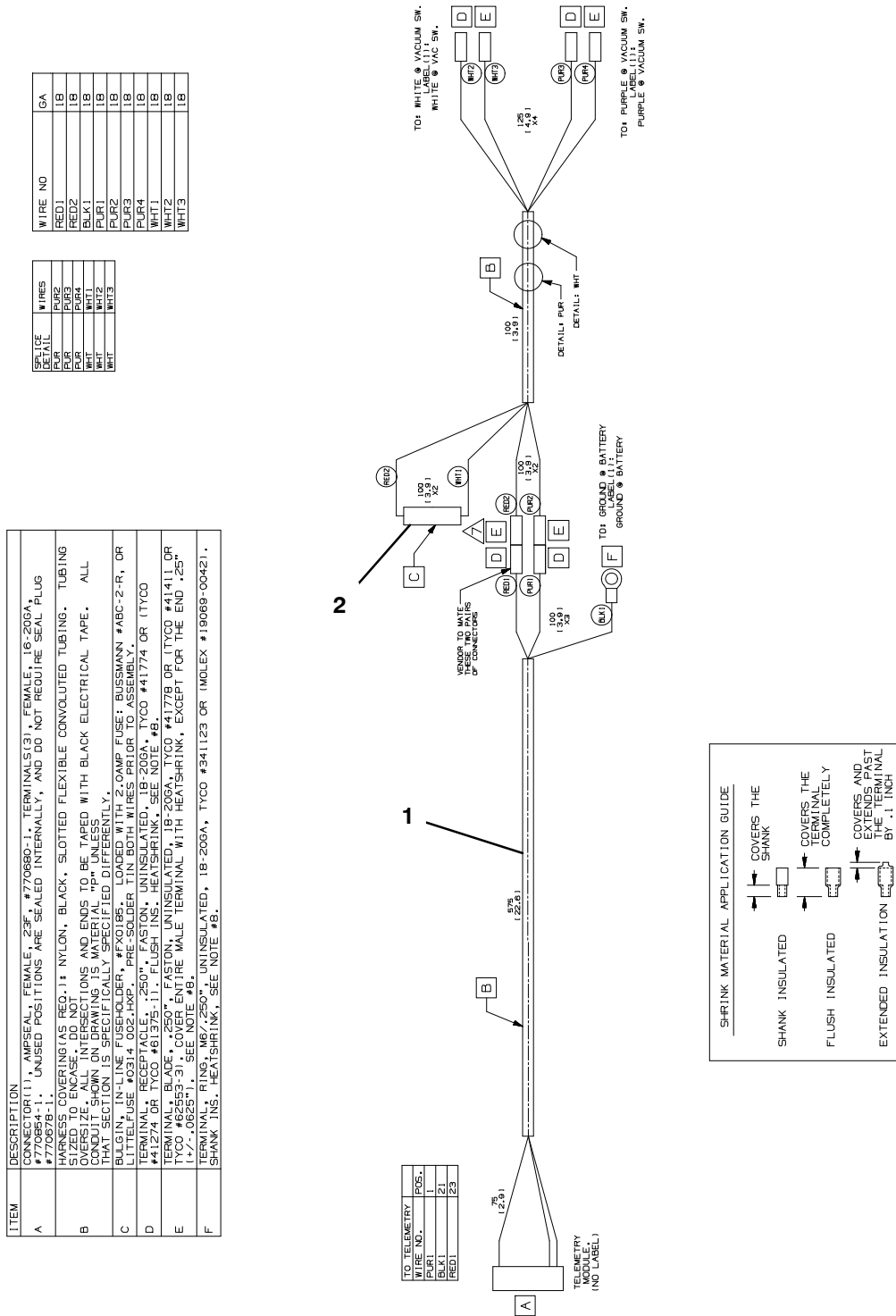
WIRE HARNESS, JUMPER (AGM) (S/N 1000000-10552859)



Ref.	Part No.	Serial Number	Description	Qty.
1	1064899	(1000000-10552859)	Harness, Jumper [Phantom Agm / Tpp] (Replaced by 1069703)	1

WIRE HARNESS, IRIS TELEMETRY

355590

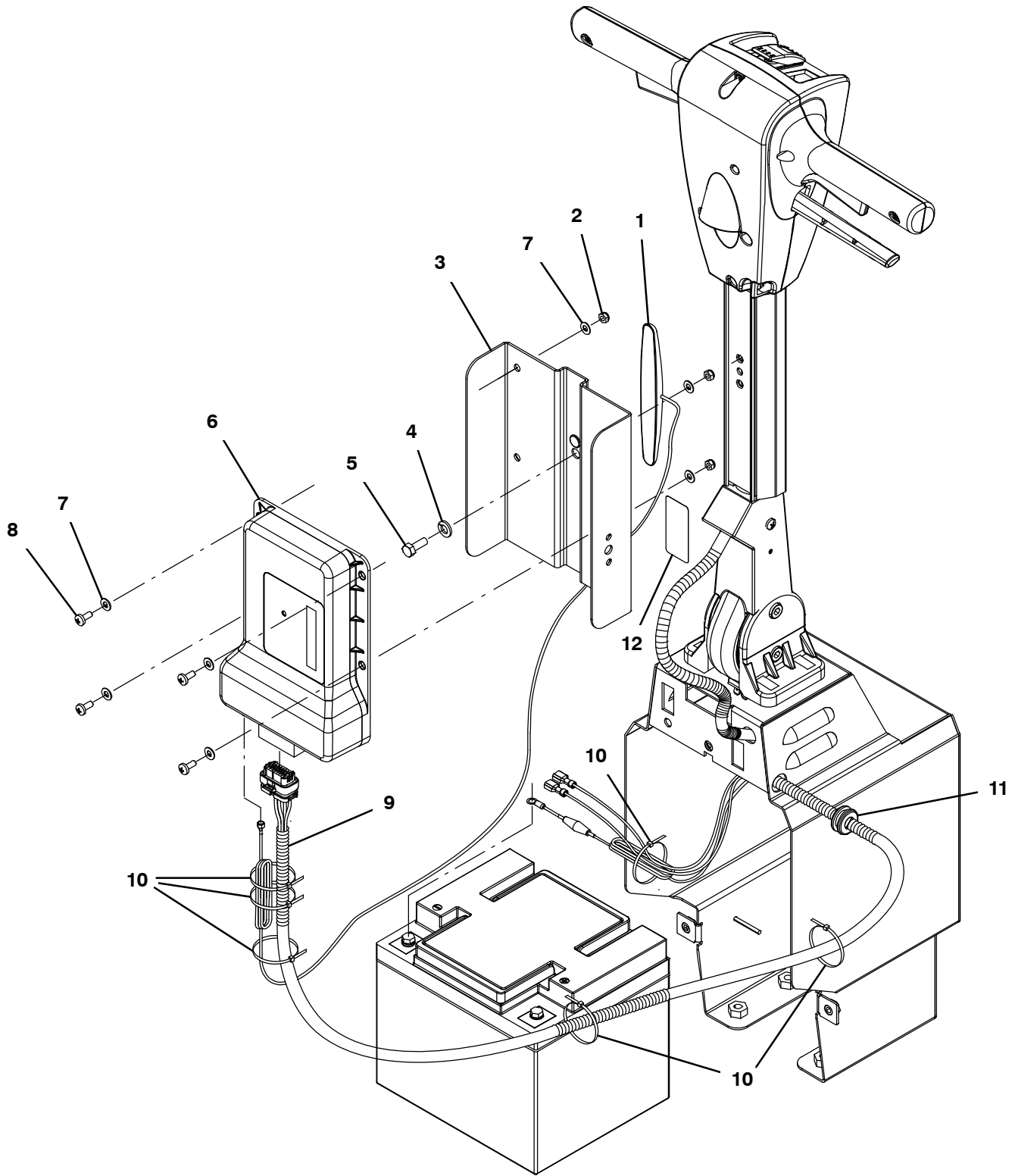


	Ref.	Part No.	Serial Number	Description	Qty.
▽	1	1075891	(1000000-2000000)	Cs, Harness, Ele [Telem, T1b / Ss]	1
▲	2	9009990	(1000000-2000000)	Vr, Fuse, 002a, 250vdc, Cartridge	1

▽ ASSEMBLY
 ▲ INCLUDED IN ASSEMBLY

IRIS TELEMETRY GROUP

355589



IRIS TELEMETRY GROUP

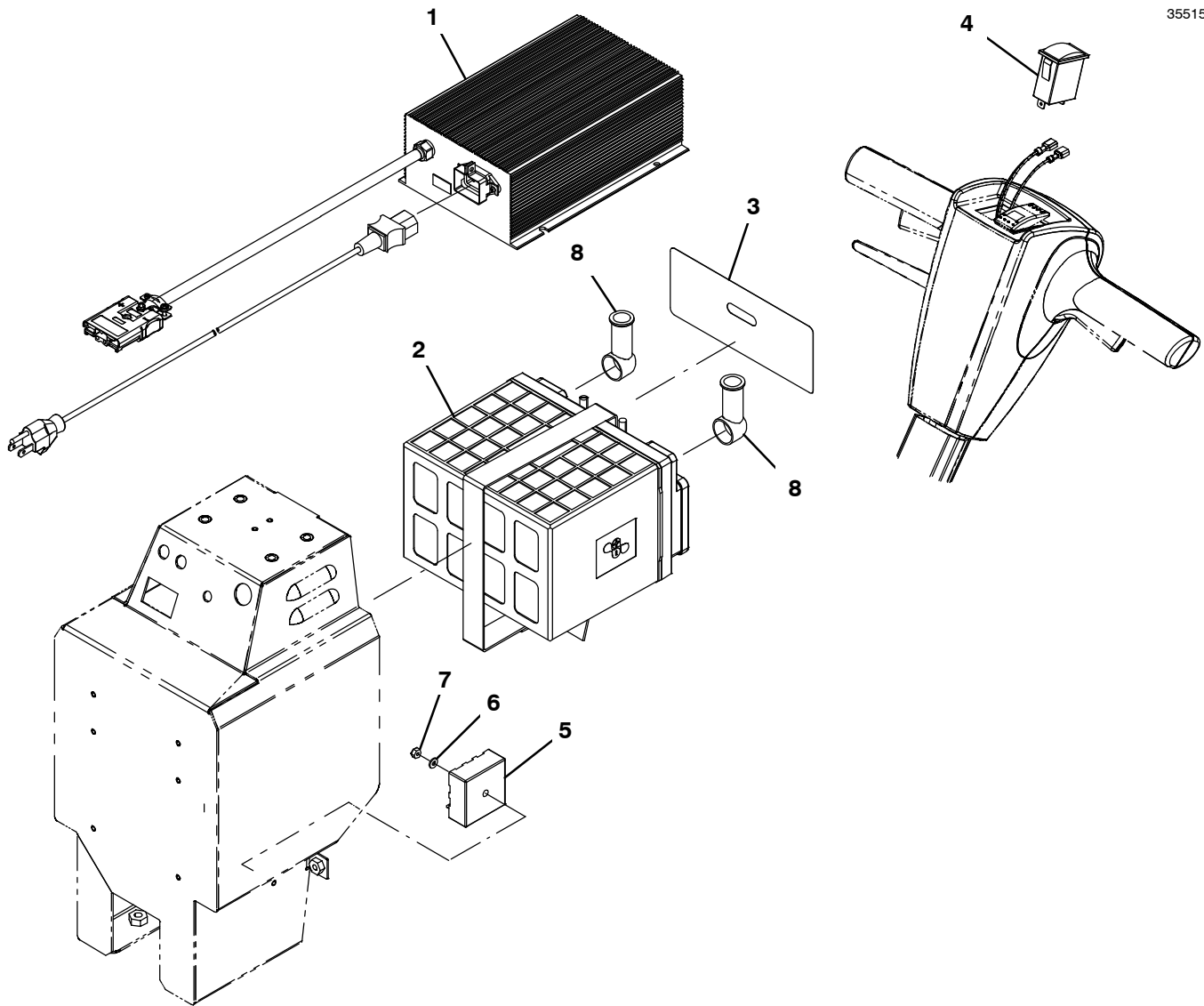
Ref.	Part No.	Serial Number	Description	Qty.	
1	1070659	(10000000-20000000)	Antenna, Telem, 70 In [Gprs]	1	
2	09739	(10000000-20000000)	Nut, Hex, Lock, M5 X 0.80, NI, Ss	4	
3	1233223	(10000000-20000000)	Cs, Plate Wldt, Mount [Iris, Trex]	1	
4	140015	(10000000-20000000)	Washer, Lock, Split, 0.31, Ss	1	
5	140226	(10000000-20000000)	Screw, Hex, .31-18 X 0.62, Ss	1	
6	1069467	(10000000-20000000)	Controlbox Assy, Telem [Usa, 3g]	1	
7	140011	(10000000-20000000)	Washer, Flat, 0.21b 0.45d .03, Ss	8	
8	09200	(10000000-20000000)	Screw, Pan, Phl, M5 X 0.80 X 12, Ss	4	
▽	9	1075891	(10000000-20000000)	Cs, Harness, Ele [Telem, T1b / Ss]	1
▲	9009990	(10000000-20000000)	Vr, Fuse, 002a, 250vdc, Cartridge	1	
10	130773	(10000000-20000000)	Tie, Cable, Nyl, 11.0l, .14w, 3.0 Max. D	6	
11	86726	(10000000-20000000)	Grommet, Rbr, 0.44id, F/0.5h, .19 Matl	1	
12	1069580	(10000000-20000000)	Label, Mach, Telem [Usa, Intl]	1	

▽ ASSEMBLY

▲ INCLUDED IN ASSEMBLY

BATTERY CONVERSION KIT (AGM TO LITHIUM)

355152



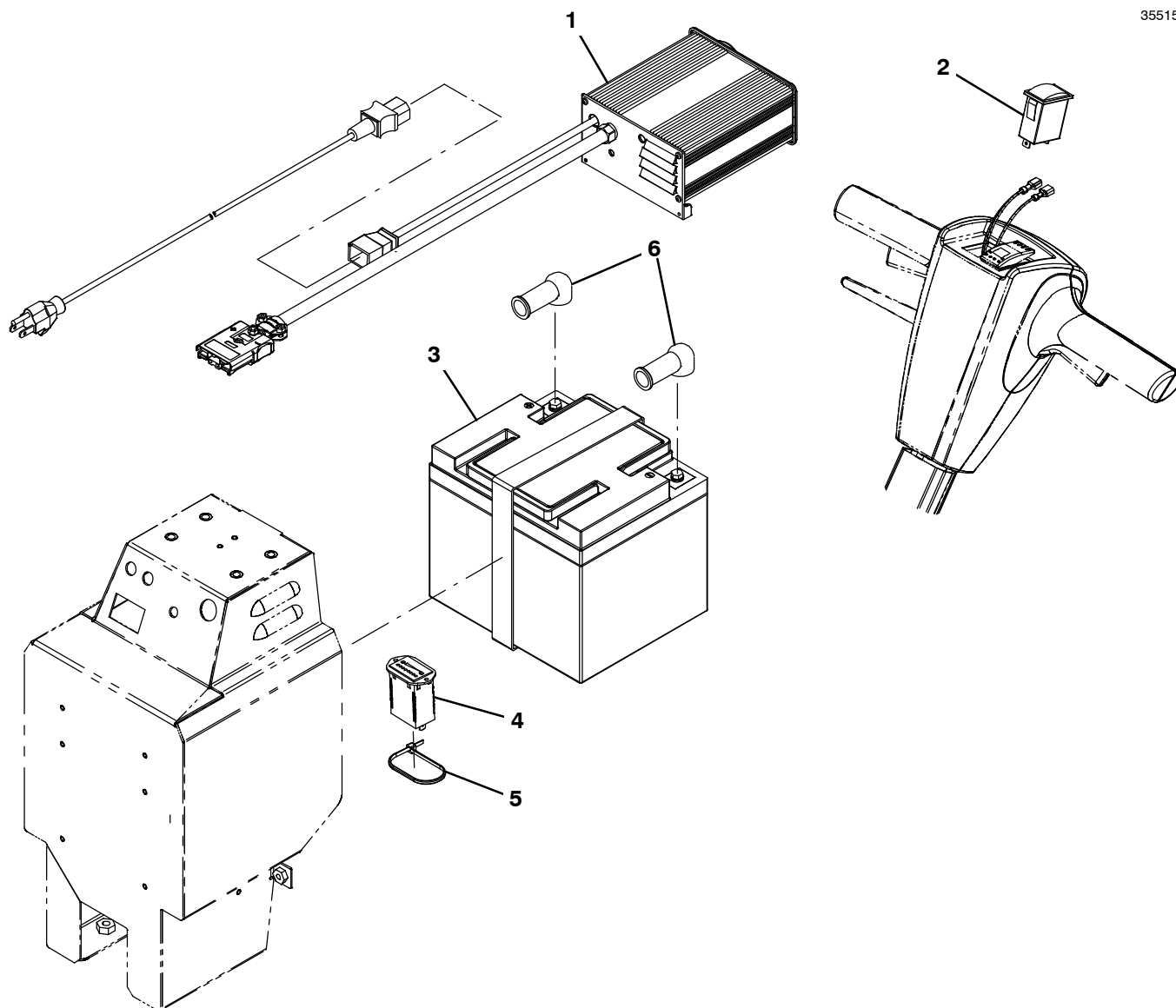
Ref.	Part No.	Serial Number	Description	Qty.
▽	9008723	(10000000-20000000)	Kit, Battery Conv, W/Bat [Agm To Li+]	1
▽	9008689	(10000000-20000000)	Battery Kit, Conv. W/O Bat [Agm To Li+] (Kit Does NOT Contain Battery Item #2)	1
▲	1 1065754	(10000000-20000000)	Charger, 12vdc, 16a, 120/240vdc [Li-Ion]	1
▲▽	2 9008690	(10000000-20000000)	Battery Replmt Kit, [Li+]	1
▲▲	3 1067699	(10000000-20000000)	Label, Battery, Li-Ion	2
▲	4 1048378	(10000000-20000000)	Gauge, Voltmeter, 12vdc Nominal	1
▲	5 1053209	(10000000-20000000)	Module, Timer, 12v, 5s Interval	1
▲	6 41578	(10000000-20000000)	Washer, Flat, 06, Ss	1
▲	7 75939	(10000000-20000000)	Nut, Hex, Lock, #06-32, NI	1
▲	N/S 1063936	(10000000-20000000)	Harness, Jumper [Phantom Pi Lithium]	1
	8 611221	(10000000-20000000)	Boot, Terminal, Battery, 25.4mm, Blk	2

▽ ASSEMBLY

▲ INCLUDED IN ASSEMBLY

BATTERY CONVERSION KIT (LITHIUM TO AGM)

355153



Ref.	Part No.	Serial Number	Description	Qty.
▽	9008688	(1000000-2000000)	Battery Exchange Kit [Li+ To Agm]	1
▲	1 1067790	(1000000-2000000)	Charger, Battery, 12vdc [Spe Eu & Na]	1
▲	2 1065438	(1000000-2000000)	Gauge, Voltmeter, 12vdc Nominal [Agm]	1
▲	3 1065086	(1000000-2000000)	Battery, 12vdc 0050ah	1
▲	4 1064516	(1000000-2000000)	Indicator, Battery, 12vdc, 1.73volt/Cell	1
▲	5 130773	(1000000-2000000)	Tie, Cable, Nyl, 11.0l, .14w, 3.0 Max. D	1
▲	N/S 1069703	(10552860-2000000)	Harness, Jumper [Phantom Agm / Tppl]	1
▲	N/S 1064899	(1000000-10552859)	Harness, Jumper [Phantom Agm / Tppl] (Replaced by 1069703)	1
	6 611221	(1000000-2000000)	Boot, Terminal, Battery, 25.4mm, Blk	2

▽ ASSEMBLY

▲ INCLUDED IN ASSEMBLY

DOCUMENTATION GROUP

Ref.	Part No.	Serial Number	Description	Qty.
	9008730	(10000000–20000000)	Manual, Parts [Speedscrub Batt 15"]	1
	9008731	(10000000–20000000)	Manual, Oprtr [Ss Batt 15" En/ Es/ Fr]	1
	9008918	(10000000–20000000)	Instr, Use&Care, Wallchart [Ss15b]	1
	9008976	(10000000–20000000)	Manual, Service [Ssb]	1



To view, print, order, download the latest Parts manual, other language Operator manuals, and Use and Care Guides (wall charts), visit:

www.nobles.com/manual

