

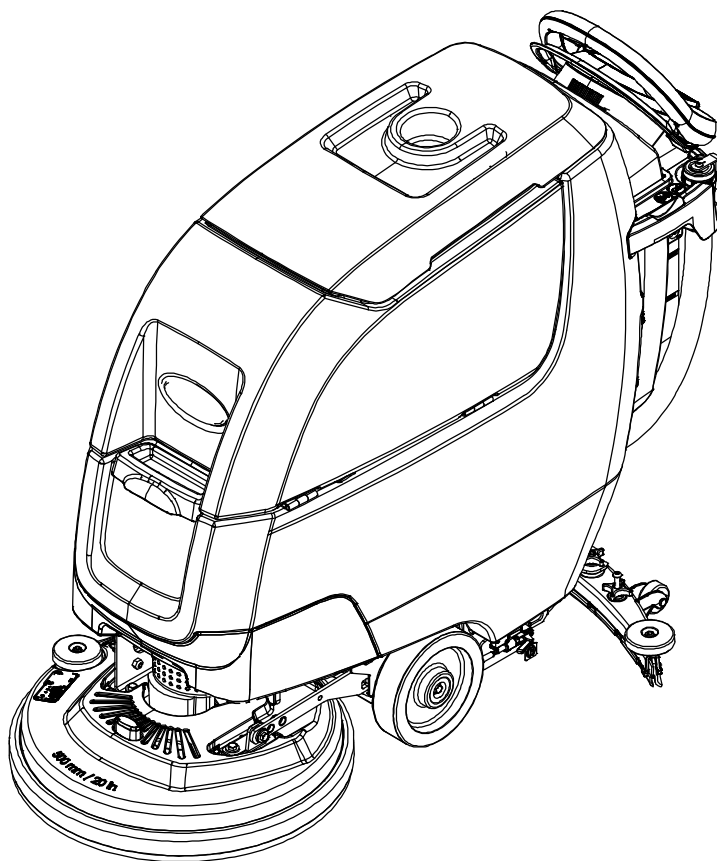
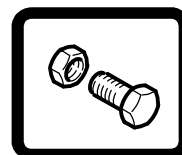


SPEED SCRUB® 300

Hygenic® Fully Cleanable Recovery Tank
TennantTrue® Parts

WALK-BEHIND FLOOR SCRUBBER
(S/N 10000000-20000000)

PARTS MANUAL

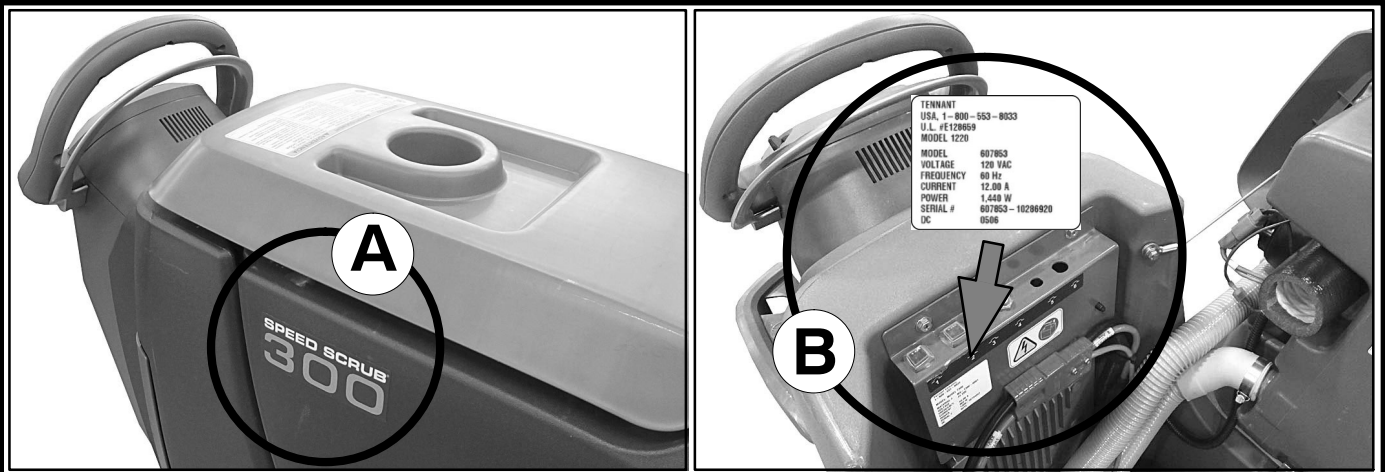


For the latest Parts manuals and other
language Operator manuals, visit:

www.nobles.com/manuals

9014511
Rev. 07 (01-2019)





Ref	Part No.	Serial Number	Description	Qty.
1	82681	(000000—)	Bracket W/dt, Lpg Mount	1
▽ 2	63810	(000000—)	Latch Assy, Lpg Tank Mtg, W/Nut	4
▲ 3	51839	(000000—)	Nut Adjustable, Lpg Tank Mtg	2
4	49263	(000000—)	Tie, Cable	3
(D)	82556	(000000—001039)	Bracket, Vaporizer	1
	54930	(000000—)	Vaporizer, LPG	1

HOW TO ORDER PARTS – See diagram above

Only use TENNANT Company supplied or equivalent parts. Parts and supplies may be ordered online, by phone, by fax or by mail.

Follow the steps below to ensure prompt delivery.

1. (A) Identify the machine model.
2. (B) Identify the machine serial number from the data label.
3. (C) Ensure the proper serial number is used from the parts list.
4. Identify the part number and quantity.
Do not order by page or reference numbers.
5. Provide your name, company name, customer ID number, billing and shipping address, phone number and purchase order number.
6. Provide detail shipping instructions.

- (D) ▽ – identifies an assembly
▲ – identifies parts included in assembly

Please fill out at time of installation for future reference.

Model No. – _____

Serial No. – _____

Machine Options – _____

Sales Rep. – _____

Sales Rep. phone no. – _____

Customer ID Number – _____

Installation Date – _____

Tennant Company

PO Box 1452
Minneapolis, MN 55440
Phone: (800) 553-8033

www.nobles.com

Specifications and parts are subject to change without notice.

Copyright © 2015 – 2019 TENNANT Company, Printed in U.S.A.

STANDARD PARTS

<hr/>		RECOVERY TANK GROUP, BASE MODEL	44
GENERAL RECOMMENDED MAINTENANCE		RECOVERY TANK FILTER AND HOSE GROUP,	
ITEMS	5	SCREW CAP	46
BRUSHES AND PAD DRIVER GROUP, 43CM DISK		RECOVERY TANK FILTER AND HOSE GROUP,	
3-LUG HUB	8	CONTROL VALVE	48
BRUSHES AND PAD DRIVER GROUP, 43CM DISK		SOLUTION TANK GROUP	50
MAGNETIC HUB	10	FRAME GROUP, PROPEL MODEL	52
BRUSHES AND PAD DRIVER GROUP, 50CM DISK		FRAME GROUP, PUSH MODEL	54
3-LUG HUB	12	MANUAL DOWN PRESSURE GROUP	56
BRUSHES AND PAD DRIVER GROUP, 50CM DISK		SINGLE DOWN PRESSURE GROUP	58
MAGNETIC HUB	14	SOLUTION GROUP, BASE MODEL	60
BRUSHES AND PAD DRIVER GROUP, 60CM DUAL		SOLUTION GROUP, BASE MODEL ec-H2O . . .	62
DISK 3-LUG HUB	16	ELECTRICAL COMPONENTS GROUP, BASE	
BRUSHES AND PAD DRIVER GROUP, 60CM DUAL		MODEL	64
DISK MAGNETIC HUB	18	LOWER CONSOLE GROUP, ON-BOARD	
BRUSHES GROUP, 50CM CYLINDRICAL	20	CHARGER	66
PAD GROUP, 50CM ORBITAL	21	LOWER CONSOLE GROUP, OFF-BOARD	
SCRUB HEAD GROUP, 43CM DISK, 3-LUG		CHARGER	68
HUB	22	HANDLE GROUP, BASE PROPEL MODEL	70
SCRUB HEAD GROUP, 43CM DISK, MAGNETIC		HANDLE GROUP, BASE PUSH MODEL	72
HUB	24	SHROUD GROUP, DISK AND ORBITAL HEAD .	74
SCRUB HEAD GROUP, 50CM DISK, 3-LUG		SHROUD GROUP, CYLINDRICAL HEAD	76
HUB	26	SCRUB HEAD LIFT GROUP, 43CM DISK	
SCRUB HEAD GROUP, 50CM DISK, MAGNETIC		MODEL	78
HUB	28	SCRUB HEAD LIFT GROUP, 50CM DISK	
SCRUB HEAD GROUP, 60CM DUAL DISK, 3-LUG		MODEL	80
HUB	30	SCRUB HEAD LIFT GROUP, 60CM DUAL DISK	
SCRUB HEAD GROUP, 60CM DUAL DISK, 3-LUG		MODEL	82
HUB – CONT'D	32	SCRUB HEAD LIFT GROUP, 50CM CYLINDRICAL	
SCRUB HEAD GROUP, 60CM DUAL DISK,		MODEL	84
MAGNETIC HUB	34	SCRUB HEAD LIFT GROUP, 50CM ORBITAL	
SCRUB HEAD GROUP, 60CM DUAL DISK,		MODEL	86
MAGNETIC HUB – CONT'D	36	SQUEEGEE ASSEMBLY, 500MM / 20IN	88
SCRUB HEAD GROUP, 50CM CYLINDRICAL . .	38	SQUEEGEE LIFT GROUP	90
SCRUB HEAD GROUP, 50CM CYLINDRICAL –			
CONT'D	40		
SCRUB HEAD GROUP, 50CM ORBITAL	42		

TABLE OF CONTENTS

STANDARD PARTS – Cont'd

BATTERY CABLE GROUP	92
BATTERY GROUP, 105AH C20 WET	94
BATTERY GROUP, 130AH C20 WET	95
BATTERY GROUP, 150AH C20 WET	96
BATTERY GROUP, 140AH C20 AGM	97
LABEL GROUP	98
LABEL GROUP – CONT'D	100
ELECTRICAL DIAGRAM, PROPEL (S/N 10891949 –)	102
ELECTRICAL DIAGRAM, PROPEL (S/N 10000000 – 10891948)	105
ELECTRICAL DIAGRAM, PUSH (S/N 10891710 –)	108
ELECTRICAL DIAGRAM, PUSH (S/N 10000000 – 10891709)	111
ELECTRICAL HARNESS, MAIN PROPEL (S/N 10891949 –)	114
ELECTRICAL HARNESS, MAIN PROPEL (S/N 10822349 – 10891948)	118
ELECTRICAL HARNESS, MAIN PROPEL (S/N 10000000 – 10822348)	122
ELECTRICAL HARNESS, MAIN PUSH (S/N 10891710 –)	126
ELECTRICAL HARNESS, MAIN PUSH (S/N 10825202 – 10891709)	130
ELECTRICAL HARNESS, MAIN PUSH (S/N 10000000 – 10825201)	134
ELECTRICAL HARNESS, OPTIONS PROPEL ..	138
ELECTRICAL HARNESS, OPTIONS PUSH	139
ELECTRICAL HARNESS, BAIL SWITCH	140

OPTIONS

TELEMETRY GROUP	142
BATTERY LIFT OUT BOX KIT	144
HYDROLINK® BATTERY WATERING SYSTEM KIT	146
PARKING BRAKE GROUP	148
DOCUMENTATION GROUP	149

BREAKDOWNS

ec-H2O NANOCLEAN MODULE BREAKDOWN	150
ORBITAL HEAD ECCENTRIC DRIVE BREAKDOWN	152

RECOMMENDED MAINTENANCE ITEMS

GENERAL RECOMMENDED MAINTENANCE ITEMS

Part No.	Serial Number	Description	Qty.
1016763	(1000000-2000000)	Brush Assy, Disk, Scb, 17.0d, Abr (3-Lug)	1
1016764	(1000000-2000000)	Brush Assy, Disk, Scb, 17.0d, Nyl (3-Lug)	1
1016765	(1000000-2000000)	Brush Assy, Disk, Scb, 17.0d, Pyp (3-Lug)	1
1213034	(1000000-2000000)	Brush Assy, Disk, Scb, 43cm, Mag, Nyl	1
1213035	(1000000-2000000)	Brush Assy, Disk, Scb, 43cm, Mag, Pyp	1
1213037	(1000000-2000000)	Brush Assy, Disk, Scb, 43cm, Mag, Ab	1
1243350	(1000000-2000000)	Pad, Polish, 17.0d, White [1pick=1ctn]	1
1243349	(1000000-2000000)	Pad, Buff, 17.0d, Red [1pick=1ctn]	1
1243348	(1000000-2000000)	Pad, Scb, 17.0d, Blu [1pick=1ctn]	1
1243664	(1000000-2000000)	Pad, Strip, 17.0d Brown [1pick=1ctn]	1
1243663	(1000000-2000000)	Pad, Strip, 17.0d Blk[Hi Prod1pick=1ctn]	1
1243669	(1000000-2000000)	Pad, Surf Prep, 17.0d Maroon[1pick=1ctn]	1
1240391	(1000000-2000000)	Pad, Polish, 17.0d, Yel [1pick=1ctn]	1
1016805	(1000000-2000000)	Brush Assy, Disk, Scb, 20.0d, Abr (3-Lug)	1
1016810	(1000000-2000000)	Brush Assy, Disk, Scb, 20.0d, Nyl (3-Lug)	1
1016811	(1000000-2000000)	Brush Assy, Disk, Scb, 20.0d, Pyp (3-Lug)	1
1210386	(1000000-2000000)	Brush Assy, Disk, Scb, 50cm, Mag, Nyl	1
1213032	(1000000-2000000)	Brush Assy, Disk, Scb, 50cm, Mag, Pyp	1
1213033	(1000000-2000000)	Brush Assy, Disk, Scb, 50cm, Mag, Ab	1
32505	(1000000-2000000)	Washer, Flat, 92b 156d 2.6l, Pad Driver	1
1243338	(1000000-2000000)	Pad, Polish, 20.0d, White [1pick=1ctn]	1
1243339	(1000000-2000000)	Pad, Buff, 20.0d, Red [1pick=1ctn]	1
1243340	(1000000-2000000)	Pad, Scb, 20.0d, Blu [1pick=1ctn]	1
1243566	(1000000-2000000)	Pad, Stripping 20.0d, Brn [1pick=1ctn]	1
1243661	(1000000-2000000)	Pad, Strip, 20.0d Blk[Hi Prod1pick=1ctn]	1
1243670	(1000000-2000000)	Pad, Surf Prep, 20.0d Maroon[1pick=1ctn]	1
1240393	(1000000-2000000)	Pad, Polish, 20.0d, Yel [1pick=1ctn]	1
1056306	(1000000-2000000)	Brush Assy, Disk, Scb, 12.0d, 3-Lug, Nyl	2
1056313	(1000000-2000000)	Brush Assy, Disk, Scb, 12.0d, 3-Lug, Pyp	2
1063297	(1000000-2000000)	Brush Assy, Disk, Scb, 12.0d, 3-Lug, Abr	2
1210136	(1000000-2000000)	Brush Assy, Disk, Scb, 30cm, Mag, Nyl	2
1213040	(1000000-2000000)	Brush Assy, Disk, Scb, 30cm, Mag, Pyp	2
1213041	(1000000-2000000)	Brush Assy, Disk, Scb, 30cm, Mag, Ab	2
1243345	(1000000-2000000)	Pad, Polish, 12.0d, White [1pick=1ctn]	2
1243346	(1000000-2000000)	Pad, Buff, 12.0d, Red [1pick=1ctn]	2
1243347	(1000000-2000000)	Pad, Scb, 12.0d, Blu [1pick=1ctn]	2
1243662	(1000000-2000000)	Pad, Strip, 12.0d Brown [1pick=1ctn]	2
1243671	(1000000-2000000)	Pad, Strip, 12.0d Blk[Hi Prod1pick=1ctn]	2
1243665	(1000000-2000000)	Pad, Surf Prep, 12.0d Maroon[1pick=1ctn]	2
1240353	(1000000-2000000)	Pad, Polish, 12.0d, Yel [1pick=1ctn]	2
1209188	(1000000-2000000)	Brush, Scb, 21l, 20sr, Nyl (Cylindrical Model)	2
1212762	(1000000-2000000)	Brush, Scb, 21l, 20sr, Pyp (Cylindrical Model)	2
1243351	(1000000-2000000)	Pad, Polish, 20 X 14, White [1pick=1ctn] (Orbital Model)	1
1243352	(1000000-2000000)	Pad, Buff, 20 X 14, Red [1pick=1ctn] (Orbital Model)	1
1243353	(1000000-2000000)	Pad, Scb, 20 X 14, Blu [1pick=1ctn] (Orbital Model)	1
1243672	(1000000-2000000)	Pad, Surf Prep, 20x14 Maroon[1pick=1ctn](Orbital Model)	1
1074740	(1000000-2000000)	Pad, Scb, 14 X 20, Green [1pick=1ctn] (Orbital Model)	1
1075562	(1000000-2000000)	Pad, Stripper, 20 X 14, Blk [1pick=1ctn] (Orbital Model)	1
1228000	(1000000-2000000)	Pad, Melamine, 14" X 20" [Case Of 5] (Orbital Model)	1
1240342	(1000000-2000000)	Pad, Polish, 20 X 14, Yel [1pick=1ctn] (Orbital Model)	1
1217830	(1000000-2000000)	Pad, Backer, 20 X 14 (Orbital Model)	1

RECOMMENDED MAINTENANCE ITEMS

GENERAL RECOMMENDED MAINTENANCE ITEMS

	Part No.	Serial Number	Description	Qty.
	1223582	(10000000-20000000)	Wheel, Scrbr, 8.00d, W/ Taper (Propel Model)	2
	1223724	(10000000-20000000)	Wheel, Scrbr, 8.00d, W/ Brg (Push Model)	2
	1212422	(10000000-20000000)	Caster, Swivel [Wicke 224051]	1
∇	1211537	(10000000-20000000)	Filter, In-Line, Pf06/Pf06 080m 2.6l Epd	1
▲	1218885	(10000000-20000000)	Gasket [Epdm, F/1211537]	1
▲	1218883	(10000000-20000000)	Screen, Fltr, 80 Mesh, Ss [W/ Cage]	1
▲	613991	(10000000-20000000)	Bowl, Clr, Short, F/1005302	1
∇	9014172	(10000000-20000000)	Squeegee Kit, Linatex, Am [T300/E/Ss300]	1
▲	1010560	(10000000-20000000)	Wheel, Bmpr, 80d X 25w, Non-Marking	2
▲	630477	(10000000-20000000)	Wheel, Pyu, 02.0d 0.38w, Gray	2
▲∇	9015731	(10000000-20000000)	Blade Kit, 500mm, Linatex (Standard)	1
▲▲	1203953	(10000000-20000000)	Blade, Sqge, Rear, 836l, Linatex[500mm] (Standard)	1
▲▲	1203954	(10000000-20000000)	Blade, Sqge, Front, 788l, Linatex[500mm] (Standard)	1
∇	9015732	(10000000-20000000)	Blade Kit, 500mm, Urethane (Option)	1
▲	1215609	(10000000-20000000)	Blade, Sqge, Rear, 836l, Urethane[500mm] (Option)	1
▲	1215611	(10000000-20000000)	Blade, Sqge, Front, 788l, Urethane[500mm] (Option)	1
∇	9015730	(10000000-20000000)	Blade Kit, 500mm, Gum (Option)	1
▲	1215610	(10000000-20000000)	Blade, Sqge, Rear, 836l, Gum[500mm] (Option)	1
▲	1215612	(10000000-20000000)	Blade, Sqge, Front, 788l, Gum[500mm] (Option)	1
	1055019	(10000000-20000000)	Bumper, Head, 43cm, W/ Bristle Skirt, 1m	1
	1055025	(10000000-20000000)	Bumper, Head, 50cm, W/ Bristle Skirt, 1m	1
	1072656	(10000000-20000000)	Bumper, Head, 60cm, Bristle Skirt	1
	1010560	(10000000-20000000)	Wheel, Bmpr, 80d X 25w, Non-Marking (Disk Heads)	1
∇	9011810	(10000000-20000000)	Module Kit, Replmt [Ec-H2o, B 02] (See Breakdowns)	1
▲	9013646	(10000000-20000000)	Cartridge, Ec-H2o Nanoclean Wcm, 270ml	1
∇	1226976	(10834063-20000000)	Motor, Ele, 24vdc 0215rpm 650w, 17mm (43CM & 50CM Disk Head)	1
▲	1227273	(10834063-20000000)	Vr, Brush Kit, Motor, Ele (4pc)	1
∇	1210703	(10000000-10834062)	Motor, Ele, 24vdc 0200rpm 1.00hp, 17mm (43CM & 50CM Disk Head) (Replaced By 9015159)	1
▲	222606	(10000000-10834062)	Vr, Brush Kit, Motor, Ele [lp] (4Pc) (For Imperial Motor – Frame #P56SG681)	1
▲	1045790	(10000000-10834062)	Brush Kit, Replmt, Carbon 24vdc[1pk=1set](4Pc) (For Sanrong Motor – Frame #56S)	1
∇	1227280	(10835154-20000000)	Motor, 24vdc, 2000rpm, 7/8hp (60CM Disk Head)	1
▲	1059370	(10000000-20000000)	Brush, Motor, Replmt [Bag Of 4]	1
∇	1210212	(10000000-10835153)	Motor, 24vdc, 2000rpm, 7/8hp, Us (60CM Disk Head) (Replaced By 9015160)	1
▲	1059370	(10000000-20000000)	Brush, Motor, Replmt [Bag Of 4]	2
∇	1210202	(10000000-20000000)	Motor, Ele, 24vdc [Vw Cyl] (Cylindrical Head)	1
▲	1059370	(10000000-20000000)	Brush, Motor, Replmt [Bag Of 4]	1
∇	1226909	(10827598-20000000)	Motor, Ele, 24vdc, 2200rpm, .6hp, 22mm (Orbital Head)	1
▲	1059370	(10000000-20000000)	Brush, Motor, Replmt [Bag Of 4]	1
∇	1212669	(10000000-10827597)	Motor, Ele, 24vdc, 2200rpm, .6hp, 22mm (Orbital Head) (Replaced By 9015162)	1
▲	1059370	(10000000-20000000)	Brush, Motor, Replmt [Bag Of 4]	1
	1055305	(10000000-20000000)	Belt, Drive, 6pj, Ej139 [T3] (60CM Disk Head)	1
∇	9014166	(10000000-20000000)	Kit, Belt, Motor (Includes Installation Tool) (Cyl Head)	1
▲	1213132	(10000000-20000000)	Tool, Installation, Belt	1
	1215666	(10000000-20000000)	Skirt, Side, Cyl, Floating (Cylindrical Head)	2
	630477	(10000000-20000000)	Wheel, Pyu, 02.0d 0.38w, Gray (Cylindrical Head)	4

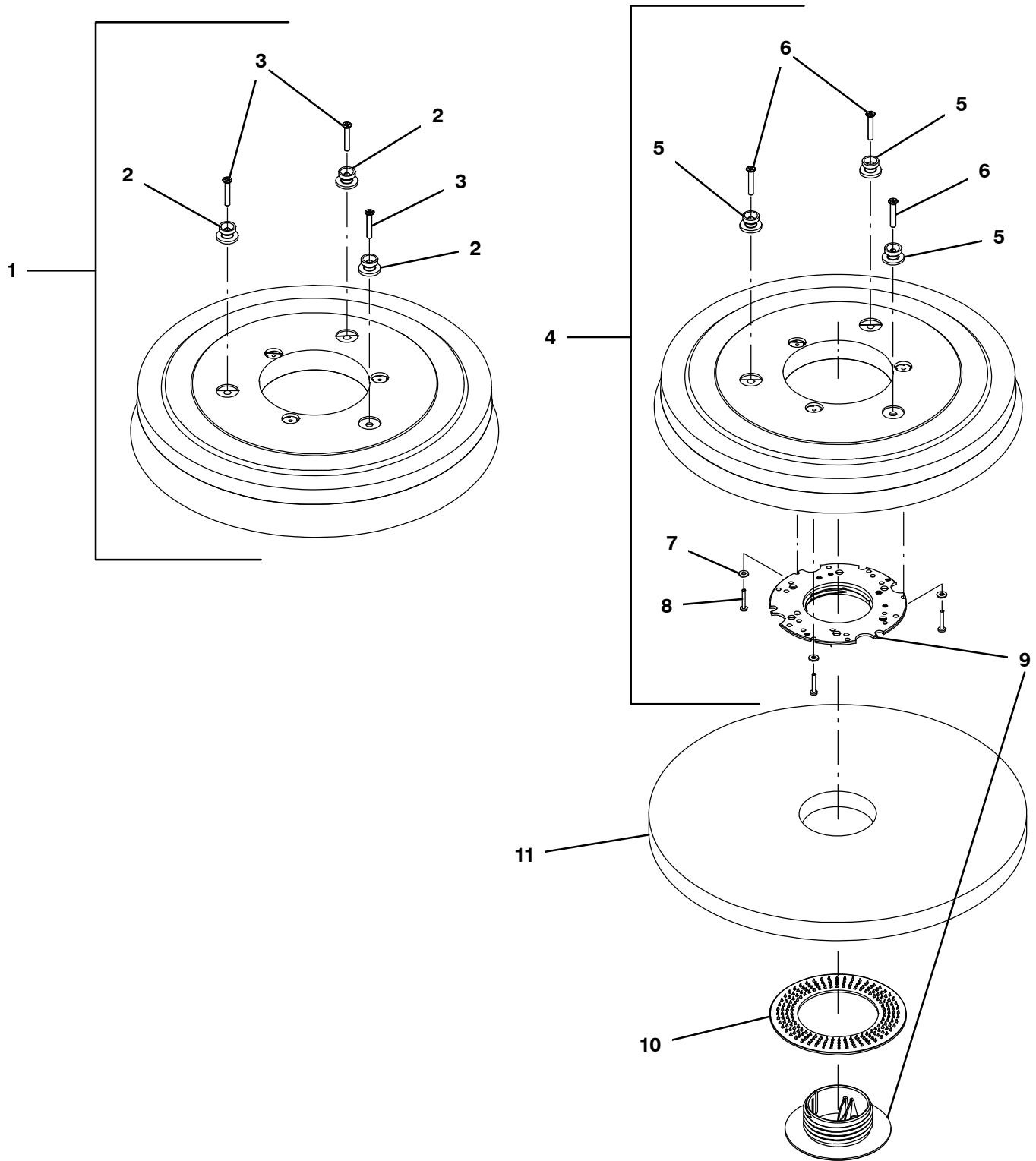
RECOMMENDED MAINTENANCE ITEMS

GENERAL RECOMMENDED MAINTENANCE ITEMS

	Part No.	Serial Number	Description	Qty.
▽	1219312	(10000000-20000000)	Fan, Vacuum, 5.7d, 024vdc, 2 Stage	1
▲	372883	(10000000-20000000)	Vr, Brush Kit, Motor, Ele (1 Pkg = 2 Pcs)	1
▽	1216386	(10000000-20000000)	Motor, Transaxle, 24vdc, Replmt [UI, Ce]	1
▲	1212351	(10000000-20000000)	Brush Kit, Carbon, Transaxle, UI (1 Kit = 4 Pcs)	1
▽	9014872	(10785189-20000000)	Kit, Deflector, Tray, Debris, Cl, [T300]	1
▲	1225187	(10785189-20000000)	Seal, Rbr, Clsd, 12.7 Th , 24.0Id, 40.0Od	1
▲	1207357	(10000000-20000000)	Tray, Debris, Tank, Recvy [T300]	1
	9014905	(10786729-20000000)	Cover Kit, Circuitbreaker, Ci[T300/E/Ss]	1
	630052	(10000000-20000000)	Float, Shut-Off, (2)Ball, 1.75d	1
▽	1213008	(10000000-20000000)	Hose Assy, Drain, 1.5d 025l 1.5/Cap [Pu] (Gray)	1
▲	1219134	(10000000-20000000)	Cap, Drain Assy [Gray]	1
▽	1213010	(10000000-20000000)	Hose Assy, Drain, 1.5d 017l 1.5/Cap[Pvc] (Black)	1
▲	1218955	(10000000-20000000)	Cap, Drain Assy [Black]	1
	1204663	(10000000-20000000)	Hose Assy, W/2cuff,1.5d 026l 1.5/1.5[Pu] (Gray)	1
	1211220	(10000000-20000000)	Hose Assy,W/2cuff,1.5d 022l 1.5/1.5[Pvc] (Black)	1
▽	9014171	(10000000-20000000)	Hose Assy, With Valve	1
▲	1051986	(10000000-20000000)	Valve, Ball, 2way, 1.0id Pvc, W/Handle	1
▲	1222591	(10000000-20000000)	Hose Assy, 45cuff,1.5d 021l 1.5/1.5[Pu] (Gray)	1
	1210472	(10000000-20000000)	Seal, Afmkt, Bulb, 0.50d .13grip, 05ft (Rec Tank Lid)	1
	1046428	(10000000-20000000)	Seal, Afmkt, Rbr, Clsd, Adh, 02ft (Front Fill Cover)	1

BRUSHES AND PAD DRIVER GROUP, 43CM DISK 3-LUG HUB

355330



BRUSHES AND PAD DRIVER GROUP, 43CM DISK 3-LUG HUB

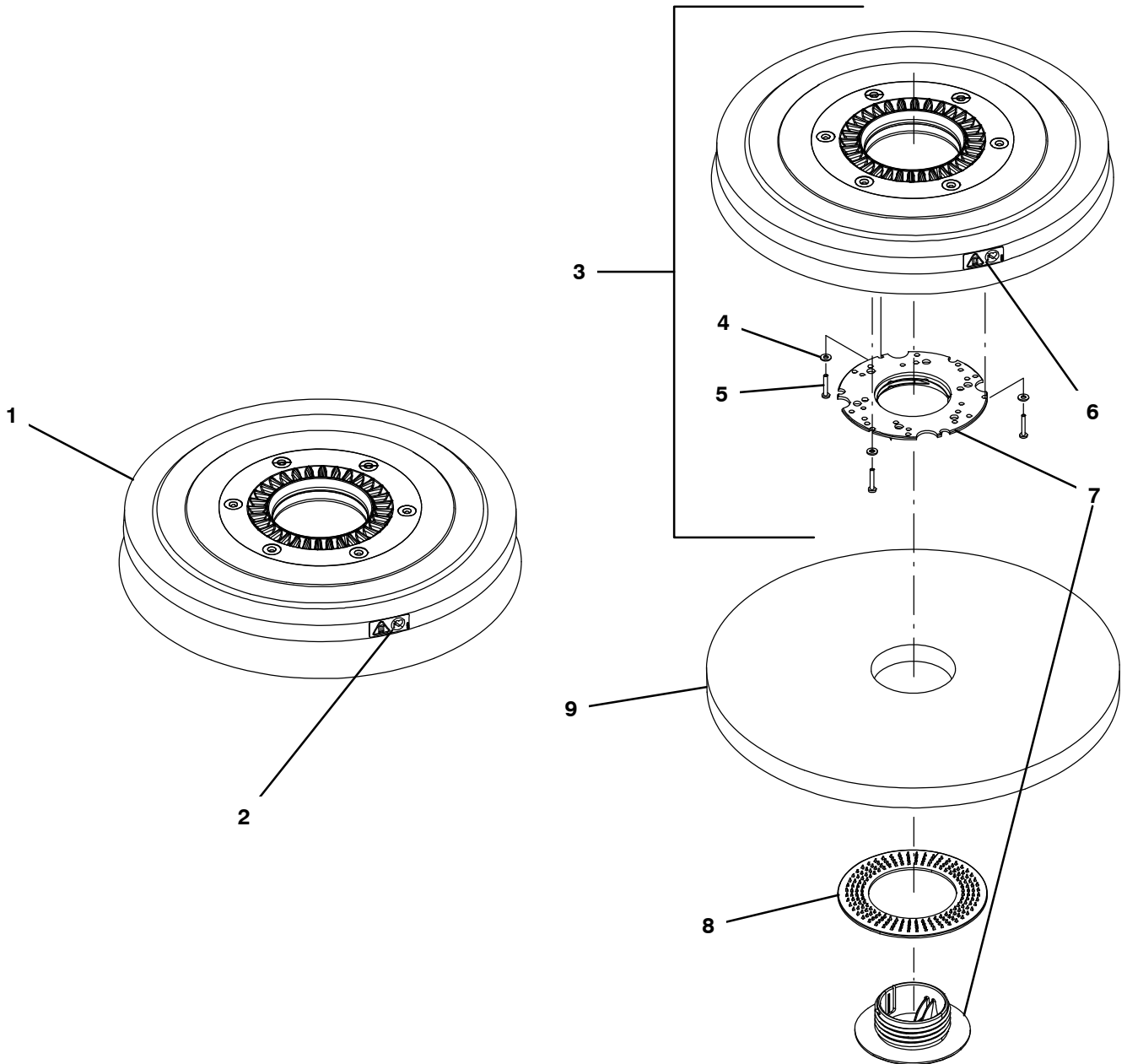
Ref.	Part No.	Serial Number	Description	Qty.
▽	1	1016763	(10000000-20000000) Brush Assy, Disk, Scb, 17.0d, Abr	1
▽	1	1016764	(10000000-20000000) Brush Assy, Disk, Scb, 17.0d, Nyl	1
▽	1	1016765	(10000000-20000000) Brush Assy, Disk, Scb, 17.0d, Pyp	1
▲	2	1013018	(10000000-20000000) Stud, Drive, Brush Pad	3
▲	3	1021316	(10000000-20000000) Screw, Flt, Phl, M6 X 1.00 X 35, Ss	3
▽	4	1212965	(10000000-20000000) Driver Assy, Pad, 43cm, Brush, 3 Lug	1
▲	5	1013018	(10000000-20000000) Stud, Drive, Brush Pad	3
▲	6	1021316	(10000000-20000000) Screw, Flt, Phl, M6 X 1.00 X 35, Ss	3
▲	7	41579	(10000000-20000000) Washer, Flat, 08, Ss	3
▲	8	04403	(10000000-20000000) Screw, Pan, Phl, M4 X 0.70 X 25, Nl, Ss	3
▲	9	32506	(10000000-20000000) Device, Centering, Rh Pad Retainer	1
	10	32505	(10000000-20000000) Washer, Flat, 92b 156d 2.6l, Pad Driver	1
	11	1243350	(10000000-20000000) Pad, Polish, 17.0d, White [1pick=1ctn]	1
	11	1243349	(10000000-20000000) Pad, Buff, 17.0d, Red [1pick=1ctn]	1
	11	1243348	(10000000-20000000) Pad, Scb, 17.0d, Blu [1pick=1ctn]	1
	11	1243664	(10000000-20000000) Pad, Strip, 17.0d Brown [1pick=1ctn]	1
	11	1243663	(10000000-20000000) Pad, Strip, 17.0d Blk[Hi Prod1pick=1ctn]	1
	11	1243669	(10000000-20000000) Pad, Surf Prep, 17.0d Maroon[1pick=1ctn]	1
	11	1240391	(10000000-20000000) Pad, Polish, 17.0d, Yel [1pick=1ctn]	1

▽ ASSEMBLY

▲ INCLUDED IN ASSEMBLY

BRUSHES AND PAD DRIVER GROUP, 43CM DISK MAGNETIC HUB

355338



BRUSHES AND PAD DRIVER GROUP, 43CM DISK MAGNETIC HUB

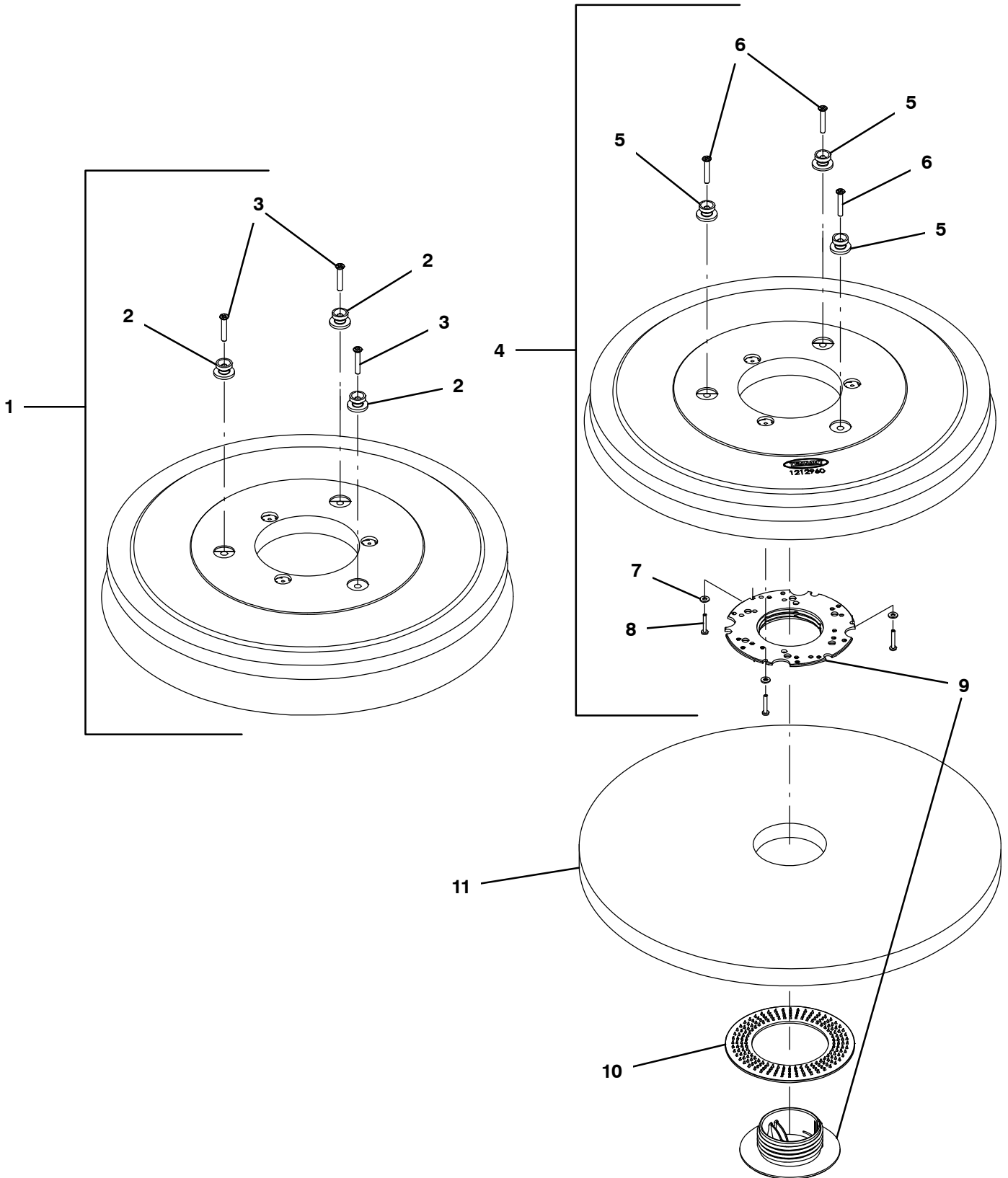
	Ref.	Part No.	Serial Number	Description	Qty.
▽	1	1213034	(10000000-20000000)	Brush Assy, Disk, Scb, 43cm, Mag, Nyl	1
▽	1	1213035	(10000000-20000000)	Brush Assy, Disk, Scb, 43cm, Mag, Pyp	1
▽	1	1213037	(10000000-20000000)	Brush Assy, Disk, Scb, 43cm, Mag, Ab	1
▲	2	1218392	(10000000-20000000)	Label, Safety, Magnet, Med	1
▽	3	1211869	(10000000-20000000)	Driver Assy, Pad, 43cm, Brush, Magnetic	1
▲	4	41579	(10000000-20000000)	Washer, Flat, 08, Ss	3
▲	5	1212542	(10000000-20000000)	Screw, Pan, Phl, M4 X 0.70 X 12, NI, Ss	3
▲	6	1218392	(10000000-20000000)	Label, Safety, Magnet, Med	1
▲	7	32506	(10000000-20000000)	Device, Centering, Rh Pad Retainer	1
	8	32505	(10000000-20000000)	Washer, Flat, 92b 156d 2.6l, Pad Driver	1
	9	1243350	(10000000-20000000)	Pad, Polish, 17.0d, White [1pick=1ctn]	1
	9	1243349	(10000000-20000000)	Pad, Buff, 17.0d, Red [1pick=1ctn]	1
	9	1243348	(10000000-20000000)	Pad, Scb, 17.0d, Blu [1pick=1ctn]	1
	9	1243664	(10000000-20000000)	Pad, Strip, 17.0d Brown [1pick=1ctn]	1
	9	1243663	(10000000-20000000)	Pad, Strip, 17.0d Blk[Hi Prod1pick=1ctn]	1
	9	1243669	(10000000-20000000)	Pad, Surf Prep, 17.0d Maroon[1pick=1ctn]	1
	9	1240391	(10000000-20000000)	Pad, Polish, 17.0d, Yel [1pick=1ctn]	1

▽ ASSEMBLY

▲ INCLUDED IN ASSEMBLY

BRUSHES AND PAD DRIVER GROUP, 50CM DISK 3-LUG HUB

355331



BRUSHES AND PAD DRIVER GROUP, 50CM DISK 3-LUG HUB

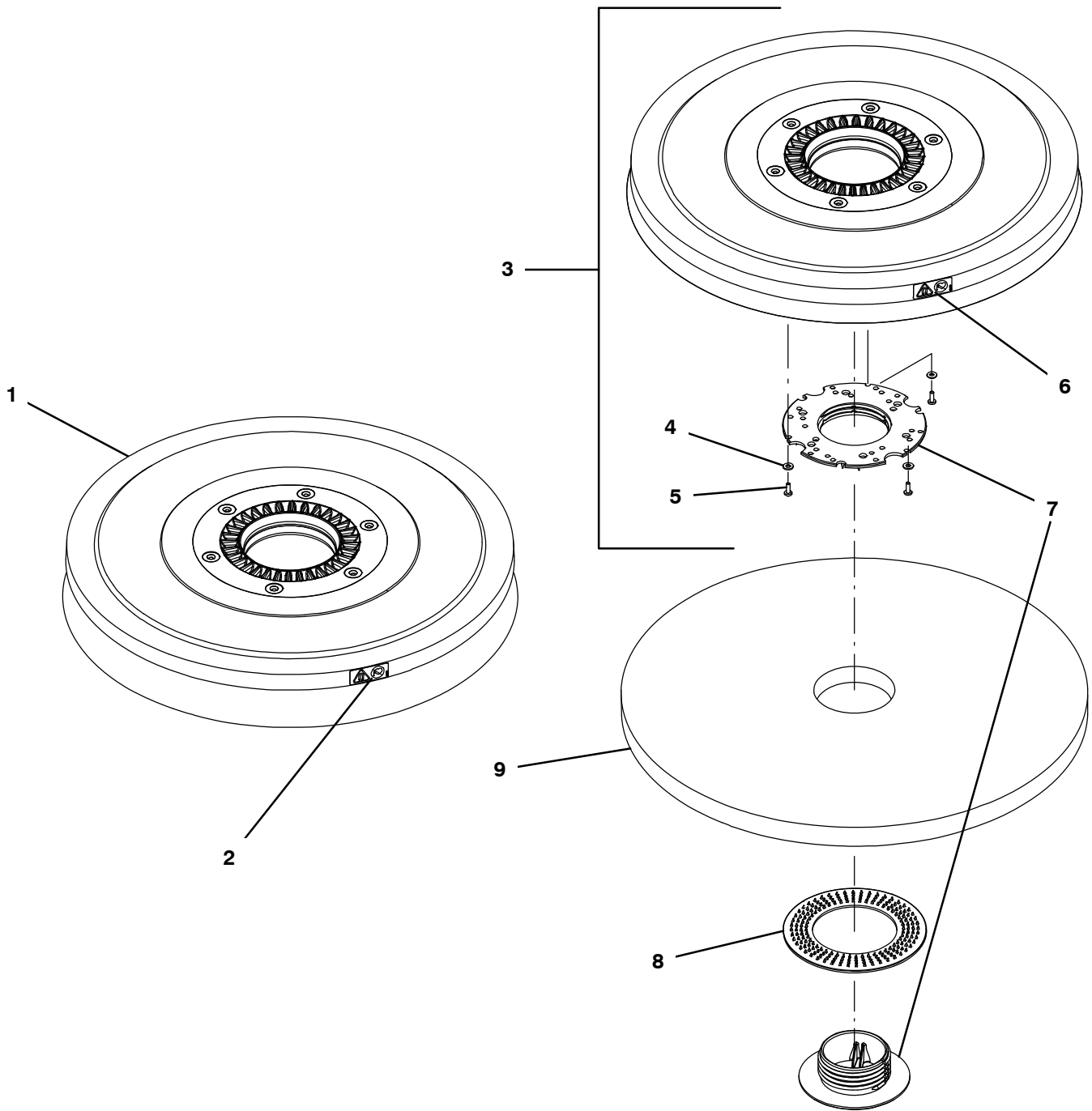
Ref.	Part No.	Serial Number	Description	Qty.
▽	1	1016805	(10000000-20000000) Brush Assy, Disk, Scb, 20.0d, Abr	1
▽	1	1016810	(10000000-20000000) Brush Assy, Disk, Scb, 20.0d, Nyl	1
▽	1	1016811	(10000000-20000000) Brush Assy, Disk, Scb, 20.0d, Pyp	1
▲	2	1013018	(10000000-20000000) Stud, Drive, Brush Pad	3
▲	3	1021316	(10000000-20000000) Screw, Flt, Phl, M6 X 1.00 X 35, Ss	3
▽	4	1212960	(10000000-20000000) Driver Assy, Pad, 50cm, Brush, 3 Lug	1
▲	5	1013018	(10000000-20000000) Stud, Drive, Brush Pad	3
▲	6	1021316	(10000000-20000000) Screw, Flt, Phl, M6 X 1.00 X 35, Ss	3
▲	7	41579	(10000000-20000000) Washer, Flat, 08, Ss	3
▲	8	04403	(10000000-20000000) Screw, Pan, Phl, M4 X 0.70 X 25, Nl, Ss	3
▲	9	32506	(10000000-20000000) Device, Centering, Rh Pad Retainer	1
	10	32505	(10000000-20000000) Washer, Flat, 92b 156d 2.6l, Pad Driver	1
	11	1243338	(10000000-20000000) Pad, Polish, 20.0d, White [1pick=1ctn]	1
	11	1243339	(10000000-20000000) Pad, Buff, 20.0d, Red [1pick=1ctn]	1
	11	1243340	(10000000-20000000) Pad, Scb, 20.0d, Blu [1pick=1ctn]	1
	11	1243566	(10000000-20000000) Pad, Stripping 20.0d, Brn [1pick=1ctn]	1
	11	1243661	(10000000-20000000) Pad, Strip, 20.0d Blk[Hi Prod1pick=1ctn]	1
	11	1243670	(10000000-20000000) Pad, Surf Prep, 20.0d Maroon[1pick=1ctn]	1
	11	1240393	(10000000-20000000) Pad, Polish, 20.0d, Yel [1pick=1ctn]	1

▽ ASSEMBLY

▲ INCLUDED IN ASSEMBLY

BRUSHES AND PAD DRIVER GROUP, 50CM DISK MAGNETIC HUB

355339



BRUSHES AND PAD DRIVER GROUP, 50CM DISK MAGNETIC HUB

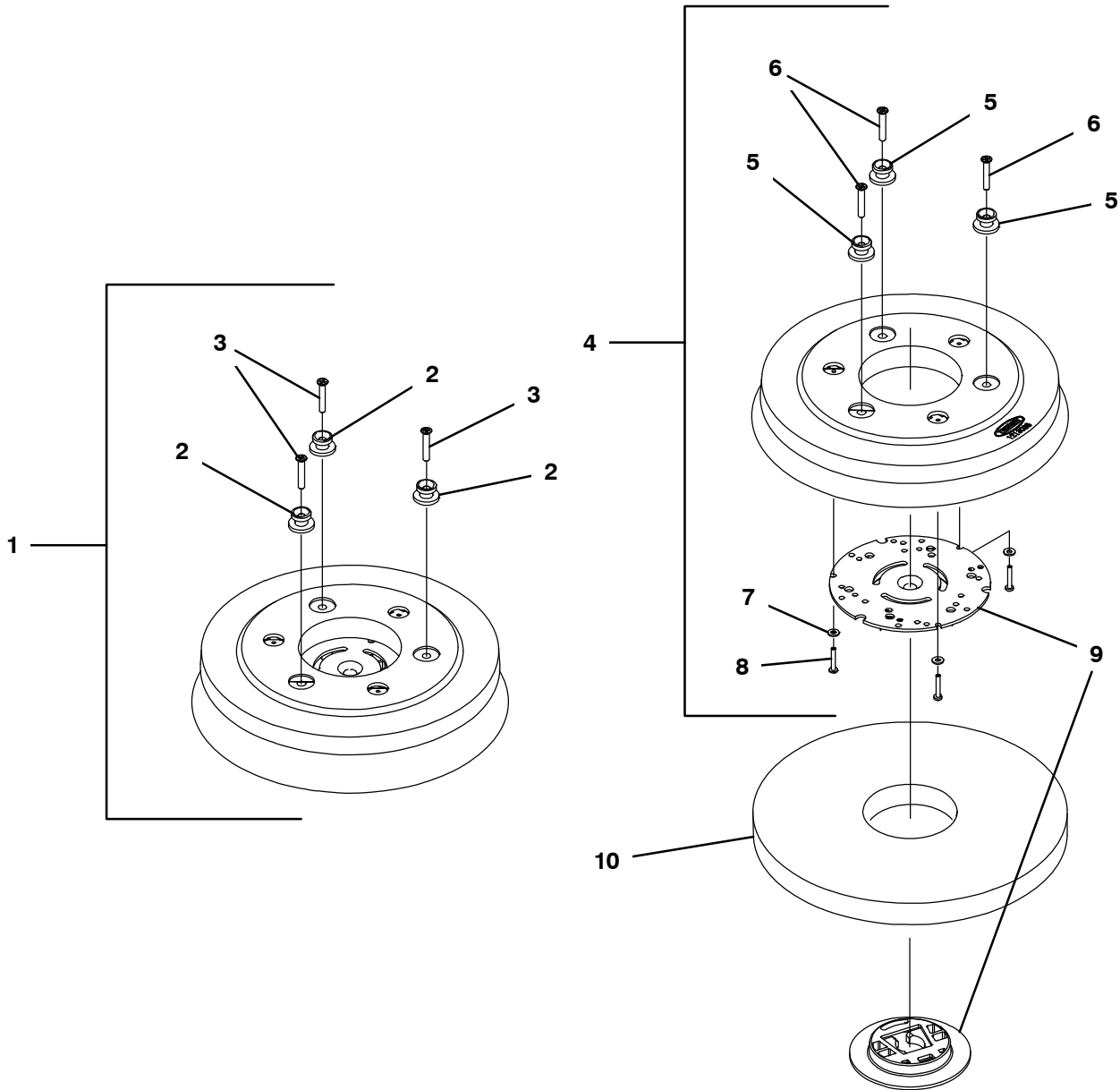
	Ref.	Part No.	Serial Number	Description	Qty.
▽	1	1210386	(10000000-20000000)	Brush Assy, Disk, Scb, 50cm, Mag, Nyl	1
▽	1	1213032	(10000000-20000000)	Brush Assy, Disk, Scb, 50cm, Mag, Pyp	1
▽	1	1213033	(10000000-20000000)	Brush Assy, Disk, Scb, 50cm, Mag, Ab	1
▲	2	1218392	(10000000-20000000)	Label, Safety, Magnet, Med	1
▽	3	1209197	(10000000-20000000)	Driver Assy, Pad, 50cm, Brush, Magnetic	1
▲	4	41579	(10000000-20000000)	Washer, Flat, 08, Ss	3
▲	5	1212542	(10000000-20000000)	Screw, Pan, Phl, M4 X 0.70 X 12, Ni, Ss	3
▲	6	1218392	(10000000-20000000)	Label, Safety, Magnet, Med	1
▲	7	32506	(10000000-20000000)	Device, Centering, Rh Pad Retainer	1
	8	32505	(10000000-20000000)	Washer, Flat, 92b 156d 2.6l, Pad Driver	1
	9	1243338	(10000000-20000000)	Pad, Polish, 20.0d, White [1pick=1ctn]	1
	9	1243339	(10000000-20000000)	Pad, Buff, 20.0d, Red [1pick=1ctn]	1
	9	1243340	(10000000-20000000)	Pad, Scb, 20.0d, Blu [1pick=1ctn]	1
	9	1243566	(10000000-20000000)	Pad, Stripping 20.0d, Brn [1pick=1ctn]	1
	9	1243661	(10000000-20000000)	Pad, Strip, 20.0d Blk[Hi Prod1pick=1ctn]	1
	9	1243670	(10000000-20000000)	Pad, Surf Prep, 20.0d Maroon[1pick=1ctn]	1
	9	1240393	(10000000-20000000)	Pad, Polish, 20.0d, Yel [1pick=1ctn]	1

▽ ASSEMBLY

▲ INCLUDED IN ASSEMBLY

BRUSHES AND PAD DRIVER GROUP, 60CM DUAL DISK 3-LUG HUB

355332



BRUSHES AND PAD DRIVER GROUP, 60CM DUAL DISK 3-LUG HUB

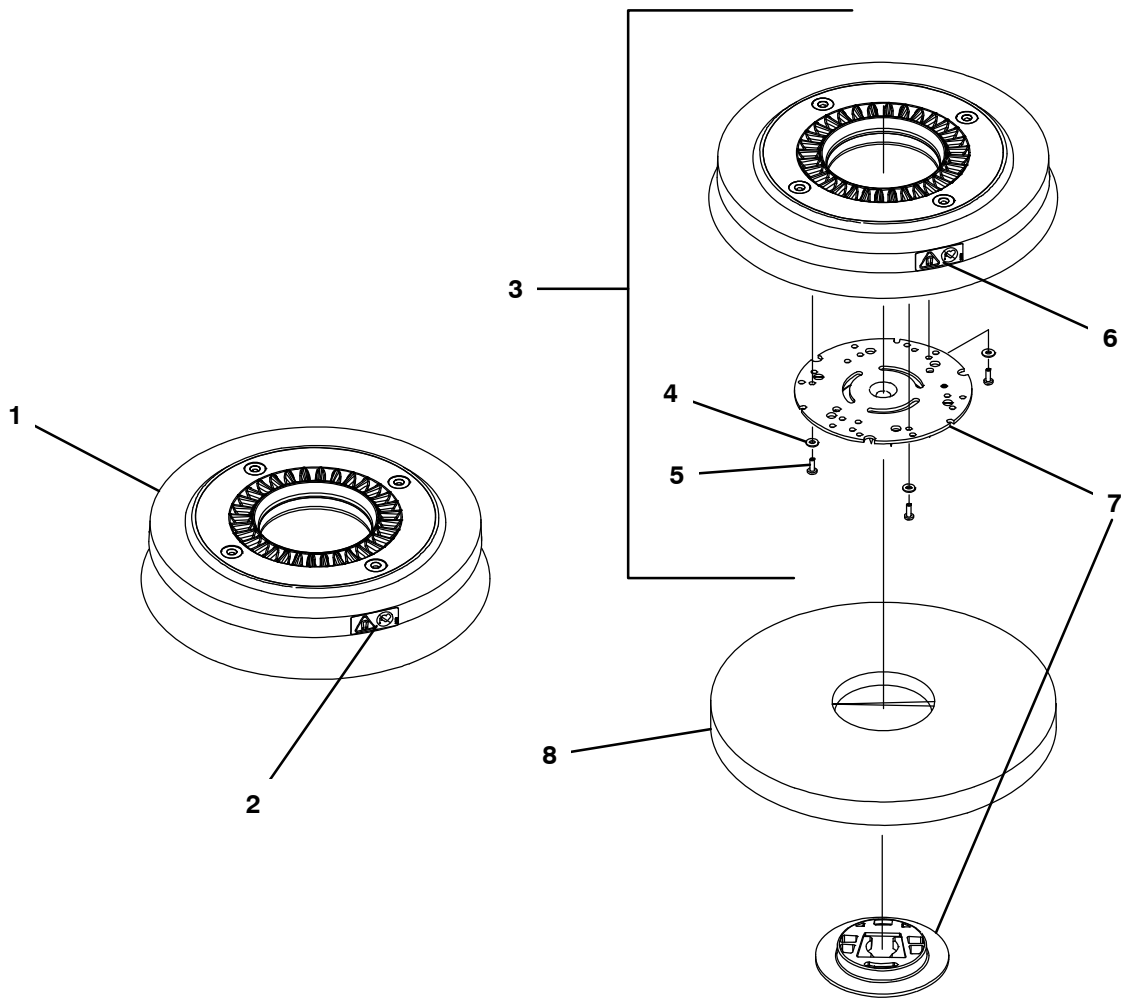
Ref.	Part No.	Serial Number	Description	Qty.
▽	1	1056306	(10000000-20000000) Brush Assy, Disk, Scb, 12.0d, 3-Lug, Nyl	2
▽	1	1056313	(10000000-20000000) Brush Assy, Disk, Scb, 12.0d, 3-Lug, Pyp	2
▽	1	1063297	(10000000-20000000) Brush Assy, Disk, Scb, 12.0d, 3-Lug, Abr	2
▲	2	1055558	(10000000-20000000) Mount, Lug, Pad-Driver [T3]	3
▲	3	1021316	(10000000-20000000) Screw, Flt, Phl, M6 X 1.00 X 35, Ss	3
▽	4	1213038	(10000000-20000000) Driver Assy, Pad, 30cm, Brush, 3 Lug	2
▲	5	1055558	(10000000-20000000) Mount, Lug, Pad-Driver [T3]	3
▲	6	1021316	(10000000-20000000) Screw, Flt, Phl, M6 X 1.00 X 35, Ss	3
▲	7	41579	(10000000-20000000) Washer, Flat, 08, Ss	3
▲	8	04403	(10000000-20000000) Screw, Pan, Phl, M4 X 0.70 X 25, Ni, Ss	3
▲	9	370095	(10000000-20000000) Device, Centering, Clip On, TI [Gf Pp]	1
	10	1243345	(10000000-20000000) Pad, Polish, 12.0d, White [1pick=1ctn]	2
	10	1243346	(10000000-20000000) Pad, Buff, 12.0d, Red [1pick=1ctn]	2
	10	1243347	(10000000-20000000) Pad, Scb, 12.0d, Blu [1pick=1ctn]	2
	10	1243662	(10000000-20000000) Pad, Strip, 12.0d Brown [1pick=1ctn]	2
	10	1243671	(10000000-20000000) Pad, Strip, 12.0d Blk[Hi Prod1pick=1ctn]	2
	10	1243665	(10000000-20000000) Pad, Surf Prep, 12.0d Maroon[1pick=1ctn]	2
	10	1240353	(10000000-20000000) Pad, Polish, 12.0d, Yel [1pick=1ctn]	2

▽ ASSEMBLY

▲ INCLUDED IN ASSEMBLY

BRUSHES AND PAD DRIVER GROUP, 60CM DUAL DISK MAGNETIC HUB

355340



BRUSHES AND PAD DRIVER GROUP, 60CM DUAL DISK MAGNETIC HUB

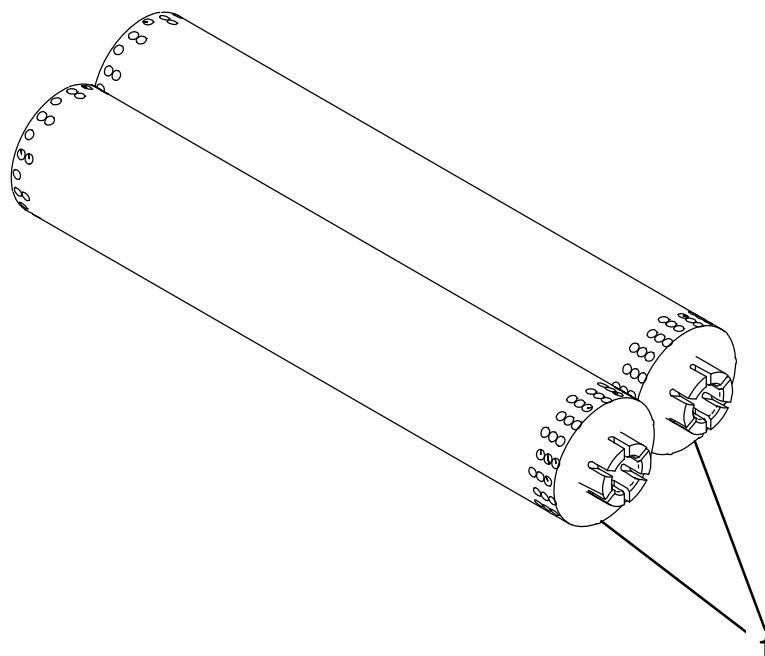
Ref.	Part No.	Serial Number	Description	Qty.
▽	1	1210136	(10000000-20000000) Brush Assy, Disk, Scb, 30cm, Mag, Nyl	2
▽	1	1213040	(10000000-20000000) Brush Assy, Disk, Scb, 30cm, Mag, Pyp	2
▽	1	1213041	(10000000-20000000) Brush Assy, Disk, Scb, 30cm, Mag, Ab	2
▲	2	1218392	(10000000-20000000) Label, Safety, Magnet, Med	1
▽	3	1209160	(10000000-20000000) Driver Assy, Pad, 30cm, [Magnetic]	2
▲	4	41579	(10000000-20000000) Washer, Flat, 08, Ss	3
▲	5	1212542	(10000000-20000000) Screw, Pan, Phl, M4 X 0.70 X 12, Ni, Ss	3
▲	6	1218392	(10000000-20000000) Label, Safety, Magnet, Med	1
▲	7	370095	(10000000-20000000) Device, Centering, Clip On, Tl [Gf Pp]	1
	8	1243345	(10000000-20000000) Pad, Polish, 12.0d, White [1pick=1ctn]	2
	8	1243346	(10000000-20000000) Pad, Buff, 12.0d, Red [1pick=1ctn]	2
	8	1243347	(10000000-20000000) Pad, Scb, 12.0d, Blu [1pick=1ctn]	2
	8	1243662	(10000000-20000000) Pad, Strip, 12.0d Brown [1pick=1ctn]	2
	8	1243671	(10000000-20000000) Pad, Strip, 12.0d Blk[Hi Prod1pick=1ctn]	2
	8	1243665	(10000000-20000000) Pad, Surf Prep, 12.0d Maroon[1pick=1ctn]	2
	8	1240353	(10000000-20000000) Pad, Polish, 12.0d, Yel [1pick=1ctn]	2

▽ ASSEMBLY

▲ INCLUDED IN ASSEMBLY

BRUSHES GROUP, 50CM CYLINDRICAL

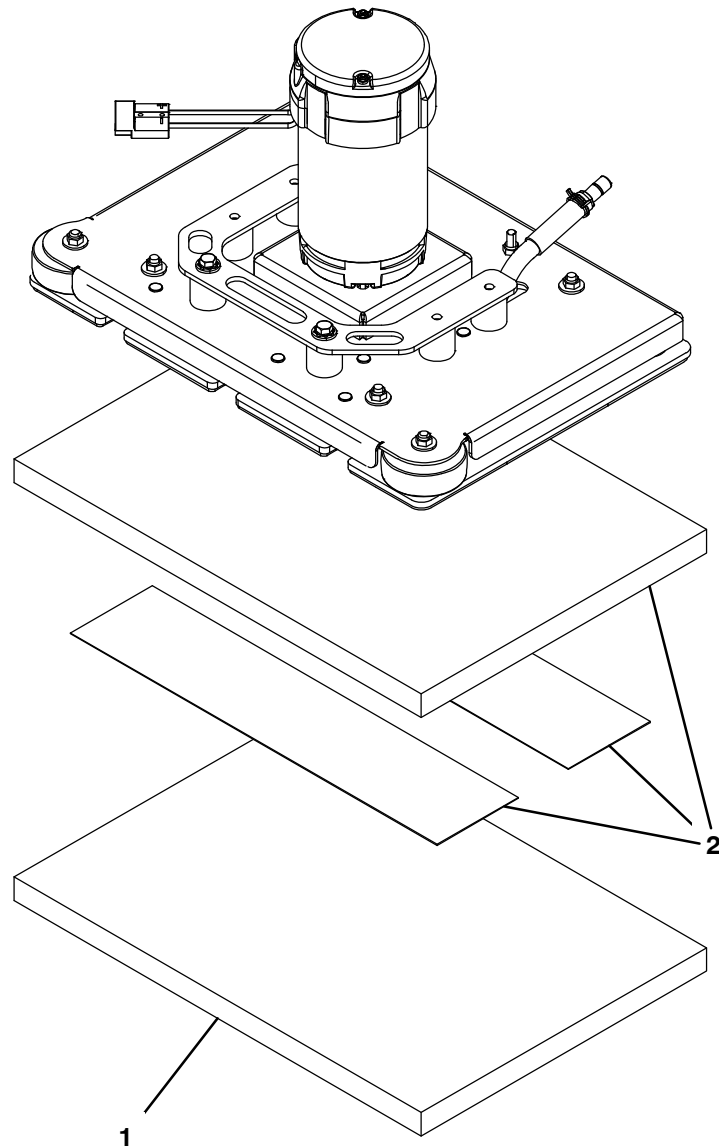
355333



Ref.	Part No.	Serial Number	Description	Qty.
1	1209188	(10000000-20000000)	Brush, Scb, 21l, 20sr, Nyl	2
1	1212762	(10000000-20000000)	Brush, Scb, 21l, 20sr, Pyp	2

PAD GROUP, 50CM ORBITAL

355334



Ref.	Part No.	Serial Number	Description	Qty.
1	1243351	(10000000-20000000)	Pad, Polish, 20 X 14, White [1pick=1ctn]	1
1	1243352	(10000000-20000000)	Pad, Buff, 20 X 14, Red [1pick=1ctn]	1
1	1243353	(10000000-20000000)	Pad, Scb, 20 X 14, Blu [1pick=1ctn]	1
1	1243672	(10000000-20000000)	Pad, Surf Prep, 20x14 Maroon[1pick=1ctn]	1
1	1074740	(10000000-20000000)	Pad, Scb, 14 X 20, Green [1pick=1ctn]	1
1	1075562	(10000000-20000000)	Pad, Stripper, 20 X 14, Blk [1pick=1ctn]	1
1	1228000	(10000000-20000000)	Pad, Melamine, 14" X 20" [Case Of 5]	1
1	1240342	(10000000-20000000)	Pad, Polish, 20 X 14, Yel [1pick=1ctn]	1
2	1217830	(10000000-20000000)	Pad, Backer, 20 X 14 (Includes Hook & Loop Fastener)	1

SCRUB HEAD GROUP, 43CM DISK, 3-LUG HUB

Ref.	Part No.	Serial Number	Description	Qty.
▽	1	1226976	(10834063-20000000) Motor, Ele, 24vdc 0215rpm 650w, 17mm	1
▲		1227273	(10834063-20000000) Vr, Brush Kit, Motor, Ele (4pc)	1
▲	2	1014328	(10000000-20000000) Key, Sq, 05mm X 05mm, 25mml	1
▽	1	1210703	(10000000-10834062) Motor, Ele, 24vdc 0200rpm 1.00hp, 17mm (Replaced By 9015159)	1
▲		222606	(10000000-10834062) Vr, Brush Kit, Motor, Ele [lp] (4Pc) (For Imperial Motor – Frame #P56SG681)	1
▲		1045790	(10000000-10834062) Brush Kit, Replmt,Carbon 24vdc[1pk=1set](4Pc) (For Sanrong Motor – Frame #56S)	1
▲	2	1014328	(10000000-20000000) Key, Sq, 05mm X 05mm, 25mml	1
	3	08713	(10000000-20000000) Nut, Hex, Lock, M8 X 1.25, NI, Ss	1
	4	01685	(10000000-20000000) Washer, Flat, 0.38b 0.88d .08, Ss	2
	5	222460	(10000000-20000000) Sleeve, P/M, 0.32b 0.50d 0.5l [430ss]	1
	6	1010560	(10000000-20000000) Wheel, Bmpr, 80d X 25w, Non-Marking	1
	7	1016005	(10000000-20000000) Screw, Hex, M6 X 1.00 X 25, NI, FI, Ss	4
	8	01684	(10000000-20000000) Washer, Flat, 0.27b 0.69d .05, Ss	4
	9	1074344	(10000000-20000000) Harness, Ele [Ring With .250m Tail]	1
	10	1210807	(10000000-20000000) Wire, Tie [W/.25" Fir Tree Clip]	1
	11	9014145	(10000000-20000000) Hose, Afmkt, Pe, .375id .50od, 05ft	1
	12	1212324	(10000000-20000000) Housing, Head, 43cm	1
	13	1055019	(10000000-20000000) Bumper, Head, 43cm, W/ Bristle Skirt, Im	1
	14	1016399	(10000000-20000000) Screw, Hex, M8 X 1.25 X 30, NI, Ss	1
	15	1211242	(10000000-10791637) Button, Plunger, Pad	1
	16	1212785	(10000000-10791637) Spring, Cmpr, .66od, .05wir, 1.75l, Ss	1
	17	1211907	(10000000-10791637) Pin, Stop, Short	1
	18	1020341	(10000000-20000000) Screw, Hex, M8 X 1.25 X 20, Ss, Sems	4
	19	1223980	(10802498-20000000) Plate Wldt, Head, Weighted	1
	20	1022549	(10000000-20000000) Spacer, Shaft, 17.15b 30.0d 3.0l, Ss	1
	21	1219855	(10791638-20000000) Hub, Drive, 3lug, Alm-Nyl, 17mm[T2,T300]	1
	22	1017218	(10000000-20000000) Washer, Flat, 0.32b 1.00d .12, Ss	1
	23	1020341	(10000000-20000000) Screw, Hex, M8 X 1.25 X 20, Ss, Sems	1
	24	1013188	(10748031-20000000) Clip, Spring, Drive Hub, Release [T3]	1
	25	1011201	(10748031-20000000) Plate, Drive Hub, Release Clip [T3]	1
	26	01683	(10748031-10791637) Washer, Flat, 10, Ss	2
	27	07514	(10748031-10791637) Washer, Lock, Int, 10, Ss	2
	28	09200	(10748031-10791637) Screw, Pan, Phl, M5 X 0.80 X 12, Ss	2
	29	1210590	(10000000-10802497) Plate Wldt, Head, Weighted (Replaced By Kit 9014801)	1
	30	1210676	(10000000-10791637) Hub, Drive, 3 Lug [Machined] (Replaced By Kit 9014623)	1
	31	140197	(10791638-20000000) Screw, Trs, Phl, 10-24 X 0.38, Sems, Ss	2
	32	1221972	(10791638-20000000) Plug, Hole, Oval, Head, Hsng, Abs [T300]	1

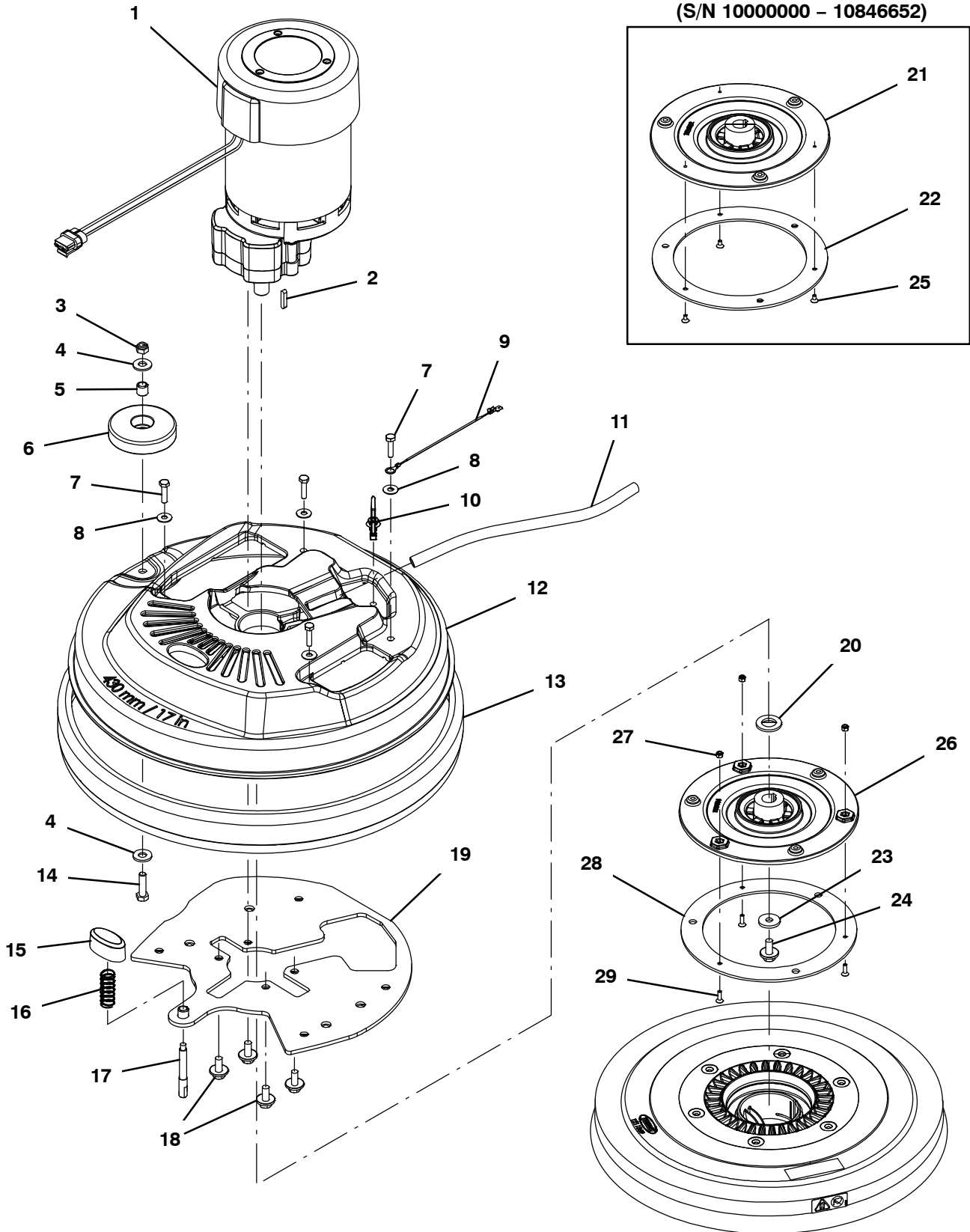
▽ ASSEMBLY

▲ INCLUDED IN ASSEMBLY

SCRUB HEAD GROUP, 43CM DISK, MAGNETIC HUB

355294

(S/N 1000000 - 10846652)



SCRUB HEAD GROUP, 43CM DISK, MAGNETIC HUB

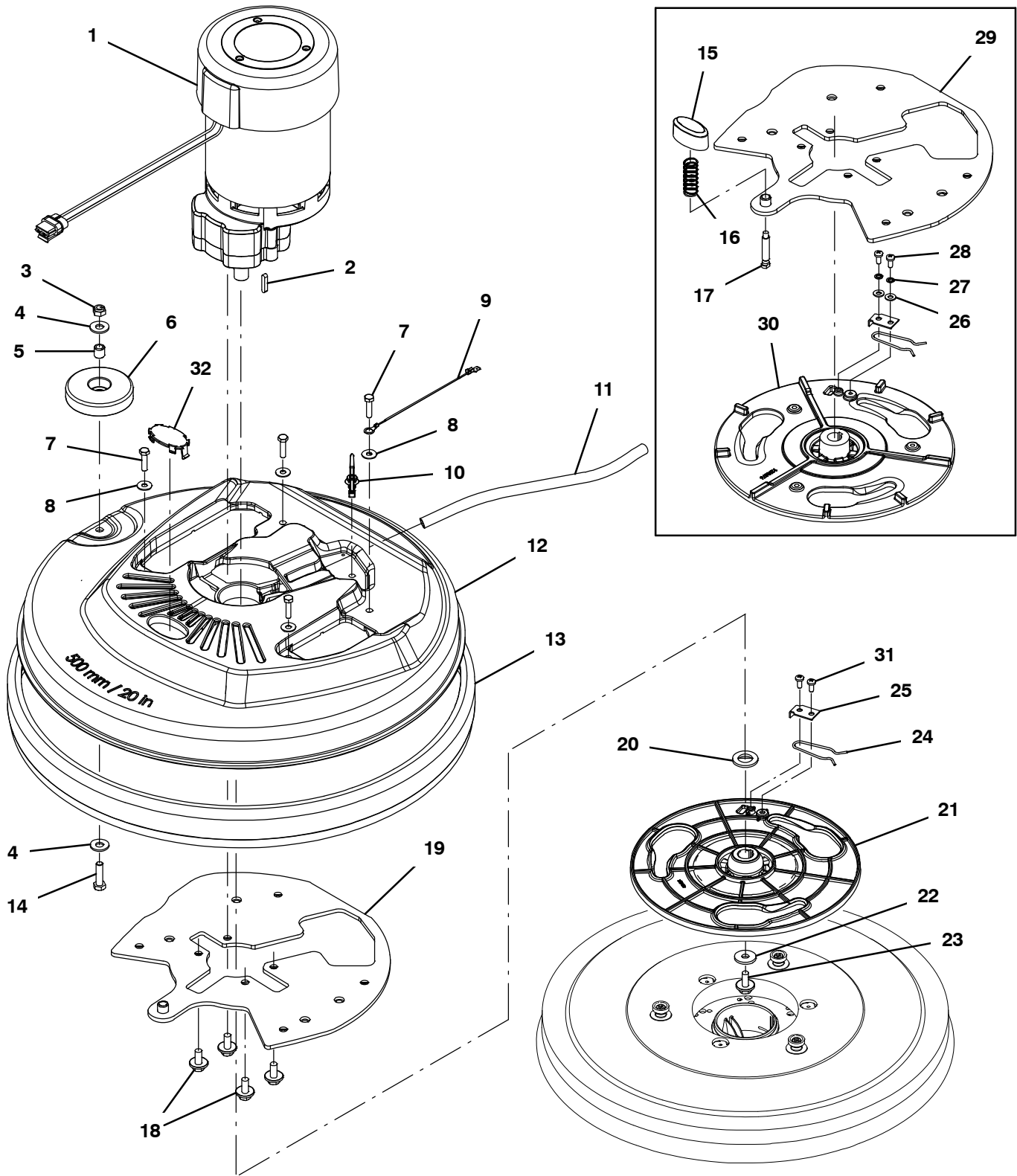
Ref.	Part No.	Serial Number	Description	Qty.
▽	1	1226976	(10834063-20000000) Motor, Ele, 24vdc 0215rpm 650w, 17mm	1
▲		1227273	(10834063-20000000) Vr, Brush Kit, Motor, Ele (4pc)	1
▲	2	1014328	(10000000-20000000) Key, Sq, 05mm X 05mm, 25mml	1
▽	1	1210703	(10000000-10834062) Motor, Ele, 24vdc 0200rpm 1.00hp, 17mm (Replaced By 9015159)	1
▲		222606	(10000000-10834062) Vr, Brush Kit, Motor, Ele [lp] (4Pc) (For Imperial Motor – Frame #P56SG681)	1
▲		1045790	(10000000-10834062) Brush Kit, Replmt,Carbon 24vdc[1pk=1set](4Pc) (For Sanrong Motor – Frame #56S)	1
▲	2	1014328	(10000000-20000000) Key, Sq, 05mm X 05mm, 25mml	1
	3	08713	(10000000-20000000) Nut, Hex, Lock, M8 X 1.25, NI, Ss	1
	4	01685	(10000000-20000000) Washer, Flat, 0.38b 0.88d .08, Ss	2
	5	222460	(10000000-20000000) Sleeve, P/M, 0.32b 0.50d 0.5l [430ss]	1
	6	1010560	(10000000-20000000) Wheel, Bmpr, 80d X 25w, Non-Marking	1
	7	1016005	(10000000-20000000) Screw, Hex, M6 X 1.00 X 25, NI, FI, Ss	4
	8	01684	(10000000-20000000) Washer, Flat, 0.27b 0.69d .05, Ss	4
	9	1074344	(10000000-20000000) Harness, Ele [Ring With .250m Tail]	1
	10	1210807	(10000000-20000000) Wire, Tie [W/.25" Fir Tree Clip]	1
	11	9014145	(10000000-20000000) Hose, Afmkt, Pe, .375id .50od, 05ft	1
	12	1212324	(10000000-20000000) Housing, Head, 43cm	1
	13	1055019	(10000000-20000000) Bumper, Head, 43cm, W/ Bristle Skirt, Im	1
	14	1016399	(10000000-20000000) Screw, Hex, M8 X 1.25 X 30, NI, Ss	1
	15	1211242	(10000000-20000000) Button, Plunger, Pad	1
	16	1212785	(10000000-20000000) Spring, Cmpr, .66od, .05wir, 1.75l, Ss	1
	17	1211256	(10000000-20000000) Pin, Stop, Long	1
	18	1020341	(10000000-20000000) Screw, Hex, M8 X 1.25 X 20, Ss, Sems	4
	19	1223980	(10802498-20000000) Plate Wldt, Head, Weighted	1
	19	1210590	(10000000-10802497) Plate Wldt, Head, Weighted (Replaced By 9014801)	1
	20	1022549	(10000000-20000000) Spacer, Shaft, 17.15b 30.0d 3.0l, Ss	1
	21	1212312	(10000000-10846652) Hub, Drive, Magnetic [Machined] (Replaced By 9015184)	1
	22	1205043	(10000000-20000000) Ring, Hub, Magnetic	1
	23	1017218	(10000000-20000000) Washer, Flat, 0.32b 1.00d .12, Ss	1
	24	1020341	(10000000-20000000) Screw, Hex, M8 X 1.25 X 20, Ss, Sems	1
	25	630114	(10000000-10846652) Screw, Flt, Phl, M4 X 0.70 X 8, 4.8	3
▽		9015184	(10846653-20000000) Hub Kit, Drive, Magnetic [T300]	1
▲	26	1227654	(10846653-20000000) Hub, Drive, Magnetic [Machined]	1
▲	27	33932	(10846653-20000000) Nut, Hex, Lock, M4 X 0.70, NI, Ss	2
▲	28	1205043	(10000000-20000000) Ring, Hub, Magnetic	1
▲	29	1227670	(10846653-20000000) Screw, Flt, Soc, M4 X 0.70 X 14,18-8, Ss	3

▽ ASSEMBLY

▲ INCLUDED IN ASSEMBLY

SCRUB HEAD GROUP, 50CM DISK, 3-LUG HUB

355291



SCRUB HEAD GROUP, 50CM DISK, 3-LUG HUB

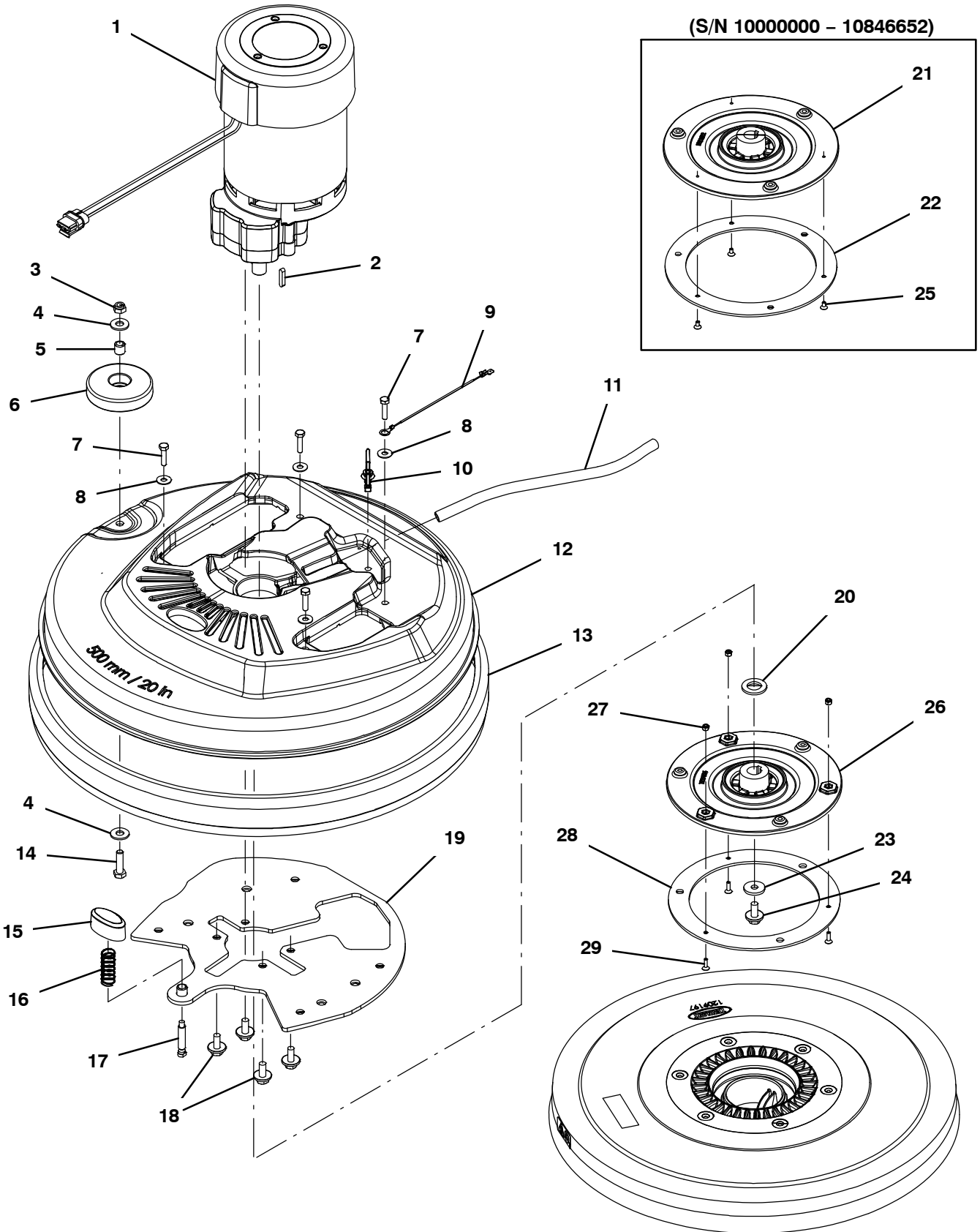
Ref.	Part No.	Serial Number	Description	Qty.
▽	1	1226976	(10834387-20000000) Motor, Ele, 24vdc 0215rpm 650w, 17mm	1
▲		1227273	(10834387-20000000) Vr, Brush Kit, Motor, Ele (4pc)	1
▲	2	1014328	(10000000-20000000) Key, Sq, 05mm X 05mm, 25mm	1
▽	1	1210703	(10000000-10834386) Motor, Ele, 24vdc 0200rpm 1.00hp, 17mm (Replaced By 9015159)	1
▲		222606	(10000000-10834386) Vr, Brush Kit, Motor, Ele [lp] (4Pc) (For Imperial Motor – Frame #P56SG681)	1
▲		1045790	(10000000-10834386) Brush Kit, Replmt,Carbon 24vdc[1pk=1set](4Pc) (For Sanrong Motor – Frame #56S)	1
▲	2	1014328	(10000000-20000000) Key, Sq, 05mm X 05mm, 25mm	1
	3	08713	(10000000-20000000) Nut, Hex, Lock, M8 X 1.25, NI, Ss	1
	4	01685	(10000000-20000000) Washer, Flat, 0.38b 0.88d .08, Ss	2
	5	222460	(10000000-20000000) Sleeve, P/M, 0.32b 0.50d 0.5l [430ss]	1
	6	1010560	(10000000-20000000) Wheel, Bmpr, 80d X 25w, Non-Marking	1
	7	1016005	(10000000-20000000) Screw, Hex, M6 X 1.00 X 25, NI, FI, Ss	4
	8	01684	(10000000-20000000) Washer, Flat, 0.27b 0.69d .05, Ss	4
	9	1074344	(10000000-20000000) Harness, Ele [Ring With .250m Tail]	1
	10	1210807	(10000000-20000000) Wire, Tie [W/.25" Fir Tree Clip]	1
	11	9014145	(10000000-20000000) Hose, Afmkt, Pe, .375id .50od, 05ft	1
	12	1208041	(10000000-20000000) Housing, Head, 50cm	1
	13	1055025	(10000000-20000000) Bumper, Head, 50cm, W/ Bristle Skirt, Im	1
	14	1016399	(10000000-20000000) Screw, Hex, M8 X 1.25 X 30, NI, Ss	1
	15	1211242	(10000000-10791637) Button, Plunger, Pad	1
	16	1212785	(10000000-10791637) Spring, Cmpr, .66od, .05wir, 1.75l, Ss	1
	17	1211907	(10000000-10791637) Pin, Stop, Short	1
	18	1020341	(10000000-20000000) Screw, Hex, M8 X 1.25 X 20, Ss, Sems	4
	19	1223980	(10499417-20000000) Plate Wldt, Head, Weighted	1
	20	1022549	(10000000-20000000) Spacer, Shaft, 17.15b 30.0d 3.0l, Ss	1
	21	1219855	(10791638-20000000) Hub, Drive, 3lug, Alm-Nyl, 17mm[T2,T300]	1
	22	1017218	(10000000-20000000) Washer, Flat, 0.32b 1.00d .12, Ss	1
	23	1020341	(10000000-20000000) Screw, Hex, M8 X 1.25 X 20, Ss, Sems	1
	24	1013188	(10748031-20000000) Clip, Spring, Drive Hub, Release [T3]	1
	25	1011201	(10748031-20000000) Plate, Drive Hub, Release Clip [T3]	1
	26	01683	(10748031-10791637) Washer, Flat, 10, Ss	2
	27	07514	(10748031-10791637) Washer, Lock, Int, 10, Ss	2
	28	09200	(10748031-10791637) Screw, Pan, Phl, M5 X 0.80 X 12, Ss	2
	29	1210590	(10000000-10499416) Plate Wldt, Head, Weighted (Replaced By Kit 9014801)	1
	30	1210676	(10000000-10791637) Hub, Drive, 3 Lug [Machined] (Replaced By Kit 9014623)	1
	31	140197	(10791638-20000000) Screw, Trs, Phl, 10-24 X 0.38, Sems, Ss	2
	32	1221972	(10791638-20000000) Plug, Hole, Oval, Head, Hsng, Abs [T300]	1

▽ ASSEMBLY

▲ INCLUDED IN ASSEMBLY

SCRUB HEAD GROUP, 50CM DISK, MAGNETIC HUB

355295



SCRUB HEAD GROUP, 50CM DISK, MAGNETIC HUB

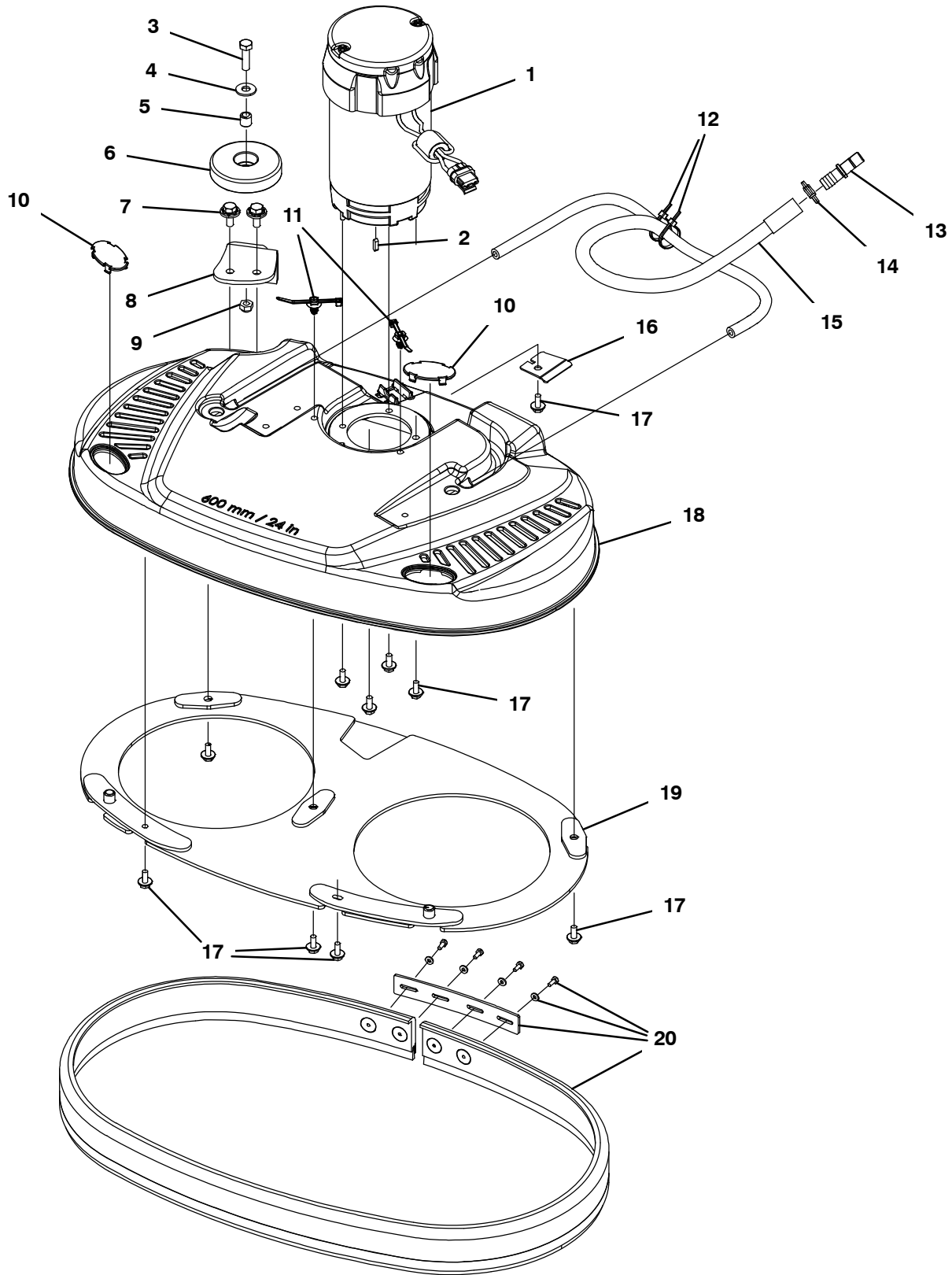
Ref.	Part No.	Serial Number	Description	Qty.
▽	1	1226976	(10834387-20000000) Motor, Ele, 24vdc 0215rpm 650w, 17mm	1
▲		1227273	(10834387-20000000) Vr, Brush Kit, Motor, Ele (4pc)	1
▲	2	1014328	(10000000-20000000) Key, Sq, 05mm X 05mm, 25mml	1
▽	1	1210703	(10000000-10834386) Motor, Ele, 24vdc 0200rpm 1.00hp, 17mm (Replaced By 9015159)	1
▲		222606	(10000000-10834386) Vr, Brush Kit, Motor, Ele [lp] (4Pc) (For Imperial Motor – Frame #P56SG681)	1
▲		1045790	(10000000-10834386) Brush Kit, Replmt,Carbon 24vdc[1pk=1set](4Pc) (For Sanrong Motor – Frame #56S)	1
▲	2	1014328	(10000000-20000000) Key, Sq, 05mm X 05mm, 25mml	1
	3	08713	(10000000-20000000) Nut, Hex, Lock, M8 X 1.25, NI, Ss	1
	4	01685	(10000000-20000000) Washer, Flat, 0.38b 0.88d .08, Ss	2
	5	222460	(10000000-20000000) Sleeve, P/M, 0.32b 0.50d 0.5l [430ss]	1
	6	1010560	(10000000-20000000) Wheel, Bmpr, 80d X 25w, Non-Marking	1
	7	1016005	(10000000-20000000) Screw, Hex, M6 X 1.00 X 25, NI, FI, Ss	4
	8	01684	(10000000-20000000) Washer, Flat, 0.27b 0.69d .05, Ss	4
	9	1074344	(10000000-20000000) Harness, Ele [Ring With .250m Tail]	1
	10	1210807	(10000000-20000000) Wire, Tie [W/.25" Fir Tree Clip]	1
	11	9014145	(10000000-20000000) Hose, Afmkt, Pe, .375id .50od, 05ft	1
	12	1208041	(10000000-20000000) Housing, Head, 50cm	1
	13	1055025	(10000000-20000000) Bumper, Head, 50cm, W/ Bristle Skirt, Im	1
	14	1016399	(10000000-20000000) Screw, Hex, M8 X 1.25 X 30, NI, Ss	1
	15	1211242	(10000000-20000000) Button, Plunger, Pad	1
	16	1212785	(10000000-20000000) Spring, Cmpr, .66od, .05wir, 1.75l, Ss	1
	17	1211256	(10000000-20000000) Pin, Stop, Long	1
	18	1020341	(10000000-20000000) Screw, Hex, M8 X 1.25 X 20, Ss, Sems	4
	19	1223980	(10499417-20000000) Plate Wldt, Head, Weighted	1
	19	1210590	(10000000-10499416) Plate Wldt, Head, Weighted (Replaced By Kit 9014801)	1
	20	1022549	(10000000-20000000) Spacer, Shaft, 17.15b 30.0d 3.0l, Ss	1
	21	1212312	(10000000-10846652) Hub, Drive, Magnetic [Machined] (Replaced By 9015184)	1
	22	1205043	(10000000-20000000) Ring, Hub, Magnetic	1
	23	1017218	(10000000-20000000) Washer, Flat, 0.32b 1.00d .12, Ss	1
	24	1020341	(10000000-20000000) Screw, Hex, M8 X 1.25 X 20, Ss, Sems	1
	25	630114	(10000000-10846652) Screw, Flt, Phl, M4 X 0.70 X 8, 4.8	3
▽		9015184	(10846653-20000000) Hub Kit, Drive, Magnetic [T300]	1
▲	26	1227654	(10846653-20000000) Hub, Drive, Magnetic [Machined]	1
▲	27	33932	(10846653-20000000) Nut, Hex, Lock, M4 X 0.70, NI, Ss	2
▲	28	1205043	(10000000-20000000) Ring, Hub, Magnetic	1
▲	29	1227670	(10846653-20000000) Screw, Flt, Soc, M4 X 0.70 X 14,18-8, Ss	3

▽ ASSEMBLY

▲ INCLUDED IN ASSEMBLY

SCRUB HEAD GROUP, 60CM DUAL DISK, 3-LUG HUB

355292



SCRUB HEAD GROUP, 60CM DUAL DISK, 3-LUG HUB

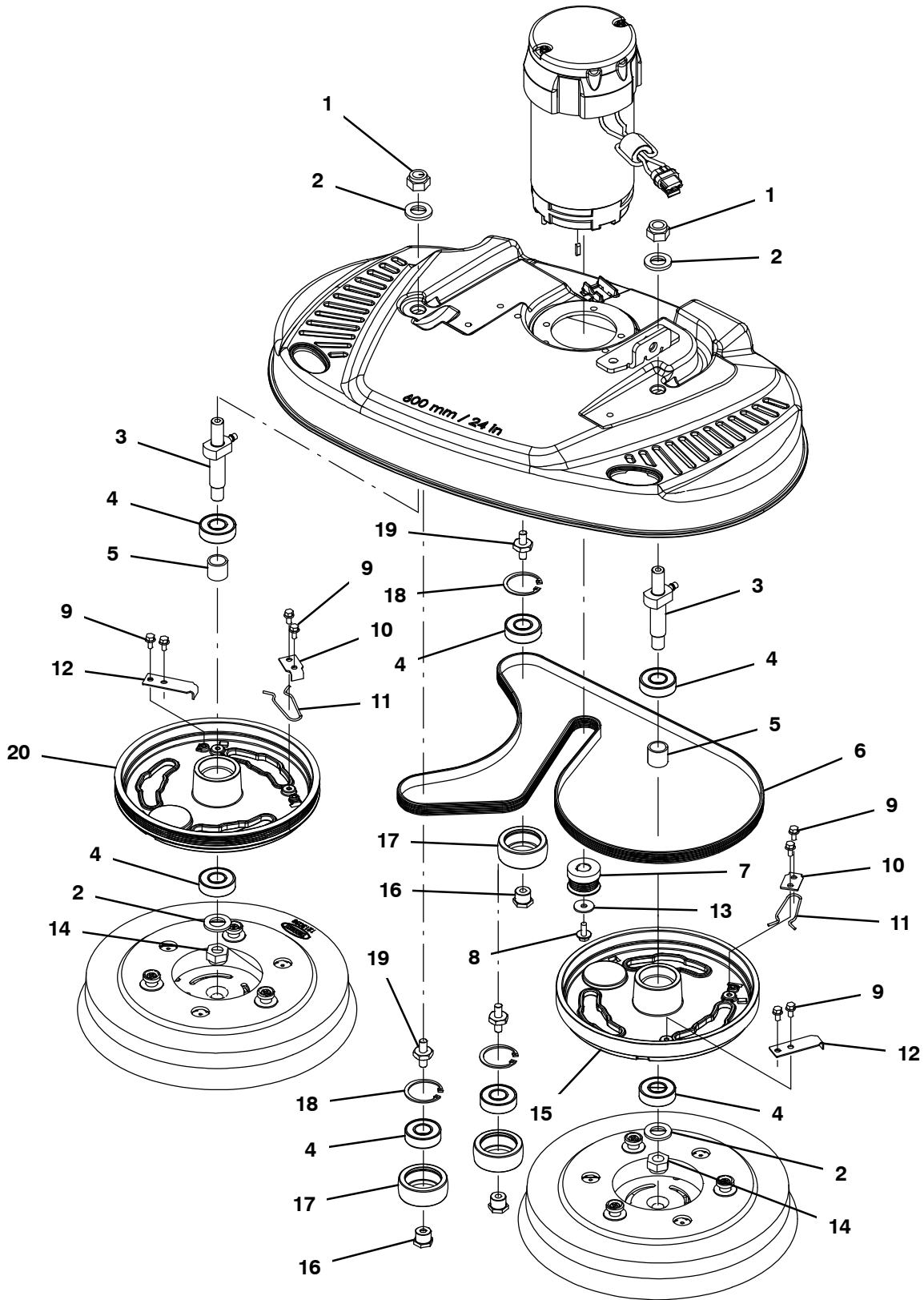
Ref.	Part No.	Serial Number	Description	Qty.
▽	1	1227280	(10835154-20000000) Motor, 24vdc, 2000rpm, 7/8hp	1
▲		1059370	(10000000-20000000) Brush, Motor, Replmt [Bag Of 4]	1
▲	2	1217769	(10000000-20000000) Key, Sq, 04mm X 04mm, 15mml	1
▽	1	1210212	(10000000-10835153) Motor, 24vdc, 2000rpm, 7/8hp, Us (Replaced By 9015160)	1
▲		1059370	(10000000-20000000) Brush, Motor, Replmt [Bag Of 4]	1
▲	2	1217769	(10000000-20000000) Key, Sq, 04mm X 04mm, 15mml	1
	3	09011	(10000000-20000000) Screw, Hex, M8 X 1.25 X 30, Ss	1
	4	01685	(10000000-20000000) Washer, Flat, 0.38b 0.88d .08, Ss	1
	5	222460	(10000000-20000000) Sleeve, P/M, 0.32b 0.50d 0.5l [430ss]	1
	6	1010560	(10000000-20000000) Wheel, Bmpr, 80d X 25w, Non-Marking	1
	7	1020341	(10000000-20000000) Screw, Hex, M8 X 1.25 X 20, Ss, Sems	2
	8	1211506	(10000000-20000000) Bracket, Rlr, Wall, Scb Head	1
	9	08713	(10000000-20000000) Nut, Hex, Lock, M8 X 1.25, NI, Ss	1
	10	1221972	(10000000-20000000) Plug, Hole, Oval, Head, Hsng, Abs [T300]	2
	11	1210807	(10000000-20000000) Wire, Tie [W/.25" Fir Tree Clip]	2
	12	130773	(10000000-20000000) Tie, Cable, Nyl, 11.0l, .14w, 3.0 Max. D	2
	13	1212807	(10000000-20000000) Fitting, Plstc, Str, Qm08/Bm08	1
	14	607776	(10000000-20000000) Clamp, Hose, Wir, .73 - .77, Silver	1
	15	1216084	(10000000-20000000) Manifold, Distribution, Water, 60dd [Vw]	1
	16	1217752	(10000000-20000000) Bracket, Belt Guide	1
	17	1034731	(10000000-20000000) Screw, Hex, M6 X 1.00 X 16, Sems, Ss	10
	18	1211027	(10000000-20000000) Housing, Head, 60cm [Machined]	1
	19	1216346	(10000000-20000000) Bracket Wldt, Guard, Splash, 60cm	1
	20	9011849	(10000000-20000000) Bumper, Head, 60cm, Bristle Skirt	1

▽ ASSEMBLY

▲ INCLUDED IN ASSEMBLY

SCRUB HEAD GROUP, 60CM DUAL DISK, 3-LUG HUB - CONT'D

355335

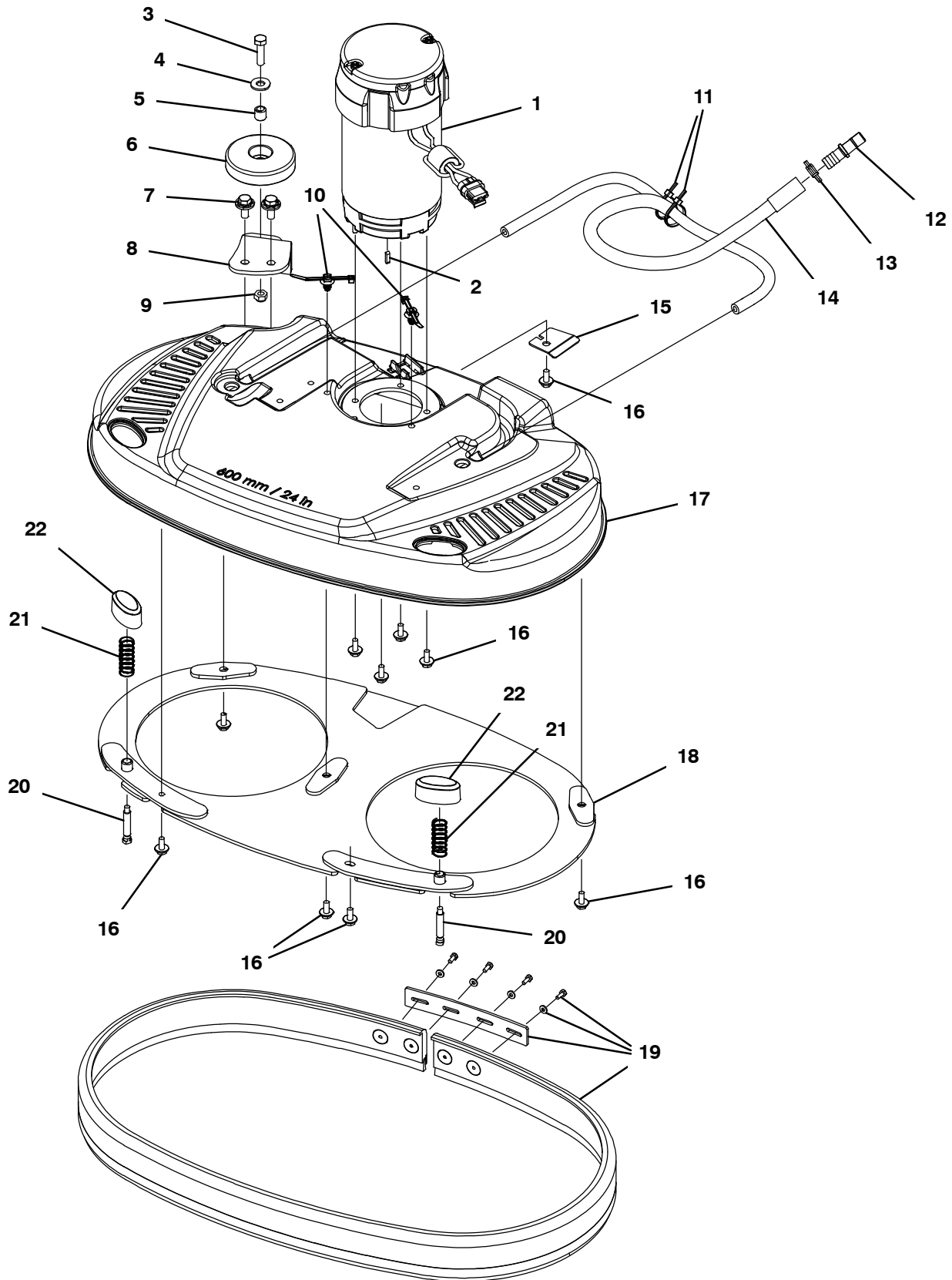


SCRUB HEAD GROUP, 60CM DUAL DISK, 3-LUG HUB – CONT'D

Ref.	Part No.	Serial Number	Description	Qty.
1	41517	(10000000–20000000)	Nut, Hex, Lock, M14 X 2.00, NI	2
2	1022549	(10000000–20000000)	Spacer, Shaft, 17.15b 30.0d 3.0l, Ss	4
3	1214206	(10000000–20000000)	Shaft Wldt, Mtg, Pulley	2
4	1211187	(10000000–20000000)	Bearing, Ball, 0.67b 1.57d 0.47w [6203]	7
5	1011041	(10000000–20000000)	Tube, 0.69id 0.87od 00.8l, Stl, PI	2
6	1055305	(10000000–20000000)	Belt, Drive, 6pj, Ej139 [T3]	1
7	1213927	(10000000–20000000)	Sheave, 06grv, 1.25pd 0.54b, Ss [Keyed]	1
8	1034731	(10000000–20000000)	Screw, Hex, M6 X 1.00 X 16, Sems, Ss	1
9	223198	(10000000–20000000)	Screw, Hex, M5 X 0.80 X 10, Fmg	8
10	1011201	(10000000–20000000)	Plate, Drive Hub, Release Clip [T3]	2
11	1013188	(10000000–20000000)	Clip, Spring, Drive Hub, Release [T3]	2
12	1013592	(10000000–20000000)	Plate, Drive Hub, Release Stop [T3 Dd]	2
13	019680127	(10000000–20000000)	Washer, Flat, 6.2mm Id X 22.0mm Od X 1.9	1
14	41517	(10000000–20000000)	Nut, Hex, Lock, M14 X 2.00, NI	2
15	1059205	(10000000–20000000)	Hub, Drive, 3lug, Alm, 2disk, Flt	1
16	1011008	(10000000–20000000)	Spacer, Brg, Idler	3
17	1058514	(10000000–20000000)	Pulley, Idler, 55d X 21w[60cm Dual Disk]	3
18	1013884	(10000000–20000000)	Ring, Retaining, Int, 40mm, Ss	3
19	1211624	(10000000–20000000)	Stud, M8 X 1.25, Dbl End W/Hex, Ss	3
20	1059206	(10000000–20000000)	Hub, Drive, 3lug, Alm, 2disk, 6grv	1

SCRUB HEAD GROUP, 60CM DUAL DISK, MAGNETIC HUB

355296



SCRUB HEAD GROUP, 60CM DUAL DISK, MAGNETIC HUB

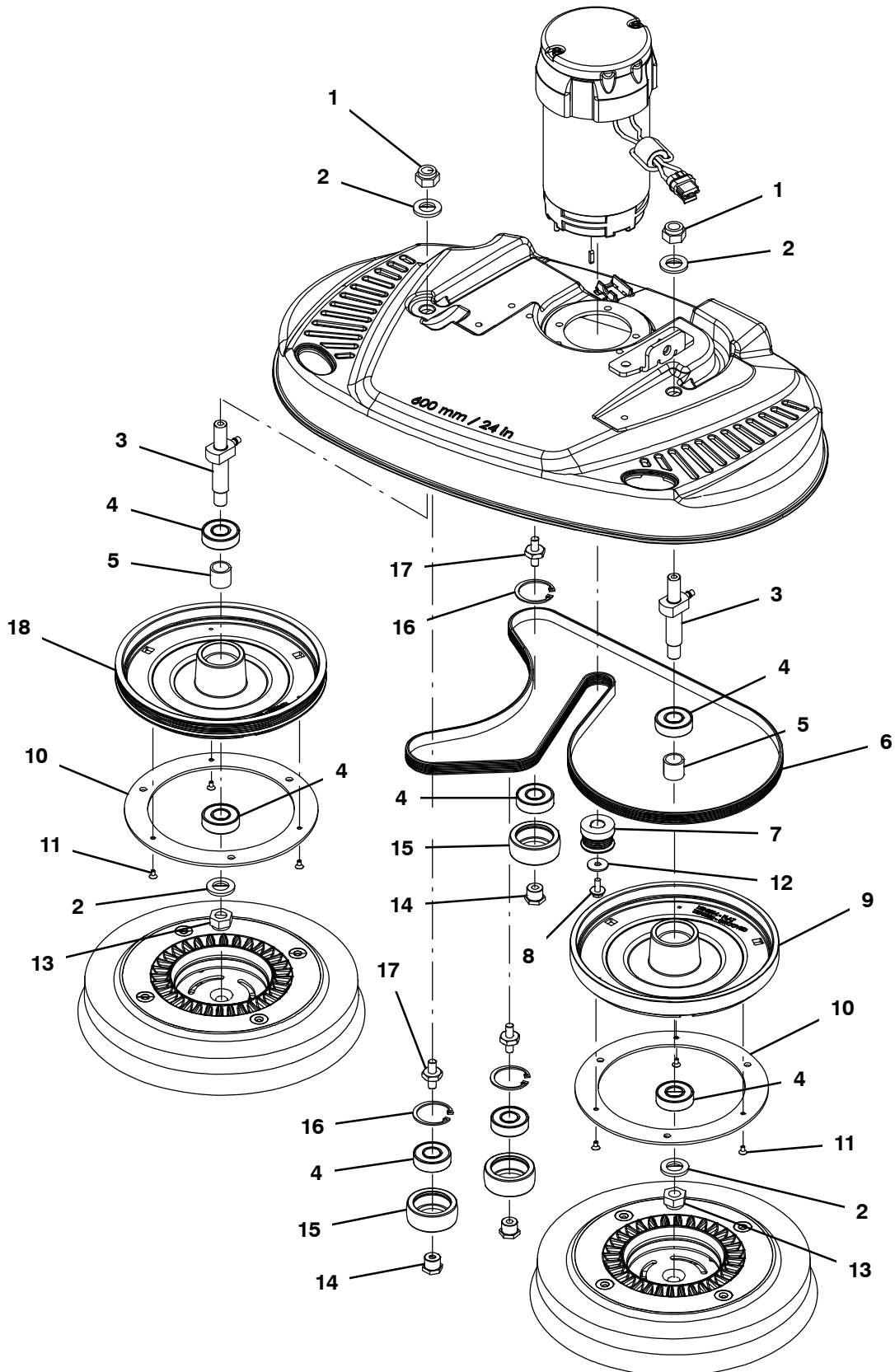
Ref.	Part No.	Serial Number	Description	Qty.
▽	1	1227280	(10835154-20000000) Motor, 24vdc, 2000rpm, 7/8hp	1
▲		1059370	(10000000-20000000) Brush, Motor, Replmt [Bag Of 4]	1
▲	2	1217769	(10000000-20000000) Key, Sq, 04mm X 04mm, 15mml	1
▽	1	1210212	(10000000-10835153) Motor, 24vdc, 2000rpm, 7/8hp, Us (Replaced By 9015160)	1
▲		1059370	(10000000-20000000) Brush, Motor, Replmt [Bag Of 4]	1
▲	2	1217769	(10000000-20000000) Key, Sq, 04mm X 04mm, 15mml	1
	3	09011	(10000000-20000000) Screw, Hex, M8 X 1.25 X 30, Ss	1
	4	01685	(10000000-20000000) Washer, Flat, 0.38b 0.88d .08, Ss	1
	5	222460	(10000000-20000000) Sleeve, P/M, 0.32b 0.50d 0.5l [430ss]	1
	6	1010560	(10000000-20000000) Wheel, Bmpr, 80d X 25w, Non-Marking	1
	7	1020341	(10000000-20000000) Screw, Hex, M8 X 1.25 X 20, Ss, Sems	2
	8	1211506	(10000000-20000000) Bracket, Rlr, Wall, Scb Head	1
	9	08713	(10000000-20000000) Nut, Hex, Lock, M8 X 1.25, NI, Ss	1
	10	1210807	(10000000-20000000) Wire, Tie [W/.25" Fir Tree Clip]	2
	11	130773	(10000000-20000000) Tie, Cable, Nyl, 11.0l, .14w, 3.0 Max. D	2
	12	1212807	(10000000-20000000) Fitting, Plstc, Str, Qm08/Bm08	1
	13	607776	(10000000-20000000) Clamp, Hose, Wir, .73 - .77, Silver	1
	14	1216084	(10000000-20000000) Manifold, Distribution, Water, 60dd [Vw]	1
	15	1217752	(10000000-20000000) Bracket, Belt Guide	1
	16	1034731	(10000000-20000000) Screw, Hex, M6 X 1.00 X 16, Sems, Ss	10
	17	1211027	(10000000-20000000) Housing, Head, 60cm [Machined]	1
	18	1216346	(10000000-20000000) Bracket Wldt, Guard, Splash, 60cm	1
	19	9011849	(10000000-20000000) Bumper, Head, 60cm, Bristle Skirt	1
	20	1211907	(10000000-20000000) Pin, Stop, Short	2
	21	1212785	(10000000-20000000) Spring, Cmpr, .66od, .05wir, 1.75l, Ss	2
	22	1211242	(10000000-20000000) Button, Plunger, Pad	2

▽ ASSEMBLY

▲ INCLUDED IN ASSEMBLY

SCRUB HEAD GROUP, 60CM DUAL DISK, MAGNETIC HUB – CONT'D

355336

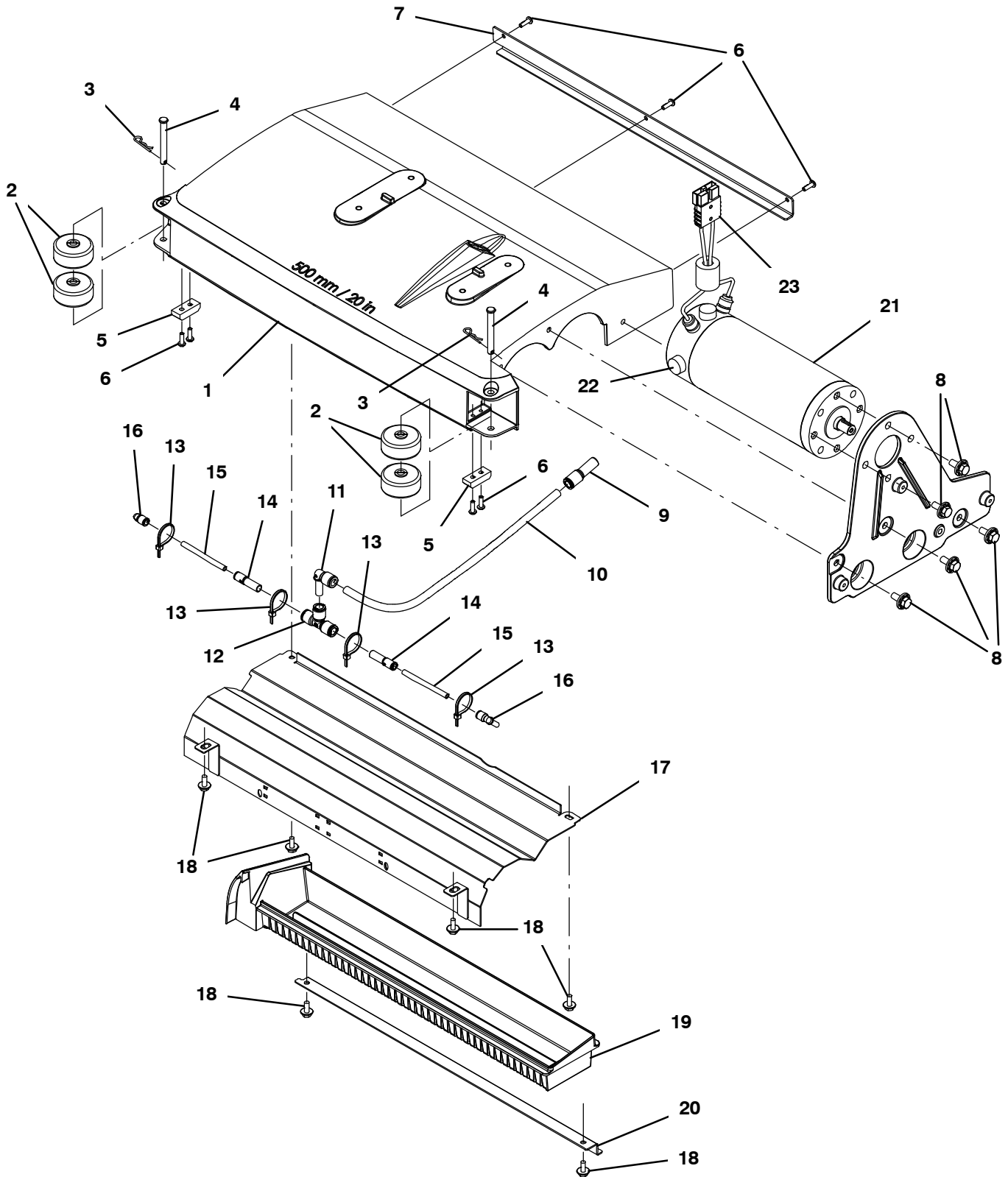


SCRUB HEAD GROUP, 60CM DUAL DISK, MAGNETIC HUB – CONT'D

Ref.	Part No.	Serial Number	Description	Qty.
1	41517	(10000000–20000000)	Nut, Hex, Lock, M14 X 2.00, NI	2
2	1022549	(10000000–20000000)	Spacer, Shaft, 17.15b 30.0d 3.0l, Ss	4
3	1214206	(10000000–20000000)	Shaft Wldt, Mtg, Pulley	2
4	1211187	(10000000–20000000)	Bearing, Ball, 0.67b 1.57d 0.47w [6203]	7
5	1011041	(10000000–20000000)	Tube, 0.69id 0.87od 00.8l, Stl, PI	2
6	1055305	(10000000–20000000)	Belt, Drive, 6pj, Ej139 [T3]	1
7	1213927	(10000000–20000000)	Sheave, 06grv, 1.25pd 0.54b, Ss [Keyed]	1
8	1034731	(10000000–20000000)	Screw, Hex, M6 X 1.00 X 16, Sems, Ss	1
9	1210504	(10000000–20000000)	Hub, Drive, Magnetic, Flat, 60cm Dd	1
10	1205043	(10000000–20000000)	Ring, Hub, Magnetic	2
11	630114	(10000000–20000000)	Screw, Flt, Phl, M4 X 0.70 X 8, 4.8	6
12	019680127	(10000000–20000000)	Washer, Flat, 6.2mm Id X 22.0mm Od X 1.9	1
12	41517	(10000000–20000000)	Nut, Hex, Lock, M14 X 2.00, NI	2
14	1011008	(10000000–20000000)	Spacer, Brg, Idler	3
15	1058514	(10000000–20000000)	Pulley, Idler, 55d X 21w[60cm Dual Disk]	3
16	1013884	(10000000–20000000)	Ring, Retaining, Int, 40mm, Ss	3
17	1211624	(10000000–20000000)	Stud, M8 X 1.25, Dbl End W/Hex, Ss	3
18	1210503	(10000000–20000000)	Hub, Drive, Magnetic, Grooved, 60cm Dd	1

SCRUB HEAD GROUP, 50CM CYLINDRICAL

355297



SCRUB HEAD GROUP, 50CM CYLINDRICAL

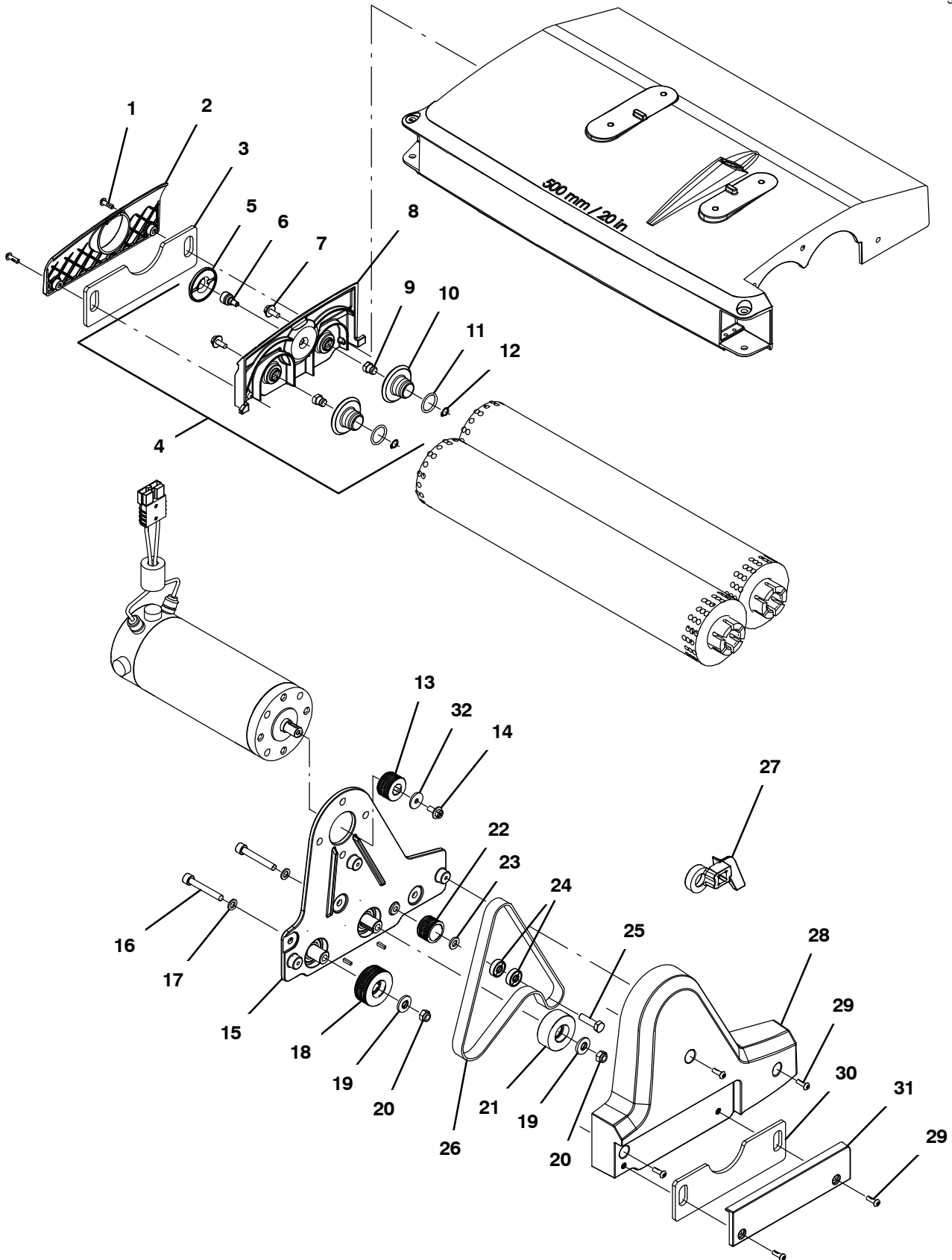
Ref.	Part No.	Serial Number	Description	Qty.	
1	1212265	(10000000-20000000)	Housing, Brush, Dbl 50cm [Machined]	1	
2	630477	(10000000-20000000)	Wheel, Pyu, 02.0d 0.38w, Gray	4	
3	1216647	(10000000-20000000)	Pin, Cotter, Hair, 0.38d .054 Wir	2	
4	391179	(10000000-20000000)	Pin, Clevis, 0.37d X 2.62l	2	
5	1215675	(10000000-20000000)	Skid, Brush Housing	2	
6	1205799	(10000000-20000000)	Screw, Btn, M5 X 0.8 X 16, 8.8, NI, Torx	7	
7	1213708	(10000000-20000000)	Bracket, Tray, Debris	1	
8	1020341	(10000000-20000000)	Screw, Hex, M8 X 1.25 X 20, Ss, Sems	7	
9	1215218	(10000000-20000000)	Fitting, Plstc, Str, Qf06/Qm08	1	
10	1014986	(10000000-20000000)	Hose, Afmkt, Pvc, Clr, 0.25id, 02ft	1	
11	1215186	(10000000-20000000)	Fitting, Plstc, E90, Qf06/Qm06	1	
12	1212573	(10000000-20000000)	Fitting, Plstc, Tee, Qf06/Qf06/Qf06	1	
13	130773	(10000000-20000000)	Tie, Cable, Nyl, 11.0l, .14w, 3.0 Max. D	4	
14	1212934	(10000000-20000000)	Fitting, Plstc, Str, Qf04/Qm06	2	
15	160827	(10000000-20000000)	Hose, Pvc, Clr, 0.12id 0.25od 010.5l	1	
16	1214339	(10000000-20000000)	Fitting, Plstc, E90, Qfo4/Qm04	2	
17	1219486	(10000000-20000000)	Panel Wldt, Brush	1	
18	1034731	(10000000-20000000)	Screw, Hex, M6 X 1.00 X 16, Sems, Ss	6	
19	1213706	(10000000-20000000)	Tray, Debris, 500mm [lm]	1	
20	1213707	(10000000-20000000)	Bracket, Tray, Debris	1	
▽	21	1210202	(10000000-20000000)	Motor, Ele, 24vdc [Vw Cyl]	1
▲		1217769	(10000000-20000000)	Key, Sq, 04mm X 04mm, 15mml	1
▲	22	1059370	(10000000-20000000)	Brush, Motor, Replmt [Bag Of 4)	1
▲	23	49548	(10000000-20000000)	Connector, Anderson, 050a, Red	1

▽ ASSEMBLY

▲ INCLUDED IN ASSEMBLY

SCRUB HEAD GROUP, 50CM CYLINDRICAL – CONT'D

355298



SCRUB HEAD GROUP, 50CM CYLINDRICAL – CONT'D

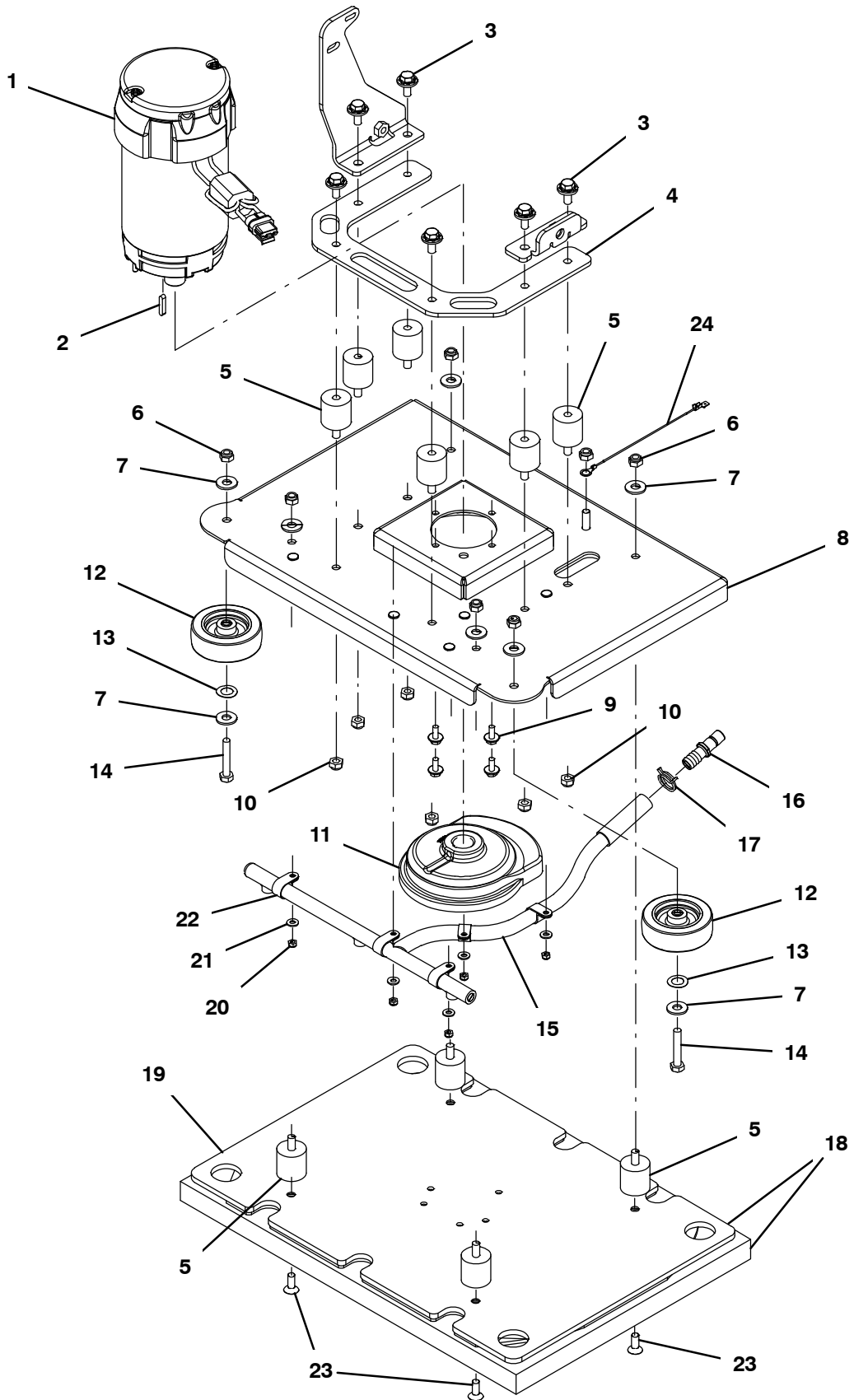
Ref.	Part No.	Serial Number	Description	Qty.
	1	1205799	(10000000–20000000) Screw, Btn, M5 X 0.8 X 16, 8.8, NI, Torx	2
	2	1216689	(10000000–20000000) Cover, Skirt, Cyl Door	1
	3	1215666	(10000000–20000000) Skirt, Side, Cyl, Floating	1
▽	4	9014168	(10000000–20000000) Door Assy, Brush	1
▲	5	1215581	(10000000–20000000) Cap, Screw	1
▲	6	1062149	(10000000–20000000) Knob, Rnd, 0.58d 0.50l, .25–20x.50l Stud	1
▲	7	1034731	(10000000–20000000) Screw, Hex, M6 X 1.00 X 16, Sems, Ss	2
▲	8	1212250	(10000000–20000000) Door, Brush [Machined]	1
▲	9	1030682	(10000000–20000000) Shaft, Idler Plug	2
▲	10	1030680	(10000000–20000000) Hub, Idler, Brush	2
▲	11	1220596	(10000000–20000000) Seal, Org, .139 X .859 Id, 212	2
▲	12	01543	(10000000–20000000) Ring, Retaining, Ext, 0.39d, Basic	2
	13	1210116	(10000000–20000000) Sheave, Motor, 07grv 1.3pd 0.50b [Pj]	1
	14	1034731	(10000000–20000000) Screw, Hex, M6 X 1.00 X 16, Sems, Ss	1
▽	15	9014167	(10000000–20000000) Brkt Assy, Motor, Sgl Mount (Also includes Hubs, Bearings and Seals Not Available Separately)	1
▲	16	1057476	(10000000–20000000) Screw, Soc, M8 X 1.25 X 55, Ss	2
▲	17	1057482	(10000000–20000000) Washer, Flat, 0.33b 0.57d 0.06, Ss	2
▲	18	1210204	(10000000–20000000) Sheave, Drive, Grvd 07grv, 2.0pd 0.67b [1
▲	19	41186	(10000000–20000000) Washer, Flat, Belleville, .31	2
▲	20	08713	(10000000–20000000) Nut, Hex, Lock, M8 X 1.25, NI, Ss	2
▲	21	1210232	(10000000–20000000) Sheave, Drive, Smooth 2.0pd 0.67b	1
▲	22	1210233	(10000000–20000000) Sheave, Idler, 07grv 1.2pd 0.87b [Pj]	1
▲	23	1216289	(10000000–20000000) Spacer, Pulley, 2cyl, Pm [Vw]	1
▲	24	1027651	(10000000–20000000) Bearing, Ball, 8mmb X 22mmd X 7mmw	2
▲	25	1016399	(10000000–20000000) Screw, Hex, M8 X 1.25 X 30, NI, Ss	1
▲▽	26	9014166	(10000000–20000000) Kit, Belt, Motor (Includes Installation Tool)	1
▲▲	27	1213132	(10000000–20000000) Tool, Installation, Belt	1
	28	1209594	(10000000–20000000) Cover, Belt	1
	29	1205799	(10000000–20000000) Screw, Btn, M5 X 0.8 X 16, 8.8, NI, Torx	5
	30	1215666	(10000000–20000000) Skirt, Side, Cyl, Floating	1
	31	1216728	(10000000–20000000) Cover, Skirt, Cyl Head	1
	32	019680127	(10000000–20000000) Washer, Flat, 6.2mm Id X 22.0mm Od X 1.9	1

▽ ASSEMBLY

▲ INCLUDED IN ASSEMBLY

SCRUB HEAD GROUP, 50CM ORBITAL

355293



SCRUB HEAD GROUP, 50CM ORBITAL

Ref.	Part No.	Serial Number	Description	Qty.
▽	1	1226909	(10827598-20000000) Motor, Ele, 24vdc, 2200rpm, .6hp, 22mm	1
▲		1059370	(10000000-20000000) Brush, Motor, Replmt [Bag Of 4]	1
▲	2	1014328	(10000000-20000000) Key, Sq, 05mm X 05mm, 25mml	1
▽	1	1212669	(10000000-10827597) Motor, Ele, 24vdc, 2200rpm, .6hp, 22mm (Replaced By 9015162)	1
▲		1059370	(10000000-20000000) Brush, Motor, Replmt [Bag Of 4]	1
▲	2	1014328	(10000000-20000000) Key, Sq, 05mm X 05mm, 25mml	1
	3	1020341	(10000000-20000000) Screw, Hex, M8 X 1.25 X 20, Ss, Sems	6
	4	1209745	(10000000-20000000) Plate, Mtg, Head [50cm Orb]	1
	5	1212543	(10000000-20000000) Isolator, Neoprene, 1.25" X 1.25", M8	10
	6	08713	(10000000-20000000) Nut, Hex, Lock, M8 X 1.25, NI, Ss	6
	7	01685	(10000000-20000000) Washer, Flat, 0.38b 0.88d .08, Ss	8
	8	1212527	(10000000-20000000) Deck Wldt, Scrbr [Volga Wet]	1
	9	1034731	(10000000-20000000) Screw, Hex, M6 X 1.00 X 16, Sems, Ss	4
	10	08713	(10000000-20000000) Nut, Hex, Lock, M8 X 1.25, NI, Ss	6
	11	9014175	(10000000-20000000) Kit, Eccentric Assy, [T300] (See Breakdowns)	1
	12	1014918	(10000000-20000000) Wheel, 03.0d 0.88w 0.31b, W/ Bshg, Rbr	2
	13	1210221	(10000000-20000000) Washer, Wave, .515b, .875d, .013, Ss	2
	14	222505	(10000000-20000000) Screw, Hex, M8 X 1.25 X 45, Ss	2
	15	1212468	(10000000-20000000) Manifold, Distribution, Water, Orb [Vw]	1
	16	1212807	(10000000-20000000) Fitting, Plstc, Str, Qm08/Bm08	1
	17	607776	(10000000-20000000) Clamp, Hose, Wir, .73 - .77, Silver	1
▽	18	9014189	(10000000-20000000) Kit, Afmkt, Pad Driver [T300]	1
▲	19	1212615	(10000000-20000000) Face, Pad Driver [Volga Wet]	1
	20	09739	(10000000-20000000) Nut, Hex, Lock, M5 X 0.80, NI, Ss	5
	21	01683	(10000000-20000000) Washer, Flat, 10, Ss	5
	22	140916	(10000000-20000000) Clamp, Cable, Nyl, 0.62d, Nat	5
	23	1218926	(10000000-20000000) Screw, Flt, Soc, M8 X 1.25 X 14, Ss	4
	24	1074344	(10000000-20000000) Harness, Ele [Ring With .250m Tail]	1

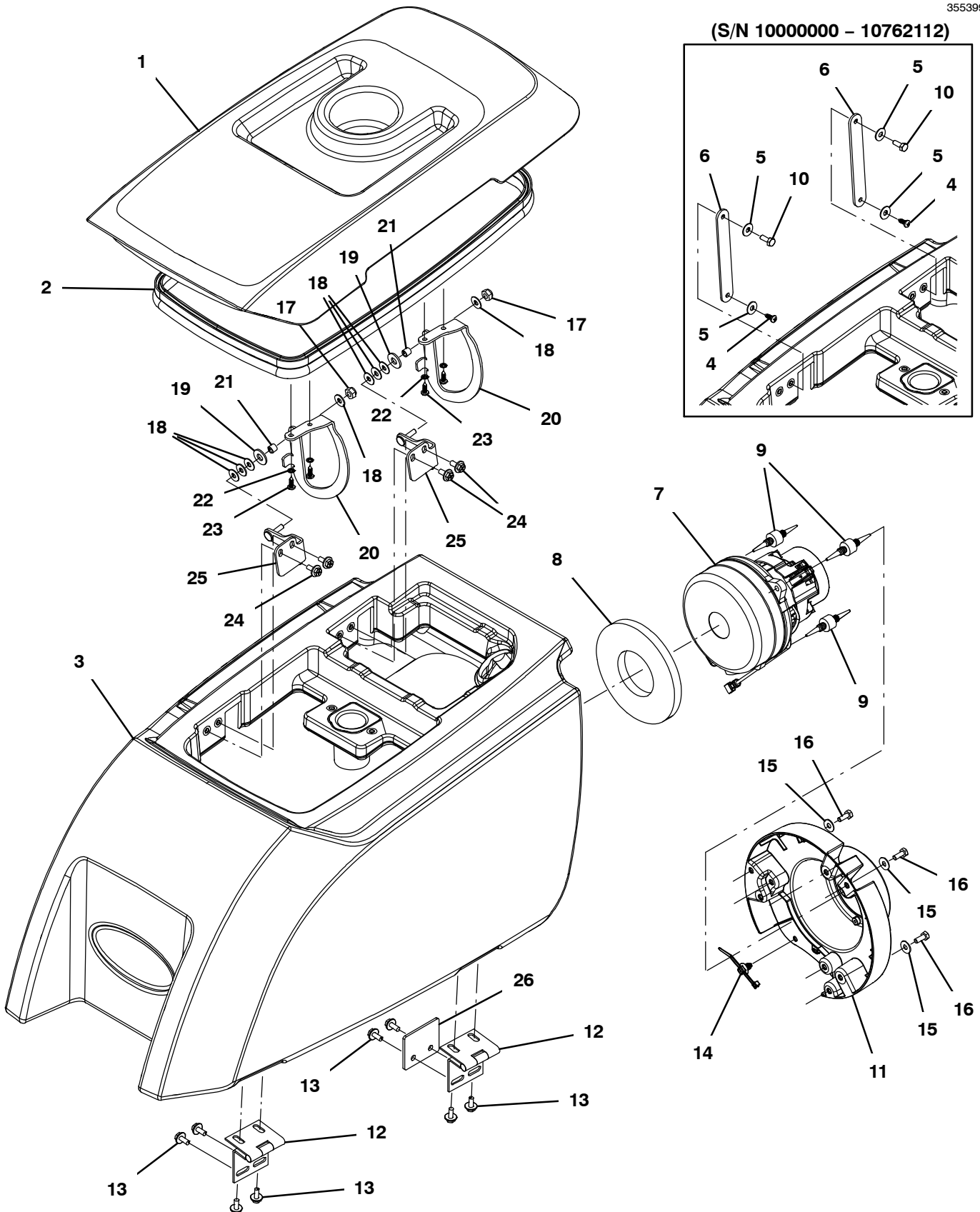
▽ ASSEMBLY

▲ INCLUDED IN ASSEMBLY

RECOVERY TANK GROUP, BASE MODEL

355399

(S/N 1000000 - 10762112)



RECOVERY TANK GROUP, BASE MODEL

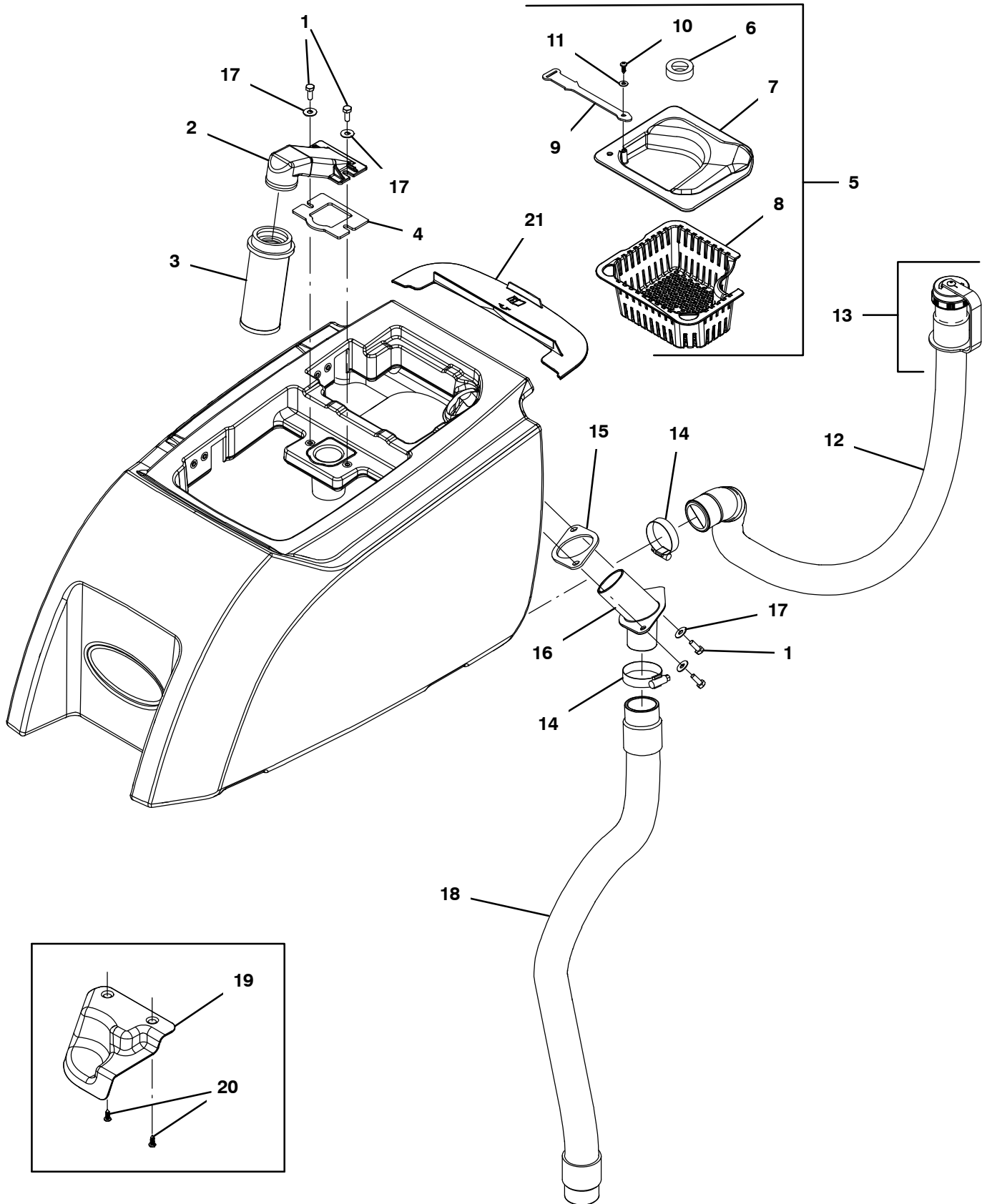
Ref.	Part No.	Serial Number	Description	Qty.
▽	1	9014682	(10000000-20000000) Kit, Cover, Recvy, Ci [Na]	1
▲	2	1210472	(10000000-20000000) Seal, Afmkt, Bulb, 0.50d .13grip, 05ft	1
	3	9014152	(10000000-20000000) Kit, Tank, Recvy, W/Labels [Ss300]	1
	4	1018155	(10000000-10762112) Screw, Pan, Phl, M5 X 0.80 X 16, Tcut,Ss	2
	5	01684	(10000000-10762112) Washer, Flat, 0.27b 0.69d .05, Ss	4
	6	1212553	(10000000-10762112) Strap, Retaining, Cover, 125.0l	2
▽	7	1219312	(10000000-20000000) Fan, Vacuum, 5.7d, 024vdc, 2 Stage	1
▲		372883	(10000000-20000000) Vr, Brush Kit, Motor, Ele (1 Pkg = 2 Pcs)	1
	8	100038	(10000000-20000000) Gasket, .50, 02.63id 05.75od, Adh [Epdm]	1
	9	1062016	(10000000-20000000) Isolator, Vib, .75d	3
	10	11329	(10000000-10762112) Screw, Hex, M6 X 1.00 X 16, NI, Ss	2
	11	1207368	(10000000-20000000) Mount, Vacfan, 5.7/6.6	1
	12	1209466	(10000000-20000000) Hinge, 6mm Pin 2.5 73.5mmw 60.0mml, Bent	2
	13	1034731	(10000000-20000000) Screw, Hex, M6 X 1.00 X 16, Sems, Ss	8
	14	1210807	(10000000-20000000) Wire, Tie [W/.25" Fir Tree Clip]	1
	15	01684	(10000000-20000000) Washer, Flat, 0.27b 0.69d .05, Ss	3
	16	11329	(10000000-20000000) Screw, Hex, M6 X 1.00 X 16, NI, Ss	3
▽		9014279	(10762113-20000000) Hinge, Kit, Lid, Ci, [T300]	1
▲	17	08712	(10762113-20000000) Nut, Hex, Lock, M6 X 1.00, NI, Ss	2
▲	18	01684	(10762113-20000000) Washer, Flat, 0.27b 0.69d .05, Ss	8
▲	19	1231213	(10762113-20000000) Washer, Flat, 0.39b 1.00d .02, Ss	2
▲	20	1219440	(10762113-20000000) Hinge, Goose Neck	2
▲	21	80491	(10762113-20000000) Sleeve, P/M, 0.25b 0.38d 0.2l [430ss]	2
▲	22	07514	(10762113-20000000) Washer, Lock, Int, 10, Ss	4
▲	23	1018155	(10762113-20000000) Screw, Pan, Phl, M5 X 0.80 X 16, Tcut,Ss	4
▲	24	1034731	(10762113-20000000) Screw, Hex, M6 X 1.00 X 16, Sems, Ss	4
▲	25	1219473	(10762113-20000000) Hinge, Mount, Wldt	2
	26	1220553	(10000000-20000000) Plate, Hinge, Doubler	1

▽ ASSEMBLY

▲ INCLUDED IN ASSEMBLY

RECOVERY TANK FILTER AND HOSE GROUP, SCREW CAP

355303



RECOVERY TANK FILTER AND HOSE GROUP, SCREW CAP

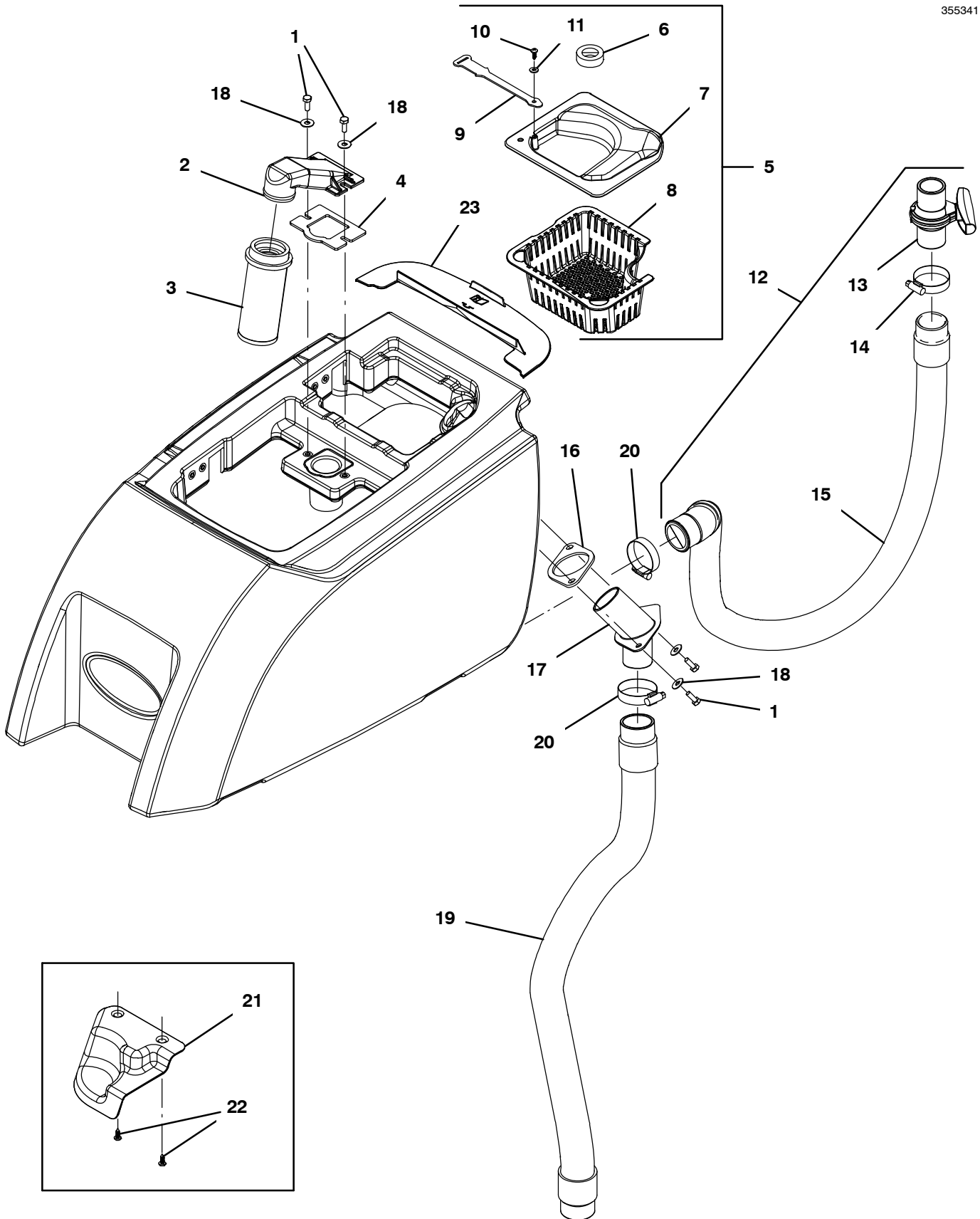
Ref.	Part No.	Serial Number	Description	Qty.	
1	11329	(10000000-20000000)	Screw, Hex, M6 X 1.00 X 16, NI, Ss	4	
2	1011777	(10000000-20000000)	Mount, Float, Mold	1	
3	630052	(10000000-20000000)	Float, Shut-Off, (2)Ball, 1.75d	1	
4	1013628	(10000000-20000000)	Gasket, Mtg, Float, .125th, Neo, Adh	1	
▽	5	9014872	(10785189-20000000)	Kit, Deflector, Tray, Debris, Ci, [T300]	1
▲	6	1225187	(10785189-20000000)	Seal, Rbr, Clsd, 12.7 Th , 24.0ld, 40.0Od	1
▲	7	1224899	(10785189-20000000)	Deflector, Tray, Debris	1
▲	8	1207357	(10000000-20000000)	Tray, Debris, Tank, Recvy [T300]	1
▲	9	1225172	(10785189-20000000)	Strap, Retaining, Deflector, 150.0L	1
▲	10	1018155	(10785189-20000000)	Screw, Pan, Phl, M5 X 0.80 X 16, Tcut,Ss	1
▲	11	01683	(10785189-20000000)	Washer, Flat, 10, Ss	1
▽	12	1213008	(10000000-20000000)	Hose Assy, Drain, 1.5d 025l 1.5/Cap [Pu] (Gray)	1
▲	13	1219134	(10000000-20000000)	Cap, Drain Assy [Gray]	1
▽	12	1213010	(10000000-20000000)	Hose Assy, Drain, 1.5d 017l 1.5/Cap[Pvc] (Black)	1
▲	13	1218955	(10000000-20000000)	Cap, Drain Assy [Black]	1
14	11531	(10000000-20000000)	Clamp, Hose, Wormdrive, 1.06-2.00d, .56w	2	
15	1037106	(10000000-20000000)	Gasket, Adapter, Hose .13, Neo	1	
16	1207196	(10000000-20000000)	Tube, Hose, Adapter, 1.5d [T300]	1	
17	01684	(10000000-20000000)	Washer, Flat, 0.27b 0.69d .05, Ss	4	
18	1204663	(10000000-20000000)	Hose Assy, W/2cuff,1.5d 031l 1.5/1.5[Pu]	1	
18	1211220	(10000000-20000000)	Hose Assy,W/2cuff,1.5d 022l 1.5/1.5[Pvc] (Black)	1	
19	1210214	(10000000-10785188)	Deflector, Water, Recvy (Replaced By 9014872)	1	
20	1018155	(10000000-10785188)	Screw, Pan, Phl, M5 X 0.80 X 16, Tcut,Ss	2	
21	9014905	(10786729-20000000)	Cover Kit, Circuitbreaker, Ci[T300/E/Ss]	1	

▽ ASSEMBLY

▲ INCLUDED IN ASSEMBLY

RECOVERY TANK FILTER AND HOSE GROUP, CONTROL VALVE

355341



RECOVERY TANK FILTER AND HOSE GROUP, CONTROL VALVE

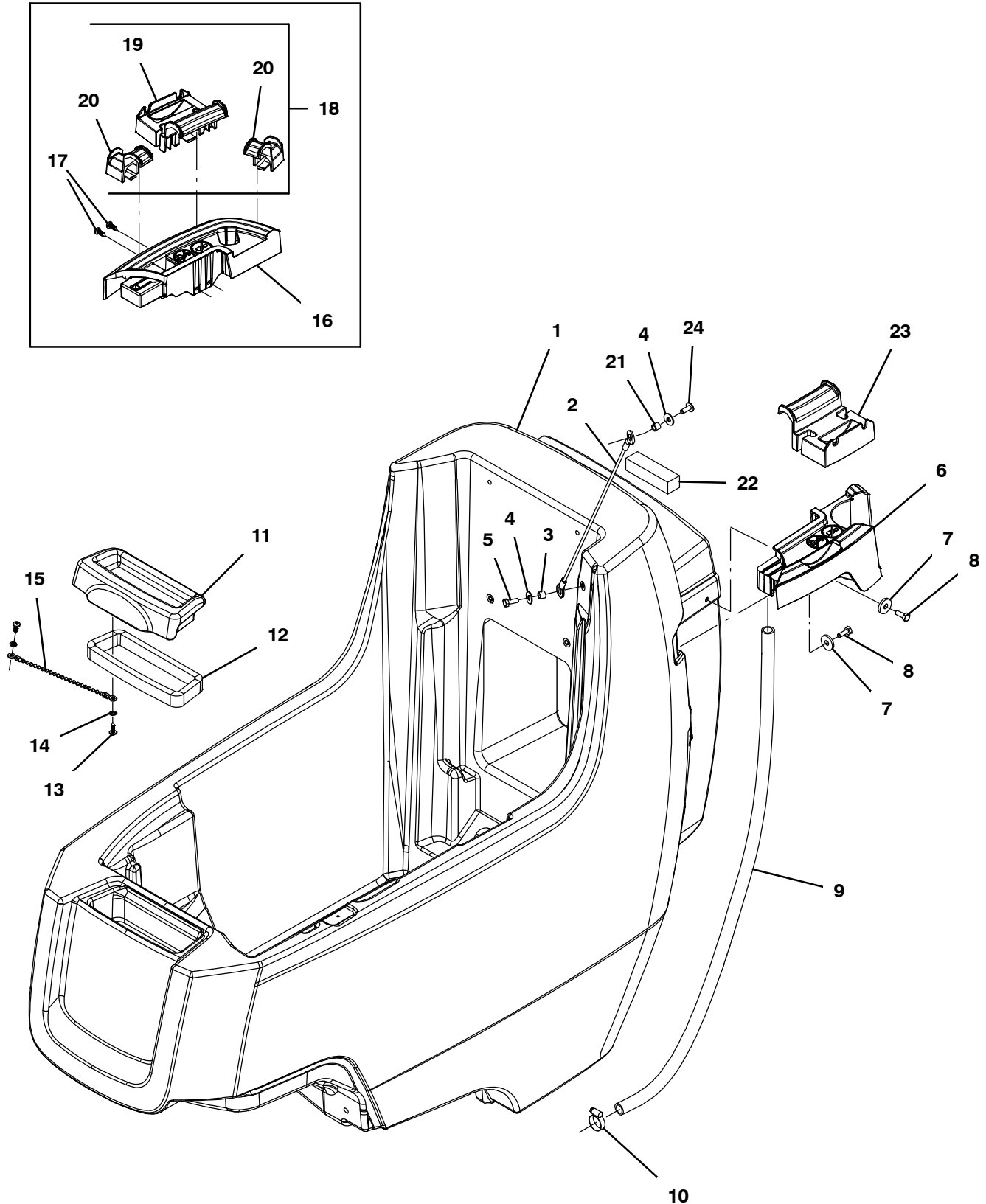
Ref.	Part No.	Serial Number	Description	Qty.	
1	11329	(10000000-20000000)	Screw, Hex, M6 X 1.00 X 16, NI, Ss	4	
2	1011777	(10000000-20000000)	Mount, Float, Mold	1	
3	630052	(10000000-20000000)	Float, Shut-Off, (2)Ball, 1.75d	1	
4	1013628	(10000000-20000000)	Gasket, Mtg, Float, .125th, Neo, Adh	1	
▽	5	9014872	(10785189-20000000)	Kit, Deflector, Tray, Debris, Ci, [T300]	1
▲	6	1225187	(10785189-20000000)	Seal, Rbr, Clsd, 12.7 Th , 24.0Id, 40.0Od	1
▲	7	1224899	(10785189-20000000)	Deflector, Tray, Debris	1
▲	8	1207357	(10000000-20000000)	Tray, Debris, Tank, Recvy [T300]	1
▲	9	1225172	(10785189-20000000)	Strap, Retaining, Deflector, 150.0L	1
▲	10	1018155	(10785189-20000000)	Screw, Pan, Phl, M5 X 0.80 X 16, Tcut,Ss	1
▲	11	01683	(10785189-20000000)	Washer, Flat, 10, Ss	1
▽	12	9014171	(10000000-20000000)	Hose Assy, With Valve	1
▲	13	1051986	(10000000-20000000)	Valve, Ball, 2way, 1.0Id Pvc, W/Handle	1
▲	14	11531	(10000000-20000000)	Clamp, Hose, Wormdrive, 1.06-2.00d, .56w	1
▲	15	1222591	(10000000-20000000)	Hose Assy, 45cuff,1.5d 021l 1.5/1.5[Pu]	1
16	1037106	(10000000-20000000)	Gasket, Adapter, Hose .13, Neo	1	
17	1207196	(10000000-20000000)	Tube, Hose, Adapter, 1.5d [T300]	1	
18	01684	(10000000-20000000)	Washer, Flat, 0.27b 0.69d .05, Ss	4	
19	1204663	(10000000-20000000)	Hose Assy, W/2cuff,1.5d 031l 1.5/1.5[Pu]	1	
20	11531	(10000000-20000000)	Clamp, Hose, Wormdrive, 1.06-2.00d, .56w	2	
21	1210214	(10000000-10785188)	Deflector, Water, Recvy	1	
22	1018155	(10000000-10785188)	Screw, Pan, Phl, M5 X 0.80 X 16, Tcut,Ss	2	
23	9014905	(10786729-20000000)	Cover Kit, Circuitbreaker, Ci[T300/E/Ss]	1	

▽ ASSEMBLY

▲ INCLUDED IN ASSEMBLY

SOLUTION TANK GROUP

355304



SOLUTION TANK GROUP

Ref.	Part No.	Serial Number	Description	Qty.
1	9014157	(10000000-20000000)	Kit, Tank, Soltn, [Ss300]	1
2	391368	(10000000-20000000)	Cable, Glv .09d 016.5l .38eye /.38eye	1
3	140154	(10000000-20000000)	Sleeve, P/M, 0.25b 0.38d 0.3l, PI	1
4	01684	(10000000-20000000)	Washer, Flat, 0.27b 0.69d .05, Ss	2
5	11329	(10000000-20000000)	Screw, Hex, M6 X 1.00 X 16, NI, Ss	1
6	1214264	(10000000-20000000)	Tray, Accssry, Lh, 16mm Screw	1
7	140053	(10000000-20000000)	Washer, Flat, 0.28b 0.88d .12, Ss	2
8	11329	(10000000-20000000)	Screw, Hex, M6 X 1.00 X 16, NI, Ss	2
9	20778	(10000000-20000000)	Hose, Pvc, Clr, 0.50id 0.69od 030.0l	1
10	54333	(10000000-20000000)	Clamp, Hose, Wormdrive, 0.31-0.88d, .31w	1
11	9014158	(10000000-20000000)	Kit, Cvr, Fill, W/ Ech20, Ci [Na/Jp]	1
11	9014410	(10000000-20000000)	Kit, Cvr, Fill, Ci [Na/Jp]	1
12	1046428	(10000000-20000000)	Seal, Afmkt, Rbr, Clsd, Adh, 02ft	1
13	1018155	(10000000-20000000)	Screw, Pan, Phl, M5 X 0.80 X 16, Tcut,Ss	2
14	07514	(10000000-20000000)	Washer, Lock, Int, 10, Ss	2
15	621443	(10000000-20000000)	Chain, Ball, 10, 0157mml, Ss	1
16	1214249	(10000000-10809548)	Tray, Accssry, Rh, 16mm Screw	1
17	1018155	(10000000-10809548)	Screw, Pan, Phl, M5 X 0.80 X 16, Tcut,Ss	2
▽	18	9013845	Clip Kit, Rail, [T300/T300e/Ss300] (Option - No Longer Available)	1
▲	19	1214292	Bracket, Hanger, Rail, Lrg (Option)	1
▲	20	1214291	Bracket, Hanger, Rail, Small (Option - No Longer Available)	2
	21	80491	Sleeve, P/M, 0.25b 0.38d 0.2l [430ss]	1
	22	1229734	Seal, Neo, 0.88, 1.00w 3.6l Adh	1
	23	1214292	Bracket, Hanger, Rail, Lrg (Option)	1
	24	1202143	Screw, Trs, M6 X 1.00 X 16, Phl, NI, Blk	1

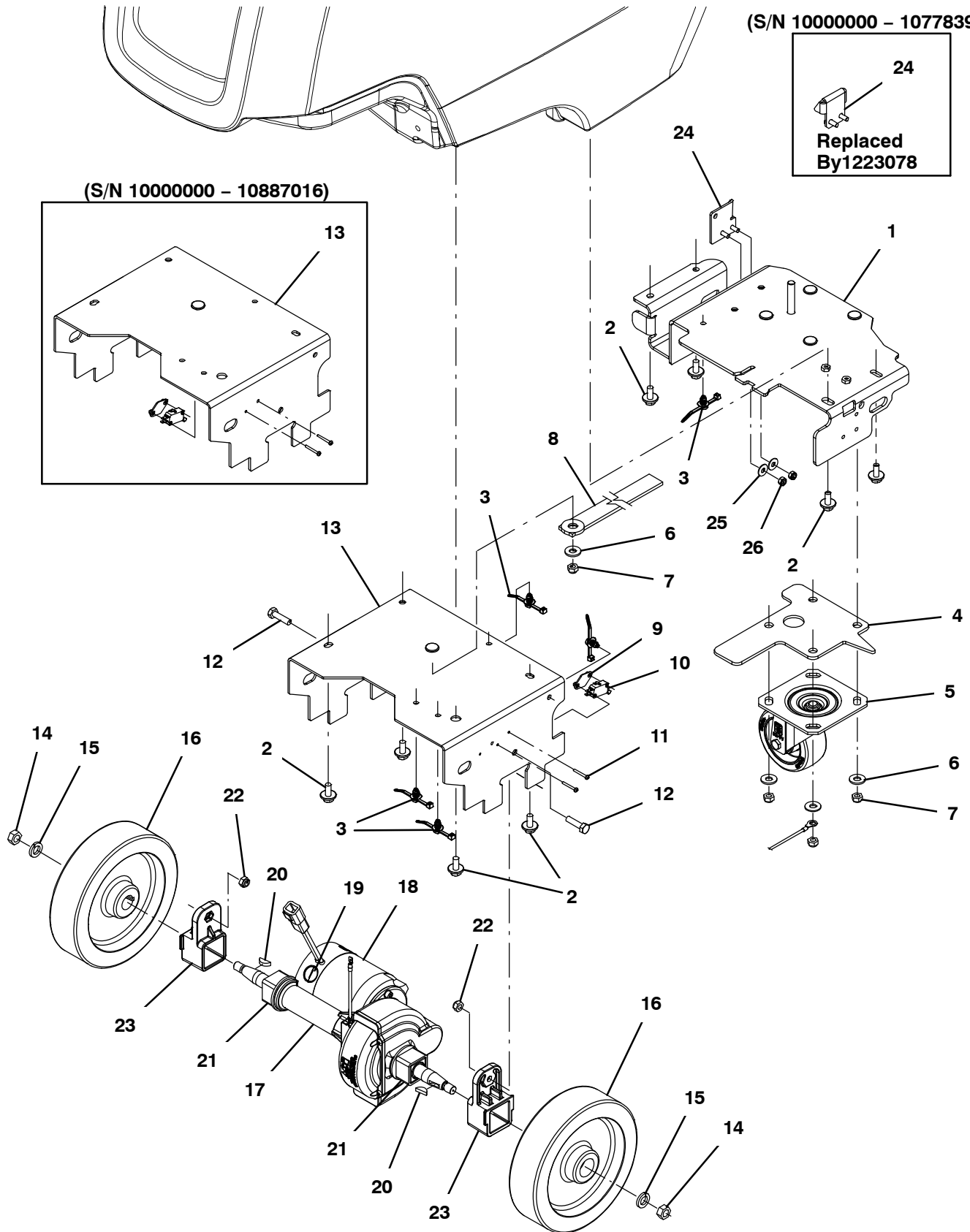
▽ ASSEMBLY

▲ INCLUDED IN ASSEMBLY

FRAME GROUP, PROPEL MODEL

355318

(S/N 1000000 - 10778393)



FRAME GROUP, PROPEL MODEL

Ref.	Part No.	Serial Number	Description	Qty.	
1	1208498	(10000000-20000000)	Frame Wldt, Rear	1	
2	1020341	(10000000-20000000)	Screw, Hex, M8 X 1.25 X 20, Ss, Sems	8	
3	1210807	(10000000-20000000)	Wire, Tie [W/.25" Fir Tree Clip]	5	
4	1215093	(10000000-20000000)	Spacer, Caster	1	
5	1212422	(10000000-20000000)	Caster, Swivel [Wicke 224051]	1	
6	01685	(10000000-20000000)	Washer, Flat, 0.38b 0.88d .08, Ss	5	
7	08713	(10000000-20000000)	Nut, Hex, Lock, M8 X 1.25, NI, Ss	5	
8	71579	(10000000-20000000)	Strap, Static, W/Grommet, .19 1.1w 25.0l	1	
9	1013705	(10000000-20000000)	Plate, Thread, Switch, M3 Nut, 96hr PI	1	
10	1215716	(10000000-20000000)	Switch, 0.1a, Spdt[Micro, Gold Contacts]	1	
11	33933	(10000000-20000000)	Screw, Pan, Phl, M3 X 0.50 X 25, Ss	2	
12	09011	(10000000-20000000)	Screw, Hex, M8 X 1.25 X 30, Ss	2	
13	1234032	(10887017-20000000)	Frame Wldt, Front	1	
13	1211968	(10000000-10887016)	Frame Wldt, Front	1	
14	09741	(10000000-20000000)	Nut, Hex, Lock, M12 X 1.75, NI, Ss	2	
15	140058	(10000000-20000000)	Washer, Flat, 0.54b 0.88d .06, Ss [Wand]	2	
16	1223582	(10000000-20000000)	Wheel, Scrbr, 8.00d, W/ Taper	2	
▽	17	1209779	(10000000-20000000)	Transaxle, Ele, 24vdc, 112rpm [Asi]	1
▲		1017782	(10000000-20000000)	Coupling Kit, Transaxle, Replmt [11057]	1
▲▽	18	1216386	(10000000-20000000)	Motor, Transaxle, 24vdc, Replmt [UI, Ce]	1
▲▲	19	1212351	(10000000-20000000)	Brush Kit, Carbon, Transaxle, UI (1 Kit = 4 Pcs)	1
▲	20	1021167	(10000000-20000000)	Key, Woodruff, 5mm	2
▲	21	612880	(10000000-20000000)	Joint, Transaxle, Replmt	2
	22	08713	(10000000-20000000)	Nut, Hex, Lock, M8 X 1.25, NI, Ss	2
	23	1028292	(10000000-20000000)	Adapter, Mtg, Axle, Alm [T3]	2
	24	1223078	(10778394-20000000)	Bracket Wldt, Latch	1
	24	1013946	(10000000-10778393)	Bracket, Locking, Pedal, Foot (Replaced By 9014788)	1
	25	01684	(10000000-20000000)	Washer, Flat, 0.27b 0.69d .05, Ss	2
	26	08712	(10000000-20000000)	Nut, Hex, Lock, M6 X 1.00, NI, Ss	2

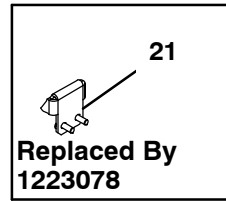
▽ ASSEMBLY

▲ INCLUDED IN ASSEMBLY

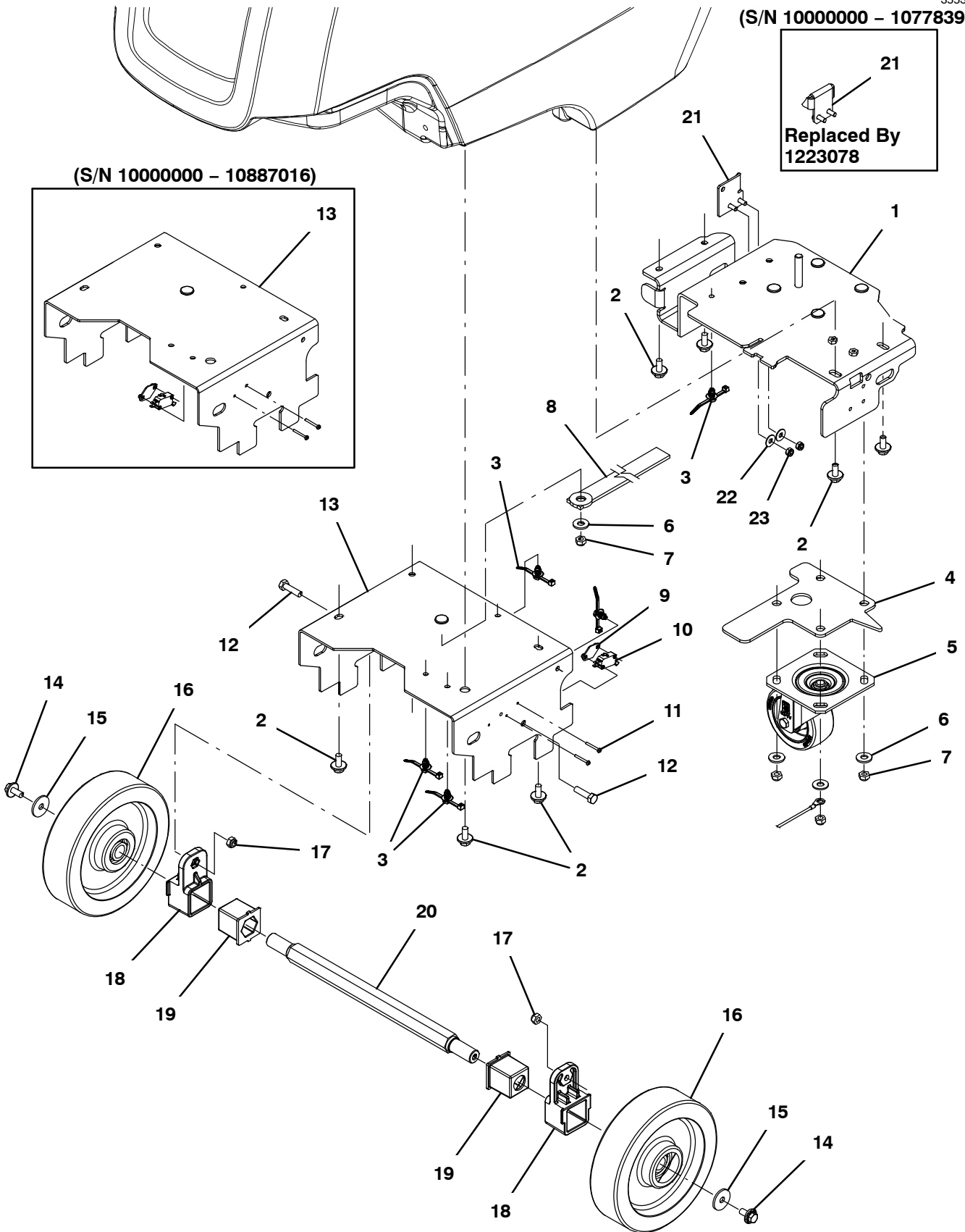
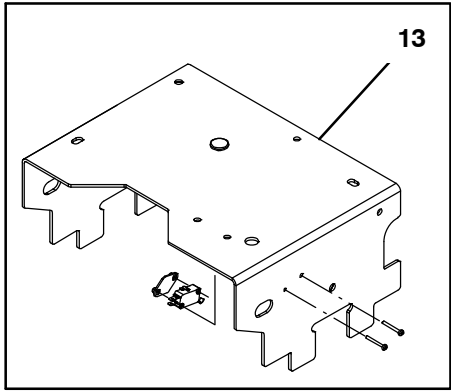
FRAME GROUP, PUSH MODEL

355319

(S/N 1000000 - 10778393)



(S/N 1000000 - 10887016)

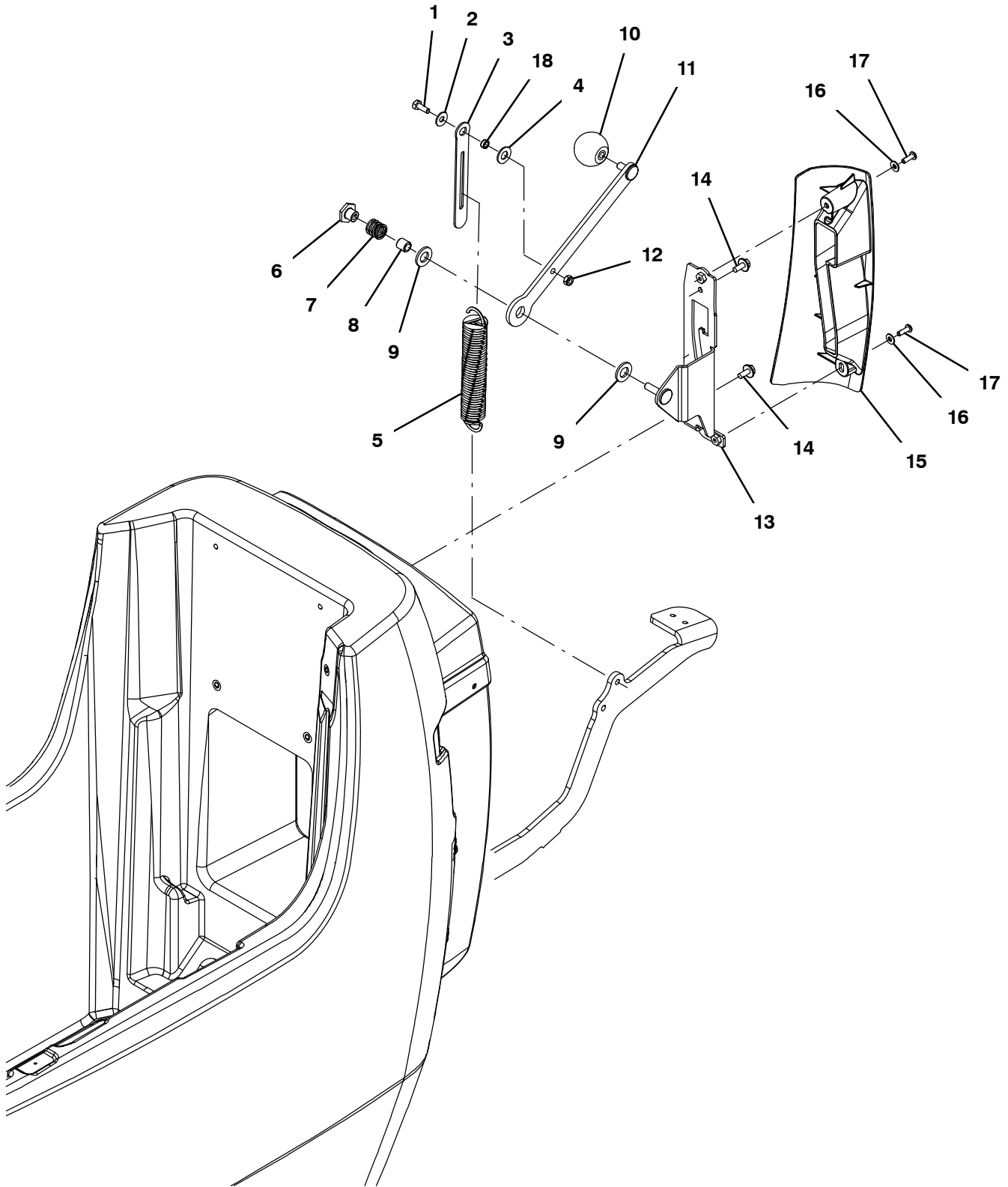


FRAME GROUP, PUSH MODEL

Ref.	Part No.	Serial Number	Description	Qty.
1	1208498	(10000000-20000000)	Frame Wldt, Rear	1
2	1020341	(10000000-20000000)	Screw, Hex, M8 X 1.25 X 20, Ss, Sems	8
3	1210807	(10000000-20000000)	Wire, Tie [W/.25" Fir Tree Clip]	5
4	1215093	(10000000-20000000)	Spacer, Caster	1
5	1212422	(10000000-20000000)	Caster, Swivel [Wicke 224051]	1
6	01685	(10000000-20000000)	Washer, Flat, 0.38b 0.88d .08, Ss	5
7	08713	(10000000-20000000)	Nut, Hex, Lock, M8 X 1.25, NI, Ss	5
8	71579	(10000000-20000000)	Strap, Static, W/Grommet, .19 1.1w 25.0l	1
9	1013705	(10000000-20000000)	Plate, Thread, Switch, M3 Nut, 96hr PI	1
10	1215716	(10000000-20000000)	Switch, 0.1a, Spdt[Micro, Gold Contacts]	1
11	33933	(10000000-20000000)	Screw, Pan, Phl, M3 X 0.50 X 25, Ss	2
12	09011	(10000000-20000000)	Screw, Hex, M8 X 1.25 X 30, Ss	2
13	1234032	(10887017-20000000)	Frame Wldt, Front	1
13	1211968	(10000000-10887016)	Frame Wldt, Front	1
14	1020341	(10000000-20000000)	Screw, Hex, M8 X 1.25 X 20, Ss, Sems	2
15	1016331	(10000000-20000000)	Washer, Flat, 0.34b 1.25d .11, Ss	2
16	1223724	(10000000-20000000)	Wheel, Scrbr, 8.00d, W/ Brg	2
17	08713	(10000000-20000000)	Nut, Hex, Lock, M8 X 1.25, NI, Ss	2
18	1028292	(10000000-20000000)	Adapter, Mtg, Axle, Alm [T3]	2
19	1028381	(10000000-20000000)	Grommet, Axle [Tpu, T3 Push]	2
20	1028382	(10000000-20000000)	Axle, Wheel, Hex, Clr Zn [T3 Push]	1
21	1223078	(10778394-20000000)	Bracket Wldt, Latch	1
21	1013946	(10000000-10778393)	Bracket, Locking, Pedal, Foot (Replaced By 9014788)	1
22	01684	(10000000-20000000)	Washer, Flat, 0.27b 0.69d .05, Ss	2
23	08712	(10000000-20000000)	Nut, Hex, Lock, M6 X 1.00, NI, Ss	2

MANUAL DOWN PRESSURE GROUP

355283

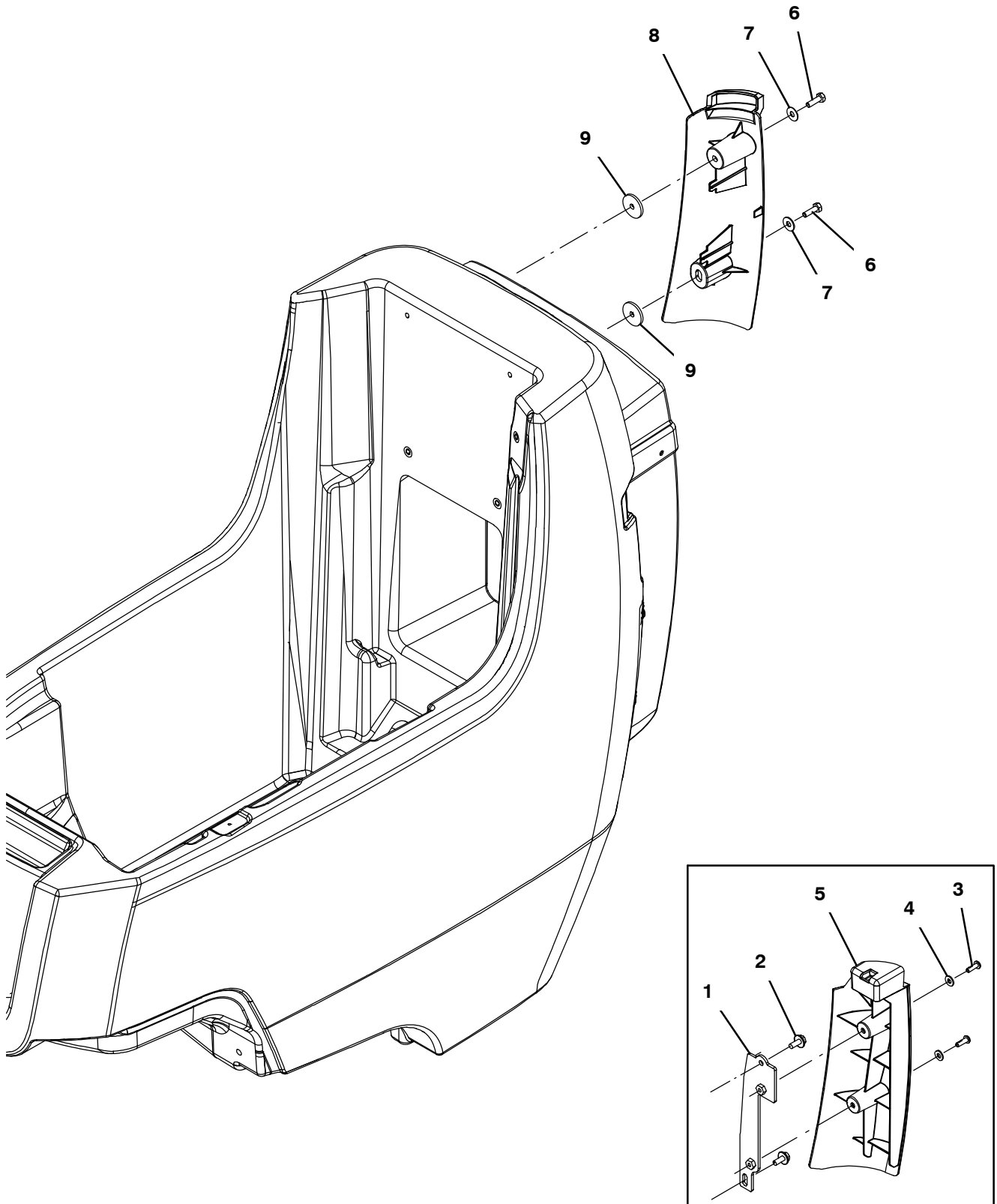


MANUAL DOWN PRESSURE GROUP

Ref.	Part No.	Serial Number	Description	Qty.
1	11329	(10000000-20000000)	Screw, Hex, M6 X 1.00 X 16, NI, Ss	1
2	01684	(10000000-20000000)	Washer, Flat, 0.27b 0.69d .05, Ss	1
3	1213745	(10000000-20000000)	Plate, Link	1
4	20536	(10000000-20000000)	Washer, Flat, 0.45b 1.19d .06, Nyl	1
5	1216611	(10000000-20000000)	Spring, Extn, 1.14od, 0.13wir, 6.5l (Disk & Orbital Models)	1
5	1216677	(10000000-20000000)	Spring, Extn, 1.08od, 0.09wir, 6.5l (Cylindrical Model)	1
6	1018181	(10000000-20000000)	Nut, T, M8 X 1.25 X 0.50od X 0.4l	1
7	1018756	(10000000-20000000)	Spring, Cmpr, 0.70od .08wir 00.7l, Pl,Mw	1
8	222460	(10000000-20000000)	Sleeve, P/M, 0.32b 0.50d 0.5l [430ss]	1
9	1013936	(10000000-20000000)	Washer, Flat, 0.51b 0.94d .10, Nyl	2
10	1017156	(10000000-20000000)	Knob, Ball, M8 Insert, 40mmd, Plstc	1
11	1210591	(10000000-20000000)	Lever Wldt, Down Pressure, Mnl	1
12	08712	(10000000-20000000)	Nut, Hex, Lock, M6 X 1.00, NI, Ss	1
13	1210597	(10000000-20000000)	Bracket Wldt, Down Press, Mnl	1
14	1034731	(10000000-20000000)	Screw, Hex, M6 X 1.00 X 16, Sems, Ss	2
15	1209371	(10000000-20000000)	Cover, Lever Assy, Down-Press	1
16	01683	(10000000-20000000)	Washer, Flat, 10, Ss	2
17	1205799	(10000000-20000000)	Screw, Btn, M5 X 0.8 X 16, 8.8, NI, Torx	2
18	80491	(10000000-20000000)	Sleeve, P/M, 0.25b 0.38d 0.2l [430ss]	1

SINGLE DOWN PRESSURE GROUP

355284

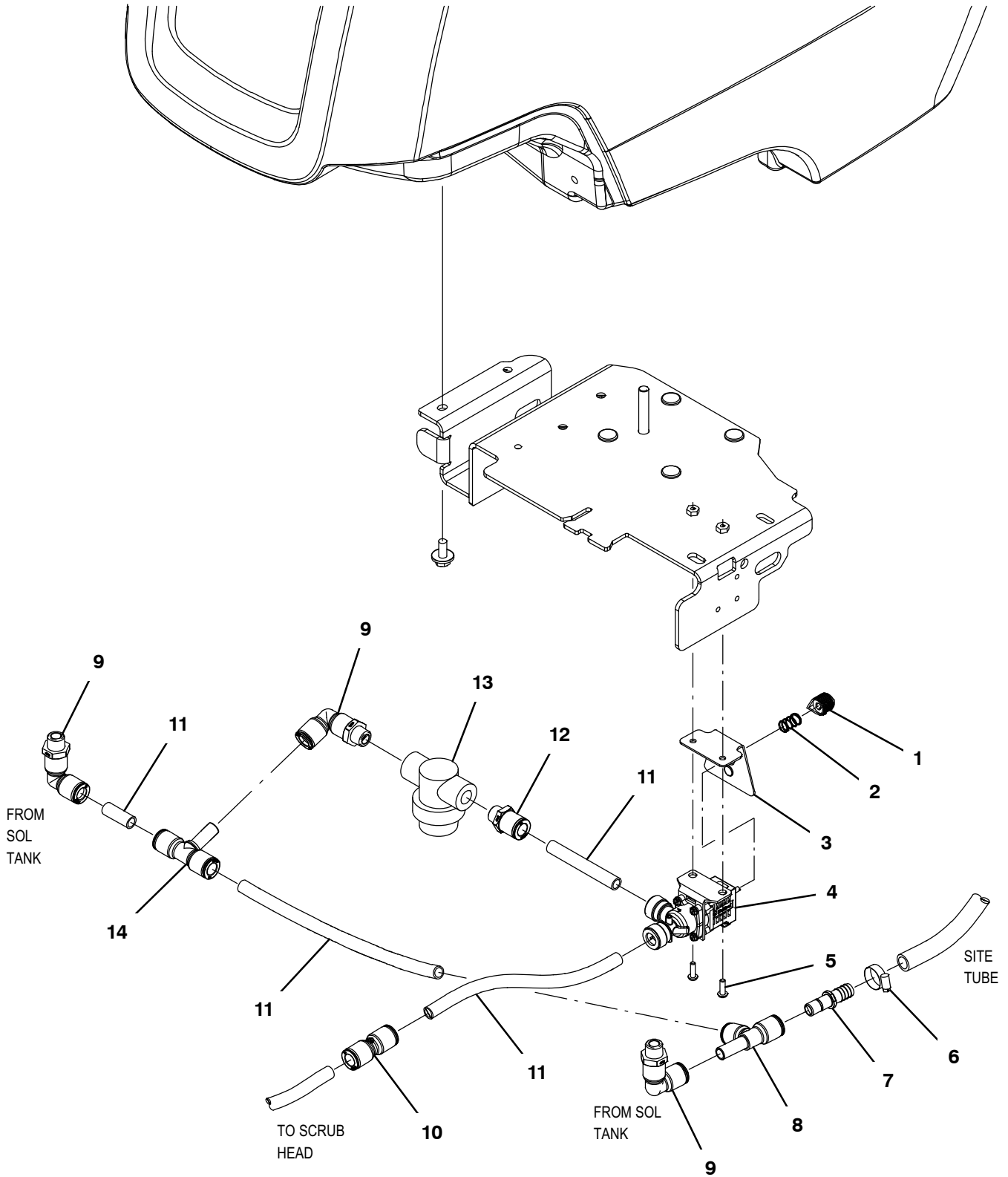


SINGLE DOWN PRESSURE GROUP

Ref.	Part No.	Serial Number	Description	Qty.
1	1214330	(10000000-10809548)	Bracket Wldt, Mtg, Cover	1
2	1034731	(10000000-10809548)	Screw, Hex, M6 X 1.00 X 16, Sems, Ss	2
3	1205799	(10000000-10809548)	Screw, Btn, M5 X 0.8 X 16, 8.8, NI, Torx	2
4	01683	(10000000-10809548)	Washer, Flat, 10, Ss	2
5	1212336	(10000000-10809548)	Cover, Pulley Assy, Down-Press	1
6	12277	(10809549-20000000)	Screw, Hex, M6 X 1.00 X 20, NI, Ss	2
7	01684	(10809549-20000000)	Washer, Flat, 0.27b 0.69d .05, Ss	2
8	1224289	(10809549-20000000)	Cover, Tank, Rh, [T300/E/Ss]	1
9	1225843	(10809549-20000000)	Washer, Flat, M6 X 3 X 30, Retain, Nyl	2

SOLUTION GROUP, BASE MODEL

355307



SOLUTION GROUP, BASE MODEL

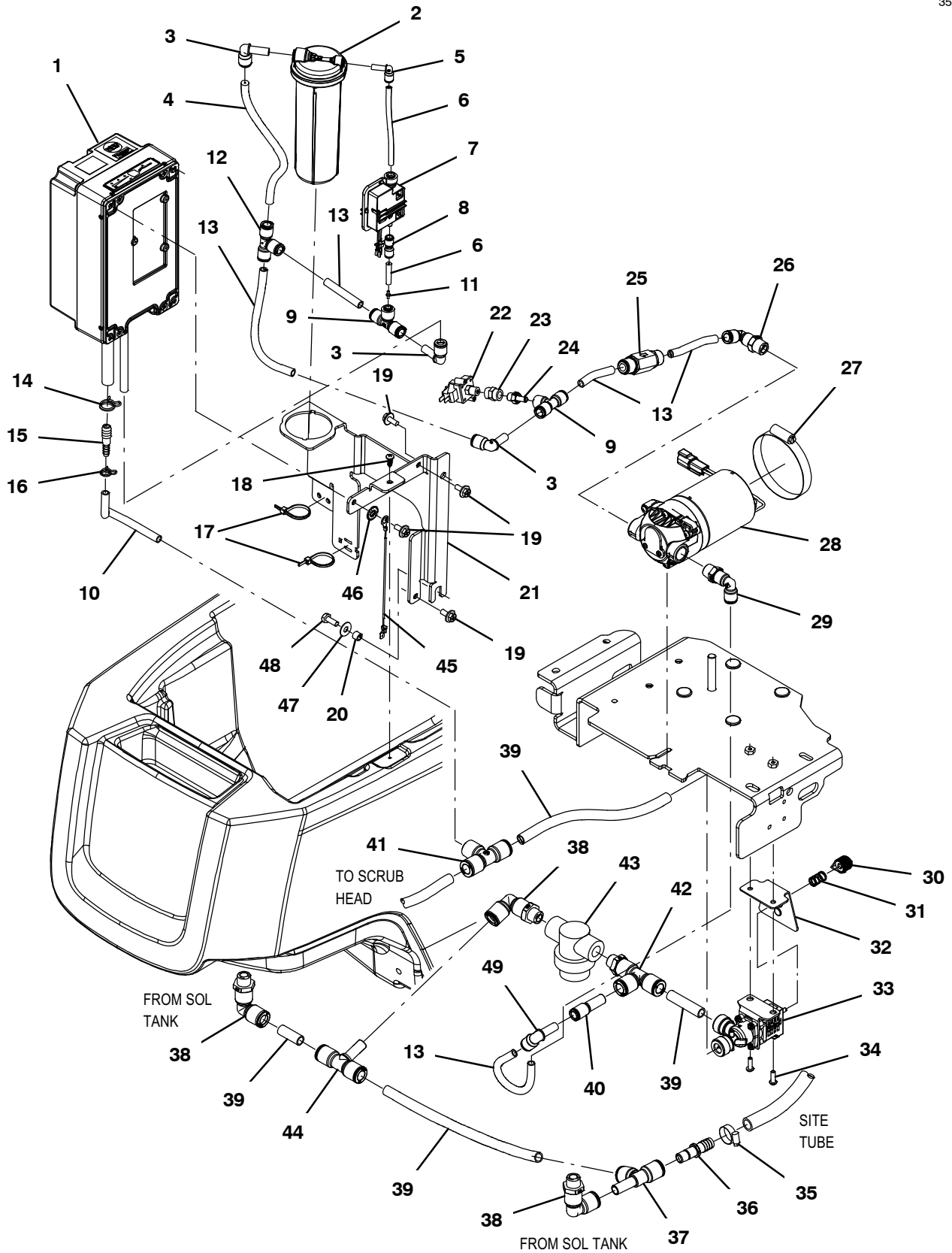
Ref.	Part No.	Serial Number	Description	Qty.
1	1013442	(10000000-20000000)	Knob, Valve, 0.70d 0.61l, 0.21b	1
2	1017091	(10000000-20000000)	Spring, Cmpr, 0.50od .04wir 00.8l	1
3	1210041	(10000000-20000000)	Bracket Wldt, Mtg, Valve, Soltn	1
4	1211423	(10000000-20000000)	Valve, Water, Solenoid, 24vdc Qf08/Qf08	1
5	1205799	(10000000-20000000)	Screw, Btn, M5 X 0.8 X 16, 8.8, NI, Torx	2
6	54333	(10000000-20000000)	Clamp, Hose, Wormdrive, 0.31-0.88d, .31w	1
7	1212807	(10000000-20000000)	Fitting, Plstc, Str, Qm08/Bm08	1
8	1212806	(10000000-20000000)	Fitting, Plstc, Tee, Qf08/Qf08/Qm08	1
9	1212987	(10000000-20000000)	Fitting, Plstc, E90, Qf08/Pm06, Swivel	3
10	1212859	(10000000-20000000)	Fitting, Plstc, Str, Qf08/Qf08	1
11	9014145	(10000000-20000000)	Hose, Afmkt, Pe, .375id .50od, 05ft	1
12	1212813	(10000000-20000000)	Fitting, Plstc, Str, Qf08/Pm06	1
▽	13	1211537	(10000000-20000000) Filter, In-Line, Pf06/Pf06 080m 2.6l Epd	1
▲		1218885	(10000000-20000000) Gasket [Epdm, F/1211537]	1
▲		1218883	(10000000-20000000) Screen, Fltr, 80 Mesh, Ss [W/ Cage]	1
▲	613991	(10000000-20000000)	Bowl, Clr, Short, F/1005302	1
14	1212810	(10000000-20000000)	Fitting, Plstc, Tee, Qm08/Qf08/Qf08	1

▽ ASSEMBLY

▲ INCLUDED IN ASSEMBLY

SOLUTION GROUP, BASE MODEL ec-H20

355309



SOLUTION GROUP, BASE MODEL ec-H2O

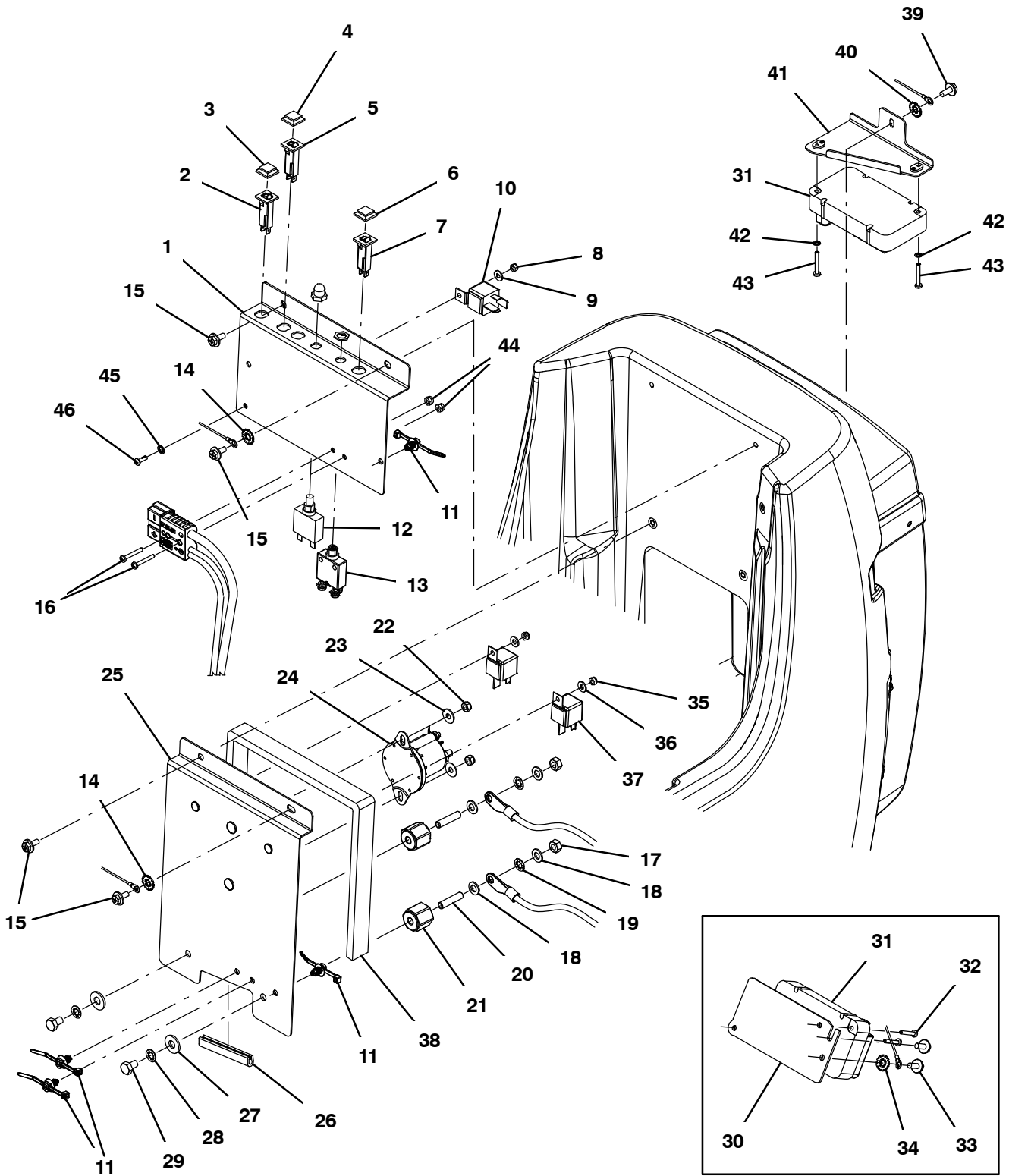
Ref.	Part No.	Serial Number	Description	Qty.
▽	1	9011810	(10000000-20000000) Module Kit, Replmt [Ec-H2o, B 02] (See Breakdowns)	1
▲	2	9013646	(10000000-20000000) Cartridge, Ec-H2o Nanoclean Wcm, 270ml	1
	3	1215186	(10000000-20000000) Fitting, Plstc, E90, Qf06/Qm06	1
	4	9014146	(10000000-20000000) Hose, Afmkt, Pvc, 0.06id .38od, 05ft	1
	5	1214339	(10000000-20000000) Fitting, Plstc, E90, Qfo4/Qm04	1
	6	9014147	(10000000-20000000) Hose, Afmkt, Pvc, 0.06id .25od, 05ft	1
	7	1216973	(10000000-20000000) Pump Assy, Dispenser	1
	8	1218192	(10000000-20000000) Fitting, Plstc, Str, Qf04/Qf04	1
	9	1212855	(10000000-20000000) Fitting, Plstc, Tee, Qf04/Qf06/Qf06	2
	10	1006415	(10000000-20000000) Hose, Afmkt, Pvc, Clr, 0.25id, 03ft	1
	11	1214972	(10000000-20000000) Fitting, Orifice, Str, Bm01/Bm01	1
	12	1212573	(10000000-20000000) Fitting, Plstc, Tee, Qf06/Qf06/Qf06	1
	13	9014148	(10000000-20000000) Hose, Afmkt, Nat, 0.25id 0.375od, 06ft	1
	14	607775	(10000000-20000000) Clamp, Hose, Wir, .63 - .66, Blk	1
	15	1039557	(10000000-20000000) Fitting, Plstc, Str, Bm04/Bm06	1
	16	613735	(10000000-20000000) Clamp, Hose, Wir, .40 - .42, Yel	1
	17	130773	(10000000-20000000) Tie, Cable, Nyl, 11.0l, .14w, 3.0 Max. D	2
	18	1018155	(10000000-20000000) Screw, Pan, Phl, M5 X 0.80 X 16, Tcut, Ss	1
	19	1034731	(10000000-20000000) Screw, Hex, M6 X 1.00 X 16, Sems, Ss	5
	20	140154	(10000000-20000000) Sleeve, P/M, 0.25b 0.38d 0.3l, Pl	1
	21	1209249	(10000000-20000000) Bracket, Mtg, Ec-H2O Module [T300]	1
	22	1044335	(10000000-20000000) Switch, Press, 6psi, Pm02	1
	23	150307	(10000000-20000000) Fitting, Brs, Str, Pf02/Pf02, Cplg	1
	24	1216185	(10000000-20000000) Fitting, Plstc, Str, Qm04/Pm02	1
	25	1215527	(10000000-20000000) Valve, Check, 1.0 Psi Qf06/Qf06	1
	26	1212812	(10000000-20000000) Fitting, Plstc, E90, Qf06/Pm06, Swivel	1
	27	43555	(10000000-20000000) Clamp, Hose, Wormdrive, 2.62-3.50d	1
	28	1210517	(10000000-20000000) Pump, Soltn, Ele, 24vdc, 35 Psi	1
	29	1212812	(10000000-20000000) Fitting, Plstc, E90, Qf06/Pm06, Swivel	1
	30	1013442	(10000000-20000000) Knob, Valve, 0.70d 0.61l, 0.21b	1
	31	1017091	(10000000-20000000) Spring, Cmpr, 0.50od .04wir 00.8l	1
	32	1210041	(10000000-20000000) Bracket Wldt, Mtg, Valve, Soltn	1
	33	1211423	(10000000-20000000) Valve, Water, Solenoid, 24vdc Qf08/Qf08	1
	34	1205799	(10000000-20000000) Screw, Btn, M5 X 0.8 X 16, 8.8, NI, Torx	2
	35	54333	(10000000-20000000) Clamp, Hose, Wormdrive, 0.31-0.88d, .31w	1
	36	1212807	(10000000-20000000) Fitting, Plstc, Str, Qm08/Bm08	1
	37	1212806	(10000000-20000000) Fitting, Plstc, Tee, Qf08/Qf08/Qm08	1
	38	1212987	(10000000-20000000) Fitting, Plstc, E90, Qf08/Pm06, Swivel	3
	39	9014145	(10000000-20000000) Hose, Afmkt, Pe, .375id .50od, 05ft	1
	40	1215218	(10000000-20000000) Fitting, Plstc, Str, Qf06/Qm08	1
	41	1212875	(10000000-20000000) Fitting, Plstc, Tee, Qf06/Qf08/Qf08	1
	42	1212808	(10000000-20000000) Fitting, Plstc, Tee, Qf08/Qf08/Pm06	1
▽	43	1211537	(10000000-20000000) Filter, In-Line, Pf06/Pf06 080m 2.6l Epd	1
▲		1218885	(10000000-20000000) Gasket [Epdm, F/1211537]	1
▲		1218883	(10000000-20000000) Screen, Fltr, 80 Mesh, Ss [W/ Cage]	1
▲		613991	(10000000-20000000) Bowl, Clr, Short, F/1005302	1
	44	1212810	(10000000-20000000) Fitting, Plstc, Tee, Qm08/Qf08/Qf08	1
	45	1074344	(10000000-20000000) Harness, Ele [Ring With .250m Tail]	1
	46	41140	(10000000-20000000) Washer, Lock, Int-Ext, 0.25	1
	47	01684	(10000000-20000000) Washer, Flat, 0.27b 0.69d .05, Ss	1
	48	12277	(10000000-00000000) Screw, Hex, M6 X 1.00 X 20, NI, Ss	1
	49	1215186	(10890202-20000000) Fitting, Plstc, E90, Qf06/Qm06	1

▽ ASSEMBLY

▲ INCLUDED IN ASSEMBLY

ELECTRICAL COMPONENTS GROUP, BASE MODEL

355320

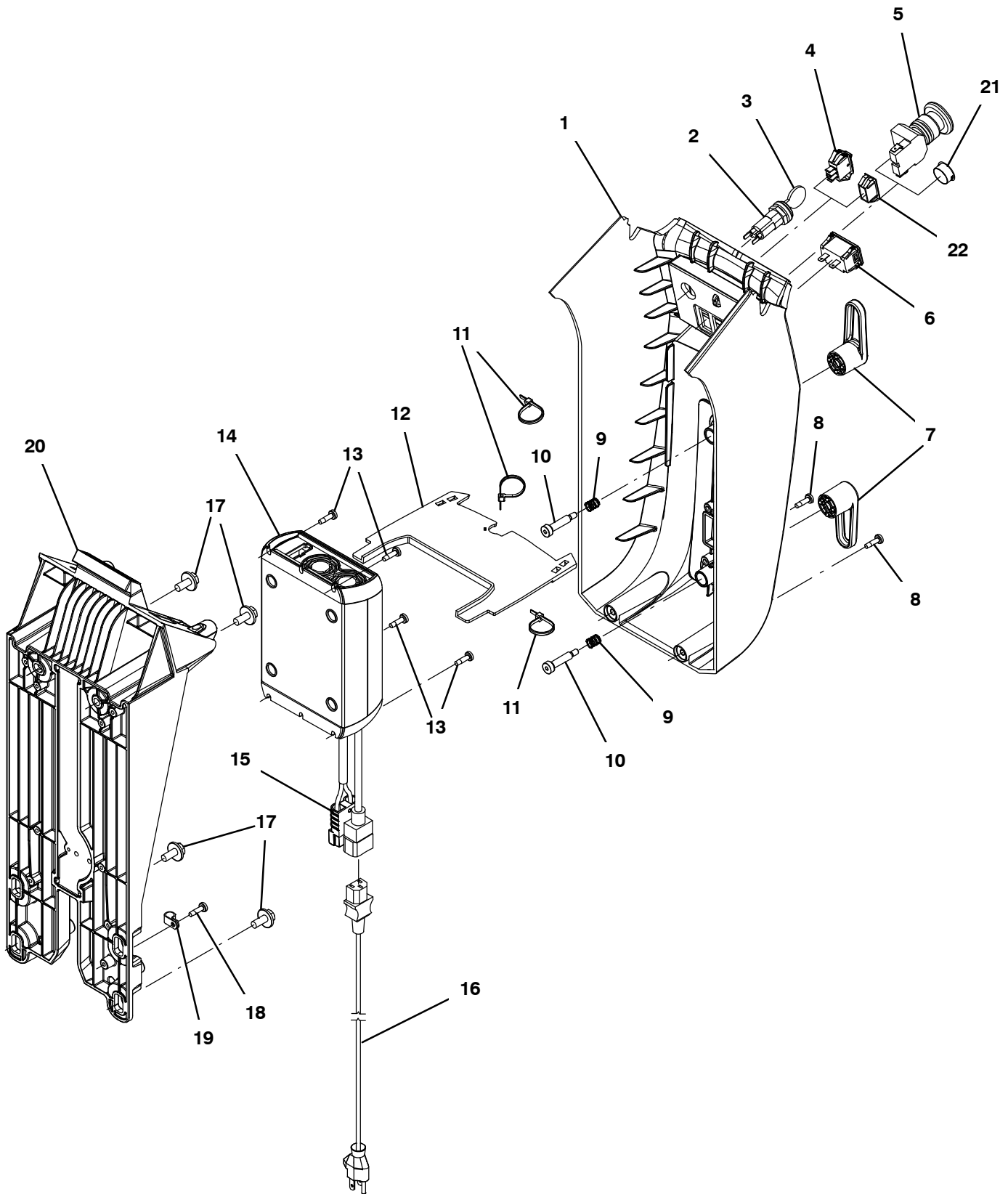


ELECTRICAL COMPONENTS GROUP, BASE MODEL

Ref.	Part No.	Serial Number	Description	Qty.
1	9014188	(10000000-20000000)	Bracket Wldt, Afmkt, Mtg [Circuitbrkrs]	1
2	1208816	(10000000-20000000)	Circuitbreaker, 04.0a, Resetable	1
3	1064191	(10000000-20000000)	Boot, Circuitbreaker	1
4	1064191	(xxxxxxx-20000000)	Boot, Circuitbreaker (ec-H2O Option)	1
4	1064191	(10000000-xxxxxxx)	Boot, Circuitbreaker (ec-H2O Option)	2
5	1064187	(xxxxxxx-20000000)	Circuitbreaker, 10.0a, Resetable	1
5	1208816	(10000000-xxxxxxx)	Circuitbreaker, 04.0a, Resetable (ec-H2O Option)	2
6	1064191	(10000000-20000000)	Boot, Circuitbreaker	1
7	1064189	(10000000-20000000)	Circuitbreaker, 20.0a, Resetable	1
8	09739	(10000000-20000000)	Nut, Hex, Lock, M5 X 0.80, NI, Ss (ec-H2O Option)	1
9	01683	(10000000-20000000)	Washer, Flat, 10, Ss (ec-H2O Option)	1
10	1012216	(10000000-20000000)	Relay, 24vdc, 070a, Spst No, Plug-In (ec-H2O Option)	1
11	1210807	(10000000-20000000)	Wire, Tie [W/.25" Fir Tree Clip]	4
12	383725	(10000000-20000000)	Circuitbreaker, 30.0a, Resetable (Propel Model)	1
13	1074526	(10000000-20000000)	Circuitbreaker, 37.0a	1
14	41140	(10000000-20000000)	Washer, Lock, Int-Ext, 0.25	2
15	1034731	(10000000-20000000)	Screw, Hex, M6 X 1.00 X 16, Sems, Ss	4
16	33931	(10000000-20000000)	Screw, Pan, Phl, M4 X 0.70 X 30, Ss	2
17	41361	(10000000-20000000)	Nut, Hex, Std, M8 X 1.25, Brs	2
18	1209373	(10000000-20000000)	Washer, Flat, M8.4b X 16d X 1.6, Brs	4
19	43952	(10000000-20000000)	Washer, Lock, Int, 0.31, Ss	2
20	607461	(10000000-20000000)	Screw, Set, M8 X 1.25 X 35, NI	2
21	1205345	(10000000-20000000)	Stand-Off, Wir, M8, Insulator, Panel	2
22	09739	(10000000-20000000)	Nut, Hex, Lock, M5 X 0.80, NI, Ss	2
23	01684	(10000000-20000000)	Washer, Flat, 0.27b 0.69d .05, Ss	2
24	1066409	(10000000-20000000)	Relay, 24vdc, 150a, No [Trombetta]	1
25	1208619	(10000000-20000000)	Bracket Wldt, Mtg, Ele	1
26	1020174	(10000000-20000000)	Molding, Afmkt, Trim, Pvc, .08 .11, 03ft	1
27	01685	(10000000-20000000)	Washer, Flat, 0.38b 0.88d .08, Ss	2
28	32984	(10000000-20000000)	Washer, Lock, Int, 0.31	2
29	386868	(10000000-20000000)	Screw, Hex, M8 X 1.25 X 12, Ss	2
30	1210078	(10000000-10813435)	Bracket Wldt, Drive (Propel Model)	1
31	9014613	(10000000-20000000)	Controller Kit, Spd, Ci [T300/E/Ss300] (Propel Model)	1
32	04403	(10000000-10813435)	Screw, Pan, Phl, M4 X 0.70 X 25, NI, Ss (Propel Model)	2
33	1034731	(10000000-10813435)	Screw, Hex, M6 X 1.00 X 16, Sems, Ss (Propel Model)	2
34	41140	(10000000-10813435)	Washer, Lock, Int-Ext, 0.25 (Propel Model)	1
35	09739	(10000000-20000000)	Nut, Hex, Lock, M5 X 0.80, NI, Ss	2
36	01683	(10000000-20000000)	Washer, Flat, 10, Ss	2
37	1012216	(10000000-20000000)	Relay, 24vdc, 070a, Spst No, Plug-In	2
38	1208628	(10000000-20000000)	Gasket, Cover, Circuitboard	1
39	1034731	(10813436-20000000)	Screw, Hex, M6 X 1.00 X 16, Sems, Ss	1
40	41140	(10813436-20000000)	Washer, Lock, Int-Ext, 0.25	1
41	1223824	(10813436-20000000)	Bracket Wldt, Mtg, Cntrl, [T300/T300e]	1
42	02938	(10813436-20000000)	Washer, Lock, Int, 08, Ss	2
43	33931	(10813436-20000000)	Screw, Pan, Phl, M4 X 0.70 X 30, Ss	2
44	02850	(10000000-20000000)	Nut, Hex, Lock, M4 X 0.70, NI	2
45	07515	(10000000-20000000)	Washer, Lock, Int, 0.25, Ss	1
46	1205799	(10000000-20000000)	Screw, Btn, M5 X 0.8 X 16, 8.8, NI, Torx	1

LOWER CONSOLE GROUP, ON-BOARD CHARGER

355328



LOWER CONSOLE GROUP, ON-BOARD CHARGER

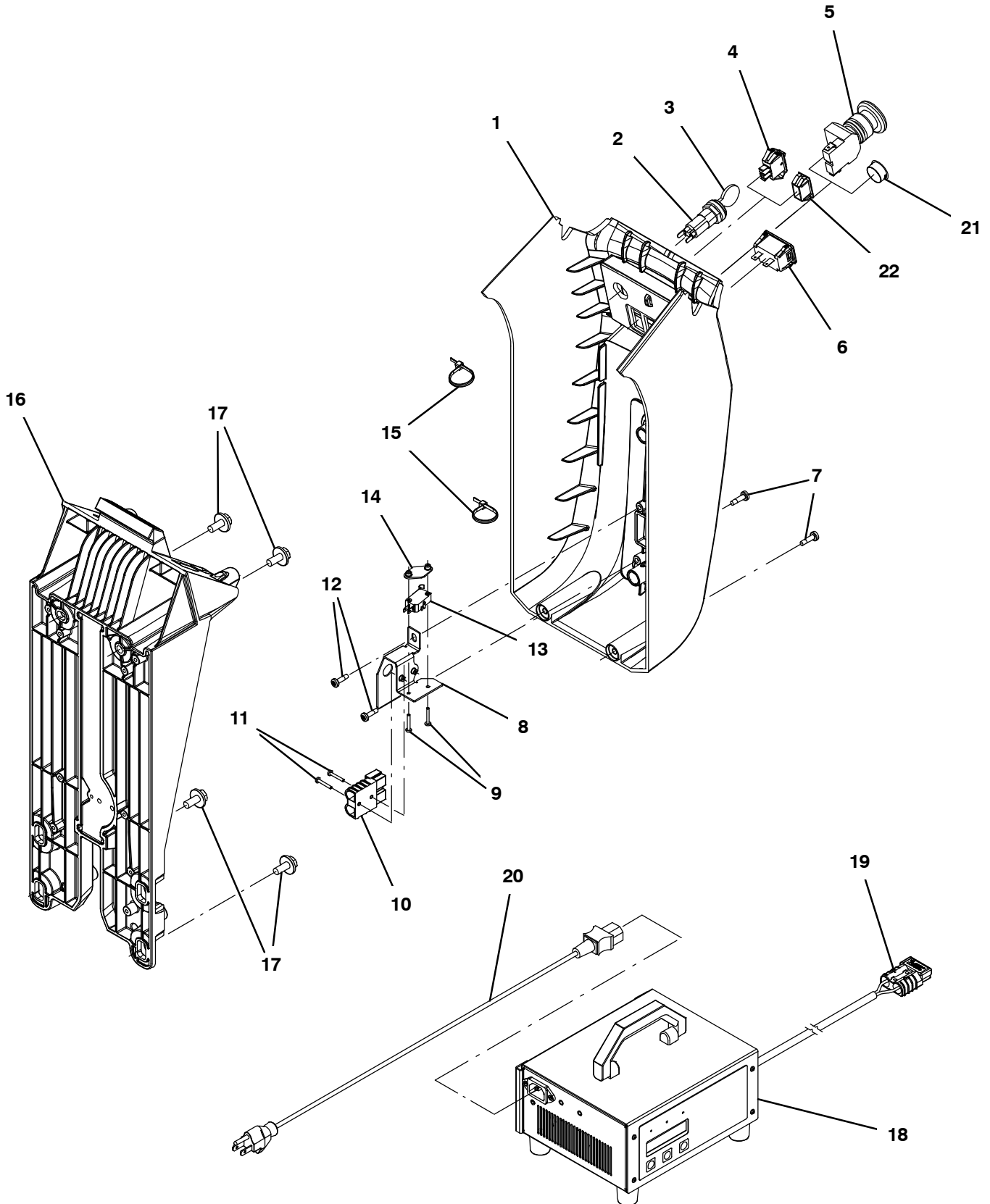
Ref.	Part No.	Serial Number	Description	Qty.
	1	9012789	(10000000-20000000) Cover, Console, Afmkt, W/ Label [Na]	1
▽	2	1011402	(10000000-20000000) Switch, Key	1
▲	3	1017696	(10000000-20000000) Key Set, Replmt [F/ Keyswitch 1011402]	1
	4	1044393	(10000000-20000000) Switch, Rocker, Spst Mom (ec-H2O Option)	1
	5	1011735	(10000000-20000000) Switch, Safety, Shutoff (Propel Model)	1
	6	1064038	(10000000-20000000) Gauge, Hourmeter, 05-277 Volt, Ac / Dc	1
	7	1205496	(10000000-20000000) Hook, Cord	2
	8	1043573	(10795905-20000000) Screw, #10-14 X 0.675, Spl[Shcs,Selftap]	2
	8	1205799	(10000000-10795904) Screw, Btn, M5 X 0.8 X 16, 8.8, NI, Torx	2
	9	611311	(10000000-20000000) Spring, Cmpr, 0.40od .05wir 00.5l, Pl,Mw	2
	10	1024965	(10000000-20000000) Bolt, Shld, 08mmd X 030mm, M06 X 1.0	2
	11	130773	(10000000-20000000) Tie, Cable, Nyl, 11.0l, .14w, 3.0 Max. D	3
	12	1211582	(10000000-20000000) Cover, Chrgr [Small Spe]	1
	13	1043573	(10795905-20000000) Screw, #10-14 X 0.675, Spl[Shcs,Selftap]	4
	13	1205799	(10000000-10795904) Screw, Btn, M5 X 0.8 X 16, 8.8, NI, Torx	4
▽	14	9015304	(10000000-20000000) Charger Kit, 24vdc 13a 100-240vac[On-Bd]	1
▲	15	605387	(10000000-20000000) Connector, Anderson, 050a, Red [W/O Con]	1
	16	1025642	(10000000-20000000) Cord, Power, 16/3, 15ft Blk [Us]	1
	17	1020341	(10000000-20000000) Screw, Hex, M8 X 1.25 X 20, Ss, Sems	4
	18	1043573	(10795905-20000000) Screw, #10-14 X 0.675, Spl[Shcs,Selftap]	1
	18	1205799	(10000000-10795904) Screw, Btn, M5 X 0.8 X 16, 8.8, NI, Torx	1
	19	26395-2	(10000000-20000000) Clamp, Cable, Stl, 0.38d X 0.38w, 1hole	1
	20	1231373	(10795905-20000000) Frame, Column, Cntrl [Im], T600	1
	20	1216531	(10000000-10795904) Frame, Column, Cntrl [Revised Machined]	1
	21	130161	(10000000-20000000) Plug, Hole, Rnd, 0.88d, Blk (Push Model)	1
	22	582150	(10000000-20000000) Plug, Hole, Rt, 1.23 X 1.12, Nyl (Standard Model)	1

▽ ASSEMBLY

▲ INCLUDED IN ASSEMBLY

LOWER CONSOLE GROUP, OFF-BOARD CHARGER

355329



LOWER CONSOLE GROUP, OFF-BOARD CHARGER

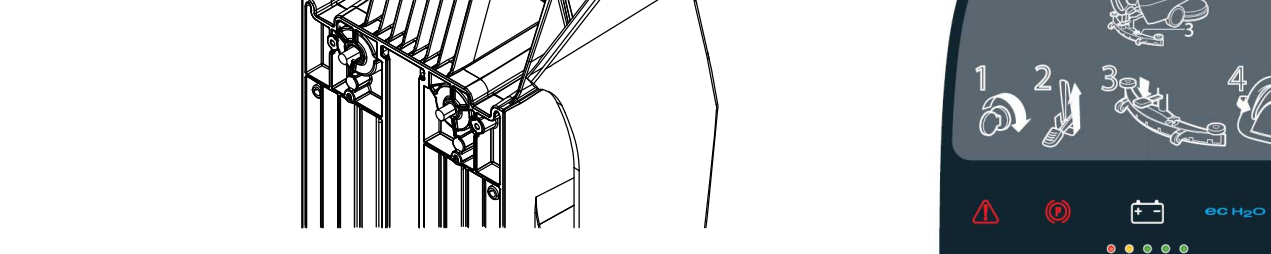
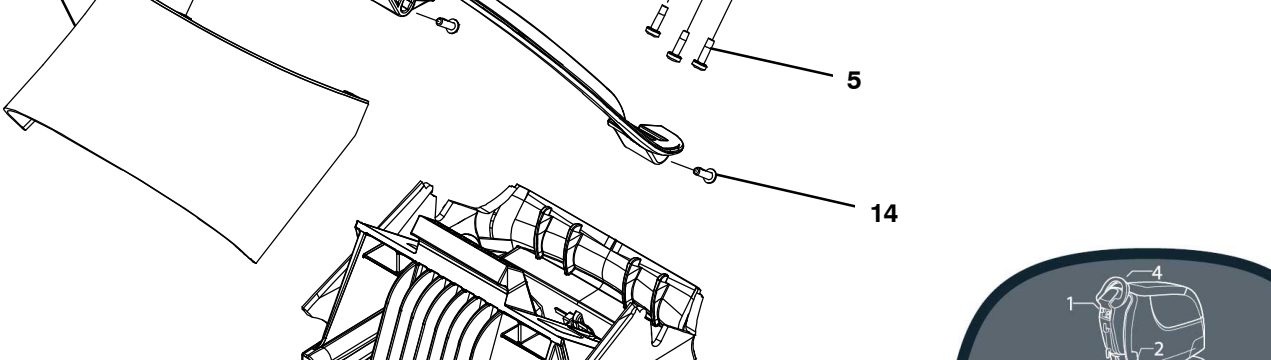
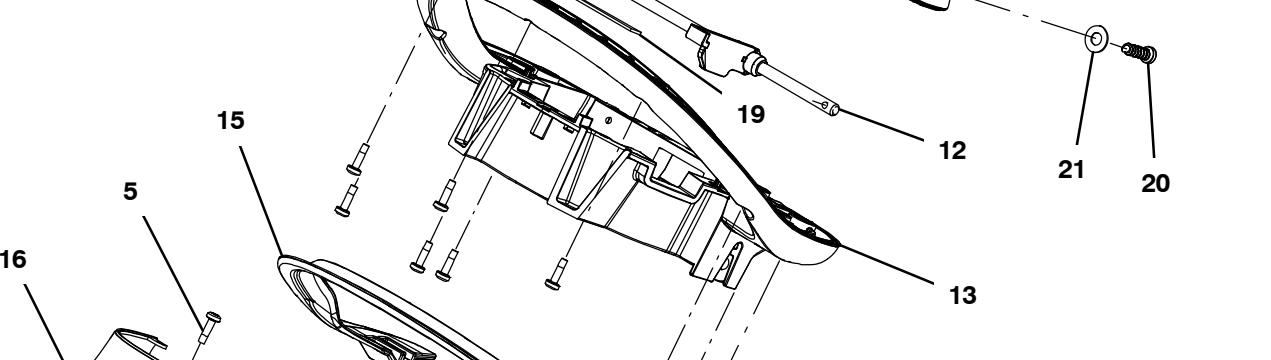
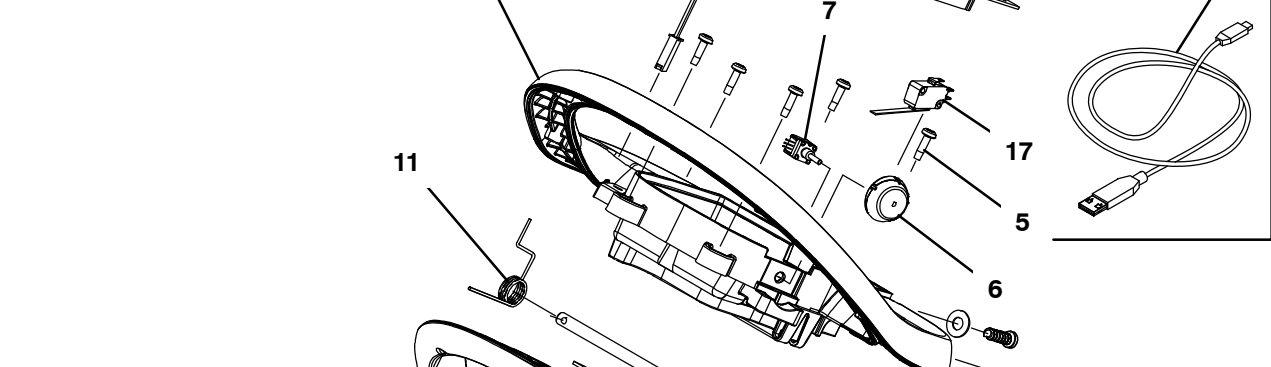
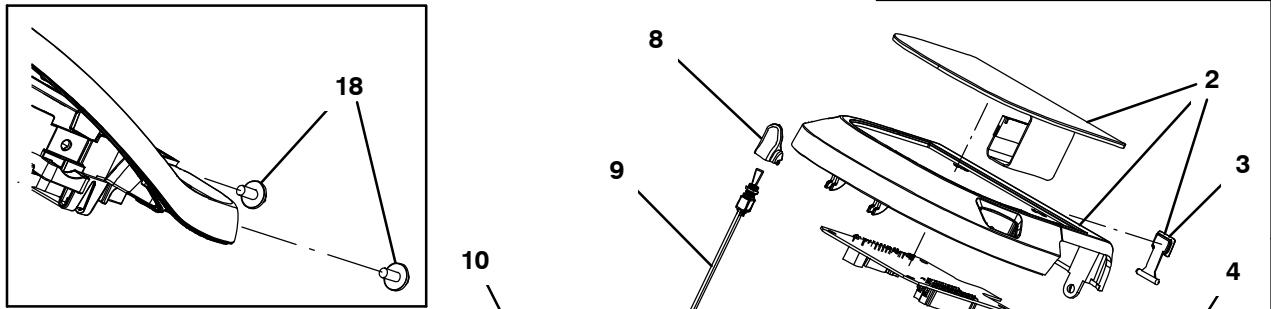
Ref.	Part No.	Serial Number	Description	Qty.
	1	9012789	(10000000-20000000) Cover, Console, Afmkt, W/ Label [Na]	1
▽	2	1011402	(10000000-20000000) Switch, Key	1
▲	3	1017696	(10000000-20000000) Key Set, Replmt [F/ Keyswitch 1011402]	1
	4	1044393	(10000000-20000000) Switch, Rocker, Spst Mom (ec-H2O Model)	1
	5	1011735	(10000000-20000000) Switch, Safety, Shutoff (Propel Model)	1
	6	1064038	(10000000-20000000) Gauge, Hourmeter, 05-277 Volt, Ac / Dc	1
	7	1043573	(10795905-20000000) Screw, #10-14 X 0.675, Spl[Shcs,Selftap]	2
	7	1205799	(10000000-10795904) Screw, Btn, M5 X 0.8 X 16, 8.8, NI, Torx	2
	8	1208599	(10000000-20000000) Bracket Assy, Plug, Charger	1
	9	06922	(10000000-20000000) Screw, Pan, Phl, M3 X 0.50 X 20, 4.8	2
	10	605387	(10000000-20000000) Connector, Anderson, 050a, Red [W/O Con]	1
	11	06922	(10000000-20000000) Screw, Pan, Phl, M3 X 0.50 X 20, 4.8	2
	12	1043573	(10000000-20000000) Screw, #10-14 X 0.675, Spl[Shcs,Selftap]	2
	13	1215716	(10000000-20000000) Switch, 0.1a, Spdt[Micro, Gold Contacts]	1
	14	1013705	(10000000-20000000) Plate, Thread, Switch, M3 Nut, 96hr PI	1
	15	130773	(10000000-20000000) Tie, Cable, Nyl, 11.0l, .14w, 3.0 Max. D	2
	16	1231373	(10795905-20000000) Frame, Column, Cntrl [Im], T600	1
	16	1216531	(10000000-10795904) Frame, Column, Cntrl [Revised Machined]	1
	17	1020341	(10000000-20000000) Screw, Hex, M8 X 1.25 X 20, Ss, Sems	4
▽	18	1212837	(10000000-20000000) Charger, 24vdc, 13a 85-265vac [Offboard]	1
▲	19	605387	(10000000-20000000) Connector, Anderson, 050a, Red [W/O Con]	1
	20	1025642	(10000000-20000000) Cord, Power, 16/3, 15ft Blk [Us]	1
	21	130161	(10000000-20000000) Plug, Hole, Rnd, 0.88d, Blk (Push Model)	1
	22	582150	(10000000-20000000) Plug, Hole, Rt, 1.23 X 1.12, Nyl (Standard Model)	1

▽ ASSEMBLY

▲ INCLUDED IN ASSEMBLY

HANDLE GROUP, BASE PROPEL MODEL

355326



HANDLE GROUP, BASE PROPEL MODEL

Ref.	Part No.	Serial Number	Description	Qty.
▽	1	9014131*	(10000000-20000000) Bezel Kit, Propel, Membrane, Ci [T300e/S (Kit Includes Circuitboard)	1
▲▽	2	9014137	(10000000-20000000) Screen Kit, Propel, Memb., Ci [T300e/Ss]	1
▲▲	3	1205618	(10000000-20000000) Cap, Usb	1
▲	4	1071235	(10000000-20000000) Cable [Usb, 2m, A-Male To Mini-B-Male]	1
	5	1043573	(10000000-20000000) Screw, #10-14 X 0.675, Spl[Shcs,Selftap]	15
	6	1234365	(10000000-20000000) Dial, Range, Speed	1
	7	1204930	(10000000-20000000) Potentiometer [100k, 1 Turn, B5/B7]	1
	8	1209730	(10000000-20000000) Cap, Toggle, Direction	1
	9	1209673	(10000000-20000000) Switch Assy, Toggle, Direction	1
	10	1203787	(10000000-20000000) Housing, Handle, Cntrl, Top	1
	11	1205781	(10000000-20000000) Spring, Return, Bail	1
	12	1205143	(10000000-20000000) Shaft Assy, Bail, Handle	1
	13	1222608	(10000000-20000000) Housing, Handle, Cntrl, Bottom, Slotted	1
	14	1205799	(10000000-20000000) Screw, Btn, M5 X 0.8 X 16, 8.8, NI, Torx	2
	15	1205778	(10000000-20000000) Handle, Bail [Machined]	1
	16	1207004	(10000000-20000000) Cover, Handle, Cntrl	1
	17	1205323	(10000000-20000000) Switch, 0.1a, Spdt [Micro, Straight]	1
	18	1020341	(10000000-10795904) Screw, Hex, M8 X 1.25 X 20, Ss, Sems	2
	19	1020280	(10000000-20000000) Seal, Afmkt, Rbr, Clsd, Adh, 01ft	1
	20	1215863	(10795905-20000000) Screw, Pan, Torx, M8 X 3.5 X 25[Remform]	2
	21	140027	(10795905-20000000) Washer, Flat, 0.35b 0.75d .04, Ss	2
	N/S	1072524	(10000000-20000000) Harness, Ele [Bail Switch]	1

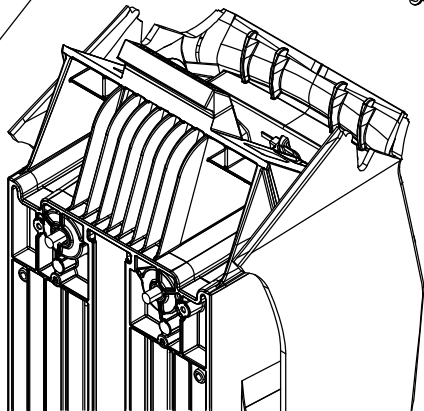
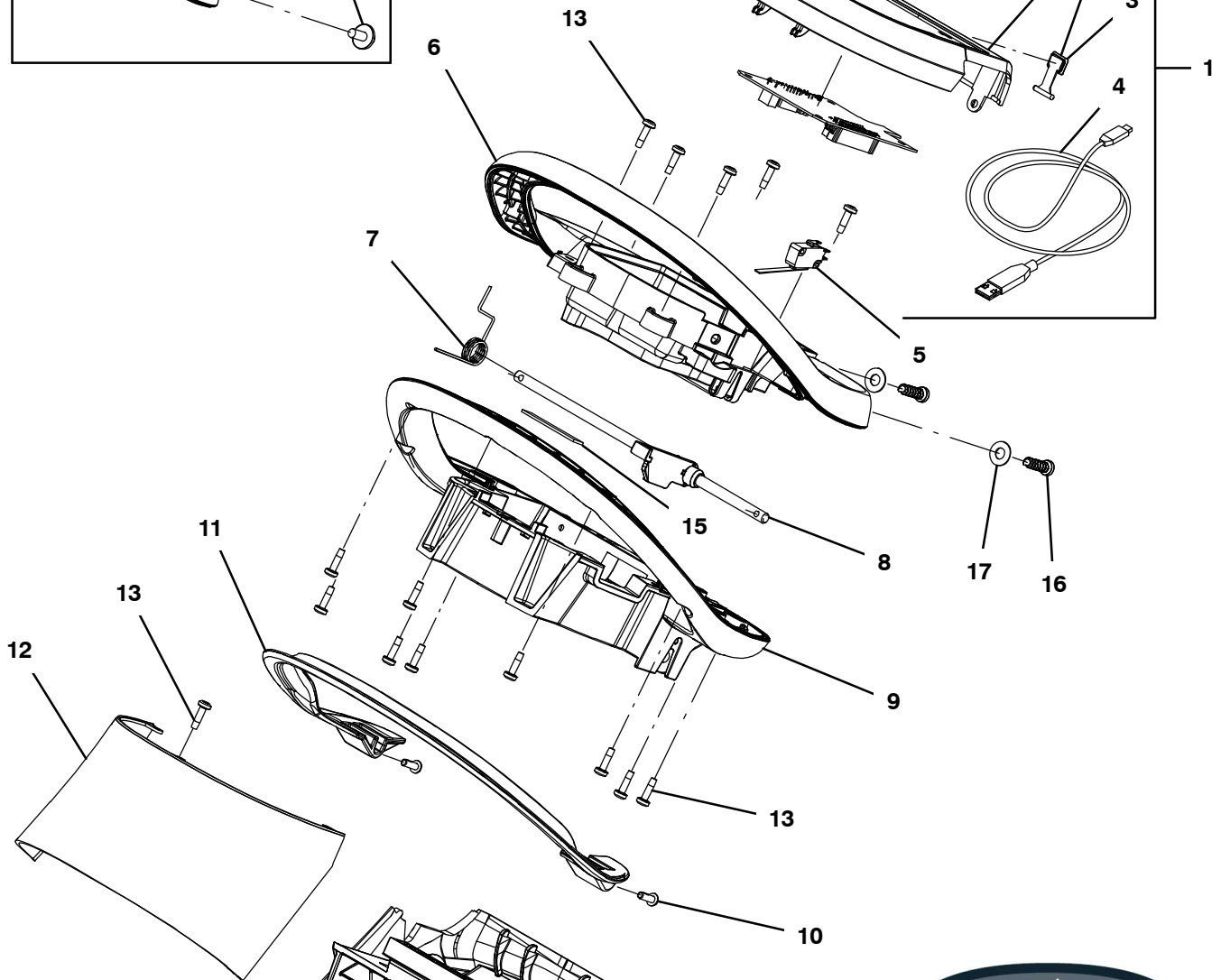
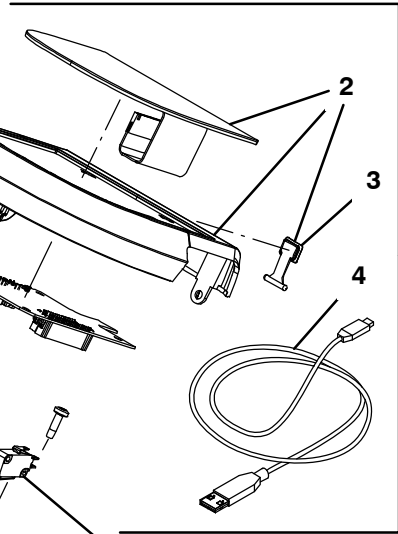
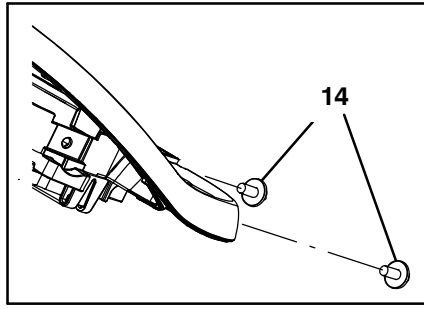
* Requires Tennant *True* service or an authorized Tennant service provider.

▽ ASSEMBLY

▲ INCLUDED IN ASSEMBLY

HANDLE GROUP, BASE PUSH MODEL

355327



HANDLE GROUP, BASE PUSH MODEL

Ref.	Part No.	Serial Number	Description	Qty.
▽	1	9014130*	(10000000-20000000) Bezel Kit, Push, Membrane, Ci [T300e/Ss] (Kit Includes Circuitboard)	1
▲▽	2	9014136	(10000000-20000000) Screen Kit, Push, Memb., Ci [T300e/Ss]	1
▲▲	3	1205618	(10000000-20000000) Cap, Usb	1
▲	4	1071235	(10000000-20000000) Cable [Usb, 2m, A-Male To Mini-B-Male]	1
	5	1205323	(10000000-20000000) Switch, 0.1a, Spdt [Micro, Straight]	1
	6	1203787	(10000000-20000000) Housing, Handle, Cntrl, Top	1
	7	1205781	(10000000-20000000) Spring, Return, Bail	1
	8	1205143	(10000000-20000000) Shaft Assy, Bail, Handle	1
	9	1222608	(10000000-20000000) Housing, Handle, Cntrl, Bottom, Slotted	1
	10	1205799	(10000000-20000000) Screw, Btn, M5 X 0.8 X 16, 8.8, NI, Torx	2
	11	1205778	(10000000-20000000) Handle, Bail [Machined]	1
	12	1207004	(10000000-20000000) Cover, Handle, Cntrl	1
	13	1043573	(10000000-20000000) Screw, #10-14 X 0.675, Spl[Shcs,Selftap]	15
	14	1020341	(10000000-10795904) Screw, Hex, M8 X 1.25 X 20, Ss, Sems	2
	15	1020280	(10000000-20000000) Seal, Afmkt, Rbr, Clsd, Adh, 01ft	1
	16	1215863	(10795905-20000000) Screw, Pan, Torx, M8 X 3.5 X 25[Remform]	2
	17	140027	(10795905-20000000) Washer, Flat, 0.35b 0.75d .04, Ss	2
	N/S	1072524	(10000000-20000000) Harness, Ele [Bail Switch]	1

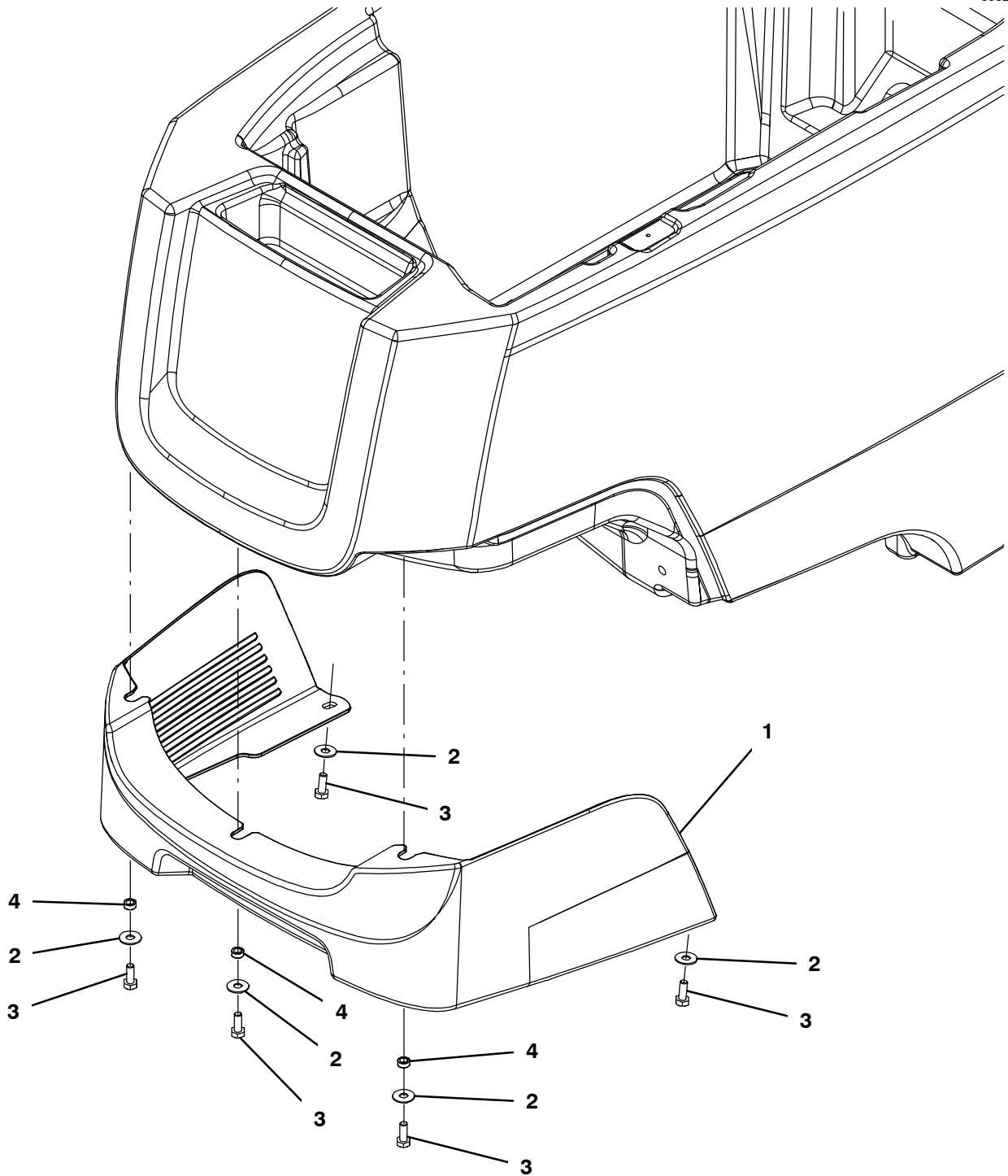
* Requires Tennant *True* service or an authorized Tennant service provider.

▽ ASSEMBLY

▲ INCLUDED IN ASSEMBLY

SHROUD GROUP, DISK AND ORBITAL HEAD

355299

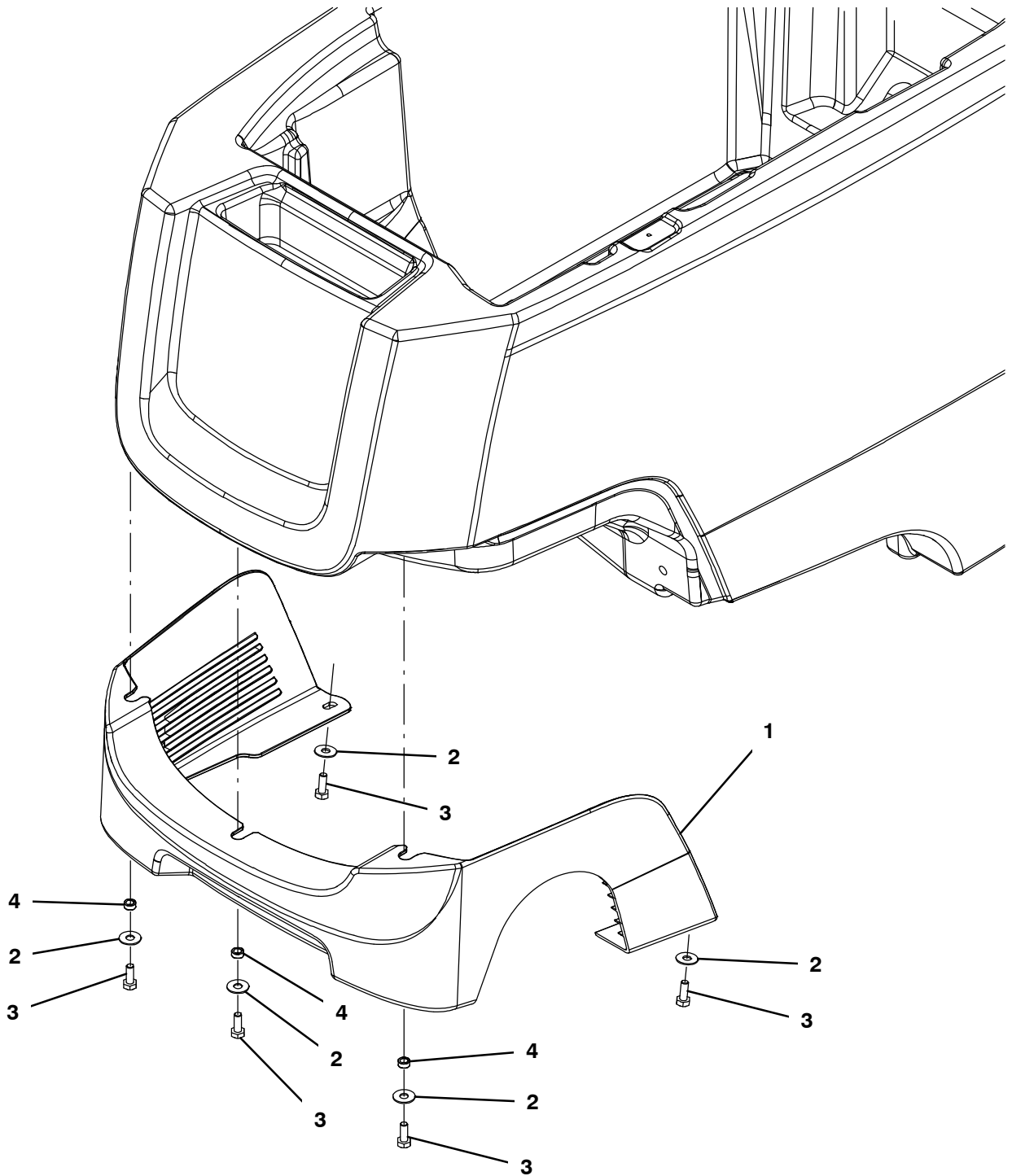


SHROUD GROUP, DISK AND ORBITAL HEAD

Ref.	Part No.	Serial Number	Description	Qty.
1	1210029	(10000000-20000000)	Cover, Head, Disk, Im-Hg [T300]	1
2	01684	(10000000-20000000)	Washer, Flat, 0.27b 0.69d .05, Ss	5
3	11329	(10000000-20000000)	Screw, Hex, M6 X 1.00 X 16, NI, Ss	5
4	80491	(10000000-20000000)	Sleeve, P/M, 0.25b 0.38d 0.2l [430ss]	3

SHROUD GROUP, CYLINDRICAL HEAD

355300

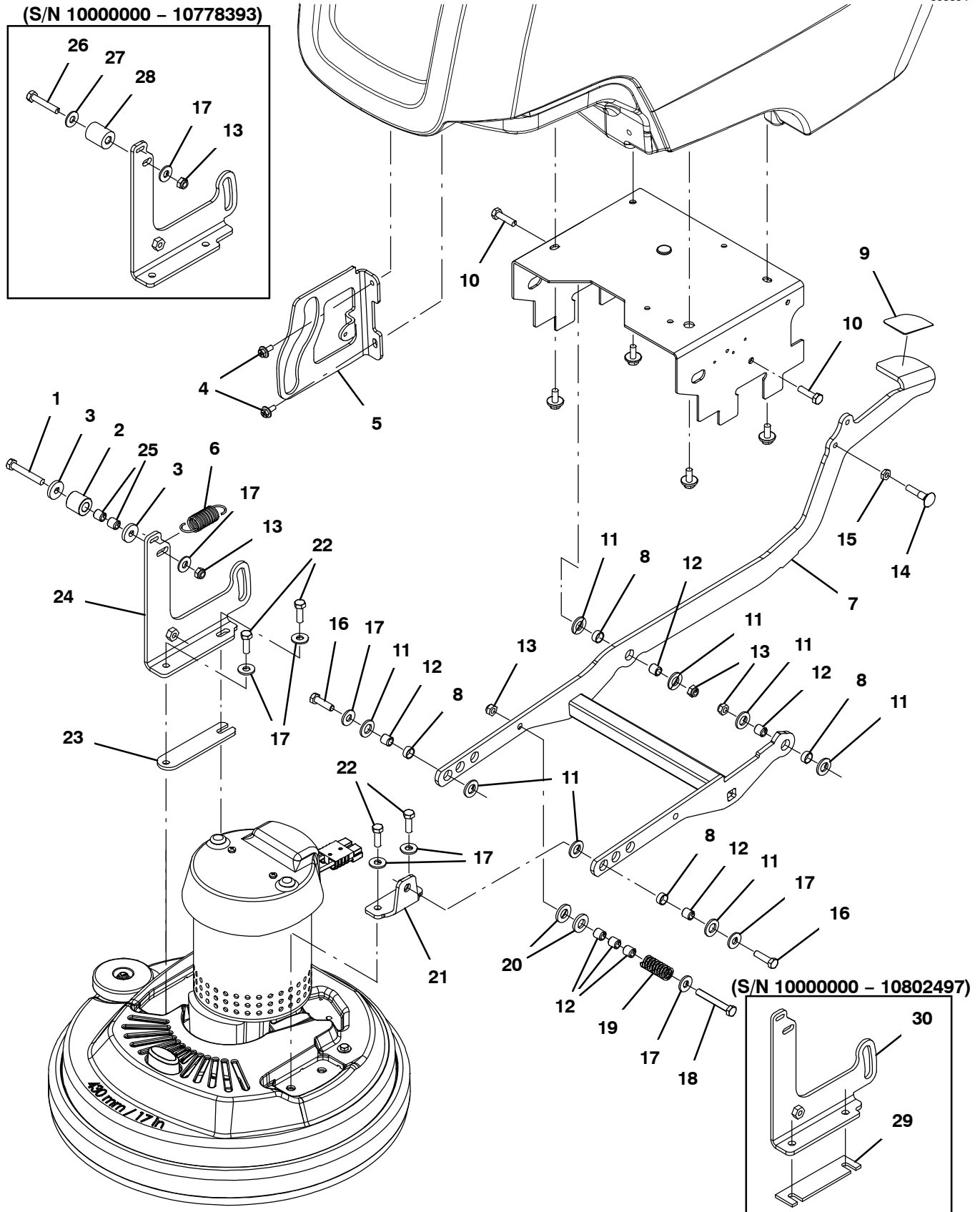


SHROUD GROUP, CYLINDRICAL HEAD

Ref.	Part No.	Serial Number	Description	Qty.
1	1213570	(10000000-20000000)	Cover, Head, Cylrcl, Im-Hg [T300]	1
2	01684	(10000000-20000000)	Washer, Flat, 0.27b 0.69d .05, Ss	5
3	11329	(10000000-20000000)	Screw, Hex, M6 X 1.00 X 16, NI, Ss	5
4	80491	(10000000-20000000)	Sleeve, P/M, 0.25b 0.38d 0.2l [430ss]	3

SCRUB HEAD LIFT GROUP, 43CM DISK MODEL

355354



SCRUB HEAD LIFT GROUP, 43CM DISK MODEL

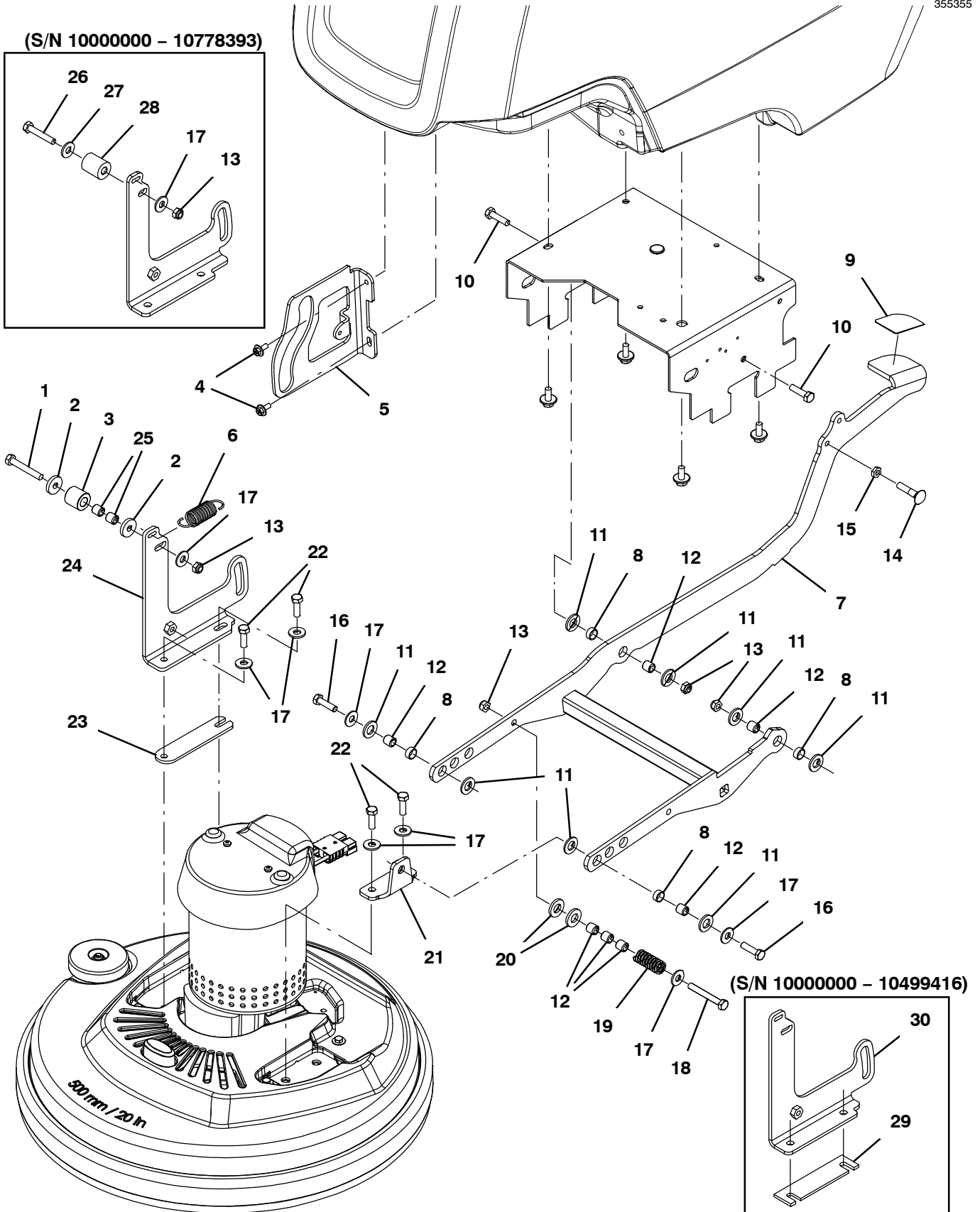
Ref.	Part No.	Serial Number	Description	Qty.
1	222504	(10778394-20000000)	Screw, Hex, M8 X 1.25 X 55, Ss	1
2	1028796	(10778394-20000000)	Washer, Flat, 0.33b 1.00d .18, Stl, Pl	2
3	1014020	(10778394-20000000)	Roller, 0.99d 0.50b 0.95l, Acetal	1
4	1034731	(10000000-20000000)	Screw, Hex, M6 X 1.00 X 16, Sems, Ss	2
5	1213063	(10000000-20000000)	Bracket, Guide, Head [Vw]	1
6	1032420	(10000000-20000000)	Spring, Extn, 0.85od 0.09wir 02.9l	1
▽	7	9016811	(10887017-20000000) Kit, Lift, Head, Ci [T300/T300e/Ss300]	1
▲	8	630188	(10000000-20000000) Bearing, Journal, .50id X .25l	8
▽	7	9014170	(10000000-10887016) Kit, Lift, Head[T300/T300e/Ss300] (Replaced by 9016811)	1
▲	8	630188	(10000000-20000000) Bearing, Journal, .50id X .25l	8
9	1218694	(10000000-20000000)	Pad, Pedal, Lift	1
10	09011	(10000000-20000000)	Screw, Hex, M8 X 1.25 X 30, Ss	2
11	1013936	(10000000-20000000)	Washer, Flat, 0.51b 0.94d .10, Nyl	8
12	222460	(10000000-20000000)	Sleeve, P/M, 0.32b 0.50d 0.5l [430ss]	7
13	08713	(10000000-20000000)	Nut, Hex, Lock, M8 X 1.25, NI, Ss	4
14	1235108	(10000000-20000000)	Bolt, Carriage, M8 X 1.25 X 90, Fl	1
15	200101017	(10000000-20000000)	Nut, Hex, Jam, M8 X 1.25	1
16	1016399	(10000000-20000000)	Screw, Hex, M8 X 1.25 X 30, NI, Ss	2
17	01685	(10000000-20000000)	Washer, Flat, 0.38b 0.88d .08, Ss	8
18	1014163	(10000000-20000000)	Screw, Hex, M8 X 1.25 X 60, Fl, Ss	1
19	140430	(10000000-20000000)	Spring, Cmpr, 0.70od .10wir 01.7l	1
20	140127	(10000000-20000000)	Washer, Thrust, 0.51b 1.00d 0.12w, Brz	2
21	1210258	(10000000-20000000)	Bracket Wldt, Head Mtg, 43d/50d, Short	1
22	12333	(10000000-20000000)	Screw, Hex, M8 X 1.25 X 25, Ss, NI	4
23	1223982	(10802498-20000000)	Spacer, Head, 4mm (Push Model)	1
24	1223962	(10802498-20000000)	Bracket Wldt, Mtg, Head, 43d/50d, Tall	1
25	222460	(10778394-20000000)	Sleeve, P/M, 0.32b 0.50d 0.5l [430ss]	2
26	49694	(10000000-10778393)	Screw, Hex, M8 X 1.25 X 50, Ss	1
27	01685	(10000000-10778393)	Washer, Flat, 0.38b 0.88d .08, Ss	1
28	1214039	(10000000-10778393)	Roller, Lift, Head	1
29	1032791	(10000000-10802497)	Spacer, Head, 4mm [Ss3] (Push Model)	1
30	1210256	(10000000-10802497)	Bracket Wldt, Mtg, Head, 50d, Tall [Vw] (Replaced By 1223962)	1

▽ ASSEMBLY

▲ INCLUDED IN ASSEMBLY

SCRUB HEAD LIFT GROUP, 50CM DISK MODEL

355355



SCRUB HEAD LIFT GROUP, 50CM DISK MODEL

Ref.	Part No.	Serial Number	Description	Qty.
1	222504	(10778394-20000000)	Screw, Hex, M8 X 1.25 X 55, Ss	1
2	1028796	(10778394-20000000)	Washer, Flat, 0.33b 1.00d .18, Stl, Pl	2
3	1014020	(10778394-20000000)	Roller, 0.99d 0.50b 0.95l, Acetal	1
4	1034731	(10000000-20000000)	Screw, Hex, M6 X 1.00 X 16, Sems, Ss	2
5	1213063	(10000000-20000000)	Bracket, Guide, Head [Vw]	1
6	1032420	(10000000-20000000)	Spring, Extn, 0.85od 0.09wir 02.9l	1
▽	7	9016811	(10887017-20000000) Kit, Lift, Head, Ci [T300/T300e/Ss300]	1
▲	8	630188	(10000000-20000000) Bearing, Journal, .50id X .25l	8
▽	7	9014170	(10000000-10887016) Kit, Lift, Head[T300/T300e/Ss300] (Replaced by 9016811)	1
▲	8	630188	(10000000-20000000) Bearing, Journal, .50id X .25l	8
9	1218694	(10000000-20000000)	Pad, Pedal, Lift	1
10	09011	(10000000-20000000)	Screw, Hex, M8 X 1.25 X 30, Ss	2
11	1013936	(10000000-20000000)	Washer, Flat, 0.51b 0.94d .10, Nyl	8
12	222460	(10000000-20000000)	Sleeve, P/M, 0.32b 0.50d 0.5l [430ss]	7
13	08713	(10000000-20000000)	Nut, Hex, Lock, M8 X 1.25, NI, Ss	4
14	1235108	(10000000-20000000)	Bolt, Carriage, M8 X 1.25 X 90, Fl	1
15	200101017	(10000000-20000000)	Nut, Hex, Jam, M8 X 1.25	1
16	1016399	(10000000-20000000)	Screw, Hex, M8 X 1.25 X 30, NI, Ss	2
17	01685	(10000000-20000000)	Washer, Flat, 0.38b 0.88d .08, Ss	8
18	1014163	(10000000-20000000)	Screw, Hex, M8 X 1.25 X 60, Fl, Ss	1
19	140430	(10000000-20000000)	Spring, Cmpr, 0.70od .10wir 01.7l	1
20	140127	(10000000-20000000)	Washer, Thrust, 0.51b 1.00d 0.12w, Brz	2
21	1210258	(10000000-20000000)	Bracket Wldt, Head Mtg, 43d/50d, Short	1
22	12333	(10000000-20000000)	Screw, Hex, M8 X 1.25 X 25, Ss, NI	4
23	1223982	(10499417-20000000)	Spacer, Head, 4mm (Push Model)	1
24	1223962	(10499417-20000000)	Bracket Wldt, Mtg, Head, 43d/50d, Tall	1
25	222460	(10778394-20000000)	Sleeve, P/M, 0.32b 0.50d 0.5l [430ss]	2
26	49694	(10000000-10778393)	Screw, Hex, M8 X 1.25 X 50, Ss	1
27	01685	(10000000-10778393)	Washer, Flat, 0.38b 0.88d .08, Ss	1
28	1214039	(10000000-10778393)	Roller, Lift, Head	1
29	1032791	(10000000-10499416)	Spacer, Head, 4mm [Ss3] (Push Model)	1
30	1210256	(10000000-10499416)	Bracket Wldt, Mtg, Head, 50d, Tall [Vw] (Replaced By 1223962)	1

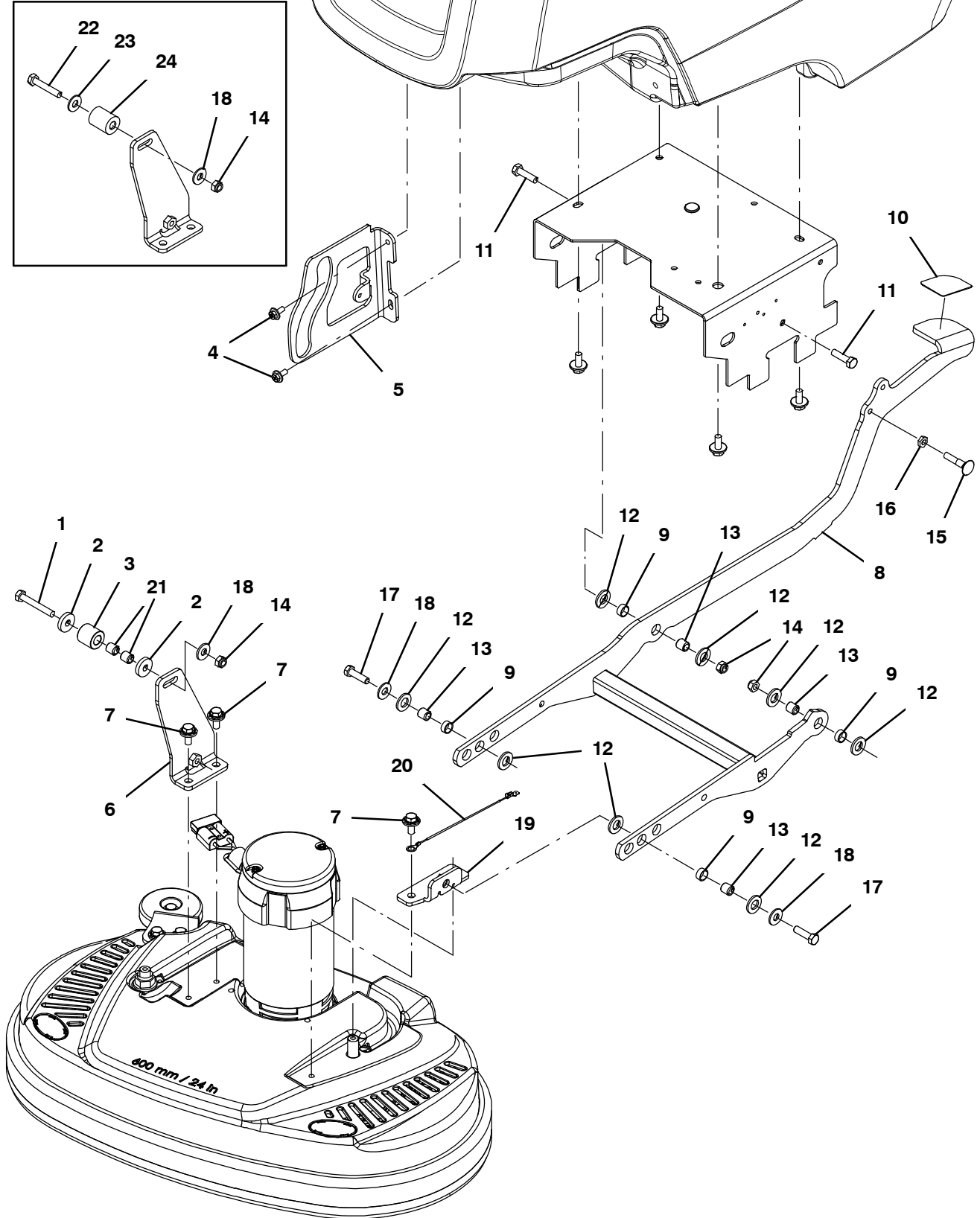
▽ ASSEMBLY

▲ INCLUDED IN ASSEMBLY

SCRUB HEAD LIFT GROUP, 60CM DUAL DISK MODEL

355356

(S/N 1000000 - 10778393)



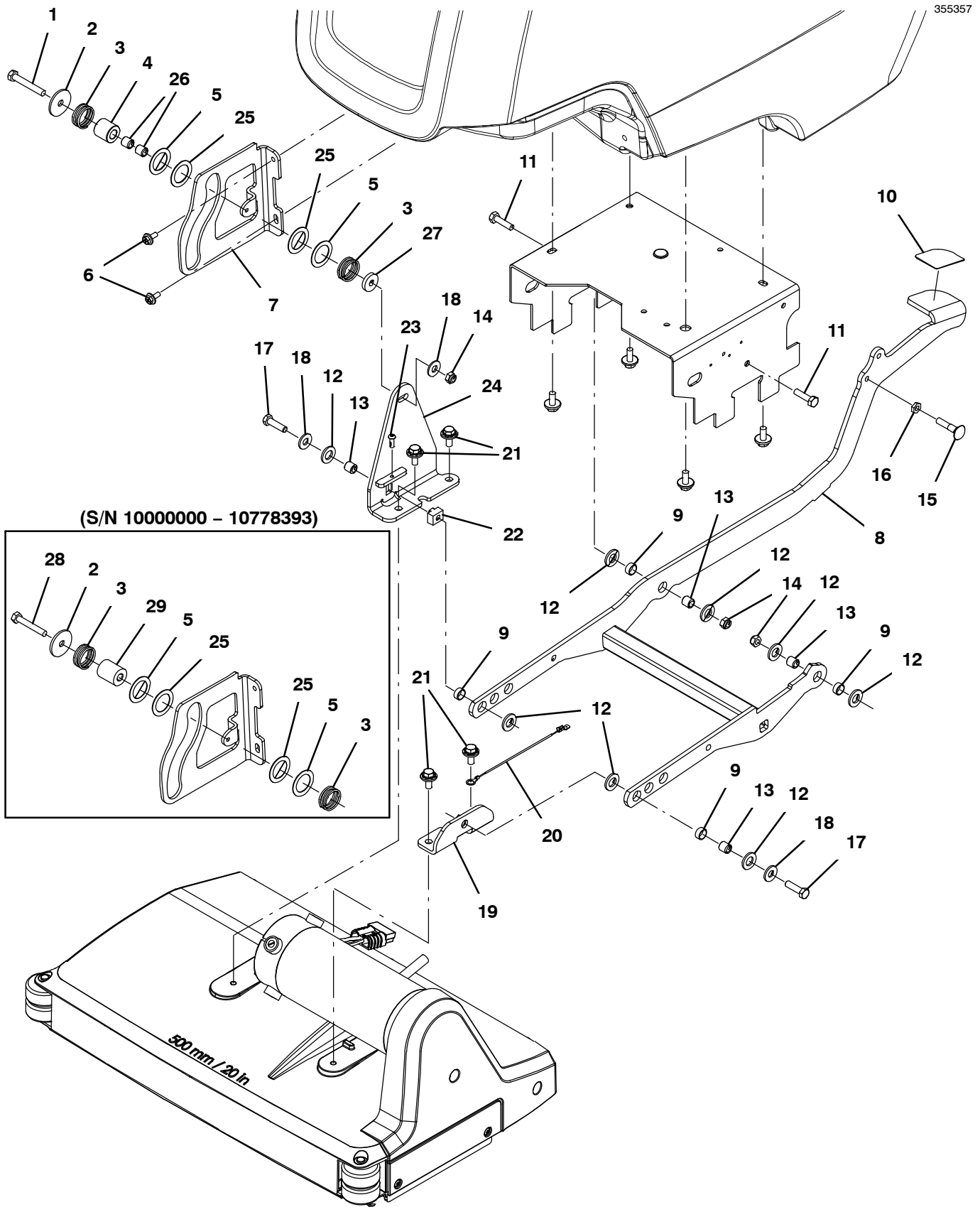
SCRUB HEAD LIFT GROUP, 60CM DUAL DISK MODEL

Ref.	Part No.	Serial Number	Description	Qty.
1	222504	(10778394-20000000)	Screw, Hex, M8 X 1.25 X 55, Ss	1
2	1028796	(10778394-20000000)	Washer, Flat, 0.33b 1.00d .18, Stl, Pl	2
3	1014020	(10778394-20000000)	Roller, 0.99d 0.50b 0.95l, Acetal	1
4	1034731	(10000000-20000000)	Screw, Hex, M6 X 1.00 X 16, Sems, Ss	2
5	1213063	(10000000-20000000)	Bracket, Guide, Head [Vw]	1
6	1213220	(10000000-20000000)	Bracket Wldt, Mtg, Head, 60dd, Tall [Vw]	1
7	1020341	(10000000-20000000)	Screw, Hex, M8 X 1.25 X 20, Ss, Sems	3
▽	8	9016811	(10887017-20000000) Kit, Lift, Head, Ci [T300/T300e/Ss300]	1
▲	9	630188	(10000000-20000000) Bearing, Journal, .50id X .25l	8
▽	8	9014170	(10000000-10887016) Kit, Lift, Head[T300/T300e/Ss300] (Replaced by 9016811)	1
▲	9	630188	(10000000-20000000) Bearing, Journal, .50id X .25l	8
	10	1218694	(10000000-20000000) Pad, Pedal, Lift	1
	11	09011	(10000000-20000000) Screw, Hex, M8 X 1.25 X 30, Ss	2
	12	1013936	(10000000-20000000) Washer, Flat, 0.51b 0.94d .10, Nyl	8
	13	222460	(10000000-20000000) Sleeve, P/M, 0.32b 0.50d 0.5l [430ss]	4
	14	08713	(10000000-20000000) Nut, Hex, Lock, M8 X 1.25, NI, Ss	3
	15	1235108	(10000000-20000000) Bolt, Carriage, M8 X 1.25 X 90, Fl	1
	16	200101017	(10000000-20000000) Nut, Hex, Jam, M8 X 1.25	1
	17	1016399	(10000000-20000000) Screw, Hex, M8 X 1.25 X 30, NI, Ss	2
	18	01685	(10000000-20000000) Washer, Flat, 0.38b 0.88d .08, Ss	3
	19	1213224	(10000000-20000000) Bracket Wldt, Mtg, Head, 60dd, Short[Vw]	1
	20	1074344	(10000000-20000000) Harness, Ele [Ring With .250m Tail]	4
	21	222460	(10778394-20000000) Sleeve, P/M, 0.32b 0.50d 0.5l [430ss]	2
	22	49694	(10000000-10778393) Screw, Hex, M8 X 1.25 X 50, Ss	1
	23	01685	(10000000-10778393) Washer, Flat, 0.38b 0.88d .08, Ss	1
	24	1214039	(10000000-10778393) Roller, Lift, Head	1

▽ ASSEMBLY

▲ INCLUDED IN ASSEMBLY

SCRUB HEAD LIFT GROUP, 50CM CYLINDRICAL MODEL



SCRUB HEAD LIFT GROUP, 50CM CYLINDRICAL MODEL

Ref.	Part No.	Serial Number	Description	Qty.
1	222504	(10778394-20000000)	Screw, Hex, M8 X 1.25 X 55, Ss	1
2	379829	(10000000-20000000)	Washer, Flat, 0.34b 1.50d .12, Stl, PI	1
3	1210103	(10000000-20000000)	Spring, Cmpr, 1.23od 0.085wir 0.88l	2
4	1014020	(10778394-20000000)	Roller, 0.99d 0.50b 0.95l, Acetal	1
5	20955	(10000000-20000000)	Washer, Flat, 1.03b 1.50d .04, Stl, PI	2
6	1034731	(10000000-20000000)	Screw, Hex, M6 X 1.00 X 16, Sems, Ss	2
7	1213063	(10000000-20000000)	Bracket, Guide, Head [Vw]	1
▽	8	9016811	(10887017-20000000) Kit, Lift, Head, Ci [T300/T300e/Ss300]	1
▲	9	630188	(10000000-20000000) Bearing, Journal, .50id X .25l	8
▽	8	9014170	(10000000-10887016) Kit, Lift, Head[T300/T300e/Ss300] (Replaced by 9016811)	1
▲	9	630188	(10000000-20000000) Bearing, Journal, .50id X .25l	8
	10	1218694	(10000000-20000000) Pad, Pedal, Lift	1
	11	09011	(10000000-20000000) Screw, Hex, M8 X 1.25 X 30, Ss	2
	12	1013936	(10000000-20000000) Washer, Flat, 0.51b 0.94d .10, Nyl	8
	13	222460	(10000000-20000000) Sleeve, P/M, 0.32b 0.50d 0.5l [430ss]	4
	14	08713	(10000000-20000000) Nut, Hex, Lock, M8 X 1.25, NI, Ss	3
	15	1235108	(10000000-20000000) Bolt, Carriage, M8 X 1.25 X 90, FI	1
	16	200101017	(10000000-20000000) Nut, Hex, Jam, M8 X 1.25	1
	17	1016399	(10000000-20000000) Screw, Hex, M8 X 1.25 X 30, NI, Ss	2
	18	01685	(10000000-20000000) Washer, Flat, 0.38b 0.88d .08, Ss	3
	19	1213226	(10000000-20000000) Bracket Wldt, Mtg, Head, 50cyl [Short]	1
	20	1074344	(10000000-20000000) Harness, Ele [Ring With .250m Tail]	1
	21	1020341	(10000000-20000000) Screw, Hex, M8 X 1.25 X 20, Ss, Sems	4
	22	1221434	(10000000-20000000) Nut, T, M8 X 1.25, Pm Ss [B5/B7, T300]	1
	23	1205799	(10000000-20000000) Screw, Btn, M5 X 0.8 X 16, 8.8, NI, Torx	1
	24	1216222	(10000000-20000000) Bracket Wldt, Mtg, Head	1
	25	1210112	(10000000-20000000) Washer, Flat, 1.03b 1.50d .03, Nylon	2
	26	222460	(10778394-20000000) Sleeve, P/M, 0.32b 0.50d 0.5l [430ss]	2
	27	1028796	(10778394-20000000) Washer, Flat, 0.33b 1.00d .18, Stl, PI	1
	28	49694	(10000000-10778393) Screw, Hex, M8 X 1.25 X 50, Ss	1
	29	1214039	(10000000-10778393) Roller, Lift, Head	1

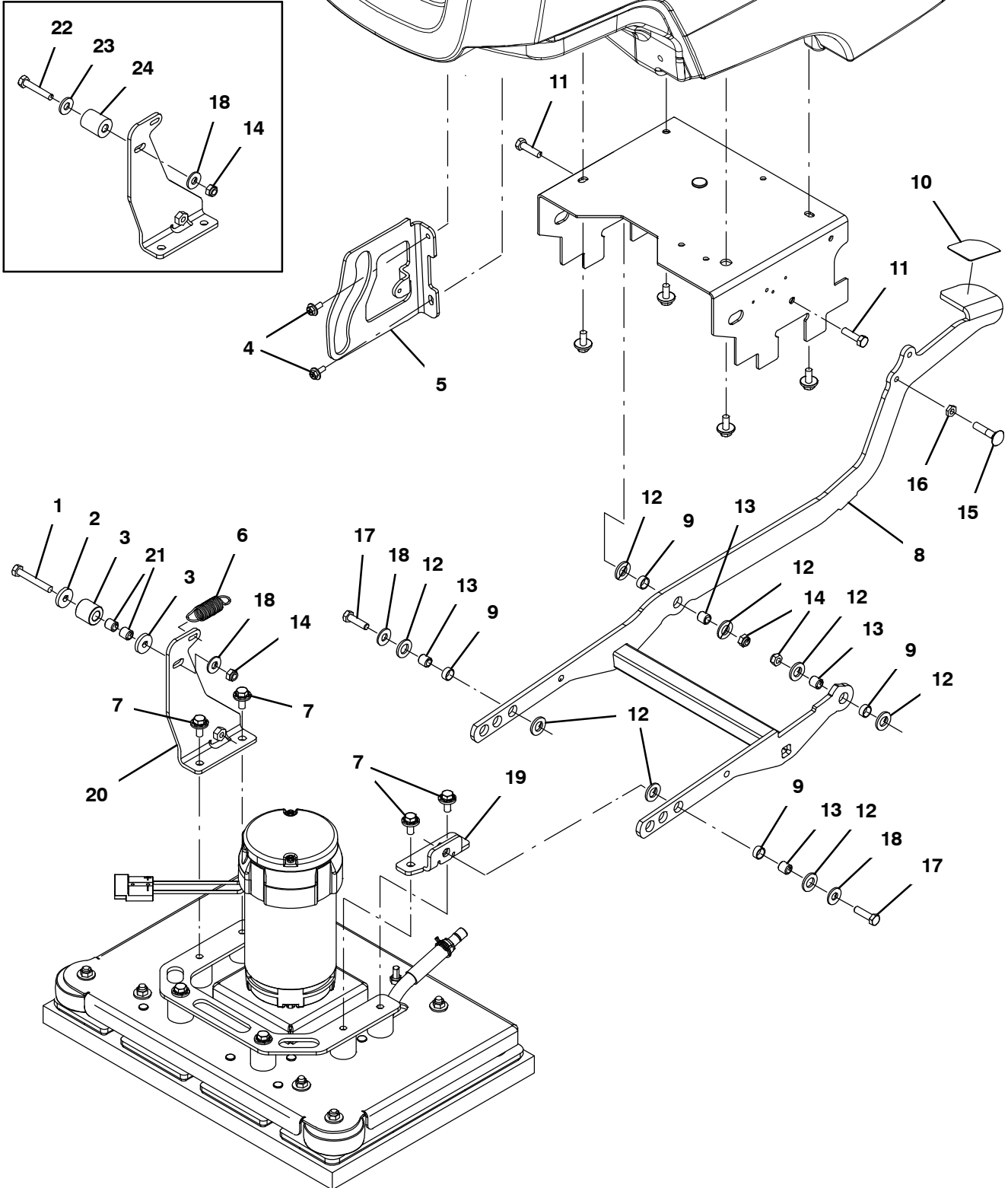
▽ ASSEMBLY

▲ INCLUDED IN ASSEMBLY

SCRUB HEAD LIFT GROUP, 50CM ORBITAL MODEL

355358

(S/N 1000000 - 10778393)



SCRUB HEAD LIFT GROUP, 50CM ORBITAL MODEL

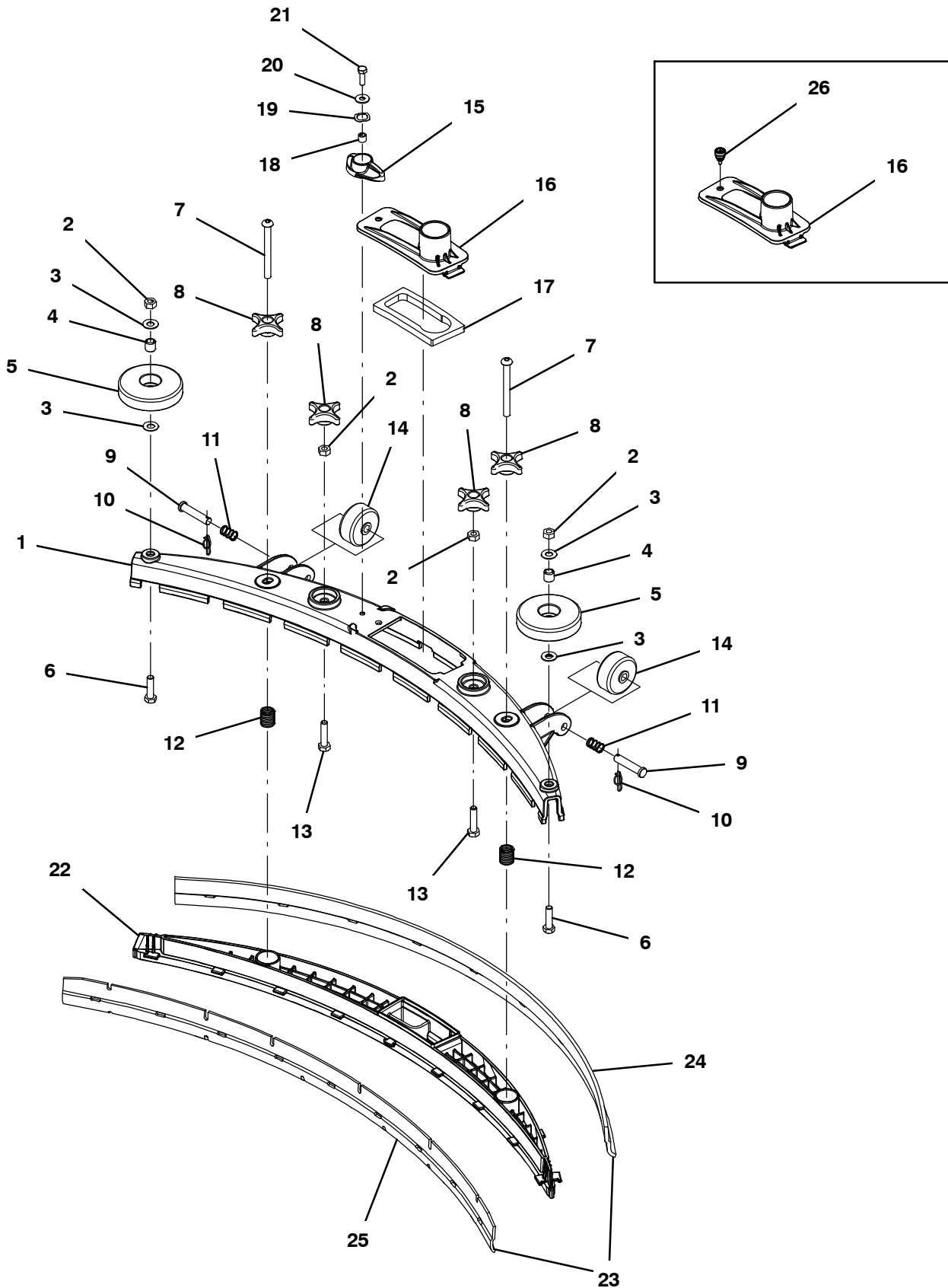
Ref.	Part No.	Serial Number	Description	Qty.
1	222504	(10778394-20000000)	Screw, Hex, M8 X 1.25 X 55, Ss	1
2	1028796	(10778394-20000000)	Washer, Flat, 0.33b 1.00d .18, Stl, Pl	2
3	1014020	(10778394-20000000)	Roller, 0.99d 0.50b 0.95l, Acetal	1
4	1034731	(10000000-20000000)	Screw, Hex, M6 X 1.00 X 16, Sems, Ss	2
5	1213063	(10000000-20000000)	Bracket, Guide, Head [Vw]	1
6	1032420	(10000000-20000000)	Spring, Extn, 0.85od 0.09wir 02.9l	1
7	1020341	(10000000-20000000)	Screw, Hex, M8 X 1.25 X 20, Ss, Sems	4
▽	8	9016811	(10887017-20000000) Kit, Lift, Head, Ci [T300/T300e/Ss300]	1
▲	9	630188	(10000000-20000000) Bearing, Journal, .50id X .25l	8
▽	8	9014170	(10000000-10887016) Kit, Lift, Head[T300/T300e/Ss300] (Replaced by 9016811)	1
▲	9	630188	(10000000-20000000) Bearing, Journal, .50id X .25l	8
	10	1218694	(10000000-20000000) Pad, Pedal, Lift	1
	11	09011	(10000000-20000000) Screw, Hex, M8 X 1.25 X 30, Ss	2
	12	1013936	(10000000-20000000) Washer, Flat, 0.51b 0.94d .10, Nyl	8
	13	222460	(10000000-20000000) Sleeve, P/M, 0.32b 0.50d 0.5l [430ss]	4
	14	08713	(10000000-20000000) Nut, Hex, Lock, M8 X 1.25, NI, Ss	3
	15	1235108	(10000000-20000000) Bolt, Carriage, M8 X 1.25 X 90, Fl	1
	16	200101017	(10000000-20000000) Nut, Hex, Jam, M8 X 1.25	1
	17	1016399	(10000000-20000000) Screw, Hex, M8 X 1.25 X 30, NI, Ss	2
	18	01685	(10000000-20000000) Washer, Flat, 0.38b 0.88d .08, Ss	3
	19	1212572	(10000000-20000000) Bracket Wldt, Mtg, Head, Orb, Short [Vw]	1
	20	1213223	(10000000-20000000) Bracket Wldt, Mtg, Head, Orb, Tall [Vw]	1
	21	222460	(10778394-20000000) Sleeve, P/M, 0.32b 0.50d 0.5l [430ss]	2
	22	49694	(10000000-10778393) Screw, Hex, M8 X 1.25 X 50, Ss	1
	23	01685	(10000000-10778393) Washer, Flat, 0.38b 0.88d .08, Ss	1
	24	1214039	(10000000-10778393) Roller, Lift, Head	1

▽ ASSEMBLY

▲ INCLUDED IN ASSEMBLY

SQUEEGEE ASSEMBLY, 500MM / 20IN

355437



SQUEEGEE ASSEMBLY, 500MM / 20IN

Ref.	Part No.	Serial Number	Description	Qty.
▽	9014172	(10000000-20000000)	Squeegee Kit, Linatex, Ci [T300/E/Ss300]	1
▲	1 1230946	(10000000-20000000)	Frame, Sqge, 50cm, Mach [T300]	1
▲	2 07786	(10000000-20000000)	Nut, Hex, Std, M8 X 1.25, Ss	2
▲	3 140027	(10000000-20000000)	Washer, Flat, 0.35b 0.75d .04, Ss	4
▲	4 222460	(10000000-20000000)	Sleeve, P/M, 0.32b 0.50d 0.5l [430ss]	2
▲	5 1010560	(10000000-20000000)	Wheel, Bmpr, 80d X 25w, Non-Marking	2
▲	6 1016399	(10000000-20000000)	Screw, Hex, M8 X 1.25 X 30, NI, Ss	2
▲	7 1212755	(10000000-20000000)	Screw, Btn, M8 X 1.25 X 80, Ss	2
▲	8 1213677	(10000000-20000000)	Knob, Star, 2.00od 4ear M8x1.25 [Yel]	4
▲	9 17461	(10000000-20000000)	Pin, Clevis, 0.37d X 1.75l	2
▲	10 1216647	(10000000-20000000)	Pin, Cotter, Hair, 0.38d .054 Wir	2
▲	11 1017091	(10000000-20000000)	Spring, Cmpr, 0.50od .04wir 00.8l	2
▲	12 22290	(10000000-20000000)	Spring, Cmpr, 0.72od .06wir 02.3l	2
▲	13 09026	(10000000-20000000)	Screw, Hex, M8 X 1.25 X 40, Ss	2
▲	14 630477	(10000000-20000000)	Wheel, Pyu, 02.0d 0.38w, Gray	2
▲	15 1222109	(xxxxxxx-20000000)	Knob, Sqge, 58l, M6 X 1.00, Plstc	1
▲	16 1209631	(10000000-20000000)	Cover, Trap, Water, Sqge	1
▲	17 1210756	(10000000-20000000)	Gasket, Trap, Water, Sqge	1
▲	18 140154	(xxxxxxx-20000000)	Sleeve, P/M, 0.25b 0.38d 0.3l, PI	1
▲	19 140060	(xxxxxxx-20000000)	Washer, .505 X .750 X 0.45 Wave	1
▲	20 01684	(xxxxxxx-20000000)	Washer, Flat, 0.27b 0.69d .05, Ss	1
▲	21 12277	(xxxxxxx-20000000)	Screw, Hex, M6 X 1.00 X 20, NI, Ss	1
▲	22 1203638	(10000000-20000000)	Retainer, Sqge [T300]	1
▲▽	23 9015731	(10000000-20000000)	Blade Kit, 500mm, Linatex (Standard)	1
▲▲	24 1203953	(10000000-20000000)	Blade, Sqge, Rear, 836l, Linatex[500mm] (Standard)	1
▲▲	25 1203954	(10000000-20000000)	Blade, Sqge, Front, 788l, Linatex[500mm] (Standard)	1
▽	23 9015732	(10000000-20000000)	Blade Kit, 500mm, Urethane (Option)	1
▲	24 1215609	(10000000-20000000)	Blade, Sqge, Rear, 836l, Urethane[500mm] (Option)	1
▲	25 1215611	(10000000-20000000)	Blade, Sqge, Front, 788l, Urethane[500mm] (Option)	1
▽	23 9015730	(10000000-20000000)	Blade Kit, 500mm, Gum (Option)	1
▲	24 1215610	(10000000-20000000)	Blade, Sqge, Rear, 836l, Gum[500mm] (Option)	1
▲	25 1215612	(10000000-20000000)	Blade, Sqge, Front, 788l, Gum[500mm] (Option)	1
	26 1212683	(10000000-xxxxxxx)	Screw, Captive, M5, Knurled [Snap In]	1

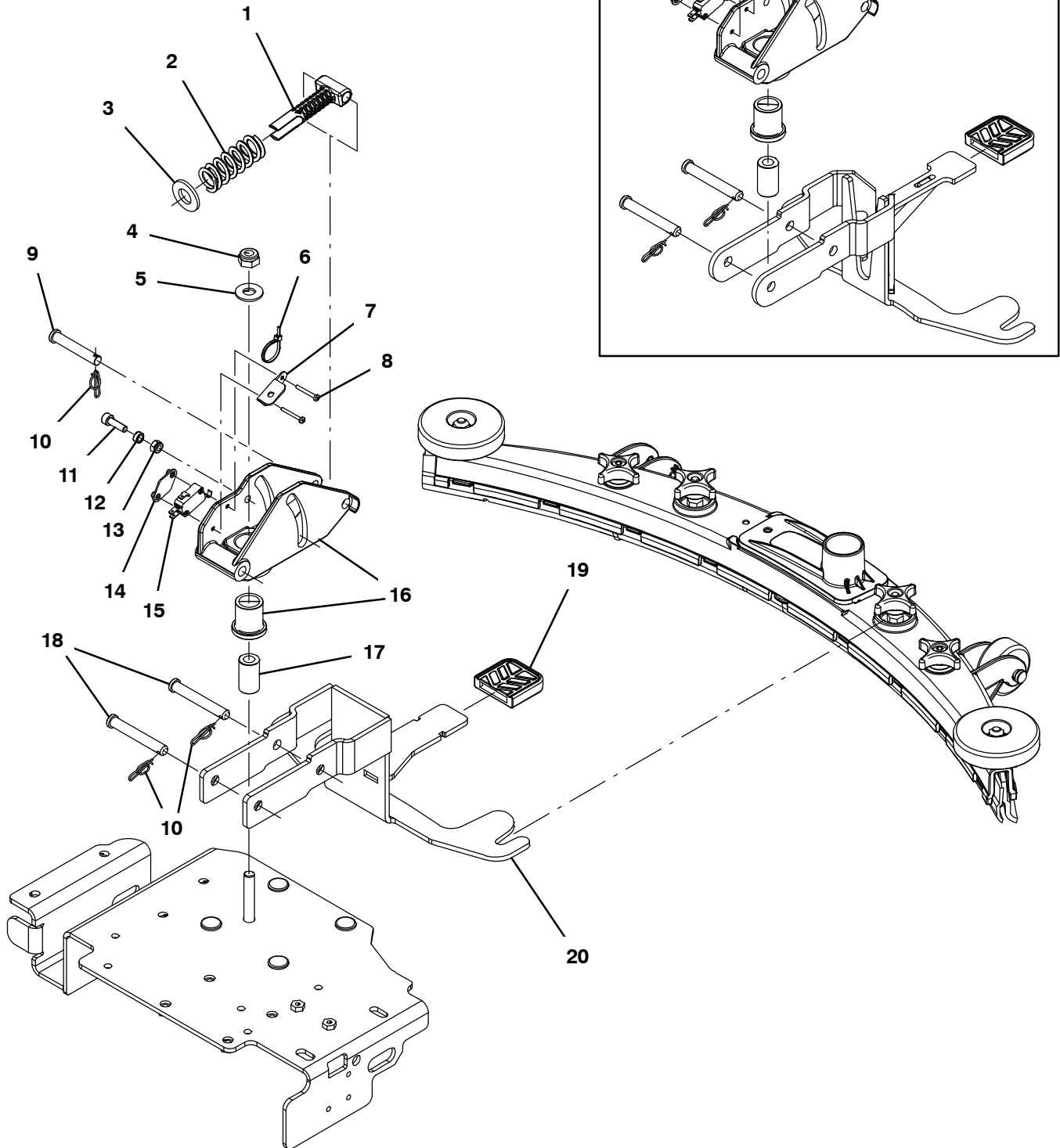
▽ ASSEMBLY

▲ INCLUDED IN ASSEMBLY

SQUEEGEE LIFT GROUP

355305

(S/N 1000000 - 10859579)

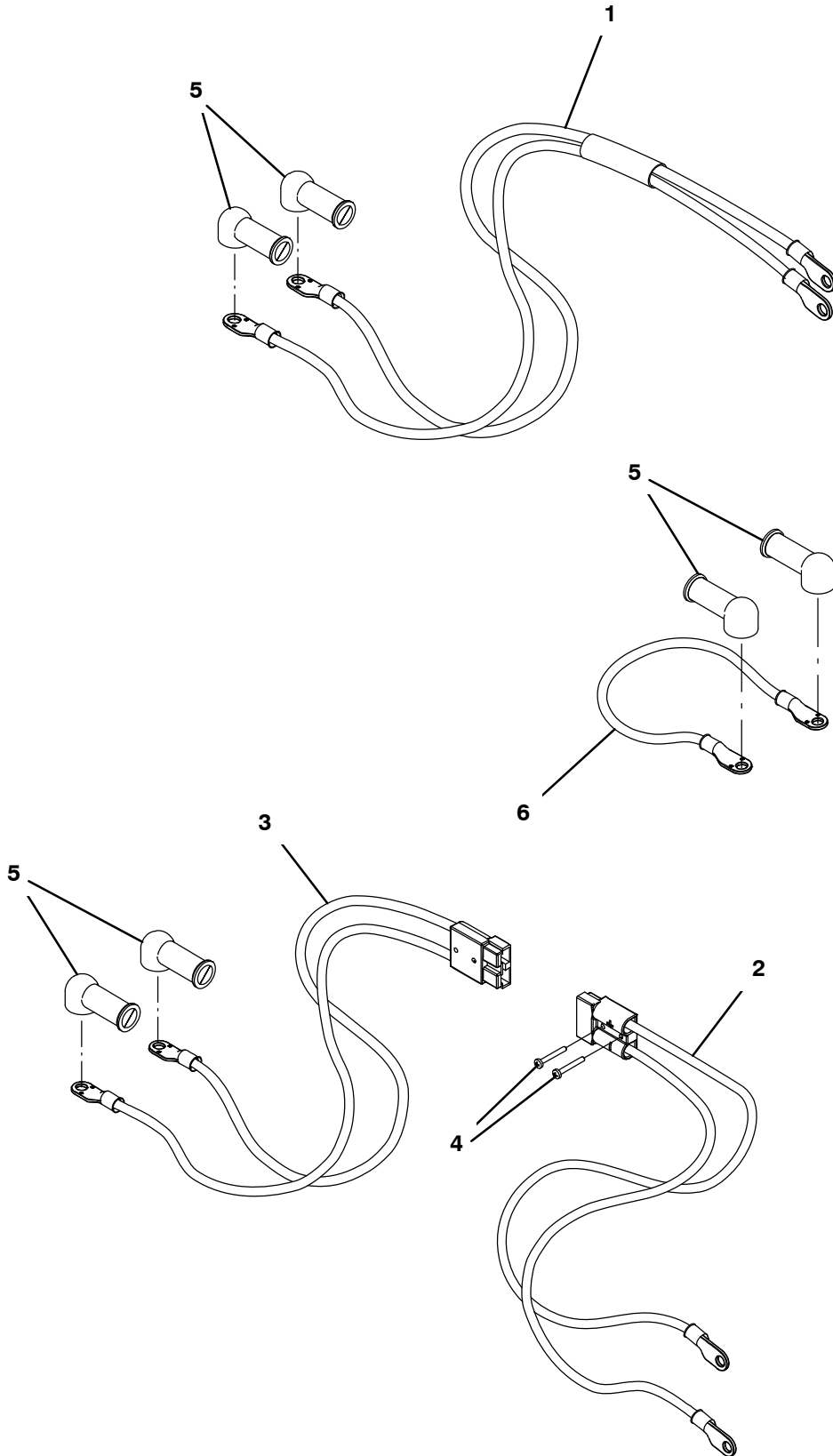


SQUEEGEE LIFT GROUP

Ref.	Part No.	Serial Number	Description	Qty.
1	1230485	(10000000-20000000)	Pin, Guide, Spring [T300]	1
2	1215756	(10000000-20000000)	Spring, Cmpr, 0.98od .146wir 02.5l	1
3	69954	(10000000-20000000)	Washer, Thrust, 0.63b 1.25d 0.13w	1
4	08714	(10000000-20000000)	Nut, Hex, Lock, M10 X 1.5, NI, Ss	1
5	140045	(10000000-20000000)	Washer, Flat, 0.51b 1.25d .06, Ss	1
6	130773	(10859580-20000000)	Tie, Cable, Nyl, 11.0l, .14w, 3.0 Max. D	1
7	1233709	(10859580-20000000)	Bracket, Retaining, Wire [T300]	1
8	33933	(10000000-20000000)	Screw, Pan, Phl, M3 X 0.50 X 25, Ss	2
9	51813	(10000000-20000000)	Pin, Clevis, 0.37d X 2.12l	1
10	1216647	(10000000-20000000)	Pin, Cotter, Hair, 0.38d .054 Wir	3
11	33951	(10000000-20000000)	Screw, Soc, M6 X 1.00 X 20, 12.9	1
12	80491	(10000000-20000000)	Sleeve, P/M, 0.25b 0.38d 0.2l [430ss]	1
13	08712	(10000000-20000000)	Nut, Hex, Lock, M6 X 1.00, NI, Ss	1
14	1013705	(10000000-20000000)	Plate, Thread, Switch, M3 Nut, 96hr PI	1
15	1215716	(10000000-20000000)	Switch, 0.1a, Spdt[Micro, Gold Contacts]	1
16	9014301	(10000000-20000000)	Bracket Kit, Sqge, Lift [T300/E, Ss300]	1
17	1214467	(10000000-20000000)	Sleeve, P/M, 0.41b 0.75d 1.3l [430ss]	1
18	391179	(10000000-20000000)	Pin, Clevis, 0.37d X 2.62l	2
19	1212533	(10000000-20000000)	Cover, Pedal, Lift	1
20	9014303	(10000000-20000000)	Bracket Kit, Sqge, Wdt [T300/E, Ss300]	1

BATTERY CABLE GROUP

355403



BATTERY CABLE GROUP

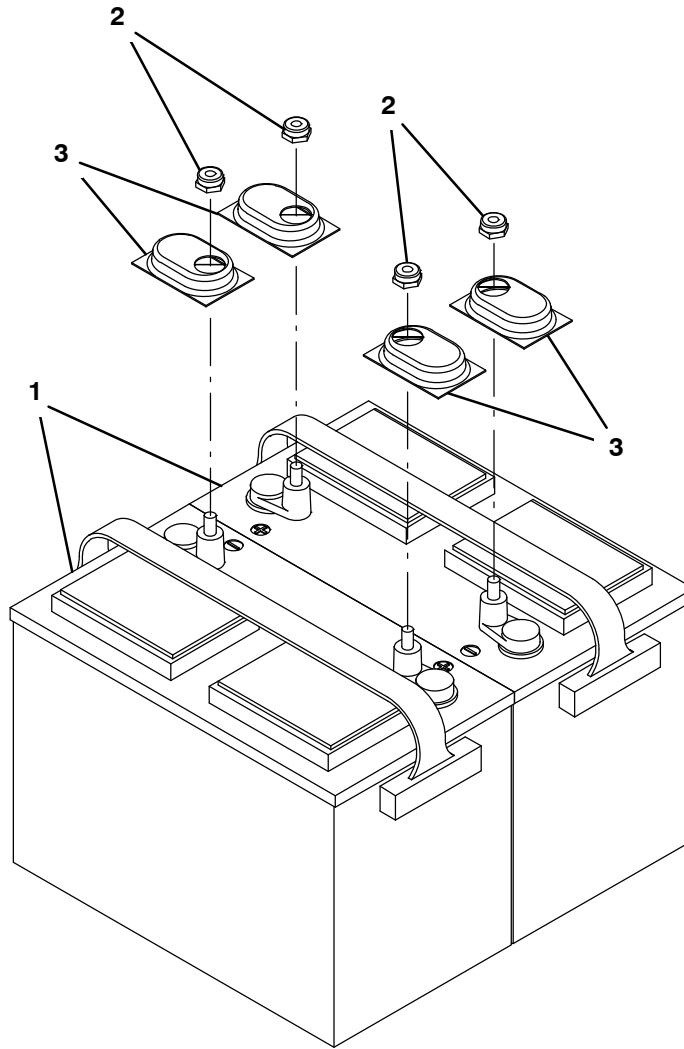
Ref.	Part No.	Serial Number	Description	Qty.	
1	1074847	(10790532-20000000)	Cable, Assy [T300e] (Standard - Without Battery Lift Out Kit Option)	1	
▽	9014781	(10000000-20000000)	Cable Kit, Battery, Ring, Tray,Ci[T300e] (Required for Battery Lift Out Kit Option)	1	
▲	2	1073629	(10000000-10790531)	Cable, Battery, 4ga [M8 Ring/M8 Ring]	1
▲	3	1073628	(10000000-10790531)	Cable, Battery, 4ga [M8 Ring/M8 Ring]	1
▲	4	33931	(10000000-10790531)	Screw, Pan, Phl, M4 X 0.70 X 30, Ss	2
	5	611221	(10790532-20000000)	Boot, Terminal, Battery, 25.4mm, Blk	2
	5	611221	(10000000-10790531)	Boot, Terminal, Battery, 25.4mm, Blk	4
	6	1073680	(10000000-20000000)	Cable, 04ga 15.0l Blk [M8 Ring/M8 Ring]	1

▽ ASSEMBLY

▲ INCLUDED IN ASSEMBLY

BATTERY GROUP, 105AH C20 WET

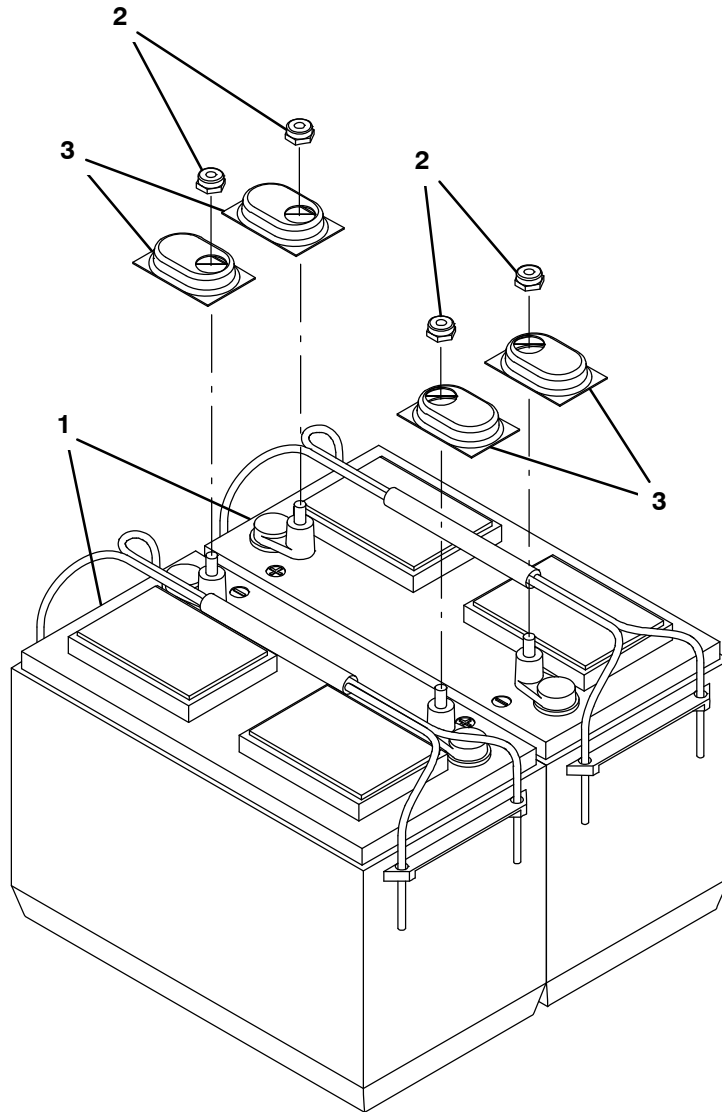
355359



Ref.	Part No.	Serial Number	Description	Qty.
1	578426	(10000000-20000000)	Battery, Wet, 12vdc 0105ah [S8, 27tmx]	2
2	87435	(10000000-20000000)	Nut, Hex, Flexlock, .31-18	4
3	45962	(10000000-20000000)	Cap, Battery, White [For 105ah & 130ah]	4

BATTERY GROUP, 130AH C20 WET

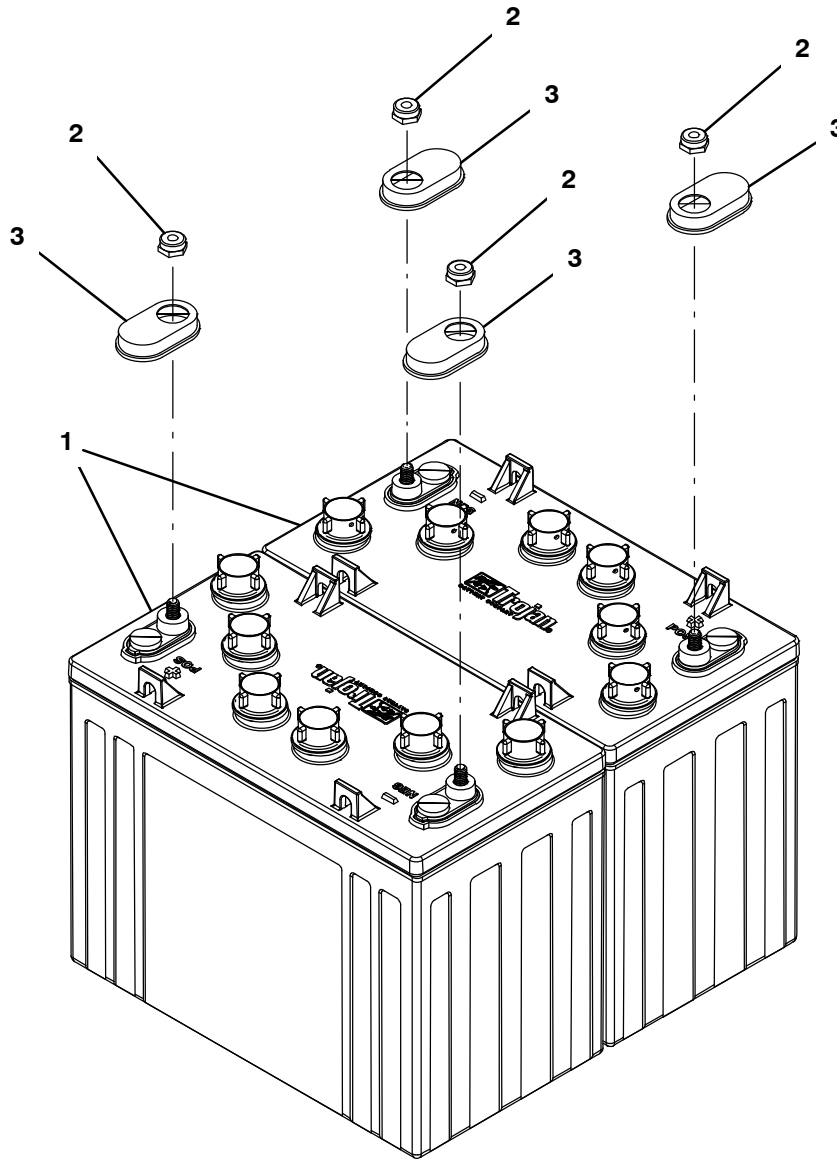
355360



Ref.	Part No.	Serial Number	Description	Qty.
1	130869	(10000000-20000000)	Battery, Wet, 12vdc 0130ah [30xhs-Wnt]	2
2	87435	(10000000-20000000)	Nut, Hex, Flexlock, .31-18	4
3	45962	(10000000-20000000)	Cap, Battery, White [For 105ah & 130ah]	4

BATTERY GROUP, 150AH C20 WET

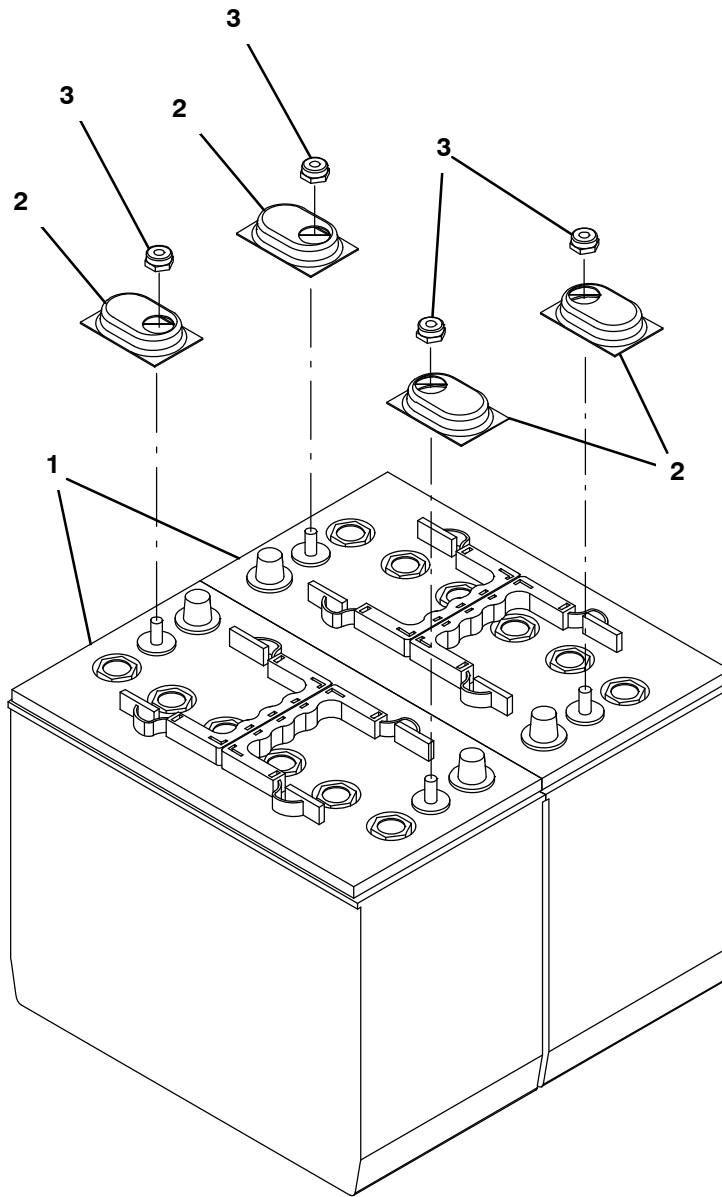
355361



Ref.	Part No.	Serial Number	Description	Qty.
1	1015046	(10000000-20000000)	Battery, Wet, 12vdc 0150ah	2
2	87435	(10000000-20000000)	Nut, Hex, Flexlock, .31-18	4
3	1041030	(10000000-20000000)	Cap, Battery, Black [For 155ah]	4

BATTERY GROUP, 140AH C20 AGM

355362



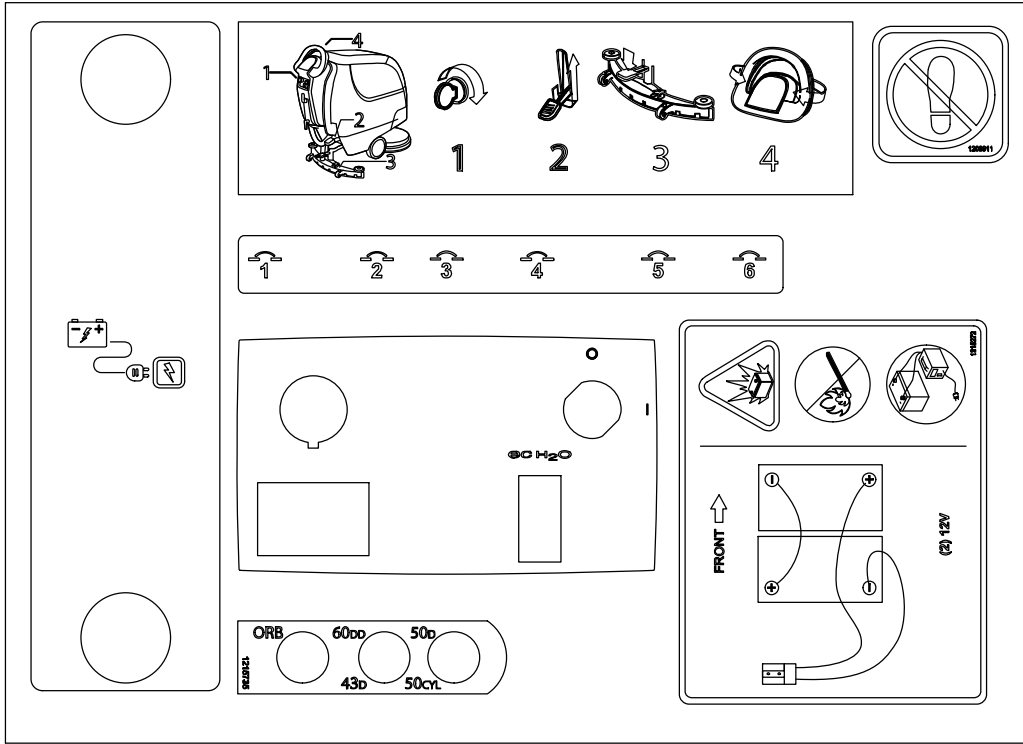
	Ref.	Part No.	Serial Number	Description	Qty.
▽	1	1053408	(10000000-20000000)	Battery, 12vdc 0140ah [Agm]	2
▲	2	45962	(10000000-20000000)	Cap, Battery, White [For 105ah & 130ah]	4
	3	87435	(10000000-20000000)	Nut, Hex, Flexlock, .31-18	4

▽ ASSEMBLY

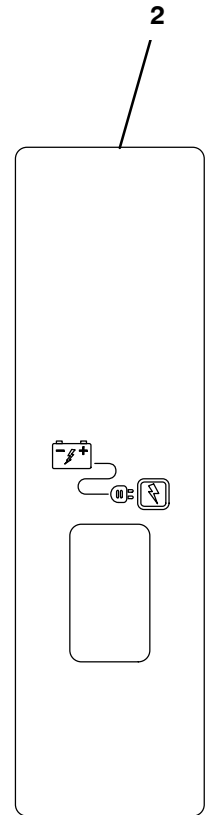
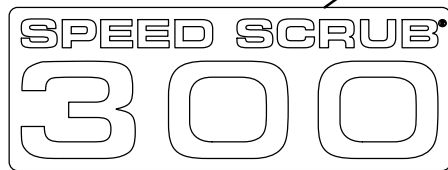
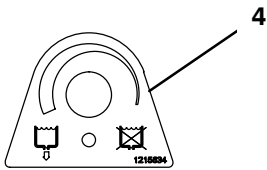
▲ INCLUDED IN ASSEMBLY

LABEL GROUP

355366



500 x 355 mm / 20 x 14 in



LABEL GROUP

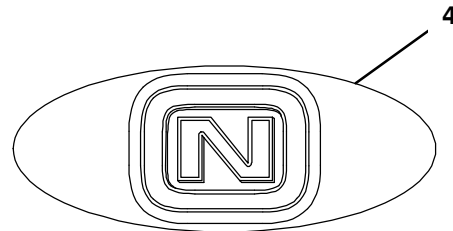
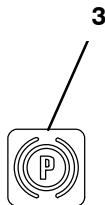
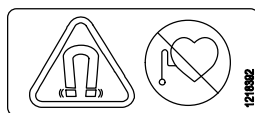
Ref.	Part No.	Serial Number	Description	Qty.
1	1236088	(10000000-20000000)	Label Sheet, Operational [T300/Ss300]	1
2	1225763	(10000000-20000000)	Label, Decal, Charger, Off-Board	1
3	1214279	(10000000-20000000)	Label, Orbital, Size, 50cm (Orbital Head)	1
4	1215634	(10000000-20000000)	Label, Opertnl, Solution Knob Adj	1
5	1215264	(10000000-20000000)	Label, Speed Scrub 300	2
6	1216533	(10000000-20000000)	Label, Logo [Ech2o Nano Nobles] (ec-H2O Model)	2

LABEL GROUP - CONT'D

355367

1

	⚠ WARNING	⚠ AVERTISSEMENT	⚠ ADVERTENCIA
	<p>TO REDUCE THE RISK OF FIRE, EXPLOSION, ELECTRICAL SHOCK, OR INJURY:</p> <ul style="list-style-type: none"> Read manual before operating machine. Do not use or pick up flammable materials. Do not use near flammable liquids, vapors or combustible dusts. Batteries emit hydrogen gas. Explosion or fire can result. Keep sparks and open flame away when charging. Disconnect battery cables and charger plug before servicing machine. Do not charge batteries with damaged cord. Do not use outdoors. Store indoors. 	<p>POUR RÉDUIRE LES RISQUES D'INCENDIE, L'EXPLOSION, DE CHOC ÉLECTRIQUE OU DE LÈSSURE:</p> <ul style="list-style-type: none"> Lisez le manuel avant d'utiliser la machine. N'utilisez pas ou ne ramassez pas de matériaux inflammables. N'utilisez pas près de liquides, vapeurs ou poussières inflammables. Les batteries émettent de l'hydrogène gazeux. Risque d'incendie et d'explosion. Évitez toute étincelle et toute flamme nue lors de la charge des batteries. Débranchez les câbles des batteries et le cordon du chargeur avant l'entretien de la machine. Ne chargez pas les batteries avec un cordon endommagé. N'utilisez pas à l'extérieur. Entrez-les à l'intérieur. 	<p>PARA REDUCIR EL RIESGO DE INCENDIO, EXPLOSION, CHOQUE ELÉCTRICO, O LESIONES:</p> <ul style="list-style-type: none"> Lee el manual antes de utilizar la máquina. No utilice ni recoja materiales inflamables. No utilice ni recarga cerca de líquidos, polvo o vapores inflamables. Las baterías emiten hidrógeno. Peligro de incendio o explosión. Mantenga la máquina alejada de chispas y llamas cuando se está cargando. Desconecte los cables de la batería antes de realizar el servicio a la máquina. No cargue las baterías si el cable está dañado. No utilice la máquina si está libre. Guárdela en un lugar cerrado.
<p>1216002</p>	<p>120004</p>	<p>120004</p>	<p>120004</p>
	<p>SC H₂O</p> <p>70°F/21°C</p> <p>120001</p>		

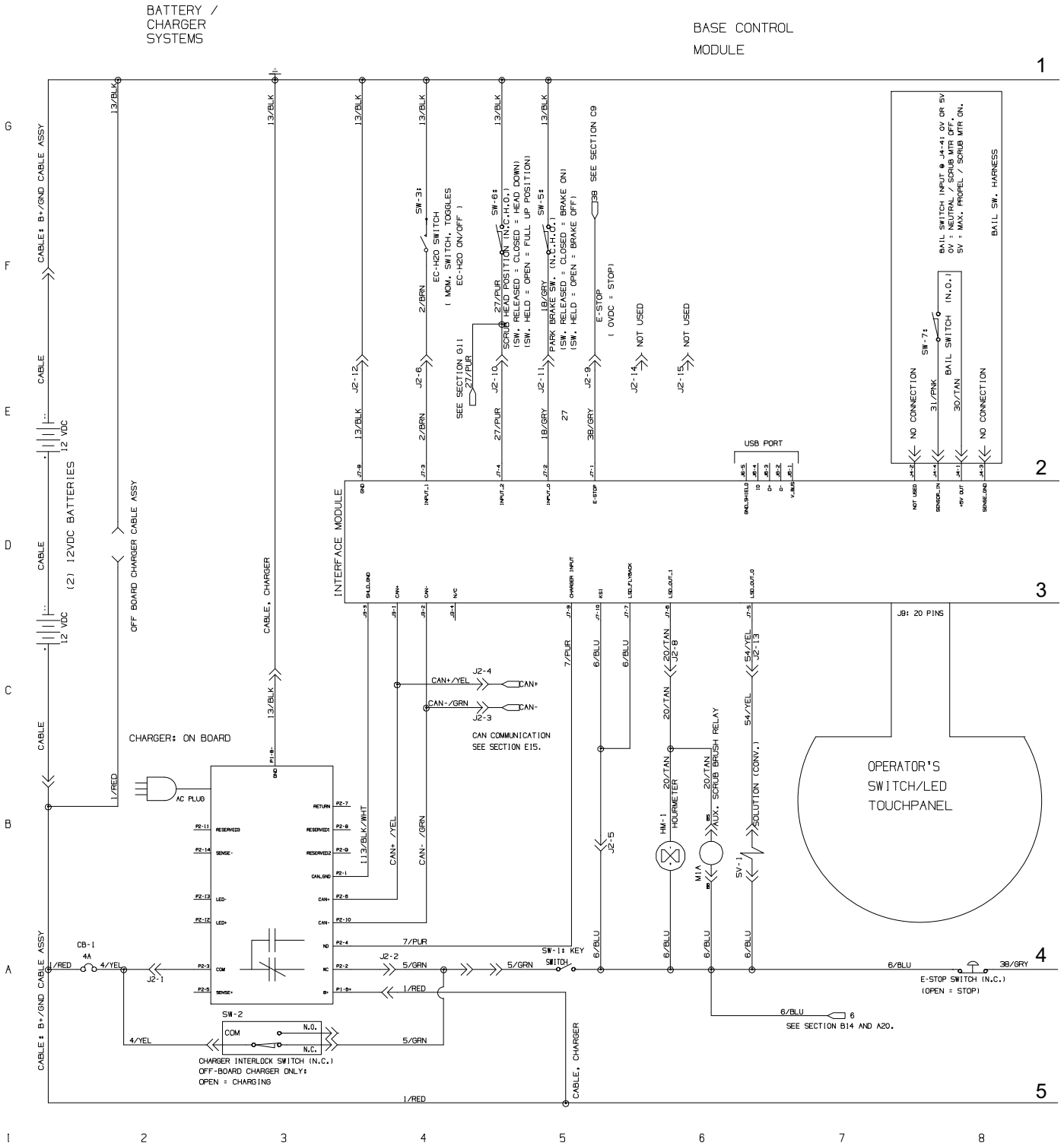


LABEL GROUP – CONT'D

Ref.	Part No.	Serial Number	Description	Qty.
1	1220962	(10000000–20000000)	Label Sheet, Info/Hzrd [T500, Na]	1
2	1218392	(10000000–20000000)	Label, Safety, Magnet, Med (Magnetic Heads)	1
3	1224990	(10000000–20000000)	Label, Opertnl, Parking Brake (Optional)	1
4	1206159	(10000000–20000000)	Label, Logo, 05.5l [Nobles]	1

ELECTRICAL DIAGRAM, PROPEL (S/N 10891949 –) (PAGE 1 OF 3)

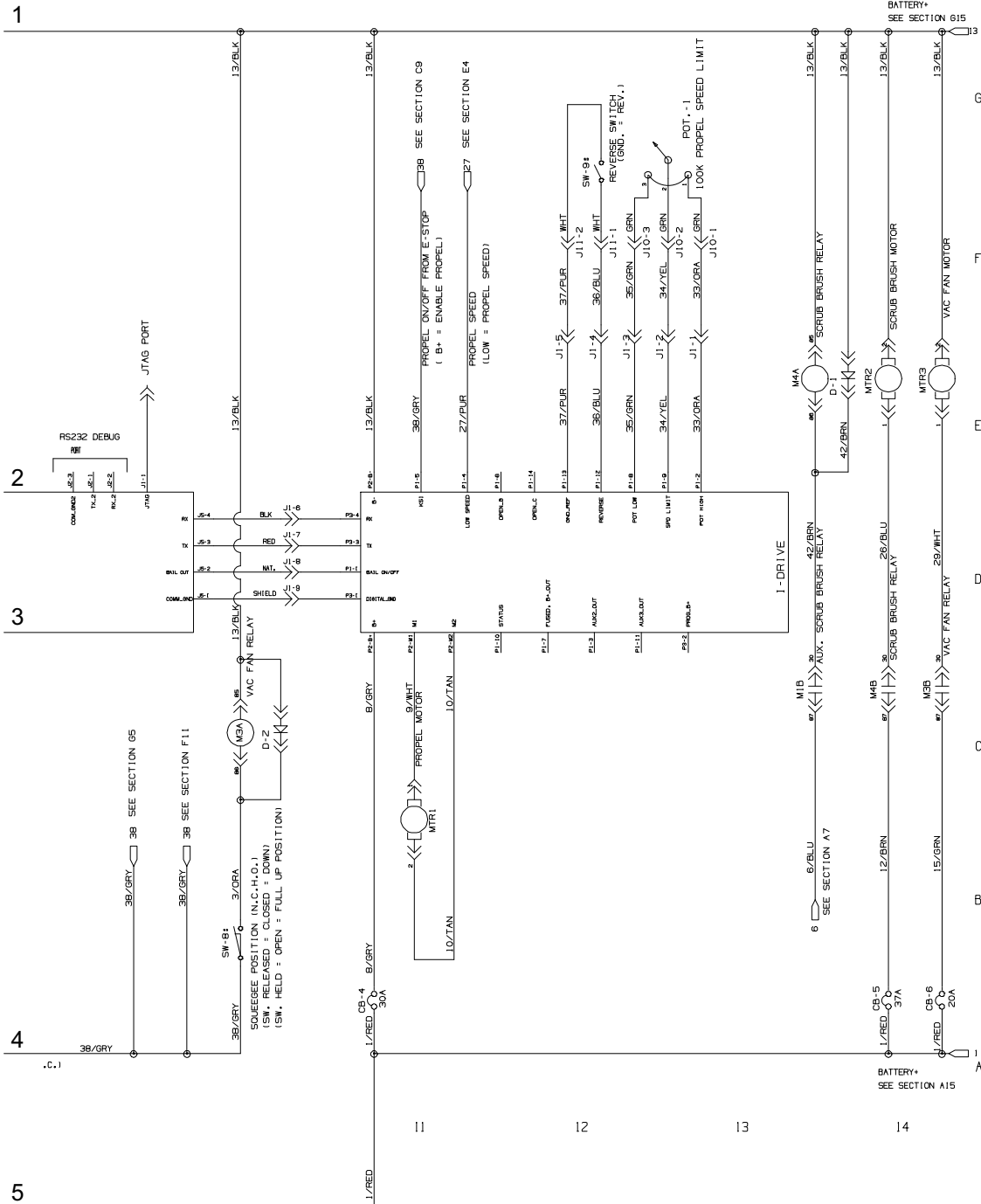
1074707_02



ELECTRICAL DIAGRAM, PROPEL (S/N 10891949 -) (PAGE 2 OF 3)

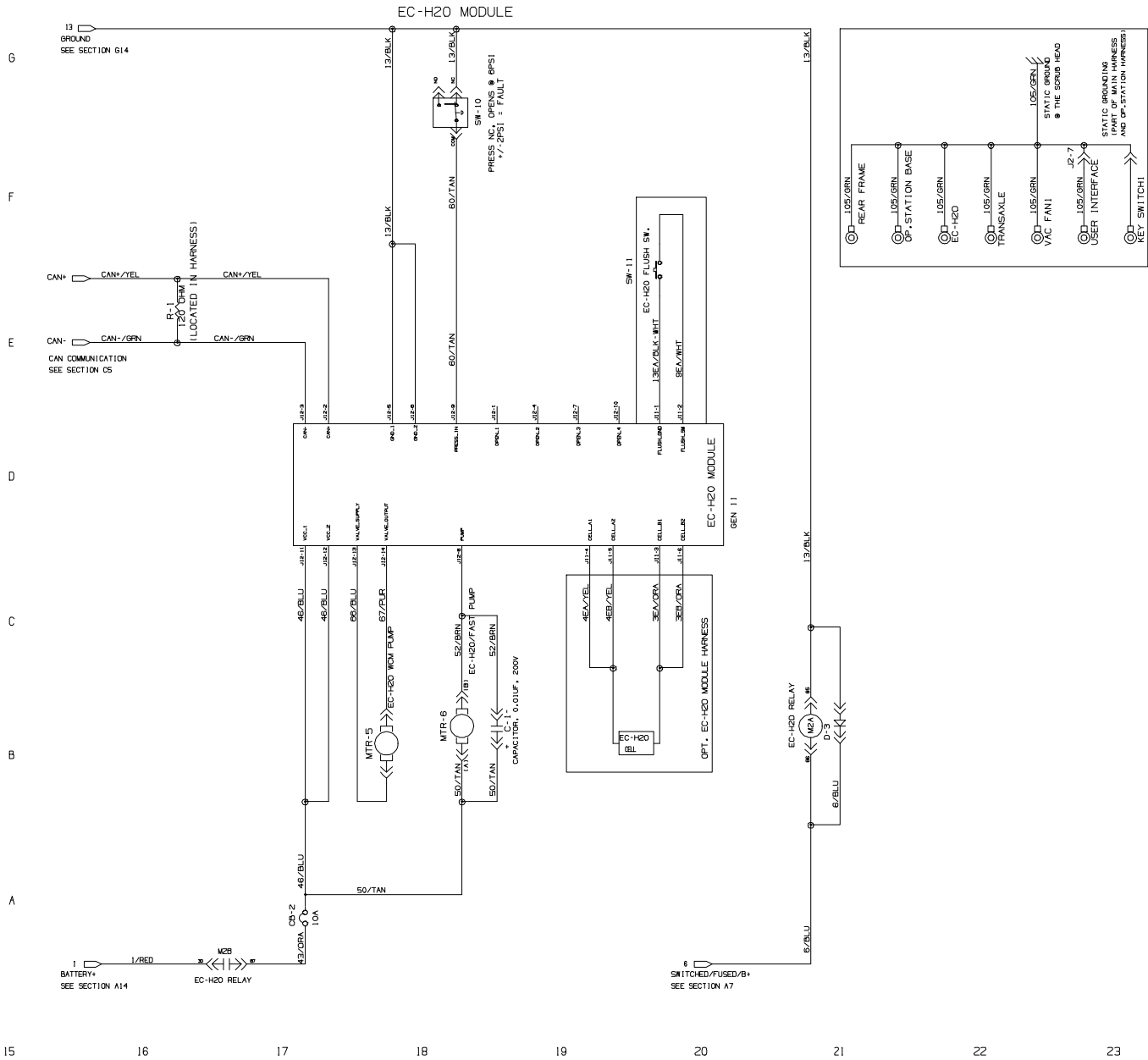
1074707_02

PROPEL SYSTEM



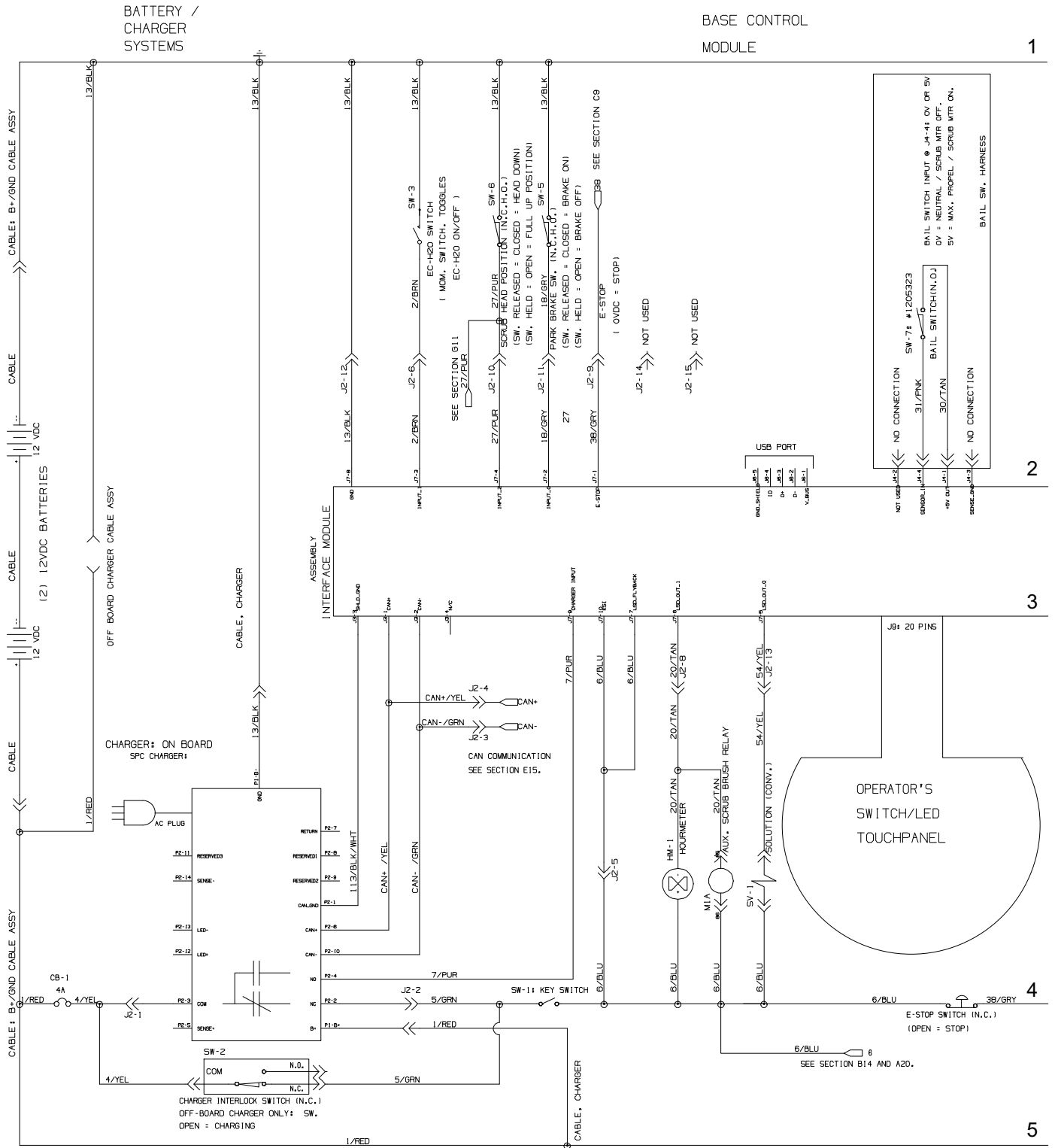
ELECTRICAL DIAGRAM, PROPEL (S/N 10891949 –) (PAGE 3 OF 3)

1074707_02



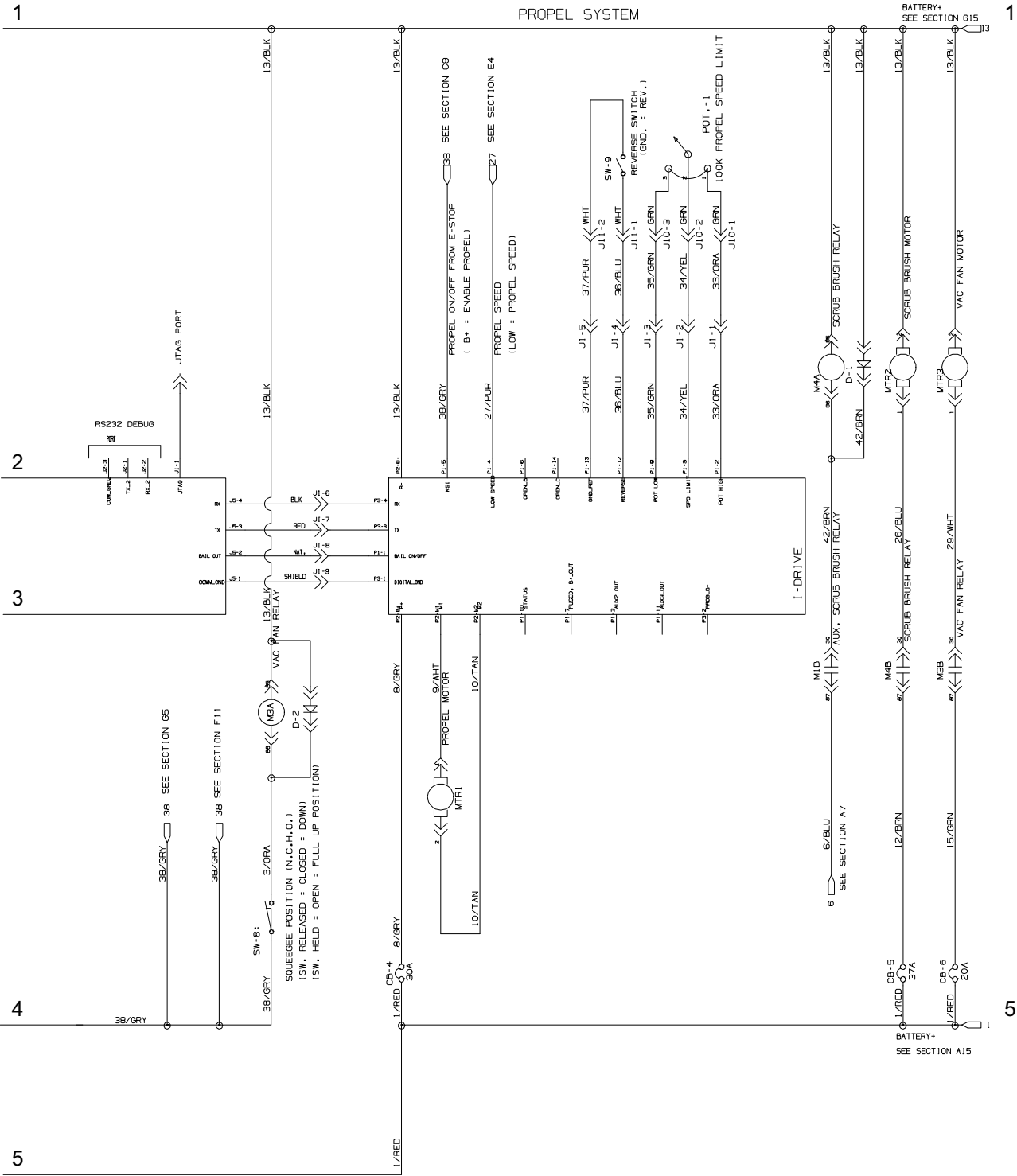
ELECTRICAL DIAGRAM, PROPEL (S/N 1000000 – 10891948) (PAGE 1 OF 3)

1074707_00



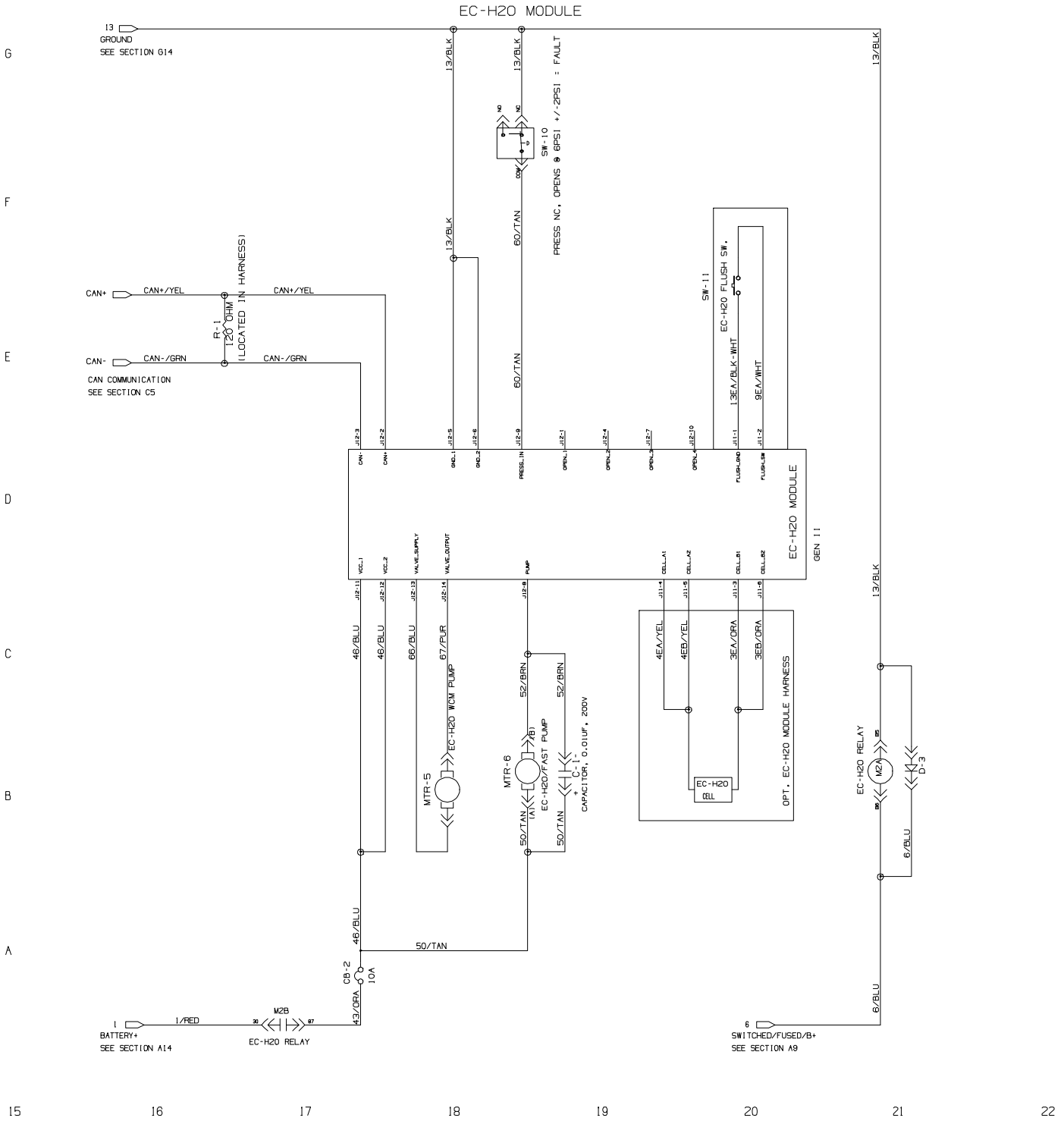
ELECTRICAL DIAGRAM, PROPEL (S/N 1000000 – 10891948) (PAGE 2 OF 3)

1074707_00



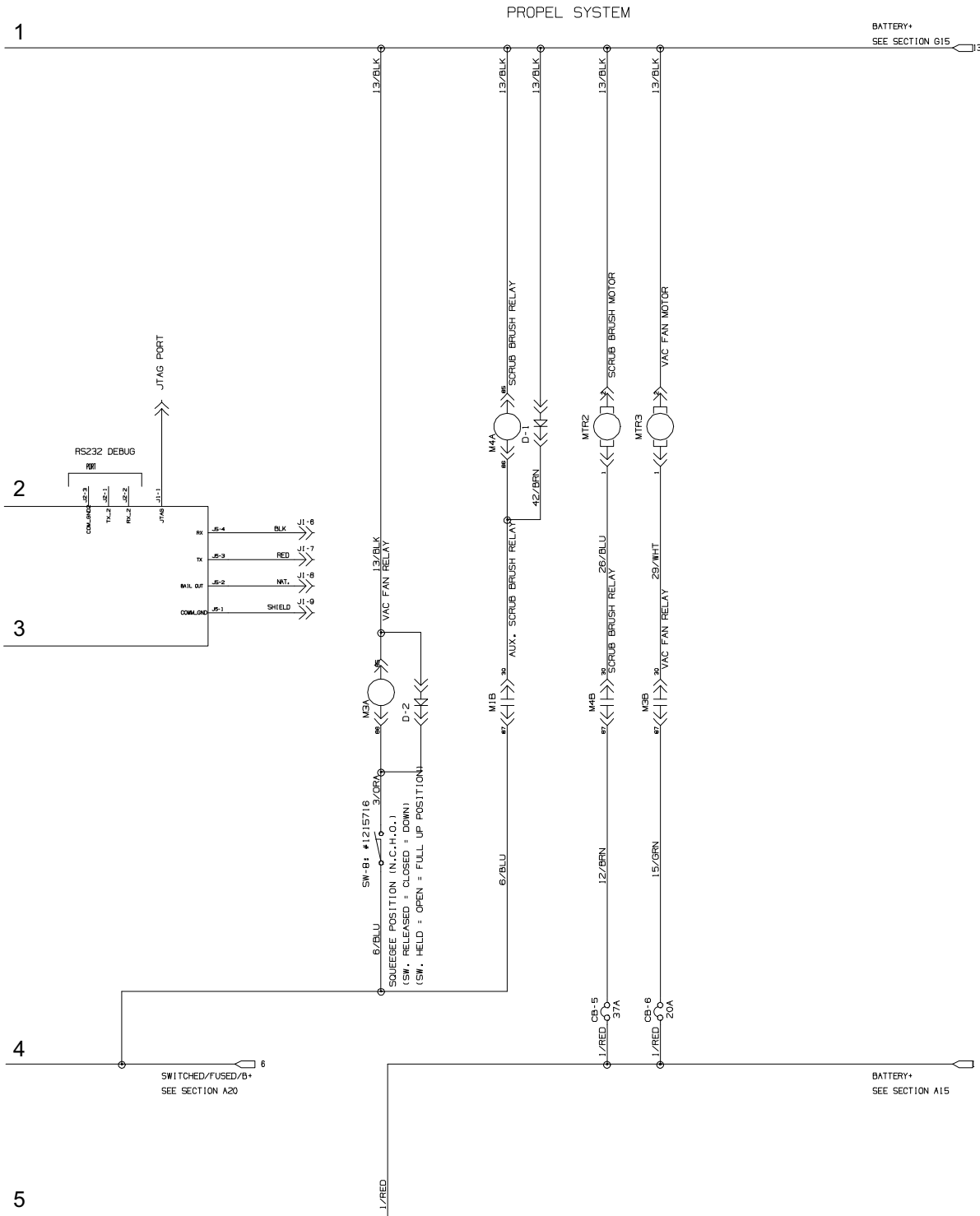
ELECTRICAL DIAGRAM, PUSH (S/N 10891710 -) (PAGE 3 OF 3)

1074708_02



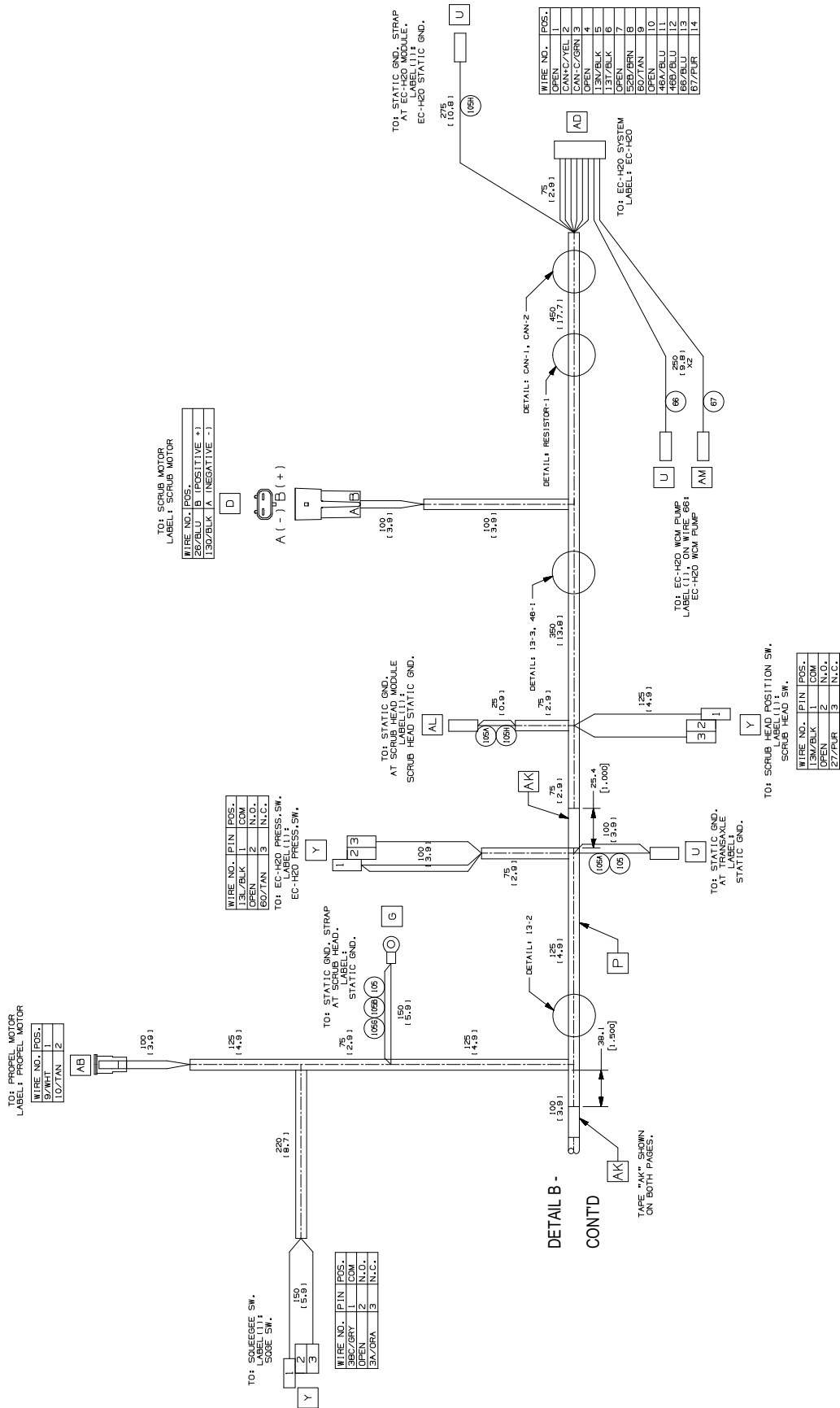
ELECTRICAL DIAGRAM, PUSH (S/N 1000000 – 10891709) (PAGE 2 OF 3)

1074708_00



ELECTRICAL HARNESS, MAIN PROPEL (S/N 10891949 -) (PAGE 3 OF 3)

1076140_02



ELECTRICAL HARNESS, MAIN PROPEL (S/N 10891949 -)

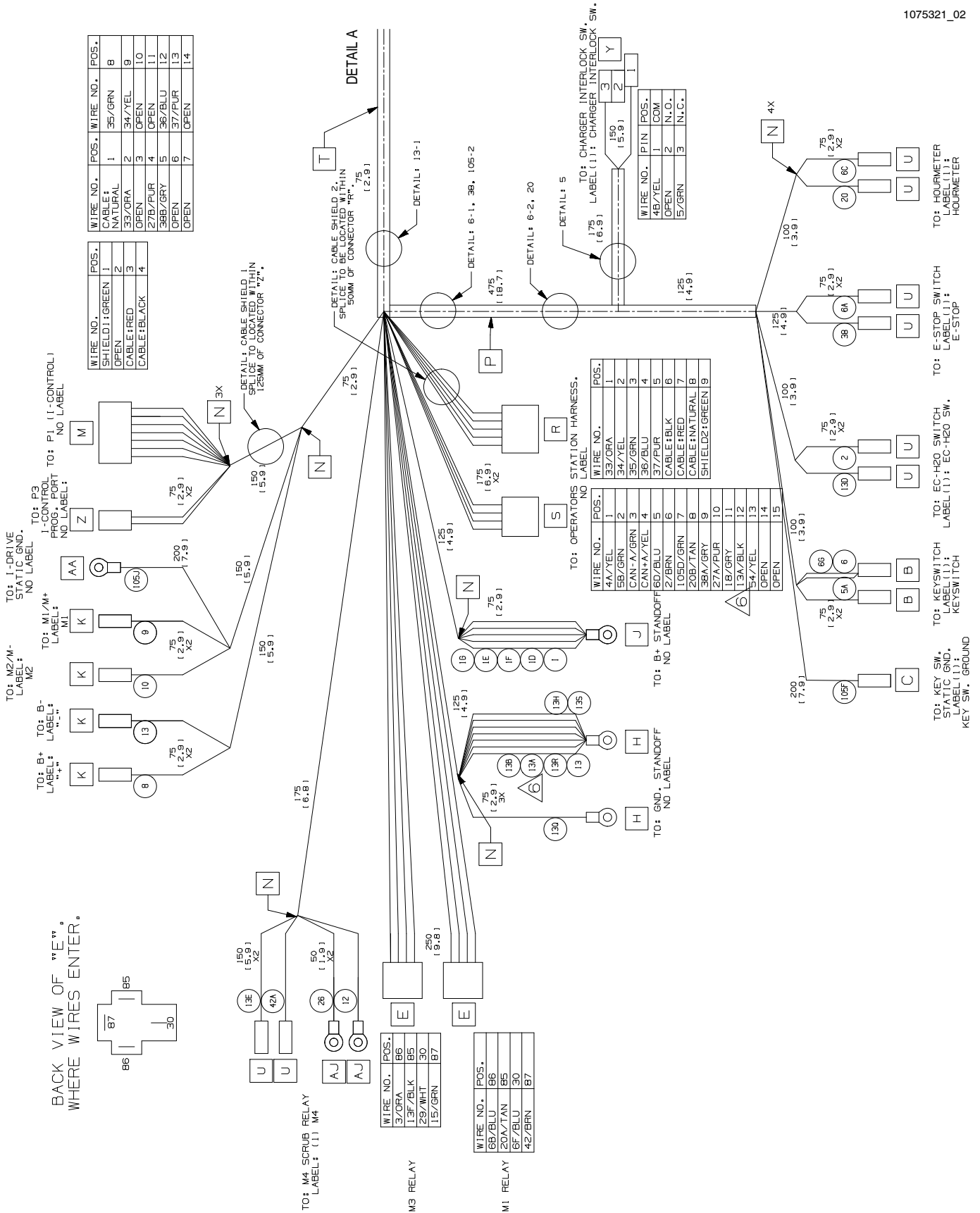
	Part No.	Serial Number	Description	Qty.
▽	9015155	(10891949-20000000)	Harness Kit, Main, Ele [Vw, Base,Propel]	1
▲	222290	(10891949-20000000)	Diode, Ele, Plug	4
▲	1040868	(10000000-20000000)	Capacitor, Plug [.01 Uf, 200v]	1

▽ ASSEMBLY

▲ INCLUDED IN ASSEMBLY

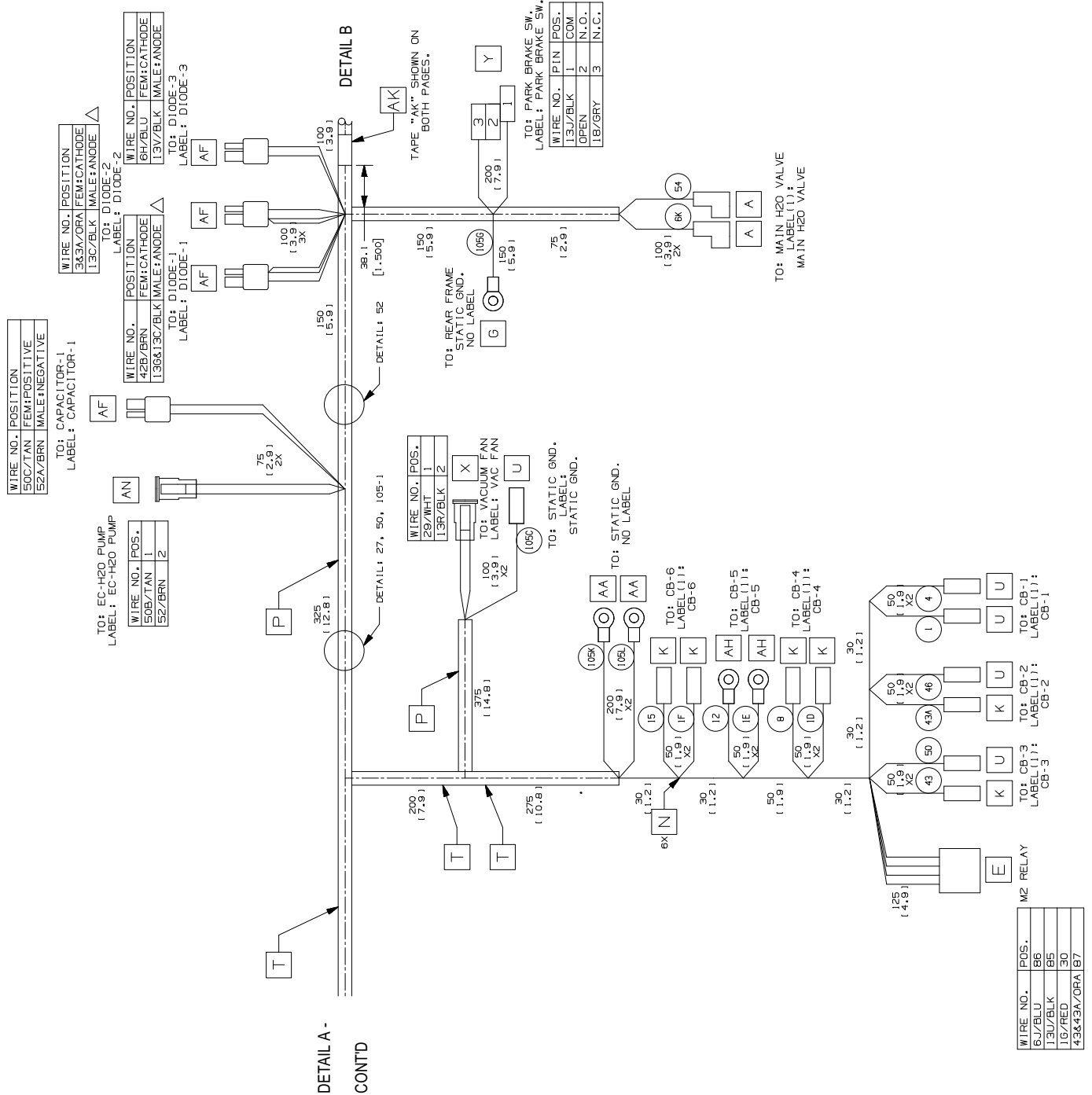
ELECTRICAL HARNESS, MAIN PROPEL (S/N 10822349 – 10891948) (PAGE 1 OF 3)

1075321_02



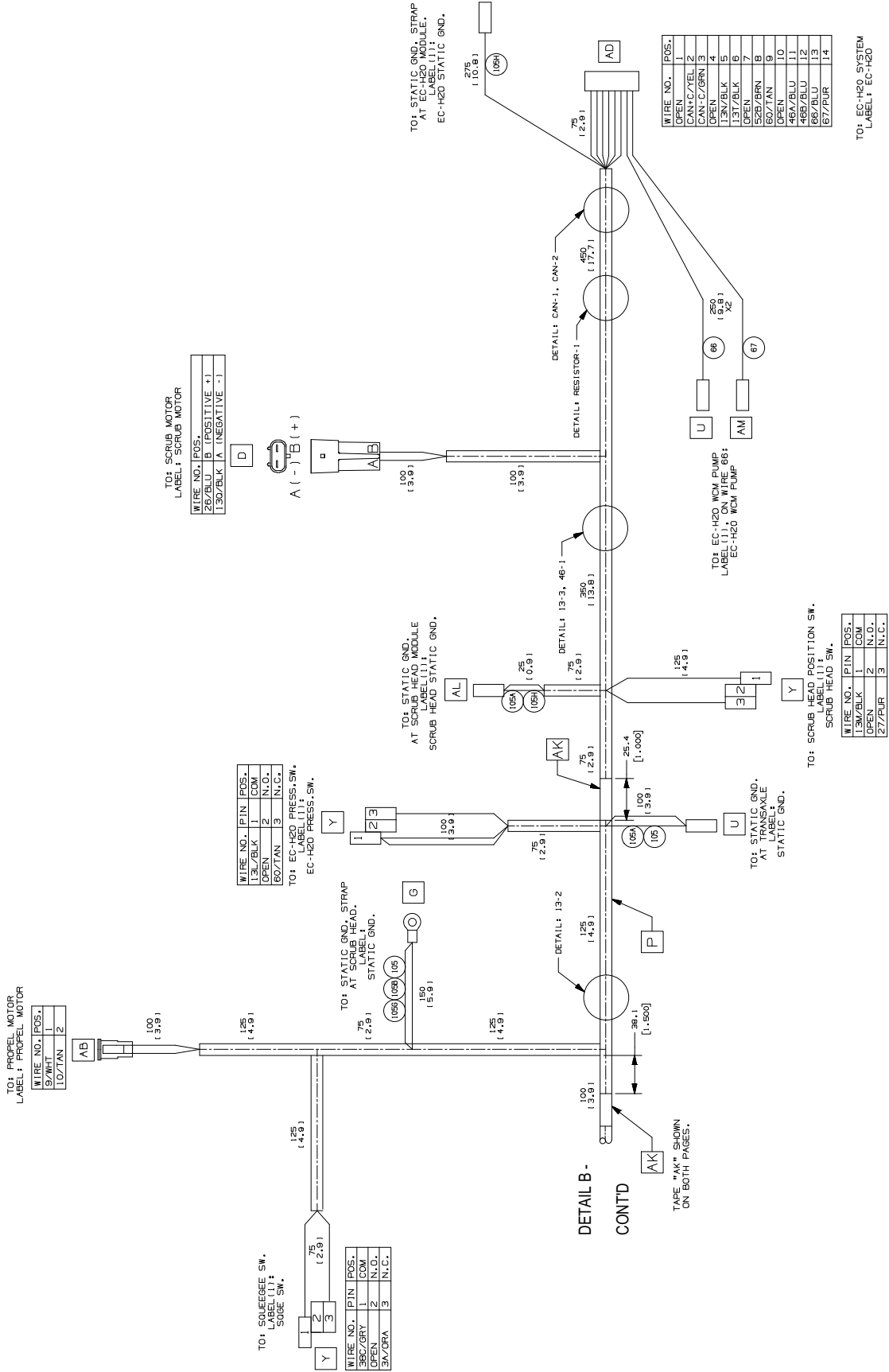
ELECTRICAL HARNESS, MAIN PROPEL (S/N 10822349 – 10891948) (PAGE 2 OF 3)

1075321_02



ELECTRICAL HARNESS, MAIN PROPEL (S/N 10822349 – 10891948) (PAGE 3 OF 3)

1075321_02



ELECTRICAL HARNESS, MAIN PROPEL (S/N 10822349 – 10891948)

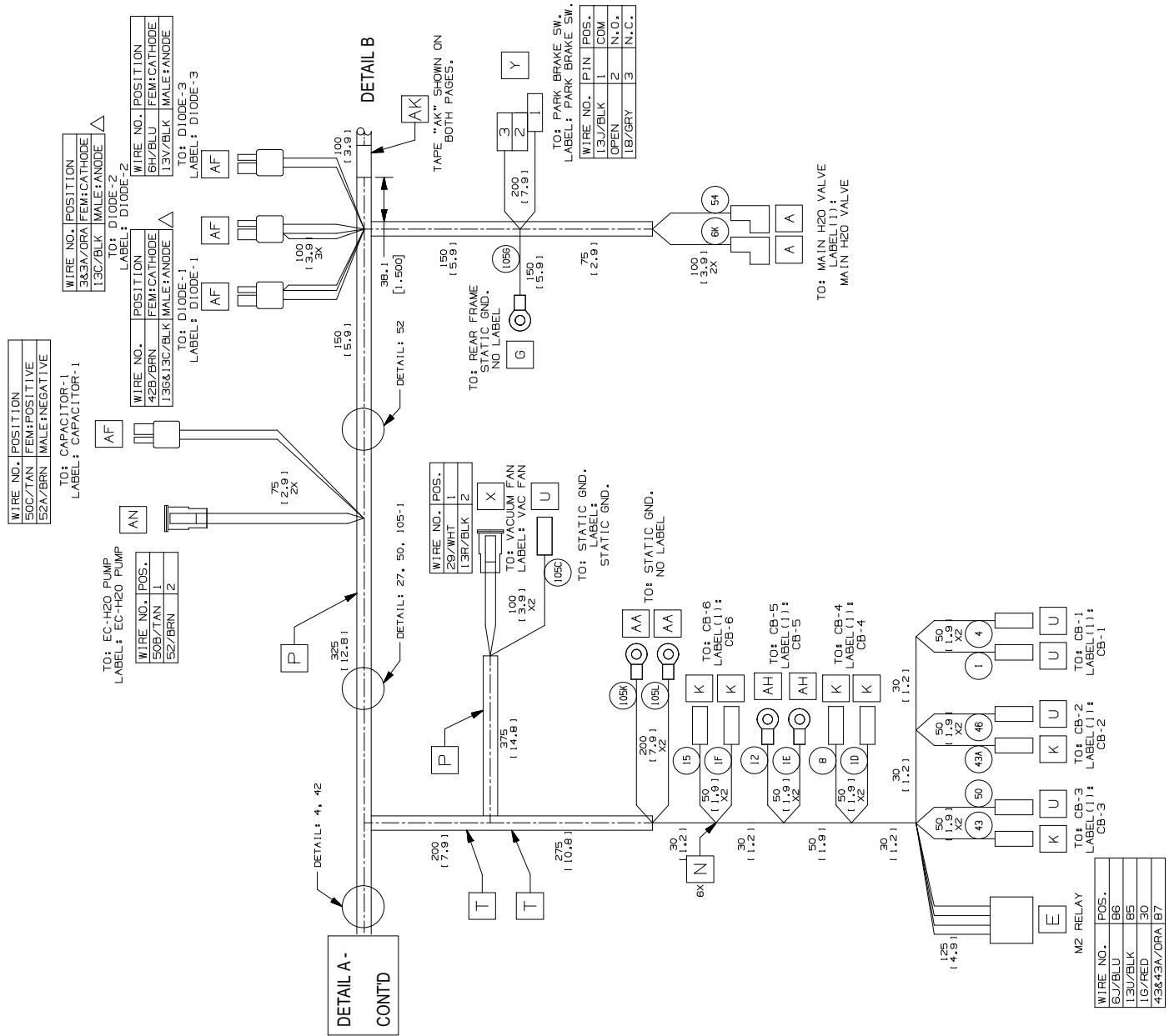
	Part No.	Serial Number	Description	Qty.
▽	1075321	(10822349–10891948)	Harness, Main, Ele [Vw, Base, Propel] (Replaced By 9015155)	1
▲	222290	(10000000–20000000)	Diode, Ele, Plug	3
▲	1040868	(10000000–20000000)	Capacitor, Plug [.01 Uf, 200v]	1

▽ ASSEMBLY

▲ INCLUDED IN ASSEMBLY

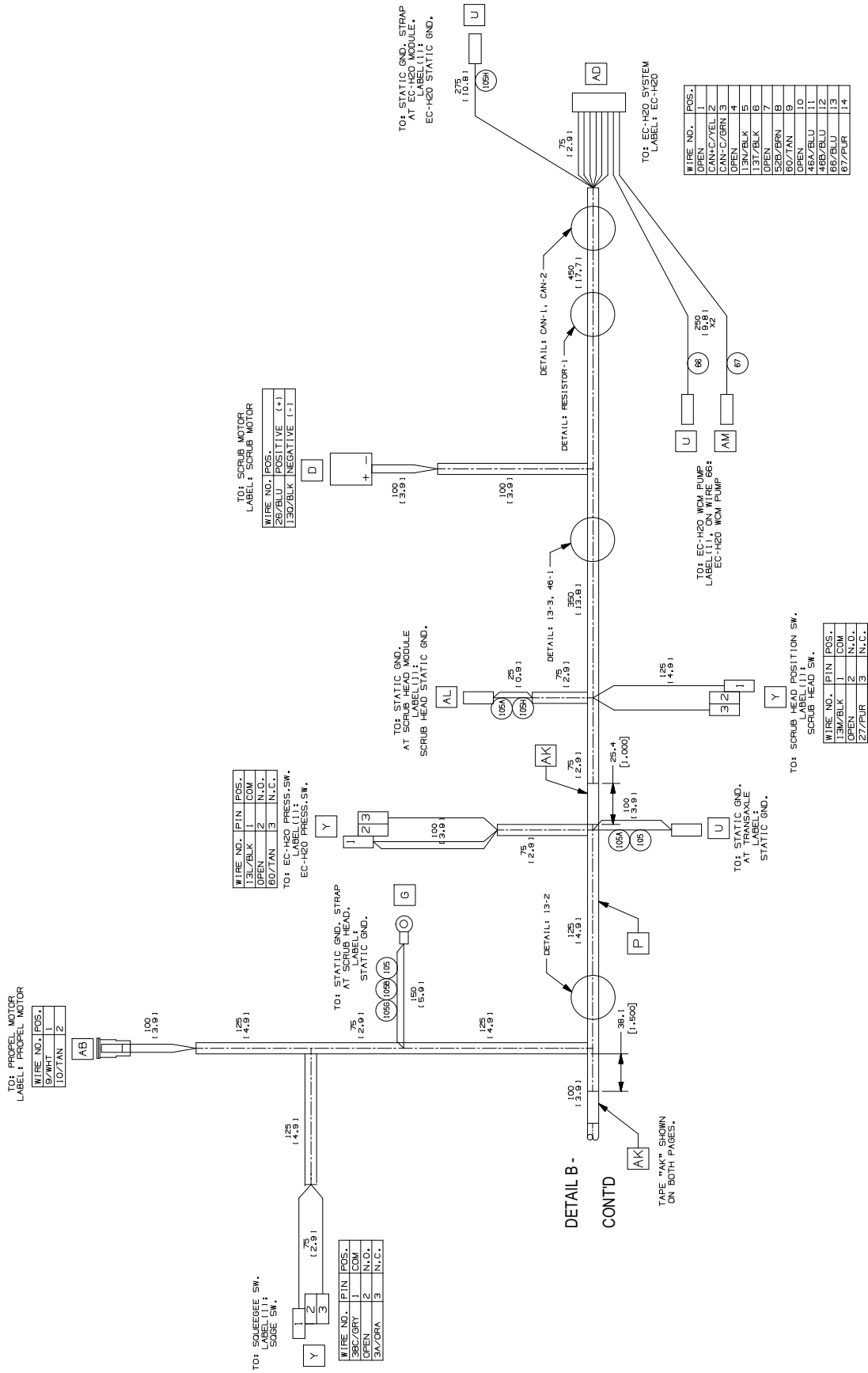
ELECTRICAL HARNESS, MAIN PROPEL (S/N 1000000 – 10822348) (PAGE 2 OF 3)

1073676



ELECTRICAL HARNESS, MAIN PROPEL (S/N 1000000 – 10822348) (PAGE 3 OF 3)

1073676



ELECTRICAL HARNESS, MAIN PROPEL (S/N 10000000 – 10822348)

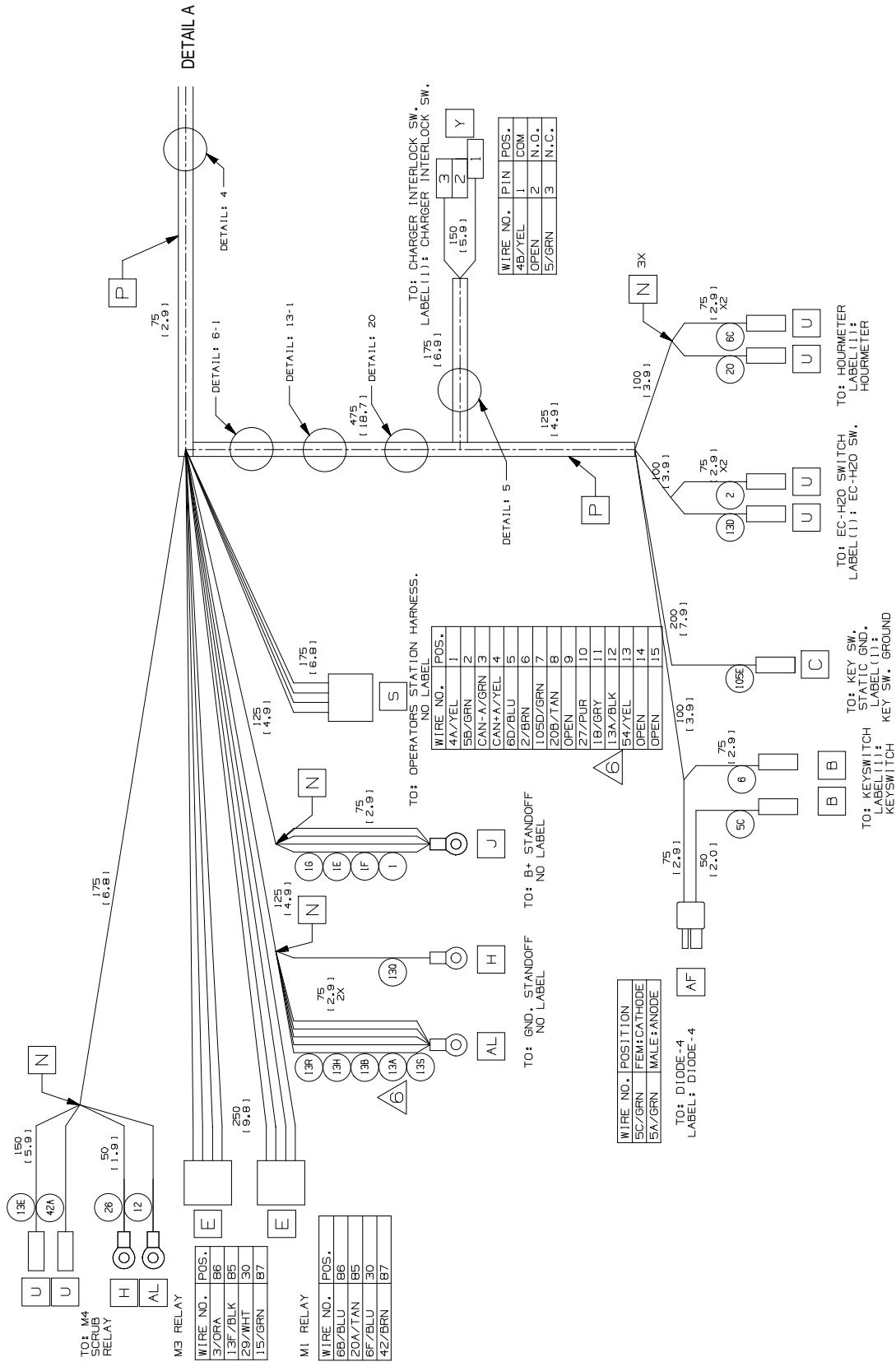
	Part No.	Serial Number	Description	Qty.
▽	1073676	(10000000–10822348)	Harness, Main, Ele [Vw, Base, Propel] (Replaced By 9015155)	1
▲	222290	(10000000–20000000)	Diode, Ele, Plug	3
▲	1040868	(10000000–20000000)	Capacitor, Plug [.01 Uf, 200v]	1

▽ ASSEMBLY

▲ INCLUDED IN ASSEMBLY

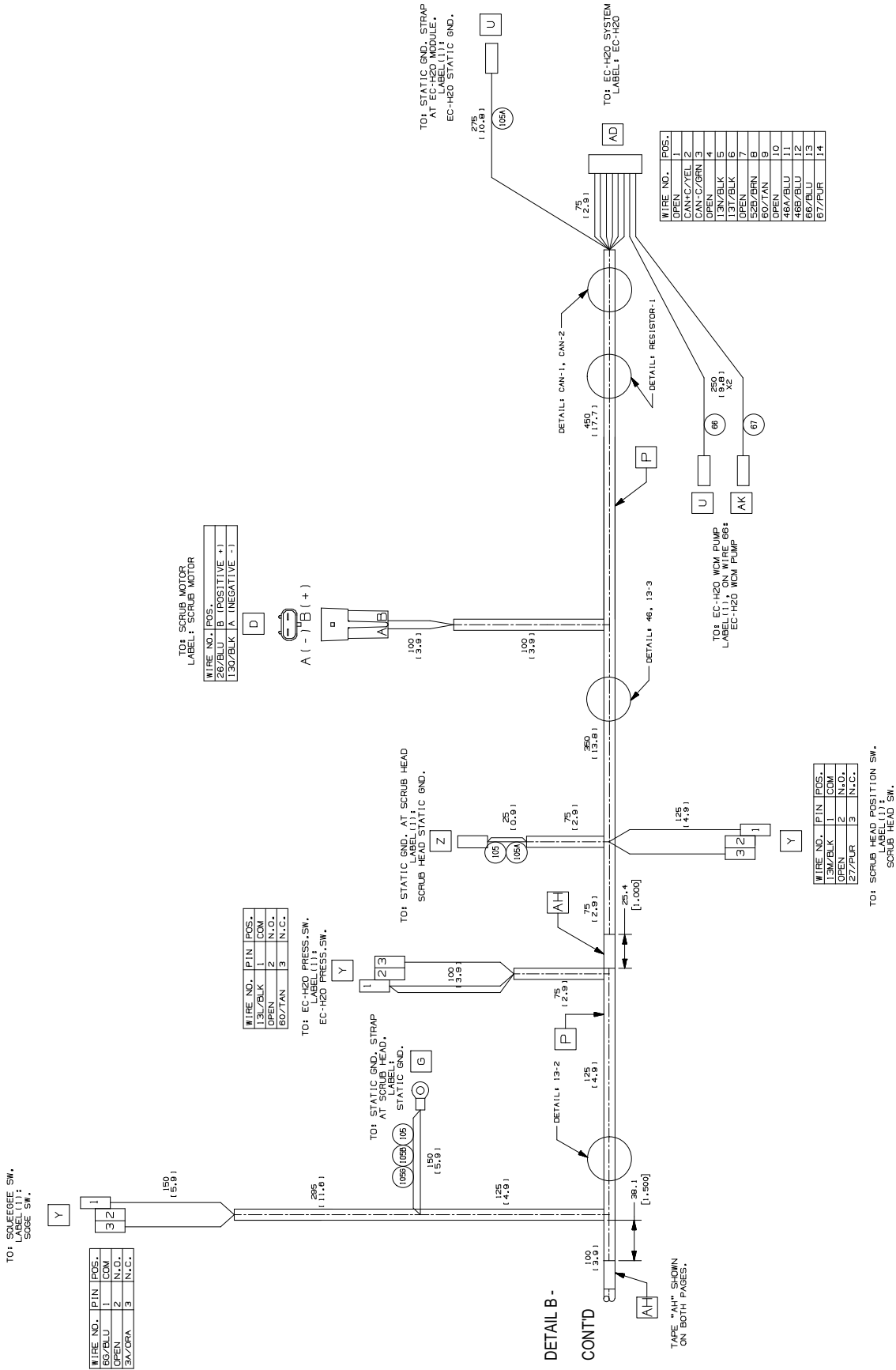
ELECTRICAL HARNESS, MAIN PUSH (S/N 10891710 -) (PAGE 1 OF 3)

1076141_02



ELECTRICAL HARNESS, MAIN PUSH (S/N 10891710 -) (PAGE 3 OF 3)

1076141_02



ELECTRICAL HARNESS, MAIN PUSH (S/N 10891710 -)

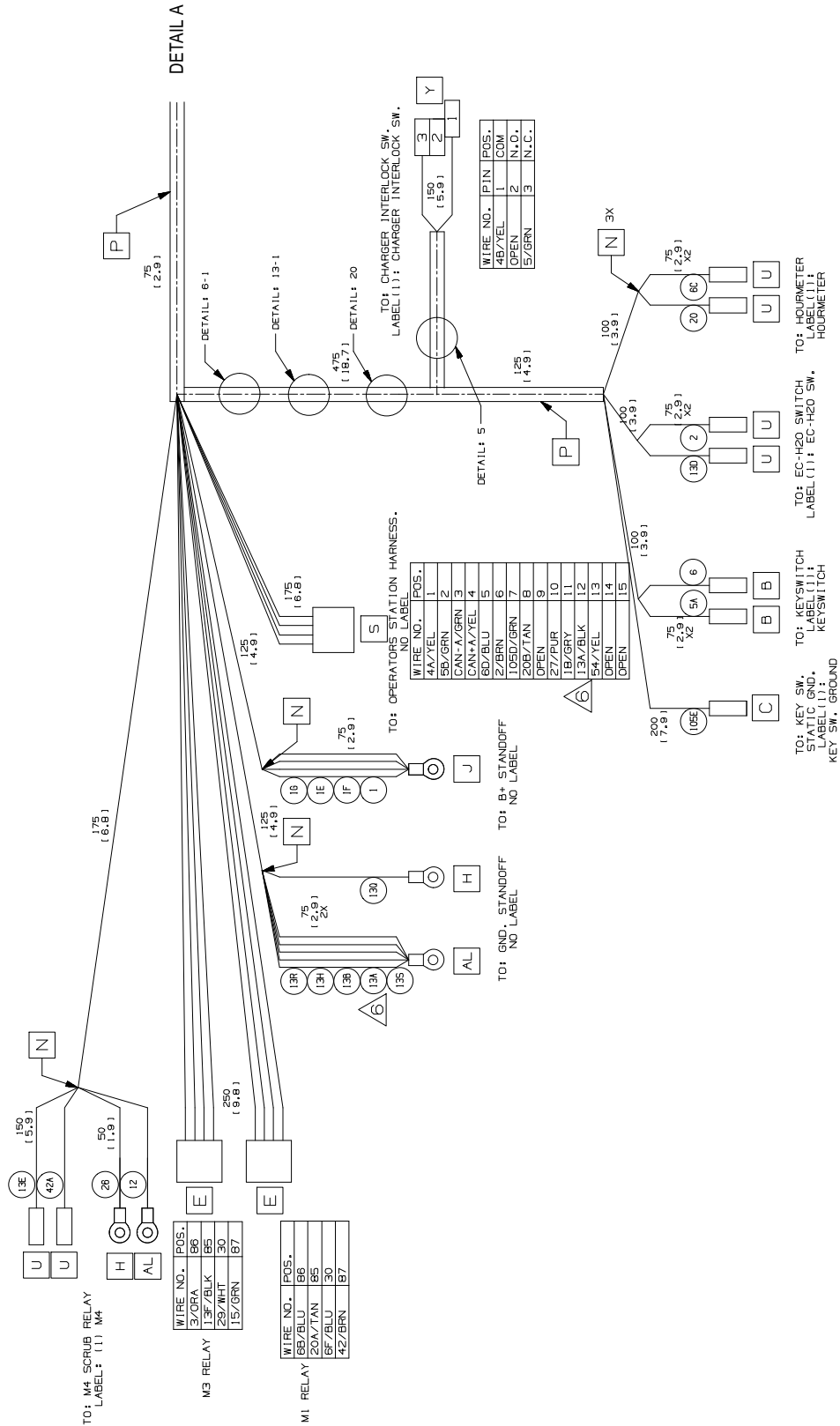
	Part No.	Serial Number	Description	Qty.
▽	9015156	(10891710-20000000)	Harness Kit, Main, Ele [Vw, Base, Push]	1
▲	222290	(10891710-20000000)	Diode, Ele, Plug	4
▲	1040868	(10000000-20000000)	Capacitor, Plug [.01 Uf, 200v]	1

▽ ASSEMBLY

▲ INCLUDED IN ASSEMBLY

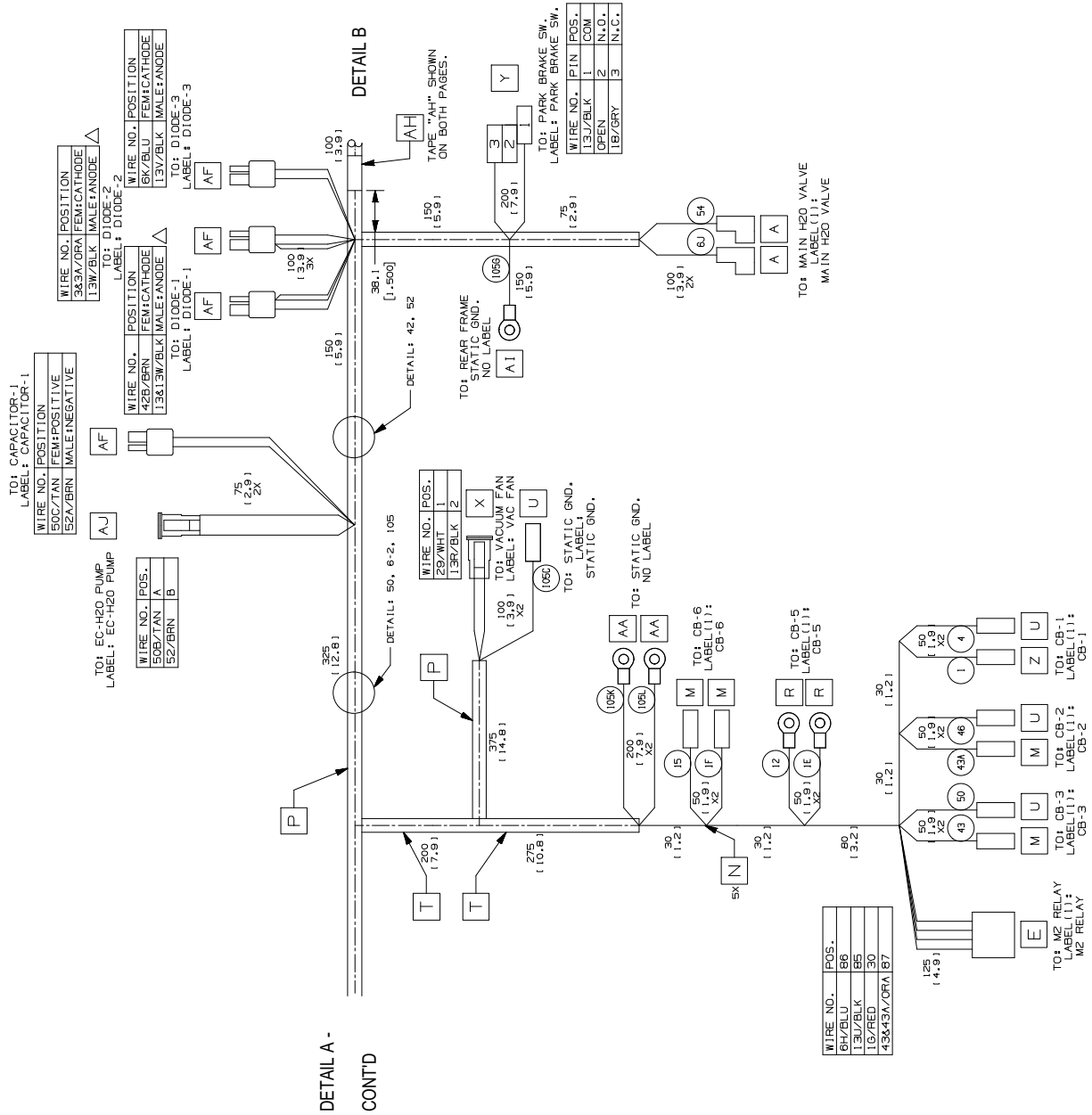
ELECTRICAL HARNESS, MAIN PUSH (S/N 10825202 – 10891709) (PAGE 1 OF 3)

1075322_02



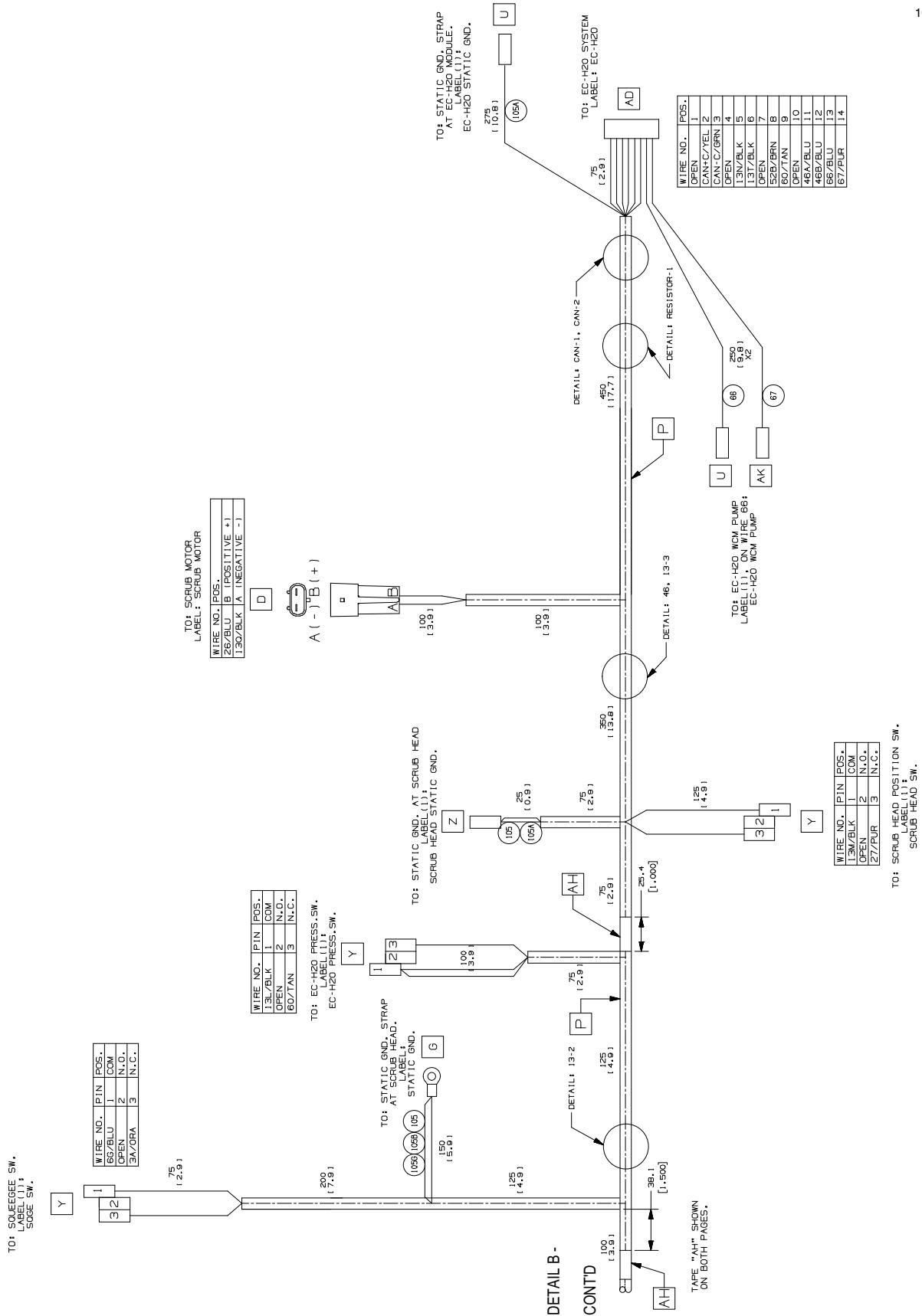
ELECTRICAL HARNESS, MAIN PUSH (S/N 10825202 – 10891709) (PAGE 2 OF 3)

1075322_02



ELECTRICAL HARNESS, MAIN PUSH (S/N 10825202 – 10891709) (PAGE 3 OF 3)

1075322_02



ELECTRICAL HARNESS, MAIN PUSH (S/N 10825202 – 10891709)

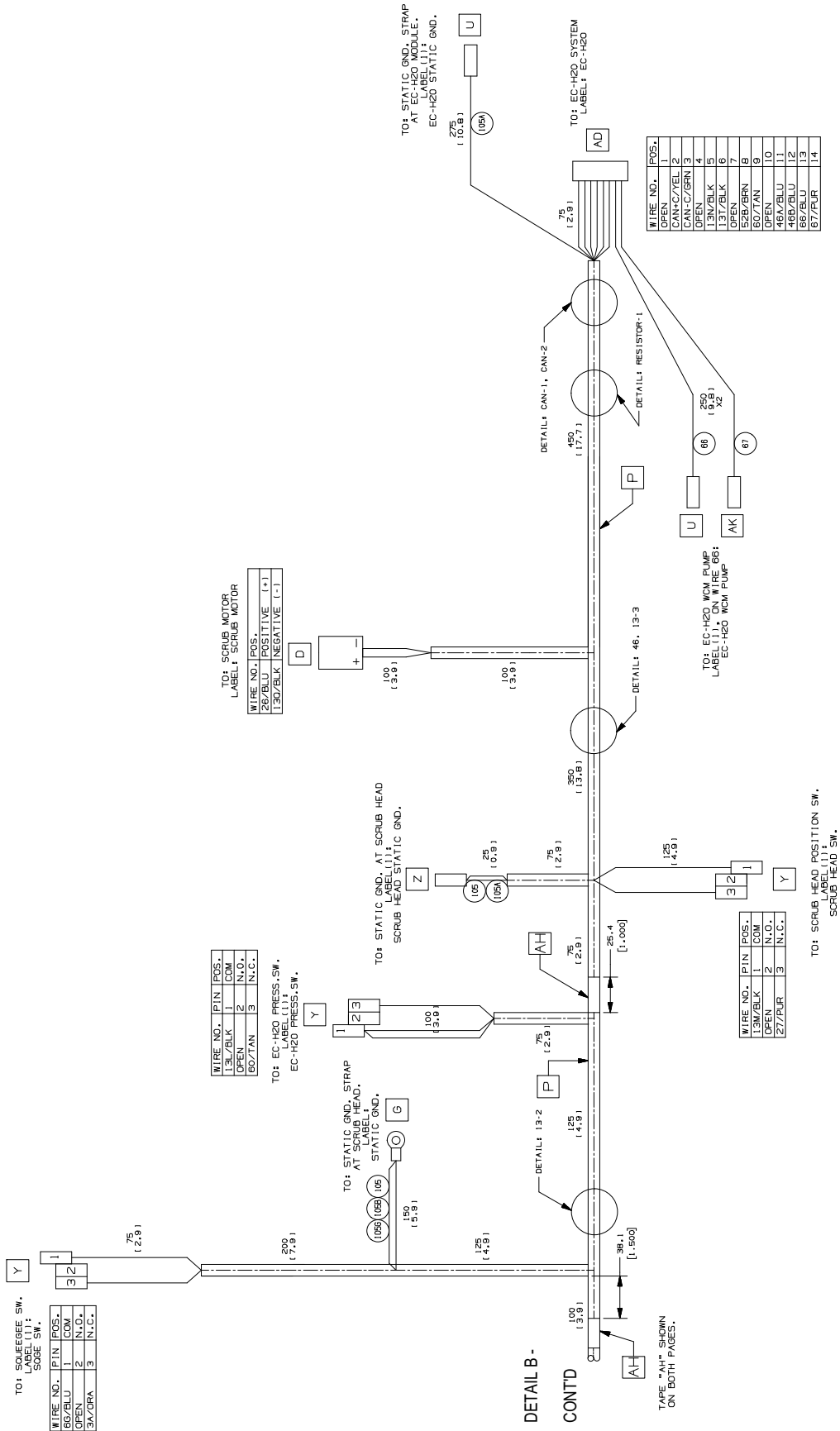
	Part No.	Serial Number	Description	Qty.
▽	1075322	(10825202–10891709)	Harness, Main, Ele [Vw, Base, Push] (Replaced By 9015156)	1
▲	222290	(10000000–20000000)	Diode, Ele, Plug	3
▲	1040868	(10000000–20000000)	Capacitor, Plug [.01 Uf, 200v]	1

▽ ASSEMBLY

▲ INCLUDED IN ASSEMBLY

ELECTRICAL HARNESS, MAIN PUSH (S/N 1000000 – 10825201) (PAGE 3 OF 3)

1073677



ELECTRICAL HARNESS, MAIN PUSH (S/N 10000000 – 10825201)

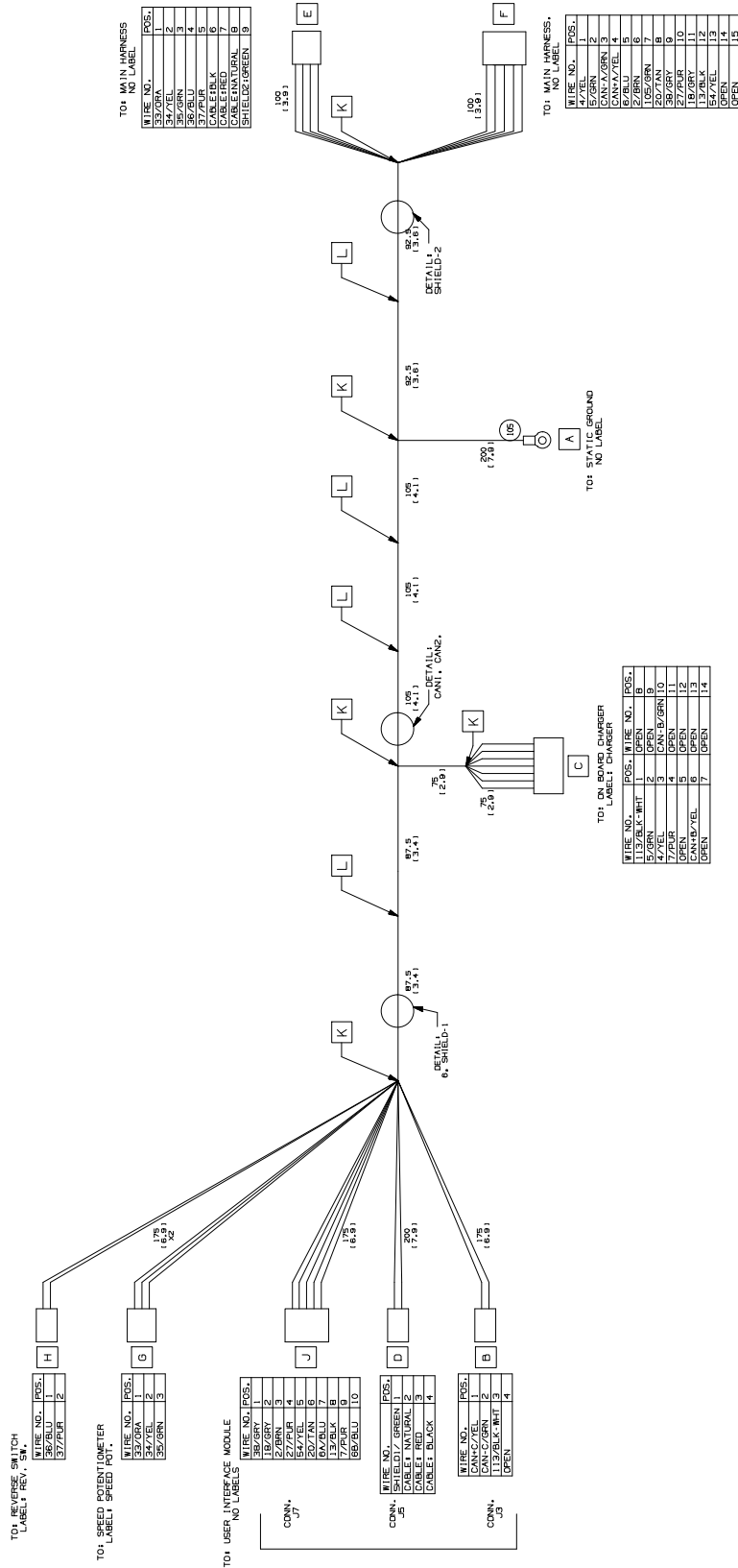
	Part No.	Serial Number	Description	Qty.
▽	1073677	(10000000–10825201)	Harness, Main, Ele [Vw, Base, Push] (Replaced By 9015156)	1
▲	222290	(10000000–20000000)	Diode, Ele, Plug	3
▲	1040868	(10000000–20000000)	Capacitor, Plug [.01 Uf, 200v]	1

▽ ASSEMBLY

▲ INCLUDED IN ASSEMBLY

ELECTRICAL HARNESS, OPTIONS PROPEL

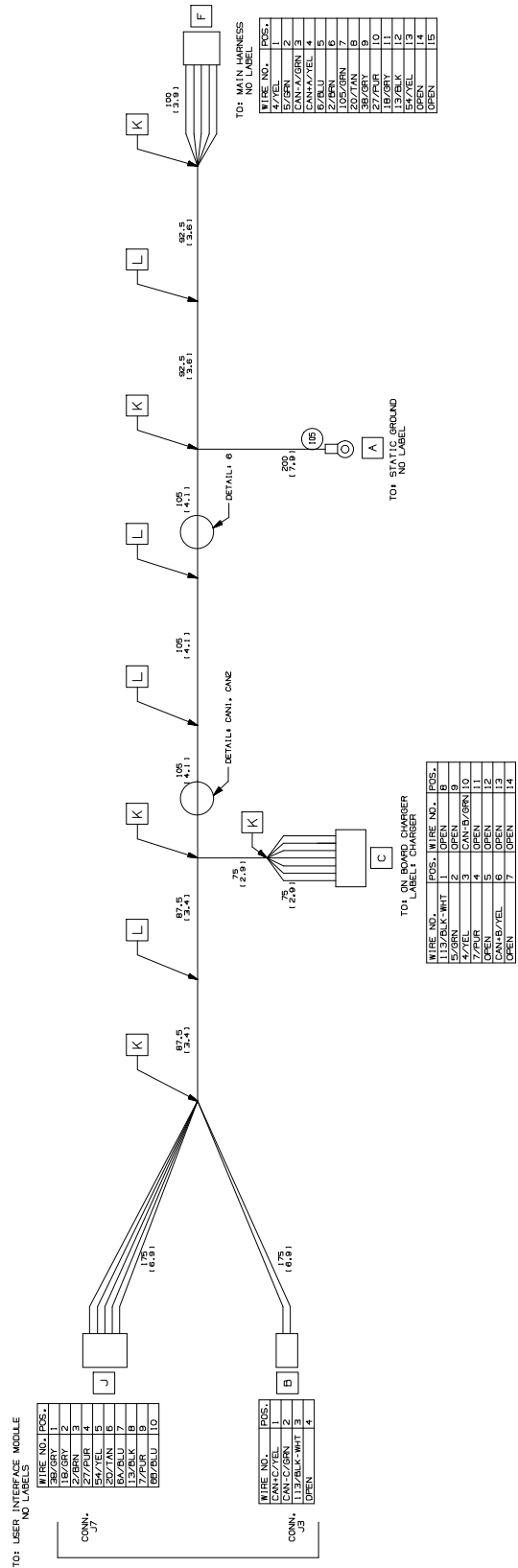
1073592



Part No.	Serial Number	Description	Qty.
1073592	(1000000-2000000)	Harness, Ele [Vw, Op.Sta, Propel]	1

ELECTRICAL HARNESS, OPTIONS PUSH

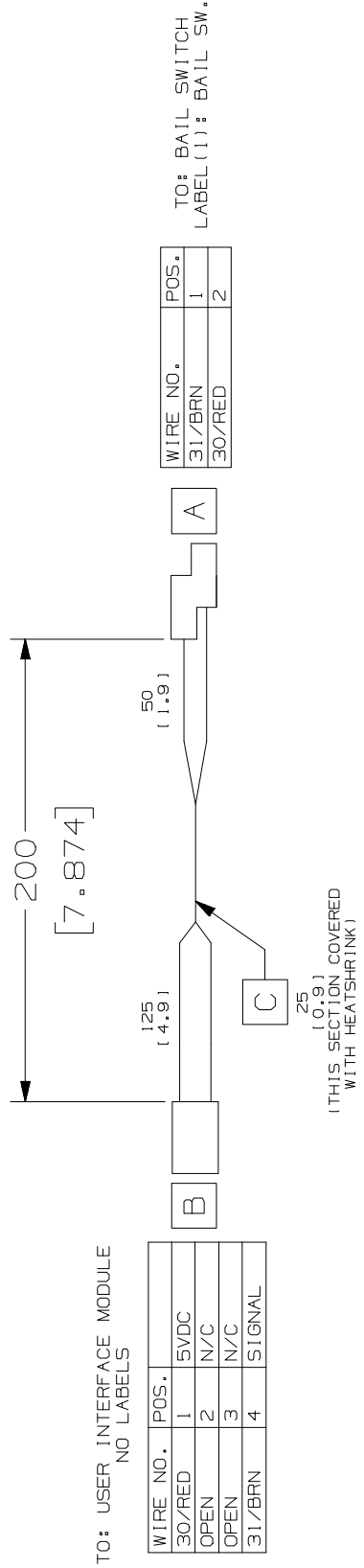
1073593



Part No.	Serial Number	Description	Qty.
1073593	(10000000-20000000)	Harness, Ele [Vw, Op.Stat, Push]	1

ELECTRICAL HARNESS, BAIL SWITCH

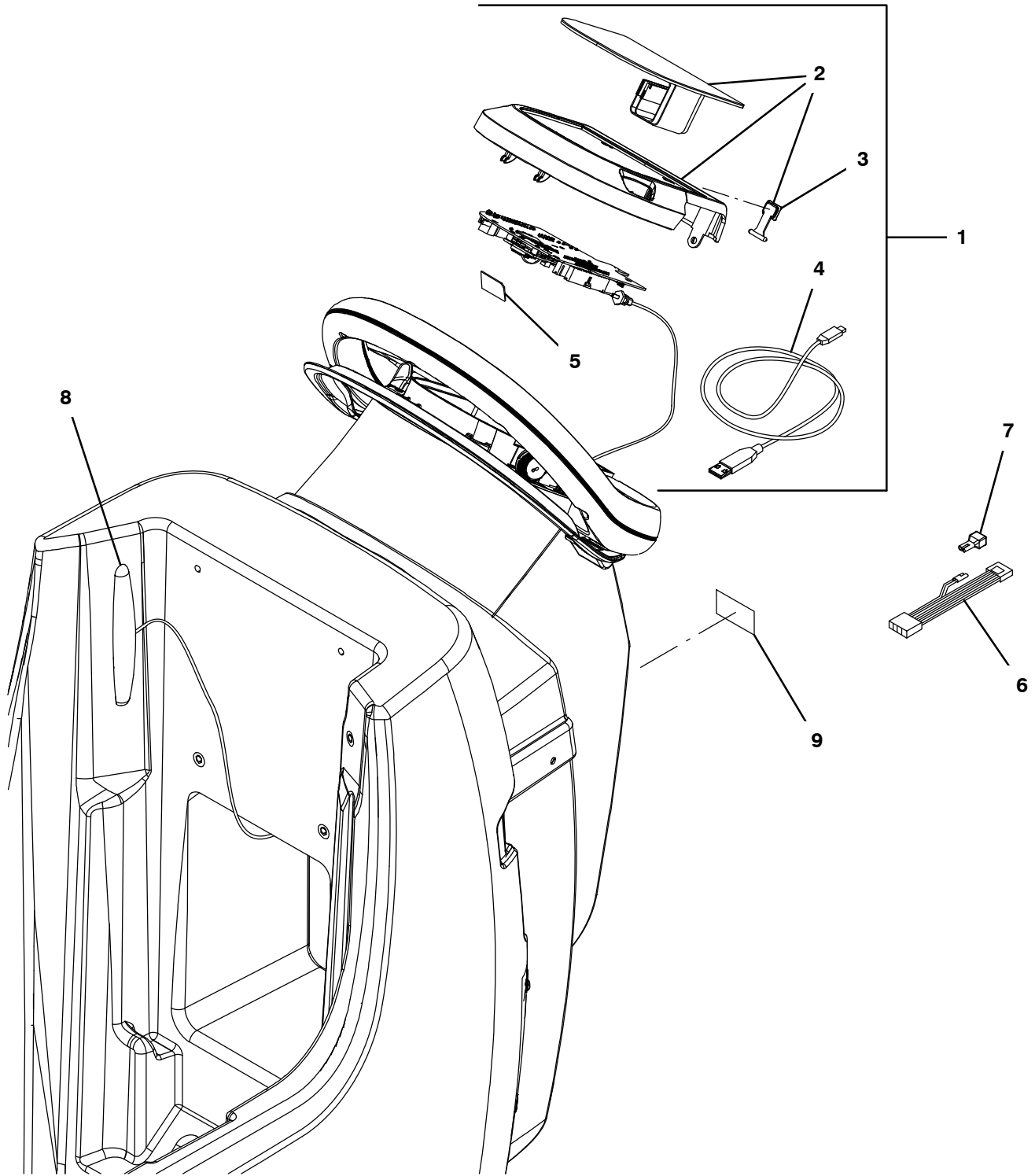
1072524



Part No.	Serial Number	Description	Qty.
1072524	(10000000-20000000)	Harness, Ele [Bail Switch]	1

TELEMETRY GROUP

355684



TELEMETRY GROUP

	Ref.	Part No.	Serial Number	Description	Qty.
▽	1	9017773*	(10000000-20000000)	Bezel Kit, Push, Mem., Ci [T300e, Telem]	1
▲▽	2	9017874	(10000000-20000000)	Screen Kit, Push, Memb., Ci [T300e/Ss]	1
▲▲	3	1205618	(10000000-20000000)	Cap, Usb	1
▲	4	1071235	(10000000-20000000)	Cable [Usb, 2m, A-Male To Mini-B-Male]	1
▽	1	9017774*	(10000000-20000000)	Bezel Kit, Propel, Mem., Ci [T300e, Telem]	1
▲▽	2	9017875	(10000000-20000000)	Screen Kit, Propel, Memb., Ci [T300e/Ss]	1
▲▲	3	1205618	(10000000-20000000)	Cap, Usb	1
▲	4	1071235	(10000000-20000000)	Cable [Usb, 2m, A-Male To Mini-B-Male]	1
	5	9014186	(10000000-20000000)	Kit, Telem, Ci [Sim, Usa, T300]	1
	5	9014187	(10000000-20000000)	Kit, Telem, Ci [Sim, Intl, T300]	1
	6	1075195	(10000000-20000000)	Harness, Ele, Adaptor [T300, Amii]	1
	7	222290	(10000000-20000000)	Diode, Ele, Plug	1
	8	315724	(10000000-20000000)	Antenna, Telem, 18.0 In [Gprs]	1
	9	1069580	(10000000-20000000)	Label, Mach, Telem [Usa, Intl]	1

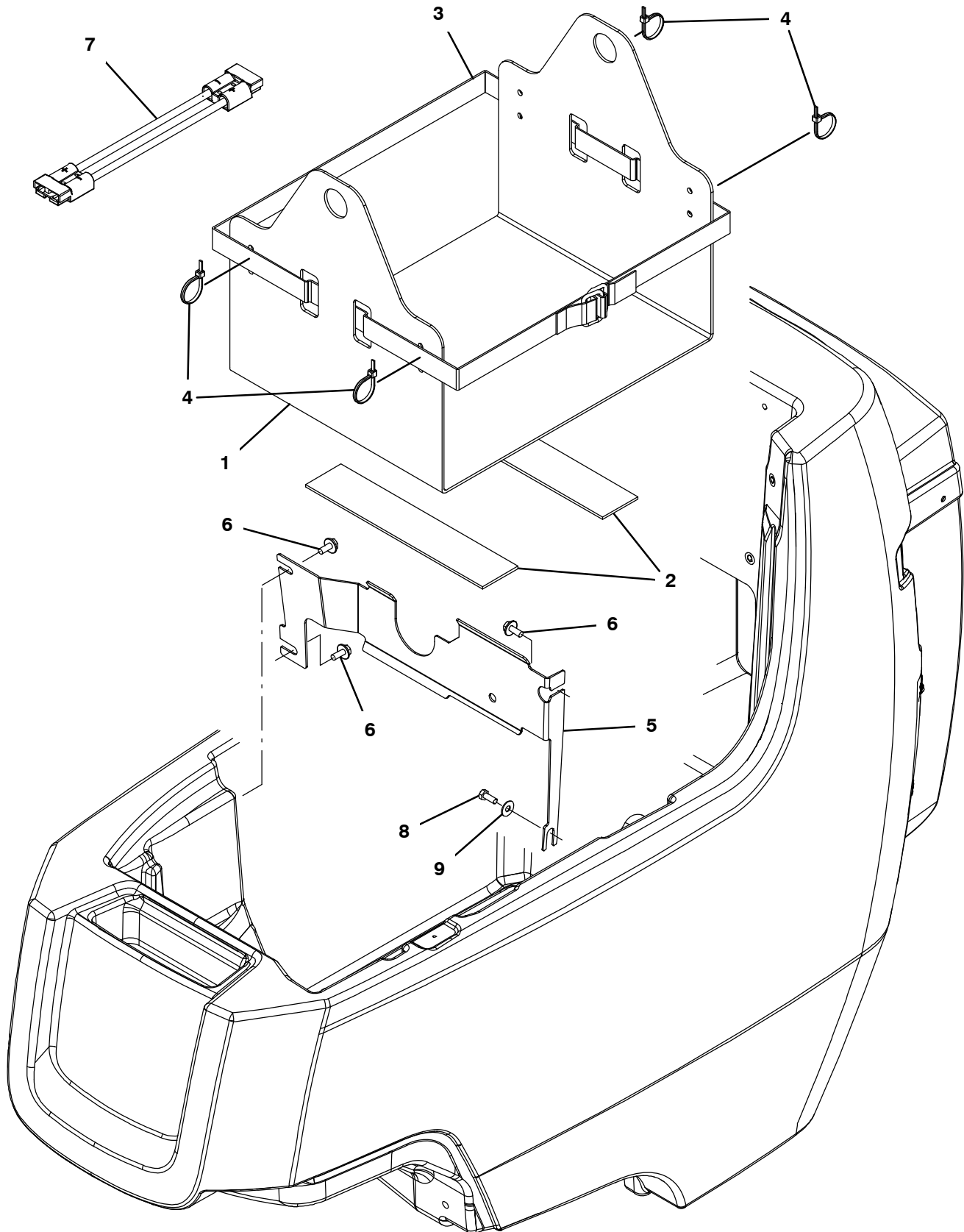
* Requires Tennant *True* service or an authorized Tennant service provider.

▽ ASSEMBLY

▲ INCLUDED IN ASSEMBLY

BATTERY LIFT OUT BOX KIT

355306



BATTERY LIFT OUT BOX KIT

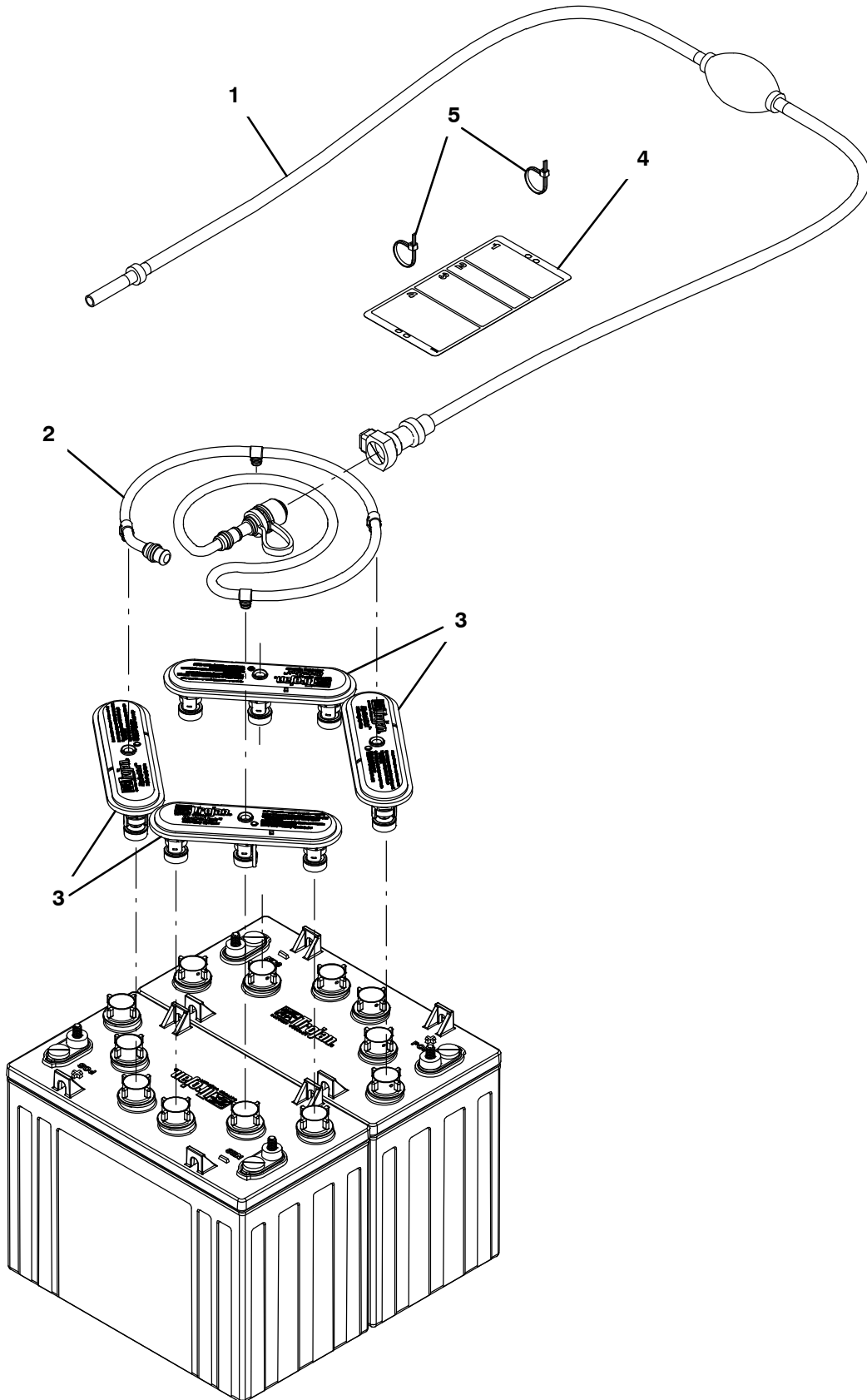
	Ref.	Part No.	Serial Number	Description	Qty.
▽		9014173	(10000000-20000000)	Box Kit, Lift, Batt, Am [T300/E/Ss300] (Additional Battery Cable Kit May Also Be Required)	1
▲	1	1207816	(10000000-20000000)	Box, Battery [Lift-Out]	1
▲	2	1212689	(10000000-20000000)	Pad, Box, Battery	2
▲	3	1208697	(10000000-20000000)	Strap, Pyp, Buckle, Friction	1
▲	4	130773	(10000000-20000000)	Tie, Cable, Nyl, 11.0l, .14w, 3.0 Max. D	4
▲	5	1214509	(10000000-20000000)	Bracket, Deflector, Battery	1
▲	6	1034731	(10000000-20000000)	Screw, Hex, M6 X 1.00 X 16, Sems, Ss	3
▲	7	1074798	(10000000-20000000)	Cable, Adaptor, Batt [Sb120-Sb50, Red] (Off-Board Charger Models Only)	1
▲	8	11329	(10000000-20000000)	Screw, Hex, M6 X 1.00 X 16, NI, Ss	1
▲	9	01684	(10000000-20000000)	Washer, Flat, 0.27b 0.69d .05, Ss	1

▽ ASSEMBLY

▲ INCLUDED IN ASSEMBLY

HYDROLINK® BATTERY WATERING SYSTEM KIT

355316



HYDROLINK® BATTERY WATERING SYSTEM KIT

Ref.	Part No.	Serial Number	Description	Qty.
▽	9010300	(10000000–20000000)	Battery Fill Kit, 24v, Ci [Hydrolink] (For Use Only With 150AH Trojan Batteries)	1
▲	1 1058939	(10000000–20000000)	Pump Kit, Fill, Battery	1
▲	2 1229544	(10000000–20000000)	Tube, Water, Battery, 24vdc [Trojan]	1
▲	3 1204142	(10000000–20000000)	Cap, Fill, Battery [Trojan]	4
▲	4 1071084	(10000000–20000000)	Label, Tag, Battery [Hydrolink Watering]	1
▲	5 130773	(10000000–20000000)	Tie, Cable, Nyl, 11.0l, .14w, 3.0 Max. D	2

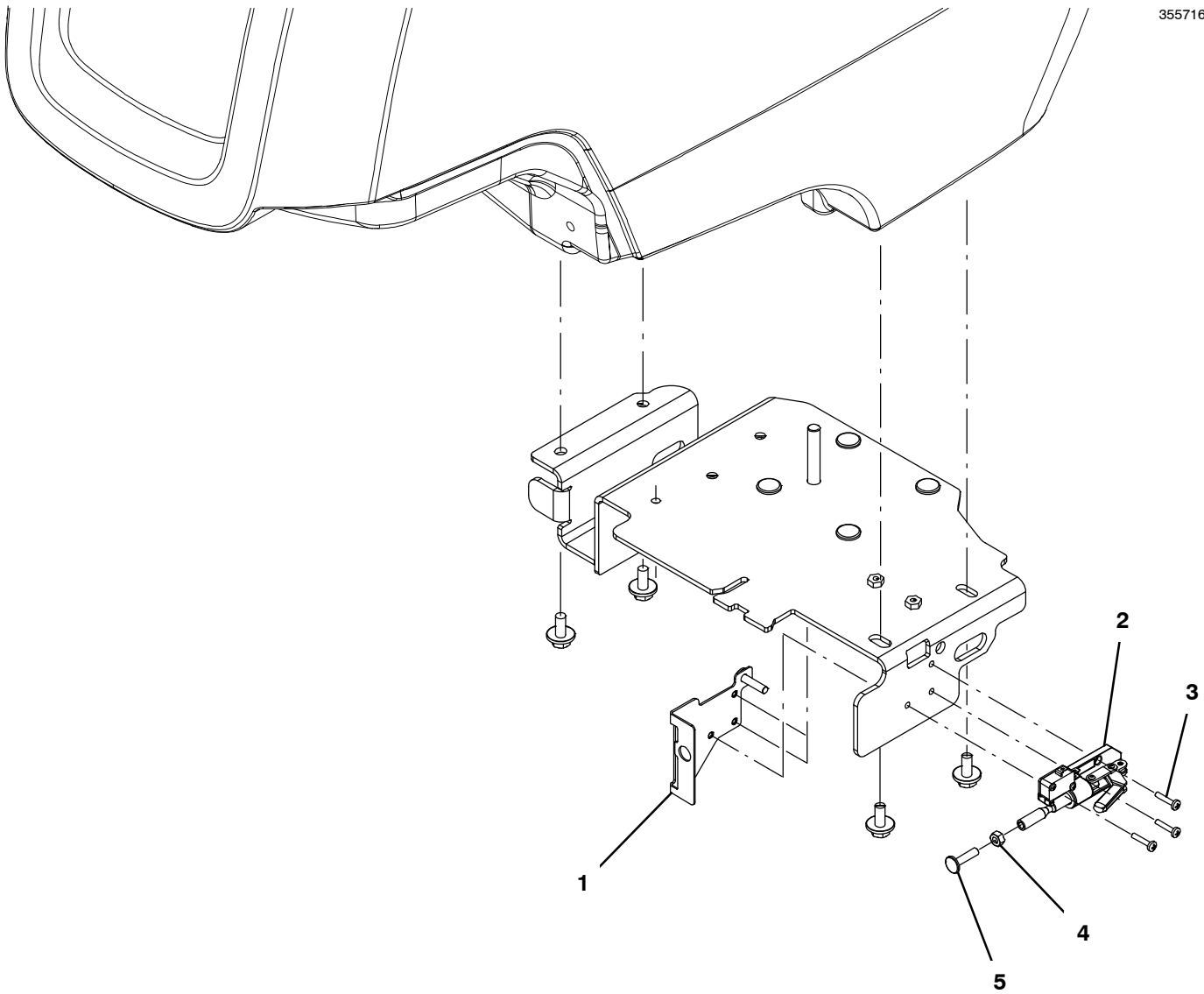
▽ ASSEMBLY

▲ INCLUDED IN ASSEMBLY

HYDROLINK® IS A REGISTERED TRADEMARK OF TROJAN BATTERY COMPANY.

PARKING BRAKE GROUP

355716



Ref.	Part No.	Serial Number	Description	Qty.
1	1211230	(10000000-20000000)	Plate Wldt, Brake	1
2	1209983	(10000000-20000000)	Clamp, Brake, Parking	1
3	24265	(10000000-20000000)	Screw, Pan, Phl, M4 X 0.70 X 16, Ss	3
4	07785	(10000000-20000000)	Nut, Hex, Std, M6 X 1.00, Ss	1
5	1017416	(10000000-20000000)	Screw, Weld, M6 X 1.00 X 25, Thru, Ss	1

DOCUMENTATION GROUP

Ref.	Part No.	Serial Number	Description	Qty.
9014511		(10000000–20000000)	Manual, Parts [Speed Scrub 300]	1
9014512		(10000000–20000000)	Manual, Oprtr [Speed Scrub 300, En]	1
9014513		(10000000–20000000)	Manual, Oprtr [Speed Scrub 300, Es]	1
9014514		(10000000–20000000)	Manual, Oprtr [Speed Scrub 300, Fr]	1
9014515		(10000000–20000000)	Instr, Wall Chart [Speed Scrub 300]	1
9014516		(10000000–20000000)	Manual, Service [Speed Scrub 300, En]	1

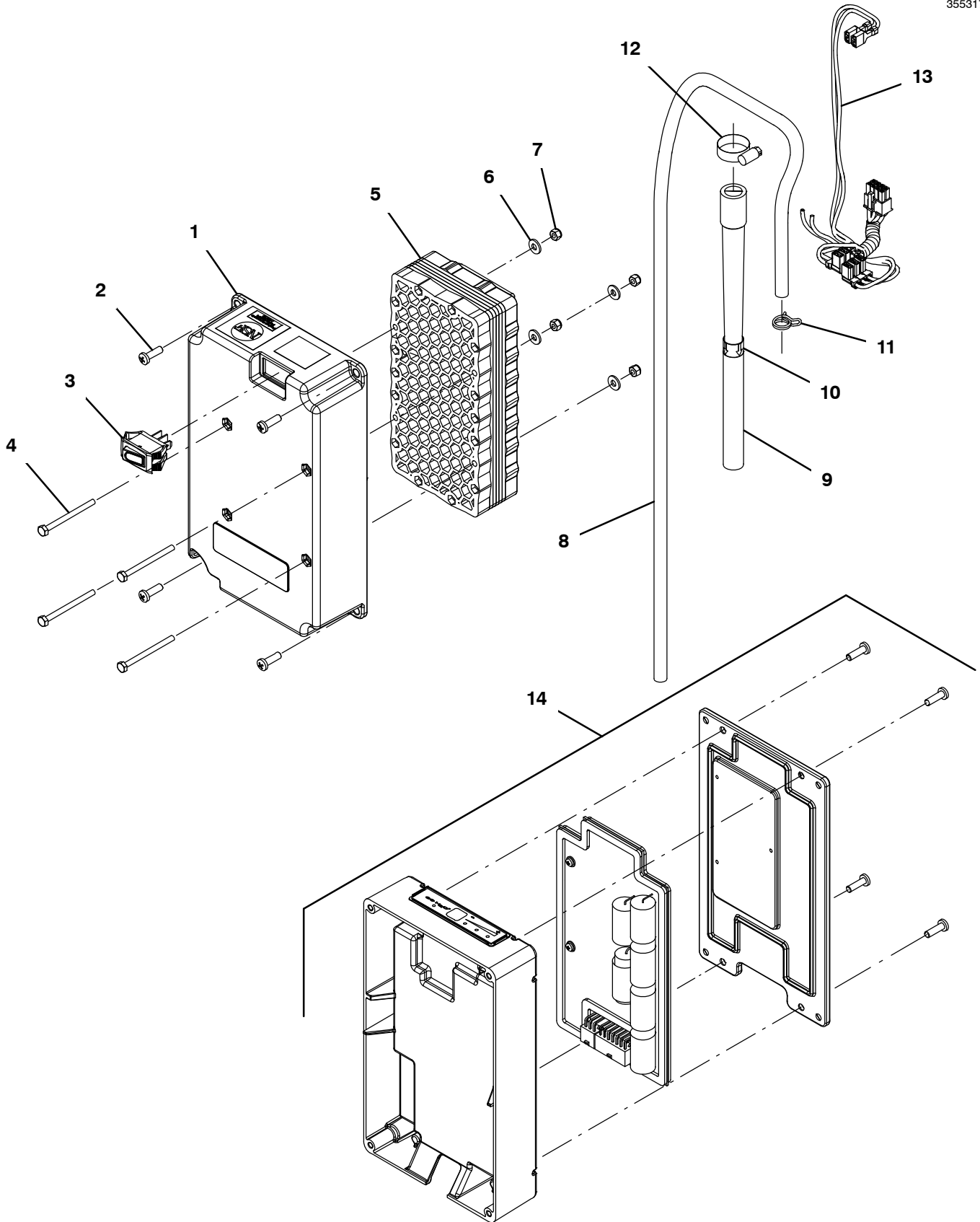


To view, print, order, download the latest Parts manual, other language Operator manuals, and Use and Care Guides (wall charts), visit:

www.nobles.com/manuals

ec-H2O NANOCLEAN MODULE BREAKDOWN

355317



ec-H2O NANOCLEAN MODULE BREAKDOWN

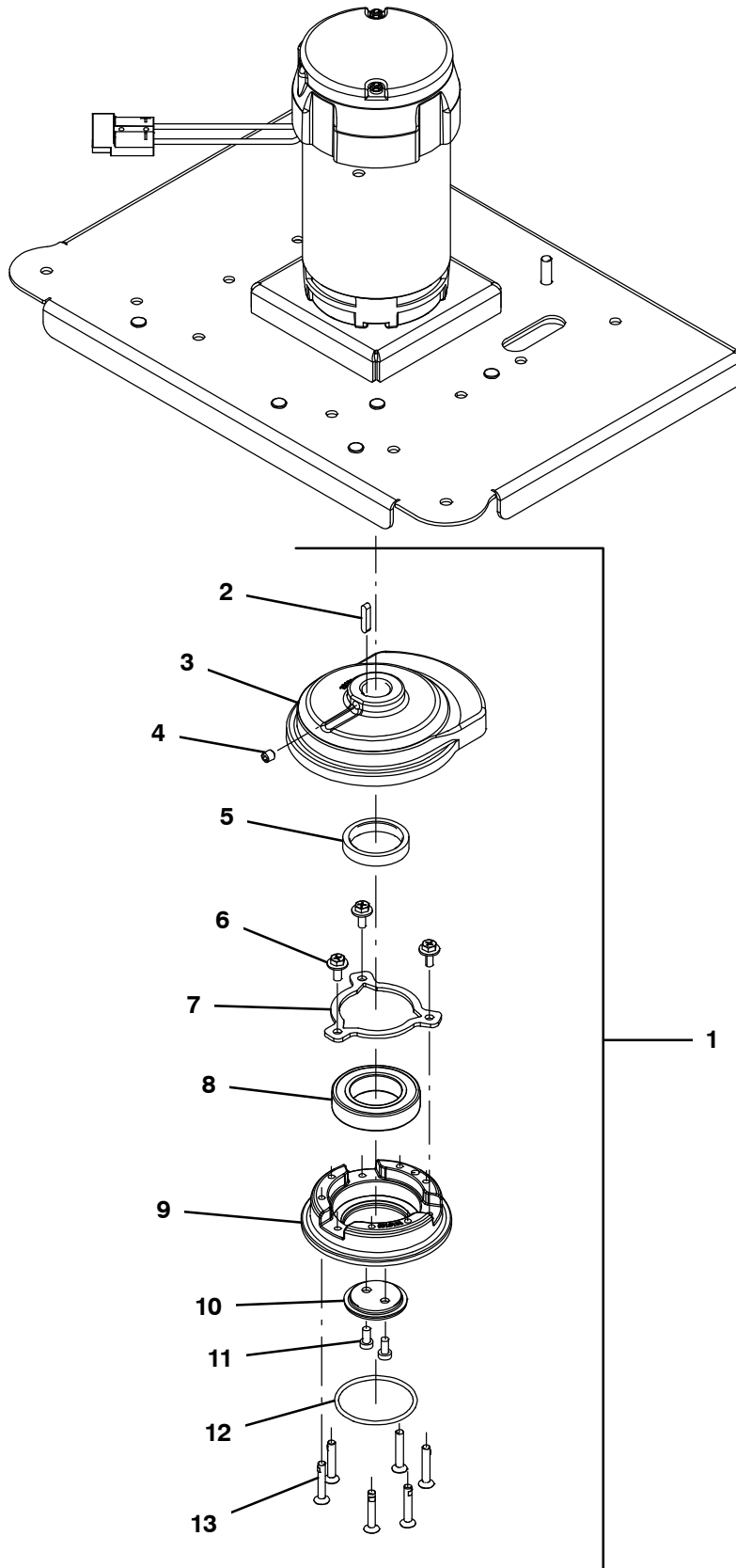
Ref.	Part No.	Serial Number	Description	Qty.
▽	9011810	(10000000-20000000)	Module Kit, Replmt [Ec-H2o, B 02] (Includes ec-H2O NanoClean Cartridge)	1
▲▽	9014126	(10000000-20000000)	Ec-H2o Nc Kit [Module B, Plumbing]	1
▲▲	1 1208823	(10000000-20000000)	Housing, Module, Upper, Ec-H2o	1
▲▲	2 1015506	(10000000-20000000)	Screw, Pan, Phl, M5 X 16, Tcut [Plastic]	4
▲▲	3 1044393	(10000000-20000000)	Switch, Rocker, Spst, Mom	1
▲▲	4 32509	(10000000-20000000)	Screw, Hex, M4 X 0.70 X 50, Ss	4
▲▲	5 1208164	(10000000-20000000)	Electrode, 5 Plate, High Flow	1
▲▲	6 41579	(10000000-20000000)	Washer, Flat, 08, Ss	4
▲▲	7 33932	(10000000-20000000)	Nut, Hex, Lock, M4 X 0.70, NI, Ss	4
▲▲	8 1006415	(10000000-20000000)	Hose, Afmkt, Pvc, Clr, 0.25id, 03ft	1
▲▲	9 1208526	(10000000-20000000)	Hose, Molded, Bm08/Bm06	1
▲▲	10 1049637	(10000000-20000000)	Label, Direction [Ec-H2o]	1
▲▲	11 613735	(10000000-20000000)	Clamp, Hose, Wir, .40 - .42, Yel	1
▲▲	12 54333	(10000000-20000000)	Clamp, Hose, Wormdrive, 0.31-0.88d, .31w	1
▲▲	13 1073286	(10000000-20000000)	Harness, Ele, Module B2 [Ec-H2o]	1
▲	14 9014127	(10000000-20000000)	Controller Kit, Replmt [Ec-H2o Nc] (Includes ec-H2O NanoClean Cartridge)	1

▽ ASSEMBLY

▲ INCLUDED IN ASSEMBLY

ORBITAL HEAD ECCENTRIC DRIVE BREAKDOWN

355337



ORBITAL HEAD ECCENTRIC DRIVE BREAKDOWN

	Ref.	Part No.	Serial Number	Description	Qty.
▽	1	9014175	(10000000-20000000)	Kit, Eccentric Assy, [T300]	1
▲	2	1014328	(10000000-20000000)	Key, Sq, 05mm X 05mm, 25mmI	1
▲	3	N/A	(10000000-20000000)	Balance, Eccentric, Step [Machined]	1
▲	4	N/A	(10000000-20000000)	Screw, Set, M8 X 1.25 X 8, SS	1
▲	5	N/A	(10000000-20000000)	Spacer, Eccentric	1
▲	6	N/A	(10000000-20000000)	Screw, Hex, M6 X 1.00 X 16, Sems	3
▲	7	N/A	(10000000-20000000)	Plate, Retainer, Brg, Outer	1
▲	8	1206608	(10000000-20000000)	Bearing, Ball, 1.58b 2.68d 0.59w [2seal]	1
▲	9	N/A	(10000000-20000000)	Housing, Bearing, Outer [Machined]	1
▲	10	N/A	(10000000-20000000)	Retainer, Bearing, Inner [Qpq]	1
▲	11	N/A	(10000000-20000000)	Screw, Soc, M6 X 1.00 X 12, 8.8, Low	2
▲	12	1208266	(10000000-20000000)	O-Ring, 57.15 X 3.18, Nbr	1
▲	13	1212710	(10000000-20000000)	Screw, Flt, Soc, M6 X 1.00 X 35, 10.9,NI	6

▽ ASSEMBLY

▲ INCLUDED IN ASSEMBLY