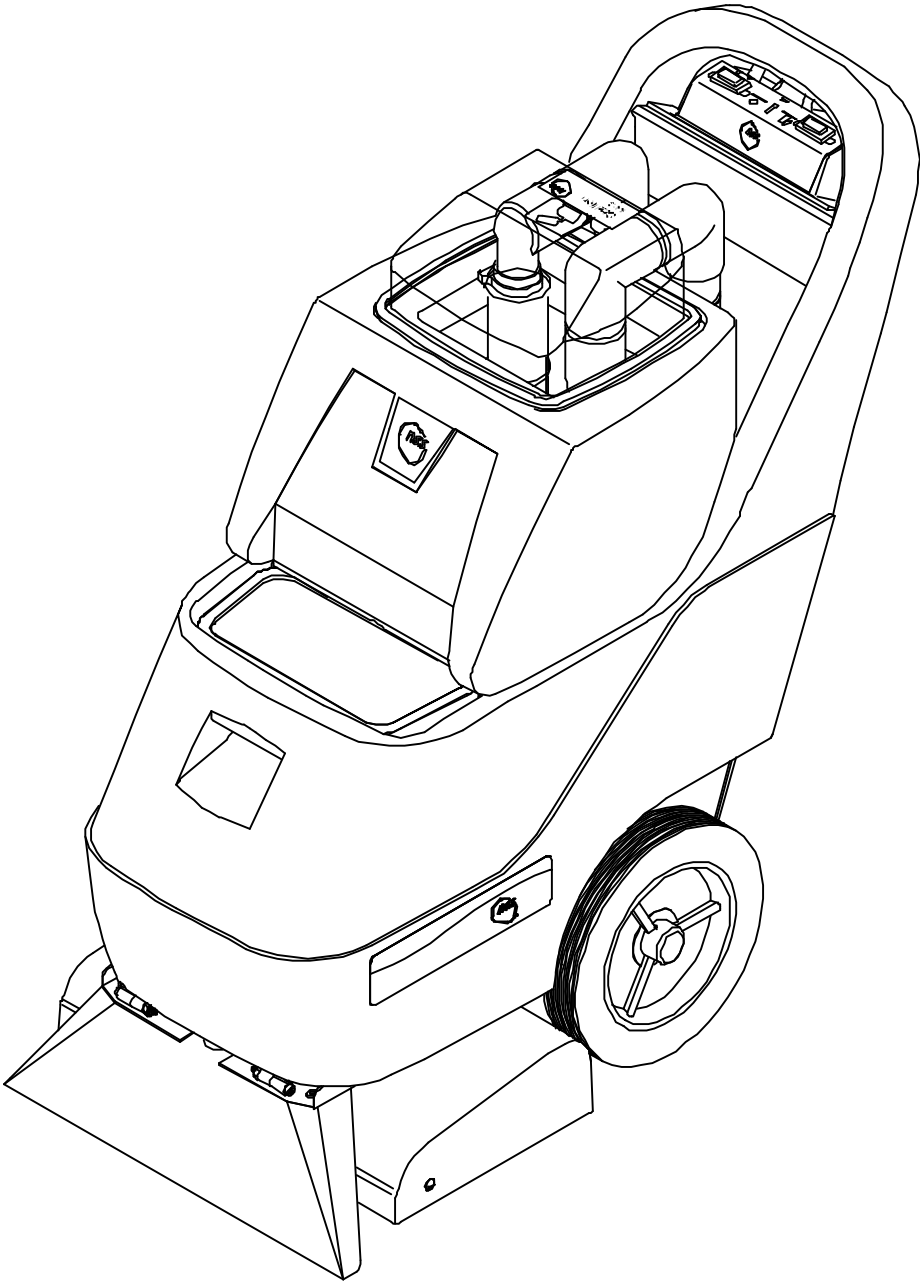
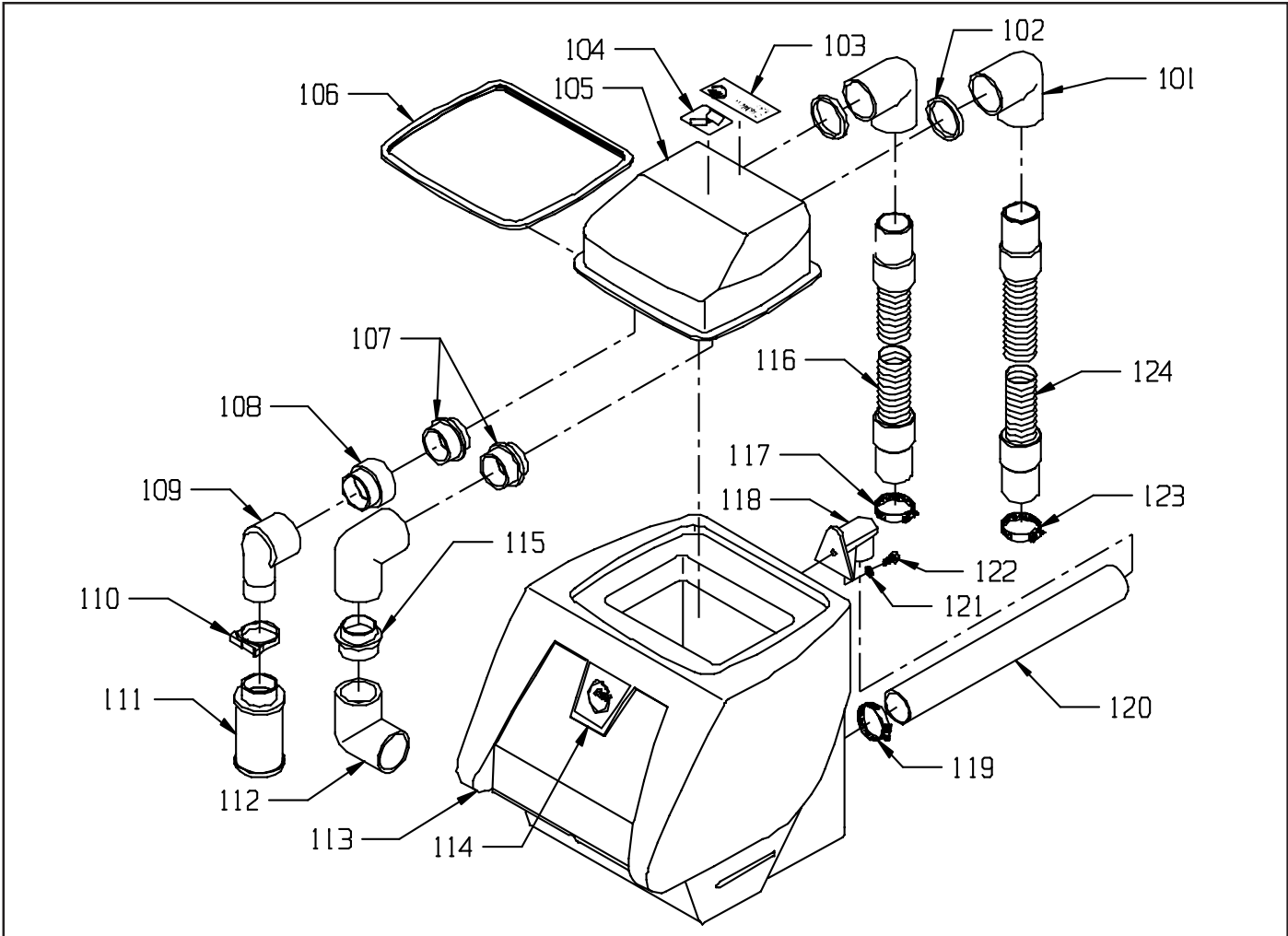


PARTS LIST  
**STALLION 818 SC**

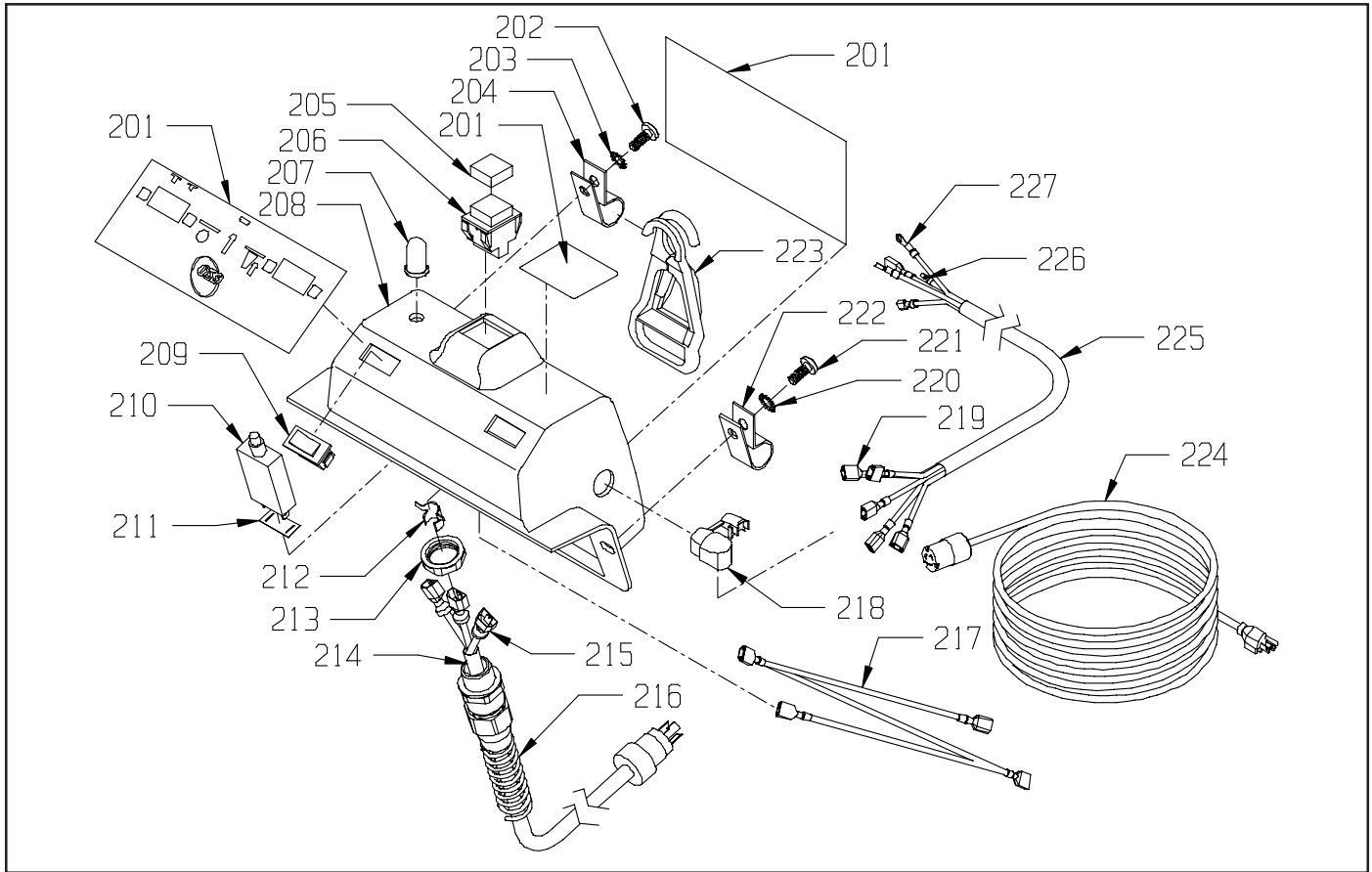


## DOME ASSEMBLY



<u>ITEM</u>	<u>PART NO.</u>	<u>PART DESCRIPTION</u>	<u>QTY.</u>
101	4898181	90° ELBOW	2
102	3890401	DRAIN VALVE GASKET	2
103	4898711	IDENTIFIER DECAL - STALLION 818 SC	1
104	4892781	DEFOAMER LABEL - STALLION LABEL KIT	1
105	4894351	DOME	1
106	4890121	DOME GASKET	1
107	4890911	ADAPTOR - 1 1/2 MPT X 1 1/2 MSL	2
108	4894571	1 1/2" MALE ADAPTER	1
109	4894802	90° HOSE BARB	1
110	4894081	CLAMP - HOSE - 1.593" - 1.812"	1
111	2391541	FLOAT SCREEN ASSEMBLY	1
112	4890891	ELBOW 1.5 FSL X 1.5 FT	1
113	4894301	RECOVERY TANK	1
114	4892691	NSS LOGO DECAL FRONT FACING	1
115	4890911	ADAPTOR - 1 1/2 MPT X 1 1/2 MSL	1
116	4894611	HOSE - VAC	1
117	4892671	HOSE CLAMP - 1 1/16" TO 2"	1
118	4890033	DRAIN HOSE PLUG	1
119	4892671	HOSE CLAMP - 1 1/16" TO 2"	1
120	4992611	DRAIN HOSE 15"	1
121	9120880	1/4 SPLIT LOCK WASHER - PACK OF 10	1
122	9121210	1/4-20 X 5/8 HEX BOLT - PACK OF 10	1
123	4892671	HOSE CLAMP - 1 1/16" TO 2"	1
124	4894651	HOSE - VAC NOZZLE	1

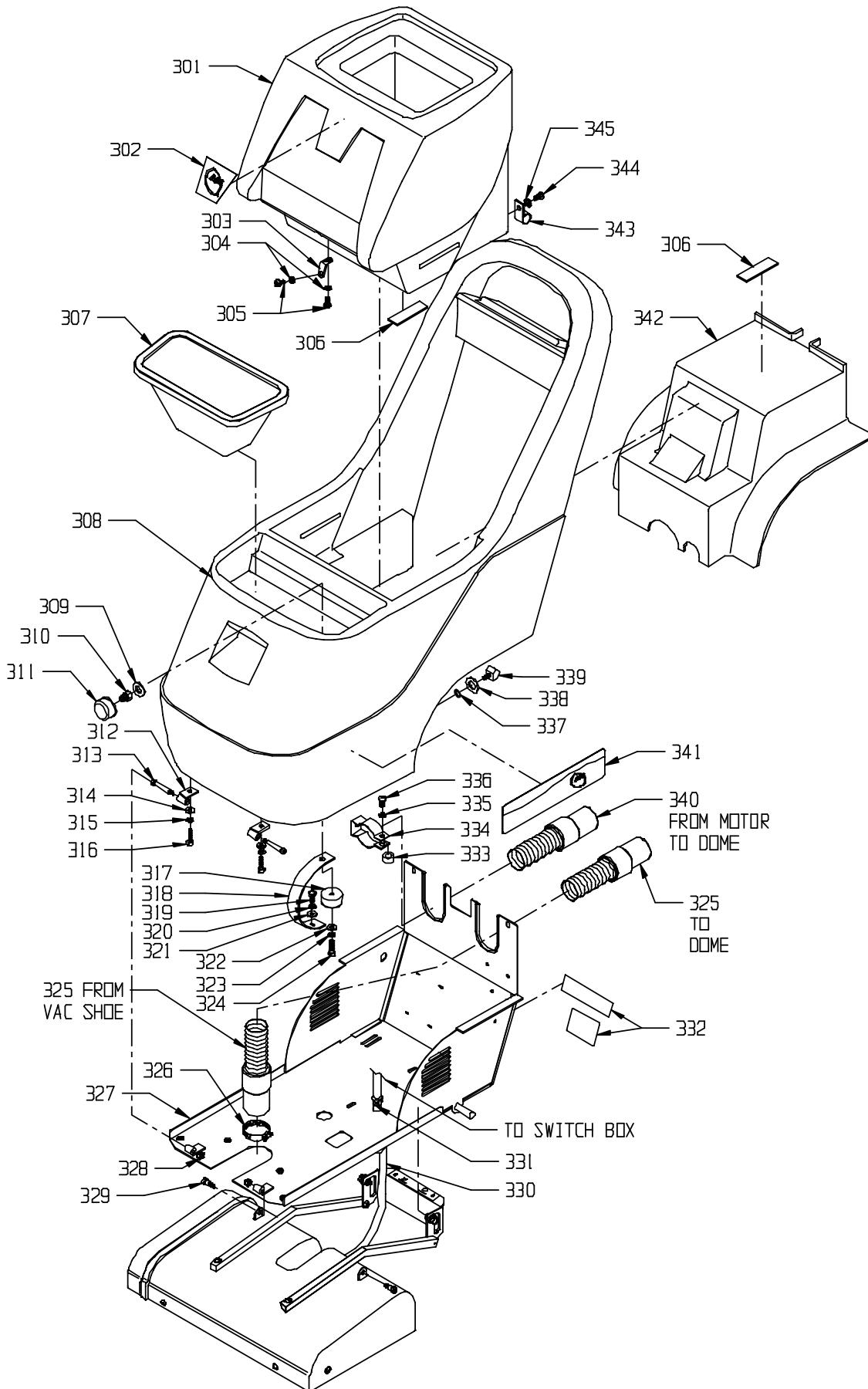
## SWITCH BOX ASSEMBLY



<u>ITEM</u>	<u>PART NO.</u>	<u>PART DESCRIPTION</u>	<u>QTY.</u>
201	4892781	STALLION LABEL KIT	1
202	9121040	1/4-20 X 5/8 ROUND HEAD PHILLIPS MACHINE SCREW - PACK OF 5	1
203	9120970	1/4 EXTERNAL STAR LOCK WASHER - PACK OF 10	1
204	4890851	CABLE CLAMP,#COV-090 KMC	1
205	4890781	PUSH BUTTON SWITCH BOOT	1
206	4890761	MOMENTARY SWITCH	1
207	4892471	BUTTON SEAL - CIRCUIT BREAKER	1
208	4894701	SWITCH BOX	1
209	4895041	ROCKER SWITCH - INCLUDES BOOT	2
210	4890791	CIRCUIT BREAKER 2 AMP 120 VOLT	1
	4891851	CIRCUIT BREAKER 1 AMP 240 VOLT	1
211	4894951	CIRCUIT BREAKER INSULATOR	1
212	0299661	STRAIN RELIEF CORD CLAMP	1
213	0891131	PLASTIC STRAIN RELIEF NUT	1
214	4892711	17" STUB CORD - INCLUDES:	1
215	5490171	FULLY INSULATED MALE TERMINAL - 14-16 GAGE	3
216	0299531	STRAIN RELIEF	1
217	4894691	JUMPER WIRE	1
218	4890821	STRAIN RELIEF	1
219	5490161	FULLY INSULATED FEMALE TERMINAL - 14-16 GAGE	6
220	9120970	1/4 EXTERNAL STAR LOCK WASHER - PACK OF 10	1
221	9121040	1/4-20 X 5/8 ROUND HEAD PHILLIPS MACHINE SCREW - PACK OF 5	1
222	4890851	CABLE CLAMP,#COV-090 KMC	1
223	3190571	STRAIN RELIEF-TYPE 530	1
224	4891121	POWER CORD - 50 FOOT WITH TWIST LOCK - 120 VOLT	1
	4898721	POWER CORD - 50 FOOT WITH TWIST LOCK - 240 VOLT	1
225	4894331	CORD - HANDLE TO BASE - INCLUDES:	1
226	2690571	1/4 INSULATED FEMALE SLIP ON	3
227	0298981	#10 RING TERMINAL 14-16 GA	1

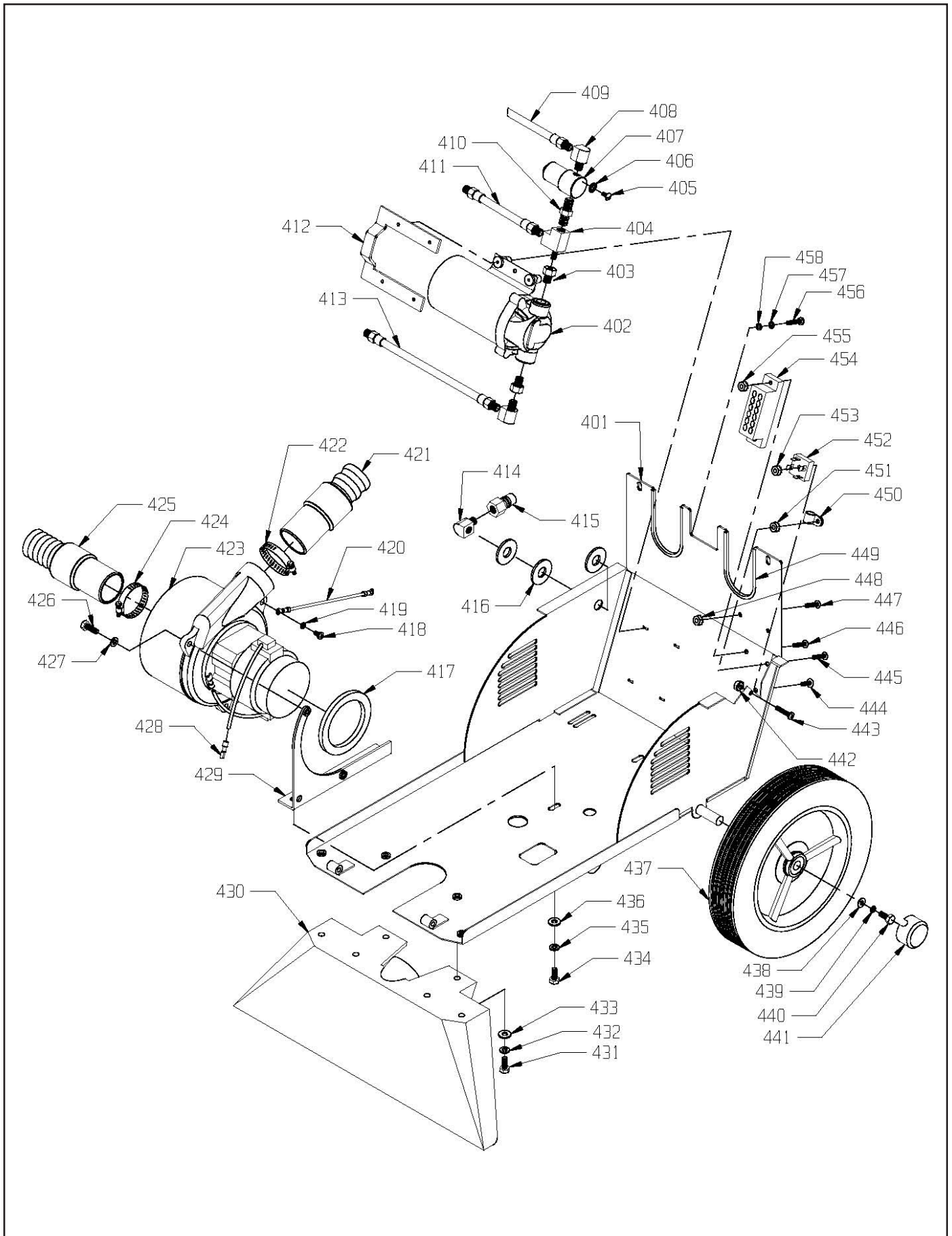
<u>ITEM</u>	<u>PART NO.</u>	<u>PART DESCRIPTION</u>	<u>QTY.</u>
301	4894301	RECOVERY TANK	1
302	4892691	NSS LOGO DECAL FRONT FACING	1
303	4894733	BRACKET - RECOVERY TANK HOLD DOWN	1
304	9120970	1/4 EXTERNAL STAR LOCK WASHER - PK =10	2
305	9121040	1/4-20 X 5/8 ROUND HEAD PHILLIPS MACHINE SCREW - PK =5	2
306	9997550	VELCRO HOOK	0.25
	9997560	VELCRO LOOP	0.25
307	4890209	FILTER SCREEN ASSEMBLY - INCLUDES:	1
	4891311	FILTER SCREEN BAG	1
307A	4891321	BAG RING	1
308	4890011	SOLUTION TANK	1
309	9122465	.156 I.D. X .813 O.D. X .027/.030 THICK FLAT WASHER - PK =2	1
310	4890211	BUSHING - BRASS 1/4F- 3/8 M-NPT	1
311	4890191	FILTER	1
312	4894213	TANK HINGE	2
313	9121047	1/4 DIAMETER X 1 1/2 LONG SOCKET HEAD SHOULDER BOLT (10-24) - PK =10	2
314	9120930	9/32 I.D. X 5/8 O.D. X .051/.080 THICK FLAT WASHER (1/4) - PK =10	2
315	9120880	1/4 SPLIT LOCK WASHER - PK =10	2
316	9121250	1/4-20 X 3/4 HEX BOLT - PK =10	2
317	4894461	RUBBER STOP	2
318	4894541	TANK SUPPORT STRAP	1
319	9121210	1/4-20 X 5/8 HEX BOLT - PK =10	1
320	9120880	1/4 SPLIT LOCK WASHER - PK =10	1
321	9120930	9/32 I.D. X 5/8 O.D. X .051/.080 THICK FLAT WASHER (1/4) - PK =10	1
322	9120930	9/32 I.D. X 5/8 O.D. X .051/.080 THICK FLAT WASHER (1/4) - PK =10	1
323	9120880	1/4 SPLIT LOCK WASHER - PK =10	2
324	9121270	1/4-20 X 1 HEX BOLT - PK =10	2
325	4894651	HOSE - VAC NOZZLE	2
326	4892671	HOSE CLAMP - 1 1/16" TO 2"	1
327	4894171	BASE ASSEMBLY	1
328	9120350	10-24 HEX NUT WITH NY-LOCK INSERT - PK =10	2
329	9121550	5/16 DIAMETER X 3/8 LONG SOCKET HEAD SHOULDER BOLT (1/4-20) PK =1	2
330	4894671	CORD - BRUSH MOTOR - INCLUDES:	1
331	4891071	STRAIN RELIEF,#SR6N34,HEYCO	1
332	4892781	STALLION LABEL KIT	1
333	4492791	BUSHING - PIVOT	1
334	4892681	HOSE RETAINING RING	1
335	9120970	1/4 EXTERNAL STAR LOCK WASHER - PK =10	1
336	9121270	1/4-20 X 1 HEX BOLT - PK =10	1
337	4890221	1/2" "O"RING	1
338	9122468	.562 I.D. X 1.25 O.D. X .072 THICK WASHER - PK =1	1
339	2795861	BRASS ELBOW - 45° X 1/4" NPT	1
340	4894611	HOSE - VAC	1
341	4892741	NSS LOGO DECAL KIT 2.375 X 10	1
342	4894151	DRIP COVER	1
343	4890851	CABLE CLAMP,#COV-090 KMC	1
344	9121040	1/4-20 X 5/8 ROUND HEAD PHILLIPS MACHINE SCREW - PK =5	2
345	9120970	1/4 EXTERNAL STAR LOCK WASHER - PK =10	2

# RECOVERY / SOLUTION TANK ASSEMBLY



<u>ITEM</u>	<u>PART NO.</u>	<u>PART DESCRIPTION</u>	<u>QTY.</u>
401	4894171	BASE ASSEMBLY	1
402	4894591	PUMP - 80 PSI - 120 VOLT	1
	4894881	PUMP - 80 PSI - 240 VOLT	1
403	4890211	BUSHING - BRASS 1/4F-3/8 M-NPT	2
404	4390611	STREET TEE 1/4"NPT	1
405	9120220	8-32 X 3/8 ROUND HEAD PHILLIPS MACHINE SCREW - PACK OF 10	1
406	9120180	#8 INTERNAL STAR LOCK WASHER - PACK OF 10	1
407	4894781	SOLENOID VALVE - 120 VOLT	1
	4891271	SOLENOID VALVE - 240 VOLT	1
408	2795851	BRASS ELBOW - 90° X 1/4" NPT	2
409	4895011	HOSE - PUMP TO SPRAY BAR	1
410	3891941	1/4 HEX NIPPLE	1
411	4895021	HOSE - PUMP TO ACCESS	1
412	4892221	TAPPING PLATE	1
413	4895001	HOSE - TANK TO PUMP	1
414	2795851	BRASS ELBOW - 90° X 1/4" NPT	1
415	3590751	MALE CONNECTOR - QUICK	1
416	9122468	.562 I.D. X 1.25 O.D. X .072 THICK WASHER - PACK OF 1	3
417	0294341	TOP MOTOR SEAL	1
418	9120590	10-24 X 3/8 PAN HEAD PHILLIPS THREAD CUTTING SCREW - PACK OF 10	1
419	9120320	#10 SPLIT LOCK WASHER - PACK OF 10	1
420	4894981	WIRE - GREEN - GROUND TO MOTOR	2
421	4894551	HOSE - VAC MOTOR EXHAUST	1
422	4495441	HOSE CLAMP - 1 9/16" TO 2 1/2" DIAMETER	1
423	4894641	VAC MOTOR - 120 VOLT	1
	4894751	VAC MOTOR - 240 VOLT	1
424	4892671	HOSE CLAMP - 1 1/16" TO 2"	1
425	4894611	HOSE - VAC	1
426	9121250	1/4-20 X 3/4 HEX BOLT - PACK OF 10	2
427	9120880	1/4 SPLIT LOCK WASHER - PACK OF 10	2
428	3290671	PUSH ON TERMINAL	2
429	4894293	VAC MOTOR BRACKET	1
430	4898591	VACUUM NOZZLE 18"	1
431	9121210	1/4-20 X 5/8 HEX BOLT - PACK OF 10	4
432	9120880	1/4 SPLIT LOCK WASHER - PACK OF 10	4
433	9120930	9/32 I.D. X 5/8 O.D. X .051/.080 THICK FLAT WASHER (1/4) - PACK OF 10	4
434	9121210	1/4-20 X 5/8 HEX BOLT - PACK OF 10	2
435	9120880	1/4 SPLIT LOCK WASHER - PACK OF 10	2
436	9120930	9/32 I.D. X 5/8 O.D. X .051/.080 THICK FLAT WASHER (1/4) - PACK OF 10	2
437	4892731	10" WHITE PLASTIC WHEEL	2
438	9120930	9/32 I.D. X 5/8 O.D. X .051/.080 THICK FLAT WASHER (1/4) - PACK OF 10	2
439	9120880	1/4 SPLIT LOCK WASHER - PACK OF 10	2
440	9121210	1/4-20 X 5/8 HEX BOLT - PACK OF 10	2
441	0599311	HUBCAP	2
442	9120360	10-24 HEX NUT WITH STAR LOCK WASHER - PACK OF 10	3
443	9120430	10-24 X 3/4 ROUND HEAD PHILLIPS MACHINE SCREW - PACK OF 10	1
444	9120430	10-24 X 3/4 ROUND HEAD PHILLIPS MACHINE SCREW - PACK OF 10	1
445	9120420	10-24 X 5/8 ROUND HEAD PHILLIPS MACHINE SCREW - PACK OF 10	1
446	9120270	8-32 X 7/8 ROUND HEAD PHILLIPS MACHINE SCREW - PACK OF 10	2
447	9120430	10-24 X 3/4 ROUND HEAD PHILLIPS MACHINE SCREW - PACK OF 10	1
448	9120360	10-24 HEX NUT WITH STAR LOCK WASHER - PACK OF 10	3
449	9997600	EDGE TRIM - FOR SPLASH SHIELD	1.41
450	5294201	NYLON CABLE CLAMP	1
451	9120360	10-24 HEX NUT WITH STAR LOCK WASHER - PACK OF 10	2
452	4894771	RECTIFIER - 120 VOLT	1
	5492741	RECTIFIER - 240 VOLT	1
453	9120360	10-24 HEX NUT WITH STAR LOCK WASHER - PACK OF 10	1
454	4894321	TERMINAL BLOCK	1
455	9120190	8-32 HEX NUT WITH STAR LOCK WASHER - PACK OF 10	2
456	9120450	10-24 X 1 ROUND HEAD PHILLIPS MACHINE SCREW - PACK OF 10	4
457	9120320	#10 SPLIT LOCK WASHER - PACK OF 10	4
458	9120370	7/32 I.D. X 1/2 O.D. X .032/.065 THICK FLAT WASHER (#10) - PACK OF 10	4

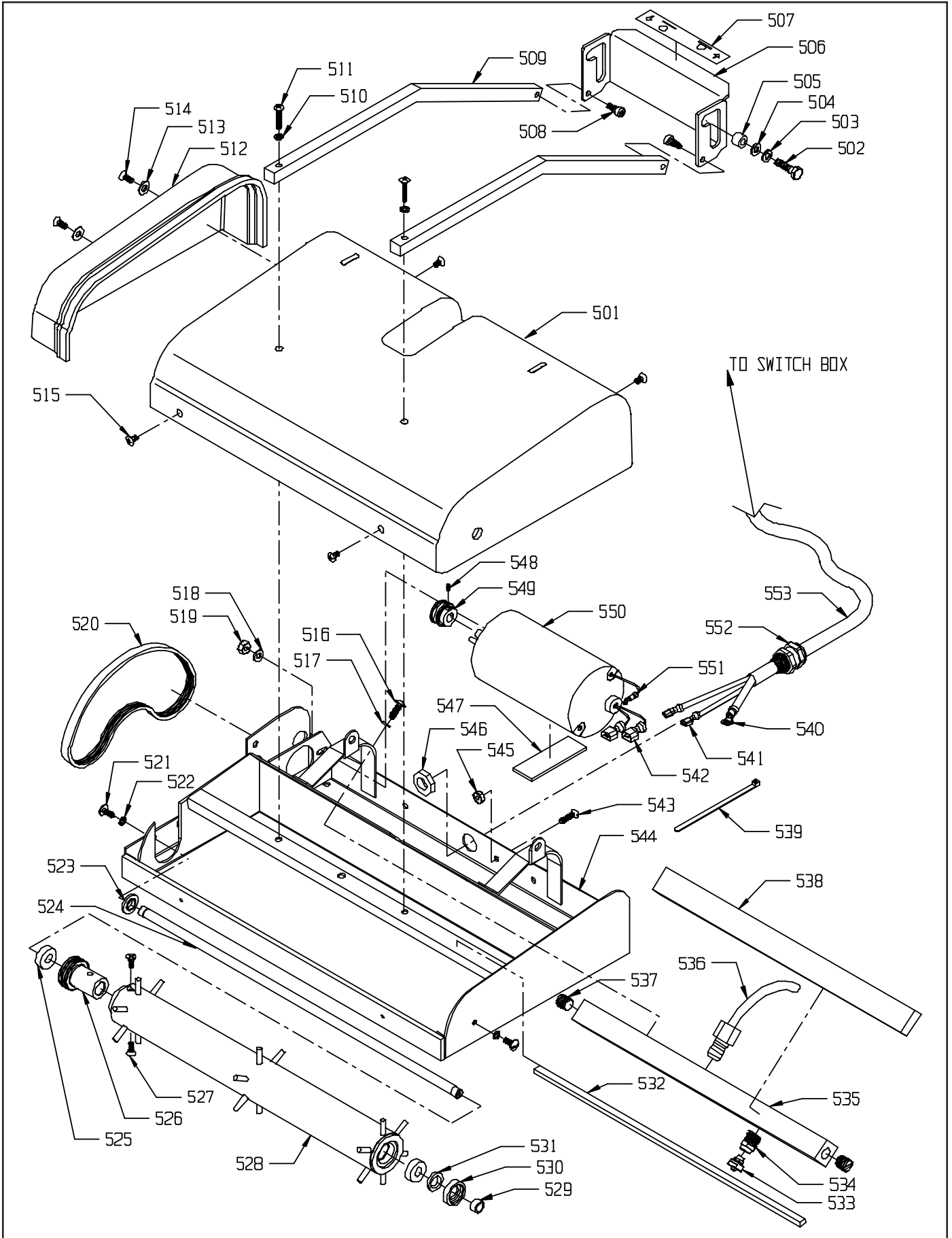
# FRAME ASSEMBLY



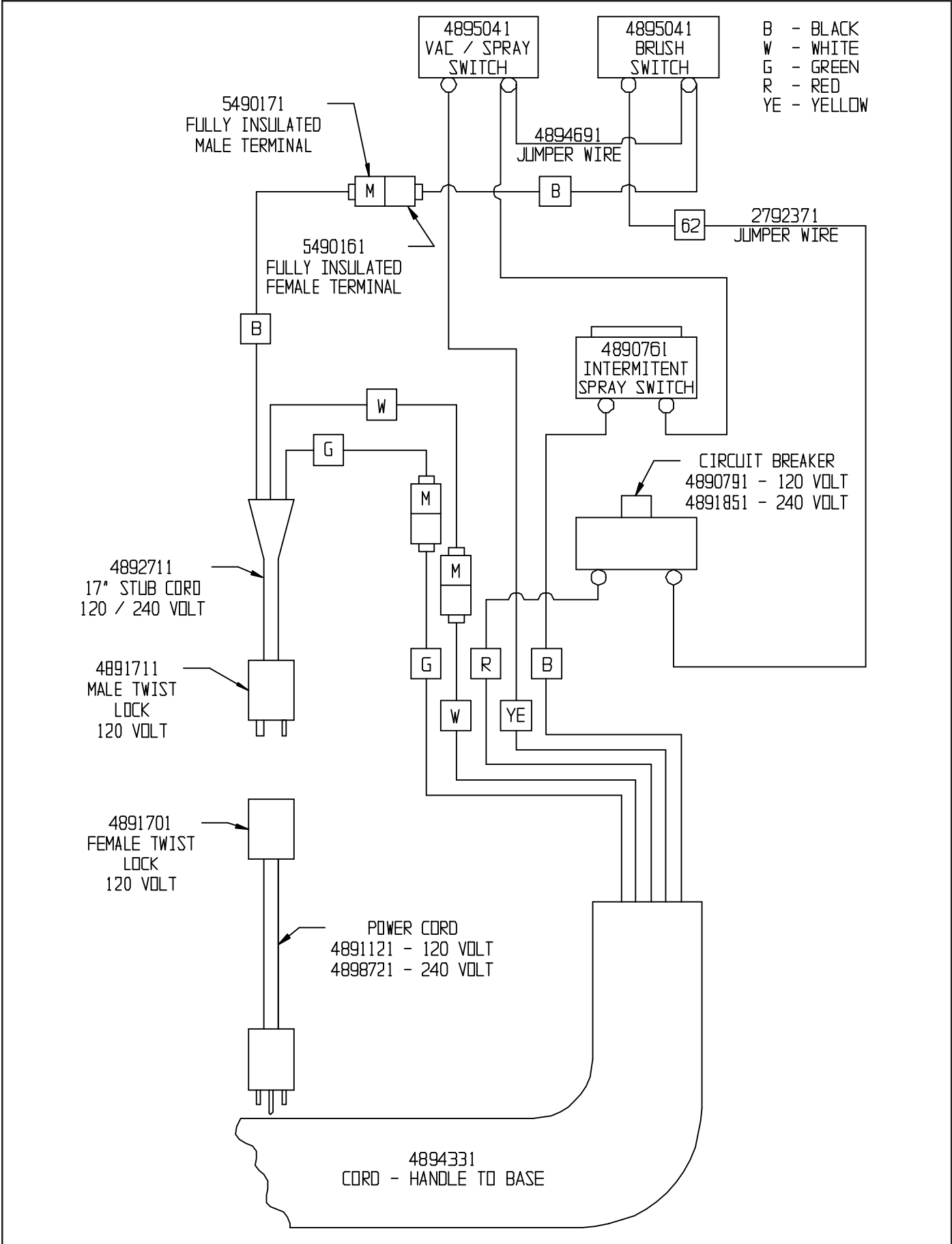
<b>ITEM</b>	<b>PART NO.</b>	<b>PART DESCRIPTION</b>	<b>QTY.</b>
501	4898631	BRUSH HOUSING COVER 18"	1
502	9121250	1/4-20 X 3/4 HEX BOLT - PACK OF 10	2
503	9120880	1/4 SPLIT LOCK WASHER - PACK OF 10	2
504	9120930	9/32 I.D. X 5/8 O.D. X .051/.080 THICK FLAT WASHER (1/4) PACK OF 10	2
505	4894441	BRUSH LIFT GUIDE	2
506	4894103	BRUSH FOOT PEDAL	1
507	4892781	STALLION LABEL KIT	1
508	9121289	1/4 DIAMETER X 3/16 LONG SOCKET HEAD SHOULDER BOLT (10-24) - PACK 1	2
509	4894203	BRUSH LIFT ARM	2
510	9120320	#10 SPLIT LOCK WASHER - PACK OF 10	2
511	9120450	10-24 X 1 ROUND HEAD PHILLIPS MACHINE SCREW - PACK OF 10	2
512	4898631	BRUSH HOUSING COVER 18"	1
513	9120207	3/16 I.D. X 1/2 O.D. EYELET - BRASS - PACK OF 2	2
514	9120585	10-24 X 1/5 OVAL HEAD PHILLIPS MACHINE SCREW - PACK OF 10	2
515	9120580	10-24 X 5/8 ROUND HEAD SLOT MACHINE SCREW - BRASS - PACK OF 10	4
516	9120385	10-24 X 3/8 ROUND HEAD PHILLIPS MACHINE SCREW WITH SEALENT - PACK OF 2	2
517	9120320	#10 SPLIT LOCK WASHER - PACK OF 10	2
518	9120370	7/32 I.D. X 1/2 O.D. X .032/.065 THICK FLAT WASHER #10 - PACK OF 10	2
519	9120660	10-32 HEX NUT WITH NY-LOK INSERT - PACK OF 10	2
520	4894381	POLY-V BELT	1
521	9120410	10-24 X 1/2 ROUND HEAD PHILLIPS MACHINE SCREW - PACK OF 10	2
522	9120320	#10 SPLIT LOCK WASHER - PACK OF 10	2
523	4890971	SHIELD	1
524	4898621	BRUSH AXLE 18"	1
525	4890961	BEARING - BRUSH	2
526	4894251	BRUSH PULLEY	1
527	9120670	10-32 X 5/8 FLAT HEAD PHILLIPS MACHINE SCREW - PACK OF 10	2
528	4898611	BRUSH 18"	1
529	4894371	BUSHING - BRUSH	1
530	4894281	BRUSH THREAD GUARD	1
531	3695051	SHAFT SEAL	1
532	8891080	3/16" X 5/16" NEOPRENE GASKET	1.3
533	4990971	SPRAY TIP & BODY - INCLUDES:	3
533	4990981	SPRAY TIP ONLY	3
534	4891291	SPRAY BODY ONLY	3
534	4892111	SPRAY BODY "O" RING - NOT SHOWN	3
535	4898641	SPRAY BAR 18"	1
536	4895011	HOSE - PUMP TO SPRAY BAR	1
537	2392151	1/4" PIPE PLUG - BRASS	2
538	8891100	1/2" X 1" GASKET MATERIAL	1.3
539	9123005	1/8 X 5 1/2 WIRE TIE - PACK OF 5	1
540	0298981	#10 RING TERMINAL 14-16 GA	2
541	4991361	FULLY INSULATED FEMALE TERMINAL 18-22 GAGE	4
542	4991371	FULLY INSULATED MALE TERMINAL 18-22 GAGE	2
543	9120430	10-24 X 3/4 ROUND HEAD PHILLIPS MACHINE SCREW - PACK OF 10	2
544	4898601	BRUSH FRAME 18"	1
545	9120360	10-24 HEX NUT WITH STAR LOCK WASHER - PACK OF 10	3
546	0891131	PLASTIC STRAIN RELIEF NUT	1
547	8891130	1" X 1/8" NEOPRENE GASKET	1
548	9120640	10-32 X 1/4 SET SCREW - CUP POINT - PACK OF 10	2
549	4894241	MOTOR PULLEY	1
550	4898651	MOTOR - BRUSH DRIVE - 120 VOLT - SEALED - INCLUDES:	1
	4891261	MOTOR - BRUSH DRIVE - 240 VOLT - SEALED - INCLUDES:	1
551	0298981	#10 RING TERMINAL 14-16 GA	1
552	4890831	STRAIN RELIEF - INCLUDES: 546	1
553	4894671	CORD - BRUSH MOTOR	1



# BRUSH ASSEMBLY

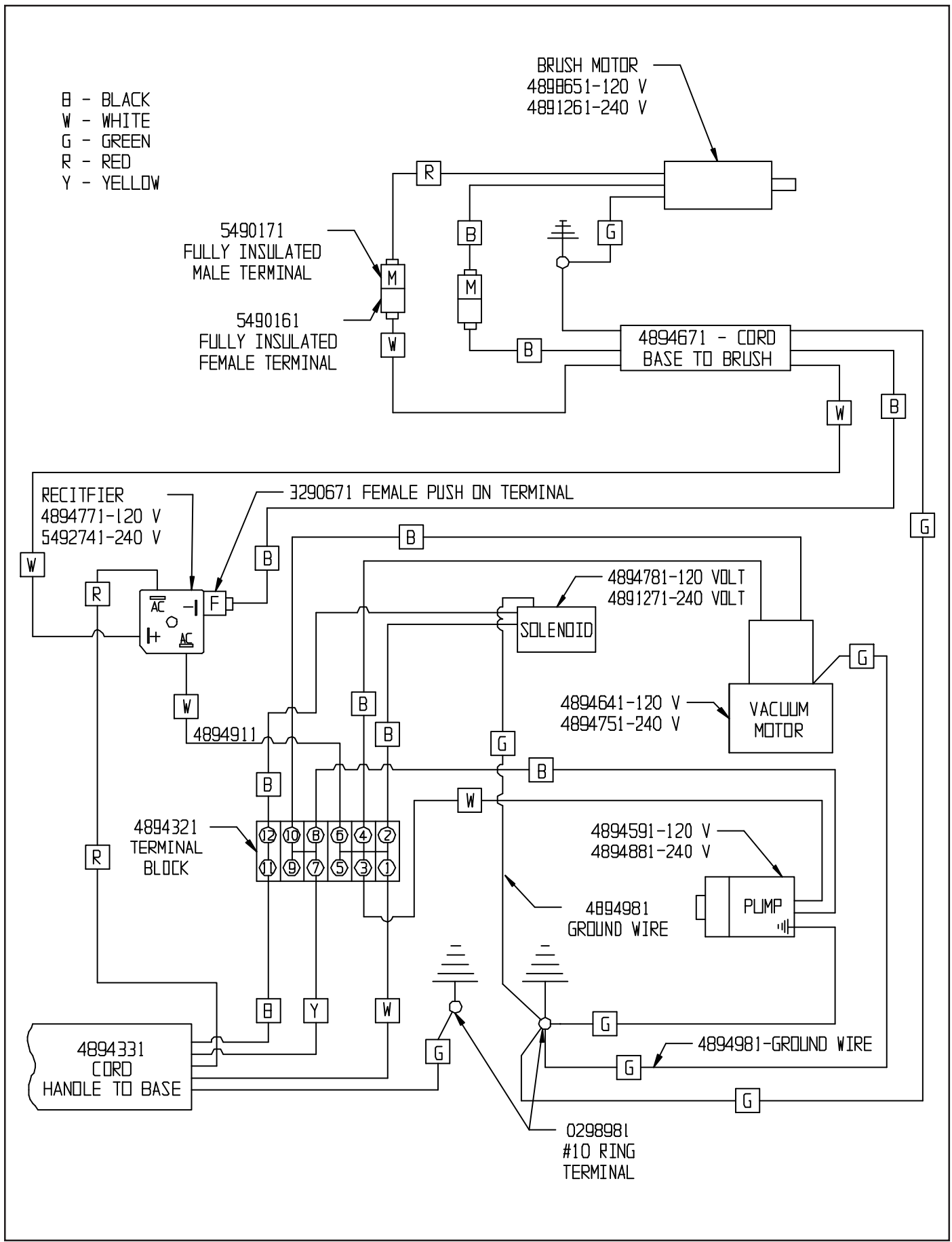


# WIRING DIAGRAM - CONTROL HANDLE



# WIRING DIAGRAM - FRAME AND BRUSH HEAD

B - BLACK  
 W - WHITE  
 G - GREEN  
 R - RED  
 Y - YELLOW



# ACCESSORIES

**PART NO.**

**PART DESCRIPTION**

3097849	14" SQUEEGEE WITH BRUSH
2598551	15' VACUUM HOSE - CLEAR
2590361	1 1/2" HOSE CUFF - WAND END - USE WITH 2598551
2590371	1 3/4" HOSE CUFF - COUPLING END - USE WITH 2598551
4095461	15' VACUUM HOSE - BLACK
2594251	25' VACUUM HOSE
2599601	1 3/4" HOSE CUFF - COUPLING END - USE WITH 2594251
2599611	1 1/2" HOSE CUFF - WAND END - USE WITH 2594251
4098021	15' SOLUTION HOSE - LOW PRESSURE - FEMALE / FEMALE QDC
3891581	15' SOLUTION HOSE - LOW PRESSURE - MALE / MALE QDC
3890991	15' SOLUTION HOSE - LOW PRESSURE - FEMALE / MALE QDC
3890981	25' SOLUTION HOSE - LOW PRESSURE - MALE / MALE QDC
4097111	QUICK CONNECT ADAPTOR - FEMALE / FEMALE
4097101	3 - JET WAND - 12" WIDTH
4097201	2 - JET WAND - 12" WIDTH
4097301	SINGLE JET - 30" LONG STAIR WAND - 9 3/4" WIDTH
4097401	6" STAIR TOOL
4097501	4" UPHOLSTERY TOOL
4097601	3 1/2" DETAIL TOOL
4098031	8" FLATTENED INTERNAL SPRAY CREVICE TOOL
4098101	12" SQUEEGEE WITH WAND
9094030	EXTRACTOR ACCESSORIES ILLUSTRATED PARTS BOOK
4891721	COIL HOSE WITH SPRAY GUN - LOW PRESSURE - FEMALE QDC
4892859	UPHOLSTERY KIT - INCLUDES:
4097501	4" UPHOLSTERY TOOL
2598551	15' VACUUM HOSE - CLEAR
4098021	15' SOLUTION HOSE - LOW PRESSURE - FEMALE / FEMALE QDC
4892869	DETAIL 3 - JET WAND TOOL KIT - INCLUDES:
4097101	3 - JET WAND - 12" WIDTH
2598551	15' VACUUM HOSE
4098021	15' SOLUTION HOSE - LOW PRESSURE - FEMALE / FEMALE QDC
4098089	15' SOLUTION HOSE EXTENSION KIT - INCLUDES:
2598551	15' VACUUM HOSE
3890991	15' SOLUTION HOSE - LOW PRESSURE - FEMALE / MALE QDC
2291211	5" ALUMINUM CONNECTOR



**NSS ® Enterprises, Inc.**

3115 Frenchmens Road, Toledo, Ohio 43607  
 PHONE (419) 531-2121 FAX (419) 531-3761

**NSS ® Enterprises, Inc. European Distribution Centre**  
 Unit II, Pinfold Trading Estate \* 55 Nottingham Road  
 STAPLEFORD, NOTTINGHAM NG9 8AD ENGLAND U.K.  
 PHONE: (44) 0115 939 1568 \* FAX: (44) 0115 949 0615