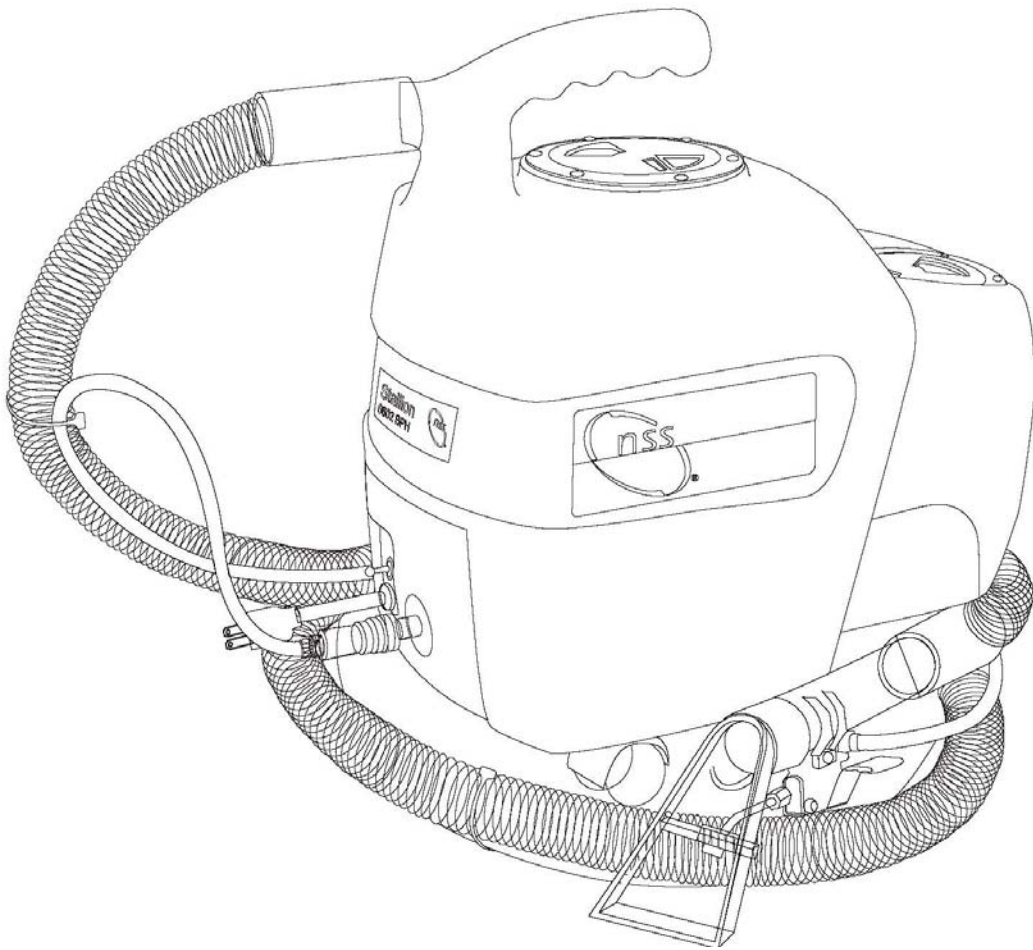
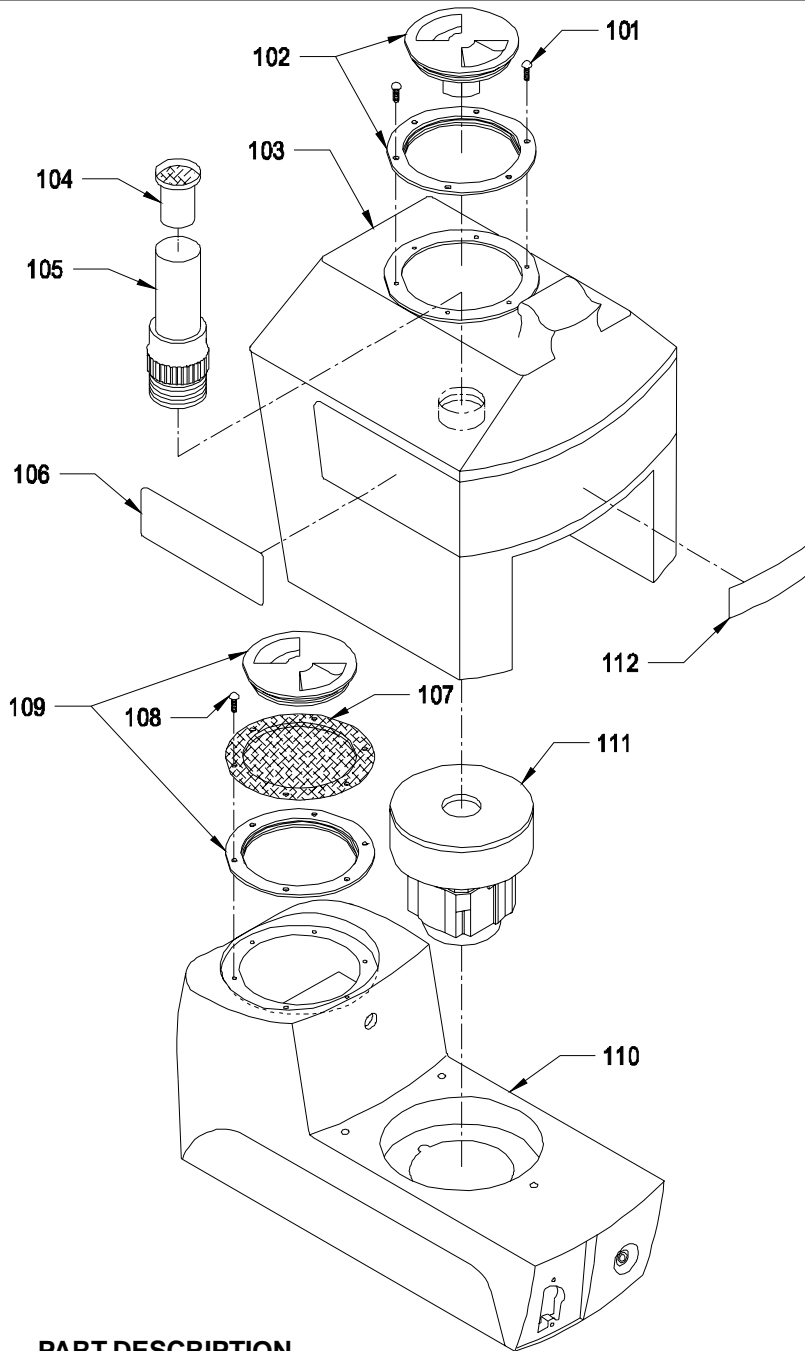


PARTS LIST
STALLION 0602 BPH HOT SPOTTER

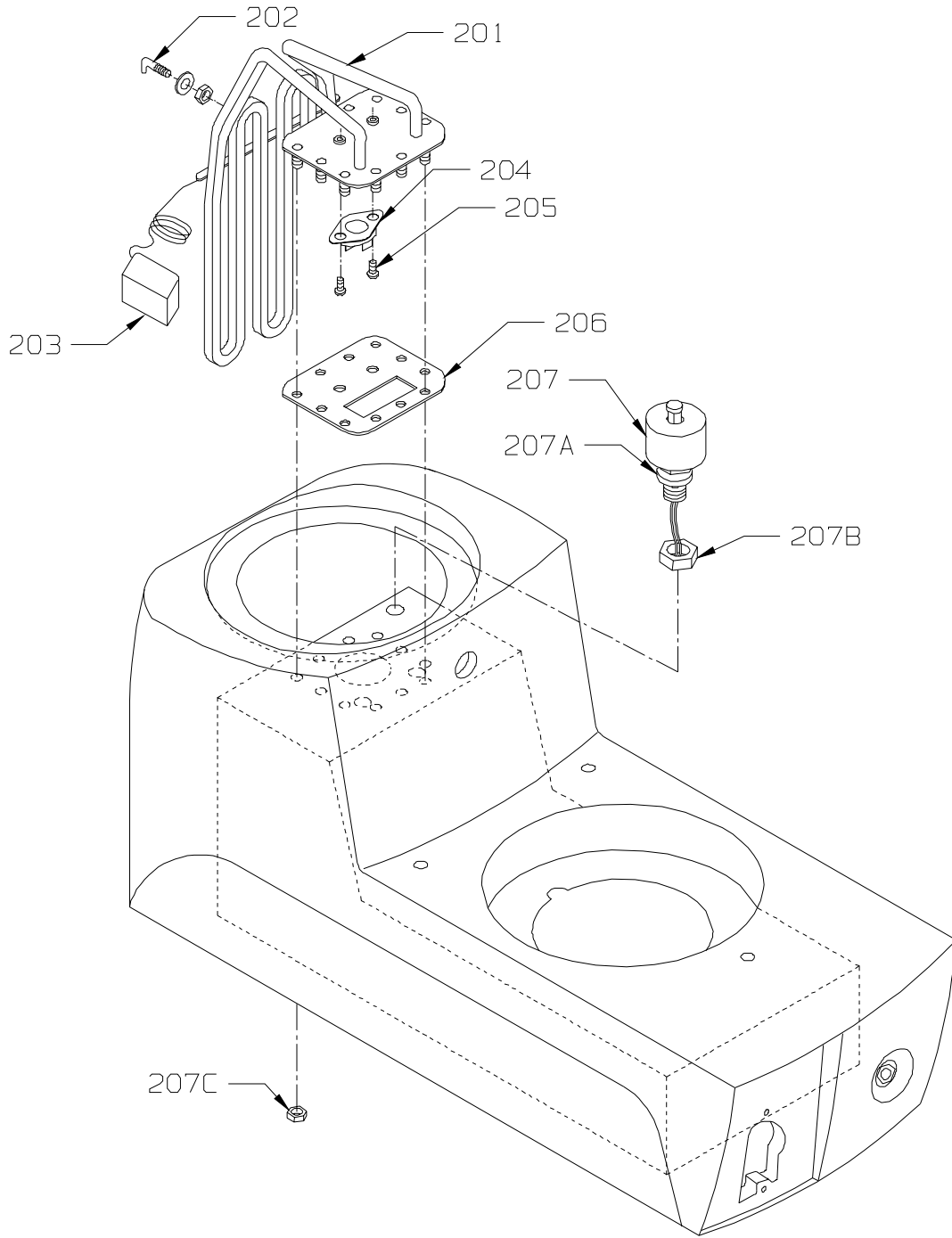


SOLUTION / RECOVERY TANKS



<u>ITEM</u>	<u>PART NO.</u>	<u>PART DESCRIPTION</u>	<u>QTY.</u>
101	2795681	8-32 X 5/8 PAN HEAD PHILLIPS SHEET METAL SCREW	6
102	4591201	LID ASSEMBLY	1
103	4591211	RECOVERY TANK	1
104	4591031	INTAKE SCREEN	1
105	4591151	INTAKE STACK ASSEMBLY	1
106	4591021	SIDE DECAL	1
107	4591221	SCREEN	1
108	2795681	8-32 X 5/8 PAN HEAD PHILLIPS SHEET METAL SCREW	6
109	4591201	LID ASSEMBLY	1
110	4591241	SOLUTION TANK	1
111	4591231	VACUUM MOTOR ASSEMBLY - INCLUDES:	1
111A	4591511	CARBON BRUSHES - GS - 6300	2
112	4591011	STALLION HOT SPOTTER NAME IDENTIFIER LOGO	1

HEATING ELEMENT

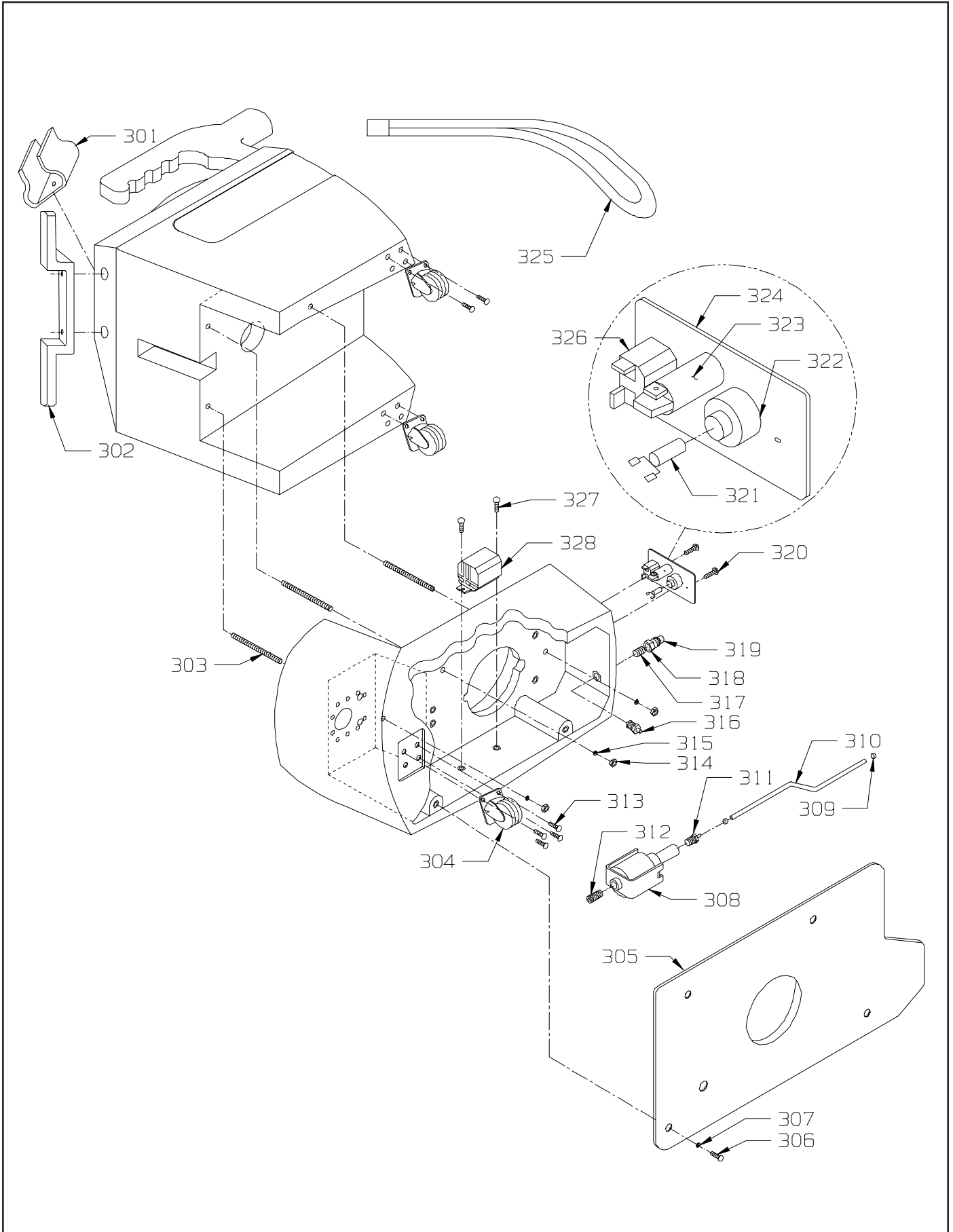


ITEM	PART NO.	PART DESCRIPTION	QTY.
201	4591261	HEAT ELEMENT	1
202	4591391	J-BOLT ASSEMBLY	1
203	4591401	THERMOSTAT CONTROLLER	1
204	4591411	THERMOSTAT	1
205	9120060	6-32 X 5/16 PAN HEAD SLOT MACHINE SCREW - BRASS	2
206	4591431	GASKET - HEAT ELEMENT	1
207	4591451	FLOAT SWITCH - INCLUDES:	1
207A	4591461	GASKET - FLOAT SWITCH	1
207B	-----	NUT - FLOAT SWITCH	1
207C	4591441	8-32 FLANGE NUT	11

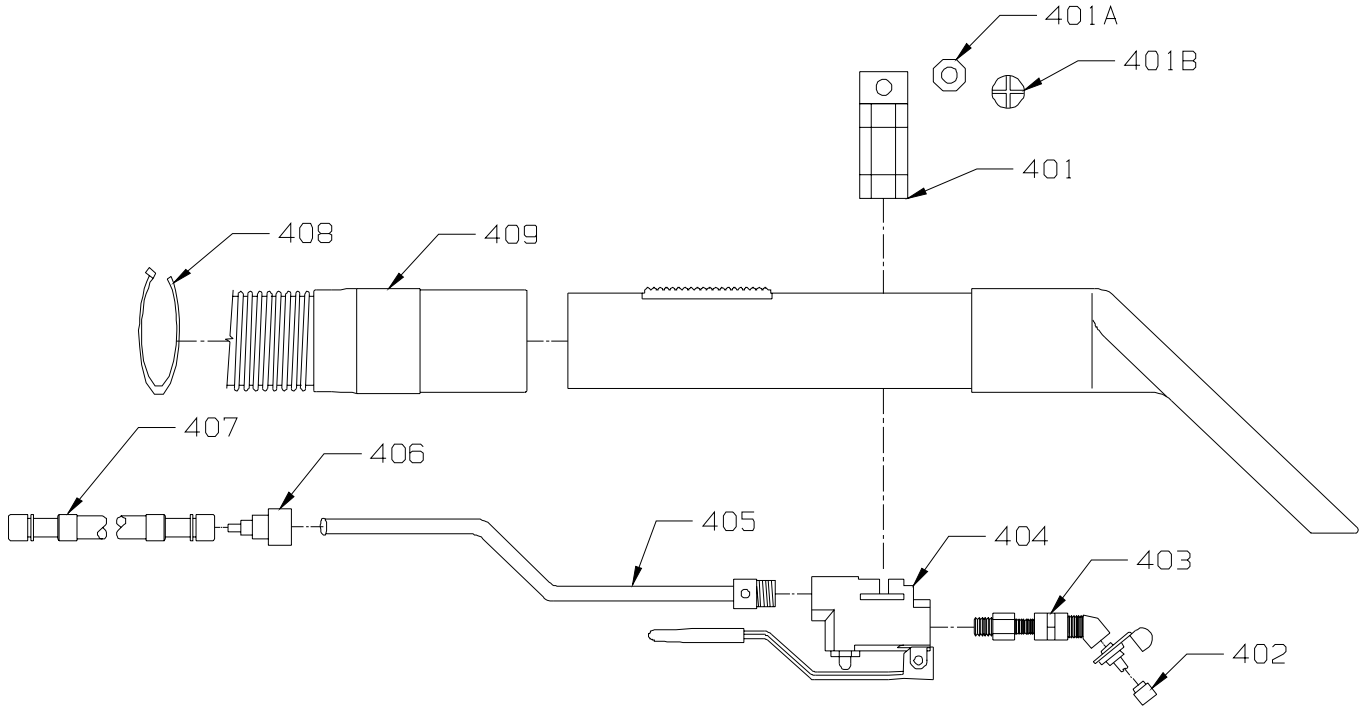
INTERNAL COMPONENTS

<u>ITEM</u>	<u>PART NO.</u>	<u>PART DESCRIPTION</u>	<u>QTY.</u>
301	4591281	TOOL HOLDER	1
302	4591271	CORD BRACKET	1
303	4591251	1/4-20 X 3 1/2 FULL THREADED STUD	3
304	4591041	CASTER	3
305	4591471	BOTTOM COVER	1
306	9120230	8-32 X 1/2 PAN HEAD PHILLIPS MACHINE SCREW	4
307	9120185	5/32 I.D. X 1/2 O.D. WASHER	4
308	4591141	PUMP - 60 PSI	1
309	4591161	CLAMP - HOSE	2
310	4591171	HOSE	1
311	4591121	BARB	1
312	4591131	1/8 NPT CLOSE NIPPLE - HEX	1
313	9120230	8-32 X 1/2 PAN HEAD PHILLIPS MACHINE SCREW	12
314	9120920	1/4-20 HEX NUT	3
315	9120880	1/4 SPLIT LOCK WASHER	3
316	4591121	BARB	1
317	4591111	1/8 NPT CLOSE NIPPLE	1
318	4591101	SPACER	1
319	4591081	PLUG	1
320	9120060	6-32 X 5/16 PAN HEAD SLOT MACHINE SCREW - BRASS	2
321	4591071	CORD	1
322	4591361	STRAIN RELIEF	1
323	4591341	LIGHT	1
324	4591301	CONTROL PANEL	1
325	4591051	TOWING STRAP	1
326	4591061	SWITCH	1
327	9120230	8-32 X 1/2 PAN HEAD PHILLIPS MACHINE SCREW	2
328	4591311	RELAY	1
N/S	4591321	WIRE HARNESS	1

INTERNAL COMPONENTS



HOSE AND WAND ASSEMBLY



<u>ITEM</u>	<u>PART NO.</u>	<u>PART DESCRIPTION</u>	<u>QTY.</u>
	4591091	UPHOLSTERY TOOL ASSEMBLY - INCLUDES:	1
401	4097671	1 1/2" VALVE HANGER - INCLUDES:	1
401A	9120700	10-32 HEX NUT	1
401B	9120775	10-32 X 1 1/8 PAN HEAD PHILLIPS MACHINE SCREW	1
402	4591381	QUICK JET NOZZLE	1
403	4591371	NOZZLE TUBE ASSEMBLY	1
404	4097691	VALVE - INCLUDES:	1
404A	4098161	VALVE HANDLE	1
404B	4097061	"O" RING - LARGE - ABOVE STEM	1
404C	4097071	"O" RING - SMALL - UPPER STEM	1
405	4591491	WHIP	1
406	4591521	MALE PLUG - QUICK DISCONNECT	1
407	4591191	SOLUTION HOSE - 10 FEET	1
408	4591501	CABLE TIE - 8"	1
409	4591181	VACUUM HOSE	1

NOTES



NSS[®] Enterprises, Inc.

3115 Frenchmens Road, Toledo, Ohio 43607
PHONE (419) 531-2121 FAX (419) 531-3761

NSS[®] Enterprises, Inc. European Distribution Centre
Unit II, Pinfold Trading Estate * 55 Nottingham Road
STAPLEFORD, NOTTINGHAM NG9 8AD ENGLAND U.K.
PHONE: (44) 0115 939 1568 * FAX: (44) 0115 949 0615