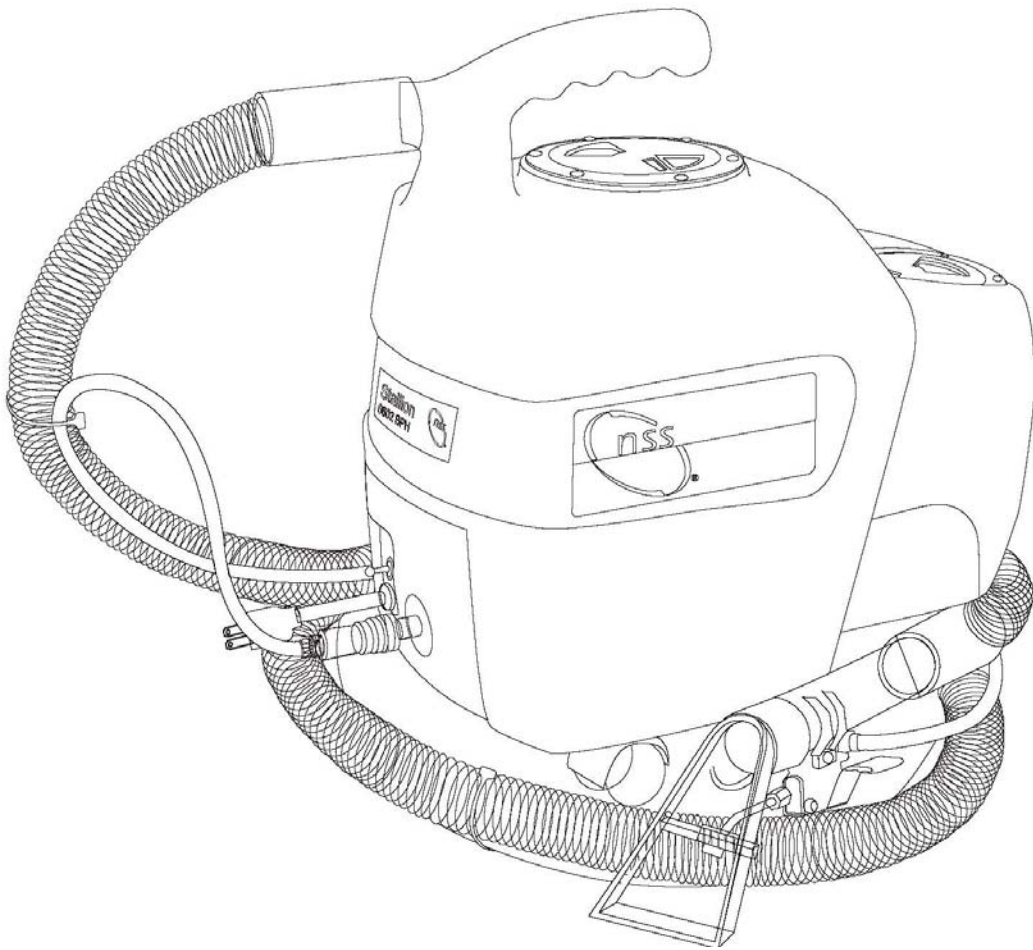
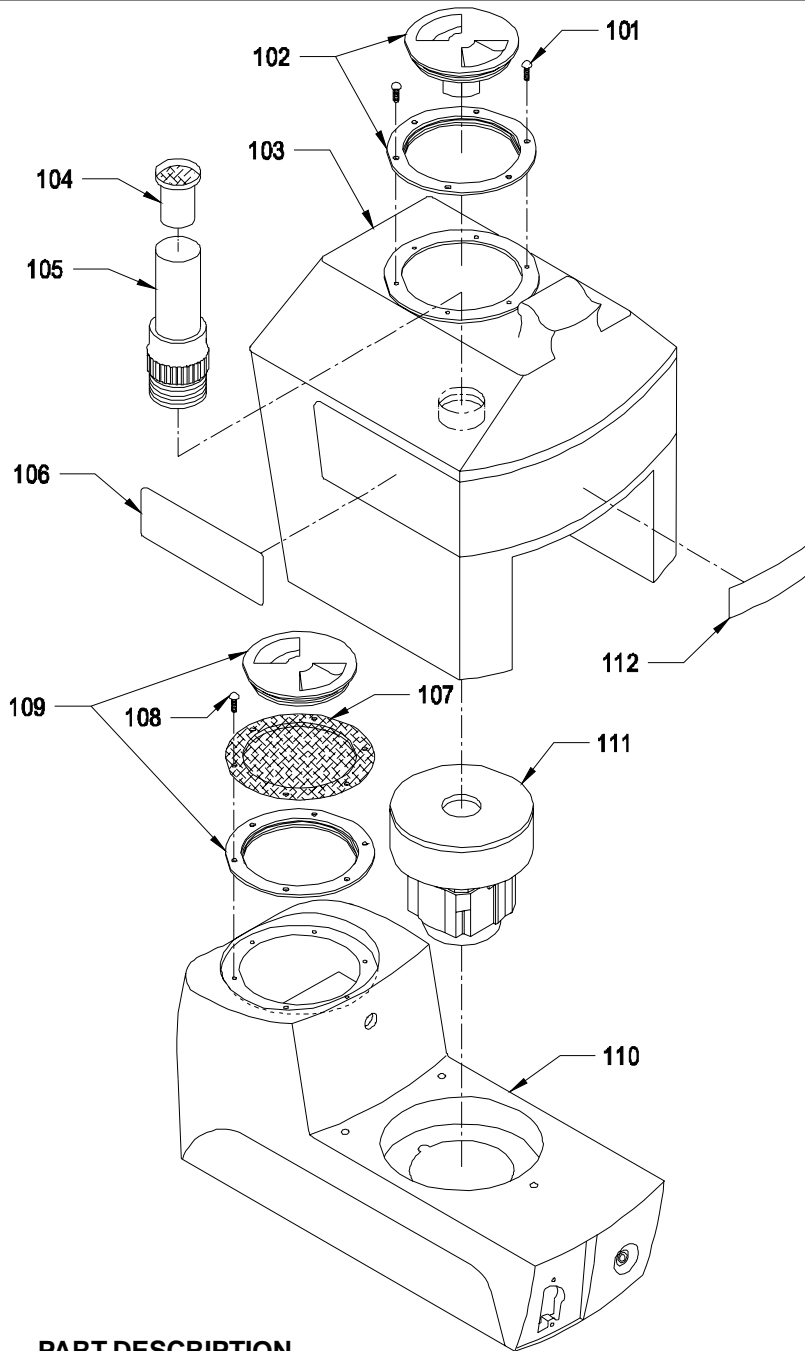


PARTS LIST
STALLION 0602 BPH HOT SPOTTER

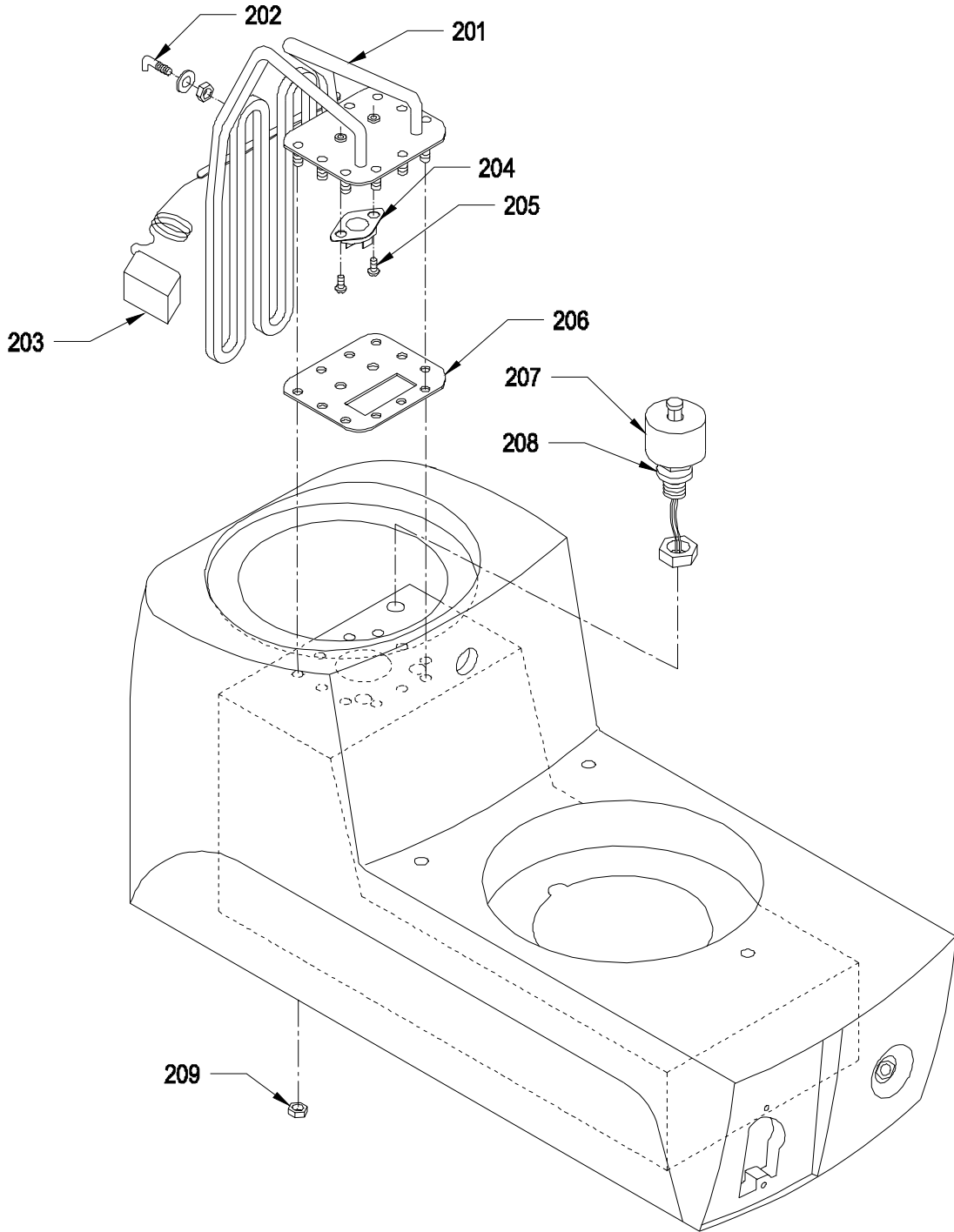


SOLUTION / RECOVERY TANKS



| <u>ITEM</u> | <u>PART NO.</u> | <u>PART DESCRIPTION</u> | <u>QTY.</u> |
|-------------|-----------------|--|-------------|
| 101 | 2795681 | 8-32 X 5/8 PAN HEAD PHILLIPS SHEET METAL SCREW | 6 |
| 102 | 4591201 | LID ASSEMBLY | 1 |
| 103 | 4591211 | RECOVERY TANK | 1 |
| 104 | 4591031 | INTAKE SCREEN | 1 |
| 105 | 4591151 | INTAKE STACK ASSEMBLY | 1 |
| 106 | 4591021 | SIDE DECAL | 1 |
| 107 | 4591221 | SCREEN | 1 |
| 108 | 2795681 | 8-32 X 5/8 PAN HEAD PHILLIPS SHEET METAL SCREW | 6 |
| 109 | 4591201 | LID ASSEMBLY | 1 |
| 110 | 4591241 | SOLUTION TANK | 1 |
| 111 | 4591231 | VACUUM MOTOR ASSEMBLY - INCLUDES: | 1 |
| | 4591511 | CARBON BRUSHES - GS - 6300 | 2 |
| 112 | 4591011 | STALLION HOT SPOTTER NAME IDENTIFIER LOGO | 1 |

HEATING ELEMENT

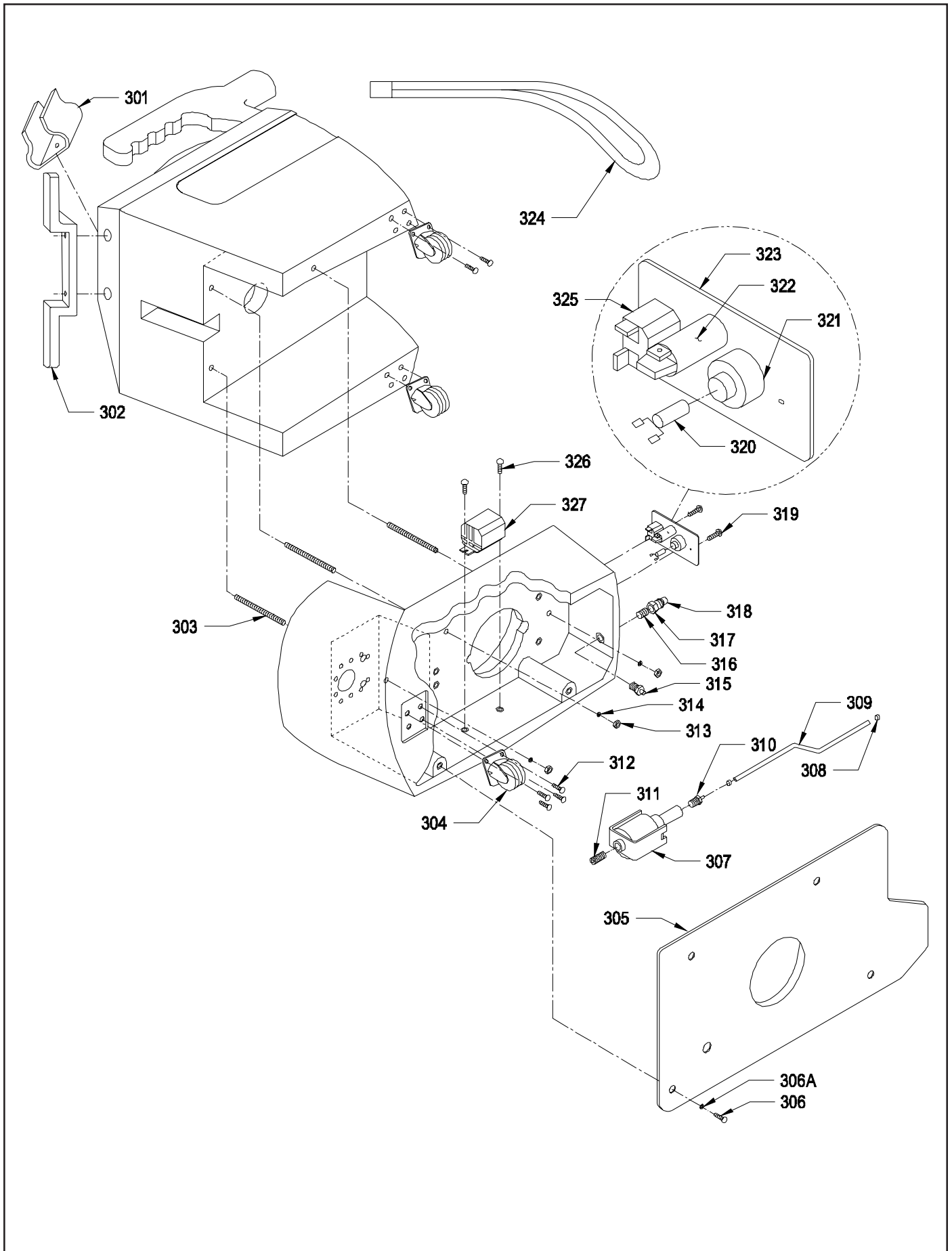


| ITEM | PART NO. | PART DESCRIPTION | QTY. |
|-------------|-----------------|---|-------------|
| 201 | 4591261 | HEAT ELEMENT | 1 |
| 202 | 4591391 | J-BOLT ASSEMBLY | 1 |
| 203 | 4591401 | THERMOSTAT CONTROLLER | 1 |
| 204 | 4591411 | THERMOSTAT | 1 |
| 205 | 9120060 | 6-32 X 5/16 PAN HEAD SLOT MACHINE SCREW - BRASS | 2 |
| 206 | 4591431 | GASKET - HEAT ELEMENT | 1 |
| 207 | 4591451 | FLOAT SWITCH - INCLUDES: | 1 |
| 208 | 4591461 | GASKET - FLOAT SWITCH | 1 |
| | ----- | NUT - FLOAT SWITCH | 1 |
| 209 | 4591441 | 8-32 FLANGE NUT | 11 |

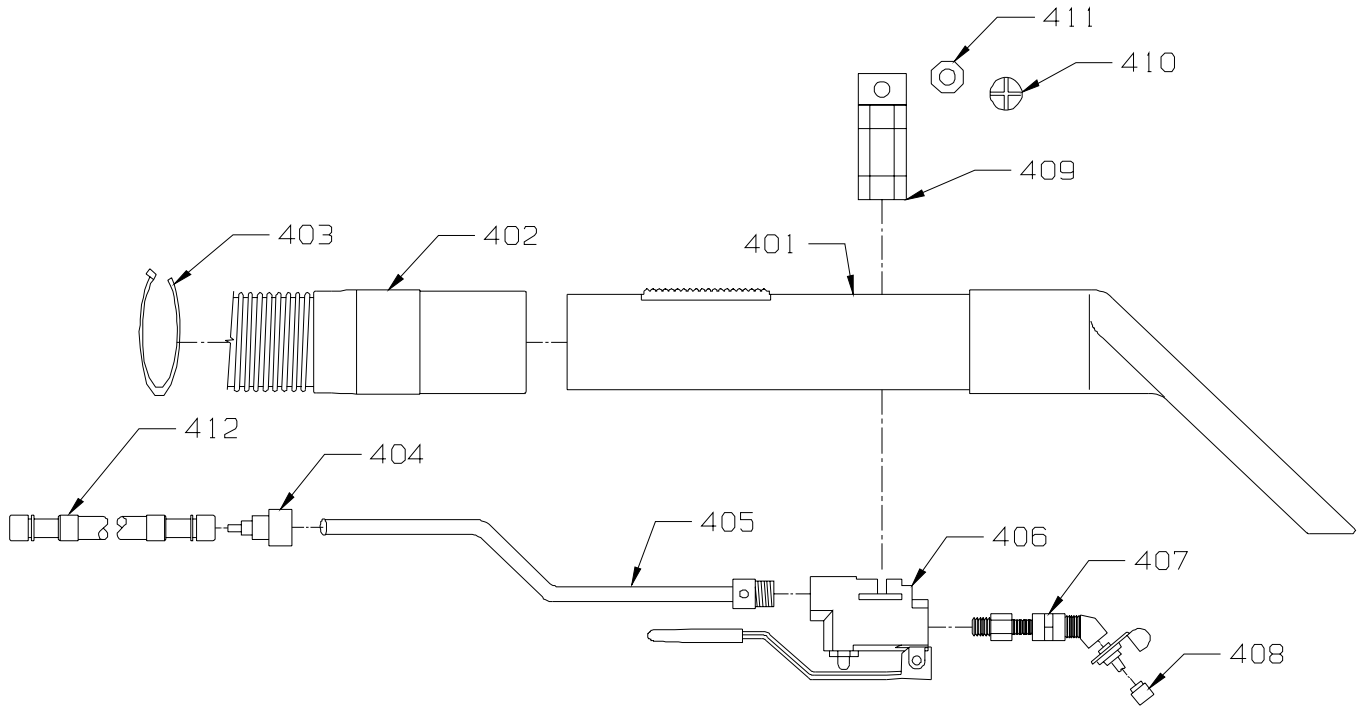
INTERNAL COMPONENTS

| <u>ITEM</u> | <u>PART NO.</u> | <u>PART DESCRIPTION</u> | <u>QTY.</u> |
|--------------------|------------------------|---|--------------------|
| 301 | 4591281 | TOOL HOLDER | 1 |
| 302 | 4591271 | CORD BRACKET | 1 |
| 303 | 4591251 | 1/4-20 X 3 1/2 FULL THREADED STUD | 3 |
| 304 | 4591041 | CASTER | 3 |
| 305 | 4591471 | BOTTOM COVER | 1 |
| 306 | 9120230 | 8-32 X 1/2 PAN HEAD PHILLIPS MACHINE SCREW | 4 |
| 306A | 9120185 | 5/32 I.D. X 1/2 O.D. WASHER | 4 |
| 307 | 4591141 | PUMP - 60 PSI | 1 |
| 308 | 4591161 | CLAMP - HOSE | 2 |
| 309 | 4591171 | HOSE | 1 |
| 310 | 4591121 | BARB | 1 |
| 311 | 4591131 | 1/8 NPT CLOSE NIPPLE - HEX | 1 |
| 312 | 9120230 | 8-32 X 1/2 PAN HEAD PHILLIPS MACHINE SCREW | 12 |
| 313 | 9120920 | 1/4-20 HEX NUT | 3 |
| 314 | 9120880 | 1/4 SPLIT LOCK WASHER | 3 |
| 315 | 4591121 | BARB | 1 |
| 316 | 4591111 | 1/8 NPT CLOSE NIPPLE | 1 |
| 317 | 4591101 | SPACER | 1 |
| 318 | 4591081 | PLUG | 1 |
| 319 | 9120060 | 6-32 X 5/16 PAN HEAD SLOT MACHINE SCREW - BRASS | 2 |
| 320 | 4591071 | CORD | 1 |
| 321 | 4591361 | STRAIN RELIEF | 1 |
| 322 | 4591341 | LIGHT | 1 |
| 323 | 4591301 | CONTROL PANEL | 1 |
| 324 | 4591051 | TOWING STRAP | 1 |
| 325 | 4591061 | SWITCH | 1 |
| 326 | 9120230 | 8-32 X 1/2 PAN HEAD PHILLIPS MACHINE SCREW | 2 |
| 327 | 4591311 | RELAY | 1 |
| N/S | 4591321 | WIRE HARNESS | 1 |

INTERNAL COMPONENTS



HOSE AND WAND ASSEMBLY



| <u>ITEM</u> | <u>PART NO.</u> | <u>PART DESCRIPTION</u> | <u>QTY.</u> |
|-------------|-----------------|---|-------------|
| 401 | 4591091 | UPHOLSTERY TOOL ASSEMBLY - INCLUDES: | 1 |
| 402 | 4591181 | VACUUM HOSE | 1 |
| 403 | 4591501 | CABLE TIE - 8" | 1 |
| 404 | 4591521 | MALE PLUG - QUICK DISCONNECT | 1 |
| 405 | 4591491 | WHIP | 1 |
| 406 | 4097691 | VALVE - INCLUDES: | 1 |
| | 4098161 | VAVE HANDLE | 1 |
| | 4097061 | "O" RING - LARGE - ABOVE STEM | 1 |
| | 4097071 | "O" RING - SMALL - UPPER STEM | 1 |
| 407 | 4591371 | NOZZLE TUBE ASSEMBLY | 1 |
| 408 | 4591381 | QUICK JET NOZZLE | 1 |
| 409 | 4097671 | 1 1/2" VALVE HANGER - INCLUDES: | 1 |
| 410 | 9120775 | 10-32 X 1 1/8 PAN HEAD PHILLIPS MACHINE SCREW | 1 |
| 411 | 9120700 | 10-32 HEX NUT | 1 |
| 412 | 4591191 | SOLUTION HOSE - 10 FEET | 1 |

NOTES



NSS ® Enterprises, Inc.

3115 Frenchmens Road, Toledo, Ohio 43607
PHONE (419) 531-2121 FAX (419) 531-3761

NSS ® Enterprises, Inc. European Distribution Centre
Unit II, Pinfold Trading Estate * 55 Nottingham Road
STAPLEFORD, NOTTINGHAM NG9 8AD ENGLAND U.K.
PHONE: (44) 0115 939 1568 * FAX: (44) 0115 949 0615