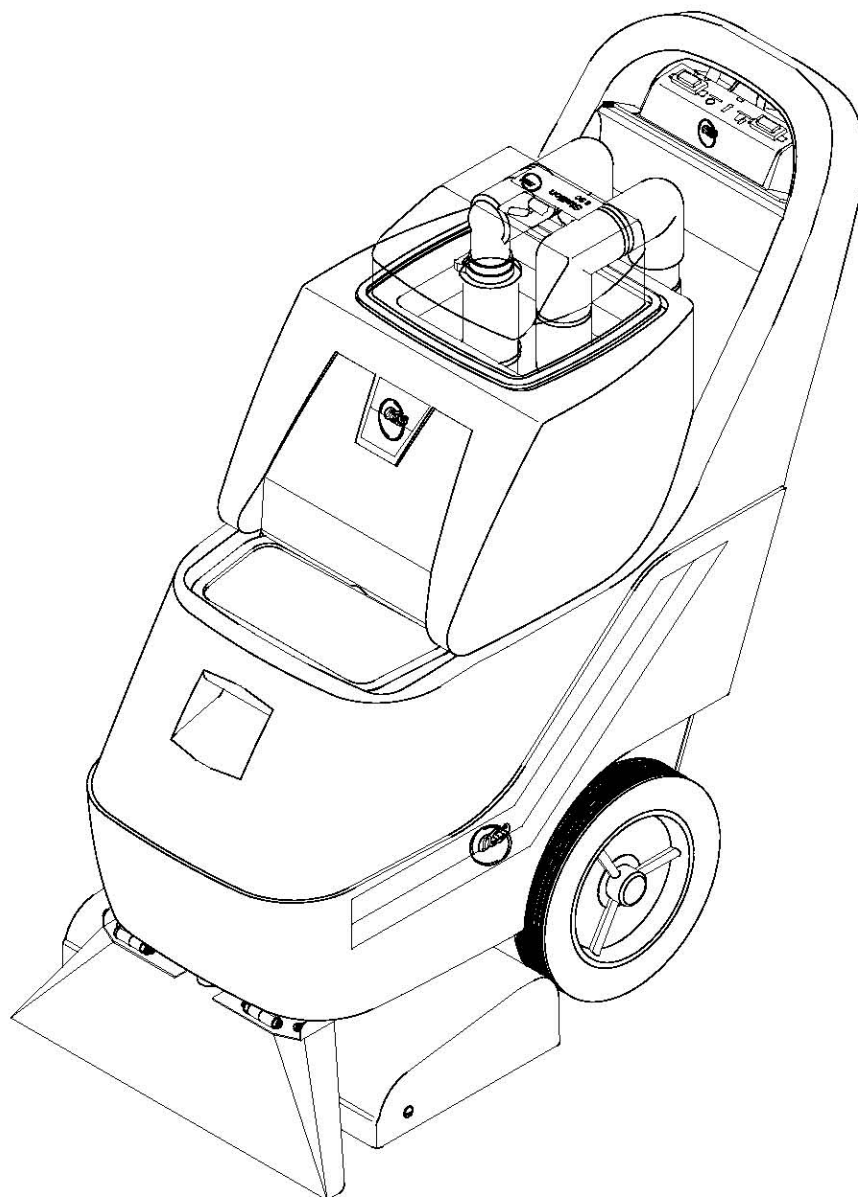
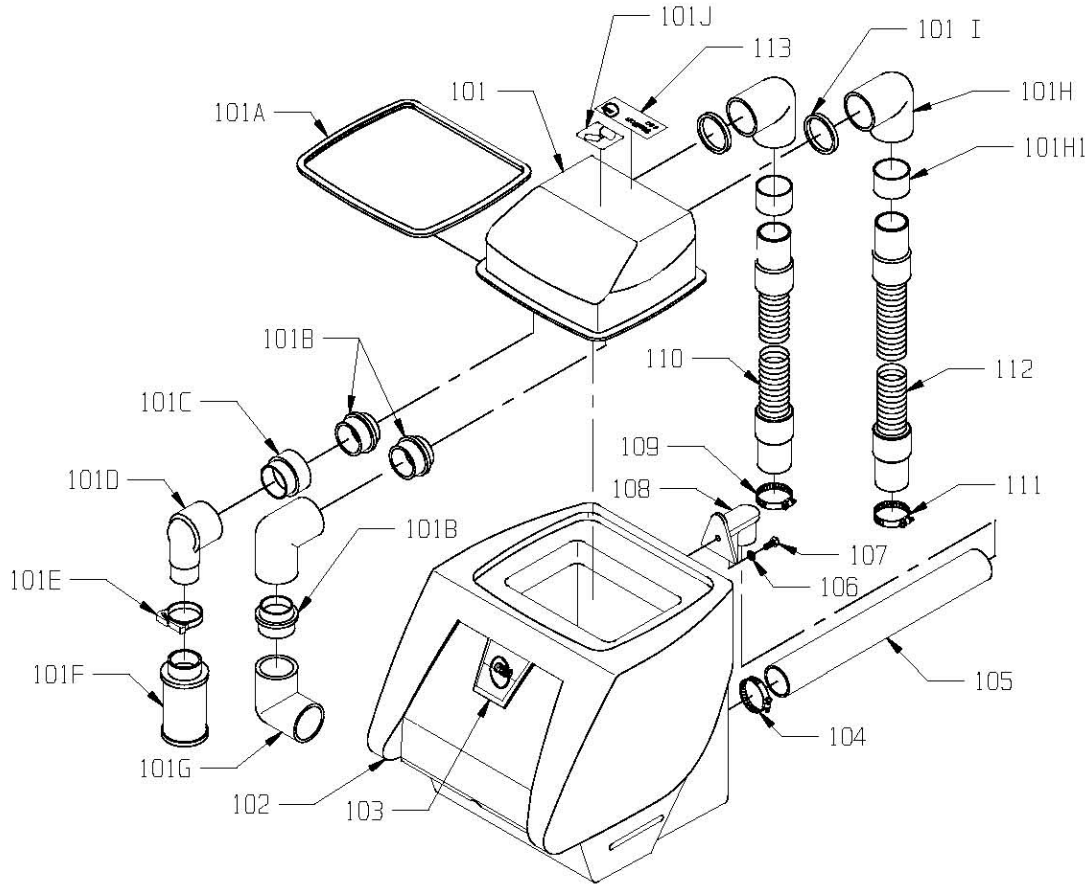


PARTS LIST
STALLION 8 SC

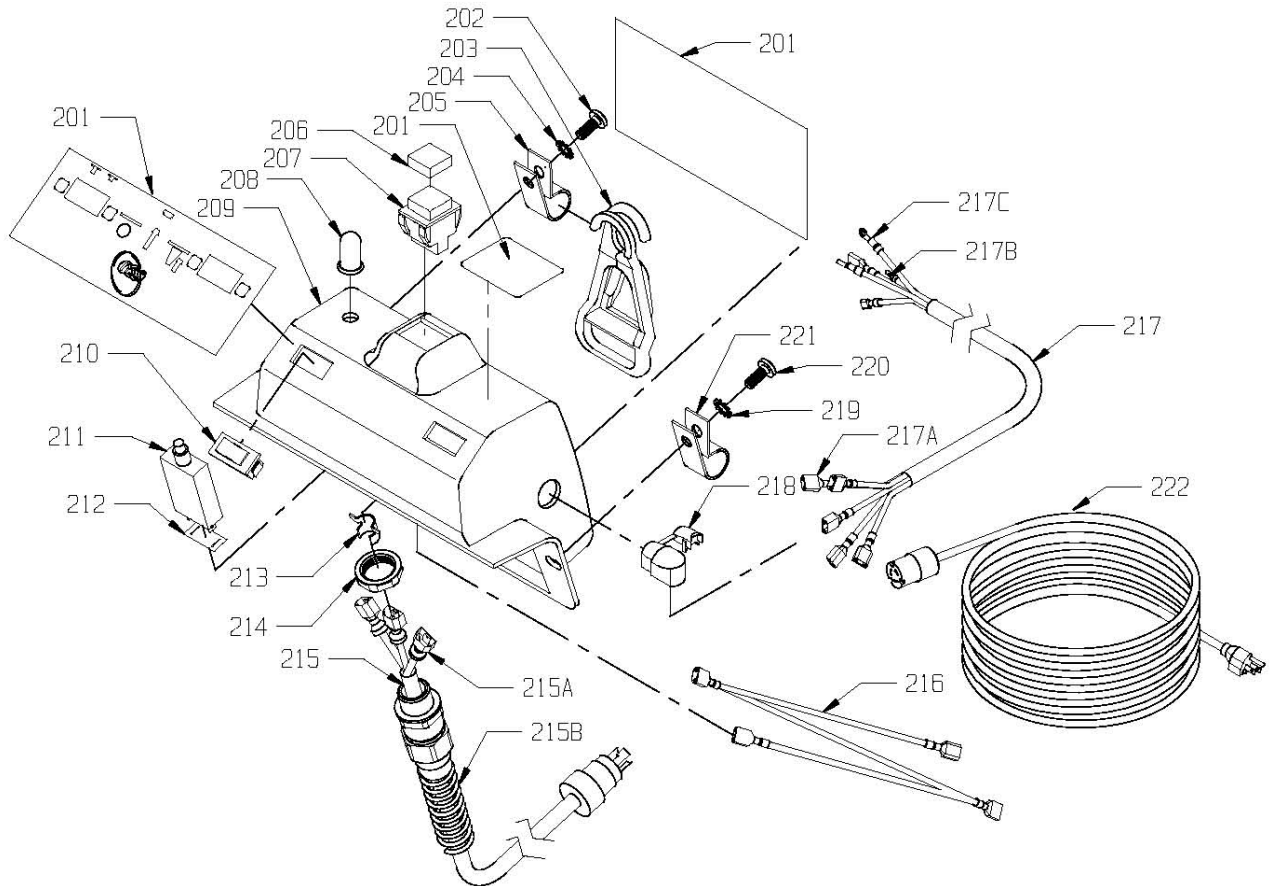


DOME ASSEMBLY



| <u>ITEM</u> | <u>PART NO.</u> | <u>PART DESCRIPTION</u> | <u>QTY.</u> |
|-------------|-----------------|-------------------------------------|-------------|
| 101 | 4894969 | DOME ASSEMBLY - INCLUDES: | 1 |
| | 4894351 | DOME | 1 |
| 101A | 4890121 | DOME GASKET | 1 |
| 101B | 4890911 | ADAPTOR - 1 1/2 MPT X 1 1/2 MSL | 3 |
| 101C | 4894571 | 1 1/2" MALE ADAPTER | 1 |
| 101D | 4894802 | 90° HOSE BARB | 1 |
| 101E | 4894081 | CLAMP - HOSE - 1.593" - 1.812" | 1 |
| 101F | 2391541 | FLOAT SCREEN ASSEMBLY | 1 |
| 101G | 4890891 | ELBOW 1.5 FSL X 1.5 FT | 1 |
| 101H | 4890899 | ELBOW ASSEMBLY - INCLUDES: | 2 |
| | 4890891 | ELBOW 1.5 FSL X 1.5 FT | 2 |
| 101H1 | 4890901 | TUBE | 2 |
| 101I | 3890401 | DRAIN VALVE GASKET | 2 |
| 101J | 4892781 | DEFOAMER LABEL - STALLION LABEL KIT | 1 |
| 102 | 4894301 | RECOVERY TANK | 1 |
| 103 | 4892781 | NSS LOGO DECAL - STALLION LABEL KIT | 1 |
| 104 | 4892671 | HOSE CLAMP - 1 1/16" TO 2" | 1 |
| 105 | 4992611 | DRAIN HOSE 15" | 1 |
| 106 | 9120880 | 1/4 SPLIT LOCK WASHER - PACK OF 10 | 1 |
| 107 | 9121210 | 1/4-20 X 5/8 HEX BOLT - PACK OF 10 | 1 |
| 108 | 4890033 | DRAIN HOSE PLUG | 1 |
| 109 | 4892671 | HOSE CLAMP - 1 1/16" TO 2" | 1 |
| 110 | 4894611 | HOSE - VAC | 1 |
| 111 | 4892671 | HOSE CLAMP - 1 1/16" TO 2" | 1 |
| 112 | 4894651 | HOSE - VAC NOZZLE | 1 |
| 113 | 4892791 | IDENTIFIER DECAL - STALLION 8 SC | 1 |

SWITCH BOX ASSEMBLY

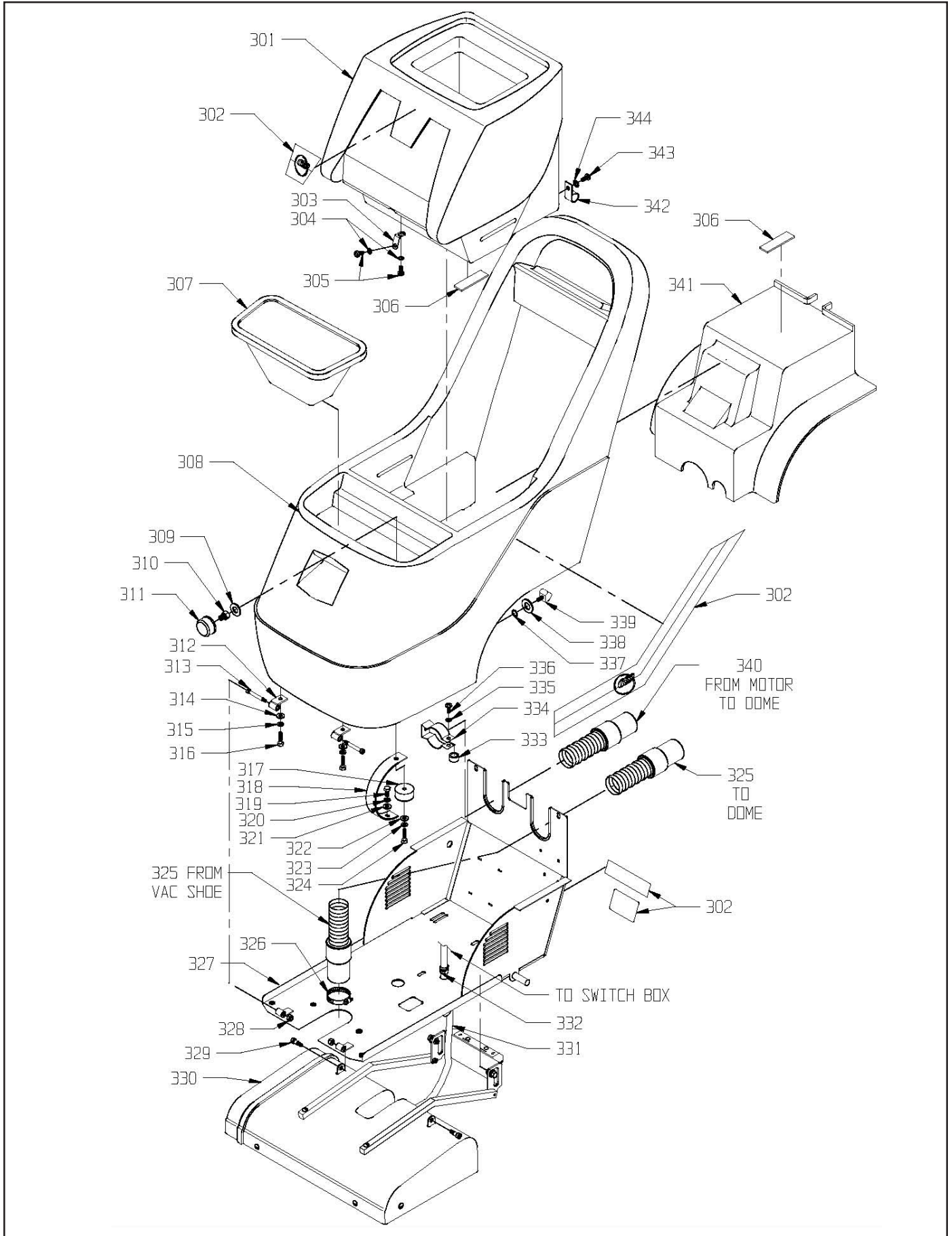


| <u>ITEM</u> | <u>PART NO.</u> | <u>PART DESCRIPTION</u> | <u>QTY.</u> |
|-------------|-----------------|--|-------------|
| 201 | 4892781 | STALLION LABEL KIT | 1 |
| 202 | 9121040 | 1/4-20 X 5/8 ROUND HEAD PHILLIPS MACHINE SCREW - PACK OF 5 | 1 |
| 203 | 3190571 | STRAIN RELIEF-TYPE 530 | 1 |
| 204 | 9120970 | 1/4 EXTERNAL STAR LOCK WASHER - PACK OF 10 | 1 |
| 205 | 4890851 | CABLE CLAMP,#COV-090 KMC | 1 |
| 206 | 4890781 | PUSH BUTTON SWITCH BOOT | 1 |
| 207 | 4890761 | MOMENTARY SWITCH | 1 |
| 208 | 4892471 | BUTTON SEAL - CIRCUIT BREAKER | 1 |
| 209 | 4894701 | SWITCH BOX | 1 |
| 210 | 4895041 | ROCKER SWITCH - INCLUDES BOOT | 2 |
| 211 | 4890791 | CIRCUIT BREAKER 2 AMP 120 VOLT | 1 |
| | 4891851 | CIRCUIT BREAKER 1 AMP 240 VOLT | 1 |
| 212 | 4894951 | CIRCUIT BREAKER INSULATOR | 1 |
| 213 | 0299661 | STRAIN RELIEF CORD CLAMP | 1 |
| 214 | 0891131 | PLASTIC STRAIN RELIEF NUT | 1 |
| 215 | 4892711 | 17" STUB CORD - INCLUDES: | 1 |
| 215A | 5490171 | FULLY INSULATED MALE TERMINAL - 14-16 GAGE | 3 |
| 215B | 0299531 | STRAIN RELIEF | 1 |
| 216 | 4894691 | JUMPER WIRE | 1 |
| 217 | 4894331 | CORD - HANDLE TO BASE - INCLUDES: | 1 |
| 217A | 5490161 | FULLY INSULATED FEMALE TERMINAL - 14-16 GAGE | 6 |
| 217B | 2690571 | 1/4 INSULATED FEMALE SLIP ON | 3 |
| 217C | 0298981 | #10 RING TERMINAL 14-16 GA | 1 |
| 218 | 4890821 | STRAIN RELIEF | 1 |
| 219 | 9120970 | 1/4 EXTERNAL STAR LOCK WASHER - PACK OF 10 | 1 |
| 220 | 9121040 | 1/4-20 X 5/8 ROUND HEAD PHILLIPS MACHINE SCREW - PACK OF 5 | 1 |
| 221 | 4890851 | CABLE CLAMP,#COV-090 KMC | 1 |
| 222 | 4891121 | POWER CORD - 50 FOOT WITH TWIST LOCK | 1 |
| | 0299671 | SHUKO CORD - 75 FOOT | 1 |

RECOVERY / SOLUTION TANK ASSEMBLY

| ITEM | PART NO. | PART DESCRIPTION | QTY. |
|-------------|-----------------|--|-------------|
| 301 | 4894301 | RECOVERY TANK | 1 |
| 302 | 4892781 | STALLION LABEL KIT | 1 |
| 303 | 4894733 | BRACKET - RECOVERY TANK HOLD DOWN | 1 |
| 304 | 9120970 | 1/4 EXTERNAL STAR LOCK WASHER - PK =10 | 2 |
| 305 | 9121040 | 1/4-20 X 5/8 ROUND HEAD PHILLIPS MACHINE SCREW - PK =5 | 2 |
| 306 | 9997550 | VELCRO HOOK | 0.25 |
| | 9997560 | VELCRO LOOP | 0.25 |
| 307 | 4890209 | FILTER SCREEN ASSEMBLY - INCLUDES: | 1 |
| | 4891311 | FILTER SCREEN BAG | 1 |
| 307A | 4891321 | BAG RING | 1 |
| 308 | 4890011 | SOLUTION TANK | 1 |
| 309 | 9122465 | .156 I.D. X .813 O.D. X .027/.030 THICK FLAT WASHER - PK =2 | 1 |
| 310 | 4890211 | BUSHING - BRASS 1/4F- 3/8 M-NPT | 1 |
| 311 | 4890191 | FILTER | 1 |
| 312 | 4894213 | TANK HINGE | 2 |
| 313 | 9121047 | 1/4 DIAMETER X 1 1/2 LONG SOCKET HEAD SHOULDER BOLT (10-24) - PK =10 | 2 |
| 314 | 9120930 | 9/32 I.D. X 5/8 O.D. X .051/.080 THICK FLAT WASHER (1/4) - PK =10 | 2 |
| 315 | 9120880 | 1/4 SPLIT LOCK WASHER - PK =10 | 2 |
| 316 | 9121250 | 1/4-20 X 3/4 HEX BOLT - PK =10 | 2 |
| 317 | 4894461 | RUBBER STOP | 2 |
| 318 | 4894541 | TANK SUPPORT STRAP | 1 |
| 319 | 9121210 | 1/4-20 X 5/8 HEX BOLT - PK =10 | 1 |
| 320 | 9120880 | 1/4 SPLIT LOCK WASHER - PK =10 | 1 |
| 321 | 9120930 | 9/32 I.D. X 5/8 O.D. X .051/.080 THICK FLAT WASHER (1/4) - PK =10 | 1 |
| 322 | 9120930 | 9/32 I.D. X 5/8 O.D. X .051/.080 THICK FLAT WASHER (1/4) - PK =10 | 1 |
| 323 | 9120880 | 1/4 SPLIT LOCK WASHER - PK =10 | 2 |
| 324 | 9121270 | 1/4-20 X 1 HEX BOLT - PK =10 | 2 |
| 325 | 4894651 | HOSE - VAC NOZZLE | 2 |
| 326 | 4892671 | HOSE CLAMP - 1 1/16" TO 2" | 1 |
| 327 | 4894171 | BASE ASSEMBLY | 1 |
| 328 | 9120350 | 10-24 HEX NUT WITH NY-LOCK INSERT - PK =10 | 2 |
| 329 | 9121550 | 5/16 DIAMETER X 3/8 LONG SOCKET HEAD SHOULDER BOLT (1/4-20) PK =1 | 2 |
| 330 | 4894729 | HOUSING - BRUSH ASSEMBLY 120 VOLT | 1 |
| | 4894859 | HOUSING - BRUSH ASSEMBLY 240 VOLT | 1 |
| 331 | 4894671 | CORD - BRUSH MOTOR - INCLUDES: | 1 |
| 332 | 4891071 | STRAIN RELIEF,#SR6N34,HEYCO | 1 |
| 333 | 4492791 | BUSHING - PIVOT | 1 |
| 334 | 4892681 | HOSE RETAINING RING | 1 |
| 335 | 9120970 | 1/4 EXTERNAL STAR LOCK WASHER - PK =10 | 1 |
| 336 | 9121270 | 1/4-20 X 1 HEX BOLT - PK =10 | 1 |
| 337 | 4890221 | 1/2" "O"RING | 1 |
| 338 | 9122468 | .562 I.D. X 1.25 O.D. X .072 THICK WASHER - PK =1 | 1 |
| 339 | 2795861 | BRASS ELBOW - 45° X 1/4" NPT | 1 |
| 340 | 4894611 | HOSE - VAC | 1 |
| 341 | 4894151 | DRIP COVER | 1 |
| 342 | 4890851 | CABLE CLAMP,#COV-090 KMC | 1 |
| 343 | 9121040 | 1/4-20 X 5/8 ROUND HEAD PHILLIPS MACHINE SCREW - PK =5 | 2 |
| 344 | 9120970 | 1/4 EXTERNAL STAR LOCK WASHER - PK =10 | 2 |

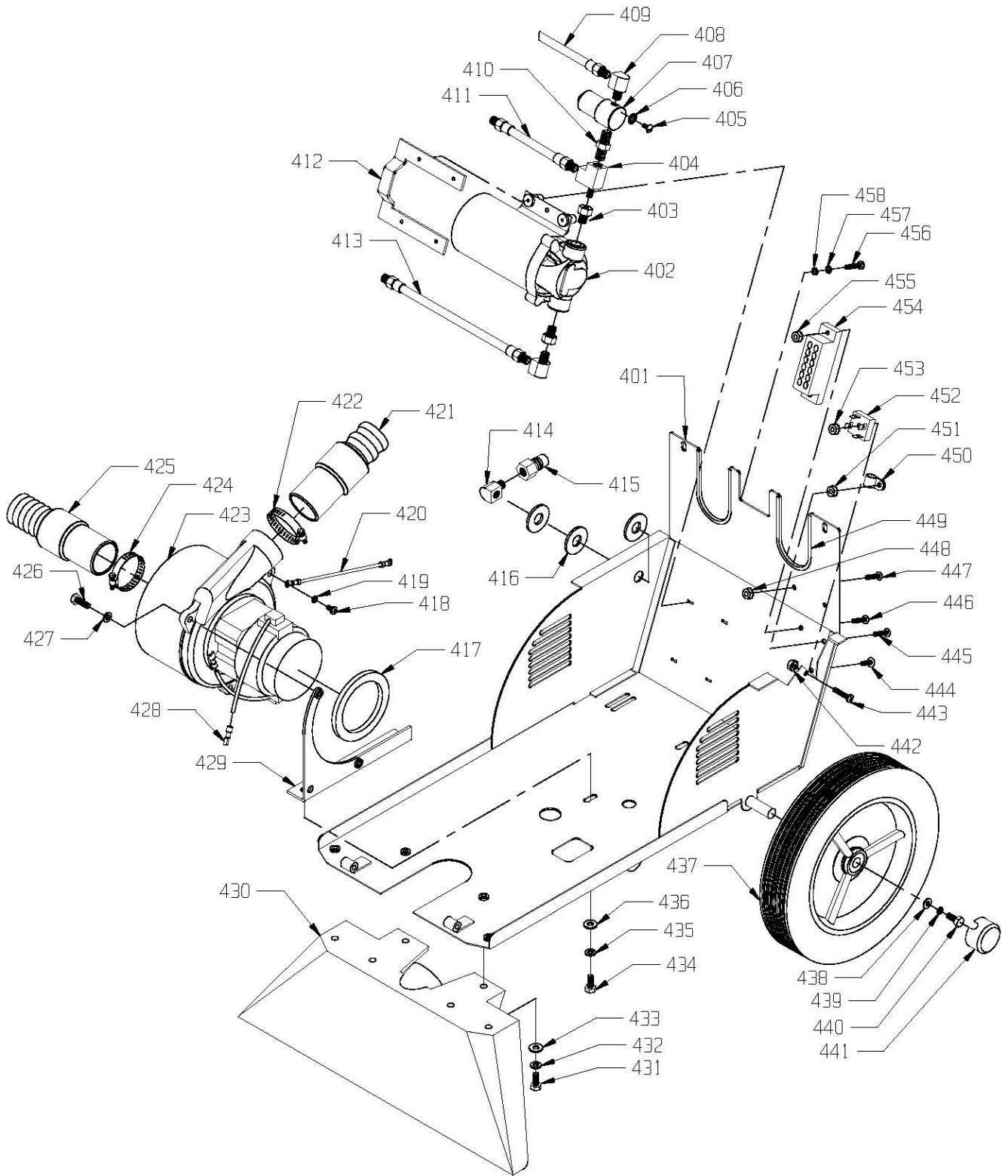
RECOVERY / SOLUTION TANK ASSEMBLY



FRAME ASSEMBLY

| <u>ITEM</u> | <u>PART NO.</u> | <u>PART DESCRIPTION</u> | <u>QTY.</u> |
|-------------|-----------------|---|-------------|
| 401 | 4894171 | BASE ASSEMBLY | 1 |
| 402 | 4894051 | PUMP - 50 PSI - 120 VOLT | 1 |
| | 4894591 | PUMP - 80 PSI - 120 VOLT | 1 |
| | 4894881 | PUMP - 80 PSI - 240 VOLT | 1 |
| 403 | 4890211 | BUSHING - BRASS 1/4F-3/8 M-NPT | 2 |
| 404 | 4390611 | STREET TEE 1/4"NPT (NOT AVAILABLE ON MODEL 4808052) | 1 |
| 405 | 9120220 | 8-32 X 3/8 ROUND HEAD PHILLIPS MACHINE SCREW - PACK OF 10 | 1 |
| 406 | 9120180 | #8 INTERNAL STAR LOCK WASHER - PACK OF 10 | 1 |
| 407 | 4894781 | SOLENOID VALVE - 120 VOLT | 1 |
| | 4891271 | SOLENOID VALVE - 240 VOLT | 1 |
| 408 | 2795851 | BRASS ELBOW - 90° X 1/4" NPT | 2 |
| 409 | 4895011 | HOSE - PUMP TO SPRAY BAR | 1 |
| 410 | 3891941 | 1/4 HEX NIPPLE | 1 |
| 411 | 4895021 | HOSE - PUMP TO ACCESS (NOT AVAILABLE ON MODEL 4808052) | 1 |
| 412 | 4892221 | TAPPING PLATE | 1 |
| 413 | 4895001 | HOSE - TANK TO PUMP | 1 |
| 414 | 2795851 | BRASS ELBOW - 90° X 1/4" NPT (NOT AVAILABLE ON MODEL 4808052) | 1 |
| 415 | 3590751 | MALE CONNECTOR - QUICK (NOT AVAILABLE ON MODEL 4808052) | 1 |
| 416 | 9122468 | .562 I.D. X 1.25 O.D. X .072 THICK WASHER - PACK OF 1 | 3 |
| 417 | 0294341 | TOP MOTOR SEAL | 1 |
| 418 | 9120590 | 10-24 X 3/8 PAN HEAD PHILLIPS THREAD CUTTING SCREW - PACK OF 10 | 1 |
| 419 | 9120320 | #10 SPLIT LOCK WASHER - PACK OF 10 | 1 |
| 420 | 4894981 | WIRE - GREEN - GROUND TO MOTOR | 2 |
| 421 | 4894551 | HOSE - VAC MOTOR EXHAUST | 1 |
| 422 | 4495441 | HOSE CLAMP - 1 9/16" TO 2 1/2" DIAMETER | 1 |
| 423 | 4894641 | VAC MOTOR - 120 VOLT | 1 |
| | 4894751 | VAC MOTOR - 240 VOLT | 1 |
| 424 | 4892671 | HOSE CLAMP - 1 1/16" TO 2" | 1 |
| 425 | 4894611 | HOSE - VAC | 1 |
| 426 | 9121250 | 1/4-20 X 3/4 HEX BOLT - PACK OF 10 | 2 |
| 427 | 9120880 | 1/4 SPLIT LOCK WASHER - PACK OF 10 | 2 |
| 428 | 3290671 | PUSH ON TERMINAL | 2 |
| 429 | 4894293 | VAC MOTOR BRACKET | 1 |
| 430 | 4890093 | VAC SHOE | 1 |
| 431 | 9121210 | 1/4-20 X 5/8 HEX BOLT - PACK OF 10 | 4 |
| 432 | 9120880 | 1/4 SPLIT LOCK WASHER - PACK OF 10 | 4 |
| 433 | 9120930 | 9/32 I.D. X 5/8 O.D. X .051/.080 THICK FLAT WASHER (1/4) - PACK OF 10 | 4 |
| 434 | 9121210 | 1/4-20 X 5/8 HEX BOLT - PACK OF 10 | 2 |
| 435 | 9120880 | 1/4 SPLIT LOCK WASHER - PACK OF 10 | 2 |
| 436 | 9120930 | 9/32 I.D. X 5/8 O.D. X .051/.080 THICK FLAT WASHER (1/4) - PACK OF 10 | 2 |
| 437 | 4892731 | 10" WHITE PLASTIC WHEEL | 2 |
| 438 | 9120930 | 9/32 I.D. X 5/8 O.D. X .051/.080 THICK FLAT WASHER (1/4) - PACK OF 10 | 2 |
| 439 | 9120880 | 1/4 SPLIT LOCK WASHER - PACK OF 10 | 2 |
| 440 | 9121210 | 1/4-20 X 5/8 HEX BOLT - PACK OF 10 | 2 |
| 441 | 0599311 | HUBCAP | 2 |
| 442 | 9120360 | 10-24 HEX NUT WITH STAR LOCK WASHER - PACK OF 10 | 3 |
| 443 | 9120430 | 10-24 X 3/4 ROUND HEAD PHILLIPS MACHINE SCREW - PACK OF 10 | 1 |
| 444 | 9120430 | 10-24 X 3/4 ROUND HEAD PHILLIPS MACHINE SCREW - PACK OF 10 | 1 |
| 445 | 9120420 | 10-24 X 5/8 ROUND HEAD PHILLIPS MACHINE SCREW - PACK OF 10 | 1 |
| 446 | 9120270 | 8-32 X 7/8 ROUND HEAD PHILLIPS MACHINE SCREW - PACK OF 10 | 2 |
| 447 | 9120430 | 10-24 X 3/4 ROUND HEAD PHILLIPS MACHINE SCREW - PACK OF 10 | 1 |
| 448 | 9120360 | 10-24 HEX NUT WITH STAR LOCK WASHER - PACK OF 10 | 3 |
| 449 | 9997600 | EDGE TRIM - FOR SPLASH SHIELD | 1.41 |
| 450 | 5294201 | NYLON CABLE CLAMP | 1 |
| 451 | 9120360 | 10-24 HEX NUT WITH STAR LOCK WASHER - PACK OF 10 | 2 |
| 452 | 4894771 | RECTIFIER - 120 VOLT | 1 |
| | 5492741 | RECTIFIER - 60 AMP - 240 VOLT | 1 |

FRAME ASSEMBLY

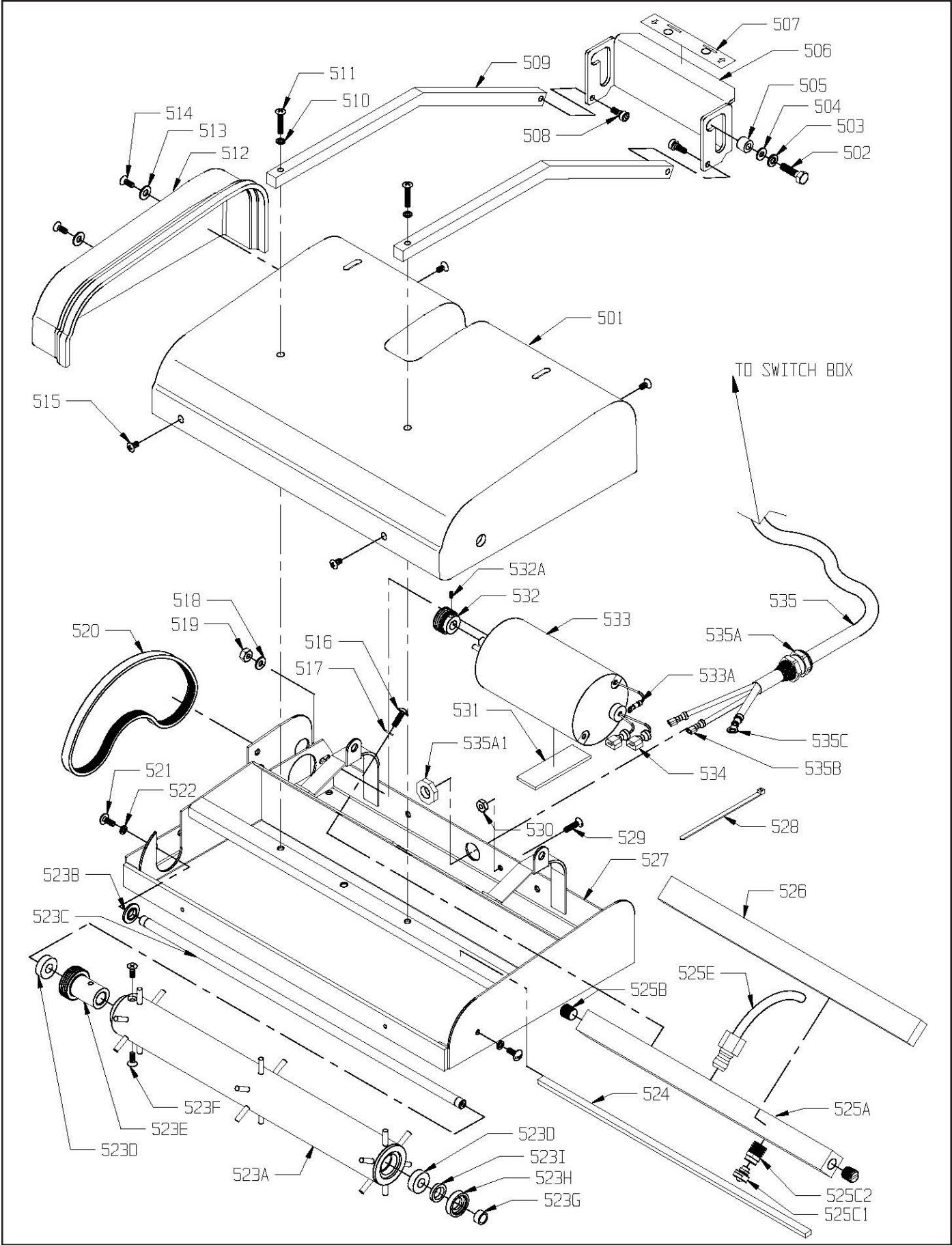


| | | | |
|-----|---------|---|---|
| 453 | 9120360 | 10-24 HEX NUT WITH STAR LOCK WASHER - PACK OF 10 | 1 |
| 454 | 4894321 | TERMINAL BLOCK | 1 |
| 455 | 9120190 | 8-32 HEX NUT WITH STAR LOCK WASHER - PACK OF 10 | 2 |
| 456 | 9120450 | 10-24 X 1 ROUND HEAD PHILLIPS MACHINE SCREW - PACK OF 10 | 4 |
| 457 | 9120320 | #10 SPLIT LOCK WASHER - PACK OF 10 | 4 |
| 458 | 9120370 | 7/32 I.D. X 1/2 O.D. X .032/.065 THICK FLAT WASHER (#10) - PACK OF 10 | 4 |

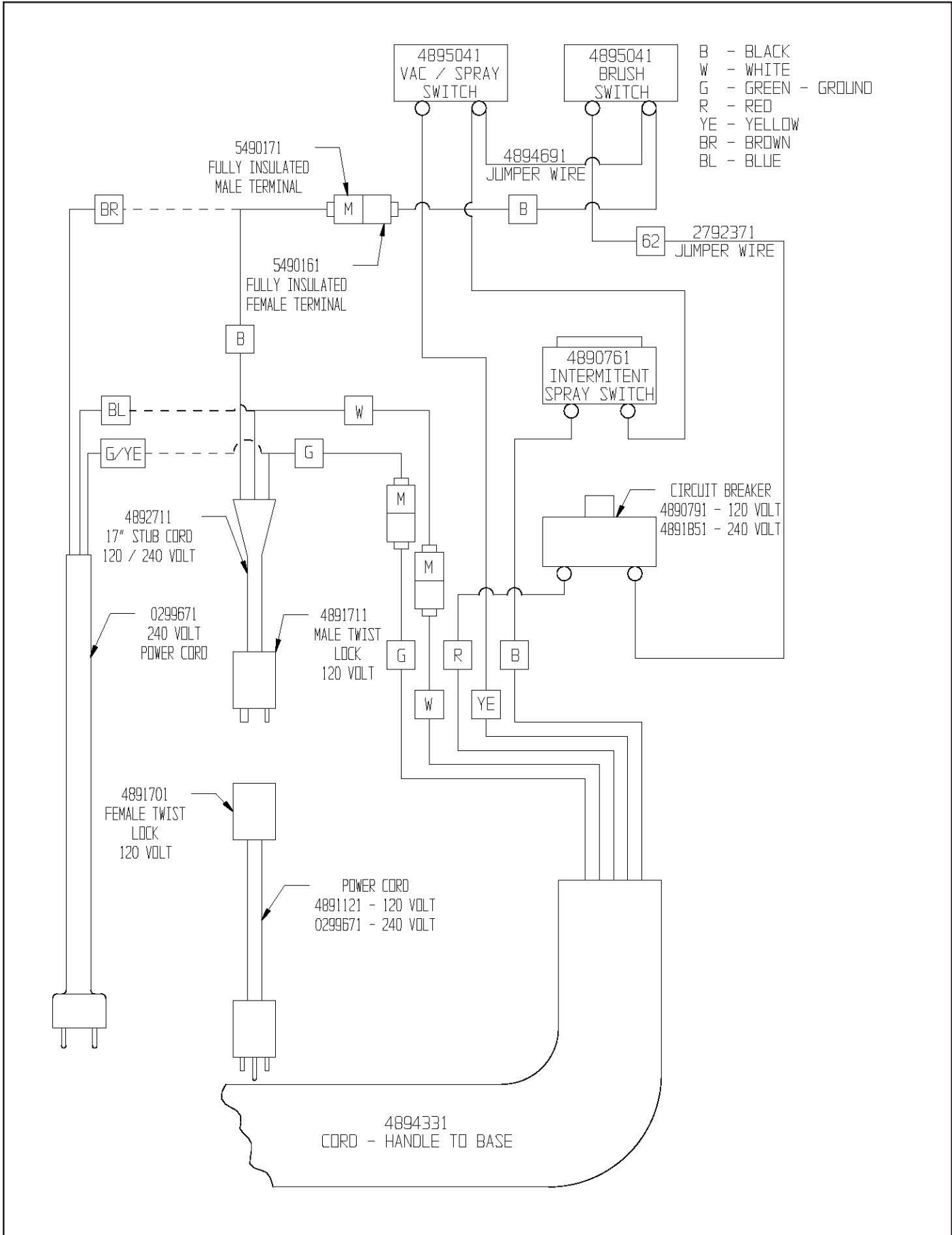
BRUSH ASSEMBLY

| ITEM | PART NO. | PART DESCRIPTION | QTY. |
|-------------|-----------------|--|-------------|
| | 4894729 | HOUSING - BRUSHASSEMBLY 120 VOLT | 1 |
| | 4894859 | HOUSING - BRUSHASSEMBLY 240 VOLT | 1 |
| 501 | 4894631 | BRUSH HOUSING COVER | 1 |
| 502 | 9121250 | 1/4-20 X 3/4 HEX BOLT - PACK OF 10 | 2 |
| 503 | 9120880 | 1/4 SPLIT LOCK WASHER - PACK OF 10 | 2 |
| 504 | 9120930 | 9/32 I.D. X 5/8 O.D. X .051/.080 THICK FLAT WASHER (1/4) PACK OF 10 | 2 |
| 505 | 4894441 | BRUSH LIFT GUIDE | 2 |
| 506 | 4894103 | BRUSH FOOT PEDAL | 1 |
| 507 | 4892781 | STALLION LABEL KIT | 1 |
| 508 | 9121289 | 1/4 DIAMETER X 3/16 LONG SOCKET HEAD SHOULDER BOLT (10-24) - PACK 1 | 2 |
| 509 | 4894203 | BRUSH LIFT ARM | 2 |
| 510 | 9120320 | #10 SPLIT LOCK WASHER - PACK OF 10 | 2 |
| 511 | 9120450 | 10-24 X 1 ROUND HEAD PHILLIPS MACHINE SCREW - PACK OF 10 | 2 |
| 512 | 4891971 | BELT COVER | 1 |
| 513 | 9120207 | 3/16 I.D. X 1/2 O.D. EYELET - BRASS - PACK OF 2 | 2 |
| 514 | 9120585 | 10-24 X 1/5 OVAL HEAD PHILLIPS MACHINE SCREW - PACK OF 10 | 2 |
| 515 | 9120580 | 10-24 X 5/8 ROUND HEAD SLOT MACHINE SCREW - BRASS - PACK OF 10 | 4 |
| 516 | 9120385 | 10-24 X 3/8 ROUND HEAD PHILLIPS MACHINE SCREW WITH SEALENT - PACK OF 2 | 2 |
| 517 | 9120320 | #10 SPLIT LOCK WASHER - PACK OF 10 | 2 |
| 518 | 9120370 | 7/32 I.D. X 1/2 O.D. X .032/.065 THICK FLAT WASHER #10 - PACK OF 10 | 2 |
| 519 | 9120660 | 10-32 HEX NUT WITH NY-LOK INSERT - PACK OF 10 | 2 |
| 520 | 4894381 | POLY-V BELT | 1 |
| 521 | 9120410 | 10-24 X 1/2 ROUND HEAD PHILLIPS MACHINE SCREW - PACK OF 10 | 2 |
| 522 | 9120320 | #10 SPLIT LOCK WASHER - PACK OF 10 | 2 |
| | 4894949 | BRUSHASSEMBLY- INCLUDES: | 1 |
| 523A | 4894451 | BRUSH | 1 |
| 523B | 4890971 | SHIELD | 1 |
| 523C | 4894661 | BRUSH AXLE | 1 |
| 523D | 4890961 | BEARING - BRUSH | 2 |
| 523E | 4894251 | BRUSH PULLEY | 1 |
| 523F | 9120670 | 10-32 X 5/8 FLAT HEAD PHILLIPS MACHINE SCREW - PACK OF 10 | 2 |
| 523G | 4894371 | BUSHING - BRUSH | 1 |
| 523H | 4894281 | BRUSH THREAD GUARD | 1 |
| 523I | 3695051 | SHAFT SEAL | 1 |
| 524 | 8891080 | 3/16" X 5/16" NEOPRENE GASKET | 1.3 |
| | 4894909 | SPRAY BAR ASSEMBLY - INCLUDES: | |
| 525A | 4891951 | SPRAY BAR | 1 |
| 525B | 2392151 | 1/4" PIPE PLUG - BRASS | 2 |
| 525C | 4990971 | SPRAY TIP & BODY - INCLUDES: | 3 |
| 525C1 | 4990981 | SPRAY TIP ONLY | 3 |
| 525C2 | 4891291 | SPRAY BODY ONLY | 3 |
| 525D | 4892111 | SPRAY BODY "O" RING - NOT SHOWN | 3 |
| 525E | 4895011 | HOSE - PUMP TO SPRAY BAR | 1 |
| 526 | 8891100 | 1/2" X 1" GASKET MATERIAL | 1.3 |
| 527 | 4892073 | BRUSH FRAME | 1 |
| 528 | 9123005 | 1/8 X 5 1/2 WIRE TIE - PACK OF 5 | 1 |
| 529 | 9120430 | 10-24 X 3/4 ROUND HEAD PHILLIPS MACHINE SCREW - PACK OF 10 | 2 |
| 530 | 9120360 | 10-24 HEX NUT WITH STAR LOCK WASHER - PACK OF 10 | 3 |
| 531 | 8891130 | 1" X 1/8" NEOPRENE GASKET | 1 |
| 532 | 4894241 | MOTOR PULLEY - INCLUDES: | 1 |
| 532A | 9120640 | 10-32 X 1/4 SET SCREW - CUP POINT - PACK OF 10 | 2 |
| 533 | 4891021 | MOTOR - BRUSH DRIVE - 120 VOLT - SEALED - INCLUDES: | 1 |
| | 4891261 | MOTOR - BRUSH DRIVE - 240 VOLT - SEALED - INCLUDES: | 1 |
| 533A | 0298981 | #10 RING TERMINAL 14-16 GA | 1 |
| 534 | 4991371 | FULLY INSULATED MALE TERMINAL 18-22 GAGE | 2 |
| 535 | 4894671 | CORD - BRUSH MOTOR - INCLUDES: | 1 |
| 535A | 4890831 | STRAIN RELIEF - INCLUDES: | 1 |
| 535A1 | 0891131 | PLASTIC STRAIN RELIEF NUT | 1 |
| 535B | 4991361 | FULLY INSULATED FEMALE TERMINAL 18-22 GAGE | 4 |
| 535C | 0298981 | #10 RING TERMINAL 14-16 GA | 2 |

BRUSH ASSEMBLY

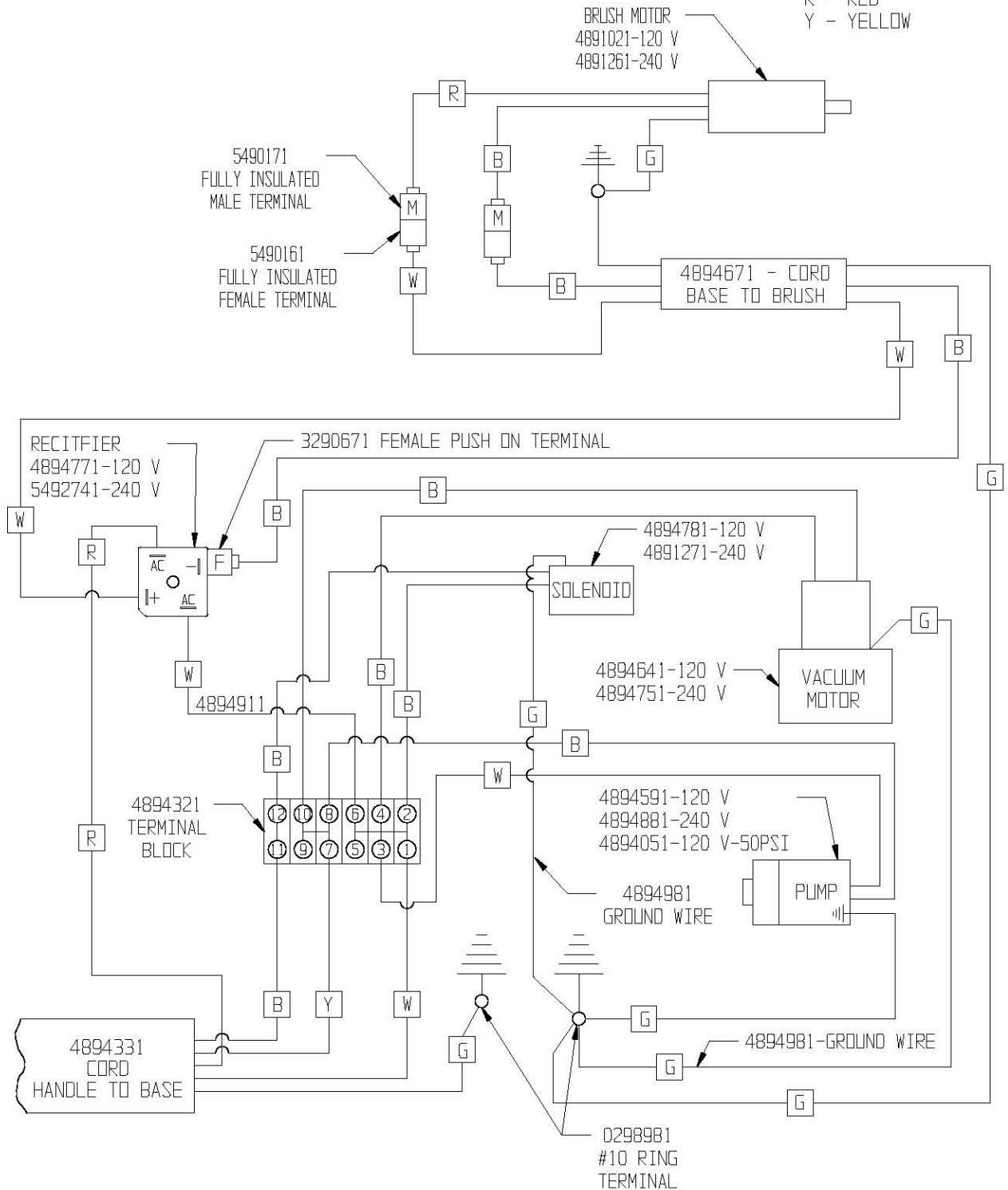


WIRING DIAGRAM - CONTROL HANDLE



WIRING DIAGRAM - FRAME AND BRUSH HEAD

B - BLACK
 W - WHITE
 G - GREEN - GROUND
 R - RED
 Y - YELLOW



ACCESSORIES

PART NO.

PART DESCRIPTION

| | |
|---------|--|
| 3097849 | 14" SQUEEGEE WITH BRUSH |
| 2598551 | 15' VACUUM HOSE - CLEAR |
| 2590361 | 1 1/2" HOSE CUFF - WAND END - USE WITH 2598551 |
| 2590371 | 1 3/4" HOSE CUFF - COUPLING END - USE WITH 2598551 |
| 4095461 | 15' VACUUM HOSE - BLACK |
| 2594251 | 25' VACUUM HOSE |
| 2599601 | 1 3/4" HOSE CUFF - COUPLING END - USE WITH 2594251 |
| 2599611 | 1 1/2" HOSE CUFF - WAND END - USE WITH 2594251 |
| 4098021 | 15' SOLUTION HOSE - LOW PRESSURE - FEMALE / FEMALE QDC |
| 3891581 | 15' SOLUTION HOSE - LOW PRESSURE - MALE / MALE QDC |
| 3890991 | 15' SOLUTION HOSE - LOW PRESSURE - FEMALE / MALE QDC |
| 3890981 | 25' SOLUTION HOSE - LOW PRESSURE - MALE / MALE QDC |
| 4097111 | QUICK CONNECT ADAPTOR - FEMALE / FEMALE |
| 4097101 | 3 - JET WAND - 12" WIDTH |
| 4097201 | 2 - JET WAND - 12" WIDTH |
| 4097301 | SINGLE JET - 30" LONG STAIR WAND - 9 3/4" WIDTH |
| 4097401 | 6" STAIR TOOL |
| 4097501 | 4" UPHOLSTERY TOOL |
| 4097601 | 3 1/2" DETAIL TOOL |
| 4098031 | 8" FLATTENED INTERNAL SPRAY CREVICE TOOL |
| 4098101 | 12" SQUEEGEE WITH WAND |
| 4891699 | BARE FLOOR SQUEEGEE |
| 9094030 | EXTRACTOR ACCESSORIES ILLUSTRATED PARTS BOOK |
| 4891721 | COIL HOSE WITH SPRAY GUN - LOW PRESSURE - FEMALE QDC |
| 4892859 | UPHOLSTERY KIT - INCLUDES: |
| 4097501 | 4" UPHOLSTERY TOOL |
| 2598551 | 15' VACUUM HOSE - CLEAR |
| 4098021 | 15' SOLUTION HOSE - LOW PRESSURE - FEMALE / FEMALE QDC |
| 4892869 | DETAIL 3 - JET WAND TOOL KIT - INCLUDES: |
| 4097101 | 3 - JET WAND - 12" WIDTH |
| 2598551 | 15' VACUUM HOSE |
| 4098021 | 15' SOLUTION HOSE - LOW PRESSURE - FEMALE / FEMALE QDC |
| 4098089 | 15' SOLUTION HOSE EXTENSION KIT - INCLUDES: |
| 2598551 | 15' VACUUM HOSE |
| 3890991 | 15' SOLUTION HOSE - LOW PRESSURE - FEMALE / MALE QDC |
| 2291211 | 5" ALUMINUM CONNECTOR |



NSS ® Enterprises, Inc.

3115 Frenchmens Road, Toledo, Ohio 43607
 PHONE (419) 531-2121 FAX (419) 531-3761

NSS ® Enterprises, Inc. European Distribution Centre
 Unit II, Pinfold Trading Estate * 55 Nottingham Road
 STAPLEFORD, NOTTINGHAM NG9 8AD ENGLAND U.K.
 PHONE: (44) 0115 939 1568 * FAX: (44) 0115 949 0615