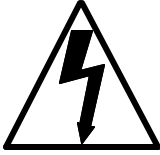
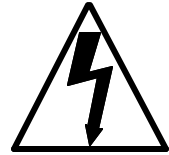


STALLION 8 SC

IMPORTANT SAFETY INSTRUCTIONS



READ AND UNDERSTAND ALL INSTRUCTIONS
BEFORE OPERATING OR SERVICING MACHINE



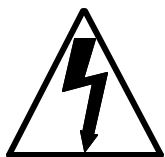
DANGER!

Failure to Observe These Instructions Can Cause Personal Injury to Machine Operator, By-standers or Possible Machine Damage.

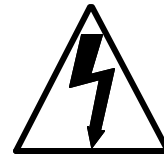
- When using an electrical appliance, basic precautions should always be followed, including the following:
- **NEVER** attempt to service or perform maintenance functions while the machine is plugged into an electrical outlet.
- **NEVER** attempt to operate this machine unless you have been trained in its operation.
- **NEVER** allow an untrained person to operate this machine.
- Use this machine **ONLY** as described in this manual.
- **NEVER** operate this machine with a damaged, broken, cut, abraded or taped cord or plug.
- **ALWAYS** connect this machine to a properly grounded electrical outlet. See the following pages for grounding instructions and wiring diagram.
- **NEVER** leave machine unattended when plugged in. Unplug the machine from the electrical outlet when not in use and before attempting repairs or maintenance.
- **ALWAYS** turn the machine **OFF** before unplugging from the electrical outlet.
- **NEVER** operate machine in the presence of flammable or combustible liquids, such as gasoline, fumes or dusts.
- **NEVER** attempt to pick up flammable or combustible liquids, such as gasoline, fumes or dusts.
- **NEVER** handle the machine, cord or plug with wet hands.
- **NEVER** drop or insert any object into any machine opening.
- **ALWAYS** keep face, fingers, hair or any body part, or loose clothing away from any machine opening or moving part.
- **NEVER** pick up anything that is burning or smoking, such as cigarettes, matches or hot ashes.
- **ALWAYS** use extreme care when cleaning on stairs or when the machine is placed on stairs.
- **NEVER** operate this machine if it is not working properly, if it has been dropped, damaged, exposed to weather or dropped into water. Return the machine to service center for examination and repair.
- **NEVER** operate this machine with any air opening blocked. Keep all air openings free of dust, lint, hair and the like.
- **NEVER** operate this machine without a dust bag and / or filters in place.
- **DO NOT** pull or carry this machine by its electrical supply cord, use the cord as a handle, close a door on the cord, pull the cord around sharp edges or corners, expose to heated surfaces, or set heavy or sharp objects on the cord.
- **NEVER** disconnect the plug by pulling on the cord. To disconnect from the outlet, grasp the plug, not the cord.
- **DO NOT** allow this machine to be used as a toy. Close attention is necessary when used by or near children.
- **DO NOT** expose to rain, snow or extremes in temperature.
- **DO NOT** use this machine to vacuum a floor or upholstery.

SAVE THESE INSTRUCTIONS

INSTRUCTIONS IMPORTANTES DE SECURITE



LIRE ET COMPRENDRE TOUTES CES INSTRUCTIONS
AVANT D'UTILISER CETTE MACHINE.



DANGER!

Le non-respect des consignes suivantes peut provoquer un incendie, des brûlures, des traumatismes ou des électrocutions a l'utilisateur ou aux personnes se trouvant à proximité.

- Pendant l'usage d'un appareil électrique, il faut toujours prendre certaines précautions de base, y compris les suivantes:
- **NE JAMAIS** tenter de réviser ou d'effectuer l'entretien de la machine tant qu'elle est branchée a une. Prise de courant.
- **NE JAMAIS** essayer d'utiliser cette machine à moins d'avoir suivi une formation préalable.
- **NE JAMAIS** permettre une personne sans formation d'utiliser cette machine.
- N'utiliser cette machine **QUE** sous les consignes données dans ce manuel.
- **NE JAMAIS** utiliser cette machine avec un câble ou une prise abimé, cassé, écorché ou bandé.
- **TOUJOURS** brancher la machine à une prise électrique bien mise à la terre.
- **NE JAMAIS** laisser l'appareil sans surveillance lorsqu'il est branché. Débrancher lorsque l'appareil n'est pas utilisé et avant l'entretien.
- **TOUJOURS** mettre toutes les commandes à la position **ARRÊT** avant de débrancher l'appareil.
- **NE JAMAIS** aspirer des liquides inflammables ou combustibles, comme de l'essence, et ne pas faire fonctionner dans des endroits où peuvent se trouver de tels liquides.
- **NE JAMAIS** essayer d'aspirer des liquides inflammables ou combustibles, comme de l'essence, vapeurs ou poudres.
- **NE JAMAIS** toucher la fiche ou l'appareil lorsque vos mains sont humides.
- **NE JAMAIS** laisser tomber ou introduire un objet dans un des orifices de la machine.
- **TOUJOURS** maintenir les cheveux, les vêtements amples, les doigts et toutes les parties du corps à l'écart des ouvertures et des pièces mobiles.
- **NE JAMAIS** aspirer de matières en combustion ou qui dégagent de la fumée, comme des cigarettes, des allumettes ou des cendres chaudes.
- **TOUJOURS** user de prudence lors du nettoyage des escaliers.
- **NE JAMAIS** utiliser si le cordon ou la fiche est endommagé. Retourner l'appareil à un atelier de réparation s'il ne fonctionne pas bien, s'il est tombé ou s'il a été endommagé, oublié à l'extérieur ou immergé.
- **NE JAMAIS** insérer aucun objet dans les ouvertures. Ne pas utiliser l'appareil lorsqu'une ouverture est bloquée. S'assurer que de la poussière, de la peluche, des cheveux ou d'autres matières ne réduisent pas le débit d'air.
- **NE JAMAIS** utiliser l'appareil si le sac à poussière ou le filtre n'est pas en place.
- **NE PAS** tirer soulever ou traîner l'appareil par le cordon. Ne pas utiliser le cordon comme une poignée, le coincer dans l'une porte ou l'appuyer contre des arêtes vives ou des coins. Ne pas faire rouler l'appareil sur le cordon. Garder le cordon à l'écart des surfaces chaudes.
- **NE JAMAIS** débrancher en tirant sur le cordon. Tirer plutôt la fiche.
- **NE PAS** permettre aux enfants de jouer avec l'appareil. Une attention particulière est nécessaire lorsque l'appareil est utilisé par des enfants ou à proximité de ces derniers.
- **NE PAS** exposer a la pluie, a la neige ou a des températures extrêmes.
- **NE PAS** utiliser cet appareil sur des planchers ou du capitonnage.

CONSERVER CES INSTRUCTIONS

GROUNDING INSTRUCTIONS

This machine must be grounded. If it should malfunction or break down, grounding provides a path of least resistance for the electric current in order to reduce the risk of electric shock. This machine is equipped with a cord having an equipment-grounding conductor and grounding plug. The plug must be plugged into an appropriate outlet that is properly installed and grounded in accordance with all local codes and ordinances. **FAILURE TO DO SO MAY CAUSE ELECTROCUTION** due to improper connection of ground.

DANGER

Improper connection of the equipment grounding conductor can result in a risk of electric shock. Check with a qualified electrician or service person if you are in doubt as to whether the outlet is properly grounded. Do not modify the plug provided with the machine if it will not fit the outlet. Have a proper outlet installed by a qualified electrician.

This machine is for use on a nominal 120 volt circuit and has a grounding plug that looks like the plug illustrated in Figure A.

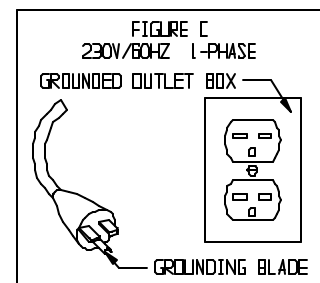
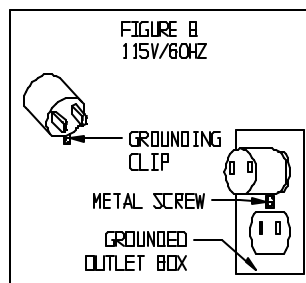
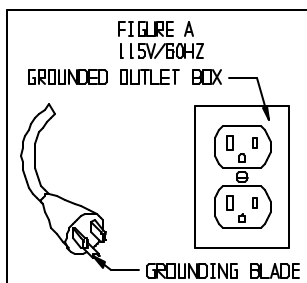
A temporary adapter that looks like the adapter illustrated Figure B may be used to connect this plug to a 2-pole receptacle as shown below if a properly grounded outlet is not available.

The temporary adapter should be used only until a properly grounded outlet (Figure A) can be installed by a qualified electrician. The green colored rigid ear, lug, grounding clip or the like extending from the adapter must be connected to a permanent ground such as a properly grounded outlet box cover. Whenever the adapter is used, it must be held in place by a **METAL** screw.

Check the nameplate on the machine to be sure the voltage and cycle stated on the nameplate are the same as the voltage and cycle of the electrical outlet that you're using. **DO NOT** attempt to plug a 115 volt machine into a 230 volt outlet.

Figure C. A machine used on 230 volt may or may not have the grounding (earthed) plug attached to the cord. For the U.S.A. - 230 volt, 60 HZ , the plug is already supplied the with cord. For use outside the U.S.A., it may be up to the purchaser to have a proper grounding (earthed) plug attached.

Always use a properly grounded 3-wire extension cord which has male and female plugs. Use only 12-3 SJTWA type extension cords to a maximum length of 50 feet.



NOTE: IN CANADA, THE USE OF A TEMPORARY ADPATOR IS NOT PERMITTED BY CANADIAN ELECTRICAL CODE

ASSEMBLY, OPERATION & MAINTENANCE INSTRUCTIONS

MACHINE INSPECTION

Carefully unpack the Stallion 8SC and recycle all packing materials.

- Inspect the machine for damage or missing components. If damage is found, contact the local freight company to file a freight claim.
- If necessary, step on the foot pedal at the rear of the machine to raise the brush assembly off of the floor so you can move the machine easily.

MACHINE COMPONENTS

Solution Tank

The solution tank is the lower part of the machine body. The tank has a capacity of **8 Gallons** and is filled by pouring the water and cleaning chemicals through the mesh filter at the front of the tank.

Recovery Tank

The recovery tank is the upper part of the machine body. The tank has a capacity of **8 gallons**. The vacuum air is removed from the tank by the white elbow on the right side of the clear dome. This elbow has a foam sensitive float mechanism attached. As the water level rises, the float ball will rise into the tube and shut off the air flow of the vacuum. It does **not** shut off the vacuum motor. The operator can easily see the carpet is not as dry as it once was and that the recovery tank must be emptied.

Power Cord

This machine is equipped with a twist lock power cord. Align the three electrical contacts, push the contacts together and turn the plugs 1/8 of a turn to lock them in place. This will prevent the machine from disconnecting during use. (Some models may have a direct wired power cord). **Always** plug this machine into a properly grounded electrical outlet of the correct voltage to avoid electrical shock.

Never modify the cord or plug in any manor.

Control Panel

The operator control panel has a number of components that control various machine functions:

- The rocker switch on the **left** turns both the solution pump and vacuum motor on and off.
- The rocker switch on the **right** turns the brush motor on and off.
- The square switch in the **center** controls an internal solenoid. **Push and hold** the switch to spray liquid on to the carpet. **Release** the switch to stop spraying.
- The circuit breaker on the **right** is connected to the brush motor. If the brush becomes over loaded by deep pile carpet, hair, strings or an obstruction the motor will draw too much current and the circuit breaker will trip. When this happens the black stem will pop up and show a lower white area. Unplug the machine, inspect and remove any build up or obstructions in the brush assembly. Pay special attention to the bearing area at each end of the brush. Push down on the circuit breaker to reset it and resume operation.

Brush Head Assembly

This machine has a floating brush head assembly that adapts to the different carpet pile heights. The brush head is designed offset to use the **left side** of the machine to clean against the wall. The brush head assembly is operated by a simple foot lever mechanism.

- **To lower** the assembly to the floor, place your toe under the lever and lift up.
- **To raise** the assembly from the floor, simply step on the lever.

The brush head assembly includes the **spray bar** with **three spray tips**. The spray tips can be removed with just a quarter of a turn in either direction and does not require tools. The spray tips should be removed and cleaned after every use.

Vacuum Shoe

The **16” wide** vacuum shoe is located at the **front** of the machine. As the machine moves backward the vacuum shoe pulls the liquid out of the carpet.

Cleanout Hose

Use the 4 foot long hose that is supplied with this machine to suction water from the clean solution tank into the recovery tank. This job is done at the end of every work shift when liquid is left in the solution tank.

Accessory quick connect

This connection is for use with optional cleaning accessories and is located at the lower **right side** of the machine next to the wheel. To insert the solution hose push the outer collar back and insert the hose fitting fully. Release the collar to secure the hose in place.

MACHINE OPERATION

General Information

Always vacuum the carpet with a vacuum cleaner before extraction . You may also need to **pretreat** spots and heavy traffic lanes before extraction. Refer to the “Common Stains and Cleaning Treatments” chart for examples of types of stains. Consult your local distributor for procedures and more complete chemical advice.

You may apply the pretreat chemicals in a number of ways:

- Use a hand held spray bottle.
- Use a 2-3 gallon pump up container with a spray wand.
- Use the machine spray bar, by tilting the machine backwards slightly away from the carpet. Press and hold the square, intermittent switch to apply the chemical.

Caution - We recommend you wear clean tennis shoes or non-slip shoes when working with a carpet extractor. Street shoes or rubber cushion soled shoes when wet will release absorbed dirt or grease onto the wet carpet and cause resoiling. Wet shoes can also cause the operator to slip and fall when walking from wet carpet onto bare floors. Make sure you wipe your shoes dry before walking onto bare floors. Also, some carpet cleaning chemicals **may** affect bare floor finishes.

Daily Use

This machine is very maneuverable and is designed to clean as you **pull backwards** across the carpet. When moving forward, always push down on the handle to raise the front of the machine.

To prepare the solution tank:

- **Never** use water over 140°F (60°C). Excessively hot water will damage components such as the pump, valves, and seals. Observe the carpet manufacturer's cleaning instructions.
- Put 1 to 2 gallons of water in the tank first to help dilute the chemicals and prevent excess sudsing.
- Dilute the cleaning chemicals according to the manufacturer's instructions.
- Add the cleaning chemicals to the solution tank and fill with water as needed.

To prepare the recovery tank:

- **Always** use a defoamer to protect the vacuum motor of this machine. **Every time** you fill the solution tank, we recommend that you add at least 4 to 6 ounces of defoamer chemical into the recovery tank.
- Fit the two clear vacuum hoses onto the white elbows of the clear dome.
- Fit the black drain hose onto the metal holding plug to close the drain hose.
- Make sure the clear dome and gasket fits securely on the recovery tank . The vacuum motor will pull the dome down (creating a suction) during use.

To prepare the accessories:

- Select the correct tool for the job to be performed (see Accessory Cleaning Tools).
- Connect the solution hose to the quick connect at the lower right side of the machine and on the tool.
- Connect the recovery hose to the intake tube of the recovery tank and the tube of the tool.

Begin cleaning the carpet in the following manner:

- Plug the machine into an appropriate wall outlet.
- Extract the perimeter of the room first to get as close as possible to the base board. Use the **left side** of the machine to clean against the wall for best results.
- Start on one side of the room and work your way across the room in rows, always working away from the cord. Move the vac shoe as close to the wall as possible.
- Push and hold the square switch to start spraying and begin moving backwards. About 12 to 18 inches before your stopping point, release the square switch to stop spraying and continue moving backwards to recover all of the solution you have just applied, This will prevent leaving an excessively wet spot in the carpet. Move forward to start the next path, **overlap 2"** for best results. Continue cleaning the entire area in this method.
- **Heavily soiled areas** may be double scrubbed by making a second pass over the carpet with only the brush turned on. Then, make a third pass with the solution pump, vacuum and brush on to remove the most dirt. Make an additional vacuum pass to dry the carpet as much as possible.
- The slower the cleaning pass, increases the amount of dirt that is removed from the carpet. **Do not apply water more than twice in one area to prevent excess wetting.** Overwetting can damage the carpet and the underlying floor.
- As you clean keep an eye on the liquid level in the recovery tank. Empty the recovery tank as needed during operation.
- Always add a defoamer chemical to the recovery tank before you continue cleaning.

ACCESSORY CLEANING

To clean upholstery, stairs or confined areas:

- Prepare the solution / recovery tanks as you would for normal carpet cleaning.
- To connect a tool, pull back on the collar of the quick connect, insert one end of the solution hose fitting and push it in until it locks. Attach the other end of the solution hose to the tool in the same manner.
- Next remove the machine hose from the **left side** of the dome and insert one end of the recovery hose into the dome. Attach the other end of the hose to the accessory tool.
- To begin cleaning, turn on the rocker switch for the solution pump and vac motor only. When you squeeze the trigger of the accessory tool the cleaning solution will spray, release the trigger to stop the spray.
- Squeeze and hold the spray lever to start spraying and begin moving backwards. About 2 inches before your stopping point, release the spray lever to stop spraying and continue moving backwards to recover all of the solution you have just applied.
- The slower the cleaning pass, increases the amount of dirt that is removed from the carpet or upholstery. Do not apply water more than twice in one area to prevent excess wetting. **Do not overwet.** Overwetting can damage any upholstery or fabric.
- As you clean, keep an eye on the liquid level in the recovery tank. Empty the recovery tank as needed during operation.
- Always add a defoamer chemical to the recovery tank before you continue cleaning.

PRIMING THE SOLUTION PUMP

During normal use the clean solution tank may run dry. This will allow air to enter the pump and solution lines. Air in the solution lines will prevent the pump from properly starting the solution flow again, you must prime the pump.

- Refill the clean solution tank.
- Disconnect any accessory tool that may be in use.
- CAUTION - place machine near a floor drain prior to the next step.
- Turn on the solution pump switch.
- Depress and hold the center pin in the accessory quick connect for 60-90 seconds (minimum).
- The pump will spray air and solution out until all of the air has been forced from the solution lines. When all of the air has been expelled you may resume accessory or floor cleaning operation.

NOTE: The solution pump will not prime through the spray bar or an accessory tool.

DAILY MAINTENANCE

At the completion of **every use** you must perform these simple procedures to ensure proper machine operation and cleaning performance.

- Empty all liquids from the solution tank by spraying out through the spray bar or draining by using the cleanout hose.
- Remove the machine's clear recovery hose, from the **left** elbow of the clear dome. Put one end of the cleanout hose into the left elbow of the clear dome.
- Remove the mesh filter from the front of the solution tank and place the other end of the cleanout hose in to the solution tank.
- Turn on the vacuum motor and suction all of the liquid into the recovery tank. Turn off the vacuum motor, remove the cleanout hose from the solution tank.

- To flush out or clean the solution tank. Make a one gallon solution of 25% vinegar and warm water, and pour it into the solution tank. Turn on the pump switch, spray until all of the solution has run through the pump and spray tips to remove any chemical residue. Failure to flush the solution system will result in poor spray patterns and corroded jet spray tips.
- Turn off all switches and disconnect the power cord from both the wall outlet and the machine. Move the machine to a toilet, janitor's closet or a bucket.
- Carefully remove the drain hose from the holding plug and pinch it together to close it. Lower the hose, unpinch it and drain all liquids from the tank.
- Rinse the tank clean of all debris. Position the clear dome offset on the recovery tank to allow for air drying and prevention of odor buildup.
- Remove the spray tips (1/4 turn) from the spray bar and put them in a glass or plastic container with a solution of 25% vinegar and water overnight to remove any chemical residue.
- Inspect the brush assembly for buildup of carpet fibers, hair or other materials. Pay special attention to the ends of the roller, obstructions will damage the bearings.
- Remove all materials from the brush assembly. Failure to remove this material will cause an additional load on the brush motor and drive belt. This can overload the circuit breaker, jam and break the belt, obstruct and damage the bearings, or burn out the brush drive motor.

WEEKLY MAINTENANCE

- Remove and clean the fine mesh filter in the bottom of the solution tank.
- Check the vacuum shoe for any debris or obstruction such as carpet fibers. Carefully remove any debris to ensure the best air flow and liquid recovery.
- Sanitize the recovery tank to help prevent bacteria and odor buildup.
- Inspect the entire machine and accessories for worn or damaged components. Repair or replace components as required performed by unauthorized service companies will void the machine warranty coverage.

ROUTINE MAINTENANCE

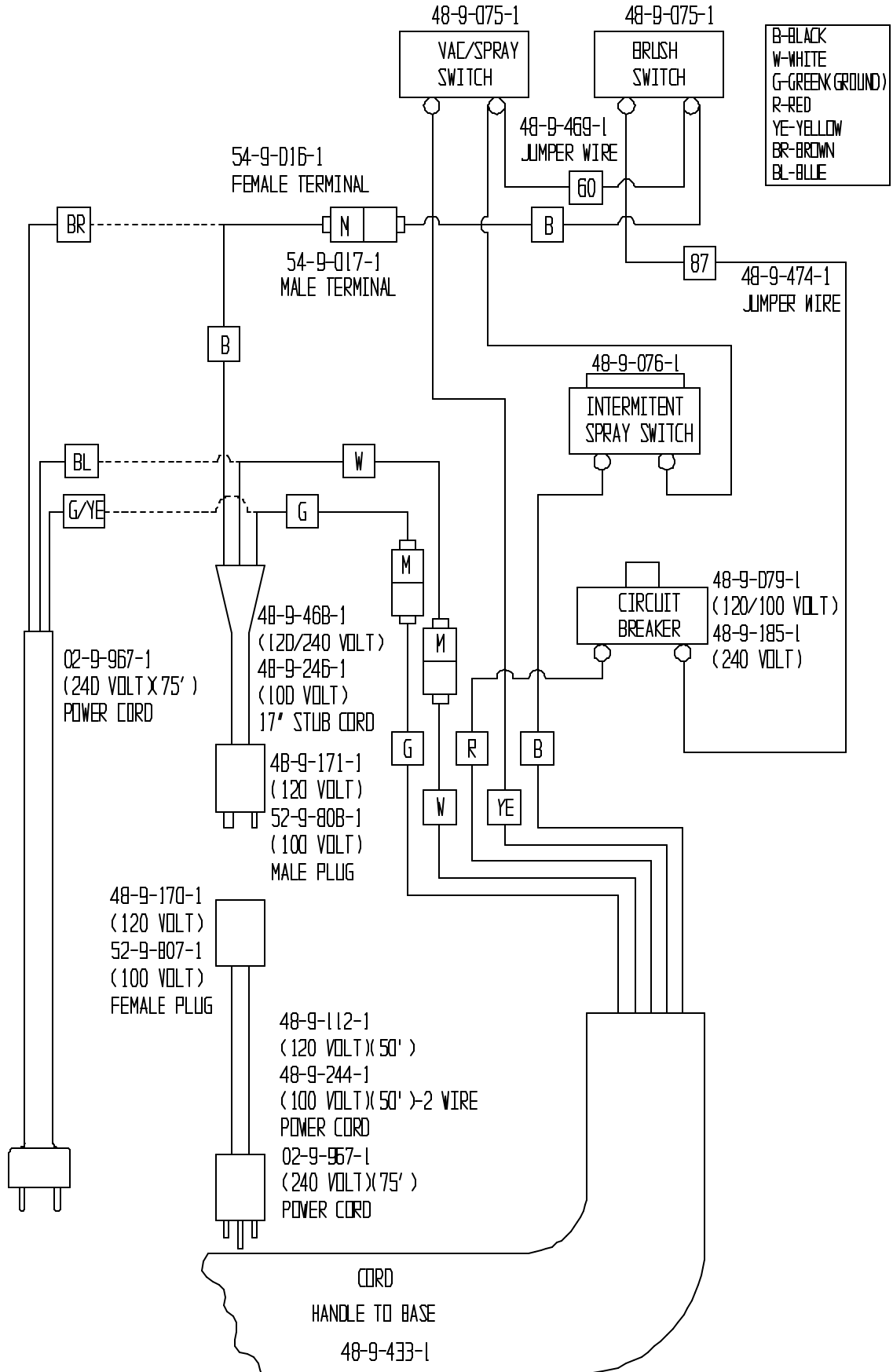
- After 750 hours of machine operation the vacuum motor carbon brushes must be inspected for wear by an authorized service center. Failure to inspect motor carbon brushes for wear can result in poor machine performance and a reduction of motor service life.

REPAIR SERVICE

Repair service for this machine must be performed by an authorized service center. Repair service performed by unauthorized service companies will void the machine warranty coverage.

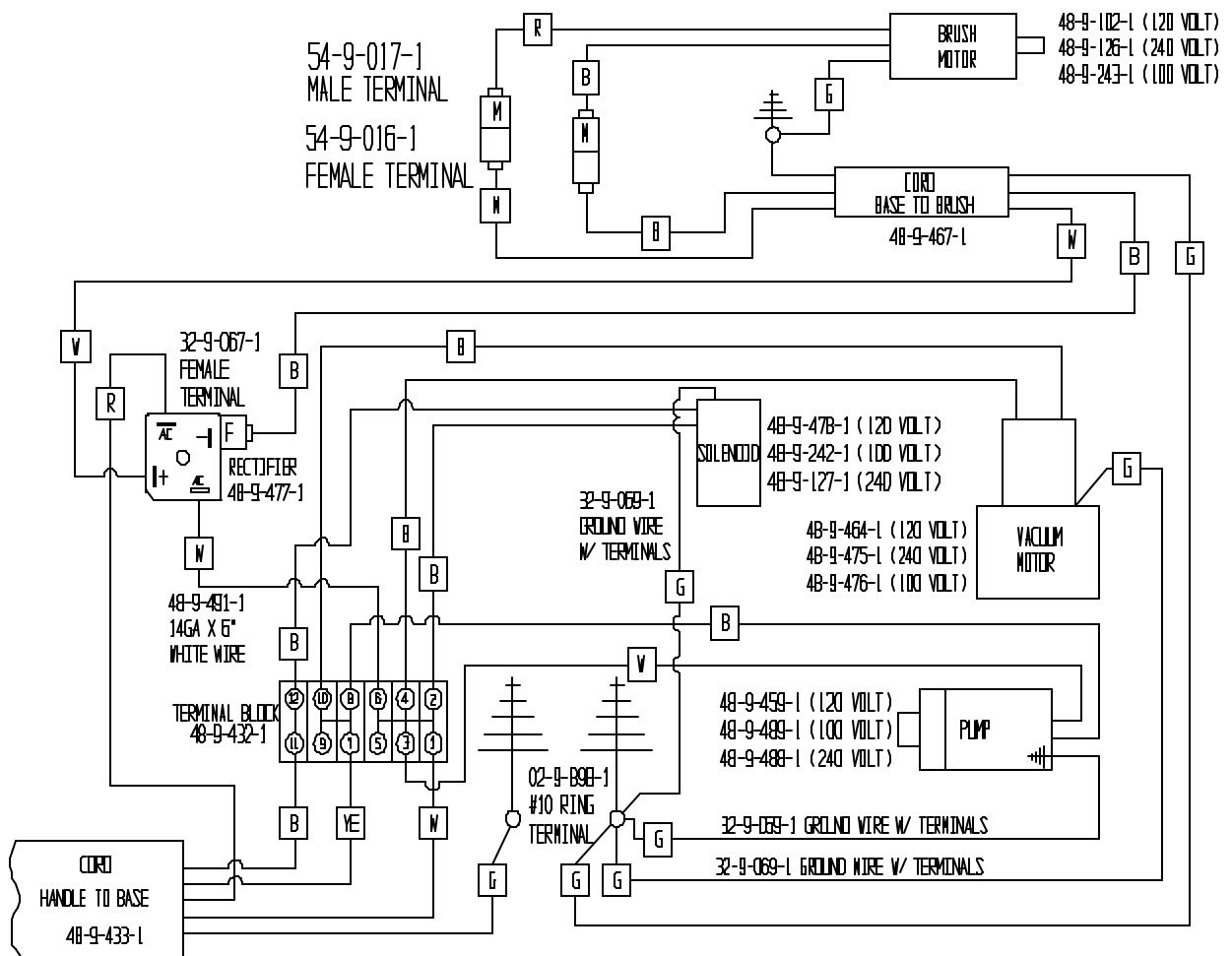
NOTES

CONTROL HANDLE WIRING DIAGRAM



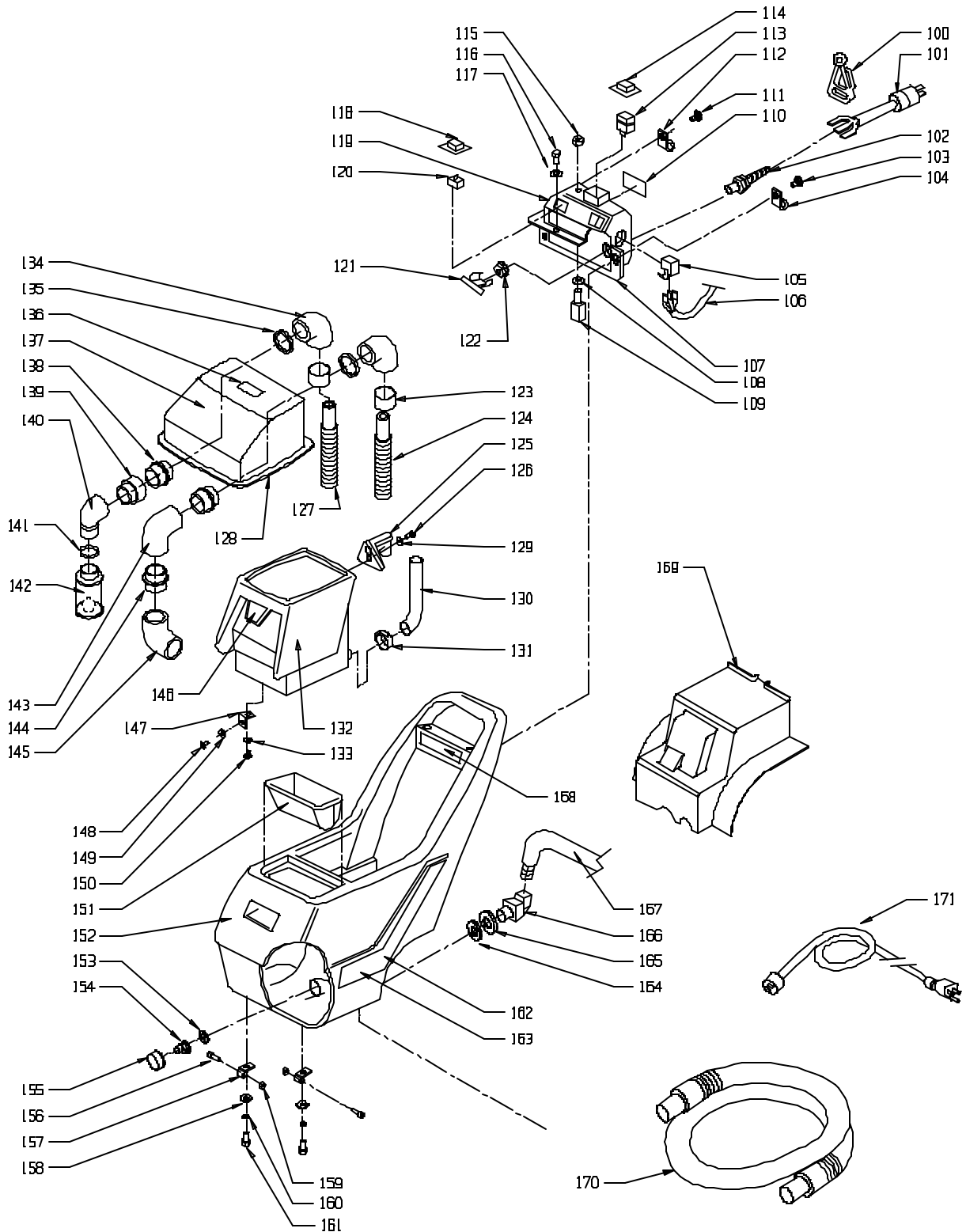
FRAME AND BRUSH HEAD WIRING DIAGRAM

B-BLACK
 W-WHITE
 G-GREEN (GROUND)
 R-RED
 YE-YELLOW



ITEM	PART NO	PART DESCRIPTION	QTY
100	31-9-057-1	STRAIN RELIEF	1
101	48-9-468-1	STUB CORD - BLACK	1
102	02-9-953-1	STRAIN RELIEF	1
103	48-9-183-1	1/4-20 X 5/8 PAN HEAD PHILLIPS MACHINE SCREW	1
104	48-9-085-1	CORD CLAMP	1
105	48-9-082-1	HEYCO STRAIN RELIEF	1
106	48-9-433-1	CORD, HANDLE TO BASE	1
107	48-9-470-1	SWITCH BOX	1
108	-----	NUT, INCLUDED WITH CIRCUIT BREAKER	1
109	48-9-079-1	CIRCUIT BREAKER - 2 AMP, 120 VOLT / 100 VOLT	1
	48-9-185-1	CIRCUIT BREAKER - 1 AMP, 240 VOLT	1
110	48-9-484-1	OPERATION DECAL	1
111	48-9-182-1	1/4-20 X 5/8 PAN HEADPHILLIPS MACHINE SCREW	2
112	48-9-085-1	CORD CLAMP	1
113	48-9-076-1	MOMENTARY SPRAY SWITCH	1
114	48-9-078-1	RUBBER BOOT	1
115	48-9-247-1	SEAL, CIRCUIT BREAKER	1
116	91-2-073-0	10-32 X 1/2 PHILLIPS ROUND HEAD MACHINE SCREW	1
117	91-2-032-0	SPLIT LOCK WASHER	1
118	48-9-077-1	ROCKER SWITCH BOOT	2
119	48-9-483-1	CONTROL LABEL	1
120	48-9-075-1	ROCKER SWITCH	2
121	02-9-966-1	STRAIN RELIEF CORD CLAMP	1
122	08-9-113-1	PLASTIC STRAIN RELIEF NUT	1
123	48-9-090-1	INTAKE TUBE	2
124	48-9-461-1	VAC HOSE, TO VAC MOTOR	1
125	48-9-003-3	DRAIN HOSE PLUG	1
126	91-2-116-0	1/4-20 X 5/8 HEX BOLT	1
127	48-9-465-1	VAC HOSE, TO VAC SHOE	1
128	48-9-012-1	DOME GASKET	1
129	91-2-080-0	1/4 SPLIT LOCK WASHER	1
130	48-9-025-1	DRAIN HOSE	1
131	48-9-267-1	HOSE CLAMP	1
132	48-9-430-1	RECOVERY TANK	1
133	91-2-097-1	1/4 EXTERNAL STAR LOCK WASHER	1
134	48-9-089-9	ELBOW, 1 1/2 FSL X 1 1/2 FPT, INCLUDES TUBE	2
135	38-9-040-1	DRAIN VALVE	2
136	48-9-216-1	DEFOAMER LABEL	1
137	48-9-435-1	CLEAR DOME ONLY	1
	48-9-496-1	DOME ASSEMBLY WITH GASKET	1
138	48-9-091-1	ADAPTOR, 1 1/2 MPT X 1 1/2 MSL	2
139	48-9-457-1	1 1/2 MALE ADAPTOR	1
140	48-9-480-2	90 DEGREE HOSE BARB	1
141	48-9-408-1	NYLON HOSE CLAMP, 1.593" TO 1.812" DIAMETER	1
142	23-9-154-1	FLOAT SCREEN ASSEMBLY	1
143	48-9-089-1	ELBOW, FSL X 1 1/2 FPT	1
144	48-9-091-1	ADAPTOR, 1 1/2 MPT X 1 1/2 MSL	1
145	48-9-089-1	ELBOW, 1 1/2 FSL X 1 1/2 FPT	1
146	48-9-026-1	LOGO DECAL	1
147	48-9-473-3	RECOVERY TANK HOLD DOWN BRACKET	1
148	48-9-182-1	1/4-20 X 5/8 PAN HEAD PHILLIPS MACHINE SCREW	1
149	91-2-097-0	1/4 EXTERNAL STAR WASHER	1
150	48-9-182-1	1/4-20 X 5/8 PAN HEAD PHILLIPS MACHINE SCREW	1
151	48-9-020-9	FILTER ASSEMBLY (INCL. FILTER SCREEN BAG & BAG RING)	1
152	48-9-001-1	SOLUTION TANK	1
153	10-9-987-1	FLAT WASHER STAINLESS STEEL	1
154	48-9-021-1	BUSHING BRASS 1/4 F - 3/8 MNPT	1
155	48-9-019-1	FILTER SCREEN	1
156	48-9-456-1	HINGE PIN	2
157	48-9-421-3	TANK HINGE	2
158	91-2-093-0	1/4 SAE WASHER	2
159	91-2-090-0	10-24 HEX NUT WITH NY-LOK INSERT	2
160	91-2-088-0	1/4 SPLIT LOCK WASHER	2
161	91-2-125-0	1/4-20 X 3/4 HEX BOLT	2
162	48-9-258-1	LEFT SIDE LABEL	1
163	48-9-259-1	RIGHT SIDE LABEL	1
164	48-9-022-1	1/2 "O" RING	1
165	48-9-023-1	.566 ID - STAINLESS STEEL WASHER	1

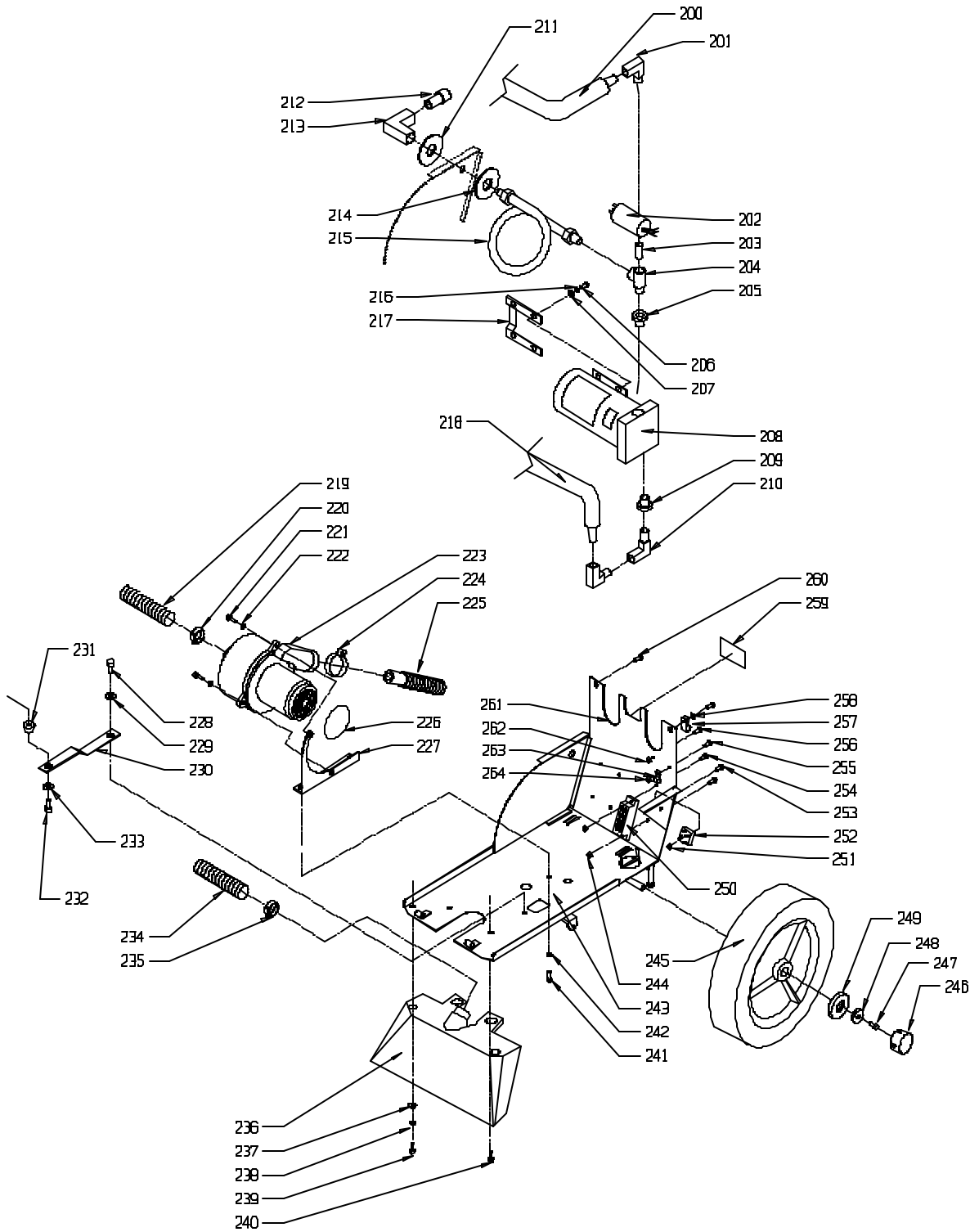
SOLUTION/TANK CHASSIS ASSEMBLY



166	27-9-586-1	BRASS ELBOW, 45° X 1/4 NPT	1
167	48--500-1	30" HOSE ASSEMBLY (TANK TO PUMP)	1
168	48-9-400-1	WARNING DECAL	1
169	48-9-415-1	DRIP COVER	1
170	48-9-149-1	ACCESSORY, VACUUM HOSE	1
171	48-9-112-1	POWER CORD 120 VOLT, 50 FEET	1
	48-9-244-1	POWER CORD 100 VOLT, 50 FEET	1
	02-9-967-1	SHUKO CORD 240 VOLT, 75 FEET	1

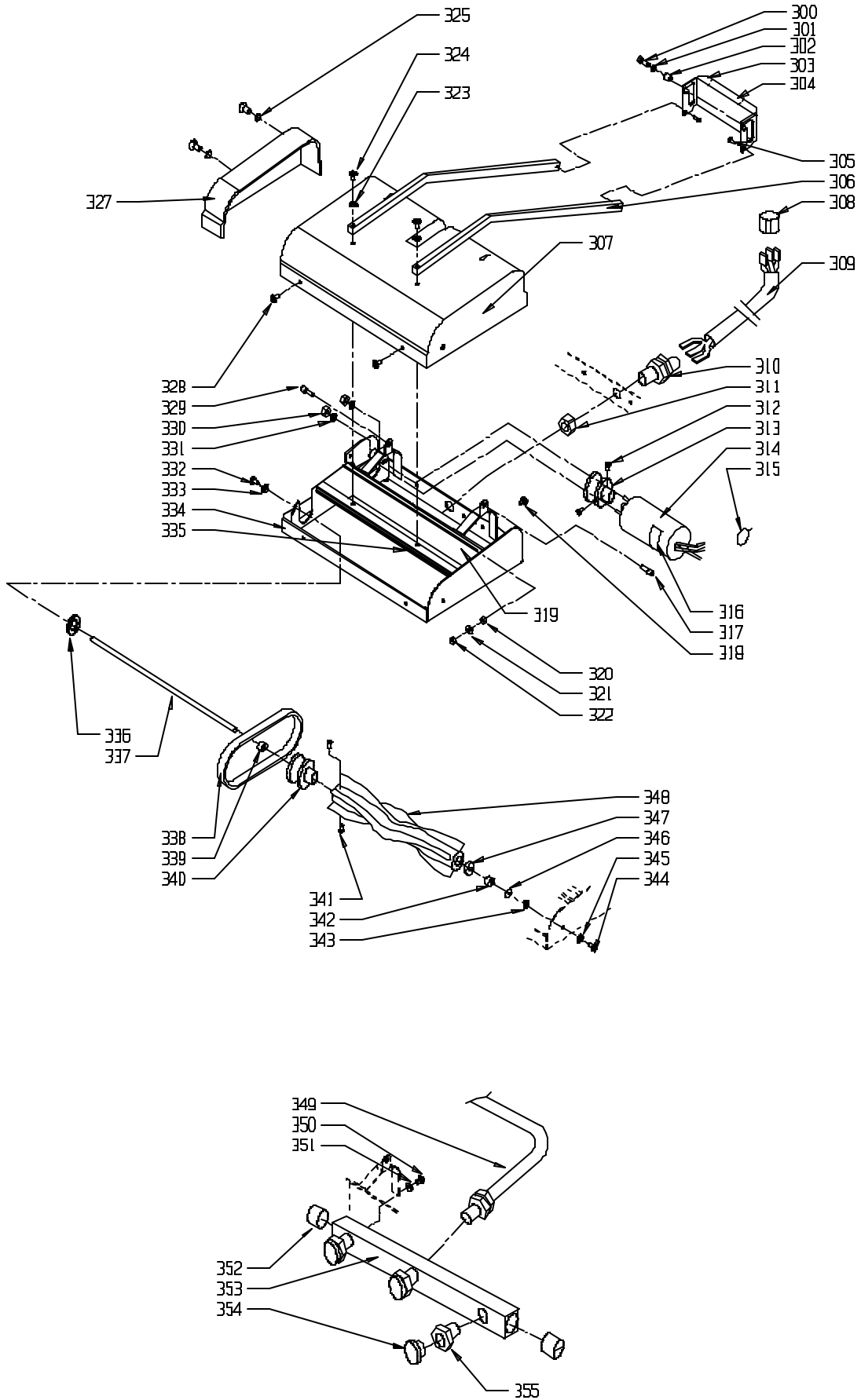
ITEM NO.	PART NO.	DESCRIPTION	QTY
200	48-9-443-1	21" HOSE ASSEMBLY (PUMP TO SPRAY BAR)	1
201	27-9-585-1	BRASS ELBOW, 90° X 1/4 NPT	1
202	48-9-476-1	SOLENOID VALVE 120 VOLT	1
	48-9-242-1	SOLENOID VALVE 100 VOLT	1
	48-9-127-1	SOLENOID VALVE 240 VOLT	1
203	38-9-194-1	1/4 HEX NIPPLE - BRASS	1
204	43-9-061-1	STREET TEE 1/4 NPT	1
205	48-9-021-1	BUSHING, BRASS 1/4 F - 3/8 F - NPT	1
206	91-2-045-0	10-24 X 1 ROUND HEAD PHILLIPS MACHINE SCREW	4
207	91-2-037-0	#10 FLAT WASHER	4
208	48-9-459-1	SOLUTION PUMP - 120 VOLT	1
	48-9-489-1	SOLUTION PUMP - 100 VOLT	1
	48-9-488-1	SOLUTION PUMP - 240 VOLT	1
209	48-9-021-1	BUSHING, BRASS 1/4 F - 3/8 F - NPT	1
210	27-9-585-1	BRASS ELBOW, 90° X 1/4 - NPT	2
211	48-9-023-1	.566 I.D. - STAINLESS STEEL WASHER	1
212	35-9-051-1	FEMALE CONNECTOR	1
213	27-9-585-1	BRASS ELBOW, 90° X 1/4 NPT	1
214	48-9-023-1	.566 I.D. - STAINLESS STEEL WASHER	2
215	48-9-502-1	HOSE ASSEMBLY (PUMP TO ACCESSORY)	1
216	91-2-032-0	#10 SPLIT LOCK WASHER	4
217	48-9-222-1	TAPPING PLATE (PUMP MOTOR)	1
218	48-9-500-1	30" HOSE ASSEMBLY (TANK TO PUMP)	1
219	48-9-461-1	VAC HOSE (VAC MOTOR)	1
220	48-9-267-1	HOSE CLAMP, DIAMETER 1/16 TO 2	1
221	91-2-125-0	1/4-20 X 3/4 HEX BOLT	2
222	91-2-088-0	1/4 SPLIT LOCK WASHER	2
223	48-9-464-1	VAC MOTOR - 120 VOLT	1
	48-9-476-1	VAC MOTOR - 100 VOLT	1
	48-9-475-1	VAC MOTOR - 240 VOLT	1
224	44-9-544-1	HOSE CLAMP	1
225	48-9-455-1	VAC MOTOR EXHAUST HOSE	1
226	02-9-434-1	TOP MOTOR SEAL - NEOPRENE	1
227	48-9-429-3	VAC MOTOR BRACKET	1
228	91-2-121-0	1/4-20 X 5/8 HEX BOLT	1
229	91-2-088-0	1/4 SPLIT LOCK WASHER	1
230	48-9-454-1	TANK SUPPORT STRAP	1
231	48-9-446-1	RUBBER STOP	2
232	91-2-127-0	1/4-20 X 1 HEX BOLT	1
233	91-2-088-0	1/4 SPLIT LOCK WASHER	1
234	48-9-465-1	VAC NOZZLE HOSE	1
235	48-9-2671-	HOSE CLAMP, DIAMETER 1 1/6 TO 2	1
236	48-9-009-3	VAC SHOE	1
237	91-2-093-0	1/4 FLAT WASHER	2
238	91-2-088-0	1/4 SPLIT LOCK WASHER	2
239	91-2-125-0	1/4-20 X 3/4 HEX BOLT	1
240	91-2-125-0	1/4-20 X 3/4 HEX BOLT	1
241	91-2-121-0	1/4-20 X 5/8 HEX BOLT	2
242	91-2-088-0	1/4 SPLIT LOCK WASHER	2
243	48-9-417-3	WELDED BASE ASSEMBLY	2
244	91-2-019-0	#8-32 HEX NUT WITH STAR LOCK WASHER	2
245	48-9-273-1	10" WHEEL, WHITE PLASTIC	2
246	05-9-931-1	HUB CAP, BLACK PLASTIC	2
247	91-2-121-0	1/4-20 X 5/8 HEX BOLT	2
248	91-2-008-0	1/4 SPLIT LOCK WASHER	2
249	91-2-093-0	1/4 FLAT WASHER	2
250	48-9-432-1	TERMINAL BLOCK	1
251	91-2-036-0	10-24 HEX NUT WITH STAR LOCK WASHER	1
252	48-9-477-1	RECTIFIER	1
253	91-2-043-0	10-24 X 3/4 ROUND HEAD PHILLIPS MACHINE SCREW	1
254	91-2-027-0	8-32 X 7/8 ROUND HEAD PHILLIPS MACHINE SCREW	2
255	91-2-041-0	10-24 X 1/2 ROUND HEAD PHILLIPS MACHINE SCREW	1
256	91-2-027-0	8-32 X 7/8 ROUND HEAD PHILLIPS MACHINE SCREW (FOR GROUND WIRE)	1
257	48-9-085-1	CORD CLAMP	1
258	91-2-097-1	1/4 EXTERNAL STAR LOCK WASHER	2
259	48-9-182-1	1/4-20 X 5/8 PAN HEAD PHILLIPS MACHINE SCREW	2
260	99-9-760-0	VINYL TRIM	9'
261	91-2-036-0	10-24 HEX NUT WITH STAR LOCK WASHER	1
262	52-9-420-1	NYLON CORD CLAMP	1
263	91-2-036-0	10-24 HEX NUT WITH STAR LOCK WASHER	1

FRAME ASSEMBLY



ITEM NO.	PART NO.	DESCRIPTION	QTY
300	91-2-127-0	1/4-20 X 1 HEX BOLT	2
301	91-2-088-0	1/4 SPLIT LOCK WASHER	2
302	48-9-444-1	BRUSH LIFT GUIDE	2
303	48-9-410-3	FOOT PEDAL	1
304	48-9-492-1	DECAL, RAISE / LOWER	1
305	48-9-479-1	1/4-3/16 (10-24) SHOULDER SCREW	2
306	48-9-4203	BRUSH LIFT ARM	2
307	48-9-463-1	BRUSH HOUSING COVER	1
308	48-9-107-1	HEYCO STRAIN RELIEF	1
309	48-9-467-1	CORD - BRUSH MOTOR	1
310	48-9-083-1	HEYCO STRAIN RELIEF	1
311	08-9-113-1	HEYCO NUT	1
312	91-2-063-7	10-24 X 1/4 SET SCREW	2
313	48-9-424-1	MOTOR PULLEY	1
314	48-9-102-1	BRUSH DRIVE MOTOR - 120 VOLT	1
	48-9-126-1	BRUSH DRIVE MOTOR - 240 VOLT	1
	48-9-243-1	BRUSH DRIVE MOTOR - 100 VOLT	1
315	27-9-267-1	WIRE TIE, 5-1/2 LONG	1
316	88-9-1130-	GASKET, 1 X 1/8, NEOPRENE	5
317	91-2-155-0	5/16-3/8 (1/4-20) SHOULDER SCREW	1
318	91-2-043-0	10-24 X 3/4 PHILLIPS ROUND HEAD MACHINE SCREW	2
319	88-9-110-0	GASKET MATERIAL - 1/2" X 1"	1.4'
320	91-2-036-0	10-24 HEX NUT WITH STAR LOCK WASHER	2
321	91-2-036-0	10-24 HEX NUT WITH STAR LOCK WASHER	2
322	91-2-036-0	10-24 HEX NUT WITH STAR LOCK WASHER	2
323	91-2-032-0	#10 SPLIT LOCK WASHER	2
324	91-2-045-0	10-24 X 1 PHILLIPS ROUND HEAD MACHINE SCREW	2
325	34-9-152-1	BRASS EYELET	2
326	91-2-058-5	10-24 X 1/2 PHILLIPS OVAL HEAD MACHINE SCREW	2
327	48-9-197-1	BELT COVER	1
328	91-2-050-0	10-24 X 3/8 TRUSS HEAD PHILLIPS MACHINE SCREW	2
329	91-2-155-0	5/16-3/8 (1/4-20) SHOULDER SCREW	1
330	91-2-066-0	10-32 HEX NUT WITH NY-LOK INSERT	1
331	91-2-037-0	#10 FLAT WASHER	1
332	91-2-041-0	10-24 X 1/2 PHILLIPS ROUND HEAD MACHINE SCREW	1
333	91-2-032-0	#10 SPLIT LOCK WASHER	1
334	48-9-207-3	BRUSH FRAME WELDMENT	1
335	88-9-108-0	3/16" X 5/16" NEOPRENE GASKET	1
336	48-9-097-1	SHIELD	1
337	48-9-466-1	BRUSH AXLE	1
338	48-9-438-1	POLY-V BELT	1
339	48-9-096-1	BEARING, BRUSH	1
340	48-9-425-1	BRUSH PULLEY	1
341	91-2-067-1	10-32 X 5/8 PHILLIPS FLAT HEAD MACHINE SCREW	2
342	36-9-505-1	SHAFT SEAL	1
343	48-9-437-1	BRUSH BUSHING	1
344	91-2-041-0	10-24 X 1/2 PHILLIPS ROUND HEAD MACHINE SCREW	1
345	91-2-032-0	#10 SPLIT LOCK WASHER	1
346	48-9-428-1	BRUSH THREAD GUARD	1
347	48-9-096-1	BEARING, BRUSH	1
348	48-9-445-1	BRUSH ONLY	1
	48-9-494-9	BRUSH ASSEMBLY 120 VOLT	1
	48-9-485-9	BRUSH HOUSING ASSEMBLY 240 VOLT	1
349	48-9-501-1	21" HOSE ASSEMBLY (SPRAY BAR TO PUMP)	1
350	91-2-038-0	10-24 X 3/8 PHILLIPS ROUND HEAD MACHINE SCREW	2
351	91-2-032-0	#10 SPLIT LOCK WASHER	2
352	23-9-215-1	1/4 PIPE PLUG	2
353	48-9-195-1	SPRAY BAR	1
	48-9-490-9	SPRAY BAR ASSEMBLY	1
354	49-9-098-1	SPRAY TIP ONLY	3
	48-9-211-1	SPRAY BODY "O" RING (NOT SHOWN)	3
355	48-9-129-1	SPRAY BODY, STAINLESS	3
	49-9-097-1	SPRAY TIP & BODY	3
----	48-9-472-9	120 VOLT BRUSH HOUSING ASSEMBLY	1
---	48-9-485-9	240 VOLT BRUSH HOUSING ASSEMBLY	1

BRUSH ASSEMBLY



SOLUTION PUMP TROUBLE SHOOTING

<u>SYMPTOM</u>	<u>POSSIBLE CAUSE</u>	<u>CORRECTIVE ACTION</u>
Pump runs but has little or no output	Internal pump parts worn *Pump air locked Solenoid valve will not open Spray nozzles plugged Nozzle gasket obstruction Incorrect spray nozzles Solution tank filter plugged	Rebuild pump head *Bleed air lock from system Replace solenoid valve Clean or replace Replace gaskets Install correct spray nozzles Clean or replace
Pump motor will not run	Motor shorted out Faulty pressure switch Faulty pump switch/wiring Damaged power cord Extension cord inadequate Low voltage	Replace motor Replace pressure switch Repair or replace Replace power cord Remove extension cord Test wall outlet
Uneven spray nozzle pattern	Spray nozzles plugged Nozzle gasket obstruction Incorrect spray nozzles Worn solution pump Solenoid valve clogged	Clean or replace Replace gasket Install correct spray nozzles Rebuild solution pump * <u>Bleed air lock from system</u>

1. The solution tank must contain 2 to 3 gallons of water to prime properly.
2. Plug the machine into a proper voltage wall outlet. Turn ON the pump (spray) switch.
3. CAUTION - place machine near a floor drain prior to the next step.
4. Stand at the side of the machine and depress the pin in the center of the accessory quick connect. The pump will push solution and air out of the quick connect, to purge the solution lines. Run the pump for 60 seconds or until the solution flows smoothly. During this time, also activate the intermittent switch every 15 seconds. Also, check the output at the spray jet bar assembly.
5. If this does not solve the problem, rebuild or replace the pump.

COMMON STAINS AND CLEANING TREATMENTS

TREATMENT METHODS

First: Remove excess material by blotting to absorb liquids, or by scraping with a dull edged (butter knife) if the material is a solid.

Second: Clean the remaining stain as directed by the chart below. Always follow the direction on the container. Apply the cleaning material directly to the stain (avoid over wetting the carpet or upholstery), then remove the loosened stain material with a white absorbent cloth or tissue.

Third: When the carpet is dry, gently brush the carpet pile to restore its appearance.

Note: Treat unknown stains with a volatile solvent first and follow with other agents as required. If you are uncertain of the effect of the cleaning agent on the carpet fiber or dye, test on an inconspicuous area first.

STAIN TYPE

TREATMENT MATERIAL

Asphalt	Volatile solvent/detergent
Beer	Liquid detergent, White vinegar
Berry stain	Liquid detergent, Ammonia 3-6%, Water
Bleach	Liquid detergent, Water
Blood (dried)	Warm detergent, Ammonia 3-6%, Water
Blood (wet)	Liquid detergent, Water
Butter	Volatile solvent
Catsup or Mustard	Liquid detergent
Chewing gum	Volatile solvent
Chocolate	Liquid detergent, Ammonia water
Coffee	Detergent, White vinegar, Volatile solvent
Cola drink	Liquid detergent
Creme de Menthe (green)	Liquid detergent
Egg (raw)	Liquid detergent
Food dye	Liquid detergent, Water
Furniture dye or polish	Paint/Oil/Grease remover, Detergent
Gravy	Liquid detergent
Lipstick	Paint/Oil/Grease remover
Mascara	Paint remover, Volatile solvent, Detergent, Water
Milk	Liquid detergent
Orange drink	Liquid detergent, Water
Shoe polish	Heated iron into clean towel, Volatile solvent
Tea	Liquid detergent
Tomato Juice	Liquid detergent
Urine	Liquid detergent, Water
Vomit	Warm detergent, Water, White vinegar
Wine	Liquid detergent, Ammonia 3-6%, Water, Vinegar



NSS ® Enterprises, Inc.

3115 Frenchmens Road, Toledo, Ohio 43607
PHONE (419) 531-2121 FAX (419) 531-3761

NSS® Enterprises, Inc. European Distribution Centre
Unit II, Pinfold Trading Estate * 55 Nottingham Road
STAPLEFORD, NOTTINGHAM NG9 8AD ENGLAND U.K.
PHONE: (44) 0115 939 1568 * FAX: (44) 0115 949 0615