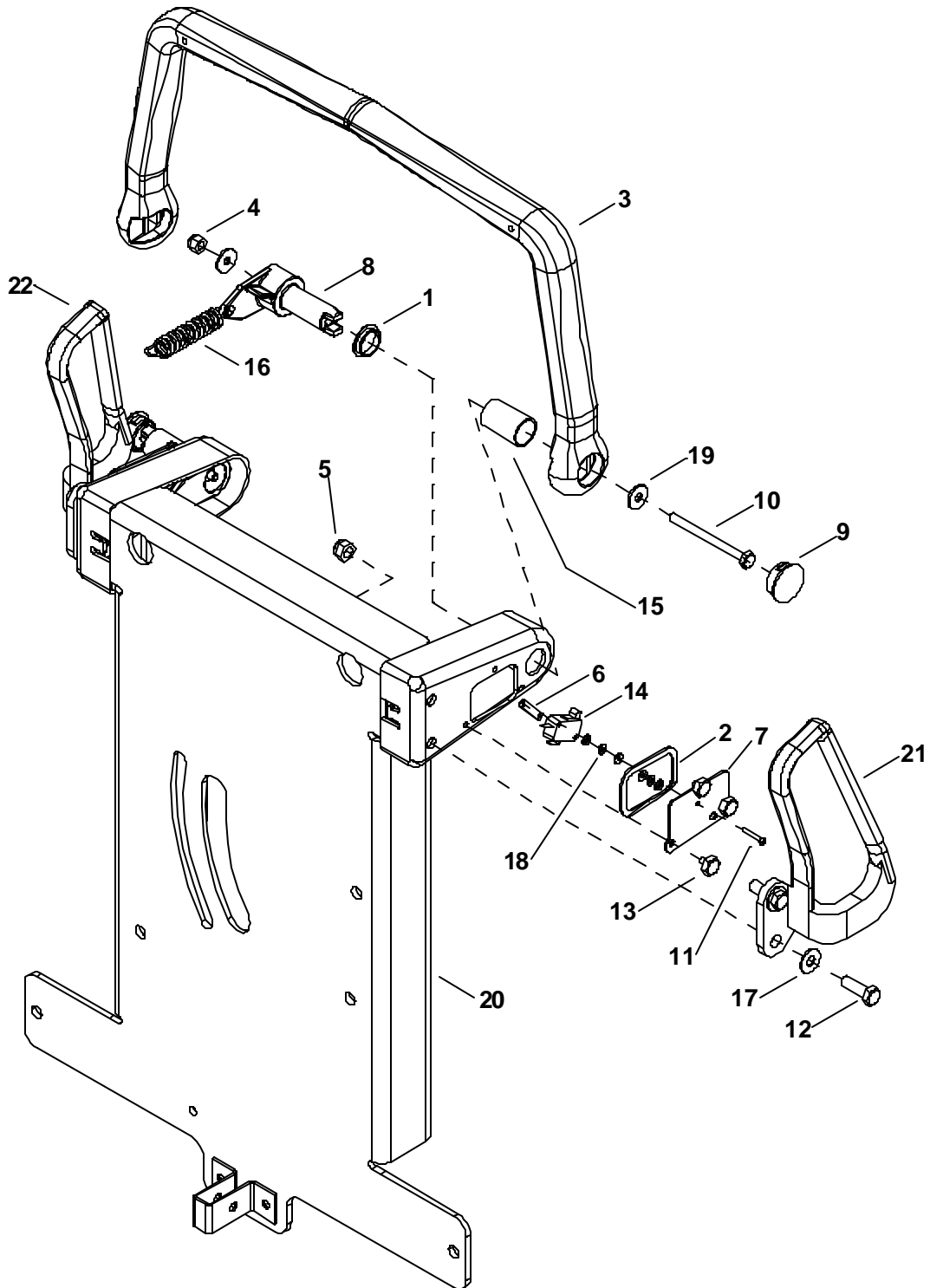


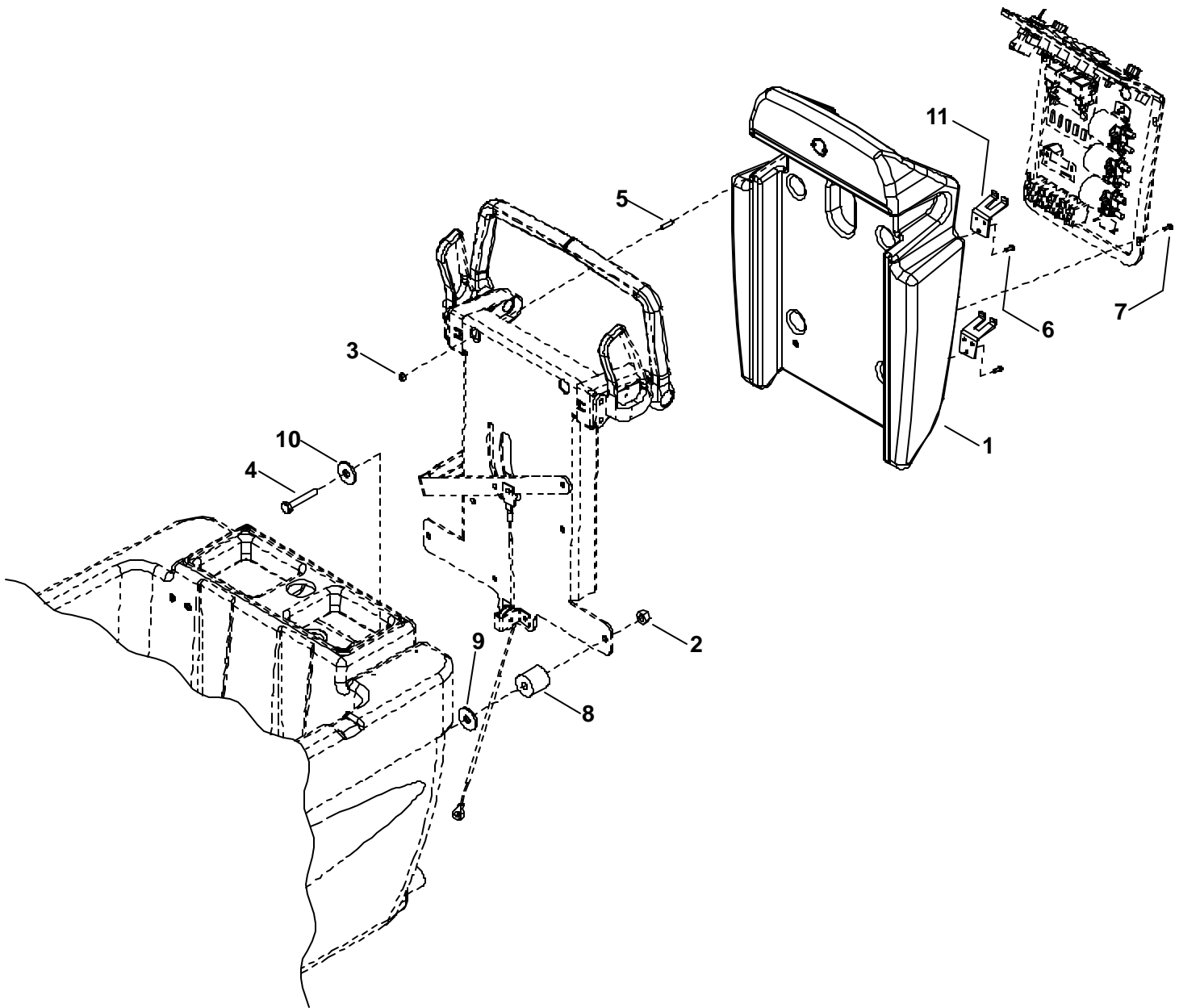
CONTROL HANDLE GROUP



CONTROL HANDLE GROUP

REF	PART NO.	QTY	DESCRIPTION	SERIAL NO. FROM	NOTES:
1	09129	2	BEARING, 3/4 NYLINER SI		
2	35220	2	GASKET, MICRO SWITCH COVER		
3	38275	1	HANDLE, SABER		
4	57047	2	NUT, 1/4-20 HEX NYLOCK		
5	57113	4	NUT, 5/16-18 HEX NYLOCK		
6	57247	2	NUT, PLATE SWITCH MOUNTING		
7	62726	2	PLATE, MICROSWITCH MOUNT		
8	66293	2	PIVOT, HANDLE		
9	66301	2	PLUG, 1.00 HOLE		
10	70129	2	SCR, 1/4-20 X 3.00 HHCS		
11	70245	4	SCR, 4-40 X 3/4 PPHMS		
12	70302	4	SCR, 5/16-18 X 1.00 HHCS GR5		
13	70351	6	SCR, 10-32 X 3/8 HHTR W/STAR		
14	72093	2	SWITCH, MICRO		
15	73913	2	SPACER, 7/8 OD X .78 ID X 1.375 L		
16	73938	2	SPRING, EXT. .5D X 2.75L X .075W		
17	87029	4	WASHER, 5/16 X 3/4 SS		
18	87068	12	WASHER, 1/8 RIVET BACKUP		
19	87090	4	WASHER, 1/4 X 3/4 FLAT		
20	89186	1	WELDMENT, TOWER VALUE		
21	140247	1	BAR, GRAB HANDLE LEFT		
22	140248	1	BAR, GRAB HANDLE RIGHT		

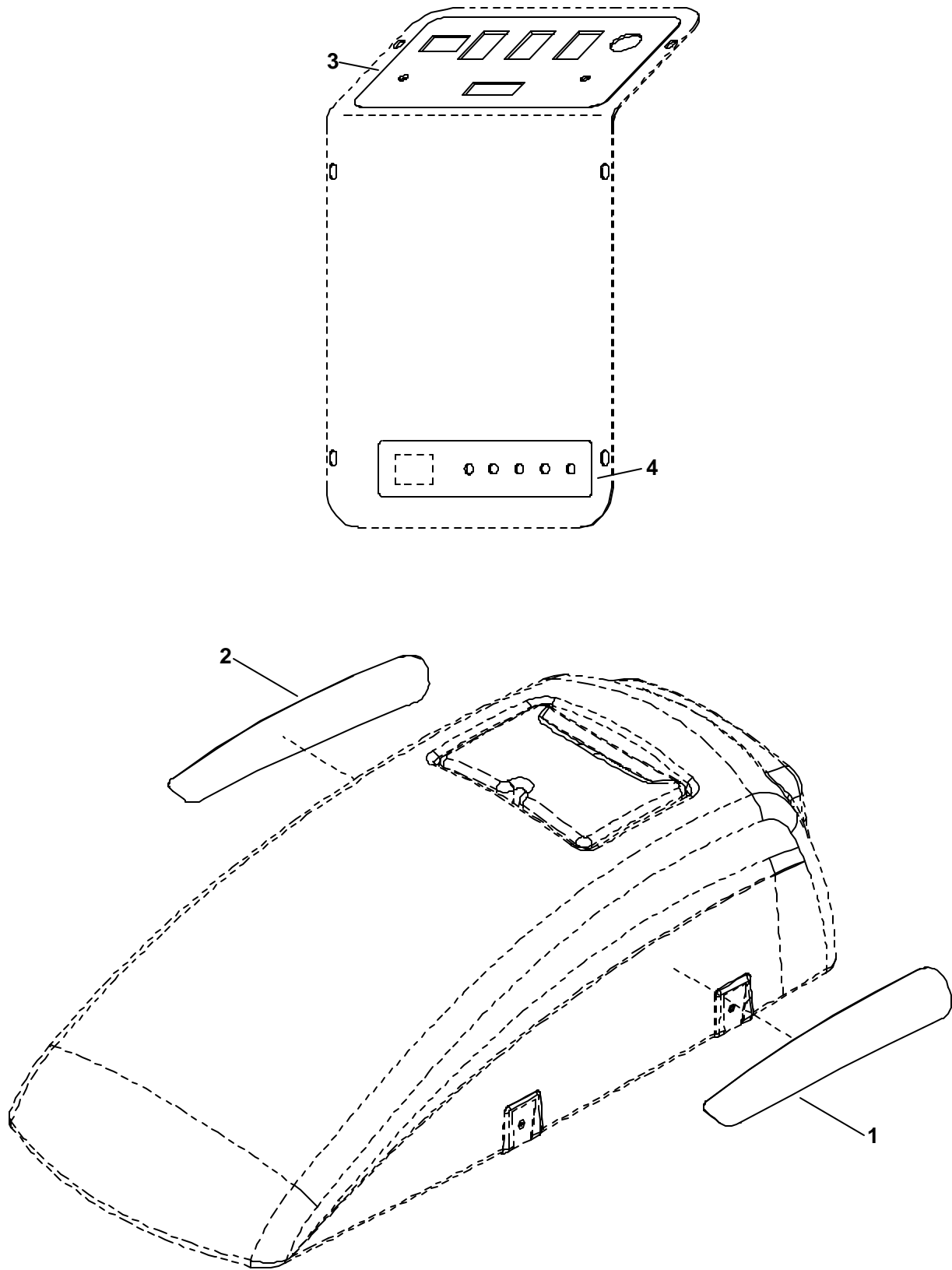
CONTROL TOWER GROUP



CONTROL TOWER GROUP

REF	PART NO.	QTY	DESCRIPTION	SERIAL NO. FROM	NOTES:
1	27757	1	CONSOLE, REAR		
2	57119	4	NUT, 3/8-16 HEX NYLOCK		
3	57189	4	NUT, 1/4-20 FLANGE LOCK		
4	70070	4	SCR, 3/8-16 X 2 HHCS SS		
5	70393	4	SET SCR, 1/4-20X 1.25L		
6	70403	6	SCR, #10 X 1/2 PHST TYPE B		
7	70532	6	SCR, 10-32 X 1/2 PPHMS BLK		
8	73974	4	SPACER, 1.13OD X .41ID X .5THK		
9	87086	2	WASHER, M10 X 30 PLTD		
10	87185	4	WASHER, 3/8 SEALING X 3/4 OD		
11	140133	2	BRACKET, RECOVERY HOSE		

DECAL GROUP

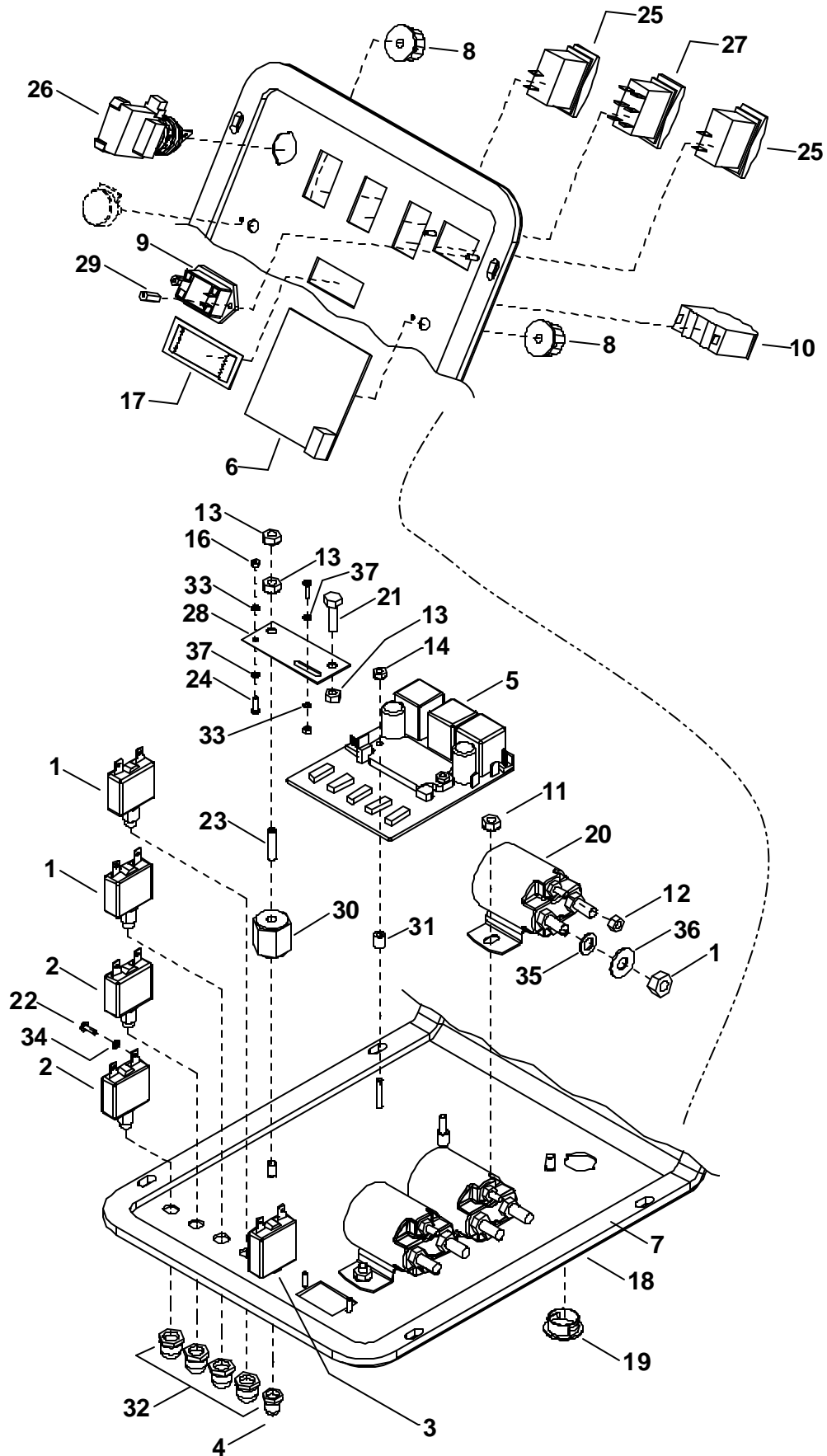


DECAL GROUP

REF	PART NO.	QTY	DESCRIPTION	SERIAL NO. FROM	NOTES:
1	50940	1	LABEL, STRIDE (LEFT)		
2	50943	1	LABEL, STRIDE (RIGHT)		
3	500023	1	LABEL, SCRUBBER PANEL		
4	500024	1	LABEL, CIRCUIT BREAKERS		

NOTE: SEE "SAFETY LABEL LOCATION" PAGE FOR SAFETY LABEL INFORMATION.

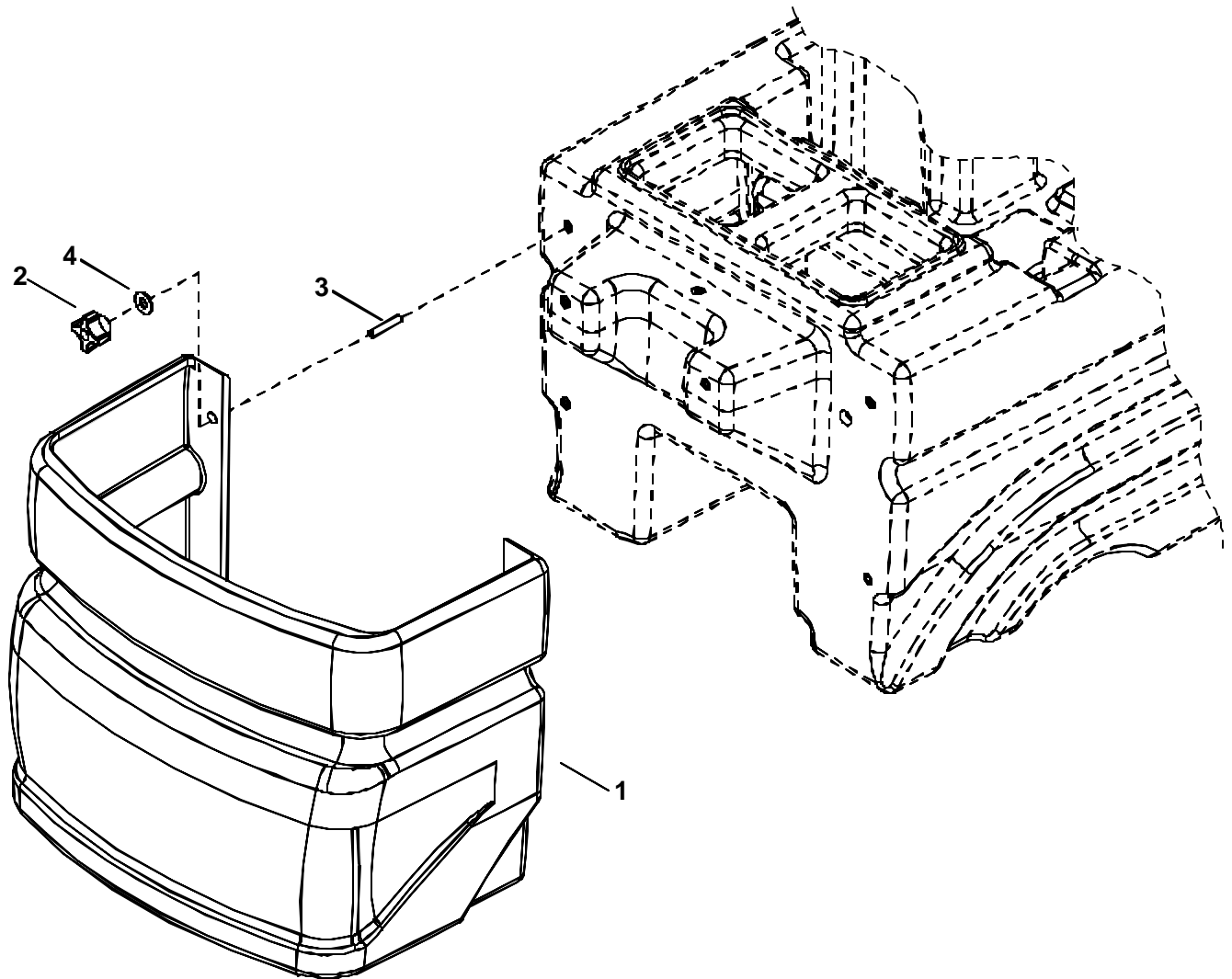
ELECTRICAL PANEL GROUP



ELECTRICAL PANEL GROUP

REF	PART NO.	QTY	DESCRIPTION	SERIAL NO. FROM	NOTES:
1	14606	2	BREAKER, 30A 250VAC 50VDC		
2	14607	2	BREAKER, 25A 250VAC 50VDC		
3	14717	1	BREAKER, 3A 250VAC 50VDC		
4	14942	1	BOOT, 3/8 CIRCUIT BREAKER		
5	27672	1	CONTROLLER, 36VDC PROPEL MTR		
6	27858	1	CIRCUIT BOARD, SOLUTION/FLOAT		
7	35210	1	GASKET, ELECTRIC PANEL		
8	48072	2	KNOB, 1.06 OD X .25 ID W/SET SCR		
9	54144	1	METER, 36V BATTERY CHARGE LVL		
10	54156	1	METER, 0-50 AMP DC		
11	57047	4	NUT, 1/4-20 HEX NYLOCK		
12	57104	6	NUT, 10-32 W/STAR WASHER PLTD		
13	57105	3	NUT, 1/4-20 HEX W/STAR		
14	57106	2	NUT, 8-32 HEX W/STAR		
15	57117	6	NUT, 5/16-24 HEX PLTD		
16	57256	2	NUT, 6-32 HEX BRASS		
17	62283	1	PLATE, METER RETAINING		
18	62808	1	PLATE, ELECTRIC PANEL		
19	66321	1	PLUG, .875 HOLE		
20	67315	3	RELAY, 36VDC 100 AMP HVY DUTY		
21	70011	1	SCR, 1/4-20 X 5/8 HHCS SS DL		
22	70067	8	SCR, 6-32 X 3/8 PPHMS SS		
23	70393	1	SET SCR, 1/4-20 X 1.25L		
24	70615	2	SCR, 6-32 X 3/8 SRHMS BR		
25	72130	2	SWITCH, SPST 2-POSITION ROCKER		
26	72159	1	SWITCH, KEY 2 POSITION		
27	72165	1	SWITCH, DPDT 3-POSITION ROCKER		
28	73986	1	SHUNT, DC AMM. 50 AMP, 50 MV		
29	73538	2	STANDOFF, 5/8 L, 6-32		
30	73659	1	STANDOFF, INS.; 1.0L, 1/4-20 THD		
31	73734	2	SPACER, .166 ID X .313 OD X .375L AL		
32	80845	4	BOOT, 3/8 CIRCUIT BREAKER		
33	87026	2	WASHER, #6 LOCK EXT STAR SS		
34	87134	8	WASHER, #6 SPLIT		
35	87142	6	WASHER, .344X.69X.066 FLAT PLT		
36	87166	6	WASHER, 5/16 EXT LOCK PLTD		
37	87187	2	WASHER, #6 FLAT BRASS		

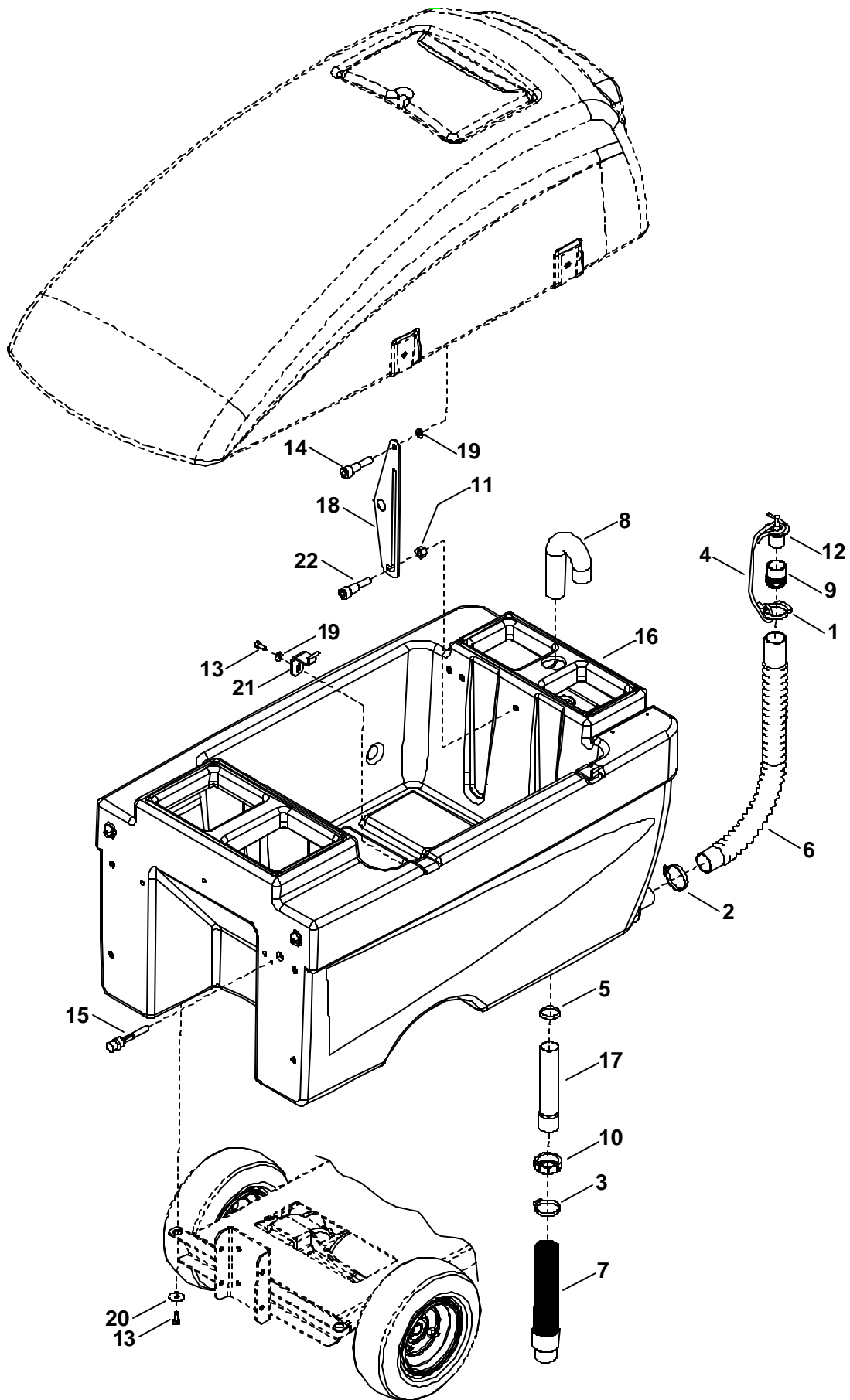
FRONT COVER GROUP



FRONT COVER GROUP

REF	PART NO.	QTY	DESCRIPTION	SERIAL NO. FROM	NOTES:
1	27756	1	COVER FRONT S34		
2	57112	2	NUT, 5/16-18 SERRATED FLG		
3	70639	4	SCR, 5/16 X 1.75 SSSCU		

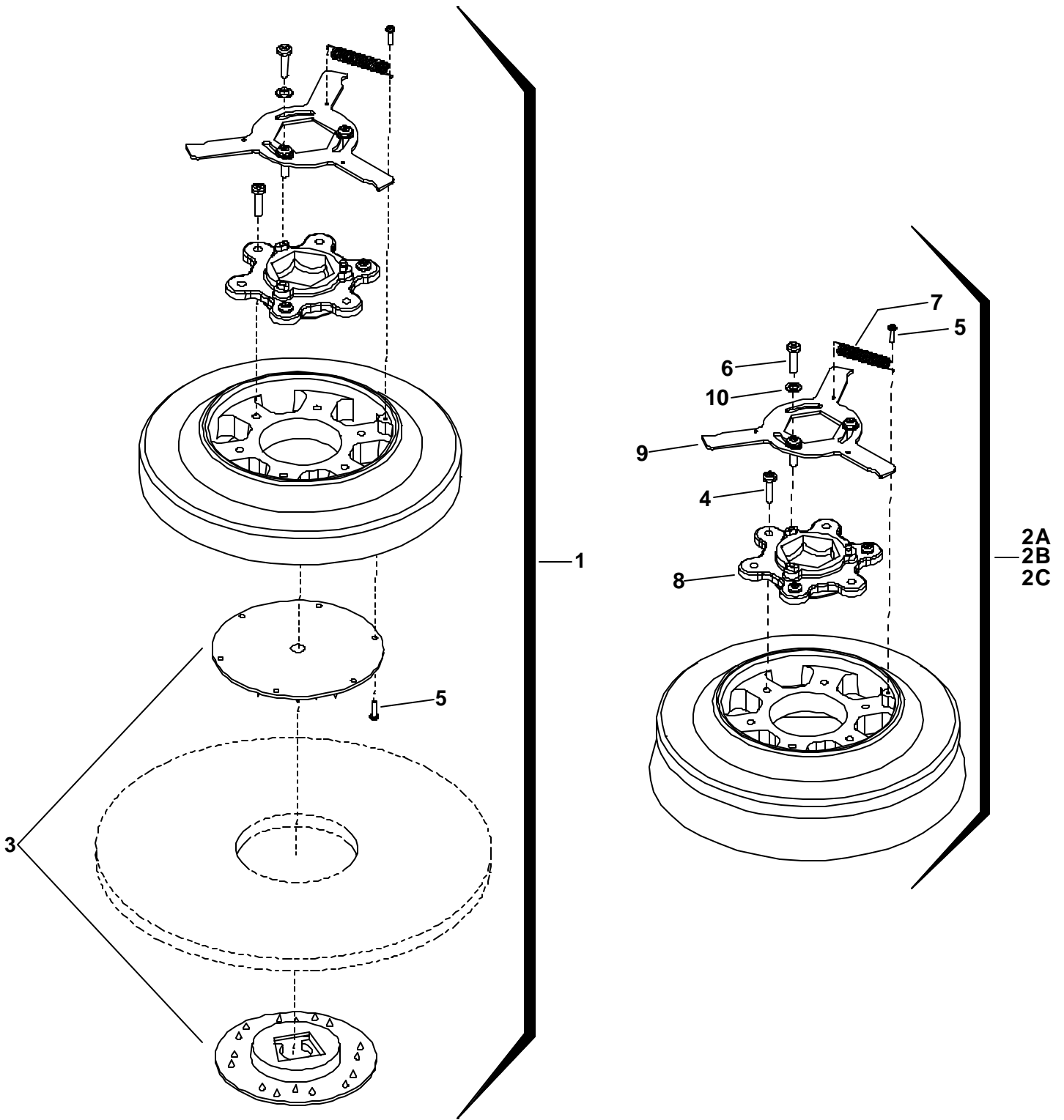
RECOVERY TANK GROUP



RECOVERY TANK GROUP

REF	PART NO.	QTY	DESCRIPTION	SERIAL NO. FROM	NOTES:
1	20002	1	CLAMP, 2" NYLON RACHET		
2	20046	1	CLAMP, 2.5" WORM GEAR		
3	20064	1	CLAMP, 2.0" WORM GEAR X .312W		
4	27670	1	CORD, DRAIN PLUG		
5	35219	1	GASKET, 1 1/2 COMPRESSION		
6	39472	1	HOSE, 1.5 X 24.0 DRAIN		
7	39511	1	HOSE ASM, 1.5 X 11 BLK VAC		
8	39519	1	HOSE, P-TRAP		
9	40019	1	HOSEBARB, 1.5 DOUBLE MCHD		
10	57033	1	NUT, 1.5 SLIP JOINT		
11	57138	1	NUT, 5/16-18 JAM		
12	66227	1	PLUG, DRAIN HOSE		
13	70305	6	SCR, 5/16-18 X 3/4HHCSGR5PLTDL		
14	70641	1	SHOULDER BOLT, 3/8 OD X 3/8L SS		
15	73906	1	SWITCH ASM, FLOAT		
16	75284	1	TANK, RECOVERY		
17	78406	1	TUBE, 1.50 X 8.00" PVC		
18	82575	1	PLATE, TANK SUPPORT		
19	87029	3	WASHER, 5/16 FLAT SS		
20	87102	4	WASHER, 5/16 ID X 1-1/4 OD		
21	89127	2	WLDMNT, HINGE PIN		
22	70216	1	SHOULDER BOLT, 3/8 OD X 3/4L		

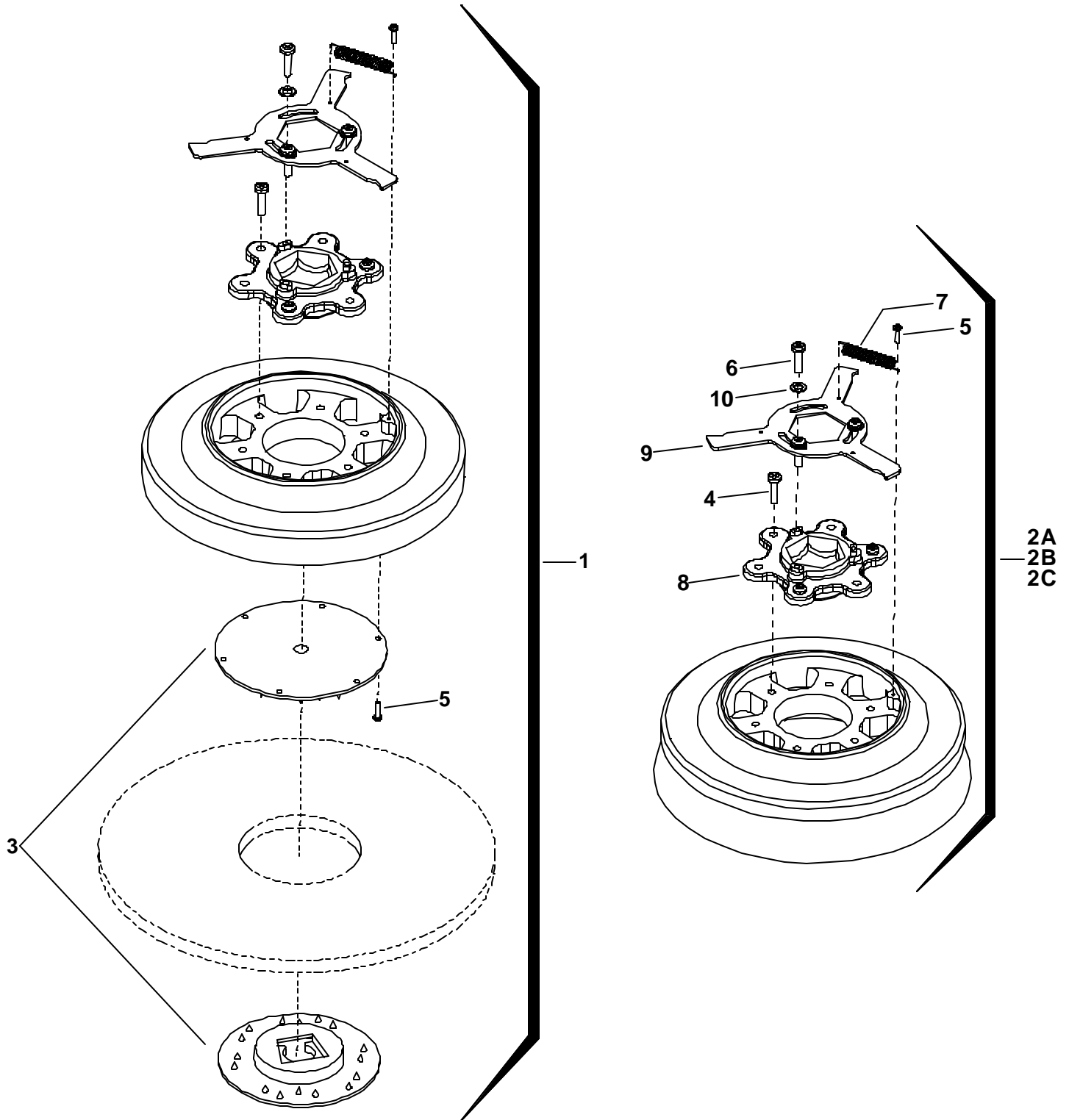
SCRUB BRUSH/PAD DRIVER GROUP – 28 IN



SCRUB BRUSH/PAD DRIVER GROUP – 28 IN

REF	PART NO.	QTY	DESCRIPTION	SERIAL NO. FROM	NOTES:
1	02337	-	PAD DRIVER, 14" HEX		
2A	02344	-	BRUSH, 14" POLYPROPYLENE HEX		
2B	02345	-	BRUSH, 14" NYLON HEX		
2C	02346	-	BRUSH, 14" MILD GRIT HEX		
3	51284	-	LOCK, PAD CENTER SNAP, TWO STEP		
4	70682	-	SCR, 1/4-20 X 5/8 PPHTC SS		
5	70576	-	SCR, #8 X 1/2 PPH T/S SS		
6	70682	-	SCR, 1/4-20 X 5/8 PPHTC SS		
7	73817	-	SPRING, EXT .31D X 2.0L X .03W		
8	73861	-	CLUTCH, HEX DRIVE		
9	81471	-	PLATE, BRUSH RELEASE		
10	87013	-	WASHER, 1/4 ID X 5/8 OD SS		

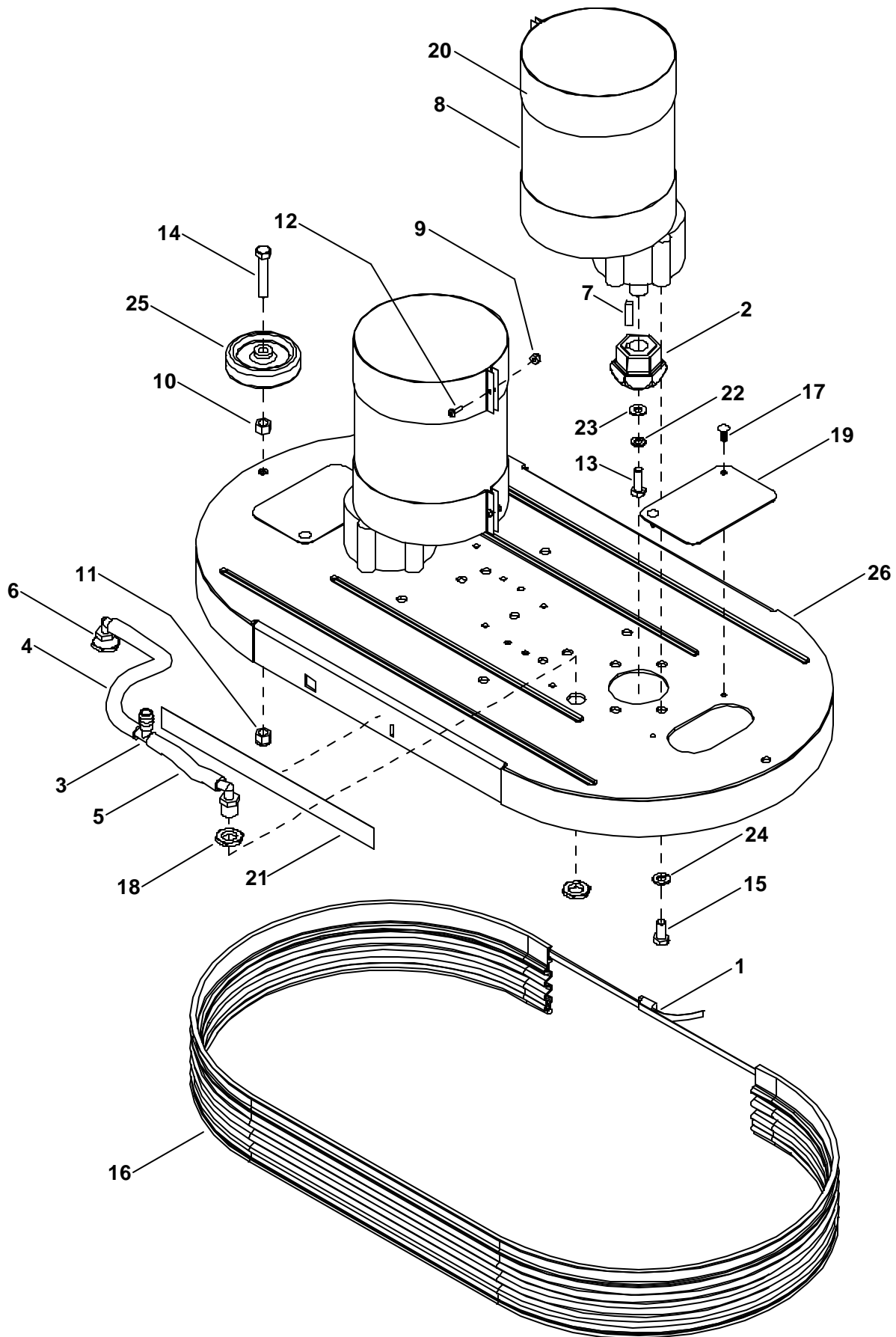
SCRUB BRUSH/PAD DRIVER GROUP – 34 IN



SCRUB BRUSH/PAD DRIVER GROUP – 34 IN

REF	PART NO.	QTY	DESCRIPTION	SERIAL NO. FROM	NOTES:
1	02338	-	PAD DRIVER, 17" HEX		
2A	02347	-	BRUSH, 17" POLYPROPYLENE HEX		
2B	02348	-	BRUSH, 17" NYLON HEX		
2C	02350	-	BRUSH, 17" MILD GRIT HEX		
3	51284	-	LOCK, PAD CENTER SNAP,TWO STEP		
4	70682	-	SCR, 1/4-20 X.5/8 PPHTC SS		
5	70576	-	SCR, #8 X 1/2 PPH T/S SS		
6	70682	-	SCR, 1/4-20 X 5/8 PPHTC SS		
7	73817	-	SPRING, EXT .31D X 2.0L X .03W		
8	73861	-	CLUTCH, HEX DRIVE		
9	81471	-	PLATE, BRUSH RELEASE		
10	87013	-	WASHER, 1/4 ID X 5/8 OD SS		

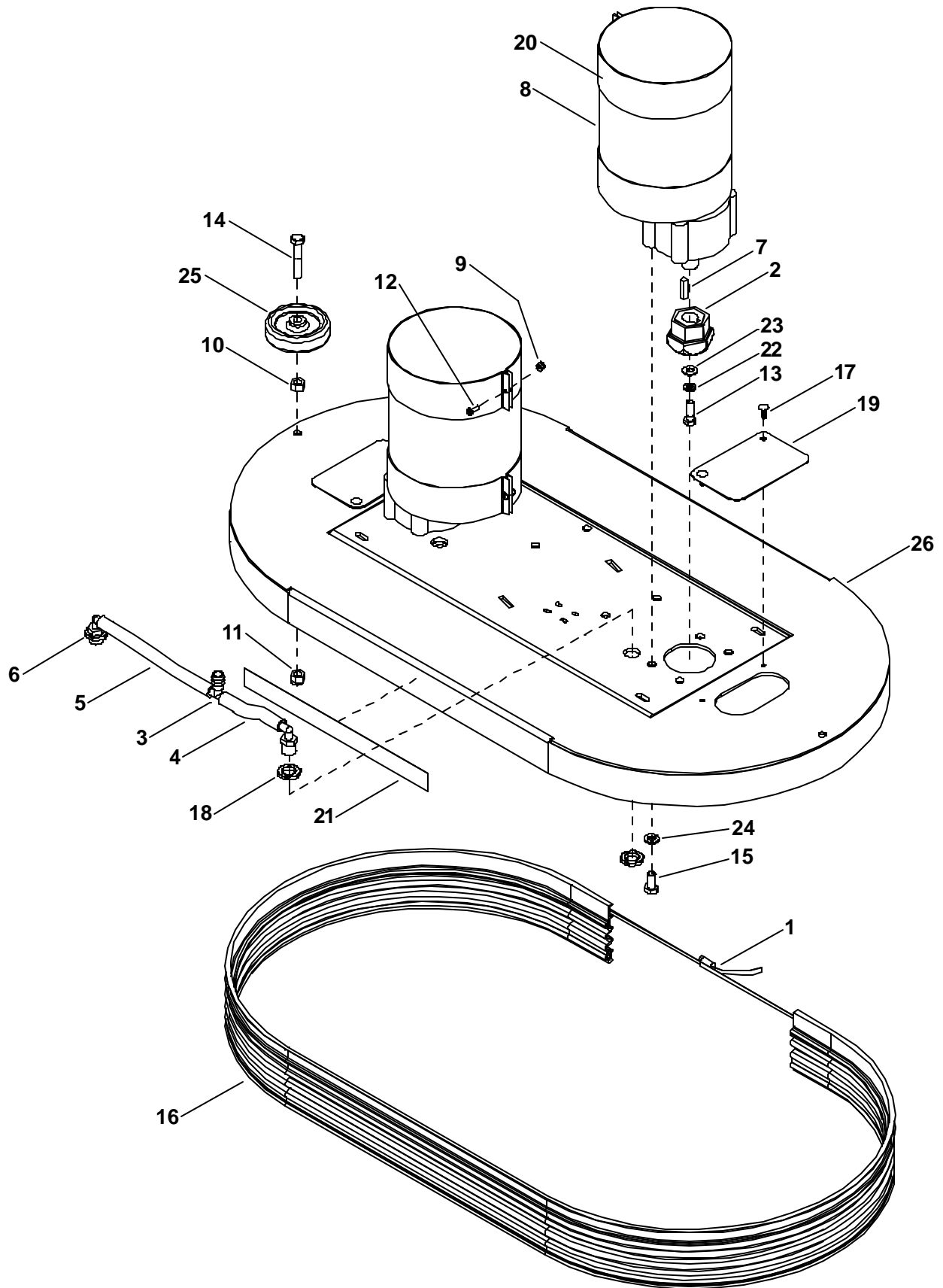
SCRUBHEAD GROUP – 28 IN



SCRUBHEAD GROUP – 28 IN

REF	PART NO.	QTY	DESCRIPTION	SERIAL NO. FROM	NOTES:
1	20076	1	CLAMP, WORM GEAR .5W X 24 #390		
2	29119	2	DRIVER, BRUSH		
3	34327	1	FITTING, 1/2 X 3/8 X 3/8 RED. TEE		
4	39053	1	HOSE, 3/8 NYLOBRAID X 7.0"		
5	39452	1	HOSE, 3/8 NYLOBRAID X 5-1/2"		
6	40043	2	HOSEBARB, 3/8 MPT X 3/8 HOSE 90		
7	48040	2	KEY, 1/4 SQ X 1.00		
8	53632	2	MOTOR, 36VDC 200RPM 3/4HP GEAR		
	14647	-	BRUSH SET, IMPERIAL MOTOR 53175		(NOT SHOWN)
9	57026	4	NUT, 8-32 HEX NYLOCK		
10	57111	1	NUT, 3/8-16 HEX		
11	57119	1	NUT, 3/8-16 HEX NYLOCK		
12	70051	4	SCR, 8-32 X 1/2 PPHMS SS		
13	70083	2	SCR, 5/16-18 X 1.00 HHCS SS		
14	70385	1	SCR, 3/8-16 X 2.00 HHCS GR5		
15	70507	8	SCR, 3/8-16 X 3/4 HHCS GR5		
16	73889	1	SKIRT, SHROUD 3.25 X 65.0 L		
17	80805	4	CLIP, TREE .19 HOLE FLAT HEAD		
18	81380	4	NUT, SEALED BULKHEAD		
19	81898	2	COVER, BRUSH RELEASE		
20	82259	4	GUARD, MOTOR		
21	82923	1	PAD, ANTI SLIP 1.00 X 12.0 L		
22	87083	2	WASHER, 5/16 SPLIT		
23	87142	2	WASHER, .34 X .69 FLAT		
24	87163	8	WASHER, 3/8 SPLIT		
25	89059	1	WHEEL, PT20 SQUEEGEE		
26	89193	1	WELDMENT, SCRUB HEAD 28IN		

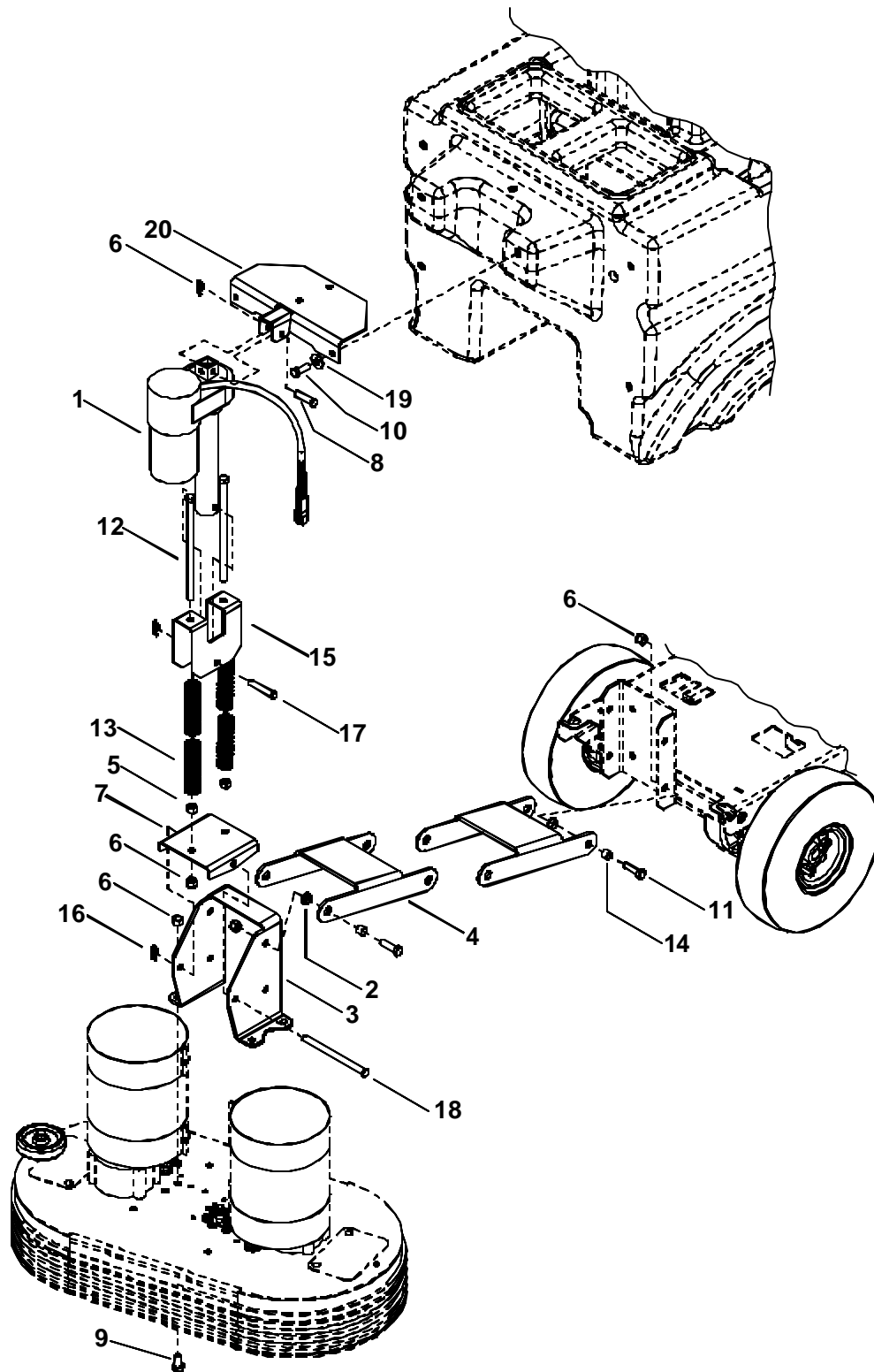
SCRUBHEAD GROUP – 34 IN



SCRUBHEAD GROUP – 34 IN

REF	PART NO.	QTY	DESCRIPTION	SERIAL NO. FROM	NOTES:
1	20095	1	CLAMP, WORM GEAR		
2	29119	2	DRIVER, BRUSH		
3	34327	1	FITTING, 1/2 X 3/8 X 3/8 RED. TEE		
4	39053	1	HOSE, 3/8 NYLOBRAID X 7.0"		
5	39410	1	HOSE, 3/8 NYLOBRAID X 4"		
6	40043	2	HOSEBARB, 3/8 MPT X 3/8 HOSE 90		
7	48040	2	KEY, 1/4 SQ X 1.00		
8	53632	2	MOTOR, 36VDC 200RPM 3/4HP GEAR		
	14647	-	BRUSH SET, IMPERIAL MOTOR 53175		(NOT SHOWN)
9	57026	4	NUT, 8-32 HEX NYLOCK		
10	57111	1	NUT, 3/8-16 HEX		
11	57119	1	NUT, 3/8-16 HEX NYLOCK		
12	70051	4	SCR, 8-32 X 1/2 PPHMS SS		
13	70083	2	SCR, 5/16-18 X 1.00 HHCS SS		
14	70385	1	SCR, 3/8-16 X 2.00 HHCS GR5		
15	70507	8	SCR, 3/8-16 X 3/4 HHCS GR5		
16	73834	1	SKIRT, SHROUD 3.25 X 80.0L		
17	80805	4	CLIP, TREE .19 HOLE FLAT HEAD		
18	81380	4	NUT, SEALED BULKHEAD		
19	81898	2	COVER, BRUSH RELEASE		
20	82259	4	GUARD, MOTOR		
21	82923	1	PAD, ANTI SLIP 1.00 X 12.0 L		
22	87083	2	WASHER, 5/16 SPLIT		
23	87142	2	WASHER, .34 X .69 FLAT		
24	87163	8	WASHER, 3/8 SPLIT		
25	89059	1	WHEEL, PT20 SQUEEGEE		
26	89194	1	WELDMENT, SCRUB HEAD 34IN		

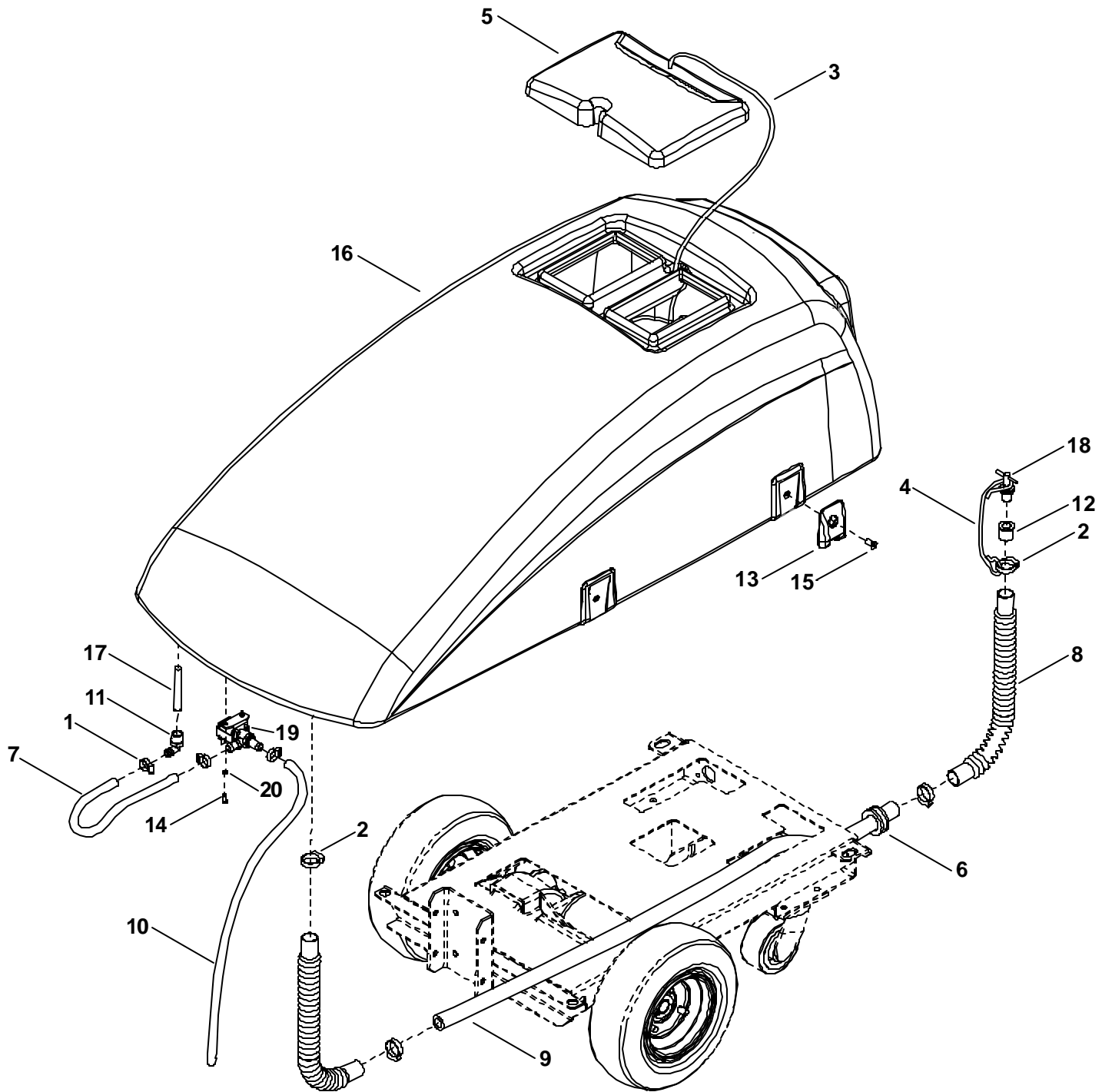
SCRUBHEAD LIFT GROUP



SCRUBHEAD LIFT GROUP

REF	PART NO.	QTY	DESCRIPTION	SERIAL NO. FROM	NOTES:
1	05124	1	ACTUATOR, 36 VDC 5.0 STROKE		
2	09130	8	BEARING, 1/2 NYLINER SF		
3	140372	1	BRKT, SCRUB HEAD MOUNT		
4	27856	2	LINKAGE, SCRUB DECK		
5	57111	2	NUT, 3/8-16 HEX		
6	57119	17	NUT, 3/8-16 HEX NYLOCK		
7	62676	1	PLATE, SPRING SUPPORT		
8	66232	1	PIN, CLEVIS 3/8 X 1.50		
9	70266	4	SCR, 3/8-16 X 1" HHCSGR5PLT DL		
10	70377	8	SCR, 3/8-16 X 1.25 HHCS GR5		
11	70574	2	SCR, 3/8-16 X 7.5 HHCS GR5 PLTD		
12	70662	3	SCR, 3/8-16 X 1.25 HHMS SS		
13	81311	4	SPRING,COMP 1.00 X 3.5L X.135W		
14	80102	8	SPACER, .500 OD X .391 ID X .400		
15	80459	1	PLATE, SPRING RETAINER		
16	80606	3	COTTER, 3/8" RING		
17	81406	1	PIN, CLEVIS 3/8" X 2"		
18	82060	1	PIN, CLEVIS 3/8 X 5.25		
19	87185	3	WASHER, 3/8 SEALING X 3/4 OD		
20	89185	1	WELDMENT, ACTUATOR MOUNT		

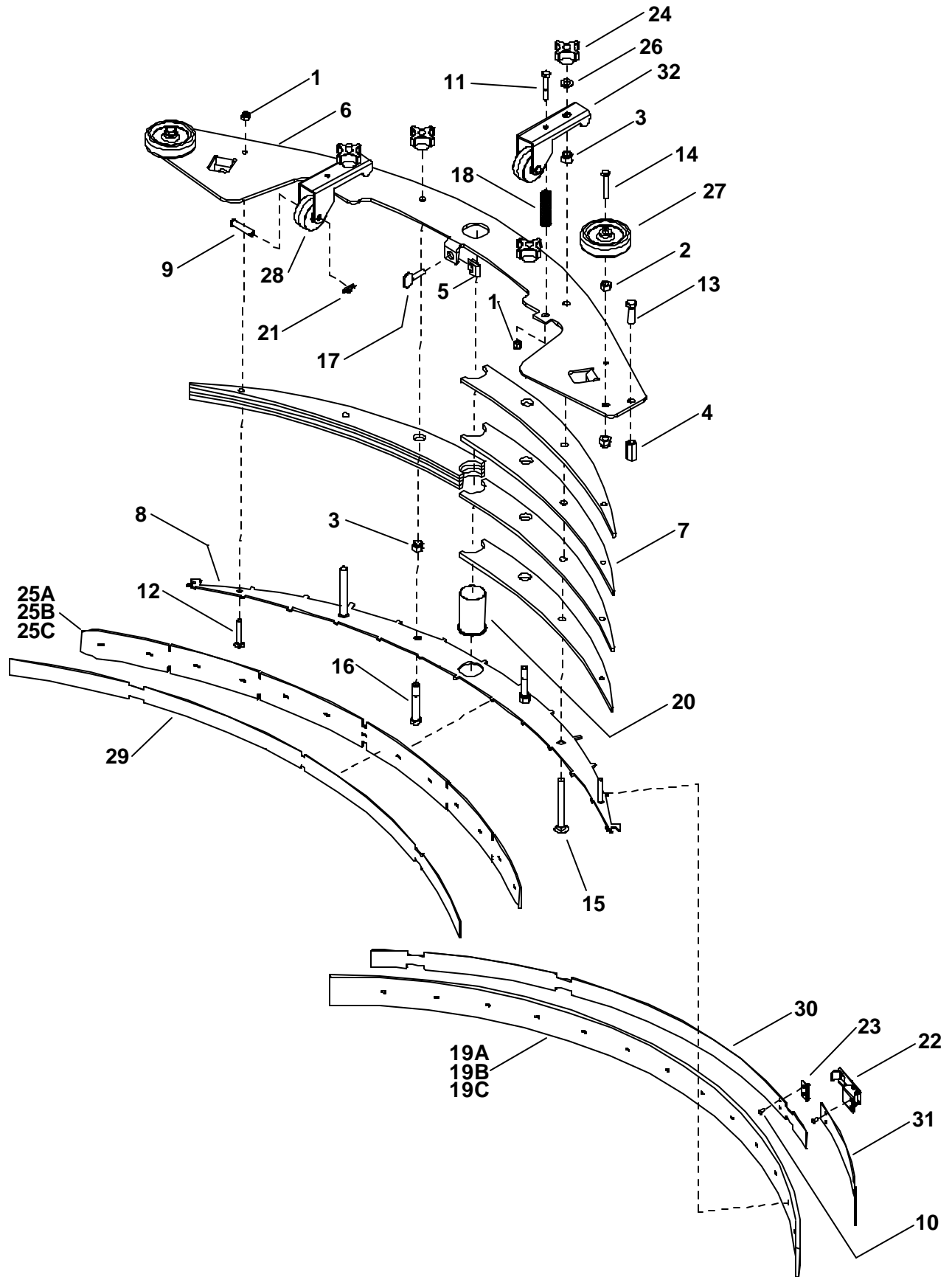
SOLUTION TANK GROUP



SOLUTION TANK GROUP

REF	PART NO.	QTY	DESCRIPTION	SERIAL NO. FROM	NOTES:
1	20042	3	CLAMP, 3/8 HOSE (D-SLOT)		
2	20090	4	CLAMP, 1.0 NYLON RACHET		
3	27425	1	CORD, SOLUTION COVER		
4	27670	1	CORD, DRAIN PLUG		
5	27772	1	COVER, SOLUTION TANK		
6	36191	1	GROMMET 1.00 ID 3/16 GRIP		
7	39362	1	HOSE, 1/2 ID NYLOBRAID X 10		
8	39505	2	HOSE, 1.0 X 18.0 DRAIN		
9	39513	1	HOSE, 3/4ID X .12W X 40" CLR		
10	39521	1	HOSE, 1/2 NYLOBRAID X 36"		
11	40039	1	HOSEBARB, 1/2MPT X 1/2 HOSE 90		
12	40076	1	SLEEVE, .63 ID X 1.0 OD		
13	41333	2	HINGE, SCRUBBER TANK		
14	70088	2	SCR, 10-32 X 1/2 PPHMS SS		
15	70632	2	SCR, 5/16-18 X 3/4 FHSCS BLKZC		
16	75241	1	TANK, SOLUTION		
17	82017	1	FILTER, SCREEN		
18	82267	1	PLUG, 5/8" DRAIN HOSE		
19	82312	1	VALVE, 36VDC SOL.1/2" HOSEBARB		
20	87095	2	WASHER, #10 FLAT PLTD		

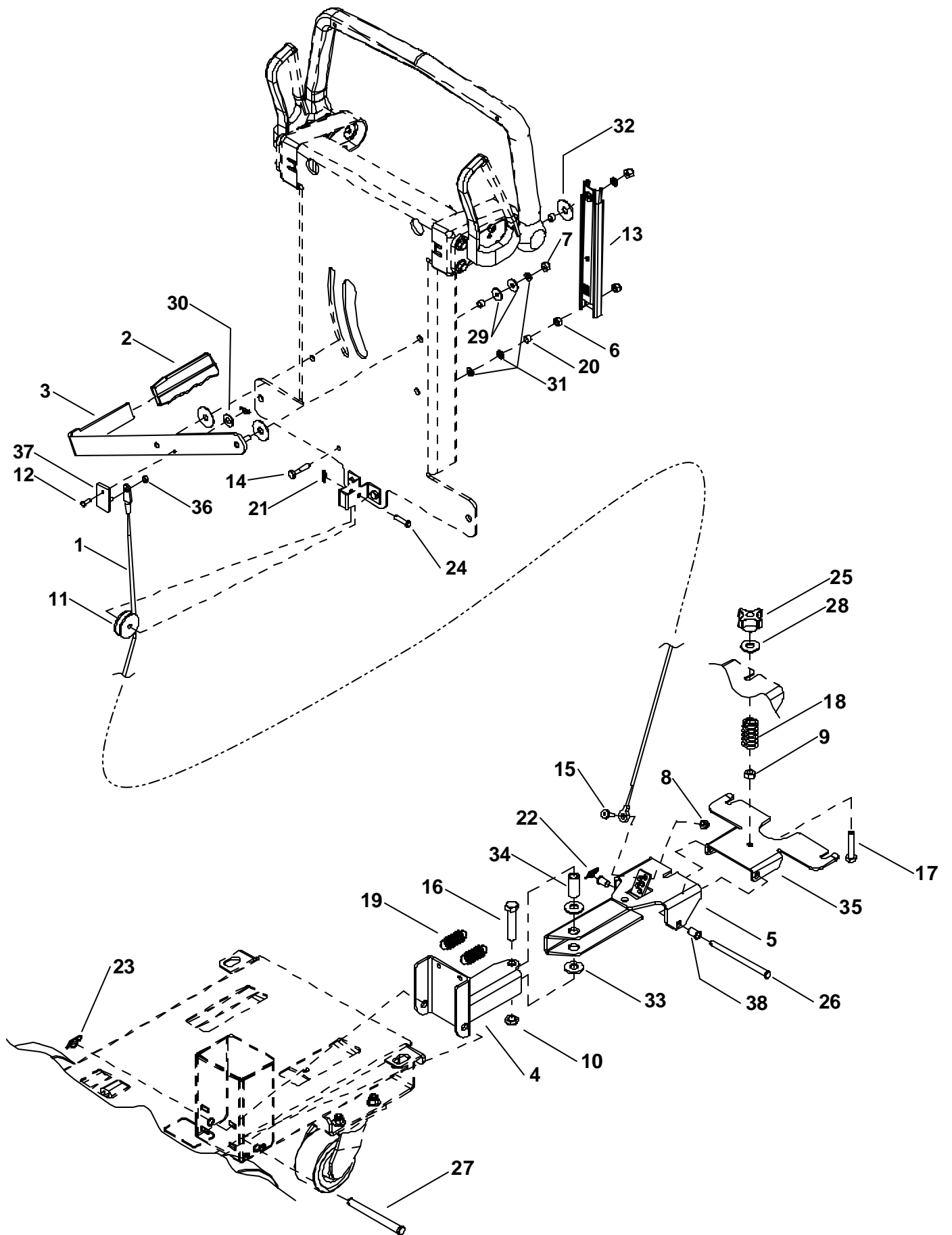
SQUEEGEE GROUP



SQUEEGEE GROUP

REF	PART NO.	QTY	DESCRIPTION	SERIAL NO. FROM	NOTES:
1	57047	4	NUT, 1/4-20 HEX NYLOCK		
2	57111	2	NUT, 3/8-16 HEX		
3	57119	6	NUT, 3/8-16 HEX NYLOCK		
4	57269	2	NUT, 3/8-16 HEX COUPLING SS		
5	57270	3	NUT, 5/16-18 CAPTIVE "J" PLTD		
6	62811	1	PLATE, SQG RETAINER TOP		
7	62812	8	PLATE, SQUEEGEE FILLER		
8	62813	7	PLATE, SQG BLADE RETAINER		
9	66276	2	PIN, CLEVIS 5/16 X 1.625 LG		
10	67380	4	RIVET, 5/32 OF X 1/8 GRIP		
11	70105	2	SCR, 1/4-20 X 1.75 HHCS PLTD		
12	70291	2	SCR, 1/4-20 X 1.5 ELEVATOR		
13	70377	2	SCR, 3/8-16 X 1.25 HHCS GR5PLT		
14	70385	2	SCR, 3/8-16 X 2.0 HHCS GR5 PLT		
15	70678	2	SCR, 3/8-16X3.5 CARRIAGE PLTD		
16	70679	2	SCR, 3/8-16 X 2.5 TAP		
17	70680	3	SCR, 5/16-18X1 THUMB SS TYPE P		
18	73576	2	SPRING, COMP .60D X2.0L X.045W		
19A	73900	1	SQGE BLADE, REAR LINATEX 44"		(STANDARD)
19B	73902	-	SQGE BLADE, REAR (TILE) 44"		(OPTION)
19C	73901	-	SQGE BLADE, REAR (BUTTONS) 44"		(OPTION)
20	78034	1	TUBE, 1.5 OD X 2.5 VAC INTAKE		
21	80605	2	COTTER, 5/16" RING		
22	81488	1	LATCH, SQUEEGEE STRAP		
23	81489	1	STRIKER, SQUEEGEE STRAP REAR		
24	81535	4	KNOB, 3/8-16 4 PRONG		
25A	82528	1	SQUEEGEE, FRONT BLADE LINATEX		(STANDARD)
25B	82637	-	SQUEEGEE, FRONT BLADE (TILE)		(OPTION)
25C	82640	-	SQUEEGEE, FRONT BLADE (BUTTON)		(OPTION)
26	87030	2	WASHER, 3/8 ID X 3/4 OD NYLON		
27	89059	2	WHEEL, BUMPER		
28	89197	2	WHEEL, 2 OD X.31IDX.875W, GRY		
29	140380	1	BAND, SQUEEGEE FRONT		
30	140381	1	BAND, SQUEEGEE REAR		
31	140382	1	BAND, SQUEEGEE REAR (S)		
32	140385	2	BRKT, WHEEL MOUNT		

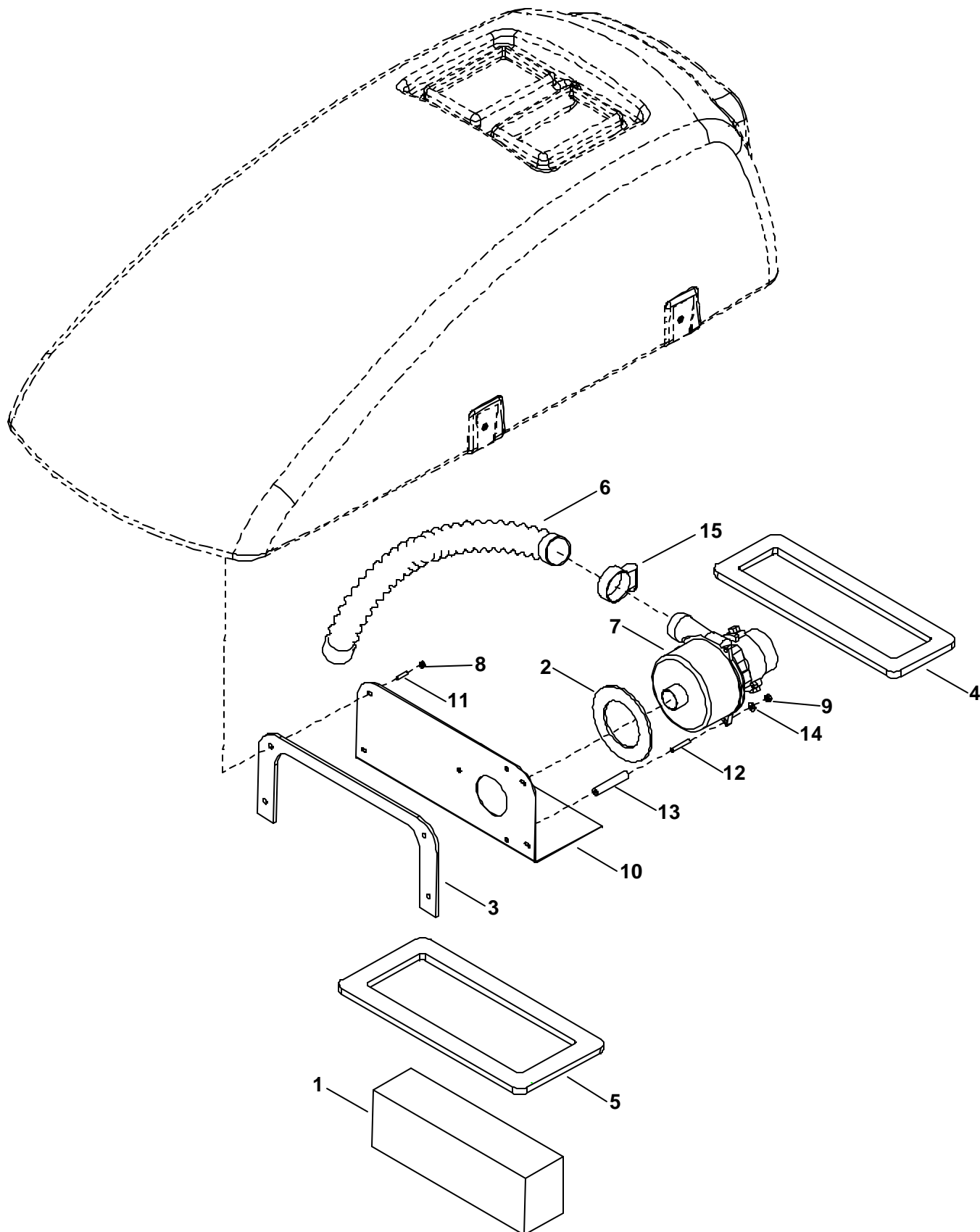
SQUEEGEE LIFT GROUP



SQUEEGEE LIFT GROUP

REF	PART NO.	QTY	DESCRIPTION	SERIAL NO. FROM	NOTES:
1	27794	1	CABLE, 23.70 X 1/8		
2	36133	1	GRIP, 3/16 X 1.0 FLAT BAR		
3	51289	1	LEVER, SQUEEGEE LIFT		
4	51322	1	LINKAGE, SQUEEGEE LIFT		
5	51323	1	LINKAGE, SQUEEGEE PIVOT		
6	57006	1	NUT, 1/4-20 HEX		
7	57047	3	NUT, 1/4-20 HEX NYLOCK		
8	57113	1	NUT, 5/16-18 HEX NYLOCK		
9	57119	1	NUT, 3/8-16 HEX NYLOCK		
10	57153	1	NUT, 1/2-13 X HEX NYLOCK THIN		
11	64096	1	PULLEY, 1.5 OD X .5 W X .25 B		
12	66191	1	PIN, CLEVIS 3/16" X 1/2" PLTD		
13	67423	1	RAIL RACHET		
14	70297	1	SCR, 1/4-20 X 1.5 HHMS		
15	70641	1	SHOULDER BOLT, 3/8OD X 3/8L SS		
16	70341	1	SCR, 1/2-13 X 2.5 HHCS GR5PLT		
17	70685	1	SCR, 3/8-16 X2.75 HHTB GR5 PLTD		
18	730006	1	SPRING, COMP 1.100DX2.0LX.148		
19	73979	2	SPRING, EXT. 1.00 OD X 4.0 L		
20	78430	3	TUBE, .38 OD X .26 ID X .38 LG		
21	80604	2	COTTER, 1/4 RING		
22	80606	1	COTTER, 3/8 RING		
23	80607	1	COTTER, 1/2 RING		
24	80612	1	PIN, CLEVIS 1/4 X 1.0		
25	48077	1	KNOB, 3.50 ODX3/8-16 THRU HOLE		
26	82060	1	PIN, CLEVIS 3/8 X 5.25		
27	82322	1	PIN, CLEVIS 1/2 X 4.80		
28	87086	1	WASHER, M10 X 30 PLTD		
29	87030	2	WASHER, 3/8 ID X 3/4 OD NYLON		
30	87056	1	WASHER, M6 FLAT		
31	87135	4	WASHER, .26 ID X .50 OD		
32	87200	3	WASHER, .4 ID X 1.3 OD NYLON		
33	87201	2	WASHER, 0.781 ID FIBERGLIDE		
34	140293	1	SPACER, .75 OD X .50 ID X 1.50 L		
35	140379	1	BRACKET, SQUEEGEE MOUNT		
36	57104	1	NUT, 10-32 W/STAR WASHER PLTD		
37	62735	1	PLATE, CABLE EXTENSION		
38	80815	2	BEARING, FLANGED PLASTIC		

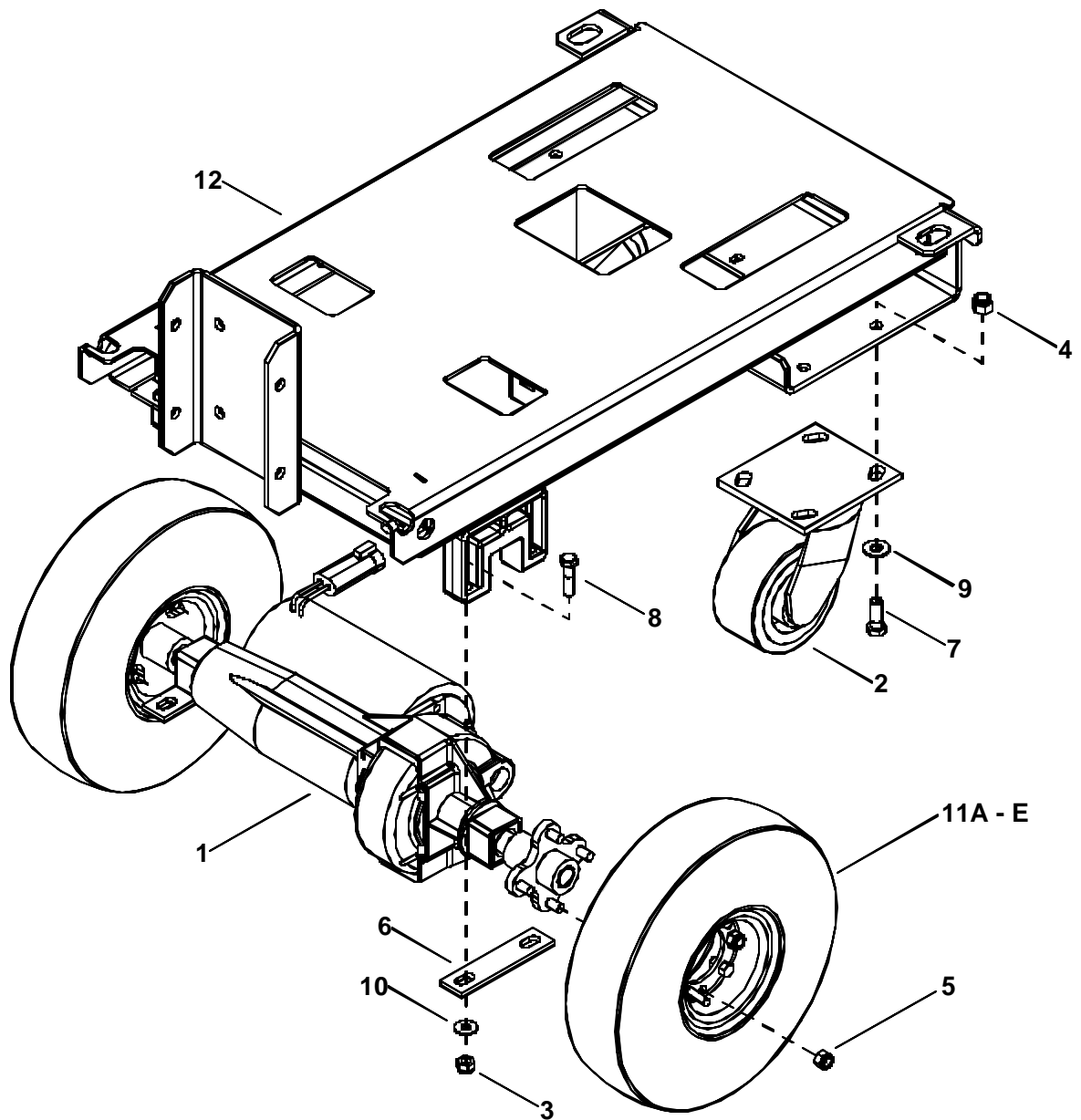
VACUUM GROUP



VACUUM GROUP

REF	PART NO.	QTY	DESCRIPTION	SERIAL NO. FROM	NOTES:
1	34338	1	FILTER, VAC		
2	35122	1	GASKET, 230V VAC MOTOR		
3	35213	1	GASKET, VAC MOTOR		
4	35215	1	GASKET, 7.30 X 16.80 X .50T		
5	35216	1	GASKET, 10.30 X 17.80 X .50T		
6	39239	1	HOSE, VAC EXHAUST X 24"		
7	53633	1	VAC MOTOR ASM, 36VDC 3 STAGE		
	14648	-	BRUSH SET, 36VDC PT VAC MOTOR		(NOT SHOWN)
8	57104	4	NUT, 10-32 W/STAR WASHER PLTD		
9	57245	3	NUT, 1/4-20 HEX NYLOCK SS		
10	62806	1	PLATE, VAC MOUNT		
11	70607	4	SET SCR, #10-32 X 1.00 SS		
12	70638	3	SCR, 1/4-20 X 1.75 SSSCU		
13	73566	3	SPACER, 1/2 OD X 3.0 W/1/4-20 AL		
14	87013	3	WASHER, 1/4 ID X 5/8 OD SS		
15	20046	1	CLAMP, 2.25" WORM CLAMP		

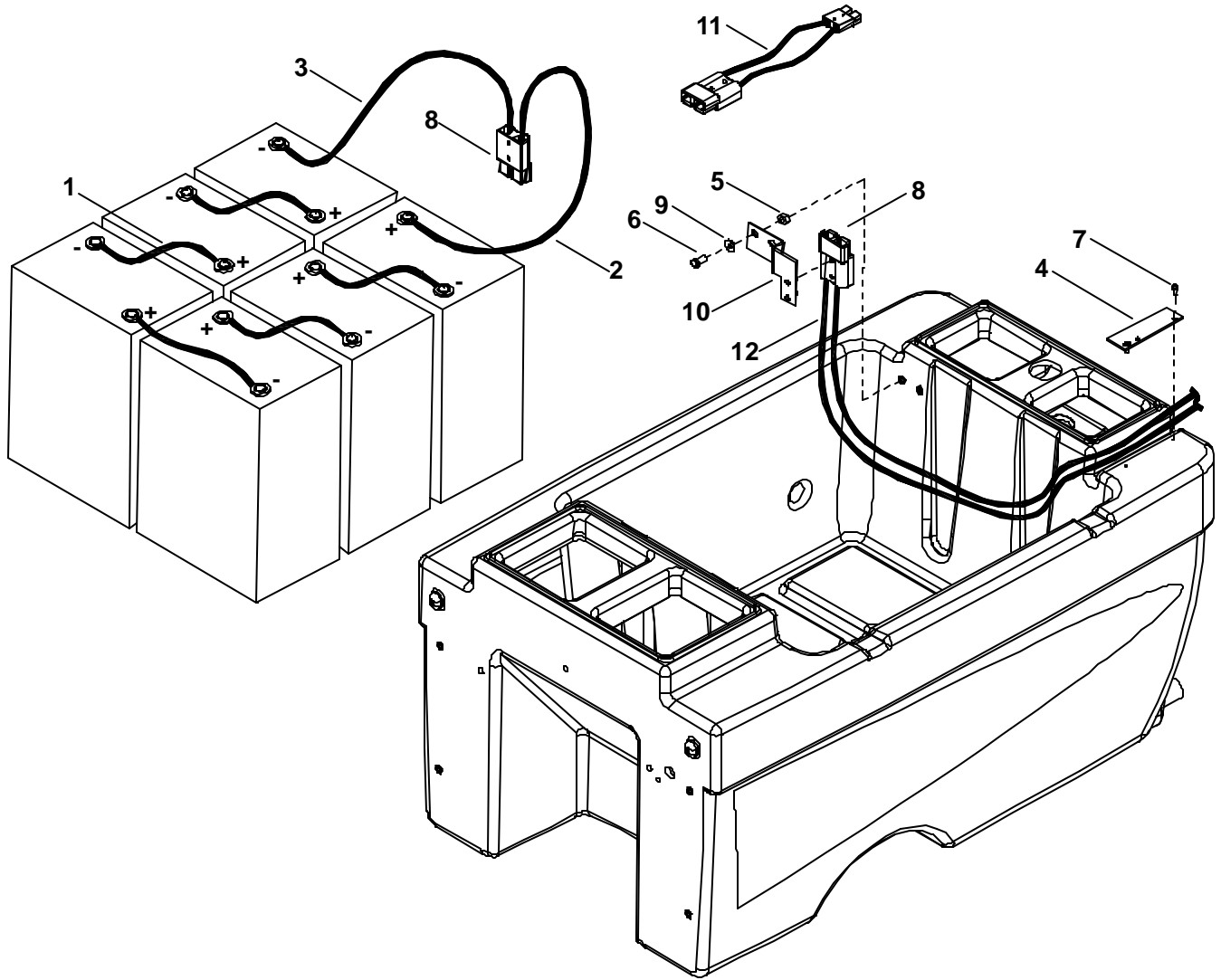
WHEELS AND FRAME GROUP



WHEELS AND FRAME GROUP

REF	PART NO.	QTY	DESCRIPTION	SERIAL NO. FROM	NOTES:
1	05121	1	AXLE, MOTOR DRIVE 36 VDC		
2	18041	2	CASTER, 4" DIA. X 2 X 3.56 R		
3	57113	4	NUT, 5/16-18 HEX NYLOCK		
4	57119	8	NUT, 3/8-16 HEX NYLOCK		
5	62714	2	PLATE, DRIVE AXLE		
6	70266	8	SCR, 3/8-16 X 1.00 HHCS GR5		
7	70325	4	SCR, 5/16-18 X 1.25 HHCS GR5		
8	82738	6	NUT, WHEEL 7/16-20 WHEEL PLTD		
9	87003	8	WASHER, 3/8 X 7/8 FLAT SS		
10	87090	4	WASHER, 1/4 ID X 3/4 OD PLTD		
11A	89115	2	WHEEL, 12IN PNEU. NON-MARKING		(STANDARD)
	78412	-	TUBE, 12" TIRE SIZE 410/350-6		(NOT SHOWN)
11B	89159	-	WHEEL 12 IN PNEU BLACK		(OPTION)
	78412	-	TUBE, 12" TIRE SIZE 410/350-6		(NOT SHOWN)
12	89188	1	WELDMENT, FRAME		

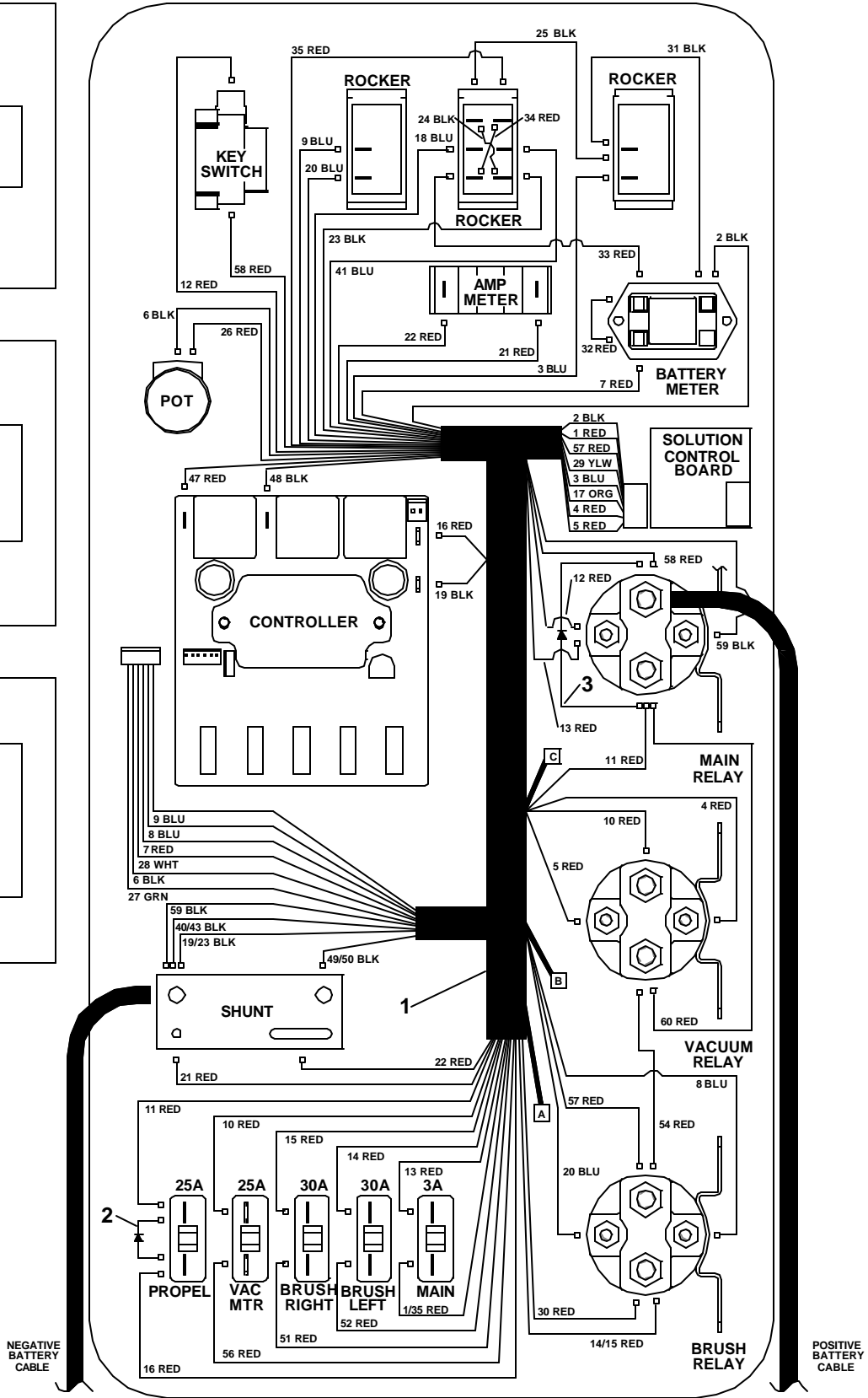
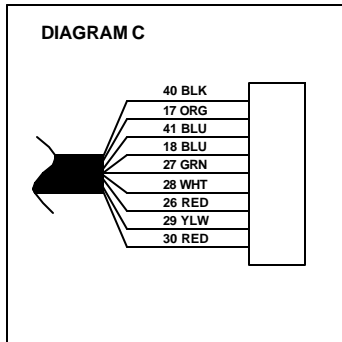
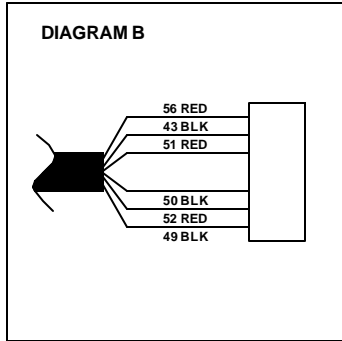
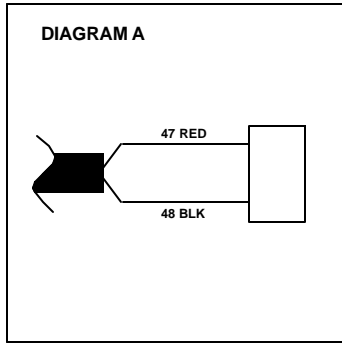
WIRING GROUP – BATTERY CABLES



WIRING GROUP – BATTERY CABLES

REF	PART NO.	QTY	DESCRIPTION	SERIAL NO. FROM	NOTES:
1	23125	5	WIRE4X15** BCLAMPXBCLAMP		
2	23190	1	CABLE, 4 X27 RD BCLAMP X CTERM		
3	23191	1	CABLE, 4 X27 BK BCLAMP X CTERM		
4	62728	1	PLATE, CABLE MOUNT		
5	57111	2	NUT, 3/8-16 HEX		
6	70305	2	SCR, 5/16-18 X 3/4HHCSGR5PLTDL		
7	70403	2	SCR, #10X1/2 PPHST TYPE B		
8	80682	2	CONNECTOR, BATTERY GRY,175AMP		
9	87029	2	WASHER, 5/16 FLAT SS		
10	140319	1	BRKT, BATT CONNECTOR MOUNT		
11	880153	1	WIRE ASM, CHARGER ADAPTER		
12	880208	2	CABLE, ELECTRICAL 4GA X 80.0		

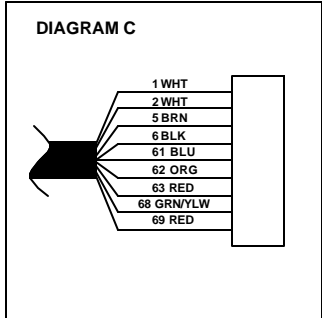
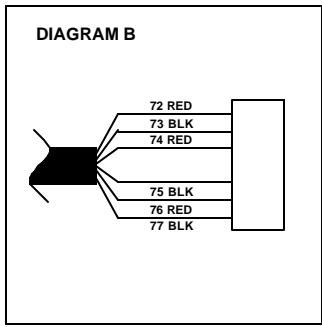
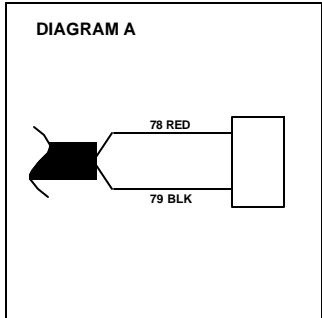
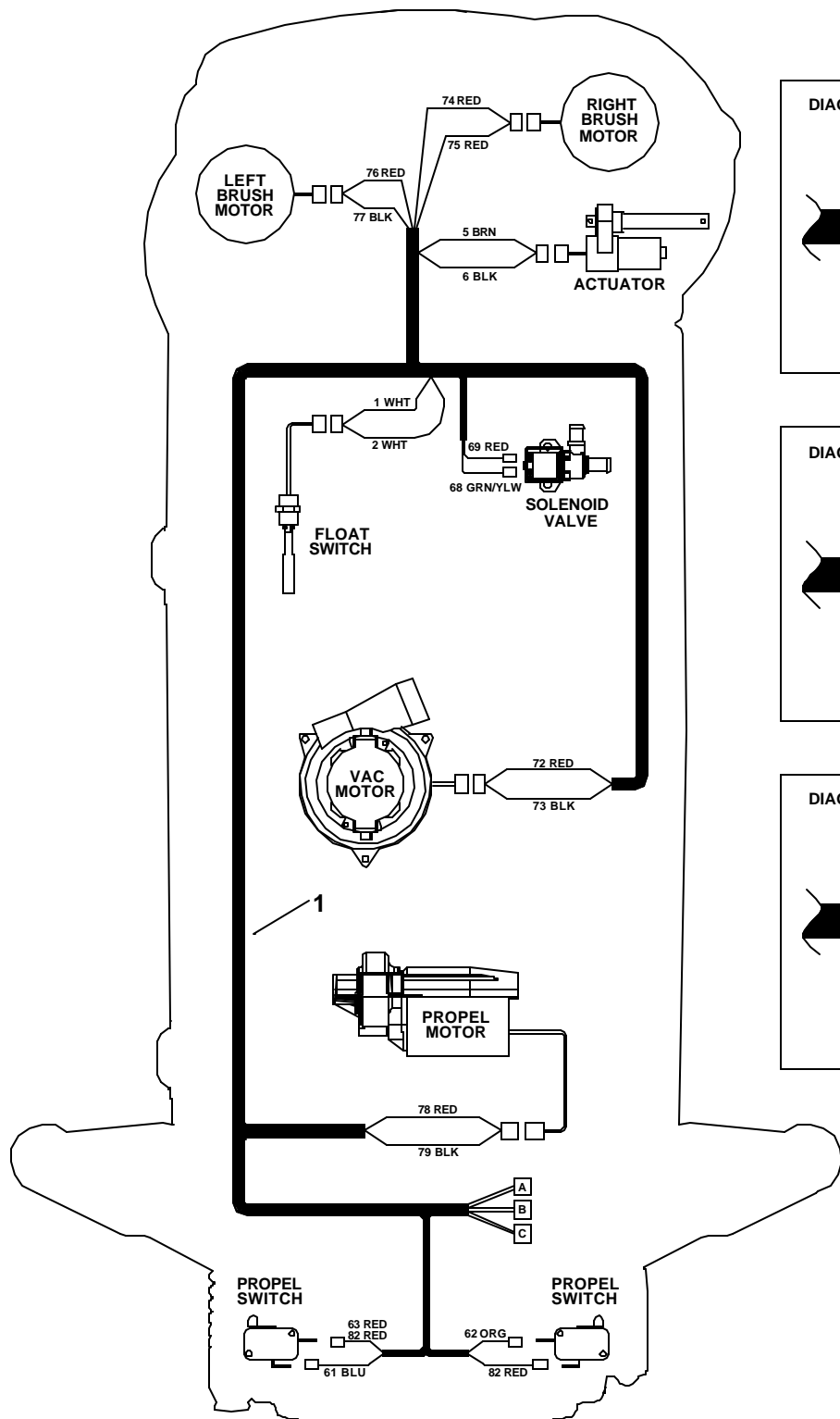
WIRING GROUP – CONTROL PANEL



WIRING GROUP – CONTROL PANEL

REF	PART NO.	QTY	DESCRIPTION	SERIAL NO. FROM	NOTES:
1	41360	1	HARNESS, PANEL		
2	29204	1	DIODE ASM, 76008 X 76008		
3	29215	1	DIODE ASM, 76075 X 76075		

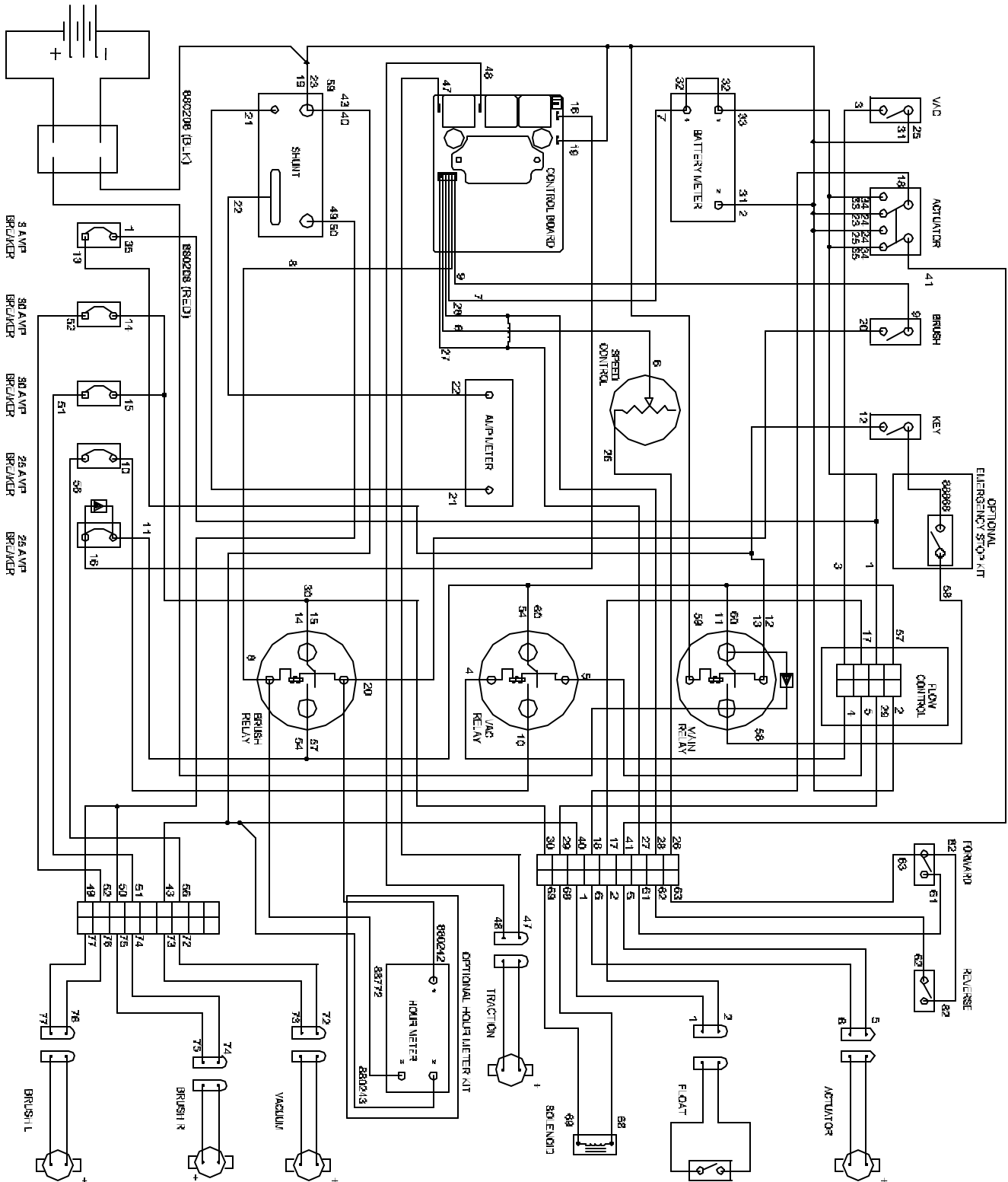
WIRING GROUP – MAIN HARNESS



WIRING GROUP – MAIN HARNESS

REF	PART NO.	QTY	DESCRIPTION	SERIAL NO. FROM	NOTES:
1	41359	1	HARNESS, SABER MAIN		

WIRING GROUP - SCHEMATIC

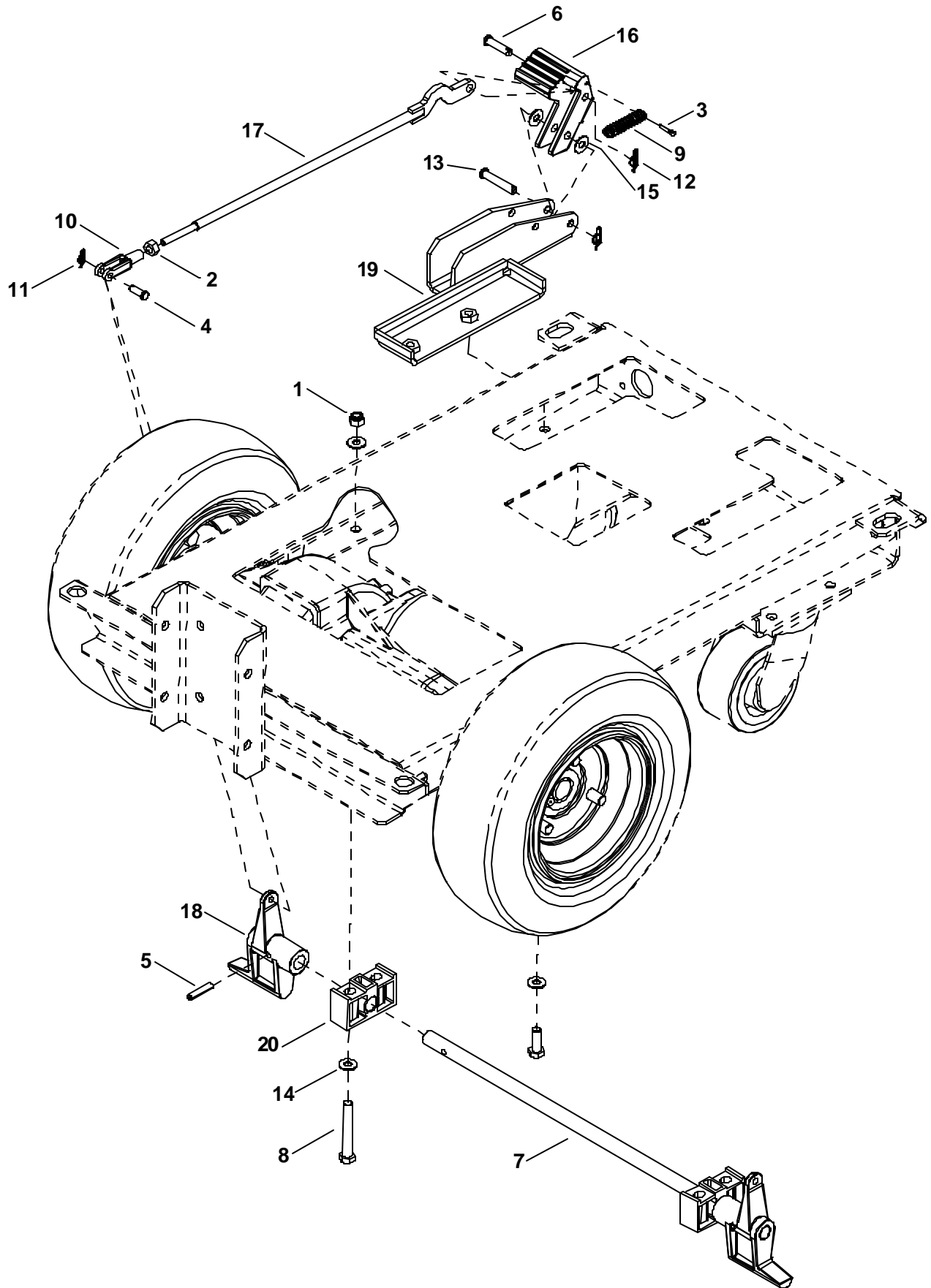


SUGGESTED SPARE PARTS / NOTES

PART NO.	DESCRIPTION	SERIAL NO.	NOTES:
14606	BREAKER, 30A 50VDC		
14717	BREAKER, 3A		
29119	DRIVER, BRUSH		
35122	GASKET, 230V VAC MOTOR		
35211	GASKET, 8.50 X 16.40		
35212	GASKET, 6.30 X 16.10		
67393	RELAY, 24VDC 100A		
72093	SWITCH, 125VDC SPST		
72130	SWITCH, SPST 2-POSITION ROCKER		
72165	SWITCH, DPDT 3-POSITION ROCKER		
73938	SPRING, EXTENSION		
81535	KNOB		
82017	FILTER, SCREEN		
73976	BLADE, SQUEEGEE REAR LINATEX		
73894	BLADE, SQUEEGEE FRONT LINATEX		

NOTES:

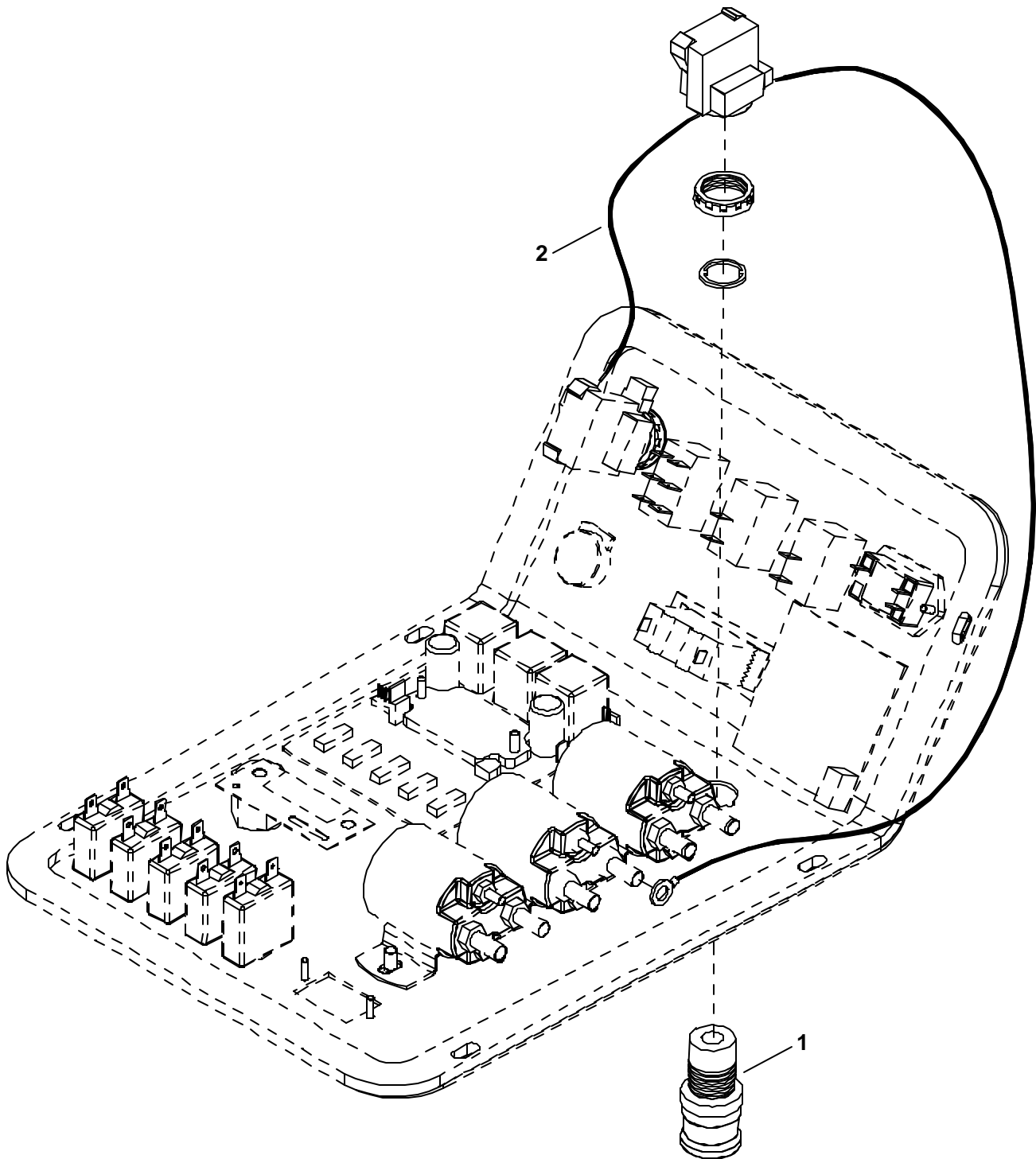
BRAKE OPTION



BRAKE OPTION

REF	PART NO.	QTY	DESCRIPTION	SERIAL NO. FROM	NOTES:
1	57113	4	NUT, 5/16-18 HEX NYLOCK		
2	57029	1	NUT, 1/4-28 HEX SS		
3	66073	1	PIN, COTTER 1/16" X 3/4"L PLTD		
4	66116	1	PIN, CLEVIS 1/4" X 3/4" PLTD		
5	66192	2	PIN, ROLL 1/4 X 1.25L		
6	66304	1	PIN, CLEVIS 5/16 X 1-1/4		
7	67402	1	ROD, TORSION BRAKE		
8	70349	4	SCR, 5/16-18 X 2.5 HHCS		
9	73426	1	SPRING, EXT .43D X 2.50L X .047W		
10	80603	1	CLEVIS, 1/4" YOKE END 1/4-28		
11	80604	1	COTTER, 1/4" RING		
12	80605	2	COTTER, 5/16" RING		
13	80831	1	PIN, CLEVIS 5/16" X 1.75"L PLT		
14	87029	4	WASHER, 5/16 FLAT SS		
15	87030	2	WASHER, 3/8 ID X 3/4 OD NYLON		
16	89151	1	PEDAL, BRAKE		
17	89152	1	WELDMT, ROD PRK. BRAKE		
18	89153	2	PAD, BRAKE		
19	89196	1	WELDMENT, BRAKE PEDAL		
20	140331	2	BUSHING, PILLOW BLOCK		

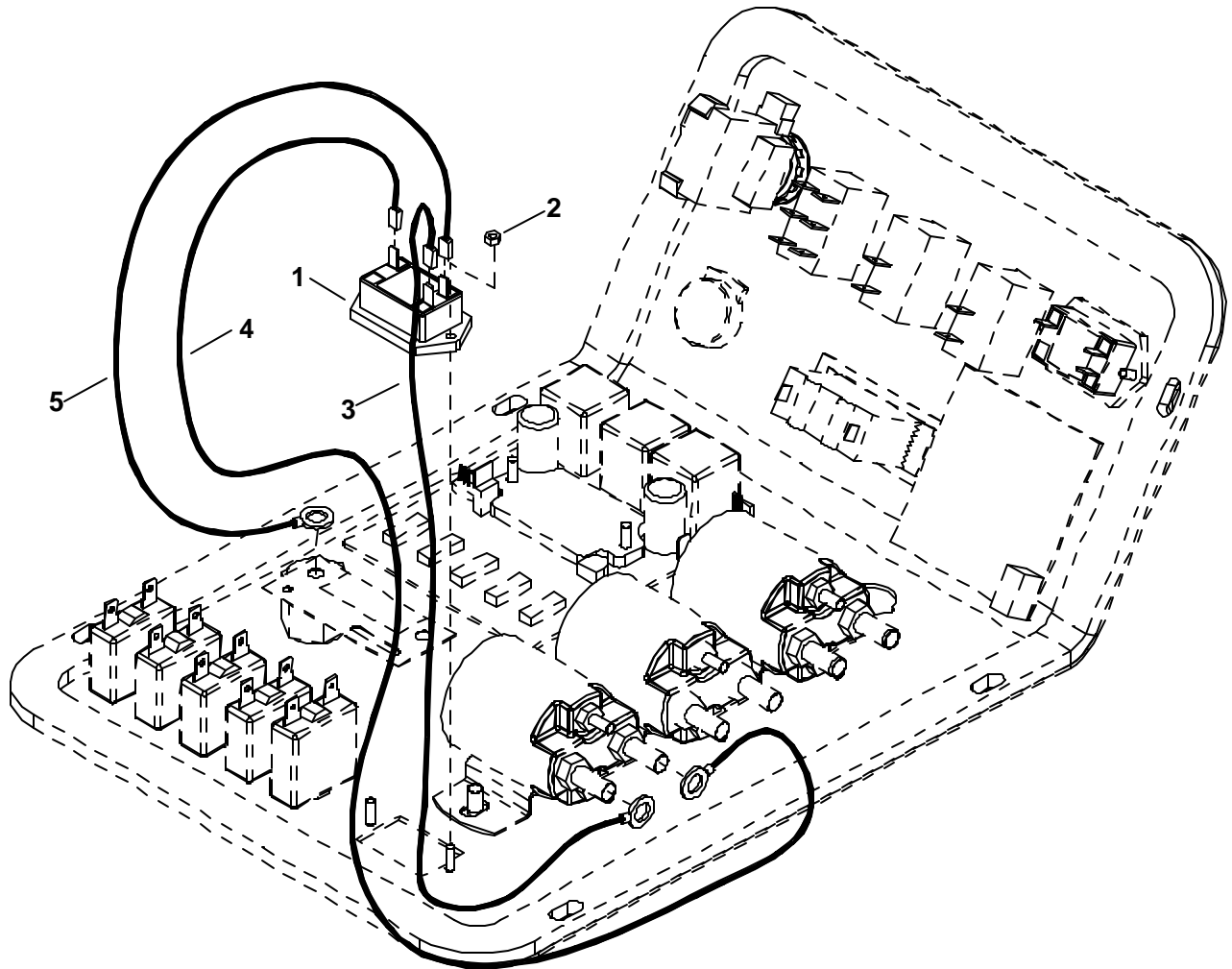
EMERGENCY STOP OPTION



EMERGENCY STOP OPTION

REF	PART NO.	QTY	DESCRIPTION	SERIAL NO. FROM	NOTES:
1	72160	1	SWITCH, EMERGENCY STOP		
2	88868	1	WIRE, 16" RED/18 STRIP X STRIP		

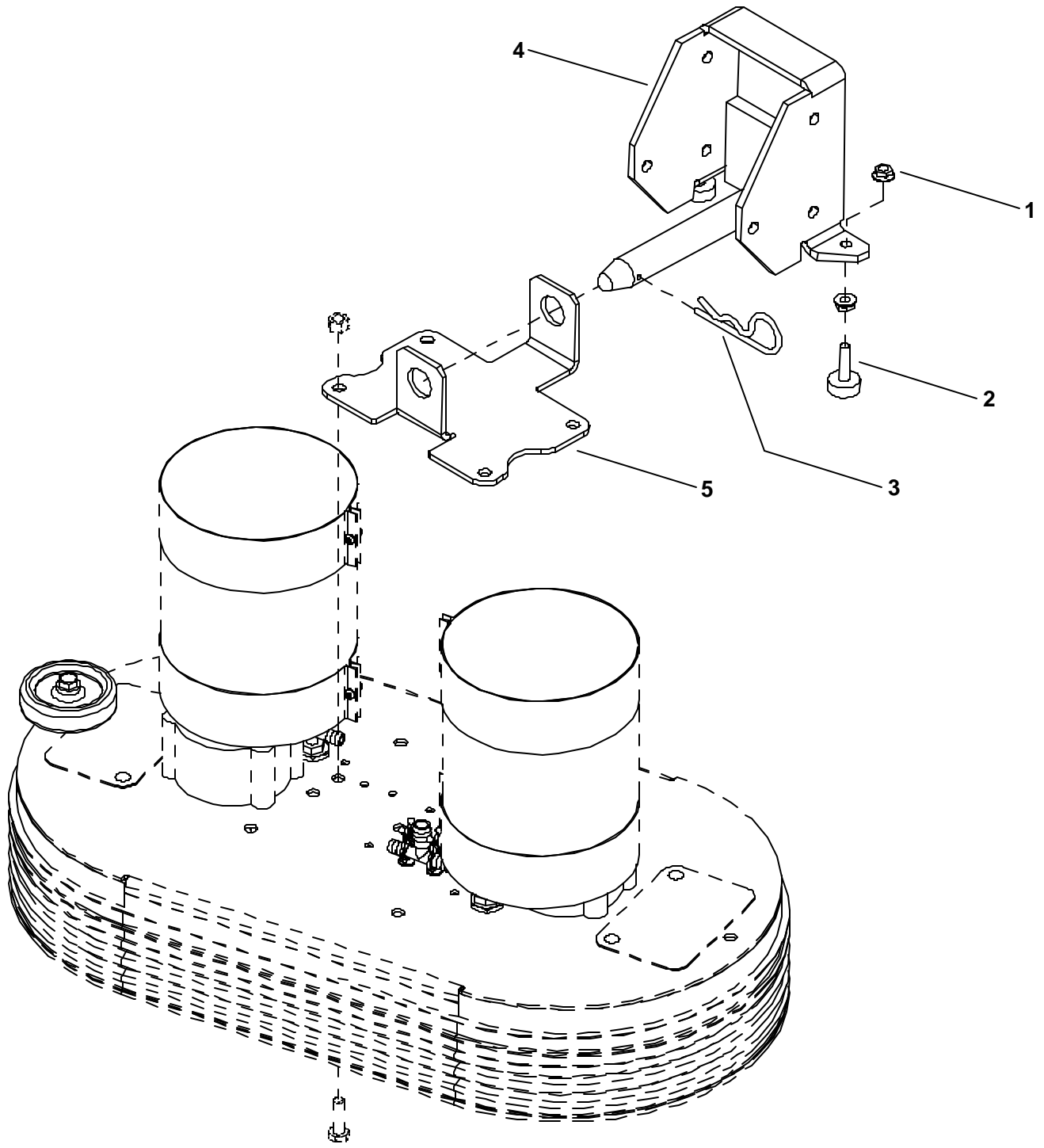
HOUR METER OPTION



HOURLY METER OPTION

REF	PART NO.	QTY	DESCRIPTION	SERIAL NO. FROM	NOTES:
1	54154	1	METER, 12-48 VDC LED HOUR		
2	57078	2	NUT, 4-40 HEX		
3	88772	1	WIRE, 6" RED/18 76075 X 76114		
4	880242	1	WIRE, 9" RED/18 76075 X 76114		
5	880243	1	WIRE, 9" BLK/18 76011 X 76114		

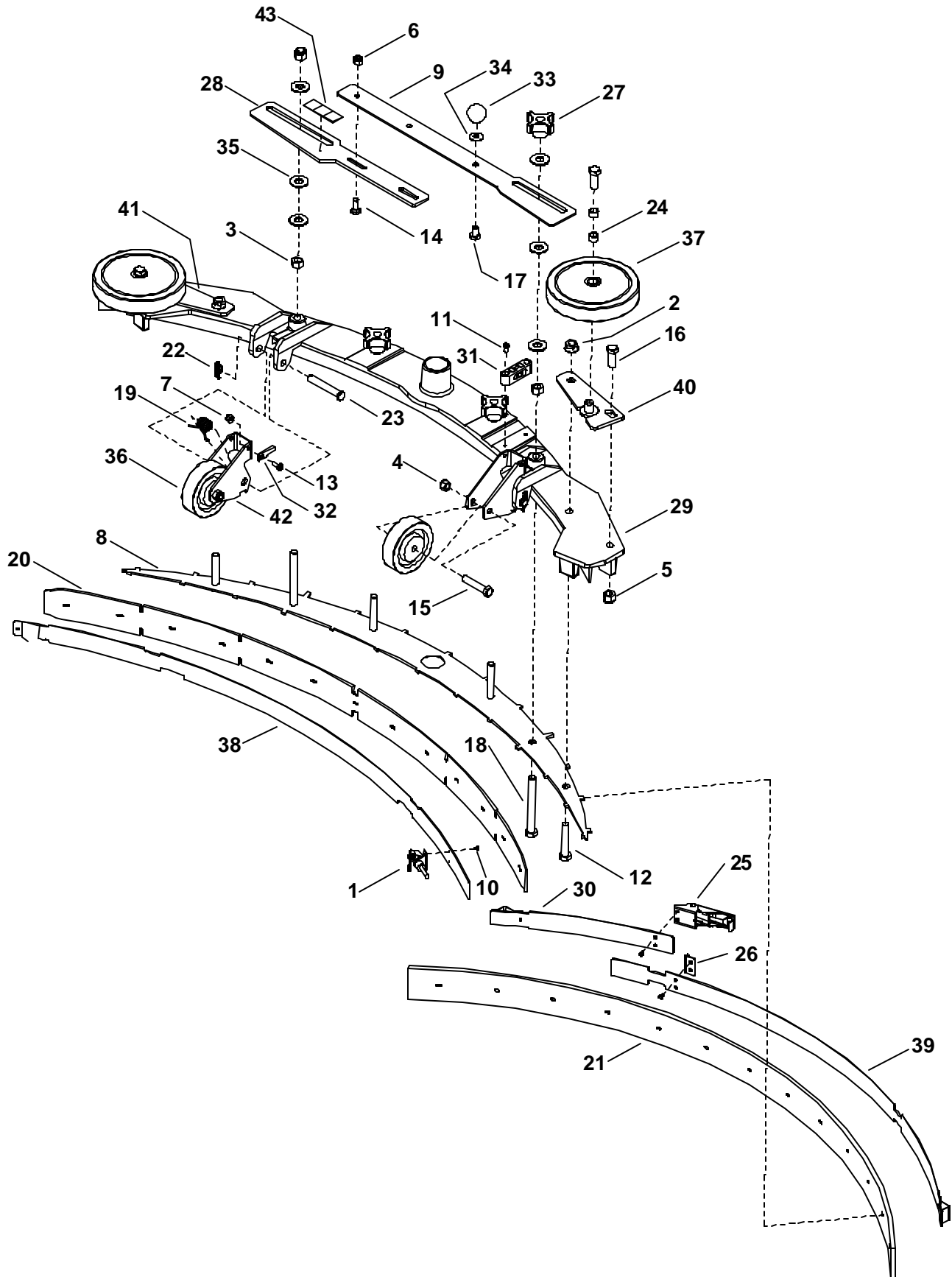
QUICK SCRUBHEAD CONNECT OPTION



QUICK SCRUBHEAD CONNECT OPTION

REF	PART NO.	QTY	DESCRIPTION	SERIAL NO. FROM	NOTES:
1	57112	4	NUT, 5/16-18 SERRATED FLG		
2	80654	2	BUMPER, ADJUSTMENT		
3	82191	1	PIN, COTTER HAIR .178 DIA X 1"		
4	89121	1	WELDMENT, SCRUB DECK PIN		
5	140389	1	BRKT, SCRUB HEAD MOUNT		

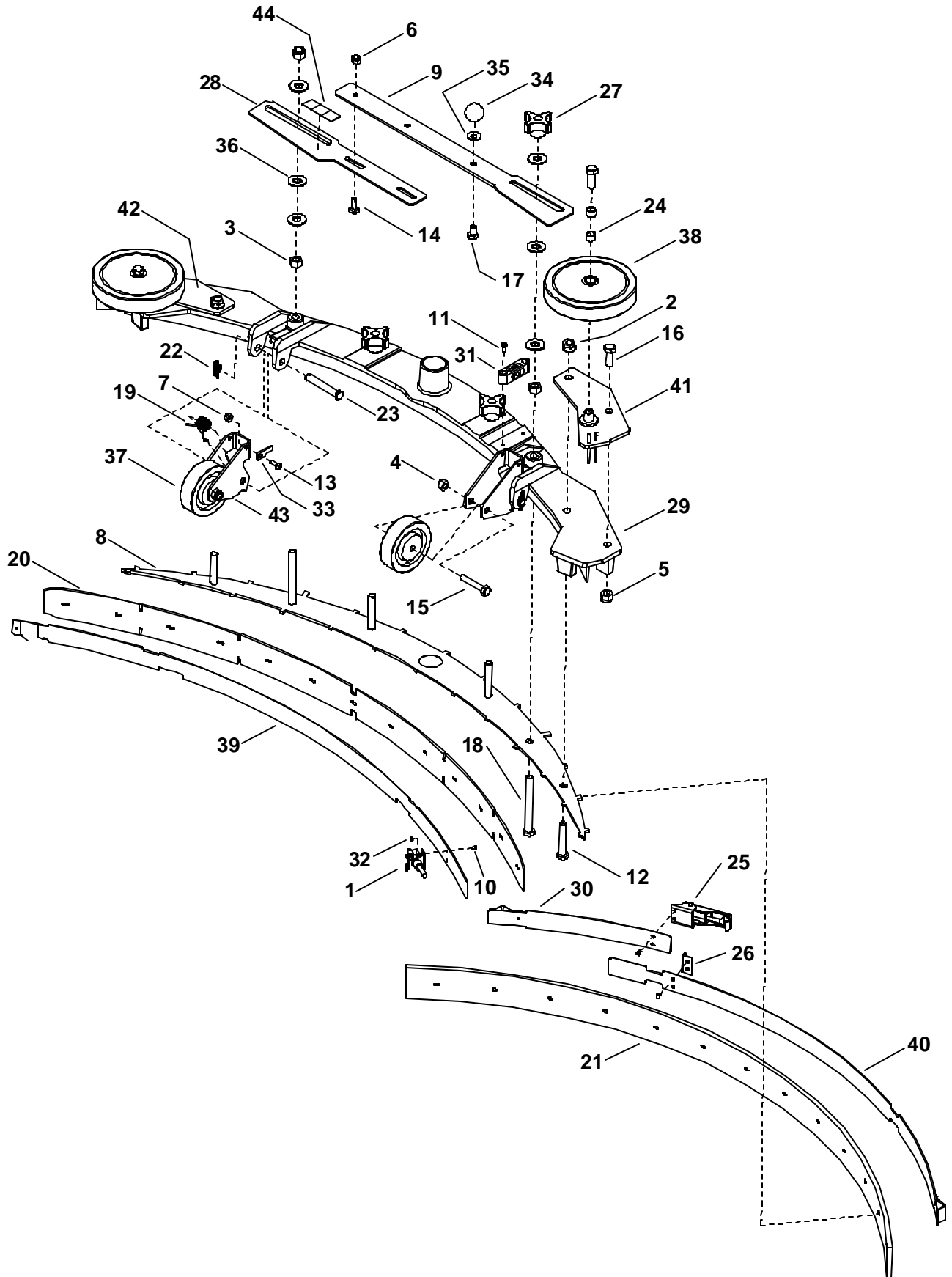
SMART SQUEEGEE OPTION – 28 IN



SMART SQUEEGEE OPTION – 28 IN

REF	PART NO.	QTY	DESCRIPTION	SERIAL NO. FROM	NOTES:
1	27797	1	CLAMP, STRAIGHT LINE MANUAL		
2	57032	2	NUT, 3/8-16 HEX NYLOCK THIN SS		
3	57111	2	NUT, 3/8-16 HEX		
4	57113	2	NUT, 5/16-18 HEX NYLOCK		
5	57119	3	NUT, 3/8-16 HEX NYLOCK SS		
6	57245	2	NUT, 1/4-20 HEX NYLOCK SS		
7	57252	1	NUT, 10-24 X 1/2 PHMS SS		
8	82518	1	PLATE, SQUEEGEE BLADE RETAINER		
9	82532	1	PLATE, SLIDE SQUEEGEE LONG		
10	67380	7	RIVET, 5/32 OD X 1/8 GRIP		
11	70052	2	SCR, 8-32 X 3/8 PPHMS SS		
12	70070	2	SCR, 3/8-16 X 2.00 HHCS SS		
13	70086	1	SCR, 10-24 X 1/2 PHMS SS		
14	70112	2	SCR, 1/4-20 X 3/4 CARRIAGE		
15	70259	2	SCR, 5/16-18 X 1.75 HHCS		
16	70266	4	SCR, 3/8-16 X 1.00 HHCS GR5 PLT DL		
17	70375	1	SCR, 5/16-18 X 1/2 HHCS GR5		
18	70461	2	SCR, 3/8-16 X 3.50 HHCS GR5 PLTD		
19	73887	2	SPRING, 120 DEGREE TORSION		
20	73934	1	SQGE BLADE, REAR STD 41"		(STANDARD)
	82529	-	SQGE BLADE, REAR LINATEX 41"		(OPTION)
	82638	-	SQGE BLADE, REAR (TILE) 41"		(OPTION)
	82641	-	SQGE BLADE, REAR (BUTTONS) 41"		(OPTION)
21	73932	1	SQGE BLADE, FRONT STD 39"		(STANDARD)
	82528	-	SQUEEGEE, FRONT BLADE LINATEX		(OPTION)
	82637	-	SQUEEGEE, FRONT BLADE (TILE)		(OPTION)
	82640	-	SQUEEGEE, FRONT BLADE (BUTTON)		(OPTION)
22	80606	2	COTTER, 3/8 RING		
23	80637	2	PIN, CLEVIS 3/8 X 2.38		
24	81247	4	SPACER, .500 OD X .391 ID X .300		
25	81488	1	LATCH, SQUEEGEE STRAP		
26	81489	1	STRIKER, SQUEEGEE STRAP REAR		
27	81535	3	KNOB, SQUEEGEE ADJ. PLATE		
28	82531	1	PLATE, SQUEEGEE ADJUST SHORT		
29	82514	1	SQUEEGEE, 37 INCH		
30	82553	1	WELDMENT, REAR SQG. BAND SHORT		
31	82576	1	VIAL, LEVEL		
32	82799	1	PLATE, POINTER		
33	82922	1	BALL, KNOB ADJ.		
34	87029	1	WASHER, 5/16 X 3/4 SS		
35	87143	6	WASHER, 7/16 X 1" FLAT		
36	89095	2	WHEEL, 3" DIA. CUSHION RUBBER		
37	89086	2	WHEEL, 5"D X 1" X .5"ID GRY		
38	82558	1	WELDMENT, FRONT SQUEEGEE BAND		
39	82525	1	WELDMENT, REAR SQUEEGEE BAND		
40	89164	1	WELDMENT, SQUEEGEE EXT RT		
41	89165	1	WELDMENT, SQUEEGEE EXT LT		
42	140275	2	BRKT, SQUEEGEE WHEEL SUPPORT		
43	82644	1	OVERLAY, SQUEEGEE		

SMART SQUEEGEE OPTION – 34 IN



SMART SQUEEGEE OPTION – 34 IN

REF	PART NO.	QTY	DESCRIPTION	SERIAL NO. FROM	NOTES:
1	27797	1	CLAMP, STRAIGHT LINE MANUAL		
2	57032	2	NUT, 3/8-16 HEX NYLOCK THIN SS		
3	57111	2	NUT, 3/8-16 HEX		
4	57113	2	NUT, 5/16-18 HEX NYLOCK		
5	57119	3	NUT, 3/8-16 HEX NYLOCK SS		
6	57245	2	NUT, 1/4-20 HEX NYLOCK SS		
7	57252	1	NUT, 10-24 X 1/2 PHMS SS		
8	82518	1	PLATE, SQUEEGEE BLADE RETAINER		
9	82532	1	PLATE, SLIDE SQUEEGEE LONG		
10	67380	7	RIVET, 5/32 OD X 1/8 GRIP		
11	70052	2	SCR, 8-32 X 3/8 PPHMS SS		
12	70070	2	SCR, 3/8-16 X 2.00 HHCS SS		
13	70086	1	SCR, 10-24 X 1/2 PHMS SS		
14	70112	2	SCR, 1/4-20 X 3/4 CARRIAGE		
15	70259	2	SCR, 5/16-18 X 1.75 HHCS		
16	70266	4	SCR, 3/8-16 X 1.00 HHCS GR5 PLT DL		
17	70375	1	SCR, 5/16-18 X 1/2 HHCS GR5		
18	70461	2	SCR, 3/8-16 X 3.50 HHCS GR5 PLTD		
19	73887	2	SPRING, 120 DEGREE TORSION		
20	73935	1	SQGE BLADE, REAR STD 44"		(STANDARD)
	73900	-	SQGE BLADE, REAR LINATEX 44"		(OPTION)
	73902	-	SQGE BLADE, REAR (TILE) 44"		(OPTION)
	73901	-	SQGE BLADE, REAR (BUTTONS) 44"		(OPTION)
21	73932	1	SQGE BLADE, FRONT STD 39"		(STANDARD)
	82528	-	SQUEEGEE, FRONT BLADE LINATEX		(OPTION)
	82637	-	SQUEEGEE, FRONT BLADE (TILE)		(OPTION)
	82640	-	SQUEEGEE, FRONT BLADE (BUTTON)		(OPTION)
22	80606	2	COTTER, 3/8 RING		
23	80637	2	PIN, CLEVIS 3/8 X 2.38		
24	81247	4	SPACER, .500 OD X .391 ID X .300		
25	81488	1	LATCH, SQUEEGEE STRAP		
26	81489	1	STRIKER, SQUEEGEE STRAP REAR		
27	81535	3	KNOB, SQUEEGEE ADJ. PLATE		
28	82531	1	PLATE, SQUEEGEE ADJUST SHORT		
29	82514	1	SQUEEGEE, 37 INCH		
30	82553	1	WELDMENT, REAR SQG. BAND SHORT		
31	82576	1	VIAL, LEVEL		
32	82799	1	PLATE, POINTER		
33	82922	1	BALL, KNOB ADJ.		
34	87029	1	WASHER, 5/16 X 3/4 SS		
35	87143	6	WASHER, 7/16 X 1" FLAT		
36	89095	2	WHEEL, 3" DIA. CUSHION RUBBER		
37	89086	2	WHEEL, 5"D X 1" X .5"ID GRY		
38	82558	1	WELDMENT, FRONT SQUEEGEE BAND		
39	82525	1	WELDMENT, REAR SQUEEGEE BAND		
40	89163	1	WELDMENT, SQUEEGEE EXT RT		
41	89160	1	WELDMENT, SQUEEGEE EXT LT		
42	140275	2	BRKT, SQUEEGEE WHEEL SUPPORT		
43	82644	1	OVERLAY, SQUEEGEE		