



Model 9004202 – 120V

STRIVE[®] COMPACT

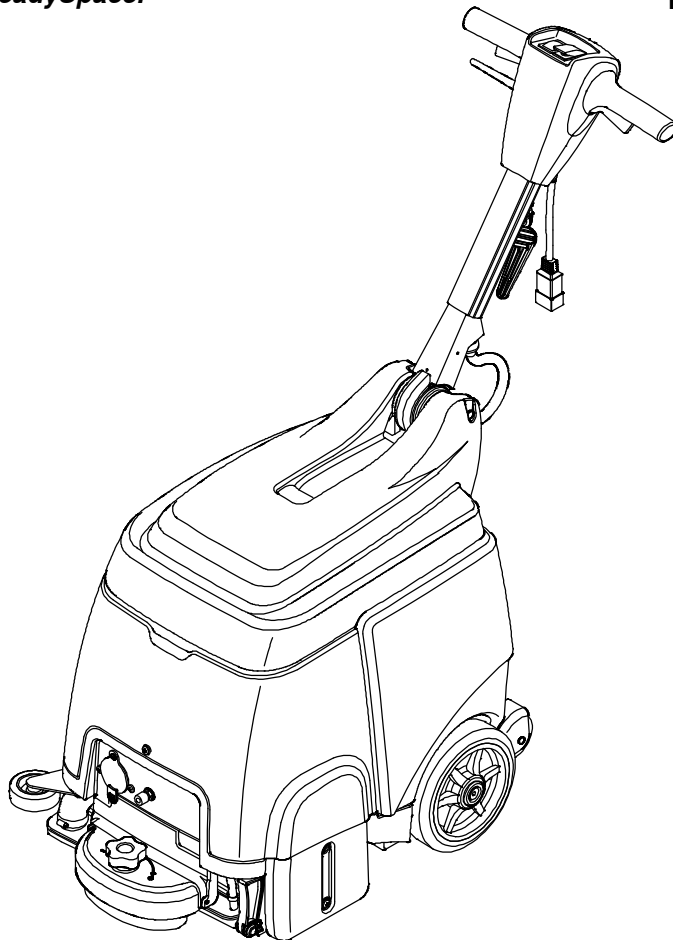
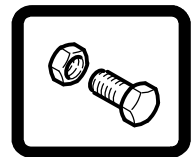
CARPET CLEANER

(S/N 30000000–40000000)



More than clean, it's ReadySpace.™

PARTS MANUAL

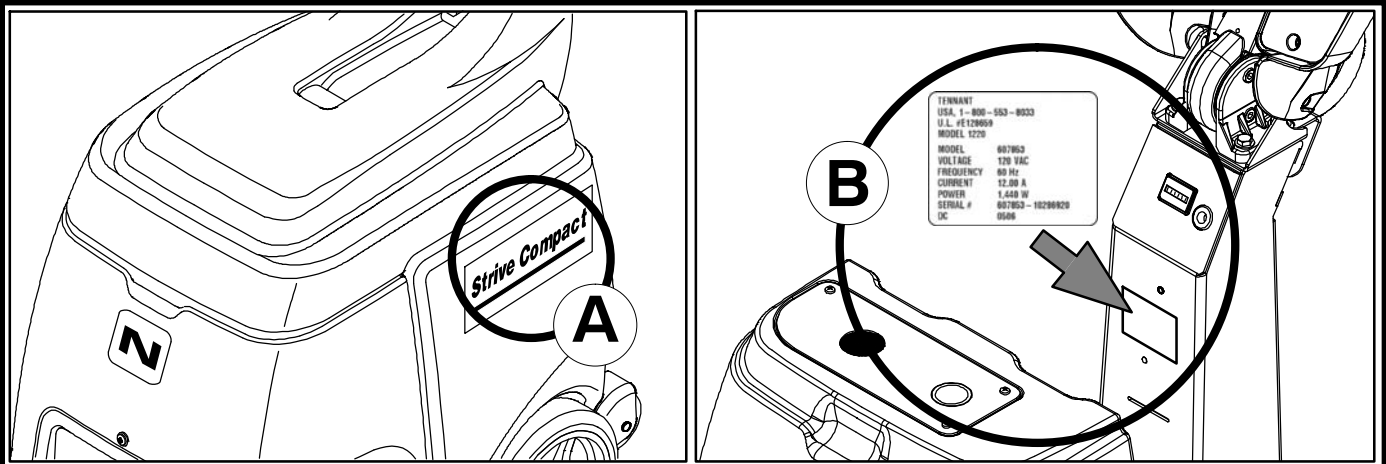


For the latest Parts manuals and other language Operator manuals, visit:

www.nobles.com/manuals

9012805
Rev. 03 (09-2018)





Ref	Part No.	Serial Number	Description	Qty.
1	82681	(000000-)	Bracket Wldt, Lpg Mount	1
▽ 2	63810	(000000-)	Latch Assy, Lpg Tank Mtg, W/Nut	4
▲ 3	51839	(000000-)	Nut Adjustable, Lpg Tank Mtg	2
4	49263	(000000-)	Tie, Cable	3
(D)	82556	(000000-001039)	Bracket, Vaporizer	1
	54930	(000000-)	Vaporizer, LPG	1

HOW TO ORDER PARTS – See diagram above

Only use TENNANT Company supplied or equivalent parts. Parts and supplies may be ordered online, by phone, by fax or by mail.

Follow the steps below to ensure prompt delivery.

1. (A) Identify the machine model.
2. (B) Identify the machine serial number from the data label.
3. (C) Ensure the proper serial number is used from the parts list.
4. Identify the part number and quantity.
Do not order by page or reference numbers.
5. Provide your name, company name, customer ID number, billing and shipping address, phone number and purchase order number.
6. Provide detail shipping instructions.

- (D) ▽ – identifies an assembly
▲ – identifies parts included in assembly

Please fill out at time of installation for future reference.

Model No. – _____

Serial No. – _____

Machine Options – _____

Sales Rep. – _____

Sales Rep. phone no. – _____

Customer ID Number – _____

Installation Date – _____

Tennant Company
PO Box 1452
Minneapolis, MN 55440 USA
Phone: (800) 553-8033
www.nobles.com

TENNANT Cleaning Systems & Equipment Co., Ltd
Building 1, No. 3777 Caoying Road
Qingpu Shanghai, China 201712
Tel: 86 21 6922 53333
Fax: 86 21 69225151
www.tennant.co.cn

Specifications and parts are subject to change without notice.

Copyright © 2014-2018 TENNANT Company, Printed in China.

RECOMMENDED MAINTENANCE ITEMS

GENERAL RECOMMENDED MAINTENANCE
ITEMS 5

STANDARD PARTS

HANDLE GROUP 6
FRAME GROUP 8
TANKS AND SHROUD GROUP 10
TANK COVER GROUP 12
VACUUM FAN GROUP 14
SOLUTION GROUP 16
SCRUB HEAD GROUP 18
ROLLER TOOL GROUP 20
ELECTRICAL DIAGRAM 22
WIRE HARNESS, CHASSIS 23

OPTIONS

FLOOR TOOL GROUP, 8 in / 203 mm 24
HAND TOOL GROUP, 4 in / 101 mm 26
PUMP-UP CARPET SPRAYER 27
DOCUMENTATION GROUP 28

RECOMMENDED MAINTENANCE ITEMS

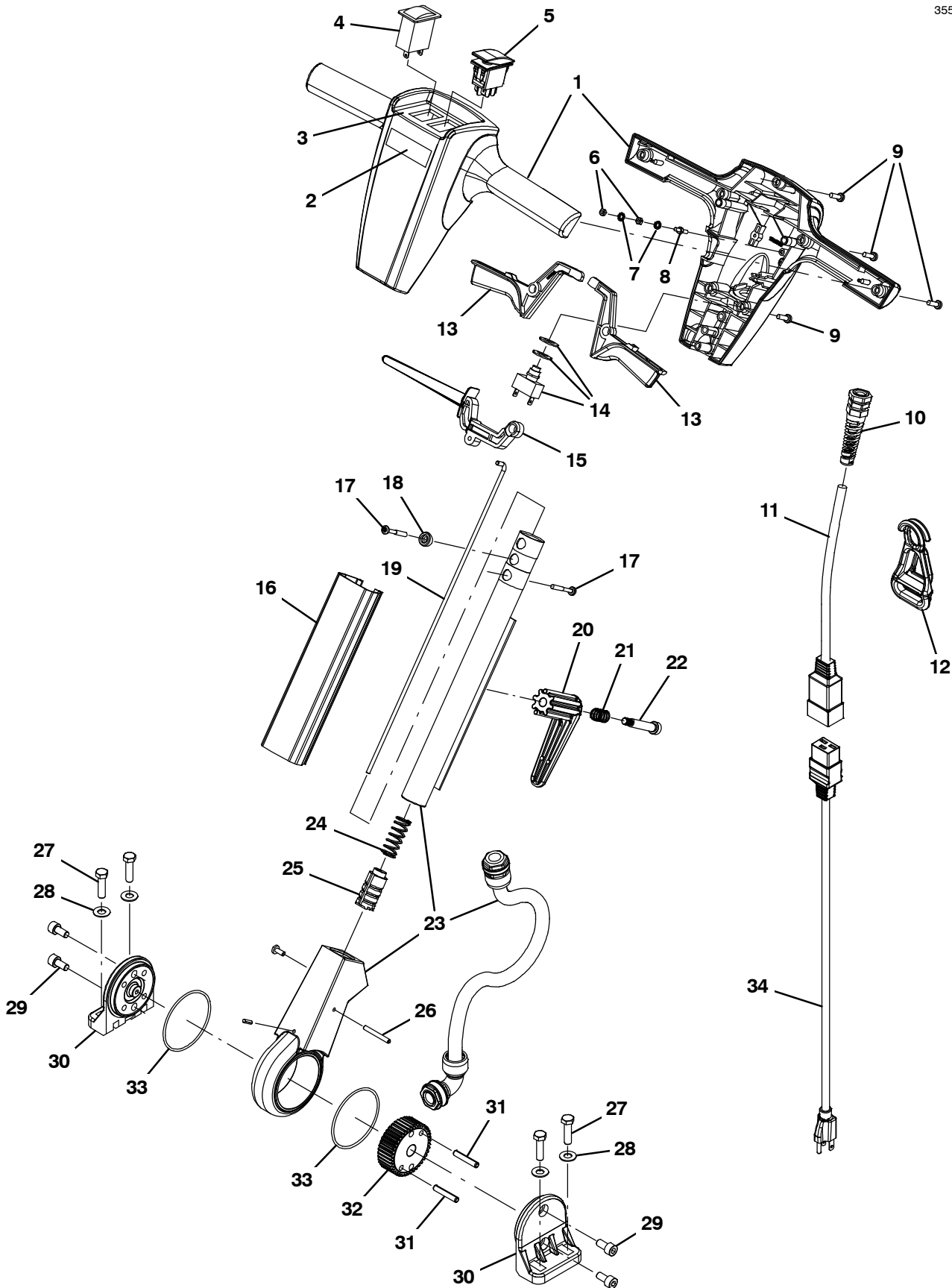
RECOMMENDED MAINTENANCE ITEMS

GENERAL RECOMMENDED MAINTENANCE ITEMS

Part No.	Serial Number	Description	Qty.
1230230	(30000000-40000000)	Wheel, 03.0d 0.88w 0.31b,[Ch]	2
1039073	(30000000-40000000)	Wheel Assy, 8.0d 2.0w 0.5b W/Brg	2
1074694	(30000000-40000000)	Filter, Tube, Soltn, 200mesh	1
1044370	(30000000-40000000)	Ball, Float, W/O Cage	1
1036090	(30000000-40000000)	Seal, Vacuum [Trex]	2
1052876	(30000000-40000000)	Gasket, Tank	2
605317	(30000000-40000000)	Roller, Sqge, 1.35od X 1.48l [Delrin]	2
1028953	(30000000-40000000)	Roller Assy, Readyspace	2
9004282	(30000000-40000000)	Belt Kit, W/ Installation Tool [Qty 2]	1
1034819	(30000000-40000000)	Gasket, Tool ,Cover	2

HANDLE GROUP

355071



HANDLE GROUP

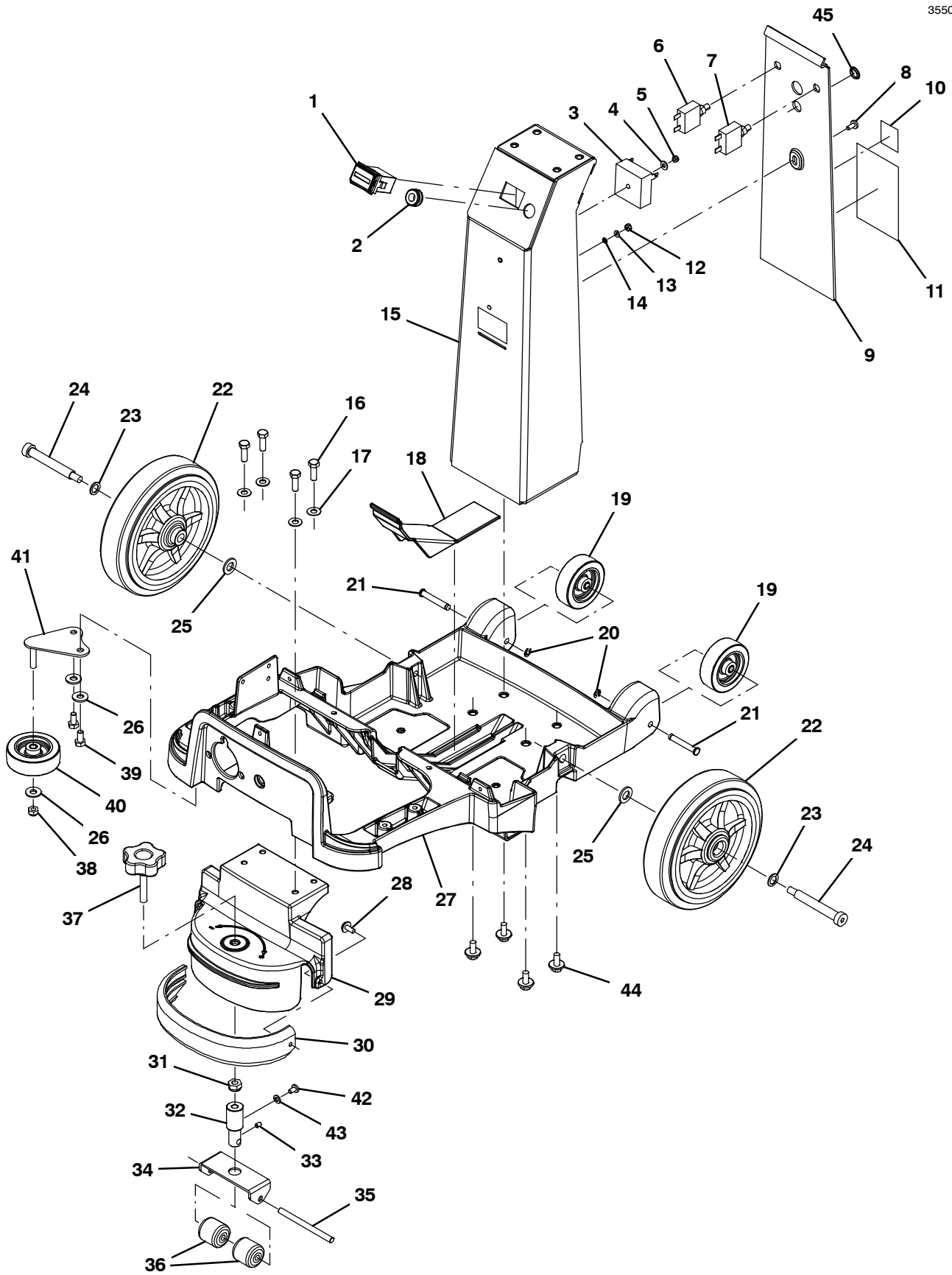
Ref.	Part No.	Serial Number	Description	Qty.
▽	9005513	(30000000-40000000)	Handle, Nobles Strive Compact	1
▲▽	1 9004321	(30000000-40000000)	Cover, Handle Front/Rear Nobles Sc Kit	1
▲▲	2 1039088	(30000000-40000000)	Label, Logo, Handle [Nobles]	1
▲▲	3 1034592	(30000000-40000000)	Label, Opertnl, Instrmt Panl, Readyspace	1
▲	4 1038375	(30000000-40000000)	Gauge, Ammeter, 120vac, 5.0a [Rlr Press]	1
▲	5 602919	(30000000-40000000)	Switch, Rocker, Dpdt, On / On	1
▲	6 42368	(30000000-40000000)	Nut, Hex, Std, M4 X 0.70, 8	2
▲	7 140061	(30000000-40000000)	Washer, Lock, Ext, 08, Pl	2
▲	8 1034952	(30000000-40000000)	Screw, Hex, M4 X 0.7 X 12, Dbl Thrd	1
▲	9 1043573	(30000000-40000000)	Screw, #10-14 X 0.675, Spl[Shcs,Selftap]	7
▲	10 130166	(30000000-40000000)	Grip, Cord, Strainrelief Pg-11 W/Nut Bk	1
▲	11 1042410	(30000000-40000000)	Cord, 14ga /3, 16.0l, W/ Receptacle, Yel	1
▲	12 130176	(30072485-40000000)	Clip, Cord, Strainrelief [Belt] (Yellow)	1
▲	12 1037147	(30000000-30072484)	Clip, Cord, Strainrelief, Black	1
▲	13 1033893	(30000000-40000000)	Lever, Cntrl, Switch [Trex]	2
▲	14 9008568	(30000000-40000000)	Switch Kit, W/ Washers, Fr/ F/1063165	1
▲	15 1034945	(30000000-40000000)	Lever, Adjmt, Handle	1
▲	16 1034181	(30072159-20000000)	Cover, Handle, Gray	1
▲	16 1036599	(30000000-30072158)	Cover, Handle, Nobles [Trex]	1
▲	17 1043572	(30000000-40000000)	Screw, #10-14 X 0.15, Spl[Shcs Selftap]	2
▲	18 1034176	(30000000-40000000)	Bushing, Flng, 5mmb 12mmd 8mml, Pa6	1
▲	19 1034180	(30000000-40000000)	Rod, Release [Trex]	1
▲	20 603104	(30000000-40000000)	Hook, Cord, Blk [Quick-Release]	1
▲	21 603108	(30000000-40000000)	Spring, Cmpr, Switch	1
▲	22 140239	(30000000-40000000)	Bolt, Shld, .38d X 1.75, .31-18	1
▲	23 1045239	(30000000-40000000)	Tube, Assy, Handle [W/Harnesses]	1
▲	24 1013295	(30000000-40000000)	Spring, Cmpr [2100 Series]	1
▲	25 9006059	(30000000-40000000)	Plunger Kit, Handle	1
▲	26 1034924	(30000000-40000000)	Pin, Roll, 04mmd X 40mml	1
▲	27 1016399	(30000000-40000000)	Screw, Hex, M8 X 1.25 X 30, NI, Ss	4
▲	28 140027	(30000000-40000000)	Washer, Flat, 0.35b 0.75d .04, Ss	4
▲	29 49609	(30000000-40000000)	Screw, Soc, M8 X 1.25 X 16, 12.9	4
▲	30 1000307	(30000000-40000000)	Handle, Pivot, Half	2
▲	31 1034155	(30000000-40000000)	Pin, Roll, 06mmd X 36mml	2
▲	32 1034872	(30000000-40000000)	Gear, Lock, Handle	1
▲	33 612422	(30000000-40000000)	Seal, Org, Gear Seat	2
▲	34 1042403	(30000000-40000000)	Cord, Power, 1.5mm /3 Yel[2x15m 50ft Us]	1

▽ ASSEMBLY

▲ INCLUDED IN ASSEMBLY

FRAME GROUP

355064



FRAME GROUP

Ref.	Part No.	Serial Number	Description	Qty.
1	1064038	(30000000-40000000)	Gauge, Hourmeter, 05-277 Volt, Ac / Dc	1
2	86726	(30000000-40000000)	Grommet, Rbr, 0.44id, F/0.5h, .19 Matl	1
3	1032018	(30000000-40000000)	Module, Timer, 120vac [Trex Readyspace]	1
4	01683	(30000000-40000000)	Washer, Flat, 10, Ss	1
5	09739	(30000000-40000000)	Nut, Hex, Lock, M5 X 0.80, Ni, Ss	1
6	383720	(30000000-40000000)	Circuitbreaker, 05.0a, Resetable	1
7	383722	(30000000-40000000)	Circuitbreaker, 15.0a, Resetable	1
8	74027	(30000000-40000000)	Screw, Pan, Phl, M6 X 1.00 X 12, Ni, Pl	1
▽	9	9004275	(30000000-40000000) Cover Kit, Column , W/ Label [5gal 120v]	1
▲	10	NA	(30000000-40000000) Label, Safety, 120vac [Etl]	1
▲	11	1039105	(30000000-40000000) Label,Warning,Ac Scrb/Extr [En/Fr/Es/Jp]	1
	12	1044427	(30000000-40000000) Nut, Hex, Lock, #8-32, Ni, Ss	1
	13	41578	(30000000-40000000) Washer, Flat, 06, Ss	1
	14	02938	(30000000-40000000) Washer, Lock, Int, 08, Ss	1
	15	9004274	(30000000-40000000) Column Kit, Sppt, W/ Label [5 Gal]	1
	16	1015852	(30000000-40000000) Screw, Hex, M8 X 1.25 X 25, Ni, Fl, Ss	4
	17	140027	(30000000-40000000) Washer, Flat, 0.35b 0.75d .04, Ss	4
	18	1031418	(30000000-40000000) Cover, Frame, Rear [Trex]	1
	19	1230230	(30000000-40000000) Wheel, 03.0d 0.88w 0.31b,[Ch]	2
	20	1035139	(30000000-40000000) Ring, Retaining, Ext, 0.31d, E-Type	2
	21	1035137	(30000000-40000000) Pin, Clevis, Grvd 0.31d X 2.00l, Ss	2
	22	1039073	(30000000-40000000) Wheel Assy, 8.0d 2.0w 0.5b W/Brg	2
	23	1038770	(30000000-40000000) Washer, Flat, 0.50b 0.75d 0.06, Ss	2
	24	1033757	(30000000-40000000) Bolt, Shld, .50 X 3.25, .38-16, Ss	2
	25	33925	(30000000-40000000) Washer, Flat, M12, Ss	2
	26	01685	(30000000-40000000) Washer, Flat, 0.38b 0.88d .08, Ss	3
	27	1031527	(30000000-40000000) Frame (Machined)	1
	28	1019349	(30000000-40000000) Screw, Trs, M6 X 1.00 X 16, Ss, Sems	2
	29	1051665	(30000000-40000000) Bracket, Adjustment, Head	1
	30	1036668	(30000000-40000000) Bumper, Front	1
	31	08714	(30000000-40000000) Nut, Hex, Lock, M10 X 1.5, Ni, Ss	1
	32	1051666	(30000000-40000000) Adjuster, Roller	1
	33	09162	(30000000-40000000) Screw, Set, Soc, M6 X 1.00 X 8, Ni	1
	34	1035496	(30000000-40000000) Bracket, Roller	1
	35	1035519	(30000000-40000000) Bar, Rnd, Stl, 0.31d X 4.09l, 2cham	1
	36	605317	(30000000-40000000) Roller, Sqge, 1.35od X 1.48l [Delrin]	2
	37	1036002	(30000000-40000000) Knob, Adj, M10 X50 Stud, Blk	1
	38	08713	(30000000-40000000) Nut, Hex, Lock, M8 X 1.25, Ni, Ss	1
	39	49826	(30000000-40000000) Screw, Hex, M8 X 1.25 X 16, Ni, Ss	2
	40	1230230	(30000000-40000000) Wheel, 03.0d 0.88w 0.31b,[Ch]	1
	41	1034805	(30000000-40000000) Bracket, Bumper Wheel	1
	42	48732	(30000000-40000000) Screw, Pan, Phl, M6 X 1.00 X 10, Ss	1
	43	140016	(30000000-40000000) Washer, Lock, Split, 0.25, Ss	1
	44	1020341	(30000000-40000000) Screw, Hex, M8 X 1.25 X 20, Ss, Sems	4
	45	57167	(30000000-40000000) Plug, Hole, Rnd, 0.62h .03-.12, Blk Nyl (Non-Telemetry Models)	1
N/S	1033926	(30000000-40000000)	Harness, Chassis, Ele [T-Rex Readyspace]	1

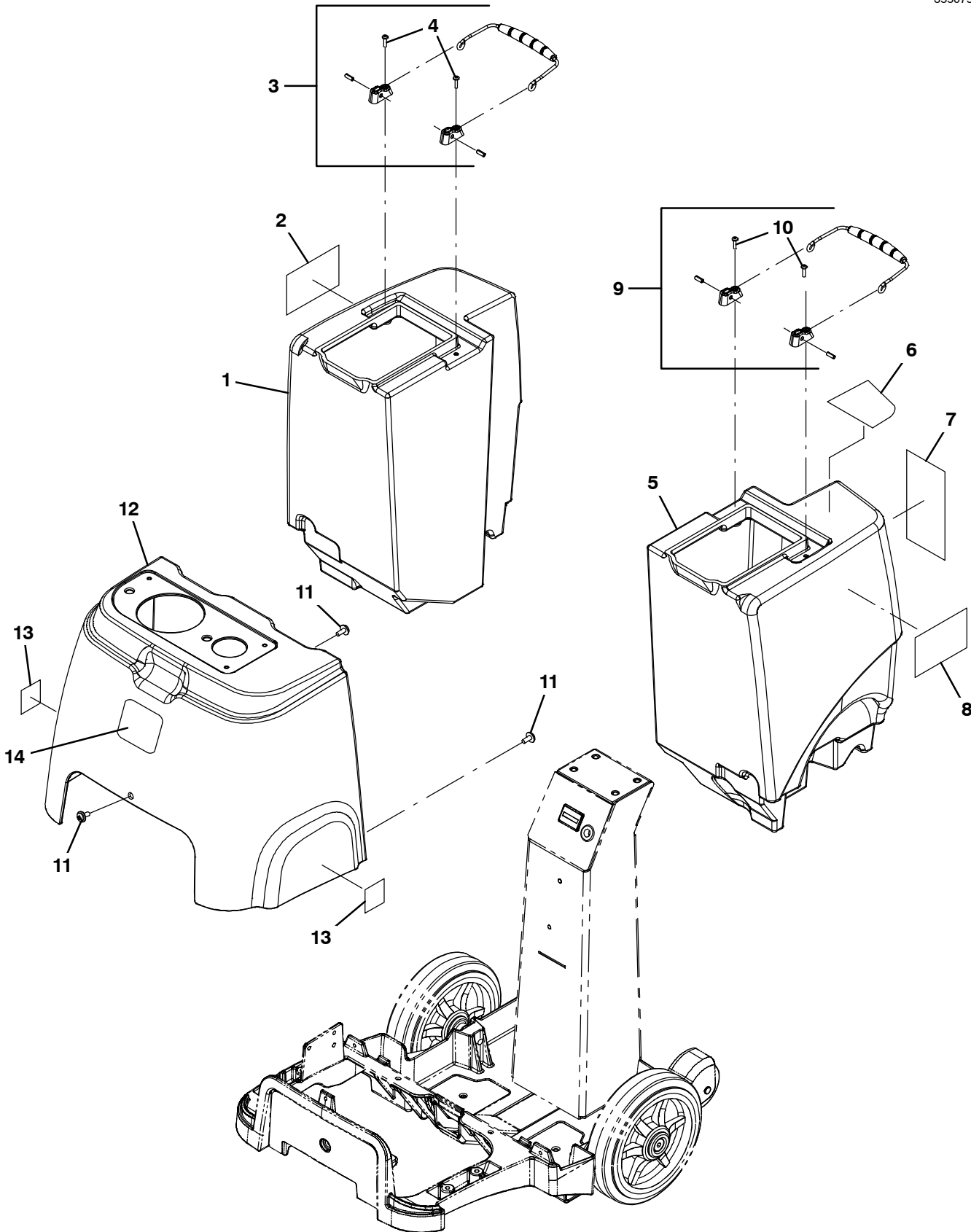
▽ ASSEMBLY

▲ INCLUDED IN ASSEMBLY

N/S = NOT SHOWN

TANKS AND SHROUD GROUP

355075



TANKS AND SHROUD GROUP

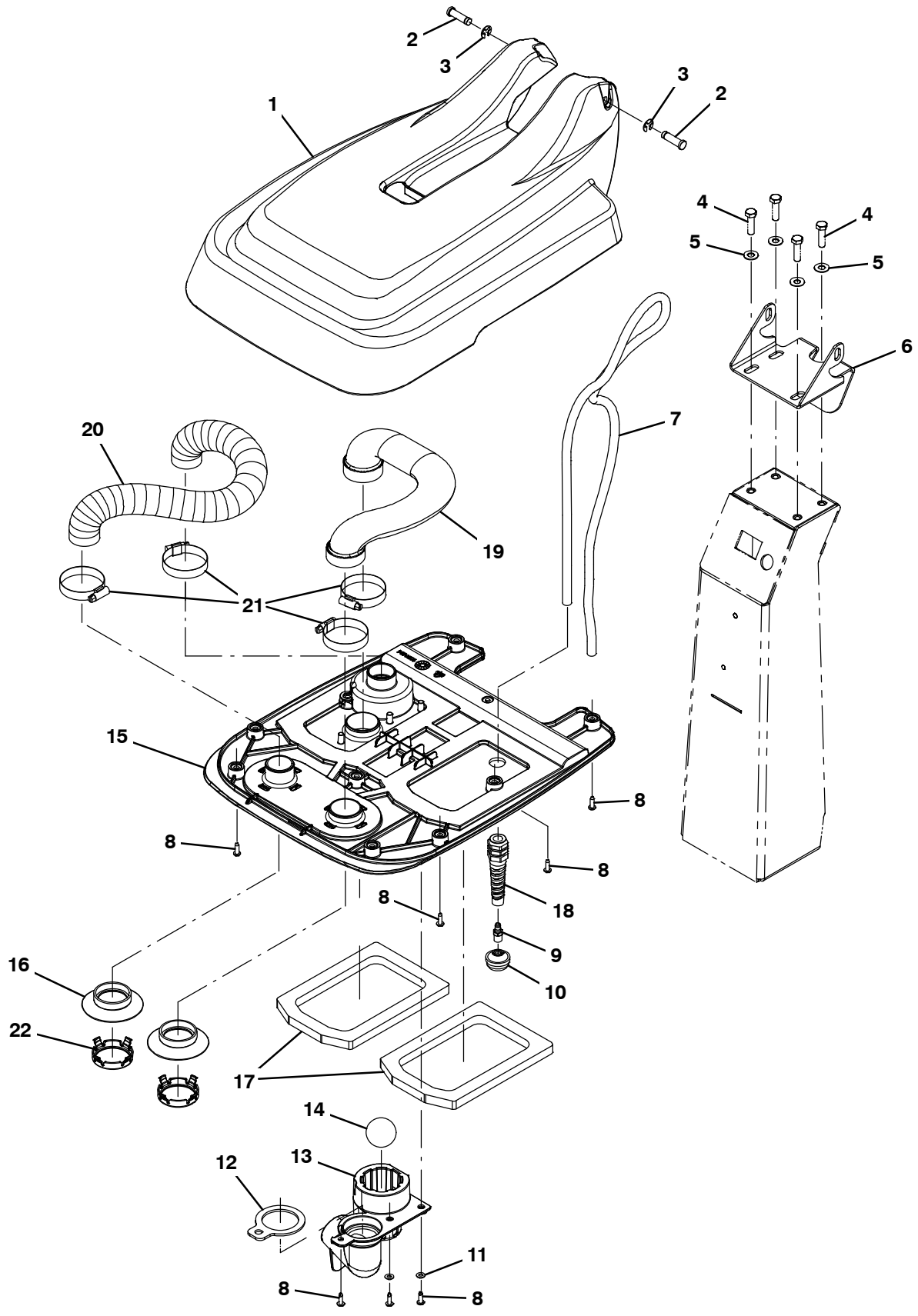
Ref.	Part No.	Serial Number	Description	Qty.
▽	1	9016190	(30072199-40000000) Tank Kit, Recvy W/Labels [Nob Gray 5gal]	1
▽	1	9004304	(30000000-30072198) Tank, Rec W/ Labels Nobles 5 Gal Kit	1
▲	2	1039499	(30000000-40000000) Label, Side [Strive Compact]	1
▲▽	3	9004285	(30000000-40000000) Handle, Tank Kit	1
▲▲	4	24265	(30000000-40000000) Screw, Pan, Phl, M4 X 0.70 X 16, Ss	2
▽	5	9016191	(30072199-40000000) Tank Kit, Soltn W/Labels [Nob Gray 5gal]	1
▽	5	9004306	(30000000-30072198) Tank, Sol W/ Labels Nobles 5 Gal Kit	1
▲	6	1038968	(30000000-40000000) Label, Soltn, Tank [5.0 Gal]	1
▲	7	1040113	(30000000-40000000) Label, Oper, Instr [Readyspace]	1
▲	8	1039499	(30000000-40000000) Label, Side [Strive Compact]	1
▲▽	9	9004285	(30000000-40000000) Handle, Tank Kit	1
▲▲	10	24265	(30000000-40000000) Screw, Pan, Phl, M4 X 0.70 X 16, Ss	2
	11	1019349	(30000000-40000000) Screw, Trs, M6 X 1.00 X 16, Ss, Sems	3
▽	12	9004300	(30000000-40000000) Shroud, W/ Labels Nobles 5 Gal Kit	1
▲	13	578769	(30000000-40000000) Decal, Moving Parts Textless	2
▲	14	1034636	(30000000-40000000) Label, Front, 3.00 [Nobles Icon]	1

▽ ASSEMBLY

▲ INCLUDED IN ASSEMBLY

TANK COVER GROUP

355047



TANK COVER GROUP

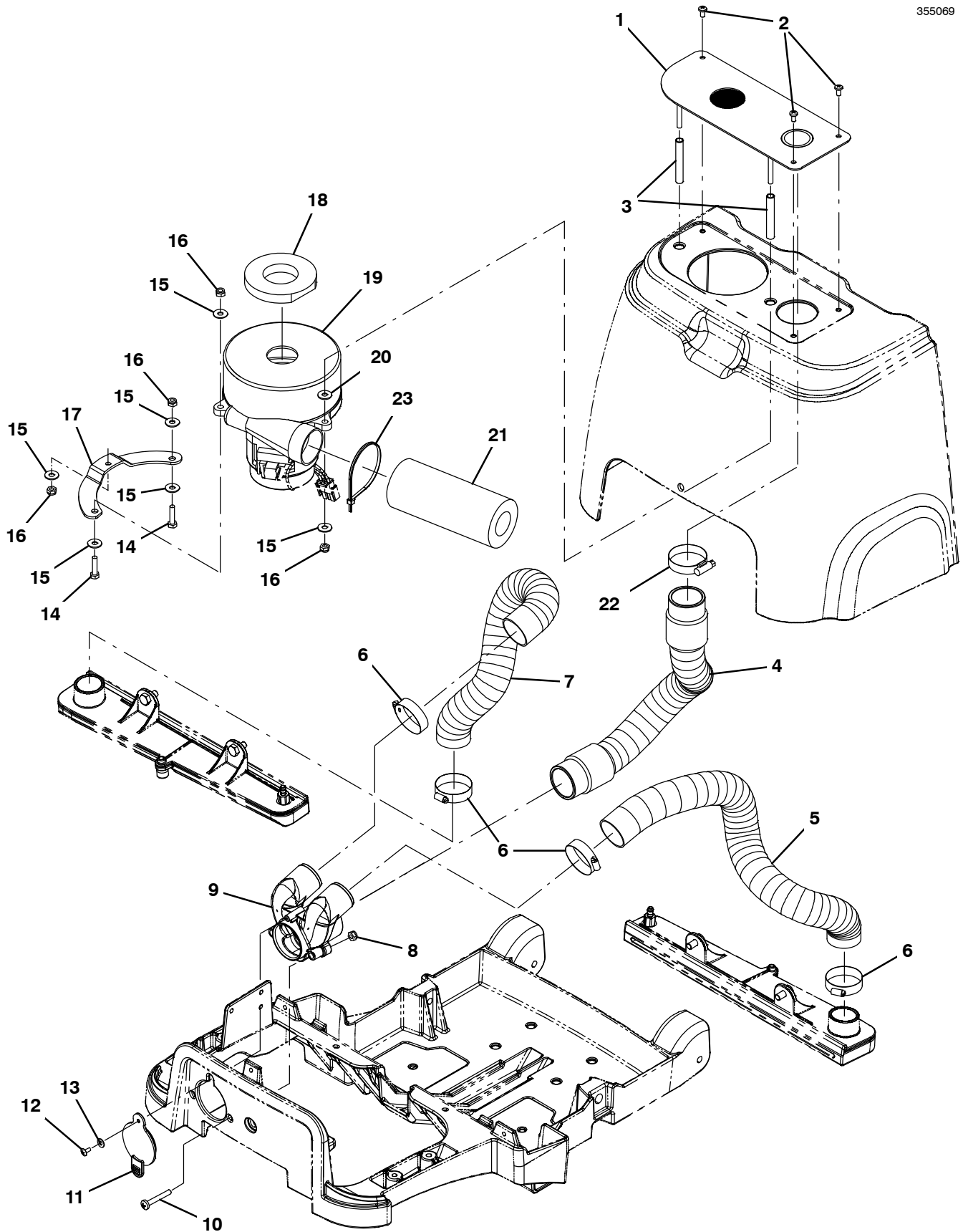
Ref.	Part No.	Serial Number	Description	Qty.	
1	1037759	(30000000-40000000)	Cover , Tanks, Upper, Nobles [Trex]	1	
2	1035358	(30000000-40000000)	Pin, Grvd, 0.375d, 1.25l	2	
3	24555	(30000000-40000000)	Ring, Retaining, Ext, 0.38d, [E-Ring]	2	
4	1016399	(30000000-40000000)	Screw, Hex, M8 X 1.25 X 30, NI, Ss	4	
5	140027	(30000000-40000000)	Washer, Flat, 0.35b 0.75d .04, Ss	4	
6	1034346	(30000000-40000000)	Bracket, Pivot, Cover, Mtg	1	
7	1036063	(30000000-40000000)	Hose, Soltn, .25 Id, .453 Od, 56.0 L	1	
8	140340	(30000000-40000000)	Screw, Pan, Phl, 10-24 X 0.62, Ss[Typ25]	13	
9	1042715	(30000000-40000000)	Fitting, Brs, Str, Bm04/Pm02	1	
10	1074694	(30000000-40000000)	Filter, Tube, Soltn, 200mesh	1	
11	140011	(30000000-40000000)	Washer, Flat, 0.21b 0.45d .03, Ss	2	
12	1051274	(30000000-40000000)	Gasket, Shield, Float	1	
13	1042277	(30000000-40000000)	Shield, Float	1	
14	1044370	(30000000-40000000)	Ball, Float, W/O Cage	1	
▽	15	9005924	(30000000-40000000)	Cover, Tank, Inner W/ Seals, Kit	1
▲	16	1036090	(30000000-40000000)	Seal, Vacuum [Trex]	2
▲	17	1052876	(30000000-40000000)	Gasket, Tank	2
▲	18	602849	(30000000-40000000)	Strainrelief, Cord, Ele, Pm08, Blk Nyl	1
	19	1035866	(30000000-40000000)	Hose, Recvy, Formed [Trex]	1
	20	1037756	(30000000-40000000)	Hose, Vacuum, 1.5od, 18.0l [Wire-Reinf]	1
	21	140308	(30000000-40000000)	Clamp, Hose, Wormdrive, 1.31-2.25d, .50w	4
	22	1054345	(30000000-40000000)	Clip, Retaining, Seal	2

▽ ASSEMBLY

▲ INCLUDED IN ASSEMBLY

VACUUM FAN GROUP

355069



VACUUM FAN GROUP

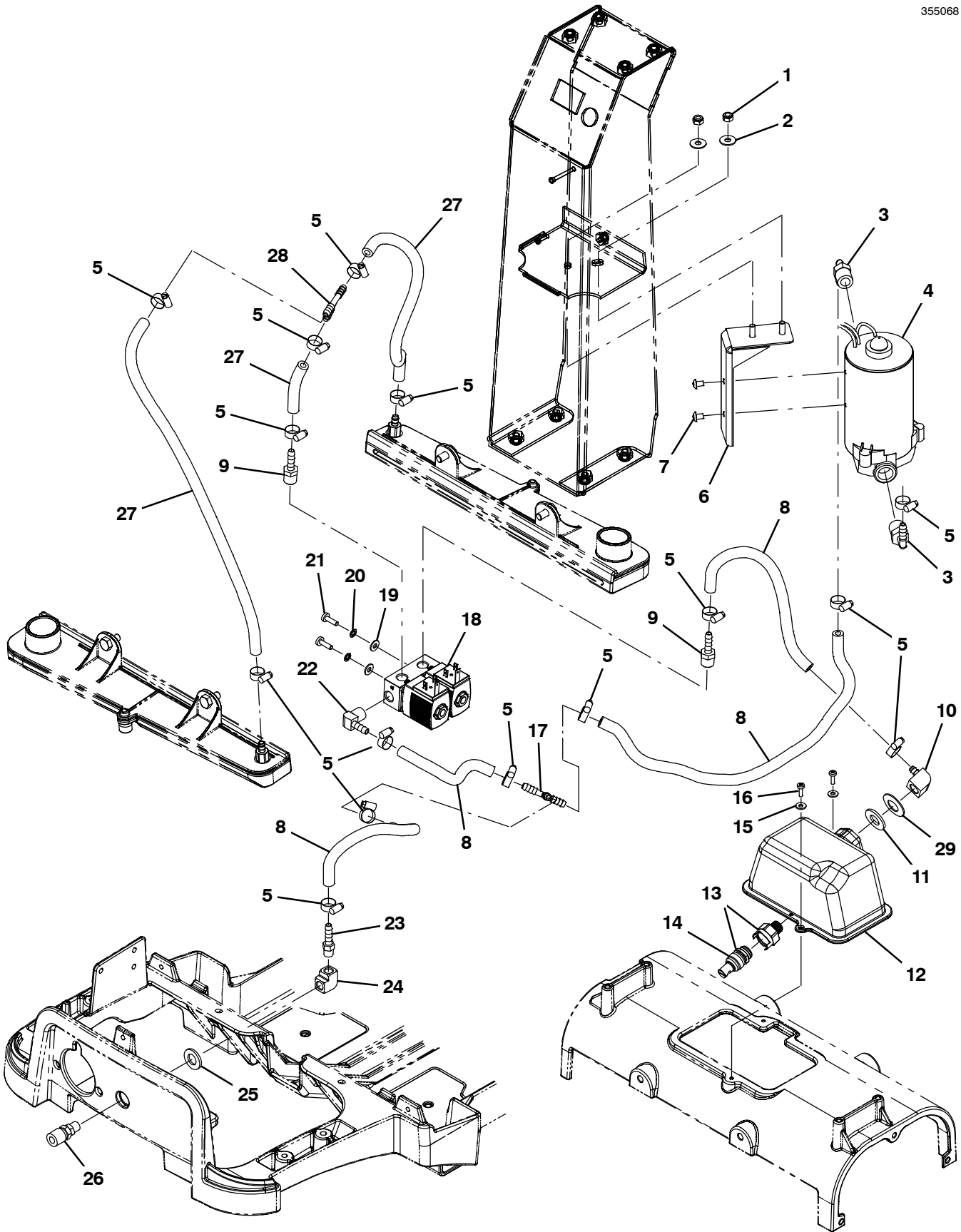
Ref.	Part No.	Serial Number	Description	Qty.	
1	1031960	(30000000-40000000)	Plate, Mtg, Vacuum	1	
2	1026454	(30000000-40000000)	Screw, Pan, Phl, M5 X 0.80 X 10, Ss	3	
3	610144	(30000000-40000000)	Spacer, Fan	2	
4	1032555	(30000000-40000000)	Hose, Vacuum, 1.50id X 19.5l, 2cuff, Clr	1	
5	1038373	(30000000-40000000)	Hose, Vacuum, Wir, 38.0id X 570.0l, Clr	1	
6	79381	(30000000-40000000)	Clamp, Hose, Wormdrive, 1.25-2.00d, .50w	4	
7	1038379	(30000000-40000000)	Hose, Vacuum, Wir, 38.0id X 335.0l, Clr	1	
8	08708	(30000000-40000000)	Nut, Hex, Lock, M6 X 1.00, NI	2	
9	1050092	(30000000-40000000)	Manifold, Soltn, Wand [Trex]	1	
10	09258	(30000000-40000000)	Screw, Pan, Phl, M6 X 1.00 X 40, 4.8	2	
11	607183	(30000000-40000000)	Seal, Cap, Vacuum Tool [607170]	1	
12	140801	(30000000-40000000)	Screw, Trs, Phl, 08-32 X 0.38, Ss	1	
13	140011	(30000000-40000000)	Washer, Flat, 0.21b 0.45d .03, Ss	1	
14	09007	(30000000-40000000)	Screw, Hex, M6 X 1.00 X 25, Ss	2	
15	01684	(30000000-40000000)	Washer, Flat, 0.27b 0.69d .05, Ss	6	
16	08708	(30000000-40000000)	Nut, Hex, Lock, M6 X 1.00, NI	4	
17	1034069	(30000000-40000000)	Plate, Vac Mounting	1	
18	630010	(30000000-40000000)	Gasket, 12.7mm Th, 43mmid 73mmmod	1	
▽	19	9012566	(30000000-40000000)	Fan Kit, Vacuum, 5.7d, 120vac, 2 Stage	1
▲		1071842	(30000000-40000000)	Vr, Brush Kit, Vac Fan 1071839	1
▲	20	01684	(30000000-40000000)	Washer, Flat, 0.27b 0.69d .05, Ss	1
	21	600009	(30000000-40000000)	Muffler, Exhaust, Vacfan	1
	22	11531	(30000000-40000000)	Clamp, Hose, Wormdrive, 1.06-2.00d, .56w	1
	23	130773	(30000000-40000000)	Tie, Cable, Nyl, 11.0l, .14w, 3.0 Max. D	1

▽ ASSEMBLY

▲ INCLUDED IN ASSEMBLY

SOLUTION GROUP

355068



SOLUTION GROUP

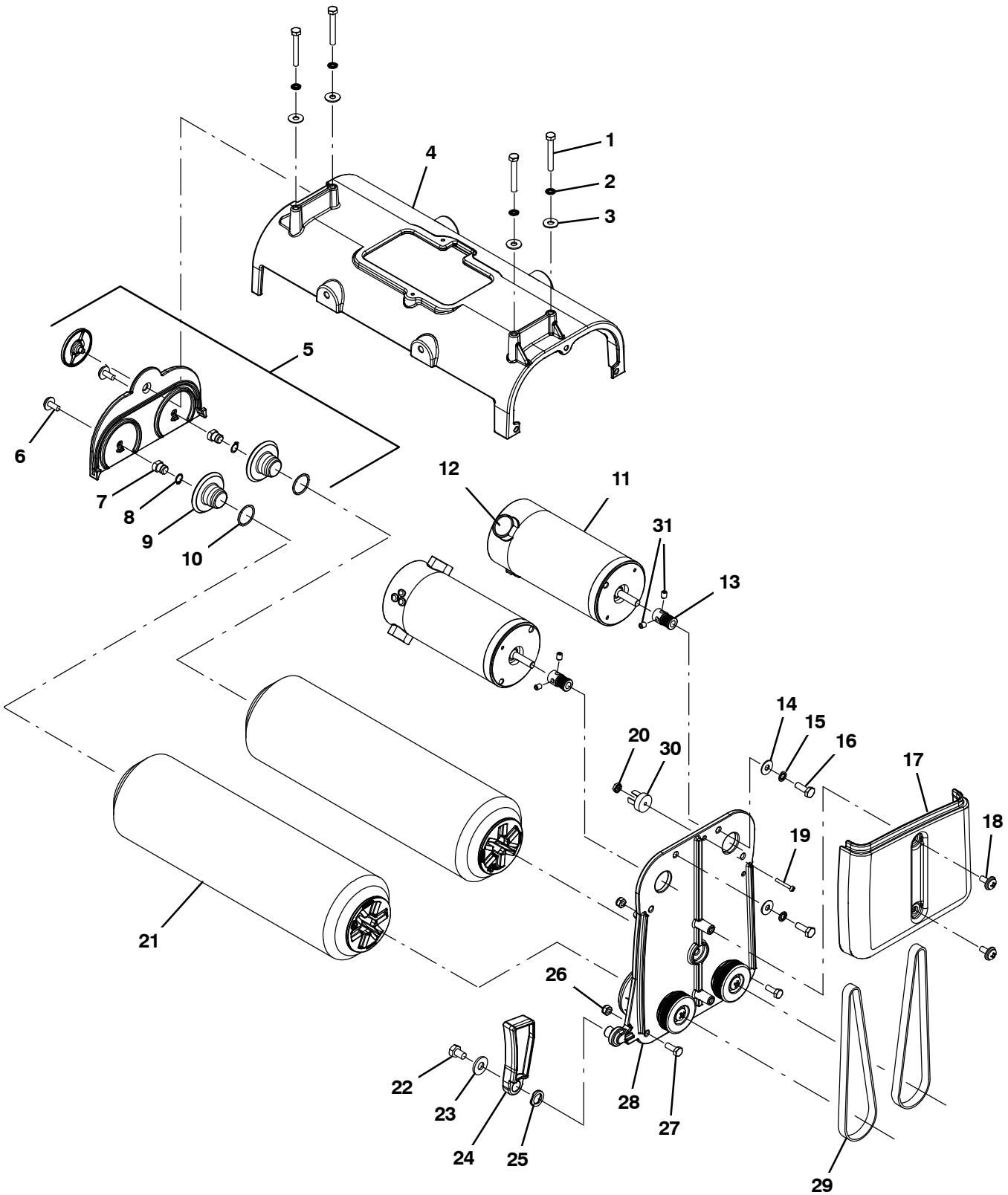
Ref.	Part No.	Serial Number	Description	Qty.	
1	08712	(30000000-40000000)	Nut, Hex, Lock, M6 X 1.00, Ni, Ss	2	
2	01684	(30000000-40000000)	Washer, Flat, 0.27b 0.69d .05, Ss	2	
3	150417	(30000000-40000000)	Fitting, Plstc, E90, Bm04/Pm06	2	
4	1031915	(30000000-40000000)	Pump, Soltn, Ele, 110vac	1	
5	43844	(30000000-40000000)	Clamp, Hose, Wormdrive, 0.25-0.62d, .31w	15	
6	1034331	(30000000-40000000)	Bracket, Pump	1	
7	140874	(30000000-40000000)	Screw, Hex, 10-32 X 0.38, PI [Inwa Ty1]	2	
8	606364	(30000000-40000000)	Hose, Pvc, Brd, 0.25id 0.50od 60.0l,Gray (160204)	1	
9	150515	(30000000-40000000)	Fitting, Brs, Str, Bm04/Pm04 [Taped]	2	
10	1028773	(30000000-40000000)	Fitting, Brs, E90, Bm04/Pf04	1	
11	32486	(30000000-40000000)	Washer, Flat, 0.50, Sae	1	
12	1033445	(30000000-40000000)	Shroud, Splash, Nozzle [Trex]	1	
▽	13	1061033	(30000000-40000000)	Nozzle Assy, Spray [1/4qjja+Qtka-1]]	1
▲	14	1034685	(30000000-40000000)	Nozzle, Tip, Spray [Qtka]	1
15	41579	(30000000-40000000)	Washer, Flat, 08, Ss	2	
16	579237	(30000000-40000000)	Screw, Pan, Phl, M4 X 0.70 X 12, Ss	2	
17	150713	(30000000-40000000)	Fitting, Plstc, Tee, Bm04/Bm04/Bm04	1	
18	1037846	(30000000-40000000)	Manifold, Soltn, 120 Volt	1	
19	01683	(30000000-40000000)	Washer, Flat, 10, Ss	2	
20	07514	(30000000-40000000)	Washer, Lock, Int, 10, Ss	2	
21	140841	(30000000-40000000)	Screw, Pan, Phl, 10-32 X 0.62, Ss	2	
22	150418	(30000000-40000000)	Fitting, Brs, E90, Bm04/Pm04	1	
23	150525	(30000000-40000000)	Fitting, Brs, Str, Bm04/Pm02	1	
24	150402	(30000000-40000000)	Fitting, Brs, E90, Pf02/Pf02	1	
25	3148.816	(30000000-40000000)	Washer, Flat, 0.52b 0.88d .06, Stl, PI	1	
26	150915	(30000000-40000000)	Fitting, Brs, Qdc, Pm02, Fem [Ser 5]	1	
27	606161	(30000000-40000000)	Hose, Pvc, Brd, 0.25id 0.50od 36.0l,Gray (160204)	1	
28	150713	(30000000-40000000)	Fitting, Plstc, Tee, Bm04/Bm04/Bm04	1	
29	1035296	(30000000-40000000)	Washer, Flat, Belleville, .567	1	

▽ ASSEMBLY

▲ INCLUDED IN ASSEMBLY

SCRUB HEAD GROUP

355264



SCRUB HEAD GROUP

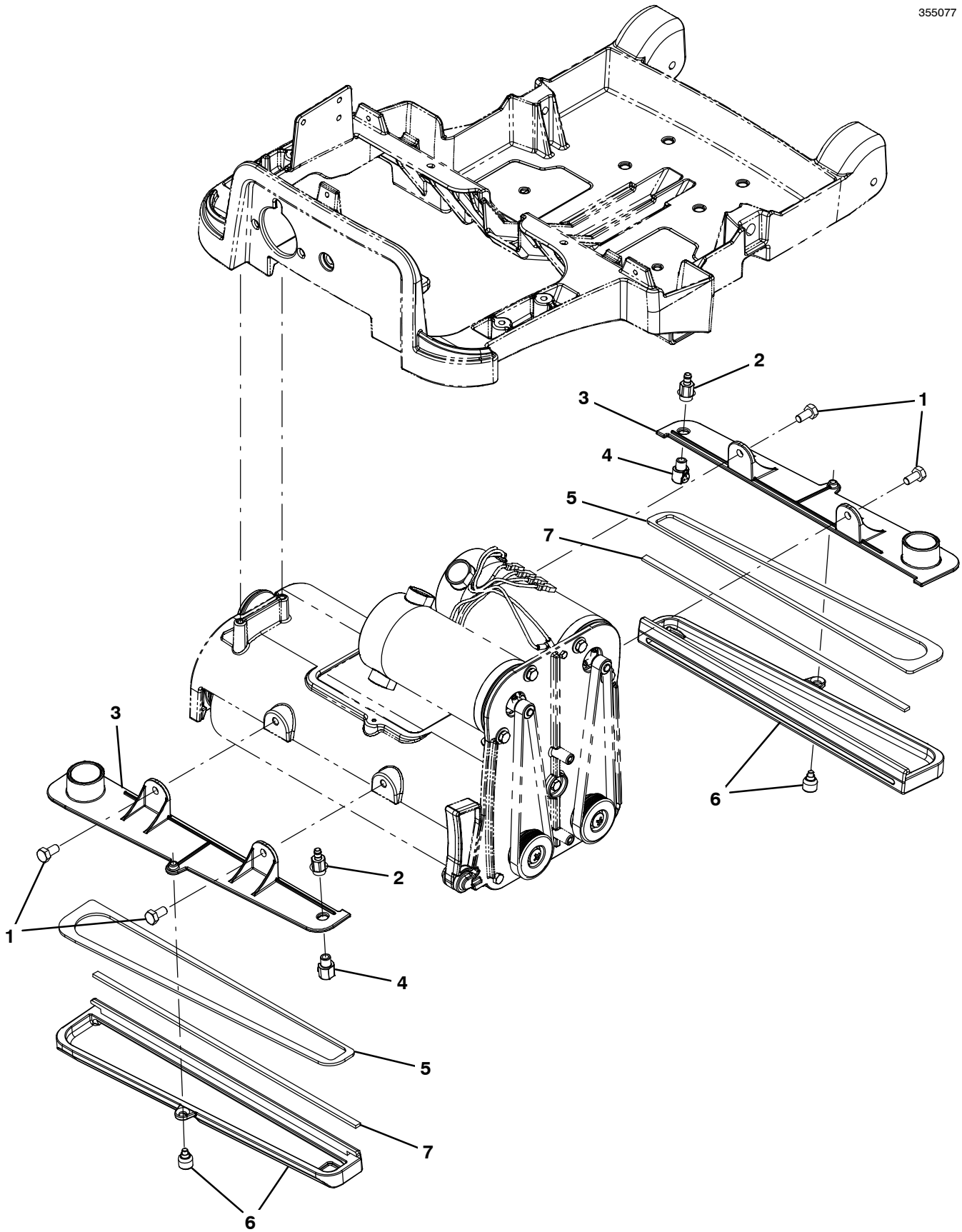
Ref.	Part No.	Serial Number	Description	Qty.	
1	1045325	(30000000-40000000)	Screw, Hex, M6 X 1.00 X 45, Ss	8	
2	1027144	(30000000-40000000)	Washer, Lock, Int, M6, Ss	8	
3	01684	(30000000-40000000)	Washer, Flat, 0.27b 0.69d .05, Ss	8	
4	1054903	(30000000-40000000)	Housing, Brush, Dbl, 40cm	1	
▽	5	9007963	(30000000-40000000)	Door Kit, Brush, W/ Hdwr	1
▲	6	1019349	(30000000-40000000)	Screw, Trs, M6 X 1.00 X 16, Ss, Sems	2
▲	7	1030682	(30000000-40000000)	Shaft, Idler Plug	2
▲	8	01543	(30000000-40000000)	Ring, Retaining, Ext, 0.39d, Basic	2
▲	9	1030680	(30000000-40000000)	Hub, Idler, Brush	2
▲	10	1042312	(30000000-40000000)	Seal, Org, .103 X .862 Id, 118	2
▽	11	1072721	(30000000-40000000)	Motor, Ele, 115vdc 1550rpm .25hp 2.3a	2
▲	12	1067897	(30000000-40000000)	Vr, Brush Kit, Motor	4
	13	1030623	(30000000-40000000)	Sheave, 07grv, 16.03pd [Ph]	2
	14	01684	(30000000-40000000)	Washer, Flat, 0.27b 0.69d .05, Ss	4
	15	07515	(30000000-40000000)	Washer, Lock, Int, 0.25, Ss	4
	16	34323	(30000000-40000000)	Screw, Hex, .25-20 X 0.75, NI	4
	17	1037928	(30000000-40000000)	Cover, Belt, Spg (Dual Roller)	1
	18	1019349	(30000000-40000000)	Screw, Trs, M6 X 1.00 X 16, Ss, Sems	2
	19	140946	(30000000-40000000)	Screw, Rnd, Sltd, 06-32 X 1.00, Nyl	1
	20	140534	(30000000-40000000)	Nut, Hex, #06-32, Nyl	1
	21	1028953	(30000000-40000000)	Roller Assy, Readyspace	2
	22	386868	(30000000-40000000)	Screw, Hex, M8 X 1.25 X 12, Ss	1
	23	07515	(30000000-40000000)	Washer, Lock, Int, 0.25, Ss	1
	24	1042443	(30000000-40000000)	Support, Kickstand, Blk, Nyl	1
	25	140060	(30000000-40000000)	Washer .505x.750x.045 Wave	1
	26	08712	(30000000-40000000)	Nut, Hex, Lock, M6 X 1.00, NI, Ss	3
	27	15678	(30000000-40000000)	Screw, Hex, M6 X 1.00 X 16, Ss	3
	28	9004280	(30000000-40000000)	Bracket, Motor Mount W/ Bearing/Seal Kit	1
	29	9004282	(30000000-40000000)	Belt Kit, W/ Installation Tool [Qty 2]	1
	30	130288	(30000000-40000000)	Rectifier, Bridge, Rnd, 12a 1000volt, Ce	1
	31	09162	(30000000-40000000)	Screw, Set, Soc, M6 X 1.00 X 8, NI	4

▽ ASSEMBLY

▲ INCLUDED IN ASSEMBLY

ROLLER TOOL GROUP

355077

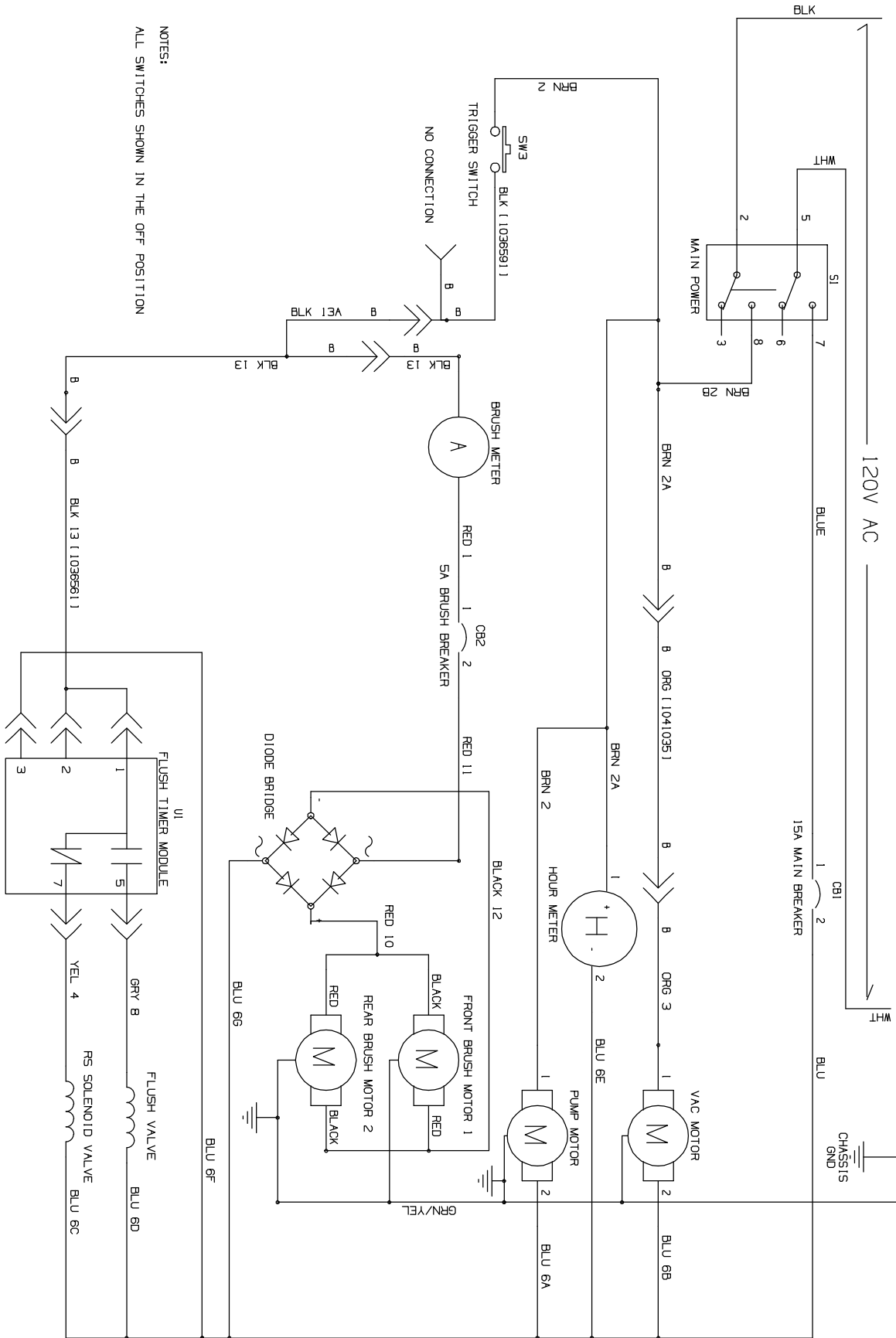


ROLLER TOOL GROUP

Ref.	Part No.	Serial Number	Description	Qty.
1	49826	(30000000-40000000)	Screw, Hex, M8 X 1.25 X 16, NI, Ss	4
2	1040254	(30000000-40000000)	Fitting, Brs, Str, Bm04/Pf02	2
3	1054838	(30000000-40000000)	Cover, Tool, Str Roll Vacuum, 380mm	2
4	1037380	(30000000-40000000)	Nozzle, Flush, Readyspace	2
5	1034819	(30000000-40000000)	Gasket, Tool ,Cover	2
6	9004284	(30000000-40000000)	Cover, Tool W/ Hardware Kit	2
7	9006593	(30000000-40000000)	R3 Foam Gasket Service Kit	1

ELECTRICAL DIAGRAM

1046175_E



NOTES:
ALL SWITCHES SHOWN IN THE OFF POSITION

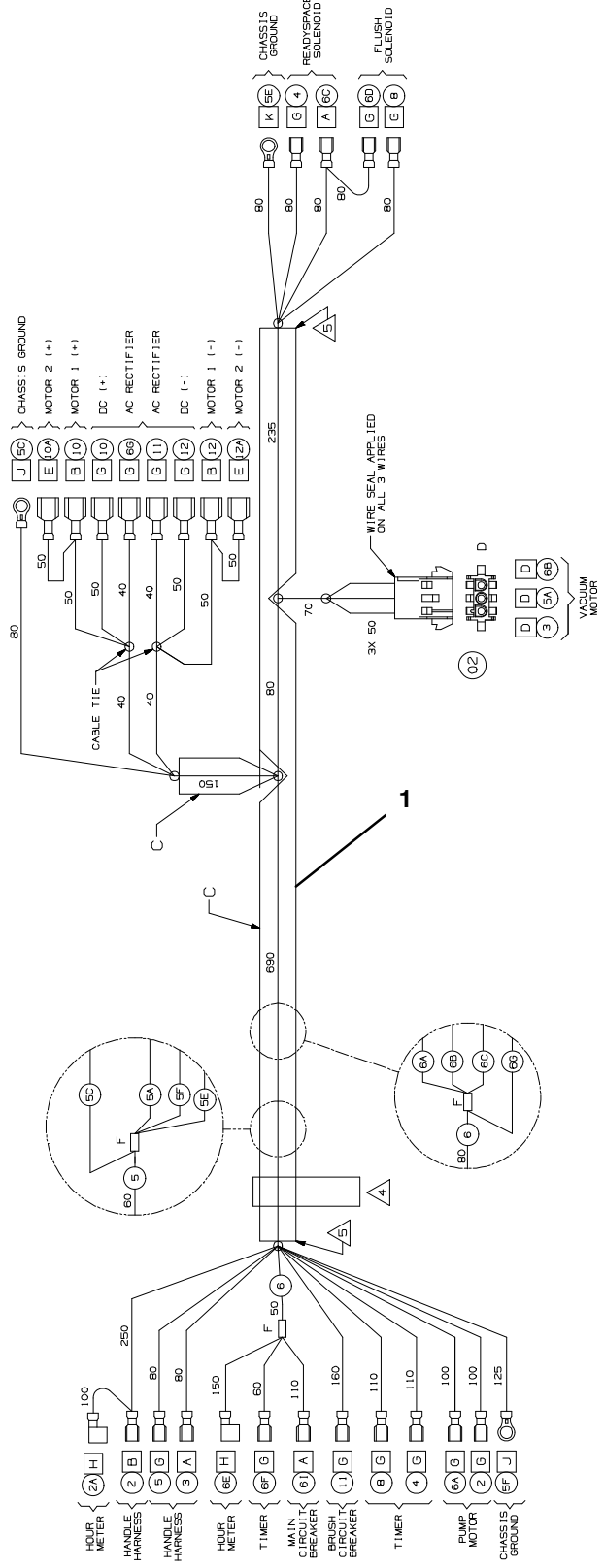
WIRE HARNESS, CHASSIS

355593

TERMINAL	TERMINAL TYPE & SIZE	MFR	MANUFACTURER'S PART NUMBER
A	.25" (18-22) FEMALE FULLY INSULATED TERMINAL	AMP	3-350920-2
B	.25" (14-16) FULLY INSULATED MALE TAB TERMINAL	AMP	3-521191-2
C	CONNECTOR BODY BLACK NYLON BRAIDING		
D	.25" (18-22) FULLY INSULATED MALE TAB TERMINAL	AMP	WIRE SEAL P/N 784272-1 MALE TERMINAL P/N 350887-1
E	.25" (18-22) FULLY INSULATED MALE TAB TERMINAL	AMP	2-520103-2
F	ALTRALSOINC CRIMP AND COVER WITH HEATSHRINK		
G	.25" (18-22) FEMALE FULLY INSULATED TERMINAL	AMP	2-520104-2
H	.25" (18-22) FEMALE FULLY INSULATED FLAG TERMINAL	AMP	2-520129-2
J	#8 UNINSULATED RING TERMINAL 16-22 AWG	AMP	34108
K	#10 UNINSULATED RING TERMINAL 16-22 AWG	AMP	34109

WIRE No.	AWG	COLOR
6C	18	BLUE
6D	18	BLUE
6E	18	BLUE
6F	18	BLUE
6G	18	BLUE
6H	18	BLUE
6I	14	BLUE USED
7		NOT USED
8	18	GRAY
9		NOT USED
10A	18	RED
11	18	RED
11A		NOT USED
12	18	BLACK
12A	18	BLACK

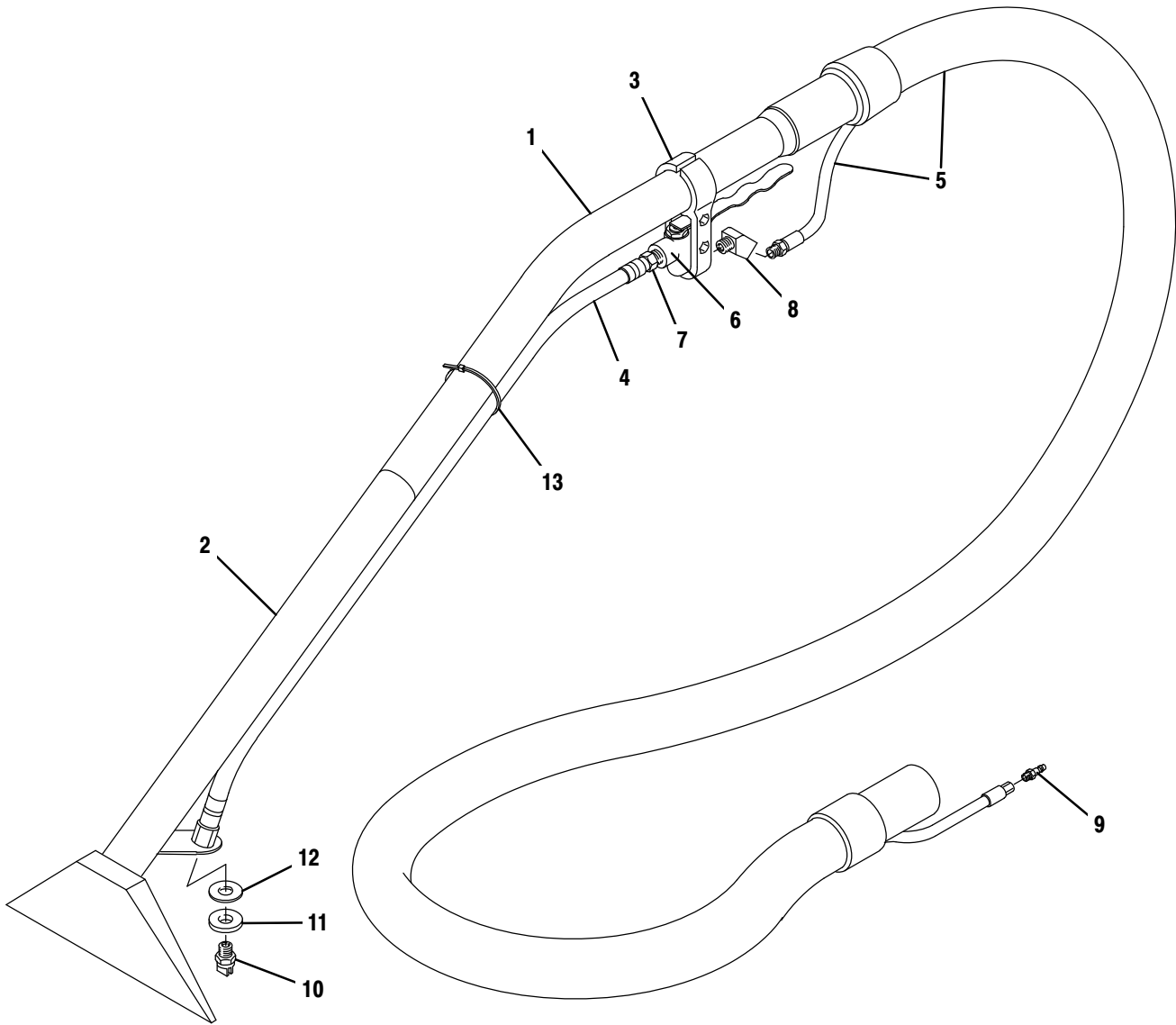
WIRE No.	AWG	COLOR
1		NOT USED
1A		NOT USED
2	18	BROWN
2A	18	BROWN
2B		NOT USED
3	14	ORANGE
4	18	YELLOW
5	18	GREEN/YELLOW
5A	18	GREEN/YELLOW
5B	18	GREEN/YELLOW
5C	18	GREEN/YELLOW
5E	18	GREEN/YELLOW
5F	18	GREEN/YELLOW
6	14	BLUE
6A	18	BLUE
6B	14	BLUE



Ref.	Part No.	Serial Number	Description	Qty.
1	1033926	(3000000-4000000)	Harness, Chassis, Ele [T-Rex Readyspace]	1

FLOOR TOOL GROUP, 8 in / 203 mm

355116



FLOOR TOOL GROUP, 8 in / 203 mm

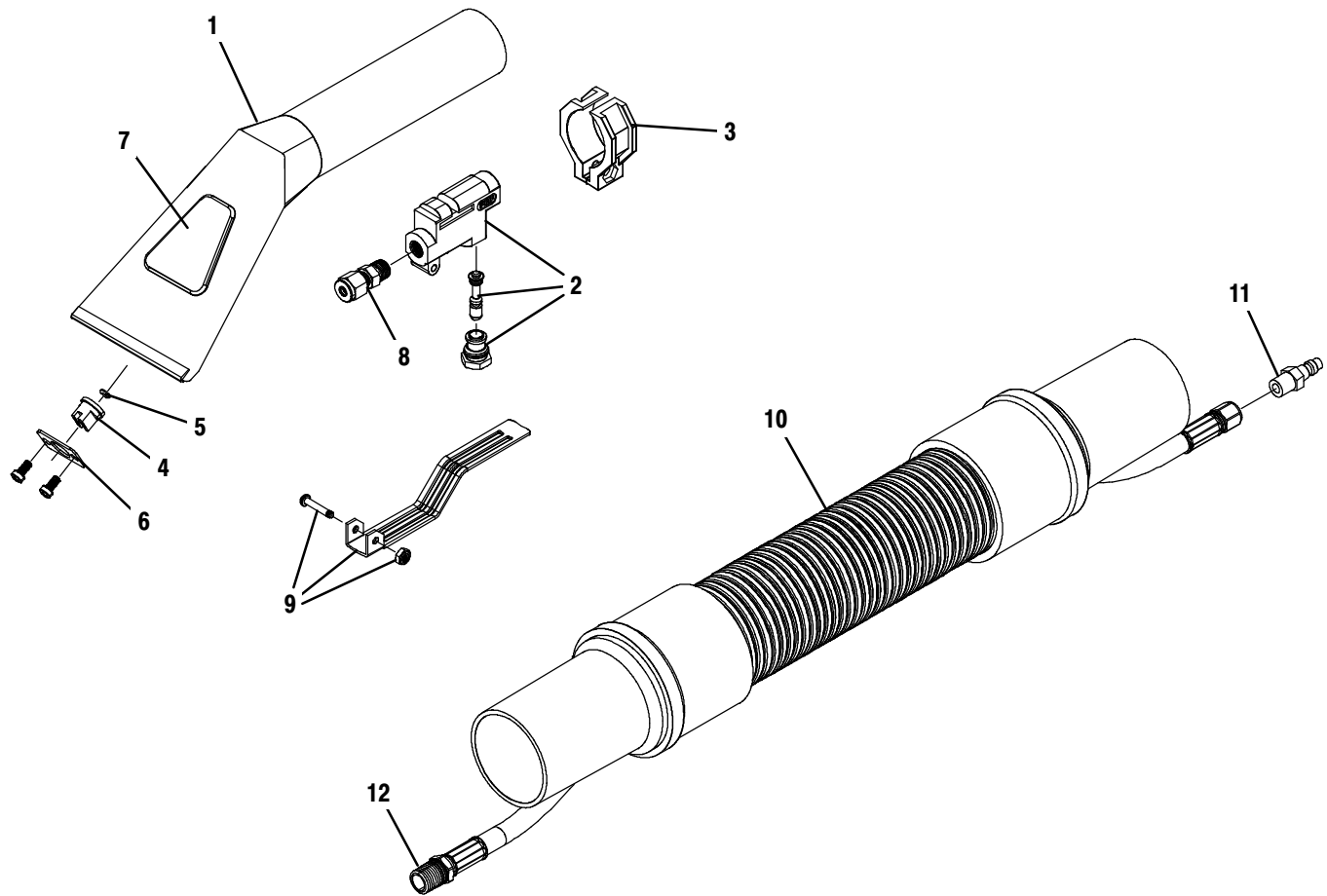
Ref.	Part No.	Serial Number	Description	Qty.
▽	1058735	(30000000-40000000)	Tool Assy, Floor, W/ Ss Head	1
▲	1 1058997	(30000000-40000000)	Wand, Tube, Upper, Fr/ 1058735, Replmt	1
▲	2 1058995	(30000000-40000000)	Wand Assy, Lower, Fr/ 1058735, Replmt	1
▲	3 605988	(30000000-40000000)	Vr, Bracket, Hanger, Valve	1
▲	4 1058998	(30000000-40000000)	Hose, Brd, 39.0l, Fr/ 1058735, Replmt	1
▲	5 1059131	(30000000-40000000)	Hose Assy, 10ft, F/1058735, Replmt	1
▲	6 578064000	(30000000-40000000)	Valve, Water, Flow Cntrl, W/Lever [Wand]	1
▲	7 150516	(30000000-40000000)	Fitting, Brs, Str, Bm06/Pm04	1
▲	8 150403	(30000000-40000000)	Fitting, Brs, E45, Pf04/Pm04 [Taped]	1
▲	9 150921	(30000000-40000000)	Fitting, Ss, Qdc, Pm02 [Ser 5]	1
▲	10 1059002	(30000000-40000000)	Fitting, Jet, Vee, .25npt, Brs	1
▲	11 1058999	(30000000-40000000)	Washer, Flat, Abs, F/ 1058735, Replmt	1
▲	12 140058	(30000000-40000000)	Washer, Flat, 0.54b 0.88d .06, Ss [Wand]	1
▲	13 130041	(30000000-40000000)	Tie, Cable, Nyl, 11.5l .19w	1
	N/S 220040	(30000000-40000000)	Bag, Hose, Accssry, 24x36[W/Draw String] (Optional)	1

▽ ASSEMBLY

▲ INCLUDED IN ASSEMBLY

HAND TOOL GROUP, 4 in / 101 mm

355117

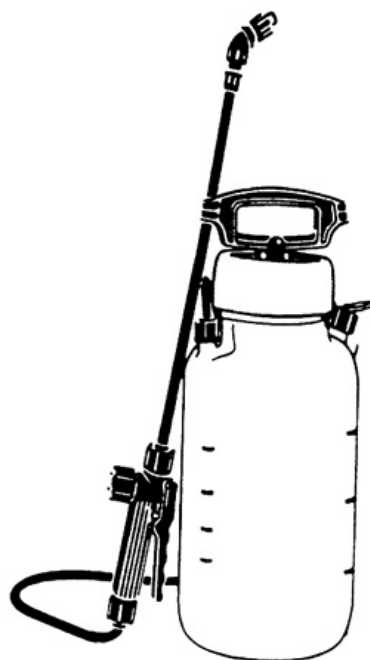


Ref.	Part No.	Serial Number	Description	Qty.
	1058747	(30000000-40000000)	Tool Assy, Hand, W/ Ss Head & Plstc Wndw	1
▽	1	1059230	(30000000-40000000) Tool Assy, W/Trigger F/1058747, Replmt	1
▲	1	1059003	(30000000-40000000) Tool, W/ Wndw, Ss, F/1058747, Replmt	1
▲	2	611807	(30000000-40000000) Valve, Tool, Hand [Pmf]	1
▲	3	611812	(30000000-40000000) Valve, Hanger [Pmf]	1
▲	4	1059006	(30000000-40000000) Fitting, Jet, Tee, Plstc, Fr/ 1058747	1
▲	5	1059005	(30000000-40000000) Seal, Org, Fr/ 1058747, Replmt	1
▲	6	611815	(30000000-40000000) Retainer, Plate [Pmf]	1
▲	7	1059004	(30000000-40000000) Tool, Wndw, Plstc, Fr/ 1058747	1
▲	8	611817	(30000000-40000000) Ferrule, Pm02/.18tube	1
▲	9	611818	(30000000-40000000) Trigger, Handle Pmf	1
▽	10	1059130	(30000000-40000000) Hose Assy, 10ft, F/1058747, Replmt	1
▲	11	150921	(30000000-40000000) Fitting, Ss, Qdc, Pm02 [Ser 5]	1
▲	12	150521	(30000000-40000000) Fitting, Brs, Str, Bm02/Pf02	1
	N/S	220040	(30000000-40000000) Bag, Hose, Accssry, 24x36[W/Draw String] (Optional)	1

▽ ASSEMBLY

▲ INCLUDED IN ASSEMBLY

PUMP-UP CARPET SPRAYER



Ref.	Part No.	Serial Number	Description	Qty.
605848	(30000000-40000000)	Sprayer 2gal Pumpup Hd	1	

DOCUMENTATION GROUP

Ref.	Part No.	Serial Number	Description	Qty.
	9012805	(30000000–40000000)	Manual, Parts [Strive Compact, En]	1
	9003763	(30000000–40000000)	Manual, Oprtr [Readyspace, En/Es/Fr]	1
	9004229	(30000000–40000000)	Instr, Use&Care, Wallchart[Readyspace C]	1



To view, print, order, download the latest Parts manual, other language Operator manuals, and Use and Care Guides (wall charts), visit:

www.nobles.com/manual

