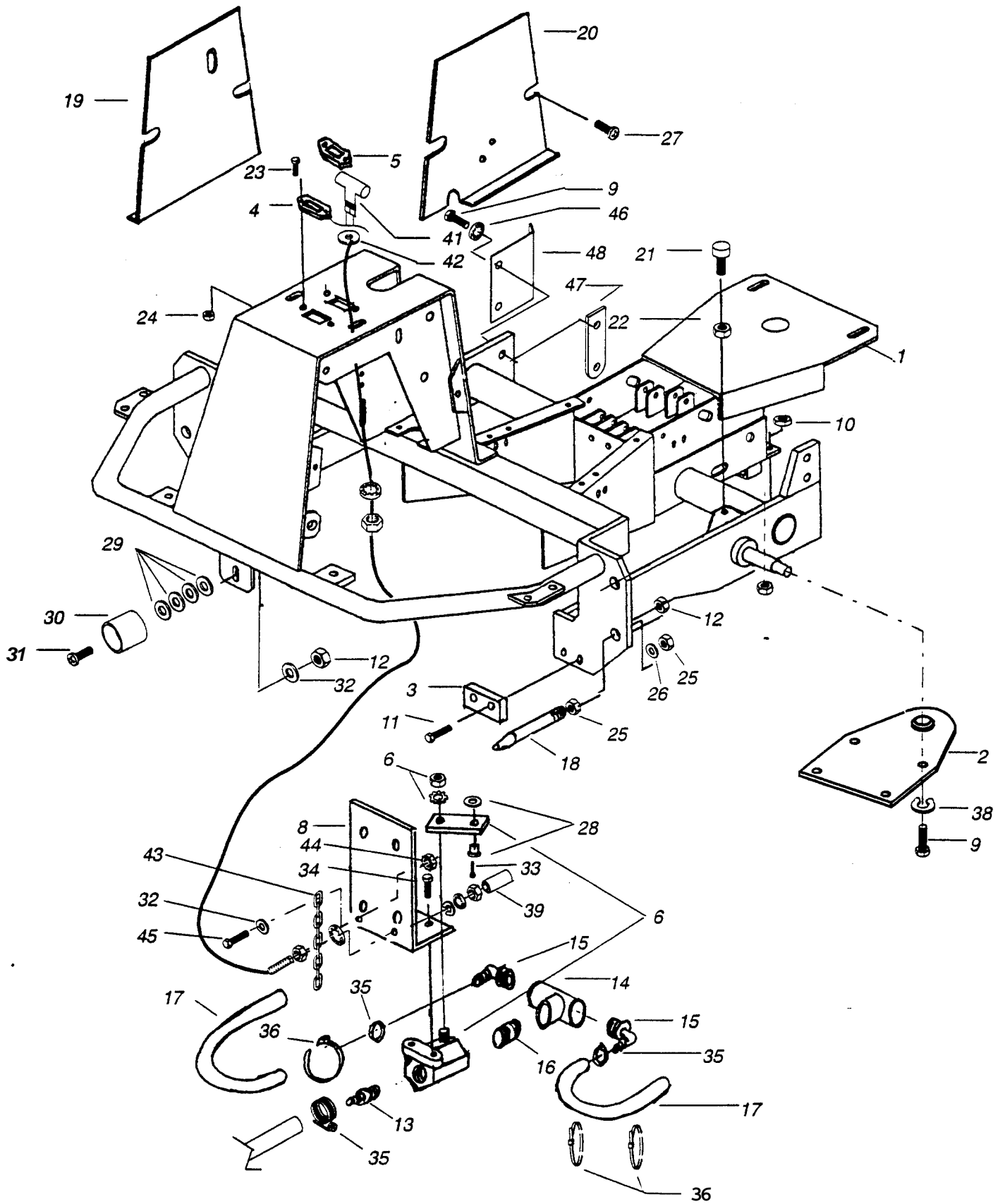


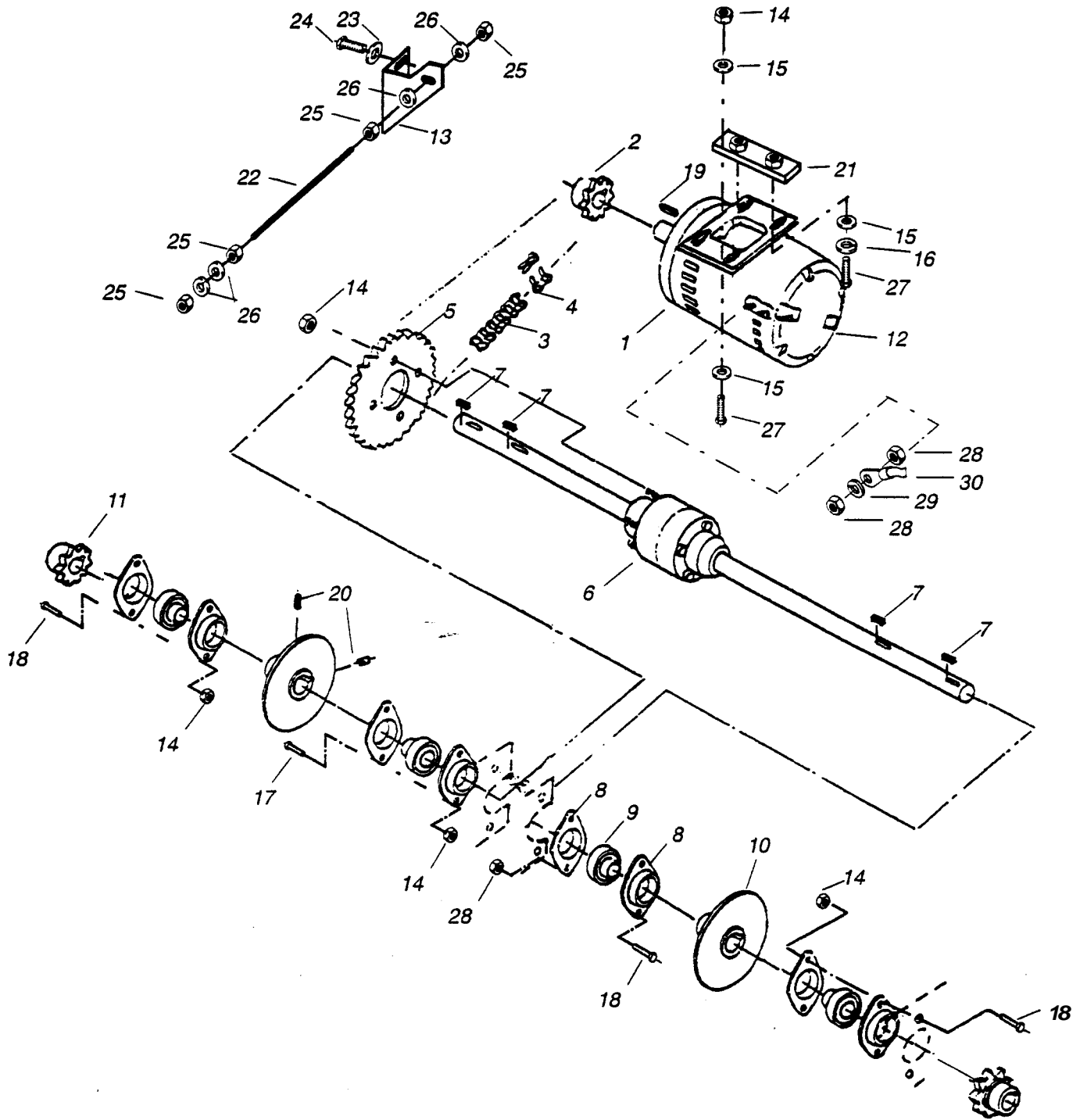
FRONT FRAME GROUP



FRONT FRAME GROUP

Ref	Part No.	Qty	Description	Serial No.		Notes:
				From	To	
1	81792	1	WELDMENT, FRONT FRAME			
2	81672	1	WELDMENT. PIVOT PLATE			
3	81028	2	BLOCK, SLIDE			
4	54154	1	METER, HOUR			
5	54144	1	METER, BATTERY CONDITION			
6	05116	1	VALVE / ARM ASSEMBLY			
7	OPEN					
8	81751	1	ANGLE, VALVE MOUNT			
9	70266	6	SCREW, 3/8-16 X 1 HEX HEAD	6000513		
10	57119	4	NUT, 3/8-16 ELASTIC STOP			
11	70249	4	SCREW, 1/4-20 X 1-1/4 HEX HEAD			
12	57047	5	NUT, 1/4-20 ELASTIC STOP			
13	80962	1	FITTING, STR 3/4 NPT TO 5/8 BARB			
14	81923	1	FITTING. TEE 3/4 FEMALE NPT			
15	81913	2	FITTING, 90" 3/4 NPT TO 5/8 BARB			
16	80960	1	NIPPLE, 3/4 NPT			
17	81935	2	TUBING, 5/8 ID C 15 LG VINYL			
18	81663	4	PIN, BUMPER			
19	81787	1	PLATE, COVER RIGHT			
20	81788	1	PLATE, COVER LEFT			
21	80654	4	BUMPER			
22	57031	8	NUT, 5/16-18			
23	70599	4	SCREW, 6-32 X 5/8 HSC PLTD.			
24	57049	4	NUT, 6-32 ELASTIC STOP			
25	57161	8	NUT. 1/2-13 JAM PLTD			
26	87164	4	WASHER, 1/2 SPLIT LOCK			
27	70384	4	SCREW, 1/4-20 X 1/2 PHIL HD			
28	82010	1	SWIVEL			
29	80819	4	WASHER, PLASTIC			
30	51214	1	LATCH, FEMALE			
31	70439	1	SCREW, 1/4-20 X 1-1/2 SOC HD			
32	87013	2	WASHER, 114 FLAT			
33	70424	1	SCREW, 8-32 X 5/8 HHMS			
34	70452	2	SCREW, #10-24 X 3/8 HHMS			
35	20042	3	CLAMP, 3/8 HOSE			
36	27049	3	CABLE TIE			
37	87100	1	WASHER, 3/8 ID INT. LOCK			
38	67270	1	RING, RETAINING			
39	82333	1	STOP, SOLUTION LEVER			
40	57127	1	NUT, 5/16-24 HEX JAM PLTD			
41	82177	REF	CABLE, SOLUTION			
42	87119	1	WASHER, 112 FLAT			
43	80582	1	CHAIN. GROUNDING			
44	57105	1	NUT, 1/4-20 W/STAR			
45	70505	1	SCREW, 1/4-20 X 1 HEX HEAD			
46	87075	2	WASHER, 3/8 ID INT. LOCK	6000513		
47	82330	1	BAR, TAPPED	6000513		
48	82263	1	PLATE, DRAIN HOSE GUARD	6000513		

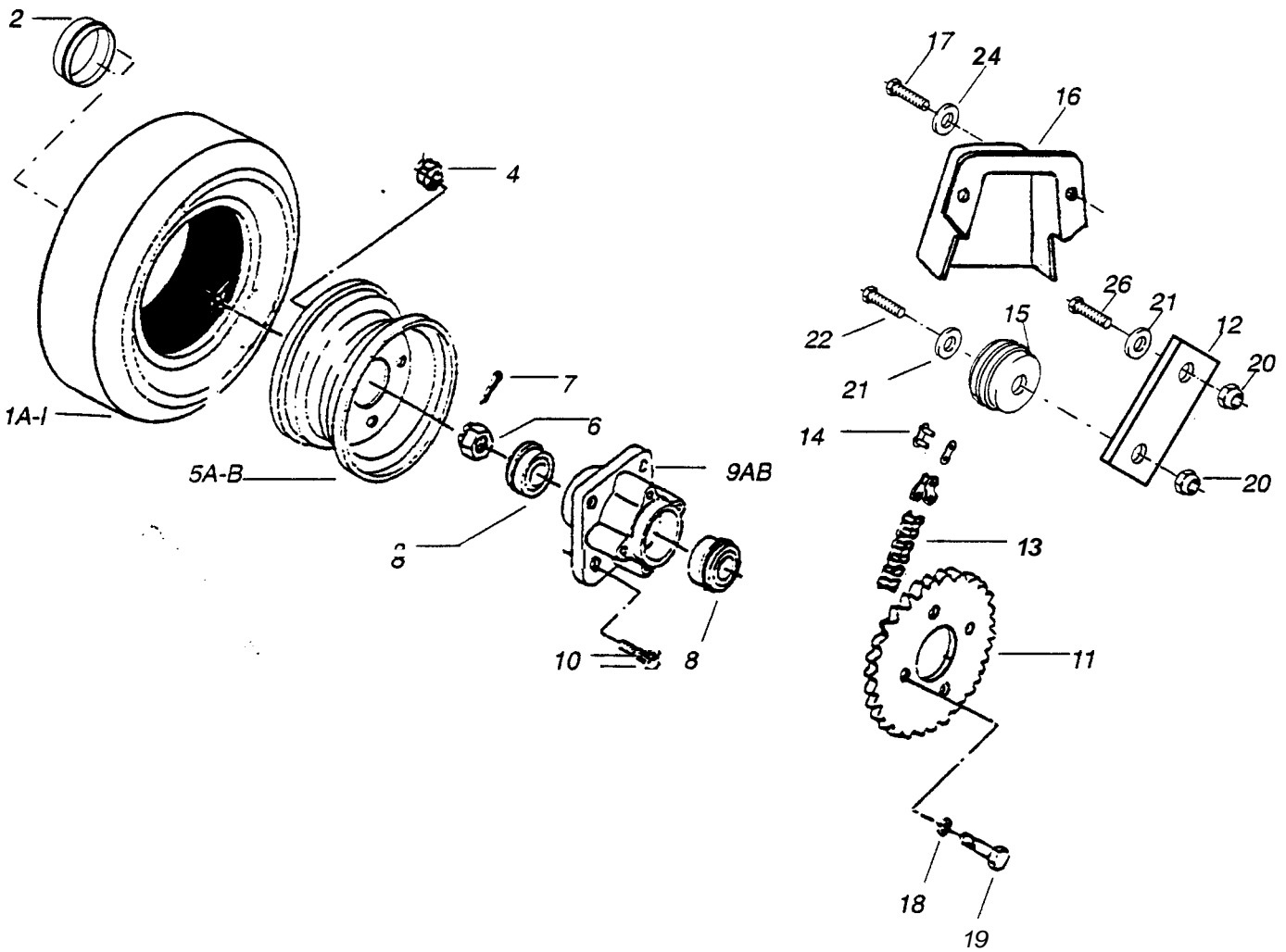
DIFFERENTIAL GROUP



DIFFERENTIAL GROUP

Ref	Part No.	Qty	Description	Serial No.		Notes:
				From	To	
1	53593	1	MOTOR, DRIVE			
2	80585	1	SPROCKET, 11 TOOTH			
3	80587	1	CHAIN			
4	27743	1	LINK, CONNECTING			
5	80004	1	SPROCKET, 36 TOOTH			
6	81602	1	DIFFERENTIAL, FLEX			
7	48041	4	KEY			
8	80595	8	FLANGE, BEARING			
9	09070	4	BEARING			
10	80602	2	DISC, BRAKE			
11	80592	2	SPROCKET, 11 TOOTH			
12	82568	2	BRUSH SET, (SERVICE PART)			
13	81893	12	ANGLE, MOTOR POSITION			
14	57113	8	NUT, 5/16-18 ELASTIC STOP			
15	87142	6	WASHER, 5/16 FLAT			
16	87083	2	WASHER, 5/16 SPLIT LOCK			
17	70305	2	SCREW, 5/16-18 X 3/4 HEX HEAD			
18	70325	6	SCREW, 5/16-18 X 1-1/4 HEX HEAD			
19	48061	1	KEY, SQUARE			
20	70126	4	SCREW, 1/4-28 X 1/4 SET			
21	81894	1	BAR, RETAINING			
22	81896	1	ROD, MOTOR POSITION			
23	87163	2	WASHER, 3/8 SPLIT LOCK			
24	70507	2	SCREW, 3/8-16 X 3/4 HEX HEAD			
25	57161	4	NUT, 1/2-13 JAM			
26	87119	4	WASHER, 1/2 FLAT			
27	70302	4	SCREW, 5/16-18 X 1.0 HEX HEAD			
28	57138	6	NUT, 5/16-18 X 1.0 HEX HEAD			
29	87083	2	WASHER, 5/16 SPLIT			
30	82033	1	CABLE ASM , DRIVE (REF)			

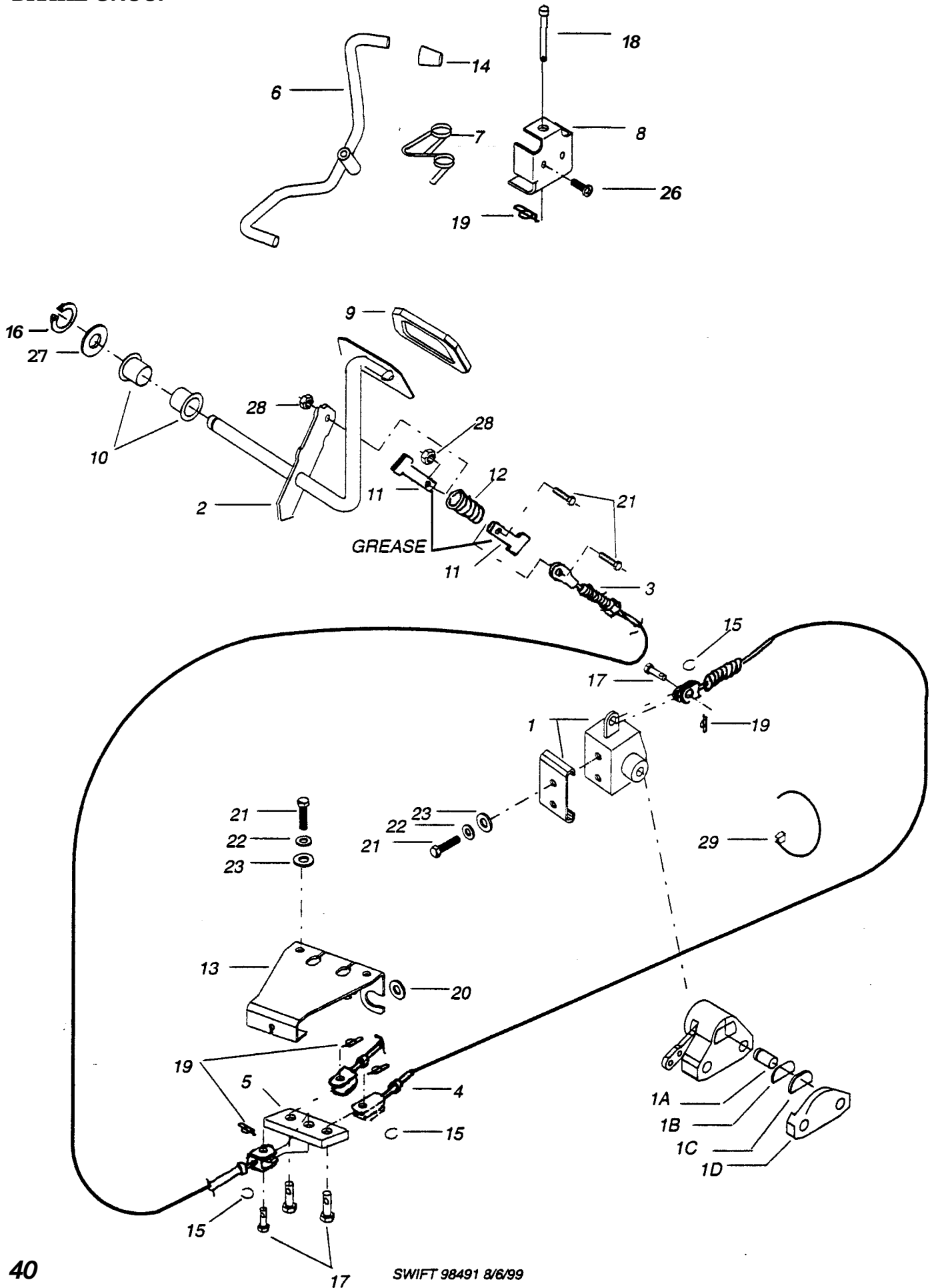
REAR WHEEL GROUP



REAR WHEEL GROUP

Ref	Part No.	Qty	Description	Serial No.		Notes:
				From	To	
1A	82707	2	WHEEL ASSY.,PNEU.NON-MARKING GRY KNOBBY	(not shown)		NEW ASSY. ADDED 4/22/98
	78413		TUBE, 16" TIRE			Service Part for 82707
1B	81912	REF	WHEEL ASSY. NON MARKING PNEU.	(not shown)		Service Part for 81912
	78413		TUBE, 16" TIRE			
1C	80593	REF	WHEEL ASSY. PNEUMATIC BLACK			
1D	82413	REF	WHEEL ASSY. FOAM FILLED. NON MARKING	(not shown)		Service Part for 82706
1E	82706	REF	TIRE/RIM ASSY. BLACK KNOBBY PNEU			
	78413		TUBE, 16" TIRE			
1F	82983	REF	WHEEL ASSY., FOAM FILLED NON-MARK KNOBBY			
1G	830755	REF	WHEEL ASSY.. FOAM FILLED BLK KNOBBY			
	80914	REF	TIRE, SOLID PRESS-ON			Service Part for 81276
1H	830560	REF	WHEEL ASSY, SOLID TIRE			Service Part for 82100
	82092	REF	TIRE, SCRUBBER PRESS-ON			
1I	830559	REF	TIRE, SOLID PRESS-ON			
1J	82101	REF	WHEEL ASSY, NON-MARKING			
	82096	REF	TIRE, NON-MARKING PRESS-ON			Service Part for 82101
1K	830560	REF	WHEEL ASSY, SPECIAL SCRUBBER			Service Part for 830560
	830559	REF	TIRE, SPECIAL SCRUBBER PRESS-ON			
2	80596	2	HUBCAP			
3	81791	2	BAR, COVER RETAINER			
4	80597	8	NUT, WHEEL			
5A			RIM (PART OF TIRE ASM.) FOR PNEU & FOAM FILLED TIRES			
5B	80276	REF	RIM, SOLID TIRE			
6	80598	2	NUT, SLOTTED			
7	66243	2	COTTERPIN			
8	09071	4	BEARING			
9A	80002	2	HUB, DRIVE WHEEL MCHND			
9B	82385	2	HUB, DRIVE WHEEL MCHND.			
10	80599	8	STUD			
11	80005	2	SPROCKET, 44 TOOTH			
12	81897	2	BAR, TENSIONER			
13	82073	2	CHAIN			
14	27743	2	LINK, CONNECTING			
15	80194	2	TENSIONER, CHAIN			
16	80923	2	GUARD, CHAIN			
17	70534	4	SCREW, 1/4-14 TEK/3 HWHS			
18	87083	8	WASHER, 5/16 SPLIT LOCK			
19	70302	8	SCREW, 5/16-18 X 1 HEX HEAD			
20	57119	4	NUT, 3/8-16 ELASTIC STOP			
21	87143	4	WASHER, 3/8 FLAT			
22	70385	4	SCREW, 3/8-16 X 2 HEX HD			
23			OPEN			
24	87013	4	WASHER, 1/4 FLAT			
25			OPEN			
26	70377	2	SCREW, 3/8-16 X 1.25 HEX HEAD			

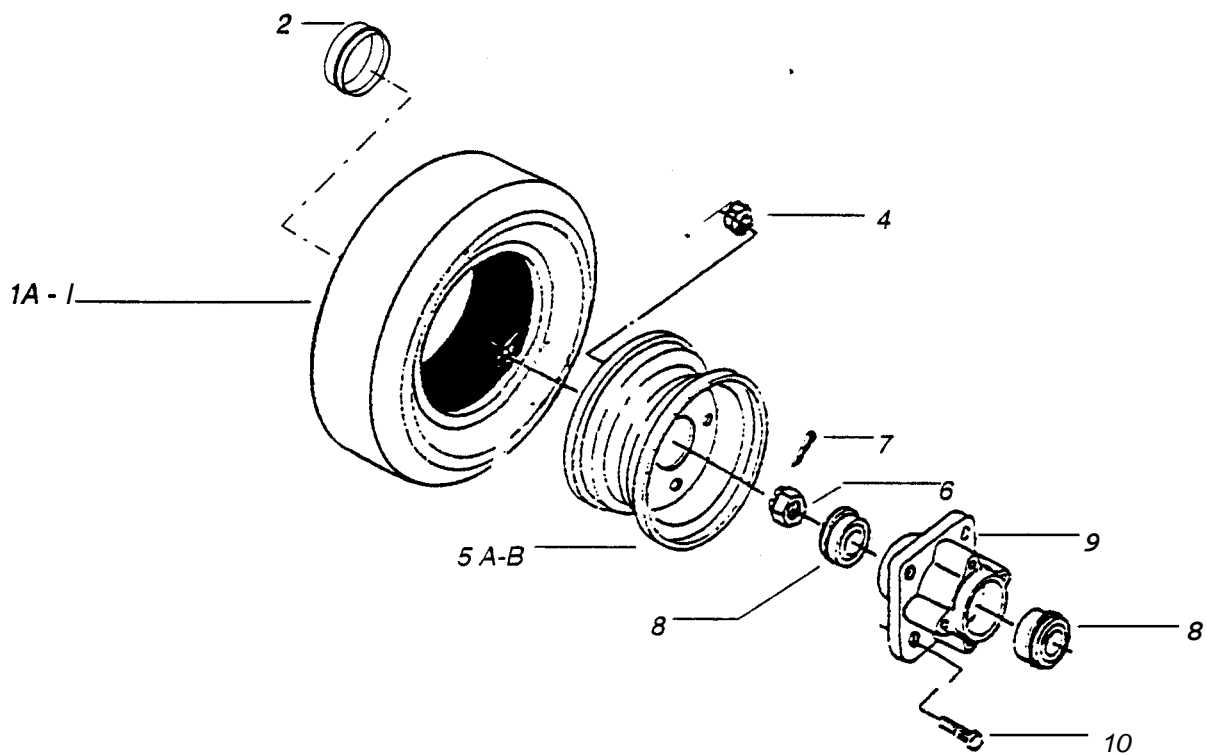
BRAKE GROUP



BRAKE GROUP

			From	To
1	81916	2 CALIPER, BRAKE		
1A	83050	1 ACTUATOR, PIN CALIPER		
1B	83051	1 BACKING PLATE, CALIPER		
1C	83052	1 PUCK, CALIPER		
1D	83053	1 ANVIL SUBPASSEMBLY CALIPER		
2	81773	1 WELDMENT, BRAKE PEDAL		
3	81816	1 CABLE, BRAKE FRONT		
4	81817	2 CABLE, BRAKE REAR		
5	81777	1 BAR, EQUALIZER		
6	81831	1 WELDMENT, PARKING BRAKE		
7	81946	1 SPRING, TORSION		
8	81829	1 CHANNEL, PARKING BRAKE		
9	81972	1 PAD, BRAKEPEDAL		
10	81325	2 BUSHING		
11	81992	2 PLATE, SPRING RETAINER		
12	81993	1 SPRING, COMPRESSION		
13	81778	1 CHANNEL, CABLE MOUNT		
14	81997	1 CAP, ROD END		
15	67381	5 SNAP RING		
16	67132	1 SNAP RING		
17	82053	5 CLEVIS PIN		
18	82052	1 CLEVIS PIN		
19	80604	6 RUE RING		
20	09125	2 BEARING, .625 ID NYLINER	1000000324	
21	70270	8 SCR, 1/4-20 X 3/4 HHCS PLTD		
22	87162	6 WASHER, 1/4 SPLIT LOCK		
23	87013	6 WASHER, 1/4 FLAT		
24		OPEN		
25		OPEN		
26	70384	2 SCREW, 1/4-20 X 1/2 PHTR		
27	87119	1 WASHER, 1/2 FLAT		
28	57047	2 NUT, 1/4-20 ELASTIC STOP		
29	27049	3 CABLE TIE		

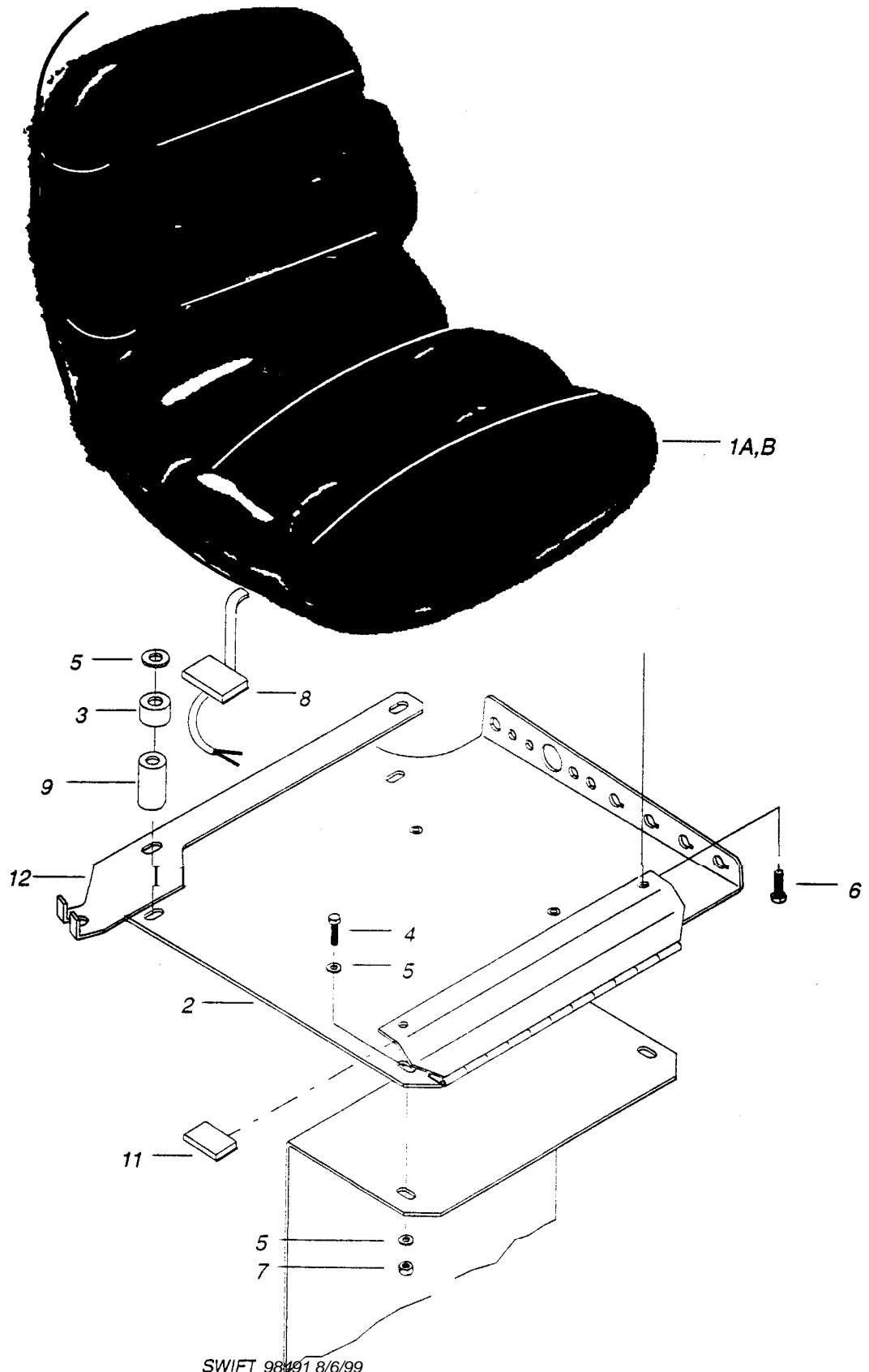
FRONTWHEEL GROUP



FRONT WHEEL GROUP

Ref	Part No.	Qty	Description	Serial No.		Notes:
				From	To	
1A	82707	2	WHEEL ASSY., PNEU.NON MARKING GRY KNOBBY	(not shown)		NEW ASSY. ADDED 4/22/98
	78413		TUBE, 16" TIRE			Service Part for 82707
1B	81912	REF	WHEEL ASSY. NON MARKING PNEU.	(not shown)		Service Part for 81912
	78413		TUBE, 16" TIRE			Service Part for 81912
1C	80593	REF	WHEEL ASSY. PNEU BLACK			
1D	82413	REF	WHEEL ASSY. FOAM FILLED, NON MARKING	(not shown)		NEW ASSY. ADDED 4/22/98
1E	82706	REF	WHEEL ASSY, BLACK KNOBBY PNEU			Service Part for 82706
	78413		TUBE, 16" TIRE			
1F	82983	REF	WHEEL ASSY., FOAM FILLED NON-MARK KNOBBY			
1G	830755	REF	WHEEL ASSY, FOAM FILLED BLK KNOBBY			
	80914	REF	TIRE, SOLID PRESS-ON			Service Part for 81276
1H	81276	REF	WHEEL ASSY, SOLID TIRE			
	82092	REF	TIRE, SCRUBBER PRESS-ON			Service Part for 82100
1I	80914	REF	TIRE, SOLID PRESS-ON			
1J	82101	REF	WHEEL ASSY, NON-MARKING			
	82096	REF	TIRE, NON-MARKING PRESS-ON			Service Part for 82101
1K	830560	REF	WHEEL ASSY, SPECIAL SCRUBBER			
	830559	REF	TIRE, SPECIAL SCRUBBER PRESS-ON			Service Part for 830560
	2	80596	2 HUBCAP			
	3	OPEN				
	4	80597	8 NUT, WHEEL			
5A		REF	RIM, (PART OF TIRE ASM.) FOR PNEU & FOAM FILLED TIRES			
5B	80276	REF	RIM, SOLID TIRE			
6	80598	2	NUT, SLOTTED			
7	66243	2	COTTERPIN			
8	09071	4	BEARING			
9	80002	2	HUB, DRIVE WHEEL MCHND			
10	80599	8	STUD			
11	70594	2	SCREW, 1/4-20 X 3/4 HSFS			

SEAT GROUP

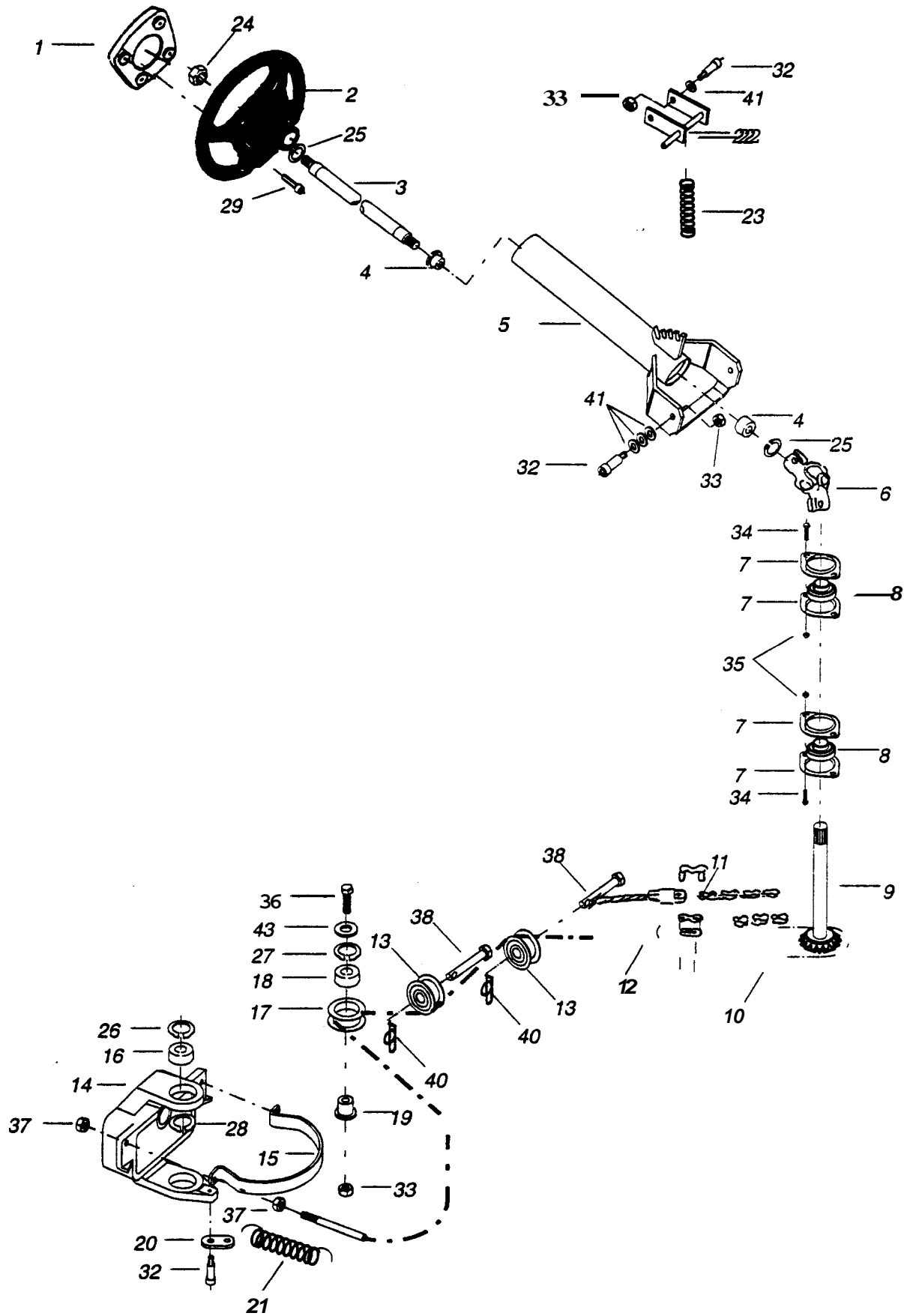


SWIFT 98#91 8/6/99

SEAT GROUP

Ref	Part No.	Qty	Description	Serial No.		Notes:
				From	To	
1A	80681	1	SEAT, CLOTH GRAY			
1B	82999	1	SEAT, VIINYL BLACK			
2	81646	1	SEATMOUNT			
3	80809	2	BUMPER, RUBBER			
4	70305	2	SCREW, 5/16-18 X 3/4 HEX HD			
5	87142	6	WASHER, 5/16 FLAT			
6	70375	2	SCREW, 5/16-18 X 1/2 HHCS			
7	57113	2	NUT, 5/16-18 ELASTIC STOP			
8	81884	1	SAFETY SWITCH			
9	73856	2	SPACER	6000513		
10	70258	2	SCREW, 5/16-18 X 1-1/2 HEX HD			
11	80743	1	CLIP, SELF ADHESIVE			
12	82264	1	PLATE, DRAIN HOSE QFATB	6000513		

STEERING GROUP



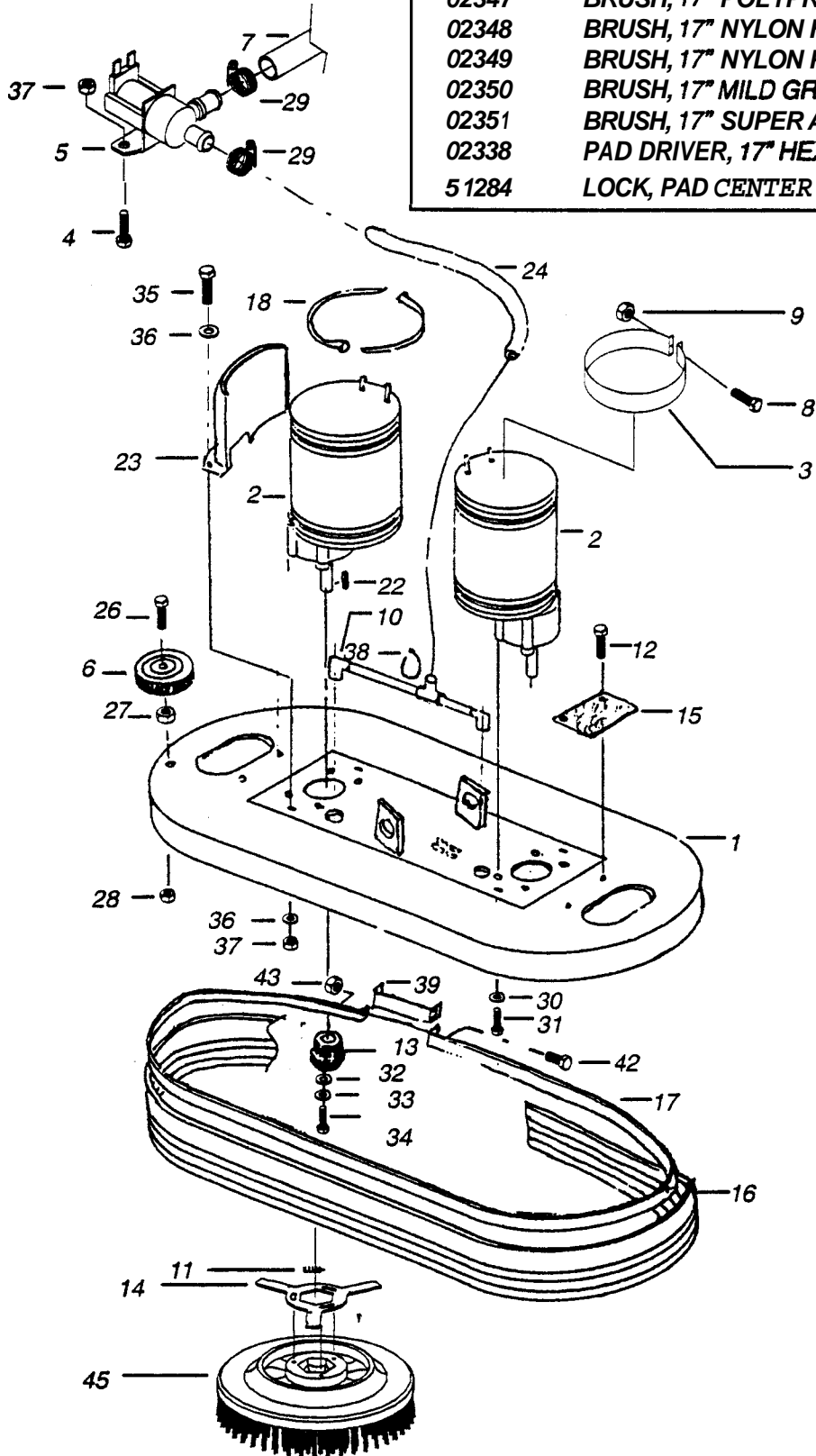
STEERING GROUP

Ref	Part No.	Qty	Description	Serial No.		Notes:
				From	To	
1	81463	1	COVER, STEERING WHEEL			
2	80617R	1	WHEEL, STERING			
3	81626	1	SHAFT, STEERING			
4	09072	2	BEARING			
5	81616	1	WELDMENT, STEERING COLUMN			
6	80619	1	JOINT, UNIVERSAL FEMALE HALF			
7	80595	4	FLANGE, BEARING			
8	09070	2	BEARING			
9	81628	1	WELDMENT, STEERING SHAFT			
10	81863	1	CHAIN, #41 1/2 PITCH -9 TOOTH			
11	81873	2	LINK, CONNECTING			
12	81632	2	CABLE, STEERING			
13	81861	4	PULLEYCABLE			
14	81567	1	PIVOT, FLEX MACHINED			
15	81579	1	BAR, STEERING PIVOT			
16	09079	2	BEARING			
17	81631	1	PULLEY, SPLITTER			
18	09084	1	BEARING, BALL 204PP			
19	81633	1	SPACER, PULLEY STEERING			
20	81590	1	BAR, SPRING PIVOT			
21	81591	1	SPRING, EXTENSION			
22	81623	1	WELDMENT, STEERING TILT LOCK			
23	81977	1	SPRING, EXTENSION			
24	57228	1	NUT, 5/8-18 THIN ELASTIC STOP			
25	80623	2	RING, RETAINING			
26	80665	2	RING, RETAINING			
27	81859	1	RING, RETAINING			
28	67270	1	RING, RETAINING			
29	70353	4	SCREW, 10-32 X 3/4 SHCS			
30			OPEN			
31			OPEN			
32	70598	5	SCREW, SHOULDER			
33	57119	5	NUT, 3/8-16 ELASTIC STOP			
34	70305	4	SCREW, 5/16-18 X 3/4 HEX HEAD			
35	57113	4	NUT, 5/16 ELASTIC STOP			
36	70255	1	SCREW, 3/8-16 X 1-1/2 HEX HEAD			
37	57217	4	NUT, 3/8-24 HEX JAM			
38	66232	4	PIN, 3/8 CLEVIS			
39			OPEN			
40	80606	4	RUE RING, 3/8			
41	87119	8	WASHER, 1/2 FLAT			
42			OPEN			
43	87086	1	WASHER, 3/8 ID X 1.12 OD FENDER			

SCRUB HEAD GROUP

NOTE: SEE MAINTENANCE SECTION FOR BRUSH APPLICATION.

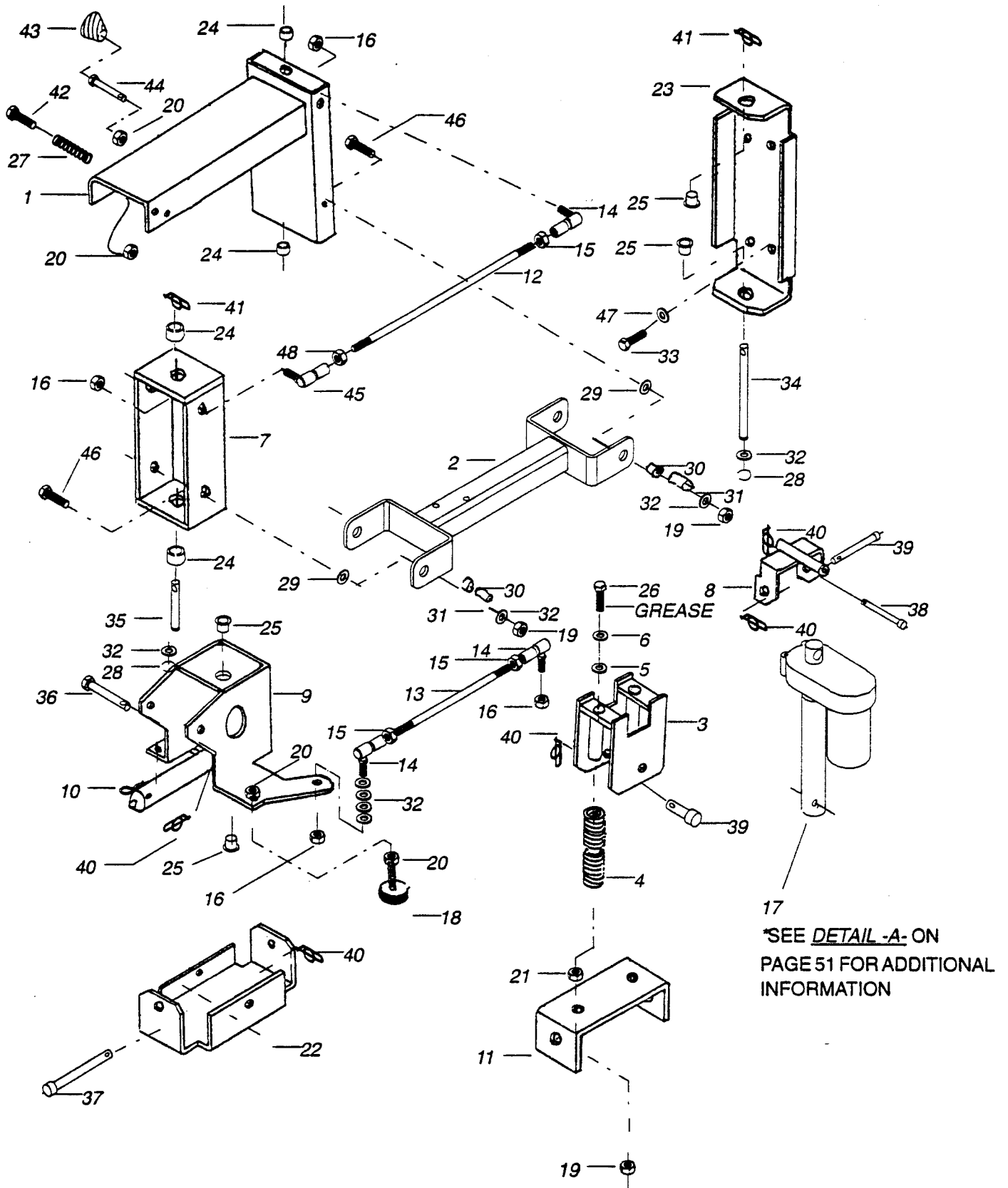
BRUSH OPTIONS: P/N 45	
PART NO.	DESCRIPTION
02347	BRUSH, 17" POLYPROPYLENE
02348	BRUSH, 17" NYLON HEX
02349	BRUSH, 17" NYLON POLISH HEX
02350	BRUSH, 17" MILD GRITHEX
02351	BRUSH, 17" SUPER AGG. HEX
02338	PAD DRIVER, 17" HEX
5 1284	LOCK, PAD CENTER



SCRUB HEAD GROUP

Ref	Part No.	Qty	Description	Serial No.		Notes:
				From	To	
1	81806	1	WELDMENT, SCRUB HEAD			
2	53632	2	BRUSHMOTORASM.			
3	82259	4	GUARD, MOTOR			
4	70506	2	SCR, 1/4-20 X 2			
5	82312	1	VALVE AUTO SHUT-OFF			
6	89059	1	WHEEL			
7	81935	1	TUBING, 5/8" ID X 15.0 LG VINYL			
8	70052	4	SCR, 8-32 X 3/8 PPHMS SS			
9	57026	4	NUT, 8-32 NYLOCK			
10	81905	1	SOLUTION, DELIVERY MANIFOLD			
11	73817	REF.	SPRING			
12	80805	4	FASTENER, TREE			
13	29119	2	DRIVE , BRUSH			
14	81471	REF.	RELEASE, BRUSH			
15	81898	2	COVER, BRUSH RELEASE			
16	73834	1	SKIRT, SCRUB HEAD (80 LONG)			
17	81302	1	WELDMENT, SKIRT RETAINER			
18	27196	4	CABLE TIE, .375 X 17.5			
19			OPEN			
20			OPEN			
21			OPEN			
22	48040	2	KEY, SQUARE 1/4 X 1			
23	81899	2	COVER, MOTOR MCHND.			
24	81397	1	HOSE, 5/8 ID X 14" LONG			
25			OPEN			
26	70385	1	SCREW, 3/8-16 X 2 HEX HEAD			
27	57111	1	NUT, 3/8-16 HEX			
28	57119	1	NUT, 3/8-16 ELSTATIC STOP			
29	20042		CLAMP, 3/8 HOSE			
30	87163	8	WASHER, 3/8 SPLIT LOCK			
31	70507	8	SCREW, 3/8-16 X 3/4 HEX HEAD			
32	87142	2	WASHER, 5/16 FLAT			
33	87083	2	WASHER, 5/16 SPLIT LOCK			
34	70083	2	SCREW, 5/16-18 X 1 HEX HEAD			
35	70270	4	SCREW, 1/4-20 X 3/4 HEX HEAD			
36	87013	8	WASHER, 1/4 FLAT			
37	57047	6	NUT, 1/4-20 ELASTIC STOP			
38	27049	2	CABLETIE, 3/16 X 7			
39	82042	1	CHANNEL, STRAP SUPPORT			
40	87166	1	WASHER, 5/16 LOCK EXT. STAR			
41			OPEN			
42			OPEN			
43	57252	1	NUT, #10-24 ELASTIC STOP			
44						
45			SEE BRUSH/PAD OPTION PG. 48			

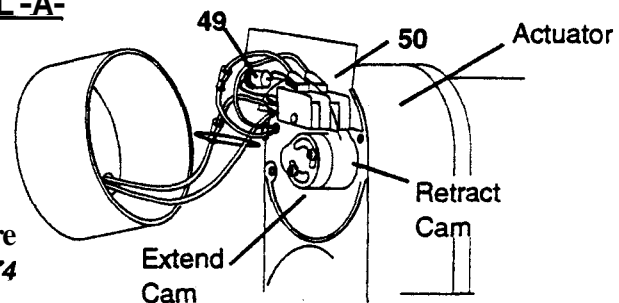
SCRUB HEAD LIFT GROUP



SCRUB HEAD LIFT GROUP

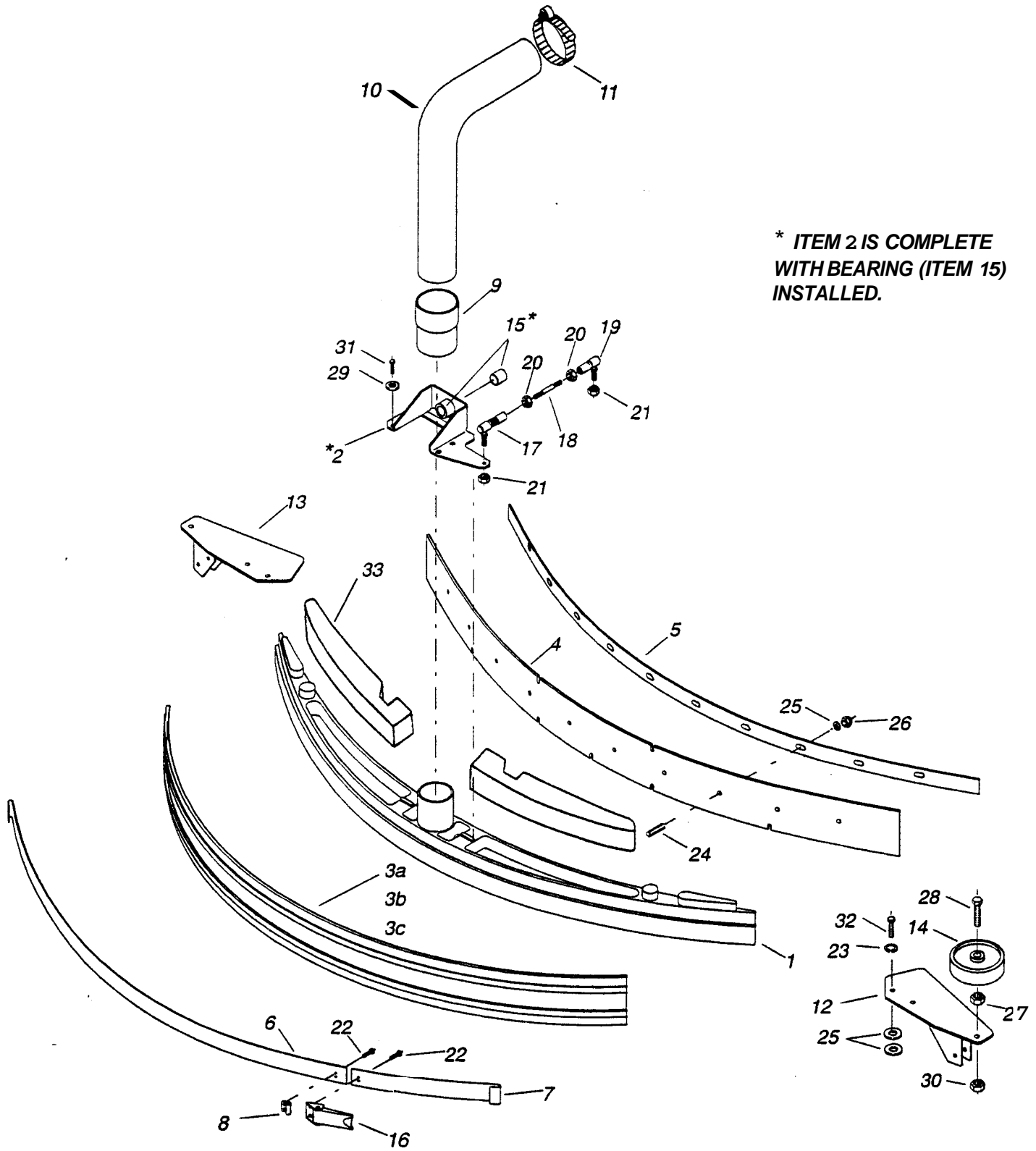
Ref	Part No.	Qty	Description	Serial No.		Notes:
				From	To	
1	81746	1	WELDMENT, SWING ARM			
2	82466	1	CHANNEL, TRAILING ARM			
3	81814	1	WELDMENT, SPRING RETAINER			
4	81311	4	SPRING			
5	80683	2	WASHER, NEOPRENE			
6	87143	2	WASHER, 3/8 FLAT			
7	81752	1	FRONT PIVOT			
8	81765	1	WELDMENT, ACTUATOR PIVOT			
9	81757	1	WELDMENT, QUICK CONNECT PIN			
10	82191	1	PIN, COTTER HAIR .178 DIA X 1"			
11	81764	1	MOUNT, SPRING			
12	82205	1	ROD, TRAILING ASM.			
13	80465	1	ROD, SHIFT			
14	81392	3	BALL JOINT, 112"			
15	57221	3	NUT, 1/2-20 HEX			
16	57201	3	NUT, 1/2-20 HEX ELASTIC STOP			
17	830036	1	ACTUATOR, 36V			
18	80654	2	BUMPER			
19	57119	6	NUT, 3/8-16 ELASTIC STOP			
20	57031	6	NUT, 5/16-18 HEX			
21	57111	2	NUT, 3/8-16 HEX			
22	81763	1	CHANNEL, PIVOT			
23	81742	1	PLATE, SWING MOUNT			
24	81394	4	BEARING			
25	81325	4	BEARING, NYLON			
26	70574	2	SCREW, 3/8-16 X 7-1/2 HEX HD			
27	81978	1	SPRING, EXTENSION			
28	67132	2	RING, 1/2 EXT SNAP			
29	81396	4	WASHER, FIBERGLIDE			
30	81394	4	BEARING, FIBERGLIDE			
31	80102	4	SLEEVE			
32	87119	10	WASHER, 112 FLAT			
33	70266	4	SCR. 3/8-16 X 1. HEX HEAD			
34	82056	1	PIN, PIVOT 112 X 8-5/8"			
35	82057	1	PIN, PIVOT 1/2 X 7-5/8"			
37	82060	1	PIN, CLEVIS 3/8 X 5-1/4"			
38	82061	1	PIN, CLEVIS 3/8 X 4-5/8"			
39	81406	2	PIN, CLEVIS 3/8 X 2.0"			
40	80606	5	RING, 3/8 RUE			
42	66217	1	PIN, CLEVIS 3/8 X 3/4			
43	81387	1	BUMPER, SHIFT STOP			
44	70601	1	SCREW, 5/16-18 X 2-3/4 HEX HEAD			
45	82192	1	BALLJOINT ASM. 1/2-20 LH			
46	70377	4	SCREW, 3/8-16 X 1.25 FHCS			
47	87163	4	WASHER, 3/8 LOCK			
48	57222	1	NUT, 1/2-20LH JAM			
49	29176	1	DIODE, ASSEMBLY FASCO ACTUATOR			
50	72122	1	SWITCH, L2020 TRAVEL LIMIT			

DETAIL -A-



Items 49 & 50 are available in Kit#47174

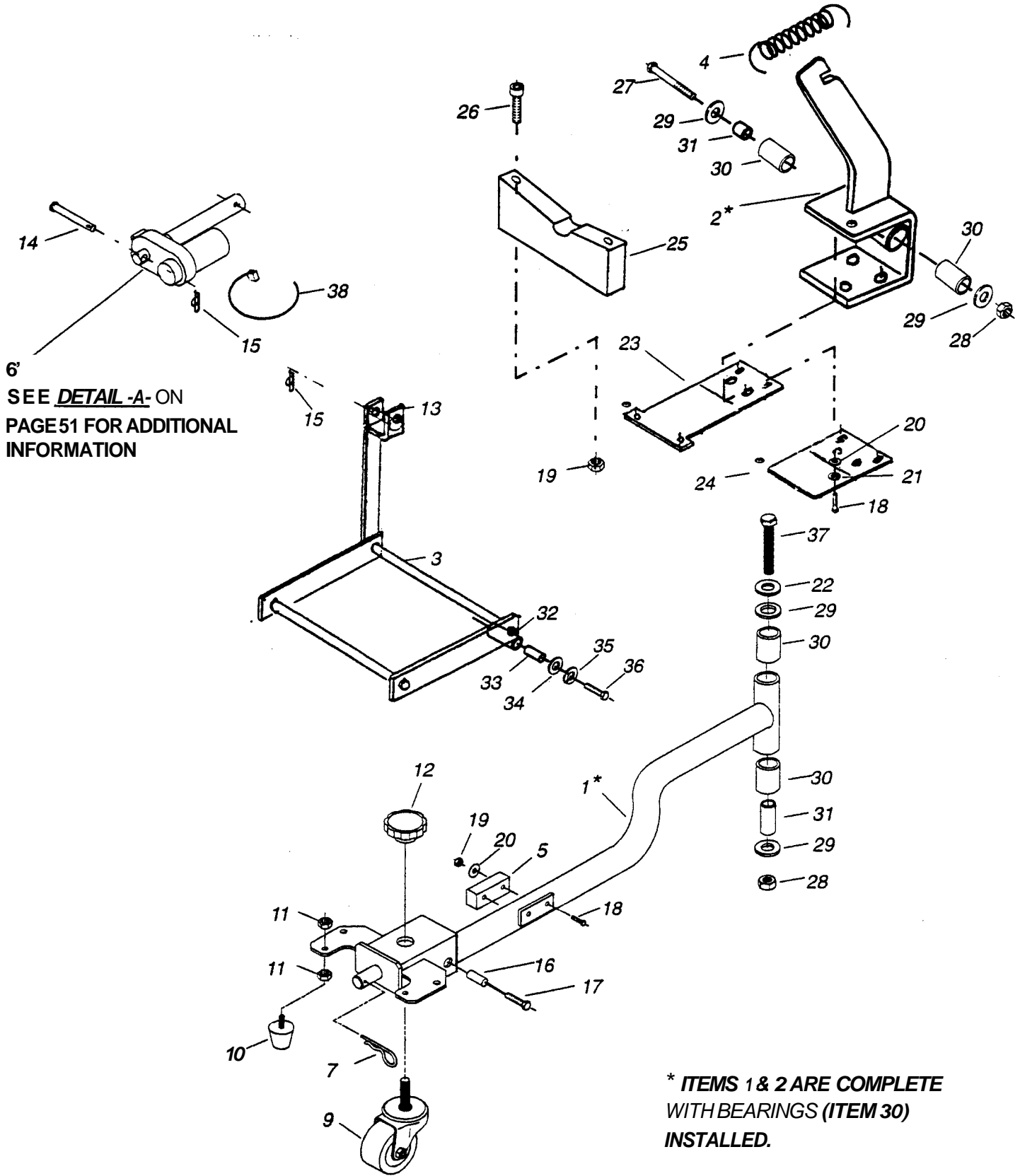
SQUEEGEE GROUP



*** ITEM 2 IS COMPLETE WITH BEARING (ITEM 15) INSTALLED.**

Ref	Part No.	Qty	Description	Serial No.		Notes:
				From	To	
1	81565	1	SQUEEGEE TOOL, MACHINED			
2	82547	1	SQUEEGEE PITCH MOUNT ASSEMBLY			
3A	81823	1	ASM., REAR SQ. BLADE LINATEX			
3B	81892	REF	ASM., REAR SQ. BLADE GUM RUBBER			
3C	82025	REF	ASM., REAR SQ. BLADE COMBO			
4	81824	1	BLADE, FRONT SQUEEGEE			
5	81825	1	STRAP, FRONT BLADE RETAINER			
6	81901	1	STRAP, BLADE RETAINER-LONG			
7	81482	1	STRAP, BLADE RETAINER-SHORT			
8	81489	1	STRIKER			
9	81866	1	CUFF, HOSE			
10	81931	1	HOSE, SQUEEGEE			
11	81431	1	CLAMP, HOSE 2-3/4			
12	81811	1	WELDMENT, ROLLER MOUNT-RIGHT			
13	81812	1	WELDMENT, ROLLER MOUNT-LEFT			
14	89059	2	WHEEL, BUMPER			
15	09085	2	BEARING, FIBER .500 ID X .750			
16	81488	1	LATCH			
17	81490	1	BALL JOINT, 3/8" QUICK RELEASE			
18	81467	1	ROD			
19	80697	1	BALL JOINT 3/8"			
20	57217	2	NUT, 3/8-24 JAM			
21	57216	2	NUT, 3/8-24 ELASTIC STOP			
22	67380	4	RIVET, POP 5/32" X 1/8 GRIP ALUM.			
23	87083	4	WASHER, 5/16 SPLIT LOCK			
24	81491	8	STUD, 5/16-18 X 1-1/2" SS			
25	87142	12	WASHER, 5/16 FLAT			
26	57113	8	NUT, 5/16-18 ELASTIC STOP			
27	57111	2	NUT, 3/8-16			
28	70368	2	BOLT, 3/8-16 X 1-3/4" HEX HD			
29	87143	4	WASHER, 3/8 FLAT			
30	57022	2	NUT, 3/8-16 ELASTIC STOP THIN			
31	70266	4	BOLT, 3/8-16 X 1 HEX HD			
32	70305	4	BOLT, 5/16-18 X 3/4			
33	89174	REF	SQUEEGEE WEIGHT (OPTION)			

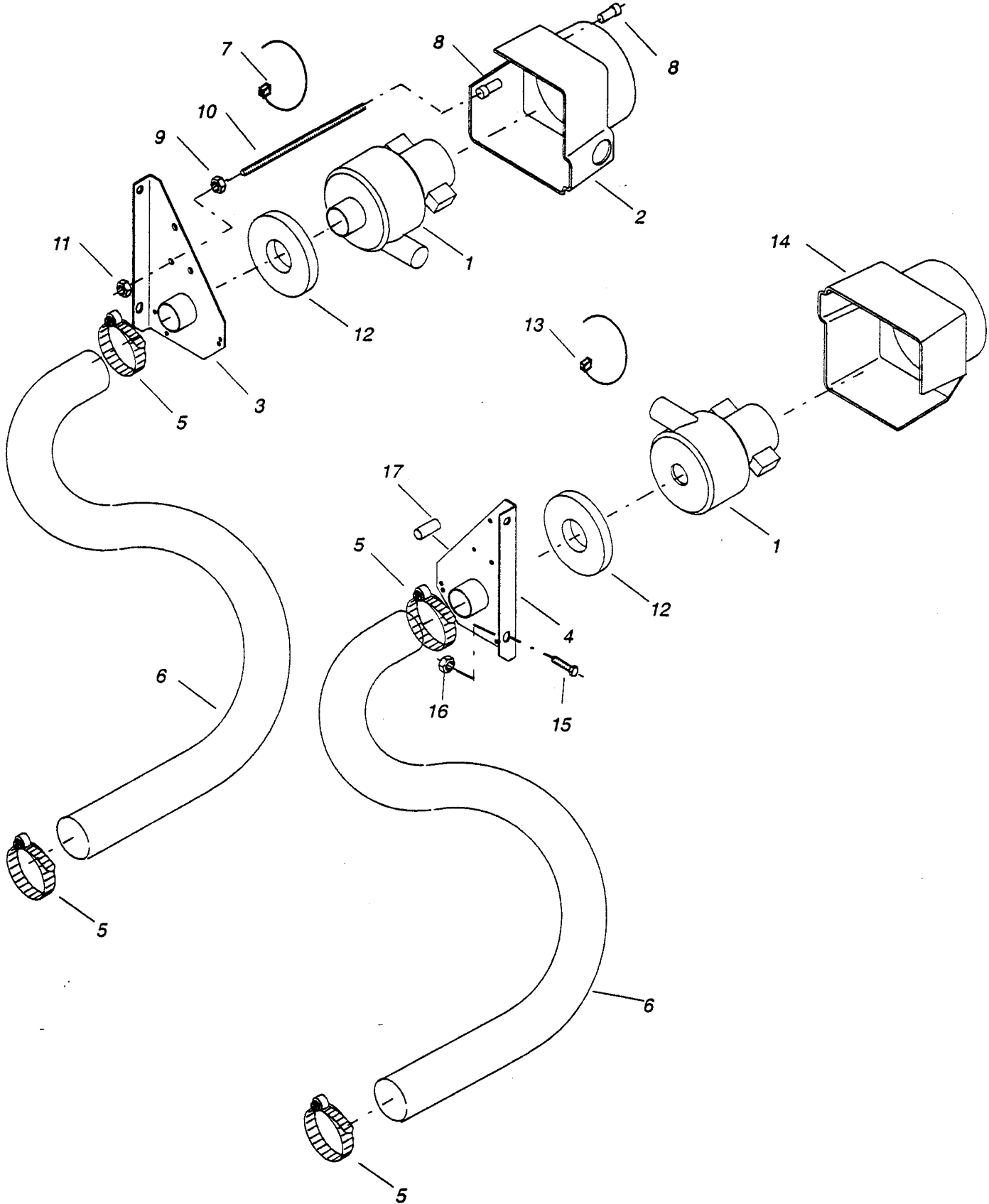
SQUEEGEE LIFT GROUP



SQUEEGEE LIFT GROUP

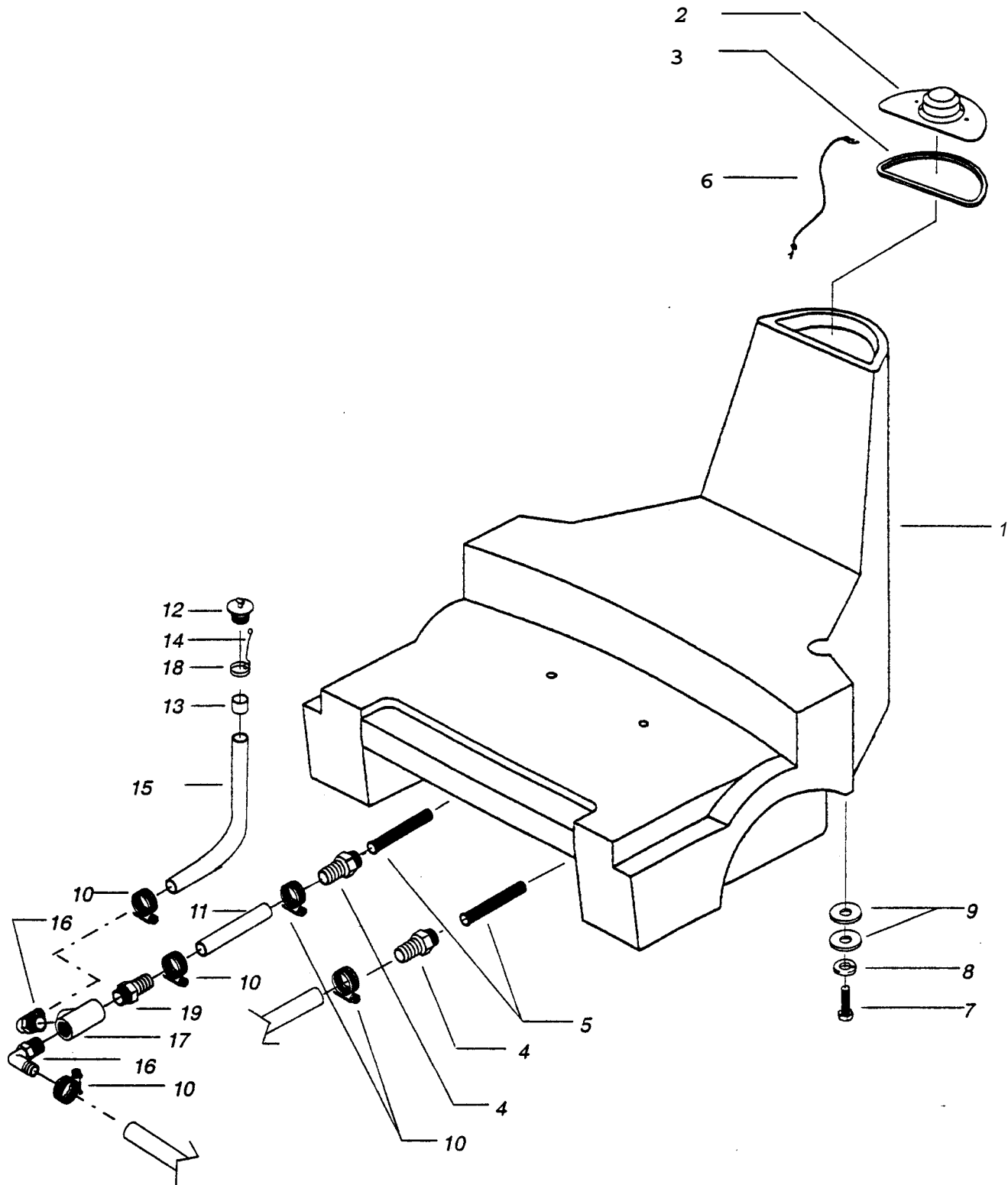
Ref	Part No.	Qty	Description	Serial No.		Notes:
				From	To	
1	830218	1	SQU. ARM ASM.			
2	830219	1	SQU. LIFT ARM ASM.			
3	81716	1	WELDMENT, SQUEEGEE LIFT			
4	82199	1	SPRING			
5	81028	1	BLOCK, SLIDE			
6	830035	1	ACTUATOR, 36 V DOUBLE SPEED			
7	82191	1	PIN, HAIR SPRING			
8			OPEN			
9	81053	1	CASTER			
10	81059	2	BUMPER			
11	57138	4	NUT, 5/16-18 JAM			
12	81327	1	KNOB			
13	81406	1	PIN, 3/8 CLEVIS			
14	66233	1	PIN, 3/8 CLEVIS			
15	80606	2	RING, 3/8 RUE			
16	81280	1	ROD, NYLON			
17	70266	1	SCREW, 3/8-16 X HEX HD			
18	70505	4	SCREW, 1/4-20 X 1 HEX HD			
19	57047	4	NUT, 1/4-20 ELASTIC STOP			
20	87013	4	WASHER, 1/4 FLAT			
21	87162	2	WASHER, SPLIT LOCK			
22	87119	1	WASHER, 1/2 FLAT			
23	82462	1	PLATE, SQU RETAINER	6000568		
24	82463	1	PLATE, RETAINER DOUBLER	6000568		
25	82443	1	BLOCK, SQU RETAINER	6000568		
26	70371	2	SCREW, 1/4-20 X 2-1/2 SHCS			
27	70509	1	SCREW, 3/8-16 X 4.0			
28	57119	2	NUT, 3/8-16 ELASTIC STOP			
29	81396	4	WASHER, FIBERGLIDE			
30	09085	4	BEARING, FIBERGLIDE			
31	81828	2	SPACER			
32	81377	2	BEARING, FIBERGLIDE			
33	80101	2	SLEEVE			
34	87143	2	WASHER, 3/8 FLAT			
35	87163	2	WASHER, 3/8 SPLIT LOCK			
36	70377	2	SCREW, 3/8-16 X 1-1/4 HEX HD			
37	70494	1	SCREW, 3/8-16 X 4-1/2 HHCS			
38	27196	1	CABLE TIE			

VACUUM GROUP



Ref	Part No.	Qty	Description	Serial No.		Notes:
				From	To	
1	53633	2	MOTOR, VACUUM			
2	81995	1	COVER, VAC MOTOR RT			
3	80413	1	WELDMENT, VAC MOUNT RH			
4	80414	1	WELDMENT VAC MOTOR			
5	81431	4	CLAMP, HOSE			
6	81864	2	HOSE, VACUUM MOTOR			
7	27049	2	CABLETIE			
8	57021	10	WELLNUT			
9	57006	6	NUT, 1/4-20 HEX			
10	81285	6	ROD, VAC MOUNT			
11	57047	6	NUT, 1/4-20 ELASTIC STOP			
12	35011	2	SEAL			
13	27196	2	CABLETIE			
14	81996	1	COVER, VAC MOTOR LEFT			
15	70340	4	SCREW, 1/2-13 X 1-1/4 HEX HD			
16	57118	4	NUT, 1/2-13 ELASTIC STOP			
17	81173	1	EDGING, 2.5L			

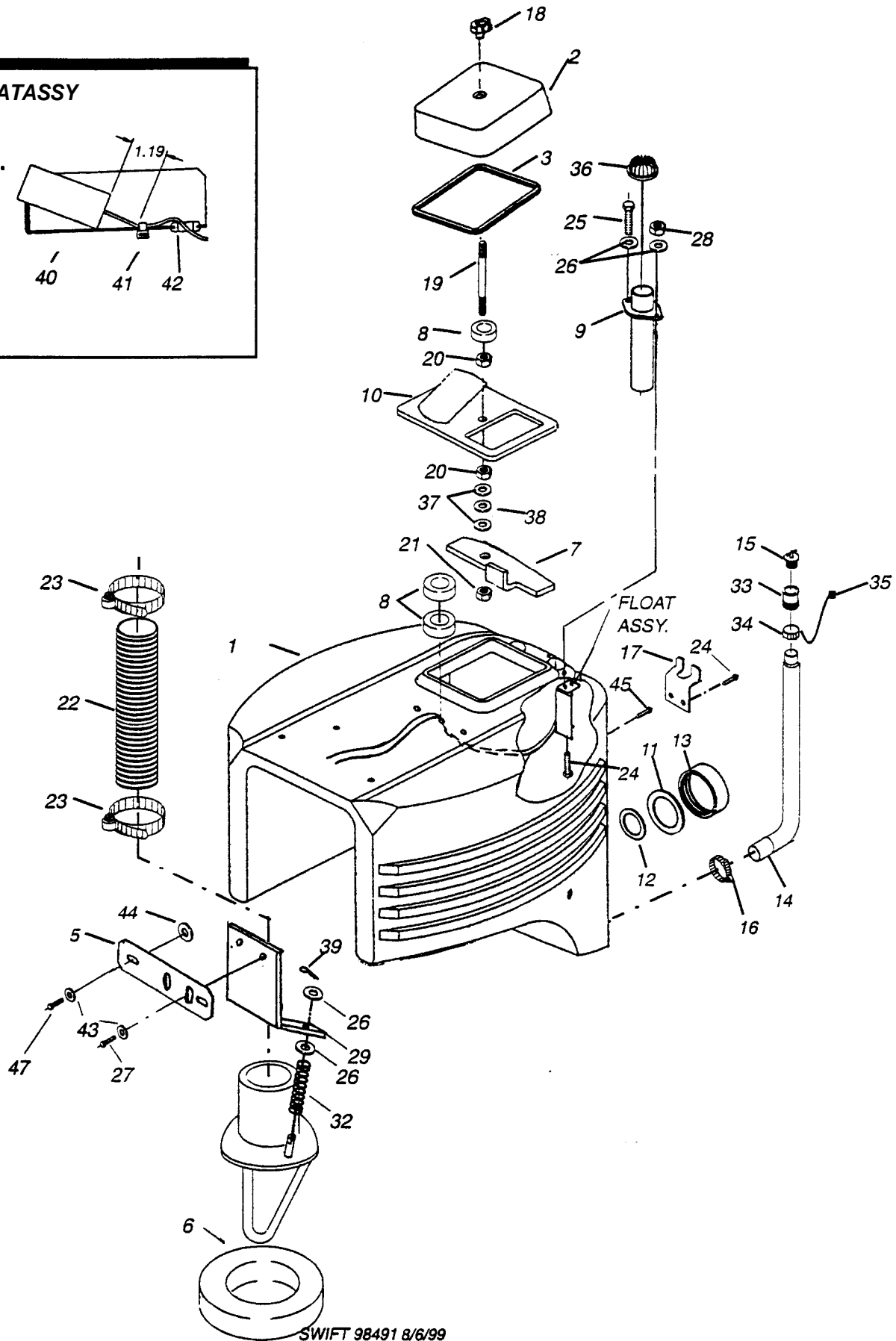
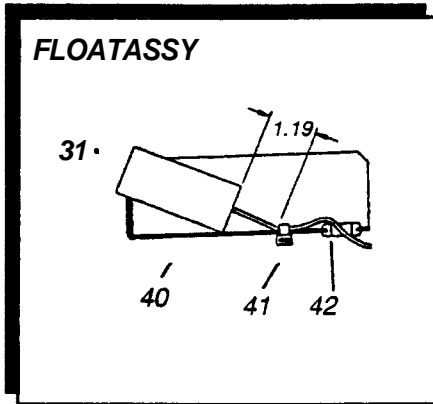
SOLUTION TANK GROUP



SOLUTION TANK GROUP

1	81533	1	TANK, SOLUTION		
2	81867	1	COVER, SOLUTION TANK		
3	81980	1	GASKET, SOLUTION TANK		
4	82016	1	FITTING, 1/2 NPT TO 5/8 BARB	6000513	
5	82017	2	FILTER, SCREEN PLASTIC		
6	27417	1	LANYARD		
7	70305	2	SCREW, 5/16-18 X 3/4 HHCS		
8	87063	2	WASHER, 5/16 LOCK		
9	87102	4	WASHER, 5/16 FLAT FENDER		
10	20042	3	CLAMP, 3/8 HOSE	6000513	
11	39495	1	HOSE, 5/8" VINYL X 3"		
12	82267	1	PLUG, 5/8" DRAIN HOSE		
13	82266	1	FTG, COUPLING 1/2"		
14	27670	1	CORD		
15	39493	1	HOSE, 5/8" VINYL X 24"		
16	81913	2	HOSE BARB, 3/4 MPT X 5/8 HOSE		
17	81923	1	TEE, 3/4 FPT		
18	27746	1	CABLE TIE, 11.5" BLACK		
19	80962	1	FTG, 3/4 NPT X 1/2 BARB	6000513	

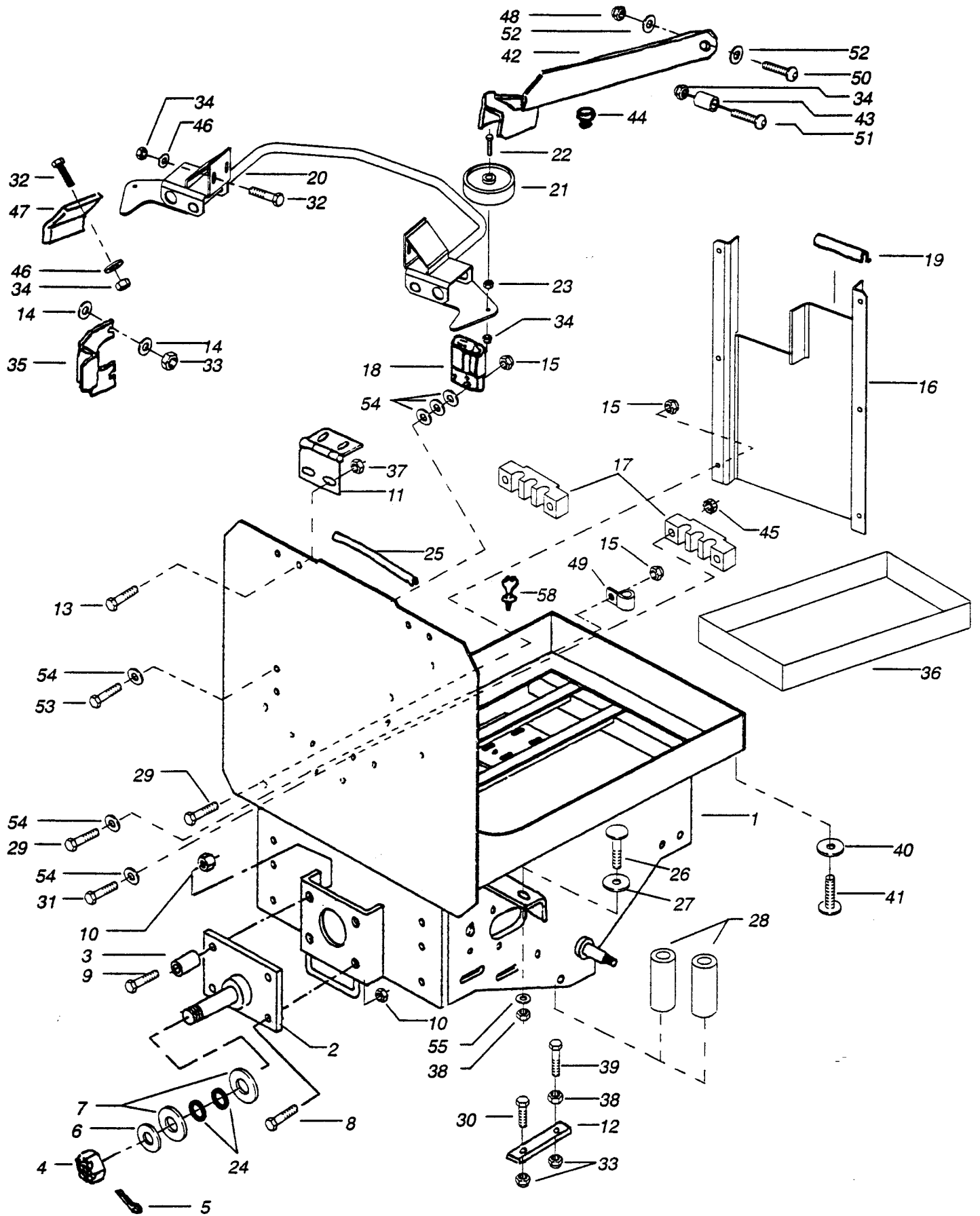
RECOVERY TANK GROUP



RECOVERY TANK GROUP

Ref	Part No.	Qty	Description	Serial No.		Notes:
				From	To	
1	81545	1	TANK, RECOVERY			
2	81546	1	COVER, RECOVERY TANK			
3	81793	1	GASKET, REC COVER			
4	81782	1	WELDMENT, VAC SEAL			
5	81785	1	BAR, VAC SEAL MOUNT			
6	81786	1	SEAL, VAC SEAL BASE			
7	81801	1	BAR, COVER RETAINER			
8	81794	3	GASKET, RECOVERY COVER RING			
9	81795	1	WELDMENT, VAC TUBE			
10	81798	1	WELDMENT, SEPARATOR			
11	34242	1	FILLER PLATE, CLEAN OUT CAP			
12	35194	1	GASKET			
13	27595	1	RING, DRAIN CAP			
14	39472	1	HOSE, DRAIN			
15	66227	1	PLUG, DRAIN HOSE			
16	20046	1	CLAMP, HOSE			
17	81885	1	MOUNT, RETAINER DRAIN HOSE			
18	80674	1	KNOB			
19	81990	1	ROD			
20	57249	2	NUT, 1/2-13 JAM SS			
21	57250	1	NUT, 1/2-13 THIN ELASTIC LOCK SS			
22	81865	1	HOSE, VAC			
23	81431	2	CLAMP, HOSE			
24	70019	3	SCREW, 1/4-20 X 1-1/4 HHCS			
25	70011	1	SCREW, 1/4-20 X 5/8 HEX HEAD			
26	87013	6	WASHER, 1/4 FLATSS			
27	70305	2	SCREW, 5/16-18 X 3/4 HEX HEAD			
28	57245	1	NUT, 1/4-20 HEX HEAD SS			
29	81985	1	ANGLE, SEALMOUNT			
30		1	OPEN			
31	34319	1	FLOAT			
32	82054	2	SPRING			
33	40019	1	HOSE, BARB			
34	20002	1	CLAMP			
35	27670	1	CORD, ASSY			
36	34140	1	FILTER, VAC INTAKE			
37	87015	2	1/2 FLAT WASHER SS			
38	87140	1	WASHER, 1/2, SPRING			
39	66073	2	COTTER PIN, 1/16 X 3/4			
40	82055	1	CHANNEL, FLOAT MOUNT			
41	27049	1	WIRE TIE			
42	80690	1	GROMMET			
43	87142	4	WASHER, 5/16 FLAT			
44	80408	4	SPACER			
45	57021	2	NUT, 1/4-20 WELL			
46	OPEN					
47	70302	2	SCR, 5/16-18 X 1.0 HHCS			

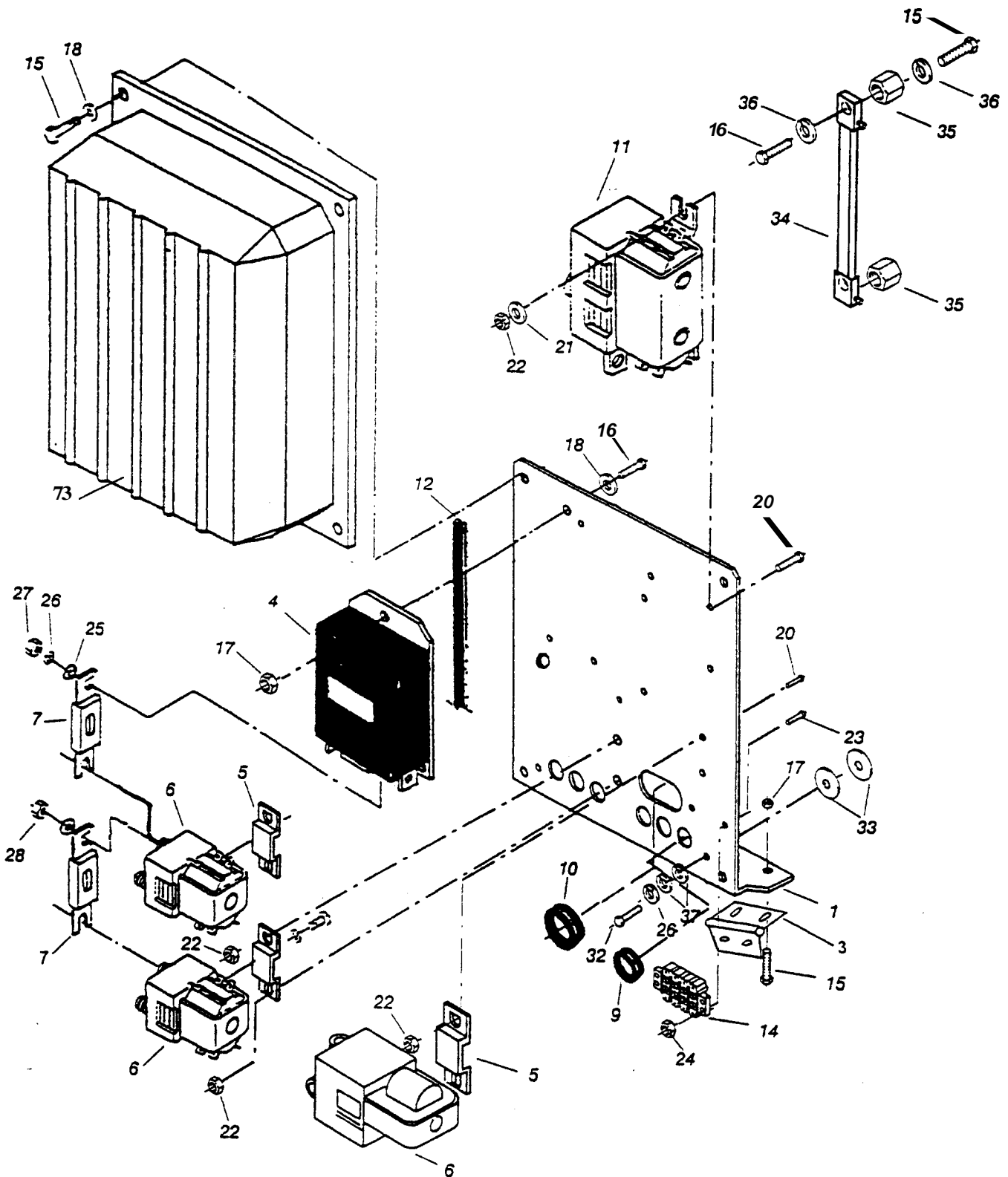
REAR FRAME GROUP



REAR FRAME GROUP

Rf	Part No.	Qty	Description	Serial No.		Notes:
				From	To	
1	81802	1	WELDMENT, REAR FRAME			
2	81685	1	WELDMENT, PIVOT PLATE			
3	81854	2	SPACER			
4	81927	1	NUT, SLOTTED			
5	66243	1	COTTERPIN			
6	81635	1	WASHER, THRUST			
7	81926	2	WASHER, FIBERGLIDE			
8	70511	2	SCREW, 1/2-13 X 1-112 HEX HEAD			
9	70347	2	SCREW, 1/2-13 X 3.0 HEX HEAD			
10	57118	4	NUT, 1/2-13 ELASTIC STOP			
11	41259	2	HINGE			
12	81889	1	BAR, MOTOR LOCATOR			
13	70271	4	SCREW, 1/4-20 X 112 HEX HEAD			
14	87142	4	WASHER. 5/16 FLAT			
15	57047	9	NUT, 1/4-20 ELASTIC STOP			
16	81714	1	CHANNEL, CABLE COVER			
17	81914	2	RETAINER. CABLE			
18	80682	1	CONNECTOR			
19	81933	1	EDGING, X 4-1/2"			
20	81724	1	WELDMENT. REAR GUARD			
21	89059	2	WHEEL, WELDMENT			
22	70385	2	SCR, 3/8-16 X 2 HEX HEAD			
23	57111	2	NUT, 3/8-16 HEX			
24	81928	2	O-RING			
25	81934	1	EDGING, X 6-118			
26	81947	2	PLATE, SPACER			
27	81948	2	SHIM, TANK			
28	82015	REF:	TUBING, 1/2"ID X 2.75 LG'VINYL			
29	70270	7	SCREW, 1/4-20 X 3/4 HEX HEAD			
30	70514	1	SCREW, 5/16-18 X 1.00 STHMS			
31	70505	4	SCREW. 1/4-20 X 1 HEX HEAD			
32	70377	8	SCREW, 3/8-16 X 1-114 HEX MEAD			
33	57113	4	NUT, 5/16-18 ELASTIC STOP			
34	57119	11	NUT, 3/8 ELASTIC STOP			
35	82026	1	PLATE. GUARD HARNESS			
36	82028	1	TRAY. BATTERY			
37	57189	4	NUT, 1/4-20 FLANGE			
38	57031	3	NUT, 5/16-18 HEX			
39	70320	1	SCREW, 5/16-18 X 2 HEX			
40	81473	1	VALVE, DISK DRAIN			
41	80805	1	FASTENER, TREE			
42	82038	1	WELDMENT, TANK SUPPORT			
43	80102	1	SPACER			
44	82062	1	BUMPER, RUBBER			
45	57105	4	NUT, 1/4-20 W/STAR WASHER			
46	87143	8	WASHER, 3/8 FLAT			
47	82036	2	PLATE, SHIM			
48	57153	1	NUT, 1/2-13 THIN NYLOCK			
49	80886	1	CLAMP, 3/8 CUSHION			
50	70603	1	SCREW. 1/2-13 X 1 BUTTON HD CAP			
51	70602	1	SCREW, 3/8-16 X 1 BUTTON HD CAP			
52	87119	2	WASHER, 1/2 FLAT			
53	70297	2	SCREW, 1/4-20 X 1-1/2 HHMS			
54	87013	13	WASHER, 114 FLAT			
55	87083	2	WASHER, 5/16 LOCK			

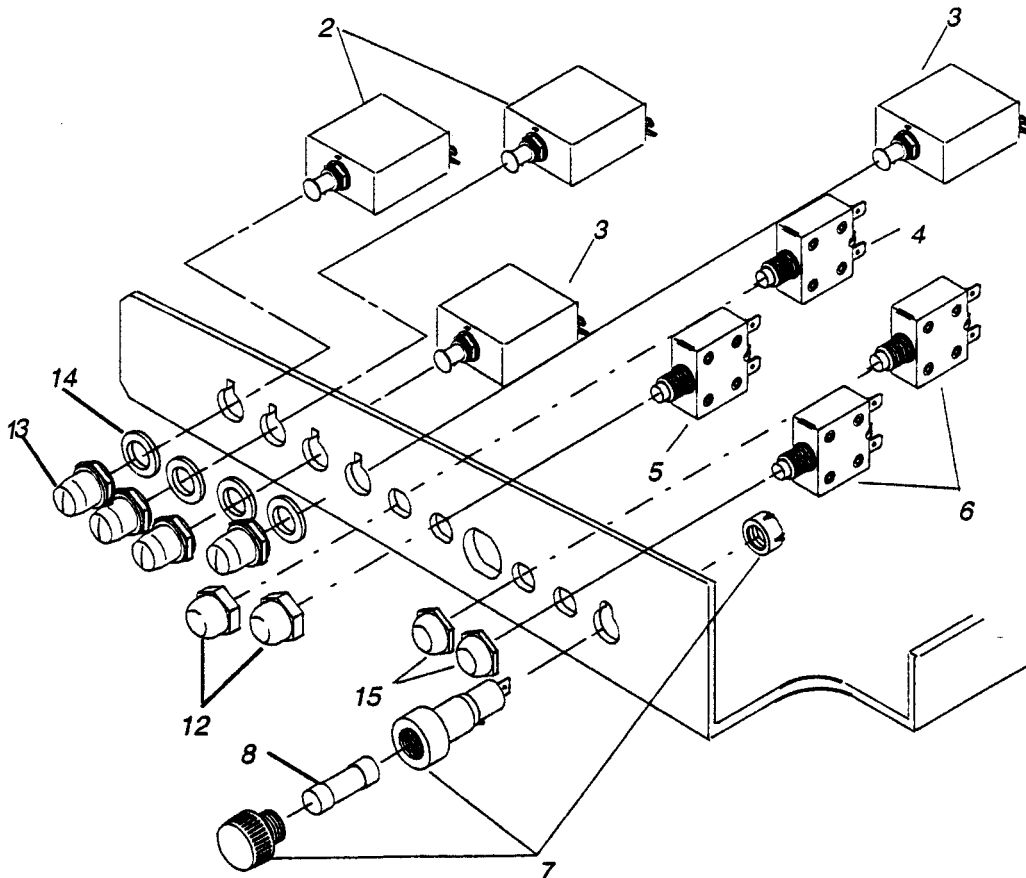
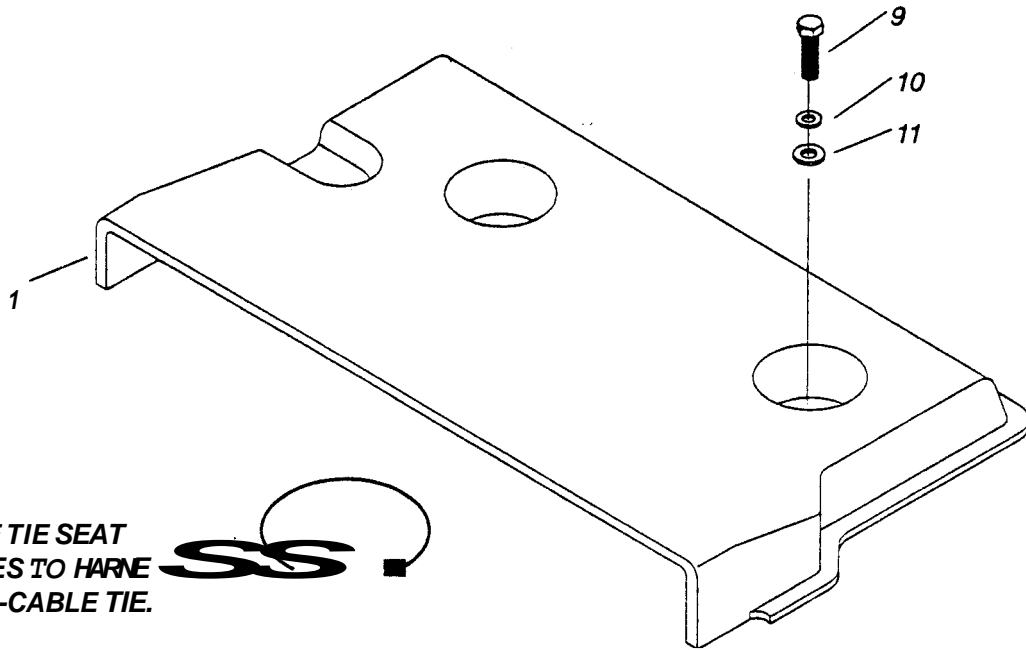
ELECTRICAL COMPONENT GROUP



ELECTRICAL COMPONENT GROUP

Ref	Part No.	Qty	Description	Serial No.		Notes:
				From	To	
1	81645	1	PLATE, ELECTRONICS			
2		-	OPEN			
3	41259	REF	HINGE, REAR CLIP			
4	80685	1	SPEED, CONTROLLER			
5	80692	3	MOUNT, CONTACTOR			
6	80686	3	CONTACTOR			
7	80687	2	FUSE, 125A	6000513		
8		-	OPEN			
9	80690	6	GROMMET			
10	81427	1	GROMMET			
11	80691	1	CONTACTOR, FWD/REV			
12	35147	1	GASKET			
13	81577	1	COVER, ELECTRIC			
14	80834	1	TERMINAL STRIP			
15	70271	10	BOLT, 1/4-10X 1/2 HEX HD			
16	70270	5	BOLT, 1/4-20X 3/4 HEX HD			
17	57189	7	NUT, 1/4-20X FLANGE			
18	87013	7	WASHER, 1/4 FLAT			
19			OPEN			
20	70440	8	SCREW, 10-24 X 5/8 PPHS			
21	87095	2	WASHER, #10 FLAT			
22	57219	8	NUT, #10-24 ELASTIC STOP			
23	70016	2	SCREW, #6-32 X 3/4 PTHS			
24	57049	2	NUT, #6-32 ELASTIC STOP			
25	87142	1	WASHER, 5/16 FLAT			
26	87083	9	WASHER, 5/16 SPLIT LOCK			
27	57031	4	NUT, 5/16-18 HEX			
28	57224	REF	NUT, 8MM X 1.25 JAM			
29			OPEN			
30	70305	4	BOLT, 5/16-18 X 3/4 HEX			
31			OPEN			
32	70325	5	SCREW, 5/16-18 X 1-1/4 HEX			
33	80408	8	SPACER			
34	73707	1	SHUNT			
35	73659	2	STAND OFF, INSULATED			
36	87162	4	WASHER, 1/4 SPLIT LOCK			
37	87102	16	WASHER, 5/16 FENDER			

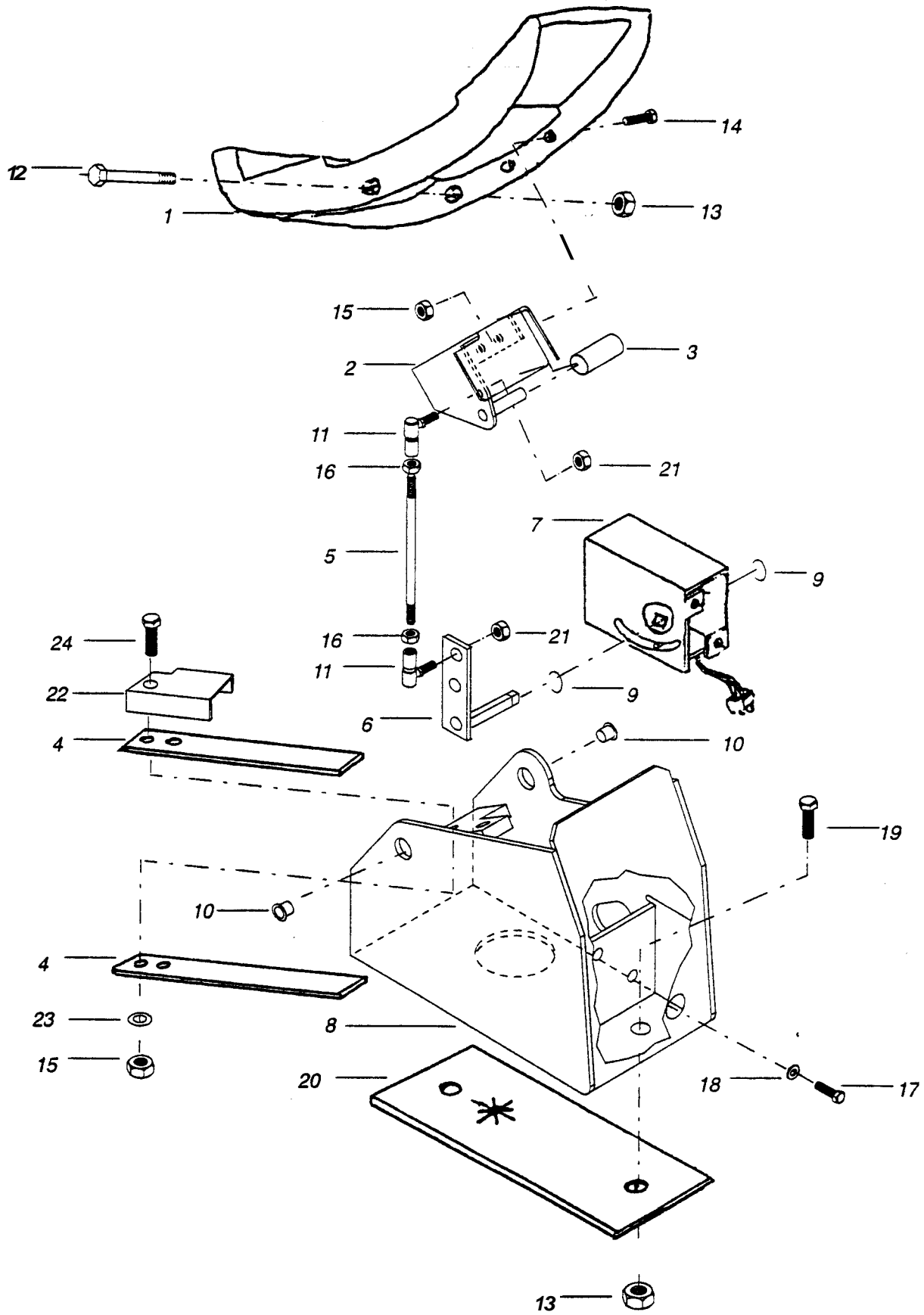
CIRCUIT BREAKER GROUP



CIRCUIT BREAKER GROUP

Ref	Part No.	Qty	Description	Serial No.		Notes:
				From	To	
1	82027	1	COVER, CIRCUIT BREAKER			
2	81401	2	CIRCUIT BREAKER, 40 A			
3	81400	2	CIRCUIT BREAKER, 35 A			
4	80847	1	CIRCUIT BREAKER, 15 A			
5	80848	1	CIRCUIT BREAKER, 10A			
6	14831	2	CIRCUIT BREAKER, 5 A			
7	34160	1	FUSEHOLDER			
8	81404	1	FUSE, 8 A			
9	70271	2	SCREW, 1/4-20 X 1/2 HEX HEAD			
10	87162	2	WASHER, 1/4 SPLIT LOCK			
11	87090	2	WASHER, 1/4 FLAT			
12	80845	2	SEAL, PUSH BUTTON			
13	81448	4	SEAL, PUSH BUTTON-OPEN			
14	81447	4	WASHER, SPECIAL			
15	14942	2	SEAL, PUSH BUTTON			

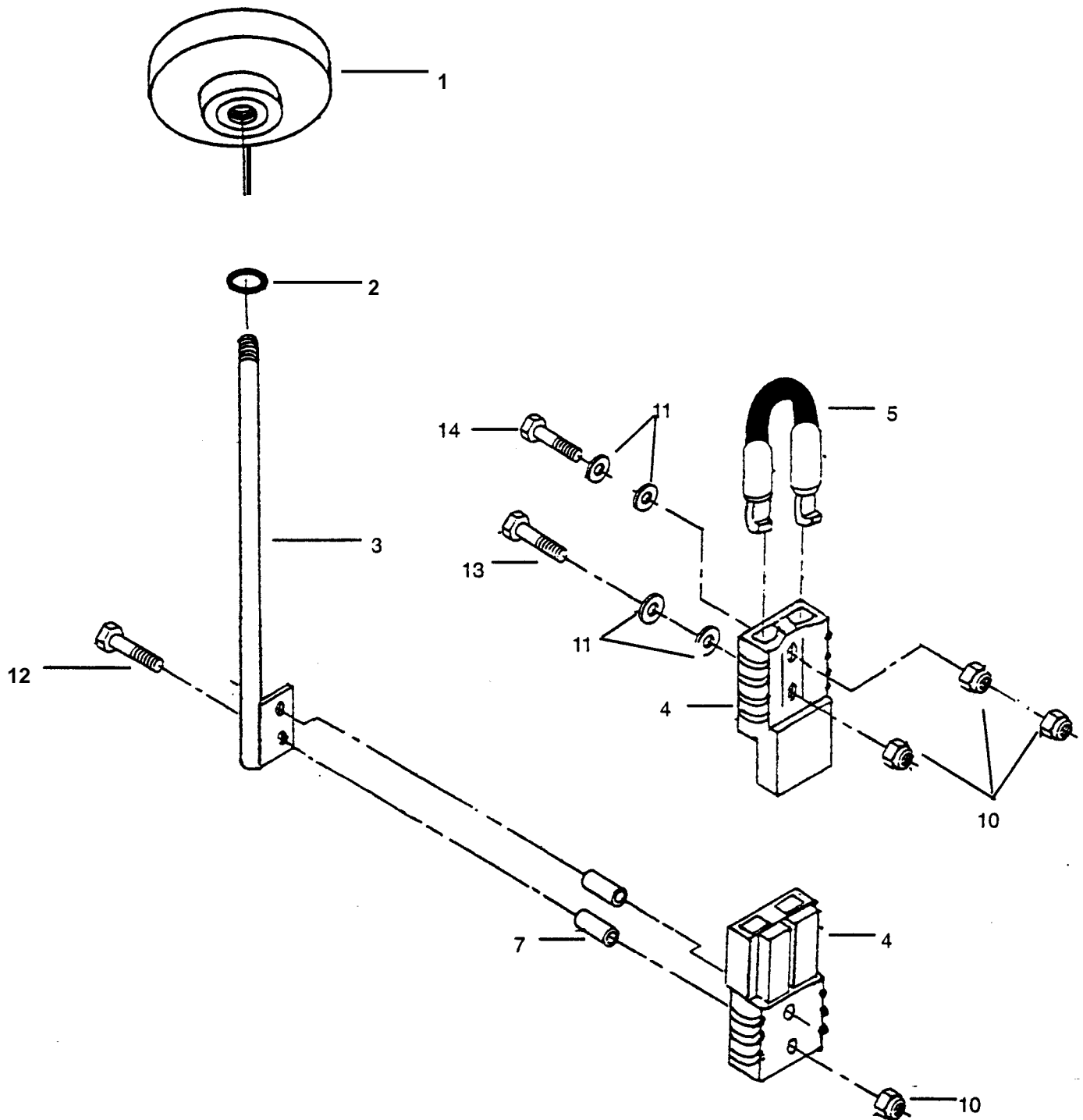
PEDAL GROUP



PEDAL GROUP

Ref	Part No.	Qty	Description	Serial No.		Notes:
				From	To	
1	80259	1	PEDAL, FWD/REV			
2	82190	1	WELDMENT, PEDAL PLATE			
3	80775	1	TUBING, ISOLATOR			
4	830116	1	SPRING, FLAT			
5	81611	1	ROD, THROTTLE			
6	81612	1	WELDMENT, THROTTLE ARM			
7	80695	1	THROTTLE			
8	82189	1	WELDMENT, PEDAL MOUNT			
9	80826	2	RING, RETAINING			
10	09082	2	BUSHING			
11	80696	2	BALLJOINT			
12	70494	1	SCREW, 3/8-16 X 4-1/2 HEX HEAD			
13	57119	3	NUT, 3/8-16 ELASTIC STOP			
14	70270	2	SCREW, 1/4-20 X 3/4 HEX HEAD			
15	57047	3	NUT, 1/4-20 ELASTIC STOP			
16	57225	2	NUT, 1/4-28 HEX HEAD			
17	70513	2	SCREW, 5MM X .8 X 6MM HEX HEAD			
18	87165	2	WASHER, #10 LOCK			
19	70266	2	SCREW, 3/8-16 X 1 HEX HEAD			
20	81879	1	PAD, PEDALMOUNT			
21	57125	2	NUT, 1/4-28 ELASTIC STOP			
22	830117	1	BRKT, SPRING ALIGNMENT			
23	87013	1	WASHER, 1/4" FLAT			
24	70505	1	SCR, 1/4-20 X 1 HHCS			

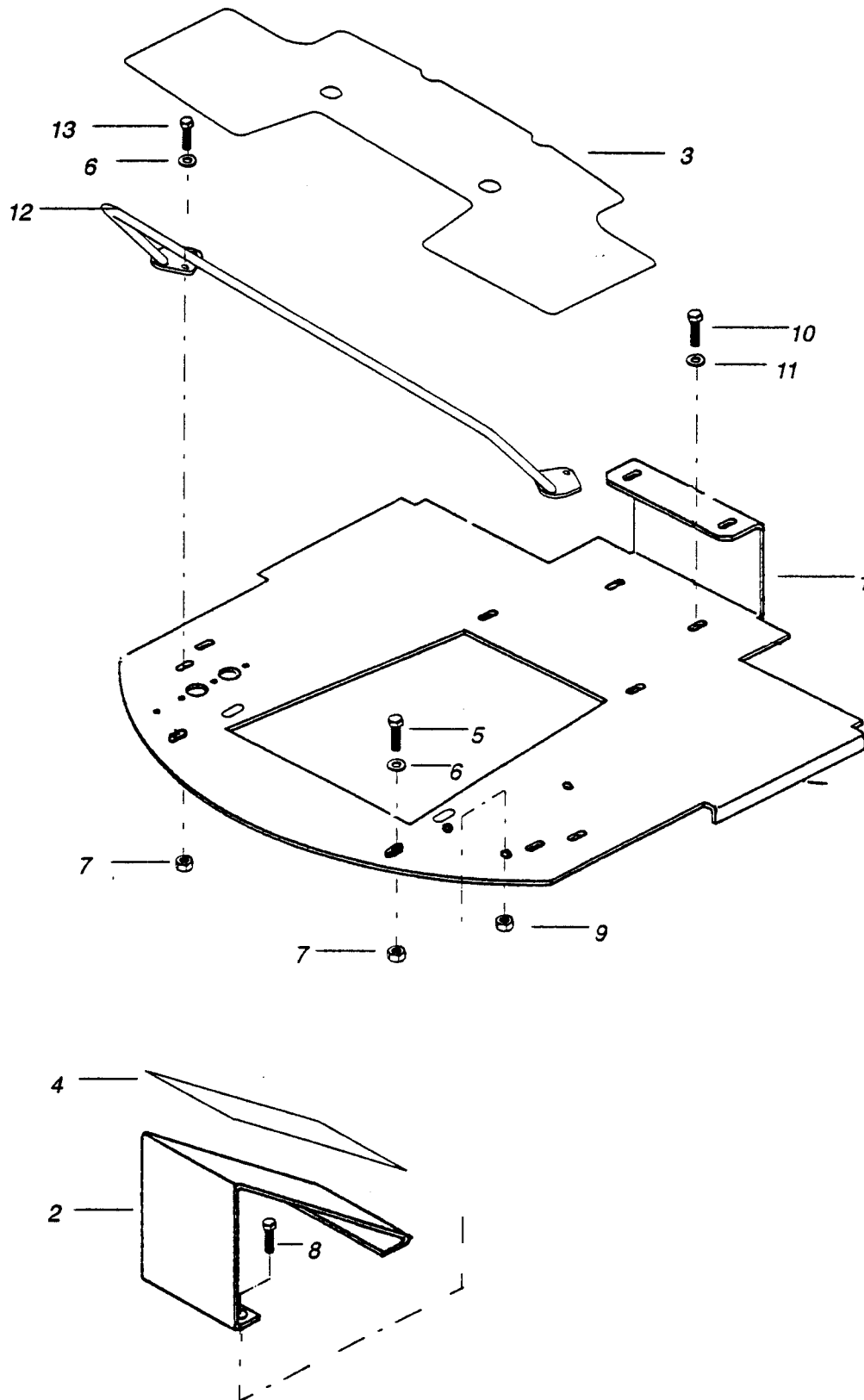
SAFETY SWITCH GROUP



SAFETY SWITCH GROUP

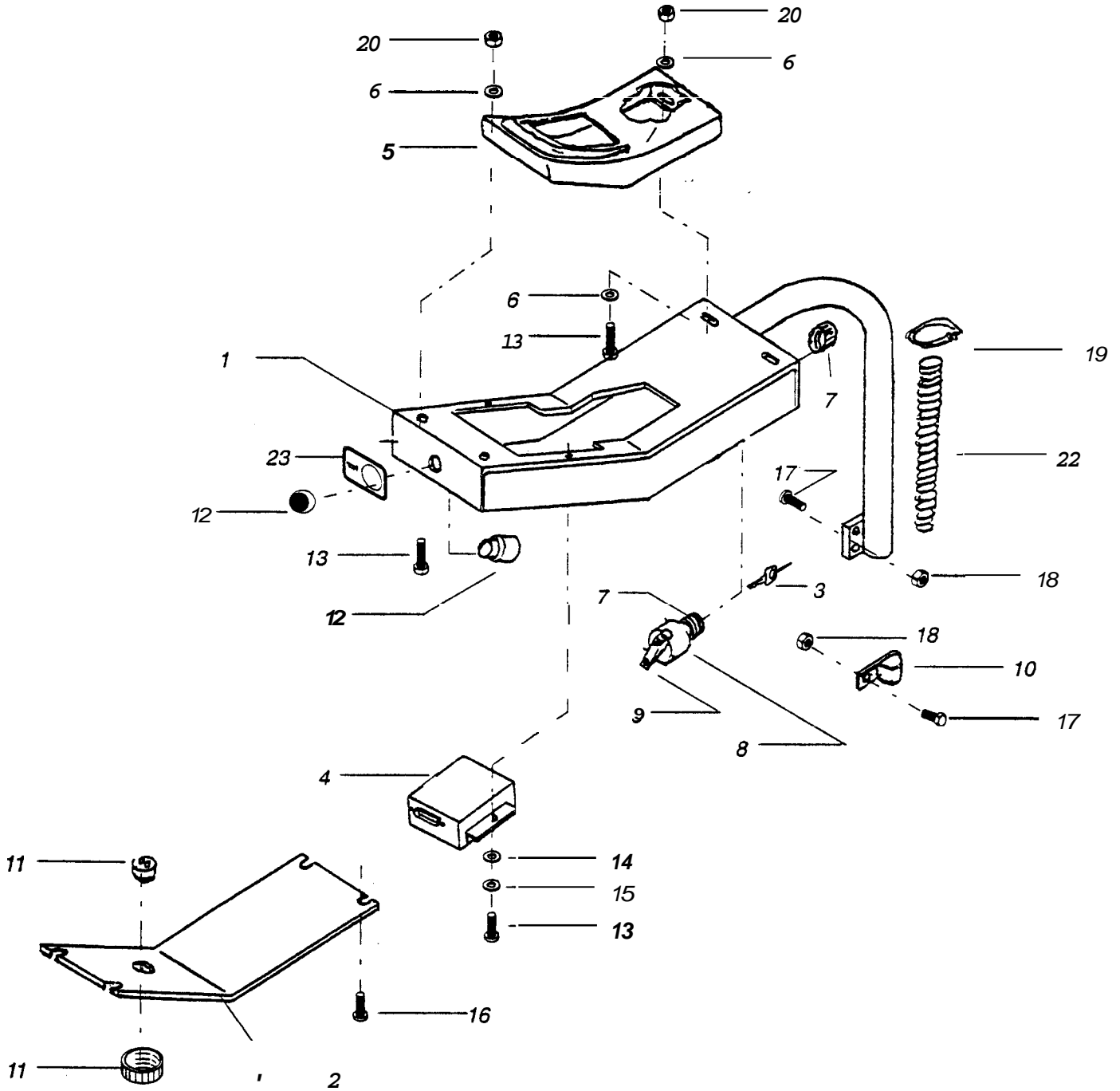
Ref	Part No.	Qty	Description	Serial No.		Notes:
				From	To	
1	80684	1	KNOB, STOP RED 3/8-16 F-INSERT			
2	80683	1	WASHER, NEOPRENE 3/8 ID X 1 X .1			
3	81643	1	ROD, SAFETY SWITCH			
4	80682	2	CONNECTOR, BATTERY GRAY 175AMP			
5	80774	1	WIRE, 8.91" RED 4GA 76125 (2X)			
6			OPEN			
7	80360	2	TUBE, SAFETY SWITCH SPACER			
8			OPEN			
9			OPEN			
10	57047	5	NUT, 1/4-20 NYLOCK PLTD			
11	87013	4	WASHER, 1/4 FLAT			
12	70105	2	SCREW, 1/4-1-3/4 HHCS			
13	70297	1	SCREW, 1/4-20X 1.5 HH FULLTHD PLTD			
14	70506	1	SCREW, 1/4-20 X 2 HHCS			

FLOOR GROUP



Ref	Part No.	Qty	Description	Serial No.		Notes:
				From	To	
1	81780	1	PLATE, FLOOR			
2	81826	1	PLATE, FOOTREST			
3	81827	1	PAD, FLOOR			
4	81870	1	PAD, FOOTREST			
5	70266	2	SCREW, 3/8-16 X 1 HEX HEAD			
6	87143	6	WASHER, 3/8 FLAT			
7	57119	6	NUT, 3/8 ELASTIC STOP			
8	70270	3	SCREW, 1/4-20 X 3/4 HEX HEAD			
9	57047	3	NUT, 1/4-20 ELASTIC STOP			
10	70550	4	SCREW, 3/8-16 X 2-1/2			
11	87003	4	WASHER, 3/8 FLAT			
12	81974	1	WELDMENT, GUARD			
13	70377	4	SCREW, 3/8-16 X 1-1/4 HHCS			

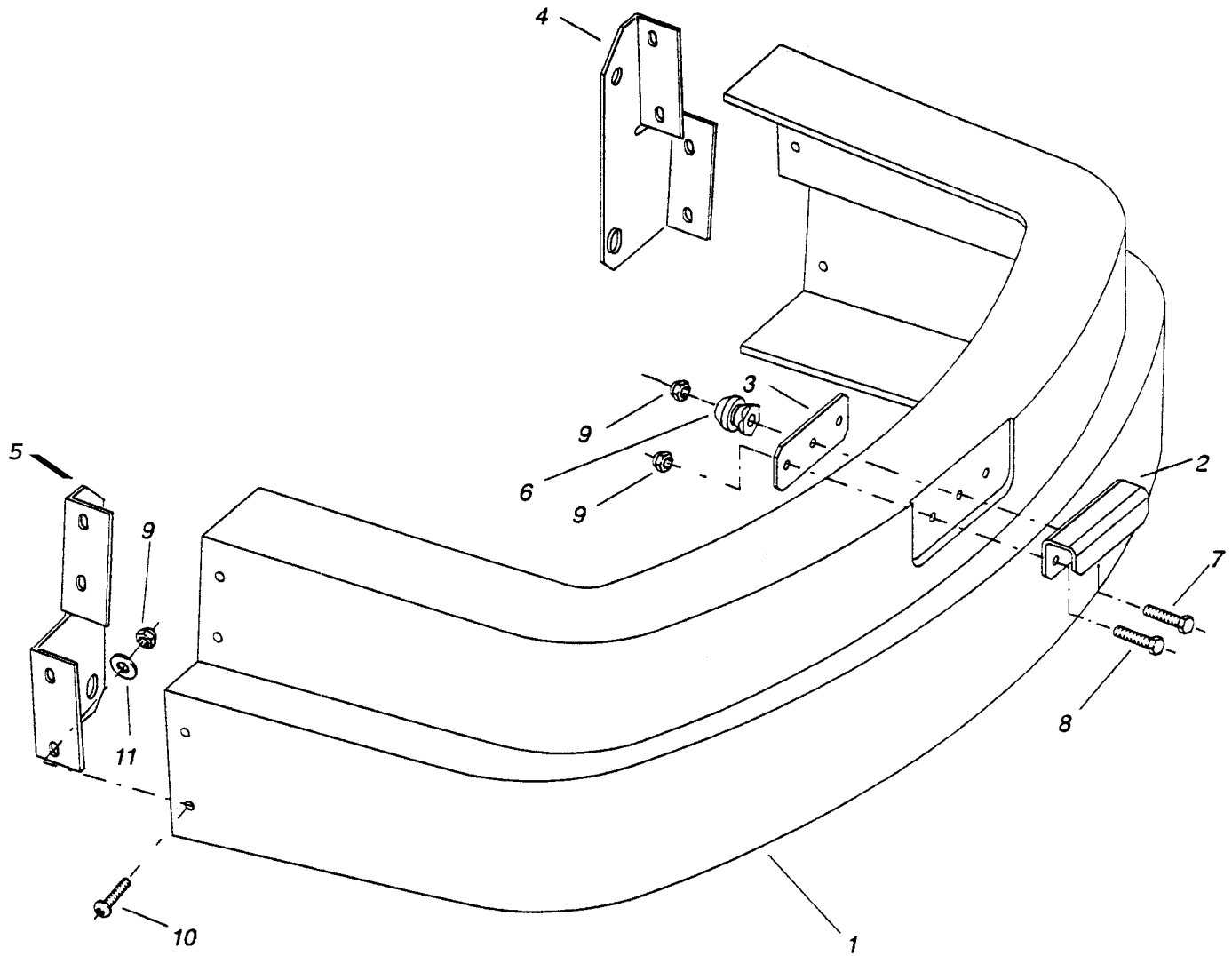
TOUCH PAD GROUP



CONSOLE GROUP

				From	To
1	81734	1	HOUSING, TOUCH PAD		
2	81740	1	COVER, TOUCHPAD		
3	82488	1	KEY, IGNITION SWITCH		
4	78417	1	TOUCH PADASSY.		
5	81820	1	PANEL, SWITCH MCHND.	1000017666	
6	87018	6	WASHER, FLAT #10 X 9/16 OD		
7	02125	1	SWITCH, ROTARY KEY		
8	72088	1	SWITCH, CONTACT BLOCK CLIP		
9	72089	1	SWITCH, CONTACT MODULE N.O.		
10	81270	1	CLAMP, 3/4 CUSHION		
11	81874	1	BUZZER, CONTINUOUS		
12	81371	1	SWITCH, MOMENTARY		
13	70497	6	SCREW, #10-24 X 1/2 SHCS		
14	87095	2	WASHER, #10 FLAT		
15	87165	2	WASHER, #10 SPLIT LOCK		
16	70086	4	SCREW, #10-24 X 1/2 PPHMS SS		
17	70266	3	SCREW, 3/8-16 X 1 HEX HEAD		
18	57032	3	NUT, 3/8-16 FLANGE		
19	27746	4	TIE WIRE, BLACK		
20	57219	4	NUT, #10-24 ELASTIC		
21	98721	1	SERVICE TAG		NOT SHOWN
22	82029	1	SLEEVE, LOOM .75 ID		
23	81349	1	OVERLAY, HORN		
24	14382	1	BAND, SERVICE TAG		NOT SHOWN

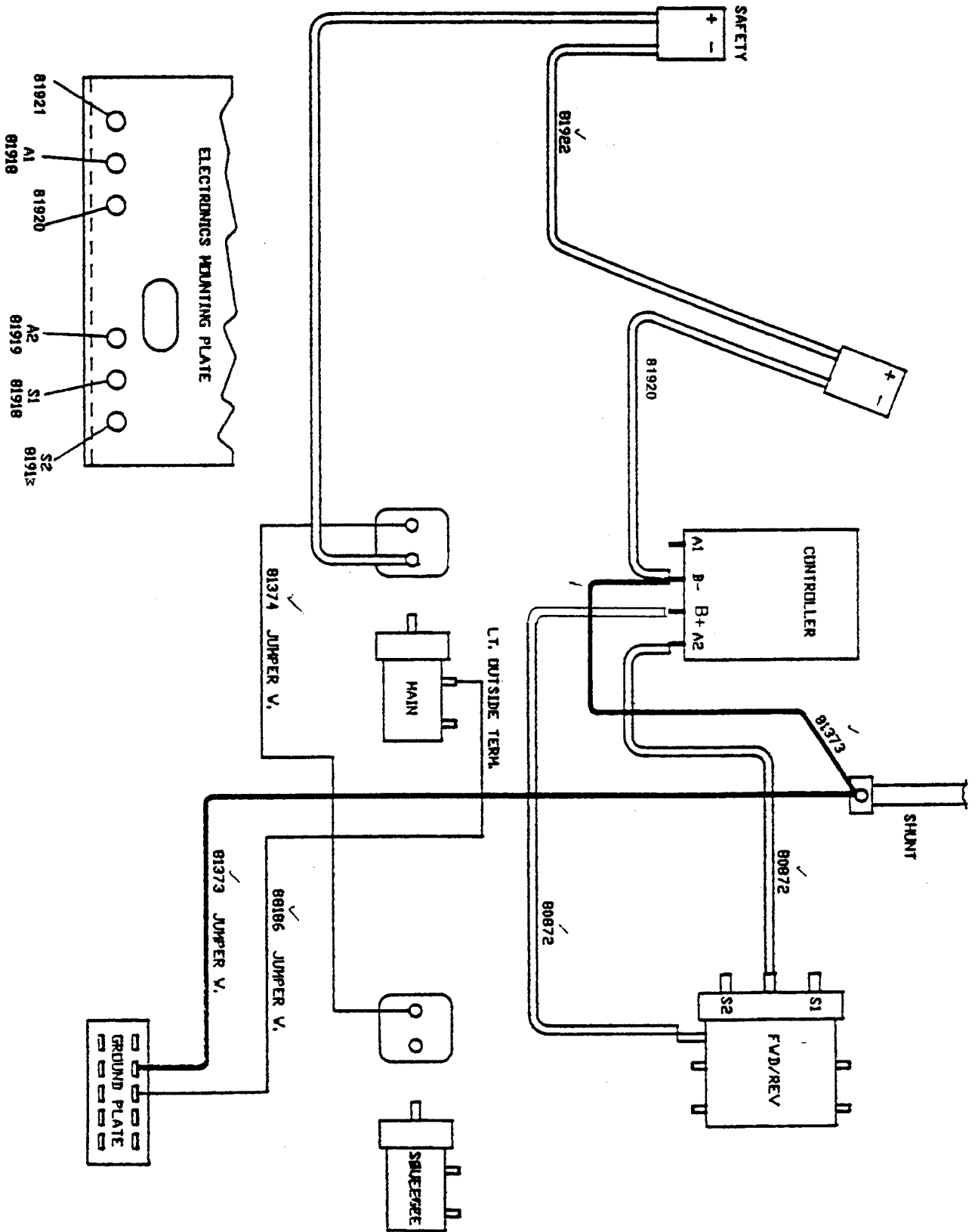
BUMPER GROUP



BUMPER GROUP

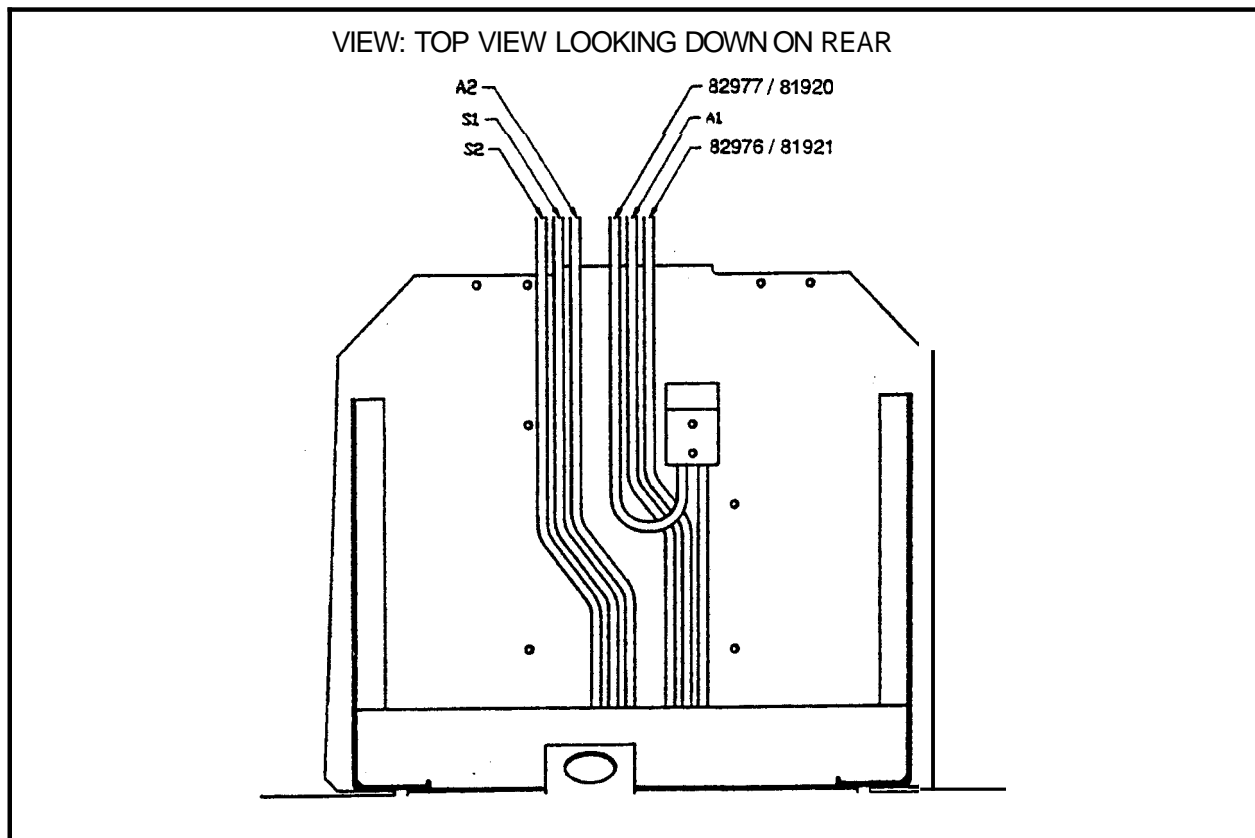
Ref	Part No.	Qty	Description	Serial No.		Notes:
				From	To	
1	81638	1	BUMPER, SWIFT			
2	81641	1	HANDLE, BUMPER			
3	81642	1	PLATE, HANDEL			
4	81639	1	MOUNT, BUMPERLEFT			
5	81640	1	MOUNT, BUMPER RIGHT			
6	51215	1	LATCH, MALE			
7	70249	1	SCREW, 1/4-20 X 1-1/4 HEX HD			
8	70270	2	SCREW, 1/4-20 X 3/4			
9	57047	11	NUT, 1/4-20 ELASTIC STOP			
10	70597	8	SCREW, 1/4-20 X 5/8 PPHMS			
11	87013	8	WASHER, 1/4 FLAT			

WIRING GROUP

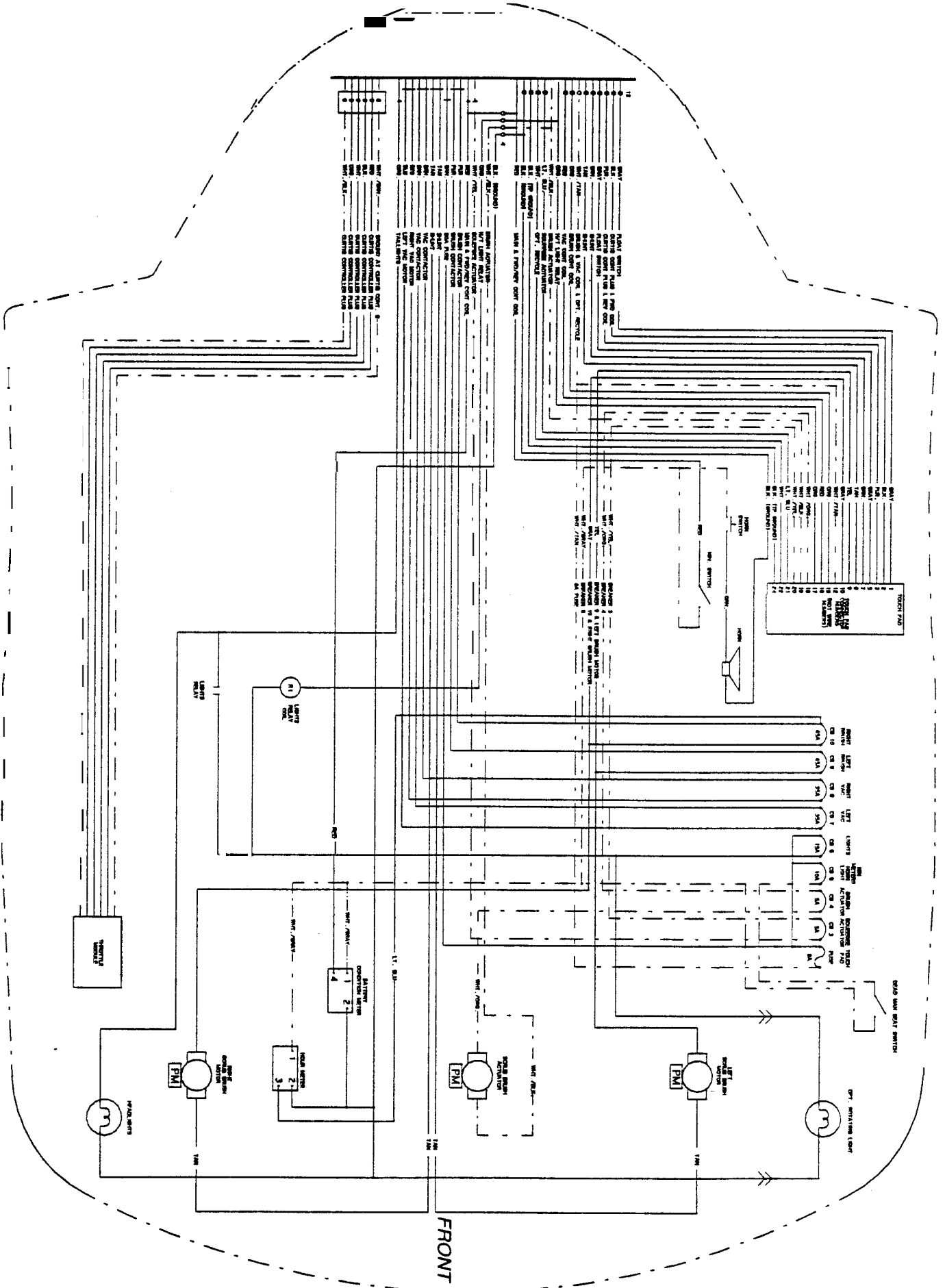


WIRING GROUP

Ref	Part No.	Qty	Description	Serial No.		Notes:
				From	To	
1	830030	1	HARNESS, FRONT MAIN			
2	82022	1	HARNESS, TOUCH PAD			
3	81852	1	HARNESS, THROTTLE FRONT			
4	82021	1	HARNESS, THROTTLE REAR			
5	27196	6	CABLE TIE 3/8			
6	830016	1	HARNESS, MAIN REAR			
7	80872	2	CABLE, 4GA BLACK X 14.5"			
8	88562	1	WIRE, JUMPER HORN TO SWITCH			
9	81920	1	CABLE, 4GA BLACK X 28.0"			
10	81921	1	CABLE, 4GA BLACK X 106.0"			
11	81922	1	CABLE, 4GA BLACK X 93.0"			
12	88186	1	WIRE, 14GA X 16.0"			
13	81374	1	WIRE, 14GA X 11.5"			
14	81373	1	WIRE, ASSEMBLY			
15	82033	1	ASM, CABLE DRIVE			
16	80889	5	INSULATOR, TERMINAL			
17	27049	16	CABLE, TIE WIRE 3/16 X 6-1/2"			
18	880129	1	WIRE, JUMPER CB TO SEAT SWITCH			
19	830027	1	HARNESS, VAC / VALVE REAR			
20	830028	1	HARNESS, VAC / VALVE FRONT			

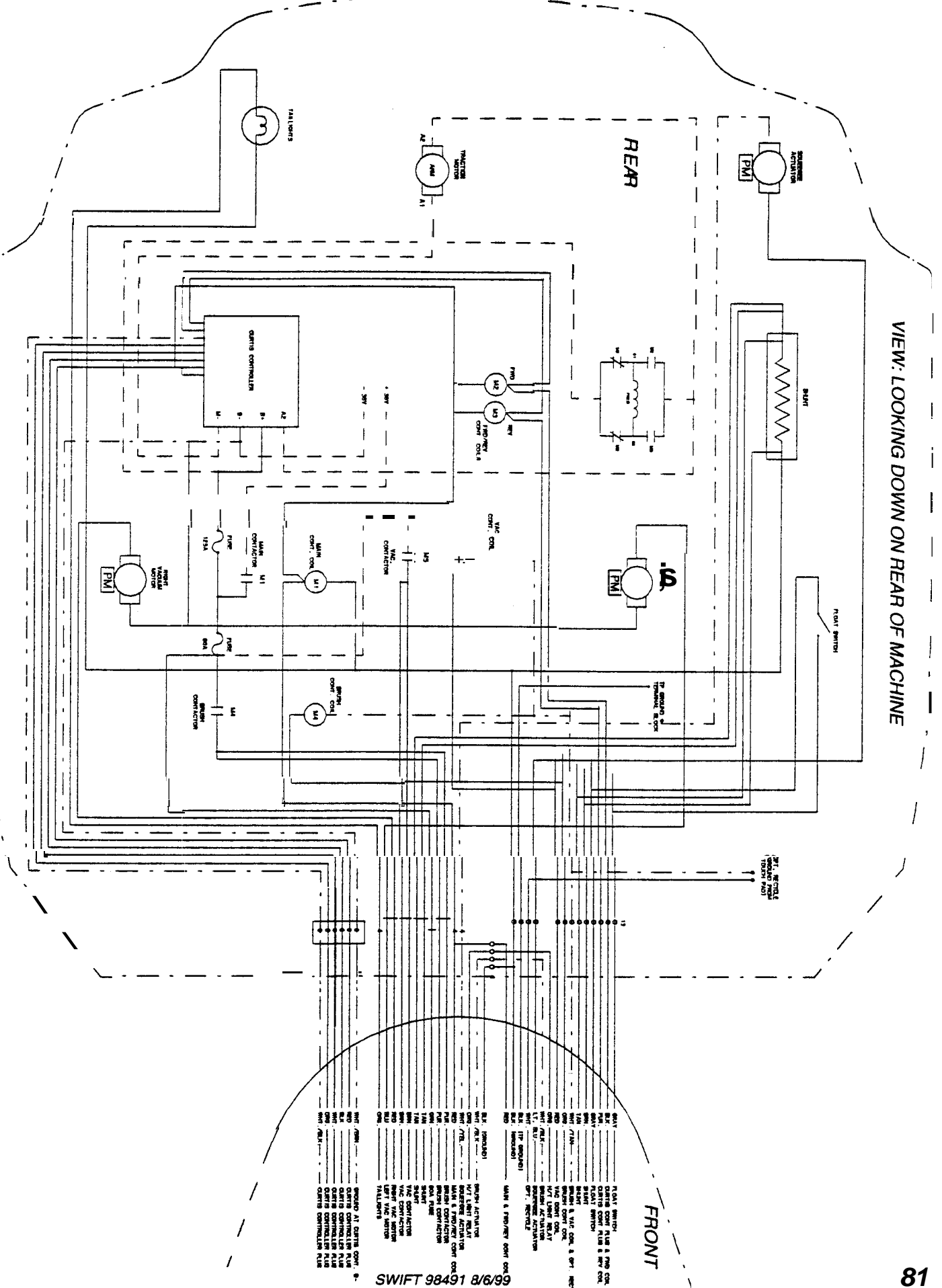


WIRING GROUP



VIEW: LOOKING DOWN ON FRONT OF MACHINE

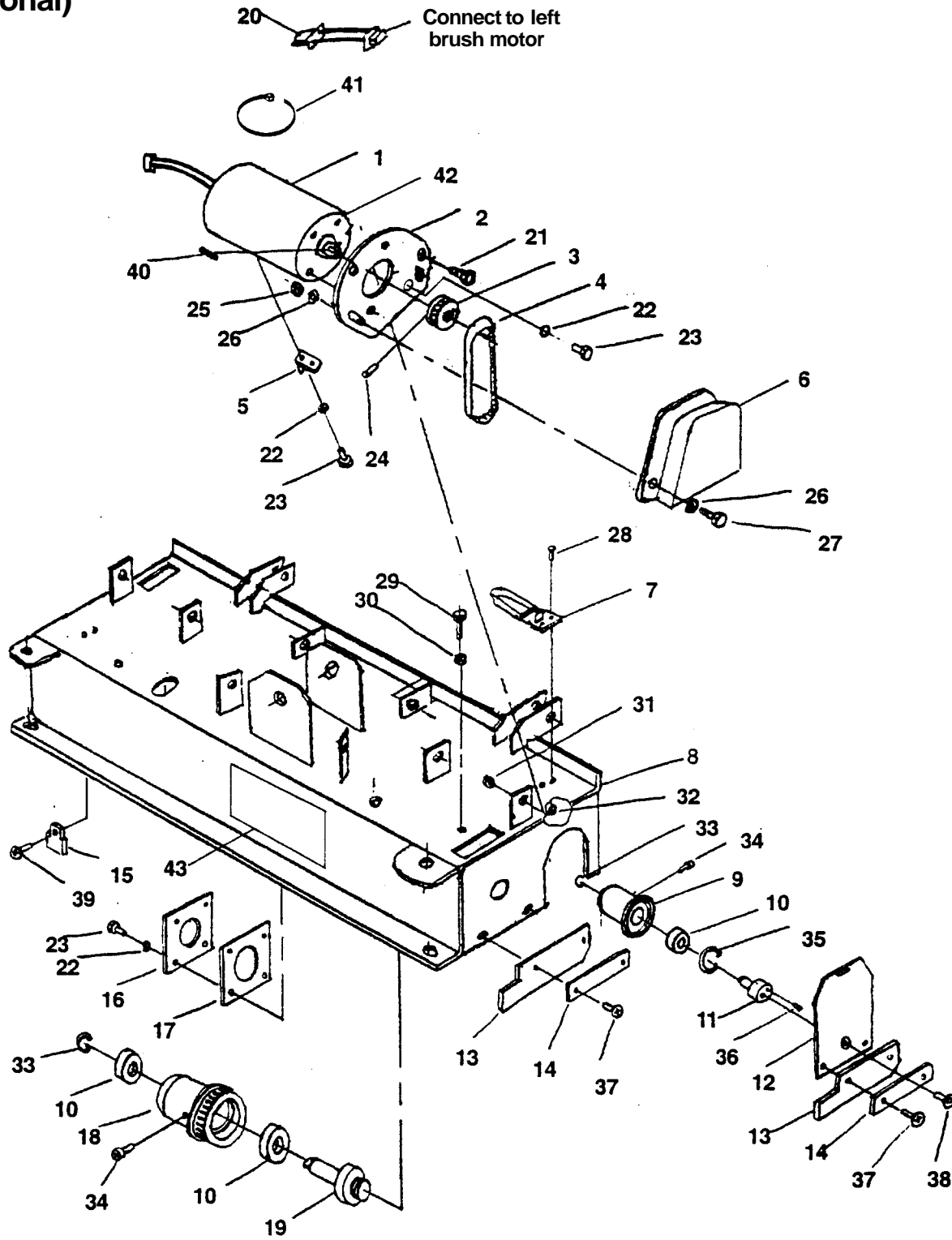
VIEW: LOOKING DOWN ON REAR OF MACHINE



SWIFT 98491 8/6/99

CYLINDRICAL SCRUB HEAD ASSEMBLY

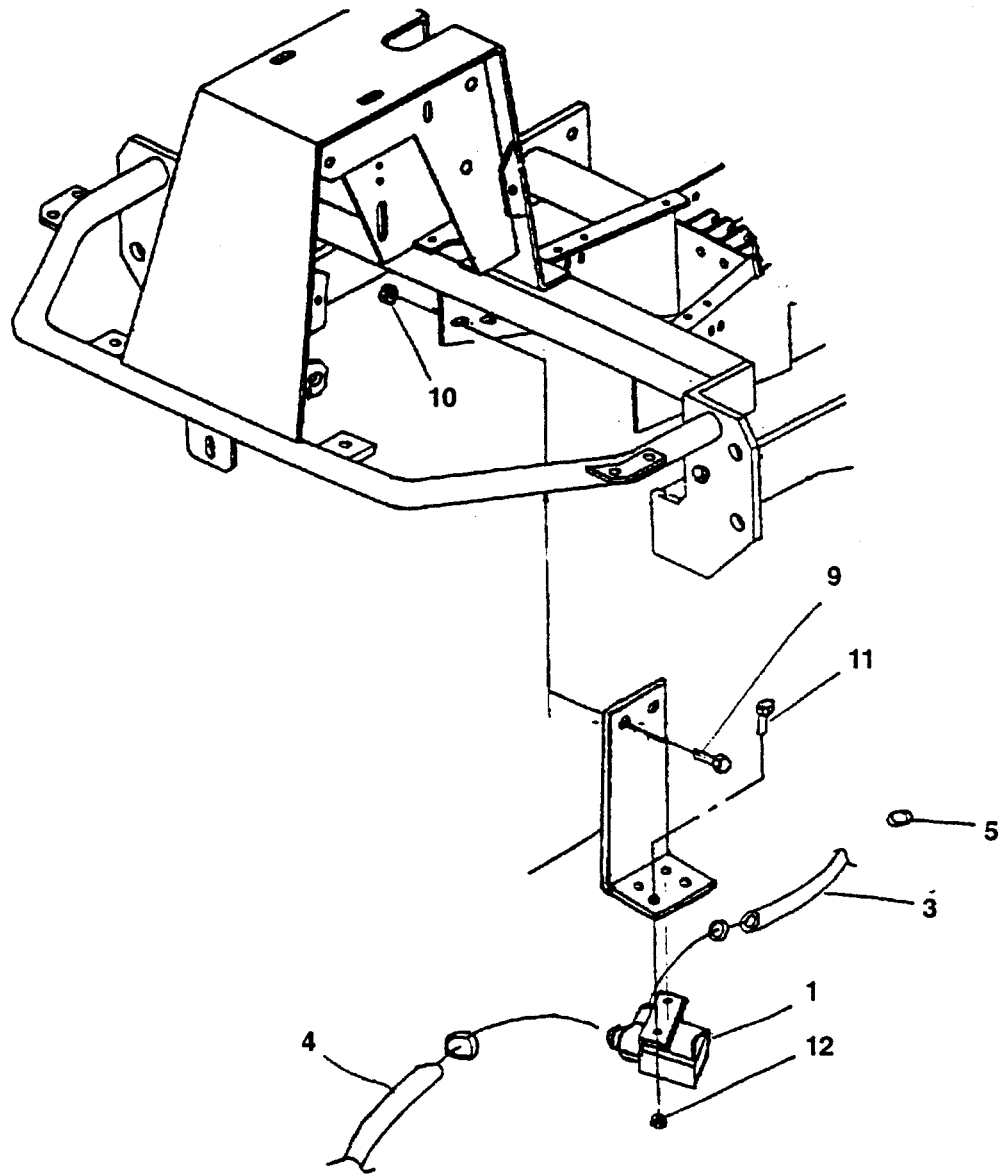
(optional)



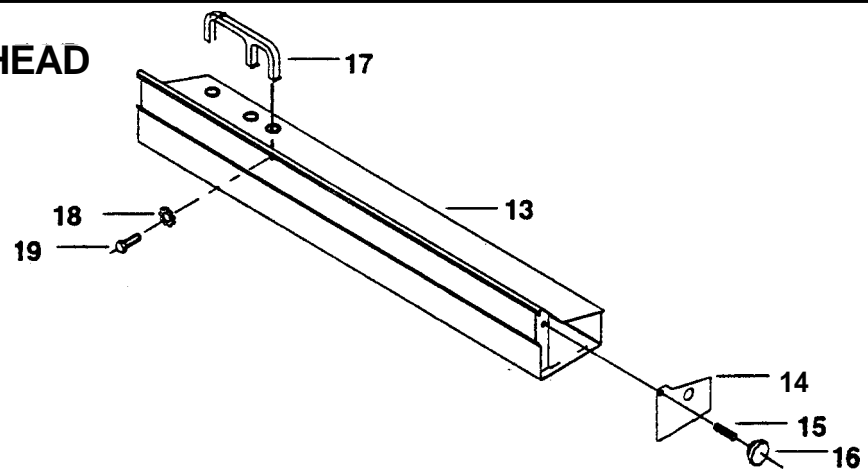
CYLINDRICAL SCRUB HEAD ASSEMBLY

Ref	Part No.	Qty	Description	Serial No.		Notes:
				From	To	
1	53638	2	MOTOR ASM., 36V			
2	82227	2	PLATE, MOTOR MOUNT			
3	830669	2	PULLEY, MOTOR DRIVE CYL. BRUSH			
4	830670	2	BELT, CYL. BRUSH DRIVE			
5	82228	2	ANGLE, MOTORMOUNT			
6	82254	2	GUARD, BELT			
7	81488	2	LATCH			
8	82211	1	SCRUB HEAD, CYL.			
9	81547	2	HUB, IDLER			
10	82045	6	BEARING			
11	82034	2	SHAFT, IDLER			
12	82229	2	DOOR, CYLINDRICAL			
13	81555	4	SIDE SQUEEGEE			
14	82234	4	BAR, SKIRT RETAINER			
15	82236	2	SEAL			
16	82225	2	PLATE, SEAL RETAINER			
17	82226	2	SEAL, DRIVER			
18	81548	2	HUB, DRIVECYL.			
19	82035	2	SHAFT, DRIVE CYL.			
20	880212	1	JUMPER, MOTOR POLARITY			
21	70305	4	SCREW, 5/16-18 X 3/4 HHC			
22	87025	16	WASHER, 1/4 LOCK EXT STAR			
23	70020	16	SCREW, 1/4-20 X 1/2 HHCS SS			
24	70074	4	SET SCREW, 10-32 X 1/4 KCP			
25	57245	4	NUT, 1/4-20 HEX NYLOCK SS			
26	87013	8	WASHER, 1/4 SS			
27	70015	4	SCREW, 1/4-20 X 3/4 HHCS SS			
28	70051	4	SCREW, 8-32 X 1/2 PPHMS SS			
29	70302	2	SCREW, 5/16-18 X 1 HHMS			
30	57031	2	NUT, 5/16-18 HEX			
31	57113	4	NUT, 5/16-18 NYLOCK			
32	57026	4	NUT, 8-32 NYLOCK			
33	73166	4	RING, RET			
34	70176	8	SCREW, 5/16-18 X 1/2 SHCS			
35	82043	2	RING, RETAINING			
36	82070	2	PIN, ROLL 3/32 X 5/8 SS			
37	70514	8	SCREW,			
38	70572	2	SCREW, 3/8-16 X 3/4 SOC FHCS			
39	70085	2	SCREW, 1/4-20 X 1/2 PPHMS			
40	48050	2	KEY, 1/4-20 X 1/2 PPHMS			
41	27196	2	CABLE TIE, 3/8 X 17-1/2"			
42	82569	1	BRUSH SET, (SERVICE PART)			
43	82552	1	DECAL, SCRUB PLUS			

SCRUB HEAD GROUP (optional)



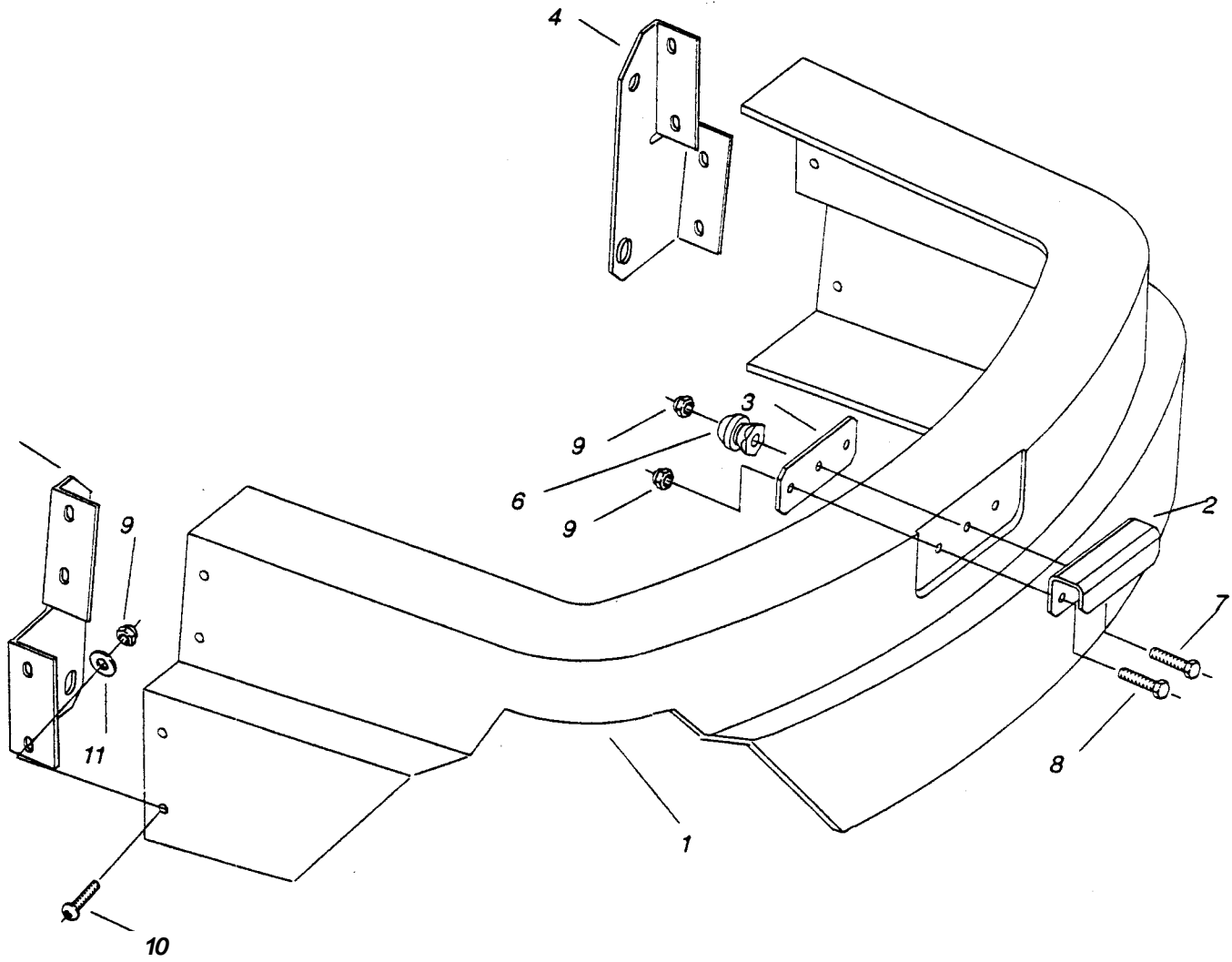
CYLINDRICAL SCRUB HEAD HOPPER ASSEMBLY



**CYLINDRICAL SCRUB HEAD VALVE ASSEMBLY
CYLINDRICAL SCRUB HEAD HOPPER ASSEMBLY**

Ref	Part No.	Qty	Description	Serial No.		Notes:
				From	To	
1	82312	1	VALVE, 36V SOL.			
2	82255	1	ANGLE, VALVE MNT.			
3	82310	1	HOSE, 5/8 X 17 VINYL			
4	82311	1	HOSE, 5/8 X 19.5 VINYL			
5	20042	3	CLAMP			
6	OPEN					
7	OPEN					
8	OPEN					
9	70305	2	SCREW, 5/16-18 X 3/4 HHCS			
10	57113	2	NUT, 5/16-18 NYLOCK			
11	70270	2	SCREW, 1/4-20 X 3/4 HHCS			
12	57047	2	NUT, 1/4-20 NYLOCK			
13	82248	1	TRAY, HOPPER			
14	82253	1	PLATE, END			
15	81491	1	STUD, 5/16-18 SS			
16	48102	1	KNOB, 5/16-18			
18	87007	3	WASHER, #8 EXT STAR			
19	70612	3	SCREW, 8-32 X 3/8 HHCS SS			

**CYLINDRICAL SCRUB HEAD
FRONT BUMPER GROUP
(optional)**

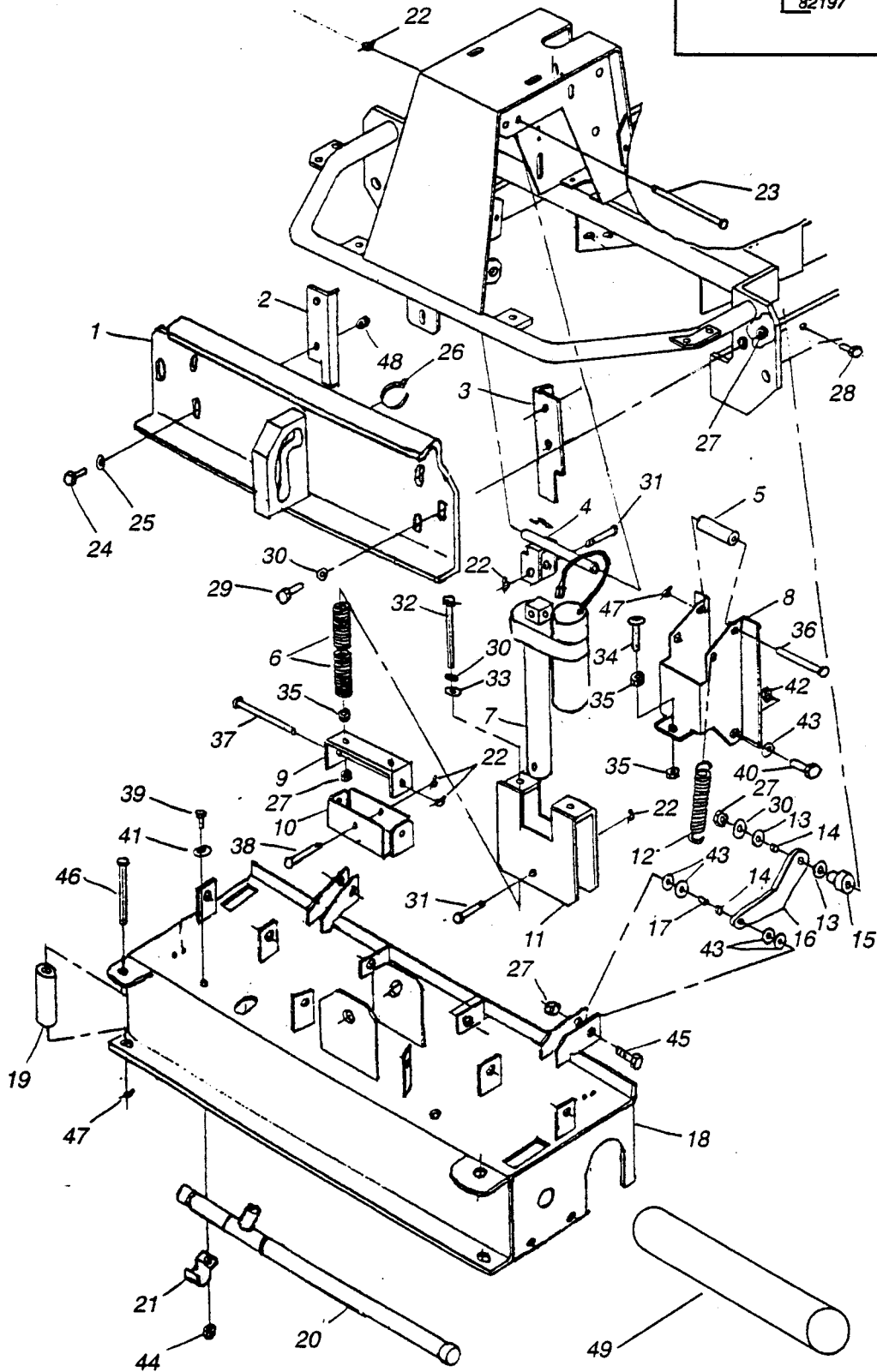


CYLINDRICAL SCRUB HEAD FRONT BUMPER

Ref	Part No.	Qty	Description	Serial No.		Notes:
				From	To	
1	82326	1	BUMPER, CYLINDRICAL			
2	81641	1	HANDLE, BUMPER			
3	81642	1	PLATE, HANDLE			
4	81639	1	MOUNT, BUMPER RIGHT			
5	81640	1	MOUNT, BUMPER LEFT			
6	51215	1	LATCH, MALE			
7	70249	1	SCREW, 1/4-20 X 1-1/4 HHCS			
8	70270	2	SCREW, 1/4-20 X 3/4 HHCS			
9	57047	11	NUT, 1/4-20 NYLOCK			
10	70597	8	SCREW, 1/4-20 X 3/4 PPHMS			
11	87013	8	WASHER, 1/4 ID SS			

**CYLINDRICAL SCRUB HEAD
FRONT BUMPER GROUP
(optional)**

BRUSH OPTIONS: P/N 49	
PART NO.	DESCRIPTION
82193	BRUSH, 32" POLYPROPYLENE
82194	BRUSH, 32" NYLON HEX
82196	BRUSH, 32" STANDARD GRIT
82197	BRUSH, 32" SUP. AGR. GRIT

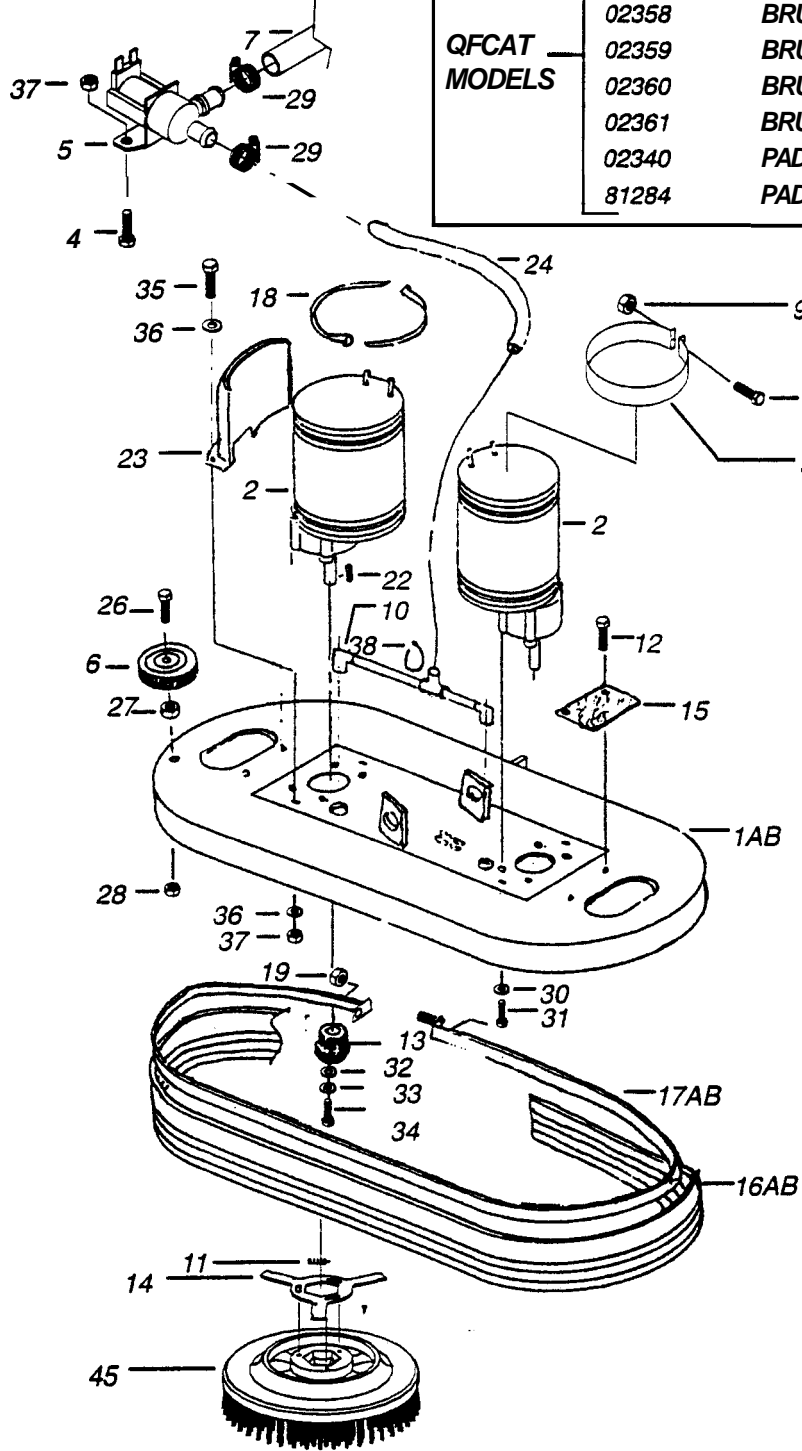


**CYLINDRICAL SCRUB HEAD
LIFT ASSEMBLY**

Ref	Part No.	Qty	Description	Serial No.		Notes:
				From	To	
1	82237	1	UPPER SLIDE			
2	82293	1	ANGLE, STOP RT			
3	82294	1	ANGLE, STOP LT			
4	81765	1	PIVOT, ACTUATOR			
5	82243	1	ROLLER, TOP			
6	81311	4	SPRING, COMP			
7	830036	1	ACTUATOR, ASSY			
8	82235	1	CHANNEL, ADJUSTMENT			
9	81764	1	MOUNT, SPRING			
10	81763	1	CHANNEL, PIVOT			
11	81814	1	RETAINER, SPRING			
12	82350	2	SPRING, EXT			
13	81396	4	WASHER, FIBERGLIDE			
14	81377	4	BERING, FIBRE			
15	82240	2	PIVOT, REAR UPPER SLIDE			
16	82241	2	ARM, LIFT			
17	80101	2	SPACER			
18	82211	REF	SCRUB HEADCYL			
19	82242	2	ROLLER, SIDE			
20	82446	1	SOLUTION DEL MANIFOLD			
21	20003	2	CLAMP, 1/2 CONDUIT			
22	80606	5	RUE RING 3/8"			
23	82061	1	PIN, CLEVIS			
24	70302	4	SCR, 5/16-18 X 1 HHCS			
25	87142	4	WASHER, 5/16 FLAT			
26	27049	1	CABLE TIE			
27	57119	8	NUT, 3/8-16 NYLOCK			
28	70385	2	SCR, 3/8-16 X 2 HHCS			
29	70377	2	SCR, 3/8-16 X 1 1/4 HHCS			
30	87143	6	WASHER, 3/8 FLAT			
31	81406	2	PIN, CLEVIS 3/8 X 2			
32	70574	2	SCR , 3/8-16 X 7 1/2			
33	80683	2	WASHER, 3/8 NEOPRENE			
34	70570	1	SCR, 3/8-16 X 2 BHCS			
35	57111	4	NUT, 3/8-16 HEX			
36	82322	1	PIN, CLEVIS 1/2 X 4.8			
37	82060	1	PIN, CLEVIS 3/8 X 5.25			
38	82058	1	PIN, CLEVIS 3/8 X 3.5			
39	70011	2	SCR, 1/4-20 X 5/8 HHCS SS			
40	70340	2	SCR, 1/2-13 X 1 1/4 HHCS			
41	87013	2	WASHER, 1/4 FLAT SS			
42	57118	2	NUT, 1/2-13 NYLOCK			
43	87119	10	WASHER, 1/2 FLAT			
44	57245	2	NUT, 1/4-20 NYLOCK SS			
45	70368	2	SCR, 3/8-16 X 1 3/4 HHCS			
46	80818	2	PIN, CLEVIS 1/2 X 3 3/4			
47	80607	3	RUE RING, 1/2			
48	57113	4	NUT, 5/16-18 NYLOCK			

**SCRUB HEAD GROUP (QFAT38 & QFCAT)
 GROUPE TÊTE DE BROSSES
 GRUPPESCHRUBBKOPF
 CEPILLO**

NOTE: SEE MAINTENANCE SECTION FOR BRUSH APPLICATION.



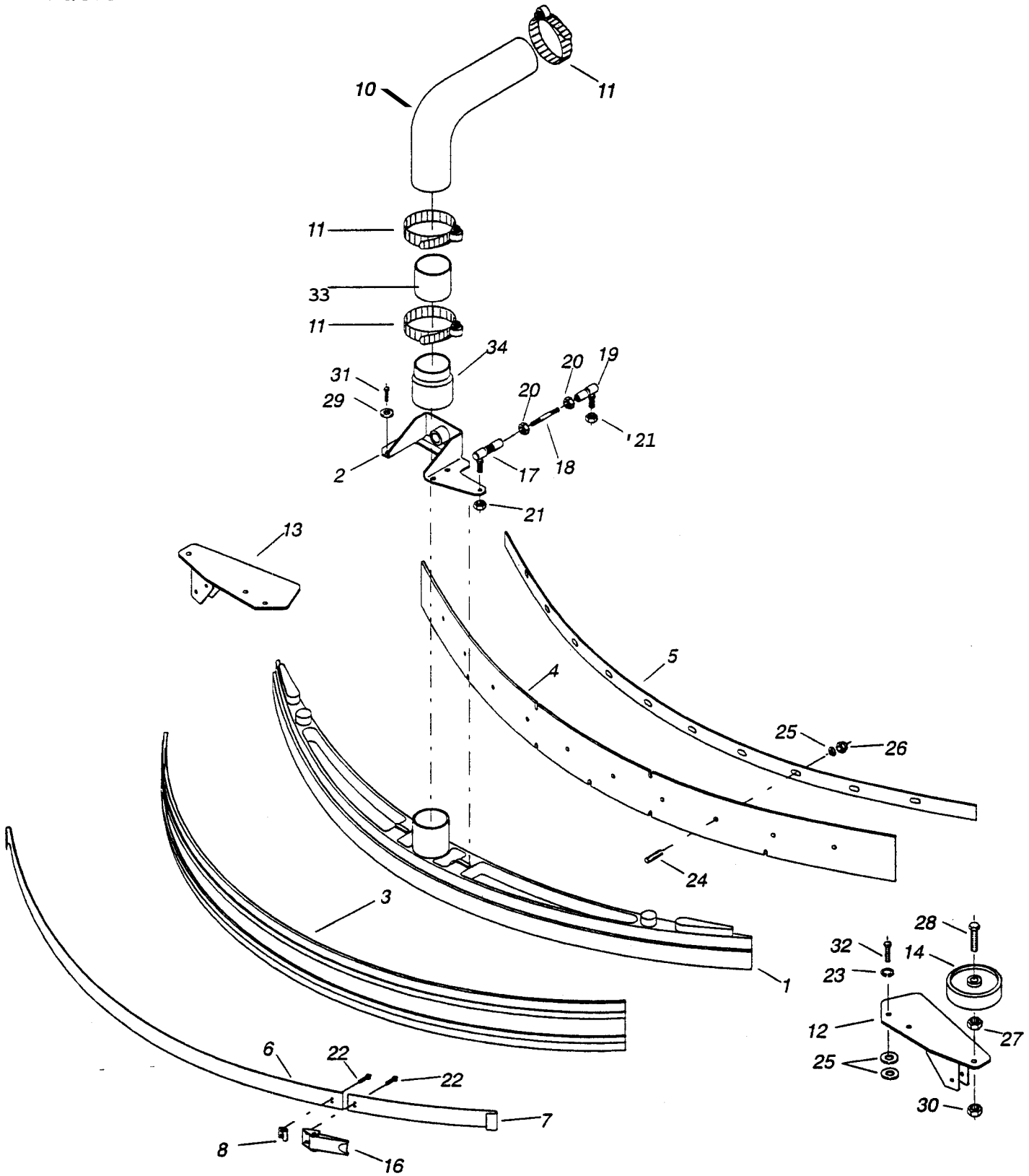
BRUSH OPTIONS: P/N 45

	PART NO.	DESCRIPTION
QFAT38 MODELS	02339	PAD DRIVER, 19" HEX
	02352	BRUSH, 19" POLYPROPYLENE
	02353	BRUSH, 19" NYLON HEX
	02354	BRUSH, 19" NYLON POLISH HEX
	02355	BRUSH, 19" MILDGRIT HEX
	02356	BRUSH, 19" SUPERAGG. HEX
QFCAT MODELS	02357	BRUSH, 20" POLYPROPYLENE
	02358	BRUSH, 2ff NYLON HEX
	02359	BRUSH, 2ff NYLON POLISH HEX
	02360	BRUSH, 2ff MILD GRIT HEX
	02361	BRUSH, 2ff SUPERAGG. HEX
	02340	PAD DRIVER, 2ff HEX
	81284	PAD LOCK

SCRUB HEAD GROUP (QFAT38 & QFCAT)
GROUPE TÊTE DE BROSSES
GRUPPE SCHRUBBKOPF
CEPILLO

Ref	Part No.	Qty	Description	Serial No.		Notes:
				From	To	
1A	82316	1	WELDMENT, SCRUB HEAD QFAT38			
1B		1	WELDMENT, SCRUB HEAD QFCATC			
2	53776	2	BRUSHMOTORASM.			
3	82259	4	GUARD, MOTOR			
4	70506	2	SCR, 1/4-20 X 2			
5	82312	1	VALVE AUTO SHUT-OFF			
6	89059	1	WHEEL			
7	81935	1	TUBING, 5/8" ID X 15.0 LG VINYL			
8	70052	4	SCR, 8-32 X 3/8 PPHMS SS			
9	57026	4	NUT, 8-32 NYLOCK			
10	81905	1	SOLUTION, DELIVERY MANIFOLD			
11	73817	REF.	SPRING			
12	80805	4	FASTENER, TREE			
13	29119	2	DRIVE, BRUSH			
14	81471	REF.	RELEASE, BRUSH			
15	81898	2	COVER, BRUSH RELEASE			
16A	73834	1	SKIRT, SCRUB HEAD (80"LONG) QFAT38			
16B		1	SKIRT, SCRUB HEAD QFCATC			
17A	82468	1	WELDMENT, SKIRT RETAINER QFAT38			
17B		1	WELDMENT, SKIRT RETAINER QFCATC			
18	27196	4	CABLE TIE, .375 X 17.5			
19	57245	1	NUT, 1/4-20 NYLOCK SS			
20		-	OPEN			
21		-	OPEN			
22	48040	2	KEY, SQUARE 1/4 X 1			
23	81899	2	COVER, MOTOR MCHND.			
24	81397	1	HOSE, 5/8 ID X 14" LONG			
25		-	OPEN			
26	70385	1	SCREW, 3/8-16 X 2 HEX HEAD			
27	57111	1	NUT, 3/8-16 HEX			
28	57119	1	NUT, 3/8-16 ELASTIC STOP			
29	20042		CLAMP, 3/8 HOSE			
30	87163	8	WASHER, 3/8 SPLIT LOCK			
31	70507	8	SCREW, 3/8-16 X 3/4 HEX HEAD			
32	87142	2	WASHER, 5/16 FLAT			
33	87083	2	WASHER, 5/16 SPLIT LOCK			
34	70083	2	SCREW, 5/16-18 X 1 HEX HEAD			
35	70270	4	SCREW, 1/4-20 X 3/4 HEX HEAD			
36	87013	8	WASHER, 1/4 FLAT			
37	57047	6	NUT, 1/4-20 ELASTIC STOP			
38	27049	2	CABLETIE, 3/16 X 7			
39	82042	1	CHANNEL, STRAP SUPPORT			
40	87166	1	WASHER, 5/16 LOCK EXT. STAR			
41		-	OPEN			
42		-	OPEN			
43		-	OPEN			
44						
45			SEE BRUSH/PAD OPTION PG. 90			

SQUEEGEE GROUP (QFCAT Model)
GROUPE SUCEUR
GRUPPE SAUGLEISTEN
BOQUILLA DE ASPIRACIÓN



SQUEEGEE GROUP (QFCAT Model)
GROUPE SUCEUR
GRUPPE SAUGLEISTEN
BOQUILLA DE ASPIRACIÓN

Ref	Part No.	Qty	Description	Serial No.		Notes:
				From	To	
1	80277	1	SQUEEGEE , SCRUBBER			
2	82547	1	SQUEEGEE PITCH MOUNT ASSEMBLY			
3	80937	1	ASM., REARSQ. BLADE			
4	80935	1	BLADE, FRONT SQUEEGEE			
5	81483	1	STRAP, FRONT BLADE RETAINER			
6	81481	1	STRAP, BLADE RETAINER-LONG			
7	81482	1	STRAP, BLADE RETAINER-SHORT			
8	81489	1	STRIKER			
9	81866	1	CUFF, HOSE			
10	81931	1	HOSE, SQUEEGEE			
11	81431	3	CLAMP, HOSE 2-3/4			
12	81484	1	WELDMENT, ROLLER MOUNT-RIGHT			
13	81485	1	WELDMENT, ROLLER MOUNT-LEFT			
14	89059	2	WHEEL, BUMPER			
15	82472	1	REDUCER, 2.50 X 2.00			
16	81488	1	LATCH			
17	81490	1	BALL JOINT, 3/8 QUICK RELEASE			
18	81467	1	ROD			
19	80697	1	BALL JOINT 3/8"			
20	57217	2	NUT, 3/8-24 JAM			
21	57216	2	NUT, 3/8-24 ELASTIC STOP			
22	67380	4	RIVET, POP 5/32" X 1/8" GRIP ALUM.			
23	87083	4	WASHER, 5/16 SPLIT LOCK			
24	81491	8	STUD, 5/16-18 X 1-1/2" SS			
25	87142	12	WASHER, 5/16 FLAT			
26	57113	8	NUT, 5/16-18 ELASTIC STOP			
27	57111	2	NUT, 3/8-16			
28	70368	2	BOLT, 3/8-16 X 1-3/4" HEX HD			
29	87143	4	WASHER, 3/8 FLAT			
30	57022	2	NUT, 3/8-16 ELASTIC STOP THIN			
31	70266	4	BOLT, 3/8-16 X 1 HEX HD			
32	70305	4	BOLT, 5/16-18 X 3/4			
33	82478	1	TUBE, SQUEEGEE VAC			



LIMITED WARRANTY

Windsor Industries, Inc. warrants new machines against defects in material and workmanship under normal use and service to the original purchaser. The warranty period is subject to the conditions stated below.

3 YEARS FOR PARTS AND 1 YEAR FOR SERVICE LABOR

Exceptions: Rotationally molded polyethylene tanks carry a 6 year parts and 1 year service labor warranty. **VERSAMATIC**® models carry a 3 year warranty on brush motors, vacuum motors, and belts, and a 1 year service labor warranty. **SENSOR**™ models carry a 2 year warranty on vacuum motors and belts, and a 1 year service labor warranty. Extractor brush motors, pump motors, pc boards and electronics, vac motors (other than **VERSAMATIC**® and **SENSOR**™), pumps, and **FLEXSOL**™ diaphragms, all **RADIUS**™, all **AXCESS**™ and **TITAN**™1 carry a 1 year parts and service labor warranty. Propane equipment has a 1 year parts and service warranty. The Onan® engines have a 3 year manufacturers' warranty. The Honda® engines have a 2 year manufacturers' warranty. The engine warranty is administered through the engine manufacturer and must be repaired at an authorized service center.

Normal wear items including, but not limited to, belts, brushes, capacitors, carbon brushes, casters, clutches, cords, filters, finishes, gaskets, hoses, light bulbs, rectifiers, switches, squeegees, bearings, pulleys, relays, actuating cables, tires and wheels will be warranted for manufacturing defects for 90 days from the purchase date.

The warranty commences on the purchase date by the original end user from an authorized Windsor Agent, subject to proof of purchase. The Machine Registration Card must be completed and returned immediately at the time of purchase. If proof of purchase cannot be identified, the warranty start date is 90 days after date of sale to an authorized Windsor distributor. Parts replaced or repaired under warranty are guaranteed for the remainder of the original warranty period.

90 DAY WARRANTY EXTENSION AVAILABLE

Upon receipt of the Machine Registration Card, Windsor will extend the warranty period an additional 90 days from the purchase date. Does not include items warranted 90 days for manufacturing defects.

STATED WARRANTIES ARE IN LIEU OF ALL OTHER WARRANTIES, EXPRESSED OR IMPLIED.

Any statutory implied warranties, including any warranty of merchantability or fitness for a particular purpose, are expressly limited to the duration of this written warranty. Windsor will *not* be liable for any other damages, including but not limited to indirect or special consequential damages arising out of or in connection with the furnishing; performance, use or inability to use the machine. This remedy shall be the exclusive remedy of the buyer.

This warranty shall not apply to: 1. damage in transit; 2. misuse or abuse (including the use of incompatible or corrosive chemicals or overloading of capacity); 3. failure due to lack of proper maintenance and care (including cleaning); 4. any design alterations performed by an organization not authorized or specified by Windsor; 5. batteries and chargers. 6. high pressure washing. 7. electrical components exposed to moisture.

If difficulty develops during the warranty period, contact the authorized Windsor Agent from whom the product was purchased. Windsor, Inc. may elect to require the return of components to validate a claim. Any defective part to be returned must be shipped freight pre-paid to an authorized Windsor Distributor/Service Center or to the Windsor factory.

USE OF PARTS NOT APPROVED BY WINDSOR, INC. WILL VOID ALL WARRANTIES.

This warranty is valid only for all products sold after July 1, 1995. A product sold before that date shall be covered by the limited Warranty in effect at the date of sale to the original purchaser.



WINDSOR INDUSTRIES, INC., 1351 W. Stanford Ave., Englewood, CO 80110 USA
Phone: 303-762-1800 Fax: 303-762-0817 Internet: www.windrorind.com