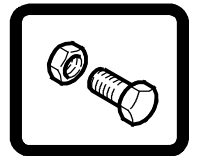




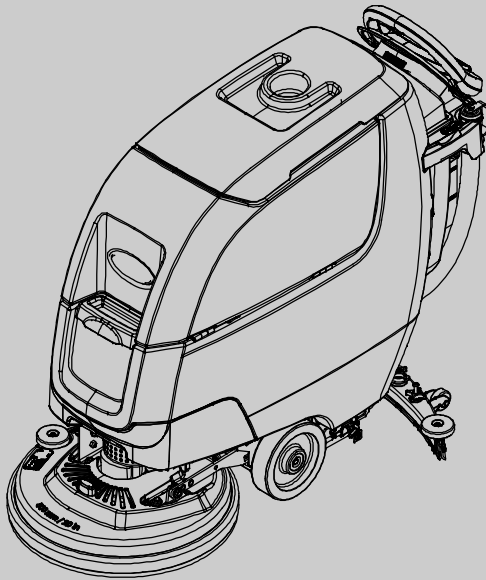
T300

Automatic Floor Scrubber

Parts Manual



(S/N 10000000-20000000)



Hygenic[®] Fully Cleanable Recovery Tank
TennantTrue[®] Parts
IRIS[®] a Tennant Technology



For the latest Parts manuals and other language Operator manuals, visit:

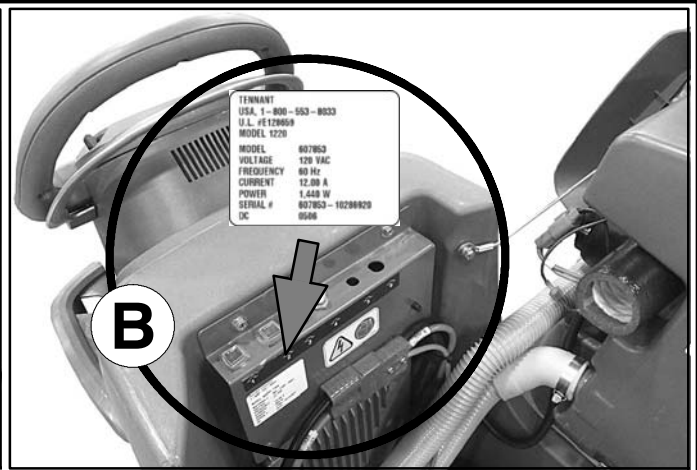
www.tennantco.com/manuals

North America / International

www.tennantco.com

9014500
Rev. 05 (03-2017)





Ref	Part No.	Serial Number	Description	Qty.
1	82681	(000000-)	Bracket Wldt, Lpg Mount	1
∇ 2	63810	(000000-)	Latch Assy, Lpg Tank Mtg, W/Nut	4
▲ 3	51839	(000000-)	Nut Adjustable, Lpg Tank Mtg	2
4	49263	(000000-)	Tie, Cable	3
(D) 82556	82556	(000000- 001039)	Bracket, Vaporizer	1
(C) 54930	54930	(000000-)	Vaporizer, LPG	1

HOW TO ORDER PARTS - See diagram above

Only use TENNANT Company supplied or equivalent parts. Parts and supplies may be ordered online, by phone, by fax or by mail.

Follow the steps below to ensure prompt delivery.

1. (A) Identify the machine model.
2. (B) Identify the machine serial number from the data label.
3. (C) Ensure the proper serial number is used from the parts list.
4. Identify the part number and quantity.
Do not order by page or reference numbers.
5. Provide your name, company name, customer ID number, billing and shipping address, phone number and purchase order number.
6. Provide detail shipping instructions.

- (D) ∇ - identifies an assembly
▲ - identifies parts included in assembly

Please fill out at time of installation for future reference.

Model No. - _____

Serial No. - _____

Machine Options - _____

Sales Rep. - _____

Sales Rep. phone no. - _____

Customer ID Number - _____

Installation Date - _____

Tennant Company
PO Box 1452
Minneapolis, MN 55440 USA
Phone: (800) 553- 8033
www.tennantco.com

TENNANT Cleaning Systems & Equipment (Shanghai) Co., Ltd
Building 1, No. 3777 Caoying Road
Qingpu Shanghai, China 201712
Phone: 86 21 6922 5333
Fax: 86 21 69225151
www.tennantco.com.cn

Tennant Company Japan
9F Industry & Trade Center
Yokohama, Kanagawa 231- 0023
Japan
Telephone: 81- 45- 640- 5630
Fax: 81- 45- 640- 5604
www.tennant.co.jp.com

Specifications and parts are subject to change without notice.

Copyright © 2015 - 2017 TENNANT Company, Printed in U.S.A.

ES	<p>CÓMO SOLICITAR PIEZAS - Consulte el diagrama anterior.</p> <p>Utilice sólo las piezas suministradas por TENNANT Company o piezas equivalentes. Puede solicitar las piezas a través de internet, por teléfono, por fax o por correo.</p> <p>Siga los siguientes pasos para que la entrega sea rápida.</p> <ol style="list-style-type: none"> 1. (A) Indique el modelo de máquina. 2. (B) Indique el número de serie de la etiqueta de datos. 3. (C) Asegúrese de que indica el número de serie correcto de la lista de piezas. 4. Indique la cantidad y el número de la pieza. No realice el pedido indicando el número de página o el de referencia. 5. Incluya su nombre, el nombre de la empresa, el ID de cliente, las direcciones de envío y facturación, el número de teléfono y el número del pedido de compra. 6. Facilite instrucciones de envío. <hr/> <p>(D) ▽ - identifica un conjunto ▲ - identifica piezas de un conjunto</p>	<p>Rellene estos datos cuando realice la instalación para utilizarlos como referencia en el futuro.</p> <p>Nº modelo - _____</p> <p>Nº serie - _____</p> <p>Opciones de la máquina - _____</p> <p>Vendedor - _____</p> <p>Nº teléfono vendedor - _____</p> <p>Nº cliente - _____</p> <p>Fecha de instalación - _____</p>
-----------	--	---

FR	<p>COMMENT COMMANDER DES PIÈCES DÉTACHÉES - Voir le schéma ci-dessus.</p> <p>Utilisez uniquement des pièces fournies par la société TENNANT ou équivalentes. Les pièces et fournitures peuvent être commandées en ligne, par téléphone, fax, ou par courrier.</p> <p>Suivez les étapes ci-dessous pour assurer une livraison rapide.</p> <ol style="list-style-type: none"> 1. (A) Identifiez le modèle de la machine. 2. (B) Identifiez le numéro de série de la machine, à partir de l'étiquette signalétique. 3. (C) Assurez-vous que le numéro de série correct est utilisé à partir de la liste de pièces détachées. 4. Identifiez le numéro de pièce et la quantité. Ne commandez pas par page ou numéros de référence. 5. Fournissez votre nom, le nom de votre société, votre numéro d'identification de client, l'adresse de facturation et d'expédition, le numéro de téléphone et le numéro du bon de commande. 6. Fournissez des instructions d'expédition détaillées. <hr/> <p>(D) ▽ - identifie un assemblage ▲ - identifie les pièces composant l'assemblage</p>	<p>A remplir au moment de l'installation à titre de référence.</p> <p>Nº du modèle - _____</p> <p>Nº de série - _____</p> <p>Options de la machine - _____</p> <p>Agent commercial - _____</p> <p>Nº tél. de l'agent commercial - _____</p> <p>Numéro d'identification client - _____</p> <p>Date d'installation - _____</p>
-----------	--	---

CN	<p>如何订购部件 - 参见下表</p> <p>仅使用 TENNANT 公司提供的或同等部件。部件和供应可以在线订购，通过电话、传真或邮件订购。</p> <p>请遵循下面的步骤确保及时交付。</p> <ol style="list-style-type: none"> 1. (A) 确定机器型号。 2. (B) 从数据标签确定机器序列号。 3. (C) 确保使用部件列表中的正确序列号。 4. 确定部件号和数量。 不要按页面或参考编号订购。 5. 提供您的姓名、公司名称、客户 ID 号、付帐和送货地址、电话号码和采购单编号。 6. 提供详细的送货说明。 <hr/> <p>(D) ▽ - 确定组件 ▲ - 确定组件中包含的组件</p>	<p>请在安装时填写供未来参考。</p> <p>型号 - _____</p> <p>序列号 - _____</p> <p>机器选项 - _____</p> <p>销售代表 - _____</p> <p>销售代表电话号码 - _____</p> <p>客户 ID 编号 - _____</p> <p>安装日期 - _____</p>
-----------	--	--

JP	<p>パーツの発注方法 ? 上記の図を参照してください</p> <p>TENNANT社製のパーツまたは同等品のみをお使いください。パーツやサプライ品のご注文は、オンライン、電話、FAX、または手紙でお願いいたします。</p> <p>確実にお届けできるように、以下の情報お知らせください。</p> <ol style="list-style-type: none"> 1. (A) 製品のモデル名をお知らせください。 2. (B) 製品のデータラベルに印刷されているシリアル番号をお知らせください。 3. (C) パーツリストを参照して、シリアル番号が正しいかご確認ください。 4. パーツ番号と数量をお知らせください。マニュアル/カタログのページ番号や参照番号でのご注文はご遠慮ください。 5. お客様のお名前、会社名、顧客ID番号、請求/発送先住所、電話番号、注文書番号をお知らせください。 6. 発送に関するご希望があれば、明記してください。 <hr/> <p>(D) ▽ - アセンブリを示します ▲ - アセンブリに含まれるパーツを示します</p>	<p>後日確認できるように、設置時に記入してください。</p> <p>モデルNo. - _____</p> <p>シリアルNo. - _____</p> <p>製品のオプション - _____</p> <p>販売代理店 - _____</p> <p>販売代理店の電話番号 - _____</p> <p>顧客ID番号 - _____</p> <p>設置日 - _____</p>
-----------	---	---

STANDARD PARTS

GENERAL RECOMMENDED MAINTENANCE ITEMS	7
BRUSHES AND PAD DRIVER GROUP, 43CM DISK MAGNETIC HUB	10
BRUSHES AND PAD DRIVER GROUP, 50CM DISK MAGNETIC HUB	12
BRUSHES AND PAD DRIVER GROUP, 60CM DUAL DISK MAGNETIC HUB	14
BRUSHES GROUP, 50CM CYLINDRICAL	16
PAD GROUP, 50CM ORBITAL	17
SCRUB HEAD GROUP, 43CM DISK, MAGNETIC HUB	18
SCRUB HEAD GROUP, 50CM DISK, MAGNETIC HUB	20
SCRUB HEAD GROUP, 60CM DUAL DISK, MAGNETIC HUB	22
SCRUB HEAD GROUP, 50CM CYLINDRICAL ..	26
SCRUB HEAD GROUP, 50CM ORBITAL	30
RECOVERY TANK GROUP, STANDARD MODEL	32
RECOVERY TANK FILTER AND HOSE GROUP, SCREW CAP	34
RECOVERY TANK FILTER AND HOSE GROUP, CONTROL VALVE	36
SOLUTION TANK GROUP	38
FRAME GROUP, PROPEL MODEL	40
FRAME GROUP, PUSH MODEL	42
ACTUATED DOWN PRESSURE GROUP	44
MANUAL DOWN PRESSURE GROUP	46
SOLUTION GROUP, STANDARD MODEL	48
SOLUTION GROUP, STANDARD MODEL ec- H20	50
SOLUTION GROUP, STANDARD MODEL ec- H20 & SEVERE ENVIRONMENT	52
STANDARD ELECTRICAL COMPONENTS GROUP	56
TELEMETRY GROUP	58

LOWER CONSOLE GROUP, ON- BOARD CHARGER	60
LOWER CONSOLE GROUP, OFF- BOARD CHARGER	62
HANDLE GROUP, PRO-MEMBRANE, PROPEL, ACTUATED DOWN PRESSURE	64
HANDLE GROUP, MEMBRANE, PROPEL, MANUAL DOWN PRESSURE	66
HANDLE GROUP, PRO-MEMBRANE, PUSH, ACTUATED DOWN PRESSURE	68
HANDLE GROUP, MEMBRANE, PUSH, MANUAL DOWN PRESSURE	70
HANDLE GROUP, PRO-PANEL (LCD), PROPEL	72
HANDLE GROUP, PRO-PANEL (LCD), PUSH ..	74
SHROUD GROUP, DISK AND ORBITAL HEAD .	76
SHROUD GROUP, CYLINDRICAL HEAD	78
SCRUB HEAD LIFT GROUP, 43CM DISK MODEL	80
SCRUB HEAD LIFT GROUP, 50CM DISK MODEL	82
SCRUB HEAD LIFT GROUP, 60CM DUAL DISK MODEL	84
SCRUB HEAD LIFT GROUP, 50CM CYLINDRICAL MODEL	86
SCRUB HEAD LIFT GROUP, 50CM ORBITAL MODEL	88

TABLE OF CONTENTS

STANDARD PARTS - Cont'd

SQUEEGEE GROUP	90
BATTERY CABLE GROUP	92
BATTERY GROUP, 105AH C20 WET	94
BATTERY GROUP, 130AH C20 WET	95
BATTERY GROUP, 155AH C20 WET	96
BATTERY GROUP, 140AH C20 AGM	97
LABEL GROUP	98
ELECTRICAL DIAGRAM, PROPEL MEMBRANE	102
ELECTRICAL DIAGRAM, PROPEL LCD	106
ELECTRICAL DIAGRAM, PUSH MEMBRANE ..	110
ELECTRICAL DIAGRAM, PUSH LCD	114
ELECTRICAL HARNESS, MAIN PROPEL (S/N 10825195 -)	118
ELECTRICAL HARNESS, MAIN PROPEL (S/N 10000000 - 10825194)	122
ELECTRICAL HARNESS, MAIN PUSH (S/N 10838962 -)	126
ELECTRICAL HARNESS, MAIN PUSH (S/N 10000000 - 10838961)	130
ELECTRICAL HARNESS, OPTIONS PROPEL ..	134
ELECTRICAL HARNESS, OPTIONS PUSH	135
ELECTRICAL HARNESS, BAIL SWITCH	136
ELECTRICAL HARNESS, ADAPTER (TELEMETRY MODELS)	137

OPTIONS

BATTERY LIFT OUT BOX KIT	138
HYDROLINK® BATTERY WATERING SYSTEM KIT	140
DOCUMENTATION GROUP	142

BREAKDOWNS

ec- H2O NANOCLEAN MODULE BREAKDOWN	144
ORBITAL HEAD ECCENTRIC DRIVE BREAKDOWN	146

RECOMMENDED MAINTENANCE ITEMS

GENERAL RECOMMENDED MAINTENANCE ITEMS

Part No.	Serial Number	Description	Qty.
1213034	(10000000- 20000000)	Brush Assy, Disk, Scb, 43cm, Mag, Nyl	1
1213035	(10000000- 20000000)	Brush Assy, Disk, Scb, 43cm, Mag, Pyp	1
1213037	(10000000- 20000000)	Brush Assy, Disk, Scb, 43cm, Mag, Ab	1
1050273	(10000000- 20000000)	Pad, Polish, 17.0d, White [1pick=1pad]	1
1050271	(10000000- 20000000)	Pad, Buff, 17.0d, Red [1pick=1pad]	1
1050270	(10000000- 20000000)	Pad, Scb, 17.0d, Blue [1pick=1pad]	1
1050267	(10000000- 20000000)	Pad, Stripping, 17.0d, Brown[1pick=1pad]	1
1050262	(10000000- 20000000)	Pad, Stripping, 17.0d[Hi Pro,1pick=1pad]	1
1051028	(10000000- 20000000)	Pad, Surf Prep, 17.0d [Mar, 1pick=1pad]	1
1210386	(10000000- 20000000)	Brush Assy, Disk, Scb, 50cm, Mag, Nyl	1
1213032	(10000000- 20000000)	Brush Assy, Disk, Scb, 50cm, Mag, Pyp	1
1213033	(10000000- 20000000)	Brush Assy, Disk, Scb, 50cm, Mag, Ab	1
17260	(10000000- 20000000)	Pad, Polish, 20.0d, White [1pick=1pad]	1
17261	(10000000- 20000000)	Pad, Buff, 20.0d, Red [1pick=1pad]	1
17262	(10000000- 20000000)	Pad, Scb, 20.0d, Blu [1pick=1pad]	1
17263	(10000000- 20000000)	Pad, Stripping, 20.0d, Brown[1pick=1pad]	1
370094	(10000000- 20000000)	Pad, Stripping, 20.0d[Hi Prod,1pick=1pad]	1
1051030	(10000000- 20000000)	Pad, Surf Prep, 20.0d [Mar, 1pick=1pad]	1
1210136	(10000000- 20000000)	Brush Assy, Disk, Scb, 30cm, Mag, Nyl	2
1213040	(10000000- 20000000)	Brush Assy, Disk, Scb, 30cm, Mag, Pyp	2
1213041	(10000000- 20000000)	Brush Assy, Disk, Scb, 30cm, Mag, Ab	2
385940	(10000000- 20000000)	Pad, Polish, 12.0d, White [1pick=1pad]	2
385941	(10000000- 20000000)	Pad, Buff, 12.0d, Red [1pick=1pad]	2
385942	(10000000- 20000000)	Pad, Scb, 12.0d, Blu [1pick=1pad]	2
385943	(10000000- 20000000)	Pad, Stripping, 12.0d, Brown[1pick=1pad]	2
1063334	(10000000- 20000000)	Pad, Stripping, 12.0d [Hi- Prod] Blk	2
1051020	(10000000- 20000000)	Pad, Surf Prep, 12.0d [Mar, 1pick=1pad]	2
1209188	(10000000- 20000000)	Brush, Scb, 21l, 20sr, Nyl (Cylindrical Model)	2
1212762	(10000000- 20000000)	Brush, Scb, 21l, 20sr, Pyp (Cylindrical Model)	2
1205512	(10000000- 20000000)	Pad, Polish, 20 X 14, White [1pick=1pc] (Orbital Model)	1
1205513	(10000000- 20000000)	Pad, Buff, 20 X 14, Red [1pick=1pc] (Orbital Model)	1
1205514	(10000000- 20000000)	Pad, Scb, 20 X 14, Blu [1pick=1pc] (Orbital Model)	1
1205515	(10000000- 20000000)	Pad, Surf Prep, 20 X 14[Mar, 1pick=1pad] (Orbital Model)	1
1074740	(10000000- 20000000)	Pad, Scb, 14 X 20, Green [1pick=1ctn] (Orbital Model)	1
1075562	(10000000- 20000000)	Pad, Stripper, 20 X 14, Blk [1pick=1ctn] (Orbital Model)	1
1217830	(10000000- 20000000)	Pad, Backer, 20 X 14 (Orbital Model)	1
▽ 9014172	(10000000- 20000000)	Squeegee Kit, Linatex, Am [T300/E/Ss300]	1
▲ 1203954	(10000000- 20000000)	Blade, Sqge, Front, 788l, Linatex[500mm] (Standard)	1
1215611	(10000000- 20000000)	Blade, Sqge, Front, 788l, Urethane[500mm] (Option)	1
1215612	(10000000- 20000000)	Blade, Sqge, Front, 788l, Gum[500mm] (Option)	1
▲ 1203953	(10000000- 20000000)	Blade, Sqge, Rear, 836l, Linatex[500mm] (Standard)	1
1215609	(10000000- 20000000)	Blade, Sqge, Rear, 836l, Urethane[500mm] (Option)	1
1215610	(10000000- 20000000)	Blade, Sqge, Rear, 836l, Gum[500mm] (Option)	1
▲ 1010560	(10000000- 20000000)	Wheel, Bmpr, 80d X 25w, Non- Marking	2
▲ 630477	(10000000- 20000000)	Wheel, Pyu, 02.0d 0.38w, Gray	2
1055019	(10000000- 20000000)	Bumper, Head, 43cm, W/ Bristle Skirt, Im	1
1055025	(10000000- 20000000)	Bumper, Head, 50cm, W/ Bristle Skirt, Im	1
1072656	(10000000- 20000000)	Bumper, Head, 60cm, Bristle Skirt	1
1010560	(10000000- 20000000)	Wheel, Bmpr, 80d X 25w, Non- Marking (Disk Heads)	1
▽ 9011810	(10000000- 20000000)	Module Kit, Replmt [Ec- H2o, B 02] (See Breakdowns)	1
▲ 9013646	(10000000- 20000000)	Cartridge, Ec- H2o Nanoclean Wcm, 270ml	1

RECOMMENDED MAINTENANCE ITEMS

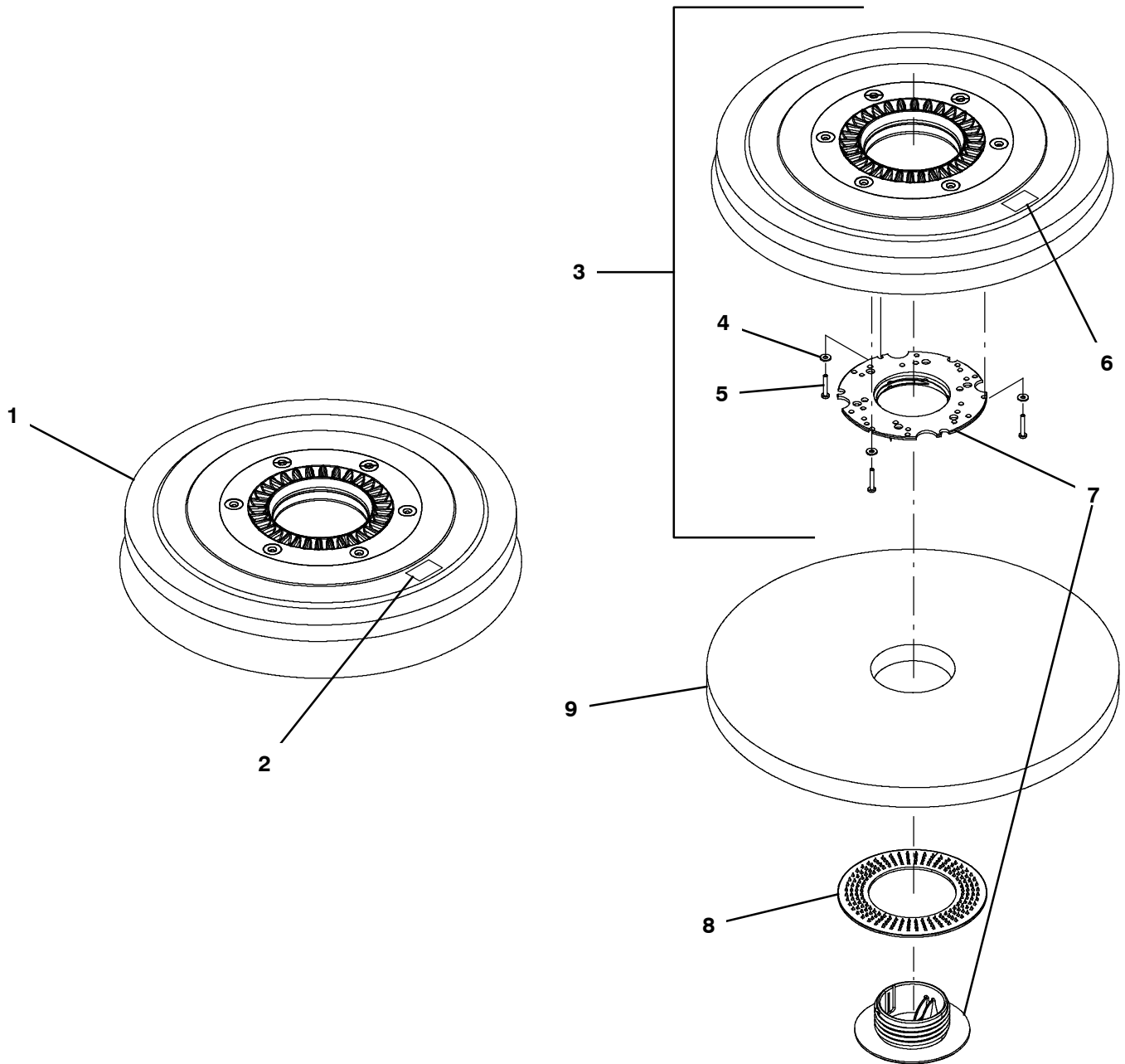
GENERAL RECOMMENDED MAINTENANCE ITEMS

	Part No.	Serial Number	Description	Qty.
▽	1226976	(10834063- 20000000)	Motor, Ele, 24vdc 0215rpm 650w, 17mm (43CM & 50CM Disk Head)	1
▲	1227273	(10834063- 20000000)	Vr, Brush Kit, Motor, Ele (4pc)	1
▽	1210703	(10000000- 10834062)	Motor, Ele, 24vdc 0200rpm 1.00hp, 17mm (43CM & 50CM Disk Head) (Replaced By 9015159)	1
▲	222606	(10000000- 10834062)	Vr, Brush Kit, Motor, Ele [lp] (4Pc) (For Imperial Motor - Frame #P56SG681)	1
▲	1045790	(10000000- 10834062)	Brush Kit, Replmt, Carbon 24vdc [1pk=1set] (4Pc) (For Sanrong Motor - Frame #56S)	1
▽	1227280	(10835313- 20000000)	Motor, 24vdc, 2000rpm, 7/8hp (60CM Disk Head)	1
▲	1059370	(10000000- 20000000)	Brush, Motor, Replmt [Bag Of 4]	1
▽	1210212	(10000000- 10835312)	Motor, 24vdc, 2000rpm, 7/8hp, Us (60CM Disk Head) (Replaced By 9015160)	1
▲	1059370	(10000000- 20000000)	Brush, Motor, Replmt [Bag Of 4] (60CM Disk Head)	1
▽	1210202	(10000000- 20000000)	Motor, Ele, 24vdc [Vw Cyl] (Cylindrical Head)	1
▲	1059370	(10000000- 20000000)	Brush, Motor, Replmt [Bag Of 4]	1
▽	1226909	(10827598- 20000000)	Motor, Ele, 24vdc, 2200rpm, .6hp, 22mm (Orbital Head)	1
▲	1059370	(10000000- 20000000)	Brush, Motor, Replmt [Bag Of 4]	1
▽	1212669	(10000000- 10827597)	Motor, Ele, 24vdc, 2200rpm, .6hp, 22mm (Orbital Head) (Replaced By 9015162)	1
▲	1059370	(10000000- 20000000)	Brush, Motor, Replmt [Bag Of 4] (Orbital Head)	1
	1055305	(10000000- 20000000)	Belt, Drive, 6pj, Ej139 [T3] (60CM Disk Head)	1
▽	9014166	(10000000- 20000000)	Kit, Belt, Motor (Includes Installation Tool) (Cyl Head)	1
▲	1213132	(10000000- 20000000)	Tool, Installation, Belt	1
	1215666	(10000000- 20000000)	Skirt, Side, Cyl, Floating (Cylindrical Head)	2
	630477	(10000000- 20000000)	Wheel, Pyu, 02.0d 0.38w, Gray (Cylindrical Head)	4
▽	1226905	(10000000- 20000000)	Fan, Vacuum, 6.6d, 024vdc, 2 Stage	1
▲	1206774	(10000000- 20000000)	Vr, Brush Kit, Motor, Fan (1 Pkg = 2 Pcs)	1
▽	9014872	(10785189- 20000000)	Kit, Deflector, Tray, Debris, Cl, [T300]	1
▲	1225187	(10785189- 20000000)	Seal, Rbr, Clsd, 12.7 Th , 24.0ld, 40.0Od	1
▲	1207357	(10000000- 20000000)	Tray, Debris, Tank, Recvy [T300]	1
	630052	(10000000- 20000000)	Float, Shut- Off, (2)Ball, 1.75d	1
	9014905	(10786725- 20000000)	Cover Kit, Circuitbreaker, Ci[T300/E/Ss]	1
▽	1213008	(10000000- 20000000)	Hose Assy, Drain, 1.5d 025l 1.5/Cap [Pu] (Gray)	1
▲	1219134	(10000000- 20000000)	Cap, Drain Assy [Gray]	1
▽	1213010	(10000000- 20000000)	Hose Assy, Drain, 1.5d 017l 1.5/Cap[Pvc] (Black)	1
▲	1218955	(10000000- 20000000)	Cap, Drain Assy [Black]	1
	1204663	(10000000- 20000000)	Hose Assy, W/2cuff, 1.5d 026l 1.5/1.5[Pu] (Gray)	1
	1211220	(10000000- 20000000)	Hose Assy, W/2cuff, 1.5d 022l 1.5/1.5[Pvc] (Black)	1
▽	9014171	(10000000- 20000000)	Hose Assy, With Valve	1
▲	1051986	(10000000- 20000000)	Valve, Ball, 2way, 1.0id Pvc, W/Handle	1
▲	1222591	(10000000- 20000000)	Hose Assy, 45cuff, 1.5d 021l 1.5/1.5[Pu] (Gray)	1
	1210472	(10000000- 20000000)	Seal, Afmkt, Bulb, 0.50d .13grip, 05ft (Rec Tank Lid)	1
	1046428	(10000000- 20000000)	Seal, Afmkt, Rbr, Clsd, Adh, 02ft (Front Fill Cover)	1
▽	1216386	(10000000- 20000000)	Motor, Transaxle, 24vdc, Replmt [Ul, Ce]	1
▲	1212351	(10000000- 20000000)	Brush Kit, Carbon, Transaxle, Ul (1 Kit = 4 Pcs)	1
	1223582	(10000000- 20000000)	Wheel, Scrbr, 8.00d, W/ Taper [(Propel Model)	2
	1223724	(10000000- 20000000)	Wheel, Scrbr, 8.00d, W/ Brg (Push Model)	2
	1212422	(10000000- 20000000)	Caster, Swivel [Wicke 224051]	1
▽	1211537	(10000000- 20000000)	Filter, In- Line, Pf06/Pf06 080m 2.6l Epd	1
▲	1218885	(10000000- 20000000)	Gasket [Epdm, F/1211537]	1
▲	1218883	(10000000- 20000000)	Screen, Fltr, 80 Mesh, Ss [W/ Cage]	1
▲	613991	(10000000- 20000000)	Bowl, Clr, Short, F/1005302	1

RECOMMENDED MAINTENANCE ITEMS

BRUSHES AND PAD DRIVER GROUP, 43CM DISK MAGNETIC HUB

355338



BRUSHES AND PAD DRIVER GROUP, 43CM DISK MAGNETIC HUB

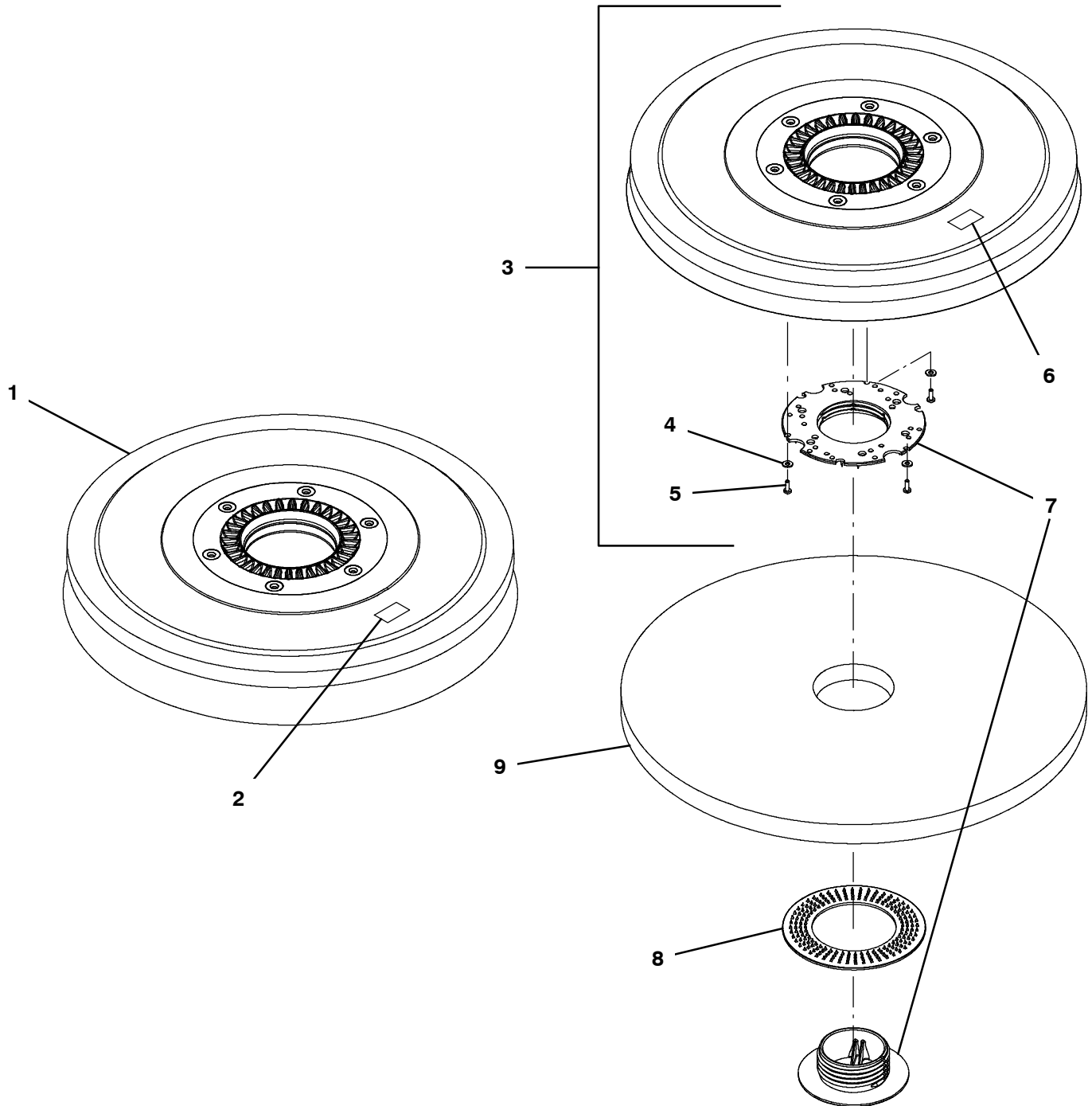
	Ref.	Part No.	Serial Number	Description	Qty.
▽	1	1213034	(10000000- 20000000)	Brush Assy, Disk, Scb, 43cm, Mag, Nyl	1
▽	1	1213035	(10000000- 20000000)	Brush Assy, Disk, Scb, 43cm, Mag, Pyp	1
▽	1	1213037	(10000000- 20000000)	Brush Assy, Disk, Scb, 43cm, Mag, Ab	1
▲	2	1218392	(10000000- 20000000)	Label, Safety, Magnet, Med	1
▽	3	1211869	(10000000- 20000000)	Driver Assy, Pad, 43cm, Brush, Magnetic	1
▲	4	41579	(10000000- 20000000)	Washer, Flat, 08, Ss	3
▲	5	1212542	(10000000- 20000000)	Screw, Pan, Phl, M4 X 0.70 X 12, Ni, Ss	3
▲	6	1218392	(10000000- 20000000)	Label, Safety, Magnet, Med	1
▲	7	32506	(10000000- 20000000)	Device, Centering, Rh Pad Retainer	1
	8	32505	(10000000- 20000000)	Washer, Flat, 92b 156d 2.6l, Pad Driver	1
	9	1050273	(10000000- 20000000)	Pad, Polish, 17.0d, White [1pick=1pad]	1
	9	1050271	(10000000- 20000000)	Pad, Buff, 17.0d, Red [1pick=1pad]	1
	9	1050270	(10000000- 20000000)	Pad, Scb, 17.0d, Blue [1pick=1pad]	1
	9	1050267	(10000000- 20000000)	Pad, Stripping, 17.0d, Brown[1pick=1pad]	1
	9	1050262	(10000000- 20000000)	Pad, Stripping, 17.0d[Hi Pro,1pick=1pad]	1
	9	1051028	(10000000- 20000000)	Pad, Surf Prep, 17.0d [Mar, 1pick=1pad]	1

▽ ASSEMBLY

▲ INCLUDED IN ASSEMBLY

BRUSHES AND PAD DRIVER GROUP, 50CM DISK MAGNETIC HUB

355339



BRUSHES AND PAD DRIVER GROUP, 50CM DISK MAGNETIC HUB

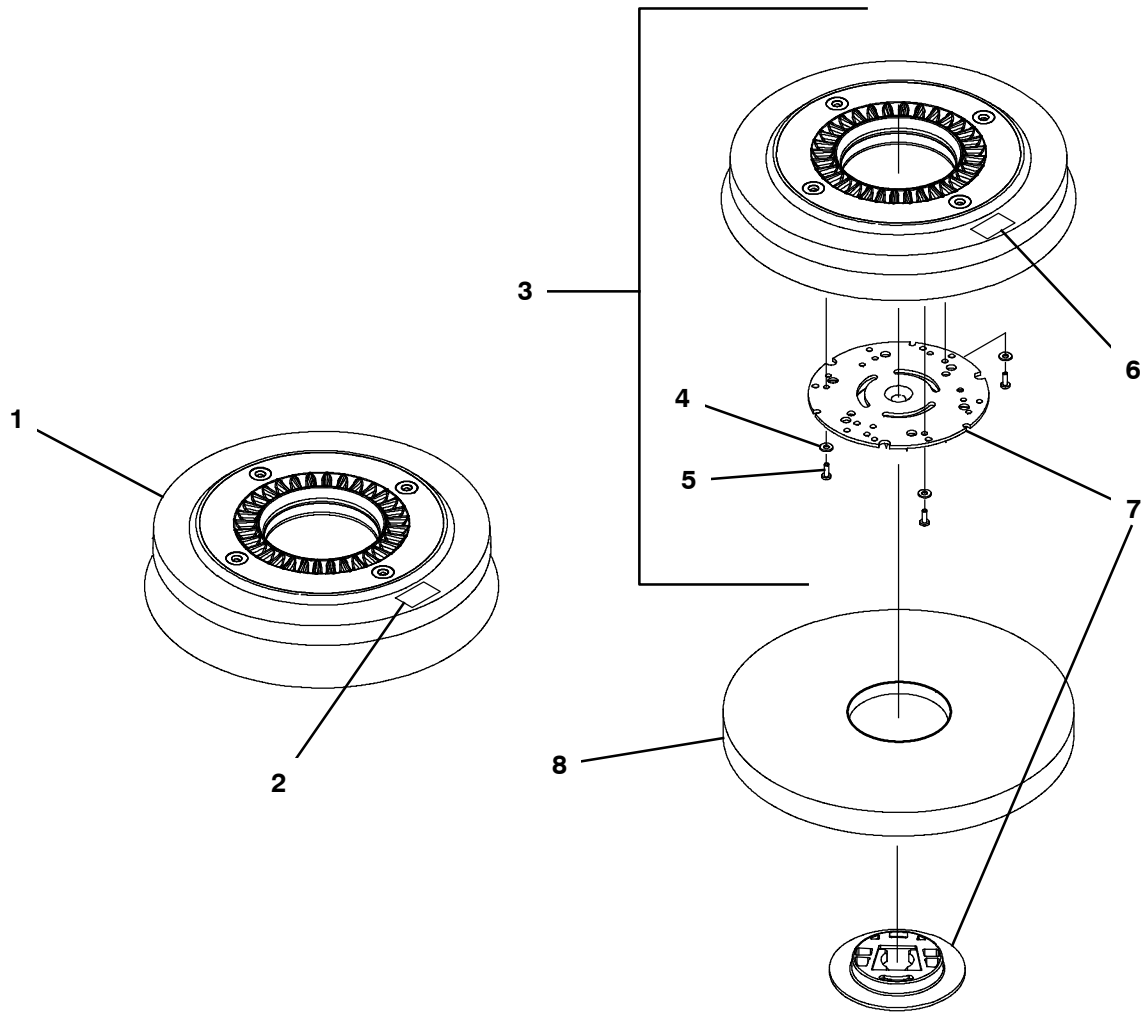
	Ref.	Part No.	Serial Number	Description	Qty.
▽	1	1210386	(10000000- 20000000)	Brush Assy, Disk, Scb, 50cm, Mag, Nyl	1
▽	1	1213032	(10000000- 20000000)	Brush Assy, Disk, Scb, 50cm, Mag, Pyp	1
▽	1	1213033	(10000000- 20000000)	Brush Assy, Disk, Scb, 50cm, Mag, Ab	1
▲	2	1218392	(10000000- 20000000)	Label, Safety, Magnet, Med	1
▽	3	1209197	(10000000- 20000000)	Driver Assy, Pad, 50cm, Brush, Magnetic	1
▲	4	41579	(10000000- 20000000)	Washer, Flat, 08, Ss	3
▲	5	1212542	(10000000- 20000000)	Screw, Pan, Phl, M4 X 0.70 X 12, Ni, Ss	3
▲	6	1218392	(10000000- 20000000)	Label, Safety, Magnet, Med	1
▲	7	32506	(10000000- 20000000)	Device, Centering, Rh Pad Retainer	1
	8	32505	(10000000- 20000000)	Washer, Flat, 92b 156d 2.6l, Pad Driver	1
	9	17260	(10000000- 20000000)	Pad, Polish, 20.0d, White [1pick=1pad]	1
	9	17261	(10000000- 20000000)	Pad, Buff, 20.0d, Red [1pick=1pad]	1
	9	17262	(10000000- 20000000)	Pad, Scb, 20.0d, Blu [1pick=1pad]	1
	9	17263	(10000000- 20000000)	Pad, Stripping, 20.0d, Brown[1pick=1pad]	1
	9	370094	(10000000- 20000000)	Pad, Stripping, 20.0d[Hi Prod,1pick=1pad]	1
	9	1051030	(10000000- 20000000)	Pad, Surf Prep, 20.0d [Mar, 1pick=1pad]	1

▽ ASSEMBLY

▲ INCLUDED IN ASSEMBLY

BRUSHES AND PAD DRIVER GROUP, 60CM DUAL DISK MAGNETIC HUB

355340



BRUSHES AND PAD DRIVER GROUP, 60CM DUAL DISK MAGNETIC HUB

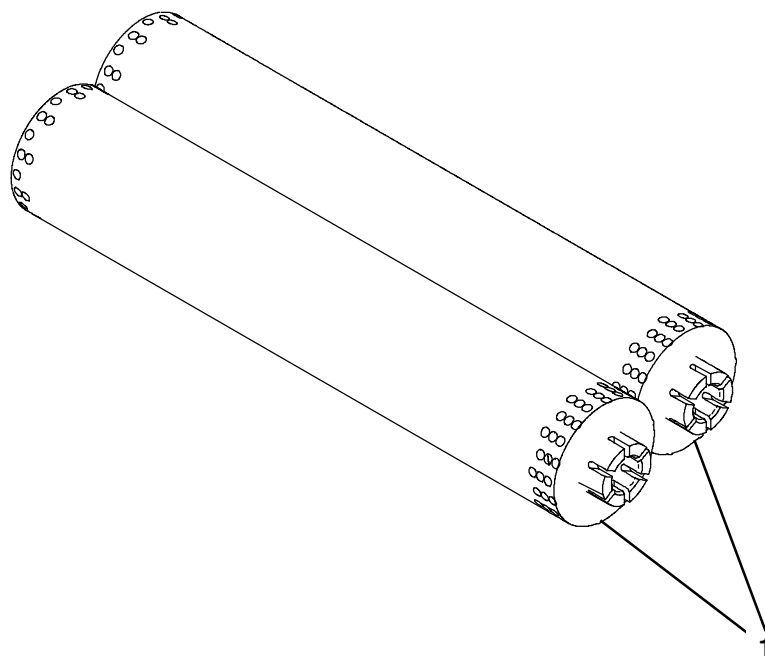
Ref.	Part No.	Serial Number	Description	Qty.
▽	1	1210136	(10000000- 20000000) Brush Assy, Disk, Scb, 30cm, Mag, Nyl	2
▽	1	1213040	(10000000- 20000000) Brush Assy, Disk, Scb, 30cm, Mag, Pyp	2
▽	1	1213041	(10000000- 20000000) Brush Assy, Disk, Scb, 30cm, Mag, Ab	2
▲	2	1218392	(10000000- 20000000) Label, Safety, Magnet, Med	1
▽	3	1209160	(10000000- 20000000) Driver Assy, Pad, 30cm, [Magnetic]	2
▲	4	41579	(10000000- 20000000) Washer, Flat, 08, Ss	3
▲	5	1212542	(10000000- 20000000) Screw, Pan, Phl, M4 X 0.70 X 12, Ni, Ss	3
▲	6	1218392	(10000000- 20000000) Label, Safety, Magnet, Med	1
▲	7	370095	(10000000- 20000000) Device, Centering, Clip On, Tl [Gf Pp]	1
	8	385940	(10000000- 20000000) Pad, Polish, 12.0d, White [1pick=1pad]	2
	8	385941	(10000000- 20000000) Pad, Buff, 12.0d, Red [1pick=1pad]	2
	8	385942	(10000000- 20000000) Pad, Scb, 12.0d, Blu [1pick=1pad]	2
	8	385943	(10000000- 20000000) Pad, Stripping, 12.0d, Brown[1pick=1pad]	2
	8	1063334	(10000000- 20000000) Pad, Stripping, 12.0d [Hi- Prod] Blk	2
	8	1051020	(10000000- 20000000) Pad, Surf Prep, 12.0d [Mar, 1pick=1pad]	2

▽ ASSEMBLY

▲ INCLUDED IN ASSEMBLY

BRUSHES GROUP, 50CM CYLINDRICAL

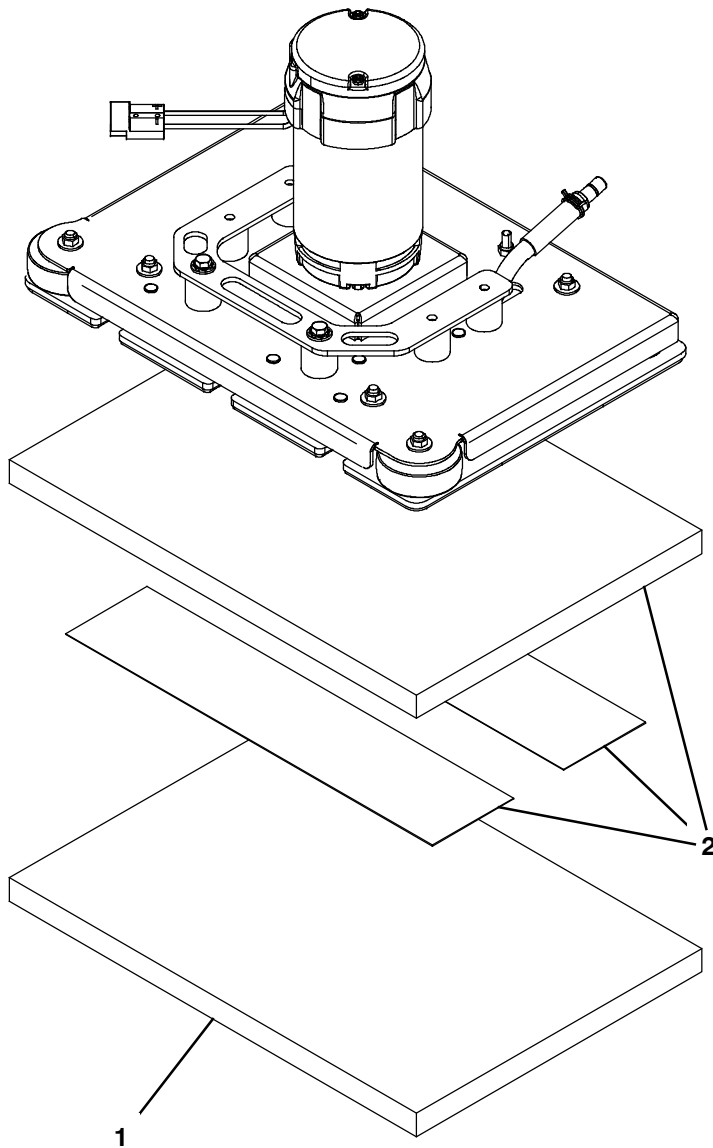
355333



Ref.	Part No.	Serial Number	Description	Qty.
1	1209188	(10000000-20000000)	Brush, Scb, 21l, 20sr, Nyl	2
1	1212762	(10000000-20000000)	Brush, Scb, 21l, 20sr, Pyp	2

PAD GROUP, 50CM ORBITAL

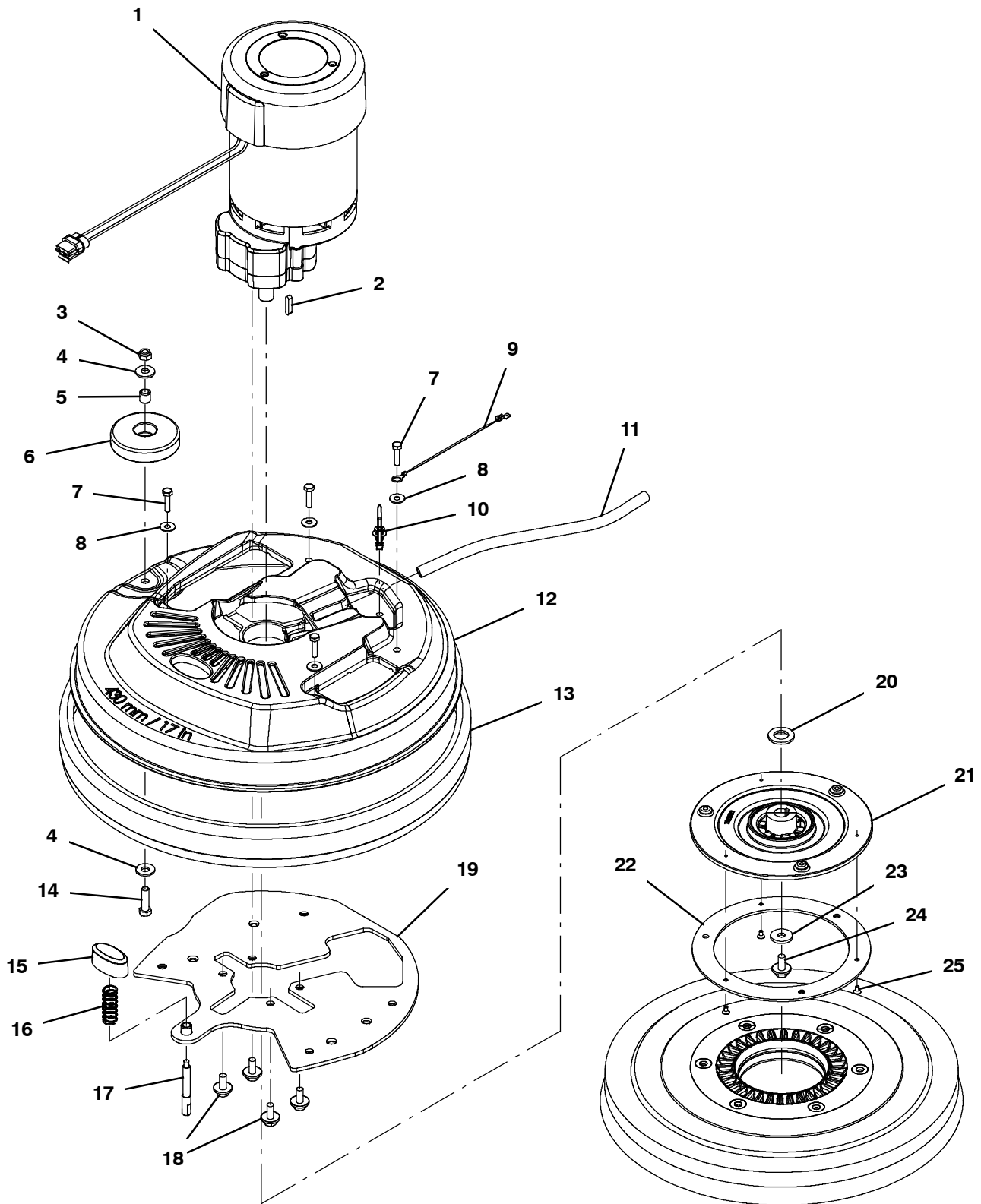
355334



Ref.	Part No.	Serial Number	Description	Qty.
1	1205512	(10000000- 20000000)	Pad, Polish, 20 X 14, White [1pick=1pc]	1
1	1205513	(10000000- 20000000)	Pad, Buff, 20 X 14, Red [1pick=1pc]	1
1	1205514	(10000000- 20000000)	Pad, Scb, 20 X 14, Blu [1pick=1pc]	1
1	1205515	(10000000- 20000000)	Pad, Surf Prep, 20 X 14[Mar, 1pick=1pad]	1
1	1074740	(10000000- 20000000)	Pad, Scb, 14 X 20, Green [1pick=1ctn]	1
1	1075562	(10000000- 20000000)	Pad, Stripper, 20 X 14, Blk [1pick=1ctn]	1
2	1217830	(10000000- 20000000)	Pad, Backer, 20 X 14 (Includes Hook & Loop Fastener)	1

SCRUB HEAD GROUP, 43CM DISK, MAGNETIC HUB

355294



SCRUB HEAD GROUP, 43CM DISK, MAGNETIC HUB

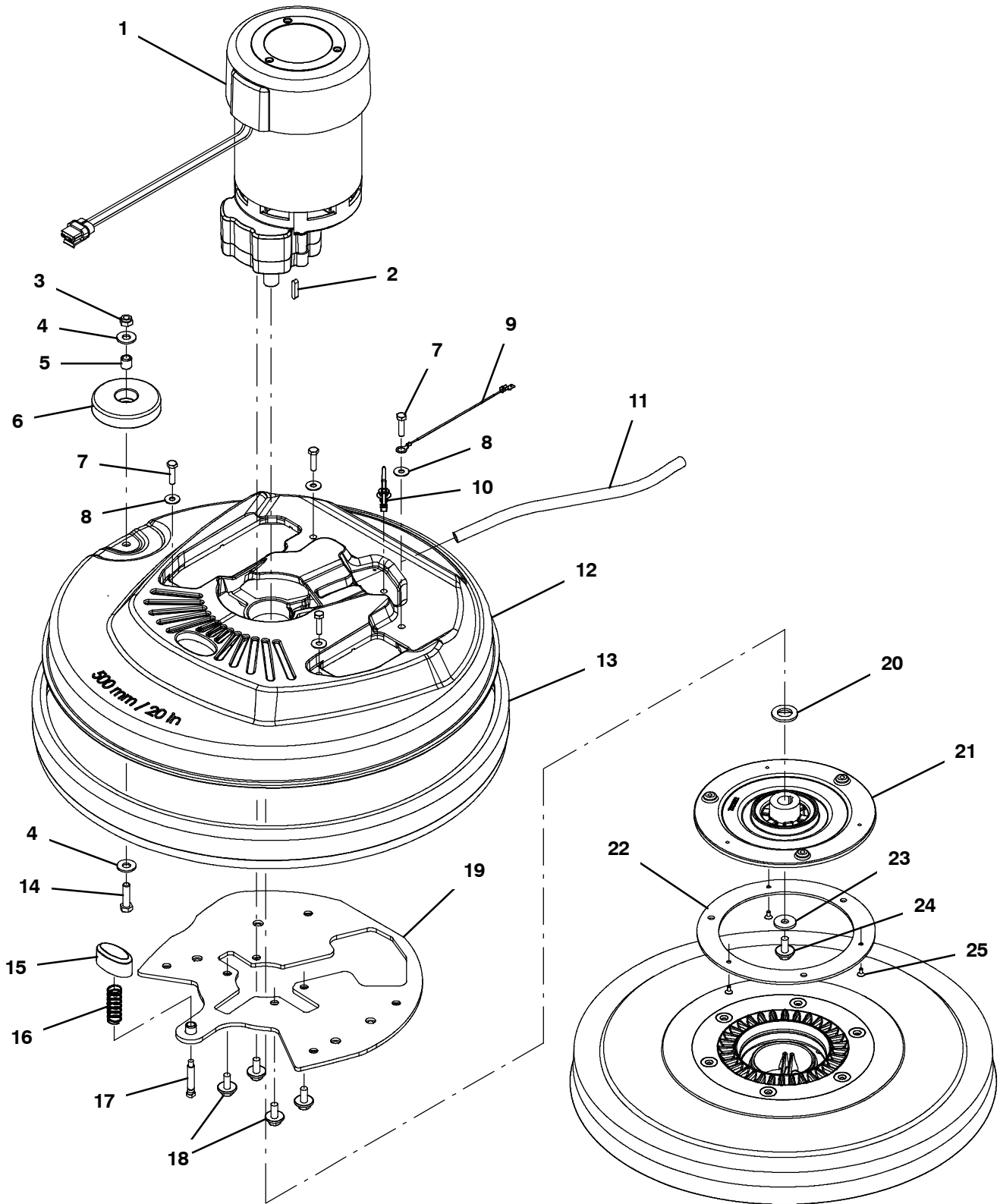
Ref.	Part No.	Serial Number	Description	Qty.
▽	1	1226976	(10834063- 20000000) Motor, Ele, 24vdc 0215rpm 650w, 17mm	1
▲		1227273	(10834063- 20000000) Vr, Brush Kit, Motor, Ele (4pc)	1
▲	2	1014328	(10000000- 20000000) Key, Sq, 05mm X 05mm, 25mml	1
▽	1	1210703	(10000000- 10834062) Motor, Ele, 24vdc 0200rpm 1.00hp, 17mm (Replaced By 9015159)	1
▲		222606	(10000000- 10834062) Vr, Brush Kit, Motor, Ele [lp] (4Pc) (For Imperial Motor - Frame #P56SG681)	1
▲		1045790	(10000000- 10834062) Brush Kit, Replmt,Carbon 24vdc[1pk=1set](4Pc) (For Sanrong Motor - Frame #56S)	1
▲	2	1014328	(10000000- 20000000) Key, Sq, 05mm X 05mm, 25mml	1
	3	08713	(10000000- 20000000) Nut, Hex, Lock, M8 X 1.25, NI, Ss	1
	4	01685	(10000000- 20000000) Washer, Flat, 0.38b 0.88d .08, Ss	2
	5	222460	(10000000- 20000000) Sleeve, P/M, 0.32b 0.50d 0.5l [430ss]	1
	6	1010560	(10000000- 20000000) Wheel, Bmpr, 80d X 25w, Non- Marking	1
	7	1016005	(10000000- 20000000) Screw, Hex, M6 X 1.00 X 25, NI, FI, Ss	4
	8	01684	(10000000- 20000000) Washer, Flat, 0.27b 0.69d .05, Ss	4
	9	1074344	(10000000- 20000000) Harness, Ele [Ring With .250m Tail]	1
	10	1210807	(10000000- 20000000) Wire, Tie [W/.25" Fir Tree Clip]	1
	11	9014145	(10000000- 20000000) Hose, Afmkt, Pe, .375id .50od, 05ft	1
	12	1212324	(10000000- 20000000) Housing, Head, 43cm	1
	13	1055019	(10000000- 20000000) Bumper, Head, 43cm, W/ Bristle Skirt, Im	1
	14	1016399	(10000000- 20000000) Screw, Hex, M8 X 1.25 X 30, NI, Ss	1
	15	1211242	(10000000- 20000000) Button, Plunger, Pad	1
	16	1212785	(10000000- 20000000) Spring, Cmpr, .66od, .05wir, 1.75l, Ss	1
	17	1211256	(10000000- 20000000) Pin, Stop, Long	1
	18	1020341	(10000000- 20000000) Screw, Hex, M8 X 1.25 X 20, Ss, Sems	4
	19	1223980	(10802498- 20000000) Plate Wldt, Head, Weighted	1
	19	1210590	(10000000- 10802497) Plate Wldt, Head, Weighted (Replaced By Kit 9014801)	1
	20	1022549	(10000000- 20000000) Spacer, Shaft, 17.15b 30.0d 3.0l, Ss	1
	21	1212312	(10000000- 20000000) Hub, Drive, Magnetic [Machined]	1
	22	1205043	(10000000- 20000000) Ring, Hub, Magnetic	1
	23	1017218	(10000000- 20000000) Washer, Flat, 0.32b 1.00d .12, Ss	1
	24	1020341	(10000000- 20000000) Screw, Hex, M8 X 1.25 X 20, Ss, Sems	1
	25	630114	(10000000- 20000000) Screw, Flt, Phl, M4 X 0.70 X 8, 4.8	3

▽ ASSEMBLY

▲ INCLUDED IN ASSEMBLY

SCRUB HEAD GROUP, 50CM DISK, MAGNETIC HUB

355295



SCRUB HEAD GROUP, 50CM DISK, MAGNETIC HUB

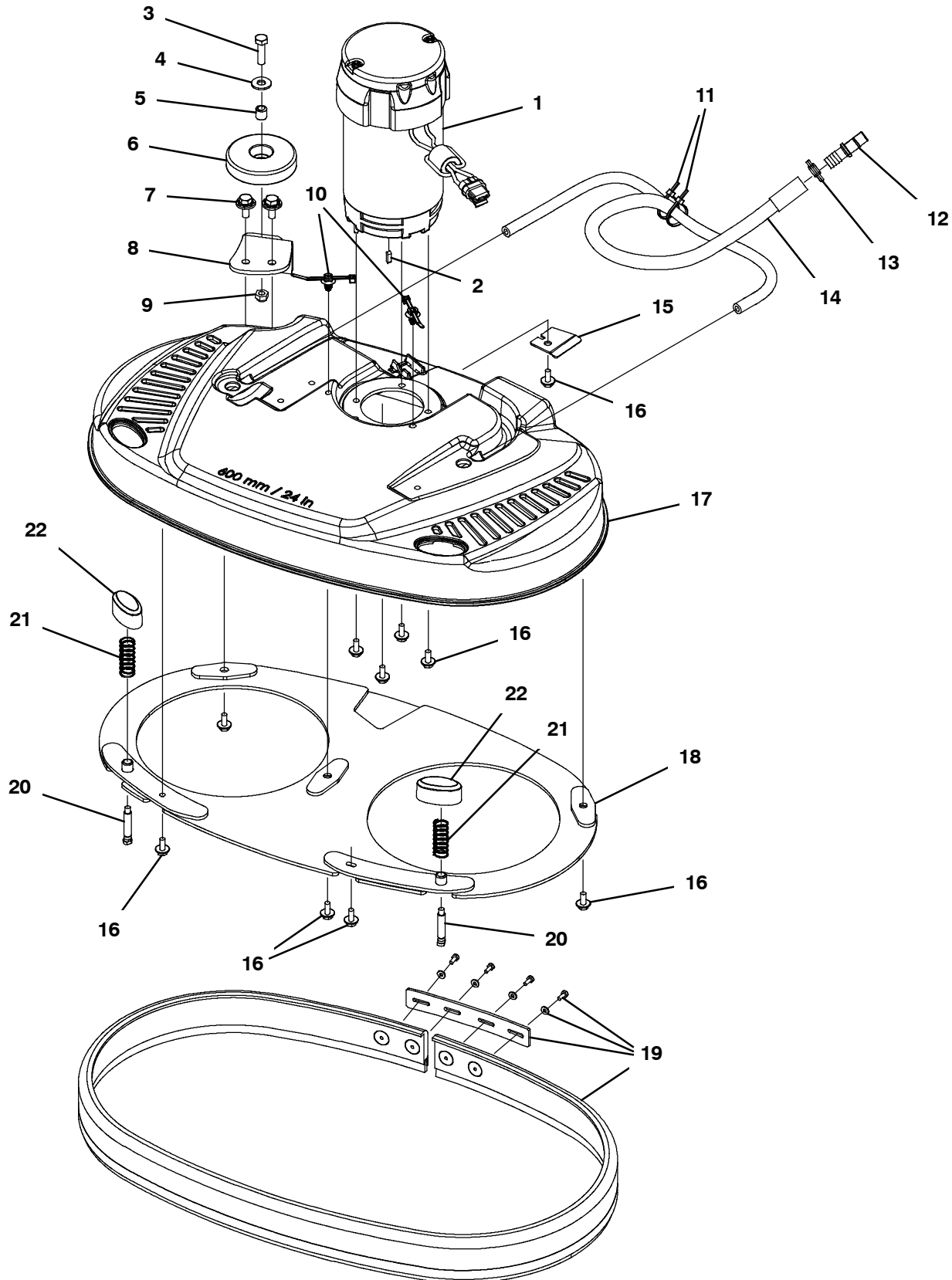
Ref.	Part No.	Serial Number	Description	Qty.
▽	1	1226976	(10834387- 20000000) Motor, Ele, 24vdc 0215rpm 650w, 17mm	1
▲		1227273	(10834387- 20000000) Vr, Brush Kit, Motor, Ele (4pc)	1
▲	2	1014328	(10000000- 20000000) Key, Sq, 05mm X 05mm, 25mml	1
▽	1	1210703	(10000000- 10834386) Motor, Ele, 24vdc 0200rpm 1.00hp, 17mm (Replaced By 9015159)	1
▲		222606	(10000000- 10834386) Vr, Brush Kit, Motor, Ele [lp] (4Pc) (For Imperial Motor - Frame #P56SG681)	1
▲		1045790	(10000000- 10834386) Brush Kit, Replmt, Carbon 24vdc[1pk=1set](4Pc) (For Sanrong Motor - Frame #56S)	1
▲	2	1014328	(10000000- 20000000) Key, Sq, 05mm X 05mm, 25mml	1
	3	08713	(10000000- 20000000) Nut, Hex, Lock, M8 X 1.25, NI, Ss	1
	4	01685	(10000000- 20000000) Washer, Flat, 0.38b 0.88d .08, Ss	2
	5	222460	(10000000- 20000000) Sleeve, P/M, 0.32b 0.50d 0.5l [430ss]	1
	6	1010560	(10000000- 20000000) Wheel, Bmpr, 80d X 25w, Non- Marking	1
	7	1016005	(10000000- 20000000) Screw, Hex, M6 X 1.00 X 25, NI, FI, Ss	4
	8	01684	(10000000- 20000000) Washer, Flat, 0.27b 0.69d .05, Ss	4
	9	1074344	(10000000- 20000000) Harness, Ele [Ring With .250m Tail]	1
	10	1210807	(10000000- 20000000) Wire, Tie [W/.25" Fir Tree Clip]	1
	11	9014145	(10000000- 20000000) Hose, Afmkt, Pe, .375id .50od, 05ft	1
	12	1208041	(10000000- 20000000) Housing, Head, 50cm	1
	13	1055025	(10000000- 20000000) Bumper, Head, 50cm, W/ Bristle Skirt, Im	1
	14	1016399	(10000000- 20000000) Screw, Hex, M8 X 1.25 X 30, NI, Ss	1
	15	1211242	(10000000- 20000000) Button, Plunger, Pad	1
	16	1212785	(10000000- 20000000) Spring, Cmpr, .66od, .05wir, 1.75l, Ss	1
	17	1211256	(10000000- 20000000) Pin, Stop, Long	1
	18	1020341	(10000000- 20000000) Screw, Hex, M8 X 1.25 X 20, Ss, Sems	4
	19	1223980	(10499417- 20000000) Plate Wldt, Head, Weighted	1
	19	1210590	(10000000- 10499416) Plate Wldt, Head, Weighted (Replaced By Kit 9014801)	1
	20	1022549	(10000000- 20000000) Spacer, Shaft, 17.15b 30.0d 3.0l, Ss	1
	21	1212312	(10000000- 20000000) Hub, Drive, Magnetic [Machined]	1
	22	1205043	(10000000- 20000000) Ring, Hub, Magnetic	1
	23	1017218	(10000000- 20000000) Washer, Flat, 0.32b 1.00d .12, Ss	1
	24	1020341	(10000000- 20000000) Screw, Hex, M8 X 1.25 X 20, Ss, Sems	1
	25	630114	(10000000- 20000000) Screw, Flt, Phl, M4 X 0.70 X 8, 4.8	3

▽ ASSEMBLY

▲ INCLUDED IN ASSEMBLY

SCRUB HEAD GROUP, 60CM DUAL DISK, MAGNETIC HUB

355296



SCRUB HEAD GROUP, 60CM DUAL DISK, MAGNETIC HUB

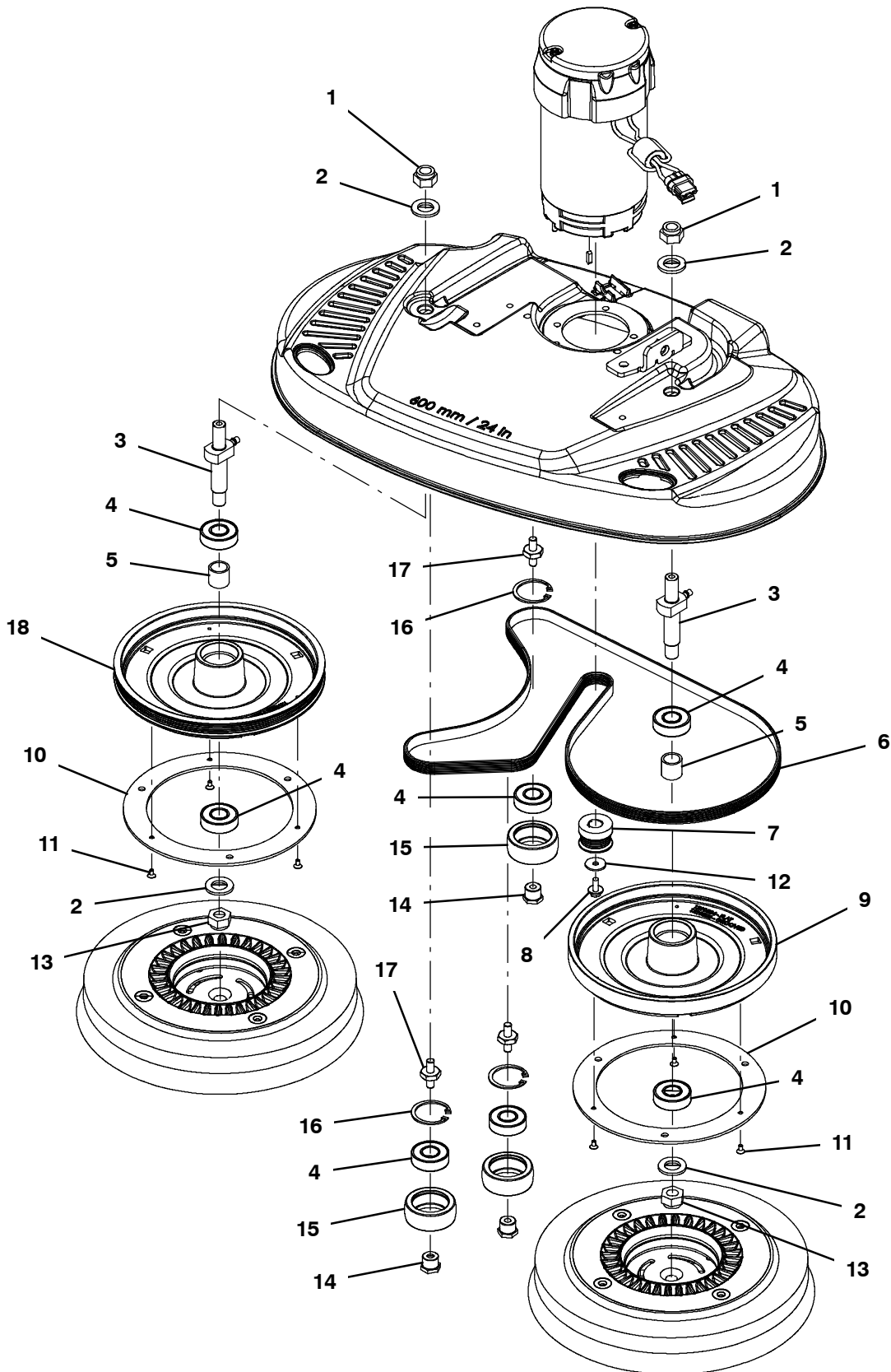
Ref.	Part No.	Serial Number	Description	Qty.
▽	1	1227280	(10835313- 20000000) Motor, 24vdc, 2000rpm, 7/8hp	1
▲		1059370	(10000000- 20000000) Brush, Motor, Replmt [Bag Of 4]	1
▲	2	1217769	(10000000- 20000000) Key, Sq, 04mm X 04mm, 15mml	1
▽	1	1210212	(10000000- 10835312) Motor, 24vdc, 2000rpm, 7/8hp, Us (Replaced By 9015160)	1
▲		1059370	(10000000- 20000000) Brush, Motor, Replmt [Bag Of 4]	1
▲	2	1217769	(10000000- 20000000) Key, Sq, 04mm X 04mm, 15mml	1
	3	09011	(10000000- 20000000) Screw, Hex, M8 X 1.25 X 30, Ss	1
	4	01685	(10000000- 20000000) Washer, Flat, 0.38b 0.88d .08, Ss	1
	5	222460	(10000000- 20000000) Sleeve, P/M, 0.32b 0.50d 0.5l [430ss]	1
	6	1010560	(10000000- 20000000) Wheel, Bmpr, 80d X 25w, Non- Marking	1
	7	1020341	(10000000- 20000000) Screw, Hex, M8 X 1.25 X 20, Ss, Sems	2
	8	1211506	(10000000- 20000000) Bracket, Rlr, Wall, Scb Head	1
	9	08713	(10000000- 20000000) Nut, Hex, Lock, M8 X 1.25, NI, Ss	1
	10	1210807	(10000000- 20000000) Wire, Tie [W/.25" Fir Tree Clip]	2
	11	130773	(10000000- 20000000) Tie, Cable, Nyl, 11.0l, .14w, 3.0 Max. D	2
	12	1212807	(10000000- 20000000) Fitting, Plstc, Str, Qm08/Bm08	1
	13	607776	(10000000- 20000000) Clamp, Hose, Wir, .73 - .77, Silver	1
	14	1216084	(10000000- 20000000) Manifold, Distribution, Water, 60dd [Vw]	1
	15	1217752	(10000000- 20000000) Bracket, Belt Guide	1
	16	1034731	(10000000- 20000000) Screw, Hex, M6 X 1.00 X 16, Sems, Ss	10
	17	1211027	(10000000- 20000000) Housing, Head, 60cm [Machined]	1
	18	1216346	(10000000- 20000000) Bracket Wldt, Guard, Splash, 60cm	1
	19	1072656	(10000000- 20000000) Bumper, Head, 60cm, Bristle Skirt	1
	20	1211907	(10000000- 20000000) Pin, Stop, Short	2
	21	1212785	(10000000- 20000000) Spring, Cmpr, .66od, .05wir, 1.75l, Ss	2
	22	1211242	(10000000- 20000000) Button, Plunger, Pad	2

▽ ASSEMBLY

▲ INCLUDED IN ASSEMBLY

SCRUB HEAD GROUP, 60CM DUAL DISK, MAGNETIC HUB - CONT'D

355336

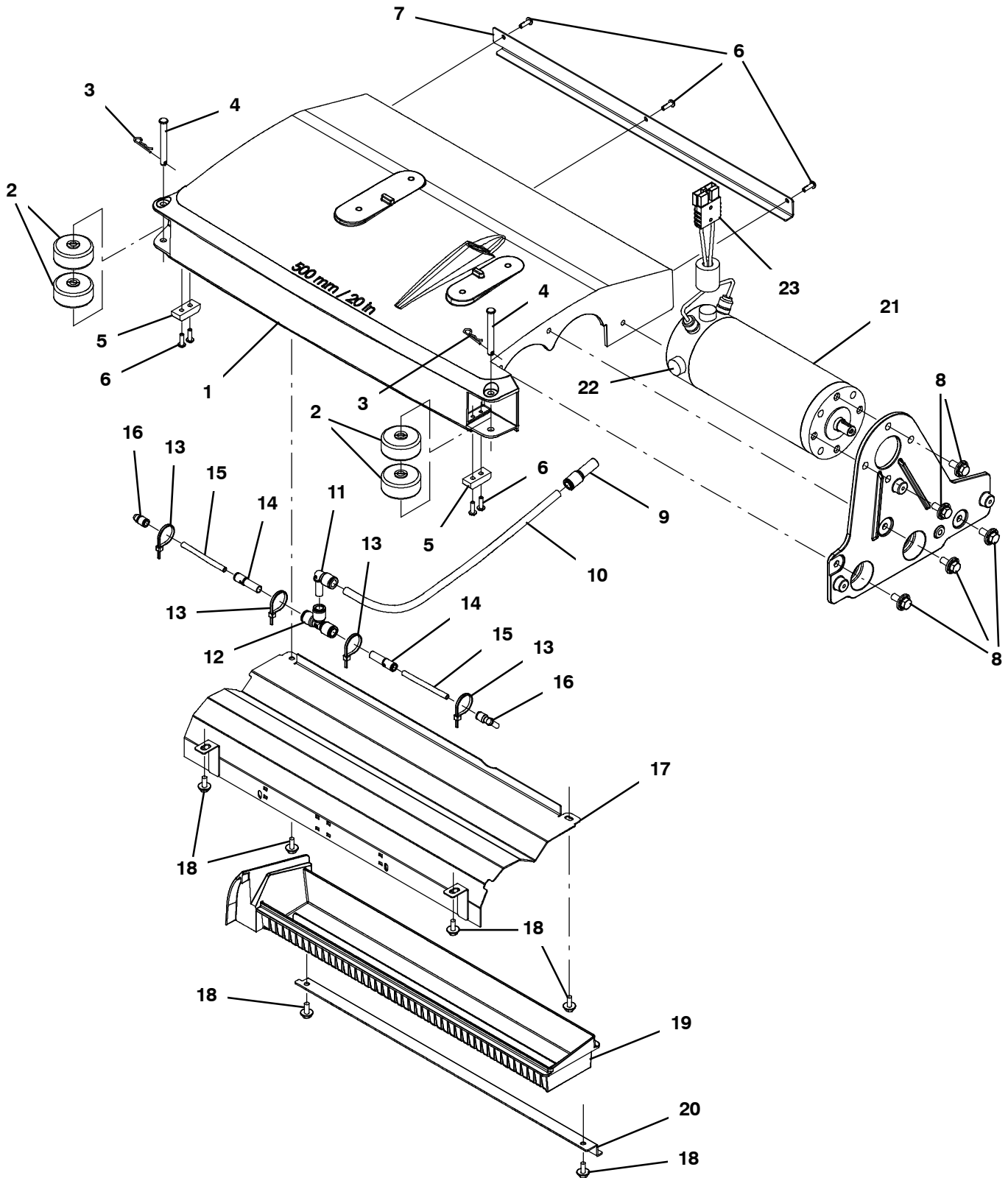


SCRUB HEAD GROUP, 60CM DUAL DISK, MAGNETIC HUB - CONT'D

Ref.	Part No.	Serial Number	Description	Qty.
1	41517	(10000000- 20000000)	Nut, Hex, Lock, M14 X 2.00, NI	2
2	1022549	(10000000- 20000000)	Spacer, Shaft, 17.15b 30.0d 3.0l, Ss	4
3	1214206	(10000000- 20000000)	Shaft Wldt, Mtg, Pulley	2
4	1211187	(10000000- 20000000)	Bearing, Ball, 0.67b 1.57d 0.47w [6203]	7
5	1011041	(10000000- 20000000)	Tube, 0.69id 0.87od 00.8l, Stl, PI	2
6	1055305	(10000000- 20000000)	Belt, Drive, 6pj, Ej139 [T3]	1
7	1213927	(10000000- 20000000)	Sheave, 06grv, 1.25pd 0.54b, Ss [Keyed]	1
8	1034731	(10000000- 20000000)	Screw, Hex, M6 X 1.00 X 16, Sems, Ss	1
9	1210504	(10000000- 20000000)	Hub, Drive, Magnetic, Flat, 60cm Dd	1
10	1205043	(10000000- 20000000)	Ring, Hub, Magnetic	2
11	630114	(10000000- 20000000)	Screw, Flt, Phl, M4 X 0.70 X 8, 4.8	6
12	019680127	(10000000- 20000000)	Washer, Flat, 6.2mm Id X 22.0mm Od X 1.9	1
13	41517	(10000000- 20000000)	Nut, Hex, Lock, M14 X 2.00, NI	2
14	1011008	(10000000- 20000000)	Spacer, Brg, Idler	3
15	1058514	(10000000- 20000000)	Pulley, Idler, 55d X 21w[60cm Dual Disk]	3
16	1013884	(10000000- 20000000)	Ring, Retaining, Int, 40mm, Ss	3
17	1211624	(10000000- 20000000)	Stud, M8 X 1.25, Dbl End W/Hex, Ss	3
18	1210503	(10000000- 20000000)	Hub, Drive, Magnetic, Grooved, 60cm Dd	1

SCRUB HEAD GROUP, 50CM CYLINDRICAL

355297



SCRUB HEAD GROUP, 50CM CYLINDRICAL

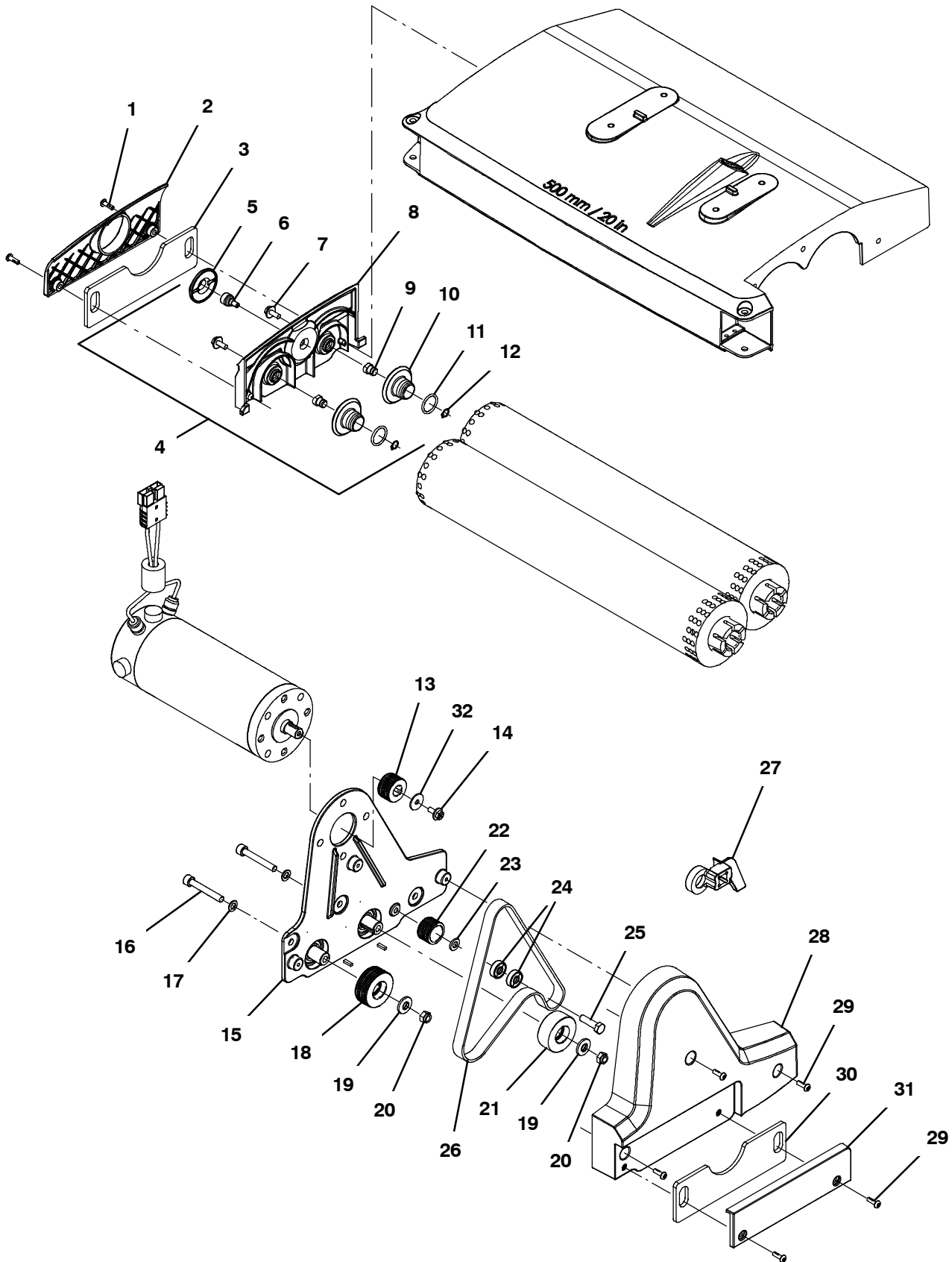
Ref.	Part No.	Serial Number	Description	Qty.	
1	1212265	(10000000-20000000)	Housing, Brush, Dbl 50cm [Machined]	1	
2	630477	(10000000-20000000)	Wheel, Pyu, 02.0d 0.38w, Gray	4	
3	1216647	(10000000-20000000)	Pin, Cotter, Hair, 0.38d .054 Wir	2	
4	391179	(10000000-20000000)	Pin, Clevis, 0.37d X 2.62l	2	
5	1215675	(10000000-20000000)	Skid, Brush Housing	2	
6	1205799	(10000000-20000000)	Screw, Btn, M5 X 0.8 X 16, 8.8, NI, Torx	7	
7	1213708	(10000000-20000000)	Bracket, Tray, Debris	1	
8	1020341	(10000000-20000000)	Screw, Hex, M8 X 1.25 X 20, Ss, Sems	7	
9	1215218	(10000000-20000000)	Fitting, Plstc, Str, Qf06/Qm08	1	
10	1014986	(10000000-20000000)	Hose, Afmkt, Pvc, Clr, 0.25id, 02ft	1	
11	1215186	(10000000-20000000)	Fitting, Plstc, E90, Qf06/Qm06	1	
12	1212573	(10000000-20000000)	Fitting, Plstc, Tee, Qf06/Qf06/Qf06	1	
13	130773	(10000000-20000000)	Tie, Cable, Nyl, 11.0l, .14w, 3.0 Max. D	4	
14	1212934	(10000000-20000000)	Fitting, Plstc, Str, Qf04/Qm06	2	
15	160827	(10000000-20000000)	Hose, Pvc, Clr, 0.12id 0.25od 010.5l	1	
16	1214339	(10000000-20000000)	Fitting, Plstc, E90, Qfo4/Qm04	2	
17	1219486	(10000000-20000000)	Panel Wldt, Brush	1	
18	1034731	(10000000-20000000)	Screw, Hex, M6 X 1.00 X 16, Sems, Ss	6	
19	1213706	(10000000-20000000)	Tray, Debris, 500mm [lm]	1	
20	1213707	(10000000-20000000)	Bracket, Tray, Debris	1	
▽	21	1210202	(10000000-20000000)	Motor, Ele, 24vdc [Vw Cyl]	1
▲		1217769	(10000000-20000000)	Key, Sq, 04mm X 04mm, 15mml	1
▲	22	1059370	(10000000-20000000)	Brush, Motor, Replmt [Bag Of 4]	1
▲	23	49548	(10000000-20000000)	Connector, Anderson, 050a, Red	1

▽ ASSEMBLY

▲ INCLUDED IN ASSEMBLY

SCRUB HEAD GROUP, 50CM CYLINDRICAL - CONT'D

355298



SCRUB HEAD GROUP, 50CM CYLINDRICAL - CONT'D

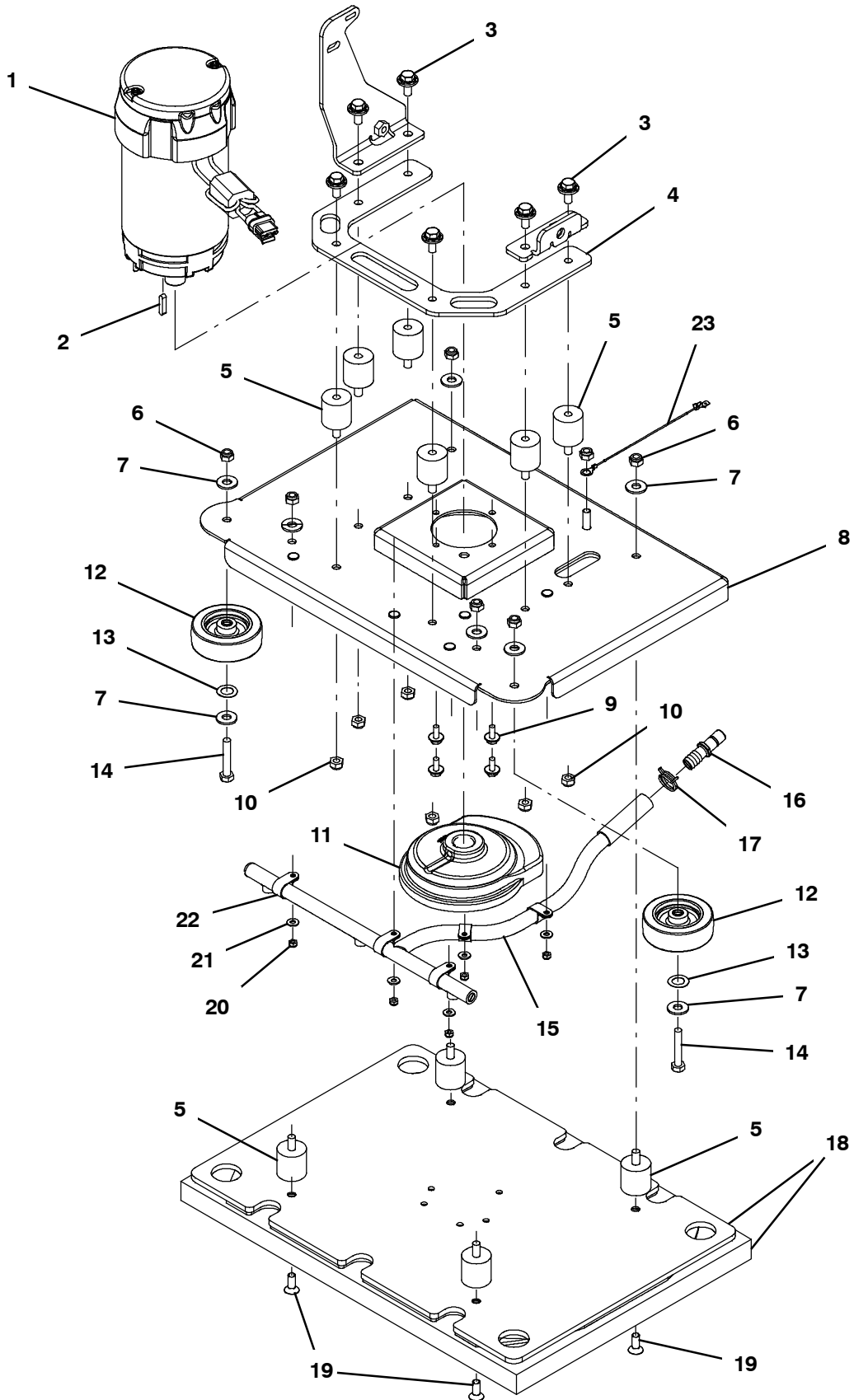
Ref.	Part No.	Serial Number	Description	Qty.
	1	1205799	(10000000-20000000) Screw, Btn, M5 X 0.8 X 16, 8.8, NI, Torx	2
	2	1216689	(10000000-20000000) Cover, Skirt, Cyl Door	1
	3	1215666	(10000000-20000000) Skirt, Side, Cyl, Floating	1
▽	4	9014168	(10000000-20000000) Door Assy, Brush	1
▲	5	1215581	(10000000-20000000) Cap, Screw	1
▲	6	1062149	(10000000-20000000) Knob, Rnd, 0.58d 0.50l, .25-20x.50l Stud	1
▲	7	1034731	(10000000-20000000) Screw, Hex, M6 X 1.00 X 16, Sems, Ss	2
▲	8	1212250	(10000000-20000000) Door, Brush [Machined]	1
▲	9	1030682	(10000000-20000000) Shaft, Idler Plug	2
▲	10	1030680	(10000000-20000000) Hub, Idler, Brush	2
▲	11	1220596	(10000000-20000000) Seal, Org, .139 X .859 Id, 212	2
▲	12	01543	(10000000-20000000) Ring, Retaining, Ext, 0.39d, Basic	2
	13	1210116	(10000000-20000000) Sheave, Motor, 07grv 1.3pd 0.50b [Pj]	1
	14	1034731	(10000000-20000000) Screw, Hex, M6 X 1.00 X 16, Sems, Ss	1
▽	15	9014167	(10000000-20000000) Brkt Assy, Motor, Sgl Mount (Also includes Hubs, Bearings and Seals Not Available Separately)	1
▲	16	1057476	(10000000-20000000) Screw, Soc, M8 X 1.25 X 55, Ss	2
▲	17	1057482	(10000000-20000000) Washer, Flat, 0.33b 0.57d 0.06, Ss	2
▲	18	1210204	(10000000-20000000) Sheave, Drive, Grvd 07grv, 2.0pd 0.67b [1
▲	19	41186	(10000000-20000000) Washer, Flat, Belleville, .31	2
▲	20	08713	(10000000-20000000) Nut, Hex, Lock, M8 X 1.25, NI, Ss	2
▲	21	1210232	(10000000-20000000) Sheave, Drive, Smooth 2.0pd 0.67b	1
▲	22	1210233	(10000000-20000000) Sheave, Idler, 07grv 1.2pd 0.87b [Pj]	1
▲	23	1216289	(10000000-20000000) Spacer, Pulley, 2cyl, Pm [Vw]	1
▲	24	1027651	(10000000-20000000) Bearing, Ball, 8mmb X 22mmd X 7mmw	2
▲	25	1016399	(10000000-20000000) Screw, Hex, M8 X 1.25 X 30, NI, Ss	1
▲▽	26	9014166	(10000000-20000000) Kit, Belt, Motor (Includes Installation Tool)	1
▲▲	27	1213132	(10000000-20000000) Tool, Installation, Belt	1
	28	1209594	(10000000-20000000) Cover, Belt	1
	29	1205799	(10000000-20000000) Screw, Btn, M5 X 0.8 X 16, 8.8, NI, Torx	5
	30	1215666	(10000000-20000000) Skirt, Side, Cyl, Floating	1
	31	1216728	(10000000-20000000) Cover, Skirt, Cyl Head	1
	32	019680127	(10000000-20000000) Washer, Flat, 6.2mm Id X 22.0mm Od X 1.9	1

▽ ASSEMBLY

▲ INCLUDED IN ASSEMBLY

SCRUB HEAD GROUP, 50CM ORBITAL

355293



SCRUB HEAD GROUP, 50CM ORBITAL

Ref.	Part No.	Serial Number	Description	Qty.
▽	1	1226909	(10827598- 20000000) Motor, Ele, 24vdc, 2200rpm, .6hp, 22mm	1
▲		1059370	(10000000- 20000000) Brush, Motor, Replmt [Bag Of 4]	1
▲	2	1014328	(10000000- 20000000) Key, Sq, 05mm X 05mm, 25mml	1
▽	1	1212669	(10000000- 10827597) Motor, Ele, 24vdc, 2200rpm, .6hp, 22mm (Replaced By 9015162)	1
▲		1059370	(10000000- 20000000) Brush, Motor, Replmt [Bag Of 4]	1
▲	2	1014328	(10000000- 20000000) Key, Sq, 05mm X 05mm, 25mml	1
	3	1020341	(10000000- 20000000) Screw, Hex, M8 X 1.25 X 20, Ss, Sems	6
	4	1209745	(10000000- 20000000) Plate, Mtg, Head [50cm Orb]	1
	5	1212543	(10000000- 20000000) Isolator, Neoprene, 1.25" X 1.25", M8	10
	6	08713	(10000000- 20000000) Nut, Hex, Lock, M8 X 1.25, NI, Ss	6
	7	01685	(10000000- 20000000) Washer, Flat, 0.38b 0.88d .08, Ss	8
	8	1212527	(10000000- 20000000) Deck Wldt, Scrbr [Volga Wet]	1
	9	1034731	(10000000- 20000000) Screw, Hex, M6 X 1.00 X 16, Sems, Ss	4
	10	08713	(10000000- 20000000) Nut, Hex, Lock, M8 X 1.25, NI, Ss	6
	11	9014175	(10000000- 20000000) Kit, Eccentric Assy, [T300] (See Breakdowns)	1
	12	1014918	(10000000- 20000000) Wheel, 03.0d 0.88w 0.31b, W/ Bshg, Rbr	2
	13	1210221	(10000000- 20000000) Washer, Wave, .515b, .875d, .013, Ss	2
	14	222505	(10000000- 20000000) Screw, Hex, M8 X 1.25 X 45, Ss	2
	15	1212468	(10000000- 20000000) Manifold, Distribution, Water, Orb [Vw]	1
	16	1212807	(10000000- 20000000) Fitting, Plstc, Str, Qm08/Bm08	1
	17	607776	(10000000- 20000000) Clamp, Hose, Wir, .73 - .77, Silver	1
	18	9014189	(10000000- 20000000) Kit, Afmkt, Pad Driver [T300]	1
	19	1218926	(10000000- 20000000) Screw, Flt, Soc, M8 X 1.25 X 14, Ss	4
	20	09739	(10000000- 20000000) Nut, Hex, Lock, M5 X 0.80, NI, Ss	5
	21	01683	(10000000- 20000000) Washer, Flat, 10, Ss	5
	22	140916	(10000000- 20000000) Clamp, Cable, Nyl, 0.62d, Nat	5
	23	1074344	(10000000- 20000000) Harness, Ele [Ring With .250m Tail]	1

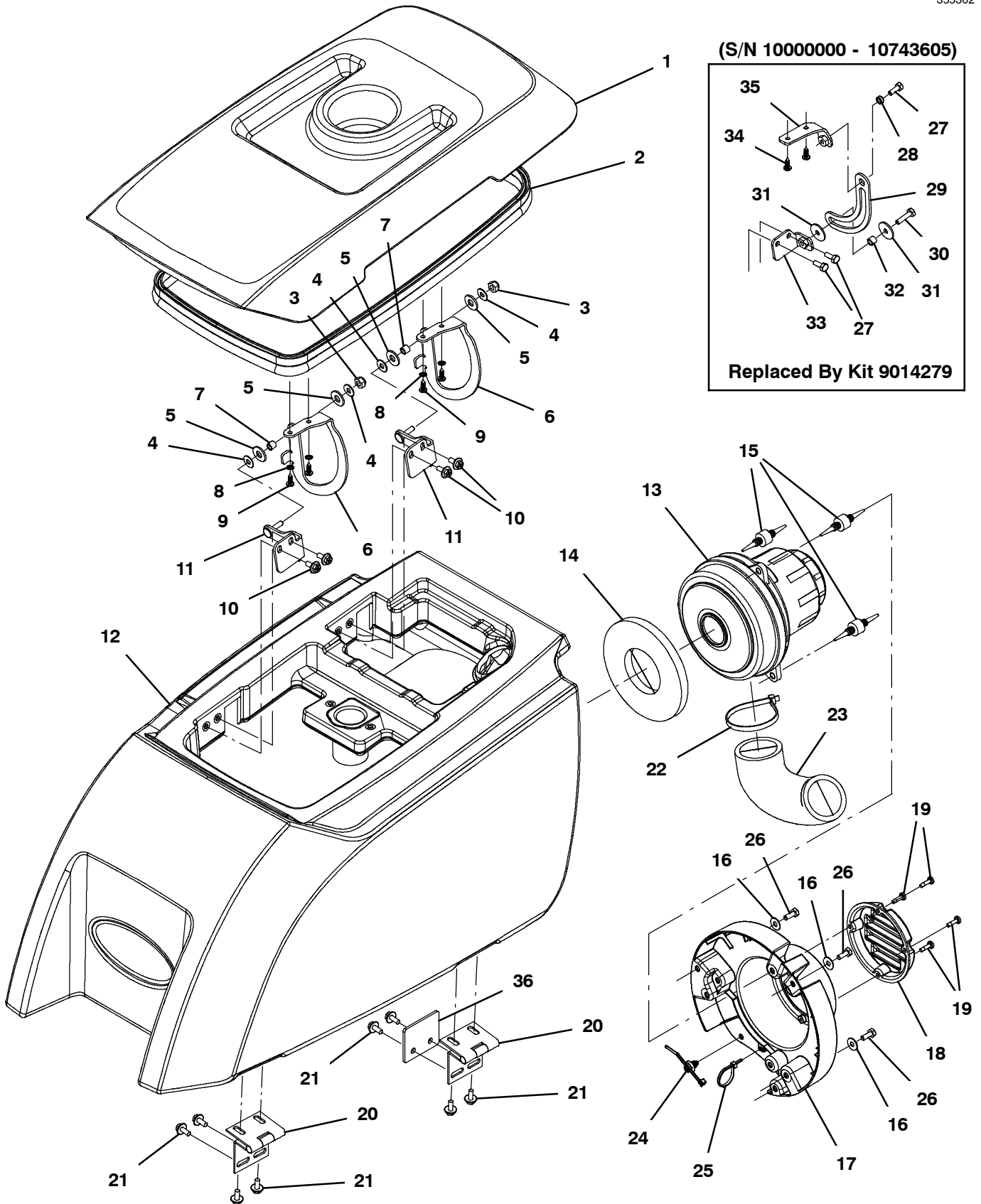
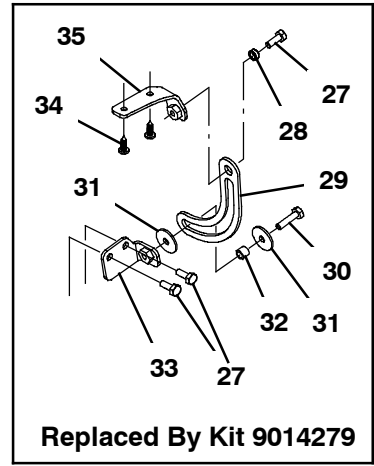
▽ ASSEMBLY

▲ INCLUDED IN ASSEMBLY

RECOVERY TANK GROUP, STANDARD MODEL

355302

(S/N 10000000 - 10743605)



RECOVERY TANK GROUP, STANDARD MODEL

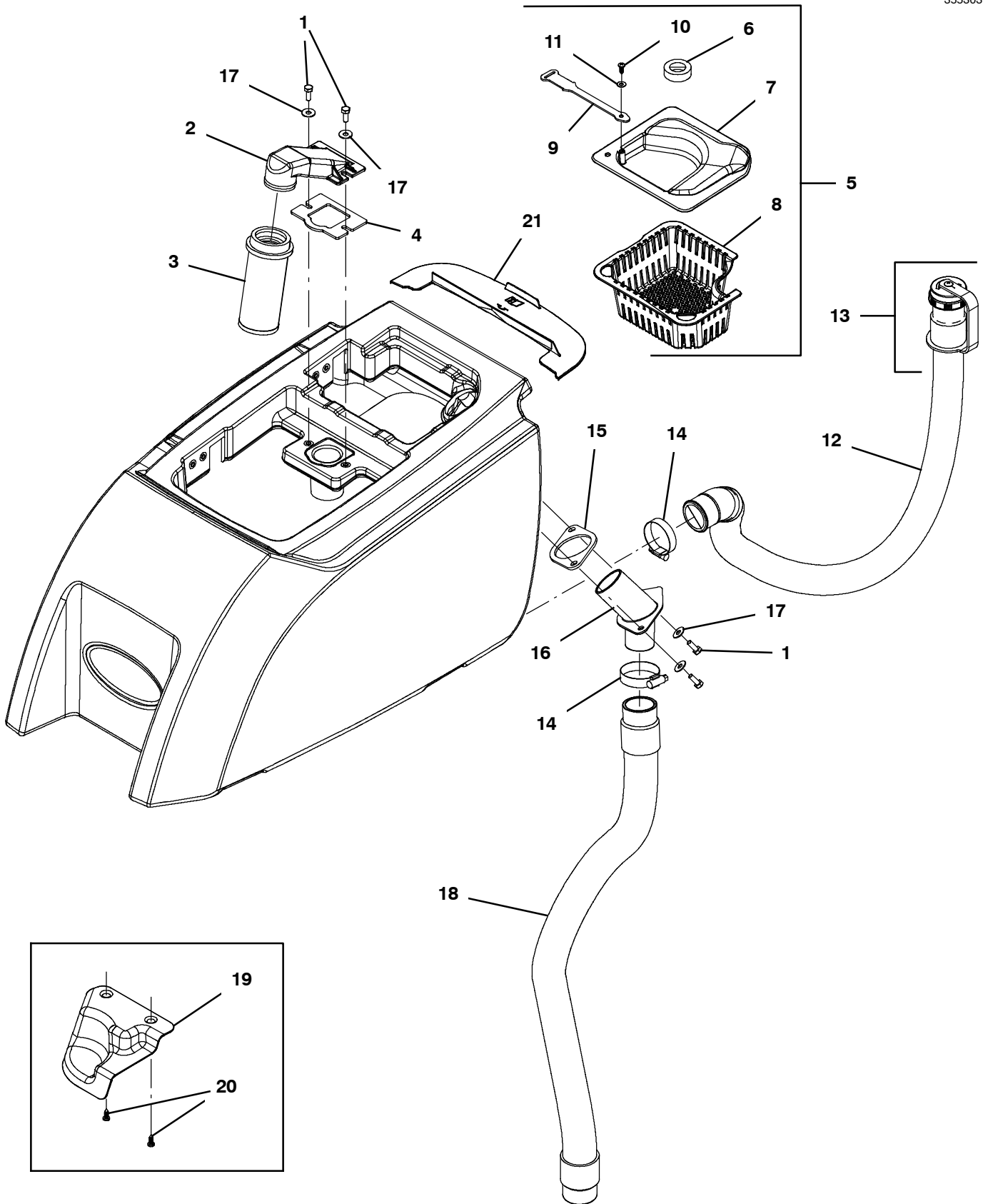
Ref.	Part No.	Serial Number	Description	Qty.
▽	1	9014682	(10000000- 20000000) Kit, Cover, Recvy, Ci [Na]	1
▽	1	9014683	(10000000- 20000000) Kit, Cover, Recvy, Ci [Jp]	1
▲	2	1210472	(10000000- 20000000) Seal, Afmkt, Bulb, 0.50d .13grip, 05ft	1
	3	08712	(10743605- 20000000) Nut, Hex, Lock, M6 X 1.00, NI, Ss	2
	4	01684	(10743605- 20000000) Washer, Flat, 0.27b 0.69d .05, Ss	4
	5	01685	(10743605- 20000000) Washer, Flat, 0.38b 0.88d .08, Ss	4
	6	1219440	(10743605- 20000000) Hinge, Goose Neck	2
	7	140154	(10743605- 20000000) Sleeve, P/M, 0.25b 0.38d 0.3l, PI	2
	8	07514	(10743605- 20000000) Washer, Lock, Int, 10, Ss	4
	9	1018155	(10743605- 20000000) Screw, Pan, Phl, M5 X 0.80 X 16, Tcut,Ss	4
	10	1034731	(10743605- 20000000) Screw, Hex, M6 X 1.00 X 16, Sems, Ss	4
	11	1219473	(10743605- 20000000) Hinge, Mount, Wldt	2
	12	9014150	(10000000- 20000000) Kit, Tank, Recvy, W/Labels [T300]	1
▽	13	1226905	(10000000- 20000000) Fan, Vacuum, 6.6d, 024vdc, 2 Stage	1
▲		1206774	(10000000- 20000000) Vr, Brush Kit, Motor, Fan (1 Pkg = 2 Pcs)	1
	14	100038	(10000000- 20000000) Gasket, .50, 02.63id 05.75od, Adh [Epdm]	1
	15	1062016	(10000000- 20000000) Isolator, Vib, .75d	3
	16	01684	(10000000- 20000000) Washer, Flat, 0.27b 0.69d .05, Ss	3
	17	1207368	(10000000- 20000000) Mount, Vacfan, 5.7/6.6	1
	18	1209342	(10000000- 20000000) Cover, Inlet, Vac, Vented	1
	19	1043573	(10000000- 20000000) Screw, #10- 14 X 0.675, Spl[Shcs,Selftap]	4
	20	1209466	(10000000- 20000000) Hinge, 6mm Pin 2.5 73.5mmw 60.0mml, Bent	2
	21	1034731	(10000000- 20000000) Screw, Hex, M6 X 1.00 X 16, Sems, Ss	8
	22	130773	(10000000- 20000000) Tie, Cable, Nyl, 11.0l, .14w, 3.0 Max. D	2
	23	1068577	(10000000- 20000000) Muffler, Exhaust, Vacfan, 150mml [T2/T3]	1
	24	1210807	(10000000- 20000000) Wire, Tie [W/.25" Fir Tree Clip]	1
	25	130773	(10000000- 20000000) Tie, Cable, Nyl, 11.0l, .14w, 3.0 Max. D	1
	26	11329	(10000000- 20000000) Screw, Hex, M6 X 1.00 X 16, NI, Ss	3
	27	11329	(10000000- 10743604) Screw, Hex, M6 X 1.00 X 16, NI, Ss	6
	28	80491	(10000000- 10743604) Sleeve, P/M, 0.25b 0.38d 0.2l [430ss]	2
	29	1210250	(10000000- 10743604) Plate, Slide, Hinge (Replace By Kit 9014279)	2
	30	1016005	(10000000- 10743604) Screw, Hex, M6 X 1.00 X 25, NI, Fl, Ss	2
	31	140003	(10000000- 10743604) Washer, Flat, 0.25b 1.00d .06, Ss, Fendr	4
	32	140154	(10000000- 10743604) Sleeve, P/M, 0.25b 0.38d 0.3l, PI	2
	33	1210471	(10000000- 10743604) Bracket Wldt, Hinge, Fixed (Replace By Kit 9014279)	2
	34	1210469	(10000000- 10743604) Bracket Wldt, Hinge (Replace By Kit 9014279)	2
	35	1018155	(10000000- 10743604) Screw, Pan, Phl, M5 X 0.80 X 16, Tcut,Ss	4
	36	1220553	(10000000- 20000000) Plate, Hinge, Doubler	1

▽ ASSEMBLY

▲ INCLUDED IN ASSEMBLY

RECOVERY TANK FILTER AND HOSE GROUP, SCREW CAP

355303



RECOVERY TANK FILTER AND HOSE GROUP, SCREW CAP

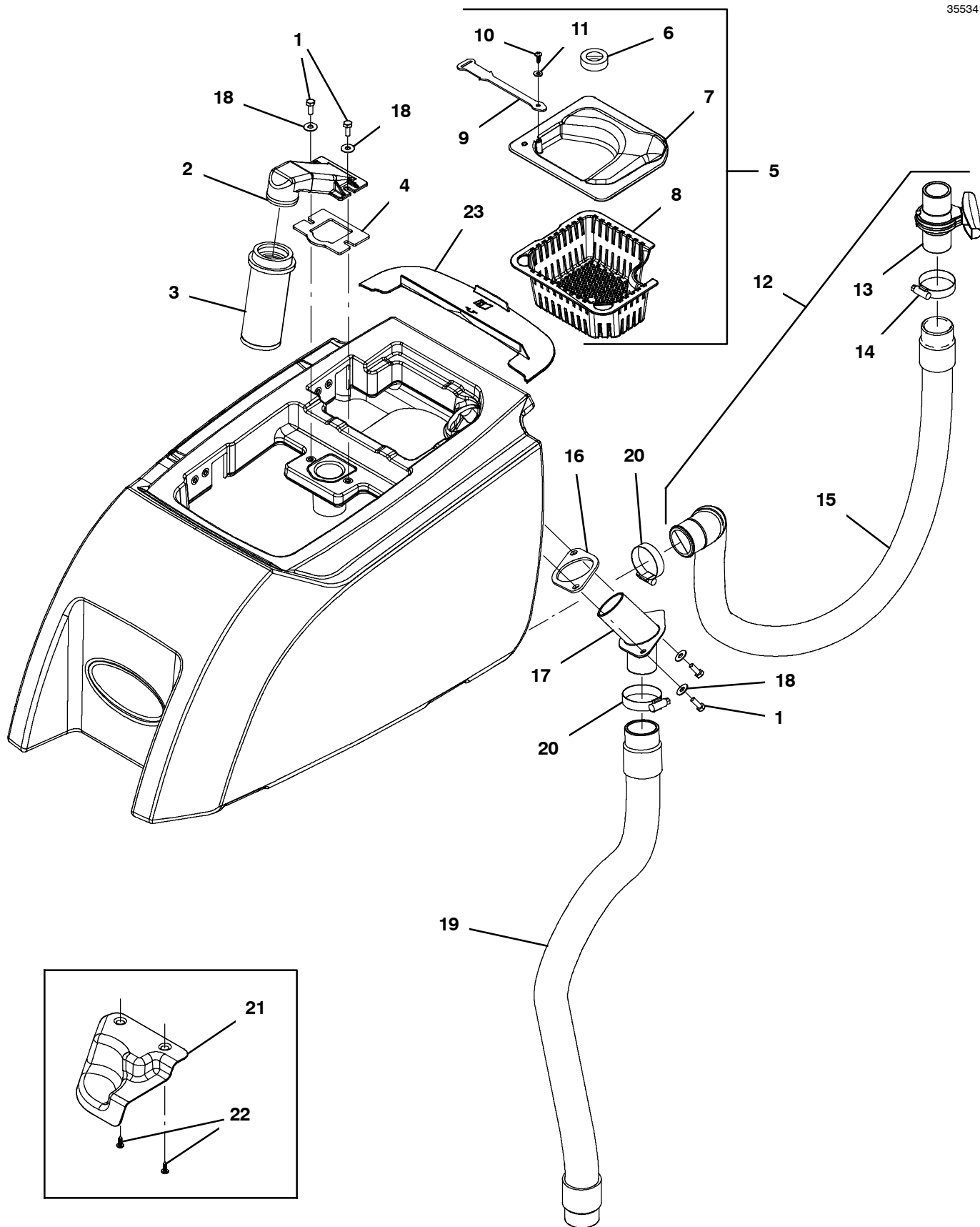
Ref.	Part No.	Serial Number	Description	Qty.	
1	11329	(10000000- 20000000)	Screw, Hex, M6 X 1.00 X 16, NI, Ss	4	
2	1011777	(10000000- 20000000)	Mount, Float, Mold	1	
3	630052	(10000000- 20000000)	Float, Shut- Off, (2)Ball, 1.75d	1	
4	1013628	(10000000- 20000000)	Gasket, Mtg, Float, .125th, Neo, Adh	1	
▽	5	9014872	(10785189- 20000000)	Kit, Deflector, Tray, Debris, Ci, [T300]	1
▲	6	1225187	(10785189- 20000000)	Seal, Rbr, Clsd, 12.7 Th , 24.0ld, 40.0Od	1
▲	7	1224899	(10785189- 20000000)	Deflector, Tray, Debris	1
▲	8	1207357	(10000000- 20000000)	Tray, Debris, Tank, Recvy [T300]	1
▲	9	1225172	(10785189- 20000000)	Strap, Retaining, Deflector, 150.0L	1
▲	10	1018155	(10785189- 20000000)	Screw, Pan, Phl, M5 X 0.80 X 16, Tcut,Ss	1
▲	11	01683	(10785189- 20000000)	Washer, Flat, 10, Ss	1
▽	12	1213008	(10000000- 20000000)	Hose Assy, Drain, 1.5d 025l 1.5/Cap [Pu] (Gray)	1
▲	13	1219134	(10000000- 20000000)	Cap, Drain Assy [Gray]	1
▽	12	1213010	(10000000- 20000000)	Hose Assy, Drain, 1.5d 017l 1.5/Cap[Pvc] (Black)	1
▲	13	1218955	(10000000- 20000000)	Cap, Drain Assy [Black]	1
14	11531	(10000000- 20000000)	Clamp, Hose, Wormdrive, 1.06- 2.00d, .56w	2	
15	1037106	(10000000- 20000000)	Gasket, Adapter, Hose .13, Neo	1	
16	1207196	(10000000- 20000000)	Tube, Hose, Adapter, 1.5d [T300]	1	
17	01684	(10000000- 20000000)	Washer, Flat, 0.27b 0.69d .05, Ss	4	
18	1204663	(10000000- 20000000)	Hose Assy, W/2cuff,1.5d 031l 1.5/1.5[Pu]	1	
18	1211220	(10000000- 20000000)	Hose Assy,W/2cuff,1.5d 022l 1.5/1.5[Pvc] (Black)	1	
19	1210214	(10000000- 10785188)	Deflector, Water, Recvy (Replaced By 9014872)	1	
20	1018155	(10000000- 10785188)	Screw, Pan, Phl, M5 X 0.80 X 16, Tcut,Ss	2	
21	9014905	(10786725- 20000000)	Cover Kit, Circuitbreaker, Ci[T300/E/Ss]	1	

▽ ASSEMBLY

▲ INCLUDED IN ASSEMBLY

RECOVERY TANK FILTER AND HOSE GROUP, CONTROL VALVE

355341



RECOVERY TANK FILTER AND HOSE GROUP, CONTROL VALVE

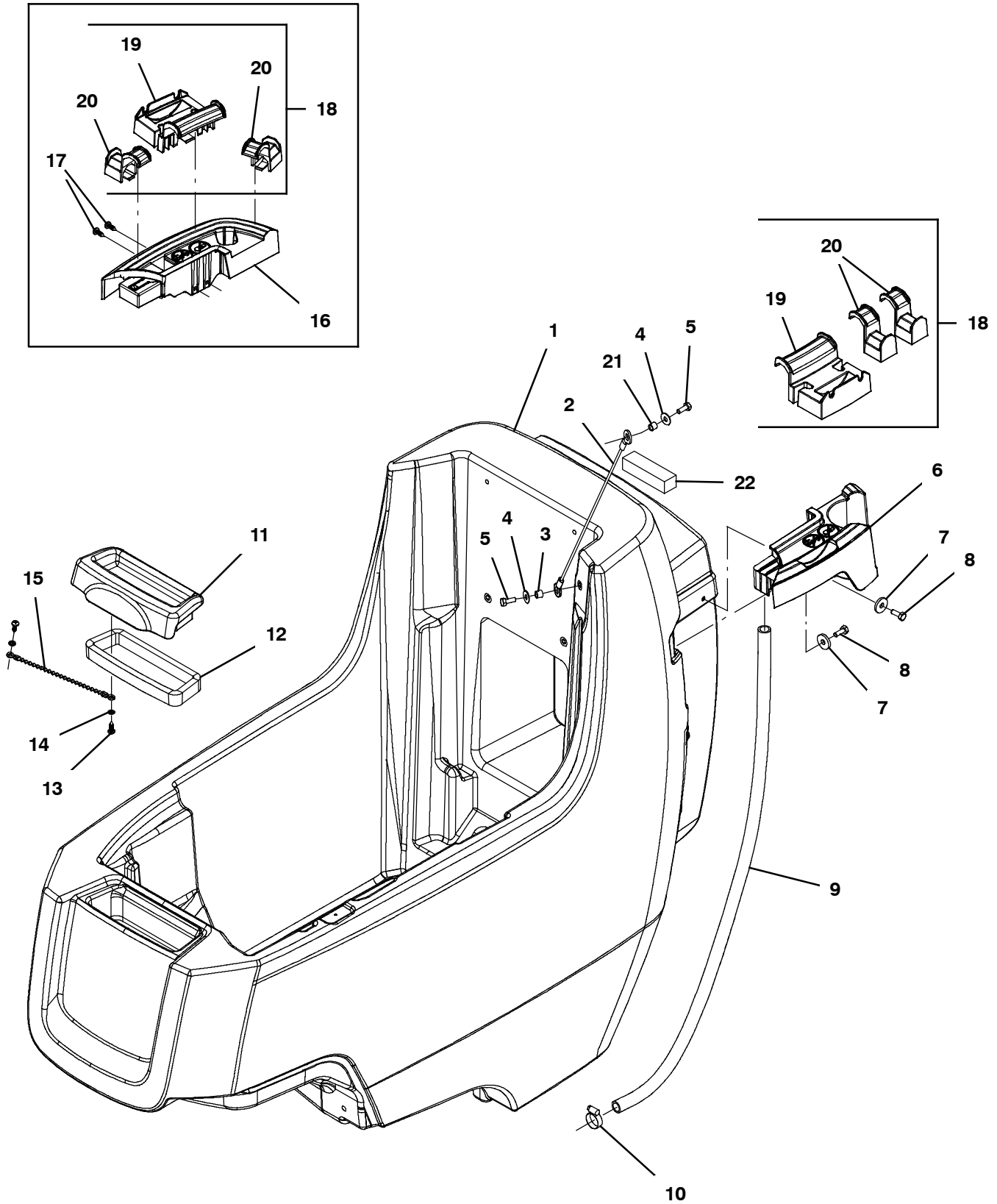
Ref.	Part No.	Serial Number	Description	Qty.	
1	11329	(10000000- 20000000)	Screw, Hex, M6 X 1.00 X 16, NI, Ss	4	
2	1011777	(10000000- 20000000)	Mount, Float, Mold	1	
3	630052	(10000000- 20000000)	Float, Shut- Off, (2)Ball, 1.75d	1	
4	1013628	(10000000- 20000000)	Gasket, Mtg, Float, .125th, Neo, Adh	1	
▽	5	9014872	(10785189- 20000000)	Kit, Deflector, Tray, Debris, Ci, [T300]	1
▲	6	1225187	(10785189- 20000000)	Seal, Rbr, Clsd, 12.7 Th , 24.0Id, 40.0Od	1
▲	7	1224899	(10785189- 20000000)	Deflector, Tray, Debris	1
▲	8	1207357	(10000000- 20000000)	Tray, Debris, Tank, Recvy [T300]	1
▲	9	1225172	(10785189- 20000000)	Strap, Retaining, Deflector, 150.0L	1
▲	10	1018155	(10785189- 20000000)	Screw, Pan, Phl, M5 X 0.80 X 16, Tcut,Ss	1
▲	11	01683	(10785189- 20000000)	Washer, Flat, 10, Ss	1
▽	12	9014171	(10000000- 20000000)	Hose Assy, With Valve	1
▲	13	1051986	(10000000- 20000000)	Valve, Ball, 2way, 1.0Id Pvc, W/Handle	1
▲	14	11531	(10000000- 20000000)	Clamp, Hose, Wormdrive, 1.06- 2.00d, .56w	1
▲	15	1222591	(10000000- 20000000)	Hose Assy, 45cuff,1.5d 021l 1.5/1.5[Pu] (Gray)	1
	16	1037106	(10000000- 20000000)	Gasket, Adapter, Hose .13, Neo	1
	17	1207196	(10000000- 20000000)	Tube, Hose, Adapter, 1.5d [T300]	1
	18	01684	(10000000- 20000000)	Washer, Flat, 0.27b 0.69d .05, Ss	4
	19	1204663	(10000000- 20000000)	Hose Assy, W/2cuff,1.5d 031l 1.5/1.5[Pu]	1
	20	11531	(10000000- 20000000)	Clamp, Hose, Wormdrive, 1.06- 2.00d, .56w	2
	21	1210214	(10000000- 10785188)	Deflector, Water, Recvy	1
	22	1018155	(10000000- 10785188)	Screw, Pan, Phl, M5 X 0.80 X 16, Tcut,Ss	2
	23	9014905	(10786725- 20000000)	Cover Kit, Circuitbreaker, Ci[T300/E/Ss]	1

▽ ASSEMBLY

▲ INCLUDED IN ASSEMBLY

SOLUTION TANK GROUP

355304



SOLUTION TANK GROUP

Ref.	Part No.	Serial Number	Description	Qty.	
1	9014156	(10000000- 20000000)	Kit, Tank, Soltn, [T300/T300e]	1	
2	391368	(10000000- 20000000)	Cable, Glv .09d 016.5l .38eye /.38eye	1	
3	140154	(10000000- 20000000)	Sleeve, P/M, 0.25b 0.38d 0.3l, PI	2	
4	01684	(10000000- 20000000)	Washer, Flat, 0.27b 0.69d .05, Ss	2	
5	11329	(10000000- 20000000)	Screw, Hex, M6 X 1.00 X 16, NI, Ss	2	
6	1214264	(10000000- 20000000)	Tray, Accssry, Lh, 16mm Screw	1	
7	140053	(10000000- 20000000)	Washer, Flat, 0.28b 0.88d .12, Ss	2	
8	11329	(10000000- 20000000)	Screw, Hex, M6 X 1.00 X 16, NI, Ss	2	
9	20778	(10000000- 20000000)	Hose, Pvc, Clr, 0.50id 0.69od 030.0l	1	
10	54333	(10000000- 20000000)	Clamp, Hose, Wormdrive, 0.31- 0.88d, .31w	1	
11	9014158	(10000000- 20000000)	Kit, Cvr, Fill, W/ Ech20, Ci [Na/Jp]	1	
11	9014410	(10000000- 20000000)	Kit, Cvr, Fill, Ci [Na/Jp]	1	
12	1046428	(10000000- 20000000)	Seal, Afmkt, Rbr, Clsd, Adh, 02ft	1	
13	1018155	(10000000- 20000000)	Screw, Pan, Phl, M5 X 0.80 X 16, Tcut,Ss	2	
14	07514	(10000000- 20000000)	Washer, Lock, Int, 10, Ss	2	
15	621443	(10000000- 20000000)	Chain, Ball, 10, 0157mml, Ss	1	
16	1214249	(10000000- 10809548)	Tray, Accssry, Rh, 16mm Screw	1	
17	1018155	(10000000- 10809548)	Screw, Pan, Phl, M5 X 0.80 X 16, Tcut,Ss	2	
▽	18	9013845	(10000000- 20000000)	Clip Kit, Rail, [T300/T300e/Ss300] (Accessory Option)	1
▲	19	1214292	(10000000- 20000000)	Bracket, Hanger, Rail, Lrg (Accessory Option)	1
▲	20	1214291	(10000000- 20000000)	Bracket, Hanger, Rail, Small (Accessory Option)	2
	21	80491	(10000000- 20000000)	Sleeve, P/M, 0.25b 0.38d 0.2l [430ss]	1
	22	1229734	(10000000- 20000000)	Seal, Neo, 0.88, 1.00w 3.6l Adh	1

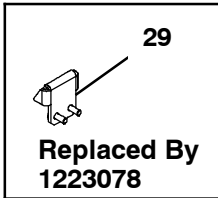
▽ ASSEMBLY

▲ INCLUDED IN ASSEMBLY

FRAME GROUP, PROPEL MODEL

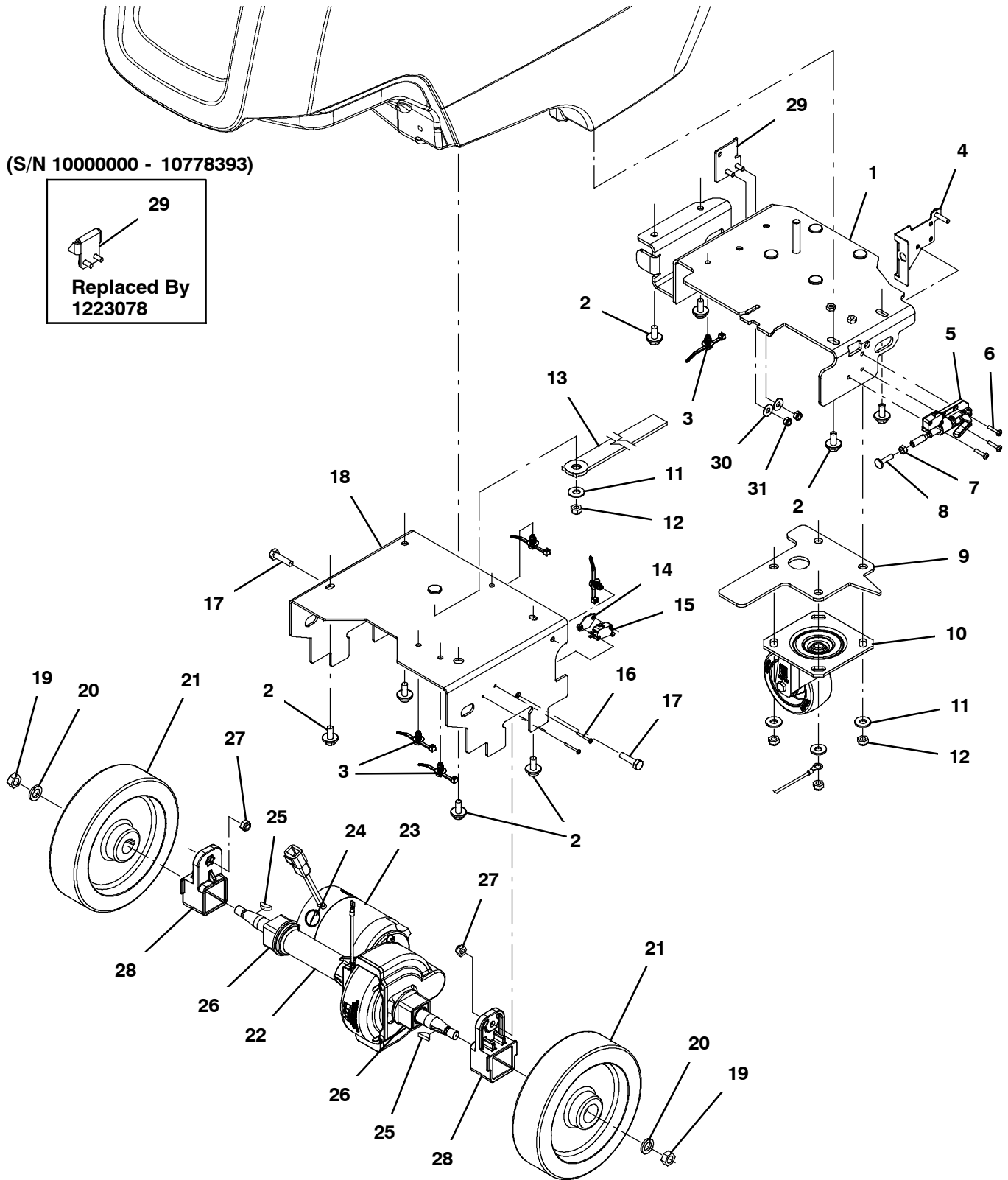
355318

(S/N 1000000 - 10778393)



29

Replaced By
1223078



FRAME GROUP, PROPEL MODEL

Ref.	Part No.	Serial Number	Description	Qty.	
1	1208498	(10000000- 20000000)	Frame Wldt, Rear	1	
2	1020341	(10000000- 20000000)	Screw, Hex, M8 X 1.25 X 20, Ss, Sems	8	
3	1210807	(10000000- 20000000)	Wire, Tie [W/.25" Fir Tree Clip]	5	
4	1211230	(10000000- 20000000)	Plate Wldt, Brake	1	
5	1209983	(10000000- 20000000)	Clamp, Brake, Parking	1	
6	12323	(10000000- 20000000)	Screw, Pan, Phl, M4 X 0.70 X 20, Ss	3	
7	07785	(10000000- 20000000)	Nut, Hex, Std, M6 X 1.00, Ss	1	
8	1017416	(10000000- 20000000)	Screw, Weld, M6 X 1.00 X 25, Thru, Ss	1	
9	1215093	(10000000- 20000000)	Spacer, Caster	1	
10	1212422	(10000000- 20000000)	Caster, Swivel [Wicke 224051]	1	
11	01685	(10000000- 20000000)	Washer, Flat, 0.38b 0.88d .08, Ss	5	
12	08713	(10000000- 20000000)	Nut, Hex, Lock, M8 X 1.25, NI, Ss	5	
13	71579	(10000000- 20000000)	Strap, Static, W/Grommet, .19 1.1w 25.0l	1	
14	1013705	(10000000- 20000000)	Plate, Thread, Switch, M3 Nut, 96hr PI	1	
15	1215716	(10000000- 20000000)	Switch, 0.1a, Spdt[Micro, Gold Contacts]	1	
16	33933	(10000000- 20000000)	Screw, Pan, Phl, M3 X 0.50 X 25, Ss	2	
17	09011	(10000000- 20000000)	Screw, Hex, M8 X 1.25 X 30, Ss	2	
18	1211968	(10000000- 20000000)	Frame Wldt, Front	1	
19	09741	(10000000- 20000000)	Nut, Hex, Lock, M12 X 1.75, NI, Ss	2	
20	140058	(10000000- 20000000)	Washer, Flat, 0.54b 0.88d .06, Ss [Wand]	2	
21	1223582	(10000000- 20000000)	Wheel, Scrbr, 8.00d, W/ Taper	2	
▽	22	1209779	(10000000- 20000000)	Transaxle, Ele, 24vdc, 112rpm [Asi]	1
▲		1017782	(10000000- 20000000)	Coupling Kit, Transaxle, Replmt [11057]	1
▲▽	23	1216386	(10000000- 20000000)	Motor, Transaxle, 24vdc, Replmt [UI, Ce]	1
▲▲	24	1212351	(10000000- 20000000)	Brush Kit, Carbon, Transaxle, UI (1 Kit = 4 Pcs)	1
▲	25	1021167	(10000000- 20000000)	Key, Woodruff, 5mm	2
▲	26	612880	(10000000- 20000000)	Joint, Transaxle, Replmt	2
	27	08713	(10000000- 20000000)	Nut, Hex, Lock, M8 X 1.25, NI, Ss	2
	28	1028292	(10000000- 20000000)	Adapter, Mtg, Axle, Alm [T3]	2
	29	1223078	(10778394- 20000000)	Bracket Wldt, Latch	1
	29	1013946	(10000000- 10778393)	Bracket, Locking, Pedal, Foot (Replaced By 1223078)	1
	30	01684	(10000000- 20000000)	Washer, Flat, 0.27b 0.69d .05, Ss	2
	31	08712	(10000000- 20000000)	Nut, Hex, Lock, M6 X 1.00, NI, Ss	2
N/S	1075323	(10825195- 20000000)	Harness, Main, Ele [Vw, Premium, Propel]	1	
N/S	1073678	(10000000- 10825194)	Harness, Main, Ele [Vw, Premium, Propel] (Replaced By 9015157)	1	
N/S	1073592	(10000000- 20000000)	Harness, Ele [Vw, Op.Sta, Propel]	1	

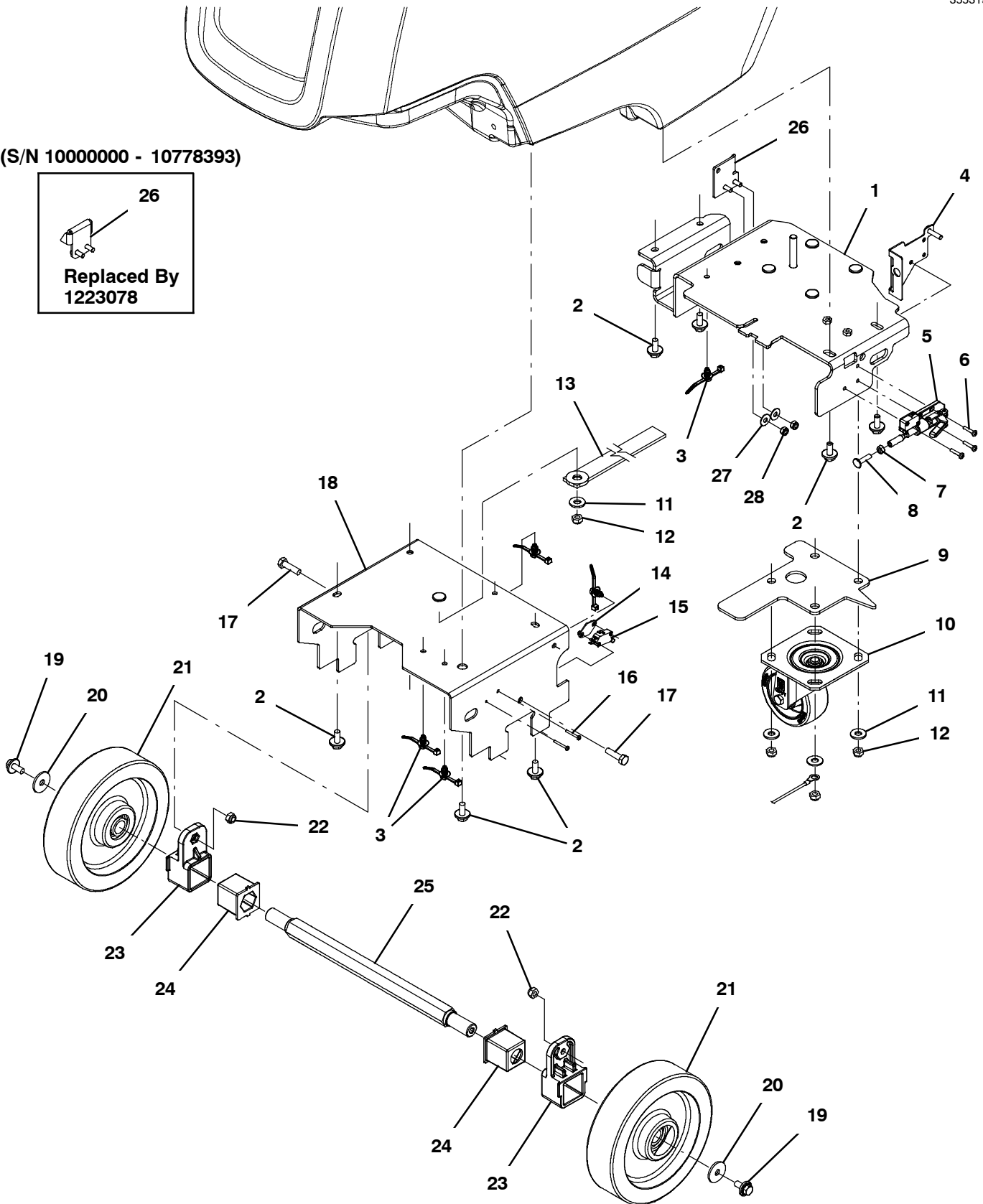
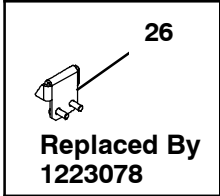
▽ ASSEMBLY

▲ INCLUDED IN ASSEMBLY

FRAME GROUP, PUSH MODEL

355319

(S/N 1000000 - 10778393)

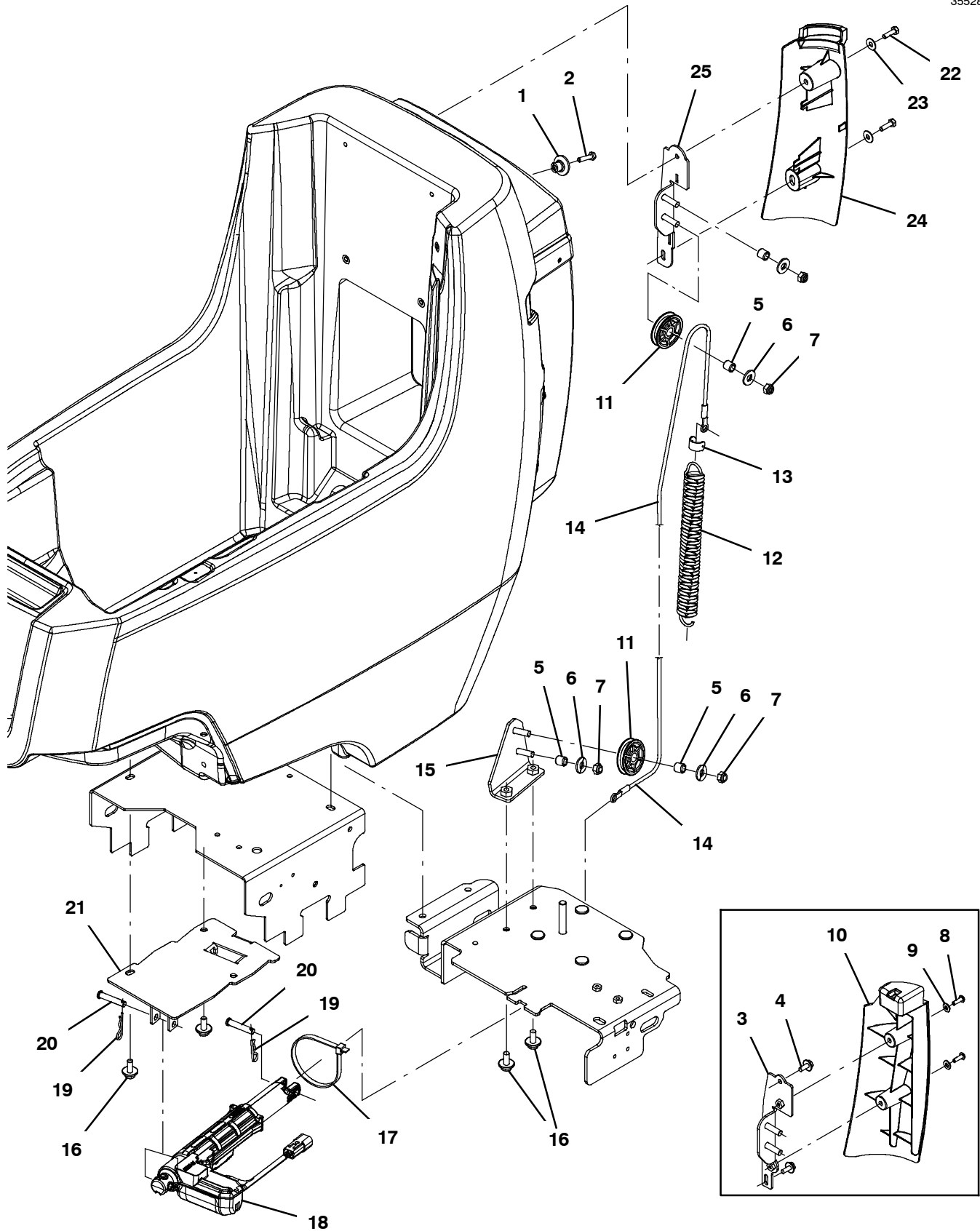


FRAME GROUP, PUSH MODEL

Ref.	Part No.	Serial Number	Description	Qty.
1	1208498	(10000000- 20000000)	Frame Wldt, Rear	1
2	1020341	(10000000- 20000000)	Screw, Hex, M8 X 1.25 X 20, Ss, Sems	8
3	1210807	(10000000- 20000000)	Wire, Tie [W/.25" Fir Tree Clip]	5
4	1211230	(10000000- 20000000)	Plate Wldt, Brake (Brake Option)	1
5	1209983	(10000000- 20000000)	Clamp, Brake, Parking (Brake Option)	1
6	12323	(10000000- 20000000)	Screw, Pan, Phl, M4 X 0.70 X 20, Ss (Brake Option)	3
7	07785	(10000000- 20000000)	Nut, Hex, Std, M6 X 1.00, Ss (Brake Option)	1
8	1017416	(10000000- 20000000)	Screw, Weld, M6 X 1.00 X 25, Thru, Ss (Brake Option)	1
9	1215093	(10000000- 20000000)	Spacer, Caster	1
10	1212422	(10000000- 20000000)	Caster, Swivel [Wicke 224051]	1
11	01685	(10000000- 20000000)	Washer, Flat, 0.38b 0.88d .08, Ss	5
12	08713	(10000000- 20000000)	Nut, Hex, Lock, M8 X 1.25, NI, Ss	5
13	71579	(10000000- 20000000)	Strap, Static, W/Grommet, .19 1.1w 25.0l	1
14	1013705	(10000000- 20000000)	Plate, Thread, Switch, M3 Nut, 96hr PI	1
15	1215716	(10000000- 20000000)	Switch, 0.1a, Spdt[Micro, Gold Contacts]	1
16	33933	(10000000- 20000000)	Screw, Pan, Phl, M3 X 0.50 X 25, Ss	2
17	09011	(10000000- 20000000)	Screw, Hex, M8 X 1.25 X 30, Ss	2
18	1211968	(10000000- 20000000)	Frame Wldt, Front	1
19	1020341	(10000000- 20000000)	Screw, Hex, M8 X 1.25 X 20, Ss, Sems	2
20	1016331	(10000000- 20000000)	Washer, Flat, 0.34b 1.25d .11, Ss	2
21	1223724	(10000000- 20000000)	Wheel, Scrbr, 8.00d, W/ Brg	2
22	08713	(10000000- 20000000)	Nut, Hex, Lock, M8 X 1.25, NI, Ss	2
23	1028292	(10000000- 20000000)	Adapter, Mtg, Axle, Alm [T3]	2
24	1028381	(10000000- 20000000)	Grommet, Axle [Tpu, T3 Push]	2
25	1028382	(10000000- 20000000)	Axle, Wheel, Hex, Clr Zn [T3 Push]	1
26	1223078	(10778394- 20000000)	Bracket Wldt, Latch	1
26	1013946	(10000000- 10778393)	Bracket, Locking, Pedal, Foot (Replaced By 1223078)	1
27	01684	(10000000- 20000000)	Washer, Flat, 0.27b 0.69d .05, Ss	2
28	08712	(10000000- 20000000)	Nut, Hex, Lock, M6 X 1.00, NI, Ss	2
N/S	1075324	(10838962- 20000000)	Harness, Main, Ele [Vw, Premium, Push]	1
N/S	1073679	(10000000- 10838961)	Harness, Main, Ele [Vw, Premium, Push] (Replaced By 9015158)	1
N/S	1073593	(10000000- 20000000)	Harness, Ele [Vw, Op.Stat, Push]	1

ACTUATED DOWN PRESSURE GROUP

355282

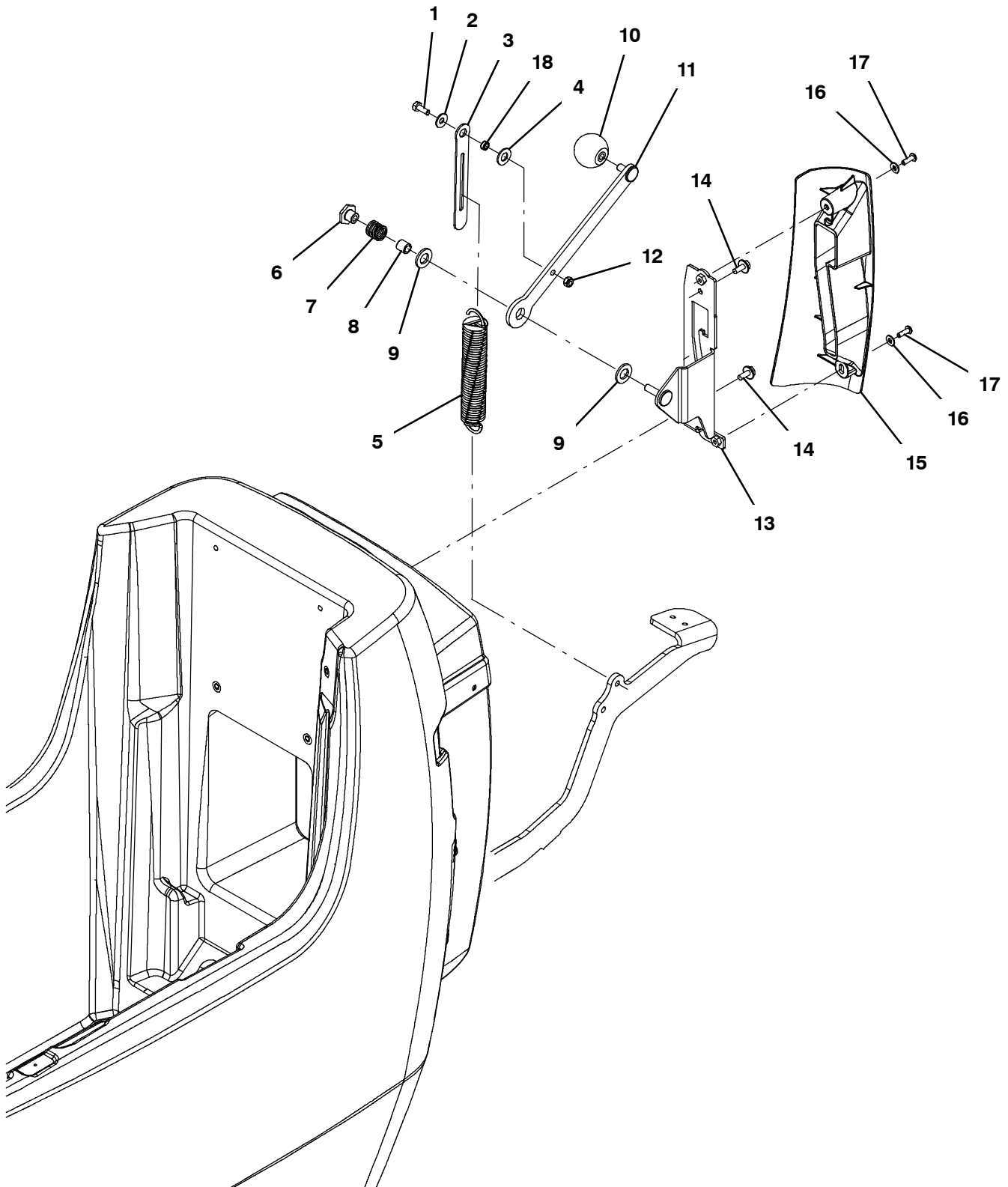


ACTUATED DOWN PRESSURE GROUP

Ref.	Part No.	Serial Number	Description	Qty.
1	1214283	(10000000- 20000000)	Guide, Cable	1
2	1016005	(10000000- 20000000)	Screw, Hex, M6 X 1.00 X 25, NI, FI, Ss	1
3	1213998	(10000000- 10809548)	Bracket Wldt, Mtg, Pulley, Down Press	1
4	1034731	(10000000- 10809548)	Screw, Hex, M6 X 1.00 X 16, Sems, Ss	2
5	222460	(10000000- 20000000)	Sleeve, P/M, 0.32b 0.50d 0.5l [430ss]	4
6	01685	(10000000- 20000000)	Washer, Flat, 0.38b 0.88d .08, Ss	4
7	08713	(10000000- 20000000)	Nut, Hex, Lock, M8 X 1.25, NI, Ss	4
8	1205799	(10000000- 10809548)	Screw, Btn, M5 X 0.8 X 16, 8.8, NI, Torx	2
9	01683	(10000000- 10809548)	Washer, Flat, 10, Ss	2
10	1212336	(10000000- 10809548)	Cover, Pulley Assy, Down- Press	1
11	369781	(10000000- 20000000)	Pulley, Cable, 1.5d Nyl	2
12	1216611	(10000000- 20000000)	Spring, Extn, 1.14od, 0.13wir, 6.5l (Disk & Orbital Models)	1
12	1216677	(10000000- 20000000)	Spring, Extn, 1.08od, 0.09wir, 6.5l (Cylindrical Model)	1
13	1218891	(10000000- 20000000)	Retainer, Strip, Rubber	1
14	1214005	(10000000- 20000000)	Cable, Down Press	1
15	1213986	(10000000- 20000000)	Bracket Wldt, Mtg, Pulley, Down Press	1
16	1020341	(10000000- 20000000)	Screw, Hex, M8 X 1.25 X 20, Ss, Sems	4
17	130773	(10000000- 20000000)	Tie, Cable, Nyl, 11.0l, .14w, 3.0 Max. D	1
18	1213982	(10000000- 20000000)	Actuator, 24vdc, 76.2 Strk, 500n	1
19	44906	(10000000- 20000000)	Pin, Cotter, Hair, 0.38d .093 Wir	2
20	397249	(10000000- 20000000)	Pin, Clevis, 0.31d X 1.62l	2
21	1214971	(10000000- 20000000)	Actuator Wldt, Mtg	1
22	12277	(10809549- 20000000)	Screw, Hex, M6 X 1.00 X 20, NI, Ss	2
23	01684	(10809549- 20000000)	Washer, Flat, 0.27b 0.69d .05, Ss	2
24	1224289	(10809549- 20000000)	Cover, Tank, Rh, [T300/E/Ss]	1
25	1224560	(10809549- 20000000)	Bracket Wldt, Mtg, Pulley, Dnprs	1

MANUAL DOWN PRESSURE GROUP

355283

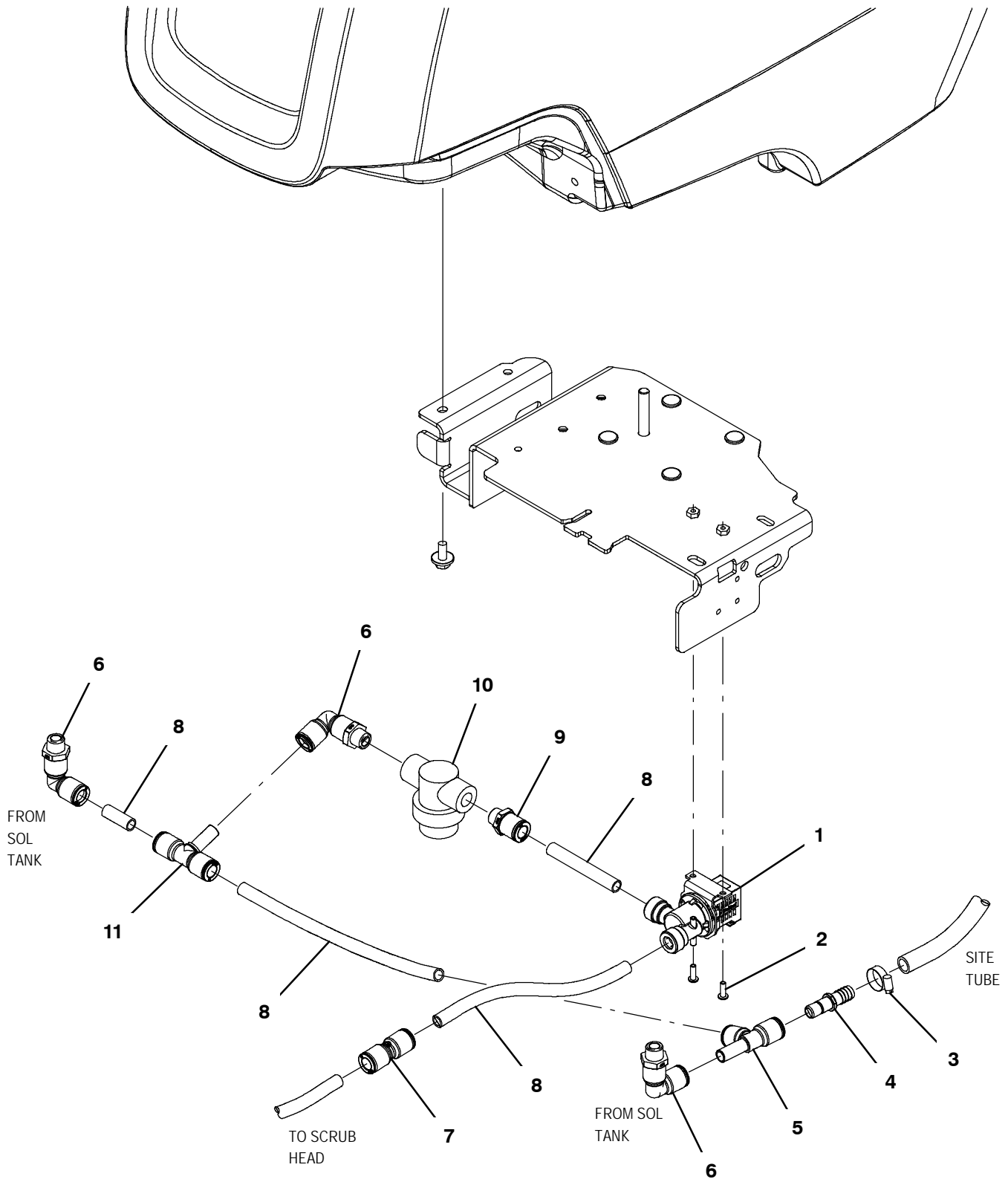


MANUAL DOWN PRESSURE GROUP

Ref.	Part No.	Serial Number	Description	Qty.
1	11329	(10000000- 20000000)	Screw, Hex, M6 X 1.00 X 16, NI, Ss	1
2	01684	(10000000- 20000000)	Washer, Flat, 0.27b 0.69d .05, Ss	1
3	1213745	(10000000- 20000000)	Plate, Link	1
4	20536	(10000000- 20000000)	Washer, Flat, 0.45b 1.19d .06, Nyl	1
5	1216611	(10000000- 20000000)	Spring, Extn, 1.14od, 0.13wir, 6.5l (Disk & Orbital Models)	1
5	1216677	(10000000- 20000000)	Spring, Extn, 1.08od, 0.09wir, 6.5l (Cylindrical Model)	1
6	1018181	(10000000- 20000000)	Nut, T, M8 X 1.25 X 0.50od X 0.4l	1
7	1018756	(10000000- 20000000)	Spring, Cmpr, 0.70od .08wir 00.7l, Pl,Mw	1
8	222460	(10000000- 20000000)	Sleeve, P/M, 0.32b 0.50d 0.5l [430ss]	1
9	1013936	(10000000- 20000000)	Washer, Flat, 0.51b 0.94d .10, Nyl	2
10	1017156	(10000000- 20000000)	Knob, Ball, M8 Insert, 40mmd, Plstc	1
11	1210591	(10000000- 20000000)	Lever Wldt, Down Pressure, Mnl	1
12	08712	(10000000- 20000000)	Nut, Hex, Lock, M6 X 1.00, NI, Ss	1
13	1210597	(10000000- 20000000)	Bracket Wldt, Down Press, Mnl	1
14	1034731	(10000000- 20000000)	Screw, Hex, M6 X 1.00 X 16, Sems, Ss	2
15	1209371	(10000000- 20000000)	Cover, Lever Assy, Down- Press	1
16	01683	(10000000- 20000000)	Washer, Flat, 10, Ss	2
17	1205799	(10000000- 20000000)	Screw, Btn, M5 X 0.8 X 16, 8.8, NI, Torx	2
18	80491	(10000000- 20000000)	Sleeve, P/M, 0.25b 0.38d 0.2l [430ss]	1

SOLUTION GROUP, STANDARD MODEL

355308



SOLUTION GROUP, STANDARD MODEL

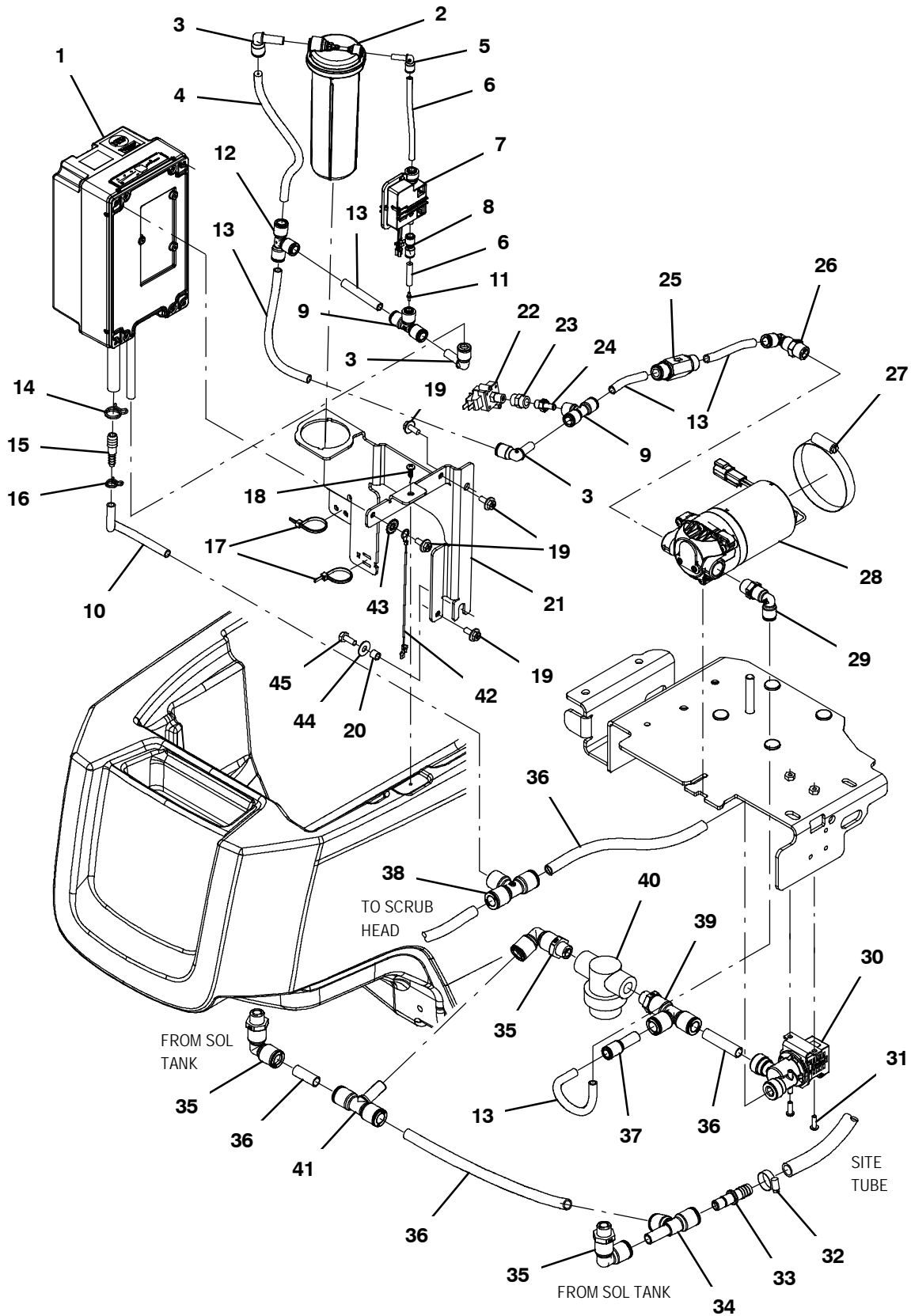
Ref.	Part No.	Serial Number	Description	Qty.
1	1211424	(10000000- 20000000)	Valve, Water, Solenoid, 24vdc Qf08/Qf08	1
2	1205799	(10000000- 20000000)	Screw, Btn, M5 X 0.8 X 16, 8.8, NI, Torx	2
3	54333	(10000000- 20000000)	Clamp, Hose, Wormdrive, 0.31- 0.88d, .31w	1
4	1212807	(10000000- 20000000)	Fitting, Plstc, Str, Qm08/Bm08	1
5	1212806	(10000000- 20000000)	Fitting, Plstc, Tee, Qf08/Qf08/Qm08	1
6	1212987	(10000000- 20000000)	Fitting, Plstc, E90, Qf08/Pm06, Swivel	3
7	1212859	(10000000- 20000000)	Fitting, Plstc, Str, Qf08/Qf08	1
8	9014145	(10000000- 20000000)	Hose, Afmkt, Pe, .375id .50od, 05ft	1
9	1212813	(10000000- 20000000)	Fitting, Plstc, Str, Qf08/Pm06	1
▽	10	1211537	(10000000- 20000000) Filter, In- Line, Pf06/Pf06 080m 2.6l Epd	1
▲		1218885	(10000000- 20000000) Gasket [Epdm, F/1211537]	1
▲		1218883	(10000000- 20000000) Screen, Fltr, 80 Mesh, Ss [W/ Cage]	1
▲		613991	(10000000- 20000000) Bowl, Clr, Short, F/1005302	1
	11	1212810	(10000000- 20000000) Fitting, Plstc, Tee, Qm08/Qf08/Qf08	1

▽ ASSEMBLY

▲ INCLUDED IN ASSEMBLY

SOLUTION GROUP, STANDARD MODEL ec-H20

355310



SOLUTION GROUP, STANDARD MODEL ec- H20

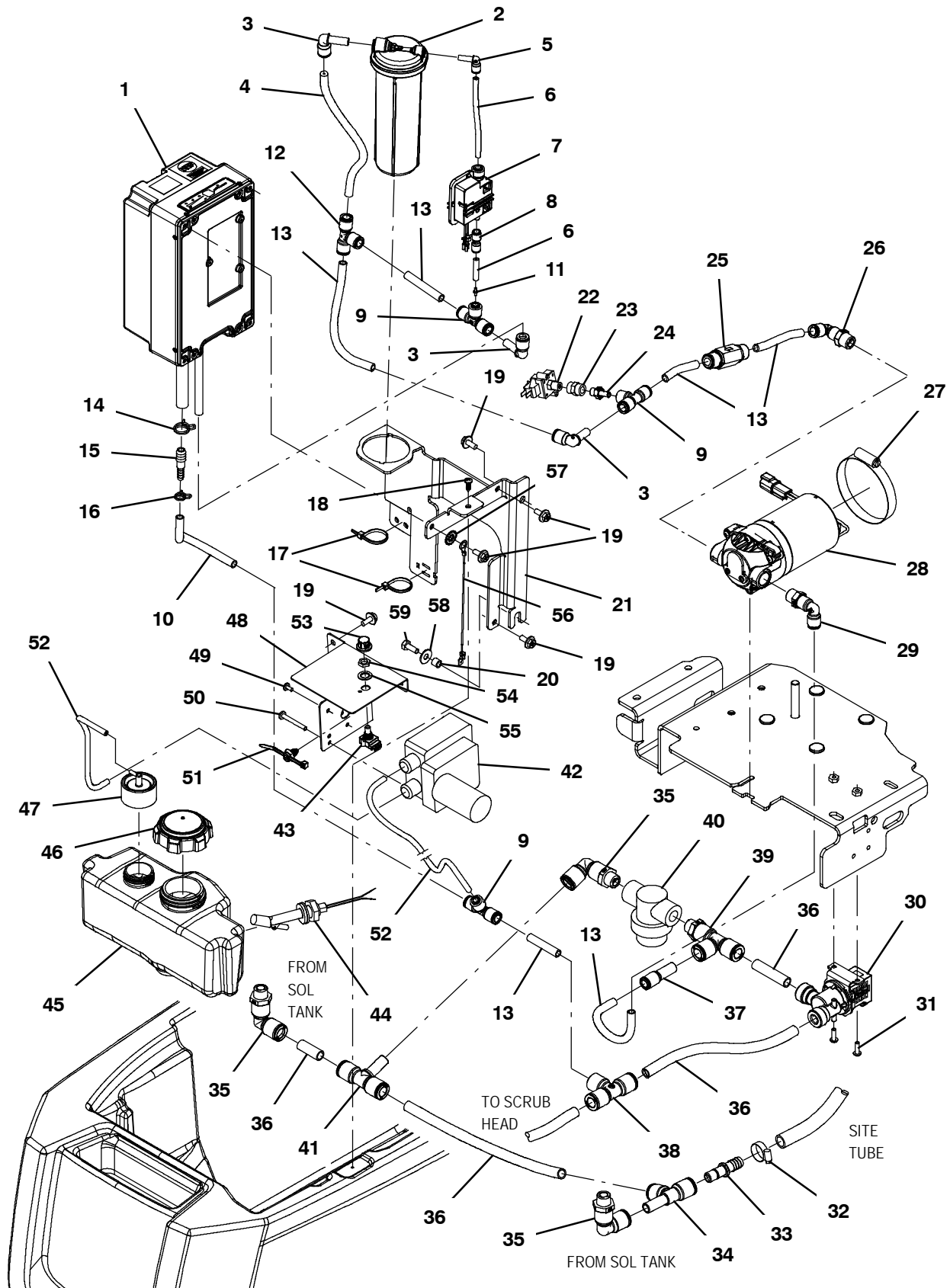
Ref.	Part No.	Serial Number	Description	Qty.
▽	1	9011810	(10000000- 20000000) Module Kit, Replmt [Ec- H2o, B 02] (See Breakdowns)	1
▲	2	9013646	(10000000- 20000000) Cartridge, Ec- H2o Nanoclean Wcm, 270ml	1
	3	1215186	(10000000- 20000000) Fitting, Plstc, E90, Qf06/Qm06	1
	4	9014146	(10000000- 20000000) Hose, Afmkt, Pvc, 0.06id .38od, 05ft	1
	5	1214339	(10000000- 20000000) Fitting, Plstc, E90, Qfo4/Qm04	1
	6	9014147	(10000000- 20000000) Hose, Afmkt, Pvc, 0.06id .25od, 05ft	1
	7	1216973	(10000000- 20000000) Pump Assy, Dispenser	1
	8	1218192	(10000000- 20000000) Fitting, Plstc, Str, Qf04/Qf04	1
	9	1212855	(10000000- 20000000) Fitting, Plstc, Tee, Qf04/Qf06/Qf06	2
	10	1006415	(10000000- 20000000) Hose, Afmkt, Pvc, Clr, 0.25id, 03ft	1
	11	1214972	(10000000- 20000000) Fitting, Orifice, Str, Bm01/Bm01	1
	12	1212573	(10000000- 20000000) Fitting, Plstc, Tee, Qf06/Qf06/Qf06	1
	13	9014148	(10000000- 20000000) Hose, Afmkt, Nat, 0.25id 0.375od, 06ft	1
	14	607775	(10000000- 20000000) Clamp, Hose, Wir, .63 - .66, Blk	1
	15	1039557	(10000000- 20000000) Fitting, Plstc, Str, Bm04/Bm06	1
	16	613735	(10000000- 20000000) Clamp, Hose, Wir, .40 - .42, Yel	1
	17	130773	(10000000- 20000000) Tie, Cable, Nyl, 11.0l, .14w, 3.0 Max. D	2
	18	1018155	(10000000- 20000000) Screw, Pan, Phl, M5 X 0.80 X 16, Tcut, Ss	1
	19	1034731	(10000000- 20000000) Screw, Hex, M6 X 1.00 X 16, Sems, Ss	5
	20	140154	(10000000- 20000000) Sleeve, P/M, 0.25b 0.38d 0.3l, PI	1
	21	1209249	(10000000- 20000000) Bracket, Mtg, Ec- H20 Module [T300]	1
	22	1044335	(10000000- 20000000) Switch, Press, 6psi, Pm02	1
	23	150307	(10000000- 20000000) Fitting, Brs, Str, Pf02/Pf02, Cplg	1
	24	1216185	(10000000- 20000000) Fitting, Plstc, Str, Qm04/Pm02	1
	25	1215527	(10000000- 20000000) Valve, Check, 1.0 Psi Qf06/Qf06	1
	26	1212812	(10000000- 20000000) Fitting, Plstc, E90, Qf06/Pm06, Swivel	1
	27	43555	(10000000- 20000000) Clamp, Hose, Wormdrive, 2.62- 3.50d	1
	28	1210517	(10000000- 20000000) Pump, Soltn, Ele, 24vdc, 35 Psi	1
	29	1212812	(10000000- 20000000) Fitting, Plstc, E90, Qf06/Pm06, Swivel	1
	30	1211424	(10000000- 20000000) Valve, Water, Solenoid, 24vdc Qf08/Qf08	1
	31	1205799	(10000000- 20000000) Screw, Btn, M5 X 0.8 X 16, 8.8, NI, Torx	2
	32	54333	(10000000- 20000000) Clamp, Hose, Wormdrive, 0.31- 0.88d, .31w	1
	33	1212807	(10000000- 20000000) Fitting, Plstc, Str, Qm08/Bm08	1
	34	1212806	(10000000- 20000000) Fitting, Plstc, Tee, Qf08/Qf08/Qm08	1
	35	1212987	(10000000- 20000000) Fitting, Plstc, E90, Qf08/Pm06, Swivel	3
	36	9014145	(10000000- 20000000) Hose, Afmkt, Pe, .375id .50od, 05ft	1
	37	1215218	(10000000- 20000000) Fitting, Plstc, Str, Qf06/Qm08	1
	38	1212875	(10000000- 20000000) Fitting, Plstc, Tee, Qf06/Qf08/Qf08	1
	39	1212808	(10000000- 20000000) Fitting, Plstc, Tee, Qf08/Qf08/Pm06	1
▽	40	1211537	(10000000- 20000000) Filter, In- Line, Pf06/Pf06 080m 2.6l Epd	1
▲		1218885	(10000000- 20000000) Gasket [Epdm, F/1211537]	1
▲		1218883	(10000000- 20000000) Screen, Fltr, 80 Mesh, Ss [W/ Cage]	1
▲		613991	(10000000- 20000000) Bowl, Clr, Short, F/1005302	1
	41	1212810	(10000000- 20000000) Fitting, Plstc, Tee, Qm08/Qf08/Qf08	1
	42	1074344	(10000000- 20000000) Harness, Ele [Ring With .250m Tail]	1
	43	41140	(10000000- 20000000) Washer, Lock, Int- Ext, 0.25	1
	44	01684	(10000000- 20000000) Washer, Flat, 0.27b 0.69d .05, Ss	1
	45	11329	(10000000- 20000000) Screw, Hex, M6 X 1.00 X 16, NI, Ss	1

▽ ASSEMBLY

▲ INCLUDED IN ASSEMBLY

SOLUTION GROUP, STANDARD MODEL ec- H20 & SEVERE ENVIRONMENT

355311



SOLUTION GROUP, STANDARD MODEL ec- H20 & SEVERE ENVIRONMENT

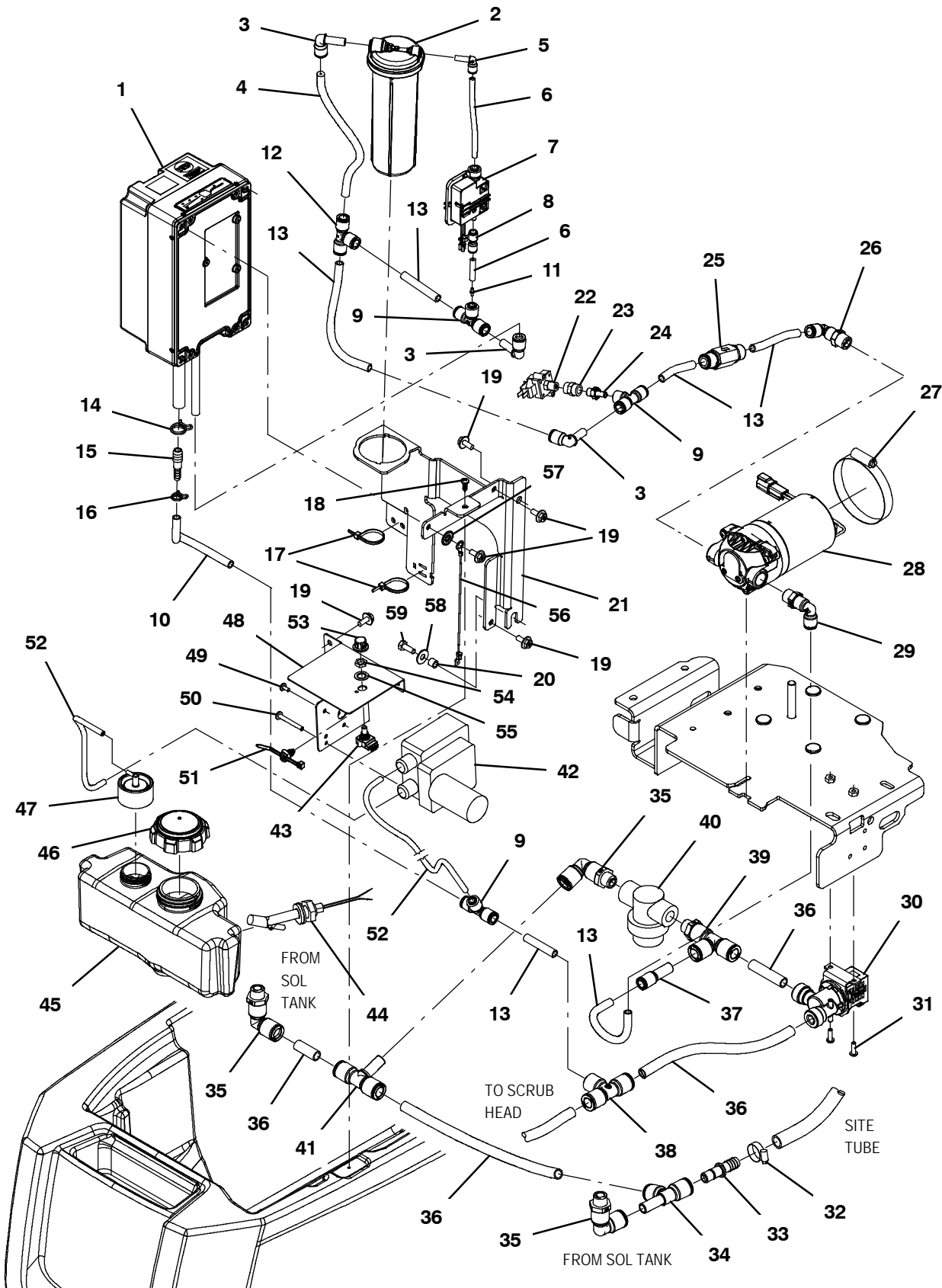
Ref.	Part No.	Serial Number	Description	Qty.
▽	1	9011810	(10000000- 20000000) Module Kit, Replmt [Ec- H2o, B 02] (See Breakdowns)	1
▲	2	9013646	(10000000- 20000000) Cartridge, Ec- H2o Nanoclean Wcm, 270ml	1
	3	1215186	(10000000- 20000000) Fitting, Plstc, E90, Qf06/Qm06	1
	4	9014146	(10000000- 20000000) Hose, Afmkt, Pvc, 0.06id .38od, 05ft	1
	5	1214339	(10000000- 20000000) Fitting, Plstc, E90, Qfo4/Qm04	1
	6	9014147	(10000000- 20000000) Hose, Afmkt, Pvc, 0.06id .25od, 05ft	1
	7	1216973	(10000000- 20000000) Pump Assy, Dispenser	1
	8	1218192	(10000000- 20000000) Fitting, Plstc, Str, Qf04/Qf04	1
	9	1212855	(10000000- 20000000) Fitting, Plstc, Tee, Qf04/Qf06/Qf06	3
	10	1006415	(10000000- 20000000) Hose, Afmkt, Pvc, Clr, 0.25id, 03ft	1
	11	1214972	(10000000- 20000000) Fitting, Orifice, Str, Bm01/Bm01	1
	12	1212573	(10000000- 20000000) Fitting, Plstc, Tee, Qf06/Qf06/Qf06	1
	13	9014148	(10000000- 20000000) Hose, Afmkt, Nat, 0.25id 0.375od, 06ft	1
	14	607775	(10000000- 20000000) Clamp, Hose, Wir, .63 - .66, Blk	1
	15	1039557	(10000000- 20000000) Fitting, Plstc, Str, Bm04/Bm06	1
	16	613735	(10000000- 20000000) Clamp, Hose, Wir, .40 - .42, Yel	1
	17	130773	(10000000- 20000000) Tie, Cable, Nyl, 11.0l, .14w, 3.0 Max. D	2
	18	1018155	(10000000- 20000000) Screw, Pan, Phl, M5 X 0.80 X 16, Tcut, Ss	1
	19	1034731	(10000000- 20000000) Screw, Hex, M6 X 1.00 X 16, Sems, Ss	7
	20	140154	(10000000- 20000000) Sleeve, P/M, 0.25b 0.38d 0.3l, PI	1
	21	1209249	(10000000- 20000000) Bracket, Mtg, Ec- H20 Module [T300]	1
	22	1044335	(10000000- 20000000) Switch, Press, 6psi, Pm02	1
	23	150307	(10000000- 20000000) Fitting, Brs, Str, Pf02/Pf02, Cplg	1
	24	1216185	(10000000- 20000000) Fitting, Plstc, Str, Qm04/Pm02	1
	25	1215527	(10000000- 20000000) Valve, Check, 1.0 Psi Qf06/Qf06	1
	26	1212812	(10000000- 20000000) Fitting, Plstc, E90, Qf06/Pm06, Swivel	1
	27	43555	(10000000- 20000000) Clamp, Hose, Wormdrive, 2.62- 3.50d	1
	28	1210517	(10000000- 20000000) Pump, Soltn, Ele, 24vdc, 35 Psi	1
	29	1212812	(10000000- 20000000) Fitting, Plstc, E90, Qf06/Pm06, Swivel	1
	30	1211424	(10000000- 20000000) Valve, Water, Solenoid, 24vdc Qf08/Qf08	1
	31	1205799	(10000000- 20000000) Screw, Btn, M5 X 0.8 X 16, 8.8, NI, Torx	2
	32	54333	(10000000- 20000000) Clamp, Hose, Wormdrive, 0.31- 0.88d, .31w	1
	33	1212807	(10000000- 20000000) Fitting, Plstc, Str, Qm08/Bm08	1
	34	1212806	(10000000- 20000000) Fitting, Plstc, Tee, Qf08/Qf08/Qm08	1
	35	1212987	(10000000- 20000000) Fitting, Plstc, E90, Qf08/Pm06, Swivel	3
	36	9014145	(10000000- 20000000) Hose, Afmkt, Pe, .375id .50od, 05ft	1
	37	1215218	(10000000- 20000000) Fitting, Plstc, Str, Qf06/Qm08	1
	38	1212875	(10000000- 20000000) Fitting, Plstc, Tee, Qf06/Qf08/Qf08	1
	39	1212808	(10000000- 20000000) Fitting, Plstc, Tee, Qf08/Qf08/Pm06	1
▽	40	1211537	(10000000- 20000000) Filter, In- Line, Pf06/Pf06 080m 2.6l Epd	1
▲		1218885	(10000000- 20000000) Gasket [Epdm, F/1211537]	1
▲		1218883	(10000000- 20000000) Screen, Fltr, 80 Mesh, Ss [W/ Cage]	1
▲		613991	(10000000- 20000000) Bowl, Clr, Short, F/1005302	1

▽ ASSEMBLY

▲ INCLUDED IN ASSEMBLY

SOLUTION GROUP, STANDARD MODEL ec- H20 & SEVERE ENVIRONMENT - CONT'D

355311



SOLUTION GROUP, STANDARD MODEL ec- H20 & SEVERE ENVIRONMENT - CONT'D

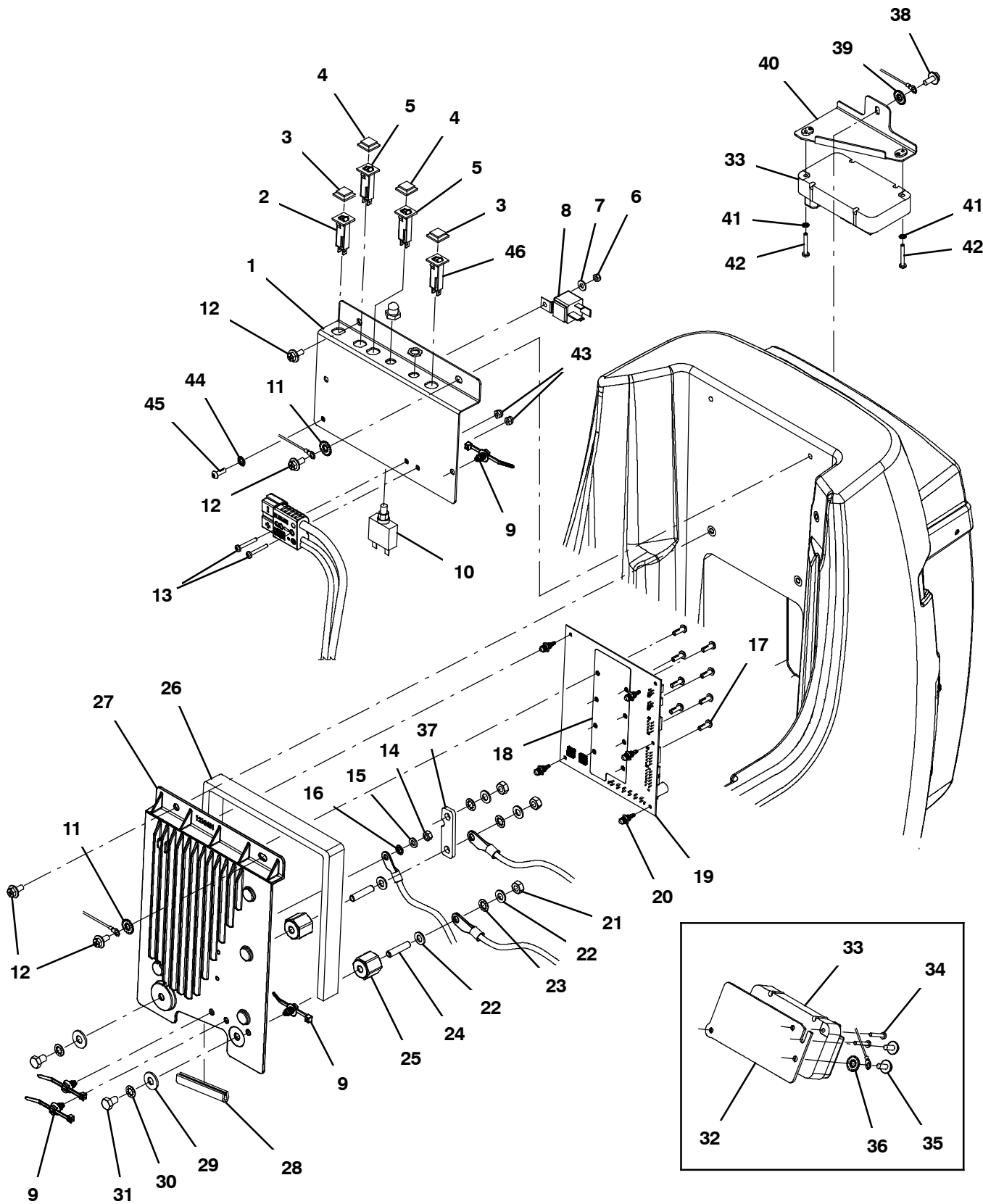
Ref.	Part No.	Serial Number	Description	Qty.
	41	1212810	(10000000- 20000000) Fitting, Plstc, Tee, Qm08/Qf08/Qf08	1
▽	42	1215698	(10000000- 20000000) Pump Assy, Detgt, 24 Vdc [T300]	1
▲		1208721	(10000000- 20000000) Pump, Detgt, 24vdc, 120rpm	1
▲		1219077	(10000000- 20000000) Hose Kit, Detgt [0.5cc]	1
▲	43	1211775	(10000000- 20000000) Potentiometer [5k, W/Leads And Conn.]	1
	44	1212430	(10000000- 20000000) Sensor, Level, Liq, 30watt, Spst	1
	45	1208289	(10000000- 20000000) Tank [1.5 Liter]	1
	46	1210442	(10000000- 20000000) Cap, Tank, 2.25 [Vented]	1
	47	1210437	(10000000- 20000000) Cap, Plstc, 38mm, Elbow Ftg	1
	48	1209151	(10000000- 20000000) Bracket, Mtg, Pump, Detgt	1
	49	609980	(10000000- 20000000) Screw, Trs, Phl, 08- 32 X 0.38, Sems	4
	50	17185	(10000000- 20000000) Screw, Pan, Phl, M5 X 0.80 X 40, Ss	2
	51	1210807	(10000000- 20000000) Wire, Tie [W/.25" Fir Tree Clip]	1
	52	613465	(10000000- 20000000) Hose, Pvc, Clr, 0.12id 0.25od 026.0l	1
	53	630265	(10000000- 20000000) Knob, Rnd, 0.75d 0.50l 0.25b, Plstc	1
	54	222607	(10000000- 20000000) Nut, Hex, Thin, .38- 32	1
	55	43953	(10000000- 20000000) Washer, Lock, Int, 0.38, Ss	1
	56	1074344	(10000000- 20000000) Harness, Ele [Ring With .250m Tail]	1
	57	41140	(10000000- 20000000) Washer, Lock, Int- Ext, 0.25	1
	58	01684	(10000000- 20000000) Washer, Flat, 0.27b 0.69d .05, Ss	1
	59	11329	(10000000- 20000000) Screw, Hex, M6 X 1.00 X 16, NI, Ss	1

▽ ASSEMBLY

▲ INCLUDED IN ASSEMBLY

STANDARD ELECTRICAL COMPONENTS GROUP

355401

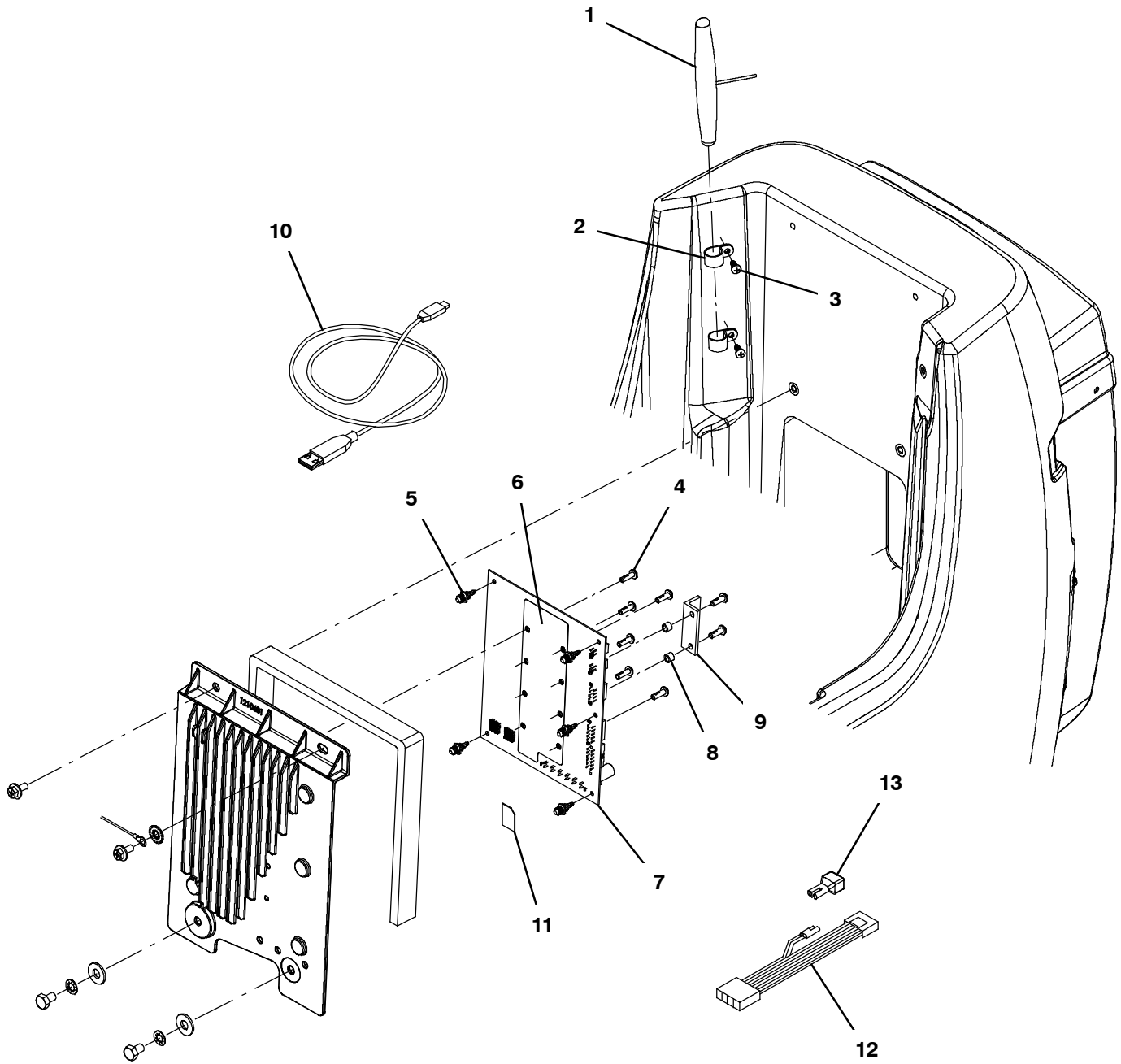


STANDARD ELECTRICAL COMPONENTS GROUP

Ref.	Part No.	Serial Number	Description	Qty.
1	9014188	(10000000-20000000)	Bracket Wldt, Afmkt, Mtg [Circuitbrkrs]	1
2	1208816	(10000000-20000000)	Circuitbreaker, 04.0a, Resetable	1
3	1064191	(10000000-20000000)	Boot, Circuitbreaker	2
4	1064191	(10000000-20000000)	Boot, Circuitbreaker (ec- H2O Option)	2
5	1208816	(10000000-20000000)	Circuitbreaker, 04.0a, Resetable (ec- H2O Option)	2
6	09739	(10000000-20000000)	Nut, Hex, Lock, M5 X 0.80, NI, Ss (ec- H2O Option)	1
7	01683	(10000000-20000000)	Washer, Flat, 10, Ss (ec- H2O Option)	1
8	1012216	(10000000-20000000)	Relay, 24vdc, 070a, Spst No, Plug- In (ec- H2O Option)	1
9	1210807	(10000000-20000000)	Wire, Tie [W/.25" Fir Tree Clip]	4
10	383725	(10000000-20000000)	Circuitbreaker, 30.0a, Resetable (Propel Model)	1
11	41140	(10000000-20000000)	Washer, Lock, Int- Ext, 0.25	2
12	1034731	(10000000-20000000)	Screw, Hex, M6 X 1.00 X 16, Sems, Ss	4
13	33931	(10000000-20000000)	Screw, Pan, Phl, M4 X 0.70 X 30, Ss	2
14	1061910	(10000000-20000000)	Nut, Hex, Std, M6 X 1.00, Brs	1
15	1061918	(10000000-20000000)	Washer, Flat, 0.25b 0.47d .06, Brs	1
16	07515	(10000000-20000000)	Washer, Lock, Int, 0.25, Ss	1
17	1205799	(10000000-20000000)	Screw, Btn, M5 X 0.8 X 16, 8.8, NI, Torx	8
18	1210381	(10000000-20000000)	Circuitboard, Silpad [Vw, Lower]	1
19	1210736	(10000000-20000000)	Circuitboard, Assy [Vw, Controller]	1
20	1209448	(10000000-20000000)	Standoff, Circuitboard, .25	5
21	41361	(10000000-20000000)	Nut, Hex, Std, M8 X 1.25, Brs	3
22	1209373	(10000000-20000000)	Washer, Flat, M8.4b X 16d X 1.6, Brs	5
23	43952	(10000000-20000000)	Washer, Lock, Int, 0.31, Ss	3
24	607461	(10000000-20000000)	Screw, Set, M8 X 1.25 X 35, NI	2
25	1205345	(10000000-20000000)	Stand- Off, Wir, M8, Insulator, Panel	2
26	1208628	(10000000-20000000)	Gasket, Cover, Circuitboard	1
27	1210631	(10000000-20000000)	Heatsink, Mtg, Circuitboard, 12.1 X 08.6	1
28	1020174	(10000000-20000000)	Molding, Afmkt, Trim, Pvc, .08 .11, 03ft	1
29	01685	(10000000-20000000)	Washer, Flat, 0.38b 0.88d .08, Ss	2
30	32984	(10000000-20000000)	Washer, Lock, Int, 0.31	2
31	386868	(10000000-20000000)	Screw, Hex, M8 X 1.25 X 12, Ss	2
32	1210078	(10000000-10813435)	Bracket Wldt, Drive (Propel Model)	1
33	9014613	(10000000-20000000)	Controller Kit, Spd, Ci [T300/E/Ss300] (Propel Model)	1
34	04403	(10000000-10813435)	Screw, Pan, Phl, M4 X 0.70 X 25, NI, Ss (Propel Model)	2
35	1034731	(10000000-10813435)	Screw, Hex, M6 X 1.00 X 16, Sems, Ss (Propel Model)	2
36	41140	(10000000-10813435)	Washer, Lock, Int- Ext, 0.25 (Propel Model)	1
37	1212780	(10000000-20000000)	Busbar, 125a 0.188 0.750w 2.638l	1
38	1034731	(10813436-20000000)	Screw, Hex, M6 X 1.00 X 16, Sems, Ss	1
39	41140	(10813436-20000000)	Washer, Lock, Int- Ext, 0.25	1
40	1223824	(10813436-20000000)	Bracket Wldt, Mtg, Cntrl, [T300/T300e]	1
41	02938	(10813436-20000000)	Washer, Lock, Int, 08, Ss	2
42	33931	(10813436-20000000)	Screw, Pan, Phl, M4 X 0.70 X 30, Ss	2
43	02850	(10000000-20000000)	Nut, Hex, Lock, M4 X 0.70, NI	2
44	07515	(10000000-20000000)	Washer, Lock, Int, 0.25, Ss	1
45	1205799	(10000000-20000000)	Screw, Btn, M5 X 0.8 X 16, 8.8, NI, Torx	1
46	1064189	(10000000-20000000)	Circuitbreaker, 20.0a, Resetable	1

TELEMETRY GROUP

355321



TELEMETRY GROUP

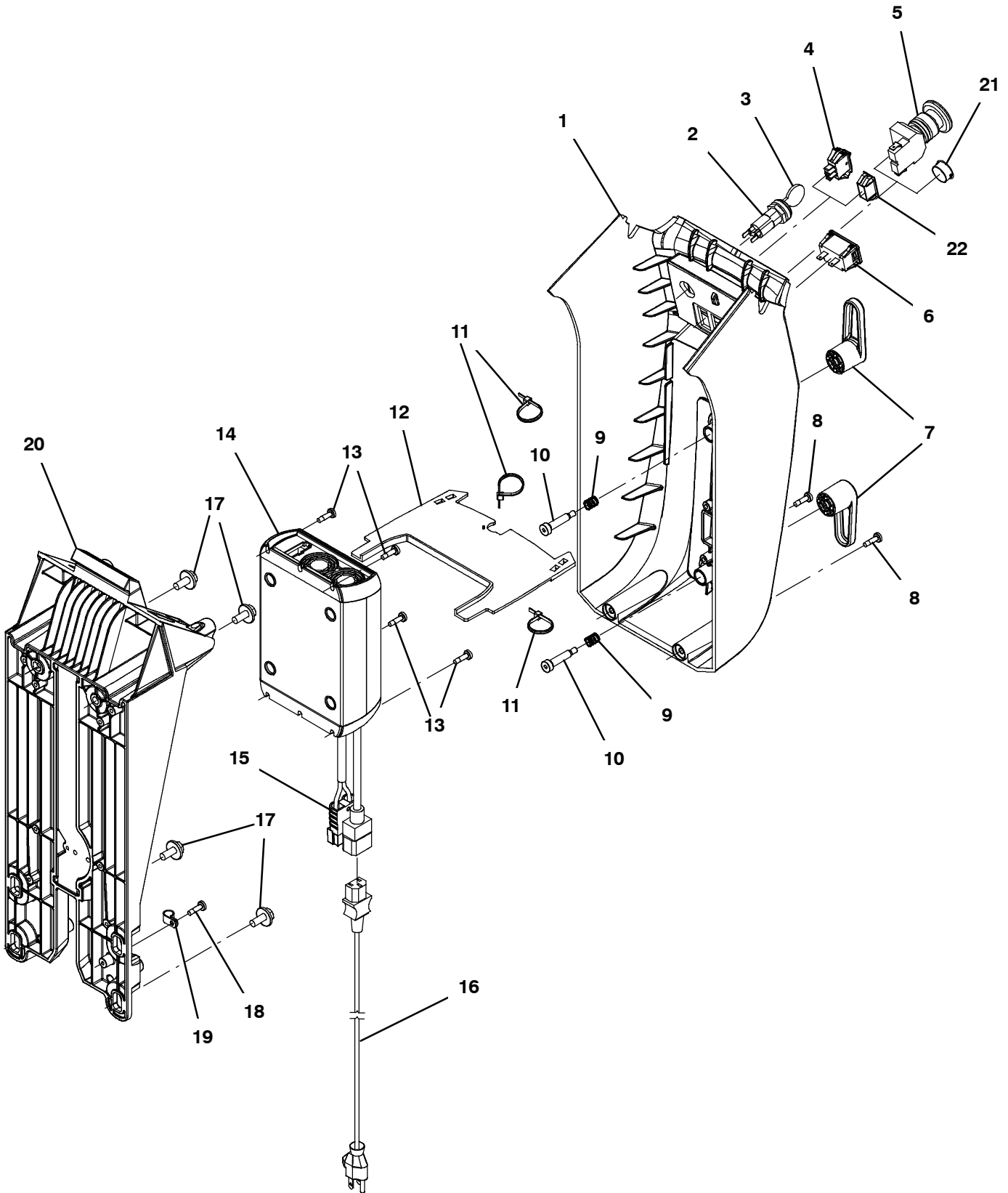
Ref.	Part No.	Serial Number	Description	Qty.
1	315724	(10000000- 20000000)	Cs, Antenna, Telem, 18.0 In [Gprs]	1
	768531	(10000000- 20000000)	Sleeve, Heatshrink, 0.38id, 06.0l	1
2	140916	(10000000- 20000000)	Clamp, Cable, Nyl, 0.62d, Nat	2
3	1018155	(10000000- 20000000)	Screw, Pan, Phl, M5 X 0.80 X 16, Tcut, Ss	2
4	1205799	(10000000- 20000000)	Screw, Btn, M5 X 0.8 X 16, 8.8, NI, Torx	9
5	1209448	(10000000- 20000000)	Standoff, Circuitboard, .25	5
6	1210381	(10000000- 20000000)	Circuitboard, Silpad [Vw, Lower]	1
▽	7	9014185	(10000000- 20000000) Kit, Circuitboard, Telem, Ci [T300]	1
▲		27964	(10000000- 20000000) Strap, Ground, Static, Disposable	1
▲		130773	(10000000- 20000000) Tie, Cable, Nyl, 11.0l, .14w, 3.0 Max. D	2
▲	8	1227815	(10000000- 20000000) Spacer, Unthreaded, Aluminium	2
▲	9	1227812	(10000000- 20000000) Bracket, Sma Connector	1
▲	10	1071235	(10000000- 20000000) Cable [Usb, 2m, A- Male To Mini- B- Male]	1
	11	9014186	(10000000- 20000000) Kit, Telem, Ci [Sim, Usa, T300]	1
	11	9014187	(10000000- 20000000) Kit, Telem, Ci [Sim, Intl, T300]	1
▽		9015197	(10000000- 10830388) Harness Kit, Amii, Ci [T300] (Kit Needed to Add Battery Charger Communication Functionality to Telemetry Models)	1
▲	12	1075195	(10830389- 20000000) Harness, Ele, Adaptor [T300, Am2]	1
▲	13	222290	(10830389- 20000000) Diode, Ele, Plug	1

▽ ASSEMBLY

▲ INCLUDED IN ASSEMBLY

LOWER CONSOLE GROUP, ON-BOARD CHARGER

355328



LOWER CONSOLE GROUP, ON-BOARD CHARGER

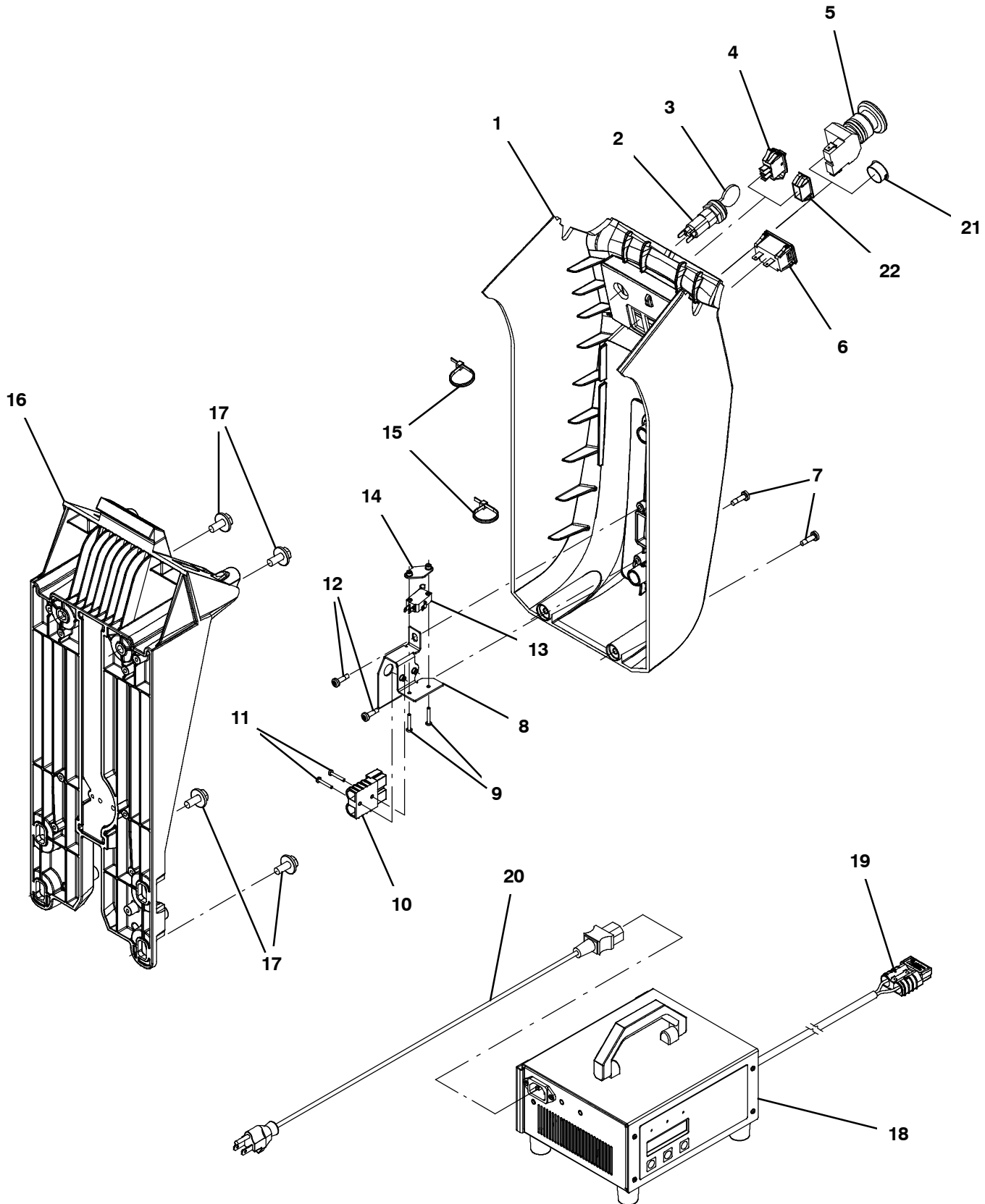
Ref.	Part No.	Serial Number	Description	Qty.
1	9012789	(10000000- 20000000)	Cover, Console, Afmkt, W/ Label [Na]	1
1	9012790	(10000000- 20000000)	Cover, Console, Afmkt, W/ Label [Jp]	1
▽	2	1011402	(10000000- 20000000) Switch, Key	1
▲	3	1017696	(10000000- 20000000) Key Set, Replmt [F/ Keyswitch 1011402]	1
4	1044393	(10000000- 20000000)	Switch, Rocker, Spst Mom (ec- H2O Option)	1
5	1011735	(10000000- 20000000)	Switch, Safety, Shutoff (Propel Model)	1
6	1064038	(10000000- 20000000)	Gauge, Hourmeter, 05- 277 Volt, Ac / Dc	1
7	1205496	(10000000- 20000000)	Hook, Cord	2
8	1043573	(10795905- 20000000)	Screw, #10- 14 X 0.675, Spl[Shcs,Selftap]	2
8	1205799	(10000000- 10795904)	Screw, Btn, M5 X 0.8 X 16, 8.8, NI, Torx	2
9	611311	(10000000- 20000000)	Spring, Cmpr, 0.40od .05wir 00.5l, Pl,Mw	2
10	1024965	(10000000- 20000000)	Bolt, Shld, 08mmd X 030mm, M06 X 1.0	2
11	130773	(10000000- 20000000)	Tie, Cable, Nyl, 11.0l, .14w, 3.0 Max. D	3
12	1211582	(10000000- 20000000)	Cover, Chrgr [Small Spe]	1
13	1043573	(10795905- 20000000)	Screw, #10- 14 X 0.675, Spl[Shcs,Selftap]	4
13	1205799	(10000000- 10795904)	Screw, Btn, M5 X 0.8 X 16, 8.8, NI, Torx	4
▽	14	9015304	(10000000- 20000000) Charger Kit, 24vdc 13a 100- 240vac[On- Bd] (North America Only)	1
▽	14	1219737	(10000000- 20000000) Charger, 24vdc, 100- 240vac, On- Brd, Intl	1
▲	15	605387	(10000000- 20000000) Connector, Anderson, 050a, Red [W/O Con]	1
16	1025642	(10000000- 20000000)	Cord, Power, 16/3, 15ft Blk [Us]	1
16	1026330	(10000000- 20000000)	Cord, Power, 1.0mm2 [2.5meter] (China)	1
16	1048304	(10000000- 20000000)	Cord, Power [4.5meter, India, S.Africa]	1
16	1026325	(10000000- 20000000)	Cord, Power, 1.0mm2/3 Blk[2.5meter, Aus]	1
17	1020341	(10000000- 20000000)	Screw, Hex, M8 X 1.25 X 20, Ss, Sems	4
18	1043573	(10795905- 20000000)	Screw, #10- 14 X 0.675, Spl[Shcs,Selftap]	1
18	1205799	(10000000- 10795904)	Screw, Btn, M5 X 0.8 X 16, 8.8, NI, Torx	1
19	26395- 2	(10000000- 20000000)	Clamp, Cable, Stl, 0.38d X 0.38w, 1hole	1
20	1211903	(10795905- 20000000)	Frame, Column, Cntrl [Im]	1
20	1216531	(10000000- 10795904)	Frame, Column, Cntrl [Revised Machined]	1
21	130161	(10000000- 20000000)	Plug, Hole, Rnd, 0.88d, Blk (Push Model)	1
22	582150	(10000000- 20000000)	Plug, Hole, Rt, 1.23 X 1.12, Nyl (Standard Model)	1

▽ ASSEMBLY

▲ INCLUDED IN ASSEMBLY

LOWER CONSOLE GROUP, OFF-BOARD CHARGER

355329



LOWER CONSOLE GROUP, OFF- BOARD CHARGER

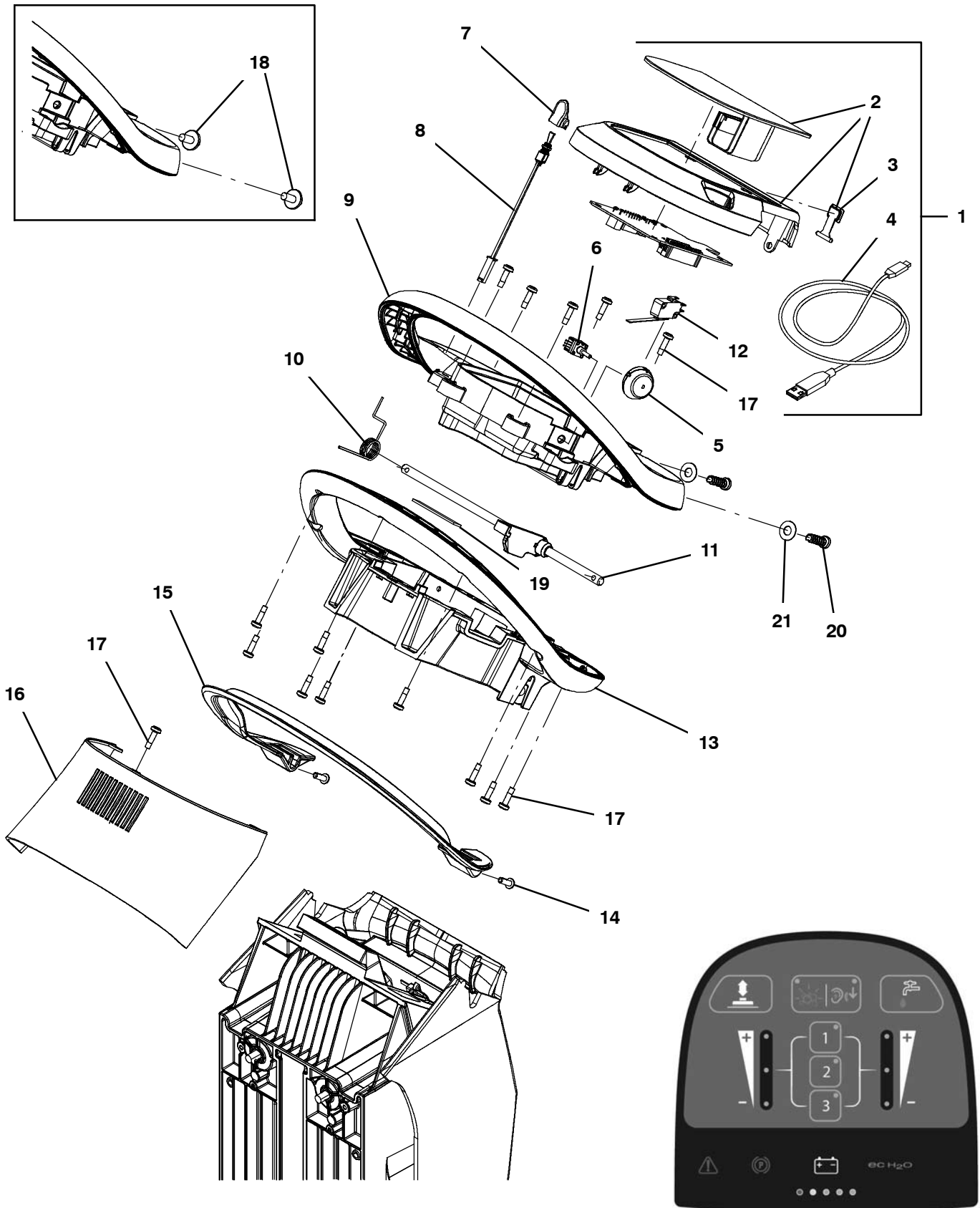
Ref.	Part No.	Serial Number	Description	Qty.	
1	9012789	(10000000- 20000000)	Cover, Console, Afmkt, W/ Label [Na]	1	
1	9012790	(10000000- 20000000)	Cover, Console, Afmkt, W/ Label [Jp]	1	
▽	2	1011402	(10000000- 20000000)	Switch, Key	1
▲	3	1017696	(10000000- 20000000)	Key Set, Replmt [F/ Keyswitch 1011402]	1
4	1044393	(10000000- 20000000)	Switch, Rocker, Spst Mom (ec- H2O Option)	1	
5	1011735	(10000000- 20000000)	Switch, Safety, Shutoff (Propel Model)	1	
6	1064038	(10000000- 20000000)	Gauge, Hourmeter, 05- 277 Volt, Ac / Dc	1	
7	1043573	(10795905- 20000000)	Screw, #10- 14 X 0.675, Spl[Shcs,Selftap]	2	
7	1205799	(10000000- 10795904)	Screw, Btn, M5 X 0.8 X 16, 8.8, NI, Torx	2	
8	1208599	(10000000- 20000000)	Bracket Assy, Plug, Charger	1	
9	06922	(10000000- 20000000)	Screw, Pan, Phl, M3 X 0.50 X 20, 4.8	2	
10	605387	(10000000- 20000000)	Connector, Anderson, 050a, Red [W/O Con]	1	
11	06922	(10000000- 20000000)	Screw, Pan, Phl, M3 X 0.50 X 20, 4.8	2	
12	1043573	(10000000- 20000000)	Screw, #10- 14 X 0.675, Spl[Shcs,Selftap]	2	
13	1215716	(10000000- 20000000)	Switch, 0.1a, Spdt[Micro, Gold Contacts]	1	
14	1013705	(10000000- 20000000)	Plate, Thread, Switch, M3 Nut, 96hr PI	1	
15	130773	(10000000- 20000000)	Tie, Cable, Nyl, 11.0l, .14w, 3.0 Max. D	2	
16	1211903	(10795905- 20000000)	Frame, Column, Cntrl [Im]	1	
16	1216531	(10000000- 10795904)	Frame, Column, Cntrl [Revised Machined]	1	
17	1020341	(10000000- 20000000)	Screw, Hex, M8 X 1.25 X 20, Ss, Sems	4	
▽	18	1212837	(10000000- 20000000)	Charger, 24vdc, 13a 85- 265vac [Offboard]	1
▲	19	605387	(10000000- 20000000)	Connector, Anderson, 050a, Red [W/O Con]	1
20	1025642	(10000000- 20000000)	Cord, Power, 16/3, 15ft Blk [Us]	1	
20	1026330	(10000000- 20000000)	Cord, Power, 1.0mm2 [2.5meter] (China)	1	
20	1026325	(10000000- 20000000)	Cord, Power, 1.0mm2/3 Blk[2.5meter, Aus]	1	
20	1048304	(10000000- 20000000)	Cord, Power [4.5meter, India, S.Africa]	1	
21	130161	(10000000- 20000000)	Plug, Hole, Rnd, 0.88d, Blk (Push Model)	1	
22	582150	(10000000- 20000000)	Plug, Hole, Rt, 1.23 X 1.12, Nyl (Standard Model)	1	

▽ ASSEMBLY

▲ INCLUDED IN ASSEMBLY

HANDLE GROUP, PRO-MEMBRANE, PROPEL, ACTUATED DOWN PRESSURE

355324



HANDLE GROUP, PRO-MEMBRANE, PROPEL, ACTUATED DOWN PRESSURE

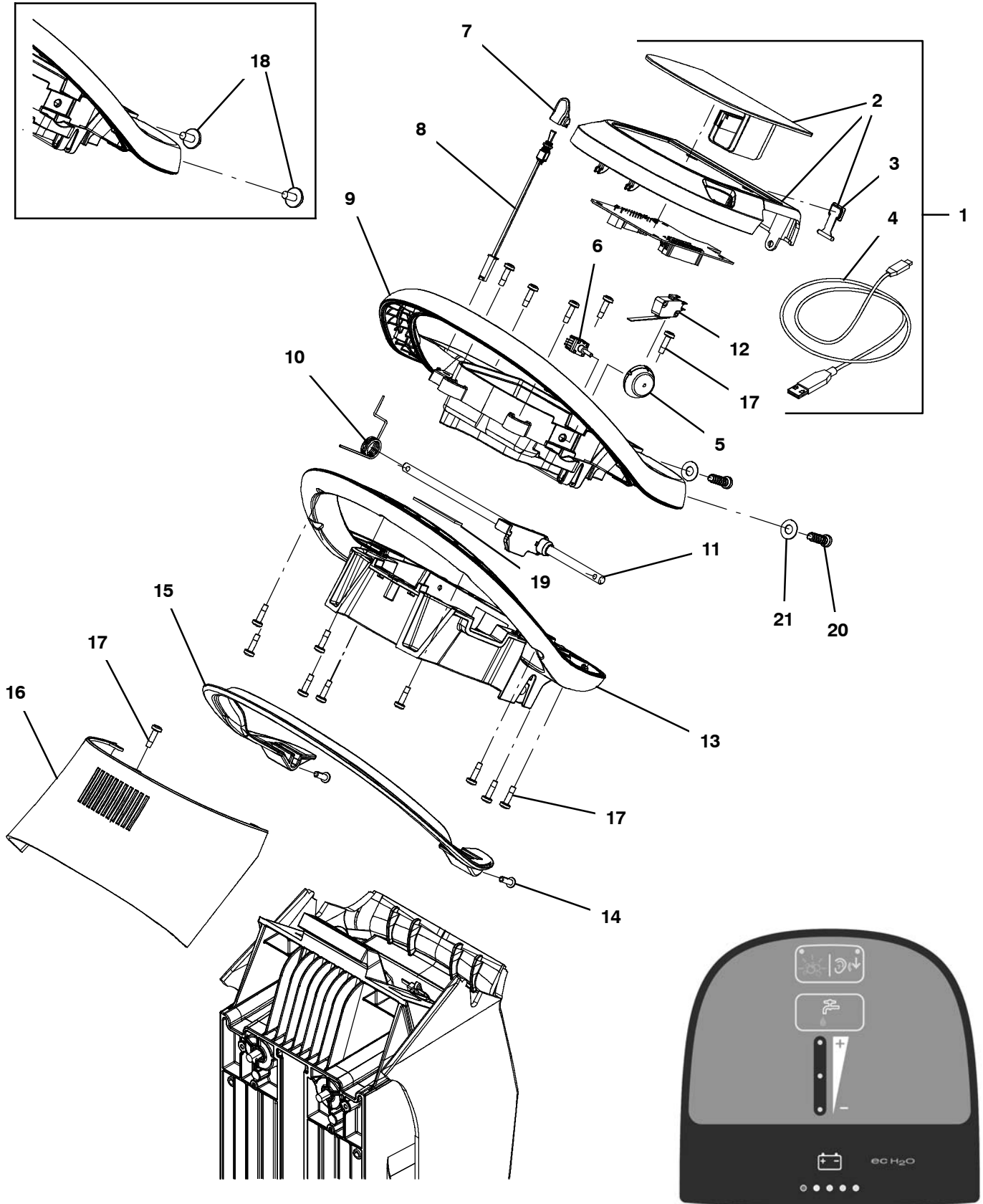
Ref.	Part No.	Serial Number	Description	Qty.
▽	1	9014133	(10000000- 20000000) Bezel Kit, Propel, Promembrane, Ci[T300] (Kit Includes Circuitboard)	1
▲▽	2	9014139	(10000000- 20000000) Screen Kit, Propel, Pro- Membrn, Ci[T300]	1
▲▲	3	1205618	(10000000- 20000000) Cap, Usb	1
▲	4	1071235	(10000000- 20000000) Cable [Usb, 2m, A- Male To Mini- B- Male]	1
	5	1206586	(10000000- 20000000) Dial, Range, Speed	1
	6	1204930	(10000000- 20000000) Potentiometer [100k, 1 Turn, B5/B7]	1
	7	1209730	(10000000- 20000000) Cap, Toggle, Direction	1
	8	1209673	(10000000- 20000000) Switch Assy, Toggle, Direction	1
	9	1203787	(10000000- 20000000) Housing, Handle, Cntrl, Top	1
	10	1205781	(10000000- 20000000) Spring, Return, Bail	1
	11	1205143	(10000000- 20000000) Shaft Assy, Bail, Handle	1
	12	1205323	(10000000- 20000000) Switch, 0.1a, Spdt [Micro, Straight]	1
	13	1222608	(10000000- 20000000) Housing, Handle, Cntrl, Bottom, Slotted	1
	14	1205799	(10000000- 20000000) Screw, Btn, M5 X 0.8 X 16, 8.8, NI, Torx	2
	15	1205778	(10000000- 20000000) Handle, Bail [Machined]	1
	16	9015305	(10000000- 20000000) Cover Kit, Handle, Cntrl (Kit Includes Label)	1
	17	1043573	(10000000- 20000000) Screw, #10- 14 X 0.675, Spl[Shcs,Selftap]	15
	18	1020341	(10000000- 10795904) Screw, Hex, M8 X 1.25 X 20, Ss, Sems	2
	19	1020280	(10000000- 20000000) Seal, Afmkt, Rbr, Clsd, Adh, 01ft	1
	20	1215863	(10795905- 20000000) Screw, Pan, Torx, M8 X 3.5 X 25[Remform]	2
	21	140027	(10795905- 20000000) Washer, Flat, 0.35b 0.75d .04, Ss	2
	N/S	1072524	(10000000- 20000000) Harness, Ele [Bail Switch]	1

▽ ASSEMBLY

▲ INCLUDED IN ASSEMBLY

HANDLE GROUP, MEMBRANE, PROPEL, MANUAL DOWN PRESSURE

355324



HANDLE GROUP, MEMBRANE, PROPEL, MANUAL DOWN PRESSURE

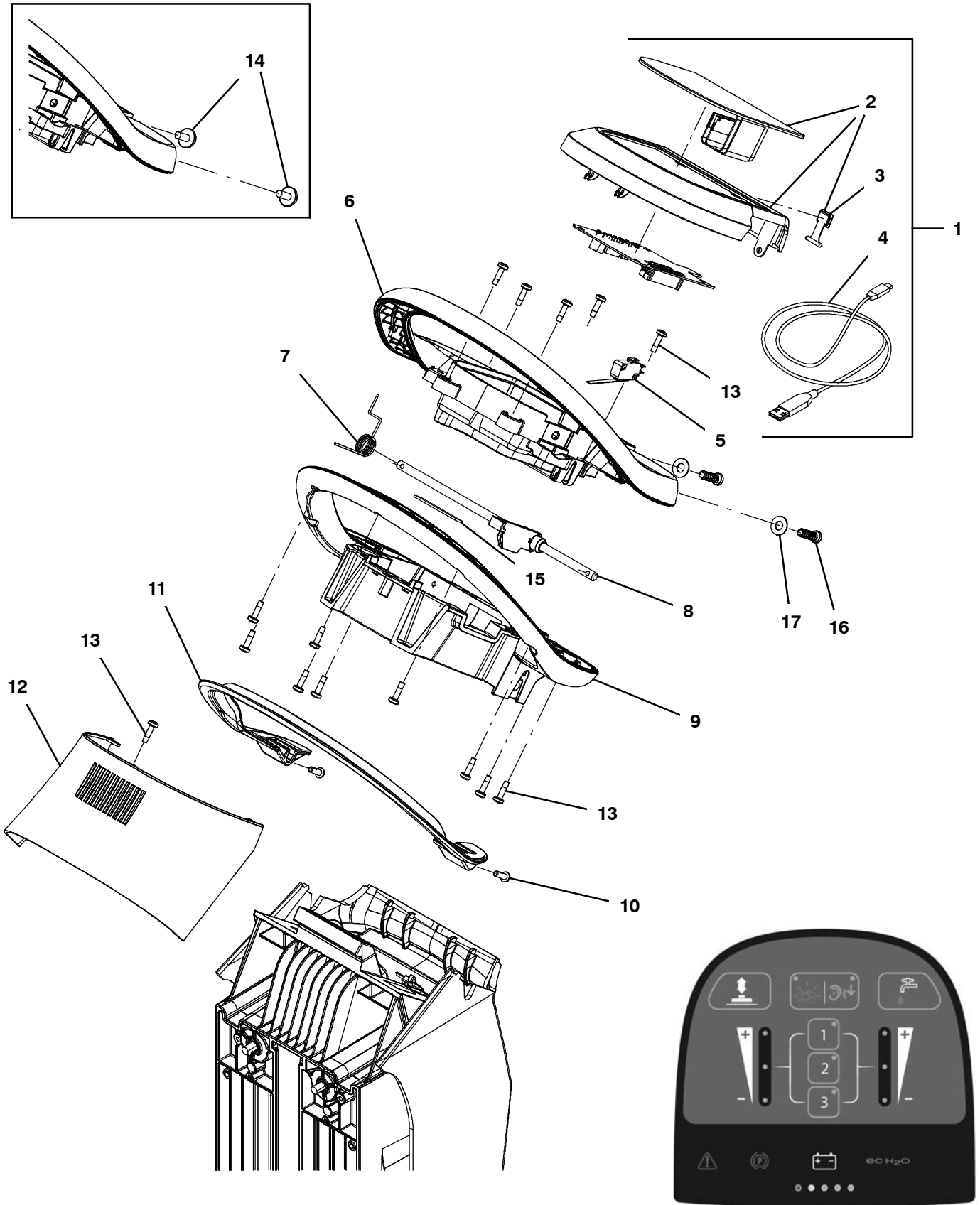
Ref.	Part No.	Serial Number	Description	Qty.
▽	1	9014815	(10000000- 20000000) Bezel Kit, Propel, Membrane,Std,Ci[T300] (Kit Includes Circuitboard)	1
▲▽	2	9014817	(10000000- 20000000) Screen Kit, Propel,Membrane,Std,Ci[T300]	1
▲▲	3	1205618	(10000000- 20000000) Cap, Usb	1
▲	4	1071235	(10000000- 20000000) Cable [Usb, 2m, A- Male To Mini- B- Male]	1
	5	1206586	(10000000- 20000000) Dial, Range, Speed	1
	6	1204930	(10000000- 20000000) Potentiometer [100k, 1 Turn, B5/B7]	1
	7	1209730	(10000000- 20000000) Cap, Toggle, Direction	1
	8	1209673	(10000000- 20000000) Switch Assy, Toggle, Direction	1
	9	1203787	(10000000- 20000000) Housing, Handle, Cntrl, Top	1
	10	1205781	(10000000- 20000000) Spring, Return, Bail	1
	11	1205143	(10000000- 20000000) Shaft Assy, Bail, Handle	1
	12	1205323	(10000000- 20000000) Switch, 0.1a, Spdt [Micro, Straight]	1
	13	1222608	(10000000- 20000000) Housing, Handle, Cntrl, Bottom, Slotted	1
	14	1205799	(10000000- 20000000) Screw, Btn, M5 X 0.8 X 16, 8.8, NI, Torx	2
	15	1205778	(10000000- 20000000) Handle, Bail [Machined]	1
	16	9015305	(10000000- 20000000) Cover Kit, Handle, Cntrl (Kit Includes Label)	1
	17	1043573	(10000000- 20000000) Screw, #10- 14 X 0.675, Spl[Shcs,Selftap]	15
	18	1020341	(10000000- 10795904) Screw, Hex, M8 X 1.25 X 20, Ss, Sems	2
	19	1020280	(10000000- 20000000) Seal, Afmkt, Rbr, Clsd, Adh, 01ft	1
	20	1215863	(10795905- 20000000) Screw, Pan, Torx, M8 X 3.5 X 25[Remform]	2
	21	140027	(10795905- 20000000) Washer, Flat, 0.35b 0.75d .04, Ss	2
	N/S	1072524	(10000000- 20000000) Harness, Ele [Bail Switch]	1

▽ ASSEMBLY

▲ INCLUDED IN ASSEMBLY

HANDLE GROUP, PRO-MEMBRANE, PUSH, ACTUATED DOWN PRESSURE

355325



HANDLE GROUP, PRO-MEMBRANE, PUSH, ACTUATED DOWN PRESSURE

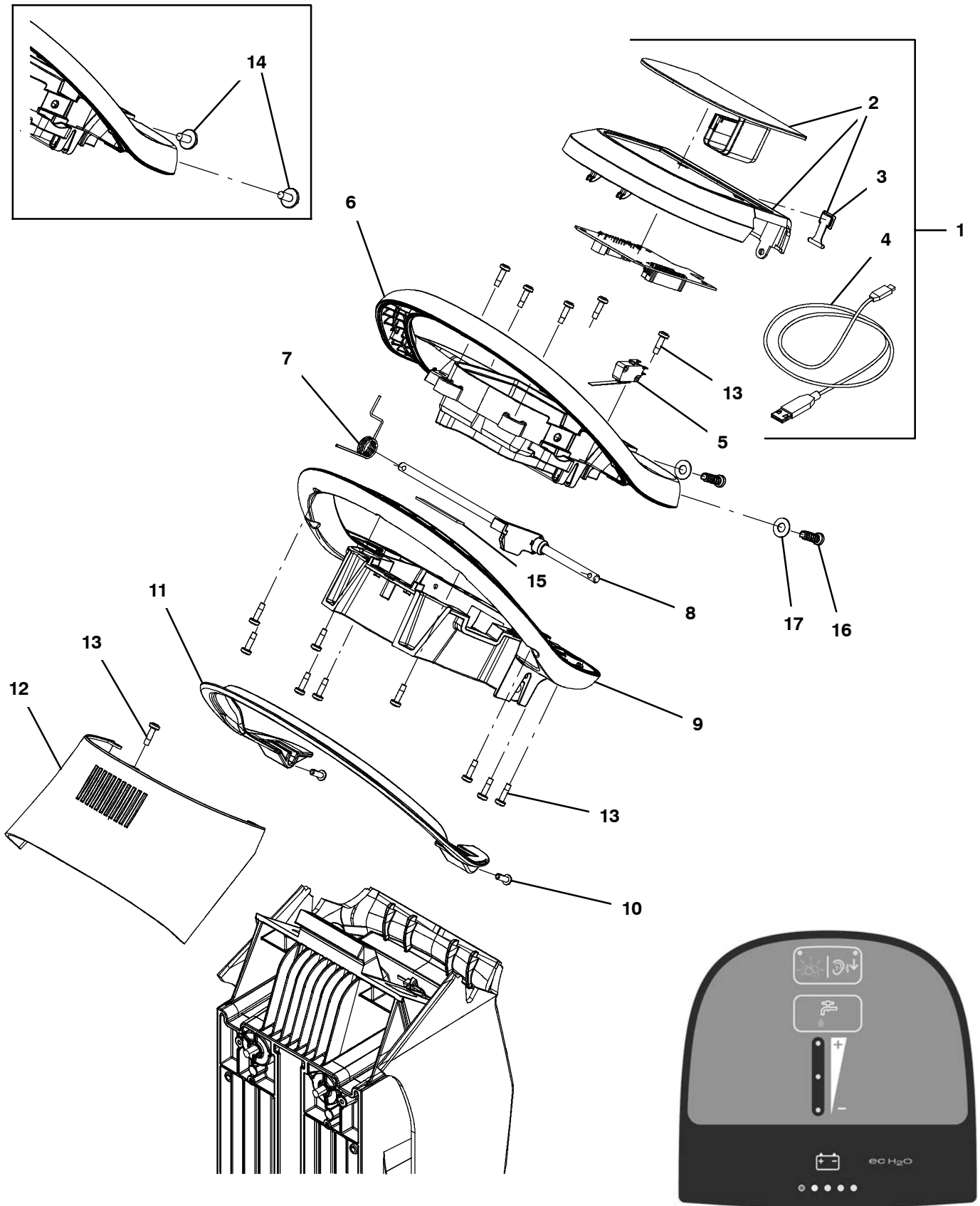
Ref.	Part No.	Serial Number	Description	Qty.
▽	1	9014132	(10000000- 20000000) Bezel Kit, Push, Pro- Membrane, Ci [T300] (Kit Includes Circuitboard)	1
▲▽	2	9014138	(10000000- 20000000) Screen Kit, Push, Pro- Membrn, Ci[T300]	1
▲▲	3	1205618	(10000000- 20000000) Cap, Usb	1
▲	4	1071235	(10000000- 20000000) Cable [Usb, 2m, A- Male To Mini- B- Male]	1
	5	1205323	(10000000- 20000000) Switch, 0.1a, Spdt [Micro, Straight]	1
	6	1203787	(10000000- 20000000) Housing, Handle, Cntrl, Top	1
	7	1205781	(10000000- 20000000) Spring, Return, Bail	1
	8	1205143	(10000000- 20000000) Shaft Assy, Bail, Handle	1
	9	1222608	(10000000- 20000000) Housing, Handle, Cntrl, Bottom, Slotted	1
	10	1205799	(10000000- 20000000) Screw, Btn, M5 X 0.8 X 16, 8.8, NI, Torx	2
	11	1205778	(10000000- 20000000) Handle, Bail [Machined]	1
	12	9015305	(10000000- 20000000) Cover Kit, Handle, Cntrl (Kit Includes Label)	1
	13	1043573	(10000000- 20000000) Screw, #10- 14 X 0.675, Spl[Shcs,Selftap]	15
	14	1020341	(10000000- 10795904) Screw, Hex, M8 X 1.25 X 20, Ss, Sems	2
	15	1020280	(10000000- 20000000) Seal, Afmkt, Rbr, Clsd, Adh, 01ft	1
	16	1215863	(10795905- 20000000) Screw, Pan, Torx, M8 X 3.5 X 25[Remform]	2
	17	140027	(10795905- 20000000) Washer, Flat, 0.35b 0.75d .04, Ss	2
	N/S	1072524	(10000000- 20000000) Harness, Ele [Bail Switch]	1

▽ ASSEMBLY

▲ INCLUDED IN ASSEMBLY

HANDLE GROUP, MEMBRANE, PUSH, MANUAL DOWN PRESSURE

355325



HANDLE GROUP, MEMBRANE, PUSH, MANUAL DOWN PRESSURE

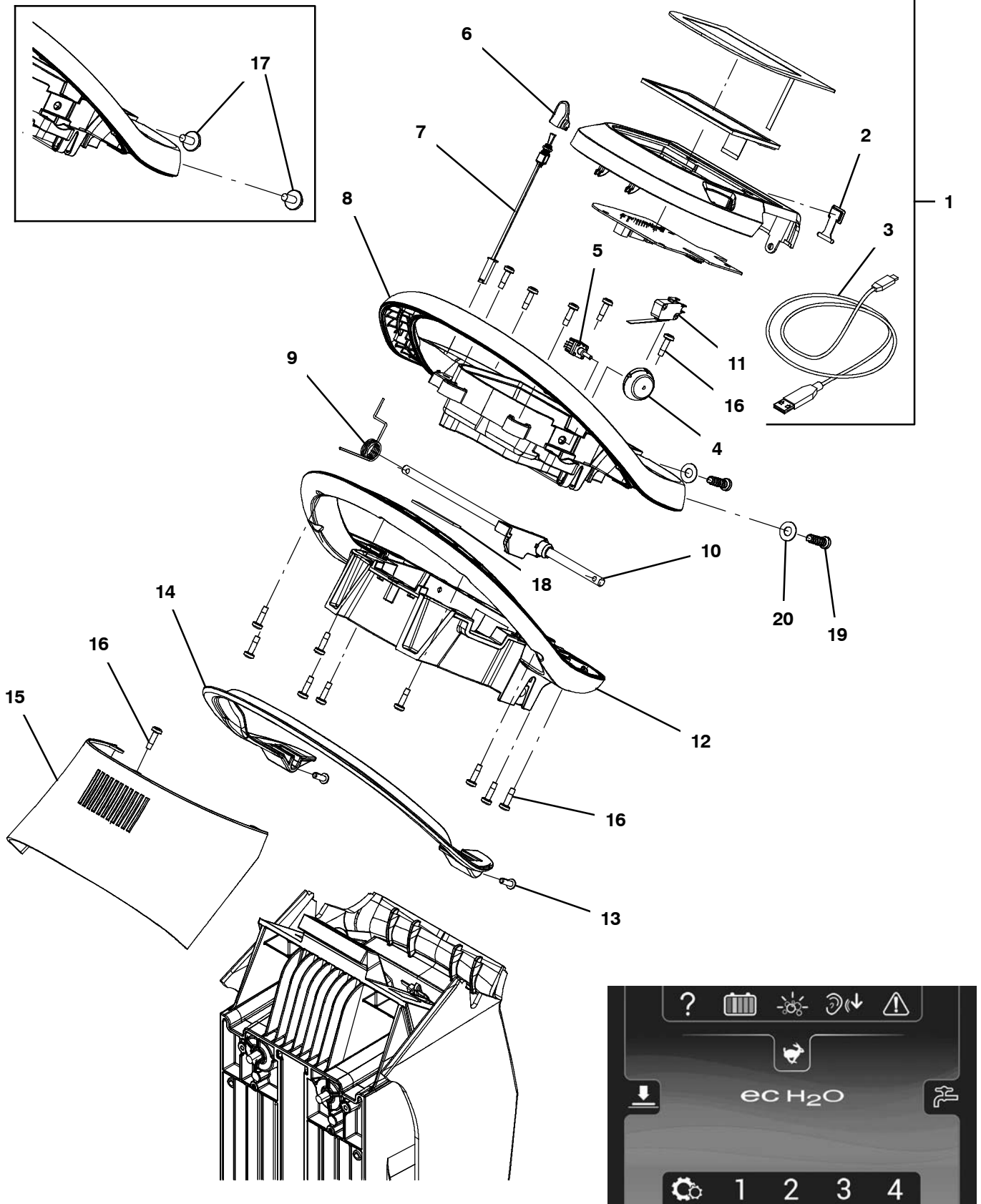
Ref.	Part No.	Serial Number	Description	Qty.
▽	1	9014814	(10000000- 20000000) Bezel Kit, Push, Membrane, Std, Ci[T300] (Kit Includes Circuitboard)	1
▲▽	2	9014816	(10000000- 20000000) Screen Kit, Push, Membrane, Std,Ci[T300]	1
▲▲	3	1205618	(10000000- 20000000) Cap, Usb	1
▲	4	1071235	(10000000- 20000000) Cable [Usb, 2m, A- Male To Mini- B- Male]	1
	5	1205323	(10000000- 20000000) Switch, 0.1a, Spdt [Micro, Straight]	1
	6	1203787	(10000000- 20000000) Housing, Handle, Cntrl, Top	1
	7	1205781	(10000000- 20000000) Spring, Return, Bail	1
	8	1205143	(10000000- 20000000) Shaft Assy, Bail, Handle	1
	9	1222608	(10000000- 20000000) Housing, Handle, Cntrl, Bottom, Slotted	1
	10	1205799	(10000000- 20000000) Screw, Btn, M5 X 0.8 X 16, 8.8, NI, Torx	2
	11	1205778	(10000000- 20000000) Handle, Bail [Machined]	1
	12	9015305	(10000000- 20000000) Cover Kit, Handle, Cntrl (Kit Includes Label)	1
	13	1043573	(10000000- 20000000) Screw, #10- 14 X 0.675, Spl[Shcs,Selftap]	15
	14	1020341	(10000000- 10795904) Screw, Hex, M8 X 1.25 X 20, Ss, Sems	2
	15	1020280	(10000000- 20000000) Seal, Afmkt, Rbr, Clsd, Adh, 01ft	1
	16	1215863	(10795905- 20000000) Screw, Pan, Torx, M8 X 3.5 X 25[Remform]	2
	17	140027	(10795905- 20000000) Washer, Flat, 0.35b 0.75d .04, Ss	2
	N/S	1072524	(10000000- 20000000) Harness, Ele [Bail Switch]	1

▽ ASSEMBLY

▲ INCLUDED IN ASSEMBLY

HANDLE GROUP, PRO-PANEL (LCD), PROPEL

355322



HANDLE GROUP, PRO-PANEL (LCD), PROPEL

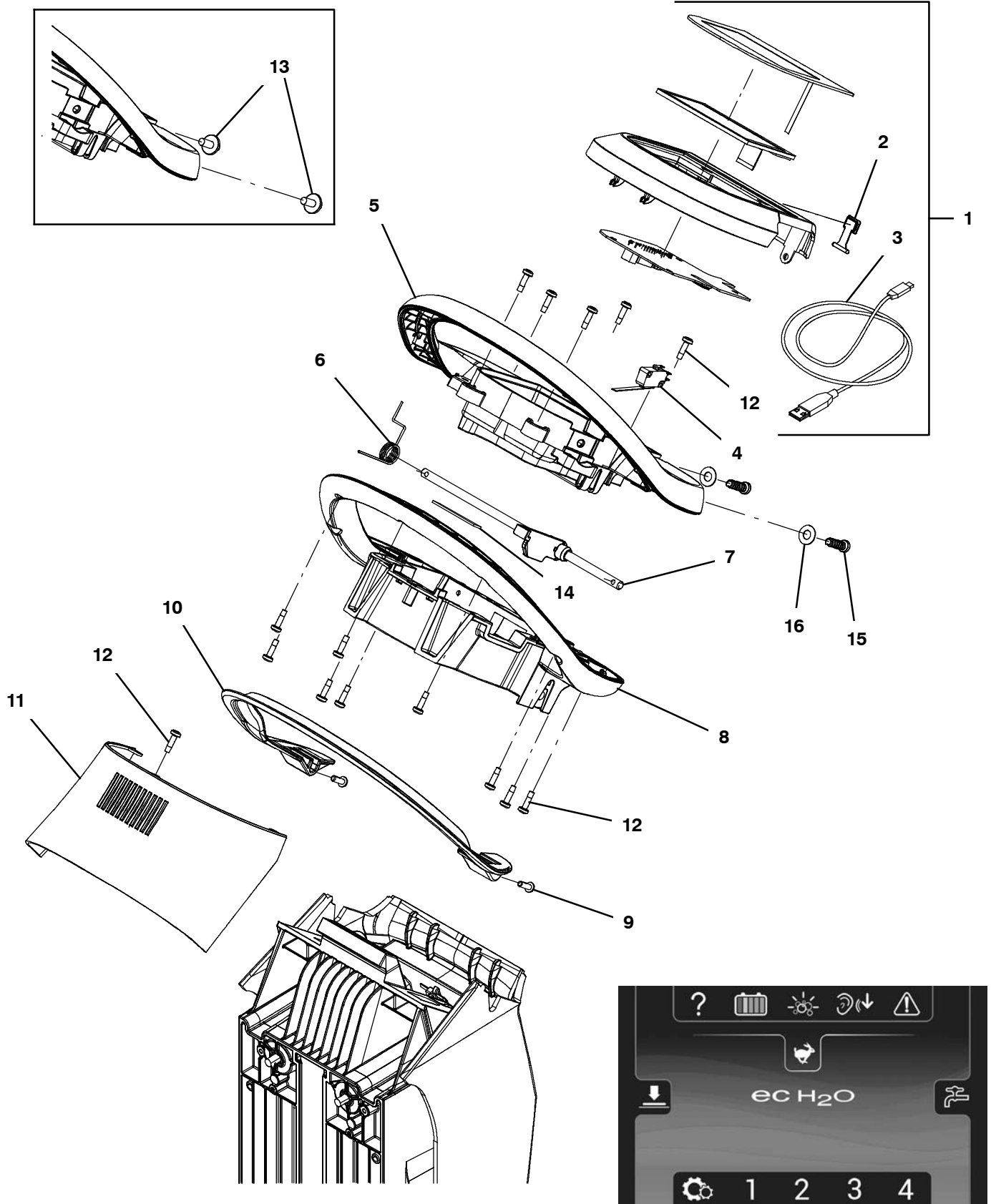
Ref.	Part No.	Serial Number	Description	Qty.
▽	1	9014135	(10000000- 20000000) Bezel Kit, Propel, Lcd Pro- Panl,Ci[T300] (Kit Includes Circuitboard)	1
▲	2	1205618	(10000000- 20000000) Cap, Usb	1
▲	3	1071235	(10000000- 20000000) Cable [Usb, 2m, A- Male To Mini- B- Male]	1
	4	1206586	(10000000- 20000000) Dial, Range, Speed	1
	5	1204930	(10000000- 20000000) Potentiometer [100k, 1 Turn, B5/B7]	1
	6	1209730	(10000000- 20000000) Cap, Toggle, Direction	1
	7	1209673	(10000000- 20000000) Switch Assy, Toggle, Direction	1
	8	1203787	(10000000- 20000000) Housing, Handle, Cntrl, Top	1
	9	1205781	(10000000- 20000000) Spring, Return, Bail	1
	10	1205143	(10000000- 20000000) Shaft Assy, Bail, Handle	1
	11	1205323	(10000000- 20000000) Switch, 0.1a, Spdt [Micro, Straight]	1
	12	1222608	(10000000- 20000000) Housing, Handle, Cntrl, Bottom, Slotted	1
	13	1205799	(10000000- 20000000) Screw, Btn, M5 X 0.8 X 16, 8.8, NI, Torx	2
	14	1205778	(10000000- 20000000) Handle, Bail [Machined]	1
	15	9015305	(10000000- 20000000) Cover Kit, Handle, Cntrl (Kit Includes Label)	1
	16	1043573	(10000000- 20000000) Screw, #10- 14 X 0.675, Spl[Shcs,Selftap]	15
	17	1020341	(10000000- 10795904) Screw, Hex, M8 X 1.25 X 20, Ss, Sems	2
	18	1020280	(10000000- 20000000) Seal, Afmkt, Rbr, Clsd, Adh, 01ft	1
	19	1215863	(10795905- 20000000) Screw, Pan, Torx, M8 X 3.5 X 25[Remform]	2
	20	140027	(10795905- 20000000) Washer, Flat, 0.35b 0.75d .04, Ss	2
	N/S	1072524	(10000000- 20000000) Harness, Ele [Bail Switch]	1

▽ ASSEMBLY

▲ INCLUDED IN ASSEMBLY

HANDLE GROUP, PRO-PANEL (LCD), PUSH

355323



HANDLE GROUP, PRO-PANEL (LCD), PUSH

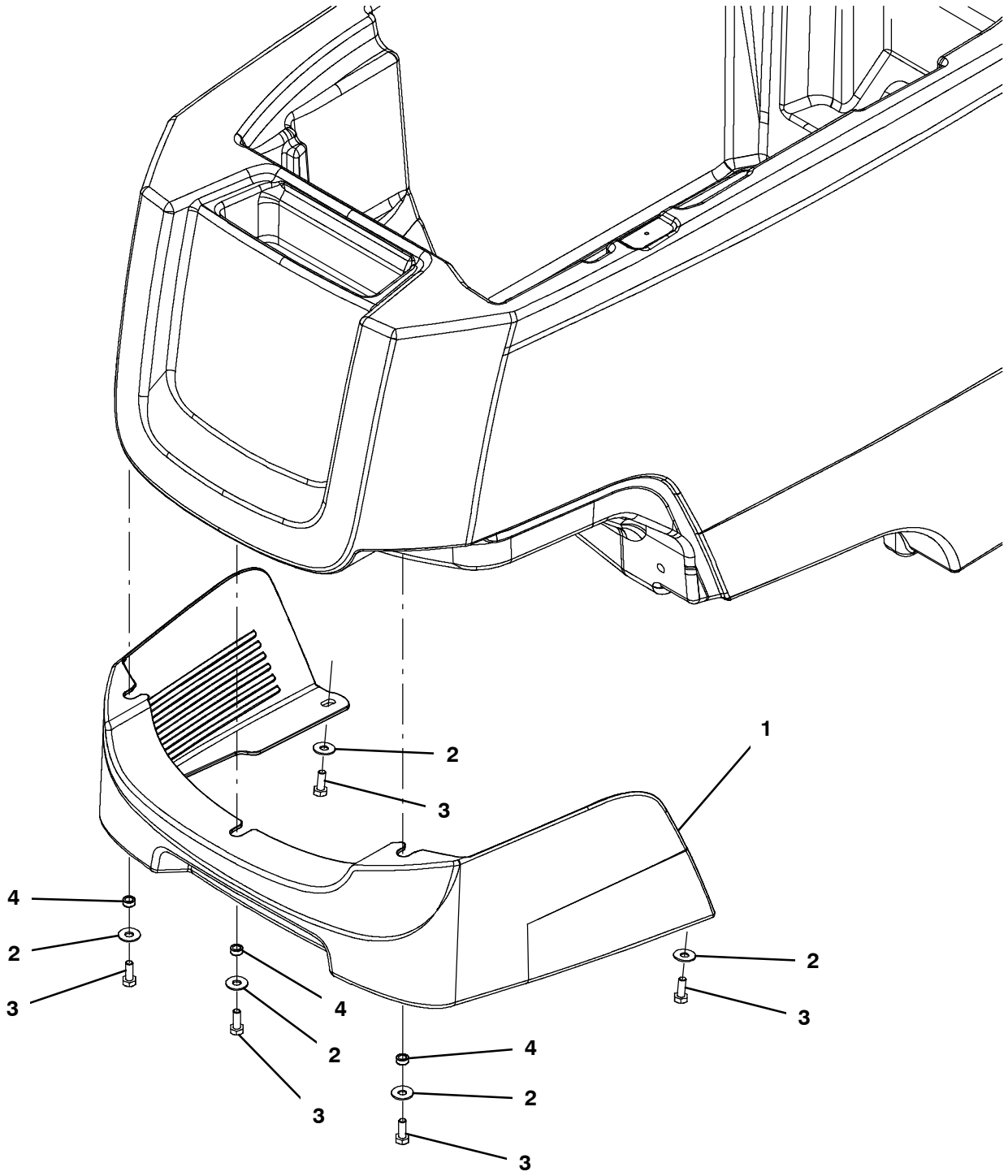
Ref.	Part No.	Serial Number	Description	Qty.
▽	1	9014134	(10000000- 20000000) Bezel Kit, Push, Lcd Pro- Panl, Ci [T300] (Kit Includes Circuitboard)	1
▲	2	1205618	(10000000- 20000000) Cap, Usb	1
▲	3	1071235	(10000000- 20000000) Cable [Usb, 2m, A- Male To Mini- B- Male]	1
	4	1205323	(10000000- 20000000) Switch, 0.1a, Spdt [Micro, Straight]	1
	5	1203787	(10000000- 20000000) Housing, Handle, Cntrl, Top	1
	6	1205781	(10000000- 20000000) Spring, Return, Bail	1
	7	1205143	(10000000- 20000000) Shaft Assy, Bail, Handle	1
	8	1222608	(10000000- 20000000) Housing, Handle, Cntrl, Bottom, Slotted	1
	9	1205799	(10000000- 20000000) Screw, Btn, M5 X 0.8 X 16, 8.8, NI, Torx	2
	10	1205778	(10000000- 20000000) Handle, Bail [Machined]	1
	11	9015305	(10000000- 20000000) Cover Kit, Handle, Cntrl (Kit Includes Label)	1
	12	1043573	(10000000- 20000000) Screw, #10- 14 X 0.675, Spl[Shcs,Selftap]	15
	13	1020341	(10000000- 10795904) Screw, Hex, M8 X 1.25 X 20, Ss, Sems	2
	14	1020280	(10000000- 20000000) Seal, Afmkt, Rbr, Clsd, Adh, 01ft	1
	15	1215863	(10795905- 20000000) Screw, Pan, Torx, M8 X 3.5 X 25[Remform]	2
	16	140027	(10795905- 20000000) Washer, Flat, 0.35b 0.75d .04, Ss	2
	N/S	1072524	(10000000- 20000000) Harness, Ele [Bail Switch]	1

▽ ASSEMBLY

▲ INCLUDED IN ASSEMBLY

SHROUD GROUP, DISK AND ORBITAL HEAD

355299

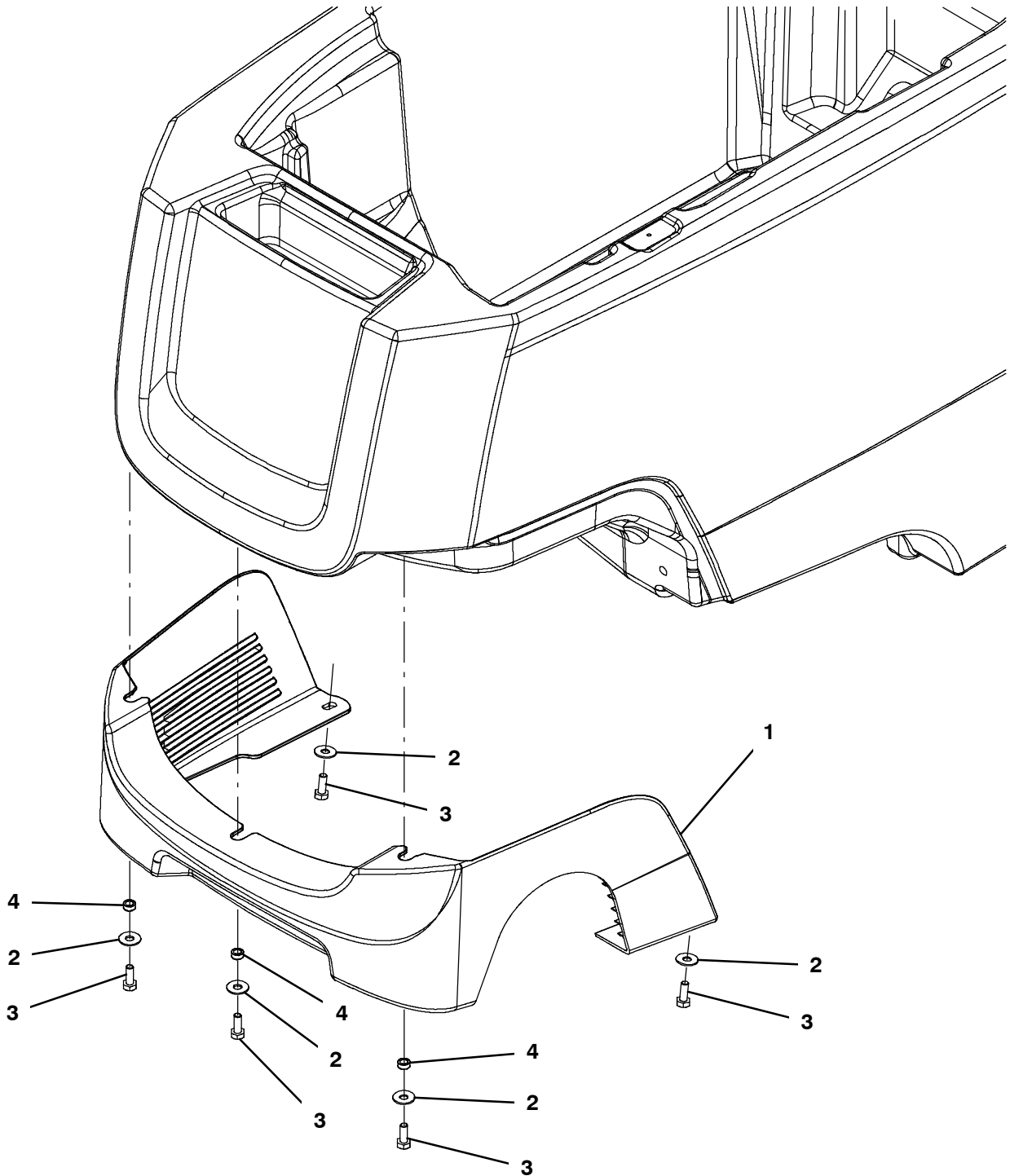


SHROUD GROUP, DISK AND ORBITAL HEAD

Ref.	Part No.	Serial Number	Description	Qty.
1	1210029	(10000000- 20000000)	Cover, Head, Disk, Im- Hg [T300]	1
2	01684	(10000000- 20000000)	Washer, Flat, 0.27b 0.69d .05, Ss	5
3	11329	(10000000- 20000000)	Screw, Hex, M6 X 1.00 X 16, NI, Ss	5
4	80491	(10000000- 20000000)	Sleeve, P/M, 0.25b 0.38d 0.2l [430ss]	3

SHROUD GROUP, CYLINDRICAL HEAD

355300



SHROUD GROUP, CYLINDRICAL HEAD

Ref.	Part No.	Serial Number	Description	Qty.
1	1213570	(10000000- 20000000)	Cover, Head, Cylrlcl, Im- Hg [T300]	1
2	01684	(10000000- 20000000)	Washer, Flat, 0.27b 0.69d .05, Ss	5
3	11329	(10000000- 20000000)	Screw, Hex, M6 X 1.00 X 16, NI, Ss	5
4	80491	(10000000- 20000000)	Sleeve, P/M, 0.25b 0.38d 0.2l [430ss]	3

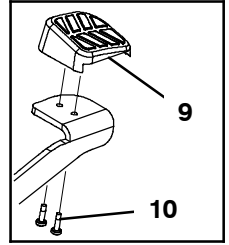
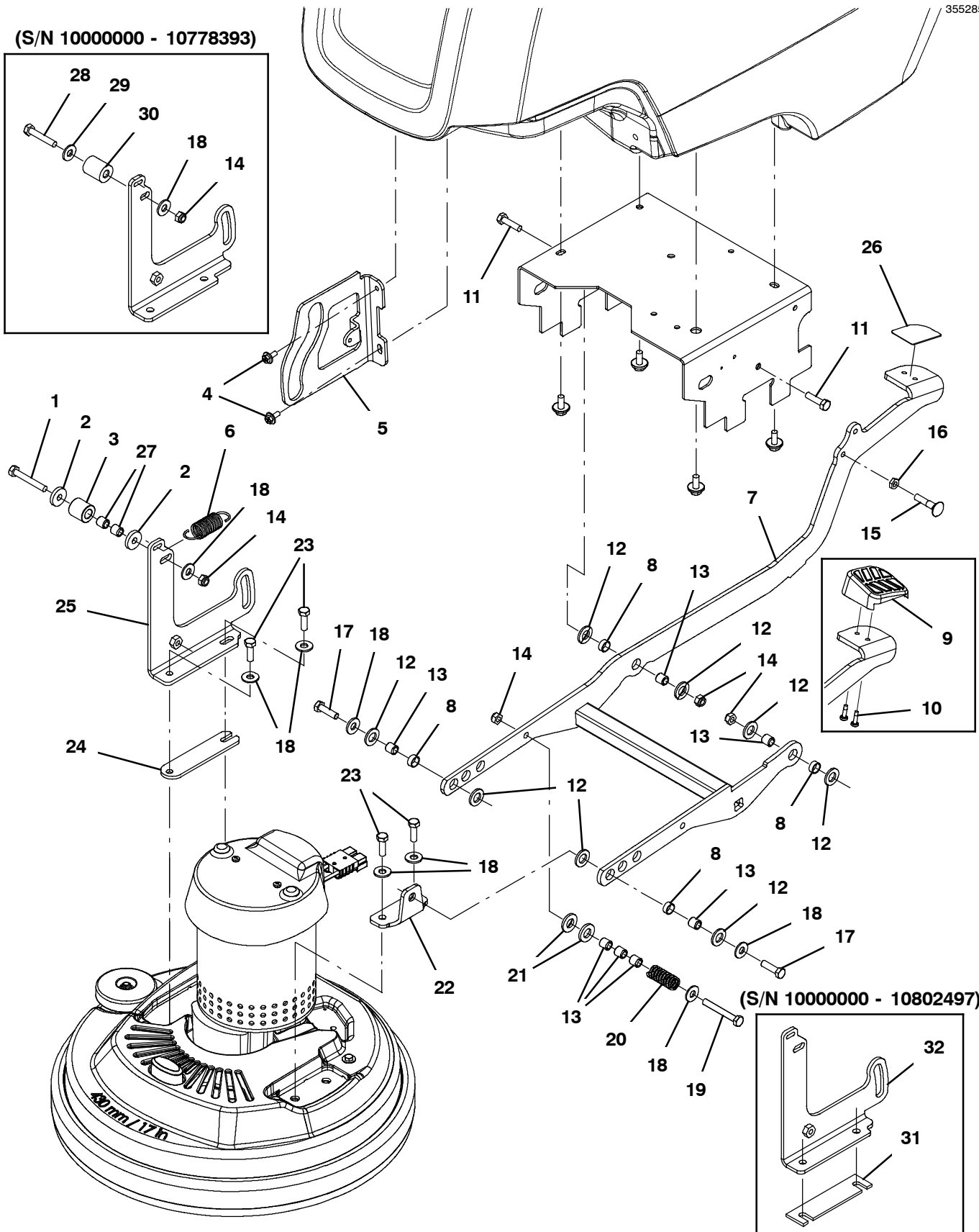
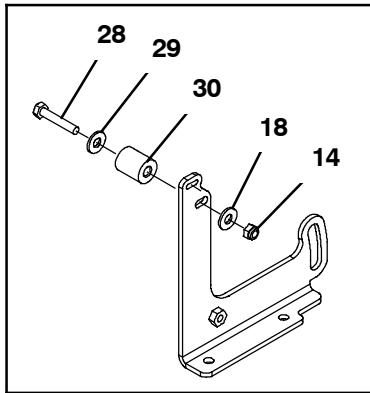
▽ ASSEMBLY

▲ INCLUDED IN ASSEMBLY

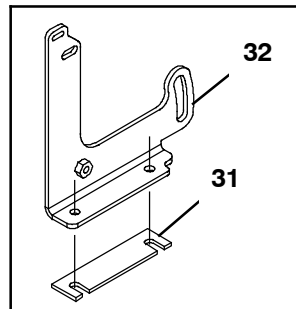
SCRUB HEAD LIFT GROUP, 43CM DISK MODEL

355285

(S/N 10000000 - 10778393)



(S/N 10000000 - 10802497)



SCRUB HEAD LIFT GROUP, 43CM DISK MODEL

Ref.	Part No.	Serial Number	Description	Qty.
1	222504	(10778394- 20000000)	Screw, Hex, M8 X 1.25 X 55, Ss	1
2	1028796	(10778394- 20000000)	Washer, Flat, 0.33b 1.00d .18, Stl, Pl	2
3	1014020	(10778394- 20000000)	Roller, 0.99d 0.50b 0.95l, Acetal	1
4	1034731	(10000000- 20000000)	Screw, Hex, M6 X 1.00 X 16, Sems, Ss	2
5	1213063	(10000000- 20000000)	Bracket, Guide, Head [Vw]	1
6	1032420	(10000000- 20000000)	Spring, Extn, 0.85od 0.09wir 02.9l	1
▽	7	9014170	(10000000- 20000000) Kit, Lift, Head[T300/T300e/Ss300]	1
▲	8	630188	(10000000- 20000000) Bearing, Journal, .50id X .25l	8
9	1209093	(10000000- 10757507)	Cover, Pedal (Replaced by 1218694)	1
10	1043573	(10000000- 10757507)	Screw, #10- 14 X 0.675, Spl[Shcs,Selftap]	2
11	09011	(10000000- 20000000)	Screw, Hex, M8 X 1.25 X 30, Ss	2
12	1013936	(10000000- 20000000)	Washer, Flat, 0.51b 0.94d .10, Nyl	8
13	222460	(10000000- 20000000)	Sleeve, P/M, 0.32b 0.50d 0.5l [430ss]	7
14	08713	(10000000- 20000000)	Nut, Hex, Lock, M8 X 1.25, NI, Ss	4
15	69915	(10000000- 20000000)	Bolt, Carriage, M8 X 1.25 X 40	1
16	200101017	(10000000- 20000000)	Nut, Hex, Jam, M8 X 1.25	1
17	1016399	(10000000- 20000000)	Screw, Hex, M8 X 1.25 X 30, NI, Ss	2
18	01685	(10000000- 20000000)	Washer, Flat, 0.38b 0.88d .08, Ss	8
19	1014163	(10000000- 20000000)	Screw, Hex, M8 X 1.25 X 60, Fl, Ss	1
20	140430	(10000000- 20000000)	Spring, Cmpr, 0.70od .10wir 01.7l	1
21	140127	(10000000- 20000000)	Washer, Thrust, 0.51b 1.00d 0.12w, Brz	2
22	1210258	(10000000- 20000000)	Bracket Wldt, Head Mtg, 43d/50d, Short	1
23	12333	(10000000- 20000000)	Screw, Hex, M8 X 1.25 X 25, Ss, NI	4
24	1223982	(10802498- 20000000)	Spacer, Head, 4mm	1
25	1223962	(10802498- 20000000)	Bracket Wldt, Mtg, Head, 43d/50d, Tall	1
26	1218694	(10757508- 20000000)	Pad, Pedal, Lift	1
27	222460	(10778394- 20000000)	Sleeve, P/M, 0.32b 0.50d 0.5l [430ss]	2
28	49694	(10000000- 10778393)	Screw, Hex, M8 X 1.25 X 50, Ss	1
29	01685	(10000000- 10778393)	Washer, Flat, 0.38b 0.88d .08, Ss	1
30	1214039	(10000000- 10778393)	Roller, Lift, Head	1
31	1032791	(10000000- 10802497)	Spacer, Head, 4mm [Ss3] (Push Model)	1
32	1210256	(10000000- 10802497)	Bracket Wldt, Mtg, Head, 50d, Tall [Vw] (Replaced By 1223962)	1

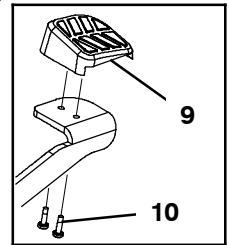
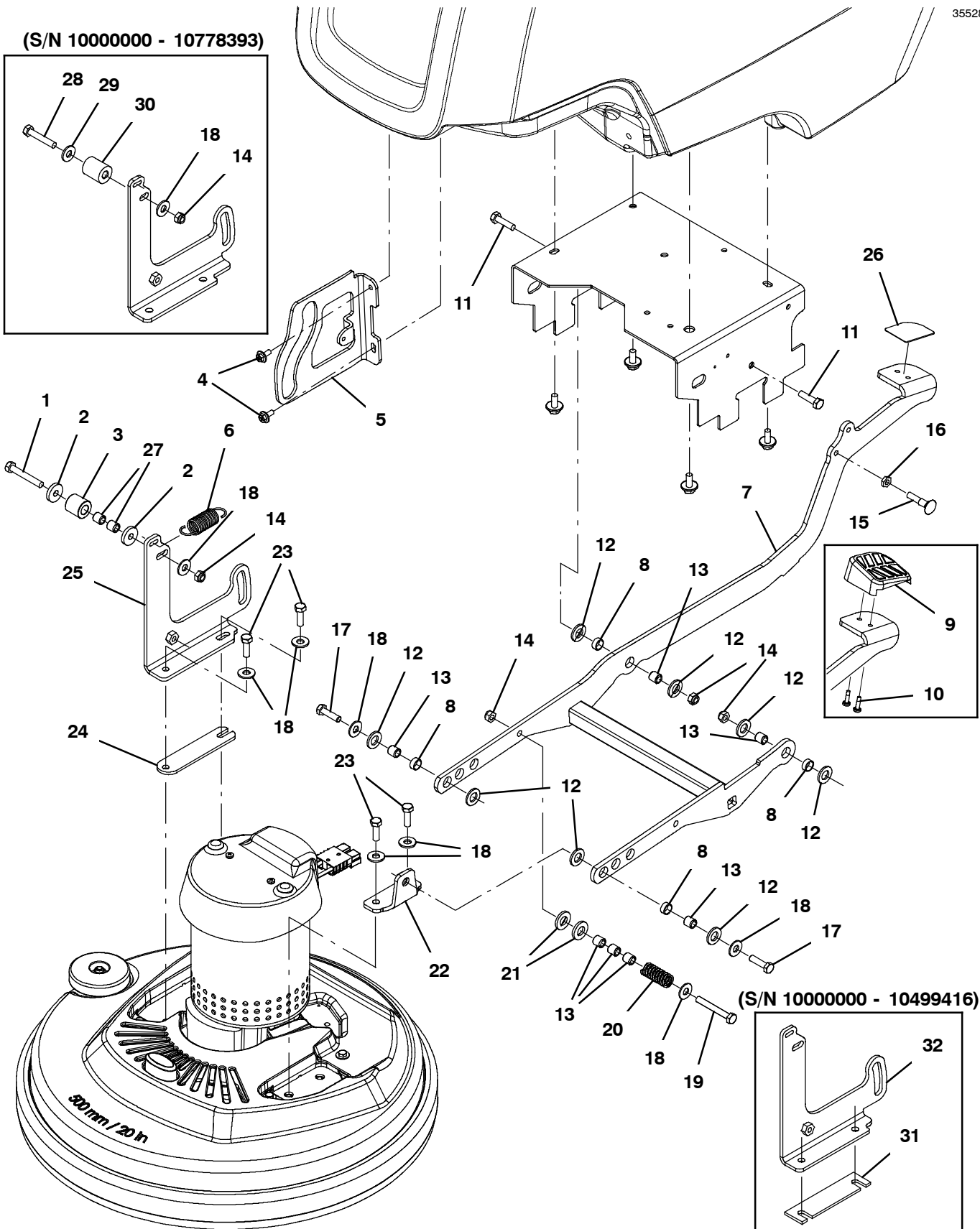
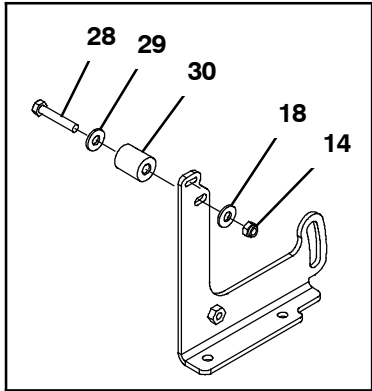
▽ ASSEMBLY

▲ INCLUDED IN ASSEMBLY

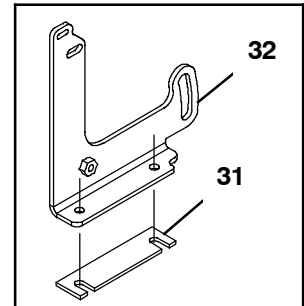
SCRUB HEAD LIFT GROUP, 50CM DISK MODEL

355286

(S/N 10000000 - 10778393)



(S/N 10000000 - 10499416)



SCRUB HEAD LIFT GROUP, 50CM DISK MODEL

Ref.	Part No.	Serial Number	Description	Qty.
1	222504	(10778394- 20000000)	Screw, Hex, M8 X 1.25 X 55, Ss	1
2	1028796	(10778394- 20000000)	Washer, Flat, 0.33b 1.00d .18, Stl, Pl	2
3	1014020	(10778394- 20000000)	Roller, 0.99d 0.50b 0.95l, Acetal	1
4	1034731	(10000000- 20000000)	Screw, Hex, M6 X 1.00 X 16, Sems, Ss	2
5	1213063	(10000000- 20000000)	Bracket, Guide, Head [Vw]	1
6	1032420	(10000000- 20000000)	Spring, Extn, 0.85od 0.09wir 02.9l	1
▽	7	9014170	(10000000- 20000000) Kit, Lift, Head[T300/T300e/Ss300]	1
▲	8	630188	(10000000- 20000000) Bearing, Journal, .50id X .25l	8
9	1209093	(10000000- 10757507)	Cover, Pedal (Replaced by 1218694)	1
10	1043573	(10000000- 10757507)	Screw, #10- 14 X 0.675, Spl[Shcs,Selftap]	2
11	09011	(10000000- 20000000)	Screw, Hex, M8 X 1.25 X 30, Ss	2
12	1013936	(10000000- 20000000)	Washer, Flat, 0.51b 0.94d .10, Nyl	8
13	222460	(10000000- 20000000)	Sleeve, P/M, 0.32b 0.50d 0.5l [430ss]	7
14	08713	(10000000- 20000000)	Nut, Hex, Lock, M8 X 1.25, NI, Ss	4
15	69915	(10000000- 20000000)	Bolt, Carriage, M8 X 1.25 X 40	1
16	200101017	(10000000- 20000000)	Nut, Hex, Jam, M8 X 1.25	1
17	1016399	(10000000- 20000000)	Screw, Hex, M8 X 1.25 X 30, NI, Ss	2
18	01685	(10000000- 20000000)	Washer, Flat, 0.38b 0.88d .08, Ss	8
19	1014163	(10000000- 20000000)	Screw, Hex, M8 X 1.25 X 60, Fl, Ss	1
20	140430	(10000000- 20000000)	Spring, Cmpr, 0.70od .10wir 01.7l	1
21	140127	(10000000- 20000000)	Washer, Thrust, 0.51b 1.00d 0.12w, Brz	2
22	1210258	(10000000- 20000000)	Bracket Wldt, Head Mtg, 43d/50d, Short	1
23	12333	(10000000- 20000000)	Screw, Hex, M8 X 1.25 X 25, Ss, NI	4
24	1223982	(10499417- 20000000)	Spacer, Head, 4mm	1
25	1223962	(10499417- 20000000)	Bracket Wldt, Mtg, Head, 43d/50d, Tall	1
26	1218694	(10757508- 20000000)	Pad, Pedal, Lift	1
27	222460	(10778394- 20000000)	Sleeve, P/M, 0.32b 0.50d 0.5l [430ss]	2
28	49694	(10000000- 10778393)	Screw, Hex, M8 X 1.25 X 50, Ss	1
29	01685	(10000000- 10778393)	Washer, Flat, 0.38b 0.88d .08, Ss	1
30	1214039	(10000000- 10778393)	Roller, Lift, Head	1
31	1032791	(10000000- 10499416)	Spacer, Head, 4mm [Ss3] (Push Model)	1
32	1210256	(10000000- 10499416)	Bracket Wldt, Mtg, Head, 50d, Tall [Vw] (Replaced By 1223962)	1

▽ ASSEMBLY

▲ INCLUDED IN ASSEMBLY

SCRUB HEAD LIFT GROUP, 60CM DUAL DISK MODEL

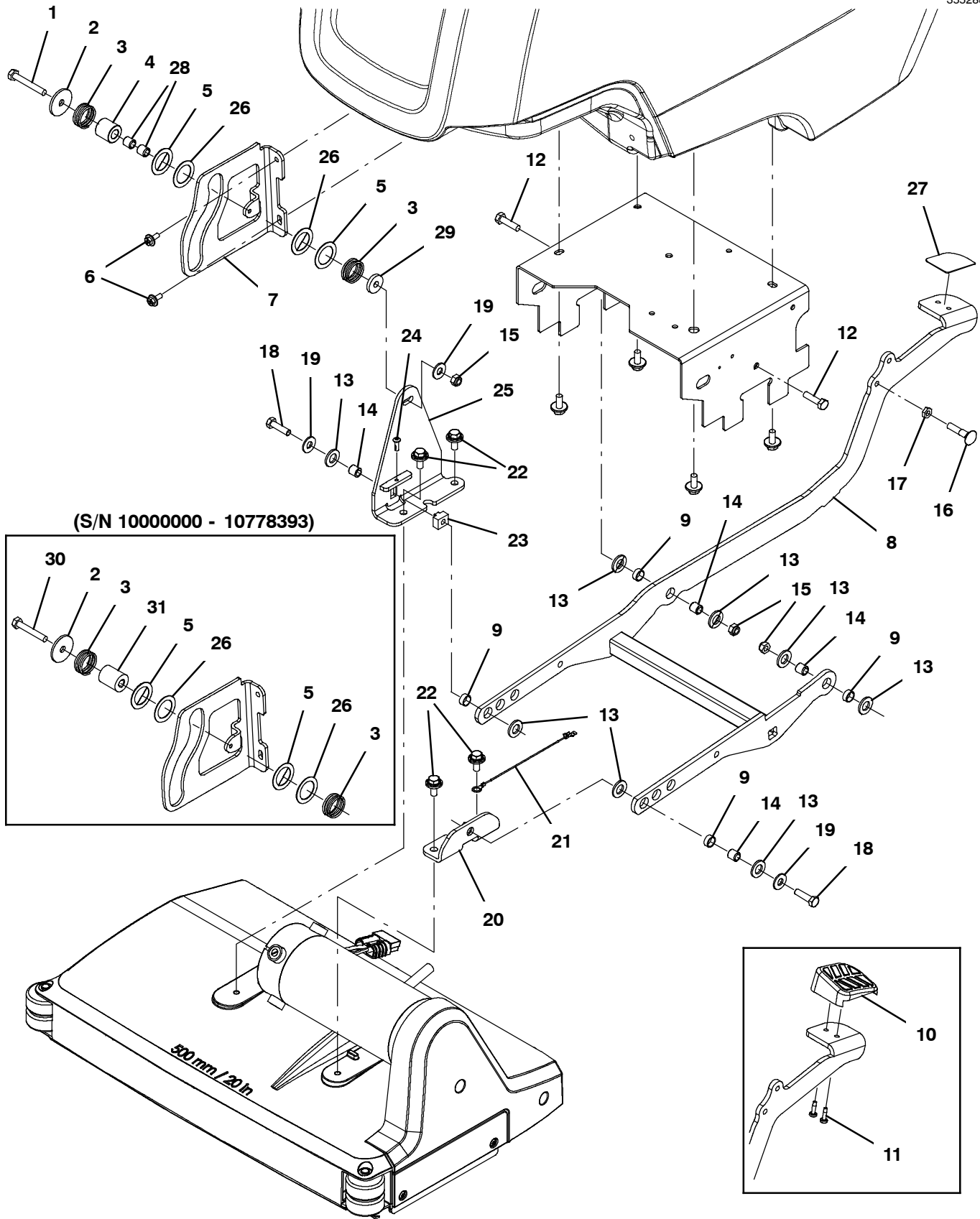
Ref.	Part No.	Serial Number	Description	Qty.	
1	222504	(10778394- 20000000)	Screw, Hex, M8 X 1.25 X 55, Ss	1	
2	1028796	(10778394- 20000000)	Washer, Flat, 0.33b 1.00d .18, Stl, Pl	2	
3	1014020	(10778394- 20000000)	Roller, 0.99d 0.50b 0.95l, Acetal	1	
4	1034731	(10000000- 20000000)	Screw, Hex, M6 X 1.00 X 16, Sems, Ss	2	
5	1213063	(10000000- 20000000)	Bracket, Guide, Head [Vw]	1	
6	1213220	(10000000- 20000000)	Bracket Wldt, Mtg, Head, 60dd, Tall [Vw]	1	
7	1020341	(10000000- 20000000)	Screw, Hex, M8 X 1.25 X 20, Ss, Sems	3	
▽	8	9014170	(10000000- 20000000)	Kit, Lift, Head[T300/T300e/Ss300]	1
▲	9	630188	(10000000- 20000000)	Bearing, Journal, .50id X .25l	8
10	1209093	(10000000- 10757507)	Cover, Pedal (Replaced by 1218694)	1	
11	1043573	(10000000- 10757507)	Screw, #10- 14 X 0.675, Spl[Shcs,Selftap]	2	
12	09011	(10000000- 20000000)	Screw, Hex, M8 X 1.25 X 30, Ss	2	
13	1013936	(10000000- 20000000)	Washer, Flat, 0.51b 0.94d .10, Nyl	8	
14	222460	(10000000- 20000000)	Sleeve, P/M, 0.32b 0.50d 0.5l [430ss]	4	
15	08713	(10000000- 20000000)	Nut, Hex, Lock, M8 X 1.25, NI, Ss	3	
16	69915	(10000000- 20000000)	Bolt, Carriage, M8 X 1.25 X 40	1	
17	200101017	(10000000- 20000000)	Nut, Hex, Jam, M8 X 1.25	1	
18	1016399	(10000000- 20000000)	Screw, Hex, M8 X 1.25 X 30, NI, Ss	2	
19	01685	(10000000- 20000000)	Washer, Flat, 0.38b 0.88d .08, Ss	3	
20	1213224	(10000000- 20000000)	Bracket Wldt, Mtg, Head, 60dd, Short[Vw]	1	
21	1074344	(10000000- 20000000)	Harness, Ele [Ring With .250m Tail]	1	
22	1218694	(10757508- 20000000)	Pad, Pedal, Lift	1	
23	222460	(10778394- 20000000)	Sleeve, P/M, 0.32b 0.50d 0.5l [430ss]	2	
24	49694	(10000000- 10778393)	Screw, Hex, M8 X 1.25 X 50, Ss	1	
25	01685	(10000000- 10778393)	Washer, Flat, 0.38b 0.88d .08, Ss	1	
26	1214039	(10000000- 10778393)	Roller, Lift, Head	1	

▽ ASSEMBLY

▲ INCLUDED IN ASSEMBLY

SCRUB HEAD LIFT GROUP, 50CM CYLINDRICAL MODEL

355288



SCRUB HEAD LIFT GROUP, 50CM CYLINDRICAL MODEL

Ref.	Part No.	Serial Number	Description	Qty.	
1	222504	(10778394- 20000000)	Screw, Hex, M8 X 1.25 X 55, Ss	1	
2	379829	(10000000- 20000000)	Washer, Flat, 0.34b 1.50d .12, Stl, Pl	1	
3	1210103	(10000000- 20000000)	Spring, Cmpr, 1.23od 0.085wir 0.88l	2	
4	1014020	(10778394- 20000000)	Roller, 0.99d 0.50b 0.95l, Acetal	1	
5	20955	(10000000- 20000000)	Washer, Flat, 1.03b 1.50d .04, Stl, Pl	2	
6	1034731	(10000000- 20000000)	Screw, Hex, M6 X 1.00 X 16, Sems, Ss	2	
7	1213063	(10000000- 20000000)	Bracket, Guide, Head [Vw]	1	
▽	8	9014170	(10000000- 20000000)	Kit, Lift, Head[T300/T300e/Ss300]	1
▲	9	630188	(10000000- 20000000)	Bearing, Journal, .50id X .25l	8
10	1209093	(10000000- 10757507)	Cover, Pedal (Replaced by 1218694)	1	
11	1043573	(10000000- 10757507)	Screw, #10- 14 X 0.675, Spl[Shcs,Selftap]	2	
12	09011	(10000000- 20000000)	Screw, Hex, M8 X 1.25 X 30, Ss	2	
13	1013936	(10000000- 20000000)	Washer, Flat, 0.51b 0.94d .10, Nyl	8	
14	222460	(10000000- 20000000)	Sleeve, P/M, 0.32b 0.50d 0.5l [430ss]	4	
15	08713	(10000000- 20000000)	Nut, Hex, Lock, M8 X 1.25, NI, Ss	3	
16	69915	(10000000- 20000000)	Bolt, Carriage, M8 X 1.25 X 40	1	
17	200101017	(10000000- 20000000)	Nut, Hex, Jam, M8 X 1.25	1	
18	1016399	(10000000- 20000000)	Screw, Hex, M8 X 1.25 X 30, NI, Ss	2	
19	01685	(10000000- 20000000)	Washer, Flat, 0.38b 0.88d .08, Ss	3	
20	1213226	(10000000- 20000000)	Bracket Wldt, Mtg, Head, 50cyl [Short]	1	
21	1074344	(10000000- 20000000)	Harness, Ele [Ring With .250m Tail]	1	
22	1020341	(10000000- 20000000)	Screw, Hex, M8 X 1.25 X 20, Ss, Sems	4	
23	1221434	(10000000- 20000000)	Nut, T, M8 X 1.25, Pm, Pl [B5/B7, T300]	1	
24	1205799	(10000000- 20000000)	Screw, Btn, M5 X 0.8 X 16, 8.8, NI, Torx	1	
25	1216222	(10000000- 20000000)	Bracket Wldt, Mtg, Head	1	
26	1210112	(10000000- 20000000)	Washer, Flat, 1.03b 1.50d .03, Nylon	2	
27	1218694	(10757508- 20000000)	Pad, Pedal, Lift	1	
28	222460	(10778394- 20000000)	Sleeve, P/M, 0.32b 0.50d 0.5l [430ss]	2	
29	1028796	(10778394- 20000000)	Washer, Flat, 0.33b 1.00d .18, Stl, Pl	1	
30	49694	(10000000- 10778393)	Screw, Hex, M8 X 1.25 X 50, Ss	1	
31	1214039	(10000000- 10778393)	Roller, Lift, Head	1	

▽ ASSEMBLY

▲ INCLUDED IN ASSEMBLY

SCRUB HEAD LIFT GROUP, 50CM ORBITAL MODEL

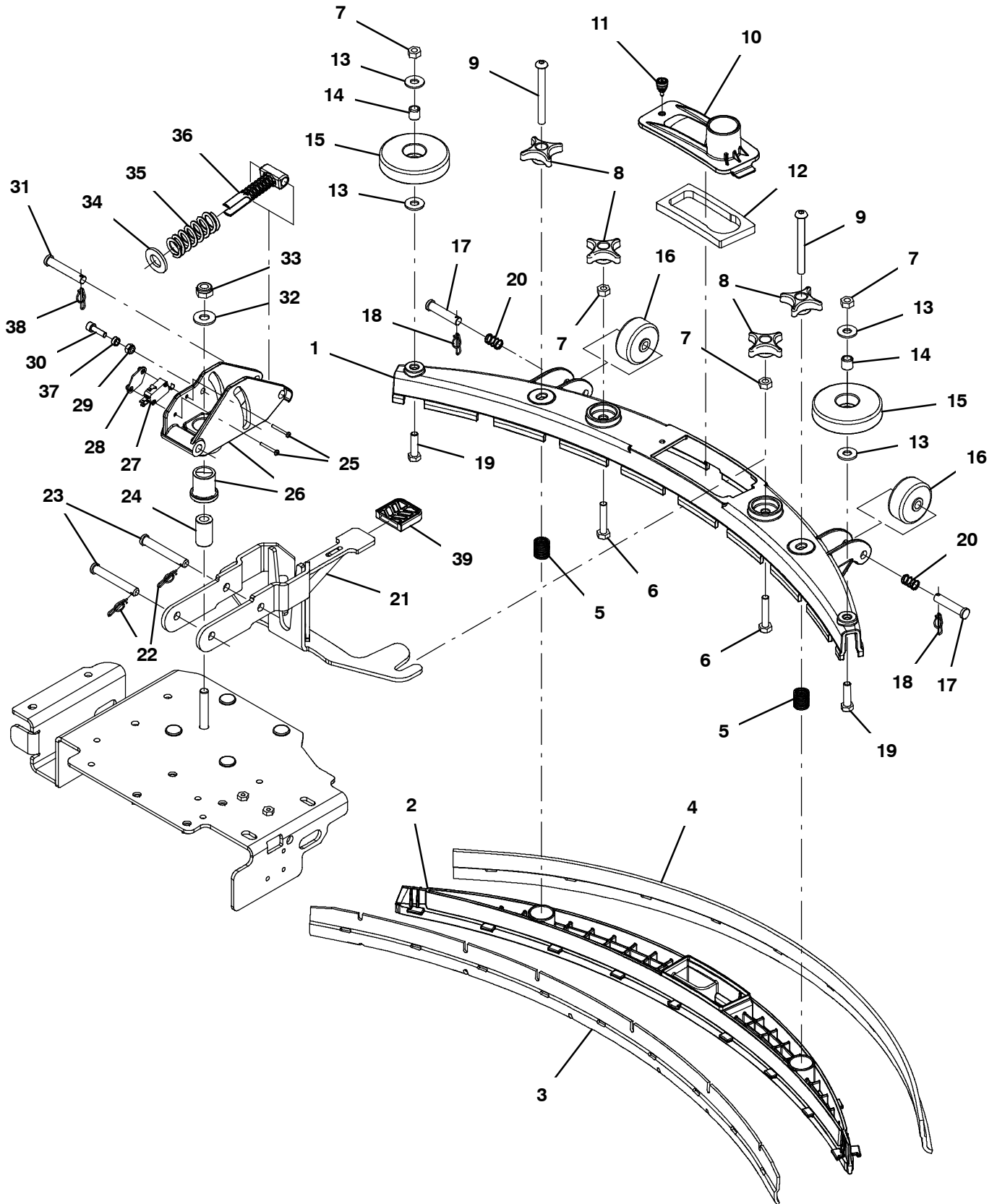
Ref.	Part No.	Serial Number	Description	Qty.
1	222504	(10778394- 20000000)	Screw, Hex, M8 X 1.25 X 55, Ss	1
2	1028796	(10778394- 20000000)	Washer, Flat, 0.33b 1.00d .18, Stl, Pl	2
3	1014020	(10778394- 20000000)	Roller, 0.99d 0.50b 0.95l, Acetal	1
4	1034731	(10000000- 20000000)	Screw, Hex, M6 X 1.00 X 16, Sems, Ss	2
5	1213063	(10000000- 20000000)	Bracket, Guide, Head [Vw]	1
6	1032420	(10000000- 20000000)	Spring, Extn, 0.85od 0.09wir 02.9l	1
7	1020341	(10000000- 20000000)	Screw, Hex, M8 X 1.25 X 20, Ss, Sems	4
▽	8	9014170	(10000000- 20000000) Kit, Lift, Head[T300/T300e/Ss300]	1
▲	9	630188	(10000000- 20000000) Bearing, Journal, .50id X .25l	8
10	1209093	(10000000- 10757507)	Cover, Pedal (Replaced by 1218694)	1
11	1043573	(10000000- 10757507)	Screw, #10- 14 X 0.675, Spl[Shcs,Selftap]	2
12	09011	(10000000- 20000000)	Screw, Hex, M8 X 1.25 X 30, Ss	2
13	1013936	(10000000- 20000000)	Washer, Flat, 0.51b 0.94d .10, Nyl	8
14	222460	(10000000- 20000000)	Sleeve, P/M, 0.32b 0.50d 0.5l [430ss]	4
15	08713	(10000000- 20000000)	Nut, Hex, Lock, M8 X 1.25, NI, Ss	3
16	69915	(10000000- 20000000)	Bolt, Carriage, M8 X 1.25 X 40	1
17	200101017	(10000000- 20000000)	Nut, Hex, Jam, M8 X 1.25	1
18	1016399	(10000000- 20000000)	Screw, Hex, M8 X 1.25 X 30, NI, Ss	2
19	01685	(10000000- 20000000)	Washer, Flat, 0.38b 0.88d .08, Ss	3
20	1212572	(10000000- 20000000)	Bracket Wldt, Mtg, Head, Orb, Short [Vw]	1
21	1213223	(10000000- 20000000)	Bracket Wldt, Mtg, Head, Orb, Tall [Vw]	1
22	1218694	(10757508- 20000000)	Pad, Pedal, Lift	1
23	222460	(10778394- 20000000)	Sleeve, P/M, 0.32b 0.50d 0.5l [430ss]	2
24	49694	(10000000- 10778393)	Screw, Hex, M8 X 1.25 X 50, Ss	1
25	01685	(10000000- 10778393)	Washer, Flat, 0.38b 0.88d .08, Ss	1
26	1214039	(10000000- 10778393)	Roller, Lift, Head	1

▽ ASSEMBLY

▲ INCLUDED IN ASSEMBLY

SQUEEGEE GROUP

355305

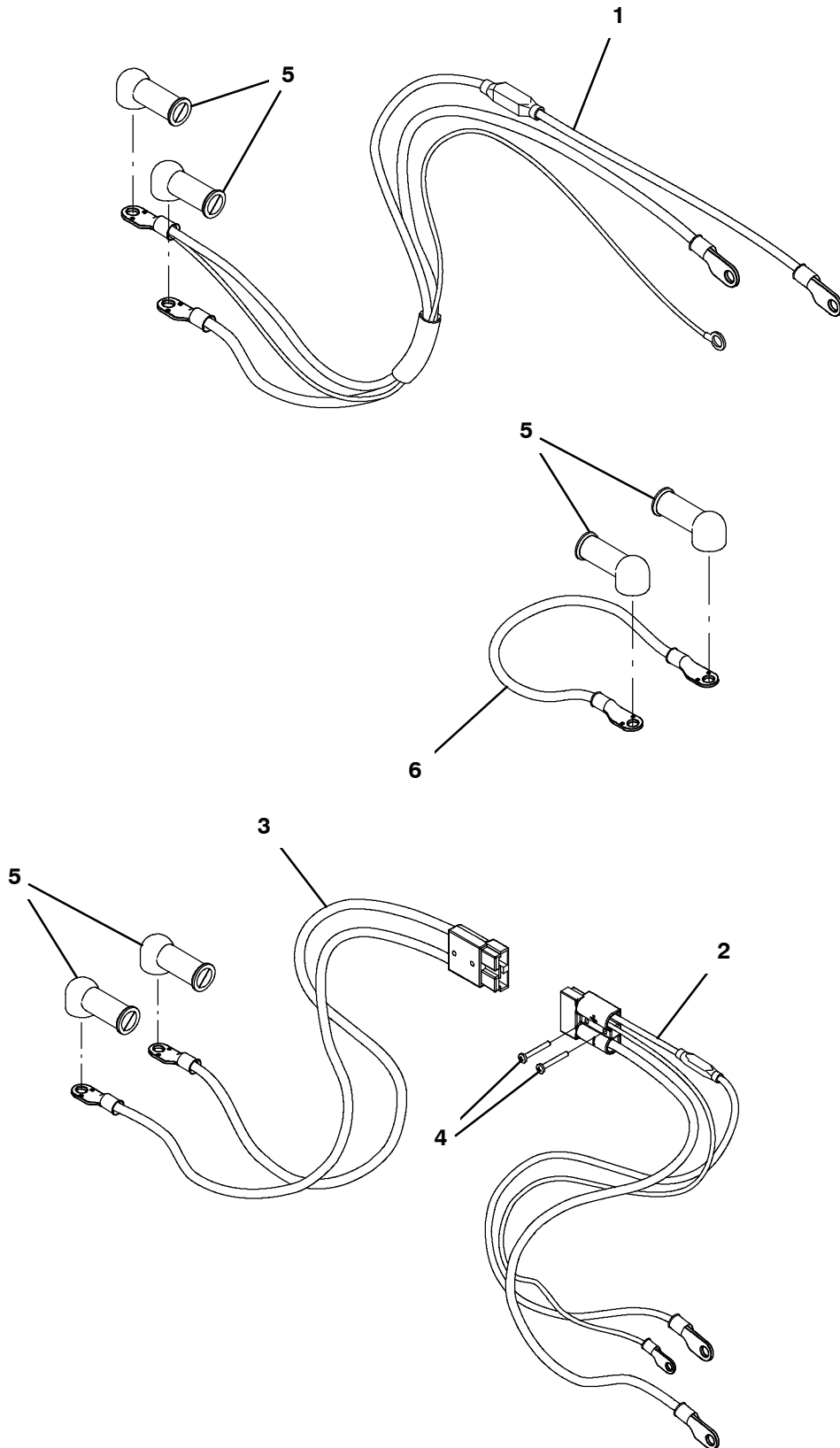


SQUEEGEE GROUP

Ref.	Part No.	Serial Number	Description	Qty.
▽	9014172	(10000000-20000000)	Squeegee Kit, Linatex, Am [T300/E/Ss300]	1
▲	1 1215681	(10000000-20000000)	Frame, Sqge, 50cm, Mach [T300]	1
▲	2 1203638	(10000000-20000000)	Retainer, Sqge [T300]	1
▲	3 1203954	(10000000-20000000)	Blade, Sqge, Front, 788l, Linatex[500mm] (Standard)	1
	3 1215611	(10000000-20000000)	Blade, Sqge, Front, 788l, Urethane[500mm] (Option)	1
	3 1215612	(10000000-20000000)	Blade, Sqge, Front, 788l, Gum[500mm] (Option)	1
▲	4 1203953	(10000000-20000000)	Blade, Sqge, Rear, 836l, Linatex[500mm] (Standard)	1
	4 1215609	(10000000-20000000)	Blade, Sqge, Rear, 836l, Urethane[500mm] (Option)	1
	4 1215610	(10000000-20000000)	Blade, Sqge, Rear, 836l, Gum[500mm] (Option)	1
▲	5 22290	(10000000-20000000)	Spring, Cmpr, 0.72od .06wir 02.3l	2
▲	6 09023	(10000000-20000000)	Screw, Hex, M8 X 1.25 X 35, Fl, Ss	2
▲	7 07786	(10000000-20000000)	Nut, Hex, Std, M8 X 1.25, Ss	4
▲	8 1213677	(10000000-20000000)	Knob, Star, 2.00od 4ear M8x1.25 [Yel]	4
▲	9 1212755	(10000000-20000000)	Screw, Btn, Soc, M8x1.25x80, Ss	2
▲	10 1209631	(10000000-20000000)	Cover, Trap, Water, Sqge	1
▲	11 1212683	(10000000-20000000)	Screw, Captive, M5, Knurled [Snap In]	1
▲	12 1210756	(10000000-20000000)	Gasket, Trap, Water, Sqge	1
▲	13 140027	(10000000-20000000)	Washer, Flat, 0.35b 0.75d .04, Ss	4
▲	14 222460	(10000000-20000000)	Sleeve, P/M, 0.32b 0.50d 0.5l [430ss]	2
▲	15 1010560	(10000000-20000000)	Wheel, Bmpr, 80d X 25w, Non- Marking	2
▲	16 630477	(10000000-20000000)	Wheel, Pyu, 02.0d 0.38w, Gray	2
▲	17 17461	(10000000-20000000)	Pin, Clevis, 0.37d X 1.75l	2
▲	18 1216647	(10000000-20000000)	Pin, Cotter, Hair, 0.38d .054 Wir	2
▲	19 1016399	(10000000-20000000)	Screw, Hex, M8 X 1.25 X 30, Ni, Ss	2
▲	20 1017091	(10000000-20000000)	Spring, Cmpr, 0.50od .04wir 00.8l	2
	21 9014303	(10000000-20000000)	Bracket Kit, Sqge, Wdt [T300/E, Ss300]	1
	22 1216647	(10000000-20000000)	Pin, Cotter, Hair, 0.38d .054 Wir	2
	23 391179	(10000000-20000000)	Pin, Clevis, 0.37d X 2.62l	2
	24 1214467	(10000000-20000000)	Sleeve, P/M, 0.41b 0.75d 1.3l [430ss]	1
	25 33933	(10000000-20000000)	Screw, Pan, Phl, M3 X 0.50 X 25, Ss	1
	26 9014301	(10000000-20000000)	Bracket Kit, Sqge, Lift [T300/E, Ss300]	1
	27 1215716	(10000000-20000000)	Switch, 0.1a, Spdt[Micro, Gold Contacts]	1
	28 1013705	(10000000-20000000)	Plate, Thread, Switch, M3 Nut, 96hr PI	1
	29 08712	(10000000-20000000)	Nut, Hex, Lock, M6 X 1.00, Ni, Ss	1
	30 33951	(10000000-20000000)	Screw, Soc, M6 X 1.00 X 20, 12.9	1
	31 51813	(10000000-20000000)	Pin, Clevis, 0.37d X 2.12l	1
	32 01686	(10000000-20000000)	Washer, Flat, 0.44b 1.00d .08, Ss	1
	33 08714	(10000000-20000000)	Nut, Hex, Lock, M10 X 1.5, Ni, Ss	1
	34 69954	(10000000-20000000)	Washer, Thrust, 0.63b 1.25d 0.13w	1
	35 1215756	(10000000-20000000)	Spring, Cmpr, 0.98od .146wir 02.5l	1
	36 1209782	(10000000-20000000)	Pin, Guide, Spring	1
	37 80491	(10000000-20000000)	Sleeve, P/M, 0.25b 0.38d 0.2l [430ss]	1
	38 1216647	(10000000-20000000)	Pin, Cotter, Hair, 0.38d .054 Wir	1
	39 1212533	(10000000-20000000)	Cover, Pedal, Lift	1

BATTERY CABLE GROUP

355402



BATTERY CABLE GROUP

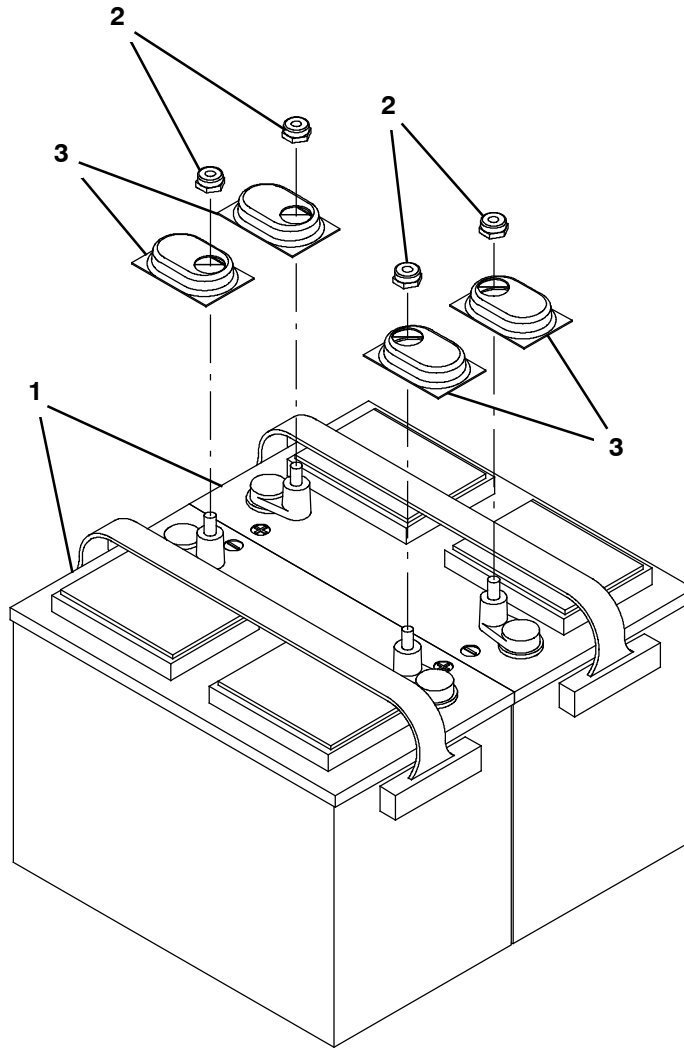
Ref.	Part No.	Serial Number	Description	Qty.	
1	1074848	(10790532- 20000000)	Cable, Assy, Fuse [T300] (Standard - Without Battery Lift Out Kit Option)	1	
∇	9014778	(10000000- 20000000)	Cable Kit, Battery, Ring, Tray,Ci [T300] (Required for Battery Lift Out Kit Option)	1	
▲	2	1073629	(10000000- 10790531)	Cable, Battery, 4ga [M8 Ring/M8 Ring]	1
▲	3	1073628	(10000000- 10790531)	Cable, Battery, 4ga [M8 Ring/M8 Ring]	1
▲	4	33931	(10000000- 10790531)	Screw, Pan, Phl, M4 X 0.70 X 30, Ss	2
	5	611221	(10790532- 20000000)	Boot, Terminal, Battery, 25.4mm, Blk	2
	5	611221	(10000000- 10790531)	Boot, Terminal, Battery, 25.4mm, Blk	4
	6	1073680	(10000000- 20000000)	Cable, 04ga 15.0l Blk [M8 Ring/M8 Ring]	1

∇ ASSEMBLY

▲ INCLUDED IN ASSEMBLY

BATTERY GROUP, 105AH C20 WET

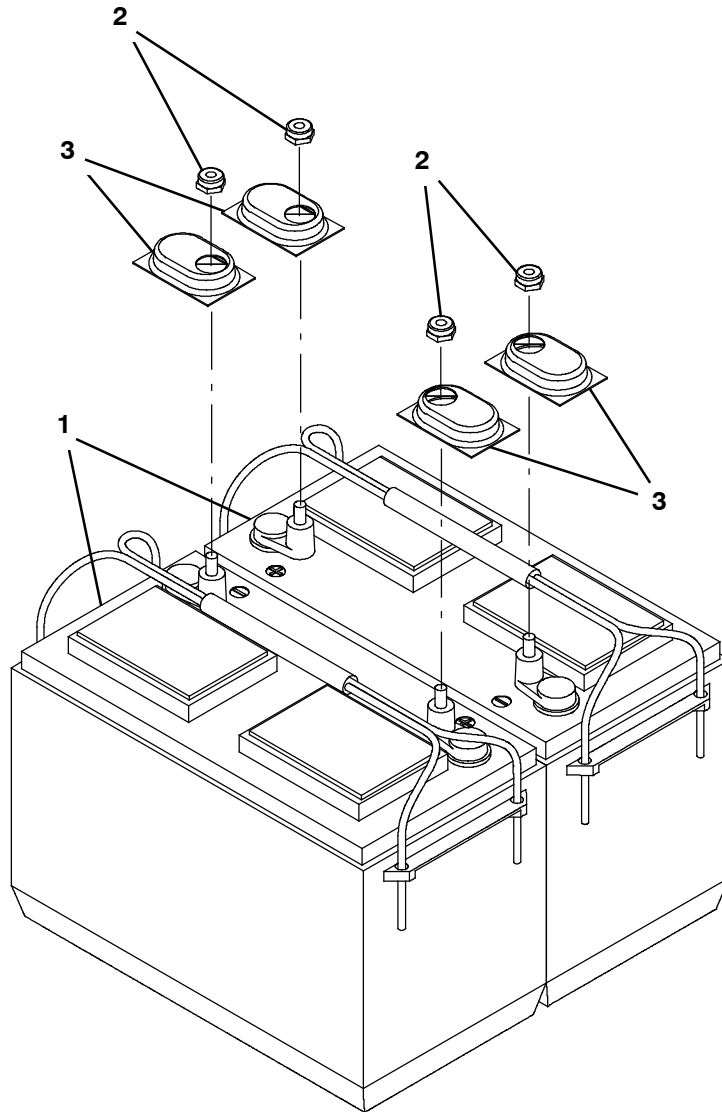
355359



Ref.	Part No.	Serial Number	Description	Qty.
1	578426	(10000000-20000000)	Battery, Wet, 12vdc 0105ah [S8, 27tmx]	2
2	87435	(10000000-20000000)	Nut, Hex, Flexlock, .31 - 18	4
3	45962	(10000000-20000000)	Cap, Battery, White [For 105ah & 130ah]	4

BATTERY GROUP, 130AH C20 WET

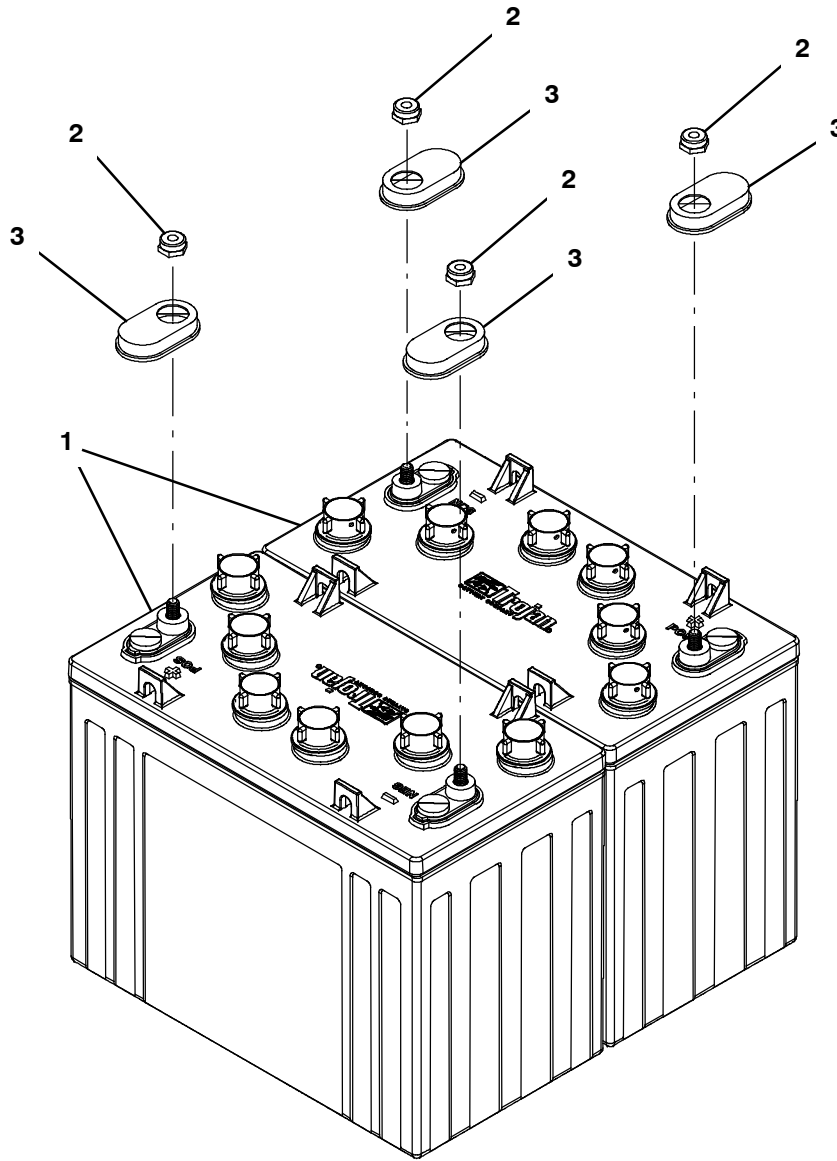
355360



Ref.	Part No.	Serial Number	Description	Qty.
1	130869	(10000000-20000000)	Battery, Wet, 12vdc 0130ah [30xhs- Wnt]	2
2	87435	(10000000-20000000)	Nut, Hex, Flexlock, .31 - 18	4
3	45962	(10000000-20000000)	Cap, Battery, White [For 105ah & 130ah]	4

BATTERY GROUP, 155AH C20 WET

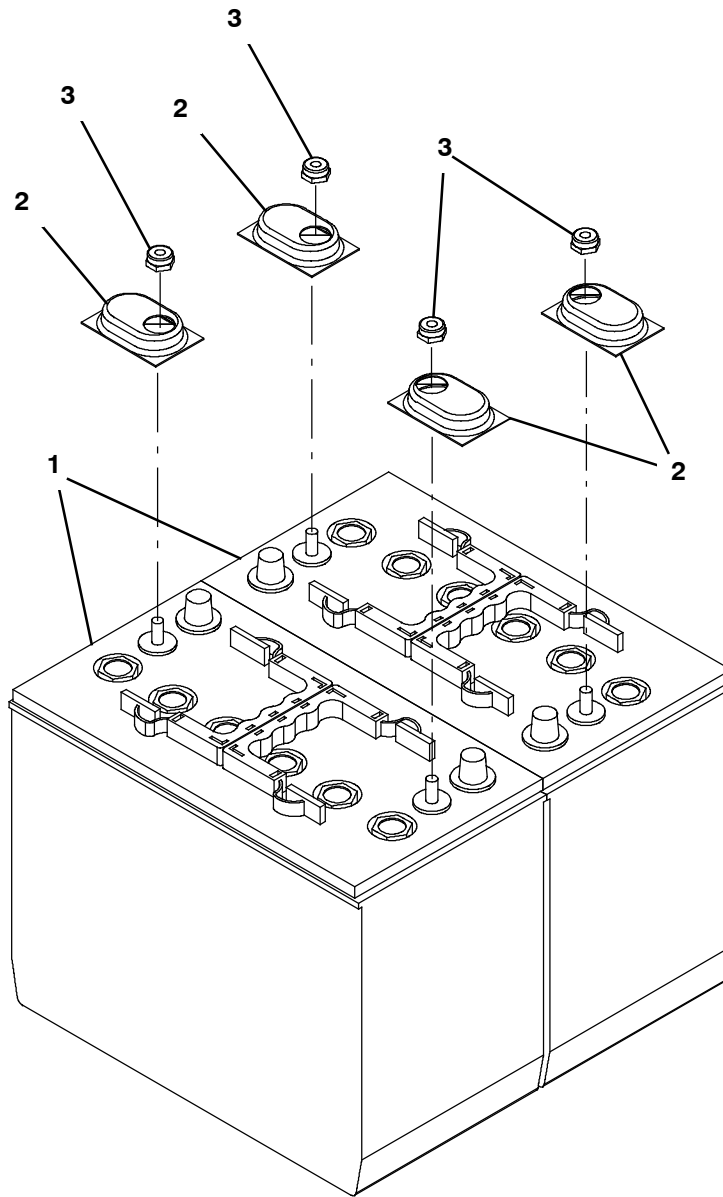
355361



Ref.	Part No.	Serial Number	Description	Qty.
1	1015046	(10000000-20000000)	Battery, Wet, 12vdc 0155ah	2
2	87435	(10000000-20000000)	Nut, Hex, Flexlock, .31 - 18	4
3	1041030	(10000000-20000000)	Cap, Battery, Black [For 155ah]	4

BATTERY GROUP, 140AH C20 AGM

355362



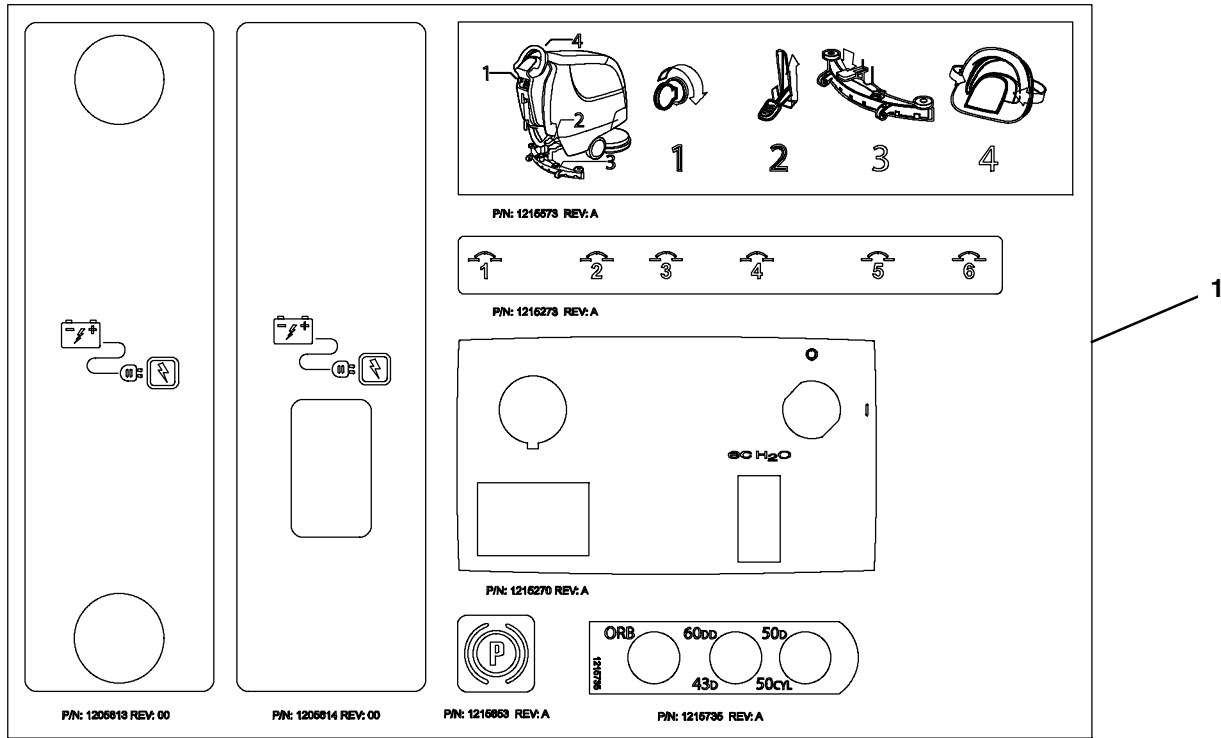
	Ref.	Part No.	Serial Number	Description	Qty.
▽	1	1053408	(10000000- 20000000)	Battery, 12vdc 0140ah [Agm]	2
▲	2	45962	(10000000- 20000000)	Cap, Battery, White [For 105ah & 130ah]	4
	3	87435	(10000000- 20000000)	Nut, Hex, Flexlock, .31- 18	4

▽ ASSEMBLY

▲ INCLUDED IN ASSEMBLY

LABEL GROUP

355363

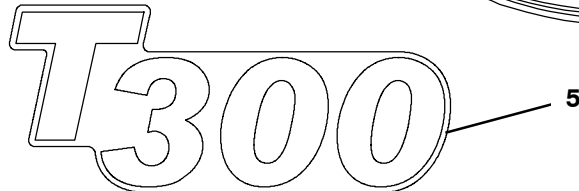
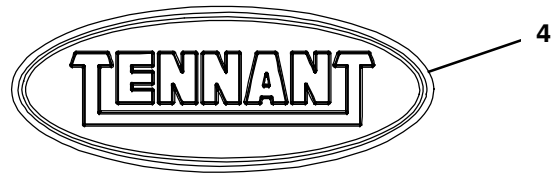


1:256	0.5%	1:128	1%
0.25%		1:54	2%
1:612		1:32	3%
1:640			

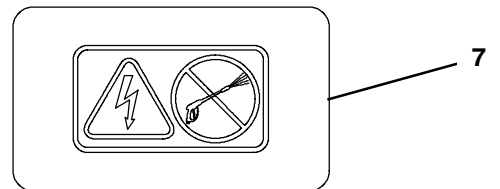
oz/gal	%
0.25	0.2
0.5	0.4
1	0.8
2	1.6
3	2.8
4	3.1

1210440

P/N: 1210440 REV: B



500 x 355 mm / 20 x 14 in

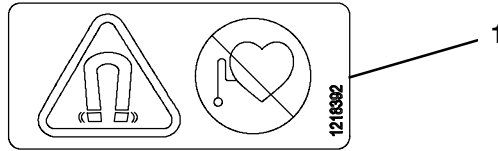


LABEL GROUP

Ref.	Part No.	Serial Number	Description	Qty.
1	1215777	(10000000- 20000000)	Label Sheet, Operational	1
2	1210440	(10000000- 20000000)	Label, Opertnl, Detergent Metering (Severe Environment)	1
3	1214279	(10000000- 20000000)	Label, Orbital, Size, 50cm (Orbital Head)	1
4	1213114	(10000000- 20000000)	Label, Logo, 05.5l, Blk/Sil [Tennant]	1
4	1205477	(10000000- 20000000)	Nameplate, Tennant, Dome, 5.5in	1
5	1215262	(10000000- 20000000)	Label, T300	2
6	1216520	(10000000- 20000000)	Label, Logo [Ech2o Nano] (ec- H2O Model)	2
7	1229725	(10000000- 20000000)	Label, Warning [Do Not Spray]	1

LABEL GROUP - CONT'D

355364



1

	<p>⚠ WARNING TO REDUCE THE RISK OF FIRE, EXPLOSION, ELECTRICAL SHOCK OR INJURY:</p> <ul style="list-style-type: none"> • Read manual before operating machine. • Do not use on pit: up flammable materials. • Do not use near flammable liquids, vapors or combustible dusts. • Batteries emit hydrogen gas. Explosion or fire can result. Keep sparks and open flames away when charging. • Disconnect battery cables and charge plug before servicing machine. • Do not charge batteries with damaged case. • Do not use outdoors. Store indoors. 	<p>⚠ AVERTISSEMENT POUR RÉDUIRE LES RISQUES D'INCENDIE, L'EXPLOSION, DE CHOC ÉLECTRIQUE OU DE LÈSSURE:</p> <ul style="list-style-type: none"> • Lire le manuel avant d'utiliser la machine. • N'utilisez pas ou ne ramassez pas de matériaux inflammables. • N'utilisez pas près de liquides, vapeurs ou poussières inflammables. • Les batteries émettent de l'hydrogène gazeux. Risque d'explosion et d'incendie. Évitez toute étincelle et toute flamme au sein de la charge des batteries. • Déconnecter les câbles des batteries et le cordon de chargement avant l'entretien de la machine. • Ne chargez pas les batteries avec un cordon endommagé. • N'utilisez pas à l'extérieur. Entassez-les à l'intérieur. 	<p>⚠ ADVERTENCIA PARA REDUCIR EL RIESGO DE INCENDIO, EXPLOSION, CHOCQUE ELÉCTRICO, O LESIÓN:</p> <ul style="list-style-type: none"> • Lea el manual antes de utilizar la máquina. • No utilice ni recoja materiales inflamables. • No utilice la máquina cerca de líquidos, vapores o vapores inflamables. • Las baterías emiten hidrógeno. Peligro de incendio o explosión. Mantenga la máquina alejada de chispas y flamas cuando se está cargando. • Desconecte los cables de la batería antes de realizar el servicio a la máquina. • No cargue las baterías si el cable está dañado. • No utilice la máquina al aire libre. Guárdela en un lugar cerrado. 	<p>⚠ WARNING Spinning Part. Keep Hands Away. ⚠ AVERTISSEMENT Partie En Rotation. Retenez Vos Mains. ⚠ ADVERTENCIA Componentes Giratorios. Manténgase Alejado Las Manos.</p>
P/N: 1208788 REV: 00				
P/N: 1216281 REV: A				
P/N: 1216780 REV: A				

<p>FRONT →</p> <p>(2) 12V</p>	<p>P/N: 1208811 REV: 00</p>	<p>P/N: 1216631 REV: A</p>
P/N: 1216272 REV: A		
P/N: 1204984 REV: 00		

2

<p>警告</p> <p>火災、爆発、感電事故を防ぐために行うこと:</p> <ul style="list-style-type: none"> • 本機を使用する前に、マニュアルをお読みください。 • 引火性液体や可燃性粉塵を吸引しないでください。 • 可燃性液体、引火性粉塵、または可燃物の近くでは、使用しないでください。 • バッテリーは本機から発熱します。燃焼や発火の危険があります。充電中は、火気や熱いものに近づかないでください。 • 本機を修理するときは、事前に必ずバッテリーケーブルと充電プラグを外してください。 • 修理、充電コードのバッテリーを充電しないでください。 • 屋外では使用しないでください。屋内で保管してください。 	<p>警告</p> <p>パッドが回転します。手を近づかないでください。</p>	<p>警告</p> <p>ブラシが回転します。手を近づかないでください。</p>
P/N: 1208848 REV: 00		
P/N: 1216781 REV: A		
P/N: 1204984 REV: 00		
P/N: 1216631 REV: A		
P/N: 1208911 REV: 00		

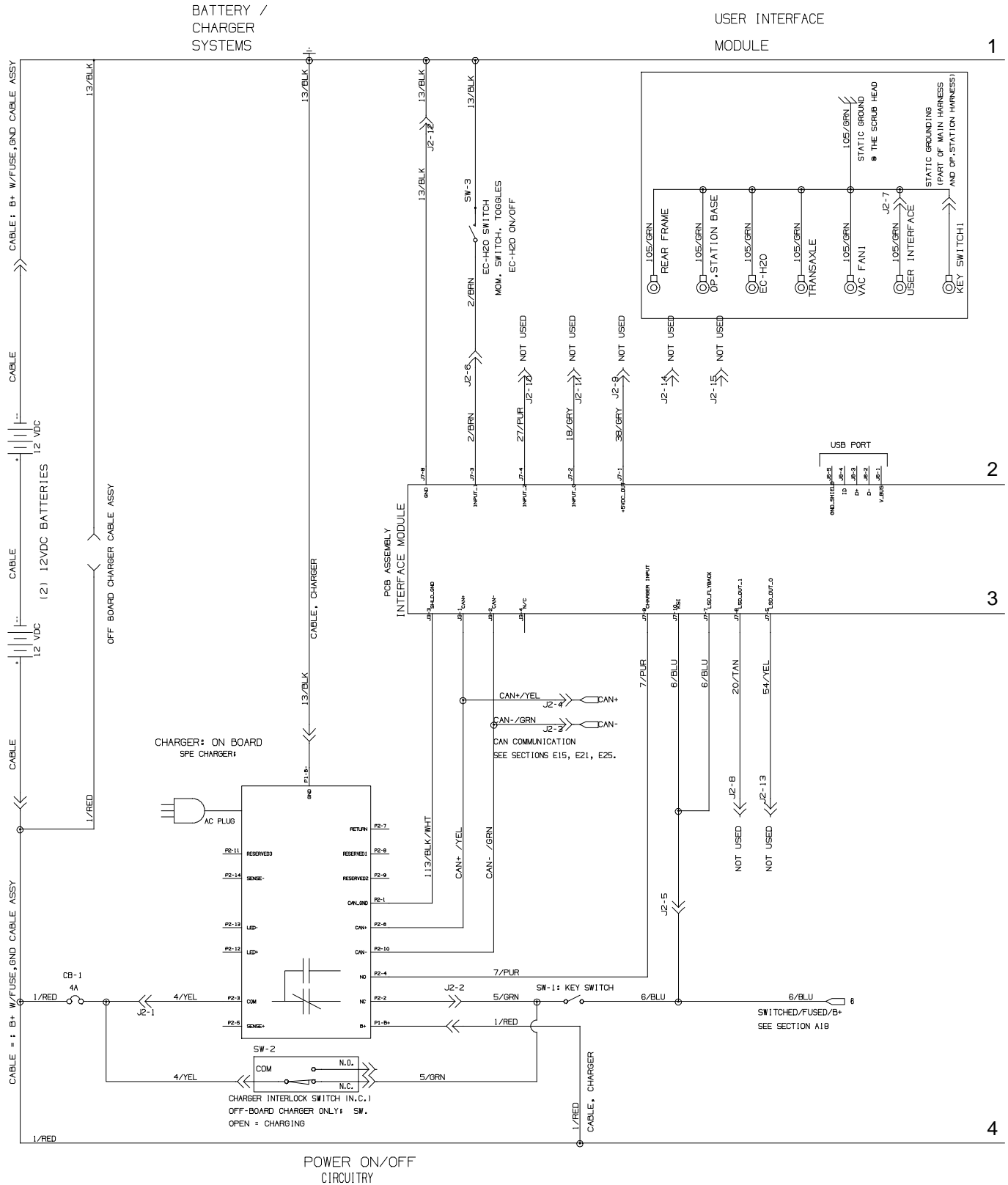
<p>FRONT →</p> <p>(2) 12V</p>	<p>P/N: 1208811 REV: 00</p>	<p>P/N: 1216631 REV: A</p>
P/N: 1216272 REV: A		
P/N: 1204984 REV: 00		

LABEL GROUP - CONT'D

Ref.	Part No.	Serial Number	Description	Qty.
1	1218392	(10000000- 20000000)	Label, Safety, Magnet, Med (Magnetic Heads)	1
2	1215774	(10000000- 20000000)	Label Sheet, Info/Hzrd [Na]	1
3	1215775	(10000000- 20000000)	Label Sheet, Info/Hzrd [Jp]	1

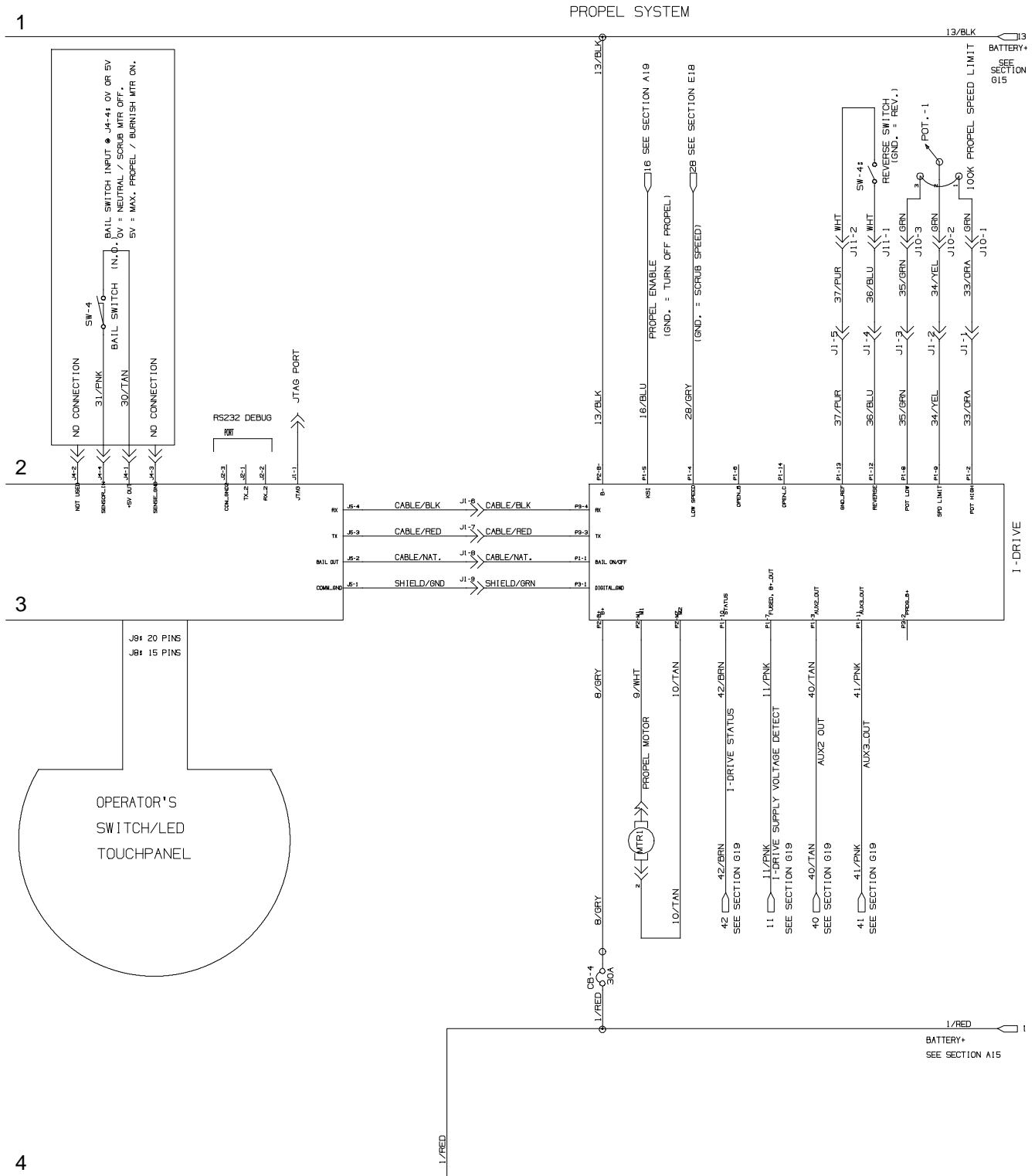
ELECTRICAL DIAGRAM, PROPEL MEMBRANE (PAGE 1 OF 4)

1074705_01



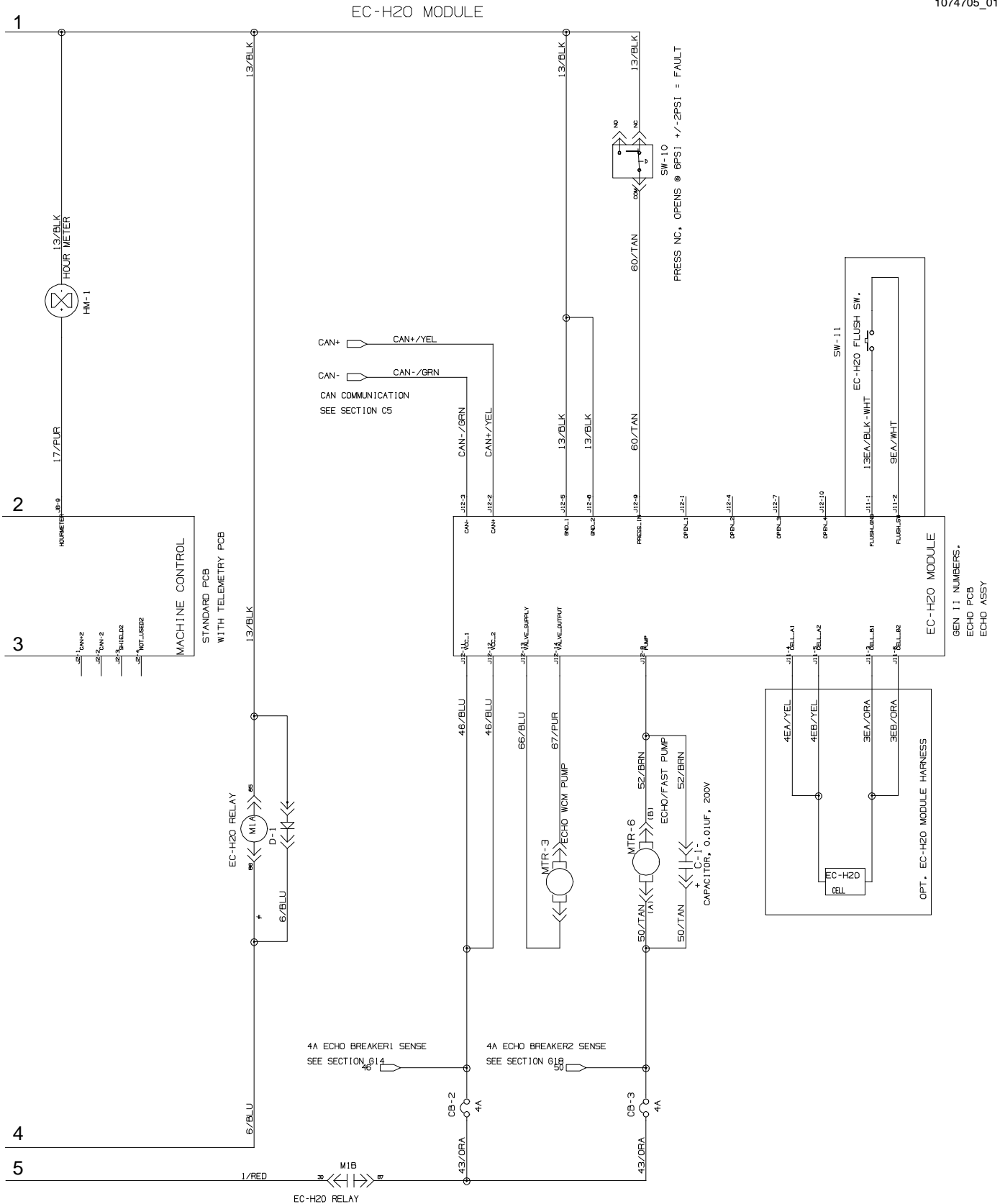
ELECTRICAL DIAGRAM, PROPEL MEMBRANE (PAGE 2 OF 4)

1074705_01



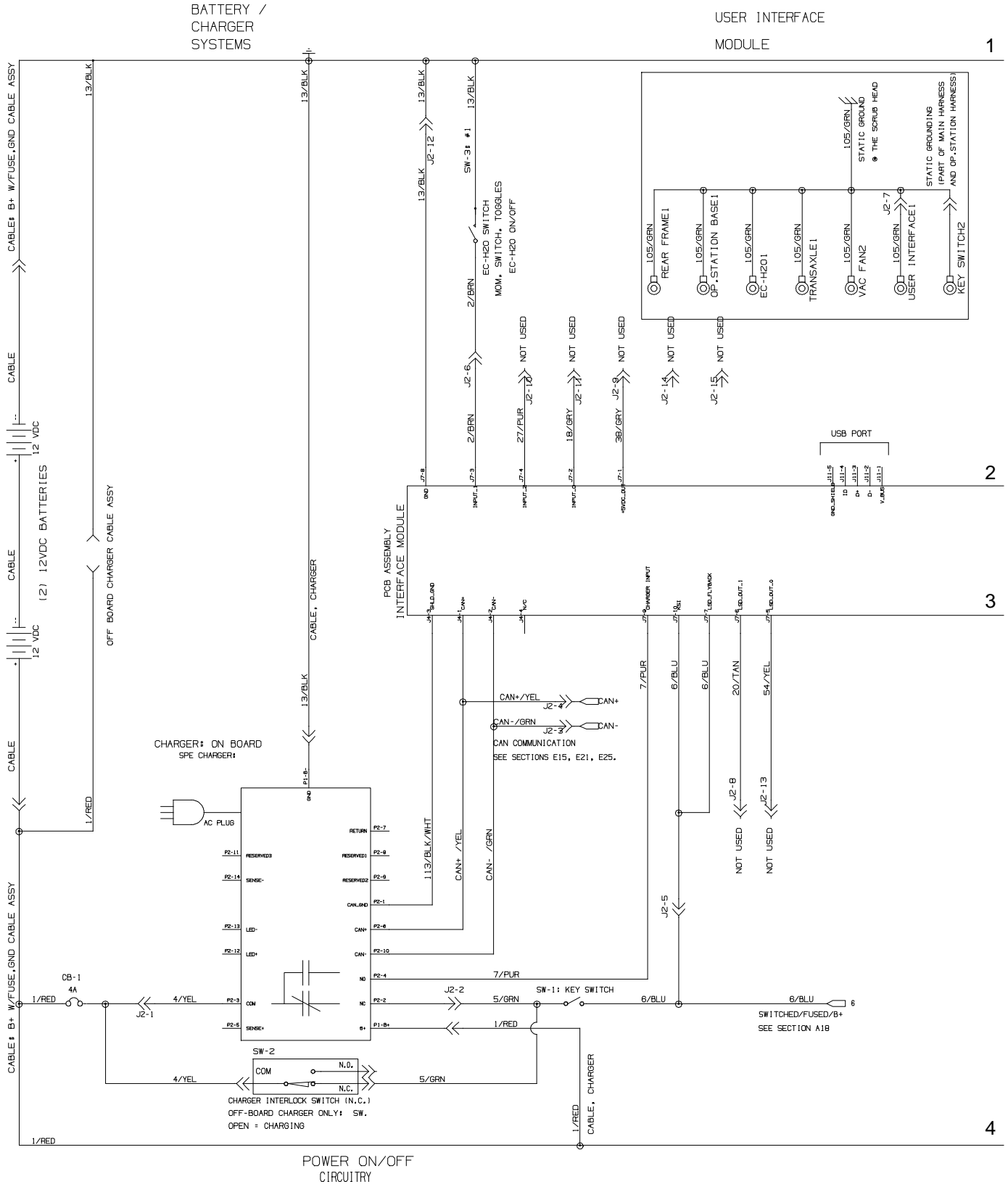
ELECTRICAL DIAGRAM, PROPEL MEMBRANE (PAGE 4 OF 4)

1074705_01



ELECTRICAL DIAGRAM, PROPEL LCD (PAGE 1 OF 4)

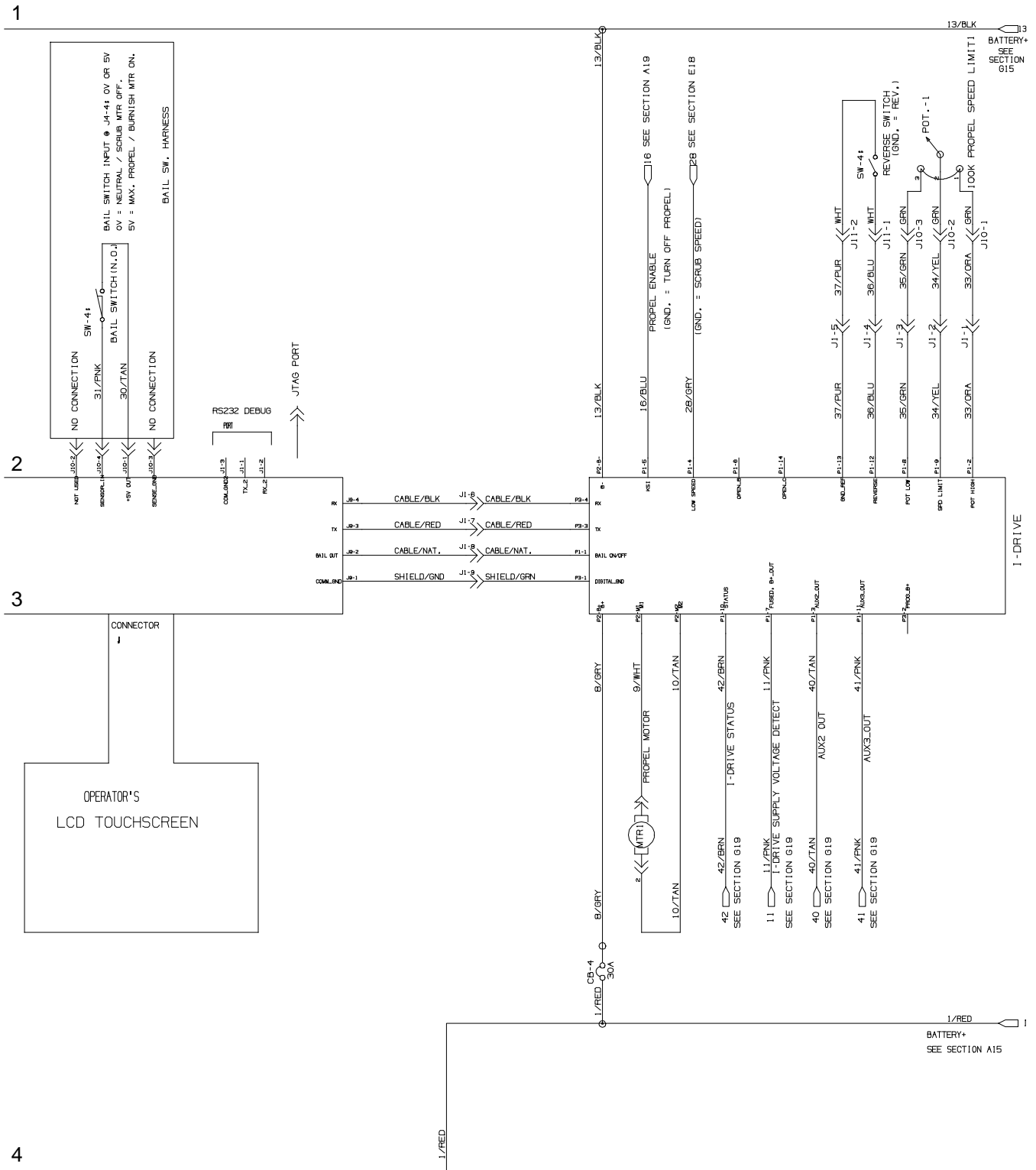
1074705_01



ELECTRICAL DIAGRAM, PROPEL LCD (PAGE 2 OF 4)

1074705_01

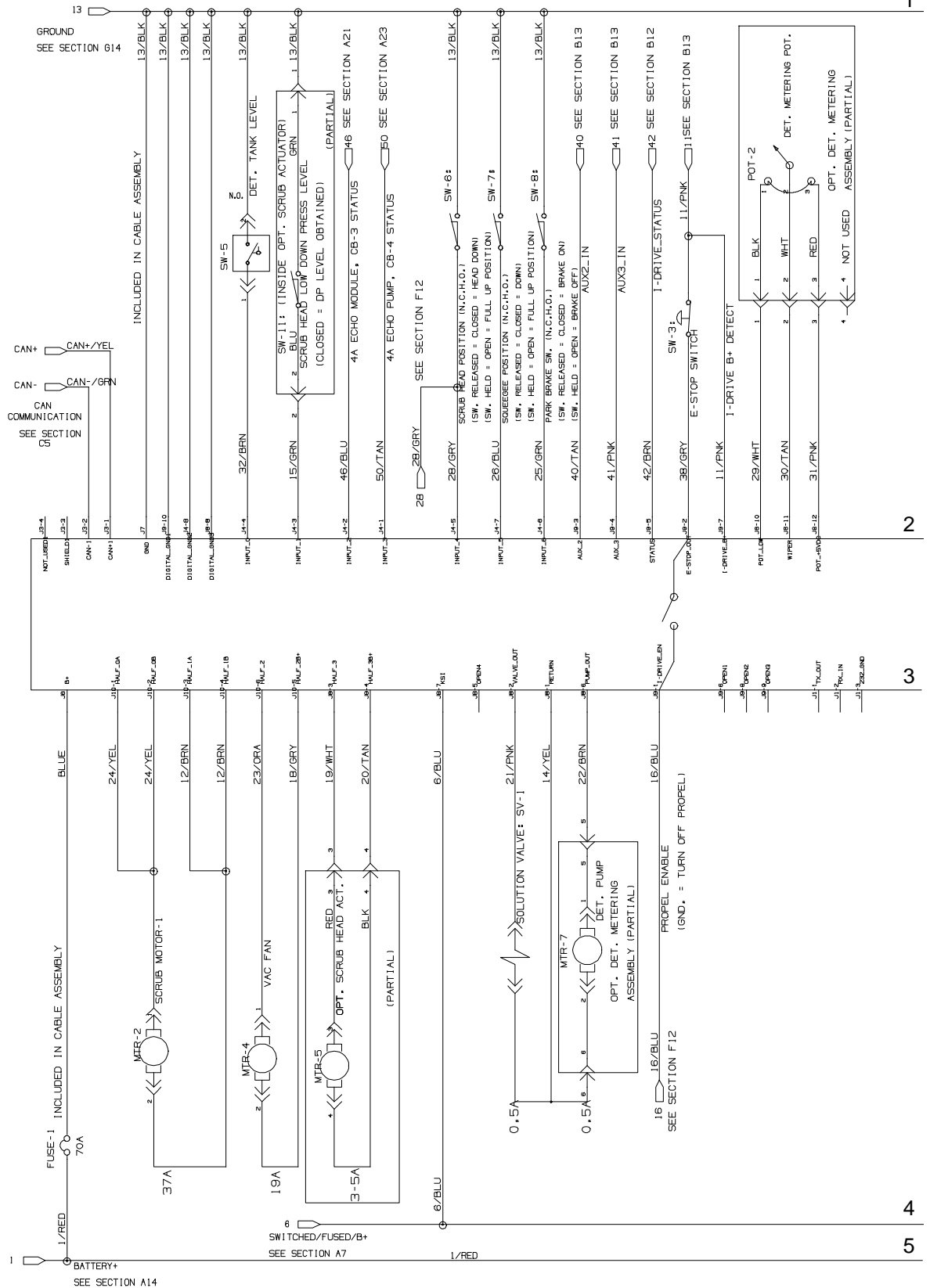
PROPEL SYSTEM



ELECTRICAL DIAGRAM, PROPEL LCD (PAGE 3 OF 4)

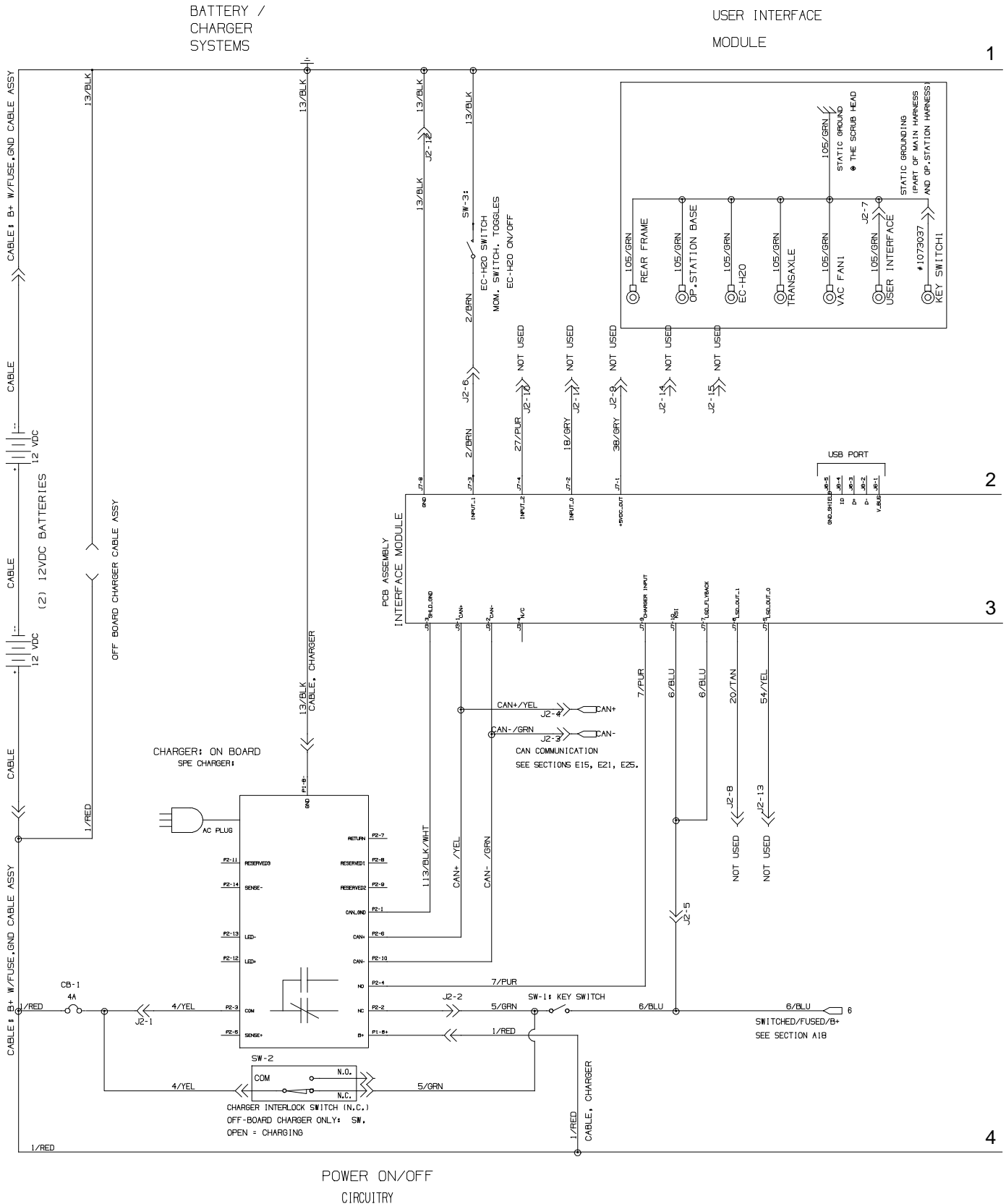
PREMIUM CONTROLLER

1074705_01



ELECTRICAL DIAGRAM, PUSH MEMBRANE (PAGE 1 OF 4)

1074706_01



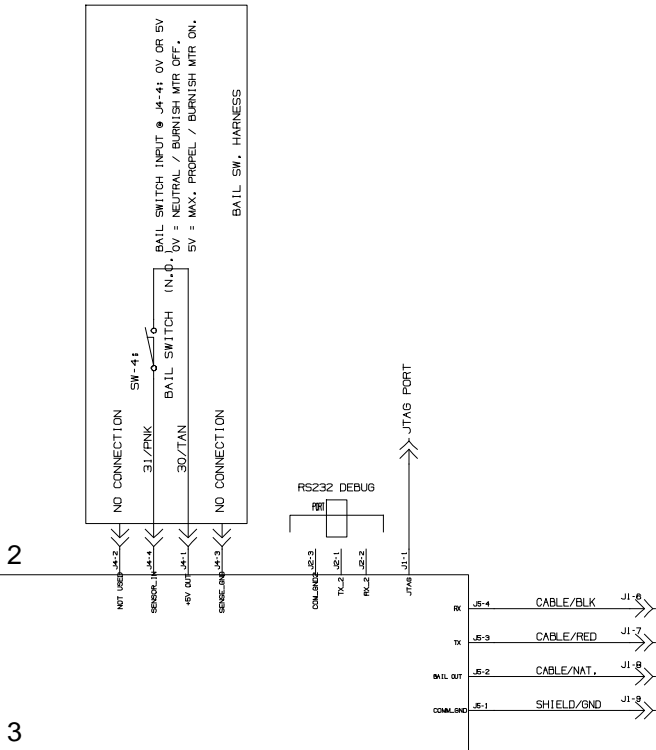
ELECTRICAL DIAGRAM, PUSH MEMBRANE (PAGE 2 OF 4)

1074706_01

PROPEL SYSTEM

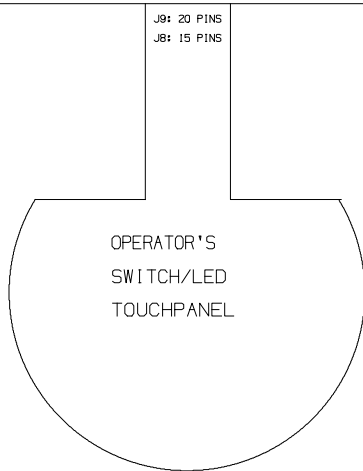
1

13/BLK
BATTERY+
SEE SECTION
G15

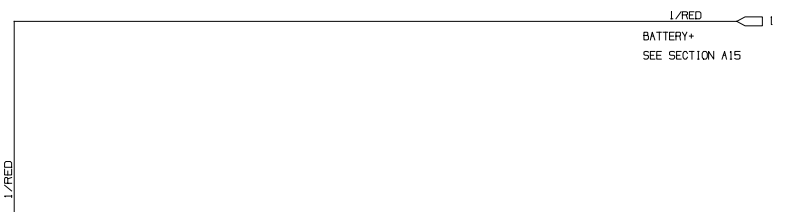


2

3



4



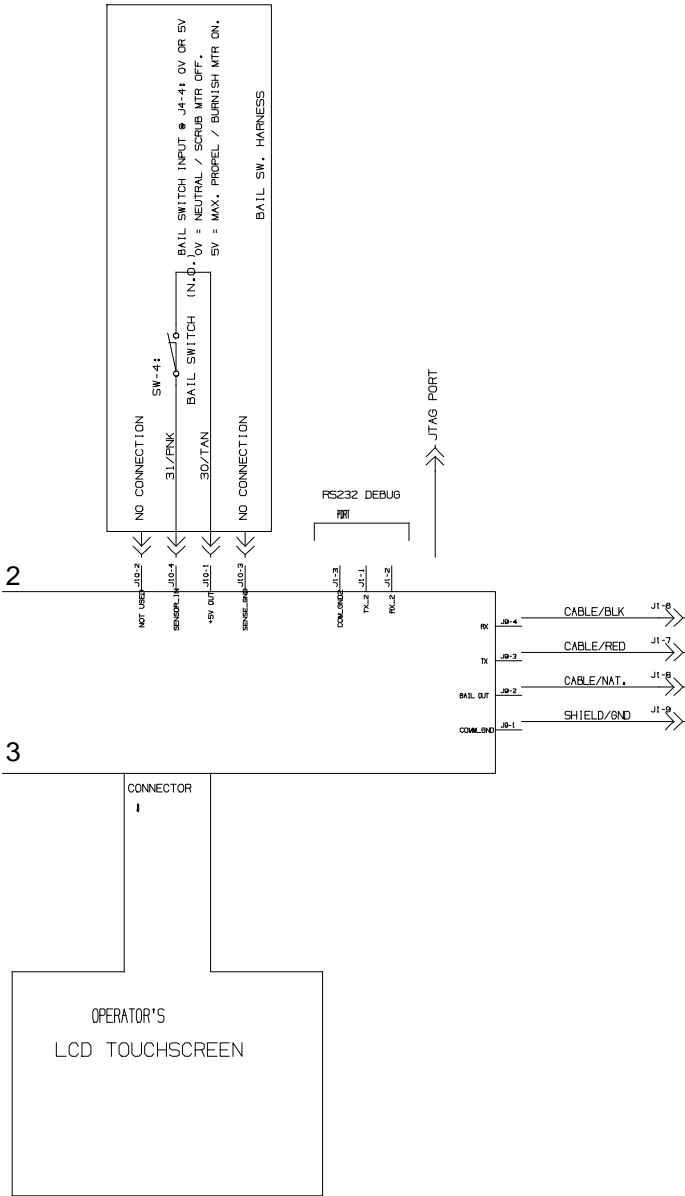
ELECTRICAL DIAGRAM, PUSH LCD (PAGE 2 OF 4)

1074706_01

1

PROPEL SYSTEM

13/BLK
BATTERY+
SEE SECTION G15

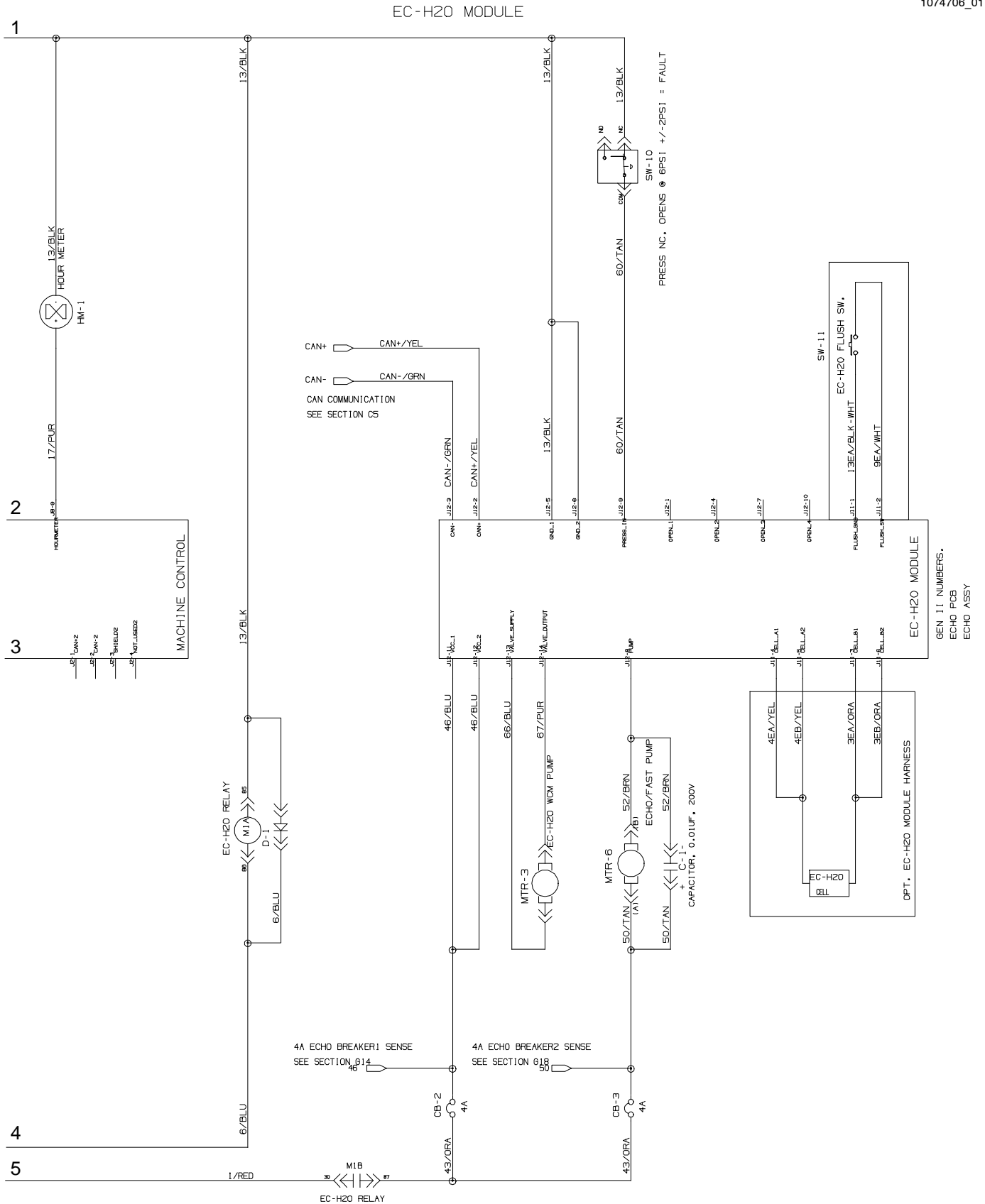


4



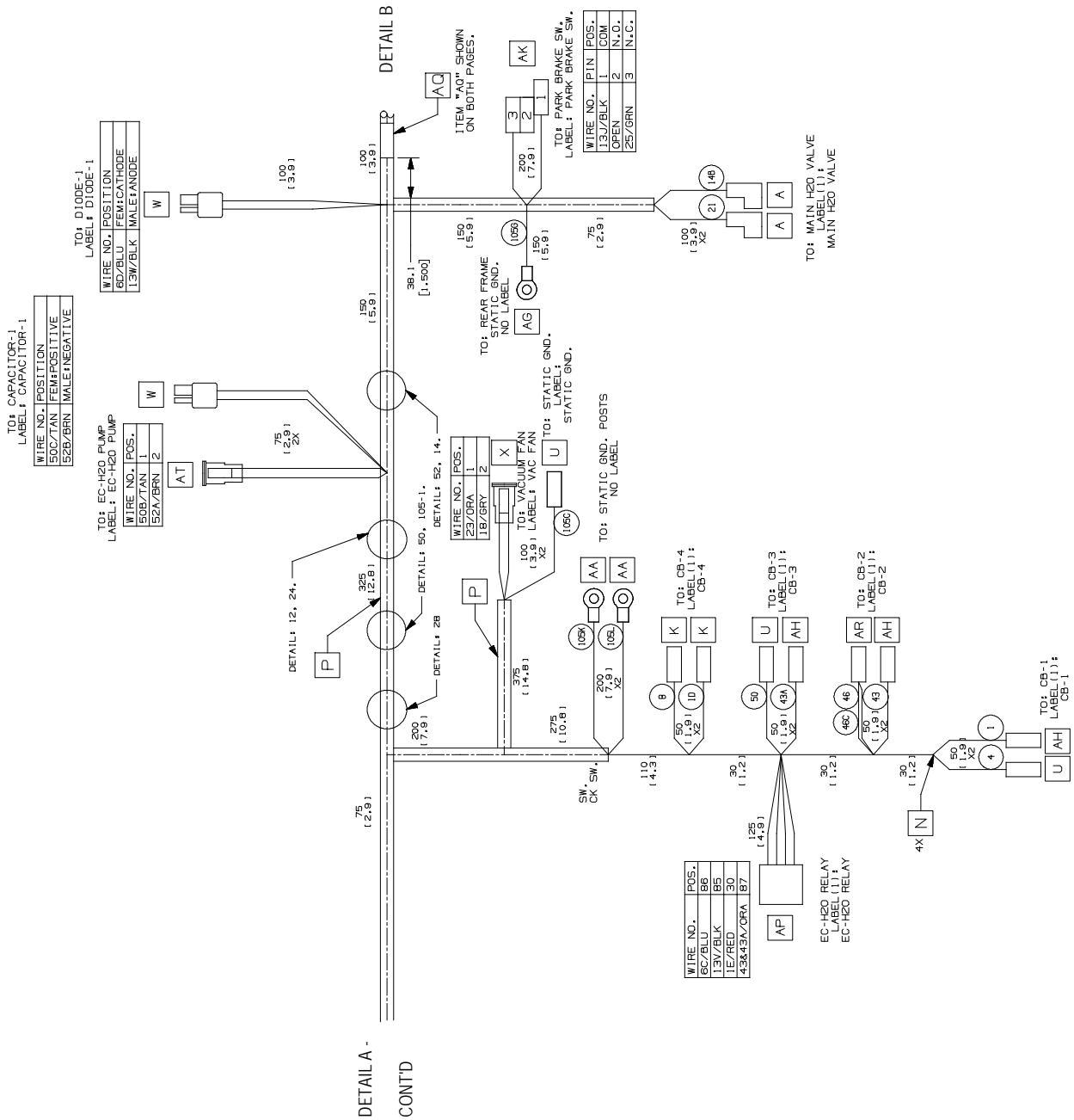
ELECTRICAL DIAGRAM, PUSH LCD (PAGE 4 OF 4)

1074706_01



ELECTRICAL HARNESS, MAIN PROPEL (S/N 10825195 -) (PAGE 2 OF 3)

1075323_02



ELECTRICAL HARNESS, MAIN PROPEL (S/N 10825195 -)

	Part No.	Serial Number	Description	Qty.
▽	1075323	(10825195- 20000000)	Harness, Main, Ele [Vw, Premium, Propel]	1
▲	222290	(10000000- 20000000)	Diode, Ele, Plug	3

▽ ASSEMBLY

▲ INCLUDED IN ASSEMBLY

ELECTRICAL HARNESS, MAIN PROPEL (S/N 10000000 - 10825194)

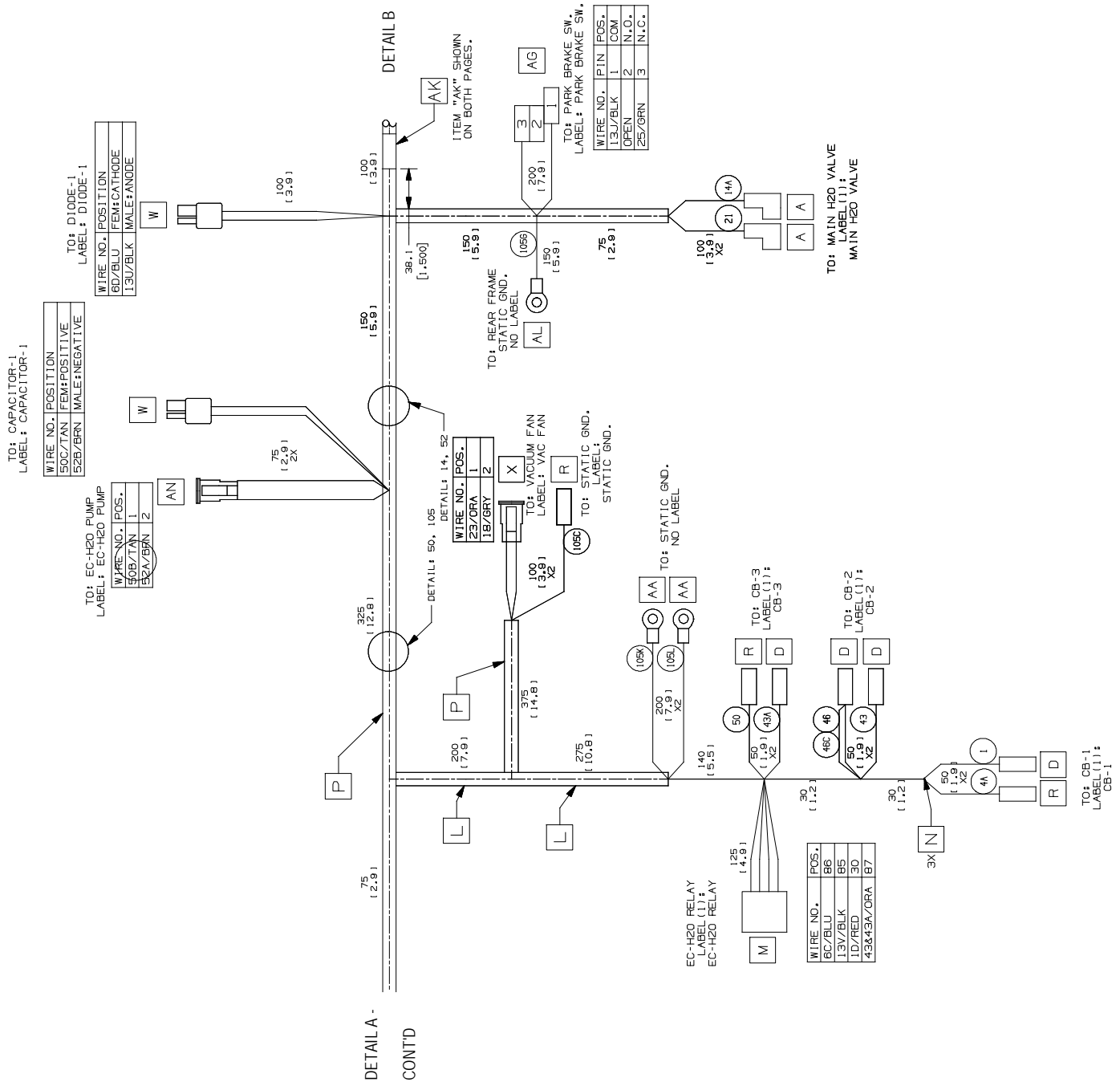
	Part No.	Serial Number	Description	Qty.
▽	1073678	(10000000- 10825194)	Harness, Main, Ele [Vw, Premium, Propel] (Replaced By 9015157)	1
▲	222290	(10000000- 20000000)	Diode, Ele, Plug	3

▽ ASSEMBLY

▲ INCLUDED IN ASSEMBLY

ELECTRICAL HARNESS, MAIN PUSH (S/N 10838962 -) (PAGE 2 OF 3)

1075324_02



ELECTRICAL HARNESS, MAIN PUSH (S/N 10838962 -)

	Part No.	Serial Number	Description	Qty.
▽	1075324	(10838962- 20000000)	Harness, Main, Ele [Vw, Premium, Push]	1
▲	222290	(10000000- 20000000)	Diode, Ele, Plug	3

▽ ASSEMBLY

▲ INCLUDED IN ASSEMBLY

ELECTRICAL HARNESS, MAIN PUSH (S/N 10000000 - 10838961)

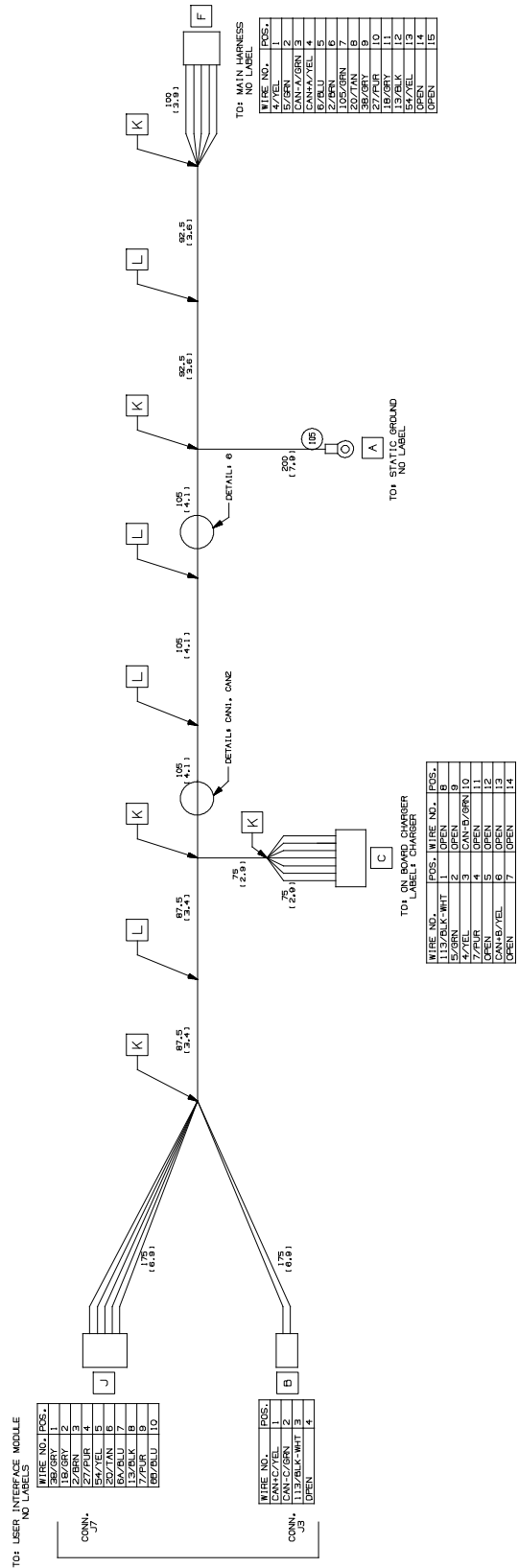
	Part No.	Serial Number	Description	Qty.
▽	1073679	(10000000- 10838961)	Harness, Main, Ele [Vw, Premium, Push] (Replaced By 9015158)	1
▲	222290	(10000000- 20000000)	Diode, Ele, Plug	3

▽ ASSEMBLY

▲ INCLUDED IN ASSEMBLY

ELECTRICAL HARNESS, OPTIONS PUSH

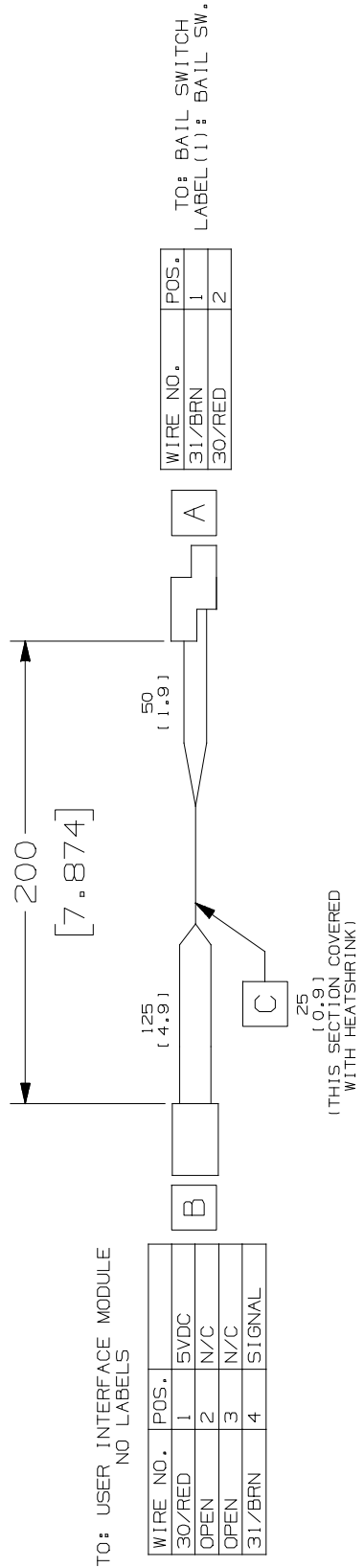
1073593



Part No.	Serial Number	Description	Qty.
1073593	(10000000-20000000)	Harness, Ele [Vw, Op.Stat, Push]	1

ELECTRICAL HARNESS, BAIL SWITCH

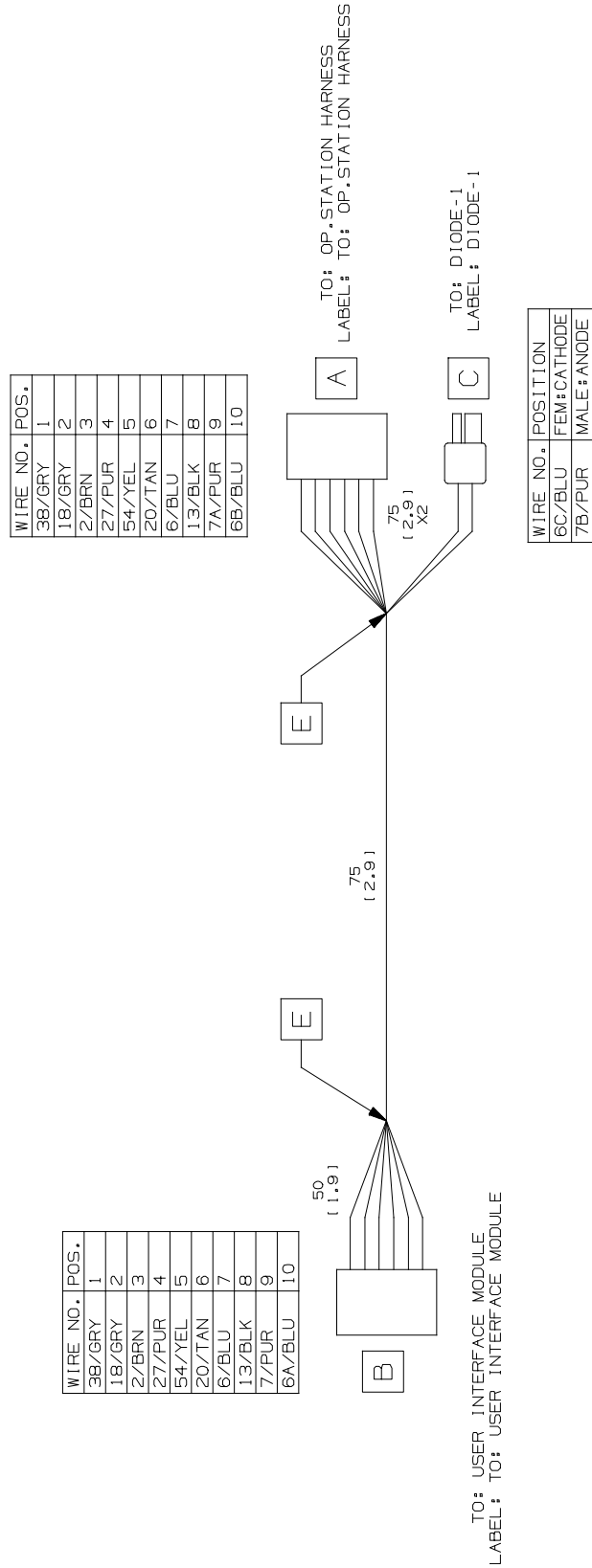
1072524



Part No.	Serial Number	Description	Qty.
1072524	(10000000-20000000)	Harness, Ele [Bail Switch]	1

ELECTRICAL HARNESS, ADAPTER (TELEMETRY MODELS)

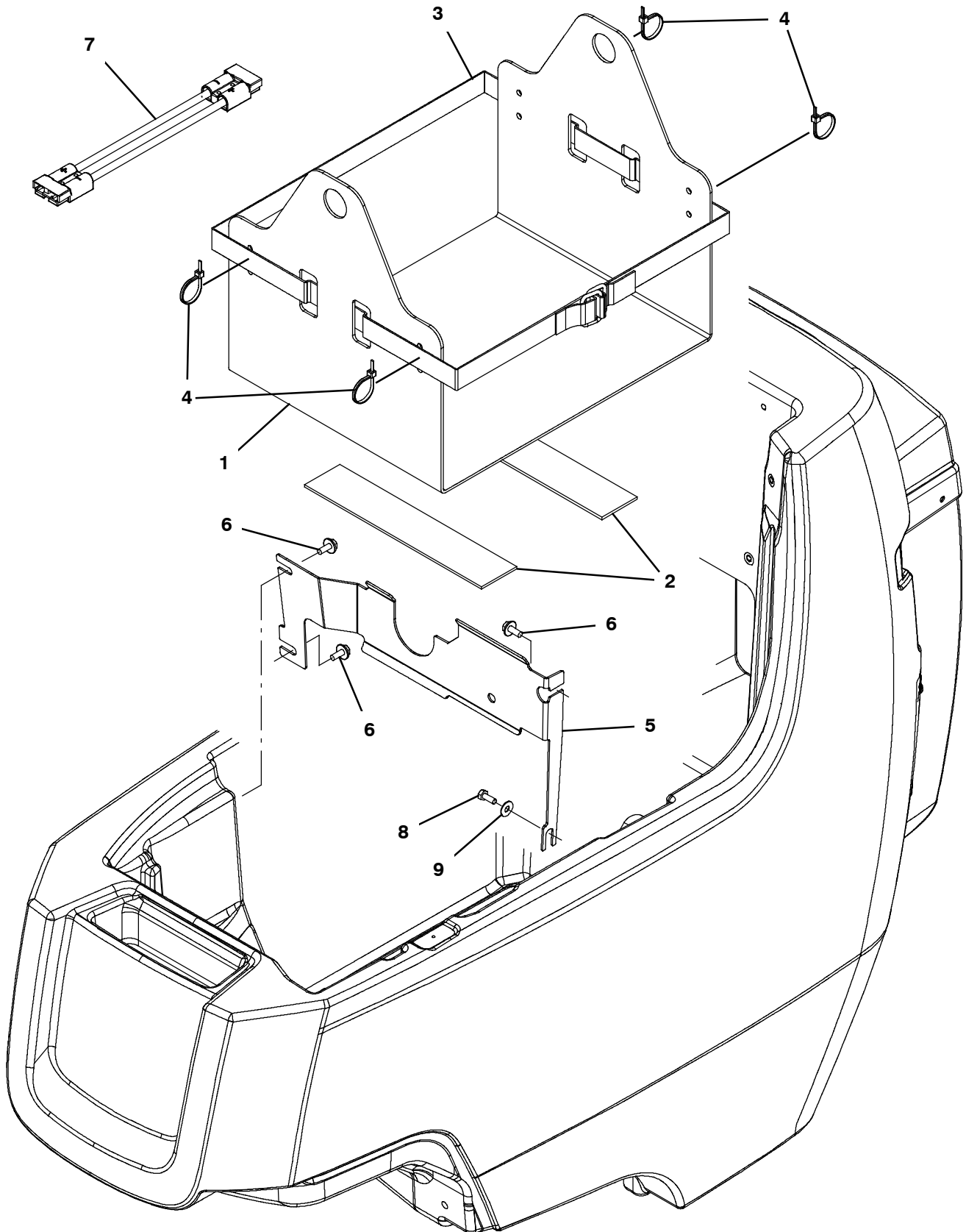
1075195



Part No.	Serial Number	Description	Qty.
1075195	(10830389- 20000000)	Harness, Ele, Adaptor [T300, Amii]	1
222290	(10830389- 20000000)	Diode, Ele, Plug	1

BATTERY LIFT OUT BOX KIT

355306



BATTERY LIFT OUT BOX KIT

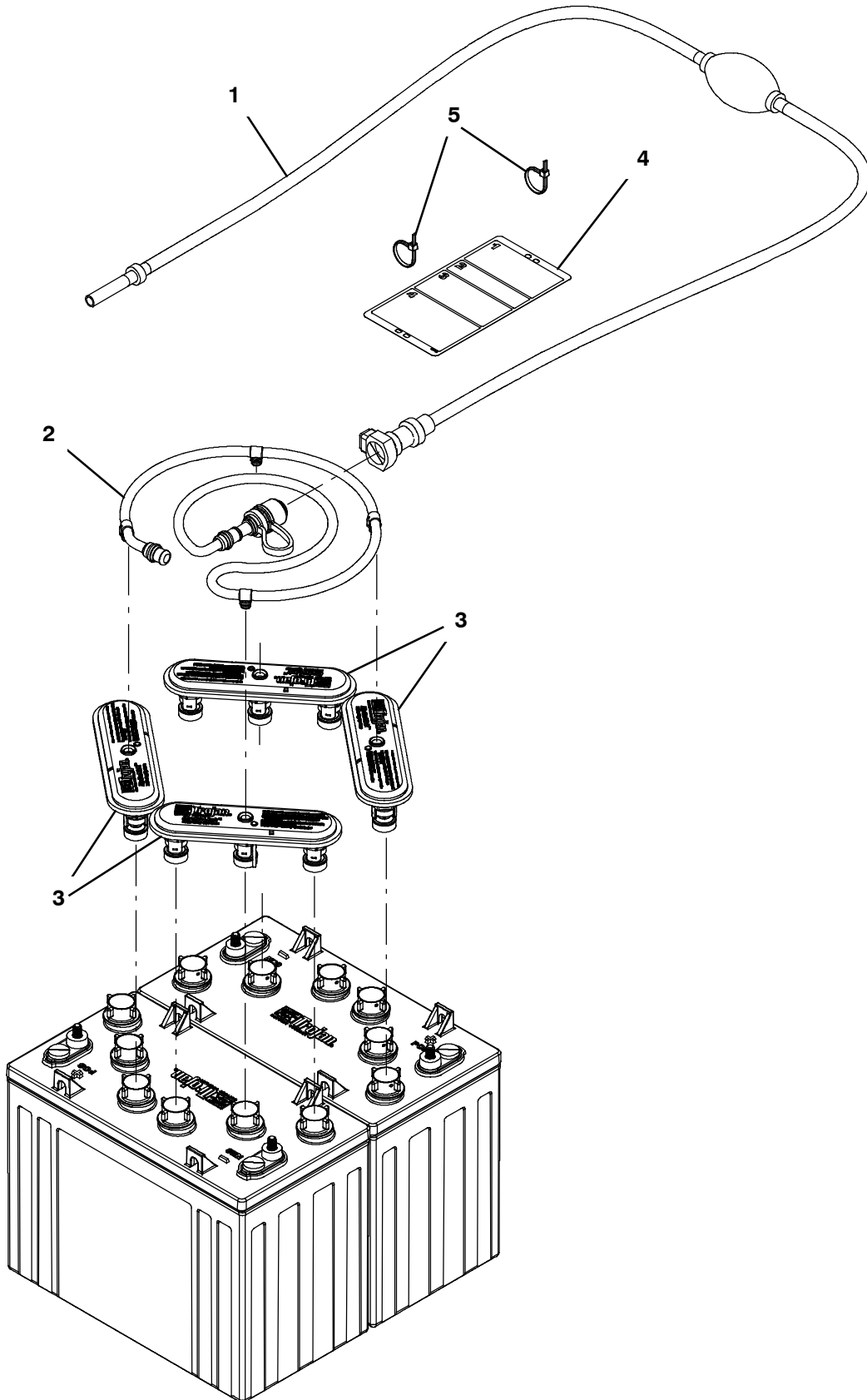
	Ref.	Part No.	Serial Number	Description	Qty.
▽		9014173	(10000000- 20000000)	Box Kit, Lift, Batt, Am [T300/E/Ss300] (Additional Battery Cable Kit May Also Be Required)	1
▲	1	1207816	(10000000- 20000000)	Box, Battery [Lift- Out]	1
▲	2	1212689	(10000000- 20000000)	Pad, Box, Battery	2
▲	3	1208697	(10000000- 20000000)	Strap, Pyp, Buckle, Friction	1
▲	4	130773	(10000000- 20000000)	Tie, Cable, Nyl, 11.0l, .14w, 3.0 Max. D	4
▲	5	1214509	(10000000- 20000000)	Bracket, Deflector, Battery	1
▲	6	1034731	(10000000- 20000000)	Screw, Hex, M6 X 1.00 X 16, Sems, Ss	4
▲	7	1074798	(10000000- 20000000)	Cable, Adaptor, Batt [Sb120- Sb50, Red] (Off- Board Charger Models Only)	1
▲	8	11329	(10000000- 20000000)	Screw, Hex, M6 X 1.00 X 16, NI, Ss	1
▲	9	01684	(10000000- 20000000)	Washer, Flat, 0.27b 0.69d .05, Ss	1

▽ ASSEMBLY

▲ INCLUDED IN ASSEMBLY

HYDROLINK® BATTERY WATERING SYSTEM KIT

355316



HYDROLINK® BATTERY WATERING SYSTEM KIT

	Ref.	Part No.	Serial Number	Description	Qty.
▽		9010300	(10000000- 20000000)	Battery Fill Kit, 24v, Ci [Hydrolink] (For Use Only With 155AH Trojan Batteries)	1
▲	1	1058939	(10000000- 20000000)	Pump Kit, Fill, Battery	1
▲	2	1070394	(10000000- 20000000)	Tube, Water, Battery, 24vdc [Trojan]	1
▲	3	1204142	(10000000- 20000000)	Cap, Fill, Battery [Trojan]	4
▲	4	1071084	(10000000- 20000000)	Label, Tag, Battery [Hydrolink Watering]	1
▲	5	130773	(10000000- 20000000)	Tie, Cable, Nyl, 11.0l, .14w, 3.0 Max. D	2

▽ ASSEMBLY

▲ INCLUDED IN ASSEMBLY

HYDROLINK® IS A REGISTERED TRADEMARK OF TROJAN BATTERY COMPANY.

DOCUMENTATION GROUP

Ref.	Part No.	Serial Number	Description	Qty.
	9014500	(10000000- 20000000)	Manual, Parts [T300, Na]	1
	9014501	(10000000- 20000000)	Manual, Oprtr [T300, En, Na]	1
	9014502	(10000000- 20000000)	Manual, Oprtr [T300, Es, Na]	1
	9014503	(10000000- 20000000)	Manual, Oprtr [T300, Fr, Na]	1
	9014504	(10000000- 20000000)	Instr, Wall Chart [T300, Na]	1
	9014510	(10000000- 20000000)	Manual, Service [T300/T300e, En]	1

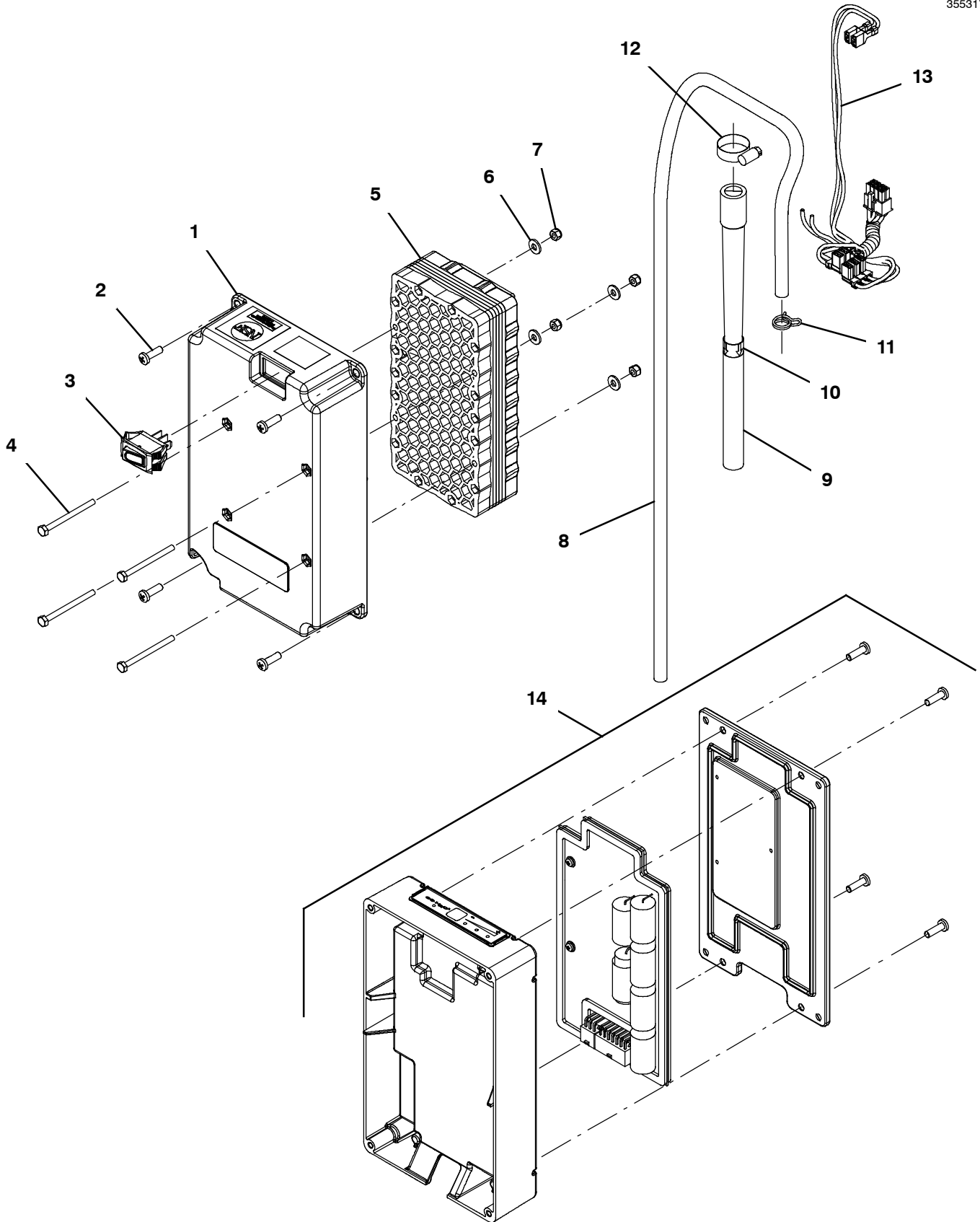


To view, print, order, download the latest Parts manual, other language Operator manuals, and Use and Care Guides (wall charts), visit:

www.tennantco.com/manual

ec- H2O NANOCLEAN MODULE BREAKDOWN

355317



ec- H2O NANOCLEAN MODULE BREAKDOWN

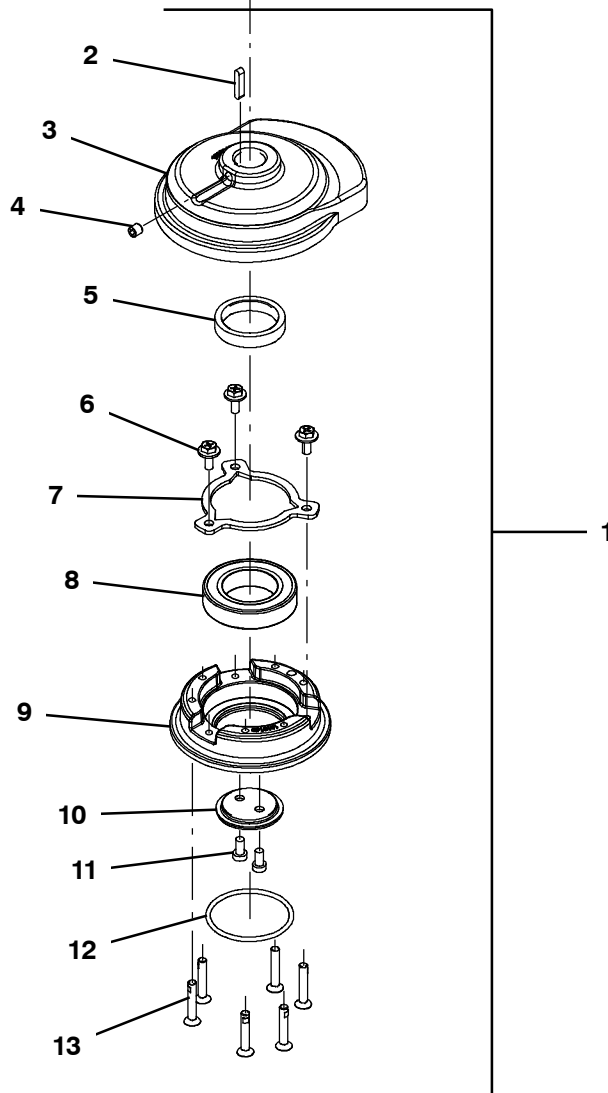
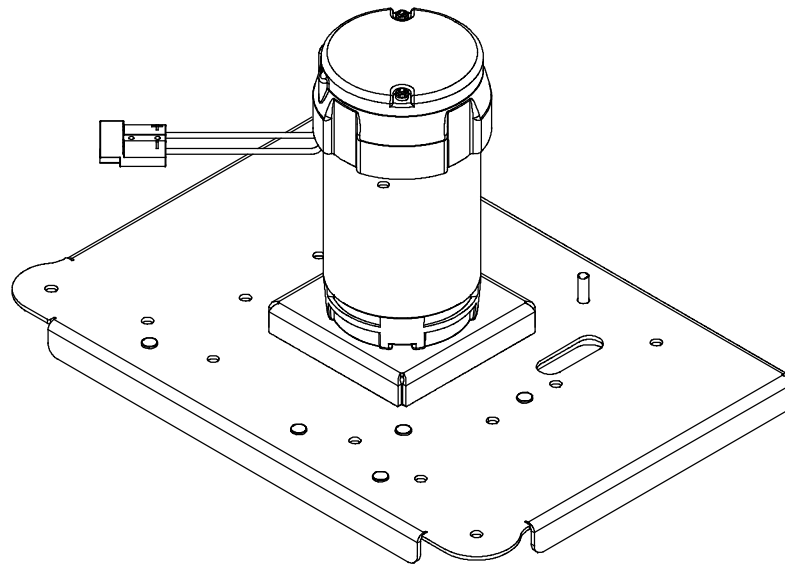
	Ref.	Part No.	Serial Number	Description	Qty.
▽		9011810	(00000000-) Module Kit, Replmt [Ec- H2o, B 02] (Includes ec- H2O NanoClean Cartridge)	1
▲▽		9014126	(00000000-) Ec- H2o Nc Kit [Module B, Plumbing]	1
▲▲	1	1208823	(00000000-) Housing, Module, Upper, Ec- H2o	1
▲▲	2	1015506	(00000000-) Screw, Pan, Phl, M5 X 16, Tcut [Plastic]	4
▲▲	3	1044393	(00000000-) Switch, Rocker, Spst, Mom	1
▲▲	4	32509	(00000000-) Screw, Hex, M4 X 0.70 X 50, Ss	4
▲▲	5	1208164	(00000000-) Electrode, 5 Plate, High Flow	1
▲▲	6	41579	(00000000-) Washer, Flat, 08, Ss	4
▲▲	7	33932	(00000000-) Nut, Hex, Lock, M4 X 0.70, NI, Ss	4
▲▲	8	1006415	(00000000-) Hose, Afmkt, Pvc, Clr, 0.25id, 03ft	1
▲▲	9	1208526	(00000000-) Hose, Molded, Bm08/Bm06	1
▲▲	10	1049637	(00000000-) Label, Direction [Ec- H2o]	1
▲▲	11	613735	(00000000-) Clamp, Hose, Wir, .40 - .42, Yel	1
▲▲	12	54333	(00000000-) Clamp, Hose, Wormdrive, 0.31- 0.88d, .31w	1
▲▲	13	1073286	(00000000-) Harness, Ele, Module B2 [Ec- H2o]	1
▲	14	9014127	(00000000-) Controller Kit, Replmt [Ec- H2o Nc] (Includes ec- H2O NanoClean Cartridge)	1

▽ ASSEMBLY

▲ INCLUDED IN ASSEMBLY

ORBITAL HEAD ECCENTRIC DRIVE BREAKDOWN

355337



ORBITAL HEAD ECCENTRIC DRIVE BREAKDOWN

	Ref.	Part No.	Serial Number	Description	Qty.
▽	1	9014175	(00000000-) Kit, Eccentric Assy, [T300]	1
▲	2	1014328	(00000000-) Key, Sq, 05mm X 05mm, 25mm	1
▲	3	N/A	(00000000-) Balance, Eccentric, Step [Machined]	1
▲	4	N/A	(00000000-) Screw, Set, M8 X 1.25 X 8, SS	1
▲	5	N/A	(00000000-) Spacer, Eccentric	1
▲	6	N/A	(00000000-) Screw, Hex, M6 X 1.00 X 16, Sems	3
▲	7	N/A	(00000000-) Plate, Retainer, Brg, Outer	1
▲	8	1206608	(00000000-) Bearing, Ball, 1.58b 2.68d 0.59w [2seal]	1
▲	9	N/A	(00000000-) Housing, Bearing, Outer [Machined]	1
▲	10	N/A	(00000000-) Retainer, Bearing, Inner [Qpq]	1
▲	11	N/A	(00000000-) Screw, Soc, M6 X 1.00 X 12, 8.8, Low	2
▲	12	1208266	(00000000-) O- Ring, 57.15 X 3.18, Nbr	1
▲	13	1212710	(00000000-) Screw, Flt, Soc, M6 X 1.00 X 35, 10.9,NI	6

▽ ASSEMBLY

▲ INCLUDED IN ASSEMBLY