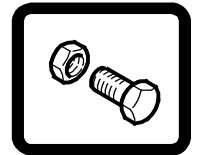




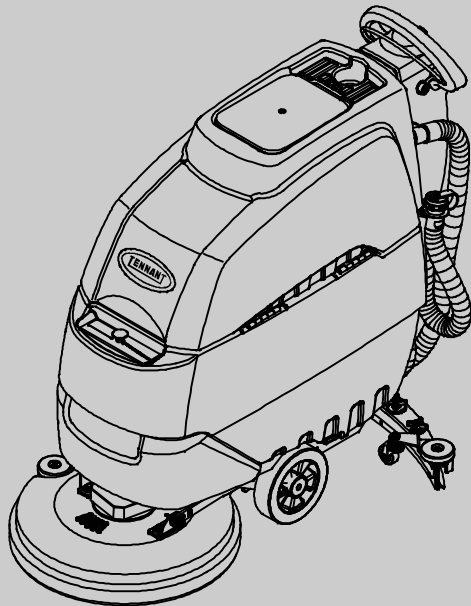
# T3e

Scrubber-Dryer

## Parts Manual



(S/N 3000000- 4000000)



**The Safe Scrubbing Alternative®**



For the latest Parts manuals and other language Operator manuals, visit:

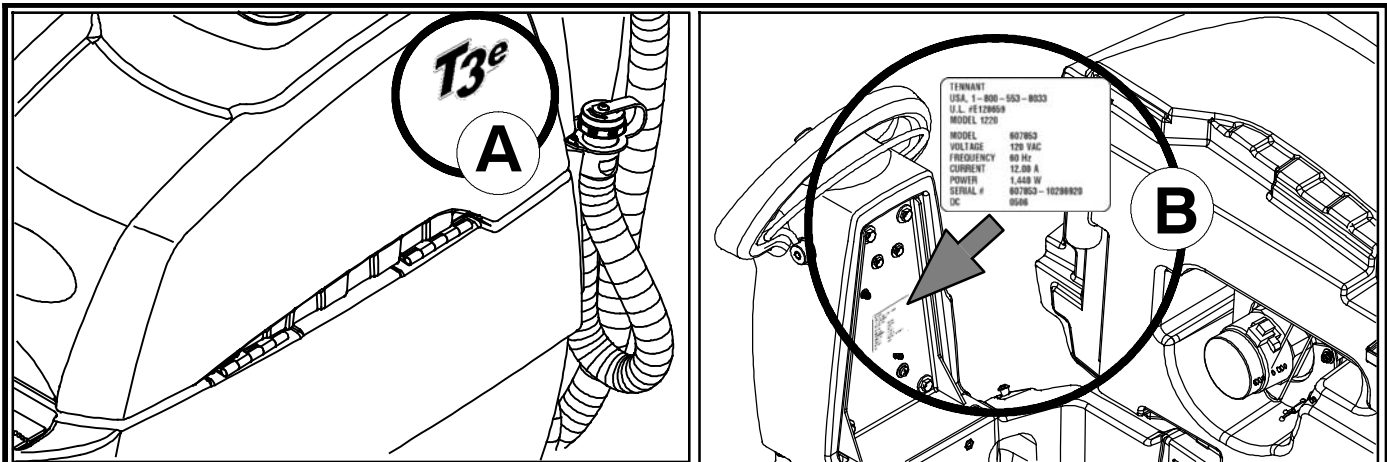
[www.tennantco.com/manuals](http://www.tennantco.com/manuals)

**International**

[www.tennantco.com](http://www.tennantco.com)

9012798  
Rev. 02 (11-2015)





Ref	Part No.	Serial Number	Description	Qty.
1	82681	(000000- )	Bracket W/dt, Lpg Mount	1
2	63810	(000000- )	Latch Assy, Lpg Tank Mtg, W/Nut	4
3	51839	(000000- )	Nut Adjustable, Lpg Tank Mtg	2
4	49263	(000000- )	Tie, Cable	3
5	82556	(000000- 001039)	Bracket, Vaporizer	1
6	54930	(000000- )	Vaporizer, LPG	1

**HOW TO ORDER PARTS - See diagram above**

Only use TENNANT Company supplied or equivalent parts. Parts and supplies may be ordered online, by phone, by fax or by mail.

Follow the steps below to ensure prompt delivery.

1. (A) Identify the machine model.
2. (B) Identify the machine serial number from the data label.
3. (C) Ensure the proper serial number is used from the parts list.
4. Identify the part number and quantity. Do not order by page or reference numbers.
5. Provide your name, company name, customer ID number, billing and shipping address, phone number and purchase order number.
6. Provide detail shipping instructions.

- (D) ▽ - identifies an assembly  
 ▲ - identifies parts included in assembly

**Please fill out at time of installation for future reference.**

Model No. - \_\_\_\_\_  
 Serial No. - \_\_\_\_\_  
 Machine Options - \_\_\_\_\_  
 Sales Rep. - \_\_\_\_\_  
 Sales Rep. phone no. - \_\_\_\_\_  
 Customer ID Number - \_\_\_\_\_  
 Installation Date - \_\_\_\_\_

**Tennant Company**  
 PO Box 1452  
 Minneapolis, MN 55440 USA  
 Phone: (800) 553- 8033 or  
 (763) 513- 2850  
 www.tennantco.com

**Tennant Cleaning Systems & Equipment Co., Ltd**  
 Building 1, No. 3777,  
 Caoying Road Qingpu Shanghai,  
 China 201712  
 Phone: (86- 21) 6922- 5333  
 Fax: (86- 21) 6922- 5151  
 www.tennantco.com.cn

**TENNANT Company Japan**  
 9F Industry & Trade Center  
 2 Yamashita-cho, Naka-ku  
 Yokohama, Kanagawa 231- 0023  
 Japan  
 Telephone: 81- 45- 640- 5630  
 Fax: 81- 45- 640- 5604  
 www.tennant.co.jp

Specifications and parts are subject to change without notice.

<b>CN</b>	<p><b>如何订购部件 - 参见下表</b></p> <p>仅使用 TENNANT 公司提供的或同等部件。部件和供应可以在线订购，通过电话、传真或邮件订购。请遵循下面的步骤确保及时交付。</p> <ol style="list-style-type: none"> <li>1. (A) 确定机器型号。</li> <li>2. (B) 从数据标签确定机器序列号。</li> <li>3. (C) 确保使用部件列表中的正确序列号。</li> <li>4. 确定部件号和数量。 不要按页面或参考编号订购。</li> <li>5. 提供您的姓名、公司名称、客户 ID 号、付帐和送货地址、电话号码和采购单编号。</li> <li>6. 提供详细的送货说明。</li> </ol> <hr/> <p>(D) ▽ - 确定组件 ▲ - 确定组件中包含的组件</p>	<p><b>请在安装时填写供未来参考。</b></p> <p>型号 - _____</p> <p>序列号 - _____</p> <p>机器选项 - _____</p> <p>销售代表 - _____</p> <p>销售代表电话号码 - _____</p> <p>客户 ID 编号 - _____</p> <p>安装日期 - _____</p>

<b>ES</b>	<p><b>CÓMO SOLICITAR PIEZAS - Consulte el diagrama anterior.</b></p> <p>Utilice sólo las piezas suministradas por TENNANT Company o piezas equivalentes. Puede solicitar las piezas a través de internet, por teléfono, por fax o por correo.</p> <p>Siga los siguientes pasos para que la entrega sea rápida.</p> <ol style="list-style-type: none"> <li>1. (A) Indique el modelo de máquina.</li> <li>2. (B) Indique el número de serie de la etiqueta de datos.</li> <li>3. (C) Asegúrese de que indica el número de serie correcto de la lista de piezas.</li> <li>4. Indique la cantidad y el número de la pieza. No realice el pedido indicando el número de página o el de referencia.</li> <li>5. Incluya su nombre, el nombre de la empresa, el ID de cliente, las direcciones de envío y facturación, el número de teléfono y el número del pedido de compra.</li> <li>6. Facilite instrucciones de envío.</li> </ol> <hr/> <p>(D) ▽ - identifica un conjunto ▲ - identifica piezas de un conjunto</p>	<p><b>Rellene estos datos cuando realice la instalación para utilizarlos como referencia en el futuro.</b></p> <p>Nº modelo - _____</p> <p>Nº serie - _____</p> <p>Opciones de la máquina - _____</p> <p>Vendedor - _____</p> <p>Nº teléfono vendedor - _____</p> <p>Nº cliente - _____</p> <p>Fecha de instalación - _____</p>

<b>JP</b>	<p><b>パーツの発注方法 ? 上記の図を参照してください</b></p> <p>TENNANT社製のパーツまたは同等品のみをお使いください。パーツやサプライ品のご注文は、オンライン、電話、FAX、または手紙でお願いいたします。確実にお届けできるように、以下の情報お知らせください。</p> <ol style="list-style-type: none"> <li>1. (A) 製品のモデル名をお知らせください。</li> <li>2. (B) 製品のデータラベルに印刷されているシリアル番号をお知らせください。</li> <li>3. (C) パーツリストを参照して、シリアル番号が正しいかご確認ください。</li> <li>4. パーツ番号と数量をお知らせください。マニュアル/カタログのページ番号や参照番号でのご注文はご遠慮ください。</li> <li>5. お客様のお名前、会社名、顧客ID番号、請求/発送先住所、電話番号、注文書番号をお知らせください。</li> <li>6. 発送に関するご希望があれば、明記してください。</li> </ol> <hr/> <p>(D) ▽ - アセンブリを示します ▲ - アセンブリに含まれるパーツを示します</p>	<p><b>後日確認できるように、設置時に記入してください。</b></p> <p>モデルNo. - _____</p> <p>シリアルNo. - _____</p> <p>製品のオプション - _____</p> <p>販売代理店 - _____</p> <p>販売代理店の電話番号 - _____</p> <p>顧客ID番号 - _____</p> <p>設置日 - _____</p>

# TABLE OF CONTENTS

GENERAL RECOMMENDED MAINTENANCE ITEMS .....	6
43 CM MODEL RECOMMENDED MAINTENANCE ITEMS .....	7
50 CM MODEL RECOMMENDED MAINTENANCE ITEMS .....	7
60 CM MODEL RECOMMENDED MAINTENANCE ITEMS .....	7

## STANDARD PARTS

REPLACEMENT BRUSH AND PAD DRIVER GROUP, 43 CM MODEL .....	8
REPLACEMENT BRUSH AND PAD DRIVER GROUP, 50 CM MODEL .....	10
REPLACEMENT BRUSH AND PAD DRIVER GROUP, 60 CM MODEL .....	12
RECOVERY TANK GROUP .....	14
VACUUM MOTOR GROUP .....	16
SOLUTION TANK GROUP .....	18
CONTROL CONSOLE GROUP, DRIVE MODEL .....	20
COMPONENT PANEL GROUP, DRIVE MODEL (S/N 30009696 - ) .....	22
COMPONENT PANEL GROUP, DRIVE MODEL (S/N 30000000 - 30009695) .....	24
CONTROL CONSOLE GROUP, BRUSH ASSIST MODEL .....	26
COMPONENT PANEL GROUP, BRUSH ASSIST MODEL (S/N 30009696 - ) .....	28
COMPONENT PANEL GROUP, BRUSH ASSIST MODEL (S/N 30000000 - 30009695) .....	30
WHEEL GROUP, BRUSH ASSIST MODEL .....	32
WHEEL GROUP, DRIVE MODEL .....	34
SCRUB HEAD GROUP, 43 cm MODEL .....	36
SCRUB HEAD GROUP, 50 cm MODEL .....	38
SCRUB HEAD GROUP, DUAL DISK, 60 cm MODEL .....	40
SCRUB HEAD LIFT GROUP, 43 cm MODEL ...	44
SCRUB HEAD LIFT GROUP, 50 cm MODEL ...	46
SCRUB HEAD LIFT GROUP, DUAL DISK 60 cm MODEL .....	48
SQUEEGEE GROUP, 500 mm .....	50

## STANDARD PARTS - CONT'D

SOLUTION GROUP, STANDARD MODEL .....	52
SOLUTION GROUP, ec-H2O MODEL .....	54
ec-H2O MODULE ASSEMBLY BREAKDOWN, 9007970 .....	58
SOLUTION GROUP, FaST MODEL .....	60
9008865 FAST INJECTOR ASSEMBLY BREAKDOWN, SINGLE DISK 43 CM & 50 CM MODELS .....	64
9008847 FAST INJECTOR ASSEMBLY BREAKDOWN, DUAL DISK 60 CM MODEL .....	65
BATTERY AND CABLE GROUP, 12V/105 AH, 43 cm BRUSH ASSIST MODEL .....	66
BATTERY AND CABLE GROUP, 12V/130 Ah, 50 cm BRUSH ASSIST MODEL .....	67
BATTERY AND CABLE GROUP, 12V/140 Ah, 50 cm BRUSH ASSIST MODEL .....	68
BATTERY AND CABLE GROUP, 12V/155 AH, 50 cm / 60cm DRIVE MODEL .....	69
ELECTRICAL DIAGRAM, BRUSH ASSIST STANDARD & FaST MODEL .....	70
ELECTRICAL DIAGRAM, DRIVE STANDARD & FaST MODEL .....	71
ELECTRICAL DIAGRAM, BRUSH ASSIST ec-H2O MODEL .....	72
ELECTRICAL DIAGRAM, DRIVE ec-H2O MODEL .....	73
WIRE HARNESS GROUP, ec- H2O OPTION ...	74
WIRE HARNESS GROUP, FAST OPTION .....	76
WIRE HARNESS GROUP, FRAME, DRIVE MODEL .....	77
WIRE HARNESS GROUP, MAIN, BRUSH ASSIST MODEL .....	78
WIRE HARNESS GROUP, MAIN, BRUSH ASSIST MODEL (AUSTRALIAN MODEL) .....	80
WIRE HARNESS GROUP, MAIN, DRIVE MODEL .....	82
WIRE HARNESS GROUP, MAIN, DRIVE MODEL (AUSTRALIAN MODEL) .....	84

**OPTIONS**

ON-BOARD BATTERY CHARGER GROUP,  
STANDARD & FaST MODEL ..... 86

ON-BOARD BATTERY CHARGER GROUP,  
ec-H2O MODEL ..... 88

OFF-BOARD BATTERY CHARGER GROUP ... 90

OFF-BOARD BATTERY CHARGER GROUP  
(KOREAN MODEL) ..... 91

OFF-BOARD BATTERY CHARGER GROUP, 24V  
15A 50Hz (CHINA MODEL) ..... 92

OFF-BOARD BATTERY CHARGER GROUP, 24V  
11A 50/60Hz (CHINA MODEL) ..... 93

PARKING BRAKE GROUP ..... 94

EMERGENCY STOP BUTTON GROUP ..... 95

DOCUMENTATION GROUP ..... 96

# RECOMMENDED MAINTENANCE ITEMS

## GENERAL RECOMMENDED MAINTENANCE ITEMS

	Part No.	Serial Number	Description	Qty.
▽	9009284	(30000000- 40000000 )	Squeegee Assy Kit, 500mm, Ci	1
▲	1010560	(30000000- 40000000 )	Wheel, Bmpr, 80d X 25w, Non- Marking	2
▲	1006343	(30000000- 40000000 )	Caster, Swivel, 50mmd, M10 X 30 Stem, Pl	2
▲	1057611	(30000000- 40000000 )	Blade, Sqge,Front,784l, Linatex[500mm Ch] (Standard)	1
	1014091	(30000000- 40000000 )	Blade, Sqge, Front, 500mml, Gum (Optional)	1
	1014092	(30000000- 40000000 )	Blade, Sqge, Front, 500mml, Oil- Rstn (Optional)	1
▲	1011456	(30000000- 40000000 )	Blade, Sqge, Rear, 32.7l, Linatex[500mm] (Standard)	1
	1014093	(30000000- 40000000 )	Blade, Sqge, Rear, 32.7l, Gum [500mm] (Optional)	1
	1014094	(30000000- 40000000 )	Blade, Sqge, Rear, 32.7l, Oil- Rstn[500mm] (Optional)	1
▲	1013933	(30000000- 40000000 )	Strap Assy, Sqge, 500mm	1
	1014079	(30000000- 40000000 )	Clip, Hose, Gripper, 1.50id, Dbl, Blk Pp	1
	1207882	(30000000- 40000000 )	Hose, Vacuum, 1.50id X 057.1l, 2cuff, Pu	1
▽	1043538	(30000000- 40000000 )	Hose Assy, Drain, 1.50id X 29.5l, Blk	1
▲▽	1008639	(30000000- 40000000 )	Cap, Drain Assy	1
▲▲	1019563	(30000000- 40000000 )	Strap, Cap, Drain	1
	630367	(30000000- 40000000 )	Seal, .50, .50w 33.9l, Adh [D Shape]	1
	630052	(30000000- 40000000 )	Float, Shut- Off, (2)Ball, 1.75d	1
	1013628	(30000000- 40000000 )	Gasket, Mtg, Float, .125th, Neo, Adh	1
	1037106	(30000000- 40000000 )	Gasket, Adapter, Hose .13, Neo	1
	100038	(30000000- 40000000 )	Gasket, Vacuum Mtr 5.7 Epdm W/Psa	1
	1012965	(30000000- 40000000 )	Cap, Port, Soltn Fill	1
	1029829	(30000000- 40000000 )	Hose, Drain, Soltn Tank [Ss3]	1
	1060173	(30000000- 40000000 )	Cover Assy, Tank, Soltn Fill	1
	1026345	(30000000- 40000000 )	Caster, Swivel, 80mm D, M12 X 25 Stem	2
	1014283	(30000000- 40000000 )	Pad, Adh, Non- Slip, 28mm X 36mm, Blk	1
	1039988	(30000000- 40000000 )	Orifice, Plug, .027 (For Injector 9008865)	1
	1039989	(30000000- 40000000 )	Plug, Orifice, 0.030, Ss [Fast li+] (For Injector 9008847)	1
	1017015	(30000000- 40000000 )	Fast 365 2 Ltr, Detergent	1
	1017022	(30000000- 40000000 )	Detergent, Pkg, 2 Liter, Sgl [665]	1
	1047470	(30000000- 40000000 )	Fuse, Blade, 010a, 32vdc, Red (ec- H2O Model)	1
	1016039	(30000000- 40000000 )	Fuse, Blade, 007.5a, 32vdc (Fast Model)	1
	1016040	(30000000- 40000000 )	Fuse, Blade, 025a, 32vdc (Main Brush Assist Model)	1
	762516	(30000000- 40000000 )	Fuse, Blade, 030a, 32vdc [Atof] (Main Brush Assist Model)	1
	1016040	(30000000- 40000000 )	Fuse, Blade, 025a, 32vdc (Main Drive Model)	1
	762516	(30000000- 40000000 )	Fuse, Blade, 030a, 32vdc (Main Drive Model)	1
	1017251	(30000000- 40000000 )	Seal, Bulb, 90, 0.49d .08- .09grip 022.2l	1

# RECOMMENDED MAINTENANCE ITEMS

## 43 CM MODEL RECOMMENDED MAINTENANCE ITEMS

Ref.	Part No.	Serial Number	Description	Qty.
	1016764	(30000000- 40000000 )	Brush Assy, Disk, 43cm/17inch, (White- Soft Nylon)	1
	1016765	(30000000- 40000000 )	Brush Assy, Disk, 43cm/17inch, (Black- Polypropylene)	1
	1016763	(30000000- 40000000 )	Brush Assy, Disk, 43cm/17inch, (Gray- Abrasive)	1
	1050273	(30000000- 40000000 )	Pad, Polish, 17.0d, White [1pick=1pad]	1
	1050271	(30000000- 40000000 )	Pad, Buff, 17.0d, Red [1pick=1pad]	1
	1050270	(30000000- 40000000 )	Pad, Scb, 17.0d, Blue [1pick=1pad]	1
	1050267	(30000000- 40000000 )	Pad, Stripping, 17.0d, Brown[1pick=1pad]	1
	1050262	(30000000- 40000000 )	Pad, Stripping, 17.0d[Hi Pro,1pick=1pad]	1
	1051028	(30000000- 40000000 )	Pad, Surf Prep, 17.0d [Mar, 1pick=1pad]	1

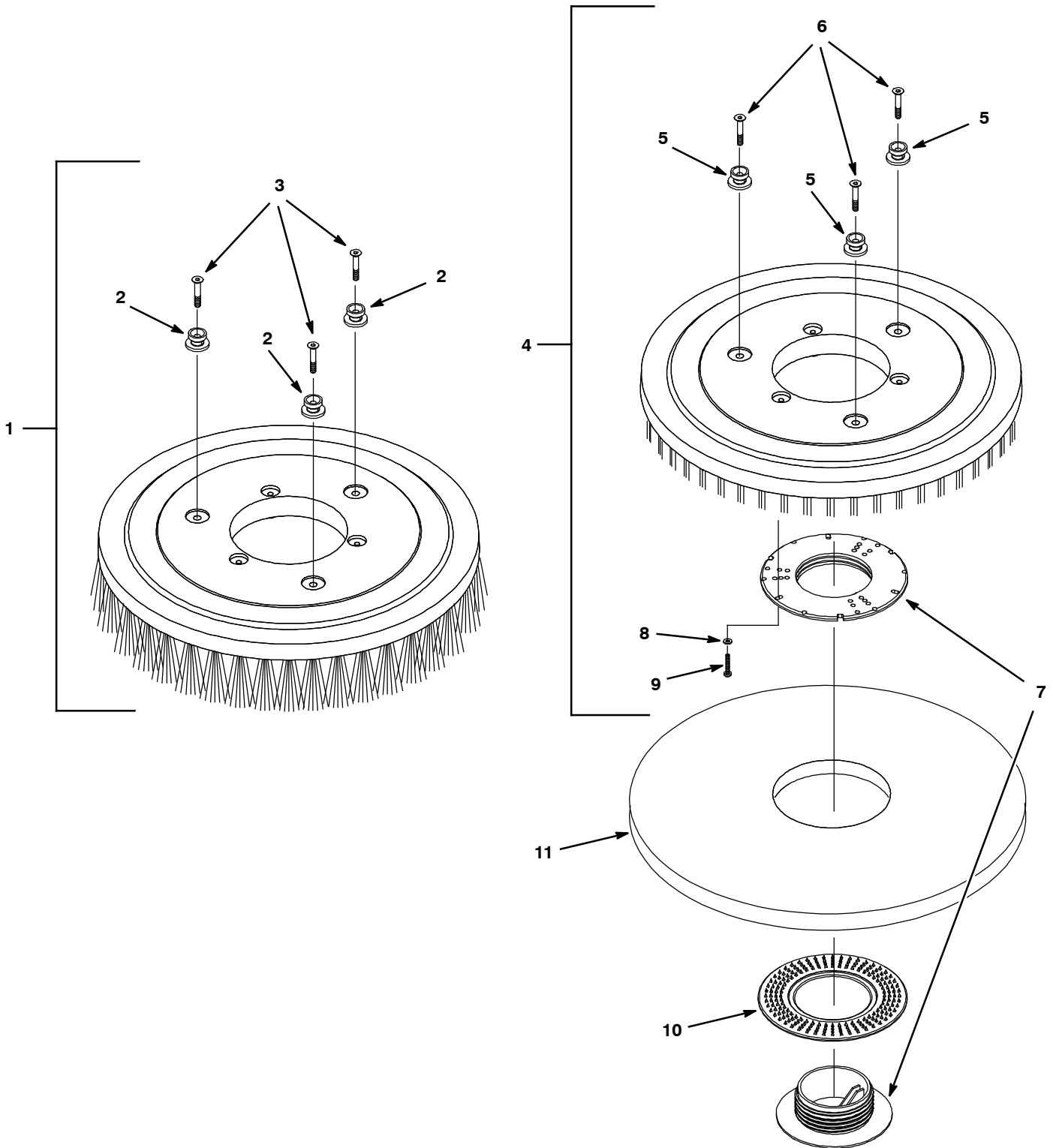
## 50 CM MODEL RECOMMENDED MAINTENANCE ITEMS

Ref.	Part No.	Serial Number	Description	Qty.
	1016810	(30000000- 40000000 )	Brush Assy, Disk, 50cm/20inch, (White- Soft Nylon)	1
	1016811	(30000000- 40000000 )	Brush Assy, Disk, 50cm/20inch, (Black- Polypropylene)	1
	1016805	(30000000- 40000000 )	Brush Assy, Disk, 50cm/20inch, (Gray- Abrasive)	1
	17260	(30000000- 40000000 )	Pad, Polish, 20.0d, White [1pick=1pad]	1
	17261	(30000000- 40000000 )	Pad, Buff, 20.0d, Red [1pick=1pad]	1
	17262	(30000000- 40000000 )	Pad, Scb, 20.0d, Blu [1pick=1pad]	1
	17263	(30000000- 40000000 )	Pad, Stripping, 20.0d, Brown[1pick=1pad]	1
	370094	(30000000- 40000000 )	Pad, Stripping, 20.0d[Hi Prod,1pick=1pad]	1
	1051030	(30000000- 40000000 )	Pad, Surf Prep, 20.0d [Mar, 1pick=1pad]	1

## 60 CM MODEL RECOMMENDED MAINTENANCE ITEMS

Ref.	Part No.	Serial Number	Description	Qty.
	1056306	(30000000- 40000000 )	Brush Assy, Disk, Scb, 12.0d, 3- Lug, Nyl (White- Soft Nylon)	2
	1056313	(30000000- 40000000 )	Brush Assy, Disk, Scb, 12.0d, 3- Lug, Pyp (Black- Polypropylene)	2
	1063297	(30000000- 40000000 )	Brush Assy, Disk, Scb, 12.0d, 3- Lug, Abr (Gray- Abrasive)	2
	385940	(30000000- 40000000 )	Pad, Polish, 12.0d, White [1pad=1pc]	2
	385941	(30000000- 40000000 )	Pad, Buff, 12.0d, Red [1pad=1pc]	2
	385942	(30000000- 40000000 )	Pad, Scb, 12.0d, Blu [1pick = 1 Pad]	2
	385943	(30000000- 40000000 )	Pad, Stripping, 12.0d, Brown [1pad=1pc]	2
	1063334	(30000000- 40000000 )	Pad, Stripping, 12.0d [Hi- Prod] Blk	2
	1051020	(30000000- 40000000 )	Pad, Surf Prep, 12.0d [Mar, 1pick=1pad]	2

REPLACEMENT BRUSH AND PAD DRIVER GROUP, 43 CM MODEL

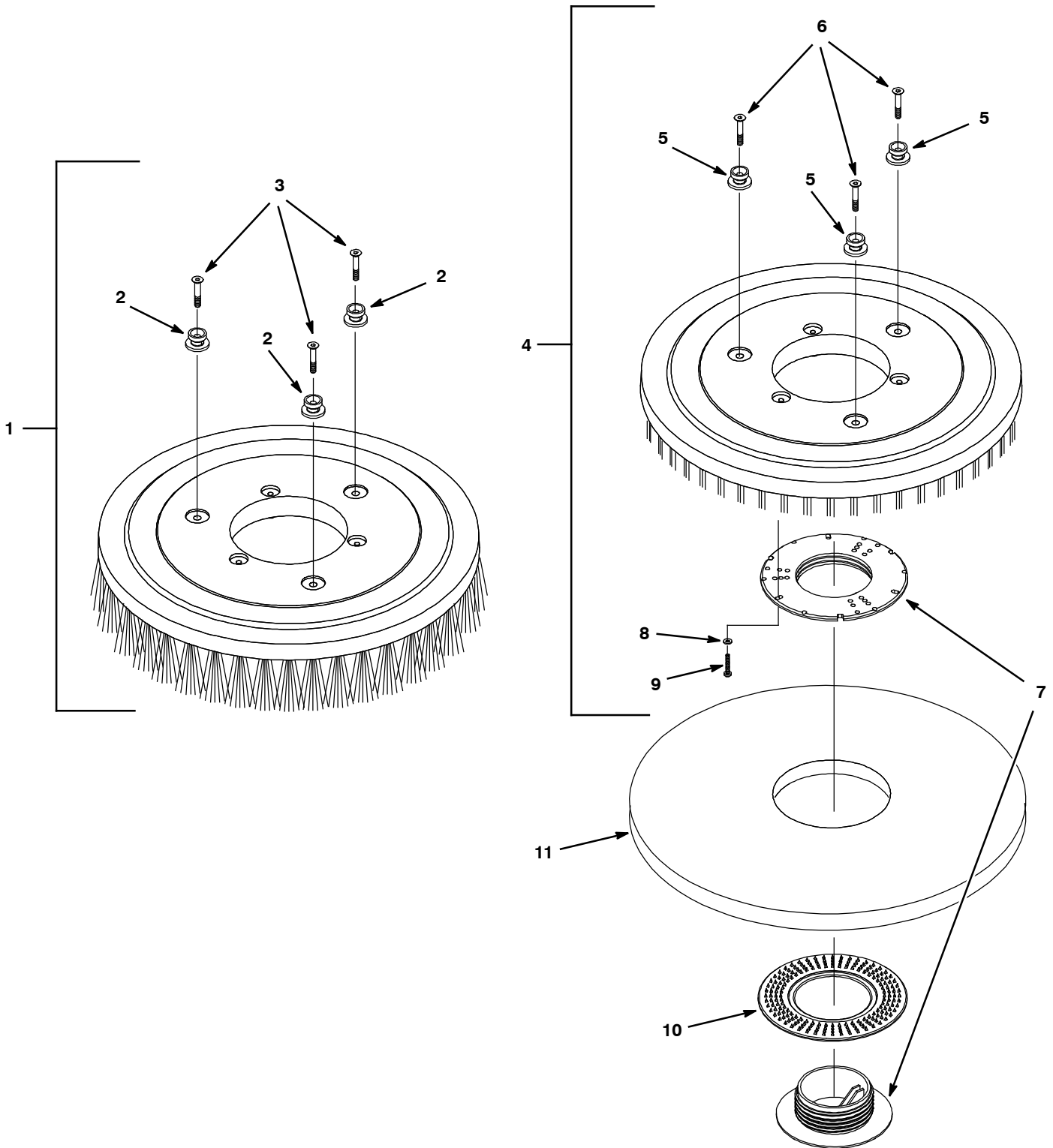




## REPLACEMENT BRUSH AND PAD DRIVER GROUP, 43 CM MODEL

Ref.	Part No.	Serial Number	Description	Qty.
1	1016763	(30000000- 40000000 )	Brush Assy, Disk, Scb, 17.0d, Abr (Gray- Abrasive)	1
1	1016764	(30000000- 40000000 )	Brush Assy, Disk, Scb, 17.0d, Nyl (White- Soft Nylon)	1
1	1016765	(30000000- 40000000 )	Brush Assy, Disk, Scb, 17.0d, Pyp (Black- Polypropylene)	1
2	1013018	(30000000- 40000000 )	Stud, Drive, Brush Pad	3
3	1021316	(30000000- 40000000 )	Screw, Flt, Phl, M6 X 1.00 X 35, Ss	3
4	1016813	(30000000- 40000000 )	Driver Assy, Pad, 43cm/17inch	1
5	1013018	(30000000- 40000000 )	Stud, Drive, Brush Pad	3
6	1021316	(30000000- 40000000 )	Screw, Flt, Phl, M6 X 1.00 X 35, Ss	3
7	32506	(30000000- 40000000 )	Device, Centering, Rh Pad Retainer	1
8	41579	(30000000- 40000000 )	Washer, Flat, #08, Ss	3
9	04403	(30000000- 40000000 )	Screw, Pan, M4 X 0.7 X 25, Ss, NI	3
10	32505	(30000000- 40000000 )	Washer, Flat, 3.60b 5.65d .06, Brush Pad	1
11	1050273	(30000000- 40000000 )	Pad, Polish, 17.0d, White [1pick=1pad]	1
11	1050271	(30000000- 40000000 )	Pad, Buff, 17.0d, Red [1pick=1pad]	1
11	1050270	(30000000- 40000000 )	Pad, Scb, 17.0d, Blue [1pick=1pad]	1
11	1050267	(30000000- 40000000 )	Pad, Stripping, 17.0d, Brown[1pick=1pad]	1
11	1050262	(30000000- 40000000 )	Pad, Stripping, 17.0d[Hi Pro,1pick=1pad]	1
11	1051028	(30000000- 40000000 )	Pad, Surf Prep, 17.0d [Mar, 1pick=1pad]	1

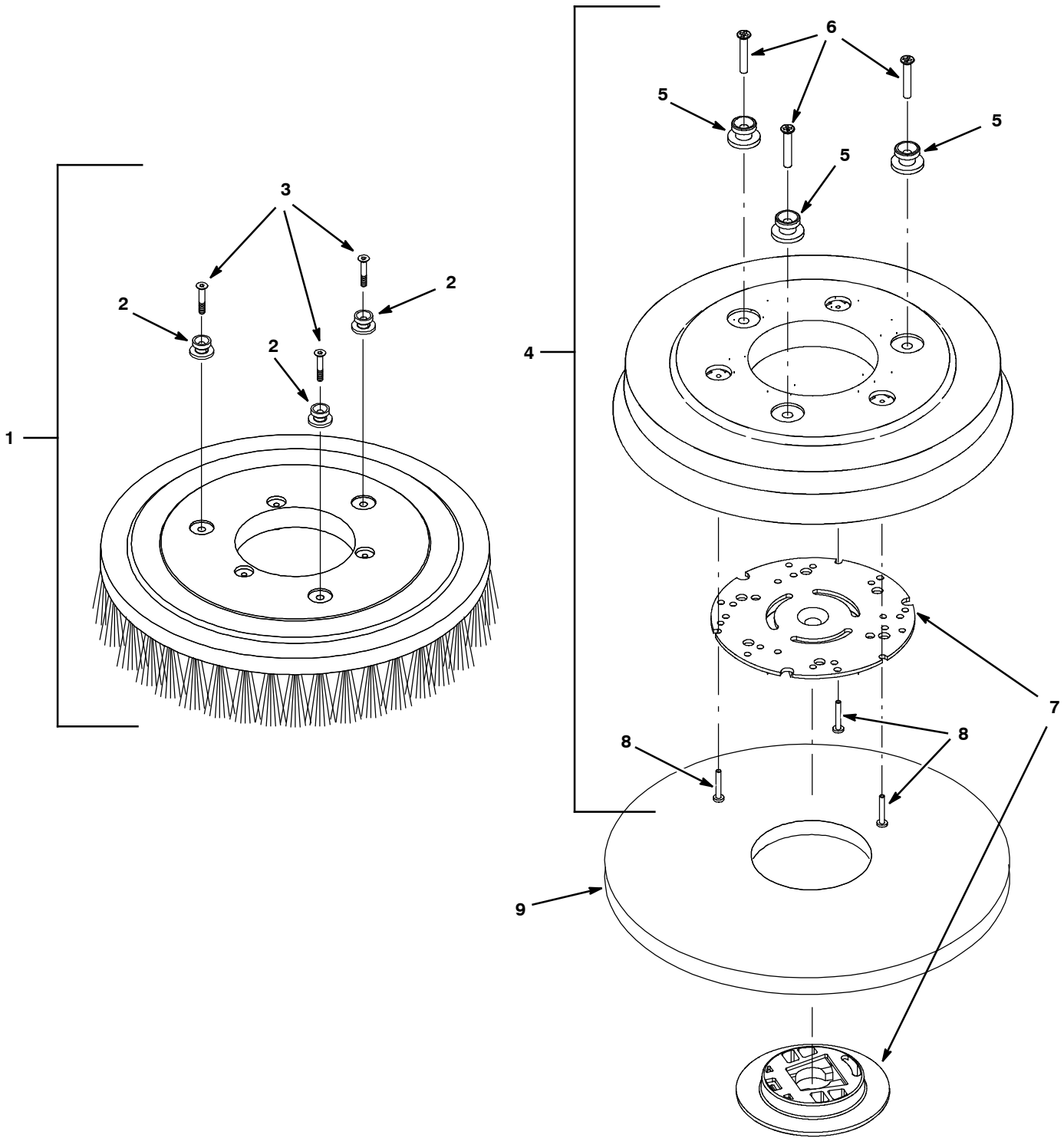
REPLACEMENT BRUSH AND PAD DRIVER GROUP, 50 CM MODEL



REPLACEMENT BRUSH AND PAD DRIVER GROUP, 50 CM MODEL

Ref.	Part No.	Serial Number	Description	Qty.
1	1016805	(30000000- 40000000 )	Brush Assy, Disk, Scb, 20.0d, Abr (Gray- Abrasive)	1
1	1016810	(30000000- 40000000 )	Brush Assy, Disk, Scb, 20.0d, Nyl (White- Soft Nylon)	1
1	1016811	(30000000- 40000000 )	Brush Assy, Disk, Scb, 20.0d, Pyp (Black- Polypropylene)	1
2	1013018	(30000000- 40000000 )	Stud, Drive, Brush Pad	3
3	1021316	(30000000- 40000000 )	Screw, Flt, Phl, M6 X 1.00 X 35, Ss	3
4	1016814	(30000000- 40000000 )	Driver Assy, Pad, 50cm/20inch	1
5	1013018	(30000000- 40000000 )	Stud, Drive, Brush Pad	3
6	1021316	(30000000- 40000000 )	Screw, Flt, Phl, M6 X 1.00 X 35, Ss	3
7	32506	(30000000- 40000000 )	Device, Centering, Rh Pad Retainer	1
8	41579	(30000000- 40000000 )	Washer, Flat, #08, Ss	3
9	04403	(30000000- 40000000 )	Screw, Pan, M4 X 0.7 X 25, Ss, NI	3
10	32505	(30000000- 40000000 )	Washer, Flat, 3.60b 5.65d .06, Brush Pad	1
11	17260	(30000000- 40000000 )	Pad, Polish, 20.0d, White [1pick=1pad]	1
11	17261	(30000000- 40000000 )	Pad, Buff, 20.0d, Red [1pick=1pad]	1
11	17262	(30000000- 40000000 )	Pad, Scb, 20.0d, Blu [1pick=1pad]	1
11	17263	(30000000- 40000000 )	Pad, Stripping, 20.0d, Brown[1pick=1pad]	1
11	370094	(30000000- 40000000 )	Pad, Stripping, 20.0d[Hi Prod,1pick=1pad]	1
11	1051030	(30000000- 40000000 )	Pad, Surf Prep, 20.0d [Mar, 1pick=1pad]	1

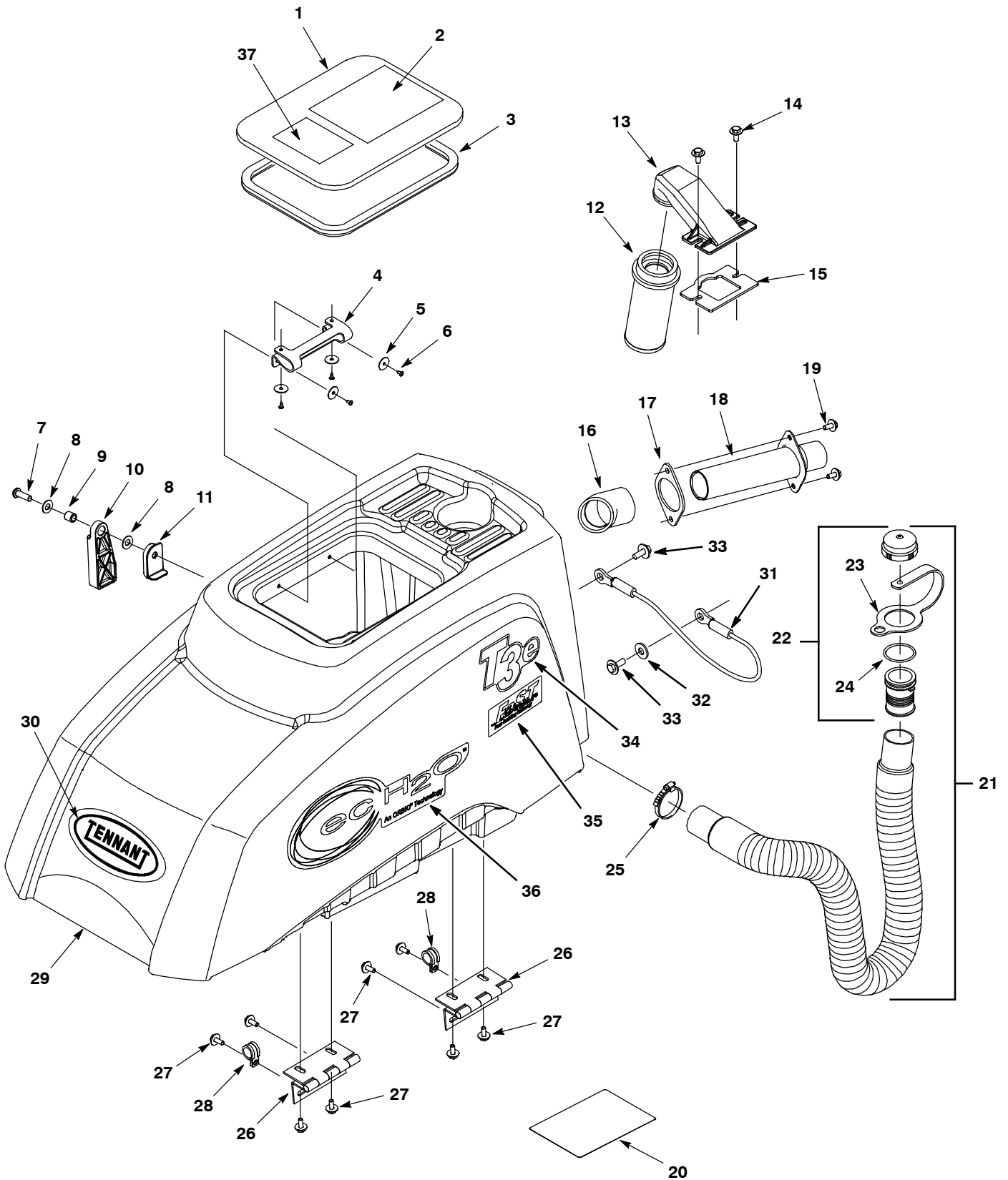
REPLACEMENT BRUSH AND PAD DRIVER GROUP, 60 CM MODEL



## REPLACEMENT BRUSH AND PAD DRIVER GROUP, 60 CM MODEL

Ref.	Part No.	Serial Number	Description	Qty.
1	1063297	(30000000- 40000000 )	Brush Assy, Disk, Scb, 12.0d, 3- Lug, Abr (Gray- Abrasive)	2
1	1056306	(30000000- 40000000 )	Brush Assy, Disk, Scb, 12.0d, 3- Lug, Nyl (White- Soft Nylon)	2
1	1056313	(30000000- 40000000 )	Brush Assy, Disk, Scb, 12.0d, 3- Lug, Pyp (Black- Polypropylene)	2
2	1055558	(30000000- 40000000 )	Mount, Lug, Pad- Driver [T3]	3
3	1021316	(30000000- 40000000 )	Screw, Flt, Phl, M6 X 1.00 X 35, Ss	3
4	1054856	(30000000- 40000000 )	Driver Assy, Pad, 12", 3- Lug	2
5	1055558	(30000000- 40000000 )	Mount, Lug, Pad- Driver [T3]	3
6	1021316	(30000000- 40000000 )	Screw, Flt, Phl, M6 X 1.00 X 35, Ss	3
7	370095	(30000000- 40000000 )	Device, Centering, Clip On, TI [Gf Pp]	2
8	04403	(30000000- 40000000 )	Screw, Pan, M4 X 0.7 X 25, Ss, NI	3
9	385940	(30000000- 40000000 )	Pad, Polish, 12.0d, White [1pad=1pc]	2
9	385941	(30000000- 40000000 )	Pad, Buff, 12.0d, Red [1pad=1pc]	2
9	385942	(30000000- 40000000 )	Pad, Scb, 12.0d, Blu [1pick = 1 Pad]	2
9	385943	(30000000- 40000000 )	Pad, Stripping, 12.0d, Brown [1pad=1pc]	2
9	1063334	(30000000- 40000000 )	Pad, Stripping, 12.0d [Hi- Prod] Blk	2
9	1051020	(30000000- 40000000 )	Pad, Surf Prep, 12.0d [Mar, 1pick=1pad]	2

RECOVERY TANK GROUP



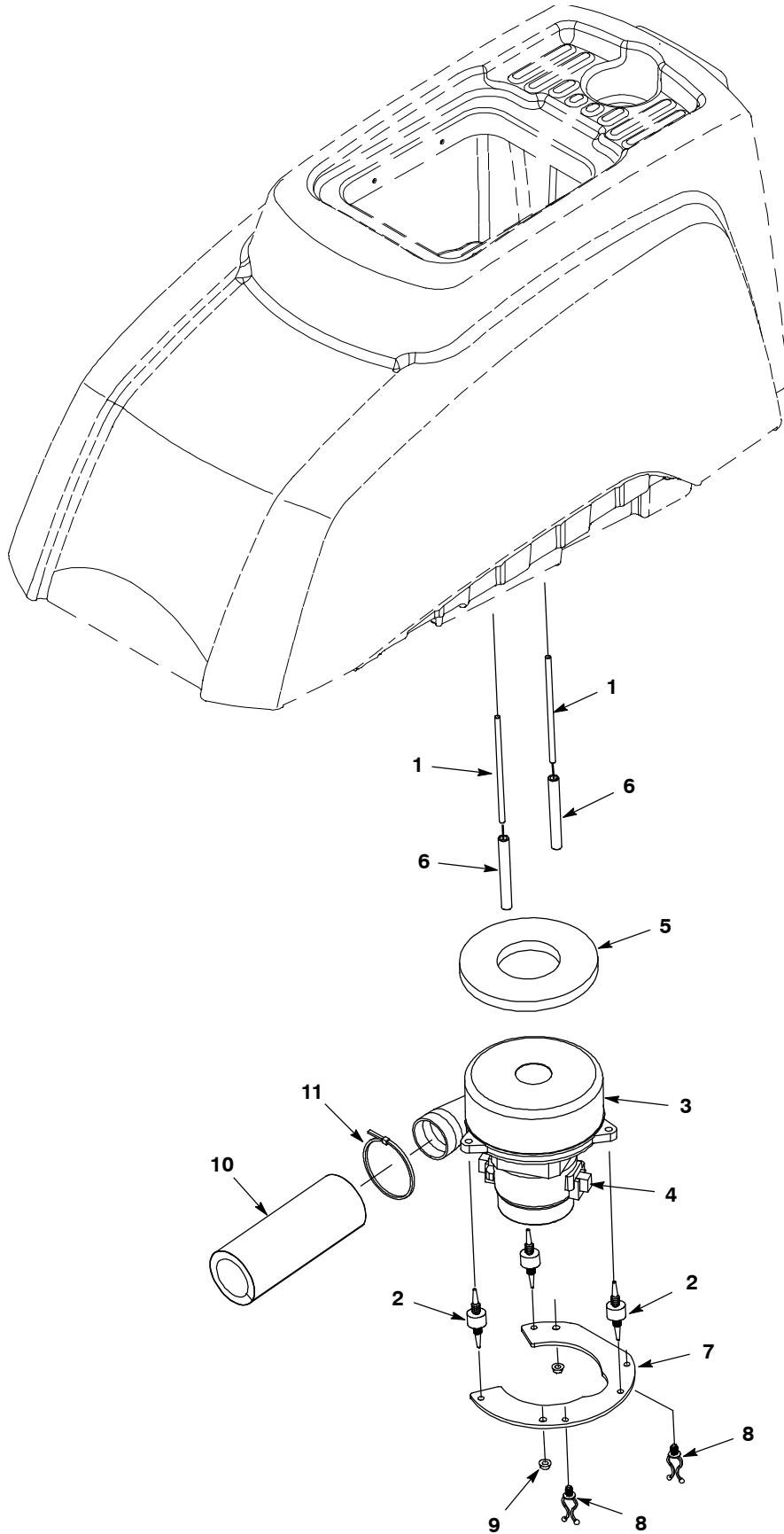
## RECOVERY TANK GROUP

Ref.	Part No.	Serial Number	Description	Qty.
▽	1	9003397	(30000000- 40000000 ) Lid Assy, W/ Label [En/Es/Fr/Ch]	1
▲	2	1037349	(30000000- 40000000 ) Label, Warning [Exp,Fre,Shk En/Fr/Es/Ch]	1
▲	3	630367	(30000000- 40000000 ) Seal, .50, .50w 33.9l, Adh [D Shape]	1
	4	630056	(30000000- 40000000 ) Hinge, Cover, Tank Lid	1
	5	1009168	(30000000- 40000000 ) Washer, Flat, 0.17b 0.75d .04, Ss	4
	6	3701.6	(30000000- 40000000 ) Screw, Pan, #06- 32 X 0.38, Phl Ss Shtmtl	4
	7	1039118	(30000000- 40000000 ) Screw, Btn, M8 X 1.25 X 30, Blk	1
	8	140027	(30000000- 40000000 ) Washer, Flat, 0.35b 0.75d .04, Ss	2
	9	222460	(30000000- 40000000 ) Sleeve, P/M, 0.31b 0.50d 0.5l	1
	10	1022399	(30000000- 40000000 ) Support, Tank, Prop, Blk, Nyl	1
	11	1022904	(30000000- 40000000 ) Bracket, Sppt, Stop, Blk, Nyl	1
	12	630052	(30000000- 40000000 ) Float, Shut- Off, (2)Ball, 1.75d	1
	13	1011777	(30000000- 40000000 ) Mount, Float, Mold	1
	14	1034731	(30000000- 40000000 ) Screw, Hex, M6 X 1.00 X 16, Sems, Ss	2
	15	1013628	(30000000- 40000000 ) Gasket, Mtg, Float, .125th, Neo, Adh	1
	16	1028801	(30000000- 40000000 ) Fitting, Plstc, E45, 1.25	1
	17	1024602	(30000000- 40000000 ) Gasket, Adapter, Hose .13, Neo, Adh	1
	18	1021214	(30000000- 40000000 ) Tube, Hose, Adapter, 1.5d	1
	19	1034731	(30000000- 40000000 ) Screw, Hex, M6 X 1.00 X 16, Sems, Ss	2
	20	1014154	(30000000- 40000000 ) Label, Instr, Battery	1
▽	21	1043538	(30000000- 40000000 ) Hose Assy, Drain, 1.50id X 29.5l, Blk	1
▲▽	22	1008639	(30000000- 40000000 ) Cap, Drain Assy	1
▲▲	23	1019563	(30000000- 40000000 ) Strap, Cap, Drain	1
▲▲	24	1008637	(30000000- 40000000 ) Seal, Org, 1.48id 1.76od	1
	25	11531	(30000000- 40000000 ) Clamp, Hose, Wormdrive, 1.06- 2.00d, .56w	1
	26	1012540	(30000000- 40000000 ) Hinge, 6mmpin 2.5mm Th 73.5mmw 100mml	2
	27	1034731	(30000000- 40000000 ) Screw, Hex, M6 X 1.00 X 16, Sems, Ss	8
	28	1016354	(30000000- 40000000 ) Clamp, Cable, Ss, 0.50d X 0.50w [Insul]	2
	29	1030382	(30000000- 40000000 ) Tank, Recvy, Rm- TI, Trimmed [T3e/Ss3]	1
	30	120192	(30000000- 40000000 ) Label, Logo, Oval, 07.06l,White[Tennant]	1
	31	140960	(30000000- 40000000 ) Cable, Glv .13d 014.5l .34eye /.34eye	1
	32	01684	(30000000- 40000000 ) Washer, Flat, 0.25 Ss	1
	33	1034731	(30000000- 40000000 ) Screw, Hex, M6 X 1.00 X 16, Sems, Ss	2
	34	1030164	(30000000- 40000000 ) Label, Side [T3e]	2
	35	1062814	(30000000- 40000000 ) Label, Logo, 06.1l White / TI [Fast]	2
	36	1062813	(30000000- 40000000 ) Label, Logo, 12.3l 4color [Ec- H2o]	2
	37	1068925	(30000000- 40000000 ) Label, Do Not Add Detgt[Ec- H20]	1

▽ ASSEMBLY

▲ INCLUDED IN ASSEMBLY

VACUUM MOTOR GROUP





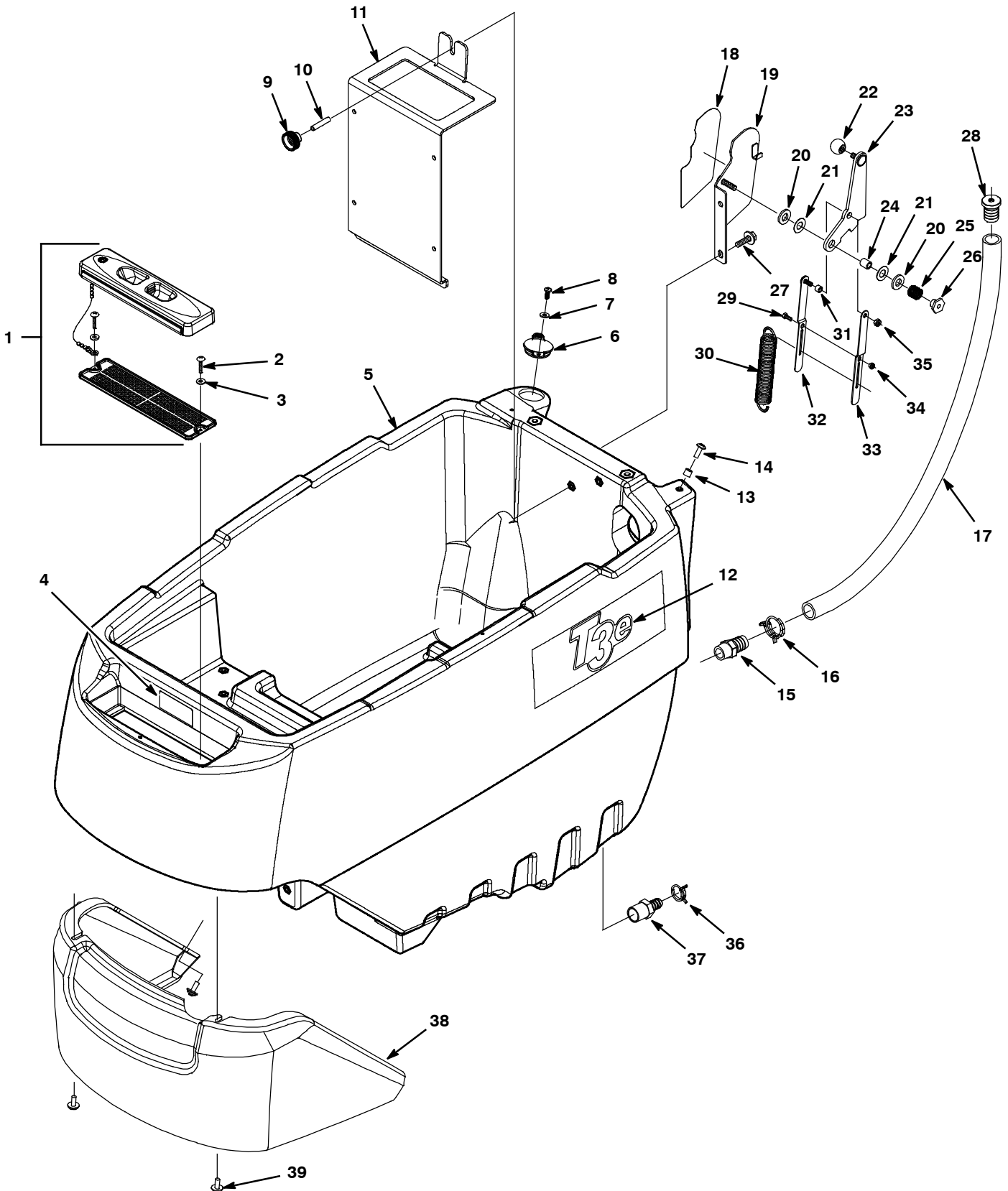
VACUUM MOTOR GROUP

Ref.	Part No.	Serial Number	Description	Qty.
1	1015412	(30000000- 40000000 )	Rod, Thrd, Full, M6x1.0, 140l	2
2	1062016	(30000000- 40000000 )	Isolator, Vib, .75d	3
▽	3	9011043	(30000000- 40000000 ) Motor Kit, Vacuum, 24vdc [T3e] (High Performance Option- Standard for All Markets Except NA)	1
▲	4	372883	(30000000- 40000000 ) Vr, Brush Kit, Motor, Ele (1 Pkg = 2 Pcs)	1
▲	5	100038	(30000000- 40000000 ) Gasket, .50, 02.63id 05.75od, Adh [Epdm]	1
▽	3	1023271	(30000000- 40000000 ) Fan, Vacuum, 5.7d 2stage 024vdc [Bpt,Pk] (Standard NA Only - All Other Markets Use Kit 9011043)	1
▲	4	372883	(30000000- 40000000 ) Vr, Brush Kit, Motor, Ele (1 Pkg = 2 Pcs)	1
	5	100038	(30000000- 40000000 ) Gasket, .50, 02.63id 05.75od, Adh [Epdm]	1
	6	1024575	(30000000- 40000000 ) Tube, 0.28id 0.43od 03.3l, PI	2
	7	1011962	(30000000- 40000000 ) Bracket, Mtg, Vacuum	1
	8	30406	(30000000- 40000000 ) Clip, Keeper	2
	9	1040381	(30000000- 40000000 ) Nut, Hex, Flng, M6 X 1.0, Ss [Serrated]	2
	10	1068577	(30000000- 40000000 ) Muffler, Exhaust, Vacfan, 150mml [T2/T3]	1
	11	130773	(30000000- 40000000 ) Tie, Cable, Nyl, 11.0l, .14w, 3.0 Max. D	1

▽ ASSEMBLY

▲ INCLUDED IN ASSEMBLY

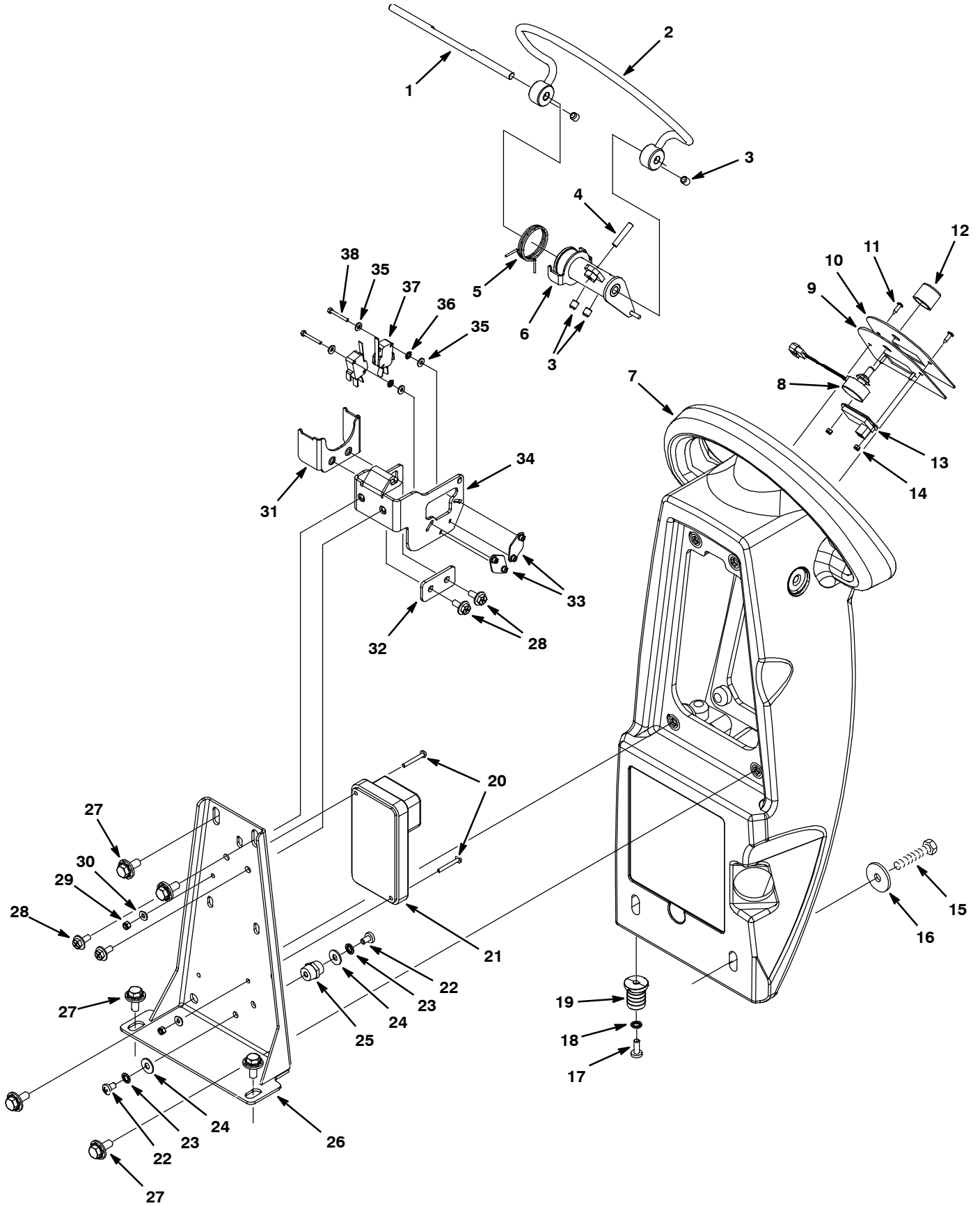
SOLUTION TANK GROUP



## SOLUTION TANK GROUP

Ref.	Part No.	Serial Number	Description	Qty.
1	1060173	(30000000- 40000000 )	Cover Assy, Tank, Soltn Fill	1
2	140826	(30000000- 40000000 )	Screw, Pan, #06- 32 X 0.75, Phl Ss Shtmtl	2
3	41578	(30000000- 40000000 )	Washer, Flat, #06, Ss	2
4	391451	(30000000- 40000000 )	Label [Attention Fast Users] (Fast Model)	1
4	1050003	(30000000- 40000000 )	Label, User, Attention, Ec- H2o (ec-H2O Model)	1
5	1040040	(30000000- 40000000 )	Tank, Soltn, Rm- Tl, Trimmed [T3e]	1
6	1012965	(30000000- 40000000 )	Cap, Port, Soltn Fill	1
7	01683	(30000000- 40000000 )	Washer, Flat, #10, Ss	1
8	1018155	(30000000- 40000000 )	Screw, Pan, M5 X 0.8 X16, Ss, Tcut	1
9	578439	(30000000- 40000000 )	Nut, Thumb, M6 X 1.0, 24mm Od	1
10	1018559	(30000000- 40000000 )	Screw, Set, M6 X 1.00 X 30, Ss [Fltpt]	1
11	1040598	(30000000- 40000000 )	Bracket, Mtg, Chrgr [Ss3]	1
12	1030164	(30000000- 40000000 )	Label, Side [T3e]	2
13	140154	(30000000- 40000000 )	Sleeve, P/M, 0.25b 0.38d 0.3l, Pl	1
14	608322	(30000000- 40000000 )	Screw, Trs, M6 X 1.0 X 16, Phl, Ss	1
15	78398	(30000000- 40000000 )	Fitting, Plstc, Str, Bm12/Pm08, Nyl	1
16	608915	(30000000- 40000000 )	Clamp, Hose, Wir, 1.03 - 1.09	1
17	1029829	(30000000- 40000000 )	Hose, Drain, Soltn Tank	1
18	1018389	(30000000- 40000000 )	Label, Lever, Dual Down Press	1
19	1018020	(30000000- 40000000 )	Bracket Wldt, Mtg, Dual Dp Lever	1
20	140127	(30000000- 40000000 )	Bearing, Thrust,0.51b X 1.0 X .12, Brz	2
21	89710	(30000000- 40000000 )	Washer, Flat, 0.51b 1.00d .03, Nyl	2
22	1017156	(30000000- 40000000 )	Knob, Ball, M8 Insert, 40mmd, Plstc	1
23	1017493	(30000000- 40000000 )	Lever, Lift, Dual Down Press	1
24	1014336	(30000000- 40000000 )	Sleeve, P/M, 08.4b 12.6d 14.5l, Pl	1
25	1018756	(30000000- 40000000 )	Spring, Cmpr, 0.7od .080wir 00.7l,Pl[Mw]	1
26	1018181	(30000000- 40000000 )	Nut, T, M8 X 1.25 X 0.50od X 0.4l	1
27	1020341	(30000000- 40000000 )	Screw, Hex, M8 X 1.25 X 20, Ss, Sems	2
28	1035469	(30000000- 40000000 )	Fitting, Plastic, Bm12 [Sight Tube]	1
29	09738	(30000000- 40000000 )	Screw, Hex, M5 X 0.8 X 12, Ss	1
30	1031783	(30000000- 40000000 )	Spring, Extn, 1.00od 0.12wir 06.3l	1
31	1017884	(30000000- 40000000 )	Bushing, Sleeve, 6mmb 10mmd 7mml	1
32	1017882	(30000000- 40000000 )	Link Wldt, Spring, Lever	1
33	1017805	(30000000- 40000000 )	Link, Spring, Lever	1
34	09739	(30000000- 40000000 )	Nut, Hex, Lock, M5 X 0.8, NI, Ss	1
35	08708	(30000000- 40000000 )	Nut, Hex, Lock, M6 X 1.0, NI	1
36	607776	(30000000- 40000000 )	Clamp, Hose, Wir, .73 - .77, Silver	1
37	1023581	(30000000- 40000000 )	Fitting, Plstc, Str, Bm08/Pm08, Nyl	1
38	1031974	(30000000- 40000000 )	Cover, Head, Rm- Cphg, Trimmed [T3e]	1
39	1034731	(30000000- 40000000 )	Screw, Hex, M6 X 1.00 X 16, Ss, Sems	6

CONTROL CONSOLE GROUP, DRIVE MODEL



## CONTROL CONSOLE GROUP, DRIVE MODEL

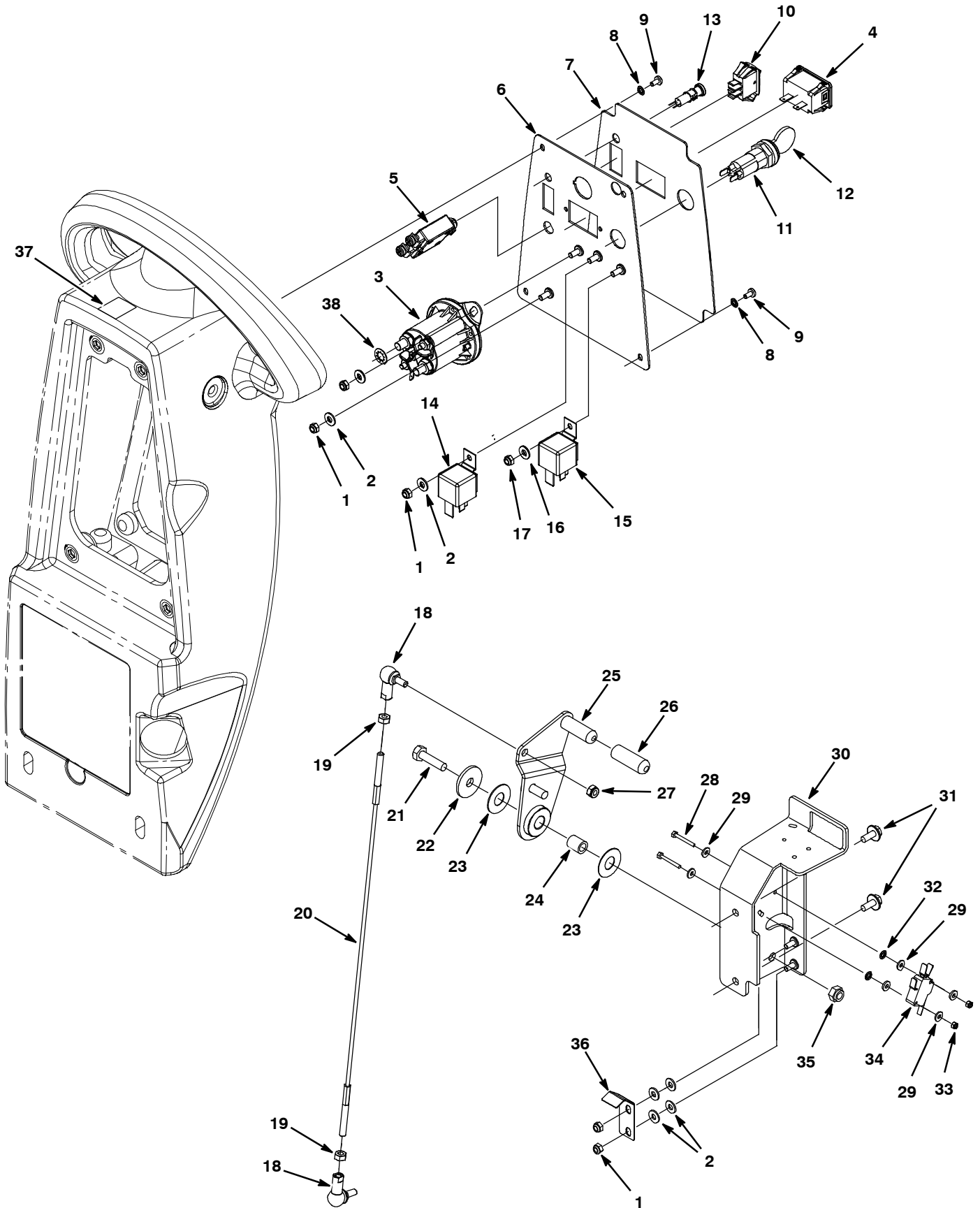
Ref.	Part No.	Serial Number	Description	Qty.
1	1013342	(30000000- 40000000 )	Shaft, Actuator, Forward / Reverse	1
2	1013363	(30000000- 40000000 )	Lever Wldt, Bail, Console	1
3	1015578	(30000000- 40000000 )	Screw, Set, M8 X 1.25 X 8, Ss, NI[Cuppt]	4
4	1018559	(30000000- 40000000 )	Screw, Set, M6 X 1.00 X 30, Ss [Fltpt]	1
5	630088	(30000000- 40000000 )	Spring, Tors, Cntr, .072, Pl, Mw	1
6	1013381	(30000000- 40000000 )	Collar Wldt, Actuator, Console	1
7	1018745	(30000000- 40000000 )	Housing, Cntrl, Afmkt [T3]	1
8	1042687	(30000000- 40000000 )	Harness, Pot, Wire Assy [45k Ohm]	1
9	1011707	(30000000- 40000000 )	Panel, Cntrl, Upper	1
10	1014157	(30000000- 40000000 )	Label, Opertnl, Upper, Propel [Tt]	1
11	140825	(30000000- 40000000 )	Screw, Pan, Phl, 06 X 0.50, Fmg/Ab, Blk	2
12	606550	(30000000- 40000000 )	Knob, Rnd, 0.92d 0.76l 0.25b, Plstc	1
13	392894	(30000000- 40000000 )	Gauge, Discharge, Battery, 36vdc, Rt,Led	1
14	579211	(30000000- 40000000 )	Nut, Hex, Lock, M3 X 0.50, NI, Ss	2
15	09026	(30000000- 40000000 )	Screw, Hex, M8 X 1.25 X 40, Ss	2
16	1016331	(30000000- 40000000 )	Washer, Flat, 0.34b 1.25d .11, Ss	2
17	367770	(30000000- 40000000 )	Screw, Pan, Phl, M6 X 1.00 X 16, Ss	1
18	07515	(30000000- 40000000 )	Washer, Lock, Int, 0.25, Ss	1
19	1035469	(30000000- 40000000 )	Fitting, Plstc, Bm12 [Sight Tube]	1
20	33931	(30000000- 40000000 )	Screw, Pan, Phl, M4 X 0.70 X 30, Ss	2
21	1052260	(30000000- 40000000 )	Module, Drive [T3]	1
22	48732	(30000000- 40000000 )	Screw, Pan, Phl, M6 X 1.00 X 10, Ss	2
23	07515	(30000000- 40000000 )	Washer, Lock, Int, 0.25, Ss	2
24	01684	(30000000- 40000000 )	Washer, Flat, 0.27b 0.69d .05, Ss	2
25	1013523	(30000000- 40000000 )	Stand- Off, Wir, M6, 18 Hex, 20l, Insul	1
26	1054129	(30000000- 40000000 )	Bracket, Hsng, Cntrl, Alm [T3, Ss3]	1
27	1020341	(30000000- 40000000 )	Screw, Hex, M8 X 1.25 X 20, Ss, Sems	6
28	1034731	(30000000- 40000000 )	Screw, Hex, M6 X 1.00 X 16, Sems, Ss	4
29	33932	(30000000- 40000000 )	Nut, Hex, Lock, M4 X 0.70, NI, Ss	2
30	41579	(30000000- 40000000 )	Washer, Flat, 08, Ss	2
31	1015570	(30000000- 40000000 )	Bracket, Spring, Balancer, Bail	1
32	1015826	(30000000- 40000000 )	Plate, Screw, Bail	1
33	1013705	(30000000- 40000000 )	Plate, Thread, Switch, M3 Nut, 96hr PI	2
34	1013364	(30000000- 40000000 )	Bracket, Switch, Bail	1
35	41578	(30000000- 40000000 )	Washer, Flat, 06, Ss	8
36	02938	(30000000- 40000000 )	Washer, Lock, Int, 08, Ss	4
37	1012568	(30000000- 40000000 )	Switch, Snap, 10a, Short	2
38	1042062	(30000000- 40000000 )	Screw, Hex, M3 X 0.5 X 25, Ss	4

▽ ASSEMBLY

▲ INCLUDED IN ASSEMBLY

# STANDARD PARTS

## COMPONENT PANEL GROUP, DRIVE MODEL (S/N 30009696 - )



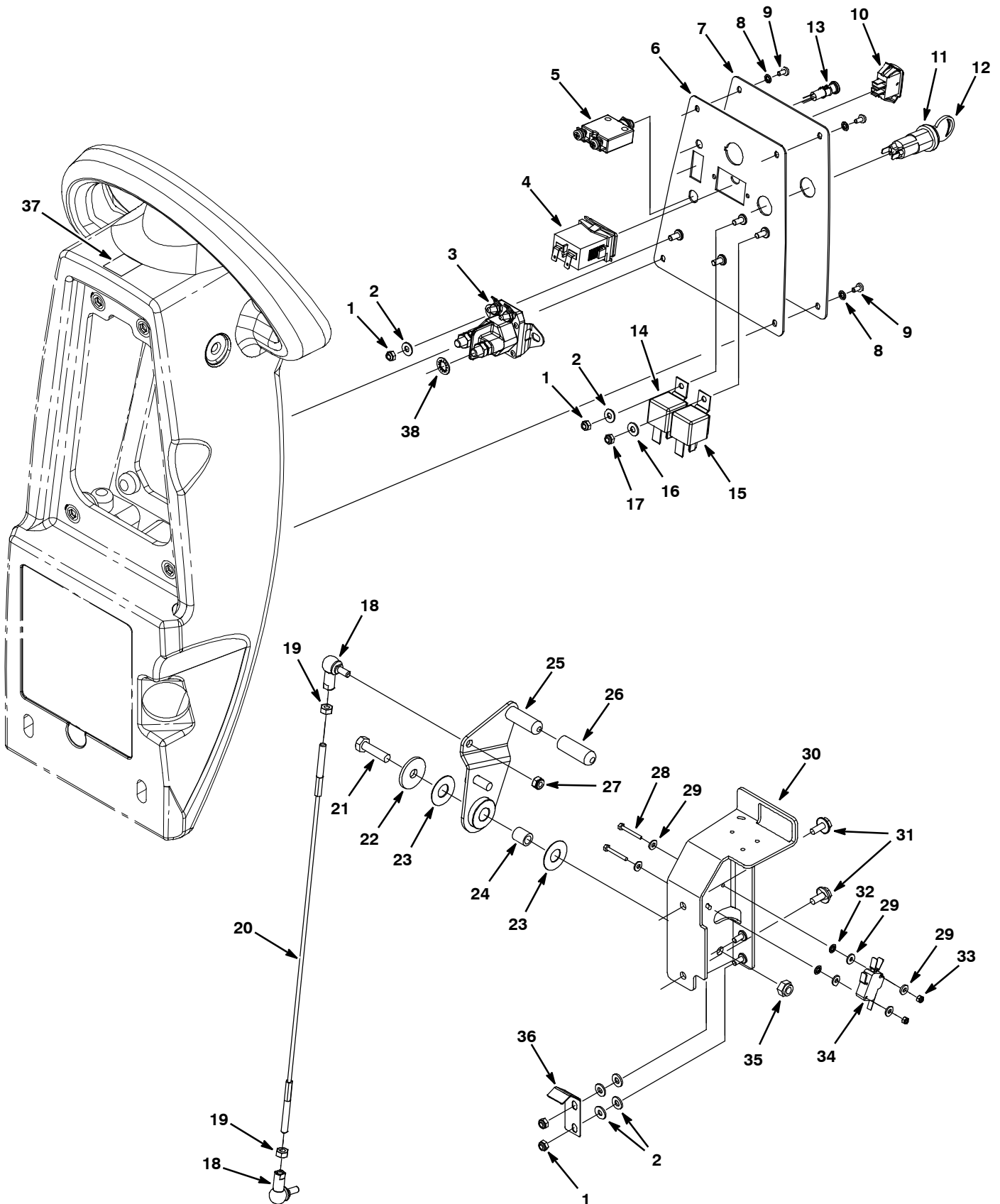
## COMPONENT PANEL GROUP, DRIVE MODEL (S/N 30009696 - )

Ref.	Part No.	Serial Number	Description	Qty.	
1	09739	(30000000- 40000000 )	Nut, Hex, Lock, M5 X 0.80, NI, Ss	5	
2	01683	(30000000- 40000000 )	Washer, Flat, 10, Ss	7	
3	1066409	(30009696- 40000000 )	Relay, 24vdc, 150a, No [Trombetta]	1	
4	1064038	(30000000- 40000000 )	Gauge, Hourmeter, 05- 277 Volt, Ac / Dc	1	
5	1057902	(30000000- 40000000 )	Circuitbreaker, 35.0a	1	
6	1072584	(30009696- 40000000 )	Panel, Instmt, Lower [T3]	1	
7	1074023	(30009696- 40000000 )	Label, Panl, Instmt, Lower [T3/T3e/Ss3] (Standard & Fast Model)	1	
7	1074016	(30009696- 40000000 )	Label, Opertnl, Panl [T3 Ec- H2o, Na/Aej] (ec- H2O Model)	1	
8	02938	(30000000- 40000000 )	Washer, Lock, Int, 08, Ss	4	
9	49697	(30000000- 40000000 )	Screw, Pan, Phl, M4 X 0.70 X 10, Ss	4	
10	130787	(30000000- 40000000 )	Switch, Rocker, Spdt (Fast & ec-H2O Model)	1	
▽	11	1011402	(30000000- 40000000 )	Switch, Key	1
▲	12	1017696	(30000000- 40000000 )	Key Set, Replmt [F/ Keyswitch 1011402]	1
13	1041822	(30000000- 40000000 )	Light, Panel, Mgt, .312" Dia. (ec-H2O Model)	1	
14	1012216	(30000000- 40000000 )	Relay, 24vdc, 070a, Spst No, Plug- In	1	
15	1012216	(30000000- 40000000 )	Relay, 24vdc, 070a, Spst No, Plug- In (Fast & ec-H2O Model)	1	
16	01683	(30000000- 40000000 )	Washer, Flat, 10, Ss (Fast & ec-H2O Model)	1	
17	09739	(30000000- 40000000 )	Nut, Hex, Lock, M5 X 0.80, NI, Ss (Fast & ec-H2O Model)	1	
18	1012747	(30000000- 40000000 )	Balljoint, M6 X 1.0 Fem, M6 X 1.0 Mal	2	
19	07785	(30000000- 40000000 )	Nut, Hex, Std, M6 X 1.00, Ss	2	
20	1013479	(30000000- 40000000 )	Cable, Glv 3.18mmd 0422I M6/ M6	1	
21	09011	(30000000- 40000000 )	Screw, Hex, M8 X 1.25 X 30, Ss	1	
22	1016331	(30000000- 40000000 )	Washer, Flat, 0.34b 1.25d .11, Ss	1	
23	1013397	(30000000- 40000000 )	Washer, Flat, M13 X 30 X 0.8, Nyl	2	
24	1014336	(30000000- 40000000 )	Sleeve, P/M, 8.40b 12.60d 14.5l, PI	1	
25	1013329	(30000000- 40000000 )	Lever Wldt, Sqge	1	
26	1016895	(30000000- 40000000 )	Cap, Handle, Sqge Lift	1	
27	08712	(30000000- 40000000 )	Nut, Hex, Lock, M6 X 1.00, NI, Ss	1	
28	1042062	(30000000- 40000000 )	Screw, Hex, M3 X 0.5 X 25, Ss	2	
29	41578	(30000000- 40000000 )	Washer, Flat, 06, Ss	6	
30	1012850	(30000000- 40000000 )	Bracket Wldt, Lever, Sqge	1	
31	1034731	(30000000- 40000000 )	Screw, Hex, M6 X 1.00 X 16, Sems, Ss	2	
32	02938	(30000000- 40000000 )	Washer, Lock, Int, 08, Ss	2	
33	579211	(30000000- 40000000 )	Nut, Hex, Lock, M3 X 0.50, NI, Ss	2	
34	1012568	(30000000- 40000000 )	Switch, Snap, 10a, Short	1	
35	08713	(30000000- 40000000 )	Nut, Hex, Lock, M8 X 1.25, NI, Ss	1	
36	1073852	(30000000- 40000000 )	Spring, Lever, Sqge	1	
37	1016572	(30000000- 40000000 )	Label, Dir	1	
38	43952	(30000000- 40000000 )	Washer, Lock, Int, 0.31, Ss	1	

▽ ASSEMBLY

▲ INCLUDED IN ASSEMBLY

COMPONENT PANEL GROUP, DRIVE MODEL (S/N 3000000 - 30009695)





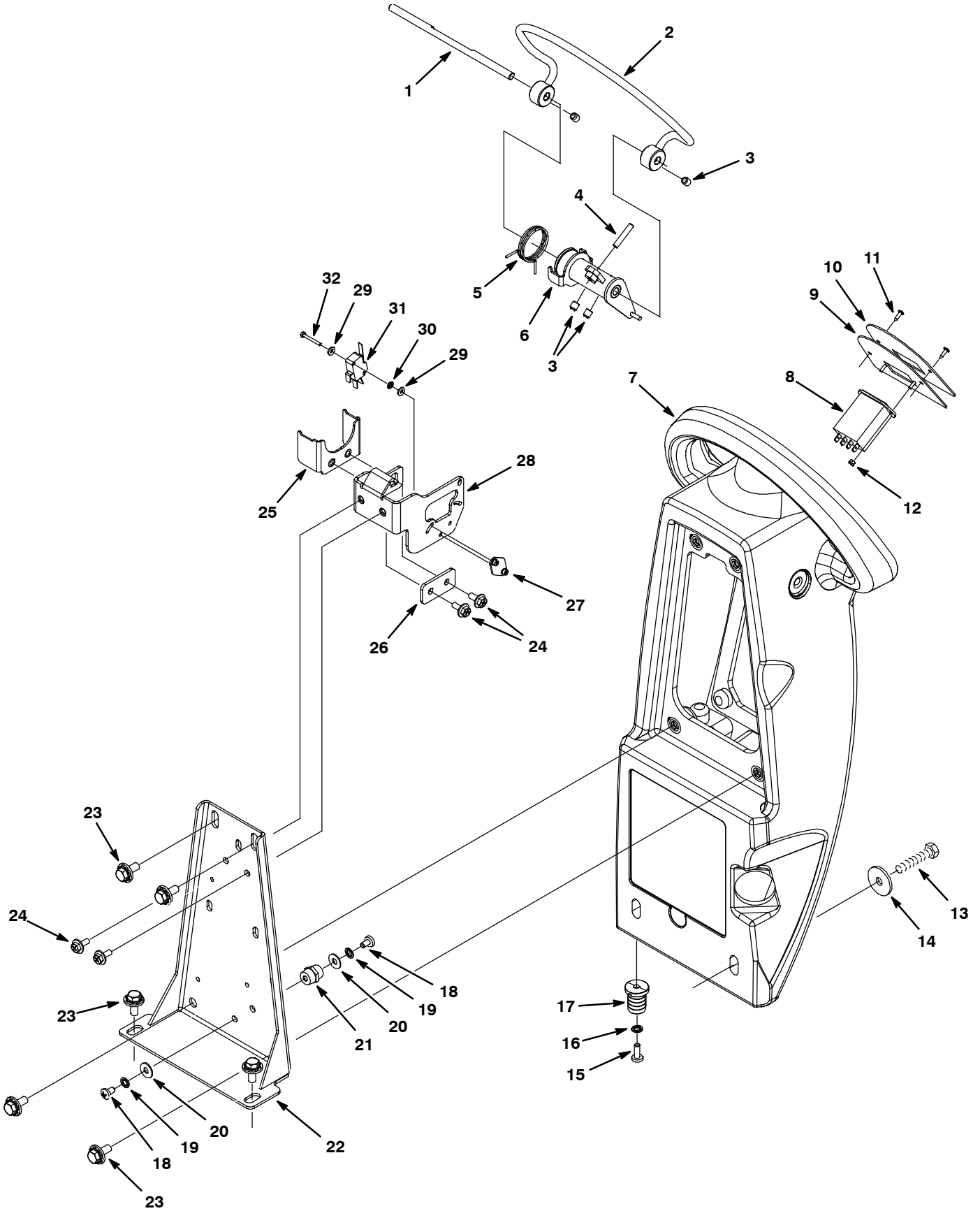
## COMPONENT PANEL GROUP, DRIVE MODEL (S/N 30000000 - 30009695)

Ref.	Part No.	Serial Number	Description	Qty.	
1	09739	(30000000- 40000000 )	Nut, Hex, Lock, M5 X 0.80, NI, Ss	5	
2	01683	(30000000- 40000000 )	Washer, Flat, 10, Ss	7	
3	1038490	(30000000- 30009695 )	Relay, 24vdc, 100a, No [Trombetta]	1	
4	1064038	(30000000- 40000000 )	Gauge, Hourmeter, 05- 277 Volt, Ac / Dc	1	
5	1057902	(30000000- 40000000 )	Circuitbreaker, 35.0a	1	
6	1012134	(30000000- 30009695 )	Panel, Cntrl, Lower	1	
7	1016628	(30000000- 30009695 )	Label, Panl, Instmt, Lower [T3/T3e/Ss3] (Standard & Fast Model)	1	
7	1049998	(30000000- 30009695 )	Label, Console, Lower Ec- H2o [T3 Na/Aej] (ec- H2O Model)	1	
8	02938	(30000000- 40000000 )	Washer, Lock, Int, 08, Ss	4	
9	49697	(30000000- 40000000 )	Screw, Pan, Phl, M4 X 0.70 X 10, Ss	4	
10	130787	(30000000- 40000000 )	Switch, Rocker, Spdt (Fast & ec-H2O Model)	1	
▽	11	1011402	(30000000- 40000000 )	Switch, Key	1
▲	12	1017696	(30000000- 40000000 )	Key Set, Replmt [F/ Keyswitch 1011402]	1
13	1041822	(30000000- 40000000 )	Light, Panel, Mgt, .312" Dia. (ec-H2O Model)	1	
14	1012216	(30000000- 40000000 )	Relay, 24vdc, 070a, Spst No, Plug- In	1	
15	1012216	(30000000- 40000000 )	Relay, 24vdc, 070a, Spst No, Plug- In (Fast & ec-H2O Model)	1	
16	01683	(30000000- 40000000 )	Washer, Flat, 10, Ss (Fast & ec-H2O Model)	1	
17	09739	(30000000- 40000000 )	Nut, Hex, Lock, M5 X 0.80, NI, Ss (Fast & ec-H2O Model)	1	
18	1012747	(30000000- 40000000 )	Balljoint, M6 X 1.0 Fem, M6 X 1.0 Mal	2	
19	07785	(30000000- 40000000 )	Nut, Hex, Std, M6 X 1.00, Ss	2	
20	1013479	(30000000- 40000000 )	Cable, Glv 3.18mmd 0422I M6/ M6	1	
21	09011	(30000000- 40000000 )	Screw, Hex, M8 X 1.25 X 30, Ss	1	
22	1016331	(30000000- 40000000 )	Washer, Flat, 0.34b 1.25d .11, Ss	1	
23	1013397	(30000000- 40000000 )	Washer, Flat, M13 X 30 X 0.8, Nyl	2	
24	1014336	(30000000- 40000000 )	Sleeve, P/M, 8.40b 12.60d 14.5I, PI	1	
25	1013329	(30000000- 40000000 )	Lever Wldt, Sqge	1	
26	1016895	(30000000- 40000000 )	Cap, Handle, Sqge Lift	1	
27	08712	(30000000- 40000000 )	Nut, Hex, Lock, M6 X 1.00, NI, Ss	1	
28	1042062	(30000000- 40000000 )	Screw, Hex, M3 X 0.5 X 25, Ss	2	
29	41578	(30000000- 40000000 )	Washer, Flat, 06, Ss	6	
30	1012850	(30000000- 40000000 )	Bracket Wldt, Lever, Sqge	1	
31	1034731	(30000000- 40000000 )	Screw, Hex, M6 X 1.00 X 16, Sems, Ss	2	
32	02938	(30000000- 40000000 )	Washer, Lock, Int, 08, Ss	2	
33	579211	(30000000- 40000000 )	Nut, Hex, Lock, M3 X 0.50, NI, Ss	2	
34	1012568	(30000000- 40000000 )	Switch, Snap, 10a, Short	1	
35	08713	(30000000- 40000000 )	Nut, Hex, Lock, M8 X 1.25, NI, Ss	1	
36	1073852	(30000000- 40000000 )	Spring, Lever, Sqge	1	
37	1016572	(30000000- 40000000 )	Label, Dir	1	
38	43952	(30000000- 40000000 )	Washer, Lock, Int, 0.31, Ss	1	

▽ ASSEMBLY

▲ INCLUDED IN ASSEMBLY

CONTROL CONSOLE GROUP, BRUSH ASSIST MODEL



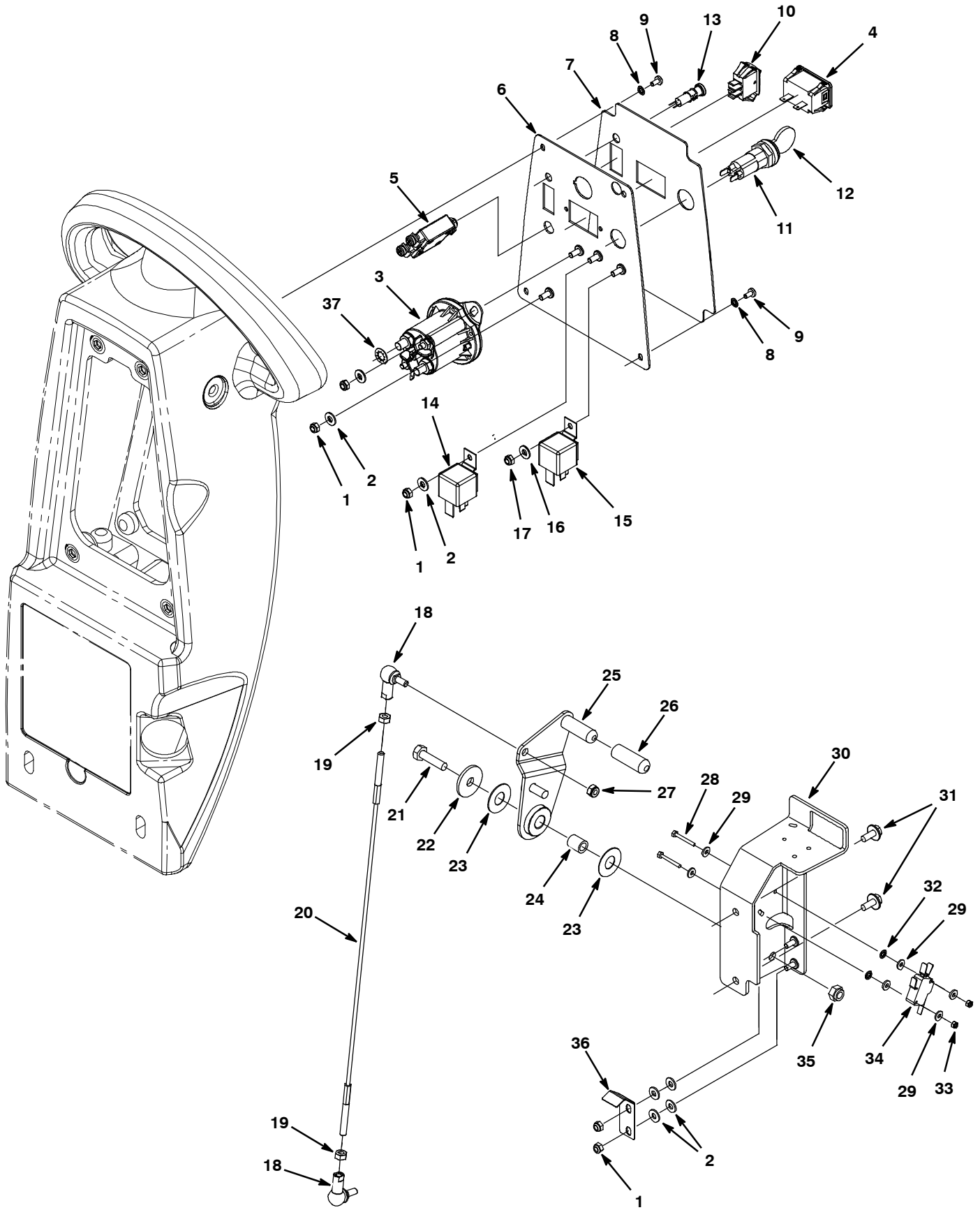
## CONTROL CONSOLE GROUP, BRUSH ASSIST MODEL

Ref.	Part No.	Serial Number	Description	Qty.
1	1013342	(30000000- 40000000 )	Shaft, Actuator, Forward / Reverse	1
2	1013363	(30000000- 40000000 )	Lever Wldt, Bail, Console	1
3	1015578	(30000000- 40000000 )	Screw, Set, M8 X 1.25 X 8, Ss, NI[Cuppt]	4
4	1018559	(30000000- 40000000 )	Screw, Set, M6 X 1.00 X 30, Ss [Fltpt]	1
5	630088	(30000000- 40000000 )	Spring, Tors, Cntr, .072, Pl, Mw	1
6	1013381	(30000000- 40000000 )	Collar Wldt, Actuator, Console	1
7	1018745	(30000000- 40000000 )	Housing, Cntrl, Afmkt [T3]	1
8	1057627	(30000000- 40000000 )	Indicator, Battery, 24vdc, 1.73volt/Cell	1
8	1011625	(30000000- 40000000 )	Gauge, Discharge, Battery, 24vdc, Led (For AGM Batteries)	1
9	1011707	(30000000- 40000000 )	Panel, Cntrl, Upper	1
10	1016755	(30000000- 40000000 )	Label, Opertnl, Upper, Brush Assist	1
11	140825	(30000000- 40000000 )	Screw, Pan, Phl, 06 X 0.50, Fmg/Ab, Blk	2
12	579211	(30000000- 40000000 )	Nut, Hex, Lock, M3 X 0.50, NI, Ss	2
13	09026	(30000000- 40000000 )	Screw, Hex, M8 X 1.25 X 40, Ss	2
14	1016331	(30000000- 40000000 )	Washer, Flat, 0.34b 1.25d .11, Ss	2
15	367770	(30000000- 40000000 )	Screw, Pan, Phl, M6 X 1.00 X 16, Ss	1
16	07515	(30000000- 40000000 )	Washer, Lock, Int, 0.25, Ss	1
17	1035469	(30000000- 40000000 )	Fitting, Plstc, Bm12 [Sight Tube]	1
18	48732	(30000000- 40000000 )	Screw, Pan, Phl, M6 X 1.00 X 10, Ss	2
19	07515	(30000000- 40000000 )	Washer, Lock, Int, 0.25, Ss	2
20	01684	(30000000- 40000000 )	Washer, Flat, 0.27b 0.69d .05, Ss	2
21	1013523	(30000000- 40000000 )	Stand- Off, Wir, M6, 18 Hex, 20l, Insul	1
22	1054129	(30000000- 40000000 )	Bracket, Hsng, Cntrl, Alm [T3, Ss3]	1
23	1020341	(30000000- 40000000 )	Screw, Hex, M8 X 1.25 X 20, Ss, Sems	6
24	1034731	(30000000- 40000000 )	Screw, Hex, M6 X 1.00 X 16, Sems, Ss	4
25	1015570	(30000000- 40000000 )	Bracket, Spring, Balancer, Bail	1
26	1015826	(30000000- 40000000 )	Plate, Screw, Bail	1
27	1013705	(30000000- 40000000 )	Plate, Thread, Switch, M3 Nut, 96hr PI	1
28	1013364	(30000000- 40000000 )	Bracket, Switch, Bail	1
29	41578	(30000000- 40000000 )	Washer, Flat, 06, Ss	4
30	02938	(30000000- 40000000 )	Washer, Lock, Int, 08, Ss	2
31	1012568	(30000000- 40000000 )	Switch, Snap, 10a, Short	1
32	1042062	(30000000- 40000000 )	Screw, Hex, M3 X 0.5 X 25, Ss	2

▽ ASSEMBLY

▲ INCLUDED IN ASSEMBLY

COMPONENT PANEL GROUP, BRUSH ASSIST MODEL (S/N 30009696 - )



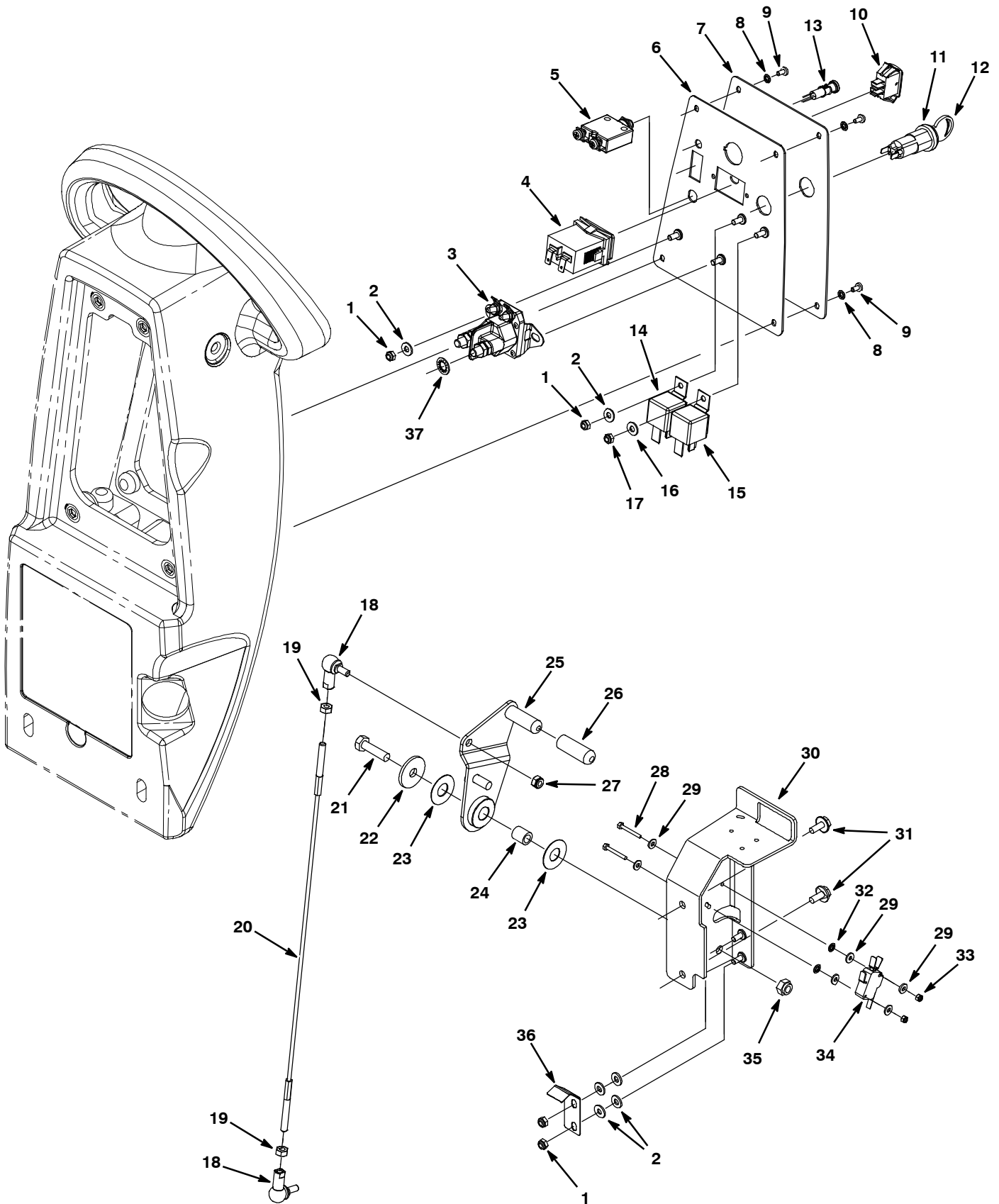
## COMPONENT PANEL GROUP, BRUSH ASSIST MODEL (S/N 30009696 - )

Ref.	Part No.	Serial Number	Description	Qty.	
1	09739	(30000000- 40000000 )	Nut, Hex, Lock, M5 X 0.80, NI, Ss	5	
2	01683	(30000000- 40000000 )	Washer, Flat, 10, Ss	7	
3	1066409	(30009696- 40000000 )	Relay, 24vdc, 150a, No [Trombetta]	1	
4	1064038	(30000000- 40000000 )	Gauge, Hourmeter, 05- 277 Volt, Ac / Dc	1	
5	1057902	(30000000- 40000000 )	Circuitbreaker, 35.0a	1	
6	1072584	(30009696- 40000000 )	Panel, Instmt, Lower [T3]	1	
7	1074023	(30009696- 40000000 )	Label, Panl, Instmt, Lower [T3/T3e/Ss3] (Standard & Fast Model)	1	
7	1074016	(30009696- 40000000 )	Label, Opertnl, Panl [T3 Ec- H2o, Na/Aej] (ec- H2O Model)	1	
8	02938	(30000000- 40000000 )	Washer, Lock, Int, 08, Ss	4	
9	49697	(30000000- 40000000 )	Screw, Pan, Phl, M4 X 0.70 X 10, Ss	4	
10	130787	(30000000- 40000000 )	Switch, Rocker, Spdt (Fast & ec-H2O Model)	1	
▽	11	1011402	(30000000- 40000000 )	Switch, Key	1
▲	12	1017696	(30000000- 40000000 )	Key Set, Replmt [F/ Keyswitch 1011402]	1
13	1041822	(30000000- 40000000 )	Light, Panel, Mgt, .312" Dia. (ec-H2O Model)	1	
14	1012216	(30000000- 40000000 )	Relay, 24vdc, 070a, Spst No, Plug- In	1	
15	1012216	(30000000- 40000000 )	Relay, 24vdc, 070a, Spst No, Plug- In (Fast & ec-H2O Model)	1	
16	01683	(30000000- 40000000 )	Washer, Flat, 10, Ss (Fast & ec-H2O Model)	1	
17	09739	(30000000- 40000000 )	Nut, Hex, Lock, M5 X 0.80, NI, Ss (Fast & ec-H2O Model)	1	
18	1012747	(30000000- 40000000 )	Balljoint, M6 X 1.0 Fem, M6 X 1.0 Mal	2	
19	07785	(30000000- 40000000 )	Nut, Hex, Std, M6 X 1.00, Ss	2	
20	1013479	(30000000- 40000000 )	Cable, Glv 3.18mmd 0422I M6/ M6	1	
21	09011	(30000000- 40000000 )	Screw, Hex, M8 X 1.25 X 30, Ss	1	
22	1016331	(30000000- 40000000 )	Washer, Flat, 0.34b 1.25d .11, Ss	1	
23	1013397	(30000000- 40000000 )	Washer, Flat, M13 X 30 X 0.8, Nyl	2	
24	1014336	(30000000- 40000000 )	Sleeve, P/M, 8.40b 12.60d 14.5l, PI	1	
25	1013329	(30000000- 40000000 )	Lever Wldt, Sqge	1	
26	1016895	(30000000- 40000000 )	Cap, Handle, Sqge Lift	1	
27	08712	(30000000- 40000000 )	Nut, Hex, Lock, M6 X 1.00, NI, Ss	1	
28	1042062	(30000000- 40000000 )	Screw, Hex, M3 X 0.5 X 25, Ss	2	
29	41578	(30000000- 40000000 )	Washer, Flat, 06, Ss	6	
30	1012850	(30000000- 40000000 )	Bracket Wldt, Lever, Sqge	1	
31	1034731	(30000000- 40000000 )	Screw, Hex, M6 X 1.00 X 16, Sems, Ss	2	
32	02938	(30000000- 40000000 )	Washer, Lock, Int, 08, Ss	2	
33	579211	(30000000- 40000000 )	Nut, Hex, Lock, M3 X 0.50, NI, Ss	2	
34	1012568	(30000000- 40000000 )	Switch, Snap, 10a, Short	1	
35	08713	(30000000- 40000000 )	Nut, Hex, Lock, M8 X 1.25, NI, Ss	1	
36	1073852	(30000000- 40000000 )	Spring, Lever, Sqge	1	
37	43952	(30000000- 40000000 )	Washer, Lock, Int, 0.31, Ss	1	

▽ ASSEMBLY

▲ INCLUDED IN ASSEMBLY

COMPONENT PANEL GROUP, BRUSH ASSIST MODEL (S/N 3000000 - 30009695)



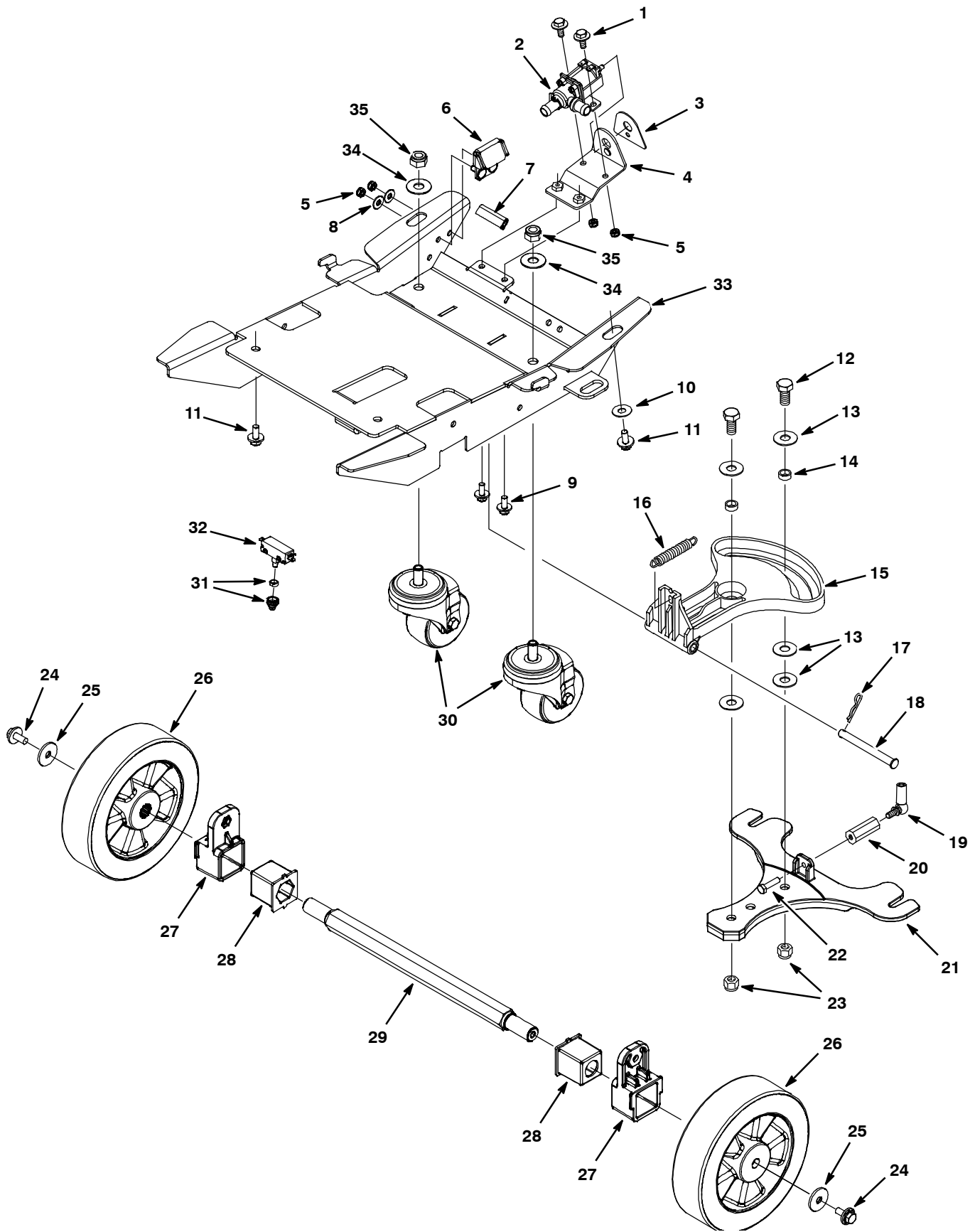
## COMPONENT PANEL GROUP, BRUSH ASSIST MODEL (S/N 30000000 - 30009695)

Ref.	Part No.	Serial Number	Description	Qty.	
1	09739	(30000000- 40000000 )	Nut, Hex, Lock, M5 X 0.80, NI, Ss	5	
2	01683	(30000000- 40000000 )	Washer, Flat, 10, Ss	7	
3	1038490	(30000000- 30009695 )	Relay, 24vdc, 100a, No [Trombetta]	1	
4	1064038	(30000000- 40000000 )	Gauge, Hourmeter, 05- 277 Volt, Ac / Dc	1	
5	1057902	(30000000- 40000000 )	Circuitbreaker, 35.0a	1	
6	1012134	(30000000- 30009695 )	Panel, Cntrl, Lower	1	
7	1016628	(30000000- 30009695 )	Label, Panl, Instmt, Lower [T3/T3e/Ss3] (Standard & Fast Model)	1	
7	1049998	(30000000- 30009695 )	Label, Console, Lower Ec- H2o [T3 Na/Aej] (ec- H2O Model)	1	
8	02938	(30000000- 40000000 )	Washer, Lock, Int, 08, Ss	4	
9	49697	(30000000- 40000000 )	Screw, Pan, Phl, M4 X 0.70 X 10, Ss	4	
10	130787	(30000000- 40000000 )	Switch, Rocker, Spdt (Fast & ec-H2O Model)	1	
▽	11	1011402	(30000000- 40000000 )	Switch, Key	1
▲	12	1017696	(30000000- 40000000 )	Key Set, Replmt [F/ Keyswitch 1011402]	1
13	1041822	(30000000- 40000000 )	Light, Panel, Mgt, .312" Dia. (ec-H2O Model)	1	
14	1012216	(30000000- 40000000 )	Relay, 24vdc, 070a, Spst No, Plug- In	1	
15	1012216	(30000000- 40000000 )	Relay, 24vdc, 070a, Spst No, Plug- In (Fast & ec-H2O Model)	1	
16	01683	(30000000- 40000000 )	Washer, Flat, 10, Ss (Fast & ec-H2O Model)	1	
17	09739	(30000000- 40000000 )	Nut, Hex, Lock, M5 X 0.80, NI, Ss (Fast & ec-H2O Model)	1	
18	1012747	(30000000- 40000000 )	Balljoint, M6 X 1.0 Fem, M6 X 1.0 Mal	2	
19	07785	(30000000- 40000000 )	Nut, Hex, Std, M6 X 1.00, Ss	2	
20	1013479	(30000000- 40000000 )	Cable, Glv 3.18mmd 0422I M6/ M6	1	
21	09011	(30000000- 40000000 )	Screw, Hex, M8 X 1.25 X 30, Ss	1	
22	1016331	(30000000- 40000000 )	Washer, Flat, 0.34b 1.25d .11, Ss	1	
23	1013397	(30000000- 40000000 )	Washer, Flat, M13 X 30 X 0.8, Nyl	2	
24	1014336	(30000000- 40000000 )	Sleeve, P/M, 8.40b 12.60d 14.5I, PI	1	
25	1013329	(30000000- 40000000 )	Lever Wldt, Sqge	1	
26	1016895	(30000000- 40000000 )	Cap, Handle, Sqge Lift	1	
27	08712	(30000000- 40000000 )	Nut, Hex, Lock, M6 X 1.00, NI, Ss	1	
28	1042062	(30000000- 40000000 )	Screw, Hex, M3 X 0.5 X 25, Ss	2	
29	41578	(30000000- 40000000 )	Washer, Flat, 06, Ss	6	
30	1012850	(30000000- 40000000 )	Bracket Wldt, Lever, Sqge	1	
31	1034731	(30000000- 40000000 )	Screw, Hex, M6 X 1.00 X 16, Sems, Ss	2	
32	02938	(30000000- 40000000 )	Washer, Lock, Int, 08, Ss	2	
33	579211	(30000000- 40000000 )	Nut, Hex, Lock, M3 X 0.50, NI, Ss	2	
34	1012568	(30000000- 40000000 )	Switch, Snap, 10a, Short	1	
35	08713	(30000000- 40000000 )	Nut, Hex, Lock, M8 X 1.25, NI, Ss	1	
36	1073852	(30000000- 40000000 )	Spring, Lever, Sqge	1	
37	43952	(30000000- 40000000 )	Washer, Lock, Int, 0.31, Ss	1	

▽ ASSEMBLY

▲ INCLUDED IN ASSEMBLY

WHEEL GROUP, BRUSH ASSIST MODEL





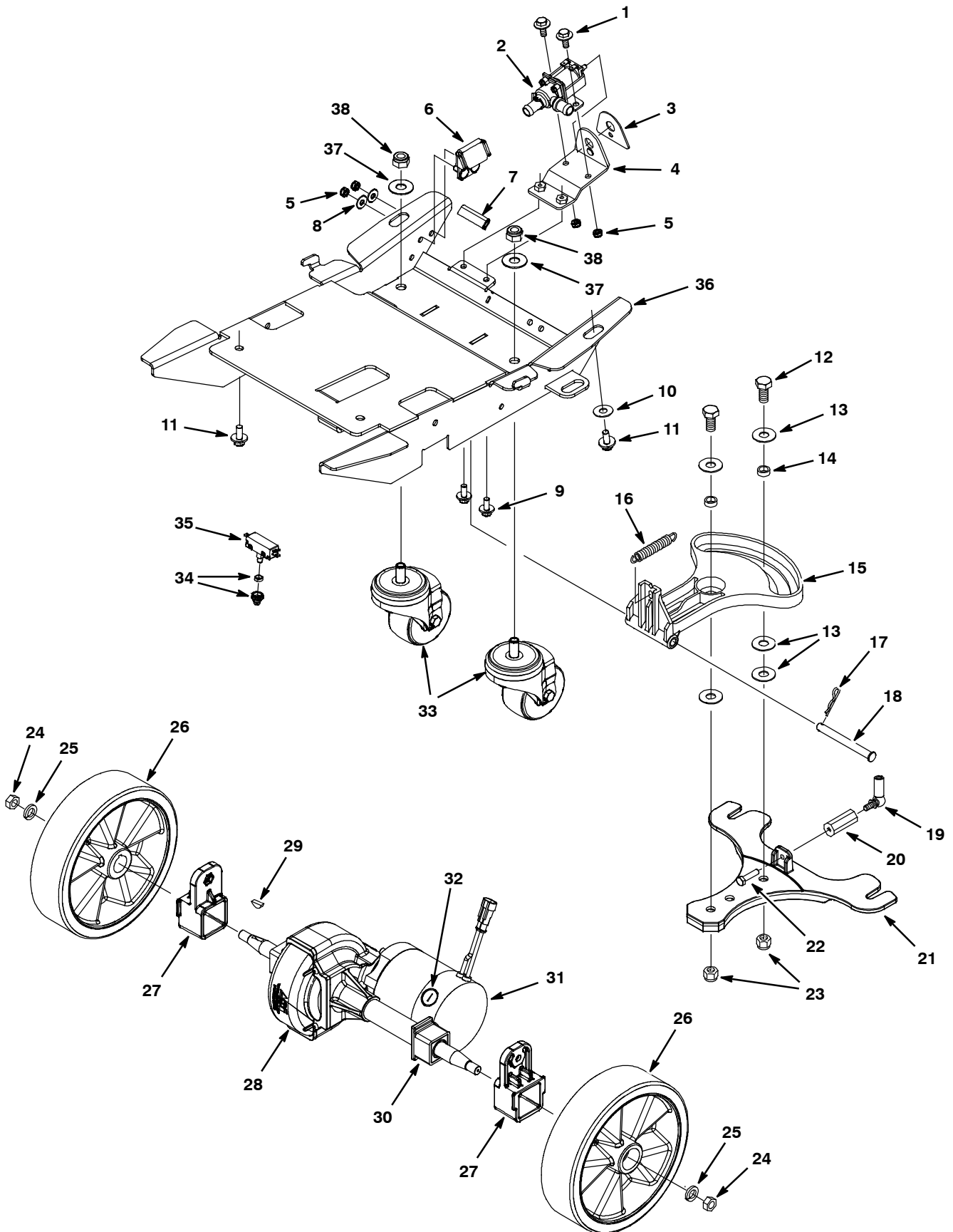
## WHEEL GROUP, BRUSH ASSIST MODEL

Ref.	Part No.	Serial Number	Description	Qty.	
1	1034731	(30000000- 40000000 )	Screw, Hex, M6 X 1.00 X 16, Ss, Sems	2	
2	1213803	(30044532- 40000000 )	Valve, Water, Solenoid, 24vdc, Bm10/Bm10	1	
▽	2	1016595	(30000000- 30044531 )	Valve, 1/4- 20 [Liq Dispensing]	1
▲	614265	(30000000- 30044531 )	Valve Kit, Water [Viton Diaphragm]	1	
3	1014156	(30000000- 40000000 )	Label, Opertnl, Lower, Soltn Flow	1	
4	1037292	(30000000- 40000000 )	Bracket, Mtg, Valve, Soltn	1	
5	08712	(30000000- 40000000 )	Nut, Hex, Lock, M6 X 1.0, Ss, NI	4	
6	1013946	(30000000- 40000000 )	Bracket, Locking, Pedal, Foot Ylw	1	
7	1034551	(30000000- 40000000 )	Trim, Plstc, Edge, .12 X .56 X 1.75	1	
8	01684	(30000000- 40000000 )	Washer, Flat, 0.27b 0.69d .05, Ss	2	
9	08716	(30000000- 40000000 )	Screw, Hex, M6 X 1.00 X 20, SS	2	
10	1016331	(30000000- 40000000 )	Washer, Flat, 0.34b 1.25d .11, Ss	2	
11	1020341	(30000000- 40000000 )	Screw, Hex, M8 X 1.25 X 20, Ss, Sems	4	
12	12309	(30000000- 40000000 )	Screw, Hex, M12 X 1.75 X 30, Ss	2	
13	140045	(30000000- 40000000 )	Washer, Flat, 0.51b 1.25d .06, Ss	5	
14	1013662	(30000000- 40000000 )	Bushing, Sleeve, 12mm 16mm 6.5mml, Pm Yw	2	
15	1023389	(30000000- 40000000 )	Bracket, Sqge, Lift, Mold Blk, Nyl	1	
16	1008721	(30000000- 40000000 )	Spring, Extn, 0.75od 0.09wir 03.5l	1	
17	44906	(30000000- 40000000 )	Pin, Cotter, Hair, 0.69d .092 Wir	1	
18	1013610	(30000000- 40000000 )	Pin, Clevis, 10mmd X 100mml	1	
19	1012747	(30000000- 40000000 )	Balljoint, M6 X 1.0 Fem, M6 X 1.0 Mal	1	
20	1002078	(30000000- 40000000 )	Spacer, 0.50hex X 1.25l, M6 Thread	1	
21	1066505	(30000000- 40000000 )	Bracket, Mtg, Sqge, Stl [T3]	1	
22	1034741	(30000000- 40000000 )	Screw, Hex, .31- 18 X 1.25, Ss, NI	1	
23	09741	(30000000- 40000000 )	Nut, Hex, Lock, M12 X 1.75, NI, Ss	2	
24	1020341	(30000000- 40000000 )	Screw, Hex, M8 X 1.25 X 20, Ss, Sems	2	
25	1016331	(30000000- 40000000 )	Washer, Flat, 0.34b 1.25d .11, Ss	2	
26	1013248	(30000000- 40000000 )	Wheel, Scrbr, 198.00 Mm With Bearing	2	
27	1028292	(30000000- 40000000 )	Adapter, Mtg, Axle, Alm	2	
28	1028381	(30000000- 40000000 )	Grommet, Axle	2	
29	1028382	(30000000- 40000000 )	Axle, Wheel, Hex, Clr Zn	1	
30	1019008	(30000000- 40000000 )	Caster, Swivel, 80mmd, M12 X 25 Clr Pl	2	
31	1035711	(30000000- 40000000 )	Boot, Switch, Hex Nut, .38- 32 Thd	1	
32	1071996	(30000000- 40000000 )	Switch, Push, Snap Action, 25a	1	
▽	33	9008680	(30000000- 40000000 )	Frame Kit, Main, W/ Caster Fastenrs [T3]	1
▲	34	140045	(30000000- 40000000 )	Washer, Flat, 0.51b 1.25d .06, Ss	2
▲	35	09741	(30000000- 40000000 )	Nut, Hex, Lock, M12 X 1.75, NI, Ss	2

▽ ASSEMBLY

▲ INCLUDED IN ASSEMBLY

WHEEL GROUP, DRIVE MODEL



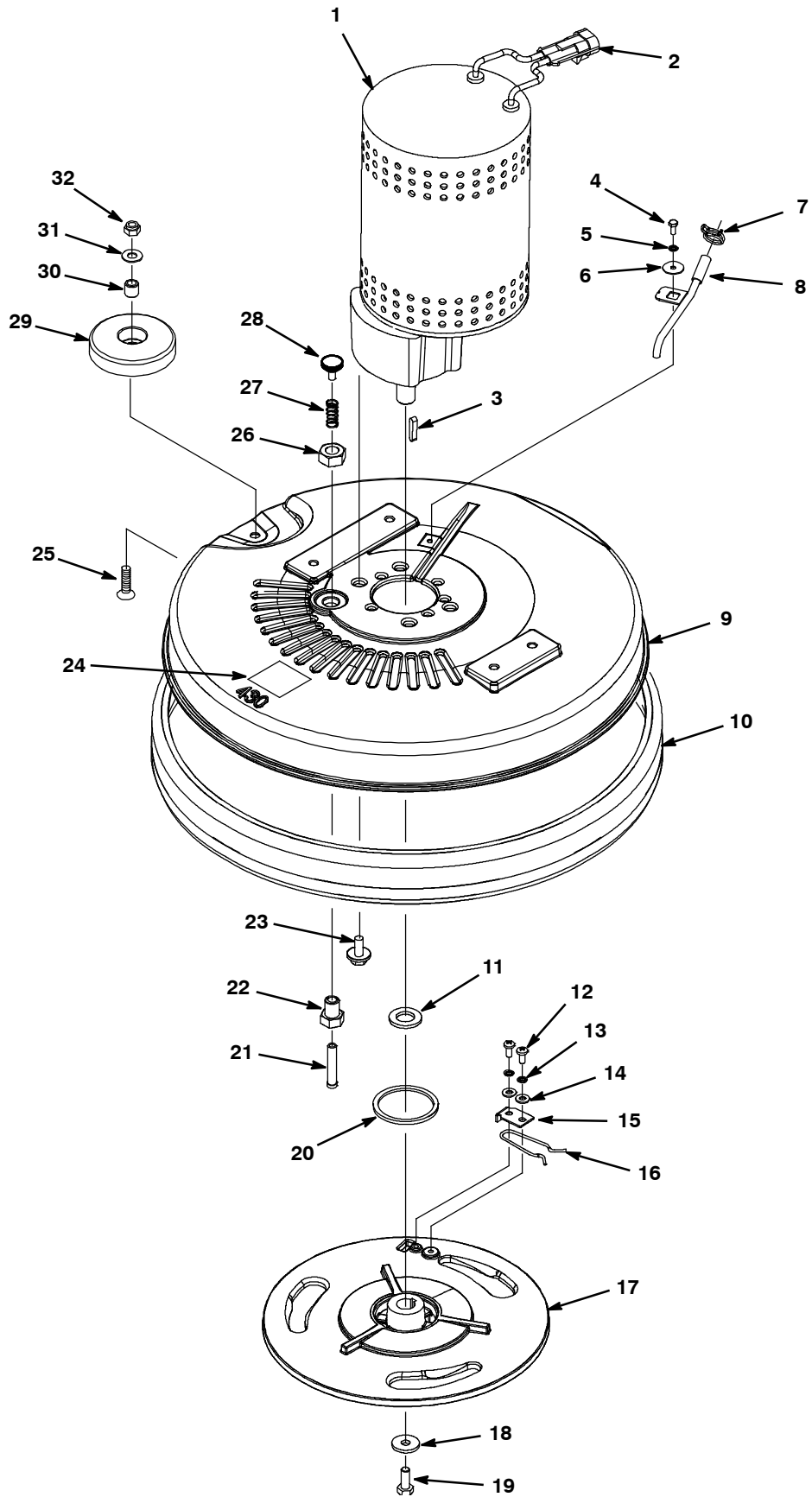
## WHEEL GROUP, DRIVE MODEL

Ref.	Part No.	Serial Number	Description	Qty.	
1	1034731	(30000000- 40000000 )	Screw, Hex, M6 X 1.00 X 16, Ss, Sems	2	
2	1213803	(30044532- 40000000 )	Valve, Water, Solenoid, 24vdc, Bm10/Bm10	1	
▽	2	1016595	(30000000- 30044531 )	Valve, 1/4- 20 [Liq Dispensing]	1
▲	614265	(30000000- 30044531 )	Valve Kit, Water [Viton Diaphragm]	1	
3	1014156	(30000000- 40000000 )	Label, Opertnl, Lower, Soltn Flow	1	
4	1037292	(30000000- 40000000 )	Bracket, Mtg, Valve, Soltn	1	
5	08712	(30000000- 40000000 )	Nut, Hex, Lock, M6 X 1.0, Ss, NI	4	
6	1013946	(30000000- 40000000 )	Bracket, Locking, Pedal, Foot Ylw	1	
7	1034551	(30000000- 40000000 )	Trim, Plstc, Edge, .12 X .56 X 1.75	1	
8	01684	(30000000- 40000000 )	Washer, Flat, 0.25 Ss	2	
9	08716	(30000000- 40000000 )	Screw, Hex, M6 X 1.00 X 20, SS	2	
10	1016331	(30000000- 40000000 )	Washer, Flat, 0.34b 1.25d .11, Ss	2	
11	1020341	(30000000- 40000000 )	Screw, Hex, M8 X 1.25 X 20, Ss, Sems	4	
12	12309	(30000000- 40000000 )	Screw, Hex, M12 X 1.75 X 30, Ss	2	
13	140045	(30000000- 40000000 )	Washer, Flat, 0.51b 1.25d .06, Ss	5	
14	1013662	(30000000- 40000000 )	Bushing, Sleeve, 12mm 16mm 6.5mml, Pm Yw	2	
15	1023389	(30000000- 40000000 )	Bracket, Sqge, Lift, Mold Blk, Nyl	1	
16	1008721	(30000000- 40000000 )	Spring, Extn, 0.75od 0.09wir 03.5l	1	
17	44906	(30000000- 40000000 )	Pin, Cotter, Hair, 0.69d .092 Wir	1	
18	1013610	(30000000- 40000000 )	Pin, Clevis, 10mmd X 100mml	1	
19	1012747	(30000000- 40000000 )	Balljoint, M6 X 1.0 Fem, M6 X 1.0 Mal	1	
20	1002078	(30000000- 40000000 )	Spacer, 0.50hex X 1.25l, M6 Thread	1	
21	1066505	(30000000- 40000000 )	Bracket, Mtg, Sqge, Stl [T3]	1	
22	1034741	(30000000- 40000000 )	Screw, Hex, .31- 18 X 1.25, Ss, NI	1	
23	09741	(30000000- 40000000 )	Nut, Hex, Lock, M12 X 1.75, NI, Ss	2	
24	07788	(30000000- 40000000 )	Nut, Hex, Std, M12 X 1.75, Ss	2	
25	140024	(30000000- 40000000 )	Washer, Lock, Split, 0.50, Ss	2	
26	1039655	(30000000- 40000000 )	Wheel, Scrbr, 198.00mm, W/ Taper [T3]	2	
27	1028292	(30000000- 40000000 )	Adapter, Mtg, Axle, Alm	2	
▽	28	1039475	(30000000- 40000000 )	Transaxle, Ele, 24vdc, 112rpm, Pkrd,Dfma	1
▲	1017782	(30000000- 40000000 )	Coupling Kit, Transaxle, Replmt [11057]	1	
▲	29	1021167	(30000000- 40000000 )	Key, Woodruff, 5mm	2
▲	30	612880	(30000000- 40000000 )	Sleeve, Transaxle, Replmt	2
▲▽	31	1019916	(30000000- 40000000 )	Motor, Transaxle, 24vdc, Replmt	1
▲▲	32	614166	(30000000- 40000000 )	Brush Kit, Carbon [Qty 4]	1
33	1019008	(30000000- 40000000 )	Caster, Swivel, 80mmd, M12 X 25 Clr PI	2	
34	1035711	(30000000- 40000000 )	Boot, Switch, Hex Nut, .38- 32 Thd	1	
35	1071996	(30000000- 40000000 )	Switch, Push, Snap Action, 25a	1	
▽	33	9008680	(30000000- 40000000 )	Frame Kit, Main, W/ Caster Fastenrs [T3]	1
▲	37	140045	(30000000- 40000000 )	Washer, Flat, 0.51b 1.25d .06, Ss	2
▲	38	09741	(30000000- 40000000 )	Nut, Hex, Lock, M12 X 1.75, NI, Ss	2
	N/S	130773	(30000000- 40000000 )	Tie, Cable, Nyl, 11.0l, .14w, 3.0 Max. D	4

▽ ASSEMBLY

▲ INCLUDED IN ASSEMBLY

SCRUB HEAD GROUP, 43 cm MODEL



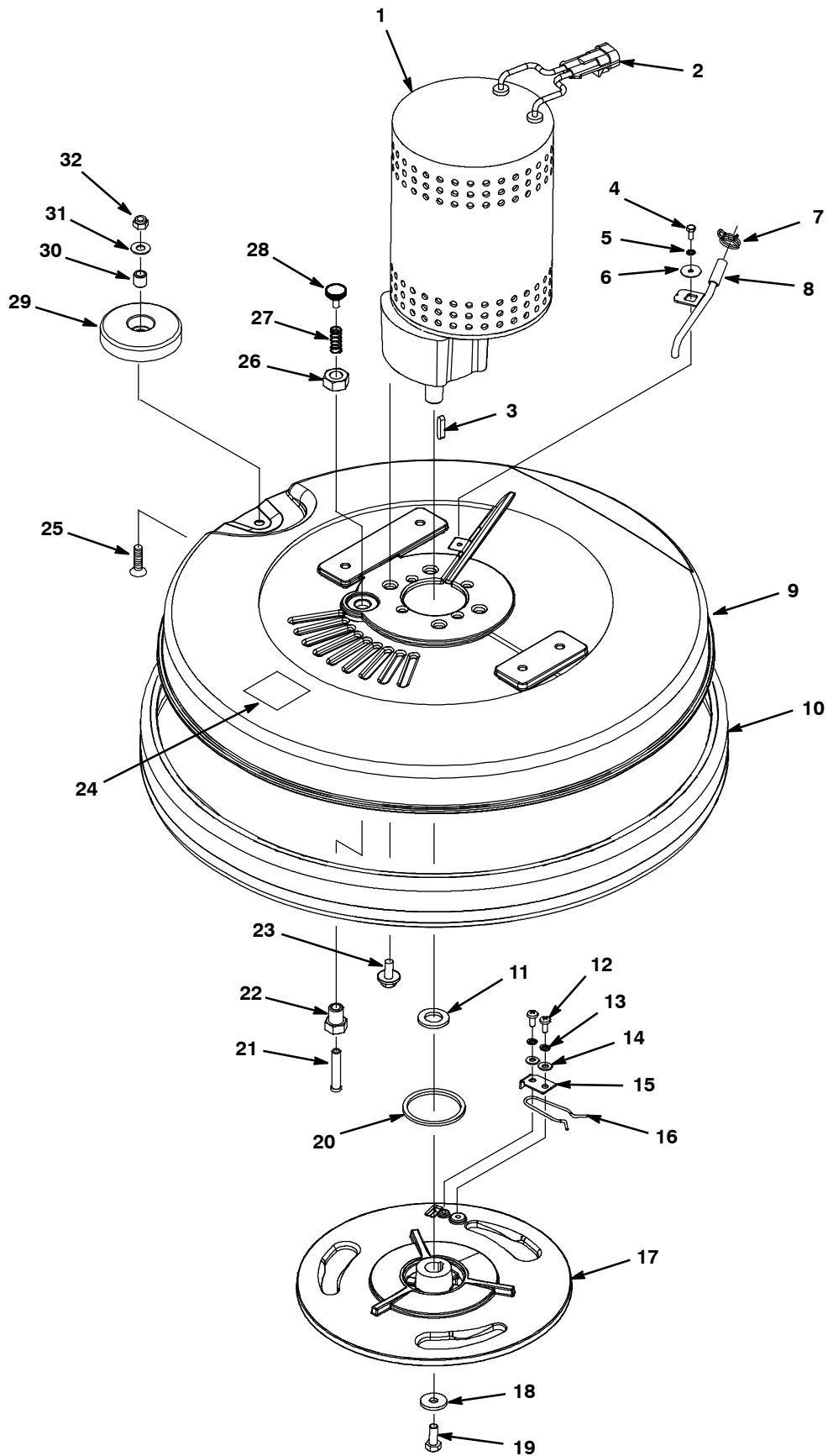
## SCRUB HEAD GROUP, 43 cm MODEL

Ref.	Part No.	Serial Number	Description	Qty.
▽	1	1062544	(30000000- 40000000 ) Motor, Ele, 24vdc 0200rpm 1.00hp, 17mm	1
▲		1045790	(30000000- 40000000 ) Brush Kit, Replmt, Carbon 24vdc [4pc = 1kit]	1
▲	2	607798	(30000000- 40000000 ) Terminal Mal Brush Motor Leads	2
▲	2	607801	(30000000- 40000000 ) Clip, Position, Terminal [Packard]	1
	3	1014328	(30000000- 40000000 ) Key, Sq, 05mm X 05mm, 25mml	1
	4	1020234	(30000000- 40000000 ) Screw, Hex, M4 X 0.7 X 10, Ss	1
	5	02938	(30000000- 40000000 ) Washer, Lock, Int, 08, Ss	1
	6	1009168	(30000000- 40000000 ) Washer, Flat, 0.17b 0.75d .04, Ss	1
	7	607775	(30000000- 40000000 ) Clamp, Hose, Wir, .63 - .66, Blk	1
	8	1016155	(30000000- 40000000 ) Tube Wldt, Supply, Water	1
	9	1048186	(30000000- 40000000 ) Housing, Head, 43cm [Die Cast]	1
	10	1055019	(30000000- 40000000 ) Bumper, Head, 43cm, W/ Bristle Skirt, Im	1
	11	1022549	(30000000- 40000000 ) Spacer, Shaft, 17.15b 30.0d 3.0l, Ss	1
	12	09200	(30000000- 40000000 ) Screw, Pan, M5 X 0.8 X 12, Ss	2
	13	07514	(30000000- 40000000 ) Washer, Lock, Int, #10, Ss	2
	14	01683	(30000000- 40000000 ) Washer, Flat, 0.22b 0.50d .05, Ss [#10]	2
	15	1011201	(30000000- 40000000 ) Plate, Clamp, Brush	1
	16	1013188	(30000000- 40000000 ) Clip, Spring, Drive Plate Yel Pl	1
	17	1063046	(30000000- 40000000 ) Hub, Drive, 3lug, Alm, 17.0b [Heavy Dp]	1
	18	1017218	(30000000- 40000000 ) Washer, Flat, 0.32b 1.00d .12, Ss	1
	19	12273	(30000000- 40000000 ) Screw, Hex, M8 X 1.25 X 20, NI, Ss	1
	20	1016426	(30000000- 40000000 ) Ring, Water, Containment	1
	21	1037399	(30000000- 40000000 ) Pin, Stop, 8.3mmd X 42mml	1
	22	605825	(30000000- 40000000 ) Screw, Stop, Head Pin	1
	23	1020341	(30000000- 40000000 ) Screw, Hex, M8 X 1.25 X 20, Ss, Sems	4
	24	578769	(30000000- 40000000 ) Label, Moving Parts	1
	25	79506	(30000000- 40000000 ) Screw, Flt, M8 X 1.25 X 30, Ss	1
	26	1037470	(30000000- 40000000 ) Nut, Hex, M14 X 2.00, Ss	1
	27	1037400	(30000000- 40000000 ) Spring, Cmpr, .42od, .04wir, 1.0l, Pl,Mw	1
	28	603012	(30000000- 40000000 ) Knob, Rnd, 19.0d M6 X 12, Stud, Plstc,Pl	1
	29	1010560	(30000000- 40000000 ) Wheel, Bmpr, 80d X 25w, Non- Marking	1
	30	222460	(30000000- 40000000 ) Sleeve, P/M, 0.31b 0.50d 0.5l	1
	31	140027	(30000000- 40000000 ) Washer, Flat, 0.35b 0.75d .04, Ss	1
	32	08713	(30000000- 40000000 ) Nut, Hex, Lock, M8 X 1.25, NI, Ss	1

▽ ASSEMBLY

▲ INCLUDED IN ASSEMBLY

SCRUB HEAD GROUP, 50 cm MODEL



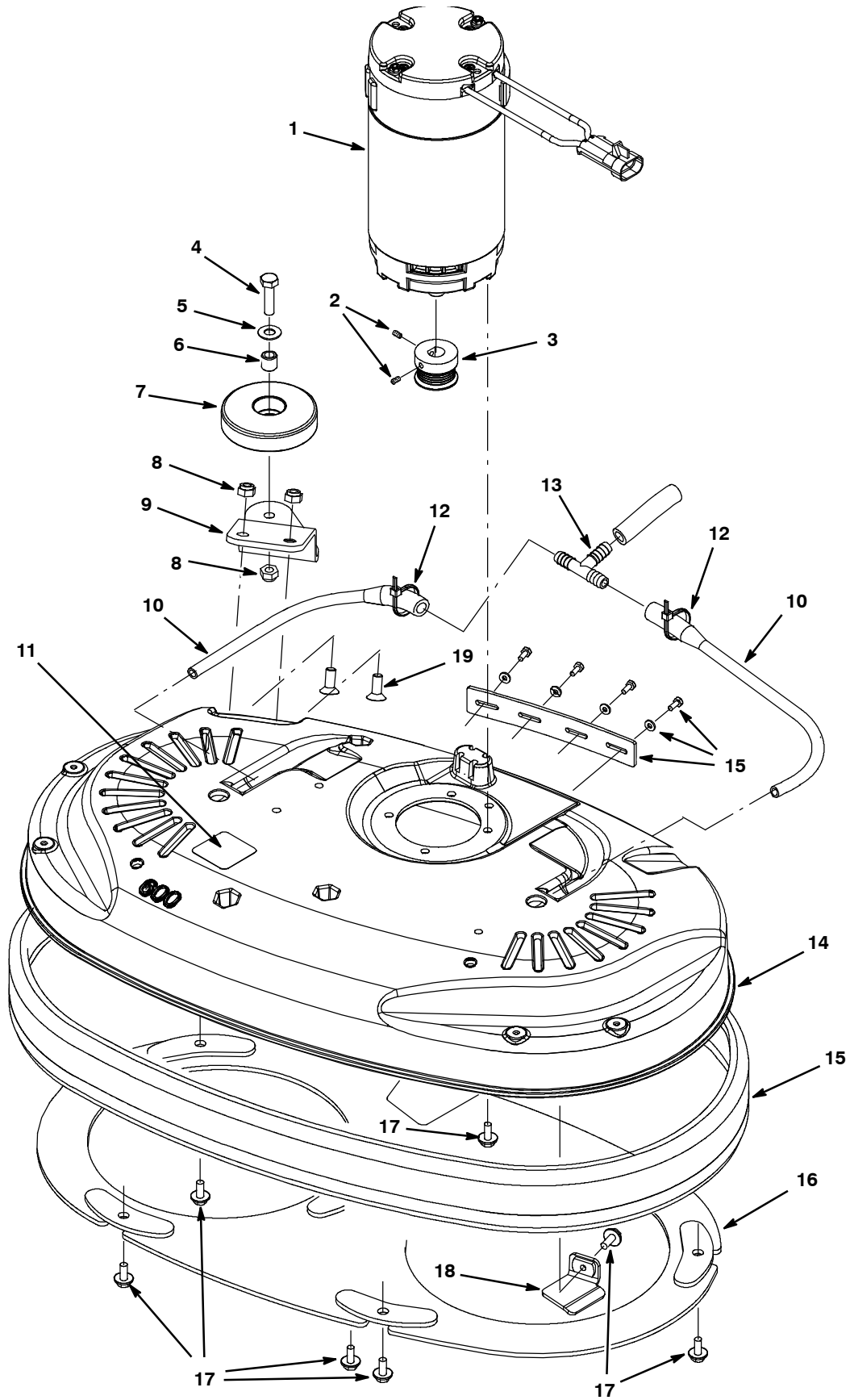
## SCRUB HEAD GROUP, 50 cm MODEL

Ref.	Part No.	Serial Number	Description	Qty.
▽	1	1062544	(30000000- 40000000 ) Motor, Ele, 24vdc 0200rpm 1.00hp, 17mm	1
▲		1045790	(30000000- 40000000 ) Brush Kit, Replmt, Carbon 24vdc [4pc = 1kit]	1
▲	2	607798	(30000000- 40000000 ) Terminal Mal Brush Motor Leads	2
▲	2	607801	(30000000- 40000000 ) Clip, Position, Terminal [Packard]	1
	3	1014328	(30000000- 40000000 ) Key, Sq, 05mm X 05mm, 25mml	1
	4	1020234	(30000000- 40000000 ) Screw, Hex, M4 X 0.7 X 10, Ss	1
	5	02938	(30000000- 40000000 ) Washer, Lock, Int, 08, Ss	1
	6	1009168	(30000000- 40000000 ) Washer, Flat, 0.17b 0.75d .04, Ss	1
	7	607775	(30000000- 40000000 ) Clamp, Hose, Wir, .63 - .66, Blk	1
	8	1016155	(30000000- 40000000 ) Tube Wldt, Supply, Water	1
	9	1036813	(30000000- 40000000 ) Housing, Head, 50cm, Die Cstg	1
	10	1055025	(30000000- 40000000 ) Bumper, Head, 50cm, W/ Bristle Skirt, Im	1
	11	1022549	(30000000- 40000000 ) Spacer, Shaft, 17.15b 30.0d 3.0l, Ss	1
	12	09200	(30000000- 40000000 ) Screw, Pan, M5 X 0.8 X 12, Ss	2
	13	07514	(30000000- 40000000 ) Washer, Lock, Int, #10, Ss	2
	14	01683	(30000000- 40000000 ) Washer, Flat, 0.22b 0.50d .05, Ss [#10]	2
	15	1011201	(30000000- 40000000 ) Plate, Clamp, Brush	1
	16	1013188	(30000000- 40000000 ) Clip, Spring, Drive Plate Yel Pl	1
	17	1063046	(30000000- 40000000 ) Hub, Drive, 3lug, Alm, 17.0b [Heavy Dp]	1
	18	1017218	(30000000- 40000000 ) Washer, Flat, 0.32b 1.00d .12, Ss	1
	19	12273	(30000000- 40000000 ) Screw, Hex, M8 X 1.25 X 20, NI, Ss	1
	20	1016426	(30000000- 40000000 ) Ring, Water, Containment	1
	21	1037399	(30000000- 40000000 ) Pin, Stop, 8.3mmd X 42mml	1
	22	605825	(30000000- 40000000 ) Screw, Stop, Head Pin	1
	23	1020341	(30000000- 40000000 ) Screw, Hex, M8 X 1.25 X 20, Ss, Sems	4
	24	578769	(30000000- 40000000 ) Label, Moving Parts	1
	25	79506	(30000000- 40000000 ) Screw, Flt, M8 X 1.25 X 30, Ss	1
	26	1037470	(30000000- 40000000 ) Nut, Hex, M14 X 2.00, Ss	1
	27	1037400	(30000000- 40000000 ) Spring, Cmpr, .42od, .04wir, 1.0l, Pl,Mw	1
	28	603012	(30000000- 40000000 ) Knob, Rnd, 19.0d M6 X 12, Stud, Plstc,Pl	1
	29	1010560	(30000000- 40000000 ) Wheel, Bmpr, 80d X 25w, Non- Marking	1
	30	222460	(30000000- 40000000 ) Sleeve, P/M, 0.31b 0.50d 0.5l	1
	31	140027	(30000000- 40000000 ) Washer, Flat, 0.35b 0.75d .04, Ss	1
	32	08713	(30000000- 40000000 ) Nut, Hex, Lock, M8 X 1.25, NI, Ss	1

▽ ASSEMBLY

▲ INCLUDED IN ASSEMBLY

SCRUB HEAD GROUP, DUAL DISK, 60 cm MODEL





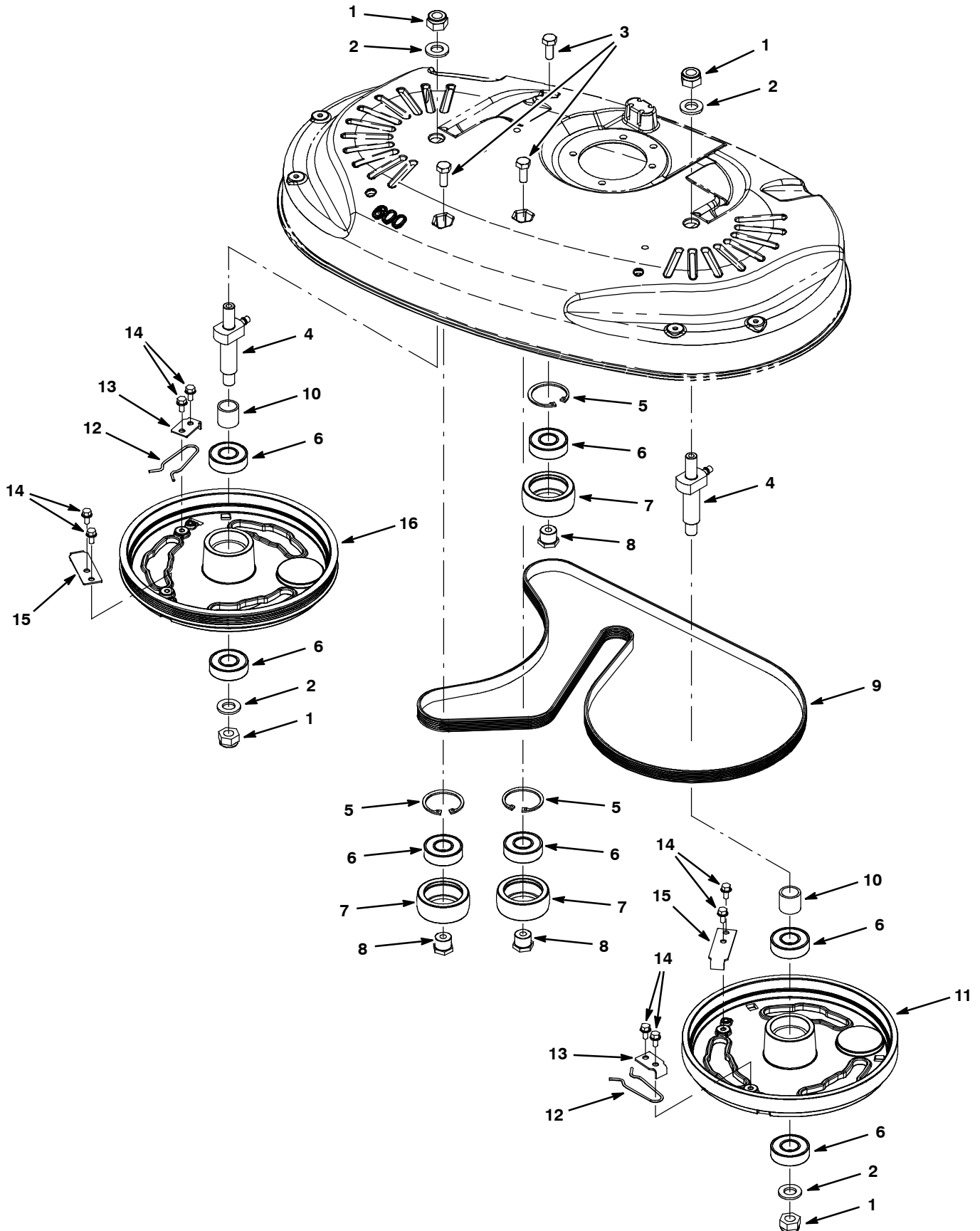
## SCRUB HEAD GROUP, DUAL DISK, 60 cm MODEL

Ref.	Part No.	Serial Number	Description	Qty.
▽	1	1064902	(30000000- 40000000 ) Motor, 24vdc, 2000rpm, 7/8hp [Us]	1
▲		1059370	(30000000- 40000000 ) Brush, Motor, Replmt [Bag Of 4]	1
	2	1013995	(30000000- 40000000 ) Screw, Set, M5 X 0.80 X 8, Ss [Cuppt]	2
	3	1059058	(30000000- 40000000 ) Sheave, 06grv, 1.25pd 0.55b, Ss [D Shaft]	1
	4	09011	(30000000- 40000000 ) Screw, Hex, M8 X 1.25 X 30, Ss	1
	5	140027	(30000000- 40000000 ) Washer, Flat, 0.35b 0.75d .04, Ss	1
	6	222460	(30000000- 40000000 ) Sleeve, P/M, 0.32b 0.50d 0.5l [430ss]	1
	7	1010560	(30000000- 40000000 ) Wheel, Bmpr, 80d X 25w, Non- Marking	1
	8	08713	(30000000- 40000000 ) Nut, Hex, Lock, M8 X 1.25, NI, Ss	3
	9	1055815	(30000000- 40000000 ) Bracket, Wall- Roller, Scb Head [T3]	1
	10	1062937	(30000000- 40000000 ) Tube, Soltn, 245.0mml [T3 Dual Disks]	2
	11	578769	(30000000- 40000000 ) Label, Parts, Moving [Textless]	1
	12	130773	(30000000- 40000000 ) Tie, Cable, Nyl, 11.0l, .14w, 3.0 Max. D	2
	13	160310	(30000000- 40000000 ) Fitting, Plstc, Tee, Bm06/Bm06/Bm06	1
	14	1059697	(30000000- 40000000 ) Housing, Casting, Head [T3 60cm] Mach	1
	15	1072656	(30000000- 40000000 ) Bumper, Head, 60cm, Bristle Skirt (Includes Mounting Hardware & Retaining Strap)	1
	16	1058573	(30000000- 40000000 ) Bracket, Gaurd, Splash [T3 60cm]	1
	17	1034731	(30000000- 40000000 ) Screw, Hex, M6 X 1.00 X 16, Ss, Sems	10
	18	1058380	(30000000- 40000000 ) Bracket, Guide, Belt [T3 60cm]	1
	19	79246	(30000000- 40000000 ) Screw, Flt, Soc, M8 X 1.25 X 20, 18- 8,Ss	2

▽ ASSEMBLY

▲ INCLUDED IN ASSEMBLY

SCRUB HEAD GROUP, DUAL DISK, 60 cm MODEL - CONT'D



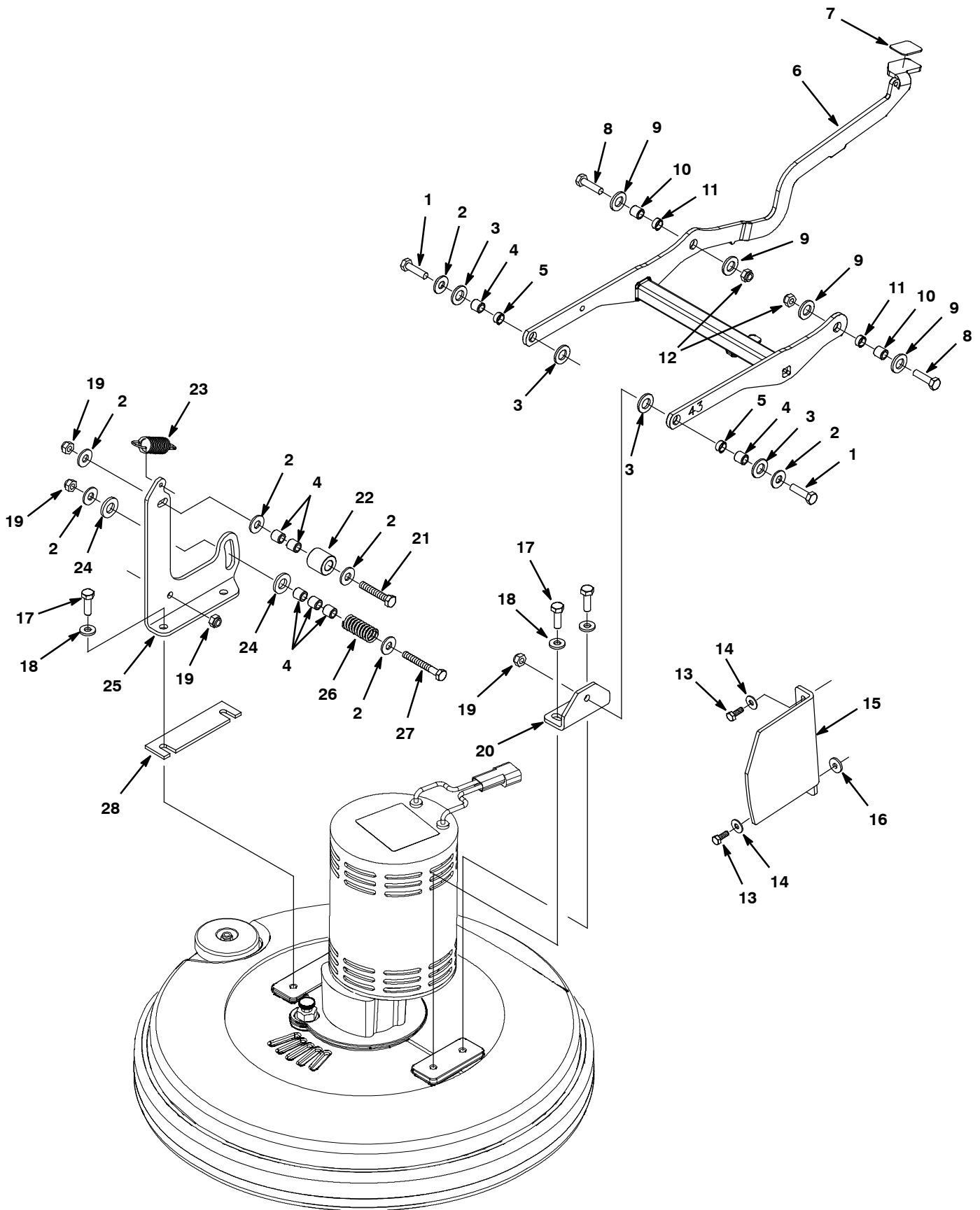
## SCRUB HEAD GROUP, DUAL DISK, 60 cm MODEL - CONT'D

Ref.	Part No.	Serial Number	Description	Qty.
1	09741	(30000000- 40000000 )	Nut, Hex, Lock, M12 X 1.75, NI, Ss	4
2	33925	(30000000- 40000000 )	Washer, Flat, M12, Ss	4
3	12273	(30000000- 40000000 )	Screw, Hex, M8 X 1.25 X 20, NI, Ss	3
4	1058800	(30000000- 40000000 )	Shaft Wldt, Mtg, Pulley	2
5	1013884	(30000000- 40000000 )	Ring, Retaining, Int, 40mm, Ss	3
6	1211187	(30000000- 40000000 )	Bearing, Ball, 0.67b 1.57d 0.47w [6203]	7
7	1058514	(30000000- 40000000 )	Pulley, Idler, 55d X 21w[60cm Dual Disk]	3
8	1011008	(30000000- 40000000 )	Spacer, Brg, Idler	3
9	1055305	(30000000- 40000000 )	Belt, Drive, 6pj, Ej139 [T3]	1
10	1011041	(30000000- 40000000 )	Tube, 0.69id 0.87od 00.8l, Stl, PI	2
11	1059205	(30000000- 40000000 )	Hub, Drive, 3lug, Alm, 2disk, Flt	1
12	1013188	(30000000- 40000000 )	Clip, Spring, Drive Plate [T3], Clr Zn	2
13	1013592	(30000000- 40000000 )	Stop, Driver, Release	2
14	223198	(30000000- 40000000 )	Screw, Hex, M5 X 0.80 X 10, Fmg	8
15	1011201	(30000000- 40000000 )	Plate, Clamp, Brush	2
16	1059206	(30000000- 40000000 )	Hub, Drive, 3lug, Alm, 2disk, 6grv	1

▽ ASSEMBLY

▲ INCLUDED IN ASSEMBLY

SCRUB HEAD LIFT GROUP, 43 cm MODEL



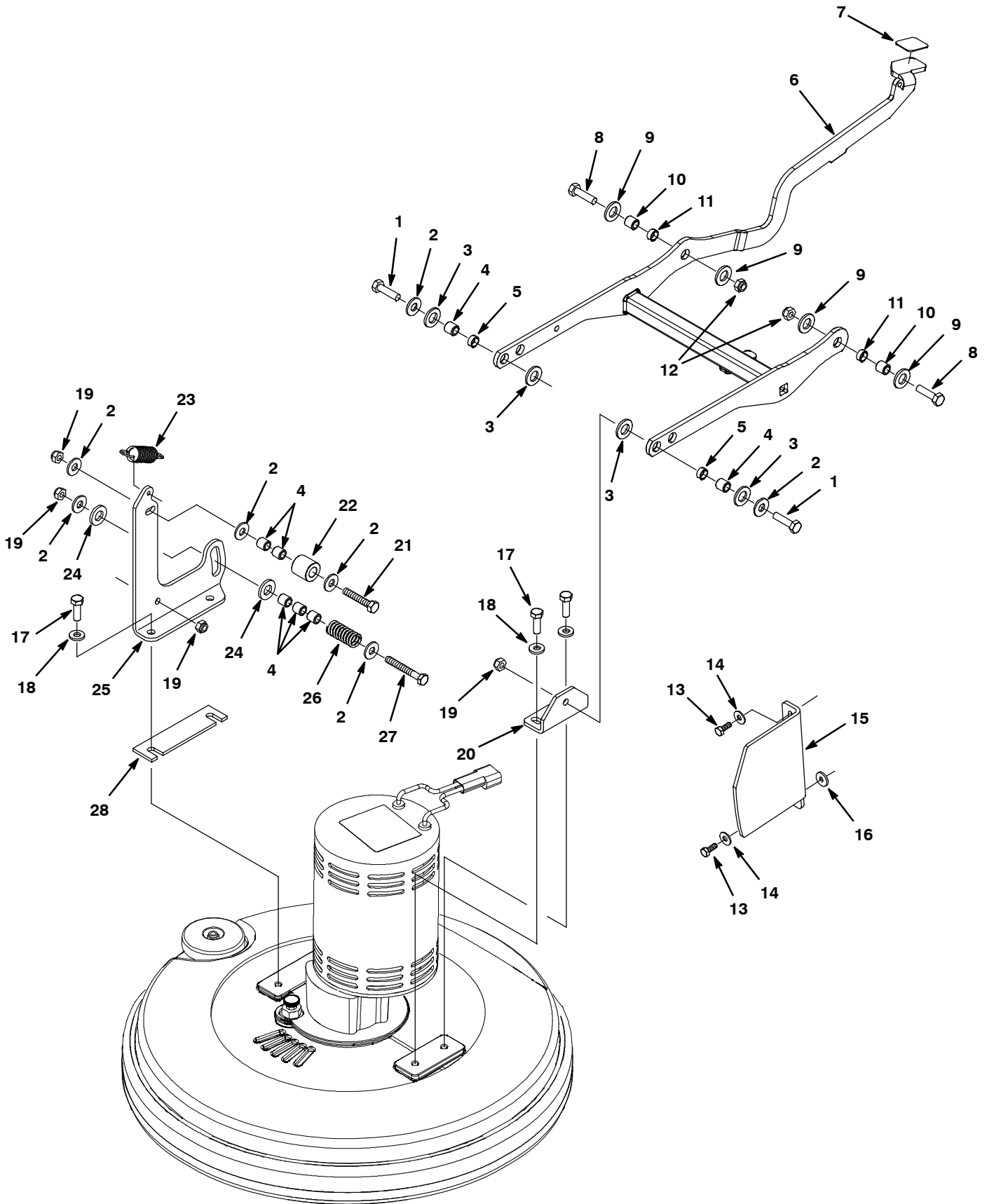
## SCRUB HEAD LIFT GROUP, 43 cm MODEL

Ref.	Part No.	Serial Number	Description	Qty.
1	09011	(30000000- 40000000 )	Screw, Hex, M8 X 1.25 X 30, Ss	2
2	01685	(30000000- 40000000 )	Washer, Flat, 0.38b 0.88d .08, Ss	7
3	1013936	(30000000- 40000000 )	Washer, Flat, 0.51b 0.94d .10, Nyl	4
4	222460	(30000000- 40000000 )	Sleeve, P/M, 0.31b 0.50d 0.5l	7
5	630188	(30000000- 40000000 )	Bearing, Journal, .50id X .25l	2
▽	6	1061708	(30000000- 40000000 ) Kit, Lift Assy, Head, Sgl Disk,43cm [T3]	1
▲	7	1014283	(30000000- 40000000 ) Pad, Adh, Non- Slip, 28mm X 36mm, Blk	1
▲	8	09011	(30000000- 40000000 ) Screw, Hex, M8 X 1.25 X 30, Ss	2
▲	9	1013936	(30000000- 40000000 ) Washer, Flat, 0.51b 0.94d .10, Nyl	4
▲	10	222460	(30000000- 40000000 ) Sleeve, P/M, 0.31b 0.50d 0.5l	2
▲	11	630188	(30000000- 40000000 ) Bearing, Journal, .50id X .25l	2
▲	12	08713	(30000000- 40000000 ) Nut, Hex, Lock, M8 X 1.25, NI, Ss	2
	13	11329	(30000000- 40000000 ) Screw, Hex, M6 X 1.0 X 16, Ss, NI	2
	14	01684	(30000000- 40000000 ) Washer, Flat, 0.25 Ss	1
	15	1015460	(30000000- 40000000 ) Bracket, Guide, Head, [43cm]	1
	16	1028796	(30000000- 40000000 ) Washer, Flat, 0.33b 1.00d .18, Stl, Pl	1
	17	12333	(30000000- 40000000 ) Screw, Hex, M8 X 1.25 X 25, Ss, NI	4
	18	69461	(30000000- 40000000 ) Washer, Flat, 0.38b 0.88d .12, Stl, Pl	4
	19	08713	(30000000- 40000000 ) Nut, Hex, Lock, M8 X 1.25, NI, Ss	4
	20	1015470	(30000000- 40000000 ) Bracket, Mtg, Head	1
	21	222505	(30000000- 40000000 ) Screw, Hex, M8 X 1.25 X 45, Ss	1
	22	1014020	(30000000- 40000000 ) Roller, Lift, Dual Disk Head	1
	23	1032420	(30000000- 40000000 ) Spring, Extn, 0.85od 0.09wir 02.9l (43cm Model)	1
	24	140127	(30000000- 40000000 ) Bearing, Thrust,0.51b X 1.0 X .12, Brz	2
	25	1012323	(30000000- 40000000 ) Bracket, Mtg, Head, Rh	1
	26	140430	(30000000- 40000000 ) Spring, Cmpr, .72od X 1.69 L	1
	27	1014163	(30000000- 40000000 ) Screw, Hex, M8 X 1.25 X 60, Fl, Ss	1
	28	1032791	(30000000- 40000000 ) Spacer, Head, 4mm (Brush Assist Model)	1
	N/S	130773	(30000000- 40000000 ) Tie, Cable, Nyl, 11.0l, .14w, 3.0 Max. D	1

▽ ASSEMBLY

▲ INCLUDED IN ASSEMBLY

SCRUB HEAD LIFT GROUP, 50 cm MODEL



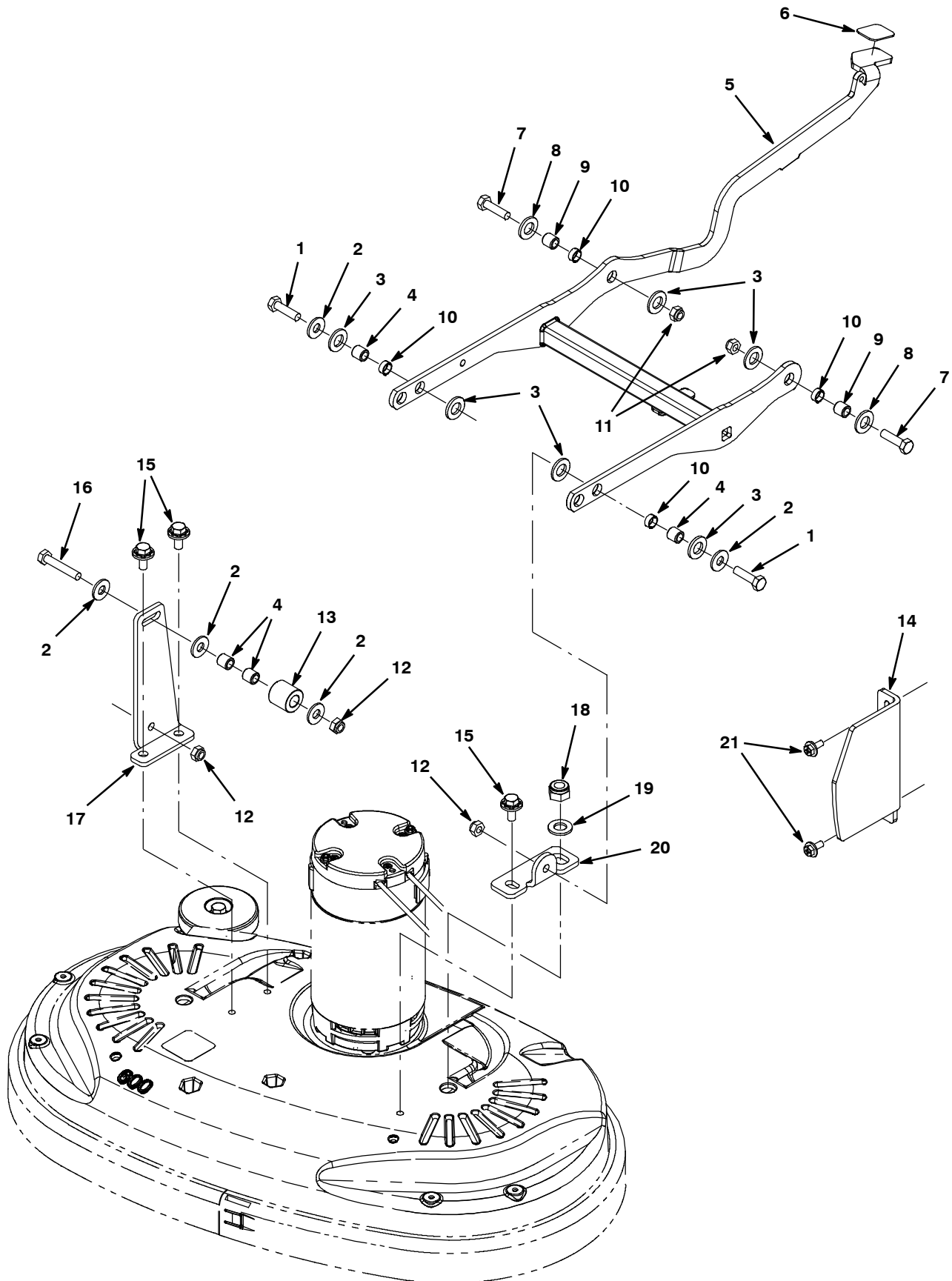
## SCRUB HEAD LIFT GROUP, 50 cm MODEL

Ref.	Part No.	Serial Number	Description	Qty.
1	09011	(30000000- 40000000 )	Screw, Hex, M8 X 1.25 X 30, Ss	2
2	01685	(30000000- 40000000 )	Washer, Flat, 0.38b 0.88d .08, Ss	7
3	1013936	(30000000- 40000000 )	Washer, Flat, 0.51b 0.94d .10, Nyl	4
4	222460	(30000000- 40000000 )	Sleeve, P/M, 0.31b 0.50d 0.5l	7
5	630188	(30000000- 40000000 )	Bearing, Journal, .50id X .25l	2
▽	6	1061720	(30000000- 40000000 ) Kit, Lift Assy, Head, Disk,50/60[T3 N/A]	1
▲	7	1014283	(30000000- 40000000 ) Pad, Adh, Non- Slip, 28mm X 36mm, Blk	1
▲	8	09011	(30000000- 40000000 ) Screw, Hex, M8 X 1.25 X 30, Ss	2
▲	9	1013936	(30000000- 40000000 ) Washer, Flat, 0.51b 0.94d .10, Nyl	4
▲	10	222460	(30000000- 40000000 ) Sleeve, P/M, 0.31b 0.50d 0.5l	2
▲	11	630188	(30000000- 40000000 ) Bearing, Journal, .50id X .25l	2
▲	12	08713	(30000000- 40000000 ) Nut, Hex, Lock, M8 X 1.25, NI, Ss	2
	13	11329	(30000000- 40000000 ) Screw, Hex, M6 X 1.0 X 16, Ss, NI	2
	14	01684	(30000000- 40000000 ) Washer, Flat, 0.25 Ss	1
	15	1012484	(30000000- 40000000 ) Bracket, Guide, Head, [50cm]	1
	16	1028796	(30000000- 40000000 ) Washer, Flat, 0.33b 1.00d .18, Stl, PI	1
	17	12333	(30000000- 40000000 ) Screw, Hex, M8 X 1.25 X 25, Ss, NI	4
	18	69461	(30000000- 40000000 ) Washer, Flat, 0.38b 0.88d .12, Stl, PI	4
	19	08713	(30000000- 40000000 ) Nut, Hex, Lock, M8 X 1.25, NI, Ss	4
	20	1015470	(30000000- 40000000 ) Bracket, Mtg, Head	1
	21	222505	(30000000- 40000000 ) Screw, Hex, M8 X 1.25 X 45, Ss	1
	22	1014020	(30000000- 40000000 ) Roller, Lift, Dual Disk Head	1
	23	1031776	(30000000- 40000000 ) Spring, Extn, 0.75od 0.09wir 03.2l (50cm Model)	1
	24	140127	(30000000- 40000000 ) Bearing, Thrust,0.51b X 1.0 X .12, Brz	2
	25	1012323	(30000000- 40000000 ) Bracket, Mtg, Head, Rh	1
	26	140430	(30000000- 40000000 ) Spring, Cmpr, .72od X 1.69 L	1
	27	1014163	(30000000- 40000000 ) Screw, Hex, M8 X 1.25 X 60, Fl, Ss	1
	28	1032791	(30000000- 40000000 ) Spacer, Head, 4mm (Brush Assist Model)	1
	N/S	130773	(30000000- 40000000 ) Tie, Cable, Nyl, 11.0l, .14w, 3.0 Max. D	1

▽ ASSEMBLY

▲ INCLUDED IN ASSEMBLY

SCRUB HEAD LIFT GROUP, DUAL DISK 60 cm MODEL





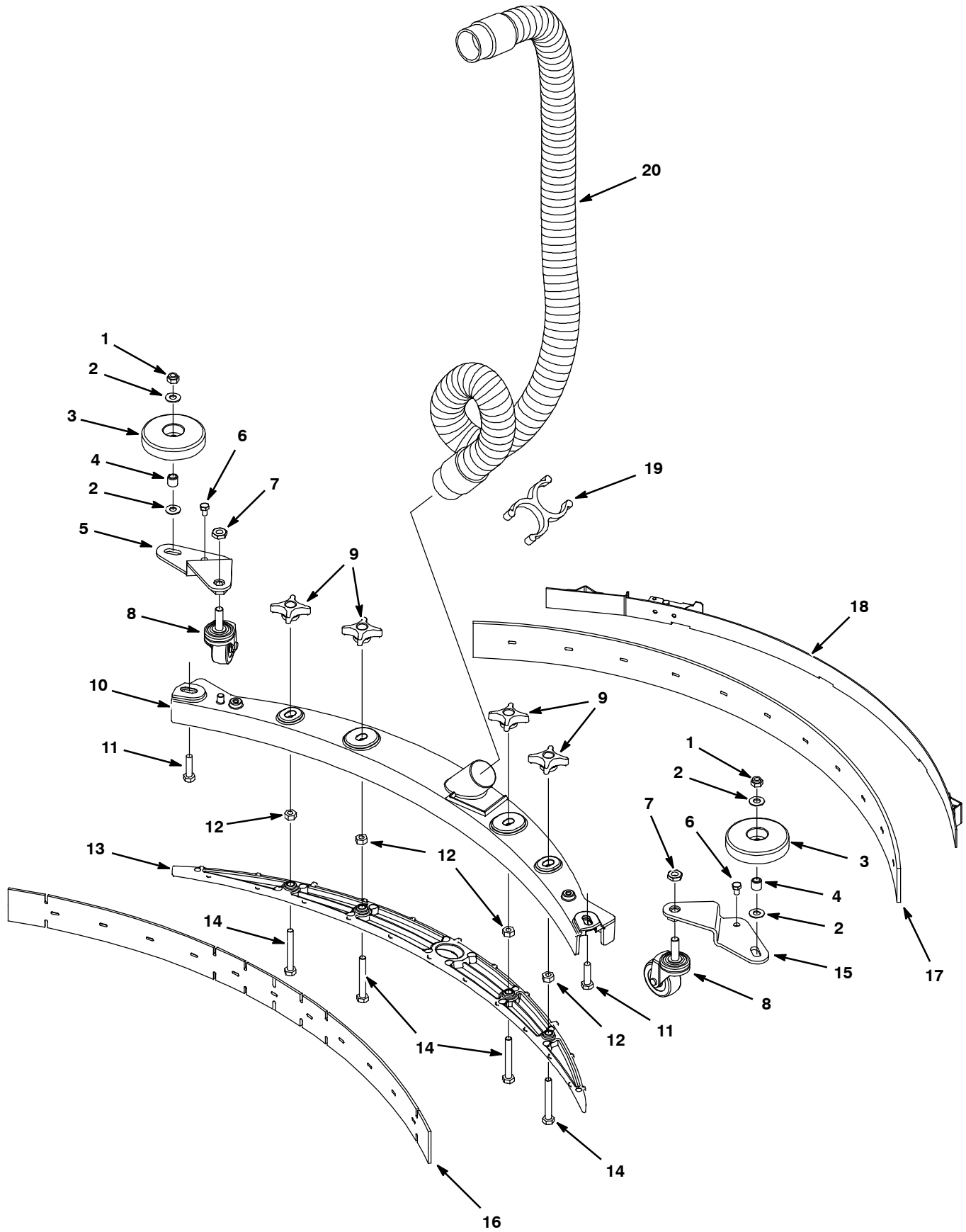
## SCRUB HEAD LIFT GROUP, DUAL DISK 60 cm MODEL

Ref.	Part No.	Serial Number	Description	Qty.
1	09011	(30000000- 40000000 )	Screw, Hex, M8 X 1.25 X 30, Ss	2
2	01685	(30000000- 40000000 )	Washer, Flat, 0.38b 0.88d .08, Ss	5
3	1013936	(30000000- 40000000 )	Washer, Flat, 0.51b 0.94d .10, Nyl	4
4	222460	(30000000- 40000000 )	Sleeve, P/M, 0.31b 0.50d 0.5l	4
▽	5	1061720	(30000000- 40000000 ) Kit, Lift Assy, Head, Disk,50/60[T3 N/A]	1
▲	6	1014283	(30000000- 40000000 ) Pad, Adh, 28mm X 36mm, Blk [Non- Slip]	1
▲	7	09011	(30000000- 40000000 ) Screw, Hex, M8 X 1.25 X 30, Ss	2
▲	8	1013936	(30000000- 40000000 ) Washer, Flat, 0.51b 0.94d .10, Nyl	4
▲	9	222460	(30000000- 40000000 ) Sleeve, P/M, 0.31b 0.50d 0.5l [430ss]	2
▲	10	630188	(30000000- 40000000 ) Bearing, Journal, .50id X .25l	4
▲	11	08713	(30000000- 40000000 ) Nut, Hex, Lock, M8 X 1.25, NI, Ss	2
	12	08713	(30000000- 40000000 ) Nut, Hex, Lock, M8 X 1.25, NI, Ss	3
	13	1014020	(30000000- 40000000 ) Roller, Lift, Dual Disk Head	1
	14	1055999	(30000000- 40000000 ) Bracket, Guide, Head, 60cm Dd [T3]	1
	15	1020341	(30000000- 40000000 ) Screw, Hex, M8 X 1.25 X 20, Ss, Sems Sq	3
	16	222505	(30000000- 40000000 ) Screw, Hex, M8 X 1.25 X 45, Ss	1
	17	1011432	(30000000- 40000000 ) Bracket, Mtg, Head, Rh	1
	18	09741	(30000000- 40000000 ) Nut, Hex, Lock, M12 X 1.75, NI, Ss	1
	19	33925	(30000000- 40000000 ) Washer, Flat, M12, Ss	1
	20	1054760	(30000000- 40000000 ) Bracket, Mtg, Head [T3 60cm Dd]	1
	21	1034731	(30000000- 40000000 ) Screw, Hex, M6 X 1.00 X 16, Ss, Sems	2

▽ ASSEMBLY

▲ INCLUDED IN ASSEMBLY

SQUEEGEE GROUP, 500 mm



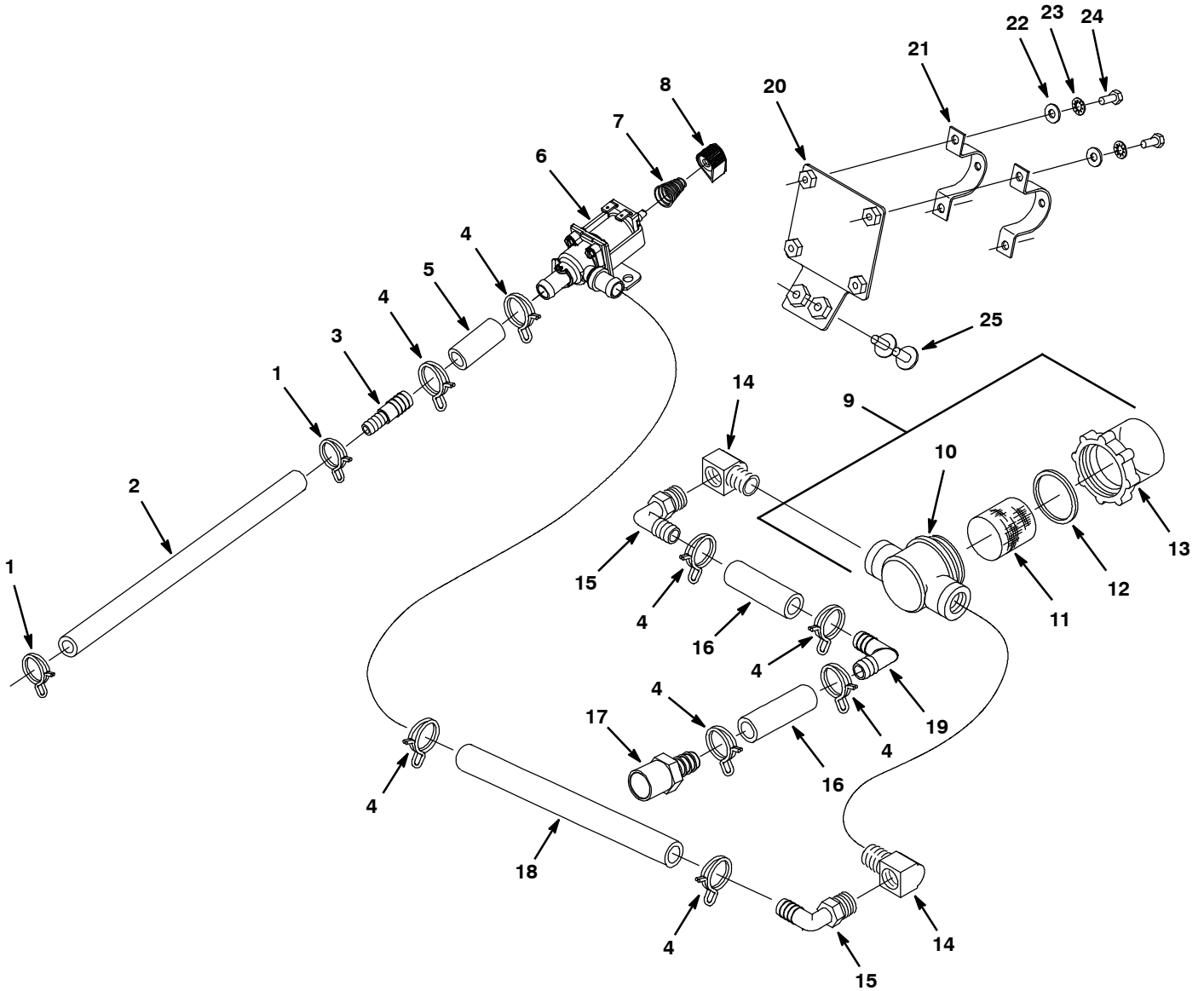
## SQUEEGEE GROUP, 500 mm

Ref.	Part No.	Serial Number	Description	Qty.
▽	9009284	(30000000- 40000000 )	Squeegee Assy, 500mm [T3e, China]	1
▲	1 08713	(30000000- 40000000 )	Nut, Hex, Lock, M8 X 1.25, NI, Ss	2
▲	2 140027	(30000000- 40000000 )	Washer, Flat, 0.35b 0.75d .04, Ss	4
▲	3 1010560	(30000000- 40000000 )	Wheel, Bmpr, 80d X 25w, Non- Marking	2
▲	4 222460	(30000000- 40000000 )	Sleeve, P/M, 0.31b 0.50d 0.5l	2
▲	5 1011228	(30000000- 40000000 )	Plate, Mtg, Caster, Sqge, Rh	1
▲	6 74455	(30000000- 40000000 )	Screw, Hex, M6 X 1.0 X 12, Fmg	2
▲	7 32716	(30000000- 40000000 )	Nut, Hex, Jam, M10 X 1.5, Ss	2
▲	8 1006343	(30000000- 40000000 )	Caster, Swivel, 50mmd, M10 X 30 Stem, PI	2
▲	9 1010558	(30000000- 40000000 )	Knob, Star, 2.00d 4ear .73l M8x1.25 Thru	4
▲	10 1011163	(30000000- 40000000 )	Frame, Sqge, 74cm [50cm] Die Cast	1
▲	11 09011	(30000000- 40000000 )	Screw, Hex, M8 X 1.25 X 30, Ss	2
▲	12 07786	(30000000- 40000000 )	Nut, Hex, Std, M8 X 1.25, Ss	4
▲	13 1019919	(30000000- 40000000 )	Retainer, Sqge, 76cm [50cm] Nyl, Blk	1
▲	14 1014163	(30000000- 40000000 )	Screw, Hex, M8 X 1.25 X 60, Fl, Ss	4
▲	15 1011956	(30000000- 40000000 )	Plate, Mtg, Caster, Sqge, Lh	1
▲	16 1057611	(30000000- 40000000 )	Blade, Sqge, Front, 500mml Linatex (Standard)	1
	16 1014091	(30000000- 40000000 )	Blade, Sqge, Front, 500mml, Gum (Optional)	1
	16 1014092	(30000000- 40000000 )	Blade, Sqge, Front, 500mml, Oil- Rstn (Optional)	1
▲	17 1011456	(30000000- 40000000 )	Blade, Sqge, Rear, 32.7l, Linatex[500mm] (Standard)	1
	17 1014093	(30000000- 40000000 )	Blade, Sqge, Rear, 32.7l, Gum [500mm] (Optional)	1
	17 1014094	(30000000- 40000000 )	Blade, Sqge, Rear, 32.7l, Oil- Rstn[500mm] (Optional)	1
▲	18 1013933	(30000000- 40000000 )	Strap Assy, Sqge, 500mm	1
	19 1014079	(30000000- 40000000 )	Clip, Hose, Gripper, 1.50id, Dbl, Blk Pp	1
	20 1207882	(30000000- 40000000 )	Hose, Vacuum, 1.50id X 057.1l, 2cuff, Pu	1

▽ ASSEMBLY

▲ INCLUDED IN ASSEMBLY

SOLUTION GROUP, STANDARD MODEL



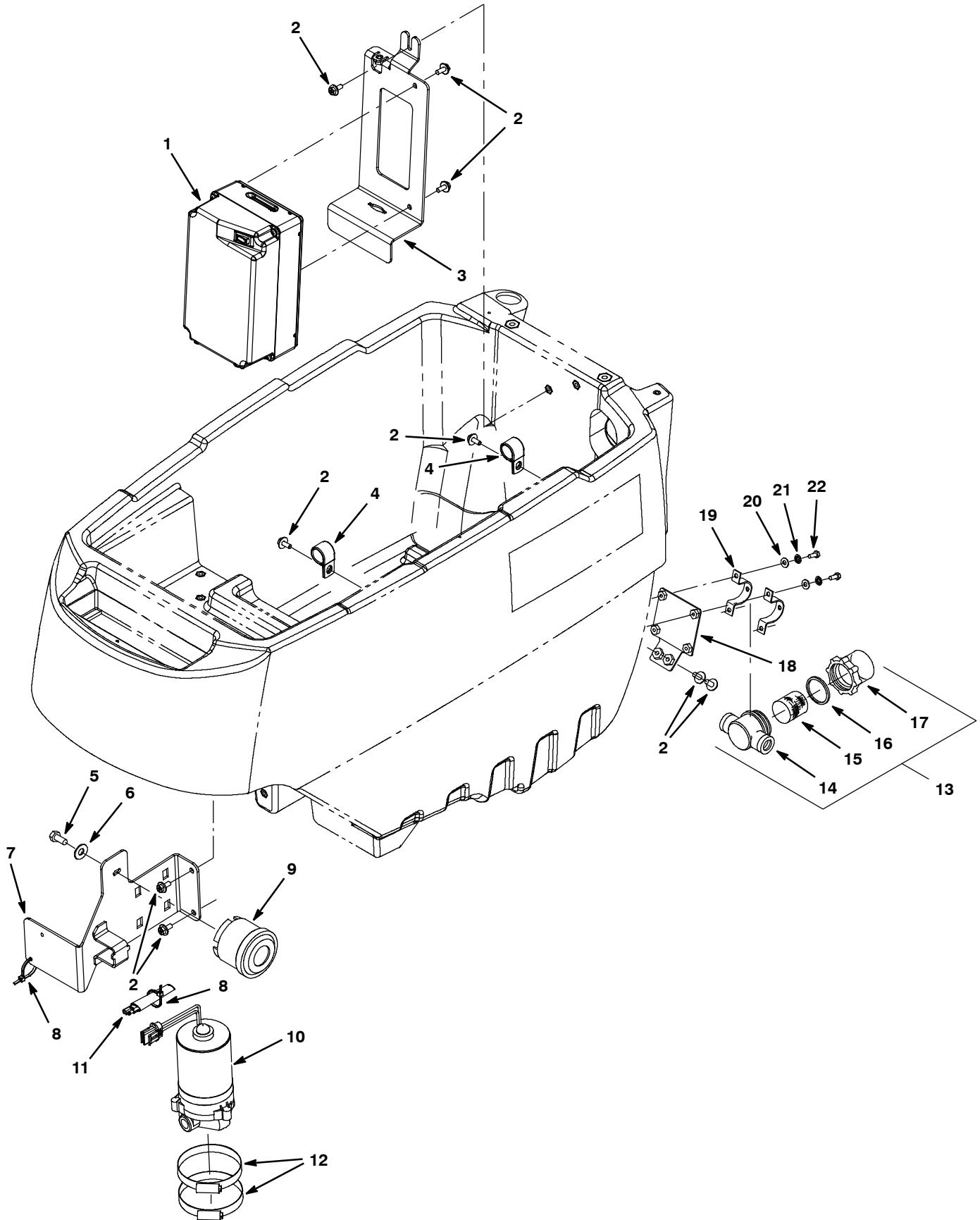
## SOLUTION GROUP, STANDARD MODEL

Ref.	Part No.	Serial Number	Description	Qty.	
1	607775	(30000000- 40000000 )	Clamp, Hose, Wir, .63 - .66, Blk	2	
2	606318	(30000000- 40000000 )	Hose, PVC, Brd, 0.38id 0.60od 036.5l, Clr	1	
3	612774	(30000000- 40000000 )	Fitting, Plstc, Str, Bm06/Bm08	1	
4	607776	(30000000- 40000000 )	Clamp, Hose, Wir, .73 - .77, Silver	8	
5	606225	(30000000- 40000000 )	Hose 1/2id X 1.79"	1	
6	1213803	(30044532- 40000000 )	Valve, Water, Solenoid, 24vdc, Bm10/Bm10	1	
▽	6	1016595	(30000000- 30044531 )	Valve, 1/4- 20 [Liq Dispensing]	1
▲		614265	(30000000- 30044531 )	Valve Kit, Water [Viton Diaphragm] (Repair Kit)	1
	7	1017091	(30000000- 40000000 )	Spring, Cmpr, .48d, .036w, .75l	1
	8	1013442	(30000000- 40000000 )	Knob, Valve, Indicator, Blk	1
▽	9	1005302	(30000000- 40000000 )	Filter, In- Line, Pf06/Pf06, 80 Mesh	1
▲	10	613993	(30000000- 40000000 )	Housing, Top, F/1005302	1
▲	11	1005304	(30000000- 40000000 )	Screen, Fltr, 80 Mesh	1
▲	12	613992	(30000000- 40000000 )	Gasket [Viton, F/1005302]	1
▲	13	613991	(30000000- 40000000 )	Bowl, Clr, Short, F/1005302	1
	14	150420	(30000000- 40000000 )	Fitting, Brs, E90, Pf06/Pm06 [Taped]	2
	15	1017532	(30000000- 40000000 )	Fitting, Plstc, E90, Bm08/Pm06	2
	16	140957	(30000000- 40000000 )	Hose, Pvc, Clr, 0.50id 0.75od 002.5l	2
	17	1023581	(30000000- 40000000 )	Fitting, Plstc, Str, Bm08/Pm08, Nyl	1
	18	613517	(30000000- 40000000 )	Tube, 0.50id X 0.75od Vyl 0.46ft[611259]	1
	19	63987- 1	(30000000- 40000000 )	Fitting, Plstc, E90, Bm08/Bm08	1
	20	1029533	(30000000- 40000000 )	Bracket, Mtg, Fltr	1
	21	605056	(30000000- 40000000 )	Bracket, Mtg, Fltr	2
	22	01683	(30000000- 40000000 )	Washer, Flat, #10, Ss	4
	23	07514	(30000000- 40000000 )	Washer, Lock, Int, #10, Ss	4
	24	09738	(30000000- 40000000 )	Screw, Hex, M5 X 0.8 X 12, Ss	4
	25	1034731	(30000000- 40000000 )	Screw, Hex, M6 X 1.00 X 16, Ss, Sems	2

▽ ASSEMBLY

▲ INCLUDED IN ASSEMBLY

SOLUTION GROUP, ec-H2O MODEL



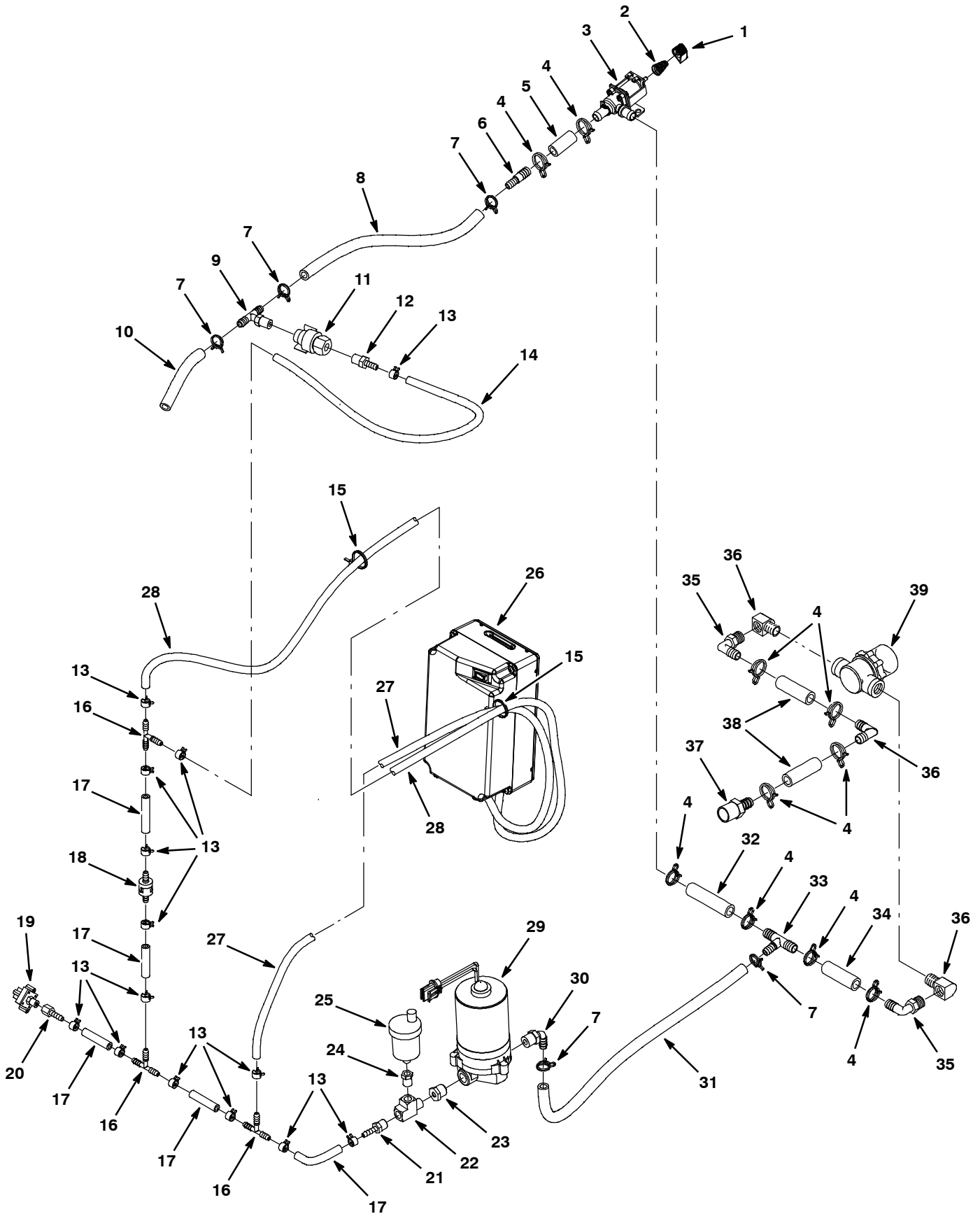
## SOLUTION GROUP, ec-H2O MODEL

Ref.	Part No.	Serial Number	Description	Qty.	
1	9006269	(30000000- 40000000 )	Module Kit, Replmt [Ec- H2o]	1	
2	1034731	(30000000- 40000000 )	Screw, Hex, M6 X 1.00 X 16, Ss, Sems	9	
3	1045961	(30000000- 40000000 )	Bracket, Mtg, Chrgr [Ss3/T3e Ec- H2o]	1	
4	140314	(30000000- 40000000 )	Clamp, Cable, Stl, 0.75d X 0.75w, 1hole	2	
5	11635	(30000000- 40000000 )	Screw, Hex, M6 X 1.00 X 12, Ni, Ss	1	
6	01684	(30000000- 40000000 )	Washer, Flat, 0.27b 0.69d .05, Ss	1	
7	1037242	(30000000- 40000000 )	Bracket Wldt, Mtg, Pump [Fast li+]	1	
8	130773	(30000000- 40000000 )	Tie, Cable, Nyl, 11.0l, .14w, 3.0 Max. D	2	
9	1018505	(30000000- 40000000 )	Horn, 12- 48vdc [88.5 Decibels]	1	
▽	10	1042495	(30000000- 40000000 )	Pump, Soltn, Ele, 24vdc, 35psi	1
▲		9004759	(30000000- 40000000 )	Pump Kit, Head, Soltn [Ec- H2o]	1
▲		78950	(30000000- 40000000 )	Connector, Fem, 2cav, Mp280 Sealed	1
▲		78951	(30000000- 40000000 )	Terminal, Fem, Mp280, Sealed, 18- 16ga	1
▲		10917	(30000000- 40000000 )	Seal, Wire, 14/16ga [Wp / Mp280 Sealed]	1
▲		78952	(30000000- 40000000 )	Lock, Secondary, 2cav, Mp280 Sealed	1
	11	1040868	(30000000- 40000000 )	Capacitor, Plug [.01 Uf, 200v]	1
	12	43555	(30000000- 40000000 )	Clamp, Hose, Wormdrive, 2.50- 3.50d, .50w	3
▽	13	1005302	(30000000- 40000000 )	Filter, In- Line, Pf06/Pf06 080mesh 02.6l	1
▲	14	613993	(30000000- 40000000 )	Housing, Top, F/1005302	1
▲	15	1005304	(30000000- 40000000 )	Screen, Fltr, 80 Mesh, Ss	1
▲	16	613992	(30000000- 40000000 )	Gasket [Viton, F/1005302]	1
▲	17	613991	(30000000- 40000000 )	Bowl, Clr, Short, F/1005302	1
	18	1029533	(30000000- 40000000 )	Bracket, Mtg, Fltr	1
	19	605056	(30000000- 40000000 )	Bracket, Mtg, Fltr	2
	20	01683	(30000000- 40000000 )	Washer, Flat, 10, Ss	4
	21	07514	(30000000- 40000000 )	Washer, Lock, Int, 10, Ss	4
	22	09738	(30000000- 40000000 )	Screw, Hex, M5 X 0.80 X 12, Ss	4

▽ ASSEMBLY

▲ INCLUDED IN ASSEMBLY

SOLUTION GROUP, ec-H2O MODEL - CONT'D





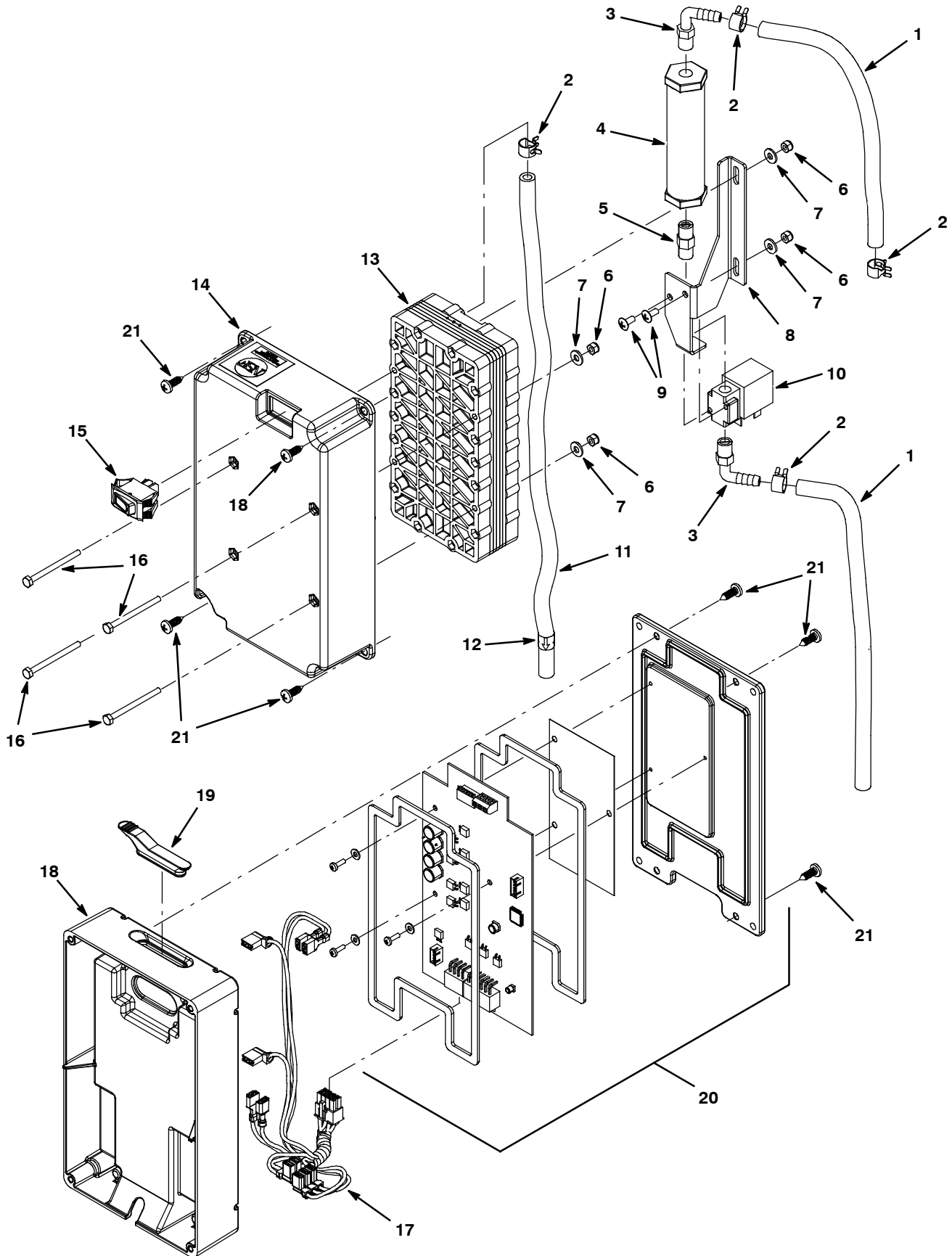
## SOLUTION GROUP, ec-H2O MODEL - CONT'D

Ref.	Part No.	Serial Number	Description	Qty.	
1	1013442	(30000000- 40000000 )	Knob, Valve, Indicator, Blk	1	
2	1017091	(30000000- 40000000 )	Spring, Cmpr, 0.50od .04wir 00.8l	1	
3	1213803	(30044532- 40000000 )	Valve, Water, Solenoid, 24vdc, Bm10/Bm10	1	
▽	3	1016595	(30000000- 30044531 )	Valve, 1/4- 20 [Liq Dispensing]	1
▲	614265	(30000000- 30044531 )	Valve Kit, Water [Viton Diaphragm] (Repair Kit)	1	
4	607776	(30000000- 40000000 )	Clamp, Hose, Wir, .73 - .77, Silver	10	
5	1015071	(30000000- 40000000 )	Hose, Afmkt, Pvc, Clr, 0.50id, 01ft	1	
6	612774	(30000000- 40000000 )	Fitting, Plstc, Str, Bm06/Bm08	1	
7	607775	(30000000- 40000000 )	Clamp, Hose, Wir, .63 - .66, Blk	5	
8	606318	(30000000- 40000000 )	Hose, PVC,Brd, 0.38id 0.60od 036.5l, Clr	1	
9	1017340	(30000000- 40000000 )	Fitting, Plstc, Tee, Bm06/Bm06/Pm04, Br	1	
10	606317	(30000000- 40000000 )	Hose, PVC,Brd, 0.38id 0.60od 019.5l, Clr	1	
11	1043866	(30000000- 40000000 )	Fitting Assy, Qd, Pf04	1	
12	50901	(30000000- 40000000 )	Fitting, Plstc, Str, Bm04/Pm04	1	
13	603654	(30000000- 40000000 )	Clamp, Hose, Ear, .44d [Ctb]	14	
14	578820000	(30000000- 40000000 )	Hose, Pvc, Brd, 0.25id 0.44od 157.2l,Clr	1	
15	130773	(30000000- 40000000 )	Tie, Cable, Nyl, 11.0l, .14w, 3.0 Max. D	2	
16	150713	(30000000- 40000000 )	Fitting, Plstc, Tee, Bm04/Bm04/Bm04	3	
17	578820000	(30000000- 40000000 )	Hose, Pvc, Brd, 0.25id 0.44od 157.2l,Clr	1	
18	1044334	(30000000- 40000000 )	Valve, Check, 0017psi Bm04/Bm04	1	
19	1044335	(30000000- 40000000 )	Switch, Press, 6psi, Pm02	1	
20	150520	(30000000- 40000000 )	Fitting, Brs, Str, Bm04/Pf02	1	
21	150515	(30000000- 40000000 )	Fitting, Brs, Str, Bm04/Pm04 [Taped]	1	
22	150709	(30000000- 40000000 )	Fitting, Brs, Tee, Pm04/Pf04/Pf04, Run	1	
23	1016383	(30000000- 40000000 )	Fitting, Brs, Str, Pf04/Pm06	1	
24	150100	(30000000- 40000000 )	Fitting, Brs, Str, Pf02/Pm04	1	
25	1017386	(30000000- 40000000 )	Valve, Vent, Air, Float Type	1	
▽	26	9007970	(30000000- 40000000 )	Module Kit, Replmt [Ec- H2o] (See Breakdown)	1
▲	27	578820000	(30000000- 40000000 )	Hose, Pvc, Brd, 0.25id 0.44od 157.2l,Clr	1
▲	28	9004606	(30000000- 40000000 )	Hose, Pvc, Brd, .25id .45od 64l, Clr	1
29	1042495	(30000000- 40000000 )	Pump, Soltn, Ele, 24vdc, 35psi	1	
30	1005630	(30000000- 40000000 )	Fitting, Plstc, E90, Bm06/Pm06, Nyl	1	
31	613521	(30000000- 40000000 )	Hose, Pvc, Clr, 0.50id 0.75od 012.0l	1	
32	613514	(30000000- 40000000 )	Hose, Pvc, Clr, 0.50id 0.75od 004.1l	1	
33	630372	(30000000- 40000000 )	Fitting, Plstc, Tee, Bm06/Bm08/Bm08, Br	1	
34	140957	(30000000- 40000000 )	Hose, Pvc, Clr, 0.50id 0.75od 002.5l	1	
35	1017532	(30000000- 40000000 )	Fitting, Plstc, E90, Bm08/Pm06	2	
36	150420	(30000000- 40000000 )	Fitting, Brs, E90, Pf06/Pm06 [Taped]	2	
37	1023581	(30000000- 40000000 )	Fitting, Plstc, Str, Bm08/Pm08, Nyl	1	
38	140957	(30000000- 40000000 )	Hose, Pvc, Clr, 0.50id 0.75od 002.5l	2	
39	63987- 1	(30000000- 40000000 )	Fitting, Plstc, E90, Bm08/Bm08	1	
40	1005302	(30000000- 40000000 )	Filter, In- Line, Pf06/Pf06 080mesh 02.6l	1	

▽ ASSEMBLY

▲ INCLUDED IN ASSEMBLY

ec-H2O MODULE ASSEMBLY BREAKDOWN, 9007970



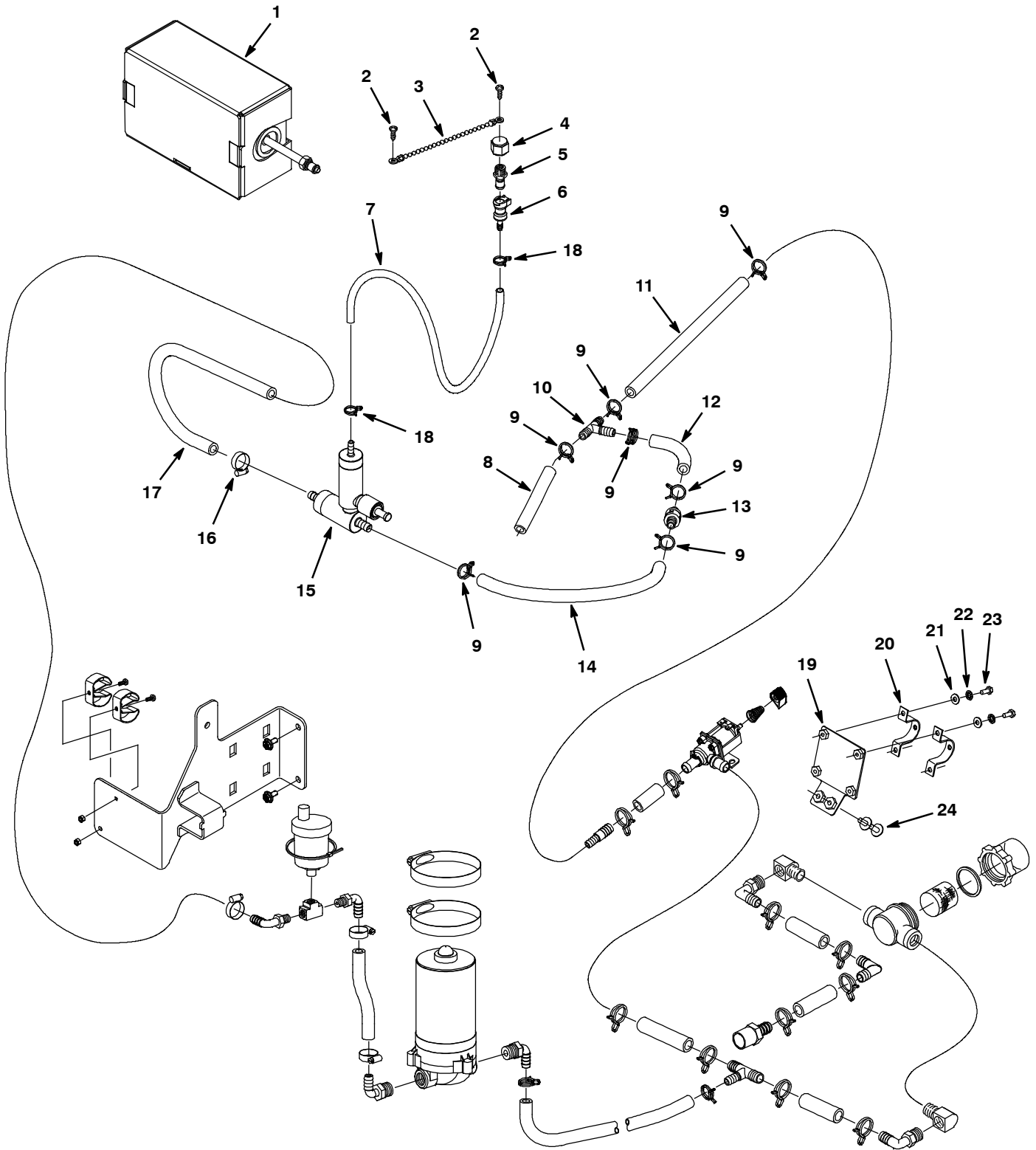
**ec-H2O MODULE ASSEMBLY BREAKDOWN, 9007970**

Ref.	Part No.	Serial Number	Description	Qty.
▽	9007970	(30000000- 40000000 )	Module Kit, Replmt [Ec- H2o]	1
▲▽	9006324	(30000000- 40000000 )	Ec- H2o Kit [Module B, Plumbing]	1
▲▲	1 578820000	(30000000- 40000000 )	Hose, Pvc, Brd, 0.25id 0.44od 157.2l,Clr	1
▲▲	2 603654	(30000000- 40000000 )	Clamp, Hose, Ear, .44d [Ctb]	4
▲▲	3 1037595	(30000000- 40000000 )	Fitting, Plstc, E90, Bm04/Pm02, Nyl	2
▲▲	4 1062006	(30000000- 40000000 )	Electrode, Cylindrical	1
▲▲	5 1045030	(30000000- 40000000 )	Fitting, Brs, Str, Pm02/Pm02	1
▲▲	6 33932	(30000000- 40000000 )	Nut, Hex, Lock, M4 X 0.70, NI, Ss	4
▲▲	7 41579	(30000000- 40000000 )	Washer, Flat, 08, Ss	4
▲▲	8 1048490	(30000000- 40000000 )	Bracket, Valve	1
▲▲	9 140801	(30000000- 40000000 )	Screw, Trs, Phl, 08- 32 X 0.38, Ss	2
▲▲	10 1013236	(30000000- 40000000 )	Valve, Shutoff, Ele, 24vdc	1
▲▲	11 9006574	(30000000- 40000000 )	Hose, Pvc, Brd, 0.25id 0.45od, 65l, Clr	1
▲▲	12 1049637	(30000000- 40000000 )	Label, Direction [Ec- H2o]	1
▲▲	13 1057637	(30000000- 40000000 )	Electrode, 5 Plate, High Flow	1
▲▲	14 1051519	(30000000- 40000000 )	Housing, Upper, Module, High Flow	1
▲▲	15 1044393	(30000000- 40000000 )	Switch, Rocker, Spst, Mom,	1
▲▲	16 32509	(30000000- 40000000 )	Screw, Hex, M4 X 0.70 X 50, Ss	4
▲▲	17 1049489	(30000000- 40000000 )	Harness, Main, Controller [Ec- H2o, P3]	1
▲	18 1037032	(30000000- 40000000 )	Housing, Bottom	1
▲	19 1054776	(30000000- 40000000 )	Grommet, Blind	1
▲	20 9007969	(30000000- 40000000 )	Controller Kit, Replmt [Ec- H2o]	1
▲	21 1018155	(30000000- 40000000 )	Screw, Pan, Phl, M5 X 0.80 X 16, Tcut,Ss	8

▽ ASSEMBLY

▲ INCLUDED IN ASSEMBLY

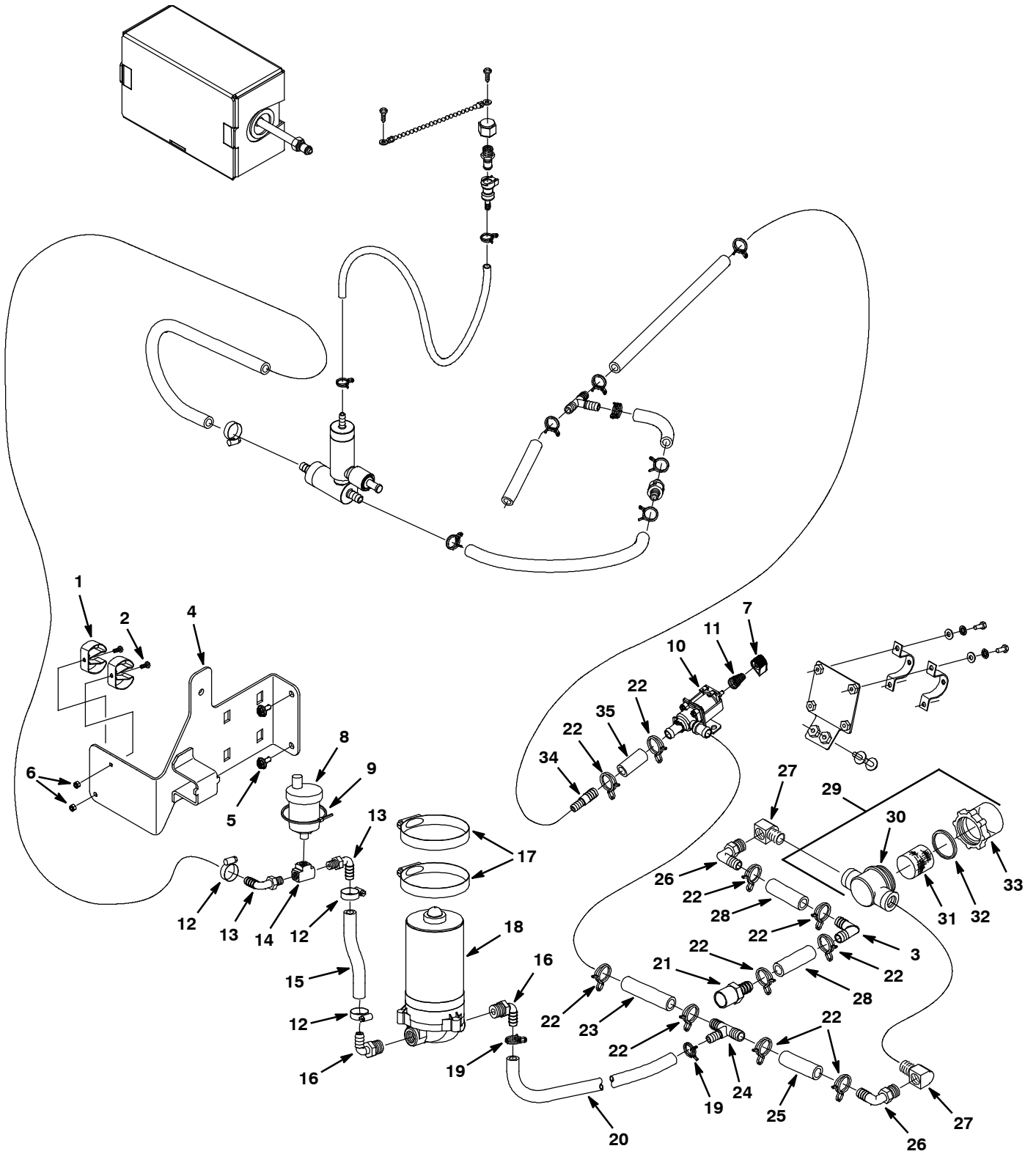
SOLUTION GROUP, FaST MODEL



## SOLUTION GROUP, FaST MODEL

Ref.	Part No.	Serial Number	Description	Qty.
1	1017015	(30000000- 40000000 )	Fast 365 2 Ltr, Detergent	1
1	1017022	(30000000- 40000000 )	Fast 665 2 Ltr, Detergent	1
2	1018155	(30000000- 40000000 )	Screw, Pan, M5 X 0.8 X16, Ss, Tcut	2
3	621443	(30000000- 40000000 )	Chain, Ball, #10, 157mml, Ss	1
4	1005435	(30000000- 40000000 )	Fitting, Plstc, Cap, Pf04, Pipe	1
5	1002899	(30000000- 40000000 )	Fitting, Plstc, Str, Pm04, Cplg, Mal	1
6	1002898	(30000000- 40000000 )	Fitting, Plstc, Str, Bm04, Cplg, Fem	1
7	613947	(30000000- 40000000 )	Hose, Clr, 0.25id 26.0l	1
8	606317	(30000000- 40000000 )	Hose, PVC,Brd, 0.38id 0.60od 019.5l, Clr	1
9	607775	(30000000- 40000000 )	Clamp, Hose, Wir, .63 - .66, Blk	7
10	160310	(30000000- 40000000 )	Fitting, Plstc, Tee, Bm06/Bm06/Bm06	1
11	606318	(30000000- 40000000 )	Hose, PVC,Brd, 0.38id 0.60od 036.5l, Clr	1
12	606362	(30000000- 40000000 )	Hose 3/8idx5/8odx6.5 (611254)	1
13	1015455	(30000000- 40000000 )	Valve, Check, 0005psi Bm06/Bm06	1
14	613442	(30000000- 40000000 )	Hose 3/8idx5/8od Clear 611254 Ft 1.292	1
15	9008865	(30000000- 40000000 )	Fast Kit, Injector, Ci [T3/Ss3 Fast lii] (43 & 50 CM Models - See Breakdown)	1
15	9008847	(30000000- 40000000 )	Fast Kit, Injector[T5 60/65cm, Fast lii] (60 CM Model - See Breakdown)	1
16	54333	(30000000- 40000000 )	Clamp, Hose, Wormdrive, 0.31- 0.88d, .31w	1
17	613722	(30000000- 40000000 )	Hose .38 Id X 21" Pvc Braided	1
18	613735	(30000000- 40000000 )	Clamp, Hose, Wir, .40 - .42, Yel	2
19	1029533	(30000000- 40000000 )	Bracket, Mtg, Fltr	1
20	605056	(30000000- 40000000 )	Bracket, Mtg, Fltr	2
21	01683	(30000000- 40000000 )	Washer, Flat, #10, Ss	4
22	07514	(30000000- 40000000 )	Washer, Lock, Int, #10, Ss	4
23	09738	(30000000- 40000000 )	Screw, Hex, M5 X 0.8 X 12, Ss	4
24	1034731	(30000000- 40000000 )	Screw, Hex, M6 X 1.00 X 16, Ss, Sems	2

SOLUTION GROUP, FaST MODEL - CONT'D



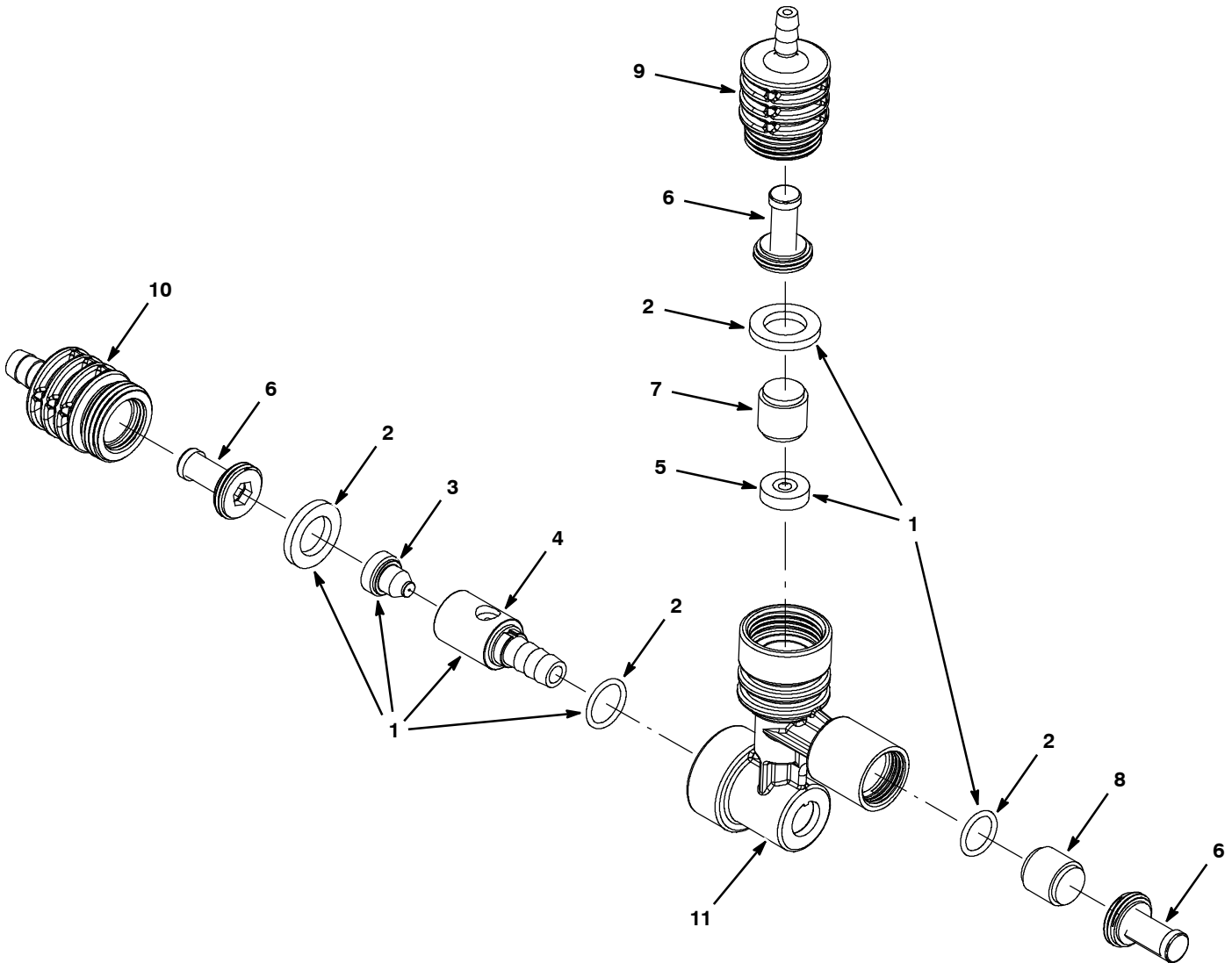
## SOLUTION GROUP, FaST MODEL - CONT'D

Ref.	Part No.	Serial Number	Description	Qty.	
1	573073	(30000000- 40000000 )	Clip, Grip, Hose, 1.00- 1.38, Zn	2	
2	49697	(30000000- 40000000 )	Screw, Pan, M4 X 0.7 X 10, Ss	2	
3	63987- 1	(30000000- 40000000 )	Fitting, Plstc, E90, Bm08/Bm08	1	
4	1037242	(30000000- 40000000 )	Bracket Wldt, Mtg, Pump [Fast li+]	1	
5	1034731	(30000000- 40000000 )	Screw, Hex, M6 X 1.00 X 16, Sems, Ss	2	
6	33932	(30000000- 40000000 )	Nut, Hex, Lock, M4 X 0.7, NI, Ss	2	
7	1013442	(30000000- 40000000 )	Knob, Valve, Indicator, Blk	1	
8	1017386	(30000000- 40000000 )	Valve, Air Vent, Float Type	1	
9	44961	(30000000- 40000000 )	Tie, Cable, Nyl, 14.5l .30w 4.0 Max D	1	
10	1213803	(30044532- 40000000 )	Valve, Water, Solenoid, 24vdc, Bm10/Bm10	1	
▽	10	1016595	(30000000- 30044531 )	Valve, 1/4- 20 [Liq Dispensing]	1
▲		614265	(30000000- 30044531 )	Valve Kit, Water [Viton Diaphragm] (Repair Kit)	1
	11	1017091	(30000000- 40000000 )	Spring, Cmpr, .48d, .036w, .75l	1
	12	54333	(30000000- 40000000 )	Clamp, Hose, Wormdrive, 0.31- 0.88d, .31w	3
	13	1005564	(30000000- 40000000 )	Fitting, Plstc, E90, Bm06/Pm02, Nyl	2
	14	150705	(30000000- 40000000 )	Fitting, Brs, Tee, Pf02/Pf02/Pf02	1
	15	613724	(30000000- 40000000 )	Hose .38 Id X 10" Pvc Braided	1
	16	1005630	(30000000- 40000000 )	Fitting, Plstc, E90, Bm06/Pm06, Nyl	2
	17	43555	(30000000- 40000000 )	Clamp, Hose, Wormdrive, 2.50- 3.50d, .50w	2
	18	1014282	(30000000- 40000000 )	Pump, Soltn, Ele, 24vdc, 60psi, Packard	1
	19	607775	(30000000- 40000000 )	Clamp, Hose, Wir, .63 - .66, Blk	2
	20	613450	(30000000- 40000000 )	Hose 3/8idx5/8od Clear 611254 Ft 2.000	1
	21	1023581	(30000000- 40000000 )	Fitting, Plstc, Str, Bm08/Pm08, Nyl	1
	22	607776	(30000000- 40000000 )	Clamp, Hose, Wir, .73 - .77, Silver	10
	23	613514	(30000000- 40000000 )	Tube, 0.50id X 0.75od Vyl 0.34ft[611259]	1
	24	630372	(30000000- 40000000 )	Fitting, Plstc, Tee, Bm06/Bm08/Bm08, Br	1
	25	140957	(30000000- 40000000 )	Hose, Vyl, Clr, .50id .75od 2.5l (611259)	1
	26	1017532	(30000000- 40000000 )	Fitting, Plstc, E90, Bm08/Pm06	2
	27	150420	(30000000- 40000000 )	Fitting, Brs, E90, Pf06/Pm06 [Taped]	2
	28	140957	(30000000- 40000000 )	Hose, Pvc, Clr, 0.50id 0.75od 002.5l	2
▽	29	1005302	(30000000- 40000000 )	Filter, In- Line, Pf06/Pf06, 80 Mesh	1
▲	30	613993	(30000000- 40000000 )	Housing, Top, F/1005302	1
▲	31	1005304	(30000000- 40000000 )	Screen, Fltr, 80 Mesh	1
▲	32	613992	(30000000- 40000000 )	Gasket [Viton, F/1005302]	1
▲	33	613991	(30000000- 40000000 )	Bowl, Clr, Short, F/1005302	1
	34	612774	(30000000- 40000000 )	Fitting, Plstc, Str, Bm06/Bm08	1
	35	1015071	(30000000- 40000000 )	Hose, Afmkt, Pvc, Clr 0.50id 01ft	1
	N/S	130773	(30000000- 40000000 )	Tie, Cable, Nyl, 11.0l, .14w, 3.0 Max. D	2

▽ ASSEMBLY

▲ INCLUDED IN ASSEMBLY

**9008865 FAST INJECTOR ASSEMBLY BREAKDOWN,  
SINGLE DISK 43 CM & 50 CM MODELS**



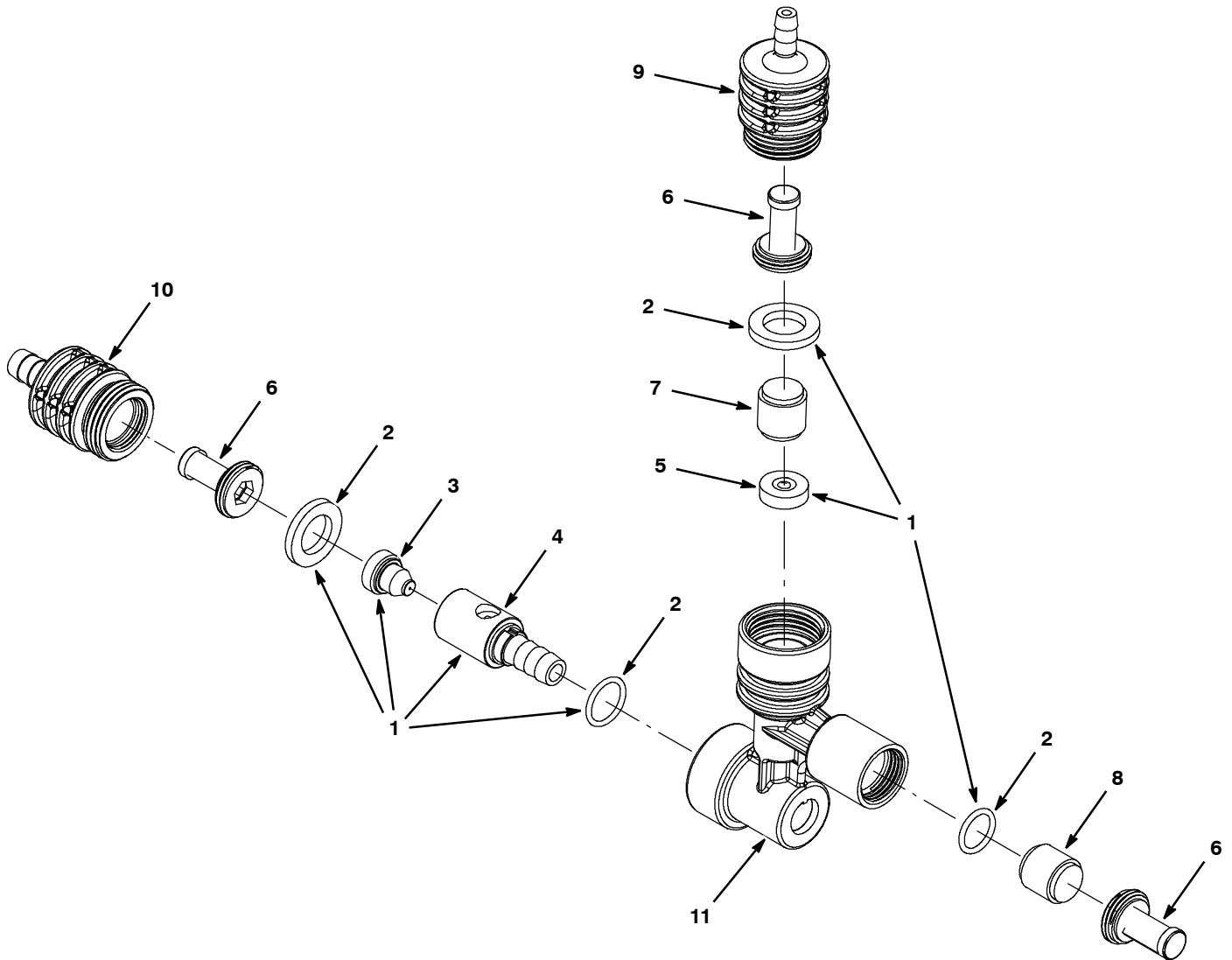
Ref.	Part No.	Serial Number	Description	Qty.
▽	9008865	(30000000- 40000000 )	Fast Kit, Injector, Ci [T3/Ss3 Fast lii]	1
▲▽	1	9008758	(30000000- 40000000 ) Fast Kit, Ci [Inj Rebltd, T3/Ss3, LI]	1
▲▲	2	9008848	(30000000- 40000000 ) Fast Kit, Seal, Injector, Ci [Fast lii]	1
▲▲	3	1039988	(30000000- 40000000 ) Plug, Orifice, 0.027, Ss [Fast li+]	1
▲▲	4	1053366	(30000000- 40000000 ) Insert, Venturi, Small, [Fast lii]	1
▲▲	5	1059870	(30000000- 40000000 ) Plate Assy, Orifice, 0.0065id, Blk	1
▲	6	9003009	(30000000- 40000000 ) Fast Kit, Ci, Injector Filters[Fast li+]	1
▲	7	1030444	(30000000- 40000000 ) Valve, Check, 0002psi [Fast li+]	1
▲	8	1030441	(30000000- 40000000 ) Valve, Check, 0005psi [Fast li+]	1
▲	9	1058126	(30000000- 40000000 ) Housing, Fltr, Upper [Fast lii]	1
▲	10	1057811	(30000000- 40000000 ) Housing, Fltr, Lower [Fast lii]	1
▲	11	1053564	(30000000- 40000000 ) Housing, Body, Injector [Fast lii]	1

▽ ASSEMBLY

▲ INCLUDED IN ASSEMBLY



**9008847 FAST INJECTOR ASSEMBLY BREAKDOWN,  
DUAL DISK 60 CM MODEL**



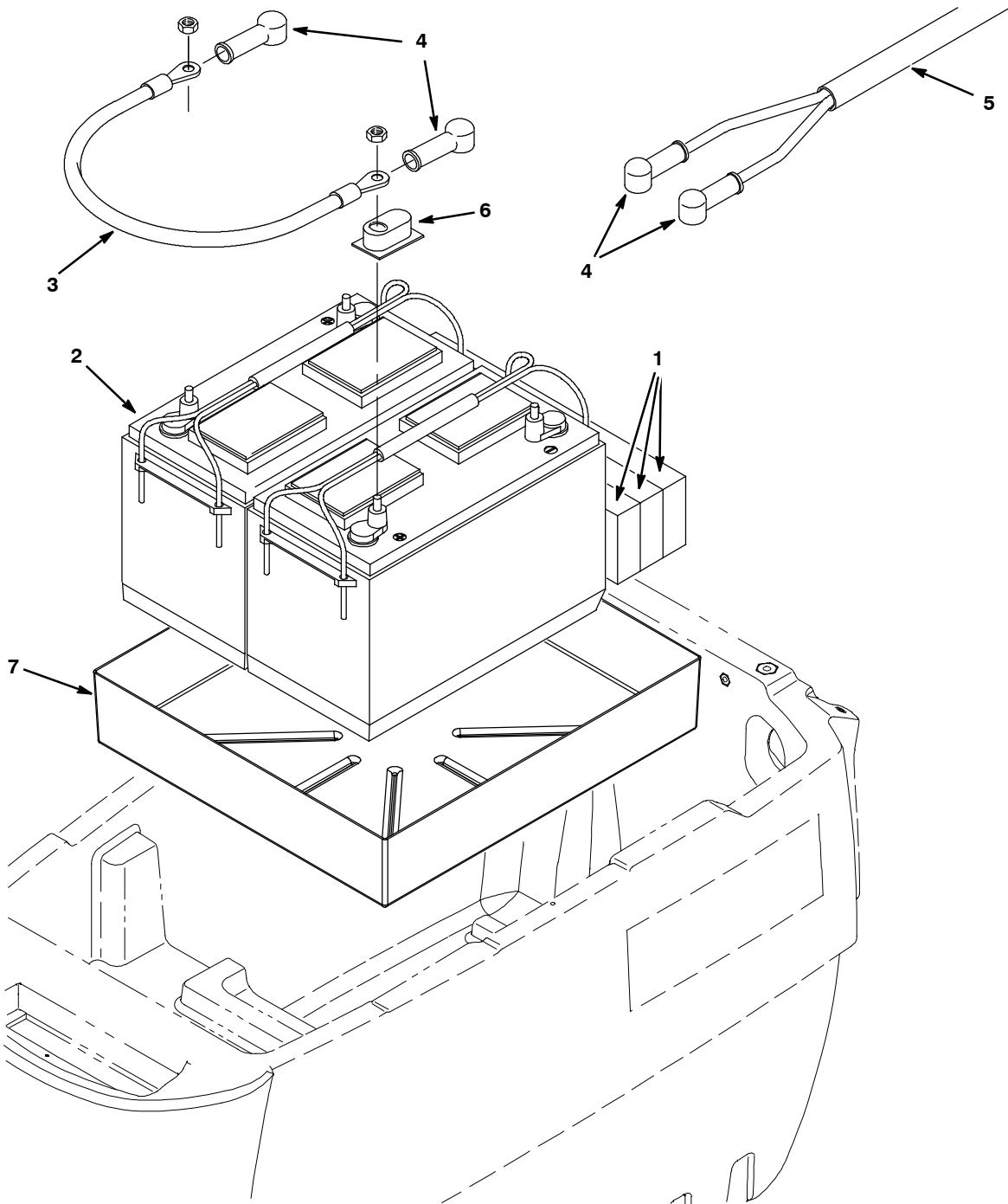
Ref.	Part No.	Serial Number	Description	Qty.
▽	9008847	(30000000- 40000000 )	Fast Kit, Injector[T5 60/65cm, Fast lii]	1
▲▽	1	9003811	(30000000- 40000000 ) Fast Kit, Ci[Inj Reblid, T5 60/65cm, li+]	1
▲▲	2	9008848	(30000000- 40000000 ) Fast Kit, Seal, Injector, Ci [Fast lii]	1
▲▲	3	1039989	(30000000- 40000000 ) Plug, Orifice, 0.030, Ss [Fast li+]	1
▲▲	4	1059250	(30000000- 40000000 ) Insert, Venturi, Medium, [Fast lii]	1
▲▲	5	1059869	(30000000- 40000000 ) Plate Assy, Orifice, 0.007id, Red	1
▲	6	9003009	(30000000- 40000000 ) Fast Kit, Ci, Injector Filters[Fast li+]	1
▲	7	1030444	(30000000- 40000000 ) Valve, Check, 0002psi [Fast li+]	1
▲	8	1030441	(30000000- 40000000 ) Valve, Check, 0005psi [Fast li+]	1
▲	9	1058126	(30000000- 40000000 ) Housing, Fltr, Upper [Fast lii]	1
▲	10	1057811	(30000000- 40000000 ) Housing, Fltr, Lower [Fast lii]	1
▲	11	1053564	(30000000- 40000000 ) Housing, Body, Injector [Fast lii]	1

▽ ASSEMBLY

▲ INCLUDED IN ASSEMBLY

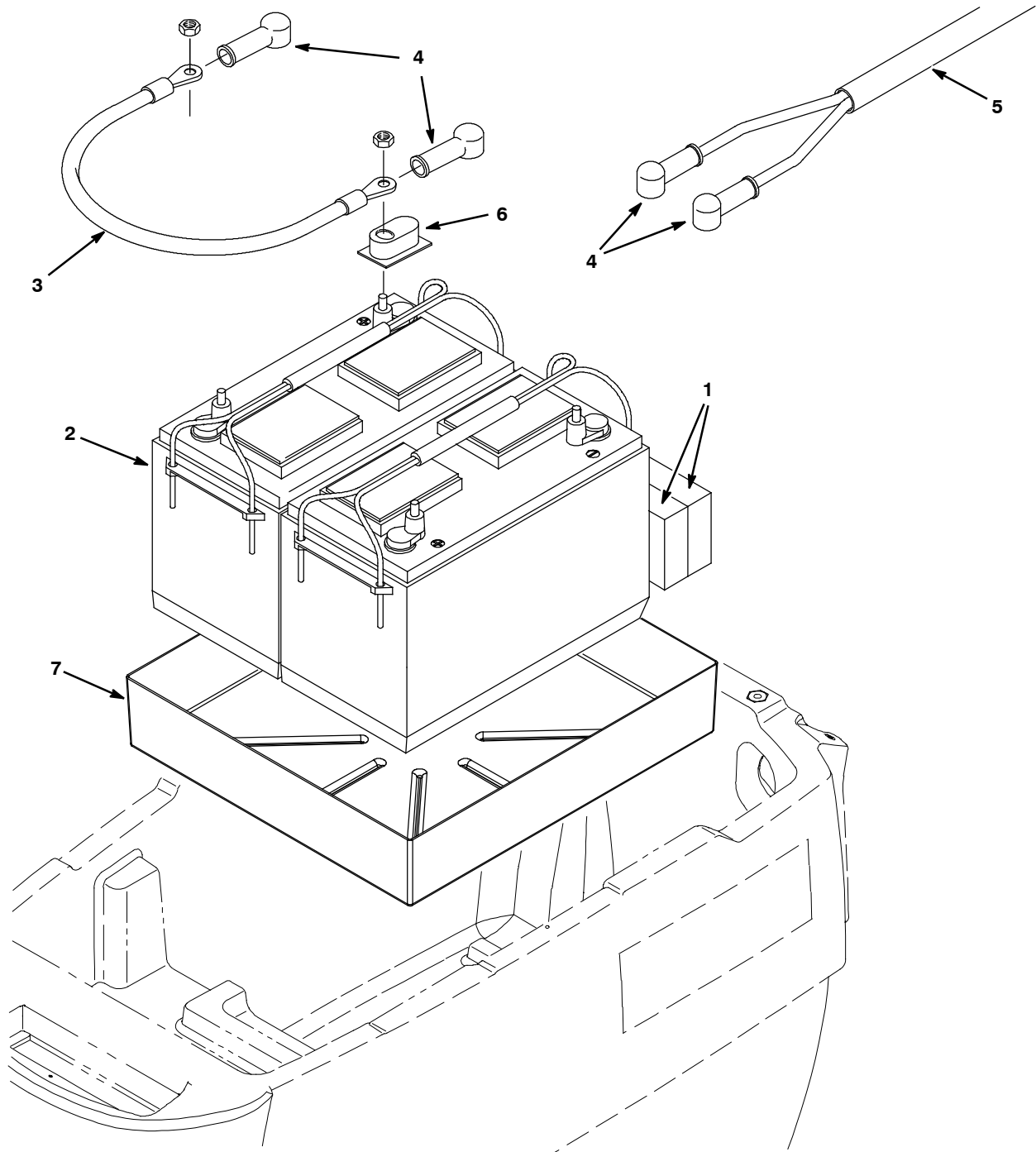
# STANDARD PARTS

## BATTERY AND CABLE GROUP, 12V/105 AH, 43 cm BRUSH ASSIST MODEL



Ref.	Part No.	Serial Number	Description	Qty.
1	630375	(30000000- 40000000 )	Spacer, Battery, 1.25 X 3.25 X 13.7 Foam	3
2	578426	(30000000- 40000000 )	Battery, 12vdc, 0530cca, 105ah [27tmx]	2
3	130364	(30000000- 40000000 )	Cable, 06ga 15.0l Blk .31ring /.38ring	1
4	611221	(30000000- 40000000 )	Boot, Terminal, Battery, 25.4mm, Blk	4
5	1015941	(30000000- 40000000 )	Harness, Battery	1
6	45962	(30000000- 40000000 )	Cap, Plstc, .04 1.38 X 2.30 0.5l	4
7	1059486	(30000000- 40000000 )	Tray, Battery [Ss3 / T3]	1

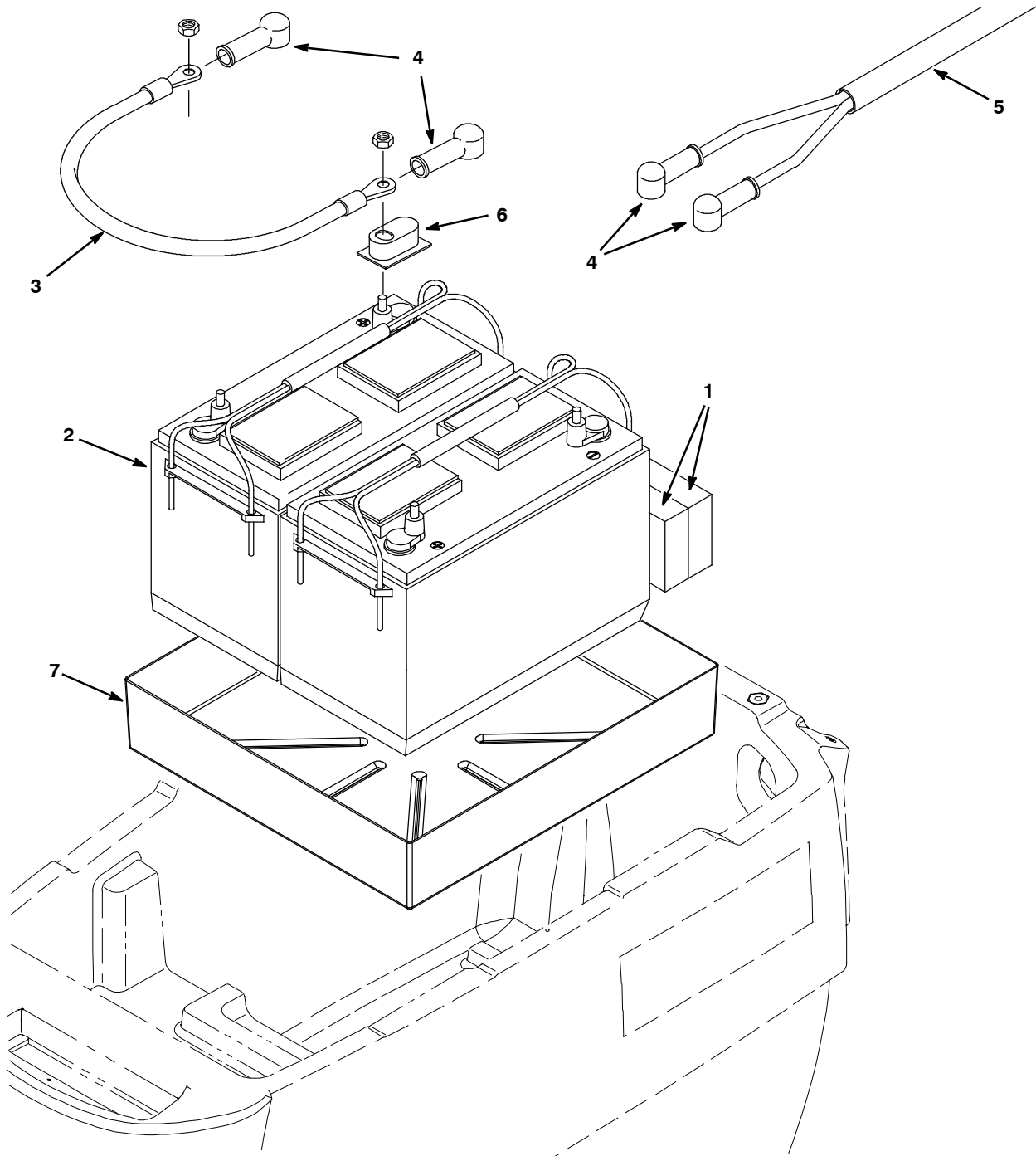
**BATTERY AND CABLE GROUP, 12V/130 Ah, 50 cm BRUSH ASSIST MODEL**



Ref.	Part No.	Serial Number	Description	Qty.
1	630375	(30000000- 40000000 )	Spacer, Battery, 1.25 X 3.25 X 13.7 Foam	2
2	130869	(30000000- 40000000 )	Battery, 12vdc, Cca, 130ah(30xhs- Wnt)	2
3	130364	(30000000- 40000000 )	Cable, 06ga 15.0l Blk .31ring /.38ring	1
4	611221	(30000000- 40000000 )	Boot, Terminal, Battery, 25.4mm, Blk	4
5	1015941	(30000000- 40000000 )	Harness, Battery	1
6	45962	(30000000- 40000000 )	Cap, Plstc, .04 1.38 X 2.30 0.5l	4
7	1059486	(30000000- 40000000 )	Tray, Battery [Ss3 / T3]	1

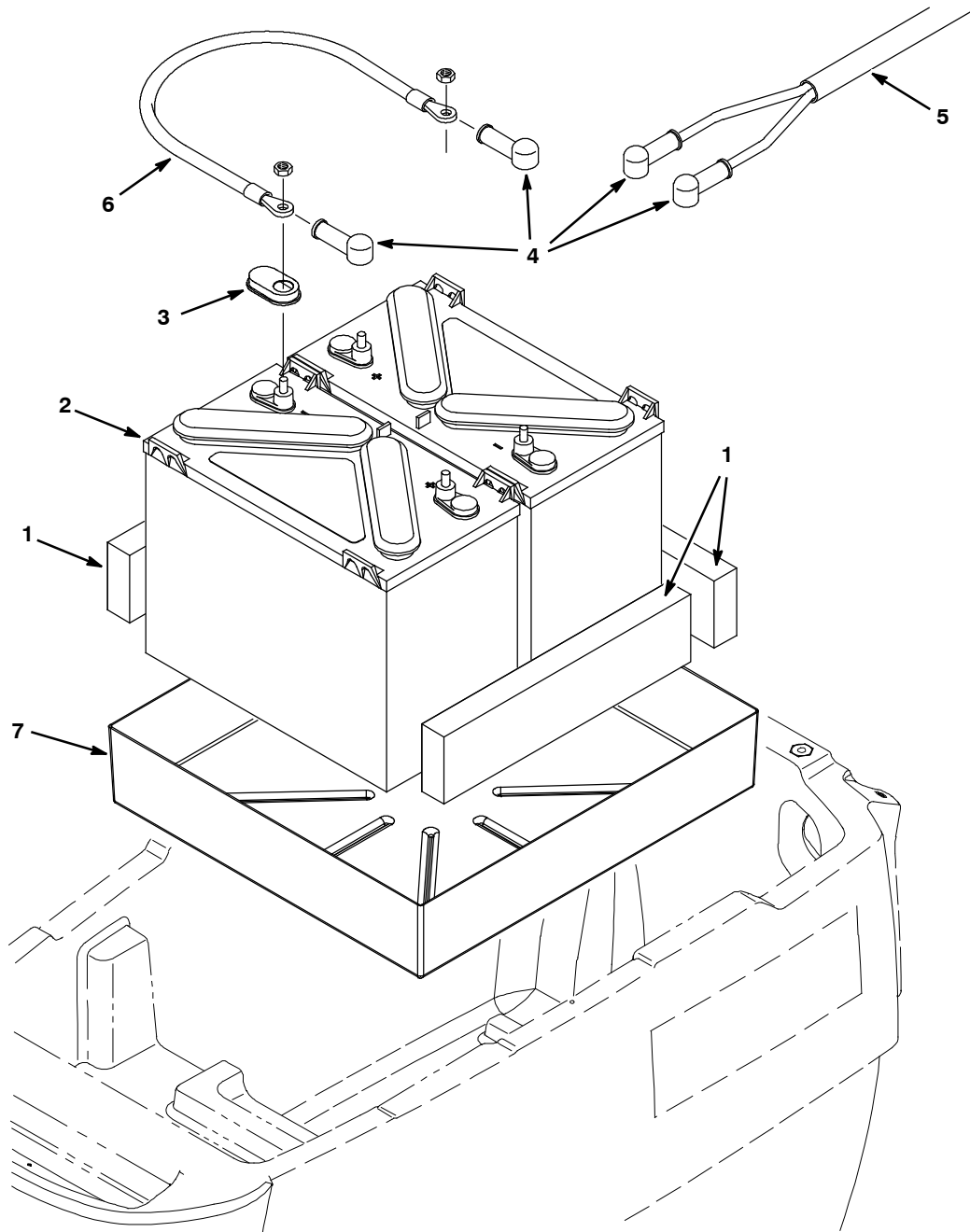
# STANDARD PARTS

## BATTERY AND CABLE GROUP, 12V/140 Ah, 50 cm BRUSH ASSIST MODEL



Ref.	Part No.	Serial Number	Description	Qty.
1	630375	(30000000- 40000000 )	Spacer, Battery, 1.25 X 3.25 X 13.7 Foam	2
2	1053408	(30000000- 40000000 )	Battery, 12vdc 0140ah [Agm]	2
3	130364	(30000000- 40000000 )	Cable, 06ga 15.0l Blk .31ring /.38ring	1
4	611221	(30000000- 40000000 )	Boot, Terminal, Battery, 25.4mm, Blk	4
5	1015941	(30000000- 40000000 )	Harness, Battery	1
6	45962	(30000000- 40000000 )	Cap, Plstc, .04 1.38 X 2.30 0.5l	4
7	1059486	(30000000- 40000000 )	Tray, Battery [Ss3 / T3]	1

BATTERY AND CABLE GROUP, 12V/155 AH, 50 cm / 60cm DRIVE MODEL



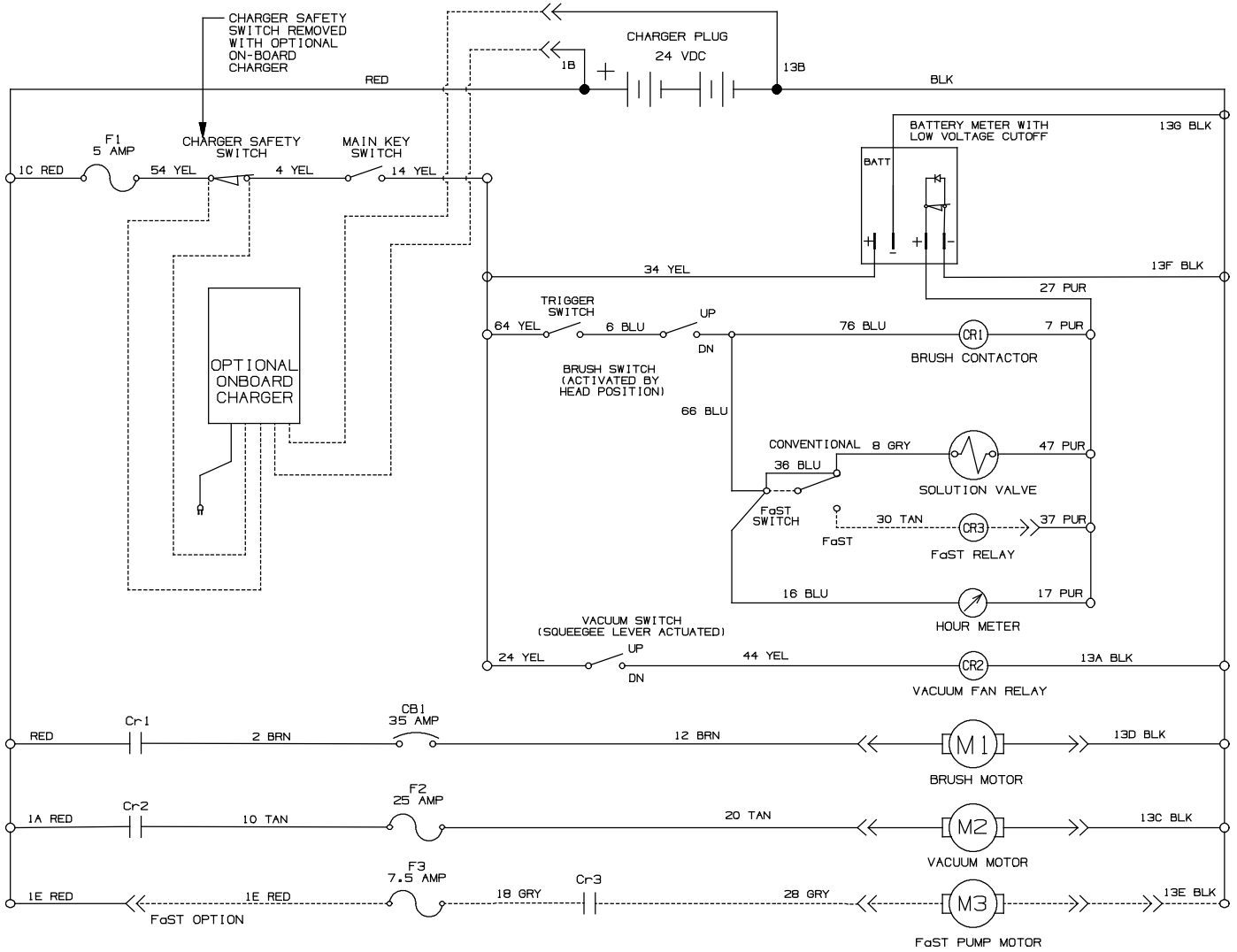
Ref.	Part No.	Serial Number	Description	Qty.
	1	630375	(30000000- 40000000 ) Spacer, Battery, 1.25 X 3.25 X 13.7 Foam	3
▽	2	1015046	(30000000- 40000000 ) Battery, 12vdc, 155ah, Wet	2
▲	3	1041030	(30000000- 40000000 ) Cap, Battery	4
	4	611221	(30000000- 40000000 ) Boot, Terminal, Battery, 25.4mm, Blk	4
	5	1015941	(30000000- 40000000 ) Harness, Battery	1
	6	130364	(30000000- 40000000 ) Cable, 06ga 15.0l Blk .31ring /.38ring	1
	7	1059486	(30000000- 40000000 ) Tray, Battery [Ss3 / T3]	1

▽ ASSEMBLY

▲ INCLUDED IN ASSEMBLY

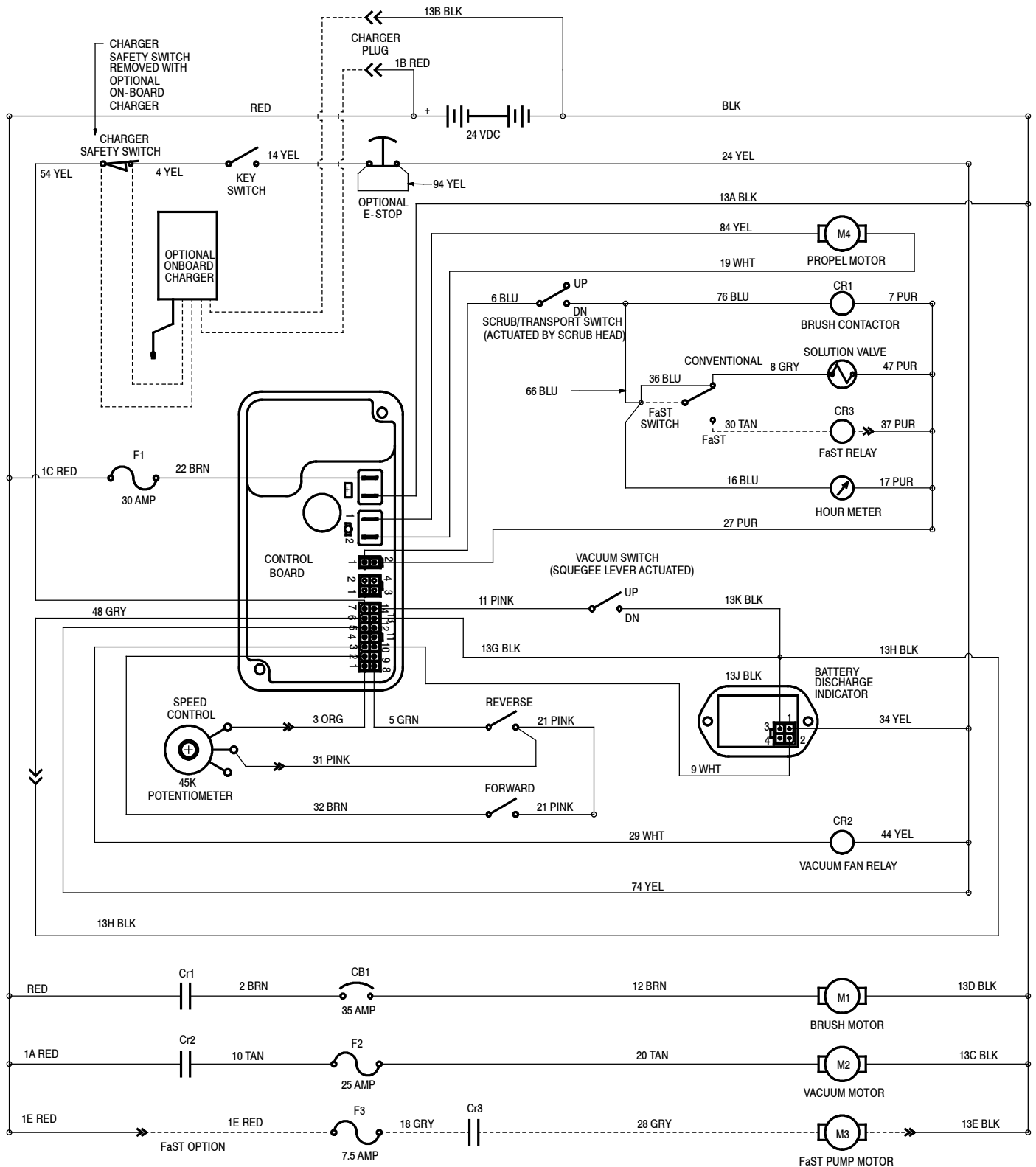
ELECTRICAL DIAGRAM, BRUSH ASSIST STANDARD & FaST MODEL

1032389



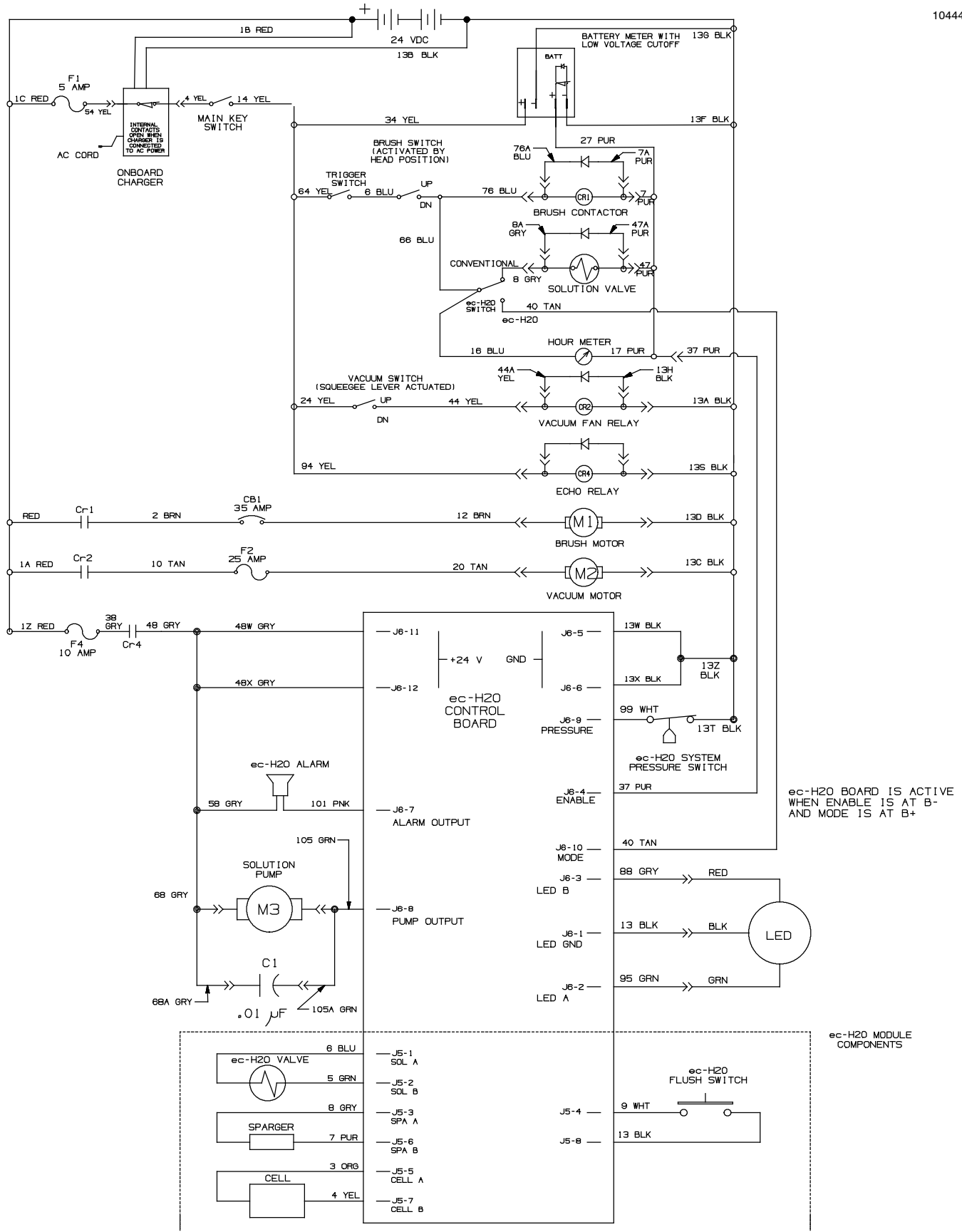
ELECTRICAL DIAGRAM, DRIVE STANDARD & FaST MODEL

1034192



ELECTRICAL DIAGRAM, BRUSH ASSIST ec-H2O MODEL

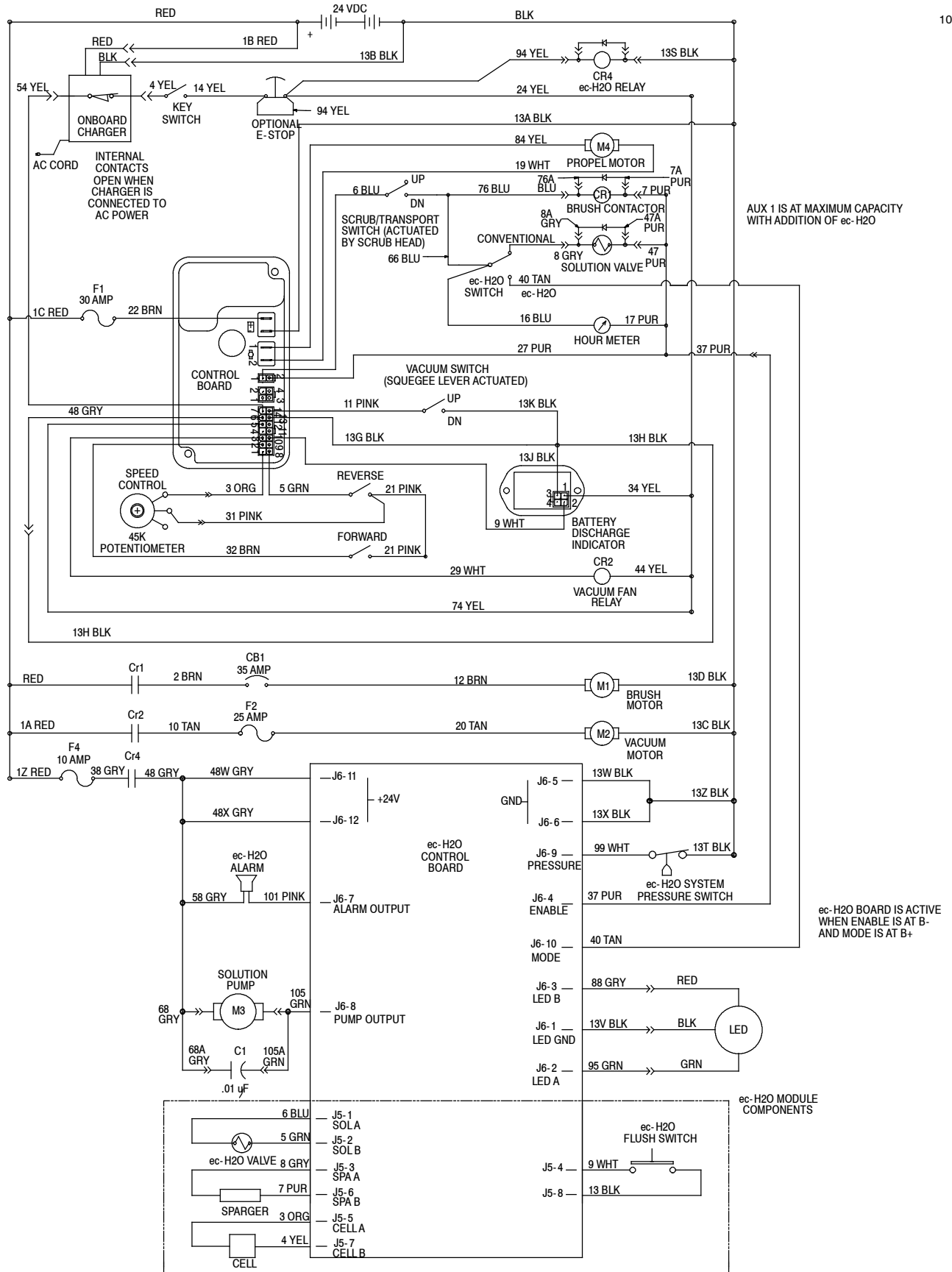
1044426





ELECTRICAL DIAGRAM, DRIVE ec-H2O MODEL

1044402

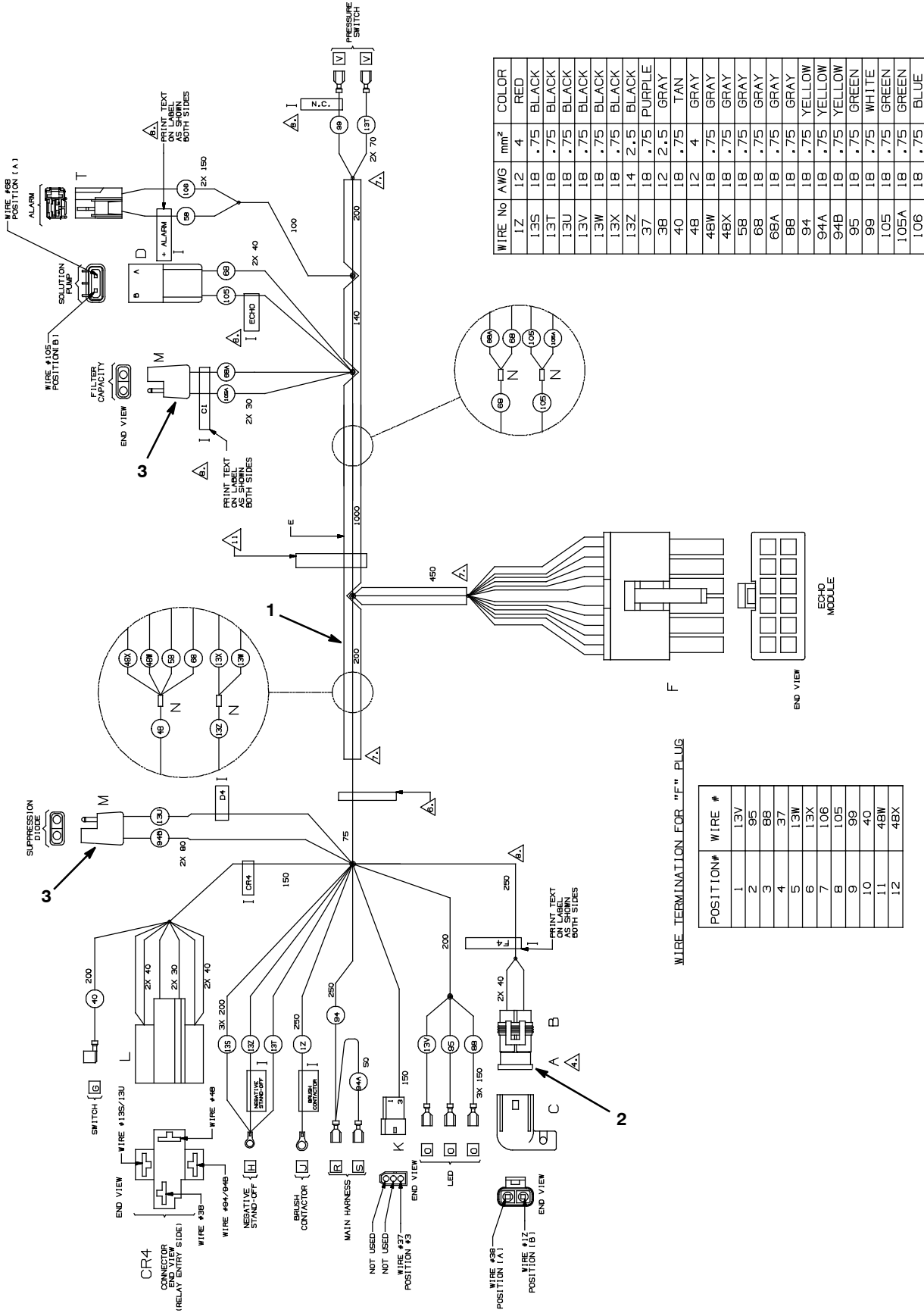


AUX 1 IS AT MAXIMUM CAPACITY WITH ADDITION OF ec-H2O

ec-H2O BOARD IS ACTIVE WHEN ENABLE IS AT B- AND MODE IS AT B+

ec-H2O MODULE COMPONENTS

WIRE HARNESS GROUP, ec-H2O OPTION



WIRE No	AWG	mm <sup>2</sup>	COLOR
1Z	12	4	RED
13S	18	.75	BLACK
13T	18	.75	BLACK
13U	18	.75	BLACK
13V	18	.75	BLACK
13W	18	.75	BLACK
13X	18	.75	BLACK
13Z	14	2.5	BLACK
37	18	.75	PURPLE
38	12	2.5	GRAY
40	18	.75	TAN
48	12	4	GRAY
48W	18	.75	GRAY
48X	18	.75	GRAY
58	18	.75	GRAY
68	18	.75	GRAY
68A	18	.75	GRAY
88	18	.75	GRAY
94	18	.75	YELLOW
94A	18	.75	YELLOW
94B	18	.75	YELLOW
95	18	.75	GREEN
99	18	.75	WHITE
105	18	.75	GREEN
105A	18	.75	GREEN
106	18	.75	BLUE

WIRE TERMINATION FOR "F" PLUG

POSITION#	WIRE #
1	13V
2	95
3	88
4	37
5	13W
6	13X
7	106
8	105
9	99
10	40
11	48W
12	48X

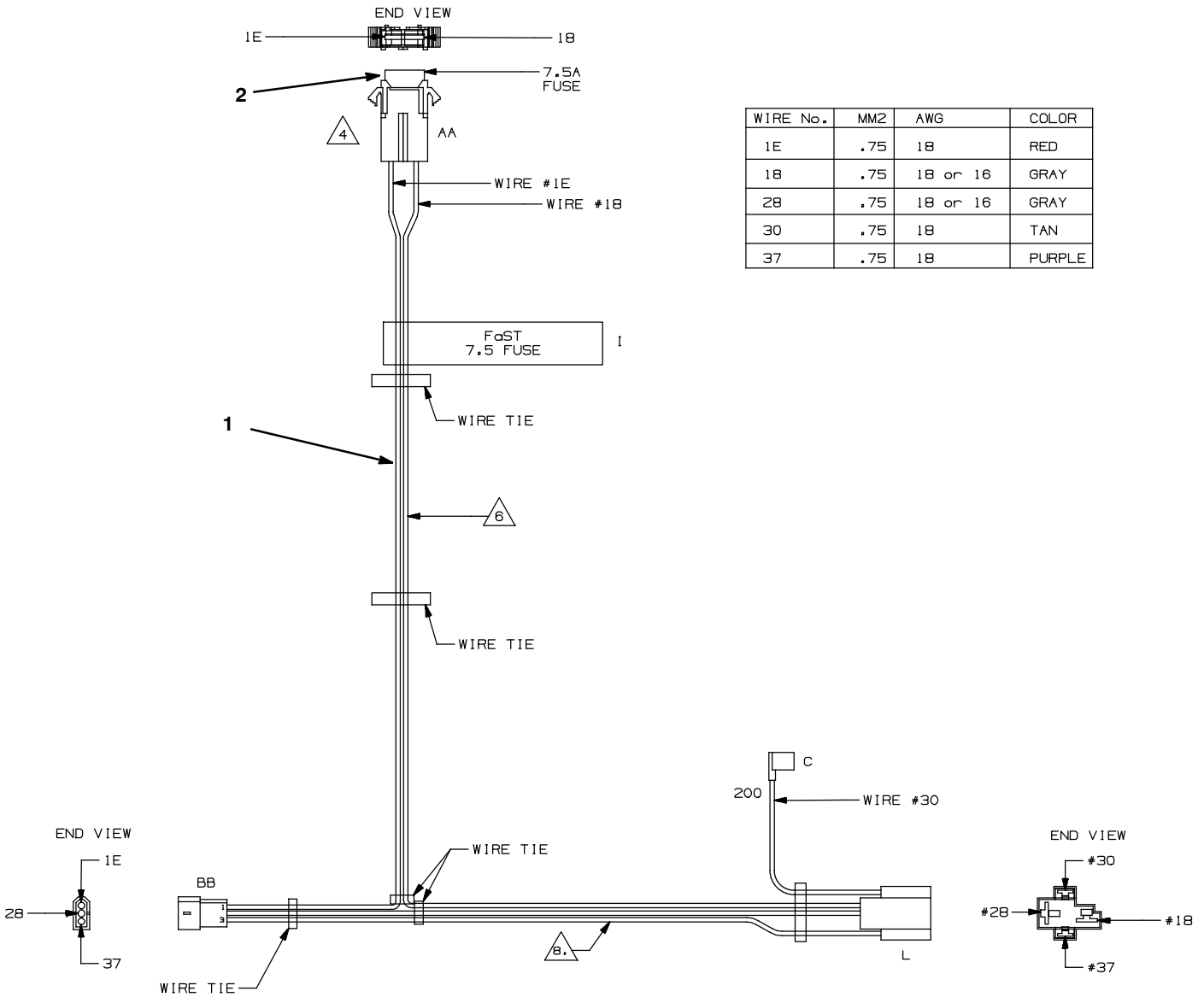
WIRE HARNESS GROUP, *ec-H2O* OPTION

	<b>Ref.</b>	<b>Part No.</b>	<b>Serial Number</b>	<b>Description</b>	<b>Qty.</b>
▽	1	1055408	(30000000- 40000000 )	Harness Assy, Wire [T3e Ec- H2o]	1
▲	2	1047470	(30000000- 40000000 )	Fuse, Blade, 010a, 32vdc, Red	1
▲	3	222290	(30000000- 40000000 )	Diode, Ele, Plug	2

▽ ASSEMBLY

▲ INCLUDED IN ASSEMBLY

## WIRE HARNESS GROUP, FAST OPTION

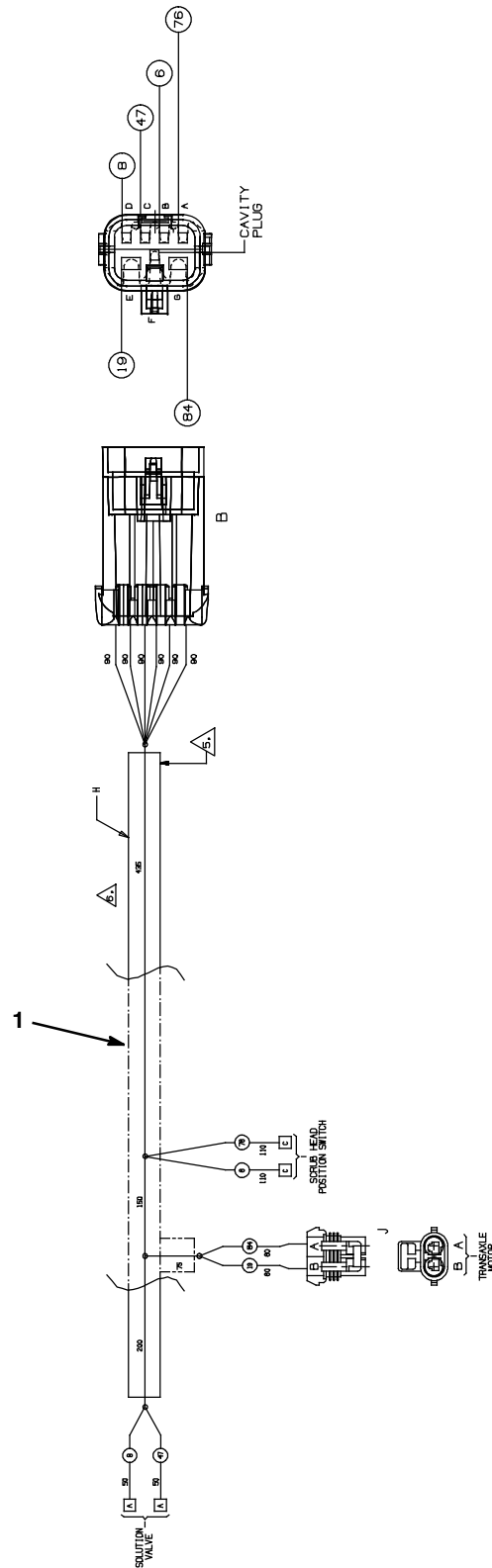


Ref.	Part No.	Serial Number	Description	Qty.
▽	1	1013644 (30000000- 40000000 )	Harness [Fast Option]	1
▲	2	1016039 (30000000- 40000000 )	Fuse, Blade, 007.5a, 32vdc	1

▽ ASSEMBLY

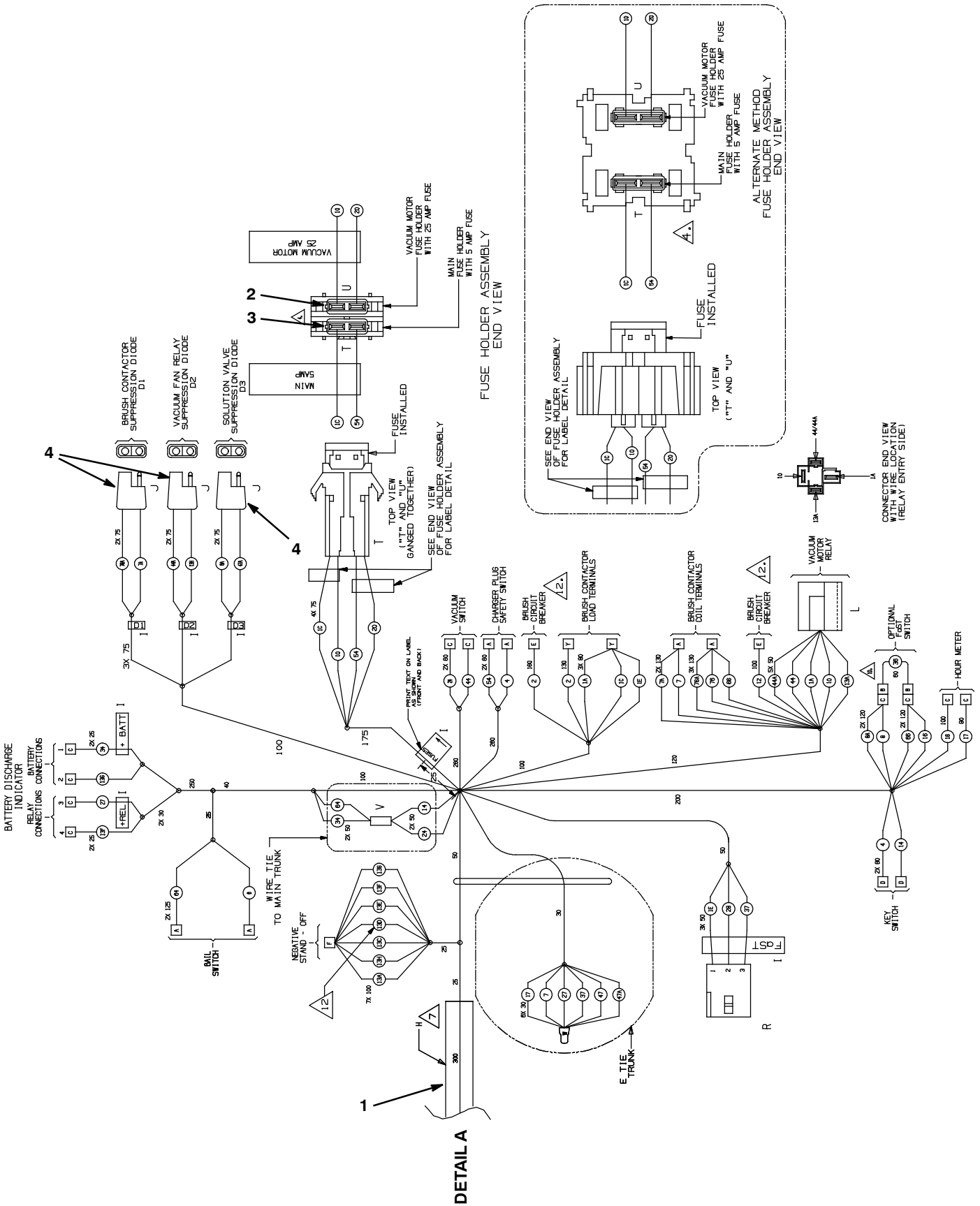
▲ INCLUDED IN ASSEMBLY

WIRE HARNESS GROUP, FRAME, DRIVE MODEL



Ref.	Part No.	Serial Number	Description	Qty.
1	1019397	(30000000- 40000000 )	Harness, Frame, Drive [T3 - Na]	1

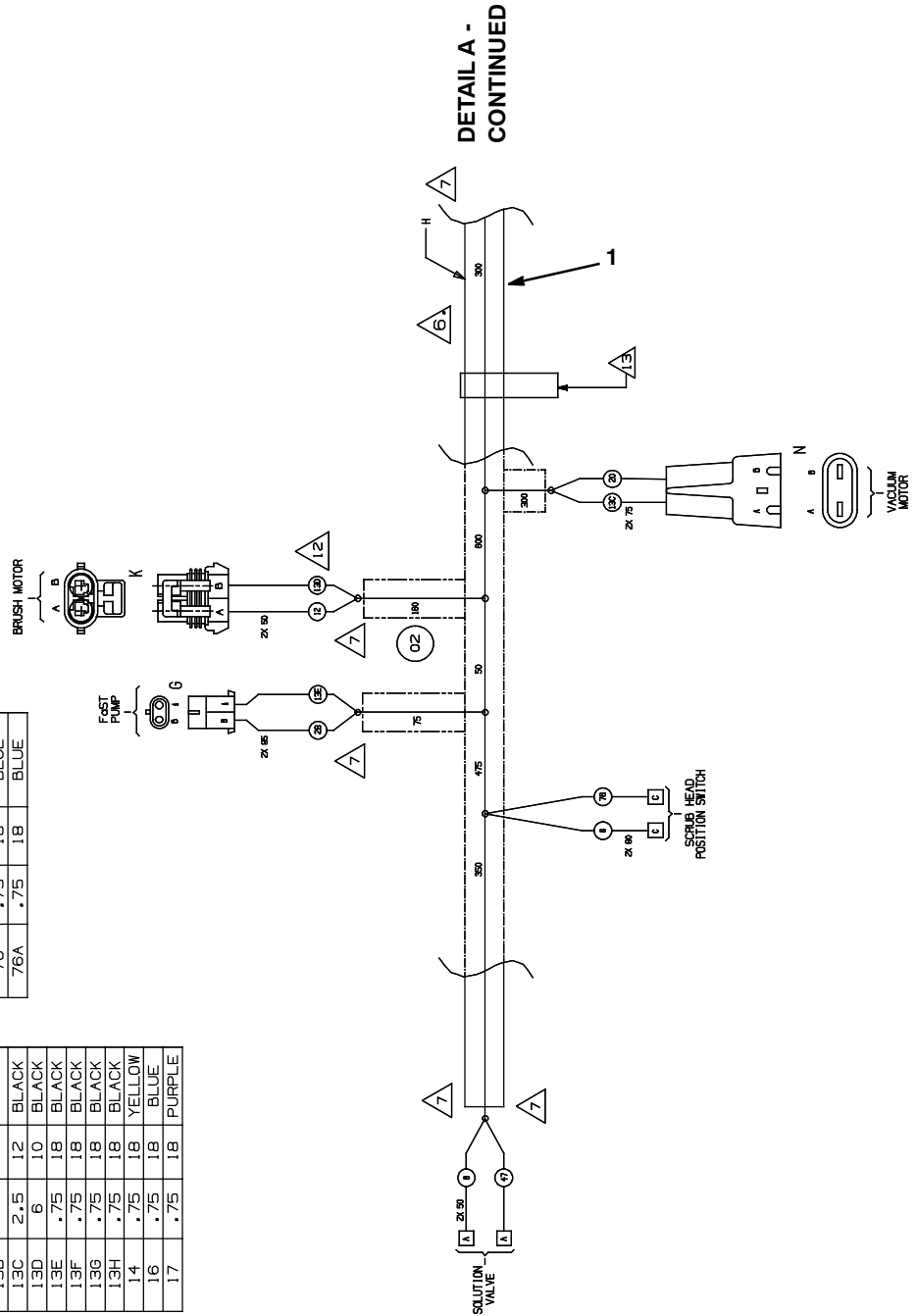
WIRE HARNESS GROUP, MAIN, BRUSH ASSIST MODEL



WIRE HARNESS GROUP, MAIN, BRUSH ASSIST MODEL - CONT'D

WIRE NO.	mm <sup>2</sup>	AWG	COLOR
20	2.5	12	TAN
24	.75	18	YELLOW
27	.75	18	PURPLE
28	.75	18	GRAY
34	.75	18	YELLOW
36	.75	18	BLUE
37	.75	18	PURPLE
44	.75	18	YELLOW
44A	.75	18	YELLOW
47	.75	18	PURPLE
47A	.75	18	PURPLE
54	.75	18	YELLOW
64	.75	18	YELLOW
66	.75	18	BLUE
76	.75	18	BLUE
76A	.75	18	BLUE

WIRE NO.	mm <sup>2</sup>	AWG	COLOR
1A	2.5	12	RED
1B	-	-	-
1C	.75	18	RED
1E	.75	18	RED
2	.6	10	BROWN
4	.75	18	YELLOW
6	.75	18	BLUE
7	.75	18	PURPLE
7A	.75	18	PURPLE
8	.75	18	GRAY
8A	.75	18	GRAY
10	2.5	12	TAN
12	.6	10	BROWN
13A	.75	18	BLACK
13B	-	-	-
13C	2.5	12	BLACK
13D	.6	10	BLACK
13E	.75	18	BLACK
13F	.75	18	BLACK
13G	.75	18	BLACK
13H	.75	18	BLACK
14	.75	18	YELLOW
16	.75	18	BLUE
17	.75	18	PURPLE

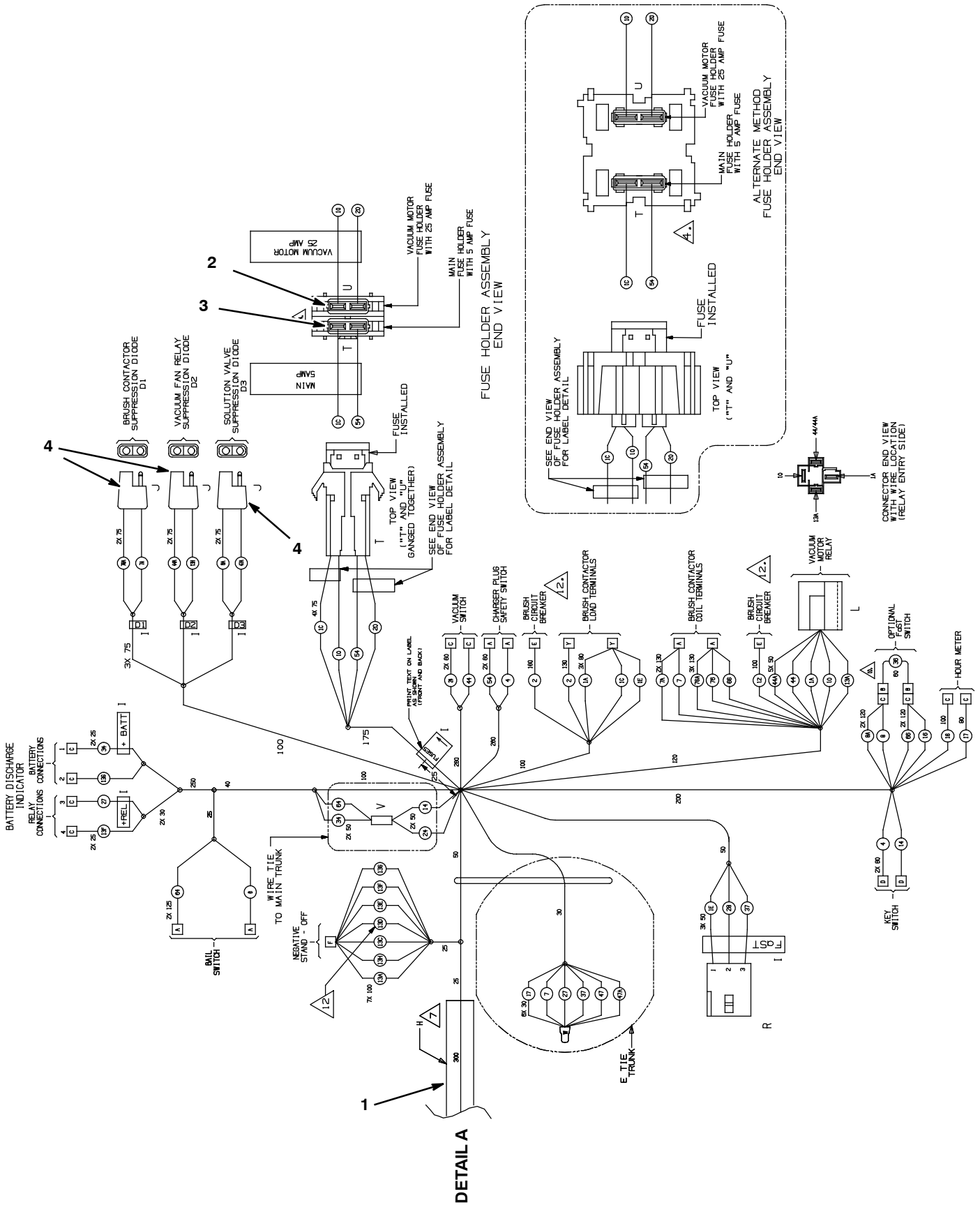


DETAIL A - CONTINUED

Ref.	Part No.	Serial Number	Description	Qty.
▽	1	1048155	(30000000- 40000000 ) Harness, Main, Push [T3 / U.S. ]	1
▲	2	1016040	(30000000- 40000000 ) Fuse, Blade, 025a, 32vdc	1
▲	3	762516	(30000000- 40000000 ) Fuse, Blade, 030a, 32vdc	1
▲	4	222290	(30000000- 40000000 ) Diode, Ele, Plug	3

▽ ASSEMBLY  
 ▲ INCLUDED IN ASSEMBLY

## WIRE HARNESS GROUP, MAIN, BRUSH ASSIST MODEL (AUSTRALIAN MODEL)

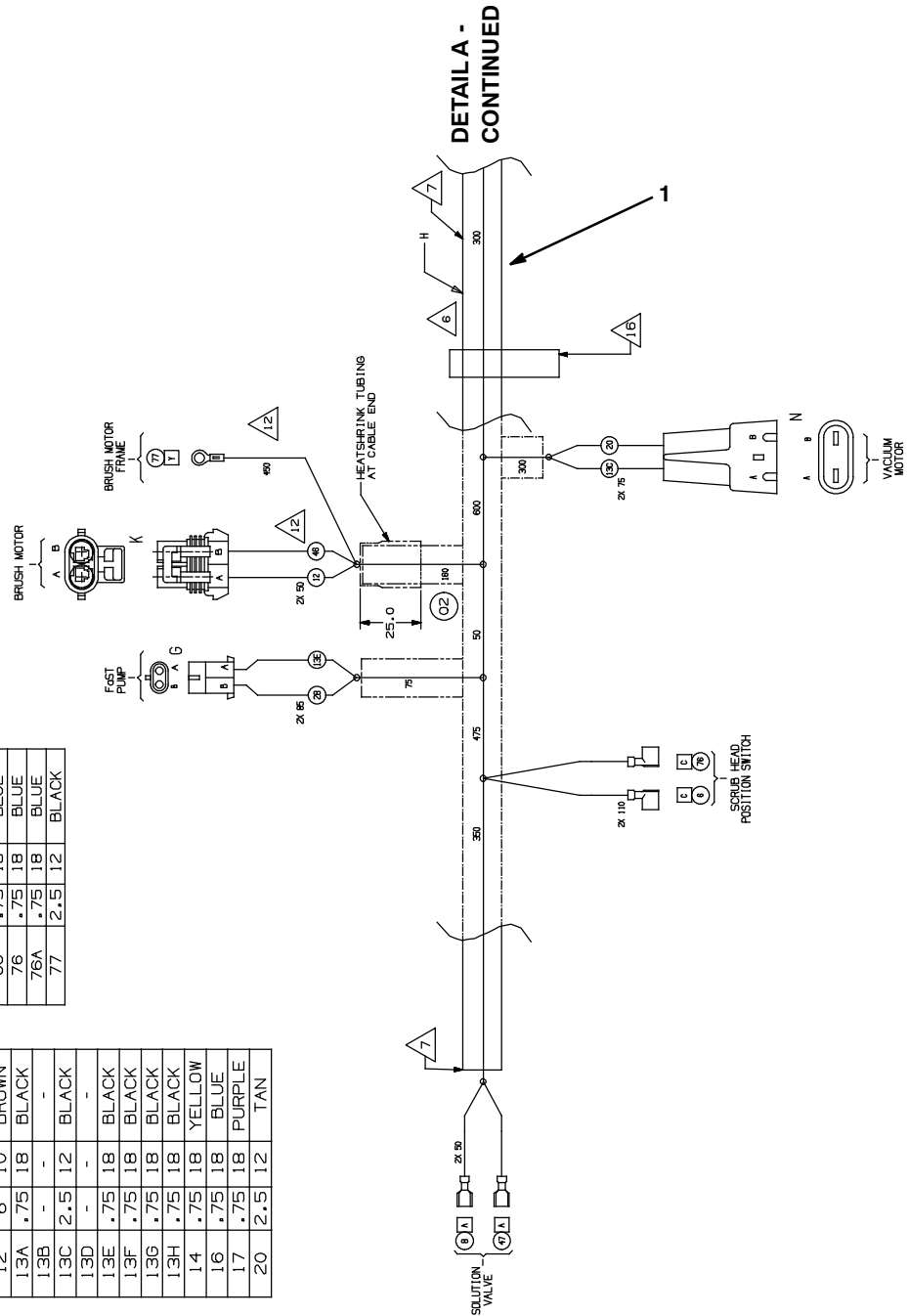




WIRE HARNESS GROUP, MAIN, BRUSH ASSIST MODEL (AUSTRALIAN MODEL) - CONT'D

WIRE NO.	mm <sup>2</sup>	AWG	COLOR
24	.75	18	TAN
27	.75	18	PURPLE
28	.75	18	GRAY
34	.75	18	YELLOW
36	.75	18	BLUE
37	.75	18	PURPLE
44	.75	18	YELLOW
44A	.75	18	YELLOW
46	6	10	BLUE
47	.75	18	PURPLE
47A	.75	18	PURPLE
54	.75	18	YELLOW
64	.75	18	YELLOW
66	.75	18	BLUE
76	.75	18	BLUE
76A	.75	18	BLUE
77	2.5	12	BLACK

WIRE NO.	mm <sup>2</sup>	AWG	COLOR
1A	2.5	12	RED
1B	-	-	-
1C	.75	18	RED
1E	.75	18	RED
2	6	10	BROWN
4	.75	18	YELLOW
6	.75	18	BLUE
7	.75	18	PURPLE
7A	.75	18	PURPLE
8	.75	18	GRAY
8A	.75	18	GRAY
10	2.5	12	TAN
12	6	10	BROWN
13A	.75	18	BLACK
13B	-	-	-
13C	2.5	12	BLACK
13D	-	-	-
13E	.75	18	BLACK
13F	.75	18	BLACK
13G	.75	18	BLACK
13H	.75	18	BLACK
14	.75	18	YELLOW
16	.75	18	BLUE
17	.75	18	PURPLE
20	2.5	12	TAN



Ref.	Part No.	Serial Number	Description	Qty.
▽	1	1048341	(30000000- 40000000 ) Harness, Main, Push [T3 - Mid Emc]	1
▲	2	1016040	(30000000- 40000000 ) Fuse, Blade, 025a, 32vdc	1
▲	3	762516	(30000000- 40000000 ) Fuse, Blade, 030a, 32vdc	1
▲	4	222290	(30000000- 40000000 ) Diode, Ele, Plug	3

▽ ASSEMBLY

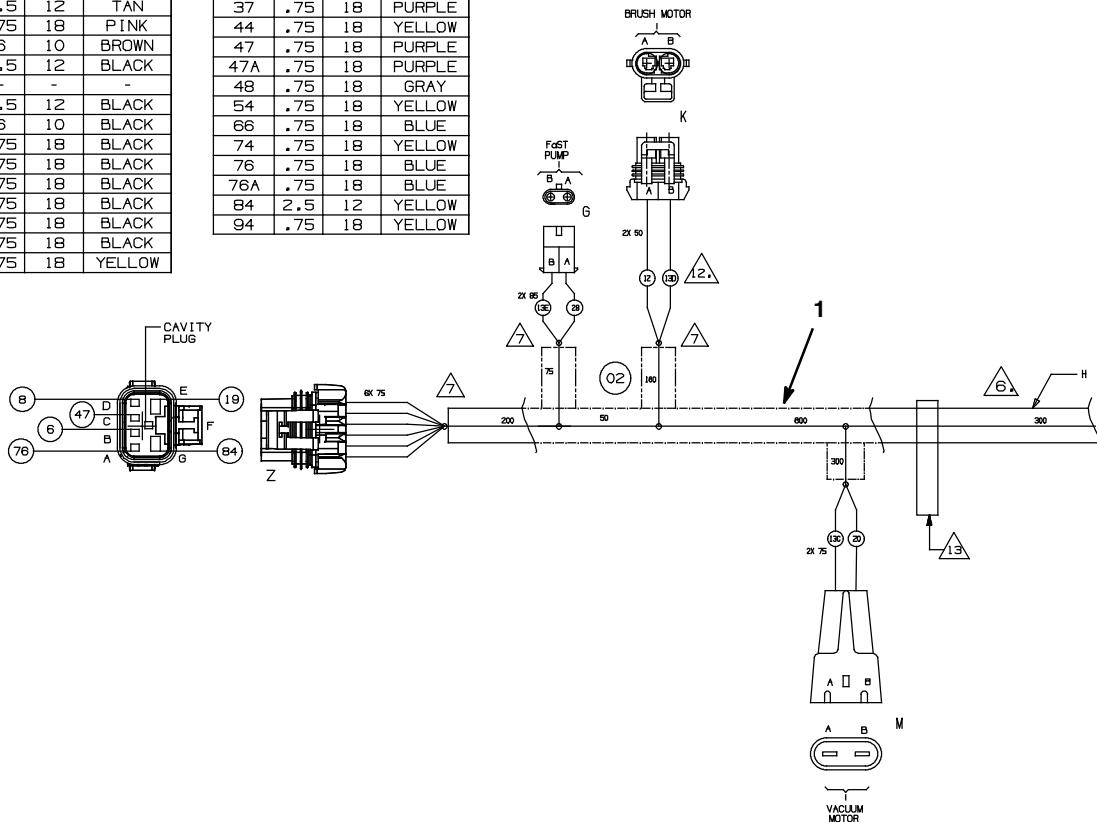
▲ INCLUDED IN ASSEMBLY



WIRE HARNESS GROUP, MAIN, DRIVE MODEL - CONT'D

WIRE NO.	mm <sup>2</sup>	AWG	COLOR
1A	2.5	12	RED
1B	-	-	-
1C	2.5	12	RED
1E	.75	18	RED
2	6	10	BROWN
3	.75	18	ORANGE
4	.75	18	YELLOW
5	.75	18	GREEN
6	.75	18	BLUE
7	.75	18	PURPLE
7A	.75	18	PURPLE
8	.75	18	GRAY
8A	.75	18	GRAY
9	.75	18	WHITE
10	2.5	12	TAN
11	.75	18	PINK
12	6	10	BROWN
13A	2.5	12	BLACK
13B	-	-	-
13C	2.5	12	BLACK
13D	6	10	BLACK
13E	.75	18	BLACK
13F	.75	18	BLACK
13G	.75	18	BLACK
13H	.75	18	BLACK
13J	.75	18	BLACK
13K	.75	18	BLACK
14	.75	18	YELLOW

WIRE NO.	mm <sup>2</sup>	AWG	COLOR
16	.75	18	BLUE
17	.75	18	PURPLE
19	2.5	12	WHITE
20	2.5	12	TAN
21	.75	18	PINK
22	2.5	12	BROWN
24	.75	18	YELLOW
27	.75	18	PURPLE
28	.75	18	GRAY
29	.75	18	WHITE
31	.75	18	PINK
32	.75	18	BROWN
34	.75	18	YELLOW
36	.75	18	BLUE
37	.75	18	PURPLE
44	.75	18	YELLOW
47	.75	18	PURPLE
47A	.75	18	PURPLE
48	.75	18	GRAY
54	.75	18	YELLOW
66	.75	18	BLUE
74	.75	18	YELLOW
76	.75	18	BLUE
76A	.75	18	BLUE
84	2.5	12	YELLOW
94	.75	18	YELLOW



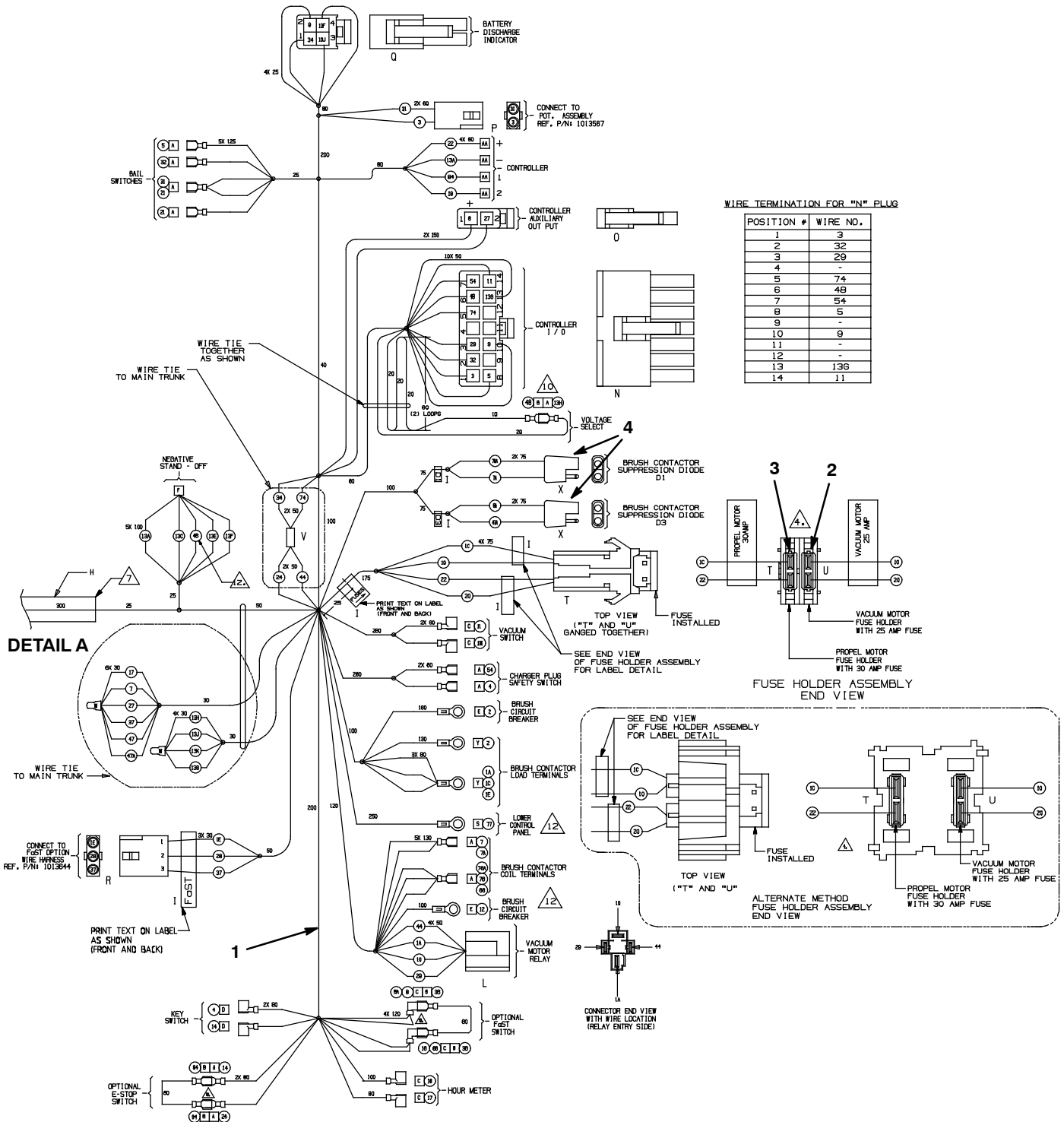
DETAIL A - CONTINUED

Ref.	Part No.	Serial Number	Description	Qty.
▽	1	1048131	(30000000- 40000000 ) Harness, Main, Drive [T3 - U.S.]	1
▲	2	1016040	(30000000- 40000000 ) Fuse, Blade, 025a, 32vdc	1
▲	3	762516	(30000000- 40000000 ) Fuse, Blade, 030a, 32vdc	1
▲	4	222290	(30000000- 40000000 ) Diode, Ele, Plug	2

▽ ASSEMBLY

▲ INCLUDED IN ASSEMBLY

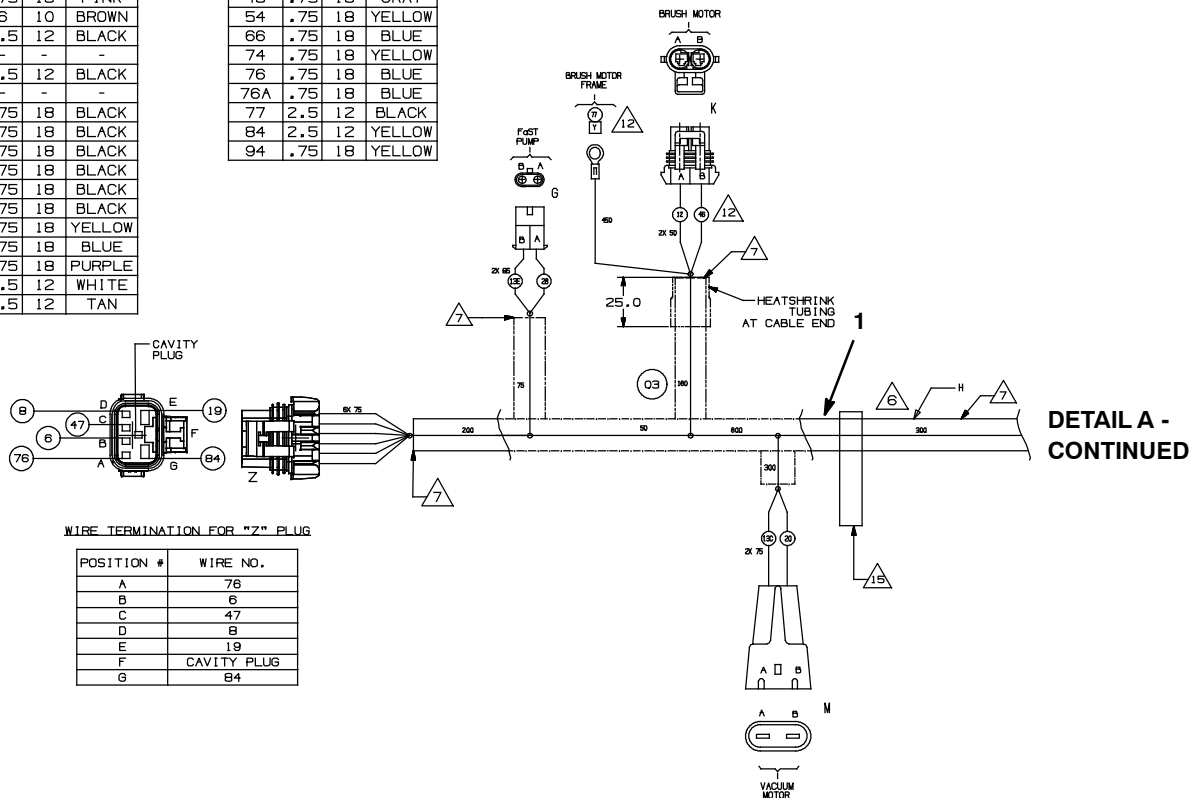
## WIRE HARNESS GROUP, MAIN, DRIVE MODEL (AUSTRALIAN MODEL)



WIRE HARNESS GROUP, MAIN, DRIVE MODEL (AUSTRALIAN MODEL) - CONT'D

WIRE NO.	mm <sup>2</sup>	AWG	COLOR
1A	2.5	12	RED
1B	-	-	-
1C	2.5	12	RED
1E	.75	18	RED
2	6	10	BROWN
3	.75	18	ORANGE
4	.75	18	YELLOW
5	.75	18	GREEN
6	.75	18	BLUE
7	.75	18	PURPLE
7A	.75	18	PURPLE
8	.75	18	GRAY
8A	.75	18	GRAY
9	.75	18	WHITE
10	2.5	12	TAN
11	.75	18	PINK
12	6	10	BROWN
13A	2.5	12	BLACK
13B	-	-	-
13C	2.5	12	BLACK
13D	-	-	-
13E	.75	18	BLACK
13F	.75	18	BLACK
13G	.75	18	BLACK
13H	.75	18	BLACK
13J	.75	18	BLACK
13K	.75	18	BLACK
14	.75	18	YELLOW
16	.75	18	BLUE
17	.75	18	PURPLE
19	2.5	12	WHITE
20	2.5	12	TAN

WIRE NO.	mm <sup>2</sup>	AWG	COLOR
21	.75	18	PINK
22	2.5	12	BROWN
24	.75	18	YELLOW
27	.75	18	PURPLE
28	.75	18	GRAY
29	.75	18	WHITE
31	.75	18	PINK
32	.75	18	BROWN
34	.75	18	YELLOW
36	.75	18	BLUE
37	.75	18	PURPLE
44	.75	18	YELLOW
46	6	10	BLUE
47	.75	18	PURPLE
47A	.75	18	PURPLE
48	.75	18	GRAY
54	.75	18	YELLOW
66	.75	18	BLUE
74	.75	18	YELLOW
76	.75	18	BLUE
76A	.75	18	BLUE
77	2.5	12	BLACK
84	2.5	12	YELLOW
94	.75	18	YELLOW



WIRE TERMINATION FOR "Z" PLUG

POSITION #	WIRE NO.
A	76
B	6
C	47
D	8
E	19
F	CAVITY PLUG
G	84

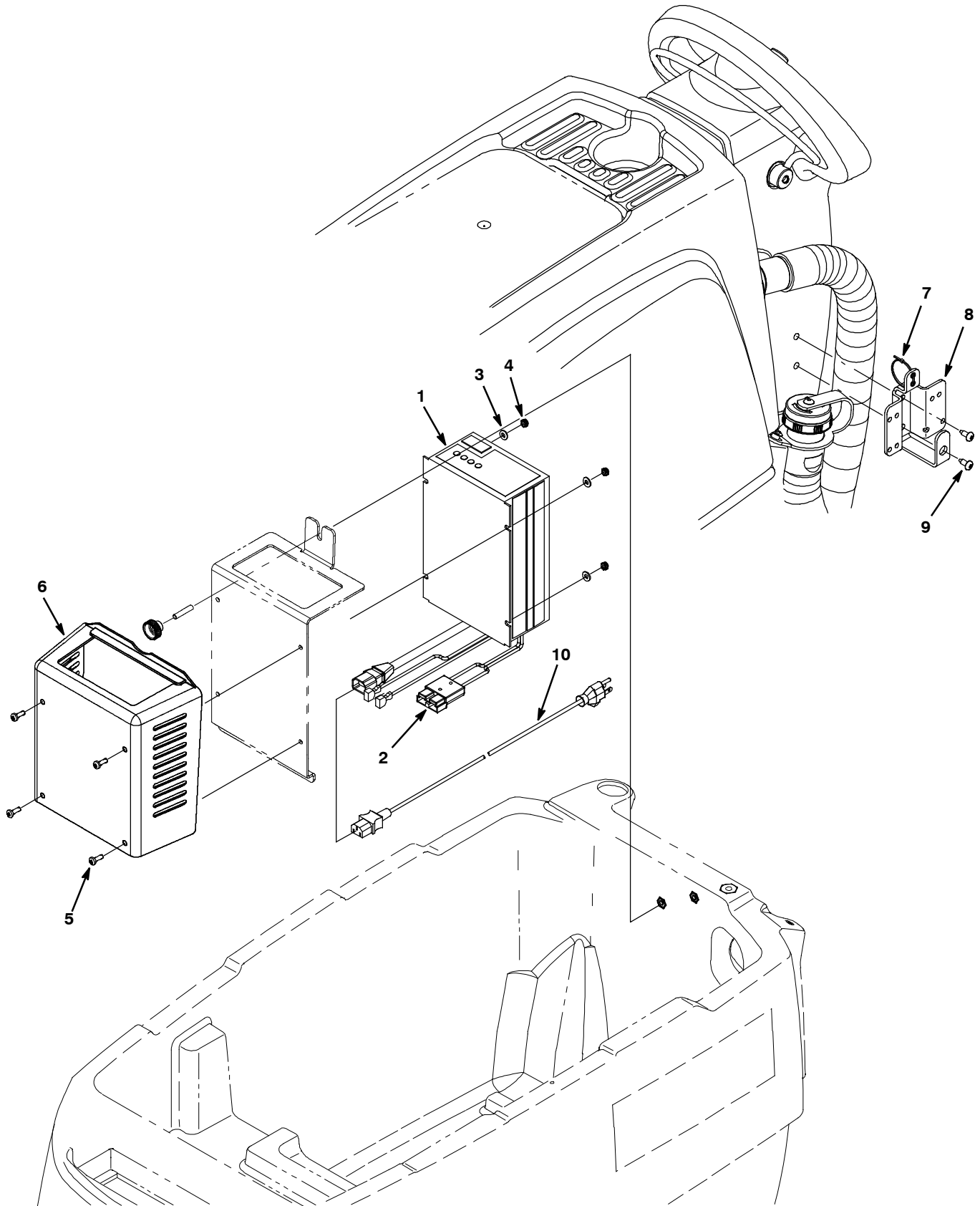
DETAIL A - CONTINUED

Ref.	Part No.	Serial Number	Description	Qty.
▽	1	1048340	(30000000- 40000000 ) Harness, Main, Propel [T3 - Mid Emc]	1
▲	2	1016040	(30000000- 40000000 ) Fuse, Blade, 025a, 32vdc	1
▲	3	762516	(30000000- 40000000 ) Fuse, Blade, 030a, 32vdc	1
▲	4	222290	(30000000- 40000000 ) Diode, Ele, Plug	2

▽ ASSEMBLY

▲ INCLUDED IN ASSEMBLY

ON-BOARD BATTERY CHARGER GROUP, STANDARD & FaST MODEL



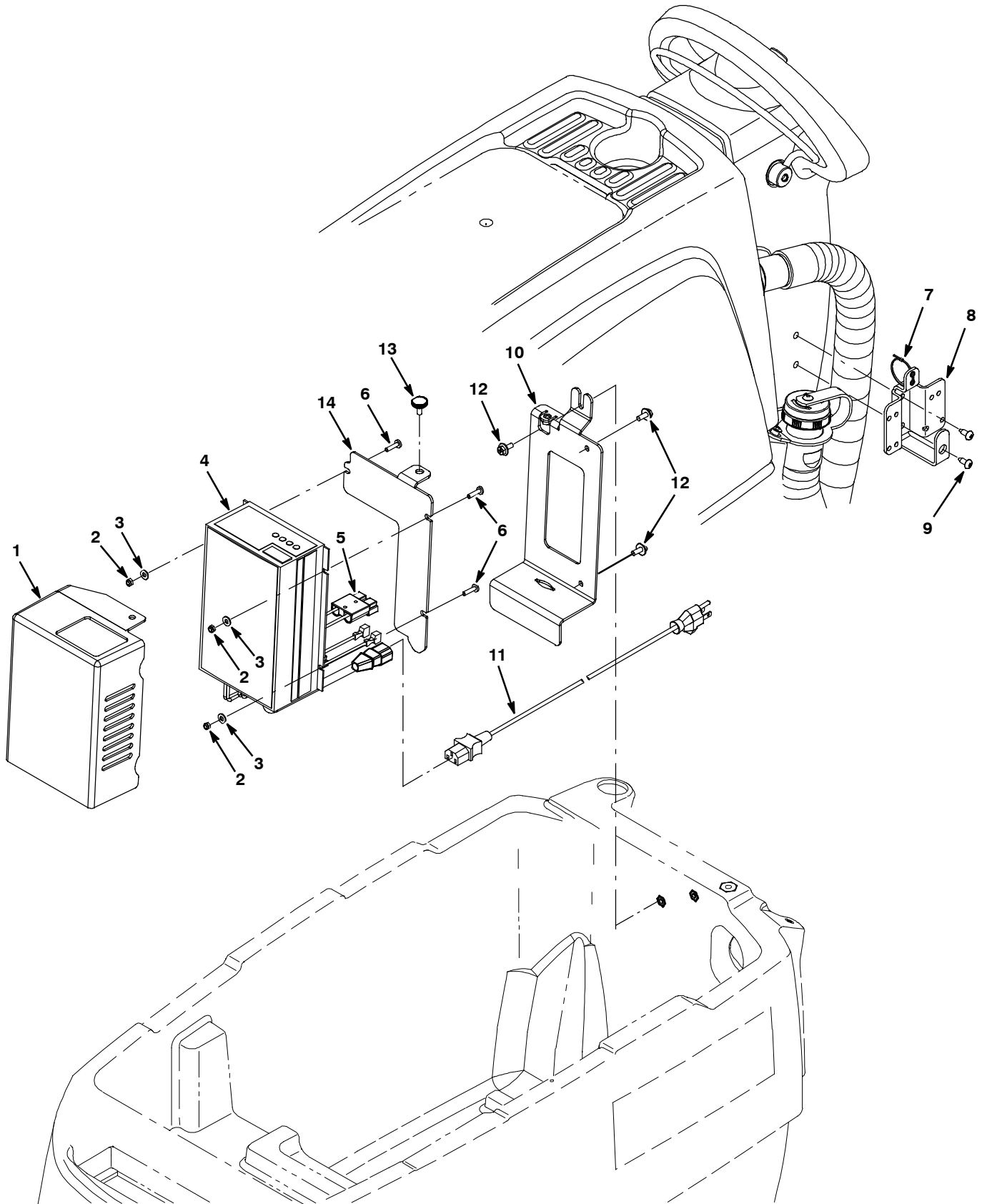
**ON-BOARD BATTERY CHARGER GROUP, STANDARD & FaST MODEL**

Ref.	Part No.	Serial Number	Description	Qty.
▽	9007343	(30000000- 40000000 )	Charger Kit, On- Board [T3e/Ss3]	1
▲▽	1 1073625	(30000000- 40000000 )	Charger, 24vdc 11a 100/240vac 50/60hz	1
▲▲	2 605387	(30000000- 40000000 )	Connector, Anderson, 50a,Red W/O Contact	1
▲	3 01683	(30000000- 40000000 )	Washer, Flat, 0.22b 0.50d .05, Ss [#10]	4
▲	4 09739	(30000000- 40000000 )	Nut, Hex, Lock, M5 X 0.80, NI, Ss	4
▲	5 06934	(30000000- 40000000 )	Screw, Pan, Phl, M5 X 0.80 X 20, 4.8	4
▲	6 1040600	(30000000- 40000000 )	Cover, Charger [Ss3]	1
▲	7 130773	(30000000- 40000000 )	Tie, Cable, Nyl, 11.0l, .14w, 3.0 Max. D	6
▲	8 1061192	(30000000- 40000000 )	Retainer,Cord, Charger [Ss3/T3e]	1
▲	9 1009324	(30000000- 40000000 )	Screw, Pan, Phl, 10- 16 X 0.50,Blk[Typ17]	2
▲	N/S 1045989	(30000000- 40000000 )	Harness, Chrgr [Onboard, T3e/Ss3 Ec- H2o]	1
	10 1025642	(30000000- 40000000 )	Cord, Power, 16/3, 4.5 Meters, Blk [Us] (Us/Japan)	1
	10 1026330	(30000000- 40000000 )	Cord, Power, 1.0mm2 X 2.5 Meters [ China]	1
	10 1026325	(30000000- 40000000 )	Cord, Power, 1.0mm2 X 2.5 Meters [Aus]	1
	10 1032849	(30000000- 40000000 )	Cord, Power, 4.5 Meter, Blk [Ce]	1

▽ ASSEMBLY

▲ INCLUDED IN ASSEMBLY

ON-BOARD BATTERY CHARGER GROUP, ec-H2O MODEL





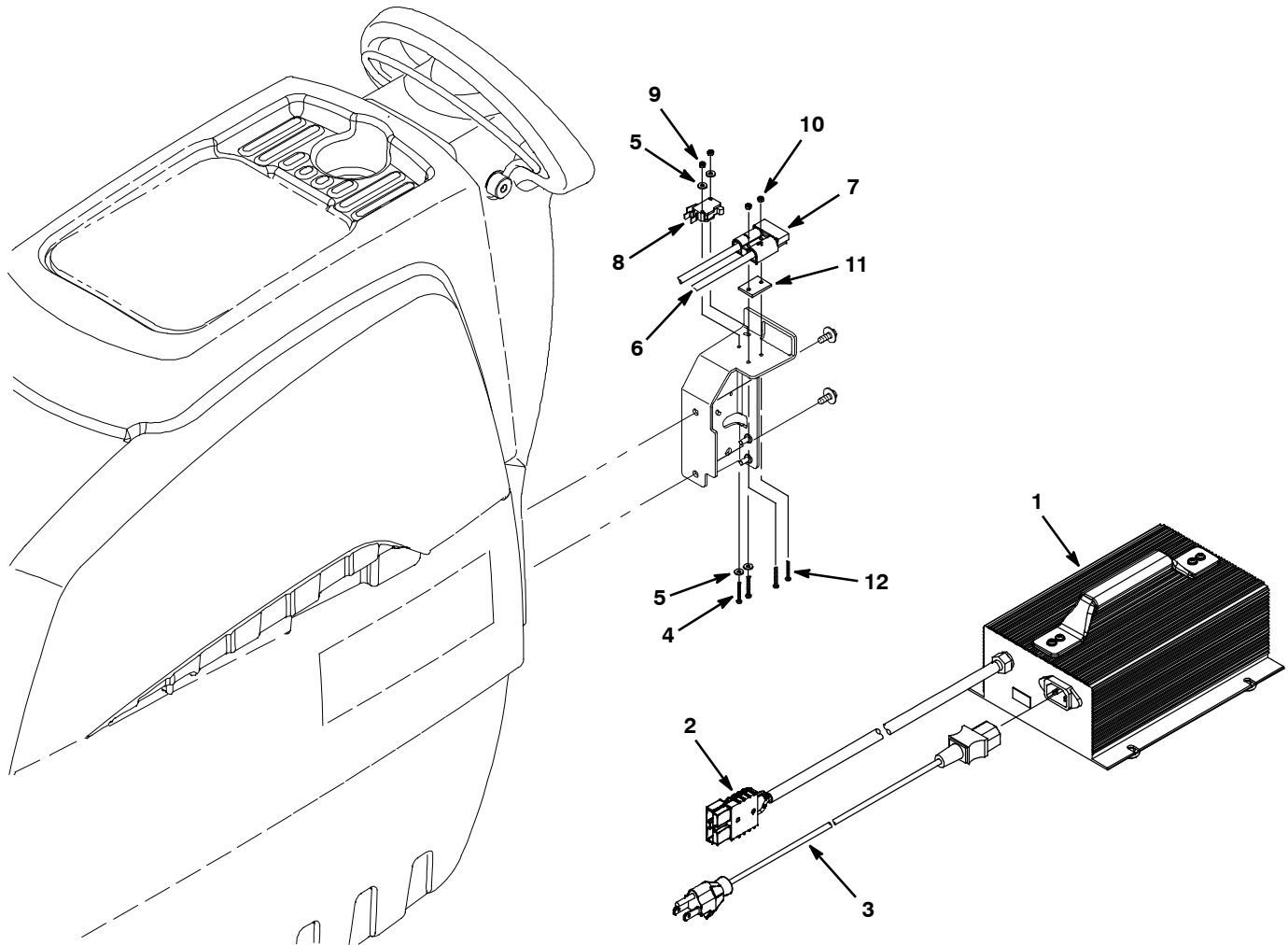
**ON-BOARD BATTERY CHARGER GROUP, ec-H2O MODEL**

	<b>Ref.</b>	<b>Part No.</b>	<b>Serial Number</b>	<b>Description</b>	<b>Qty.</b>
▽		9007344	(30000000- 40000000 )	Charger Kit [On- Board, T3e/Ss3 Ec- H2o]	1
▲	1	1045985	(30000000- 40000000 )	Cover, Chrgr [T2 Ec- H2o Concept]	1
▲	2	09739	(30000000- 40000000 )	Nut, Hex, Lock, M5 X 0.80, NI, Ss	3
▲	3	01683	(30000000- 40000000 )	Washer, Flat, 10, Ss	3
▲▽	4	1073625	(30000000- 40000000 )	Charger, 24vdc 11a 100/240vac 50/60hz	1
▲▲	5	605387	(30000000- 40000000 )	Connector, Anderson, 50a,Red W/O Contact	1
▲	6	06934	(30000000- 40000000 )	Screw, Pan, Phl, M5 X 0.80 X 20, 4.8	3
▲	7	130773	(30000000- 40000000 )	Tie, Cable, Nyl, 11.0l, .14w, 3.0 Max. D	6
▲	8	1061192	(30000000- 40000000 )	Retainer,Cord, Charger [Ss3/T3e]	1
▲	9	1009324	(30000000- 40000000 )	Screw, Pan, Phl, 10- 16 X 0.50,Blk[Typ17]	2
▲	N/S	1045989	(30000000- 40000000 )	Harness, Chrgr [Onboard, T3e/Ss3 Ec- H2o]	1
	10	1045961	(30000000- 40000000 )	Brkt, Mntg, Echo, Chrgr [Ss3/T3e]	1
	11	1025642	(30000000- 40000000 )	Cord, Power, 16/3, 4.5 Meters, Blk [Us] (Us/Japan)	1
	11	1026330	(30000000- 40000000 )	Cord, Power, 1.0mm2 X 2.5 Meters [ China]	1
	11	1026325	(30000000- 40000000 )	Cord, Power, 1.0mm2 X 2.5 Meters [Aus]	1
	11	1032849	(30000000- 40000000 )	Cord, Power, 4.5 Meter, Blk [Ce]	1
	12	1034731	(30000000- 40000000 )	Screw, Hex, M6 X 1.00 X 16, Ss, Sems	3
	13	1046631	(30000000- 40000000 )	Knob,Rnd,19mmod,M6x20,Stud,Plstc,PI	1
	14	1045966	(30000000- 40000000 )	Brkt, Mntg, Chrgr [Ss3] W/Echo	1

▽ ASSEMBLY

▲ INCLUDED IN ASSEMBLY

OFF-BOARD BATTERY CHARGER GROUP

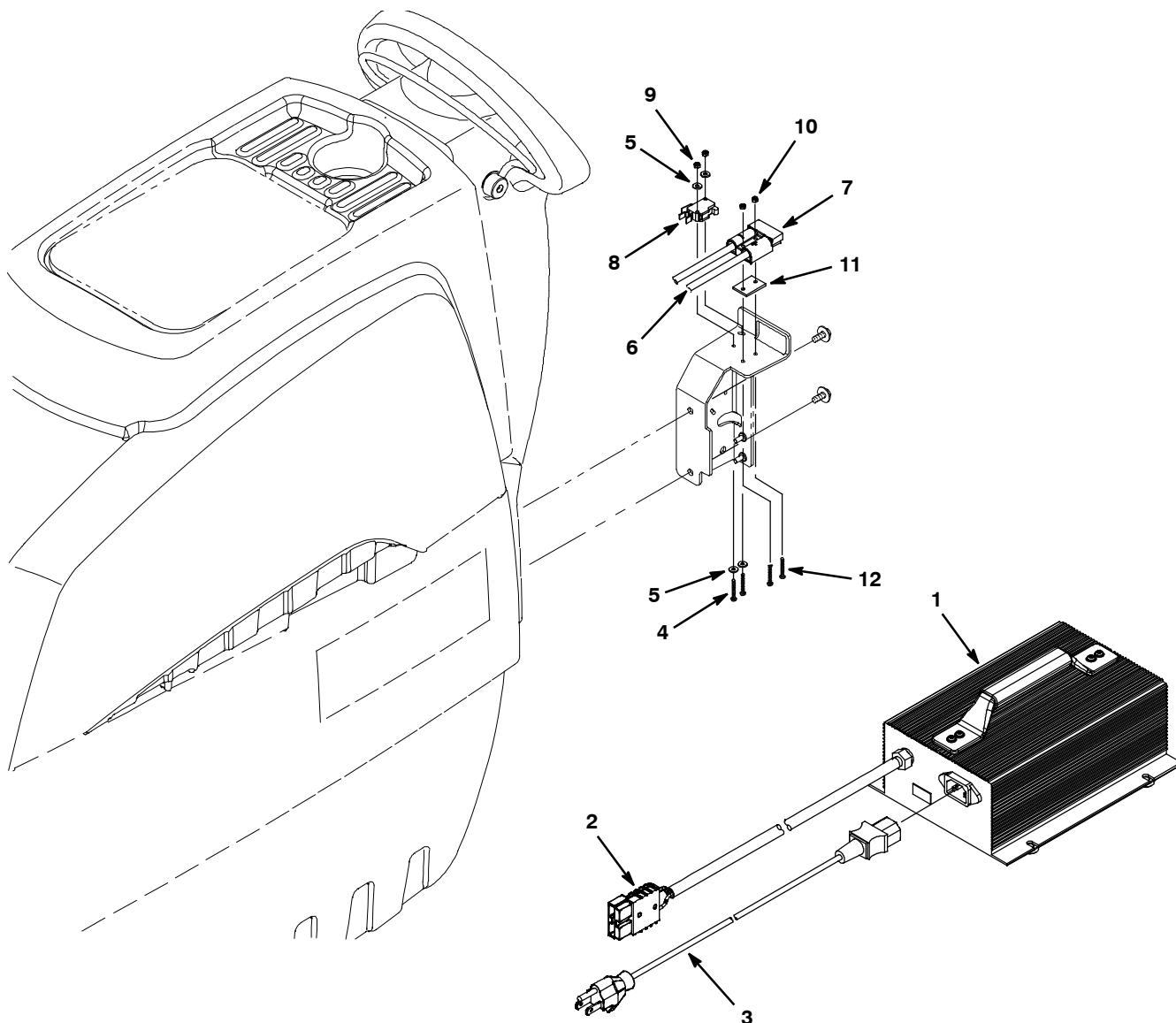


Ref.	Part No.	Serial Number	Description	Qty.
▽	9003347	(30000000- 40000000 )	Kit, Charger, Off- Board, 120vac, 24vdc	1
▲▽	1 1073638	(30000000- 40000000 )	Charger, 24vdc 11a Var Vac 1ph 50/60hz	1
▲▲	2 605387	(30000000- 40000000 )	Connector, Anderson, 50a,Red W/O Contact	1
	3 1025642	(30000000- 40000000 )	Cord, Power, 16/3, 4.5 Meters, Blk [Us]	1
	3 1026325	(30000000- 40000000 )	Cord, Power, 1.0mm2 X 2.5 Meters [Aus]	1
	3 1032849	(30000000- 40000000 )	Cord, Power, 2.5 Meter, Black [Ce]	1
	3 1048304	(30000000- 40000000 )	Cord, Power, 4.5 Meter[India, S. Africa]	1
▲	4 06922	(30000000- 40000000 )	Screw, Pan, M3 X 0.50 X 20, 4.8	2
▲	5 41578	(30000000- 40000000 )	Washer, Flat, #06, Ss	4
▲▽	6 1033362	(30000000- 40000000 )	Harness, Chrgr [T3e - Ss3]	1
▲▲	7 605387	(30000000- 40000000 )	Connector, Anderson, 50a,Red W/O Contact	1
▲	8 611005	(30000000- 40000000 )	Switch, Rlr, 16a, Micro	1
▲	9 579211	(30000000- 40000000 )	Nut, Hex, Lock, M3 X 0.50, Ss	2
▲	10 33932	(30000000- 40000000 )	Nut, Hex, Lock, M4 X 0.70, NI, Ss	2
▲	11 603331	(30000000- 40000000 )	Spacer, Plug, Chrgr	1
▲	12 1033197	(30000000- 40000000 )	Screw, Pan, M4x0.7x24, Phl, Ss [7985]	2

▽ ASSEMBLY

▲ INCLUDED IN ASSEMBLY

OFF-BOARD BATTERY CHARGER GROUP (KOREAN MODEL)



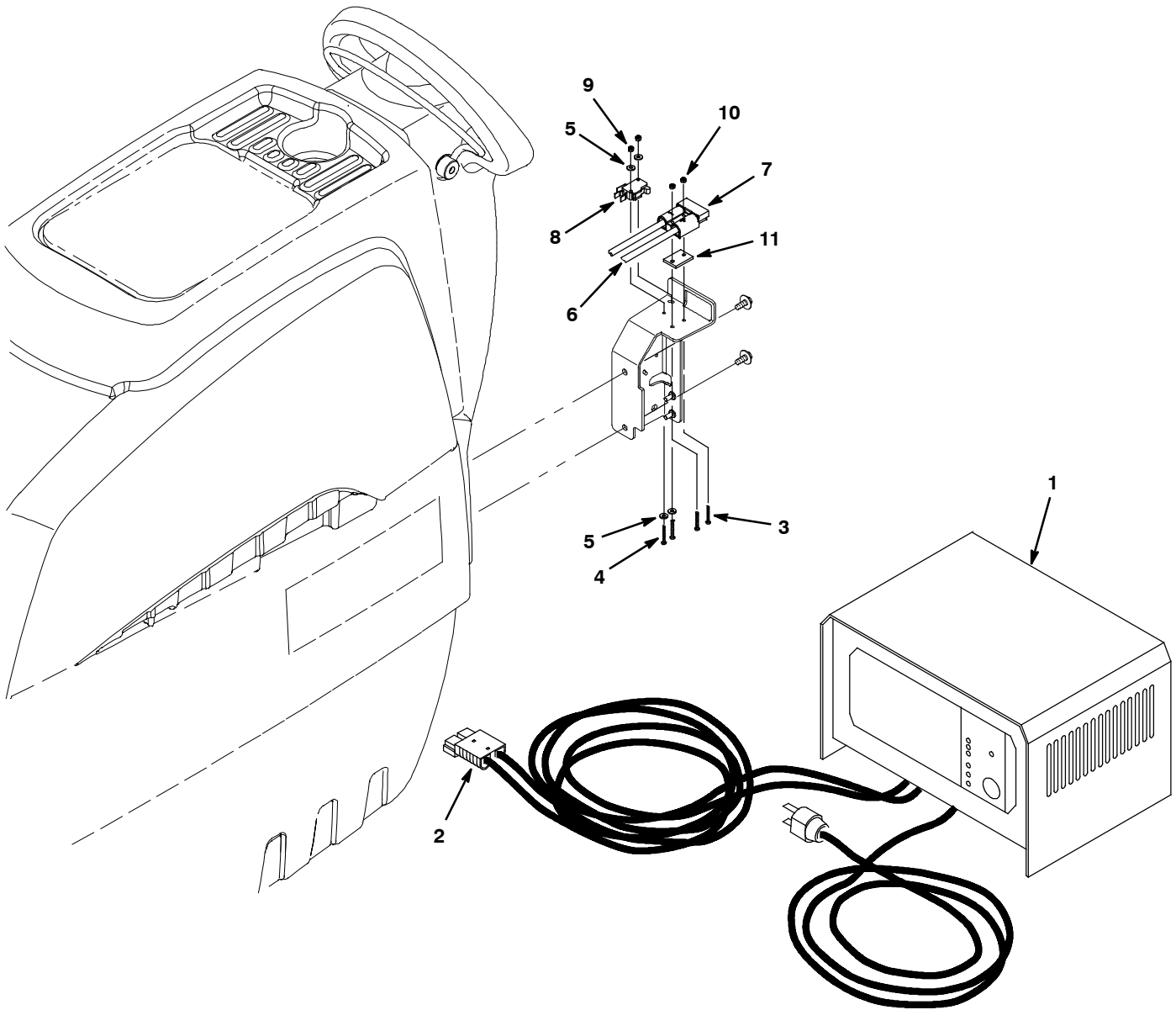
Ref.	Part No.	Serial Number	Description	Qty.
▽	1	9013036	(30000000- 40000000 ) Charger, 24vdc, 11a Var Vac 50/60hz [Ch] (Korea)	1
▲	2	605387	(30000000- 40000000 ) Connector, Anderson, 50a,Red W/O Contact	1
▲	3	1070626	(30000000- 40000000 ) Cord, Power, 2.5m L, 7mm Dia, Blk[Korea]	1
	4	06922	(30000000- 40000000 ) Screw, Pan, M3 X 0.50 X 20, 4.8	2
	5	41578	(30000000- 40000000 ) Washer, Flat, #06, Ss	4
	6	1033362	(30000000- 40000000 ) Harness, Chrgr [T3e - Ss3]	1
	7	605387	(30000000- 40000000 ) Connector, Anderson, 50a,Red W/O Contact	1
	8	611005	(30000000- 40000000 ) Switch, Rlr, 16a, Micro	1
	9	579211	(30000000- 40000000 ) Nut, Hex, Lock, M3 X 0.50, Ss	2
	10	33932	(30000000- 40000000 ) Nut, Hex, Lock, M4 X 0.70, NI, Ss	2
	11	603331	(30000000- 40000000 ) Spacer, Plug, Chrgr	1
	12	1033197	(30000000- 40000000 ) Screw, Pan, M4x0.7x24, Phl, Ss [7985]	2

▽ ASSEMBLY

▲ INCLUDED IN ASSEMBLY

# OPTIONS

## OFF-BOARD BATTERY CHARGER GROUP, 24V 15A 50Hz (CHINA MODEL)

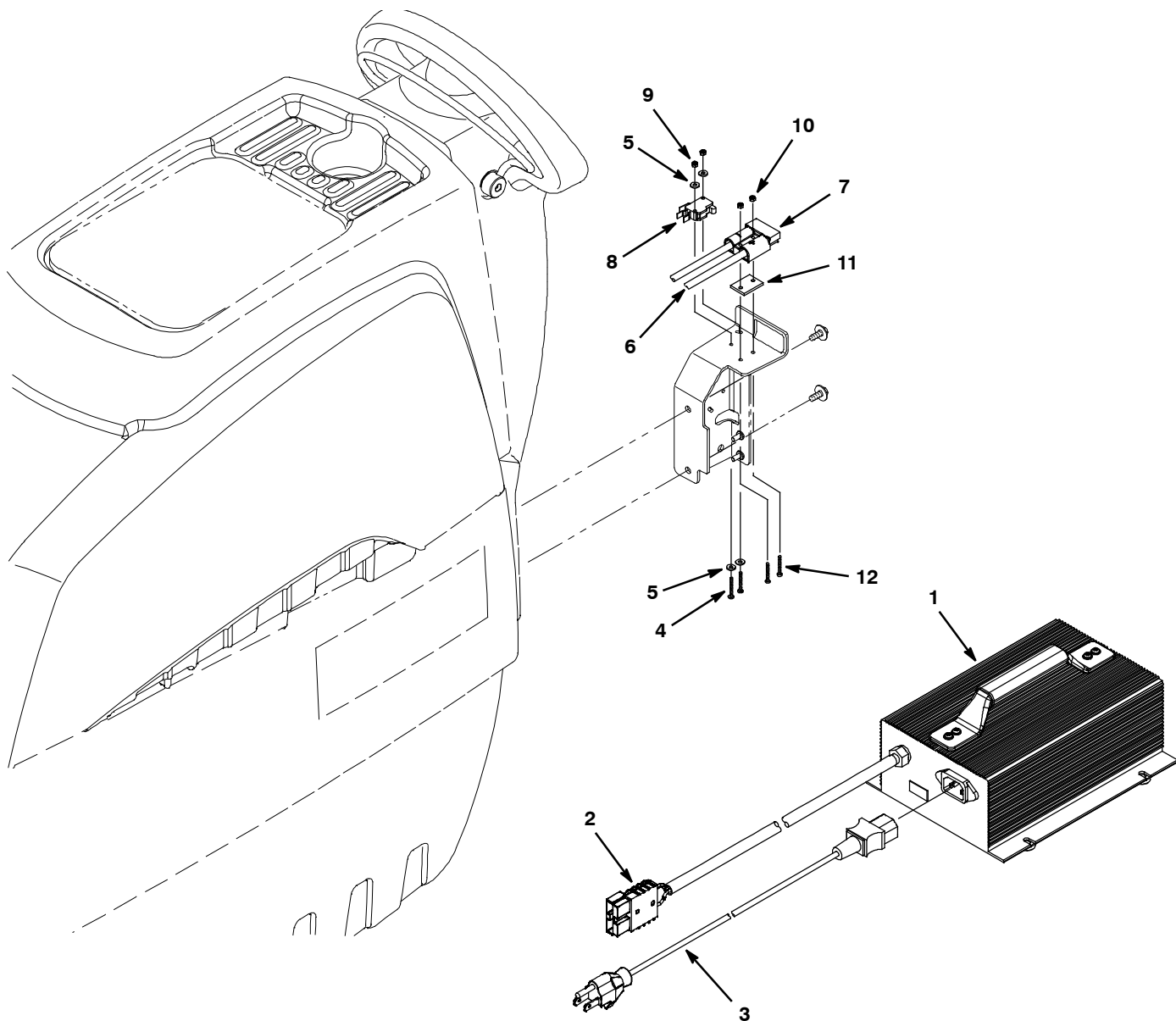


	Ref.	Part No.	Serial Number	Description	Qty.
▽	1	1069095	(30000000- 40000000 )	Charger, 24vdc, 15a, 220- 250vac, 50hz (China)	1
▲	2	605387	(30000000- 40000000 )	Connector, Anderson, 50a,Red W/O Contact	1
	3	1033197	(30000000- 40000000 )	Screw, Pan, M4x0.7x24, Phl, Ss [7985]	2
	4	06922	(30000000- 40000000 )	Screw, Pan, M3 X 0.50 X 20, 4.8	2
	5	41578	(30000000- 40000000 )	Washer, Flat, #06, Ss	4
	6	1033362	(30000000- 40000000 )	Harness, Chrgr [T3e - Ss3]	1
	7	605387	(30000000- 40000000 )	Connector, Anderson, 50a,Red W/O Contact	1
	8	611005	(30000000- 40000000 )	Switch, Rlr, 16a, Micro	1
	9	579211	(30000000- 40000000 )	Nut, Hex, Lock, M3 X 0.50, Ss	2
	10	33932	(30000000- 40000000 )	Nut, Hex, Lock, M4 X 0.70, NI, Ss	2
	11	603331	(30000000- 40000000 )	Spacer, Plug, Chrgr	1

▽ ASSEMBLY

▲ INCLUDED IN ASSEMBLY

OFF-BOARD BATTERY CHARGER GROUP, 24V 11A 50/60Hz (CHINA MODEL)

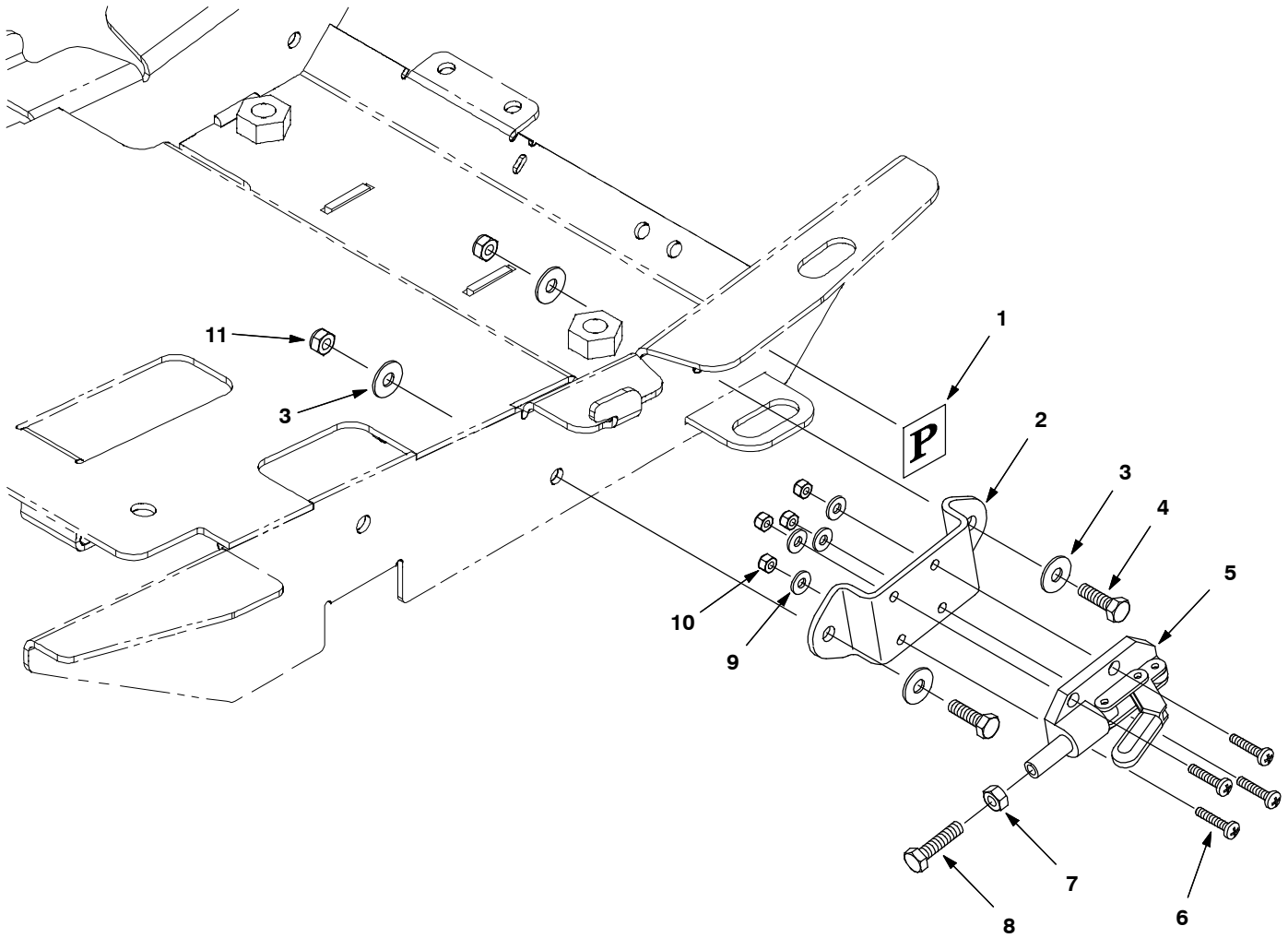


Ref.	Part No.	Serial Number	Description	Qty.
▽	1	9013036	(30000000- 40000000 ) Charger, 24vdc, 11a Var Vac 50/60hz [Ch] (China)	1
▲	2	605387	(30000000- 40000000 ) Connector, Anderson, 50a,Red W/O Contact	1
▲	3	1026330	(30000000- 40000000 ) Cord, Power, 1.0mm2 [2.5meter, China]	1
	4	06922	(30000000- 40000000 ) Screw, Pan, M3 X 0.50 X 20, 4.8	2
	5	41578	(30000000- 40000000 ) Washer, Flat, #06, Ss	4
	6	1033362	(30000000- 40000000 ) Harness, Chgr [T3e - Ss3]	1
	7	605387	(30000000- 40000000 ) Connector, Anderson, 50a,Red W/O Contact	1
	8	611005	(30000000- 40000000 ) Switch, Rlr, 16a, Micro	1
	9	579211	(30000000- 40000000 ) Nut, Hex, Lock, M3 X 0.50, Ss	2
	10	33932	(30000000- 40000000 ) Nut, Hex, Lock, M4 X 0.70, NI, Ss	2
	11	603331	(30000000- 40000000 ) Spacer, Plug, Chgr	1
	12	1033197	(30000000- 40000000 ) Screw, Pan, M4x0.7x24, Phl, Ss [7985]	2

▽ ASSEMBLY

▲ INCLUDED IN ASSEMBLY

PARKING BRAKE GROUP

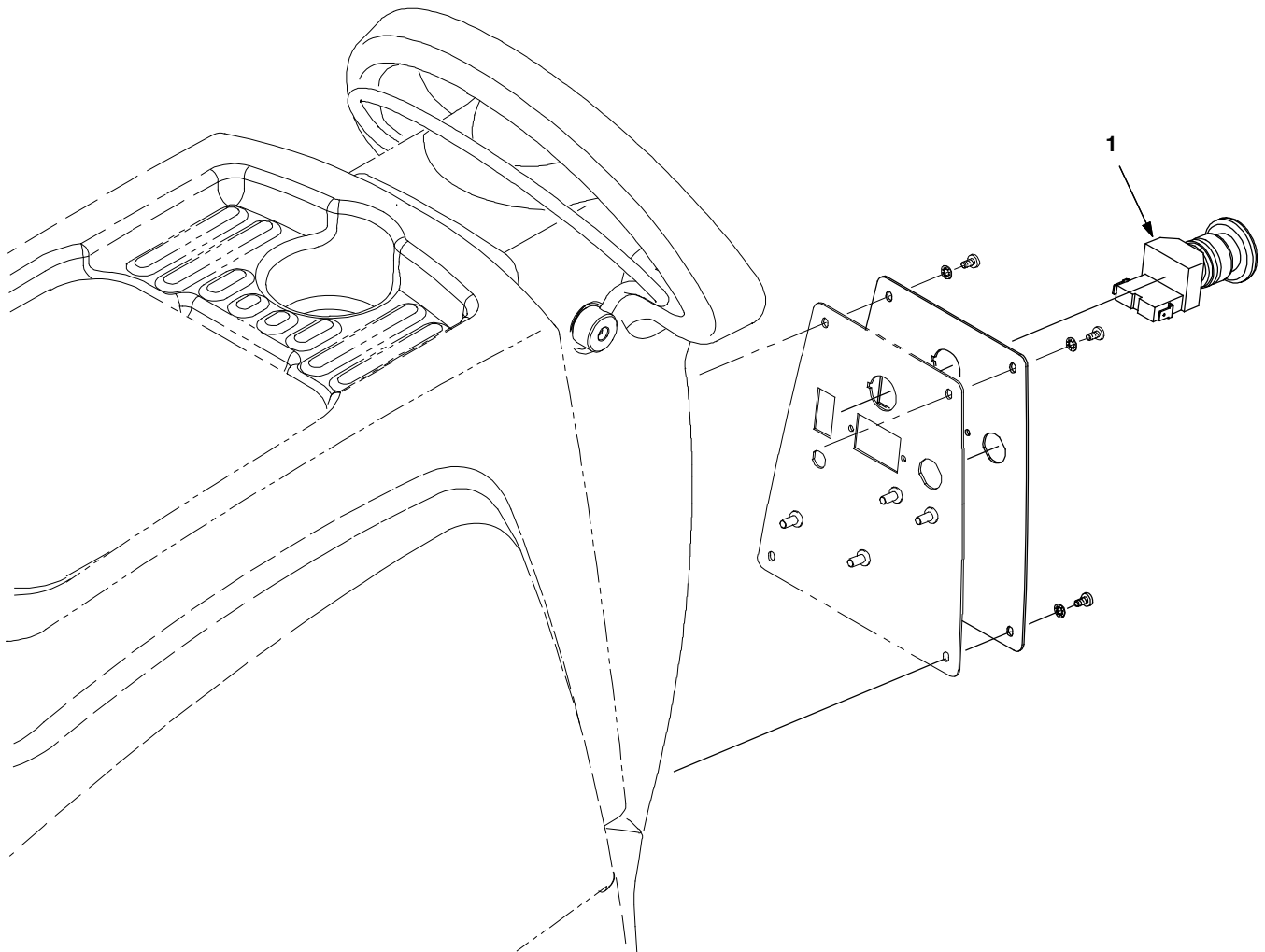


Ref.	Part No.	Serial Number	Description	Qty.
▽	9003351	(30000000- 40000000 )	Kit, Parking Brake [T3]	1
▲	1 600624	(30000000- 40000000 )	Label, Parking Brake, Symbol [Tnv]	1
▲	2 1013840	(30000000- 40000000 )	Bracket, Brake, Frame	1
▲	3 01684	(30000000- 40000000 )	Washer, Flat, 0.27b 0.69d .05, Ss	4
▲	4 08716	(30000000- 40000000 )	Screw, Hex, M6 X 1.0 X 20, Ss	2
▲	5 1013718	(30000000- 40000000 )	Clamp, Brake, Parking [T3]	1
▲	6 12323	(30000000- 40000000 )	Screw, Pan, M4 X 0.7 X 20, Ss	4
▲	7 07785	(30000000- 40000000 )	Nut, Hex, Std, M6 X 1.00, A2, Ss	1
▲	8 09007	(30000000- 40000000 )	Screw, Hex, M6 X 1.00 X 25, Ss	1
▲	9 41579	(30000000- 40000000 )	Washer, Flat, #08, Ss	4
▲	10 33932	(30000000- 40000000 )	Nut, Hex, Lock, M4 X 0.70, NI, Ss	4
▲	11 08712	(30000000- 40000000 )	Nut, Hex, Lock, M6 X 1.00, Ss, NI	2

▽ ASSEMBLY

▲ INCLUDED IN ASSEMBLY

EMERGENCY STOP BUTTON GROUP

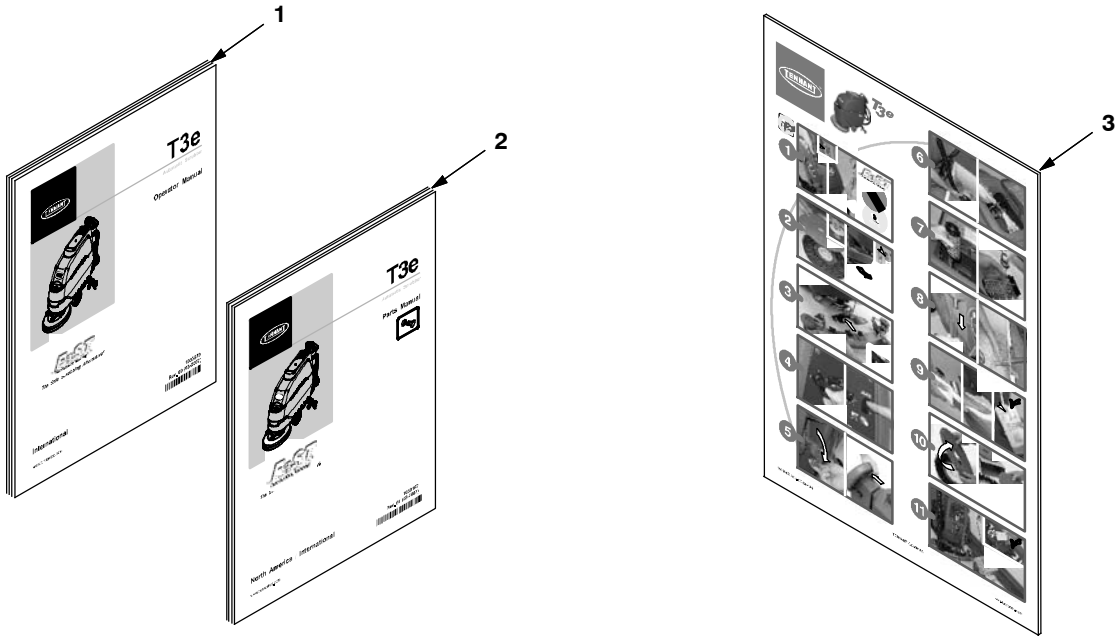


	Ref.	Part No.	Serial Number	Description	Qty.
▽		9003350	(30000000- 40000000 )	Kit, E- Stop [T3]	1
▲	1	1011735	(30000000- 40000000 )	Switch, Safety, Shutoff	1

▽ ASSEMBLY

▲ INCLUDED IN ASSEMBLY

DOCUMENTATION GROUP



Ref.	Part No.	Serial Number	Description	Qty.
1	1030166	(30000000- 40000000 )	Manual, Oprtr [T3e, Cn] Chinese	1
1	1033579	(30000000- 40000000 )	Manual, Oprtr, En [T3e] English	1
1	1033580	(30000000- 40000000 )	Manual, Oprtr, Es [T3e] Spanish	1
2	9012798	(30000000- 40000000 )	Manual, Parts [T3e]	1
3	1033582	(30000000- 40000000 )	Instr, Use & Care, Txtls [T3e]	1



To view, print, order, download the latest Parts manual, other language Operator manuals, and Use and Care Guides (wall charts), visit:

[www.tennantco.com/manual](http://www.tennantco.com/manual)



