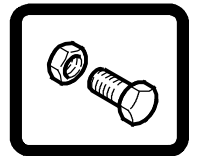




# T500

Walk-Behind Floor Scrubber

## Parts Manual



(S/N 10000000-20000000)



*Hygenic*<sup>®</sup> Fully Cleanable Recovery Tank  
*Tennant True*<sup>®</sup> Parts  
*IRIS*<sup>®</sup> a Tennant Technology  
*Pro-Panel*<sup>®</sup> Controls  
*Insta-Fit*<sup>™</sup> Adapter  
*Smart-Fill*<sup>™</sup> Automatic Battery Watering



## North America / International



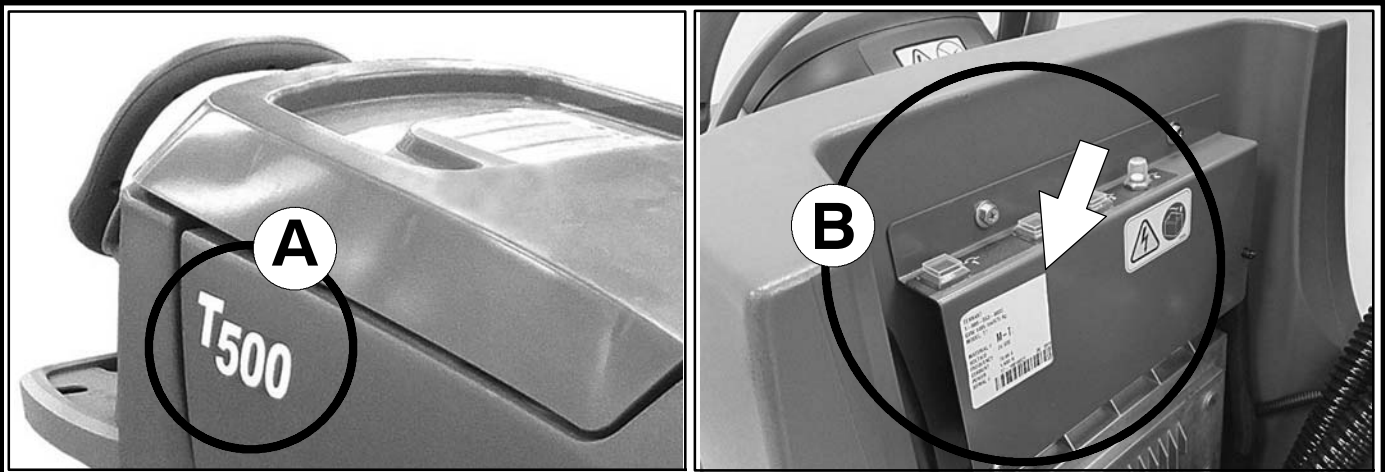
For the latest Parts manuals and other language Operator manuals, visit:

[www.tennantco.com/manuals](http://www.tennantco.com/manuals)

[www.tennantco.com](http://www.tennantco.com)

9015222  
Rev. 02 (11-2017)





Ref	Part No.	Serial Number	Description	Qty.
1	82681	(000000- )	Bracket Wldt, Lpg Mount	1
∇ 2	63810	(000000- )	Latch Assy, Lpg Tank Mtg, W/Nut	4
▲ 3	51839	(000000- )	Nut Adjustable, Lpg Tank Mtg	2
4	49263	(000000- )	Tie, Cable	3
(D)	82556	(000000- 001039)	Bracket, Vaporizer	1
	54930	(000000- )	Vaporizer, LPG	1

**HOW TO ORDER PARTS - See diagram above**

Only use TENNANT Company supplied or equivalent parts. Parts and supplies may be ordered online, by phone, by fax or by mail.

Follow the steps below to ensure prompt delivery.

1. (A) Identify the machine model.
2. (B) Identify the machine serial number from the data label.
3. (C) Ensure the proper serial number is used from the parts list.
4. Identify the part number and quantity.  
Do not order by page or reference numbers.
5. Provide your name, company name, customer ID number, billing and shipping address, phone number and purchase order number.
6. Provide detail shipping instructions.

- (D) ∇ - identifies an assembly  
▲ - identifies parts included in assembly

**Please fill out at time of installation for future reference.**

Model No. - \_\_\_\_\_

Serial No. - \_\_\_\_\_

Machine Options - \_\_\_\_\_

Sales Rep. - \_\_\_\_\_

Sales Rep. phone no. - \_\_\_\_\_

Customer ID Number - \_\_\_\_\_

Installation Date - \_\_\_\_\_

**Tennant Company**

PO Box 1452  
Minneapolis, MN 55440 USA  
Phone: (800) 553- 8033  
www.tennantco.com

Specifications and parts are subject to change without notice.

Copyright © 2017 TENNANT Company, Printed in U.S.A.

<b>ES</b>	<p><b>CÓMO SOLICITAR PIEZAS - Consulte el diagrama anterior.</b></p> <p>Utilice sólo las piezas suministradas por TENNANT Company o piezas equivalentes. Puede solicitar las piezas a través de internet, por teléfono, por fax o por correo.</p> <p>Siga los siguientes pasos para que la entrega sea rápida.</p> <ol style="list-style-type: none"> <li>1. <b>(A)</b> Indique el modelo de máquina.</li> <li>2. <b>(B)</b> Indique el número de serie de la etiqueta de datos.</li> <li>3. <b>(C)</b> Asegúrese de que indica el número de serie correcto de la lista de piezas.</li> <li>4. Indique la cantidad y el número de la pieza. No realice el pedido indicando el número de página o el de referencia.</li> <li>5. Incluya su nombre, el nombre de la empresa, el ID de cliente, las direcciones de envío y facturación, el número de teléfono y el número del pedido de compra.</li> <li>6. Facilite instrucciones de envío.</li> </ol> <hr/> <p><b>(D)</b>    ▽ - identifica un conjunto           ▲ - identifica piezas de un conjunto</p>	<p><b>Rellene estos datos cuando realice la instalación para utilizarlos como referencia en el futuro.</b></p> <p>Nº modelo - _____</p> <p>Nº serie - _____</p> <p>Opciones de la máquina - _____</p> <p>Vendedor - _____</p> <p>Nº teléfono vendedor - _____</p> <p>Nº cliente - _____</p> <p>Fecha de instalación - _____</p>
-----------	---	---

<b>FR</b>	<p><b>COMMENT COMMANDER DES PIÈCES DÉTACHÉES - Voir le schéma ci-dessus.</b></p> <p>Utilisez uniquement des pièces fournies par la société TENNANT ou équivalentes. Les pièces et fournitures peuvent être commandées en ligne, par téléphone, fax, ou par courrier.</p> <p>Suivez les étapes ci-dessous pour assurer une livraison rapide.</p> <ol style="list-style-type: none"> <li>1. <b>(A)</b> Identifiez le modèle de la machine.</li> <li>2. <b>(B)</b> Identifiez le numéro de série de la machine, à partir de l'étiquette signalétique.</li> <li>3. <b>(C)</b> Assurez-vous que le numéro de série correct est utilisé à partir de la liste de pièces détachées.</li> <li>4. Identifiez le numéro de pièce et la quantité. Ne commandez pas par page ou numéros de référence.</li> <li>5. Fournissez votre nom, le nom de votre société, votre numéro d'identification de client, l'adresse de facturation et d'expédition, le numéro de téléphone et le numéro du bon de commande.</li> <li>6. Fournissez des instructions d'expédition détaillées.</li> </ol> <hr/> <p><b>(D)</b>    ▽ - identifie un assemblage           ▲ - identifie les pièces composant l'assemblage</p>	<p><b>A remplir au moment de l'installation à titre de référence.</b></p> <p>Nº du modèle - _____</p> <p>Nº de série - _____</p> <p>Options de la machine - _____</p> <p>Agent commercial - _____</p> <p>Nº tél. de l'agent commercial - _____</p> <p>Numéro d'identification client - _____</p> <p>Date d'installation - _____</p>
-----------	---	---



**STANDARD PARTS**

GENERAL RECOMMENDED MAINTENANCE ITEMS .....	7
REPLACEMENT BRUSHES AND PAD DRIVER DISK .....	10
REPLACEMENT BRUSHES CYLINDRICAL .....	12
REPLACEMENT PADS ORBITAL .....	13
SCRUB HEAD GROUP, DISK 650MM / 26IN ...	14
SCRUB HEAD GROUP, DISK 700MM / 28IN ...	16
SCRUB HEAD GROUP, DISK 800MM / 32IN ...	18
SCRUB HEAD GROUP, CYLINDRICAL 700MM / 28IN .....	20
SCRUB HEAD GROUP, CYLINDRICAL 700MM / 28IN - CONT'D .....	22
SCRUB HEAD GROUP, ORBITAL 700MM / 28IN .....	24
RECOVERY TANK GROUP .....	26
RECOVERY TANK FILTER AND HOSE GROUP, SCREW CAP .....	28
SOLUTION TANK GROUP .....	30
STANDARD ELECTRICAL GROUP .....	32
FRAME AND DRIVE GROUP .....	34
HEAD LIFT GROUP, DISK .....	36
HEAD LIFT GROUP, CYLINDRICAL .....	38
HEAD LIFT GROUP, ORBITAL .....	40
SHROUD GROUP, DISK AND ORBITAL .....	42
SHROUD GROUP, CYLINDRICAL .....	43
LOWER CONSOLE GROUP, ON- BOARD CHARGER .....	44
LOWER CONSOLE GROUP, OFF- BOARD CHARGER .....	46
CONSOLE HANDLE, PRO- MEMBRANE PANEL	48
CONSOLE HANDLE, PRO- PANEL LCD .....	50
SQUEEGEE LIFT GROUP .....	52
SQUEEGEE ASSEMBLY, 500MM / 20IN .....	54
SQUEEGEE ASSEMBLY, 650MM / 26IN .....	56
SQUEEGEE ASSEMBLY, 700MM / 28IN .....	58
SQUEEGEE ASSEMBLY, 800MM / 32IN .....	60

STANDARD SOLUTION GROUP .....	62
BATTERY CABLES GROUP .....	64
LABEL GROUP .....	65
ELECTRICAL DIAGRAM .....	66
ELECTRICAL HARNESS, MAIN .....	70
ELECTRICAL HARNESS, OPERATOR STATION	74
ELECTRICAL HARNESS, BAIL SWITCH .....	76
ELECTRICAL HARNESS, ADAPTER (TELEMETRY MODELS) .....	77

**OPTIONS**

TELEMETRY ELECTRICAL GROUP .....	78
ec-H2O SOLUTION GROUP .....	80
SEVERE ENVIRONMENT SOLUTION GROUP .	82
RECOVERY TANK RINSE KIT .....	84
PARKING BRAKE GROUP .....	86
SOLUTION TANK AUTO-FILL KIT .....	88
SMART-FILL™ AUTOMATIC BATTERY WATERING GROUP .....	90
HYDROLINK® MANUAL BATTERY WATERING KIT .....	92
BATTERY GROUP, WET 225AH .....	94
BATTERY GROUP, WET 260AH .....	95
BATTERY GROUP, AGM 220AH .....	96
CONTROL VALVE DRAIN HOSE KIT .....	97
DOCUMENTATION GROUP .....	98

**BREAKDOWNS**

ec- H2O NANOCLEAN MODULE BREAKDOWN .....	100
ORBITAL HEAD ECCENTRIC DRIVE BREAKDOWN .....	102
AUTOMATIC BATTERY WATERING MODULE BREAKDOWN .....	104

# TABLE OF CONTENTS

---

# RECOMMENDED MAINTENANCE ITEMS

## GENERAL RECOMMENDED MAINTENANCE ITEMS

Part No.	Serial Number	Description	Qty.
1223989	(10000000- 20000000 )	Brush Assy, Disk, Scb, 13.0d, Pyp	2
1223991	(10000000- 20000000 )	Brush Assy, Disk, Scb, 13.0d, Nyl	2
1223990	(10000000- 20000000 )	Brush Assy, Disk, Scb, 13.0d, Sab	2
89046	(10000000- 20000000 )	Pad, Stripping, 13.0d, Brown[1pick=1pad]	2
89047	(10000000- 20000000 )	Pad, Scb, 13.0d, Blu	2
89048	(10000000- 20000000 )	Pad, Buff, 13.0d, Red [1pick=1pad]	2
89049	(10000000- 20000000 )	Pad, Polish, 13.0d, White [1pick=1pad]	2
1051024	(10000000- 20000000 )	Pad, Surf Prep, 13.0d [Mar, 1pick=1pad]	2
1220218	(10000000- 20000000 )	Brush Assy, Disk, Scb, 14.0d, Pyp	2
1221541	(10000000- 20000000 )	Brush Assy, Disk, Scb, 14.0d, Nyl	2
1220217	(10000000- 20000000 )	Brush Assy, Disk, Scb, 14.0d, Sab	2
222327	(10000000- 20000000 )	Pad, Stripping, 14.0d, Brown[1pick=1pad]	2
222326	(10000000- 20000000 )	Pad, Scb, 14.0d, Blu [1pick=1pad]	2
222325	(10000000- 20000000 )	Pad, Buff, 14.0d, Red	2
222324	(10000000- 20000000 )	Pad, Polish, 14.0d, White [1pick=1pad]	2
370091	(10000000- 20000000 )	Pad, Stripping, 14.0d, Blk [Hi Prod]	2
1051026	(10000000- 20000000 )	Pad, Surf Prep, 14.0d [Mar, 1pick=1pad]	2
1220216	(10000000- 20000000 )	Brush Assy, Disk, Scb, 16.0d, Pyp	2
1220215	(10000000- 20000000 )	Brush Assy, Disk, Scb, 16.0d, Nyl	2
1220214	(10000000- 20000000 )	Brush Assy, Disk, Scb, 16.0d, Sab	2
63248- 1	(10000000- 20000000 )	Pad, Stripping, 16.0d, Brown[1pick=1pad]	2
63248- 2	(10000000- 20000000 )	Pad, Scb, 16.0d, Blu [1pick=1pad]	2
63248- 3	(10000000- 20000000 )	Pad, Buff, 16.0d, Red [1pick=1pad]	2
63248- 4	(10000000- 20000000 )	Pad, Polish, 16.0d, White [1pick=1pad]	2
370092	(10000000- 20000000 )	Pad, Stripping, 16.0d, Blk [Hi Prod]	2
1051027	(10000000- 20000000 )	Pad, Surf Prep, 16.0d [Mar, 1pick=1pad]	2
222304	(10000000- 20000000 )	Brush, Scb, 28l, 18sr, Pyp, Spl	2
222305	(10000000- 20000000 )	Brush, Scb, 28l, 18sr, Nyl, Spl	2
222306	(10000000- 20000000 )	Brush, Scb, 28l, 18sr, Abr, Spl	2
1223247	(10000000- 20000000 )	Pad, Scb, 28 X 14, Blu [1pick=1pc]	1
1218157	(10000000- 20000000 )	Pad, Buff, 28 X 14, Red [1pick=1pc]	1
1223246	(10000000- 20000000 )	Pad, Polish, 28 X 14, White [1pick=1pc]	1
1223248	(10000000- 20000000 )	Pad, Surf Prep, 28 X 14, Mar [1pick=1pc]	1
1223250	(10000000- 20000000 )	Pad, Scb, 28 X 14, Green [1pick=1ctn]	1
1075563	(10000000- 20000000 )	Pad, Stripping, 28 X 14, Blk [1pick=1ctn]	1
1228002	(10000000- 20000000 )	Pad, Melamine, 14" X 28" [Case Of 5]	1
1221839	(10000000- 20000000 )	Pad, Backer, 28 X 14	1
222403	(10000000- 20000000 )	Wheel, 02.0d 0.88w 0.50b (Disk Head)	2
1221522	(10000000- 20000000 )	Bumper, Head, 65cm, Skirt, Im [T500]	1
1232325	(10000000- 20000000 )	Bumper, Head, 70cm, Skirt, Im	1
1232326	(10000000- 20000000 )	Bumper, Head, 80cm, Skirt, Im	1
630477	(10000000- 20000000 )	Wheel, Pyu, 02.0d 0.38w, Gray (Cylindrical Head)	6
▽ 1023067	(10000000- 20000000 )	Motor, Ele, 24vdc 0220rpm 0.75hp Gear (Disk Head)	2
▲ 1031775	(10000000- 20000000 )	Brush Kit, Carbon, Motor, Replmt [T5] (Disk Head)	1
▽ 1223429	(10000000- 20000000 )	Motor, Ele, 24vdc 1500rpm 0.60hp (Cylindrical Head)	2
▲ 1031775	(10000000- 20000000 )	Brush Kit, Carbon, Motor, Replmt [T5] (Cylindrical Head)	1
1218573	(10000000- 20000000 )	Skirt, Side, Scrb, Cyl [T500]	4
▽ 9015765	(10000000- 20000000 )	Belt Kit, Motor, Ci (Cylindrical Head)	1
▲ 1213132	(10000000- 20000000 )	Tool, Installation, Belt (Cylindrical Head)	1
▽ 1219913	(10000000- 20000000 )	Motor, Ele, 24vdc, 2200rpm, 0.75hp 28.0a (Orbital Head)	1
▲ 1059370	(10000000- 20000000 )	Brush, Motor, Replmt [Bag Of 4] (Orbital Head)	1
1014918	(10000000- 20000000 )	Wheel, 03.0d 0.88w 0.31b, W/ Bshg, Rbr (Orbital Head)	2

# RECOMMENDED MAINTENANCE ITEMS

## GENERAL RECOMMENDED MAINTENANCE ITEMS

	Part No.	Serial Number	Description	Qty.
▽	9015731	(10000000- 20000000 )	Blade Kit, 500mm, Linatex (Standard)	1
▲	1203953	(10000000- 20000000 )	Blade, Sqge, Rear, 836l, Linatex[500mm] (Standard)	1
▲	1203954	(10000000- 20000000 )	Blade, Sqge, Front, 788l, Linatex[500mm] (Standard)	1
▽	9015732	(10000000- 20000000 )	Blade Kit, 500mm, Urethane (Option)	1
▲	1215609	(10000000- 20000000 )	Blade, Sqge, Rear, 836l, Urethane[500mm] (Option)	1
▲	1215611	(10000000- 20000000 )	Blade, Sqge, Front, 788l, Urethane[500mm] (Option)	1
▽	9015730	(10000000- 20000000 )	Blade Kit, 500mm, Gum (Option)	1
▲	1215610	(10000000- 20000000 )	Blade, Sqge, Rear, 836l, Gum[500mm] (Option)	1
▲	1215612	(10000000- 20000000 )	Blade, Sqge, Front, 788l, Gum[500mm] (Option)	1
▽	9015734	(10000000- 20000000 )	Blade Kit, 650mm, Linatex/Linard (Standard)	1
▲	1221585	(10000000- 20000000 )	Blade, Sqge, Rear, 1166l, Linatex[650mm] (Standard)	1
▲	1232680	(10000000- 20000000 )	Blade, Sqge, Front, 1072l Linard[650mm] (Standard)	1
▽	9015735	(10000000- 20000000 )	Blade Kit, 650mm, Urethane (Option)	1
▲	1228909	(10000000- 20000000 )	Blade, Sqge, Rear, 1136l,Urethane[650mm] (Option)	1
▲	1228915	(10000000- 20000000 )	Blade, Sqge, Front,1072l,Urethane[650mm] (Option)	1
▽	9015733	(10000000- 20000000 )	Blade Kit, 650mm, Gum (Option)	1
▲	1228910	(10000000- 20000000 )	Blade, Sqge, Rear, 1136l, Gum[650mm] (Option)	1
▲	1228919	(10000000- 20000000 )	Blade, Sqge, Front, 1072l Gum[650mm] (Option)	1
▽	9015737	(10000000- 20000000 )	Blade Kit, 700mm, Linatex/Linard (Standard)	1
▲	1221572	(10000000- 20000000 )	Blade, Sqge, Rear, 1204l, Linatex[700mm] (Standard)	1
▲	1232679	(10000000- 20000000 )	Blade, Sqge, Front, 1148l Linard[700mm] (Standard)	1
▽	9015738	(10000000- 20000000 )	Blade Kit, 700mm, Urethane (Option)	1
▲	1228904	(10000000- 20000000 )	Blade, Sqge, Rear, 1204l,Urethane[700mm] (Option)	1
▲	1228906	(10000000- 20000000 )	Blade, Sqge, Front,1148l Urethane[700mm] (Option)	1
▽	9015736	(10000000- 20000000 )	Blade Kit, 700mm, Gum (Option)	1
▲	1228905	(10000000- 20000000 )	Blade, Sqge, Rear, 1204l, Gum[700mm] (Option)	1
▲	1228907	(10000000- 20000000 )	Blade, Sqge, Front, 1148l Gum[700mm] (Option)	1
▽	9015740	(10000000- 20000000 )	Blade Kit, 800mm, Linatex/Linard (Standard)	1
▲	1221115	(10000000- 20000000 )	Blade, Sqge, Rear, 1306l, Linatex[800mm] (Standard)	1
▲	1232681	(10000000- 20000000 )	Blade, Sqge, Front, 1256l Linard[800mm] (Standard)	1
▽	9015741	(10000000- 20000000 )	Blade Kit, 800mm, Urethane (Option)	1
▲	1228920	(10000000- 20000000 )	Blade, Sqge, Rear, 1306l,Urethane[800mm] (Option)	1
▲	1228922	(10000000- 20000000 )	Blade, Sqge, Front,1256l Urethane[800mm] (Option)	1
▽	9015739	(10000000- 20000000 )	Blade Kit, 800mm, Gum (Option)	1
▲	1228921	(10000000- 20000000 )	Blade, Sqge, Rear, 1306l, Gum[800mm] (Option)	1
▲	1228923	(10000000- 20000000 )	Blade, Sqge, Front, 1256l Gum[800mm] (Option)	1



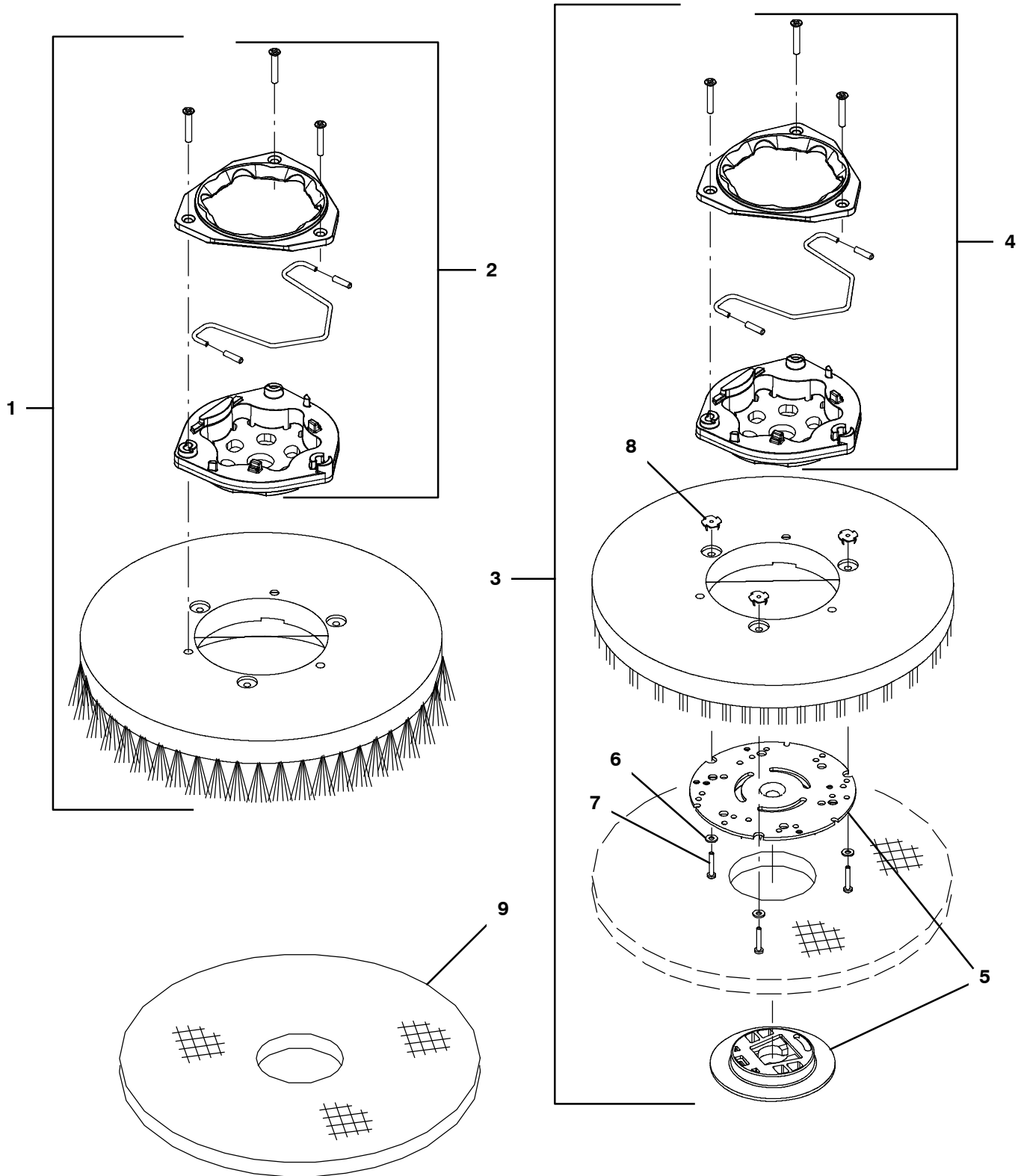
# RECOMMENDED MAINTENANCE ITEMS

## GENERAL RECOMMENDED MAINTENANCE ITEMS

	<b>Part No.</b>	<b>Serial Number</b>	<b>Description</b>	<b>Qty.</b>
▽	9004909	(10000000- 20000000 )	Wheel Kit, Solid, Ci [T5 T5e Ss5]	1
▲	1223583	(10000000- 20000000 )	Wheel, Scrbr, 213mm, W/ Taper	2
▽	1031723	(10000000- 20000000 )	Motor, Transaxle, 24vdc, Afmkt [T5]	1
▲	614166	(10000000- 20000000 )	Brush Kit, Carbon, Transaxle, Replmt [4]	1
▽	1226905	(10000000- 20000000 )	Fan, Vacuum, 6.6d, 024vdc, 2 Stage	1
▲	1206774	(10000000- 20000000 )	Vr, Brush Kit, Motor, Fan	1
	100038	(10000000- 20000000 )	Gasket, .50, 02.63id 05.75od, Adh [Epdm]	1
	630052	(10000000- 20000000 )	Float, Shut- Off, (2)Ball, 1.75d	1
	1207357	(10000000- 20000000 )	Tray, Debris, Tank, Recvy [T300]	1
▽	1219406	(10000000- 20000000 )	Hose Assy, Drain, 1.5d 029l 1.5/Cap[Pu] (Gray)	1
▲	1219134	(10000000- 20000000 )	Cap, Drain Assy [Gray]	1
▽	1225793	(10000000- 20000000 )	Hose Assy, Drain, 1.5d 016l 1.5/Cap[Pvc] (Black)	1
▲	1218955	(10000000- 20000000 )	Cap, Drain Assy [Black]	1
	1224414	(10000000- 20000000 )	Hose Assy, W/2cuff,1.5d 033l 1.5/1.5[Pu] (Gray)	1
	1211220	(10000000- 20000000 )	Hose Assy,W/2cuff,1.5d 022l 1.5/1.5[Pvc] (Black)	1
	9015756	(10000000- 20000000 )	Seal, Cover, Recvy, Ci [T500]	1
	9015758	(10000000- 20000000 )	Seal, Tank, Soltn, Ci [T500/T500e]	1
	1066431	(10000000- 20000000 )	Seal, Afmkt, Bulb, Dual, 03ft [F/.30gap](Soltn Tank Front)	1
	1212422	(10000000- 20000000 )	Caster, Swivel [Wicke 224051]	2
▽	1211537	(10000000- 20000000 )	Filter, In- Line, Pf06/Pf06 080m 2.6l Epd	1
▲	1218885	(10000000- 20000000 )	Gasket [Epdm, F/1211537]	1
▲	1218883	(10000000- 20000000 )	Screen, Fltr, 80 Mesh, Ss [W/ Cage]	1
▲	613991	(10000000- 20000000 )	Bowl, Clr, Short, F/1005302	1
▽	9011810	(10000000- 20000000 )	Module Kit, Replmt [Ec- H2o, B 02] (Includes Cartridge)	1
▽	9014127	(10000000- 20000000 )	Controller Kit, Replmt [Ec- H2o Nc] (Includes Cartridge)	1
▲	9013646	(10000000- 20000000 )	Cartridge, Ec- H2o Nanoclean Wcm, 270ml	1
▽	9015726	(10000000- 20000000 )	Hose Kit, Drain, Pu, W/ Valve, Ci[T500] (Gray)	1
▲	1051986	(10000000- 20000000 )	Valve, Ball, 2way, 1.0id Pvc, W/Handle	1
▲	1225817	(10000000- 20000000 )	Hose Assy, W/2cuff,1.5d 027l 2.0/1.5[Pu] (Gray)	1

REPLACEMENT BRUSHES AND PAD DRIVER DISK

355426



## REPLACEMENT BRUSHES AND PAD DRIVER DISK

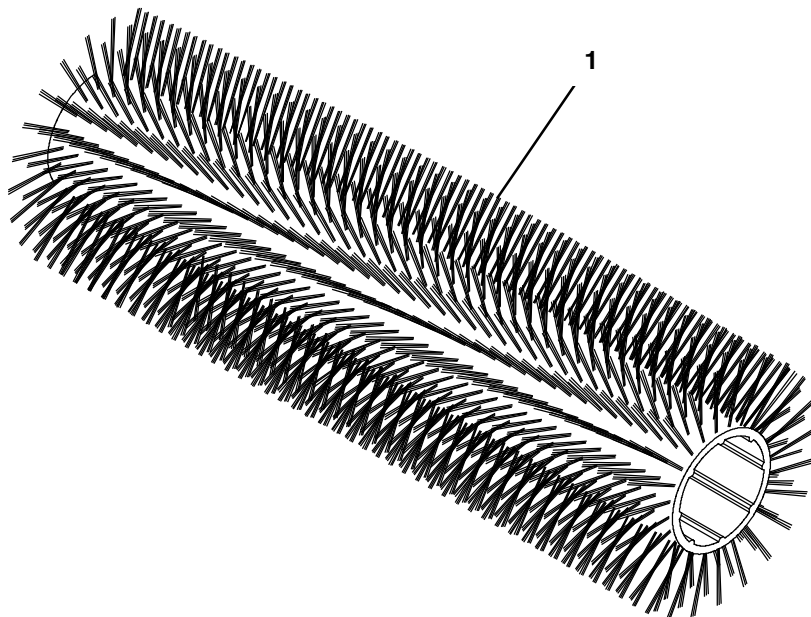
Ref.	Part No.	Serial Number	Description	Qty.
▽	1	1223989	(10000000- 20000000 ) Brush Assy, Disk, Scb, 13.0d, Pyp	2
▽	1	1223991	(10000000- 20000000 ) Brush Assy, Disk, Scb, 13.0d, Nyl	2
▽	1	1223990	(10000000- 20000000 ) Brush Assy, Disk, Scb, 13.0d, Sab	2
▽	1	1220218	(10000000- 20000000 ) Brush Assy, Disk, Scb, 14.0d, Pyp	2
▽	1	1221541	(10000000- 20000000 ) Brush Assy, Disk, Scb, 14.0d, Nyl	2
▽	1	1220217	(10000000- 20000000 ) Brush Assy, Disk, Scb, 14.0d, Sab	2
▽	1	1220216	(10000000- 20000000 ) Brush Assy, Disk, Scb, 16.0d, Pyp	2
▽	1	1220215	(10000000- 20000000 ) Brush Assy, Disk, Scb, 16.0d, Nyl	2
▽	1	1220214	(10000000- 20000000 ) Brush Assy, Disk, Scb, 16.0d, Sab	2
▲	2	9014667	(10000000- 20000000 ) Brush Kit, Hub Assy, Drive, Ci [Comm]	1
▽	3	1220220	(10000000- 20000000 ) Driver Assy, Pad, 13.0d, Brush	2
▽	3	1220221	(10000000- 20000000 ) Driver Assy, Pad, 14.0d, Brush	2
▽	3	1220222	(10000000- 20000000 ) Driver Assy, Pad, 16.0d, Brush	2
▲	4	9014667	(10000000- 20000000 ) Brush Kit, Hub Assy, Drive, Ci [Comm]	1
▲	5	370095	(10000000- 20000000 ) Device, Centering, Clip On, TI [Gf Pp]	1
▲	6	41579	(10000000- 20000000 ) Washer, Flat, 08, Ss	3
▲	7	04403	(10000000- 20000000 ) Screw, Pan, Phl, M4 X 0.70 X 25, Nl, Ss	3
▲	8	10908	(10000000- 20000000 ) Nut, T, M4 X 0.70	3
	9	89046	(10000000- 20000000 ) Pad, Stripping, 13.0d, Brown[1pick=1pad]	2
	9	89047	(10000000- 20000000 ) Pad, Scb, 13.0d, Blu	2
	9	89048	(10000000- 20000000 ) Pad, Buff, 13.0d, Red [1pick=1pad]	2
	9	89049	(10000000- 20000000 ) Pad, Polish, 13.0d, White [1pick=1pad]	2
	9	1051024	(10000000- 20000000 ) Pad, Surf Prep, 13.0d [Mar, 1pick=1pad]	2
	9	222327	(10000000- 20000000 ) Pad, Stripping, 14.0d, Brown[1pick=1pad]	2
	9	222326	(10000000- 20000000 ) Pad, Scb, 14.0d, Blu [1pick=1pad]	2
	9	222325	(10000000- 20000000 ) Pad, Buff, 14.0d, Red	2
	9	222324	(10000000- 20000000 ) Pad, Polish, 14.0d, White [1pick=1pad]	2
	9	370091	(10000000- 20000000 ) Pad, Stripping, 14.0d, Blk [Hi Prod]	2
	9	1051026	(10000000- 20000000 ) Pad, Surf Prep, 14.0d [Mar, 1pick=1pad]	2
	9	63248- 1	(10000000- 20000000 ) Pad, Stripping, 16.0d, Brown[1pick=1pad]	2
	9	63248- 2	(10000000- 20000000 ) Pad, Scb, 16.0d, Blu [1pick=1pad]	2
	9	63248- 3	(10000000- 20000000 ) Pad, Buff, 16.0d, Red [1pick=1pad]	2
	9	63248- 4	(10000000- 20000000 ) Pad, Polish, 16.0d, White [1pick=1pad]	2
	9	370092	(10000000- 20000000 ) Pad, Stripping, 16.0d, Blk [Hi Prod]	2
	9	1051027	(10000000- 20000000 ) Pad, Surf Prep, 16.0d [Mar, 1pick=1pad]	2

▽ ASSEMBLY

▲ INCLUDED IN ASSEMBLY

REPLACEMENT BRUSHES CYLINDRICAL

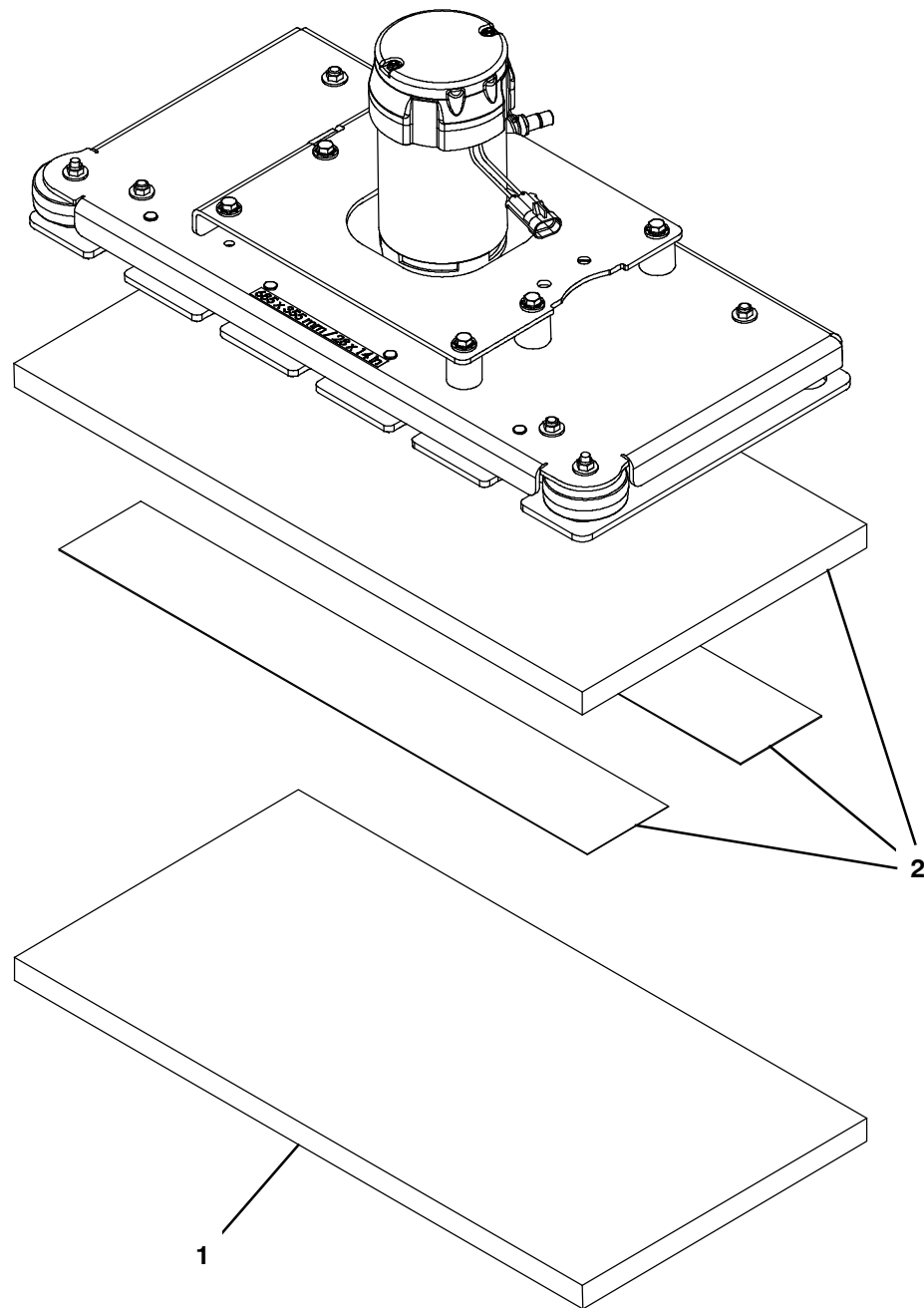
355427



Ref.	Part No.	Serial Number	Description	Qty.
1	222304	(10000000-20000000 )	Brush, Scb, 28l, 18sr, Pyp, Spl	2
1	222305	(10000000-20000000 )	Brush, Scb, 28l, 18sr, Nyl, Spl	2
1	222306	(10000000-20000000 )	Brush, Scb, 28l, 18sr, Abr, Spl	2

REPLACEMENT PADS ORBITAL

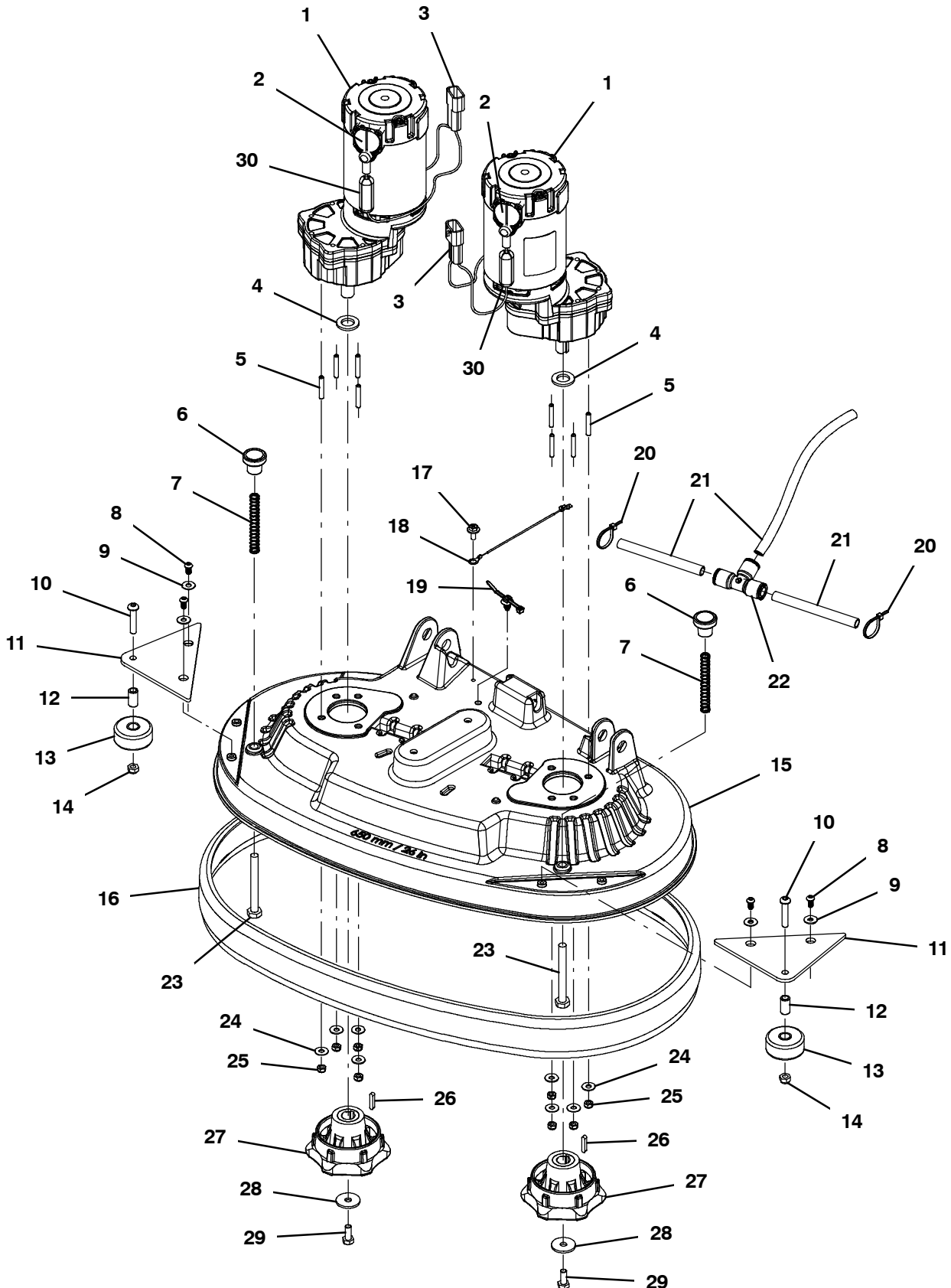
355478



Ref.	Part No.	Serial Number	Description	Qty.
1	1223247	(10000000- 20000000 )	Pad, Scb, 28 X 14, Blu [1pick=1pc]	1
1	1218157	(10000000- 20000000 )	Pad, Buff, 28 X 14, Red [1pick=1pc]	1
1	1223246	(10000000- 20000000 )	Pad, Polish, 28 X 14, White [1pick=1pc]	1
1	1223248	(10000000- 20000000 )	Pad, Surf Prep, 28 X 14, Mar [1pick=1pc]	1
1	1223250	(10000000- 20000000 )	Pad, Scb, 28 X 14, Green [1pick=1ctn]	1
1	1075563	(10000000- 20000000 )	Pad, Stripping, 28 X 14, Blk [1pick=1ctn]	1
1	1228002	(10000000- 20000000 )	Pad, Melamine, 14" X 28" [Case Of 5]	1
2	1221839	(10000000- 20000000 )	Pad, Backer, 28 X 14 (Includes Velcro Fasteners)	1

SCRUB HEAD GROUP, DISK 650MM / 26IN

355421



## SCRUB HEAD GROUP, DISK 650MM / 26IN

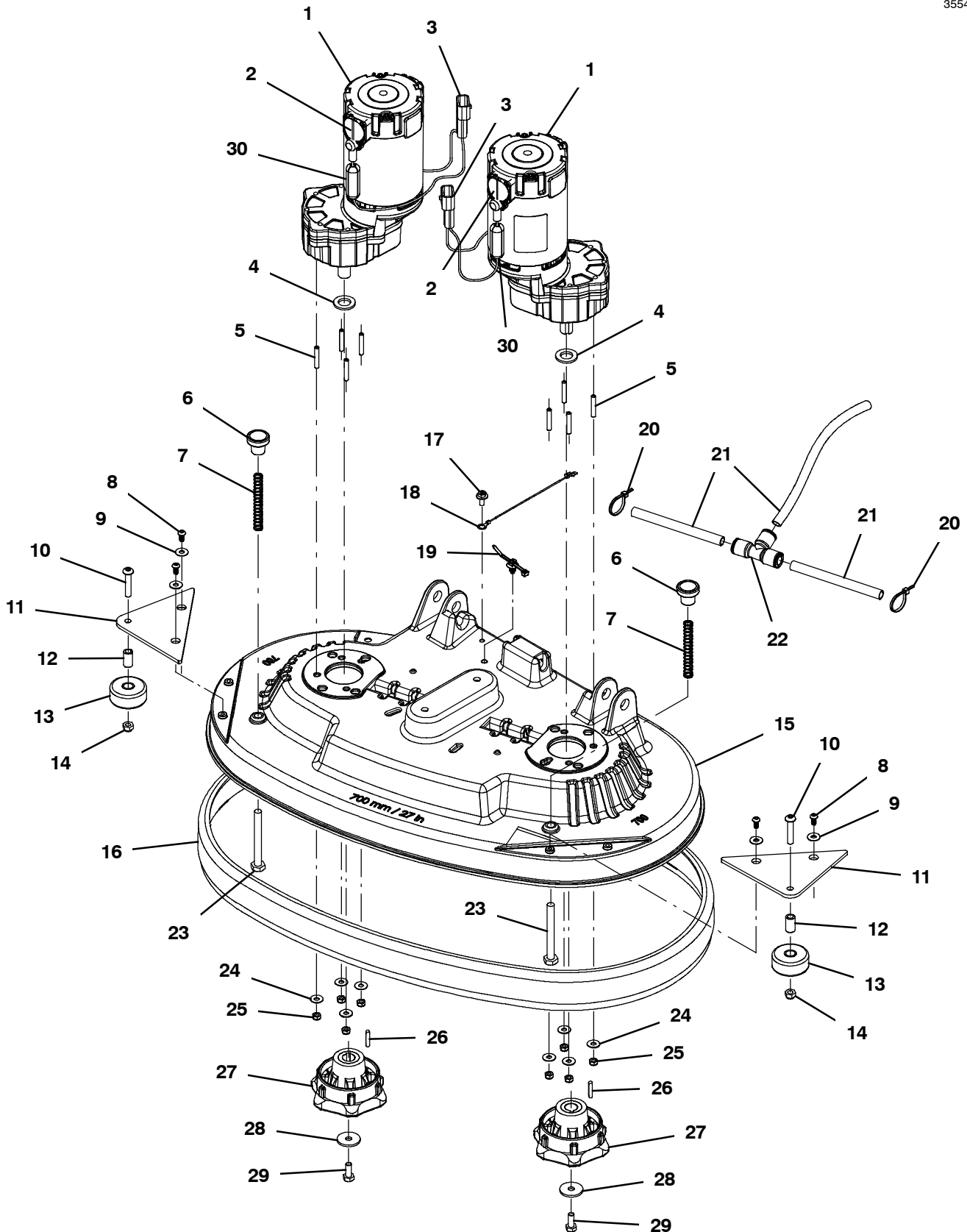
Ref.	Part No.	Serial Number	Description	Qty.
▽	1	1023067	(10000000- 20000000 ) Motor, Ele, 24vdc 0220rpm 0.75hp Gear (Canada Also Requires Ferrite)	2
▲	2	1031775	(10000000- 20000000 ) Brush Kit, Carbon, Motor, Replmt [T5]	1
▲	3	1031681	(10000000- 20000000 ) Harness, Connector, Brush- Motor [T5] Us	1
	4	1022549	(10000000- 20000000 ) Spacer, Shaft, 17.15b 30.0d 3.0l, Ss	2
	5	1025853	(10000000- 20000000 ) Screw, Set, M6 X 1.00 X 35, NI, Ss	8
	6	1222988	(10000000- 20000000 ) Knob, Rnd, 31.0d 27.0l M10, Plstc	2
	7	626081	(10000000- 20000000 ) Spring, Cmpr, 0.48od .04wir 03.5l	2
	8	1227865	(10000000- 20000000 ) Screw, Trs, M6 X 1.0 X 12, Phl, Ss, NI	4
	9	01684	(10000000- 20000000 ) Washer, Flat, 0.27b 0.69d .05, Ss	4
	10	397826	(10000000- 20000000 ) Screw, Btn, M8 X 1.25 X 40, Ss	2
	11	1227709	(10000000- 20000000 ) Bracket, Roller, Wall	2
	12	222496	(10000000- 20000000 ) Sleeve, P/M, 0.32b 0.50d 0.9l [430ss]	2
	13	222403	(10000000- 20000000 ) Wheel, 02.0d 0.88w 0.50b	2
	14	08713	(10000000- 20000000 ) Nut, Hex, Lock, M8 X 1.25, NI, Ss	2
	15	1222365	(10000000- 20000000 ) Housing, Disc, Dual, 65cm [Machined]	1
	16	1221522	(10000000- 20000000 ) Bumper, Head, 65cm, Skirt, Im [T500]	1
	17	1034731	(10000000- 20000000 ) Screw, Hex, M6 X 1.00 X 16, Sems, Ss	1
	18	1074344	(10000000- 20000000 ) Harness, Ele [Ring With .250m Tail]	1
	19	1210807	(10000000- 20000000 ) Wire, Tie [W/.25" Fir Tree Clip]	1
	20	130773	(10000000- 20000000 ) Tie, Cable, Nyl, 11.0l, .14w, 3.0 Max. D	2
	21	9014145	(10000000- 20000000 ) Hose, Afmkt, Pe, .375id .50od, 05ft	1
	22	1212858	(10000000- 20000000 ) Fitting, Plstc, Tee, Qf08/Qf08/Qf08	1
	23	09746	(10000000- 20000000 ) Screw, Hex, M10 X 1.50 X 90, Ss	2
	24	01684	(10000000- 20000000 ) Washer, Flat, 0.27b 0.69d .05, Ss	8
	25	08712	(10000000- 20000000 ) Nut, Hex, Lock, M6 X 1.00, NI, Ss	8
	26	1014328	(10000000- 20000000 ) Key, Sq, 05mm X 05mm, 25mml	2
	27	1071637	(10000000- 20000000 ) Hub, Drive, Brush, Disk, 17mmb	2
	28	1017218	(10000000- 20000000 ) Washer, Flat, 0.32b 1.00d .12, Ss	2
	29	12273	(10000000- 20000000 ) Screw, Hex, M8 X 1.25 X 20, NI, Ss	2
	30	1227867	(10000000- 20000000 ) Inductor, Ferrite [Split Case,407@100hz] (Canada Only)	4

▽ ASSEMBLY

▲ INCLUDED IN ASSEMBLY

SCRUB HEAD GROUP, DISK 700MM / 28IN

355422





## SCRUB HEAD GROUP, DISK 700MM / 28IN

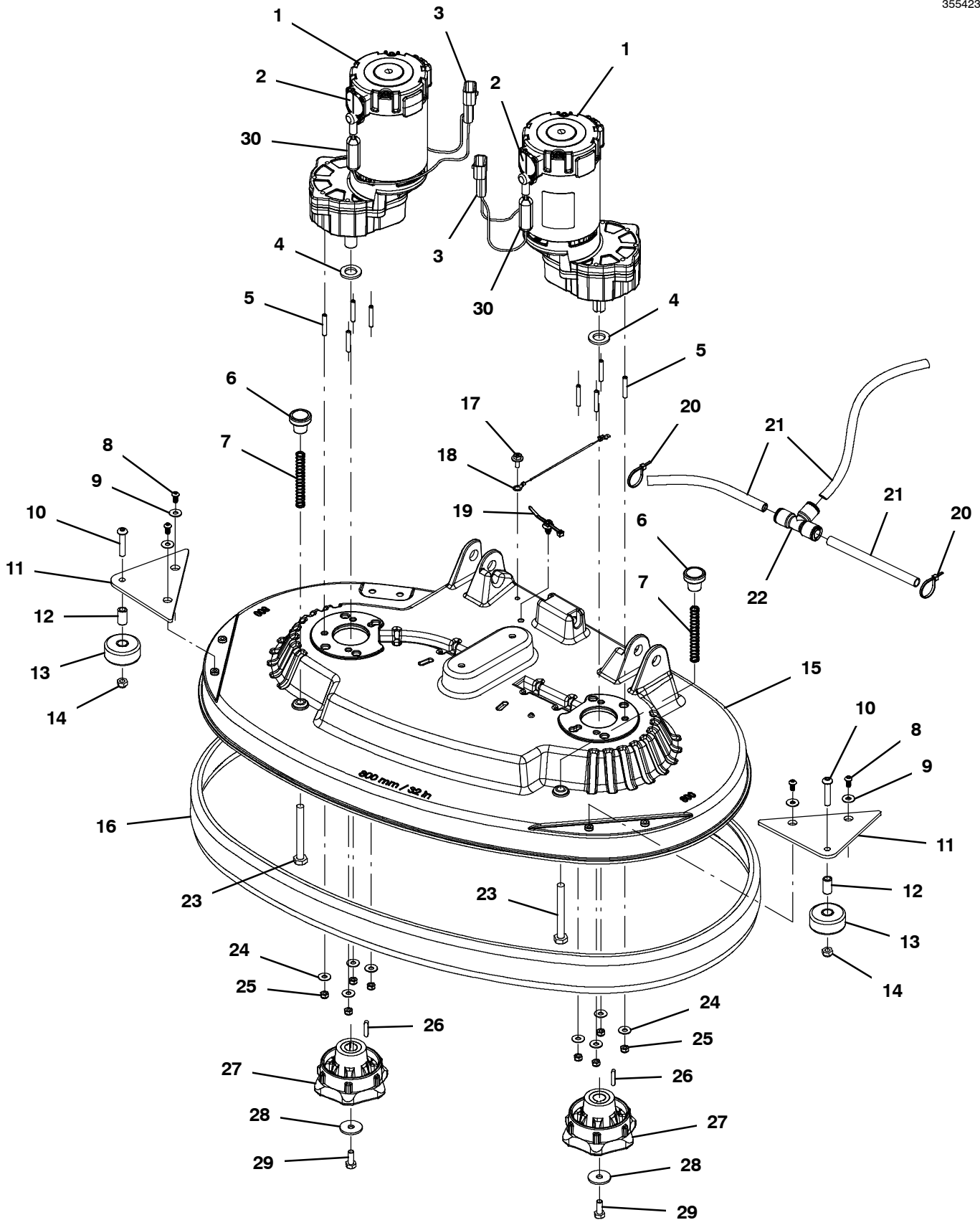
Ref.	Part No.	Serial Number	Description	Qty.
▽	1	1023067	(10000000- 20000000 ) Motor, Ele, 24vdc 0220rpm 0.75hp Gear (Canada Also Requires Ferrite)	2
▲	2	1031775	(10000000- 20000000 ) Brush Kit, Carbon, Motor, Replmt [T5]	1
▲	3	1031681	(10000000- 20000000 ) Harness, Connector, Brush- Motor [T5] Us	1
	4	1022549	(10000000- 20000000 ) Spacer, Shaft, 17.15b 30.0d 3.0l, Ss	2
	5	1025853	(10000000- 20000000 ) Screw, Set, M6 X 1.00 X 35, NI, Ss	8
	6	1222988	(10000000- 20000000 ) Knob, Rnd, 31.0d 27.0l M10, Plstc	2
	7	626081	(10000000- 20000000 ) Spring, Cmpr, 0.48od .04wir 03.5l	2
	8	1227865	(10000000- 20000000 ) Screw, Trs, M6 X 1.0 X 12, Phl, Ss, NI	4
	9	01684	(10000000- 20000000 ) Washer, Flat, 0.27b 0.69d .05, Ss	4
	10	397826	(10000000- 20000000 ) Screw, Btn, M8 X 1.25 X 40, Ss	2
	11	1227709	(10000000- 20000000 ) Bracket, Roller, Wall	2
	12	222496	(10000000- 20000000 ) Sleeve, P/M, 0.32b 0.50d 0.9l [430ss]	2
	13	222403	(10000000- 20000000 ) Wheel, 02.0d 0.88w 0.50b	2
	14	08713	(10000000- 20000000 ) Nut, Hex, Lock, M8 X 1.25, NI, Ss	2
	15	1222364	(10000000- 20000000 ) Housing, Disc, Dual, 70cm [Machined]	1
	16	1232325	(10000000- 20000000 ) Bumper, Head, 70cm, Skirt, Im	1
	17	1034731	(10000000- 20000000 ) Screw, Hex, M6 X 1.00 X 16, Sems, Ss	1
	18	1074344	(10000000- 20000000 ) Harness, Ele [Ring With .250m Tail]	1
	19	1210807	(10000000- 20000000 ) Wire, Tie [W/.25" Fir Tree Clip]	1
	20	130773	(10000000- 20000000 ) Tie, Cable, Nyl, 11.0l, .14w, 3.0 Max. D	2
	21	9014145	(10000000- 20000000 ) Hose, Afmkt, Pe, .375id .50od, 05ft	1
	22	1212858	(10000000- 20000000 ) Fitting, Plstc, Tee, Qf08/Qf08/Qf08	1
	23	09746	(10000000- 20000000 ) Screw, Hex, M10 X 1.50 X 90, Ss	2
	24	01684	(10000000- 20000000 ) Washer, Flat, 0.27b 0.69d .05, Ss	8
	25	08712	(10000000- 20000000 ) Nut, Hex, Lock, M6 X 1.00, NI, Ss	8
	26	1014328	(10000000- 20000000 ) Key, Sq, 05mm X 05mm, 25mml	2
	27	1071637	(10000000- 20000000 ) Hub, Drive, Brush, Disk, 17mmb	2
	28	1017218	(10000000- 20000000 ) Washer, Flat, 0.32b 1.00d .12, Ss	2
	29	12273	(10000000- 20000000 ) Screw, Hex, M8 X 1.25 X 20, NI, Ss	2
	30	1227867	(10000000- 20000000 ) Inductor, Ferrite [Split Case,407@100hz] (Canada Only)	4

▽ ASSEMBLY

▲ INCLUDED IN ASSEMBLY

SCRUB HEAD GROUP, DISK 800MM / 32IN

355423



## SCRUB HEAD GROUP, DISK 800MM / 32IN

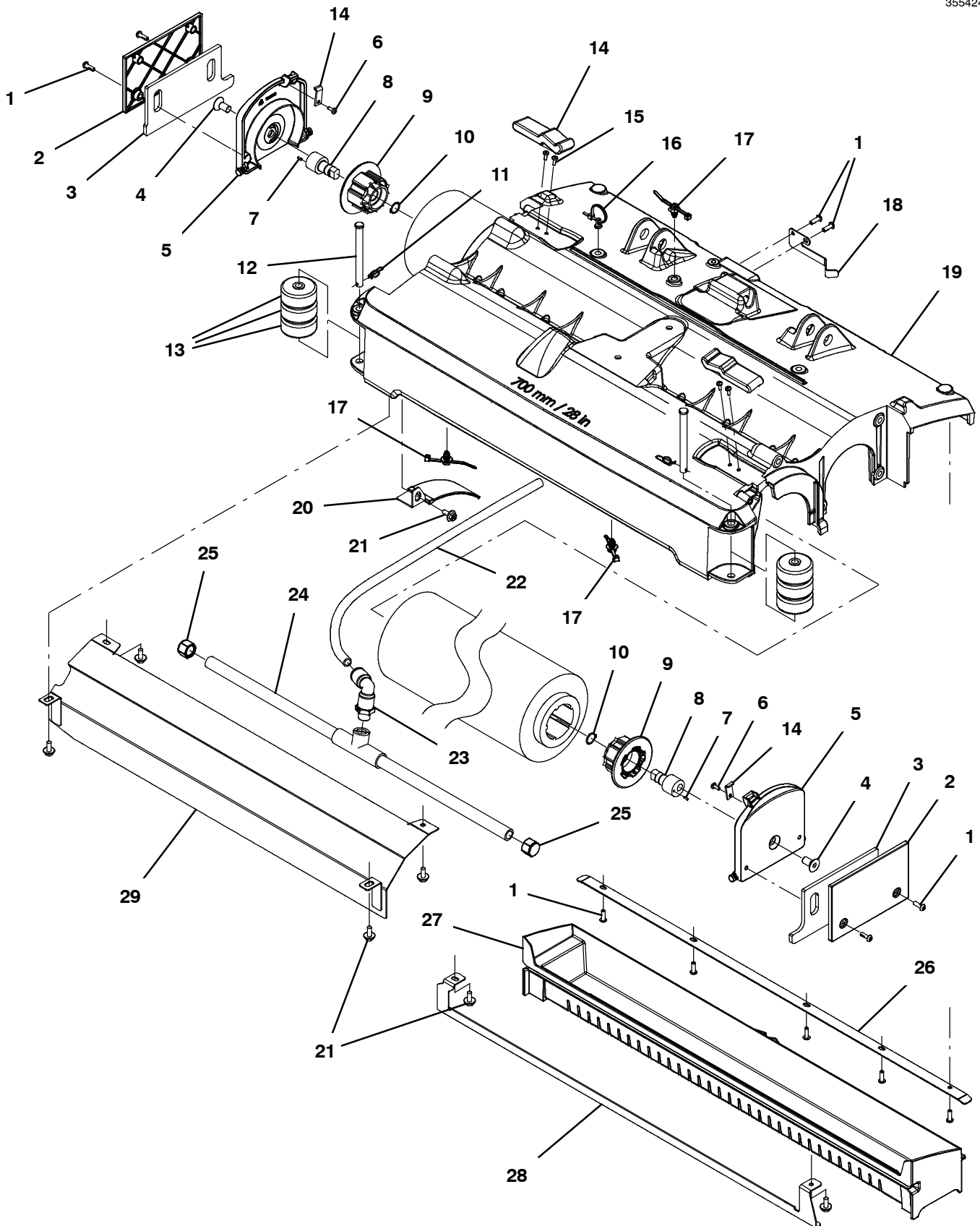
Ref.	Part No.	Serial Number	Description	Qty.
▽	1	1023067	(10000000- 20000000 ) Motor, Ele, 24vdc 0220rpm 0.75hp Gear (Canada Also Requires Ferrite)	2
▲	2	1031775	(10000000- 20000000 ) Brush Kit, Carbon, Motor, Replmt [T5]	1
▲	3	1031681	(10000000- 20000000 ) Harness, Connector, Brush- Motor [T5] Us	1
	4	1022549	(10000000- 20000000 ) Spacer, Shaft, 17.15b 30.0d 3.0l, Ss	2
	5	1025853	(10000000- 20000000 ) Screw, Set, M6 X 1.00 X 35, NI, Ss	8
	6	1222988	(10000000- 20000000 ) Knob, Rnd, 31.0d 27.0l M10, Plstc	2
	7	626081	(10000000- 20000000 ) Spring, Cmpr, 0.48od .04wir 03.5l	2
	8	1227865	(10000000- 20000000 ) Screw, Trs, M6 X 1.0 X 12, Phl, Ss, NI	4
	9	01684	(10000000- 20000000 ) Washer, Flat, 0.27b 0.69d .05, Ss	4
	10	397826	(10000000- 20000000 ) Screw, Btn, M8 X 1.25 X 40, Ss	2
	11	1227709	(10000000- 20000000 ) Bracket, Roller, Wall	2
	12	222496	(10000000- 20000000 ) Sleeve, P/M, 0.32b 0.50d 0.9l [430ss]	2
	13	222403	(10000000- 20000000 ) Wheel, 02.0d 0.88w 0.50b	2
	14	08713	(10000000- 20000000 ) Nut, Hex, Lock, M8 X 1.25, NI, Ss	2
	15	1222293	(10000000- 20000000 ) Housing, Disc, Dual, 80cm [Machined]	1
	16	1232326	(10000000- 20000000 ) Bumper, Head, 80cm, Skirt, Im	1
	17	1034731	(10000000- 20000000 ) Screw, Hex, M6 X 1.00 X 16, Sems, Ss	1
	18	1074344	(10000000- 20000000 ) Harness, Ele [Ring With .250m Tail]	1
	19	1210807	(10000000- 20000000 ) Wire, Tie [W/.25" Fir Tree Clip]	1
	20	130773	(10000000- 20000000 ) Tie, Cable, Nyl, 11.0l, .14w, 3.0 Max. D	2
	21	9014145	(10000000- 20000000 ) Hose, Afmkt, Pe, .375id .50od, 05ft	1
	22	1212858	(10000000- 20000000 ) Fitting, Plstc, Tee, Qf08/Qf08/Qf08	1
	23	09746	(10000000- 20000000 ) Screw, Hex, M10 X 1.50 X 90, Ss	2
	24	01684	(10000000- 20000000 ) Washer, Flat, 0.27b 0.69d .05, Ss	8
	25	08712	(10000000- 20000000 ) Nut, Hex, Lock, M6 X 1.00, NI, Ss	8
	26	1014328	(10000000- 20000000 ) Key, Sq, 05mm X 05mm, 25mml	2
	27	1071637	(10000000- 20000000 ) Hub, Drive, Brush, Disk, 17mmb	2
	28	1017218	(10000000- 20000000 ) Washer, Flat, 0.32b 1.00d .12, Ss	2
	29	12273	(10000000- 20000000 ) Screw, Hex, M8 X 1.25 X 20, NI, Ss	2
	30	1227867	(10000000- 20000000 ) Inductor, Ferrite [Split Case,407@100hz] (Canada Only)	4

▽ ASSEMBLY

▲ INCLUDED IN ASSEMBLY

SCRUB HEAD GROUP, CYLINDRICAL 700MM / 28IN

355424

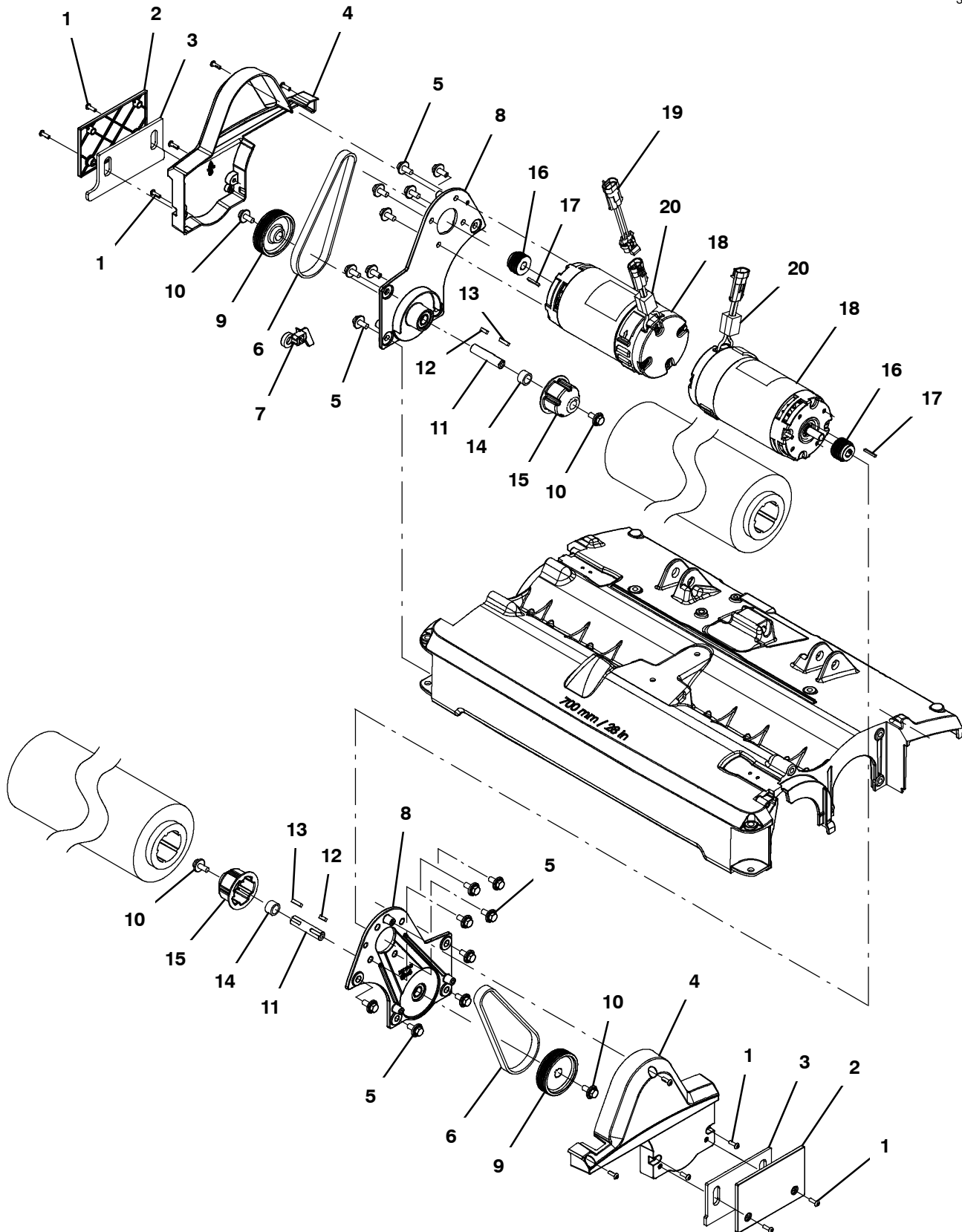


## SCRUB HEAD GROUP, CYLINDRICAL 700MM / 28IN

Ref.	Part No.	Serial Number	Description	Qty.
1	1205799	(10000000-20000000)	Screw, Btn, M5 X 0.8 X 16, 8.8, NI, Torx	2
2	1218032	(10000000-20000000)	Cover, Skirt, 2cyl [T500]	2
3	1218573	(10000000-20000000)	Skirt, Side, Scrb, Cyl [T500]	2
4	390996	(10000000-20000000)	Screw, Flt, Soc, M10 X 1.50 X 20, 10.9, NI	2
5	1218692	(10000000-20000000)	Door, Brush, 2cyl [Machined, T500]	1
6	49697	(10000000-20000000)	Screw, Pan, Phl, M4 X 0.70 X 10, Ss	6
7	222184	(10000000-20000000)	Pin, Roll, .094d X 0.25l, .094/.097	2
8	222177	(10000000-20000000)	Shaft, Plug, Idler	2
9	1057629	(10000000-20000000)	Plug, Idler, Brush [Sgl Brg]	2
10	01516	(10000000-20000000)	Ring, Retaining, Ext, 0.59d, Basic	2
11	1216647	(10000000-20000000)	Pin, Cotter, Hair, 0.38d .054 Wir	2
12	49914	(10000000-20000000)	Pin, Clevis, 0.37d X 4.00l	2
13	630477	(10000000-20000000)	Wheel, Pyu, 02.0d 0.38w, Gray	6
14	1207285	(10000000-20000000)	Latch, Draw, Rbr, W/ Keeper, Yellow	2
15	49697	(10000000-20000000)	Screw, Pan, Phl, M4 X 0.70 X 10, Ss	6
16	1221161	(10000000-20000000)	Tie, Cable, Nyl, Push Mount, 76mm Max D	1
17	1210807	(10000000-20000000)	Wire, Tie [W/.25" Fir Tree Clip]	3
18	1218242	(10000000-20000000)	Bracket, Spring, Tray, Debris [T500]	1
19	1217942	(10000000-20000000)	Housing, Cyl, 70cm [Machined]	1
20	1029358	(10000000-20000000)	Deflector, Water, Cyl Head	1
21	1034731	(10000000-20000000)	Screw, Hex, M6 X 1.00 X 16, Sems, Ss	7
22	9014145	(10000000-20000000)	Hose, Afmkt, Pe, .375id .50od, 05ft	1
23	1212987	(10000000-20000000)	Fitting, Plstc, E90, Qf08/Pm06, Swivel	1
24	1046049	(10000000-20000000)	Tube Assy, Bar, Spray, 70cm [T5, 5680]	1
25	1025580	(10000000-20000000)	Fitting, Pipe, Cap, P06, Nyl	2
26	1218153	(10000000-20000000)	Bracket, Tray, Debris [T500]	1
27	1218144	(10000000-20000000)	Tray, Debris, 700mm [lm] [Rhine]	1
28	1218577	(10000000-20000000)	Bracket, Slide, Tray, Debris	1
29	1219969	(10000000-20000000)	Panel Wldt, Wrap, Brush [T500]	1

SCRUB HEAD GROUP, CYLINDRICAL 700MM / 28IN - CONT'D

355430



SCRUB HEAD GROUP, CYLINDRICAL 700MM / 28IN - CONT'D

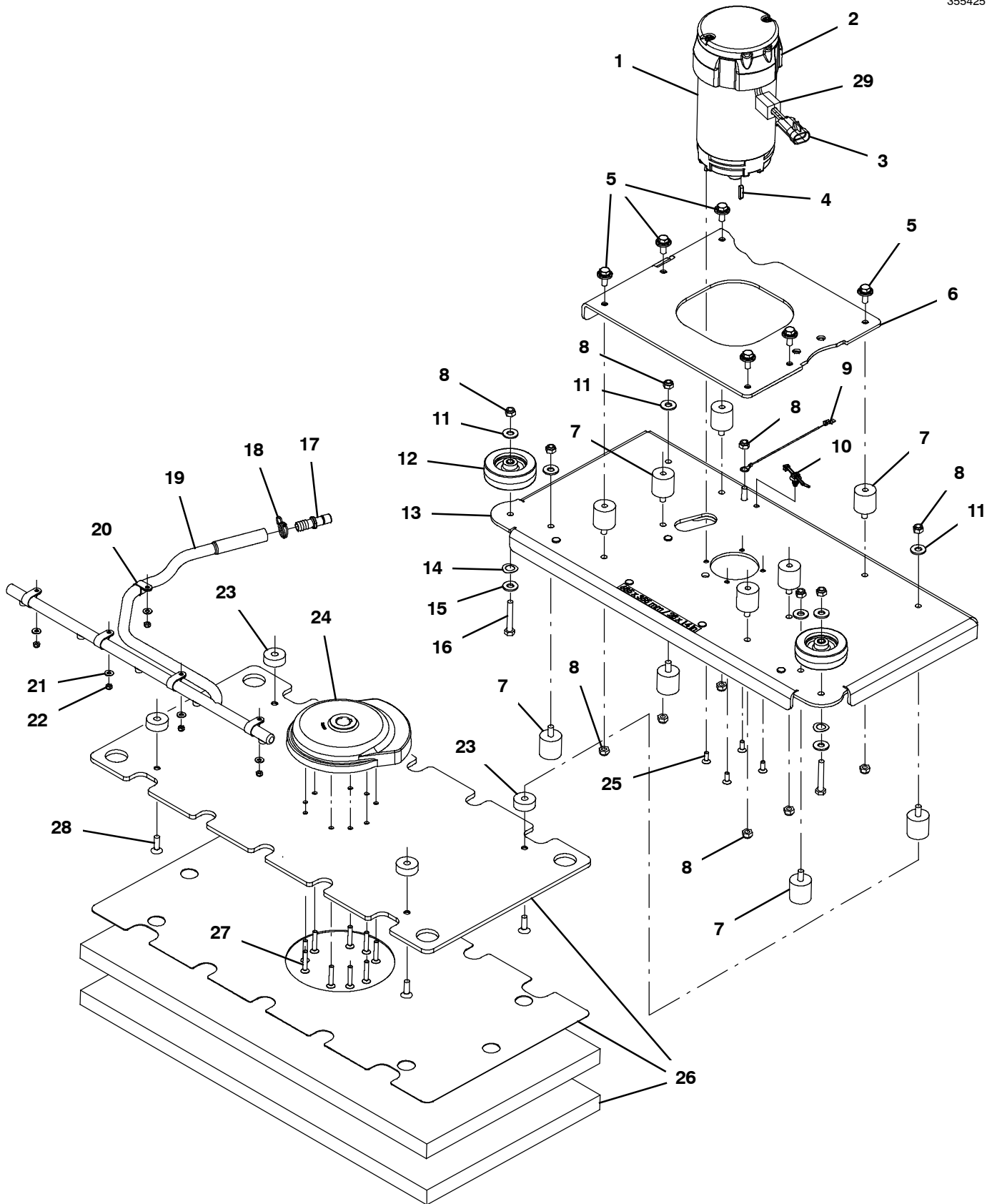
Ref.	Part No.	Serial Number	Description	Qty.
1	1205799	(10000000- 20000000 )	Screw, Btn, M5 X 0.8 X 16, 8.8, NI, Torx	12
2	1218032	(10000000- 20000000 )	Cover, Skirt, 2cyl [T500]	2
3	1218573	(10000000- 20000000 )	Skirt, Side, Scrub, Cyl [T500]	2
4	1218012	(10000000- 20000000 )	Cover, Belt, 2 Cyl [T500]	2
5	1020341	(10000000- 20000000 )	Screw, Hex, M8 X 1.25 X 20, Ss, Sems	16
▽	6	9015765	(10000000- 20000000 ) Belt Replacement Kit (Cylindrical)	1
▲	7	1213132	(10000000- 20000000 ) Tool, Installation, Belt	1
▽	8	9018012	(10000000- 20000000 ) Bracket Assy, Motor, Ci (Also Includes Bearings Not Available Separately)	2
▲	9	1035173	(10000000- 20000000 ) Sheave, 06grv, 2.96pd 0.59b, Alm [Pj]	1
▲	10	1020341	(10000000- 20000000 ) Screw, Hex, M8 X 1.25 X 20, Ss, Sems	2
▲	11	1021050	(10000000- 20000000 ) Shaft, Drive, 15.0d X 65.5l [T5, 1610]	1
▲	12	00961	(10000000- 20000000 ) Key, Sq, 0.19 X 0.19, 0.50l	1
▲	13	00911	(10000000- 20000000 ) Key, Sq, 0.19 X 0.19, 0.75l	1
▲	14	1002077	(10000000- 20000000 ) Tube, 0.59id 0.81od 00.5l	1
▲	15	378805	(10000000- 20000000 ) Plug, Drive, Brush, Mach	1
	16	1033528	(10000000- 20000000 ) Sheave, 06grv, 1.33pd 0.50b, Alm [Pj]	2
	17	00954	(10000000- 20000000 ) Key, Sq, 0.12 X 0.12, 1.00l	2
▽	18	1223429	(10000000- 20000000 ) Motor, Ele, 24vdc 1500rpm 0.60hp (Canada Also Requires Ferrite)	2
▲		1031775	(10000000- 20000000 ) Brush Kit, Carbon, Motor, Replmt [T5]	1
	19	1052895	(10000000- 20000000 ) Harness, Adapter, Motor [T7/T5]	1
	20	1065665	(10000000- 20000000 ) Inductor, 32.3mml [Ferrite 10- 250mhz] (Canada Only)	2

▽ ASSEMBLY

▲ INCLUDED IN ASSEMBLY

SCRUB HEAD GROUP, ORBITAL 700MM / 28IN

355425





SCRUB HEAD GROUP, ORBITAL 700MM / 28IN

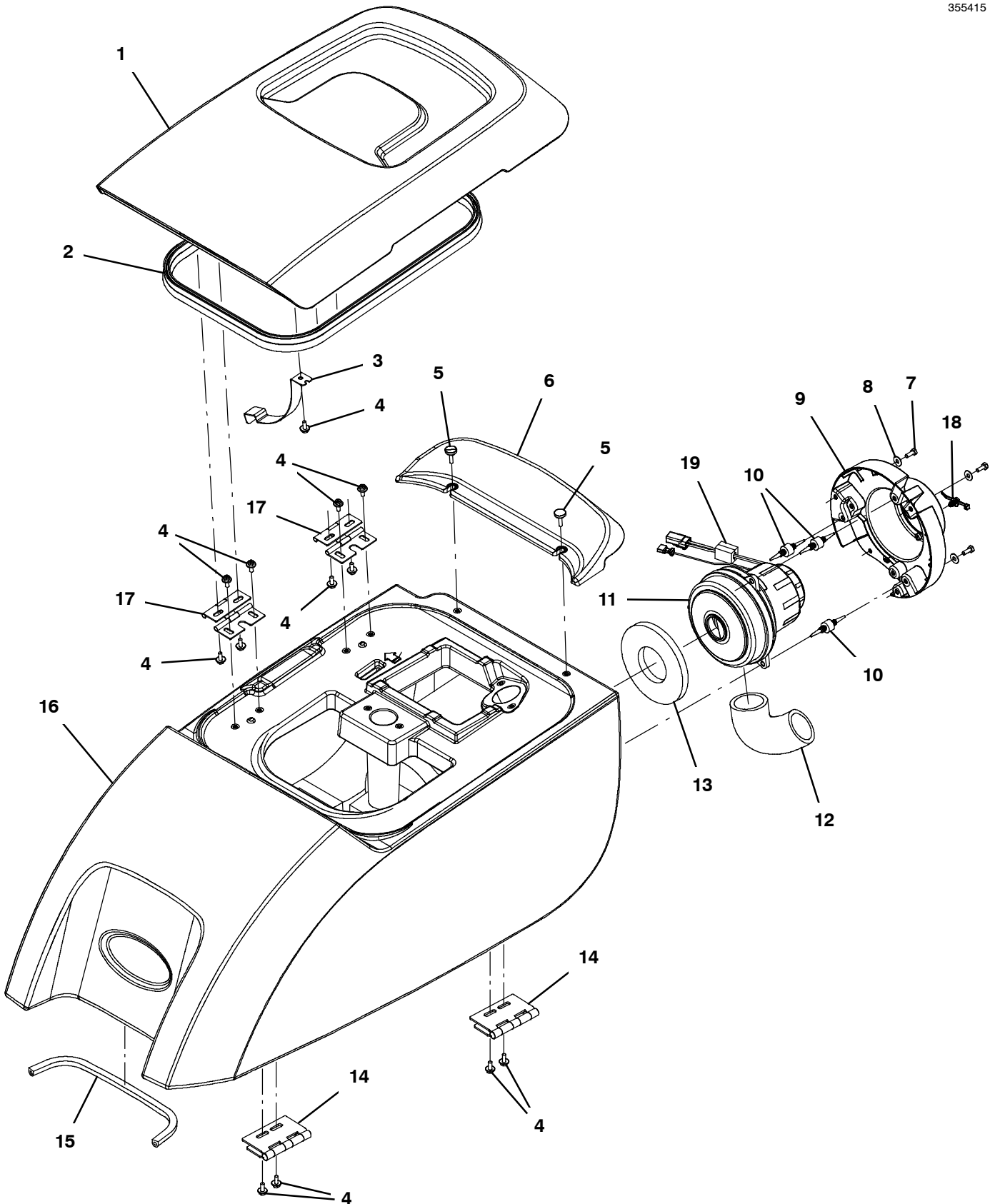
Ref.	Part No.	Serial Number	Description	Qty.
▽	1	1219913	(10000000- 20000000 ) Motor, Ele, 24vdc, 2200rpm, 0.75hp 28.0a (Canada Also Requires Ferrite)	1
▲	2	1059370	(10000000- 20000000 ) Brush, Motor, Replmt [Bag Of 4]	1
▲	3	1031681	(10000000- 20000000 ) Harness, Connector, Brush- Motor [T5] Us	1
	4	1231238	(10000000- 20000000 ) Key, Sq, 5mm X 5mm X 22mm	1
	5	1020341	(10000000- 20000000 ) Screw, Hex, M8 X 1.25 X 20, Ss, Sems	6
	6	1220910	(10000000- 20000000 ) Bracket Wldt, Mtg, Head	1
	7	1212543	(10000000- 20000000 ) Isolator, Neoprene, 1.25" X 1.25", M8	13
	8	08713	(10000000- 20000000 ) Nut, Hex, Lock, M8 X 1.25, NI, Ss	1
	9	1074344	(10000000- 20000000 ) Harness, Ele [Ring With .250m Tail]	1
	10	1210807	(10000000- 20000000 ) Wire, Tie [W/.25" Fir Tree Clip]	1
	11	01685	(10000000- 20000000 ) Washer, Flat, 0.38b 0.88d .08, Ss	6
	12	1014918	(10000000- 20000000 ) Wheel, 03.0d 0.88w 0.31b, W/ Bshg, Rbr	2
	13	1221766	(10000000- 20000000 ) Housing Wldt, Brush	1
	14	1210221	(10000000- 20000000 ) Washer, Wave, .515b, .875d, .013, Ss	2
	15	01685	(10000000- 20000000 ) Washer, Flat, 0.38b 0.88d .08, Ss	2
	16	49694	(10000000- 20000000 ) Screw, Hex, M8 X 1.25 X 50, Ss	2
	17	1212807	(10000000- 20000000 ) Fitting, Plstc, Str, Qm08/Bm08	1
	18	607776	(10000000- 20000000 ) Clamp, Hose, Wir, .73 - .77, Silver	1
	19	1234853	(10000000- 20000000 ) Manifold, Bar, Spray [28in]	1
	20	140916	(10000000- 20000000 ) Clamp, Cable, Nyl, 0.62d, Nat	5
	21	01683	(10000000- 20000000 ) Washer, Flat, 10, Ss	4
	22	09739	(10000000- 20000000 ) Nut, Hex, Lock, M5 X 0.80, NI, Ss	4
	23	1221850	(10000000- 20000000 ) Spacer, Head	4
	24	9015774	(10000000- 20000000 ) Eccentric Drive Kit, Orbital	1
	25	09163	(10000000- 20000000 ) Screw, Flt, Soc, M6 X 1.00 X 16, 18- 8,Ss	4
	26	9015416	(10000000- 20000000 ) Driver Kit, Pad, Ci [T500] (Includes Driver Plate, Driver Face, & Red Buffing Pad)	1
	27	1212710	(10000000- 20000000 ) Screw, Flt, Soc, M6 X 1.00 X 35, 10.9,NI	6
	28	74077	(10000000- 20000000 ) Screw, Flt, Soc, M8 X 1.25 X 25, Ss	4
	29	1065665	(10000000- 20000000 ) Inductor, 32.3mml [Ferrite 10- 250mhz] (Canada Only)	1

▽ ASSEMBLY

▲ INCLUDED IN ASSEMBLY

RECOVERY TANK GROUP

355415



## RECOVERY TANK GROUP

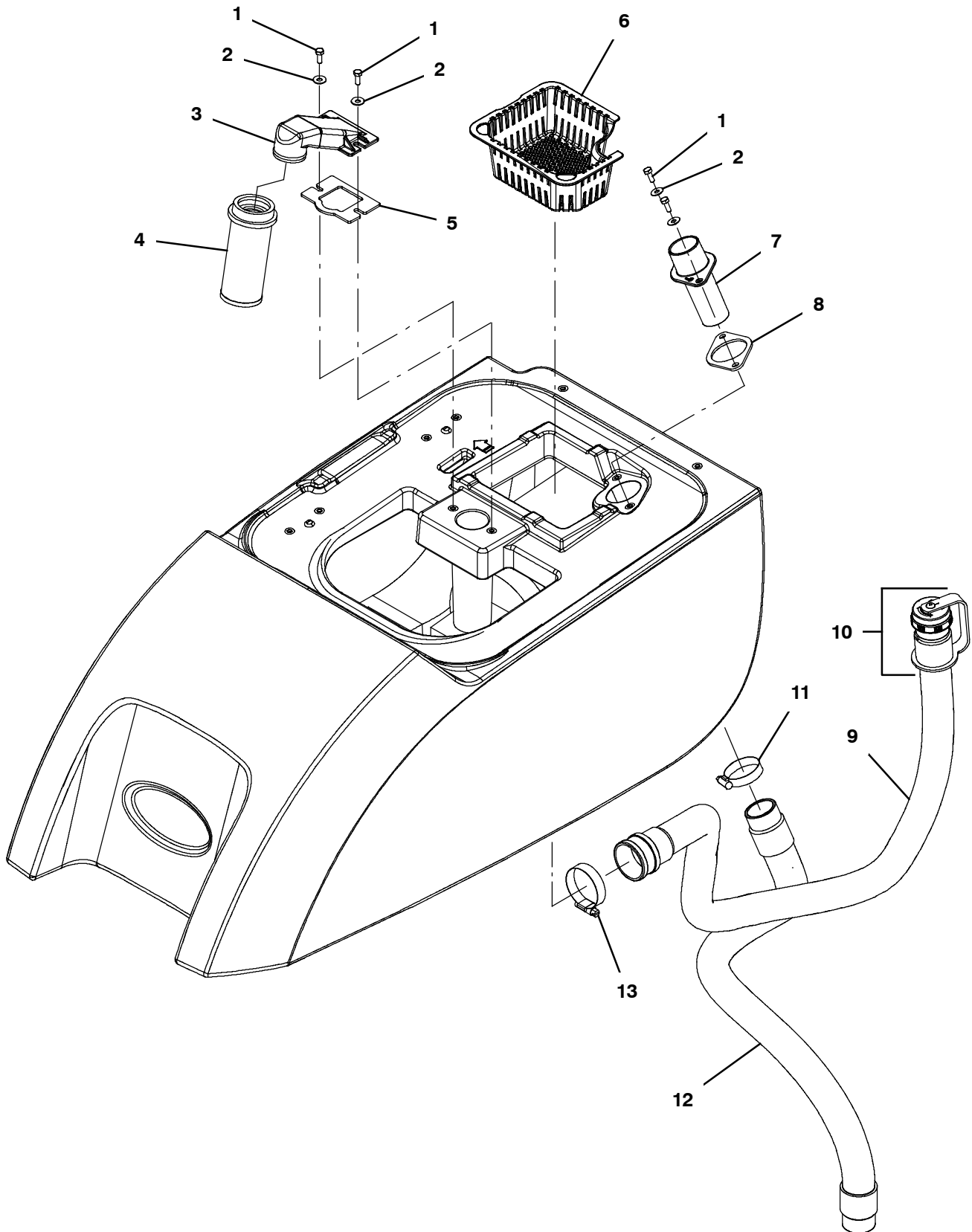
	Ref.	Part No.	Serial Number	Description	Qty.
▽	1	9015750	(10000000- 20000000 )	Kit, Cover, Recvy, Ci [Na,T500]	1
▲	2	9015756	(10000000- 20000000 )	Seal, Cover, Recvy, Ci [T500]	1
	3	1219333	(10000000- 20000000 )	Support, Lid, Recvy Tank	1
	4	1034731	(10000000- 20000000 )	Screw, Hex, M6 X 1.00 X 16, Sems, Ss	12
	5	1046631	(10000000- 20000000 )	Knob, Rnd, 19.4d 7.6l M6 X 20, Plstc, PI	2
	6	1223499	(10000000- 20000000 )	Shield, Spray, Recvy Tank	1
	7	11329	(10000000- 20000000 )	Screw, Hex, M6 X 1.00 X 16, NI, Ss	3
	8	01684	(10000000- 20000000 )	Washer, Flat, 0.27b 0.69d .05, Ss	3
	9	1207368	(10000000- 20000000 )	Mount, Vacfan, 5.7/6.6	1
	10	1062016	(10000000- 20000000 )	Isolator, Vib, .75d	3
▽	11	1226905	(10000000- 20000000 )	Fan, Vacuum, 6.6d, 024vdc, 2 Stage (Canada Also Requires Ferrite)	1
▲		1206774	(10000000- 20000000 )	Vr, Brush Kit, Motor, Fan	1
	12	1068577	(10000000- 20000000 )	Muffler, Exhaust, Vacfan, 150mml [T2/T3]	1
	13	100038	(10000000- 20000000 )	Gasket, .50, 02.63id 05.75od, Adh [Epdm]	1
	14	1217669	(10000000- 20000000 )	Hinge Assy, 7.0 Pin, 11 Ga, 100l X 105w	2
	15	9015757	(10000000- 20000000 )	Seal, Tank, Recvy, Ci [T500/T500e]	1
	16	9015760	(10000000- 20000000 )	Kit, Tank, Recvy, Ci [T500]	1
	17	1219334	(10000000- 20000000 )	Hinge, 4mm Pin, 2.0thk X 83.0mmw, 3 Leaf	2
	18	1210807	(10000000- 20000000 )	Wire, Tie [W/.25" Fir Tree Clip]	1
	19	1065665	(10000000- 20000000 )	Inductor, 32.3mml [Ferrite 10- 250mhz] (Canada Only)	1

▽ ASSEMBLY

▲ INCLUDED IN ASSEMBLY

RECOVERY TANK FILTER AND HOSE GROUP, SCREW CAP

355416



## RECOVERY TANK FILTER AND HOSE GROUP, SCREW CAP

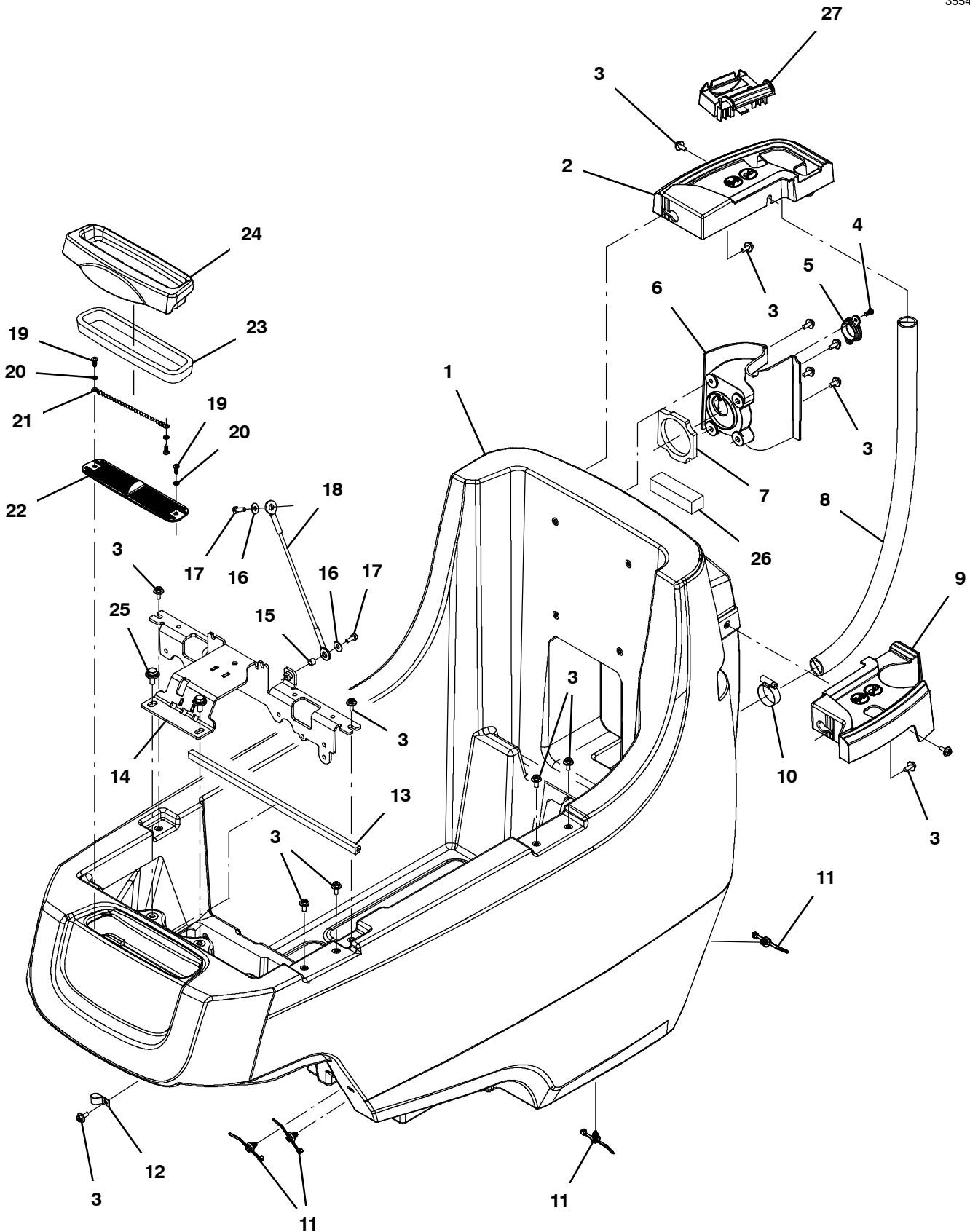
Ref.	Part No.	Serial Number	Description	Qty.
1	11329	(10000000- 20000000 )	Screw, Hex, M6 X 1.00 X 16, NI, Ss	2
2	01684	(10000000- 20000000 )	Washer, Flat, 0.27b 0.69d .05, Ss	2
3	1011777	(10000000- 20000000 )	Mount, Float, Mold	1
4	630052	(10000000- 20000000 )	Float, Shut- Off, (2)Ball, 1.75d	1
5	1013628	(10000000- 20000000 )	Gasket, Mtg, Float, .125th, Neo, Adh	1
6	1207357	(10000000- 20000000 )	Tray, Debris, Tank, Recvy [T300]	1
7	1219618	(10000000- 20000000 )	Tube, Hose, Adapter, 1.5d [T500]	1
8	1037106	(10000000- 20000000 )	Gasket, Adapter, Hose .13, Neo	1
▽	9	1219406	(10000000- 20000000 ) Hose Assy, Drain, 1.5d 029l 1.5/Cap[Pu] (Gray)	1
▲	10	1219134	(10000000- 20000000 ) Cap, Drain Assy [Gray]	1
▽	9	1225793	(10000000- 20000000 ) Hose Assy, Drain, 1.5d 016l 1.5/Cap[Pvc] (Black)	1
▲	10	1218955	(10000000- 20000000 ) Cap, Drain Assy [Black]	1
	11	11531	(10000000- 20000000 ) Clamp, Hose, Wormdrive, 1.06- 2.00d, .56w	1
	12	1224414	(10000000- 20000000 ) Hose Assy, W/2cuff,1.5d 033l 1.5/1.5[Pu] (Gray)	1
	12	1211220	(10000000- 20000000 ) Hose Assy,W/2cuff,1.5d 022l 1.5/1.5[Pvc] (Black)	1
	13	22297	(10000000- 20000000 ) Clamp, Hose, Wormdrive, 1.56- 2.50d, .50w	1

▽ ASSEMBLY

▲ INCLUDED IN ASSEMBLY

SOLUTION TANK GROUP

355414

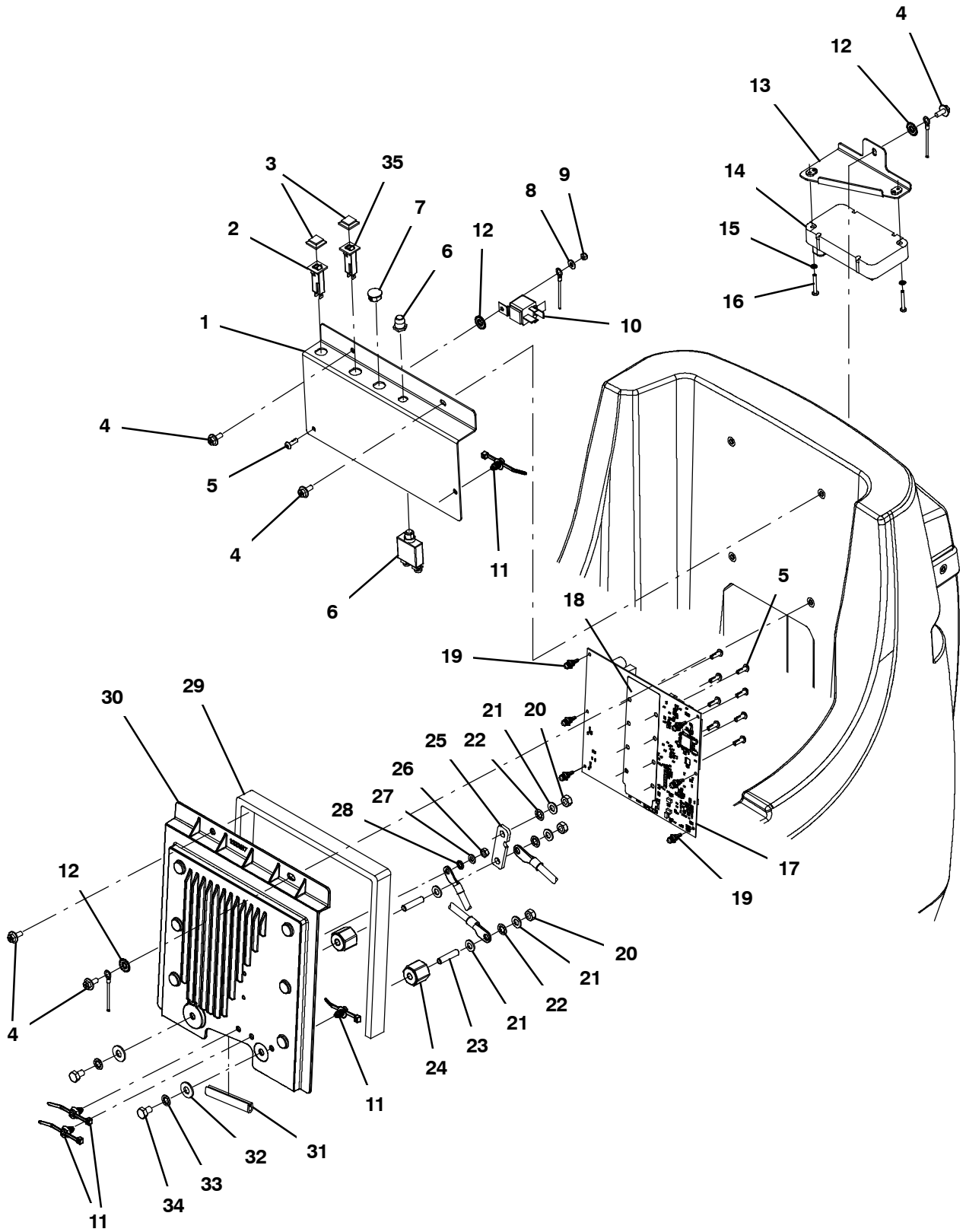


## SOLUTION TANK GROUP

Ref.	Part No.	Serial Number	Description	Qty.
1	9018023	(10000000- 20000000 )	Tank Kit, Soltn, Ci [T500]	1
2	1218444	(10000000- 20000000 )	Tray, Accssry, Rh, [Rhine]	1
3	1034731	(10000000- 20000000 )	Screw, Hex, M6 X 1.00 X 16, Sems, Ss	15
4	1018155	(10000000- 20000000 )	Screw, Pan, Phl, M5 X 0.80 X 16, Tcut,Ss	1
5	1012965	(10000000- 20000000 )	Cap, Port, Soltn Fill	1
6	1225412	(10000000- 20000000 )	Cover, Standard- Fill	1
7	1220263	(10000000- 20000000 )	Seal, Bulk Head, Water	1
8	9015728	(10000000- 20000000 )	Hose Kit, Drain, Soln, Ci [T500/T500e]	1
9	1218443	(10000000- 20000000 )	Tray, Accssry, Lh, [Rhine]	1
10	11399	(10000000- 20000000 )	Clamp, Hose, Wormdrive, 0.81- 1.50d, .50w	1
11	1210807	(10000000- 20000000 )	Wire, Tie [W/.25" Fir Tree Clip]	4
12	140300	(10000000- 20000000 )	Clamp, Cable, Stl, 0.50d [Insulated]	1
13	1066431	(10000000- 20000000 )	Seal, Afmkt, Bulb, Dual, 03ft [F/.30gap]	1
14	1221012	(10000000- 20000000 )	Bracket Wldt, Actuator	1
15	140154	(10000000- 20000000 )	Sleeve, P/M, 0.25b 0.38d 0.3l, PI	1
16	01684	(10000000- 20000000 )	Washer, Flat, 0.27b 0.69d .05, Ss	2
17	11329	(10000000- 20000000 )	Screw, Hex, M6 X 1.00 X 16, NI, Ss	2
18	1221803	(10000000- 20000000 )	Cable, Glv .13d 10.5l .38eye /.38eye	1
19	1018155	(10000000- 20000000 )	Screw, Pan, Phl, M5 X 0.80 X 16, Tcut,Ss	3
20	07514	(10000000- 20000000 )	Washer, Lock, Int, 10, Ss	3
21	621443	(10000000- 20000000 )	Chain, Ball, 10, 0157mml, Ss	1
22	1219917	(10000000- 20000000 )	Screen, Fltr, 2.0 X 8.7	1
23	9015758	(10000000- 20000000 )	Seal, Tank, Soltn, Ci [T500/T500e]	1
24	1218043	(10000000- 20000000 )	Cover, Fill, Front	1
24	9015759	(10000000- 20000000 )	Kit, Cover, Fill [T500/T500e] (ec- H2O Models)	1
25	1020341	(10000000- 20000000 )	Screw, Hex, M8 X 1.25 X 20, Ss, Sems	2
26	1229734	(10000000- 20000000 )	Seal, Neo, 0.88, 1.00w 3.6l Adh	1
27	1214292	(10000000- 20000000 )	Bracket, Hanger, Rail, Lrg (Option)	1

STANDARD ELECTRICAL GROUP

355442





## STANDARD ELECTRICAL GROUP

Ref.	Part No.	Serial Number	Description	Qty.	
1	1218761	(10000000- 20000000 )	Bracket, Mtg [Circuitbreakers- T500]	1	
2	1208816	(10000000- 20000000 )	Circuitbreaker, 04.0a, Resetable	1	
3	1064191	(10000000- 20000000 )	Boot, Circuitbreaker	2	
4	1034731	(10000000- 20000000 )	Screw, Hex, M6 X 1.00 X 16, Sems, Ss	5	
5	1205799	(10000000- 20000000 )	Screw, Btn, M5 X 0.8 X 16, 8.8, NI, Torx	9	
6	383729	(10000000- 20000000 )	Circuitbreaker, 60.0a	1	
7	1058340	(10000000- 20000000 )	Plug, Hole, Rnd, 0.63h 0.1l, Blk (Models without Spray Wand Option)	1	
8	01683	(10000000- 20000000 )	Washer, Flat, 10, Ss	1	
9	09739	(10000000- 20000000 )	Nut, Hex, Lock, M5 X 0.80, NI, Ss	1	
10	1228510	(10000000- 20000000 )	Relay, 24vdc, 80a, Spst No, Plug- In	1	
11	1210807	(10000000- 20000000 )	Wire, Tie [W/.25" Fir Tree Clip]	4	
12	41140	(10000000- 20000000 )	Washer, Lock, Int- Ext, 0.25	3	
13	1223824	(10000000- 20000000 )	Bracket Wldt, Mtg, Cntrl, [T300/T300e]	1	
14	9015776*	(10000000- 20000000 )	Drive Module Kit, Ci	1	
15	02938	(10000000- 20000000 )	Washer, Lock, Int, 08, Ss	2	
16	33931	(10000000- 20000000 )	Screw, Pan, Phl, M4 X 0.70 X 30, Ss	2	
▽	17	9015784	(10000000- 20000000 )	Kit, Control Board, Ci [T500]	1
▲		27964	(10000000- 20000000 )	Strap, Ground, Static, Disposable	1
▲		1071235	(10000000- 20000000 )	Cable [Usb, 2m, A- Male To Mini- B- Male]	1
18	1220930	(10000000- 20000000 )	Circuitboard, Silpad [T500, Main Scrub]	1	
19	1209448	(10000000- 20000000 )	Standoff, Circuitboard, .25	1	
20	41361	(10000000- 20000000 )	Nut, Hex, Std, M8 X 1.25, Brs	6	
21	1209373	(10000000- 20000000 )	Washer, Flat, M8.4b X 16d X 1.6, Brs	3	
22	43952	(10000000- 20000000 )	Washer, Lock, Int, 0.31, Ss	5	
23	607461	(10000000- 20000000 )	Screw, Set, M8 X 1.25 X 35, NI	3	
24	1205345	(10000000- 20000000 )	Stand- Off, Wir, M8, Insulator, Panel	2	
25	1212780	(10000000- 20000000 )	Busbar, 125a 0.188 0.750w 2.638l	2	
26	1061910	(10000000- 20000000 )	Nut, Hex, Std, M6 X 1.00, Brs	1	
27	1061918	(10000000- 20000000 )	Washer, Flat, 0.25b 0.47d .06, Brs	1	
28	07515	(10000000- 20000000 )	Washer, Lock, Int, 0.25, Ss	1	
29	1219045	(10000000- 20000000 )	Gasket, Cover, Circuitboard	1	
30	1222617	(10000000- 20000000 )	Heatsink, Mtg, Circuitboard, Machined	1	
31	1020174	(10000000- 20000000 )	Molding, Afmkt, Trim, Pvc, .08 .11, 03ft	1	
32	01685	(10000000- 20000000 )	Washer, Flat, 0.38b 0.88d .08, Ss	2	
33	32984	(10000000- 20000000 )	Washer, Lock, Int, 0.31	2	
34	386868	(10000000- 20000000 )	Screw, Hex, M8 X 1.25 X 12, Ss	2	
35	1064187	(10000000- 20000000 )	Circuitbreaker, 10.0a, Resetable	1	

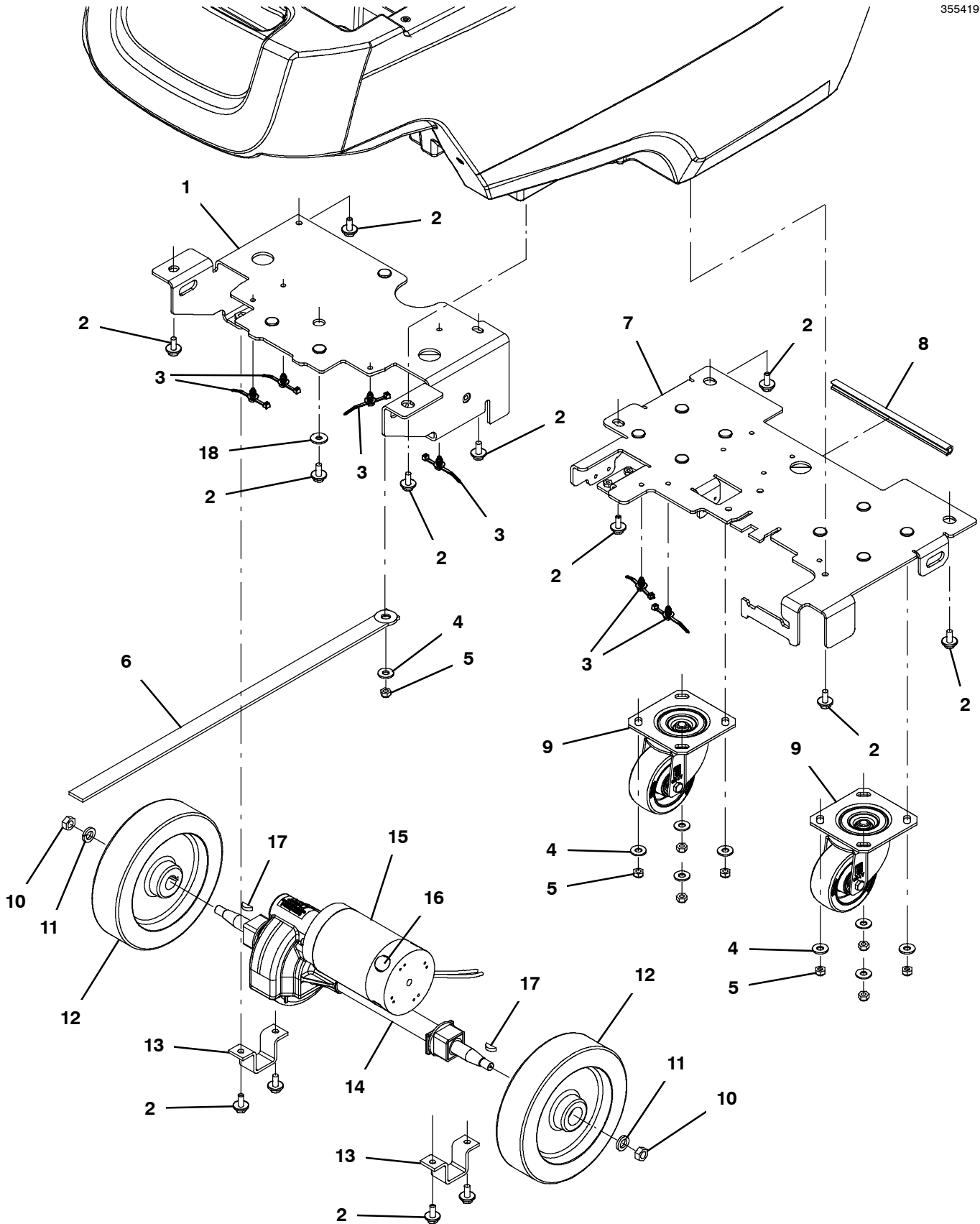
\* Requires Tennant *True* service or an authorized Tennant service provider.

▽ ASSEMBLY

▲ INCLUDED IN ASSEMBLY

FRAME AND DRIVE GROUP

355419



## FRAME AND DRIVE GROUP

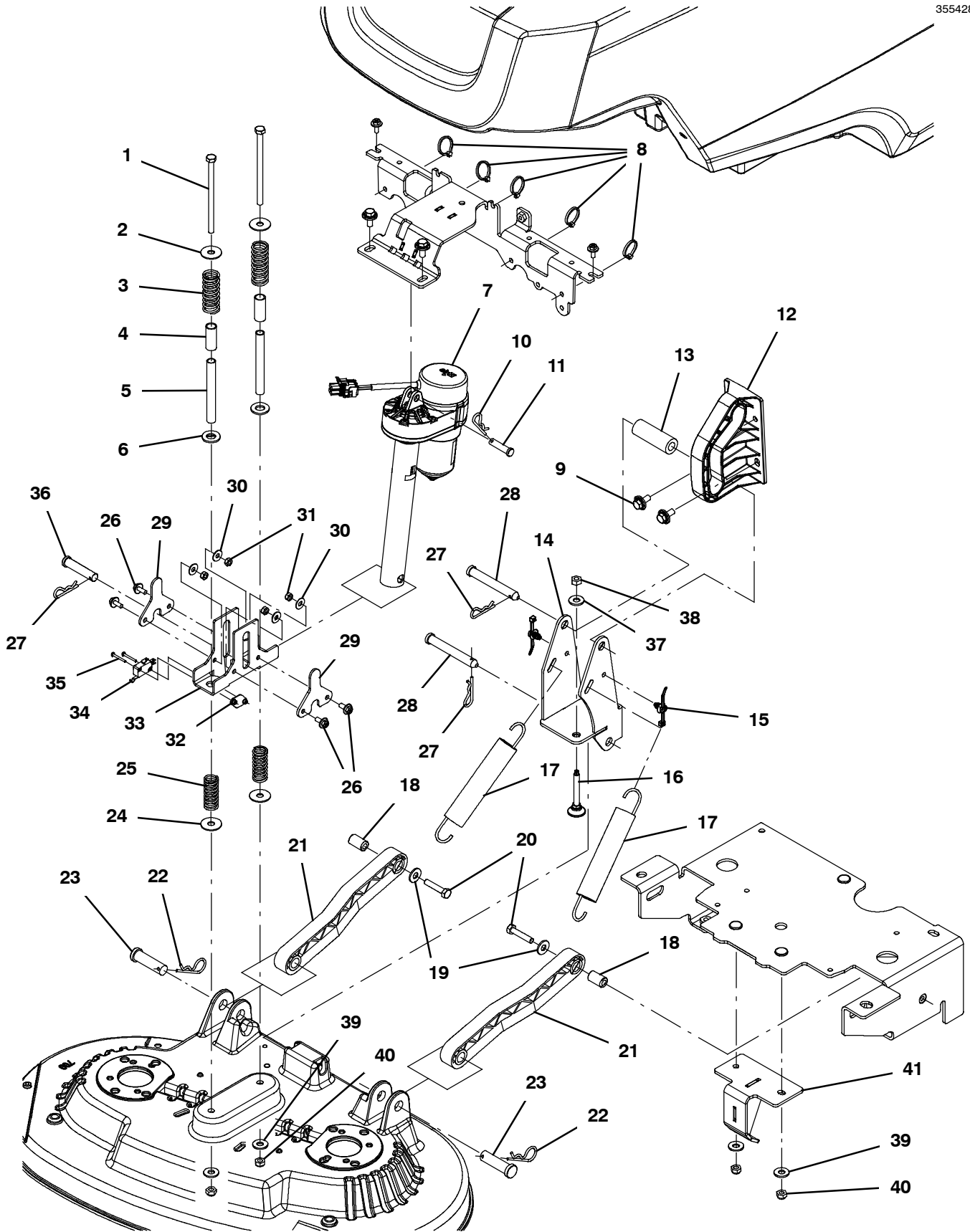
Ref.	Part No.	Serial Number	Description	Qty.
1	1219118	(10000000- 20000000 )	Frame Wldt, Front [T500]	1
2	1020341	(10000000- 20000000 )	Screw, Hex, M8 X 1.25 X 20, Ss, Sems	13
3	1210807	(10000000- 20000000 )	Wire, Tie [W/.25" Fir Tree Clip]	6
4	01685	(10000000- 20000000 )	Washer, Flat, 0.38b 0.88d .08, Ss	9
5	08713	(10000000- 20000000 )	Nut, Hex, Lock, M8 X 1.25, NI, Ss	9
6	71579	(10000000- 20000000 )	Strap, Static, W/Grommet, .19 1.1w 25.0l	1
7	1219137	(10000000- 20000000 )	Frame Wldt, Rear [T500]	1
8	1020168	(10000000- 20000000 )	Molding, Afmkt, Trim, Pvc, .08 .11, 01ft	1
9	1212422	(10000000- 20000000 )	Caster, Swivel [Wicke 224051]	2
10	09741	(10000000- 20000000 )	Nut, Hex, Lock, M12 X 1.75, NI, Ss	2
11	140058	(10000000- 20000000 )	Washer, Flat, 0.54b 0.88d .06, Ss [Wand]	2
▽	9004909	(10000000- 20000000 )	Wheel Kit, Solid, Ci [T5 T5e Ss5]	1
▲	12 1223583	(10000000- 20000000 )	Wheel, Scrbr, 213mm, W/ Taper	2
	13 606001	(10000000- 20000000 )	Bracket, Mtg, Transaxle, PI [1510, T5]	2
▽	14 1220970	(10000000- 20000000 )	Transaxle, Ele, 24vdc, 107rpm [Asi, 4]	1
▲	612874	(10000000- 20000000 )	Coupling, Transaxle, Replmt	1
▲	612880	(10000000- 20000000 )	Joint, Transaxle, Replmt	1
▲▽	15 1031723	(10000000- 20000000 )	Motor, Transaxle, 24vdc, Afmkt [T5]	1
▲▲	16 614166	(10000000- 20000000 )	Brush Kit, Carbon, Transaxle, Replmt [4]	1
▲	17 1021167	(10000000- 20000000 )	Key, Woodruff, 5mm	2
	18 39890	(10000000- 20000000 )	Washer, Flat, M8, Fendr	1

▽ ASSEMBLY

▲ INCLUDED IN ASSEMBLY

HEAD LIFT GROUP, DISK

355428

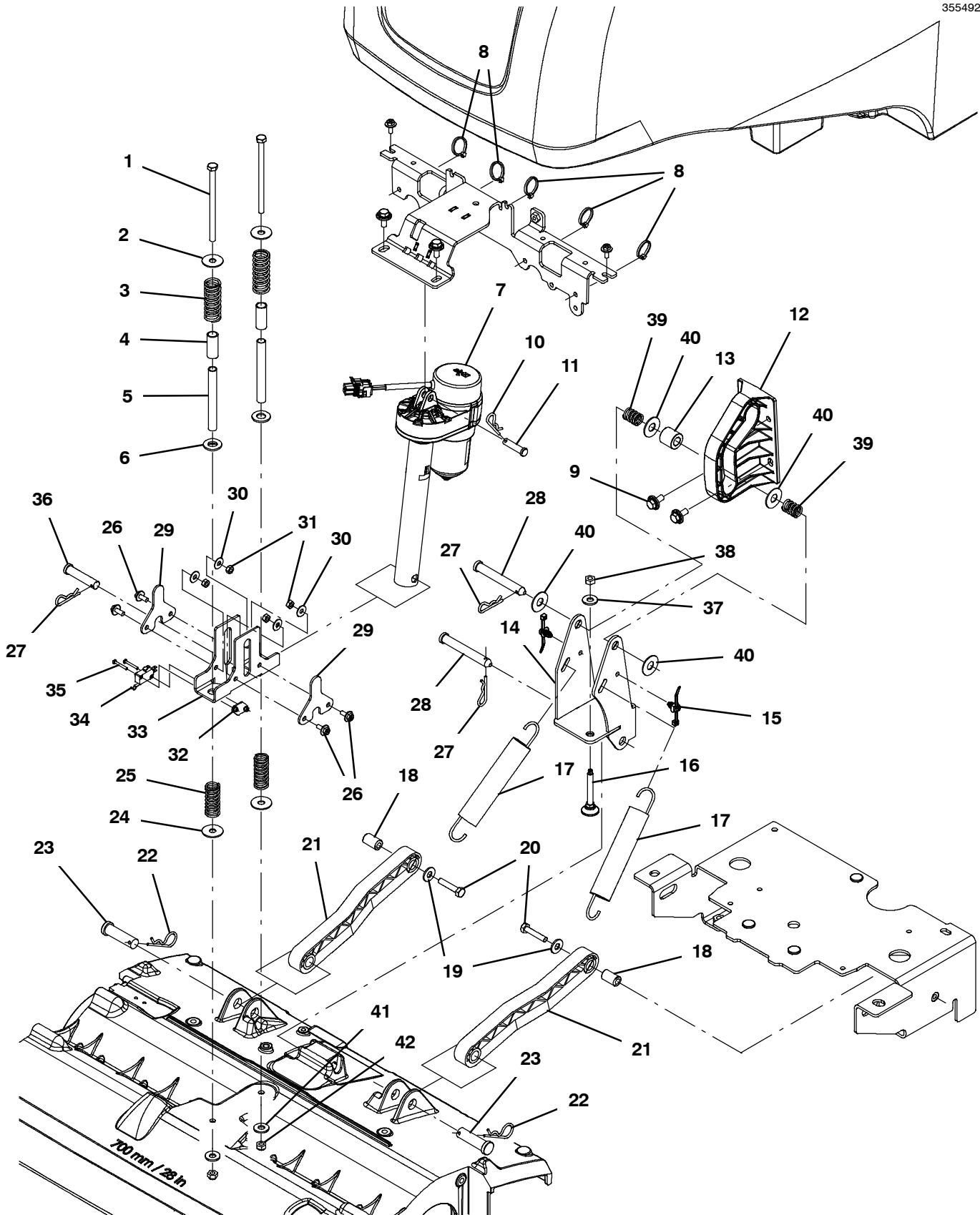


## HEAD LIFT GROUP, DISK

Ref.	Part No.	Serial Number	Description	Qty.
1	387431	(10000000- 20000000 )	Screw, Hex, M8 X 1.25 X 130, Ss	2
2	32662	(10000000- 20000000 )	Washer, Flat, 0.38b 1.22d .06, Ss	2
3	45261	(10000000- 20000000 )	Spring, Cmpr, 0.97od .11wir 02.5l	2
4	1224334	(10000000- 20000000 )	Sleeve, P/M, 0.51b 0.63d 1.5l, PI	2
5	1219491	(10000000- 20000000 )	Sleeve, 0.40id .50d 4.25l, Ss	2
6	32486	(10000000- 20000000 )	Washer, Flat, 0.53b 1.06d .10, Stl, PI	2
7	1221206	(10000000- 20000000 )	Actuator, 24vdc, 07.0strk, 0600lb	1
8	49263	(10000000- 20000000 )	Tie, Cable, Nyl, 11.4l .19w 3.0 Max D	5
9	1020341	(10000000- 20000000 )	Screw, Hex, M8 X 1.25 X 20, Ss, Sems	4
10	140626	(10000000- 20000000 )	Pin, Cotter, Hair, 0.25d .125 Wir	1
11	29558	(10000000- 20000000 )	Pin, Clevis, 0.37d X 1.50l	1
12	1219912	(10000000- 20000000 )	Bracket, Guide, Head[T500]	1
13	1220305	(10000000- 20000000 )	Tube, Plstc, 0.51id 0.98od 02.8l	1
14	1221507	(10000000- 20000000 )	Pivot Wldt, Head, Scrub [T500]	1
15	1210807	(10000000- 20000000 )	Wire, Tie [W/.25" Fir Tree Clip]	2
16	1227530	(10000000- 20000000 )	Screw, Leveler, M8x75	1
17	222363	(10000000- 20000000 )	Spring, Extn, 1.23od 0.15wir 06.5l	2
18	606056	(10000000- 20000000 )	Tube, 0.32id 0.62od 01.0l, Stl, PI	2
19	01685	(10000000- 20000000 )	Washer, Flat, 0.38b 0.88d .08, Ss	2
20	74440	(10000000- 20000000 )	Screw, Hex, M8 X 1.25 X 40, NI, Ss	2
21	222027	(10000000- 20000000 )	Arm, Lift, Head	2
22	02942	(10000000- 20000000 )	Pin, Hair, Cotter, 0.62d .120 Wir	2
23	222210	(10000000- 20000000 )	Pin, Clevis, 0.62d X 2.12l	2
24	32662	(10000000- 20000000 )	Washer, Flat, 0.38b 1.22d .06, Ss	2
25	63185	(10000000- 20000000 )	Spring, Cmpr, 0.85od .09wir 02.0l	2
26	1034731	(10000000- 20000000 )	Screw, Hex, M6 X 1.00 X 16, Sems, Ss	4
27	140626	(10000000- 20000000 )	Pin, Cotter, Hair, 0.25d .125 Wir	3
28	374225	(10000000- 20000000 )	Pin, Clevis, 0.50d X 3.75l	2
29	1225719	(10000000- 20000000 )	Bracket, Pin Holder	2
30	01684	(10000000- 20000000 )	Washer, Flat, 0.27b 0.69d .05, Ss	4
31	07785	(10000000- 20000000 )	Nut, Hex, Std, M6 X 1.00, Ss	4
32	1013705	(10000000- 20000000 )	Plate, Thread, Switch, M3 Nut, 96hr PI	1
33	1224191	(10000000- 20000000 )	Bracket, Spring, Suspension, Head	1
34	1215716	(10000000- 20000000 )	Switch, 0.1a, Spdt[Micro, Gold Contacts]	1
35	33933	(10000000- 20000000 )	Screw, Pan, Phl, M3 X 0.50 X 25, Ss	2
36	11211	(10000000- 20000000 )	Pin, Clevis, 0.50d X 2.25l	1
37	01685	(10000000- 20000000 )	Washer, Flat, 0.38b 0.88d .08, Ss	1
38	07786	(10000000- 20000000 )	Nut, Hex, Std, M8 X 1.25, Ss	1
39	01685	(10000000- 20000000 )	Washer, Flat, 0.38b 0.88d .08, Ss	2
40	08713	(10000000- 20000000 )	Nut, Hex, Lock, M8 X 1.25, NI, Ss	2
41	1222374	(10000000- 20000000 )	Frame Wldt, Hardstop [T500]	1

HEAD LIFT GROUP, CYLINDRICAL

355492

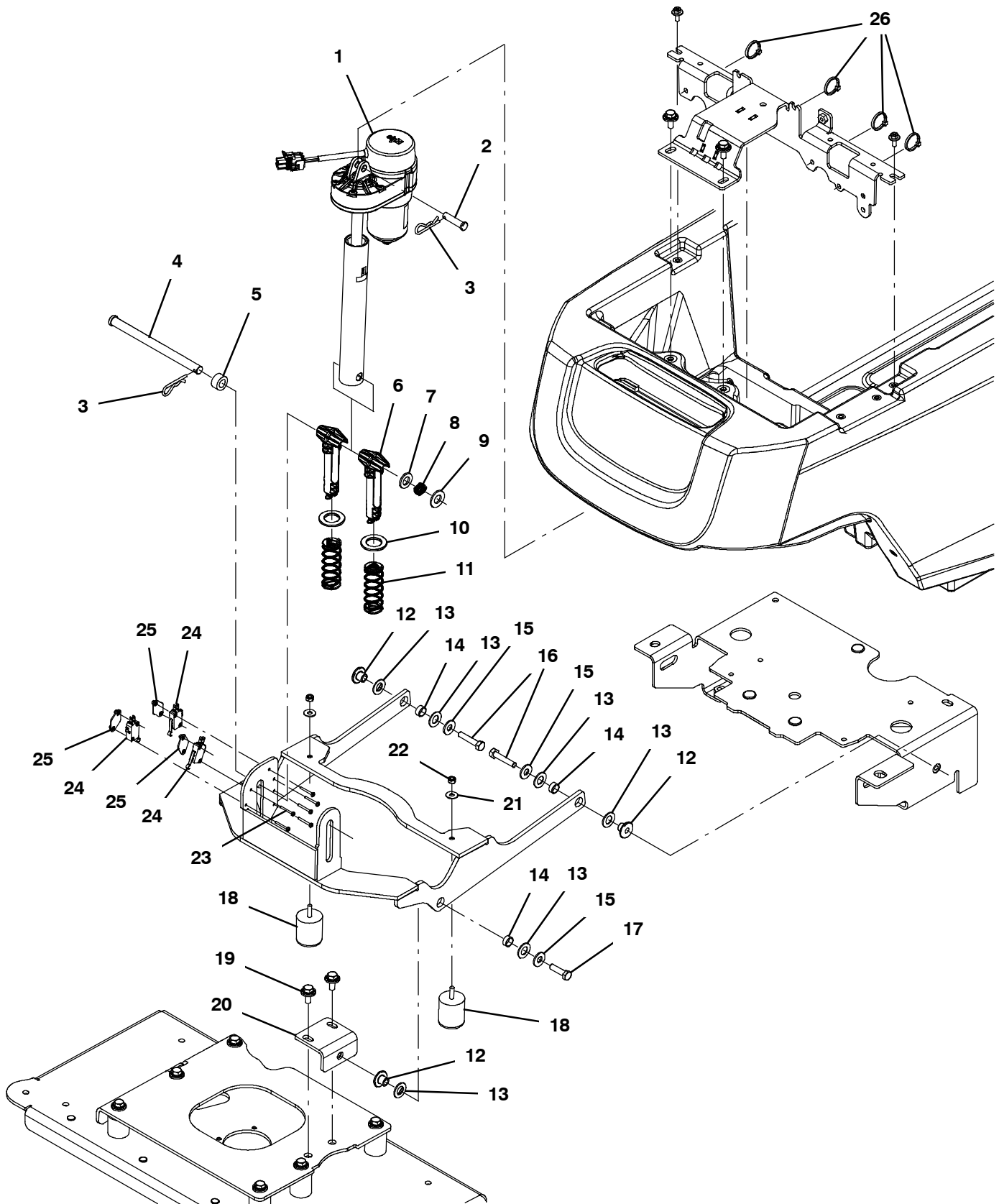


## HEAD LIFT GROUP, CYLINDRICAL

Ref.	Part No.	Serial Number	Description	Qty.
1	387431	(10000000- 20000000 )	Screw, Hex, M8 X 1.25 X 130, Ss	2
2	32662	(10000000- 20000000 )	Washer, Flat, 0.38b 1.22d .06, Ss	2
3	45261	(10000000- 20000000 )	Spring, Cmpr, 0.97od .11wir 02.5l	2
4	1224334	(10000000- 20000000 )	Sleeve, P/M, 0.51b 0.63d 1.5l, PI	2
5	1219491	(10000000- 20000000 )	Sleeve, 0.40id .50d 4.25l, Ss	2
6	32486	(10000000- 20000000 )	Washer, Flat, 0.53b 1.06d .10, Stl, PI	2
7	1221206	(10000000- 20000000 )	Actuator, 24vdc, 07.0strk, 0600lb	1
8	49263	(10000000- 20000000 )	Tie, Cable, Nyl, 11.4l .19w 3.0 Max D	5
9	1020341	(10000000- 20000000 )	Screw, Hex, M8 X 1.25 X 20, Ss, Sems	4
10	140626	(10000000- 20000000 )	Pin, Cotter, Hair, 0.25d .125 Wir	1
11	29558	(10000000- 20000000 )	Pin, Clevis, 0.37d X 1.50l	1
12	1219912	(10000000- 20000000 )	Bracket, Guide, Head[T500]	1
13	1014020	(10000000- 20000000 )	Roller, 0.99d 0.50b 0.95l, Acetal	1
14	1221507	(10000000- 20000000 )	Pivot Wldt, Head, Scrub [T500]	1
15	1210807	(10000000- 20000000 )	Wire, Tie [W/.25" Fir Tree Clip]	2
16	1227530	(10000000- 20000000 )	Screw, Leveler, M8x75	1
17	222363	(10000000- 20000000 )	Spring, Extn, 1.23od 0.15wir 06.5l	2
18	606056	(10000000- 20000000 )	Tube, 0.32id 0.62od 01.0l, Stl, PI	2
19	01685	(10000000- 20000000 )	Washer, Flat, 0.38b 0.88d .08, Ss	2
20	74440	(10000000- 20000000 )	Screw, Hex, M8 X 1.25 X 40, NI, Ss	2
21	222027	(10000000- 20000000 )	Arm, Lift, Head	2
22	02942	(10000000- 20000000 )	Pin, Hair, Cotter, 0.62d .120 Wir	2
23	222210	(10000000- 20000000 )	Pin, Clevis, 0.62d X 2.12l	2
24	32662	(10000000- 20000000 )	Washer, Flat, 0.38b 1.22d .06, Ss	2
25	63185	(10000000- 20000000 )	Spring, Cmpr, 0.85od .09wir 02.0l	2
26	1034731	(10000000- 20000000 )	Screw, Hex, M6 X 1.00 X 16, Sems, Ss	4
27	140626	(10000000- 20000000 )	Pin, Cotter, Hair, 0.25d .125 Wir	3
28	374225	(10000000- 20000000 )	Pin, Clevis, 0.50d X 3.75l	2
29	1225719	(10000000- 20000000 )	Bracket, Pin Holder	2
30	01684	(10000000- 20000000 )	Washer, Flat, 0.27b 0.69d .05, Ss	4
31	07785	(10000000- 20000000 )	Nut, Hex, Std, M6 X 1.00, Ss	4
32	1013705	(10000000- 20000000 )	Plate, Thread, Switch, M3 Nut, 96hr PI	1
33	1224191	(10000000- 20000000 )	Bracket, Spring, Suspension, Head	1
34	1215716	(10000000- 20000000 )	Switch, 0.1a, Spdt[Micro, Gold Contacts]	1
35	33933	(10000000- 20000000 )	Screw, Pan, Phl, M3 X 0.50 X 25, Ss	2
36	11211	(10000000- 20000000 )	Pin, Clevis, 0.50d X 2.25l	1
37	01685	(10000000- 20000000 )	Washer, Flat, 0.38b 0.88d .08, Ss	1
38	07786	(10000000- 20000000 )	Nut, Hex, Std, M8 X 1.25, Ss	1
39	607920	(10000000- 20000000 )	Spring, Cmpr, 0.70od .10wir 01.0l, Mw	2
40	140045	(10000000- 20000000 )	Washer, Flat, 0.51b 1.25d .06, Ss	4
41	01685	(10000000- 20000000 )	Washer, Flat, 0.38b 0.88d .08, Ss	2
42	08713	(10000000- 20000000 )	Nut, Hex, Lock, M8 X 1.25, NI, Ss	2

HEAD LIFT GROUP, ORBITAL

355429



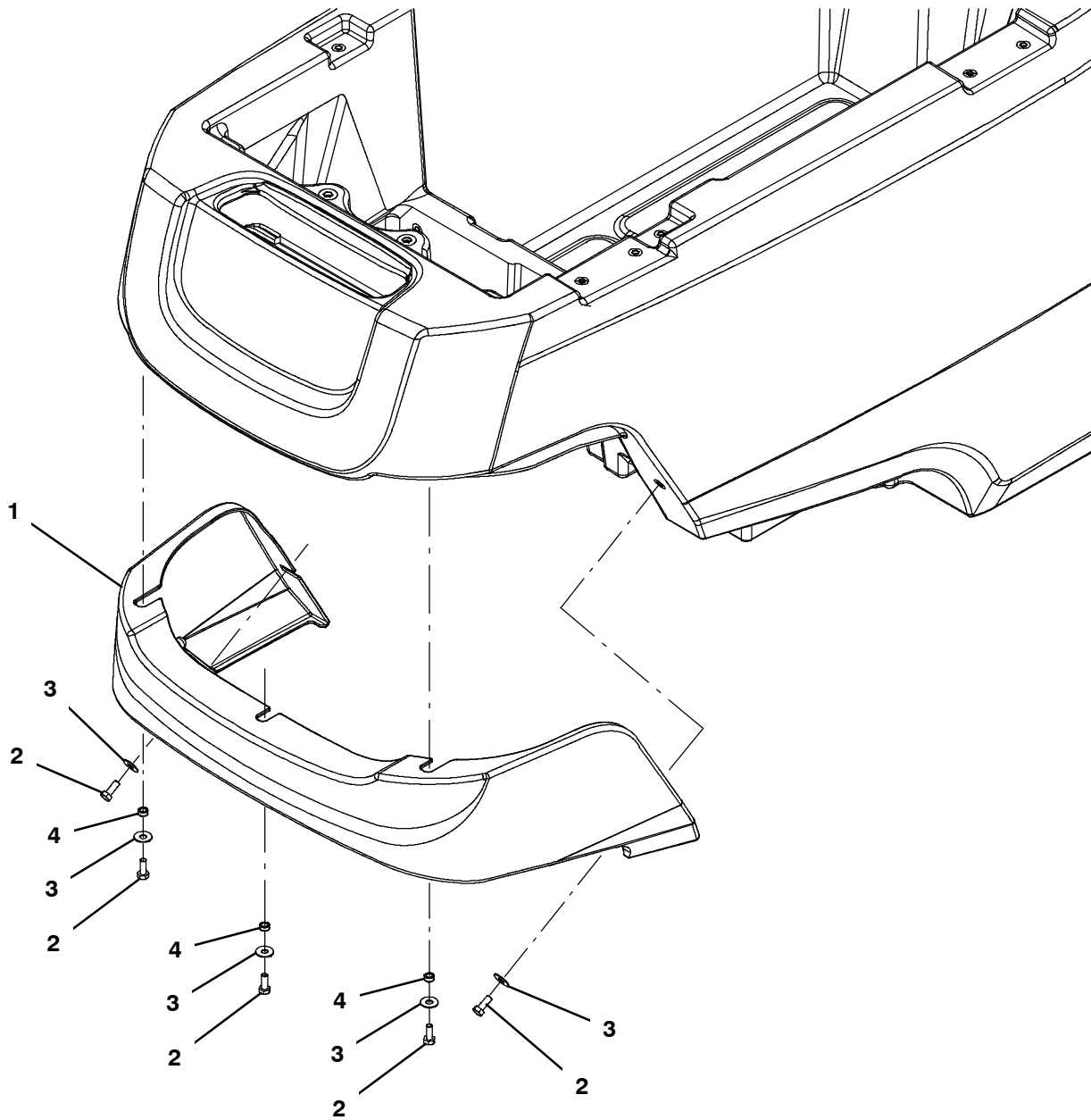


## HEAD LIFT GROUP, ORBITAL

Ref.	Part No.	Serial Number	Description	Qty.
1	1221206	(10000000- 20000000 )	Actuator, 24vdc, 07.0strk, 0600lb	1
2	29558	(10000000- 20000000 )	Pin, Clevis, 0.37d X 1.50l	1
3	140626	(10000000- 20000000 )	Pin, Cotter, Hair, 0.25d .125 Wir	1
4	1226754	(10000000- 20000000 )	Pin, Clevis, .50d X 7.00l	1
5	1226759	(10000000- 20000000 )	Spacer, .500 ld X .875 Od	1
6	1224233	(10000000- 20000000 )	Pin, Guide, Spring, Head	2
7	1013936	(10000000- 20000000 )	Washer, Flat, 0.51b 0.94d .10, Nyl	1
8	1226640	(10000000- 20000000 )	Spring, Wave, .512 ld X .709 Od X .375	1
9	32486	(10000000- 20000000 )	Washer, Flat, 0.53b 1.06d .10, Stl, PI	1
10	1225960	(10000000- 20000000 )	Washer, Thrust, 0.89b 1.50d 0.13w, Bnz	2
11	1227036	(10000000- 20000000 )	Spring, Cmpr, 1.10od .085wir 03.0l	2
12	1059990	(10000000- 20000000 )	Sleeve, Flng, 0.32b 1.00/0.50d 0.6l, Ss	3
13	608562	(10000000- 20000000 )	Washer, Flat, 0.51b 0.94d .06, Nyl	6
14	630188	(10000000- 20000000 )	Bearing, Journal, .50id X .25l	3
15	01685	(10000000- 20000000 )	Washer, Flat, 0.38b 0.88d .08, Ss	3
16	74440	(10000000- 20000000 )	Screw, Hex, M8 X 1.25 X 40, NI, Ss	2
17	1016399	(10000000- 20000000 )	Screw, Hex, M8 X 1.25 X 30, NI, Ss	1
18	1212543	(10000000- 20000000 )	Isolator, Neoprene, 1.25" X 1.25", M8	2
19	1020341	(10000000- 20000000 )	Screw, Hex, M8 X 1.25 X 20, Ss, Sems	2
20	1224295	(10000000- 20000000 )	Brkt Wldt, Lift	1
21	01685	(10000000- 20000000 )	Washer, Flat, 0.38b 0.88d .08, Ss	2
22	08713	(10000000- 20000000 )	Nut, Hex, Lock, M8 X 1.25, NI, Ss	2
23	33933	(10000000- 20000000 )	Screw, Pan, Phl, M3 X 0.50 X 25, Ss	6
24	1215716	(10000000- 20000000 )	Switch, 0.1a, Spdt[Micro, Gold Contacts]	3
25	1013705	(10000000- 20000000 )	Plate, Thread, Switch, M3 Nut, 96hr PI	3
26	49263	(10000000- 20000000 )	Tie, Cable, Nyl, 11.4l .19w 3.0 Max D	5

SHROUD GROUP, DISK AND ORBITAL

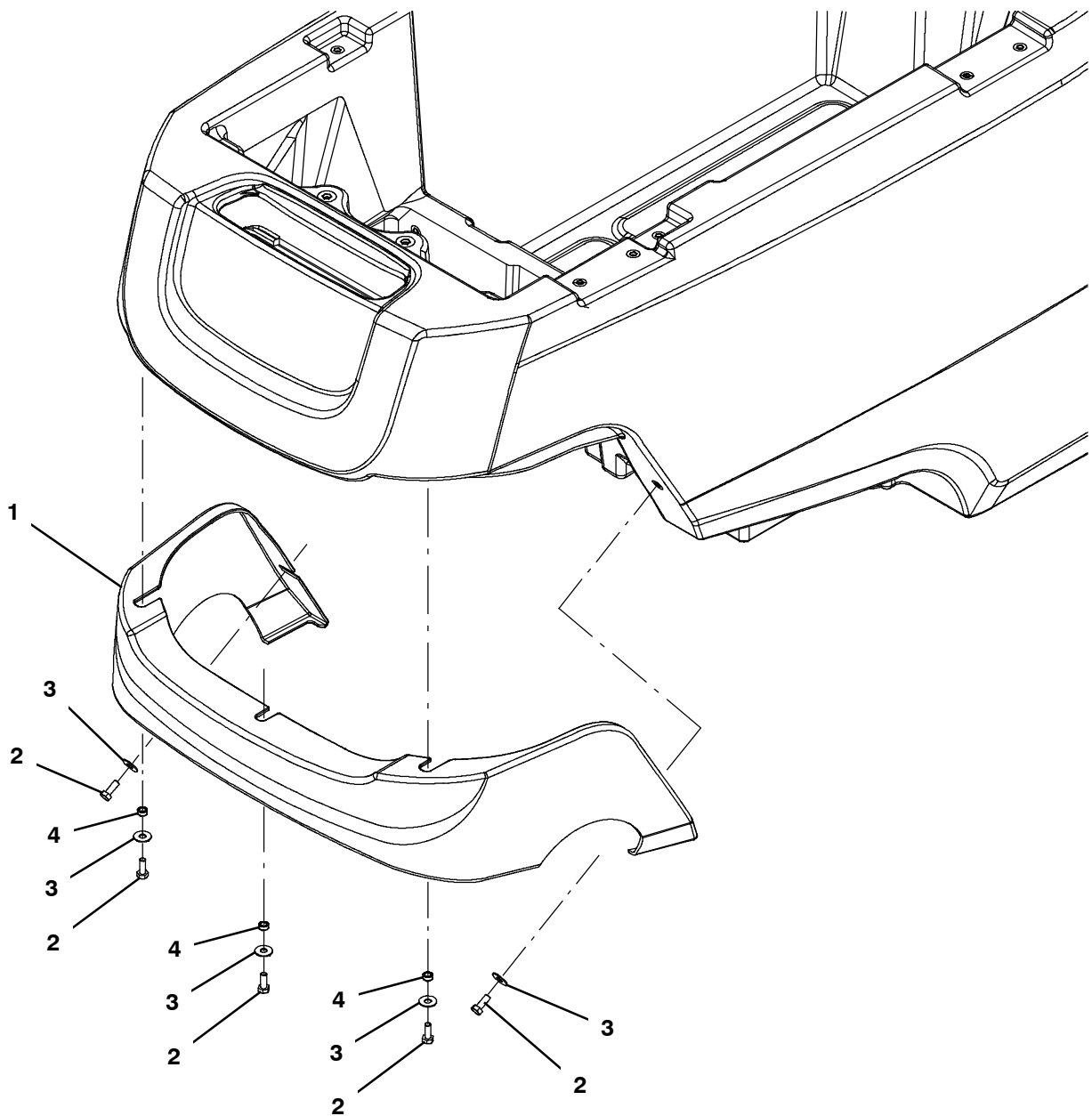
355417



Ref.	Part No.	Serial Number	Description	Qty.
1	1219723	(10000000-20000000 )	Cover, Head, Disc [T500]	1
2	11329	(10000000-20000000 )	Screw, Hex, M6 X 1.00 X 16, NI, Ss	5
3	01684	(10000000-20000000 )	Washer, Flat, 0.27b 0.69d .05, Ss	5
4	80491	(10000000-20000000 )	Sleeve, P/M, 0.25b 0.38d 0.2l [430ss]	3

SHROUD GROUP, CYLINDRICAL

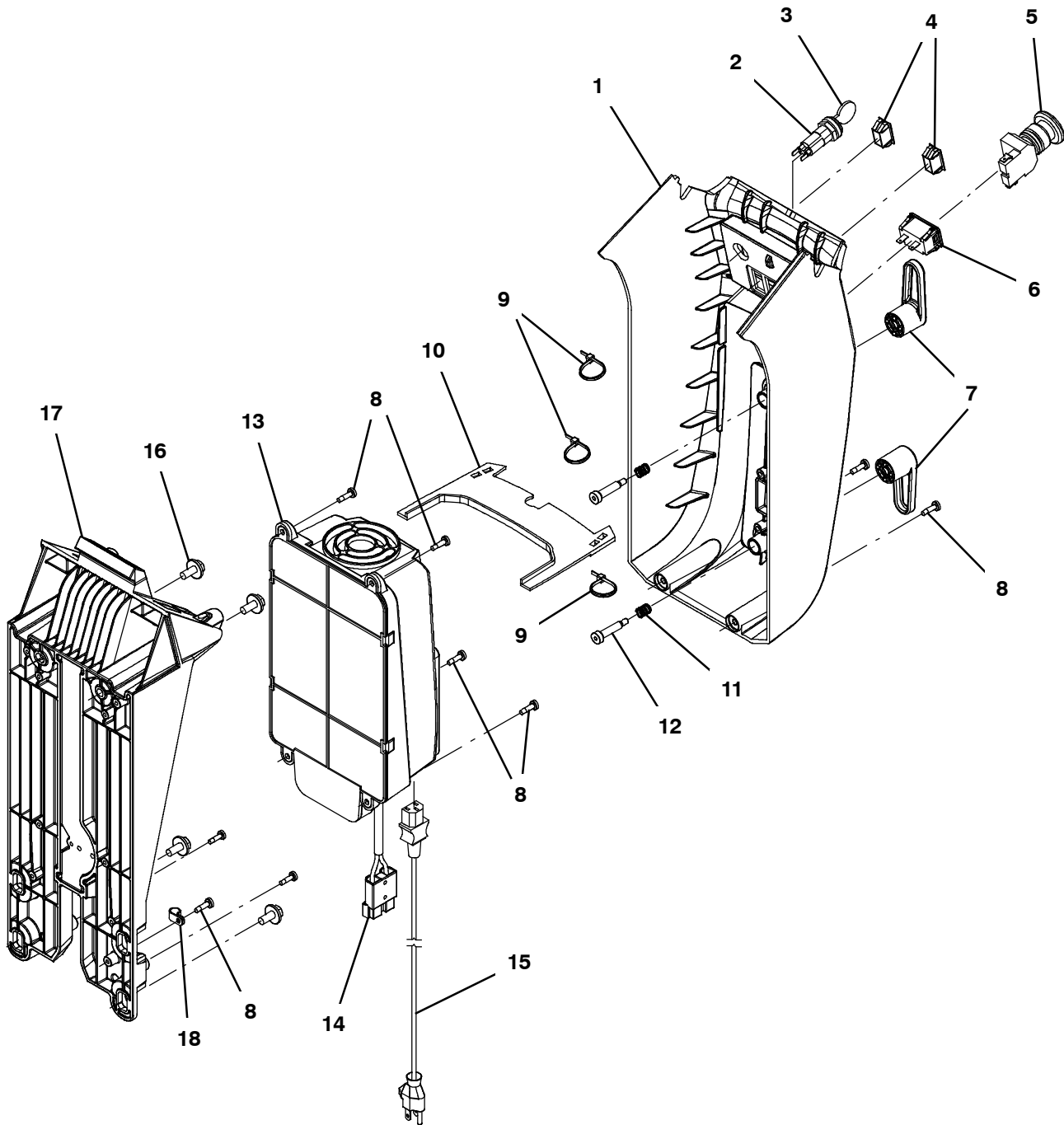
355418



Ref.	Part No.	Serial Number	Description	Qty.
1	1219724	(10000000- 20000000 )	Cover, Head, Cylrcl [T500]	1
2	11329	(10000000- 20000000 )	Screw, Hex, M6 X 1.00 X 16, NI, Ss	5
3	01684	(10000000- 20000000 )	Washer, Flat, 0.27b 0.69d .05, Ss	5
4	80491	(10000000- 20000000 )	Sleeve, P/M, 0.25b 0.38d 0.2l [430ss]	3

LOWER CONSOLE GROUP, ON-BOARD CHARGER

355444



## LOWER CONSOLE GROUP, ON-BOARD CHARGER

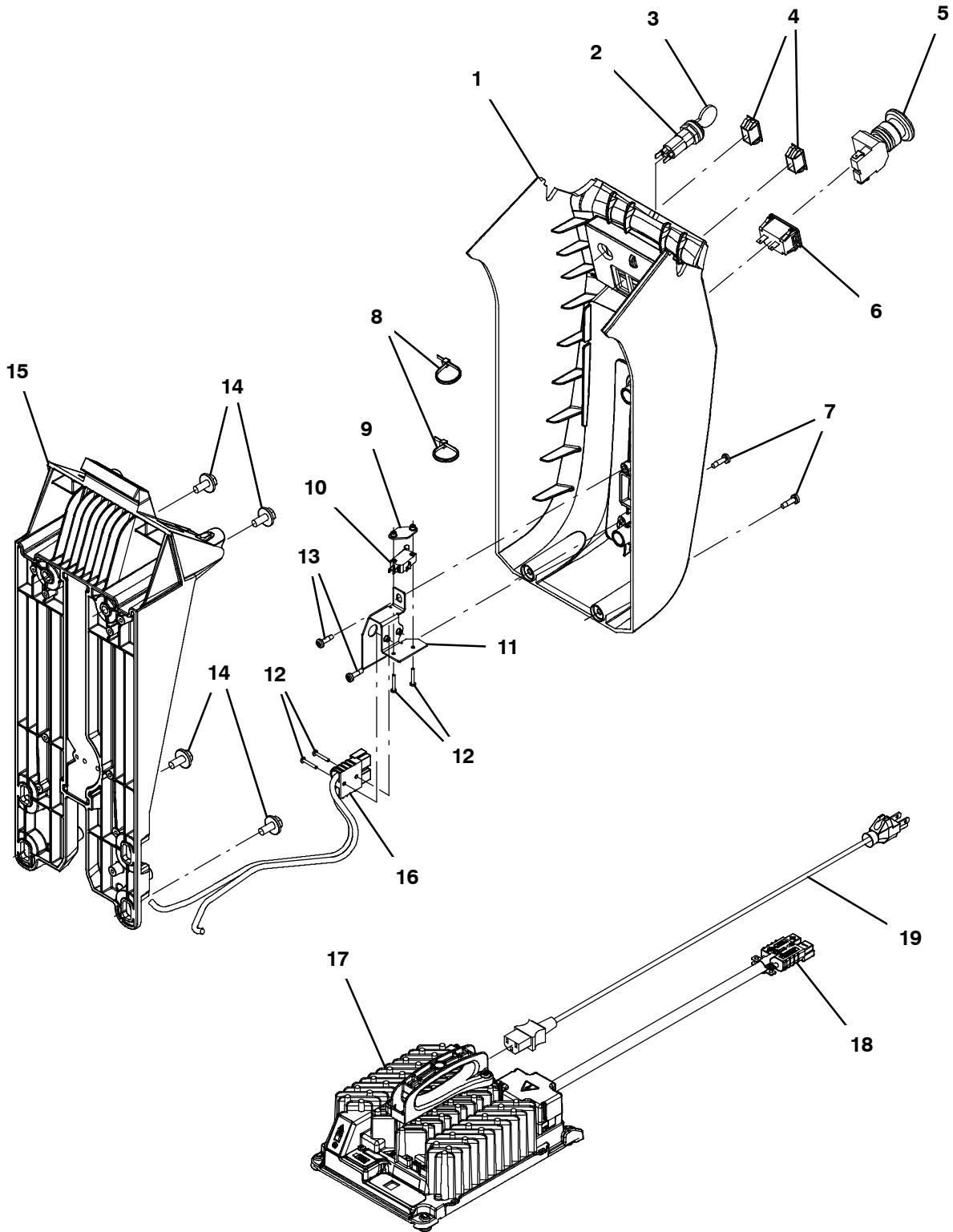
Ref.	Part No.	Serial Number	Description	Qty.
	1	1203802	(10000000- 20000000 ) Cover, Column, Cntrl	1
▽	2	1011402	(10000000- 20000000 ) Switch, Key	1
▲	3	1017696	(10000000- 20000000 ) Key Set, Replmt [F/ Keyswitch 1011402]	1
	4	582150	(10000000- 20000000 ) Plug, Hole, Rt, 1.23 X 1.12, Nyl	2
	5	1011735	(10000000- 20000000 ) Switch, Safety, Shutoff	1
	6	1064038	(10000000- 20000000 ) Gauge, Hourmeter, 05- 277 Volt, Ac / Dc	1
	7	1205496	(10000000- 20000000 ) Hook, Cord	2
	8	1043573	(10000000- 20000000 ) Screw, #10- 14 X 0.675, Spl[Shcs,Selftap]	9
	9	130773	(10000000- 20000000 ) Tie, Cable, Nyl, 11.0l, .14w, 3.0 Max. D	3
	10	1207290	(10000000- 20000000 ) Cover, Charger	1
	11	611311	(10000000- 20000000 ) Spring, Cmpr, 0.40od .05wir 00.5l, Pl,Mw	2
	12	1024965	(10000000- 20000000 ) Bolt, Shld, 08mmd X 030mm, M06 X 1.0	2
▽	13	1220856	(10000000- 20000000 ) Charger, 24vdc 25a 115- 240vac [On- Board]	1
▲	14	605387	(10000000- 20000000 ) Connector, Anderson, 050a, Red [W/O Con]	1
	15	1025642	(10000000- 20000000 ) Cord, Power, 16/3, 15ft Blk [Us]	1
	15	1026330	(10000000- 20000000 ) Cord, Power, 1.0mm2 [2.5meter]	1
	15	1026325	(10000000- 20000000 ) Cord, Power, 1.0mm2/3 Blk[2.5meter, Aus]	1
	15	1048304	(10000000- 20000000 ) Cord, Power [4.5meter, India, S.Africa]	1
	16	1020341	(10000000- 20000000 ) Screw, Hex, M8 X 1.25 X 20, Ss, Sems	4
	17	1231373	(10000000- 20000000 ) Frame, Column, Cntrl [Im], T600	1
	18	378969	(10000000- 20000000 ) Clamp, Cable, Stl, 0.56d X 0.38w, 1hole	1

▽ ASSEMBLY

▲ INCLUDED IN ASSEMBLY

LOWER CONSOLE GROUP, OFF-BOARD CHARGER

355445



## LOWER CONSOLE GROUP, OFF- BOARD CHARGER

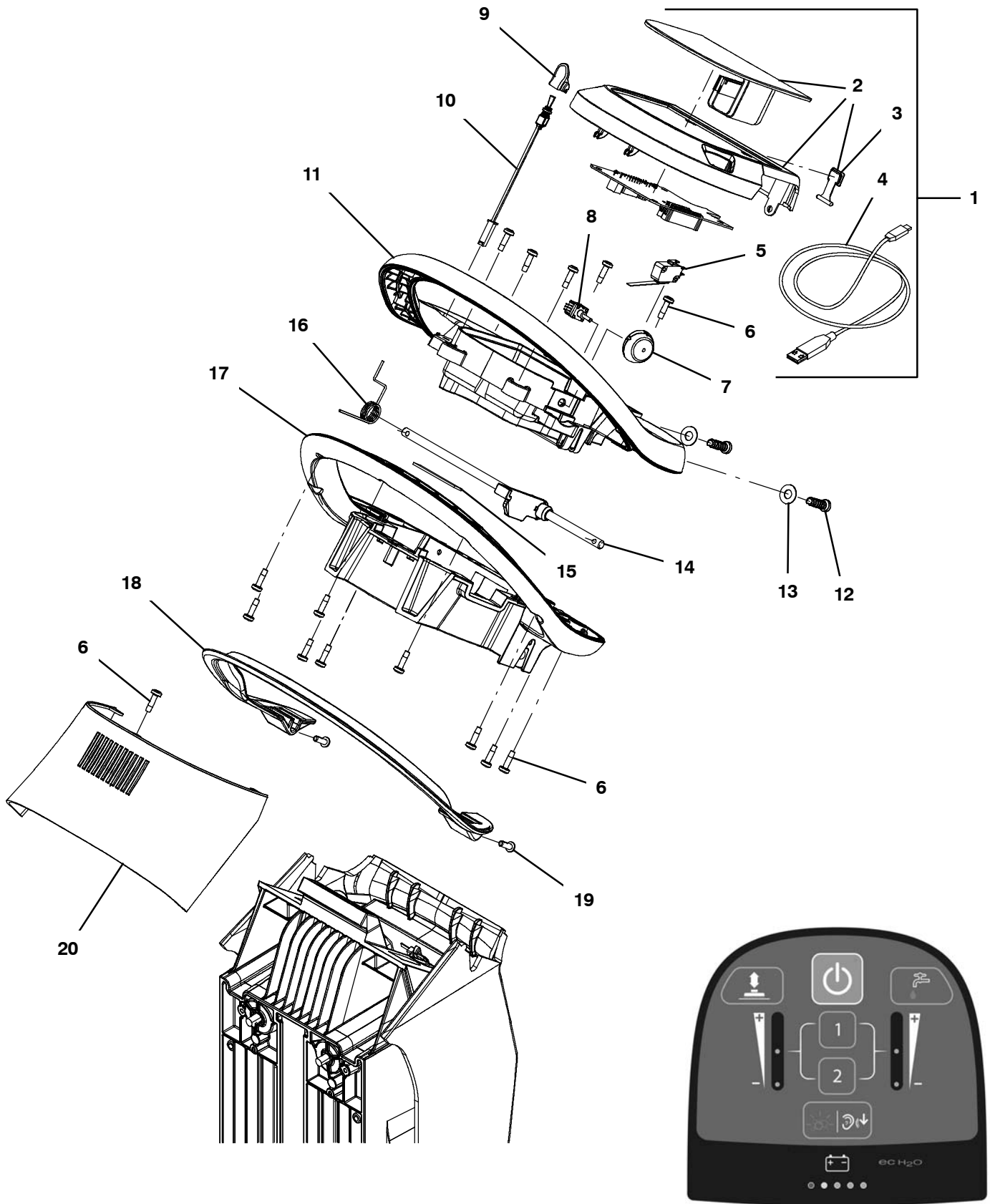
Ref.	Part No.	Serial Number	Description	Qty.
	1	1203802	(10000000- 20000000 ) Cover, Column, Cntrl	1
▽	2	1011402	(10000000- 20000000 ) Switch, Key	1
▲	3	1017696	(10000000- 20000000 ) Key Set, Replmt [F/ Keyswitch 1011402]	1
	4	582150	(10000000- 20000000 ) Plug, Hole, Rt, 1.23 X 1.12, Nyl	2
	5	1011735	(10000000- 20000000 ) Switch, Safety, Shutoff	1
	6	1064038	(10000000- 20000000 ) Gauge, Hourmeter, 05- 277 Volt, Ac / Dc	1
	7	1043573	(10000000- 20000000 ) Screw, #10- 14 X 0.675, Spl[Shcs,Selftap]	2
	8	130773	(10000000- 20000000 ) Tie, Cable, Nyl, 11.0l, .14w, 3.0 Max. D	2
	9	1013705	(10000000- 20000000 ) Plate, Thread, Switch, M3 Nut, 96hr PI	1
	10	1215716	(10000000- 20000000 ) Switch, 0.1a, Spdt[Micro, Gold Contacts]	1
	11	1208599	(10000000- 20000000 ) Bracket Assy, Plug, Charger	1
	12	06922	(10000000- 20000000 ) Screw, Pan, Phl, M3 X 0.50 X 20, 4.8	4
	13	1043573	(10000000- 20000000 ) Screw, #10- 14 X 0.675, Spl[Shcs,Selftap]	2
	14	1020341	(10000000- 20000000 ) Screw, Hex, M8 X 1.25 X 20, Ss, Sems	4
	15	1231373	(10000000- 20000000 ) Frame, Column, Cntrl [Im], T600	1
	16	605387	(10000000- 20000000 ) Connector, Anderson, 050a, Red [W/O Con]	1
▽	17	9015391	(10000000- 20000000 ) Charger Assy, Off- Board [T500/T500e]	1
▲	18	605387	(10000000- 20000000 ) Connector, Anderson, 050a, Red [W/O Con]	1
	19	1025642	(10000000- 20000000 ) Cord, Power, 16/3, 15ft Blk [Us]	1
	19	1026330	(10000000- 20000000 ) Cord, Power, 1.0mm2 [2.5meter]	1
	19	1026325	(10000000- 20000000 ) Cord, Power, 1.0mm2/3 Blk[2.5meter, Aus]	1
	19	1048304	(10000000- 20000000 ) Cord, Power [4.5meter, India, S.Africa]	1

▽ ASSEMBLY

▲ INCLUDED IN ASSEMBLY

CONSOLE HANDLE, PRO-MEMBRANE PANEL

355446





### CONSOLE HANDLE, PRO- MEMBRANE PANEL

Ref.	Part No.	Serial Number	Description	Qty.
▽	1	9015778*	(10000000- 20000000 ) Bezel Kit, Membrane [T500]	1
▲▽	2	9015779	(10000000- 20000000 ) Screen Kit [T500]	1
▲▲	3	1205618	(10000000- 20000000 ) Cap, Usb	1
▲	4	1071235	(10000000- 20000000 ) Cable [Usb, 2m, A- Male To Mini- B- Male]	1
	5	1205323	(10000000- 20000000 ) Switch, 0.1a, Spdt [Micro, Straight]	1
	6	1043573	(10000000- 20000000 ) Screw, #10- 14 X 0.675, Spl[Shcs,Selftap]	15
	7	1206586	(10000000- 20000000 ) Dial, Range, Speed	1
	8	1204930	(10000000- 20000000 ) Potentiometer [100k, 1 Turn, B5/B7]	1
	9	1209730	(10000000- 20000000 ) Cap, Toggle, Direction	1
	10	1209673	(10000000- 20000000 ) Switch Assy, Toggle, Direction	1
	11	1203787	(10000000- 20000000 ) Housing, Handle, Cntrl, Top	2
	12	1215863	(10000000- 20000000 ) Screw, Pan, Torx, M8 X 3.5 X 25[Remform]	2
	13	140027	(10000000- 20000000 ) Washer, Flat, 0.35b 0.75d .04, Ss	3
	14	1205143	(10000000- 20000000 ) Shaft Assy, Bail, Handle	1
	15	1020280	(10000000- 20000000 ) Seal, Afmkt, Rbr, Clsd, Adh, 01ft	1
	16	1205781	(10000000- 20000000 ) Spring, Return, Bail	1
	17	1222608	(10000000- 20000000 ) Housing, Handle, Cntrl, Bottom, Slotted	1
	18	1205778	(10000000- 20000000 ) Handle, Bail [Machined]	1
	19	1205799	(10000000- 20000000 ) Screw, Btn, M5 X 0.8 X 16, 8.8, NI, Torx	2
	20	9015305	(10000000- 20000000 ) Cover Kit, Handle, Cntrl (Kit Includes Label)	1

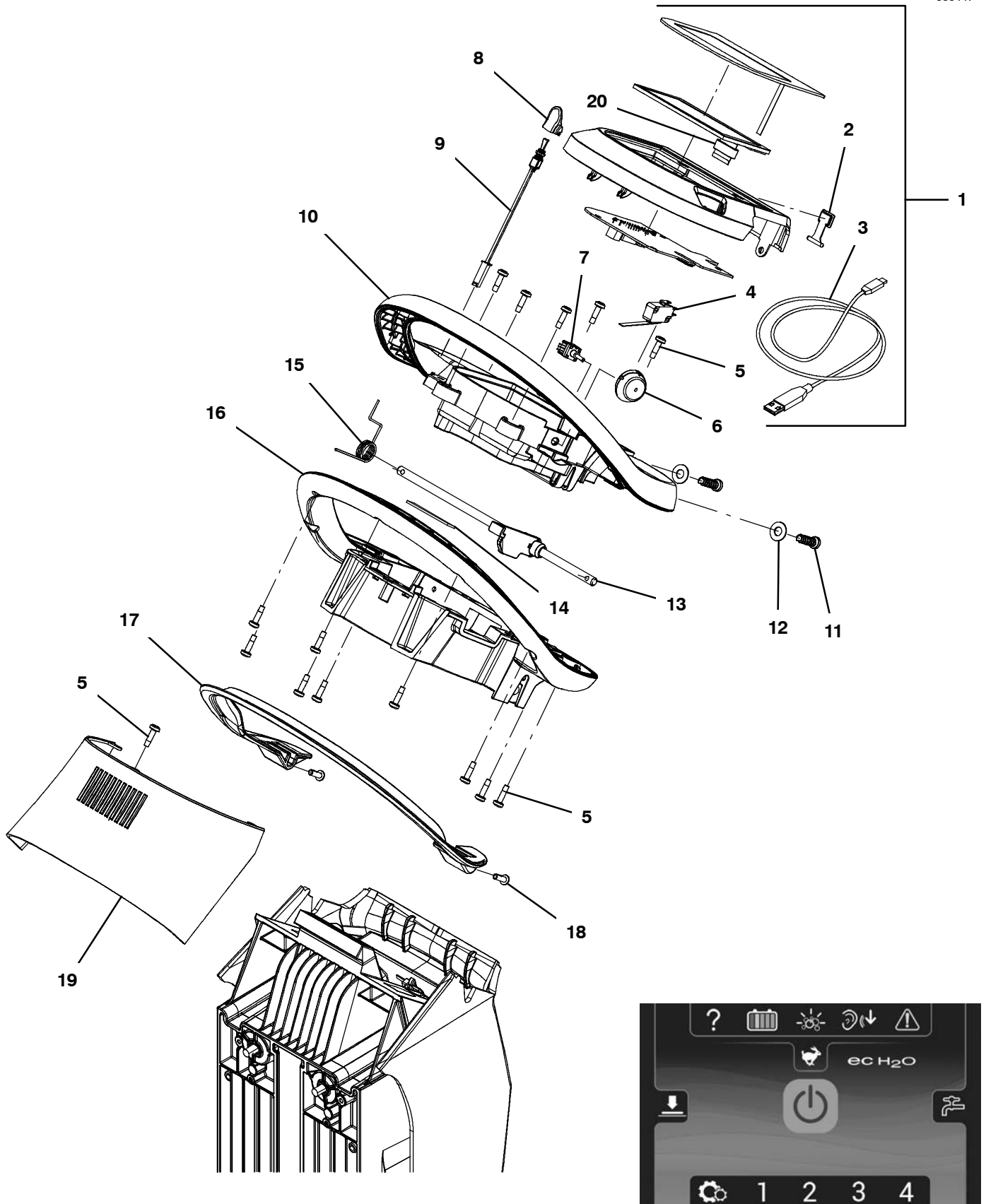
\* Requires Tennant *True* service or an authorized Tennant service provider.

▽ ASSEMBLY

▲ INCLUDED IN ASSEMBLY

CONSOLE HANDLE, PRO-PANEL LCD

355447



## CONSOLE HANDLE, PRO- PANEL LCD

Ref.	Part No.	Serial Number	Description	Qty.
▽	1	9014135*	(10000000- 20000000 ) Bezel Kit, Propel, Lcd Pro- Panl,Ci[T300] (Canada Also Requires Ferrite)	1
▲	2	1205618	(10000000- 20000000 ) Cap, Usb	1
▲	3	1071235	(10000000- 20000000 ) Cable [Usb, 2m, A- Male To Mini- B- Male]	1
	4	1205323	(10000000- 20000000 ) Switch, 0.1a, Spdt [Micro, Straight]	1
	5	1043573	(10000000- 20000000 ) Screw, #10- 14 X 0.675, Spl[Shcs,Selftap]	15
	6	1206586	(10000000- 20000000 ) Dial, Range, Speed	1
	7	1204930	(10000000- 20000000 ) Potentiometer [100k, 1 Turn, B5/B7]	1
	8	1209730	(10000000- 20000000 ) Cap, Toggle, Direction	1
	9	1209673	(10000000- 20000000 ) Switch Assy, Toggle, Direction	1
	10	1203787	(10000000- 20000000 ) Housing, Handle, Cntrl, Top	2
	11	1215863	(10000000- 20000000 ) Screw, Pan, Torx, M8 X 3.5 X 25[Remform]	2
	12	140027	(10000000- 20000000 ) Washer, Flat, 0.35b 0.75d .04, Ss	2
	13	1205143	(10000000- 20000000 ) Shaft Assy, Bail, Handle	1
	14	1020280	(10000000- 20000000 ) Seal, Afmkt, Rbr, Clsd, Adh, 01ft	1
	15	1205781	(10000000- 20000000 ) Spring, Return, Bail	1
	16	1222608	(10000000- 20000000 ) Housing, Handle, Cntrl, Bottom, Slotted	1
	17	1205778	(10000000- 20000000 ) Handle, Bail [Machined]	1
	18	1205799	(10000000- 20000000 ) Screw, Btn, M5 X 0.8 X 16, 8.8, NI, Torx	2
	19	9015305	(10000000- 20000000 ) Cover Kit, Handle, Cntrl (Kit Includes Label)	1
	20	1229342	(10000000- 20000000 ) Inductor, Ferrite [110@100hz] (Canada Only)	1

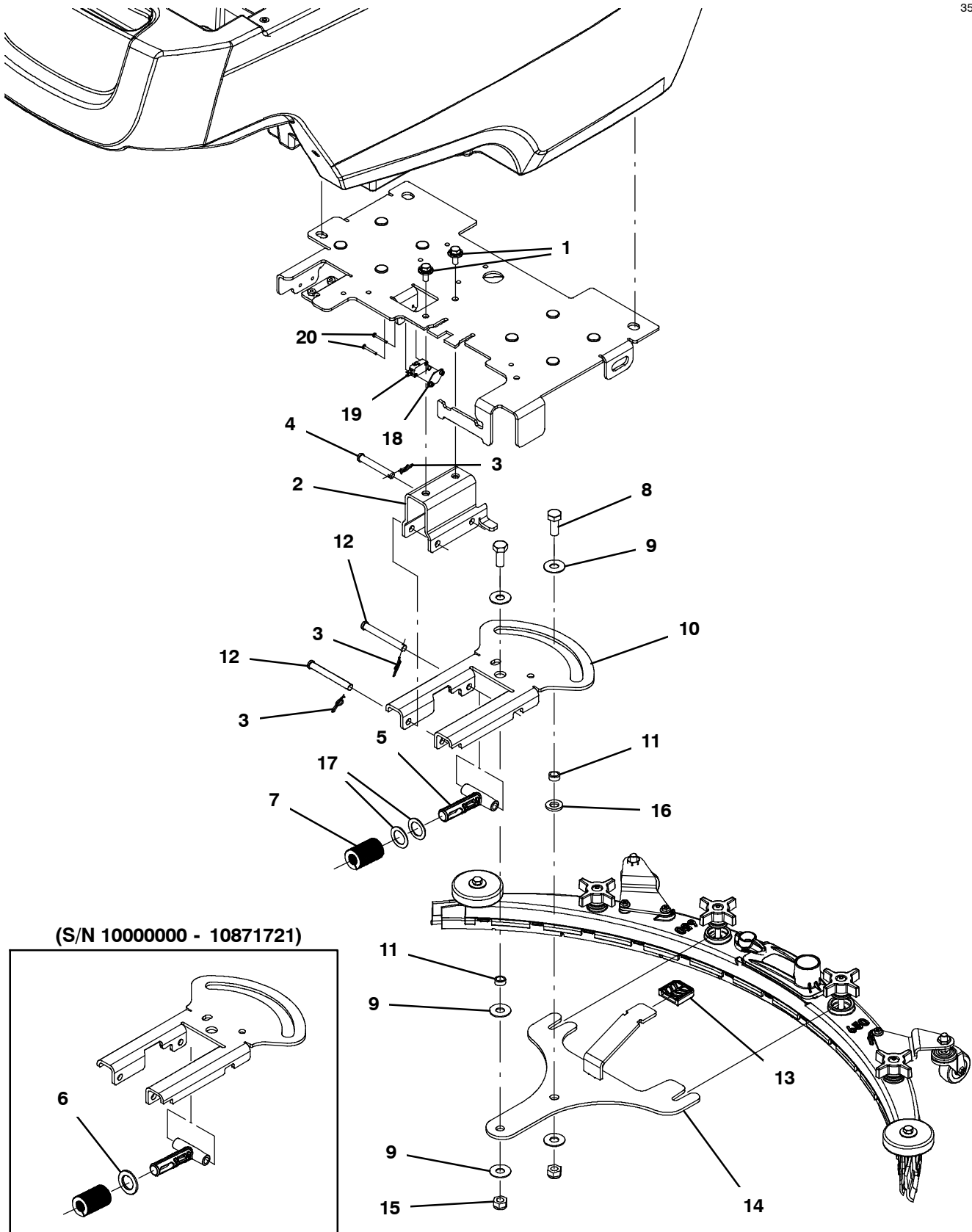
\* Requires Tennant *True* service or an authorized Tennant service provider.

▽ ASSEMBLY

▲ INCLUDED IN ASSEMBLY

SQUEEGEE LIFT GROUP

355441

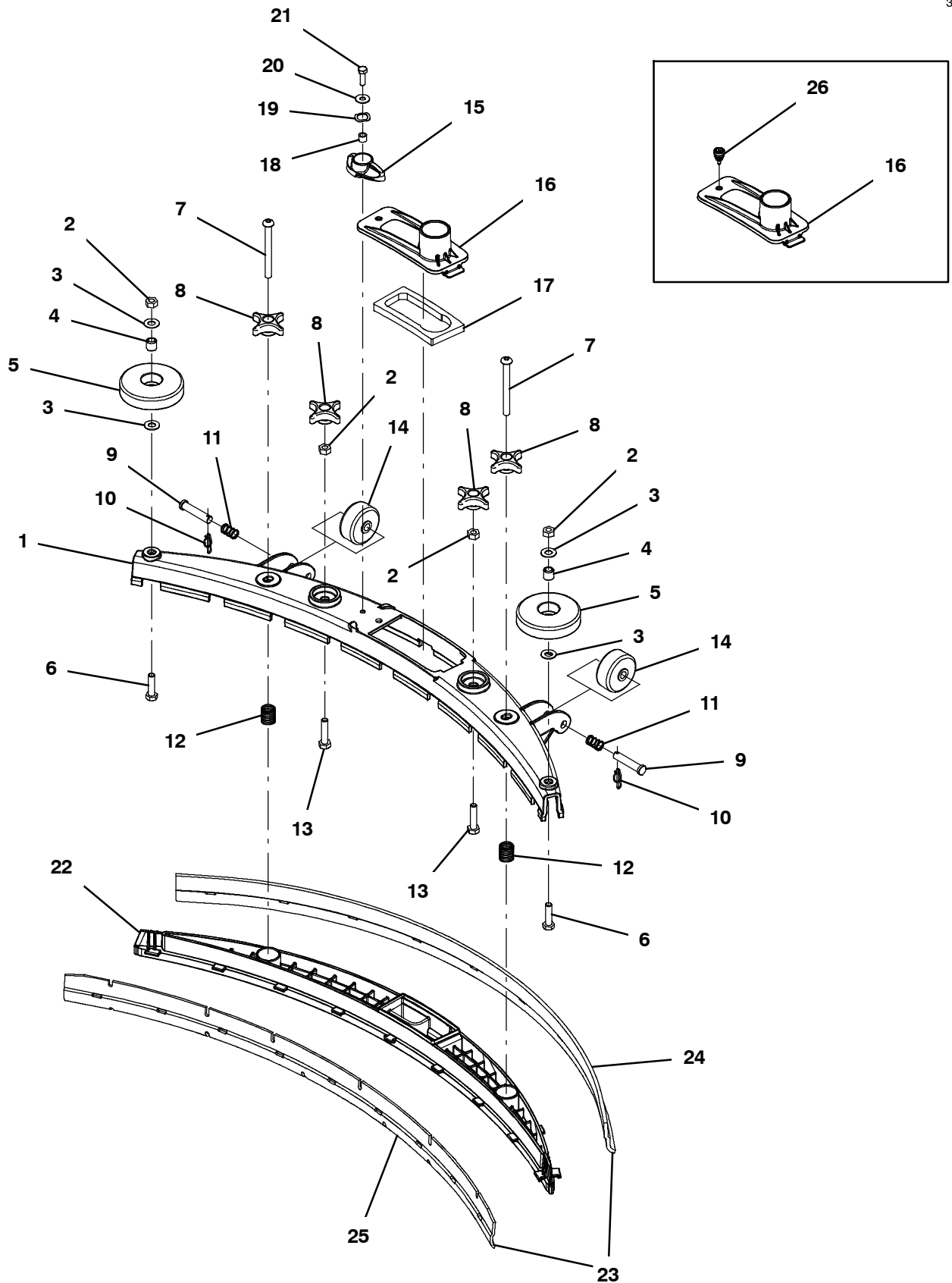


## SQUEEGEE LIFT GROUP

Ref.	Part No.	Serial Number	Description	Qty.
1	1020341	(10000000- 20000000 )	Screw, Hex, M8 X 1.25 X 20, Ss, Sems	2
2	1221959	(10000000- 20000000 )	Bracket, Wldt, Lift, Sqge [T500]	1
3	1216647	(10000000- 20000000 )	Pin, Cotter, Hair, 0.38d .054 Wir	3
4	391179	(10000000- 20000000 )	Pin, Clevis, 0.37d X 2.62l	1
5	1230368	(10000000- 20000000 )	Guide, Spring	1
6	1225960	(10000000- 10871721 )	Washer, Thrust, 0.89b 1.50d 0.13w, Bnz	1
7	1228773	(10000000- 20000000 )	Spring, Cmpr, 1.25od, .625id, 2.0l	1
8	12309	(10000000- 20000000 )	Screw, Hex, M12 X 1.75 X 30, Ss	2
9	140045	(10000000- 20000000 )	Washer, Flat, 0.51b 1.25d .06, Ss	5
10	1219466	(10000000- 20000000 )	Bracket, Pivot, Sqge [T500]	1
11	1013662	(10000000- 20000000 )	Bushing, Sleeve, 12mmb 16mmd 7mml, Pm Yel	2
12	57598	(10000000- 20000000 )	Pin, Clevis, 0.37d X 3.25l	2
13	1212533	(10000000- 20000000 )	Cover, Pedal, Lift	1
14	1220505	(10000000- 20000000 )	Bracket Wldt, Mtg, Sqge [T500]	1
15	09741	(10000000- 20000000 )	Nut, Hex, Lock, M12 X 1.75, NI, Ss	2
16	140127	(10000000- 20000000 )	Washer, Thrust, 0.51b 1.00d 0.12w, Brz	1
17	82226	(10871722- 20000000 )	Washer, Flat, 0.91b 1.38d .06, Stl, PI	2
18	1013705	(10000000- 20000000 )	Plate, Thread, Switch, M3 Nut, 96hr PI	1
19	1215716	(10000000- 20000000 )	Switch, 0.1a, Spdt[Micro, Gold Contacts]	1
20	33933	(10000000- 20000000 )	Screw, Pan, Phl, M3 X 0.50 X 25, Ss	2

SQUEEGEE ASSEMBLY, 500MM / 20IN

355437



## SQUEEGEE ASSEMBLY, 500MM / 20IN

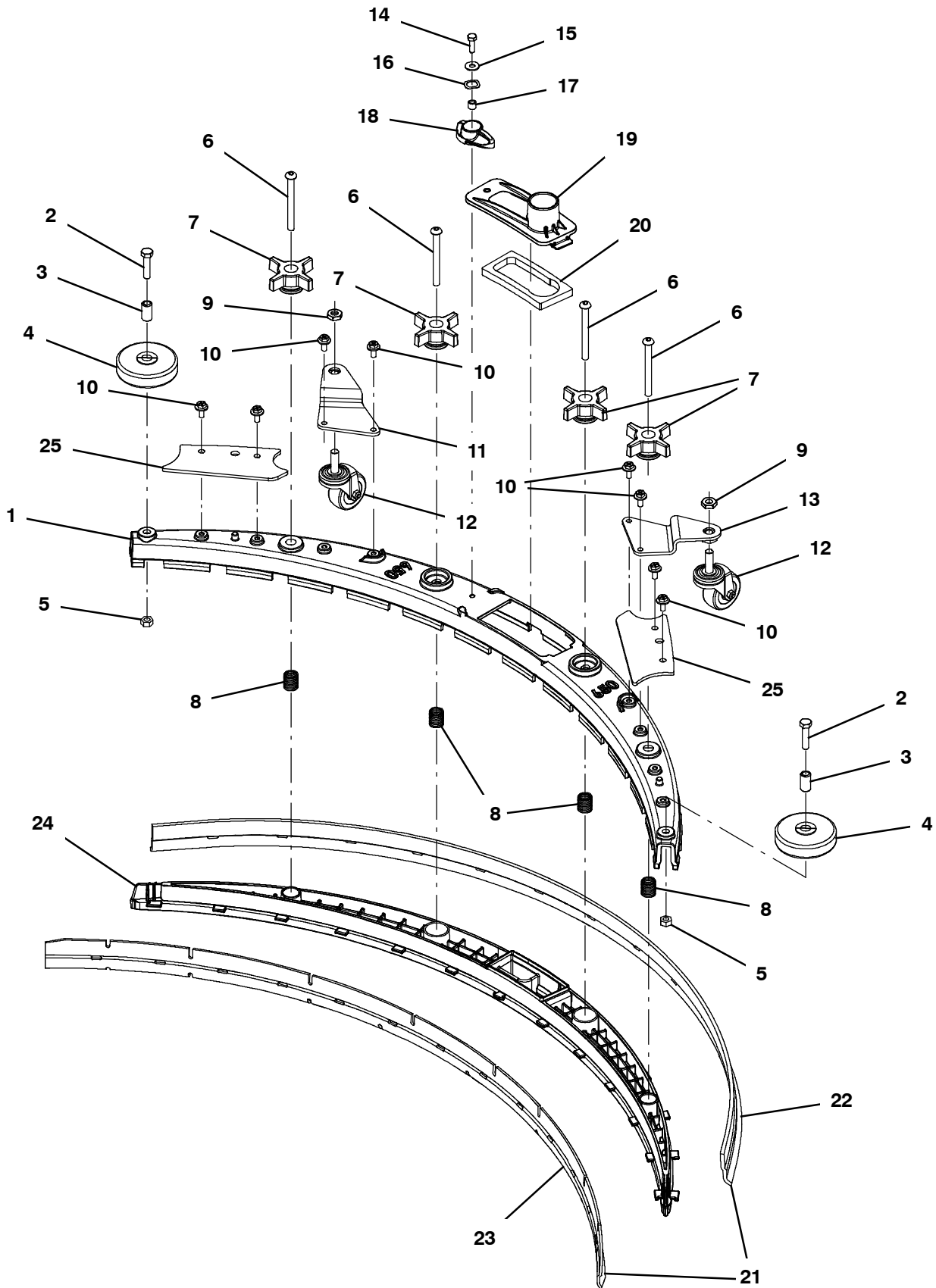
Ref.	Part No.	Serial Number	Description	Qty.
▽	9014172	(10000000- 20000000 )	Squeegee Kit, Linatex, Ci [T300/E/Ss300]	1
▲	1 1230946	(10000000- 20000000 )	Frame, Sqge, 50cm, Mach [T300]	1
▲	2 07786	(10000000- 20000000 )	Nut, Hex, Std, M8 X 1.25, Ss	2
▲	3 140027	(10000000- 20000000 )	Washer, Flat, 0.35b 0.75d .04, Ss	4
▲	4 222460	(10000000- 20000000 )	Sleeve, P/M, 0.32b 0.50d 0.5l [430ss]	2
▲	5 1010560	(10000000- 20000000 )	Wheel, Bmpr, 80d X 25w, Non- Marking	2
▲	6 1016399	(10000000- 20000000 )	Screw, Hex, M8 X 1.25 X 30, NI, Ss	2
▲	7 1212755	(10000000- 20000000 )	Screw, Btn, M8 X 1.25 X 80, Ss	2
▲	8 1213677	(10000000- 20000000 )	Knob, Star, 2.00od 4ear M8x1.25 [Yel]	4
▲	9 17461	(10000000- 20000000 )	Pin, Clevis, 0.37d X 1.75l	2
▲	10 1216647	(10000000- 20000000 )	Pin, Cotter, Hair, 0.38d .054 Wir	2
▲	11 1017091	(10000000- 20000000 )	Spring, Cmpr, 0.50od .04wir 00.8l	2
▲	12 22290	(10000000- 20000000 )	Spring, Cmpr, 0.72od .06wir 02.3l	2
▲	13 09026	(10000000- 20000000 )	Screw, Hex, M8 X 1.25 X 40, Ss	2
▲	14 630477	(10000000- 20000000 )	Wheel, Pyu, 02.0d 0.38w, Gray	2
▲	15 1222109	(xxxxxxx- 20000000 )	Knob, Sqge, 58l, M6 X 1.00, Plstc	1
▲	16 1209631	(10000000- 20000000 )	Cover, Trap, Water, Sqge	1
▲	17 1210756	(10000000- 20000000 )	Gasket, Trap, Water, Sqge	1
▲	18 140154	(xxxxxxx- 20000000 )	Sleeve, P/M, 0.25b 0.38d 0.3l, PI	1
▲	19 140060	(xxxxxxx- 20000000 )	Washer, .505 X .750 X 0.45 Wave	1
▲	20 01684	(xxxxxxx- 20000000 )	Washer, Flat, 0.27b 0.69d .05, Ss	1
▲	21 12277	(xxxxxxx- 20000000 )	Screw, Hex, M6 X 1.00 X 20, NI, Ss	1
▲	22 1203638	(10000000- 20000000 )	Retainer, Sqge [T300]	1
▲▽	23 9015731	(10000000- 20000000 )	Blade Kit, 500mm, Linatex (Standard)	1
▲▲	24 1203953	(10000000- 20000000 )	Blade, Sqge, Rear, 836l, Linatex[500mm] (Standard)	1
▲▲	25 1203954	(10000000- 20000000 )	Blade, Sqge, Front, 788l, Linatex[500mm] (Standard)	1
▽	23 9015732	(10000000- 20000000 )	Blade Kit, 500mm, Urethane (Option)	1
▲	24 1215609	(10000000- 20000000 )	Blade, Sqge, Rear, 836l, Urethane[500mm] (Option)	1
▲	25 1215611	(10000000- 20000000 )	Blade, Sqge, Front, 788l, Urethane[500mm] (Option)	1
▽	23 9015730	(10000000- 20000000 )	Blade Kit, 500mm, Gum (Option)	1
▲	24 1215610	(10000000- 20000000 )	Blade, Sqge, Rear, 836l, Gum[500mm] (Option)	1
▲	25 1215612	(10000000- 20000000 )	Blade, Sqge, Front, 788l, Gum[500mm] (Option)	1
	26 1212683	(10000000- xxxxxxx )	Screw, Captive, M5, Knurled [Snap In]	1

▽ ASSEMBLY

▲ INCLUDED IN ASSEMBLY

SQUEEGEE ASSEMBLY, 650MM / 26IN

355438





## SQUEEGEE ASSEMBLY, 650MM / 26IN

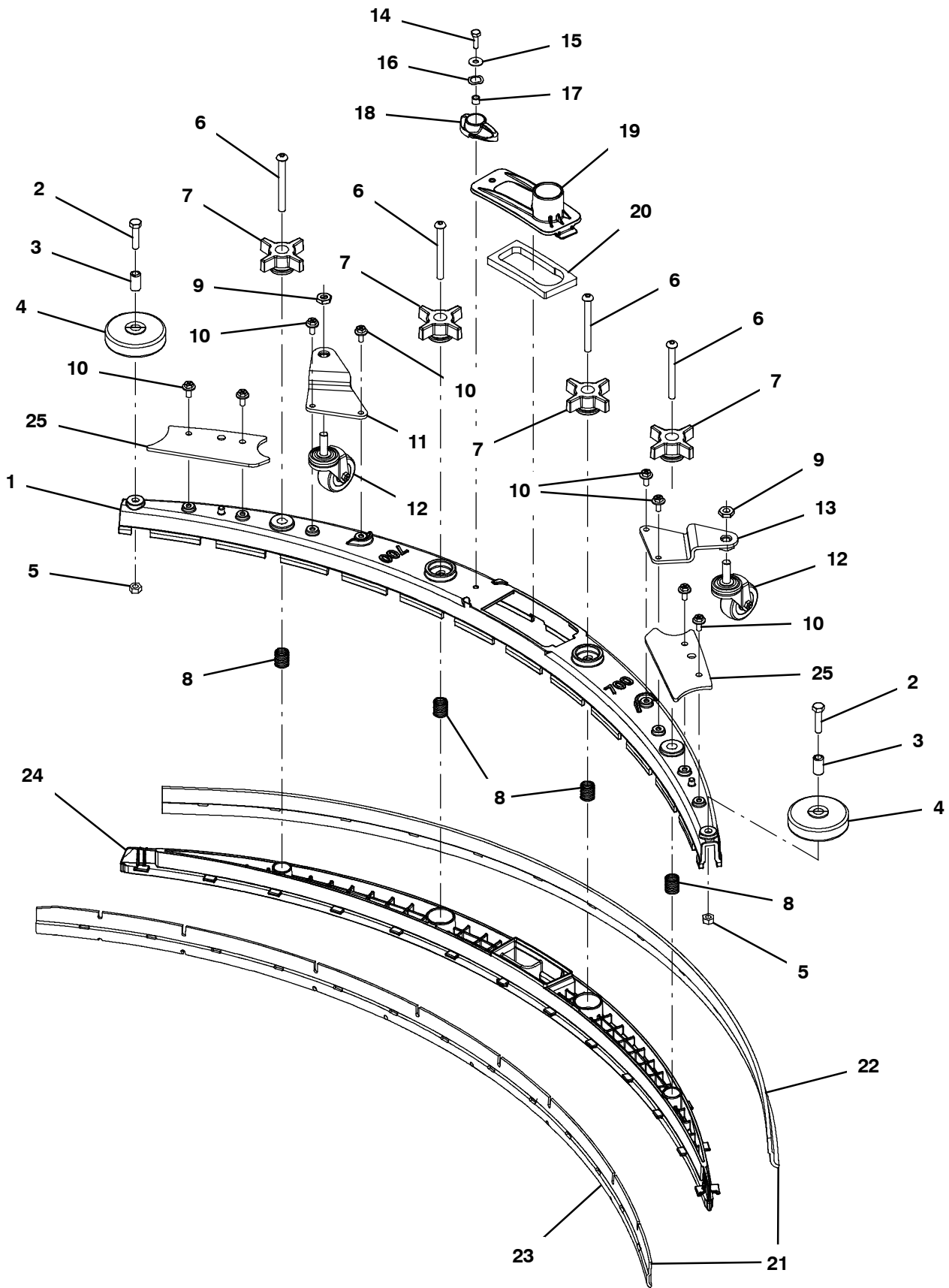
Ref.	Part No.	Serial Number	Description	Qty.
▽	9015301	(10000000- 20000000 )	Squeegee Kit, 650mm, Ci	1
▲	1 1221259	(10000000- 20000000 )	Frame, Sqge, 65cm, Mach [T500]	1
▲	2 59658	(10000000- 20000000 )	Screw, Hex, M8 X 1.25 X 35, NI, Ss	2
▲	3 222496	(10000000- 20000000 )	Sleeve, P/M, 0.32b 0.50d 0.9l [430ss]	2
▲	4 222066	(10000000- 20000000 )	Wheel, 03.0d 0.88w 0.50b	2
▲	5 07786	(10000000- 20000000 )	Nut, Hex, Std, M8 X 1.25, Ss	2
▲	6 1212755	(10000000- 20000000 )	Screw, Btn, M8 X 1.25 X 80, Ss	4
▲	7 1074204	(10000000- 20000000 )	Knob,Star,2.75d 4ear 1.1l M8x1.25,Thru,Y	4
▲	8 22290	(10000000- 20000000 )	Spring, Cmpr, 0.72od .06wir 02.3l	4
▲	9 32716	(10000000- 20000000 )	Nut, Hex, Jam, M10 X 1.5, Ss	2
▲	10 1034731	(10000000- 20000000 )	Screw, Hex, M6 X 1.00 X 16, Sems, Ss	8
▲	11 1222236	(10000000- 20000000 )	Bracket Wldt, Caster, Rh Sqge[T500]	1
▲	12 1006343	(10000000- 20000000 )	Caster, Swivel, 50mmd, M10 X 30, Clr PI	2
▲	13 1222001	(10000000- 20000000 )	Bracket Wldt, Caster, Lh Sqge [T500]	1
▲	14 12277	(10000000- 20000000 )	Screw, Hex, M6 X 1.00 X 20, NI, Ss	1
▲	15 01684	(10000000- 20000000 )	Washer, Flat, 0.27b 0.69d .05, Ss	1
▲	16 140060	(10000000- 20000000 )	Washer, Wave- Spring, .505 .750 .045	1
▲	17 140154	(10000000- 20000000 )	Sleeve, P/M, 0.25b 0.38d 0.3l, PI	1
▲	18 1222109	(10000000- 20000000 )	Knob, Sqge, 58l, M6 X 1.00, Plstc	1
▲	19 1209631	(10000000- 20000000 )	Cover, Trap, Water, Sqge	1
▲	20 1210756	(10000000- 20000000 )	Gasket, Trap, Water, Sqge	1
▲▽	21 9015734	(10000000- 20000000 )	Blade Kit, 650mm, Linatex/Linard (Standard)	1
▲▲	22 1221585	(10000000- 20000000 )	Blade, Sqge, Rear, 1166l, Linatex[650mm] (Standard)	1
▲▲	23 1232680	(10000000- 20000000 )	Blade, Sqge, Front, 1072l Linard[650mm] (Standard)	1
▲	24 1221260	(10000000- 20000000 )	Retainer, Sqge, 65cm [T500]	1
▲	25 1230738	(10000000- 20000000 )	Bracket, Sqge Bumper	2
▽	21 9015735	(10000000- 20000000 )	Blade Kit, 650mm, Urethane (Option)	1
▲	22 1228909	(10000000- 20000000 )	Blade, Sqge, Rear, 1136l,Urethane[650mm] (Option)	1
▲	23 1228915	(10000000- 20000000 )	Blade, Sqge, Front,1072l,Urethane[650mm] (Option)	1
▽	21 9015733	(10000000- 20000000 )	Blade Kit, 650mm, Gum (Option)	1
▲	22 1228910	(10000000- 20000000 )	Blade, Sqge, Rear, 1136l, Gum[650mm] (Option)	1
▲	23 1228919	(10000000- 20000000 )	Blade, Sqge, Front, 1072l Gum[650mm] (Option)	1

▽ ASSEMBLY

▲ INCLUDED IN ASSEMBLY

SQUEEGEE ASSEMBLY, 700MM / 28IN

355439



## SQUEEGEE ASSEMBLY, 700MM / 28IN

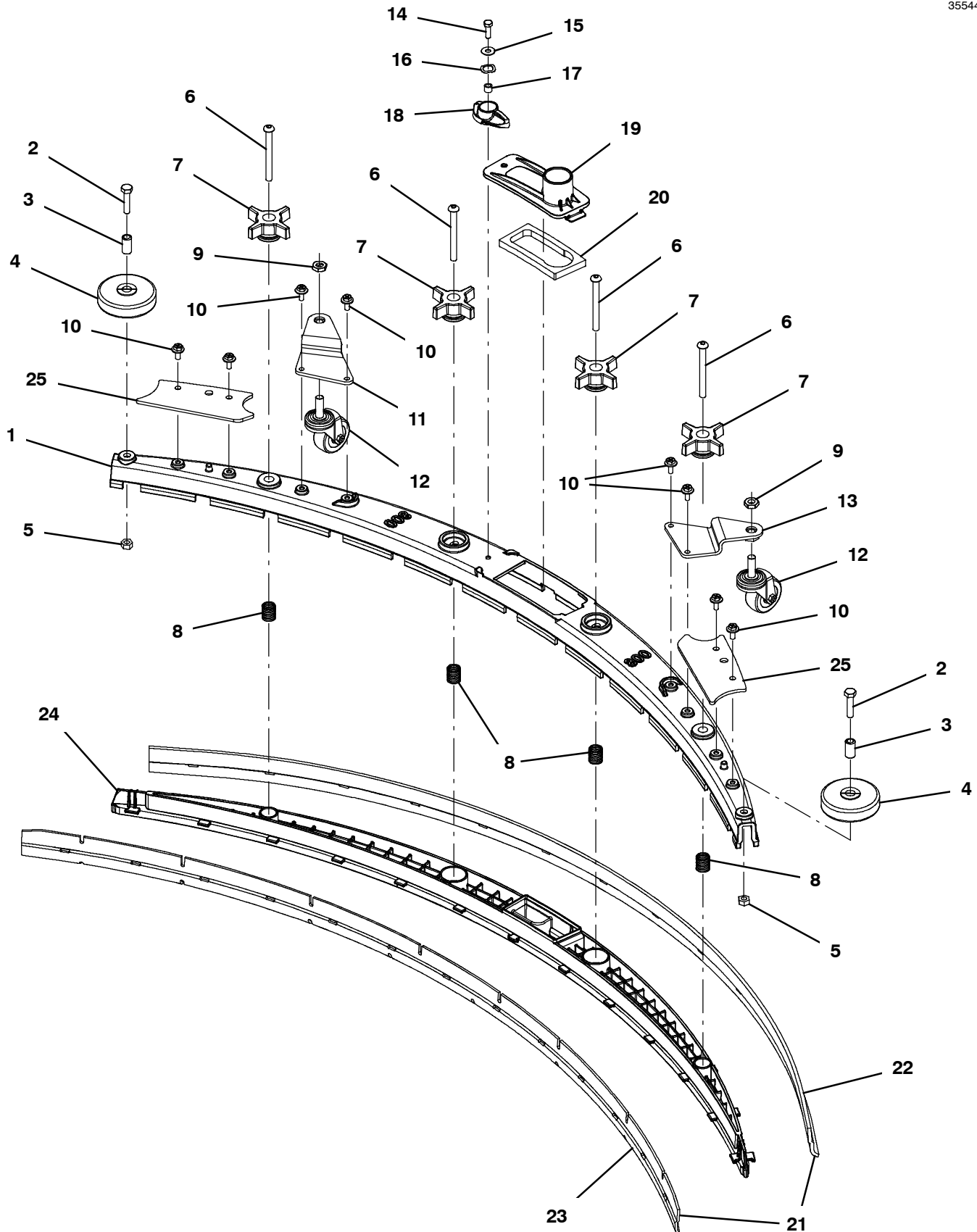
Ref.	Part No.	Serial Number	Description	Qty.
▽	9015302	(10000000- 20000000 )	Squeegee Kit, 700mm, Ci	1
▲	1 1220309	(10000000- 20000000 )	Frame, Sqge, 70cm, Mach [T500]	1
▲	2 59658	(10000000- 20000000 )	Screw, Hex, M8 X 1.25 X 35, NI, Ss	2
▲	3 222496	(10000000- 20000000 )	Sleeve, P/M, 0.32b 0.50d 0.9l [430ss]	2
▲	4 222066	(10000000- 20000000 )	Wheel, 03.0d 0.88w 0.50b	2
▲	5 07786	(10000000- 20000000 )	Nut, Hex, Std, M8 X 1.25, Ss	2
▲	6 1212755	(10000000- 20000000 )	Screw, Btn, M8 X 1.25 X 80, Ss	4
▲	7 1074204	(10000000- 20000000 )	Knob,Star,2.75d 4ear 1.1l M8x1.25,Thru,Y	4
▲	8 22290	(10000000- 20000000 )	Spring, Cmpr, 0.72od .06wir 02.3l	4
▲	9 32716	(10000000- 20000000 )	Nut, Hex, Jam, M10 X 1.5, Ss	2
▲	10 1034731	(10000000- 20000000 )	Screw, Hex, M6 X 1.00 X 16, Sems, Ss	8
▲	11 1222236	(10000000- 20000000 )	Bracket Wldt, Caster, Rh Sqge[T500]	1
▲	12 1006343	(10000000- 20000000 )	Caster, Swivel, 50mmd, M10 X 30, Clr PI	2
▲	13 1222001	(10000000- 20000000 )	Bracket Wldt, Caster, Lh Sqge [T500]	1
▲	14 12277	(10000000- 20000000 )	Screw, Hex, M6 X 1.00 X 20, NI, Ss	1
▲	15 01684	(10000000- 20000000 )	Washer, Flat, 0.27b 0.69d .05, Ss	1
▲	16 140060	(10000000- 20000000 )	Washer, Wave- Spring, .505 .750 .045	1
▲	17 140154	(10000000- 20000000 )	Sleeve, P/M, 0.25b 0.38d 0.3l, PI	1
▲	18 1222109	(10000000- 20000000 )	Knob, Sqge, 58l, M6 X 1.00, Plstc	1
▲	19 1209631	(10000000- 20000000 )	Cover, Trap, Water, Sqge	1
▲	20 1210756	(10000000- 20000000 )	Gasket, Trap, Water, Sqge	1
▲▽	21 9015737	(10000000- 20000000 )	Blade Kit, 700mm, Linatex/Linard (Standard)	1
▲▲	22 1221572	(10000000- 20000000 )	Blade, Sqge, Rear, 1204l, Linatex[700mm] (Standard)	1
▲▲	23 1232679	(10000000- 20000000 )	Blade, Sqge, Front, 1148l Linard[700mm] (Standard)	1
▲	24 1220783	(10000000- 20000000 )	Retainer, Sqge, 70cm [T500]	1
▲	25 1230738	(10000000- 20000000 )	Bracket, Sqge Bumper	2
▽	21 9015738	(10000000- 20000000 )	Blade Kit, 700mm, Urethane (Option)	1
▲	22 1228904	(10000000- 20000000 )	Blade, Sqge, Rear, 1204l,Urethane[700mm] (Option)	1
▲	23 1228906	(10000000- 20000000 )	Blade, Sqge, Front,1148l Urethane[700mm] (Option)	1
▽	21 9015736	(10000000- 20000000 )	Blade Kit, 700mm, Gum (Option)	1
▲	22 1228905	(10000000- 20000000 )	Blade, Sqge, Rear, 1204l, Gum[700mm] (Option)	1
▲	23 1228907	(10000000- 20000000 )	Blade, Sqge, Front, 1148l Gum[700mm] (Option)	1

▽ ASSEMBLY

▲ INCLUDED IN ASSEMBLY

SQUEEGEE ASSEMBLY, 800MM / 32IN

355440



## SQUEEGEE ASSEMBLY, 800MM / 32IN

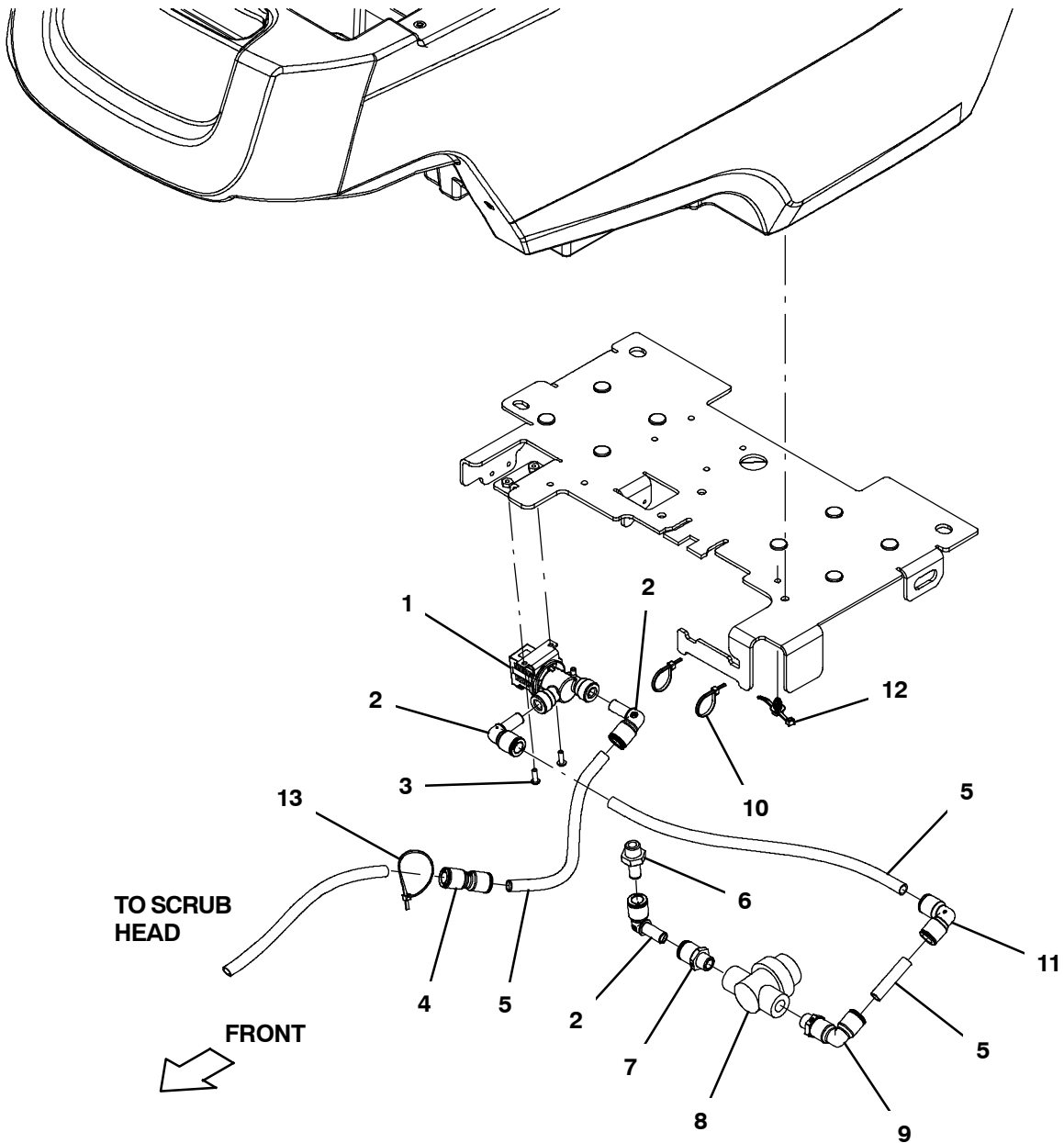
Ref.	Part No.	Serial Number	Description	Qty.
▽	9015303	(10000000- 20000000 )	Squeegee Kit, 800mm, Ci	1
▲	1 1219894	(10000000- 20000000 )	Frame, Sqge, 80cm, Mach [T500]	1
▲	2 59658	(10000000- 20000000 )	Screw, Hex, M8 X 1.25 X 35, NI, Ss	2
▲	3 222496	(10000000- 20000000 )	Sleeve, P/M, 0.32b 0.50d 0.9l [430ss]	2
▲	4 222066	(10000000- 20000000 )	Wheel, 03.0d 0.88w 0.50b	2
▲	5 07786	(10000000- 20000000 )	Nut, Hex, Std, M8 X 1.25, Ss	2
▲	6 1212755	(10000000- 20000000 )	Screw, Btn, M8 X 1.25 X 80, Ss	4
▲	7 1074204	(10000000- 20000000 )	Knob,Star,2.75d 4ear 1.1l M8x1.25,Thru,Y	4
▲	8 22290	(10000000- 20000000 )	Spring, Cmpr, 0.72od .06wir 02.3l	4
▲	9 32716	(10000000- 20000000 )	Nut, Hex, Jam, M10 X 1.5, Ss	2
▲	10 1034731	(10000000- 20000000 )	Screw, Hex, M6 X 1.00 X 16, Sems, Ss	8
▲	11 1222236	(10000000- 20000000 )	Bracket Wldt, Caster, Rh Sqge[T500]	1
▲	12 1006343	(10000000- 20000000 )	Caster, Swivel, 50mmd, M10 X 30, Clr PI	2
▲	13 1222001	(10000000- 20000000 )	Bracket Wldt, Caster, Lh Sqge [T500]	1
▲	14 12277	(10000000- 20000000 )	Screw, Hex, M6 X 1.00 X 20, NI, Ss	1
▲	15 01684	(10000000- 20000000 )	Washer, Flat, 0.27b 0.69d .05, Ss	1
▲	16 140060	(10000000- 20000000 )	Washer, Wave- Spring, .505 .750 .045	1
▲	17 140154	(10000000- 20000000 )	Sleeve, P/M, 0.25b 0.38d 0.3l, PI	1
▲	18 1222109	(10000000- 20000000 )	Knob, Sqge, 58l, M6 X 1.00, Plstc	1
▲	19 1209631	(10000000- 20000000 )	Cover, Trap, Water, Sqge	1
▲	20 1210756	(10000000- 20000000 )	Gasket, Trap, Water, Sqge	1
▲▽	21 9015740	(10000000- 20000000 )	Blade Kit, 800mm, Linatex/Linard (Standard)	1
▲▲	22 1221115	(10000000- 20000000 )	Blade, Sqge, Rear, 1306l, Linatex[800mm] (Standard)	1
▲▲	23 1232681	(10000000- 20000000 )	Blade, Sqge, Front, 1256l Linard[800mm] (Standard)	1
▲	24 1219405	(10000000- 20000000 )	Retainer, Sqge, 80cm [T500]	1
▲	25 1230738	(10000000- 20000000 )	Bracket, Sqge Bumper	2
▽	21 9015741	(10000000- 20000000 )	Blade Kit, 800mm, Urethane (Option)	1
▲	22 1228920	(10000000- 20000000 )	Blade, Sqge, Rear, 1306l,Urethane[800mm] (Option)	1
▲	23 1228922	(10000000- 20000000 )	Blade, Sqge, Front,1256l Urethane[800mm] (Option)	1
▽	21 9015739	(10000000- 20000000 )	Blade Kit, 800mm, Gum (Option)	1
▲	22 1228921	(10000000- 20000000 )	Blade, Sqge, Rear, 1306l, Gum[800mm] (Option)	1
▲	23 1228923	(10000000- 20000000 )	Blade, Sqge, Front, 1256l Gum[800mm] (Option)	1

▽ ASSEMBLY

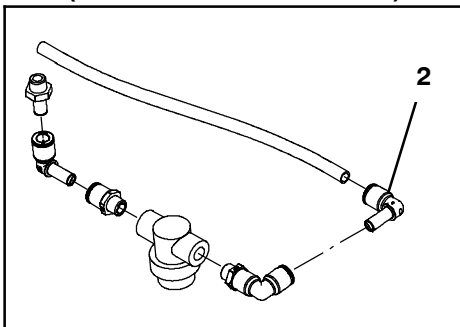
▲ INCLUDED IN ASSEMBLY

STANDARD SOLUTION GROUP

355435



(S/N 1000000 - 10865726)



## STANDARD SOLUTION GROUP

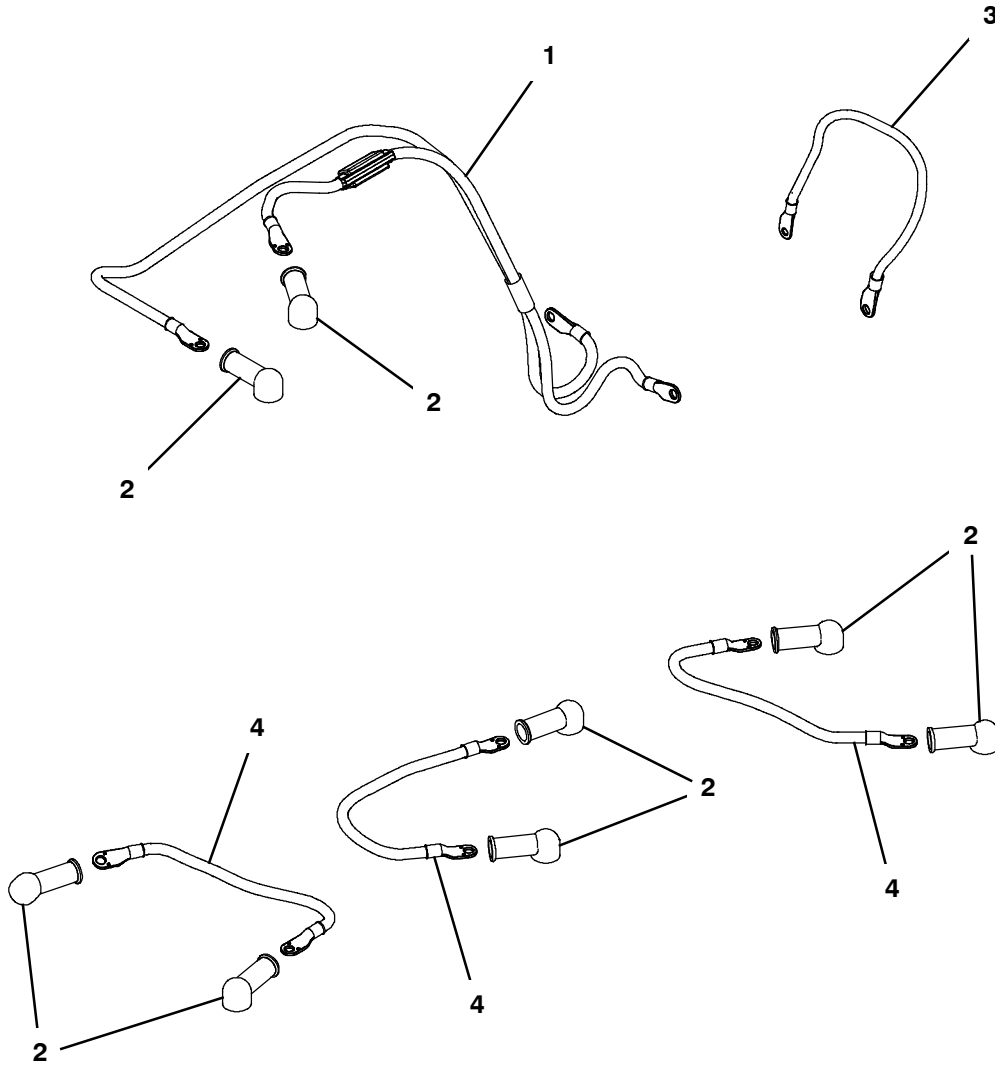
Ref.	Part No.	Serial Number	Description	Qty.
1	1211424	(10000000- 20000000 )	Valve, Water, Solenoid, 24vdc Qf08/Qf08	1
2	1212809	(10865727- 20000000 )	Fitting, Plstc, E90, Qf08/Qm08	3
2	1212809	(10000000- 10865726 )	Fitting, Plstc, E90, Qf08/Qm08	4
3	1205799	(10000000- 20000000 )	Screw, Btn, M5 X 0.8 X 16, 8.8, NI, Torx	2
4	1212859	(10000000- 20000000 )	Fitting, Plstc, Str, Qf08/Qf08	1
5	9014145	(10000000- 20000000 )	Hose, Afmkt, Pe, .375id .50od, 05ft	1
6	1227552	(10000000- 20000000 )	Fitting, Plstc, Str, Qm08/Pm06	1
7	1212813	(10000000- 20000000 )	Fitting, Plstc, Str, Qf08/Pm06	1
▽	8	1211537	(10000000- 20000000 ) Filter, In- Line, Pf06/Pf06 080m 2.6l Epd	1
▲		1218885	(10000000- 20000000 ) Gasket [Epdm, F/1211537]	1
▲		1218883	(10000000- 20000000 ) Screen, Fltr, 80 Mesh, Ss [W/ Cage]	1
▲		613991	(10000000- 20000000 ) Bowl, Clr, Short, F/1005302	1
9	1212987	(10000000- 20000000 )	Fitting, Plstc, E90, Qf08/Pm06, Swivel	1
10	130773	(10000000- 20000000 )	Tie, Cable, Nyl, 11.0l, .14w, 3.0 Max. D	2
11	1221945	(10865727- 20000000 )	Fitting, Plstc, E90, Qf08/Qf08	1
12	1210807	(10865727- 20000000 )	Wire, Tie [W/.25" Fir Tree Clip]	1
13	130773	(10000000- 20000000 )	Tie, Cable, Nyl, 11.0l, .14w, 3.0 Max. D	1

▽ ASSEMBLY

▲ INCLUDED IN ASSEMBLY

BATTERY CABLES GROUP

355456

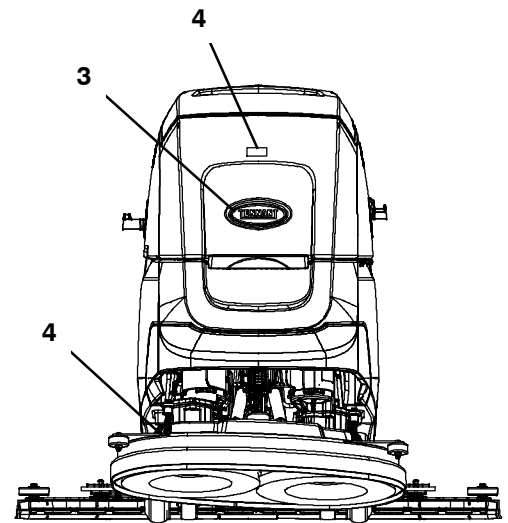
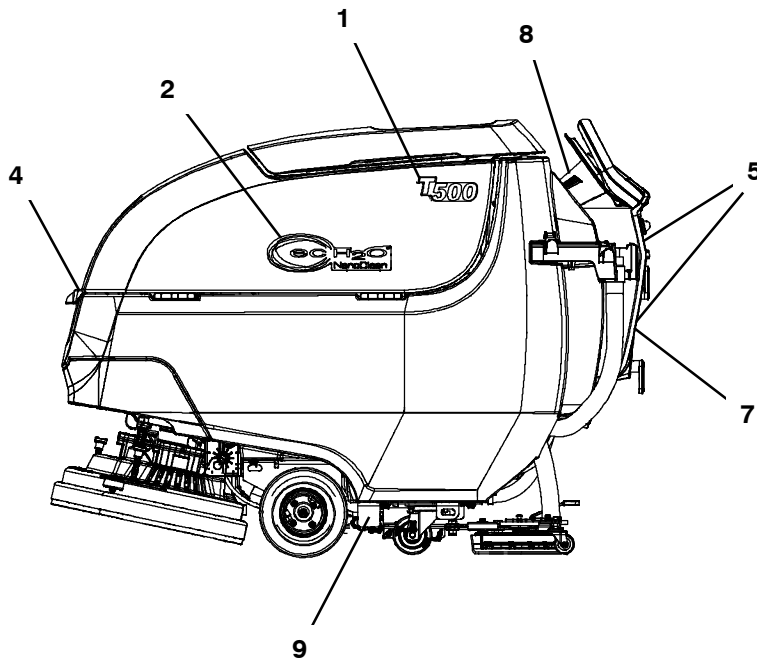


Ref.	Part No.	Serial Number	Description	Qty.
1	1074942	(10000000- 20000000 )	Cable, Assy [T500,T500e]	1
2	611221	(10000000- 20000000 )	Boot, Terminal, Battery, 25.4mm, Blk	8
3	1074945	(10000000- 20000000 )	Cable, 04ga 15.0l Red [M8 Ring/M6 Ring]	1
4	1073680	(10000000- 20000000 )	Cable, 04ga 15.0l Blk [M8 Ring/M8 Ring]	3

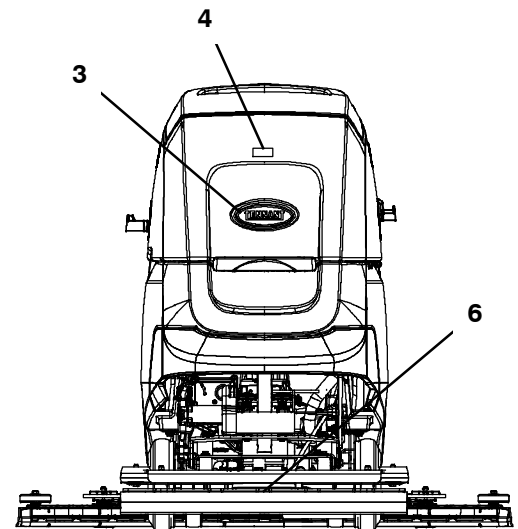
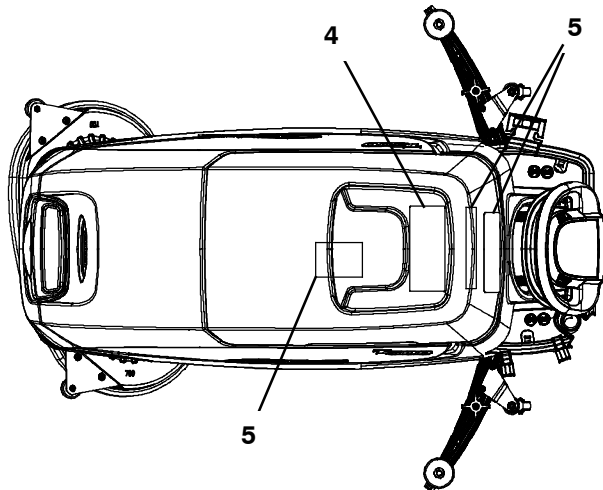


LABEL GROUP

355469



DISK & CYLINDRICAL HEAD



ORBITAL HEAD

Ref.	Part No.	Serial Number	Description	Qty.
1	1224983	(10000000- 20000000 )	Label, T500	2
2	1216520	(10000000- 20000000 )	Label, Logo [Ech2o Nano]	2
3	1213114	(10000000- 20000000 )	Label, Logo, 05.5l, Blk/Sil [Tennant]	1
4	1220962	(10000000- 20000000 )	Label Sheet, Info/Hzrd [T500, Na]	1
5	1220965	(10000000- 20000000 )	Label Sheet, Operational [T500]	1
6	1224995	(10000000- 20000000 )	Label, Orbital, Size, 70cm	1
7	1225763	(10000000- 20000000 )	Label, Decal, Charger, Off- Board	1
8	1229725	(10000000- 20000000 )	Label, Warning [Do Not Spray]	1
9	1231798	(10865727- 20000000 )	Label, Info, Filter	1

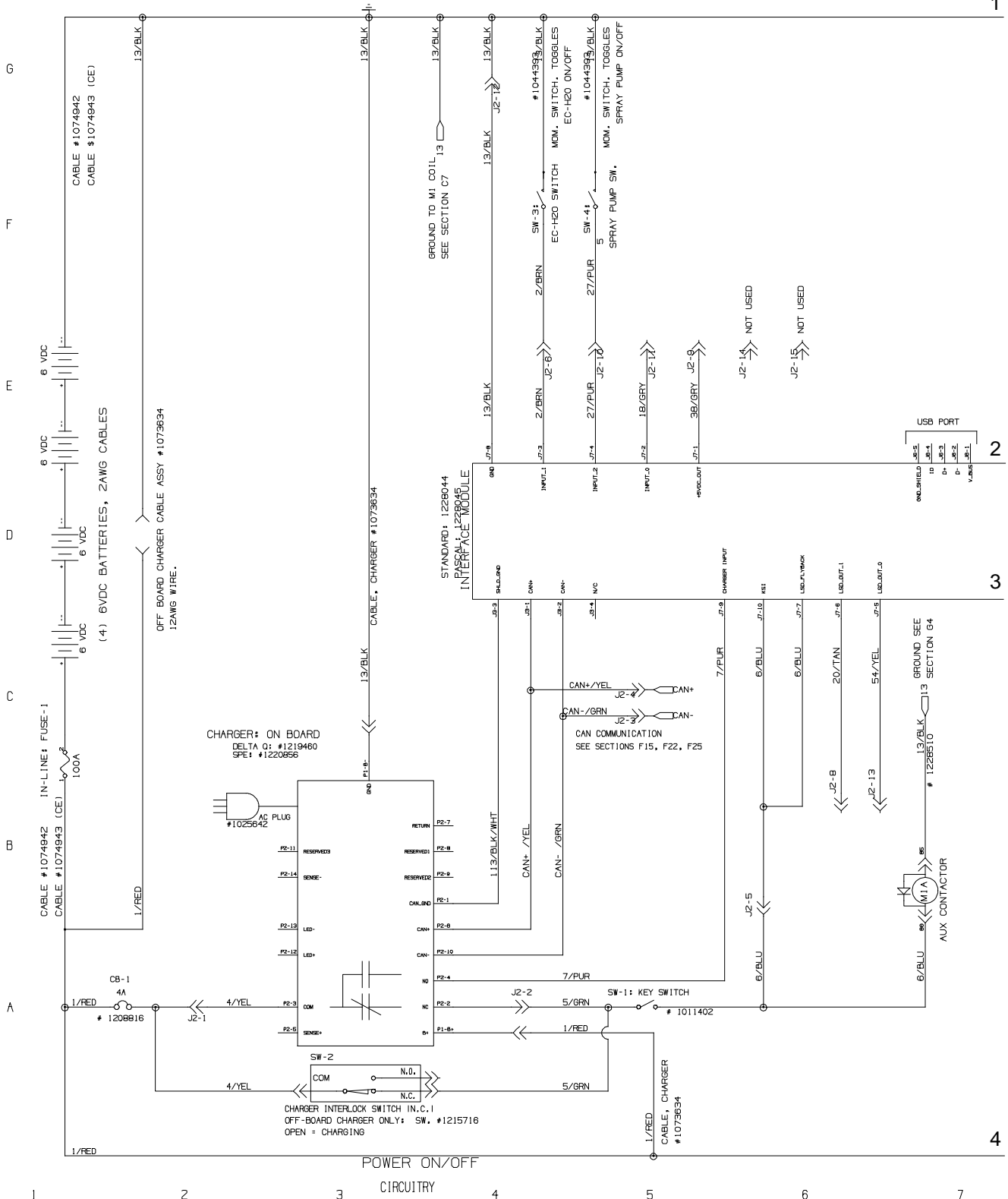
ELECTRICAL DIAGRAM (PAGE 1 OF 4)

1075014\_00

BATTERY /  
CHARGER  
SYSTEMS

USER INTERFACE  
MODULE

1



2

3

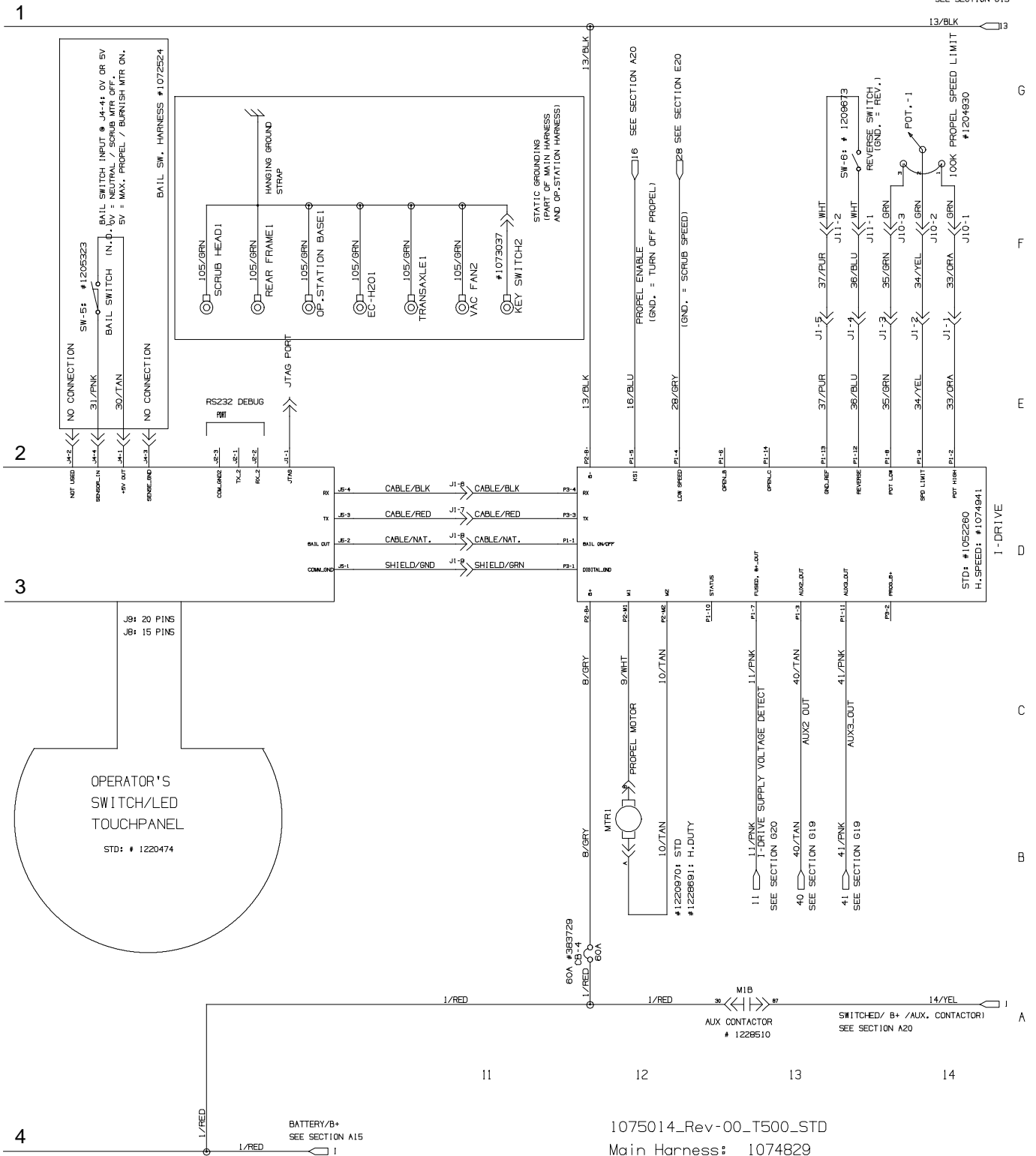
4

ELECTRICAL DIAGRAM (PAGE 2 OF 4)

1075014\_00

PROPEL SYSTEM

BATTERY-  
SEE SECTION G15

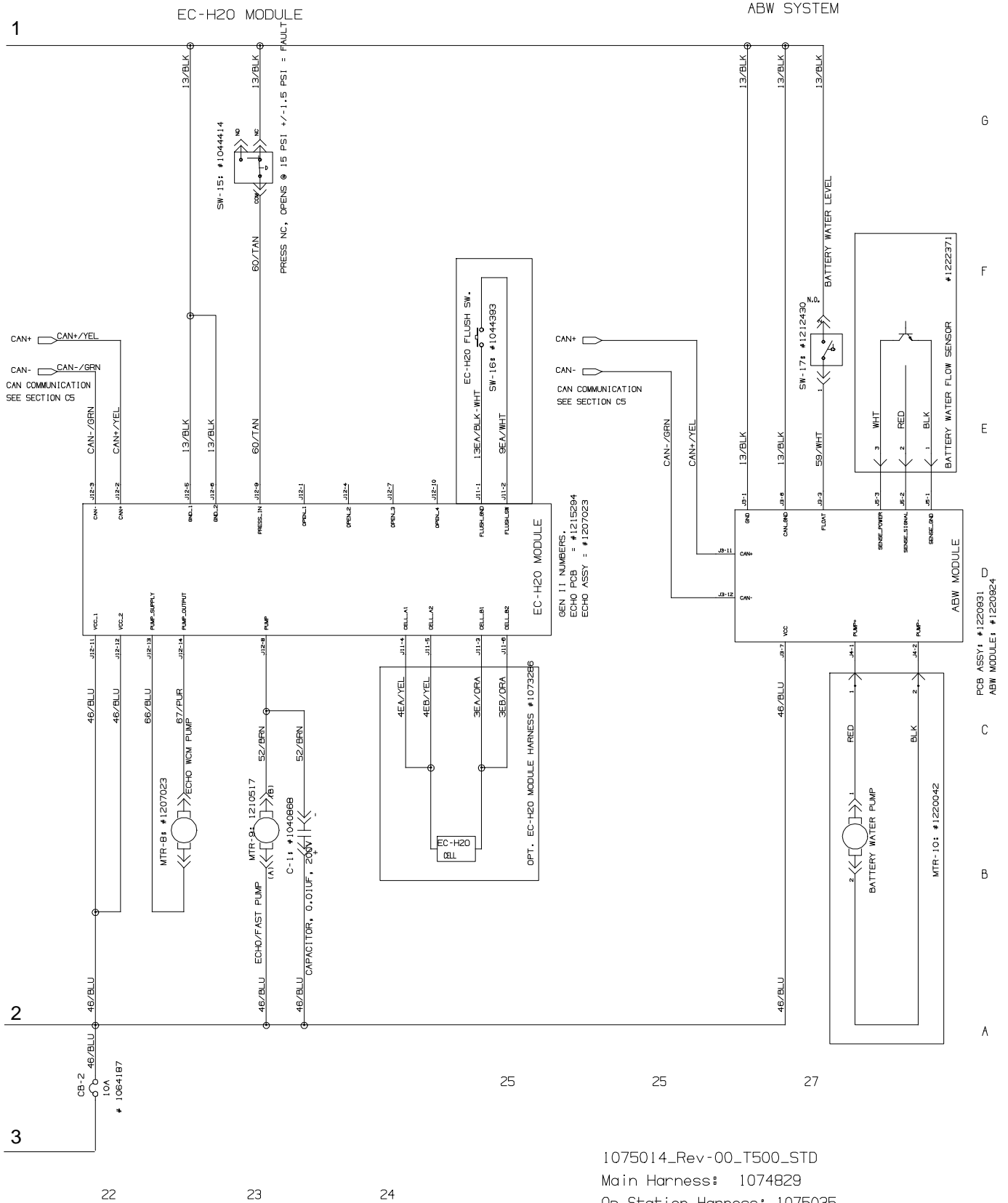


1075014\_Rev-00\_T500\_STD  
Main Harness: 1074829  
Op.Station Harness: 1075035



ELECTRICAL DIAGRAM (PAGE 4 OF 4)

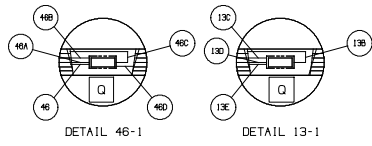
1075014\_00



1075014\_Rev-00\_T500\_STD  
Main Harness: 1074829  
Op.Station Harness: 1075035

ELECTRICAL HARNESS, MAIN (PAGE 1 OF 4)

1074829\_01



WIRE NO.	POS.	WIRE NO.	POS.
SHIELD1:GREEN1	1	CABLE:NATURAL	1
OPEN	2	33/ORA	2
CABLE:RED	3	40/TAN	3
CABLE:BLACK	4	28B/GRY	4
		16/BLU	5
		OPEN	6
		11/PNK	7
		35/GRN	8
		34/YEL	9
		OPEN	10
		41/PNK	11
		36/BLU	12
		37/PUR	13
		OPEN	14

CONN. J2: LEFT MTR #2  
LABEL: J2

WIRE NO.	POS.
39/WHT	1
24/YEL	2

CONN. J3: RIGHT MTR #1  
LABEL: J3

WIRE NO.	POS.
44/YEL	1
12/BRN	2

CONN. J4

WIRE NO.	POS.
42/BRN	1
23/ORA	2

CONN. J6

WIRE NO.	POS.
46C/BLU	1
50/TAN	2
48/GRY	3
32/BRN	4
28A/GRY	5
49/WHT	6
OPEN	7
25/BLU	8
OPEN	9
13C/BLK	10

TO: BASE CONTROLLER  
NO LABELS

CONN. J12

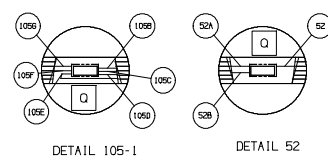
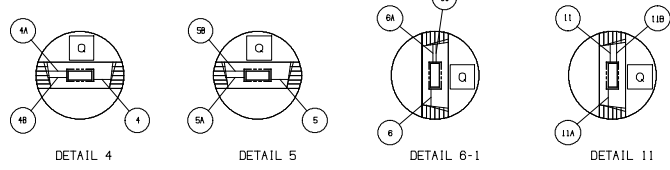
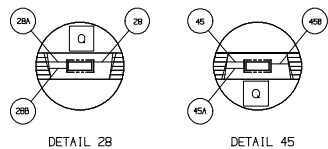
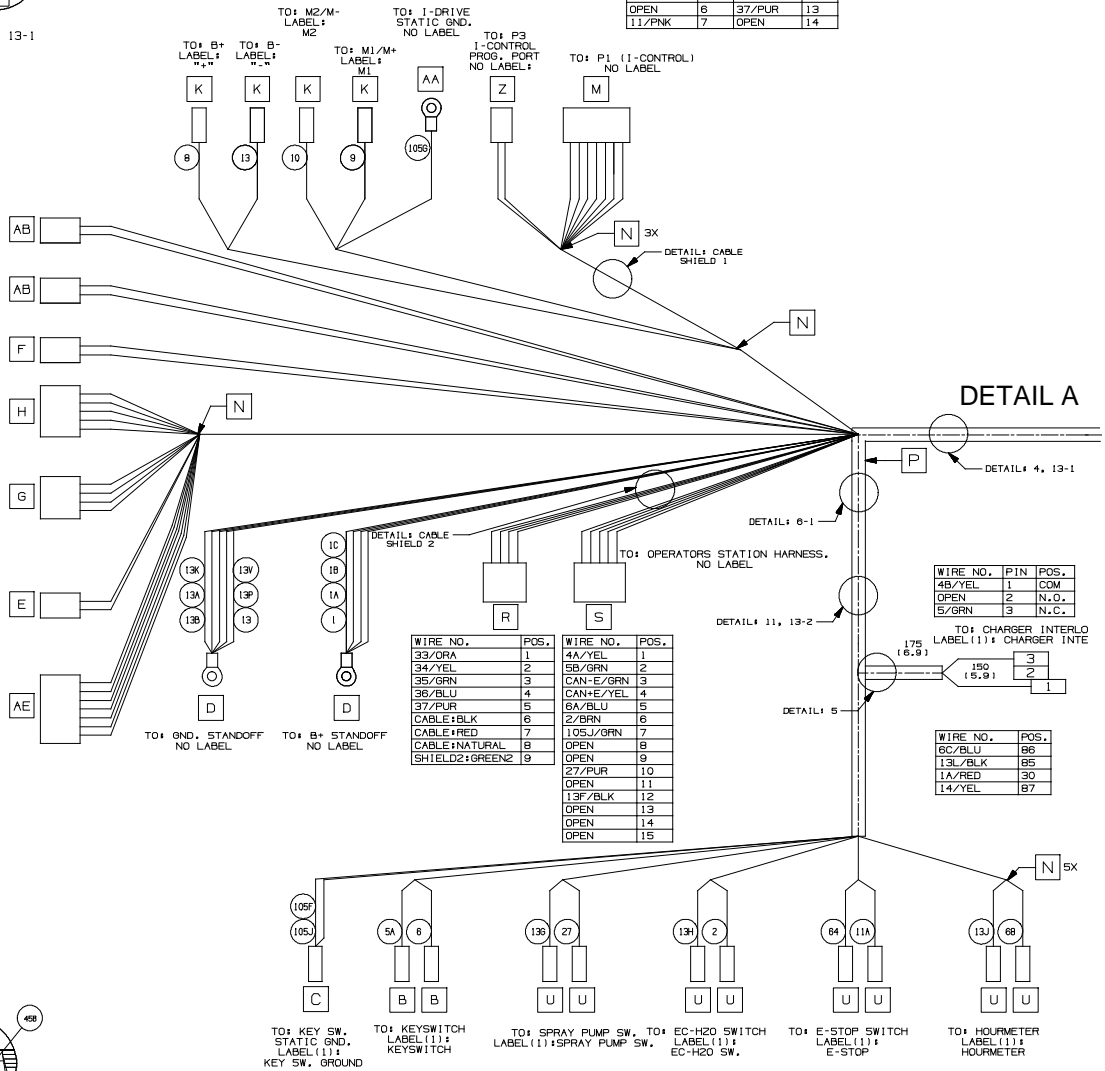
WIRE NO.	POS.
16/BLU	1
64/YEL	2
40/TAN	3
41/PNK	4
OPEN	5
11B/PNK	7
13D/BLK	8

CONN. J13

WIRE NO.	POS.
CAN+A/YEL	1
CAN-A/GRN	2
OPEN	3
OPEN	4

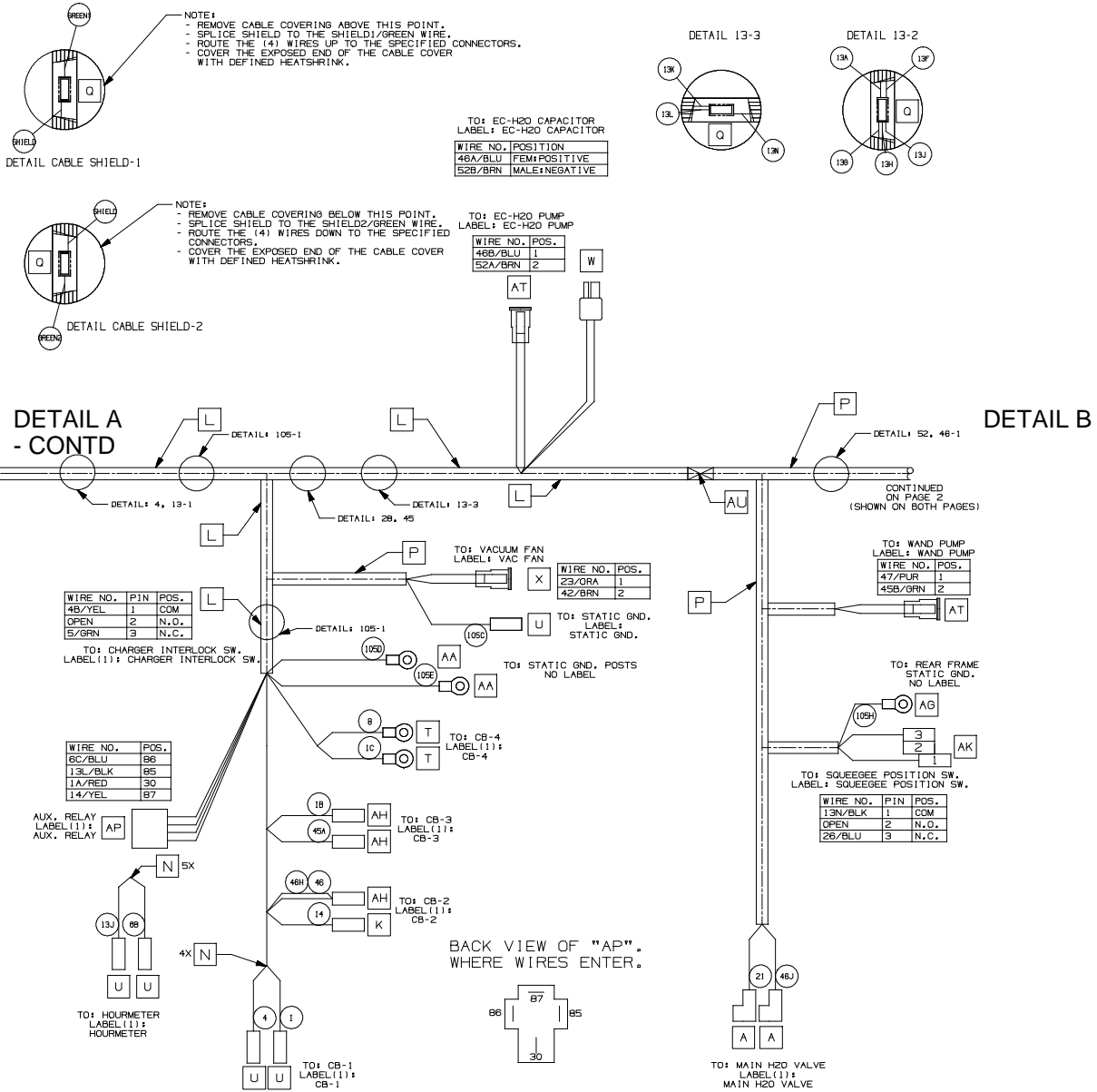
CONN. J7

WIRE NO.	POS.
46H/BLU	1
21/PNK	2
19/WHT	3
43/ORA	4
OPEN	5
22/BRN	6
OPEN	7
13E/BLK	8
47/PUR	9
45/GRN	10
68/GRY	11
65/GRN	12
62/BRN	13
63/ORA	14



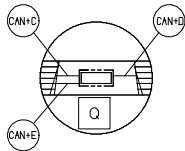
ELECTRICAL HARNESS, MAIN (PAGE 2 OF 4)

1074829\_01

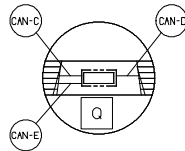


## ELECTRICAL HARNESS, MAIN (PAGE 3 OF 4)

1074829\_01



DETAIL CAN3



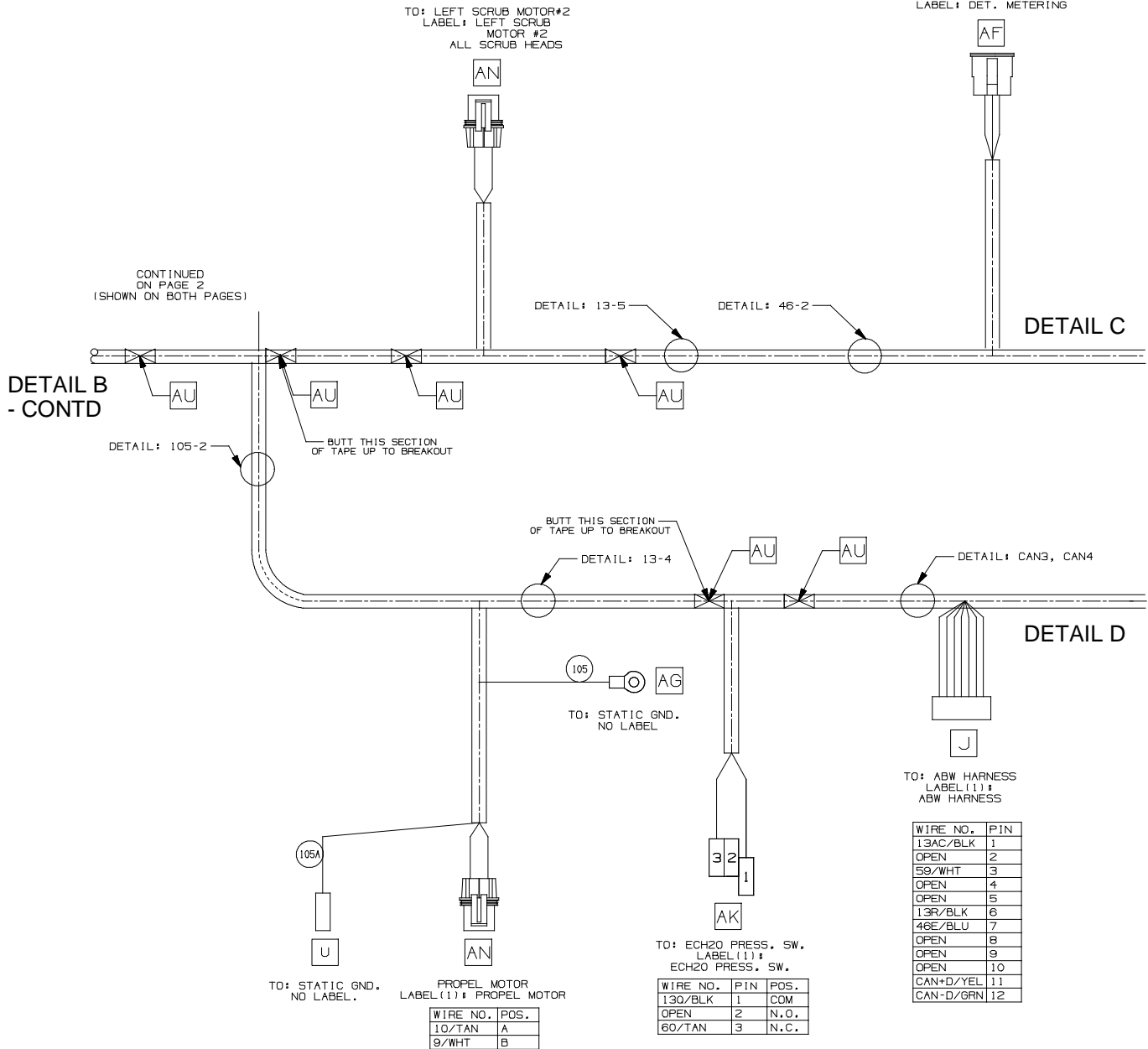
DETAIL CAN4

WIRE NO.	POS.
39/WHT	A
24/YEL	B

TO: LEFT SCRUB MOTOR#2  
 LABEL: LEFT SCRUB  
 MOTOR #2  
 ALL SCRUB HEADS

WIRE NO.	POS.
65/GRN	1
62/BRN	2
63/DRA	3
OPEN	4
22/BRN	5
46K/BLU	6

TO: DET. METERING  
 LABEL: DET. METERING



WIRE NO.	POS.
10/TAN	A
9/WHT	B

TO: STATIC GND.  
 NO LABEL.

PROPEL MOTOR  
 LABEL(1): PROPEL MOTOR

TO: ECH20 PRESS. SW.  
 LABEL(1):  
 ECH20 PRESS. SW.

WIRE NO.	PIN	POS.
130/BLK	1	COM
OPEN	2	N.O.
60/TAN	3	N.C.

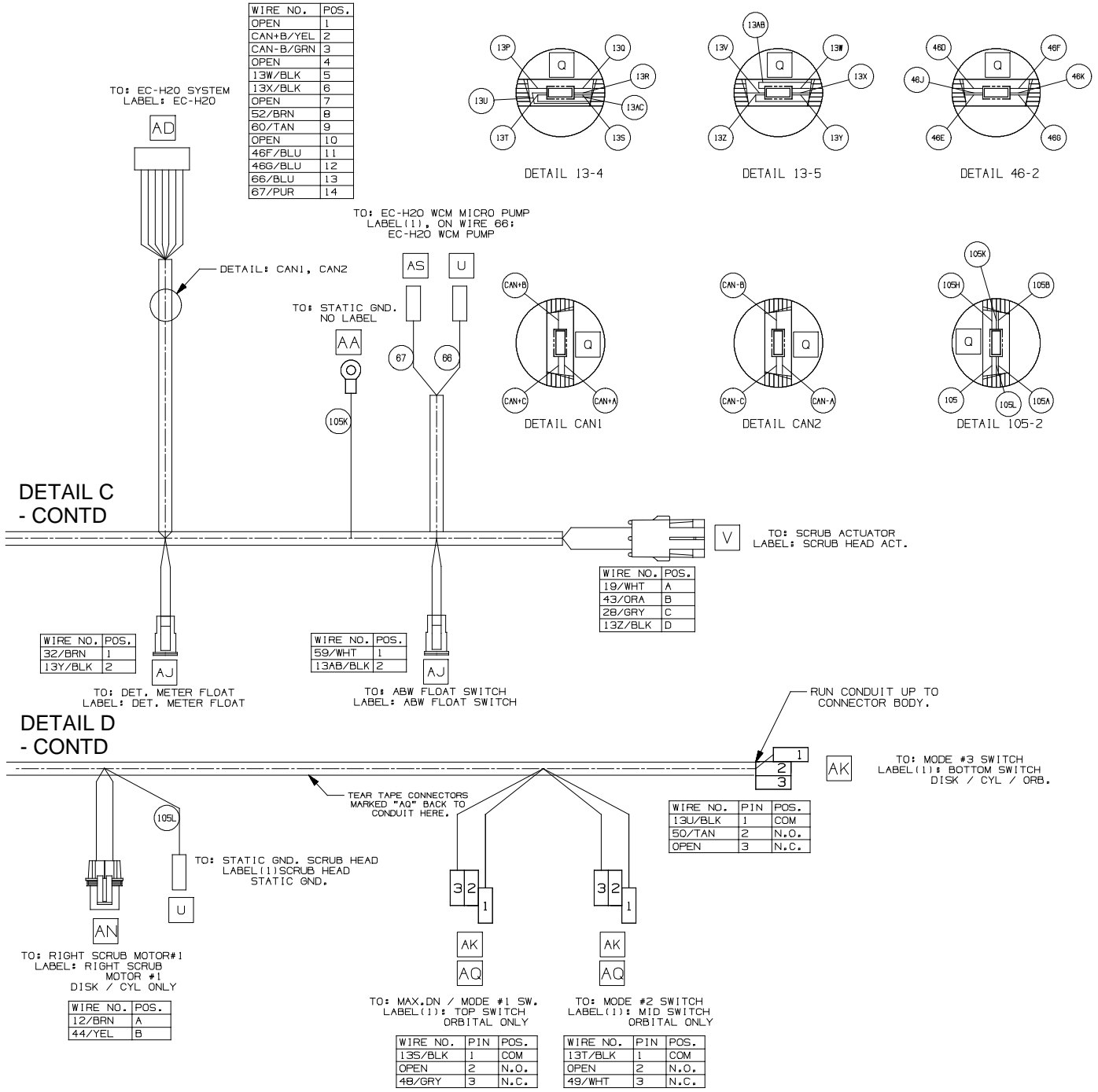
TO: ABW HARNESS  
 LABEL(1):  
 ABW HARNESS

WIRE NO.	PIN
13AC/BLK	1
OPEN	2
59/WHT	3
OPEN	4
OPEN	5
13R/BLK	6
46E/BLU	7
OPEN	8
OPEN	9
OPEN	10
CAN+D/YEL	11
CAN-D/GRN	12



ELECTRICAL HARNESS, MAIN (PAGE 4 OF 4)

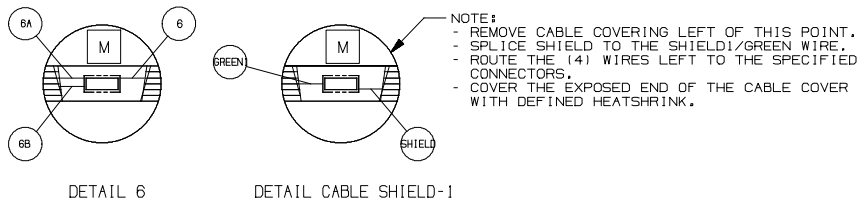
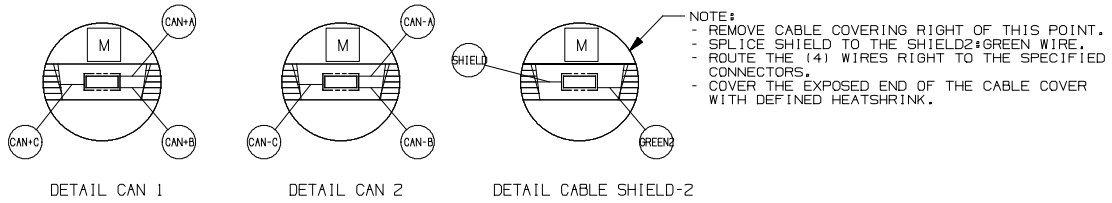
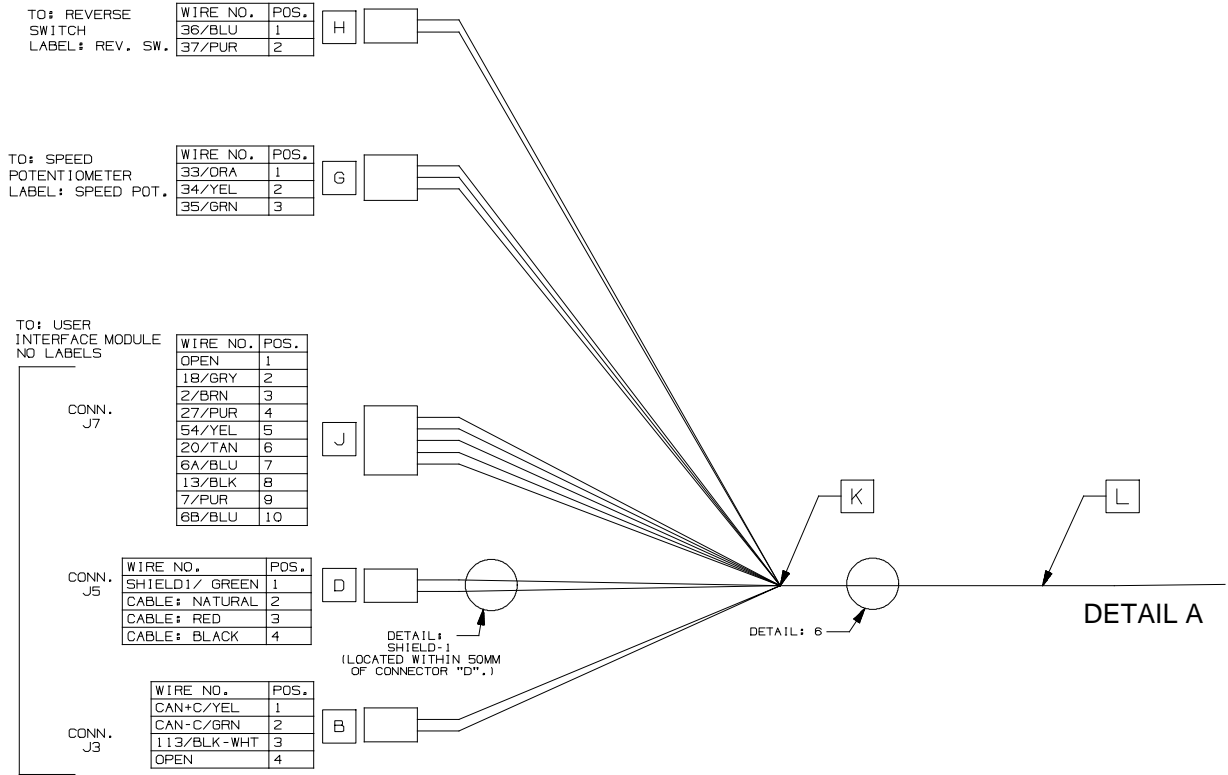
1074829\_01



Part No.	Serial Number	Description	Qty.
1074829	(10000000-20000000 )	Harness, Main, Ele [T500]	1

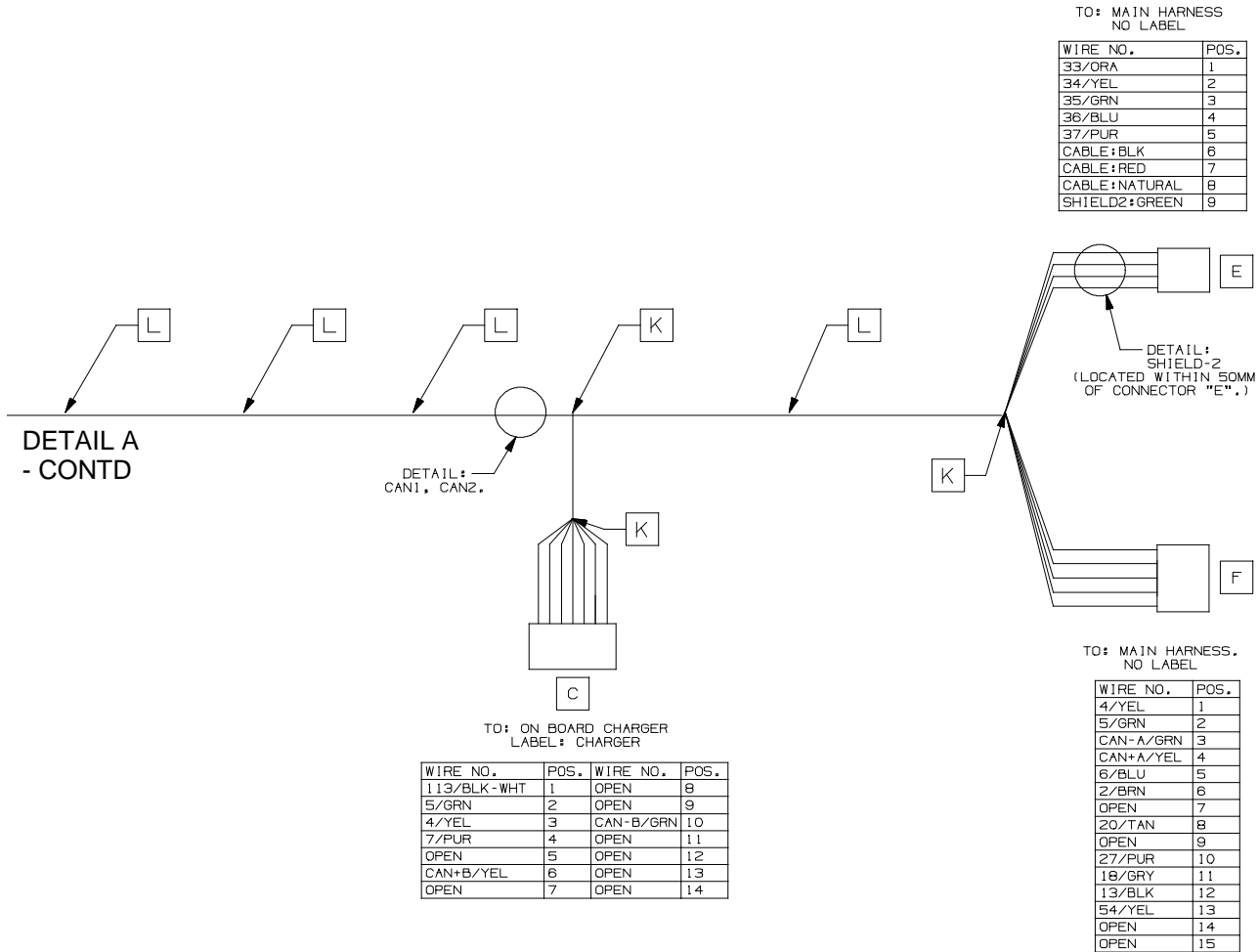
ELECTRICAL HARNESS, OPERATOR STATION

1075035\_A



ELECTRICAL HARNESS, OPERATOR STATION

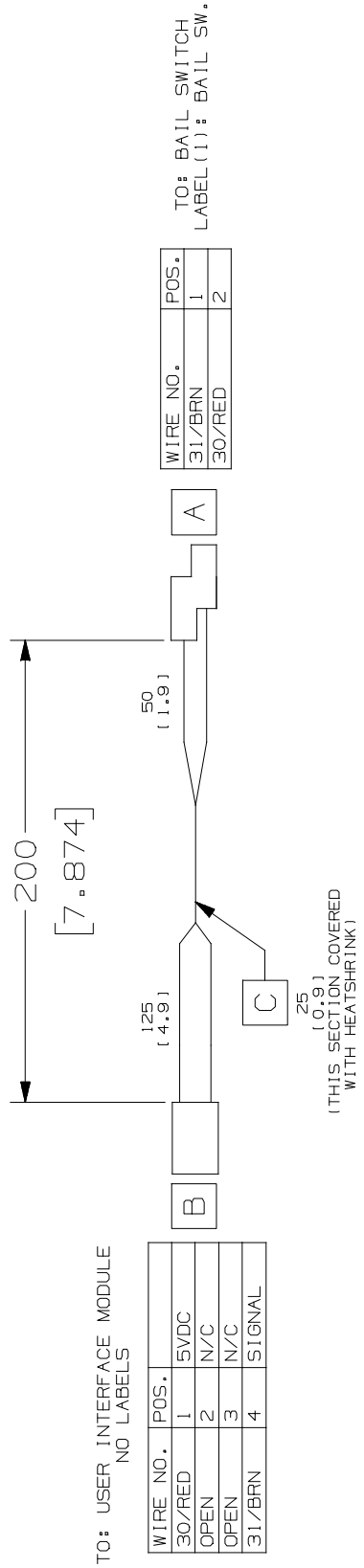
1075035\_A



Part No.	Serial Number	Description	Qty.
1075035	(10000000-20000000 )	Harness, Ele [Op. Station, T500]	1

ELECTRICAL HARNESS, BAIL SWITCH

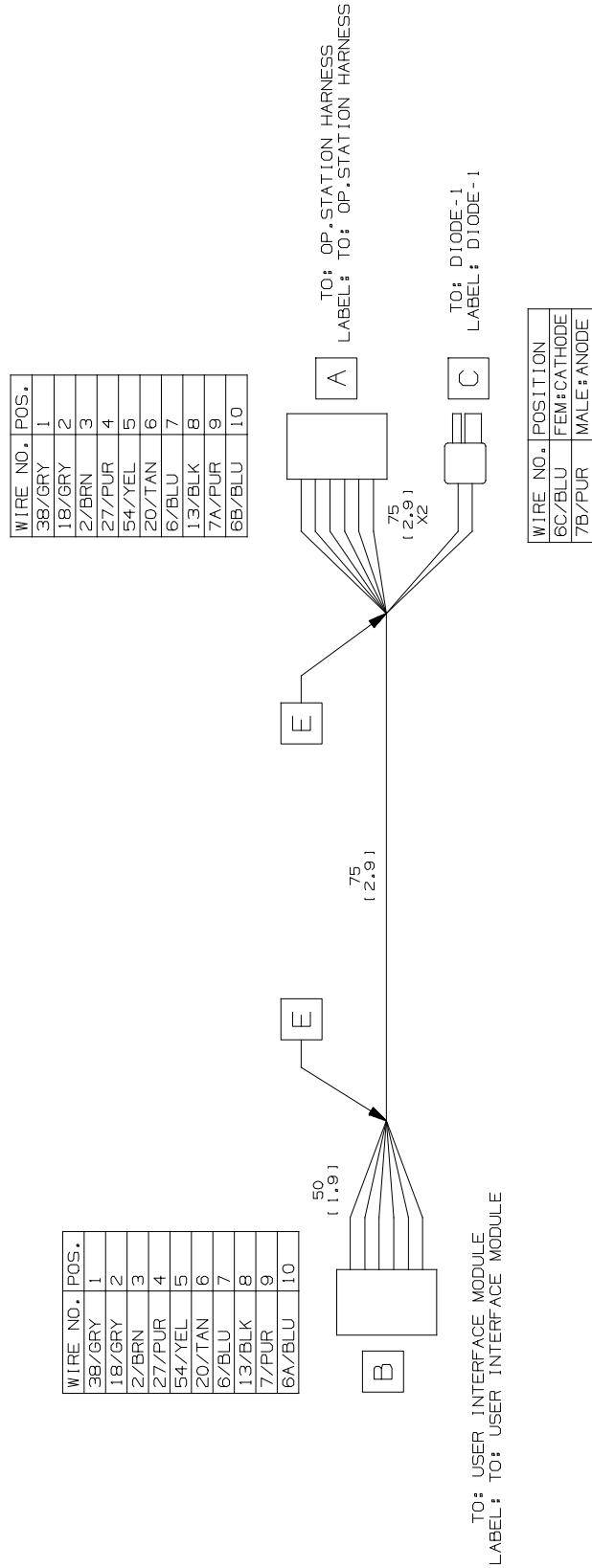
1072524\_00



Part No.	Serial Number	Description	Qty.
1072524	(10000000-20000000 )	Harness, Ele [Bail Switch]	1

ELECTRICAL HARNESS, ADAPTER (TELEMETRY MODELS)

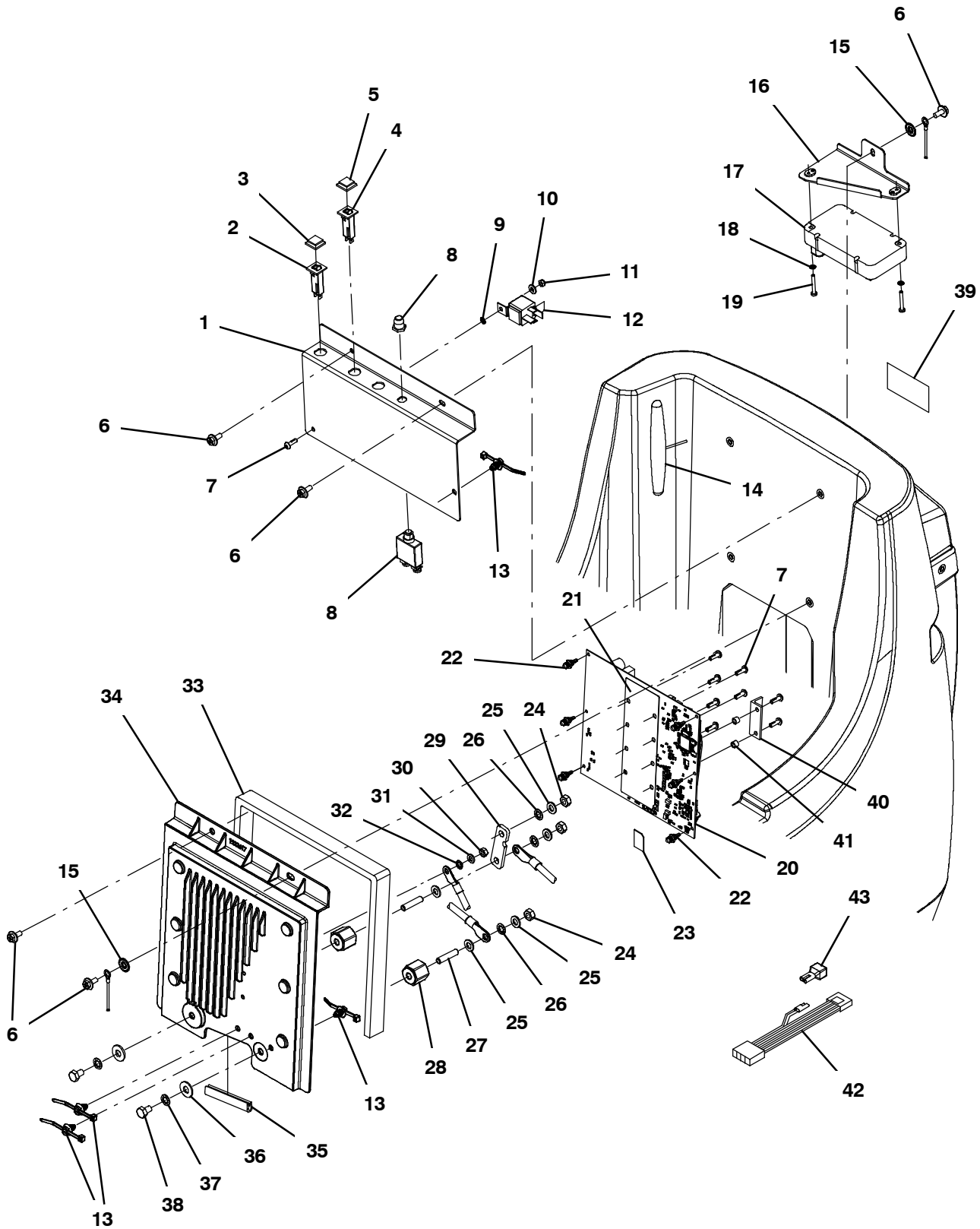
1075195



Part No.	Serial Number	Description	Qty.
1075195	(10000000- 20000000 )	Harness, Ele, Adaptor [T300, Amii]	1
222290	(10000000- 20000000 )	Diode, Ele, Plug	1

TELEMETRY ELECTRICAL GROUP

355443



TELEMETRY ELECTRICAL GROUP

Ref.	Part No.	Serial Number	Description	Qty.
1	1218761	(10000000- 20000000 )	Bracket, Mtg [Circuitbreakers- T500]	1
2	1208816	(10000000- 20000000 )	Circuitbreaker, 04.0a, Resetable	1
3	1064191	(10000000- 20000000 )	Boot, Circuitbreaker	1
4	1064187	(10000000- 20000000 )	Circuitbreaker, 10.0a, Resetable	1
5	1064191	(10000000- 20000000 )	Boot, Circuitbreaker	1
6	1034731	(10000000- 20000000 )	Screw, Hex, M6 X 1.00 X 16, Sems, Ss	5
7	1205799	(10000000- 20000000 )	Screw, Btn, M5 X 0.8 X 16, 8.8, NI, Torx	9
8	383729	(10000000- 20000000 )	Circuitbreaker, 60.0a	1
9	07514	(10000000- 20000000 )	Washer, Lock, Int, 10, Ss	1
10	01683	(10000000- 20000000 )	Washer, Flat, 10, Ss	1
11	09739	(10000000- 20000000 )	Nut, Hex, Lock, M5 X 0.80, NI, Ss	1
12	1228510	(10000000- 20000000 )	Relay, 24vdc, 80a, Spst No, Plug- In	1
13	1210807	(10000000- 20000000 )	Wire, Tie [W/.25" Fir Tree Clip]	4
14	315724	(10000000- 20000000 )	Antenna, Telem, 18.0 In [Gprs]	1
15	41140	(10000000- 20000000 )	Washer, Lock, Int- Ext, 0.25	2
16	1223824	(10000000- 20000000 )	Bracket Wldt, Mtg, Cntrl, [T300/T300e]	1
17	9015776*	(10000000- 20000000 )	Drive Module Kit, Ci	1
18	02938	(10000000- 20000000 )	Washer, Lock, Int, 08, Ss	2
19	33931	(10000000- 20000000 )	Screw, Pan, Phl, M4 X 0.70 X 30, Ss	2
▽	20	9015787	(10000000- 20000000 ) Kit, Control Board, Telem, Ci [T500]	1
▲		27964	(10000000- 20000000 ) Strap, Ground, Static, Disposable	1
▲		1071235	(10000000- 20000000 ) Cable [Usb, 2m, A- Male To Mini- B- Male]	1
▲		130773	(10000000- 20000000 ) Tie, Cable, Nyl, 11.0l, .14w, 3.0 Max. D	1
	21	1220930	(10000000- 20000000 ) Circuitboard, Silpad [T500, Main Scrub]	1
	22	1209448	(10000000- 20000000 ) Standoff, Circuitboard, .25	1
	23	9014186	(10000000- 20000000 ) Kit, Telem, Ci [Sim, Usa, T300]	1
	23	9014187	(10000000- 20000000 ) Kit, Telem, Ci [Sim, Intl, T300]	1
	24	41361	(10000000- 20000000 ) Nut, Hex, Std, M8 X 1.25, Brs	6
	25	1209373	(10000000- 20000000 ) Washer, Flat, M8.4b X 16d X 1.6, Brs	3
	26	43952	(10000000- 20000000 ) Washer, Lock, Int, 0.31, Ss	5
	27	607461	(10000000- 20000000 ) Screw, Set, M8 X 1.25 X 35, NI	3
	28	1205345	(10000000- 20000000 ) Stand- Off, Wir, M8, Insulator, Panel	2
	29	1212780	(10000000- 20000000 ) Busbar, 125a 0.188 0.750w 2.638l	2
	30	1061910	(10000000- 20000000 ) Nut, Hex, Std, M6 X 1.00, Brs	1
	31	1061918	(10000000- 20000000 ) Washer, Flat, 0.25b 0.47d .06, Brs	1
	32	07515	(10000000- 20000000 ) Washer, Lock, Int, 0.25, Ss	1
	33	1219045	(10000000- 20000000 ) Gasket, Cover, Circuitboard	1
	34	1222617	(10000000- 20000000 ) Heatsink, Mtg, Circuitboard, Machined	1
	35	1020174	(10000000- 20000000 ) Molding, Afmkt, Trim, Pvc, .08 .11, 03ft	1
	36	01685	(10000000- 20000000 ) Washer, Flat, 0.38b 0.88d .08, Ss	2
	37	32984	(10000000- 20000000 ) Washer, Lock, Int, 0.31	2
	38	386868	(10000000- 20000000 ) Screw, Hex, M8 X 1.25 X 12, Ss	2
	39	1069580	(10000000- 20000000 ) Label, Mach, Telem [Usa, Intl]	1
	40	1227812	(10000000- 20000000 ) Bracket, Sma Connector	1
	41	1227815	(10000000- 20000000 ) Spacer, Unthreaded, Aluminium	2
	42	1075195	(10000000- 20000000 ) Harness, Ele, Adaptor [T300, Amii]	1
	43	222290	(10000000- 20000000 ) Diode, Ele, Plug	1

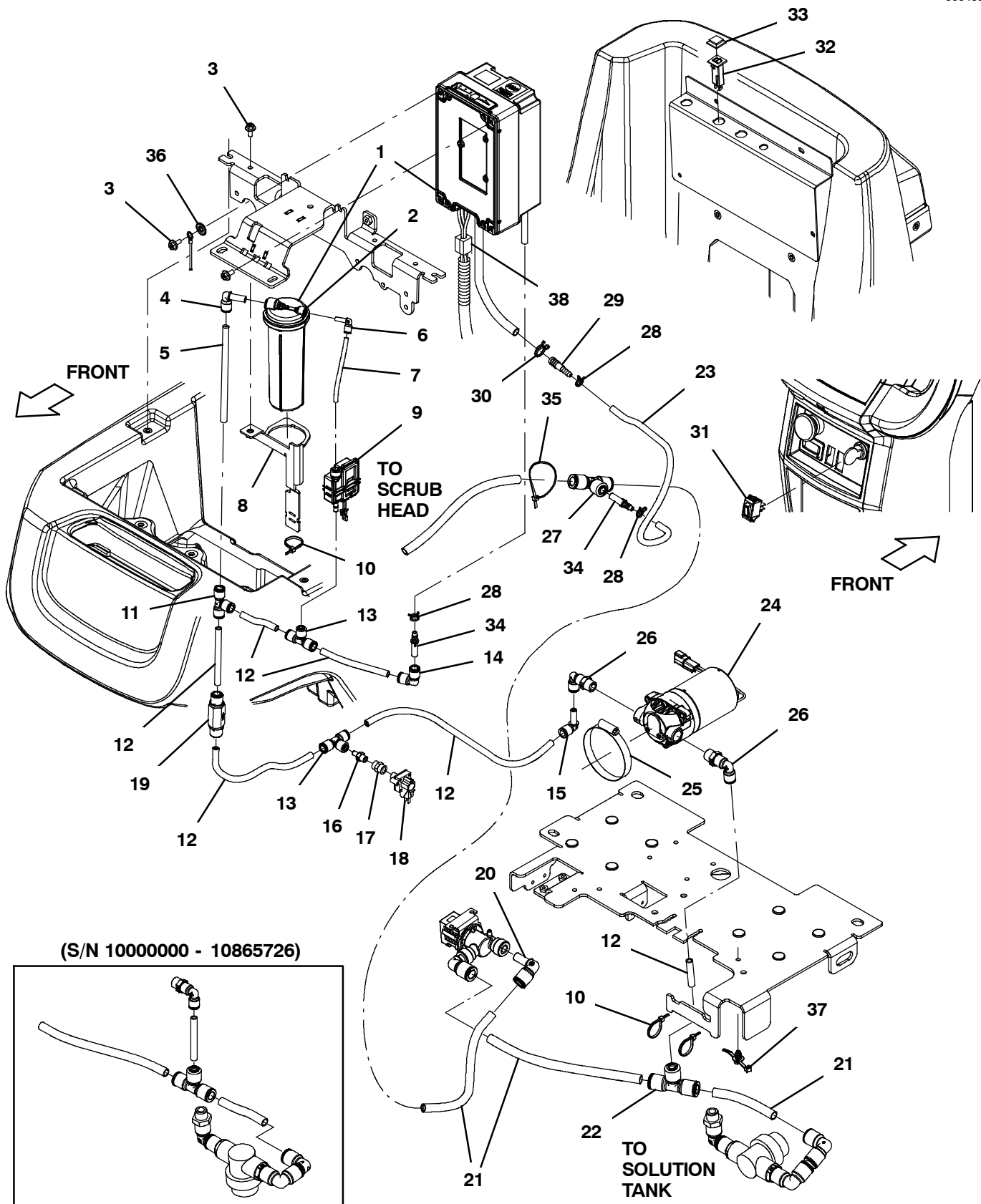
\* Requires Tennant *True* service or an authorized Tennant service provider.

▽ ASSEMBLY

▲ INCLUDED IN ASSEMBLY

ec-H2O SOLUTION GROUP

355433





ec-H2O SOLUTION GROUP

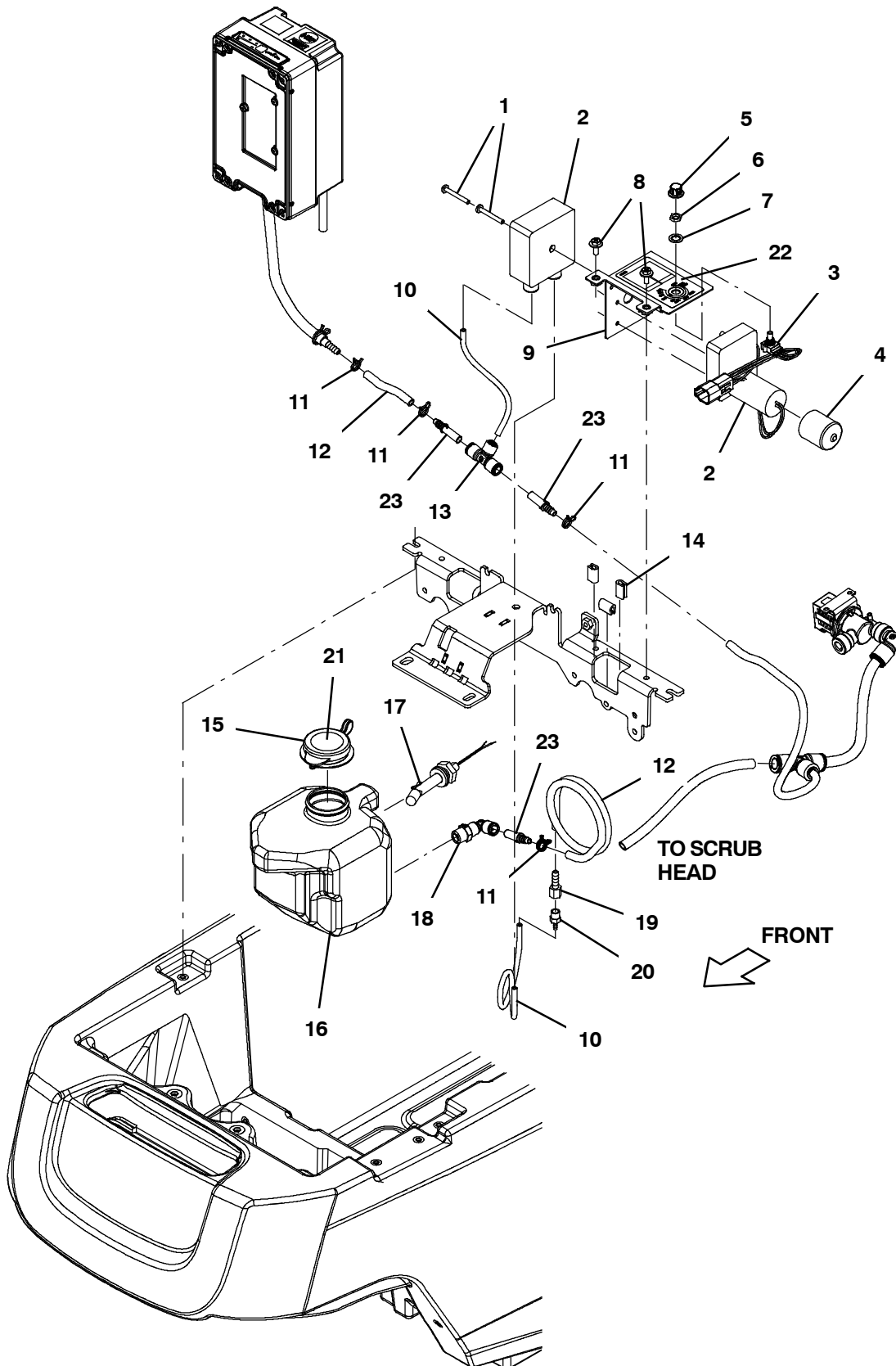
Ref.	Part No.	Serial Number	Description	Qty.
▽	1	9011810	(10000000- 20000000 ) Module Kit, Replmt [Ec- H2o, B 02] (See Breakdowns) (Canada Also Requires Ferrite)	1
▲	2	9013646	(10000000- 20000000 ) Cartridge, Ec- H2o Nanoclean Wcm, 270ml	1
	3	1034731	(10000000- 20000000 ) Screw, Hex, M6 X 1.00 X 16, Sems, Ss	3
	4	1215186	(10000000- 20000000 ) Fitting, Plstc, E90, Qf06/Qm06	1
	5	9014146	(10000000- 20000000 ) Hose, Afmkt, Pvc, 0.06id .38od, 05ft	1
	6	1214339	(10000000- 20000000 ) Fitting, Plstc, E90, Qfo4/Qm04	1
	7	9014147	(10000000- 20000000 ) Hose, Afmkt, Pvc, 0.06id .25od, 05ft	1
	8	1221926	(10000000- 20000000 ) Bracket Wldt, Mtg, Ec- H20 [T500]	1
	9	1216973	(10000000- 20000000 ) Pump Assy, Dispenser	1
	10	130773	(10000000- 20000000 ) Tie, Cable, Nyl, 11.0l, .14w, 3.0 Max. D	3
	11	1212573	(10000000- 20000000 ) Fitting, Plstc, Tee, Qf06/Qf06/Qf06	1
	12	9014148	(10000000- 20000000 ) Hose, Afmkt, Nat, 0.25id 0.375od, 06ft	1
	13	1212855	(10000000- 20000000 ) Fitting, Plstc, Tee, Qf04/Qf06/Qf06	2
	14	1212856	(10000000- 20000000 ) Fitting, Plstc, E90, Qf06/Qf06	1
	15	1215186	(10000000- 20000000 ) Fitting, Plstc, E90, Qf06/Qm06	1
	16	1216185	(10000000- 20000000 ) Fitting, Plstc, Str, Qm04/Pm02	1
	17	150307	(10000000- 20000000 ) Fitting, Brs, Cplg, Pf02/Pf02	1
	18	1044414	(10000000- 20000000 ) Switch, Press, 15psi, Pm02	1
	19	1215527	(10000000- 20000000 ) Valve, Check, 1.0 Psi Qf06/Qf06	1
	20	1212809	(10000000- 20000000 ) Fitting, Plstc, E90, Qf08/Qm08	1
	21	9014145	(10000000- 20000000 ) Hose, Afmkt, Pe, .375id .50od, 05ft	1
	22	1212875	(10000000- 20000000 ) Fitting, Plstc, Tee, Qf06/Qf08/Qf08	1
	23	1014985	(10000000- 20000000 ) Hose, Afmkt, Pvc, Clr, 0.25id, 08ft	1
	24	1210517	(10000000- 20000000 ) Pump, Soltn, Ele, 24vdc, 35 Psi	1
	25	43555	(10000000- 20000000 ) Clamp, Hose, Wormdrive, 2.62- 3.50d	1
	26	1212812	(10000000- 20000000 ) Fitting, Plstc, E90, Qf06/Pm06, Swivel	2
	27	1212875	(10000000- 20000000 ) Fitting, Plstc, Tee, Qf06/Qf08/Qf08	1
	28	613735	(10000000- 20000000 ) Clamp, Hose, Wir, .40 - .42, Yel	3
	29	1039557	(10000000- 20000000 ) Fitting, Plstc, Str, Bm04/Bm06	1
	30	607775	(10000000- 20000000 ) Clamp, Hose, Wir, .63 - .66, Blk	1
	31	1044393	(10000000- 20000000 ) Switch, Rocker, Spst, Mom	1
	32	1064187	(10000000- 20000000 ) Circuitbreaker, 10.0a, Resetable	1
	33	1064191	(10000000- 20000000 ) Boot, Circuitbreaker	1
	34	1212857	(10000000- 20000000 ) Fitting, Plstc, Str, Qm06/Bm04	2
	35	130773	(10000000- 20000000 ) Tie, Cable, Nyl, 11.0l, .14w, 3.0 Max. D	1
	36	41140	(10000000- 20000000 ) Washer, Lock, Int- Ext, 0.25	1
	37	1210807	(10865727- 20000000 ) Wire, Tie [W/.25" Fir Tree Clip]	1
	38	1065665	(10000000- 20000000 ) Inductor, 32.3mml [Ferrite 10- 250mhz] (Canada Only)	1

▽ ASSEMBLY

▲ INCLUDED IN ASSEMBLY

SEVERE ENVIRONMENT SOLUTION GROUP

355436



SEVERE ENVIRONMENT SOLUTION GROUP

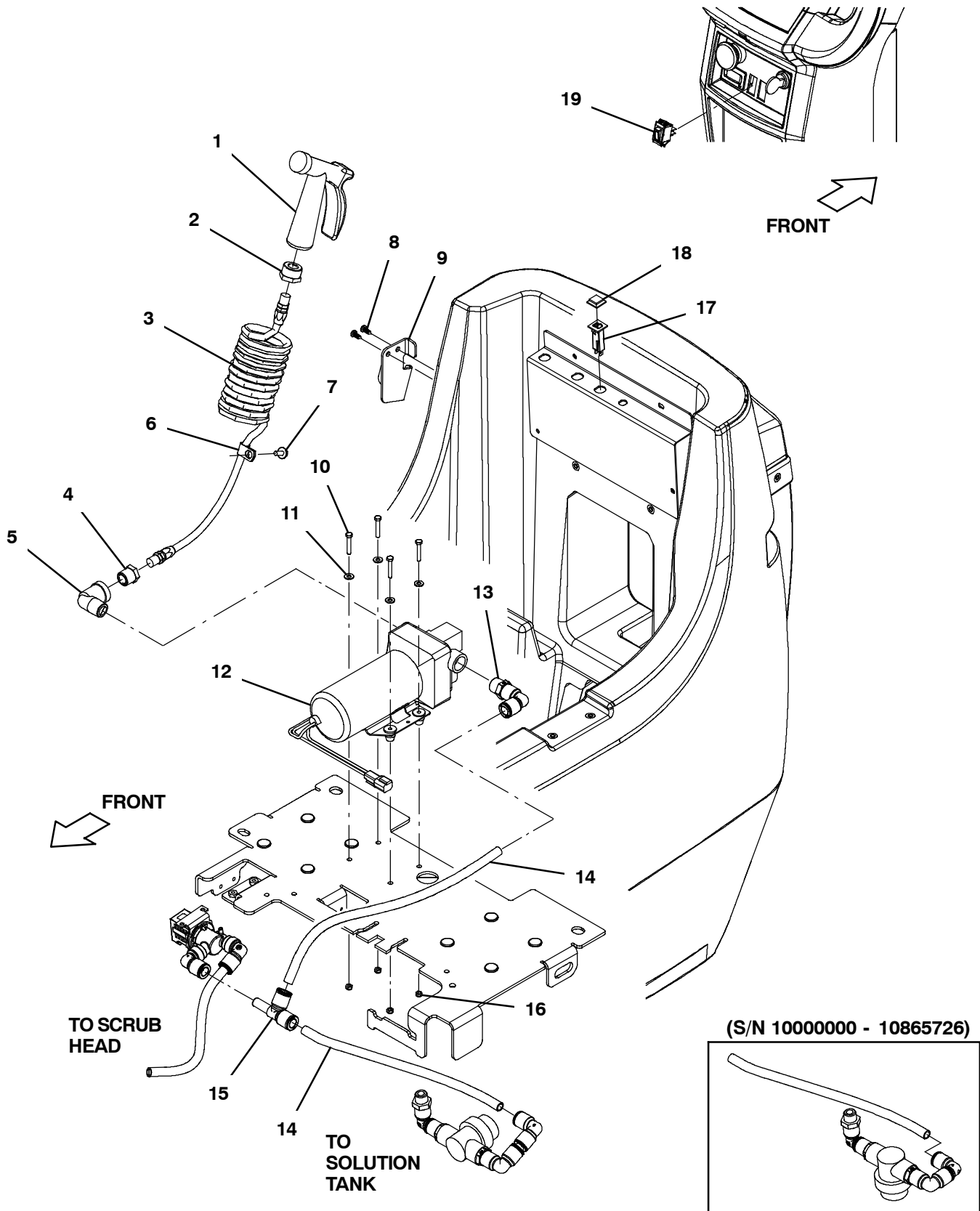
Ref.	Part No.	Serial Number	Description	Qty.
	1	17185	(10000000- 20000000 ) Screw, Pan, Phl, M5 X 0.80 X 40, Ss	2
▽	2	1215698	(10000000- 20000000 ) Pump Assy, Detgt, 24 Vdc [T300]	1
▲		1208721	(10000000- 20000000 ) Pump, Detgt, 24vdc, 120rpm	1
▲		1219077	(10000000- 20000000 ) Hose Kit, Detgt [0.5cc]	1
▲	3	1211775	(10000000- 20000000 ) Potentiometer [5k, W/Leads And Conn.]	1
	4	605064	(10000000- 20000000 ) Cap, Vinyl, 1.38 D 1.6l	1
	5	630265	(10000000- 20000000 ) Knob, Rnd, 0.75d 0.50l 0.25b, Plstc	1
	6	222607	(10000000- 20000000 ) Nut, Hex, Thin, .38- 32	1
	7	43953	(10000000- 20000000 ) Washer, Lock, Int, 0.38, Ss	1
	8	1034731	(10000000- 20000000 ) Screw, Hex, M6 X 1.00 X 16, Sems, Ss	2
	9	1221487	(10000000- 20000000 ) Bracket Wldt, Pump, Detgt [T500]	1
	10	613461	(10000000- 20000000 ) Hose, Pvc, Clr, 0.12id 0.25od 048.0l	1
	11	613735	(10000000- 20000000 ) Clamp, Hose, Wir, .40 - .42, Yel	4
	12	1006415	(10000000- 20000000 ) Hose, Afmkt, Pvc, Clr, 0.25id, 03ft	1
	13	1212855	(10000000- 20000000 ) Fitting, Plstc, Tee, Qf04/Qf06/Qf06	1
	14	1020168	(10000000- 20000000 ) Molding, Afmkt, Trim, Pvc, .08 .11, 01ft	1
	15	1057372	(10000000- 20000000 ) Cap, Snap, 2.17d (Black)	1
	16	1217453	(10000000- 20000000 ) Tank [2.5 Liter]	1
	17	1212430	(10000000- 20000000 ) Sensor, Level, Liq, 30watt, Spst	1
	18	1212812	(10000000- 20000000 ) Fitting, Plstc, E90, Qf06/Pm06, Swivel	1
	19	150520	(10000000- 20000000 ) Fitting, Brs, Str, Bm04/Pf02	1
	20	150524	(10000000- 20000000 ) Fitting, Brs, Str, Bm02/Pm02	1
	21	1224989	(10000000- 20000000 ) Label, Detergent Metering Tank	1
	22	1210440	(10000000- 20000000 ) Label, Opertnl, Detergent Metering	1
	23	1212857	(10000000- 20000000 ) Fitting, Plstc, Str, Qm06/Bm04	3

▽ ASSEMBLY

▲ INCLUDED IN ASSEMBLY

RECOVERY TANK RINSE KIT

355431



RECOVERY TANK RINSE KIT

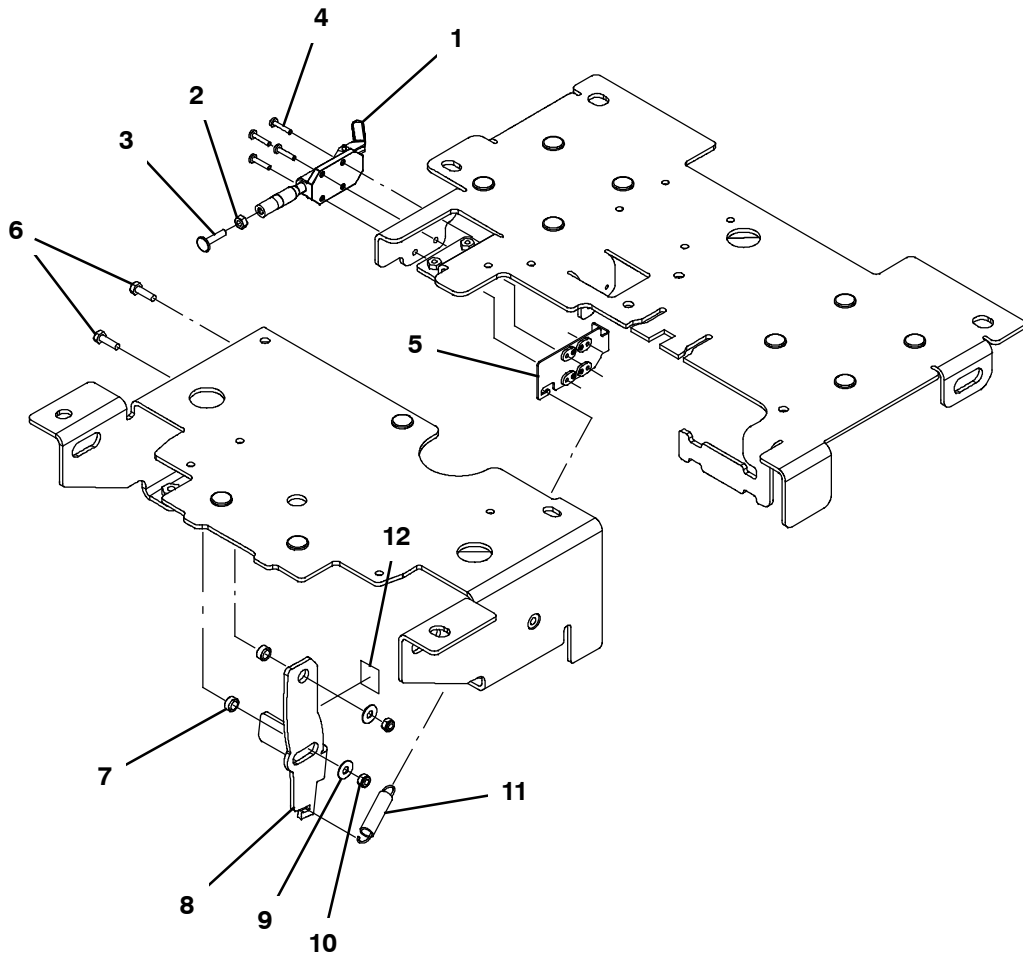
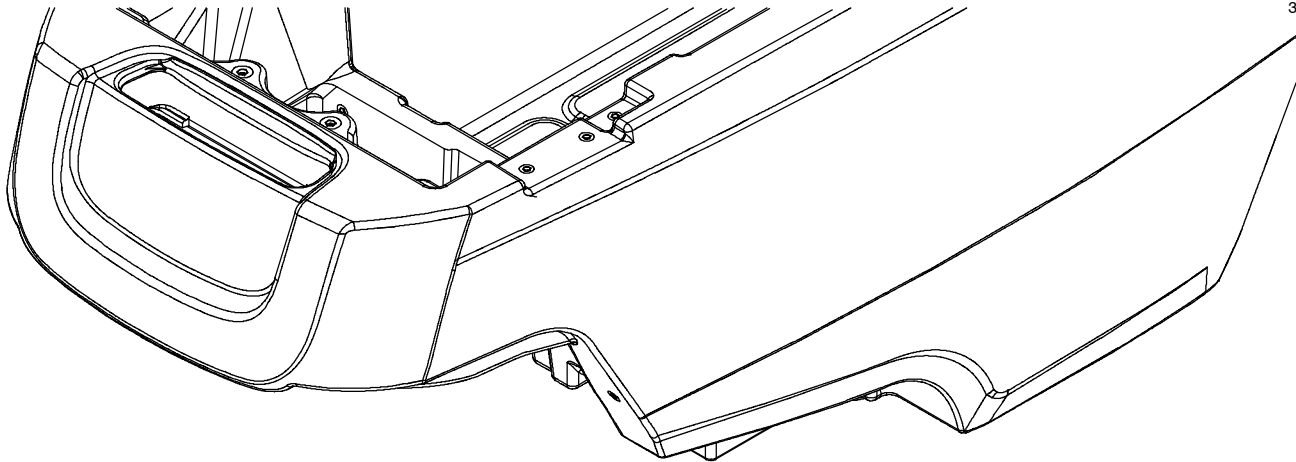
	Ref.	Part No.	Serial Number	Description	Qty.
▽		9015481	(10000000- 20000000 )	Rinse Kit, Tank, Rec [T500] , Ci	1
▲	1	769785	(10000000- 20000000 )	Nozzle, Spray, Hand	1
▲	2	1220554	(10000000- 20000000 )	Fitting, Brs, Str, Pf04/Garden Hose	1
▲	3	160132	(10000000- 20000000 )	Hose Assy, 0.25id X 12ft Coil	1
▲	4	1220546	(10000000- 20000000 )	Fitting, Brs, Str, Pm08/Pf04	1
▲	5	1220131	(10000000- 20000000 )	Fitting, Plstc, E90, 1/2" Npt Male- Femal	1
▲	6	40678	(10000000- 20000000 )	Clamp, Cable, Stl, 0.44d X 0.62w, 1hole	1
▲	7	1034731	(10000000- 20000000 )	Screw, Hex, M6 X 1.00 X 16, Sems, Ss	1
▲	8	1018155	(10000000- 20000000 )	Screw, Pan, Phl, M5 X 0.80 X 16, Tcut,Ss	2
▲	9	1227293	(10000000- 20000000 )	Bracket, Hanger, Hose	1
▲	10	1228033	(10000000- 20000000 )	Screw, Hex, M5 X 0.80 X 30, Ss	4
▲	11	01683	(10000000- 20000000 )	Washer, Flat, 10, Ss	4
▲	12	1220123	(10000000- 20000000 )	Pump, Soltn, Ele, 24 Vdc, 60 Psi, 4 Gpm	1
▲	13	1212764	(10000000- 20000000 )	Fitting, Plstc, E90, Qf08/Pm08, Swivel	1
▲	14	9014145	(10000000- 20000000 )	Hose, Afmkt, Pe, .375id .50od, 05ft	1
▲	15	1212806	(10000000- 20000000 )	Fitting, Plstc, Tee, Qf08/Qf08/Qm08	1
▲	16	09739	(10000000- 20000000 )	Nut, Hex, Lock, M5 X 0.80, Nl, Ss	4
▲	17	1064188	(10000000- 20000000 )	Circuitbreaker, 15.0a, Resetable	1
▲	18	1064191	(10000000- 20000000 )	Boot, Circuitbreaker	1
▲	19	1044393	(10000000- 20000000 )	Switch, Rocker, Spst, Mom	1

▽ ASSEMBLY

▲ INCLUDED IN ASSEMBLY

PARKING BRAKE GROUP

355420

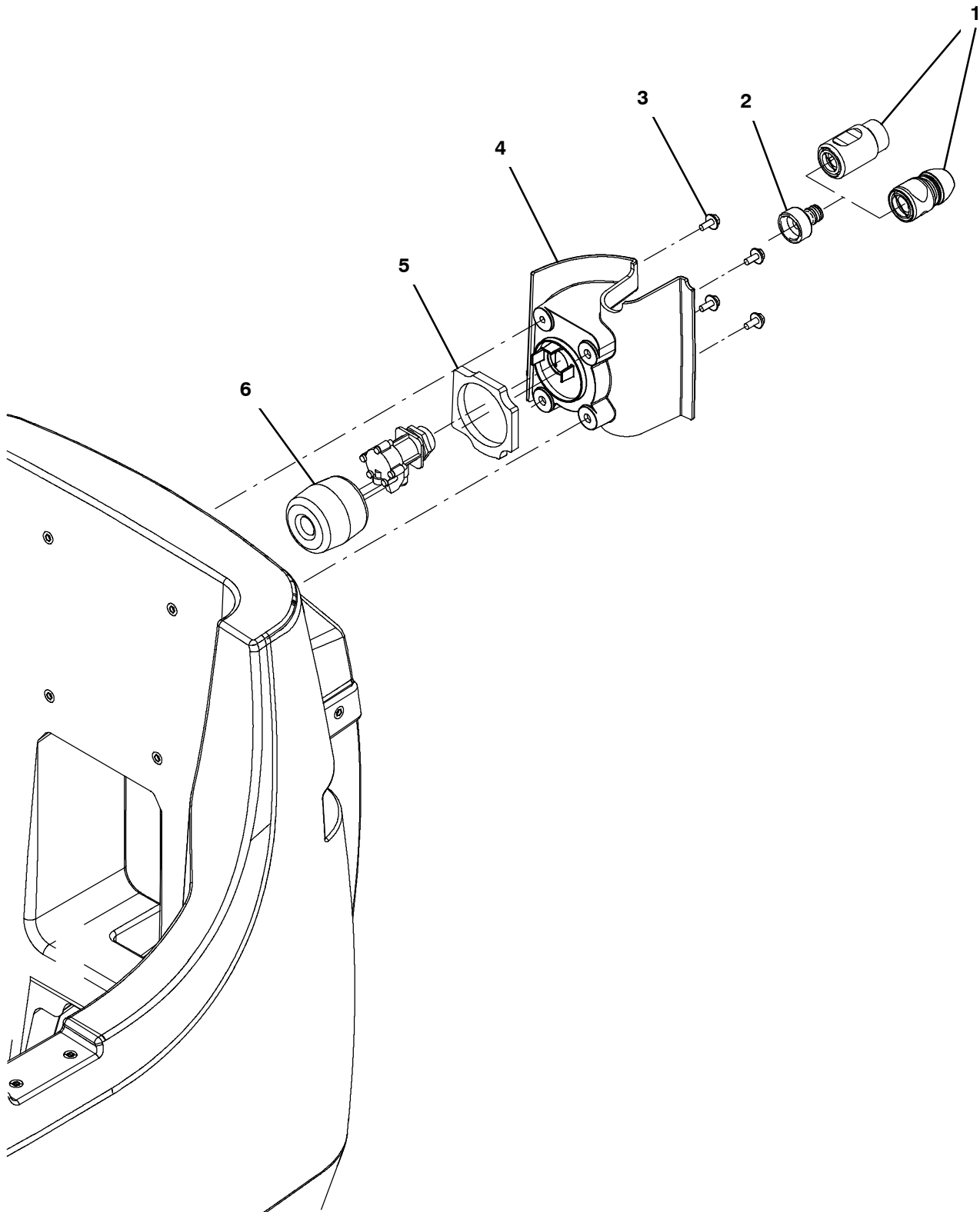


**PARKING BRAKE GROUP**

Ref.	Part No.	Serial Number	Description	Qty.
1	1221694	(10000000- 20000000 )	Clamp, Brake, Parking [T500]	1
2	07785	(10000000- 20000000 )	Nut, Hex, Std, M6 X 1.00, Ss	1
3	1017416	(10000000- 20000000 )	Screw, Weld, M6 X 1.00 X 25, Thru, Ss	1
4	12323	(10000000- 20000000 )	Screw, Pan, Phl, M4 X 0.70 X 20, Ss	4
5	1221695	(10000000- 20000000 )	Plate Wldt, Brake [T500]	1
6	08716	(10000000- 20000000 )	Screw, Hex, M6 X 1.00 X 20, Ss	2
7	360801	(10000000- 20000000 )	Sleeve, 0.32b 0.50d 0.3l, 2cham, Ss	2
8	1221423	(10000000- 20000000 )	Shoe, Brake, Parking	1
9	01684	(10000000- 20000000 )	Washer, Flat, 0.27b 0.69d .05, Ss	2
10	08712	(10000000- 20000000 )	Nut, Hex, Lock, M6 X 1.00, NI, Ss	2
11	75575	(10000000- 20000000 )	Spring, Extn, 0.50od 0.06wir 02.5l	1
12	1224990	(10000000- 20000000 )	Label, Opertnl, Parking Brake	1

SOLUTION TANK AUTO-FILL KIT

355455





**SOLUTION TANK AUTO-FILL KIT**

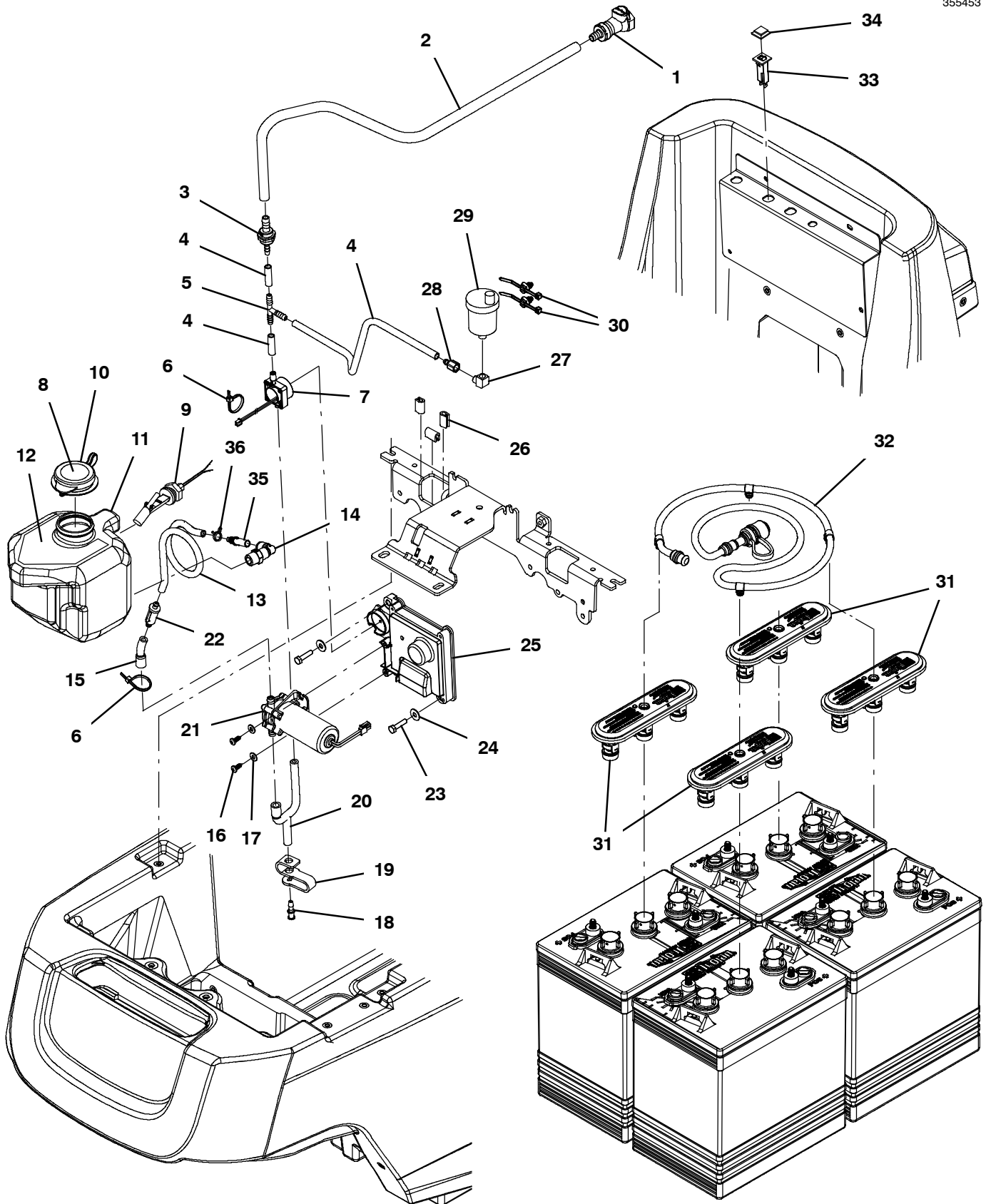
	<b>Ref.</b>	<b>Part No.</b>	<b>Serial Number</b>	<b>Description</b>	<b>Qty.</b>
▽		9015482	(10000000- 20000000 )	Fill Kit, Auto, Ci	1
▲	1	1227512	(10000000- 20000000 )	Fitting, Plstc, Qd, Female	1
▲	1	1235103	(10000000- 20000000 )	Fitting, Plstc, Qd, Female (Australia)	1
▲	2	1227400	(10000000- 20000000 )	Fitting, Plstc, Qd, Male	1
▲	3	1034731	(10000000- 20000000 )	Screw, Hex, M6 X 1.00 X 16, Sems, Ss	4
▲	4	1225411	(10000000- 20000000 )	Cover, Auto Fill[T500]	1
▲	5	1220263	(10000000- 20000000 )	Seal, Bulk Head, Water	1
▲	6	1219566	(10000000- 20000000 )	Valve, Float, 6.7gpm	1

▽ ASSEMBLY

▲ INCLUDED IN ASSEMBLY

SMART-FILL™ AUTOMATIC BATTERY WATERING GROUP

355453

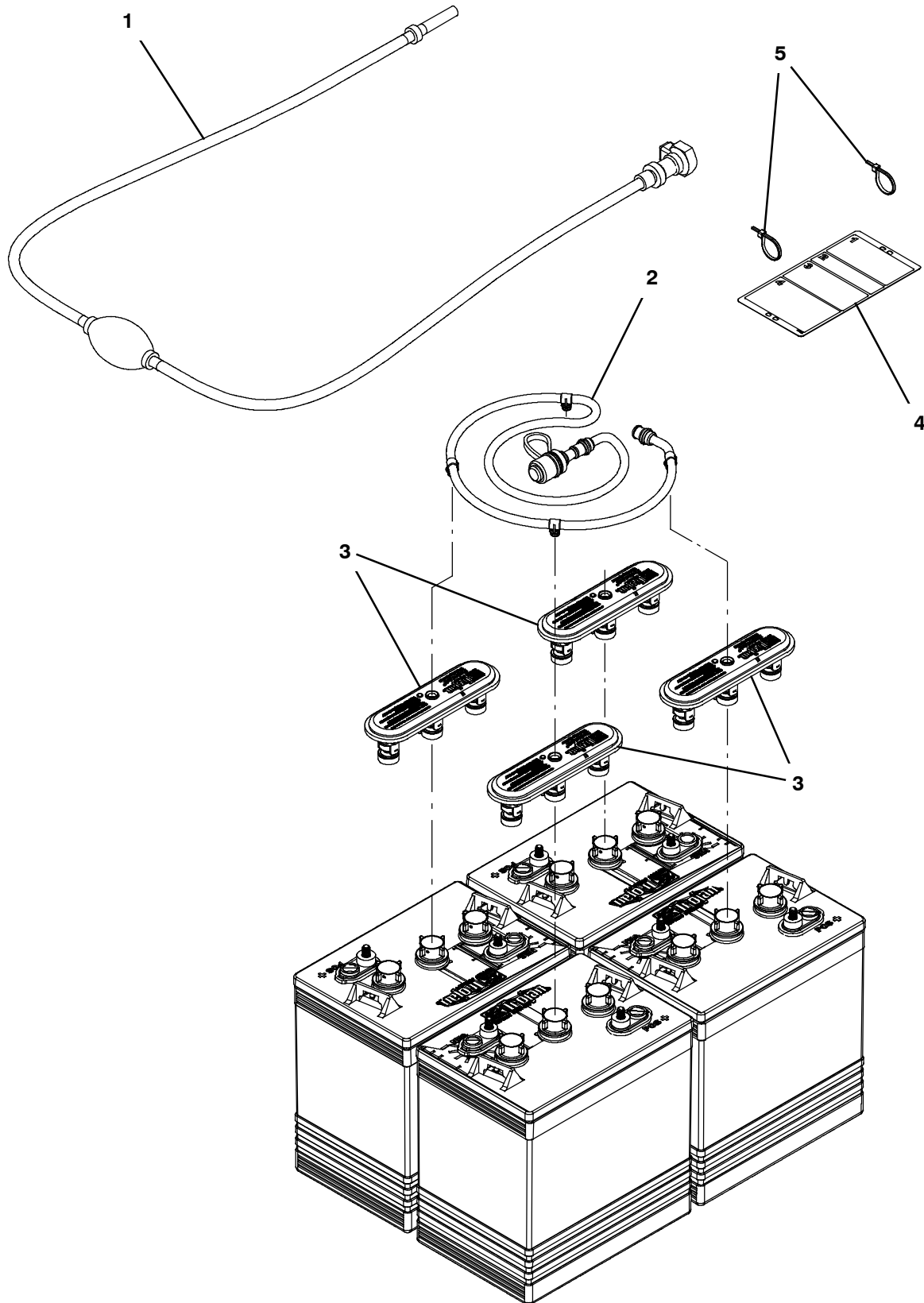


**SMART-FILL™ AUTOMATIC BATTERY WATERING GROUP**

Ref.	Part No.	Serial Number	Description	Qty.
1	1221589	(10000000-20000000)	Fitting, Plstc, Str, Bm06, Cplg, Fem[HI]	1
2	1006416	(10000000-20000000)	Hose, Afmkt, Pvc, Clr, 0.38id, 03ft	1
3	1225185	(10000000-20000000)	Valve, Check, 0002psi Bm04/Bm06	1
4	1006415	(10000000-20000000)	Hose, Afmkt, Pvc, Clr, 0.25id, 03ft	1
5	150713	(10000000-20000000)	Fitting, Plstc, Tee, Bm04/Bm04/Bm04	1
6	130773	(10000000-20000000)	Tie, Cable, Nyl, 11.0l, .14w, 3.0 Max. D	2
7	1222371	(10000000-20000000)	Sensor, Flow, Hall Effect, 5-24vdc	1
8	1224988	(10000000-20000000)	Label, Automated Battery Watering	1
9	1212430	(10000000-20000000)	Sensor, Level, Liq, 30watt, Spst	1
10	1224600	(10000000-20000000)	Cap, Snap, 2.17d [Blue]	1
11	1217453	(10000000-20000000)	Tank [2.5 Liter]	1
12	1228813	(10000000-20000000)	Label, Warning, No Detgt	1
13	1006415	(10000000-20000000)	Hose, Afmkt, Pvc, Clr, 0.25id, 03ft	1
14	1212812	(10000000-20000000)	Fitting, Plstc, E90, Qf06/Pm06, Swivel	1
15	1224108	(10000000-20000000)	Hose, Mold, Bm04/Bm06	1
16	1018155	(10000000-20000000)	Screw, Pan, Phl, M5 X 0.80 X 16, Tcut, Ss	2
17	01683	(10000000-20000000)	Washer, Flat, 10, Ss	2
18	1228042	(10000000-20000000)	Fitting, Plstc, Cap, Bm03 [T500]	1
19	1228043	(10000000-20000000)	Strap, Retaining, Cap [T500]	1
20	1224016	(10000000-20000000)	Hose, Molded, Bm04/Bm06	1
21	1220042	(10000000-20000000)	Pump, Fill, Battery	1
22	1222924	(10000000-20000000)	Filter, In-Line, Bm04/Bm04, 100mic, 2.0l	1
23	1016005	(10000000-20000000)	Screw, Hex, M6 X 1.00 X 25, NI, FI, Ss	2
24	01684	(10000000-20000000)	Washer, Flat, 0.27b 0.69d .05, Ss	2
25	9018008	(10000000-20000000)	Kit, Module, Abw, Ci (See Breakdowns)	1
26	1020168	(10000000-20000000)	Molding, Afmkt, Trim, Pvc, .08 .11, 01ft	1
27	150407	(10000000-20000000)	Fitting, Brs, E90, Pf02/Pm02 [Street]	1
28	1040254	(10000000-20000000)	Fitting, Brs, Str, Bm04/Pf02	1
29	1017386	(10000000-20000000)	Valve, Vent, Air, Float Type	1
30	1210807	(10000000-20000000)	Wire, Tie [W/.25" Fir Tree Clip]	2
31	1204142	(10000000-20000000)	Cap, Fill, Battery [Trojan]	4
32	1229544	(10000000-20000000)	Tube, Water, Battery, 24vdc [Trojan]	1
33	1064187	(10000000-20000000)	Circuitbreaker, 10.0a, Resetable	1
34	1064191	(10000000-20000000)	Boot, Circuitbreaker	1
35	1212857	(10000000-20000000)	Fitting, Plstc, Str, Qm06/Bm04	1
36	613735	(10000000-20000000)	Clamp, Hose, Wir, .40 - .42, Yel	1

HYDROLINK<sup>®</sup> MANUAL BATTERY WATERING KIT

355454



**HYDROLINK® MANUAL BATTERY WATERING KIT**

	<b>Ref.</b>	<b>Part No.</b>	<b>Serial Number</b>	<b>Description</b>	<b>Qty.</b>
▽		9010300	(10000000- 20000000 )	Battery Fill Kit, 24v, Ci [Hydrolink]	1
▲	1	1058939	(10000000- 20000000 )	Pump Kit, Fill, Battery	1
▲	2	1229544	(10000000- 20000000 )	Tube, Water, Battery, 24vdc [Trojan]	1
▲	3	1204142	(10000000- 20000000 )	Cap, Fill, Battery [Trojan]	4
▲	4	1071084	(10000000- 20000000 )	Label, Tag, Battery [Hydrolink Watering]	1
▲	5	130773	(10000000- 20000000 )	Tie, Cable, Nyl, 11.0l, .14w, 3.0 Max. D	2

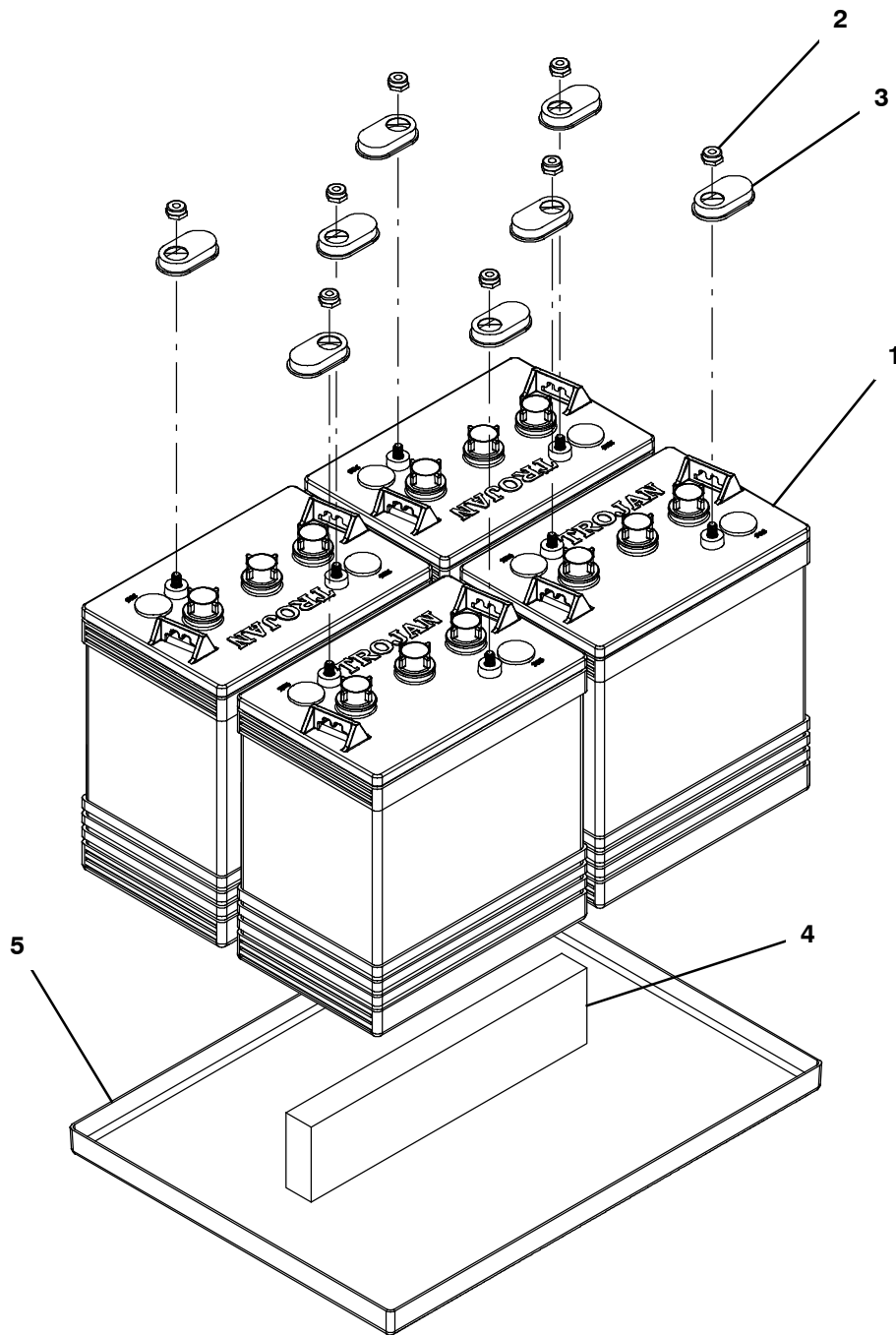
▽ ASSEMBLY

▲ INCLUDED IN ASSEMBLY

HYDROLINK® IS A REGISTERED TRADEMARK OF TROJAN BATTERY COMPANY.

BATTERY GROUP, WET 225AH

355452



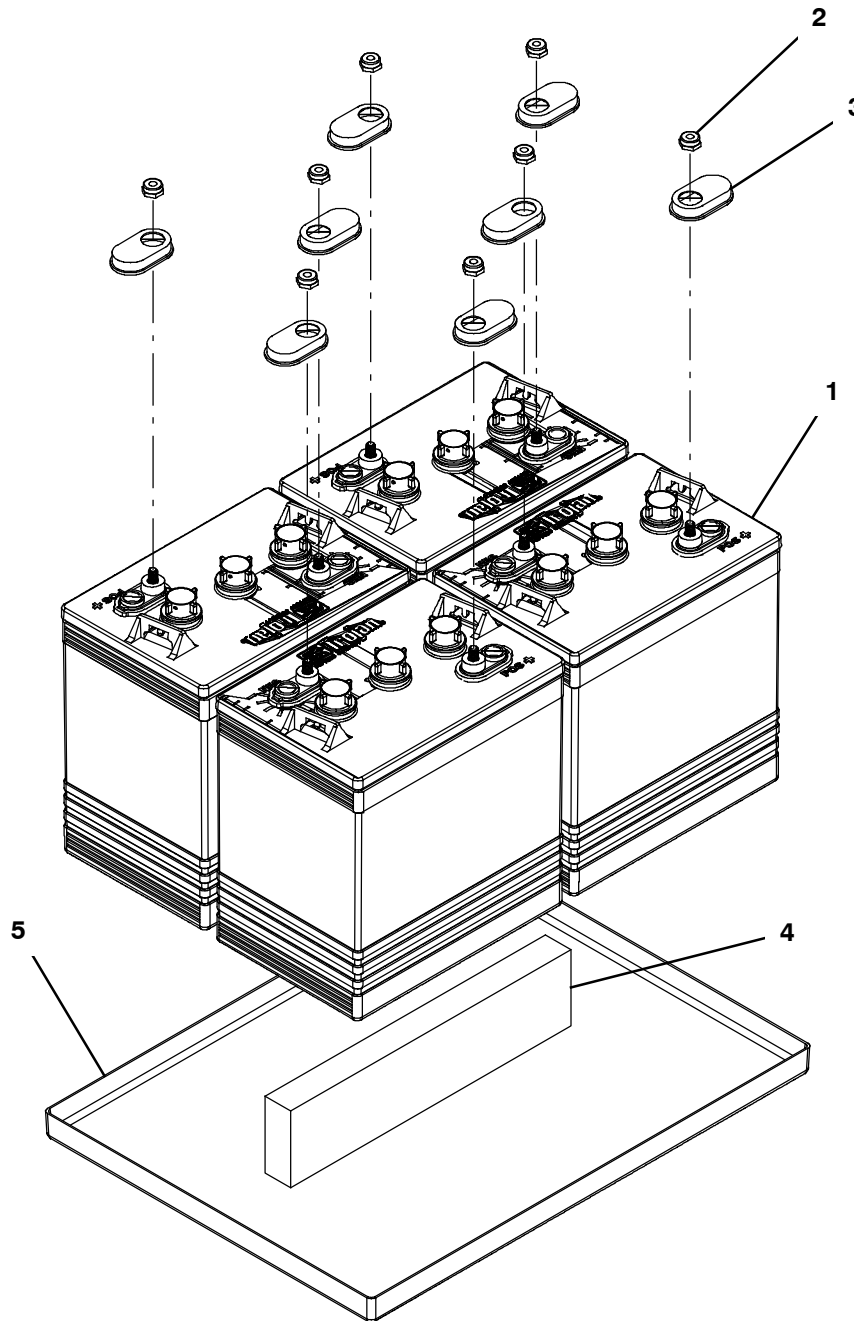
	Ref.	Part No.	Serial Number	Description	Qty.
▽	1	10155	(10000000- 20000000 )	Battery, Wet, 06vdc	4
▲	2	87435	(10000000- 20000000 )	Nut, Hex, Flexlock, .31- 18	2
	3	1041030	(10000000- 20000000 )	Cap, Battery, Black [For 155ah]	8
	4	630375	(10000000- 20000000 )	Spacer, Battery, Foam, 1.25 X 3.3 X 13.7	1
	5	1222318	(10000000- 20000000 )	Tray, Battery, Trimmed [T500, Thick]	1

▽ ASSEMBLY

▲ INCLUDED IN ASSEMBLY

BATTERY GROUP, WET 260AH

355448



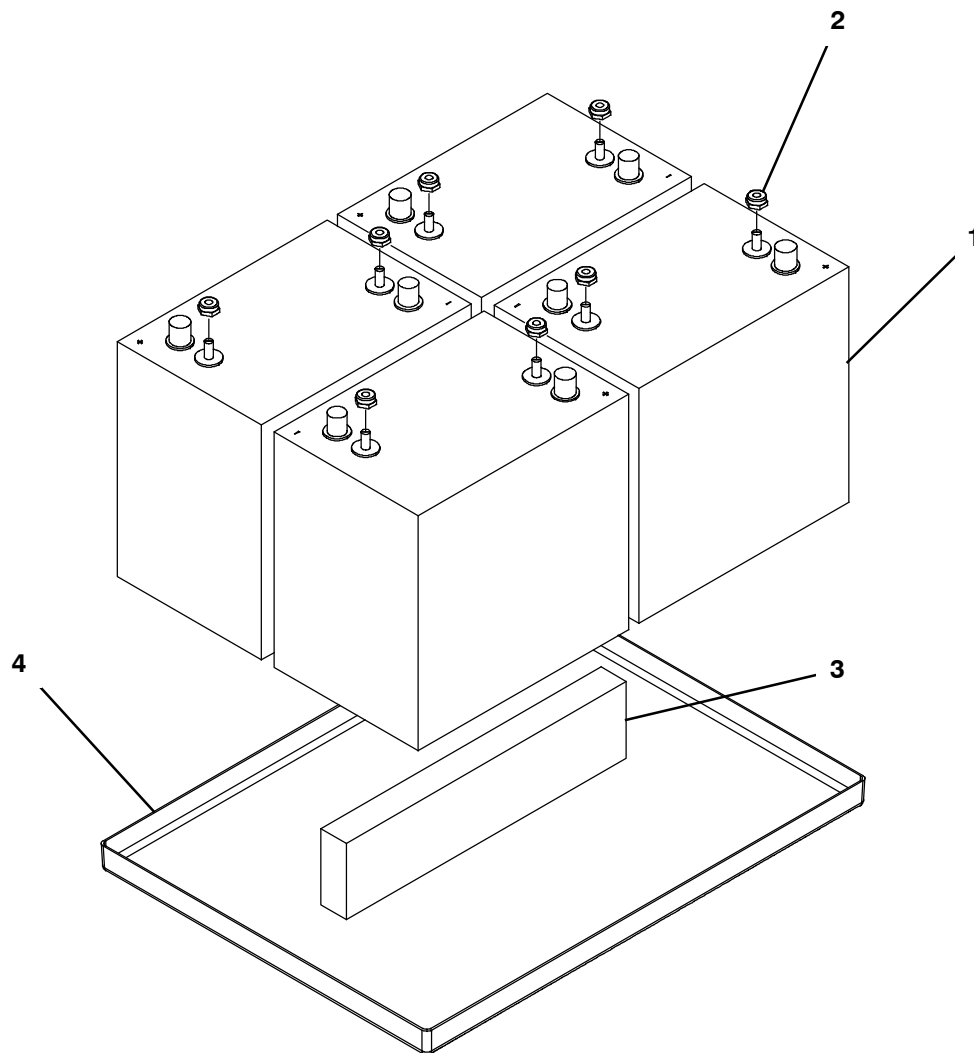
Ref.	Part No.	Serial Number	Description	Qty.
▽	1	390825	(10000000- 20000000 ) Battery, Wet, 06vdc 0244ah	4
▲	2	87435	(10000000- 20000000 ) Nut, Hex, Flexlock, .31- 18	2
▲	3	1041030	(10000000- 20000000 ) Cap, Battery, Black [For 155ah]	2
	4	630375	(10000000- 20000000 ) Spacer, Battery, Foam, 1.25 X 3.3 X 13.7	1
	5	1222318	(10000000- 20000000 ) Tray, Battery, Trimmed [T500, Thick]	1

▽ ASSEMBLY

▲ INCLUDED IN ASSEMBLY

BATTERY GROUP, AGM 220AH

355450



	Ref.	Part No.	Serial Number	Description	Qty.
▽	1	1074042	(10000000- 20000000 )	Battery, Agm, 06vdc, 220ah (Discover)	4
▲	2	87435	(10000000- 20000000 )	Nut, Hex, Flexlock, .31- 18	2
	3	630375	(10000000- 20000000 )	Spacer, Battery, Foam, 1.25 X 3.3 X 13.7	1
	4	1222318	(10000000- 20000000 )	Tray, Battery, Trimmed [T500, Thick]	1

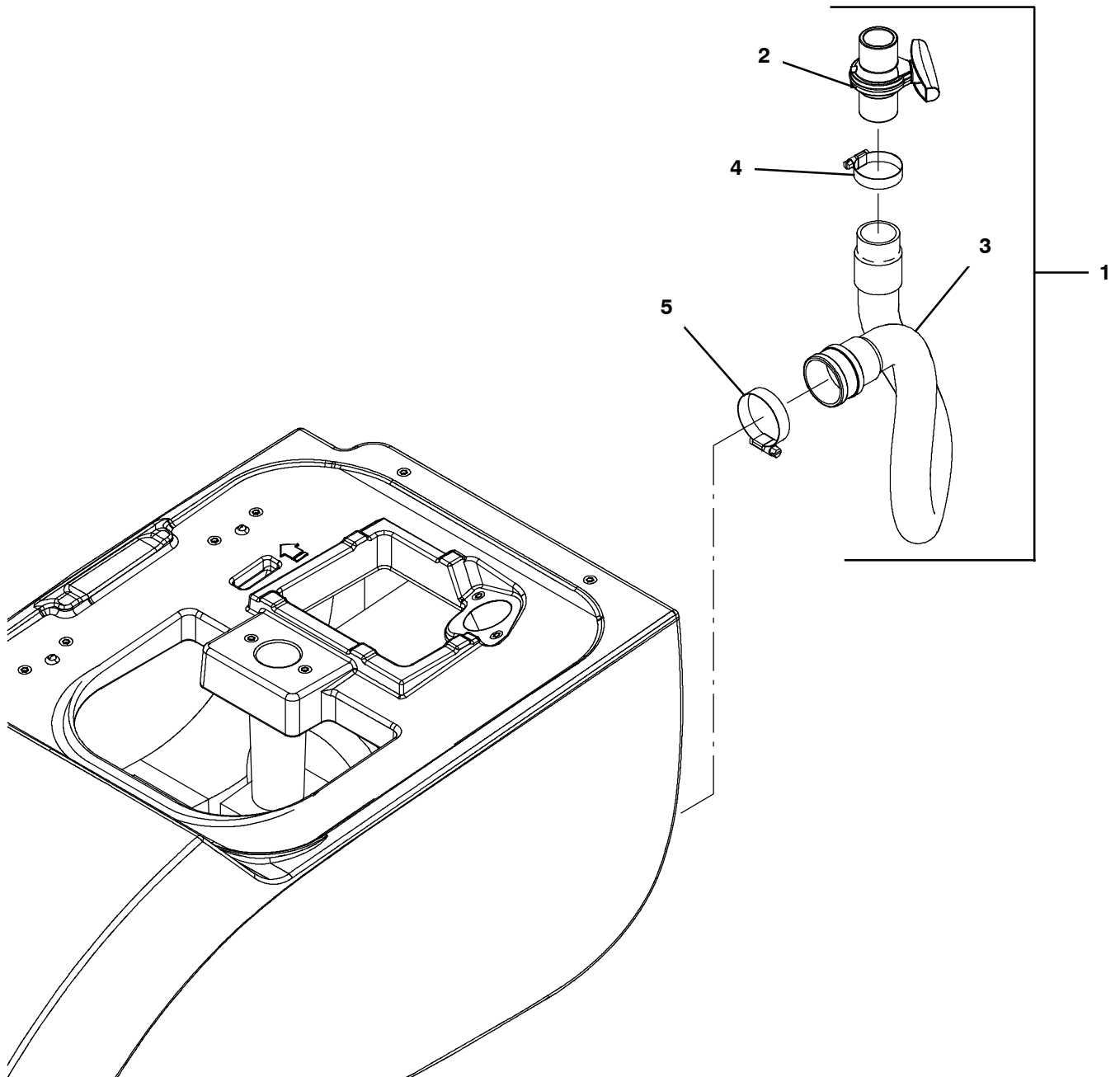
▽ ASSEMBLY

▲ INCLUDED IN ASSEMBLY



CONTROL VALVE DRAIN HOSE KIT

355495



Ref.	Part No.	Serial Number	Description	Qty.
▽	1	9015726	(10000000- 20000000 ) Hose Kit, Drain, Pu, W/ Valve, Ci[T500] (Gray)	1
▲	2	1051986	(10000000- 20000000 ) Valve, Ball, 2way, 1.0id Pvc, W/Handle	1
▲	3	1225817	(10000000- 20000000 ) Hose Assy, W/2cuff, 1.5d 027l 2.0/1.5[Pu] (Gray)	1
▲	4	11531	(10000000- 20000000 ) Clamp, Hose, Wormdrive, 1.06- 2.00d, .56w	1
	5	22297	(10000000- 20000000 ) Clamp, Hose, Wormdrive, 1.56- 2.50d, .50w	1

▽ ASSEMBLY

▲ INCLUDED IN ASSEMBLY

## DOCUMENTATION GROUP

Ref.	Part No.	Serial Number	Description	Qty.
	9015222	(10000000- 20000000 )	Manual, Parts [T500, Na]	1
	9015223	(10000000- 20000000 )	Manual, Oprtr [T500, En, Na/Intl]	1
	9015500	(10000000- 20000000 )	Manual, Oprtr [T500, Es, Na]	1
	9015501	(10000000- 20000000 )	Manual, Oprtr [T500, Fr, Na]	1
	9015502	(10000000- 20000000 )	Manual, Oprtr [T500, Ptbr]	1
	9015503	(10000000- 20000000 )	Instr, Wall Chart [T500, Na]	1
	9015504	(10000000- 20000000 )	Manual, Service [T500, En]	1



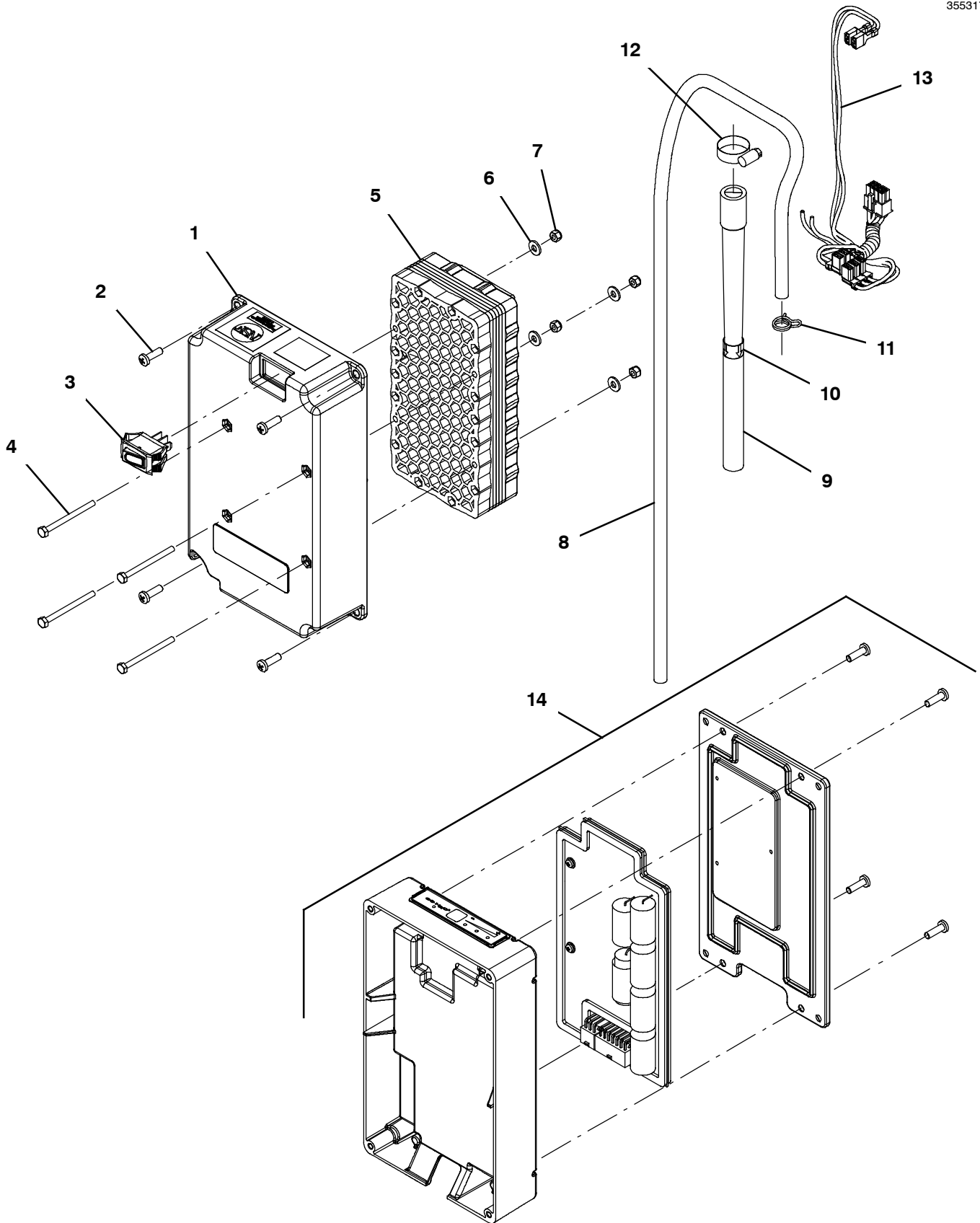
To view, print, order, download the latest Parts manual, other language Operator manuals, and Use and Care Guides (wall charts), visit:

[www.tennantco.com/manual](http://www.tennantco.com/manual)



ec-H2O NANOCLEAN MODULE BREAKDOWN

355317



**ec- H2O NANOCLEAN MODULE BREAKDOWN**

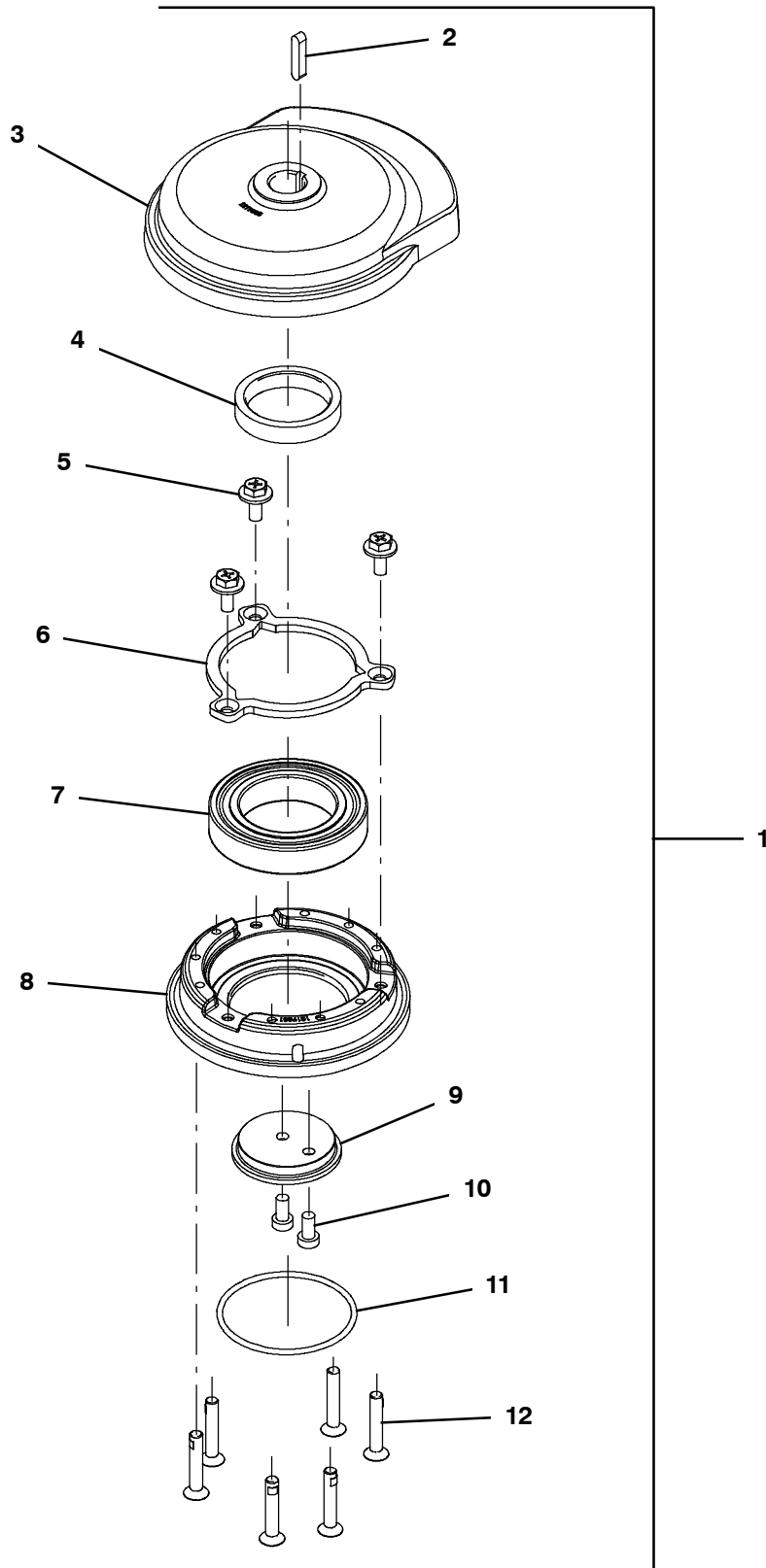
	<b>Ref.</b>	<b>Part No.</b>	<b>Serial Number</b>	<b>Description</b>	<b>Qty.</b>
▽		9011810	(10000000- 20000000 )	Module Kit, Replmt [Ec- H2o, B 02] (Includes ec- H2O NanoClean Cartridge) (Canada Also Requires Ferrite)	1
▲▽		9014126	(10000000- 20000000 )	Ec- H2o Nc Kit [Module B, Plumbing]	1
▲▲	1	1208823	(10000000- 20000000 )	Housing, Module, Upper, Ec- H2o	1
▲▲	2	1015506	(10000000- 20000000 )	Screw, Pan, Phl, M5 X 16, Tcut [Plastic]	4
▲▲	3	1044393	(10000000- 20000000 )	Switch, Rocker, Spst, Mom	1
▲▲	4	32509	(10000000- 20000000 )	Screw, Hex, M4 X 0.70 X 50, Ss	4
▲▲	5	1208164	(10000000- 20000000 )	Electrode, 5 Plate, High Flow	1
▲▲	6	41579	(10000000- 20000000 )	Washer, Flat, 08, Ss	4
▲▲	7	33932	(10000000- 20000000 )	Nut, Hex, Lock, M4 X 0.70, NI, Ss	4
▲▲	8	1006415	(10000000- 20000000 )	Hose, Afmkt, Pvc, Clr, 0.25id, 03ft	1
▲▲	9	1208526	(10000000- 20000000 )	Hose, Molded, Bm08/Bm06	1
▲▲	10	1049637	(10000000- 20000000 )	Label, Direction [Ec- H2o]	1
▲▲	11	613735	(10000000- 20000000 )	Clamp, Hose, Wir, .40 - .42, Yel	1
▲▲	12	54333	(10000000- 20000000 )	Clamp, Hose, Wormdrive, 0.31- 0.88d, .31w	1
▲▲	13	1073286	(10000000- 20000000 )	Harness, Ele, Module B2 [Ec- H2o]	1
▲	14	9014127	(10000000- 20000000 )	Controller Kit, Replmt [Ec- H2o Nc] (Includes ec- H2O NanoClean Cartridge)	1

▽ ASSEMBLY

▲ INCLUDED IN ASSEMBLY

ORBITAL HEAD ECCENTRIC DRIVE BREAKDOWN

355477



**ORBITAL HEAD ECCENTRIC DRIVE BREAKDOWN**

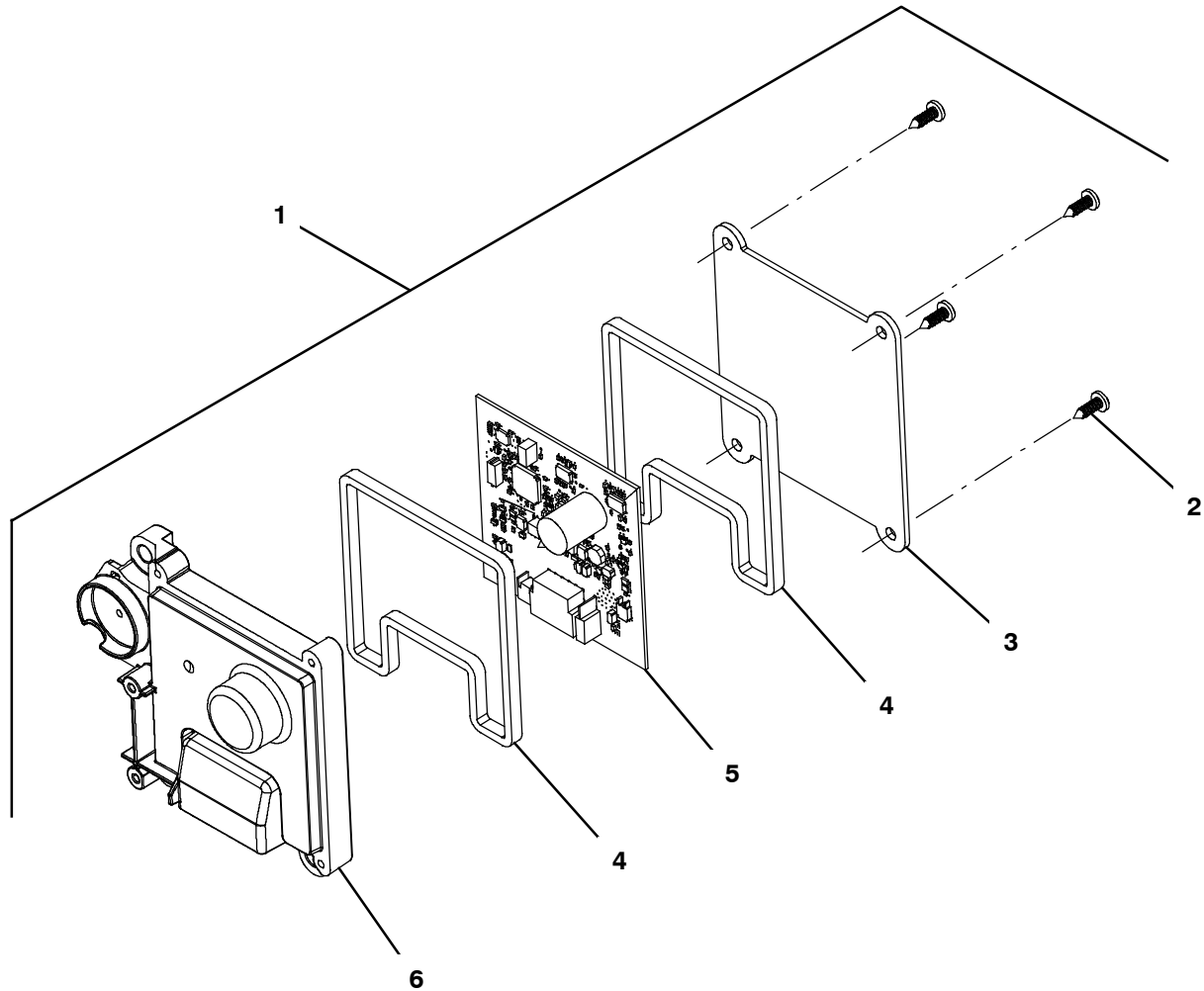
	<b>Ref.</b>	<b>Part No.</b>	<b>Serial Number</b>	<b>Description</b>	<b>Qty.</b>
▽	1	9015774	(10000000- 20000000 )	Eccentric Drive Kit, Orbital	1
▲	2	1231238	(10000000- 20000000 )	Key, Sq, 5mm X 5mm X 22mm	1
▲	3	N/A	(10000000- 20000000 )	Balance, Eccentric, Step [Machined]	1
▲	4	N/A	(10000000- 20000000 )	Spacer, Eccentric	1
▲	5	N/A	(10000000- 20000000 )	Screw, Hex, M6 X 1.00 X 16, Sems	3
▲	6	N/A	(10000000- 20000000 )	Plate, Retainer, Brg, Outer	1
▲	7	1220452	(10000000- 20000000 )	Bearing, Ball, 2.17b 3.54d .71w	1
▲	8	N/A	(10000000- 20000000 )	Housing, Bearing, Outer [Machined]	1
▲	9	N/A	(10000000- 20000000 )	Retainer, Bearing, Inner [Qpq]	1
▲	10	N/A	(10000000- 20000000 )	Screw, Soc, M6 X 1.00 X 12, 8.8, Low	2
▲	11	1221394	(10000000- 20000000 )	Seal, Org, .125 X 02.63id	1
▲	12	1212710	(10000000- 20000000 )	Screw, Flt, Soc, M6 X 1.00 X 35, 10.9,NI	6

▽ ASSEMBLY

▲ INCLUDED IN ASSEMBLY

## AUTOMATIC BATTERY WATERING MODULE BREAKDOWN

355564



	Ref.	Part No.	Serial Number	Description	Qty.
▽	1	9018008	(10000000-20000000 )	Kit, Module, Abw, Ci	1
▲	2	1018155	(10000000-20000000 )	Screw, Pan, Phl, M5 X 0.80 X 16, Tcut,Ss	4
▲	3	1223055	(10000000-20000000 )	Panel, Mtg, Fill, Auto, Battery	1
▲	4	1223286	(10000000-20000000 )	Seal, Cover, Board, Battery Watering	2
▲	5	1220931	(10000000-20000000 )	Circuitboard Assy [Abw Module]	1
▲	6	1223261	(10000000-20000000 )	Cover, Circuitboard, Battery Watering	1

▽ ASSEMBLY

▲ INCLUDED IN ASSEMBLY



