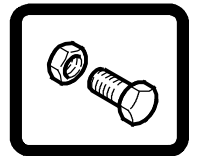




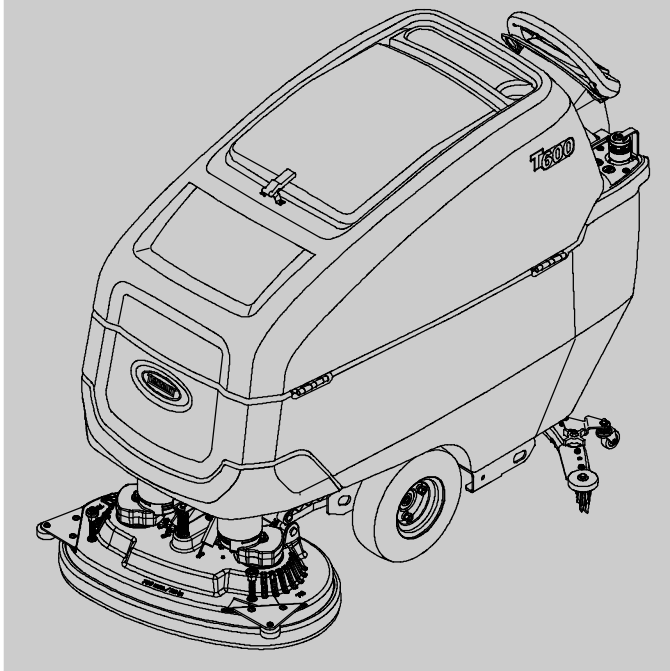
T600 EE

Walk-Behind Floor Scrubber

Parts Manual



(S/N 10000000-20000000)



Hygenic[®] Fully Cleanable Recovery Tank
TennantTrue[®] Parts
Insta-Fit[™] Adapter

North America / International

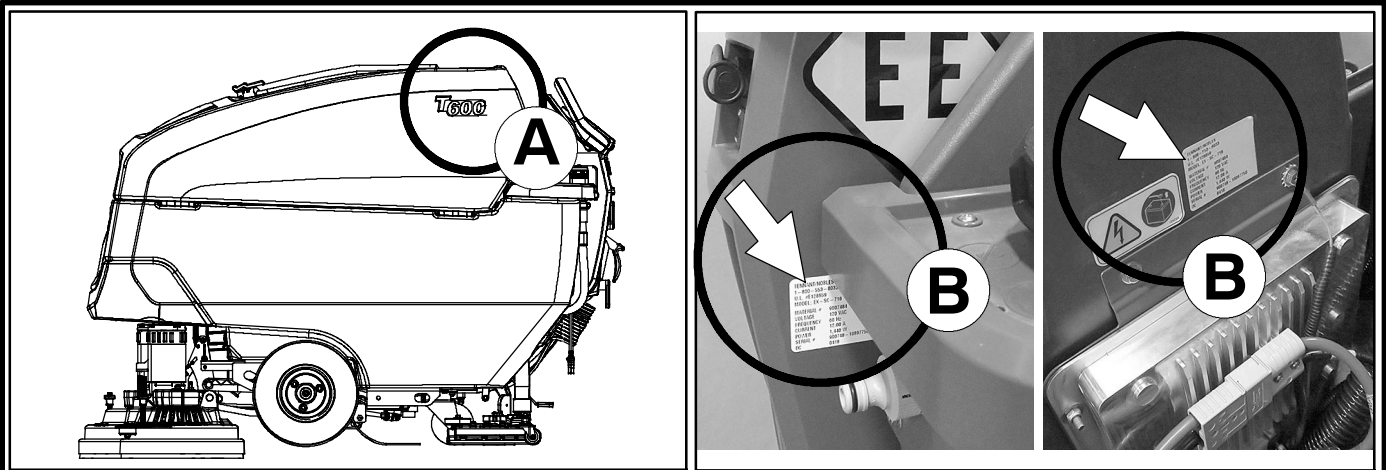


For the latest Parts manuals and other language Operator manuals, visit:

www.tennantco.com/manual

9016609
Rev. 01 (10-2018)





Ref	Part No.	Serial Number	Description	Qty.
1	82681	(000000-)	Bracket Wldt, Lpg Mount	1
∇ 2	63810	(000000-)	Latch Assy, Lpg Tank Mtg, W/Nut	4
▲ 3	51839	(000000-)	Nut Adjustable, Lpg Tank Mtg	2
4	49263	(000000-)	Tie, Cable	3
(D)	82556	(000000- 001039)	Bracket, Vaporizer	1
	54930	(000000-)	Vaporizer, LPG	1

HOW TO ORDER PARTS - See diagram above

Only use TENNANT Company supplied or equivalent parts. Parts and supplies may be ordered online, by phone, by fax or by mail.

Follow the steps below to ensure prompt delivery.

1. (A) Identify the machine model.
2. (B) Identify the machine serial number from the data label.
3. (C) Ensure the proper serial number is used from the parts list.
4. Identify the part number and quantity.
Do not order by page or reference numbers.
5. Provide your name, company name, customer ID number, billing and shipping address, phone number and purchase order number.
6. Provide detail shipping instructions.

- (D) ∇ - identifies an assembly
 ▲ - identifies parts included in assembly

Please fill out at time of installation for future reference.

Model No. - _____

Serial No. - _____

Machine Options - _____

Sales Rep. - _____

Sales Rep. phone no. - _____

Customer ID Number - _____

Installation Date - _____

Tennant Company
 PO Box 1452
 Minneapolis, MN 55440 USA
 Phone: (800) 553-8033
 www.tennantco.com

Specifications and parts are subject to change without notice.

Copyright © 2018 TENNANT Company, Printed in U.S.A.

ES	<p>CÓMO SOLICITAR PIEZAS - Consulte el diagrama anterior.</p> <p>Utilice sólo las piezas suministradas por TENNANT Company o piezas equivalentes. Puede solicitar las piezas a través de internet, por teléfono, por fax o por correo.</p> <p>Siga los siguientes pasos para que la entrega sea rápida.</p> <ol style="list-style-type: none"> 1. (A) Indique el modelo de máquina. 2. (B) Indique el número de serie de la etiqueta de datos. 3. (C) Asegúrese de que indica el número de serie correcto de la lista de piezas. 4. Indique la cantidad y el número de la pieza. No realice el pedido indicando el número de página o el de referencia. 5. Incluya su nombre, el nombre de la empresa, el ID de cliente, las direcciones de envío y facturación, el número de teléfono y el número del pedido de compra. 6. Facilite instrucciones de envío. <hr/> <p>(D) ▽ - identifica un conjunto ▲ - identifica piezas de un conjunto</p>	<p>Rellene estos datos cuando realice la instalación para utilizarlos como referencia en el futuro.</p> <p>Nº modelo - _____</p> <p>Nº serie - _____</p> <p>Opciones de la máquina - _____</p> <p>Vendedor - _____</p> <p>Nº teléfono vendedor - _____</p> <p>Nº cliente - _____</p> <p>Fecha de instalación - _____</p>
-----------	---	---

FR	<p>COMMENT COMMANDER DES PIÈCES DÉTACHÉES - Voir le schéma ci-dessus.</p> <p>Utilisez uniquement des pièces fournies par la société TENNANT ou équivalentes. Les pièces et fournitures peuvent être commandées en ligne, par téléphone, fax, ou par courrier.</p> <p>Suivez les étapes ci-dessous pour assurer une livraison rapide.</p> <ol style="list-style-type: none"> 1. (A) Identifiez le modèle de la machine. 2. (B) Identifiez le numéro de série de la machine, à partir de l'étiquette signalétique. 3. (C) Assurez-vous que le numéro de série correct est utilisé à partir de la liste de pièces détachées. 4. Identifiez le numéro de pièce et la quantité. Ne commandez pas par page ou numéros de référence. 5. Fournissez votre nom, le nom de votre société, votre numéro d'identification de client, l'adresse de facturation et d'expédition, le numéro de téléphone et le numéro du bon de commande. 6. Fournissez des instructions d'expédition détaillées. <hr/> <p>(D) ▽ - identifie un assemblage ▲ - identifie les pièces composant l'assemblage</p>	<p>A remplir au moment de l'installation à titre de référence.</p> <p>Nº du modèle - _____</p> <p>Nº de série - _____</p> <p>Options de la machine - _____</p> <p>Agent commercial - _____</p> <p>Nº tél. de l'agent commercial - _____</p> <p>Numéro d'identification client - _____</p> <p>Date d'installation - _____</p>
-----------	---	---

STANDARD PARTS

GENERAL RECOMMENDED MAINTENANCE ITEMS	7
REPLACEMENT BRUSHES AND PAD DRIVER DISK	8
SCRUB HEAD GROUP, DISK 800MM / 32IN ...	10
RECOVERY TANK GROUP	12
RECOVERY TANK COVER GROUP	14
RECOVERY TANK FILTER AND HOSE GROUP, PINCH TWIST CAP	16
SOLUTION TANK GROUP, AUTO- FILL	18
ELECTRICAL PANEL GROUP	20
CIRCUIT BREAKER PANEL GROUP	22
FRAME AND DRIVE GROUP, WITHOUT PARK LOCK	24
FRAME AND DRIVE GROUP, WITH PARK LOCK	26
HEAD LIFT GROUP, DISK	28
LOWER CONSOLE GROUP, OFF- BOARD CHARGER	30
CONSOLE HANDLE, PRO- MEMBRANE PANEL	32
SQUEEGEE LIFT GROUP	34
SQUEEGEE ASSEMBLY, 700MM / 28IN (Intended for 800MM Scrub Head Size) (Upgraded Style) ...	36
SQUEEGEE ASSEMBLY, 700MM / 28IN (Intended for 800MM Scrub Head Size) (Original Style - Replaced By 9018086)	38
STANDARD SOLUTION GROUP	40
BATTERY GROUP, WET 240AH	42
SHROUD GROUP, DISK	44
STANDARD LABEL GROUP	45
ELECTRICAL DIAGRAM	46
ELECTRICAL HARNESS, MAIN	50
ELECTRICAL HARNESS, BAIL SWITCH	55
ELECTRICAL HARNESS, OPERATOR STATION	56

OPTIONS

HYDROLINK® MANUAL BATTERY WATERING KIT	58
NARROW AISLE SQUEEGEE ASSEMBLY, 650MM / 26IN (Upgraded Style)	60
NARROW AISLE SQUEEGEE ASSEMBLY, 650MM / 26IN (Original Style - Replaced By 9018098)	62
RECOVERY TANK HOSE GROUP, VALVE	64
TALL WET FLOOR SIGN HANGER KIT	66
TRANSPORT KIT	67
DOCUMENTATION GROUP	68

TABLE OF CONTENTS

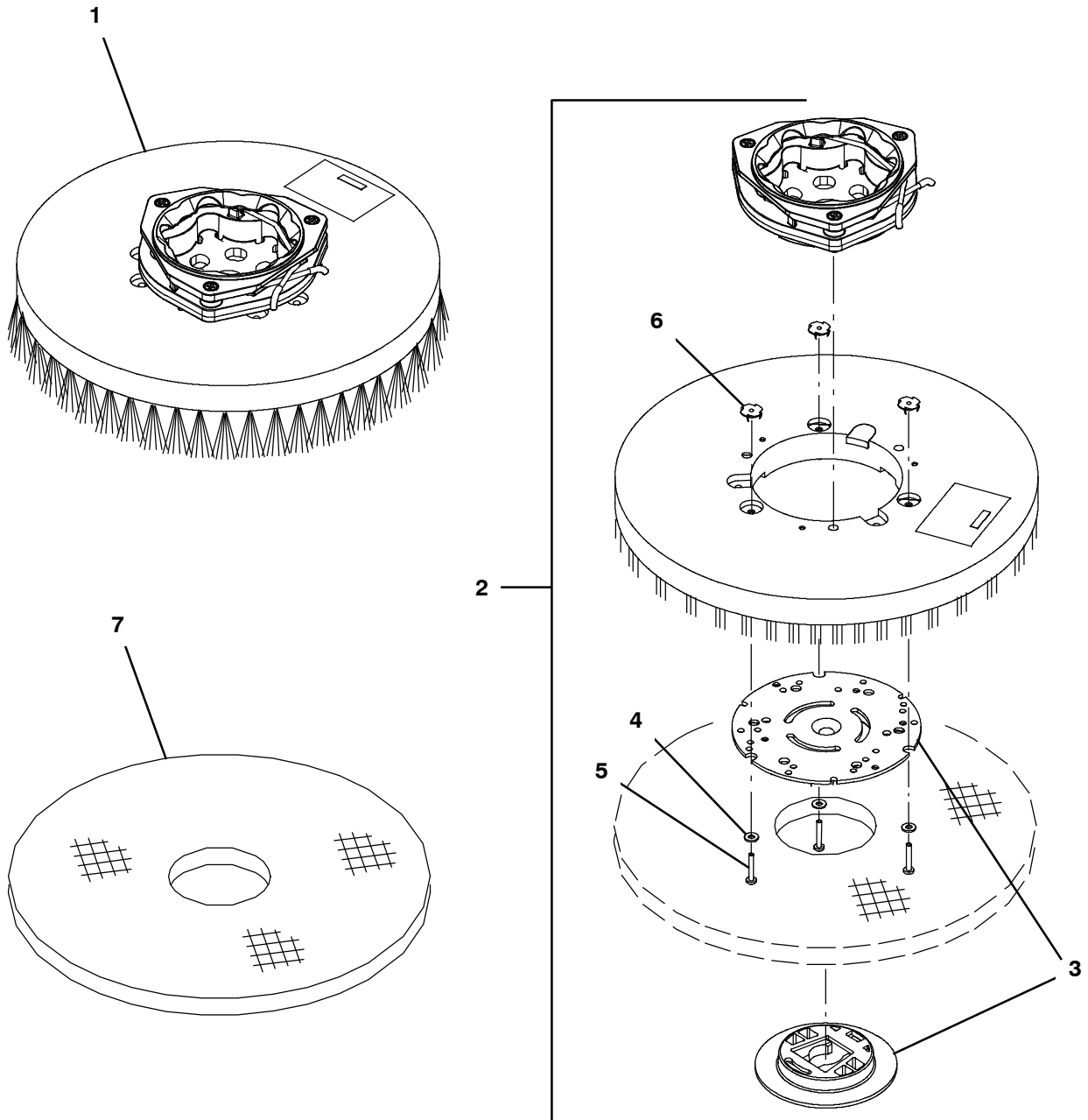
RECOMMENDED MAINTENANCE ITEMS

GENERAL RECOMMENDED MAINTENANCE ITEMS

Part No.	Serial Number	Description	Qty.
1234524	(10000000- 20000000)	Brush Assy, Disk, Scb, 16.0d, Pyp	2
1234525	(10000000- 20000000)	Brush Assy, Disk, Scb, 16.0d, Hd Pyp	2
1234523	(10000000- 20000000)	Brush Assy, Disk, Scb, 16.0d, Nyl	2
1243685	(10000000- 20000000)	Pad, Stripping, 16.0d, Brn [1pick=1ctn]	2
1243354	(10000000- 20000000)	Pad, Scb, 16.0d, Blu [1pick=1ctn]	2
1243355	(10000000- 20000000)	Pad, Buff, 16.0d, Red [1pick=1ctn]	2
1243356	(10000000- 20000000)	Pad, Polish, 16.0d, White [1pick=1ctn]	2
1243659	(10000000- 20000000)	Pad, Strip, 16.0d Blk[Hi Prod1pick=1ctn]	2
1243668	(10000000- 20000000)	Pad, Surf Prep, 16.0d Maroon[1pick=1ctn]	2
1240390	(10000000- 20000000)	Pad, Polish, 16.0d, Yel [1pick=1ctn]	2
▽	9015737	(10000000- 20000000) Blade Kit, 700mm, Linatex/Linard (Standard - Intended for 800mm Scrub Head Size)	1
▲	1221572	(10000000- 20000000) Blade, Sqge, Rear, 1204l, Linatex[700mm] (Standard)	1
▲	1232679	(10000000- 20000000) Blade, Sqge, Front, 1148l Linard[700mm] (Standard)	1
▽	9015738	(10000000- 20000000) Blade Kit, 700mm, Urethane (Option - Intended for 800mm Scrub Head Size)	1
▲	1228904	(10000000- 20000000) Blade, Sqge, Rear, 1204l,Urethane[700mm] (Option)	1
▲	1228906	(10000000- 20000000) Blade, Sqge, Front,1148l Urethane[700mm] (Option)	1
▽	9015736	(10000000- 20000000) Blade Kit, 700mm, Gum (Option - Intended for 800mm Scrub Head Size)	1
▲	1228905	(10000000- 20000000) Blade, Sqge, Rear, 1204l, Gum[700mm] (Option)	1
▲	1228907	(10000000- 20000000) Blade, Sqge, Front, 1148l Gum[700mm] (Option)	1
▽	9015734	(10000000- 20000000) Blade Kit, 650mm, Linatex/Linard (Standard - Intended for Narrow Aisle)	1
▲	1221585	(10000000- 20000000) Blade, Sqge, Rear, 1166l, Linatex[650mm] (Standard)	1
▲	1232680	(10000000- 20000000) Blade, Sqge, Front, 1072l Linard[650mm] (Standard)	1
▽	9015735	(10000000- 20000000) Blade Kit, 650mm, Urethane (Option - Intended for Narrow Aisle)	1
▲	1228909	(10000000- 20000000) Blade, Sqge, Rear, 1136l,Urethane[650mm] (Option)	1
▲	1228915	(10000000- 20000000) Blade, Sqge, Front,1072l,Urethane[650mm] (Option)	1
▽	9015733	(10000000- 20000000) Blade Kit, 650mm, Gum (Option - Intended for Narrow Aisle)	1
▲	1228910	(10000000- 20000000) Blade, Sqge, Rear, 1136l, Gum[650mm] (Option)	1
▲	1228919	(10000000- 20000000) Blade, Sqge, Front, 1072l Gum[650mm] (Option)	1
▽	9017499	(10000000- 20000000) Parts Kit, Maint, Afmkt 700 [T600/E] (Intended for 800MM Scrub Head Size)	1
▲	1230171	(10000000- 20000000) Tray, Debris [T600]	1
▲	9017507	(10000000- 20000000) Hose Kit, Drain, Pvc, Ci [T600/T600e]	1
▲	9017505	(10000000- 20000000) Hose Kit, Recvy, Pvc, Ci [T600/T600e]	1
▲	609531	(10000000- 20000000) Float, Shutoff, Vacuum, 1- Ball, 1.50d	1
▲	1221572	(10000000- 20000000) Blade, Sqge, Rear, 1204l, Linatex[700mm]	1
▲	1232679	(10000000- 20000000) Blade, Sqge, Front, 1148l Linard[700mm]	1
▲	1211537	(10000000- 20000000) Filter, In- Line [80 Mesh, Fine, White]	1
	1063882	(10000000- 20000000) Motor, Ele, 36vdc 0330rpm 0.60hp	2
	222403	(10000000- 20000000) Wheel, 02.0d 0.88w 0.50b	2
	1232326	(10000000- 20000000) Bumper, Head, 80cm, Skirt, Im	1
	9017893	(10000000- 20000000) Fan Kit, Vacuum, Ci [T600ee]	1
	1049046	(10000000- 20000000) Caster, Swivel, 5.0d 2.0w, 4hole, Gray	2
	1236073	(10000000- 20000000) Tire Assy, Solid, 4.1/3.5- 06 3.5bc/3bolt (Standard)	2
	1059450	(10000000- 20000000) Tire Assy, Pneu, Blk, 4.10/3.5- 06 3.5bc (Option)	2
	1231001	(10000000- 20000000) Tire Assy, Foam, 4.10/3.5- 06 3.5bc/3bolt (Option)	2

REPLACEMENT BRUSHES AND PAD DRIVER DISK

355620



REPLACEMENT BRUSHES AND PAD DRIVER DISK

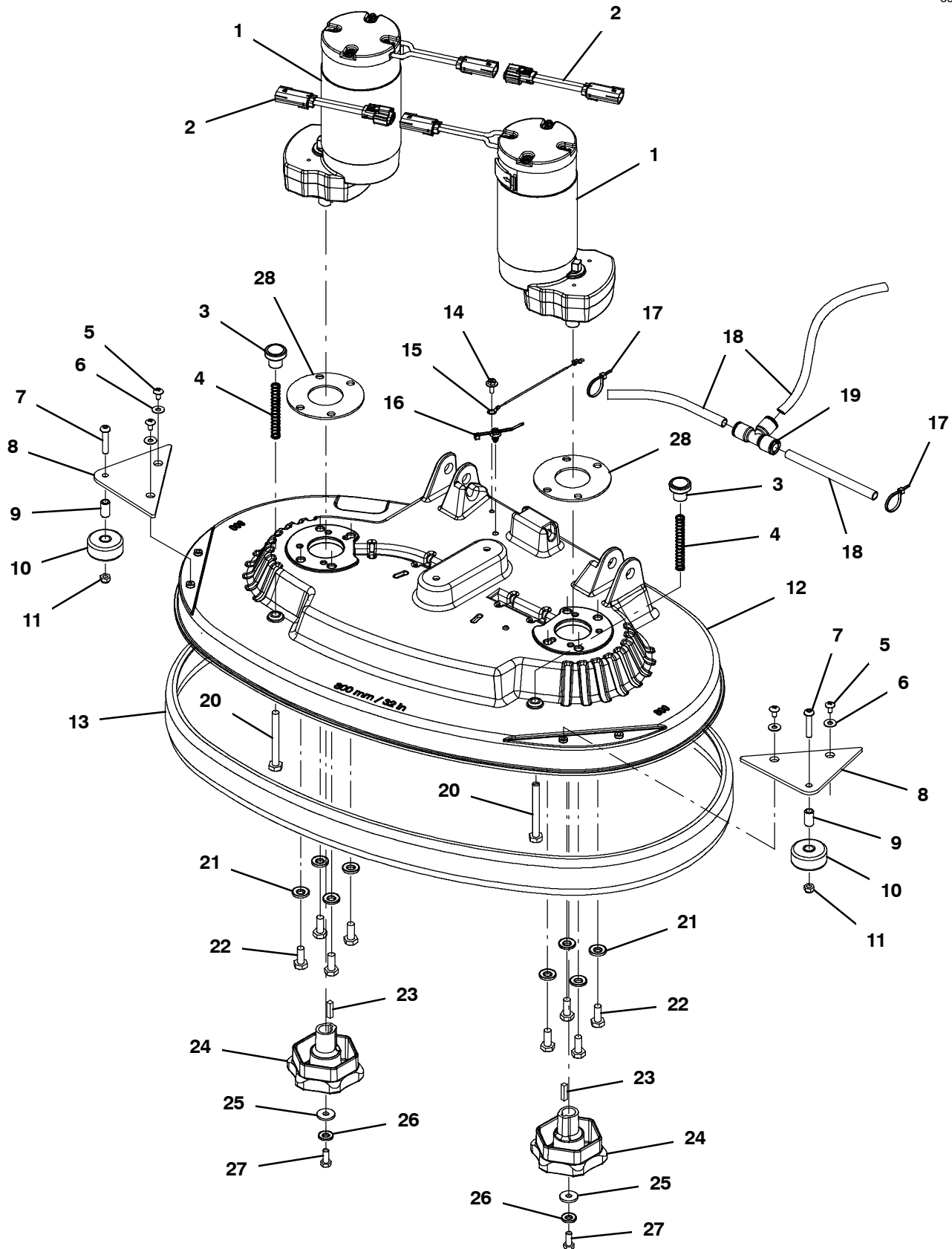
Ref.	Part No.	Serial Number	Description	Qty.
1	1234524	(10000000- 20000000)	Brush Assy, Disk, Scb, 16.0d, Pyp	2
1	1234525	(10000000- 20000000)	Brush Assy, Disk, Scb, 16.0d, Hd Pyp	2
1	1234523	(10000000- 20000000)	Brush Assy, Disk, Scb, 16.0d, Nyl	2
1	1234526	(10000000- 20000000)	Brush Assy, Disk, Scb, 16.0d, Sab	2
▽	2	1234527	(10000000- 20000000) Driver Assy, Pad, 16.0d, Brush	2
▲	3	370095	(10000000- 20000000) Device, Centering, Clip On, TI [Gf Pp]	1
▲	4	41579	(10000000- 20000000) Washer, Flat, 08, Ss	3
▲	5	04403	(10000000- 20000000) Screw, Pan, Phl, M4 X 0.70 X 25, NI, Ss	3
▲	6	10908	(10000000- 20000000) Nut, T, M4 X 0.70	3
	7	1243685	(10000000- 20000000) Pad, Stripping, 16.0d, Brn [1pick=1ctn]	2
	7	1243354	(10000000- 20000000) Pad, Scb, 16.0d, Blu [1pick=1ctn]	2
	7	1243355	(10000000- 20000000) Pad, Buff, 16.0d, Red [1pick=1ctn]	2
	7	1243356	(10000000- 20000000) Pad, Polish, 16.0d, White [1pick=1ctn]	2
	7	1243659	(10000000- 20000000) Pad, Strip, 16.0d Blk[Hi Prod1pick=1ctn]	2
	7	1243668	(10000000- 20000000) Pad, Surf Prep, 16.0d Maroon[1pick=1ctn]	2
	7	1240390	(10000000- 20000000) Pad, Polish, 16.0d, Yel [1pick=1ctn]	2

▽ ASSEMBLY

▲ INCLUDED IN ASSEMBLY

SCRUB HEAD GROUP, DISK 800MM / 32IN

355699

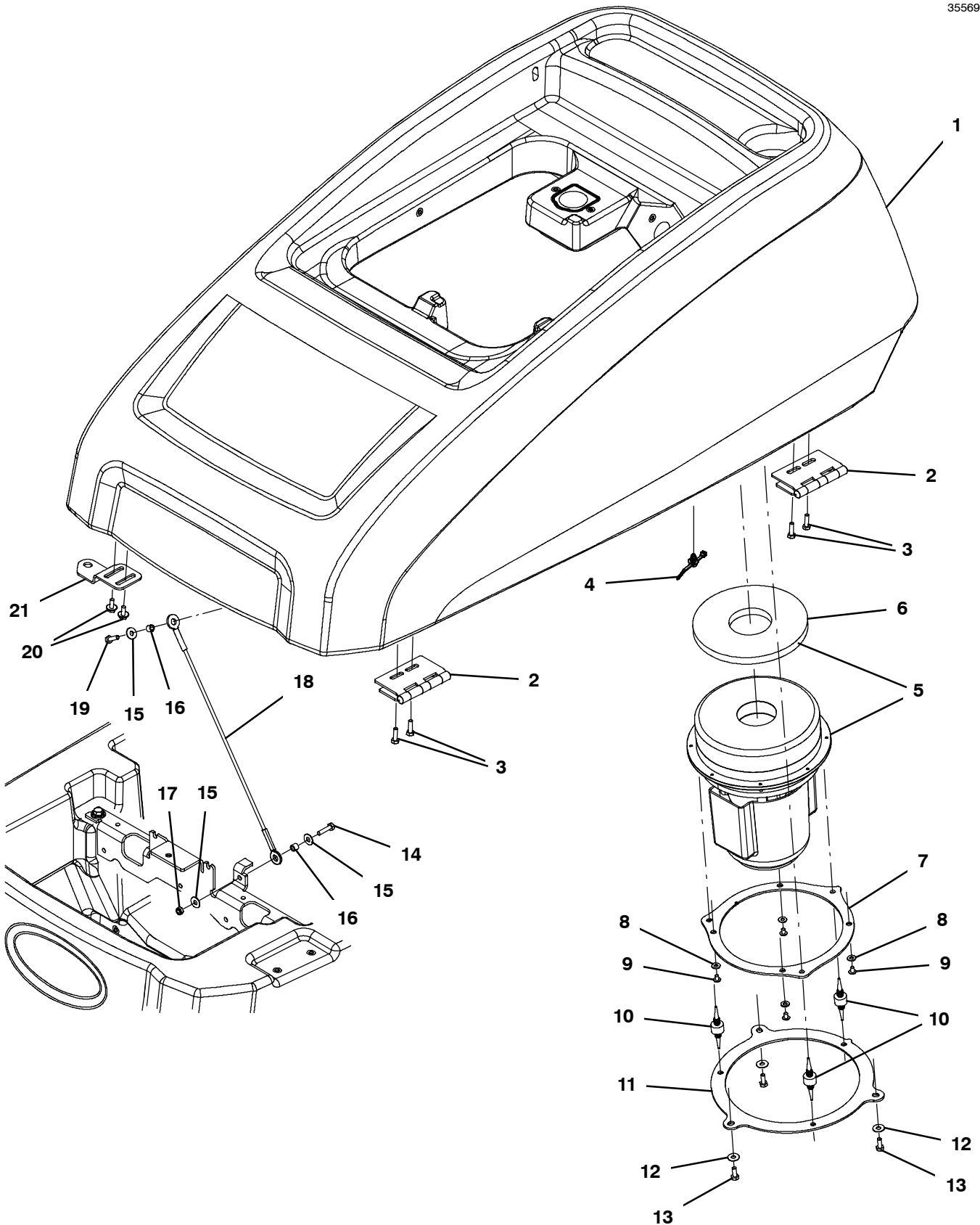


SCRUB HEAD GROUP, DISK 800MM / 32IN

Ref.	Part No.	Serial Number	Description	Qty.
1	1063882	(10000000-20000000)	Motor, Ele, 36vdc 0330rpm 0.60hp	2
2	1075585	(10000000-20000000)	Harness, Ele [Motor Rev., Molex Mx150]	2
3	1222988	(10000000-20000000)	Knob, Rnd, 31.0d 27.0l M10, Plstc	2
4	626081	(10000000-20000000)	Spring, Cmpr, 0.48od .04wir 03.5l	2
5	1227865	(10000000-20000000)	Screw, Trs, M6 X 1.0 X 12, Phl, Ss, NI	4
6	01684	(10000000-20000000)	Washer, Flat, 0.27b 0.69d .05, Ss	4
7	397826	(10000000-20000000)	Screw, Btn, M8 X 1.25 X 40, Ss	2
8	1227709	(10000000-20000000)	Bracket, Roller, Wall	2
9	222496	(10000000-20000000)	Sleeve, P/M, 0.32b 0.50d 0.9l [430ss]	2
10	222403	(10000000-20000000)	Wheel, 02.0d 0.88w 0.50b	2
11	08713	(10000000-20000000)	Nut, Hex, Lock, M8 X 1.25, NI, Ss	2
12	9016847	(10000000-20000000)	Housing, Disc, 80cm, Afmkt [T600, Na,Ce] (With Label)	1
13	1232326	(10000000-20000000)	Bumper, Head, 80cm, Skirt, Im	1
14	1034731	(10000000-20000000)	Screw, Hex, M6 X 1.00 X 16, Sems, Ss	1
15	1074344	(10000000-20000000)	Harness, Ele [Ring With .250m Tail]	1
16	1210807	(10000000-20000000)	Wire, Tie [W/.25" Fir Tree Clip]	1
17	130773	(10000000-20000000)	Tie, Cable, Nyl, 11.0l, .14w, 3.0 Max. D	2
18	9014145	(10000000-20000000)	Hose, Afmkt, Pe, .375id .50od, 05ft	1
19	1212858	(10000000-20000000)	Fitting, Plstc, Tee, Qf08/Qf08/Qf08	1
20	09746	(10000000-20000000)	Screw, Hex, M10 X 1.50 X 90, Ss	2
21	41187	(10000000-20000000)	Washer, Flat, Belleville, .38	8
22	09028	(10000000-20000000)	Screw, Hex, M10 X 1.50 X 25, Ss	8
23	00928	(10000000-20000000)	Key, Sq, 0.25 X 0.25, 1.00l	2
24	1240229	(10000000-20000000)	Hub, Drive, Brush, Disk	2
25	1017218	(10000000-20000000)	Washer, Flat, 0.32b 1.00d .12, Ss	2
26	41186	(10000000-20000000)	Washer, Flat, Belleville, .31	2
27	12273	(10000000-20000000)	Screw, Hex, M8 X 1.25 X 20, NI, Ss	2
28	1238822	(10000000-20000000)	Spacer, Rbr, Motor	2

RECOVERY TANK GROUP

355695



RECOVERY TANK GROUP

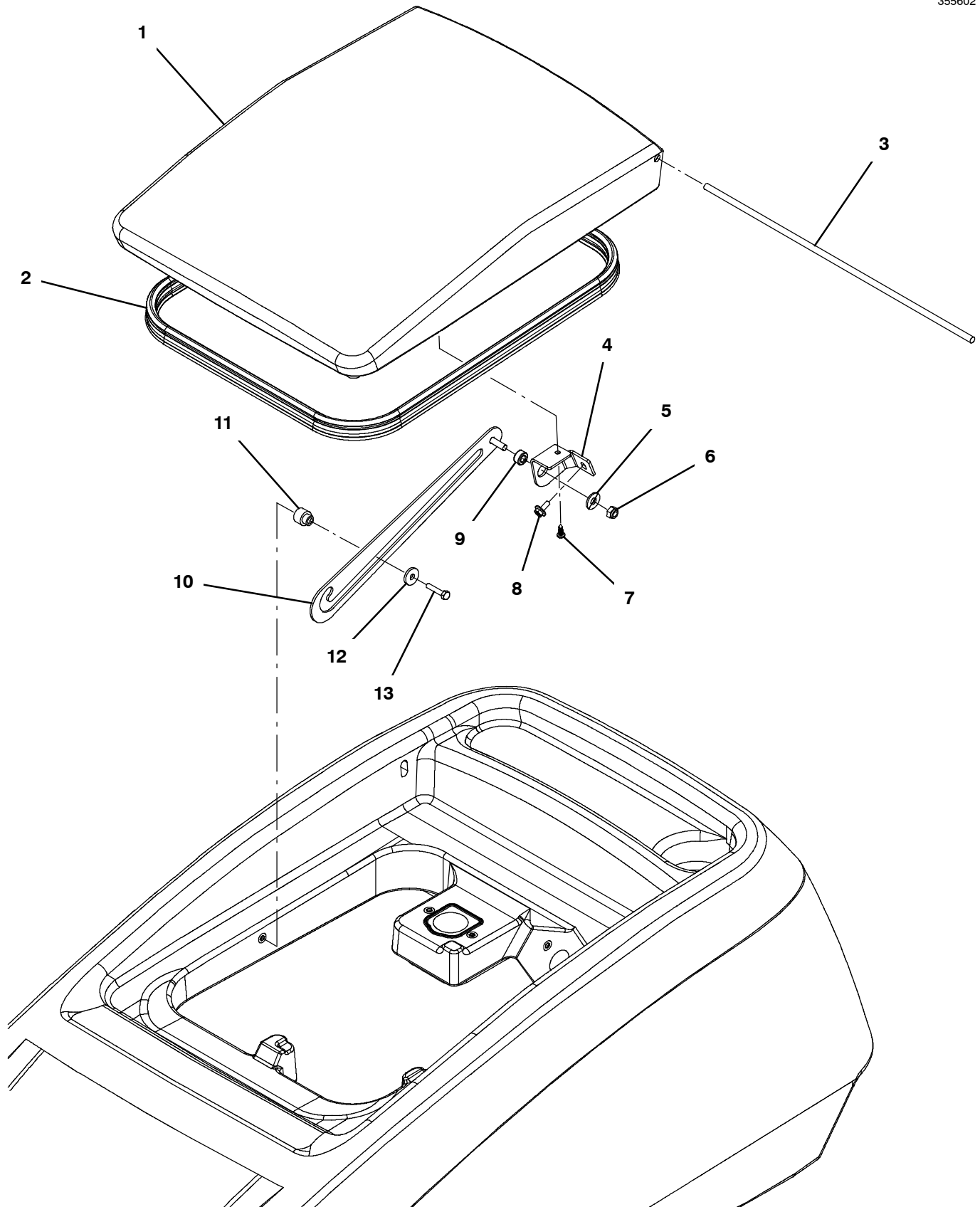
Ref.	Part No.	Serial Number	Description	Qty.	
1	9016812	(10000000- 20000000)	Tank, Recvy, W/Labels, Afmkt [T600, Na]	1	
2	1217669	(10000000- 20000000)	Hinge Assy, 7.0 Pin, 11 Ga, 100l X 105w	2	
3	1034731	(10000000- 20000000)	Screw, Hex, M6 X 1.00 X 16, Sems, Ss	4	
4	1210807	(10000000- 20000000)	Wire, Tie [W/.25" Fir Tree Clip]	2	
▽	5	9017893	(10000000- 20000000)	Fan Kit, Vacuum, Ci [T600ee]	1
▲	6	1233703	(10000000- 20000000)	Gasket, .50, 2.56id, 6.89od, Adh [Epdm]	1
7	1233702	(10000000- 20000000)	Plate, Mount, Vac, Top [T600ee]	1	
8	01683	(10000000- 20000000)	Washer, Flat, 10, Ss	4	
9	140892	(10000000- 20000000)	Screw, Rnd, Phl, 10- 24 X 0.50, Ss	4	
10	1062016	(10000000- 20000000)	Isolator, Vib, .75d	3	
11	1233701	(10000000- 20000000)	Plate, Mount, Vac, Bottom [T600ee]	1	
12	01684	(10000000- 20000000)	Washer, Flat, 0.27b 0.69d .05, Ss	3	
13	11329	(10000000- 20000000)	Screw, Hex, M6 X 1.00 X 16, NI, Ss	3	
14	06944	(10000000- 20000000)	Screw, Hex, M6 X 1.00 X 25, 8.8	1	
15	01684	(10000000- 20000000)	Washer, Flat, 0.27b 0.69d .05, Ss	3	
16	140154	(10000000- 20000000)	Sleeve, P/M, 0.25b 0.38d 0.3l, PI	2	
17	08712	(10000000- 20000000)	Nut, Hex, Lock, M6 X 1.00, NI, Ss	1	
18	1230075	(10000000- 20000000)	Cable, Glv .13d 15.0l .38eye /.38eye	1	
19	12277	(10000000- 20000000)	Screw, Hex, M6 X 1.00 X 20, NI, Ss	1	
20	1034731	(10000000- 20000000)	Screw, Hex, M6 X 1.00 X 16, Sems, Ss	2	
21	1233933	(10000000- 20000000)	Plate, Tank Lock, Top [T600ee]	1	

▽ ASSEMBLY

▲ INCLUDED IN ASSEMBLY

RECOVERY TANK COVER GROUP

355602



RECOVERY TANK COVER GROUP

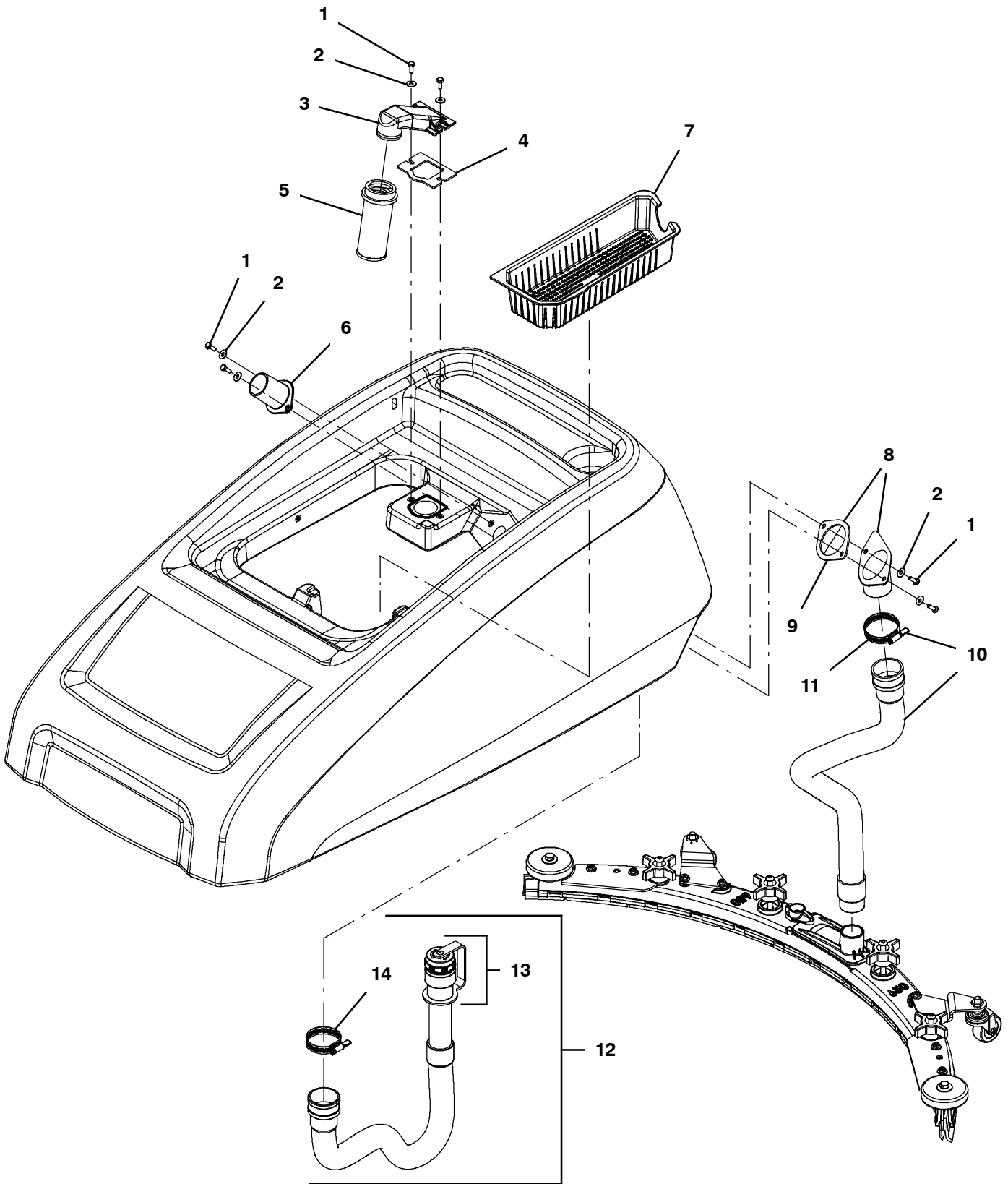
	Ref.	Part No.	Serial Number	Description	Qty.
▽	1	9016824	(10000000- 20000000)	Cover, Tank, Recvy, Afmkt [T600, Na Wlab] (With Label)	1
▲	2	1066433	(10000000- 20000000)	Seal, Afmkt, Bulb, Dual, 08ft [F/.30gap]	1
	3	1230116	(10000000- 20000000)	Bar, Rnd, Plstc, 0.31d 18.4l	1
	4	1229908	(10000000- 20000000)	Bracket, Mtg, Rod, Prop	1
	5	01685	(10000000- 20000000)	Washer, Flat, 0.38b 0.88d .08, Ss	1
	6	08713	(10000000- 20000000)	Nut, Hex, Lock, M8 X 1.25, NI, Ss	1
	7	1018155	(10000000- 20000000)	Screw, Pan, Phl, M5 X 0.80 X 16, Tcut, Ss	1
	8	1034731	(10000000- 20000000)	Screw, Hex, M6 X 1.00 X 16, Sems, Ss	1
	9	360460	(10000000- 20000000)	Sleeve, P/M, 0.34b 0.63d 0.4l, Ss / Oil	1
	10	1229911	(10000000- 20000000)	Plate Wldt, Cover, Rcvy	1
	11	230735	(10000000- 20000000)	Sleeve, P/M, Fling, 0.33b 0.75/0.50d 0.8l	1
	12	01684	(10000000- 20000000)	Washer, Flat, 0.27b 0.69d .05, Ss	1
	13	12277	(10000000- 20000000)	Screw, Hex, M6 X 1.00 X 20, NI, Ss	1

▽ ASSEMBLY

▲ INCLUDED IN ASSEMBLY

RECOVERY TANK FILTER AND HOSE GROUP, PINCH TWIST CAP

355600



RECOVERY TANK FILTER AND HOSE GROUP, PINCH TWIST CAP

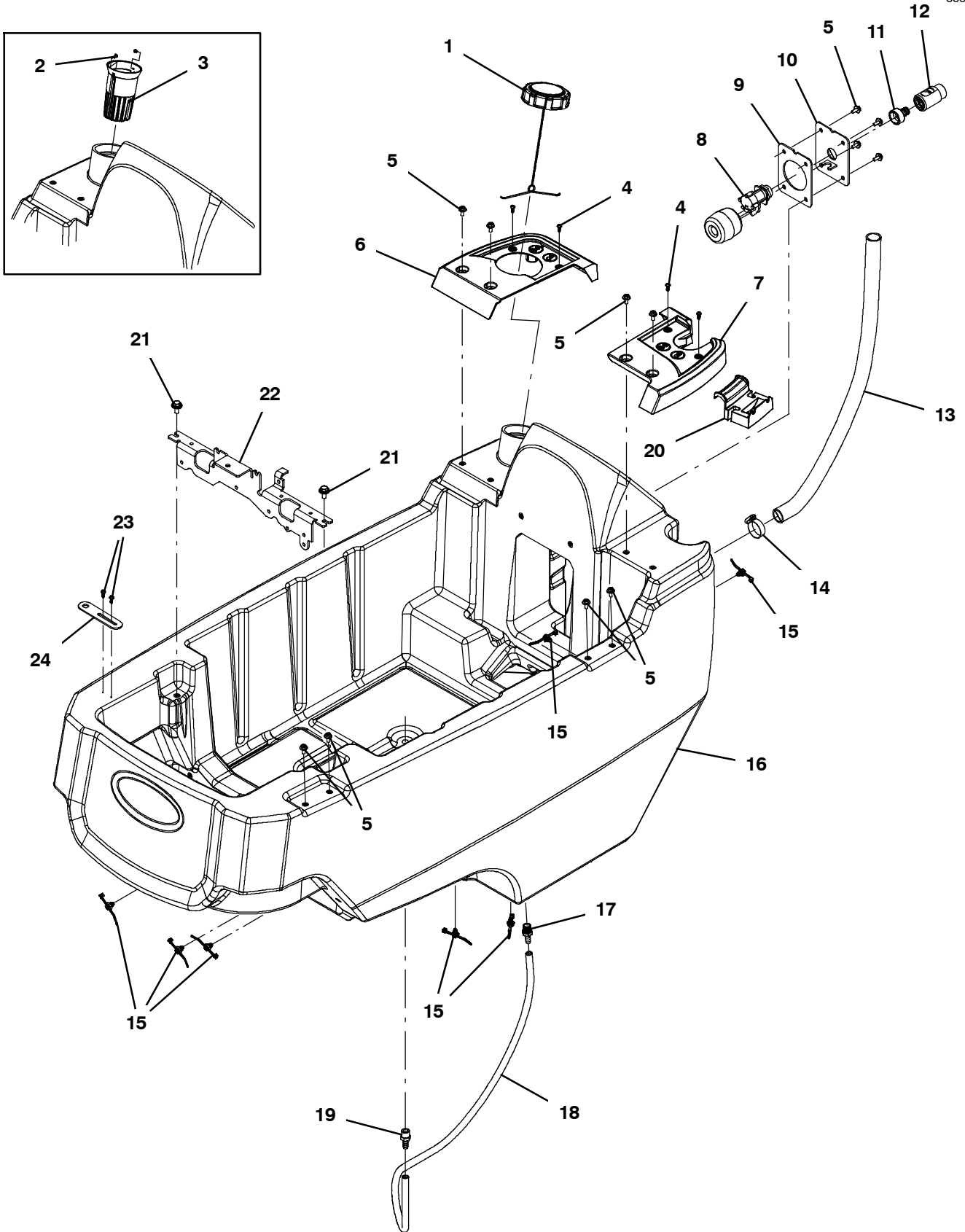
Ref.	Part No.	Serial Number	Description	Qty.	
1	11329	(10000000- 20000000)	Screw, Hex, M6 X 1.00 X 16, NI, Ss	6	
2	01684	(10000000- 20000000)	Washer, Flat, 0.27b 0.69d .05, Ss	6	
3	1011777	(10000000- 20000000)	Mount, Float, Mold	1	
4	1013628	(10000000- 20000000)	Gasket, Mtg, Float, .125th, Neo, Adh	1	
5	609531	(10000000- 20000000)	Float, Shutoff, Vacuum, 1- Ball, 1.50d	1	
6	1229076	(10000000- 20000000)	Tube, Adapter, 1.7d [T600]	1	
7	1230171	(10000000- 20000000)	Tray, Debris [T600]	1	
▽	8	9017581	(10000000- 20000000)	Tube Kit, Adapter, Afmkt [T600/T600e]	1
▲	9	1230613	(10000000- 20000000)	Gasket, Adapter, Hose, Neo	1
▽	10	9017505	(10000000- 20000000)	Hose Kit, Recvy, Pvc, Ci [T600/T600e] (Black)	1
▲	11	1243301	(10000000- 20000000)	Clamp, Wormdrive, 2.0d, .56w	1
▽	12	9017507	(10000000- 20000000)	Hose Kit, Drain, Pvc, Ci [T600/T600e] (Black)	1
▲	13	1218955	(10000000- 20000000)	Cap, Drain Assy [Black]	1
▲	14	1243301	(10000000- 20000000)	Clamp, Wormdrive, 2.0d, .56w	1

▽ ASSEMBLY

▲ INCLUDED IN ASSEMBLY

SOLUTION TANK GROUP, AUTO-FILL

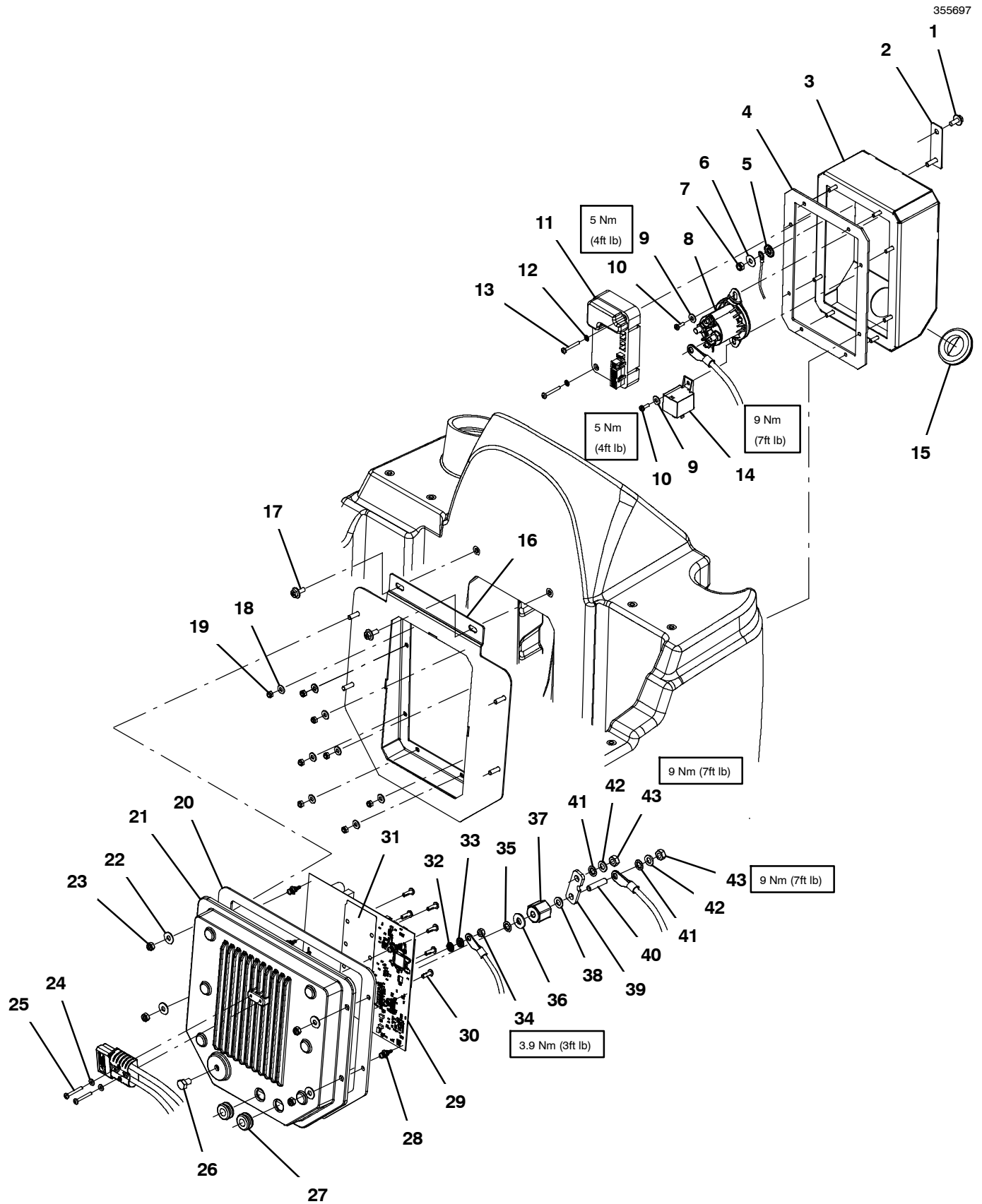
355696



SOLUTION TANK GROUP, AUTO-FILL

Ref.	Part No.	Serial Number	Description	Qty.
1	1011885	(10000000- 20000000)	Cap, Tank	1
2	3701.6	(10000000- 10923837)	Screw, Pan, Phl, 06- 32 X 0.38, Shtmtl, Ss	2
3	1231617	(10000000- 10923837)	Strainer, Port, Fill, Taper	1
4	1018155	(10000000- 20000000)	Screw, Pan, Phl, M5 X 0.80 X 16, Tcut, Ss	4
5	1034731	(10000000- 20000000)	Screw, Hex, M6 X 1.00 X 16, Sems, Ss	12
6	1232011	(10000000- 20000000)	Tray, Accssry, Fill, Rh [T600/T600e]	1
7	1228885	(10000000- 20000000)	Tray, Accssry, Drain, Lh [T600/T600e]	1
8	1219566	(10000000- 20000000)	Valve, Float, 6.7gpm	1
9	1228286	(10000000- 20000000)	Gasket, Bracket, Fill, Auto	1
10	1231938	(10000000- 20000000)	Bracket Wldt, Fill, Auto	1
11	1227400	(10000000- 20000000)	Fitting, Plstc, Qd, Male	1
12	1227512	(10000000- 20000000)	Fitting, Plstc, Qd, Female	1
13	9015728	(10000000- 20000000)	Hose Kit, Drain, Soln, Ci [T500/T500e]	1
14	11399	(10000000- 20000000)	Clamp, Hose, Wormdrive, 0.81- 1.50d, .50w	1
15	1210807	(10000000- 20000000)	Wire, Tie [W/.25" Fir Tree Clip]	7
16	9016823	(10000000- 20000000)	Tank, Soltn, Afrmkt [T600, T600e] (With Labels)	1
17	1233349	(10000000- 20000000)	Fitting, Plstc, Str, Bm06/Pm06 [Vented]	1
18	41295	(10000000- 20000000)	Hose, Pvc, Clr, 0.38id 0.56od 048.0l	1
19	150538	(10000000- 20000000)	Fitting, Plstc, Str, Bm06/Pm06	1
20	1214292	(10000000- 20000000)	Bracket, Hanger, Rail, Lrg (Option)	1
21	1020341	(10000000- 20000000)	Screw, Hex, M8 X 1.25 X 20, Ss, Sems	2
22	1229460	(10000000- 20000000)	Bracket, Sppt	1
23	1018155	(10000000- 20000000)	Screw, Pan, Phl, M5 X 0.80 X 16, Tcut, Ss	2
24	1233934	(10000000- 20000000)	Plate, Tank Lock, Bottom [T600ee]	1

ELECTRICAL PANEL GROUP



ELECTRICAL PANEL GROUP

Ref.	Part No.	Serial Number	Description	Qty.	
1	1034731	(10000000- 20000000)	Screw, Hex, M6 X 1.00 X 16, Sems, Ss	1	
2	1236521	(10000000- 20000000)	Bracket Wldt, Mtg, Enclosure [T600ee]	1	
3	1237703	(10000000- 20000000)	Bracket Wldt, Mount [T600ee]	1	
4	1238393	(10000000- 20000000)	Gasket, Enclosure [T600ee]	1	
5	41140	(10000000- 20000000)	Washer, Lock, Int- Ext, 0.25	1	
6	01684	(10000000- 20000000)	Washer, Flat, 0.27b 0.69d .05, Ss	1	
7	08712	(10000000- 20000000)	Nut, Hex, Lock, M6 X 1.00, NI, Ss	1	
8	1228368	(10000000- 20000000)	Relay, 36vdc, 125a, No	1	
9	01683	(10000000- 20000000)	Washer, Flat, 10, Ss	2	
10	579237	(10000000- 20000000)	Screw, Pan, Phl, M4 X 0.70 X 12, Ss	2	
11	9017641*	(10000000- 20000000)	Controller Kit, Drive, Ci [T600/T600e]	1	
12	02938	(10000000- 20000000)	Washer, Lock, Int, 08, Ss	2	
13	33931	(10000000- 20000000)	Screw, Pan, Phl, M4 X 0.70 X 30, Ss	2	
14	1229172	(10000000- 20000000)	Relay, 36vdc, 025a, Spdt	1	
15	1238636	(10000000- 20000000)	Grommet	1	
16	1237690	(10000000- 20000000)	Bracket Wldt, Mount [T600ee]	1	
17	1034731	(10000000- 20000000)	Screw, Hex, M6 X 1.00 X 16, Sems, Ss	2	
18	01683	(10000000- 20000000)	Washer, Flat, 10, Ss	8	
19	09739	(10000000- 20000000)	Nut, Hex, Lock, M5 X 0.80, NI, Ss	8	
20	1236935	(10000000- 20000000)	Gasket, Heatsink [T600ee]	1	
21	1235034	(10000000- 20000000)	Heatsink, Circuitboard, Mach [T600ee]	1	
22	01684	(10000000- 20000000)	Washer, Flat, 0.27b 0.69d .05, Ss	4	
23	08712	(10000000- 20000000)	Nut, Hex, Lock, M6 X 1.00, NI, Ss	4	
24	41578	(10000000- 20000000)	Washer, Flat, 06, Ss	2	
25	33931	(10000000- 20000000)	Screw, Pan, Phl, M4 X 0.70 X 30, Ss	2	
26	386868	(10000000- 20000000)	Screw, Hex, M8 X 1.25 X 12, Ss	1	
27	86726	(10000000- 20000000)	Grommet, Rbr, 0.44id, F/0.5h, .19 Matl	2	
28	1209448	(10000000- 20000000)	Standoff, Circuitboard, .25	6	
▽	29	9017501	(10000000- 20000000)	Circuitboard Kit, Ci [T600]	1
▲	27964	(10000000- 20000000)	Strap, Ground, Static, Disposable	1	
▲	1071235	(10000000- 20000000)	Cable [Usb, 2m, A- Male To Mini- B- Male]	1	
30	1205799	(10000000- 20000000)	Screw, Btn, M5 X 0.8 X 16, 8.8, NI, Torx	8	
31	1220930	(10000000- 20000000)	Circuitboard, Silpad [T500, Main Scrub]	1	
32	07515	(10000000- 20000000)	Washer, Lock, Int, 0.25, Ss	1	
33	1061918	(10000000- 20000000)	Washer, Flat, 0.25b 0.47d .06, Brs	1	
34	1061910	(10000000- 20000000)	Nut, Hex, Std, M6 X 1.00, Brs	1	
35	32984	(10000000- 20000000)	Washer, Lock, Int, 0.31	1	
36	01685	(10000000- 20000000)	Washer, Flat, 0.38b 0.88d .08, Ss	1	
37	1205345	(10000000- 20000000)	Stand- Off, Wir, M8, Insulator, Panel	1	
38	1209373	(10000000- 20000000)	Washer, Flat, M8.4b X 16d X 1.6, Brs	1	
39	1234290	(10000000- 20000000)	Busbar, 125a 0.188 0.750w 2.126l	1	
40	607461	(10000000- 20000000)	Screw, Set, M8 X 1.25 X 35, NI	1	
41	43952	(10000000- 20000000)	Washer, Lock, Int, 0.31, Ss	2	
42	1209373	(10000000- 20000000)	Washer, Flat, M8.4b X 16d X 1.6, Brs	2	
43	41361	(10000000- 20000000)	Nut, Hex, Std, M8 X 1.25, Brs	2	

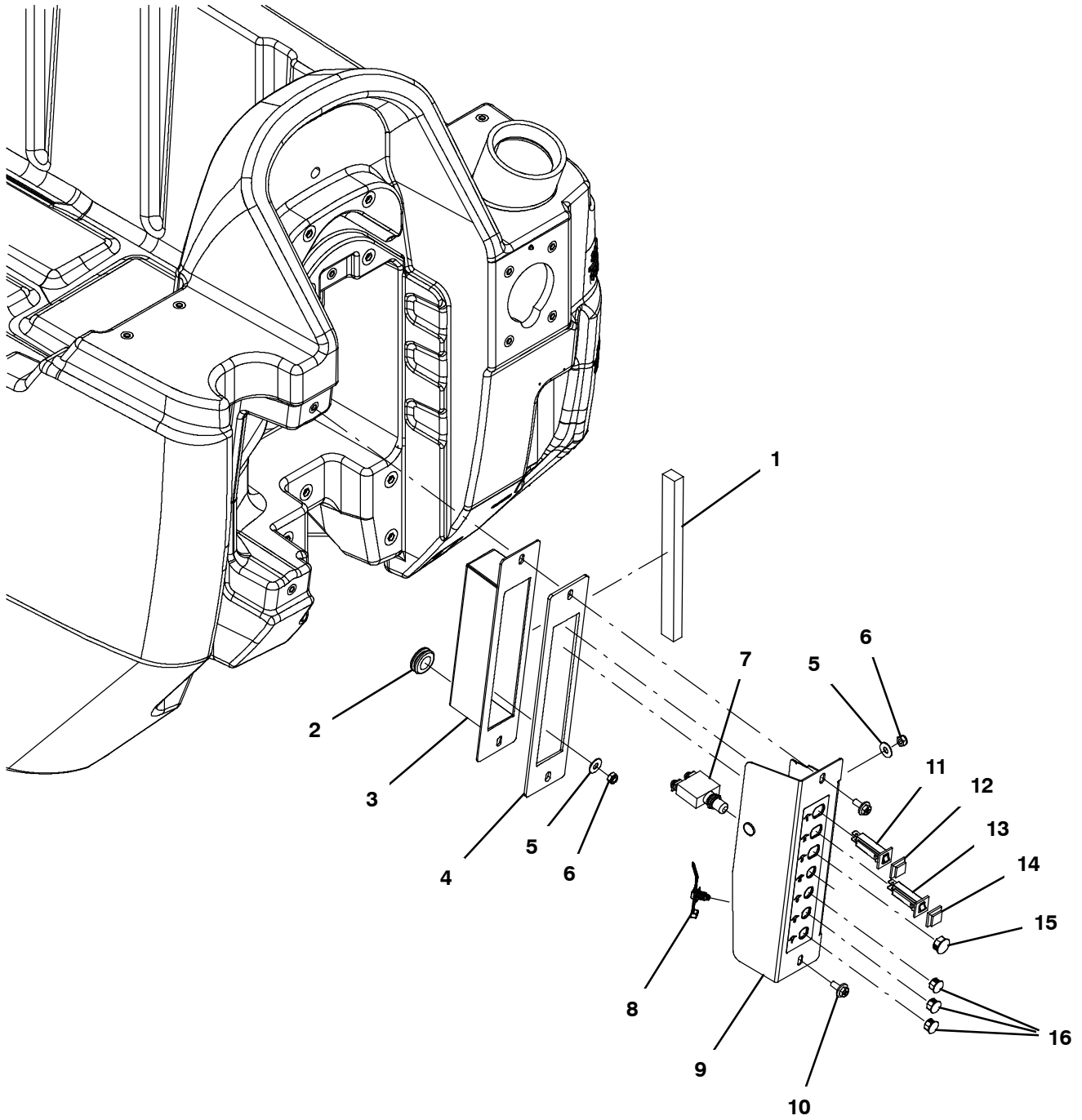
* Requires Tennant *True* service or an authorized Tennant service provider.

▽ ASSEMBLY

▲ INCLUDED IN ASSEMBLY

CIRCUIT BREAKER PANEL GROUP

355698

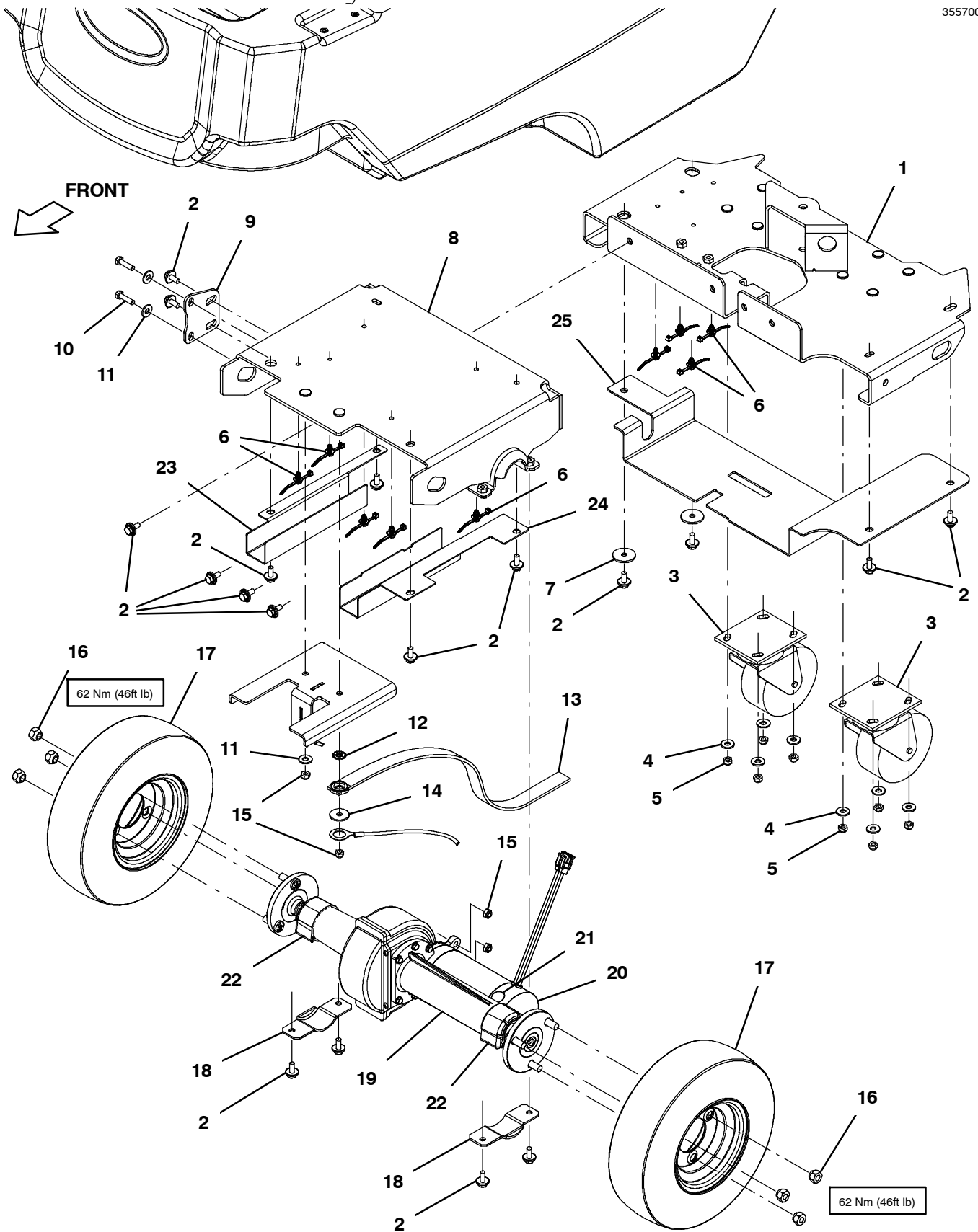


CIRCUIT BREAKER PANEL GROUP

Ref.	Part No.	Serial Number	Description	Qty.
1	1230333	(10000000- 20000000)	Gasket, Neo, .50 X .75, Psa	1
2	10632	(10000000- 20000000)	Grommet, Rbr, 0.89id, F/1.2h, .14 Matl	1
3	1236505	(10000000- 20000000)	Fusebox Wldt, Circuitbreaker [T600ee]	1
4	1236511	(10000000- 20000000)	Gasket, Enclosure, Breaker [T600ee]	1
5	01684	(10000000- 20000000)	Washer, Flat, 0.27b 0.69d .05, Ss	2
6	08712	(10000000- 20000000)	Nut, Hex, Lock, M6 X 1.00, NI, Ss	2
7	383727	(10000000- 20000000)	Circuitbreaker, 40.0a, Resetable	1
8	1210807	(10000000- 20000000)	Wire, Tie [W/.25" Fir Tree Clip]	1
9	9016844	(10000000- 20000000)	Bracket, Circuitbreaker, Afmkt [T600]	1
10	1034731	(10000000- 20000000)	Screw, Hex, M6 X 1.00 X 16, Sems, Ss	2
11	1064184	(10000000- 20000000)	Circuitbreaker, 02.5a, Resetable	1
12	1064191	(10000000- 20000000)	Boot, Circuitbreaker	1
13	1064187	(10000000- 20000000)	Circuitbreaker, 10.0a, Resetable	1
14	1064191	(10000000- 20000000)	Boot, Circuitbreaker	1
15	1058340	(10000000- 20000000)	Plug, Hole, Rnd, 0.63h 0.1l, Blk	1
16	1232354	(10000000- 20000000)	Plug, Hole, Double D, 12.7 Dia	3

FRAME AND DRIVE GROUP, WITHOUT PARK LOCK

355700



FRAME AND DRIVE GROUP, WITHOUT PARK LOCK

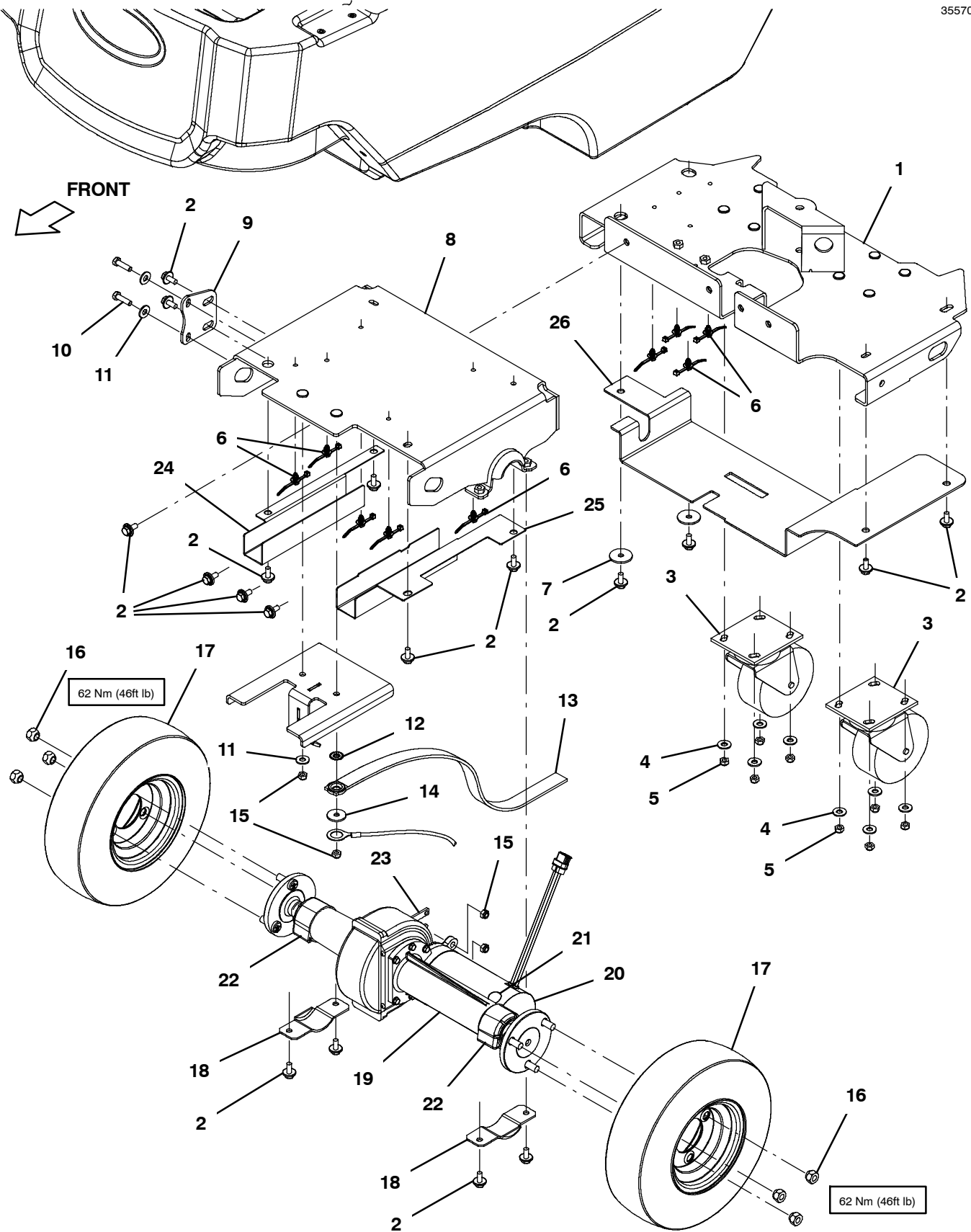
Ref.	Part No.	Serial Number	Description	Qty.	
1	9016858	(10000000- 20000000)	Frame, Afmkt [T600, T600e] (With Label)	1	
2	1020341	(10000000- 20000000)	Screw, Hex, M8 X 1.25 X 20, Ss, Sems	18	
3	1049046	(10000000- 20000000)	Caster, Swivel, 5.0d 2.0w, 4hole, Gray	2	
4	01685	(10000000- 20000000)	Washer, Flat, 0.38b 0.88d .08, Ss	8	
5	08713	(10000000- 20000000)	Nut, Hex, Lock, M8 X 1.25, NI, Ss	8	
6	1210807	(10000000- 20000000)	Wire, Tie [W/.25" Fir Tree Clip]	9	
7	1016331	(10000000- 20000000)	Washer, Flat, 0.34b 1.25d .11, Ss	2	
8	1228962	(10000000- 20000000)	Frame Wldt, Front	1	
9	1230091	(10000000- 20000000)	Bracket, Frame, Anti- Rotate	1	
10	1016399	(10000000- 20000000)	Screw, Hex, M8 X 1.25 X 30, NI, Ss	2	
11	01685	(10000000- 20000000)	Washer, Flat, 0.38b 0.88d .08, Ss	3	
12	41141	(10000000- 20000000)	Washer, Lock, Int- Ext, 0.31	1	
13	71579	(10000000- 20000000)	Strap, Static, W/Grommet, .19 1.1w 25.0l	1	
14	01685	(10000000- 20000000)	Washer, Flat, 0.38b 0.88d .08, Ss	1	
15	08713	(10000000- 20000000)	Nut, Hex, Lock, M8 X 1.25, NI, Ss	4	
16	11109	(10000000- 20000000)	Nut, Wheel, .44- 20 X 60 Angle	6	
17	1236073	(10000000- 20000000)	Tire Assy, Solid, 4.1/3.5- 06 3.5bc/3bolt (Standard)	2	
17	1059450	(10000000- 20000000)	Tire Assy, Pneu, Blk, 4.10/3.5- 06 3.5bc (Option)	2	
17	1231001	(10000000- 20000000)	Tire Assy, Foam, 4.10/3.5- 06 3.5bc/3bolt (Option)	2	
18	222036	(10000000- 20000000)	Bracket, Mtg, Isolator	2	
▽	19	1230428	(10000000- 20000000)	Transaxle Assy, W/O Park Lock	1
▲▽	20	1243083	(10000000- 20000000)	Vr, Motor Kit, Transaxle [T600/T600e]	1
▲▲	21	1072555	(10000000- 20000000)	Vr, Brush Kit, Motor 1072554/1243083	1
▲	22	222035	(10000000- 20000000)	Isolator, Vib, Transaxle	2
	23	1240364	(10000000- 20000000)	Cover, Harness, Front, Rt [T600ee]	1
	24	1240363	(10000000- 20000000)	Cover, Harness, Front, Lft [T600ee]	1
	25	1240365	(10000000- 20000000)	Cover, Harness, Rear [T600ee]	1

▽ ASSEMBLY

▲ INCLUDED IN ASSEMBLY

FRAME AND DRIVE GROUP, WITH PARK LOCK

355701



FRAME AND DRIVE GROUP, WITH PARK LOCK

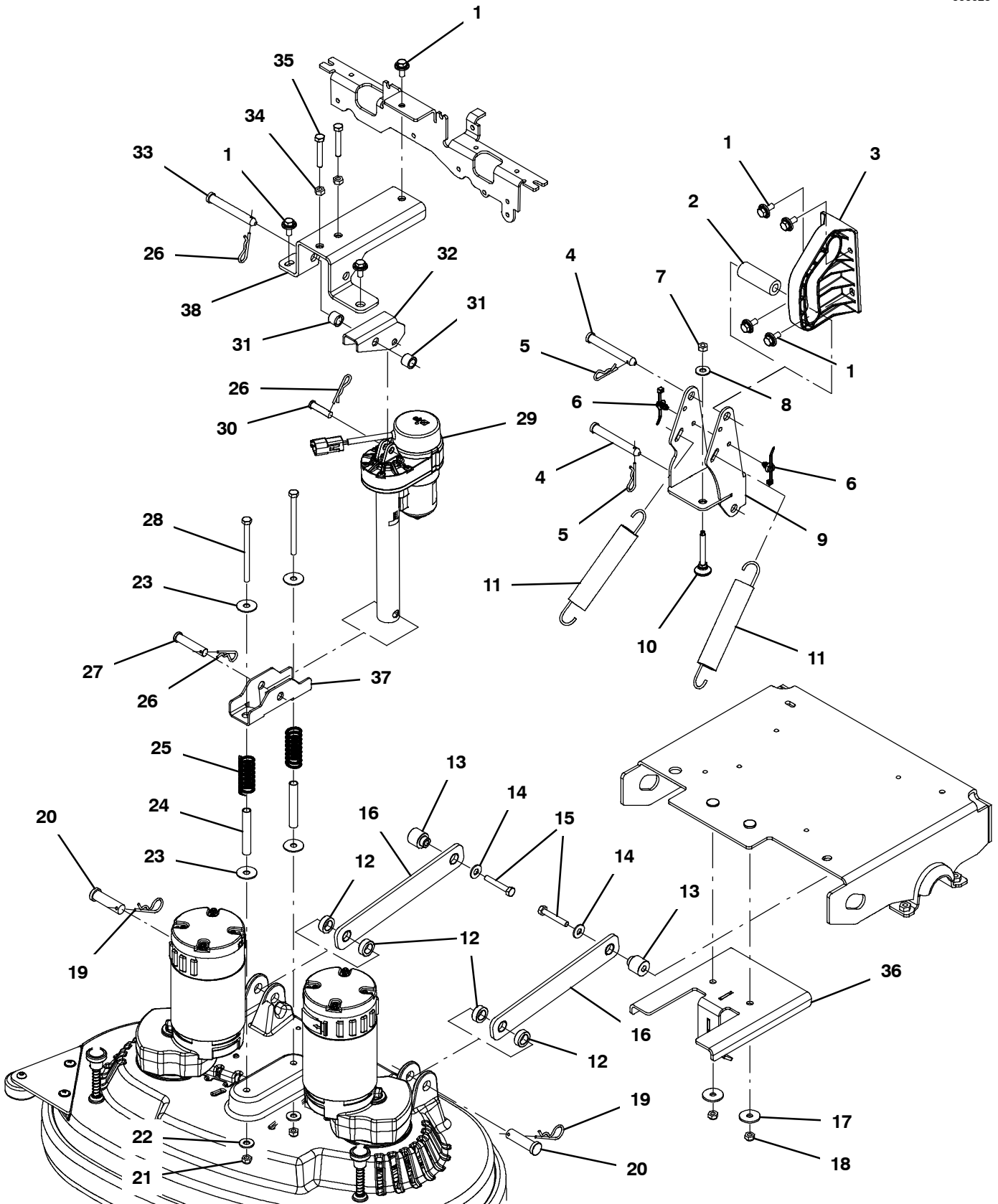
Ref.	Part No.	Serial Number	Description	Qty.	
1	9016858	(10000000- 20000000)	Frame, Afmkt [T600, T600e] (With Label)	1	
2	1020341	(10000000- 20000000)	Screw, Hex, M8 X 1.25 X 20, Ss, Sems	18	
3	1049046	(10000000- 20000000)	Caster, Swivel, 5.0d 2.0w, 4hole, Gray	2	
4	01685	(10000000- 20000000)	Washer, Flat, 0.38b 0.88d .08, Ss	8	
5	08713	(10000000- 20000000)	Nut, Hex, Lock, M8 X 1.25, NI, Ss	8	
6	1210807	(10000000- 20000000)	Wire, Tie [W/.25" Fir Tree Clip]	9	
7	1016331	(10000000- 20000000)	Washer, Flat, 0.34b 1.25d .11, Ss	2	
8	1228962	(10000000- 20000000)	Frame Wldt, Front	1	
9	1230091	(10000000- 20000000)	Bracket, Frame, Anti- Rotate	1	
10	1016399	(10000000- 20000000)	Screw, Hex, M8 X 1.25 X 30, NI, Ss	2	
11	01685	(10000000- 20000000)	Washer, Flat, 0.38b 0.88d .08, Ss	3	
12	41141	(10000000- 20000000)	Washer, Lock, Int- Ext, 0.31	1	
13	71579	(10000000- 20000000)	Strap, Static, W/Grommet, .19 1.1w 25.0l	1	
14	01685	(10000000- 20000000)	Washer, Flat, 0.38b 0.88d .08, Ss	1	
15	08713	(10000000- 20000000)	Nut, Hex, Lock, M8 X 1.25, NI, Ss	4	
16	11109	(10000000- 20000000)	Nut, Wheel, .44- 20 X 60 Angle	6	
17	1236073	(10000000- 20000000)	Tire Assy, Solid, 4.1/3.5- 06 3.5bc/3bolt (Standard)	2	
17	1059450	(10000000- 20000000)	Tire Assy, Pneu, Blk, 4.10/3.5- 06 3.5bc (Option)	2	
17	1231001	(10000000- 20000000)	Tire Assy, Foam, 4.10/3.5- 06 3.5bc/3bolt (Option)	2	
18	222036	(10000000- 20000000)	Bracket, Mtg, Isolator	2	
▽	19	1230422	(10000000- 20000000)	Transaxle Assy, [W/Park Lock]	1
▲▽	20	1243083	(10000000- 20000000)	Vr, Motor Kit, Transaxle [T600/T600e]	1
▲▲	21	1072555	(10000000- 20000000)	Vr, Brush Kit, Motor 1072554/1243083	1
▲	22	222035	(10000000- 20000000)	Isolator, Vib, Transaxle	2
▲	23	1074732	(10000000- 20000000)	Brake, Transaxle	1
	24	1240364	(10000000- 20000000)	Cover, Harness, Front, Rt [T600ee]	1
	25	1240363	(10000000- 20000000)	Cover, Harness, Front, Lft [T600ee]	1
	26	1240365	(10000000- 20000000)	Cover, Harness, Rear [T600ee]	1

▽ ASSEMBLY

▲ INCLUDED IN ASSEMBLY

HEAD LIFT GROUP, DISK

355628

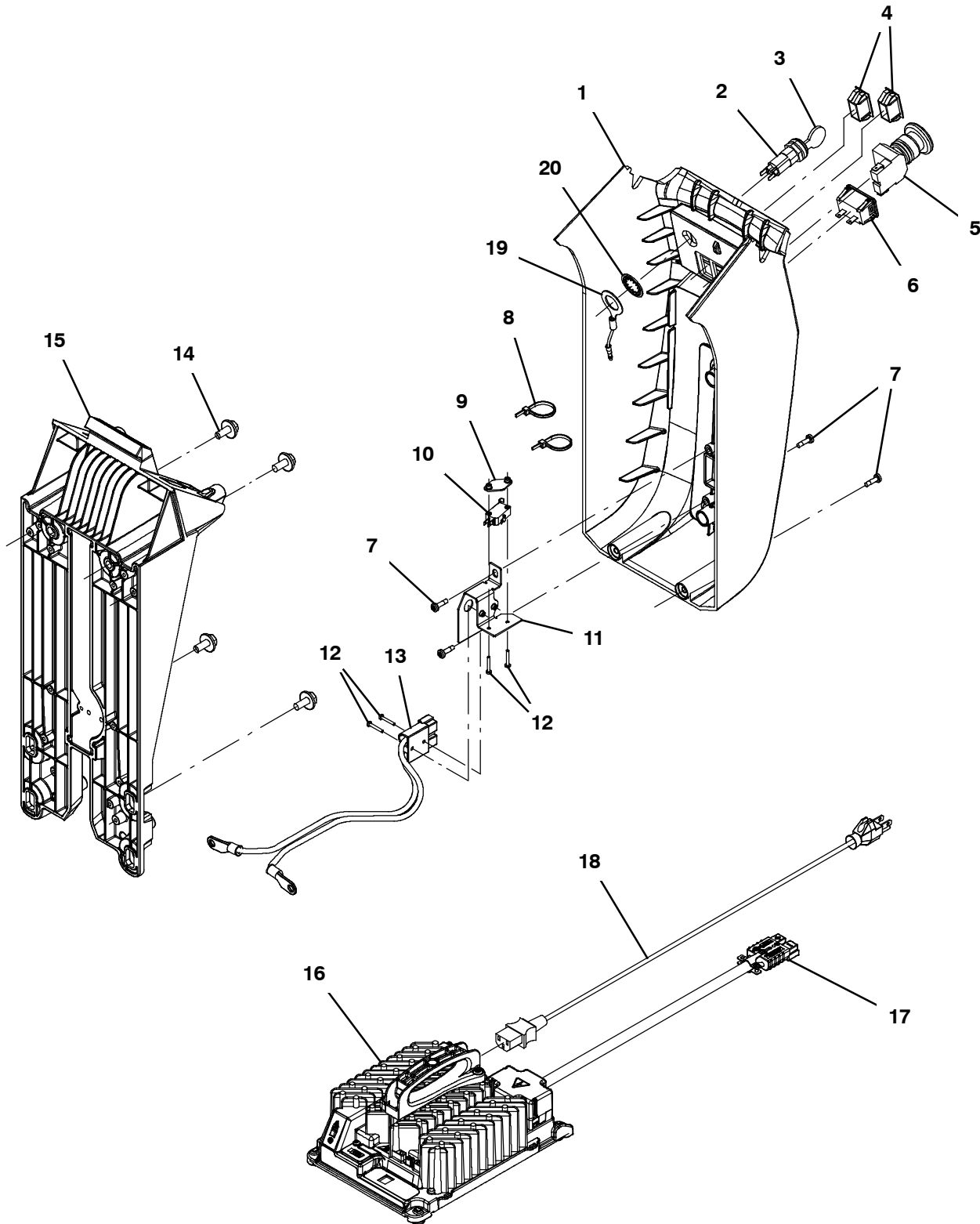


HEAD LIFT GROUP, DISK

Ref.	Part No.	Serial Number	Description	Qty.
1	1020341	(10000000- 20000000)	Screw, Hex, M8 X 1.25 X 20, Ss, Sems	7
2	1220305	(10000000- 20000000)	Tube, Plstc, 0.51id 0.98od 02.8l	1
3	1219912	(10000000- 20000000)	Bracket, Guide, Head[T500]	1
4	374225	(10000000- 20000000)	Pin, Clevis, 0.50d X 3.75l	2
5	140626	(10000000- 20000000)	Pin, Cotter, Hair, 0.25d .125 Wir	2
6	1210807	(10000000- 20000000)	Wire, Tie [W/.25" Fir Tree Clip]	2
7	07786	(10000000- 20000000)	Nut, Hex, Std, M8 X 1.25, Ss	1
8	01685	(10000000- 20000000)	Washer, Flat, 0.38b 0.88d .08, Ss	1
9	1221507	(10000000- 20000000)	Pivot Wldt, Head, Scrub [T500]	1
10	1227530	(10000000- 20000000)	Screw, Leveler, M8x75	1
11	222363	(10000000- 20000000)	Spring, Extn, 1.23od 0.15wir 06.5l	2
12	1235274	(10000000- 20000000)	Spacer, Head	4
13	1235275	(10000000- 20000000)	Spacer, Frame	2
14	01685	(10000000- 20000000)	Washer, Flat, 0.38b 0.88d .08, Ss	2
15	73399	(10000000- 20000000)	Screw, Hex, M8 X 1.25 X 50, NI, Ss	2
16	9016859	(10000000- 20000000)	Arm Assy, Lift, Hd, Scb, Afmkt [T600]	2
17	1016331	(10000000- 20000000)	Washer, Flat, 0.34b 1.25d .11, Ss	2
18	08713	(10000000- 20000000)	Nut, Hex, Lock, M8 X 1.25, NI, Ss	2
19	02942	(10000000- 20000000)	Pin, Hair, Cotter, 0.62d .120 Wir	2
20	222210	(10000000- 20000000)	Pin, Clevis, 0.62d X 2.12l	2
21	08713	(10000000- 20000000)	Nut, Hex, Lock, M8 X 1.25, NI, Ss	2
22	01685	(10000000- 20000000)	Washer, Flat, 0.38b 0.88d .08, Ss	2
23	32662	(10000000- 20000000)	Washer, Flat, 0.38b 1.22d .06, Ss	4
24	1230697	(10000000- 20000000)	Sleeve, 0.4id .50d 3.2l	2
25	1230441	(10000000- 20000000)	Spring, Cmpr, 0.97od .11wir 2.50l	2
26	140626	(10000000- 20000000)	Pin, Cotter, Hair, 0.25d .125 Wir	3
27	11211	(10000000- 20000000)	Pin, Clevis, 0.50d X 2.25l	1
28	364441	(10000000- 20000000)	Screw, Hex, M8 X 1.25 X 110, Ss	2
29	9016969	(10000000- 20000000)	Actuator, Replmt, 36vdc, 7.00strk	1
30	29558	(10000000- 20000000)	Pin, Clevis, 0.37d X 1.50l	1
31	1230044	(10000000- 20000000)	Sleeve, 0.50b 0.75d 0.59l	2
32	1229682	(10000000- 20000000)	Bracket, Mount, Tilt, Actuator [T600]	1
33	374225	(10000000- 20000000)	Pin, Clevis, 0.50d X 3.75l	1
34	07786	(10000000- 20000000)	Nut, Hex, Std, M8 X 1.25, Ss	2
35	578717	(10000000- 20000000)	Screw, Hex, M8 X 1.25 X 50, FI, Ss	2
36	1230097	(10000000- 20000000)	Bracket Wldt, Frame, Stop	1
37	1230622	(10000000- 20000000)	Brkt, Spring, Suspension, Head	1
38	1229680	(10000000- 20000000)	Bracket Wldt, Mount, Actuator [T600]	1

LOWER CONSOLE GROUP, OFF-BOARD CHARGER

355609



LOWER CONSOLE GROUP, OFF- BOARD CHARGER

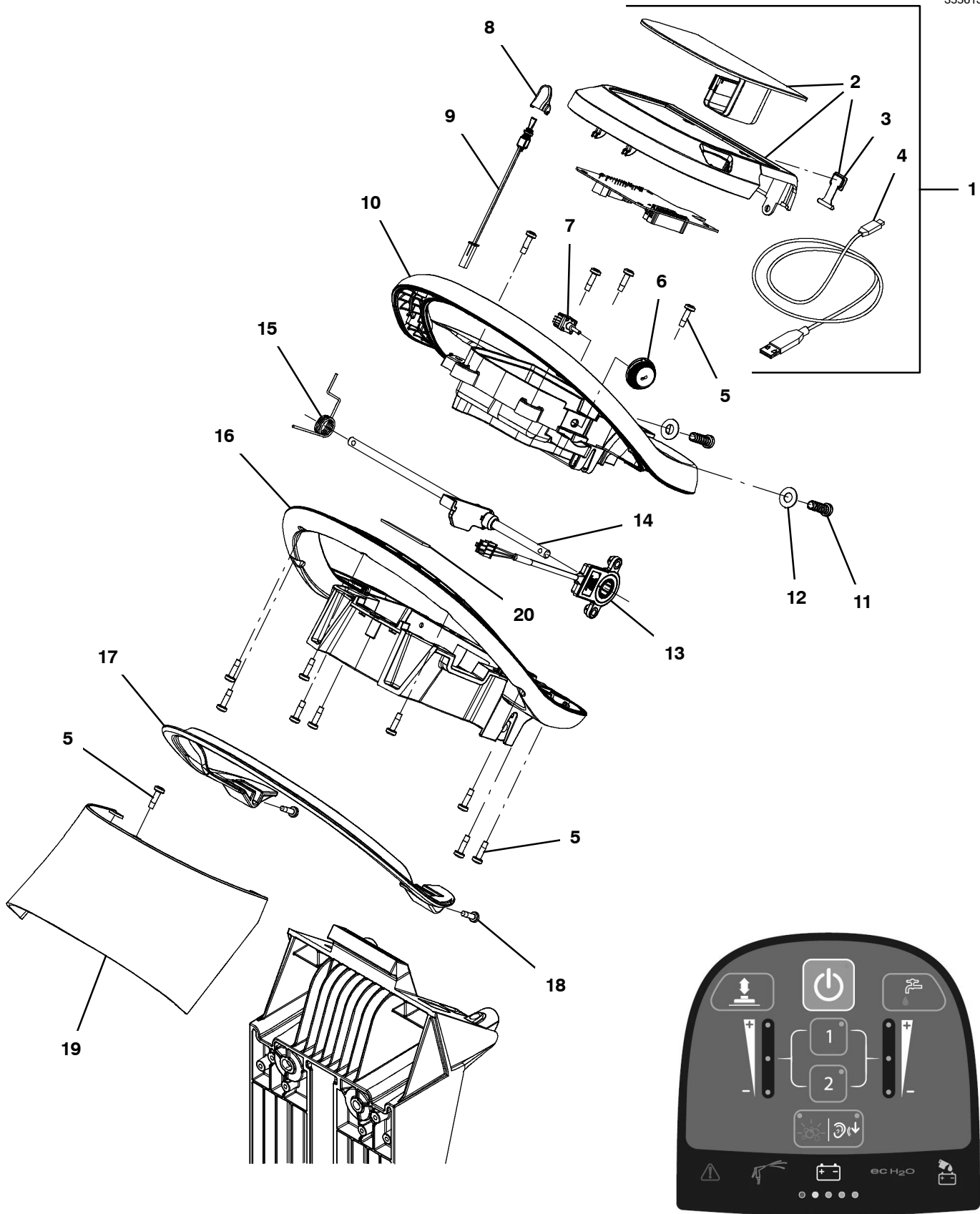
Ref.	Part No.	Serial Number	Description	Qty.
	1	9016861	(10000000- 20000000) Cover, Console, Afmkt [T600, Na] (With Label)	1
▽	2	1011402	(10000000- 20000000) Switch, Key	1
▲	3	1017696	(10000000- 20000000) Key Set, Replmt [F/ Keyswitch 1011402]	1
	4	582150	(10000000- 20000000) Plug, Hole, Rt, 1.23 X 1.12, Nyl	2
	5	1011735	(10000000- 20000000) Switch, Safety, Shutoff	1
	6	1064038	(10000000- 20000000) Gauge, Hourmeter, 05- 277 Volt, Ac / Dc	1
	7	1043573	(10000000- 20000000) Screw, #10- 14 X 0.675, Spl[Shcs,Selftap]	6
	8	130773	(10000000- 20000000) Tie, Cable, Nyl, 11.0l, .14w, 3.0 Max. D	2
	9	1013705	(10000000- 20000000) Plate, Thread, Switch, M3 Nut, 96hr PI	1
	10	1215716	(10000000- 20000000) Switch, 0.1a, Spdt[Micro, Gold Contacts]	1
	11	1208599	(10000000- 20000000) Bracket Assy, Plug, Charger	1
	12	06922	(10000000- 20000000) Screw, Pan, Phl, M3 X 0.50 X 20, 4.8	4
	13	1075458	(10000000- 20000000) Harness, Chrgr, 10ga [M8 Ring/M8 Ring]	1
	14	1020341	(10000000- 20000000) Screw, Hex, M8 X 1.25 X 20, Ss, Sems	4
	15	1231373	(10000000- 20000000) Frame, Column, Cntrl [Im], T600	1
▽	16	9042253	(10000000- 20000000) Charger Assy, Off Board [T600/T600e]	1
▲	17	130155	(10000000- 20000000) Connector, Battery, 6ga 50a, Gray[2cont]	1
	18	1025642	(10000000- 20000000) Cord, Power, 16/3, 15ft Blk [Us]	1
	19	1073037	(10000000- 20000000) Harness, Ele [Key Sw.,Static Gnd]	1
	20	32991	(10000000- 20000000) Washer, Lock, Int, 0.75	1

▽ ASSEMBLY

▲ INCLUDED IN ASSEMBLY

CONSOLE HANDLE, PRO-MEMBRANE PANEL

355613



CONSOLE HANDLE, PRO- MEMBRANE PANEL

Ref.	Part No.	Serial Number	Description	Qty.
▽	1	9015778*	(10000000- 20000000) Bezel Kit, Membrane, Ci [T500]	1
▲▽	2	9015779	(10000000- 20000000) Screen Kit, Membrane, Ci [T500]	1
▲▲	3	1205618	(10000000- 20000000) Cap, Usb	1
▲	4	1071235	(10000000- 20000000) Cable [Usb, 2m, A- Male To Mini- B- Male]	1
	5	1043573	(10000000- 20000000) Screw, #10- 14 X 0.675, Spl[Shcs,Selftap]	15
	6	1234365	(10000000- 20000000) Dial, Range, Speed	1
	7	1204930	(10000000- 20000000) Potentiometer [100k, 1 Turn, B5/B7]	1
	8	1209730	(10000000- 20000000) Cap, Toggle, Direction	1
	9	1209673	(10000000- 20000000) Switch Assy, Toggle, Direction	1
	10	1203787	(10000000- 20000000) Housing, Handle, Cntrl, Top	2
	11	1215863	(10000000- 20000000) Screw, Pan, Torx, M8 X 3.5 X 25[Remform]	2
	12	140027	(10000000- 20000000) Washer, Flat, 0.35b 0.75d .04, Ss	3
	13	1205127	(10000000- 20000000) Sensor, Rotary [B5/B7, Bail Sensor]	1
	14	1205143	(10000000- 20000000) Shaft Assy, Bail, Handle	1
	15	1205781	(10000000- 20000000) Spring, Return, Bail	1
	16	1222608	(10000000- 20000000) Housing, Handle, Cntrl, Bottom, Slotted	1
	17	1205778	(10000000- 20000000) Handle, Bail [Machined]	1
	18	1205799	(10000000- 20000000) Screw, Btn, M5 X 0.8 X 16, 8.8, NI, Torx	2
	19	1207004	(10000000- 20000000) Cover, Handle, Cntrl	1
	20	1020280	(10000000- 20000000) Seal, Afmkt, Rbr, Clsd, Adh, 01ft	1

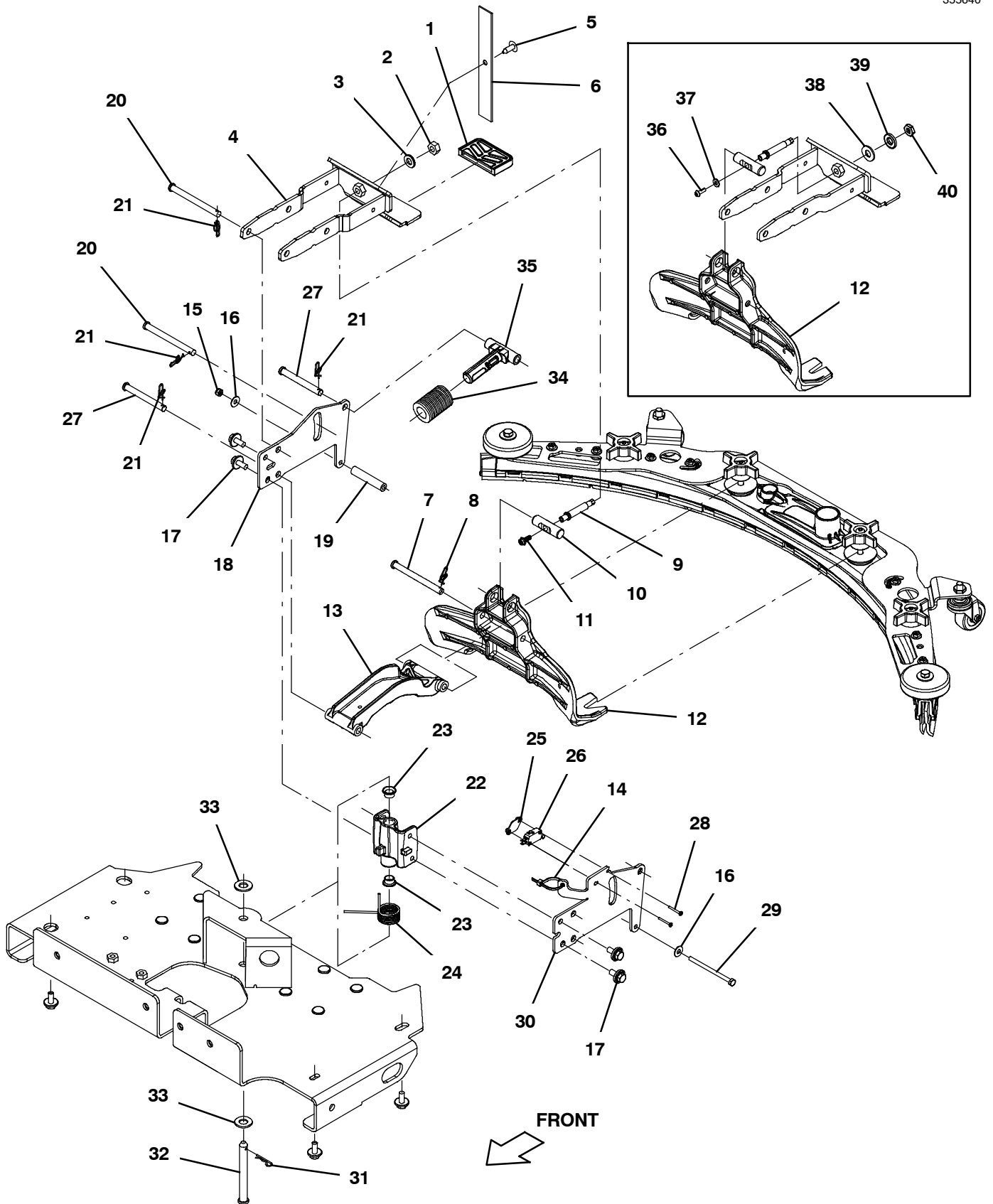
* Requires Tennant *True* service or an authorized Tennant service provider.

▽ ASSEMBLY

▲ INCLUDED IN ASSEMBLY

SQUEEGEE LIFT GROUP

355640



SQUEEGEE LIFT GROUP

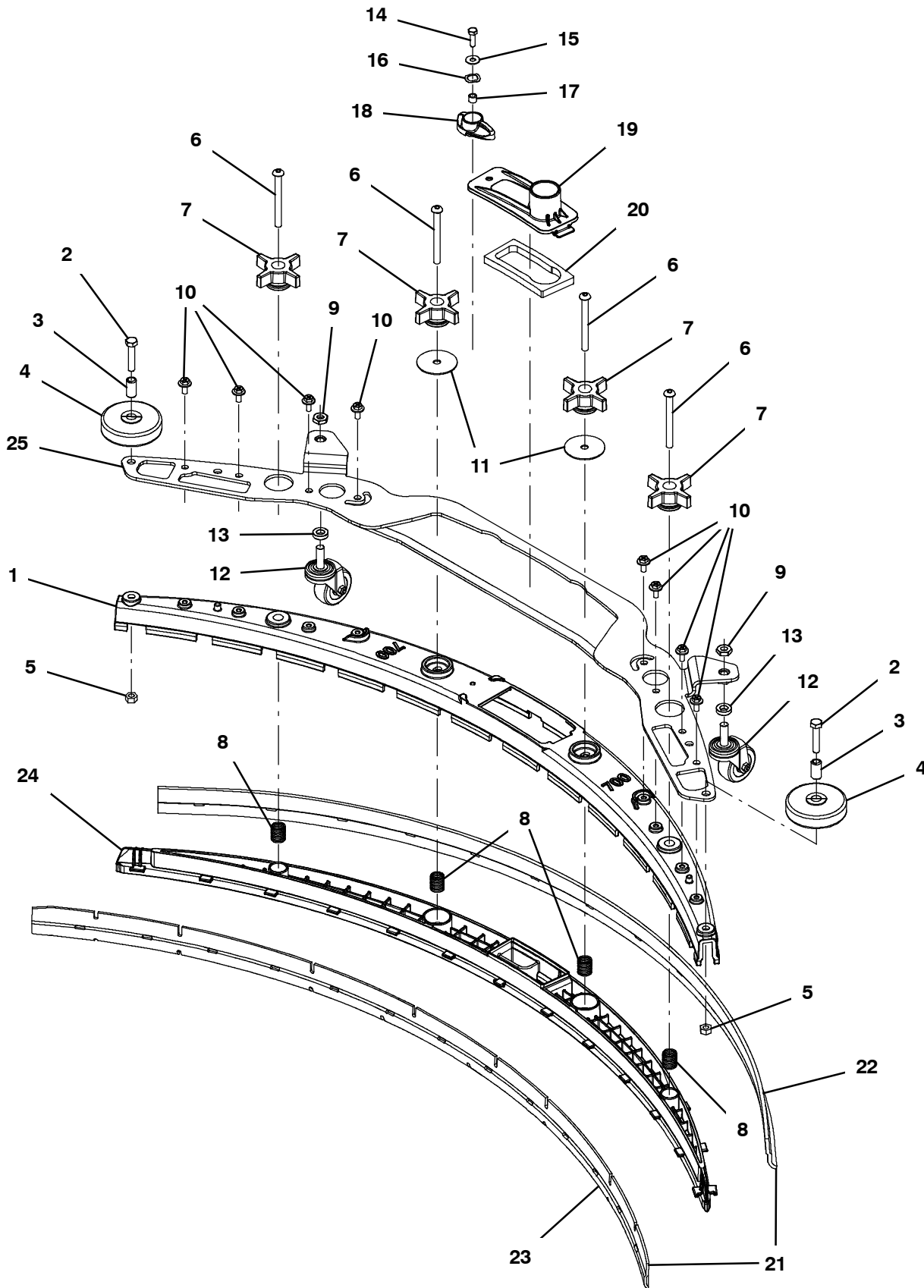
Ref.	Part No.	Serial Number	Description	Qty.
▽	9018374	(10000000- 20000000)	Kit, Sqge Lift [T600/T600e]	1
▲	1 1230670	(10000000- 20000000)	Cover, Pedal, Lift	1
▲	2 39312	(10907775- 20000000)	Nut, Hex, Std, M10 X 1.50	1
▲	3 1242993	(10907775- 20000000)	Washer, Lock, Ext, M10 [Nord- lock]	1
▲	4 9016840	(10000000- 20000000)	Arm, Lift, Sqge, Afmkt [T600,T600e] (With Label)	1
▲	5 140262	(10909657- 20000000)	Clip, Snap- In	1
▲	6 1059534	(10909657- 20000000)	Fastener, 09.00l [Hook & Loop]	1
▲	7 49914	(10000000- 20000000)	Pin, Clevis, 0.37d X 4.00l	1
▲	8 1216647	(10000000- 20000000)	Pin, Cotter, Hair, 0.38d .054 Wir	1
▲	9 1230714	(10000000- 20000000)	Shaft, Adjmt	1
▲	10 1230625	(10000000- 20000000)	Pin, 0.63d 02.2l, 1/.34h, 2cham	1
▲	11 1243034	(10912707- 20000000)	Bolt, Flange, M5- 0.8 X 16, 10.9 PI	1
▲	12 1242997	(10907775- 20000000)	Mount, Sqge	1
	12 1231340	(10000000- 10907774)	Mount, Sqge (Replaced By 1242997)	1
▲	13 1233229	(10000000- 20000000)	Arm, Lower [Machined]	1
▲	14 130773	(10907775- 20000000)	Tie, Cable, Nyl, 11.0l, .14w, 3.0 Max. D	1
	14 1210807	(10000000- 10907774)	Wire, Tie [W/.25" Fir Tree Clip]	1
	27 57598	(10000000- 20000000)	Pin, Clevis, 0.37d X 3.25l	2
	15 08712	(10000000- 20000000)	Nut, Hex, Lock, M6 X 1.00, NI, Ss	1
	16 01684	(10000000- 20000000)	Washer, Flat, 0.27b 0.69d .05, Ss	2
	17 1020341	(10000000- 20000000)	Screw, Hex, M8 X 1.25 X 20, Ss, Sems	4
	18 1231347	(10000000- 20000000)	Plate, Lift, Sqge, Rh	1
	19 1231343	(10000000- 20000000)	Tube, 0.26id 0.50od 02.6l, Stl, PI	1
	20 49914	(10000000- 20000000)	Pin, Clevis, 0.37d X 4.00l	2
	21 1216647	(10000000- 20000000)	Pin, Cotter, Hair, 0.38d .054 Wir	3
▽	22 9016973	(10000000- 20000000)	Pivot Assy, Replmt, Sqge	1
▲	23 15648	(10000000- 20000000)	Bushing, Flng, 0.50b 0.59d 0.38l	2
	24 1231436	(10000000- 20000000)	Spring, Tors, 1.10id .13wir 05.5coil	1
	25 1013705	(10000000- 20000000)	Plate, Thread, Switch, M3 Nut, 96hr PI	1
	26 1215716	(10000000- 20000000)	Switch, 0.1a, Spdt[Micro, Gold Contacts]	1
	28 33933	(10000000- 20000000)	Screw, Pan, Phl, M3 X 0.50 X 25, Ss	2
	29 06952	(10000000- 20000000)	Screw, Hex, M6 X 1.00 X 90, 8.8	1
	30 1231335	(10000000- 20000000)	Plate, Lift, Sqge, Lh	1
	31 86866	(10000000- 20000000)	Pin, Cotter, Hair, 0.38d .072 Wir	1
	32 1233450	(10000000- 20000000)	Pin, Clevis, 0.50d X 4.30l	1
	33 32486	(10000000- 20000000)	Washer, Flat, 0.53b 1.06d .10, Stl, PI	2
	34 1228773	(10000000- 20000000)	Spring, Cmpr, 1.402od, .812id, 2.0l	1
	35 1235860	(10000000- 20000000)	Guide, Spring	1
	36 1205799	(10000000- 10912706)	Screw, Btn, M5 X 0.8 X 16, 8.8, NI, Torx	1
	37 01683	(10000000- 10912706)	Washer, Flat, 10, Ss	1
	38 01686	(10000000- 10907774)	Washer, Flat, 0.44b 1.00d .08, Ss	1
	39 41187	(10000000- 10907774)	Washer, Flat, Belleville, .38	1
	40 32716	(10000000- 10907774)	Nut, Hex, Jam, M10 X 1.5, Ss	1

▽ ASSEMBLY

▲ INCLUDED IN ASSEMBLY

SQUEEGEE ASSEMBLY, 700MM / 28IN (Intended for 800MM Scrub Head Size)
(Upgraded Style)

355711



**SQUEEGEE ASSEMBLY, 700MM / 28IN (Intended for 800MM Scrub Head Size)
(Upgraded Style)**

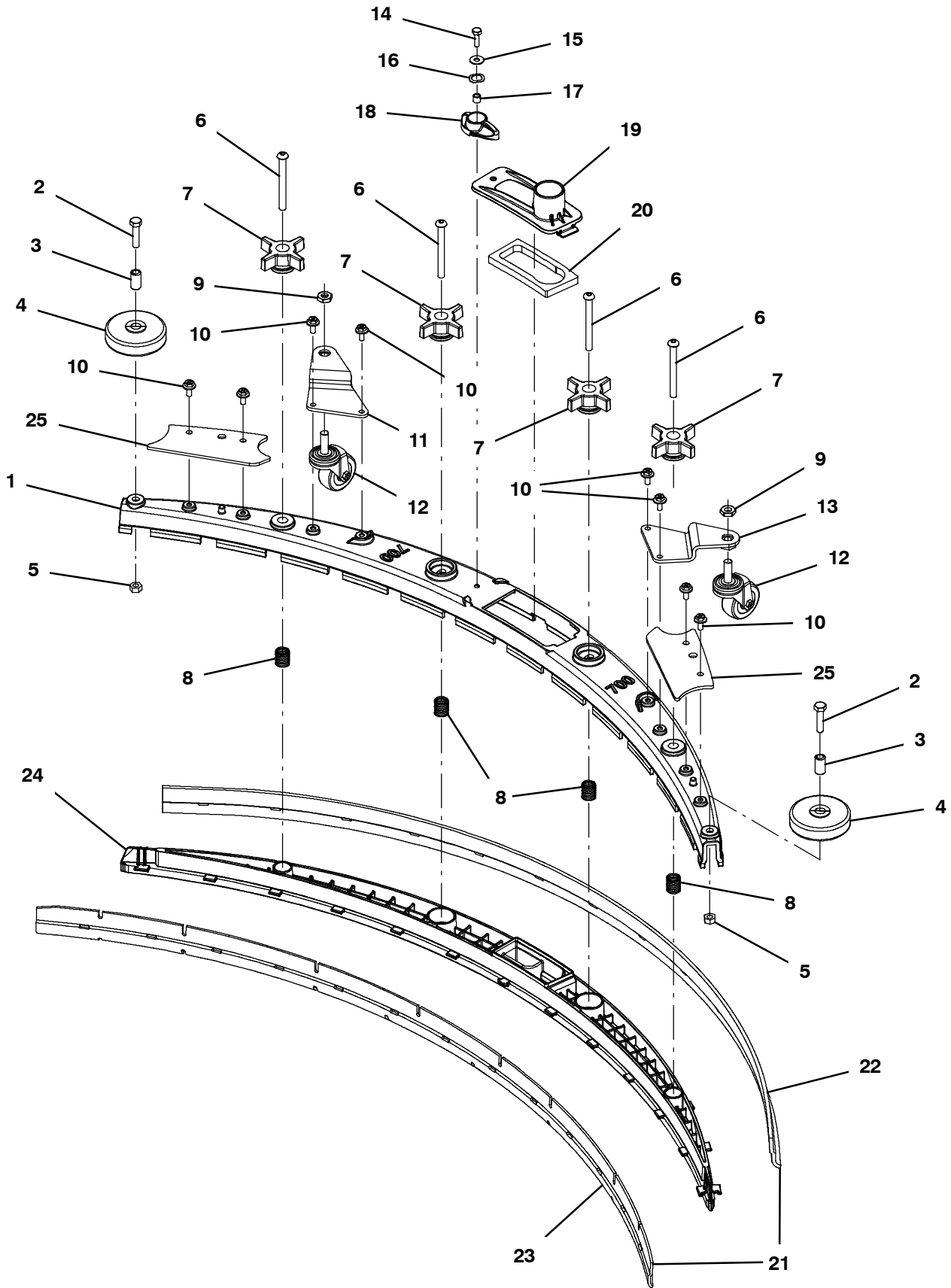
Ref.	Part No.	Serial Number	Description	Qty.
▽	9018086	(10000000- 20000000)	Squeegee Kit, 700mm	1
▲	1 1220309	(10000000- 20000000)	Frame, Sqge, 70cm, Mach [T500]	1
▲	2 74440	(10000000- 20000000)	Screw, Hex, M8 X 1.25 X 40, NI, Ss	2
▲	3 222496	(10000000- 20000000)	Sleeve, P/M, 0.32b 0.50d 0.9l [430ss]	2
▲	4 222066	(10000000- 20000000)	Wheel, 03.0d 0.88w 0.50b	2
▲	5 07786	(10000000- 20000000)	Nut, Hex, Std, M8 X 1.25, Ss	2
▲	6 1212755	(10000000- 20000000)	Screw, Btn, M8 X 1.25 X 80, Ss	4
▲	7 1074204	(10000000- 20000000)	Knob,Star,2.75d 4ear 1.1l M8x1.25,Thru,Y	4
▲	8 22290	(10000000- 20000000)	Spring, Cmpr, 0.72od .06wir 02.3l	4
▲	9 32716	(10000000- 20000000)	Nut, Hex, Jam, M10 X 1.5, Ss	2
▲	10 1034731	(10000000- 20000000)	Screw, Hex, M6 X 1.00 X 16, Sems, Ss	8
▲	11 1243081	(10000000- 20000000)	Washer, Flat, 0.034b 2.00d .06, Plstc	1
▲	12 1006343	(10000000- 20000000)	Caster, Swivel, 50mmd, M10 X 30, Clr PI	2
▲	13 1242820	(10000000- 20000000)	Sleeve, .40b .75d .2l [304Ss]	1
▲	14 12277	(10000000- 20000000)	Screw, Hex, M6 X 1.00 X 20, NI, Ss	1
▲	15 01684	(10000000- 20000000)	Washer, Flat, 0.27b 0.69d .05, Ss	1
▲	16 140060	(10000000- 20000000)	Washer, Wave- Spring, .505 .750 .045	1
▲	17 140154	(10000000- 20000000)	Sleeve, P/M, 0.25b 0.38d 0.3l, PI	1
▲	18 1222109	(10000000- 20000000)	Knob, Sqge, 58l, M6 X 1.00, Plstc	1
▲	19 1209631	(10000000- 20000000)	Cover, Trap, Water, Sqge	1
▲	20 1210756	(10000000- 20000000)	Gasket, Trap, Water, Sqge	1
▲▽	21 9015737	(10000000- 20000000)	Blade Kit, 700mm, Linatex/Linard (Standard)	1
▲▲	22 1221572	(10000000- 20000000)	Blade, Sqge, Rear, 1204l, Linatex[700mm] (Standard)	1
▲▲	23 1232679	(10000000- 20000000)	Blade, Sqge, Front, 1148l Linard[700mm] (Standard)	1
▲	24 1220783	(10000000- 20000000)	Retainer, Sqge, 70cm [T500]	1
▲	25 1242196	(10000000- 20000000)	Plate Wldt, Mtg, Caster [700]	2
▽	21 9015738	(10000000- 20000000)	Blade Kit, 700mm, Urethane (Option)	1
▲	22 1228904	(10000000- 20000000)	Blade, Sqge, Rear, 1204l,Urethane[700mm] (Option)	1
▲	23 1228906	(10000000- 20000000)	Blade, Sqge, Front,1148l Urethane[700mm] (Option)	1
▽	21 9015736	(10000000- 20000000)	Blade Kit, 700mm, Gum (Option)	1
▲	22 1228905	(10000000- 20000000)	Blade, Sqge, Rear, 1204l, Gum[700mm] (Option)	1
▲	23 1228907	(10000000- 20000000)	Blade, Sqge, Front, 1148l Gum[700mm] (Option)	1

▽ ASSEMBLY

▲ INCLUDED IN ASSEMBLY

**SQUEEGEE ASSEMBLY, 700MM / 28IN (Intended for 800MM Scrub Head Size)
(Original Style - Replaced By 9018086)**

355439



**SQUEEGEE ASSEMBLY, 700MM / 28IN (Intended for 800MM Scrub Head Size)
(Original Style - Replaced By 9018086)**

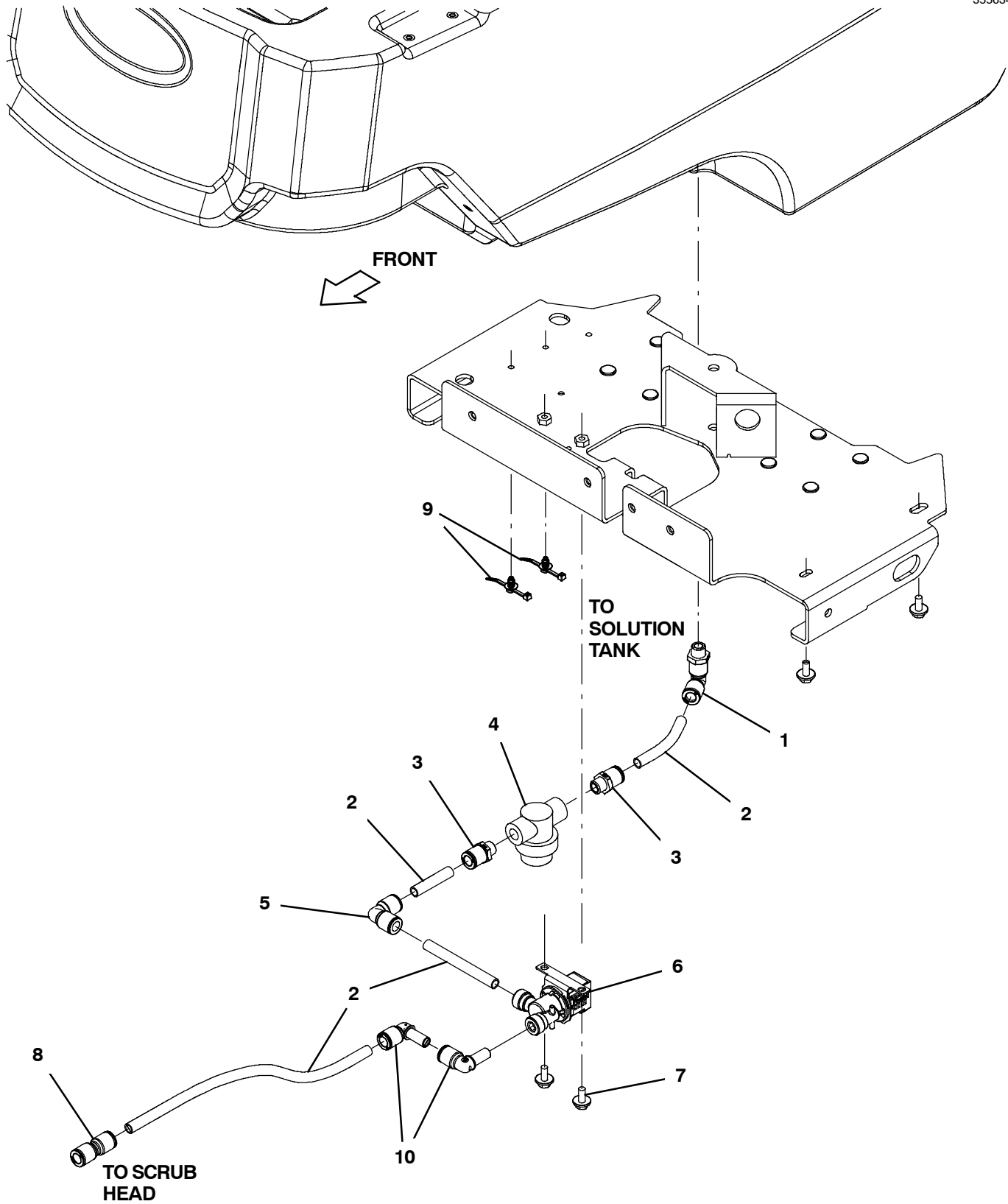
Ref.	Part No.	Serial Number	Description	Qty.
▽	9015302	(10000000- 20000000)	Squeegee Kit, 700mm, Ci (Replaced By 9018086)	1
▲	1 1220309	(10000000- 20000000)	Frame, Sqge, 70cm, Mach [T500]	1
▲	2 59658	(10000000- 20000000)	Screw, Hex, M8 X 1.25 X 35, NI, Ss	2
▲	3 222496	(10000000- 20000000)	Sleeve, P/M, 0.32b 0.50d 0.9l [430ss]	2
▲	4 222066	(10000000- 20000000)	Wheel, 03.0d 0.88w 0.50b	2
▲	5 07786	(10000000- 20000000)	Nut, Hex, Std, M8 X 1.25, Ss	2
▲	6 1212755	(10000000- 20000000)	Screw, Btn, M8 X 1.25 X 80, Ss	4
▲	7 1074204	(10000000- 20000000)	Knob,Star,2.75d 4ear 1.1l M8x1.25,Thru,Y	4
▲	8 22290	(10000000- 20000000)	Spring, Cmpr, 0.72od .06wir 02.3l	4
▲	9 32716	(10000000- 20000000)	Nut, Hex, Jam, M10 X 1.5, Ss	2
▲	10 1034731	(10000000- 20000000)	Screw, Hex, M6 X 1.00 X 16, Sems, Ss	8
▲	11 1222236	(10000000- 20000000)	Bracket Wldt, Caster, Rh Sqge[T500]	1
▲	12 1006343	(10000000- 20000000)	Caster, Swivel, 50mmd, M10 X 30, Clr PI	2
▲	13 1222001	(10000000- 20000000)	Bracket Wldt, Caster, Lh Sqge [T500]	1
▲	14 12277	(10000000- 20000000)	Screw, Hex, M6 X 1.00 X 20, NI, Ss	1
▲	15 01684	(10000000- 20000000)	Washer, Flat, 0.27b 0.69d .05, Ss	1
▲	16 140060	(10000000- 20000000)	Washer, Wave- Spring, .505 .750 .045	1
▲	17 140154	(10000000- 20000000)	Sleeve, P/M, 0.25b 0.38d 0.3l, PI	1
▲	18 1222109	(10000000- 20000000)	Knob, Sqge, 58l, M6 X 1.00, Plstc	1
▲	19 1209631	(10000000- 20000000)	Cover, Trap, Water, Sqge	1
▲	20 1210756	(10000000- 20000000)	Gasket, Trap, Water, Sqge	1
▲▽	21 9015737	(10000000- 20000000)	Blade Kit, 700mm, Linatex/Linard (Standard)	1
▲▲	22 1221572	(10000000- 20000000)	Blade, Sqge, Rear, 1204l, Linatex[700mm] (Standard)	1
▲▲	23 1232679	(10000000- 20000000)	Blade, Sqge, Front, 1148l Linard[700mm] (Standard)	1
▲	24 1220783	(10000000- 20000000)	Retainer, Sqge, 70cm [T500]	1
▲	25 1230738	(10000000- 20000000)	Bracket, Sqge Bumper	2
▽	21 9015738	(10000000- 20000000)	Blade Kit, 700mm, Urethane (Option)	1
▲	22 1228904	(10000000- 20000000)	Blade, Sqge, Rear, 1204l,Urethane[700mm] (Option)	1
▲	23 1228906	(10000000- 20000000)	Blade, Sqge, Front,1148l Urethane[700mm] (Option)	1
▽	21 9015736	(10000000- 20000000)	Blade Kit, 700mm, Gum (Option)	1
▲	22 1228905	(10000000- 20000000)	Blade, Sqge, Rear, 1204l, Gum[700mm] (Option)	1
▲	23 1228907	(10000000- 20000000)	Blade, Sqge, Front, 1148l Gum[700mm] (Option)	1

▽ ASSEMBLY

▲ INCLUDED IN ASSEMBLY

STANDARD SOLUTION GROUP

355634



STANDARD SOLUTION GROUP

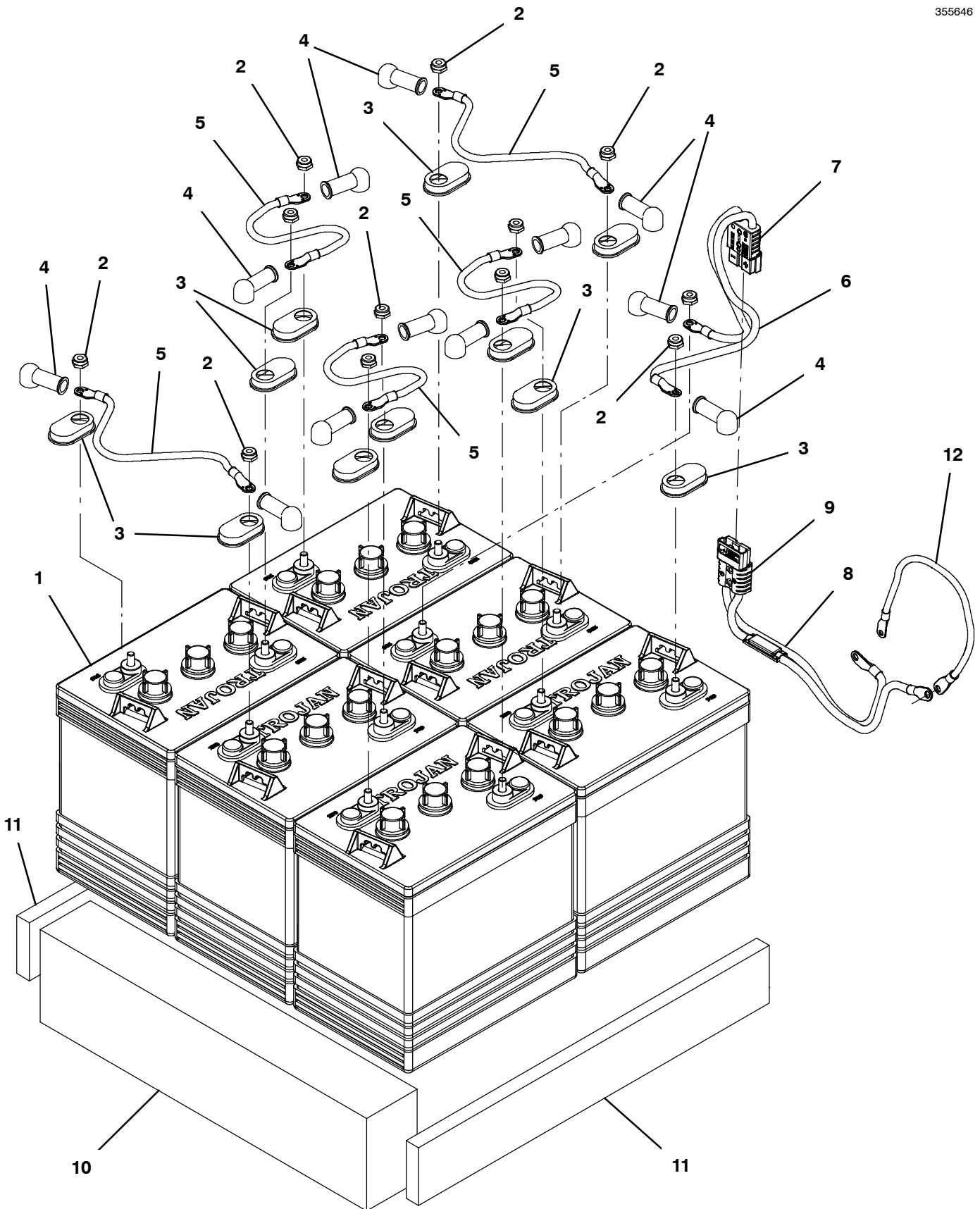
Ref.	Part No.	Serial Number	Description	Qty.	
1	1243587	(10922118- 20000000)	Fitting, Brs, E90, Qf08/Pm06, Swivel	1	
1	1212987	(10000000- 10922117)	Fitting, Plstc, E90, Qf08/Pm06, Swivel (Replaced By 1243587)	1	
2	9014145	(10000000- 20000000)	Hose, Afmkt, Pe, .375id .50od, 05ft	1	
3	1212813	(10000000- 20000000)	Fitting, Plstc, Str, Qf08/Pm06	2	
▽	4	1211537	(10000000- 20000000)	Filter, In- Line [80 Mesh, Fine, White]	1
▲	1218885	(10000000- 20000000)	Gasket [Epdm, F/1211537]	1	
▲	1218883	(10000000- 20000000)	Screen, Fltr, 80 Mesh, Ss [Fine, White]	1	
▲	613991	(10000000- 20000000)	Bowl, Clr, Short, F/1005302	1	
5	1221945	(10000000- 20000000)	Fitting, Plstc, E90, Qf08/Qf08	1	
6	1228697	(10000000- 20000000)	Valve, Water, Solenoid, 36vdc Qf08/Qf08	1	
7	1020341	(10000000- 20000000)	Screw, Hex, M8 X 1.25 X 20, Ss, Sems	2	
8	1212859	(10000000- 20000000)	Fitting, Plstc, Str, Qf08/Qf08	1	
9	1210807	(10000000- 20000000)	Wire, Tie [W/.25" Fir Tree Clip]	2	
10	1212809	(10000000- 20000000)	Fitting, Plstc, E90, Qf08/Qm08 (Note: Only For Models Equipped with Park Brake)	2	

▽ ASSEMBLY

▲ INCLUDED IN ASSEMBLY

BATTERY GROUP, WET 240AH

355646



BATTERY GROUP, WET 240AH

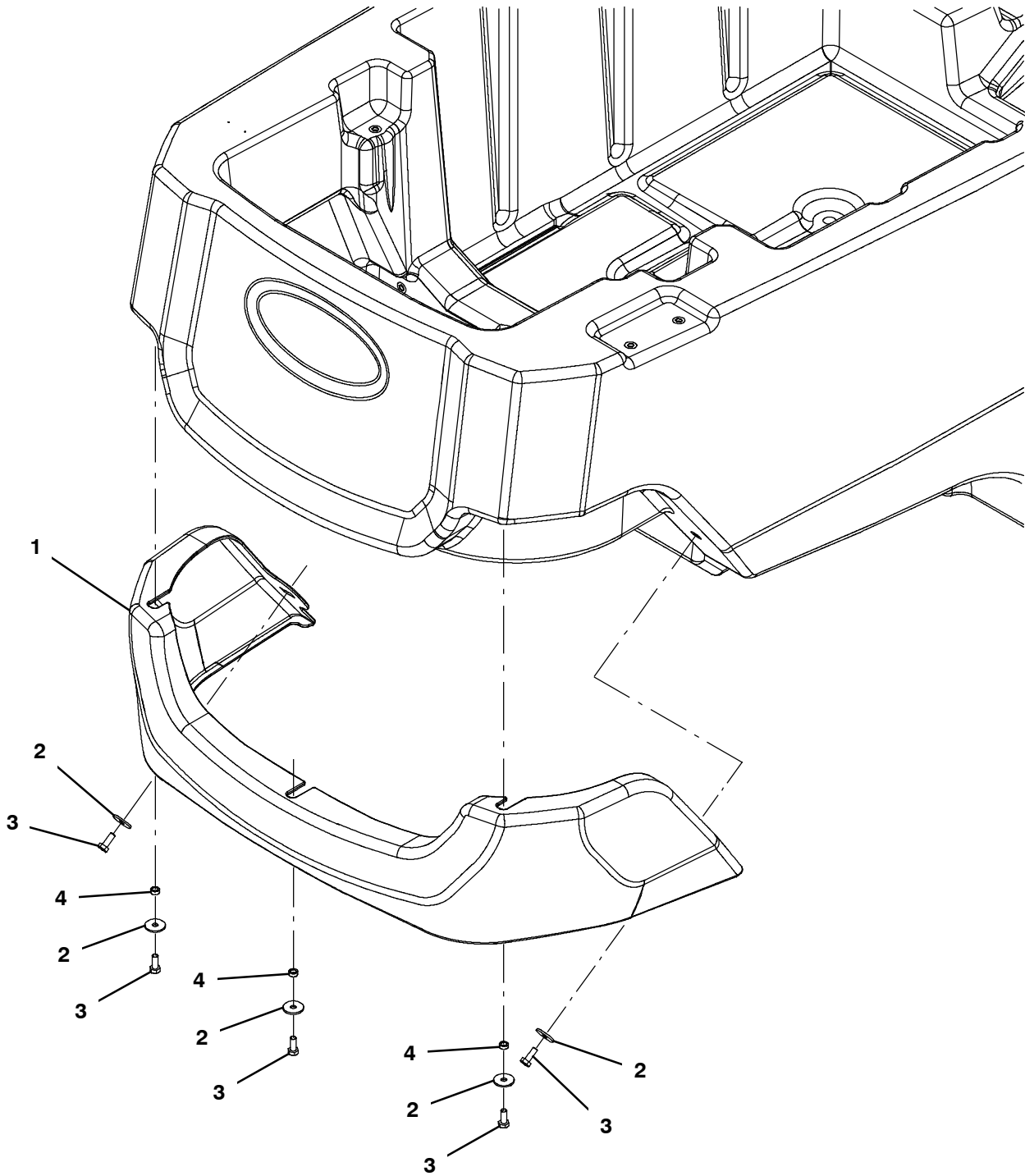
	Ref.	Part No.	Serial Number	Description	Qty.
▽	1	222280	(10000000- 20000000)	Battery, Wet, 06vdc 0240ah	6
▲	2	87435	(10000000- 20000000)	Nut, Hex, Flexlock, .31- 18	2
	3	1041030	(10000000- 20000000)	Cap, Battery, Black [For 155ah]	12
	4	611221	(10000000- 20000000)	Boot, Terminal, Battery, 25.4mm, Blk	12
	5	63735	(10000000- 20000000)	Cable, 06ga 11.0l Blk .38ring /.38ring	5
▽	6	1075455	(10000000- 20000000)	Cable, Assy [T600, T600e]	1
▲	7	1238858	(10000000- 20000000)	Connector, Battery, Gray [Sb120 Grey]	1
▽	8	1075457	(10000000- 20000000)	Cable, Assy [T600, T600e, Ce]	1
▲	9	1238858	(10000000- 20000000)	Connector, Battery, Gray [Sb120 Grey]	1
	10	222474	(10000000- 20000000)	Spacer, Battery, Foam, 3.00 X 4.8 X 21.0	1
	11	222473	(10000000- 20000000)	Spacer, Battery, 0.75 X 3.0 X 21.0	3
	12	1074945	(10000000- 20000000)	Cable, 04ga 15.0l Red [M8 Ring/M6 Ring] (T600 Model)	1

▽ ASSEMBLY

▲ INCLUDED IN ASSEMBLY

SHROUD GROUP, DISK

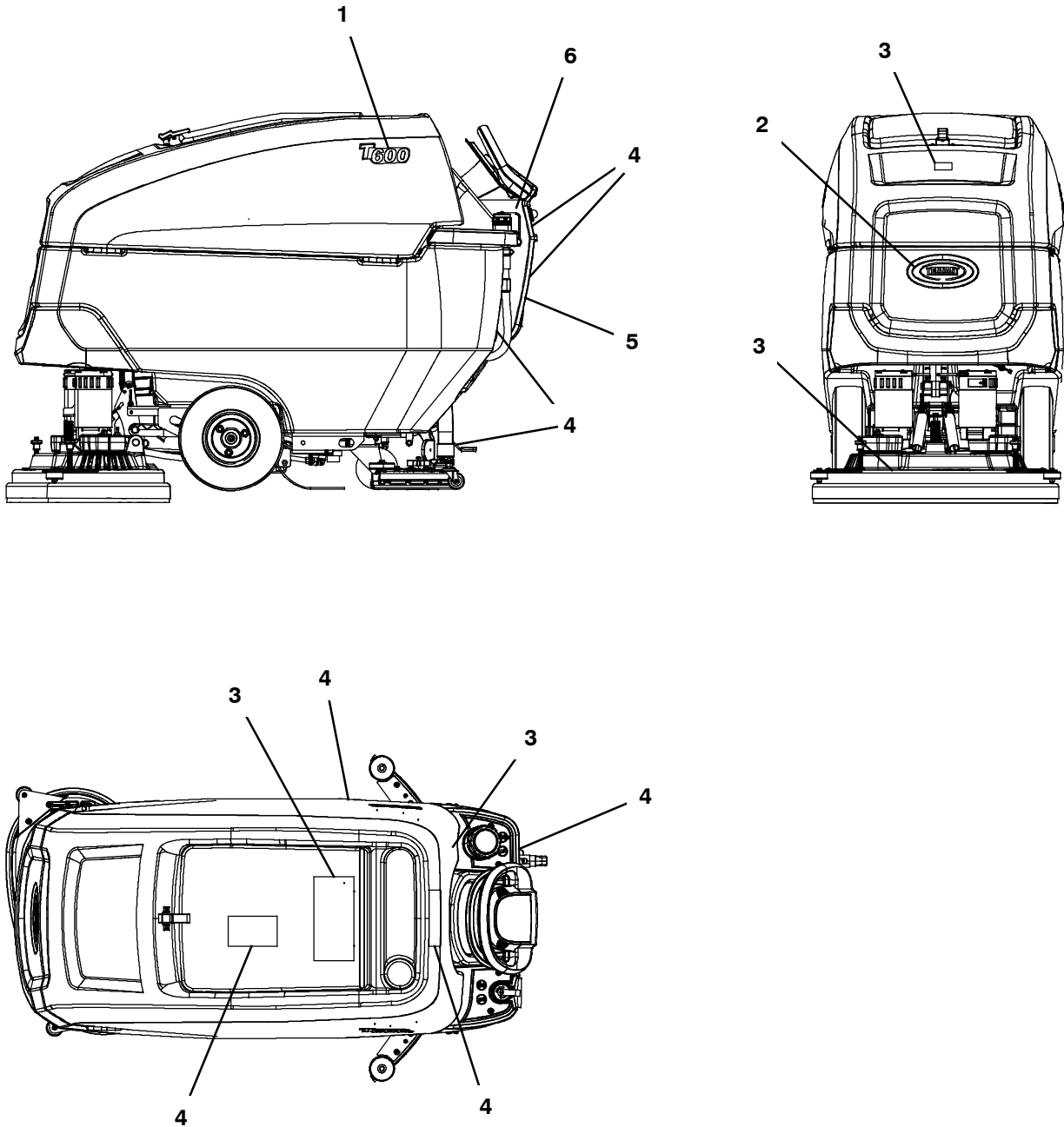
355604



Ref.	Part No.	Serial Number	Description	Qty.
1	1226928	(10000000- 20000000)	Cover, Head, Disc [T600]	1
2	019680127	(10000000- 20000000)	Washer, Flat, 6.2mm Id X 22.0mm Od X 1.9	5
3	11329	(10000000- 20000000)	Screw, Hex, M6 X 1.00 X 16, NI, Ss	5
4	80491	(10000000- 20000000)	Sleeve, P/M, 0.25b 0.38d 0.2l [430ss]	3

STANDARD LABEL GROUP

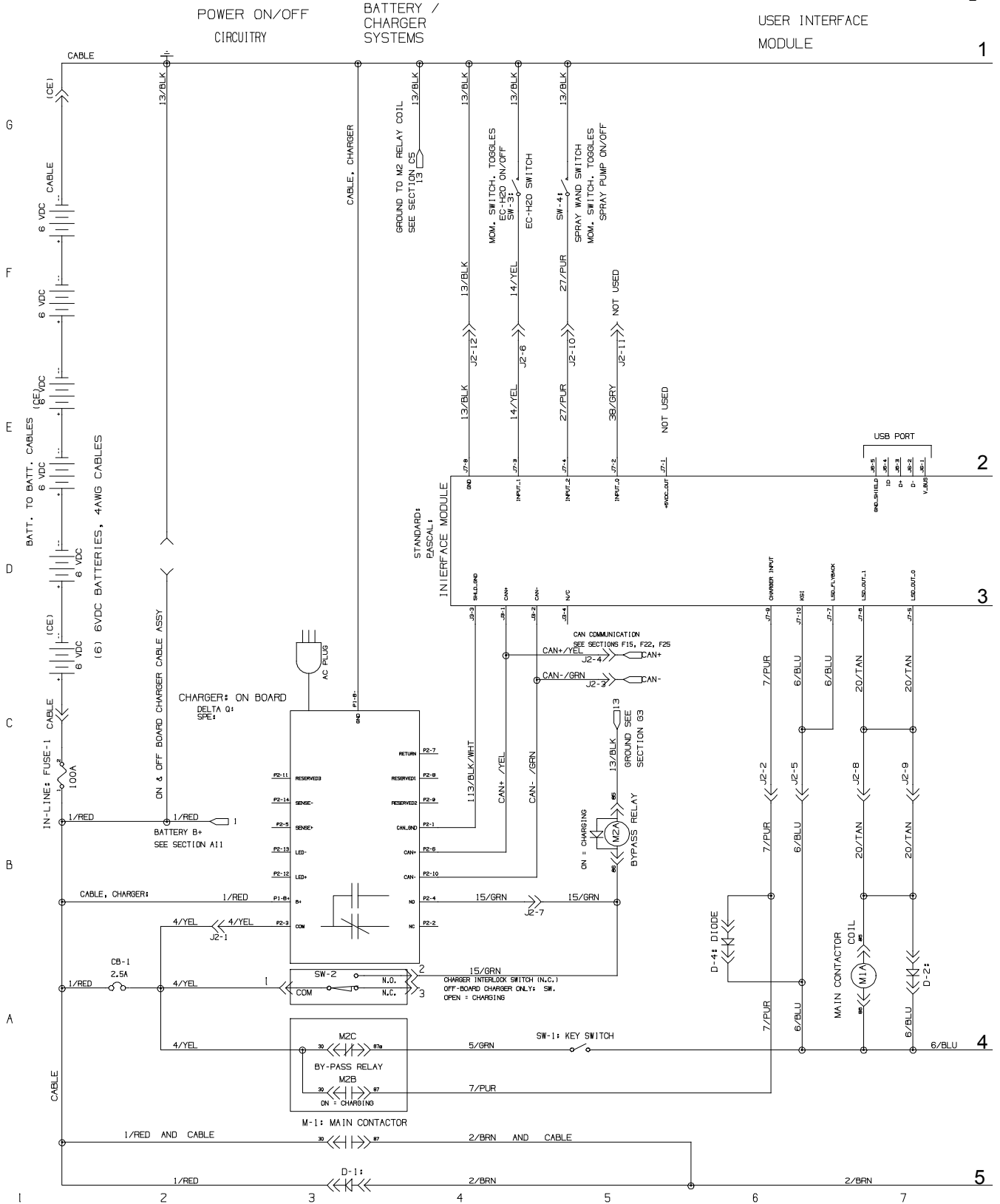
355694



Ref.	Part No.	Serial Number	Description	Qty.
1	1231360	(10000000- 20000000)	Label, Logo, [T600]	2
2	1231367	(10000000- 20000000)	Label, Logo, 7.00l, Blk/Stl [Tennant]	1
3	1220962	(10000000- 20000000)	Label Sheet, Info/Hzrd [T500, Na]	1
4	1234509	(10000000- 20000000)	Label Sheet, Operational [T600/T600e]	1
5	1225763	(10000000- 20000000)	Label, Decal, Charger, Off- Board	1
6	08823	(10000000- 20000000)	Label, Letters, 5.0 X 5.0 [Ee]	2

ELECTRICAL DIAGRAM (PAGE 1 OF 4)

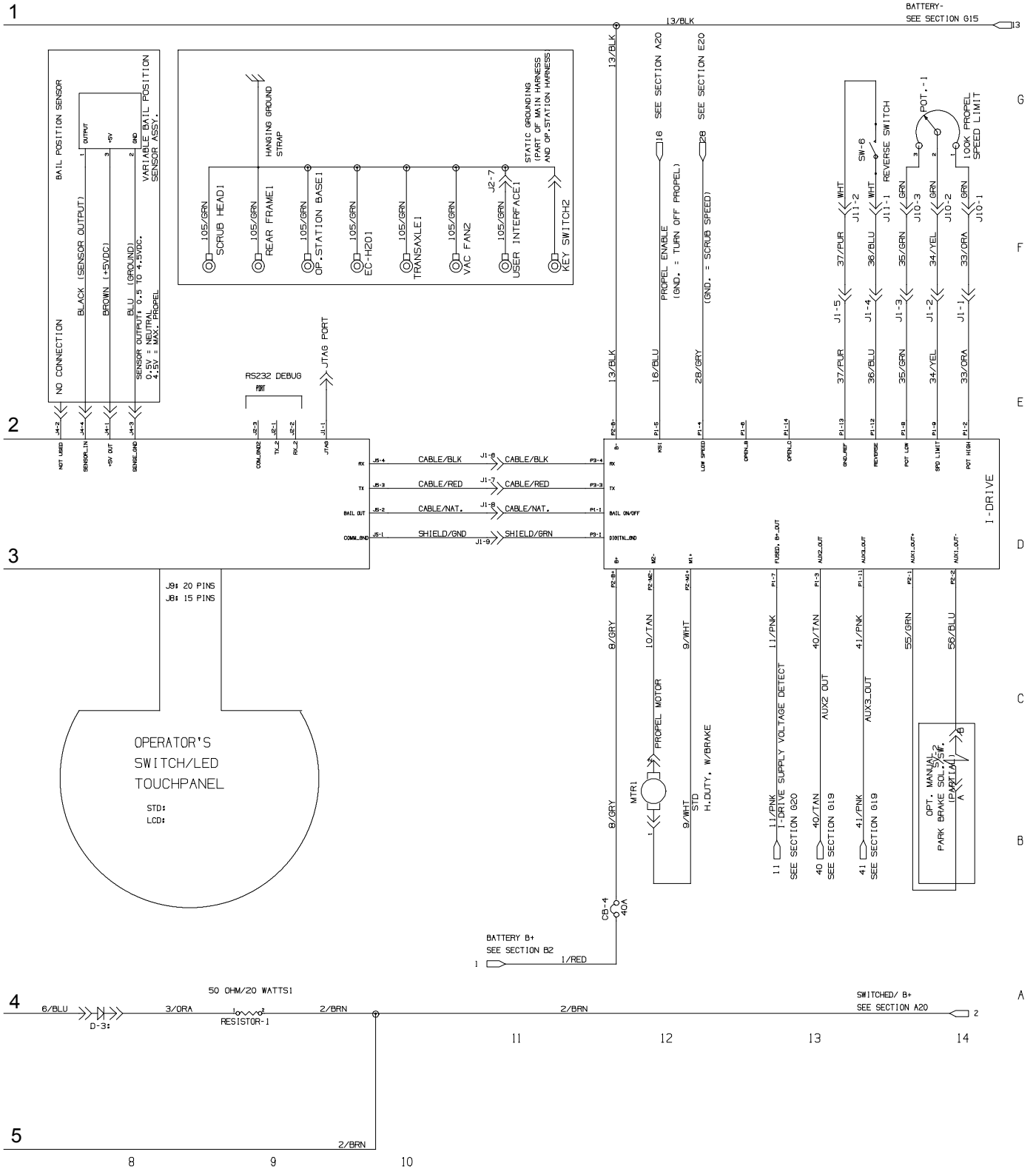
1076325_00



ELECTRICAL DIAGRAM (PAGE 2 OF 4)

1076325_00

PROPEL SYSTEM

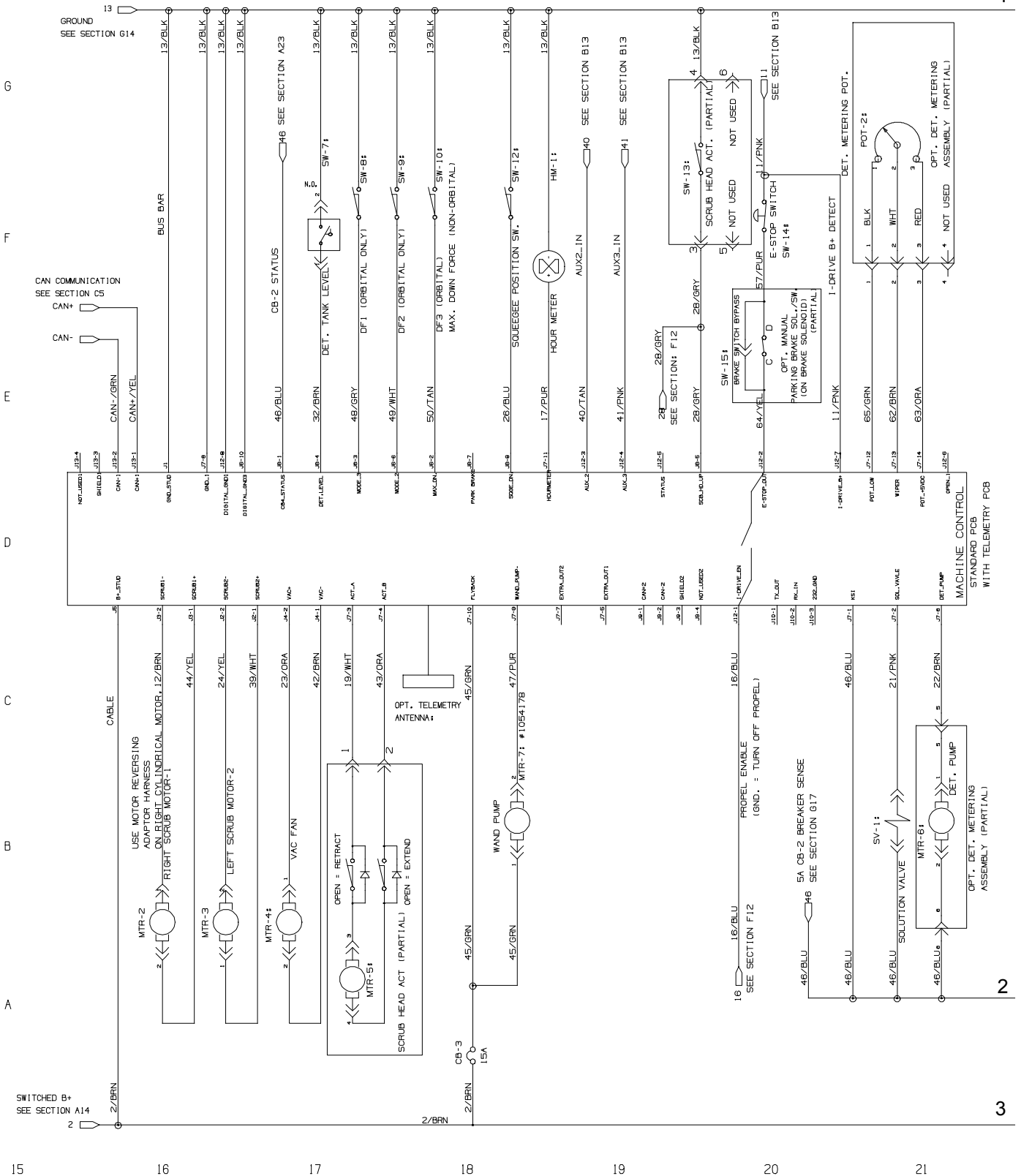


ELECTRICAL DIAGRAM (PAGE 3 OF 4)

1076325_00

PREMIUM CONTROLLER

1

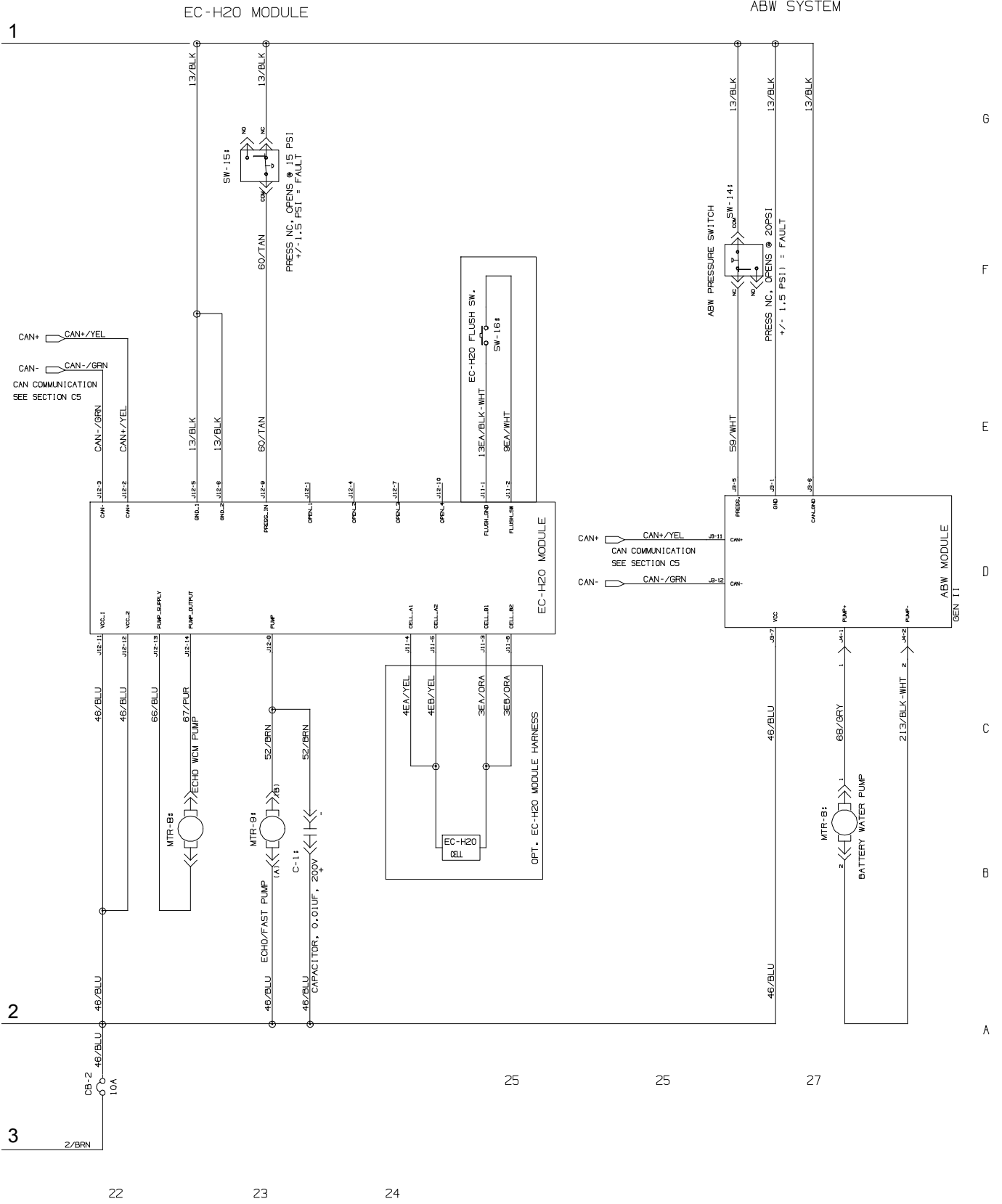


2

3

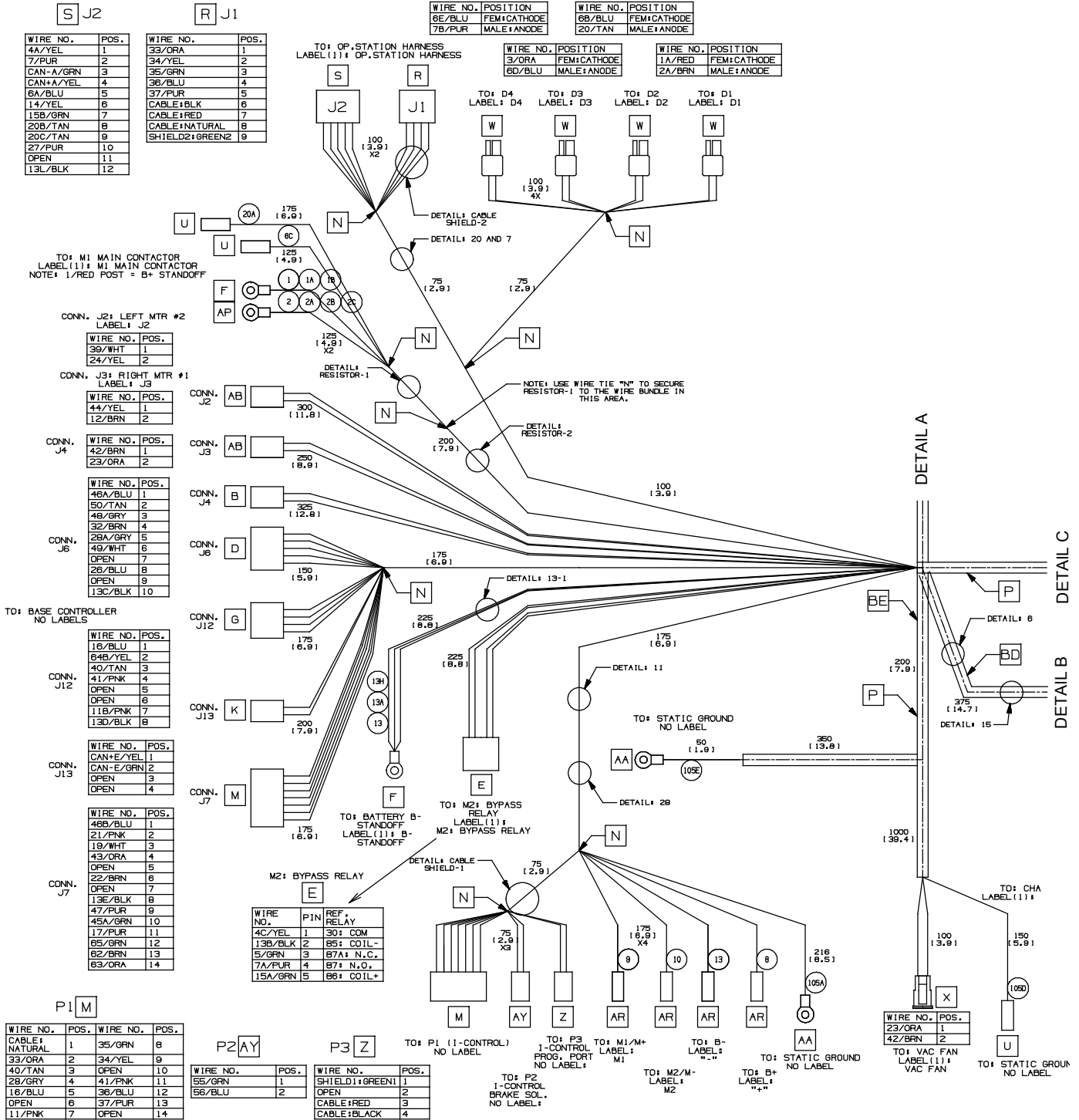
ELECTRICAL DIAGRAM (PAGE 4 OF 4)

1076325_00



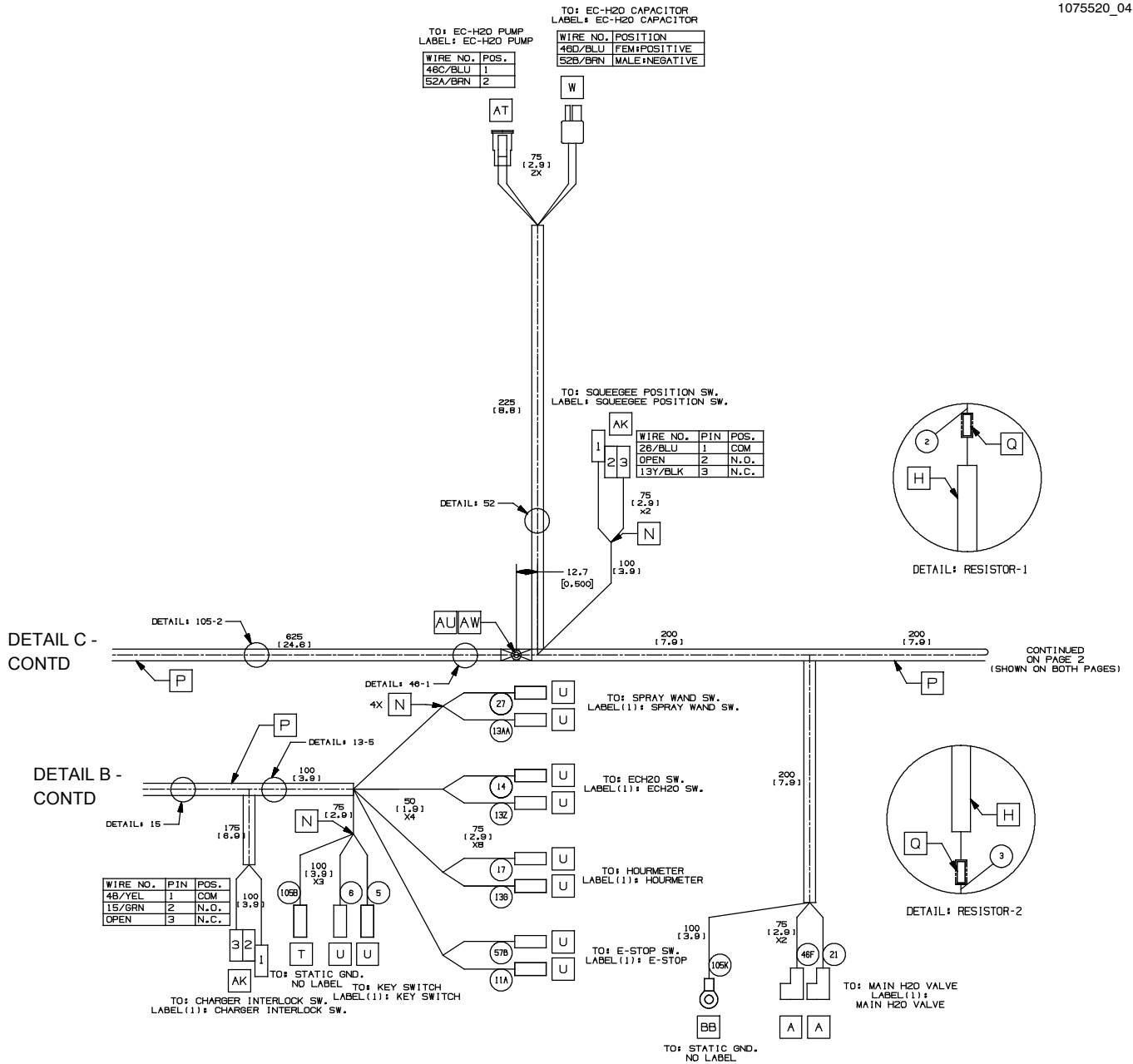
ELECTRICAL HARNESS, MAIN (PAGE 1 OF 5)

1075520_04



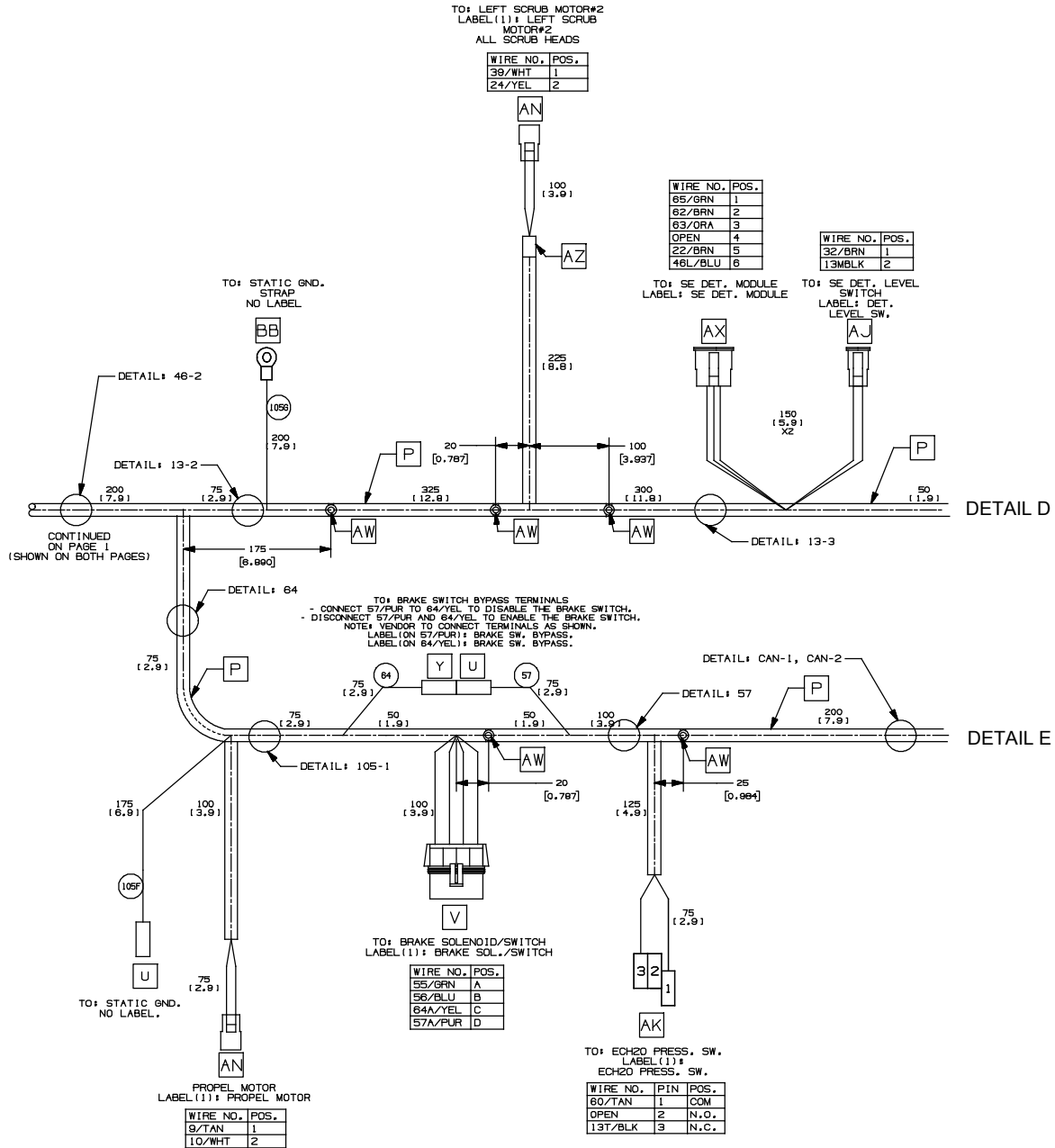
ELECTRICAL HARNESS, MAIN (PAGE 2 OF 5)

1075520_04



ELECTRICAL HARNESS, MAIN (PAGE 3 OF 5)

1075520_04



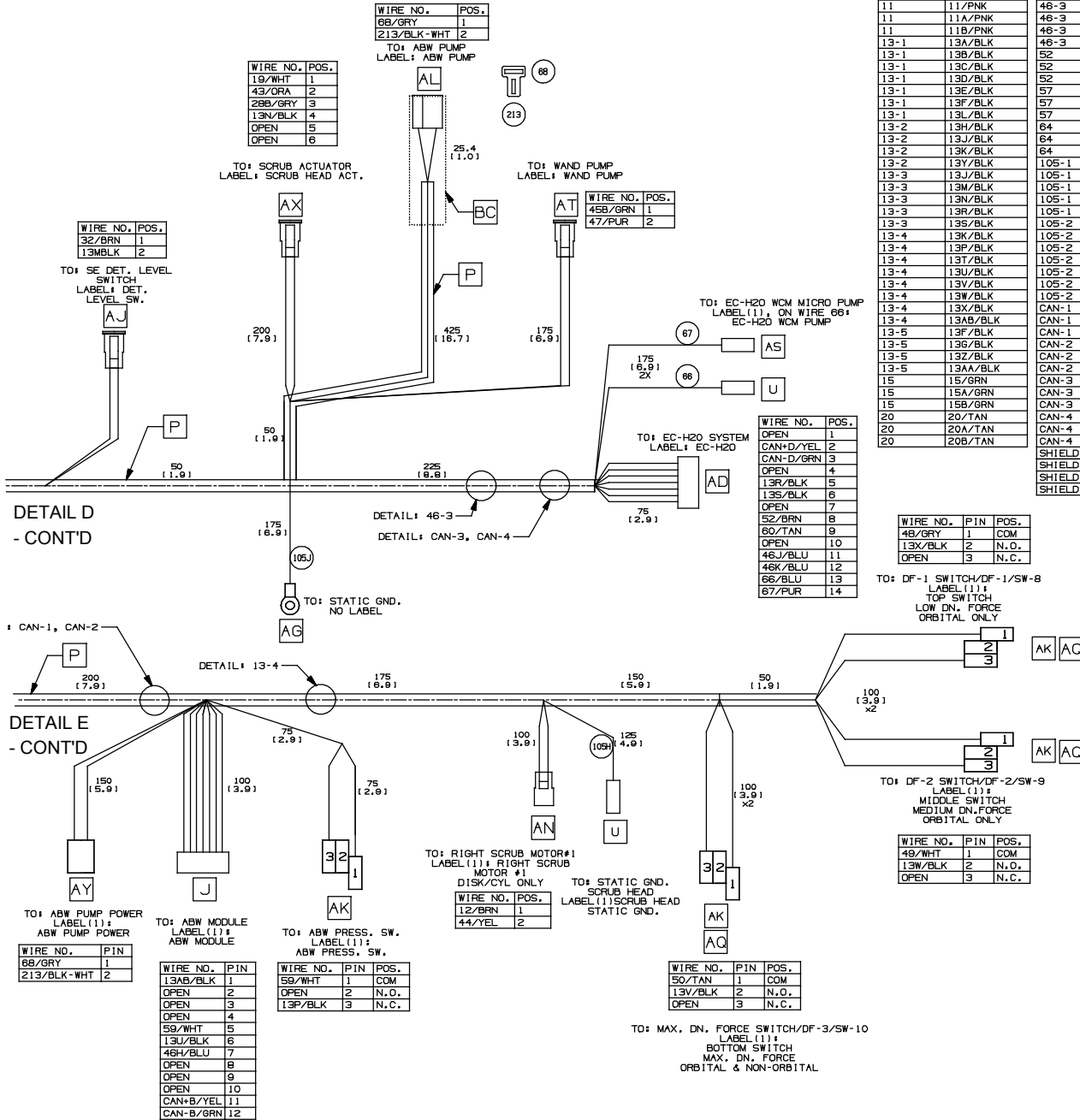
ELECTRICAL HARNESS, MAIN (PAGE 4 OF 5)

1075520_04

20	20C/TAN
28	28/GRY
28	28A/GRY
28	28B/GRY

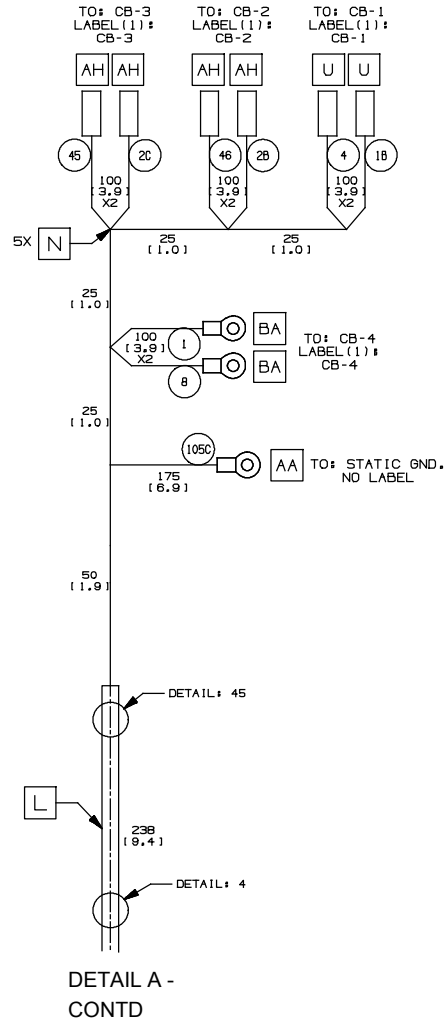
SPLICE DETAIL	WIRES
4	4/YEL
4	4A/YEL
4	4B/YEL
4	4C/YEL
6	6/BLU
6	6A/BLU
6	6B/BLU
6	6C/BLU
6	6D/BLU
6	6E/BLU
7	7/PUR
7	7A/PUR
7	7B/PUR
11	11/PNK
11	11A/PNK
11	11B/PNK
13-1	13B/BLK
13-1	13C/BLK
13-1	13D/BLK
13-1	13E/BLK
13-1	13F/BLK
13-1	13L/BLK
13-2	13H/BLK
13-2	13J/BLK
13-2	13K/BLK
13-2	13Y/BLK
13-3	13J/BLK
13-3	13M/BLK
13-3	13N/BLK
13-3	13R/BLK
13-3	13S/BLK
13-4	13K/BLK
13-4	13P/BLK
13-4	13Q/BLK
13-4	13T/BLK
13-4	13U/BLK
13-4	13V/BLK
13-4	13W/BLK
13-4	13X/BLK
13-4	13AB/BLK
13-5	13F/BLK
13-5	13Z/BLK
13-5	13AA/BLK
15	15/GRN
15	15A/GRN
15	15B/GRN
20	20/TAN
20	20A/TAN
20	20B/TAN

SPLICE DETAIL	WIRES
45	45/GRN
45	45A/GRN
45	45B/GRN
46-1	46/BLU
46-1	46A/BLU
46-1	46B/BLU
46-1	46C/BLU
46-1	46D/BLU
46-1	46E/BLU
46-1	46F/BLU
46-2	46E/BLU
46-2	46G/BLU
46-2	46H/BLU
46-3	46G/BLU
46-3	46J/BLU
46-3	46K/BLU
46-3	46L/BLU
52	52/BRN
52	52A/BRN
52	52B/BRN
57	57/PUR
57	57A/PUR
57	57B/PUR
64	64/YEL
64	64A/YEL
64	64B/YEL
105-1	105/GRN
105-1	105F/GRN
105-1	105G/GRN
105-1	105H/GRN
105-1	105J/GRN
105-2	105/GRN
105-2	105A/GRN
105-2	105B/GRN
105-2	105C/GRN
105-2	105D/GRN
105-2	105E/GRN
105-2	105F/GRN
105-2	105G/GRN
CAN-1	CAN+A/YEL
CAN-1	CAN+B/YEL
CAN-1	CAN+C/YEL
CAN-2	CAN+A/GRN
CAN-2	CAN+B/GRN
CAN-2	CAN+C/GRN
CAN-3	CAN+C/YEL
CAN-3	CAN+D/YEL
CAN-3	CAN+E/YEL
CAN-4	CAN+C/GRN
CAN-4	CAN-D/GRN
CAN-4	CAN-E/GRN
SHIELD-1	SHIELD
SHIELD-1	GREEN-1
SHIELD-2	SHIELD
SHIELD-2	GREEN-2



ELECTRICAL HARNESS, MAIN (PAGE 5 OF 5)

1075520_04



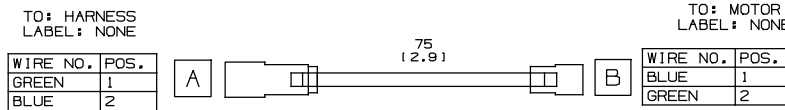
Part No.	Serial Number	Description	Qty.
1075520	(10000000-20000000)	Harness, Main, Ele [T600]	1
222290	(10000000-20000000)	Diode, Ele, Plug	4
1240853	(10000000-20000000)	Cap, Dust, Connector (To ec- H2O Pump)	1
1240855	(10000000-20000000)	Cap, Dust, Connector (To ec- H2O Capacitor)	1

ELECTRICAL HARNESS, BAIL SWITCH

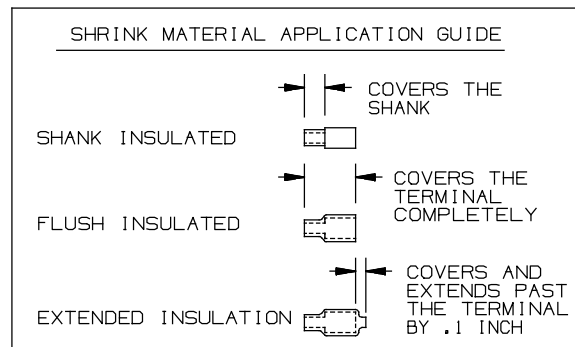
1075585_00

COMPONENT ALPHA	COMPONENT DESCRIPTIONS
A	CONNECTOR BODY(1), MOLEX, MX150L SERIES, .300" PITCH, 2M, 1x2, #19433-0013. TERMINALS, MALE, 10-12GA, #19431-0016.
B	CONNECTOR BODY(1), MOLEX, MX150L SERIES, .300" PITCH, 2F, 1x2, #19432-0013. TERMINALS, FEMALE, 10-12GA, #19434-0003.

NOTE: THIS HARNESS IS USED TO REVERSE THE DIRECTION THE ATTACHED MOTOR SPINS.



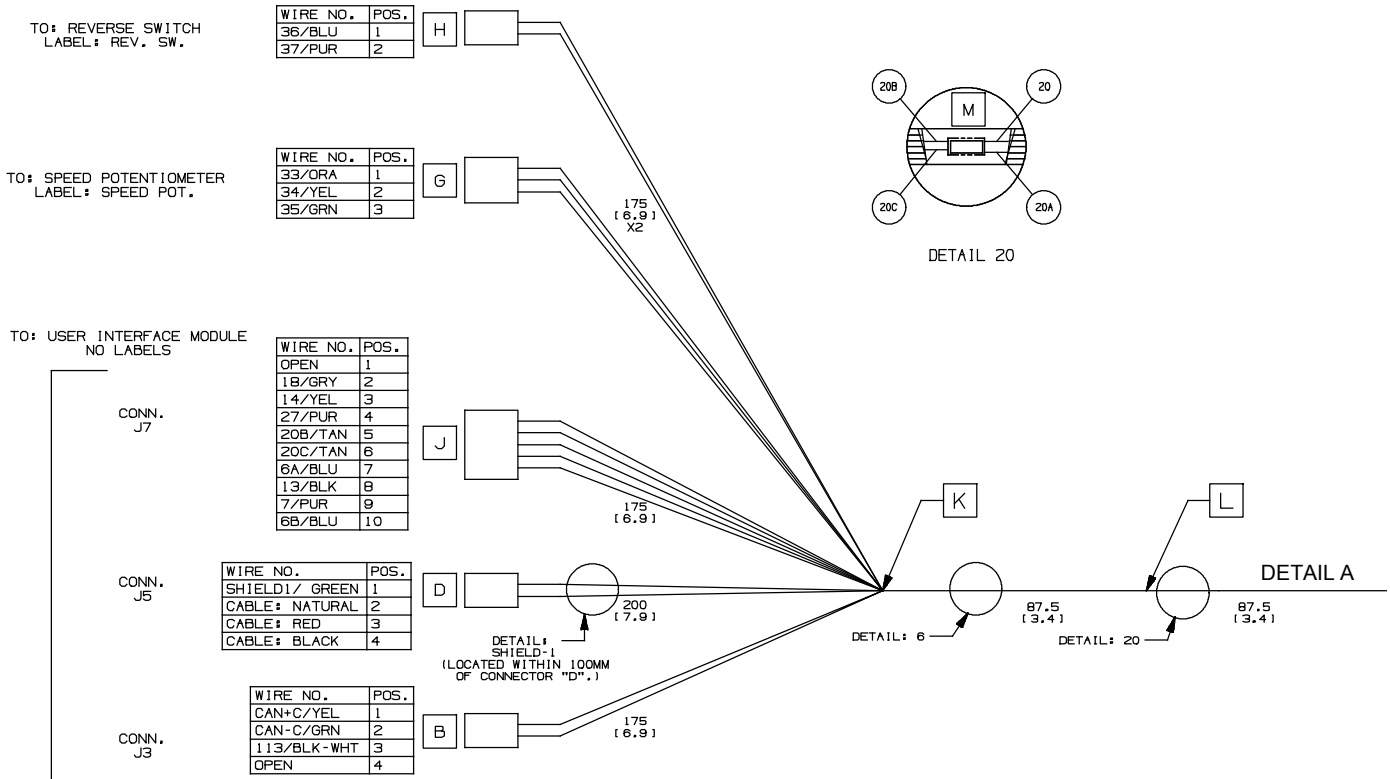
WIRE NO.	COLOR	GAUGE	TYPE
NONE	GREEN	10	SEE NOTE #12
NONE	BLUE	10	SEE NOTE #12



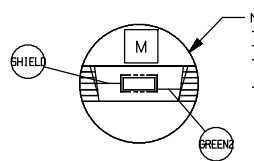
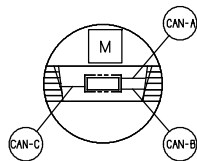
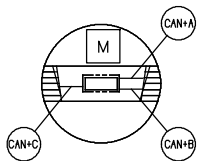
Part No.	Serial Number	Description	Qty.
1075585	(10000000- 20000000)	Harness, Ele [Motor Rev., Molex Mx150]	1

ELECTRICAL HARNESS, OPERATOR STATION

1075519_01

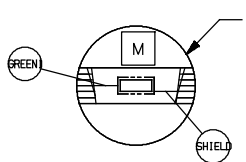
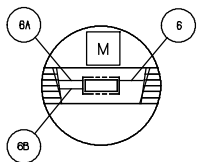


STATIC GROUND
LABEL(1): STATIC GND.



NOTE:

- REMOVE CABLE COVERING RIGHT OF THIS POINT.
- SPLICE SHIELD TO THE SHIELD2:GREEN WIRE.
- ROUTE THE (4) WIRES RIGHT TO THE SPECIFIED CONNECTORS.
- COVER THE EXPOSED END OF THE CABLE COVER WITH DEFINED HEATSHRINK.

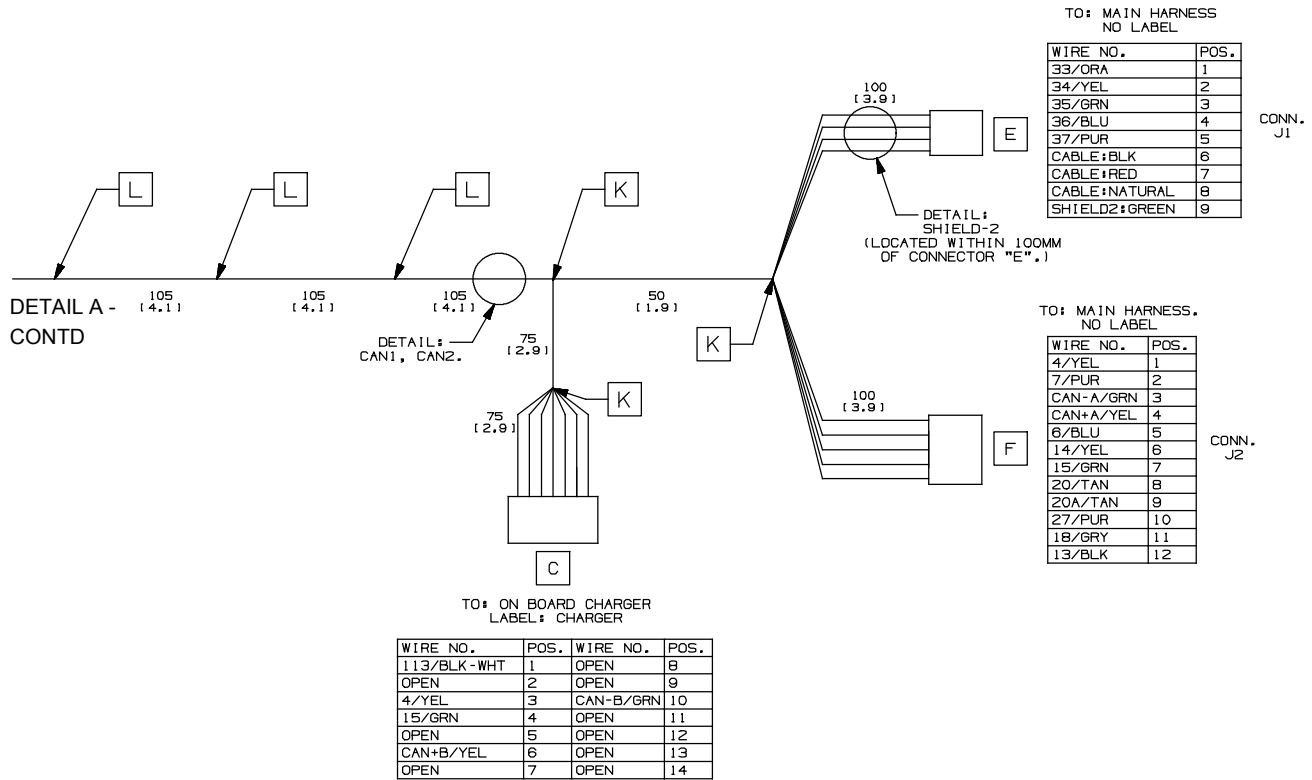


NOTE:

- REMOVE CABLE COVERING LEFT OF THIS POINT.
- SPLICE SHIELD TO THE SHIELD1:GREEN WIRE.
- ROUTE THE (4) WIRES LEFT TO THE SPECIFIED CONNECTORS.
- COVER THE EXPOSED END OF THE CABLE COVER WITH DEFINED HEATSHRINK.

ELECTRICAL HARNESS, OPERATOR STATION

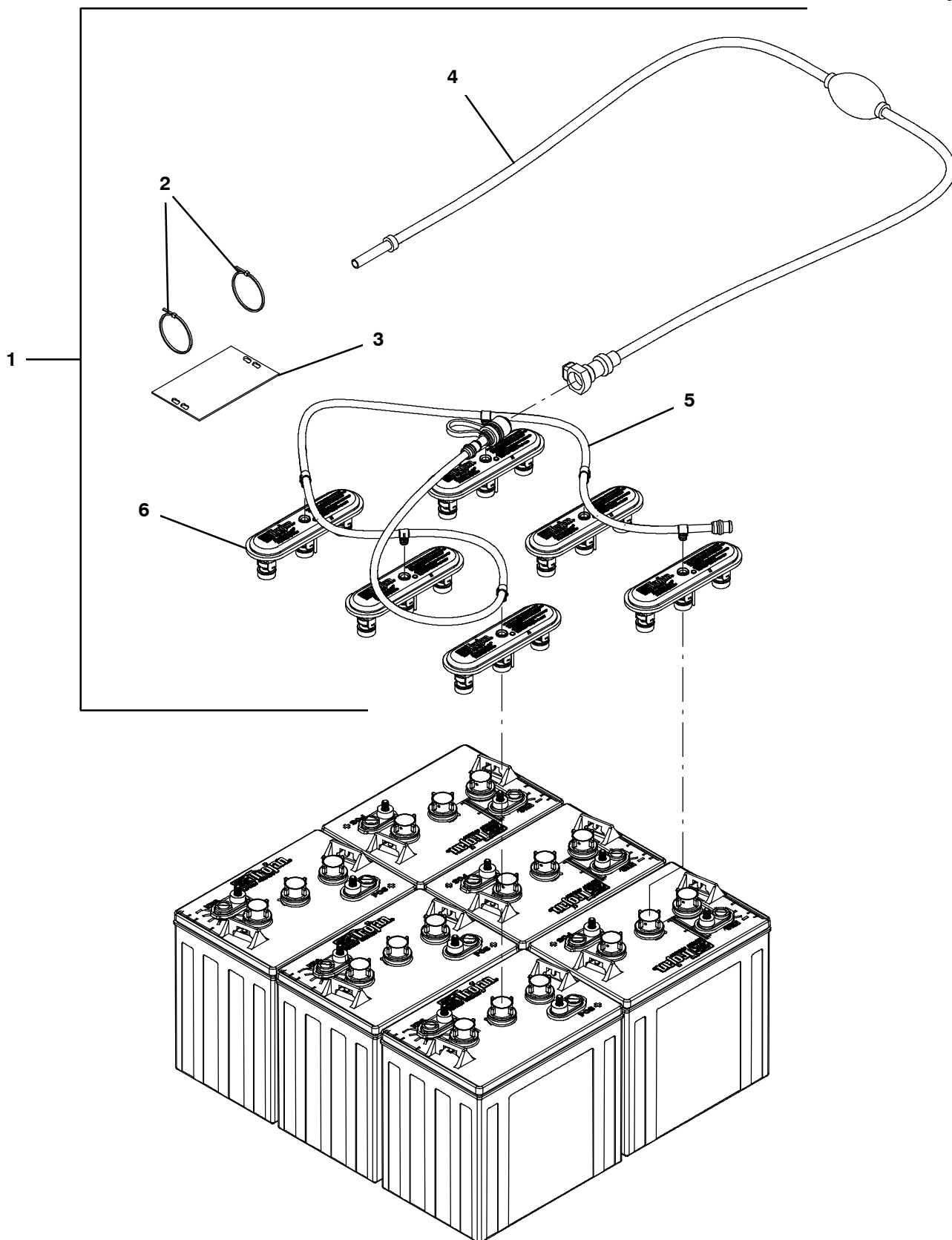
1075519_01



Part No.	Serial Number	Description	Qty.
1075519	(10000000-20000000)	Harness, Ele [Op. Station, T600]	1

HYDROLINK[®] MANUAL BATTERY WATERING KIT

355644



HYDROLINK® MANUAL BATTERY WATERING KIT

	Ref.	Part No.	Serial Number	Description	Qty.
▽	1	9010301	(10000000- 20000000)	Battery Fill Kit, 36v, Ci [Hydrolink]	1
▲	2	130773	(10000000- 20000000)	Tie, Cable, Nyl, 11.0l, .14w, 3.0 Max. D	2
▲	3	1071084	(10000000- 20000000)	Label, Tag, Battery [Hydrolink Watering]	1
▲	4	1058939	(10000000- 20000000)	Pump Kit, Fill, Battery	1
▲	5	1201997	(10000000- 20000000)	Tube, Water, Battery, 36vdc [Trojan]	1
▲	6	1204142	(10000000- 20000000)	Cap, Fill, Battery [Trojan]	6

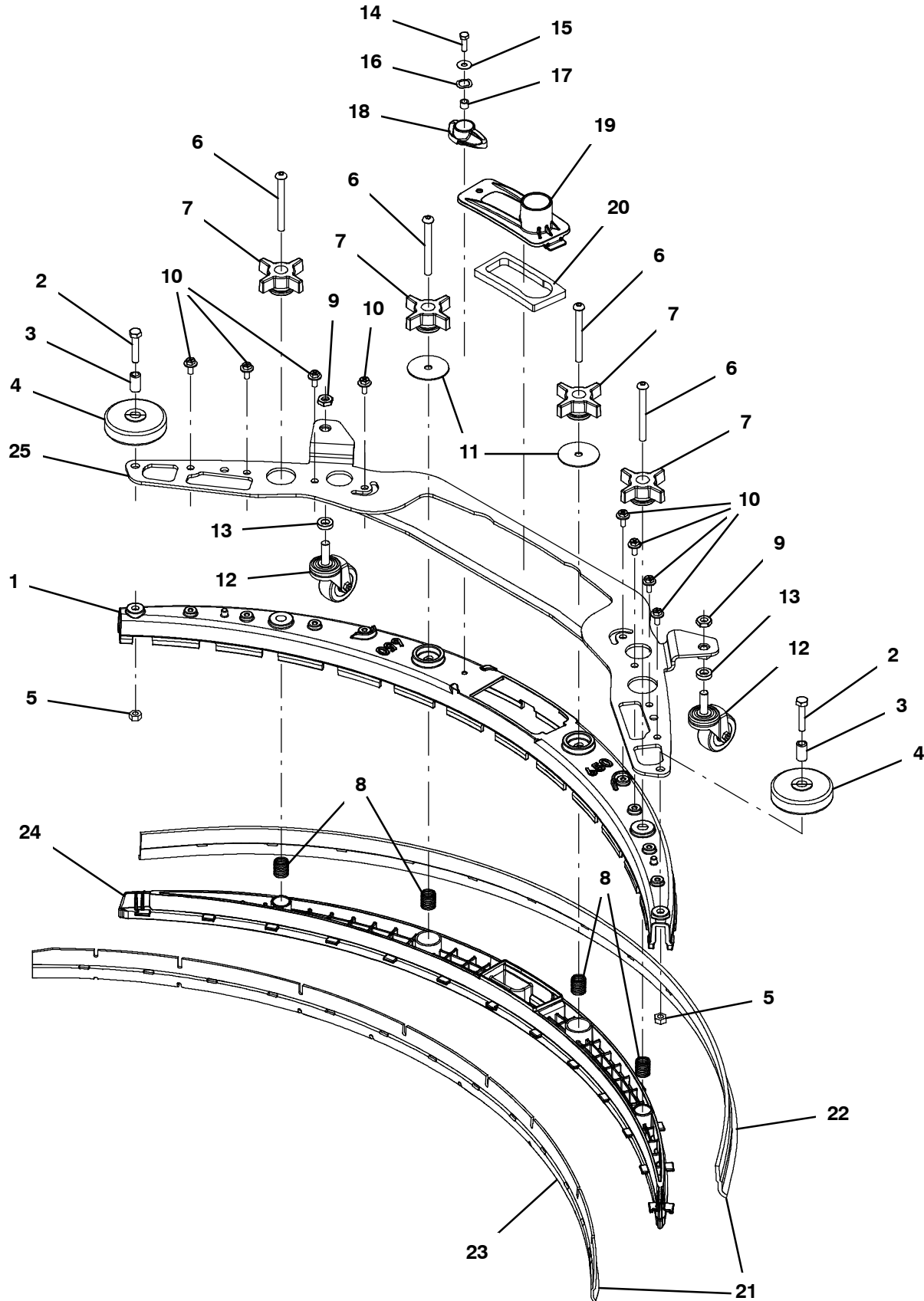
▽ ASSEMBLY

▲ INCLUDED IN ASSEMBLY

HYDROLINK® IS A REGISTERED TRADEMARK OF TROJAN BATTERY COMPANY.

NARROW AISLE SQUEEGEE ASSEMBLY, 650MM / 26IN
(Upgraded Style)

355710



**NARROW AISLE SQUEEGEE ASSEMBLY, 650MM / 26IN
(Upgraded Style)**

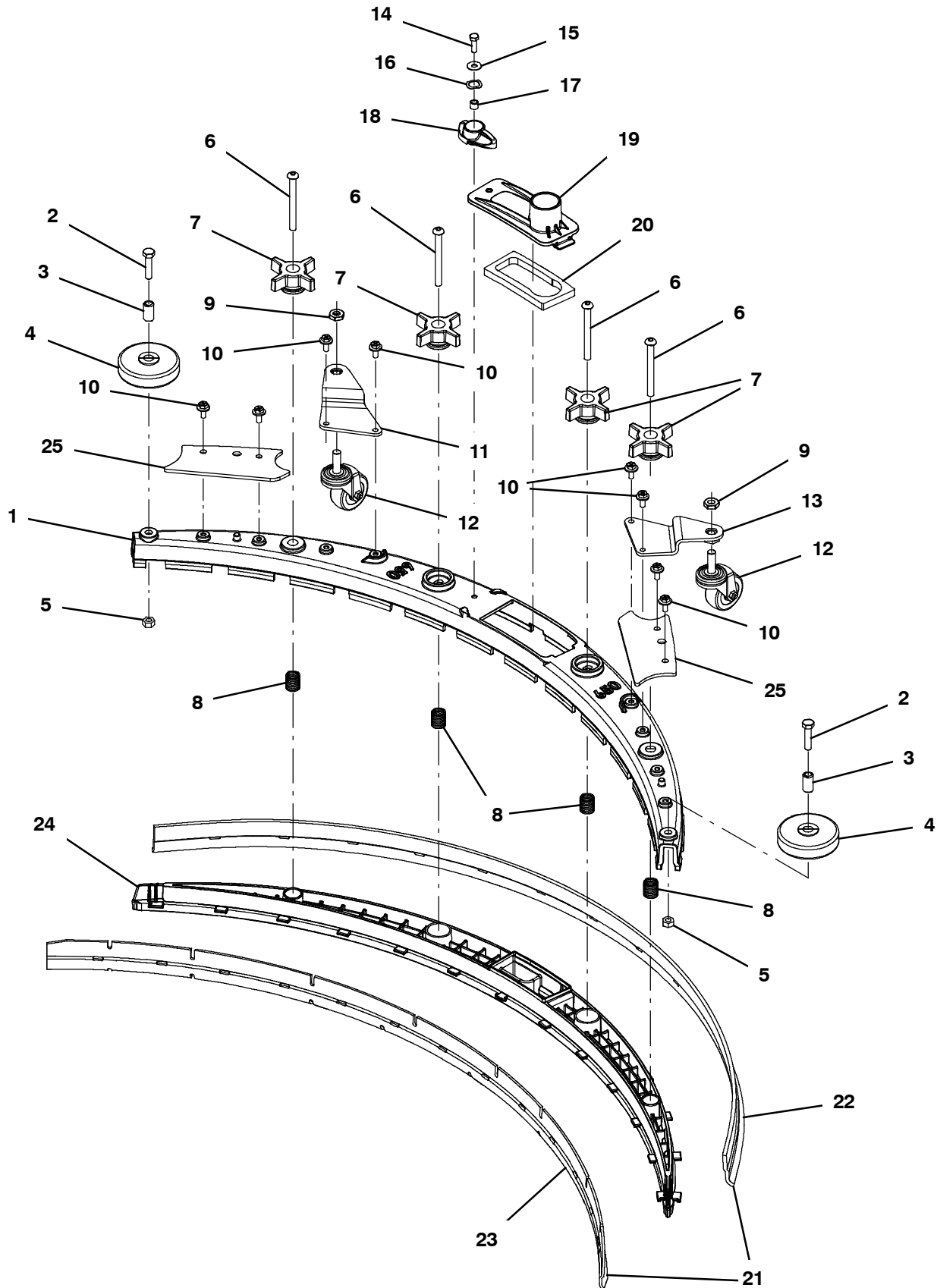
Ref.	Part No.	Serial Number	Description	Qty.
▽	9018098	(10000000- 20000000)	Squeegee Kit, 650mm	1
▲	1 1221259	(10000000- 20000000)	Frame, Sqge, 65cm, Mach [T500]	1
▲	2 74440	(10000000- 20000000)	Screw, Hex, M8 X 1.25 X 40, NI, Ss	2
▲	3 222496	(10000000- 20000000)	Sleeve, P/M, 0.32b 0.50d 0.9l [430ss]	2
▲	4 222066	(10000000- 20000000)	Wheel, 03.0d 0.88w 0.50b	2
▲	5 07786	(10000000- 20000000)	Nut, Hex, Std, M8 X 1.25, Ss	2
▲	6 1212755	(10000000- 20000000)	Screw, Btn, M8 X 1.25 X 80, Ss	4
▲	7 1074204	(10000000- 20000000)	Knob,Star,2.75d 4ear 1.1l M8x1.25,Thru,Y	4
▲	8 22290	(10000000- 20000000)	Spring, Cmpr, 0.72od .06wir 02.3l	4
▲	9 32716	(10000000- 20000000)	Nut, Hex, Jam, M10 X 1.5, Ss	2
▲	10 1034731	(10000000- 20000000)	Screw, Hex, M6 X 1.00 X 16, Sems, Ss	8
▲	11 1243081	(10000000- 20000000)	Washer, Flat, 0.034b 2.00d .06, Plstc	1
▲	12 1006343	(10000000- 20000000)	Caster, Swivel, 50mmd, M10 X 30, Clr PI	2
▲	13 1242820	(10000000- 20000000)	Sleeve, .40b .75d .2l [304Ss]	1
▲	14 12277	(10000000- 20000000)	Screw, Hex, M6 X 1.00 X 20, NI, Ss	1
▲	15 01684	(10000000- 20000000)	Washer, Flat, 0.27b 0.69d .05, Ss	1
▲	16 140060	(10000000- 20000000)	Washer, Wave- Spring, .505 .750 .045	1
▲	17 140154	(10000000- 20000000)	Sleeve, P/M, 0.25b 0.38d 0.3l, PI	1
▲	18 1222109	(10000000- 20000000)	Knob, Sqge, 58l, M6 X 1.00, Plstc	1
▲	19 1209631	(10000000- 20000000)	Cover, Trap, Water, Sqge	1
▲	20 1210756	(10000000- 20000000)	Gasket, Trap, Water, Sqge	1
▲▽	21 9015734	(10000000- 20000000)	Blade Kit, 650mm, Linatex/Linard (Standard)	1
▲▲	22 1221585	(10000000- 20000000)	Blade, Sqge, Rear, 1166l, Linatex[650mm] (Standard)	1
▲▲	23 1232680	(10000000- 20000000)	Blade, Sqge, Front, 1072l Linard[650mm] (Standard)	1
▲	24 1221260	(10000000- 20000000)	Retainer, Sqge, 65cm [T500]	1
▲	25 1242364	(10000000- 20000000)	Plate Wldt, Mtg, Caster [650]	2
▽	21 9015735	(10000000- 20000000)	Blade Kit, 650mm, Urethane (Option)	1
▲	22 1228909	(10000000- 20000000)	Blade, Sqge, Rear, 1136l,Urethane[650mm] (Option)	1
▲	23 1228915	(10000000- 20000000)	Blade, Sqge, Front,1072l,Urethane[650mm] (Option)	1
▽	21 9015733	(10000000- 20000000)	Blade Kit, 650mm, Gum (Option)	1
▲	22 1228910	(10000000- 20000000)	Blade, Sqge, Rear, 1136l, Gum[650mm] (Option)	1
▲	23 1228919	(10000000- 20000000)	Blade, Sqge, Front, 1072l Gum[650mm] (Option)	1

▽ ASSEMBLY

▲ INCLUDED IN ASSEMBLY

NARROW AISLE SQUEEGEE ASSEMBLY, 650MM / 26IN
(Original Style - Replaced By 9018098)

355438



NARROW AISLE SQUEEGEE ASSEMBLY, 650MM / 26IN
(Original Style - Replaced By 9018098)

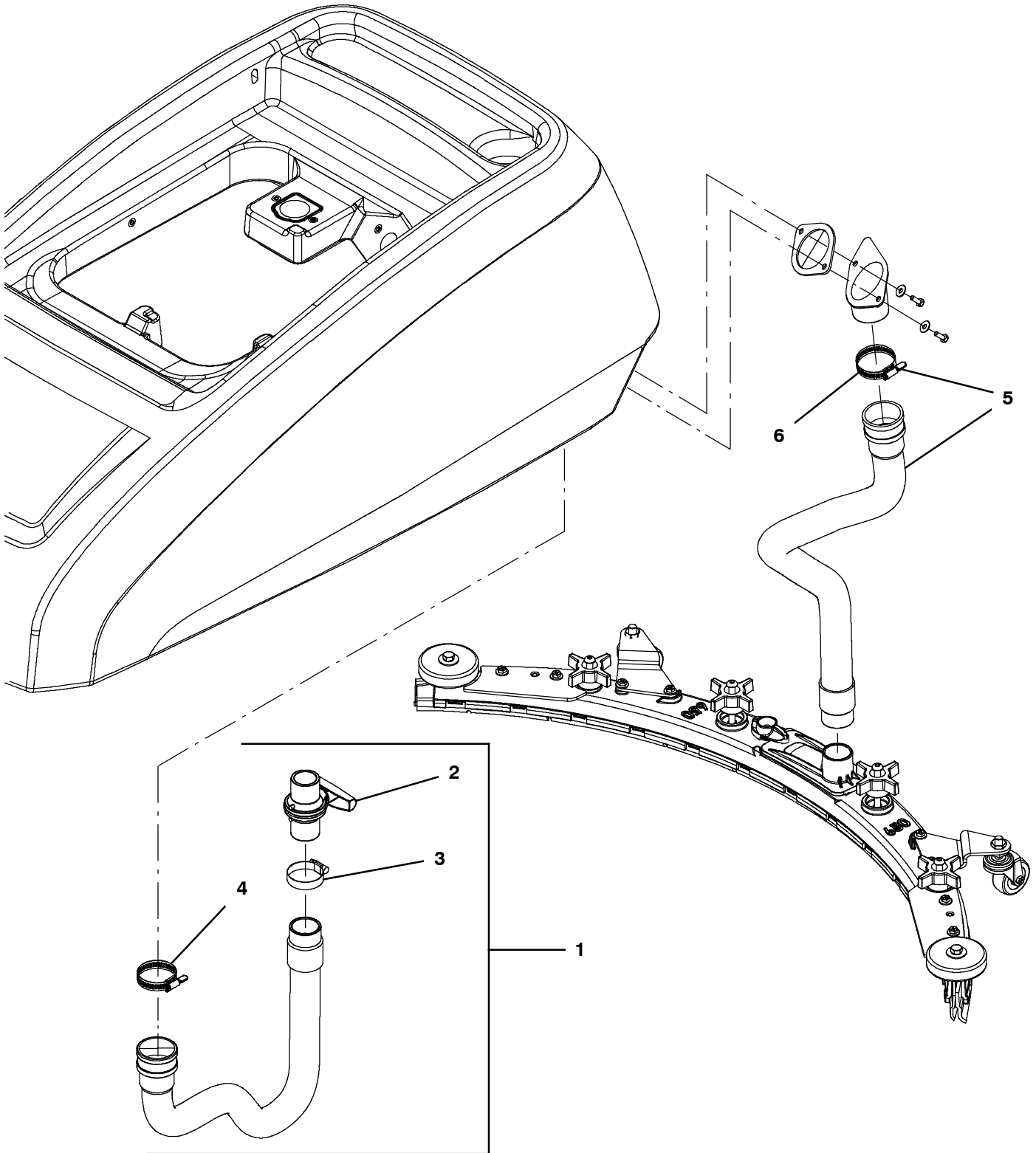
Ref.	Part No.	Serial Number	Description	Qty.
▽	9015301	(10000000- 20000000)	Squeegee Kit, 650mm, Ci (Replaced By 9018098)	1
▲	1 1221259	(10000000- 20000000)	Frame, Sqge, 65cm, Mach [T500]	1
▲	2 59658	(10000000- 20000000)	Screw, Hex, M8 X 1.25 X 35, NI, Ss	2
▲	3 222496	(10000000- 20000000)	Sleeve, P/M, 0.32b 0.50d 0.9l [430ss]	2
▲	4 222066	(10000000- 20000000)	Wheel, 03.0d 0.88w 0.50b	2
▲	5 07786	(10000000- 20000000)	Nut, Hex, Std, M8 X 1.25, Ss	2
▲	6 1212755	(10000000- 20000000)	Screw, Btn, M8 X 1.25 X 80, Ss	4
▲	7 1074204	(10000000- 20000000)	Knob,Star,2.75d 4ear 1.1l M8x1.25,Thru,Y	4
▲	8 22290	(10000000- 20000000)	Spring, Cmpr, 0.72od .06wir 02.3l	4
▲	9 32716	(10000000- 20000000)	Nut, Hex, Jam, M10 X 1.5, Ss	2
▲	10 1034731	(10000000- 20000000)	Screw, Hex, M6 X 1.00 X 16, Sems, Ss	8
▲	11 1222236	(10000000- 20000000)	Bracket Wldt, Caster, Rh Sqge[T500]	1
▲	12 1006343	(10000000- 20000000)	Caster, Swivel, 50mmd, M10 X 30, Clr PI	2
▲	13 1222001	(10000000- 20000000)	Bracket Wldt, Caster, Lh Sqge [T500]	1
▲	14 12277	(10000000- 20000000)	Screw, Hex, M6 X 1.00 X 20, NI, Ss	1
▲	15 01684	(10000000- 20000000)	Washer, Flat, 0.27b 0.69d .05, Ss	1
▲	16 140060	(10000000- 20000000)	Washer, Wave- Spring, .505 .750 .045	1
▲	17 140154	(10000000- 20000000)	Sleeve, P/M, 0.25b 0.38d 0.3l, PI	1
▲	18 1222109	(10000000- 20000000)	Knob, Sqge, 58l, M6 X 1.00, Plstc	1
▲	19 1209631	(10000000- 20000000)	Cover, Trap, Water, Sqge	1
▲	20 1210756	(10000000- 20000000)	Gasket, Trap, Water, Sqge	1
▲▽	21 9015734	(10000000- 20000000)	Blade Kit, 650mm, Linatex/Linard (Standard)	1
▲▲	22 1221585	(10000000- 20000000)	Blade, Sqge, Rear, 1166l, Linatex[650mm] (Standard)	1
▲▲	23 1232680	(10000000- 20000000)	Blade, Sqge, Front, 1072l Linard[650mm] (Standard)	1
▲	24 1221260	(10000000- 20000000)	Retainer, Sqge, 65cm [T500]	1
▲	25 1230738	(10000000- 20000000)	Bracket, Sqge Bumper	2
▽	21 9015735	(10000000- 20000000)	Blade Kit, 650mm, Urethane (Option)	1
▲	22 1228909	(10000000- 20000000)	Blade, Sqge, Rear, 1136l,Urethane[650mm] (Option)	1
▲	23 1228915	(10000000- 20000000)	Blade, Sqge, Front,1072l,Urethane[650mm] (Option)	1
▽	21 9015733	(10000000- 20000000)	Blade Kit, 650mm, Gum (Option)	1
▲	22 1228910	(10000000- 20000000)	Blade, Sqge, Rear, 1136l, Gum[650mm] (Option)	1
▲	23 1228919	(10000000- 20000000)	Blade, Sqge, Front, 1072l Gum[650mm] (Option)	1

▽ ASSEMBLY

▲ INCLUDED IN ASSEMBLY

RECOVERY TANK HOSE GROUP, VALVE

355611



RECOVERY TANK HOSE GROUP, VALVE

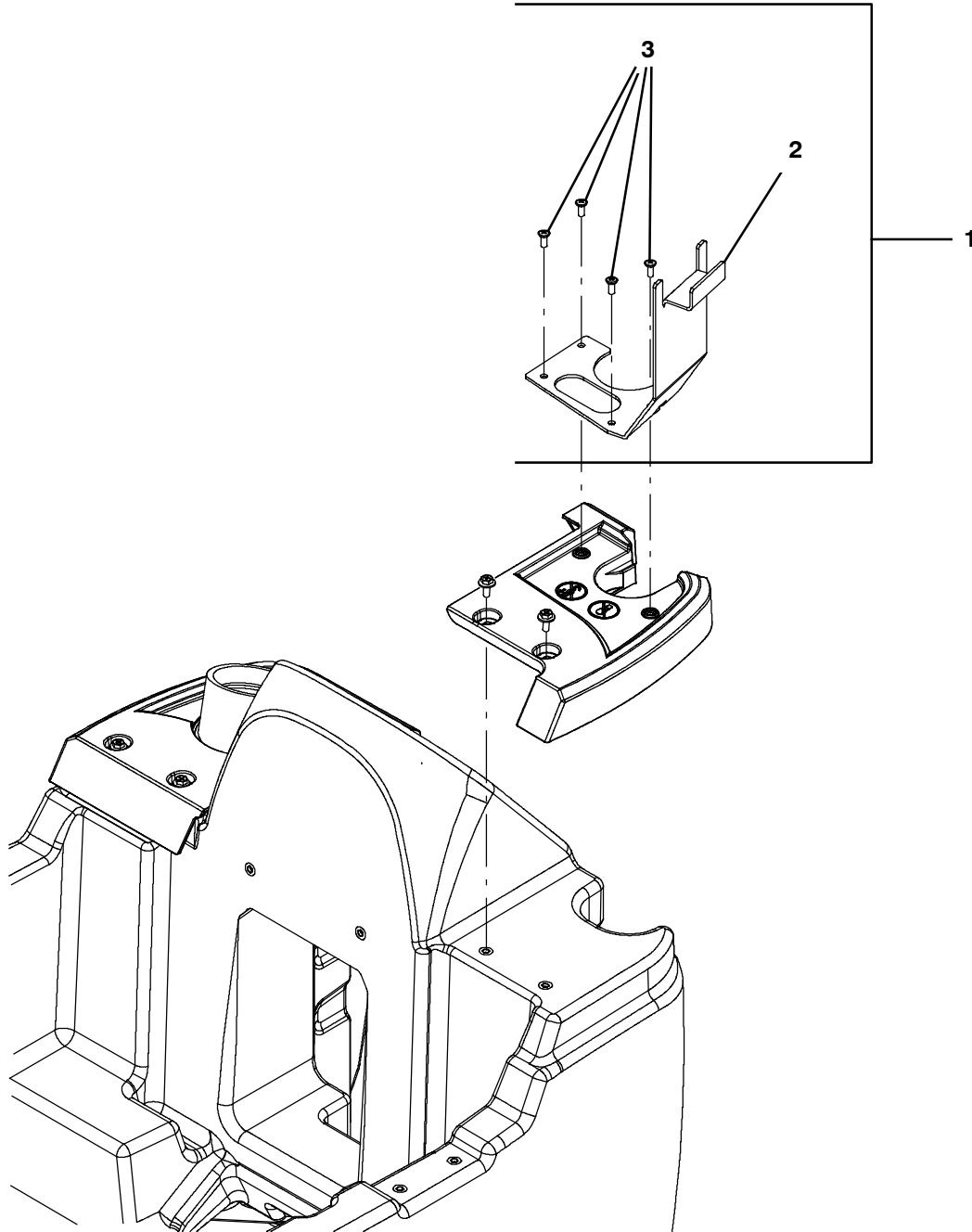
	Ref.	Part No.	Serial Number	Description	Qty.
▽	1	9017510	(10000000- 20000000)	Hose Kit, Drain, W/Valve, Pu, Ci [T600] (Gray)	1
▲	2	1051986	(10000000- 20000000)	Valve, Ball, 2way, 1.0id Pvc, W/Handle	1
▲	3	11531	(10000000- 20000000)	Clamp, Hose, Wormdrive, 1.06- 2.00d, .56w	1
▲	4	1243301	(10000000- 20000000)	Clamp, Wormdrive, 2.0d, .56w	1
▽	5	9017506	(10000000- 20000000)	Hose Kit, Recvy, Pu, Ci [T600/T600e] (Gray)	1
▲	6	1243301	(10000000- 20000000)	Clamp, Wormdrive, 2.0d, .56w	1

▽ ASSEMBLY

▲ INCLUDED IN ASSEMBLY

TALL WET FLOOR SIGN HANGER KIT

355664



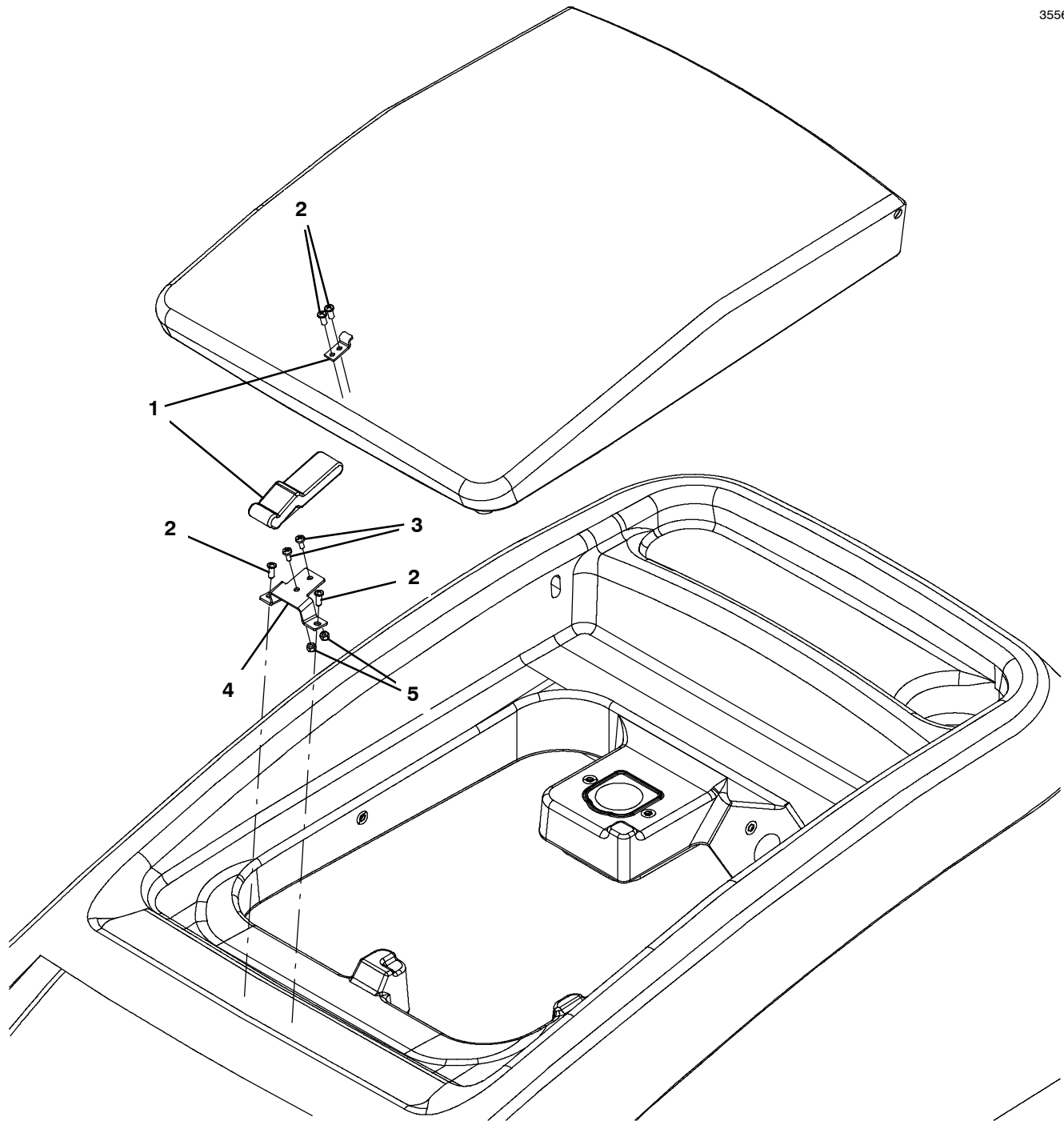
	Ref.	Part No.	Serial Number	Description	Qty.
▽	1	9016988	(10000000-20000000)	Support Kit, Sign, Ci [T600]	1
▲	2	1237354	(10000000-20000000)	Bracket Wldt, Hanger, Sign [T600]	1
▲	3	360973	(10000000-20000000)	Screw, Pan, Phl, 12- 16 X 0.50, F/ Plstc	4

▽ ASSEMBLY

▲ INCLUDED IN ASSEMBLY

TRANSPORT KIT

355621



Ref.	Part No.	Serial Number	Description	Qty.
▽	9042166	(10000000- 20000000)	Transport Kit, Ci [T600/T600e]	1
▲ 1	140932	(10000000- 20000000)	Latch, Draw, Rbr, W/ Keeper, Fr/49800	1
▲ 2	140825	(10000000- 20000000)	Screw, Pan, Phl, 06 X 0.50, Fmg/Ab, Blk	4
▲ 3	49697	(10000000- 20000000)	Screw, Pan, Phl, M4 X 0.70 X 10, Ss	2
▲ 4	1230140	(10000000- 20000000)	Bracket, Mtg, Latch	1
▲ 5	33932	(10000000- 20000000)	Nut, Hex, Lock, M4 X 0.70, NI, Ss	2

▽ ASSEMBLY

▲ INCLUDED IN ASSEMBLY

DOCUMENTATION GROUP

Ref.	Part No.	Serial Number	Description	Qty.
	9016609	(10000000- 20000000)	Manual, Parts [T600ee]	1
	9016606	(10000000- 20000000)	Manual, Oprtr [T600ee, En]	1
	9016607	(10000000- 20000000)	Manual, Oprtr [T600ee, Es]	1
	9016608	(10000000- 20000000)	Manual, Oprtr [T600ee, Fr]	1
	9016610	(10000000- 20000000)	Instr, Wall Chart [T600ee]	1
	9016605	(10000000- 20000000)	Manual, Service [T600/T600e, En]	1



To view, print, order, download the latest Parts manual, other language Operator manuals, and Use and Care Guides (wall charts), visit:

www.tennantco.com/manual

