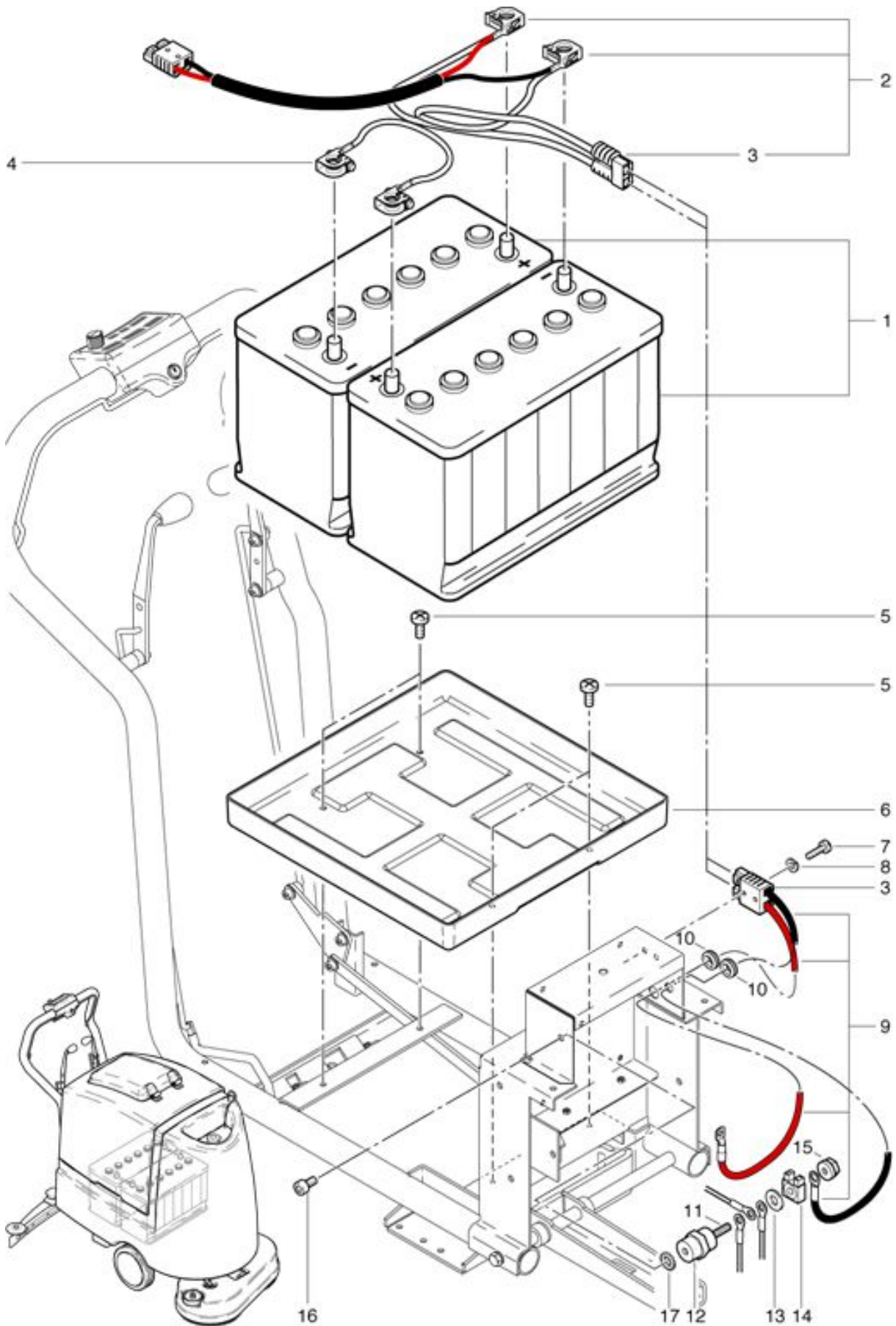


Battery

As at: 01/25/10 Time:22:35



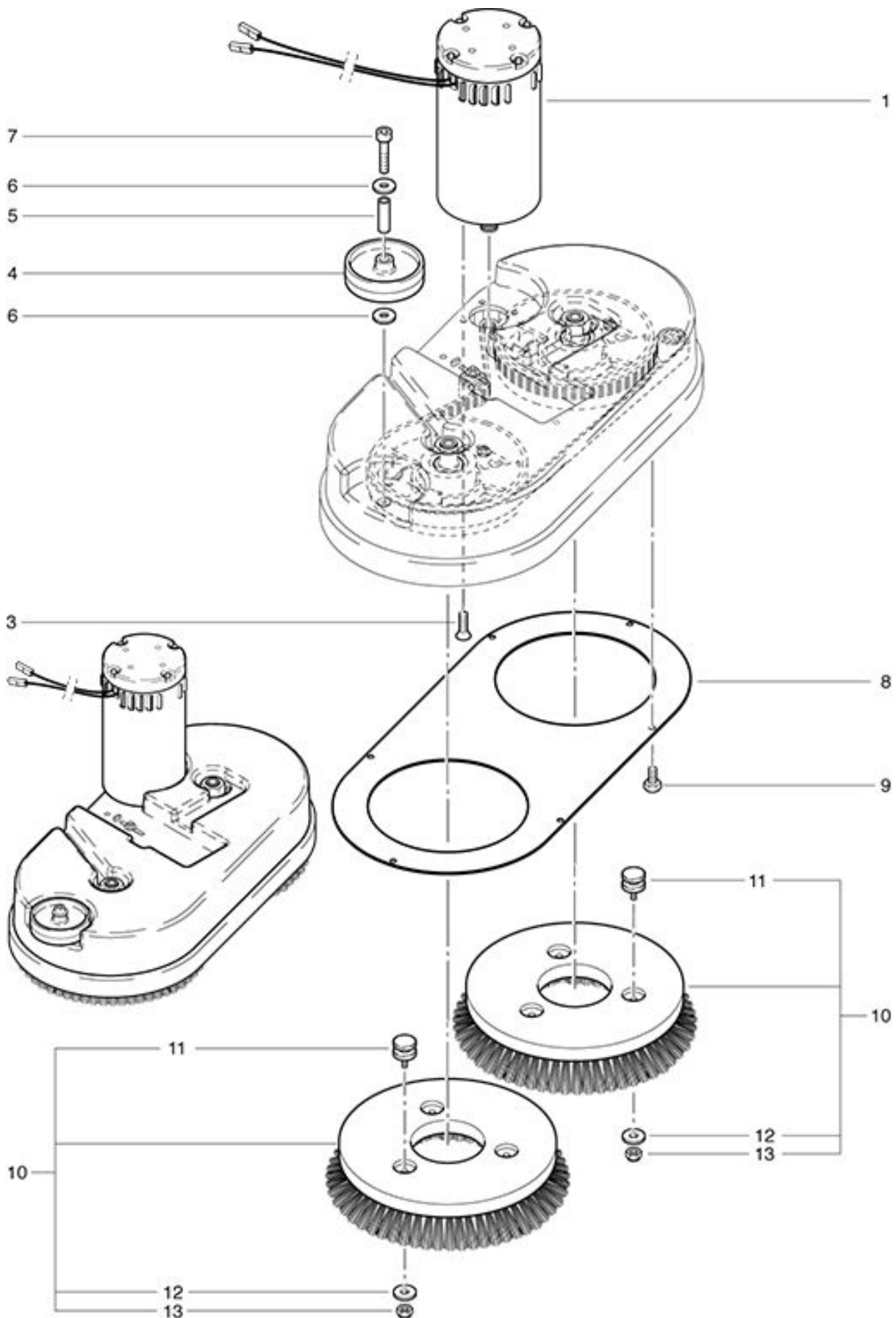
Battery

As at: 01/25/10 Time:22:35

Pos.	Description	Reference
01	Set of Gel batteries 2x12V / 100 Ah (5 hours)	530.091
01	Set of wet batteries 2x12V / 105 Ah (5 hours)	530.090
02	Battery connecting cable incl. Charging plug	560.994
03	Charging plug red	P...357 A
04	Battery connecting cable	560.995
05	Pan head screw M 6x8	P...475 P
06	Battery container	560.585
07	Pan head screw M 4x20	P...475 F
08	Spring ring M 4	P...498 A
09	Wiring harness charging plug	560.763
10	Cable sleeve Ø 7,5x12 mm	P...409
11	Thread pin M 8x40 DIN 913	P...483
12	Support isolation M 8	P...366 A
13	Washer M 8	P...497 P
14	Fuse 75 A	560.710
15	Isolation nut M 8	710.353
16	Hexagon screw M 8x12 DIN 7984	P...488 X
17	Serrating washer M 8	P...499 E

Brush

As at: 01/25/10 Time:22:35



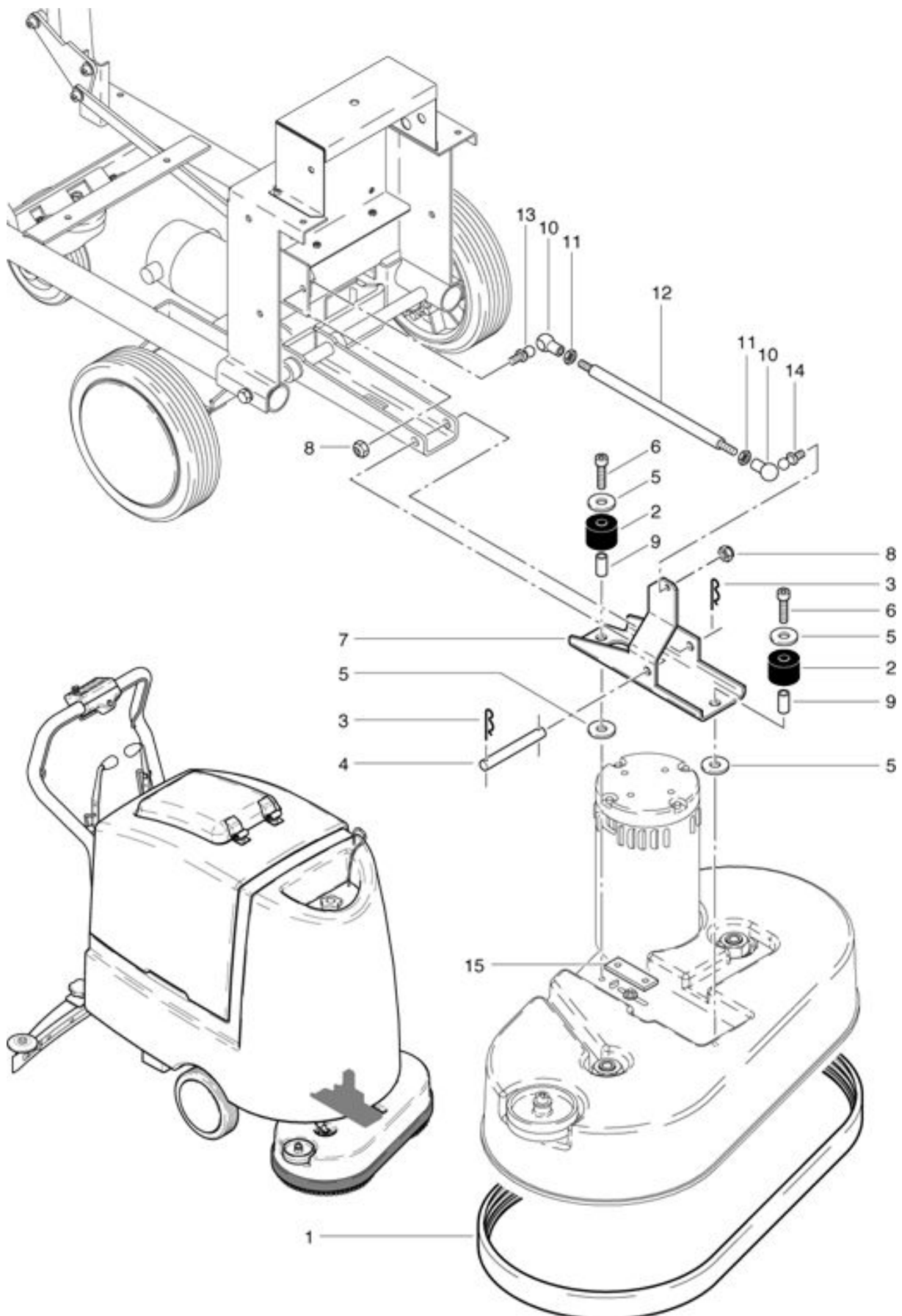
Brush

As at: 01/25/10 Time:22:35

Pos.	Description	Reference
01	Brush motor	560.251
03	Countersunk screw M 6x16	P...487 W
04	Fender wheel	530.136
05	Distance ring	530.138
06	Washer M 6	P...496 M
07	Hexagon screw M 6x45	P...488 U
08	Metal cover	560.280
09	Screw M 5x8	P...481 L
10	Brush complet incl. the pos. 11-14	560.261
11	Bolt for driving plate	710.462
12	Washer M 6	P...510 L
13	Security M 6	P...492 K

Brush drive

As at: 01/25/10 Time:22:36



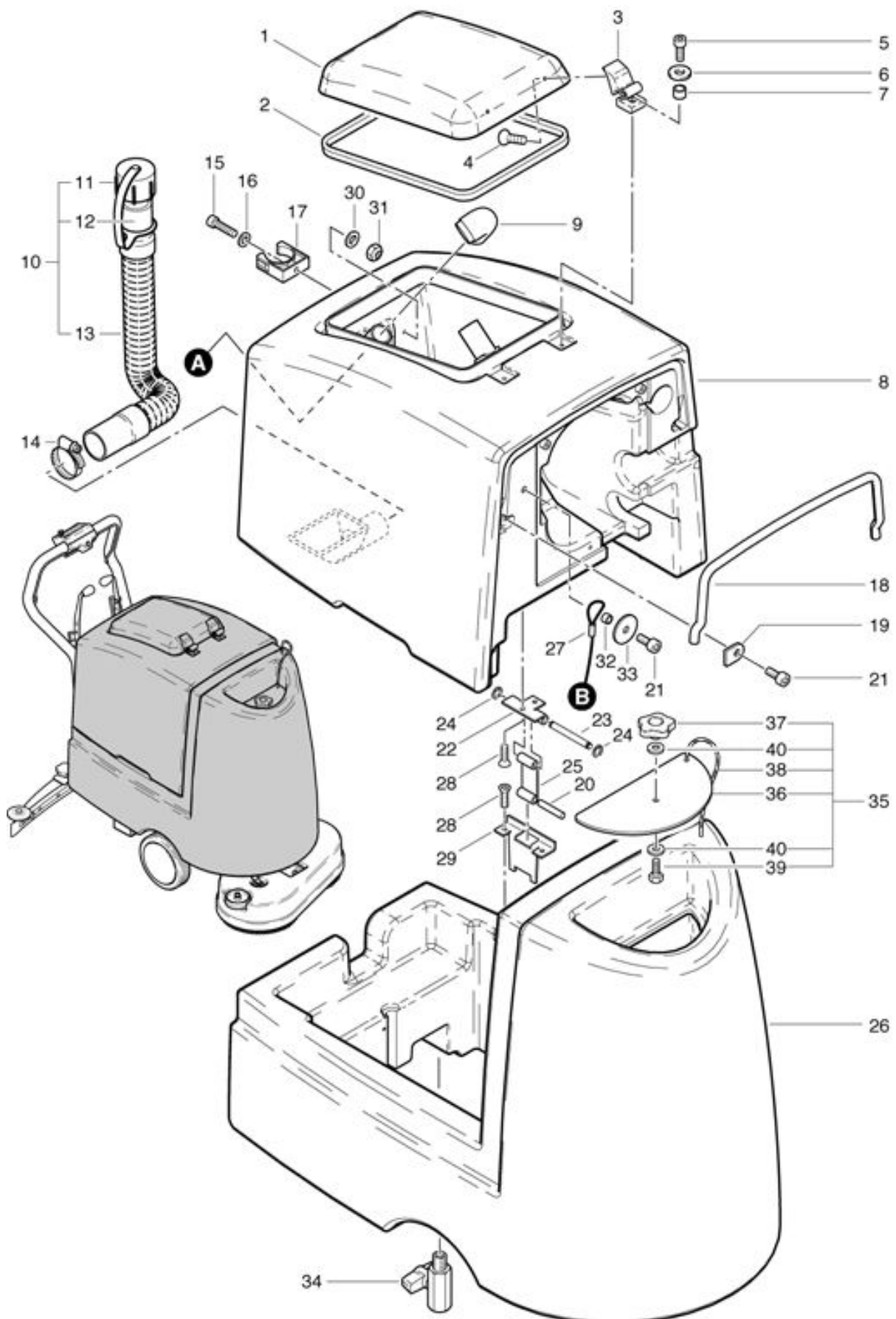
Brush drive

As at: 01/25/10 Time:22:36

Pos.	Description	Reference
01	Shock protection	560.285
02	Bearing	560.265
03	Fuse	P...511 D
04	Bolt 10x86	560.429
05	Washer M 8x20	P...496 I
06	Cylindrical screw M 8x30	P...471 G
07	Support	560.267
08	Security nut M 8	P...492 H
09	Socket	560.266
10	Ball socket	P...512 C
11	Hexagon nut M 8	P...491 U
12	Track bar	560.441
13	Ball pin	P...512 D
14	Ball pin spez.	560.292
15	Support	560.268

Clean water tank and Waste water tank

As at: 01/25/10 Time:22:36



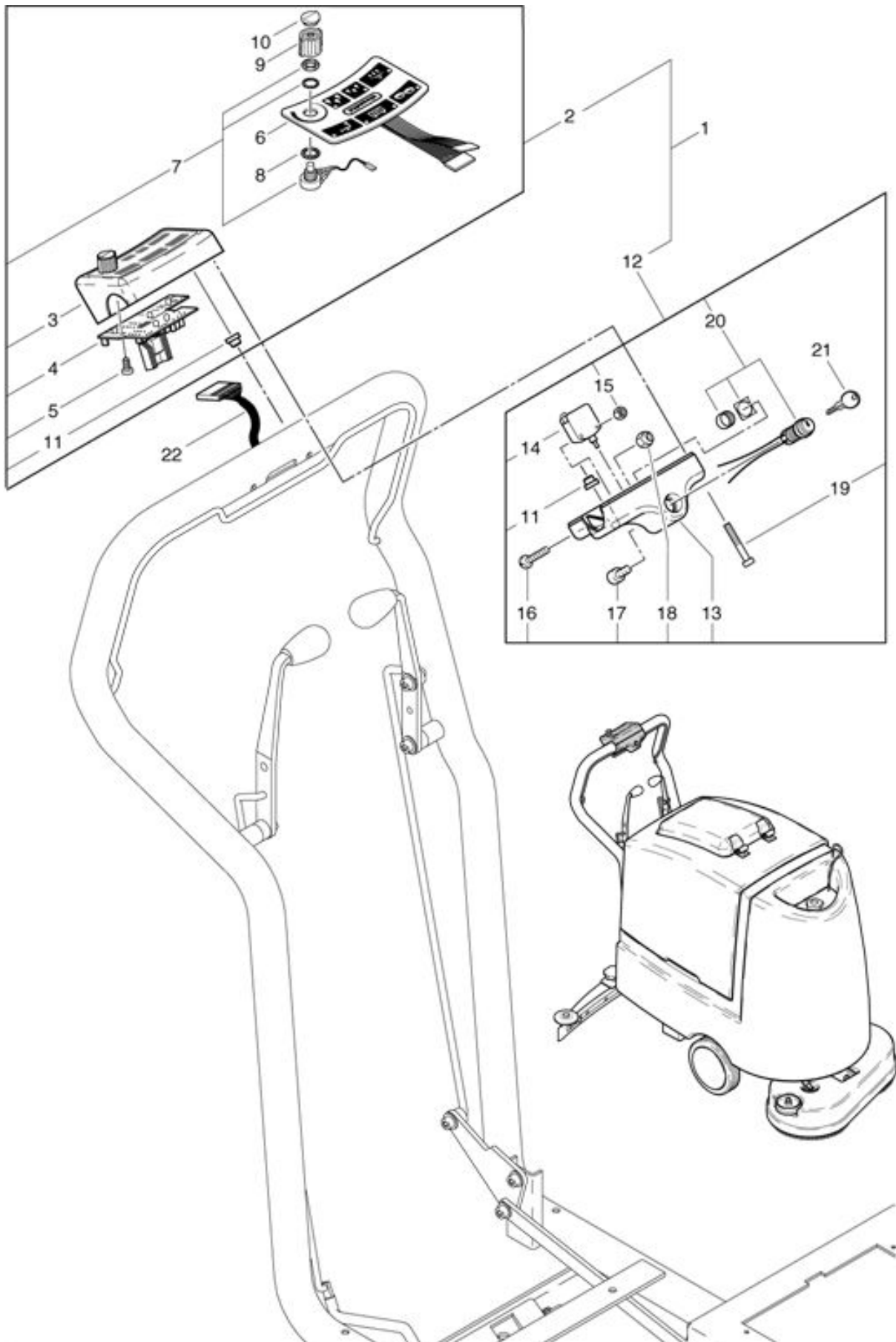
Clean water tank and Waste water tank

As at: 01/25/10 Time:22:36

Pos.	Description	Reference
01	Cover	710.120
02	Seal for cover	710.121
03	Hinge	710.122
04	Countersunk screw M 4x8	P...480 O
05	Cylindrical screw M 5x12	P...488 B
06	Washer M 6	P...497 K
07	Distance piece	430.618
08	Waste water tank	560.655
09	Angled piece	560.674
10	Discharge hose complete, including Items 11-13	701.125
11	Cover for hose socket	500.410
12	Hose socket	500.409 A
13	Discharge hose	701.126
14	Hose clamp	P...206 D
15	Cylindrical screw M 5x25	P...488 K
16	Washer M 5	P...497 G
17	Hose clamp	P...109 A
18	Discharge hose	560.673
19	Clamp plate	560.677
20	Bolt Ø 8x55 mm	P...513 V
21	Hexagon screw M 6x12	P...488 R
22	Hinge sheet	560.661
23	Bolt	500.811
24	Security washer M 7	P...513 P
25	Hinge	560.618
26	Clean water tank compl.	560.605
27		560.726
28	Countersunk screw M 6x12	P...487 U
29	Hinge sheet in front	560.612
29	Hinge sheet in behind	560.614
30	Washer M 5	6230217
31	Stopp-nut M 5	P...493 G
32	Bearing sleeve	560.143
33	Washer M 6x25	P...497 Y
34	Valve complete 1/4"	P...508 B
35	Freshwater tankcover cpl. contenant pos. 30-34	560.615
36	Freshwater tank cover	560.613
37	Asterisk grasp	430.346
38	Cord	490.750
39	Hexagon screw M 8x16	P...472 V
40	Washer M 8	P...510 B

Controls box

As at: 01/25/10 Time:22:37



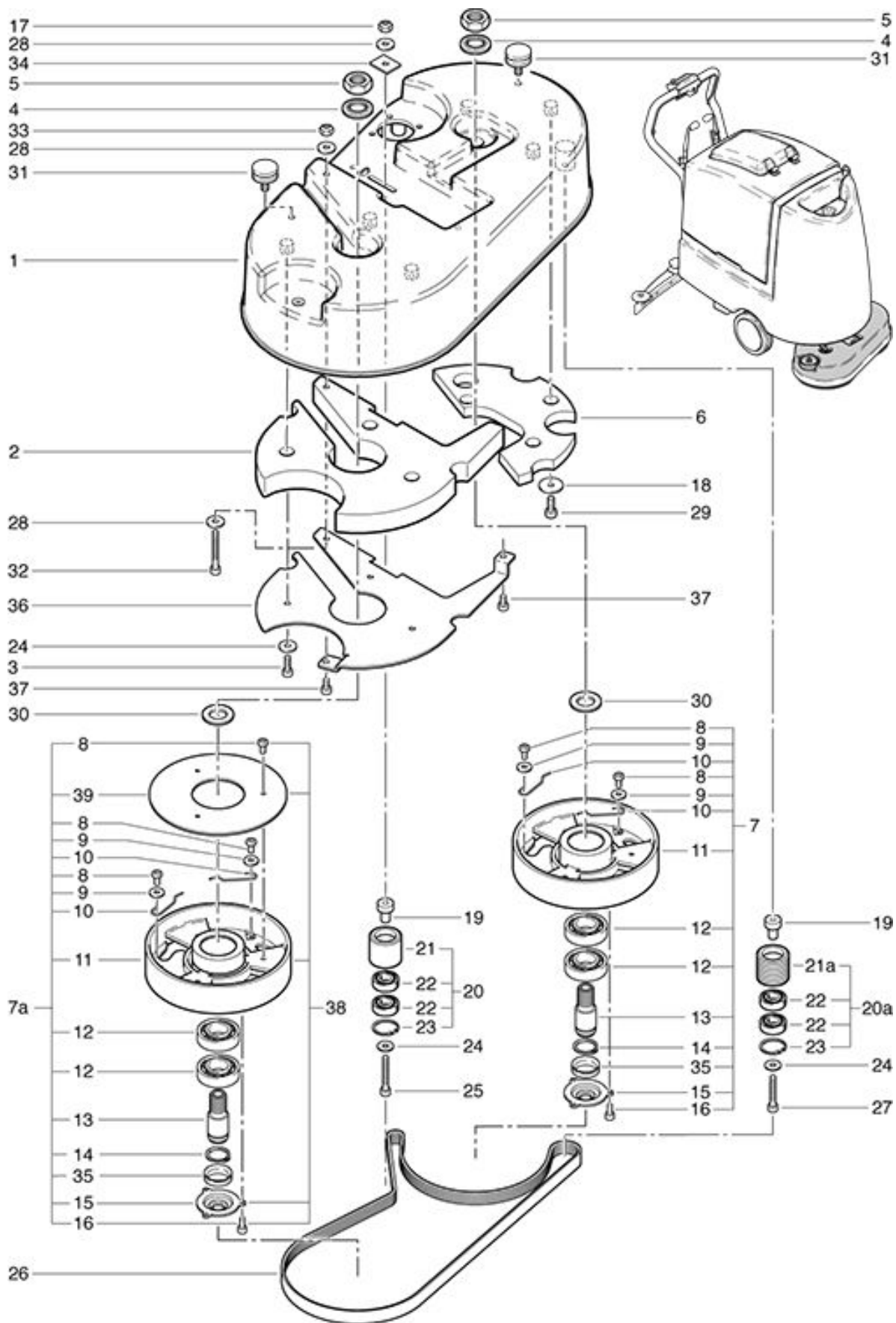
Controls box

As at: 01/25/10 Time:22:37

Pos.	Description	Reference
01	Control box complete including items 2+12	560.321
02	Control box (top) complete including items Pos. 3-11	560.326
03	Controls box (top)	530.226
04	Operating print	560.366
05	Screw 2,9x9,5	P...483 H
06		560.367
07	Potential meter 10 kOhm	560.370
08	Serrated lock washer M 10	P...498 O
09		560.372
10	Cover	560.373
11	Twist protection	710.314
12	Control box (lower part) cpl. incl. Items 11+13-20	560.328
13	Control box (lower part)	530.221
14	Safety switch	710.323
15	Nut M 4	P...492 D
16	Pan head screw M 4x20	P...475 F
17	Hexagon socket screw M 5x8	P...488 E
18	Stopp-nut M 5	P...493 G
19	PT-screw KA 30x25	P...516 P
20	Key switch compl.	560.361
21	Replacement key	P...244 B
22	Harness for electronics	560.761

Drive unit for brush head

As at: 01/25/10 Time:22:37



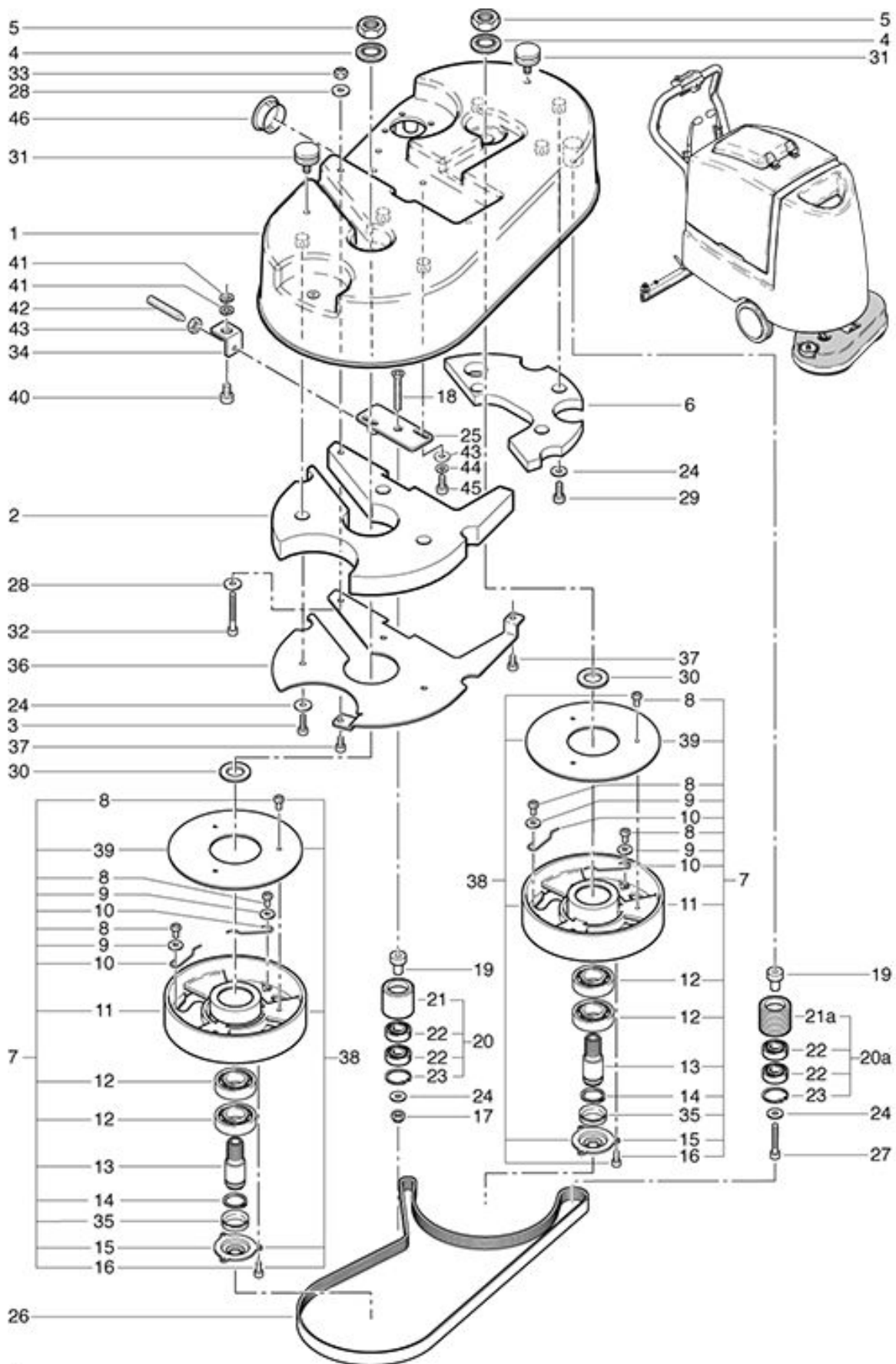
Drive unit for brush head

As at: 01/25/10 Time:22:37

Pos.	Description	Reference
01	Motor housing	560.206
02	Weight	560.275
03	Hexagon screw M 6x20	P...486 P
04	Locking screw M 20	P...498 Q
05	Hexagon nut M 20x1.5	P...492 R
06	Weight beside motor	560.270
07	Brush spripe complete including items 8-16,35+39	561.210
08	Hexagon screw M 5x10	P...484 O
09	Washer M 5	P...496 H
10	Spring	560.216
11	Brush spripe	560.215
12	Ball bearing	P...316 P
13	Main axle	560.212
14	Retaining washer 24x1 DIN 471	P...513 D
15	Hub cover	560.218
16	Hexagon screw M 5x10	P...489 E
17	Hexagon nut M 6	P...493 K
18	Washer M 6x25	P...497 Y
19	Bearing pin	560.256
20	Belt tension pulley compl. including Items 21-23	560.255
20a	Belt tension pulley compl. including Items 21a-23	up to machine no. 8404 560.255
20a.	Belt tension pulley compl. including Items 21a-23	beg. machine no. 8405.001 560.254
21	Belt tension pulley	560.257
21a.	Belt tension pulley	560.258
22	Ball bearing	P...315 I
23	Retaining washer DIN 472	P...513 U
24	Washer M 6	P...497 K
25	Hexagon screw M 6x45	P...488 U
26.	Poly-V drive belt	560.253
27	Hexagon screw M 6x35	P...486 S
28	Washer M 6	P...496 L
29	Hexagon screw M 6x16	P...486 R
30	Washer 20/32/0.7	6230258
31	Rubber buffer	560.286
32	Hexagon screw M 5x40	P...486 N
33	Hexagon nut M 5	P...493 G
34	Disk	560.268
35	V-profile ring VA 25	P...343
36	Weight mounting plate	560.276
37	Hexagon screw M 5x10	P...489 E
38	Brush spripe kit including items 8,11,15,16,39	561.220
39	Dirt rag	561.214

Drive unit for brush head

As at: 01/25/10 Time:22:38



Drive unit for brush head

As at: 01/25/10 Time:22:38

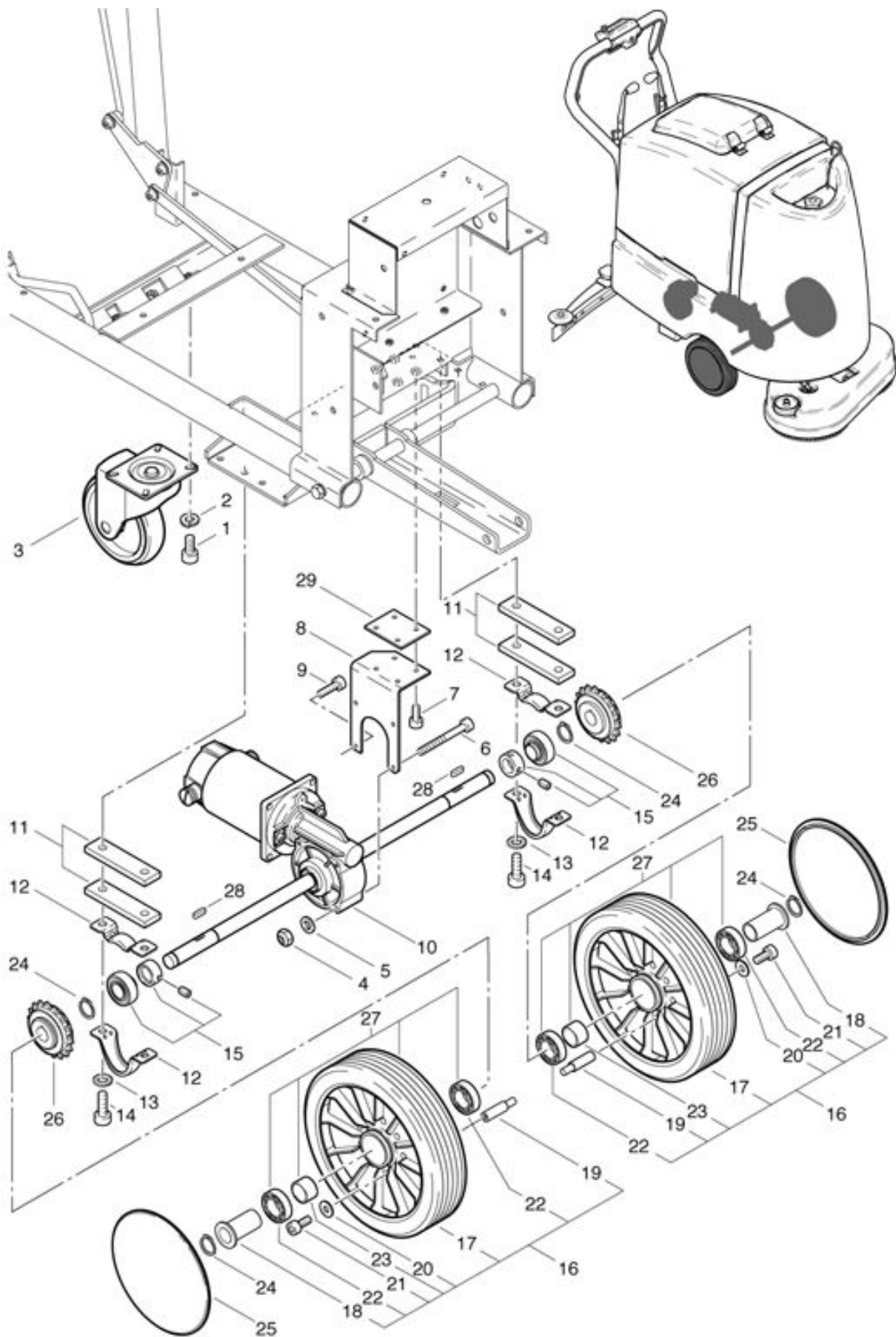
Pos.	Description	Reference
01	Motor housing	560.206
02	Weight	560.275
03	Hexagon screw M 6x20	P...486 P
04	Locking screw M 20	P...498 Q
05	Hexagon nut M 20x1.5	P...492 R
06	Weight beside motor	560.270
07	Brush sripe complete including items 8-16,35+39	561.210
08	Hexagon screw M 5x10	P...484 O
09	Washer M 5	P...496 H
10	Spring	560.216
11	Brush sripe	560.215
12	Ball bearing	P...316 P
13	Main axle	560.212
14	Retaining washer 24x1 DIN 471	P...513 D
15	Hub cover	560.218
16	Hexagon screw M 4x8	P...488 D
17	Stopp-nut M 6	P...492 K
18	Countersunk screw M 6x35	P...479 S
19	Bearing pin	560.256
20	Belt tension pulley compl. including Items 21-23	560.255
20a	Belt tension pulley compl. including Items 21a-23	560.254
21	Belt tension pulley	560.257
21a	Belt tension pulley	560.258
22	Ball bearing	P...315 I
23	Retaining washer DIN 472	P...513 U
24	Washer M 6	P...497 K
25	Belt tension adjuster	561.262
26		561.253
27	Hexagon screw M 6x35	P...486 S
28	Washer M 6	P...496 L
29	Hexagon screw M 6x16	P...486 R
30	Washer 20/32/0.7	6230258
31	Rubber buffer	560.286
32	Hexagon screw M 5x40	P...486 N
33	Hexagon nut M 5	P...493 G
34		561.261
35	V-profile ring VA 25	P...343
36	Weight mounting plate	560.276
37	Hexagon screw M 5x10	P...489 E
38	Brush sripe kit including items 8,11,15,16,39	561.220
39	Dirt rag	561.214
40	Hexagon screw M 8x10	P...487 A
41		P...496 AA
42	Threaded pin M 8x	P...486 FA

43 Hexagon nut M 8
44 Spring washer M 6
45 Cylindrical screw M 6x12

P...490 E
P...498 U
P...486 Q

Drive unit for wheel support

As at: 01/25/10 Time:22:39



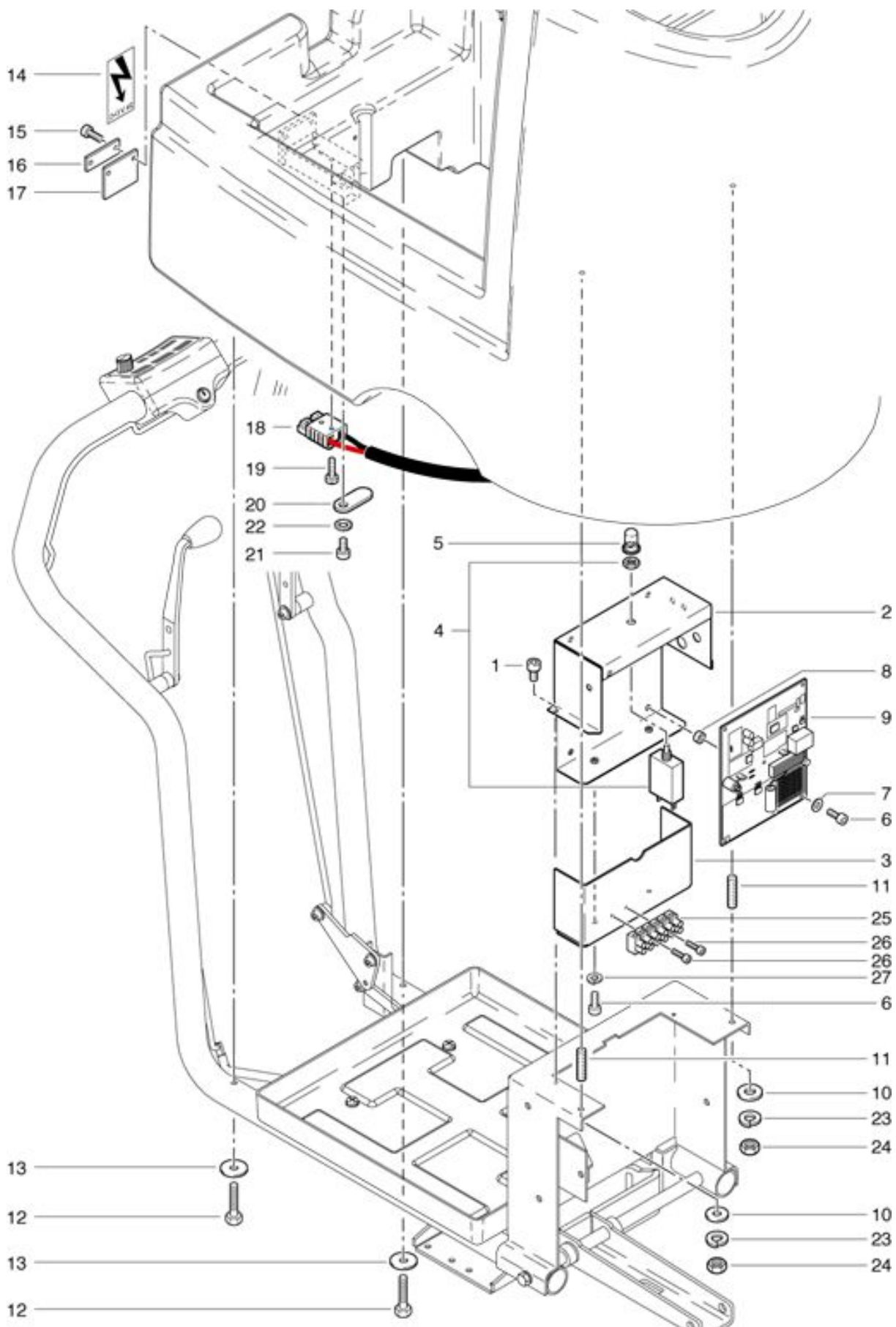
Drive unit for wheel support

As at: 01/25/10 Time:22:39

Pos.	Description	Reference
01	Hexagon screw M 8x10	P...487 A
02	Washer M 8	P...498 N
03	Castor Ø 125 mm	560.412
04	Security nut M 5	P...493 G
05	Washer M 5	P...497 G
06	Hexagon screw M 5x45	P...488 L
07	Hexagon screw M 5x10	P...489 E
08	Drive support	560.445
09	Hexagon screw M 5x16	P...486 J
10	Drive motor	560.415
11	Support	560.446
12	Bearing cover	560.451
13	Serrated washer M 8	P...498 N
14	Hexagon screw M 8x16	P...487 C
15	Plummer block	560.450
16	Wheel complete, including Items 17-23	560.400
17	Traversing wheel	560.405
18	Wheel bearing	560.407
19	Tappet	560.406
20	Washer M 6	P...496 K
21	Hexagon screw M 6x12	P...486 Q
22	Ball bearing	P...316 R
23	Distance piece	530.246
24	Fuse	P...513 I
25	Wheel cover	530.242
26	Rim of toothed wheel	560.416
27	Wheel complete, including Items 17,22+23	530.240
28	Wedge	P...513 W
29	Intermediate plate 4 hole	560.444

Electronic

As at: 01/25/10 Time:22:39



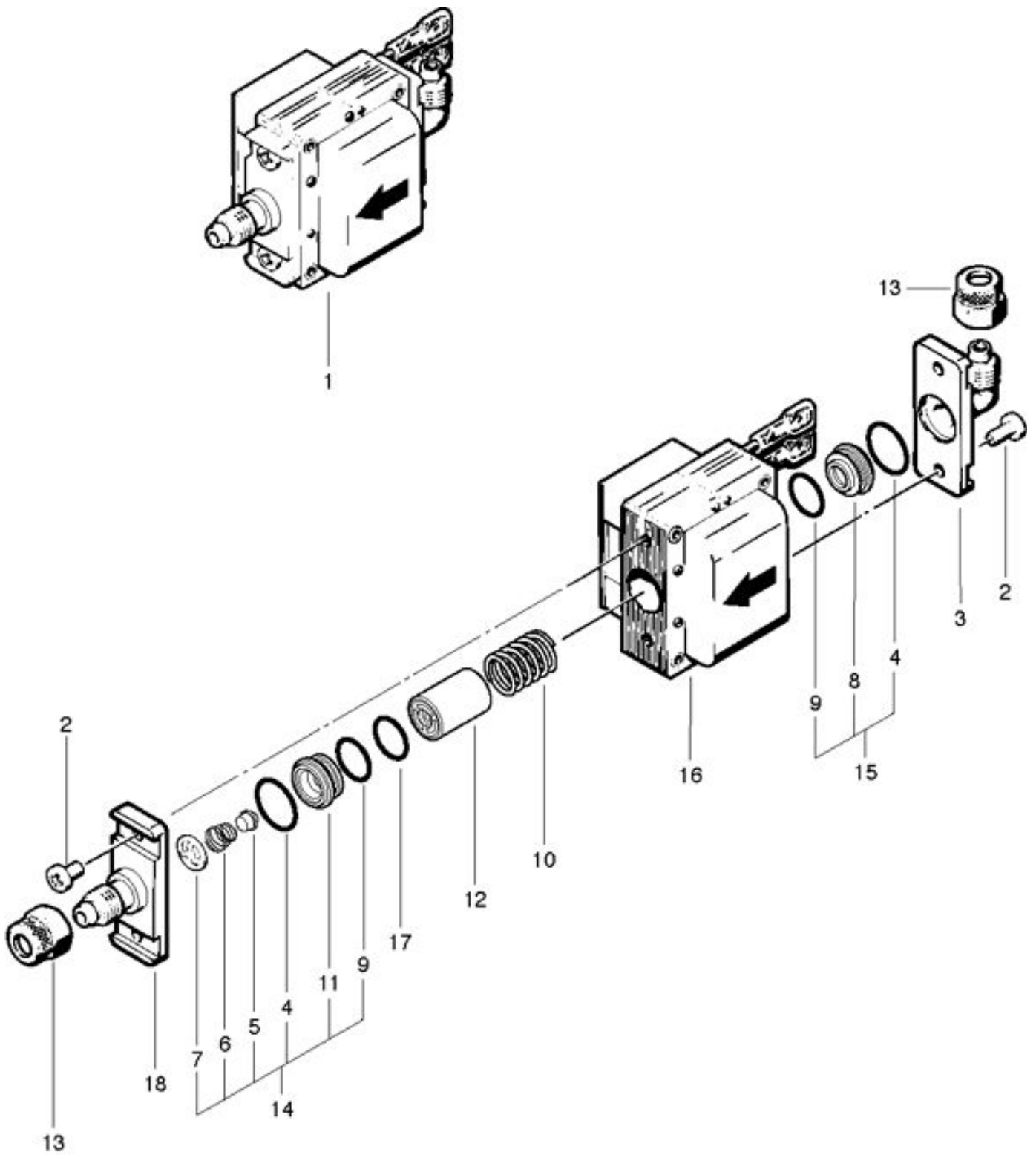
Electronic

As at: 01/25/10 Time:22:39

Pos.	Description	Reference
01	Hexagon screw M 4x8	P...488 B
02	Electronic box	560.352
03	Lead to electronic cover	560.353
04	Motor protection switch 10 A	500.957
05	Protection cover	500.957 A
06	Hexagon screw M 4x8	P...488 D
07	Washer M 4	P...497 D
08	Plastic socket Ø 4 / 8 / 5	P...509 E
09	Print	560.363
10	Washer M 6	P...496 L
11	Threaded pin M 6x25	P...513 K
12	Hexagon screw M 6x45	P...472 Y
13	Washer M 6x25x1	P...497 Y
14	Warning sticker	5101
15	Hexagon socket screw M 4x12 mm	P...486 A
16	Metal sheet clamp	560.623
17	Plug cover	560.622
18	Charging plug red	P...357 A
19	Pan head screw m 4x20	P...475 F
20	Metal sheet support for cable	470.463
21	Hexagon socket screw M 5x8 mm	P...488 E
22	Serated lock washer M 5	P...498 D
23	Locking screw M 6	P...498 U
24	Hexagon nut M 6	P...490 D
25	Clamping list 6 pole	P...383 F
26	Hexagon socket screw m 3x14 mm	P...477 B
27	Locking screw M 4	P...498 A

Pump

As at: 01/25/10 Time:22:40



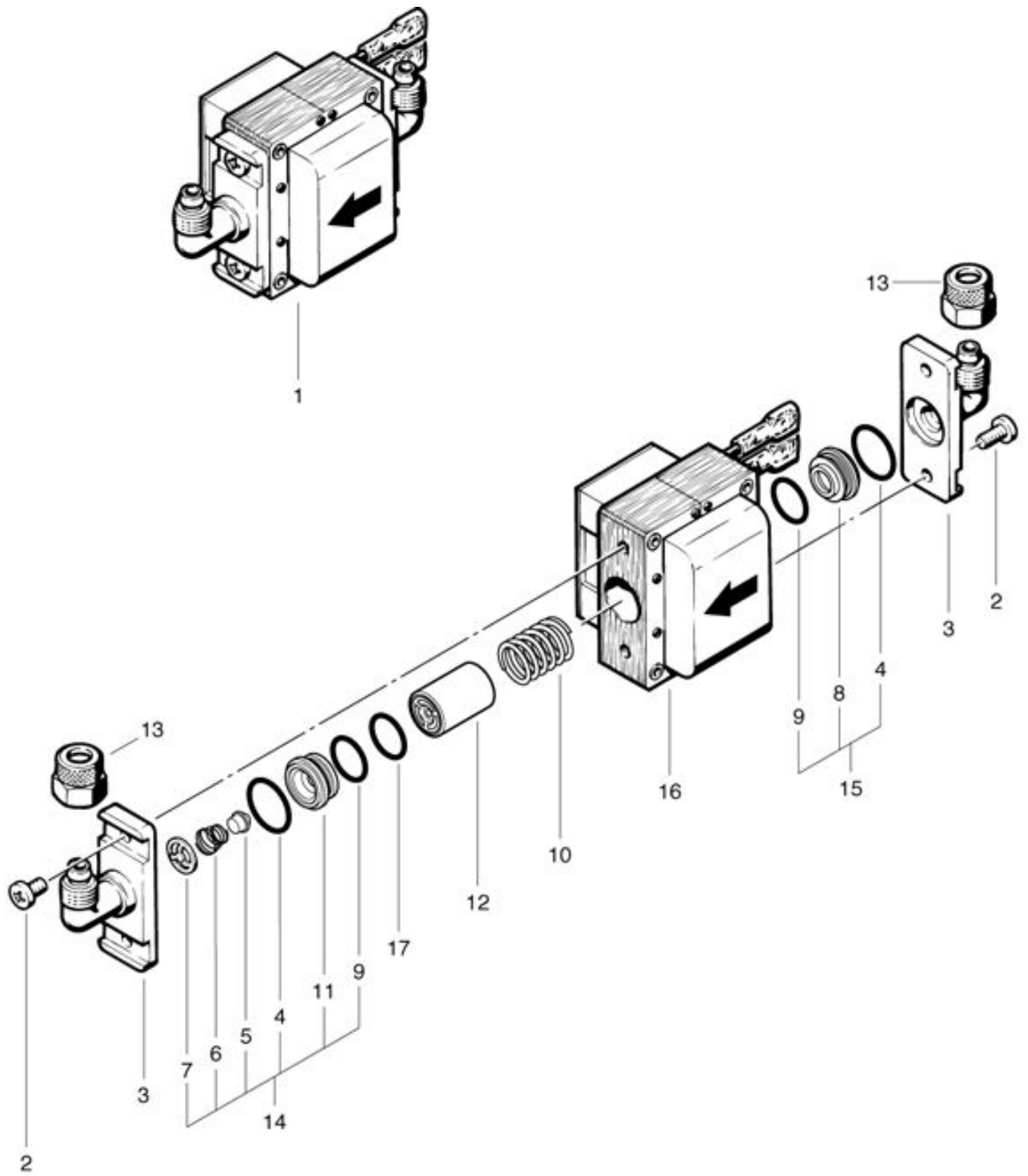
Pump

As at: 01/25/10 Time:22:40

Pos.	Description	Reference
01	NDS-CX pump 24 Volt DC	P...817 B
02	Raised head screw M 4x10	P...481 M
03	Angled fitting NW 6	P...810 M
04	O-ring Ø 14x1,5 mm	P...809 K
05	Valve cone	P...810 S
06	Valve spring	P...809 P
07	Counter ring	P...809 N
08	Spring support	P...809 F
09	O-ring Ø 12x1,5 mm NBR	P...809 L
10	Piston spring	P...809 E
11	Valve seating	P...809 Q
12	Piston	P...809 B
13	Sleeved nut 8/6-M 12	P...523 G
14	Valve seating compl. Including: items 4-7, 9+11	P...810 Y
15	Spring support compl. Including: items 4,8+9	P...810 X
16	Magnet coil 24 V DC	P...816 B
17	O-ring Ø 12x1,5 mm EPDM	P...809 LA
18	Connecting piece straight with thread	P...810 G

Pump

As at: 01/25/10 Time:22:40



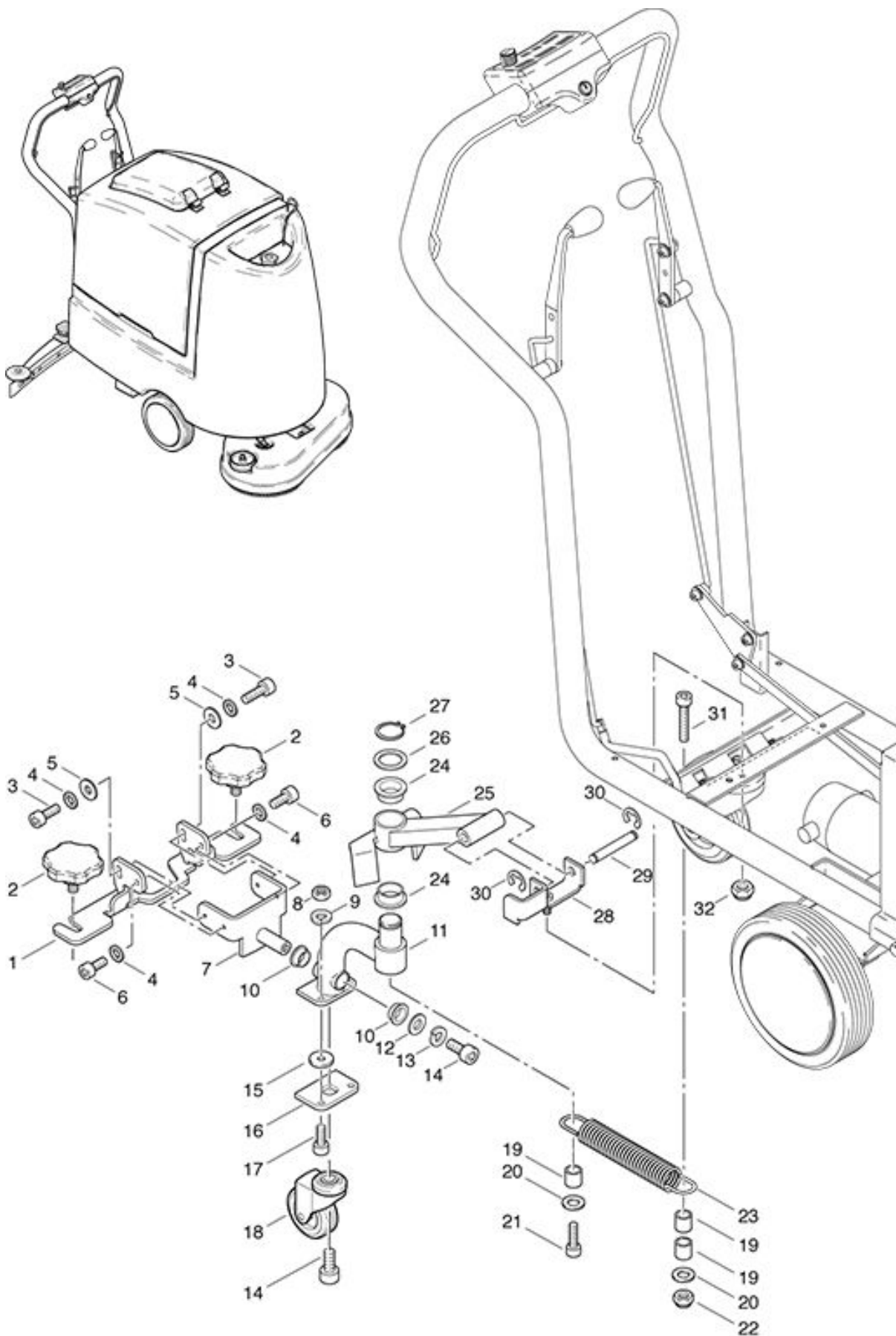
Pump

As at: 01/25/10 Time:22:40

Pos.	Description	Reference
01	NDS-C pump 24 volts	P...817
02	Raised head screw M 4x10	P...481 M
03	Angled fitting NW 6	P...810 M
04	O-ring Ø 14x1,5 mm	P...809 K
05	Valve cone	P...810 S
06	Valve spring	P...809 P
07	Counter ring	P...809 N
08	Spring support	P...809 F
09	O-ring Ø 12x1,5 mm NBR	P...809 L
10	Piston spring	P...809 E
11	Valve seating	P...809 Q
12	Piston	P...809 B
13	Sleeved nut 8/6-M 12	P...523 G
14	Valve seating compl. Including: items 4-7, 9+11	P...810 Y
15	Spring support compl. Including: items 4,8+9	P...810 X
16	Magnet coil compl. 220-240 V	380.809 A
17	O-ring Ø 12x1,5 mm EPDM	P...809 LA

Suspension suction nozzle

As at: 01/25/10 Time:22:41



Aufhängung Saugdüse

Suspension bec de dévolteur / Suspension suction nozzle, bis, à des, up to Masch.no.8612

B 12-04.2008

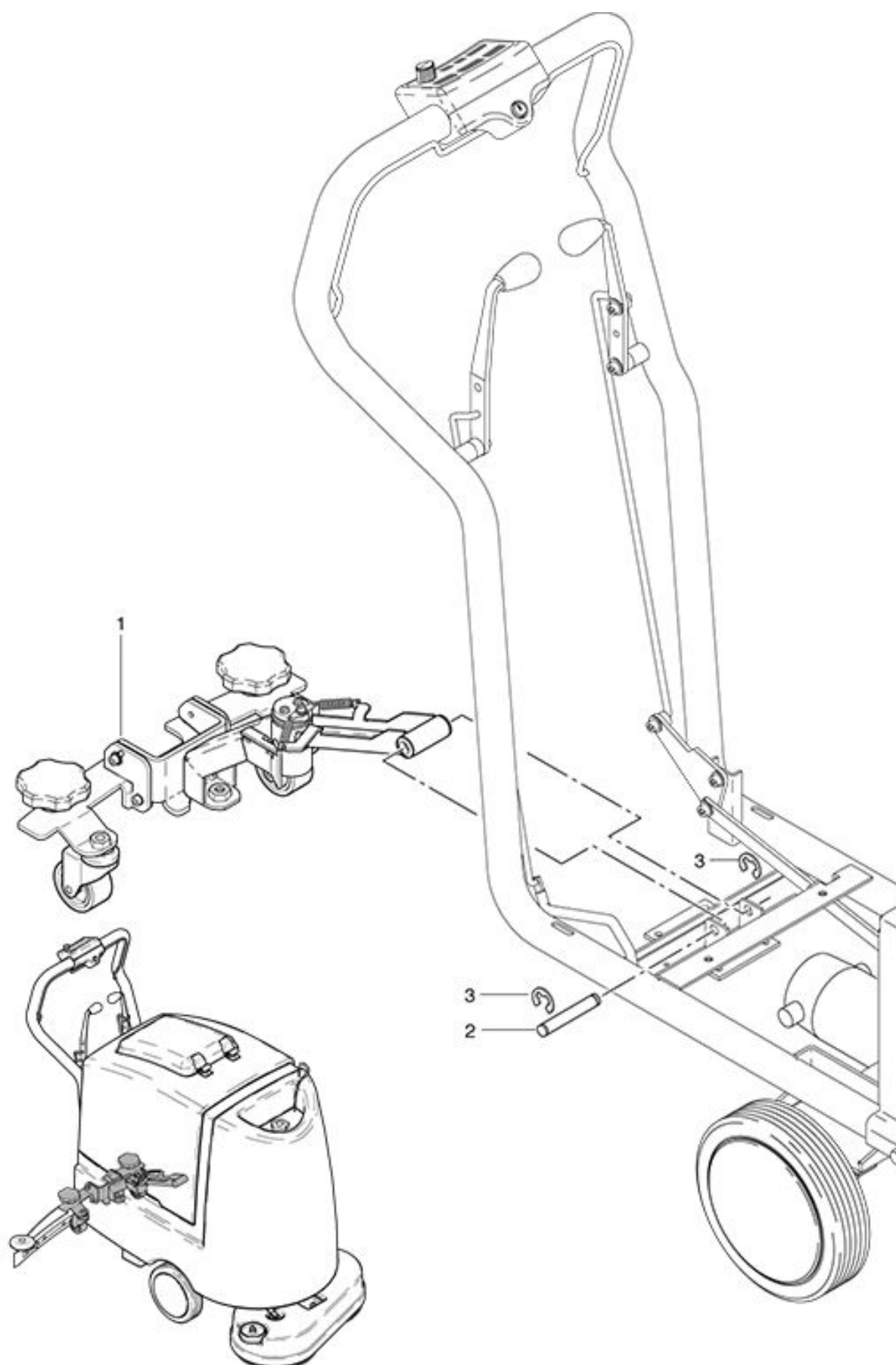
Suspension suction nozzle

As at: 01/25/10 Time:22:41

Pos.	Description	Reference
01	Support to nozzle suspension	560.545
02	Star handle	P...253 F
03	Hexagon socket screw M 6x16	P...486 R
04	Serrated lock washer M 6	P...498 K
05	Washer M 6	P...496 L
06	Hexagon socket screw M 6x12	P...486 Q
07	Plate	560.544
08	Hexagon nut M 6	P...490 D
09	Locking screw M 6	P...498 U
10	Permaglide flanged bush	800.289
11	Pipe	560.543
12	Washer M 10	P...498 R
13	Locking screw M 10	P...498 E
14	Cylindrical screw M 10x30	P...487 ZC
15	Washer M 6	P...497 H
16	Adjustment plate	560.548
17	Hexagon socket screw M 6x25	P...489 O
18	Castor	560.547
19	Bearing bush	560.143
20	Washer M 6	P...496 K
21	Hexagon socket screw M 5x20	P...485 P
22	Security screw - nut M 6	P...495 B
23	Tension spring	560.567
24	Permaglide flanged bush	P...321 C
25	Removal	560.542
26	Washer 25/30/1	P...099
27	Retaining washer	P...513 D
28	Hinge	560.541
29	Axle	560.546
30	Retaining washer	P...499 N
31	Hexagon screw M 6x30	P...488 S
32	Security screw - nut M 8	P...492 H

Suspension suction nozzle

As at: 01/25/10 Time:22:41



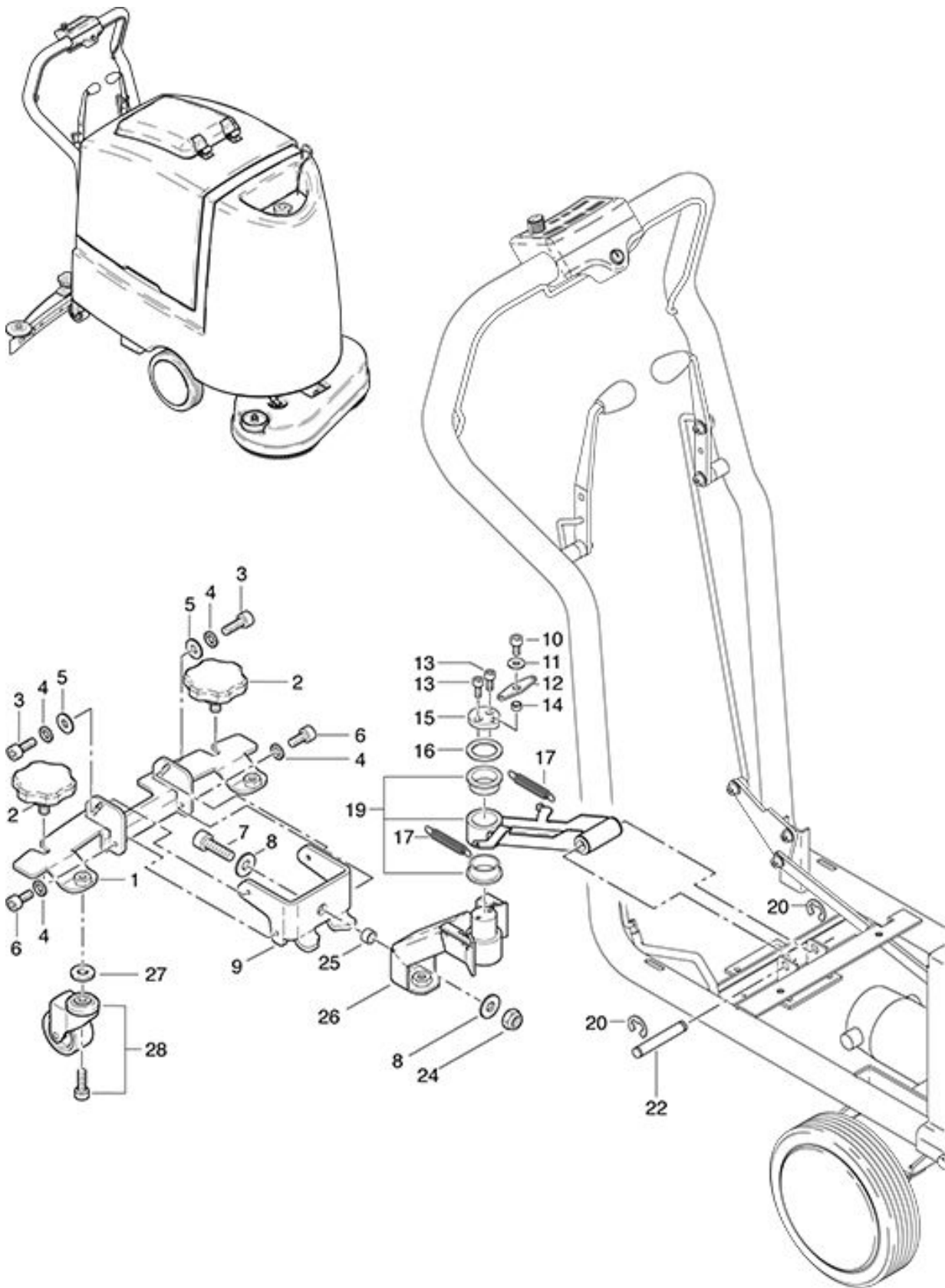
Suspension suction nozzle

As at: 01/25/10 Time:22:41

Pos.	Description	Reference
01	Suspension suction nozzle compl.	561.520
02	Axle	560.546
03	Retaining washer	P...499 N

Suspension suction nozzle

As at: 01/25/10 Time:22:42



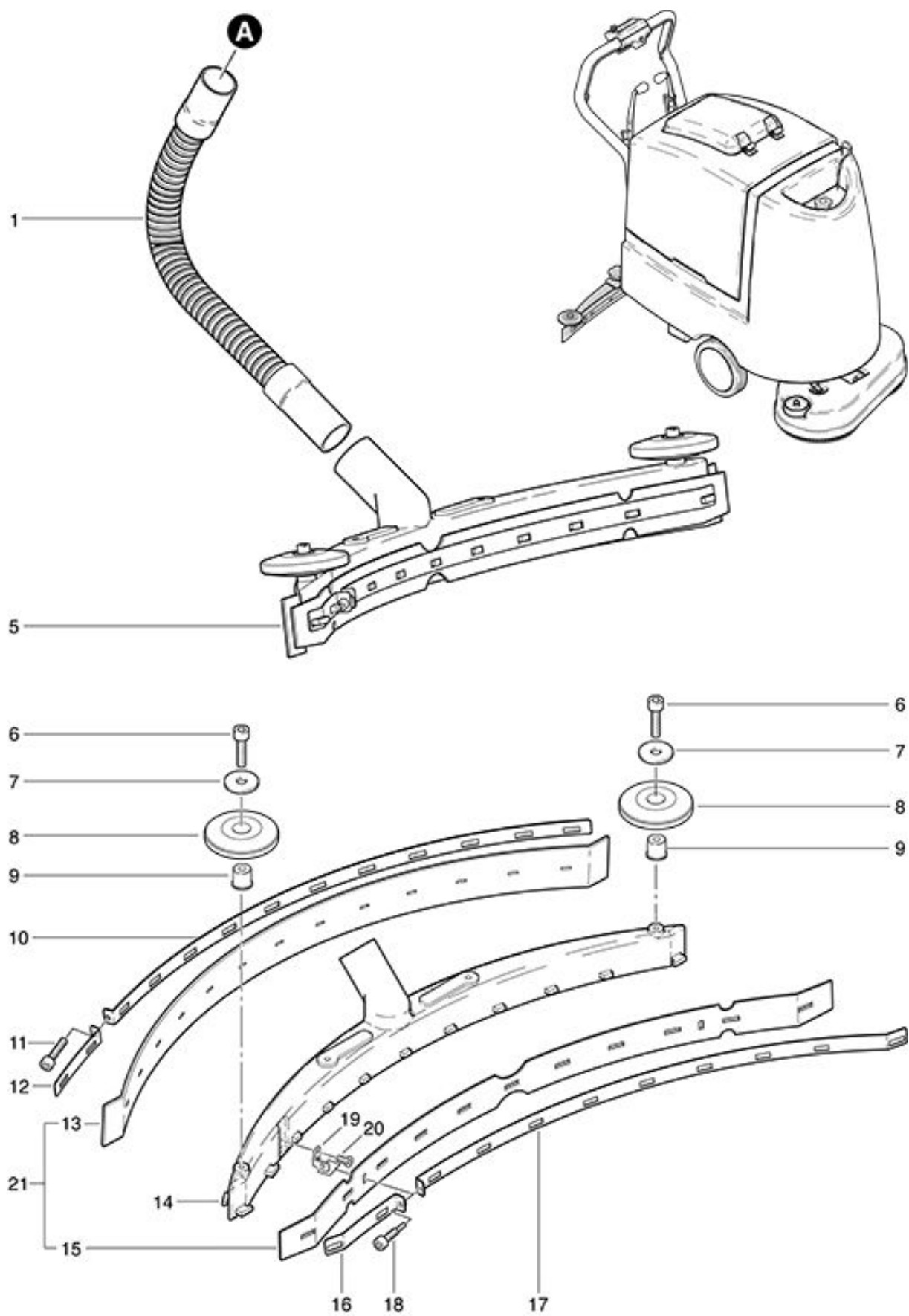
Suspension suction nozzle

As at: 01/25/10 Time:22:42

Pos.	Description	Reference
01	Support to nozzle suspension	560.527
02	Star handle	P...253 F
03	Hexagon socket screw M 6x16	P...486 R
04	Serrated lock washer M 6	P...498 K
05	Washer M 6	P...496 L
06	Hexagon socket screw M 6x12	P...486 Q
07	Hexagon socket screw M 8x25	P...487 D
08	Washer M 8	P...497 P
09	Plate	560.528
10	Hexagon socket screw M 5x8	P...488 E
11	Washer M 5	P...496 G
12	Latch spring plate	560.526
13	Hexagon socket screw M 4x10	P...489 D
14	Distance ring	560.525
15	Latch cover	560.524
16	Washer 25/30/1	P...099
17	Tension spring	560.568
19	Removal compl.	561.521
20	Retaining washer	P...499 N
22	Axle	560.532
24	Stop nut M 8	P...492 H
25	Distance ring	560.531
26	Pipe	560.523
27	Washer M 10	P...496 S
28	Castor compl.	P...209 C

Tractor nozzle

As at: 01/25/10 Time:22:42



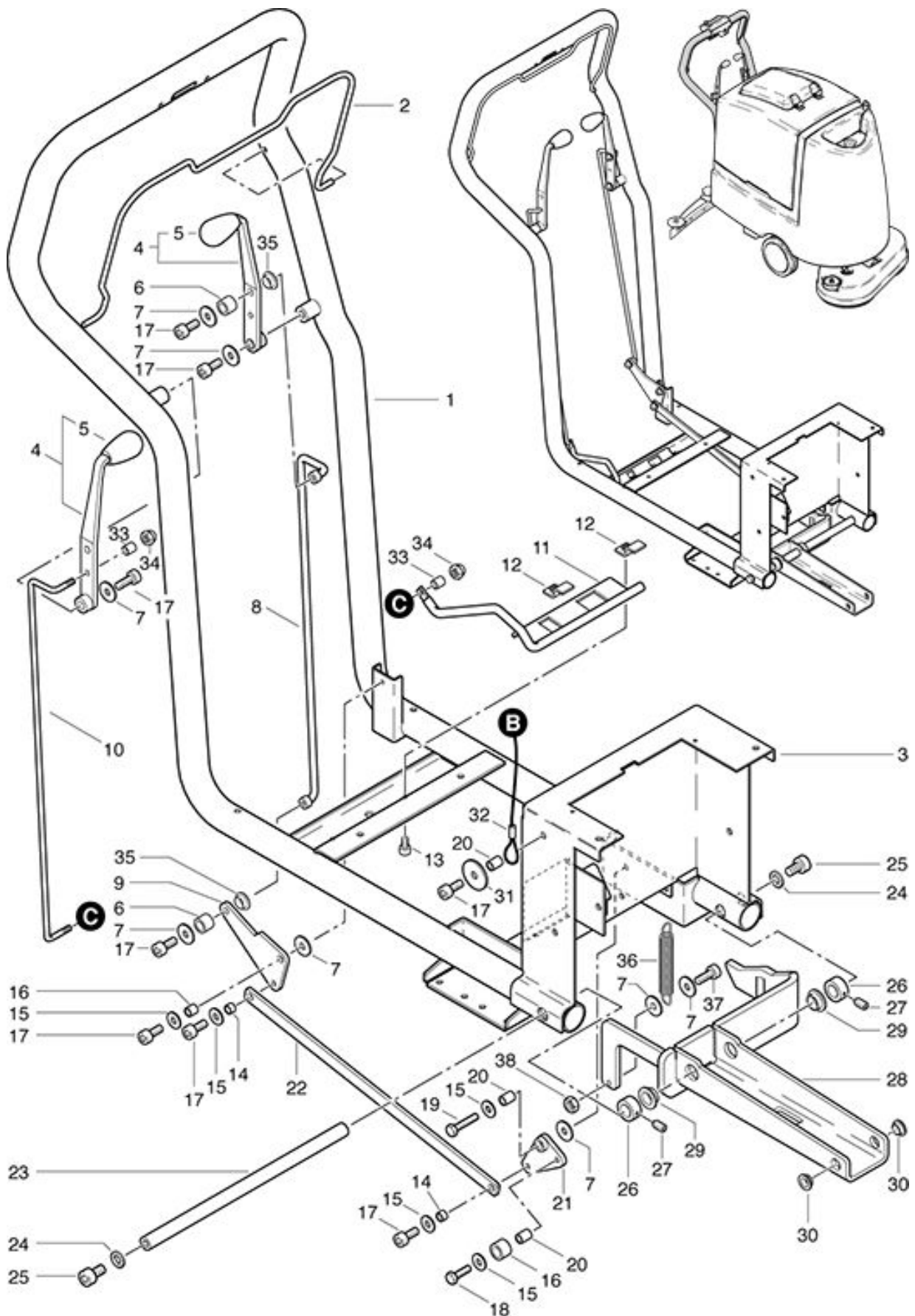
Tractor nozzle

As at: 01/25/10 Time:22:42

Pos.	Description	Reference
01	Hose complete	470.832
05	Suction nozzle complete, including items 6-20	560.560
06	Cylindrical screw M 8x35	P...473 D
07	Washer M 8	P...500 N
08	Fender wheel	800.561
09	Bearing bolt	800.423
10	Support plate in the back	560.562
11	Cylindrical screw M 5x25	P...488 K
12	Support plate small in the back	560.564
13	Suction lip in the back	560.556
14	Suction nozzle	560.565
15	Suction lip in front	560.557
16	Support plate small in front	560.561
17	Support plate in front	560.563
18	Set screw	800.425
19	Owner	560.566
20	Countersunk screw M 4x8	P...480 C
21	Suction lips set, standard	560.082
21	Suction lips set, oil and fatsteadily	560.081

Upper pushbar

As at: 01/25/10 Time:22:43



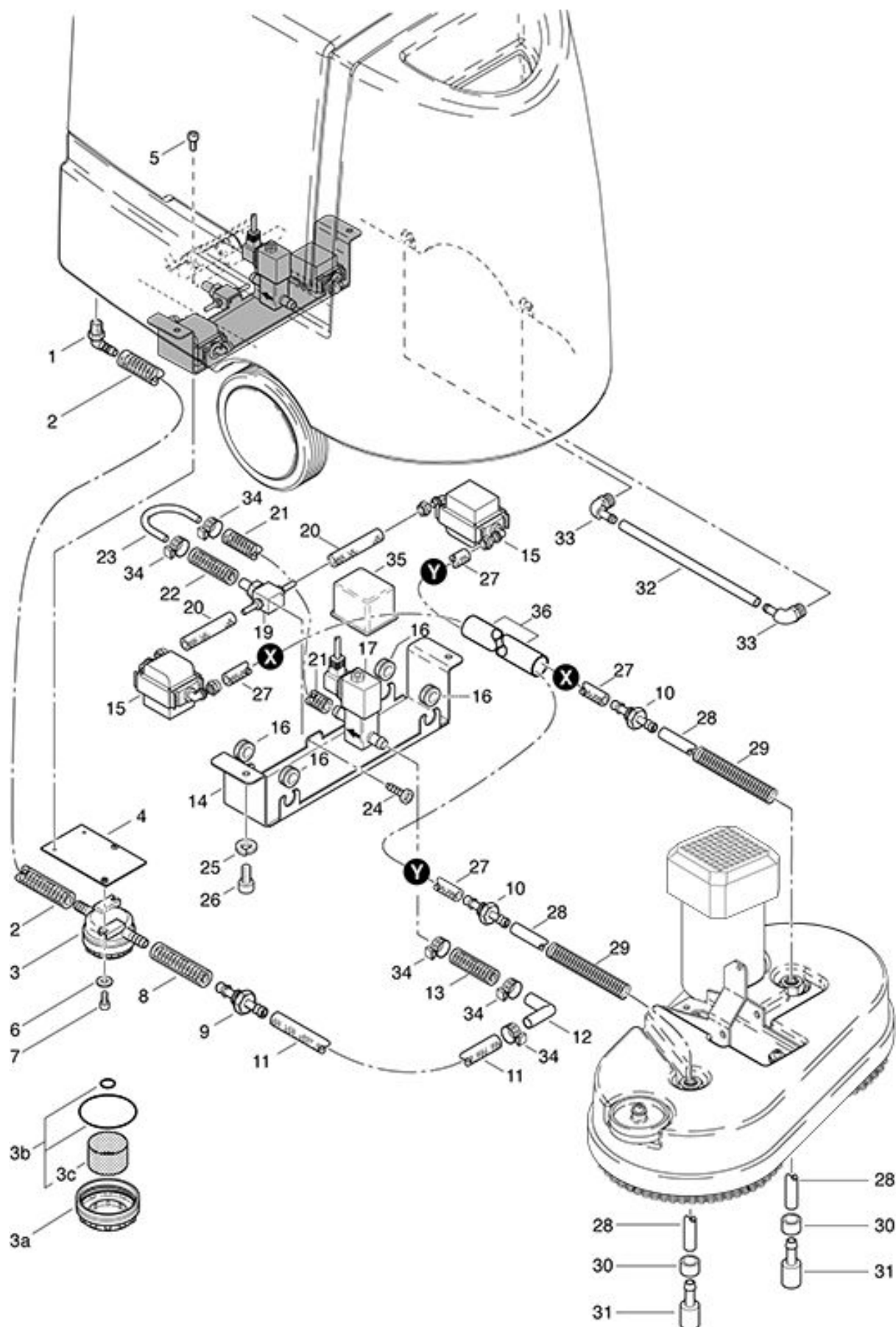
Upper pushbar

As at: 01/25/10 Time:22:43

Pos.	Description	Reference
01	Push-bar complete	560.120
02	Switch bar	560.570
03	Trigger front	560.438
04	Operating lever compl.	560.161
05	Handle	530.809
06	Plastic can	P...509 G
07	Washer M 6	P...496 K
08	Coupling bar	560.435
09	Handle 2	560.151
10	Coupling bar to suction nozzle	560.578
11	Lifting handle to suction nozzle	560.575
12	Bearing bride	560.577
13	Hexagon socket screw M 4x8	P...488 D
14	Bearing sleeve	560.143
15	Washer M 6	P...496 V
16	Bearing sleeve bronze	560.144
17	Hexagon socket screw M 6x12	P..470 R
18	Hexagon screw M 6x20	P...470 X
19	Hexagon screw M 6x30	P...470 U
20	Bearing sleeve	560.142
21	Handle 1, as from Masch.no. 8836	561.141
21	Handle 1,up to Masch.no.8835	560.141
22	Leesh	560.432
23	Cover plate	560.425
24	Washer M 12	P...498 V
25	Hexagon socket screw M 12x20	P...488 W
26	Adjusting ring	560.428
27	Screw M 5x8	P...482 V
28	Lifting lever	560.224
29	Permaglidebuechse	P...321 E
30	Permaglidebuechse	500.123
31	Washer M 6x25	P...497 Y
32	Cordel	560.726
33	Bearing sleeve	560.143
34	Castellated nut M 5	P...495 F
35	Permaglide Büchse 8/10/5.5	P...321 D
36	Mainspring	560.225
37	Hexagon socket screw M 6x18	P...486 R
38	Nut M 6	P...490 D

Water distribution

As at: 01/25/10 Time:22:44



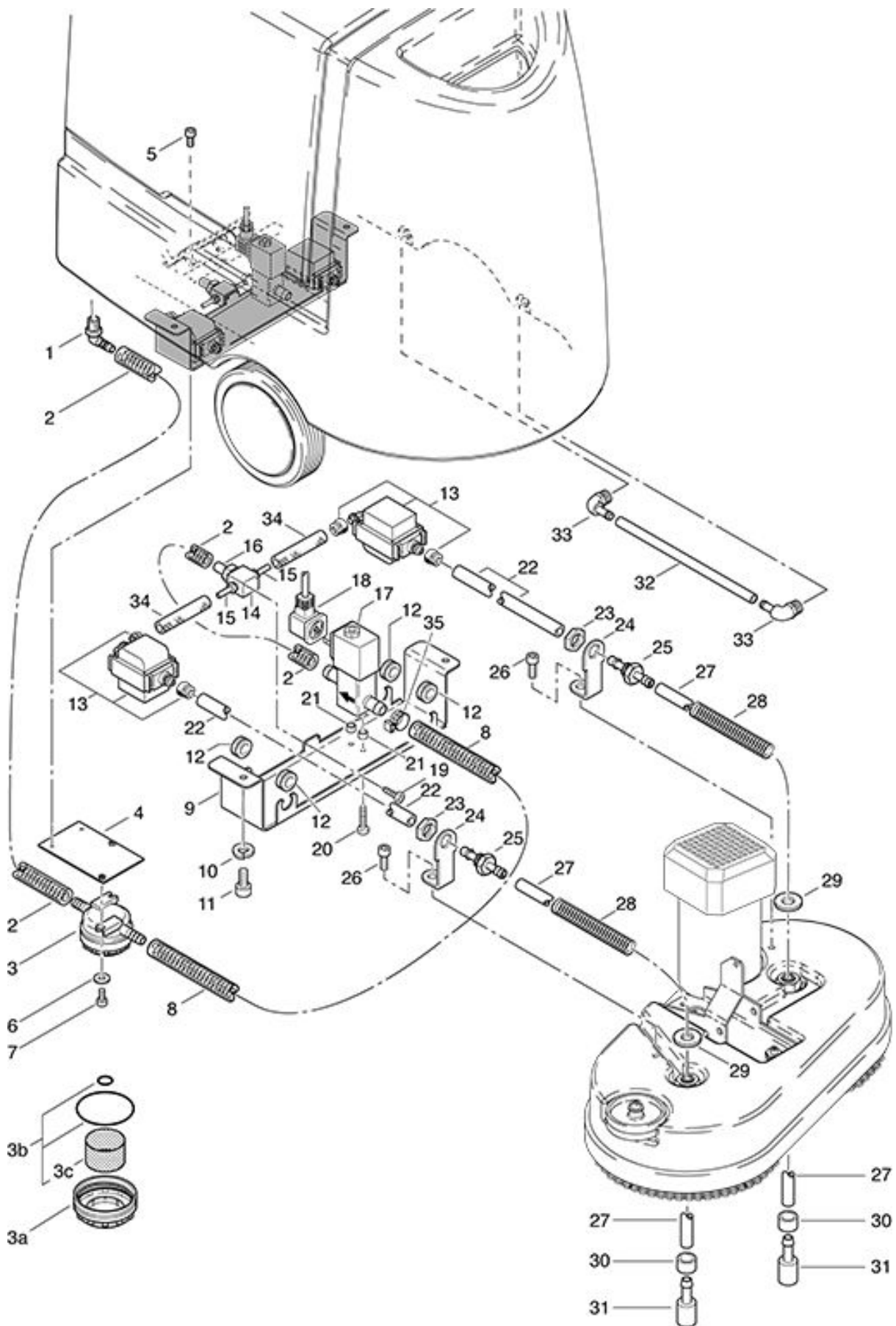
Water distribution

As at: 01/25/10 Time:22:44

Pos.	Description	Reference
01	Angled fitting 12 / 3/8"	P...541 D
02	Hose	560.236
03	Water filter	430.759
03a	Filter cover	430.258
03b	Filter kit	430.759 A
03c	Filter	430.759 B
04	Holding plate to water filter	560.427
05	Hex. socket screw M 4x10	P...489 D
06	Washer M 4	P...497 D
07	Cylindrical screw M 4x8	P...488 D
08	Hose 50 mm	560.241
09	Double nipple 10/10	560.242
10	Double nipple Brass	400.342
11	Hose 210 mm	560.243
12	Angle	560.244
13	Hose 30 mm	560.245
14	Pump owner	560.222
15	NDS-X pump 24 Volt	P...817
16	Grommet Ø 14 mm	P...207 A
17	Single solenoid valve record 24 V	560.228
19	Manifold	560.223
20	Hose 90 mm	560.246
21	Hose 110 mm	560.247
22	Hose 50 mm	560.248
23	Water conduit	560.582
24	Tapping screw 2.9x9,5	P...483 G
25	Locking screw M 8	P...498 N
26	Cylindrical screw M 8x16	P...487 C
27	Hose 500 mm	560.249
28	Suction hose 8/6x210mm	400.341
29	Protection spring	900.162 A
30	Locking sleeve Ø 10 mm	900.167
31	Connector 12x14	614.125
32	Pressure hose	560.237
33	Angled hose nipple 8/R 1/4"	P...541 H
34	Hose clip 010.9	P...550 K
35	Protective cap	430.233 B
36	Protecting cover	560.241

Waterdistribution

As at: 01/25/10 Time:22:44



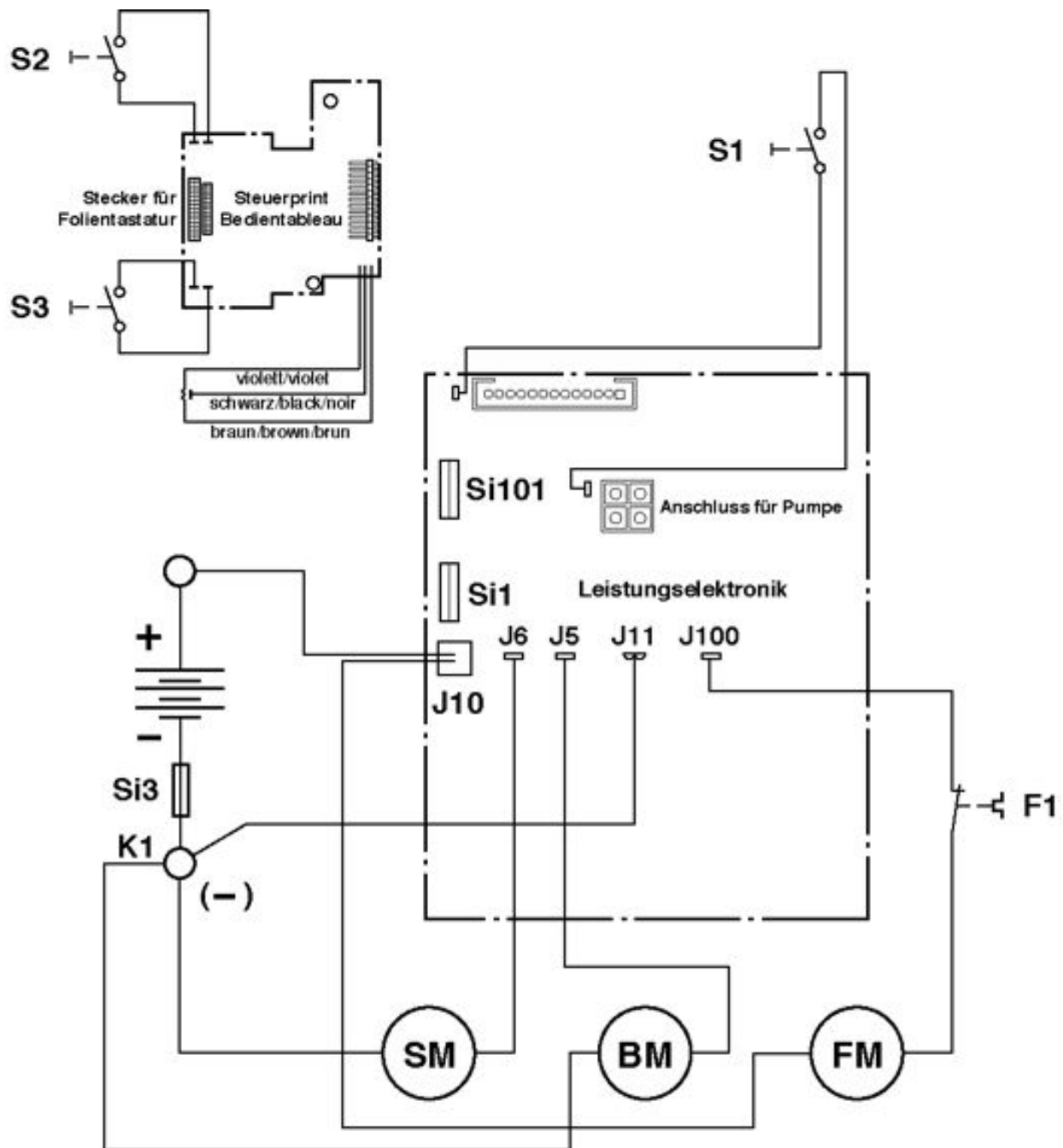
Waterdistribution

As at: 01/25/10 Time:22:44

Pos.	Description	Reference
01	Angled fitting 12 / 3/8"	P...541 D
02	Hose	560.236
03	Water filter compl.	430.759
03a	Filter cover	430.258
03b	Filter kit	430.759 A
03c	Filter	430.759 B
04	Holding plate to water filter	560.427
05	Hex. socket screw M 4x10	P...489 D
06	Washer M 4	P...497 D
07	Cylindrical screw M 4x8	P...488 D
08	Hose 280 mm	560.231
09	Pump owner	560.222
10	Locking screw M 8	P...498 N
11	Cylindrical screw M 8x16	P...487 C
12	Grommet Ø 14 mm	P...207 A
13	NDS-CX pump 24 Volt DC	P...817 B
14	Manifold	560.223
15		P...540 B
16		P...540 N
17	Magnetic valve 24 V	P...258
18	Cable for magnetic valve	561.766
19	Tapping screw 2.9x9,5	P...483 G
20	Pt-screw KA 40x20	P...515 X
21	Spacer approximately	P...509 F
22	Hose 8/6x330 mm	400.262
23	Hexagon nut 14x4 1/8"	P...535 I
24	Support angle	560.287
25	Double nipple Brass	400.342
26	Cylindrical screw M 5x12	P...488 B
27	Hose 8/6x170 mm	400.261 A
28	Feather / spring	900.162 A
29	Washer M8 8.4/20/2	P...510 O
30	Locking sleeve 10 mm	900.167
31	Connector 12x14	614.125
32	Pressure hose	560.237
33	Angled fitting R 1/4"	P...541 H
34	Hose 90 mm	560.246
35	Hose clip 19.8-706R	P...550 N

Wiring diagram

As at: 01/25/10 Time:22:45



- Si 1 = Feinsicherung 3,15 A / Fuse 3,15 A / Fusible 3,15 A
- Si 101 = Feinsicherung 1 A / Fuse 1 A / Fusible 1 A
- Si 3 = Hauptsicherung 50 A / Fuse 50 A / Fusible 50 A
- F 1 = Thermorelais 10 A / Relais 10 A / Relais 10 A
- S 1 = Schwimmerschalter
- S 2 = Schlüsselschalter
- S 3 = Tastschalter Fahrmotor
- K 1 = Klemme für Minuspol
- SM = Saugmotor / Vacuum motor / Moteur d'aspiration
- BM = Bürstmotor / Motor / Moteur
- FA = Fahrmotor / Driving motor / Moteur à rouler

Wiring diagram

As at: 01/25/10 Time:22:45

Pos.	Description	Reference
BM	Brush motor	560.250
F1	Thermal relay 10 A	500.957
FA	Drive motor	560.415
K 1	Clamp for negative pole
S 1	Float switch	560.669
S 2	Key switch	560.361
S 3	Push-button drive motor
Si 1	Fuse 3,15 A	P...363 B
Si 10	Fuse 1 A	P...218 A
Si 3	Fuse 50 A	560.710
SM	Vacuum motor	560.666