

# Eagle Power™ Products Group

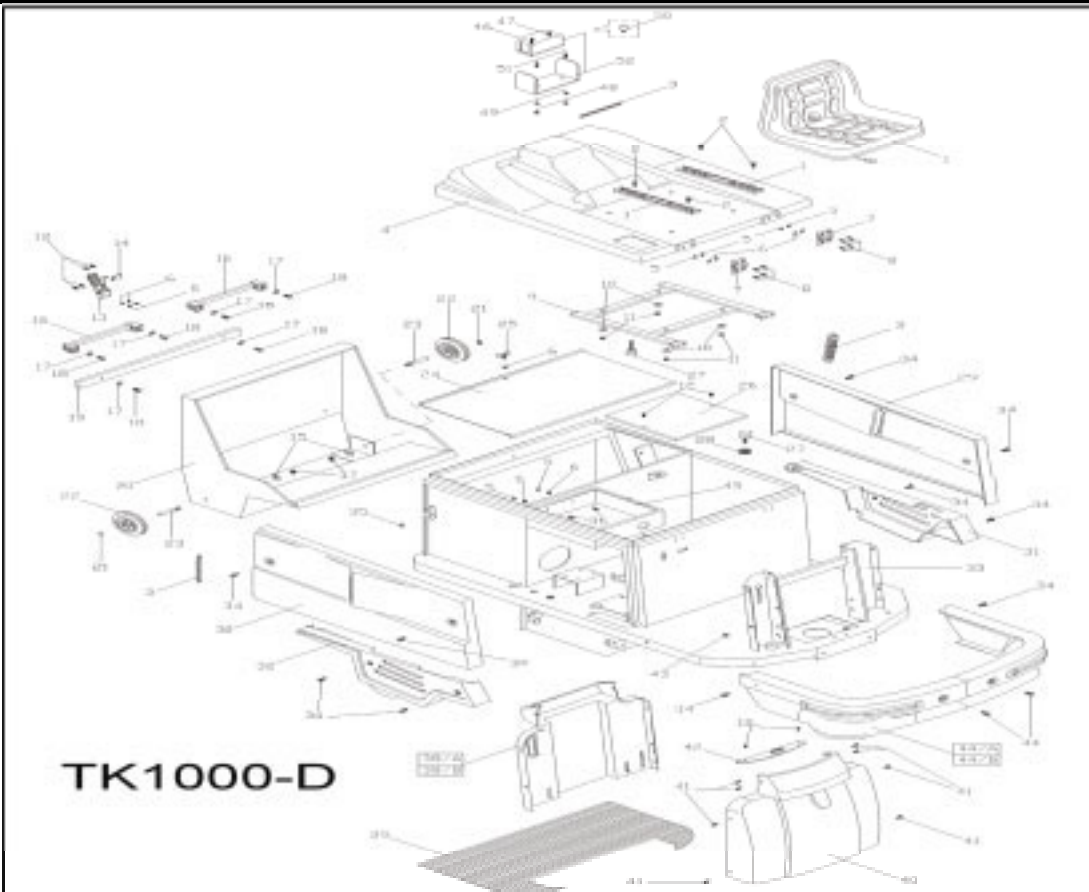
## TK1000 RIDER SWEEPER



ENTER 

# PARTS MANUAL

## TK 1000 RIDER-SWEEPER - Chassis Assembly



## TK 1000 RIDER-SWEEPER - Chassis Assembly

POSITION	PART NUMBER	DESCRIPTION
1	13201003	Seat
2	1105066	Screw 8x35
3	1120157	Air diffusor
4	2120141	Upper cover -RED-
4	2120165	Upper cover -WHITE-
4	2120190	Upper cover - BLUE-
4	2120236	Upper cover -LIGHT BLUE-
5	1105133	Nut M6
6	1105324	Washer 6x18
7	13201004	Hinge
8	1105506	Screw 6x20
9	22701002	Seat bearing frame
10	1105326	Washer 8x24
11	1105134	Nut M8
12	1105236	Screw 6x16
13	1320069	Lever locking

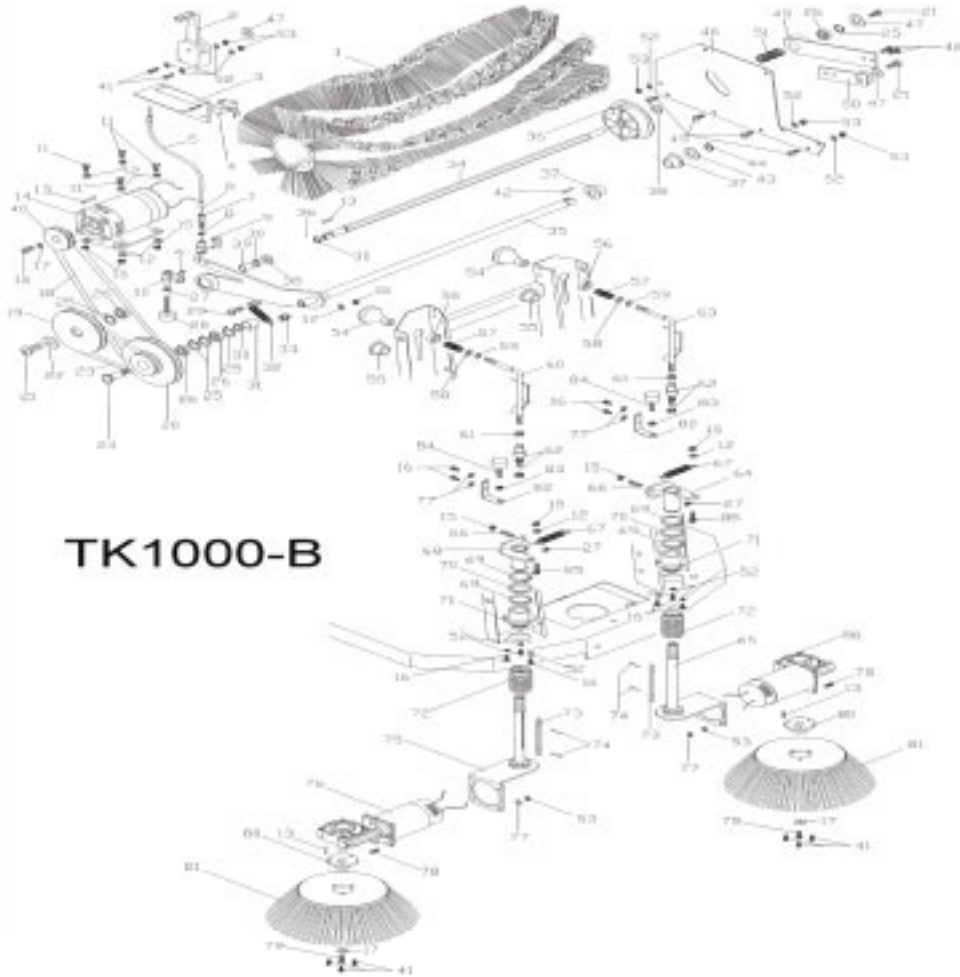
**TK 1000 RIDER-SWEEPER - Chassis Assembly**

POSITION	PART NUMBER	DESCRIPTION
14	1320070	Lever lock striker
15	1105305	Washer 10x21
16	2310097	Complete handle
17	1105325	Washer 6x24
18	1105361	Screw 6,3x19
19	21501100	Drawer bracing
20	21201004	Waste bin
21	1250017	Chromed cup Ø 15
22	1250041	Wheel Ø 125
23	2230024	Wheel's pivot
24	21201003	Filter container's cover
25	1320074	Butterfly screw
26	21201002	Electric box cover
27	1270003	Adjustment bumper
28	1105124	Nut M8
29	2120143	Upper left side crankcase -RED-
29	2120167	Upper left side crankcase -WHITE-
29	2120192	Upper left side crankcase - BLUE-
29	2120239	Upper left side crankcase -L. BLUE-
30	2120142	Upper right side crankcase -RED-
30	2120166	Upper right side crankcase -WHITE-
30	2120191	Upper right side crankcase - BLUE-
30	2120238	Upper right side crankcase -L. BLUE-
31	2120145	Lower left side crankcase
32	2120144	Lower right side crankcase
33	22701000	Frame
34	1105231	Screw 8x22
35	1105201	Nut M8
36	1105160	Screw 6x10
37	1105135	Nut M10
38/A	2120169	Grey Front inner casing
38/B	2120210	Double brush front inner casing
39	21601001	Running board
40	2120146	Front casing
41	1105235	Screw 6x20
42	2120147	Grey dashboard
43	1105202	Nut M6
44/A	21201001	Complete grey buffer

**TK 1000 RIDER-SWEEPER - Chassis Assembly**

POSITION	PART NUMBER	DESCRIPTION
44/B	21201018	Double brush complete grey buffer
45	21201000	Wiring box
46	1105353	Self-tapping screw 3,5x19
47	1105356	Self-tapping screw 3,5x9,5
48	1105122	Nut M5
49	1105302	Washers 5x10
50	1180021	24V 21W Light bulb
51	1105496	Screw 5x25
52	1180022	Reverse gear light
53	22051004	Spring
54	1380001	Micro
	23101010	Complete back drawer
	23101009	Complete Upper cover-RED-
	23101020	Complete Upper cover-WHITE-
	23101016	Complete Upper cover- BLUE-
	23101039	Complete Upper cover-L. BLUE-

## TK1000-RIDER/SWEEPER - BROOM ASSEMBLY



## TK1000-RIDER/SWEEPER - BROOM ASSEMBLY

POSITION	PART NUMBER	DESCRIPTION
1	1350024	Main brush
2	1125005	Brush command lever
3	22601006	Handgrip support
4	1380001	Micro side brush
5	21251009	Brushlifter cable sheath
6	21251004	Brushlifter cable
7	22301012	Cable-adjusting pivot
8	1105127	Nut M7
9	11051101	Fork clip M8
10	11051001	M8 fork
11	1105066	Screw 8x35
12	1105304	Washer 8x17
13	1105467	Key 5x5x20

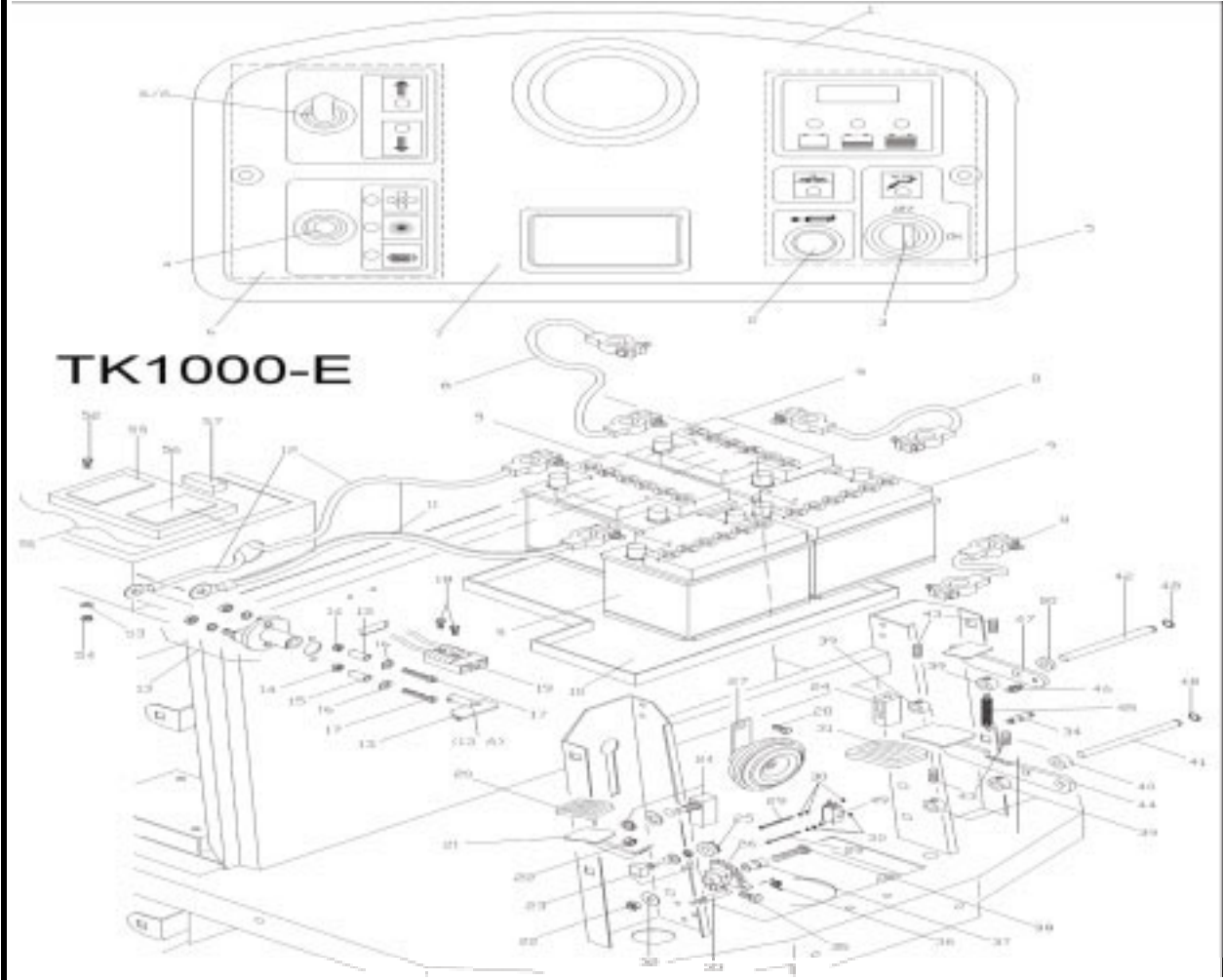
**TK1000-RIDER/SWEEPER - BROOM ASSEMBLY**

<b>POSITION</b>	<b>PART NUMBER</b>	<b>DESCRIPTION</b>
14	1340015	Motor
15	1105134	Locknut M8
16	1105236	Screw 6x16
17	1105325	Washer 6x24
18	1330007	Belt Ø 8 x 710
19	22501001	Pulley
20	22501008	Backsending pulley
21	1105231	Screw 8x22
22	1105327	Washer 8x32
23	1330010	Belt Ø 10 x 710
24	22301010	Pulley fixing pivot
25	1105703	Inside snap ring Ø 35
26	1390009	Bearings 6202
27	1105124	Nut M8
28	1270003	Adjusting bumper
29	1105181	Screw 8x16
30	1105405	Outer snap ring Ø 15
31	21101024	Bushing
32	2205009	Rocker spring
33	22301008	Hook for spring
34	21001001	Shaft
35	21101007	Rocker
36	23501001	Flange
37	21101013	Bushing
38	1105307	Washer 15x28
39	21101023	Bushing
40	22501007	Pulley
41	1105162	Screw 6x16
42	1105472	Key 6x6x20
43	1105315	Washer 21x37
44	1105422	Outer snap ring Ø 20
45	1105222	Screw 6x16
46	21201005	Brush holder lock
47	1105326	Washer 8x24
48	1105060	Screw 8x10
49	22601026	Brushblocker arm
50	22601027	Brushblocker arm blocker
51	22051002	Brush pressing spring

**TKS710ET Silver Series Vacuum Sweeper - Broom Assembly**

<b>POSITION</b>	<b>PART NUMBER</b>	<b>DESCRIPTION</b>
55	1125004	Clamp Ø7
56	1105231	Screw 8x22
57	2190004	Side brush lifting lever
58	1105327	Washer 8x32
59	2100012	Ring for the side brush bearing
60	1260029	Balls 11/32"
61	2100019N	TK Side brush mov. toothed ring
62	2230034	Pin for rocker
63	2110012N	Bushing for bearings
64	1390012	Bearing 6005 2RS
65	2100020	Idle toothed ring
66	1105416	Outer snap ring Ø 25
67	1105332	Washer 12X48
68	2110042	Spacer
69	2250079	Pulley Ø 27X15
70	2330102	Belt Ø 8 x 1000
71	1105326	Washer 8x24
72	2260024	Side brush support
73	2250034	Side brush dragging flange
74	2350020	Side brush
75	2250080	Pulley Ø 30X15
76	1105160	Screw 6x10
77	2130005	Spacer
78	1390015	Bearing HK 1412
79	2205400	Spring
80	1330017	SPZ 737 Belt
81	2250078	Pulley
82	2130010	Spacer Ø 12 h 7
83	2250077	Belt tightener roll
84	2190017	Centre brush adjustment bracket
85	2205015	Traction spring
86	1105412	Outer snap ring Ø 8
87	2230400	Pivot
88	1250037	Side bumper
89	2125400	Sheathing
90	2260409	Support
91	1105234	Screw 6x10
92	1105516	Screw 6x25
93	1105306	Washer 12x24
94	2230019	Pin

## TK 1000RIDER SWEEPER - Control Assembly



## TK 1000RIDER SWEEPER - Control Assembly

POSITION	PART NUMBER	DESCRIPTION
1	23101007	Dashboard with hourmeter
2	1180012	Complete horn button
3	13801001	Complete key switch
4	21801013	3 Pos. turner
5	21801025	Electr.board SC 1000 CD/A
6	21801015	Functions board SC 1000 CS/A
6/A	21801012	2 Pos. turner
7	6911019	Adhesive board
8	1180016	Cable for battery bridge
9	1180015	Battery 6V 240 Ah
10	2120153	Battery bearer
11	21801008	Main cable



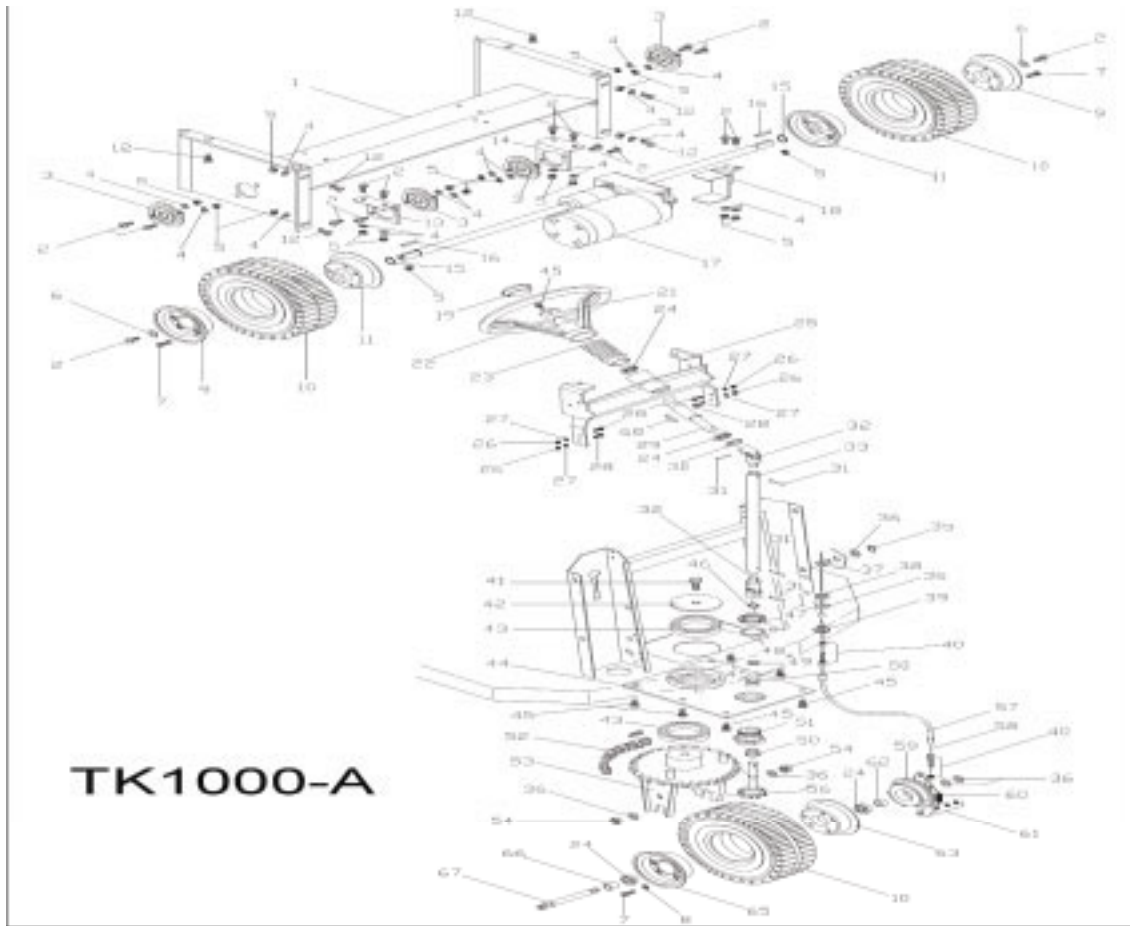
**TK 1000RIDER SWEEPER - Control Assembly**

<b>POSITION</b>	<b>PART NUMBER</b>	<b>DESCRIPTION</b>
12	21801007	Main cable
13	1380032	Complete battery unplugging key
13A	1380055	RED Battery unplugging key
14	1105133	Nut M6
15	21101026	Bushing
16	1105303	Washer 6x12
17	1105513	Screw 6x40
18	1105030	Screw 5x20
19	1380008	Connector for battery charger
20	13201006	Gas pedal cover
21	22601029	Gas pedal
22	1105134	Nut M8
23	21801016	Speed Powermeter
24	1380001	Micro side brush
25	22501011	Powermeter gear
26	22501006	Accelerator gear
27	1380033	Horn
28	1105361	Screw 6,3x19
29	1105495	Screw 3x25
30	1105120	Nut M3
31	13201007	Brake pedal cover
32	1105326	Washer 8x24
33	2230005	Pivot
34	2230015	Spring coupling pivot
35	1105065	Screw 8x30
36	22051007	Spring
37	21101019	Bushing
38	1105066	Screw 8x35
39	21101006	Bushing
40	21101012	Bushing
41	22301004	Pivot
42	22301007	Pivot
43	1105484	Dowel 6x6
44	22601008	Brake pedal
45	2205005	Spring
46	2230012	Pivot
47	22601002	Security brake pedal
48	1105410	Outer snap ring Ø10

**TK 1000RIDER SWEEPER - Control Assembly**

<b>POSITION</b>	<b>PART NUMBER</b>	<b>DESCRIPTION</b>
49	21801018	Micro for accelerator
50	21101005	Bushing
51	21801017	Command board
52	1105022	Screw 5x16
53	1105302	Washer 5x10
54	1105122	Nut M5
55	21801019	Speed control board
56	21801020	Relais board
57	1180019	24V Flashing light

## TK1000 RIDERSWEEPER - Wheel Assembly



## TK1000 RIDERSWEEPER - Wheel Assembly

POSITION	PART NUMBER	DESCRIPTION
1	22601012	Backside shaft bearer
2	1105231	Screw 8x22
3	1390023	204 SBFL Stand
4	1105304	Washer 8x17
5	1105134	Locknut M8
6	1105327	Washer 8x32
7	1105552	Screw 8x25
8	1105750	Washer 8x14
9	22501005	Backside tyre outer hub
10	1160075	Tyres
11	22501003	Backside tyre outer hub
12	1105181	Screw 8x16
13	22601011	Left axle support back bracket
14	22601011	Right axle support back bracket

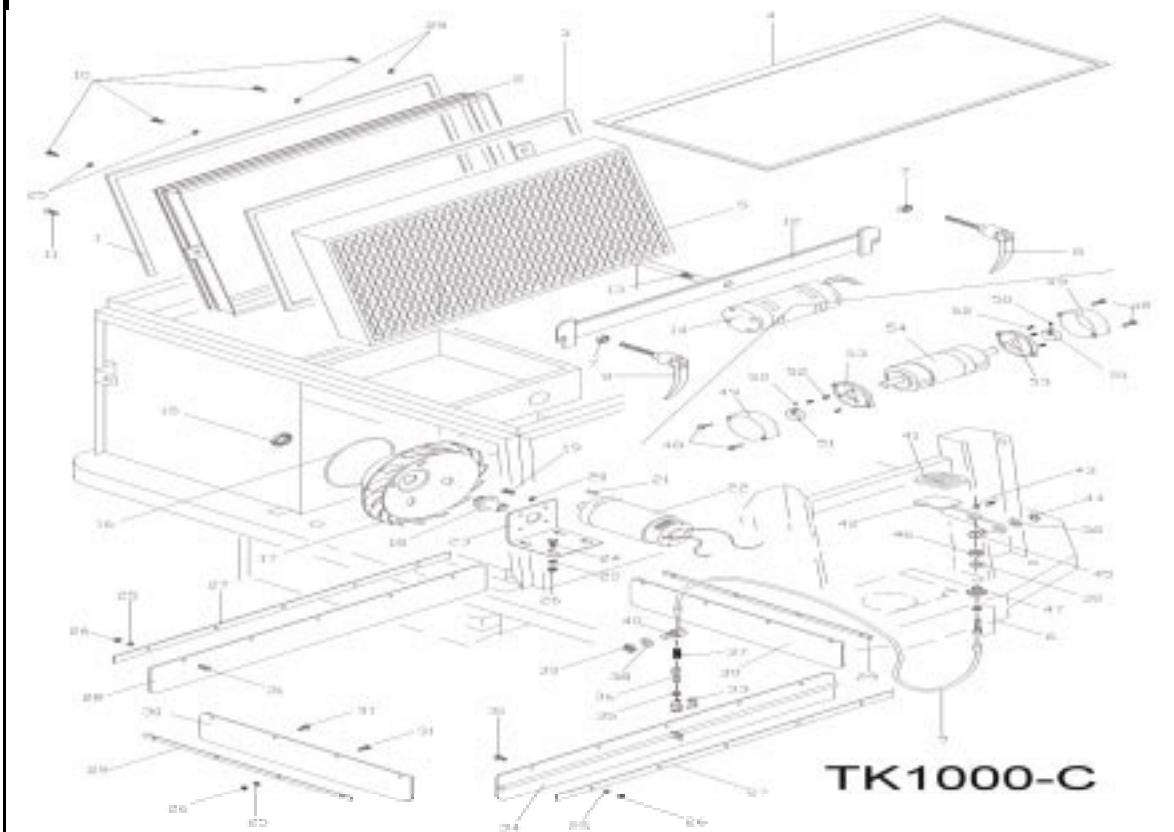
**TK1000 RIDERSWEEPER - Wheel Assembly**

<b>POSITION</b>	<b>PART NUMBER</b>	<b>DESCRIPTION</b>
15	1105411	Outer snap ring Ø 17
16	1105468	Key 6x6x30
17	1340018	Reduction gear
18	22601024	Reduction gear support bracket
19	13201002	Steering wheel's cap
20	1105361	Screw 6,3x19
21	1105329	Washer 10x40
22	13201001	Steer
23	13201009	Steer damper
24	1390009	Bearings 6202 2RS
25	22601025	Dashboard support
26	1105133	Locknut M6
27	1105324	Washer 6x18
28	1105162	Screw 6x16
29	21001003	Steer shaft
30	1105703	Inner snap ring Ø 35
31	1105603	Elastic pin 5x25
32	1255005	Universal joint
33	21001006N	Shaft
35	1105420	Outer snap ring Ø12
36	1105306	Washer 12x24
37	22301003	Cable fixing pivot
38	1105126	Locknut M12
39	22301009	Cable centering pivot
40	1105229	Turned adjuster
41	1105097	Screw 16x20
42	21501001	Closing flange
43	1390019	Bearings 51112
44	21501004	Trasco joint blocking flange
45	1105232	Screw 10x16
46	1105405	Outer snap ring Ø15
47	1165009	Ring nut M35x1,5
48	21301003	Spacer
49	1105952	Shim 15x22x0,5
50	21101002	Bushing
51	21101004	Bushing
52	23301001	Chain
53	22601009	Front wheel stand

**TK1000 RIDERSWEEPER - Wheel Assembly**

<b>POSITION</b>	<b>PART NUMBER</b>	<b>DESCRIPTION</b>
54	1105136	Locknut M12
55	1125022	Sheath blocking clamp
56	22301005	Backsending pivot
57	21251000	Brake's cable sheath
58	21251003	Brake's cable
59	1250072	Brake
60	22051005	Brake spring
61	1125020	Clamp
62	21301002	Spacer
63	22501002	Front wheel hub (Brake side)
65	22501004	Front wheel hub
66	21301001	Spacer
67	22301002	Front wheel pivot
68	1105464	Key 5x5x25

## TK 1000 RIDER SWEEPER - Filter Assembly



## TK 1000 RIDER SWEEPER - Filter Assembly

POSITION	PART NUMBER	DESCRIPTION
1	23101002	Drawer's mousse kit
2	22701006	Filterbearing frame
3	23101004	Mousse gasket kit
4	23101005	Upper mousse kit
5	2360004	Panel filter
6	1105229	Turned adjuster
7	1105220	Nut M8
8	23101056	Unlooking filter handle
9	21251002	Cable sheathing
10	1105236	Screw 6x16
11	1105502	Screw 6x16
12	22601060	Filer shaker motor support
13	1105232	Screw 10X16
14	2300396	Motorvibrator
15	1165008	Nut ring M 25x1,5
16	21601005	Fan hole joint
17	1290009	Fan

**TK 1000 RIDER SWEEPER - Filter Assembly**

<b>POSITION</b>	<b>PART NUMBER</b>	<b>DESCRIPTION</b>
18	21101009	Fan's bushing
19	1105023	Screw 5x12
20	1105323	Washer 5x20
21	1105466	Key 4x4x15
22	1340014	Electric motor 24V - 180W
23	22601019	Fan's motor support
24	1105162	Screw 6x16
25	1105324	Washer 6x18
26	1105133	Nut M6
27	21501007	Front/back. Flap blocker
28	21601002	Fixed backside flap
29	21501008	Side flaps blocker
30	21601004	Side flaps
31	1105222	Screw 6x16
33	11051100	Clamp for fork M6
34	21601003	Adjustable front fork
35	1105123	Nut M6
36	21251005	Flap lifting cable
37	22051001	Flap lifting spring
38	1105306	Washer 12x24
39	1105136	Nut M12
40	22301013	Pivot
41	13201007	Pedal cover
42	22601001	Flap lifting pedal
43	1125004	Clamp
44	1105420	Outer snap ring Ø12
45	22301003	Cable fixing pivot
46	1105126	Nut M12
47	22301009	Pivot
48	1105365	Screw 3,9x32
49	2120288	Protection cover
50	1105482	Dowel 6x5
51	2110045	Bushing
52	1105781	Screw 4 x 12
53	2150031	Motor flange
54	1340029	Motor 24V - 35W



← Back 1 page



### Warranty Policy

**Limited Warranty**

**Eagle Power Products (EPP) warrants new cleaning equipment against defects in material and workmanship under normal use and service to the original purchaser as detailed below.**

**10 Years**

**Subject to the conditions stated below, EPP warrants polyethylene tanks and housings to be free from defects in materials and workmanship for a period of ten years.**

**3 Years**

**Subject to the conditions stated below, EPP warrants all automatic scrubber components to be free from defects in materials and workmanship for a 3-year period. Parts replaced or repaired are warranted for the remainder of the original warranty period.**

**1 Year**

**Subject to the conditions stated below, EPP warrants all other cleaning equipment components to be free from defects in materials and workmanship for a 1-year period. Parts replaced or repaired are warranted for the remainder of the original warranty period. Batteries are prorated for one year.**

**EPP will furnish and charge for replacement parts, including transportation, to the original owner through an EPP authorized service center. If the part is returned within 30 days and is found defective, the owner will be credited for the cost of the replacement part including shipping and handling.**

Labor charges are covered for one year from the date of purchase if provided by an authorized EPP service center. Travel is covered for 90 days for battery operated equipment only.

Wear items exempt from warranty include belts, carbon brushes, power cords, wheels, pad drivers, clutch plates, brushes, pads, handle grips, filters, screens, throttle cables, and squeegees.

This warranty shall not apply to failures caused by misuse or abuse, improper maintenance as stated in the operation manuals, use of unauthorized repair parts, repairs by other than an EPP authorized service center, and damage in transit.

EPP disclaims and denies any liability for any direct, indirect, special incidental or consequential damage which may be suffered as a result of sale, delivery, servicing, use, loss of any product, downtime, labor, freight, or other charges not expressly included herein.

Date Purchased: \_\_\_\_\_

Serial Number: \_\_\_\_\_

Serial Number: \_\_\_\_\_

Please be sure to record this information. This information will be necessary for future warranty claims.



1174 Northland Drive Mendota Heights, MN 55120  
651.686.5399 Fax 651.686.5695  
www.eaglepower.com

*Eagle Power Products Sales and Service Provided by:*