



IPC Integrated Professional Cleaning

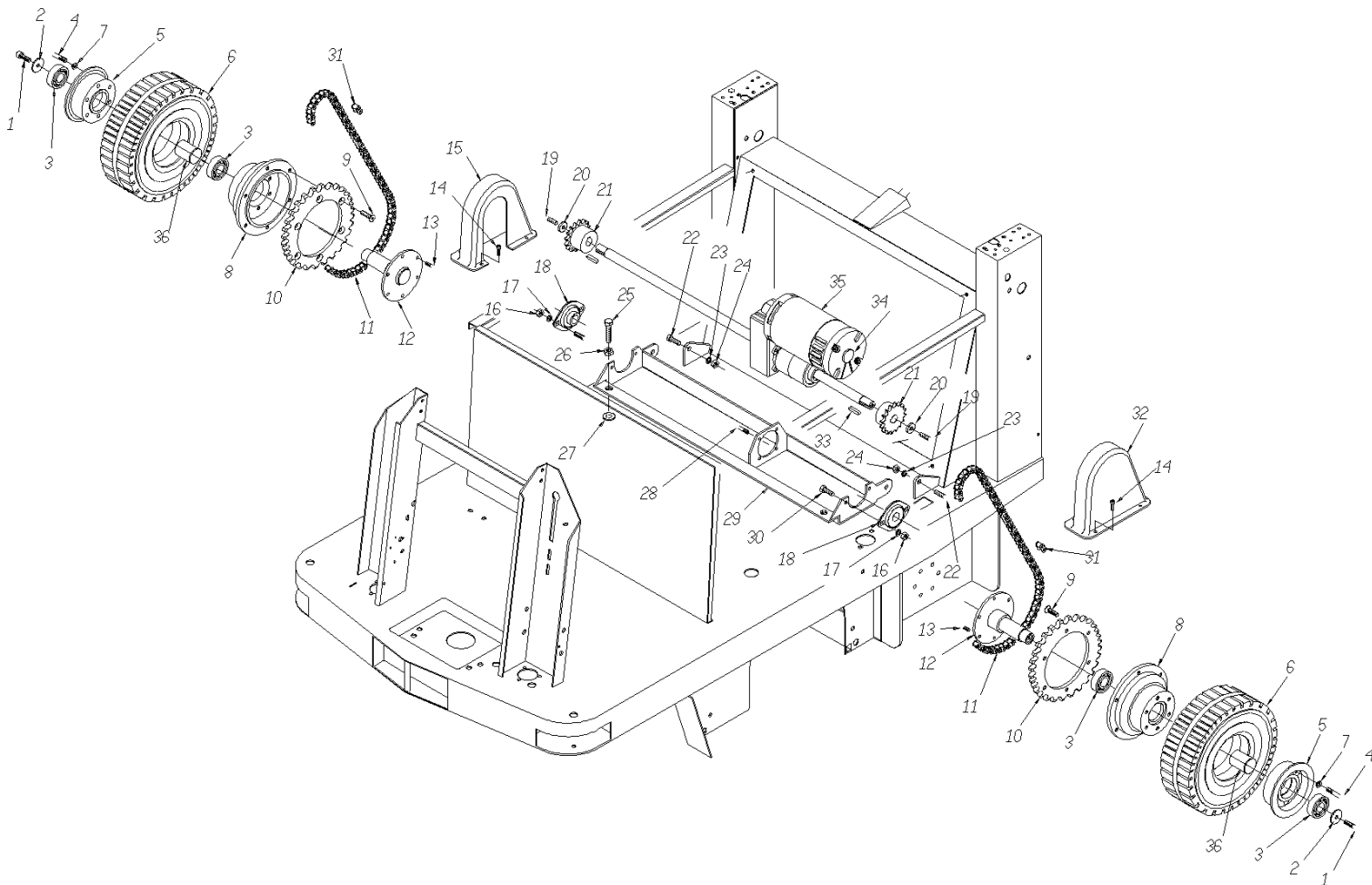
IPCGansow

Spare Parts List

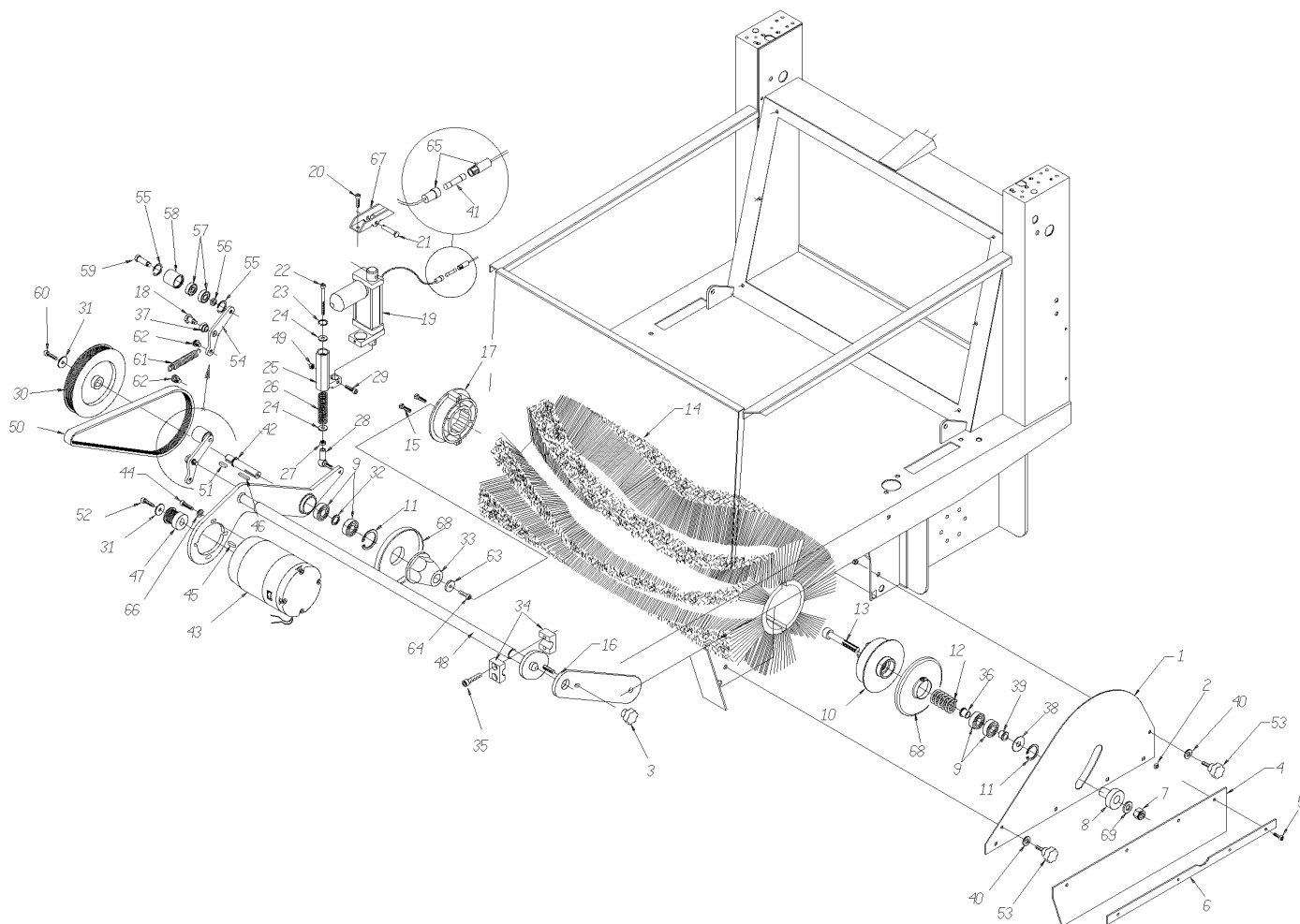
IPC . EAGLE

Ref: MSUB00274

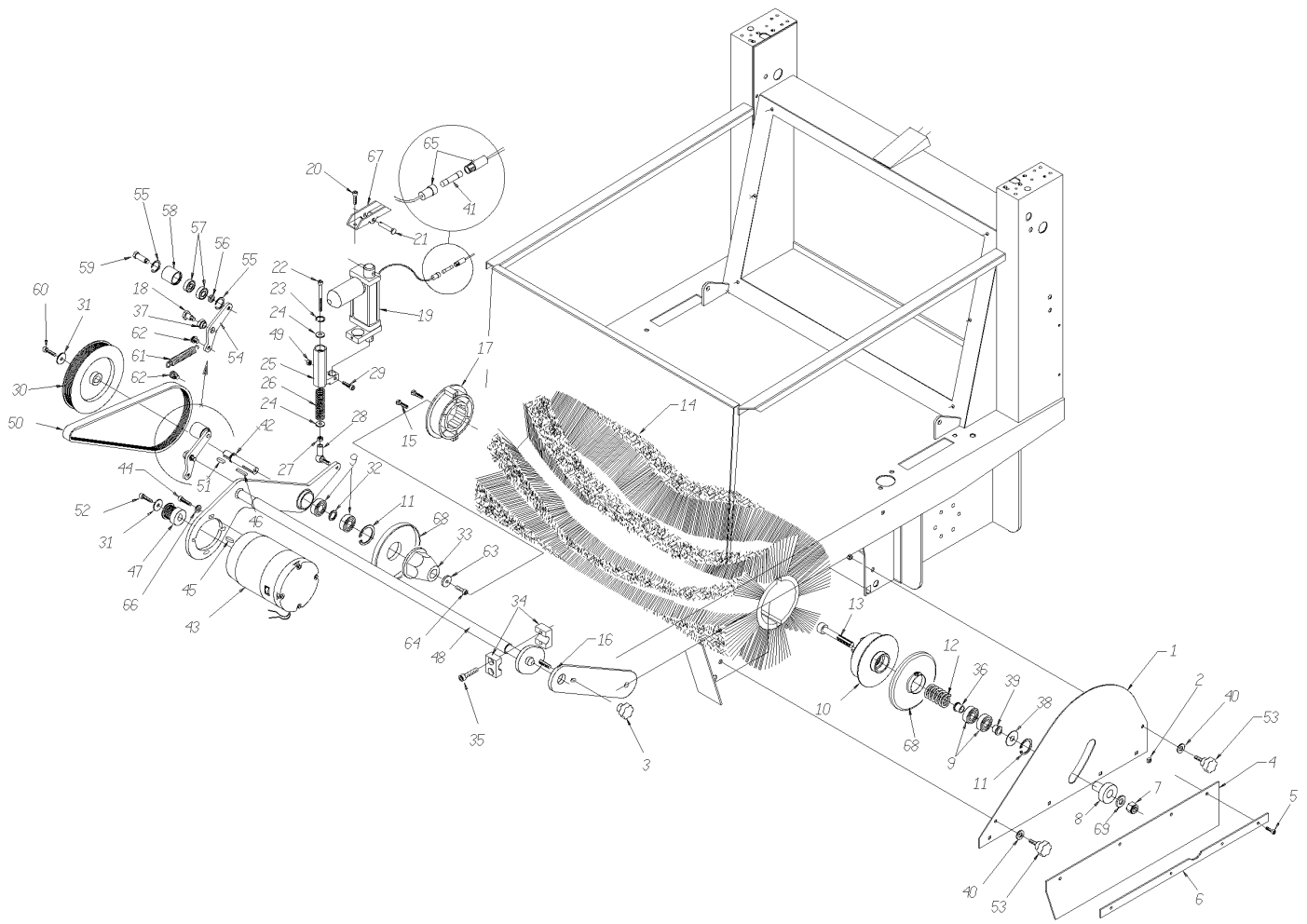
Model: Spazzatrice G 1202E gri/gri 2SP SA+L IPC



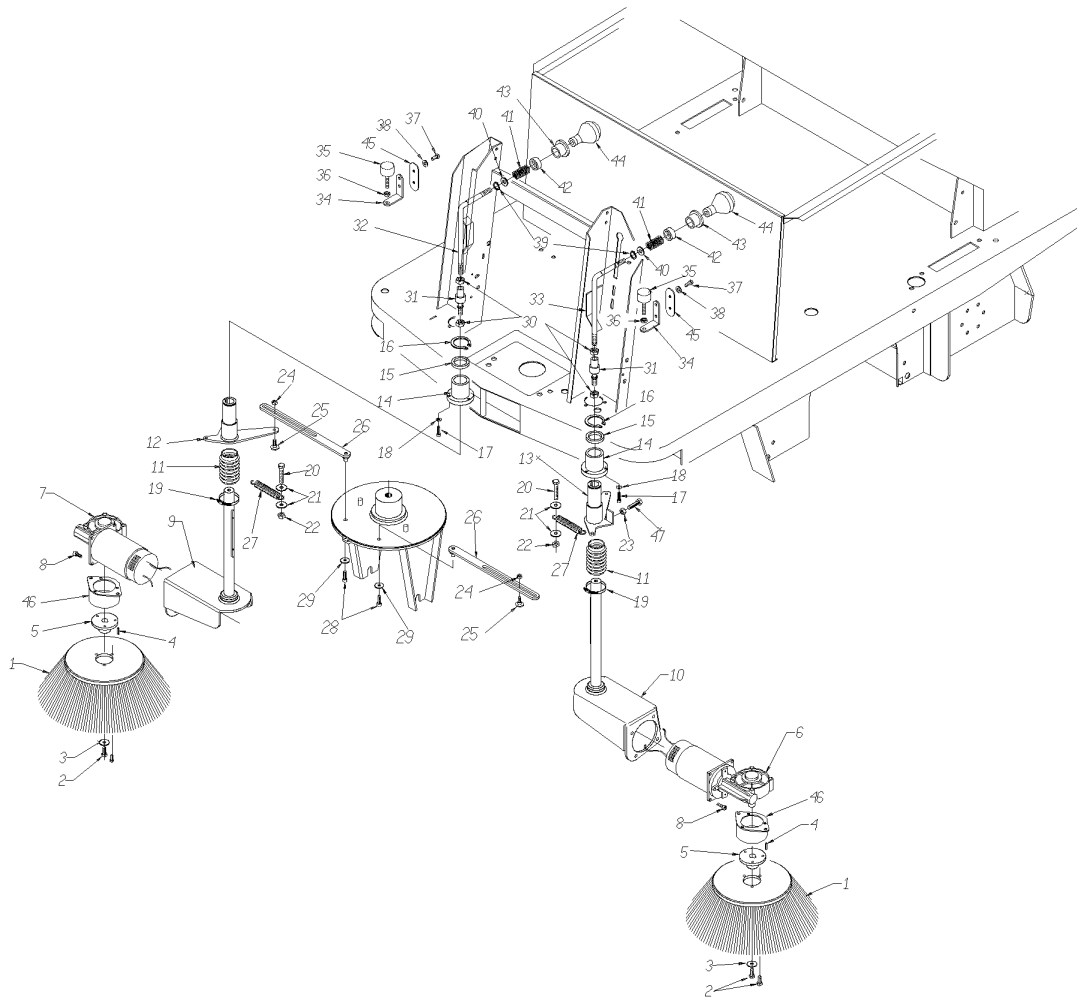
Ref. K	Part N.	Customer Part N.	Description	Qty	Validity: From To	Price
0001	VTVT87271		SCREW TBEI M 8X 16 ISO 7380	1,00		--
0002	VTRS00512		WASHER D. 8 X24 ZC.	2,00		--
0003	CUVR00008		BEARING 6003 2RS	4,00		--
0004	VTVT00066		SCREW TCCE UNI 5931 8X25 ZB	10,00		--
0005	LAFN85290		HUB SW 1000 22501004	2,00		--
0006	KTRI75744		REAR WHEELS TK1000	2,00		--
0007	VTRS01080		WASHER D. 8 GRW	10,00		--
0008	LAFN00633		HUB PORTACORONA TK1300	2,00		--
0009	VTVT00061		SCREW TSCE UNI 5933 6X20 ZB	10,00		--
0010	MTCR00002		BRAKE TRAZIONE RUOTE	2,00		--
0011	MTCR00004		CHAIN TRASMISSIONE TK1300/1200	2,00		--
0012	LAFN00317		FLANGE CON PERNO RUOTA POST.	2,00		--
0013	VTVT45340		SCREW TSPEI 8X16 UNI5933	12,00		--
0014	VTVT09913		SCREW TCEI 6X16 UNI5931	4,00		--
0015	MPVR00259		CRANKCASE PROTEZIONE CATENA DX 1300	1,00		--
0016	VTDD00124		NUT M 8 BASSO	4,00		--
0017	VTRS00504		WASHER D. 8 TE ZC. UNI 6592	4,00		--
0018	LAFN87166		SUPPORT	2,00		--
0019	VTVT29810		SCREW TCEI M 8X20 UNI 5931	2,00		--
0020	VTRS00512		WASHER D. 8 X24 ZC.	2,00		--
0021	MTIG00035		PINION DIFFERENZ.Z22 P66.93 1300	2,00		--
0022	VTVT00456		SCREW TE 10X25 UNI5739	2,00		--
0023	VTRS00505		WASHER D.10 TE UNI 6592	4,00		--
0024	VTDD00042		NUT AUT.M10 UNI7474	2,00		--
0025	VTVT00068		SCREW TE UNI 5739 10X60 ZB	2,00		--
0026	VTDD00484		NUT M10 ZIN UNI 5588	2,00		--
0027	LAFN47016		SPACER L.14	2,00		--
0028	VTVT62920		SCREW TE F/ROND. M 6X 16 ZB	4,00		--
0029	LAFN00771		SUPPORT DIFFERENZIALE TK1300 ZINC	1,00		--
0030	VTVT29810		SCREW TCEI M 8X20 UNI 5931	4,00		--
0031	MTCR47037		WARP KNITTING 3/8	2,00		--
0032	MPVR00260		CRANKCASE PROTEZIONE CATENA SX 1300	1,00		--
0033	VTVR28706		KEY 6X 6X20 UNI 6604A	2,00		--
0034	MECI00035		DASHBOARD DI TEMPERATURA F11-95 NC	1,00		--
0035	MOCC00007		MOTOR.GEARBOX TRAZIONE TK1300 DP	1,00		--
0036	LAFN00275		SPACER INTERNO RUOTA POST.TK1300	2,00		--



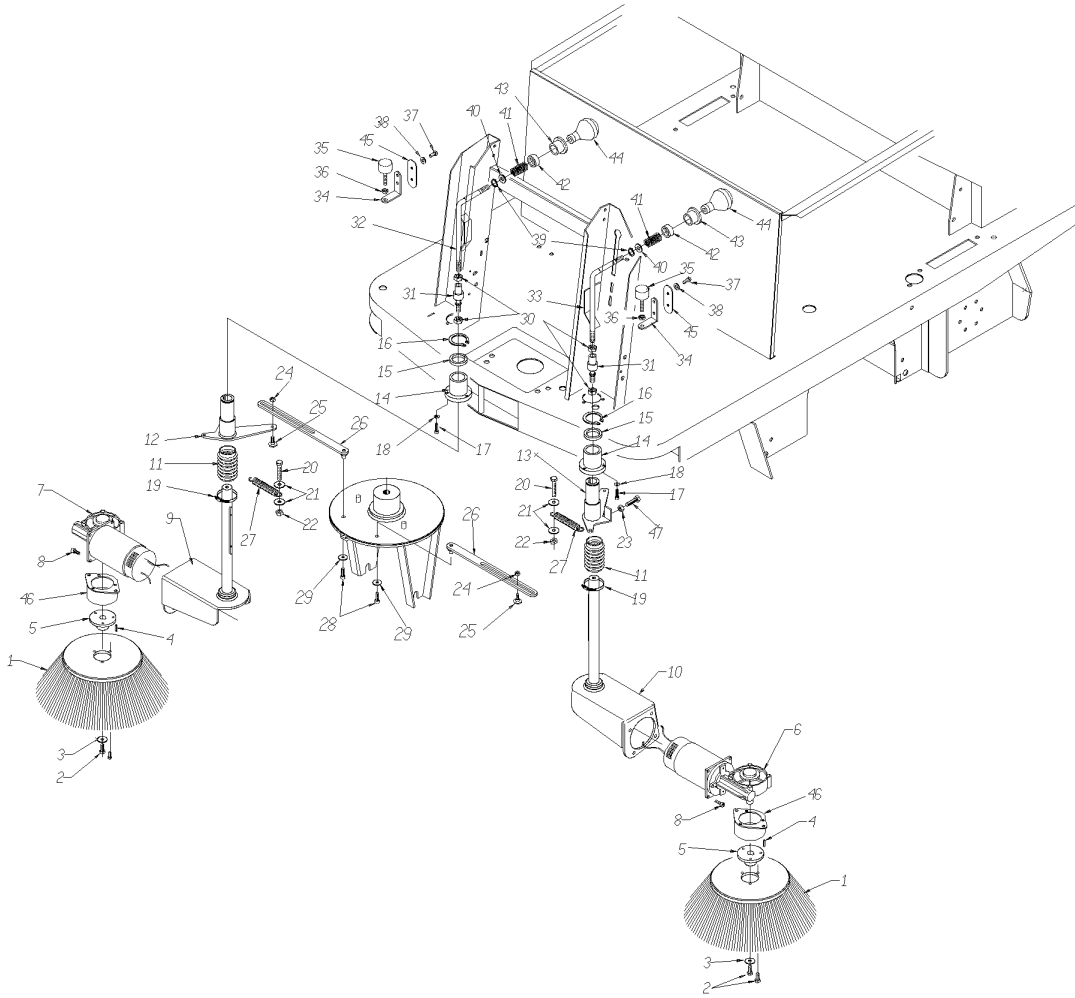
Ref. K	Part N.	Customer Part N.	Description	Qty	Validity:		Price
					From	To	
0001	LAFN06827		PLANE SPAZZOLA CENTRALE	1,00			--
0002	VTVR47015		INSERT PLS. D.3	4,00			--
0003	VTVR00047		HANDWHEEL D.50 M8	1,00			--
0004	MPVR05017		FLAP -	1,00			--
0005	VTVT00044		SCREW TC AF.X PLAS UNI9707 4X16	4,00			--
0006	LAFN06826		SHEET METAL PA.FLAP	1,00			--
0007	VTDD00012		NUT AUTOBLOK DIN 985 M12 ZB	1,00			--
0008	LAFN06836		PIN CENTRAGGIO PROTEZIONE	1,00			--
0009	CUVR17004		BALL BEARING 6202 -2RS1	4,00			--
0010	MPVR04923		SUPPORT SPAZZOLA CENTRALE	1,00			--
0011	VTAE00076		SEEGER INTERNO DIN 472 D.28	2,00			--
0012	MLML00295		SPRING SPAZZOLA CENTRALE	1,00			--
0013	VTVT01128		SCREW TCCE UNI 5931 12X120 ZB	1,00			--
0014	SPPV00052		CENTRAL BRUSH D.280X686 6R0.5/1.2 1200	1,00			--
0015	VTVT47138		SCREW TSP-TC 3,9X32 ZC. UNI6955	2,00			--
0016	LAFN47050		LATERAL ARM L.14	1,00			--
0017	LAFN45099		DRIVE DISK TK1400	1,00			--
0018	LAFN47051		PIN L.14	1,00			--
0019	MECB00983		WIRING ATTUATORE	1,00			--
0020	VTVT09913		SCREW TCEI 6X16 UNI5931	1,00			--
0021	LAFN00487		PIN FISSAG.ATTUATORE TK1300	1,00			--
0022	VTVT37013		SCREW TE M 6X100 UNI 5737	1,00			--
0023	VTAE00009		SEEGER INTERNO DIN 472 D.20	1,00			--
0024	LAFN00124		BUSHING BATTUTA CILINDRO	2,00			--
0025	MPVR45279		CASE TK1400	1,00			--
0026	MLML45281		SPRING TK1400	1,00			--
0027	VTDD01678		NUT M 5 UNI 5588	1,00			--
0028	VTVR45280		ARTICULATION AS M6	1,00			--
0029	VTVT00008		SCREW TE UNI 5739 6X30 ZB	1,00			--
0030	MTPL47054		PULLEY POLY-V J8 D. 155	1,00			--
0031	VTRS63242		WASHER D. 6 X24 ZC	2,00			--
0032	LAFN06823		SPACER L.14	1,00			--
0033	MPVR04915		HUB TRASCINATORE SPAZZ. CENT.	1,00			--
0034	LAFN47055		HOSE COLLAR C3 D.18	2,00			--
0035	VTVT06236		SCREW TCEI 6X40 UNI5931	4,00			--
0036	LAFN06782		BUSHING PER CUSCINETTO	1,00			--
0037	LAFN47033		BUSHING L.14	1,00			--
0038	VTRS00553		WASHER PARAPOLVERE	1,00			--
0039	LAFN06783		BUSHING PER CUSCINETTO 1	1,00			--



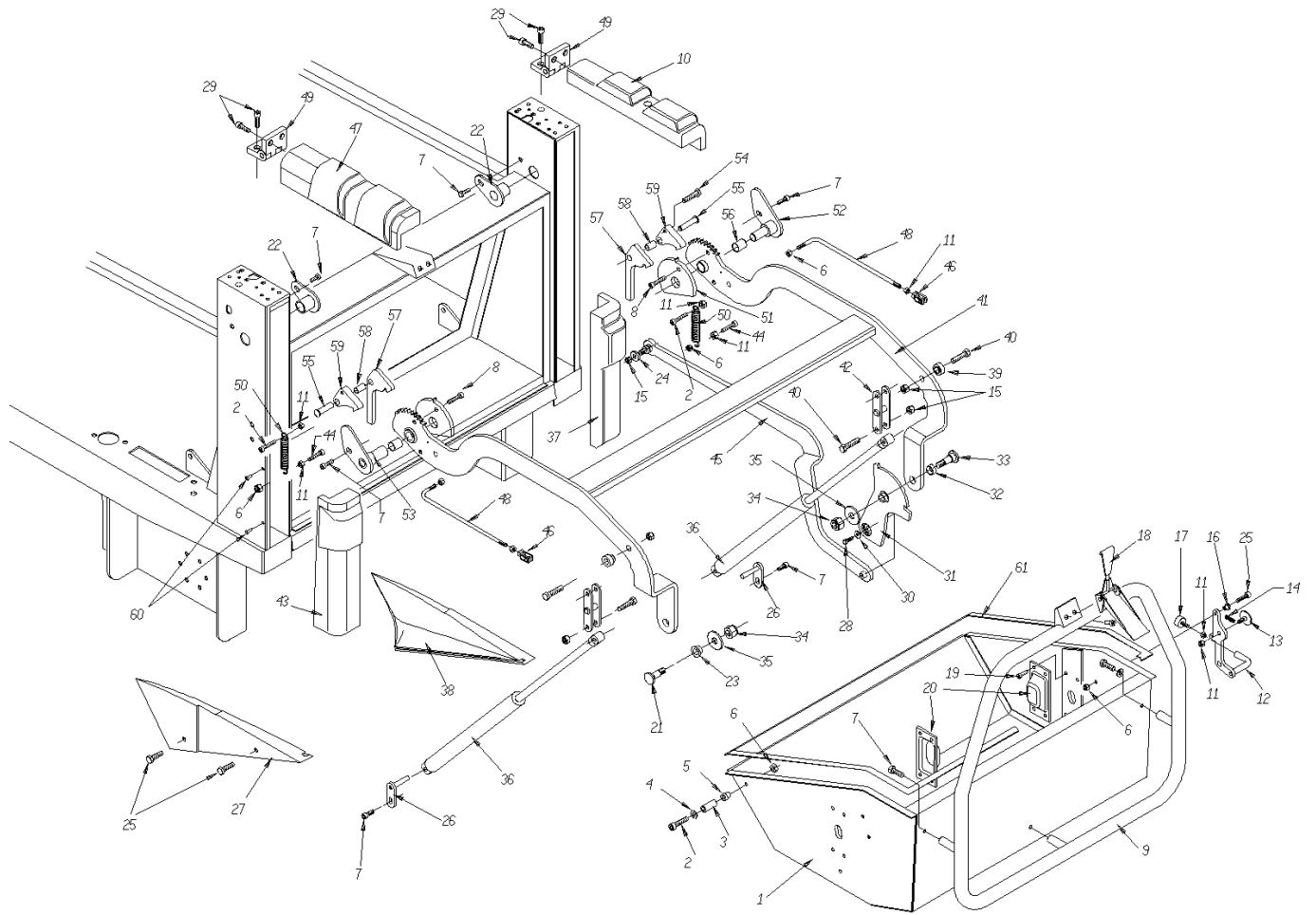
Ref. K	Part N.	Customer Part N.	Description	Qty	Validity:		Price
					From	To	
0040	VTRS00504		WASHER D. 8 TE ZC. UNI 6592	2,00			--
0041	MEVR00079		FUSE 3.15A 250V 5X20	1,00			--
0042	LAFN06687		PIN S.C. 1404	1,00			--
0043	MOCC00282		MOTOR G1202-1303	1,00			--
0044	VTVT06237		SCREW TCEI 6X20 UNI5931	4,00			--
0045	VTVR13165		KEY 5X5X20	1,00			--
0046	VTVR00006		KEY UNI 6604 4X4X35	1,00			--
0047	MTPL45101		PULLEY POLY-V J8 TK1400	1,00			--
0048	LAFN06830		ARM SPAZZOLA CENTRALE	1,00			--
0049	VTDD19688		NUT M6 UNI 7473	1,00			--
0050	MTCG44767		BELT POLY-V J8 864-340	1,00			--
0051	VTVR13165		KEY 5X5X20	1,00			--
0052	VTVT24209		SCREW TCEI 6X12 UNI5931	1,00			--
0053	RTRT00022		HANDWHEEL D.30 M6X15	2,00			--
0054	LAFN47059		BELT-STRETCHER L.14	1,00			--
0055	VTAE00008		SEEGER INTERNO DIN 472 D.26	2,00			--
0056	LAFN47060		SPACER L.14	1,00			--
0057	CUVR86373		BEARING 6000 2RS	2,00			--
0058	MTPL47061		ROLLER L.14	1,00			--
0059	LAFN47062		PIN L.14	1,00			--
0060	VTRS63242		WASHER D. 6 X24 ZC	1,00			--
0061	MLML75961		SPRING D. 16 L.80	1,00			--
0062	VTVT45395		SCREW TBEI M 8X 10 ISO 7380 ZB	2,00			--
0063	VTRS04026		WASHER D. 6X18X2.38	1,00			--
0064	VTVT24209		SCREW TCEI 6X12 UNI5931	1,00			--
0065	MEVR00080		FUSE-HOLDER PV610 10A	1,00			--
0066	VTRS04026		WASHER D. 6X18X2.38	4,00			--
0067	LAFN00772		PLATE PORTA ATTUATORE 1300/1200	1,00			--
0068	LAFN06837		PROTECTION SPAZZOLA CENTRALE	2,00			--
0069	VTRS00506		WASHER D.12 UNI 6592	1,00			--



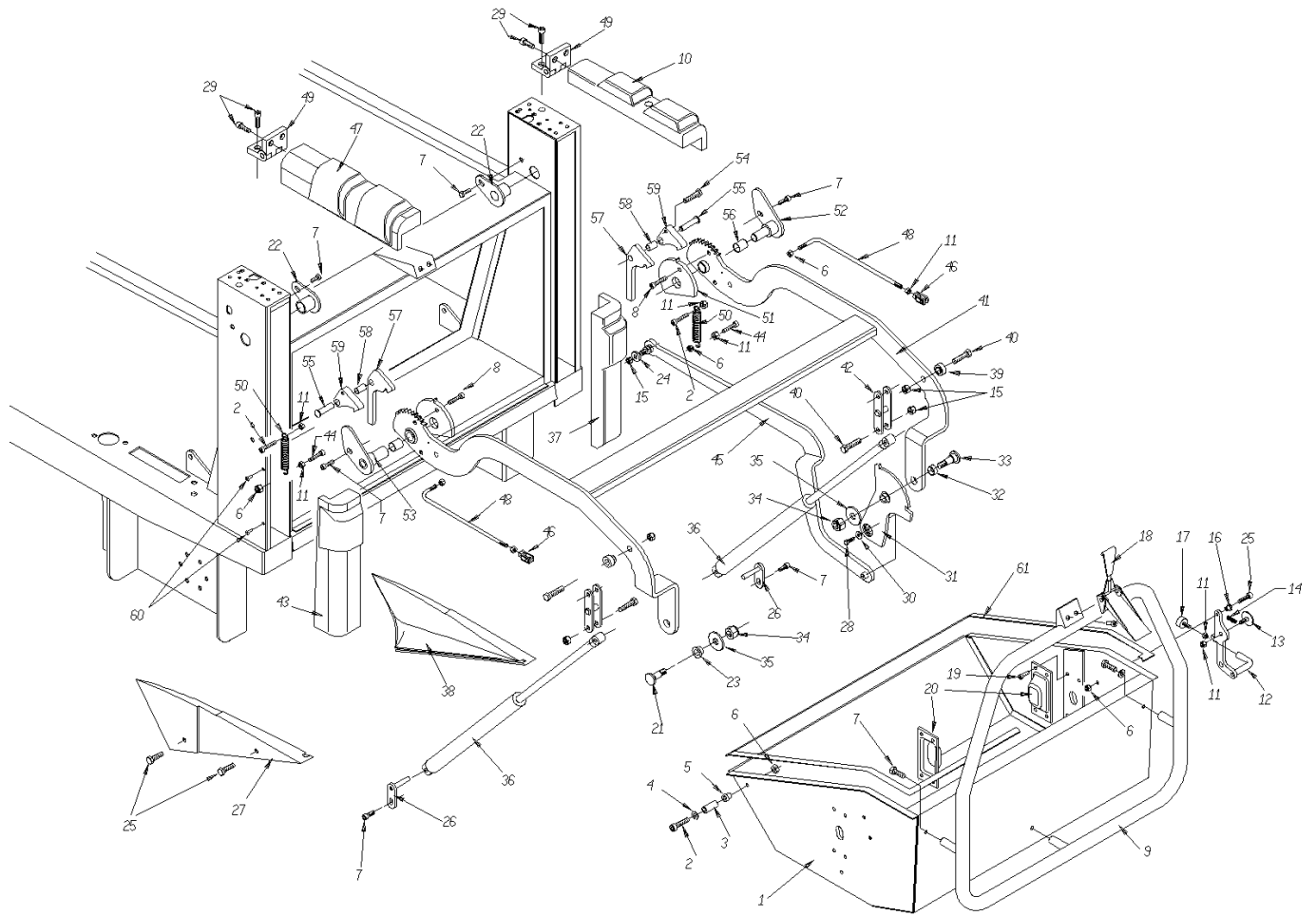
Ref.	K	Part N.	Customer Part N.	Description	Qty	Validity:		Price
						From	To	
0001		SPPV00018		BRUSH LATERALE TK1300/TK1200	2,00			--
0002		VTVT62920		SCREW TE F/ROND. M 6X 16 ZB	10,00			--
0003		VTRS63242		WASHER D. 6 X24 ZC	2,00			--
0004		VTVR33667		KEY 5x 5x25 UNI 6604A	2,00			--
0005		LAFN45010		FLANGE L.1400 LT.	2,00			--
0006		RDGR75785		MOTOR.GEARBOX AOMP140 24V 90W SX	1,00			--
0007		RDGR75784		MOTOR.GEARBOX AOMP140 24V TK1000	1,00			--
0008		VTVT09913		SCREW TCEI 6X16 UNI5931	8,00			--
0009		LAFN00784		ARM DX ALZA SPAZ.LAT.COMPL.	1,00			--
0010		LAFN00785		ARM SX ALZA SPAZ.LAT.COMPL.	1,00			--
0011		MPVR47066		PROTECTOR L.14	2,00			--
0012		LAFN00766		GUIDE ALBERO SPAZ.LAT.DX 1300zn	1,00			--
0013		LAFN00767		GUIDE ALBERO SPAZ.LAT.SX ZB	1,00			--
0014		LAFN47070		FLANGE L.14 LT.	2,00			--
0015		LAFN47081		SPACER L.14	2,00			--
0016		VTAE12644		CIRCLIP D. 30 UNI 7435	2,00			--
0017		VTVT09913		SCREW TCEI 6X16 UNI5931	6,00			--
0018		VTRS00503		WASHER D. 6 TE UNI 6798	6,00			--
0019		MEVR00114		CLAMP FISS.GUAINA NYLON 200X2.5	4,00			--
0020		VTVT00448		SCREW TE 8X30 UNI5739	2,00			--
0021		VTRS00512		WASHER D. 8 X24 ZC.	4,00			--
0022		VTDD00124		NUT M 8 BASSO	4,00			--
0023		VTDD00482		NUT M 6 ZIN UNI 5588	2,00			--
0024		VTDD00491		NUT M 6 TEF	2,00			--
0025		LAFN47080		SCREW L.14	2,00			--
0026		ALTR00028		ROD ROTAZ.SPAZ.LAT.COMPL.	2,00			--
0027		MLML45102		SPRING TR	2,00			--
0028		VTVT24209		SCREW TCEI 6X12 UNI5931	2,00			--
0029		VTRS63242		WASHER D. 6 X24 ZC	2,00			--
0030		VTDD00484		NUT M10 ZIN UNI 5588	4,00			--
0031		VTVR47072		ARTICULATION AS M10	2,00			--
0032		LAFN47073		ARM L.14 DX	1,00			--
0033		LAFN47078		ARM L.14 SX	1,00			--
0034		MPVR86579		SUPPORT TK	2,00			--
0035		ABGO00008		VIBRATION DAMP.PM 20X20 M6X20	2,00			--
0036		VTDD00482		NUT M 6 ZIN UNI 5588	2,00			--
0037		VTVT75726		SCREW TBEI M 6X 16 ISO 7380 ZB	4,00			--
0038		VTRS04026		WASHER D. 6X18X2.38	4,00			--
0039		VTAE87276		SEEGER EXT. D10 DIN471	2,00			--



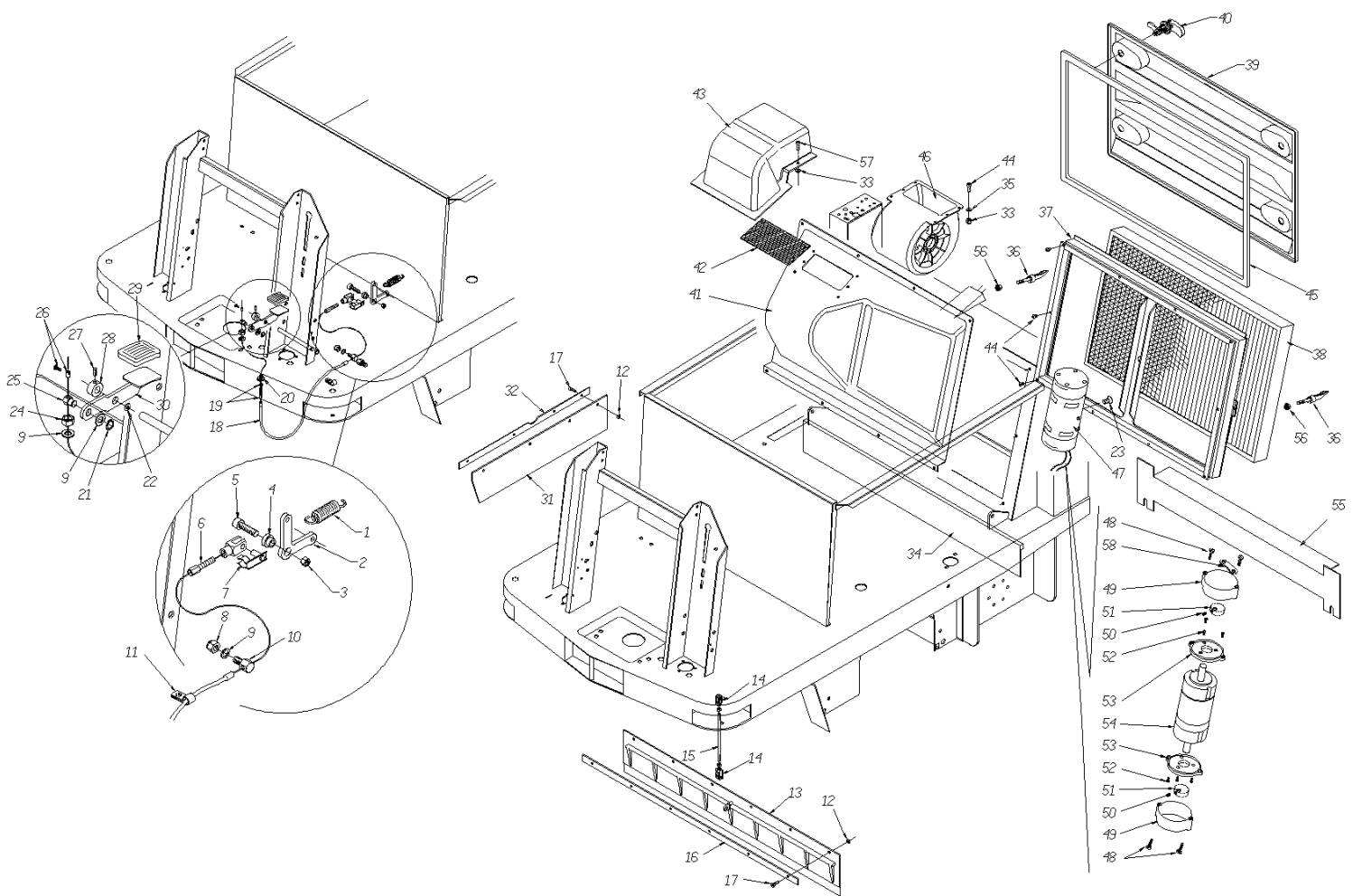
Ref. K	Part N.	Customer Part N.	Description	Qty	Validity:		Price
					From	To	
0040	VTRS00505		WASHER D.10 TE UNI 6592	2,00			--
0041	MLML47075		SPRING D.15X 24 X1.5	2,00			--
0042	MPVR47074		BUSHING L.14 INT.	2,00			--
0043	MPVR47076		BUSHING L.14 EXT.	2,00			--
0044	MPVR47077		KNOB L.14	2,00			--
0045	LAFN06795		BRACKET LEVE SPAZZOLE LATERALI	2,00			--
0046	LAFN06400		SUPPORT BRACKET RUOTINO	2,00			--
0047	VTVT00008		SCREW TE UNI 5739 6X30 ZB	2,00			--



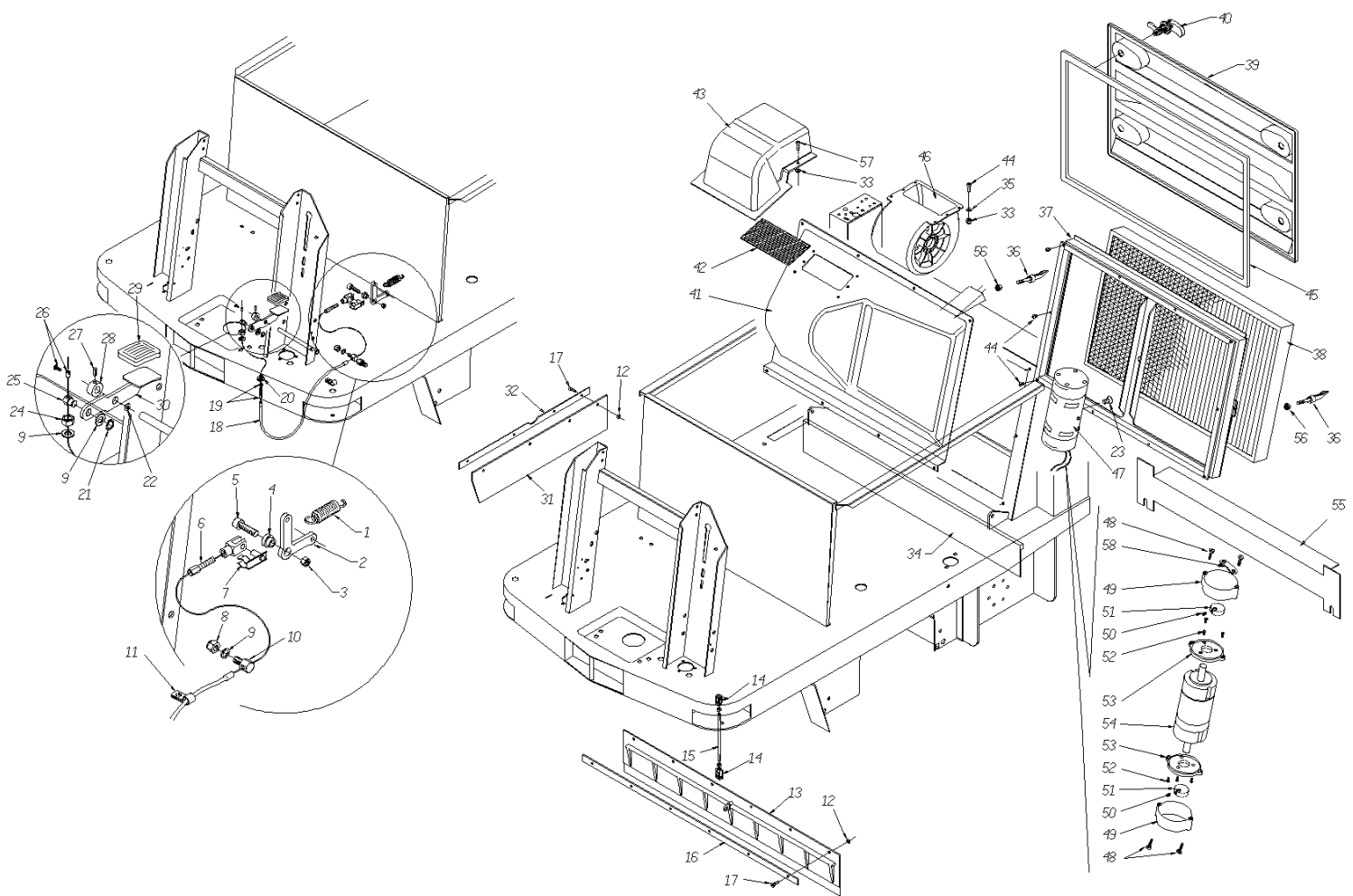
Ref.	K	Part N.	Customer Part N.	Description	Qty	Validity:		Price
						From	To	
0001		LAFN00245		DRAWER TK1200 COMPL.RAL7024 SOLL	1,00			--
0002		VTVT63029		SCREW TCEI M 6X 35 UNI 5931 ZB	3,00			--
0003		LAFN00141		BUSHING RULLINO CASSETTO TK1200	1,00			--
0004		VTRS00503		WASHER D. 6 TE UNI 6798	1,00			--
0005		LAFN00635		ROLLER CASSETTO TK1200	1,00			--
0006		VTDD19688		NUT M6 UNI 7473	6,00			--
0007		VTVT62920		SCREW TE F/ROND. M 6X 16 ZB	7,00			--
0008		VTVT01118		SCREW TCEI M 8X16 ZC. UNI 5931	2,00			--
0009		LAFN00410		HANDLE CASSETTO COMPLETO RAL7024	1,00			--
0010		MPVR00294		BUMPER POSTERIORE SUP.DX TK1200	1,00			--
0011		VTDD00482		NUT M 6 ZIN UNI 5588	8,00			--
0012		LAFN00354		LEVER SGANCIO CASSETTO	1,00			--
0013		LAFN00504		PIN MOLLA LEVA SGANCIO TK1200	1,00			--
0014		MLML00021		SPRING CHIAVISTELLO ROT.CASSETTO	1,00			--
0015		VTDD00124		NUT M 8 BASSO	5,00			--
0016		LAFN00506		PIN LEVA SGANCIO	1,00			--
0017		ABGO00008		VIBRATION DAMP.PM 20X20 M6X20	1,00			--
0018		CHVR76642		CLOSURE SW1000	1,00			--
0019		VTVT75719		SCREW TE F/ROND. M 6 X 10	8,00			--
0020		MPVR00284		COWLING COPRI PERNO	2,00			--
0021		LAFN00502		PIN CASSETTO	1,00			--
0022		LAFN00515		PIN BRACCIO	2,00			--
0023		LAFN00023		WASHER SPALLAMENTO CASSET.TK1200	1,00			--
0024		VTRS00512		WASHER D. 8 X24 ZC.	1,00			--
0025		VTVT24209		SCREW TCEI 6X12 UNI5931	5,00			--
0026		LAFN00508		PIN MOLLA GAS COMPLETO	2,00			--
0027		MPVR00286		CONVEYOR CASSETTO SX TK1200	1,00			--
0028		VTVT17639		SCREW TCEI M 5X10 UNI 5931	1,00			--
0029		VTVT09913		SCREW TCEI 6X16 UNI5931	1,00			--
0030		VTRS00291		WASHER D. 5 X20 ZC UNI 6593	1,00			--
0031		LAFN00792		BRACKET PARELLOGRAMMA COMPLETO	1,00			--
0032		LAFN00143		BUSHING BRACCIO	2,00			--
0033		LAFN00502		PIN CASSETTO	1,00			--
0034		VTDD00042		NUT AUT.M10 UNI7474	2,00			--
0035		VTRS00514		WASHER D.10X30X11.4	2,00			--
0036		MLML00004		SPRING A GAS X CASSETTO TK 1200	2,00			--
0037		MPVR00292		BUMPER POSTERIORE INF.DX TK1200	1,00			--
0038		MPVR00285		CONVEYOR CASSETTO DX TK1200	1,00			--
0039		LAFN00503		PIN BIELLA	2,00			--



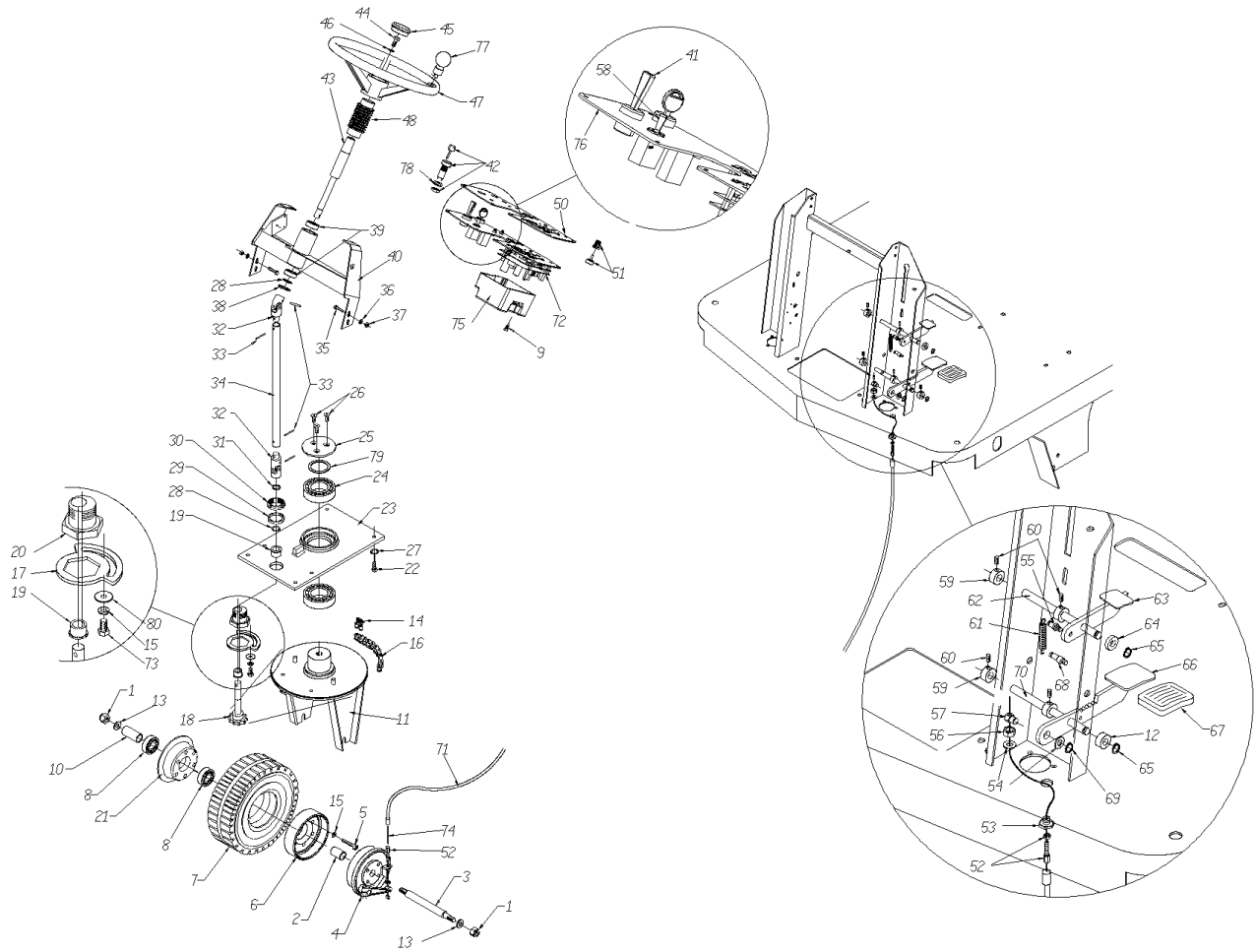
Ref. K	Part N.	Customer Part N.	Description	Qty	Validity:		Price
					From	To	
0040	VTVT00017		SCREW TE UNI 5739 8X35 ZB	4,00			--
0041	LAFN00789		ARM SOLLEVAM.TK1200 COMPL ZIN	1,00			--
0042	LAFN00355		CONNECTING ROD COMPLETA	2,00			--
0043	MPVR00293		BUMPER POSTERIORE INF.SX TK1200	1,00			--
0044	VTVT01532		SCREW TE 6X25 UNI5739	2,00			--
0045	LAFN00788		ARM PRALELOGRAMMA COMPL.1200	1,00			--
0046	CMCV75717		CLIP UNI 1676 M6	2,00			--
0046	CMCV76639		FORK M 6 UNI 1676	2,00			--
0047	MPVR00295		BUMPER POSTERIORE SUP.SX TK1200	1,00			--
0048	LAFN00797		CONTOLE ROD PARAU RTI POSTERIORE COMPL	2,00			--
0049	CEVR85332		HINGE MEB F D.6 TK	2,00			--
0050	MLML00022		SPRING GANCIO ARPIONE	2,00			--
0051	LAFN00323		FLANGE SGANCIO SOLLEVAMENTO 1200	2,00			--
0052	LAFN00511		PIN ESTERNO BRACCIO DESTRO	1,00			--
0053	LAFN00512		PIN ESTERNO BRACCIO SINISTRO	1,00			--
0054	VTVT12255		SCREW TCEI 6X25 UNI5931	2,00			--
0055	LAFN00505		PIN GANCIO ARPIONE TK 1200	2,00			--
0056	MPVR47125		BUSHING D. 16X18X20 GLYC.	2,00			--
0057	LAFN00790		HOOK ARPIONE BRACCIO	2,00			--
0058	MPVR00011		BUSHING GLYCODUR GLY.PG 10-12-20F	2,00			--
0059	LAFN00791		HOOK ARPIONE	2,00			--
0060	VTVT06237		SCREW TCEI 6X20 UNI5931	4,00			--
0061	GUGO00036		GASKET CASSETTO POSTER.TK1200	1,00			--



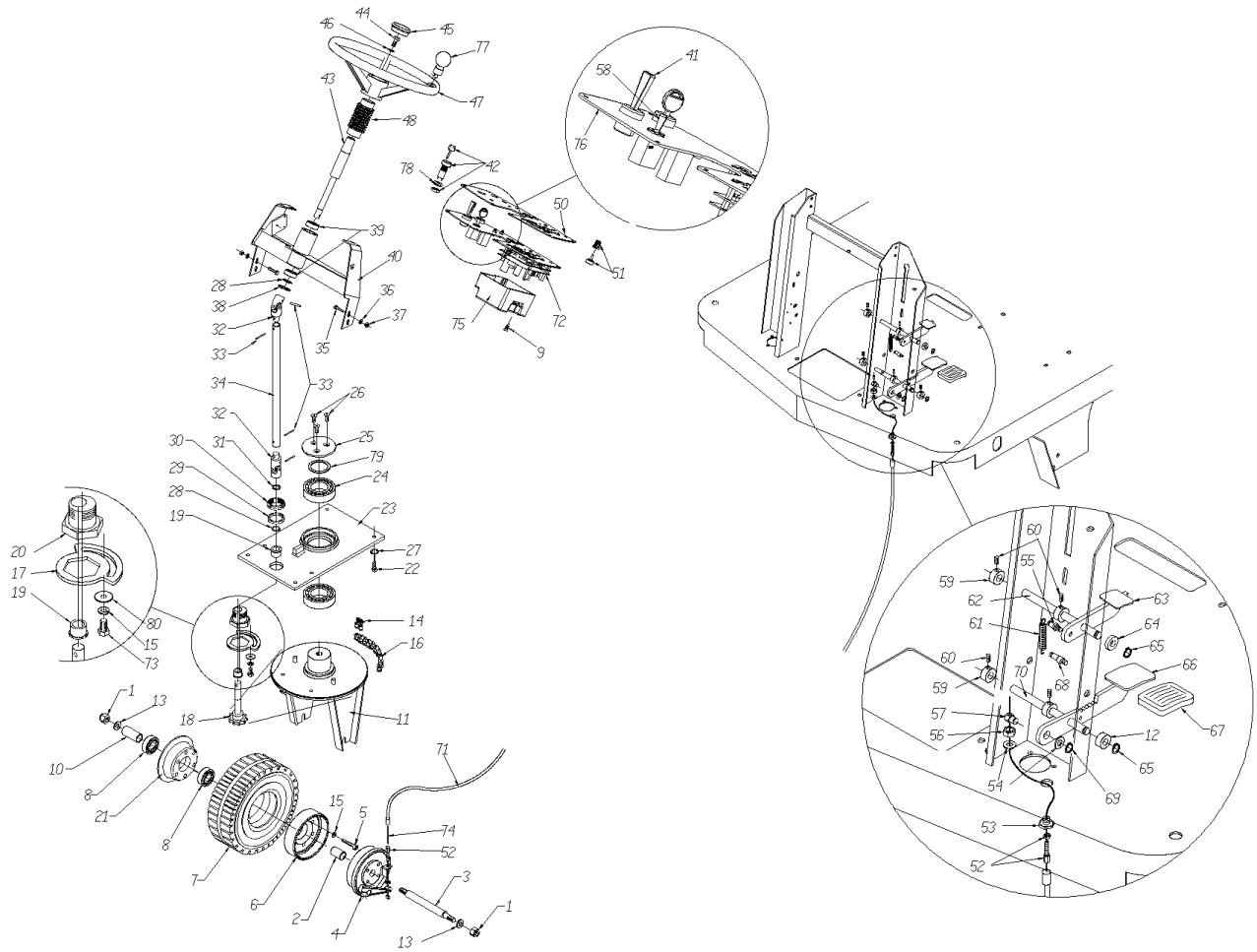
Ref. K	Part N.	Customer Part N.	Description	Qty	Validity:		Price
					From	To	
0001	MLML45109		SPRING TR D. 12X1.7X79.5	1,00			--
0002	LAFN47128		LEVER L.14	1,00			--
0003	VTDD00124		NUT M 8 BASSO	1,00			--
0004	LAFN47129		BUSHING L.14 A.FLAP	1,00			--
0005	VTVT00448		SCREW TE 8X30 UNI5739	1,00			--
0006	CMCV87172		CABLE ALZA FLAP 2125404	1,00			--
0007	CMCV75717		CLIP UNI 1676 M6	1,00			--
0008	VTDD00012		NUT AUTOBLOK DIN 985 M12 ZB	1,00			--
0009	VTRS00506		WASHER D.12 UNI 6592	4,00			--
0010	LAFN75976		SPRING GUIDE TK 1000	1,00			--
0011	FSVR00005		CLAMP TIPO "ECO"FORO MM8 D.1 W0	1,00			--
0012	VTVR47015		INSERT PLS. D.3	10,00			--
0013	MPVR00754		FLAP ANTERIORE TK1200 COMPL.	1,00			--
0014	CMCV76639		FORK M 6 UNI 1676	2,00			--
0015	LAFN00517		PIN TIRANTE ALZAFLAP ZINC.	1,00			--
0016	LAFN00324		CLAMP FLAP ANTER.TK1200 ZINC.	1,00			--
0017	VTVT00044		SCREW TC AF.X PLAS UNI9707 4X16	9,00			--
0018	CMCV75904		BRAKE SHEATH TK 1000E/S	1,00			--
0019	CMCV75723		REGISTER D.7	1,00			--
0020	LAFN75975		PIN TK	1,00			--
0021	VTAE14016		CIRCLIP D. 12 UNI 7435	2,00			--
0022	VTRS00505		WASHER D.10 TE UNI 6592	1,00			--
0023	VTVT47143		SCREW TSPEI M 10X 16 ZC UNI5933	1,00			--
0024	VTDD01682		NUT M12 ZC UNI 5588	1,00			--
0025	LAFN75973		PIN FLAP TK	1,00			--
0026	VTVR00028		CLAMP PER CASSETTO G1300	1,00			--
0027	VTVT75731		SCREW UNI 5923 6 X5	1,00			--
0028	LAFN47030		BUSHING L.14	1,00			--
0029	MPVR45096		RUBBER V 1201 GR.	1,00			--
0030	LAFN47133		PEDALE L.14 FLAP	1,00			--
0031	MPVR05017		FLAP -	1,00			--
0032	LAFN06826		SHEET METAL PA.FLAP	1,00			--
0033	VTDD00491		NUT M 6 TEF	8,00			--
0034	MPVR00755		FLAP POSTERIORE FISSO TK1200	1,00			--
0035	VTRS00503		WASHER D. 6 TE UNI 6798	6,00			--
0036	PMVR00290		HANDLE BLOCCAG.FILTRO TK1200	2,00			--
0037	PMVR00289		FRAME PORTA FILTRO	1,00			--
0038	FTDP76067		FILTER SW1000	1,00			--
0039	MPVR45784		COVER CHIUSURA FILTRO	1,00			--



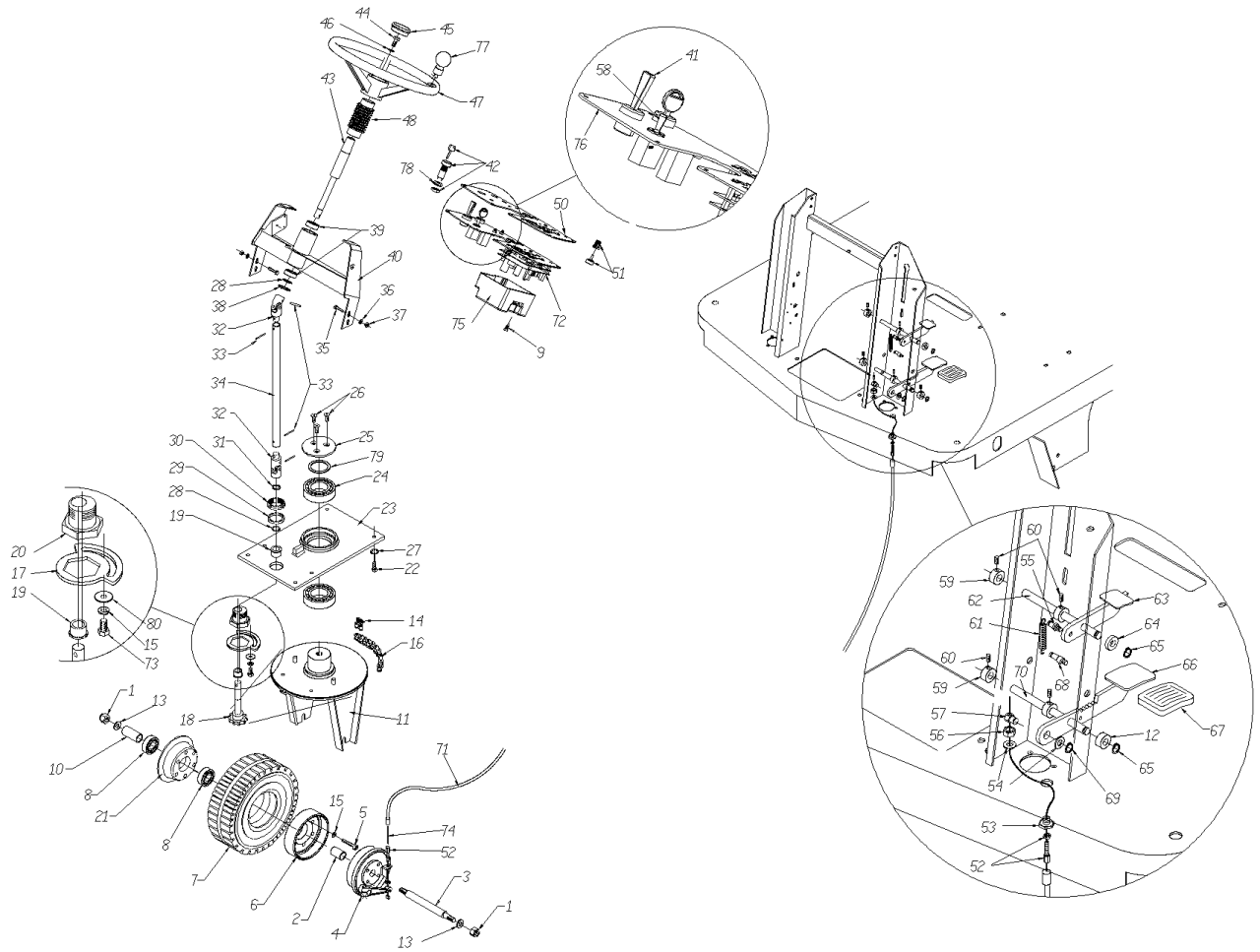
Ref. K	Part N.	Customer Part N.	Description	Qty	Validity:		Price
					From	To	
0040	PMVR00103		LOCK	4,00			--
0042	LAFN00908		BRACKET VENTOLA	1,00			--
0043	PMVR00500		TUNNEL ESPULSIONE ARIA TK1200	1,00			--
0044	VTVT75726		SCREW TBEI M 6X 16 ISO 7380 ZB	18,00			--
0045	GUVR46899		GASKET COPERCHIO	1,00			--
0046	MOCC00008		MOTOR VENTOLA ASPIRAZ.TK1200	1,00			--
0047	MOCC45112		MOTOR 24V CC ECC.	1,00			--
0048	VTVT47138		SCREW TSP-TC 3,9X32 ZC. UNI6955	8,00			--
0049	LAFN47139		MOTOR COVER L.14 FILT.	4,00			--
0050	VTVT75731		SCREW UNI 5923 6 X5	4,00			--
0051	LAFN47140		BUSHING L.14	4,00			--
0052	VTVT76616		SCREW M 4x18 STEAM GUN	12,00			--
0053	MFVR47141		FLANGE MOTOR L.14	4,00			--
0054	MOCC00004		MOTOR D.63 24V G3800 W35	1,00			--
0055	LAFN00855		BRACKET BLOCCA FILTRO G1200 VERN.	1,00			--
0056	VTDD13261		NUT M 8X1 UNI 5589	4,00			--
0057	VTVT62920		SCREW TE F/ROND. M 6X 16 ZB	2,00			--
0058	MPVR00765		RUBBER FISSAGGIO FILO SCUOTIFIL.	2,00			--



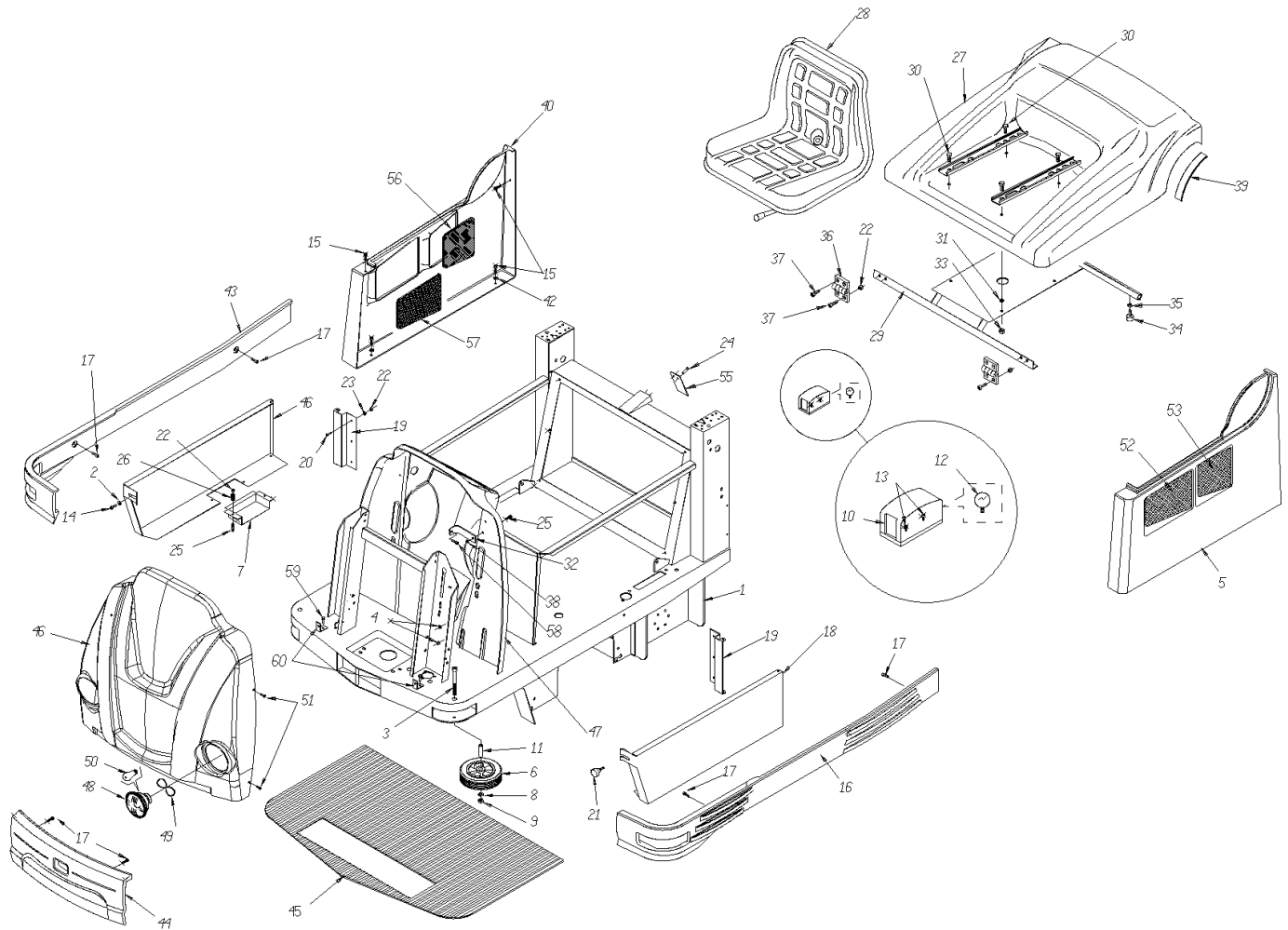
Ref.	K	Part N.	Customer Part N.	Description	Qty	Validity:		Price
						From	To	
0001		VTDD00012		NUT AUTOBLOK DIN 985 M12 ZB	2,00			--
0002		LAFN00265		SPACER RUOTA ANT.LATO FRENO 1000	1,00			--
0003		LAFN87163		PIN	1,00			--
0004		PMVR00231		BRAKE G1202	1,00			--
0005		VTVT29810		SCREW TCEI M 8X20 UNI 5931	5,00			--
0006		LAFN85291		HUB SW 1000 22501002	1,00			--
0007		KTRI75744		REAR WHEELS TK1000	1,00			--
0008		CUVR00005		BEARING 6202 2RS	2,00			--
0009		VTVT00288		SCREW TCTC 4X10	2,00			--
0010		LAFN00264		SPACER RUOTA ANTERIORE TK1000	1,00			--
0011		LAFN00853		SUPPORT RUOTA ANTER.MODIF.ZINC.	1,00			--
0012		LAFN47019		BUSHING L.14	1,00			--
0013		VTRS00506		WASHER D.12 UNI 6592	2,00			--
0014		MTCR47037		WARP KNITTING 3/8	2,00			--
0015		VTRS01080		WASHER D. 8 GRW	5,00			--
0016		MTCR00005		CHAIN STERZO TK1300/1200 3/8"	1,00			--
0017		LAFN47039		FLANGE L.14	1,00			--
0018		KTRI46514		PIN TK 1000 + BUSCH.	1,00			--
0019		LAFN75841		BUSHING TK 1000	2,00			--
0020		LAFN75842		BUSHING TK 1000	1,00			--
0021		LAFN85290		HUB SW 1000 22501004	1,00			--
0022		VTVT00447		SCREW TE 8X25 UNI5739	6,00			--
0023		LAFN00318		FLANGE FISSAG.RUOTA ANT.1300 ZIN	1,00			--
0024		CUVR75816		BEARING 51112	2,00			--
0025		LAFN47004		FLANGE TK1400	1,00			--
0026		VTVT00014		SCREW TE UNI 5739 8X20 CL.10.9	3,00			--
0027		VTRS01080		WASHER D. 8 GRW	6,00			--
0028		LAFN47020		THICKNESS D.15X22X1.0	5,00			--
0029		LAFN75913		SPACER TK	1,00			--
0030		VTVR75747		RING NUT AUTOBLOK M 35 X 1,5 GUK	1,00			--
0031		VTAE17003		CIRCLIP D. 15 UNI 7435	1,00			--
0032		VTVR47021		ARTICULATION D. 5-15	2,00			--
0033		VTVR46987		ELASTIC PLUG 5X25 UNI 6873	2,00			--
0034		ALTR00035		SHAFT STERZO G1200-G1300 ZINC.	1,00			--
0035		VTVT62920		SCREW TE F/ROND. M 6X 16 ZB	4,00			--
0036		VTRS04026		WASHER D. 6X18X2.38	4,00			--
0037		VTDD00491		NUT M 6 TEF	4,00			--
0038		VTAE17003		CIRCLIP D. 15 UNI 7435	1,00			--
0039		CUVR00005		BEARING 6202 2RS	2,00			--



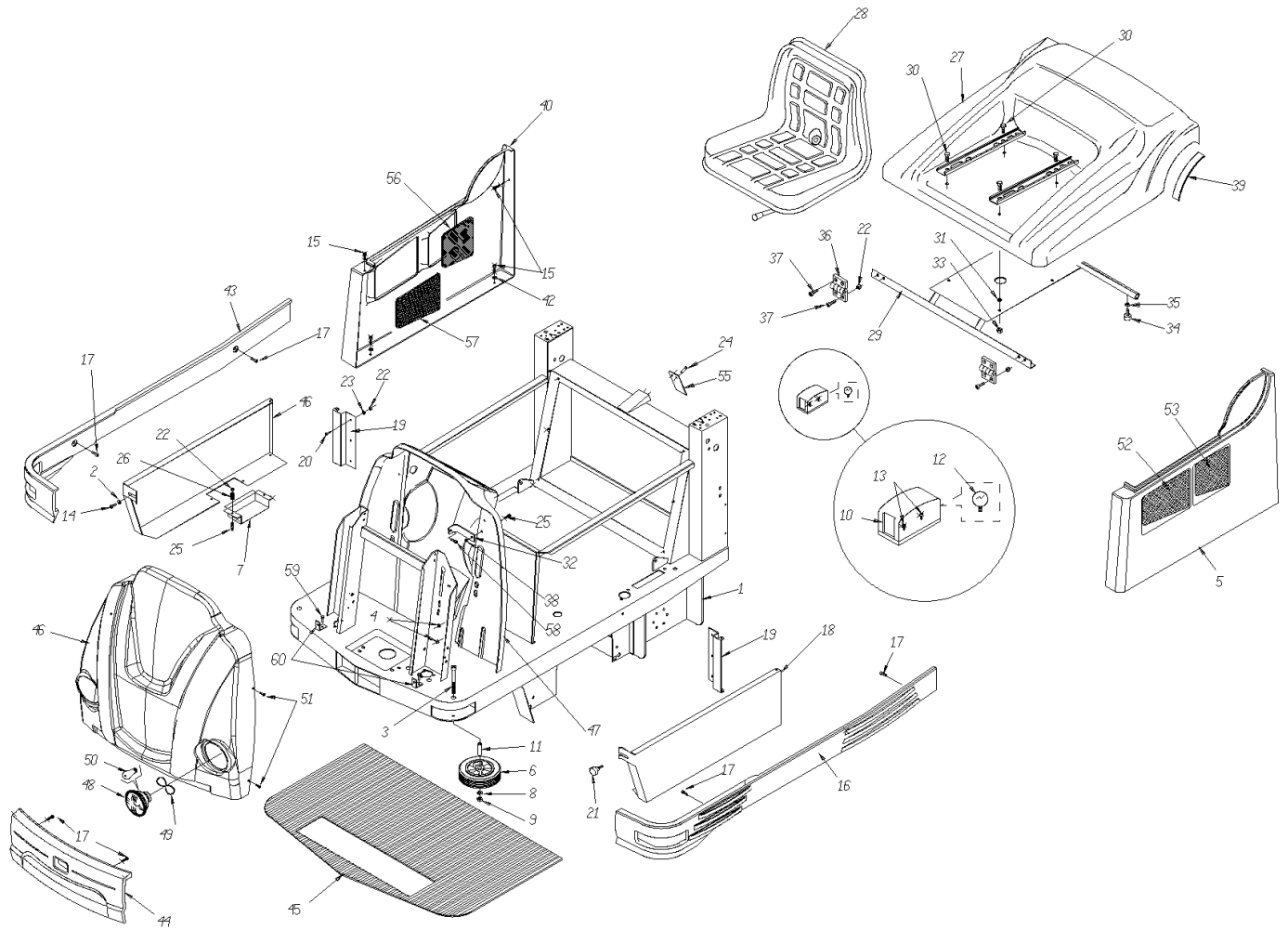
Ref.	K	Part N.	Customer Part N.	Description	Qty	Validity:		Price
						From	To	
0040	LAFN06791			ASSEMBLED SUPPORTO PIANTONE	1,00			--
0041	MECI00337			SWITCH A LEVA	1,00			--
0042	MECI75805			SWITCH TK	1,00			--
0043	LAFN47024			UP STEERING L.14	1,00			--
0044	VTVT00642			SCREW TE 10X30	1,00	05/2006		--
0044	VTVT47025			SCREW TBEI M 10X 16 ISO 7380 ZB	1,00		05/2006	--
0045	MPVR47026			BLACK CAP L.14	1,00			--
0046	VTRS44254			WASHER D.10 X40X2.5 UNI6593	1,00			--
0047	MPVR47027			STEERING WHEEL D. 320 L.14	1,00			--
0048	MPVR47066			PROTECTOR L.14	2,00			--
0050	ETET01403			LABEL PLANCIA	1,00			--
0051	MECE00016			PCB MICRO + DISPLAY	1,00			--
0052	CMCV75723			REGISTER D.7	1,00			--
0053	LAFN75975			PIN TK	1,00			--
0054	VTRS00506			WASHER D.12 UNI 6592	2,00			--
0055	LAFN47029			PIN CH.10 H.16	1,00			--
0056	VTDD01682			NUT M12 ZC UNI 5588	1,00			--
0057	LAFN75973			PIN FLAP TK	1,00			--
0058	MECI76658			COMMUTAT.SWITCH2 P. TK	1,00			--
0059	LAFN47030			BUSHING L.14	3,00			--
0060	VTVT75731			SCREW UNI 5923 6 X5	3,00			--
0061	MLML75960			SPRING D. 8 X1 X32	1,00			--
0062	LAFN47031			PIN L.14	1,00			--
0063	LAFN47032			PEDALE L.14	1,00			--
0064	LAFN47033			BUSHING L.14	1,00			--
0065	VTAE87276			SEGER EXT. D10 DIN471	2,00			--
0066	LAFN47034			BRAKE PEDAL L.14	1,00			--
0067	MPVR45096			RUBBER V 1201 GR.	1,00			--
0068	LAFN47035			PIN CH.10 H.26	1,00			--
0069	VTAE14016			CIRCLIP D. 12 UNI 7435	1,00			--
0070	LAFN47036			PIN BRK.+FLAP L.14	1,00			--
0071	CMCV75904			BRAKE SHEATH TK 1000E/S	1,00			--
0072	MECE00016			PCB MICRO + DISPLAY	1,00			--
0073	VTVT01110			SCREW TE 8X16 UNI5739	1,00			--
0074	CMCV85320			CABLE D.2,5 L.760 21251003	1,00			--
0075	MPVR00878			FAN COVER MICRO	1,00		04/2006	--
0075	MPVR04902			COVER SCHEDA MICRO	1,00	04/2006		--
0076	LAFN06792			BOARD COMANDI	1,00			--
0077	MPVR47040			KNOB L.14	1,00			--



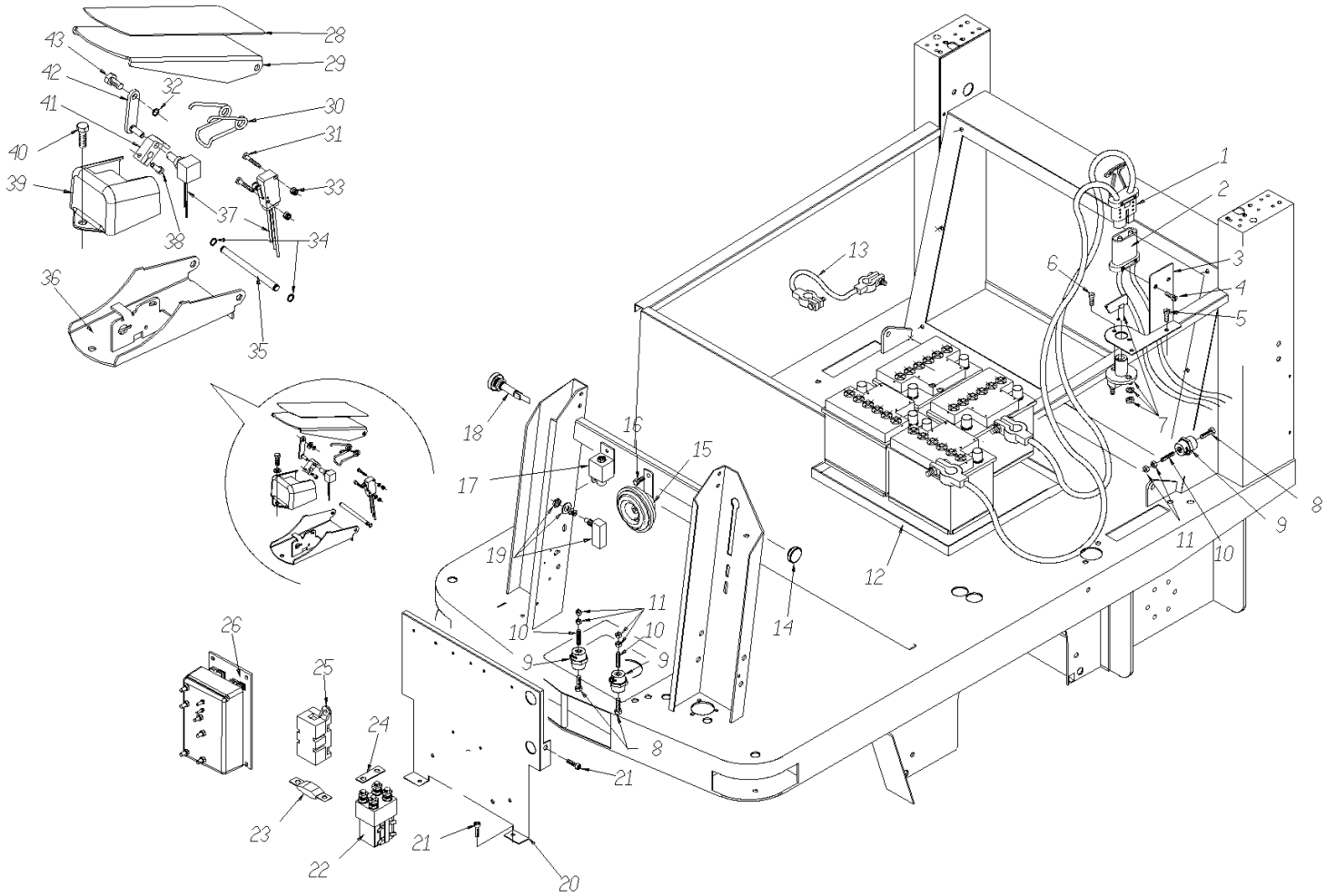
Ref. K	Part N.	Customer Part N.	Description	Qty	Validity:		Price
					From	To	
0078	VTRS00023		WASHER DENTATA INT.UNI 6798 D.18	1,00			--
0079	LAFN00912		THICKNESS STERZO	1,00			--
0080	VTRS00512		WASHER D. 8 X24 ZC.	1,00			--



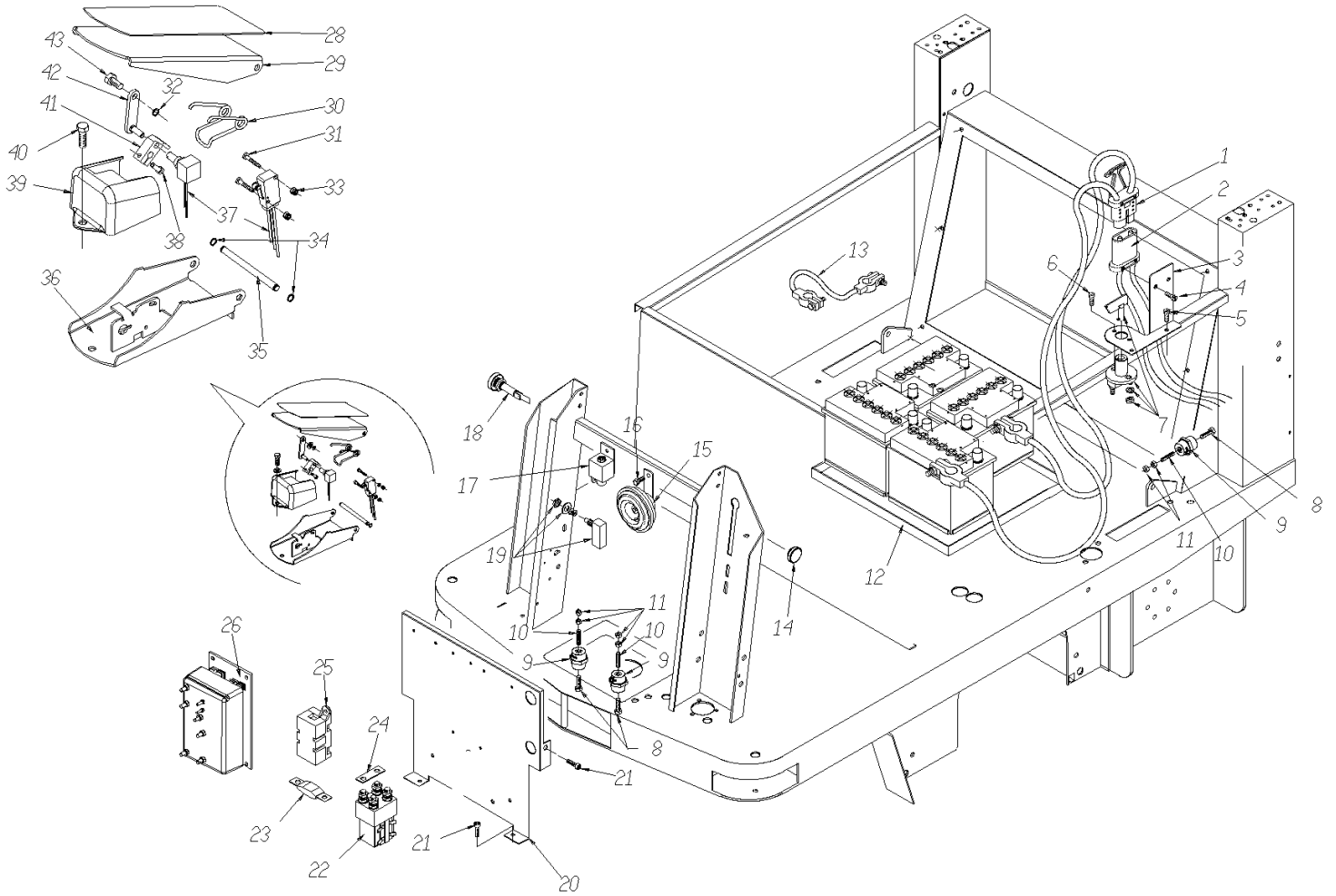
Ref. K	Part N.	Customer Part N.	Description	Qty	Validity: From To	Price
0001	LAFN01024		FRAME TK1200 GRIGIO RAL7024	1,00		--
0002	VTRS04026		WASHER D. 6X18X2.38	1,00		--
0003	VTVT28307		SCREW TCCE UNI 5931 10X70 ZN	2,00		--
0004	VTDD00013		NUT INGABBIATO UNI 3740 M6	4,00		--
0005	MPVR04673		BODY SIDE SX	1,00		--
0006	RTRT31046		WHEEL D.150 E 350	2,00		--
0007	LAFN00776		PROTECTION CING.PORT.LAT DX 1300/200	1,00		--
0008	VTRS00505		WASHER D.10 TE UNI 6592	2,00		--
0009	VTDD00042		NUT AUT.M10 UNI7474	2,00		--
0010	MELF85067		LANTERN FLASH 21W 24V OR.	2,00		--
0011	LAFN47011		BUSHING L.14	2,00		--
0012	MELF33431		LAMP 24 V 21 W	2,00		--
0013	VTVT19236		SCREW TCEI 5X20 UNI 5931	4,00		--
0014	VTVT62920		SCREW TE F/ROND. M 6X 16 ZB	1,00		--
0015	VTVT06237		SCREW TCEI 6X20 UNI5931	8,00		--
0016	MPVR00268		BUMPER LATERALE SX G1200-1300	1,00		--
0017	VTVT01118		SCREW TCEI M 8X16 ZC. UNI 5931	6,00		--
0018	LAFN00782		BODY SIDE DX	1,00		--
0019	CEVR00001		HINGE X PORTELLI TK1300 ZINCATA	2,00		--
0020	VTVT00527		SCREW TE FR 6x10 ZB ZIGRINATE	2,00		--
0021	RTRT00022		HANDWHEEL D.30 M6X15	1,00		--
0022	VTDD00491		NUT M 6 TEF	2,00		--
0023	VTRS00503		WASHER D. 6 TE UNI 6798	2,00		--
0024	VTVT75726		SCREW TBEI M 6X 16 ISO 7380 ZB	2,00		--
0025	VTVT75726		SCREW TBEI M 6X 16 ISO 7380 ZB	2,00		--
0026	MLML46644		SPRING D. 6	2,00		--
0027	MPVR00287		HOOD SUPERIORE TK1200 GRIGIO	1,00		--
0028	SESD00003		SEAT TK1300 CON MICRO.E GUIDE	1,00		--
0029	LAFN01023		FRAME PORTASEDILE TK1200 COMPL.	1,00		--
0030	VTVT00447		SCREW TE 8X25 UNI5739	4,00		--
0031	VTRS00504		WASHER D. 8 TE ZC. UNI 6592	4,00		--
0032	LAFN06794		BRACKET FISSA FRONTALE G1404	2,00		--
0033	VTDD00124		NUT M 8 BASSO	4,00		--
0034	ABGO00008		VIBRATION DAMP.PM 20X20 M6X20	2,00		--
0035	VTDD00482		NUT M 6 ZIN UNI 5588	2,00		--
0036	CEVR85332		HINGE MEB F D.6 TK	2,00		--
0037	VTVT12255		SCREW TCEI 6X25 UNI5931	4,00		--
0038	VTDD00491		NUT M 6 TEF	2,00		--
0040	MPVR04674		BODY SIDE DX	1,00		--



Ref. K	Part N.	Customer Part N.	Description	Qty	Validity:		Price
					From	To	
0042	VTRS04026		WASHER D. 6X18X2.38	8,00			--
0043	MPVR00267		BUMPER LATERALE DX G1200-1300	1,00			--
0044	MPVR00271		BUMPER ANTERIORE G1200-1300	1,00			--
0045	MPVR05058		PLANE MILLERIGHE CON BIADESIVO	1,00			--
0046	MPVR04890		HOOD ANTERIORE G1404	1,00			--
0047	MPVR04891		HOOD POSTERIORE G1404	1,00			--
0048	MEVR00135		LANTERN G1400	2,00			--
0049	GUGO45326		O-RING D. 112 X 6 -NBR 70SH	2,00			--
0050	MELF87169		LAMP 12V 35W	2,00			--
0051	VTVT45339		SCREW TBEI M 5X 16 ISO 7380 ZB	12,00			--
0052	LAFN06589		BRACKET FIANCATA	1,00			--
0053	LAFN06590		BRACKET FIANCATA	1,00			--
0055	CHVR76643		SUPP.HOLDER	1,00			--
0056	LAFN06588		BRACKET FIANCATA	1,00			--
0057	LAFN06587		BRACKET FIANCATA	1,00			--
0058	VTVT62920		SCREW TE F/ROND. M 6X 16 ZB	2,00			--
0059	VTVT09916		SCREW TBEI M 6X 20 ISO 7380 ZB	2,00			--
0060	LAFN06793		BRACKET FISSA FRONTALE	2,00			--



Ref. K	Part N.	Customer Part N.	Description	Qty	Validity:		Price
					From	To	
0001	MECB44779		WIRING INTERNO BATTERIE	1,00			--
0002	MEVR44180		PLUG FT 80	1,00			--
0003	LAFN87621		PLATE PORTA PRESA TK1300/1200	1,00			--
0004	VTVT00128		SCREW TC M4X30	2,00			--
0005	VTVT13515		SCREW TSPEI M6x16 UNI5933 10.9	2,00			--
0006	VTVT09913		SCREW TCEI 6X16 UNI5931	2,00			--
0007	AZMC75803		DIASSASS.SPANNERSW 1000	1,00			--
0008	VTVT00527		SCREW TE FR 6x10 ZB ZIGRINATE	3,00			--
0009	MEVR47082		INSULATOR M6 35-CH32	3,00			--
0010	VTVT47088		SCREW EI-ST 6X30 UNI5923 ZC	3,00			--
0011	VTDD00482		NUT M 6 ZIN UNI 5588	6,00			--
0012	LAFN46836		BATTERY SUPPORTL.14000 TK	1,00			--
0013	MEVR34820		WIRING B 450 BT	3,00			--
0014	MPVR00048		CAP DIAM.22 NERO P9ARHPR	1,00			--
0015	MEVR47083		KLAXON L.14 24V	1,00			--
0016	VTVT85116		SCREW TE FR 6,3X19 ZIN	1,00			--
0017	MECE00428		SWITCH RELAY 24V	1,00			--
0018	MECI00028		BUTTON DI EMERGENZA TK1400 24V	1,00			--
0019	MECI75801		MICROSWITCH TK	2,00			--
0020	LAFN06784		PLATE SUPPORTO ELETTRONICA	1,00			--
0021	VTVT62920		SCREW TE F/ROND. M 6X 16 ZB	4,00			--
0022	MECI00037		CONTACTOR TL22 P V 24V	1,00			--
0023	MEVR00145		FUSE 100A	1,00			--
0024	MECB00117		WIRING TELERUTTORE	1,00			--
0025	MEVR00146		FUSE-HOLDER MEGA	1,00			--
0026	MECE00019		BOARD POTENZA COMPLETA	1,00			--
0028	ETET01356		ADHESIVE PEDALE P185	1,00			--
0029	LAFN51064		ASSEMBLED PEDALE AVANZ.SUPER.	1,00			--
0030	MLML00034		SPRING PEDALE AVANZAMENTO G1050	1,00			--
0031	VTVT00654		SCREW TC+ M.3-20	2,00			--
0032	VTAE48552		CIRCLIP D. 6 UNI 7435	1,00			--
0033	VTDD21115		NUT M 3 INOX	2,00			--
0034	VTAE48552		CIRCLIP D. 6 UNI 7435	2,00			--
0035	LAFN04159		PIN PEDALE P185	1,00			--
0036	LAFN51063		ASSEMBLED BASE PEDALE AVANZ.	1,00			--
0037	MECB00124		WIRING pedale acceleratore G1050	1,00			--
0038	VTVT21096		SCREW TE M 4X 10 INX	1,00			--
0039	MPVR51062		COVER POTENZIOM.	1,00			--
0040	VTVT06237		SCREW TCEI 6X20 UNI5931	1,00			--

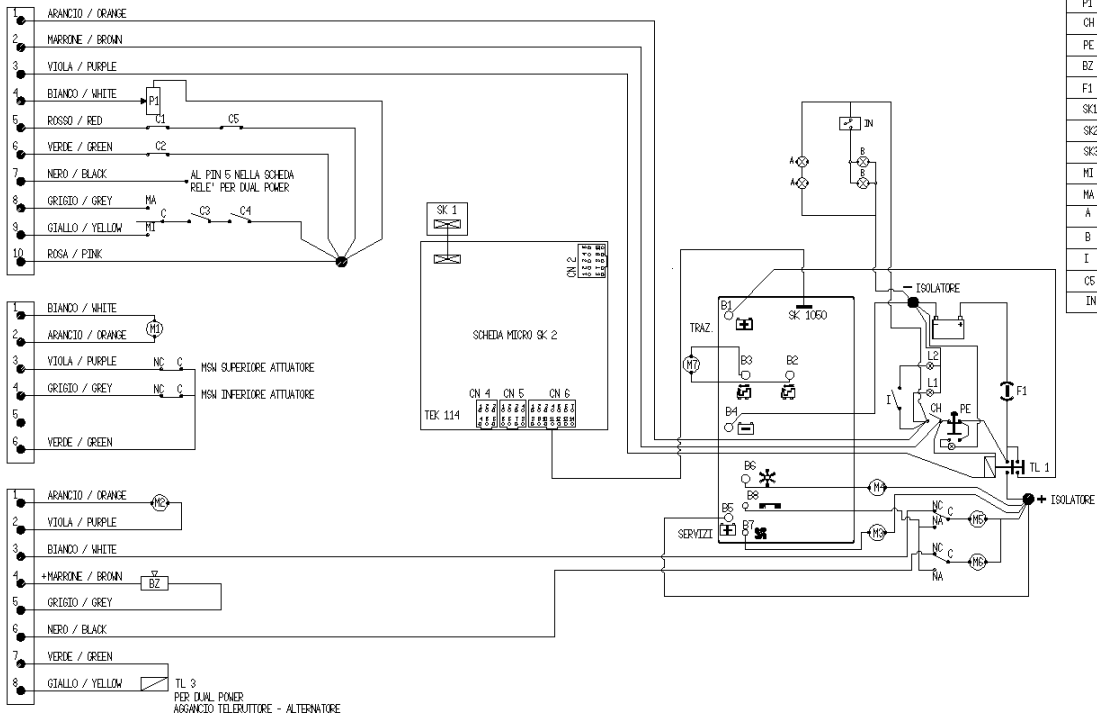


Ref. K	Part N.	Customer Part N.	Description	Qty	Validity:		Price
					From	To	
0041	MPVR51061		HANDLE POTENZIOM.	1,00			--
0042	LAFN51062		ASSEMBLED BIELLA PEDALE AVANZ.	1,00			--
0043	LAFN51061		PIN AGGANCIO PEDALE MOB.	1,00			--

CN2

CN4

CN5



M1	MOTORE ATTUATORE	ACTUATOR MOTOR
M2	MOTORE SQUOTIFILTRO	FILTERSHAKER MOTOR
M3	MOTORE ASPIRAZIONE	SUCTION MOTOR
M4	MOTORE SPAZZOLA CENTRALE	CENTRAL BRUSH MOTOR
M5	MOTORE SPAZZOLA LATERALE SINISTRA	LEFT BRUSH MOTOR
M6	MOTORE SPAZZOLA LATERALE DESTRA	RIGHT BRUSH MOTOR
M7	MOTORE TRAZIONE	TRACTION MOTOR
TL1	TELERITTORE BIPOLARE	ELECTROMAGNETIC SWITCH BIPOLAR
C1	CLIDON MOTORE TRAZ	CLIDON TRACTION MOTOR
C2	LIVELLO TROPPO PIENO	OVERFILLING LEVEL
C3	MSN SEDILE	MSN SEAT
C4	MSN PEDALE AVANZAMENTO	MSN ADVANCEMENT PEDAL
P1	POTENZIOMETRO PEDALIERA 4/7	RUDDER PEDALS POTENTIOMETER 4/7
CH	INTERRUOTORE CHIAVE	KEY SWITCH
PE	PULSANTE EMERGENZA	EMERGENCY PUSHBUTTON
BZ	BIZZER	BUZZER
F1	FUSIBILE 100 A	FUSE 100 A
SK1	PLANCIA COMANDI	DASHBOARD
SK2	SCHEDA MICRO	MICRO CARD
SK3	SCHEDA POTENZA	OUTPUT CARD
MI	MARCIA INDIETRO	REVERES GEAR
MA	MARCIA AVANTI	FORWARD GEAR
A	LUCI ANABBARLIANTI	DIPPED HEADLIGHTS
B	LUCI INTERMITTENTI	FLASHING LIGHTS
I	INTERRUOTORE FARO ANTERIORE	SWITCH FRONT LIGHTS
C5	CLIDON MOTORE SPAZZOLA	CLIDON BRUSH MOTOR
IN	RELE' LUCI INTERMITTENTI	FLASHING LIGHTS RELE'

Ref. K	Part N.	Customer Part N.	Description	Qty	Validity:		Price
					From	To	
A	MEVR00135		LANTERN G1400	1,00			--
B	MELF85067		LANTERN FLASH 21W 24V OR.	1,00			--
C4	MECB00124		WIRING pedale acceleratore G1050	1,00			--
CH	MECI75805		SWITCH TK	1,00			--
F1	MEVR00145		FUSE 100A	1,00			--
I	MECI76658		COMMUTAT.SWITCH2 P. TK	1,00			--
IN	MECE00428		SWITCH RELAY 24V	1,00			--
M1	MECB00983		WIRING ATTUATORE	1,00			--
M2	MOCC45112		MOTOR 24V CC ECC.	1,00			--
M3	MOCC00008		MOTOR VENTOLA ASPIRAZ.TK1200	1,00			--
M4	MOCC00282		MOTOR G1202-1303	1,00			--
M5	RDGR75785		MOTOR.GEARBOX AOMP140 24V 90W SX	1,00			--
M6	RDGR75784		MOTOR.GEARBOX AOMP140 24V TK1000	1,00			--
M7	MOCC00007		MOTOR.GEARBOX TRAZIONE TK1300 DP	1,00			--
MA	MECI00337		SWITCH A LEVA	1,00			--
MI	MECI00337		SWITCH A LEVA	1,00			--
P1	MECB00124		WIRING pedale acceleratore G1050	1,00			--
PE	MECI00028		BUTTON DI EMERGENZA TK1400 24V	1,00			--
SK1	MECE00016		PCB MICRO + DISPLAY	1,00			--
SK2	MECE00016		PCB MICRO + DISPLAY	1,00			--
SK3	MECE00019		BOARD POTENZA COMPLETA	1,00			--
TL1	MECI00037		CONTACTOR TL22 P V 24V	1,00			--