



**IPC Integrated Professional Cleaning**

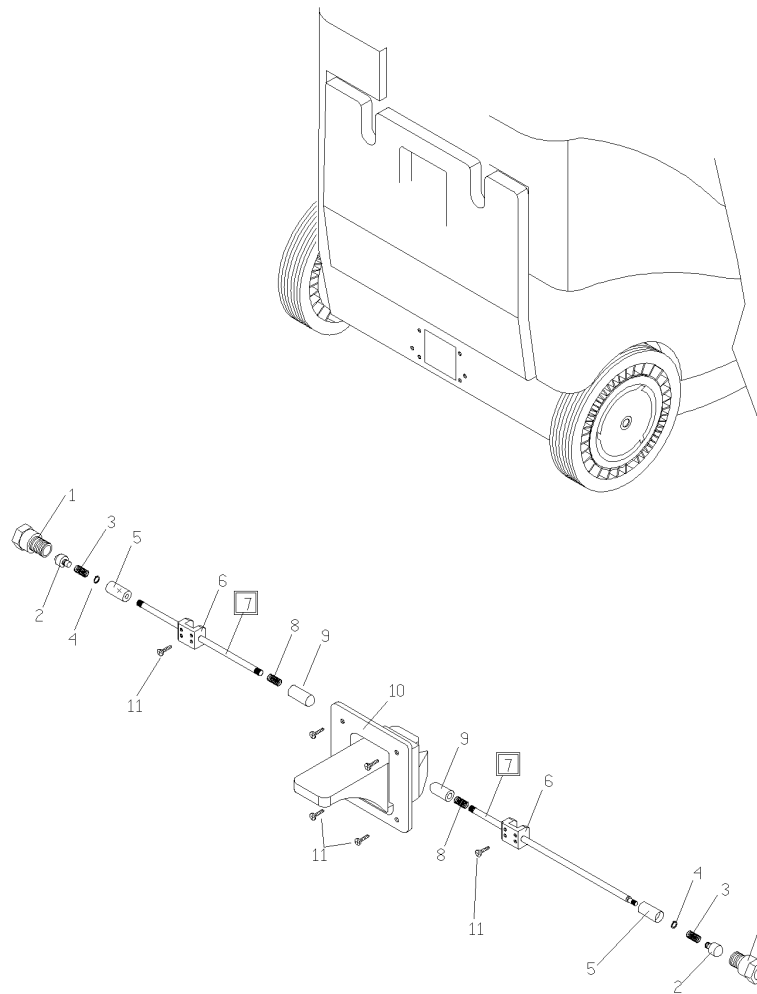
**IPC Gansow**

## **Spare Parts List**

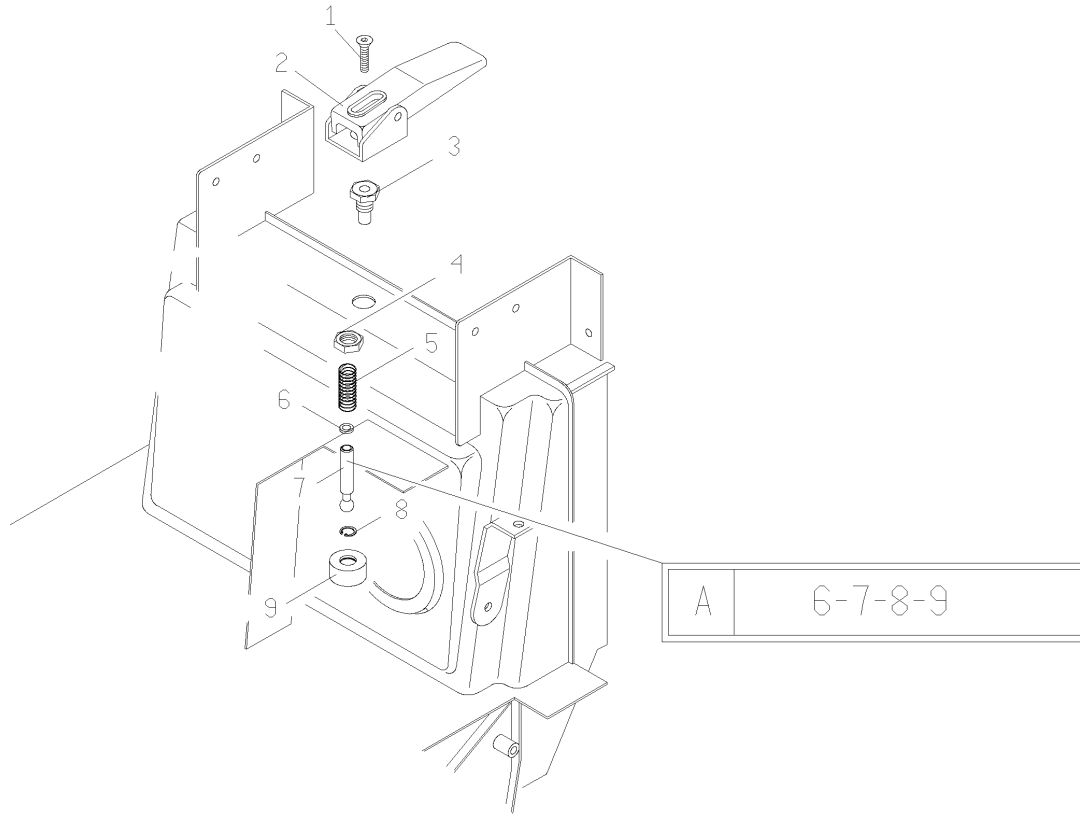
**IPC . EAGLE**

**Ref: MSUT00258**

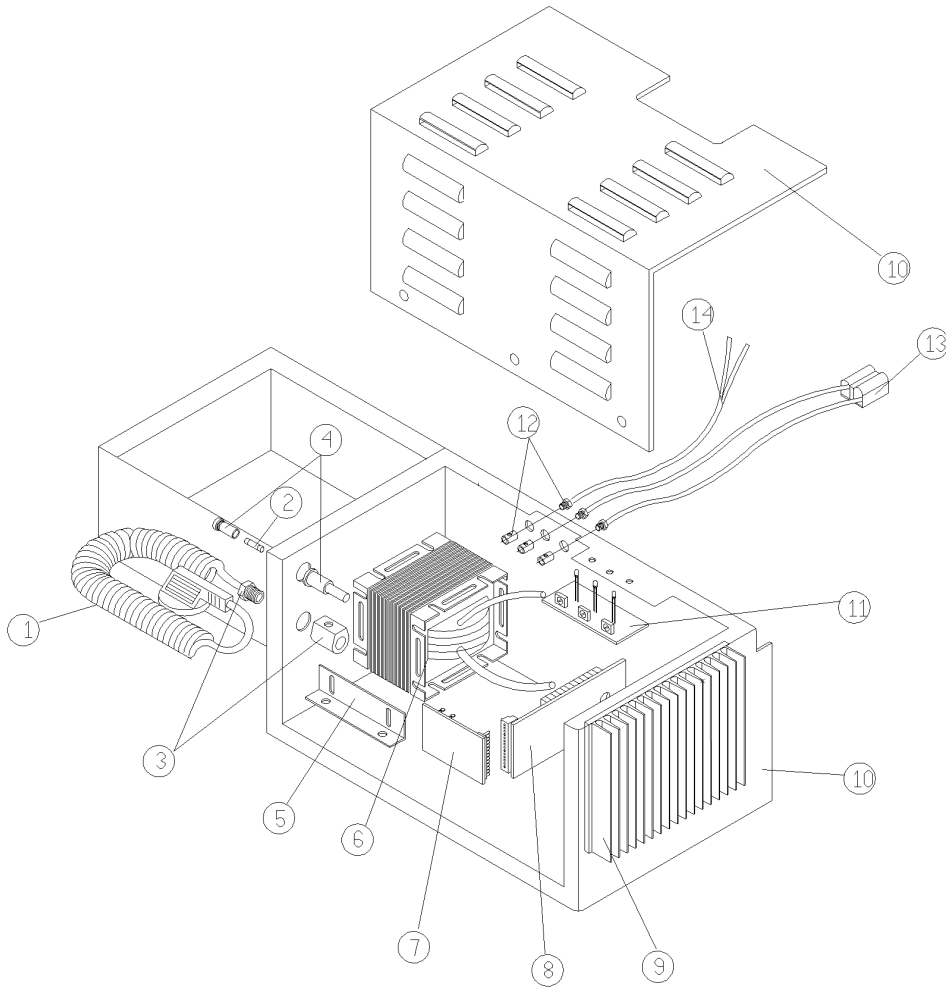
**Model: Spazzatrice 710ET gr/arg CB 110/12A G+im**



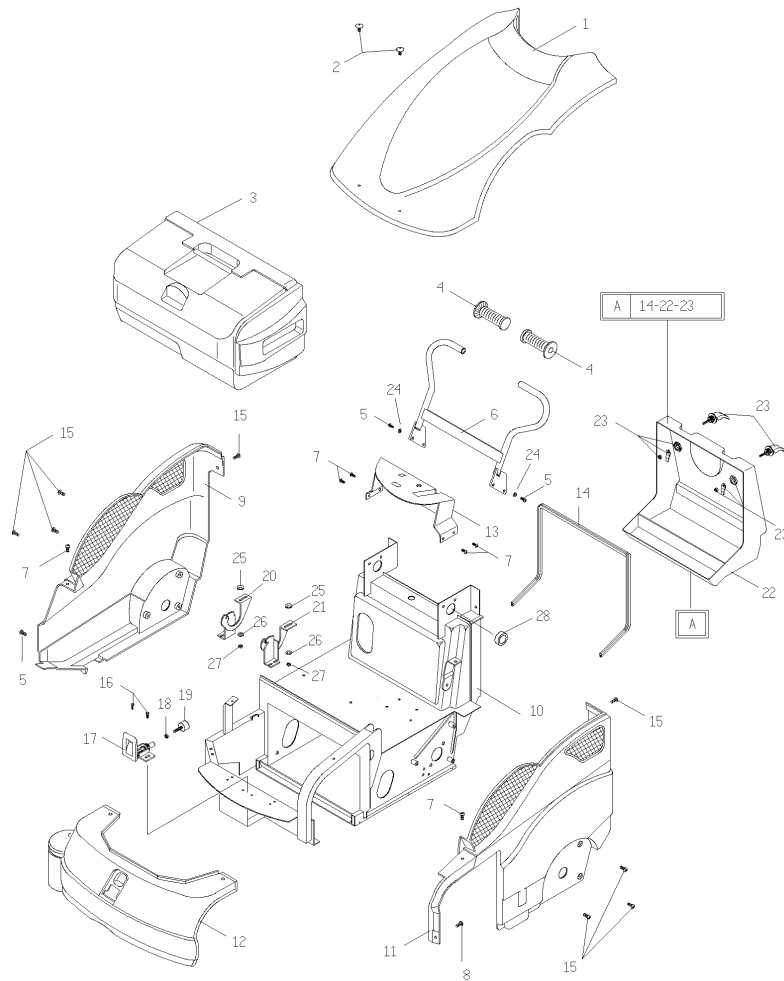
Ref.	K	Part N.	Customer Part N.	Description	Qty	Validity:		Price
						From	To	
0001		LAFN00335		RING NUT X PERNO GUIDA FRENO STAZ.	2,00			--
0002		LAFN00460		PIN BLOCC.RUOTA FRENO STAZ.	2,00			--
0003		MLML00012		SPRING COMPRES.X FRE.STAZ.L.23zb	2,00			--
0004		VTAE48552		CIRCLIP D. 6 UNI 7435	2,00			--
0005		LAFN00071		BUSHING PORTAMOLLA FRENO DI STAZ.	2,00			--
0006		LAFN00072		BLOCK GUIDA PERNO INN.FRENO	2,00			--
0007		LAFN00458		PIN INNESTO FRENO DI STAZION.	2,00			--
0008		MLML00011		SPRING COMPRES.X FRE.STAZ.L.46zb	2,00			--
0009		LAFN00461		PIN SPINTA X FRENO STAZION.	2,00			--
0010		PMVR00160		PEDALE FRENO	1,00			--
0011		VTVT00045		SCREW AUTOF.TC UNI 6954 4,8X16	6,00			--



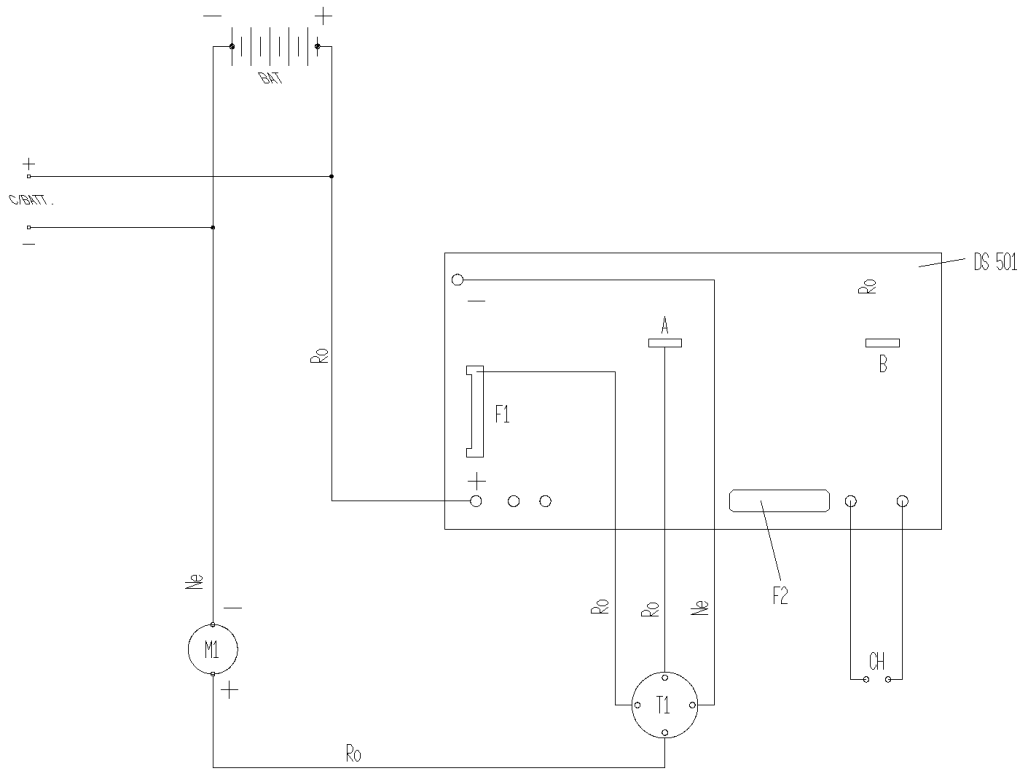
Ref. K	Part N.	Customer Part N.	Description	Qty	Validity:		Price
					From	To	
0001	VTVT13515		SCREW TSPEI M6x16 UNI5933 10.9	1,00			--
0002	PMVR00211		LEVER SCUOTIFILTRO TK COMPLETA	1,00			--
0003	LAFN00334		GUIDE SCUORIFILTRO CH.24 H.27	1,00			--
0004	VTDD00015		NUT UNI 5589 M18 BASSO ZB	1,00			--
0005	MLML00005		SPRING COMPRES.SCUOTIF.TK ZB	1,00			--
0006	GUGO03500		O-RING D. 6.75 X 1.78 NBR 70SH	1,00			--
0007	LAFN00429		PIN D.15 H.78 A SFERA	1,00			--
0008	VTAE00007		SEEGER INTERNO DIN 472 D.16	1,00			--
0009	LAFN00417		ARTICULATED BARTK500/700	1,00			--
000A	PMVR00216		FILTER SHAKER TK COMPLETA	1,00			--



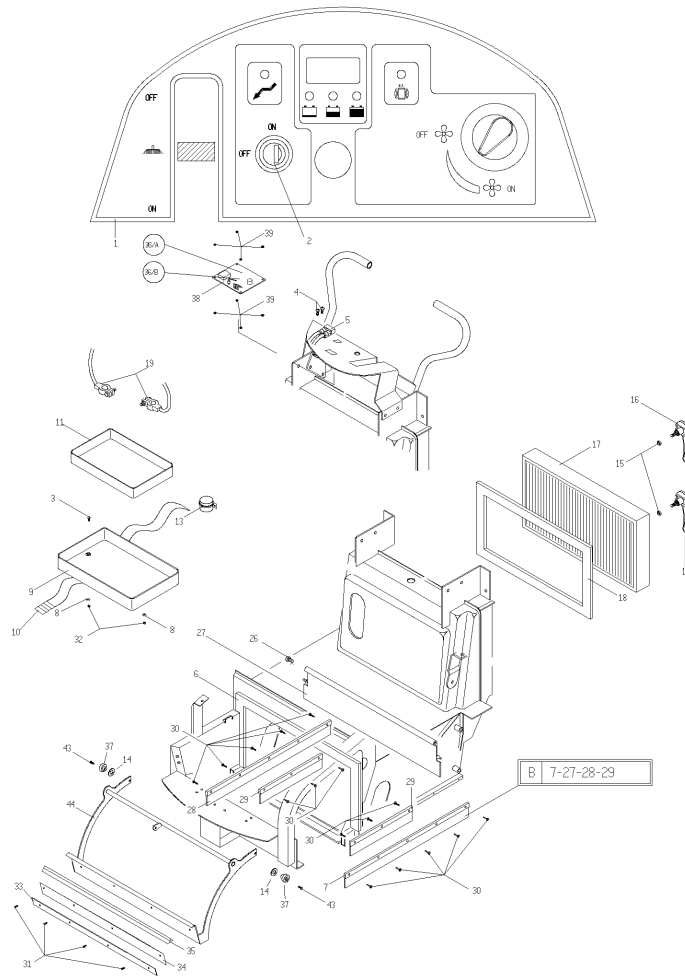
Ref. K	Part N.	Customer Part N.	Description	Qty	Validity:		Price
					From	To	
0001	MECB00027		CABLE RETE SPINA USA/JAP110V12A	1,00			--
0002	MEVR00072		FUSE 2.5A F6.3X32-100/110V	1,00			--
0003	MEVR00074		FAIR-LEAD MEDIO X CARICABATTERIA	1,00			--
0004	MEVR00076		FUSE-HOLDER 6.3X32	1,00			--
0005	LAFN00011		BRACKET FISSAGGIO TRASFORMATORE	1,00			--
0006	MECI00011		TRANSFORMER 110-12V-12A	1,00			--
0007	MECE00001		BOARD 15XX/3N 12/24 WA	1,00			--
0008	MECE00002		BOARD CBNP015A-R 12V 10/12A ASS	1,00			--
0009	MEVR00022		RADIATOR 12V	1,00			--
0010	LAFN00887		CONTAINER CARICABATT.BOARD VERNIC.	1,00			--
0011	MECE00004		BOARD CBNTLA 12V	1,00			--
0012	MEVR00075		FAIR-LEAD PICCOLO X CARICABATTERIA	1,00			--
0013	MECB00029		CABLE +CONNET.CARICABAT.10/12A	1,00			--
0014	MECB00031		CABLE BIPOL.DI OUT X CARICABAT.	1,00			--



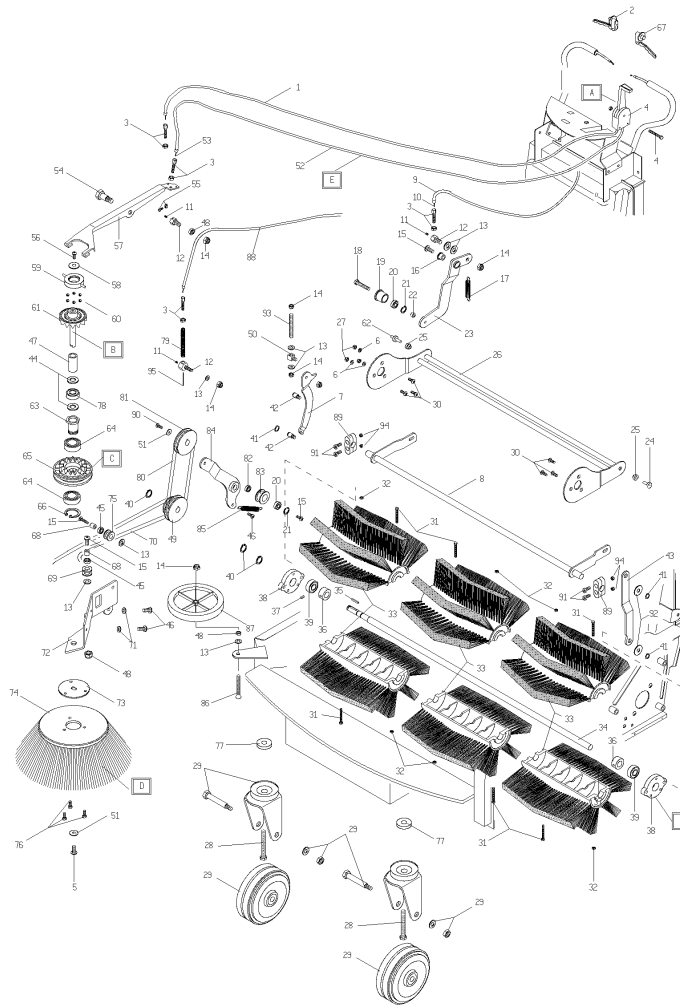
Ref.	K	Part N.	Customer Part N.	Description	Qty	Validity:		Price
						From	To	
0001		MPVR00600		HOOD SUPER.SILVER 710E ARGENTO	1,00			--
0002		PMVR00142		BOSS FISSAG.COFANO SUP.COMPL	2,00			--
0003		PMVR00380		DRAWER ANTER.SILVER 710 COMPLETO	1,00			--
0004		MPVR00036		KNOB GOMMA NERA D.24/24 FORATA	2,00			--
0005		VTVT87271		SCREW TBEI M 8X 16 ISO 7380	1,00			--
0006		LAFN00415		HANDLE SILVER 510/710 VERNICIATO	1,00			--
0007		VTVT62920		SCREW TE F/ROND. M 6X 16 ZB	4,00			--
0008		VTVT00040		SCREW AUTOF.TC UNI6954 3,5X10SP	1,00			--
0009		MPVR00606		CRANKCASE LAT.DX SILVER GRIG+GRIGL	1,00			--
000A		PMVR00382		DRAWER POSTER.SILVER 710 COMPL.	1,00			--
0010		LAFN01052		FRAME SILVER 710E GRIGIO 7024	1,00			--
0011		MPVR00605		CRANKCASE LAT.SX SILVER GRIG+GRIGL	1,00			--
0012		MPVR00604		CRANKCASE FRONTALE SILVER 710 GRIG.	1,00			--
0013		LAFN00880		INSTR.PANEL 710 720 740E VERNICIATO	1,00			--
0014		GUGO00285		GASKET TK1320048	1,70			--
0015		VTVT45395		SCREW TBEI M 8X 10 ISO 7380 ZB	6,00			--
0016		VTVT62920		SCREW TE F/ROND. M 6X 16 ZB	2,00			--
0017		PMVR00141		LEVER CHIUSURA CASS.ANT.SILVER	1,00			--
0018		VTDD00057		NUT UNI 5589 M8 BASSO ZB	1,00			--
0019		VTVR00038		FOOT D.30 M8	1,00			--
0020		PMVR00139		HINGE COFANO ANTER.510/710 DX	1,00			--
0021		PMVR00140		HINGE COFANO ANT.510/710 SX	1,00			--
0022		MPVR00608		DRAWER POSTERIORE SILVER 710 GRI	1,00			--
0023		PMVR00138		LOCK TEK	2,00			--
0024		VTRS00504		WASHER D. 8 TE ZC. UNI 6592	2,00			--
0025		LAFN00190		BUSHING CON BOMBATURA ESTERNA	2,00			--
0026		LAFN00191		BUSHING CON BOMBATURA INTERNA	2,00			--
0027		VTDD13261		NUT M 8X1 UNI 5589	2,00			--
0028		MEVR00115		FAIR-LEAD EGP20-29S.60	1,00			--
0029		VTVT85745		SCREW TBEI M 6X 25 ISO 7380 ZB	2,00			--



Ref. K	Part N.	Customer Part N.	Description	Qty	Validity:		Price
					From	To	
00CH	MECI75805		SWITCH TK	1,00			--
00M1	MOCC76644		MOTOR MP80 5/2 12V 3200G 400W	1,00			--
00T1	METT75802		CONTACTOR	1,00			--

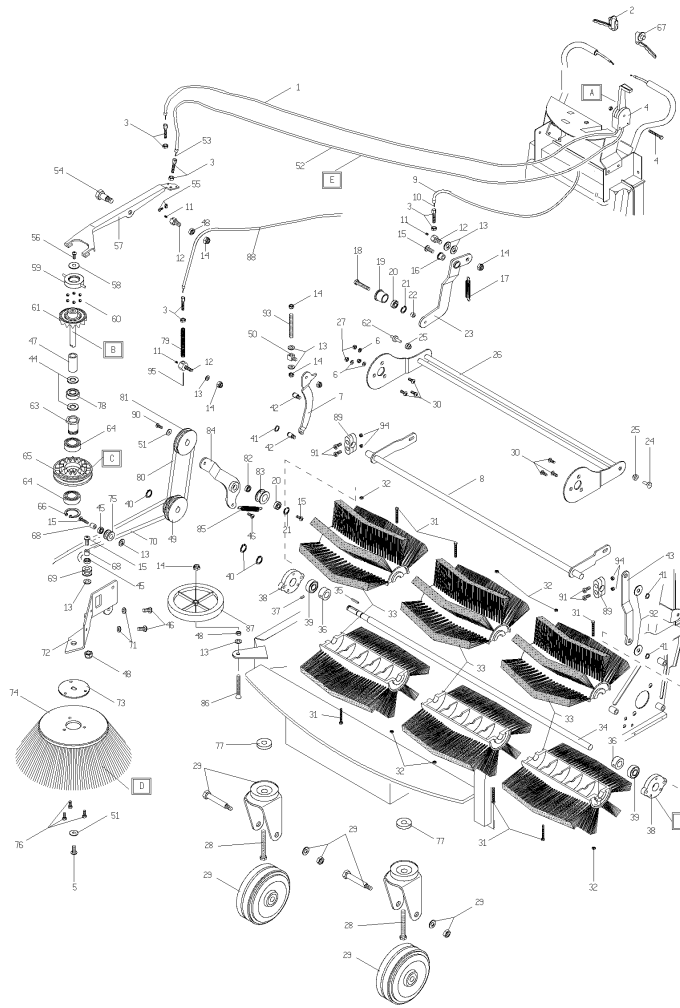


Ref.	K	Part N.	Customer Part N.	Description	Qty	Validity:		Price
						From	To	
0001		ETET00131		LABEL CRUSCOTTO 710-720ET	1,00			--
0002		MECI75805		SWITCH TK	1,00			--
0003		VTVT00474		SCREW TSCE uni 5933 4x12 ZB	2,00			--
0004		VTVT00103		SCREW AUTOF.TC UNI 6954 4,8X22	2,00			--
0005		MEVR00033		CONNECTOR CB50 GRIGIO	1,00			--
0006		KTRI00011		MOUSSE KIT ADES.30X15 CASS.ANTER.710	1,00			--
0007		MPVR00775		FLAP LATERALE	1,00			--
0008		VTRS00502		WASHER D. 5 0.466 UNI 6592	2,00			--
0009		MPVR00610		CONTAINER BAT.NERO SILVER 510/710	1,00			--
0010		MPVR02939		BELT BATTERIA	1,00			--
0011		MPVR00693		CONTAINER SUPPL.DI SICUR X BATT.510	1,00			--
0013		METT75802		CONTACTOR	1,00			--
0014		VTRS00512		WASHER D. 8 X24 ZC.	2,00			--
0015		VTDD00483		NUT M 8 ZIN UNI 5588	2,00			--
0016		PMVR00383		HANDLE BLOCCAGGIO FILTRO SILVER	2,00			--
0017		FTDP85299		FILTER SW 740/741	1,00			--
0018		KTRI75931		FOAM KIT 15X5 TK	1,00			--
0019		MECB00005		ELECTRI.INSTAL.K501/701-TK700ET	1,00			--
0026		VTVT47025		SCREW TBEI M 10X 16 ISO 7380 ZB	2,00			--
0027		MPVR86168		RUBBER FLAP TK 700 TK2160062	1,00			--
0028		MPVR87238		RUBBER FLAP	1,00			--
0029		MPVR87237		RUBBER FLAP	2,00			--
0030		VTVT01295		SCREW 3,5X9,5 TS80 UNI 6955 ZB	16,00			--
0031		VTVT00040		SCREW AUTOF.TC UNI6954 3,5X10SP	5,00			--
0032		VTDD04368		NUT M 4 ZIN UNI 5588	2,00			--
0033		LAFN00332		CLAMP GOMMA ALZAFLAP 700	1,00			--
0034		MPVR48757		RUBBER FLAP TK 700	1,00			--
0035		MPVR00732		RUBBER ALZAFLAP SERIE 700	1,00			--
0037		LAFN00188		BUSHING OTTONE BRAC.ALZAFL.SILVER	2,00			--
0038		MECE75944		PCB 12V	1,00			--
0039		VTDD04368		NUT M 4 ZIN UNI 5588	8,00			--
0040		VTVT75724		SCREW TBEI M 8X 22 ISO 7380 ZB	2,00			--
0044		LAFN00077		BALANCER ALZAFLAP SILVER 710 ZINC.	1,00			--
36-A		MEVR00049		FUSE A BARRA 50 A	1,00			--
36-B		MEVR00048		FUSE 1,6A-250V VETRO	1,00			--

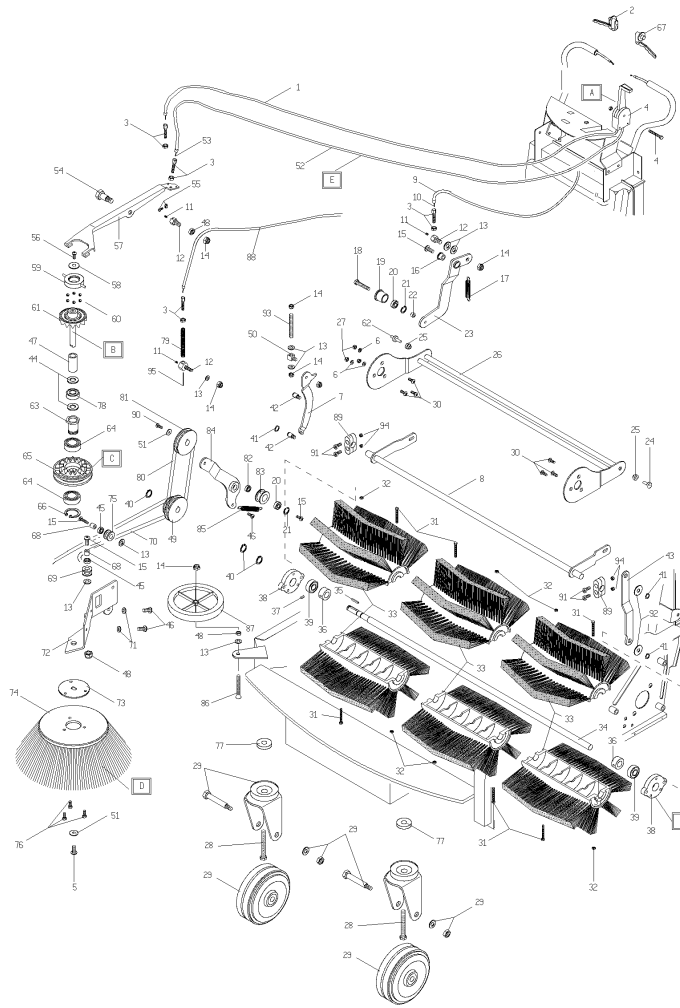


Ref.	K	Part N.	Customer Part N.	Description	Qty	Validity: From To	Price
0001		CMCV75902		SIDE BR. SHEATHTK500E/S	1,00		--
0002		PMTR00089		HANDLE TRAZ. K E TK NUOVO MAN.COM	1,00		--
0003		CMCV75723		REGISTER D.7	4,00		--
0004		LAFN75738		TRIGGER	1,00		--
0005		VTVT62920		SCREW TE F/ROND. M 6X 16 ZB	1,00		--
0006		VTRS00503		WASHER D. 6 TE UNI 6798	3,00		--
0007		LAFN00368		BRACKET REGOL.SPAAZ.CENTR.FOR.ZN	1,00		--
0008		LAFN00192		BALANCER ALZA SPAZZOLA 710/720/740	1,00		--
0009		CMCV75898		TRACT.SHEATH	1,00		--
000A		LAFN85519		TRIGGER SW 510	1,00		--
000B		MTIG85321		RING SW 500TK	1,00		--
000C		PMVR00403		RING DENTATO FOLLE TK COMPLETO	1,00		--
000D		PMVR00248		SIDE-BRUSH TK COMPLETA PPL 70	1,00		--
000E		CMCV85333		SHEATH 2310262	1,00		--
000F		LAFN76052		SUPPORT D.80 dx/sx C/CUSC.SW700	1,00		--
0010		CMCV00021		CABLE TRAZIONE L.1120	1,00		--
0011		VTVT87456		SCREW UNI 5923 5x6	3,00		--
0012		LAFN01068		SCREW CH.17 H.28 FISSAGGIO FILO	3,00		--
0013		VTRS00504		WASHER D. 8 TE ZC. UNI 6592	1,00		--
0014		VTDD00124		NUT M 8 BASSO	1,00		--
0015		VTVT75727		SCREW 8 X 25 TBCE Z.B.	4,00		--
0016		MPVR75836		BUSHING NYLON TK	1,00		--
0017		MLML75960		SPRING D. 8 X1 X32	1,00		--
0018		VTVT76018		SCREW	1,00		--
0019		MTPL37338		PULLEY L.50TE	1,00		--
0020		CUVR71988		BEARING 608 2RS	1,00		--
0021		VTAE87082		SEEGER INTERNO DIN 472 D.22	1,00		--
0022		LAFN75909		SPACER D.12 H.3.5	1,00		--
0023		LAFN00345		BRACKET TENDICINGHIA TKS ZINCATA	1,00		--
0024		LAFN76019		PIN D.15 H.25 TK	1,00		--
0025		LAFN75834		BUSHING	2,00		--
0026		LAFN00042		BALANCER TK700 K701 ZINCATO	1,00		--
0027		VTDD00491		NUT M 6 TEF	3,00		--
0028		VTVT00028		SCREW TE UNI 5739 12X45 ZB	2,00		--
0029		RTRT87241		WHEEL D.100	2,00		--
0030		VTVT00061		SCREW TSCE UNI 5933 6X20 ZB	6,00		--
0031		VTVT22102		SCREW TCEI 5X70 UNI5931	6,00		--
0032		VTDD01678		NUT M 5 UNI 5588	6,00		--
0033		SPPV00049		BRUSH	3,00		--

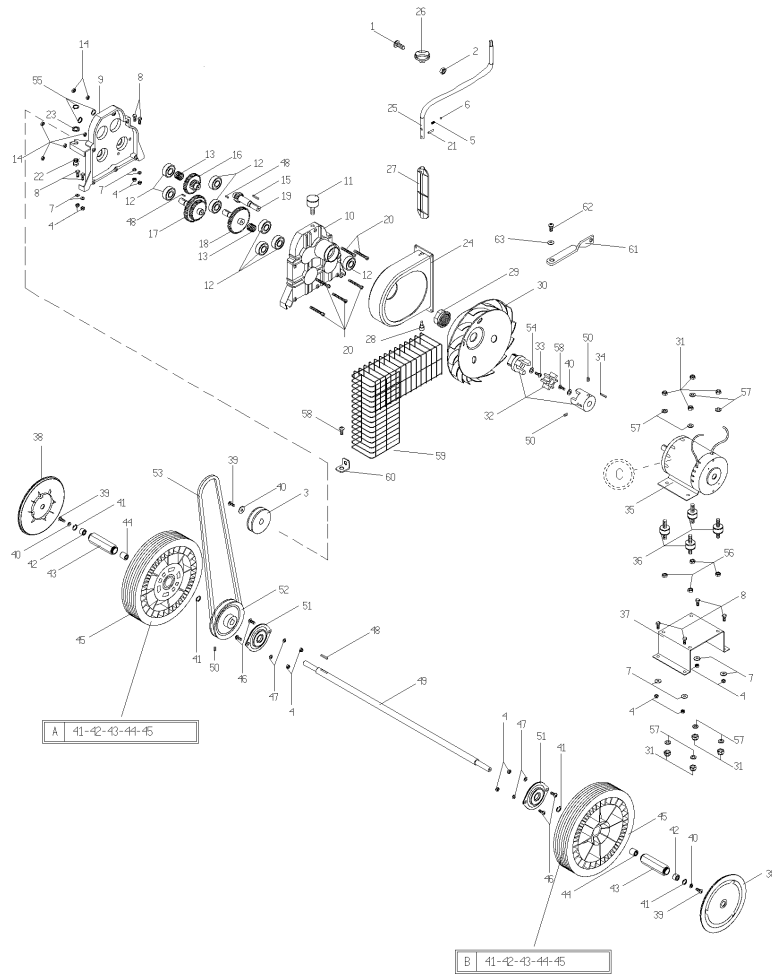




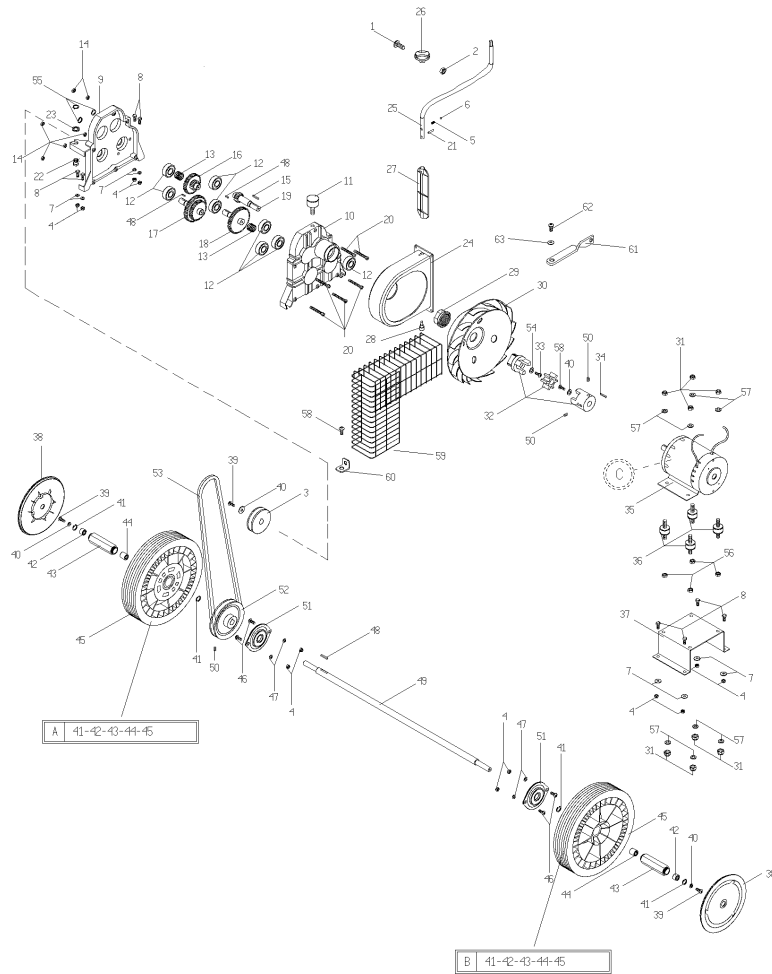
Ref.	K	Part N.	Customer Part N.	Description	Qty	Validity:		Price
						From	To	
0034		ALTR75825		BRUSH SHAFT CENTRALE SW	1,00			--
0035		VTVR26559		KEY 5X5X15	1,00			--
0036		LAFN00258		SPACER ALBERO SPAZZOLA TK700	2,00			--
0037		VTVT75731		SCREW UNI 5923 6 X5	2,00			--
0038		LAFN76052		SUPPORT D.80 dx/sx C/CUSC.SW700	2,00			--
0039		CUVR00008		BEARING 6003 2RS	2,00			--
0040		VTAE14016		CIRCLIP D. 12 UNI 7435	3,00			--
0041		VTAE14016		CIRCLIP D. 12 UNI 7435	4,00			--
0042		LAFN75971		PIN	4,00			--
0043		LAFN00369		BRACKET COLLEG.BILANC.SILVER 710	1,00			--
0044		VTRS75831		WASHER	2,00			--
0045		CUVR75814		BEARING HK1012	2,00			--
0046		VTVT45395		SCREW TBEI M 8X 10 ISO 7380 ZB	3,00			--
0047		LAFN75912		SPACER	1,00			--
0048		VTDD13261		NUT M 8X1 UNI 5589	1,00			--
0049		MTPL75987		PULLEY 70X28X17	1,00			--
0050		LAFN00046		BLOCK REGOLAZ.SPAZZ.CENTRAL.	1,00			--
0051		VTRS63242		WASHER D. 6 X24 ZC	1,00			--
0052		CMCV75901		SIDE BR. SHEATHK701BY/PT TK500E	1,00			--
0053		CMCV75903		SIDE BRUSH CAB.TK500 L.2450+MORS.	1,00			--
0054		LAFN75968		PIN	1,00			--
0055		CMCV75737		CLAMP D.7 art.857	1,00			--
0056		VTVT75724		SCREW TBEI M 8X 22 ISO 7380 ZB	1,00			--
0057		LAFN75953		LEVER	1,00			--
0058		VTRS00513		WASHER D. 8 X32 P.	1,00			--
0059		LAFN75824		RING	1,00			--
0060		SFVR00002		BALL 11/32"	6,00			--
0061		LAFN75826		RING	1,00			--
0062		LAFN75972		PIN	1,00			--
0063		LAFN75833		BUSHING	1,00			--
0064		CUVR86893		BEARING 6005 2RS	2,00			--
0065		LAFN75827		RING	1,00			--
0066		VTAE09655		CIRCLIP D. 25 UNI 7435	1,00			--
0067		PMTR00088		HANDLE TRAZ.K E TK NUOVO MAN.COM	1,00			--
0068		LAFN75840		BUSHING D.10x15.6	2,00			--
0069		MTPL75996		PULLEY D.27x15	1,00			--
0070		MTCG85335		BELT D. 8X1000	1,00			--
0071		VTRS00512		WASHER D. 8 X24 ZC.	2,00			--
0072		LAFN76005		SUPPORT	1,00			--



Ref. K	Part N.	Customer Part N.	Description	Qty	Validity:		Price
					From	To	
0073	LAFN75986		FLANGE	1,00			--
0074	SPPV76057		SIDE-BRUSH D.380 PPL 0.6	1,00			--
0075	MTPL75997		PULLEY D.30x15	1,00			--
0076	VTVT75719		SCREW TE F/ROND. M 6 X 10	3,00			--
0077	LAFN00260		SPACER FISSEG.RUOTA ANTER.H 16	2,00			--
0078	CUVR37344		ROLLER BEARING HK 1412	1,00			--
0079	MLML00033		SPRING ALZAFLAP SILVER ZB	1,00			--
0080	MTCG17129		BELT SPZ 737	1,00			--
0081	MTPL75995		PULLEY TK NEW	1,00			--
0082	LAFN75911		SPACER D.12 h.7	1,00			--
0083	MTPL75994		ROLLER h.17	1,00			--
0084	LAFN00350		BRACKET TENDICING.SPAZ.CENTR.ZINC	1,00			--
0085	MLML75961		SPRING D. 16 L.80	1,00			--
0086	VTVT01577		SCREW M 8x40 TSPEI ZINC.	1,00			--
0087	RTRT00011		WHEEL D.150 GRI/NR PARAC.SILVER	1,00			--
0088	CMCV85516		SHEATH SW 540/740	1,00			--
0089	MPVR00807		SUPPORT BRACCIO REGOL.SPAZZ.	2,00			--
0090	VTVT75725		SCREW TBEI M 6X 10 ISO 7380 ZB	1,00			--
0091	VTVT12255		SCREW TCEI 6X25 UNI5931	4,00			--
0092	VTRS86510		WASHER 15X24 UNI6592	4,00			--
0093	LAFN00430		PIN REGOLAZ.SPAZZ.CENTR.TKS	1,00			--
0094	VTDD19688		NUT M6 UNI 7473	4,00			--
0095	CMCV85517		CABLE SW 540/740	1,00			--



Ref.	K	Part N.	Customer Part N.	Description	Qty	Validity: From To	Price
0001		VTVT00033		SCREW TBCE ISO 7380 5X20 ZB	1,00		--
0002		VTDD01678		NUT M 5 UNI 5588	1,00		--
0003		MTPL76660		PULLEY SW500ST	1,00		--
0004		VTDD00491		NUT M 6 TEF	12,00		--
0005		MLML00009		SPRING FERMO FARFAL.COCL.NAYL.GZ	1,00		--
0006		SFVR75755		BALL D. 5	1,00		--
0007		VTRS04026		WASHER D. 6X18X2.38	8,00		--
0008		VTVT62920		SCREW TE F/ROND. M 6X 16 ZB	8,00		--
0009		MEVR75957		COVER	1,00		--
000A		PMTR00067		WHEEL D.250 DX COMPL.GRIG.-NERO	1,00		--
000B		PMTR00066		WHEEL D.250 SX COMPL.GRIG-NERO	1,00		--
000C		MPVR87012		CARBON	1,00		--
0010		MFVR75958		BODY	1,00		--
0011		VTVR00036		GREASE-NIPPLE STAUFF PER RIDUTTORE	1,00		--
0012		CUVR00005		BEARING 6202 2RS	8,00		--
0013		MPVR75734		THICKNESS D.15X22X0.5	6,00		--
0014		VTDD00482		NUT M 6 ZIN UNI 5588	6,00		--
0015		VTVR13165		KEY 5X5X20	1,00		--
0016		MTIG75993		GEAR	1,00		--
0017		MTIG75992		GEAR	1,00		--
0018		MTIG75991		GEAR	1,00		--
0019		ALTR75828		GEARING SHAFT	1,00		--
0020		VTVT63029		SCREW TCEI M 6X 35 UNI 5931 ZB	6,00		--
0021		VTVR00012		ELASTIC PLUG DIN1481 5X16	1,00		--
0022		LAFN75839		GUIDE	1,00		--
0023		VTRS86383		WASHER 15X28 UNI6592	1,00		--
0024		MPVR00438		SCROLL NAYLON	1,00		--
0025		CMCV00048		CABLE APERT.FARFAL.710/20/30/40	1,00		--
0026		MPVR75884		KNOB NYLON	1,00		--
0027		MPVR75882		VALVE NYLON	1,00		--
0028		LAFN01071		SCREW ARRESTO FARFAL.COCLEA NYL	1,00		--
0029		LAFN75835		BUSHING D.40 H.30	1,00		--
0030		VEVR85323		IMPELLER D.230 SW500STHO 1290009	1,00		--
0031		VTDD00491		NUT M 6 TEF	8,00		--
0032		FGGT86149		JOINT TK2155030	1,00		--
0033		VTVT13515		SCREW TSPEI M6x16 UNI5933 10.9	1,00		--
0034		VTVR13165		KEY 5X5X20	1,00		--
0035		MOCC76644		MOTOR MP80 5/2 12V 3200G 400W	1,00		--
0036		ABGO86148		VIBRATION DAMP.30X20- 2M8X25 -60+5SH	1,00		--



Ref.	K	Part N.	Customer Part N.	Description	Qty	Validity:		Price
						From	To	
0037		LAFN86147		TRACT.MOT.SUPP.TK700	1,00			--
0038		MPVR48834		GREY HUB CAP D.200 TK	2,00			--
0039		VTVT75725		SCREW TBEI M 6X 10 ISO 7380 ZB	2,00			--
0040		VTRS63242		WASHER D. 6 X24 ZC	2,00			--
0041		VTAE28493		CIRCLIP D. 28 UNI 7435	4,00			--
0042		CUVR37341		ROLLER BEARING HFL 1426	2,00			--
0043		LAFN75838		BUSHING	2,00			--
0044		CUVR37344		ROLLER BEARING HK 1412	2,00			--
0045		RTRT00031		WHEEL GOMMA D.250X55 GR.CERC.NE	2,00			--
0046		VTVT75721		SCREW TTDE UNI 5732 6 X 16 ZB	4,00			--
0047		VTRS00503		WASHER D. 6 TE UNI 6798	4,00			--
0048		VTVR26559		KEY 5X5X15	2,00			--
0049		ALTR00006		TRACTION SHAFT TK 700 H.866,2	1,00			--
0050		VTVT86570		GRUB SCREW M 6x10 UNI 5927	3,00			--
0051		CUVR75815		BALL BEARING UBPF203	2,00			--
0052		MTPL37340		PULLEY 112-1Z L.TE	1,00			--
0053		MTCG00003		BELT Z 29,5	1,00			--
0054		LAFN85747		FLANGE TK2150024	1,00			--
0055		VTAE17003		CIRCLIP D. 15 UNI 7435	3,00			--
0056		VTDD13261		NUT M 8X1 UNI 5589	4,00			--
0057		VTRS04026		WASHER D. 6X18X2.38	4,00			--
0058		VTVT75726		SCREW TBEI M 6X 16 ISO 7380 ZB	1,00			--
0059		LAFN48830		PROTECTION RED.	1,00			--
0060		MPVR86579		SUPPORT TK	1,00			--
0061		LAFN00877		BRACKET FISSAG.GRIGLIA ZINCATA	1,00			--
0062		VTVT75726		SCREW TBEI M 6X 16 ISO 7380 ZB	1,00			--
0063		VTRS63242		WASHER D. 6 X24 ZC	1,00			--