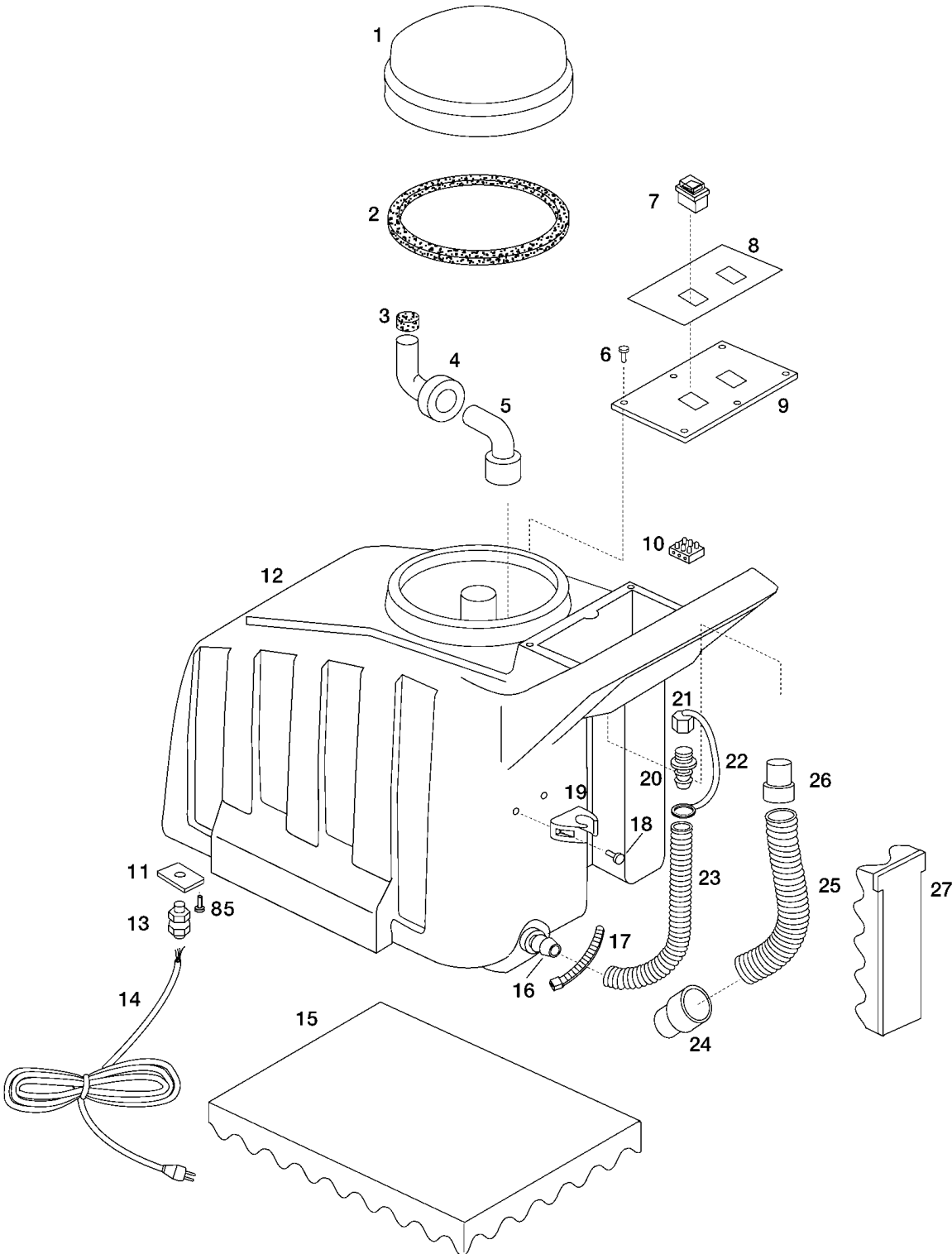


1205 Britannia Rd. E. Mississauga, Ontario, Canada L4W 1C4
 Tel.: 1-800-387-3210 Fax: 1-800-709-2896
 www.naceinc.com E-mail: info@naceinc.com

Tempest 12 QX

Schematic Drawing #1





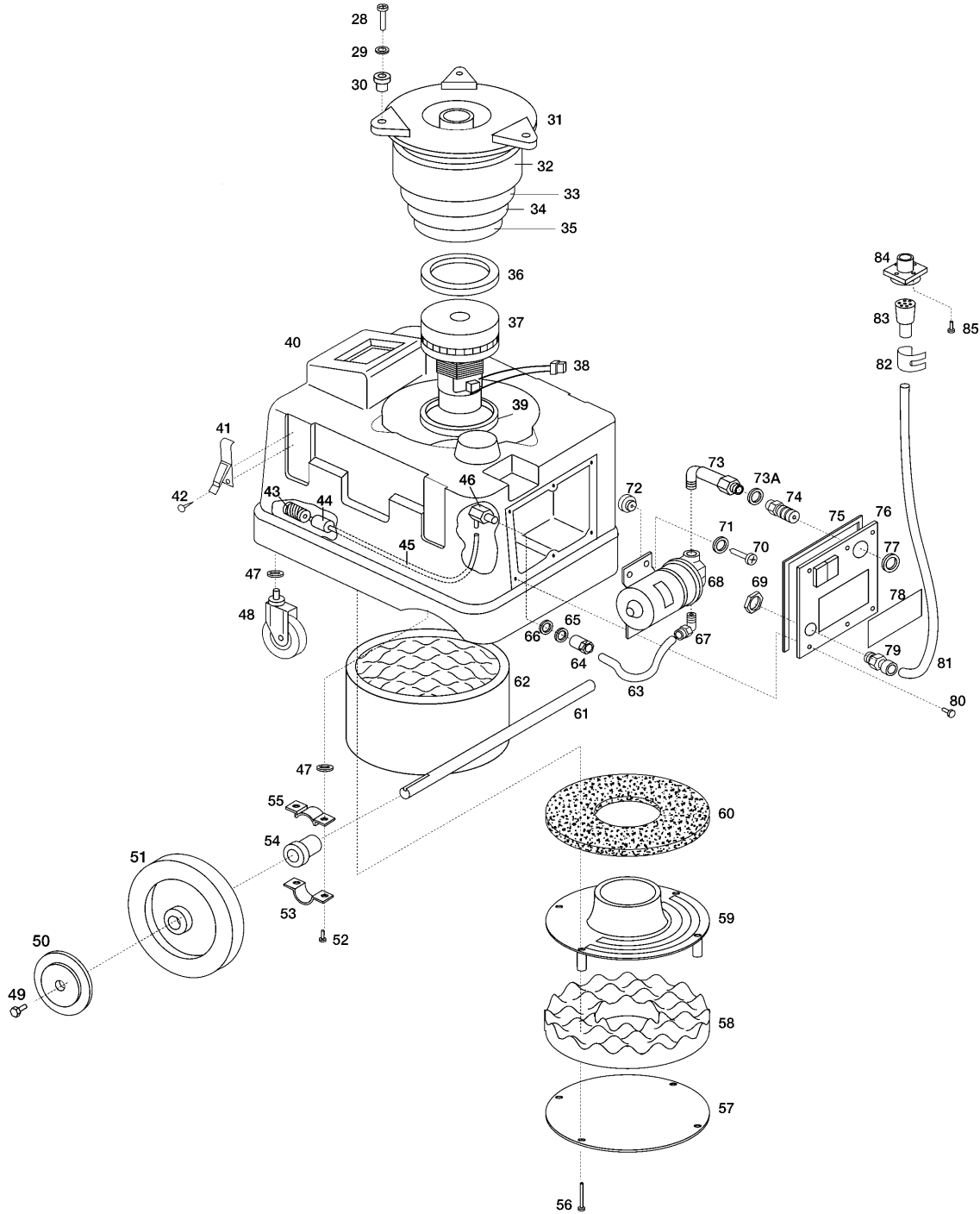
Tempest 12 QX

1205 Britannia Rd. E. Mississauga, Ontario, Canada L4W 1C4

Tel.: 1-800-387-3210 Fax: 1-800-709-2896

www.naceinc.com E-mail: info@naceinc.com

Schematic Drawing #2





Tempest 12 QX

1205 Britannia Rd. E. Mississauga, Ontario, Canada L4W 1C4
 Tel.: 1-800-387-3210 Fax: 1-800-709-2896
 www.naceinc.com E-mail: info@naceinc.com

Parts List
 Page 1 of 2

Item #	Part #	DESCRIPTION
1	SP-15178	COVER
	SP-15178C	COVER WITH GASKET
2	SP-15179	GASKET
3	SP-15188	FILTER
4	SP-15131	ELBOW
5	SP-15153	ELBOW
6	SP-15536	SCREW
7	SP-15217	SWITCH
8	SP-15187	PANEL LABEL
9	SP-15189	CONTROL PANEL
10	SP-15236	CONNECTING TERMINAL
11	SP-15109	PLATE FOR FAIRLEAD
12	SP-15190	BLUE UPPER TANK, 12 GAL
13	SP-15295	FAIRLEAD WITH NUT
14	SP-15215	CABLE 3 x 14 AWG x 15 m
15	SP-15192	SOUNDPROOFING PANEL
16	SP-15161	HOSE NIPPLE
17	SP-15541	TIE
18	SP-15544	SCREW
19	SP-15160	CLIP
20	SP-15161	HOSE NIPPLE
21	SP-15159	CAP
22	SP-15162	TIE
23	SP-15358	DRAIN HOSE
24	SP-15363	CUFF
25	SP-15364	HOSE D.38
26	SP-15334	HOSE CUFF
27	SP-15193	SOUNDPROOFING PANEL
28	SP-15560	STAINLESS STEEL SCREW
29	SP-15517	STAINLESS STEEL WASHER
30	SP-15736	VIBRATION DUMPER
31	SP-15194	ALUMINIUM SILENCER FLANGE
32	SP-15195	SOUNDPROOFING FILTER
33	SP-15196	SOUNDPROOFING FILTER
34	SP-15197	SOUNDPROOFING FILTER
35	SP-15198	SOUNDPROOFING FILTER
36	SP-15825	MOTOR GASKET – 3mm
37	SP-15809	VACUUM MOTOR 3 STAGE 120V
	SP-15813	CARBON BRUSH, 120V (each)
38	SP-15234	CONNECTOR
39	SP-15825	MOTOR GASKET – 3mm
40	SP-15191	BLUE LOWER TANK, 12 GAL
41	SP-15142	TOGGLE
42	SP-15545	TOGGLE SCREW
43	SP-15608	FILTER
44	SP-15747	BALLAST
45	SP-15745	EXTRAFLEX PIPE



1205 Britannia Rd. E. Mississauga, Ontario, Canada L4W 1C4
 Tel.: 1-800-387-3210 Fax: 1-800-709-2896
 www.naceinc.com E-mail: info@naceinc.com

Parts List
 Page 2 of 2

Item #	Part #	DESCRIPTION
46	SP-15724	CONNECTOR
	SP-15702B	HOSE NIPPLE
47	SP-15147	NEOPRENE WASHER
48	SP-15115	FRONT CASTOR
49	SP-15582	SCREW
50	SP-15423	WHEEL COVER
51	SP-15422	WHEEL
52	SP-15549	SCREW
53	SP-15421	LOWER BEARING FLANGE
54	SP-15419	PILLOW BLOCK
55	SP-15420	UPPER BEARING FLANGE
56	SP-15530	SCREW
57	SP-15199	CIRCULAR LOWER PANEL
58	SP-15200	LOWER SOUNDPROOFING DISC
59	SP-15201	LOWER MOTOR FLANGE
60	SP-15202	LOWER SOUNDPROOFING FILTER
61	SP-15417	SHAFT FOR WHEELS
62	SP-15132	LOWER SOUNDPROOFING CILINDER
63	SP-15733	RILSAN PIPE
64	SP-15714	QUICK DISCONNECT - FEMALE
65	SP-15540	METAL WASHER
66	SP-15147	NEOPRENE WASHER
67	SP-15622	ELBOW
68	SP-15644	SHURFLO PUMP 100-120V 50-60 Hz
69	SP-15564	RING NUT
70	SP-15546	SCREW – 5x25
71	SP-15517	S/S WASHER
72	SP-15736	VIBRATION DAMPER
73	SP-15720	ELBOW
	SP-15753	EXTENSION FOR METAL COUPLING
73A	SP-15137	O-RING
74	SP-15687	METAL QUICK DISCONN. FEMALE
	SP-15687PE	PARKER PE COUPLING
75	SP-15186	PANEL GASKET
76	SP-15148	PANEL
77	SP-15163	BUSH
78	SP-15182	LOWER PANEL LABEL
79	SP-15262	CONNECTOR
80	SP-15536	SCREW
81	SP-15291	CABLE SHEATH
	SP-15291C	WIRING HARNESS
82	SP-15265	TIE
83	SP-15260	PLUG
84	SP-15259	SOCKET
	SP-152591C	SOCKET WITH WIRES
85	SP-15538	SCREW, 3.9 x 13