

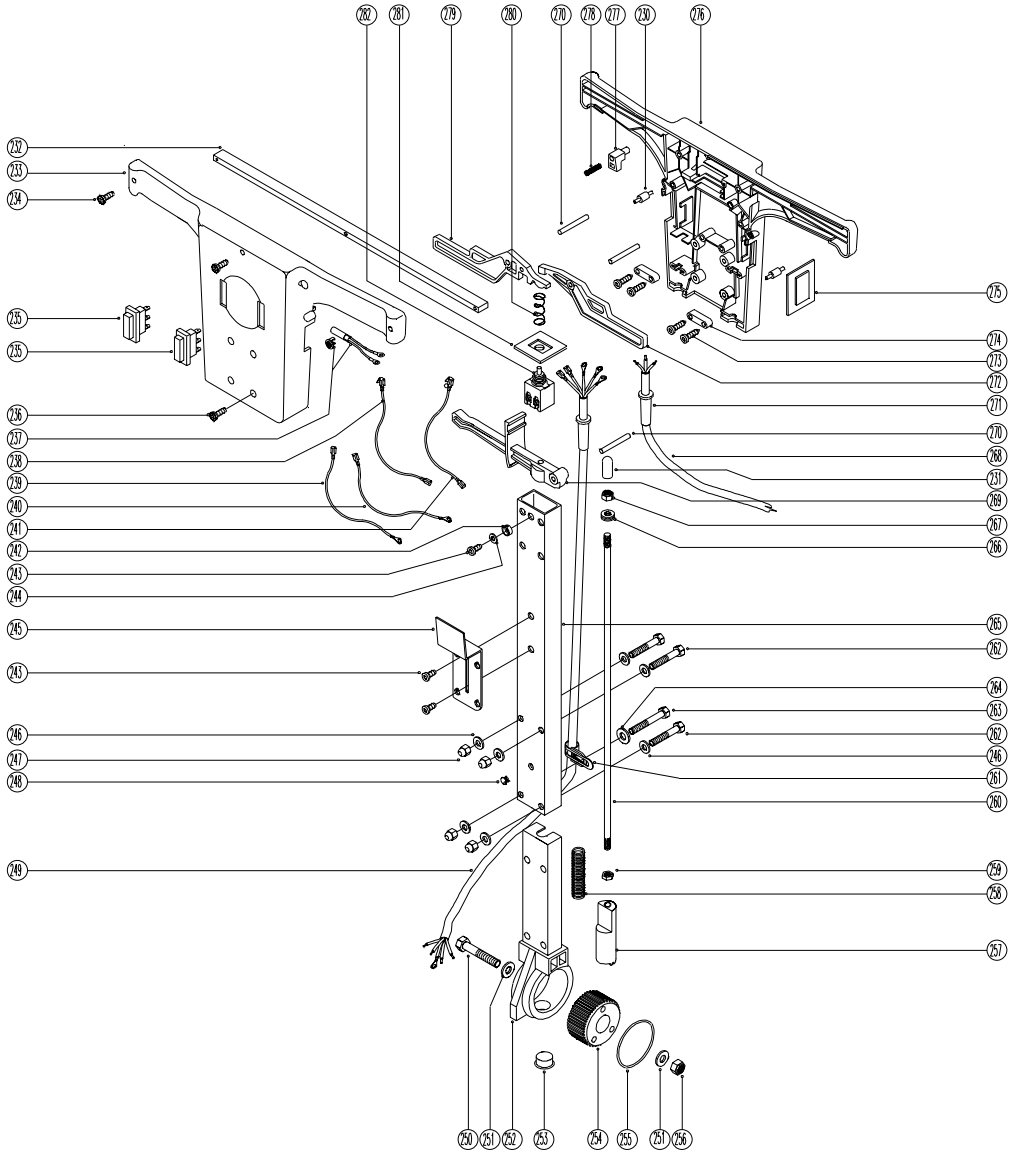


Spare Parts

Model No. TT345/350 HANDLE ASSEMBLY (S/STEEL M/C)

Numatic, International, Chard, Somerset, TA20 2BB.
 Tel: 01460 68480 Fax: 01460 68560
 Sales - Tel: 01460 68600 Fax: 01460 68458

231728
 DRAWING:EXP314 ISS:01
 27/01/97



SPARE PARTS

POS.	PART No	DESCRIPTION
230	229033	Blanking Pin
231	219607	Rubber Protection Cap
232	229076	Support Strip
233	303221	Handle Moulding (Front)
	303289	Handle Moulding (Front) (CSA Spec Only)
234	219212	M3.5 X 10 Long Tapitite screw
235	220587	Single Pole Switch (Illuminated - Green)
236	219045	M5 x 16 Long Pozzi-Pan 'Sems' Screw
237	320074	Neon Indicator + Lens (Red) 220V-240V
	320075	Neon Indicator + Lens (Red) 110V
238	320126	Blue Wire
239	320123	Brown Wire
240	320124	Blue Wire
241	320125	Brown Wire
242	219153	2BA - Brass Cup Washer
243	219047	M5 x 10 Long Pozzi-Pan 'Sems' Screw
244	219003	M5 Form 'A' Washer
245	229129	Mounting Bracket
246	219007	M6 Form 'B' Washer
247	219080	M6 Dometut
248	229009	Hole Blanking Plug
249	220509	5 Core Black Cable { 3 Core Mains Cable Machines)
	220421	5 Core Black Cable (2 Core Mains Cable Machines)
	220433	3 Core Black Cable { (Use On CSA Machines Only)
	220434	2 Core Black Cable }
250	219091	M8 x 50mm Long Hex Bolt
251	219010	M8 Form 'A' Washer
252	229081	Handle Casting
253	229099	25mm Diameter Hole Plug
254	229074	Adjustment Gear
255	219254	"O" Ring
256	219078	M8 Stiffnut

POS.	PART No	DESCRIPTION
257	229073	Gear Locking Pin
258	229138	Spring
259	219099	M6 Halfnut
260	229126	Locking rod
261	229139	'P' Clip
262	219064	M6 x 35mm Long Hex Head Bolt
263	21965V	M6 x 40mm Long Hex Head Bolt
264	219008	M6 Form 'C' Washer
265	303220	Aluminium Handle
266	219017	M6 Double Coil Spring Washer
267	219088	M6 Stiffnut
268	220219	Mains Cable (U.K. Plug)
	220208	Mains Cable (CEE Plug)
	220351	Mains Cable (No Plug)
	220346	Mains Cable (Swiss Plug)
	220358	Mains Cable (U.S.A Plug)
	220439	Mains Cable (No Plug;Australian Machine)
	220432	Mains Cable (2 Core + CEE Plug)
269	229003	Adjustment Lever
270	229071	Lever Mounting pin
271	220015	Stress relief
272	229000	Switch Lever L.H.
273	219107	No 6 x 5/8" Plastite Screw
274	227008	Cable Clamp
275	229026	Blanking Plate
276	329047	Handle Moulding (Rear)
277	229066	Release Button
278	219323	Compression Spring
279	229001	Switch Lever R.H.
280	229028	Switch Spring
281	229011	Switch Plate
282	229010	Switch

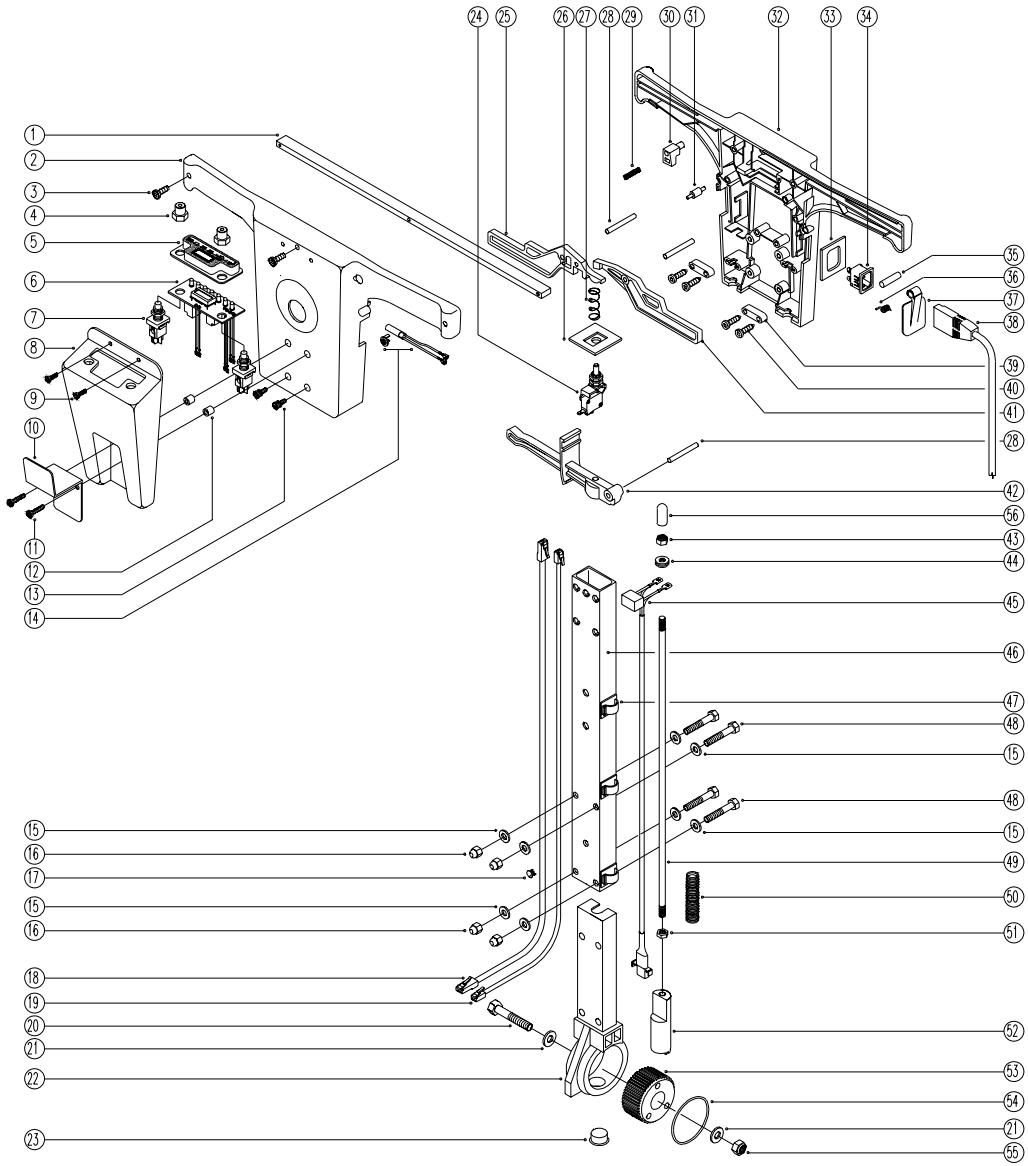


Spare Parts

Model No. TTB345 HANDLE ASSEMBLY(S/STEEL M/C)

Numatic, International, Chard, Somerset, TA20 2BB.
 Tel: 01460 68480 Fax: 01460 68560
 Sales - Tel: 01460 68600 Fax: 01460 68458

231735
 DRAWING:EXP321 ISS:02
 14/04/97



MODEL No.

TTB345 HANDLE ASSEMBLY (S/STEEL M/C)

SPARE PARTS

POS.	PART No	DESCRIPTION
1	229076	Support Strip
2	303380	Handle Moulding (front)
3	219212	M3.5 X 10mm Long Taplite screw
4	220600	Black Rubber Switch Cover
5	206316	Lens Moulding
6	220590	L.E.D Circuit Board Switch Panel
7	220597	Push Button Switch
8	229220	Switch Cover
9	219569	No8 x 1/2" Long Plastite S/Steel Screw
10	403029	Separator Mounting Bracket
11	219575	M5 x 25mm Long Pozi-Driv Machine Screw
12	219045	Spacer
13	219574	M5 x 16mm Long Pozi-Pan Sems Screw
14	220401	Neon Indicator + Lens (Red)
15	219007	M6 Form 'B' Washer
16	219080	M6 Domenut
17	229009	Hole Blanking Plug
18	220582	8 Way 1.6 Metre Long Cable
19	220591	6 Way 1.6 Metre Long Cable
20	219091	M8 x 50mm Long Hex Bolt
21	219010	M8 Form 'A' Washer
22	229081	Handle Casting
23	229099	25mm Diameter Hole Plug
24	220598	Microswitch
25	229001	Switch Lever R.H.
26	229011	Switch Plate
27	229028	Switch Spring
28	229071	Lever Mounting Pin
29	219323	Compression Spring
30	229066	Release Button
31	229033	Blanking Pin

POS.	PART No	DESCRIPTION
32	329047	Handle Moulding (Rear)
33	220390	Socket Mounting Plate
34	220408	2 Wire Appliance Socket
35	229035	Flap Pivot Pin
36	229034	Flap Torsion Spring
37	229032	Flap Moulding
38	220410	2 Wire Charging Lead With Euro Plug
	220619	2 Wire Charging Lead With UK Plug
	220623	2 Wire Charging Lead With USA/CSA Plug
	220621	2 Wire Charging Lead With No Plug
	220620	2 Wire Charging Lead With Australian Plug
	220622	2 Wire Charging Lead With Swiss Plug
	220624	2 Wire Charging Lead With South African Plug
39	227008	Cable Clamp
40	219107	No6 x 5/8" Long Plastite Screw
41	229000	Switch Lever L.H.
42	229003	Adjustment Lever
43	219088	M6 Stiffnut
44	219017	M6 Double Coil Spring Washer
45	220617	A.C. Charging Lead
46	303220	Aluminium Handle
47	220403	Cable Clip
48	219064	M6 x 35mm Long Hex Head Bolt
49	229126	Locking Rod
50	229138	Spring
51	219099	M6 Halfnut
52	229073	Gear Locking Pin
53	229074	Adjustment Gear
54	219254	'O' Ring
55	219078	M8 Stiffnut
56	219607	Rubber Protection Cap

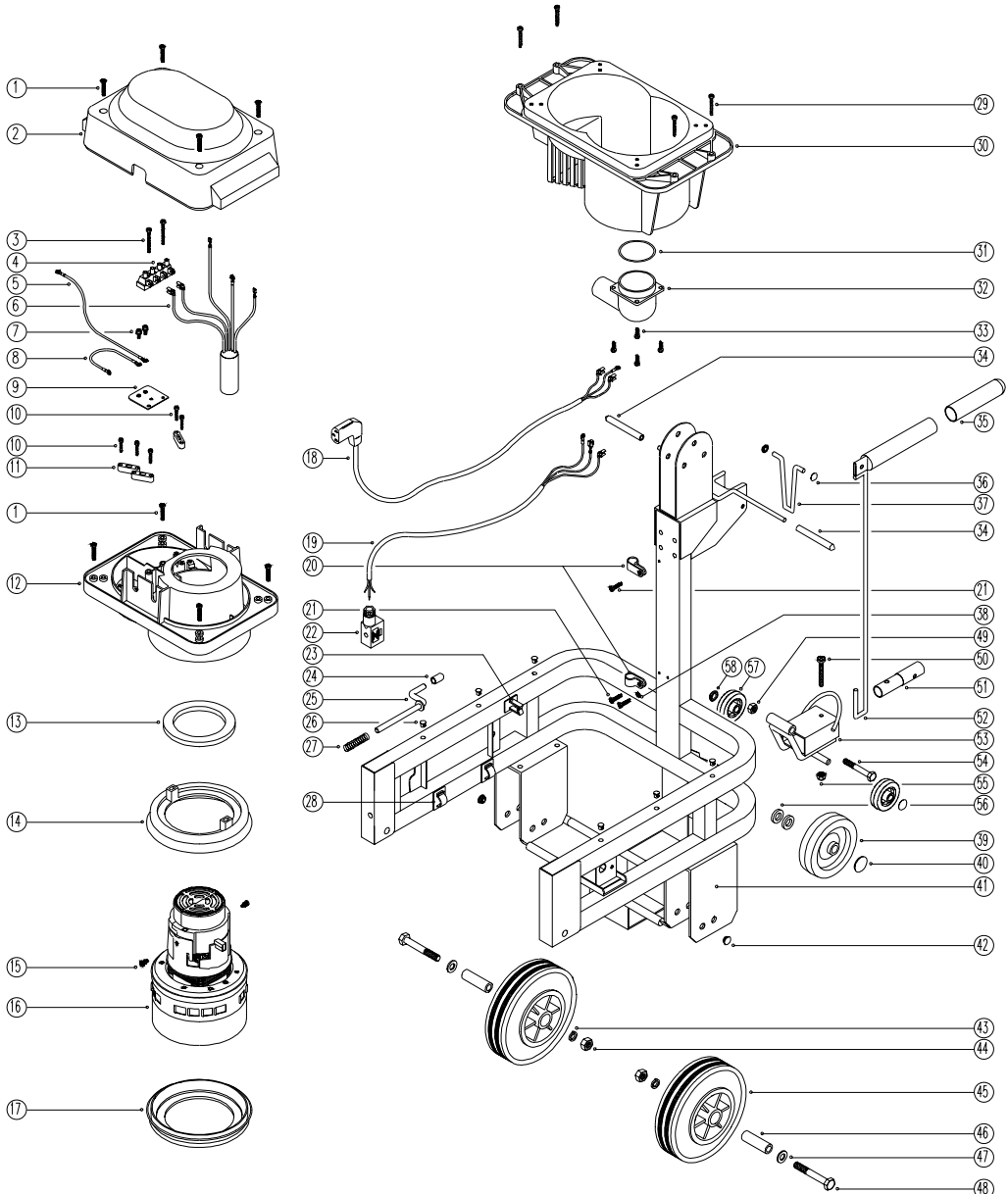


Spare Parts

Model No. **TT345/350 S/STEEL MK2 CHASSIS/VAC POD ASSY.**

Numatic, International, Chard, Somerset, TA20 2BB.
 Tel: 01460 68480 Fax: 01460 68560
 Sales - Tel: 01460 68600 Fax: 01460 68458

231729
 DRAWING:EXP315 ISS:03
 24/11/98

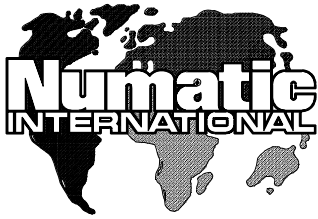


MODEL No. TT345/350 S/STEEL MK2 CHASSIS/VAC POD ASSY.

SPARE PARTS

POS.	PART No	DESCRIPTION
1	219568	No8 x 3/4" Plastite S/Steel Screw
2	229206	Vac Pod Top Cover Moulding
3	219321	M4 x 30mm Long Pozi-Pan S/Steel Screw
4	220204	Terminal Block
5	320303	300mm Long Green/Yellow Link Wire
6	220593	Suppressor
7	219090	M4 x 8mm Long Sems Screw
8	320092	180mm Long Green/Yellow Link Wire
9	303291	Terminal Block Fixing Bracket
10	219107	No6 x 5/8" Long Plastite Screw
11	227008	Cable Clamp Moulding
12	229998	Vac Pod Top Motor Housing C/W Tappex
13	202078	Motor Cap Gasket
14	202076	Top Motor Gasket
15	219566	M4 x 6mm Long Taptite Sems Screw
16	205060	230V Motor
	205062	120V Motor
17	202077	Bottom Motor Gasket
18	220241	Secondary Cable
19	220596	Solenoid Valve Lead
20	219393	P-Clip
21	219036	No8 x 16mm Long Self Tap Screw
22	220359	MPM Connector
23	219464	Cable Clip
24	229240	End Tip
25	303406	Latching Rod
26	219548	Hole Blanking Plug
27	219576	Compression Spring
28	220403	Cable Clip
29	219575	M5 x 25mm Long Pozi Pan S/Steel Screw

POS.	PART No	DESCRIPTION
30	229204	Vac Pod Bottom Motor Housing
31	219561	O-Ring
32	229207	Inlet Tube Moulding
33	219569	No8 x 1/2" Long Pozi Pan Screw
34	229007	75mm Long Black End Tip
35	229344	Handle
36	21926V	6mm Stainless Steel Cap
37	303439	Pivot Rod
38	219015	M4 Shakeproof Washer
39	329112	4" Wheel
40	204021	1/2" Starlock Cap
41	329995	Stainless Steel MK2 Chassis Assembly
42	219520	PVC Grommet
43	219349	M10 Single Coil Spring Washer
44	219074	M10 Nut
45	229049	Wheel
46	229167	Wheel Spacer
47	219449	M10 Washer
48	219570	M10 x 70mm Long Bolt
49	219649	M10 Nyloc Nut
50	219643	M6 x 35mm Long Pozi Screw
51	329664	Pivot Boss
52	303438	Lifting Handle Assembly
53	303433	Floor Tool Connector Assembly
54	219570	M10 x 70mm Long Bolt
55	219642	M6 Nyloc Nut
56	229346	Spacer
57	215006	50mm Wheel
58	229290	3/8" Stainless Steel Cap

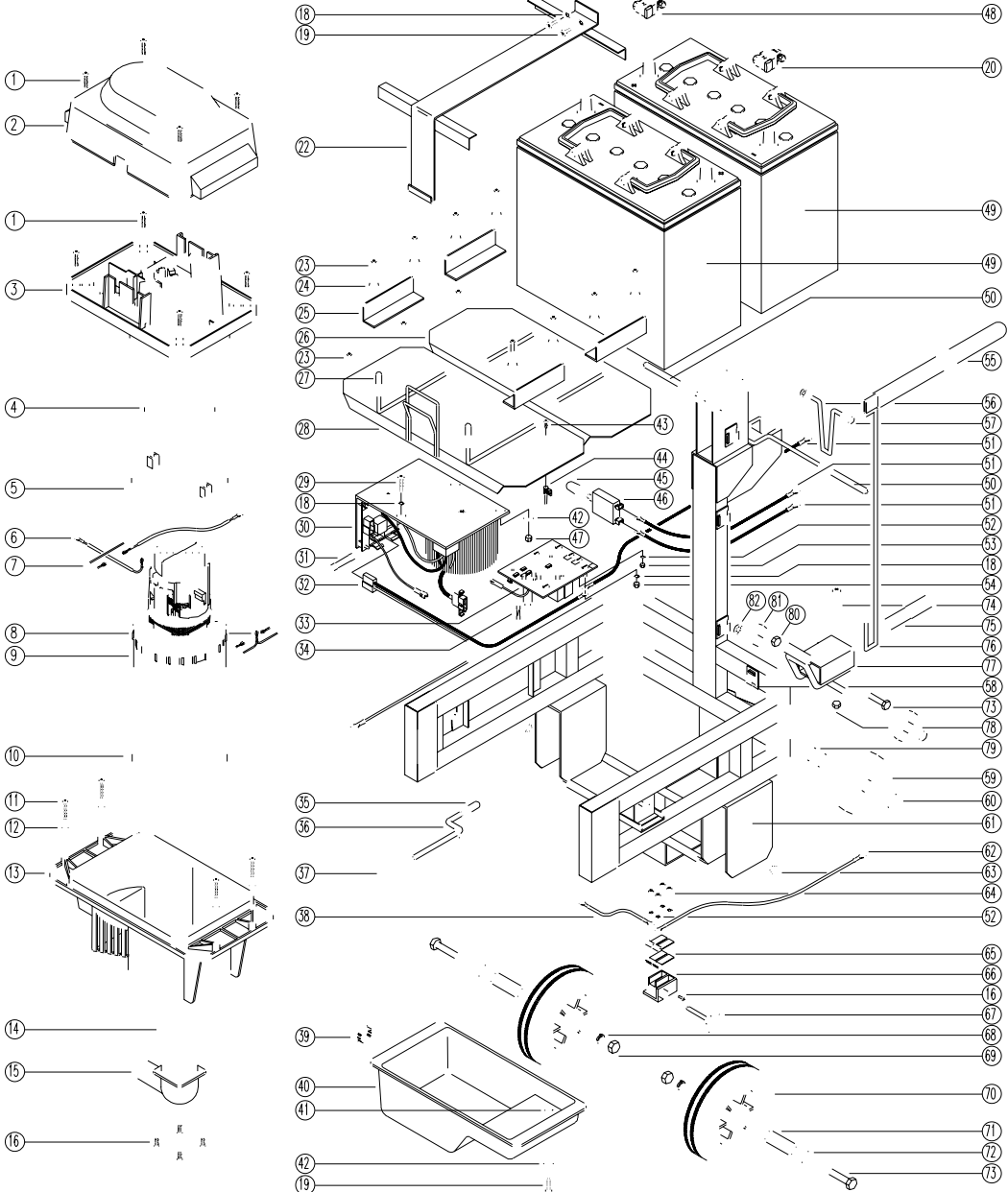


Spare Parts

Model No. **TPB345/80 S/MR2 STEEL CHASSIS/VAC POD ASSY.**

Numatic, International, Chard, Somerset, TA20 2GB.
 Tel: 01460 68480 Fax: 01460 68660
 Sales - Tel: 01460 68600 Fax: 01460 68458

231737
 DRAWING:EXP323 ISS:04
 11/01/99



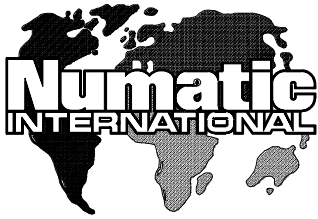
MODEL No.

TTB345/80 S/MK2 STEEL CHASSIS/VAC POD ASSY.

SPARE PARTS

POS.	PART No	DESCRIPTION
1	219568	No8 x 3/4" Plastite S/Steel Screw
2	229206	Vac Pod Top Cover Moulding
3	229205	Vac Pod Top Motor Housing
4	202078	Motor Cap Gasket
5	202076	Top Motor Gasket
6		
7	320234	24V Motor C/W Lead Assembly
8		
9		
10		
10	202077	Bottom Motor Gasket
11	219575	M5 x 25mm Long Pozi-Pan Stainless S/Screw
12	219003	M5 Form A Steel Washer
13	229204	Vac Pod Bottom Motor Housing
14	219561	O-Ring
15	229207	Inlet Tube Moulding
16	219569	No8 x 1/2" Long Pozi-Pan Screw
17		
18	219016	M5 Shakeproof Washer
19	219547	M5 x 16mm Long Pozi-Pan S/Steel Screw
20	220455	Negative Battery Terminal Converter
21		
22	403019	Battery Strap
23	219572	M5 x 16mm Long Countersunk S/Steel Screw
24	219573	Screw Insulator
25	404009	Battery Location Bracket
26	404010	Rear Battery Tray
27	229006	End Tip
28	404011	Front Battery Tray
29	219571	M6 x 20mm Long Pozi Head S/Steel Machine Screw
30	220752	230V Charger Unit (Standard Machine)
	220753	120V Charger Unit (Standard Machine)
	220754	100V Charger Unit (Standard Machine)
	304187	120V Charger Unit (CSA Spec Machine)
31	220993	16 Amp Fuse (Standard Machine)
	220666	20 Amp Fuse (CSA Spec Machine)
32	320485	D.C. Charging Lead
33	220589	Control Unit
34	220680	F500mA 250V 20mm x 5mm Glass Fuse
35	229240	End Tip
36	303406	Latching Rod
37	219576	Compression Spring
38	320357	160mm Long Red Link Wire
39	206314	Window Plug

POS.	PART No	DESCRIPTION
40	229219	PCB Cover
41	219462	Rubber Washer
42	219005	M5 Form G Washer
43	219301	No6 Pozi-Pan S/T Screw x 9.5mm
44	220595	PCB Quick Release Stand Off
45	220459	Overload Dust Cover
46	220585	35 Amp Trip
47	219076	M5 Staylight Nut
48	220454	Positive Battery Terminal Converter
49	220453	12 Volt 80AH Battery
50	229007	75mm Long Black End Tip
51	320356	400mm Long Black Link Wire
52	219015	M4 Shakeproof Washer
53	219075	M4 Fullnut
54	219072	M5 Fullnut
55	229344	Handle
56	303439	Pivot Rod
57	21926V	6mm Stainless Steel Cap
58	220403	Cable Clip
59	329112	4" Wheel
60	204021	1/2" Starlock Cap
61	329995	Stainless Steel MK2 Chassis Assembly
62	320358	430mm Long Red Link Wire
63	219520	PVC Grommet
64	221151	M4 x 12mm Long Pozi-Pan Screw
65	219466	Isolator Contact (4 Required For Full Set)
66	220989	Isolator Block
67	220681	Isolator Knob
68	219349	M10 Single Coil Spring Washer
69	219074	M10 Nut
70	229178	Wheel
71	229228	Wheel Spacer
72	219449	M10 Form A Steel Washer
73	219570	M10 x 70mm Long Bolt
74	219643	M6 x 35mm Long Pozi Screw
75	329664	Pivot Boss
76	303438	Lifting Handle Assembly
77	303433	Floor Tool Connector Assembly
78	219642	M6 Nyloc Nut
79	229346	Spacer
80	219649	M10 Nyloc Nut
81	215006	50mm Wheel
82	229290	3/8" Stainless Steel Cap

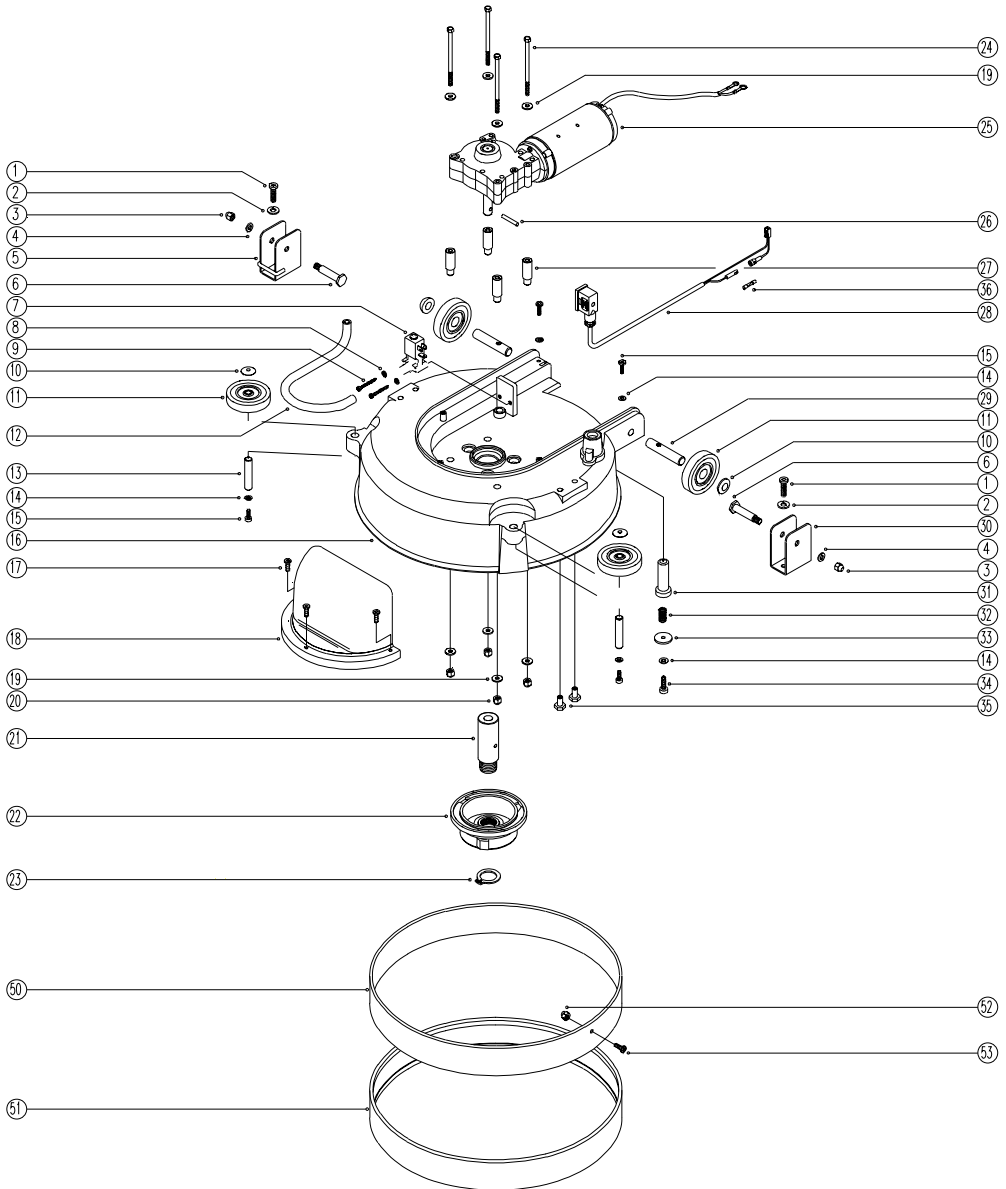


Spare Parts

Model No. **778345/56 & 80 BASE/DECK ASSEMBLY (S/STEEL W/C)**

Numatic, International, Chard, Somerset, TA20 2BB.
 Tel: 01460 68480 Fax: 01460 68560
 Sales - Tel: 01460 68600 Fax: 01460 68458

231738
 DRAWING:EXP324 ISS:03
 02/07/97



MODEL No.

TTB345/56 & 80 BASE/DECK ASSEMBLY (S/STEEL M/C)

SUB ASSEMBLIES

SPLASH SKIRT ASSEMBLY – COMPLETE

PART No	DESCRIPTION (ITEMS 50 TO 53)
304043	Splash Skirt Assembly

SPARE PARTS

POS.	PART No	DESCRIPTION
1	219056	M6 x 25mm Long Pozi–Pan Screw
2	219549	M6 Single Coil Washer
3	219077	M8 Domenut
4	219010	M8 Form A Washer
5	404041	Pivot Bracket
6	206236	Pivot Pin
7	220379	Solenoid Valve
8	219206	M4 Washer
9	219321	M4 x 30mm Long Pozi Head Screw
10	204021	1/2" Starlock Washer
11	303247	3" Diameter Wheel
12	303248	8mm Dia x 2mm Wall Silicon Tube x 800/900mm Long
13	206013	Buffer Wheel Pin
14	219005	M5 Form G Washer
15	219546	M5 x 20mm Long Pozi–Pan Sems Screw

POS.	PART No	DESCRIPTION
16	303340	Base Moulding (Blue)
	303341	Base Moulding (Red)
	303342	Base Moulding (Yellow)
	303339	Base Moulding (Green)
17	219569	No8 x 1/2" Plastite S/Steel Screw
18	229198	Motor Shroud
19	219008	M6 Form 'G' Washer
20	219088	M6 Stiffnut
21	229201	Drive Shaft
22	230207	Chuck
23	230048	26mm External Circlip
24	219560	M6 x 85mm Long Mounting Bolt
25	320295	24V Lemac Drive Motor
26	219523	Drive Pin
27	229200	Motor Mounting Spacer
28	220378	Solenoid Valve Lead & MPM Connector/Gasket/Screw
29	229162	Rear Wheel Pin
30	403210	Pivot Bracket
31	229128	Plunger
32	219394	Compression Spring
33	219457	30mm Dia x 2mm Thick Nylon Washer
34	219041	No8 x 3/4" Long Plastite 2.50 Screw
35	219606	Bracket Spacer
36	220680	F500mA 250V 20mm x 5mm Glass Fuse
50	299999	Splash Skirt Body
51	229112	Gasket
52	219398	M5 Plastic Domenut
53	219405	M5 x 10mm Long Countersunk Screw

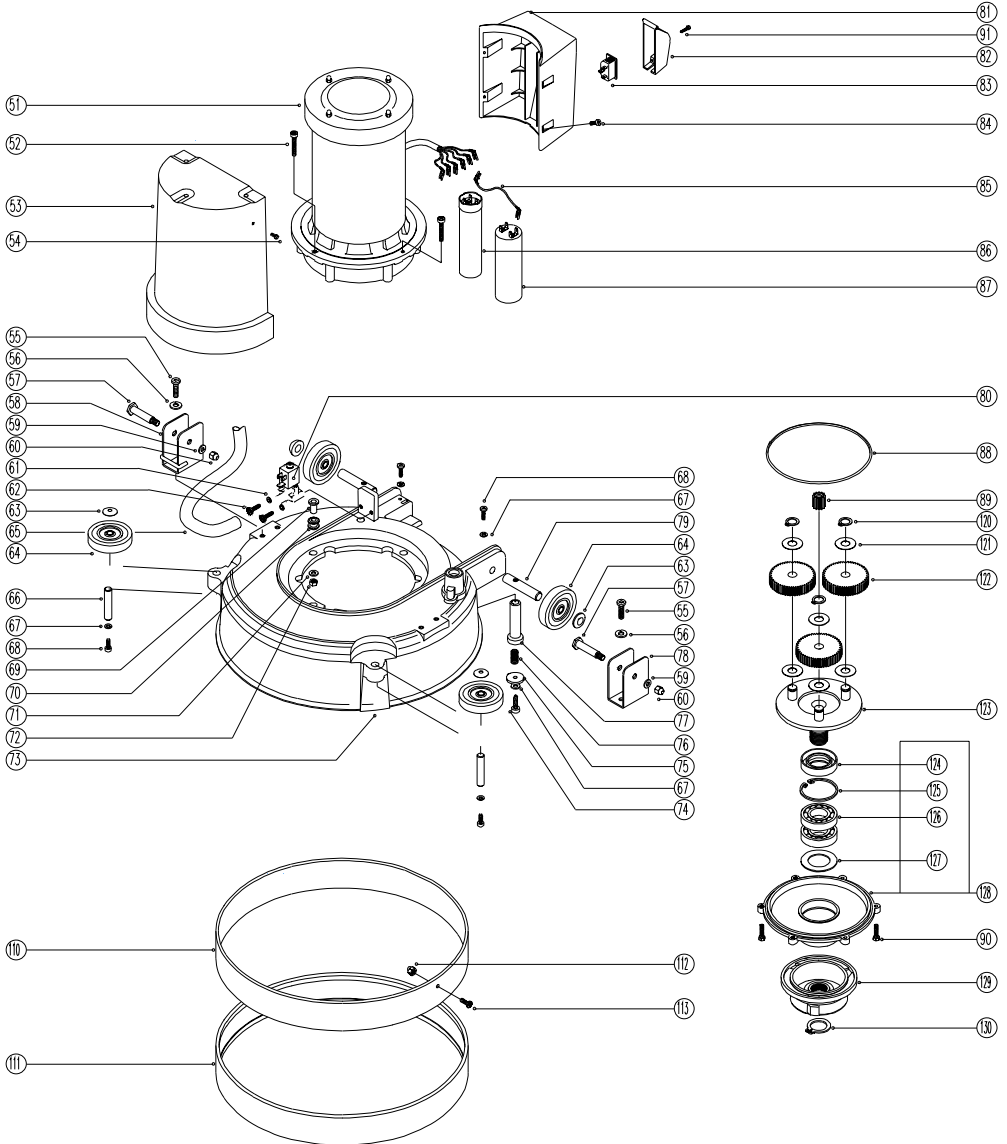


Spare Parts

Model No. TT345 BASE/DECK ASSY. (S/STEEL M/C)

Numatic, International, Chard, Somerset, TA20 2BB.
 Tel: 01460 68480 Fax: 01460 68560
 Sales - Tel: 01460 68600 Fax: 01460 68458

231730
 DRAWING:EXP316 ISS:03
 14/04/97



MODEL No.

TT345 BASE/DECK ASSY. (S/STEEL M/C)

SUB ASSEMBLIES

SPASH SKIRT ASSEMBLY - COMPLETE

PART No	DESCRIPTION (ITEMS 110 TO 113)
304043	Splash Skirt Assembly

GEARBOX ASSEMBLY - COMPLETE

PART No	DESCRIPTION (ITEMS 120 TO 130)
230206	Gearbox Assembly

SPARE PARTS

POS.	PART No	DESCRIPTION
51	205003	Motor 240V-50Hz
	205014	Motor 220V-60Hz
	205011	Motor 110V-50Hz
	205013	Motor 120V 60Hz
52	219483	M6 x 40mm Long Machine Screw
53	206305	Front Cover Moulding
54	219317	Button Lock
55	219073	M6 X 30mm Long Hex Head Bolt
56	219549	M6 Single Coil Washer
57	206236	Pivot Pin
58	404041	Pivot Bracket
59	219010	M8 Form 'A' Washer
60	219077	M8 Dometnut
61	219206	M4 Washer
62	219321	M4 x 30mm Long Pozzi-Pan Screw
63	204021	1/2" Starlock Cap
64	303247	3" Wheel
65	303248	8 Dia x 3.2mm Silicone Tube x 880/900 Long
66	206013	Buffer Wheel Pin
67	219005	M5 Form 'G' Washer
68	219546	M5 x 20mm Long Pozzi-Pan Screw
69	208011	Motor Mounting Spacer
70	229025	Grommet
71	219008	M6 Form 'G' Washer
72	219088	M6 Stiffnut
73	303277	Base Moulding - Red
	303276	Base Moulding - Blue
	303278	Base Moulding - Yellow
	303279	Base Moulding - Green

POS.	PART No	DESCRIPTION
74	219041	No8 x 3/4" Plastite 2.50 Screw
75	219457	Nylon Washer 30 O/D x 3mm Thick
76	219394	Compression Spring
77	229128	Plunger
78	403210	Pivot Bracket
79	229162	Rear Wheel Pin
80	220348	Solenoid Valve 240V~ 50/60Hz
	220349	Solenoid Valve 220V~ 50/60Hz
	220350	Solenoid Valve 110V~ 50Hz
	220425	Solenoid Valve 110/120V~ 60Hz
81	229141	Capacitor Box
82	229213	Capacitor Box Plug Cover
83	220584	Clip In Plug
84	219095	M4 x 6mm Long Taplite Screw
85	220119	Brown Link Wire
86	220022	Start Capacitor 240V
	220117	Start Capacitor 220V
	220090	Start Capacitor 110/120V
87	220024	Run Capacitor 220/240V
	220103	Run Capacitor 110/120V
88	230001	Oil Seal
89	230027	Pinion Gear
90	219051	M5 x 16mm Long Hexagon Set Screw
91	219107	No6 x 5/8" Plastite Screw
110	299999	Splash Skirt Body
111	229112	Gasket
112	219398	M5 Plastic Dometnut
113	219405	M5 X 10mm Long Countersunk Screw
120	230015	15mm External Circlip
121	230215	Aluminium Washer
122	230013	48 Tooth Gear
123	230291	Planet Carrier Assembly
124	230002	Double Lip Oil Seal
125	230200	62mm Internal Circlip
126	230004	Bearing
127	219261	Black ABS Washer
128	230208	Bottom Plate Assembly
129	230207	Chuck
130	230048	26mm External Circlip

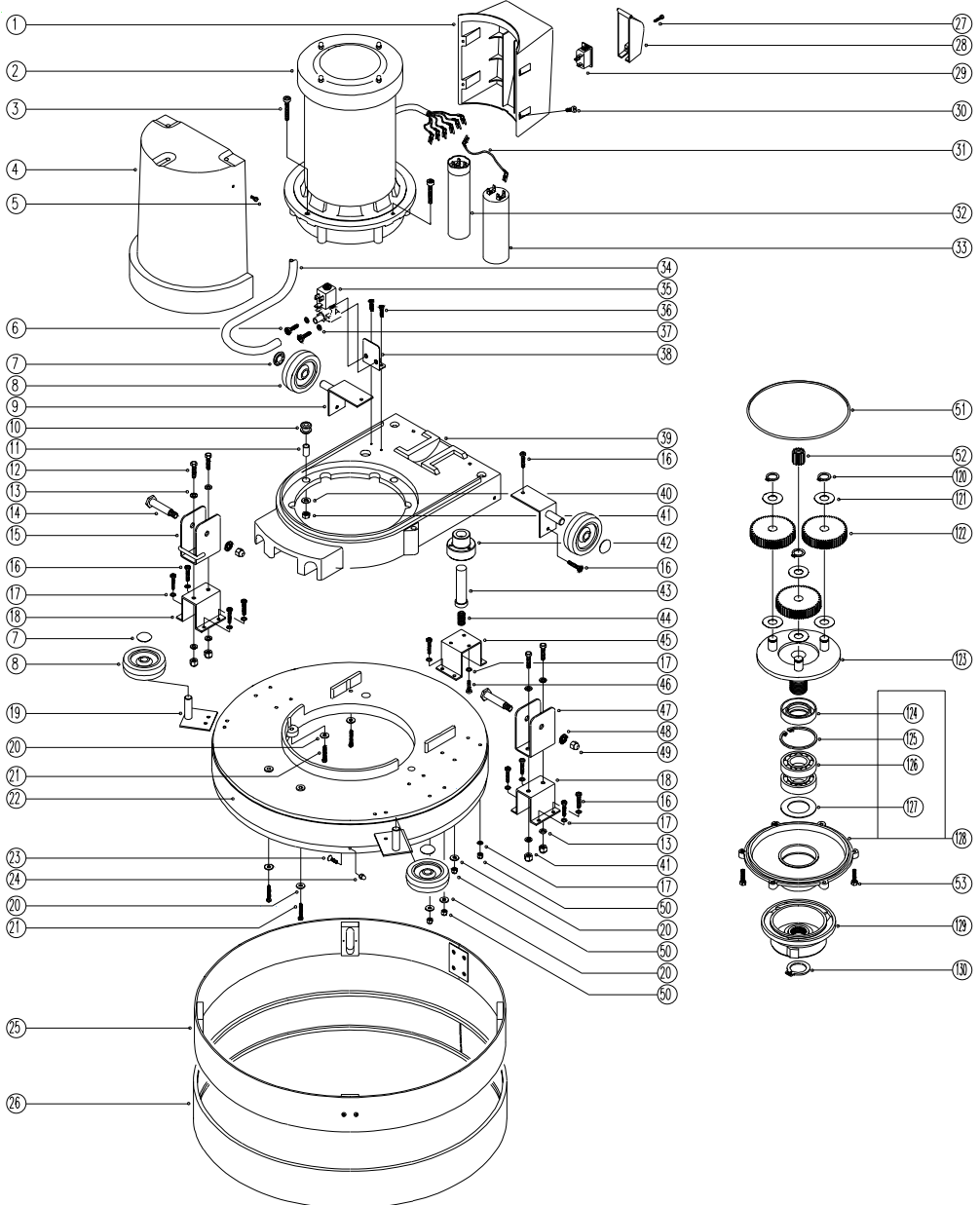


Spare Parts

Model No. TT350 BASE/DECK ASSY. (S/STEEL M/C)

Numatic International, Chard, Somerset, TA20 2BB.
 Tel: 01460 68480 Fax: 01460 68560
 Sales - Tel: 01460 68600 Fax: 01460 68458

231731
 DRAWING:EXP317 ISS:02
 05/06/97



MODEL No.

TT350 BASE/DECK ASSY. (S/STEEL M/C)

SUB ASSEMBLIES

SPASH SKIRT ASSEMBLY - COMPLETE

PART No	DESCRIPTION (ITEMS 25 TO 26)
304138	Splash Skirt Assembly

GEARBOX ASSEMBLY - COMPLETE

PART No	DESCRIPTION (ITEMS 120 TO 130)
230206	Gearbox Assembly

SPARE PARTS

POS.	PART No	DESCRIPTION
1	229141	Capacitor Box
2	205003	Motor 240V~50Hz
	205014	Motor 220V~60Hz
	205011	Motor 110V~50Hz
	205013	Motor 120V 60Hz
3	219483	M6 x 40mm Long Machine Screw
4	206305	Front Cover Moulding
5	219317	Button Lock
6	219321	M4 X 30mm Long Pozzi Pan Screw
7	204021	1/2" Starlock Cap
8	303247	3" Wheel
9	418396	Rear Wheel Bracket
10	229025	Grommet
11	229023	Spiral Spacer
12	219455	M6 x 20mm Long Hexagon Set Screw
13	21927V	M6 Form 'A' Washer
14	206236	Pivot Pin
15	404041	Pivot Bracket
16	219054	M5 x 20mm Long Pozzi Pan Screw
17	219003	M5 Form 'A' Washer
18	418395	Pivot Spacing Bracket
19	418394	Buffer Wheel Bracket
20	219005	M5 Form 'G' Washer
21	219369	No8 x 1" Plastite Screw
22	304168	Base Moulding - Red
	304167	Base Moulding - Blue
	304169	Base Moulding - Green
	304166	Base Moulding - Yellow
	304170	Base Moulding - White
23	219330	M5 x 12mm Long Countersunk Screw
24	219093	M5 Dornnut
25	329999	Scrub Ring Assembly
26	229209	Scrub Ring Extrusion
27	219107	No8 x 5/8" Plastite Screw

POS.	PART No	DESCRIPTION
28	229213	Capacitor Box Plug Cover
29	220584	Clip In Plug
30	219095	M4 x 6mm Long Tapite Screw
31	220119	100mm Long Brown Link Wire
32	220022	Start Capacitor 240V
	220117	Start Capacitor 220V
	220090	Start Capacitor 110/120V
33	220024	Run Capacitor 220/240V
	220103	Run Capacitor 110/120V
34	303248	900mm Long Silicone Tube
35	220348	Solenoid Valve 240V~ 50/60Hz
	220349	Solenoid Valve 220V~ 50/60Hz
	220350	Solenoid Valve 110V~ 50Hz
	220425	Solenoid Valve 110/120V~ 60Hz
	219036	No8 x 5/8" Long Pozzi Pan Screw
36	219206	M4 Washer
37	219206	Solenoid Mounting Bracket
38	303239	Base Moulding - Red
39	304163	Base Moulding - Blue
	304162	Base Moulding - Green
	304164	Base Moulding - Yellow
	304161	Base Moulding - White
40	219008	M6 Form 'G' Steel Washer
41	219088	M6 Stiffnut
42	227048	Stabiliser Body
43	229128	Plunger
44	219394	Spring
45	418397	Plunger Spacer Bracket
46	219050	M5 x 16mm Long Pozzi Pan Screw
47	403210	Pivot Bracket
48	219010	M8 Form 'A' Washer
49	219077	M8 Dornnut
50	219076	M5 Staytite Nylon Insert Nut
51	230001	Oil Seal
52	230027	Pinion Gear
53	219051	M5 x 16mm Long Hexagon Set Screw
120	230015	15mm External Circlip
121	230215	Aluminium Washer
122	230013	48 Tooth Gear
123	230291	Planet Carrier Assembly
124	230002	Double Lip Oil Seal
125	230200	62mm Internal Circlip
126	230004	Bearing
127	219261	Black ABS Washer
128	230208	Bottom Plate Assembly
129	230207	Chuck
130	230048	26mm External Circlip

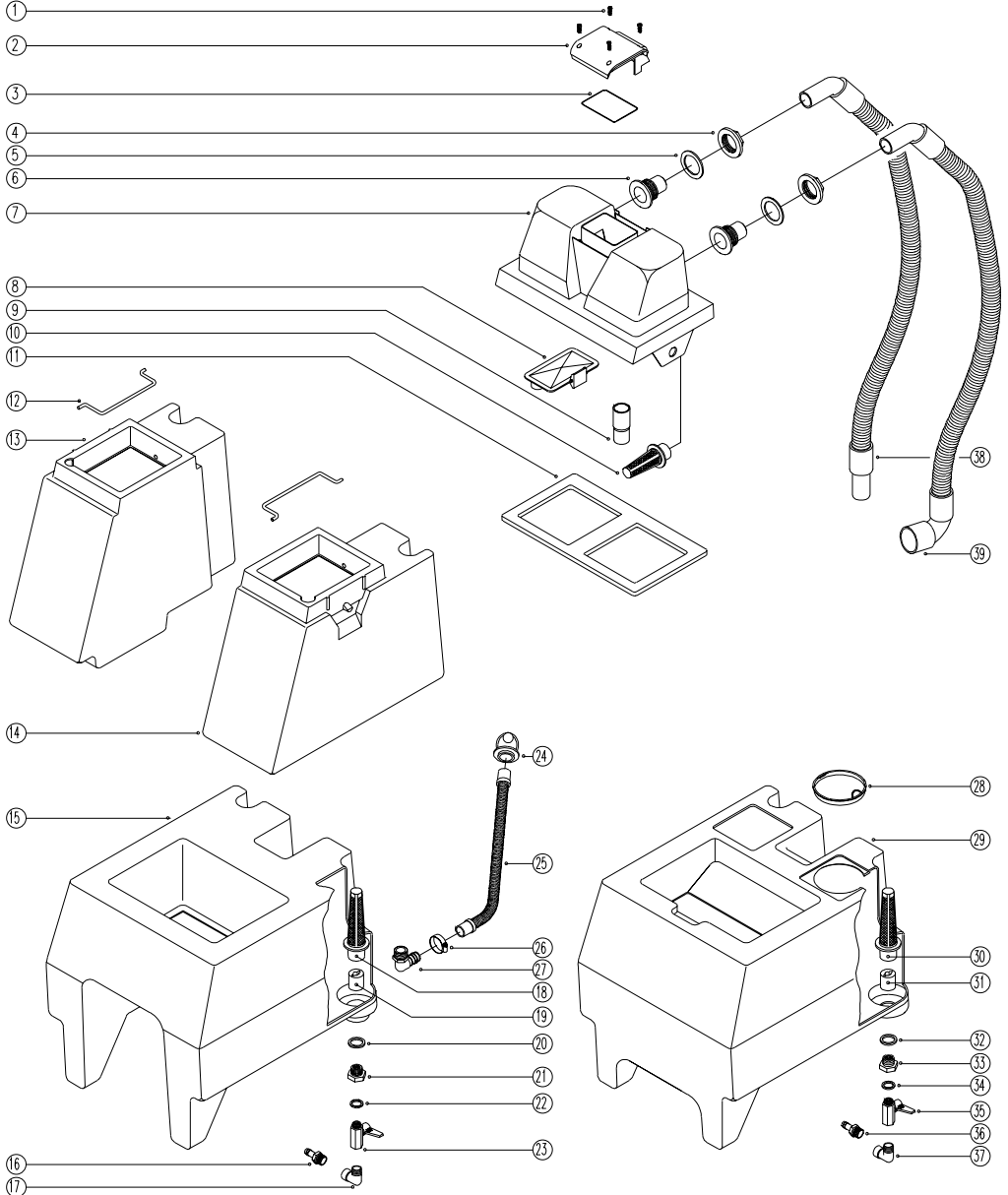


Spare Parts

Model No. **TT3451/TT3501/TT3451 TANK/SEPARATOR ASSY(S/S)**

Numatic, International, Chard, Somerset, TA20 2GB.
 Tel: 01460 68480 Fax: 01460 68560
 Sales - Tel: 01460 68600 Fax: 01460 68458

231732
 DRAWING:EXP318 ISS:04
 11/01/99



MODEL No.

TT345T/TT350T/TTB345T TANK/SEPARATOR ASSY (S/STEEL M/C)

SUB ASSEMBLIES

SEPARATOR ASSEMBLY – COMPLETE

PART No	DESCRIPTION
504863	Separator Assembly (Items 1 To 11)

BOTTOM TANK ASSEMBLIES – COMPLETE

PART No	DESCRIPTION
504978	TT345/TT350 White Bottom Tank Assembly (Items 15 To 27)
504599	TT345/TT350 Grey Bottom Tank Assembly (Items 15 To 27)
504977	TTB345/56 White Bottom Tank Assembly (Items 24 To 37)
504597	TTB345/56 Grey Bottom Tank Assembly (Items 24 To 37)
504006	TTB345/80 White Bottom Tank Assembly (Items 24 To 37)
504598	TTB345/80 Grey Bottom Tank Assembly (Items 24 To 37)

DRAIN HOSE ASSEMBLY – COMPLETE

PART No	DESCRIPTION
303257	Drain Hose Assembly (Items 24 & 25)

SPARE PARTS

POS.	PART No	DESCRIPTION
1	219370	No8 x 5/8" Long Plastite S/Steel Screw
2	229223	Separator Lid Moulding
3	219562	O-Ring
4	206116	Black Moulded Nut
5	219310	Rubber Washer
6	206228	Drain Hose Connector
7	303381	Separator Moulding
8	229224	Separator Float Moulding
9	216201	Black Extension Tube
10	206265	Barrel Filter
11	202075	Top Sealing Gasket
12	206264	Carrying Handle

POS.	PART No	DESCRIPTION
13	227147	White Right Hand Top Tank
	227238	Grey Right Hand Top Tank
14	227146	White Left Hand Top Tank
	227237	Grey Left Hand Top Tank
15	227150	White Bottom Tank (TT345/TT350)
	227243	Grey Bottom Tank (TT345/TT350)
16	219389	3/8" BSP x 3/8" Dia. Hosetail Fitting
17	219381	Equal Elbow Male/Female 3/8" BSP
18	206265	Barrel Filter
19	206274	Filter Connector
20	202067	Sealing Gasket
21	206275	Top Connector
22	229115	16mm Sealing Washer
23	219382	Ball Valve
24	206058	Hose Closure
25	213108	400mm Long Drain Hose
26	219509	Stainless Steel Jubilee Clip
27	219451	Male Elbow Connector
28	219452	Hole Plug 100mm Diameter
29	227151	White Bottom Tank (TTB345/56)
	227241	Grey Bottom Tank (TTB345/56)
	227166	White Bottom Tank (TTB345/80)
	227242	Grey Bottom Tank (TTB345/80)
30	206265	Barrel Filter
31	206274	Filter Connector
32	202067	Sealing Gasket
33	206275	Top Connector
34	229115	16mm Sealing Washer
35	219382	Ball Valve
36	219389	3/8" BSP x 3/8" Dia. Hosetail Fitting
37	219381	Equal Elbow Male/Female 3/8" BSP
38	329065	Suction Hose Assembly (Mains Machines)
	329084	Suction Hose Assembly (Battery Machines)
39	329064	Floor Tool Hose Assembly

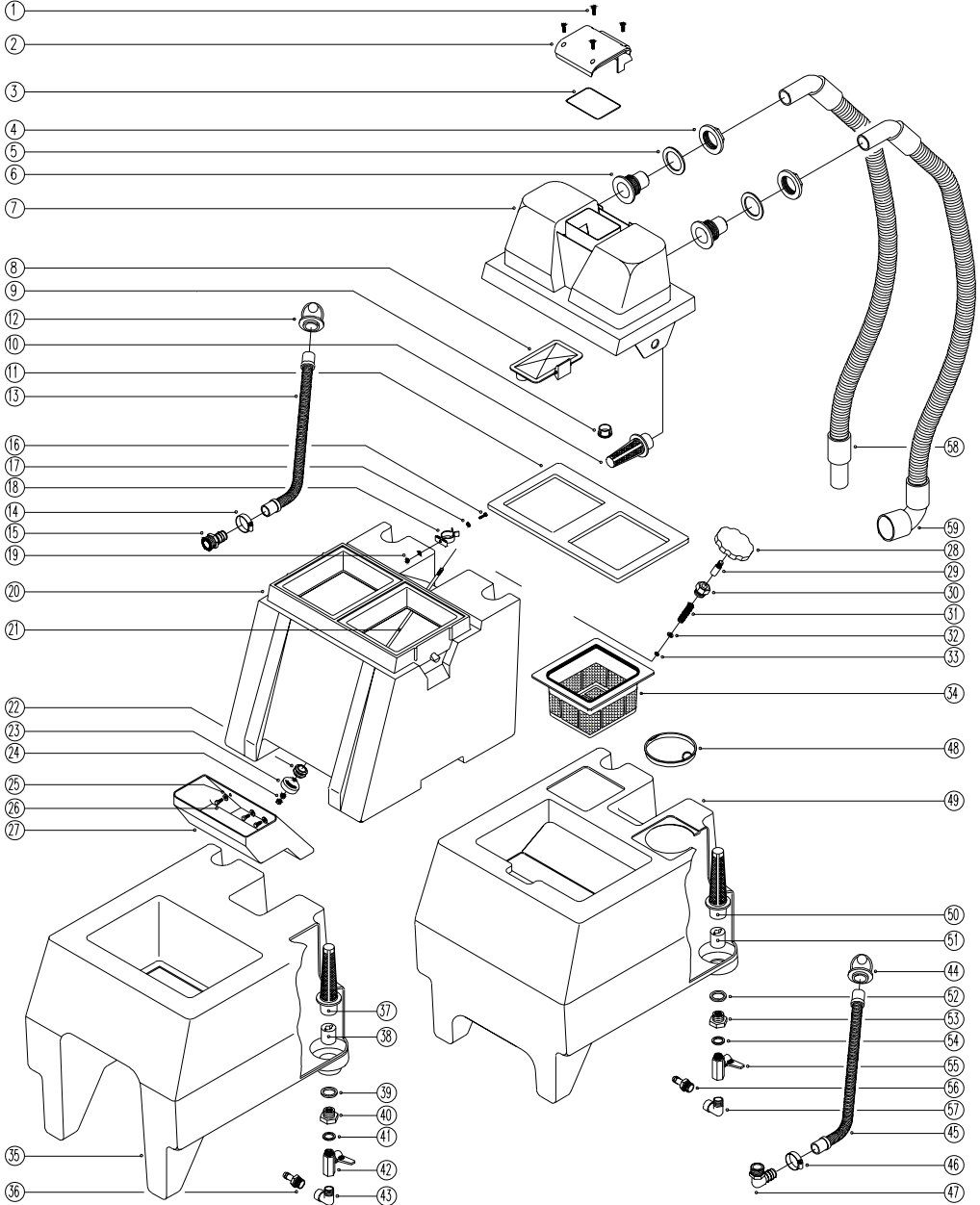


Spare Parts

Model No. **TTB45SR/TTB50SR/TTB45SR TANK/SEPARATOR ASSY(S/S)**

Numatic, International, Chard, Somerset, TA20 2GB.
 Tel: 01460 68480 Fax: 01460 68560
 Sales - Tel: 01460 68600 Fax: 01460 68458

231734
 DRAWING:EXP320 ISS:04
 10/02/98



MODEL No. TT345SR/TT350SR/TTB345SR TANK/SEPARATOR ASSY (S/STEEL M/C)

SUB ASSEMBLIES

SEPARATOR ASSEMBLY – COMPLETE

PART No	DESCRIPTION
504862	Separator Assy (Items 1 To 11)

TANK ASSEMBLY – COMPLETE

PART No	DESCRIPTION
504978	TT345/TT350 White Bottom Tank Assy (Items 35 To 47)
504599	TT345/TT350 Grey Bottom Tank Assy (Items 35 To 47)
504977	TTB345/56 White Bottom Tank Assy (Items 44 To 57)
504597	TTB345/56 Grey Bottom Tank Assy (Items 44 To 57)
504006	TTB345/80 White Bottom Tank Assy (Items 44 To 57)
504598	TTB345/80 Grey Bottom Tank Assy (Items 44 To 57)
504041	TT345/TT350/TTB345/56 & 80 White Top Tank Assy (Items 12 To 34)
504595	TT345/TT350/TTB345/56 & 80 Grey Top Tank Assy (Items 12 To 34)

DRAIN HOSE ASSEMBLIES – COMPLETE

PART No	DESCRIPTION
303257	Drain Hose Assy (Both Bottom Tanks Items 44 & 45)
303290	Drain Hose Assy (Top Tank Items 12 & 13)

SPARE PARTS

POS.	PART No	DESCRIPTION
1	219370	No8 x 5/8" Long Plastite S/Steel Screw
2	229223	Separator Lid Moulding
3	219562	O-Ring
4	206116	Block Moulded Nut
5	219310	Rubber Washer
6	206228	Drain Hose Connector
7	303381	Separator Moulding
8	229224	Separator Float Moulding
9	206315	Tube End Plug
10	206265	Barrel Filter
11	202075	Top Sealing Gasket
12	206058	Hose Closure
13	213109	320mm Long Drain Hose
14	219509	Stainless Steel Jubilee Clip
15	216180	Straight Hose Connector 3/8" BSP
16	219500	M3 x 12mm Long Cheese Head Screw
17	219501	M3 Form "A" Washer

POS.	PART No	DESCRIPTION
18	219503	Tool Clip
19	219502	M3 Stainless Steel Full Nut
20	227137	White Single Top Tank
	227239	Grey Single Top Tank
21	206073	Operating Rod
22	219486	Grommet
23	219494	Hole Plug
24	219499	M6 Stainless Steel Full Nut
25	219497	M5 Nylon Washer
26	219498	M5 x 12mm Long Hex Head Screw
27	227138	Funnel
28	206272	Knob
29	219496	Extension Pin
30	219495	Top Threaded Bush
31	219492	Spring
32	219493	M6 Nylon Washer
33	229082	O-Ring
34	206266	Filter
35	227150	White Bottom Tank (TT345/TT350)
	227243	Grey Bottom Tank (TT345/TT350)
36	219389	3/8" BSP x 3/8" Dia. Hosetail Fitting
37	206265	Barrel Filter
38	206274	Filter Connector
39	202067	Sealing Gasket
40	206275	Tap Connector
41	229115	16mm Sealing Washer
42	219382	Ball Valve
43	219381	Equal Elbow Male/Female 3/8" BSP
44	206058	Hose Closure
45	213108	400mm Long Drain Hose
46	219509	Stainless Steel Jubilee Clip
47	219451	Male Elbow Connector
48	219452	Hole Plug 100mm Diameter
49	227151	White Bottom Tank (TTB345/56)
	227241	Grey Bottom Tank (TTB345/56)
	227166	White Bottom Tank (TTB345/80)
	227242	Grey Bottom Tank (TTB345/80)
50	206265	Barrel Filter
51	206274	Filter Connector
52	202067	Sealing Gasket
53	206275	Tap Connector
54	229115	16mm Sealing Washer
55	219382	Ball Valve
56	219389	3/8" BSP x 3/8" Dia. Hosetail Fitting
57	219381	Equal Elbow Male/Female 3/8" BSP
58	329065	Suction Hose Assembly (Mains Machines)
	329084	Suction Hose Assembly (Battery Machines)
59	329064	Floor Tool Hose Assembly

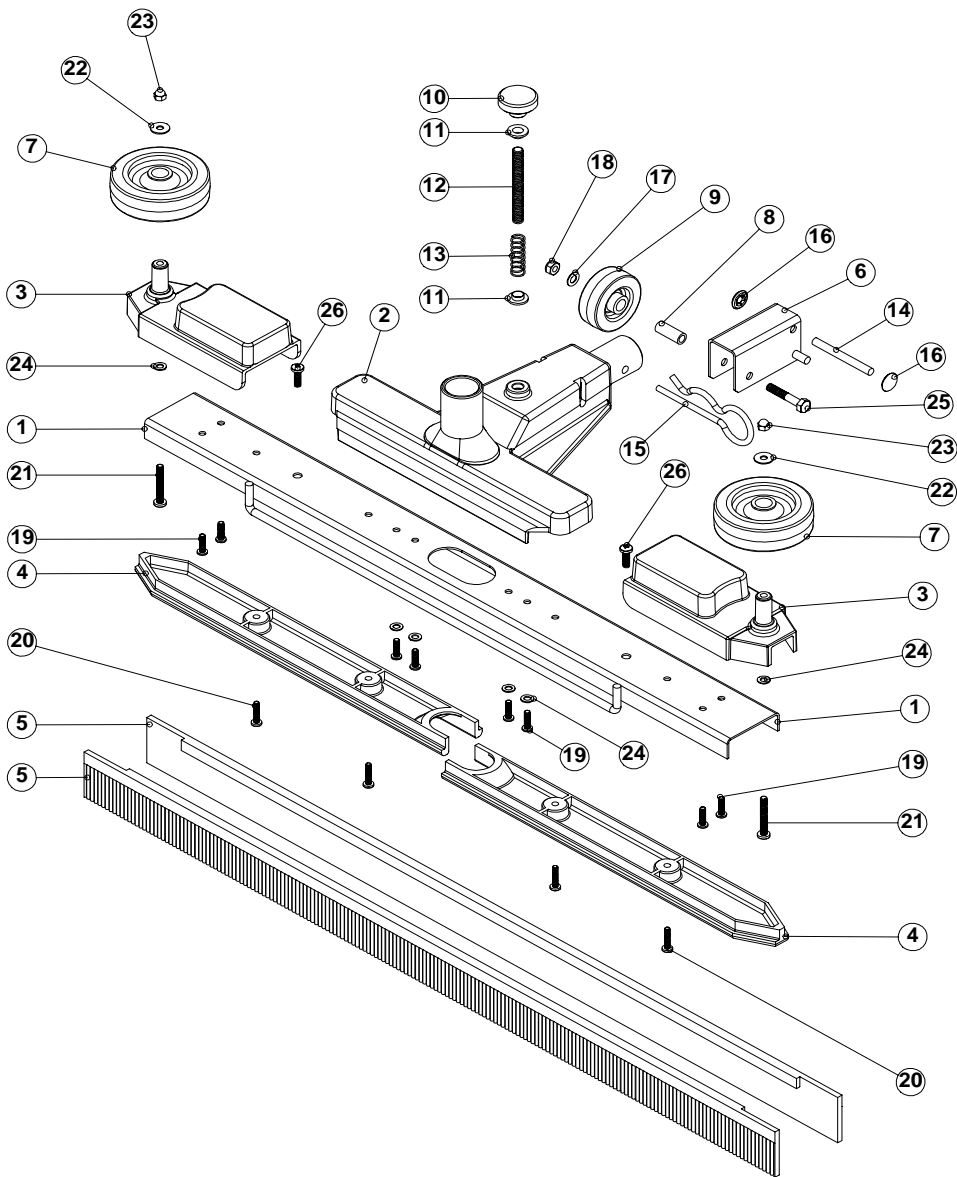
Numatic International Spare Parts

Model No: TT/TTB345 Mk2 Floor Tool Assembly

231835

DRAWING: EXP411 ISS:01

13/11/98



Numatic International Spare Parts

Model No:TT/TTB345 Mk2 Floor Tool Assembly

POS:	PART NO:	DESCRIPTION:	COMMENTS:
1	329140	U-SECTION	
2	229296	CENTRE MOULDING C/W INSERT	
3	229297	END CAP MOULDING	
4	229357	BOTTOM HALF COVER	
5	217213	RUBBER BLADE	
6	229320	HEIGHT ADJUSTMENT BRACKET	
7	303247	75MM DIAMETER WHEEL	
8	204023	24MM LONG FLO WHEEL INSERT	
9	215006	50MM DIAMETER FLO WHEEL	
10	215008	ADJUSTMENT KNOB	
11	219417	SCREW INSULATOR	
12	229283	HEIGHT ADJUSTMENT SHAFT	
13	219312	COMPRESSION SPRING	
14	390401	60MM LONG X 6MM DIAMETER S/STEEL BAR	
15	229295	RETAINING PIN	
16	219402	6MM STARLOCK WASHER & CAP	
17	219007	M6 FORM B WASHER	
18	219642	M6 NYLOC NUT	
19	219370	No8 X 5/8" LONG PLASTITE POZI DRIVE SCREW	
20	219568	No8 X 3/4" LONG PLASTITE SCREW	
21	220033	M5 X 35MM LONG POZI PAN MACHINE SCREW	
22	219644	M5 FORM G S/STEEL WASHER	
23	219645	M5 S/STEEL DOMENUT	
24	219355	M5 FORM A S/STEEL WASHER	
25	219064	M6 X 35MM LONG BOLT	
26	219547	M5 X 16 POZI PAN SCREW	