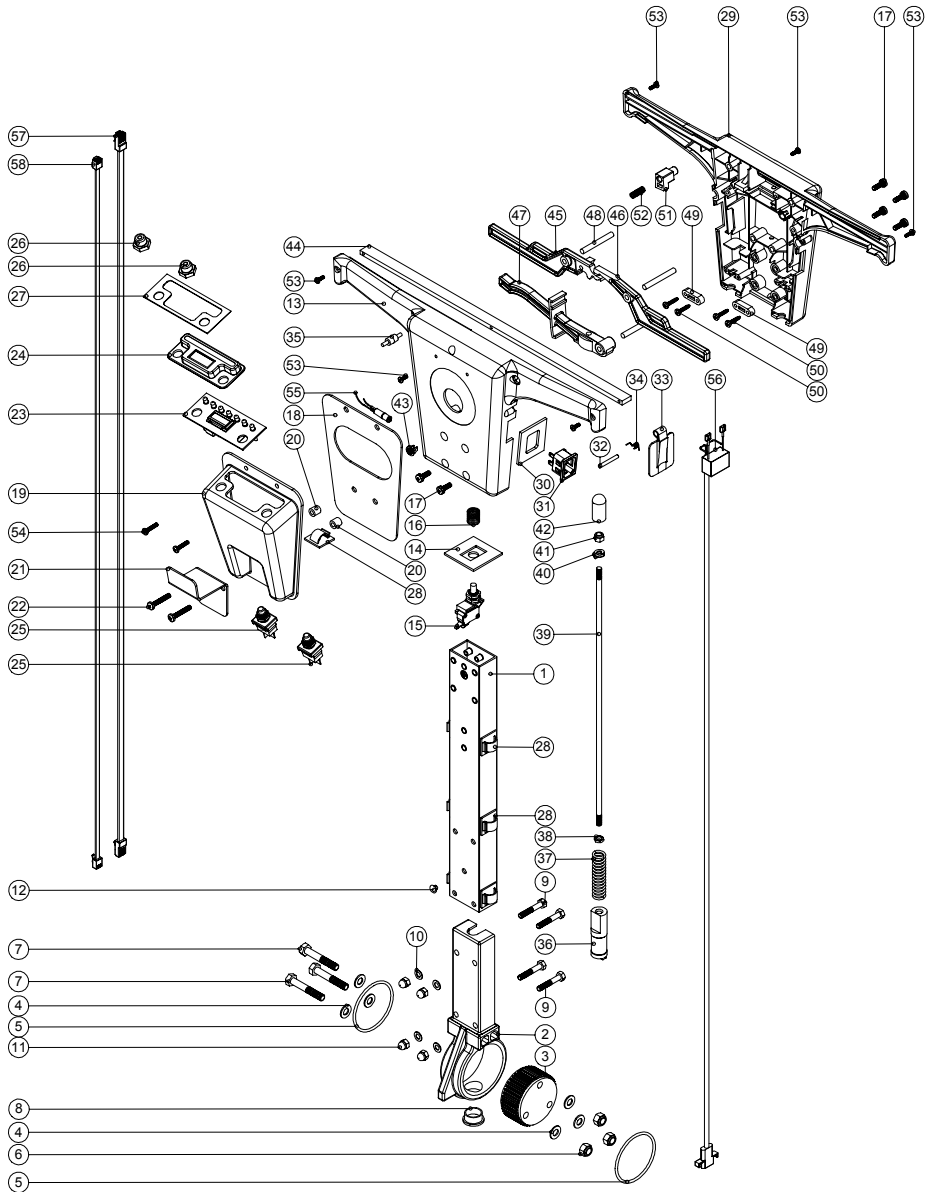


**Numatic International Spare Parts**  
**Model No:TTB345/455 Handle Assembly**

231735  
DRAWING: EXP321 ISS:A03  
26/07/99



# Numatic International Spare Parts

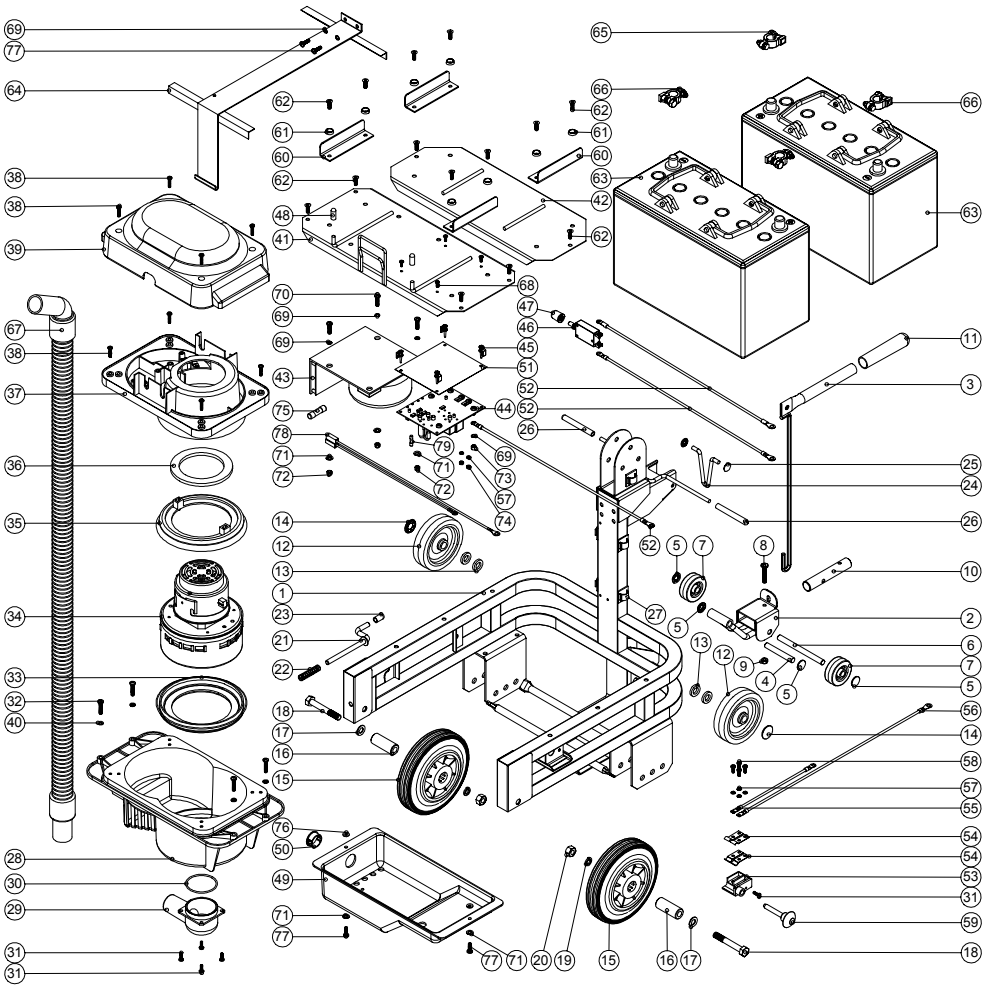
## Model No:TTB345/455 Handle Assembly

POS:	PART NO:	DESCRIPTION:	COMMENTS:
1	429029	ALUMINIUM HANDLE	
2	229081	HANDLE CASTING	
3	229074	ADJUSTMENT GEAR	
4	219010	M8 FORM A WASHER	
5	219254	O-RING	
6	219078	M8 STIFFNUT	
7	219091	M8 X 50MM LONG HEX HEAD BOLT	
8	229099	25MM DIAMETER HOLE PLUG	
9	219064	M6 X 35MM LONG HEX HEAD BOLT	
10	219007	M6 FORM B WASHER	
11	219080	M6 DOMENUT	
12	229009	HOLE BLANKING PLUG	
13	329089	FRONT HANDLE MOULDING	
14	229011	SWITCH PLATE	
15	220598	PUSH BUTTON MICRO SWITCH	
16	229028	SWITCH SPRING	
17	219045	M5 X 16MM LONG POZI PAN SEMS SCREW	
18	220727	SWITCH COVER GASKET	
19	220726	SWITCH COVER MOULDING	
20	219574	NYLON SPACER	
21	403029	BRACKET	
22	299020	M5 X 30MM LONG POZI PAN MACHINE SCREW	
23	220590	LED / SWITCH PANEL	
24	206316	LENS MOULDING	
25	220597	PUSH BUTTON SWITCH	
26	220600	SWITCH COVER	
27	220725	SELF ADHESIVE LENS GASKET	
28	220403	CABLE CLIP	
29	329085	REAR HANDLE MOULDING	
30	220390	SOCKET MOUNTING PLATE	
31	220408	APPLIANCE SOCKET	
32	229035	FLAP PIVOT PIN	
33	229032	FLAP	
34	229034	FLAP TORSION SPRING	
35	229033	BLANKING PIN	
36	229073	GEAR LOCKING PIN	
37	229138	SPRING	
38	219099	M6 HALFNUT	
39	229126	LOCKING ROD	
40	219017	M6 DOUBLE COIL SPRING WASHER	
41	219088	M6 STIFFNUT	
42	219607	RUBBER PROTECTION CAP	
43	220174	NEON INDICATOR RED LENS ONLY	
44	229076	SUPPORT STRIP	
45	229001	RIGHTHAND SWITCH LEVER	
46	229000	LEFTHAND SWITCH LEVER	
47	229003	ADJUSTMENT LEVER	
48	229071	LEVER MOUNTING PIN	
49	227008	CABLE CLAMP	
50	219107	No6 X 5/8" LONG PLASTITE SCREW	
51	229066	RELEASE BUTTON	
52	219323	COMPRESSION SPRING	
53	219212	M3.5 X 10MM LONG TAPTITE SCREW	
54	219568	No8 X 3/4" LONG PLASTITE SCREW	
55	220401	NEON INDICATOR ASSEMBLY	
56	220617	A.C. CHARGING LEAD ASSEMBLY	STANDARD SPEC MACHINES
	220737	A.C. CHARGING LEAD ASSEMBLY	CSA SPEC MACHINES
57	220592	8 WAY CABLE	
58	220591	6 WAY CABLE	

# Numatic International Spare Parts

231737  
DRAWING: EXP323 ISS:A06  
23/08/99

## Model No:TTB345/80 & 455/80 Chassis/Vac Pod Assy.



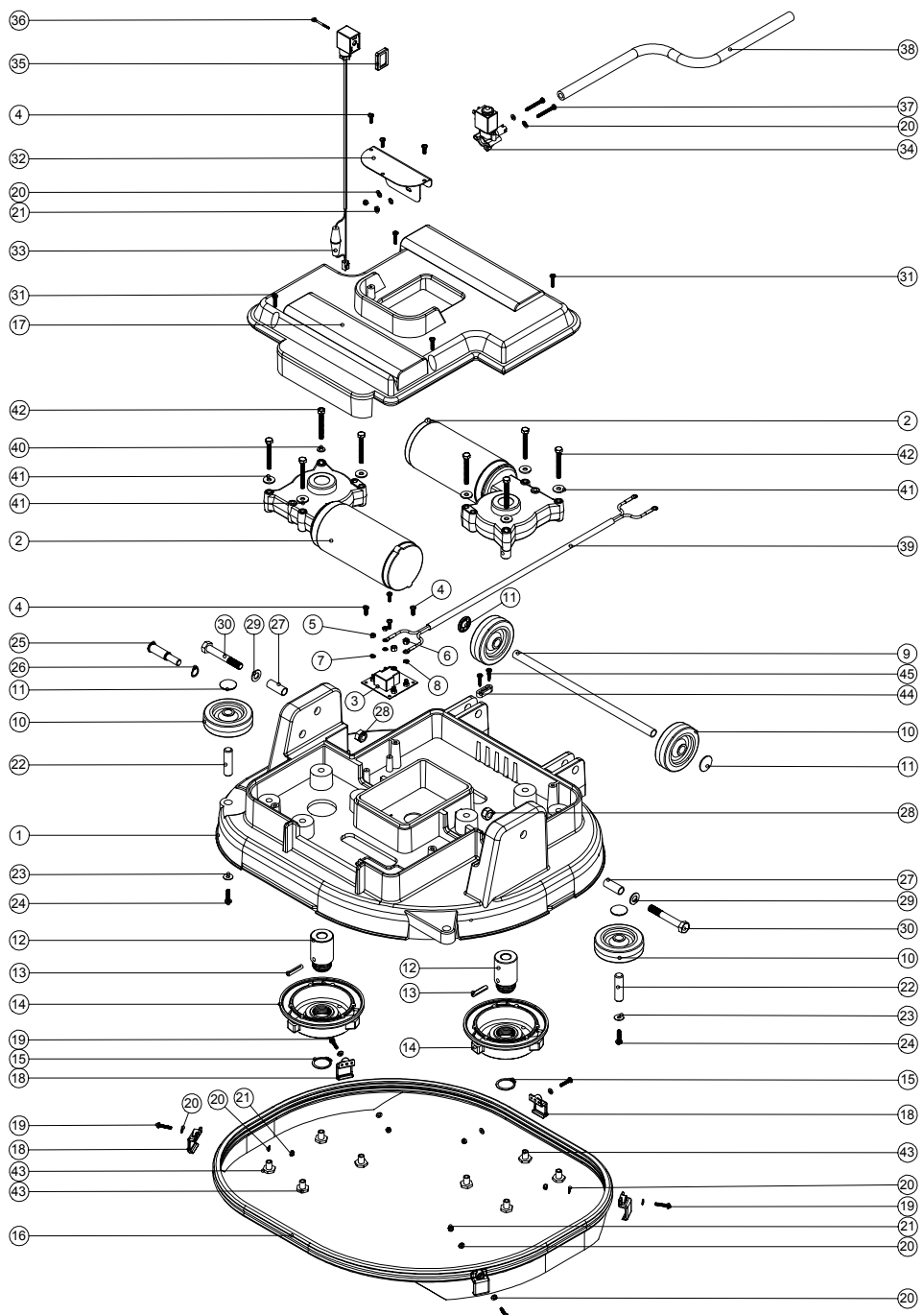
# Numatic International Spare Parts

## Model No:TTB345/80 & 455/80 Chassis/Vac Pod Assy.

POS:	PART NO:	DESCRIPTION:	COMMENTS:
1	329995	NUTSERTED CHASSIS ASSEMBLY	
2	303433	FLOOR TOOL CONNECTOR ASSEMBLY	
3	303438	LIFTING HANDLE ASSEMBLY	
4	390850	67MM LONG X 3/8" DIAMETER BAR	
5	229290	3/8" STAINLESS STEEL CAP	
6	390753	110MM LONG X 3/8" DIAMETER AXLE BAR	
7	215006	50MM WHEEL	
8	219643	M6 X 35MM LONG POZI PAN STAINLESS STEEL SCREW	
9	219642	M6 NYLON INSERT NUT	
10	329163	PIVOT BOSS	
11	229344	3/4" GREY HANDLE GRIP	
12	329112	4" WHEEL	
13	229346	SPACER	
14	204021	1/2" STARLOCK CAP	
15	229178	WHEEL	
16	229228	WHEEL SPACER	
17	219449	M10 WASHER	
18	219570	M10 X 70MM LONG BOLT	
19	219349	M10 SINGLE COIL SPRING WASHER	
20	219074	M10 NUT	
21	303406	LATCHING ROD	
22	219576	COMPRESSION SPRING	
23	229240	END TIP	
24	303439	PIVOT ROD	
25	21926V	6MM STAINLESS STEEL CAP	
26	229007	75MM LONG BLACK END TIP	
27	220403	CABLE CLIP	
28	229204	VAC POD BOTTOM MOTOR HOUSING	STANDARD SPEC MACHINES
	227231	VAC POD BOTTOM MOTOR HOUSING	CSA SPEC MACHINES
29	229207	INLET TUBE MOULDING	
30	219561	O-RING	
31	219569	No8 X 1/2" LONG POZI PAN SCREW	
32	219575	M5 X 25MM LONG POZI PAN STAINLESS STEEL SCREW	
33	202077	BOTTOM MOTOR GASKET	
34	320234	24V MOTOR C/W LEAD ASSEMBLY	
35	202076	TOP MOTOR GASKET	
36	202078	MOTOR CAP GASKET	
37	229998	VAC POD TOP MOTOR HOUSING C/W TAPPEX	STANDARD SPEC MACHINES
	229993	VAC POD TOP MOTOR HOUSING C/W TAPPEX	CSA SPEC MACHINES
38	219568	No8 X 3/4" LONG PLASTIC STAINLESS STEEL SCREW	
39	229206	VAC POD TOP COVER MOULDING	STANDARD SPEC MACHINES
	227233	VAC POD TOP COVER MOULDING	CSA SPEC MACHINES
40	219003	M5 FORM A WASHER	
41	404011	FRONT BATTERY TRAY	
42	404010	REAR BATTERY TRAY	
43	220752	230V CHARGER	
	220753	120V CHARGER	STANDARD SPEC MACHINES
	220754	100V CHARGER	STANDARD SPEC MACHINES
	304187	120V CHARGER	CSA SPEC MACHINES
44	220589	CONTROL UNIT	
45	220595	PCB QUICK RELEASE STAND-OFF	
46	220585	35 AMP OVERLOAD TRIP	
47	220459	OVERLOAD DUST COVER	
48	229006	END TIP	
49	229219	PCB COVER	
50	206314	WINDOW PLUG	
51	229278	PCB WATER PROTECTION SHEET	
52	320356	400 MM LONG BLACK LINK WIRE	
53	220989	ISOLATOR BLOCK	
54	219466	ISOLATOR CONTACT	4 REQUIRED FOR FULL SET
55	320357	160MM LONG RED LINK WIRE	
56	320358	430MM LONG RED LINK WIRE	
57	219015	M4 SHAKEPROOF WASHER	
58	221151	M4 X 12MM LONG POZI PAN SCREW	
59	220681	ISOLATOR KNOB	
60	404009	BATTERY LOCATION BRACKET	
61	219573	SCREW INSULATOR	
62	219572	M5 X 16MM LONG COUNTERSUNK STAINLESS STEEL SCREW	
63	220453	12 VOLT 80AH BATTERY	
64	403019	BATTERY STRAP	
65	220454	POSITIVE BATTERY TERMINAL CONVERTOR	
66	220455	NEGATIVE BATTERY TERMINAL CONVERTOR	
67	329084	SUCTION HOSE ASSEMBLY	
68	219301	No6 POZI PAN S/T SCREW X 9.5MM LONG	
69	219016	M5 SHAKEPROOF WASHER	
70	219571	M5 X 20MM LONG POZI HEAD STAINLESS STEEL MACHINE SCREW	
71	219005	M5 FORM G WASHER	
72	219076	M5 STAYTIGHT NUT	
73	219072	M5 FULLNUT	
74	219075	M4 FULLNUT	
75	220993	16 AMP FUSE	STANDARD SPEC MACHINES
	220666	20 AMP FUSE	CSA SPEC MACHINES
76	219462	RUBBER WASHER	
77	219547	M5 X 16MM LONG POZI PAN STAINLESS STEEL SCREW	
78	320485	D.C. CHARGING LEAD	
79	220680	F500mA 250V 20MM X 5MM GLASS FUSE	

**Numatic International Spare Parts**  
**Model No:TTB455 Base/Deck Assy**

234010  
DRAWING: EXP441 ISS:A02  
23/08/99

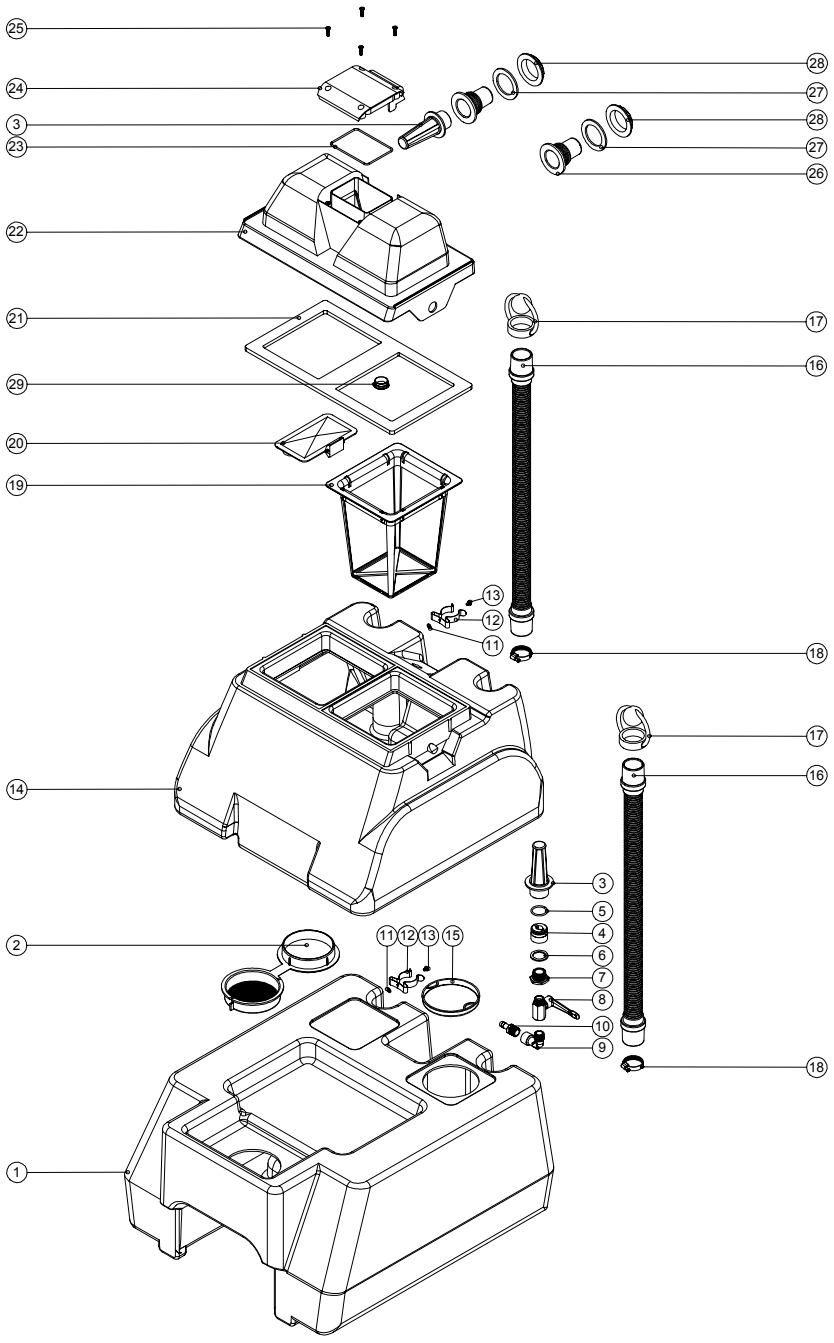


# Numatic International Spare Parts

## Model No:TT455 BASE / DECK ASSEMBLY

POS:	PART NO:	DESCRIPTION:	COMMENTS:
1	229367	GREY BASE MOULDING	
2	303247	100MM DIAMETER WHEEL	
3	206013	BUFFER WHEEL PIN	
4	219644	M5 FORM G WASHER	
5	219571	M5 X 20MM LONG POZI PAN STAINLESS STEEL SCREW	
6	204021	12.7MM HUB CAP	
7	205004	230V MOTOR	
	205002	120V MOTOR	
8	390859	325MM LONG AXLE	
9	229264	MOTOR COVER	
10	229361	LOCKING PIN	
11	219151	13MM EXTERNAL CIRCLIP	
12	229141	CAPACITOR BOX	
13	229213	CAPACITOR BOX PLUG COVER	
14	220584	CLIP-IN PLUG	
15	220104	16 MFD MOTOR RUN CAPACITOR	230V MACHINES
	220103	40 MFD MOTOR RUN CAPACITOR	120V MACHINES
16	220117	160 MFD MOTOR START CAPACITOR	230V MACHINES
	220090	482 MFD MOTOR START CAPACITOR	120V MACHINES
17	219095	M4 X 6MM LONG TAPTITE SCREW	
18	219483	M6 X 40MM LONG POZI PAN MACHINE SCREW	
19	219355	M5 FORM A WASHER	
20	219569	No8 X 1/2" LONG PLASTITE SCREW	
21	229285	MOTOR MOUNTING SPACER	
22	219008	M6 FORM G WASHER	
23	219088	M6 STIFFNUT	
24	219009	M4 TAPPEX	
25	220348	230V SOLENOID VALVE	
	220350	120V SOLENOID VALVE	
26	219206	M4 WASHER	
27	219321	M4 X 30MM LONG POZI PAN SCREW	
28	303248	900MM LONG SILICON TUBE	
29	390858	SPACER	
30	219570	M10 X 70MM LONG HEX HEAD BOLT	
31	219649	M10 NYLON INSERT NUT	
32	219107	No6 X 5/8" LONG POZI PAN SCREW	
33	229128	PLUNGER	
34	219692	COMPRESSION SPRING	
35	219457	NYLON WASHER	
36	219568	No8 X 3/4" LONG PLASTITE SCREW	
37	219449	M10 FORM A WASHER	
38	229364	SPLASH SKIRT EXTRUSION	
39	229365	FIXING CLIP	
40	219688	M4 STAINLESS STEEL WASHER	
41	219686	M4 X 20MM LONG POZI PAN STAINLESS STEEL SCREW	
42	219687	M4 STAINLESS STEEL NYLON INSERT NUT	
43	230207	CHUCK ASSEMBLY	
44	230048	26MM EXTERNAL CIRCLIP	
45	230208	BOTTOM PLATE ASSEMBLY	
46	219051	M5 X 16MM LONG HEX HEAD SET SCREW	
47	219261	62MM WASHER	
48	230004	62MM O/D X 38MM I/D BEARING	
49	230200	62MM INTERNAL CIRCLIP	
50	230002	DOUBLE LIP OIL SEAL	
51	230291	PLANNET CARRIER	
52	230215	35MM ALUMINIUM WASHER	
53	230013	48 TOOTH SPUR GEAR	
54	230015	15MM EXTERNAL CIRCLIP	
55	230027	PINION GEAR	
56	230001	V-OIL SEAL	
57	320088	100MM LONG BROWN LINK WIRE ASSEMBLY	

**Model No: TT/TTB455 TANK & SEPARATOR ASSY**



# Numatic International Spare Parts

## **Model No:TT/TTB455 TANK & SEPARATOR ASSY**

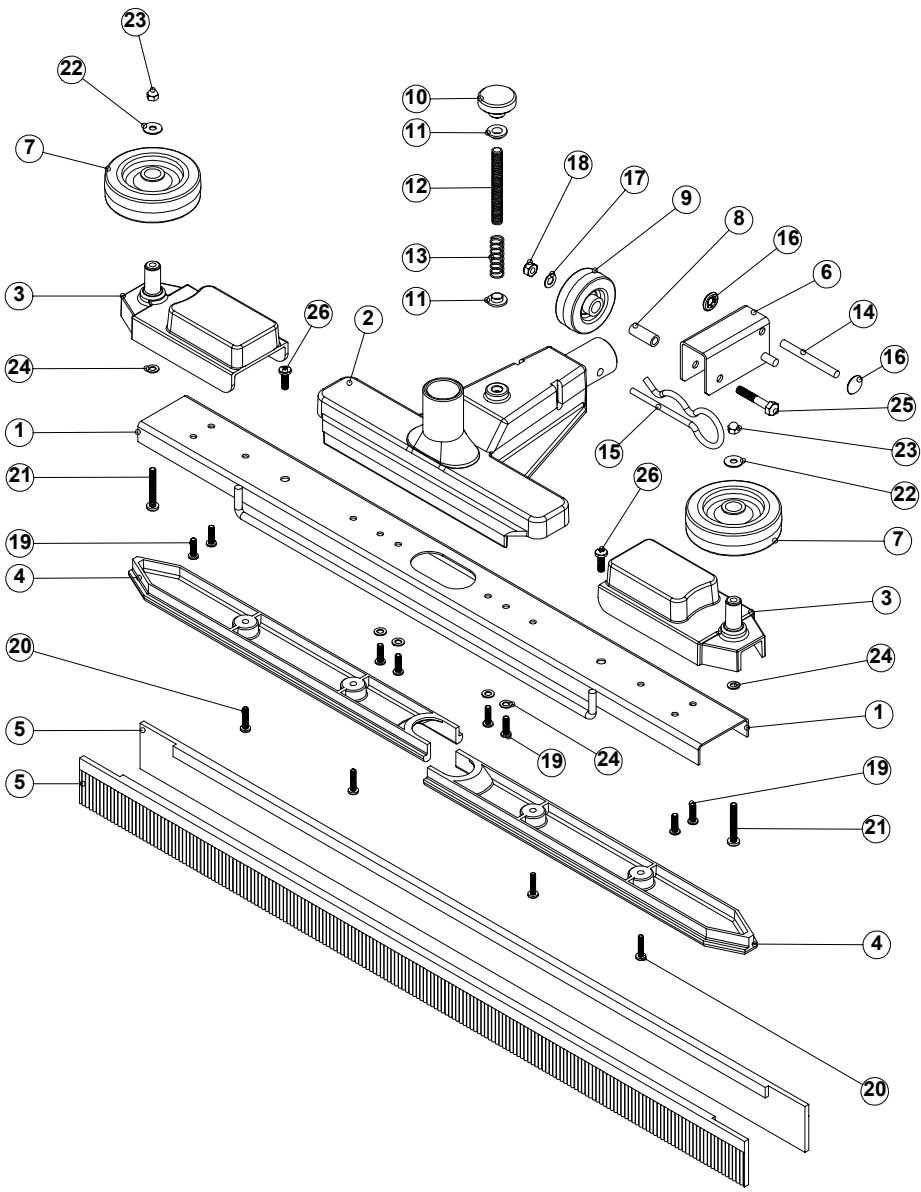
POS:	PART NO:	DESCRIPTION:	COMMENTS:
1	227294	BOTTOM TANK	TT455
	227295	BOTTOM TANK	TTB455
2	229282	FILTER CAP	
3	206265	BARREL FILTER	
4	206274	FILTER CONNECTOR	
5	219626	O-RING 23MM I/D	
6	202067	SEALING GASKET	
7	206275	TAP CONNECTOR FITTING	
8	219382	3/8" BSP BALL FITTING	
9	219381	3/8" BSP ELBOW	
10	219389	3/8" BSP HOSETAIL	
11	219688	M4 FORM A STAINLESS STEEL WASHER	
12	219665	TOOL CLIP	
13	219697	M4 X 8MM LONG POZI PAN STAINLESS STEEL SCREW	
14	227297	TOP TANK	
15	219452	100MM DIAMETER HOLE PLUG	
16	213019	DUMP HOSE ASSEMBLY	
17	206111	RUBBER HOSE CLOSURE	
18	219674	STAINLESS STEEL JUBILEE CLIP	
19	206439	TANK FILTER	
20	229224	COVER MOULDING FRONT	
21	202075	TOP SEALING GASKET	
22	303381	SEPARATOR MOULDING	
23	219562	O-RING 95MM I/D	
24	229223	SEPARATOR LID MOULDING	
25	219370	No8 X 5/8" LONG PLASTITE SCREW	
26	206228	DRAIN HOSE CONNECTOR	
27	219310	RUBBER WASHER	
28	206116	BLACK NUT MOULDING	
29	206315	TUBE END PLUG	



# Numatic International Spare Parts

231835  
DRAWING: EXP411 ISS:A02  
27/05/99

## Model No: TT/TTB345/350/455 Mk2 Floor Tool Assembly



# Numatic International Spare Parts

## **Model No:TT/TTB345/350/455 Mk2 Floor Tool Assembly**

POS:	PART NO:	DESCRIPTION:	COMMENTS:
1	329140	U-SECTION	
2	229296	CENTRE MOULDING C/W INSERT	
3	229297	END CAP MOULDING	
4	229357	BOTTOM HALF COVER	
5	217213	RUBBER BLADE	
6	229320	HEIGHT ADJUSTMENT BRACKET	
7	303247	75MM DIAMETER WHEEL	
8	204023	24MM LONG FLO WHEEL INSERT	
9	215006	50MM DIAMETER FLO WHEEL	
10	215008	ADJUSTMENT KNOB	
11	219417	SCREW INSULATOR	
12	229283	HEIGHT ADJUSTMENT SHAFT	
13	219312	COMPRESSION SPRING	
14	390401	60MM LONG X 6MM DIAMETER S/STEEL BAR	
15	229295	RETAINING PIN	
16	219402	6MM STARLOCK WASHER & CAP	
17	219007	M6 FORM B WASHER	
18	219642	M6 NYLOC NUT	
19	219370	No8 X 5/8" LONG PLASTITE POZI DRIVE SCREW	
20	219568	No8 X 3/4" LONG PLASTITE SCREW	
21	220033	M5 X 35MM LONG POZI PAN MACHINE SCREW	
22	219644	M5 FORM G S/STEEL WASHER	
23	219645	M5 S/STEEL DOMENUT	
24	219355	M5 FORM A S/STEEL WASHER	
25	219064	M6 X 35MM LONG BOLT	
26	219547	M5 X 16 POZI PAN SCREW	