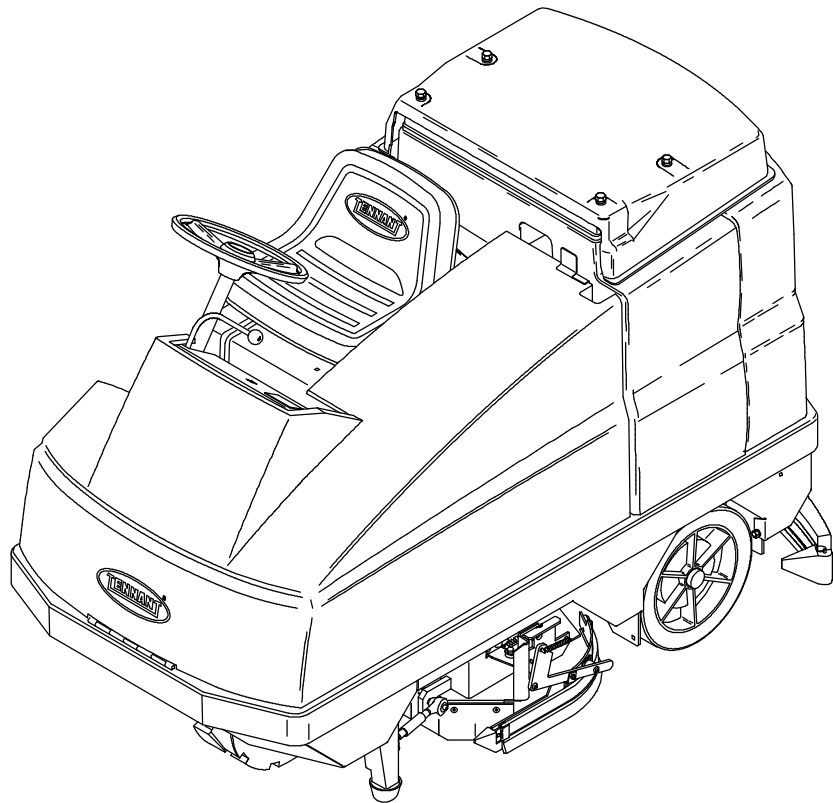




515

Parts Manual



MM420
Rev.09



This manual is furnished with each new TENNANT Model 515.

This manual consists of the How To Use This Manual; Standard Parts; Options; Breakdowns; and Cross Reference sections.

MACHINE DATA

Please fill out at time of installation for future reference.

Machine Model Number -515

Machine Serial Number - _____

Machine Options - _____

TENNANT Representative/phone no. - _____

Customer ID Number - _____

Date of Installation - _____

Manual Number -MM420

Revision: 09

Published: 6-00

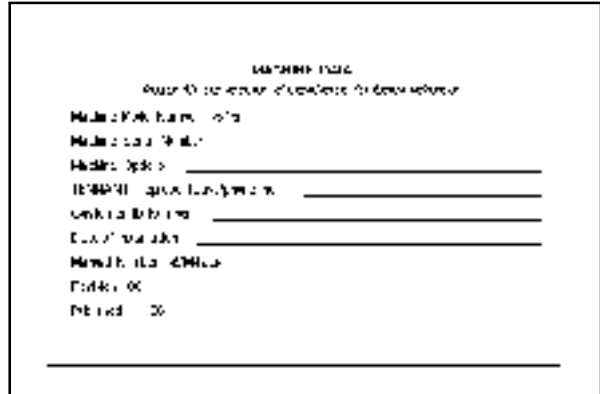
HOW TO USE THIS MANUAL

This section on *HOW TO USE THIS MANUAL* will tell you how to:

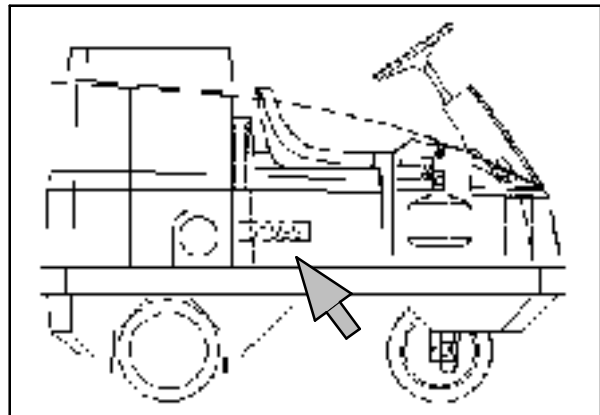
- Find important machine information for ordering correct repair parts.
- Find TENNANT part numbers.
- Order TENNANT parts and supplies.

IMPORTANT INFORMATION

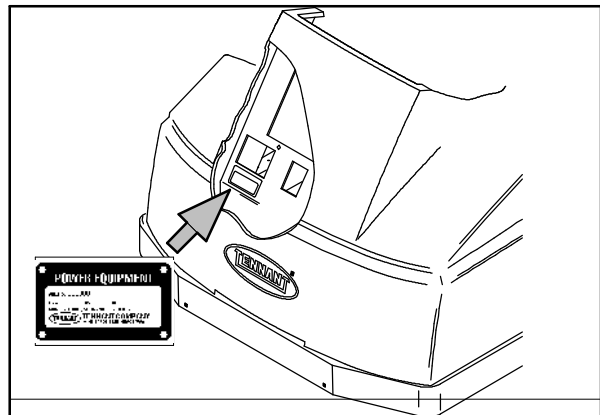
When placing an order for parts, the machine model and machine serial number are important. Refer to the *MACHINE DATA* box which is filled out during the installation of your machine. The *MACHINE DATA* box is located on the inside of the front cover of this manual.



The model number of your machine is on the side of the machine.



The serial number of your machine is printed on the machine data plate located as shown.



350415

HOW TO USE THIS MANUAL

FINDING A TENNANT PART NUMBER

This manual contains the following sections:

- HOW TO USE THIS MANUAL
- STANDARD PARTS
- OPTIONS
- BREAKDOWNS
- CROSS REFERENCE

The STANDARD PARTS section lists repair parts for standard machines. They are grouped in this general order:

- General wear parts.
- Machine frame and related parts.
- Machine propelling system.
- Scrubbing components.
- Electrical parts.

The OPTION section lists repair parts of options.

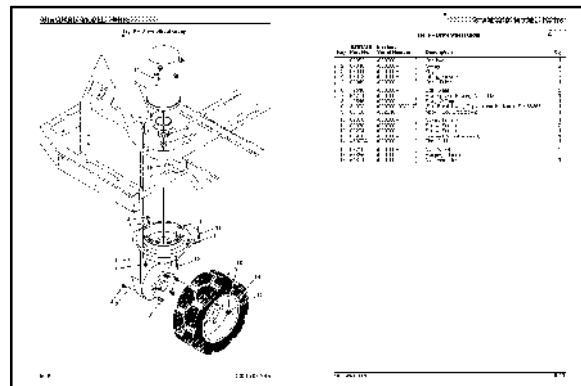
The BREAKDOWN section lists available repair parts of major components.

All sections in this manual consist of parts illustrations and corresponding parts lists.

The parts illustrations are numbered with **Ref** numbers which refer to corresponding parts lists.

The parts lists include a number of columns of information:

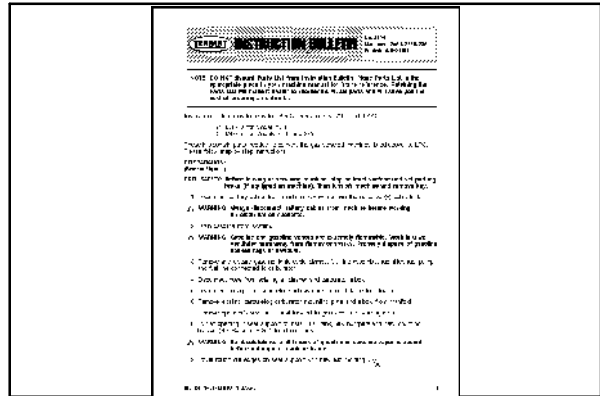
- **Ref** - column refers to the reference number on the parts illustration.
- ▽ - indicates the part is an assembly.
- ▲ - indicates the part is included in the assembly listed just before it.
- **TENNANT Part No.** - column lists the TENNANT part number for the part.
- **Serial Number** - column indicates the set of machines the part number is applicable to. Serial numbers change when the machine design has been modified. The most current design of the machine is shown in the main illustration, older designs are boxed in a corner of the illustration.
- **Description** - column is a brief description of the part.
- **Qty.** - column lists the quantity of that part used in that area of the machine.



Key	TENNANT Part No.	Machine Serial Number	Description	Qty.
7	87355	(JUUUUU-	Gearbox	1
▲ 2	87840	Q000CO-	O-Ring	2
▲ 3	87841	Q000CO	Plug	2
▲ 4	87839	Q000CO-	Filling, Grease	2
▲ 5	87844	Q00000-	Gear, Driving	1
▲ 6	13540	Q000CO-	Bolt, Wheel	5
▲ 7	81791	Q000CO-	Bearing and Housing Assembly	1
8	12545	(JUUUUU-	Seal, O-Ring	1
9	31992	Q000CO-C02C17	(See Breakdowns) Replacement Kit Motor For 86366	1
9	60196	Q02018-	Motor (See Breakdowns)	1
10	02076	Q000CO-	Cover, Terminal	4
11	09030	Q000CO-	Screw, Socket	2
12	09294	Q000CO-	Screw, Socket	1
13	88471	Q00000-	Tire and Wheel Assembly	1
14	48027A	Q000CO-	Tire, Solid	1
15	87750	Q000CO-	Nut, Wheel	5
15	56855	Q000CO	Bumper, Flusher	2
17	51824	Q000CO-	Nut, Flat, Thin	1

NOTE: If a service kit is installed on your machine, be sure to keep the INSTRUCTION BULLETIN which came with the kit. It contains repair parts numbers needed for ordering future parts.

NOTE: Fasteners used in this machine may be metric or non-metric. Take care when replacing hardware to replace with same thread size.



PLACING AN ORDER

Orders may be placed by phone, fax, or by mail. Phone orders may need written confirmation. Follow the steps below to insure prompt delivery:

1. Identify the model number of your machine.
2. Identify the serial number of your machine.
3. Find the part number of the part you need. Do not order by page number or reference number. If you are not able to find the part number, call your TENNANT representative for help or send the old part as a sample.
4. Determine the quantity of the part you need.
5. Provide the following company information:
 - Company name
 - Customer ID Number
 - Shipping address
 - Billing address
 - First and last name of person ordering parts
 - Telephone number
 - Purchase order number
6. Provide definitive shipping instructions.

HOW TO USE THIS MANUAL

Any claim for loss or damage to a shipment in transit should be filed promptly with the transportation company making the delivery. Shipments will be complete unless the packing list or order acknowledgement indicates items back ordered.

If parts received are suspected to be incorrect or defective, please contact the TENNANT representative from whom you ordered the part. They will give authorization for return and/or handle replacement shipments when required.

SECTION 2

CONTENTS	PAGE
Fig. 1 - Recommended General Maintenance Items	2-3
Fig. 2 - Replacement Brushes for MaxPro™ 1000 Two-Brush System	2-4
Fig. 3 - Replacement Brushes for MaxPro™ 1200 Three-Brush System	2-6
Fig. 4 - Main Frame Group	2-8
Fig. 5 - Seat Assembly	2-10
Fig. 6 - Steering Group	2-12
Fig. 7 - Drive Wheel Group	2-14
Fig. 8 - Front Brake Linkage Group	2-16
Fig. 9 - Rear Brake Linkage Group	2-18
Fig. 10 - Rear Wheel and Brake Group	2-20
Fig. 11 - Floor Plate Group	2-22
Fig. 12 - Directional Pedal Group	2-24
Fig. 13 - Scrub Head Drive Group for MaxPro™ 1000 Two-Brush System	2-26
Fig. 14 - Scrub Head Mount Group for MaxPro™ 1000 Two-Brush System	2-28
Fig. 15 - Scrub Head Stop and Squeegee Mount Group for MaxPro™ 1000 Two-Brush System	2-29
Fig. 16 - Scrub Head Lift Group for MaxPro™ 1000 Two-Brush System	2-30
Fig. 17 - Edge Scrub Group for MaxPro™ 1000 Two-Brush System	2-32
Fig. 18 - Solution Valve Group for MaxPro™ 1000 Two-Brush System	2-34
Fig. 19 - Right Side Squeegee Group for MaxPro™ 1000 Two-Brush System	2-36
Fig. 20 - Left Side Squeegee Group for MaxPro™ 1000 Two-Brush System	2-37
Fig. 21 - Scrubhead Drive Group for MaxPro™ 1200 Three-Brush System	2-38
Fig. 22 - Scrub Head Lift Group for MaxPro™ 1200 Three-Brush System	2-40
Fig. 23 - Edge Scrub Group for MaxPro™ 1200 Three-Brush System	2-42
Fig. 24 - Scrub Head Stops and Squeegee Mount Group for MaxPro™ 1200 Three-Brush System	2-44
Fig. 25 - Scrub Head Mount Group for MaxPro™ 1200 Three-Brush System	2-45
Fig. 26 - Solution Group for MaxPro™ 1200 Three-Brush System	2-46
Fig. 27 - Right Side Squeegee Group for MaxPro™ 1200 Three-Brush System	2-48
Fig. 28 - Left Side Squeegee Group for MaxPro™ 1200 Three-Brush System	2-50
Fig. 29 - Rear Squeegee Mount Group	2-52
Fig. 30 - Rear Squeegee Group	2-54
Fig. 31 - Rear Squeegee Linkage Group	2-55
Fig. 32 - Recovery Tank Group	2-56
Fig. 33 - Solution Tank Group	2-58
Fig. 34 - Demister and Cover Group	2-60
Fig. 35 - Instrument Panel Group	2-62
Fig. 36 - Electronic Panel Group	2-64
Fig. 37 - Control Box Group	2-66
Fig. 38 - Vacuum Fan Group	2-68
Fig. 39 - Electrical Schematic (for machines below serial number 004287)	2-70
Fig. 40 - Electrical Schematic (for machines serial number 004287 and above)	2-71
Fig. 41 - Wire Harness Group	2-72
Fig. 42 - Label Group	2-78

Fig. 1 - Recommended General Maintenance Items

Ref.	Tennant Part No.	Machine Serial Number	Description	Qty.
	24304	(000000-) Squeegee Kit Rear	1
	14575	(000000-) Squeegee Front	1
	86812	(000000-) Gasket, Squeegee	2
	12542	(000000-) Bracket, Retainer	2
	86859	(000000-) Squeegee, Side	2
	14672	(000000-) Skirt, Brush, Rh Front	1
	14674	(000000-) Strip, Retainer, Skirt, Rh	1
	14671	(000000-) Skirt, Brush, Lh Front	1
	14673	(000000-) Strip, Retainer, Skirt, Lh	1
	15952	(000000-) Skirt, Brushrear	3
	15951	(000000-) Strip, Retainer, Skirt-Rear	3
	363123	(000000-) Blade Assy, Squeegee, Side	1
	363165	(000000-) Blade, Side Squeegee, Front	1
	363166	(000000-) Retainer, Mtg, Front Blade	1
	363163	(000000-) Skirt, Scrub Head Front	1
	72971	(000000-) Rivet, Plastic .325Dx.787	12
	41178	(000000-) Washer-Flt .25 Fender Pltd	12

STANDARD PARTS

Fig. 2 - Replacement Brushes for MaxPro™ 1000 Two-Brush System

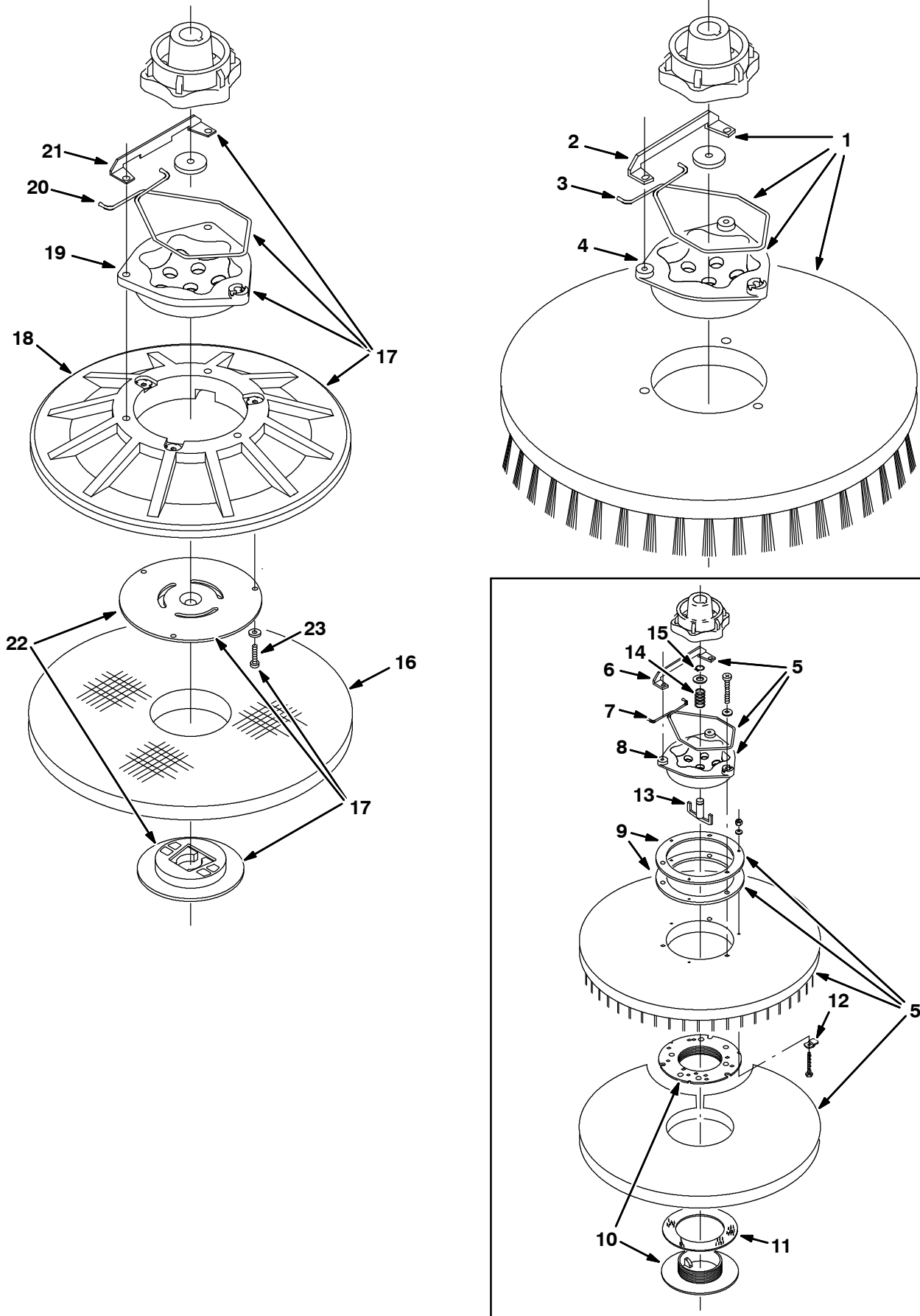


Fig. 2 - Replacement Brushes for MaxPro™ 1000 Two-Brush System

	Ref.	Tennant Part No.	Machine Serial Number	Description	Qty.
▽	1	14967	(000000-) Brush-Disk Scr 20 D Assy Nylon	2
▲	2	24299	(000000-) Bracket Spring Retainer	1
▲	3	14838	(000000-) Spring, Brush Retaining	1
▲	4	15539	(000000-) Adaptor, Brush	1
▽	1	14953	(000000-) Brush-Disk Scr 20 D Assy Poly	2
▲	2	24299	(000000-) Bracket Spring Retainer	1
▲	3	14838	(000000-) Spring, Brush Retaining	1
▲	4	15539	(000000-) Adaptor, Brush	1
▽	1	14586	(000000-) Brush-Disk Scr 20 D-Assy-S Ab	2
▲	2	24299	(000000-) Bracket Spring Retainer	1
▲	3	14838	(000000-) Spring, Brush Retaining	1
▲	4	15539	(000000-) Adaptor, Brush	1
▽	5	14584	(000000-xxxxxx) Pad Driver Brush 20D Assy Poly	2
▲	6	24299	(000000-xxxxxx) Bracket Spring Retainer	1
▲	7	14838	(000000-xxxxxx) Spring, Brush Retaining	1
▲	8	15539	(000000-xxxxxx) Adaptor, Brush	1
▲	9	11218	(000000-xxxxxx) Spacer Pad Holder	2
▲	10	32506	(000000-xxxxxx) Pad Holder, Threaded	1
▲	11	32505	(000000-xxxxxx) Washer Brush Pad Retainer	1
▲	12	32432	(000000-xxxxxx) Clip Retaining	3
▲	13	32657	(000000-xxxxxx) Clip Locking	1
▲	14	32661	(000000-xxxxxx) Spring Compression	1
▲	15	86953	(000000-xxxxxx) Ring,Retain,Ex,0.50 Stl Steel	1
	16	17260	(000000-) Pad-Polish 20D-White	2
	16	17261	(000000-) Pad-Buff-20D Red	2
	16	17262	(000000-) Pad-Scru .20D Blue	2
	16	17263	(000000-) Pad-Strip-20D Brown	2
▽	17	370020	(xxxxxx-) Pad Driver	1
▲	18	370080	(xxxxxx-) Back, Pad Driver, W/Face 20Dia.	1
▲	19	15539	(xxxxxx-) Adapter, Brush	1
▲	20	14838	(xxxxxx-) Spring, Brush Retaining	1
▲	21	24299	(xxxxxx-) Bracket, Spring Retainer	1
▲	22	370090	(xxxxxx-) Center Device Assembly	1
▲	23	09198	(xxxxxx-) Scr Pan Ss M4x0.7	3

Fig. 3 - Replacement Brushes for MaxPro™ 1200 Three-Brush System

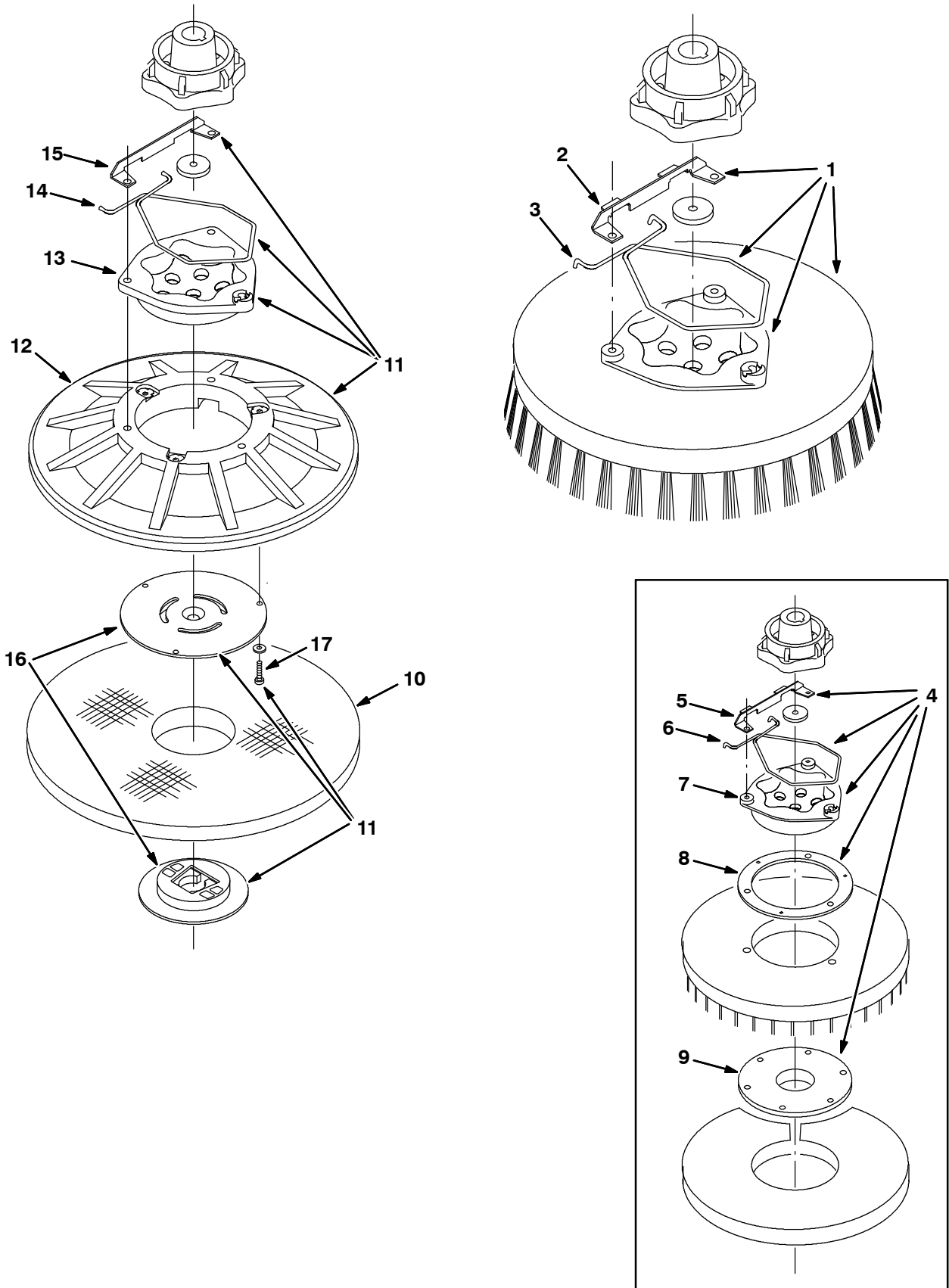


Fig. 3 - Replacement Brushes for MaxPro™ 1200 Three-Brush System

	Ref.	Tennant Part No.	Machine Serial Number	Description	Qty.
▽	1	05724	(000000-) Brush-Disk Scr 16 D-Assy-Nyl	3
▲	2	14838	(000000-) Spring, Brush Retaining	1
▲	3	24299	(000000-) Bracket Spring Retainer	1
▽	1	30241	(000000-) Brush-Disk Scr 16 D Assy Poly	3
▲	2	14838	(000000-) Spring, Brush Retaining	1
▲	3	24299	(000000-) Bracket Spring Retainer	1
▽	1	05726	(000000-) Brush-Disk Scr 16 D-Assy-S Ab	3
▲	2	14838	(000000-) Spring, Brush Retaining	1
▲	3	24299	(000000-) Bracket Spring Retainer	1
▽	4	30216	(000000-xxxxxx) Brush-Pad Drive-16 D-Assy-Poly	3
▲	5	24299	(000000-xxxxxx) Bracket Spring Retainer	1
▲	6	14838	(000000-xxxxxx) Spring, Brush Retaining	1
▲	7	15539	(000000-xxxxxx) Adaptor, Brush	1
▲	8	11218	(000000-xxxxxx) Spacer Pad Holder	1
▲	9	19783	(000000-xxxxxx) Pad Holder, Malish	1
	10	63248-1	(000000-) Pad-Strip-16D Brown	3
	10	63248-2	(000000-) Pad-Scrub-16D Blue	3
	10	63248-3	(000000-) Pad-Buff 16Dred	3
	10	63248-4	(000000-) Pad-Polis-16D White	3
▽	11	370020	(xxxxxx-) Pad Driver	1
▲	12	370080	(xxxxxx-) Back, Pad Driver, W/Face 20Dia.	1
▲	13	15539	(xxxxxx-) Adapter, Brush	1
▲	14	14838	(xxxxxx-) Spring, Brush Retaining	1
▲	15	24299	(xxxxxx-) Bracket, Spring Retainer	1
▲	16	370090	(xxxxxx-) Center Device Assembly	1
▲	17	09198	(xxxxxx-) Scr Pan Ss M4x0.7	3

Fig. 4 - Main Frame Group

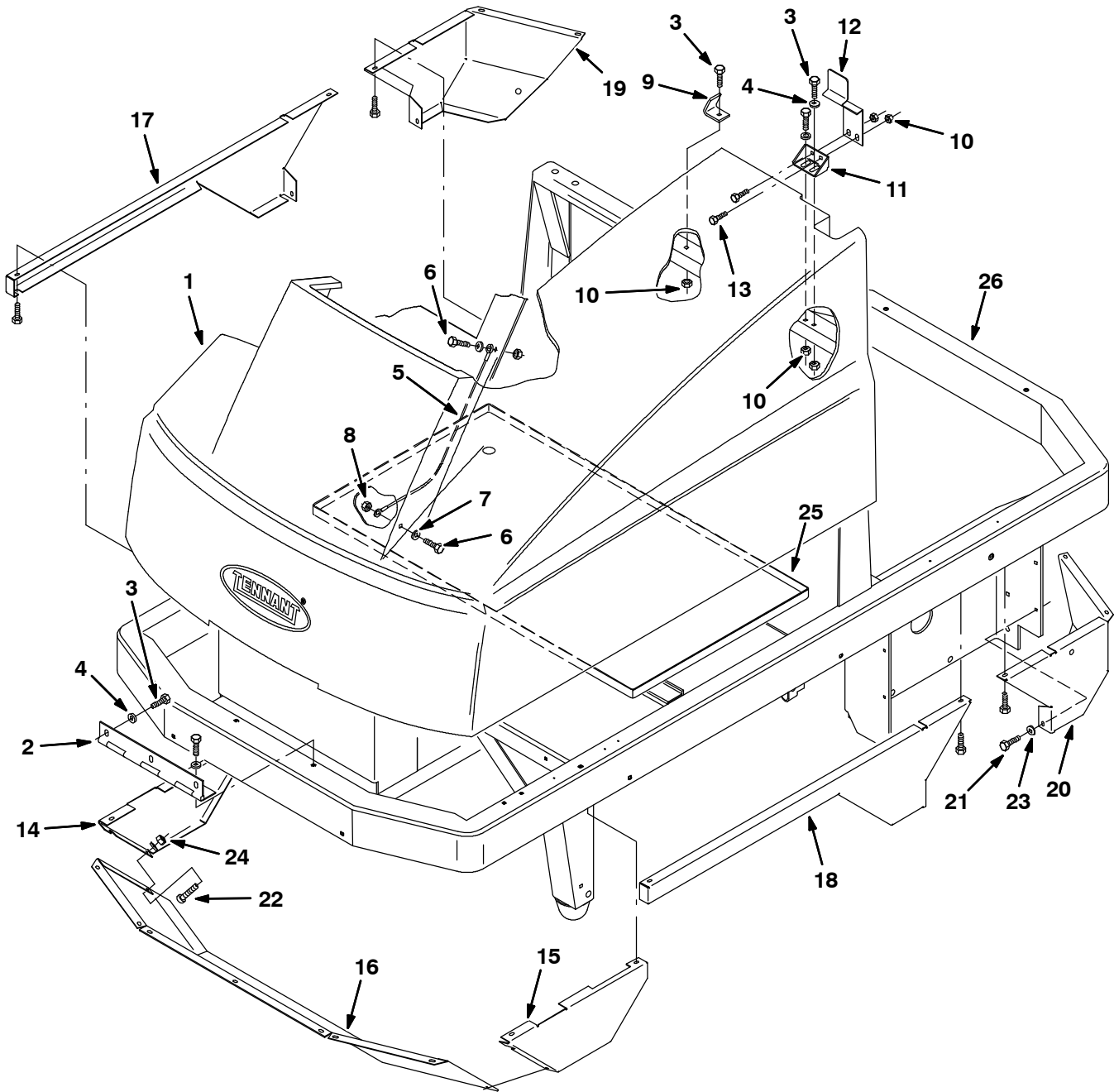


Fig. 4 - Main Frame Group

Ref.	Tenant Part No.	Machine Serial Number	Description	Qty.
1	363324	(000000-) Cover, 515E	1
2	15964	(000000-) Hinge	1
3	16931	(000000-) Scr-Hex M 8X1.25 20 8.8 Pltd	8
4	32491	(000000-) Washer Flt .31 Hard	7
5	36192	(000000-) Lanyard Assy	1
6	06943	(000000-) Scr Hex M6X1.0 20	2
7	32490	(000000-) Washer Flt .25 Hard	3
8	08708	(000000-) Nut Hxlocnyln M 6X1.0	2
9	41352	(000000-) Angle Guide Cover	1
10	07791	(000000-) Nut Hx Flange M 8X1.25	5
11	16539	(000000-) Angle, Mtg, Latch	1
12	14051	(000000-) Latch, Cover	1
13	16735	(000000-) Scr-Hex M 8X1.25 16 8.8 Pltd	2
14	17031	(000000-) Skirt, Frame, Rh Front	1
15	17032	(000000-) Skirt, Frame, Lh Front	1
16	16892	(000000-) Skirt Frame Front	1
17	14994	(000000-) Skirt, Frame, Rh Side	1
18	14995	(000000-) Skirt, Frame Lh Side	1
19	14990	(000000-) Skirt Frame Rh Rear	1
20	14993	(000000-) Skirt Frame Lh Rear	1
21	16944	(000000-) Scr-Hxfmgm 4X0.7 10 Pltd	21
22	24265	(000000-) Scr Pan Ssm 4X0.7	6
23	41579	(000000-) Washer, Flat 08 Ss	12
24	33932	(000000-) Nut Hxlocnyln M 4X 0.7 Reg Ss	6
25	17191	(000000-) Tray, Battery	1
26	363280	(000000-) Frame Wldt	1

Fig. 5 - Seat Assembly

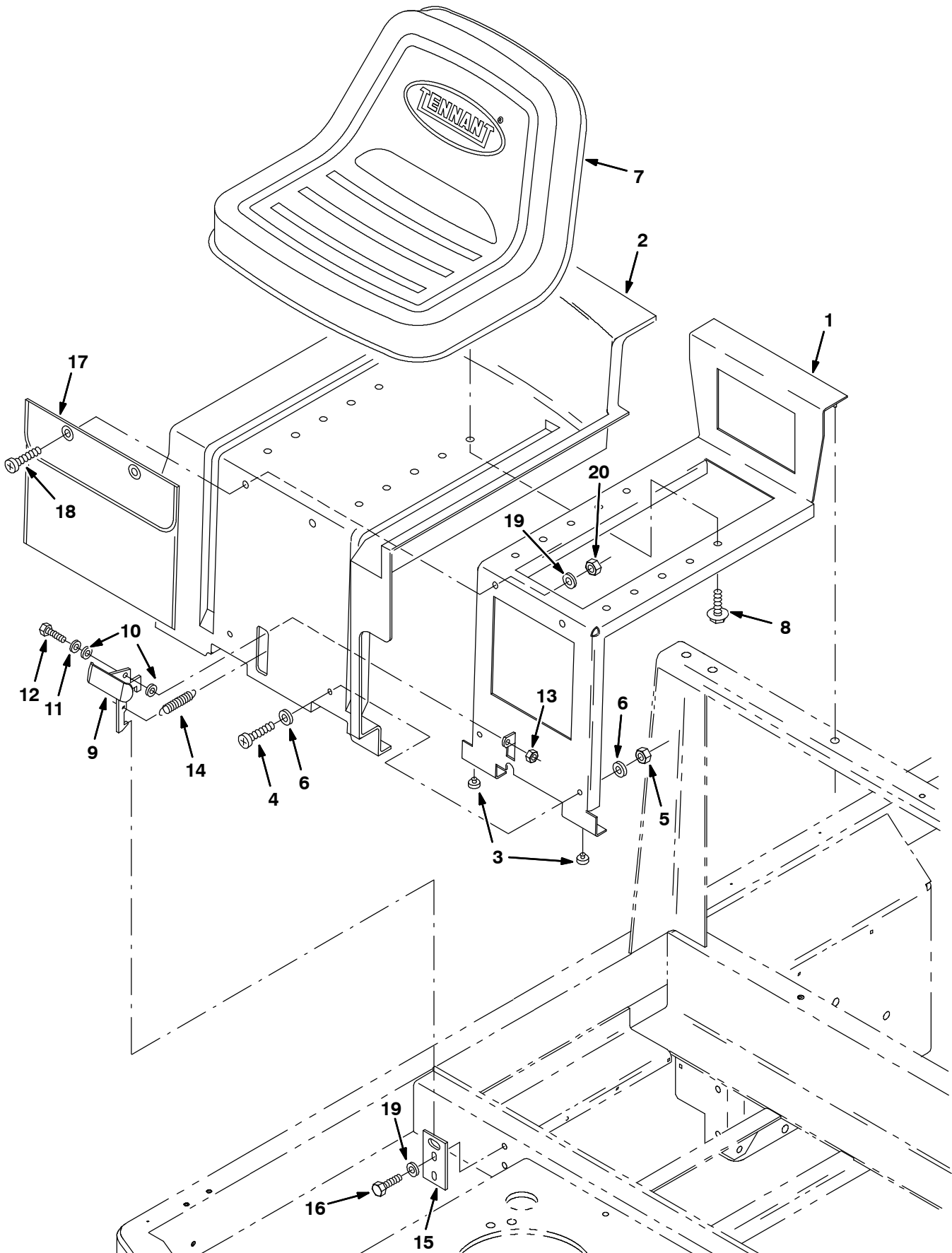


Fig. 5 - Seat Assembly

Ref.	Tenant Part No.	Machine Serial Number	Description	Qty.
▽	14516	(000000-) Seat, W/ Support	1
▲	1 16201	(000000-) Frame, Support, Seat	1
▲	2 16200	(000000-) Panel, Shroud, Seat Support	1
▲	3 29233	(000000-) Bumper, 3/32 Matl.	2
▲	4 09297	(000000-) Screw Pan 8X1.25 30	2
▲	5 08709	(000000-) Nut Hxlocnyln M 8X1.25	2
▲	6 32491	(000000-) Washer Flt .31 Hard	4
▲	7 82342	(000000-) Seat Assy	1
▲	8 01764	(000000-) Scr-Hex .38-16X1.00 Sems Pltd	4
▲	9 16193	(000000-) Latch	1
▲	10 24924	(000000-) Washer, .281B .62D .06Nylon	2
▲	11 32490	(000000-) Washer Flt .25 Hard	1
▲	12 06943	(000000-) Scr Hex M6X1.0 20	1
▲	13 08708	(000000-) Nut Hxlocnyln M 6X1.0	1
▲	14 09087	(000000-) Sprng,Tens,0.56Odx.05Wire 0.9L	1
	15 16196	(000000-) Plate, Strike	1
	16 16931	(000000-) Scr-Hex M 8X1.25 20 8.8 Pltd	2
	17 48790	(000000-) Pouch Operator Handbook	1
	18 09297	(000000-) Screw Pan 8X1.25 30	2
	19 32491	(000000-) Washer Flt .31 Hard	4
	20 08709	(000000-) Nut Hxlocnyln M 8X1.25	2

Fig. 6 - Steering Group

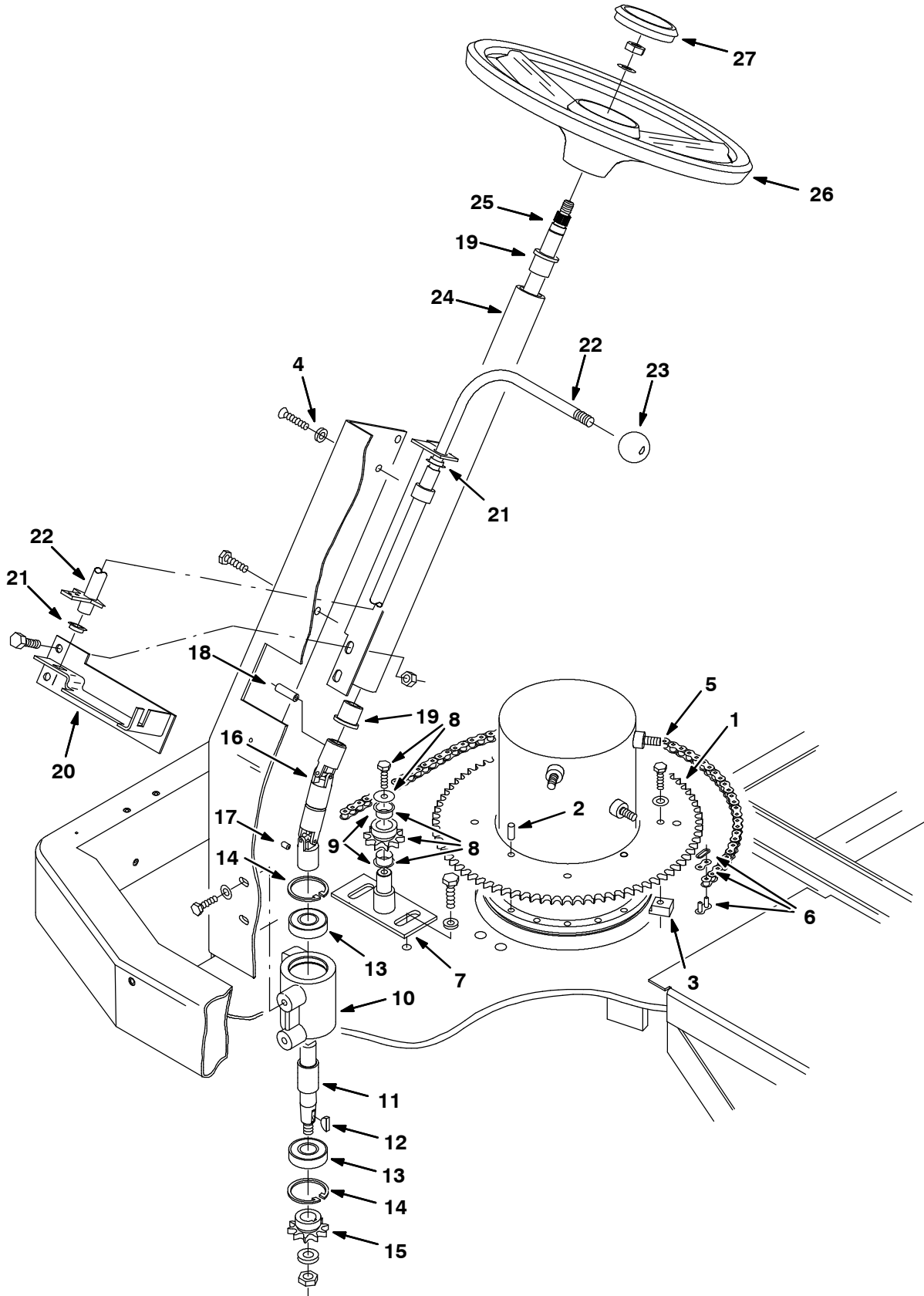


Fig. 6 - Steering Group

Ref.	Tennant Part No.	Machine Serial Number	Description	Qty.
1	363385	(000000-) Sprocket, Steering	1
2	14296	(000000-) Pin, Roll	4
3	14150	(000000-) Clip, Sprocket	4
4	222466	(000000-) Washer, Finishing	1
▽	5	363441	(000000-) Steering Chain Kit	1
▲	6	07112	(000000-) Link, Chain	1
	7	363986	(000000-) Plate Wldt, Idler Mounting	1
▽	8	24353	(000000-) Chain Idler Kit	1
▲	9	16370	(000000-) Bearing, Flange	2
	10	14351	(000000-) Housing, Bearing	1
	11	14335	(000000-) Rod, Lower Steering	1
	12	00500-10	(000000-) Key, Woodruff	1
	13	46390	(000000-) Bearing, Ball	2
	14	26428	(000000-) Ring, Retaining	2
	15	16386	(000000-) Sprocket	1
	16	14355	(000000-) Joint, Universal	1
	17	50011	(000000-) Screw, Set	1
	18	26103	(000000-) Pin, Roll	1
	19	16367	(000000-) Bearing, Flange	2
	20	15830	(000000-) Plate, Cable Mounting	1
	21	04843	(000000-) Bearing, Flange	2
	22	15815	(000000-) Rod, Control	1
	23	26156	(000000-) Knob	1
	24	14336	(000000-) Column, Steering	1
	25	14333	(000000-) Shaft, Steering	1
	26	87488	(000000-) Wheel, Steering	1
	27	57497	(000000-) Cap, Steering Wheel	1

Fig. 7 - Drive Wheel Group

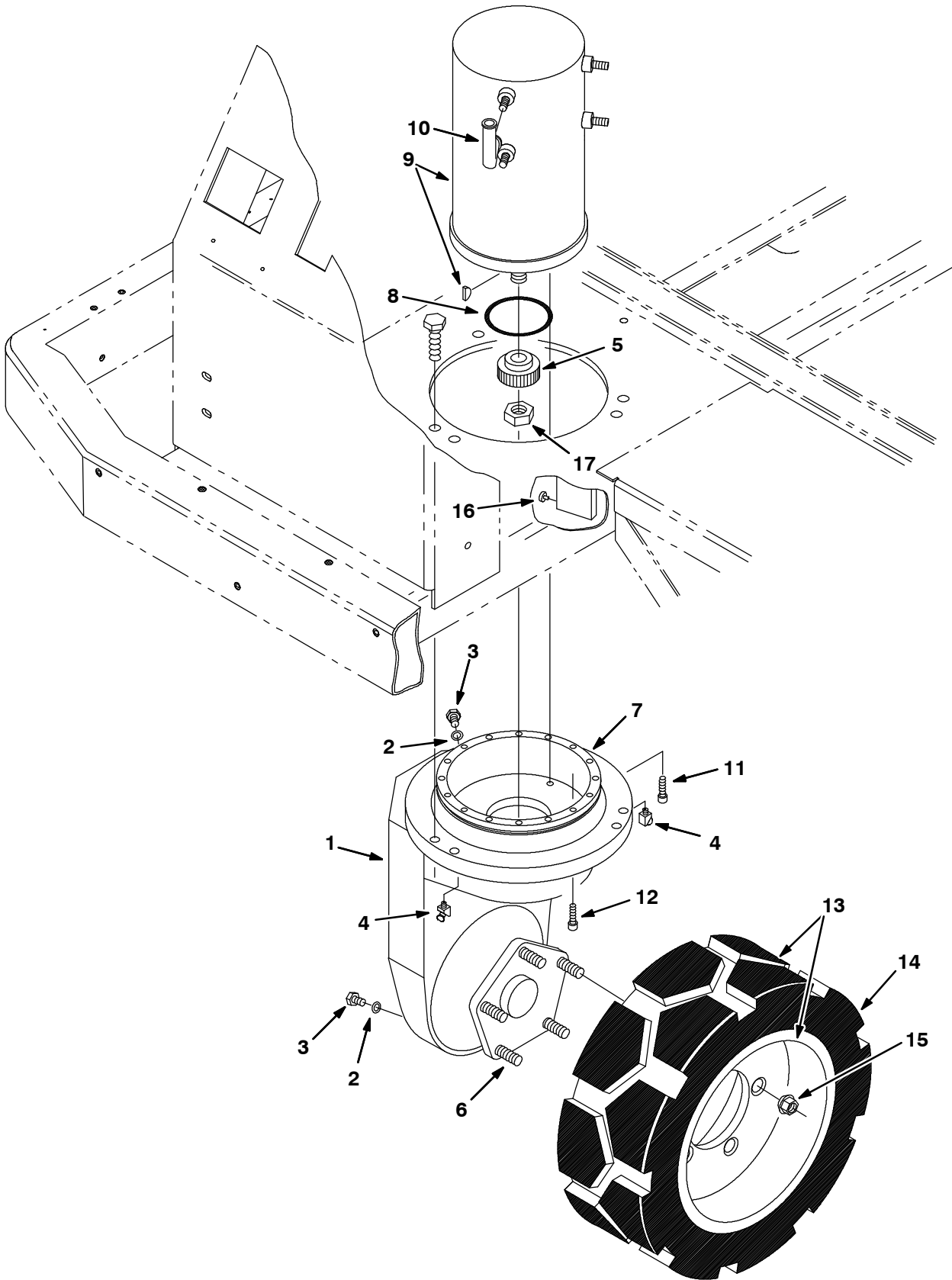


Fig. 7 - Drive Wheel Group

	Ref.	Tennant Part No.	Machine Serial Number	Description	Qty.
▽	1	87355	(000000-) Gearbox, Hurth	1
▲	2	87840	(000000-) O-Ring	2
▲	3	87841	(000000-) Plug	2
▲	4	87839	(000000-) Grease Fitting	2
▲	5	87849	(000000-) Driving Gear	1
▲	6	12540	(000000-) Wheel Bolt	5
▲	7	61791	(000000-) Bearing & Housing	1
	8	360980	(000000-) Seal, O-Ring 2.987ld X .103T	1
	9	60198	(000000-) Motor, Traction 3.0Hp (See Breakdowns)	1
	10	02076	(000000-) Boot, 90Deg .50D .57X .84	4
	11	09030	(000000-) Scr Soc M 8X1.25 80	2
	12	09294	(000000-) Scr Soc M 8X1.25 60	1
▽	13	86970	(000000-) Tire & Wheel 16.25X6	1
▲	14	45027A	(000000-) Tire, 16.25X6X11.25 Sf/Xg, Solid	1
	15	87750	(000000-) Nut-Wheel M14 X 1.5	5
	16	56855	(000000-) Bumper, Rbr, W. Knurled Stud	2
	17	51824	(000000-) Nut-Hxlocnyln .50-20 Thin Pltd	1

Fig. 8 - Front Brake Linkage Group

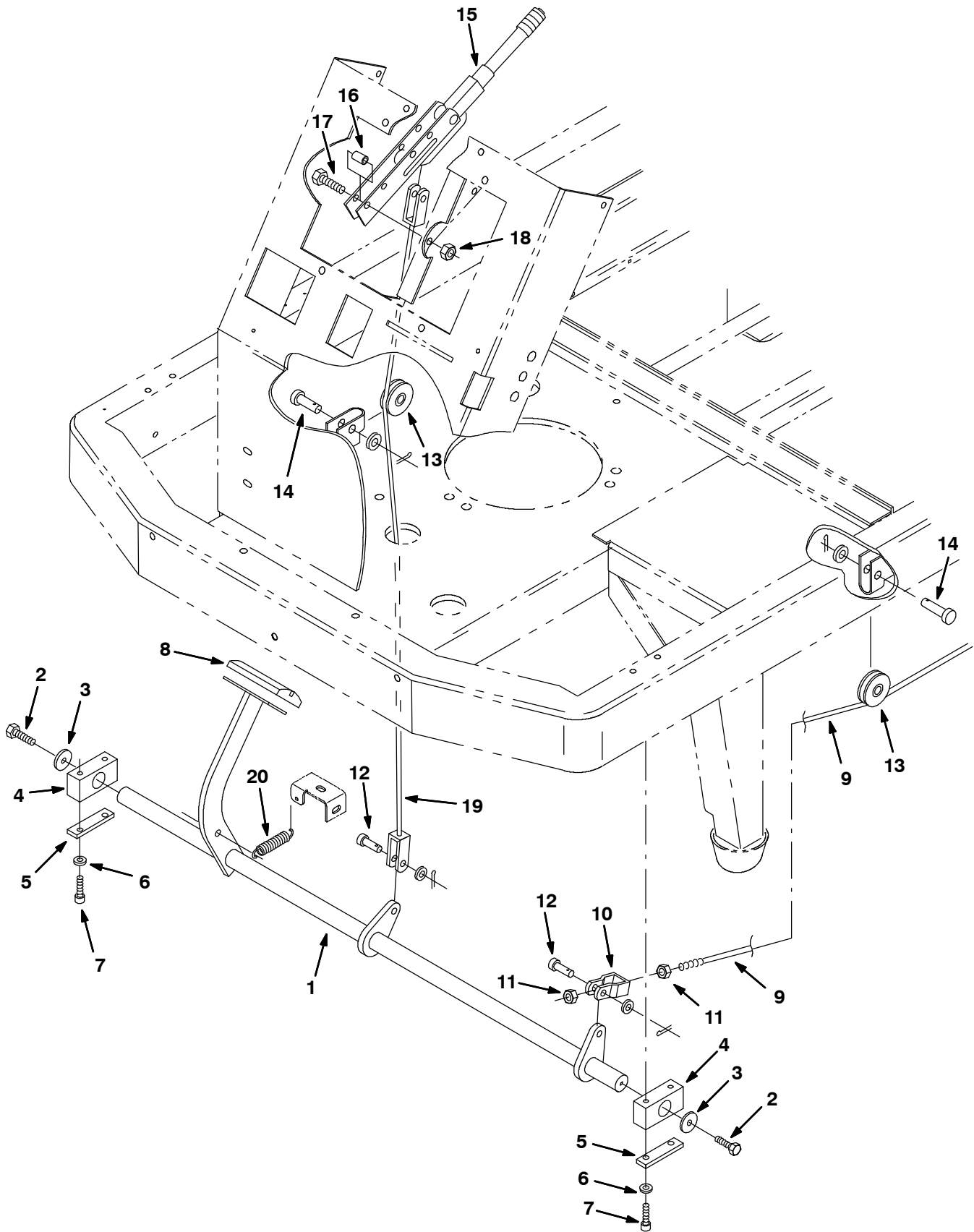


Fig. 8 - Front Brake Linkage Group

Ref.	Tennant Part No.	Machine Serial Number	Description	Qty.
1	363210	(000000-) Shaft Wldt, Cross, Brake,Front	1
2	06942	(000000-) Screw M 6 X 1.0 16	2
3	41178	(000000-) Washer-Flt .25 Fender Pltd	2
4	363215	(000000-) Bearing, Brake	2
5	363425	(000000-) Bar, Support, Brg	2
6	01685	(000000-) Washer Flt .31 Ss	4
7	09294	(000000-) Scr, Soc M 8X1.25	4
8	51109	(000000-) Pad	1
9	14473	(000000-) Cable Brake	1
10	14910	(000000-) Clevis, Brake Adjust	1
11	25014	(000000-) Nut Hx Std .38-16	2
12	09088	(000000-) Pin,Clevis,0.37 Dia.X 1.00 Lg	2
13	74391	(000000-) Pulley Assy, Cable, 1.5 Dia	2
14	06598	(000000-) Pin Clevis 0.50 Dia.X 1.42 Lg	2
15	51545	(000000-) Lever, Brake	1
16	51562	(000000-) Sleeve, .344B .50D .81 Cr.Anc	2
17	41342	(000000-) Scr-Hex M 8X1.25 40	2
18	07791	(000000-) Nut Hx Flange M 8X1.25See25572	2
19	14475	(000000-) Cable Service Brake	1
20	87222	(000000-) Spring, Ext. .85X.085X2.75	1

Fig. 9 - Rear Brake Linkage Group

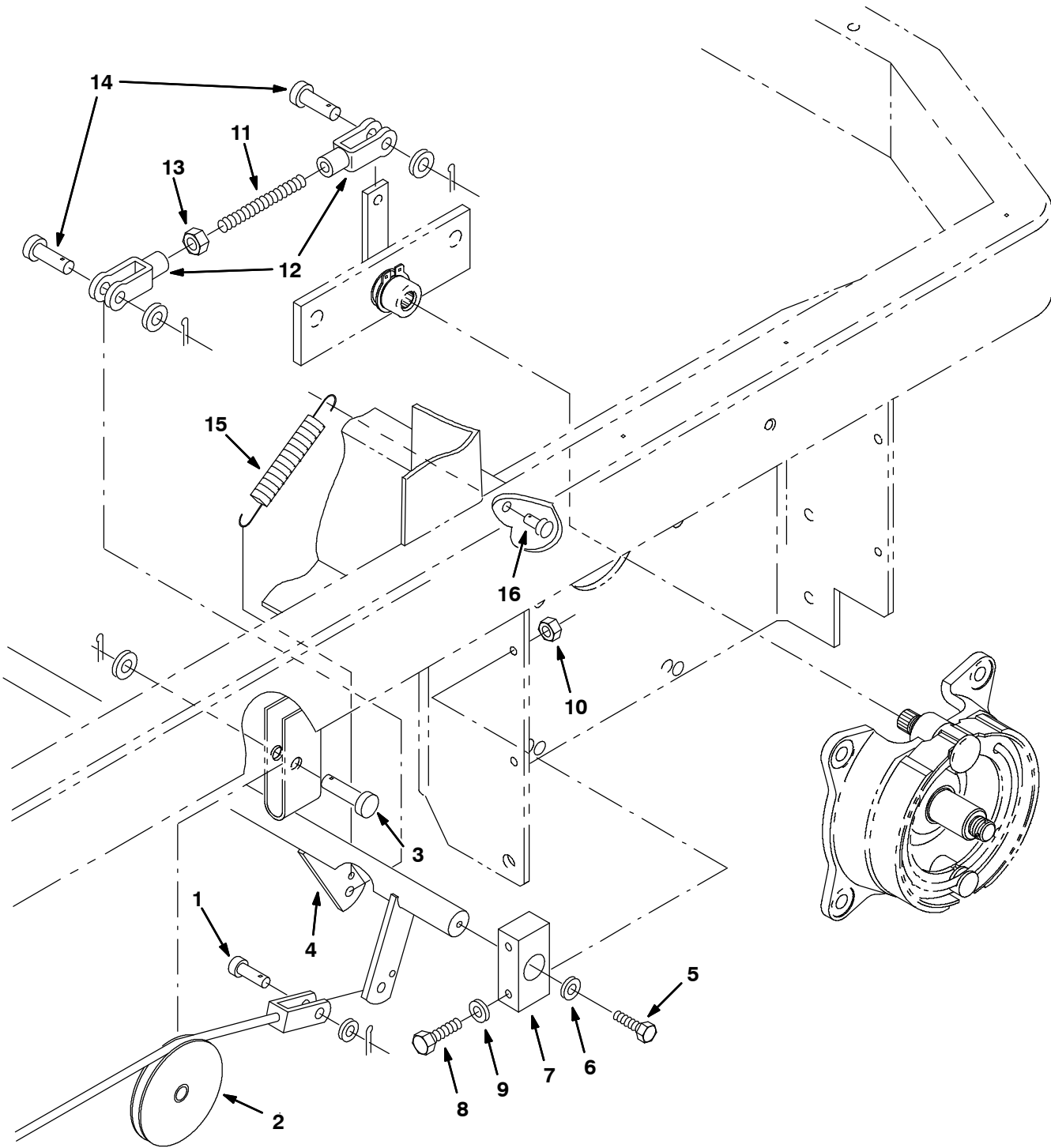


Fig. 9 - Rear Brake Linkage Group

Ref.	Tennant Part No.	Machine Serial Number	Description	Qty.
1	09088	(000000-) Pin,Clevis,0.37 Dia.X 1.00 Lg	1
2	363178	(000000-) Pulley Assy, Cable, 3.5 Dia	1
3	06598	(000000-) Pin Clevis 0.50 Dia.X 1.42 Lg	1
4	14227	(000000-) Shaft Wldt, Cross, Brake Rear	1
5	06942	(000000-) Screw M 6 X 1.0 16	2
6	41178	(000000-) Washer-Flt .25 Fender Pltd	2
7	363215	(000000-) Bearing, Brake	2
8	39278	(000000-) Scr-Hex M 8X1.25 50	4
9	01685	(000000-) Washer Flt .31 Ss	4
10	08709	(000000-) Nut Hxlocnyln M 8X1.25	4
11	75290	(000000-) Rod-Thrd, Full .38-24	2
12	14330	(000000-) Yoke,End,Adjustable	4
13	43954	(000000-) Nut Hx Std .38-24	2
14	86240	(000000-) Pin Clevis .375 Dia X 1.13 Lg	4
15	87222	(000000-) Spring, Ext. .85X.085X2.75	2
16	09370	(000000-) Pin,Clevis,0.31 Dia.X 1.25 Lg	2

Fig. 10 - Rear Wheel and Brake Group

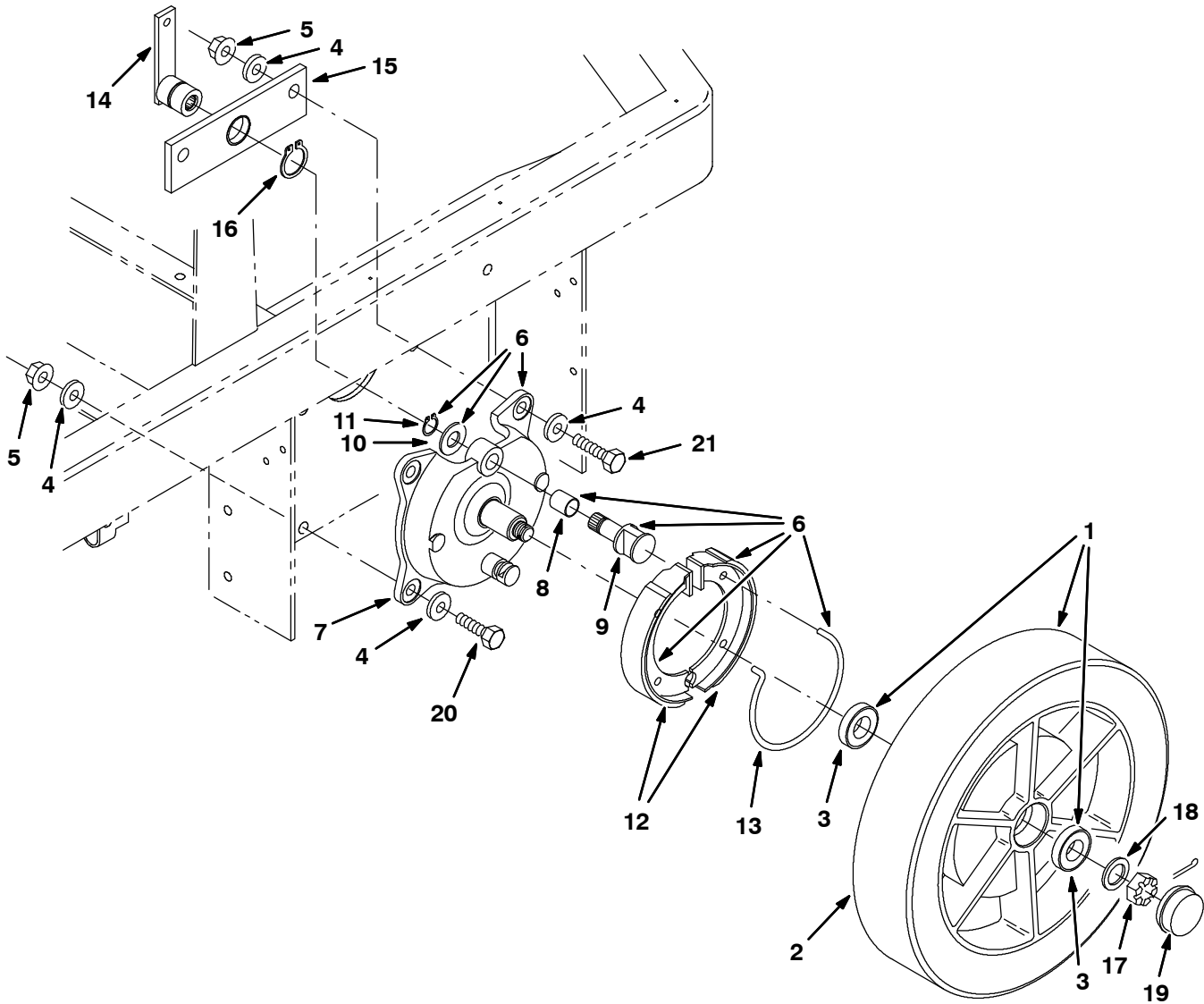


Fig. 10 - Rear Wheel and Brake Group

	Ref.	Tennant Part No.	Machine Serial Number	Description	Qty.
▽	1	363218	(000000-) Wheel Assy, Rear	2
▲	2	25197A	(000000-) Tire,16X3.5X12.12 Sf,Sol.Smth	1
▲	3	360074	(000000-) Bearing-Ball,1.18B 2.44D 0.63W	2
	4	32486	(000000-) Washer Flt .50 Sae	16
	5	08711	(000000-) Nut Hxlocnyln M12X1.75	8
▽	6	360023	(000000-) Brake Assy	2
▲	7	360270	(000000-) Backing Plate	1
▲	8	360271	(000000-) Bushing	1
▲	9	360272	(000000-) Cam,Nickel Plated	1
▲	10	360273	(000000-) Washer	1
▲	11	360274	(000000-) Retainer Ring	1
▲	12	360275	(000000-) Shoe Assembly	2
▲	13	360276	(000000-) Return Spring	1
	14	363283	(000000-) Lever, Brake	2
	15	363284	(000000-) Plate Assy, Mtg,Brake Arm Brg	2
	16	58359	(000000-) Retaining Ring-External, 1.25D	2
	17	86659	(000000-) Nut-Hxslot .75-16 Pltd	2
	18	49145	(000000-) Washer, .765B 1.50D .06Ss18-8	2
	19	54390	(000000-) Cap, Hub	2
	20	06969	(000000-) Screw Hex M12X1.75 40	4
	21	06971	(000000-) Screw-Hex M12X1.75	4

Fig. 11 - Floor Plate Group

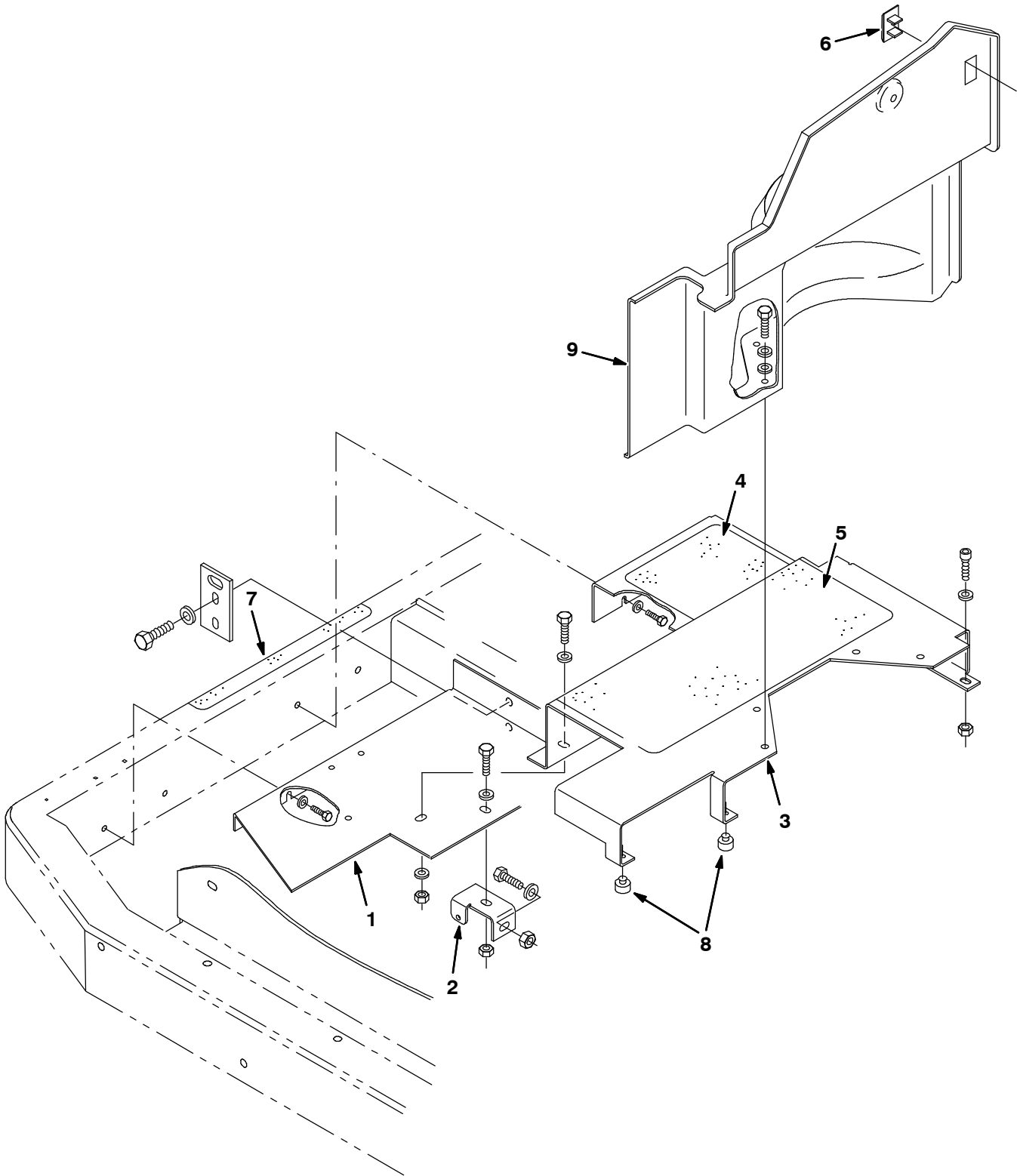


Fig. 11 - Floor Plate Group

Ref.	Tennant Part No.	Machine Serial Number	Description	Qty.
1	14282	(000000-) Panel, Floor Rh	1
2	363423	(000000-) Angle, Mtg, Floor Plate	1
∇ 3	363935	(000000-) Panel, Floor, Lh, w/Tread	1
▲ 4	16368	(000000-) Tread, Floor	1
▲ 5	16369	(000000-) Tread, Floor	1
6	57772	(000000-) Plate-Cover	1
7	58819	(000000-) Tread, Pedal, Anti-Slip	1
8	29233	(000000-) Bumper, 3/32 Matl.	2
9	363442	(000000-) Panel Assy, w/Label	1

Fig. 12 - Directional Pedal Group

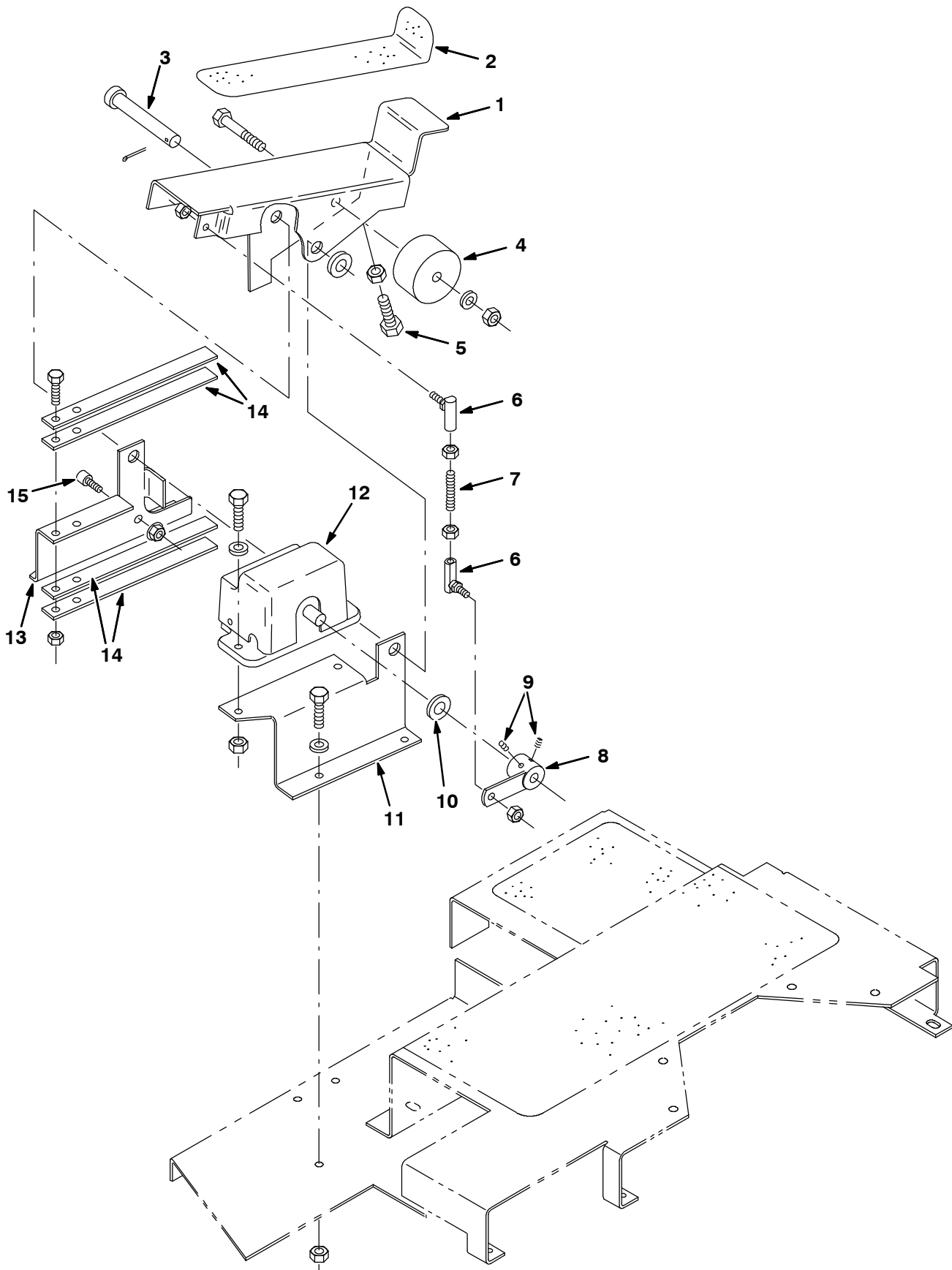


Fig. 12 - Directional Pedal Group

	Ref.	Tennant Part No.	Machine Serial Number	Description	Qty.
∇	1	363936	(000000-) Pedal w/Tread	1
▲	2	82839	(000000-) Pad, Tread	1
	3	06474A	(000000-) Pin, Clevis	1
	4	87725	(000000-) Spacer	1
	5	36801	(000000-) Screw, Hex	1
	6	12263	(000000-) Balljoint	2
	7	14397	(000000-) Rod, Threaded	1
	8	14400	(000000-) Arm	1
	9	17186	(000000-) Screw, Set	2
	10	43611	(000000-) Washer, Nylon	1
	11	14409	(000000-) Bracket, Mounting, L.H.	1
	12	14368	(000000-) Accelerator	1
	13	87718	(000000-) Bracket, Mounting, R.H.	1
	14	49681	(000000-) Plate, Spring	4
	15	39308	(000000-) Screw, Socket	1

STANDARD PARTS

Fig. 13 - Scrub Head Drive Group for MaxPro™ 1000 Two-Brush System

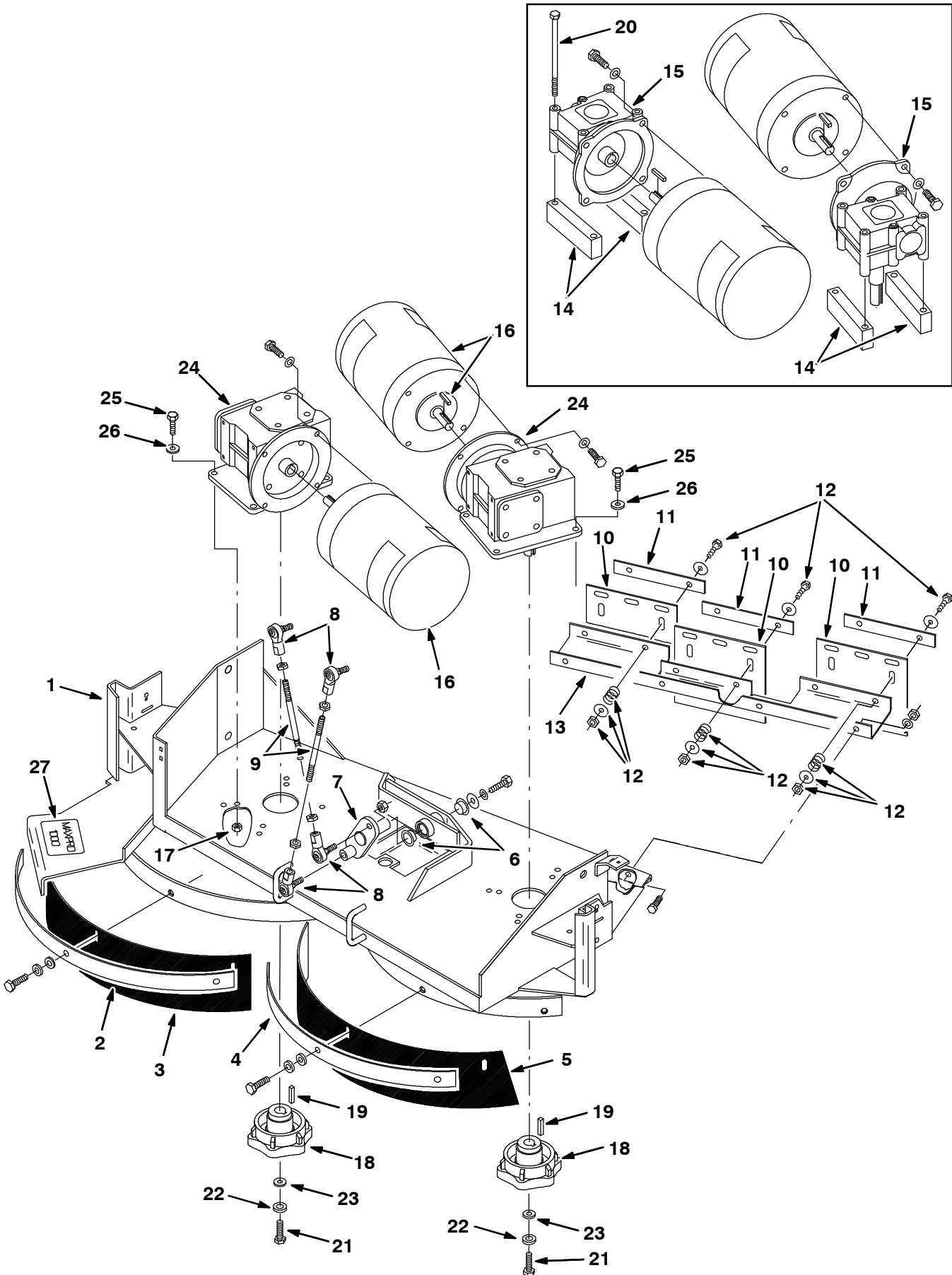
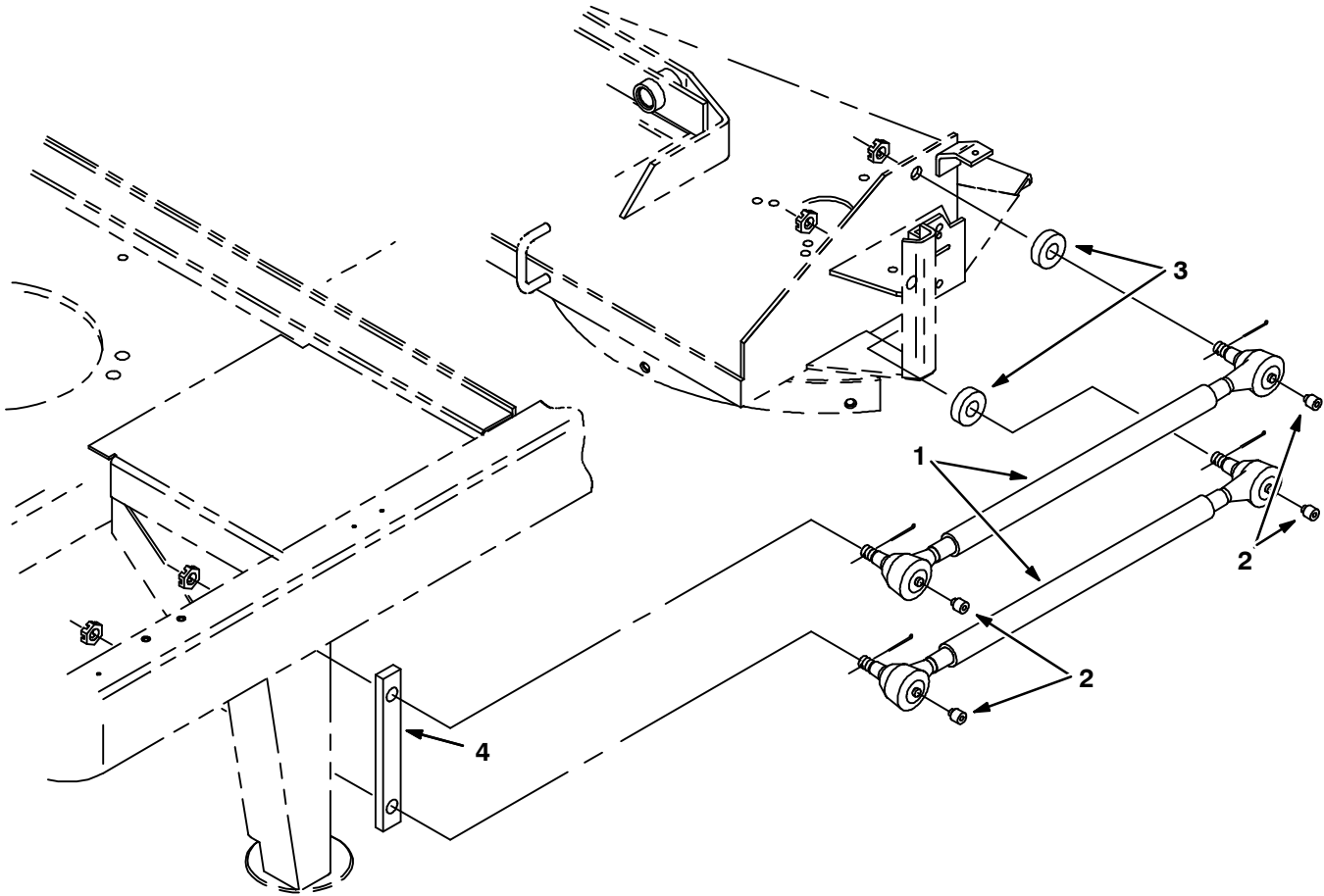


Fig. 13 - Scrub Head Drive Group for MaxPro™ 1000 Two-Brush System

Ref.	Tennant Part No.	Machine Serial Number	Description	Qty.
1	14626	(000000-) Frame, Scrubber Head	1
2	14674	(000000-) Strip, Skirt Retainer, R.H.	1
3	14672	(000000-) Skirt, Front Brush, R.H.	1
4	14673	(000000-) Strip, Skirt Retainer, L.H.	1
5	14671	(000000-) Skirt, Front Brush, L.H.	1
6	24329	(000000-) Head Bushing Kit	1
7	14666	(000000-) Pivot, Equalizer	1
8	05686	(000000-) End, Rod	4
9	14567	(000000-) Rod, Threaded	2
10	15952	(000000-) Skirt, Rear Brush	3
11	15951	(000000-) Strip, Rear Skirt Retainer	3
12	24310	(000000-) Skirt Spring Retaining Kit	6
13	15953	(000000-) Bracket, Rear Skirt	1
14	16942	(000000- xxxxxx) Spacer, Gearbox	4
15	16223	(000000- xxxxxx) Gearbox (Repl. by 375066) (See Breakdowns)	2
16	16224	(000000-) Motor, Electric (See Breakdowns)	2
17	08713	(000000-) Nut, Hex	8
18	222506	(000000-) Hub, Brush Drive	2
19	00927	(000000-) Key, Square	2
20	16946	(000000- xxxxxx) Screw, Hex	8
21	09740	(000000-) Screw, Hexssm 8x1.25	2
22	41186	(000000-) Washer Flt .38Ss	2
23	01686	(000000-) Washer-Belleville .31 Pltd	2
24	375100	(xxxxxx-) Gearbox, W/Mount (See Breakdowns)	2
25	09011	(xxxxxx-) Screw, Hex, M8 Ss	8
26	01685	(xxxxxx-) Washer, Flt .31 Ss	8
27	365156	(000000-) Label Set, Info & Hazard, Max Pro™ 1000	1

STANDARD PARTS

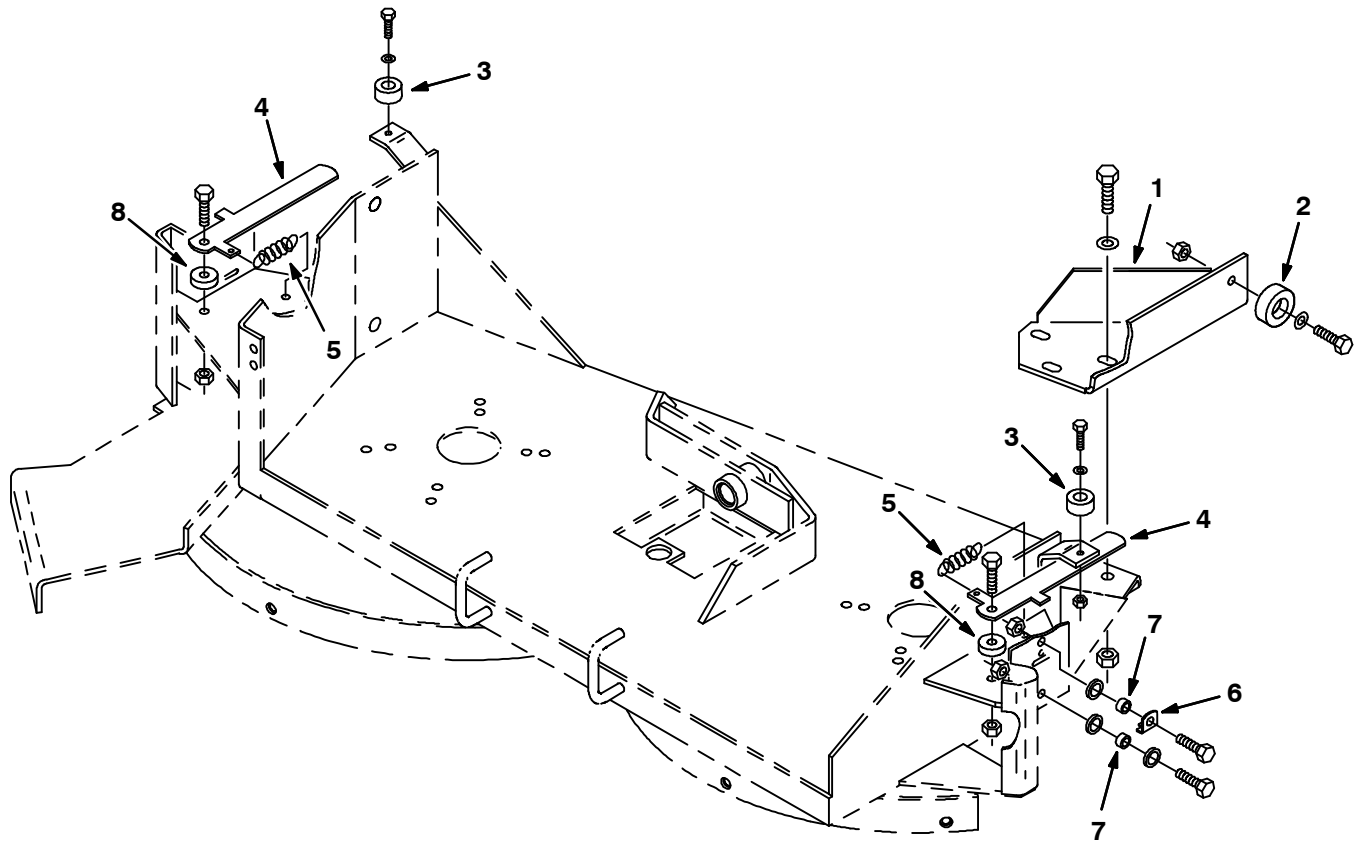
Fig. 14 - Scrub Head Mount Group for MaxPro™ 1000 Two-Brush System



05425-05425

	Ref.	Tennant Part No.	Machine Serial Number	Description	Qty.
▽	1	14523	(000000-) Link, Scrubber Head Lift	4
▲	2	07259	(000000-) Fitting, Grease	8
	3	14524	(000000-) Spacer, Washer	4
	4	24254	(000000-) Bar, Spacer	2

Fig. 15 - Scrub Head Stop and Squeegee Mount Group for MaxPro™ 1000 Two-Brush System



05222-05222

Ref.	Tennant Part No.	Machine Serial Number	Description	Qty.
1	15018	(000000-) Bracket, Stop	1
2	15023	(000000-) Bumper	1
3	82921	(000000-) Bumper, Rubber	2
4	15569	(000000-) Lever, Stop	2
5	09087	(000000-) Spring, Tension	2
6	15900	(000000-) Guide, Squeegee	2
7	363479	(000000-) Spacer, .50 ODX .34IDX .312L Ss	4
8	15649	(000000-) Tube	2

Fig. 16 - Scrub Head Lift Group for MaxPro™ 1000 Two-Brush System

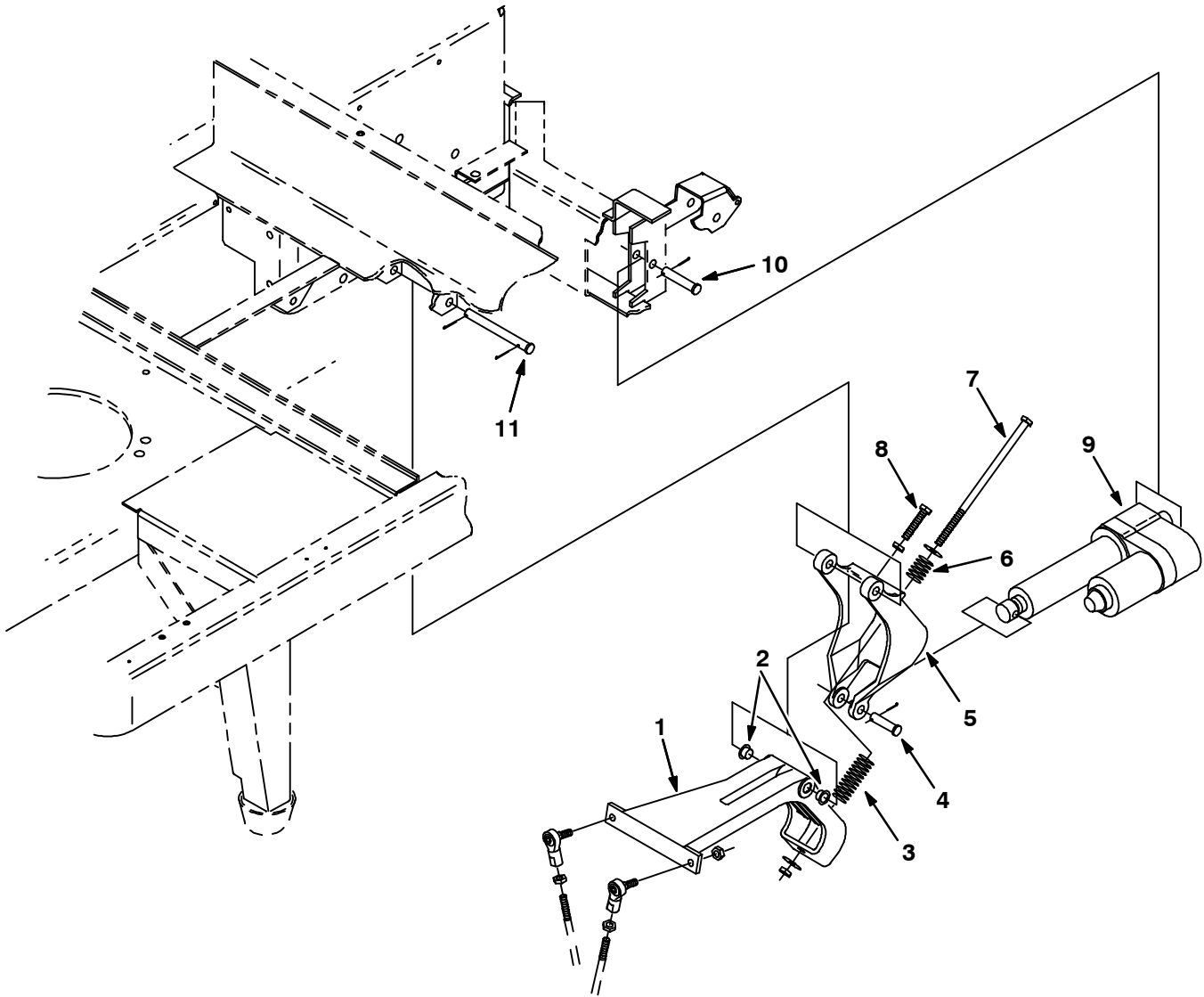


Fig. 16 - Scrub Head Lift Group for MaxPro™ 1000 Two-Brush System

Ref.	Tennant Part No.	Machine Serial Number	Description	Qty.
1	15864	(000000-) Bracket, Head Lift	1
2	15648	(000000-) Bearing, Flange 0.500 Bore	2
3	363544	(000000-) Spring, Die, Red, 4.0Lg	1
4	63147	(000000-) Pin,Clevis,0.50 Dia.X 1.87 Lg	1
5	15742	(000000-) Bracket, Head Lift	1
6	15650	(000000-) Spring Comp Die X 1.5Lg	1
7	17194	(000000-) Scr-Hx M10X1.5 180 8.8 Pltd	1
8	06416	(000000-) Scr-Hex M12X1.75 50 Full Thd	1
9	363150	(000000-) Actuator, Scrubhead Lift 515	1
10	06279	(000000-) Pin,Clevis,0.50 Dia.X 2.50 Lg	1
11	14933	(000000-) Pin, Clevis .50 Dia X 5.75 Lg	1

Fig. 17 - Edge Scrub Group for MaxPro™ 1000 Two-Brush System

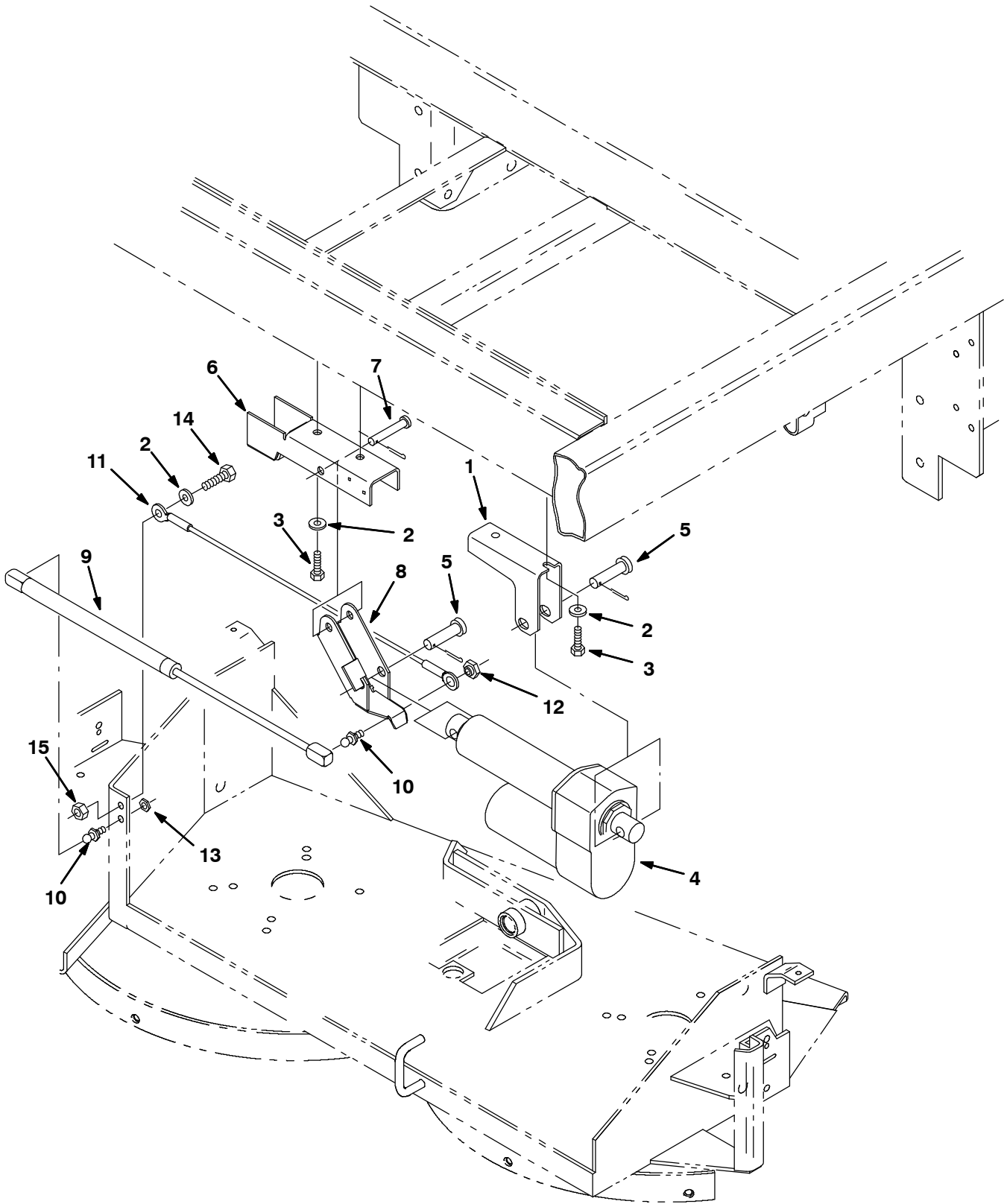


Fig. 17 - Edge Scrub Group for MaxPro™ 1000 Two-Brush System

Ref.	Tenant Part No.	Machine Serial Number	Description	Qty.
1	363289	(000000-) Bracket, Mtg, Actuator	1
2	01685	(000000-) Washer Flt .31 Ss	5
3	15675	(000000-) Scr Hexssm 8X1.25	4
4	363152	(000000-) Actuator, Edge Scrub, 515	1
5	63147	(000000-) Pin,Clevis,0.50 Dia.X 1.87 Lg	2
6	363290	(000000-) Bracket Wldt, Pivot	1
7	51813	(000000-) Pin,Clevis,0.37 Dia.X 2.12 Lg	1
8	363293	(000000-) Bracket Wldt, Gas Spring	1
9	14464	(000000-) Spring, Gas 30Lb 8.04 Stroke	1
10	58494	(000000-) Stud, Ball, Gas Spring	2
11	363515	(000000-) Cable, Retaining, Side Scrub 18.20	1
12	14725	(000000-) Nut, Retainer .31-18	1
13	01760	(000000-) Nut-Hxlocnyln .31-18 Thin Pltd	1
14	09740	(000000-) Scr Hexssm 8X1.25	1
15	08713	(000000-) Nut-Hxlocnyln M 8X1.25 Reg Ss	1

STANDARD PARTS

Fig. 18 - Solution Valve Group for MaxPro™ 1000 Two-Brush System

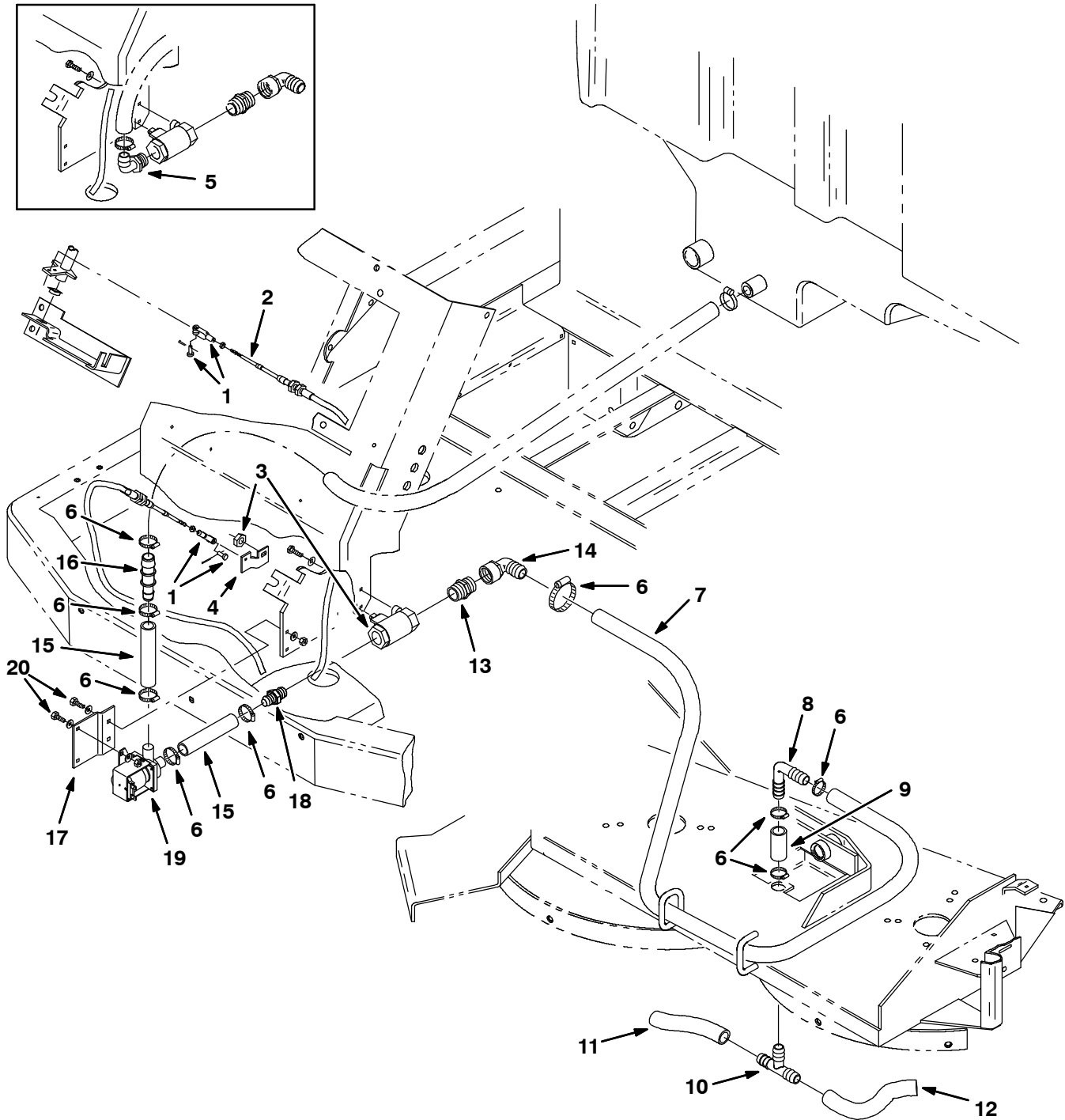
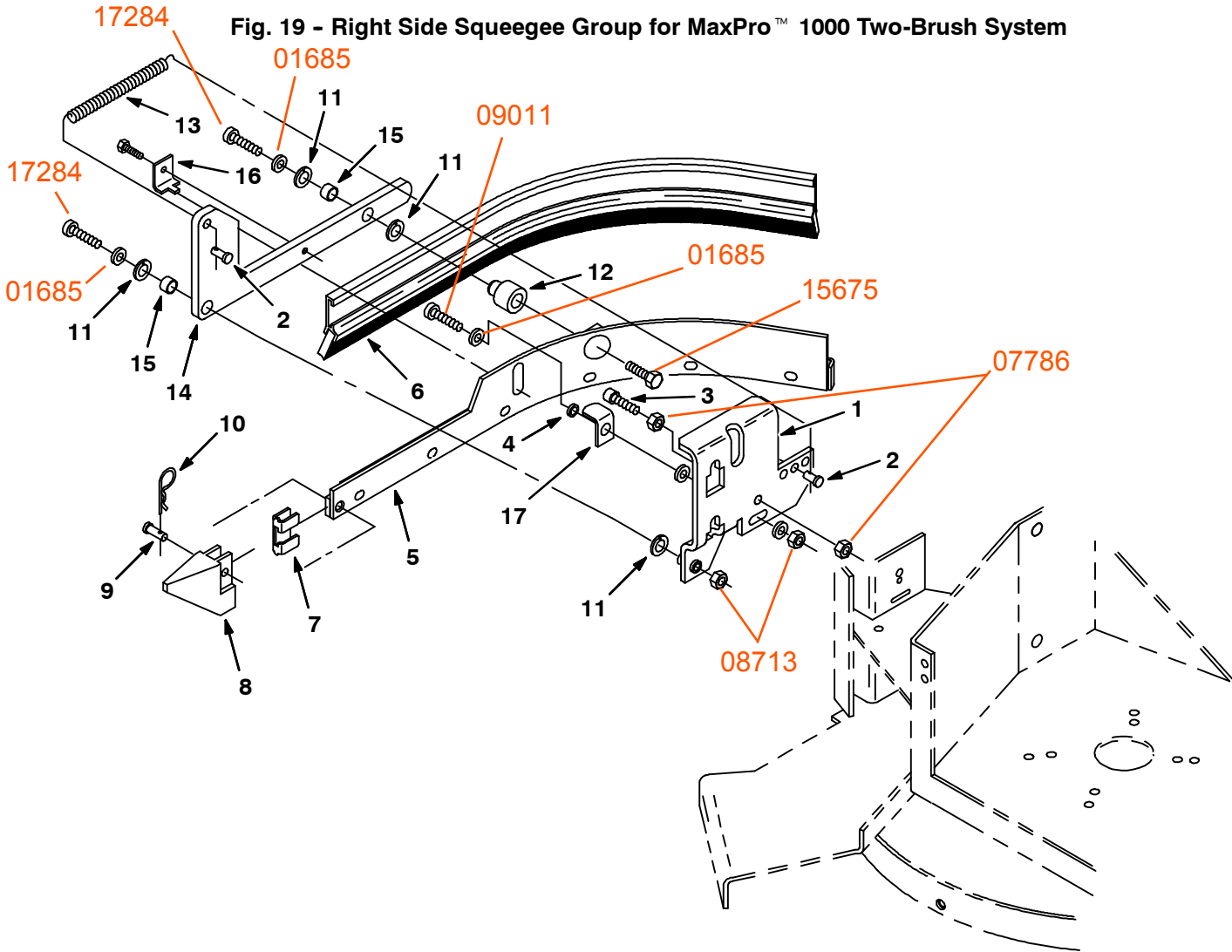


Fig. 18 - Solution Valve Group for MaxPro™ 1000 Two-Brush System

Ref.	Tenant Part No.	Machine Serial Number	Description	Qty.
1	27880	(000000-) Yoke Assembly	2
2	14811	(000000-) Cable, Control	1
3	12060	(000000-) Valve, Water	1
4	15057	(000000-) Lever, Valve	1
5	14877	(000000-004385) Fitting, Barbed Elbow	1
6	86824	(000000-) Clamp, Worm Drive	9
7	16913	(000000-) Hose, Vinyl	1
8	40566	(000000-) Fitting, Barbed Elbow	1
9	16914	(000000-) Hose, Vinyl	1
10	41315	(000000-) Fitting, Barbed Tee	1
11	48595	(000000-) Hose, Vinyl	1
12	48596	(000000-) Hose, Vinyl	1
13	24544	(000000-) Fitting, Straight	1
14	24543	(000000-) Fitting, Barbed Elbow	1
15	363522	(004386-) Hose-Heater .62Id 4.5L	1
16	363543	(004386-) Fitting, Reducer, 5/8-3/4	2
17	363489	(004386-) Bracket, Mtg, Elect Valve	1
18	71628	(004386-) Ftg, Plstc, Str, Barb .75Pt-.62Hse	1
19	84028	(004386-) Valve, Water, Sol .62 Hose 36V	1
20	15678	(004386-) Scr Hex Ss M6x1.0	4

STANDARD PARTS

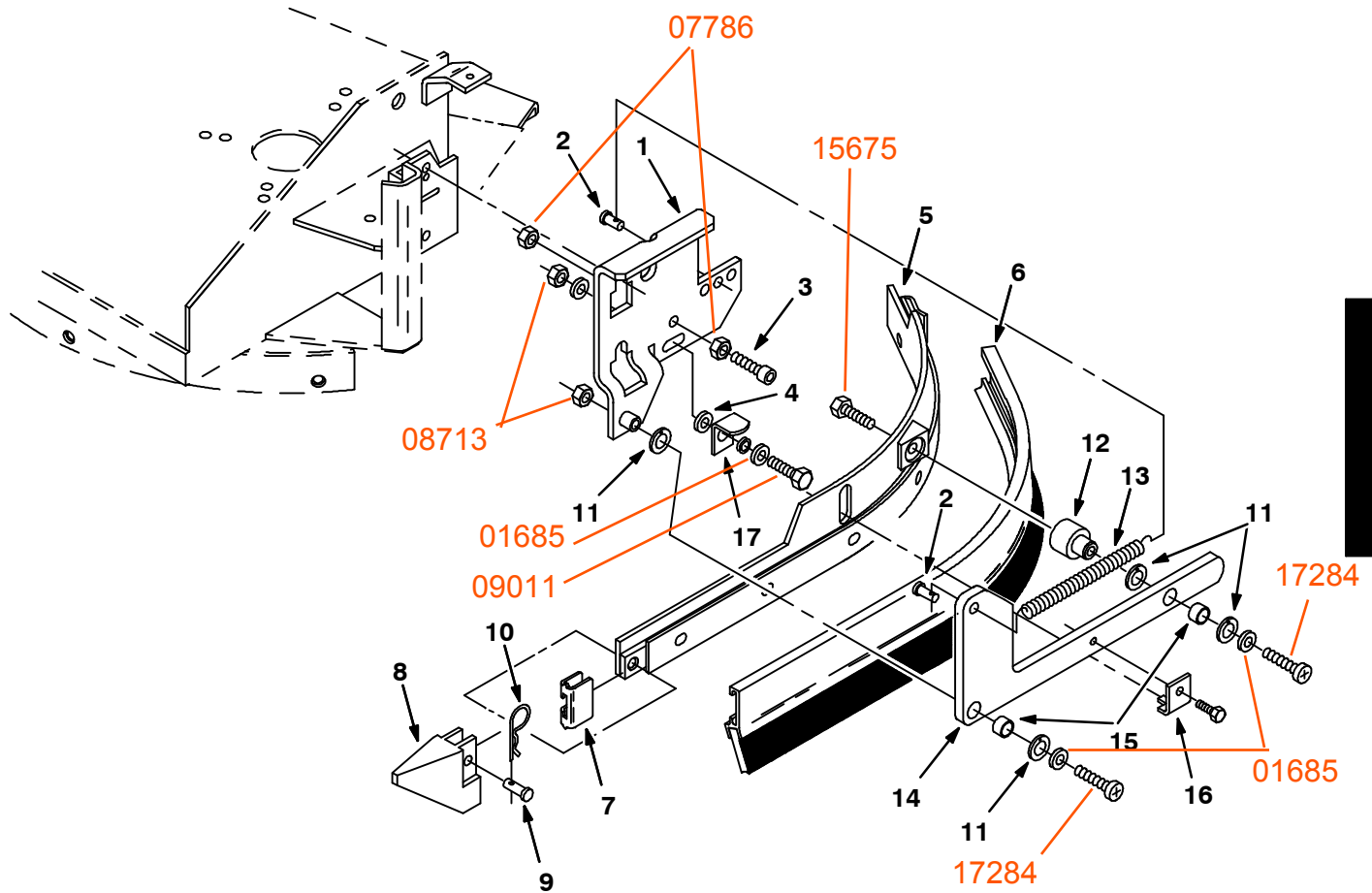
Fig. 19 - Right Side Squeegee Group for MaxPro™ 1000 Two-Brush System



05421-04521

Ref.	Tennant Part No.	Machine Serial Number	Description	Qty.
▽	32707	(000000-) Right Side Squeegee Group Assembly	1
▲ 1	15645	(000000-) Bracket, R.H.	1
▲ 2	41305	(000000-) Pin, Clevis	2
▲ 3	41445	(000000-) Screw, Socket	1
▲ 4	41308	(000000-) Spacer	1
▲ 5	14676	(000000-) Frame, Side Squeegee, R.H.	1
▲ 6	86859	(000000-) Squeegee Assembly, Side	1
▲ 7	86759	(000000-) Retainer, Squeegee	1
▲ 8	14648	(000000-) Guide, Side Squeegee	1
▲ 9	69582	(000000-) Pin, Clevis	1
▲ 10	44906	(000000-) Pin, Hair Cotter	1
▲ 11	86860	(000000-) Bearing, Thrust	4
▲ 12	15681	(000000-) Bar, Mounting	1
▲ 13	15047	(000000-) Spring, Extension	1
▲ 14	14675	(000000-) Bar, Squeegee Lift	1
▲ 15	64173	(000000-) Bearing	2
▲ 16	15966	(000000-) Angle, Stop	1
▲ 17	41307	(000000-) Angle	1

Fig. 20 - Left Side Squeegee Group for MaxPro™ 1000 Two-Brush System



05418-05418

Ref.	Tenant Part No.	Machine Serial Number	Description	Qty.
▽	32710	(000000-)	Left Side Squeegee Group Assembly	1
▲	1 15647	(000000-)	Bracket, L.H.	1
▲	2 41305	(000000-)	Pin, Clevis	2
▲	3 41445	(000000-)	Screw, Socket	1
▲	4 41308	(000000-)	Spacer	1
▲	5 14677	(000000-)	Frame, Side Squeegee, L.H.	1
▲	6 86859	(000000-)	Squeegee Assembly, Side	1
▲	7 86759	(000000-)	Retainer, Squeegee	1
▲	8 14648	(000000-)	Guide, Side Squeegee	1
▲	9 69582	(000000-)	Pin, Clevis	1
▲	10 44906	(000000-)	Pin, Hair Cotter	1
▲	11 86860	(000000-)	Bearing, Thrust	4
▲	12 15681	(000000-)	Bar, Mounting	1
▲	13 15047	(000000-)	Spring, Extension	1
▲	14 14675	(000000-)	Bar, Squeegee Lift	1
▲	15 64173	(000000-)	Bearing	2
▲	16 15966	(000000-)	Angle, Stop	1
▲	17 41307	(000000-)	Angle	1

STANDARD PARTS

Fig. 21 - Scrubhead Drive Group for MaxPro™ 1200 Three-Brush System

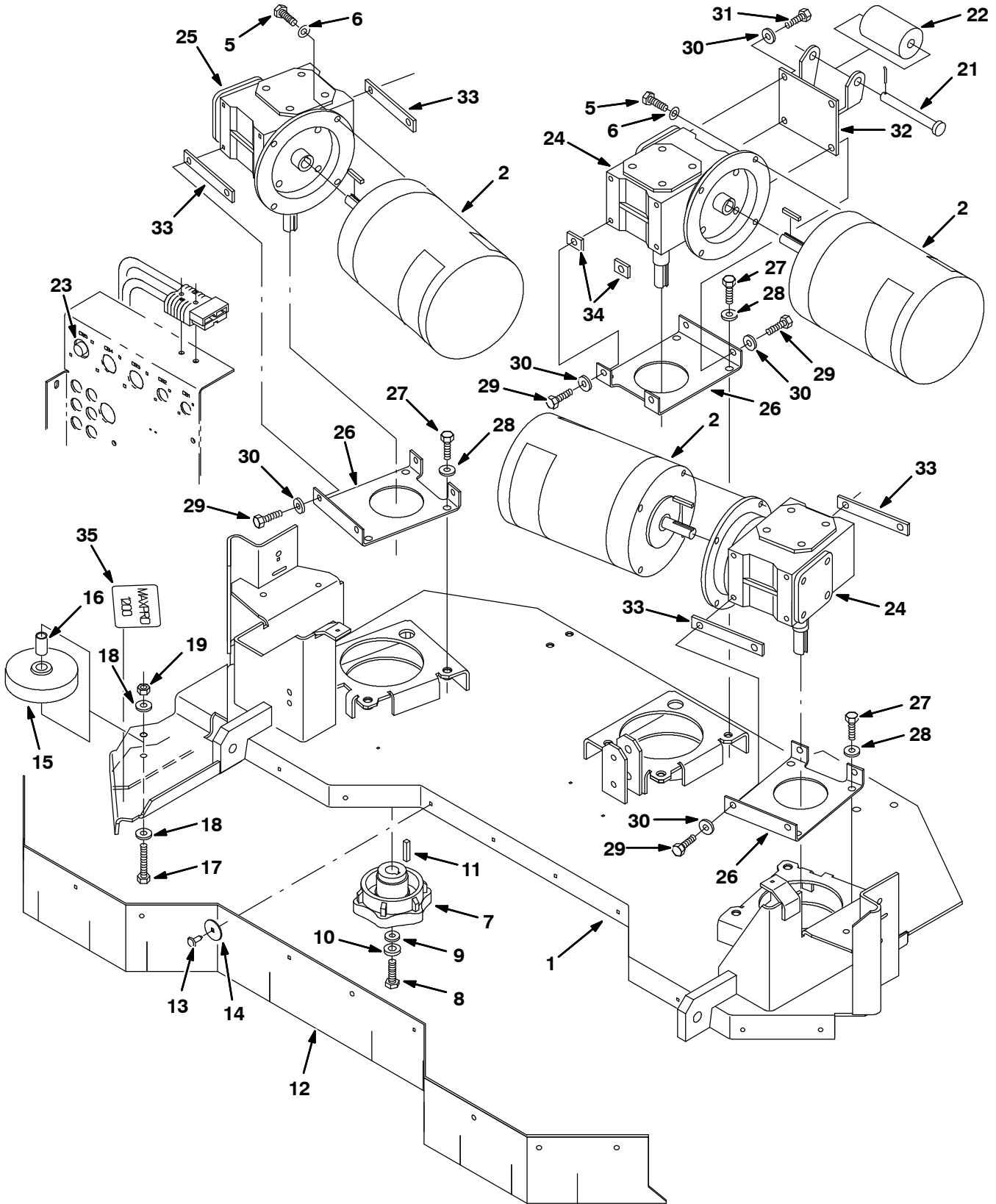
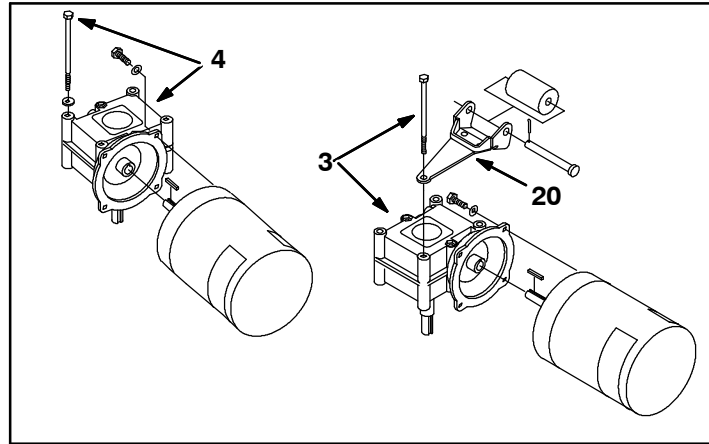


Fig. 21 - Scrubhead Drive Group for MaxPro™ 1200 Three-Brush System



Ref.	Tennant Part No.	Machine Serial Number	Description	Qty.
1	363100	(000000-)	Frame Wldt, Mounting, Scrub Hd	1
2	16224	(000000-)	Motor, Ele (See Breakdowns)	3
3	363164	(000000- xxxxxx)	Gearbox, (Repl. by 375075) (See Breakdowns)	2
4	16223	(000000- xxxxxx)	Gearbox, (Repl. by 375074) (See Breakdowns)	1
5	21196	(000000-)	Scr Hex .38-16X0.88	12
6	32485	(000000-)	Washer Flt .38 Sae	12
7	222506	(000000-)	Hub, Brush Drive	3
8	09740	(000000-)	Scr Hexssm 8X1.25	3
9	01686	(000000-)	Washer Flt .38 Ss	3
10	41186	(000000-)	Washer-Belleville .31 Pltd	3
11	00927	(000000-)	Key Square 0.25 0.25 01.25 Lg	3
12	363163	(000000-)	Skirt, Scrub Head Front	1
13	72971	(000000-)	Rivet, Plastic .325Dx.787	12
14	41178	(000000-)	Washer-Flt .25 Fender Pltd	12
15	363162	(000000-)	Wheel, Guide, Scrubhead	1
16	363301	(000000-)	Sleeve, .344B X .625D X 1.19Lg	1
17	49694	(000000-)	Scr Hex Ssm 8X1.25 50	1
18	01685	(000000-)	Washer Flt .31 Ss	2
19	08713	(000000-)	Nut-Hxlocnyln M 8X1.25 Reg Ss	1
20	363432	(000000- xxxxxx)	Bracket, Stop, Scrubhead	1
21	222196	(000000-)	Pin, Roller	1
22	222178	(000000-)	Roller, Bumper	1
23	375118	(000000-)	Breaker-Circuit, 40 Resetable	1
24	375111	(xxxxxx-)	Gearbox, W/O Mount (See Breakdowns)	2
25	375110	(xxxxxx-)	Gearbox, W/O Mount (See Breakdowns)	1
26	375040	(xxxxxx-)	Bracket, Mount	3
27	69225	(xxxxxx-)	Screw, Hex .38 Ss x 1.0	9
28	01686	(xxxxxx-)	Washer, Flat .38 Ss	9
29	02992	(xxxxxx-)	Screw, Hex .31 Ss x 1.0	12
30	01685	(xxxxxx-)	Washer, Flat .31 Ss	14
31	02991	(xxxxxx-)	Screw, Hex .31 Ss x .75	2
32	375070	(xxxxxx-)	Stop Wldt, Scrubhead	1
33	375065	(xxxxxx-)	Plate, Spacer	4
34	375086	(xxxxxx-)	Spacer, Square	2
35	365156	(000000-)	Label Set, Info & Hazard, Max Pro™ 1200	1

Fig. 22 - Scrub Head Lift Group for MaxPro™ 1200 Three-Brush System

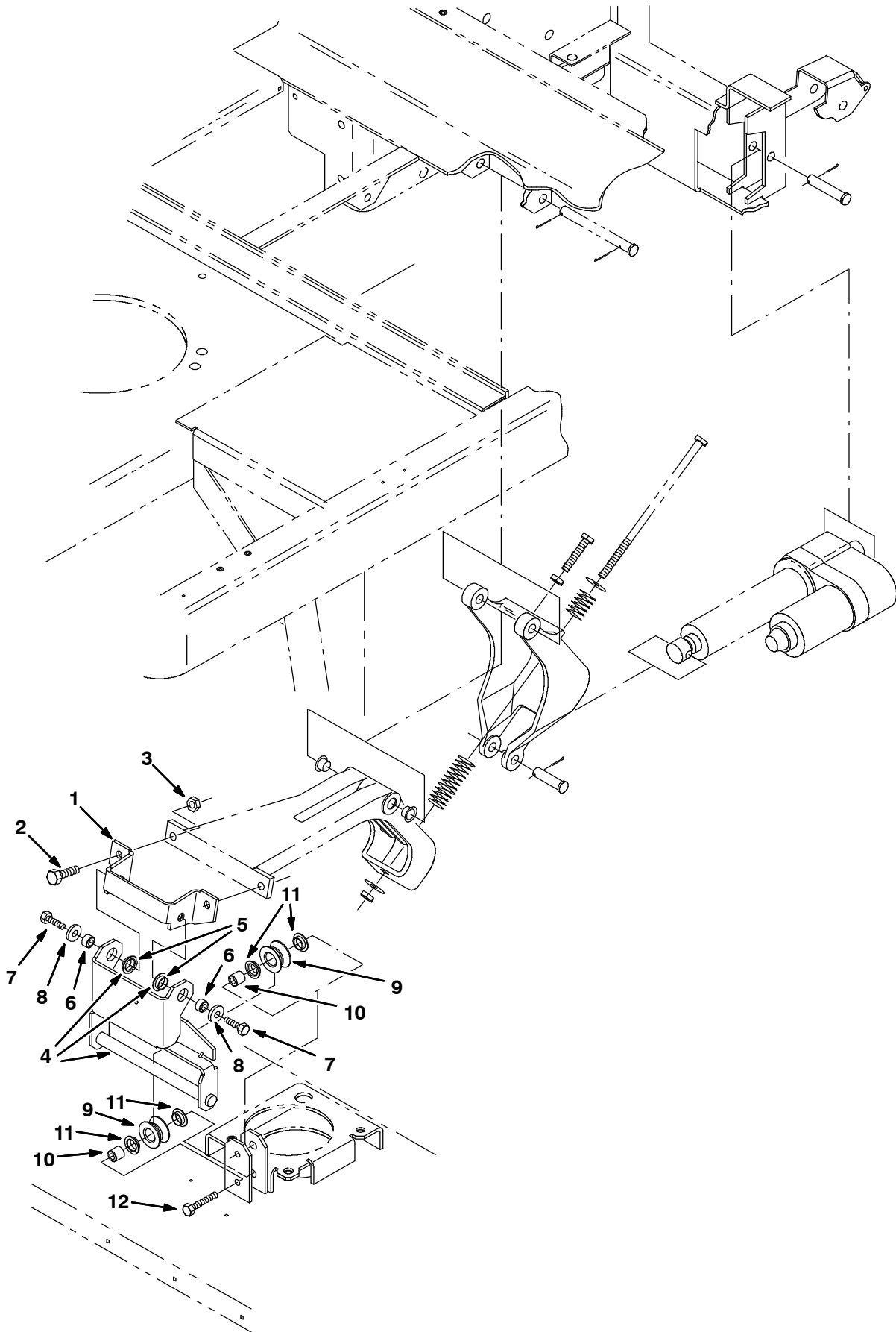


Fig. 22 - Scrub Head Lift Group for MaxPro™ 1200 Three-Brush System

Ref.	Tennant Part No.	Machine Serial Number	Description	Qty.
1	363139	(000000-) Bracket, Mtg, Lift Link	1
2	09028	(000000-) Scr Hexssm 10X1.5 25	2
3	08714	(000000-) Nut-Hxlocnyln M10X1.5 Reg 18-8	2
∇ 4	363310	(000000-) Bracket Assy, Head Lift	1
▲ 5	04843	(000000-) Bearing, Flange .625 Bore	2
6	222556	(000000-) Sleeve, .34B .62D .38	2
7	09010	(000000-) Scr Hexssm 8X1.25 25	2
8	32491	(000000-) Washer Flt .31 Hard	2
9	363120	(000000-) Roller, Mounting, Brush Head	2
10	222277	(000000-) Sleeve, .344B .62D.93 Bronze	2
11	04843	(000000-) Bearing, Flange .625 Bore	4
12	222505	(000000-) Screw Hex Ssm 8X1.25 45	2

Fig. 23 - Edge Scrub Group for MaxPro™ 1200 Three-Brush System

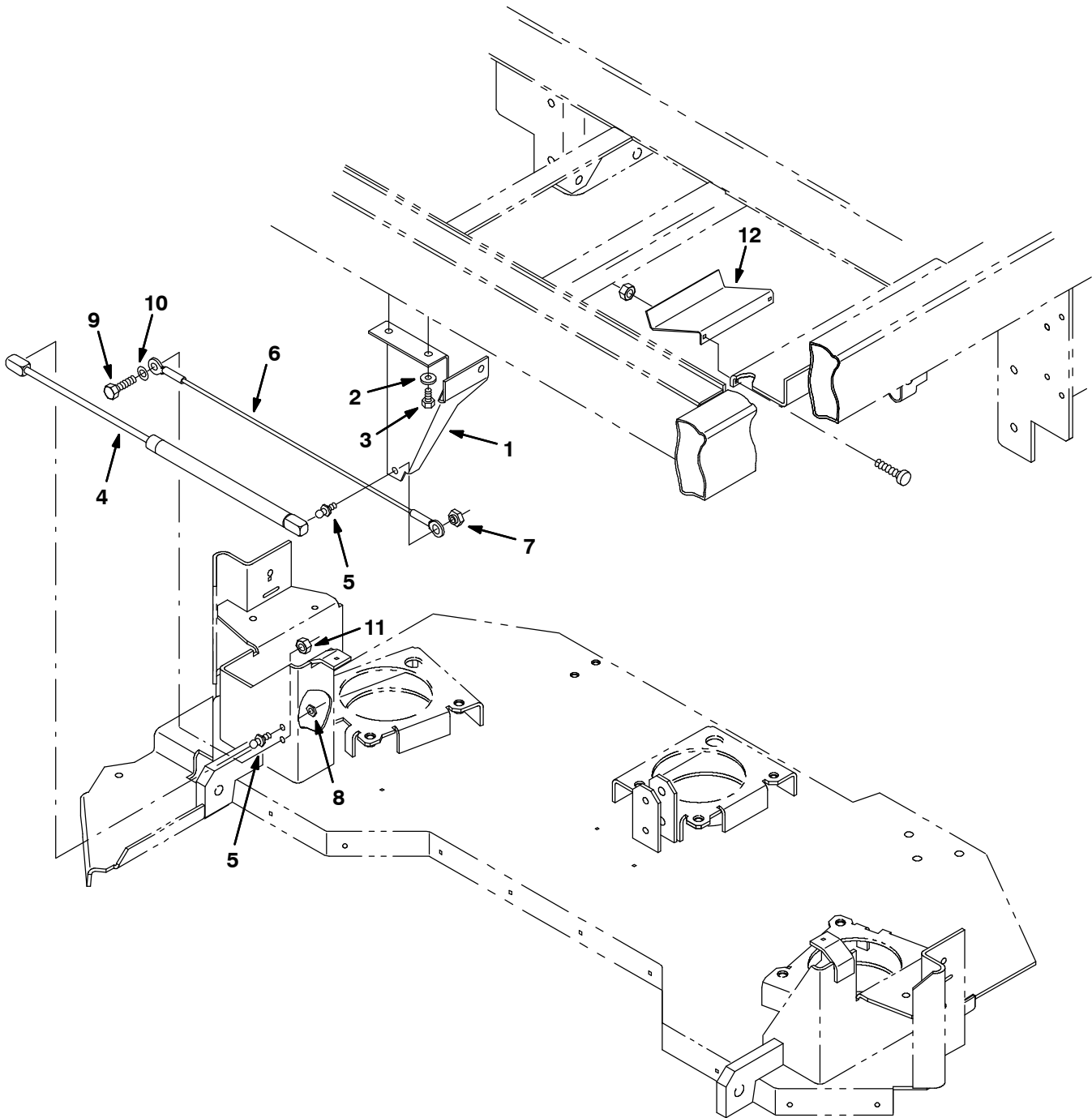
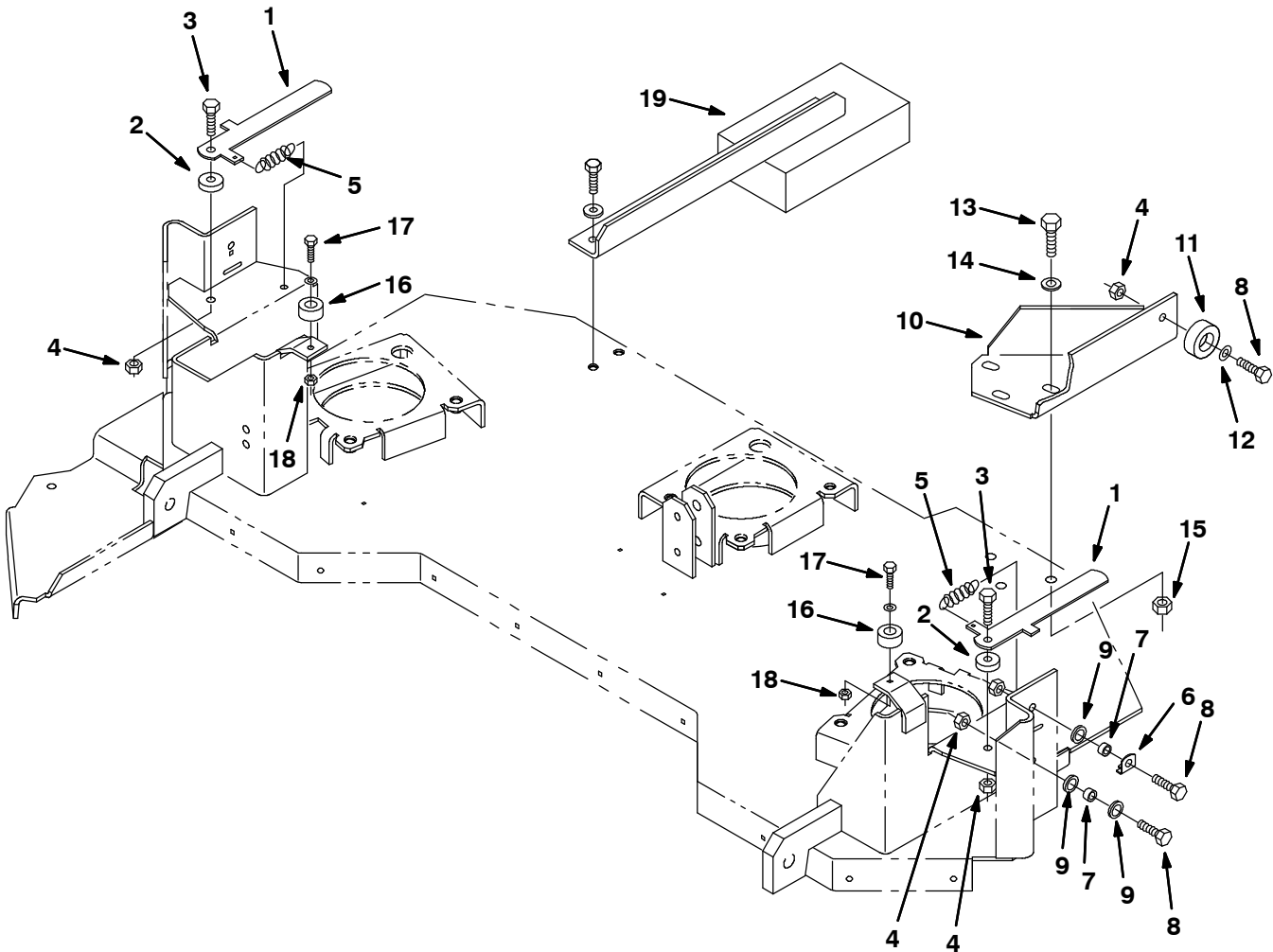


Fig. 23 - Edge Scrub Group for MaxPro™ 1200 Three-Brush System

Ref.	Tenant Part No.	Machine Serial Number	Description	Qty.
1	363116	(000000-) Bracket, Mtg, Gas Shock	1
2	01685	(000000-) Washer Flt .31 Ss	2
3	15675	(000000-) Scr Hexssm 8X1.25ls	2
4	14464	(000000-) Spring, Gas 30Lb 8.04 Stroke	1
5	58494	(000000-) Stud, Ball, Gas Spring	2
6	14530	(000000-) Cable, Retaining, Side Brush 18.81	1
7	14725	(000000-) Nut, Retainer .31-18	1
8	01760	(000000-) Nut-Hxlocnyln .31-18 Thin Pltd	1
9	09740	(000000-) Scr Hexssm 8X1.25	1
10	01685	(000000-) Washer Flt .31 Ss	1
11	08713	(000000-) Nut-Hxlocnyln M 8X1.25 Reg Ss	1
12	24107	(000000-) Bracket, Retainer	1

STANDARD PARTS

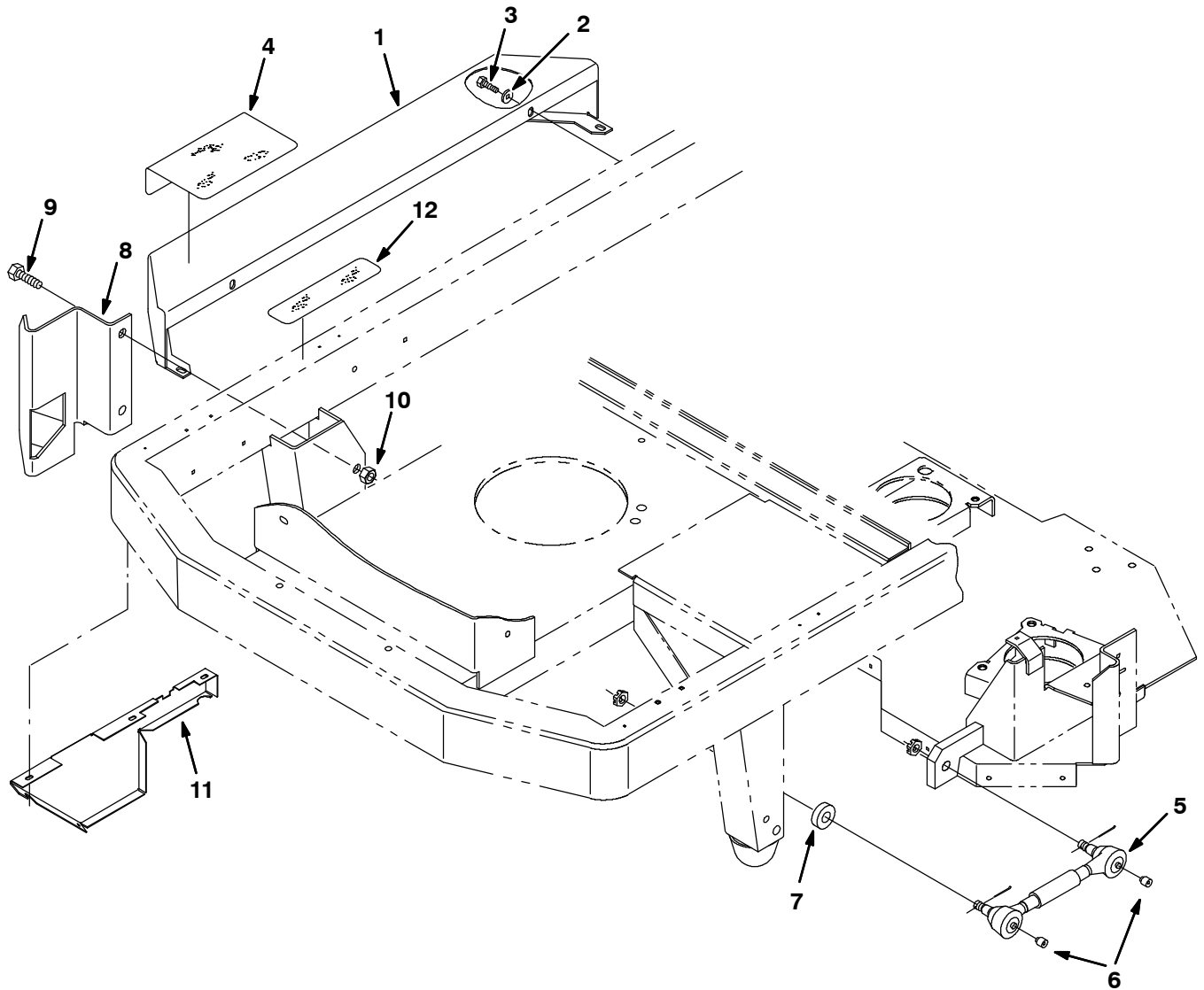
Fig. 24 - Scrub Head Stops and Squeegee Mount Group for MaxPro™ 1200 Three-Brush System



10365-10366

Ref.	Tennant Part No.	Machine Serial Number	Description	Qty.
1	15569	(000000-)	Lever, Stop	2
2	15649	(000000-)	Tube, Rnd, .34B 1.00D .30Lg	2
3	09011	(000000-)	Scr HexssM 8X1.25 30	2
4	08713	(000000-)	Nut-Hxlocnyln M 8X1.25 Reg Ss	7
5	09087	(000000-)	Sprng,Tens,0.56Odx.05Wire 0.9L	2
6	15900	(000000-)	Guide, Sqge Mtg	2
7	15568	(000000-)	Tube, Rnd, .34B .50D .27Lg	4
8	09010	(000000-)	Scr HexssM 8X1.25 25	5
9	32491	(000000-)	Washer Flt .31 Hard	6
10	15018	(000000-)	Bracket, Stop, Frame	1
11	15023	(000000-)	Bumper, Polyethylene	1
12	01685	(000000-)	Washer Flt .31 Ss	1
13	09028	(000000-)	Scr Hexss M10X1.5 25	3
14	01686	(000000-)	Washer-Flt .38 Ss	3
15	08714	(000000-)	Nut-Hxlocnyln M10X1.5 Reg 18-8	3
16	82921	(000000-)	Bumper, Rubber	2
17	24199	(000000-)	Screw HexssM 5X0.8	2
18	09739	(000000-)	Nut-Hxlocnyln M 5X0.8 Reg 18-8	2
19	363439	(000000-)	Bar Assembly, Weight	1

Fig. 25 - Scrub Head Mount Group for MaxPro™ 1200 Three-Brush System



10359-10360

Ref.	Tennant Part No.	Machine Serial Number	Description	Qty.
1	363168	(000000-)	Bumper, Side	1
2	32491	(000000-)	Washer Flt .31 Hard	4
3	09740	(000000-)	Scr Hexssm 8X1.25	4
4	16368	(000000-)	Tread, Floor	1
5	363113	(000000-)	Link Wldt, Head, Drag	2
6	07259	(000000-)	Ftg, Grease.25-28Th Strt .47L	4
7	14524	(000000-)	Spacer, Washer	2
8	363142	(000000-)	Bracket Wldt, Mtg, Drag Link	1
9	09745	(000000-)	Screw Hexssm 12X1.75	2
10	09741	(000000-)	Nut-Hxlocnynmm12X1.75 Reg Ss	2
11	363422	(000000-)	Skirt, Frame, Right Front	1
12	363458	(000000-)	Tread, Floor	1

Fig. 26 - Solution Group for MaxPro™ 1200 Three-Brush System

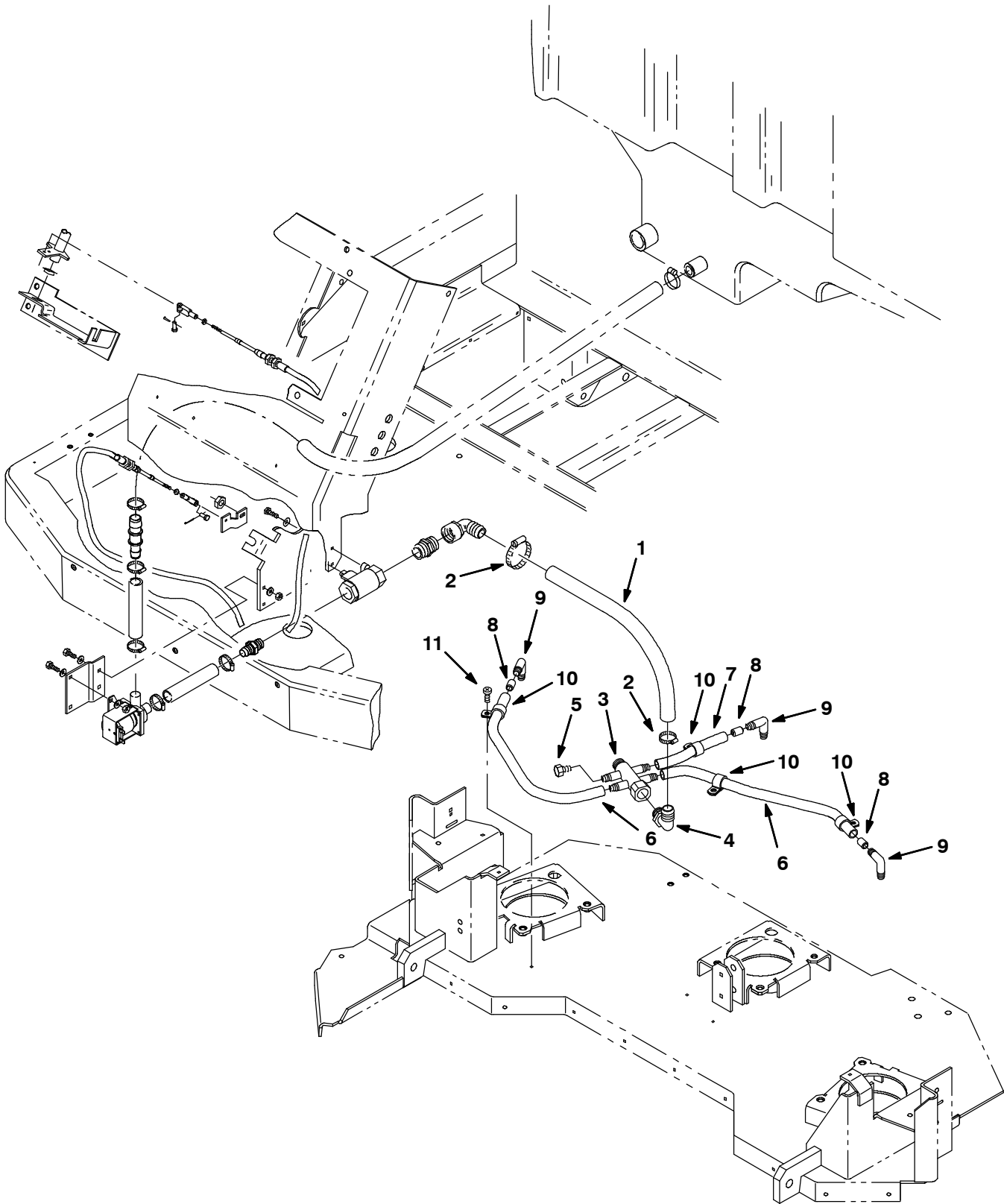


Fig. 26 - Solution Group for MaxPro™ 1200 Three-Brush System

Ref.	Tenant Part No.	Machine Serial Number	Description	Qty.
1	363490	(000000-) Hose, Vinyl,Clr, .75ldx 16.Lg	1
2	86824	(000000-) Clamp-Wormdrive 0.50-1.06D	2
3	72950	(000000-) Manifold, Plastic	1
4	40145	(000000-) Ftg,Plstc,Elb,Barb.50Pt-.75Hse	1
5	50896	(000000-) Ftg-Plug Npt 02Pm Hx Hd Plasti	1
6	49142	(000000-) Hose, Vinyl Clr,.50ld X 18.Lg	2
7	363322	(000000-) Hose, Vinyl, Clear	1
8	77334	(000000-) Fitting, Plastic, Str,Ba.31ld-	3
9	63987-1	(000000-) Ftg,Plstc,Elb,Barb.50Hs-.50Hse	3
10	67767	(000000-) Clamp-Cable,.69Dia. 62Wth	4
11	15675	(000000-) Scr Hexssm 8X1.25	4

STANDARD PARTS

Fig. 27 - Right Side Squeegee Group for MaxPro™ 1200 Three-Brush System

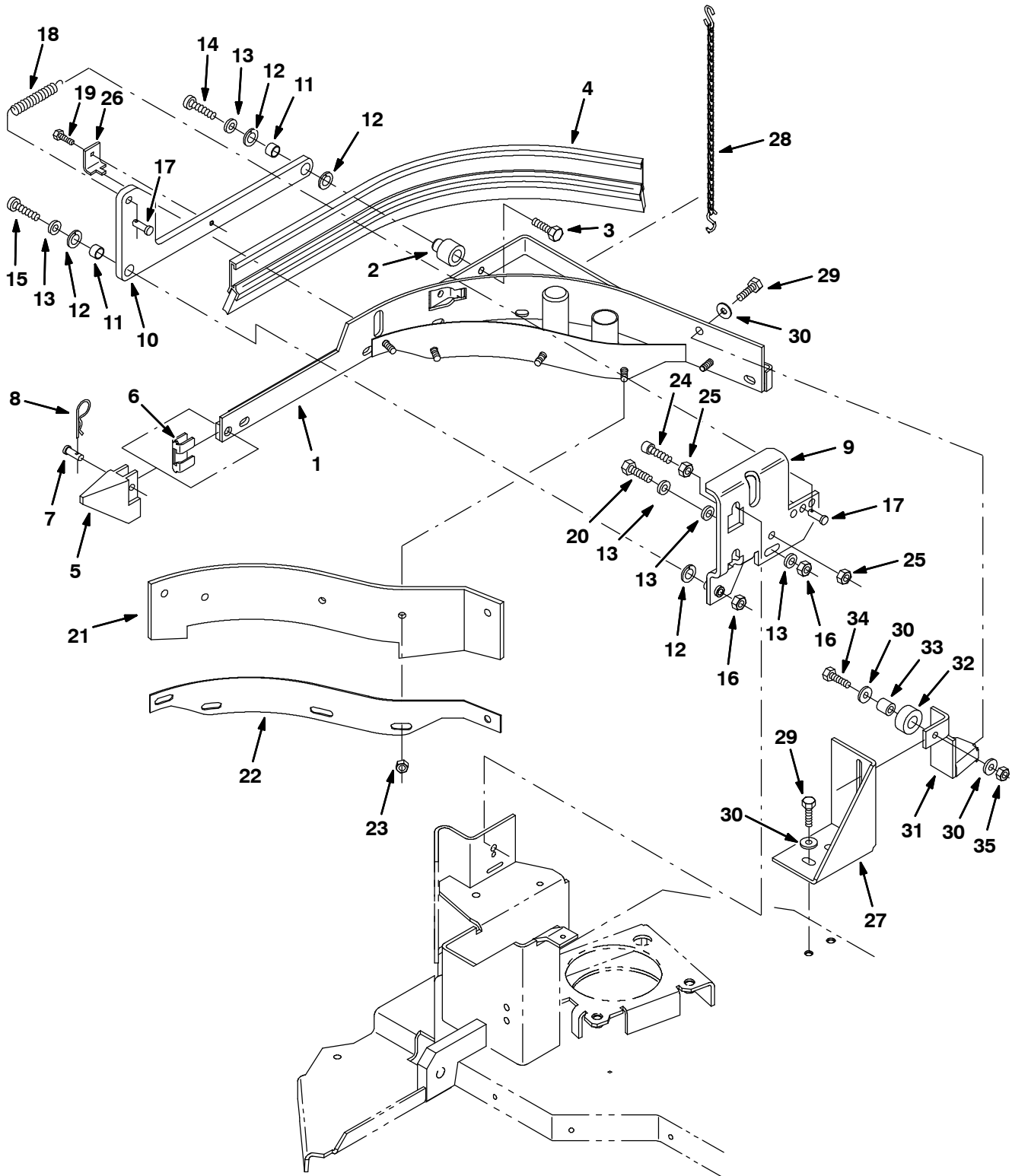


Fig. 27 - Right Side Squeegee Group for MaxPro™ 1200 Three-Brush System

Ref.	Tennant Part No.	Machine Serial Number	Description	Qty.
▽	363122	(000000-) Squeegee Assy, Side, Rh	1
▲ 1	363125	(000000-) Frame Wldt, Side Squeegee, Rh	1
▲ 2	15681	(000000-) Bar, Mtg	1
▲ 3	15675	(000000-) Scr Hexssm 8X1.25	1
▲ 4	363123	(000000-) Blade Assy, Squeegee, Side	1
▲ 5	14648	(000000-) Guide, Side Squeegee	1
▲ 6	86759	(000000-) Retainer, Squeegee	1
▲ 7	69582	(000000-) Pin,Clevis,0.31 Dia X 1.00 Lg	1
▲ 8	44906	(000000-) Pin,Hair Cotter #Lhcot-2,Leitk	1
▲ 9	15645	(000000-) Bracket, Wldt, Rh	1
▲ 10	363430	(000000-) Bar, Sqge Lift	1
▲ 11	64173	(000000-) Bearing,.50X.38	2
▲ 12	86860	(000000-) Bearing, Thrust .500	4
▲ 13	01685	(000000-) Washer Flt .31 Ss	5
▲ 14	17284	(000000-) Scr-Butn M8X1.25 16 Ss18-8	1
▲ 15	17288	(000000-) Scr-Butn M8X1.25 35 10.9Pltd	1
▲ 16	08713	(000000-) Nut-Hxlocnyln M 8X1.25 Reg Ss	2
▲ 17	76653	(000000-) Pin Clevis 0.37 Dia X 1.00 Lg	2
▲ 18	363469	(000000-) Spring, Tension, .750X.105X3.00	1
▲ 19	09744	(000000-) Scr Hexssm 6X1.0	1
▲ 20	09011	(000000-) Scr Hexssm 8X1.25 30	1
▲ 21	363165	(000000-) Blade, Side Squeegee, Front	1
▲ 22	363166	(000000-) Retainer, Mtg, Front Blade	1
▲ 23	41437	(000000-) Nut-Hxlocnyln .31-18 Regss18-8	5
▲ 24	41445	(000000-) Scr Soc M8X1.25	1
▲ 25	07786	(000000-) Nut Hx Ss M 8X1.25	2
▲ 26	15966	(000000-) Angle, Stop, Side Squeegee	1
27	363396	(000000-) Angle, Mtg, Squeegee Lift	1
28	363466	(000000-) Chain, Double Scrub	1
29	09740	(000000-) Scr Hexssm 8X1.25	3
30	01685	(000000-) Washer Flt .31 Ss	5
31	363443	(000000-) Brkt Wldt, Sq Lift	1
32	363445	(000000-) Bearing, Sq Lift	1
33	363446	(000000-) Spacer	1
34	09026	(000000-) Scr Hexssm 8X1.25 40	1
35	07786	(000000-) Nut Hx Ss M 8X1.25	1

Fig. 28 - Left Side Squeegee Group for MaxPro™ 1200 Three-Brush System

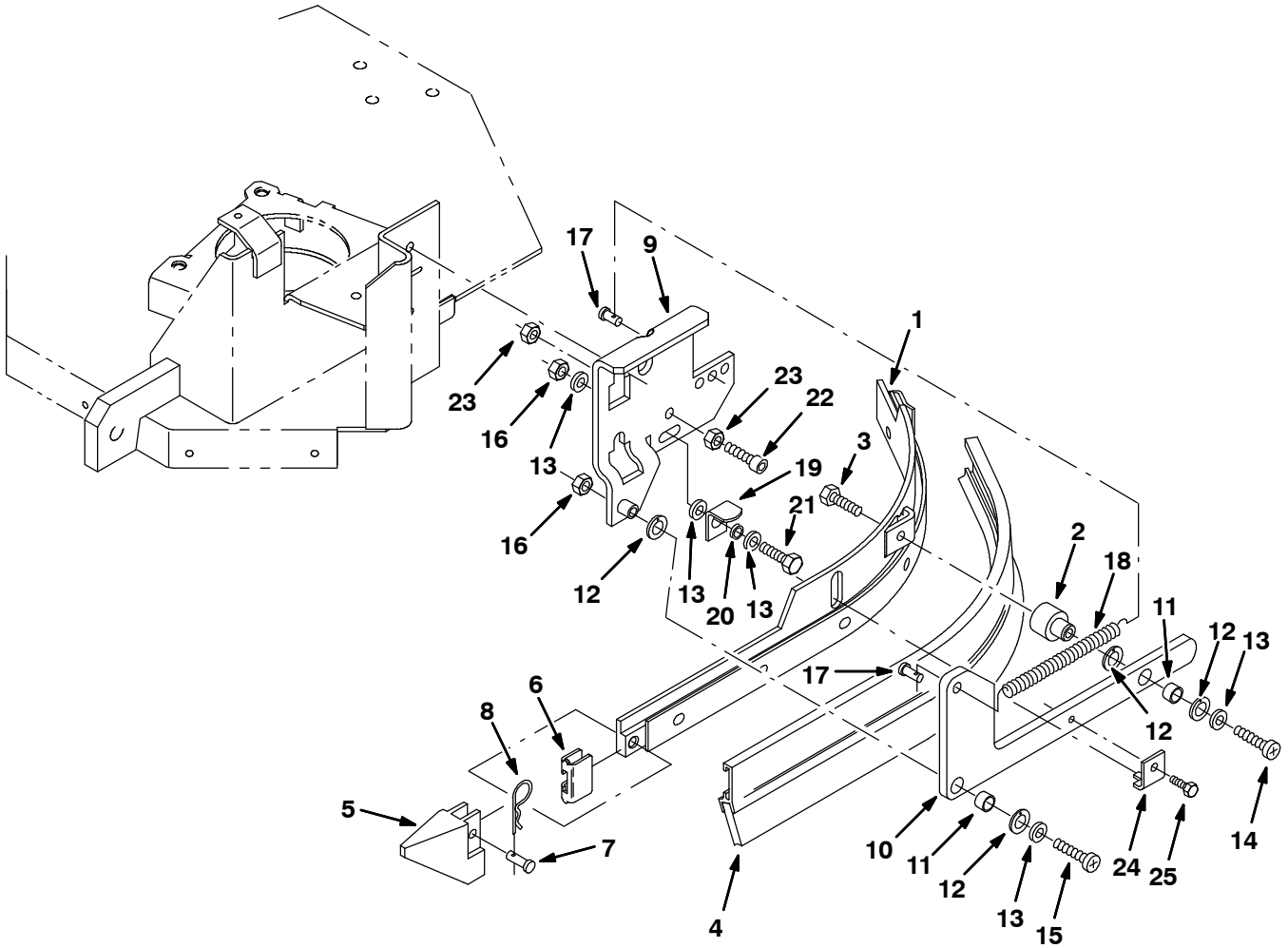


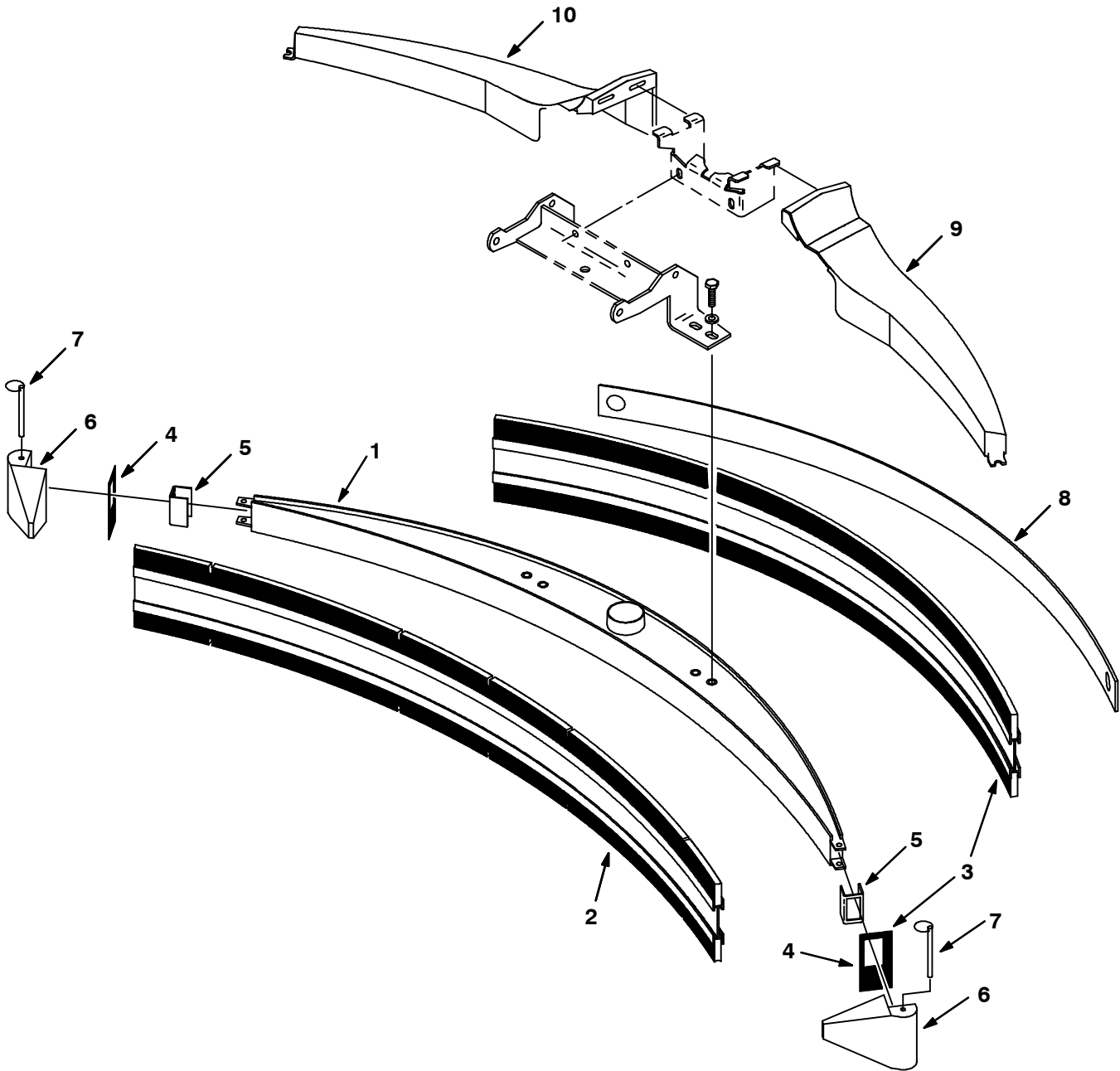
Fig. 28 - Left Side Squeegee Group for MaxPro™ 1200 Three-Brush System

Ref.	Tennant Part No.	Machine Serial Number	Description	Qty.
▽	32710	(000000-) Squeegee, Side Left Hand	1
▲ 1	14677	(000000-) Frame Wldt, Side Squeegee, Lh	1
▲ 2	15681	(000000-) Bar, Mtg	1
▲ 3	15675	(000000-) Scr Hexssm 8X1.25	1
▲ 4	86859	(000000-) Squeegee, Side	1
▲ 5	14648	(000000-) Guide, Side Squeegee	1
▲ 6	86759	(000000-) Retainer, Squeegee	1
▲ 7	69582	(000000-) Pin,Clevis,0.31 Dia X 1.00 Lg	1
▲ 8	44906	(000000-) Pin,Hair Cotter #Lhcot-2,Leitk	1
▲ 9	15647	(000000-) Bracket Wldt, Lh	1
▲ 10	14675	(000000-) Bar, Squeegee Lift	1
▲ 11	64173	(000000-) Bearing,.50X.38	2
▲ 12	86860	(000000-) Bearing, Thrust .500	4
▲ 13	01685	(000000-) Washer Flt .31 Ss	5
▲ 14	17284	(000000-) Scr-Butn M8X1.25 16 Ss18-8	1
▲ 15	17288	(000000-) Scr-Butn M8X1.25 35 10.9Pltd	1
▲ 16	08713	(000000-) Nut-Hxlocnyln M 8X1.25 Reg Ss	2
▲ 17	41305	(000000-) Pin Clevis 0.37 Dia X 0.75 Lg	2
▲ 18	15047	(000000-) Spring Extension	1
▲ 19	41307	(000000-) Angle	1
▲ 20	41308	(000000-) Spacer	1
▲ 21	09011	(000000-) Scr Hexssm 8X1.25 30	1
▲ 22	41445	(000000-) Scr Soc M8X1.25	1
▲ 23	07786	(000000-) Nut Hx Ss M 8X1.25	2
▲ 24	15966	(000000-) Angle, Stop, Side Squeegee	1
▲ 25	09744	(000000-) Scr Hexssm 6X1.0	1

Fig. 29 - Rear Squeegee Mount Group

Ref.	Tenant Part No.	Machine Serial Number	Description	Qty.
1	16355	(000000-) Bracket, Mtg, Squeegee	1
2	15990	(000000-) Bracket, Hose, Sqge	1
3	09740	(000000-) Scr Hexssm 8X1.25	2
4	01685	(000000-) Washer Flt .31 Ss	2
5	08713	(000000-) Nut-Hxlocnyln M 8X1.25 Reg Ss	2
6	363231	(000000-) Pivot, Lift, Squeegee	1
7	12317	(000000-) Scr Hexssm10X1.5 30	2
8	01686	(000000-) Washer-Flt .38 Ss	7
9	08714	(000000-) Nut-Hxlocnyln M10X1.5 Reg 18-8	4
10	16816	(000000-) Spring, Comp .50ld 1.00Od 2.0	1
11	04417	(000000-) Screw Hex Ssm 10X1.5	1
12	07792	(000000-) Nut Hx Flange M10X1.5	1
13	32735	(000000-) Bracket,Caster	1
14	09028	(000000-) Scr Hexssm 10X1.5 25	2
15	370134	(000000-004732) Caster Kit, Sealed. 3.0Dia	1
16	370133	(004733-) Caster, Swivel, Sealed 3.0Dia	1
17	51564	(000000-) Washer, .531B 1.75D .12Cr.Znc	1
18	32523	(000000-) Nut Hx Jam .50-13	1
19	48079	(000000-) Bolt-Eye, .25-20Th .25B 1.4L	2
20	41169	(000000-) Nut-Hxlocnyln .25-20 Regss18-8	3

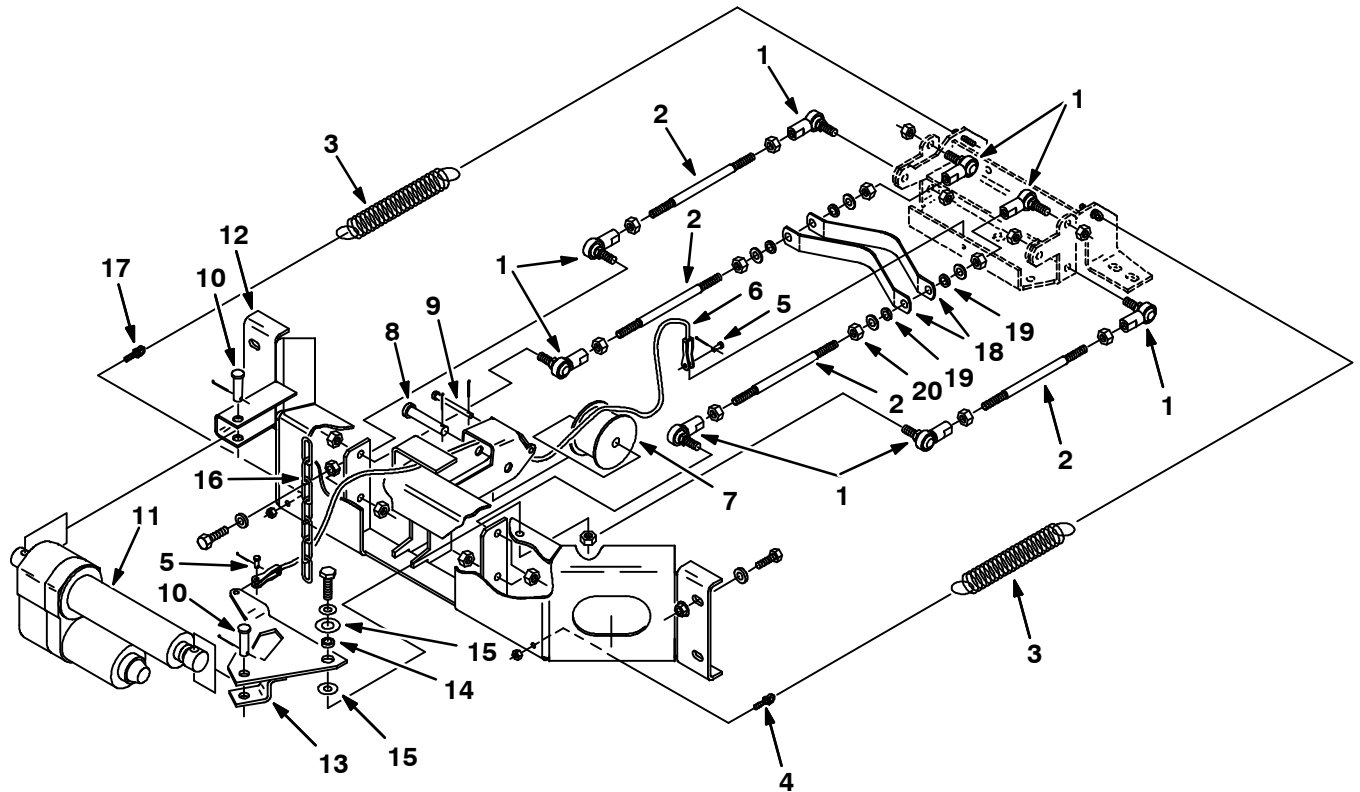
Fig. 30 - Rear Squeegee Group



05216-05216

Ref.	Tennant Part No.	Machine Serial Number	Description	Qty.
1	17104	(000000-) Frame, Squeegee	1
2	14575	(000000-) Squeegee Assembly, Front	1
▽ 3	24304	(000000-) Rear Squeegee Kit	1
▲ 4	86812	(000000-) Gasket, Squeegee	2
5	12542	(000000-) Bracket, Retainer	2
6	17038	(000000-) Bumper, Squeegee	2
7	86327	(000000-) Pin, Hitch	2
8	17140	(000000-) Strip, Retaining	1
9	17084	(000000-) Cover, Squeegee, L.H.	1
10	17083	(000000-) Cover, Squeegee, R.H.	1

Fig. 31 - Rear Squeegee Linkage Group



10699-05218

Ref.	Tennant Part No.	Machine Serial Number	Description	Qty.
▽	24306	(000000-)	Link Rear Squeegee	4
▲	1	05686	(000000-) Rod End M10 X1.5 W/Stud	2
▲	2	14555	(000000-) Rod-Thread, 2End M10X1.5X7.35	1
	3	52238	(000000-) Sprng,Tens,1.12Odx.12Wire 6.2L	2
	4	48079	(000000-) Bolt-Eye, .25-20Th .25B 1.4L	1
	5	76782	(000000-) Pin,Clevic,0.19 Dia.X 0.75 Lg	2
	6	363230	(000000-) Cable, Control,Sqg Lift Rear	1
	7	223054	(000000-) Drum, Lift Cable	1
	8	06279	(000000-) Pin,Clevis,0.50 Dia.X 2.50 Lg	1
	9	04733-10	(000000-) Pin, Clevis,0.25 Dia X 2.44 Lg	1
	10	51534	(000000-) Pin,Clevis,0.50 Dia.X 2.00 Lg	2
	11	363151	(000000-) Actuator, Squeegee Lift 515	1
	12	363404	(000000-) Bracket Wldt, Mounting, Squeeg	1
	13	14662	(000000-) Lever Wldt, Sqge Lift	1
	14	363420	(000000-) Sleeve, Bearing	1
	15	64425	(000000-) Washer, .656B 1.25D .06	2
	16	43500	(000000-) Chain,Link#2/0,7Links	1
	17	10444	(000000-) Eye Bolt,0.188Eye,.25-20Thd.	1
	18	32739	(000000-) Spring, Centering Squeegee	2
	19	32713	(000000-) Washer .812 Od 406 Id Ureth	4
	20	32715	(000000-) Nut Hxloc, M10 X.5	2

Fig. 32 - Recovery Tank Group

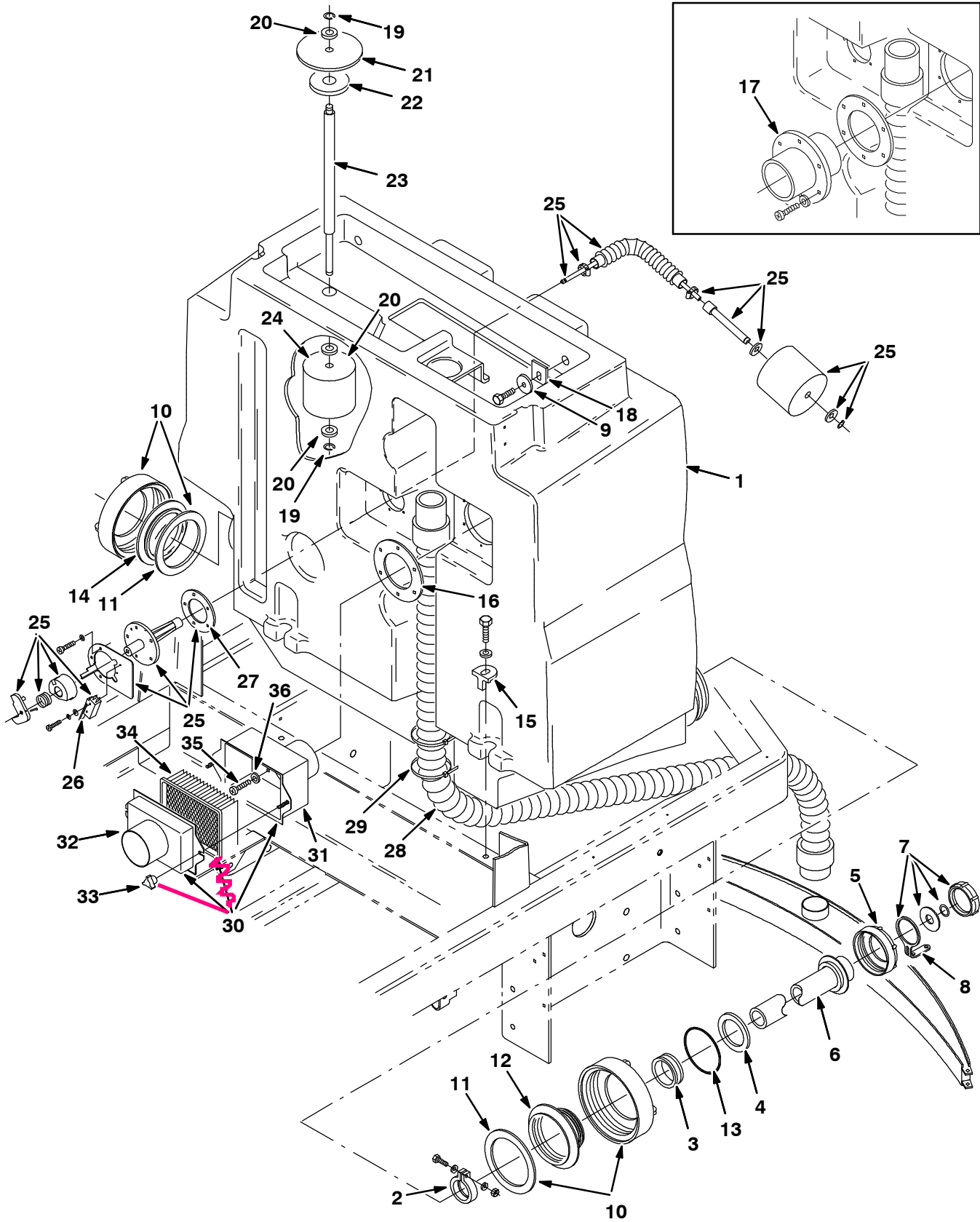


Fig. 32 - Recovery Tank Group

Ref.	Tennant Part No.	Machine Serial Number	Description	Qty.
1	14148	(000000-) Tank, Recovery	1
▽	32503	(000000-) Drain Hose Kit	1
▲	2 41454	(000000-) Clamp, Hose	1
▲	3 41421	(000000-) Seal, Hose	1
▲	4 41451	(000000-) Gasket, Lid	1
▲	5 14880	(000000-) Cap, Drain Hose	1
▲	6 24174	(000000-) Hose Assembly, Drain	1
▲▽	7 32501	(000000-) Cap, Drain Kit	1
▲▲	8 32508	(000000-) Strap, Cap Retainer	1
9	32662	(000000-) Washer	2
▽	10 24358	(000000-) Tank Cap Kit	2
▲	11 374675	(000000-) Gasket, Lid	1
12	14864	(000000-) Cover, Insert	1
13	79320	(000000-) Gasket, Drain Cap	1
14	86636	(000000-) Lid, Cover	1
15	14439	(000000-) Washer, Molded Plastic	2
16	16203	(000000-) Gasket, Fitting	1
17	16202	(000000-004867) Fitting, Plastic	1
18	24438	(000000-) Plate	2
19	86953	(000000-) Ring, Retaining	2
20	86952	(000000-) Washer, Nylon	3
21	15034	(000000-) Plate, Plastic	1
22	16205	(000000-) Gasket, Float	1
23	15025	(000000-) Rod, Plastic	1
24	32663	(000000-) Float, Polyfoam	1
▽	25 24288	(000000-) Level Sensing Kit, Standard	1
▲	26 44847	(000000-) Switch	1
▲	27 86591	(000000-) Gasket	1
28	16917	(000000-) Hose, Vacuum	1
29	44961	(000000-) Tie, Cable	2
▽	370106	(004868-) Kit, Syn Fltr, Vac-Fan	1
▲▽	30 370123	(004868-) Box Assy, Air Filter	1
▲▲	31 370140	(004868-) Housing Wldt, Air Filter	1
▲▲	32 370141	(004868-) Cover Wldt, Air Filter	1
▲▲	33 370167	(004868-) Knob 3Prong W/.25x20-Knob-Lo	2
▲	34 370113	(004868-) Filter, Vac Fan	1
▲	35 24196	(004868-) Scr Panssm 5x0.8	4
▲	36 07514	(004868-) Washer-Loc Int Ss	4

Fig. 33 - Solution Tank Group

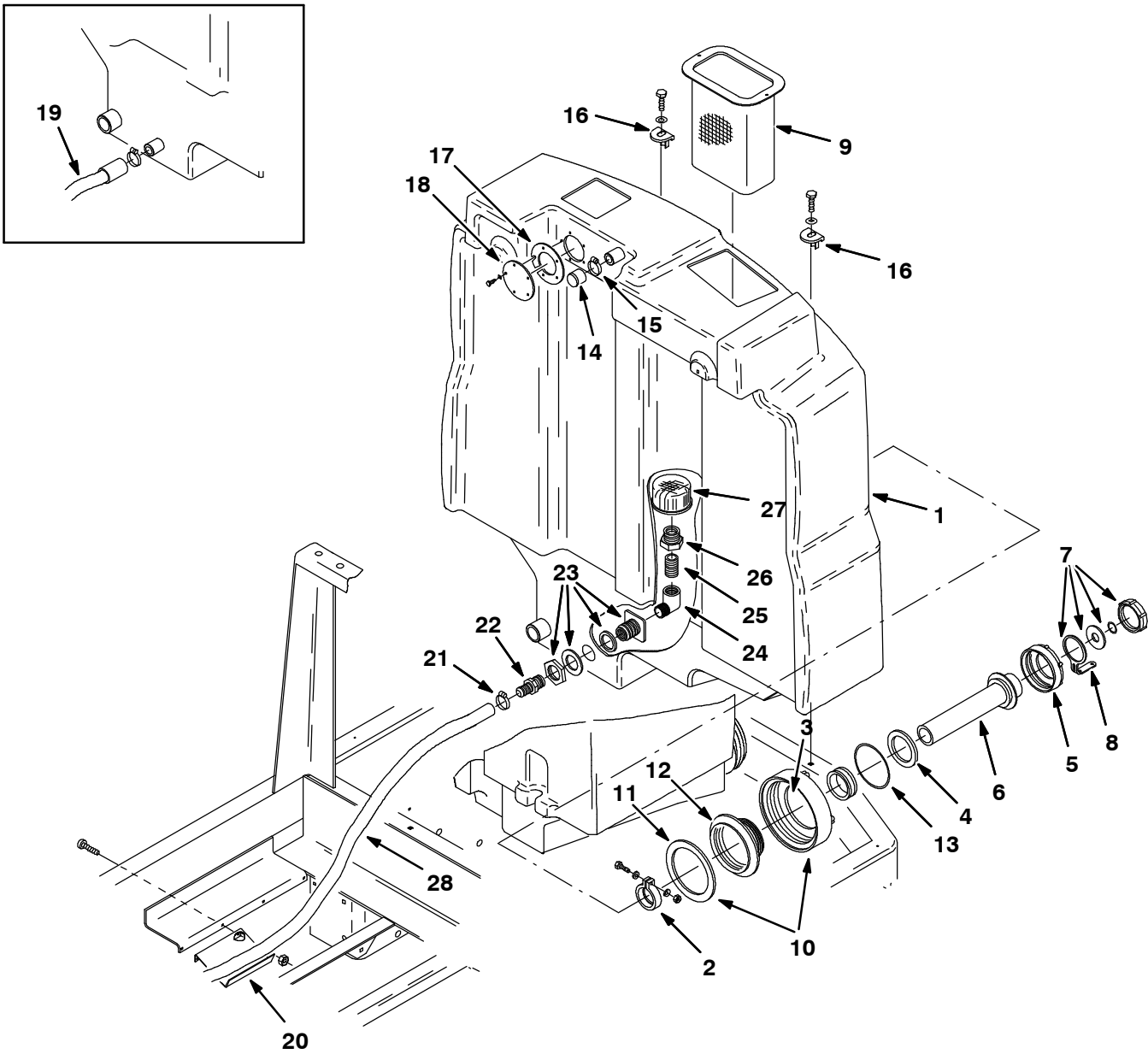


Fig. 33 - Solution Tank Group

Ref.	Tennant Part No.	Machine Serial Number	Description	Qty.
1	14147	(000000-) Tank, Solution	1
▽	32502	(000000-) Drain, Hose Kit	1
▲	2 41454	(000000-) Clamp, Hose	1
▲	3 41421	(000000-) Seal, Hose	1
▲	4 41451	(000000-) Gasket, Lid	1
▲	5 14880	(000000-) Cap, Drain Hose	1
▲	6 24175	(000000-) Hose Assembly, Drain	1
▲▽	7 32501	(000000-) Cap, Drain Kit	1
▲▲	8 32508	(000000-) Strap, Cap Retainer	1
	9 375025	(000000-) Basket	1
▽	10 24358	(000000-) Tank Cap Kit	1
▲	11 374675	(000000-) Gasket, Lid	1
	12 14864	(000000-) Cover, Insert	1
	13 79320	(000000-) Gasket, Drain Cap	1
	14 32790	(000000-) Cap, End	1
	15 86824	(000000-) Clamp, Worm Drive	1
	16 14439	(000000-) Washer, Molded Plastic	2
	17 86591	(000000-) Gasket	1
	18 86755	(000000-) Cap, Plate	1
	19 16912	(000000-004433) Hose, Clear Vinyl	1
	20 24107	(000000-) Bracket, Retainer	1
	21 11399	(000000-) Clamp, Worm Drive	1
	22 79273-2	(004434-) Ftg-Plstc Str	1
	23 370112	(004434-) Ftg-Plstc Str Blkhd Chmfred	1
	24 69785	(004434-) Ftg-Plstc E90	1
	25 69784	(004434-) Ftg-Plstc Str	1
	26 20811	(004434-) Ftg-Plstc Str	1
	27 20810	(004434-) Strainer, Screen	1
	28 375024	(004434-) Hose, Clear Vinyl	1

Fig. 34 - Demister and Cover Group

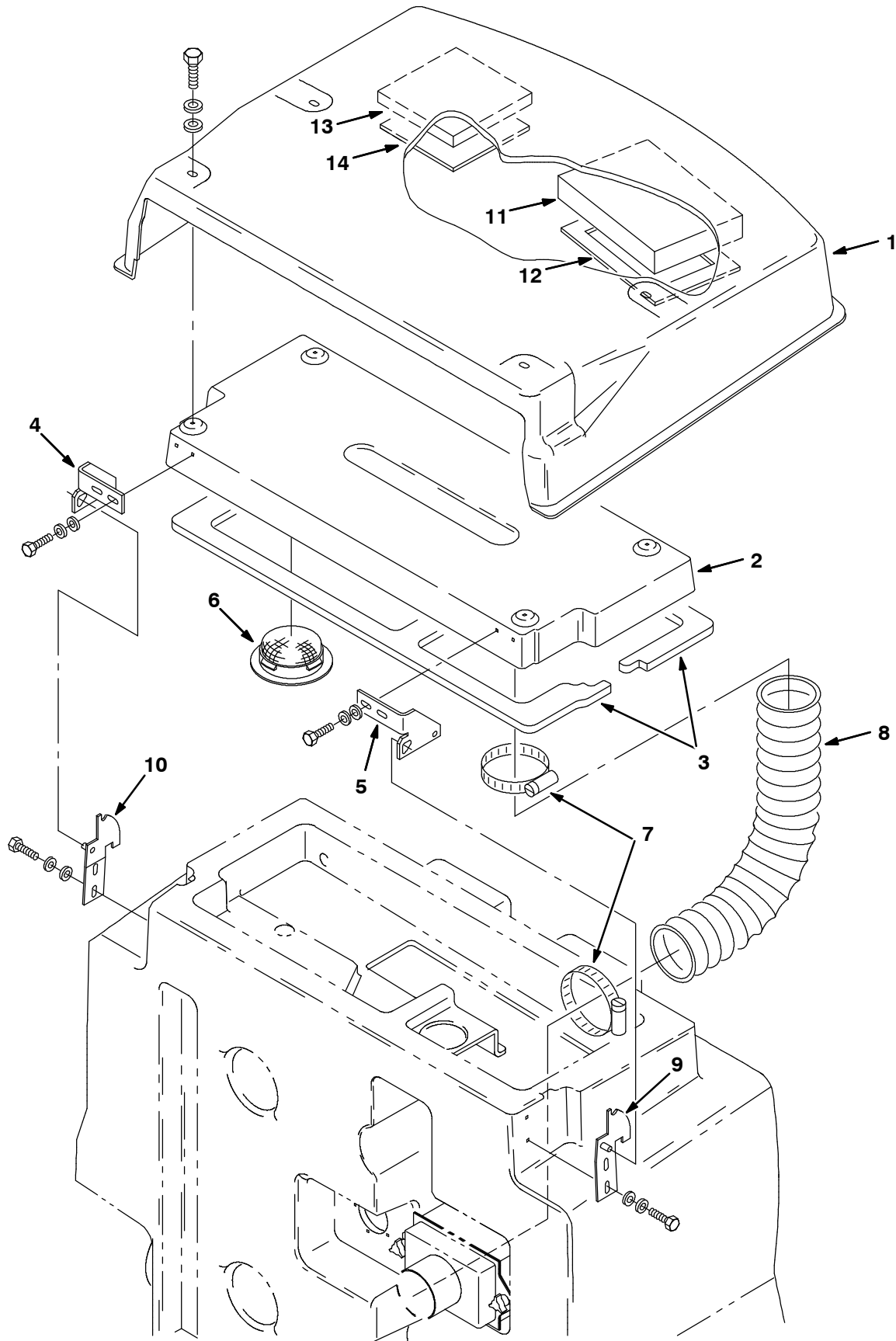


Fig. 34 - Demister and Cover Group

Ref.	Tennant Part No.	Machine Serial Number	Description	Qty.
1	14731	(000000-) Cover and Label Assembly	1
2	14441	(000000-) Tank, Demister	1
3	16204	(000000-) Gasket Set	1
4	14422	(000000-) Hinge, Top Tank, R.H.	1
5	14416	(000000-) Hinge, Top Tank, L.H.	1
6	15977	(000000-) Screen	1
7	17188	(000000-) Clamp, Worm Drive	2
8	48728	(000000-) Hose, Vacuum	1
9	14426	(000000-) Hinge, Bottom Tank, L.H.	1
10	14438	(000000-) Hinge, Bottom Tank, R.H.	1
11	33289	(000000-) Filter, Foam	1
12	15491	(000000-) Seal, Tank	1
13	33288	(000000-) Filter, Foam	1
14	15493	(000000-) Seal, Tank	1

Fig. 35 - Instrument Panel Group

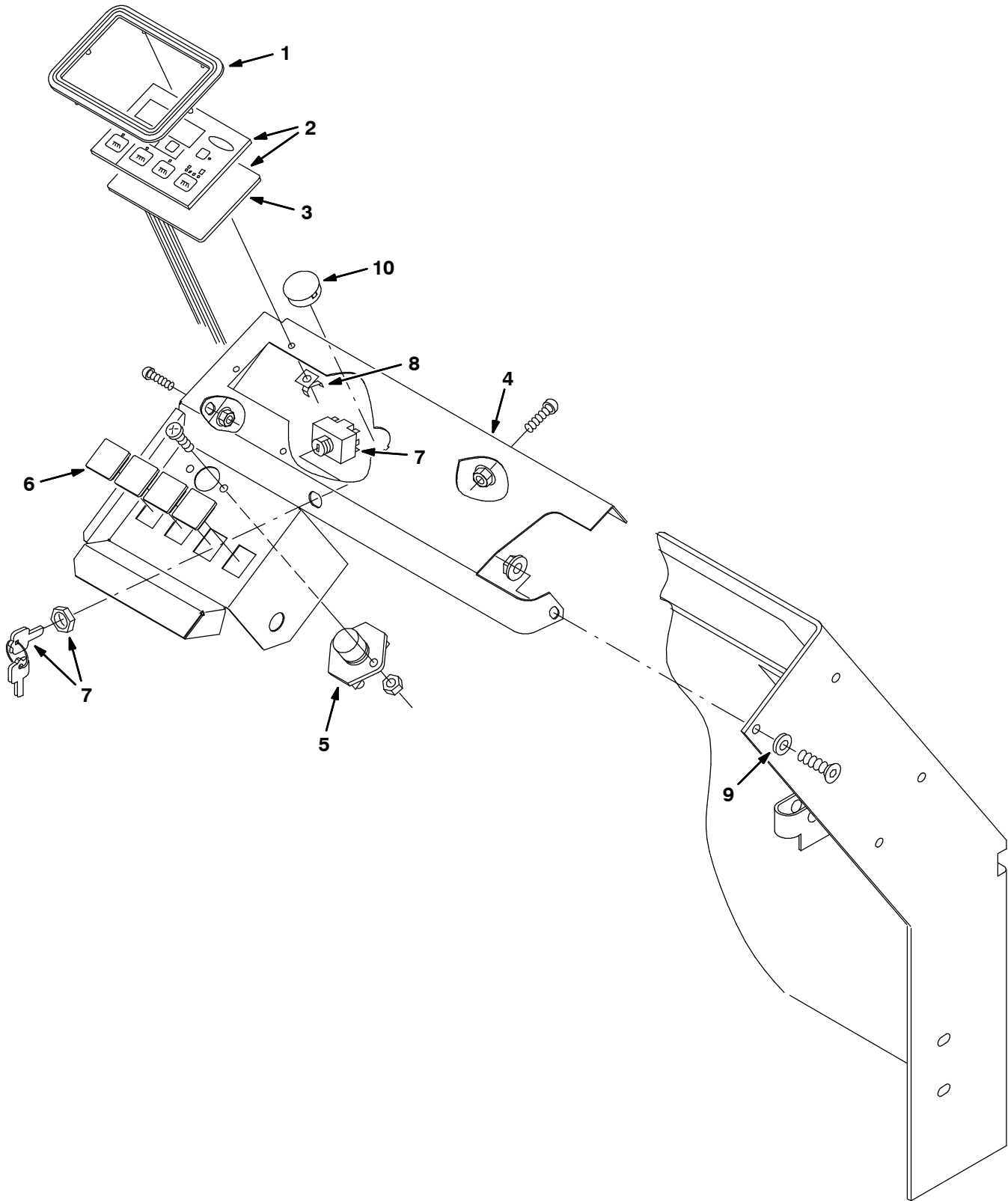


Fig. 35 - Instrument Panel Group

	Ref.	Tenant Part No.	Machine Serial Number	Description	Qty.
	1	16906	(000000-) Bezel, Touch Panel	1
▽	2	362199	(000000-) Panel, Membrane Touch	1
▲	3	16923	(000000-) Gasket, Touch Panel	1
	4	363286	(000000-) Panel Wldt, Instrument	1
	5	44078	(000000-) Switch, Pushmom, Spst100A 12V	1
	6	222534	(000000-) Plug, Switch	4
▽	7	11651	(000000-) Switch Assy Key W/ Start	1
▲		31204	(000000-) Key Ring Assy.	1
	8	05280	(000000-) Clip, Stud, Receiver Speed	2
	9	222466	(000000-) Washer, Finishing M8 Pltd	1
	10	76888	(000000-) Plugbtn 1.25.04-.17 Blacknyl	1

Fig. 36 - Electronic Panel Group

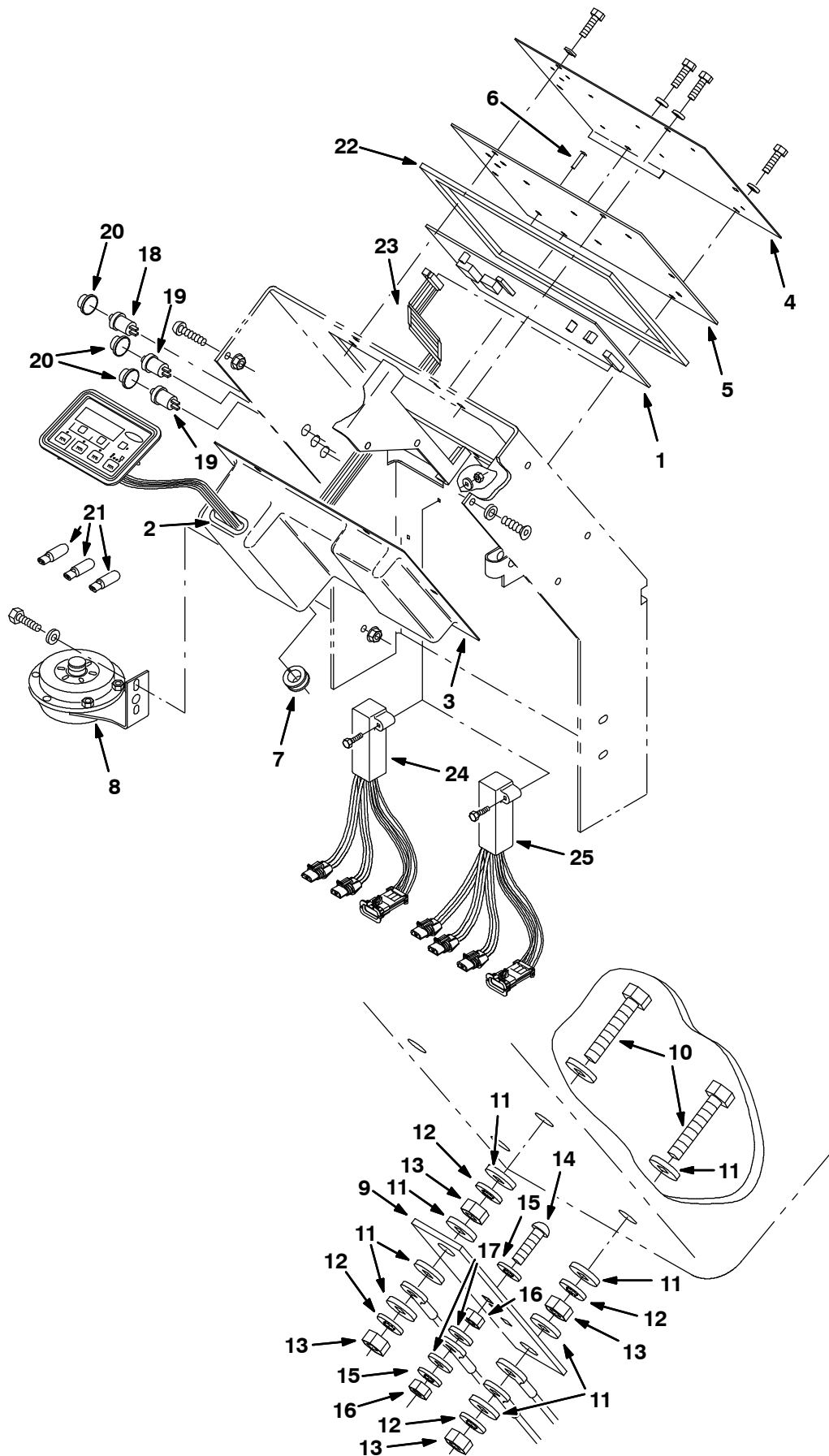


Fig. 36 - Electronic Panel Group

Ref.	Tenant Part No.	Machine Serial Number	Description	Qty.
1	370176	(000000-) Kit, Replacement Controller, Machine Logic for Max Pro™ 1000 Two-Brush System	1
1	370175	(000000-) Kit, Replacement Controller, Machine Logic for Max Pro™ 1200 Three-Brush System	1
2	27928	(000000-) Grommet, Ribbon Cable	1
3	363303	(000000-) Cover, Circuit Board	1
4	15391	(000000-) Plate, Mtg, Circuit Board	1
5	15392	(000000-) Gasket, Circuit Board	1
6	15840	(000000-) Pin, Prong, Pc Board	9
7	10632-1	(000000-) Grommet,Rbr,1.06ld,For .19Matl	1
8	369702	(000000-) Horn	1
9	362190	(000000-004286) Shunt, Amp Measurement	2
10	06944	(000000-004286) Scr Hex M 6X1.0 25	4
11	19066	(000000-004286) Washer Flt 10	18
12	07515	(000000-004286) Washer-Loc Int .25 Ss	8
13	41359	(000000-004286) Nut-Hx Std M 6X1.0	8
14	09146	(000000-004286) Scr Pan M3X0.5 12	2
15	01757	(000000-004286) Washer- Loc Int M 3 Ss	4
16	01754	(000000-004286) Nut Hx Std M 3X0.5	4
17	41578	(000000-004286) Washer Flt 06 Ss See 25564	4
18	87583	(000000-) Breaker-Circuit 2.5 Resetable	1
19	57803	(000000-) Breaker-Circuit, 15A Resetable	2
20	57751	(000000-) Boot,Circuit Breaker	3
21	222290	(000000-) Diode, Elec, Plug	3
22	363519	(000000-) Gasket, Controller Cover	1
23	362200	(000000-) Cable, Ribbon 34 Conductor	1
24	363236	(004287-) Shunt, 2 Std Mtrs BLK for Max Pro™ 1000 Two-Brush System	1
25	363238	(004287-) Shunt, 3 Std Mtrs for Max Pro™ 1200 Three-Brush System	1

Fig. 37 - Control Box Group

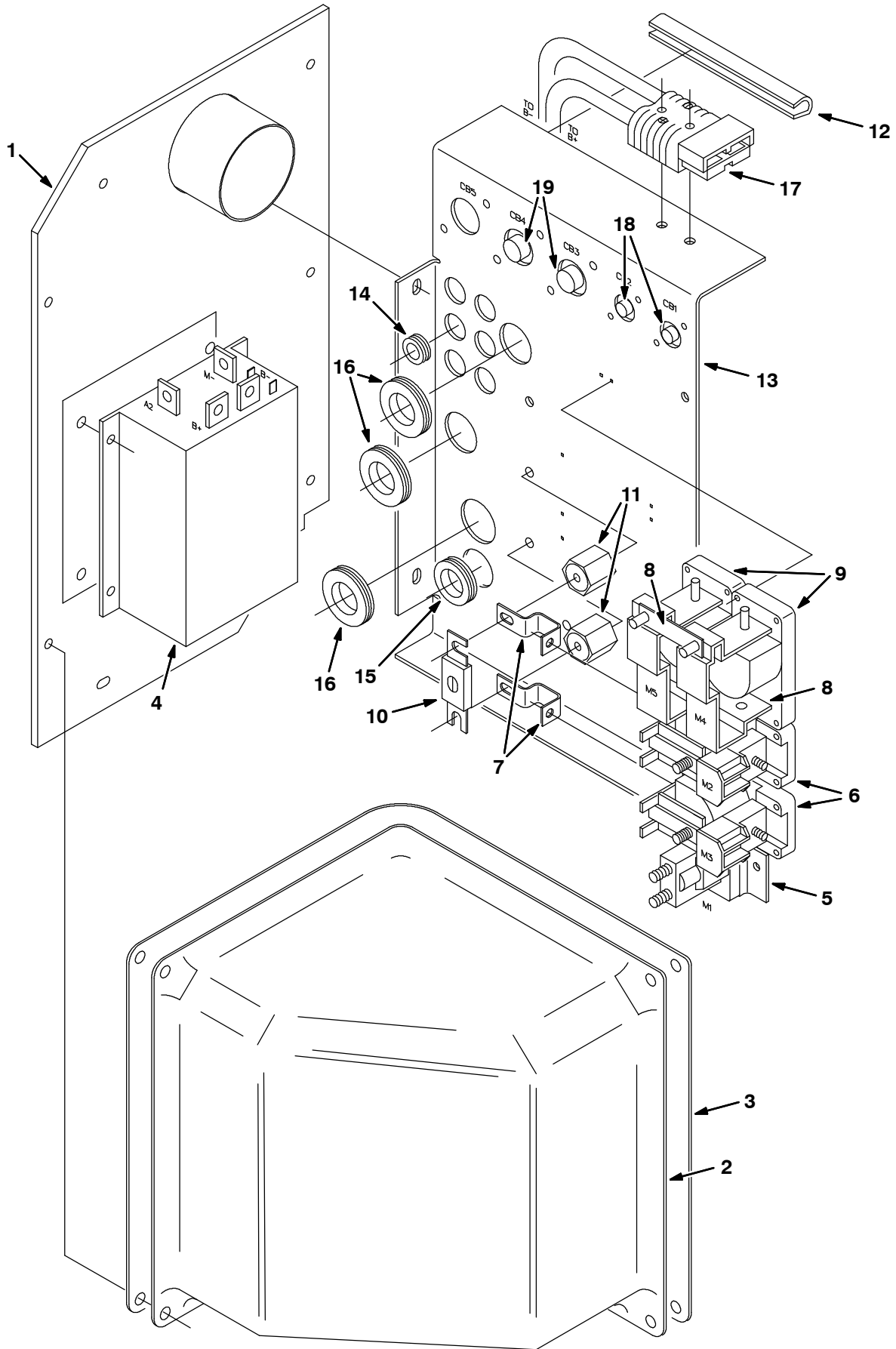


Fig. 37 - Control Box Group

Ref.	Tenant Part No.	Machine Serial Number	Description	Qty.
1	363387	(000000-) Plate Wldt, Mounting	1
2	15012	(000000-) Cover Control	1
3	41423	(000000-) Gasket, Control Cover	1
4	363553	(000000-) Controller 36 Vdc	1
5	375091	(000000-) Contactor Spst	1
6	86375	(000000-) Contactor, 36 Volt/Spno	2
7	87507	(000000-) Buss Bar, Fuse	2
8	87483	(000000-) Buss Bar, Relay	2
9	87482	(000000-) Contactor, 36 Volt/Spdt	2
10	86379	(000000-) Fuse	1
11	76062	(000000-) Insulator, Panel & Switchboard	2
12	62595-3	(000000-) Molding, Trim 11-14Ga 5.75	1
13	363224	(000000-) Panel, Mounting, Control	1
14	10632-17	(000000-) Grommet, Rbr,0.50ld,For.12Matl	6
15	10632	(000000-) Grommet,Rbr,0.88ld,For .14Matl	1
16	10632-1	(000000-) Grommet,Rbr,1.06ld,For .19Matl	3
17	362193	(000000-) Harness, Wire, Controller	1
18	04679	(000000-) Breaker-Circuit, 20A Resetable	2
19	375118	(000000-) Breaker-Circuit 40 Resetable	2

Fig. 38 - Vacuum Fan Group

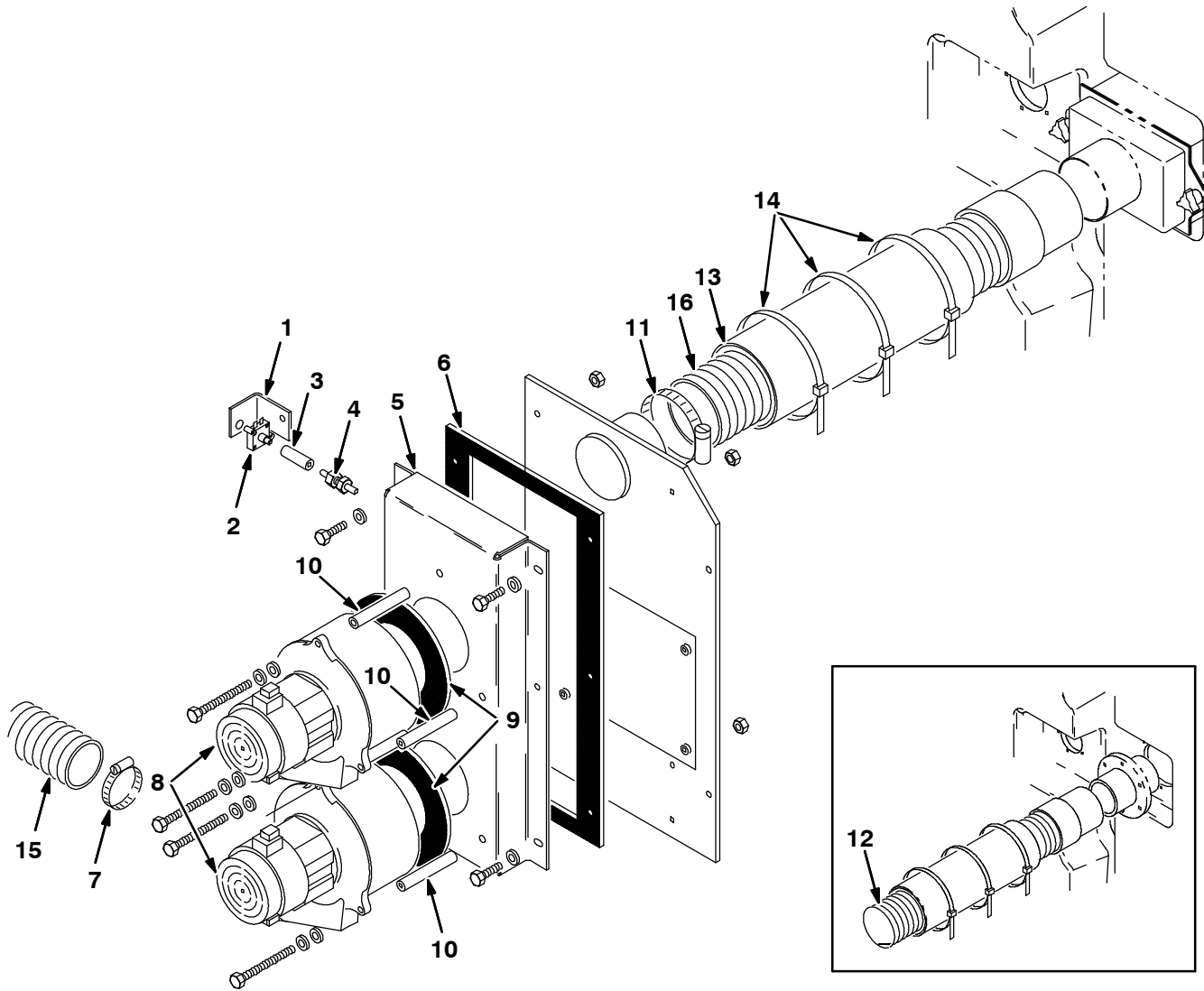


Fig. 38 - Vacuum Fan Group

Ref.	Tenant Part No.	Machine Serial Number	Description	Qty.
1	16967	(000000-) Bracket, Vacuum Switch Mounting	1
2	17129	(000000-) Switch, Vacuum	1
3	17164	(000000-) Hose, Vacuum	1
4	39923	(000000-) Fitting, Bulkhead	1
5	16902	(000000-) Box, Fan Mounting	1
6	16903	(000000-) Gasket, Vacuum Fan	1
7	22297	(000000-) Clamp, Worm Drive	1
8	17363	(000000-) Fan Assy, Vacuum (See Breakdowns)	2
9	223264	(000000-) Seal, Vacuum Fan	2
10	18811	(000000-) Tube	6
11	17188	(000000-) Clamp, Worm Drive	1
12	16919	(000000-004867) Hose, Cuff	1
13	75375	(000000-) Flap, Containment	1
14	44961	(000000-) Tie, Cable	3
15	32454	(000000-) Hose	1
16	370160	(004868-) Hose,Cuff	1

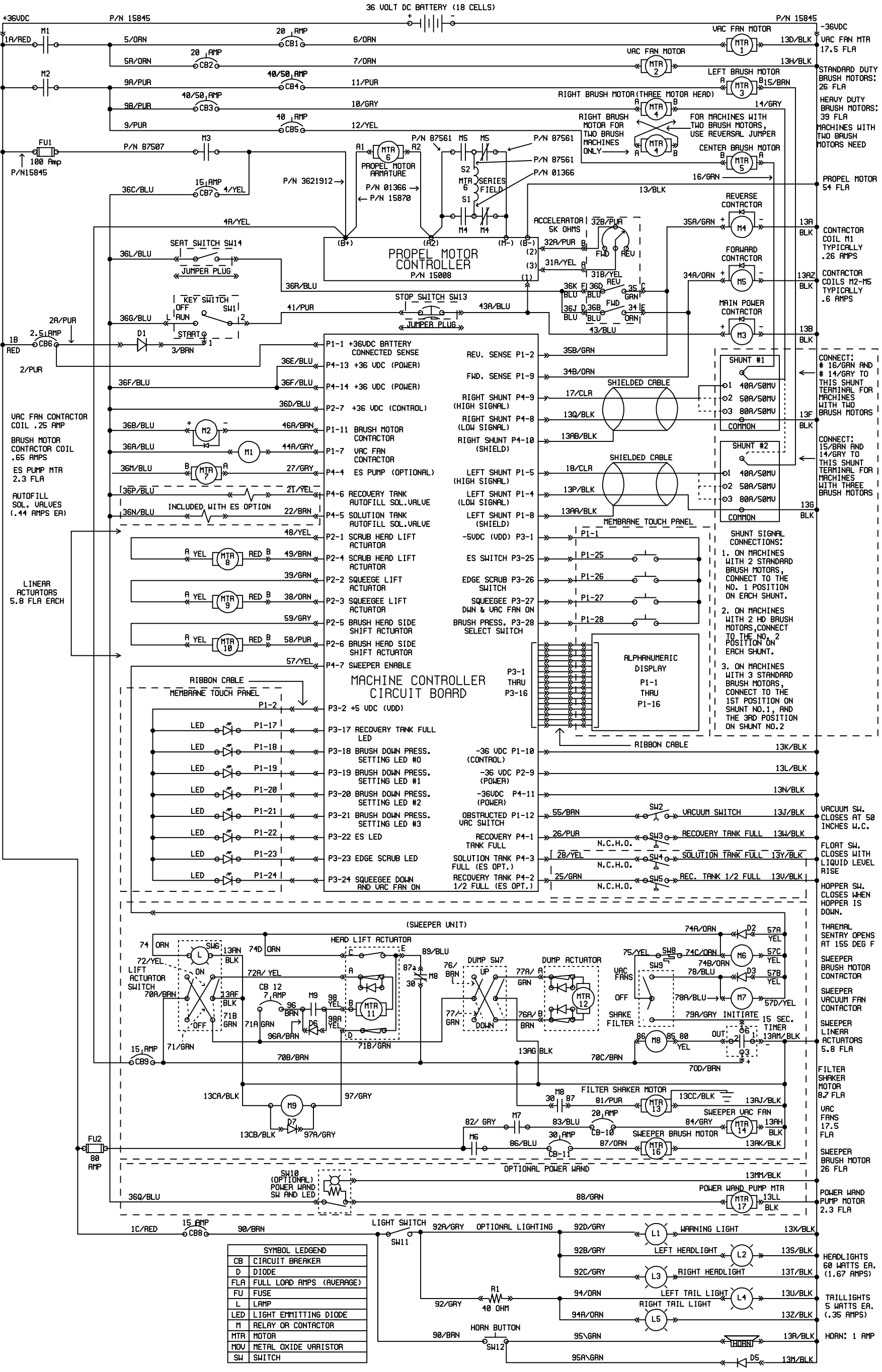


Fig. 39 - Electrical Schematic (for machines below serial number 004287)

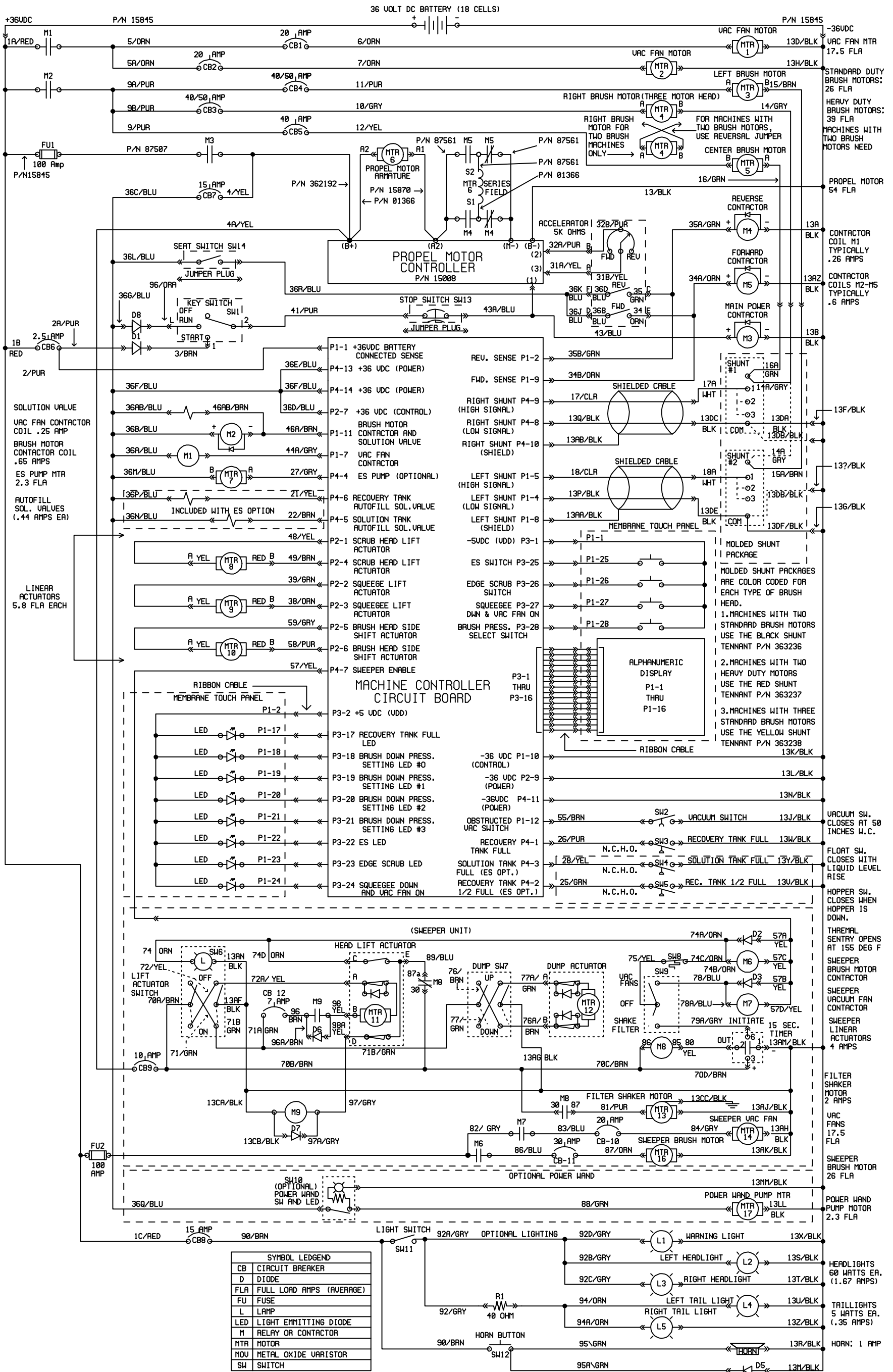
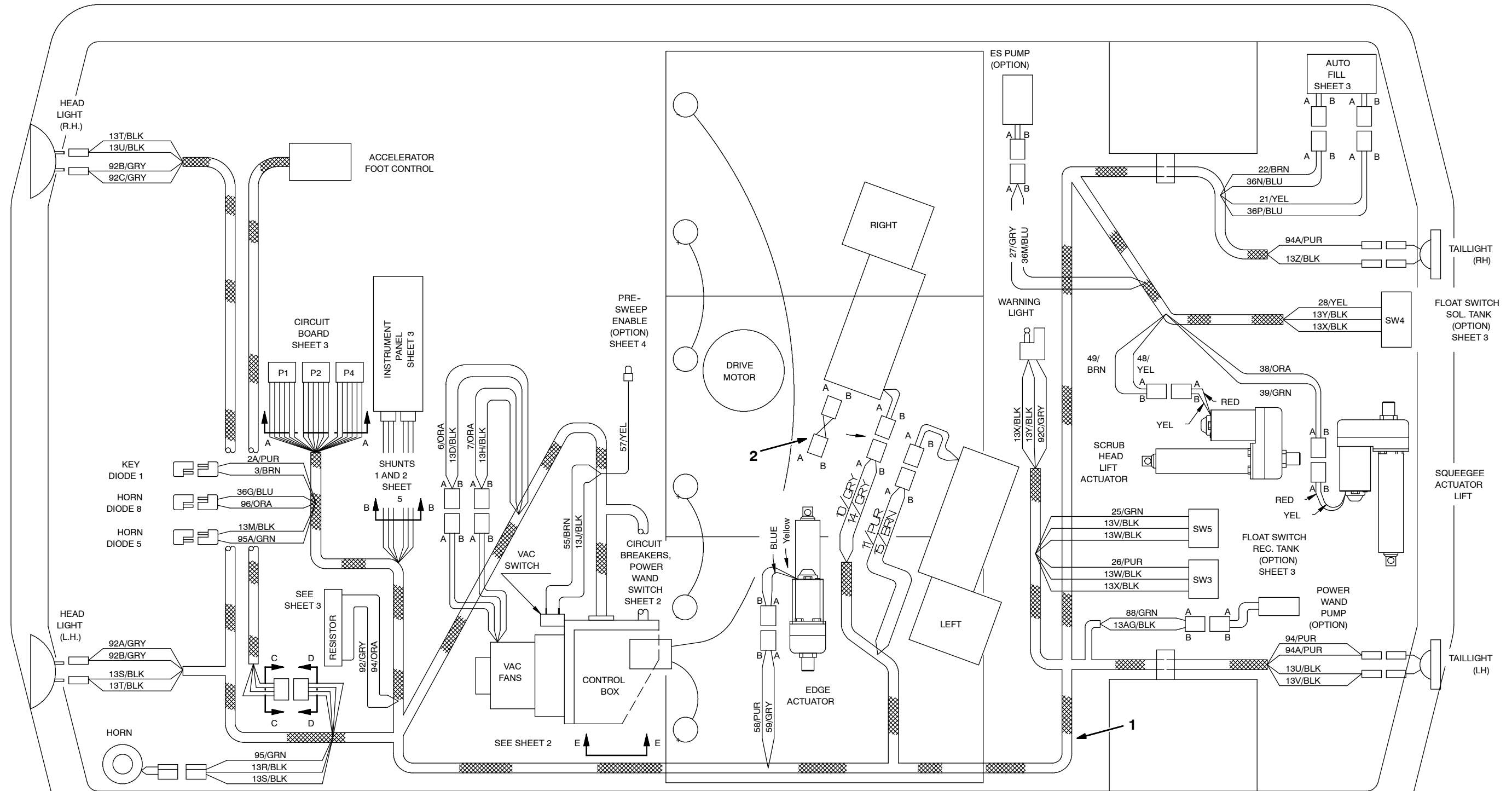


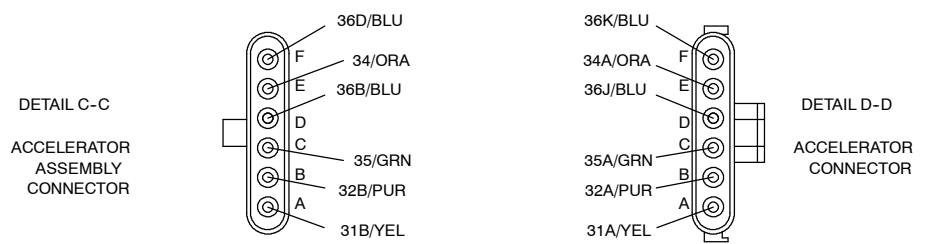
Fig. 40 - Electrical Schematic (for machines serial number 004287 and above)

STANDARD PARTS

Fig. 41 - Wire Harness Group



NOTE:
FOR MACHINES
WITH THREE
SCRUB HEAD
MOTORS
SEE SHEET 4



363240

Fig. 41 - Wire Harness Group

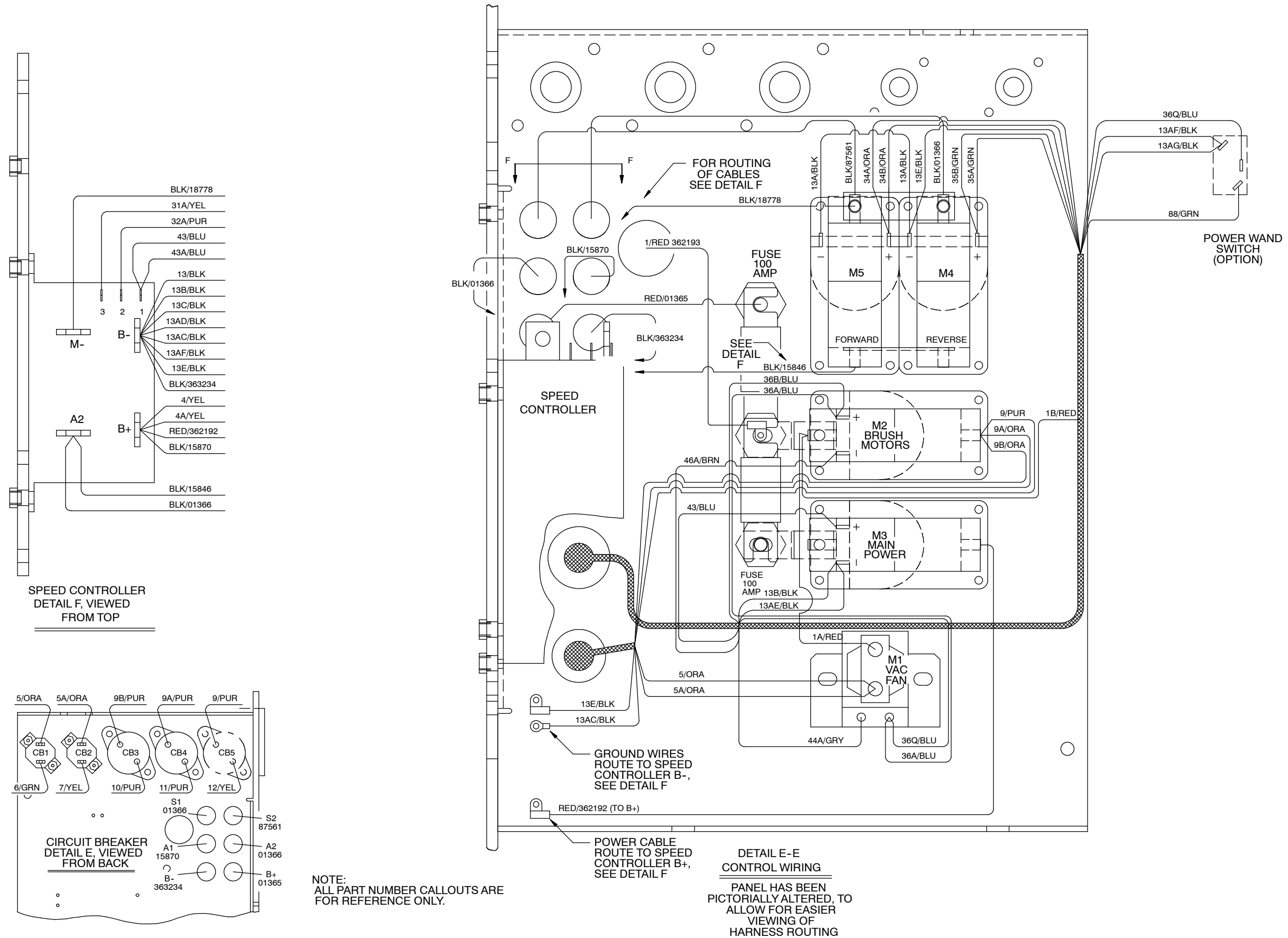


Fig. 41 - Wire Harness Group

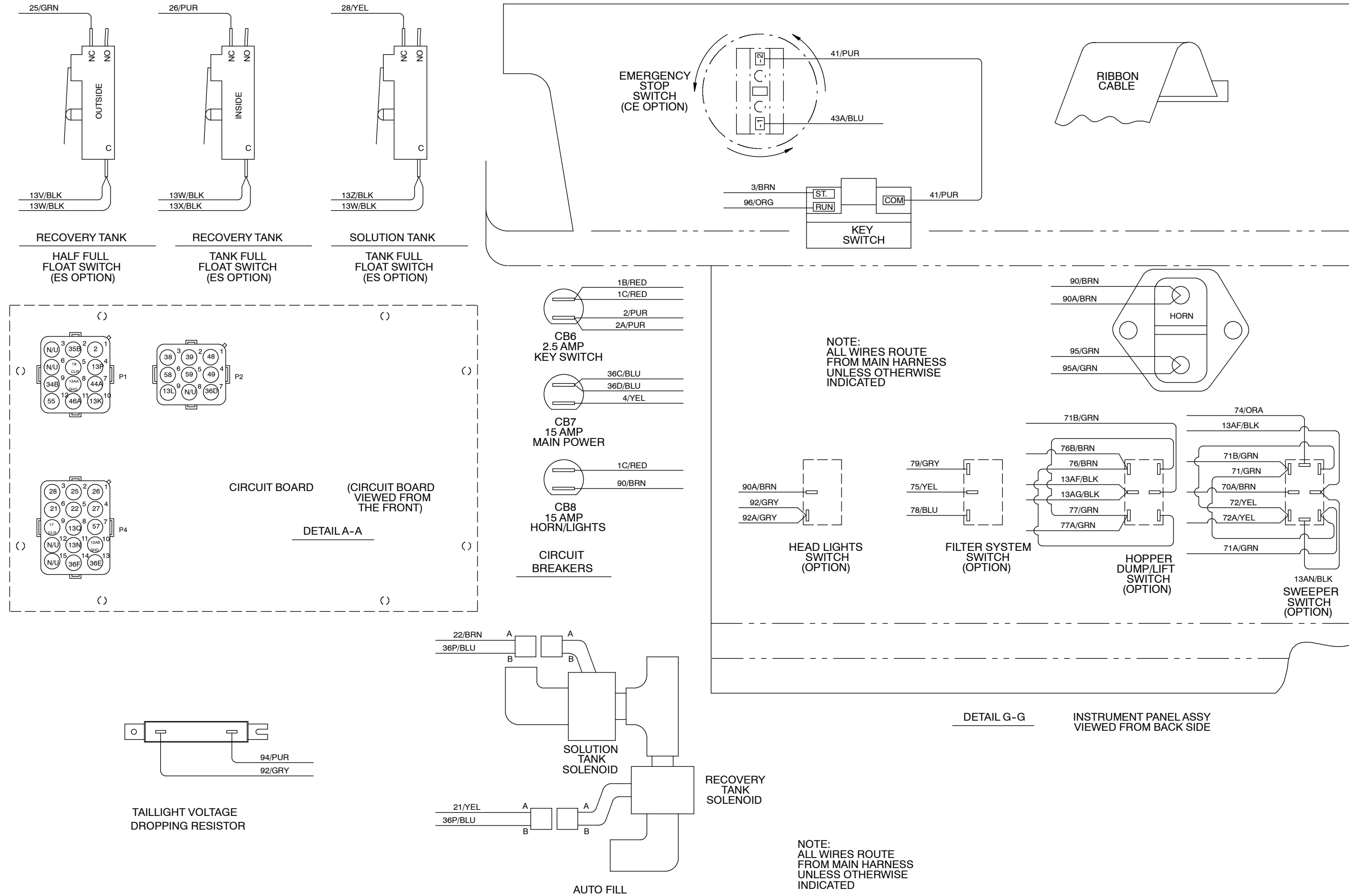


Fig. 41 - Wire Harness Group

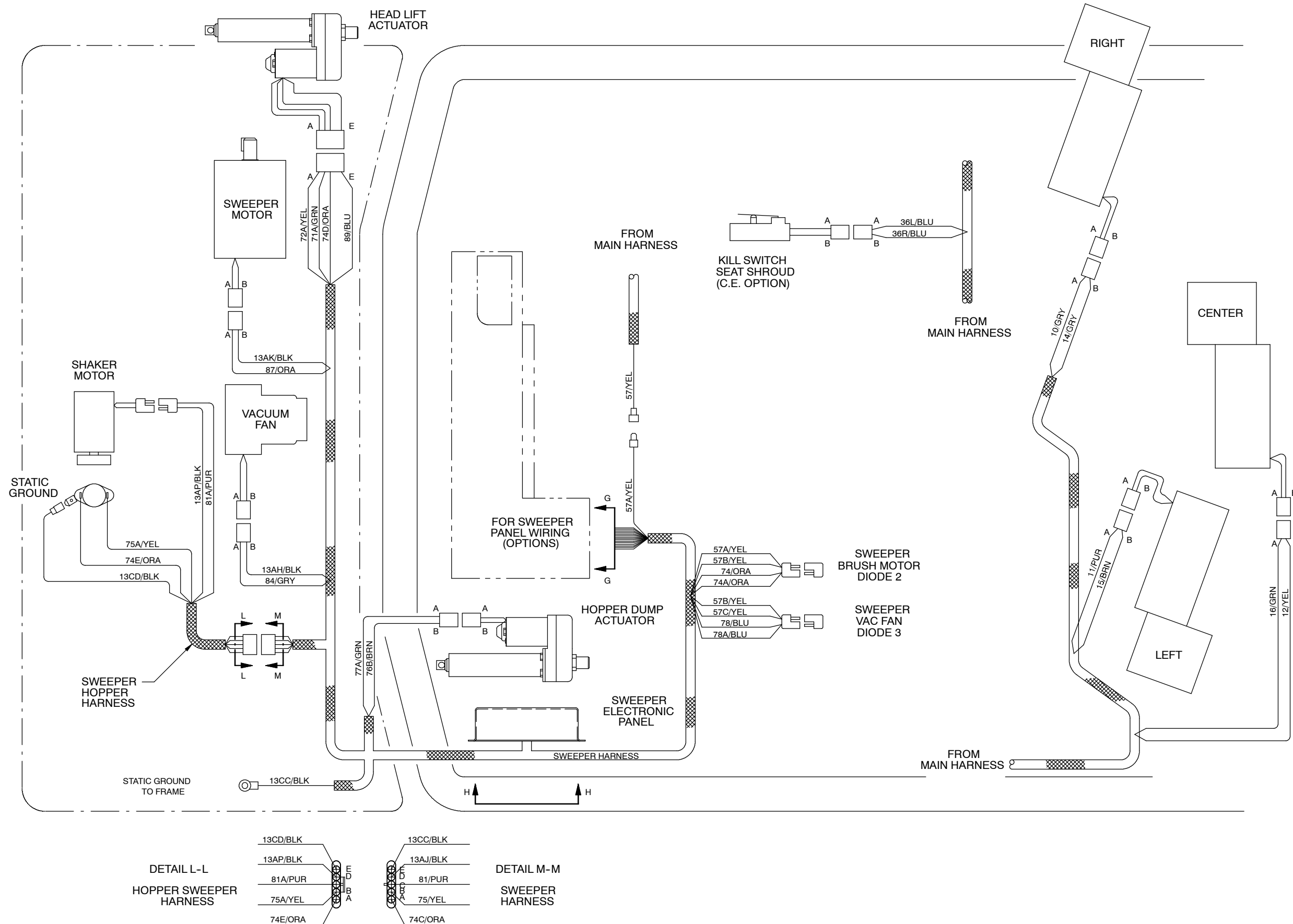
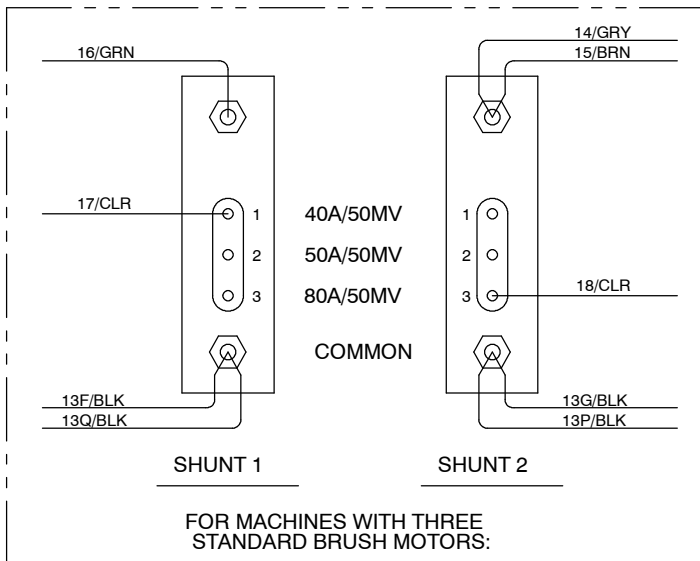
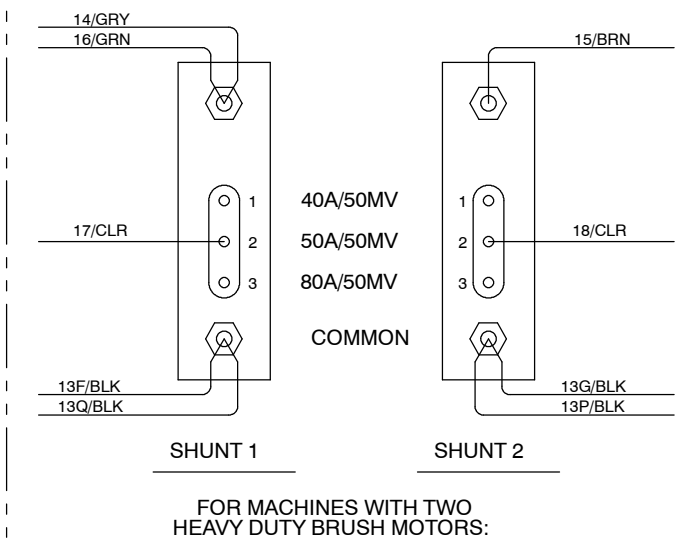
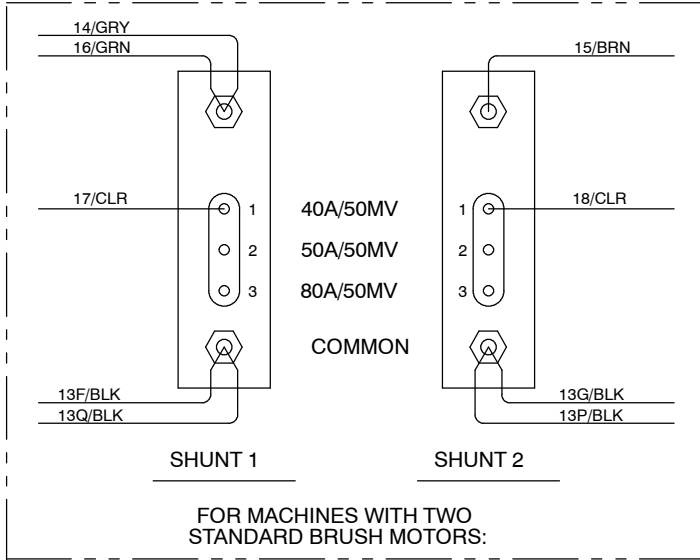


Fig. 41 - Wire Harness

DETAIL B-B = SHUNT CONNECTIONS FOR BRUSH MOTORS



HARDWARE FOR LARGE SHUNT HOLES

- 06944 (4) - SCR HEX M6 X 1.0 25
- 19066 (20) - WASHER FLT 10
- 07515 (4) - WASHER-LOC INT .25 SS
- 41359 (8) - NUT HEX STD M6 X 1.0

HARDWARE FOR SMALL SHUNT HOLES

- 09146 (2) - SCR PAN M3 X .05 12
- 01757 (4) - WASHER-LOC INT M3 SS
- 01754 (4) - NUT HEX STD M3 X .05
- 41578 (4) - WASHER FLT #06 SS

NOTE:

FOR CORRECT ELECTRICAL CONTINUITY OF THE 13/BLK CONNECTIONS TO THE SHUNTS, MAKE SURE THAT POWER LEAD TERMINALS (LARGE GAUGE WIRE) BE POSITIONED FIRST AGAINST THE SHUNT SURFACE. THEN PLACEMENT OF THE 13/BLK SIGNAL LEAD (SMALLER GAUGE WIRE) IS DIRECTLY AFTER, FOLLOWED BY THE APPROPRIATE HARDWARE.

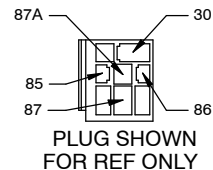
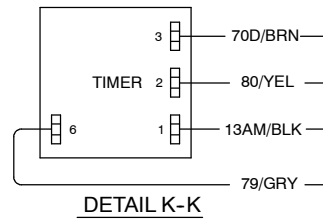
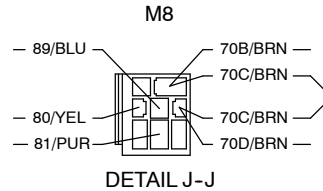
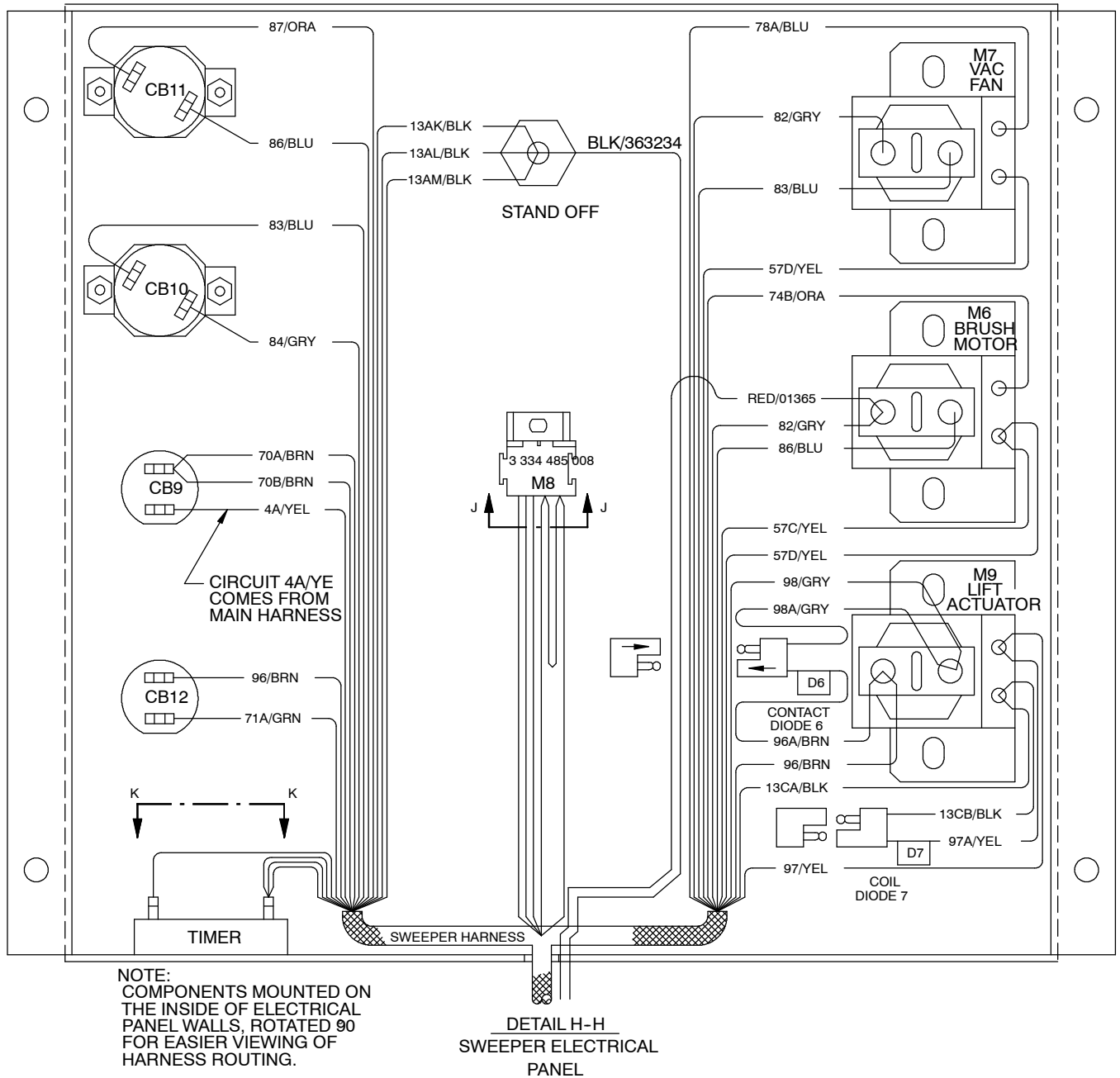


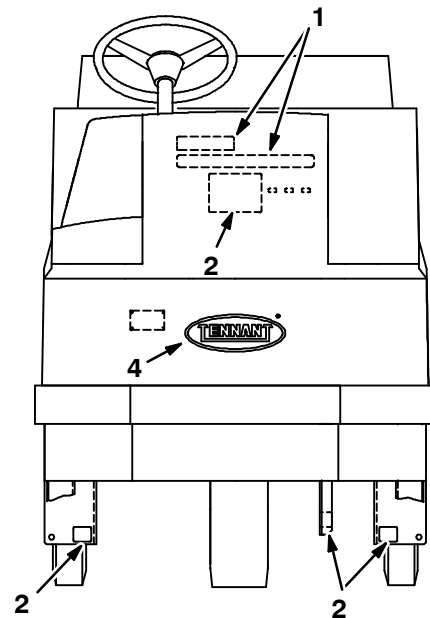
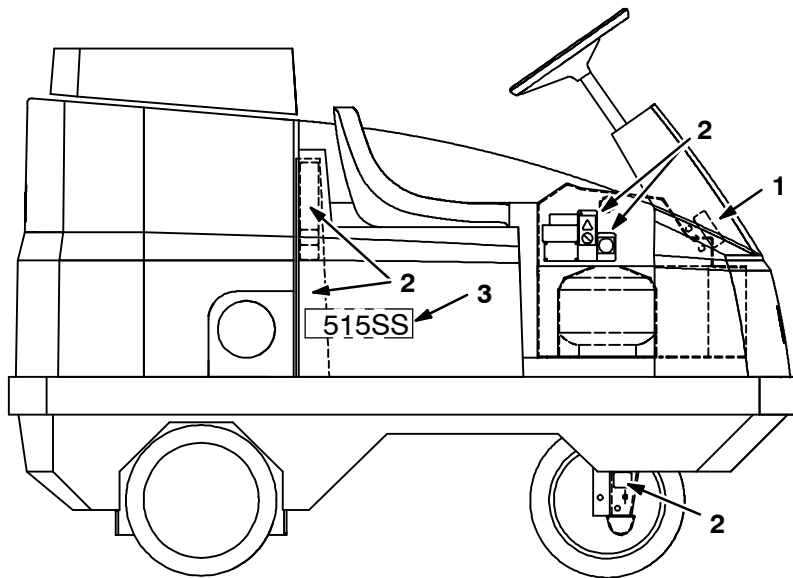
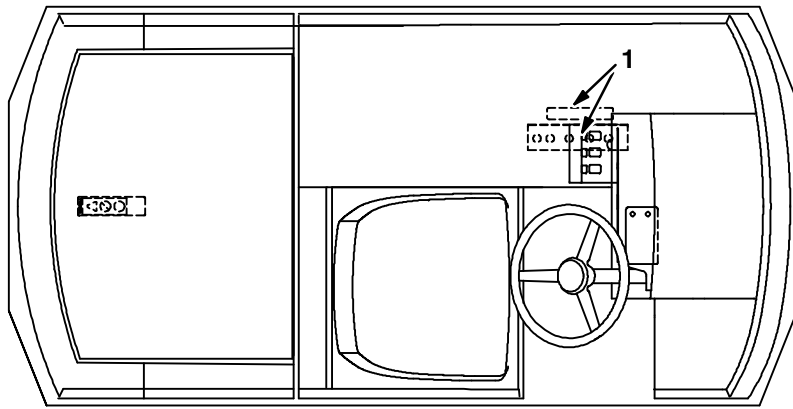
Fig. 41 - Wire Harness



10705-10704

Ref.	Tennant Part No.	Machine Serial Number	Description	Qty.
1	362101	(000000-004286)	Harness, Main, Wire	1
1	363524	(004287-	Harness, Main, Wire	1
2	363468	(000000-	Wire Assy, Jumper, Reverse	1
	363539	(000000-	Harness, Water Valve	1

Fig. 42 - Label Group



10706-10707

Ref.	Tennant Part No.	Machine Serial Number	Description	Qty.
1	363363	(000000-)	Label Set, Operational	1
2	363364	(000000-)	Label Set, Info & Hazard	1
3	363362	(000000-)	Label, Side 515SS	1
4	17200	(000000-)	Tennant Logo-10.0 Blue	1

SECTION 3

CONTENTS	PAGE
Fig. 1 - Extended Scrub Group	3-2
Fig. 2 - Side Squeegee Vac Hose Group	3-4
Fig. 3 - Auto Water Valve Group	3-5
Fig. 4 - Light Kit	3-6
Fig. 5 - Revolving Light Kit, Lintel	3-8
Fig. 6 - Revolving Light Kit, Overhead Guard	3-10
Fig. 7 - Overhead Guard Kit	3-12
Fig. 8 - Heavy Duty Bumper Kit	3-13
Fig. 9 - Suspension Slide Seat Kit	3-14
Fig. 10 - Vacuum Wand Kit	3-15
Fig. 11 - Seat Support Group, Heavy Duty Battery	3-16
Fig. 12 - Heavy Duty Motor Kit for Max Prot 1000 Two-Brush System	3-18
Fig. 13 - Transport Kit	3-20
Fig. 14 - Grooved Tire Assembly	3-22
Fig. 15 - Non-Mark, Non-Skid Tires	3-23
Fig. 16 - Battery Group	3-24
Fig. 17 - Battery Kit, 420 A/h, Wet	3-25
Fig. 18 - Battery Kit, 690 A/h, Wet	3-26
Fig. 19 - Battery Kit, 700 A/h, Dry, International Only	3-27
Fig. 20 - Battery Charger Group, 380 A/h Batteries, 60Hz	3-28
Fig. 21 - Battery Charger Group, 380 A/h Batteries, 50Hz, International Only	3-29
Fig. 22 - Battery Charger Group, 420 A/h Batteries, 60Hz	3-30
Fig. 23 - Battery Charger Group, 420 A/h Batteries, 50Hz, International Only	3-31
Fig. 24 - Battery Charger Group, 690 A/h Batteries, 60Hz	3-32
Fig. 25 - Battery Charger Group, 630 A/h Batteries, 50Hz, International Only	3-33
Fig. 26 - Positive Solution Control Drain Kit, Std	3-34
Fig. 27 - Positive Solution Control Drain Kit, ES™	3-35
Fig. 28 - Power Wand Mount and Pump Group	3-36
Fig. 29 - Power Wand Assembly	3-38
Fig. 30 - Power Wand Hose Assembly	3-40
Fig. 31 - Front Squeegee Blade Group, Tile	3-41
Fig. 32 - Fire Extinguisher Kit	3-42
Fig. 33 - Documentation Group	3-43

Fig. 1 - Extended Scrub Group

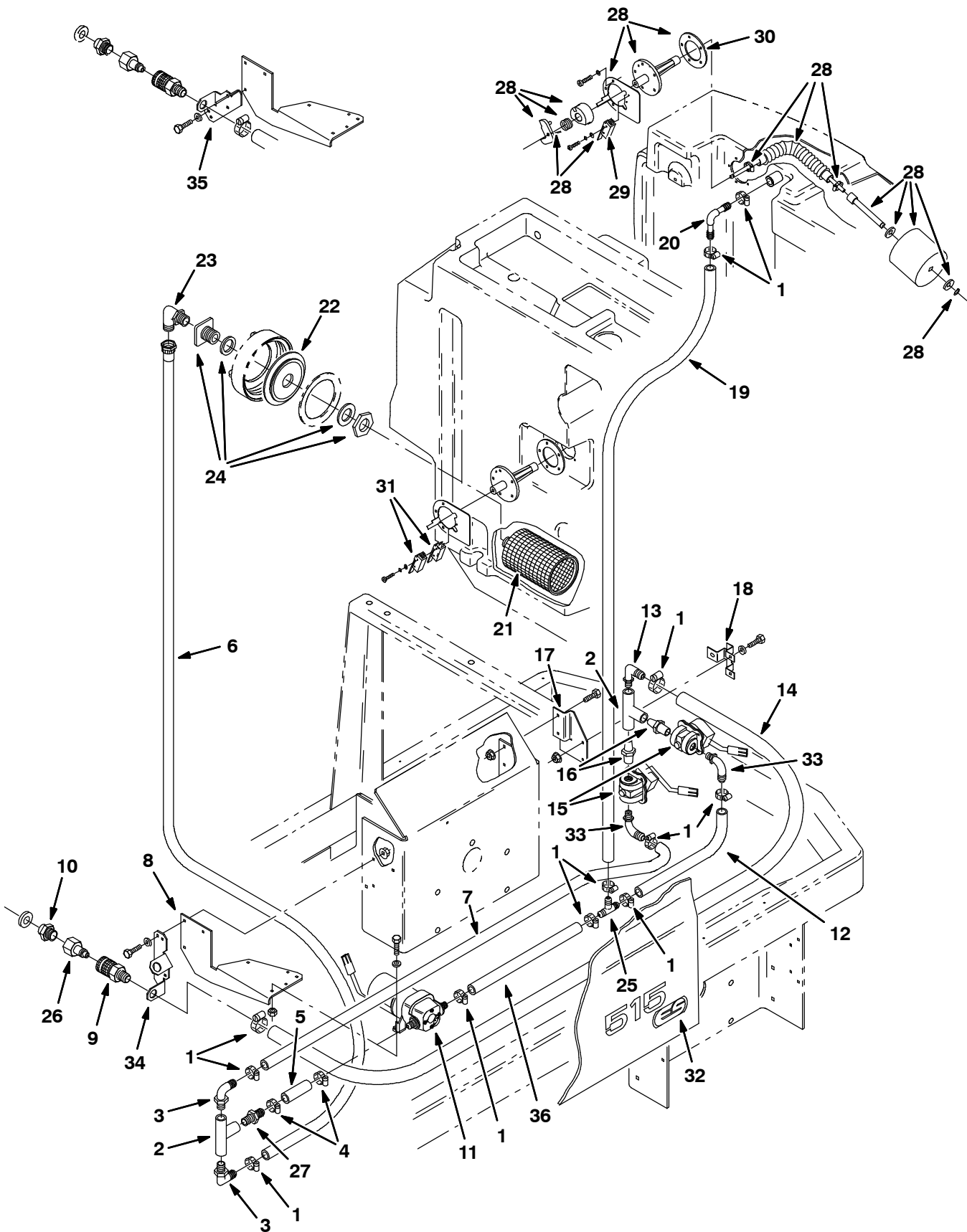
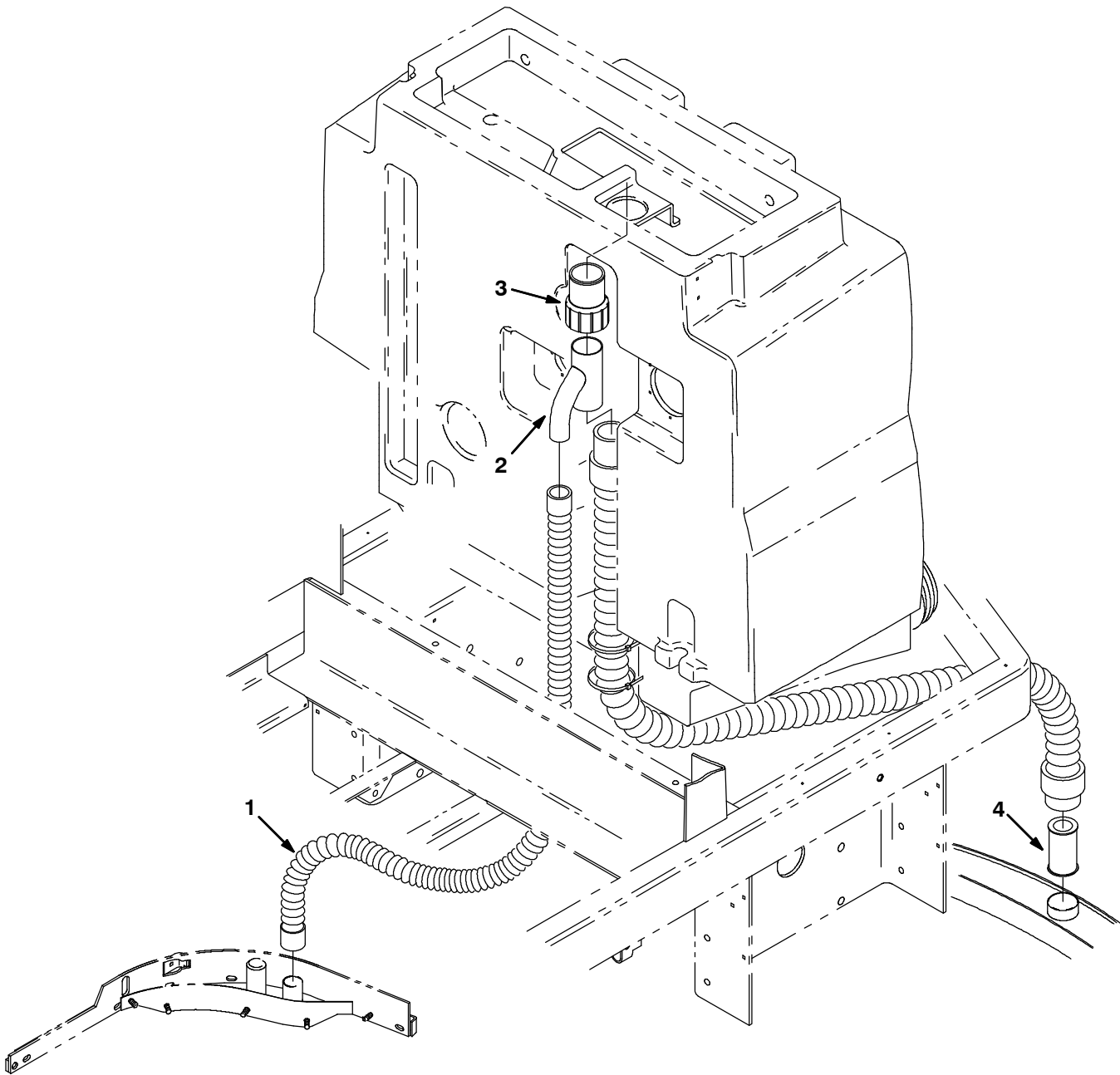


Fig. 1 - Extended Scrub Group

Ref.	Tennant Part No.	Machine Serial Number	Description	Qty.
1	86824	(000000-) Clamp, Worm Drive	12
2	79497	(000000-) Fitting, Plastic Tee	2
3	47701	(000000-) Fitting, Barbed Elbow	2
4	11399	(000000-) Clamp, Worm Drive	2
5	16910	(000000-) Hose, Clear Vinyl	1
6	375022	(000000-) Hose, Vinyl	1
7	41427	(000000-) Hose, Clear Vinyl	1
8	363312	(000000-) Plate, Pump Mounting	1
9	24105	(000000-) Fitting, Quick-disconnect, Female	1
10	33295	(000000-) Fitting, Quick-disconnect, Male	1
11	17333	(000000-) Pump Assembly (See Breakdowns)	1
12	41435	(000000-) Hose, Clear Vinyl, .63ldX11.00Lg	1
13	48697	(000000-) Fitting, Barbed Elbow Brass 3/4 Hose	1
14	73476	(000000-) Hose, Clear Vinyl, .75ldX30.00 Lg	1
15	41410	(000000-) Valve, Solenoid	2
16	11442-3	(000000-) Fitting, Nipple Blk 1/2NPT	2
17	15838	(000000-) Plate, Bent	1
18	15965	(000000-) Plate, Bent	1
19	16911	(000000-) Hose, Clear Vinyl	1
20	45486	(000000-) Fitting, Barbed Elbow	1
21	370101	(000000-) Screen, Solution 35 Mesh 10.5 Lg	1
22	15987	(000000-) Cover, Lid	1
23	17118	(000000-) Fitting, Elbow	1
24	370112	(000000-) Fitting, Straight	1
25	16356	(000000-) Fitting, Tee	1
26	33294	(000000-) Fitting, Brass	1
27	41440	(000000-) Fitting, Straight	1
∇	28	24301	(000000-) Level Sensing Kit, ES™	1
▲	29	41407	(000000-) Switch, 15Amp	1
▲	30	86591	(000000-) Gasket	1
31	44847	(000000-) Switch, 15 A mp	2
32	14715	(000000-) Label, ES™ Logo	2
33	30268	(000000-) Fitting, Brass 5/8 Hose	2
34	363470	(000000-) Bracket, Hose Fitting, Max Pro™ 1000	1
35	363470	(000000-) Bracket, Hose Fitting, Max Pro™ 1200	1
36	363462	(000000-) Hose, Clear Vinyl, .62ldX7.00Lg	1

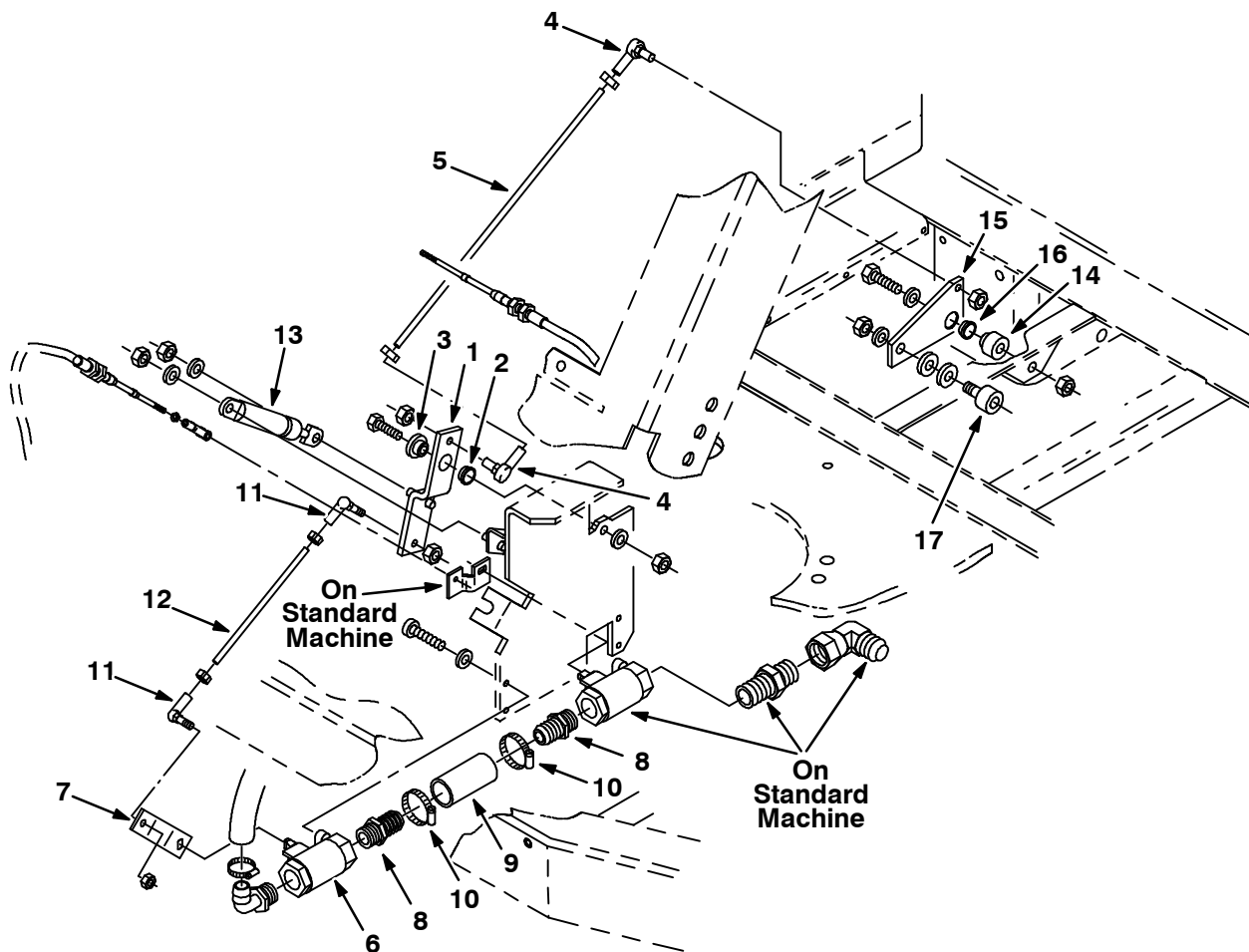
Fig. 2 - Side Squeegee Vac Hose Group



10666-10667

Ref.	Tennant Part No.	Machine Serial Number	Description	Qty.
1	363401	(000000-)	Hose, Vacuum	1
2	363311	(000000-)	Tube, Wye, Round, 2X2X1	1
3	363233	(000000-)	Cuff, Vac	1
4	363232	(000000-)	Restrictor	1

Fig. 3 - Auto Water Valve Group



06068-06068

Ref.	Tennant Part No.	Machine Serial Number	Description	Qty.
1	15079	(000000-004385)	Lever, Idler	1
2	04843	(000000-004385)	Bearing, Flange	1
3	14818	(000000-004385)	Sleeve, Pivot	1
4	50541-1	(000000-004385)	End, Rod	2
5	15082	(000000-004385)	Rod, Threaded	1
6	12060	(000000-004385)	Valve, Water	1
7	15054	(000000-004385)	Lever, Valve, Front	1
8	79273-2	(000000-004385)	Fitting, Barbed Coupling	2
9	14734	(000000-004385)	Hose, Clear Vinyl	1
10	86824	(000000-004385)	Clamp, Worm Drive	2
11	12263	(000000-004385)	Balljoint	2
12	14849	(000000-004385)	Rod, Threaded	1
13	65577	(000000-004385)	Spring, Gas	1
14	15511	(000000-004385)	Boss, Bellcrank Pivot	1
15	15510	(000000-004385)	Bellcrank, Water Shutoff	1
16	04843	(000000-004385)	Bearing, Flange	1
17	48930	(000000-004385)	Cam, Follower	1

Fig. 4 - Light Kit

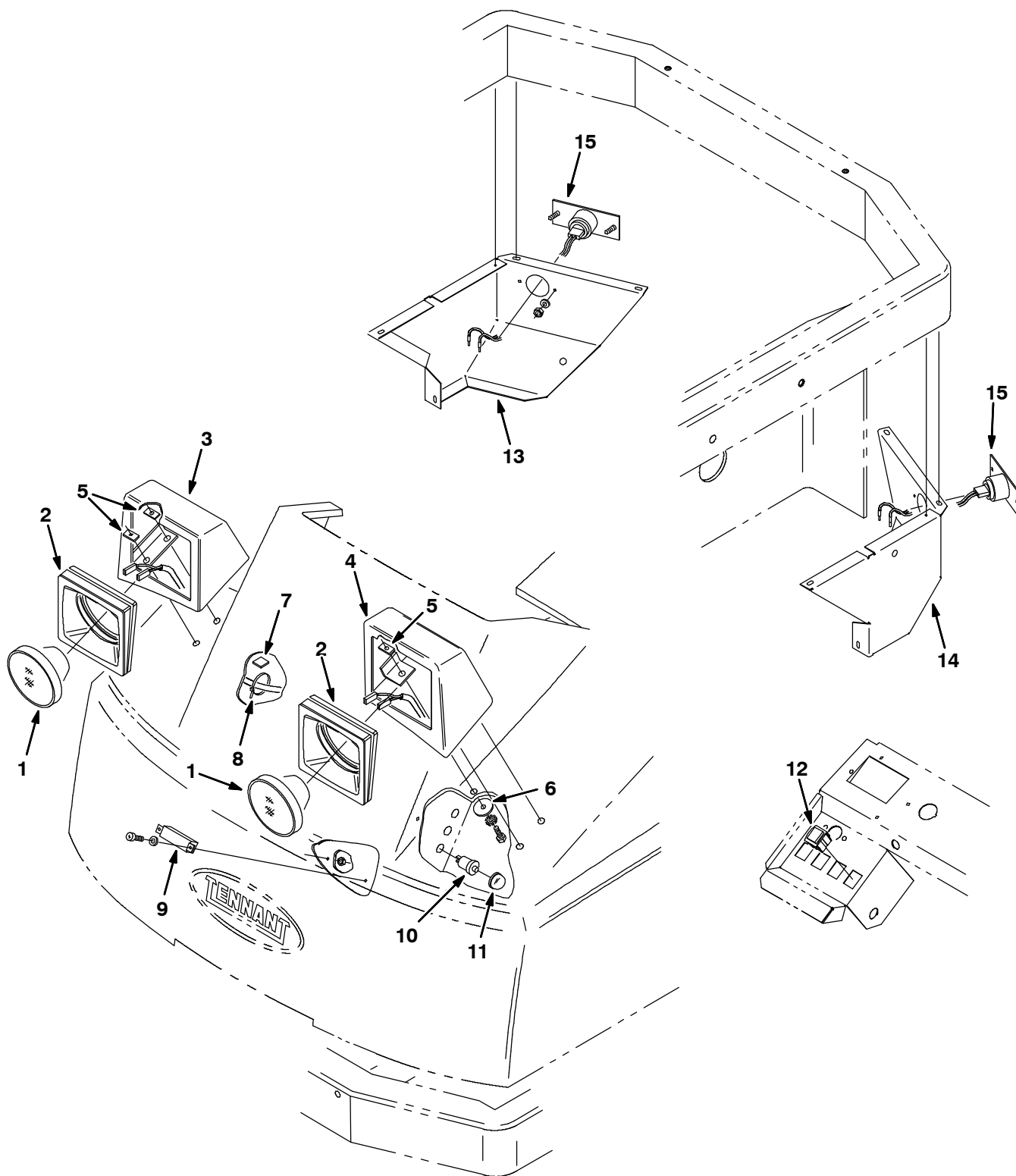


Fig. 4 - Light Kit

	Ref.	Tennant Part No.	Machine Serial Number	Description	Qty.
▽		363244	(000000-) Light Kit, Hd & Tail	1
▲	1	45391	(000000-) Light Head Rnd 36V 1.7A#4350	2
▲	2	87460	(000000-) Mount, Headlight	2
▲	3	41442	(000000-) Housing Headlight Rh	1
▲	4	41443	(000000-) Housing Headlight Lh	1
▲	5	12271	(000000-) U-Nut M 6X1.0 Pltd	6
▲	6	41178	(000000-) Washer-Flt .25 Fender Pltd	6
▲	7	55248	(000000-) Cabletie Mount, Adhesive	4
▲	8	49266	(000000-) Tie, Cable 1.75D Max 7.50Lg	4
▲	9	87349	(000000-) Resistor, 40.00Ohms-40.00Watt	1
▲	10	57803	(000000-) Breaker-Circuit, 15A Resetable	1
▲	11	57751	(000000-) Boot,Circuit Breaker	1
▲	12	360521	(000000-) Switch, Rocker, Spdt, 2 Pos	1
▲	13	15991	(000000-) Skirt Frame Rh Rear	1
▲	14	16893	(000000-) Skirt Frame Lh Rear	1
▲▽	15	87346	(000000-) Light Assy Tail	2
▲▲		87948	(000000-) Bulb, 12V .27A 2Cp #194	1
▲▲		87949	(000000-) Socket Assy	1

Fig. 5 - Revolving Light Kit, Lintel

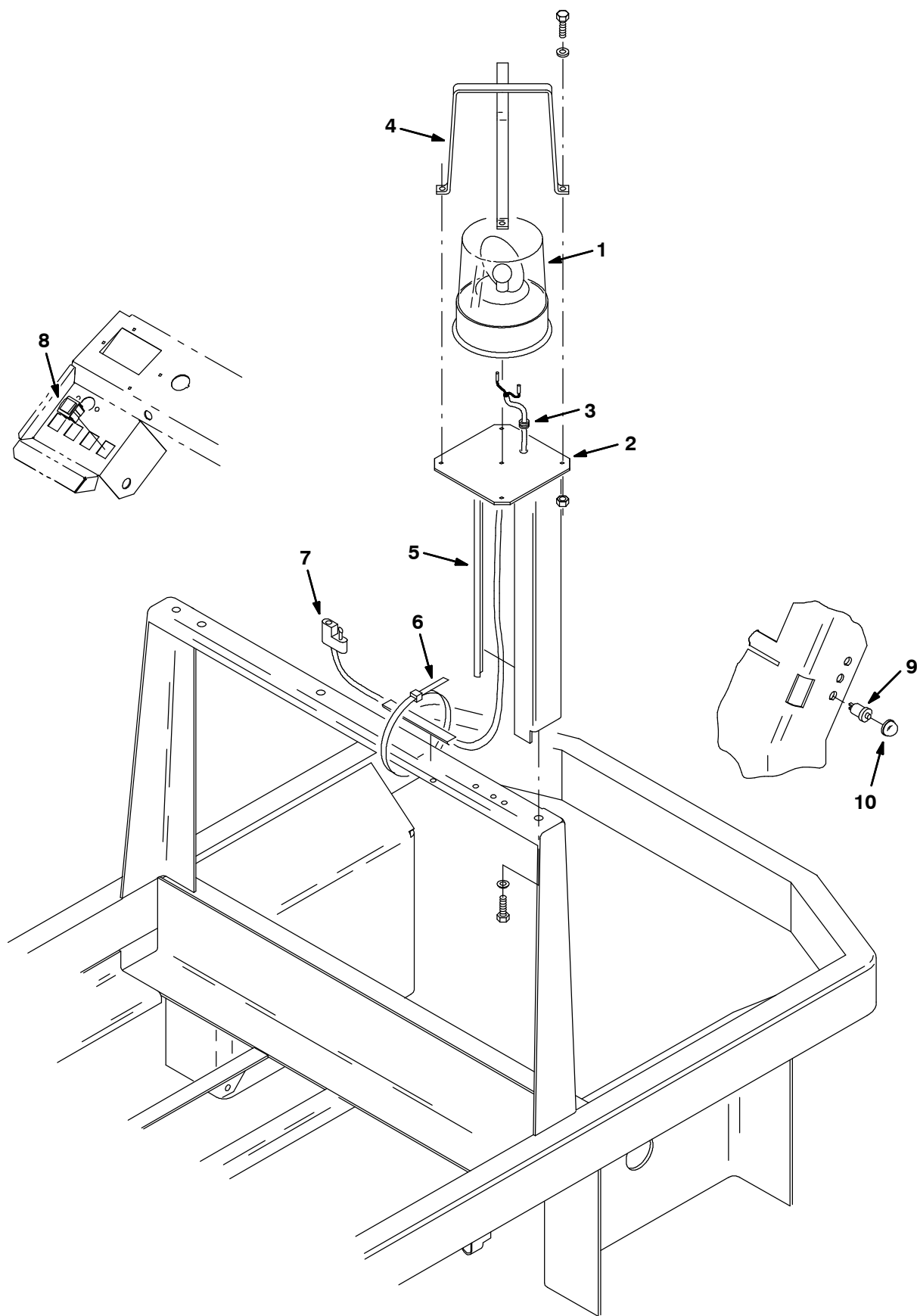


Fig. 5 - Revolving Light Kit, Lintel

	Ref.	Tennant Part No.	Machine Serial Number	Description	Qty.
▽		363451	(000000-) Light Kit Revolving Lintel	1
▲▽	1	87709	(000000-) Light, Rev. Amber 36V-Rework	1
▲▲		44681-1	(000000-) Lens,Rev.Light,Amber	1
▲▲		45283	(000000-) Bulb, 40V .9A 50Cp #1062	1
▲	2	14807	(000000-) Bracket Light	1
▲	3	10632-11	(000000-) Grommet,Rbr,0.38ld,For .19Matl	1
▲	4	45272	(000000-) Guard Wldt, Lights, Revl&Flsh	1
▲	5	369817	(000000-) Duct, Vinyl,.40X .75X48.0 25D	1
▲	6	49266	(000000-) Tie, Cable 1.75D Max 7.50Lg	3
▲	7	87649	(000000-) Wire Harness Warning Light	1
▲	8	360521	(000000-) Switch, Rocker, Spdt, 2 Pos	1
▲	9	57803	(000000-) Breaker-Circuit, 15A Resetable	1
▲	10	57751	(000000-) Boot,Circuit Breaker	1
		44681	(000000-) Lens,Rev.Light,Red	1
		44681-2	(000000-) Lens,Rev.Light,Blue	1

Fig. 6 - Revolving Light Kit, Overhead Guard

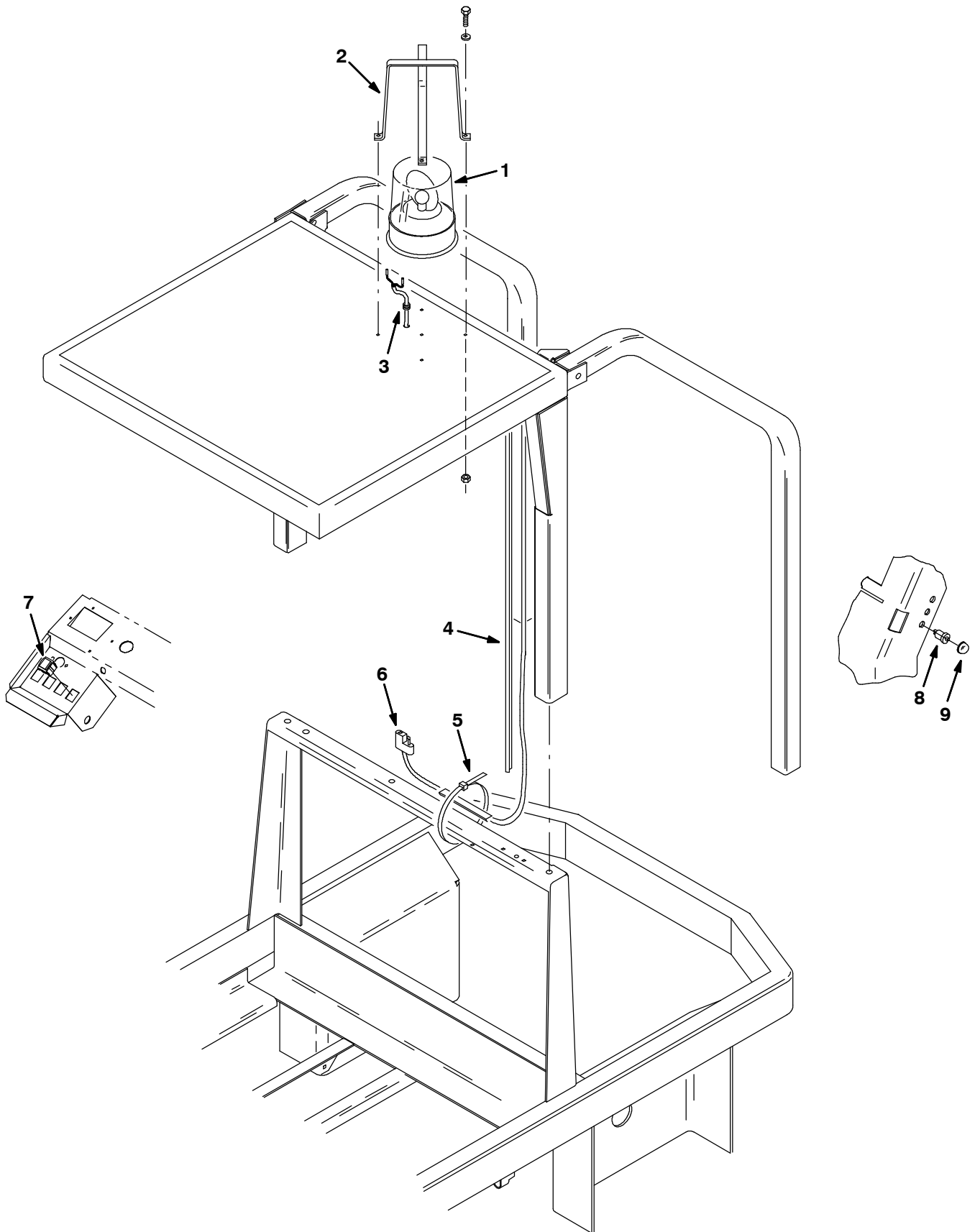
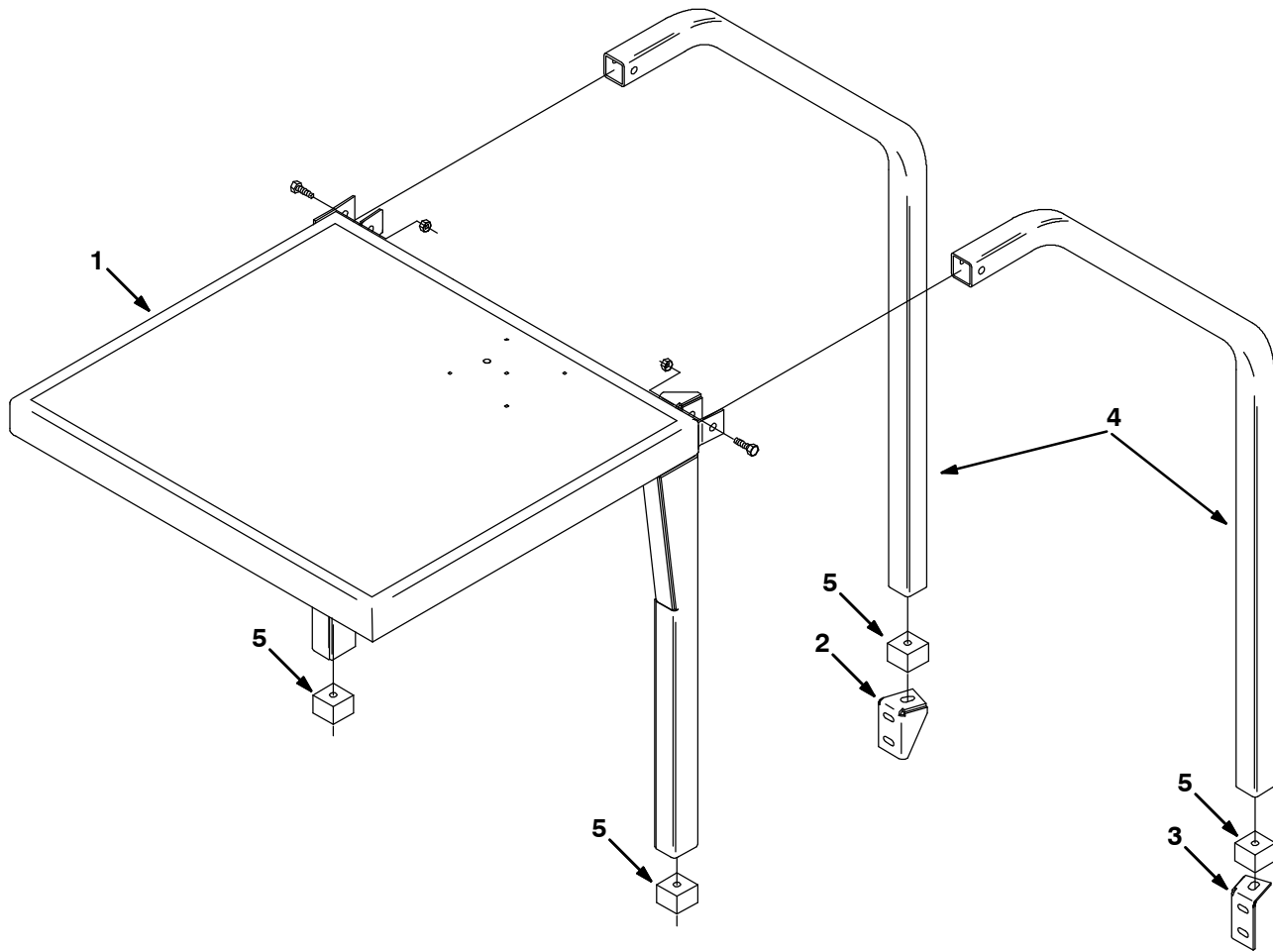


Fig. 6 - Revolving Light Kit, Overhead Guard

	Ref.	Tennant Part No.	Machine Serial Number	Description	Qty.
▽		363452	(000000-) Light Kit Revl Amb 510E Ohgd	1
▲▽	1	87709	(000000-) Light, Rev. Amber 36V-Rework	1
▲▲		44681-1	(000000-) Lens,Rev.Light,Amber	1
▲▲		45283	(000000-) Bulb, 40V .9A 50Cp #1062	1
▲	2	45272	(000000-) Guard Wldt, Lights, Revl&Fish	1
▲	3	10632-12	(000000-) Grommet,Rbr,0.38ld,For .12Matl	1
▲	4	369817	(000000-) Duct, Vinyl,.40X .75X48.0 25D	1
▲	5	49266	(000000-) Tie, Cable 1.75D Max 7.50Lg	2
▲	6	87649	(000000-) Wire Harness Warning Light	1
▲	7	360521	(000000-) Switch, Rocker, Spdt, 2 Pos	1
▲	8	57803	(000000-) Breaker-Circuit, 15A Resetable	1
▲	9	57751	(000000-) Boot,Circuit Breaker	1
		44681	(000000-) Lens,Rev.Light,Red	1
		44681-2	(000000-) Lens,Rev.Light,Blue	1

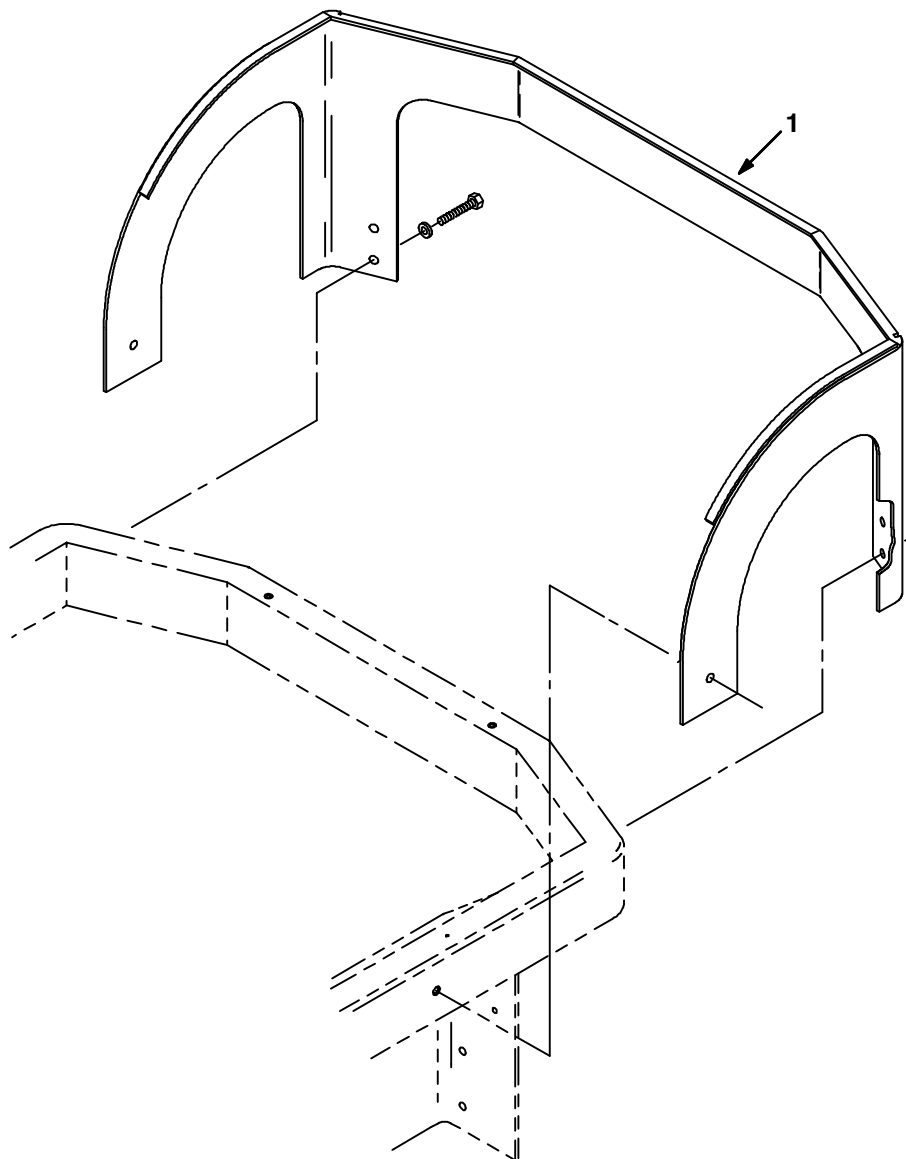
Fig. 7 - Overhead Guard Kit



06066-06066

	Ref.	Tennant Part No.	Machine Serial Number	Description	Qty.
▽		14727	(000000-) Guard Kit, Overhead	1
▲	1	16880	(000000-) Guard, Overhead	1
▲	2	16889	(000000-) Bracket, Mounting, R.H.	1
▲	3	16890	(000000-) Bracket, Mounting, L.H.	1
▲	4	41316	(000000-) Leg, Overhead Guard	2
▲	5	363520	(000000-) Spacer, Heavy Duty Battery	4

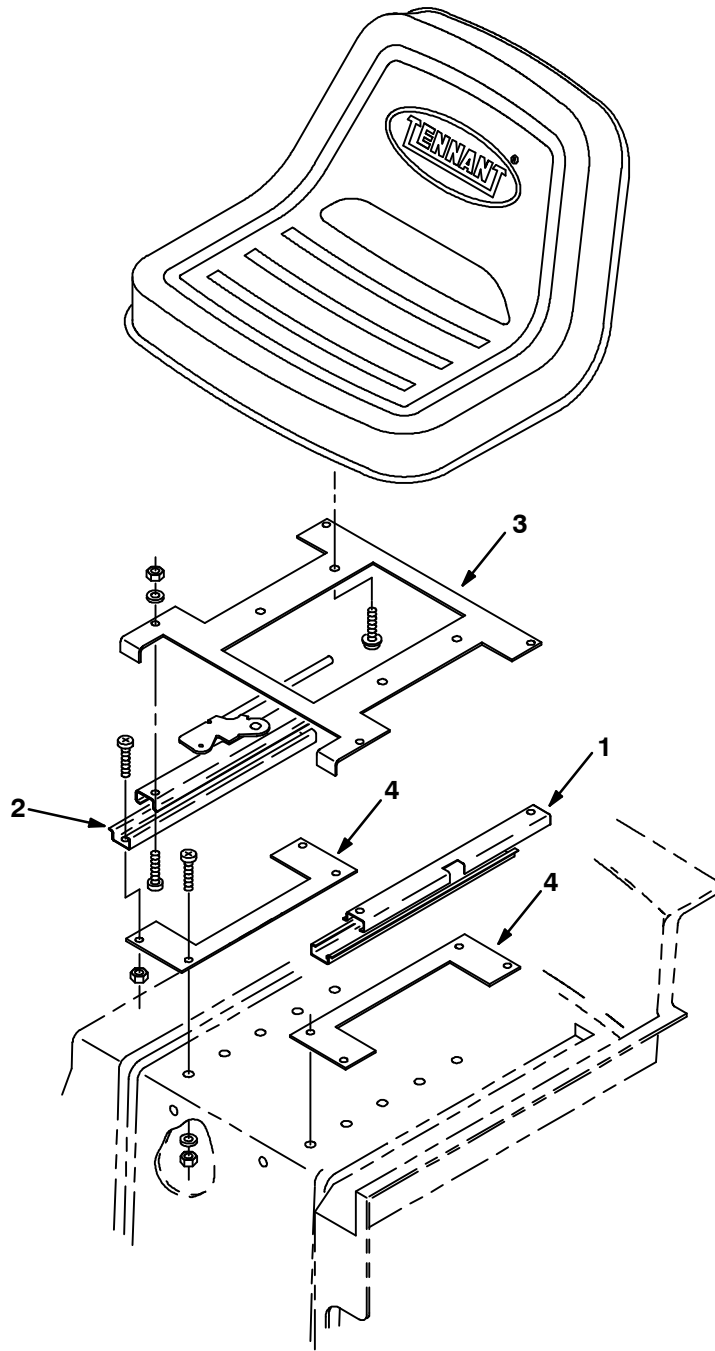
Fig. 8 - Heavy Duty Bumper Kit



06081-06081

	Ref.	Tennant Part No.	Machine Serial Number	Description	Qty.
▽		14820	(000000-) Bumper Kit, Heavy Duty	1
▲	1	14987	(000000-) Bumper, Heavy Duty	1

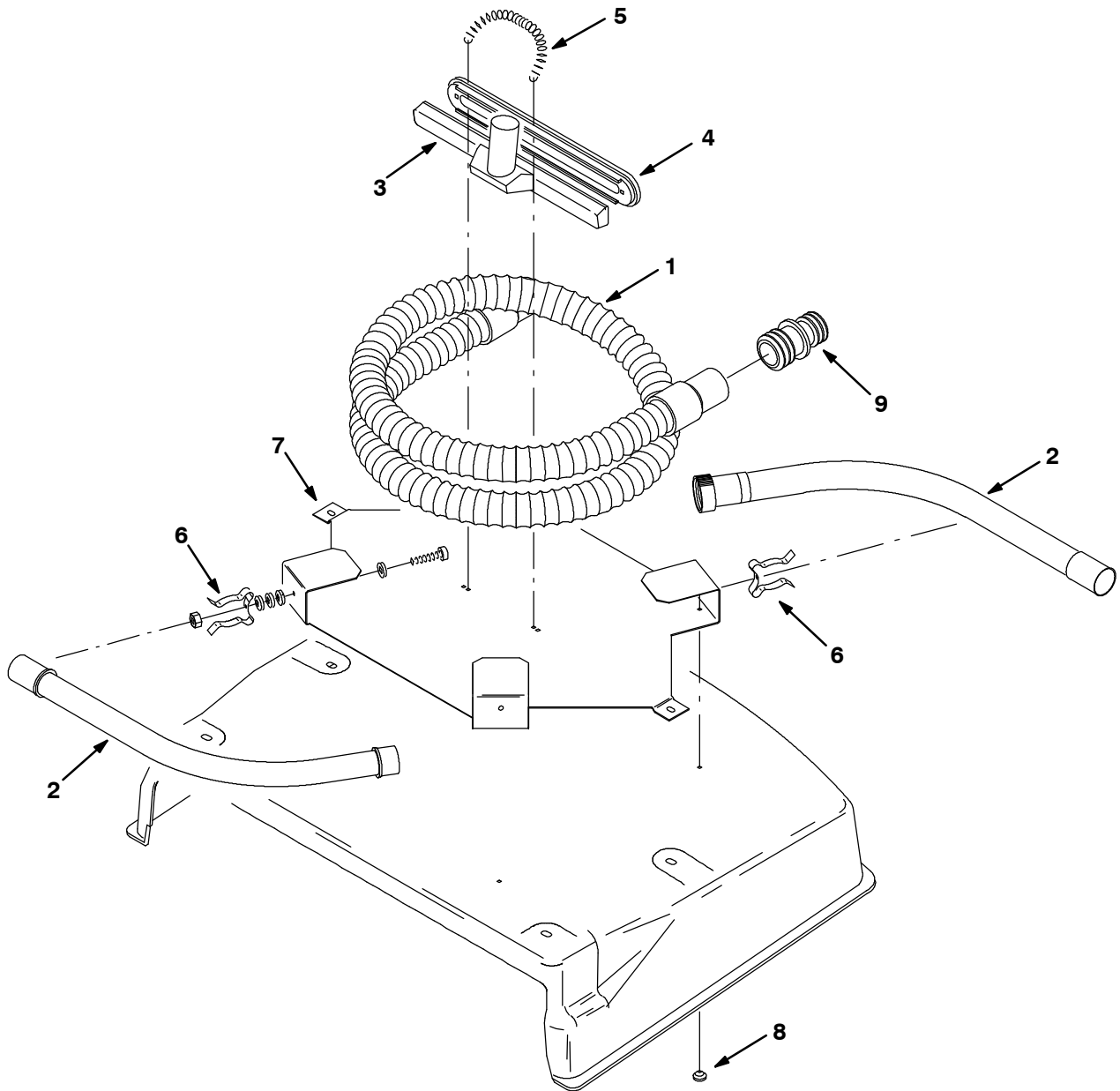
Fig. 9 - Suspension Slide Seat Kit



06062-06062

Ref.	Tennant Part No.	Machine Serial Number	Description	Qty.
▽	14971	(000000-) Seat, Suspension Slide	1
▲ 1	14657	(000000-) Rail, Slide Adjuster	1
▲ 2	14724	(000000-) Bracket Assembly, Seat	1
▲ 3	14998	(000000-) Plate, Seat Mounting	1
▲ 4	14514	(000000-) Bracket, Seat Support	2

Fig. 10 - Vacuum Wand Kit



06064-06064

Ref.	Tennant Part No.	Machine Serial Number	Description	Qty.	
▽	14465	(000000-) Wand Kit, Vacuum	1	
▲	1	86767	(000000-) Hose and Cuff Assembly	1
▲	2	63448	(000000-) Wand, Metal, 2 Piece	1
▲	3	63451	(000000-) Nozzle, Plastic Wand	1
▲	4	63430	(000000-) Shoe, Plastic Squeegee	1
▲	5	50304	(000000-) Spring	1
▲	6	67004	(000000-) Clip, Finger Grip	4
▲	7	14951	(000000-) Wand Kit, Cradle	1
▲	8	29233	(000000-) Bumper	4
▲	9	48609	(000000-) Ftg-Plstc Str	1

Fig. 11 - Seat Support Group, Heavy Duty Battery

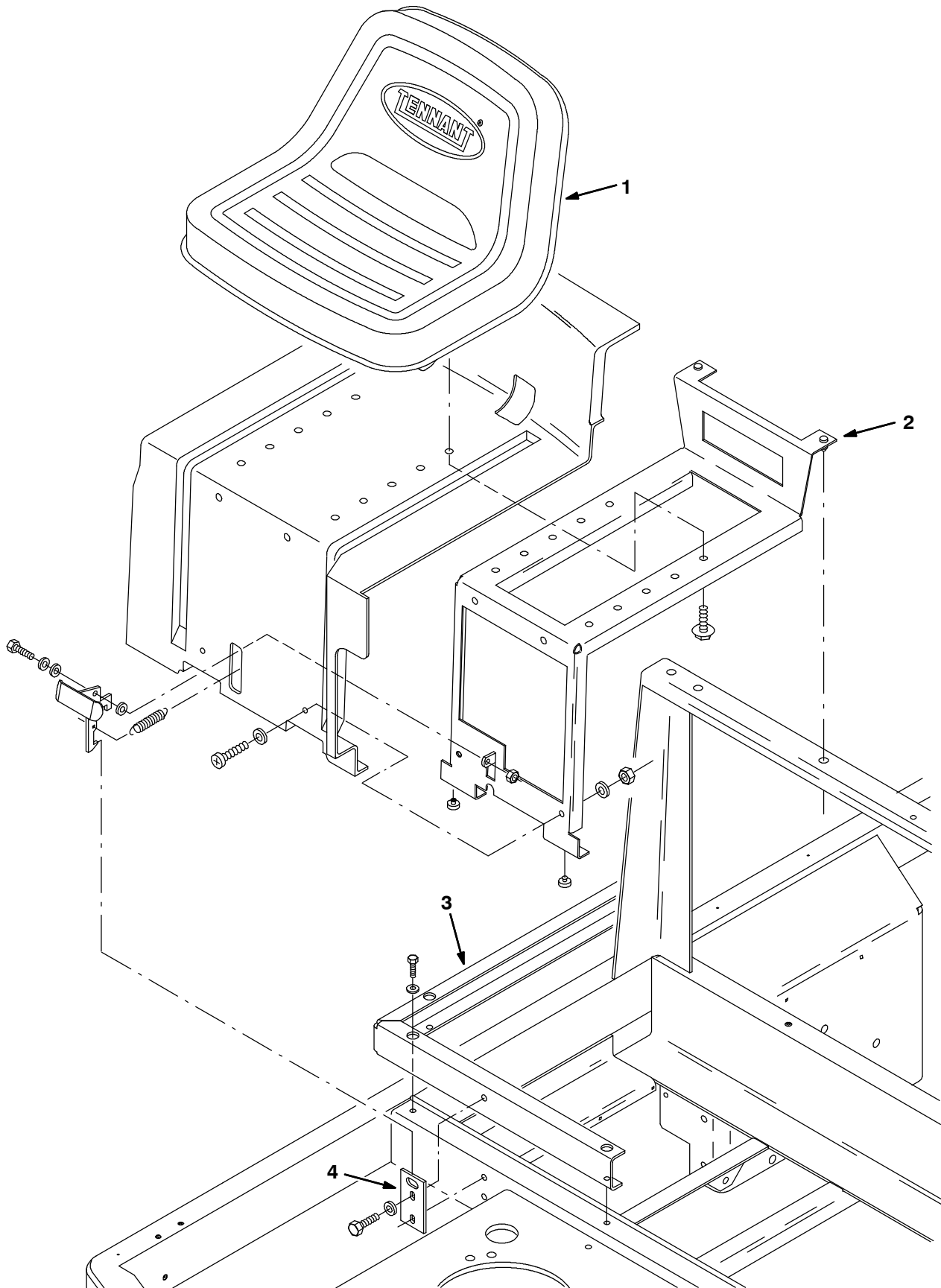


Fig. 11 - Seat Support Group, Heavy Duty Battery

Ref.	Tennant Part No.	Machine Serial Number	Description	Qty.
1	363199	(000000-) Panel, Shroud, Seat Support	1
2	363200	(000000-) Seat Wldt, Support	1
3	363202	(000000-) Channel, Mtg, Seat Support	1
4	363203	(000000-) Plate, Strike	1

Fig. 12 - Heavy Duty Motor Kit for Max Pro™ 1000 Two-Brush System

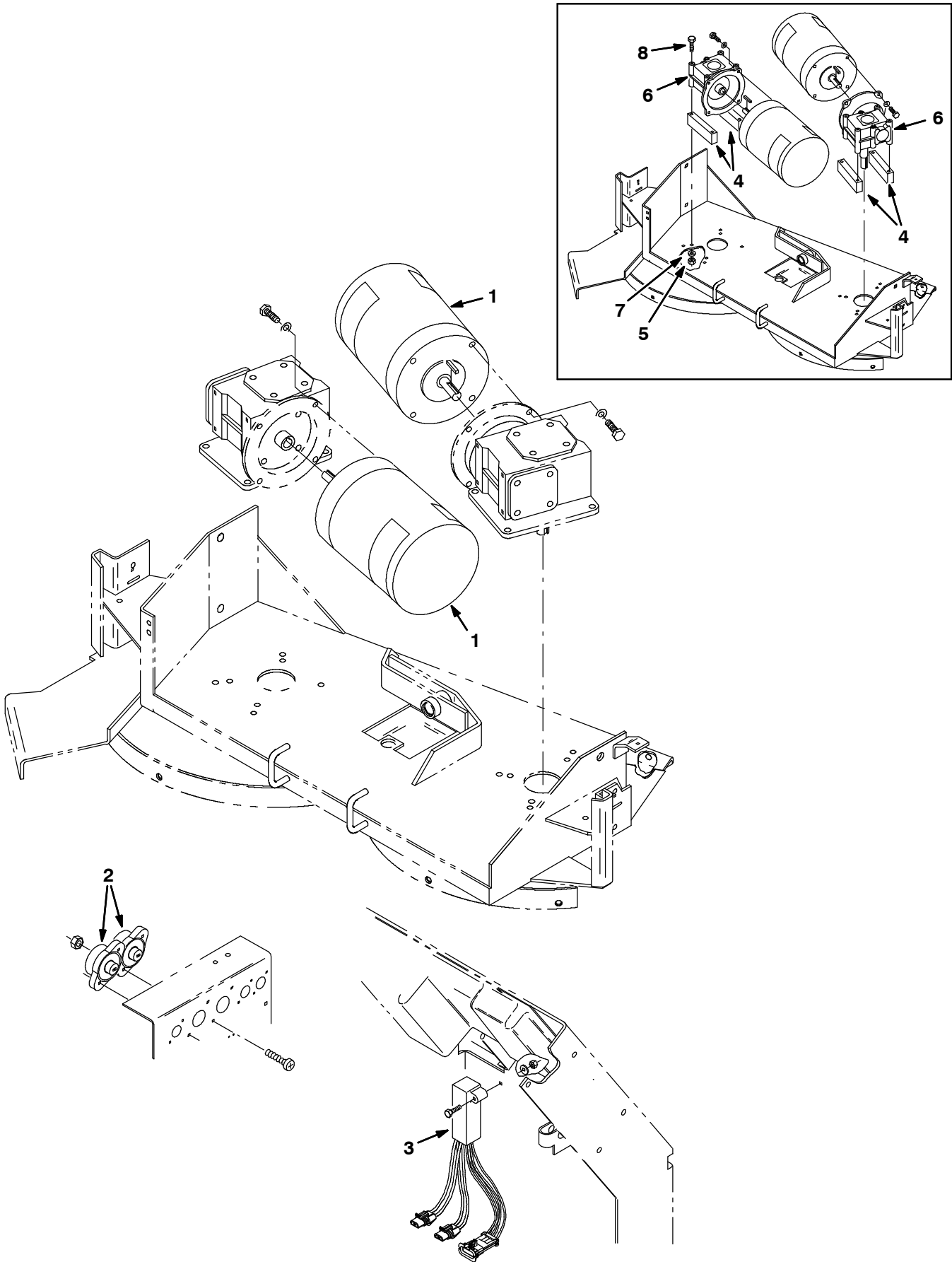


Fig. 12 - Heavy Duty Motor Kit for Max Pro™ 1000 Two-Brush System

	Ref.	Tennant Part No.	Machine Serial Number	Description	Qty.
∇		16966	(000000-) Motor Kit, Heavy Duty	1
▲	1	16225	(000000-) Motor (See Breakdowns) (Replaced by 377369)	2
▲	2	375119	(000000-) Breaker, Circuit, 50 A	2
▲	3	363237	(004287-) Shunt, 2 Hd Mtrs	1
	4	16891	(000000- xxxxxx)	Spacer, Gearbox	4
	5	08713	(000000- xxxxxx)	Nut, Hex	8
	6	16226	(000000- xxxxxx)	Gearbox (Repl by 375066) (See Breakdowns)	2
	7	01685	(000000- xxxxxx)	Washer, Flat, .31 Ss	2
	8	14455	(000000- xxxxxx)	Screw, Hex	8

Fig. 13 - Transport Kit

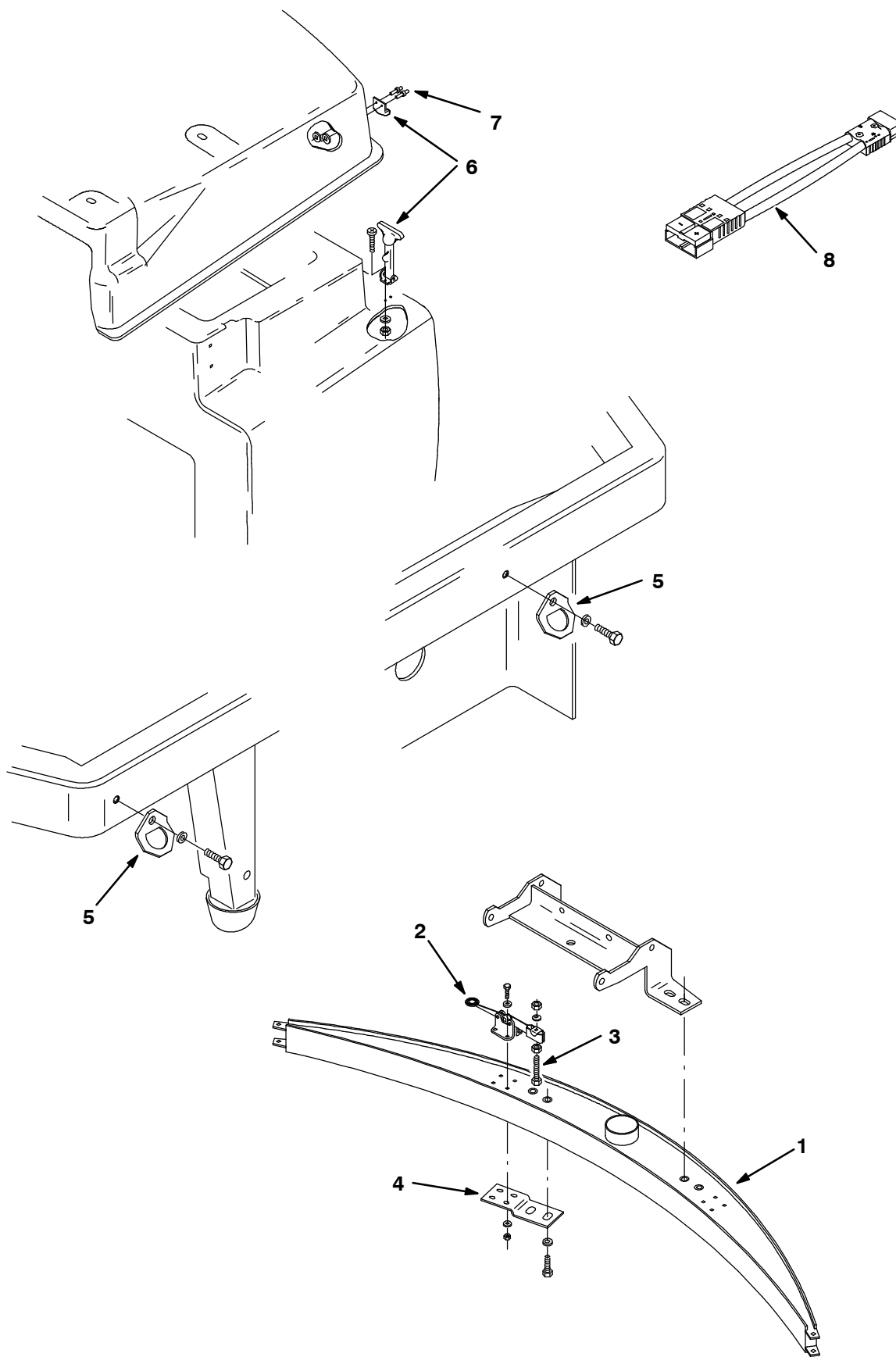
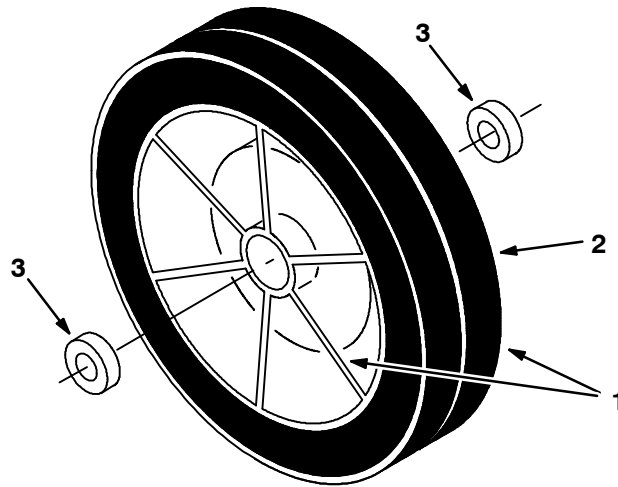


Fig. 13 - Transport Kit

	Ref.	Tennant Part No.	Machine Serial Number	Description	Qty.
▽		363018	(000000-) Transport Kit	1
▲	1	41392	(000000-) Frame Squeege Quick	1
▲	2	15513	(000000-) Clamp Toggle	2
▲	3	39612	(000000-) Scr-Hex .31-18X2.00 Full Thd	2
▲	4	16179	(000000-) Bracket	2
▲	5	14983	(000000-) Bracket Tie Down	4
▲	6	11636	(000000-) Latch, Draw, Flexible	2
▲	7	56799	(000000-) Rivet Pop-.125Dx.38X.25Dhd Al	4
▲	8	363480	(000000-) Adapter, Wire	1

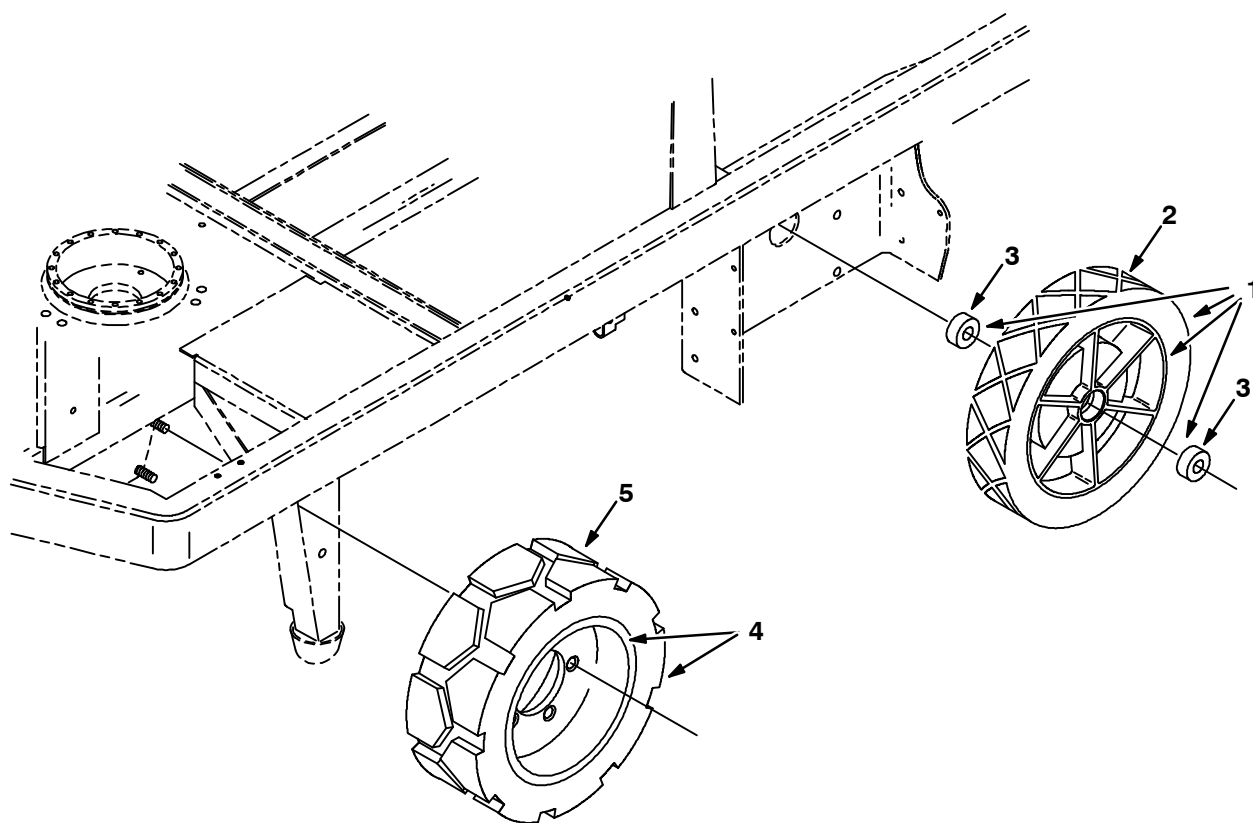
Fig. 14 - Grooved Tire Assembly



10713-06063

	Ref.	Tennant Part No.	Machine Serial Number	Description	Qty.
▽	1	363175	(000000-) Tire Assy, Grooved	2
▲	2	33320	(000000-) Tire, 16 X 3.5 X 12.13 Grooved	1
▲	3	360074	(000000-) Bearing-Ball,1.18B 2.44D 0.63W	2

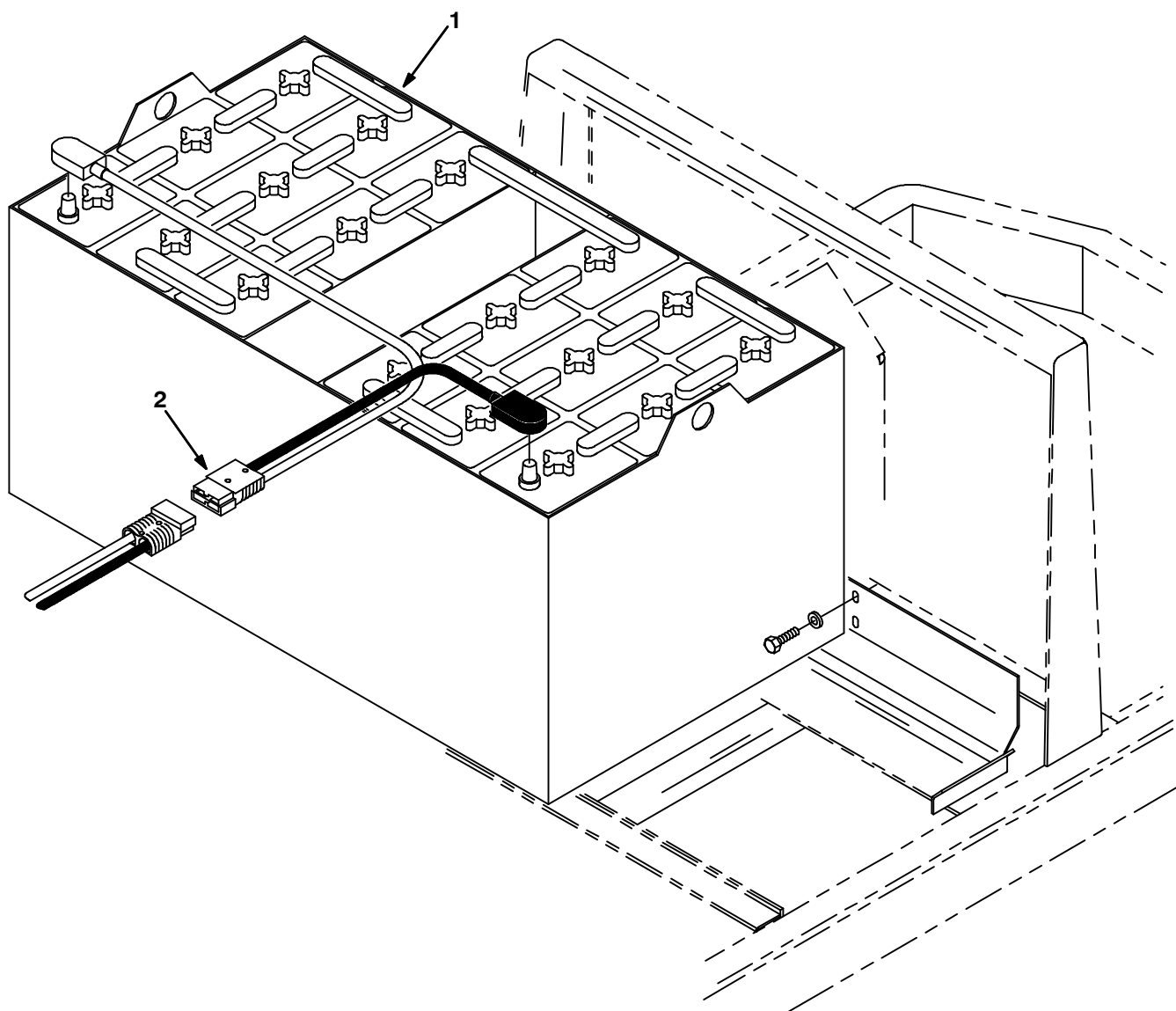
Fig. 15 - Non-Mark, Non-Skid Tires



10714-08039

	Ref.	Tennant Part No.	Machine Serial Number	Description	Qty.
▽	1	363413	(000000-) Tire Assy, Non-Skid, 16 X 3.5	2
▲	2	48588	(000000-) Tire 16.0x3.5x12.1 Non Skid	2
▲	3	360074	(000000-) Bearing-Ball,1.18B 2.44D 0.63W	2
▽	4	48591	(000000-) Tire, Non-Skid, 16.25 X 6	1
▲	5	48589	(000000-) Tire 16.25X6.00X11.25 Non Skid	1

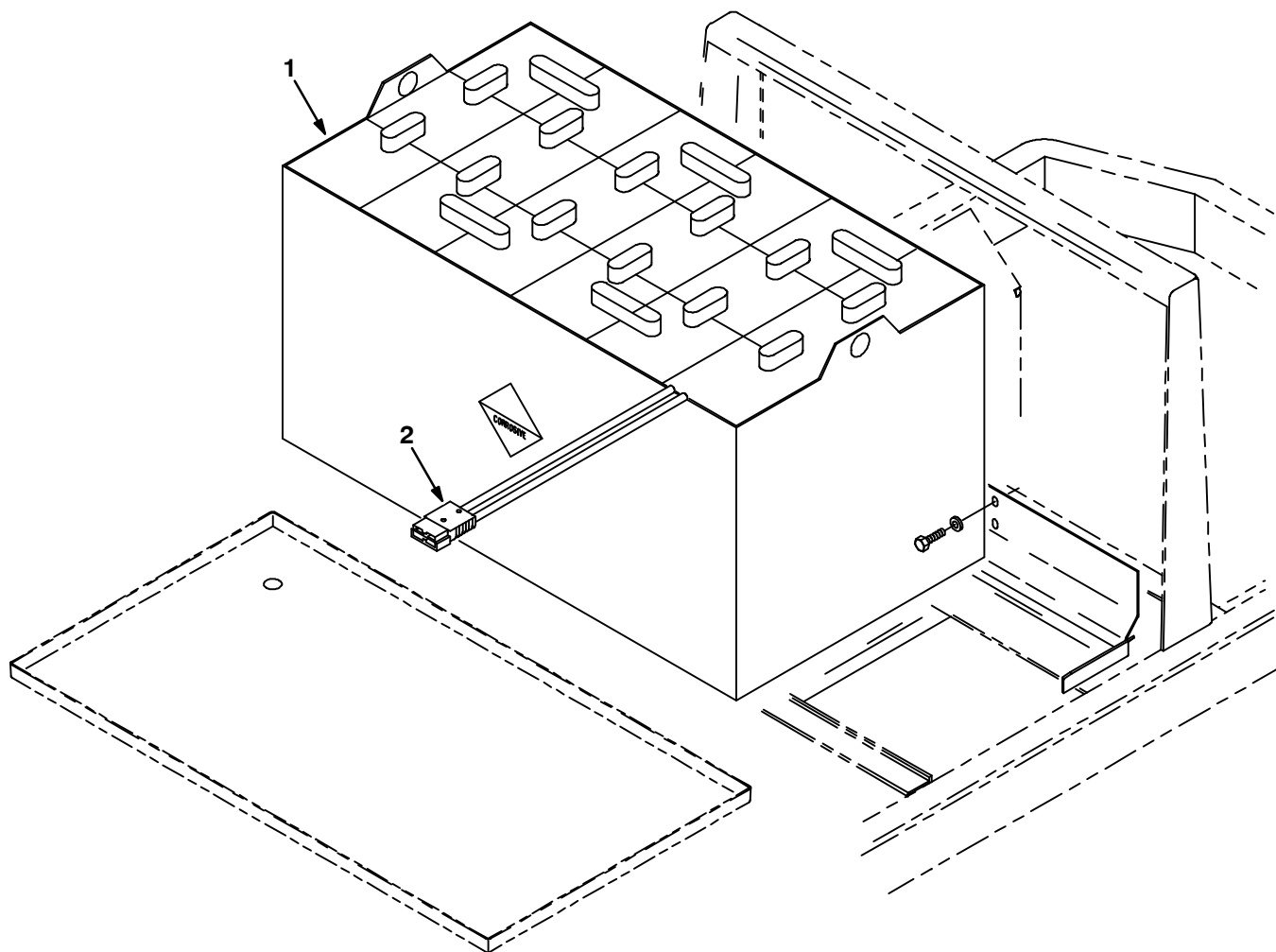
Fig. 16 - Battery Group



10716-06043

	Ref.	Tennant Part No.	Machine Serial Number	Description	Qty.
▽	1	363305	(000000-)	Battery, 36V 380Ah Wet	1
▲	2	01726	(000000-)	Connector,	1

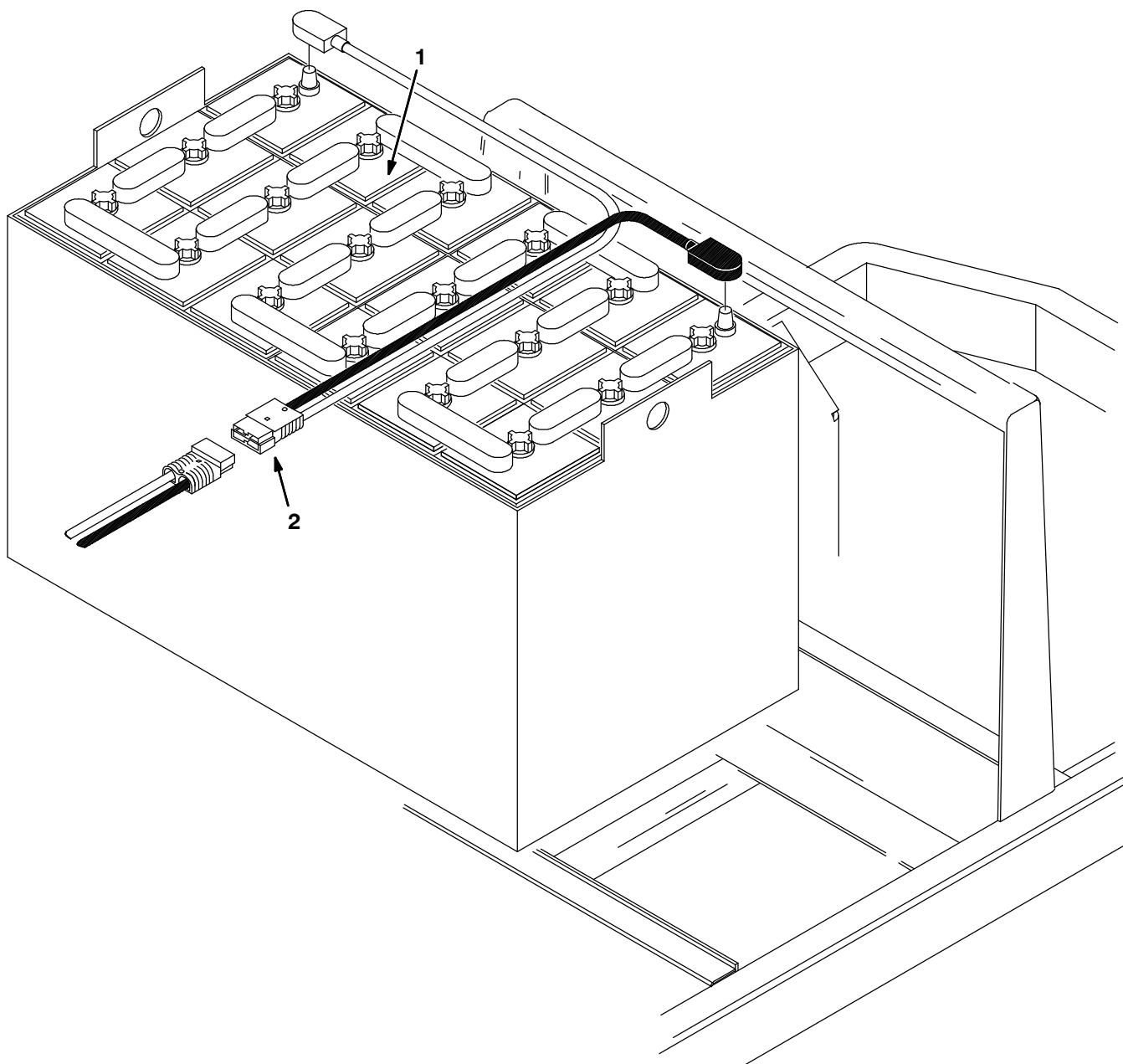
Fig. 17 - Battery Kit, 420 A/h, Wet



10717-06050

	Ref.	Tennant Part No.	Machine Serial Number	Description	Qty.
▽	1	363306	(000000-) Battery, 36V-420Ah, Wet	1
▲	2	01726	(000000-) Connector,	1

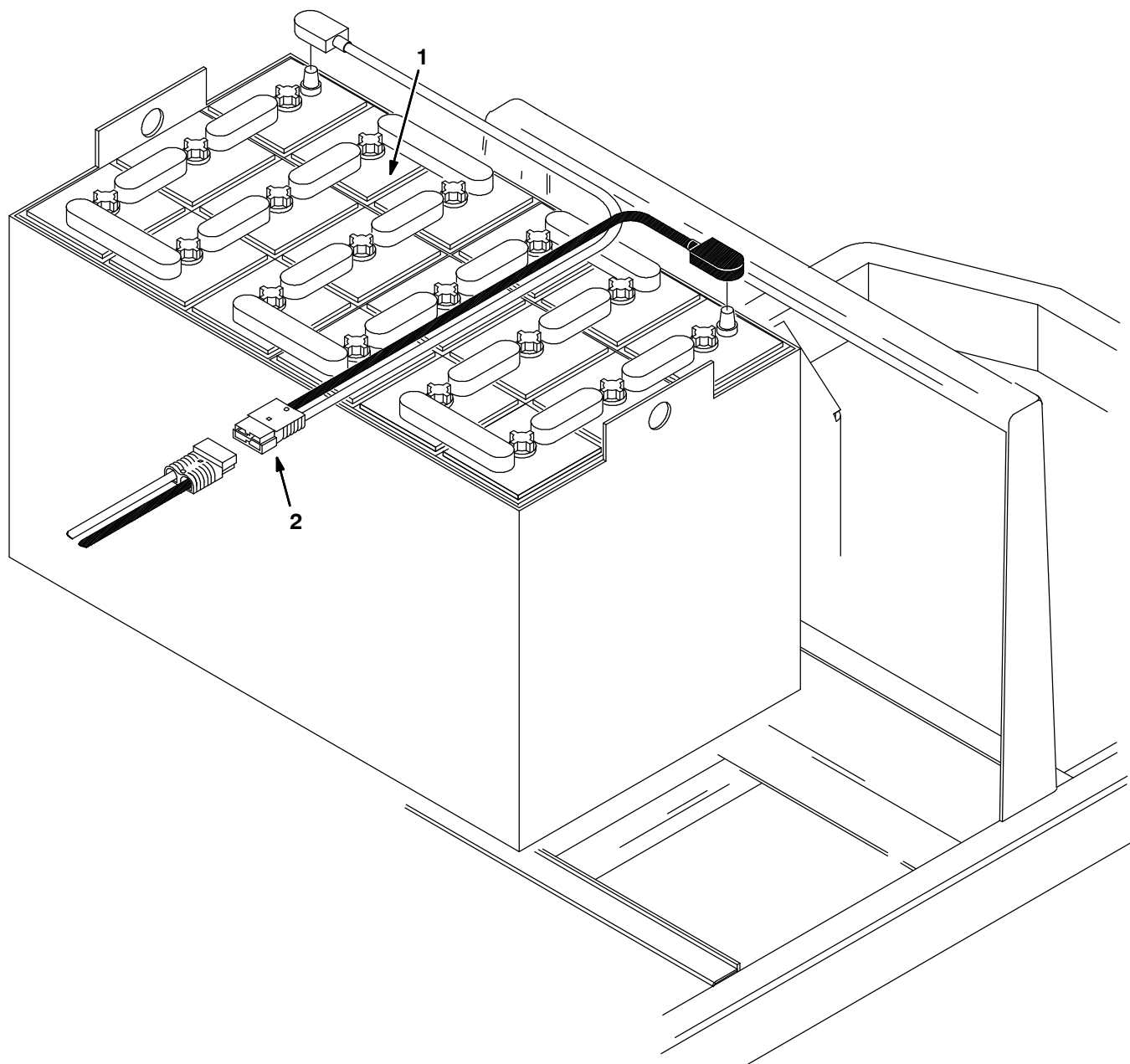
Fig. 18 - Battery Kit, 690 A/h, Wet



10375-10376

	Ref.	Tennant Part No.	Machine Serial Number	Description	Qty.
▽	1	363153	(000000-)	Battery, 36V-690A/h, Wet	1
▲	2	01726	(000000-)	Connector,	1

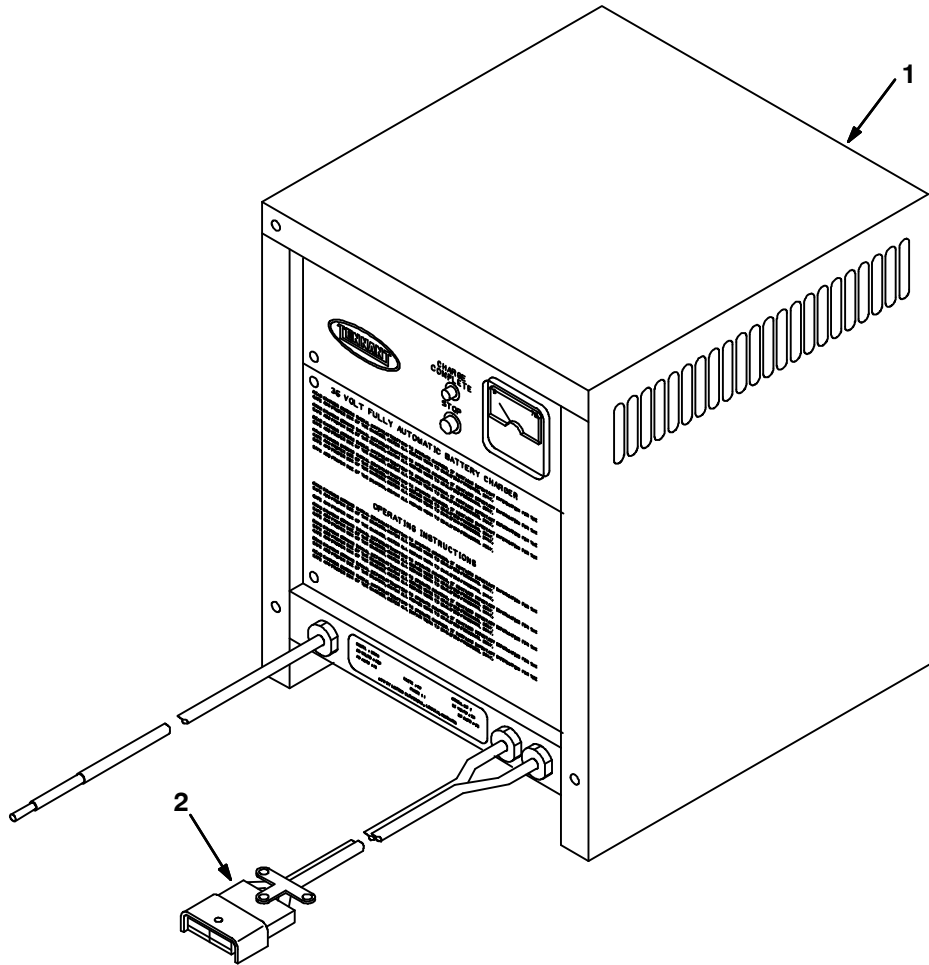
Fig. 19 - Battery Kit, 700 A/h, Dry, International Only



10715-10376

	Ref.	Tennant Part No.	Machine Serial Number	Description	Qty.
▽	1	363304	(000000-)	Battery, 36V 700A/h, Dry	1
▲	2	01726	(000000-)	Connector,	1

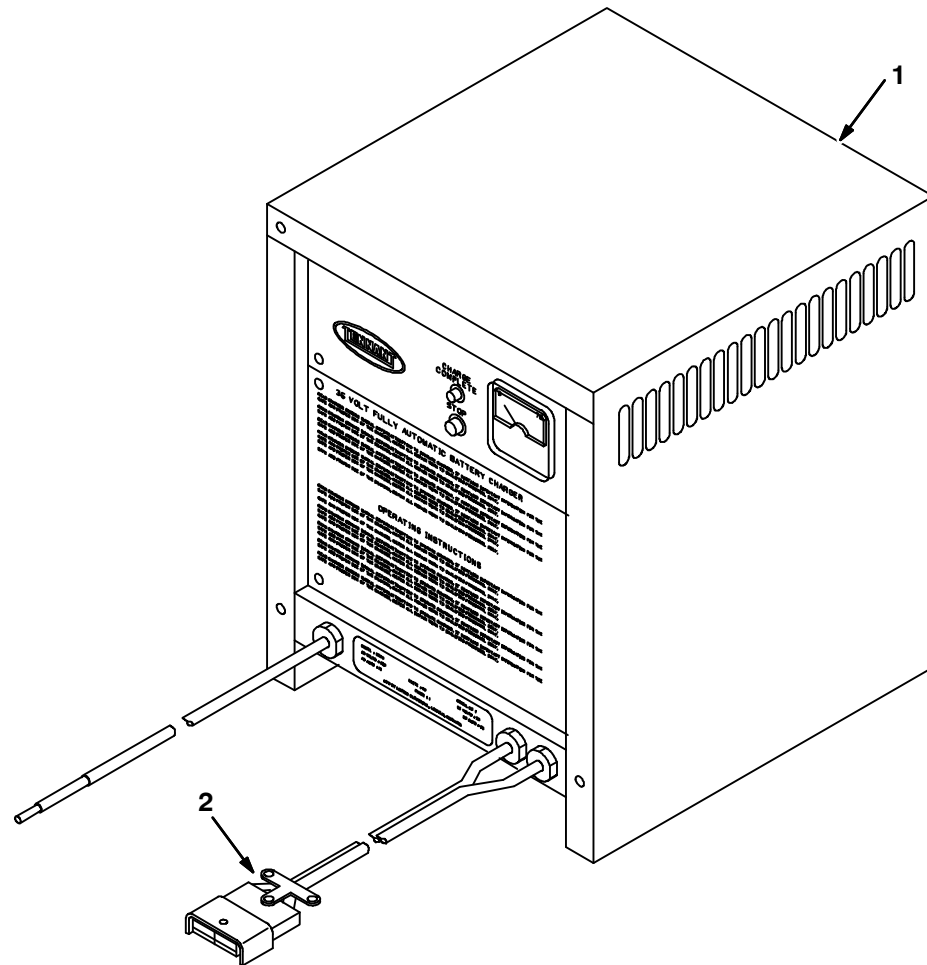
Fig. 20 - Battery Charger Group, 380 A/h Batteries, 60Hz



10720-06049

	Ref.	Tennant Part No.	Machine Serial Number	Description	Qty.
▽	1	363354	(000000-)	Charger Fi, 36V/50A 60Hz/1Ph	1
▲	2	01726	(000000-)	Connector,	1
▽	1	363352	(000000-)	Charger, 36V/075A 60Hz/3Ph	1
▲	2	01726	(000000-)	Connector,	1
▽	1	363510	(000000-)	Charger, 36V/045A 60Hz/1Ph	1
▲	2	01726	(000000-)	Connector,	1

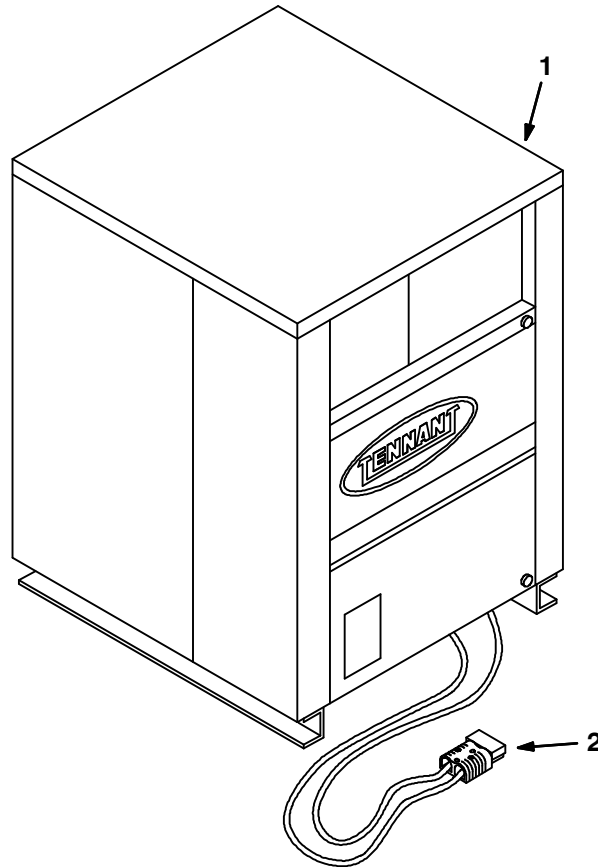
Fig. 21 - Battery Charger Group, 380 A/h Batteries, 50Hz, International Only



10721-06049

	Ref.	Tennant Part No.	Machine Serial Number	Description	Qty.
▽	1	363509	(000000-)	Charger, 36V/050A 50Hz/1Ph	1
▲	2	01726	(000000-)	Connector,	1
▽	1	363512	(000000-)	Charger, 36V/075A 50Hz/3Ph	1
▲	2	01726	(000000-)	Connector,	1
▽	1	363510	(000000-)	Charger, 36V/045A 60Hz/1Ph	1
▲	2	01726	(000000-)	Connector,	1

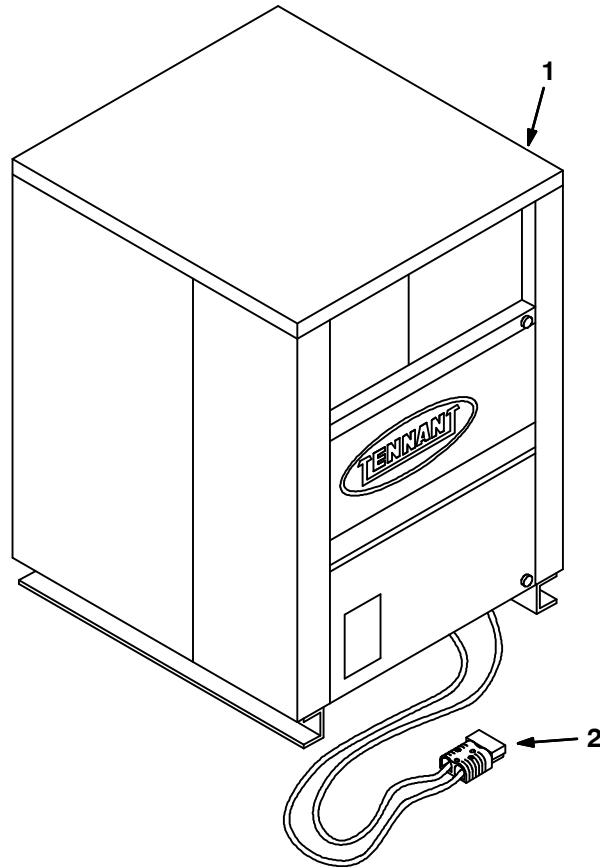
Fig. 22 - Battery Charger Group, 420 A/h Batteries, 60Hz



10722-07528

	Ref.	Tennant Part No.	Machine Serial Number	Description	Qty.
▽	1	363353	(000000-) Charger, 36V/75A 60Hz/1Ph	1
▲	2	01726	(000000-) Connector,	1
▽	1	363352	(000000-) Charger, 36V/075A 60Hz/3Ph	1
▲	2	01726	(000000-) Connector,	1

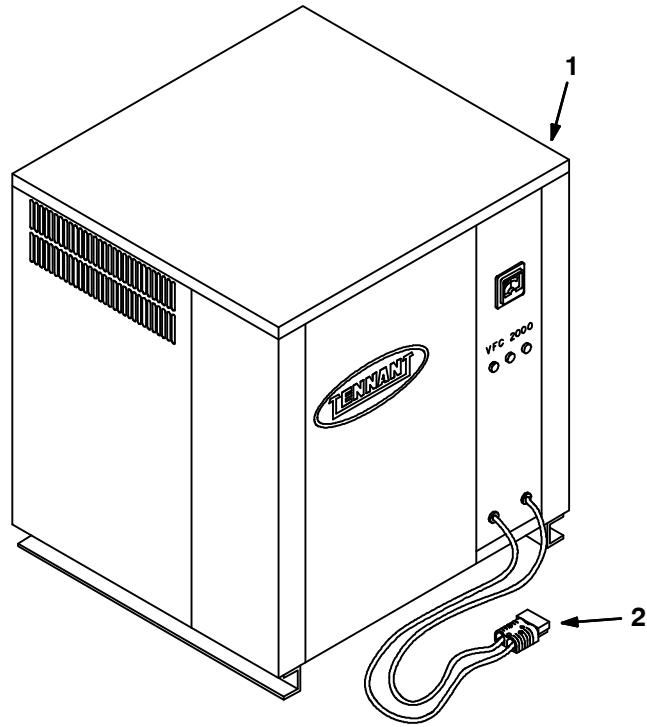
Fig. 23 - Battery Charger Group, 420 A/h Batteries, 50Hz, International Only



10723-07528

	Ref.	Tennant Part No.	Machine Serial Number	Description	Qty.
▽	1	363511	(000000-) Charger, 36V/075A 50Hz/1Ph	1
▲	2	01726	(000000-) Connector,	1
▽	1	363512	(000000-) Charger, 36V/075A 50Hz/3Ph	1
▲	2	01726	(000000-) Connector,	1

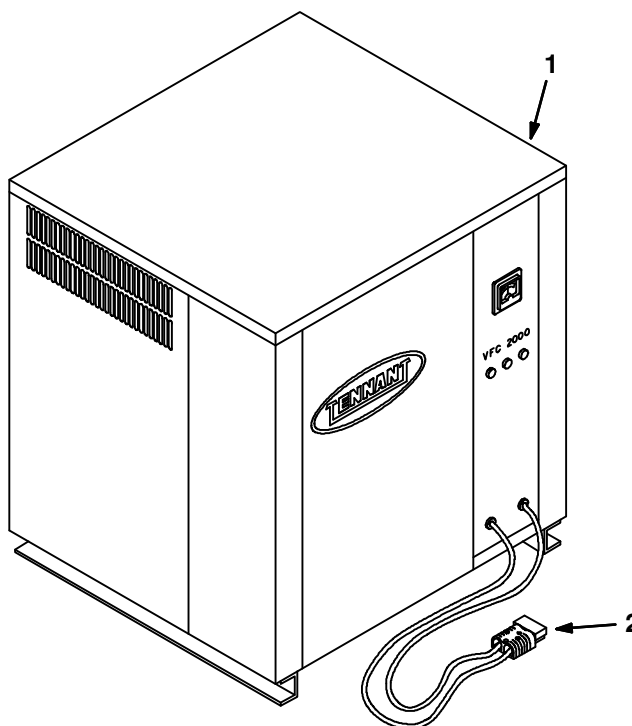
Fig. 24 - Battery Charger Group, 690 A/h Batteries, 60Hz



10724-06051

	Ref.	Tennant Part No.	Machine Serial Number	Description	Qty.
▽	1	363507	(000000-) Charger 36V/120A 60Hz/1Ph	1
▲	2	01726	(000000-) Connector,	1
▽	1	363508	(000000-) Charger, 36V/120A 60Hz/3Ph	1
▲	2	01726	(000000-) Connector,	1

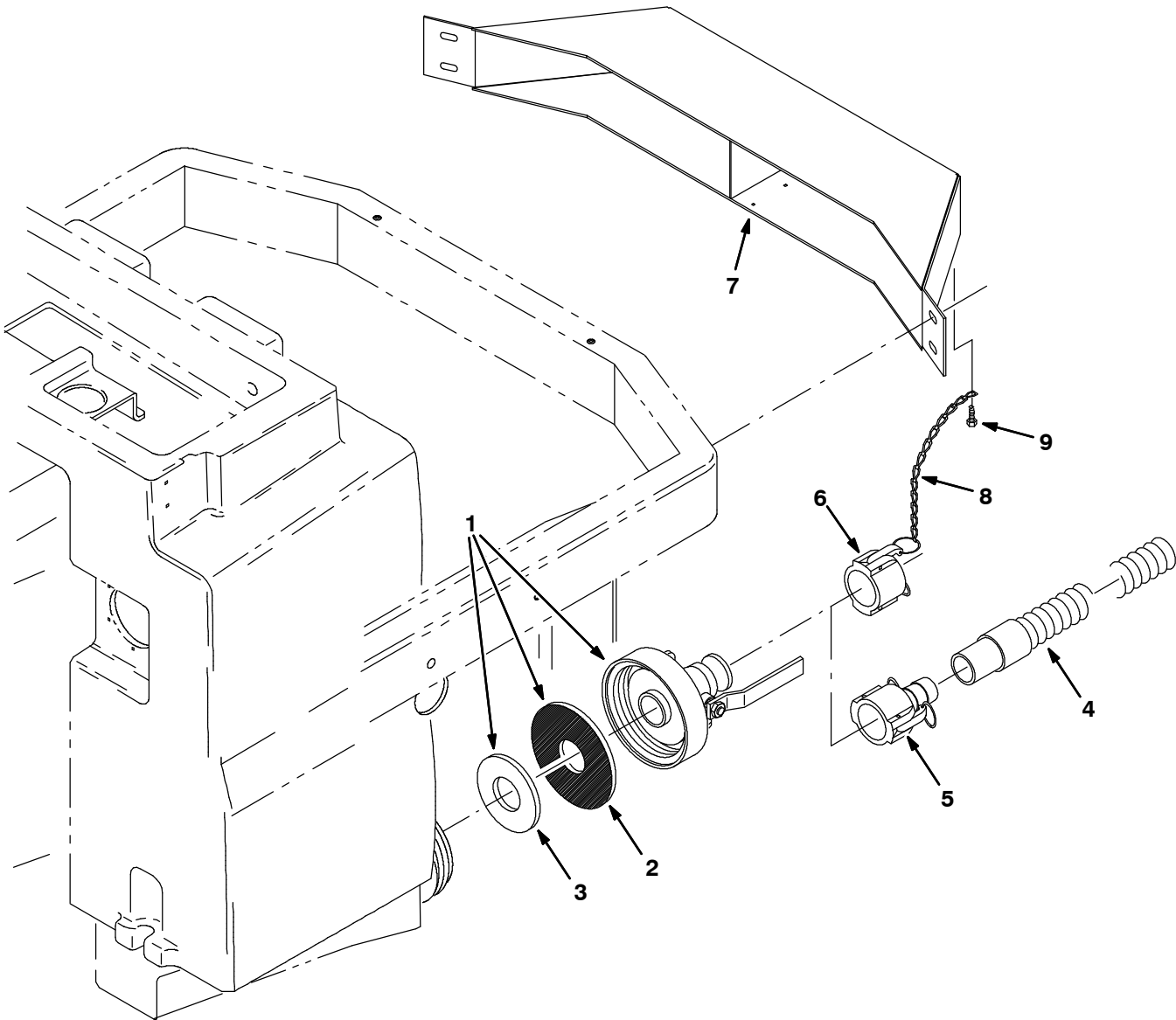
Fig. 25 - Battery Charger Group, 630 A/h Batteries, 50Hz, International Only



10725-06051

	Ref.	Tennant Part No.	Machine Serial Number	Description	Qty.
▽	1	363513	(000000-) Charger, 36V/120A 50Hz/1Ph	1
▲	2	01726	(000000-) Connector,	1
▽	1	363514	(000000-) Charger, 36V/120A 50Hz/3Ph	1
▲	2	01726	(000000-) Connector,	1

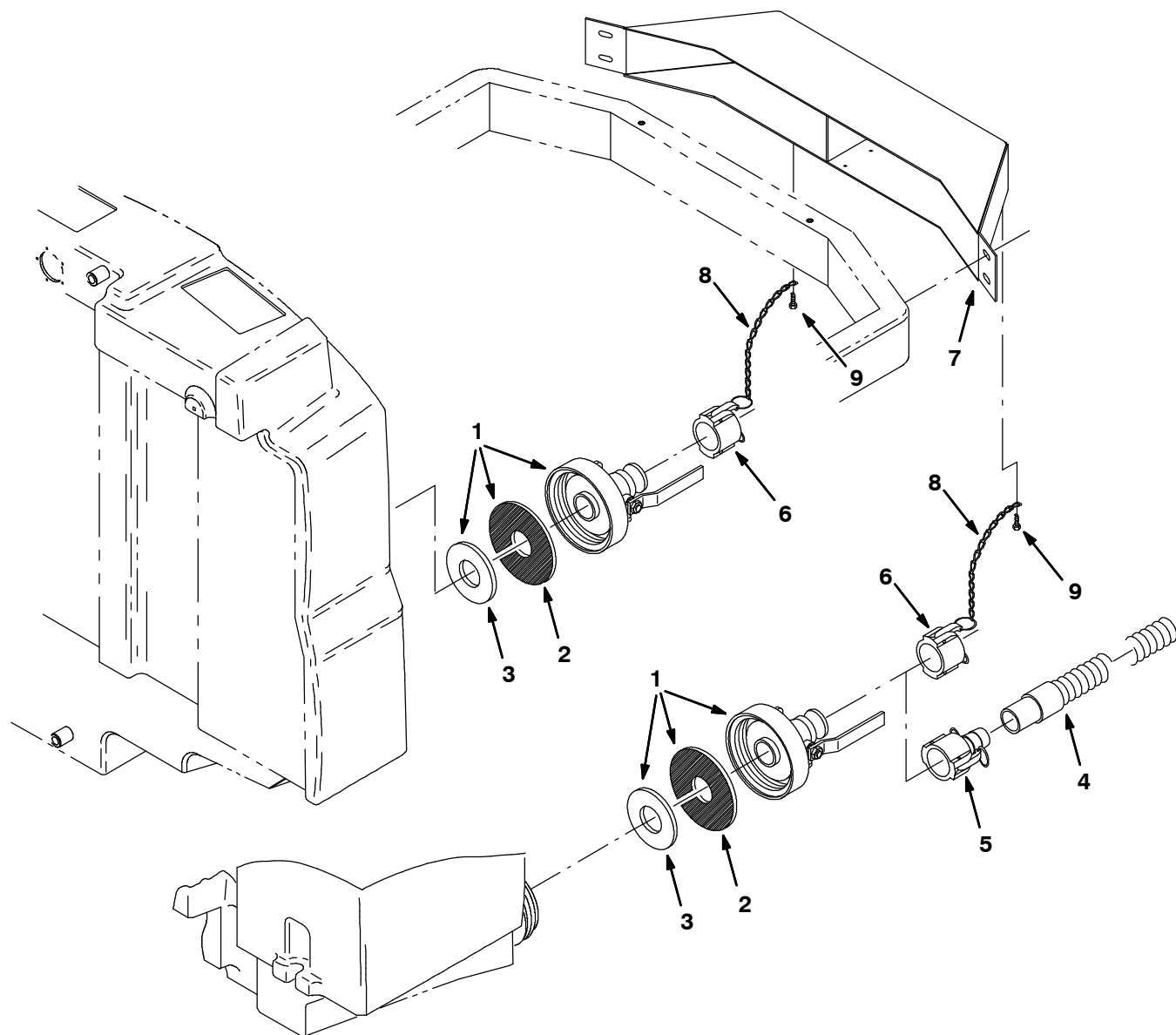
Fig. 26 - Positive Solution Control Drain Kit, Std



10198-10199

Ref.	Tenant Part No.	Machine Serial Number	Description	Qty.
▽	48725	(000000-) Posi-Sol Control Drain Sys Kit	1
▲▽	1 48739	(000000-) Cap Assy, Pos Drain	1
▲▲	23456	(000000-) Cap, Drain	1
▲▲	375014	(000000-) Kit, Valve Handle	1
▲▲	374618	(000000-) Ball and Seal Kit	1
▲▲	2 20933	(000000-) Gasket	1
▲▲	3 20932	(000000-) Washer, Polyethylene	1
▲	4 75635	(000000-) Hose & Cuff Assy	1
▲	5 48734	(000000-) Coupler, Female X Hose Shank	1
▲	6 48733	(000000-) Cap, Dust	1
▲	7 48738	(000000-) Bumper Wldt	1
▲	8 19903	(000000-) Chain,Sash#35 ,13Links,Zn 7.15	1
▲	9 16944	(000000-) Scr-Hxfgmgm 4X0.7 10 Pltd	1

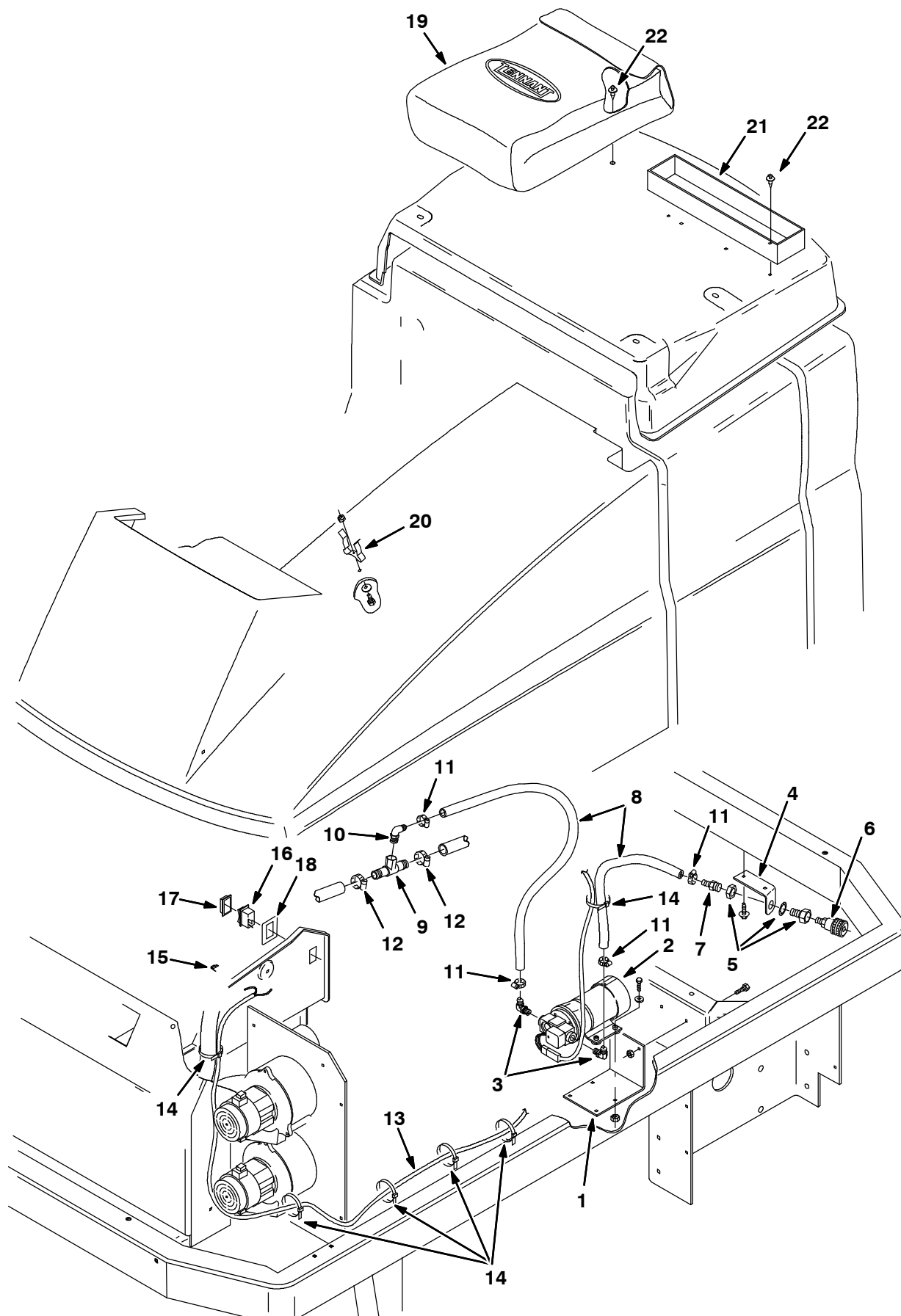
Fig. 27 - Positive Solution Control Drain Kit, ES™



10200-10201

Ref.	Tennant Part No.	Machine Serial Number	Description	Qty.
▽	48726	(000000-) Posi-Sol Control Drain Sys Es	1
▲▽	1 48739	(000000-) Cap Assy, Pos Drain	2
▲▲	23456	(000000-) Cap, Drain	1
▲▲	375014	(000000-) Kit, Valve Handle	1
▲▲	374618	(000000-) Ball and Seal Kit	1
▲▲	2 20933	(000000-) Gasket	1
▲▲	3 20932	(000000-) Washer, Polyethylene	1
▲	4 75635	(000000-) Hose & Cuff Assy	1
▲	5 48734	(000000-) Coupler, Female X Hose Shank	1
▲	6 48733	(000000-) Cap, Dust	2
▲	7 48738	(000000-) Bumper Wldt	1
▲	8 19903	(000000-) Chain,Sash#35 ,13Links,Zn 7.15	2
▲	9 16944	(000000-) Scr-Hxfmgm 4X0.7 10 Pltd	2

Fig. 28 - Power Wand Mount and Pump Group

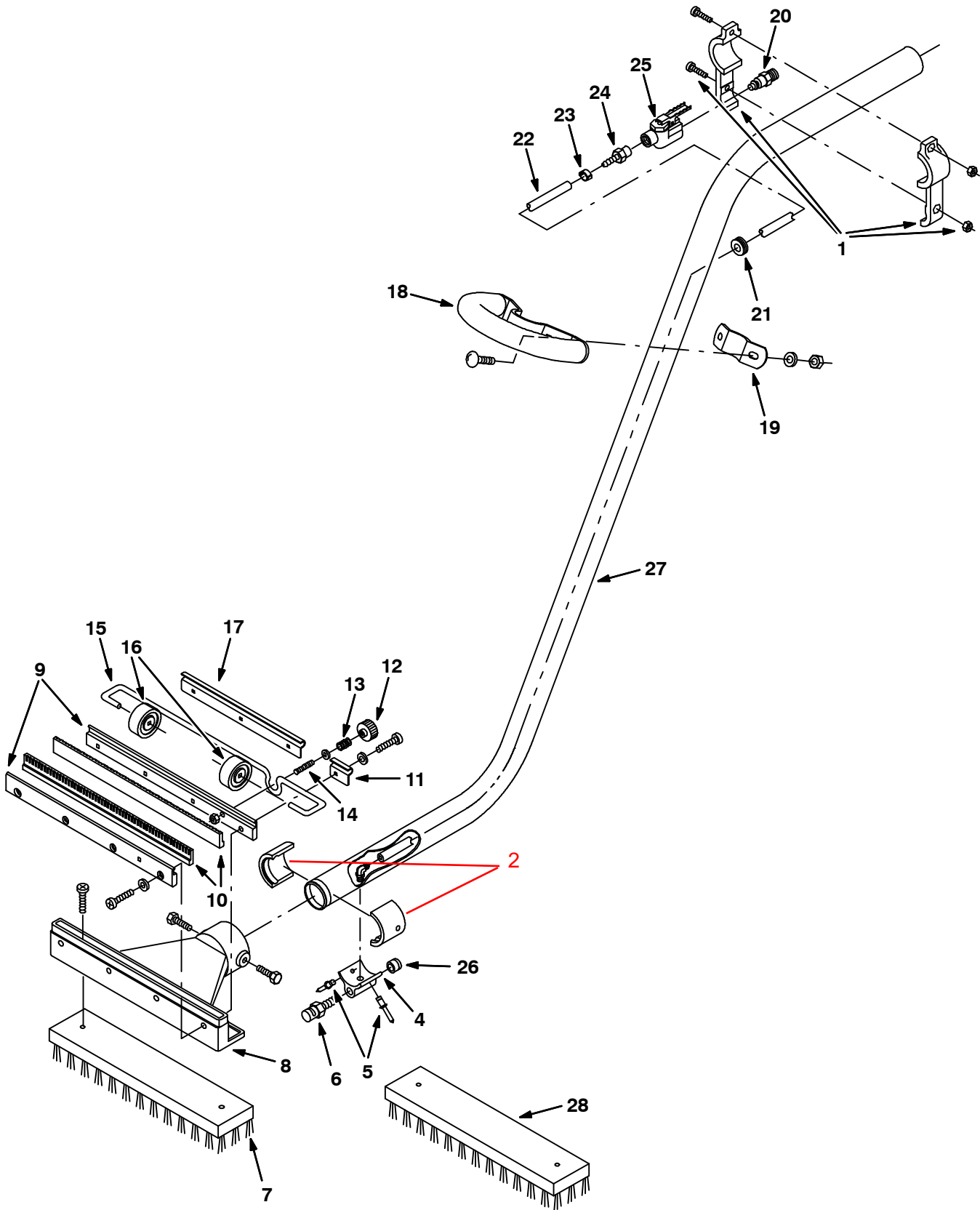


NOTE: Power Wand Kit, TENNANT Part Number 48601, includes Fig. 28, Fig. 29, Fig. 30.

Fig. 28 - Power Wand Mount and Pump Group

Ref.	Tennant Part No.	Machine Serial Number	Description	Qty.
1	48606	(000000-) Bracket, Mounting, Pump	1
2	65590	(000000-) Pump, Power Wand (See Breakdowns)	1
3	65581	(000000-) Fitting, Plastic, EI90.25Npt	2
4	48607	(000000-) Bracket, Mounting, Valve	1
5	78122	(000000-) Ftg,Bulkhead .25Npt Wh W21204	1
6	65342	(000000-) Fitting-Brs,Female Quick Conn	1
7	48610	(000000-) Fitting, Plastic .25Npt.50Barb	1
8	65588	(000000-) Hose, Pvc .50Idx.73Od 37.0Lg	2
9	64740	(000000-) Ftg,Plstc,Tee,Barb.75-.50Pt-.7	1
10	63244-1	(000000-) Ftg,Plstc,Elb,Barb.50Pt-.50Hse	1
11	54333	(000000-) Clamp-Wormdrive, 0.31- 0.88D	4
12	63810	(000000-) Clamp-Wormdrive, 0.56- 1.06D	2
13	48608	(000000-) Harness, Wire, Power Wand	1
14	49266	(000000-) Tie, Cable 1.75D Max 7.50Lg	6
15	27184	(000000-) Connector,3-Way Quick-Disc.	1
16	65557	(000000-) Switch, Rocker Spst Lighted36V	1
17	57807	(000000-) Cover, Rocker Switch Seal	1
18	19800	(000000-) Label, Solution Control-Nv	1
19	65580	(000000-) Bag, Power Wand	1
20	67004	(000000-) Clip-Finger Grip	1
21	61212	(000000-) Tray, Wand	1
22	72968	(000000-) Rivet, Plastic .25 x .89	7

Fig. 29 - Power Wand Assembly

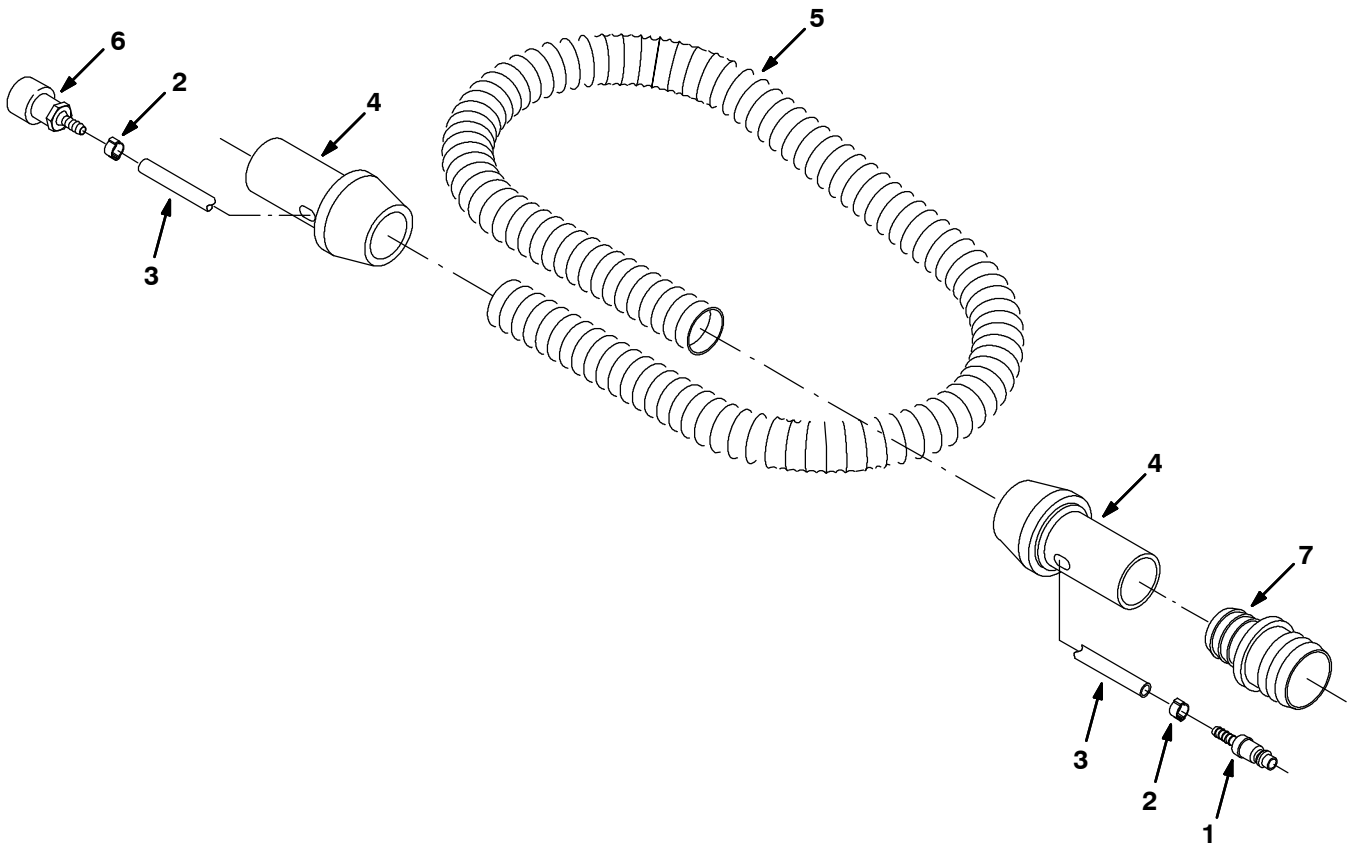


NOTE: Power Wand Kit, TENNANT Part Number 48601, includes Fig. 28, Fig. 29, Fig. 30.

Fig. 29 - Power Wand Assembly

Ref.	Tennant Part No.	Machine Serial Number	Description	Qty.
▽	65340	(000000-) Wand Assembly	1
▲ 1	578077	(000000-) Bracket, Valve Mounting	1
▲ 2	578061	(000000-) Adapter, Head	2
▲ 3	578214	(000000-) Fitting, 90° Elbow	1
▲ 4	578067	(000000-) Adapter, Nozzle	1
▲ 5	602036	(000000-) Rivet, Pop	2
▲ 6	578066	(000000-) Nozzle, Spray	1
▲ 7	65610	(000000-) Brush, Wand, Poly	1
▲ 8	578063	(000000-) Head, Wand	1
▲ 9	578078	(000000-) Strip, Retainer	2
▲ 10	578074	(000000-) Blade, Squeegee	2
▲ 11	578124	(000000-) Bracket, Axle	1
▲ 12	578439	(000000-) Knob, Adjustable, Squeegee	1
▲ 13	578228	(000000-) Spring, Compression	1
▲ 14	578143	(000000-) Stud, Adjustable	1
▲ 15	578126	(000000-) Axle, Wand	1
▲ 16	578125	(000000-) Wheel, Guide	2
▲ 17	578123	(000000-) Bracket, Axle	1
▲ 18	578155	(000000-) Handle, Wand	1
▲ 19	578154	(000000-) Bracket, Handle Mounting	1
▲ 20	578091	(000000-) Fitting, Quick Disconnect	1
▲ 21	578164	(000000-) Grommet	1
▲ 22	578821	(000000-) Hose, Solution	1
▲ 23	578161	(000000-) Clamp, Hose	2
▲ 24	578094	(000000-) Fitting, Straight	1
▲ 25	578064	(000000-) Valve, Water	1
▲ 26	150208	(000000-) Fitting, Plug	1
▲ 27	578060	(000000-) Wand, Off Aisle	1
▲ 28	65582	(000000-) Brush, Wand AB	1

Fig. 30 - Power Wand Hose Assembly

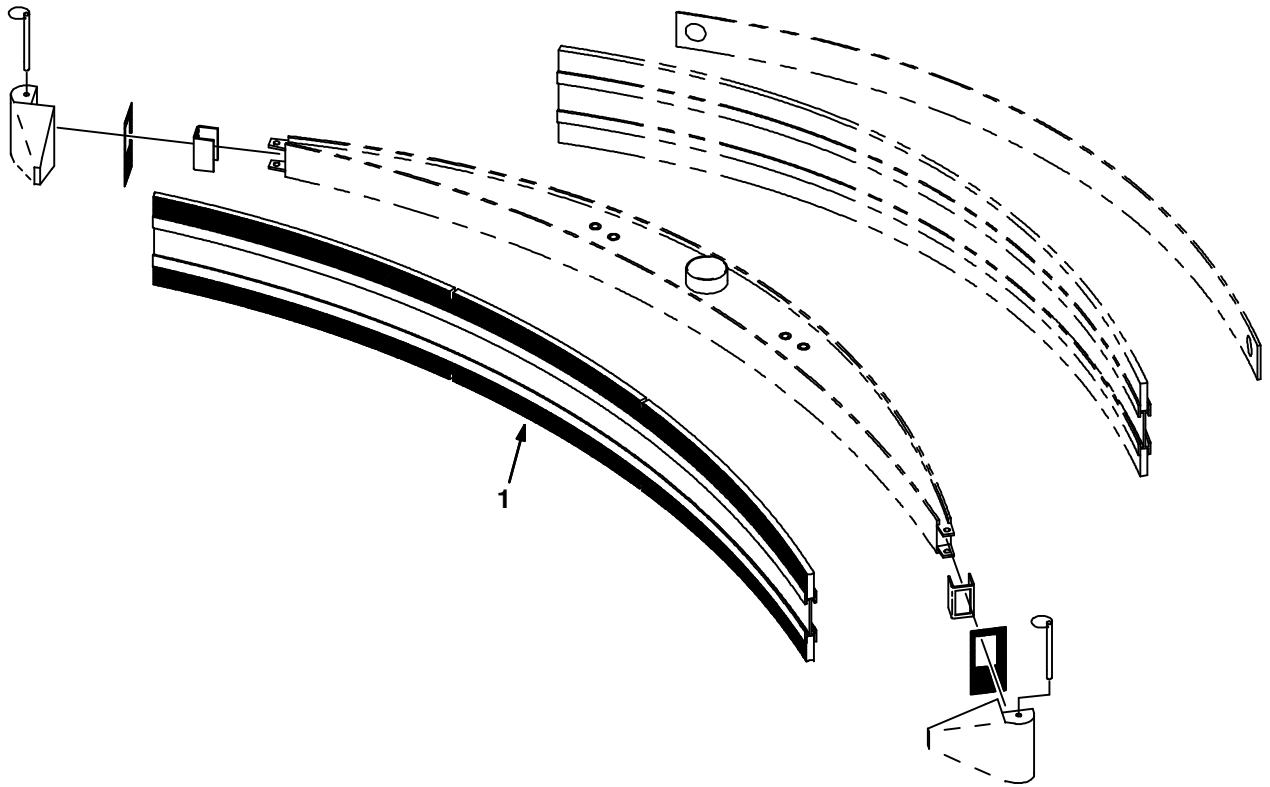


08045-08042

NOTE: Power Wand Kit, TENNANT Part Number 48601, includes Fig. 28, Fig. 29, Fig. 30.

Ref.	Tennant Part No.	Machine Serial Number	Description	Qty.
▽	65341	(000000-)	Hose Assembly	1
▲ 1	578318	(000000-)	Fitting, Quick Disconnect	1
▲ 2	578160	(000000-)	Clamp, Hose	2
▲ 3	578820	(000000-)	Hose	1
▲ 4	578072	(000000-)	Cuff, Swivel	2
▲ 5	578276	(000000-)	Hose, Vacuum	1
▲ 6	578071	(000000-)	Fitting, Quick Disconnect	1
7	48609	(000000-)	Fitting, Plastic	1

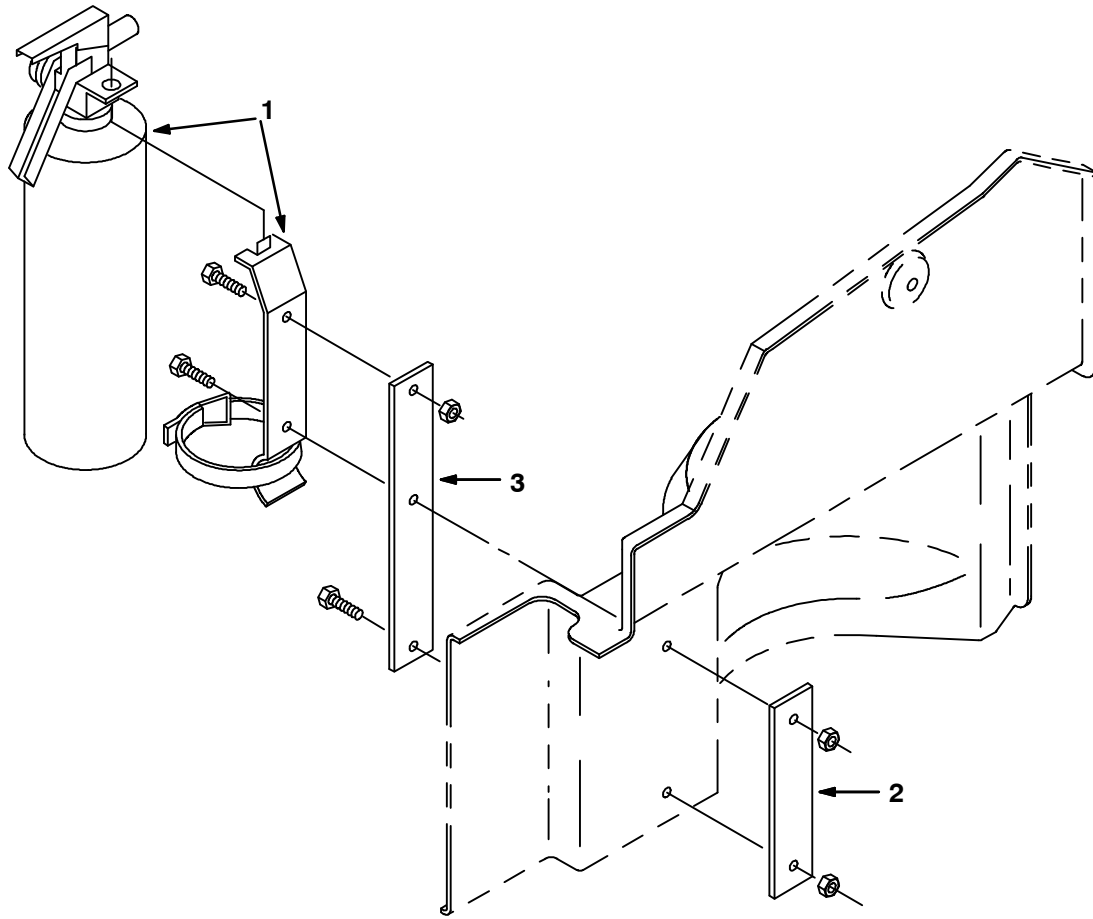
Fig. 31 - Front Squeegee Blade Group, Tile



06410-06410

Ref.	Tennant Part No.	Machine Serial Number	Description	Qty.
1	32600	(000000-) Front Squeegee Blade, Tile	1

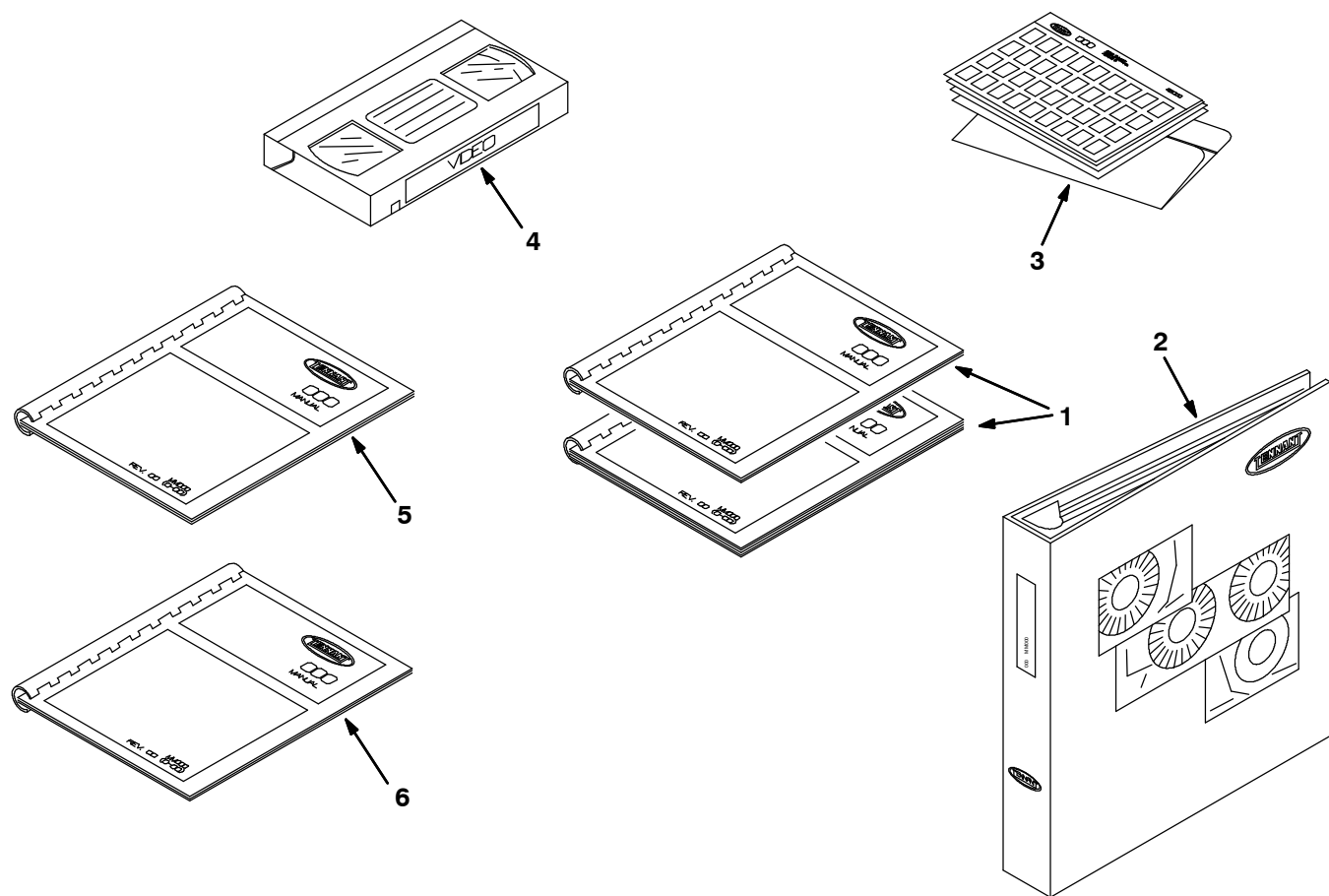
Fig. 32 - Fire Extinguisher Kit



06087-06087

	Ref.	Tennant Part No.	Machine Serial Number	Description	Qty.
▽		41328	(000000-) Fire Extinguisher Kit	1
▲	1	25312	(000000-) Extinguisher, Fire	1
▲	2	41329	(000000-) Bar	1
▲	3	41330	(000000-) Bar	1

Fig. 33 - Documentation Group



10719-07501

Ref.	Tennant Part No.	Machine Serial Number	Description	Qty.
1	MM420	(000000-)	Manual Pkg 515	1
2	MM421	(000000-)	Manual Service 515	1
3	85420	(000000-)	Manual - Fiche Pkg 515	1
4	363456	(000000-)	Tape, Video, Operator 515	1
5	MM420ES	(000000-)	Manual Opmt 515 ES	1
6	MM420FR	(000000-)	Manual Opmt 515 FR	1

SECTION 4

CONTENTS	PAGE
Fig. 1 - Electric Motor Breakdown, 17363	4-2
Fig. 2 - Electric Motor Breakdown, 16225	4-4
Fig. 3 - Electric Motor Breakdown, 16224	4-5
Fig. 4 - Electric Motor Breakdown, 60198	4-6
Fig. 5 - Water Pump Breakdown, 17333	4-7
Fig. 6 - Water Pump Breakdown, 65590	4-8
Fig. 7 - Gearbox Breakdown, 16223	4-9
Fig. 8 - Gearbox Breakdown, 16226	4-10
Fig. 9 - Gearbox Breakdown, 363164	4-11
Fig. 10 - Gearbox Breakdown, 375111	4-12
Fig. 11 - Gearbox Breakdown, 375110	4-13
Fig. 12 - Gearbox Breakdown, 375100	4-14

Fig. 1 - Electric Motor Breakdown, 17363

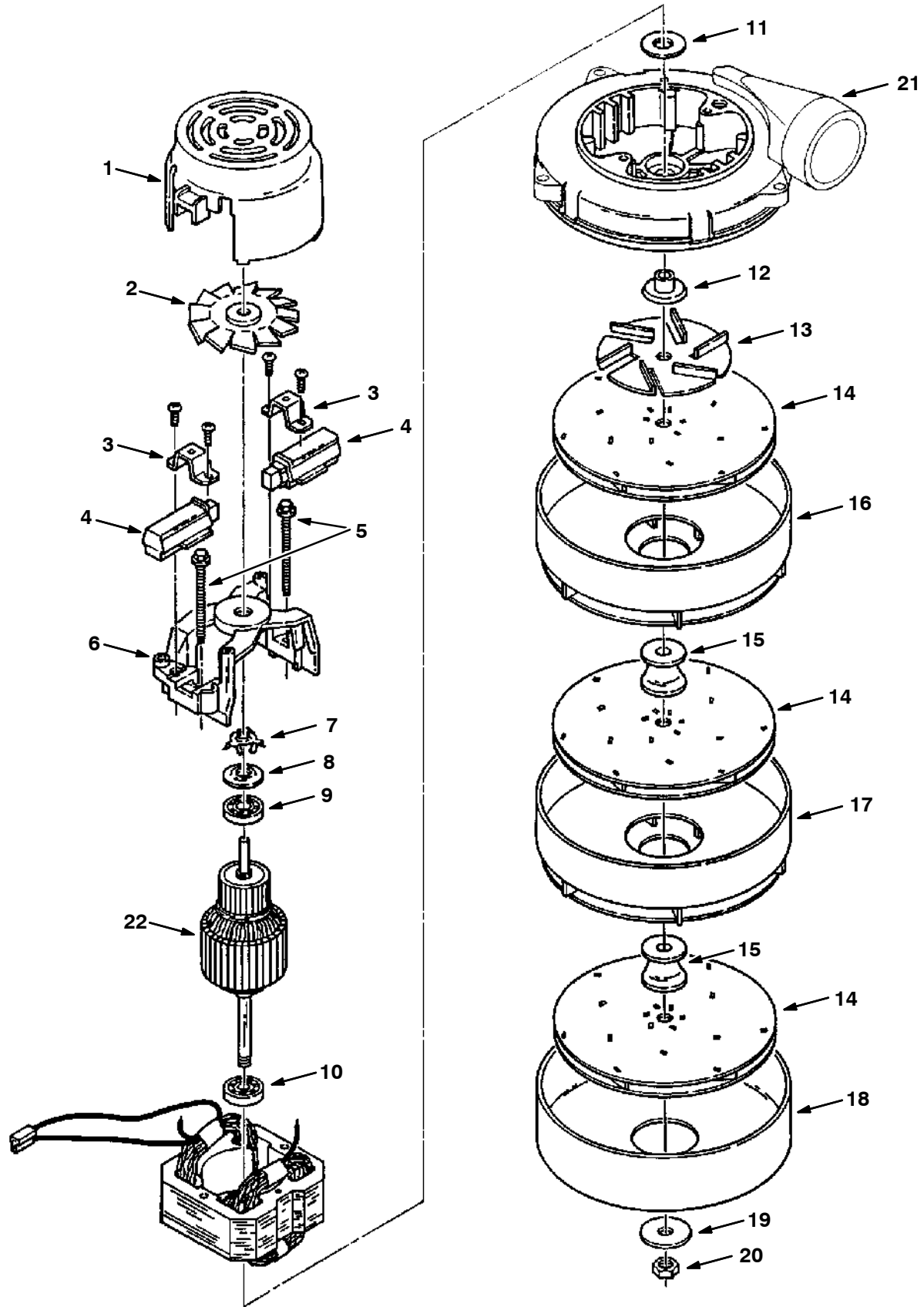
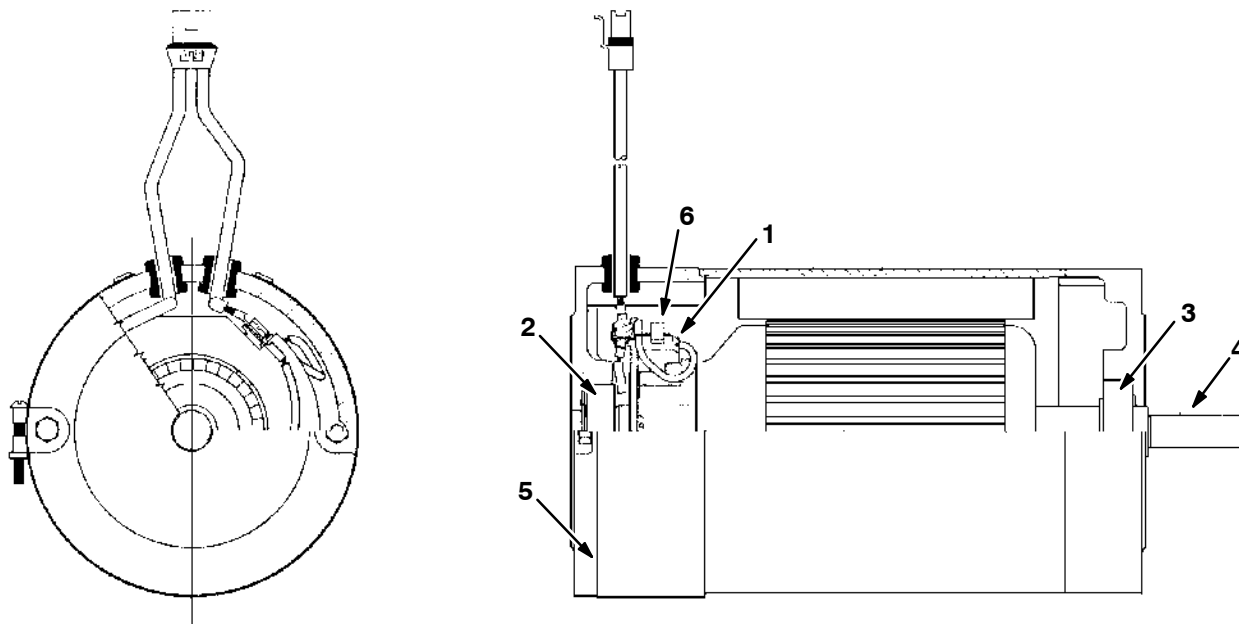


Fig. 1 - Electric Motor Breakdown, 17363

	Ref.	Tenant Part No.	Machine Serial Number	Description	Qty.
▽		17363	(000000-) Fan, Vacuum	1
▲	1	37926	(000000-) Housing	1
▲	2	61298	(000000-) Fan	1
▲	3	01982	(000000-) Clamp	2
▲	4	11756	(000000-) Brush Mechanism	2
▲	5	01969	(000000-) Screw	2
▲	6	01983	(000000-) Comm. Bracket	1
▲	7	01856	(000000-) Spring	1
▲	8	37909	(000000-) Disc	1
▲	9	01842	(000000-) Bearing	1
▲	10	01837	(000000-) Bearing	1
▲	11	37912	(000000-) Washer, Neo.	1
▲	12	18627	(000000-) Spacer	1
▲	13	01971	(000000-) Fan	1
▲	14	18628	(000000-) Vacuum Fan	3
▲	15	18630	(000000-) Spacer	2
▲	16	61300	(000000-) Stationary Fan	1
▲	17	61297	(000000-) Stationary Fan	1
▲	18	61301	(000000-) Shell	1
▲	19	18632	(000000-) Washer	1
▲	20	37929	(000000-) Nut	1
▲		10925	(000000-) Connector, 2 Conductor	1
▲		10926	(000000-) Terminal, Female	2
▲	21	60386	(000000-) Bracket, Fan End	1
▲	22	21765	(000000-) Armature	1

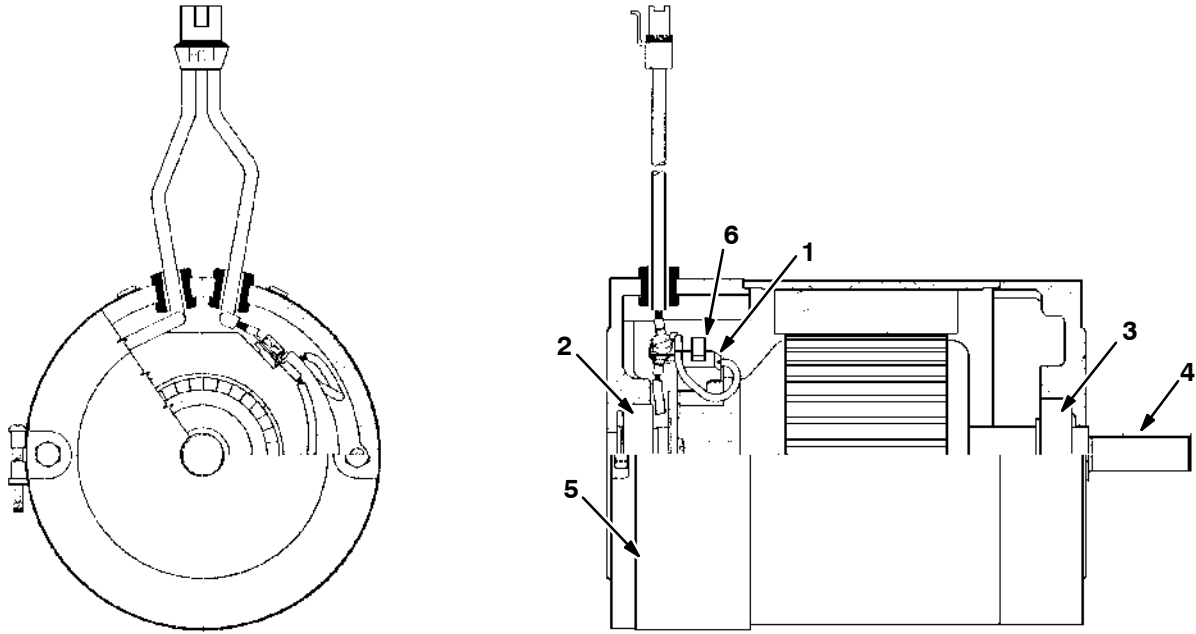
Fig. 2 - Electric Motor Breakdown, 16225



06858-06859

Ref.	Tennant Part No.	Machine Serial Number	Description	Qty.
▽	16225	(000000-) Motor, Electric	1
▲	1 41367	(000000-) Brush Kit	4
▲	2 41368	(000000-) Bearing	1
▲	3 41369	(000000-) Bearing	1
▲	4 00918	(000000-) Key, Square	1
▲	24537	(000000-) Terminal, Female	2
▲	10925	(000000-) Connector, 2 Conductor	1
▲	5 375017	(000000-) Band Assy	1
▲	6 21799	(000000-) Brush Ring/Holder Assembly	1

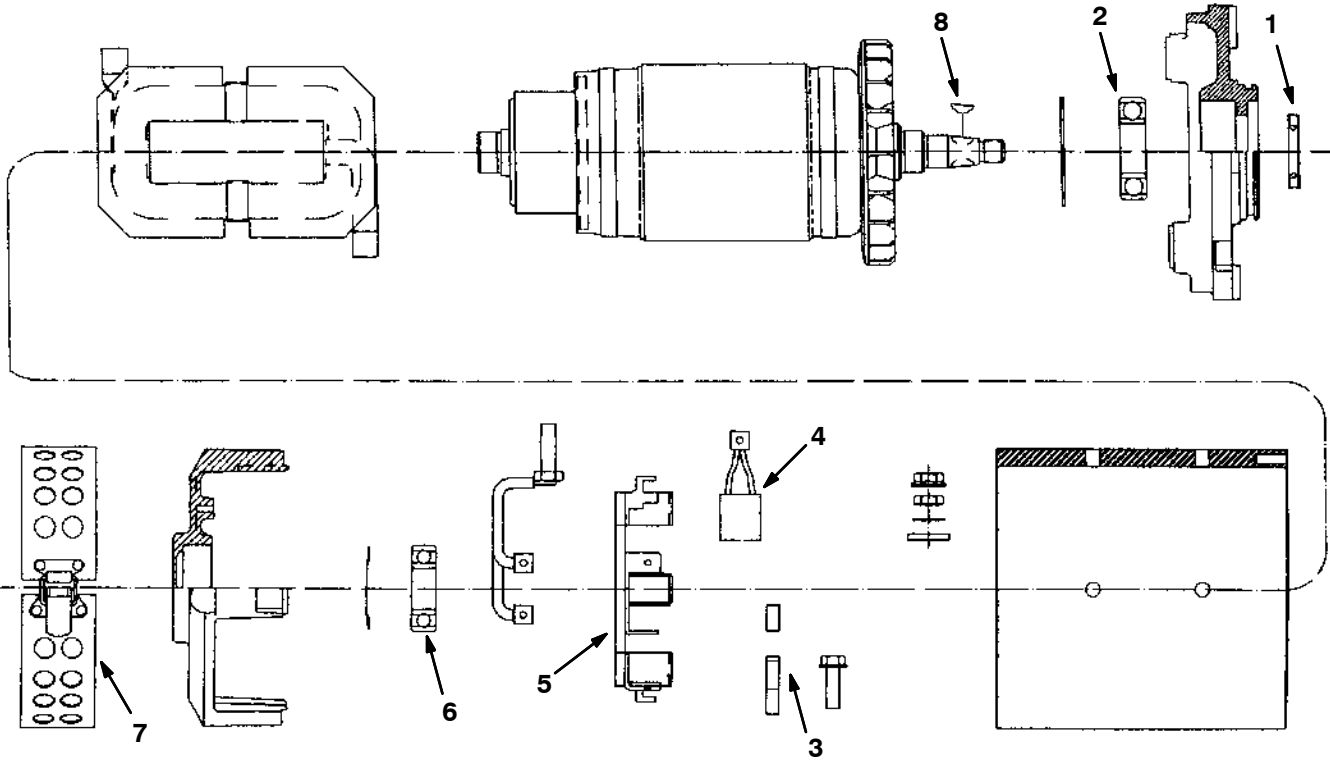
Fig. 3 - Electric Motor Breakdown, 16224



06860-06861

Ref.	Tennant Part No.	Machine Serial Number	Description	Qty.
▽	16224	(000000-) Motor, Electric	1
▲	1 41367	(000000-) Brush Kit	4
▲	2 41368	(000000-) Bearing	1
▲	3 41371	(000000-) Bearing	1
▲	4 00918	(000000-) Key, Square	1
▲	24537	(000000-) Terminal, Female	2
▲	10925	(000000-) Connector, 2 Conductor	1
▲	5 375017	(000000-) Band Assy	1
▲	6 21799	(000000-) Brush Ring/Holder Assembly	1

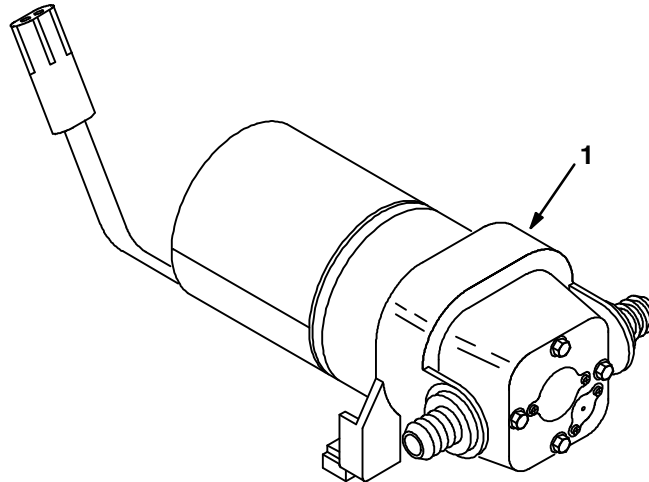
Fig. 4 - Electric Motor Breakdown, 60198



10413-10414

Ref.	Tenant Part No.	Machine Serial Number	Description	Qty.
▽	60198	(000000-) Motor, Traction 3.0 Hp	1
▲	1 48753	(000000-) Seal	1
▲	2 48754	(000000-) Bearing	1
▲	3 48755	(000000-) Brush Spring	4
▲	4 363491	(000000-) Brush Kit, Propelling Motor	1
▲	5 48757	(000000-) Brush Box And Plate Assembly	1
▲	6 48758	(000000-) Bearing	1
▲	7 48759	(000000-) Head Band Ass'y	1
▲	8 00500-7	(000000-) Key-Wdruff 0.16 0.62	1

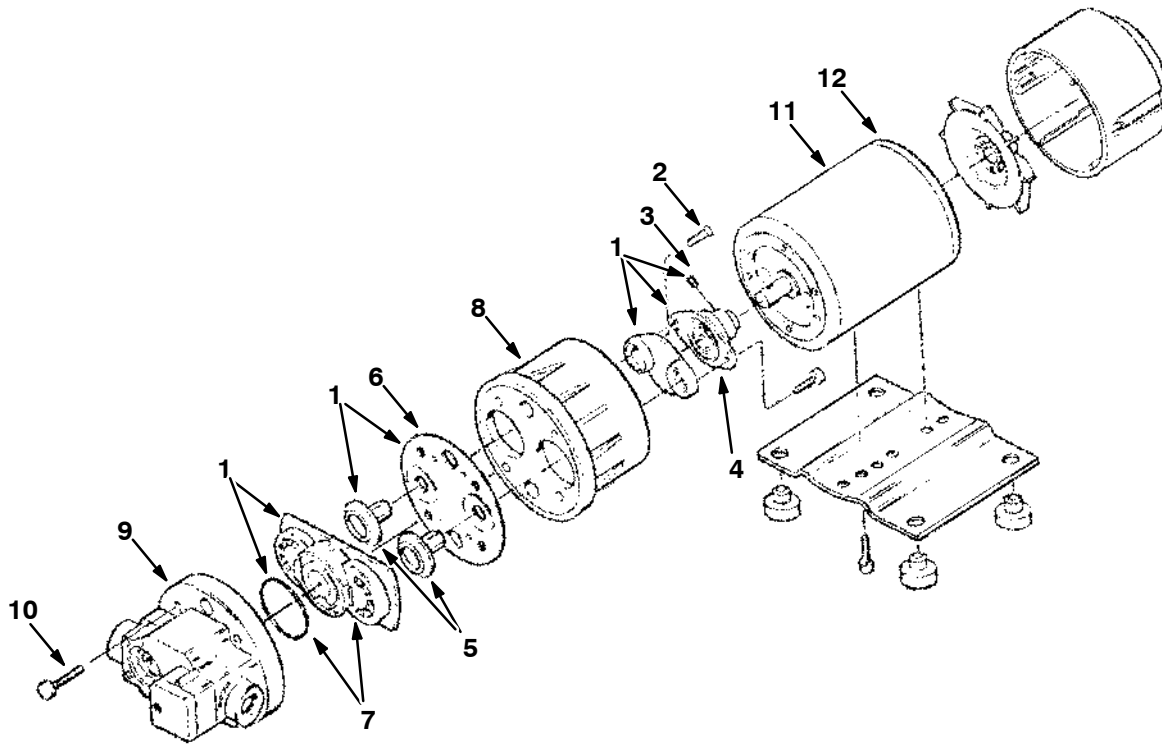
Fig. 5 - Water Pump Breakdown, 17333



06862-06865

	Ref.	Tennant Part No.	Machine Serial Number	Description	Qty.
▽	1	17333	(000000-) Pump, Water	1
▲		41309	(000000-) Motor, 36VDC	1
▲		41310	(000000-) Endbell, Brush	1
▲		41311	(000000-) Diaphragm Kit	1
▲		41312	(000000-) Cam/Bearing Kit	1
▲		375010	(000000-) Check Valve Assembly	1
▲		375011	(000000-) Port Kit	2
▲		10918	(000000-) Connector, 2 Conductor	1
▲		10919	(000000-) Terminal, Male	2
▲		10917	(000000-) Seal, Connector	2

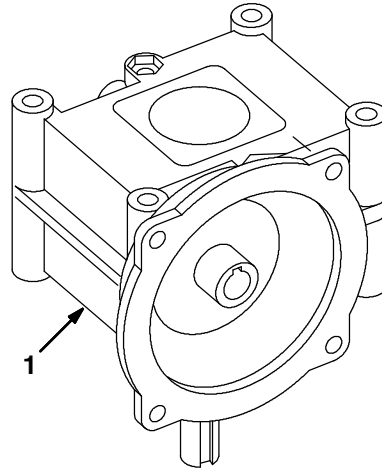
Fig. 6 - Water Pump Breakdown, 65590



07525-07526

Ref.	Tennant Part No.	Machine Serial Number	Description	Qty.
∇	65590	(000000-)	Pump, Water	1
▲	1	65678 (000000-)	Seal Kit	1
▲	2	65667 (000000-)	Cam/Bearing Screw	1
▲	3	65668 (000000-)	Cam/Bearing Set Screw	1
▲	4	370923 (000000-)	Cam/Bearing/Diaphragm Kit	1
▲	5	65671 (000000-)	Piston Inner/Out	1
▲	6	65672 (000000-)	Diaphragm Kit	1
▲	7	65673 (000000-)	Check Valve Assembly	1
▲	8	65670 (000000-)	Bearing Cover	1
▲	9	65674 (000000-)	Switch Assembly/Housing	1
▲	10	65675 (000000-)	Pump Screws	1
▲	11	65676 (000000-)	Motor, 36VDC	1
▲	12	65677 (000000-)	Brush/Rectifier Assembly	1
▲		10923 (000000-)	Connector, 2 Conductor	1
▲		10924 (000000-)	Terminal, Male	2
▲		10917 (000000-)	Seal, Connector	2

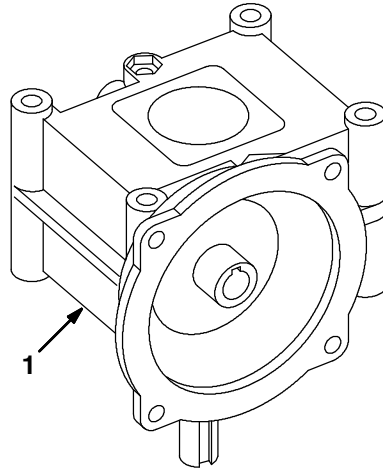
Fig. 7 - Gearbox Breakdown, 16223



352789-352790

	Ref.	Tennant Part No.	Manufacturer Serial Number	Description	Qty.
▽	1	16223	(000000-) Gearbox	1
▲		41412	(000000-) Bearing	4
▲		41413	(000000-) Seal, Input Oil	1
▲		41414	(000000-) Seal, Output Oil	1
▲		41415	(000000-) Plug	2
▲		24451	(000000-) Lubricant, Synthetic	1
▲		32740	(000000-) Shaft Assembly, Output, Std. Duty	1

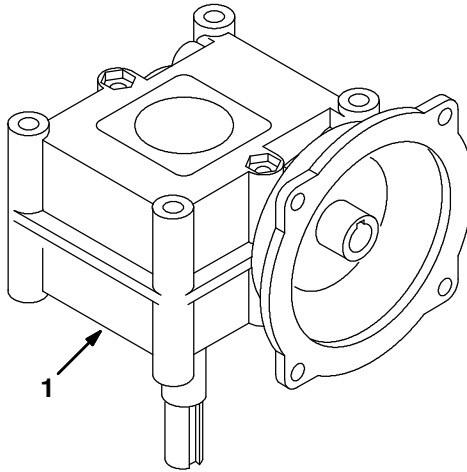
Fig. 8 - Gearbox Breakdown, 16226



352787-352788

Ref.	Tennant Part No.	Manufacturer Serial Number	Description	Qty.
▽ 1	16226	(000000-) Gearbox	1
▲	41416	(000000-) Bearing	4
▲	41417	(000000-) Seal, Input Oil	1
▲	41418	(000000-) Seal, Output Oil	1
▲	41419	(000000-) Plug	2
▲	24451	(000000-) Lubricant, Synthetic	1
▲	32741	(000000-) Shaft Assembly, Output, Heavy Duty	1

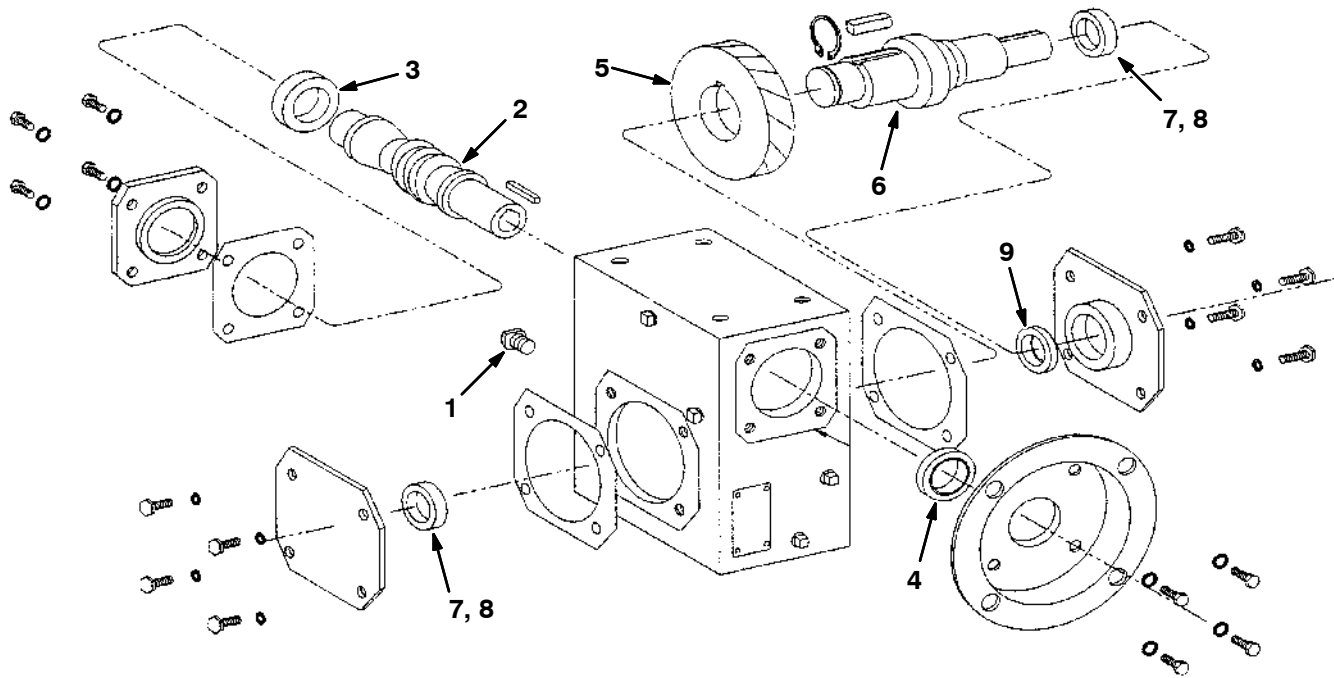
Fig. 9 - Gearbox Breakdown, 363164



352785-352786

	Ref.	Tennant Part No.	Manufacturer Serial Number	Description	Qty.
▽	1	363164	(000000-) Gearbox	1
▲		41412	(000000-) Bearing	4
▲		41413	(000000-) Seal, Input Oil	1
▲		41414	(000000-) Seal, Output Oil	1
▲		41415	(000000-) Plug	2
▲		24451	(000000-) Lubricant, Synthetic	1
▲		32740	(000000-) Shaft Assembly, Output, Std. Duty	1

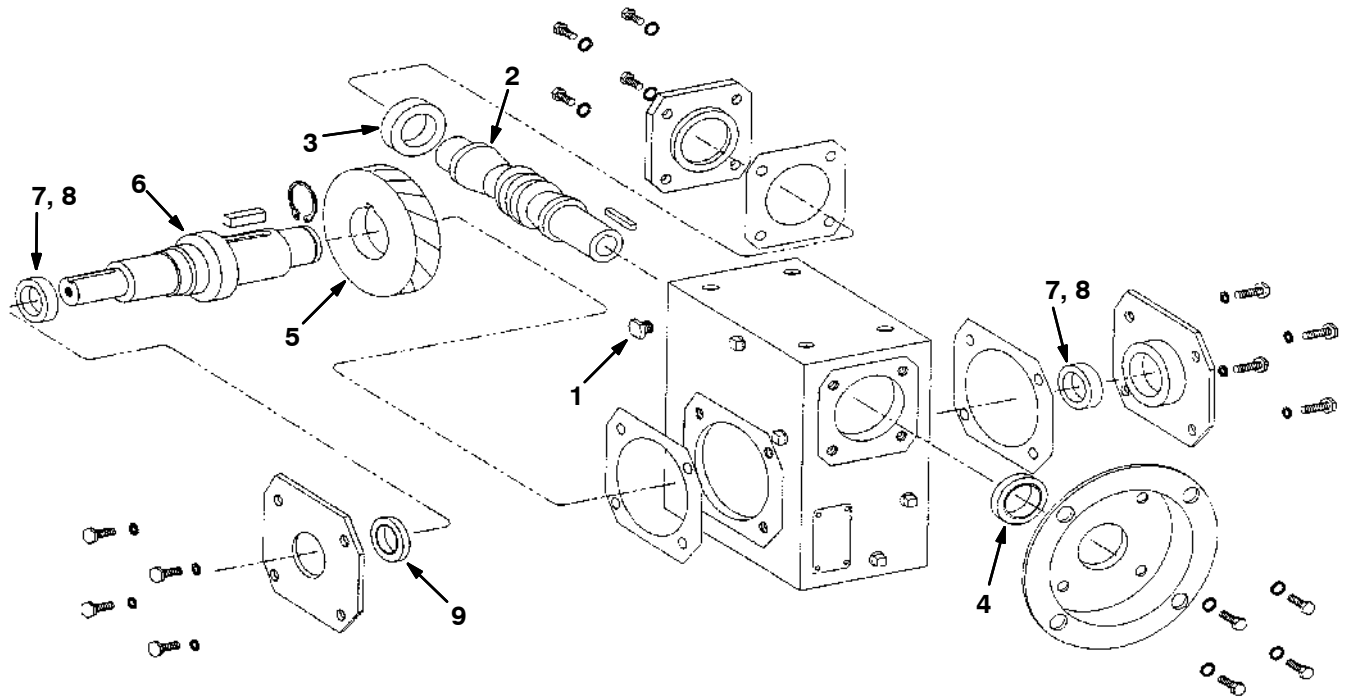
Fig. 10 - Gearbox Breakdown, 375111



352779-352780

Ref.	Tennant Part No.	Manufacturer Serial Number	Description	Qty.	
▽	375111	(000000-) Gearbox, W/O Mount	1	
▲	1	375089	(000000-) Breather	1
▲	2	375090	(000000-) Input Shaft	1
▲	3	375092	(000000-) Bearing	1
▲	4	375093	(000000-) Seal	1
▲	5	375094	(000000-) Gear	1
▲	6	375095	(000000-) Output Shaft	1
▲	7	375097	(000000-) Bearing Cone	2
▲	8	375098	(000000-) Bearing Cup	2
▲	9	375099	(000000-) Seal	1

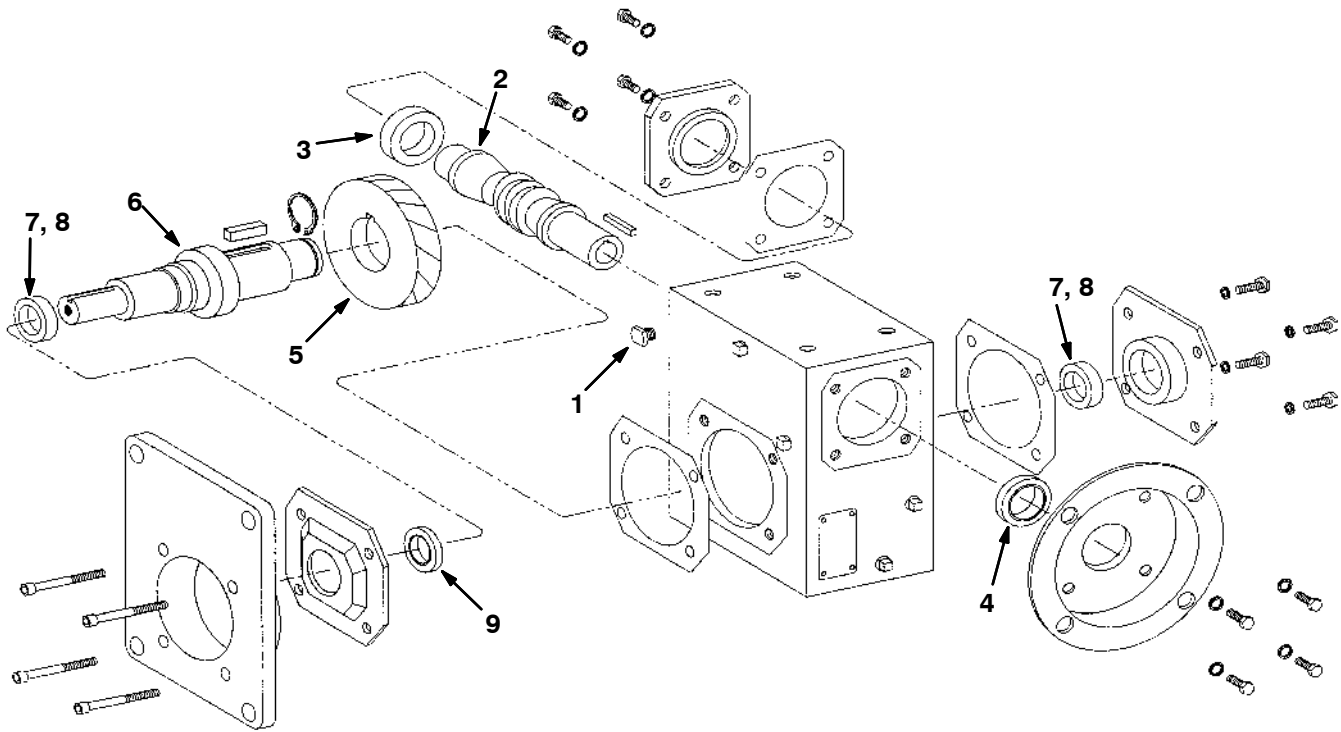
Fig. 11 - Gearbox Breakdown, 375110



352781-352782

	Ref.	Tennant Part No.	Manufacturer Serial Number	Description	Qty.
▽		375110	(000000-) Gearbox, W/O Mount	1
▲	1	375089	(000000-) Breather	1
▲	2	375090	(000000-) Input Shaft	1
▲	3	375092	(000000-) Bearing	1
▲	4	375093	(000000-) Seal	1
▲	5	375094	(000000-) Gear	1
▲	6	375095	(000000-) Output Shaft	1
▲	7	375097	(000000-) Bearing Cone	2
▲	8	375098	(000000-) Bearing Cup	2
▲	9	375099	(000000-) Seal	1

Fig. 12 - Gearbox Breakdown, 375100



352783-352784

Ref.	Tennant Part No.	Manufacturer Serial Number	Description	Qty.	
▽	375100	(000000-) Gearbox, W Mount	1	
▲	1	375089	(000000-) Breather	1
▲	2	375090	(000000-) Input Shaft	1
▲	3	375092	(000000-) Bearing	1
▲	4	375093	(000000-) Seal	1
▲	5	375094	(000000-) Gear	1
▲	6	375096	(000000-) Output Shaft	1
▲	7	375097	(000000-) Bearing Cone	2
▲	8	375098	(000000-) Bearing Cup	2
▲	9	375099	(000000-) Seal	1

SECTION 5

CONTENTS

PAGE

PART NUMBER TO PAGE NUMBER CROSS REFERENCE LIST 5-2
PART DESCRIPTION TO PAGE NUMBER CROSS REFERENCE LIST 5-10

CROSS REFERENCE

PART NUMBER TO PAGE NUMBER CROSS REFERENCE LIST

Part Number	Page Number	Part Number	Page Number
MM420	3-43	09010	2-41, 2-44
MM420ES	3-43	09011	2-27, 2-44, 2-49, 2-51
MM420FR	3-43	09026	2-49
MM421	3-43	09028	2-41, 2-44, 2-53
00500-10	2-13	09030	2-15
00500-7	4-6	09087	2-11, 2-29, 2-44
00918	4-4, 4-5	09088	2-17, 2-19
00927	2-27, 2-39	09146	2-65
01685	2-17, 2-19, 2-27, 2-33, 2-39, 2-43, 2-44, 2-49, 2-51, 2-53, 3-19	09198	2-5, 2-7
01686	2-27, 2-39, 2-44, 2-53	09294	2-15, 2-17
01726	3-24, 3-25, 3-26, 3-27, 3-28, 3-29, 3-30, 3-31, 3-32, 3-33	09297	2-11
01754	2-65	09370	2-19
01757	2-65	09739	2-44
01760	2-33, 2-43	09740	2-27, 2-33, 2-39, 2-43, 2-45, 2-49, 2-53
01764	2-11	09741	2-45
01837	4-3	09744	2-49, 2-51
01842	4-3	09745	2-45
01856	4-3	10444	2-55
01969	4-3	10632-1	2-65, 2-67
01971	4-3	10632-11	3-9
01982	4-3	10632-12	3-11
01983	4-3	10632-17	2-67
02076	2-15	10632	2-67
02991	2-39	10917	4-7, 4-8
02992	2-39	10918	4-7
04417	2-53	10919	4-7
04679	2-67	10923	4-8
04733-10	2-55	10924	4-8
04843	2-13, 2-41, 3-5	10925	4-3, 4-4, 4-5
05280	2-63	10926	4-3
05686	2-27, 2-55	11218	2-5, 2-7
05724	2-7	11399	2-59, 3-3
05726	2-7	11442-3	3-3
06279	2-31, 2-55	11636	3-21
06416	2-31	11651	2-63
06474A	2-25	11756	4-3
06598	2-17, 2-19	12060	2-35, 3-5
06942	2-17, 2-19	12263	2-25, 3-5
06943	2-9, 2-11	12271	3-7
06944	2-65	12317	2-53
06969	2-21	12540	2-15
06971	2-21	12542	2-3, 2-54
07112	2-13	14051	2-9
07259	2-28, 2-45	14147	2-59
07514	2-57	14148	2-57
07515	2-65	14150	2-13
07786	2-49, 2-51	14227	2-19
07791	2-9, 2-17	14282	2-23
07792	2-53	14296	2-13
08708	2-9, 2-11	14330	2-19
08709	2-11, 2-19	14333	2-13
08711	2-21	14335	2-13
08713	2-27, 2-33, 2-39, 2-43, 2-44, 2-49, 2-51, 2-53, 3-19	14336	2-13
08714	2-41, 2-44, 2-53	14351	2-13
		14355	2-13
		14368	2-25
		14397	2-25

CROSS REFERENCE

Part Number	Page Number	Part Number	Page Number
14400	2-25	14994	2-9
14409	2-25	14995	2-9
14416	2-61	14998	3-14
14422	2-61	15012	2-67
14426	2-61	15018	2-29, 2-44
14438	2-61	150208	3-39
14439	2-57, 2-59	15023	2-29, 2-44
14441	2-61	15025	2-57
14455	3-19	15034	2-57
14464	2-33, 2-43	15047	2-36, 2-37, 2-51
14465	3-15	15054	3-5
14473	2-17	15057	2-35
14475	2-17	15079	3-5
14514	3-14	15082	3-5
14516	2-11	15391	2-65
14523	2-28	15392	2-65
14524	2-28, 2-45	15491	2-61
14530	2-43	15493	2-61
14555	2-55	15510	3-5
14567	2-27	15511	3-5
14575	2-3, 2-54	15513	3-21
14584	2-5	15539	2-5, 2-7
14586	2-5	15568	2-44
14626	2-27	15569	2-29, 2-44
14648	2-36, 2-37, 2-49, 2-51	15645	2-36, 2-49
14657	3-14	15647	2-37, 2-51
14662	2-55	15648	2-31
14666	2-27	15649	2-29, 2-44
14671	2-3, 2-27	15650	2-31
14672	2-3, 2-27	15675	2-33, 2-43, 2-47, 2-49, 2-51
14673	2-3, 2-27	15678	2-35
14674	2-3, 2-27	15681	2-36, 2-37, 2-49, 2-51
14675	2-36, 2-37, 2-51	15742	2-31
14676	2-36	15815	2-13
14677	2-37, 2-51	15830	2-13
14715	3-3	15838	3-3
14724	3-14	15840	2-65
14725	2-33, 2-43	15864	2-31
14727	3-12	15900	2-29, 2-44
14731	2-61	15951	2-3, 2-27
14734	3-5	15952	2-3, 2-27
14807	3-9	15953	2-27
14811	2-35	15964	2-9
14818	3-5	15965	3-3
14820	3-13	15966	2-36, 2-37, 2-49, 2-51
14838	2-5, 2-7	15977	2-61
14849	3-5	15987	3-3
14864	2-57, 2-59	15990	2-53
14877	2-35	15991	3-7
14880	2-57, 2-59	16179	3-21
14910	2-17	16193	2-11
14933	2-31	16196	2-11
14951	3-15	16200	2-11
14953	2-5	16201	2-11
14967	2-5	16202	2-57
14971	3-14	16203	2-57
14983	3-21	16204	2-61
14987	3-13	16205	2-57
14990	2-9	16223	2-27, 2-39, 4-9
14993	2-9	16224	2-27, 2-39, 4-5

CROSS REFERENCE

Part Number	Page Number	Part Number	Page Number
16225	3-19, 4-4	18630	4-3
16226	3-19, 4-10	18632	4-3
16355	2-53	18811	2-69
16356	3-3	19066	2-65
16367	2-13	19783	2-7
16368	2-23, 2-45	19800	3-37
16369	2-23	19903	3-34, 3-35
16370	2-13	20810	2-59
16386	2-13	20811	2-59
16539	2-9	20932	3-34, 3-35
16735	2-9	20933	3-34, 3-35
16816	2-53	21196	2-39
16880	3-12	21765	4-3
16889	3-12	21799	4-4, 4-5
16890	3-12	222178	2-39
16891	3-19	222196	2-39
16892	2-9	222277	2-41
16893	3-7	222290	2-65
16902	2-69	222466	2-13, 2-63
16903	2-69	222505	2-41
16906	2-63	222506	2-27, 2-39
16910	3-3	222534	2-63
16911	3-3	222556	2-41
16912	2-59	22297	2-69
16913	2-35	223054	2-55
16914	2-35	223264	2-69
16917	2-57	23456	3-34, 3-35
16919	2-69	24105	3-3
16923	2-63	24107	2-43, 2-59
16931	2-9, 2-11	24174	2-57
16942	2-27	24175	2-59
16944	2-9, 3-34, 3-35	24196	2-57
16946	2-27	24199	2-44
16966	3-19	24254	2-28
16967	2-69	24265	2-9
17031	2-9	24288	2-57
17032	2-9	24299	2-5, 2-7
17038	2-54	24301	3-3
17083	2-54	24304	2-3, 2-54
17084	2-54	24306	2-55
17104	2-54	24310	2-27
17118	3-3	24329	2-27
17129	2-69	24353	2-13
17140	2-54	24358	2-57, 2-59
17164	2-69	24438	2-57
17186	2-25	24451	4-9, 4-10, 4-11
17188	2-61, 2-69	24537	4-4, 4-5
17191	2-9	24543	2-35
17194	2-31	24544	2-35
17200	2-78	24924	2-11
17260	2-5	25014	2-17
17261	2-5	25197A	2-21
17262	2-5	25312	3-42
17263	2-5	26103	2-13
17284	2-49, 2-51	26156	2-13
17288	2-49, 2-51	26428	2-13
17333	3-3, 4-7	27184	3-37
17363	2-69, 4-3	27880	2-35
18627	4-3	27928	2-65
18628	4-3	29233	2-11, 2-23, 3-15

Part Number	Page Number	Part Number	Page Number
30216	2-7	363122	2-49
30241	2-7	363123	2-3, 2-49
30268	3-3	363125	2-49
31204	2-63	363139	2-41
32407	3-24, 3-25	363142	2-45
32432	2-5	363150	2-31
32454	2-69	363151	2-55
32485	2-39	363152	2-33
32486	2-21	363153	3-26
32490	2-9, 2-11	363162	2-39
32491	2-9, 2-11, 2-41, 2-44, 2-45	363163	2-3, 2-39
32501	2-57, 2-59	363164	2-39, 4-11
32502	2-59	363165	2-3, 2-49
32503	2-57	363166	2-3, 2-49
32505	2-5	363168	2-45
32506	2-5	363175	3-22
32508	2-57, 2-59	363178	2-19
32523	2-53	363199	3-17
32600	3-41	363200	3-17
32657	2-5	363202	3-17
32661	2-5	363203	3-17
32662	2-57	363210	2-17
32663	2-57	363215	2-17, 2-19
32707	2-36	363218	2-21
32710	2-37, 2-51	363224	2-67
32713	2-55	363230	2-55
32715	2-55	363231	2-53
32735	2-53	363232	3-4
32739	2-55	363233	3-4
32740	4-9, 4-11	363236	2-65
32741	4-10	363237	3-19
32790	2-59	363238	2-65
33288	2-61	363244	3-7
33289	2-61	363251	3-24
33294	3-3	363252	3-25
33295	3-3	363280	2-9
33320	3-22	363283	2-21
33932	2-9	363284	2-21
360023	2-21	363286	2-63
360074	2-21, 3-22, 3-23	363289	2-33
360270	2-21	363290	2-33
360271	2-21	363293	2-33
360272	2-21	363301	2-39
360273	2-21	363303	2-65
360274	2-21	363304	3-27
360275	2-21	363305	3-24
360276	2-21	363306	3-25
360521	3-7, 3-9, 3-11	363310	2-41
360980	2-15	363311	3-4
36192	2-9	363312	3-3
362101	2-77	363322	2-47
362190	2-65	363324	2-9
362193	2-67	363352	3-28, 3-30
362199	2-63	363353	3-30
362200	2-65	363354	3-28
363018	3-21	363362	2-78
363100	2-39	363363	2-78
363113	2-45	363364	2-78
363116	2-43	363385	2-13
363120	2-41	363387	2-67

CROSS REFERENCE

Part Number	Page Number	Part Number	Page Number
363396	2-49	370113	2-57
363401	3-4	370123	2-57
363404	2-55	370133	2-53
363413	3-23	370134	2-53
363420	2-55	370140	2-57
363422	2-45	370141	2-57
363423	2-23	370160	2-69
363425	2-17	370167	2-57
363430	2-49	370175	2-65
363432	2-39	370176	2-65
363439	2-44	370923	4-8
363441	2-13	374618	3-34, 3-35
363442	2-23	374618	2-57, 2-59
363443	2-49	375010	4-7
363445	2-49	375011	4-7
363446	2-49	375014	3-34, 3-35
363451	3-9	375017	4-4, 4-5
363452	3-11	375022	3-3
363456	3-43	375024	2-59
363458	2-45	375025	2-59
363462	3-3	375040	2-39
363466	2-49	375065	2-39
363468	2-77	375070	2-39
363469	2-49	375086	2-39
363470	3-3	375089	4-12, 4-13, 4-14
363479	2-29	375090	4-12, 4-13, 4-14
363480	3-21	375091	2-67
363489	2-35	375092	4-12, 4-13, 4-14
363490	2-47	375093	4-12, 4-13, 4-14
363491	4-6	375094	4-12, 4-13, 4-14
363507	3-32	375095	4-12, 4-13
363508	3-32	375096	4-14
363509	3-29	375097	4-12, 4-13, 4-14
363510	3-28, 3-29	375098	4-12, 4-13, 4-14
363511	3-31	375099	4-12, 4-13, 4-14
363512	3-29, 3-31	375100	2-27, 4-14
363513	3-33	375110	2-39, 4-13
363514	3-33	375111	2-39, 4-12
363515	2-33	375118	2-39, 2-67
363519	2-65	375119	3-19
363520	3-12	37909	4-3
363522	2-35	37912	4-3
363524	2-77	37926	4-3
363539	2-77	37929	4-3
363543	2-35	39278	2-19
363544	2-31	39308	2-25
363553	2-67	39612	3-21
363935	2-23	39923	2-69
363936	2-25	40145	2-47
363986	2-13	40566	2-35
365156	2-27, 2-39	41169	2-53
36801	2-25	41178	2-3, 2-17, 2-19, 2-39, 3-7
369702	2-65	41186	2-27, 2-39
369817	3-9, 3-11	41305	2-36, 2-37, 2-51
370020	2-5, 2-7	41307	2-36, 2-37, 2-51
370080	2-5, 2-7	41308	2-36, 2-37, 2-51
370090	2-5, 2-7	41309	4-7
370101	3-3	41310	4-7
370106	2-57	41311	4-7
370112	2-59, 3-3	41312	4-7

Part Number	Page Number	Part Number	Page Number
41315	2-35	48607	3-37
41316	3-12	48608	3-37
41328	3-42	48609	3-15, 3-40
41329	3-42	48610	3-37
41330	3-42	48697	3-3
41342	2-17	48725	3-34
41352	2-9	48726	3-35
41359	2-65	48728	2-61
41367	4-4, 4-5	48733	3-34, 3-35
41368	4-4, 4-5	48734	3-34, 3-35
41369	4-4	48738	3-34, 3-35
41371	4-5	48739	3-34, 3-35
41392	3-21	48753	4-6
41407	3-3	48754	4-6
41410	3-3	48755	4-6
41412	4-9, 4-11	48757	4-6
41413	4-9, 4-11	48758	4-6
41414	4-9, 4-11	48759	4-6
41415	4-9, 4-11	48790	2-11
41416	4-10	48930	3-5
41417	4-10	49142	2-47
41418	4-10	49145	2-21
41419	4-10	49266	3-7, 3-9, 3-11, 3-37
41421	2-57, 2-59	49681	2-25
41423	2-67	49694	2-39
41427	3-3	50011	2-13
41435	3-3	50304	3-15
41437	2-49	50541-1	3-5
41440	3-3	50896	2-47
41442	3-7	51109	2-17
41443	3-7	51534	2-55
41445	2-36, 2-37, 2-49, 2-51	51545	2-17
41451	2-57, 2-59	51562	2-17
41454	2-57, 2-59	51564	2-53
41578	2-65	51813	2-33
41579	2-9	51824	2-15
43500	2-55	52238	2-55
43611	2-25	54333	3-37
43954	2-19	54390	2-21
44078	2-63	55248	3-7
44681-1	3-9, 3-11	56799	3-21
44681-2	3-9, 3-11	56855	2-15
44681	3-9, 3-11	57497	2-13
44847	2-57, 3-3	57751	2-65, 3-7, 3-9, 3-11
44906	2-36, 2-37, 2-49, 2-51	57772	2-23
44961	2-57, 2-69	57803	2-65, 3-7, 3-9, 3-11
45027A	2-15	578060	3-39
45272	3-9, 3-11	578061	3-39
45283	3-9, 3-11	578063	3-39
45391	3-7	578064	3-39
45486	3-3	578066	3-39
46390	2-13	578067	3-39
47701	3-3	57807	3-37
48079	2-53, 2-55	578071	3-40
48588	3-23	578072	3-40
48589	3-23	578074	3-39
48591	3-23	578077	3-39
48595	2-35	578078	3-39
48596	2-35	578091	3-39
48606	3-37	578094	3-39

CROSS REFERENCE

Part Number	Page Number	Part Number	Page Number
578123	3-39	65673	4-8
578124	3-39	65674	4-8
578125	3-39	65675	4-8
578126	3-39	65676	4-8
578143	3-39	65677	4-8
578154	3-39	65678	4-8
578155	3-39	65761	3-24, 3-25
578160	3-40	67004	3-15, 3-37
578161	3-39	67767	2-47
578164	3-39	69225	2-39
578214	3-39	69582	2-36, 2-37, 2-49, 2-51
578228	3-39	69784	2-59
578276	3-40	69785	2-59
578318	3-40	71628	2-35
578439	3-39	72950	2-47
578820	3-40	72968	3-37
578821	3-39	72971	2-3, 2-39
58359	2-21	73476	3-3
58494	2-33, 2-43	74391	2-17
58819	2-23	75290	2-19
60198	2-15, 4-6	75375	2-69
602036	3-39	75635	3-34, 3-35
60386	4-3	76062	2-67
61212	3-37	76653	2-49
61297	4-3	76782	2-55
61298	4-3	76888	2-63
61300	4-3	77334	2-47
61301	4-3	78122	3-37
61791	2-15	79273-2	2-59, 3-5
62595-3	2-67	79320	2-57, 2-59
63147	2-31, 2-33	79497	3-3
63244-1	3-37	82342	2-11
63248-1	2-7	82839	2-25
63248-2	2-7	82921	2-29, 2-44
63248-3	2-7	84028	2-35
63248-4	2-7	85420	3-43
63430	3-15	86240	2-19
63448	3-15	86327	2-54
63451	3-15	86375	2-67
63810	3-37	86379	2-67
63987-1	2-47	86591	2-57, 2-59, 3-3
64173	2-36, 2-37, 2-49, 2-51	86636	2-57
64425	2-55	86659	2-21
64740	3-37	86755	2-59
65340	3-39	86759	2-36, 2-37, 2-49, 2-51
65341	3-40	86767	3-15
65342	3-37	86812	2-3, 2-54
65557	3-37	86824	2-35, 2-47, 2-59, 3-3, 3-5
65577	3-5	86859	2-3, 2-36, 2-37, 2-51
65580	3-37	86860	2-36, 2-37, 2-49, 2-51
65581	3-37	86952	2-57
65582	3-39	86953	2-5, 2-57
65588	3-37	86970	2-15
65590	3-37, 4-8	87222	2-17, 2-19
65610	3-39	87346	3-7
65667	4-8	87349	3-7
65668	4-8	87355	2-15
65670	4-8	87460	3-7
65671	4-8	87482	2-67
65672	4-8	87483	2-67

Part Number	Page Number
87488	2-13
87507	2-67
87583	2-65
87649	3-9, 3-11
87709	3-9, 3-11
87718	2-25
87725	2-25
87750	2-15
87839	2-15
87840	2-15
87841	2-15
87849	2-15
87948	3-7
87949	3-7

PART DESCRIPTION TO PAGE NUMBER CROSS REFERENCE LIST**A**

Accelerator, 2-25
Actuator, Edge Scrub, 515, 2-33
Actuator, Scrubhead Lift 515, 2-31
Actuator, Squeegee Lift 515, 2-55
Adapter, Brush, 2-5, 2-7
Adapter, Head, 3-39
Adapter, Nozzle, 3-39
Adapter, Wire, 3-21
Adaptor, Brush, 2-5, 2-7
Angle Guide Cover, 2-9
Angle, Mtg, Floor Plate, 2-23
Angle, Mtg, Latch, 2-9
Angle, Mtg, Squeegee Lift, 2-49
Angle, Stop, Side Squeegee, 2-49, 2-51
Angle, Stop, 2-36, 2-37
Angle, 2-36, 2-37, 2-51
Arm, 2-25
Armature, 4-3
Axle, Wand, 3-39

B

Back, Pad Driver, W/Face 20Dia., 2-5, 2-7
Backing Plate, 2-21
Bag, Power Wand, 3-37
Ball and Seal Kit, 3-34, 3-35
Balljoint, 2-25, 3-5
Band Assy, 4-4, 4-5
Bar Assembly, Weight, 2-44
Bar, Mounting, 2-36, 2-37
Bar, Mtg, 2-49, 2-51
Bar, Spacer, 2-28
Bar, Sqge Lift, 2-49
Bar, Squeegee Lift, 2-36, 2-37, 2-51
Bar, Support, Brg, 2-17
Bar, 3-42
Basket, 2-59
Battery Pkg, 36V-380Ah, Wet, 3-24
Battery Pkg, 36V-420Ah, Wet, 3-25
Battery, 36V 380Ah Wet, 3-24

Battery, 36V 700A/h, Dry, 3-27
Battery, 36V-420Ah, Wet, 3-25
Battery, 36V-690A/h, Wet, 3-26
Bearing & Housing, 2-15
Bearing Cone, 4-12, 4-13, 4-14
Bearing Cover, 4-8
Bearing Cup, 4-12, 4-13, 4-14
Bearing, Ball, 2-13
Bearing, Brake, 2-17, 2-19
Bearing, Flange 0.500 Bore, 2-31
Bearing, Flange .625 Bore, 2-41
Bearing, Flange, 2-13, 3-5
Bearing, Sq Lift, 2-49
Bearing, Thrust .500, 2-49, 2-51
Bearing, Thrust, 2-36, 2-37
Bearing,.50X.38, 2-49, 2-51
Bearing-Ball,1.18B 2.44D 0.63W, 2-21, 3-22, 3-23
Bearing, 2-36, 2-37, 4-3, 4-4, 4-5, 4-6, 4-9, 4-10,
4-11, 4-12, 4-13, 4-14
Bellcrank, Water Shutoff, 3-5
Bezel, Touch Panel, 2-63
Blade Assy, Squeegee, Side, 2-3, 2-49
Blade, Side Squeegee, Front, 2-3, 2-49
Blade, Squeegee, 3-39
Bolt-Eye, .25-20Th .25B 1.4L, 2-53, 2-55
Boot, 90Deg .50D .57X .84, 2-15
Boot,Circuit Breaker, 2-65, 3-7, 3-9, 3-11
Boss, Bellcrank Pivot, 3-5
Box Assy, Air Filter, 2-57
Box, Fan Mounting, 2-69
Bracket Light, 3-9
Bracket Assembly, Seat, 3-14
Bracket Assy, Head Lift, 2-41
Bracket Battery Spacer, 3-24, 3-25
Bracket Spring Retainer, 2-5, 2-7
Bracket Tie Down, 3-21
Bracket Wldt, Gas Spring, 2-33
Bracket Wldt, Lh, 2-51
Bracket Wldt, Mounting, Squeeg, 2-55
Bracket Wldt, Mtg, Drag Link, 2-45
Bracket Wldt, Pivot, 2-33

Bracket, Axle, 3-39
 Bracket, Fan End, 4-3
 Bracket, Handle Mounting, 3-39
 Bracket, Head Lift, 2-31
 Bracket, Hose Fitting, Max Prot 1000, 3-3
 Bracket, Hose Fitting, Max Prot 1200, 3-3
 Bracket, Hose, Sqg, 2-53
 Bracket, L.H., 2-37
 Bracket, Mount, 2-39
 Bracket, Mounting, L.H., 2-25, 3-12
 Bracket, Mounting, Pump, 3-37
 Bracket, Mounting, R.H., 2-25, 3-12
 Bracket, Mounting, Valve, 3-37
 Bracket, Mtg, Actuator, 2-33
 Bracket, Mtg, Elect Valve, 2-35
 Bracket, Mtg, Gas Shock, 2-43
 Bracket, Mtg, Lift Link, 2-41
 Bracket, Mtg, Squeeggee, 2-53
 Bracket, R.H., 2-36
 Bracket, Rear Skirt, 2-27
 Bracket, Retainer, 2-3, 2-43, 2-54, 2-59
 Bracket, Seat Support, 3-14
 Bracket, Spring Retainer, 2-5, 2-7
 Bracket, Stop, Frame, 2-44
 Bracket, Stop, Scrubhead, 2-39
 Bracket, Stop, 2-29
 Bracket, Vacuum Switch Mounting, 2-69
 Bracket, Valve Mounting, 3-39
 Bracket, Wldt, Rh, 2-49
 Bracket, Caster, 2-53
 Bracket, 3-21
 Brake Assy, 2-21
 Breaker, Circuit, 50 A, 3-19
 Breaker-Circuit 2.5 Resetable, 2-65
 Breaker-Circuit 40 Resetable, 2-67
 Breaker-Circuit, 15A Resetable, 2-65, 3-7, 3-9, 3-11
 Breaker-Circuit, 20A Resetable, 2-67
 Breaker-Circuit, 40 Resetable, 2-39
 Breather, 4-12, 4-13, 4-14
 Brkt Wldt, Sq Lift, 2-49
 Brush Box And Plate Assembly, 4-6

Brush Kit, Propelling Motor, 4-6
 Brush Kit, 4-4, 4-5
 Brush Mechanism, 4-3
 Brush Ring/Holder Assembly, 4-4, 4-5
 Brush Spring, 4-6
 Brush, Wand AB, 3-39
 Brush, Wand, Poly, 3-39
 Brush-Disk Scr 16 D Assy Poly, 2-7
 Brush-Disk Scr 16 D-Assy-Nyl, 2-7
 Brush-Disk Scr 16 D-Assy-S Ab, 2-7
 Brush-Disk Scr 20 D Assy Nylon, 2-5
 Brush-Disk Scr 20 D Assy Poly, 2-5
 Brush-Disk Scr 20 D-Assy-S Ab, 2-5
 Brush-Pad Drive-16 D-Assy-Poly, 2-7
 Brush/Rectifier Assembly, 4-8
 Bulb, 12V .27A 2Cp #194, 3-7
 Bulb, 40V .9A 50Cp #1062, 3-9, 3-11
 Bumper Kit, Heavy Duty, 3-13
 Bumper Wldt, 3-34, 3-35
 Bumper, 3/32 Matl., 2-11, 2-23
 Bumper, Heavy Duty, 3-13
 Bumper, Polyethylene, 2-44
 Bumper, Rubber, 2-29, 2-44
 Bumper, Side, 2-45
 Bumper, Squeeggee, 2-54
 Bumper,Rbr,W.Knurled Stud, 2-15
 Bumper, 2-29, 3-15
 Bushing, 2-21
 Buss Bar, Fuse, 2-67
 Buss Bar, Relay, 2-67

C

Cable Brake, 2-17
 Cable Service Brake, 2-17
 Cable, Control,Sqg Lift Rear, 2-55
 Cable, Control, 2-35
 Cable, Retaining, Side Brush 18.81, 2-43
 Cable, Retaining, Side Scrub 18.20, 2-33
 Cable, Ribbon 34 Conductor, 2-65
 Cabetie Mount, Adhesive, 3-7
 Cam, Follower, 3-5

CROSS REFERENCE

Cam,Nickel Plated, 2-21
Cam/Bearing Kit, 4-7
Cam/Bearing Screw, 4-8
Cam/Bearing Set Screw, 4-8
Cam/Bearing/Diaphragm Kit, 4-8
Cap Assy, Pos Drain, 3-34, 3-35
Cap, Drain Hose, 2-57, 2-59
Cap, Drain Kit, 2-57, 2-59
Cap, Drain, 3-34, 3-35
Cap, Dust, 3-34, 3-35
Cap, End, 2-59
Cap, Hub, 2-21
Cap, Plate, 2-59
Cap, Steering Wheel, 2-13
Caster Kit, Sealed. 3.0Dia, 2-53
Caster, Swivel, Sealed 3.0Dia, 2-53
Center Device Assembly, 2-5, 2-7
Chain Idler Kit, 2-13
Chain, Double Scrub, 2-49
Chain,Link#2/0,7Links, 2-55
Chain,Sash#35 ,13Links,Zn 7.15, 3-34, 3-35
Channel, Mtg, Seat Support, 3-17
Charger 36V/120A 60Hz/1Ph, 3-32
Charger Fi, 36V/50A 60Hz/1Ph, 3-28
Charger, 36V/045A 60Hz/1Ph, 3-28, 3-29
Charger, 36V/050A 50Hz/1Ph, 3-29
Charger, 36V/075A 50Hz/1Ph, 3-31
Charger, 36V/075A 50Hz/3Ph, 3-29, 3-31
Charger, 36V/075A 60Hz/3Ph, 3-28, 3-30
Charger, 36V/120A 50Hz/1Ph, 3-33
Charger, 36V/120A 50Hz/3Ph, 3-33
Charger, 36V/120A 60Hz/3Ph, 3-32
Charger, 36V/75A 60Hz/1Ph, 3-30
Check Valve Assembly, 4-7, 4-8
Clamp Toggle, 3-21
Clamp, Hose, 2-57, 2-59, 3-39, 3-40
Clamp, Worm Drive, 2-35, 2-59, 2-61, 2-69, 3-3, 3-5
Clamp-Cable,.69Dia. 62Wth, 2-47
Clamp-Wormdrive 0.50-1.06D, 2-47
Clamp-Wormdrive, 0.31- 0.88D, 3-37
Clamp-Wormdrive, 0.56- 1.06D, 3-37
Clamp, 4-3
Clevis, Brake Adjust, 2-17
Clip Locking, 2-5
Clip Retaining, 2-5
Clip, Finger Grip, 3-15
Clip, Sprocket, 2-13
Clip, Stud, Receiver Speed, 2-63
Clip-Finger Grip, 3-37
Column, Steering, 2-13
Comm. Bracket, 4-3
Connector, 2 Conductor, 4-3, 4-4, 4-5, 4-7, 4-8
Connector,, 3-24, 3-25, 3-26, 3-27, 3-28, 3-29, 3-30, 3-31, 3-32, 3-33
Connector,3-Way Quick-Disc., 3-37
Contactor Spst, 2-67
Contactor, 36 Volt/Spdt, 2-67
Contactor, 36 Volt/Spno, 2-67
Controller 36 Vdc, 2-67
Coupler, Female X Hose Shank, 3-34, 3-35
Cover and Label Assembly, 2-61
Cover Control, 2-67
Cover Wldt, Air Filter, 2-57
Cover, 515E, 2-9
Cover, Circuit Board, 2-65
Cover, Insert, 2-57, 2-59
Cover, Lid, 3-3
Cover, Rocker Switch Seal, 3-37
Cover, Squeegee, L.H., 2-54
Cover, Squeegee, R.H., 2-54
Cuff, Swivel, 3-40
Cuff, Vac, 3-4

D

Diaphragm Kit, 4-7, 4-8
Diode, Elec, Plug, 2-65
Disc, 4-3
Drain Hose Kit, 2-57
Drain, Hose Kit, 2-59
Driving Gear, 2-15
Drum, Lift Cable, 2-55
Duct, Vinyl,.40X .75X48.0 25D, 3-9, 3-11

E

End, Rod, 2-27, 3-5
 Endbell, Brush, 4-7
 Extinguisher, Fire, 3-42
 Eye Bolt, 0.188Eye, .25-20Thd., 2-55

F

Fan Assy, Vacuum (See Breakdowns), 2-69
 Fan, Vacuum, 4-3
 Fan, 4-3
 Filter, Foam, 2-61
 Filter, Vac Fan, 2-57
 Fire Extinguisher Kit, 3-42
 Fitting, Straight, 2-35
 Fitting, 90_ Elbow, 3-39
 Fitting, Barbed Coupling, 3-5
 Fitting, Barbed Elbow Brass 3/4 Hose, 3-3
 Fitting, Barbed Elbow, 2-35, 3-3
 Fitting, Barbed Tee, 2-35
 Fitting, Brass 5/8 Hose, 3-3
 Fitting, Brass, 3-3
 Fitting, Bulkhead, 2-69
 Fitting, Elbow, 3-3
 Fitting, Grease, 2-28
 Fitting, Nipple Blk 1/2NPT, 3-3
 Fitting, Plastic .25Npt.50Barb, 3-37
 Fitting, Plastic Tee, 3-3
 Fitting, Plastic, El90.25Npt, 3-37
 Fitting, Plastic, Str, Ba.311d-, 2-47
 Fitting, Plastic, 2-57, 3-40
 Fitting, Plug, 3-39
 Fitting, Quick Disconnect, 3-39, 3-40
 Fitting, Quick-disconnect, Female, 3-3
 Fitting, Quick-disconnect, Male, 3-3
 Fitting, Reducer, 5/8-3/4, 2-35
 Fitting, Straight, 3-3, 3-39
 Fitting, Tee, 3-3
 Fitting-Brs, Female Quick Conn, 3-37
 Flap, Containment, 2-69
 Float, Polyfoam, 2-57
 Frame Squeegee Quick, 3-21

Frame Wldt, Mounting, Scrub Hd, 2-39
 Frame Wldt, Side Squeegee, Lh, 2-51
 Frame Wldt, Side Squeegee, Rh, 2-49
 Frame Wldt, 2-9
 Frame, Scrubber Head, 2-27
 Frame, Side Squeegee, L.H., 2-37
 Frame, Side Squeegee, R.H., 2-36
 Frame, Squeegee, 2-54
 Frame, Support, Seat, 2-11
 Front Squeegee Blade, Tile, 3-41
 Ftg, Grease.25-28Th Strt .47L, 2-45
 Ftg, Plstc, Str, Barb .75Pt-.62Hse, 2-35
 Ftg, Bulkhead .25Npt Wh W21204, 3-37
 Ftg, Plstc, Elb, Barb.50Hs-.50Hse, 2-47
 Ftg, Plstc, Elb, Barb.50Pt-.50Hse, 3-37
 Ftg, Plstc, Elb, Barb.50Pt-.75Hse, 2-47
 Ftg, Plstc, Tee, Barb.75-.50Pt-.7, 3-37
 Ftg-Plstc Str, 2-59
 Ftg-Plstc E90, 2-59
 Ftg-Plstc Str, 3-15
 Ftg-Plstc Str, 2-59
 Ftg-Plstc Str Blkhd Chmfred, 2-59
 Ftg-Plstc Str, 2-59
 Ftg-Plug Npt 02Pm Hx Hd Plasti, 2-47
 Fuse, 2-67

G

Gasket Set, 2-61
 Gasket, Circuit Board, 2-65
 Gasket, Control Cover, 2-67
 Gasket, Controller Cover, 2-65
 Gasket, Drain Cap, 2-57, 2-59
 Gasket, Fitting, 2-57
 Gasket, Float, 2-57
 Gasket, Lid, 2-57, 2-59
 Gasket, Squeegee, 2-3, 2-54
 Gasket, Touch Panel, 2-63
 Gasket, Vacuum Fan, 2-69
 Gasket, 2-57, 2-59, 3-3, 3-34, 3-35
 Gear, 4-12, 4-13, 4-14
 Gearbox (Repl by 375066) (See Breakdowns), 3-19

CROSS REFERENCE

Gearbox (Repl. by 375066) (See Breakdowns), 2-27
Gearbox, (Repl. by 375074) (See Breakdowns), 2-39
Gearbox, (Repl. by 375075) (See Breakdowns), 2-39
Gearbox, Hurth, 2-15
Gearbox, W Mount, 4-14
Gearbox, W/Mount (See Breakdowns), 2-27
Gearbox, W/O Mount (See Breakdowns), 2-39
Gearbox, W/O Mount, 4-12, 4-13
Gearbox, 4-9, 4-10, 4-11
Grease Fitting, 2-15
Grommet, Rbr,0.50ld,For.12Matl, 2-67
Grommet, Ribbon Cable, 2-65
Grommet,Rbr,0.38ld,For .12Matl, 3-11
Grommet,Rbr,0.38ld,For .19Matl, 3-9
Grommet,Rbr,0.88ld,For .14Matl, 2-67
Grommet,Rbr,1.06ld,For .19Matl, 2-65, 2-67
Grommet, 3-39
Guard Kit, Overhead, 3-12
Guard Wldt, Lights, Revl&Flsh, 3-9, 3-11
Guard, Overhead, 3-12
Guide, Side Squeegee, 2-36, 2-37, 2-49, 2-51
Guide, Sqge Mtg, 2-44
Guide, Squeegee, 2-29

H

Handle, Wand, 3-39
Harness, Main, Wire, 2-77
Harness, Water Valve, 2-77
Harness, Wire, Controller, 2-67
Harness, Wire, Power Wand, 3-37
Head Band Ass'y, 4-6
Head Bushing Kit, 2-27
Head, Wand, 3-39
Hinge, Bottom Tank, L.H., 2-61
Hinge, Bottom Tank, R.H., 2-61
Hinge, Top Tank, L.H., 2-61
Hinge, Top Tank, R.H., 2-61
Hinge, 2-9
Horn, 2-65
Hose & Cuff Assy, 3-34, 3-35
Hose and Cuff Assembly, 3-15

Hose Assembly, Drain, 2-57, 2-59
Hose Assembly, 3-40
Hose, Clear Vinyl, .62ldX7.00Lg, 3-3
Hose, Clear Vinyl, .63ldX11.00Lg, 3-3
Hose, Clear Vinyl, .75ldX30.00 Lg, 3-3
Hose, Clear Vinyl, 2-59, 3-3, 3-5
Hose, Cuff, 2-69
Hose, Pvc .50ldx.73Od 37.0Lg, 3-37
Hose, Solution, 3-39
Hose, Vacuum, 2-57, 2-61, 2-69, 3-4, 3-40
Hose, Vinyl Clr,.50ld X 18.Lg, 2-47
Hose, Vinyl, Clear, 2-47
Hose, Vinyl,Clr, .75ldx 16.Lg, 2-47
Hose, Vinyl, 2-35, 3-3
Hose,Cuff, 2-69
Hose-Heater .62ld 4.5L, 2-35
Hose, 2-69, 3-40
Housing Headlight Lh, 3-7
Housing Headlight Rh, 3-7
Housing Wldt, Air Filter, 2-57
Housing, Bearing, 2-13
Housing, 4-3
Hub, Brush Drive, 2-27, 2-39

I

Input Shaft, 4-12, 4-13, 4-14
Insulator, Panel & Switchboard, 2-67

J

Joint, Universal, 2-13

K

Key Ring Assy., 2-63
Key Square 0.25 0.25 01.25 Lg, 2-39
Key, Square, 2-27, 4-4, 4-5
Key, Woodruff, 2-13
Key-Wdruff 0.16 0.62, 4-6
Kit, Replacement Controller, Machine Logic for Max Prot 1000 Two-Brush System, 2-65
Kit, Replacement Controller, Machine Logic for Max Prot 1200 Three-Brush System, 2-65

Kit, Syn Fltr, Vac-Fan, 2-57
 Kit, Valve Handle, 3-34, 3-35
 Knob 3Prong W/.25x20-Knob-Lo, 2-57
 Knob, Adjustable, Squeegee, 3-39
 Knob, 2-13

L

Label Set, Info & Hazard, Max Prot 1000, 2-27
 Label Set, Info & Hazard, Max Prot 1200, 2-39
 Label Set, Info & Hazard, 2-78
 Label Set, Operational, 2-78
 Label, ESt Logo, 3-3
 Label, Side 515SS, 2-78
 Label, Solution Control-Nv, 3-37
 Lanyard Assy, 2-9
 Latch, Cover, 2-9
 Latch, Draw, Flexible, 3-21
 Latch, 2-11
 Left Side Squeegee Group Assembly, 2-37
 Leg, Overhead Guard, 3-12
 Lens,Rev.Light,Amber, 3-9, 3-11
 Lens,Rev.Light,Blue, 3-9, 3-11
 Lens,Rev.Light,Red, 3-9, 3-11
 Level Sensing Kit, ESt, 3-3
 Level Sensing Kit, Standard, 2-57
 Lever Wldt, Sqge Lift, 2-55
 Lever, Brake, 2-17, 2-21
 Lever, Idler, 3-5
 Lever, Stop, 2-29, 2-44
 Lever, Valve, Front, 3-5
 Lever, Valve, 2-35
 Lid, Cover, 2-57
 Light Assy Tail, 3-7
 Light Head Rnd 36V 1.7A#4350, 3-7
 Light Kit Revl Amb 510E Ohgd, 3-11
 Light Kit Revolving Lintel, 3-9
 Light Kit, Hd & Tail, 3-7
 Light, Rev. Amber 36V-Rework, 3-9, 3-11
 Link Rear Squeegee, 2-55
 Link Wldt, Head, Drag, 2-45
 Link, Chain, 2-13

Link, Scrubber Head Lift, 2-28
 Lubricant, Synthetic, 4-9, 4-10, 4-11

M

Manifold, Plastic, 2-47
 Manual - Fiche Pkg 515, 3-43
 Manual Opmt 515 ES, 3-43
 Manual Opmt 515 FR, 3-43
 Manual Pkg 515, 3-43
 Manual Service 515, 3-43
 Molding, Trim 11-14Ga 5.75, 2-67
 Motor (See Breakdowns), 3-19
 Motor Kit, Heavy Duty, 3-19
 Motor, 36VDC, 4-7, 4-8
 Motor, Ele (See Breakdowns), 2-39
 Motor, Electric (See Breakdowns), 2-27
 Motor, Electric, 4-4, 4-5
 Motor, Traction 3.0 Hp, 4-6
 Motor, Traction 3.0Hp, 2-15
 Mount, Headlight, 3-7

N

Nozzle, Plastic Wand, 3-15
 Nozzle, Spray, 3-39
 Nut Hx Flange M 8X1.25, 2-9
 Nut Hx Flange M 8X1.25See25572, 2-17
 Nut Hx Flange M10X1.5, 2-53
 Nut Hx Jam .50-13, 2-53
 Nut Hx Ss M 8X1.25, 2-49, 2-51
 Nut Hx Std .38-16, 2-17
 Nut Hx Std M 3X0.5, 2-65
 Nut Hx Std .38-24, 2-19
 Nut Hxloc, M10 X.5, 2-55
 Nut Hxlocnyln M 4X 0.7 Reg Ss, 2-9
 Nut Hxlocnyln M 6X1.0, 2-9, 2-11
 Nut Hxlocnyln M 8X1.25, 2-11, 2-19
 Nut Hxlocnyln M12X1.75, 2-21
 Nut, Hex, 2-27, 3-19
 Nut, Retainer .31-18, 2-33, 2-43
 Nut-Hx Std M 6X1.0, 2-65
 Nut-Hxlocnyln .25-20 Regss18-8, 2-53

CROSS REFERENCE

Nut-Hxlocnyln .31-18 Regss18-8, 2-49
Nut-Hxlocnyln .31-18 Thin Pltd, 2-33, 2-43
Nut-Hxlocnyln .50-20 Thin Pltd, 2-15
Nut-Hxlocnyln M 5X0.8 Reg 18-8, 2-44
Nut-Hxlocnyln M 8X1.25 Reg Ss, 2-33, 2-39, 2-43,
2-44, 2-49, 2-51, 2-53
Nut-Hxlocnyln M10X1.5 Reg 18-8, 2-41, 2-44, 2-53
Nut-Hxlocnynmm12X1.75 Reg Ss, 2-45
Nut-Hxslot .75-16 Pltd, 2-21
Nut-Wheel M14 X 1.5, 2-15
Nut, 4-3

O

O-Ring, 2-15
Output Shaft, 4-12, 4-13, 4-14

P

Pad Driver Brush 20D Assy Poly, 2-5
Pad Driver, 2-5, 2-7
Pad Holder, Malish, 2-7
Pad Holder, Threaded, 2-5
Pad, Tread, 2-25
Pad-Buff 16Dred, 2-7
Pad-Buff-20D Red, 2-5
Pad-Polis-16D White, 2-7
Pad-Polish 20D-White, 2-5
Pad-Scru .20D Blue, 2-5
Pad-Scrub-16D Blue, 2-7
Pad-Strip-16D Brown, 2-7
Pad-Strip-20D Brown, 2-5
Pad, 2-17
Panel Assy, w/Label, 2-23
Panel Wldt, Instrument, 2-63
Panel, Floor Rh, 2-23
Panel, Floor, Lh, w/Tread, 2-23
Panel, Membrane Touch, 2-63
Panel, Mounting, Control, 2-67
Panel, Shroud, Seat Support, 2-11, 3-17
Pedal w/Tread, 2-25
Pin Clevis .375 Dia X 1.13 Lg, 2-19
Pin Clevis 0.37 Dia X 0.75 Lg, 2-51

Pin Clevis 0.37 Dia X 1.00 Lg, 2-49
Pin Clevis 0.50 Dia.X 1.42 Lg, 2-17, 2-19
Pin, Clevis .50 Dia X 5.75 Lg, 2-31
Pin, Clevis,0.25 Dia X 2.44 Lg, 2-55
Pin, Clevis, 2-25, 2-36, 2-37
Pin, Hair Cotter, 2-36, 2-37
Pin, Hitch, 2-54
Pin, Prong, Pc Board, 2-65
Pin, Roll, 2-13
Pin, Roller, 2-39
Pin,Clevic,0.19 Dia.X 0.75 Lg, 2-55
Pin,Clevis,0.31 Dia X 1.00 Lg, 2-49, 2-51
Pin,Clevis,0.31 Dia.X 1.25 Lg, 2-19
Pin,Clevis,0.37 Dia.X 1.00 Lg, 2-17, 2-19
Pin,Clevis,0.37 Dia.X 2.12 Lg, 2-33
Pin,Clevis,0.50 Dia.X 1.87 Lg, 2-31, 2-33
Pin,Clevis,0.50 Dia.X 2.00 Lg, 2-55
Pin,Clevis,0.50 Dia.X 2.50 Lg, 2-31, 2-55
Pin,Hair Cotter #Lhcot-2,Leitk, 2-49, 2-51
Piston Inner/Out, 4-8
Pivot, Equalizer, 2-27
Pivot, Lift, Squeegee, 2-53
Plate Assy, Mtg,Brake Arm Brg, 2-21
Plate Wldt, Idler Mounting, 2-13
Plate Wldt, Mounting, 2-67
Plate, Bent, 3-3
Plate, Cable Mounting, 2-13
Plate, Mtg, Circuit Board, 2-65
Plate, Plastic, 2-57
Plate, Pump Mounting, 3-3
Plate, Seat Mounting, 3-14
Plate, Spacer, 2-39
Plate, Spring, 2-25
Plate, Strike, 2-11, 3-17
Plate-Cover, 2-23
Plate, 2-57
Plug, Switch, 2-63
Plug, 2-15, 4-9, 4-10, 4-11
Plugbtn 1.25.04-.17 Blacknyl, 2-63
Port Kit, 4-7
Posi-Sol Control Drain Sys Es, 3-35

Posi-Sol Control Drain Sys Kit, 3-34
 Pouch Operator Handbook, 2-11
 Prep For Battery Kit - 36V, 3-24, 3-25
 Pulley Assy, Cable, 1.5 Dia, 2-17
 Pulley Assy, Cable, 3.5 Dia, 2-19
 Pump Assembly (See Breakdowns), 3-3
 Pump Screws, 4-8
 Pump, Power Wand (See Breakdowns), 3-37
 Pump, Water, 4-7, 4-8

R

Rail, Slide Adjuster, 3-14
 Rear Squeegee Kit, 2-54
 Resistor, 40.00Ohms-40.00Watt, 3-7
 Restrictor, 3-4
 Retainer Ring, 2-21
 Retainer, Mtg, Front Blade, 2-3, 2-49
 Retainer, Squeegee, 2-36, 2-37, 2-49, 2-51
 Retaining Ring-External, 1.25D, 2-21
 Return Spring, 2-21
 Right Side Squeegee Group Assembly, 2-36
 Ring, Retaining, 2-13, 2-57
 Ring, Retain, Ex, 0.50 Stl Steel, 2-5
 Rivet Pop-.125Dx.38X.25Dhd Al, 3-21
 Rivet, Plastic .25 x .89, 3-37
 Rivet, Plastic .325Dx.787, 2-3, 2-39
 Rivet, Pop, 3-39
 Rod End M10 X1.5 W/Stud, 2-55
 Rod, Control, 2-13
 Rod, Lower Steering, 2-13
 Rod, Plastic, 2-57
 Rod, Threaded, 2-25, 2-27, 3-5
 Rod-Thrd, Full .38-24, 2-19
 Rod-Thread, 2End M10X1.5X7.35, 2-55
 Roller, Bumper, 2-39
 Roller, Mounting, Brush Head, 2-41

S

Scr Hex .38-16X0.88, 2-39
 Scr Hex M6X1.0 20, 2-9, 2-11
 Scr Hex M 6X1.0 25, 2-65

Scr Hex Ss M6x1.0, 2-35
 Scr Hex Ssm 8X1.25 50, 2-39
 Scr Hexss M10X1.5 25, 2-44
 Scr Hexssm 10X1.5 25, 2-41, 2-53
 Scr Hexssm 6X1.0, 2-49, 2-51
 Scr HexssM 8X1.25 30, 2-44
 Scr Hexssm 8X1.25 30, 2-49, 2-51
 Scr HexssM 8X1.25 25, 2-44
 Scr Hexssm 8X1.25 25, 2-41
 Scr Hexssm 8X1.25 40, 2-49
 Scr Hexssm 8X1.25, 2-33, 2-39, 2-43, 2-45, 2-47, 2-49, 2-51, 2-53
 Scr Hexssm 8X1.25ls, 2-43
 Scr Hexssm10X1.5 30, 2-53
 Scr Pan M3X0.5 12, 2-65
 Scr Pan Ss M4x0.7, 2-5, 2-7
 Scr Pan Ssm 4X0.7, 2-9
 Scr Panssm 5x0.8, 2-57
 Scr Soc M 8X1.25 60, 2-15
 Scr Soc M 8X1.25 80, 2-15
 Scr Soc M8X1.25, 2-49, 2-51
 Scr, Soc M 8X1.25, 2-17
 Scr-Butn M8X1.25 16 Ss18-8, 2-49, 2-51
 Scr-Butn M8X1.25 35 10.9Pltd, 2-49, 2-51
 Scr-Hex .31-18X2.00 Full Thd, 3-21
 Scr-Hex .38-16X1.00 Sems Pltd, 2-11
 Scr-Hex M 8X1.25 16 8.8 Pltd, 2-9
 Scr-Hex M 8X1.25 20 8.8 Pltd, 2-9, 2-11
 Scr-Hex M 8X1.25 40, 2-17
 Scr-Hex M 8X1.25 50, 2-19
 Scr-Hex M12X1.75 50 Full Thd, 2-31
 Scr-Hx M10X1.5 180 8.8 Pltd, 2-31
 Scr-Hxfmgm 4X0.7 10 Pltd, 3-34, 3-35
 Scr-Hxfmgm 4X0.7 10 Pltd, 2-9
 Screen, Solution 35 Mesh 10.5 Lg, 3-3
 Screen, 2-61
 Screw Hex M12X1.75 40, 2-21
 Screw Hex Ssm 10X1.5, 2-53
 Screw Hex Ssm 8X1.25 45, 2-41
 Screw Hexssm 12X1.75, 2-45
 Screw HexssM 5X0.8, 2-44
 Screw M 6 X 1.0 16, 2-17, 2-19

CROSS REFERENCE

Screw Pan 8X1.25 30, 2-11
Screw, Hex .31 Ss x .75, 2-39
Screw, Hex .31 Ss x 1.0, 2-39
Screw, Hex .38 Ss x 1.0, 2-39
Screw, Hex, M8 Ss, 2-27
Screw, Hex, 2-25, 2-27, 3-19
Screw, Hexssm 8x1.25, 2-27
Screw, Set, 2-13, 2-25
Screw, Socket, 2-25, 2-36, 2-37
Screw-Hex M12X1.75, 2-21
Screw, 4-3
Seal Kit, 4-8
Seal, Connector, 4-7, 4-8
Seal, Hose, 2-57, 2-59
Seal, Input Oil, 4-9, 4-10, 4-11
Seal, O-Ring 2.987ld X .103T, 2-15
Seal, Output Oil, 4-9, 4-10, 4-11
Seal, Tank, 2-61
Seal, Vacuum Fan, 2-69
Seal, 4-6, 4-12, 4-13, 4-14
Seat Assy, 2-11
Seat Wldt, Support, 3-17
Seat, Suspension Slide, 3-14
Seat, W/ Support, 2-11
Shaft Assembly, Output, Heavy Duty, 4-10
Shaft Assembly, Output, Std. Duty, 4-9, 4-11
Shaft Wldt, Cross, Brake Rear, 2-19
Shaft Wldt, Cross, Brake, Front, 2-17
Shaft, Steering, 2-13
Shell, 4-3
Shoe Assembly, 2-21
Shoe, Plastic Squeegee, 3-15
Shunt, 2 Hd Mtrs, 3-19
Shunt, 2 Std Mtrs for Max Prot 1000 Two-Brush System, 2-65
Shunt, 3 Std Mtrs for Max Prot 1200 Three-Brush System, 2-65
Shunt, Amp Measurement, 2-65
Skirt Frame Front, 2-9
Skirt Frame Lh Rear, 2-9
Skirt Frame Lh Rear, 3-7
Skirt Frame Rh Rear, 2-9, 3-7
Skirt Spring Retaining Kit, 2-27
Skirt, Brush, Lh Front, 2-3
Skirt, Brush, Rh Front, 2-3
Skirt, Brushrear, 2-3
Skirt, Frame Lh Side, 2-9
Skirt, Frame, Lh Front, 2-9
Skirt, Frame, Rh Front, 2-9
Skirt, Frame, Rh Side, 2-9
Skirt, Frame, Right Front, 2-45
Skirt, Front Brush, L.H., 2-27
Skirt, Front Brush, R.H., 2-27
Skirt, Rear Brush, 2-27
Skirt, Scrub Head Front, 2-3, 2-39
Sleeve, .344B .50D .81 Cr.Anc, 2-17
Sleeve, .344B .62D.93 Bronze, 2-41
Sleeve, .344B X .625D X 1.19Lg, 2-39
Sleeve, .34B .62D .38, 2-41
Sleeve, Bearing, 2-55
Sleeve, Pivot, 3-5
Socket Assy, 3-7
Spacer Pad Holder, 2-5, 2-7
Spacer, .50 ODX .34IDX .312L Ss, 2-29
Spacer, Gearbox, 2-27, 3-19
Spacer, Heavy Duty Battery, 3-12
Spacer, Square, 2-39
Spacer, Washer, 2-28, 2-45
Spacer, 2-25, 2-36, 2-37, 2-49, 2-51, 4-3
Spring Comp Die X 1.5Lg, 2-31
Spring Compression, 2-5
Spring Extension, 2-51
Spring, Brush Retaining, 2-5, 2-7
Spring, Centering Squeegee, 2-55
Spring, Comp .50ld 1.00Od 2.0, 2-53
Spring, Compression, 3-39
Spring, Die, Red, 4.0Lg, 2-31
Spring, Ext. .85X.085X2.75, 2-17, 2-19
Spring, Extension, 2-36, 2-37
Spring, Gas 30Lb 8.04 Stroke, 2-33, 2-43
Spring, Gas, 3-5
Spring, Tension, .750X.105X3.00, 2-49
Spring, Tension, 2-29

Spring, 3-15, 4-3
 Sprng,Tens,0.56Odx.05Wire 0.9L, 2-11, 2-44
 Sprng,Tens,1.12Odx.12Wire 6.2L, 2-55
 Sprocket, Steering, 2-13
 Sprocket, 2-13
 Squeegee Assembly, Front, 2-54
 Squeegee Assembly, Side, 2-36, 2-37
 Squeegee Assy, Side, Rh, 2-49
 Squeegee Front, 2-3
 Squeegee Kit Rear, 2-3
 Squeegee, Side Left Hand, 2-51
 Squeegee, Side, 2-3, 2-51
 Stationary Fan, 4-3
 Steering Chain Kit, 2-13
 Stop Wldt, Scrubhead, 2-39
 Strainer, Screen, 2-59
 Strap, Cap Retainer, 2-57, 2-59
 Strip, Rear Skirt Retainer, 2-27
 Strip, Retainer, Skirt, Lh, 2-3
 Strip, Retainer, Skirt, Rh, 2-3
 Strip, Retainer, Skirt-Rear, 2-3
 Strip, Retainer, 3-39
 Strip, Retaining, 2-54
 Strip, Skirt Retainer, L.H., 2-27
 Strip, Skirt Retainer, R.H., 2-27
 Stud, Adjustable, 3-39
 Stud, Ball, Gas Spring, 2-33, 2-43
 Switch Assembly/Housing, 4-8
 Switch Assy Key W/ Start, 2-63
 Switch, 15Amp, 3-3
 Switch, 15 A mp, 3-3
 Switch, Pushmom, Spst100A 12V, 2-63
 Switch, Rocker Spst Lighted36V, 3-37
 Switch, Rocker, Spdt, 2 Pos, 3-7, 3-9, 3-11
 Switch, Vacuum, 2-69
 Switch, 2-57

T

Tank Cap Kit, 2-57, 2-59
 Tank, Demister, 2-61
 Tank, Recovery, 2-57
 Tank, Solution, 2-59
 Tape, Video, Operator 515, 3-43
 Tennant Logo-10.0 Blue, 2-78
 Terminal, Female, 4-3, 4-4, 4-5
 Terminal, Male, 4-7, 4-8
 Tie, Cable 1.75D Max 7.50Lg, 3-7, 3-9, 3-11, 3-37
 Tie, Cable, 2-57, 2-69
 Tire & Wheel 16.25X6, 2-15
 Tire 16.0x3.5x12.1 Non Skid, 3-23
 Tire 16.25X6.00X11.25 Non Skid, 3-23
 Tire Assy, Grooved, 3-22
 Tire Assy, Non-Skid, 16 X 3.5, 3-23
 Tire, 16 X 3.5 X 12.13 Grooved, 3-22
 Tire, Non-Skid, 16.25 X 6, 3-23
 Tire,16.25X6X11.25 Sf/Xg,Solid, 2-15
 Tire,16X3.5X12.12 Sf,Sol.Smth, 2-21
 Transport Kit, 3-21
 Tray, Battery, 2-9
 Tray, Wand, 3-37
 Tread, Floor, 2-23, 2-45
 Tread,Pedal, Anti-Slip, 2-23
 Tube, Rnd, .34B .50D .27Lg, 2-44
 Tube, Rnd, .34B 1.00D .30Lg, 2-44
 Tube, Wye, Round, 2X2X1, 3-4
 Tube, 2-29, 2-69

U

U-Nut M 6X1.0 Pltd, 3-7

V

Vacuum Fan, 4-3
 Valve, Solenoid, 3-3
 Valve, Water, Sol .62 Hose 36V, 2-35
 Valve, Water, 2-35, 3-5, 3-39

CROSS REFERENCE

W

Wand Assembly, 3-39
Wand Kit, Cradle, 3-15
Wand Kit, Vacuum, 3-15
Wand, Metal, 2 Piece, 3-15
Wand, Off Aisle, 3-39
Washer .812 Od 406 Id Ureth, 2-55
Washer , 2-21
Washer Brush Pad Retainer, 2-5
Washer Flt 06 Ss See 25564, 2-65
Washer Flt 10, 2-65
Washer Flt .25 Hard, 2-9, 2-11
Washer Flt .31 Hard, 2-9, 2-11, 2-41, 2-44, 2-45
Washer Flt .31 Ss, 2-17, 2-19, 2-33, 2-39, 2-43, 2-44,
2-49, 2-51, 2-53
Washer Flt .38 Sae, 2-39
Washer Flt .38 Ss, 2-39
Washer Flt .50 Sae, 2-21
Washer Flt .38Ss, 2-27
Washer, .281B .62D .06Nylon, 2-11
Washer, .531B 1.75D .12Cr.Znc, 2-53
Washer, .656B 1.25D .06, 2-55
Washer, .765B 1.50D .06Ss18-8, 2-21
Washer, Finishing M8 Pltd, 2-63
Washer, Finishing, 2-13
Washer, Flat .31 Ss, 2-39
Washer, Flat .38 Ss, 2-39
Washer, Flat 08 Ss, 2-9
Washer, Flat, .31 Ss, 3-19
Washer, Flt .31 Ss, 2-27
Washer, Molded Plastic, 2-57, 2-59
Washer, Neo., 4-3
Washer, Nylon, 2-25, 2-57
Washer, Polyethylene, 3-34, 3-35
Washer- Loc Int M 3 Ss, 2-65
Washer-Belleville .31 Pltd, 2-27, 2-39
Washer-Flt .25 Fender Pltd, 2-3, 2-17, 2-39, 3-7
Washer-Flt .25 Fender Pltd, 2-19
Washer-Flt .38 Ss, 2-44
Washer-Flt .38 Ss, 2-53
Washer-Loc Int .25 Ss, 2-65

Washer-Loc Int Ss, 2-57
Washer, 2-57, 4-3
Wheel Assy, Rear, 2-21
Wheel Bolt, 2-15
Wheel, Guide, Scrubhead, 2-39
Wheel, Guide, 3-39
Wheel, Steering, 2-13
Wire Assy, Jumper, Reverse, 2-77
Wire Harness Warning Light, 3-9, 3-11

Y

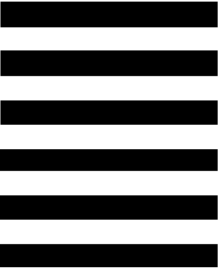
Yoke Assembly, 2-35
Yoke,End,Adjustable, 2-19



TENNANT COMPANY
 Technical Publications #15
 701 North Liliac Drive
 P.O. Box 1452
 Minneapolis, MN 55440-9947

POSTAGE WILL BE PAID BY ADDRESSEE

BUSINESS REPLY MAIL
 FIRST CLASS MAIL PERMIT NO. 94 MINNEAPOLIS, MN



NO POSTAGE
 NECESSARY
 IF MAILED
 IN THE
 UNITED STATES



Fold along dotted lines

Tape here

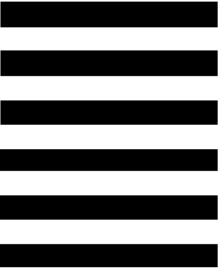




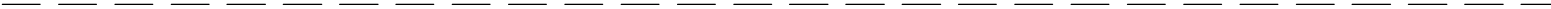
TENNANT COMPANY
 Technical Publications #15
 701 North Lilac Drive
 P.O. Box 1452
 Minneapolis, MN 55440-9947

POSTAGE WILL BE PAID BY ADDRESSEE

BUSINESS REPLY MAIL
 FIRST CLASS MAIL PERMIT NO. 94 MINNEAPOLIS, MN



NO POSTAGE
 NECESSARY
 IF MAILED
 IN THE
 UNITED STATES



Fold along dotted lines

Tape here

