

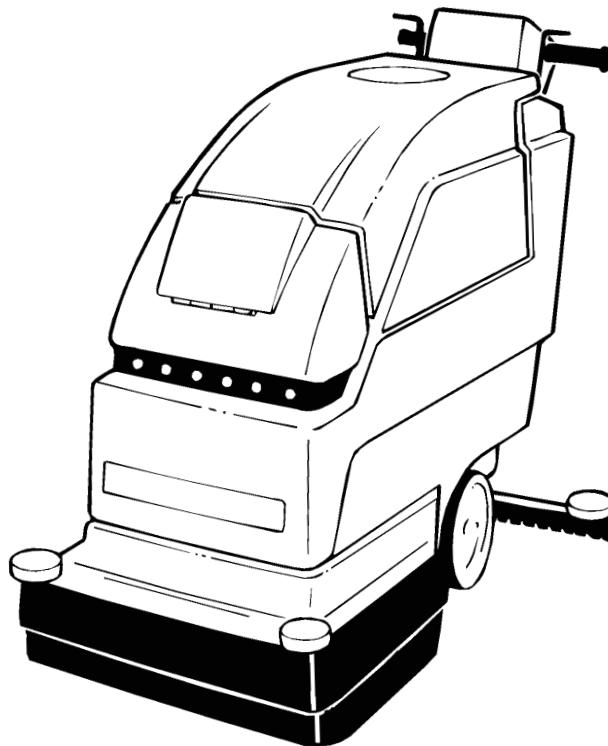


5200

**Automatic Scrubber
Fregadora Automática**

**Model No.:
609601**

**Operator and Parts Manual
Manual de Operación y de Piezas**

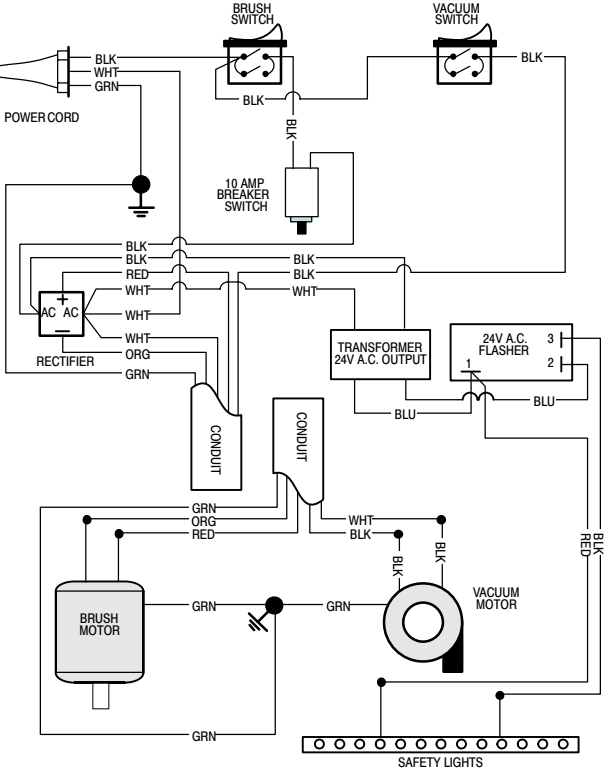


TENNANT COMPANY
Commercial Products
12875 RANSOM STREET
HOLLAND MI 49424

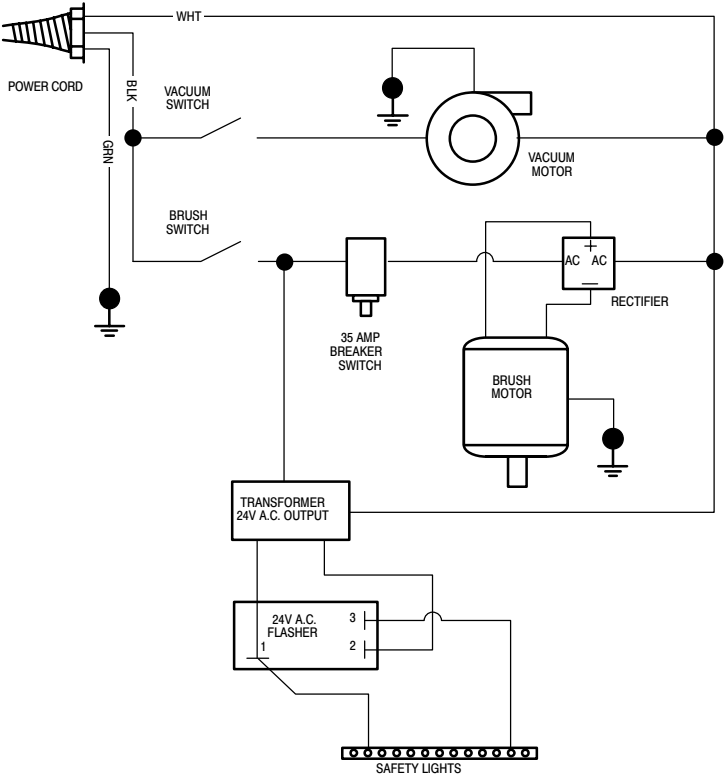
FAX: 1-800-678-4240
CUSTOMER SERVICE: 1-800-982-7658

609519
Rev. 00 (02-00)

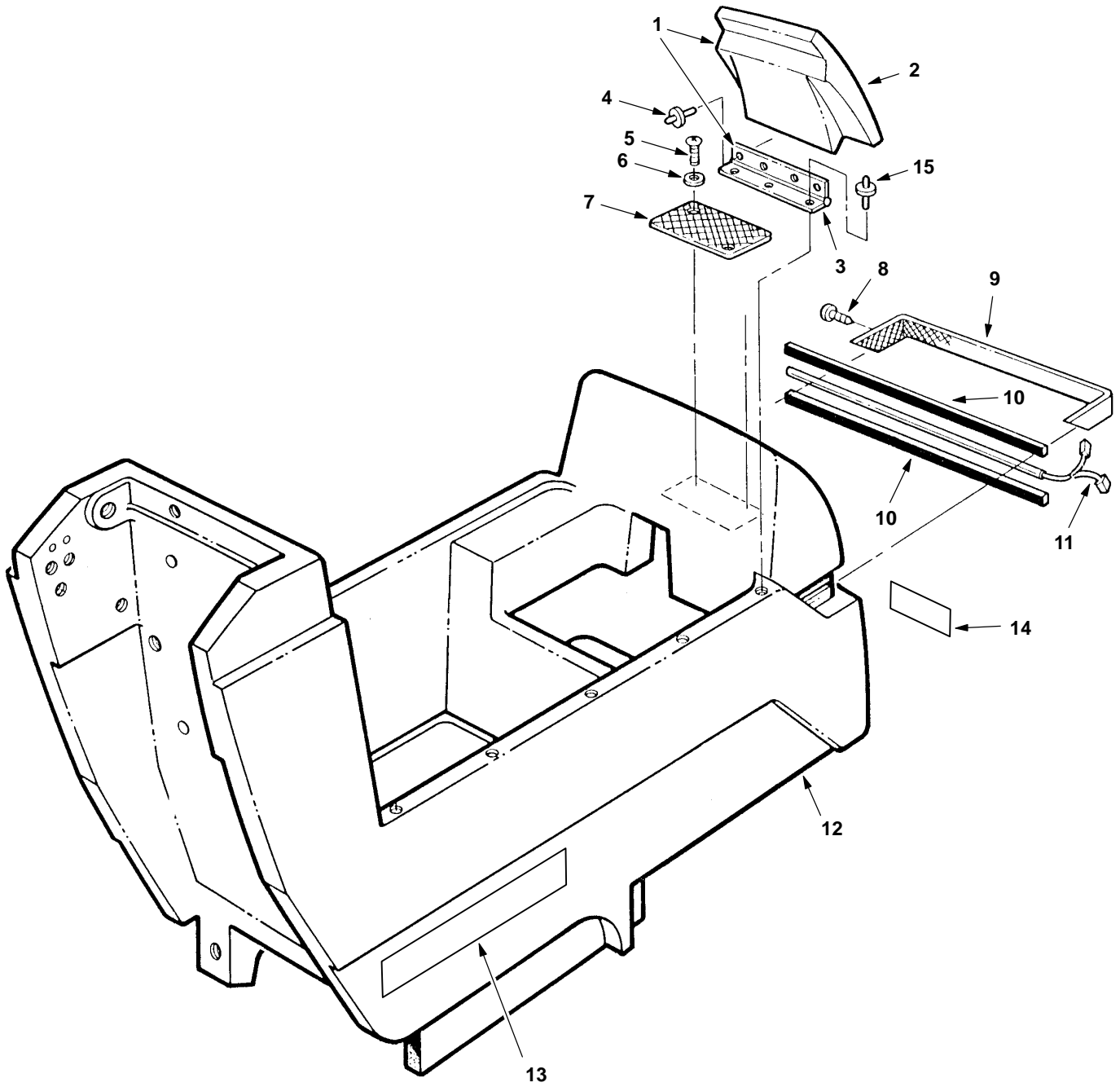
120V WIRE DIAGRAM



120V LADDER DIAGRAM



CHASSIS ASSEMBLY
CONJUNTO TELAIO



**CHASSIS ASSEMBLY
CONJUNTO TELAIO**

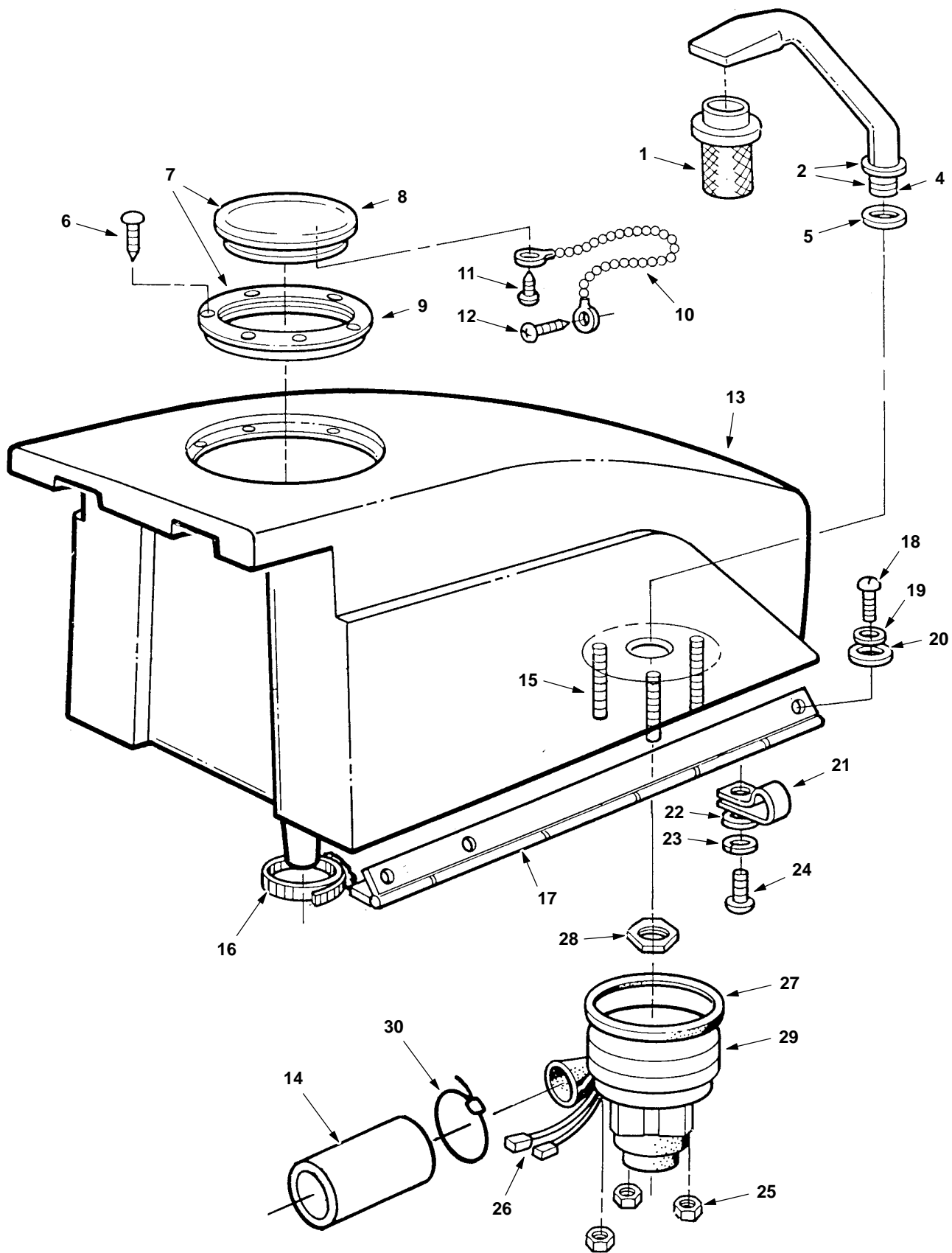
REF	PART #	DESCRIPTION	QTY.
∇1	607982	ASM., DOOR SOL TANK, TEAL	1
▲2	607515	DOOR, SOL. TANK, TEAL	1
▲3	230626	HINGE, DOOR	1
▲4	140706	RIVET, POP	4
5	140826	SCREW, 10-24X3/8	2
6	140032	WASHER, FLAT	2
7	602529	SCREEN, FILL	1

REF	PART #	DESCRIPTION	QTY.
8	140835	SCREW, 10-24X3/8	2
9	230311.BK	SHIELD, LIGHT	1
10	26578	GASKET	3ft
11	130023	LIGHT, SAFETY	1
12	607533	CHASSIS, TEAL	1
13	608120	DECAL, 5200	2
14	120210	DECAL, TENNANT	1

∇ Assembly

▲ Included in assembly

RECOVERY TANK ASSEMBLY
CONJUNTO DESPOSITO RECUPERAR



**RECOVERY TANK ASSEMBLY
CONJUNTO DESPOSITO RECUPERAR**

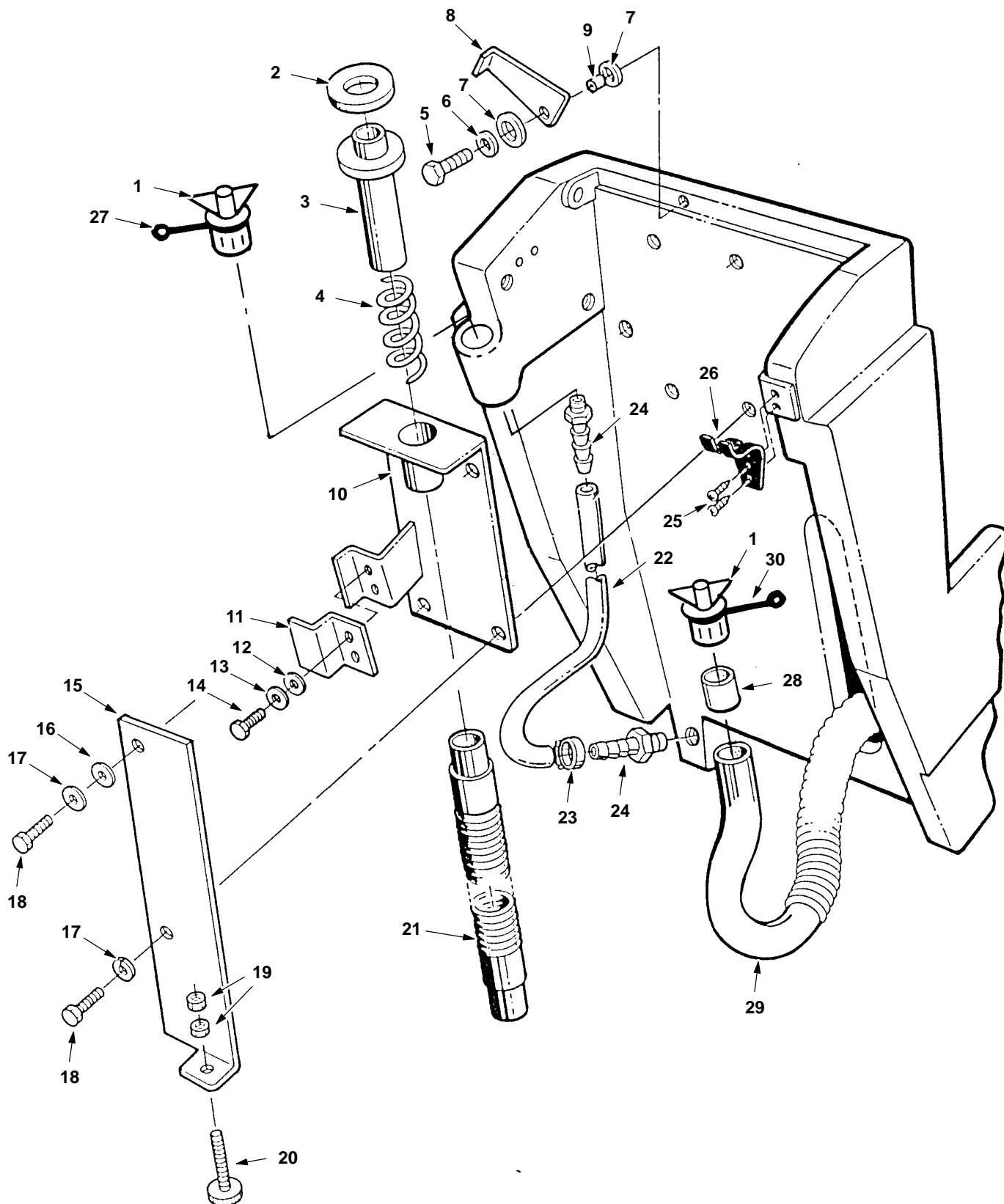
REF	PART #	DESCRIPTION	QTY.
1	180613	FLOAT, SHUT-OFF	1
∇2	701103	ASM., STANDPIPE	1
▲3	101326	STANDPIPE	1
▲4	230187	NIPPLE 1-1/2	1
5	101714	GASKET	1
6	140826	SCREW, #6X3/4	6
∇7	100102	ASM., LID	1
▲8	100105	LID, CENTER	1
▲9	100109	LID, OUTER	1
10	230513	CHAIN, LID	1
11	3701.6	SCREW, #6X3/8	1
12	140826	SCREW, #6X3/4	1
13	607535	TANK, RECOVERY, TEAL	1
14	600009	MUFFLER, EXHAUST	1
15	140258	STUD, 1/4-20X4-1/4	3
16	140307	CLAMP, HOSE	1

REF	PART #	DESCRIPTION	QTY.
17	230721	HINGE, REC. TANK	1
18	140885	SCREW, 1/4-20X1/2	5
19	140052	WASHER, LOCK 1/4	5
20	140000	WASHER, FLAT 1/4	5
21	140300	CLAMP	1
22	140000	WASHER, FLAT	4
23	140052	WASHER, LOCK	4
24	140885	SCREW, 1/4-20X1/2	4
25	140501	NUT, LOCK	3
26	130149	TERMINAL, MALE (BLU)	2
27	0174..10	SEAT, MOTOR	1
28	210240	NUT, FLANGE	1
29	130402	MOTOR, 120V	1
	190155	CARBON BRUSH (2 PACK)	2
30	130041	WIRE TIE	1

∇ Assembly

▲ Included in assembly

REAR PANEL ASSEMBLY
CONJUNTO PANEL TRASERA

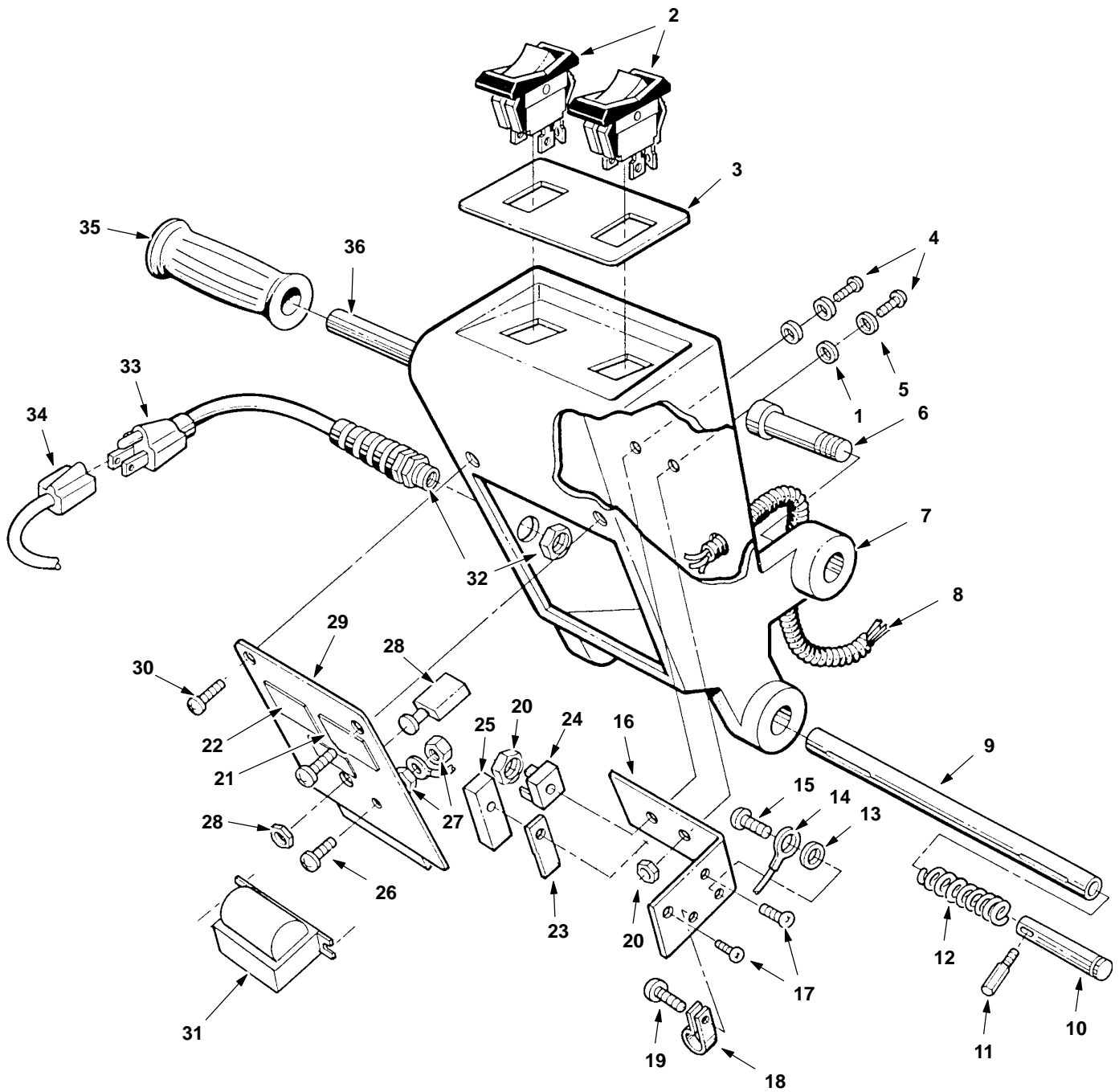


**REAR PANEL ASSEMBLY
CONJUNTO PANEL TRASERA**

REF	PART #	DESCRIPTION	QTY.
1	621324	PLUG, DRAIN	2
2	100151	GASKET, TUBE ADAPTER	1
3	230664	ADAPTER, TUBE	1
4	140424	SPRING, TUBE ADAPTER	1
5	140226	SCREW, 5/16-18X5/8	1
6	140015	WASHER, LOCK	1
7	140027	WASHER, FLAT	2
8	230925	SUPPORT, REC. TANK	1
9	140116	BUSHING	1
10	230873	PLATE, MOUNT	1
11	230872	LATCH, PLATE BRUSH LIFT	1
12	140000	WASHER, FLAT	2
13	140016	WASHER, LOCK	2
14	140259	SCREW, 1/4-20X5/8	2
15	230927	PLATE, VALVE STOP	1

REF	PART #	DESCRIPTION	QTY.
16	140027	WASHER, FLAT	1
17	140015	WASHER, LOCK	4
18	140226	SCREW, 5/16-18X5/8	4
19	140548	NUT, JAM	2
20	240191	KNOB	1
21	160617	HOSE, 1-1/2X24 W/CUFFS	1
22	700420	ASM., HOSE W/ MARKERS	1
23	140310	CLAMP, HOSE	1
24	14884	HOSE BARB	2
25	140810	SCREW, 6-32X3/8	2
26	602641	BRACKET, DRAIN HOSE	1
27	600476	STRAP, REAR FILL PLUG	1
28	630394	SLEEVE, DRAIN HOSE	1
29	605558	HOSE, DRAIN	1
30	578441	STRAP, DRAIN HOSE	1

CONTROL CONSOLE ASSEMBLY
CONJUNTO CONSOLA DE CONTROLES

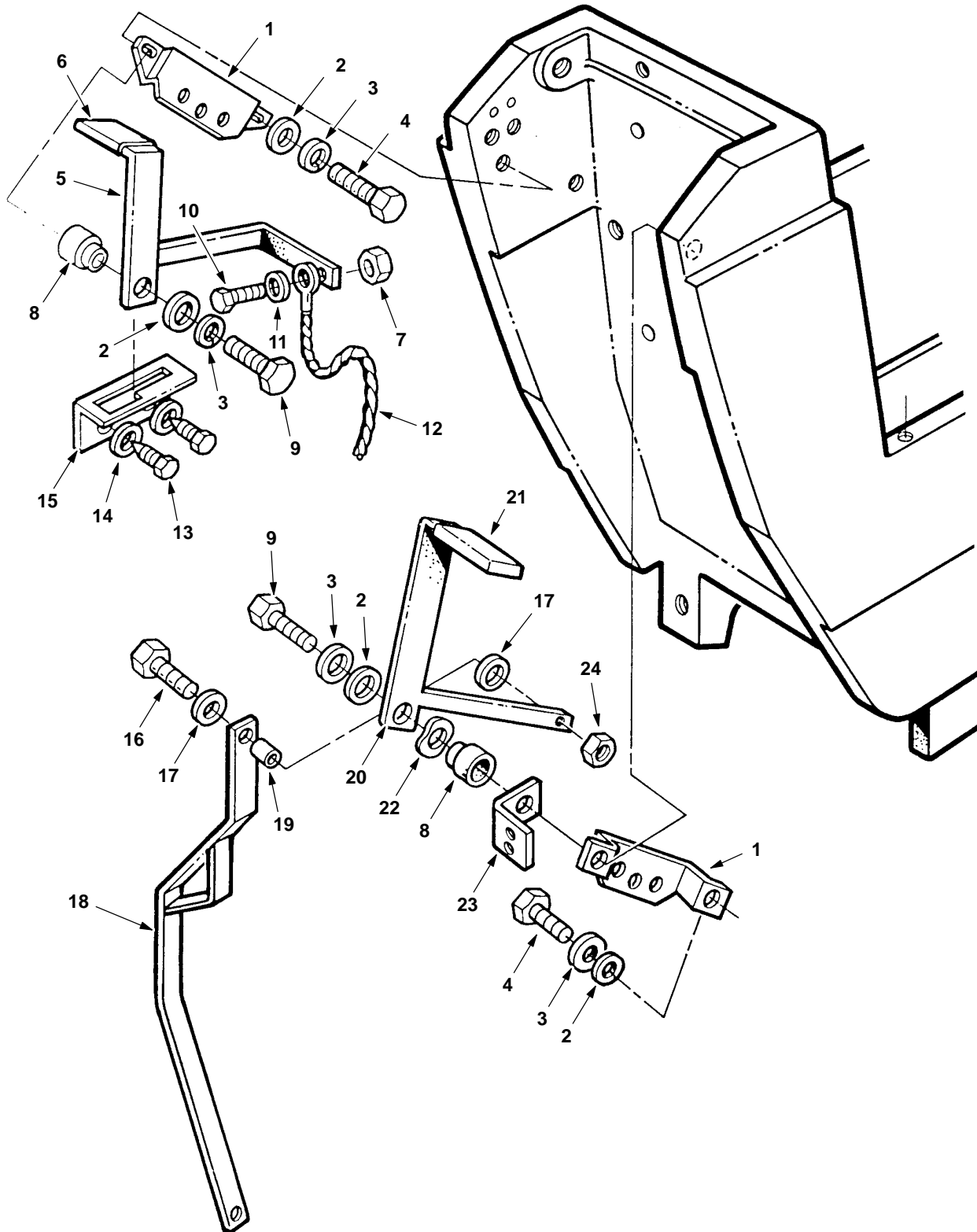


**CONTROL CONSOLE ASSEMBLY
CONJUNTO CONSOLA DE CONTROLES**

REF	PART #	DESCRIPTION	QTY.
1	140011	WASHER, FLAT	2
2	19417	SWITCH, ON/OFF	2
3	600813	DECAL, DASH	1
4	140804	SCREW, 10-24X1	2
5	140018	WASHER, LOCK	2
6	140241	BOLT, SHOULDER 5/8X2	2
7	607531	HOUSING, CONTROL, TEAL	1
8	700181	CORD, ELEC 120V	1
9	230715	TUBE, HANDLE ADJMT.	1
10	230710	PIN, HANDLE LOCK	2
11	230649	PIN, HANDLE ADJMT	2
12	140415	SPRING, LOCK PIN	1
13	140018	WASHER, LOCK	1
14	700726	ASM., WIRE #14X9" 120V	1
15	140900	SCREW, 10-24X3/4 120V	1
16	230744	BRACKET, ELEC. MOUNT	1
17	140900	SCREW, 10-24X3/4	2
18	140323	CLAMP, NYLON 1/2 120V	1
19	140900	SCREW, 10-24X3/4	1

REF	PART #	DESCRIPTION	QTY.
20	140519	NUT, KEP	2
21	120619	DECAL, WARNING	1
22	578729	DECAL, READ MANUAL	1
23	100456	TAPE, ACRYLIC FOAM	1
24	190753	RECTIFIER, 60A/600V	1
25	130024	FLASHER, 120V	1
26	140900	SCREW, 10-24X3/4	1
27	140519	NUT, KEP	2
28	130755	BREAKER, CIR 10A 120V	1
29	230716.BK	COVER, HOUSING	1
30	140197	SCREW, 10-24X3/8	2
31	130025	TRANSFORMER	1
32	130166	GRIP, CORD 120V	1
	130167	GRIP, CORD 240V	1
33	130227	CORD, 14/3X20" 120V	1
34	130229	CORD, 14/3X75' 120V	1
35	200823	GRIP, HANDLE	2
36	230709	TUBE, HANDLE	1

LEVER ASSEMBLY
CONJUNTO DE PALANCAS

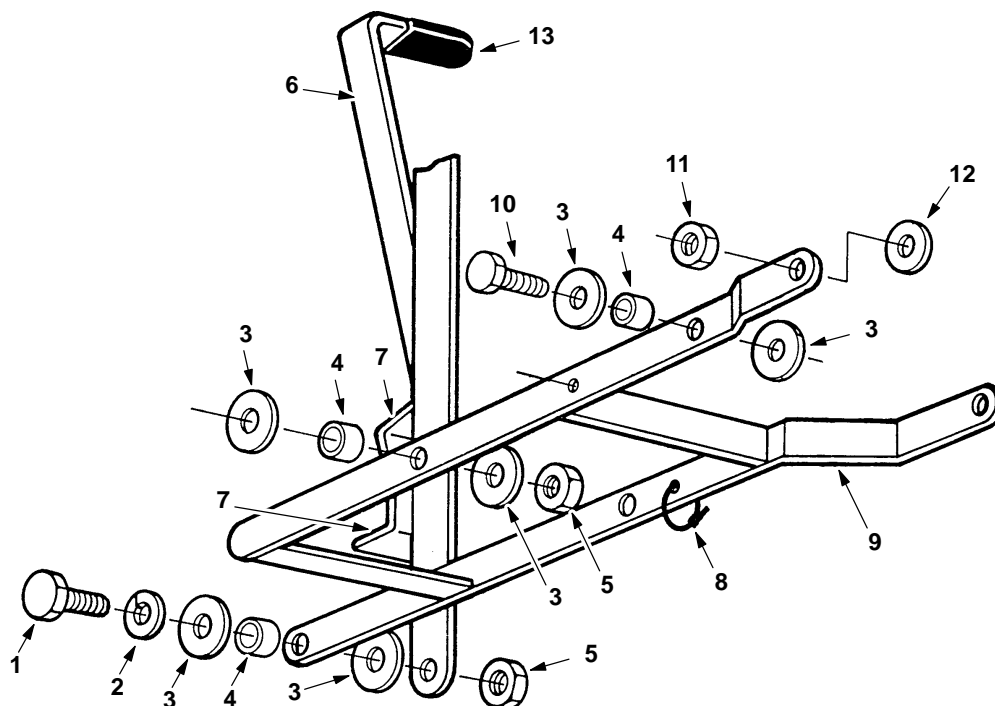


**LEVER ASSEMBLY
CONJUNTO DE PALANCAS**

REF	PART #	DESCRIPTION	QTY.
1	230661	PLATE, LOCK	2
2	140027	WASHER, FLAT	4
3	140015	WASHER, LOCK	4
4	140226	SCREW, 5/16-18X5/8	2
5	230728.BK	HANDLE, SQUEEGEE LIFT	1
6	200816	GRIP, HANDLE	1
7	140510	NUT, JAM	1
8	230735	BUSHING, SPACER	2
9	140221	SCREW, 5/16-18X1-1/4	2
10	140259	SCREW, 1/4-20X5/8	1
11	140016	WASHER, LOCK	1
12	140931	CABLE, SQUEEGEE LIFT	1

REF	PART #	DESCRIPTION	QTY.
13	140951	SCREW, 10-24X7/16	2
14	140031	WASHER, LOCK	2
15	230712	PLATE, SQUEEGEE LOCK	1
16	140208	SCREW, 1/4-20X1	1
17	140000	WASHER, FLAT	2
18	230718	LEVER, SOLUTION CONTROL	1
19	140134	BUSHING	1
20	230719.BK	HANDLE, SOLUTION CONTROL.	1
21	200816	GRIP, HANDLE	1
22	140060	WASHER, WAVE	1
23	602641	BRACKET, DRAIN HOSE	1
24	140510	NUT, JAM	1

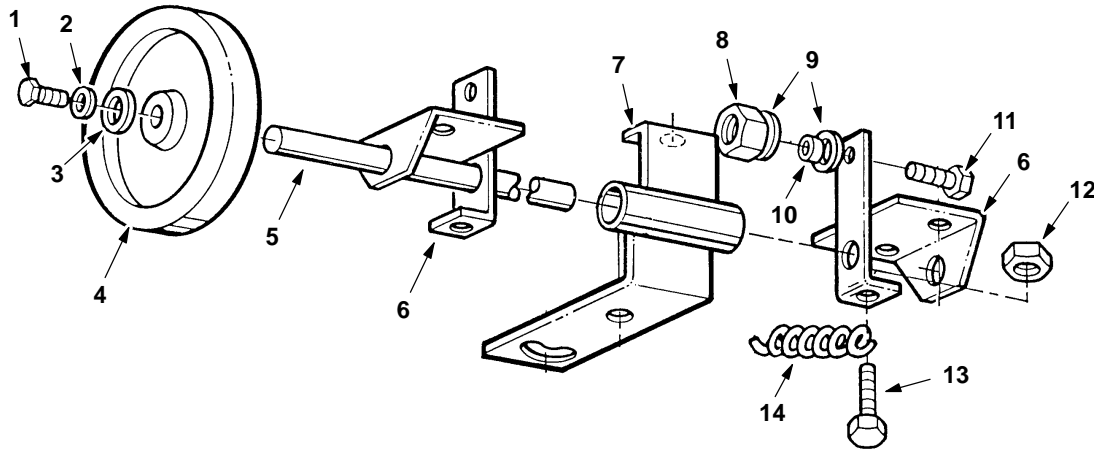
BRUSH LIFT ASSEMBLY
CONJUNTO PARA LEVANTAR CEPILLO



REF	PART #	DESCRIPTION	QTY.
1	140236	SCREW, 3/2-13X1-1/4	1
2	140024	WASHER, LOCK	1
3	140045	WASHER, FLAT	10
4	140139	BUSHING	5
5	140516	NUT, LOCK	3
6	230874	LEVER, BRUSH LIFT FOOT	1
7	102560	SURFACING, NON-SLIP	2

REF	PART #	DESCRIPTION	QTY.
8	130040	WIRE TIE	1
9	230870	WELDMENT, LIFT	1
10	140237	SCREW, 1/2-13X1	1
11	140509	NUT, JAM 1/2-13	1
12	140127	BEARING, THURST	1
13	200816	GRIP, HANDLE	1

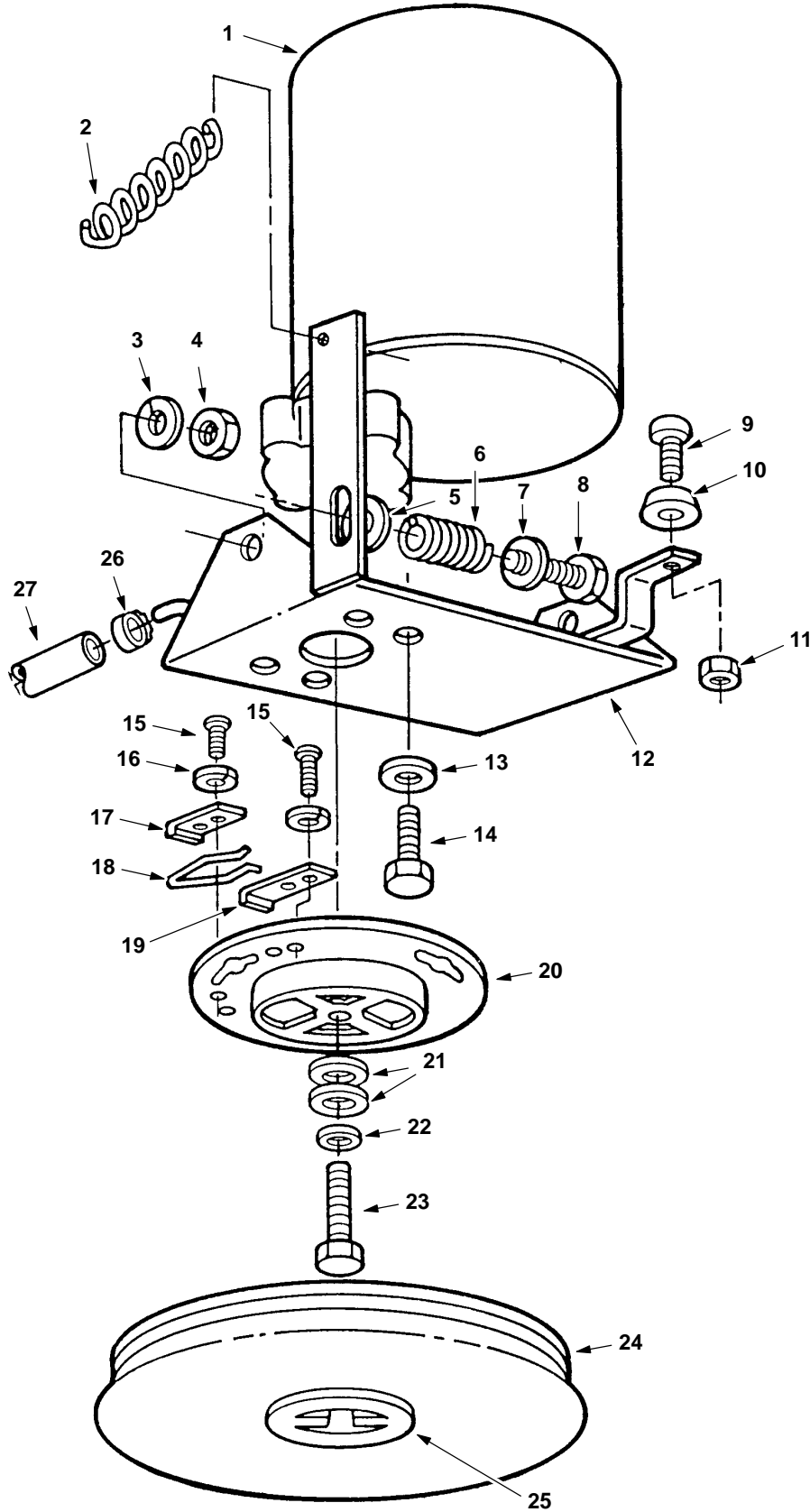
WHEEL AXLE ASSEMBLY
CONJUNTO DE RUETA Y EJE



REF	PART #	DESCRIPTION	QTY.
1	140201	SCREW, 3/8-16X3/4	2
2	140017	WASHER, LOCK	2
3	140028	WASHER, FLAT	2
4	25656	WHEEL	2
5	230743	AXLE	1
6	230869	BRACKET, AXLE	2
7	230731	MOUNT, SQUEEGEE	1

REF	PART #	DESCRIPTION	QTY.
8	140511	NUT, ACORN	2
9	140045	WASHER, FLAT	4
10	140139	BUSHING, LIFT PEDAL	2
11	140236	SCREW, 1/2-13X1-1/4	2
12	140525	NUT	2
13	140233	SCREW, 3/8-16X1 3/4	2
14	140433	SPRING	2

BRUSH/PAD DRIVE ASSEMBLY
CONJUNTO IMPULSO DE CEPILLO



**BRUSH/PAD DRIVE ASSEMBLY
CONJUNTO IMPULSO DE CEPILLO**

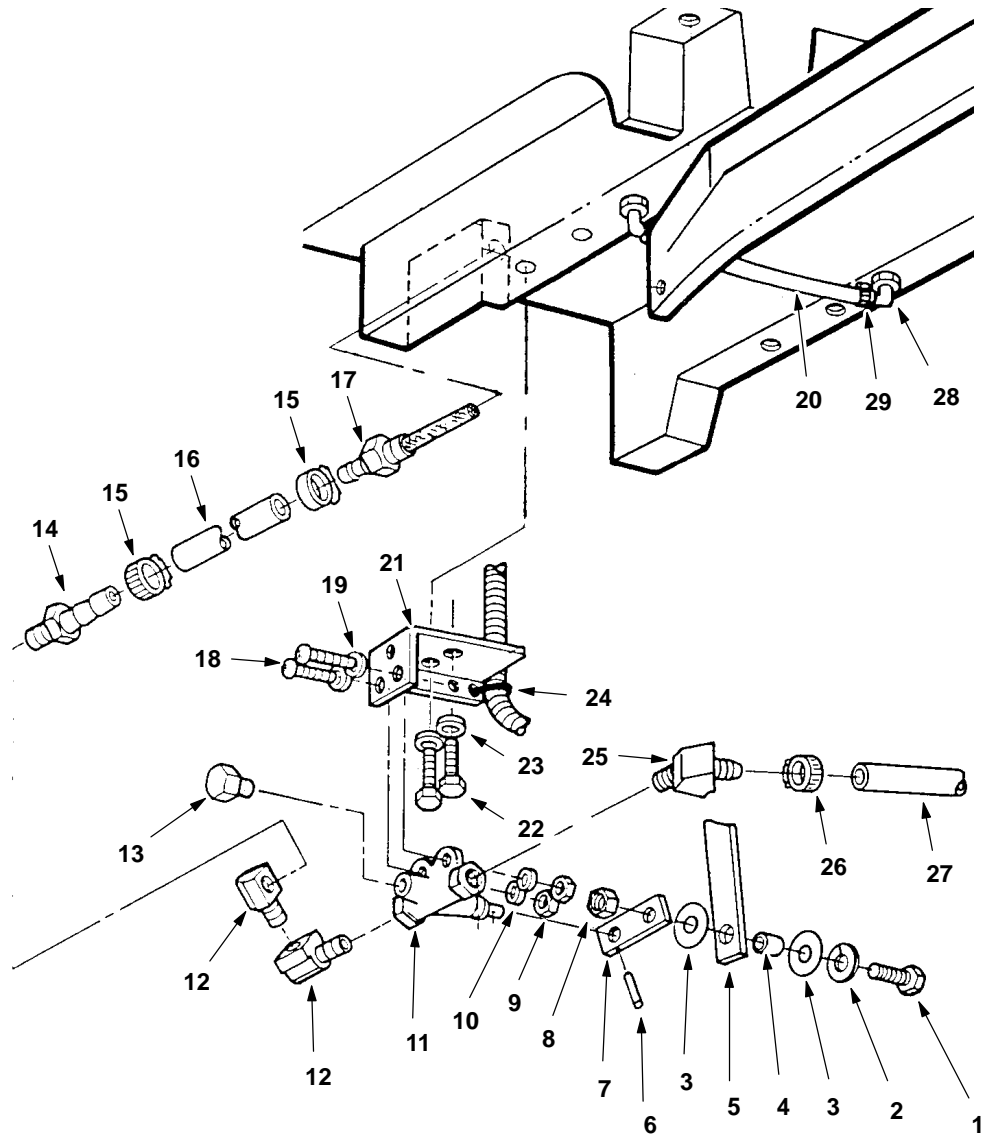
REF	PART #	DESCRIPTION	QTY.
1	130481	MOTOR, 120V	1
	22117	CARBON BRUSH	4
2	140431	SPRING	1
3	140024	WASHER, LOCK	2
4	140509	NUT, JAM	2
5	140127	BEARING, THRUST	1
6	140430	SPRING	1
7	3148.816	WASHER, FLAT	1
8	140234	SCREW, 1/2-13X2-1/2	1
9	140900	SCREW, 10-24X3/4	1
10	100091	BUMPER, RECESSED	1
11	140552	NUT, LOCK	1
12	230871	BRACKET, MOTOR	1
13	140017	WASHER, LOCK	4
14	140202	SCREW, 3/8-16X1	4
15	140887	SCREW, 10-24X3/8	4

REF	PART #	DESCRIPTION	QTY.
16	140018	WASHER, LOCK	4
17	230651	CLAMP, BRUSH PLATE	1
18	140417	CLIP, SPRING	1
19	230697	STOP, DRIVER RELEASE	1
20	230672	PLATE, DRIVE	1
21	25732	WASHER, FLAT	2
22	140015	WASHER, LOCK	1
23	140219	SCREW, 5/16-18X1	1
∇24	240249	ASM., PAD DRIVER	1
▲	100100	RING, RAD RETAINER 1"L	1
▲	100101	RING, PAD RETAINER 1-1/2"L	1
▲	240254	LUGS, PLASTIC (SET OF 3)	1
25	25707	CENTERLOCK	1
26	140310	CLAMP HOSE	2
27	12712	TUBING	1.5ft

∇ Assembly

▲ Included in assembly

PLUMBING ASSEMBLY

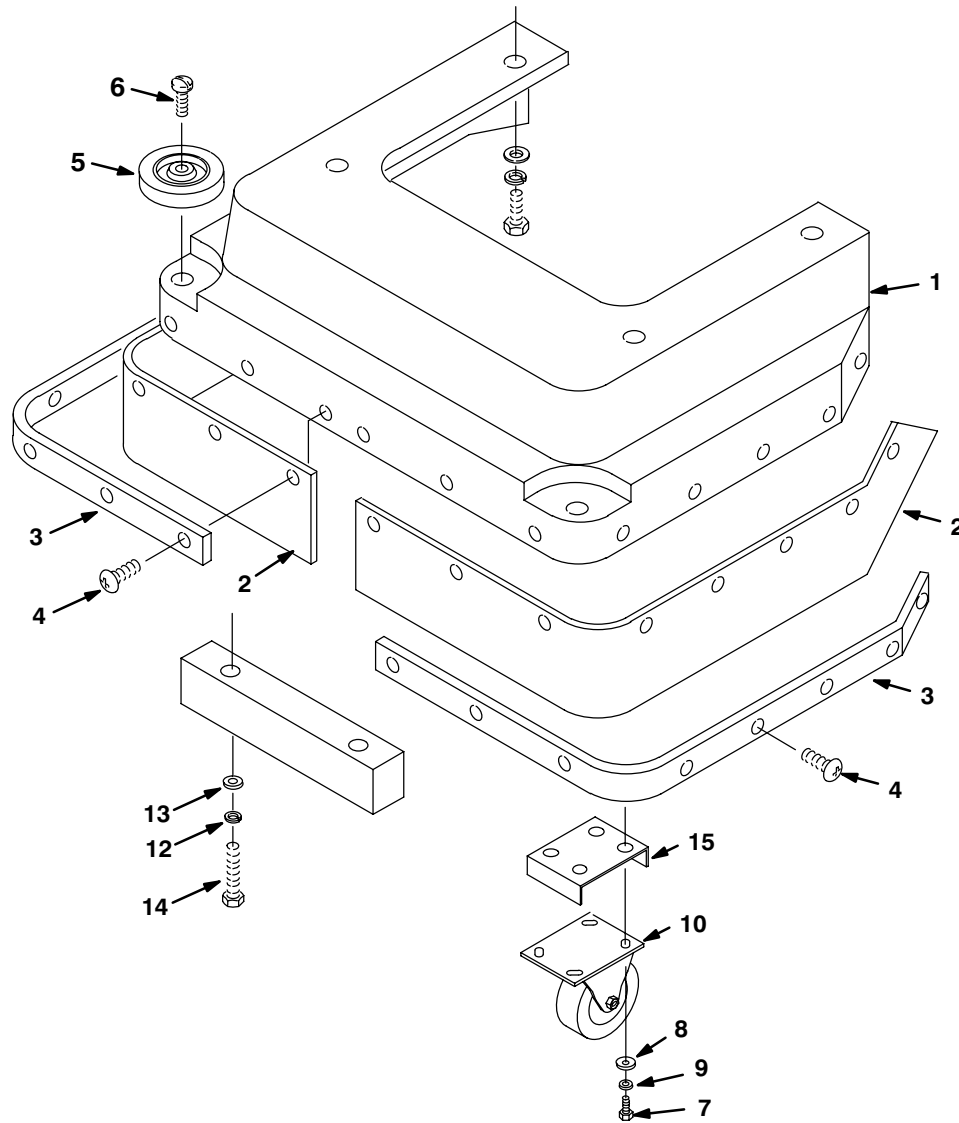


PLUMBING ASSEMBLY

REF	PART #	DESCRIPTION	QTY.
1	140208	SCREW, 1/4-20X1	1
2	140016	WASHER, LOCK	1
3	140000	WASHER, FLAT	2
4	140134	BUSHING, SOLUTION CONTROL	1
5	230718	LEVER, SOLUTION VALVE	1
6	140616	PIN, ROLL	1
7	230657	ARM, VALVE	1
8	140501	NUT, LOCK	1
9	140552	NUT, LOCK	2
10	140011	WASHER, FLAT	2
11	210259	VALVE, 3-WAY	1
12	150406	ELBOW, STREET 90°	2
13	150206	PLUG	1
14	150517	HOSE BARB	1
15	140310	CLAMP, HOSE	2

REF	PART #	DESCRIPTION	QTY.
16	14894	TUBING, VINYL	.5ft
17	180629	FILTER, SOLUTION. TANK	1
18	140895	SCREW, 10-24X3/4	2
19	140011	WASHER, FLAT	1
20	12712	TUBING	.85ft
21	600750	BRACKET, SOL. VALVE	1
22	140259	SCREW, 1/4-20X5/8	2
23	140016	WASHER, LOCK	2
24	130040	WIRE, TIE	1
25	28303	HOSE BARB	1
26	140310	CLAMP, HOSE	1
27	12712	TUBING	1.5ft
28	150419	ELBOW, 1/4MX3/8H 90°	1
29	140310	CLAMP, HOSE	2

SKIRT ASSEMBLY
CONJUNTO JUEGO



**SKIRT ASSEMBLY
CONJUNTO JUEGO**

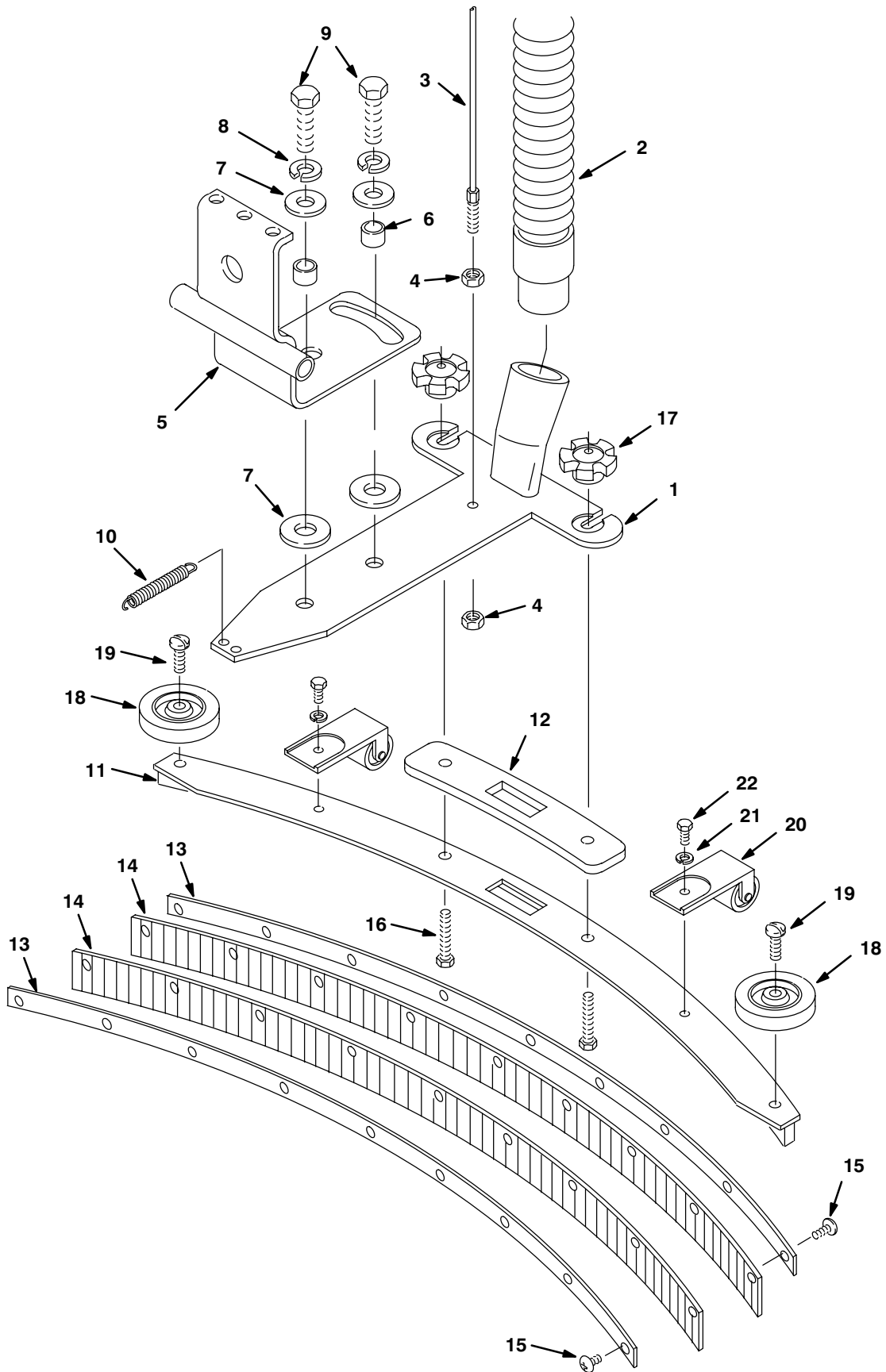
REF	PART #	DESCRIPTION	QTY.
▽	608789	ASM., SKIRT, TEAL	1
▲1	607537	SKIRT HOUSING, TEAL	1
▲2	605958	SPLASH GUARD	2
▲3	605959	STRAP, SPLASH GUARD	2
▲4	605975	SCREW, 10-24X1/2	16
▲5	630450	WHEEL, BUMPER	2
▲6	140799	SCREW, 5/16-18X1-1/2	2
▲7	140259	SCREW, 1/4-20X5/8	8

REF	PART #	DESCRIPTION	QTY.
▲8	140000	WASHER, 1/4 FLAT	8
▲9	140016	WASHER, 1/4 LOCK	8
▲10	103001	CASTER, SWIVEL 3"	2
▲11	230875	WEIGHT	1
▲12	140015	WASHER, 5/16 LOCK	2
▲13	140027	WASHER, 5/16 FLAT	2
▲14	140220	SCREW, 5/16-18X2-1/2	2
▲15	231032	SHIELD, CASTER	2

▽ Assembly

▲ Included in assembly

CURVED SQUEEGEE ASSEMBLY
CONJUNTO PALETA ENCORUADO



**CURVED SQUEEGEE ASSEMBLY
CONJUNTO PALETA ENCORUADO**

REF	PART #	DESCRIPTION	QTY.
1	230730.BK	BRACKET, SQUEEGEE	1
2	160617	HOSE, 1 1/2X24" W/CUFFS	1
3	140931	CABLE, SQUEEGEE	1
4	140501	NUT, LOCK 1/4	2
5	230731	BRACKET, PIVOT MOUNT	1
6	140139	BUSHING	2
7	140045	WASHER, FLAT	4
8	140024	WASHER, LOCK	2
9	140237	SCREW, 1/2-13X1	2
10	140433	SPRING	2

▽ Assembly

▲ Included in assembly

REF	PART #	DESCRIPTION	QTY.
▽	604482	ASM., SQUEEGEE	1
▲11	602959	WELDMENT, SQUEEGEE	1
▲12	603260	GASKET	1
▲13	602959	PLATE, SQUEEGEE	2
▲14	603659	BLADE, SQUEEGEE	2
▲15	605975	SCREW, 10-24x1/2 sems	18
▲16	140221	SCREW, 5/16-18X1 1/4	2
▲17	27257	KNOB, SQUEEGEE	2
▲18	630450	WHEEL	2
▲19	140799	SCREW, 5/16-18 X 1 1/2	2
▲20	700844	ROLLER, SQUEEGEE	2
▲21	140015	WASHER, LOCK	2
▲22	140226	SCREW, 5/16-18X 5/8	2