

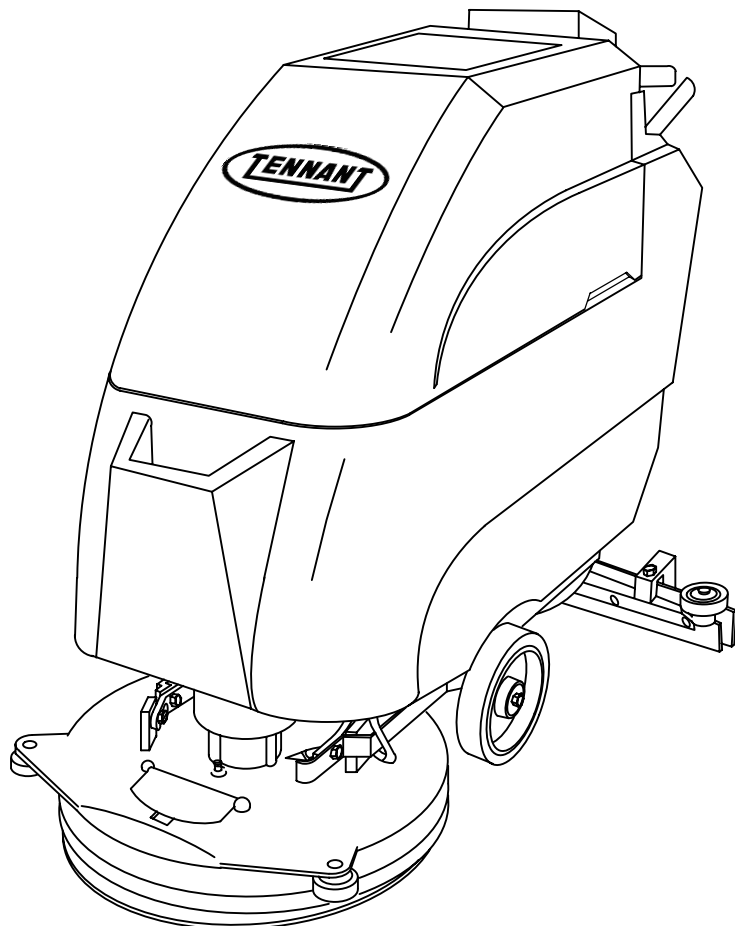


# 5280

Scrubber

**Model No.:**  
**610678**  
**610679 PAC**

**Operator and Parts Manual**

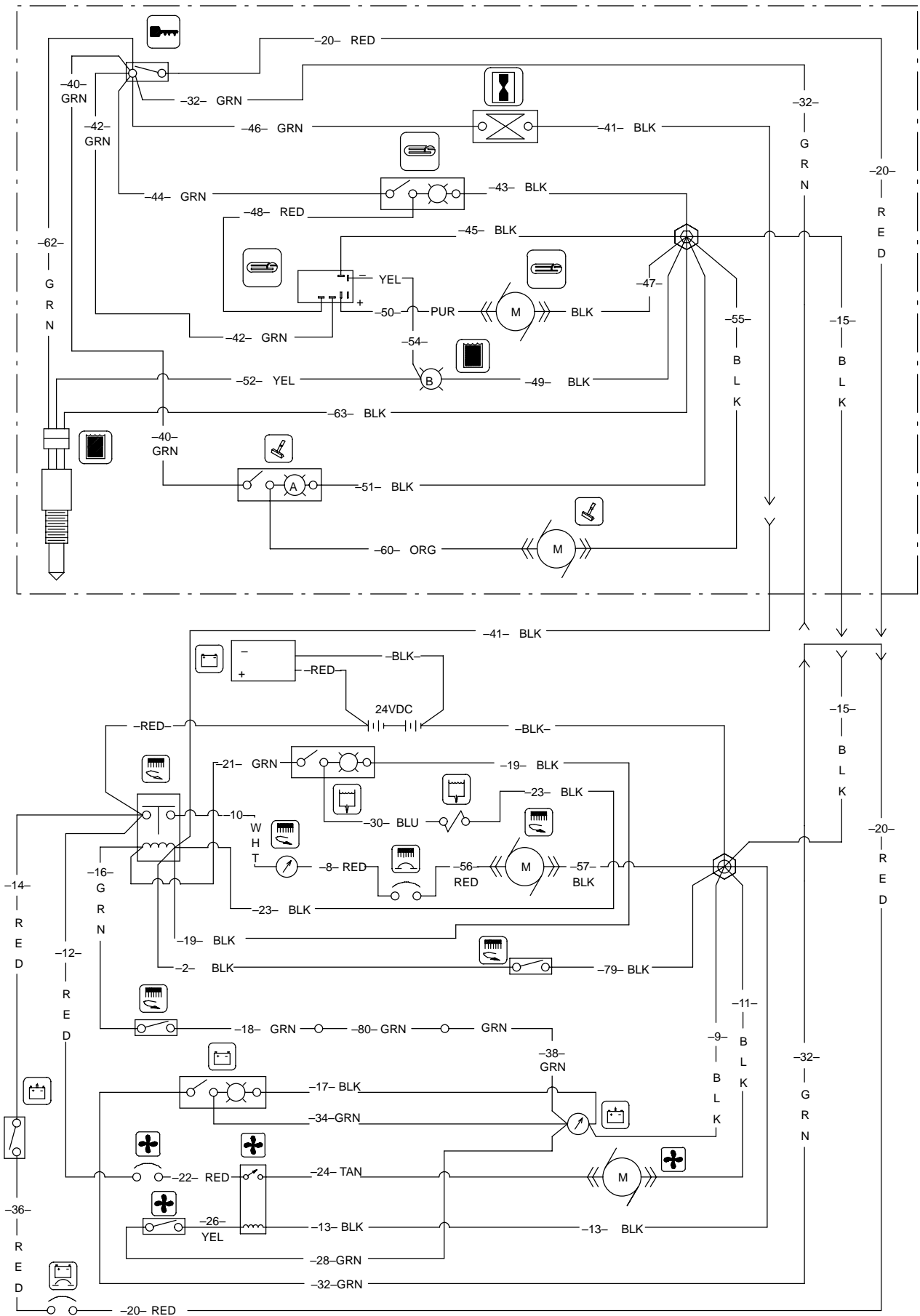


**TENNANT COMPANY**  
**Commercial Products**  
12875 RANSOM STREET  
HOLLAND MI 49424 U.S.A.

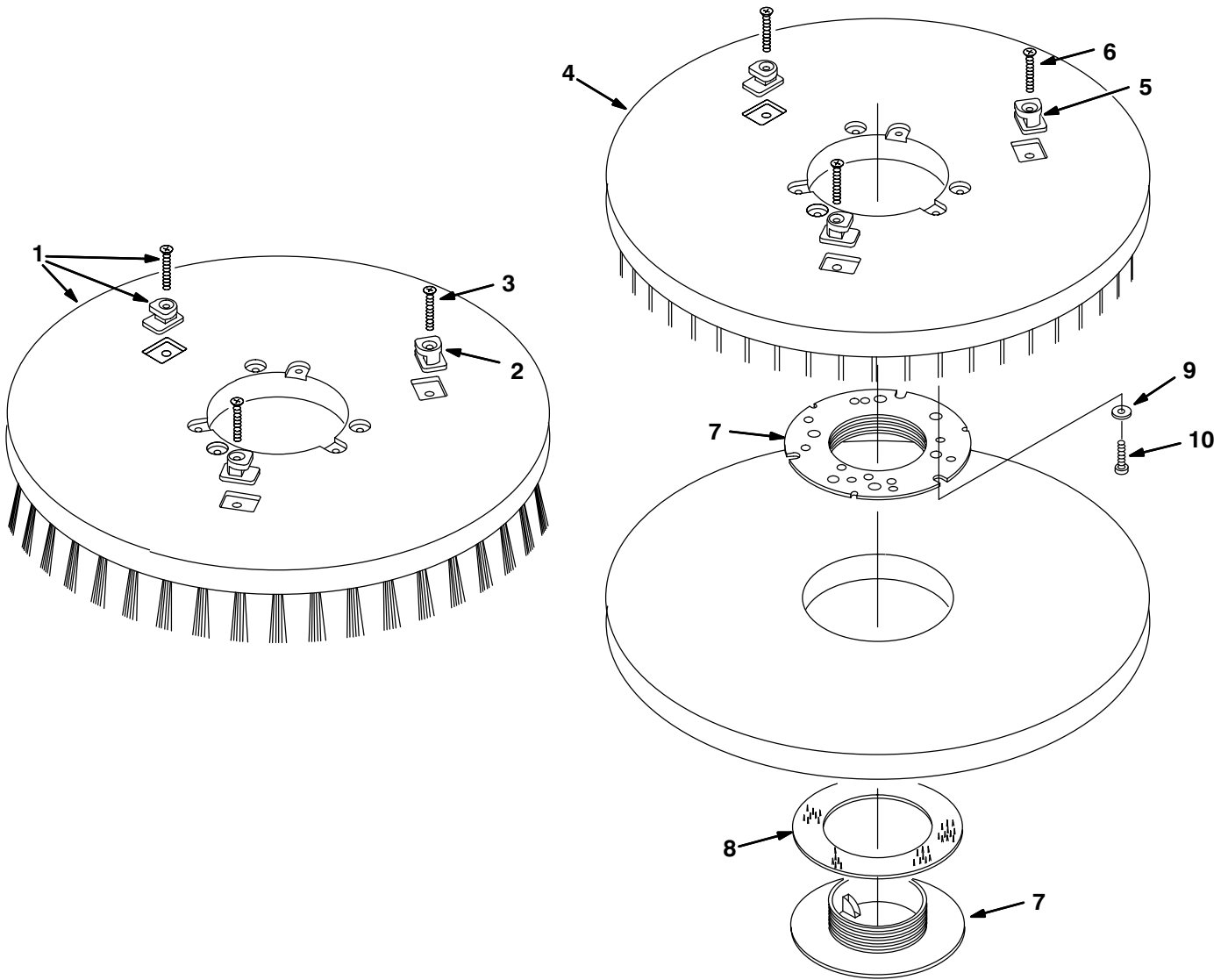
FAX: 1-800-678-4240  
CUSTOMER SERVICE: 1-800-982-7658

**610168**  
**Rev. 00 (10-00)**

# ELECTRICAL DIAGRAM



REPLACEMENT BRUSHES AND PAD DRIVER GROUP



## REPLACEMENT BRUSHES AND PAD DRIVER GROUP

REF	PART #	DESCRIPTION	QTY.
▽1	222301	BRUSH ASM, 20" NYLON	1
▲2	630214	●STUD, 20" BRUSH/PAD DRIVER	3
▲3	140193	SCREW, M6X1.0X40	3
▽1	222300	BRUSH ASM, 20" POLY	1
▲2	630214	●STUD, 20" BRUSH/PAD DRIVER	3
▲3	140193	SCREW, M6X1.0X40	3
▽1	222302	BRUSH ASM, 20" GRIT	1
▲2	630214	●STUD, 20" BRUSH/PAD DRIVER	3

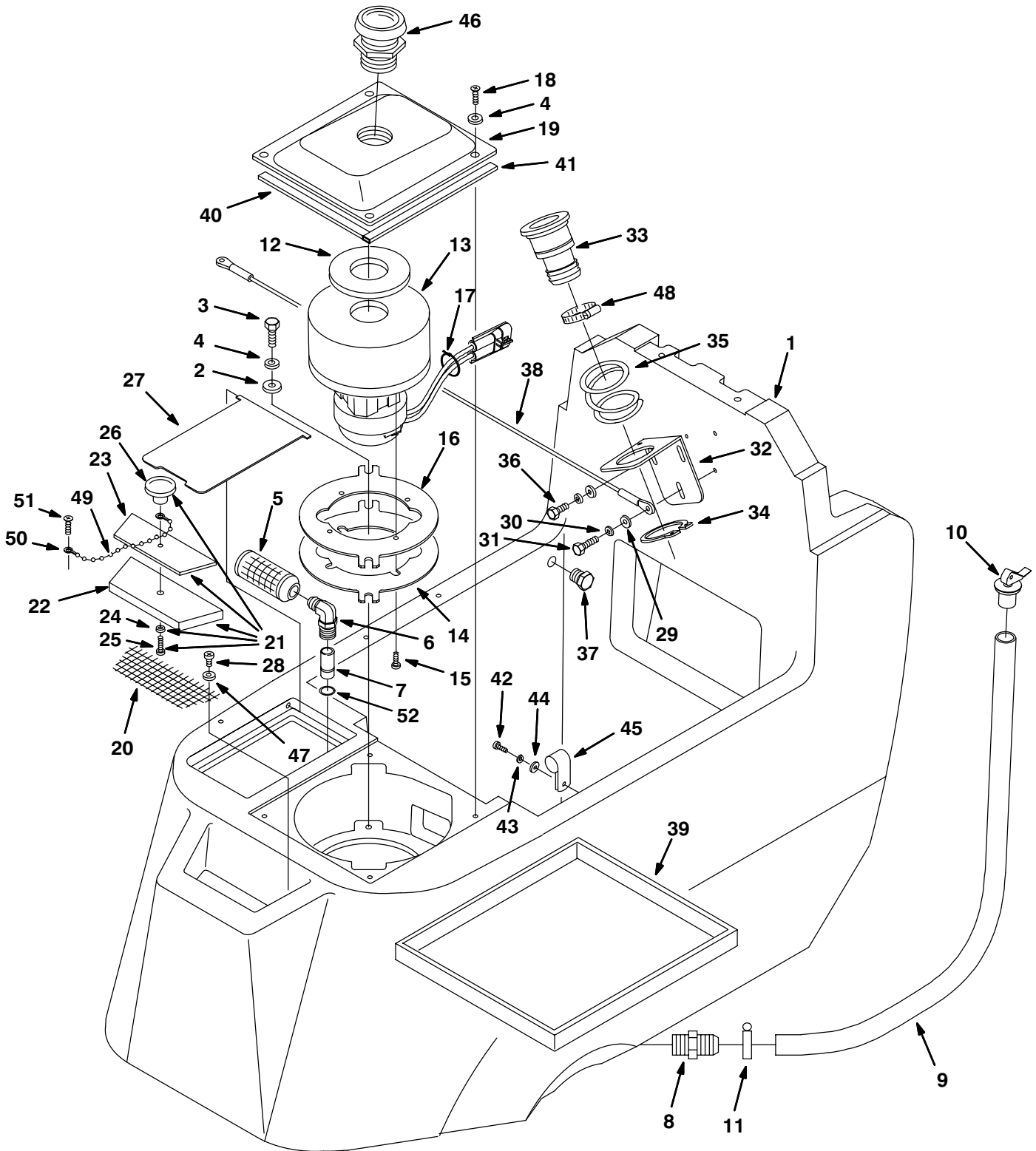
REF	PART #	DESCRIPTION	QTY.
▲3	140193	SCREW, M6X1.0X40	3
▽4	222303	●PAD DRIVER ASM, 20" PLAS BACK	1
▲5	630214	●STUD, 20" BRUSH/PAD DRIVER	3
▲6	140193	SCREW, M6X1.0X40	3
▲7	630473	●CENTER LOCK, PAD RETAINER	1
▲8	630472	WASHER, BRUSH PAD RETAINER	1
▲9	140007	WASHER, #8 FLAT	3
▲10	200070351	SCREW, M4X25	3

▽ ASSEMBLY

▲ INCLUDED IN ASSEMBLY

● RECOMMENDED STOCK ITEMS

SOLUTION TANK AND VACUUM MOTOR GROUP



## SOLUTION TANK AND VACUUM MOTOR GROUP

REF	PART #	DESCRIPTION	QTY.
1	602698	TANK, SOLUTION TEAL	1
2	14880.5	WASHER, 5/16 FLAT	2
3	200031488	SCREW, M8X1.25X20	2
4	200370019	WASHER, M8.4 LOCK	6
5	630024	●FILTER, SCREEN	1
6	630371	FITTING, 1/2MX5/8H ELBOW	1
7	601105	SPACER, .50X.62X1.62	1
8	612146000	FITTING, 3/4M X 3/4H STRT	1
9	630018	HOSE, 3/4ID X 33"	1
10	630019	●PLUG, EXPANSION,3/4"ID	1
11	630369	CLAMP, HOSE .50-1.1"	1
12	102557	●GASKET, VAC MOTOR SEAL	1
13	607003	●MOTOR, VAC 5.7 2-STAGE 24V	1
	190163	●BRUSH, CARBON 2/PK	2
14	630013	GASKET, VAC MOTOR BRACKET	1
15	140340	SCREW, #10X5/8	4
16	630014	BRACKET, VAC MOTOR 20"	1
17	130040	WIRE TIE, 6"X.12	1
18	608322	SCREW, M6X1.0X16	4
19	630015	COVER, VAC MOTOR 20"	1
20	630006	FILTER SCREEN	1
V21	630602	KIT, FILL COVER ASM	1
▲22	630338	COVER, SOLUTION FILL	1
▲23	630341	STIFFENER, SOL FILL COVER	1
▲24	140018	WASHER, #10 INT	1
▲25	578201000	SCREW, 10-32X.5	1
▲26	578301	KNOB, FILL-COVER	1

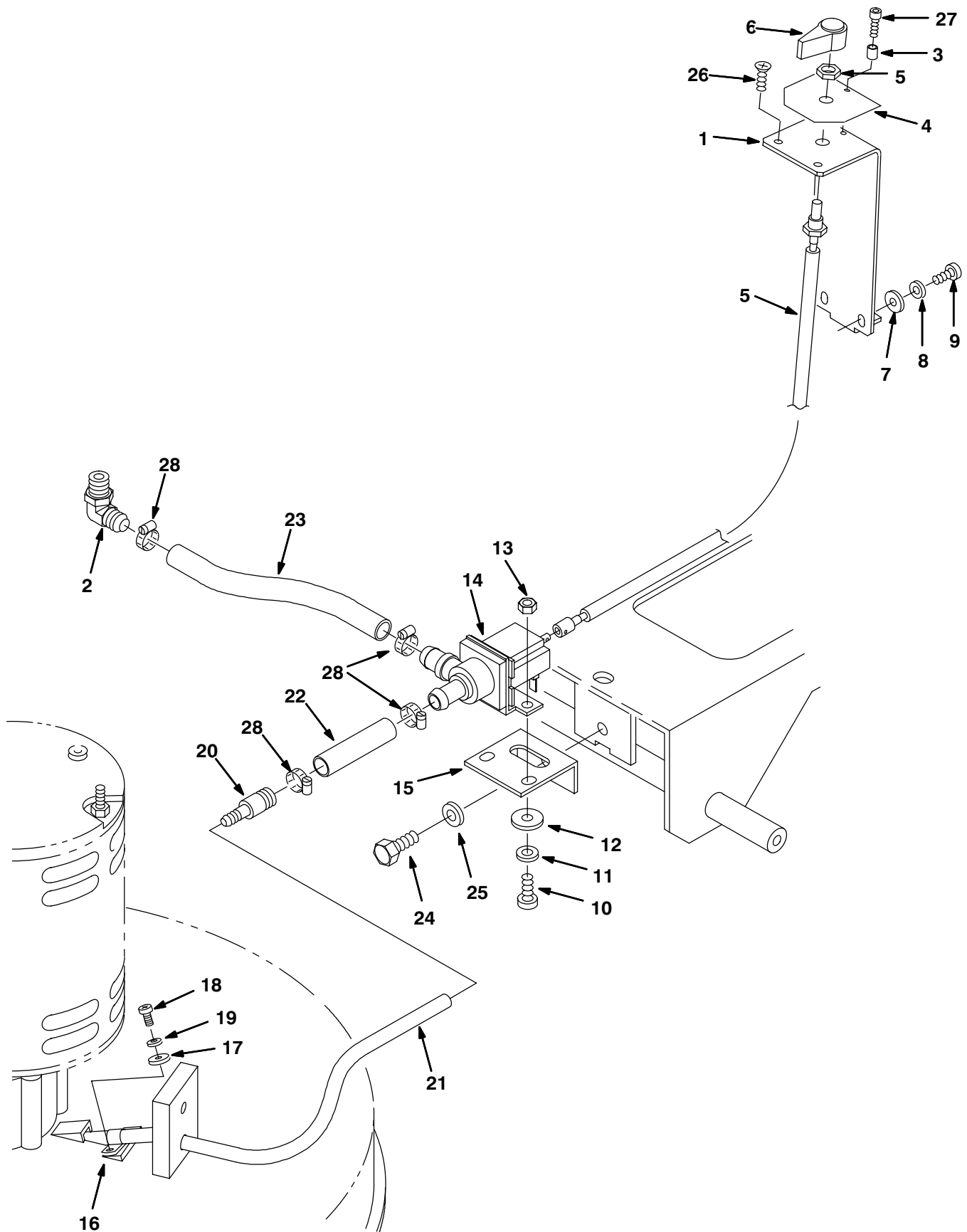
REF	PART #	DESCRIPTION	QTY.
27	630007	DOOR, SOL TANK ACCESS	1
28	140872	SCREW, #6X3/8	2
29	579210	WASHER, M6.4X18X1.5 FLAT	7
30	578244000	WASHER, M6.4X10 LOCK	7
31	200609438	SCREW, M6X20	1
32	630012	BRACKET, VAC TRANS MOUNT	1
33	630011	TUBE,VAC TRANS, FLANGE & BARB	1
34	630016	RING, RETAINING 1.82" DIA EXT	1
35	630267	SPRING, COMP 2.12X2.00	1
36	200031436	SCREW, M6X1.0X16	2
37	630146	FITTING, 3/8M PLUG	1
38	630021	CABLE ASM, TANK SUPPORT	1
39	601991	TRAY, BATTERY	1
40	630380	GASKET, 191MM VAC MTR COVER	2
41	630381	GASKET, 223MM VAC MTR	2
42	200070340	SCREW, M4X.7X8	2
43	140023	WASHER, #8 INT	2
44	200301014	WASHER, M4.3X10.1X1 FLAT	2
45	630343	CLAMP, CABLE 7/8ID	2
46	630017	FILTER, SCREEN VAC FAN	1
47	140032	WASHER, #6 FLAT	2
48	140308	CLAMP, HOSE 1-5/16 TO 2-1/4	1
49	575537	CHAIN, BALL #10	.12m
50	575536	CHAIN, COUPLING END	2
51	140826	SCREW, #6X3/4	1
52	630508	O-RING, 9.2 ID X 12.7 OD	1

▽ ASSEMBLY

▲ INCLUDED IN ASSEMBLY

● RECOMMENDED STOCK ITEMS

SOLUTION CONTROL GROUP



## SOLUTION CONTROL GROUP

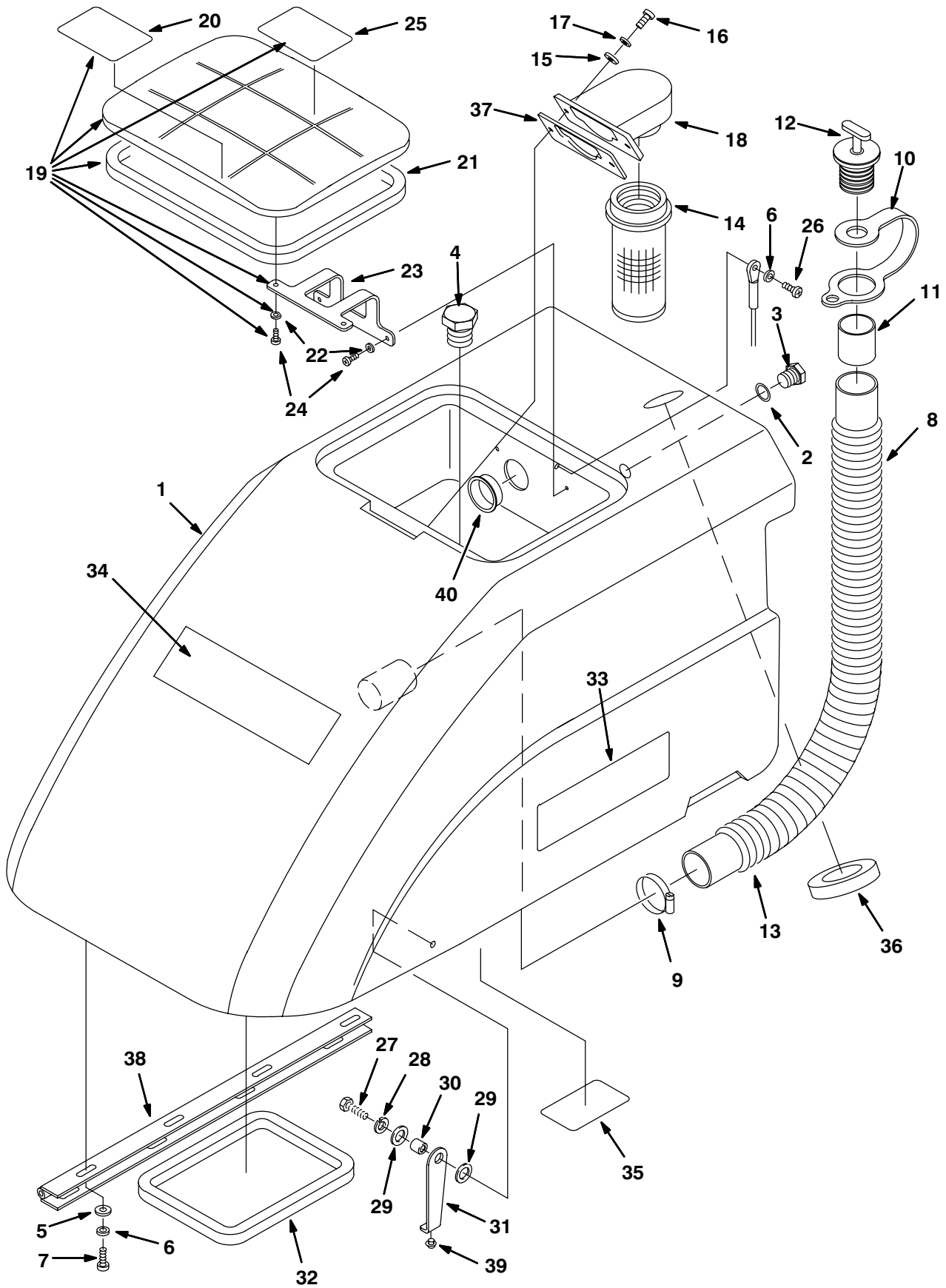
REF	PART #	DESCRIPTION	QTY.
1	630057	BRACKET, SOL. ADJ. KNOB	1
2	601104000	FITTING, 1/2MX1/2H ELBOW	1
3	630452	SPACER, 4.3X8.0X5.0 NYLON	1
4	630233	DECAL, FLOW CONTROL	1
5	630117	CABLE, WATER FLOW CONTROL	1
6	630116	KNOB, VALVE-ADJUSTING	1
7	200315016	WASHER, M5.3X15.0X1.6 FLAT	2
8	140018	WASHER, #10 INT	2
9	575569000	SCREW, M5X16	2
10	608322	SCREW, M6X1.0X16	2
11	578244000	WASHER, M6.4X10 LOCK	2
12	140012	WASHER, 3/16 FLAT	2
13	579029	NUT, M6X1.0	2
14	630022	●VALVE, SOLENOID 24VDC	1

## ● RECOMMENDED STOCK ITEMS

REF	PART #	DESCRIPTION	QTY.
15	630059	BRACKET, VALVE	1
16	140328	CLAMP, CABLE 3/8ID	1
17	200301014	WASHER, M4.3X10.1X1 FLAT	1
18	579259	SCREW, M4X.7X12	1
19	140023	WASHER, #8 INT	1
20	630164	FITTING, 1/2HX1/4H STR	1
21	630366	HOSE, .25ID X .345MM	1
22	630370	HOSE, 40MM SOLENOID/REDUCER	1
23	630379	HOSE, 1/2ID X 8.25" TANK/SOLENOID	1
24	200031488	SCREW, M8X1.25X20	1
25	200370019	WASHER, M8.4 LCK	1
26	069764140	SCREW, M5X.8X16	2
27	200001343	SCREW, M4X.7X12	1
28	140310	CLAMP, HOSE 5/16-7/8	4



RECOVERY TANK GROUP



## RECOVERY TANK GROUP

REF	PART #	DESCRIPTION	QTY.
1	610935	TANK, RECOVERY TEAL	1
2	630134	O-RING, 16MM OD X 3.5MM	1
3	630139	FITTING, PLUG HEX 3/8"	1
4	630147	FITTING, 3/4" NPT PLUG	1
5	140012	WASHER, 3/16 FLAT	8
6	578244000	WASHER, M6.4X10 LOCK	9
7	608322	SCREW, M6X1.0X16	8
▽8	603217	●DRAINHOSE ASM	1
▲9	140308	CLAMP, HOSE 1-5/16 TO 2-1/4	1
▲10	578441	STRAP, DRAIN HOSE	1
▲11	630394	SLEEVE, DRAIN HOSE 1.5"ID	1
▲12	621324	PLUG, EXPANSION 1-1/2" DIA	1
▲13	630068	HOSE, DRAIN 38.1ID	1
14	630052	●FLOAT, SHUT-OFF (2)BALL	1
15	059650283	WASHER, M6.4X18X1.6 FLAT	2
16	600385	SCREW, M6X1.0X20	2
17	578244000	WASHER, M6.4X10 LOCK	2
18	630053	MOUNT, FLOAT-CAGE	1
▽19	630601	KIT, RECOVERY TANK COVER	1
▲20	630420	DECAL, "FLAMMABLE MAT'L" TXTLS	1

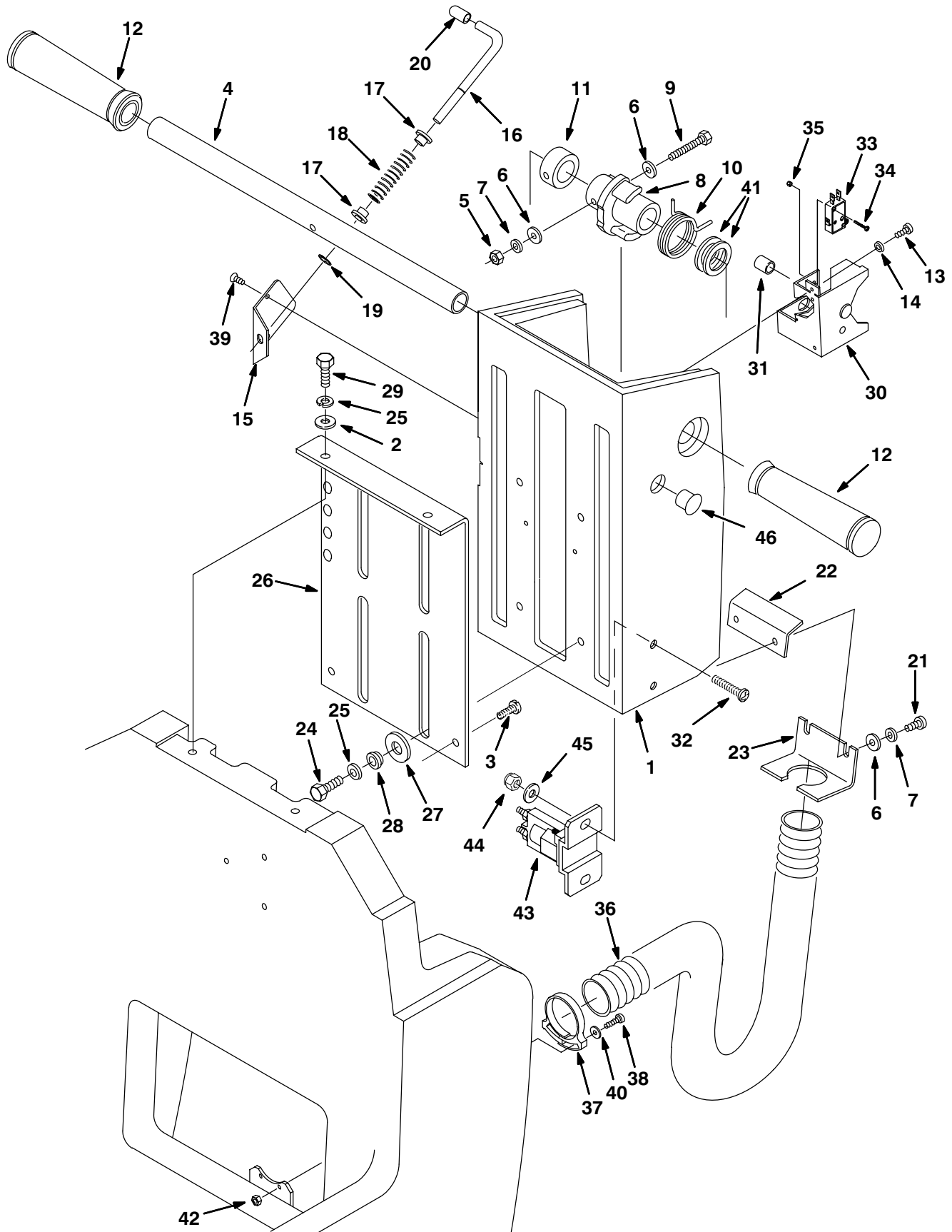
REF	PART #	DESCRIPTION	QTY.
▲21	630367	●GASKET, REC TANK COVER	1
▲22	630390	WASHER, .15X.56X.04 FLAT	4
▲23	630056	STRAP, TANK COVER RETAINING	1
▲24	140872	SCREW, #6X3/8	4
▲25	606105	DECAL, DO NOT SPRAY	1
26	200031436	SCREW, M6X1.0X16	1
27	200031486	SCREW, M8X1.25X16	1
28	140015	WASHER, 5/16 SPLITLOCK	1
29	140027	WASHER, 5/16 FLAT	2
30	140116	BUSHING, .31X.44X.14	1
31	606527	SUPPORT, RECOVERY TANK	1
32	630368	●GASKET, 650MM	1
33	610281	DECAL, MODEL "5280"	2
34	630229	DECAL, TENNANT LOGO	1
35	630420	DECAL, "FLAMMABLE MAT'L" TXTLS	1
36	630010	●GASKET, 70OD,43ID,12.7THK	1
37	630255	GASKET, FLOAT MOUNT	1
38	630048	HINGE, 17.9"	1
39	069760189	BUMPER, RUBBER	1
40	610979	PLUG	1

▽ ASSEMBLY

▲ INCLUDED IN ASSEMBLY

● RECOMMENDED STOCK ITEMS

CONSOLE GROUP



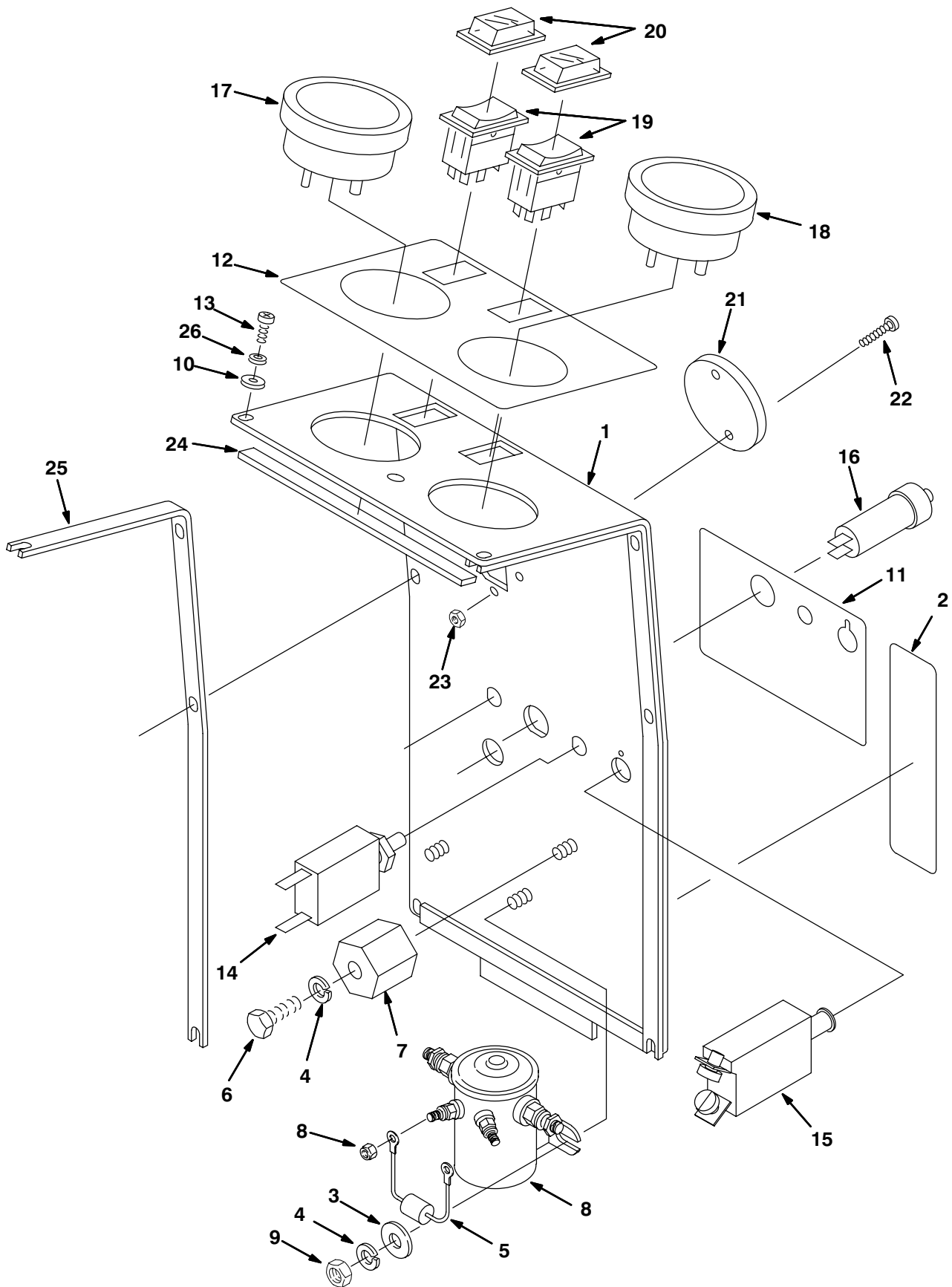
## CONSOLE GROUP

REF	PART #	DESCRIPTION	QTY.
1	610922	CONSOLE TEAL	1
2	140027	WASHER, 5/16 FLAT	2
3	630306	SCREW, M8X1.25X16	2
4	630093	HANDLEBAR	1
5	579029	NUT, M6X1.0	1
6	579210	WASHER, M6.4X18X1.5 FLAT	3
7	578244000	WASHER, M6.4X10 LOCK	3
8	630109	ASM, HUB & GEAR	1
9	630431	SCREW, M6X1.0X40	1
10	630088	SPRING, CENTER	1
11	630217	COLLAR, .88"ID, 1.38"OD, .63"LG.	1
12	590002000	GRIP, HANDLE	2
13	200070340	SCREW, M4X.7X8	2
14	140023	WASHER, #8 INT	2
15	630087	PLATE, LATCH RETAINER	1
16	630081	LEVER, LATCH, CONSOLE ADJUST	1
17	630083	BUSHING, LATCH	2
18	630082	SPRING, COMP .42X1.75X.035"	1
19	630084	RING, RETAINING EXT	1
20	630094	GRIP, CONSOLE ADJUST LEVER	1
21	608322	SCREW, M6X1.0X16	2
22	630086	PLATE, STRAIN-RELIEF	1
23	630108	BRACKET, CONDUIT MOUNT	1

REF	PART #	DESCRIPTION	QTY.
24	200031486	SCREW, M8X1.25X16	4
25	200370019	WASHER, M8.4 LOCK	6
26	582078	PLATE, CONSOLE SLIDE	1
27	630447	WASHER, M12.7X25.4X.8 NYLON	4
28	630095	BEARING, .38IDX.50ODX.25LG FLG	4
29	200031488	SCREW, M8X1.25X20	2
30	630079	BRACKET, LIMIT SWITCH MOUNT	1
31	630260	SPACER, 6.5X12.7X15.9 NY	1
32	15858.12	SCREW, 10-24X3/4	2
33	611006	●KIT, SWITCH REPLACEMENT	1
34	579213	SCREW, M3X.5X20	2
35	579211	NUT, M3 HEXLOCK	2
36	630113	CONDUIT, CONVOLUTED, BLACK	1
37	140322	CLAMP, VAC HOSE	1
38	57840300	SCREW, M3X.5X20	2
39	630114	SCREW, M4X.7X8	2
40	200301012	WASHER, M3 FLAT	2
41	069760582	WASHER, M23X34X8 NYLON	2
42	579211	NUT, M3 HEXLOCK	2
43	603008	●CONTACTOR, 24VDC 100A	1
44	140552	NUT, 10-24 NYLOCK	2
45	069762056	WASHER, #10 FLAT	2
46	130280	PLUG, DOME 7/16 BLACK	1

## ● RECOMMENDED STOCK ITEMS

CONSOLE PANEL GROUP



## CONSOLE PANEL GROUP

REF	PART #	DESCRIPTION	QTY.
1	602477	PLATE, SWITCH 20DC	1
2	630422	DECAL, BATT. CHARGE TEXTLESS	1
3	140000	WASHER, 1/4 FLAT	2
4	578244000	WASHER, M6.4X10 LOCK	3
5	606404	●ASM, DIODE W/RING TERMINALS	1
6	069762115	SCREW, 1/4-20X1/2	1
7	578427	STANDOFF, TERMINAL	1
8	605905	●SOLENOID, 24 VDC	1
9	140501	NUT, 1/4-20 NYLOCK	2
10	200301014	WASHER, M4.3X10.1X1 FLAT	8
11	610282	DECAL, CIRCUIT BREAKER	1
12	610283	DECAL, CONSOLE	1
13	200070340	SCREW, M4X.7X8	8
14	605201	●BREAKER, CIRCUIT 17 AMP	1
15	602951	●BREAKER, CIRCUIT 35A	1

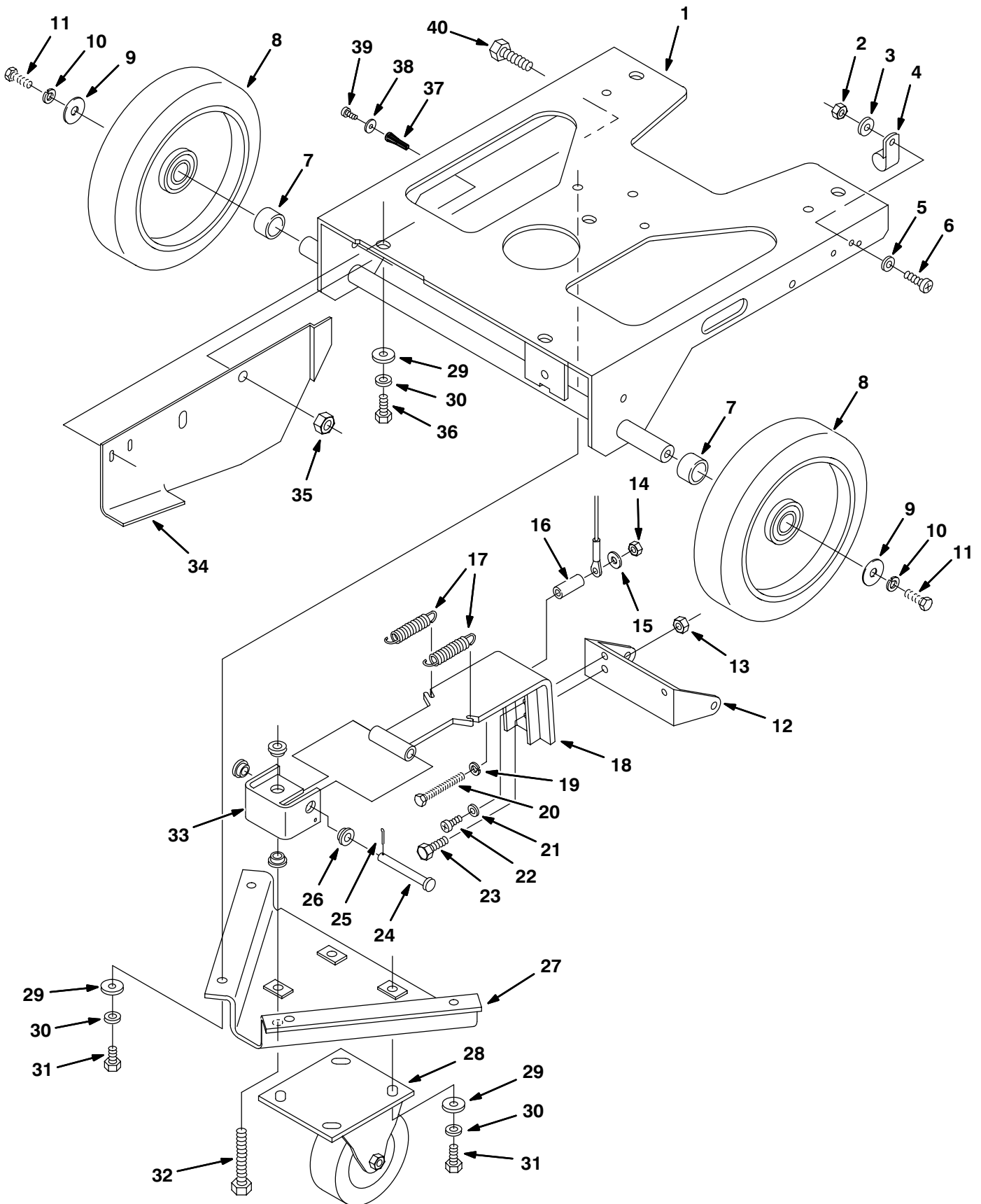
REF	PART #	DESCRIPTION	QTY.
16	630102	●BREAKER, CIRCUIT 7A	1
17	630090	●GAUGE, BRUSH PRESSURE	1
18	630091	●METER, BATTERY, 24 VDC	1
19	630419	●SWITCH, RCKR SPST 24VDC GRN	2
20	578720	●SPLASHGUARD, RCKR SWITCH	2
21	607002	PLATE, COVER	1
22	200070340	SCREW, M4X.7X8	2
23	200160014	NUT, M4 HEXLOCK	2
24	630453	GASKET, 143MM	2
25	630119	GASKET, CONSOLE 3.1X8.0X420	2
26	140023	WASHER, #8 INT	8
N/S	607789	HARNESS, MAIN W/WATERPROOF	1
N/S	611028	ASM WIRE, #16X3GRN 1/4M-1/4M	1
N/S	611029	ASM WIRE, #18X19BLK 1/4F-1/4R	1

● RECOMMENDED STOCK ITEMS

N/S = NOT SHOWN

# PARTS LIST

## MAIN FRAME GROUP



## MAIN FRAME GROUP

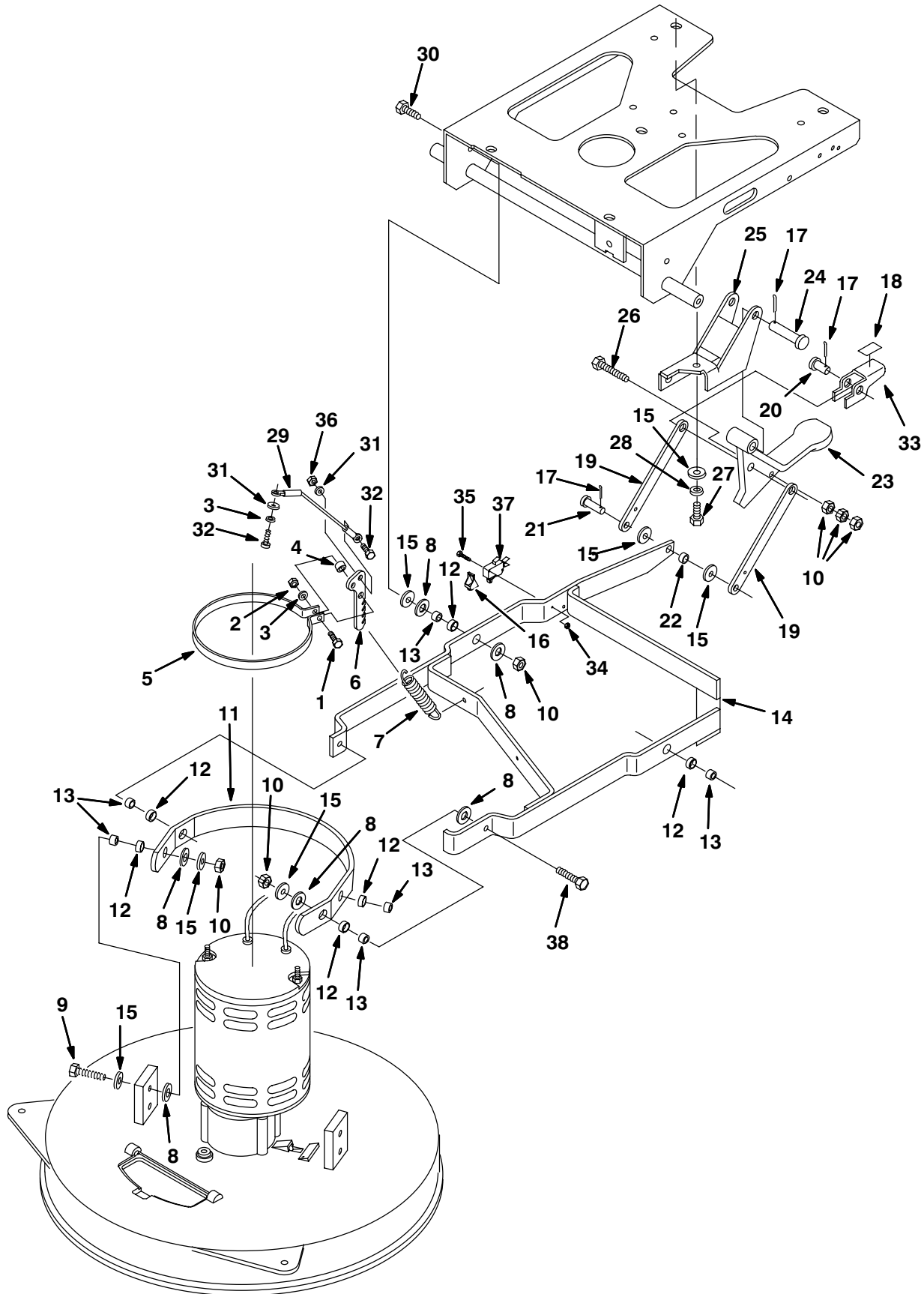
REF	PART #	DESCRIPTION	QTY.
1	630023	FRAME	1
2	579029	NUT, M6X1.0	1
3	579210	WASHER, M6.4X18X1.5 FLAT	1
4	630428	CLAMP, CABLE 1"ID	1
5	578244000	WASHER, M6.4X10 LOCK	1
6	608322	SCREW, M6X1.0X16	1
7	610287	BUSHING, 1.125OD X .75ID X.50LG	2
8	610286	●WHEEL, 8" X 2"	2
9	069764631	WASHER, M8.4X25.4X4.8 FLAT	2
10	200370019	WASHER, M8.4 LOCK	2
11	200031488	SCREW, M8X1.25X20	2
12	630278	BRACKET, TIP ADJUST	1
13	200160017	NUT, M8 HEXLOCK	1
14	140501	NUT, 1/4-20 NYLOCK	1
15	140000	WASHER, 1/4 FLAT	1
16	610209	SPACER	1
17	610285	SPRING, EXTENSION	2
18	610208	ARM, SQUEEGEE	1
19	578244000	WASHER, M6.4X10 LOCK	2
20	610288	SCREW, 1/4-20 X 1.62	1

REF	PART #	DESCRIPTION	QTY.
21	578244000	WASHER, M6X.4 LOCK	1
22	578187000	SCREW, M6X1.0X12	1
23	200031488	SCREW, M8X1.25X20	1
24	630047	PIN, CLEVIS 3/8DIA X2-3/4	1
25	140630	PIN, COTTER	1
26	630095	BEARING, FLANGE	4
27	630003	FRAME, CASTER MOUNT	1
28	630002	●CASTER, 4"DIA 1-3/8"W	1
29	14880.5	WASHER, 5/16 FLAT	17
30	200370019	WASHER, M8.4 LOCK	17
31	200031486	SCREW, M8X1.25X16	12
32	630345	SCREW, 3/8DIA X2 SHOULDER	1
33	630045	BRACKET, SQUEEGEE LIFT	1
34	630307	BRACKET, SAFETY AND LIMIT	1
35	200160018	NUT, M10 HEXLOCK	1
36	200031488	SCREW, M8X1.25X20	5
37	578329000	SCREW, #6 ANCHOR	2
38	140032	WASHER, #6 FLAT	2
39	590137	SCREW, 6-32X3/8	2
40	140277	SCREW, M10X1.5X20	1

● RECOMMENDED STOCK ITEMS



SCRUB HEAD LIFT GROUP



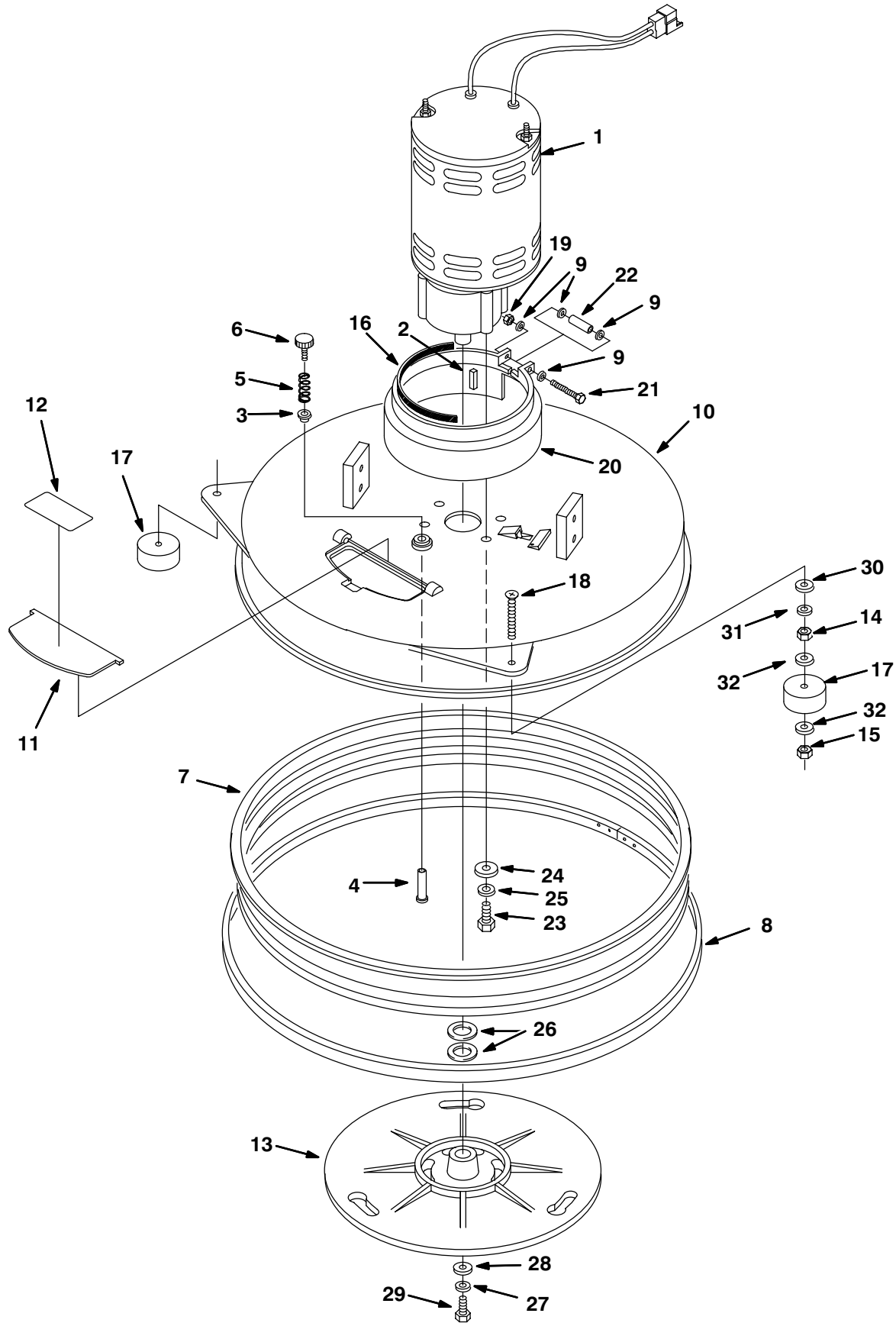
## SCRUB HEAD LIFT GROUP

REF	PART #	DESCRIPTION	QTY.
1	200031444	SCREW, M6X1.0X30	1
2	579029	NUT, M6X1.0	1
3	578244000	WASHER, M6.4X10 LOCK	2
4	140154	SPACER, .25X.38X.31	1
5	630050	BAND, MOTOR SPRING MOUNT	1
6	630377	BRACKET, SCRUB HEAD LEVEL	1
7	630208	SPRING, MOTOR CNTR TORQUE	1
8	630447	WASHER, M12.7X25.4X.8 NYLON	12
9	200031496	SCREW, M8X1.25X35	2
10	200160017	NUT, M8 HEXLOCK	9
11	630177	BRACKET, MOTOR PIVOT	1
12	630188	BEARING .50"IDX.25LG JOURNAL	6
13	630189	SLEEVE, BRG 12.7ODX8.7ID 08	6
14	630176	HEAD LIFT, WELDMENT	1
15	14880.5	WASHER, 5/16 FLAT	11
16	600372	BOOT, SWITCH	1
17	578421	PIN, COTTER 1/8X1"	3
18	600721	PAD, NON SLIP SURFACING	1
19	630182	ARM, LINK, HEADLIFT	2

REF	PART #	DESCRIPTION	QTY.
20	600720	PIN, CLEVIS 1/2DIA X1-19/64	1
21	630258	PIN, CLEVIS 3/8DIA X1"	1
22	630259	BEARING, 9.5ID, 12.7OD, 6.4LG	1
23	630181	PEDAL, FOOT HEADLIFT	1
24	630448	PIN, CLEVIS 1/2DIA X2-1/4	1
25	630206	BRACKET, HEADLIFT ASM	1
26	200032503	SCREW, M8X1.25X60	1
27	200031488	SCREW, M8X1.25X20	1
28	200370019	WASHER, M8.4 LOCK	1
29	630384	CABLE, HEAD LIFT	1
30	200607491	SCREW, M8X1.25X25	2
31	140012	WASHER, 3/16 FLAT	2
32	200031436	SCREW, M6X1.0X16	2
33	600719	LATCH, HEAD RELEASE	1
34	579211	NUT, M3 HEXLOCK	2
35	579213	SCREW, M3X.5X20	2
36	579028	NUT, M6 HEXLOCK	1
37	611006	●KIT, SWITCH REPLACEMENT	1
38	200031494	SCREW, M8X1.25X30	2

● RECOMMENDED STOCK ITEMS

SCRUB BRUSH DRIVE GROUP



## SCRUB BRUSH DRIVE GROUP

REF	PART #	DESCRIPTION	QTY.
▽1	610263	●MOTOR, BRUSH .75HP 24VDC 200RPM	1
	190970	●BRUSH, CARBON	4
	611024	ASM., BRUSH CARD	1
	630609	ASM., GEAR BOX	1
▲2	630454	KEY, SQUARE .25X1.12 LG	1
3	605825	SCREW, HEAD STOP PIN	1
4	630308	PIN, HEAD STOP	1
5	630310	SPRING, HEAD STOP	1
6	603012	KNOB, HUB LOCK	1
7	630506	●SKIRT, SCRUB HEAD HEAVY DUTY	1
8	602045000	BAND, SKIRT HEAVY DUTY	1.6M
	602044000	CLAMP, BAND HEAVY DUTY	1
9	140012	WASHER, 3/16 FLAT	4
10	630026	HEAD, SCRUBBER 20"	1
▽11	630603	KIT, BRUSH DOOR W/DECAL	1
▲12	578769	DECAL, MOVING PARTS TEXTLESS	1
13	630039	HUB, BRUSH DRIVE 20"	1
14	200101017	NUT, M8X1.25 HEXJAM	2

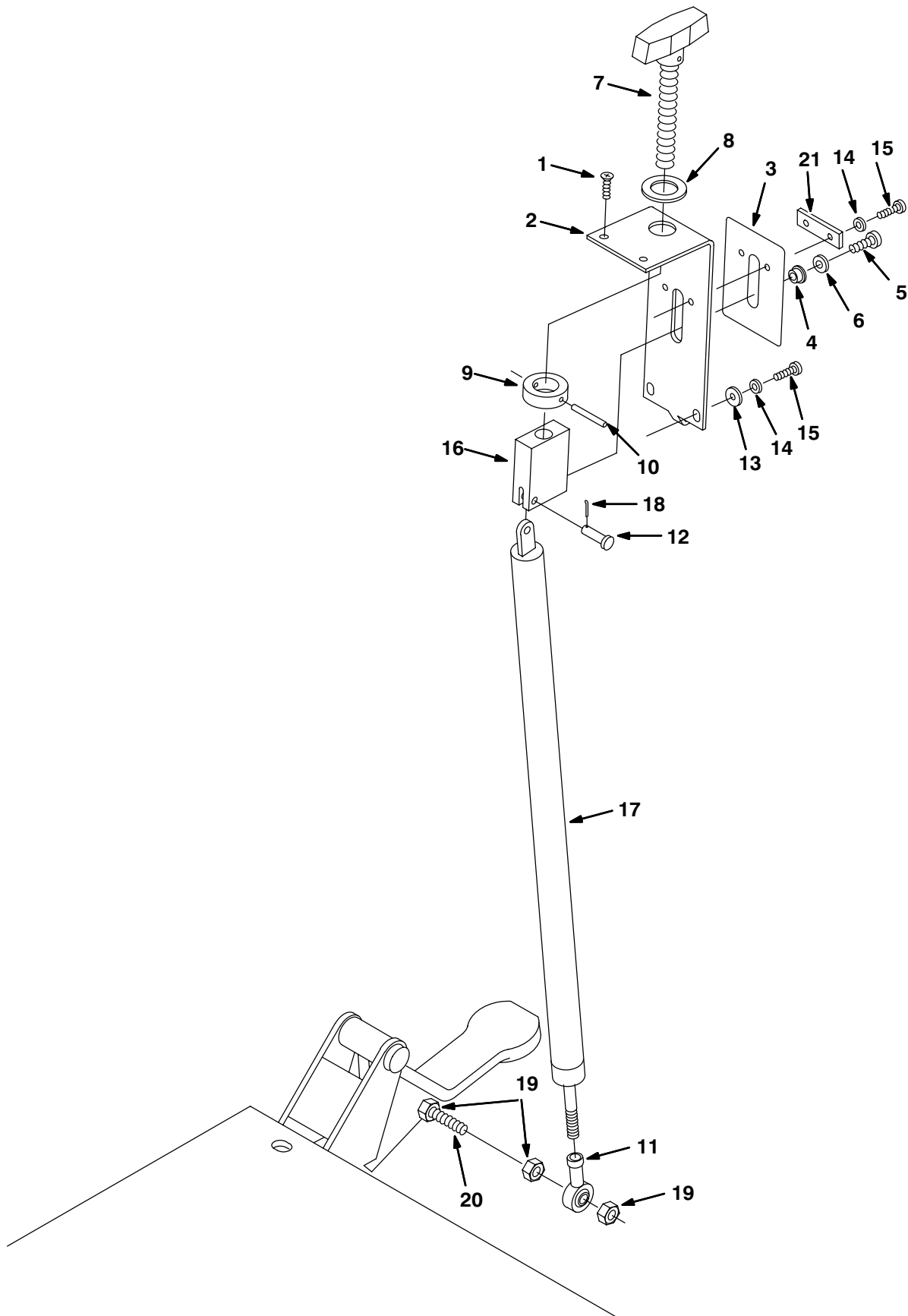
REF	PART #	DESCRIPTION	QTY.
15	200160017	NUT, M8 HEXLOCK	2
16	630475	GASKET, WATER DEFLECTOR 450MM	1
17	579184	WHEEL, 2"X7/8" RUBBER	2
18	630430	SCREW, M8X1.25X50	2
19	579028	NUT, M6 HEXLOCK	1
20	630213	DEFLECTOR, WATER	1
21	578208000	SCREW, M6X1.0X55	1
22	630272	SPACER, .28X.38X1.30 NYLON	1
23	059650308	SCREW, 3/8-16X1	4
24	140028	WASHER, 3/8 FLAT	4
25	140017	WASHER, 3/8 SPLITLOCK	4
26	069760023	WASHER, .77X1.26X.03 FLAT	2
27	140015	WASHER, 5/16 SPLITLOCK	1
28	069764631	WASHER, M8.4X25.4X4.8 FLAT	1
29	140219	SCREW, 5/16-18X1	1
30	14880.5	WASHER, 5/16 FLAT	2
31	200370019	WASHER, M8.4 LOCK	2
32	630446	WASHER, .318 NYLON	4

▽ ASSEMBLY

▲ INCLUDED IN ASSEMBLY

● RECOMMENDED STOCK ITEMS

SCRUB BRUSH DOWN PRESSURE GROUP



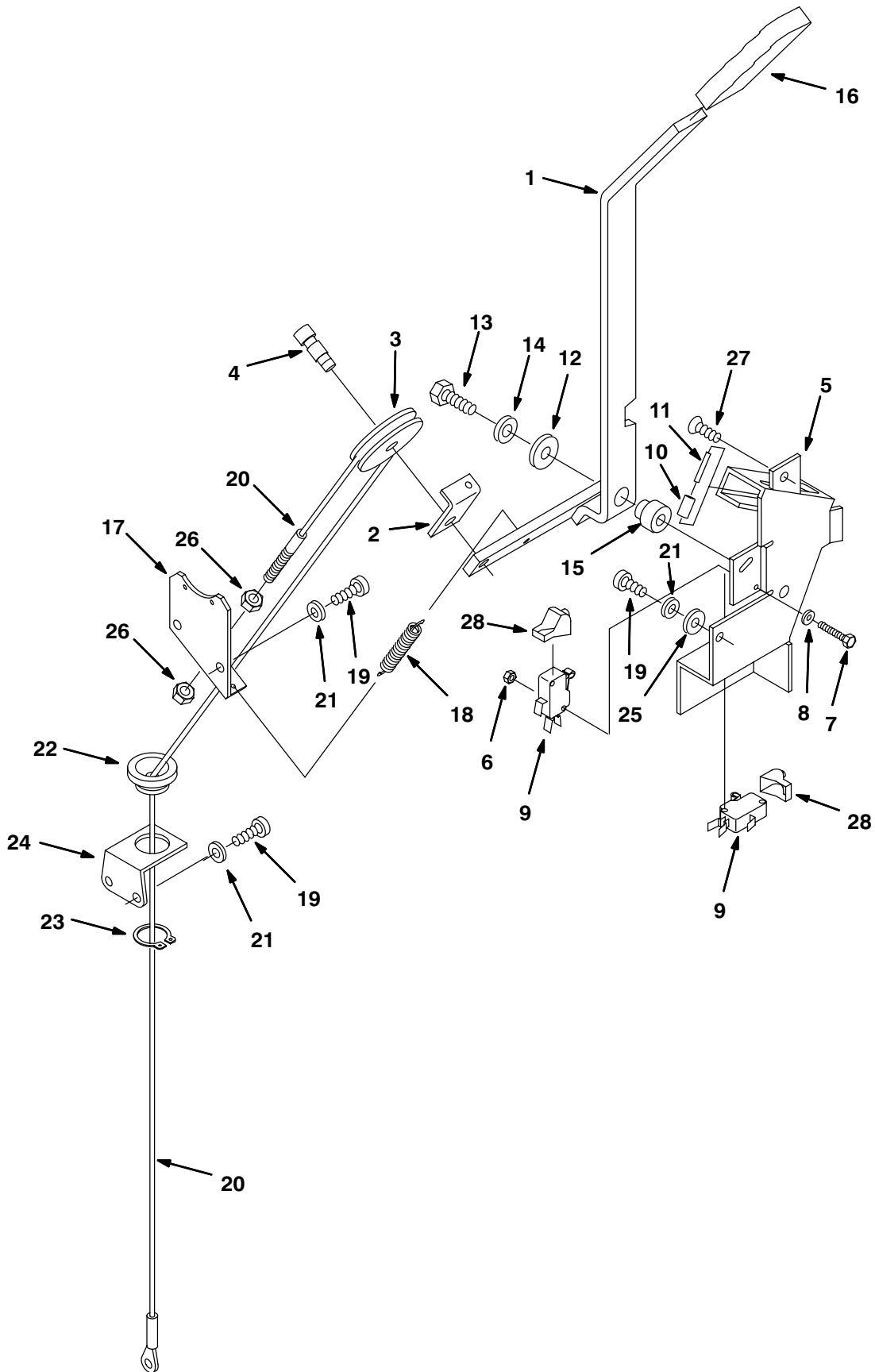
### SCRUB BRUSH DOWN PRESSURE GROUP

REF	PART #	DESCRIPTION	QTY.
1	069764140	SCREW, M5X.8X16	2
2	630197	BRACKET, DOWN PRESSURE	1
3	630234	DECAL, DOWN PRESSURE	1
4	630482	BEARING, FLANGE	1
5	578187000	SCREW, M6X1.0X12	1
6	578244000	WASHER, M6.4X10 LOCK	1
7	630195	KNOB, 1/2-13X2-1/8 TEE STYLE	1
8	630358	WASHER, .75X1X.03 NYLON	1
9	630355	COLLAR, 19.0 ID X 31.8 OD	1
10	630382	PIN, SPRING .16DIA X 1.25	1
11	630353	ROD-END, SHOCK	1

REF	PART #	DESCRIPTION	QTY.
12	630357	PIN, CLEVIS	1
13	200315016	WASHER, M5.3X15.0X1.6 FLAT	2
14	140018	WASHER, #10 INT	4
15	575569000	SCREW, M5X16	4
16	630354	COUPLER, DOWN-PRESS. SHOCK	1
17	603664	●SHOCK, DOWN PRESSURE	1
18	140630	PIN, COTTER	1
19	200160017	NUT, M8 HEXLOCK	3
20	200032503	SCREW, M8X1.25X60	1
21	630356	BRACKET, DOWN PRESSURE STOP	1

- RECOMMENDED STOCK ITEMS

SQUEEGEE LIFT GROUP



## SQUEEGEE LIFT GROUP

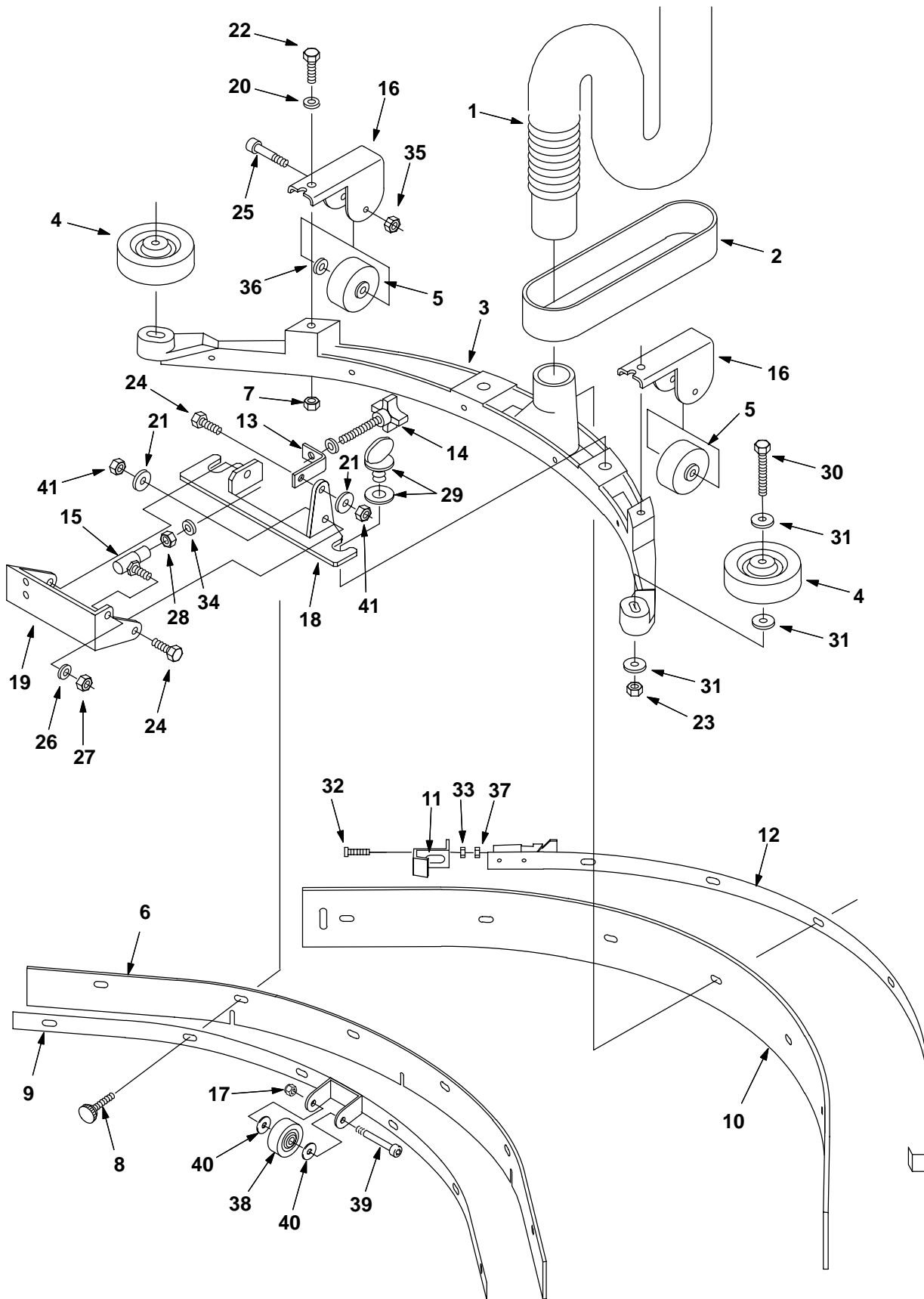
REF	PART #	DESCRIPTION	QTY.
1	630151	ARM, SQUEEGEE LIFT	1
2	630427	BRACKET, SQUEEGEE SHEAVE	1
3	630426	PULLEY, CABLE DIA. 2"X 3/16"	1
4	630470	SCREW, 5/16X3/8X1 SHOULDER	1
5	630150	BRACKET, SQUEEGEE LIFT ARM	1
6	579211	NUT, M3 HEXLOCK	4
7	579213	SCREW, M3X.5X20MM	4
8	601127000	WASHER, M3.7X8X.5 FLAT	8
9	611006	●KIT, SWITCH REPLACEMENT	2
10	630207	BUSHING, SQ. LIFT BRACKET	1
11	630262	PIN, ROLL	1
12	069760082	WASHER, 1/4WD FLAT	1
13	200031496	SCREW, M8X1.25X35	1
14	200370019	WASHER, M8.4 LOCK	1

## ● RECOMMENDED STOCK ITEMS

REF	PART #	DESCRIPTION	QTY.
15	630160	BUSHING, ARM PIVOT	1
16	630209	GRIP, SQUEEGEE LIFT	1
17	630155	BRACKET, SQUEEGEE CABLE	1
18	630158	SPRING, EXT	1
19	608322	SCREW, M6X1.0X16	5
20	630156	CABLE, SQUEEGEE LIFT 28"	1
21	578244000	WASHER, M6.4X10 LOCK	5
22	621235	BUSHING, CABLE	1
23	621236000	RING, RETAINING .810 DIA	1
24	630157	BRACKET, CABLE GUIDE	1
25	140000	WASHER, 1/4 FLAT	1
26	140510	NUT, 1/4-20 HEXJAM	2
27	069762098	SCREW, M6X1.0X16MM	1
28	600372	BOOT, LIMIT SWITCH	2



SQUEEGEE GROUP



## SQUEEGEE GROUP

REF	PART #	DESCRIPTION	QTY.
▽	610989	ASM, SQUEEGEE LINATEX	1
1	630339	●HOSE ASM, SQUEEGEE	1
2	630333	STRAP, SQUEEGEE HOSE	1
▲3	630311	SQUEEGEE, CURVED	1
▲4	630450	WHEEL, 3"X7/8" RUBBER	2
▲5	579184	●WHEEL, 2"X7/8" RUBBER	2
▲6	610148	●BLADE, SQ. FRONT LINATEX	1
6	610147	●BLADE, SQ. FRONT GUM	1
	610149	●BLADE, SQ. FRONT URETHANE	1
	QUARRY TILE BLADES		
	630288	●BLADE, SQ. FRONT LINATEX	1
	630291	●BLADE, SQ. FRONT GUM	1
	600207	●BLADE, SQ. FRONT URETHANE	1
▲7	200640017	NUT, M8 HEX	2
▲8	603012	KNOB, SQUEEGEE FRONT	6
▲9	610257	BAND, SQUEEGEE	1
▲10	610150	●BLADE, SQ. REAR LINATEX	1
10	630344	●BLADE, SQ. REAR GUM	1
	610691	●BLADE, SQ. REAR URETHANE	1
▲11	610850	CLIP, BAND FULL CURVE	1
▲12	630350	BAND ASM, SQUEEGEE CURVED	1
13	630279	BRACKET, TIP ADJUST PIVOT	1
14	630281	KNOB, SQUEEGEE TIP ADJUST	1
15	140119	JOINT, BALL – LIFT ROD	1
▲16	630314	BRACKET, SQ. BACKUP WHEEL	2

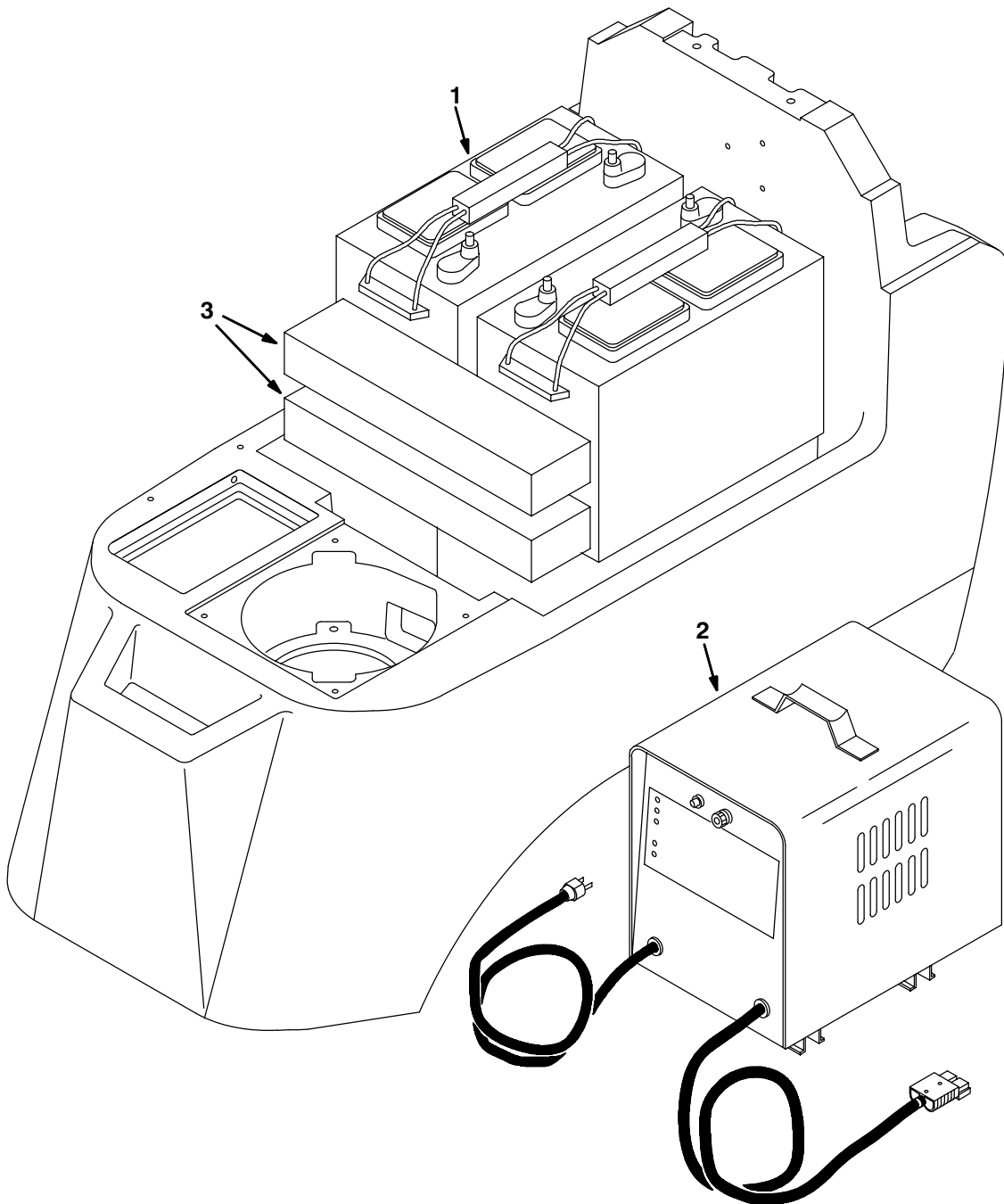
REF	PART #	DESCRIPTION	QTY.
▲17	601108000	NUT, 5/16–18 HEXLOCK	1
18	630277	BRACKET, SQUEEGEE ATTACH	1
19	630278	BRACKET, TIP ADJUST	1
▲20	200370019	WASHER, M8.4 LOCK	2
21	200303019	WASHER, M8.4X18X1.6 FLAT	5
▲22	200031494	SCREW, M8X1.25X30	2
▲23	200160017	NUT, M8 HEXLOCK	2
24	200031488	SCREW, M8X1.25X20	3
▲25	630480	SCREW, 5/16DIA X1–1/4 SHOULDER	2
26	140015	WASHER, 5/16 SPLITLOCK	1
27	069762144	NUT, 5/16–24 HEX	1
28	630388	NUT, 5/16–24 HEXLOCK	1
▲29	630393	●SCREW, THUMB & WASHER ASM	2
▲30	630424	SCREW, M8X1.25X70	2
▲31	630303	WASHER, M8.4X25.4X2.0 FLAT	6
▲32	630389	SCREW, 7/8X45	1
▲33	140283	NUT, M5X.8 NYLOCK	1
34	630446	WASHER, .318 NYLON	2
▲35	140501	NUT, 1/4–20 NYLOCK	2
▲36	200651019	WASHER, M8.4X17X1.6 FLAT	2
▲37	140297	NUT, M5X.8 HEX	1
▲38	630477	●WHEEL, 2"X.38" POLYURETHANE	1
▲39	600187	SCREW, 3/8DIA X1/4 SHOULDER	1
▲40	140028	WASHER, 3/8 FLAT	2
41	200160017	NUT, M8 HEXLOCK	3

▽ ASSEMBLY

▲ INCLUDED IN ASSEMBLY

● RECOMMENDED STOCK ITEMS

BATTERY AND CHARGER GROUP

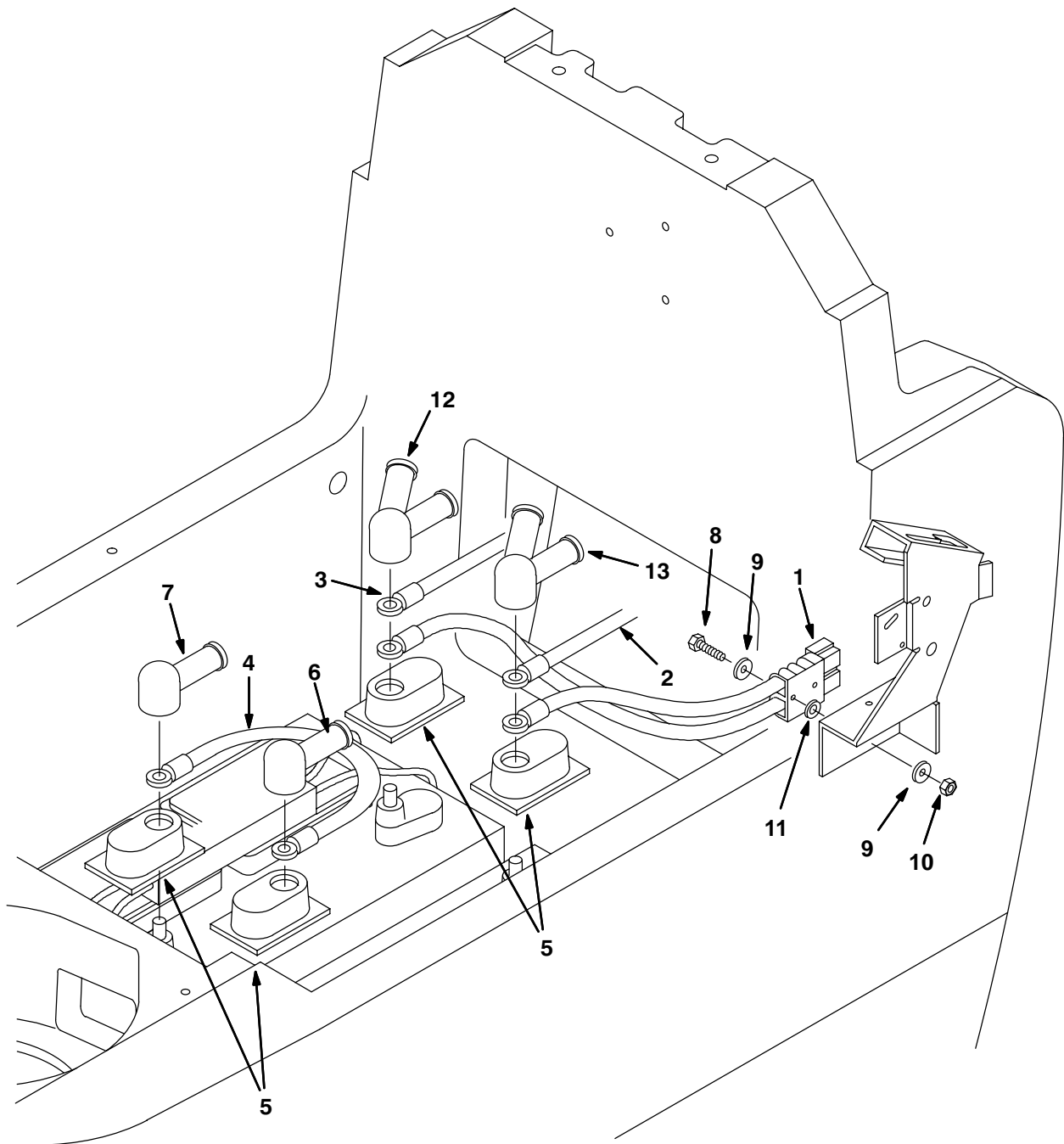


REF	PART #	DESCRIPTION	QTY.
1	130869	●BATTERY, 12V 130AH (WET)	2
	600594	BATTERY, 12V 130AH (DAMP)	2
	600394	BATTERY, 12V 215AH (WET)	2
	600595	BATTERY, 12V 215 AH (DAMP)	2

REF	PART #	DESCRIPTION	QTY.
2	603553	●CHARGER 24DC/12A 120V DUAL-MODE (FOR 130AH BATTERIES)	1
	603235	CHARGER, 24DC/20A/120AC (FOR 215AH BATTERIES)	1
3	630375	STOP, BATTERY INSERT	2

● RECOMMENDED STOCK ITEMS

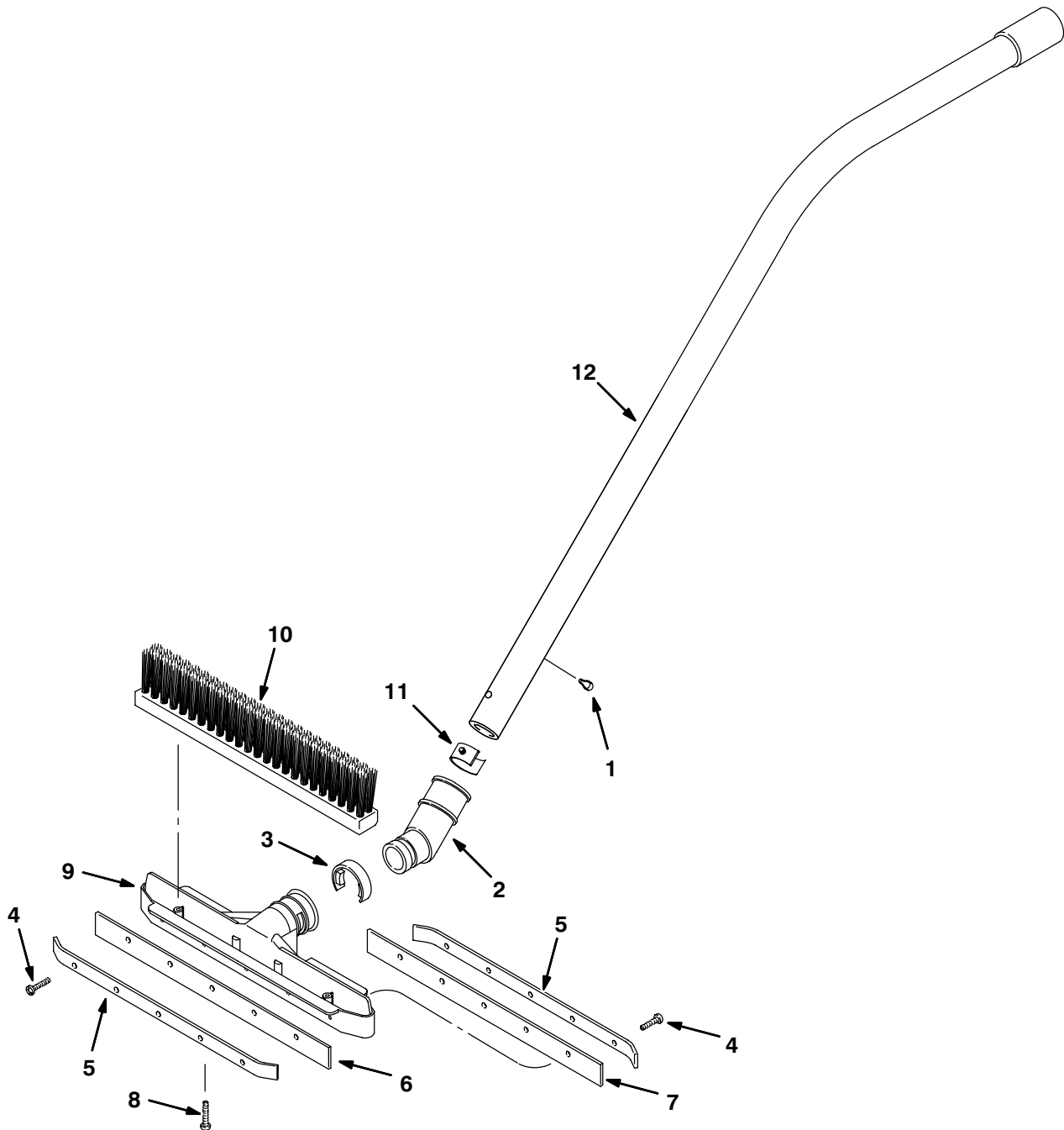
BATTERY CABLE GROUP



REF	PART #	DESCRIPTION	QTY.
1	630118	CABLE, BATT W/RED CHRGR PLUG	1
2	630110	CABLE, BATTERY 4GA 813MM/ RED	1
3	630111	CABLE, BATTERY 4GA 864MM/ BLK	1
4	603061	CABLE, BATTERY 6GA 305MM RED	1
5	611223	COVER, TERMINAL	4
6	611221	BOOT, BATT CABLE TERMINAL BLK	1
7	611222	BOOT, BATT CABLE TERMINAL RED	1

REF	PART #	DESCRIPTION	QTY.
8	200051274	SCREW, M3X.5X30	2
9	601127000	WASHER, M3.7X8X.5 FLAT	4
10	579211	NUT, M3 HEXLOCK	2
11	140019	WASHER, #6 EXT	2
12	606011	BOOT, INSULATING CABLE RED	1
13	606010	BOOT, INSULATING CABLE BLK	1

NON-POWER WAND ASSEMBLY



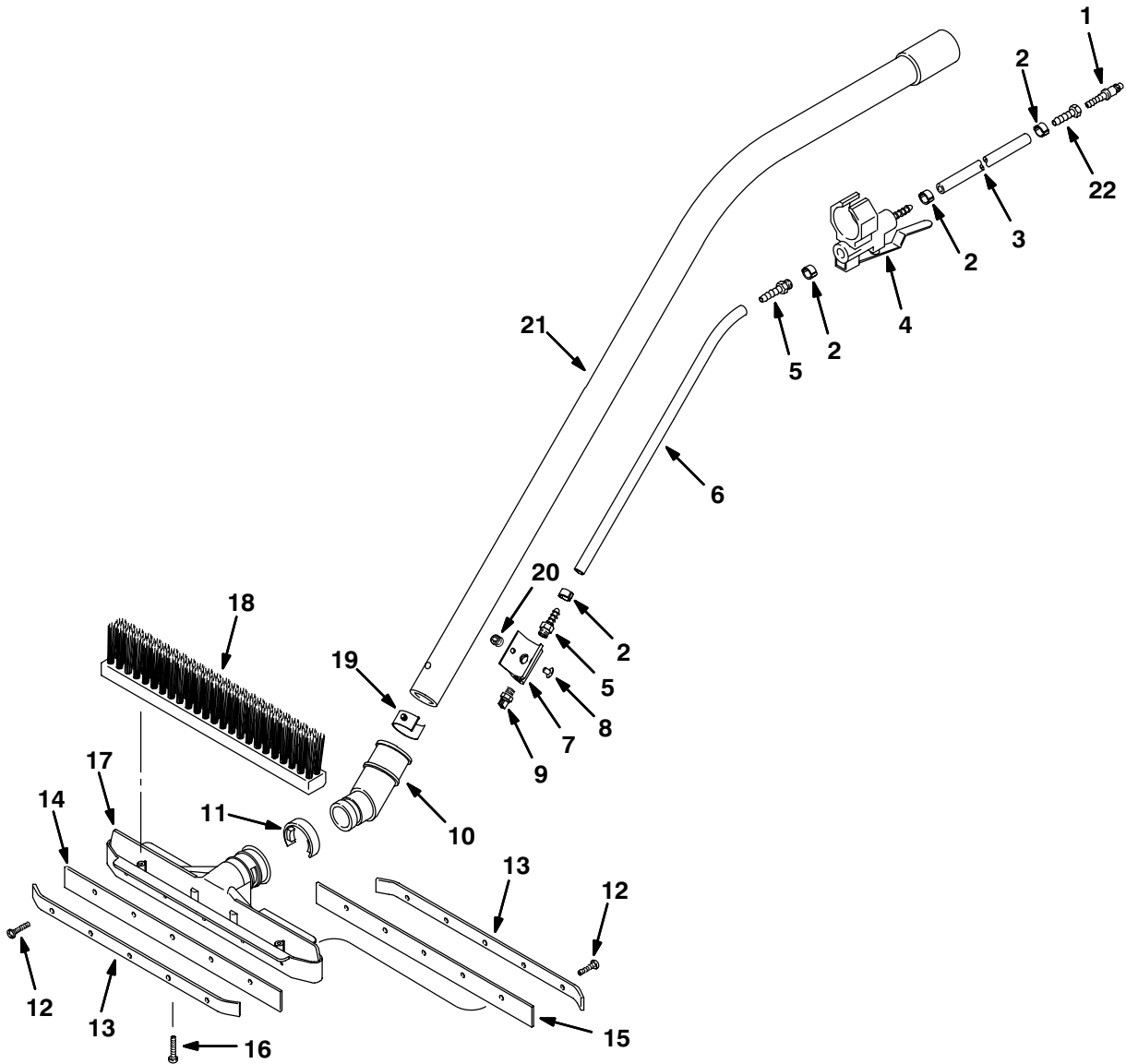
REF	PART #	DESCRIPTION	QTY.
▽	630732	WAND ASM., NON-POWER	1
▲1	630269	BUMPER, MUSHROOM	2
▲2	579113	SWIVEL, WAND ATTACHMENT	1
▲3	579132	RING, ATTACHMENT	1
▲4	579135	SCREW, SELF TD UNITED	10
▲5	579103	RETAINER, WAND BLADE	2
▲6	579239	SQUEEGEE, BLADE, FRONT WAND	1

REF	PART #	DESCRIPTION	QTY.
▲7	579230	SQUEEGEE, BLADE, REAR WAND	1
▲8	579147	SCREW, SELF-TAP, #6, 1.5"	2
▲9	579101	HEAD, WAND	1
▲10	579102	BRUSH, WAND (TWO ROW)	1
▲11	579187	CLIP, SPRING	1
▲12	579109	WAND, SINGLE BEND	1

▽ ASSEMBLY

▲ INCLUDED IN ASSEMBLY

POWER WAND ASSEMBLY



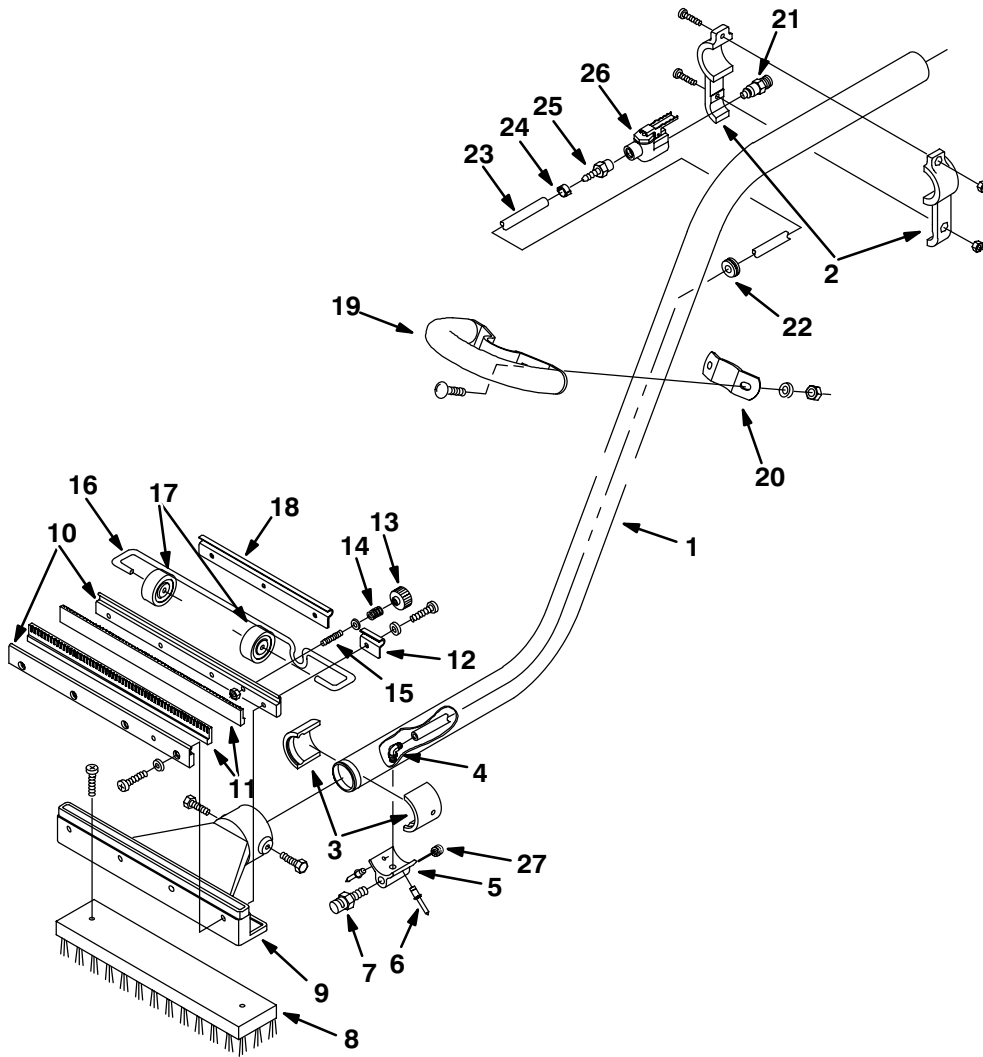
REF	PART #	DESCRIPTION	QTY.
▽	579908	WAND ASM, POWER	1
▲1	578091000	PLUG, QUICK CONNECT	1
▲2	578160000	CLAMP, HOSE	4
▲3	579168	HOSE, RELIEF, .25, .44", .110 M	1
▲4	579107	VALVE, WATER CONT.	1
▲5	150525	HOSE BARB, 1/8" M X 1/4" H	2
▲6	579146	HOSE, WAND WATER FEED	1
▲7	579112	ADAPTOR, SPRAY NOZZLE	1
▲8	579198	RIVET, POP	2
▲9	579137	SPRAY NOZZLE	1
▲10	579113	SWIVEL, WAND ATTACHMT	1

REF	PART #	DESCRIPTION	QTY.
▲11	579132	RING, ATTACHMENT	1
▲12	579135	SCREW, SELF TD UNITED	10
▲13	579103	RETAINER, WAND BLADE	2
▲14	579239	SQUEEGEE, BLADE, FRONT WAND	1
▲15	579230	SQUEEGEE, BLADE, REAR WAND	1
▲16	579147	SCREW, SELF – TAP, #6, 1.5"	2
▲17	579101	HEAD, WAND	1
▲18	579102	BRUSH, WAND (TWO ROW)	1
▲19	579187	CLIP, SPRING	1
▲20	150208	PLUG, SCKT HD 1/8"	1
▲21	579109	WAND, SINGLE BEND 31.8	1
▲22	150510	FITTING, 1/4F X 1/4H BARB	1

▽ ASSEMBLY

▲ INCLUDED IN ASSEMBLY

DELUXE POWER WAND ASSEMBLY



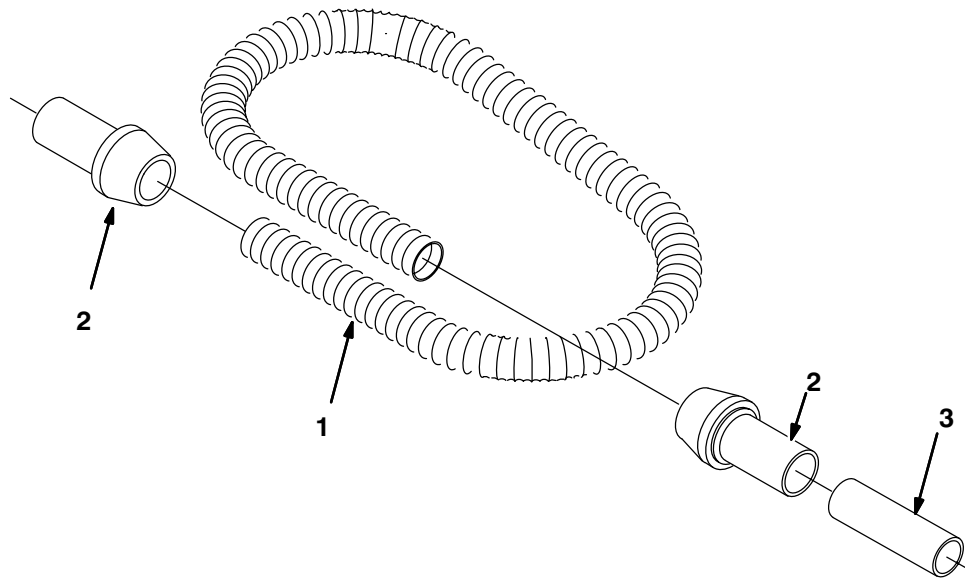
REF	PART #	DESCRIPTION	QTY.
▽	578905000	WAND ASM, DELUXE-POWER	1
▲1	578060000	WAND, DOUBLE BEND	1
▲2	578077000	BRACKET, VALVE MOUNTING, WAND	1
▲3	578061000	ADAPTER, HEAD/WAND	2
▲4	578214000	FITTING, ELBOW, 0.25"HOSE, 0.12"NPT	1
▲5	579112	ADAPTER, SPRAY NOZZLE	1
▲6	579198	RIVET, POP, .156, .312, .384	2
▲7	578066000	SPRAY NOZZLE, .125" NPT, 75 DEG.	1
▲8	578073000	BRUSH, DECK, POLYPRO BLOCK	1
▲9	578063000	HEAD, WAND	1
▲10	578078000	RETAINER, SQUEEGEE WAND	2
▲11	578074000	BLADE, SQUEEGEE WAND	2
▲12	578124000	BRACKET, AXLE	1
▲13	578439	NUT, THUMB	1

REF	PART #	DESCRIPTION	QTY.
▲14	578228000	SPRING, COMPRESSION	1
▲15	578143000	M6, 40MM LG., ADJUST. STUD	1
▲16	578126000	AXLE, WAND	1
▲17	578125000	WHEEL, GUIDE, WAND	2
▲18	578123000	BRACKET, AXLE	1
▲19	578155000	HANDLE, WAND	1
▲20	578154000	BRACKET, HANDLE, WAND	1
▲21	578091000	PLUG, MALE QUICK-CONN	1
▲22	578164000	GROMMET	1
▲23	578821000	HOSE, SOLUTION, WAND	1
▲24	578161000	CLAMP, HOSE	1
▲25	578094000	1/4 HOSEBARB, 1/4NPT MALE PIPE	1
▲26	578064000	VALVE, WATER CONTROL, WAND	1
▲27	150208	PLUG, SCKT HD 1/8"	1

▽ ASSEMBLY

▲ INCLUDED IN ASSEMBLY

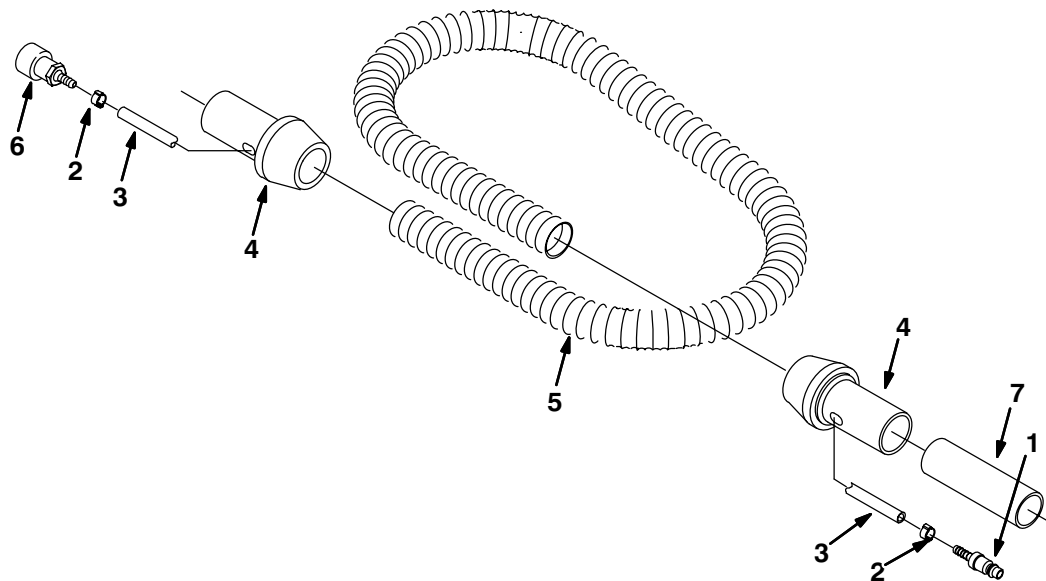
NON-POWER WAND HOSE ASSEMBLY



REF	PART #	DESCRIPTION	QTY.
▽	630739	HOSE ASM., NON-POWER WAND	1
▲1	578276000	HOSE, VACUUM 1-1/2 X 10' GRAY	1

REF	PART #	DESCRIPTION	QTY.
▲2	630449	CUFF, HOSE SOFT DIA 38.1M	2
▲3	231031	SLEEVE, 1-1/2DIA X 5"LG	1

POWER WAND HOSE ASSEMBLY



REF	PART #	DESCRIPTION	QTY.
▽	578903000	HOSE ASM., POWER WAND	1
▲1	578318000	FITTING, QUICK CONCT MALE	1
▲2	578160000	CLAMP, HOSE 11-13MM	2
▲3	578820000	HOSE, .25ID, .44OD, 4.0M LG	1
▲4	578072000	CUFF, SWIVEL, 1-1/2	2

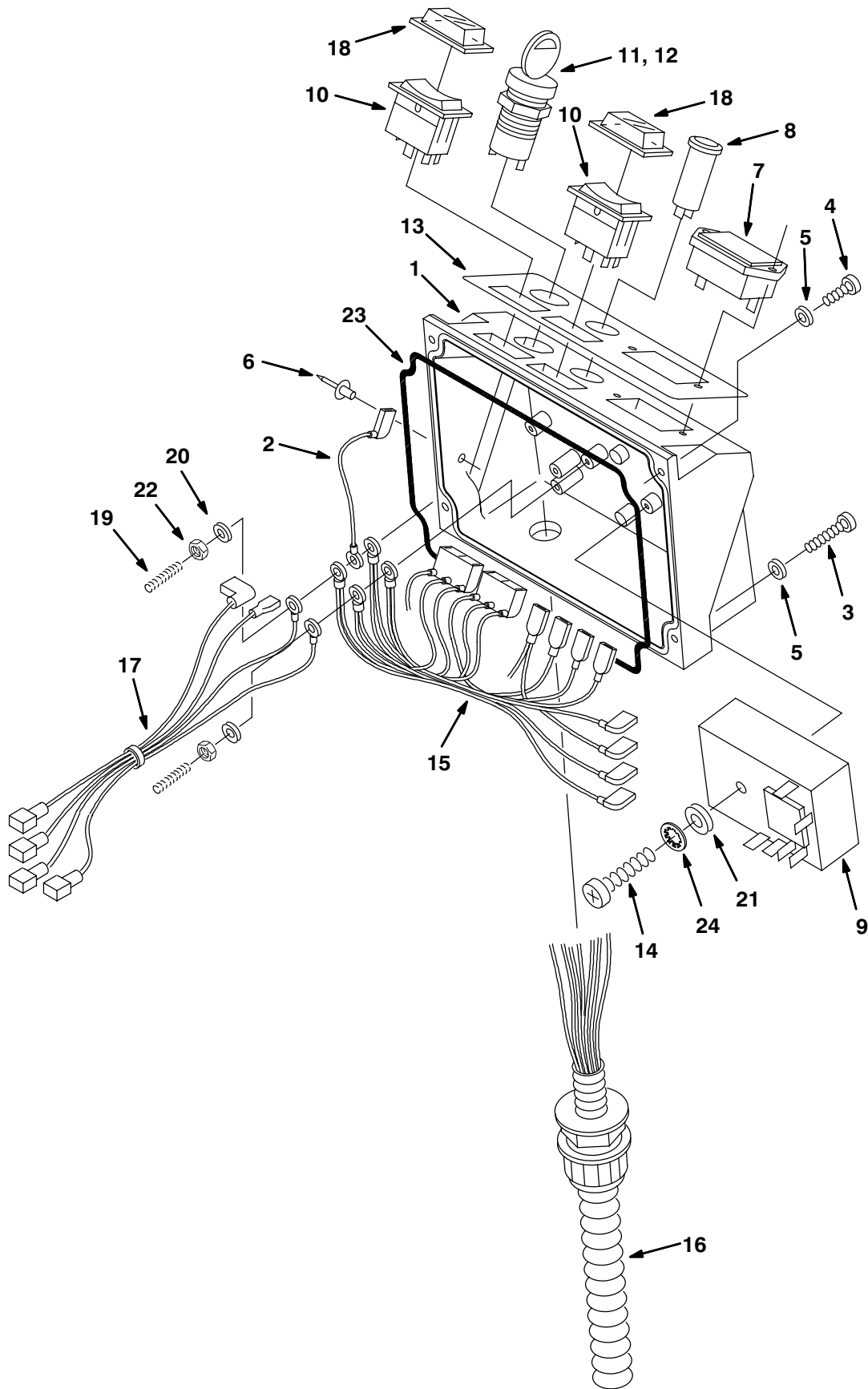
REF	PART #	DESCRIPTION	QTY.
▲5	578276000	HOSE, VACUUM, 1-1/2 X 10' GRAY	1
▲6	578071000	CONNECTOR, QUICK CONCT FE-MALE	1
▲7	231031	SLEEVE, 1-1/2"DIA X 5"LG	1

▽ ASSEMBLY

▲ INCLUDED IN ASSEMBLY



ACCESSORY CONSOLE GROUP

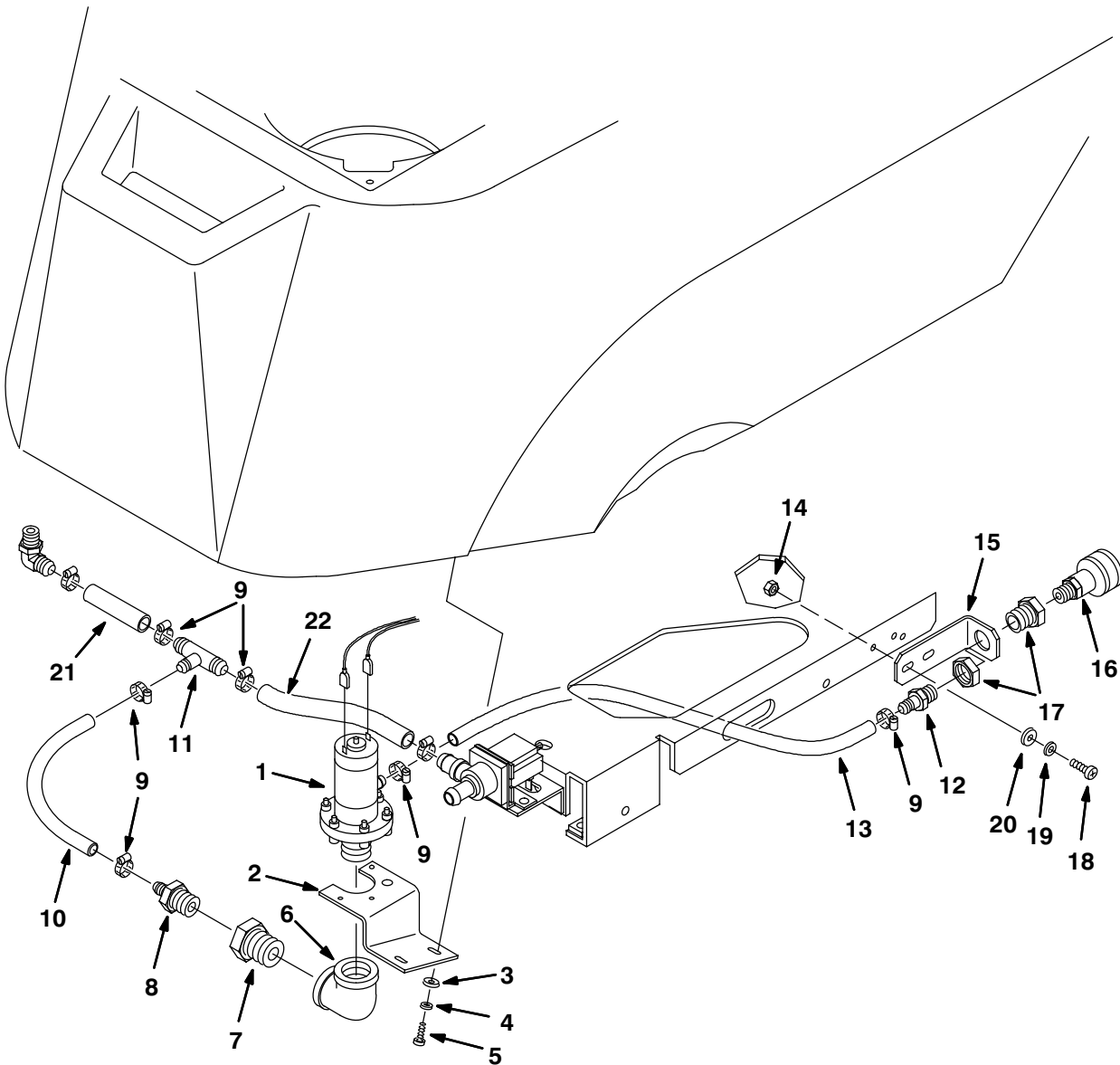


ACCESSORY CONSOLE GROUP

REF	PART #	DESCRIPTION	QTY.
	607486	KIT, KEY SWITCH/HOUR METER	1
	607487	KIT, ES <sup>™</sup> /KEY SWITCH/HOUR METER	1
	607488	KIT, ES <sup>™</sup> /KEY SWITCH/HOUR METER/WAND PUMP	1
	607489	KIT, WAND PUMP	1
	607490	KIT, KEY SWITCH/HOUR METER/WAND PUMP	1
1	630140	CONSOLE, 20" SCRUBBER	1
2	630331	WIRE ASSY, KEY SWITCH	1
3	200070354	SCREW, M4X30	2
4	140287	SCREW, M4X.7X16MM	2
5	140023	WASHER, LOC INT #8	4
6	578852	RIVET, SNAP 5.0MM	1
7	630143	METER, HOUR, 18-60VDC	1
8	630142	LIGHT, PILOT, 24V, BLUE	1
9	630145	TIMER, 24VDC, RANGE: 30SEC	1
10	630419	SWITCH, RCKR, SPST, 24VDC GRN	2
11	607475	SWITCH, KEYLOCK 12-AMP	1

REF	PART #	DESCRIPTION	QTY.
12	607821	KEY, REPLACEMENT, STEEL	2
13	630235	DECAL, KEY/HOUR METER	1
	630236	DECAL, ES <sup>™</sup> /KEY/HOUR METER/LIGHT	1
	630237	DECAL, ES <sup>™</sup> /KEY/HOUR/LIGHT/WAND PUMP	1
	630238	DECAL, WAND PUMP	1
	630239	DECAL, KEY/HR/WAND PUMP	1
14	630334	SCREW, S-TAP, #6	1
15	606499	HARNESS, WIRE ES OPTION	1
16	630342	HARNESS, WIRE ES	1
17	606502	HARNESS, ACCESSORY	1
18	578720	SPLASH GUARD, ROCKER SWITCH	2
19	601271	STUD, M4X.7X1.00	2
20	140023	WASHER, #8 INT	2
21	140026	WASHER, #6 FLAT	1
22	200102014	NUT, M4 X .7 HEX	2
23	579178	O-RING, SPONGE	1
24	140018	WASHER, #10 INT	1

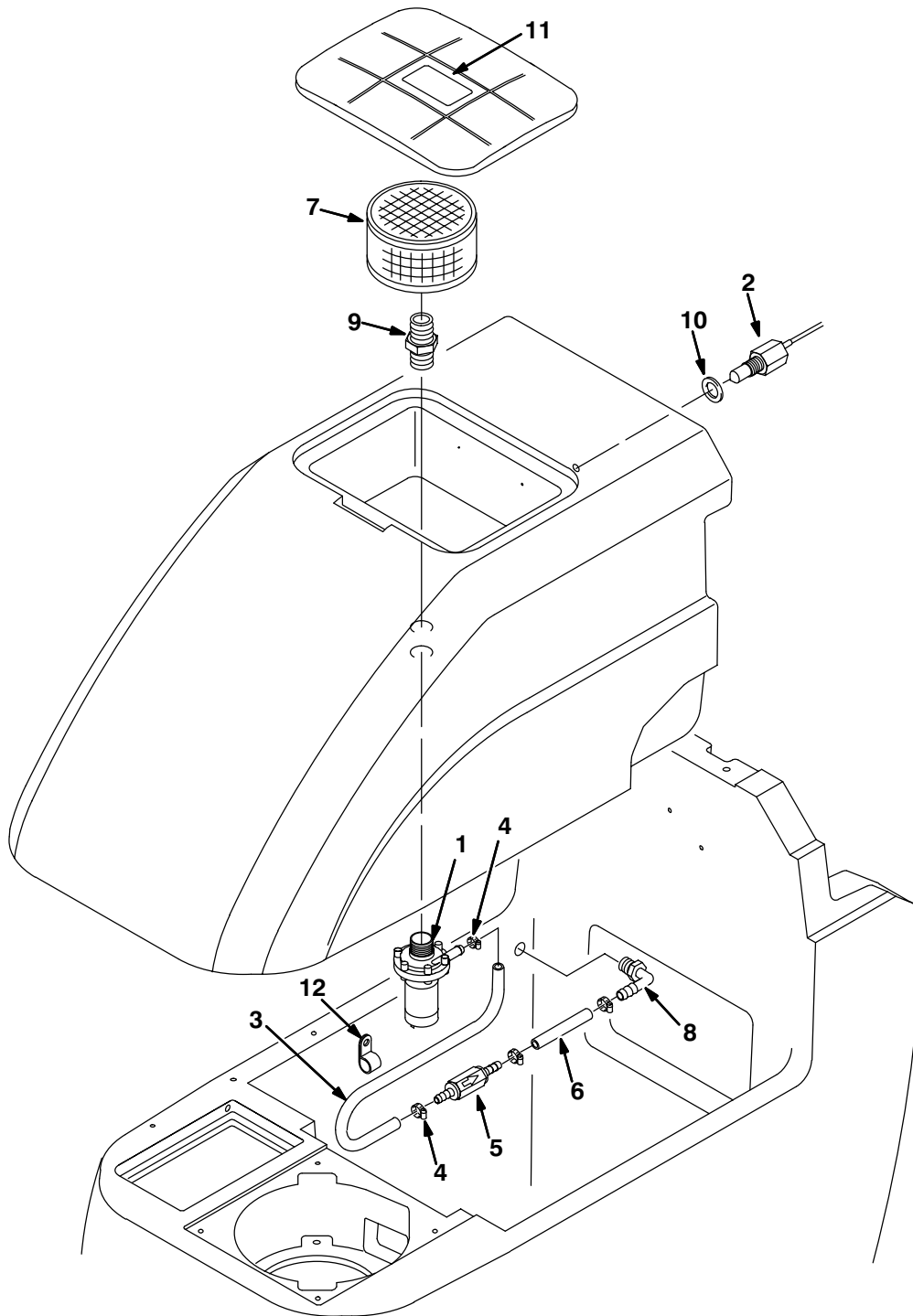
WAND PUMP PLUMBING GROUP



REF	PART #	DESCRIPTION	QTY.
1	630136	PUMP, 24VDC	1
2	630335	BRACKET, MTG, PUMP	1
3	200315016	WASHER, 5.3X15.0X1.6 FLAT	2
4	140018	WASHER, LOC INT #10	2
5	200070384	SCREW, M5X14	2
6	630251	FITTING, E90, .75 FORGED	1
7	630252	FITTING, BUSHING, 3/4MX3/8F	1
8	150538	HOSE BARB, 3/8MX3/8H	1
9	140310	CLAMP, HOSE 5/16-7/8	6
10	630417	HOSE, 165MM WAND PUMP	1
11	630372	FITTING, TEE	1

REF	PART #	DESCRIPTION	QTY.
12	150516	FITTING, BARB	1
13	630418	HOSE, .700MM	1
14	579029	NUT, M6X1.0	2
15	630256	BRACKET, MTG QUICK CONNCT	1
16	608292	FITTING, QUICK DISC FEMALE 3/8X1/4 NPT	1
17	150300	CONNECTOR, ANCHOR	1
18	608322	SCREW, M6X1.0X16	2
19	578244000	WASHER-LOC INT, M6	2
20	579210	WASHER, FLAT 6.L4, 18.0, 1.5	2
21	140957	HOSE, 1/2IDX2-1/2	1
22	606241	HOSE, 1/2IDX6	1

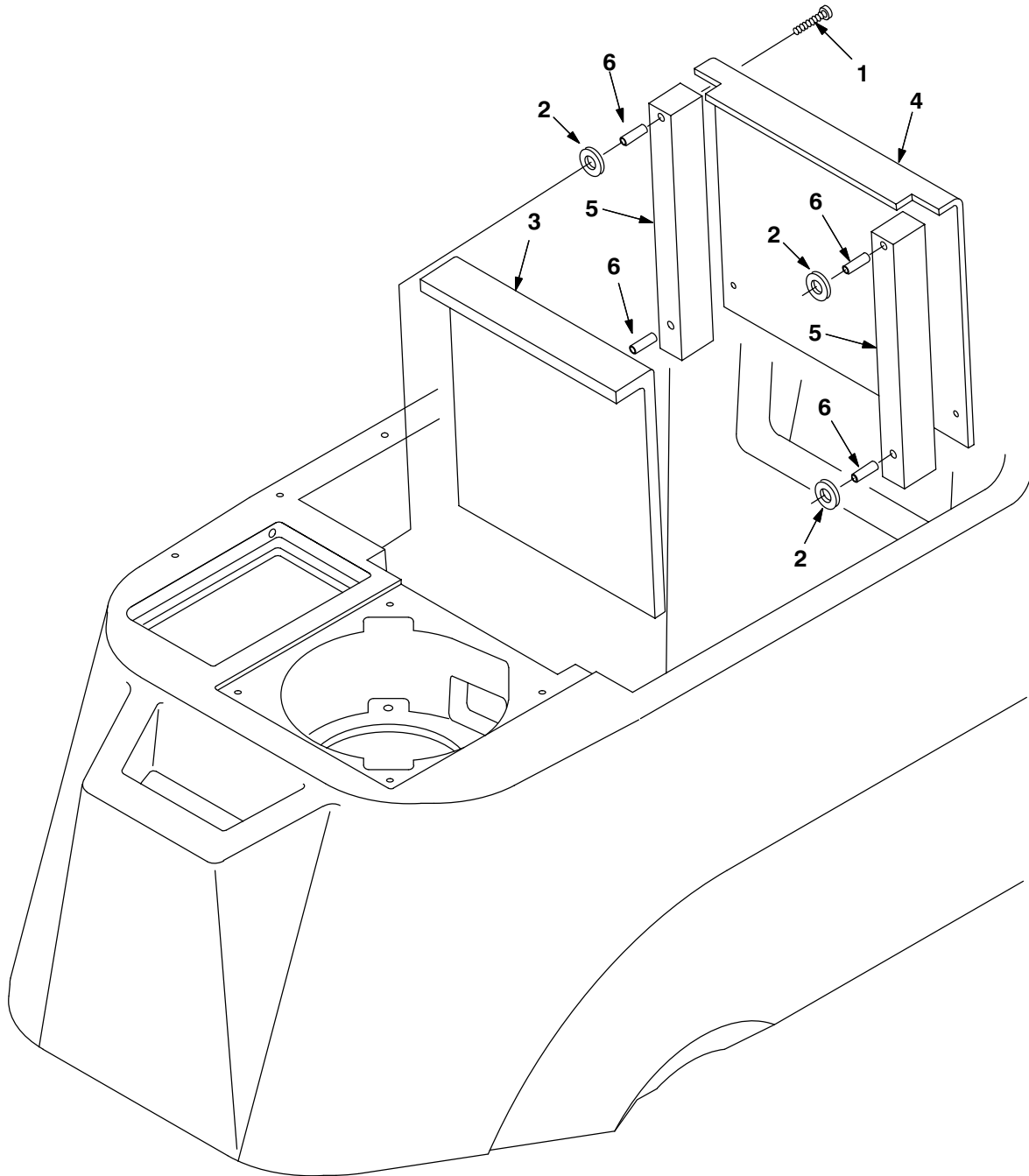
ES™ PLUMBING GROUP



REF	PART #	DESCRIPTION	QTY.
1	630136	PUMP, 24VDC	1
2	630137	SENSOR, WATER LEVEL	1
3	25160	TUBING, 5/8OD X 3/8ID X 21.75FT	1
4	140310	CLAMP, HOSE 5/16-7/8	4
5	210044	VALVE, CHECK	1
6	25160	TUBING, 5/8OD X 3/8ID X 5.25FT LG	1

REF	PART #	DESCRIPTION	QTY.
7	630138	FILTER, SCREEN	1
8	150412	FITTING, 3/8MX3/8H ELBOW	1
9	630385	FITTING, NIPPLE	1
10	630479	WASHER, NYLON	1
11	630440	DECAL, DO NOT REMOVE FILTER	1
12	140314	CLAMP, INSULATED	1

SOUND KIT



REF	PART #	DESCRIPTION	QTY.
	630735	KIT, SOUND LOW DB	1
1	600393	SCREW, M5 X 40MM FLTHD	4
2	200315016	WASHER, FLAT	4
3	630441	SOUND COVER, FOAM	1

REF	PART #	DESCRIPTION	QTY.
4	630395	SOUND COVER, PLATE	1
5	630397	SOUND SIDE, FOAM	2
6	630398	SPACER	4