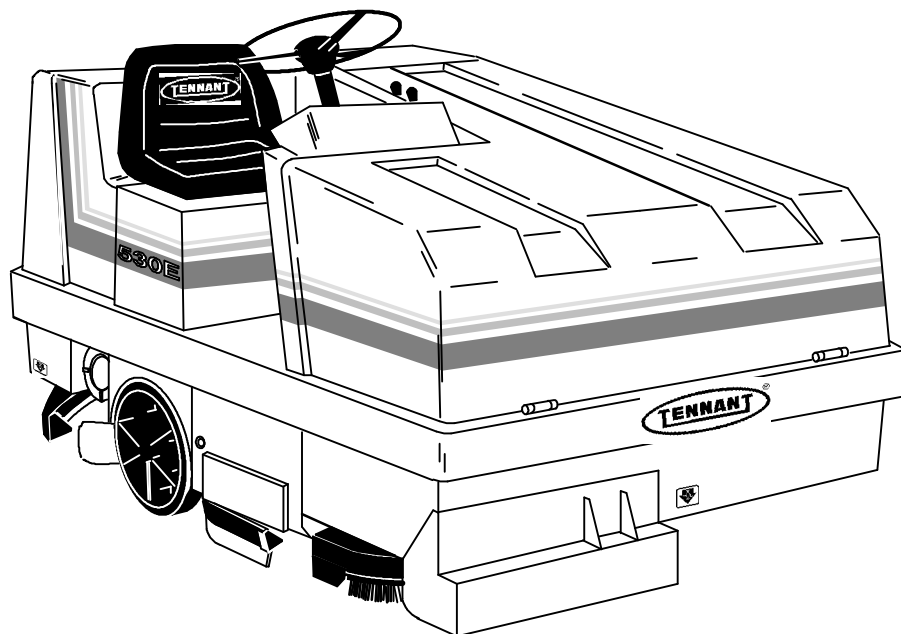




530E

(Parts Manual)



MM178

Rev. 16



This manual is furnished with each new TENNANT Model 530E. It provides necessary operating and preventive maintenance instructions. Read this manual completely and understand the machine before operating or servicing it.

This manual covers all machine variations and standard accessories. The tabbed instruction portion of the manual consists of the Specification, Operation, Maintenance, and Appendix sections. The tabbed parts section consists of the How To Use This Manual; Standard Model Parts; Options; Breakdowns; and Cross Reference sections.

All right side and left side references to the machine are determined by facing the direction of forward travel. All hardware considered to be of a common nature or locally available has been omitted from the parts sections. Be aware that this machine may contain metric hardware. Make sure you use equivalent hardware when replacement becomes necessary.

This machine will provide excellent service. However, the best results will be obtained at minimum costs if:

- The machine is operated with reasonable care.
- The machine is maintained regularly – per the maintenance instructions provided.
- The machine is maintained with Tennant Company supplied or equivalent parts.

MACHINE DATA	
<i>Please fill out at time of installation.</i>	
Machine Serial Number -	_____
Engine Serial Number -	_____
Sales Representative -	_____
Customer Number -	_____
Date of Installation -	_____
Manual Number -	MM178
Revision:	16
Published:	12-99

Trademark Registered in: Austria, Benelux, Denmark, England, France, Germany, Italy, Spain, Switzerland, United States, Argentina, Australia, Canada, Japan, Mexico, Sweden, by TENNANT COMPANY, Minneapolis, Minnesota, U.S.A.

Acknowledgements: Technical information and/or illustrations supplied by Peerless-Winsmith Inc; Cessna Fluid Power Division; Eaton Corporation, Hydraulics Division.

Copyright 1986 - 1991, 1993, 1994, 1995, 1996, 1997, 1998, 1999 Tennant Company, Printed in U.S.A.

HOW TO USE THIS MANUAL

This section on *HOW TO USE THIS MANUAL* will tell you how to:

- Find important machine information for ordering correct repair parts.
- Find TENNANT part numbers.
- Order TENNANT parts and supplies.

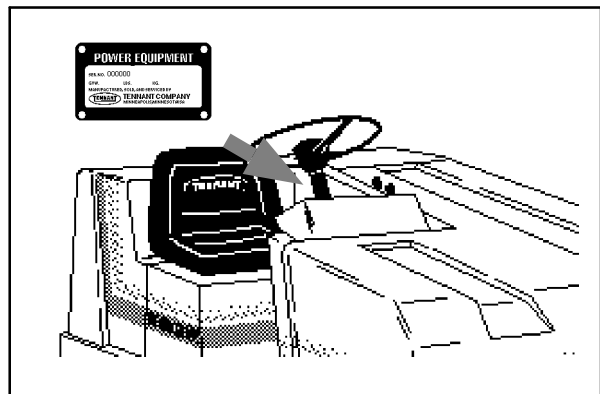
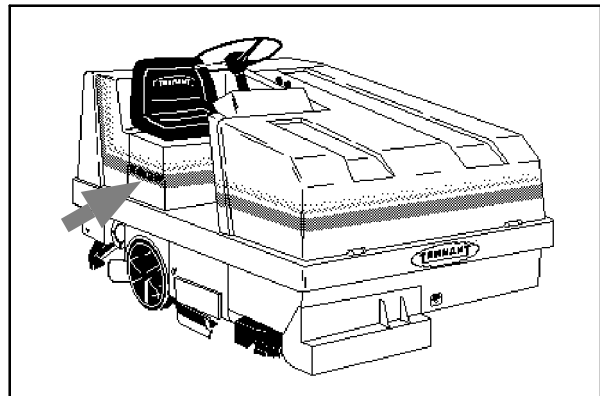
IMPORTANT INFORMATION

When placing an order for parts, the machine model and machine serial number are important. Refer to the *MACHINE DATA* box which is filled out during the installation of your machine. The *MACHINE DATA* box is located on the inside of the front cover of this manual.

The model number of your machine is on the side of the machine.

The serial number of your machine is printed on the machine data plate located as shown.

MACHINE DATA	
<i>Please fill out at time of installation.</i>	
Machine Serial Number -	_____
Engine Serial Number -	_____
Sales Representative -	_____
Customer Number -	_____
Date of Installation -	_____
Manual Number -	MM178
Revision:	06
Published:	8-93



HOW TO USE THIS MANUAL

FINDING A TENNANT PART NUMBER

This manual contains the following sections:

- HOW TO USE THIS MANUAL
- STANDARD PARTS
- OPTIONS
- BREAKDOWNS
- CROSS REFERENCE

The STANDARD PARTS section lists repair parts for standard machines. They are grouped in this general order:

- General wear parts.
- Machine frame and related parts.
- Machine propelling system.
- Scrubbing components.
- Electrical parts.

The OPTION section lists repair parts of options.

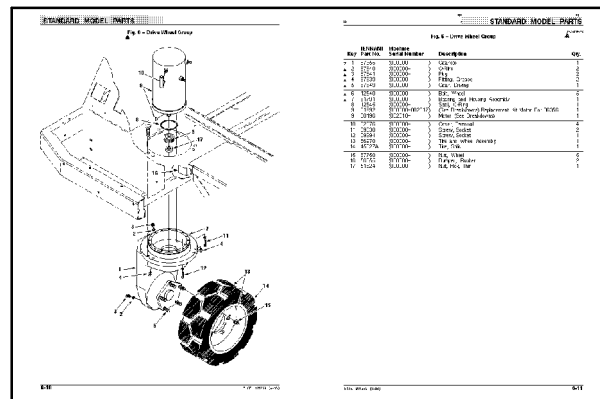
The BREAKDOWN section lists available repair parts of major components.

All sections in this manual consist of parts illustrations and corresponding parts lists.

The parts illustrations are numbered with **Ref** numbers which refer to corresponding parts lists.

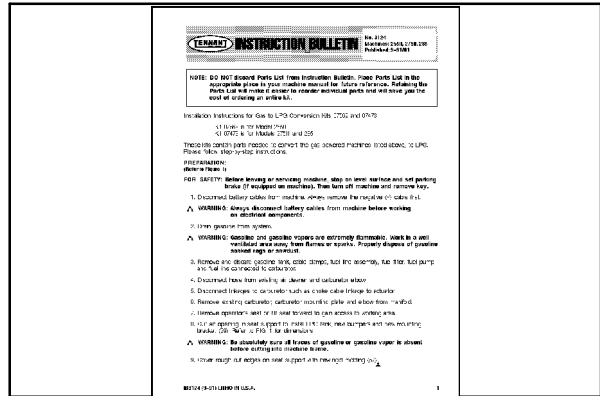
The parts lists include a number of columns of information:

- **Ref** - column refers to the reference number on the parts illustration.
- ▽ - indicates the part is an assembly.
- ▲ - indicates the part is included in the assembly listed just before it.
- **TENNANT Part No.** - column lists the TENNANT part number for the part.
- **Serial Number** - column indicates the set of machines the part number is applicable to. Serial numbers change when the machine design has been modified. The most current design of the machine is shown in the main illustration, older designs are boxed in a corner of the illustration.
- **Description** - column is a brief description of the part.
- **Qty.** - column lists the quantity of that part used in that area of the machine.



NOTE: If a service kit is installed on your machine, be sure to keep the **INSTRUCTION BULLETIN** which came with the kit. It contains repair parts numbers needed for ordering future parts.

NOTE: Fasteners used in this machine may be metric or non-metric. Take care when replacing hardware to replace with same thread size.



PLACING AN ORDER

Orders may be placed by phone, fax, or by mail. Phone orders may need written confirmation. Follow the steps below to insure prompt delivery:

1. Identify the model number of your machine.
2. Identify the serial number of your machine.
3. Find the part number of the part you need. Do not order by page number or reference number. If you are not able to find the part number, call your TENNANT representative for help or send the old part as a sample.
4. Determine the quantity of the part you need.
5. Provide the following company information:
 - Company name
 - Customer ID Number
 - Shipping address
 - Billing address
 - First and last name of person ordering parts
 - Telephone number
 - Purchase order number
6. Provide definitive shipping instructions.

HOW TO USE THIS MANUAL

Any claim for loss or damage to a shipment in transit should be filed promptly with the transportation company making the delivery. Shipments will be complete unless the packing list or order acknowledgement indicates items back ordered.

If parts received are suspected to be incorrect or defective, please contact the TENNANT representative from whom you ordered the part. They will give authorization for return and/or handle replacement shipments when required.

SECTION 6

CONTENTS

	PAGE
Fig. 1 - Recommended General Maintenance Items	6-3
Fig. 2 - Replacement Brushes	6-4
Fig. 3 - Main Frame Group	6-6
Fig. 4 - Hood Group	6-8
Fig. 5 - Steering Group	6-10
Fig. 6 - Directional Pedal Group	6-12
Fig. 7 - Front Drive Wheel Group	6-14
Fig. 8 - Brake and Wheel Group	6-16
Fig. 9 - Parking Brake Group	6-18
Fig. 10 - Left Side Squeegee Group	6-20
Fig. 11 - Brush Idler Group	6-22
Fig. 12 - Main Brush Drive Group	6-24
Fig. 13 - Brush Scroll Lift Group	6-26
Fig. 14 - Debris Tray Group	6-28
Fig. 15 - Rear Squeegee Group	6-30
Fig. 16 - Solution Tank Group	6-32
Fig. 17 - Recovery Tank Group	6-34
Fig. 18 - Level Sensing Group	6-36
Fig. 19 - Solution Control Valve Group	6-38
Fig. 20 - Solution Control Valve Group	6-40
Fig. 21 - Vacuum Fan Group	6-42
Fig. 22 - Instrument Panel Group	6-44
Fig. 23 - Cooling Fan Group	6-46
Fig. 24 - Hydraulic Power Unit Group	6-48
Fig. 25 - Hydraulic Hose Group	6-50
Fig. 26 - Side Brush Lift Group	6-52
Fig. 27 - Side Brush Pivot Group	6-53
Fig. 28 - Side Brush Housing Group	6-54
Fig. 29 - Hydraulic Solenoid Valve Group	6-55
Fig. 30 - Wire Harness Group	6-56
Fig. 31 - Wire Harness Group	6-58
Fig. 32 - Control Box Group	6-60
Fig. 33 - Control Box Group	6-62
Fig. 34 - Label Group	6-64

Fig. 1 - Recommended General Maintenance Items

Ref.	Tennant Part No.	Machine Serial Number	Description	Qty.
▽	86174	(004000-) Squeegee Blade Kit, Rear	1
▲	86552	(004000-) Squeegee, Front	1
▲	86569	(004000-) Squeegee, Rear	1
▲	86812	(004000-) Gasket, Squeegee	2
▲	86859	(004000-) Squeegee, Side	2
▲	12542	(004000-) Bracket, Retainer	2
▽	12506	(004000-) Squeegee Kit, Urethane	1
▲	12472	(004000-) Squeegee, Side	2
▲	12470	(004000-) Squeegee, Rear	1
▲	12467	(004000-) Squeegee, Front	1
▲	12542	(004000-) Bracket, Retainer	2
▲	86812	(004000-) Gasket, Squeegee	2
	12503	(004000-007499) Squeegee, Side Brush	1
	33966	(007500-) Squeegee, Side Brush	1
	65870-1	(007500-) Hydraulic Fluid, HP 5-20, 1 gal (3.8 L)	1
	65870-5	(007500-) Hydraulic Fluid, HP 5-20, 5 gal (19.0 L)	1

Fig. 2 - Replacement Brushes

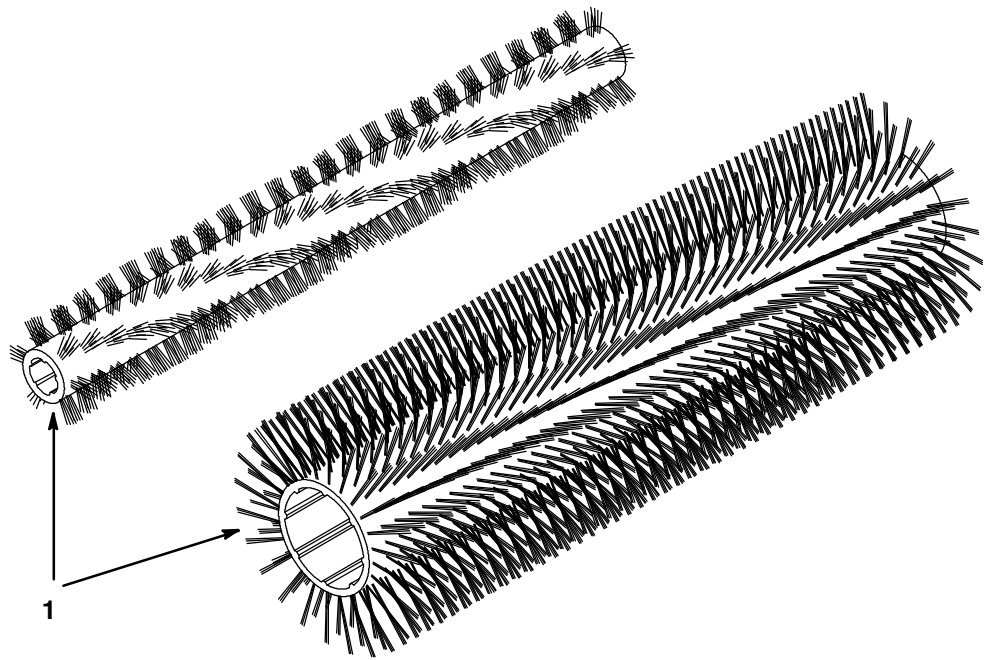
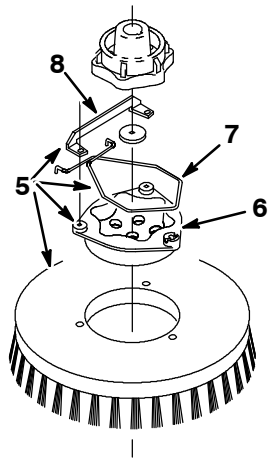
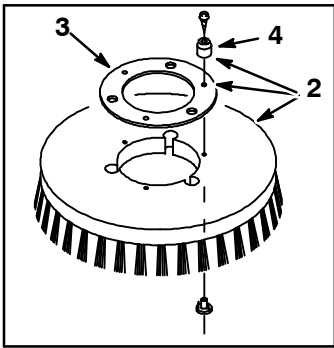


Fig. 2 - Replacement Brushes

Ref.	Tennant Part No.	Machine Serial Number	Description	Qty.	
1	86021	(004000-) Main Brush Kit, Abrasive Bristle	1	
1	86022	(004000-) Main Brush Kit, Polypropylene	1	
1	86023	(004000-) Main Brush Kit, Soft Nylon	1	
▽	2	30218	(004000-007499) Side Scrub Brush Replacement Kit, Abrasive Bristle	1	
▲	3	86718	(004000-007499) Plate, Drive	1	
▲	4	86904	(004000-007499) Bushing, Drive	3	
▽		30217	(004000-007499) Side Scrub Brush Replacement Kit, Stiff Nylon	1	
▲		86718	(004000-007499) Plate, Drive	1	
▲		86904	(004000-007499) Bushing, Drive	3	
▽		30219	(004000-007499) Side Scrub Brush Replacement Kit, Soft Nylon	1	
▲		86718	(004000-007499) Plate, Drive	1	
▲		86904	(004000-007499) Bushing, Drive	3	
▽	5	05730	(007500-) Side Scrub Brush Assembly, Abrasive Bristle	1
▲	6	15539	(007500-) Adaptor, Brush	1
▲	7	14838	(007500-) Spring, Brush Retaining	1
▲	8	24299	(007500-) Bracket, Spring Retainer	1
▽		50217	(007500-) Side Scrub Brush Assembly, Stiff Nylon	1
▲		15539	(007500-) Adaptor, Brush	1
▲		14838	(007500-) Spring, Brush Retaining	1
▲		24299	(007500-) Bracket, Spring Retainer	1
▽		05728	(007500-) Side Scrub Brush Assembly, Soft Nylon	1
▲		15539	(007500-) Adaptor, Brush	1
▲		14838	(007500-) Spring, Brush Retaining	1
▲		24299	(007500-) Bracket, Spring Retainer	1

Fig. 3 - Main Frame Group

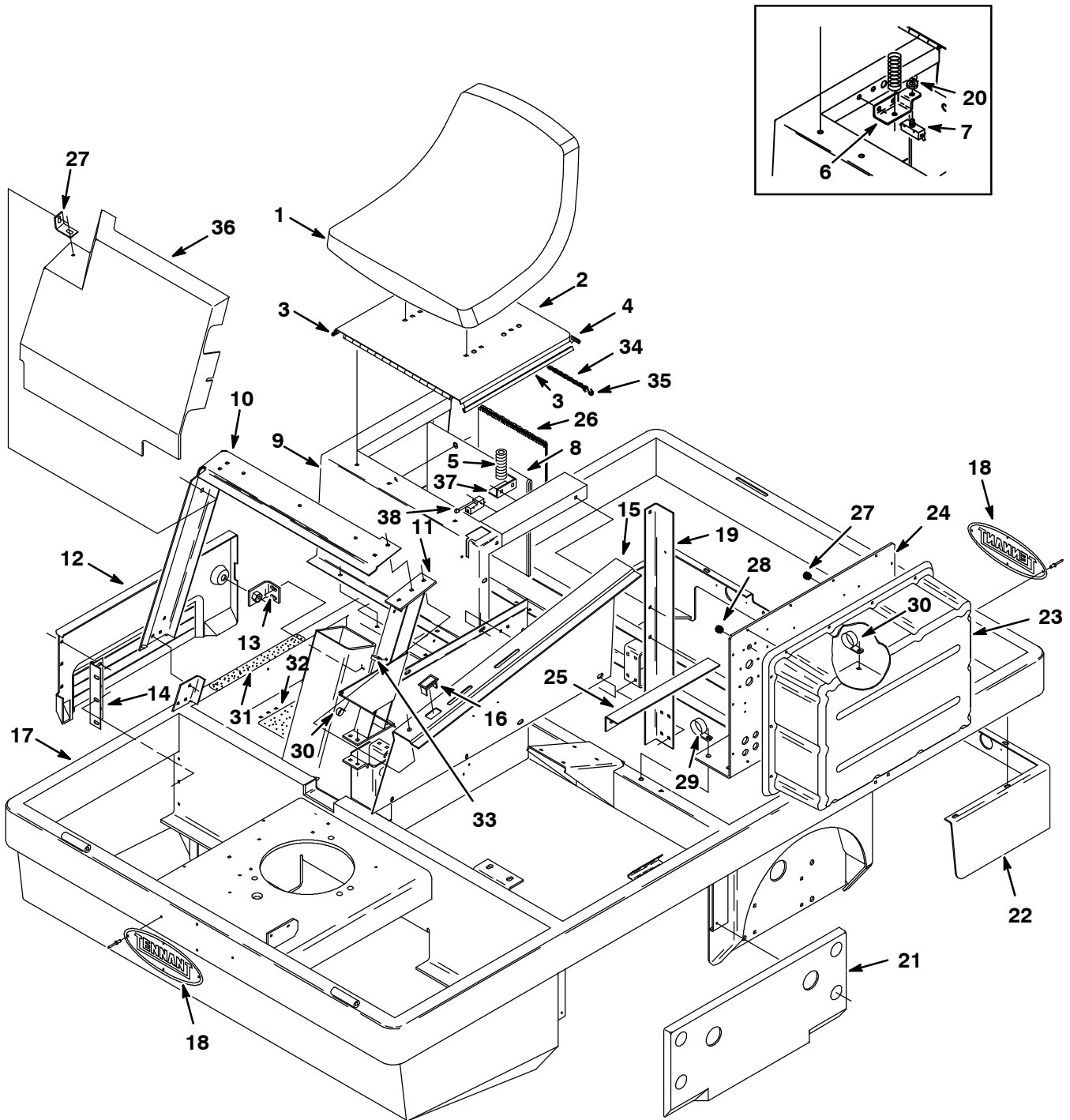


Fig. 3 - Main Frame Group

Ref.	Tennant Part No.	Machine Serial Number	Description	Qty.
1	82342	(004000-) Seat Assembly	1
2	86779	(004000-) Mount, Seat	1
3	86526	(004000-) Molding, Rigid	2
4	86527	(004000-) Molding, Rigid	1
5	45261	(004000-) Spring, Compression	1
6	12548	(004000-004710) Seat Switch and Mount Replacement Kit	1
7	63846	(004000-004710) Switch, Push Button	1
8	68275	(004000-007742) Pouch, Operator's Manual, 13.6 in (345 mm)	1
8	48790	(007743-) Pouch, Operator's Manual, 7.5 in (190 mm)	1
9	86510	(004000-) Support, Seat	1
10	86470	(004000-) Lintel	1
11	12201	(004000-) Support	1
12	86407	(004000-) Door, R.H. Brush	1
13	12296	(004000-) Bracket, Door Stop	1
14	86430	(004000-) Hinge, Reverse	1
15	86614	(004000-007499) Panel and Label Assembly	1
15	50164	(007500-) Panel and Label Assembly	1
16	57772	(004000-) Plate, Cover	1
17	12133	(004000-007499) Frame, Main	1
17	33999	(007500-) Frame, Main	1
18	86192	(004000-) Emblem, TENNANT	2
19	86462	(004000-) Angle, Support	1
20	86730	(004000-004710) Nut, Thin	1
21	86406	(004000-007499) Door, Brush, L.H. (Replaced by 50183)	1
21	50180	(007500-) Door, Brush, L.H.	1
22	12240	(004000-) Cover, Rear Tank	1
23	86615	(004000-007499) Cover and Label Assembly (Replaced by 50183)	1
23	50169	(007500-) Cover and Label Assembly	1
24	12517	(004000-) Plate, Mounting	1
25	86102	(004000-) Brace, Angle	1
26	MM169	(004000-) Manual, Operator Handbook	1
27	12680	(004000-) Bracket, Mount	1
28	86318	(004000-) Plugbutton	1
29	86328	(004000-) Clamp, Cable	1
30	69234	(004000-) Clamp, Cable	5
31	86798	(004000-) Pad, Tread	1
32	86799	(004000-) Mat, Floor	1
33	40678-1	(004000-) Clamp, Cable	1
34	12656	(004000-) Chain	1
35	43363	(004000-) Hook, S	1
36	86302	(004000-) Panel, Front	1
37	12547	(004711-) Bracket, Spring Mounting	1
38	82092	(004711-) Switch, Roller Lever	1

Fig. 4 - Hood Group

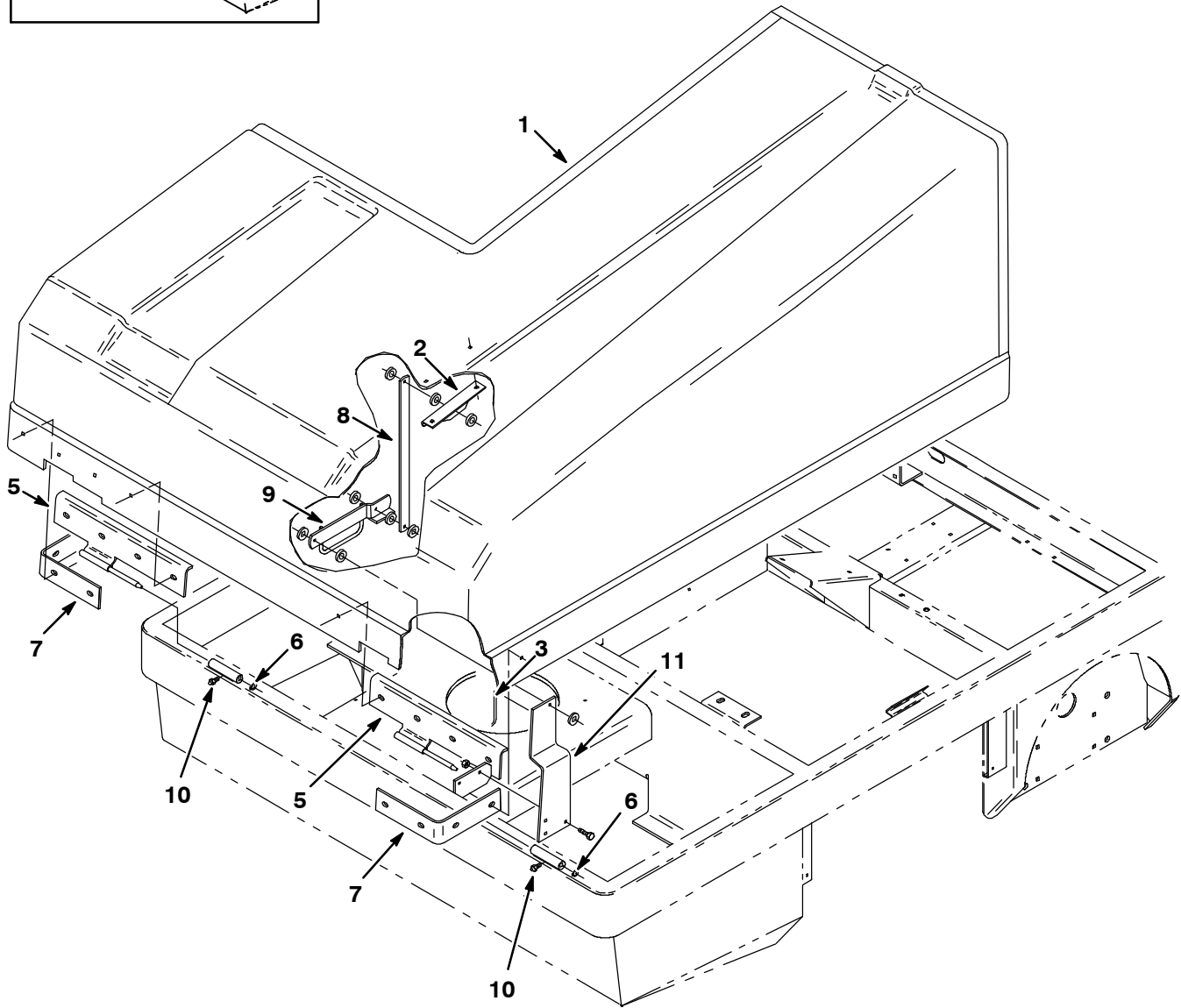
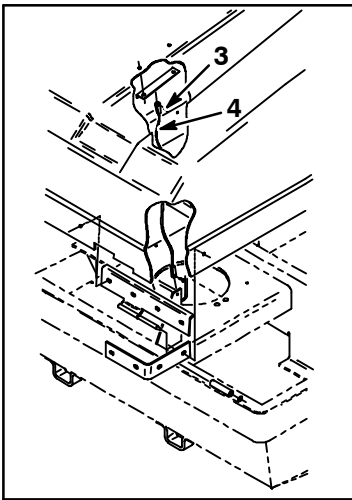


Fig. 4 - Hood Group

Ref.	Tenant Part No.	Machine Serial Number	Description	Qty.
1	12444	(004000-004045)	Hood Replacement Kit (Replaced by 33996)	1
1	12679	(004046-007499)	Hood and Label Assembly (Does not include striping decal) (Replaced by 33996)	1
1	33996	(007500-)	Hood and Label Assembly (Does not include striping decal)	1
2	86337	(004000-)	Bracket, Support	1
3	36376	(004000-004045)	Pin, Clevis	2
4	86521	(004000-004045)	Cable, Hood	1
5	86301	(004000-)	Hinge	2
6	12364	(004000-)	Ring, Retaining	2
7	86242	(004000-)	Brace, Corner	2
8	12436	(004046-)	Link	1
9	12435	(004046-)	Link, Hood	1
10	09718	(xxxxxx-)	Fitting, Grease	2
11	375030	(009186-)	Bracket, Support, Hood	1

Fig. 5 - Steering Group

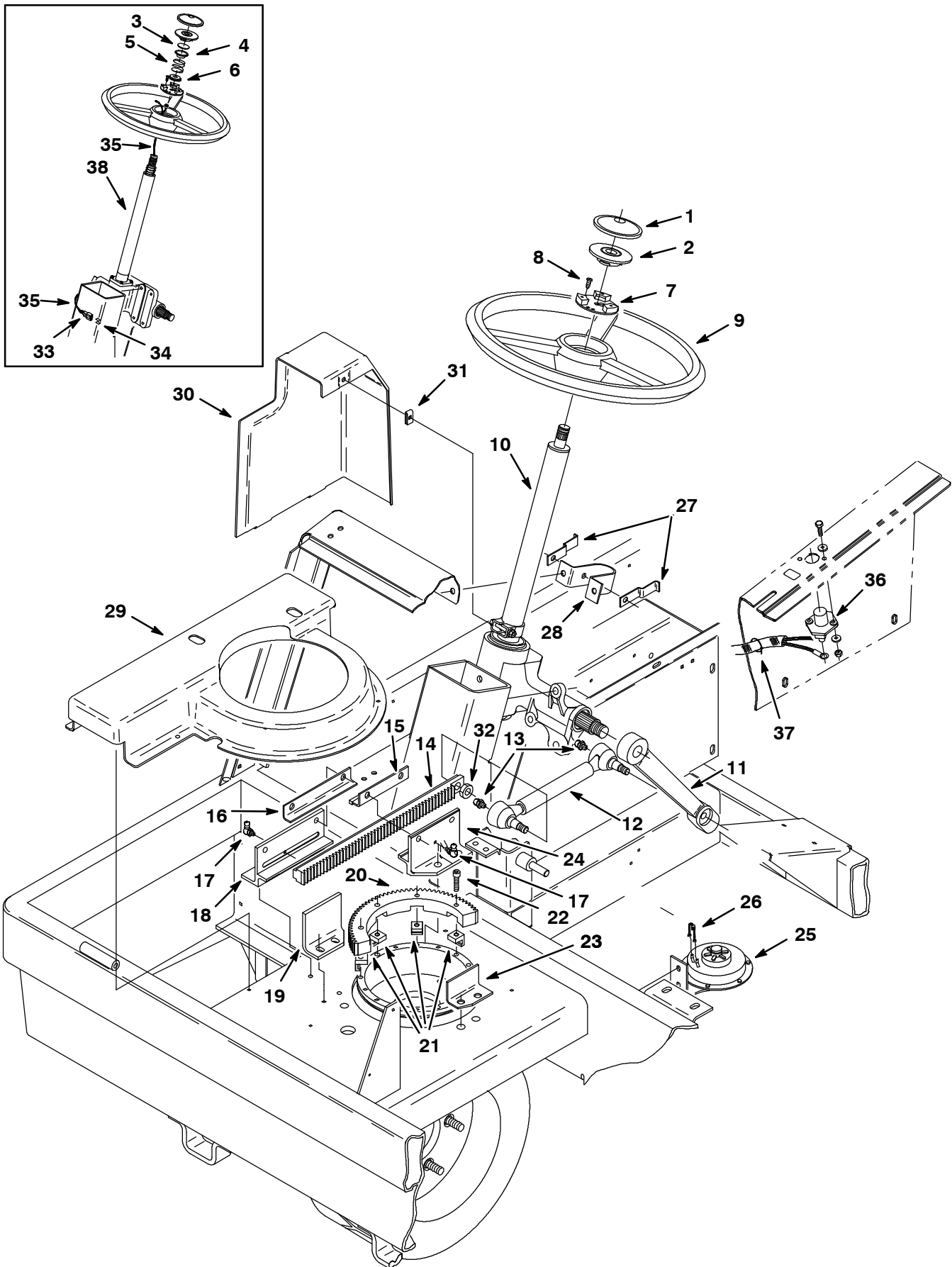


Fig. 5 - Steering Group

Ref.	Tennant Part No.	Machine Serial Number	Description	Qty.	
1	47010-7	(004000-) Cover, Horn Button	1	
2	47010-6	(004000-) Horn Button	1	
3	44949	(004000-008831) Disc	1	
4	47010-2	(004000-008831) Cup, Contact	1	
5	50259	(004000-008831) Spring, Horn Button	1	
6	47010-1	(004000-008831) Cap, Contact	1	
7	14700-4	(004000-) Plate Assembly, Base	1	
8	47010-4	(004000-) Screw, Wood	3	
9	17269	(004000-) Wheel, Steering	1	
10	23355	(008832-) Gear, Steering	1	
11	86645	(004000-) Arm, Pitman	1	
▽	12	86638	(004000-) Link, Drag	1
▲	13	07259	(004000-) Fitting, Grease	2
14	86634	(004000-) Tooth, Rack	1	
15	86643	(004000-) Guide, Rack	1	
16	86632	(004000-) Guide Adjustment, Angle Rack	1	
17	09718	(004000-) Fitting, Grease	2	
18	86625	(004000-) Support, Front Rack	1	
19	86627	(004000-) Angle, Rack Support	1	
20	86937	(004000-) Gear, Steering	1	
21	12311	(004000-) Retainer, Steering Gear	4	
22	09278	(004000-) Screw, Socket, M6	4	
23	86525	(004000-) Bracket, Steering Stop	1	
24	86626	(004000-) Support, Rear Rack	1	
25	369702	(004000-) Horn	1	
26	86353	(004000-) Diode Assembly, Horn	1	
27	86359	(004000-) Bracket, Instrument Panel	2	
28	86051	(004000-) Bracket, Steering Gear	1	
29	86772	(004000-) Cover, Steering	1	
30	86928	(004000-) Guard, Steering	1	
31	12271	(004000-) U-Nut, M6	1	
32	86797	(004000-) Nut, Flexloc	1	
33	51406	(004000-008831) Connector	1	
34	51416	(004000-008831) Terminal, Male	2	
35	44698	(004000-008831) Cable Assembly, Horn	1	
36	44078	(008832-) Horn Button	1	
37	49266	(008832-) Cable Tie	3	
38	23337	(004000-008831) Gear, Steering	1	

Fig. 6 - Directional Pedal Group

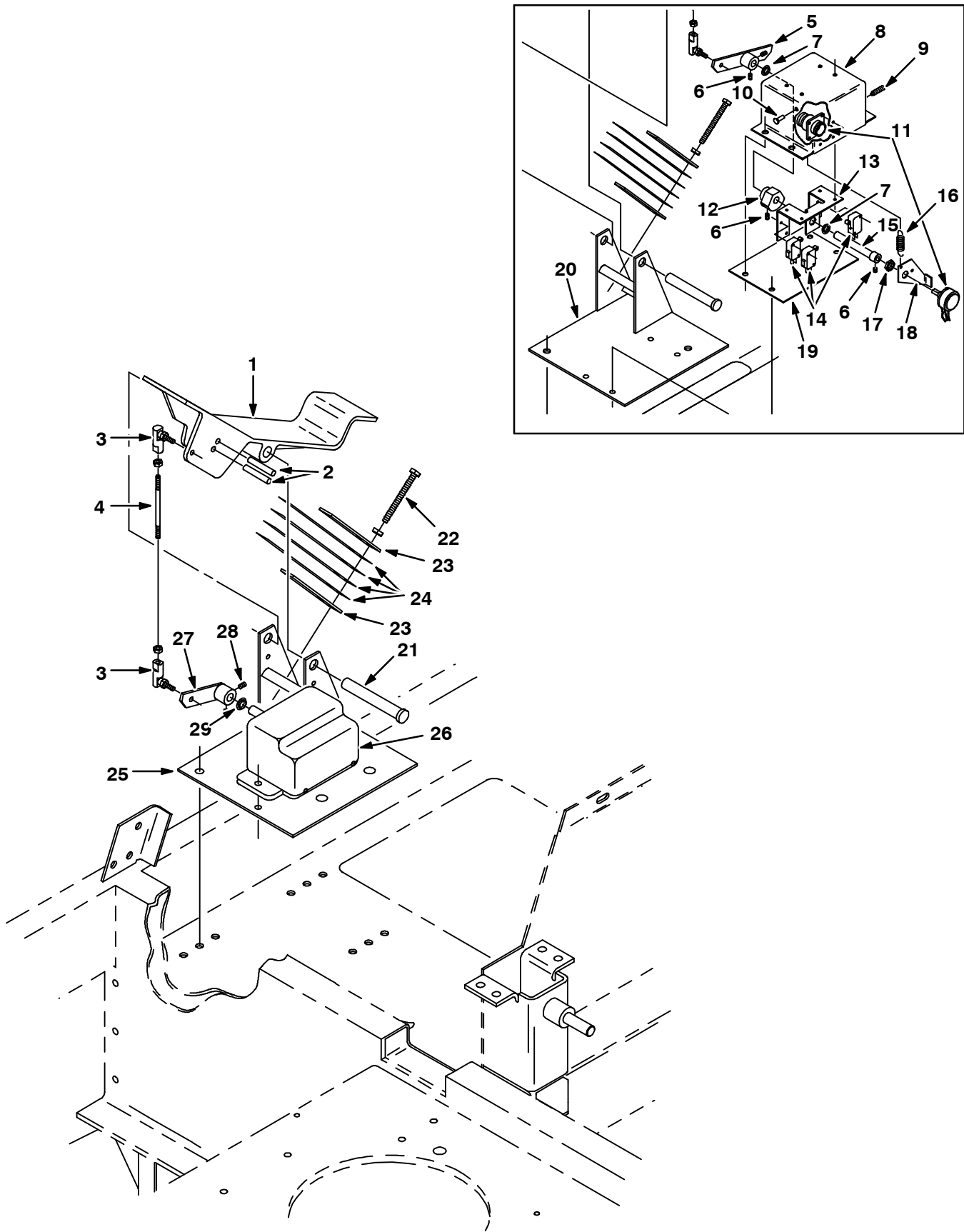


Fig. 6 - Directional Pedal Group

Ref.	Tennant Part No.	Machine Serial Number	Description	Qty.
1	86066	(004000-) Pedal, Directional	1
2	26315	(004000-) Pin, Roll	2
3	12262	(004000-) Ball Joint	2
4	12195	(004000-) Rod, Threaded	1
▽	12196	(004000-007499) Box Assembly, Accelerator	1
▲	5 12193	(004000-007499) Arm	1
▲	6 09161	(004000-007499) Screw, Set	4
▲	7 44238	(004000-007499) Bushing, Flange	2
▲	8 12186	(004000-007499) Box, Accelerator	1
▲	9 12194	(004000-007499) Screw, Nylon Tip Set	1
▲	10 36376	(004000-007499) Pin, Clevis	1
▲	11 86329	(004000-007499) Wire Assembly, Accelerator	1
▲	12 12191	(004000-007499) Cam	1
▲	13 12187	(004000-007499) Mount, Switch	1
▲	14 12259	(004000-007499) Switch, Micro	3
▲	15 12190	(004000-007499) Shaft, Accelerator	1
▲	16 43672	(004000-007499) Spring, Tension	1
▲	17 222607	(004000-007499) Nut, Hex	1
▲	18 86033	(004000-007499) Plate, Pot	1
	19 86056	(004000-007499) Gasket, Box	1
	20 12185	(004000-007499) Plate, Mounting	1
	21 06474A	(004000-) Pin, Clevis	1
	22 12276	(004000-) Screw, Full Thread	1
	23 82678	(004000-) Spring, Flat	2
	24 36462	(004000-) Spring, Directional Control	4
	25 12177	(007500-) Plate, Mounting	1
▽	26 12114	(007500-) Box Assembly, Accelerator	1
▲	27 12557	(007500-) Arm	1
▲	28 17186	(007500-) Screw, Set	2
▲	29 43611	(007500-) Washer, Nylon	1

Fig. 7 - Front Drive Wheel Group

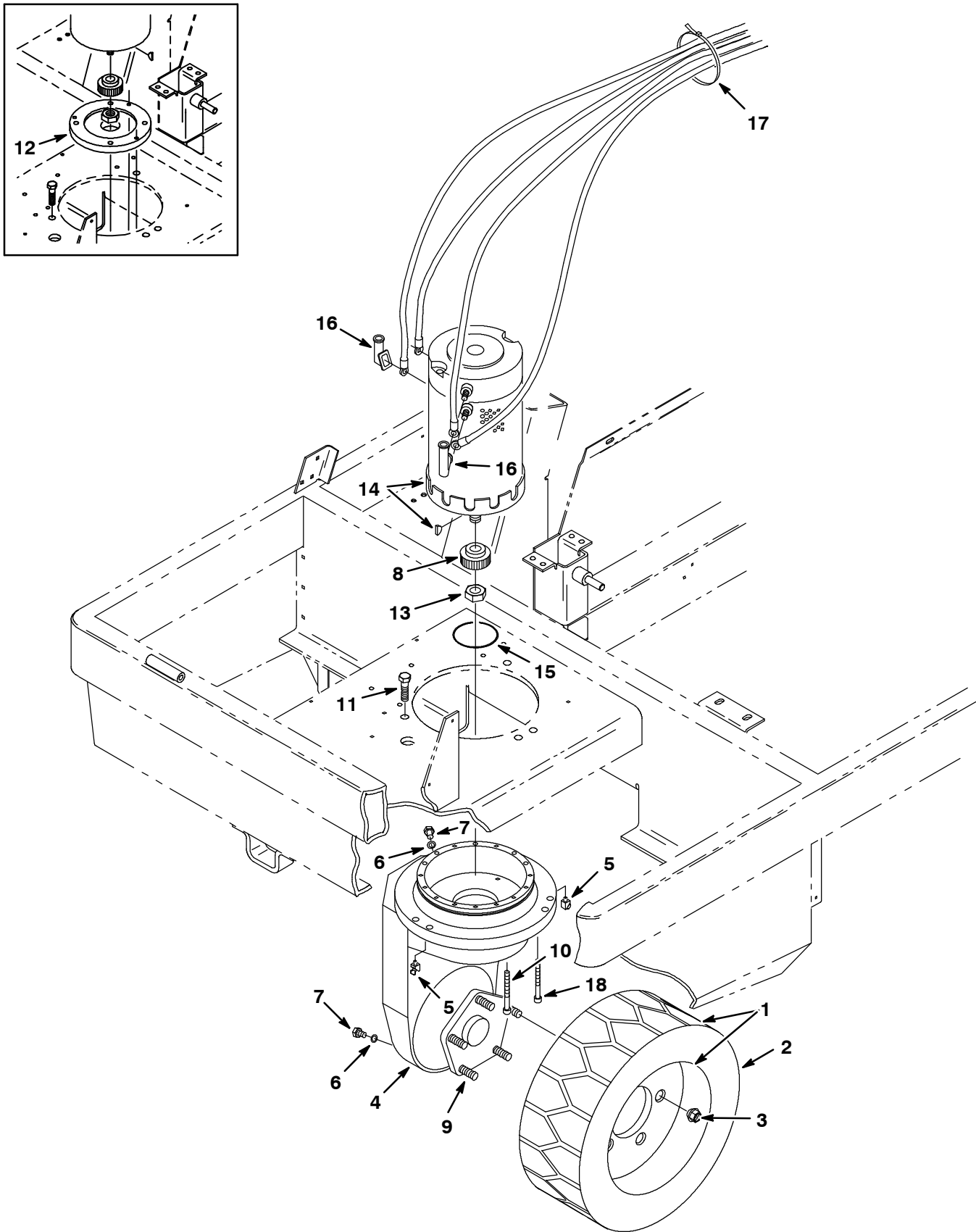


Fig. 7 - Front Drive Wheel Group

	Ref.	Tennant Part No.	Machine Serial Number	Description	Qty.
▽	1	86970	(004000-) Tire and Wheel Assembly	1
▲	2	45027A	(004000-) Tire, Solid	1
	3	87750	(004000-) Nut, Wheel	5
▽	4	87355	(004000-) Gearbox	1
▲▽		61791	(004000-) Bearing and Housing Assembly	1
▲▲	5	87839	(004000-) Fitting, Grease	2
▲▲	6	87840	(004000-) O-Ring	2
▲▲	7	87841	(004000-) Plug	2
▲▲	8	87849	(004000-) Gear, Driving	1
▲▽	9	12540	(004000-) Bolt, Wheel	5
	10	09294	(004000-) Screw, Socket, M8	1
	11	41346	(004000-) Screw, Hex, M12	4
	12	12250	(004000-004347) Adaptor, Motor (Replaced by 86356)	1
	13	51824	(004000-) Nut, Nylon Hex	1
	14	31992	(004000-007892) Motor Replacement Kit For (86356) (See Breakdowns)	1
	14	60196	(007893-008499) Motor, Electric (Replaced by 79100) (See Breakdowns)	1
▽	14	79096	(008500-008599) Motor, Electric	1
▲		00500-5	(008500-008599) Key, Woodruff	1
▲▽		79097	(008500-008599) Brush Set	1
▲▲		79098	(008500-008599) Brush and Parts	4
▲		79099	(008500-008599) Brush Holder	1
	14	60198	(008600-) Motor, Electric (See Breakdowns)	1
	15	360980	(004000-) Seal, O-Ring	1
	16	02076	(004000-) Cover, Terminal	4
	17	49266	(004000-) Tie, Cable	3
	18	09030	(004000-) Screw, Socket, M8	2

Fig. 8 - Brake and Wheel Group

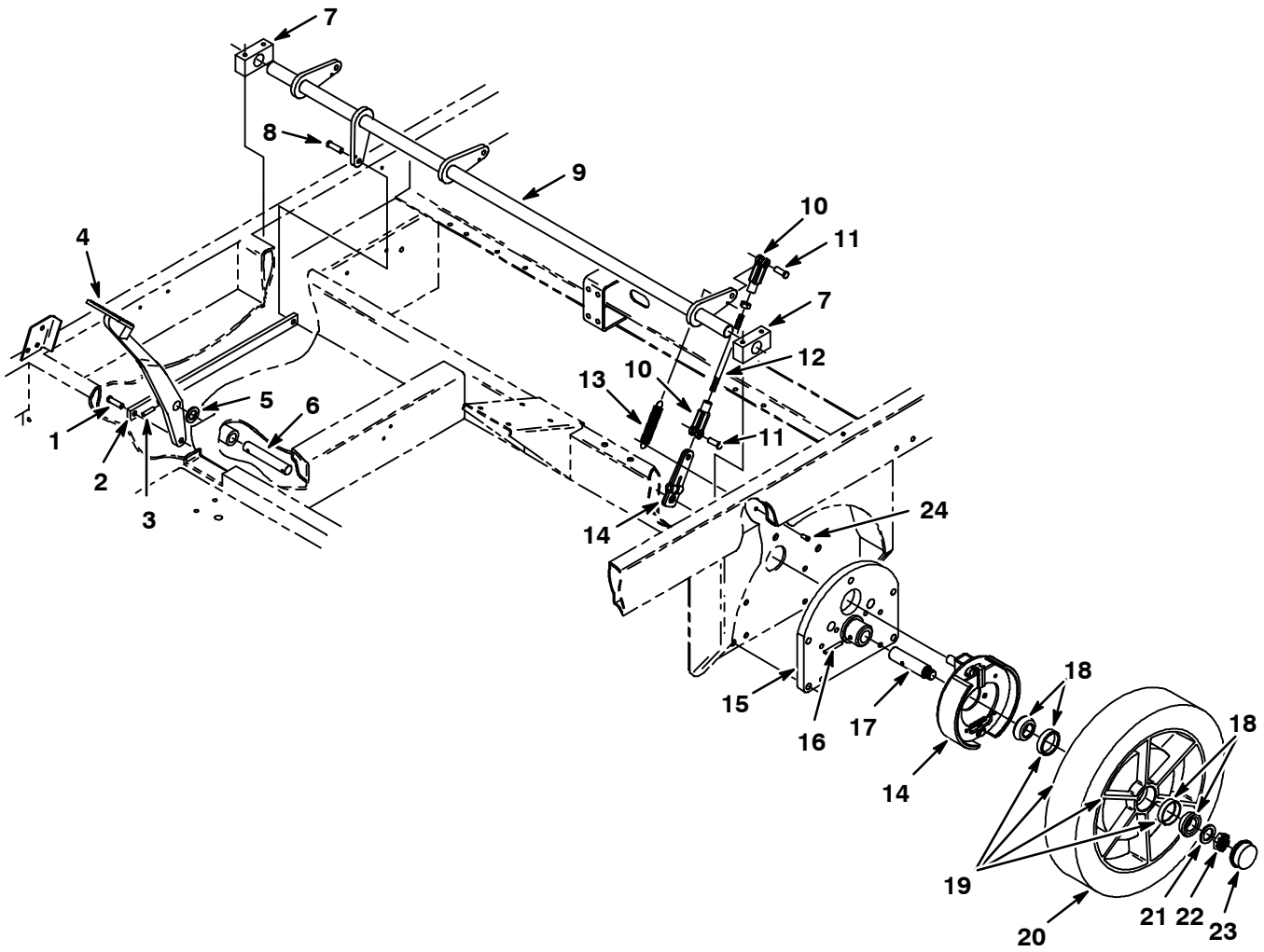


Fig. 8 - Brake and Wheel Group

Ref.	Tennant Part No.	Machine Serial Number	Description	Qty.
1	86241	(004000-) Pin, Clevis	1
2	86607	(004000-) Link, Shaft	1
3	28290	(004000-) Pin, Roll	1
4	86606	(004000-) Pedal	1
5	86610	(004000-) Washer, Shaft	1
6	86609	(004000-) Rod, Pedal	1
7	86751	(004000-) Bearing, Brake	2
8	09088	(004000-) Pin, Clevis	1
9	86210	(004000-) Shaft, Brake	1
10	12267	(004000-) Yoke, Adjustable	4
11	86240	(004000-) Pin, Clevis	4
12	12282	(004000-) Stud	2
13	03091	(004000-) Spring, Tension	2
∇	14	48561	(004000-) Brake Assembly	2
▲∇		48597	(004000-) Brake Shoe and Spring Kit	1
▲▲		48599	(004000-) Spring, Brake	2
15	12283	(004000-) Mount, Axle	2
16	11516	(004000-) Pin, Roll	2
17	86225	(004000-) Stud, Axle	2
18	54202	(004000-) Bearing Assembly, Cup and Cone	4
∇	19	86026	(004000-) Wheel Assembly, Rear	2
▲	20	25197A	(004000-) Tire, Solid	1
21	53904	(004000-) Washer	2
22	86659	(004000-) Nut, Slotted Hex	2
23	86922	(004000-) Cap, Hub	2
24	28296	(004000-) Pin, Clevis	2

Fig. 9 - Parking Brake Group

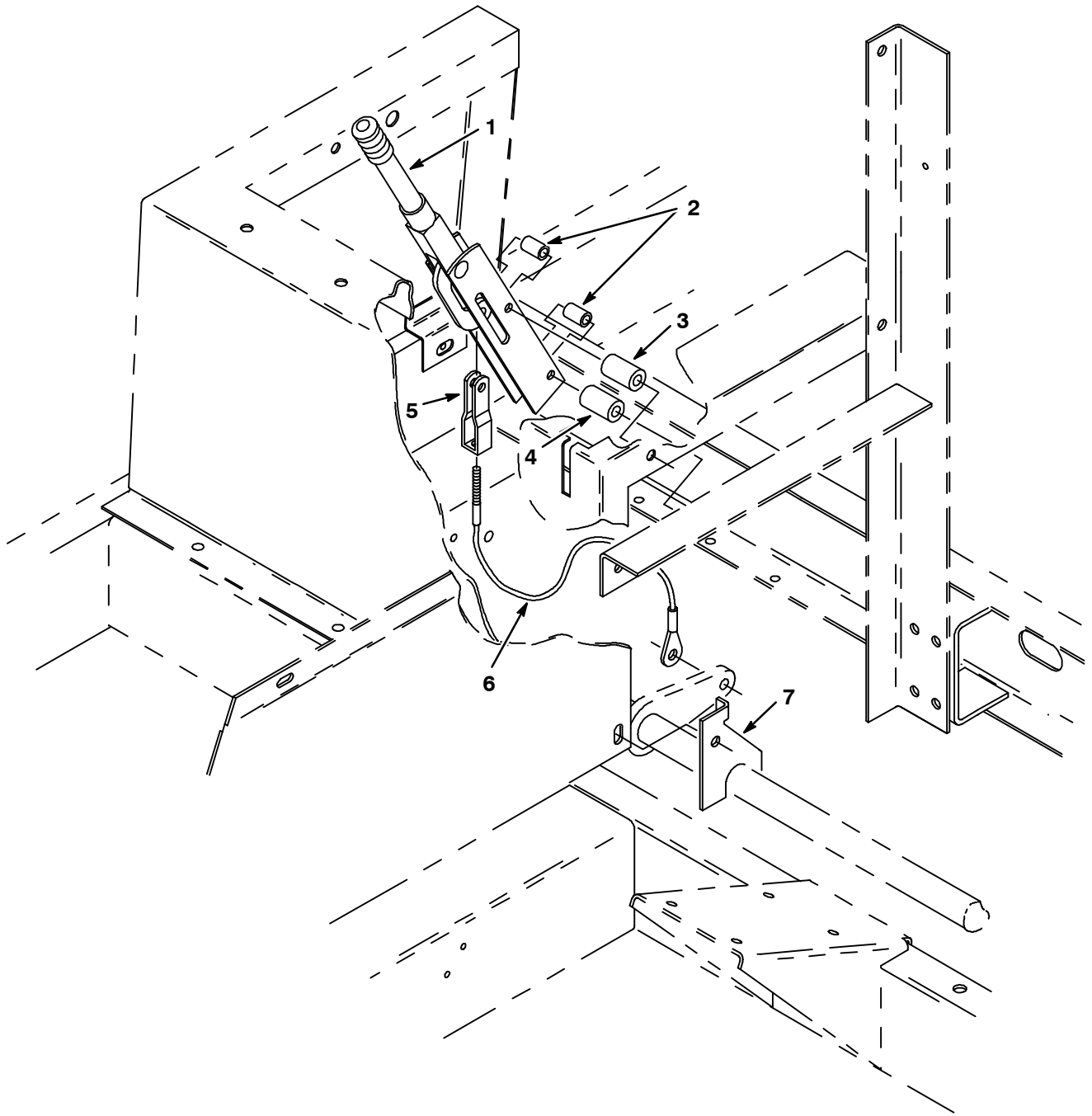


Fig. 9 - Parking Brake Group

Ref.	Tennant Part No.	Machine Serial Number	Description	Qty.
1	51545	(004000-) Lever, Brake	1
2	51562	(004000-) Sleeve	2
3	86034	(004000-) Spacer, Brake	1
4	86031	(004000-) Spacer, Brake	1
5	57597	(004000-) Clevis	1
6	12280	(004000-) Cable, Parking Brake	1
7	86520	(004000-) Guide, Brake Shaft	1

Fig. 10 - Left Side Squeegee Group

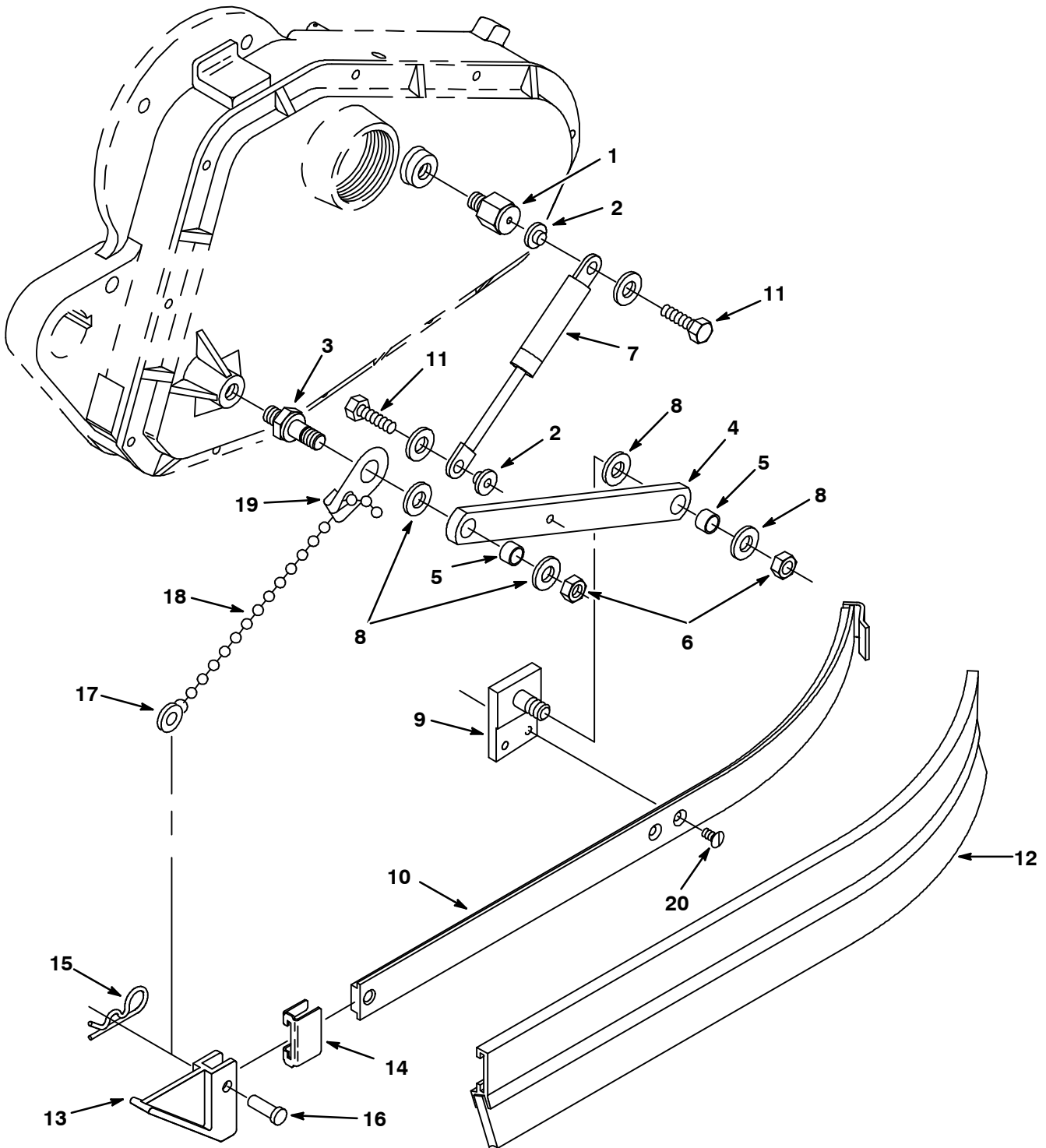


Fig. 10 - Left Side Squeegee Group

Ref.	Tennant Part No.	Machine Serial Number	Description	Qty.
1	12164	(004000-) Stud, Mounting	1
2	17002	(004000-) Bushing, Flange	2
3	12163	(004000-) Stud, Mounting	1
4	12314	(004000-) Bar, Squeegee Lift	1
5	64173	(004000-) Bearing	2
6	08167	(004000-) Nut, Stover	2
7	12550	(004000-004661) Spring Replacement Kit, Gas	1
7	12549	(004662-) Spring, Gas	1
8	86860	(004000-) Bearing, Thrust	4
9	12146	(004000-) Bracket, L.H.	1
10	12150	(004000-) Frame, Side Squeegee	1
11	12277	(004000-) Screw, Nylon Hex	2
12	86859	(004000-) Squeegee, Side	1
13	86865	(004000-) Guide, Side Squeegee	1
14	86759	(004000-) Retainer, Squeegee	1
	12555	(004000-) Chain Replacement Kit (Set for both sides)	1
15	44906	(004000-) Pin, Hair Cotter	1
16	12554	(004000-) Pin, Clevis	1
17	12553	(004550-) Coupling, Chain	1
18	12552	(004550-) Chain, Ball	1
19	12551	(004550-) Clip, Ball Chain	1
20	09163	(004000-) Screw, Flat	2

Fig. 11 - Brush Idler Group

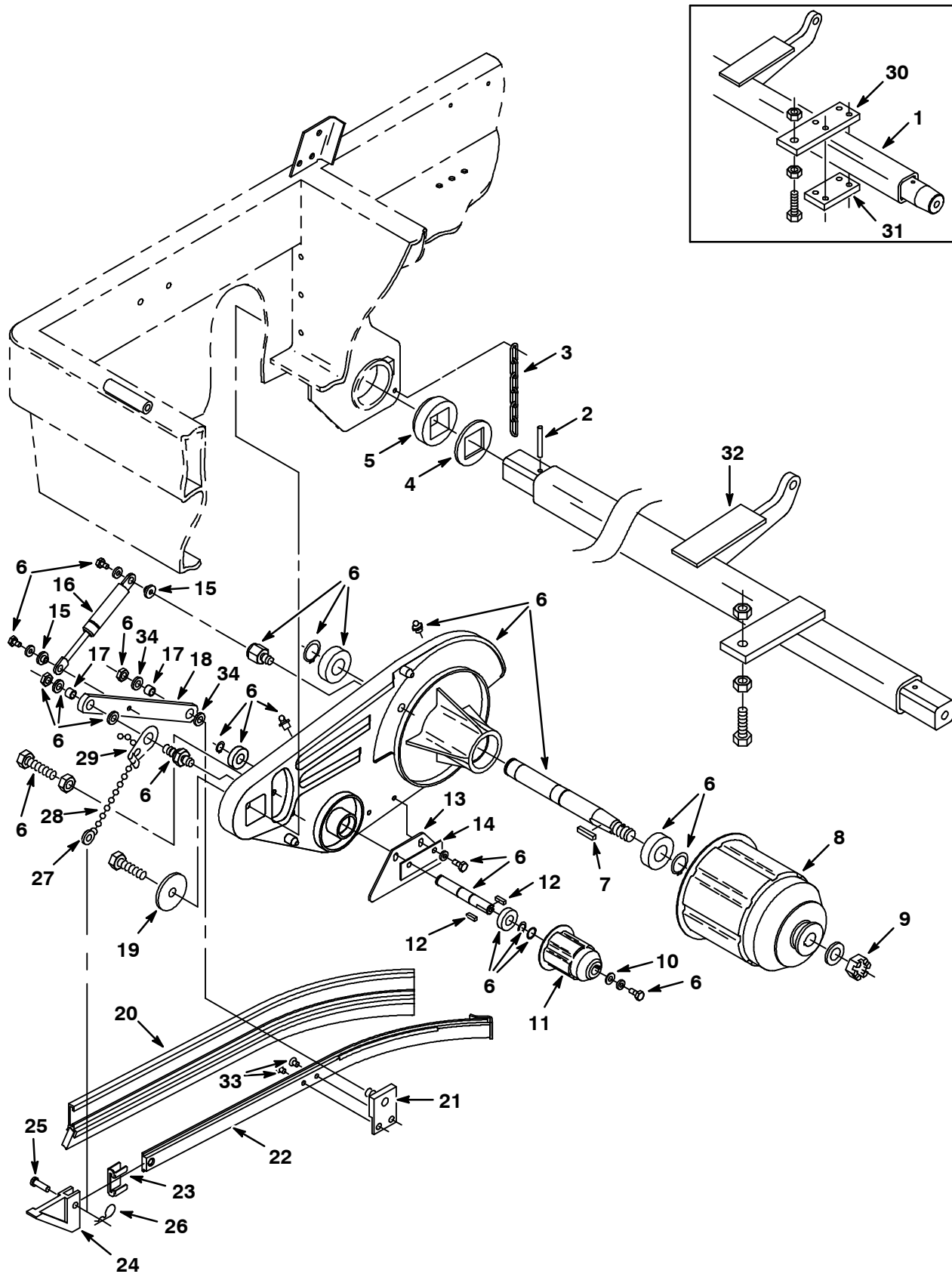


Fig. 11 - Brush Idler Group

Ref.	Tennant Part No.	Machine Serial Number	Description	Qty.	
1	12400	(004000-004762)	Arm Rplmt Kit, Idler F/86295	1	
1	12324	(004763-007499)	Torque Tube Rby 41481	1	
2	11398	(004000-)	Pin,Roll,.25Odx2.00L,.250/.256	1	
3	43500	(004000-)	Chain,Link#2/0,7Links	1	
4	86836	(004000-)	Spacer Brush Arm	1	
5	87080	(004000-)	Bearing, Main Brush Arm	1	
6	12394	(004000-)	Idler Arm Rplmt Kitf/86650	1	
7	00927	(004000-)	Key Square 0.25 0.25 01.25 Lg	1	
8	87631	(004000-)	Plug Weld, Brush Drive, Sweep	1	
9	12295	(004000-)	Nut-Hxslot M20X2.5 8 Pltd	1	
10	41185	(004000-)	Washer-Belleville .25 Pltd	1	
11	12269	(004000-)	Driveplug, Brush - Mach.	1	
12	00911	(004000-)	Key Square 0.18 0.18 00.75 Lg	2	
13	86830	(004000-)	Skirt, Brush Arm - R.H.	1	
14	12692	(004000-)	Retainer, Skirt R.H.	1	
15	17002	(004000-)	Bushing, Flange .250B	2	
16	12550	(004000-004661)	Spring Gas Replt Kit 530Em	1	
16	12549	(004662-)	Spring, Gas 80 Lb	1	
17	64173	(004000-)	Bearing,.50X.38	2	
18	12314	(004000-)	Bar, Squeegee Lift	1	
19	57048	(004000-)	Washer, .532B 2.13D .11Hr.Znc	1	
20	86859	(004000-)	Squeegee, Side	1	
21	12147	(004000-)	Brkt Weldmt, Rh	1	
22	12150	(004000-)	Frame Weldmt, Side Sq	1	
23	86759	(004000-)	Retainer, Squeegee	1	
24	86865	(004000-)	Guide, Side Squeegee	1	
24	12555	(004000-)	Chain, Replmt Kit, Side Squeeg	1	
25	12554	(004000-)	Pin, Clevis .31 Dia Rework	1	
26	44906	(004000-)	Pin,Hair Cotter #Lhcot-2,Leitk	1	
27	12553	(004550-)	Coupling, Ball Chain	1	
28	12552	(004550-)	Chain, Ball .25D	1	
29	12551	(004550-)	Clip, Ball Chain	1	
∇	29	12510	(004000-007499)	Brush Stop Replacement Kit	1
▲	30	12507	(004000-007499)	Plate Stop	2
▲	31	12509	(004000-007499)	Plate Bottom	2
32	41481	(007500-)	Tube Torque	1	
33	09163	(004000-)	Scr-Flt M 6X1.0 16 Ss18-8	2	

Fig. 12 - Main Brush Drive Group

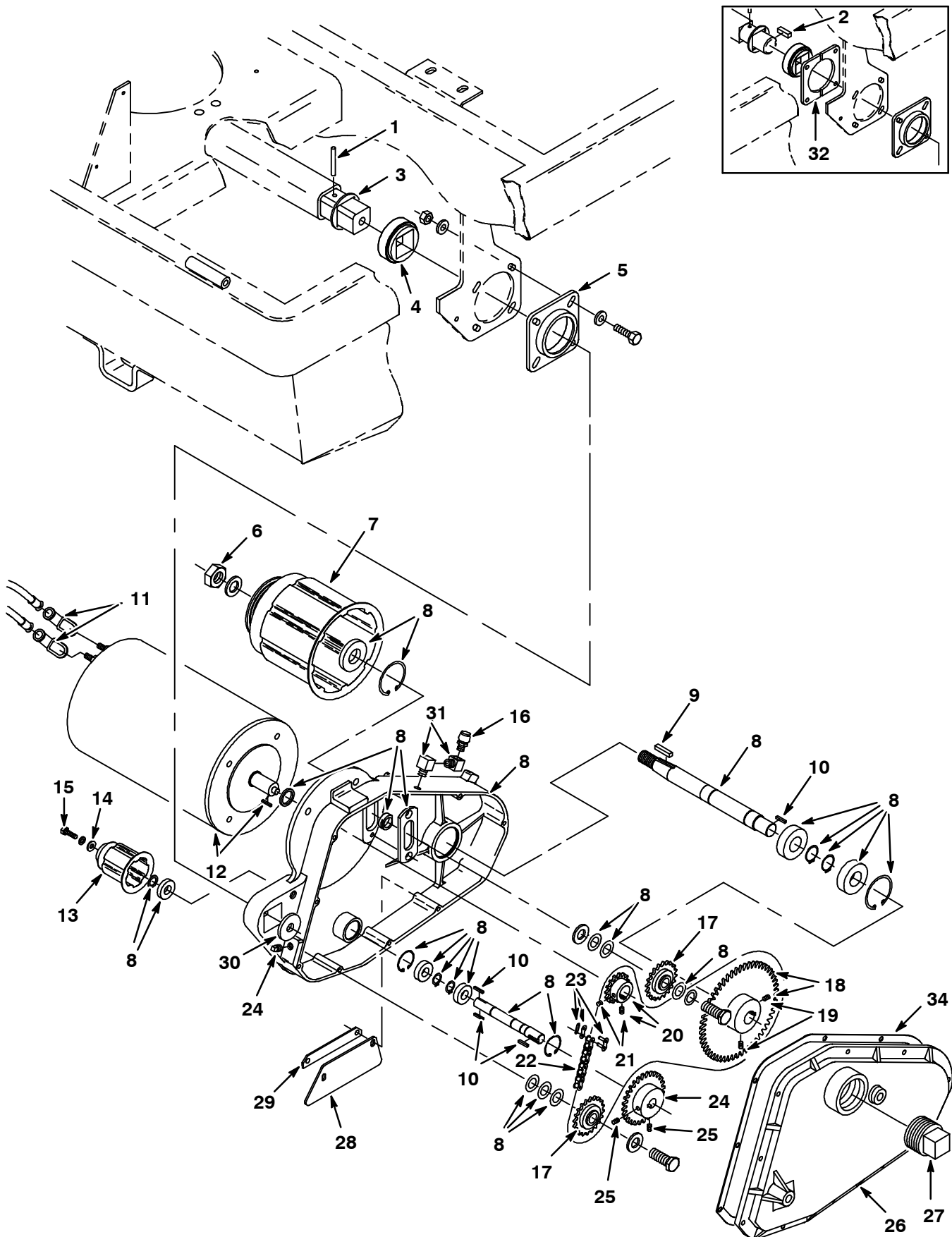


Fig. 12 - Main Brush Drive Group

Ref.	Tennant Part No.	Machine Serial Number	Description	Qty.	
1	11398	(004000-) Pin,Roll,.25Odx2.00L,.250/.256	1	
2	86963	(004000-004762) Key Square 0.375 X 1.19Lg	1	
3	86836	(004000-) Spacer Brush Arm	1	
4	87080	(004000-) Bearing, Main Brush Arm	1	
5	86288	(004000-) Mount Weldmt, Bearing	1	
6	12295	(004000-) Nut-Hxslot M20X2.5 8 Pltd	1	
7	87631	(004000-) Plug Weld, Brush Drive, Sweep	1	
8	12400	(004000-004762) Arm Rplmt Kit, Idler F/86295	1	
8	50272	(004763-) Arm Replmt Kit, Drive F/12322	1	
9	00927	(004000-) Key Square 0.25 0.25 01.25 Lg	1	
10	00911	(004000-) Key Square 0.18 0.18 00.75 Lg	4	
11	02076	(004000-) Cover, Terminal	2	
12	86141	(004000-) Motor,Brush	1	
13	86810	(004000-) Driveplug, Brush - Mach.	1	
14	41185	(004000-) Washer-Belleville .25 Pltd	1	
15	12277	(004000-) Scr-Hexssm 6X1.0 20 Nylonloc	1	
16	07316-15	(004000-) Breather,012Ptf.Valve/Cap,.44P	1	
17	55140	(004000-) Sprkt,Idler/Brng,#35-20T,.630B	2	
▽	18	12402	(004000-) Repl. Kit Sprocket, 54 Tooth	1
▲	19	09162	(004000-) Scr-Set M 6X1.0	2
▽	20	12403	(004000-) Repl. Kit Sprocket, 15 Tooth	1
▲	21	09162	(004000-) Scr, Set M 6X1.0	2
▽	22	375050	(004000-) Repl. Kit, Chain, Roller	1
▲	23	14799	(004000-) Link, Rlr. Chain #35	1
▽	24	12404	(004000-) Repl. Kit Sprocket 28Tooth	1
▲	25	09162	(004000-) Scr, Set M 6X1.0	2
	26	12405	(004000-007499) Cover Replmt Kit, F/86903	1
	26	12321	(007500-) Cover, Drive Arm (Smc)	1
	27	86929	(004000-) Ftg, Pipe Plug - 2.00 Npt	1
	28	86831	(004000-) Skirt, Brush Arm - L.H.	1
	29	12693	(004000-) Retainer, Skirt L.H.	1
	30	57048	(004000-) Washer, .532B 2.13D .11Hr.Znc	1
	31	11984	(004000-) Ftg, El90 Npt/02Pf-02Pm	2
	32	12397	(004000-004221) Plate, Mtg Replmt Kit F/12336	1
	33	48126	(004000-) Ftg-Plug Npt 02Pm Sq Hd	1
	34	86276	(004000-) Gasket, Gear Box	1

Fig. 13 - Brush Scroll Lift Group

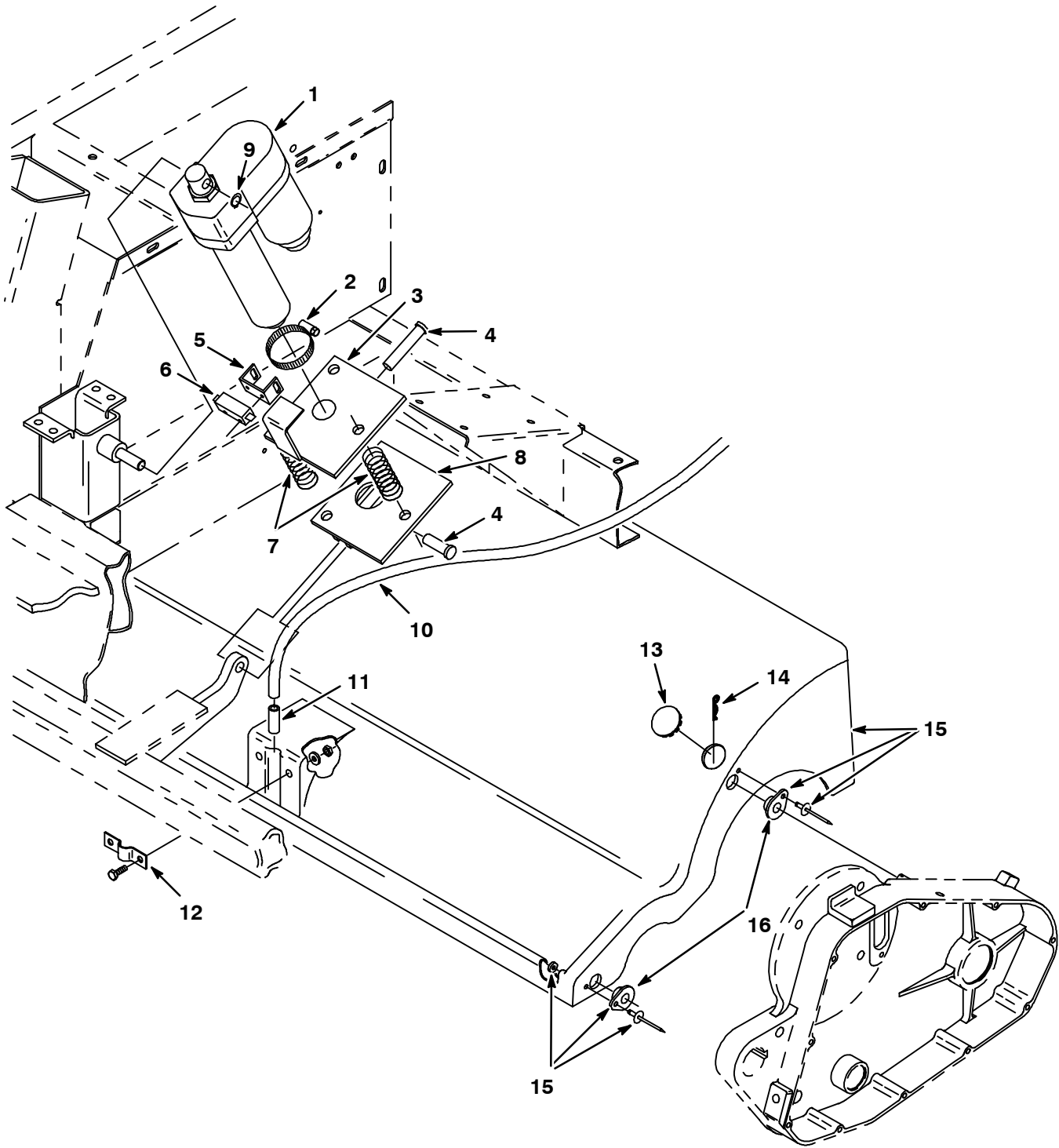


Fig. 13 - Brush Scroll Lift Group

Ref.	Tennant Part No.	Machine Serial Number	Description	Qty.	
1	12446	(004000-) Actuator	1	
2	22297	(004000-) Clamp, Worm Drive	1	
3	86413	(004000-) Bracket, Lift	1	
4	51534	(004000-) Pin, Clevis	2	
5	63483	(004000-) Support, Switch	1	
6	63846	(004000-) Switch, Push Button	1	
7	86334	(004000-) Spring, Compression	3	
8	86342	(004000-) Clevis	1	
9	23524	(004000-) Ring, Retaining	1	
10	86484	(004000-007499) Hose	1	
10	50178	(007500-) Hose	1	
11	87365	(004000-) Tube, Spacer	1	
12	86485	(004000-) Clamp, Hose	1	
13	86222	(004000-) Plugbutton	1	
14	86866	(004000-) Pin, Hair Cotter	2	
▽	15	12645	(004000-) Replacement Kit, Brush Scroll	1
▲	16	86760	(004000-) Bushing, Brush Wrap	4

Fig. 14 - Debris Tray Group

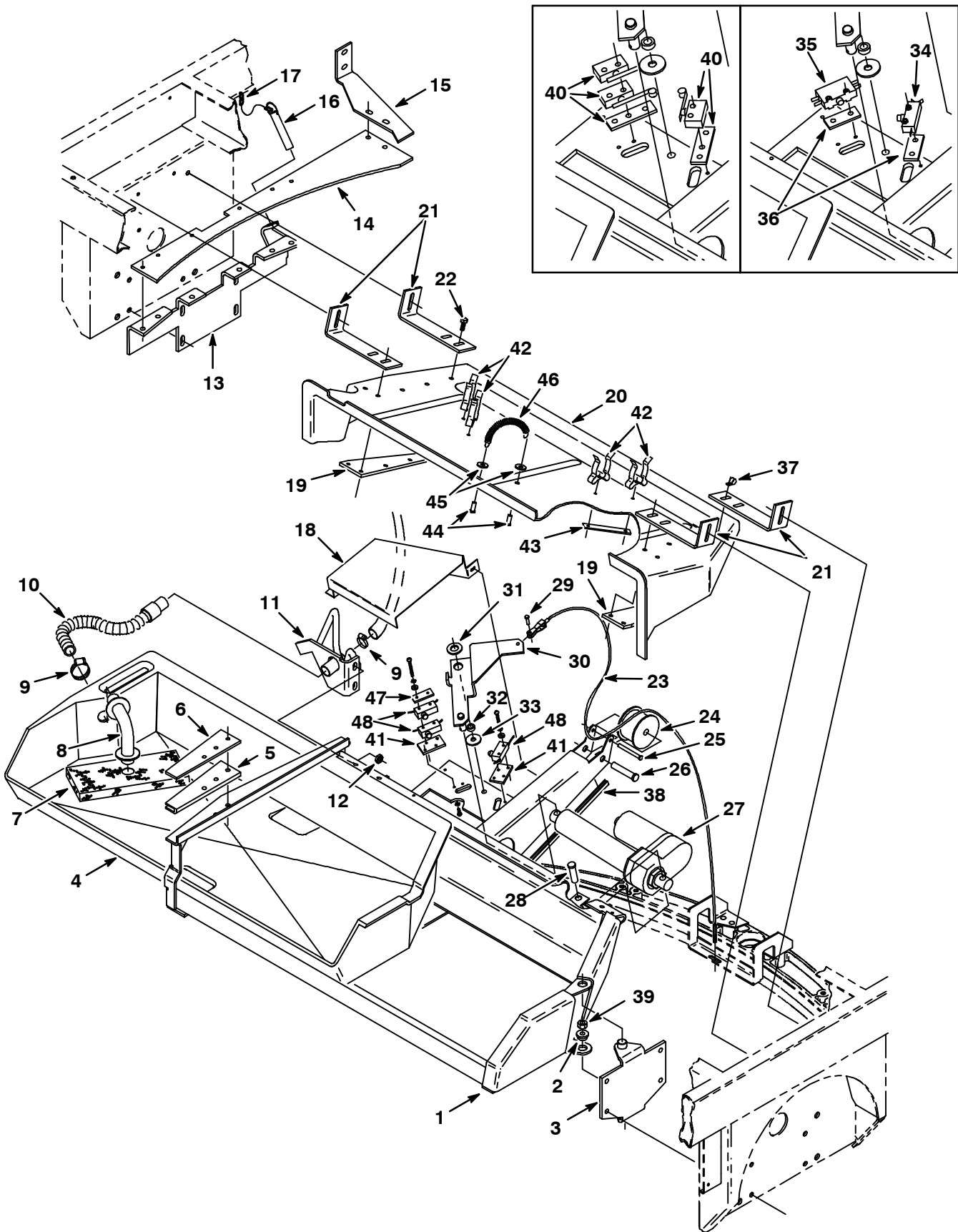


Fig. 14 - Debris Tray Group

Ref.	Tennant Part No.	Machine Serial Number	Description	Qty.
1	12175	(004000-) Support, Tray	1
2	86547	(004000-) Pin, Lower Pivot	1
3	86748	(004000-) Pivot	1
4	86216	(004000-) Tray, Debris	1
5	86740	(004000-) Slide, Plastic	1
6	12168	(004000-) Slide, Plate	1
7	86752	(004000-) Filter, Tray	1
8	86604	(004000-) Tube, Vacuum	1
9	11399	(004000-) Clamp, Worm Drive	2
10	86807	(004000-) Hose, Vacuum	1
11	12142	(004000-) Handle	1
12	08713	(004000-) Nut, Nylon Hex	8
13	86745	(004000-) Bracket, Mounting	1
14	12169	(004000-) Slide	1
15	12237	(004000-) Bracket, Stop	1
16	47715	(004000-) Pin, Quick Release	1
17	86899	(004000-) Chain	1
18	86325	(004000-) Cover, Switch	1
19	12170	(004000-) Plate, Mounting	2
20	86246	(004000-) Shroud, Tray	1
21	86344	(004000-) Bracket, Shroud	4
22	12273	(004000-) Screw, Nylon Lock, M8	10
23	12279	(004000-) Cable, Squeegee Lift	1
24	223054	(004000-) Drum, Cable, Lift	1
25	04733-10	(004000-) Pin, Clevis	1
26	06279	(004000-) Pin, Clevis	1
27	86840	(004000-) Actuator	1
28	51534	(004000-) Pin, Clevis	1
29	76782	(004000-) Pin, Clevis	1
30	60384	(004000-) Bellcrank	1
31	64425	(004000-) Washer	1
32	12165	(004000-) Sleeve, Bearing	1
33	12297	(004000-) Washer	1
34	63846	(004000-004710)) Switch, Push Button	1
35	12462	(004000-004710)) Switch Replacement Kit (Replaced by 60380)	1
36	69203	(004000-004710)) Strip	2
37	26395-1	(004000-) Clamp, Cable	6
38	62595-15	(004000-) Molding, Rigid	1
39	08714	(004000-) Nut, Nylon Lock, M10	1
40	60380	(004711-007742)) Switch Replacement Kit, Squeegee	1
41	60390	(007743-) Plate, Switch	2
42	22473	(007500-) Clip, Finger Grip	4
43	12320	(007500-) Plate, Mounting	2
44	10120	(007500-) Pin, Clevis	2
45	57429	(007500-) Nut, Push On	2
46	50304	(007500-) Spring	1
47	69203	(007743-) Strip	1
48	60391	(007743-) Switch Assembly, Squeegee	3

Fig. 15 - Rear Squeegee Group

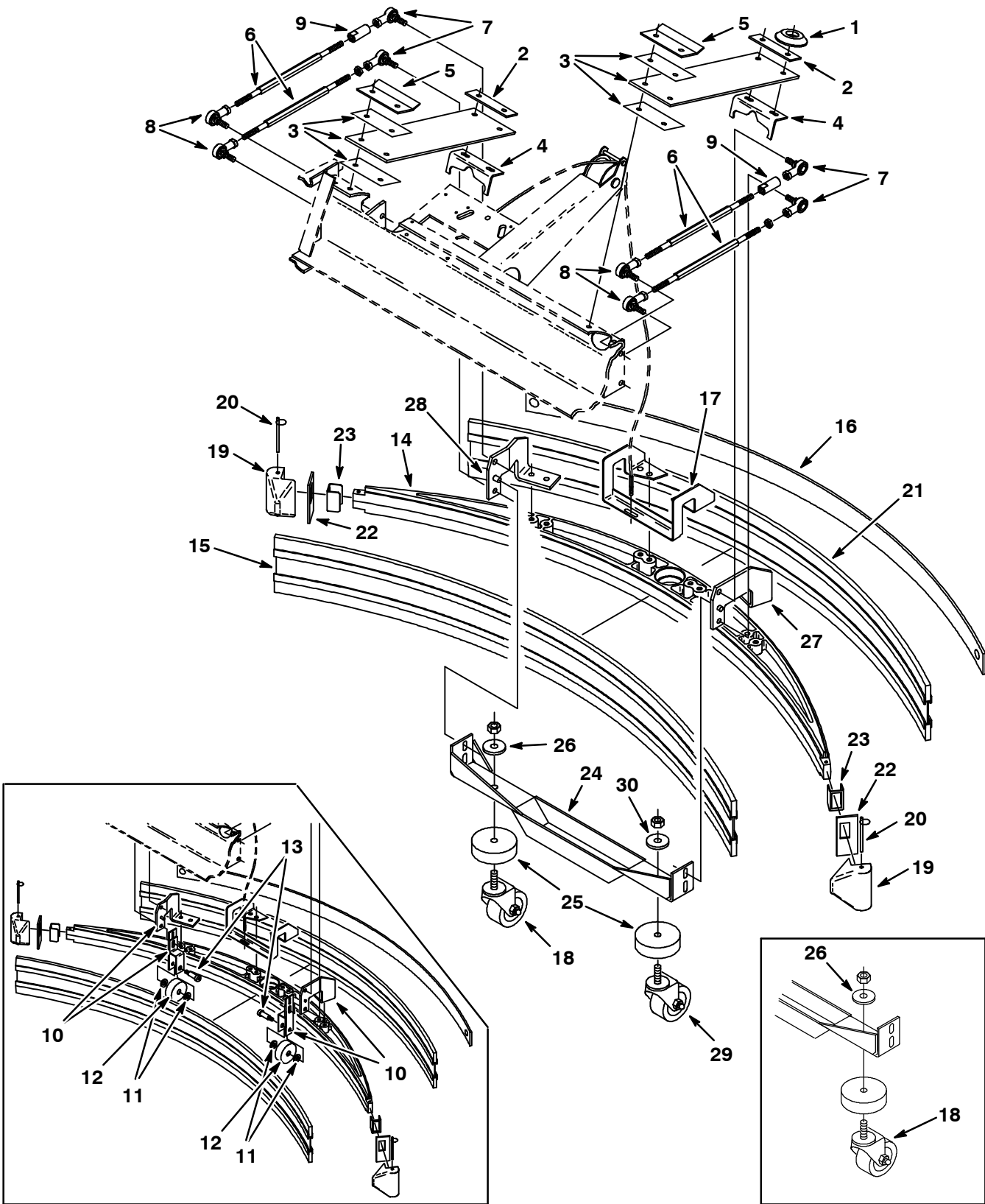


Fig. 15 - Rear Squeegee Group

Ref.	Tennant Part No.	Machine Serial Number	Description	Qty.	
1	86897	(004000-) Pad, Wear	1	
2	86786	(004000-) Strip, Stain Steel	2	
3	12696	(004000-) Spring, Fiberglass Assy.	2	
4	86782	(004000-) Guide, Spring	2	
5	86783	(004000-) Retainer, Spring	2	
6	86549	(004000-) Rod, Threaded	4	
7	86781	(004000-) Rod End .375-24 W/Stud	4	
8	86780	(004000-) Rod End .375-24 Lh W/Stud	4	
9	86534	(004000-) Sleeve, Spring Follower	2	
10	65325	(004000-007766) Caster, Kit, Squeegee Swivel	1	
11	59633	(004000-007766) Bearing, Thrust - Fiberglide	4	
12	86800	(004000-007766) Wheel, 3.0 Dia	2	
13	86791	(004000-007766) Scr-Shld .500Dx1.25L.38-16	2	
▽	14	65329	(004000-) Repair Kit Rear Sqge Metric	1
▲	15	86552	(004000-) Squeegee Assy Front	1
▲	16	17140	(004000-) Strip Retaining	1
▲	17	86871	(004000-) Bracket, Lift	1
▲	18	370135	(009046-) Caster Kit, Sealed, 3.0D	2
▲	19	86572	(004000-) Bumper, Squeegee	2
▲	20	86327	(004000-) Pin, Hitch	2
▲	21	86569	(004000-) Squeegee Assy Rear	1
▲	22	86812	(004000-) Gasket, Squeegee	2
▲	23	12542	(004000-) Bracket, Retainer	2
▲	24	65326	(007767-) Bracket Caster Mounting	1
▲	25	65338	(007767-) Seal Bearing	2
▲	26	51564	(009046-) Washer, .531B 1.75D .12Cr Znc	2
▲	27	65327	(007767-) Mount,Squeegee Left	1
▲	28	65328	(007767-) Mount, Squeegee Right	1
	29	65945	(007767-009045) Caster, Swivel 3.0 Dia	2
	30	36328	(007767-009045) Washer-Belleville .50 Pltd	2

Fig. 16 - Solution Tank Group

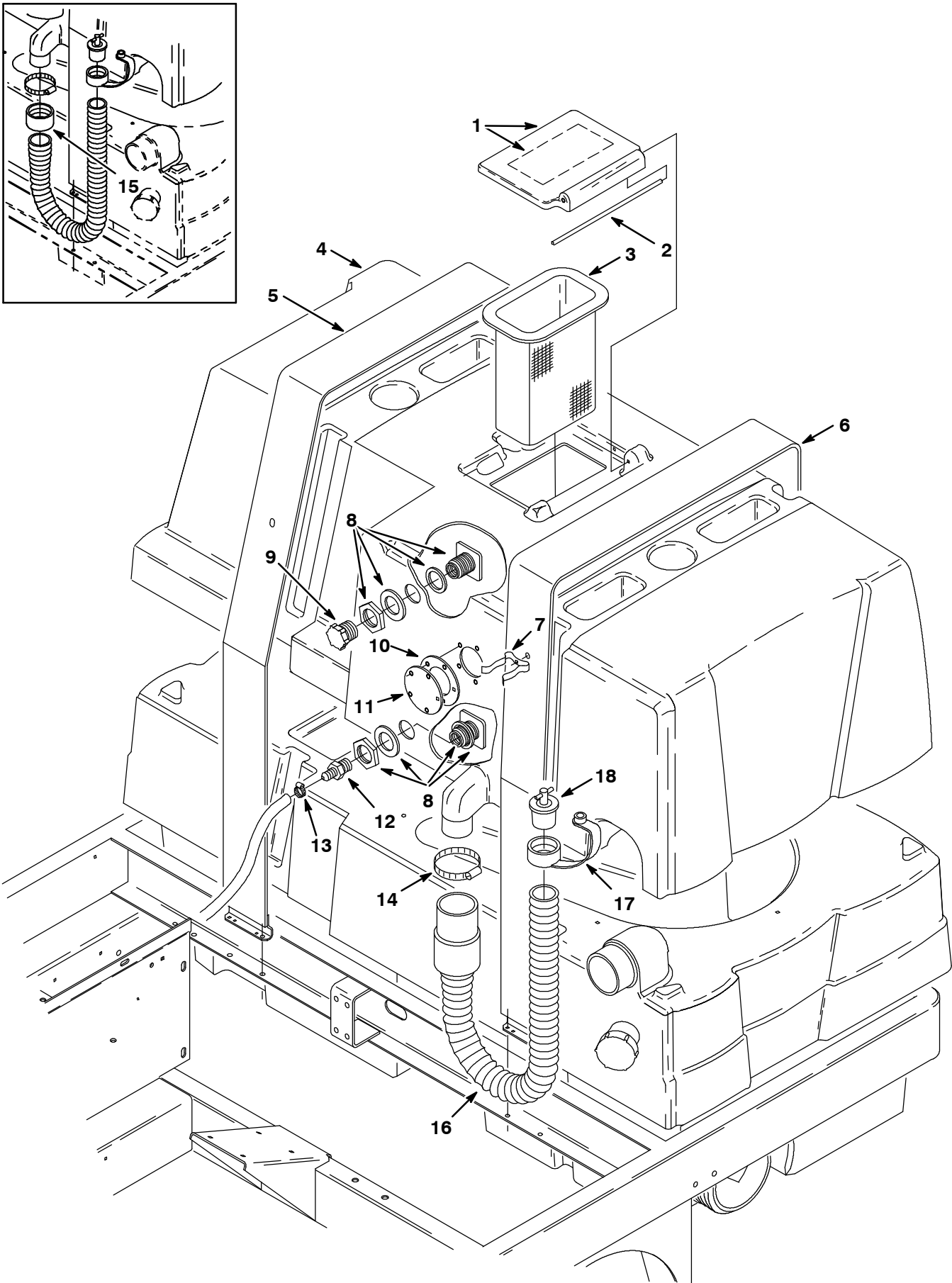


Fig. 16 - Solution Tank Group

Ref.	Tenant Part No.	Machine Serial Number	Description	Qty.
1	86613	(004000-) Cover and Label Assembly	1
2	86789	(004000-) Pin, Plastic	1
3	375025	(004000-) Basket, Soap	1
4	12205	(004000-) Tank, Solution	1
5	12179	(004000-) Strap, R.H.	1
6	12180	(004000-) Strap, L.H.	1
7	22473	(004000-) Clip, Finger Grip	1
8	370112	(004000-) Fitting, Straight	2
9	75611	(004000-) Fitting, Plug	1
10	86591	(004000-) Gasket	1
11	86755	(004000-) Cap, Plate	1
12	79273-2	(004000-) Fitting, Coupling	1
13	63810	(004000-) Clamp, Worm Drive	1
14	14432	(004000-) Clamp, Worm Drive	1
15	86447	(004000-004083) Cuff, Hose (Replaced by 12429)	1
16	12429	(004000-) Hose, Drain	1
17	86448	(004000-) Adaptor, Expansion Plug	1
18	222831	(004000-) Plug, Expandable	1

Fig. 17 - Recovery Tank Group

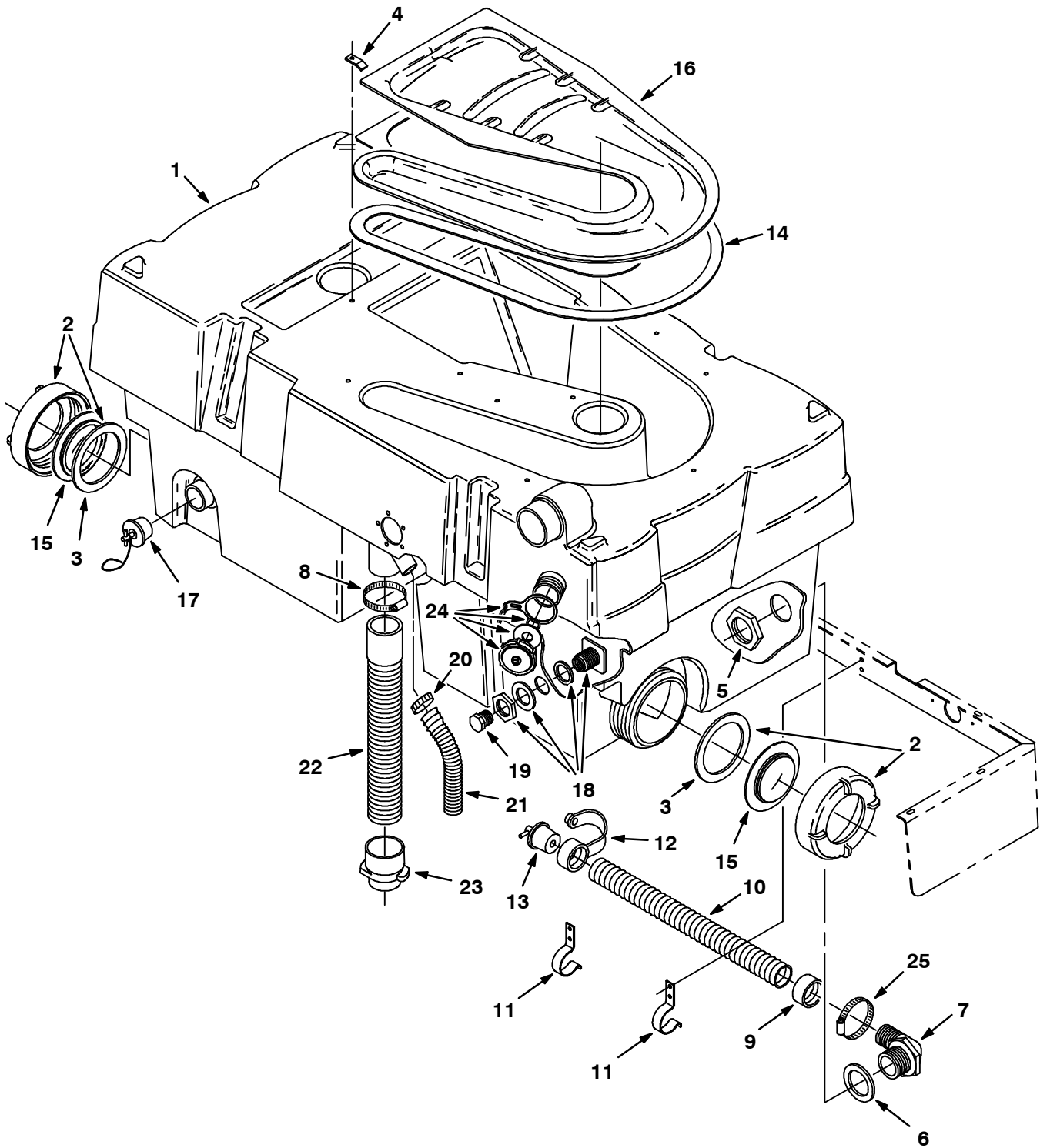


Fig. 17 - Recovery Tank Group

	Ref.	Tennant Part No.	Machine Serial Number	Description	Qty.
▽	1	12226	(004000-) Tank, Recovery	1
▲▽	2	24358	(004000-) Cap, Drain	2
▲▲	3	374675	(004000-) Gasket, Lid	1
	4	86819	(004000-) Clip, Cover	11
	5	86841	(004000-004445) Nut, Drain Fitting (Replaced by 12528)	1
	5	12527	(004446-) Nut, Drain Fitting	1
	6	86887	(004000-) Gasket, Fitting	1
	7	86837	(004000-004445) Fitting, Drain (Replaced by 12528)	1
	7	12526	(004446-) Fitting, Drain	1
	8	14432	(004000-) Clamp, Worm Drive	1
	9	86446	(004000-) Cuff, Hose	1
	10	86839	(004000-) Hose, Drain	1
	11	86838	(004000-) Clamp, Spring	2
	12	86448	(004000-) Adaptor, Expansion Plug	1
	13	222831	(004000-) Plug, Expandable	1
	14	86926	(004000-) Gasket, Tank	1
	15	86636	(004000-) Cover, Lid	2
	16	86473	(004000-) Cover, Recovery Tank	1
	17	56505	(004000-) Stopper Assembly	1
	18	370112	(004000-) Fitting, Straight	1
	19	75611	(004000-) Fitting, Plug	1
	20	11399	(004000-) Clamp, Worm Drive	1
	21	12428	(004000-) Hose, Vacuum	1
	22	86580	(004000-) Hose, Vacuum	1
	23	86823	(004000-) Cuff, Hose	1
	24	32501	(004000-) Cap Kit, Drain	1
	25	22297	(004000-) Clamp, Worm Drive	1

Fig. 18 - Level Sensing Group

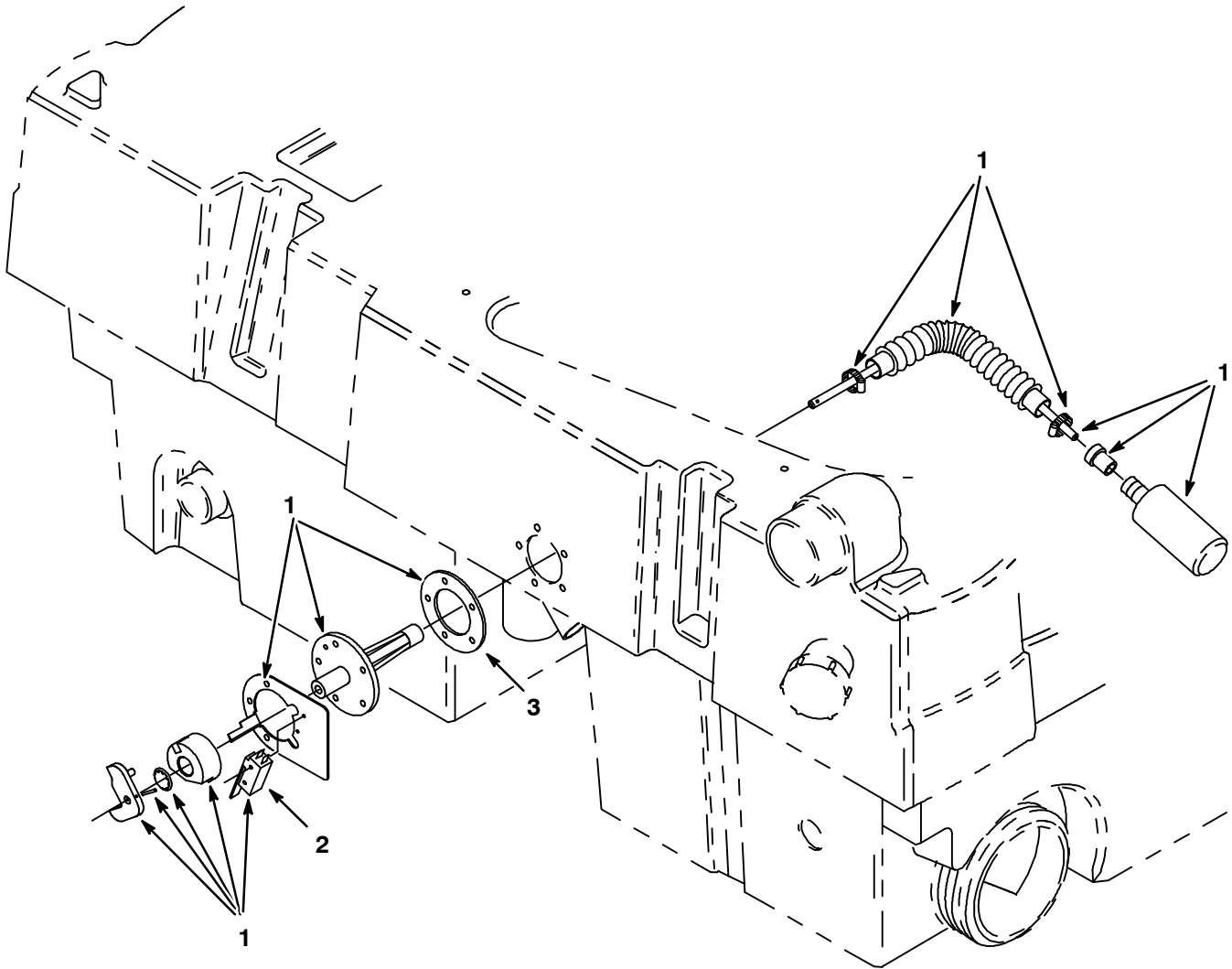


Fig. 18 - Level Sensing Group

	Ref.	Tennant Part No.	Machine Serial Number	Description	Qty.
▽	1	12653	(004000-) Replacement Kit, Level Sensing Float	1
▲	2	44847	(004000-) Switch	1
▲	3	86591	(004000-) Gasket	1

Fig. 19 - Solution Control Valve Group

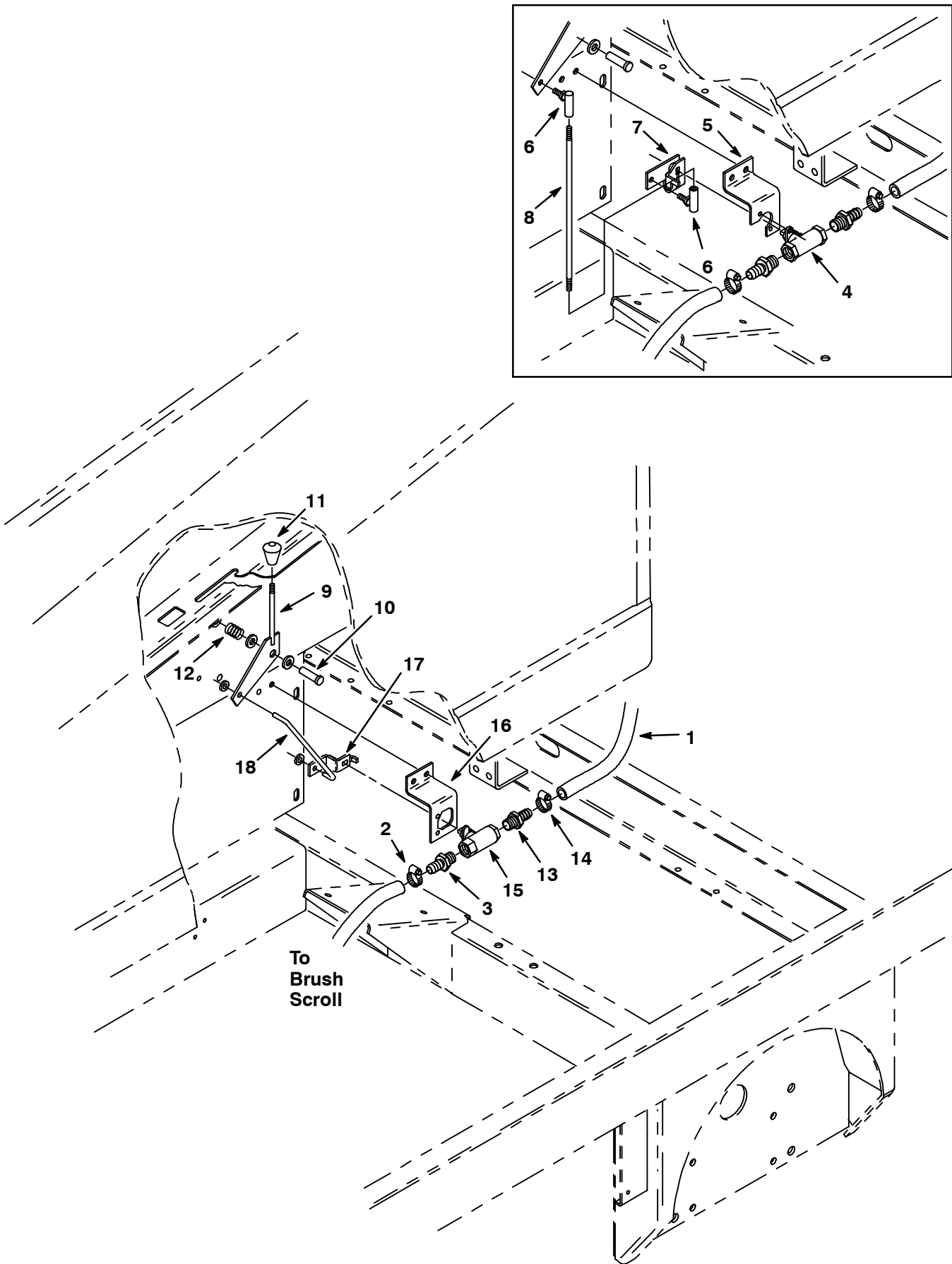


Fig. 19 - Solution Control Valve Group

Ref.	Tenant Part No.	Machine Serial Number	Description	Qty.
1	69454	(004000-007499)	Hose	1
2	54333	(004000-007499)	Clamp, Worm Drive	1
3	79273-4	(004000-007499)	Fitting, Barbed Coupling	1
4	12059	(004000-004165)	Valve Replacement Kit, Water	1
5	86475	(004000-004165)	Bracket, Valve	1
6	12263	(004000-004830)	Ball Joint	2
7	64785	(004000-004165)	Arm, Strip	1
8	12416	(004000-004830)	Rod Replacement Kit, Valve	1
9	86477	(004000-007499)	Handle, Valve	1
10	86241	(004000-007499)	Pin, Clevis	1
11	58745	(004000-007499)	Knob, Tapered	1
12	86444	(004000-007499)	Spring, Compression	1
13	78398	(004000-007499)	Fitting, Straight	1
14	63810	(004000-007499)	Clamp, Worm Drive	1
15	12770	(004166-007499)	Valve, Water	1
16	12070	(004166-007499)	Bracket, Valve	1
17	12068	(004166-007499)	Arm, Valve	1
18	12533	(004831-007499)	Rod, Valve	1

Fig. 20 - Solution Control Valve Group

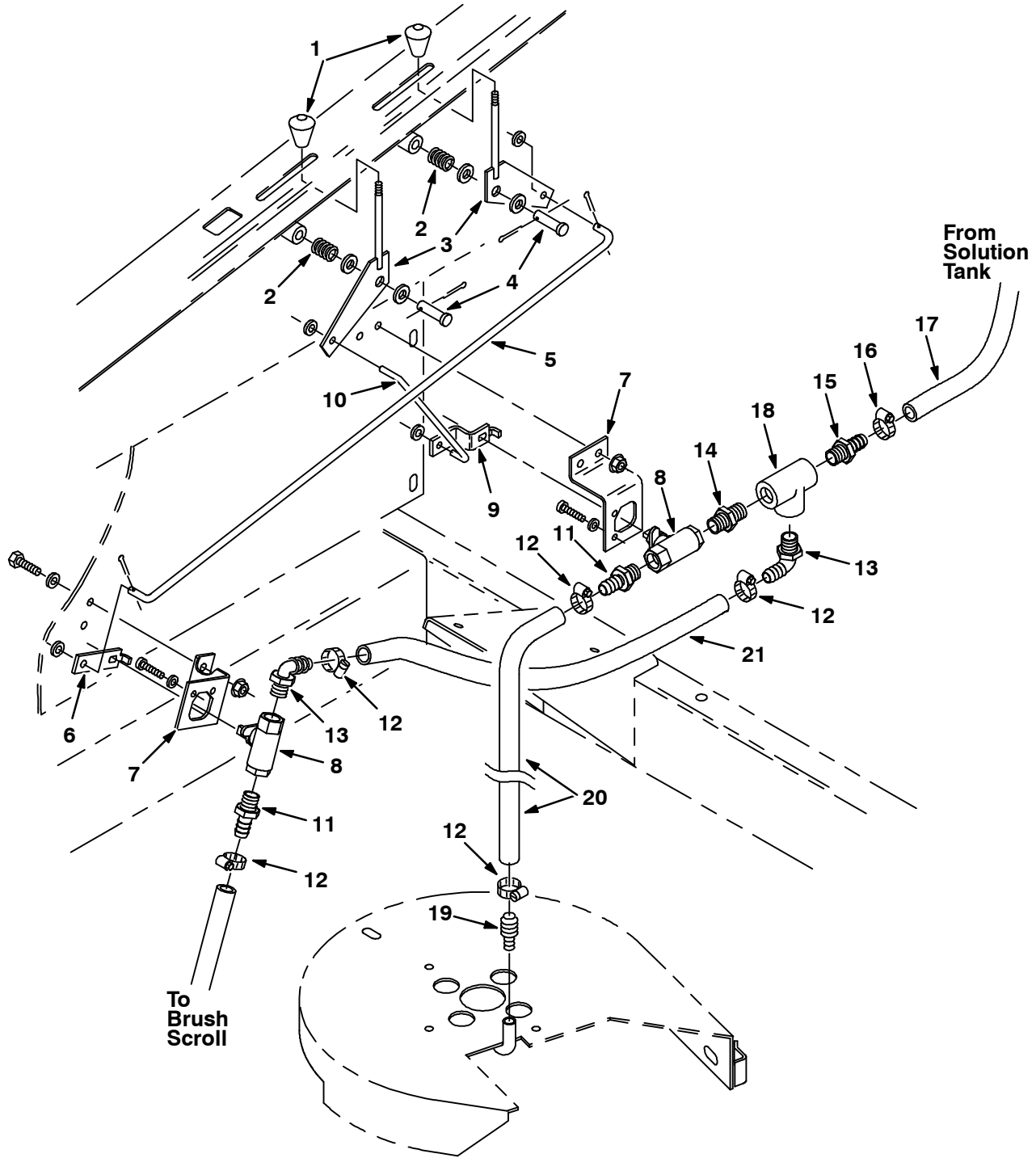


Fig. 20 - Solution Control Valve Group

Ref.	Tennant Part No.	Machine Serial Number	Description	Qty.
1	58745	(007500-) Knob, Tapered	2
2	86444	(007500-) Spring, Compression	2
3	86477	(007500-) Handle, Valve	2
4	86241	(007500-) Pin, Clevis	2
5	33955	(007500-) Rod, Valve	1
6	19681	(007500-) Lever, Water Valve	1
7	12070	(007500-) Bracket	2
8	12083	(007500-) Water, Valve	2
9	12068	(007500-) Arm, Water Valve	1
10	12533	(007500-) Rod, Valve	1
11	79273-4	(007500-) Fitting, Barbed Coupling	2
12	54333	(007500-) Clamp, Worm Drive	5
13	63244-1	(007500-) Fitting, Barbed Elbow	2
14	86508	(007500-) Fitting, Nipple	1
15	78398	(007500-) Fitting, Barbed Straight	1
16	63810	(007500-) Clamp, Worm Drive	1
17	50173	(007500-) Hose, Solution	1
18	79497	(007500-) Fitting, Tee	1
19	25620	(007500-) Fitting, Barbed Straight	1
20	50168	(007500-) Hose, PVC	1
21	05717	(007500-) Hose, Clear Vinyl	1

Fig. 21 - Vacuum Fan Group

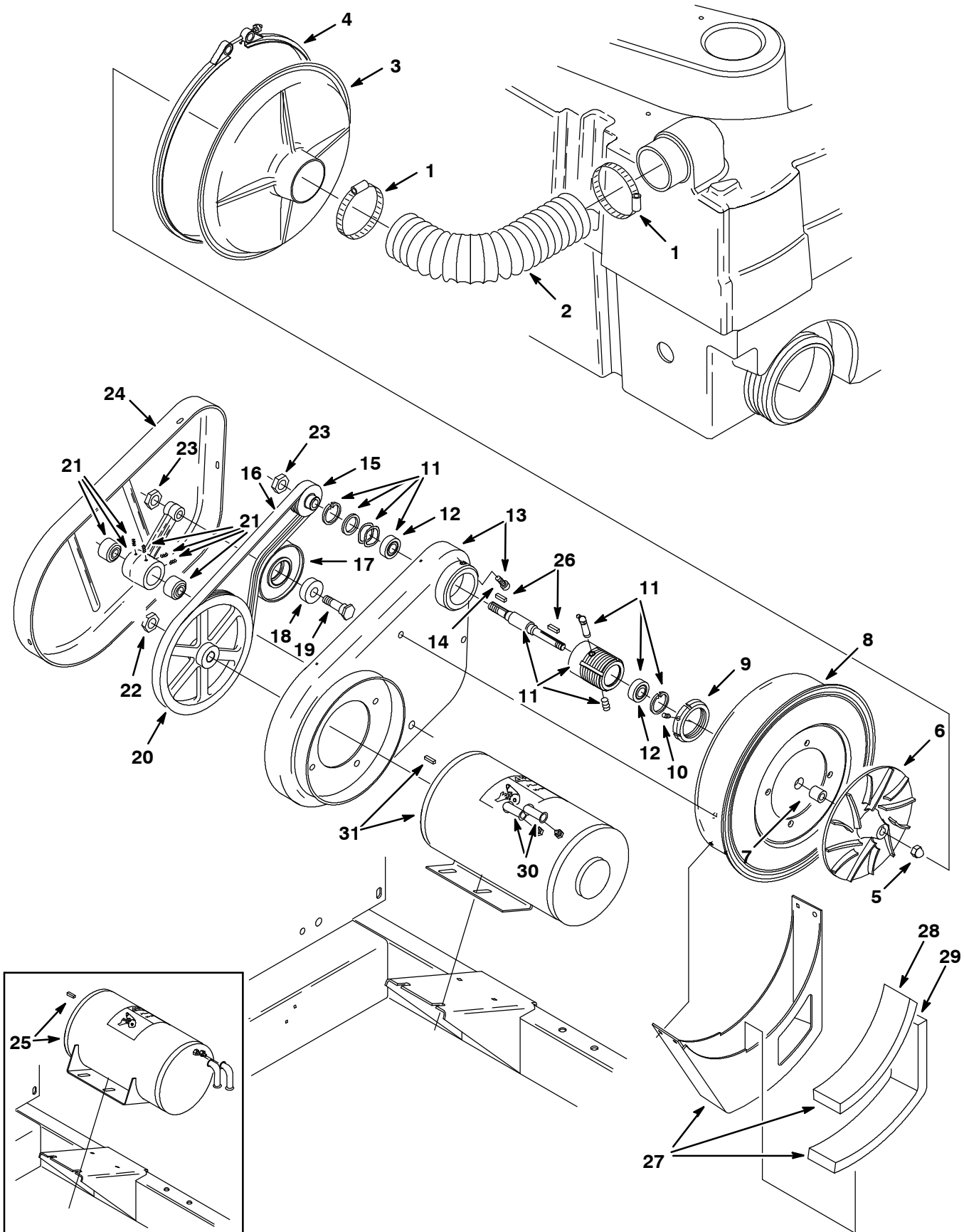


Fig. 21 - Vacuum Fan Group

Ref.	Tennant Part No.	Machine Serial Number	Description	Qty.	
1	43555	(004000-) Clamp, Worm Drive	2	
2	86648	(004000-) Hose	1	
3	12652	(004000-) Repair Kit, Fan Cover	1	
4	86042	(004000-) Clamp	1	
5	12272	(004000-) Nut, Low Crown, M10	1	
6	12650	(004000-) Repair Kit, Impeller	1	
7	86067	(004000-) Sleeve	1	
8	12651	(004000-) Repair Kit, Fan Housing	1	
9	12293	(004000-) Locknut, Bearing	1	
10	12299	(004000-) Screw, Nylon Tip Set, M6	1	
▽	11	12118	(004000-) Repair Kit, Fan Drive	1
▲	12	50220	(004000-) Bearing Repair Kit, Fan	1
▽	13	12140	(004000-) Plate, Mounting	1
▲	14	06532	(004000-) Screw, Socket, M6	1
	15	86087	(004000-) Sheave	1
	16	86074	(004000-) V-Belt	1
	17	86071	(004000-) Pulley, Idler	1
	18	86041	(004000-) Bearing, Ball	1
	19	12135	(004000-) Shaft, Idler	1
	20	86048	(004000-) Sheave, Motor	1
	21	12116	(004000-) Repair Kit, Idler Arm	2
	22	86029	(004000-) Nut, Flexloc	1
	23	08167	(004000-) Nut, Stover, M12	2
	24	86649	(004000-) Cover, Fan	1
	25	86611	(004000-009215)	Motor Assembly (See Breakdowns)	1
	26	00966	(004000-) Key, Square	2
▽	27	12648	(004000-) Repair Kit, Fan Muffler	1
▲	28	86972	(004000-) Foam, Acoustic	1
▲	29	86973	(004000-) Foam, Acoustic	1
	30	02076	(004000-) Cover, Terminal	2
	31	383697	(009216-) Motor, Vacuum Fan 2.3Hp (See Breakdowns)	1

Fig. 22 - Instrument Panel Group

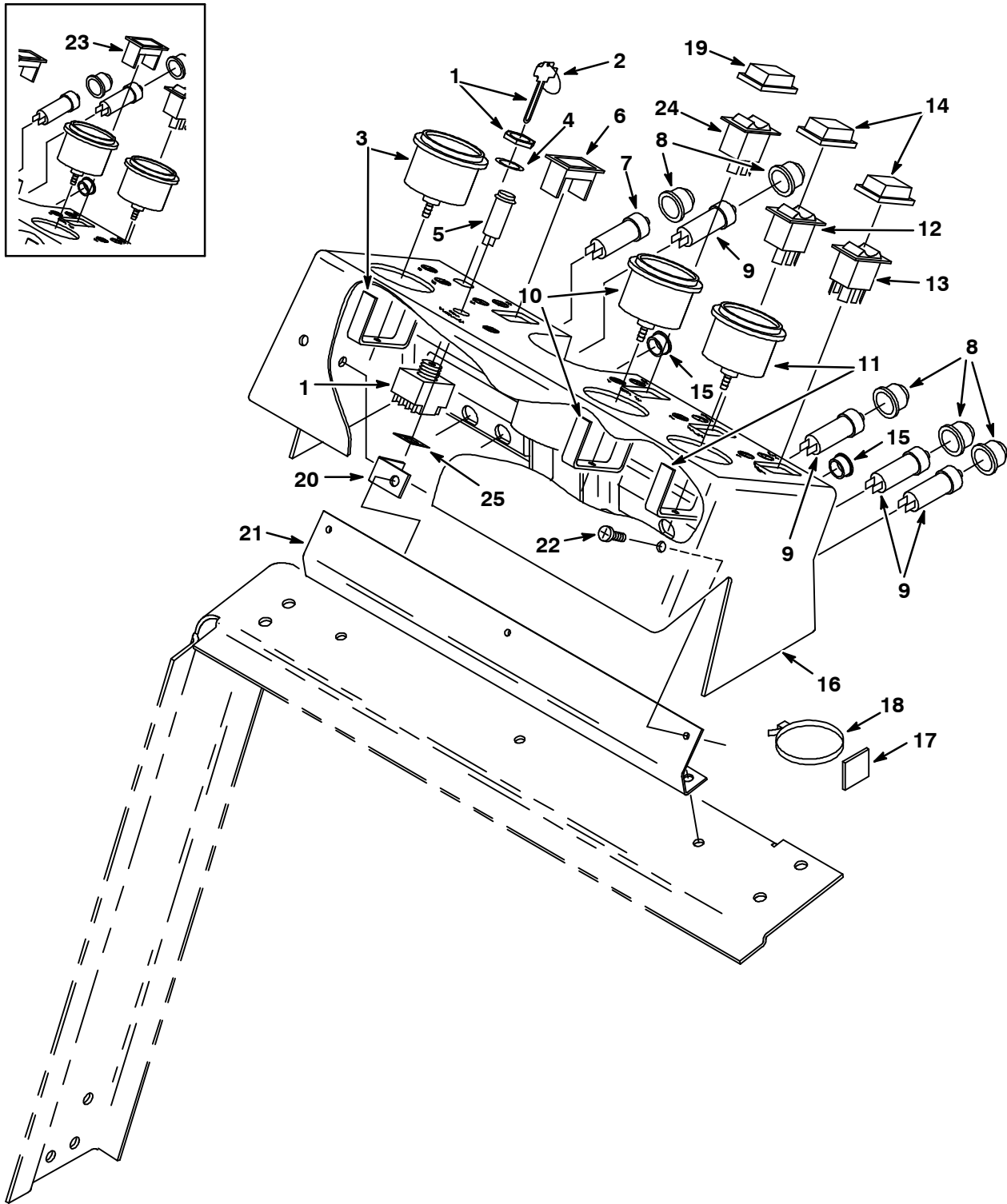


Fig. 22 - Instrument Panel Group

	Ref.	Tennant Part No.	Machine Serial Number	Description	Qty.
▽	1	31203	(004000-) Switch Assembly, Key	1
▲	2	31204	(004000-) Key Set	1
	3	12363	(004000-) Indicator, Battery Discharge	1
	4	63884	(004000-) Washer	1
	5	63357	(004000-) Light Assembly, Panel	1
	6	57772	(004000-) Plate, Cover	1
	7	57803	(004000-) Breaker, Circuit, 15 A	1
	8	57751	(004000-) Boot, Circuit Breaker	5
	9	57164	(004000-) Breaker, Circuit, 10 A	4
	10	12087	(004000-) Gauge, Hour Meter	1
	11	86371	(004000-) Ammeter	1
	12	31968	(004000-) Switch, Rocker, SPDT	1
	13	31969	(004000-) Switch, Rocker, DPDT	1
	14	57807	(004000-) Seal, Rocker Switch	2
	15	57167	(004000-) Plugbutton	2
	16	86360	(004000-) Panel, Instrument	1
	17	55248	(004000-) Mount, Cable Tie	9
	18	49266	(004000-) Tie, Cable	21
	19	57807	(007500-) Seal, Rocker Switch	1
	20	12199	(004000-) Bracket, Panel	1
	21	12198	(004000-) Bracket, Panel	1
	22	09164	(004000-) Screw, Pan, M6	4
	23	57772	(004000-007499) Plate, Cover	1
	24	31963	(007500-) Switch, Rocker, DPDT	1
	25	32717	(004000-) Fastener, Stud Receiver	1

Fig. 23 - Cooling Fan Group

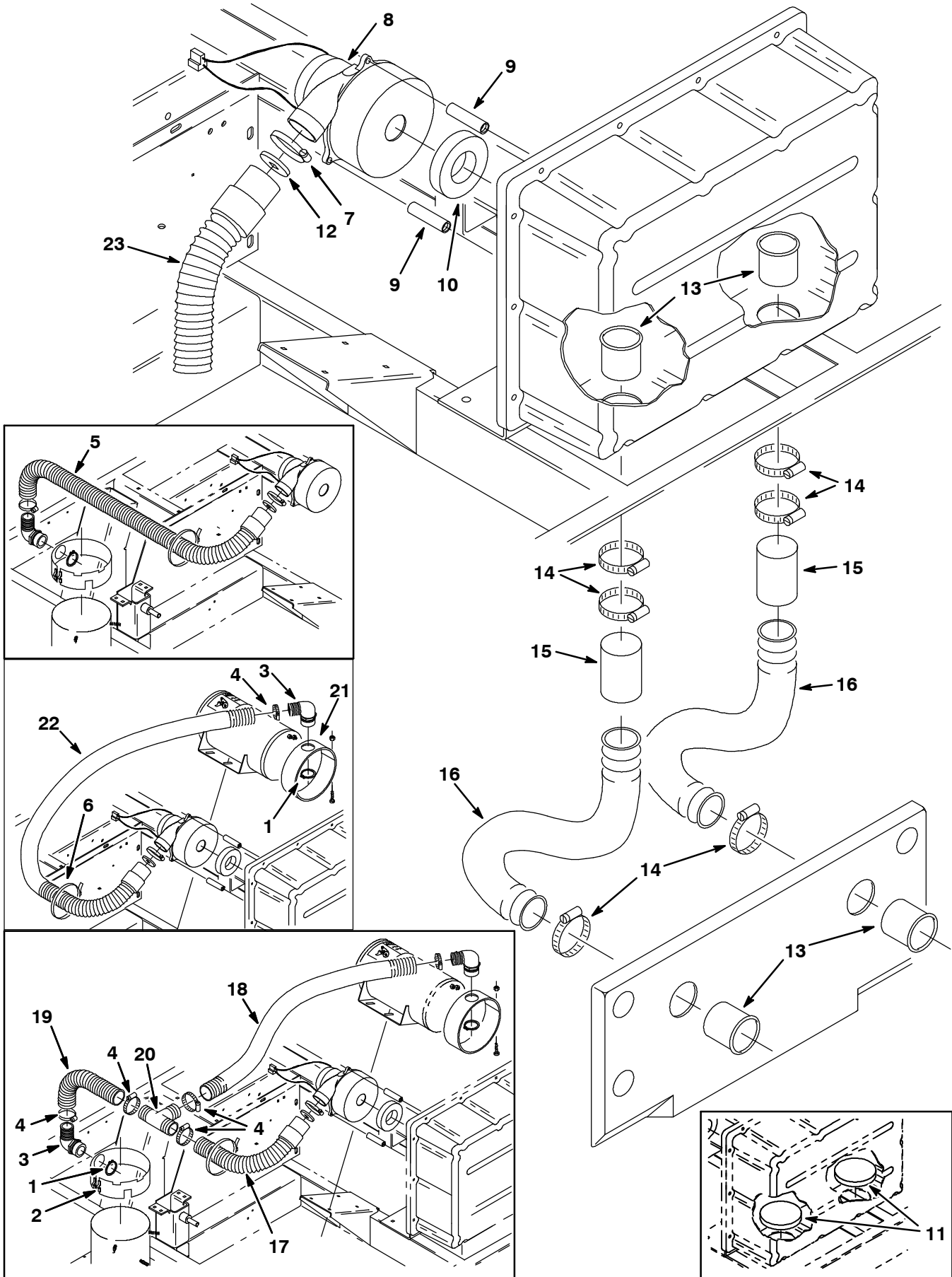


Fig. 23 - Cooling Fan Group

Ref.	Tennant Part No.	Machine Serial Number	Description	Qty.
1	76727	(004000-009215)	Ring, Retaining	1
2	12662	(004000-008499)	Band, Motor	1
3	12658	(004000-009215)	Fitting, Elbow	1
4	11531	(004000-009215)	Clamp, Worm Drive	1
5	12663	(004000-008154)	Hose Assembly	1
6	44961	(004000-009215)	Tie, Cable	2
7	22297	(004000-)	Clamp, Worm Drive	1
8	12665	(004000-)	Fan Assembly, Vacuum (See Breakdowns)	1
9	12669	(004000-)	Sleeve	3
10	12670	(004000-)	Seal, Vacuum Fan	1
11	12673	(004000-007499)	Filter, Vacuum Fan	2
12	12519	(004000-)	Washer	1
13	58346	(007500-)	Tube, Air Intake	4
14	14432	(007500-)	Clamp, Worm Drive	6
15	50179	(007500-)	Filter, Foam	2
16	50177	(007500-)	Hose, Flexible	2
17	79086	(008155-008499)	Hose Assembly, 14 in	1
18	79087	(008155-008499)	Hose Assembly, 24 in	1
19	79088	(008155-008499)	Hose Assembly, 30 in	1
20	79085	(008155-008499)	Fitting, Tee	1
21	79084	(008155-009215)	Band, Weldment	1
22	12663	(008500-009215)	Hose Assembly	1
23	01536	(009216-)	Hose and Cuff Assy, Vin 1.5ID 20L	1

Fig. 24 - Hydraulic Power Unit Group

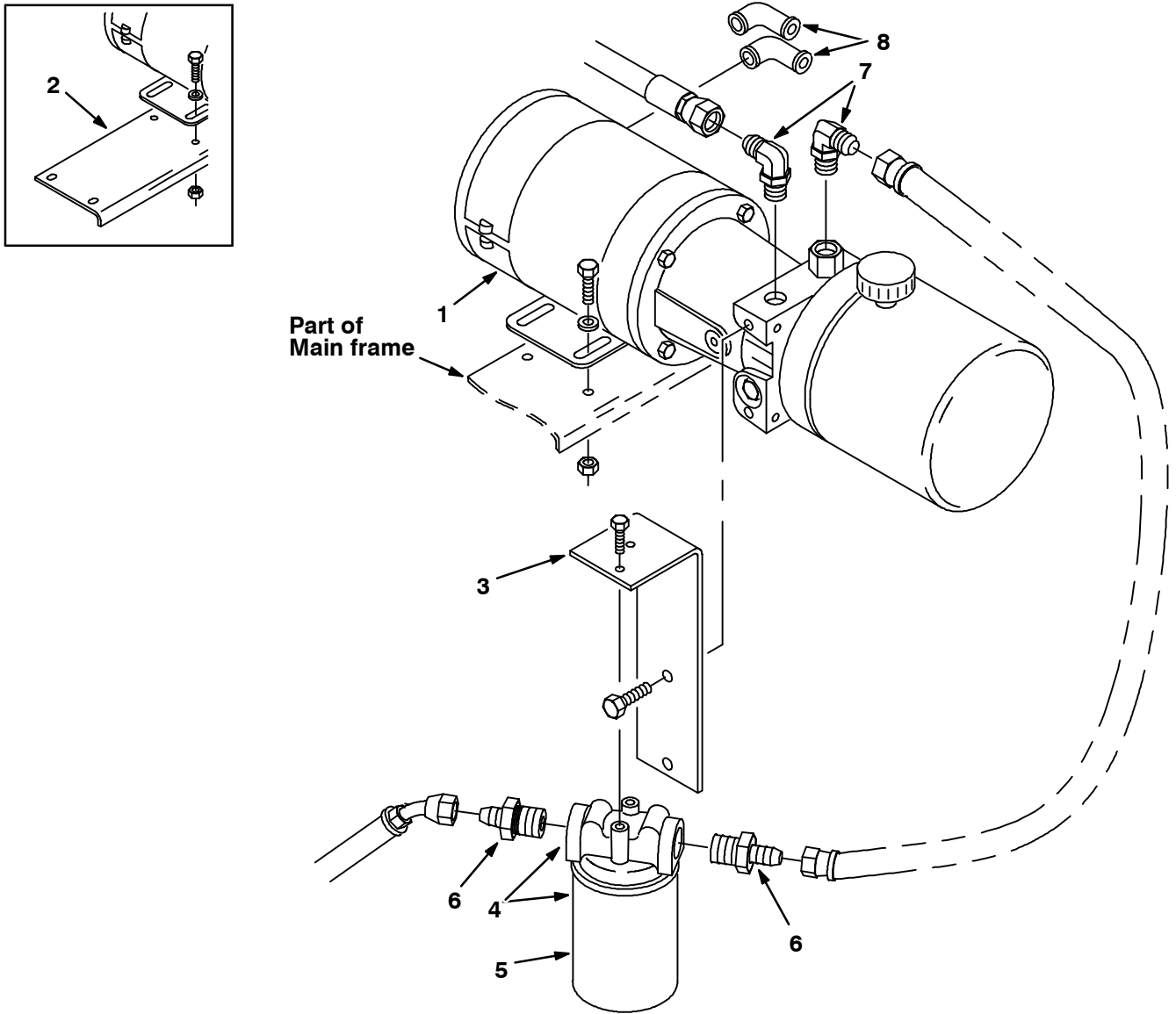


Fig. 24 - Hydraulic Power Unit Group

Ref.	Tennant Part No.	Machine Serial Number	Description	Qty.
1	33963	(007500-) Power Unit, Hydraulic (See Breakdowns)	1
2	33981	(007500-xxxxxx) Bracket, Pump Mounting (Replaced by none)	1
3	50171	(007500-) Bracket, Oil Filter	1
∇ 4	55619	(007500-) Filter Assembly	1
▲ 5	55740	(007500-) Element, Filter	1
6	31572	(007500-) Fitting, Straight	2
7	56820	(007500-) Fitting, Elbow	2
8	02076	(007500-) Cover, Terminal	2

Fig. 25 - Hydraulic Hose Group

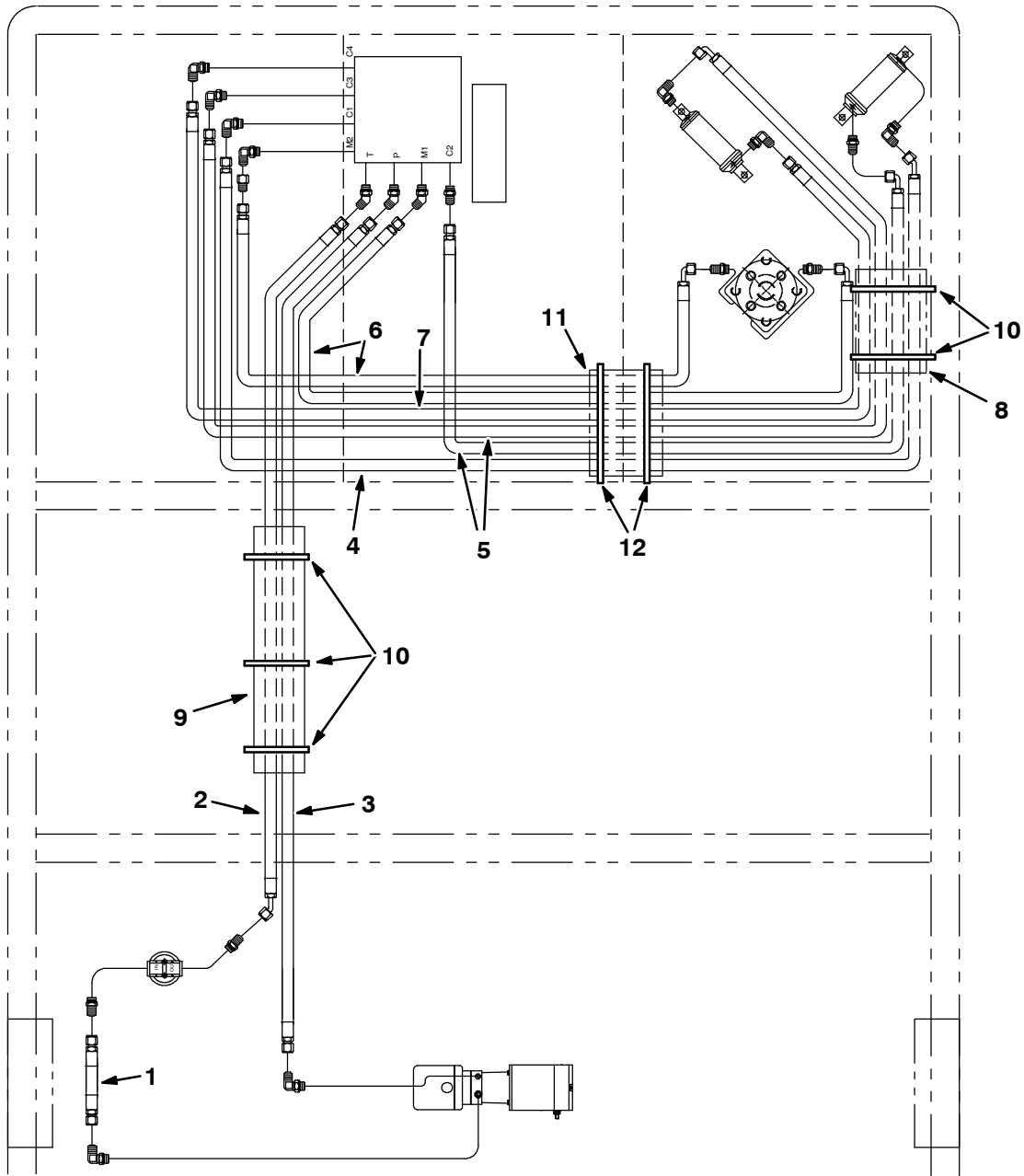
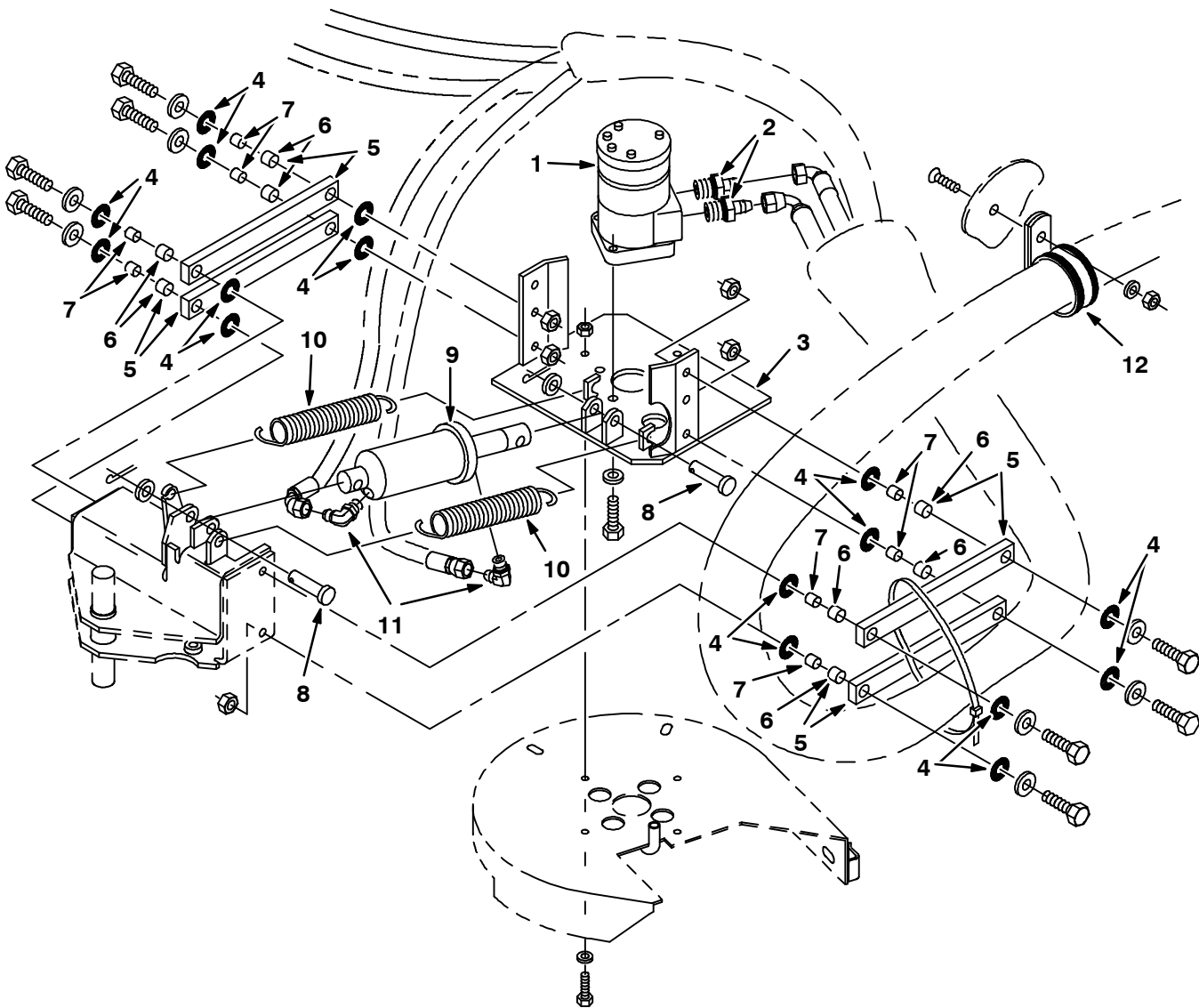


Fig. 25 - Hydraulic Hose Group

Ref.	Tennant Part No.	Machine Serial Number	Description	Qty.
1	55777	(007500-) Hose, Hydraulic	1
2	50172	(007500-) Hose, Hydraulic	1
3	56703	(007500-) Hose, Hydraulic	1
4	35081	(007500-) Hose, Hydraulic	1
5	35082	(007500-) Hose, Hydraulic	2
6	31594	(007500-) Hose, Hydraulic	2
7	01988	(007500-) Hose, Hydraulic	1
8	34329	(007500-) Sleeve, Nylon	1
9	82830	(007500-) Sleeve, Nylon	1
10	49266	(007500-) Tie, Cable	5
11	35083	(007500-) Sleeve, Nylon	1
12	44961	(007500-) Tie, Cable	5

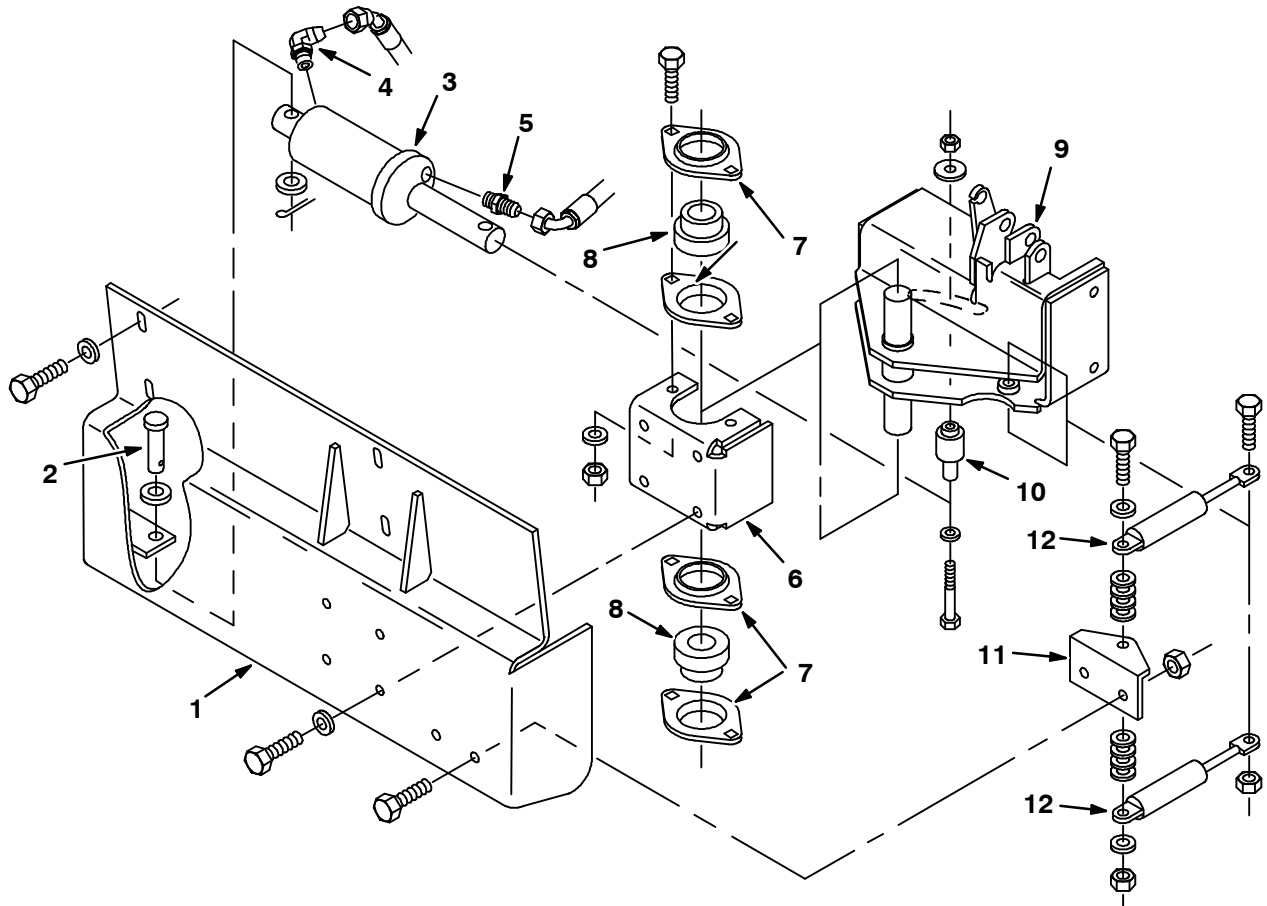
Fig. 26 - Side Brush Lift Group



05856 - All

Ref.	Tennant Part No.	Machine Serial Number	Description	Qty.
1	28804	(007500-) Motor, Hydraulic (See Breakdowns)	1
2	47508	(007500-) Fitting, Straight	2
3	33974	(007500-) Plate, Motor Mounting	1
4	59633	(007500-) Bearing, Thrust	16
∇ 5	63175-1	(007500-) Arm Assembly, Link	4
▲ 6	63233	(007500-) Bearing, Fiberglide	2
7	63234	(007500-) Sleeve, Bearing	8
8	63147	(007500-) Pin, Clevis	2
9	09624	(007500-) Cylinder, Hydraulic	1
10	33404	(007500-) Spring, Tension	2
11	77097	(007500-) Fitting, Elbow	2
12	34312	(007500-) Clamp, Loop	2

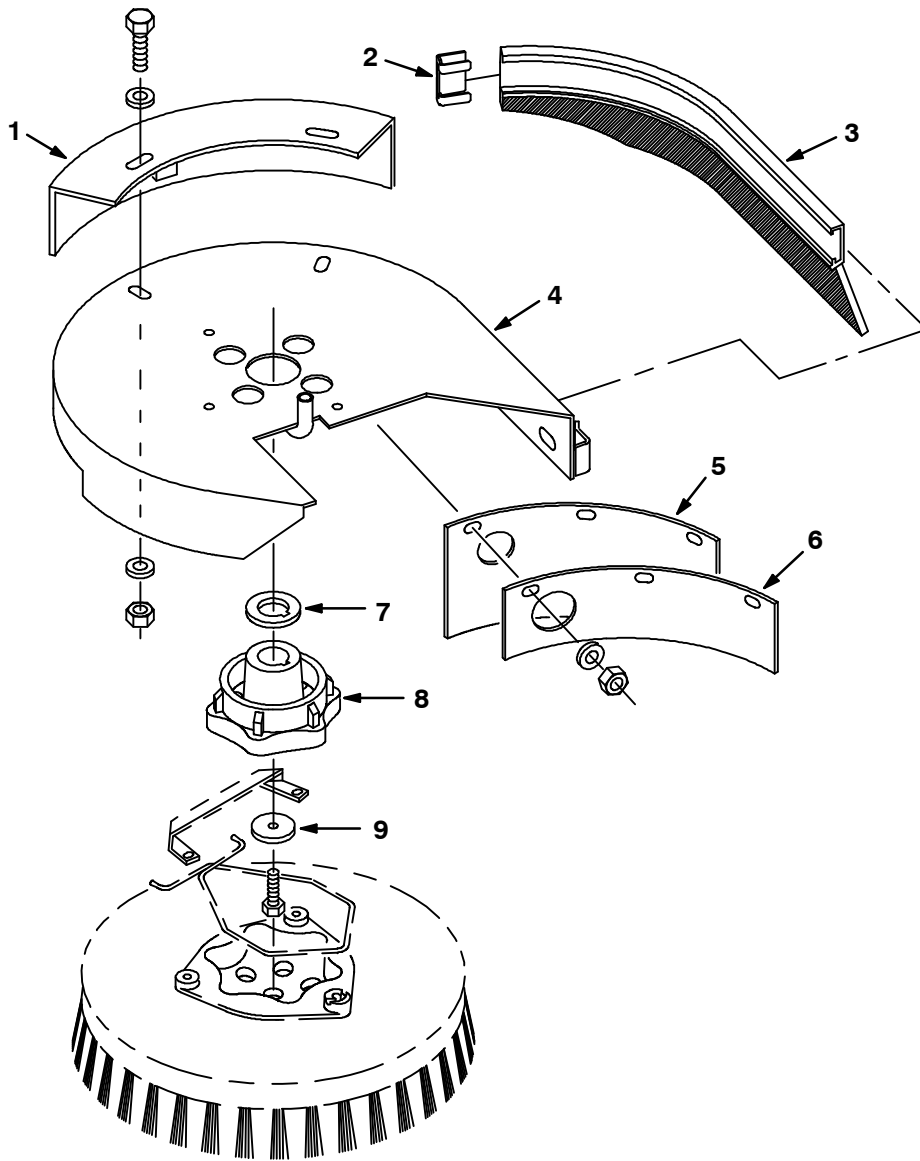
Fig. 27 - Side Brush Pivot Group



05855 - All

Ref.	Tennant Part No.	Machine Serial Number	Description	Qty.
1	33970	(007500-) Bracket, Side Brush	1
2	43290	(007500-) Pin, Clevis	1
3	09624	(007500-) Cylinder, Hydraulic	1
4	77097	(007500-) Fitting, Elbow	1
5	55586	(007500-) Fitting, Straight	1
6	33969	(007500-) Bracket, Side Brush Mounting	1
7	23222-2	(007500-) Flange, Bearing	4
8	24835	(007500-) Bearing and Collar	2
9	33962	(007500-) Pivot, Side Brush	1
10	33980	(007500-) Bushing	1
11	19567	(007500-) Bracket, Gas Spring Mounting	1
12	17513	(007500-007852) Spring, Gas	2
12	65577	(007853-) Spring, Gas	2

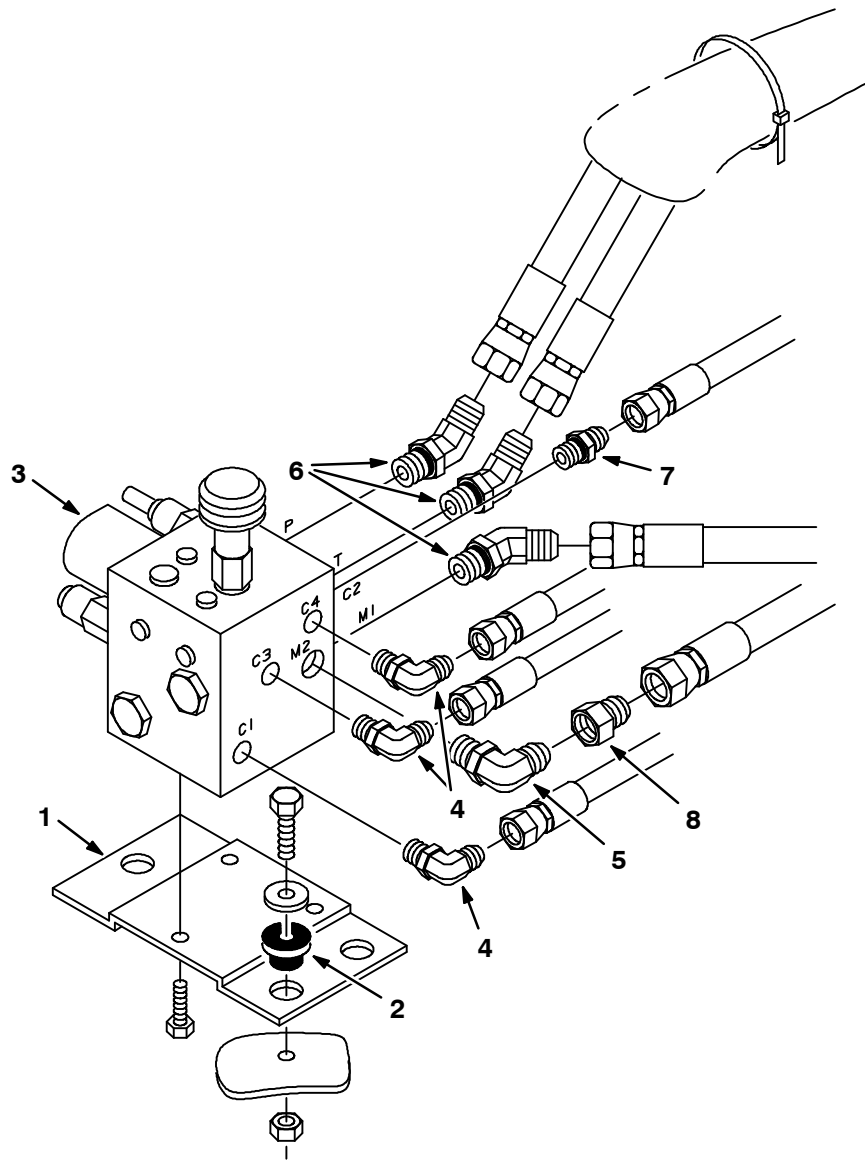
Fig. 28 - Side Brush Housing Group



05857 - All

Ref.	Tennant Part No.	Machine Serial Number	Description	Qty.
1	35046	(007500-)	Guard, Brush	1
2	86759	(007500-)	Retainer, Squeegee	1
3	33995	(007500-)	Squeegee Assembly, Side Brush	1
4	33990	(007500-)	Frame, Side Brush	1
5	12678	(007500-)	Skirt, Side Brush	1
6	12677	(007500-)	Retainer, Side Brush	1
7	25611	(007500-)	Spacer, Hub	1
8	15107	(007500-)	Hub, Brush Drive	1
9	19191	(007500-)	Spacer, Hub	1

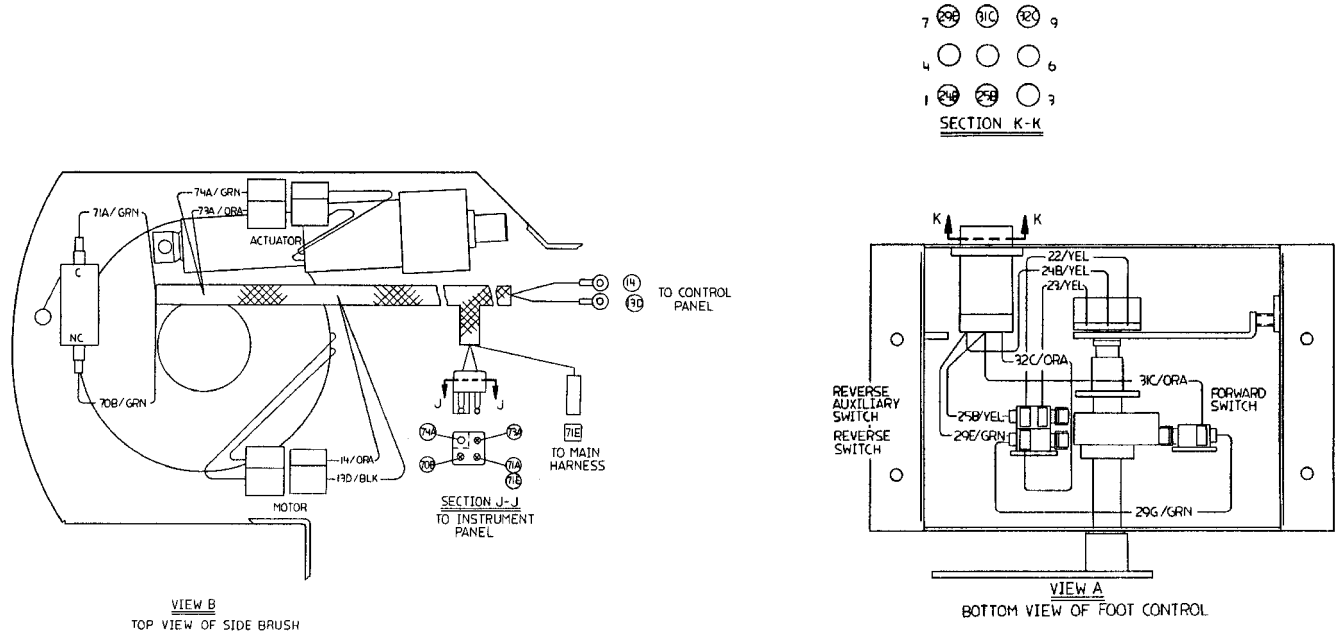
Fig. 29 - Hydraulic Solenoid Valve Group



05858 - All

Ref.	Tennant Part No.	Machine Serial Number	Description	Qty.
1	33986	(007500-)	Bracket, Valve Mounting	1
2	54274	(007500-)	Isolator, Vibration	3
3	33964	(007500-007788)	Valve, Hydraulic Solenoid (See Breakdowns)	1
3	65385	(007789-)	Valve, Hydraulic Solenoid (See Breakdowns)	1
4	77097	(007500-)	Fitting, Elbow	3
5	56820	(007500-)	Fitting, Elbow	1
6	47522	(007500-)	Fitting, Elbow, 45°	3
7	55586	(007500-)	Fitting, Straight	1
8	48688	(007935-)	Fitting, Restrictor	1

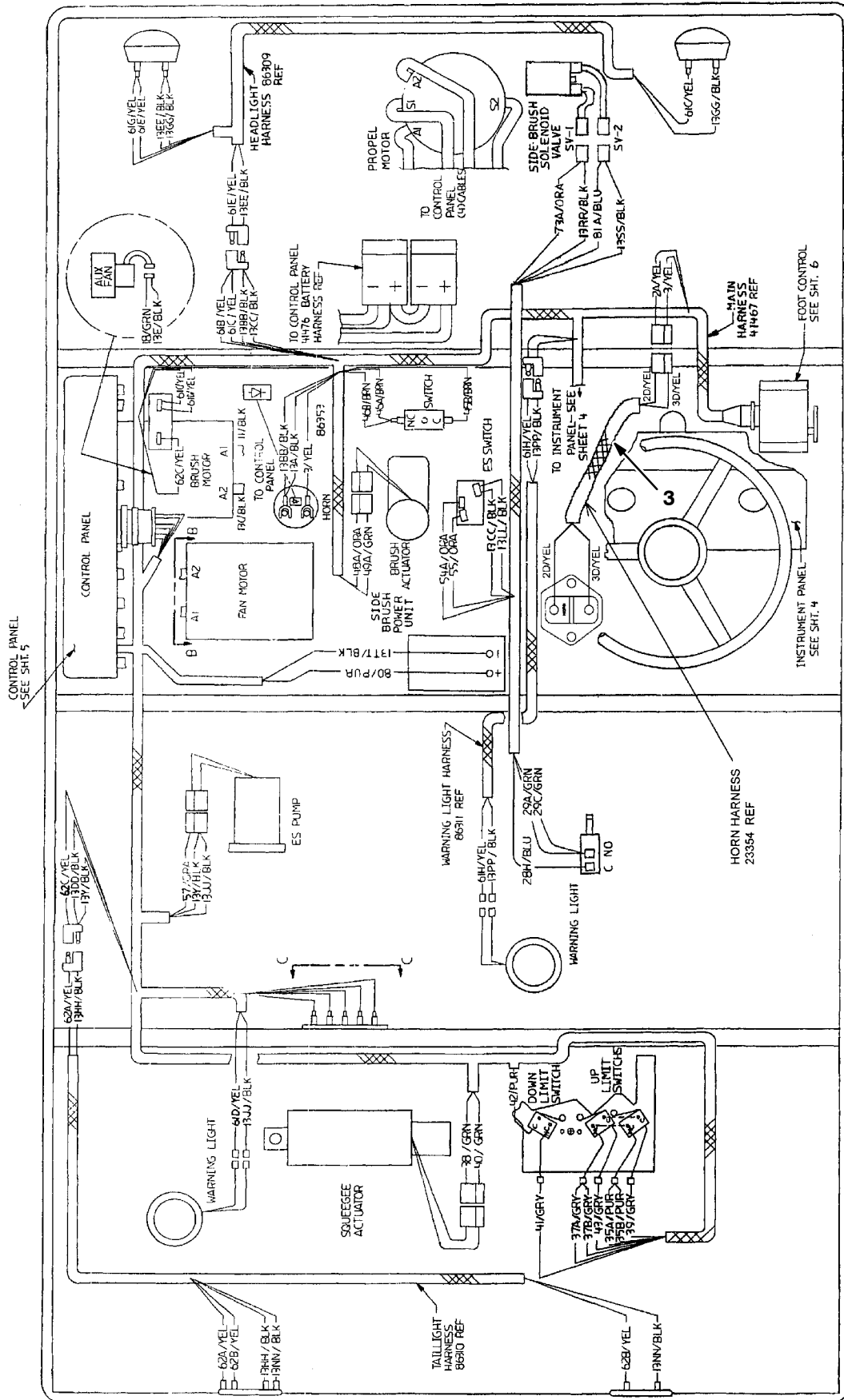
Fig. 30 - Wire Harness Group



04143 - All

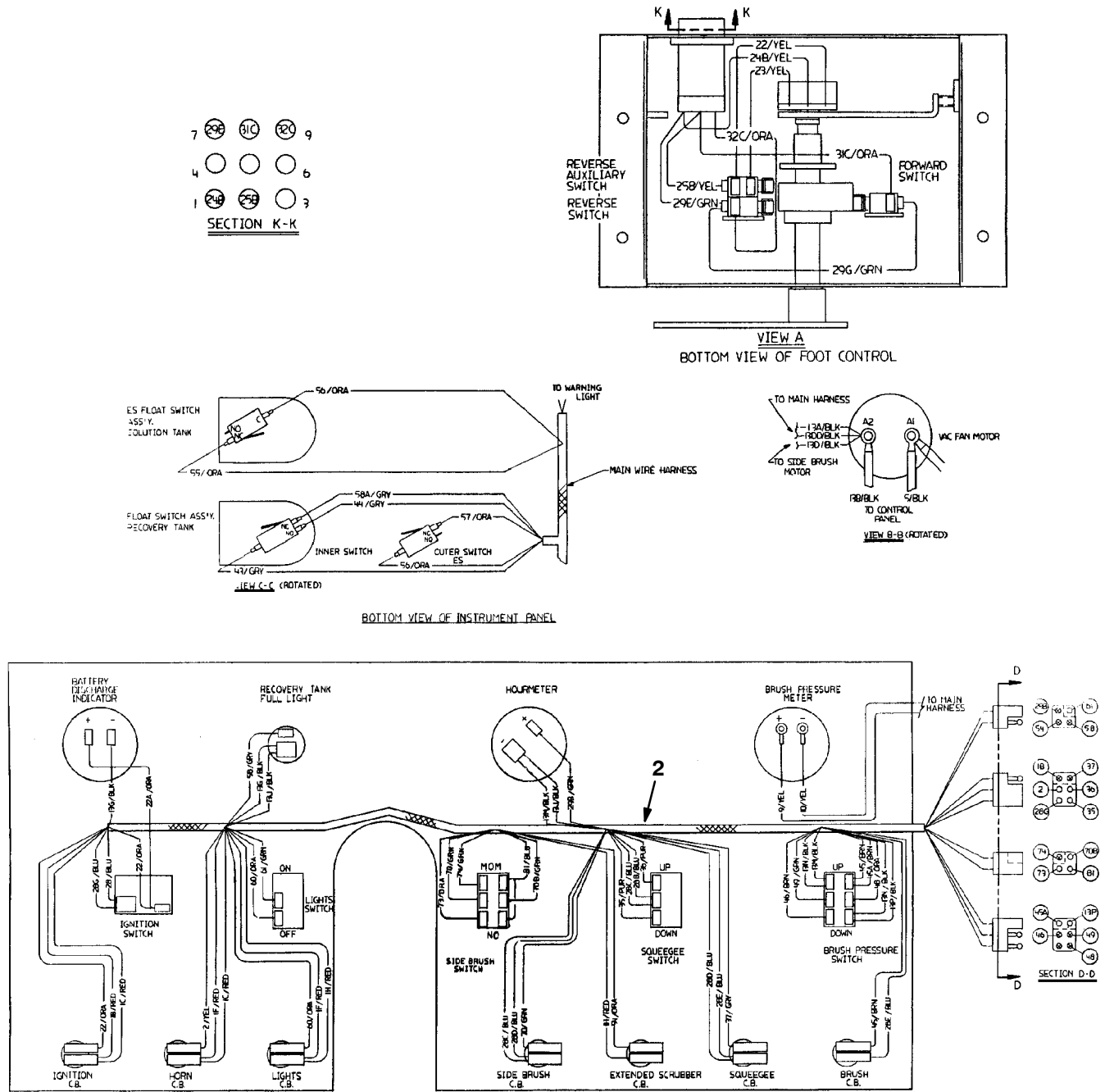
Ref.	Tennant Part No.	Machine Serial Number	Description	Qty.
1	12466	(004000-007499)	Wire Harness, Main	1
2	86390	(004000-007499)	Wire Harness, Instrument Panel	1
▽	12521	(004000-004909)	Wire Harness Replacement Kit, Fan	1
▲	14215	(004000-004909)	Fuse, 20 A	1
▽	12511	(004910-007499)	Wire Harness, Vacuum Fan	1
▲	14215	(004910-007499)	Fuse, 20 A	1
	12516	(004910-007499)	Wire Harness, Vacuum Fan	1

Fig. 31 - Wire Harness Group



TOP VIEW OF WIRE HARNESS LOCATIONS & CONNECTIONS

Fig. 31 - Wire Harness Group



05864 - NA

Ref.	Tennant Part No.	Machine Serial Number	Description	Qty.
1	41467	(007500-007733)	Wire Harness, Main	1
1	66132	(007734-007892)	Replacement Kit, Wire Harness, Main (for 50185)	1
1	31995	(007893-	Wire Harness, Main	1
2	41468	(007500-007733)	Wire Harness, Instrument Panel	1
2	50184	(007734-	Wire Harness, Instrument Panel	1
3	23354	(008832-	Wire Harness, Horn	1

Fig. 32 - Control Box Group

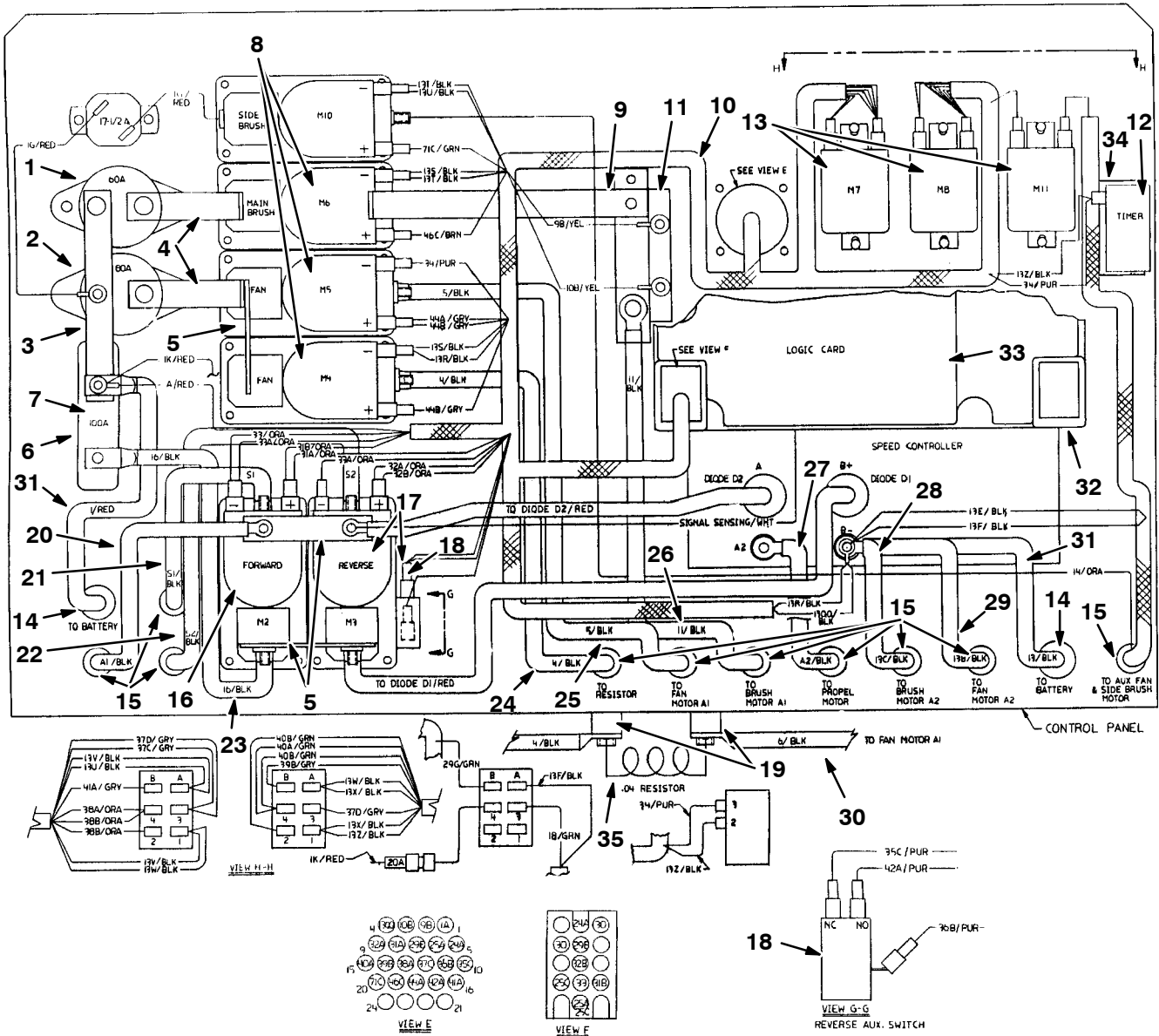


Fig. 32 - Control Box Group

Ref.	Tennant Part No.	Machine Serial Number	Description	Qty.	
1	86368	(004000-007499)	Breaker, Circuit, 60 A	1	
2	86374	(004000-007499)	Breaker, Circuit, 80 A	1	
3	86392	(004000-007499)	Bar, Buss	1	
4	86388	(004000-007499)	Bar, Buss	2	
5	87483	(004000-007499)	Bar, Buss	3	
6	86381	(004000-007499)	Block, Fuse	1	
7	86379	(004000-007499)	Fuse, 100 A	1	
8	86375	(004000-007499)	Contactactor	3	
9	86372	(004000-007499)	Bar, Buss	1	
10	12465	(004000-007499)	Wire Harness	1	
11	86370	(004000-007499)	Shunt	1	
12	86315	(004000-007499)	Timer	1	
13	86366	(004000-007499)	Relay	3	
14	86727	(004000-004909)	Grommet	2	
14	10632-18	(004910-007499)	Grommet	2	
15	86726	(004000-007499)	Grommet	10	
16	86376	(004000-007499)	Contactactor	1	
▽	17	86377	(004000-007499)	Contactactor	1
▲	18	28622	(004000-007499)	Microswitch Kit	1
19	76062	(004000-007499)	Insulator, Panel and Switchboard	2	
20	86397	(004000-007499)	Wire Assembly	1	
21	86396	(004000-007499)	Wire Assembly	1	
22	86395	(004000-007499)	Wire Assembly	1	
23	86393	(004000-007499)	Wire Assembly	1	
24	86422	(004000-007499)	Wire Assembly	1	
25	86423	(004000-007499)	Wire Assembly	1	
26	86420	(004000-007499)	Wire Assembly	1	
27	86398	(004000-007499)	Wire Assembly	1	
28	86421	(004000-007499)	Wire Assembly	1	
29	86424	(004000-007499)	Wire Assembly	1	
30	86419	(004000-007499)	Wire Assembly	1	
▽	31	12520	(004000-004909)	Wire Harness Replacement Kit, Battery	1
▲		47985	(004000-004909)	Connector, Orange	2
	31	12515	(004910-007499)	Wire Harness, Battery	1
▽	32	12241	(004000-007499)	Replacement Kit, SCR Controller (Replaced by 12107)	1
▲	33	12117	(004000-007499)	Card, Logic	1
	34	12672	(004000-007499)	Bracket, Timer	1
	35	86362	(004000-007499)	Resistor	1

Fig. 33 - Control Box Group

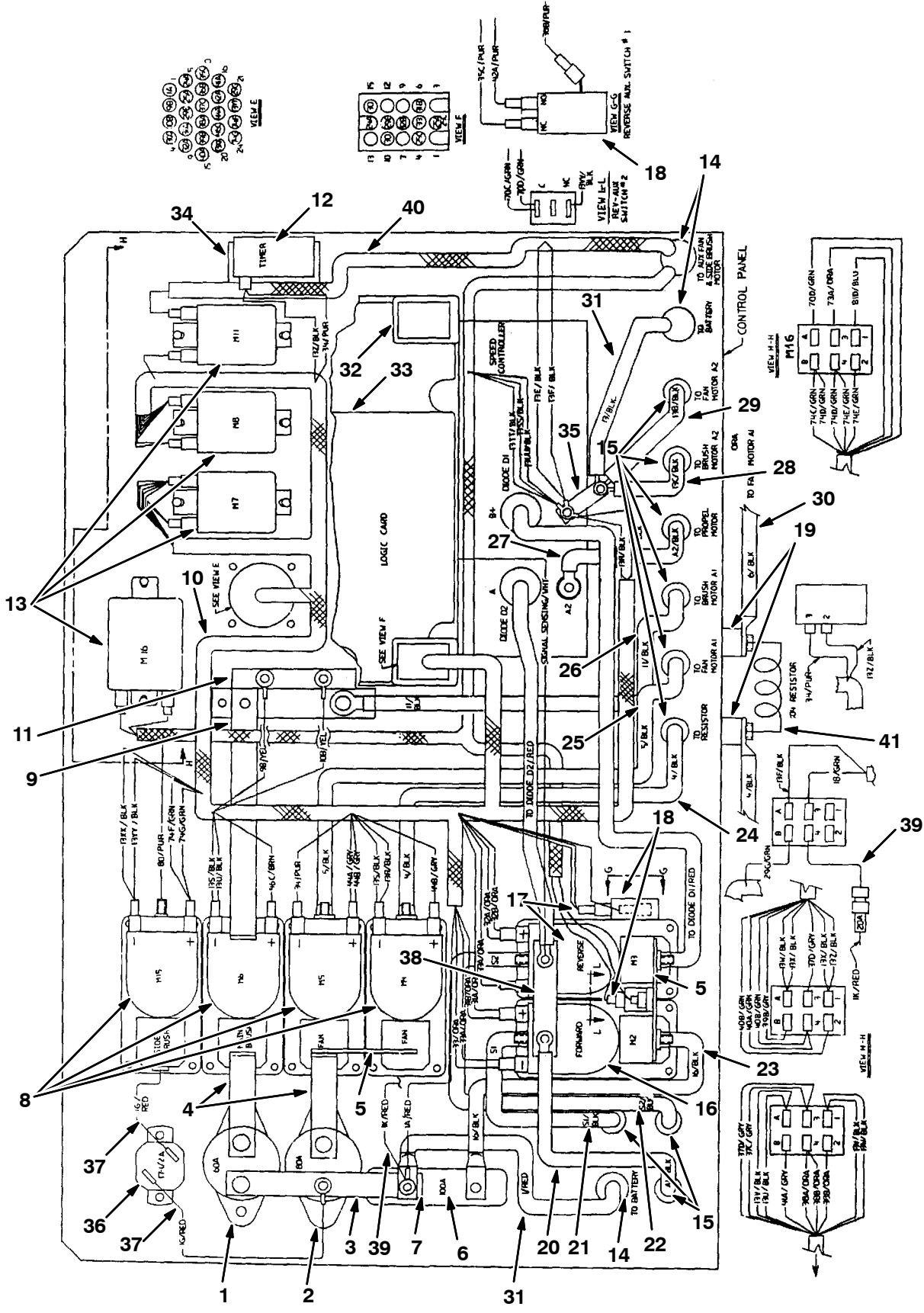
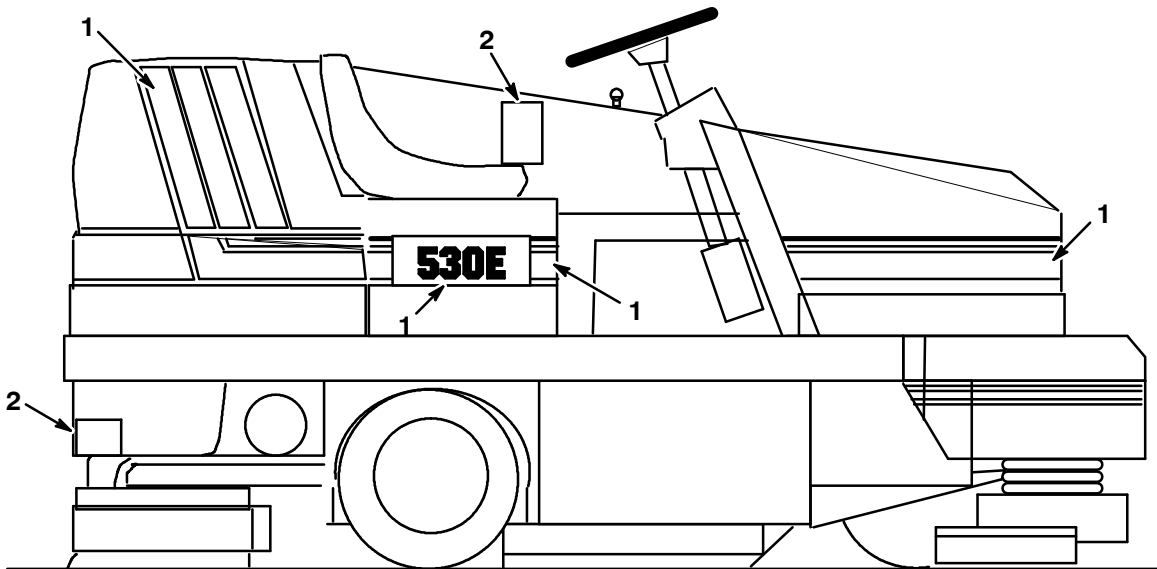
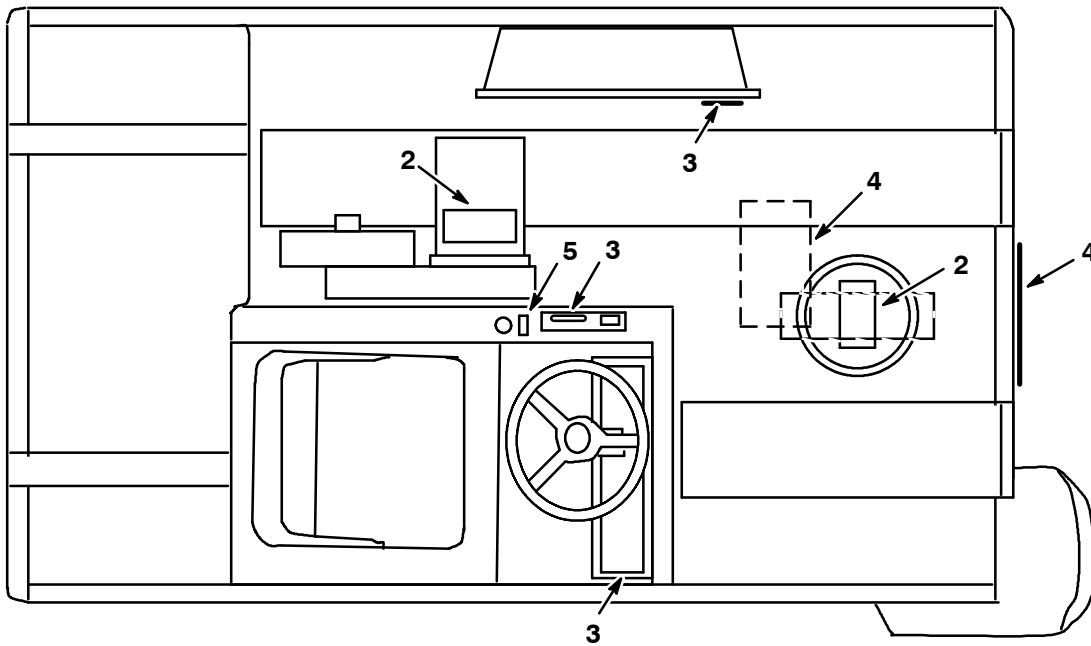


Fig. 33 - Control Box Group

Ref.	Tennant Part No.	Machine Serial Number	Description	Qty.	
1	86368	(007500-) Breaker, Circuit, 60 A	1	
2	86374	(007500-) Breaker, Circuit, 80 A	1	
3	86392	(007500-) Bar, Buss	1	
4	86388	(007500-) Bar, Buss	2	
5	87483	(007500-) Bar, Buss	2	
6	86381	(007500-) Block, Fuse	1	
7	86379	(007500-) Fuse, 100 A	1	
	50257	(007500-) Decal, Fuse, 100 A	1	
8	86375	(007500-) Contactor	4	
9	86372	(007500-) Bar, Buss	1	
10	50187	(007500-) Wire Harness, Control Box	1	
11	86370	(007500-) Shunt	1	
12	86315	(007500-) Timer	1	
13	86366	(007500-) Relay	4	
14	10632-18	(007500-) Grommet	3	
15	86726	(007500-) Grommet	9	
16	86376	(007500-) Contactor	1	
▽	17	33991	(007500-) Contactor	1
▲	18	28622	(007500-) Microswitch Kit	2
	19	76062	(007500-) Insulator, Panel and Switchboard	2
20	86397	(007500-) Wire Assembly	1	
21	86396	(007500-) Wire Assembly	1	
22	86395	(007500-) Wire Assembly	1	
23	86393	(007500-) Wire Assembly	1	
24	86422	(007500-) Wire Assembly	1	
25	86423	(007500-) Wire Assembly	1	
26	86420	(007500-) Wire Assembly	1	
27	86398	(007500-) Wire Assembly	1	
28	86421	(007500-) Wire Assembly	1	
29	86424	(007500-) Wire Assembly	1	
30	86419	(007500-) Wire Assembly	1	
31	41476	(007500-) Wire Assembly, Battery	1	
▽	32	12107	(007500-) Replacement Kit, SCR Controller, G-8	1
▲	33	12108	(007500-) Card Replacement Kit, Logic, G-8	1
	34	12672	(007500-) Bracket, Timer	1
35	28633	(007500-) Plate, Buss Bar	1	
36	63030-1	(007500-) Breaker, Circuit, 30 A	1	
37	33954	(007500-) Wire Assembly	2	
38	33992	(007500-) Bar, Buss	1	
▽	39	12511	(007500-) Wire Harness, Fan	1
▲		14215	(007500-) Fuse, 20 A	1
	40	12516	(007500-) Wire Harness, Fan	1
	41	86362	(007500-) Resistor	1

Fig. 34 - Label Group



04142 - All

Ref.	Tennant Part No.	Machine Serial Number	Description	Qty.
▽	50154	(004000-)	Complete Label Kit	1
▲ 1	50155	(004000-)	Label Kit, Striping	1
▲ 2	50156	(004000-)	Label Kit, Information and Hazard	1
▲ 3	50157	(004000-)	Label Kit, Operational	1
▲ 4	86877	(004000-)	Label, TENNANT	2
5	71491	(004000-)	Label Kit, Operational	1

SECTION 7

CONTENTS

	PAGE
Fig. 1 - Extended Scrubbing Group	7-2
Fig. 2 - Light Kit	7-4
Fig. 3 - Warning Light Kit, Standard	7-5
Fig. 4 - Warning Light Kit, Overhead Guard	7-6
Fig. 5 - Overhead Guard Kit	7-8
Fig. 6 - Heavy Duty Bumper and Overhead Guard Kit	7-9
Fig. 7 - Side Brush Motor Group	7-10
Fig. 8 - Side Brush Solution Control and Instrument Panel Group	7-12
Fig. 9 - Side Brush Electrical Group	7-13
Fig. 10 - Vacuum Wand Kit	7-14
Fig. 11 - Vacuum Wand Kit	7-16
Fig. 12 - Fire Extinguisher Kit	7-17
Fig. 13 - Battery Group, Wet, 600 A/h	7-18
Fig. 14 - Battery Group, Dry, 600 A/h	7-19
Fig. 15 - Battery And Charger Kit, 60H/480V	7-20
Fig. 16 - Battery And Charger Kit, 60H/550V	7-21
Fig. 17 - Battery And Charger Kit, 60H/600V	7-22
Fig. 18 - Battery Charger Kit, 120 A, 208/240/480 V, 3 ph	7-23
Fig. 19 - Battery Charger Kit, 120 A, 208/240/480 V, 3 ph	7-24
Fig. 20 - Battery Charger Kit, 120 A, 208/240/480 V, 1 ph	7-25
Fig. 21 - Battery Charger Kit, 120 A, 208/240/480 V, 1 ph	7-26
Fig. 22 - Battery Charger Kit, 36V, 40A, 115V AC	7-27
Fig. 23 - Urethane Squeegee Kit	7-28
Fig. 24 - Drain Hose Extension Kit	7-29
Fig. 25 - Transport Kit	7-30
Fig. 26 - Documentation Group	7-31

Fig. 1 - Extended Scrubbing Group

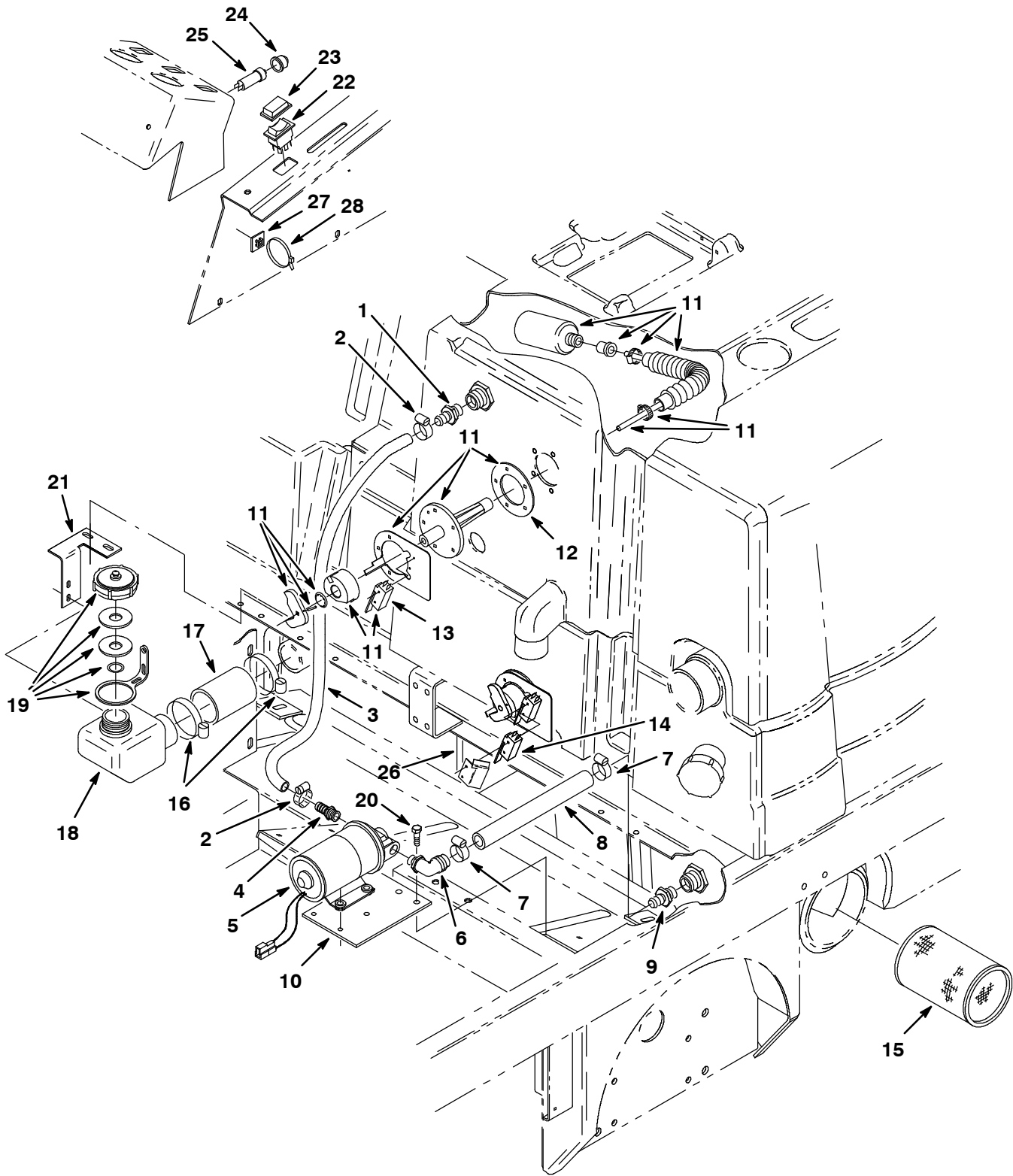
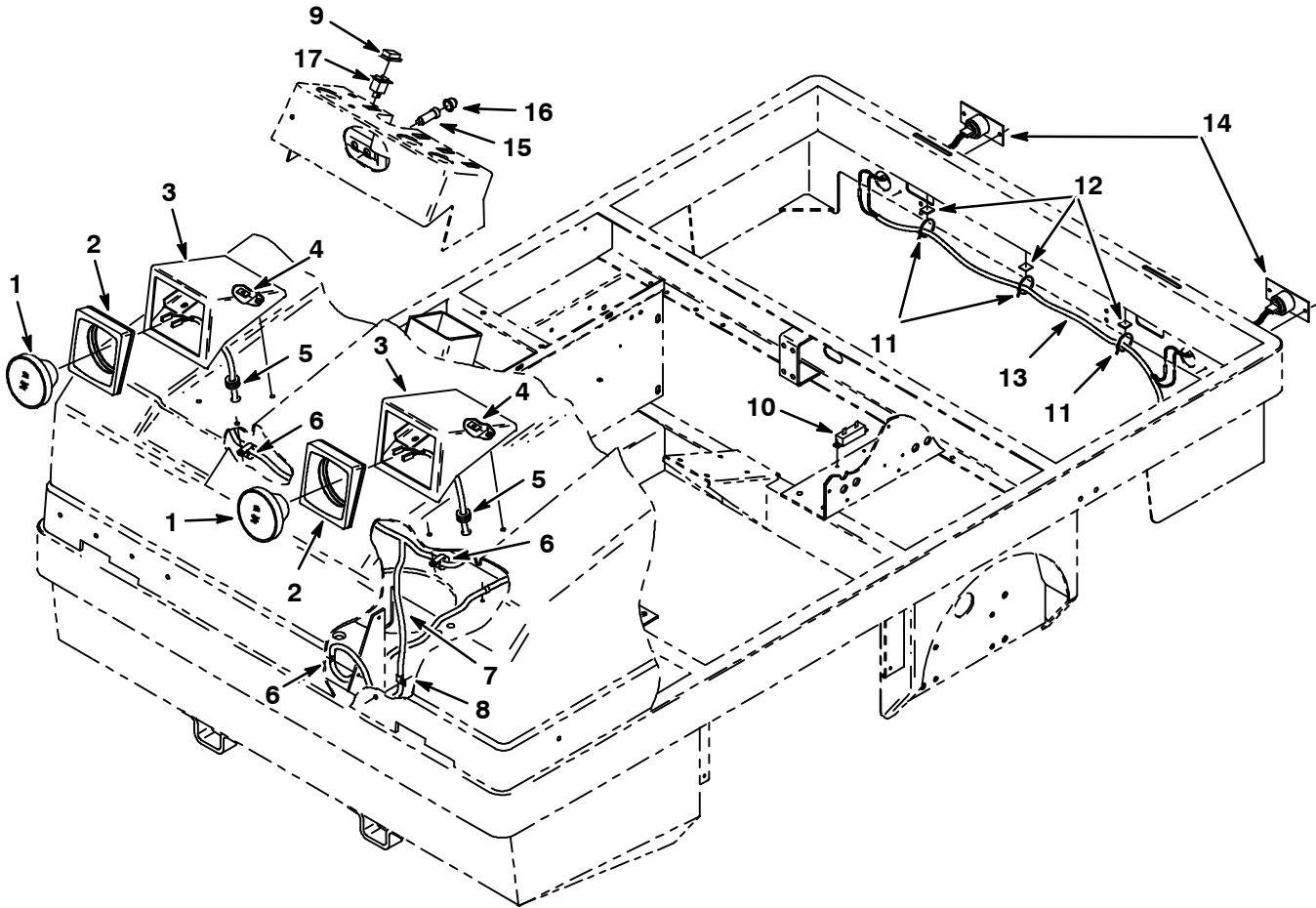


Fig. 1 - Extended Scrubbing Group

Ref.	Tennant Part No.	Machine Serial Number	Description	Qty.
1	79273-2	(004000-) Fitting, Barbed Coupling	1
79273-1	54333	(004000-) Clamp, Worm Drive	2
3	86487	(004000-) Hose, Vinyl	1
4	64743	(004000-) Fitting, Barbed Straight	1
∇	5 79326-1	(004000-) Pump, Water	1
▲	19960	(004000-) Repair Kit, Water Pump	1
6	86481	(004000-) Fitting	1
7	11399	(004000-) Clamp, Worm Drive	2
8	12537	(004000-) Hose, PVC	1
9	79273-1	(004000-) Fitting, Barbed Coupling	1
10	86927	(004000-) Bracket, Pump Mount	1
∇	11 12653	(004000-) Replacement Kit, Level Sensing Float	1
▲	12 86591	(004000-) Gasket	1
▲	13 44847	(004000-) Switch	1
14	44847	(004000-) Switch	1
15	370101	(004000-) Screen, Solution 10.5 Lg	1
16	14432	(004000-) Clamp, Worm Drive	2
17	86874	(004000-	Hose, Filler	1
18	12281	(004000-) Filler, Tank	1
19	48729	(004000-) Cap Kit, Drain	1
20	12333	(004000-) Screw, Nylon Lock, M8	2
21	86943	(004000-) Bracket, Mounting	1
22	65557	(004000-) Switch, Rocker	1
23	57807	(004000-) Seal, Rocker Switch	1
24	57751	(004000-) Boot, Circuit Breaker	1
25	57164	(004000-) Breaker, Circuit, 10 A	1
26	86864	(004000-) Cover, Switch	1
27	55248	(004000-) Mount, Cable Tie	1
28	49266	(004000-) Tie, Cable	4

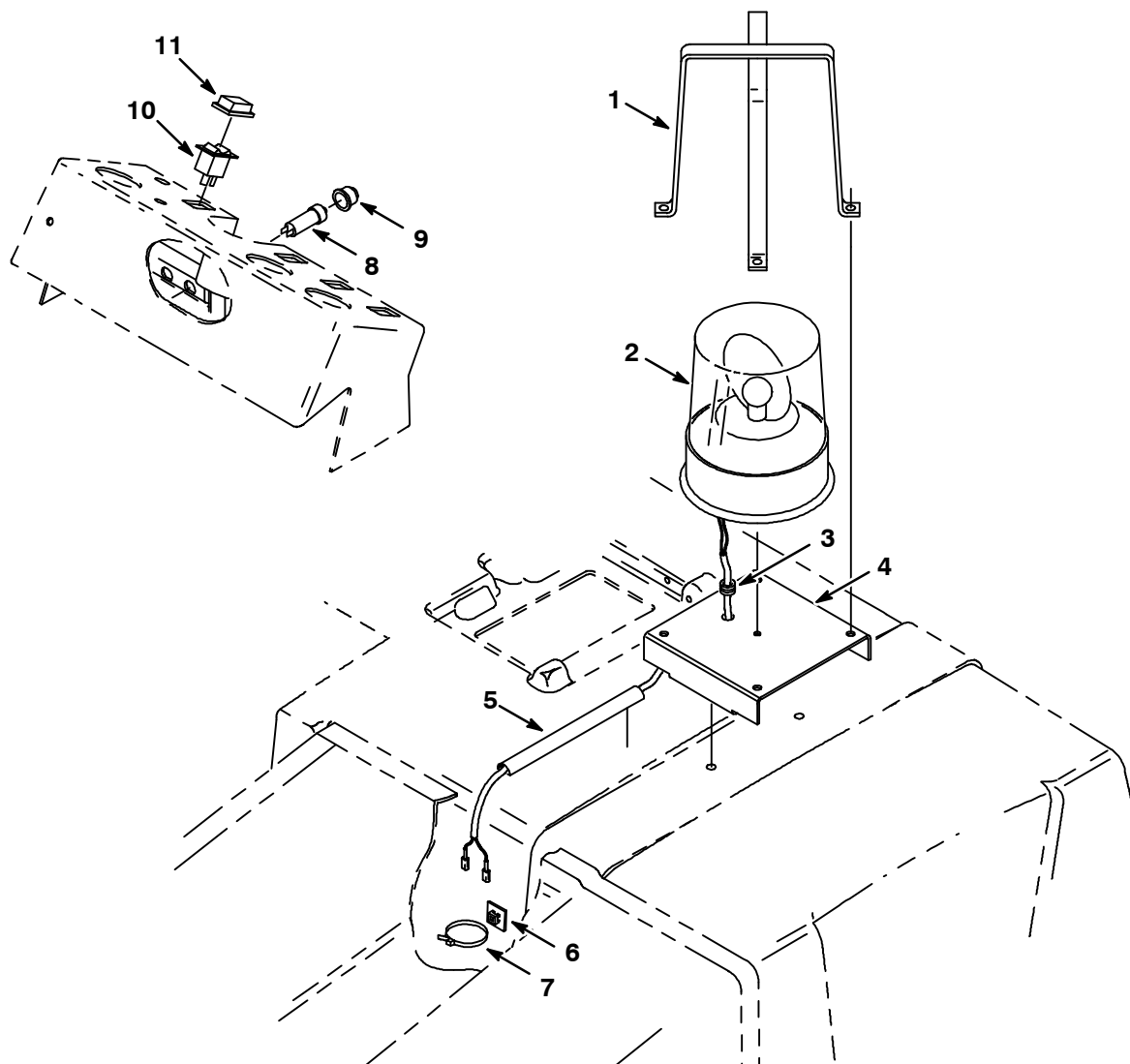
Fig. 2 - Light Kit



04146 - All

Ref.	Tennant Part No.	Machine Serial Number	Description	Qty.
▽	12347	(004000-) Light Kit	1
▲	1 45391	(004000-) Lamp	2
▲	2 87460	(004000-) Mount, Headlight	2
▲	3 86921	(004000-) Mount, Headlight	2
▲	4 12271	(004000-) U-Nut, M6	8
▲	5 86727	(004000-) Grommet	2
▲	6 26395-1	(004000-) Clamp, Cable	3
▲	7 86309	(004000-) Harness, Headlight	1
▲	8 40678	(004000-) Clamp, Cable	1
▲	9 57807	(004000-) Seal, Rocker Switch	1
▲	10 87349	(004000-) Resistor	1
▲	11 49266	(004000-) Tie, Cable	7
▲	12 55248	(004000-) Mount, Cable Tie	6
▲	13 86310	(004000-) Wire Harness, Taillight	1
▲▽	14 86940	(004000-) Taillight Assembly	2
▲▲	87948	(004000-) Bulb	1
▲▲	87949	(004000-) Socket Assembly	1
▲	15 57164	(004000-) Breaker, Circuit, 10 A	1
▲	16 57751	(004000-) Boot, Circuit Breaker	1
▲	17 81458	(004000-) Switch, Rocker	1

Fig. 3 - Warning Light Kit, Standard



04147 - All

Ref.	Tennant Part No.	Machine Serial Number	Description	Qty.
▽	12351	(004000-) Light Kit, Warning	1
▲	1 45272	(004000-) Guard, Light	1
▲▽	2 86314	(004000-) Light, Amber Revolving	1
▲▲	44681-1	(004000-) Lens, Amber Revolving Light	1
▲▲	45283	(004000-) Bulb	1
▲	3 10632-12	(004000-) Grommet, Rubber	1
▲	4 86617	(004000-) Bracket, Warning Light	1
▲	5 86330	(004000-) Duct, Vinyl	1
▲	6 55248	(004000-) Mount, Cable Tie	1
▲	7 49266	(004000-) Tie, Cable	1
▲	8 57164	(004000-) Breaker, Circuit, 10 A	1
▲	9 57751	(004000-) Boot, Circuit Breaker	1
▲	10 81458	(004000-) Switch, Rocker	1
▲	11 57807	(004000-) Seal, Rocker Switch	1
	44681	(004000-) Lens, Red Revolving Light	1
	44681-2	(004000-) Lens, Blue Revolving Light	1

Fig. 4 - Warning Light Kit, Overhead Guard

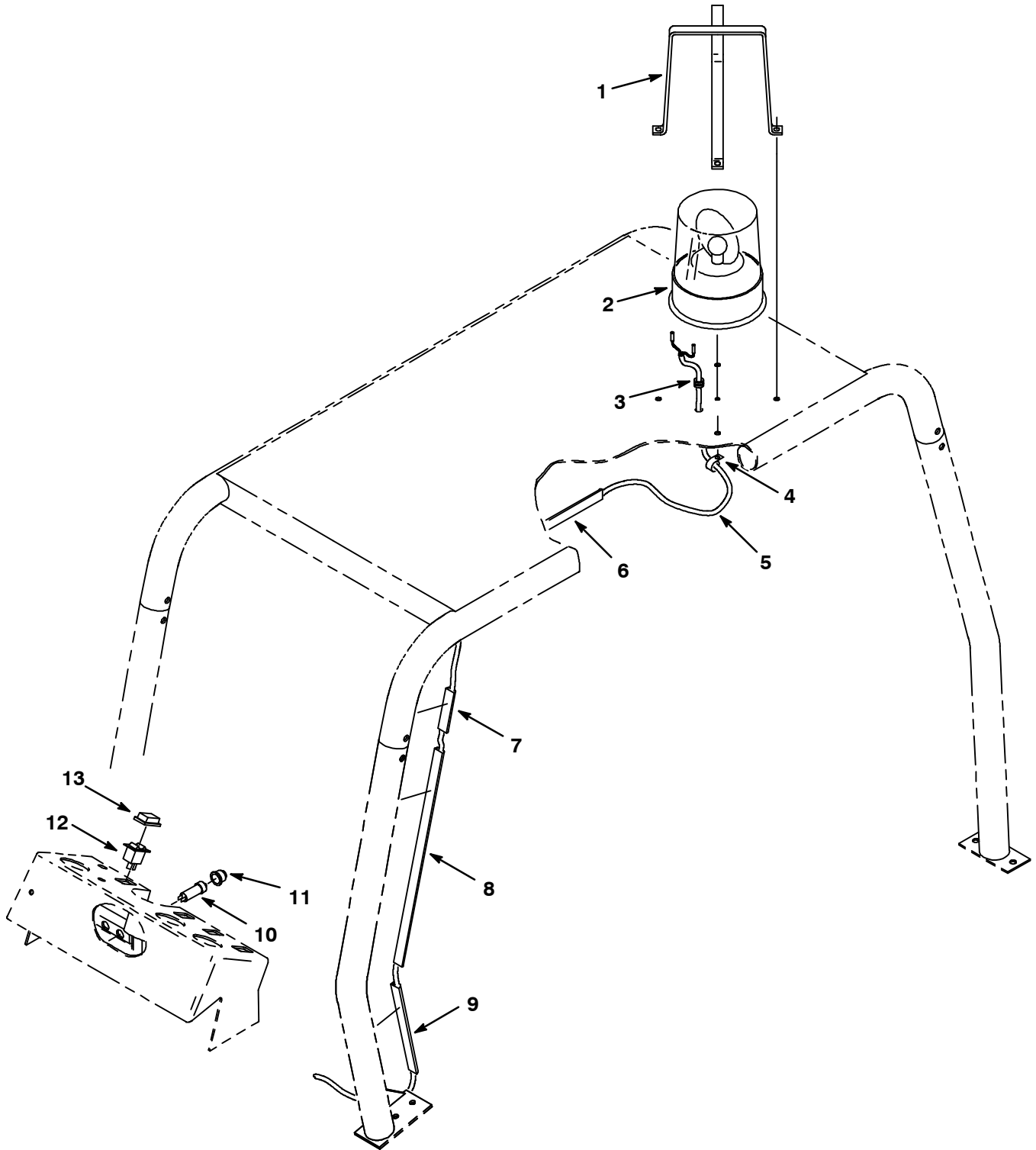
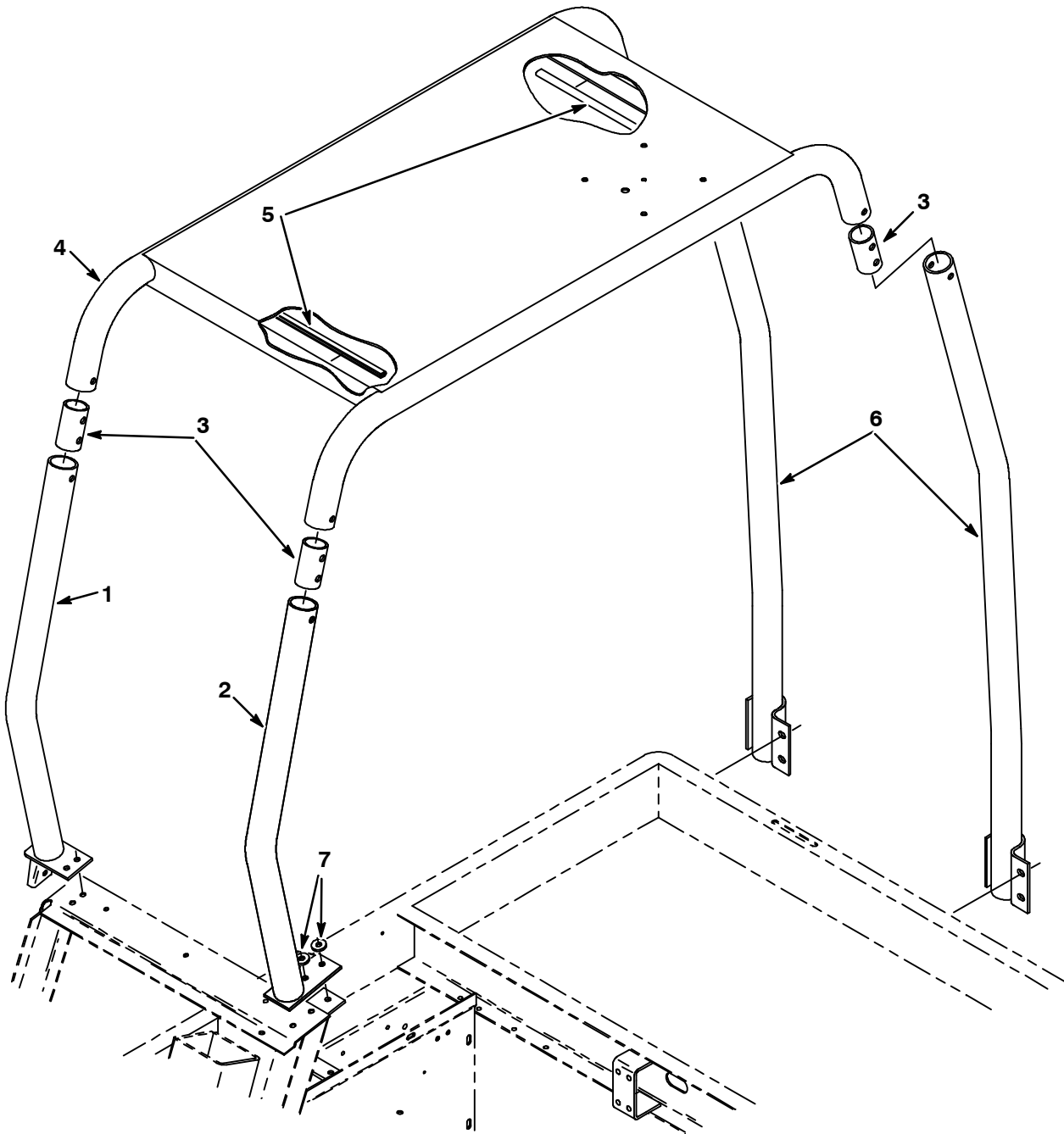


Fig. 4 - Warning Light Kit, Overhead Guard

	Ref.	Tennant Part No.	Machine Serial Number	Description	Qty.
▽		12353	(004000-) Light Kit, Warning	1
▲	1	45272	(004000-) Guard, Light	1
▲▽	2	87709	(004000-) Light, Amber Revolving	1
▲▲		44681-1	(004000-) Lens, Amber Revolving Light	1
▲▲		45283	(004000-) Bulb	1
▲	3	10632-12	(004000-) Grommet, Rubber	1
▲	4	26395-1	(004000-) Clamp, Cable	1
▲	5	86311	(004000-) Wire Harness, Light	1
▲	6	86332	(004000-) Duct, Vinyl	1
▲	7	86333	(004000-) Duct, Vinyl	1
▲	8	86331	(004000-) Duct, Vinyl	1
▲	9	86330	(004000-) Duct, Vinyl	1
▲	10	57164	(004000-) Breaker, Circuit, 10 A	1
▲	11	57751	(004000-) Boot, Circuit Breaker	1
▲	12	81458	(004000-) Switch, Rocker	1
▲	13	57807	(004000-) Seal, Rocker Switch	1
		44681	(004000-) Lens, Red Revolving Light	1
		44681-2	(004000-) Lens, Blue Revolving Light	1

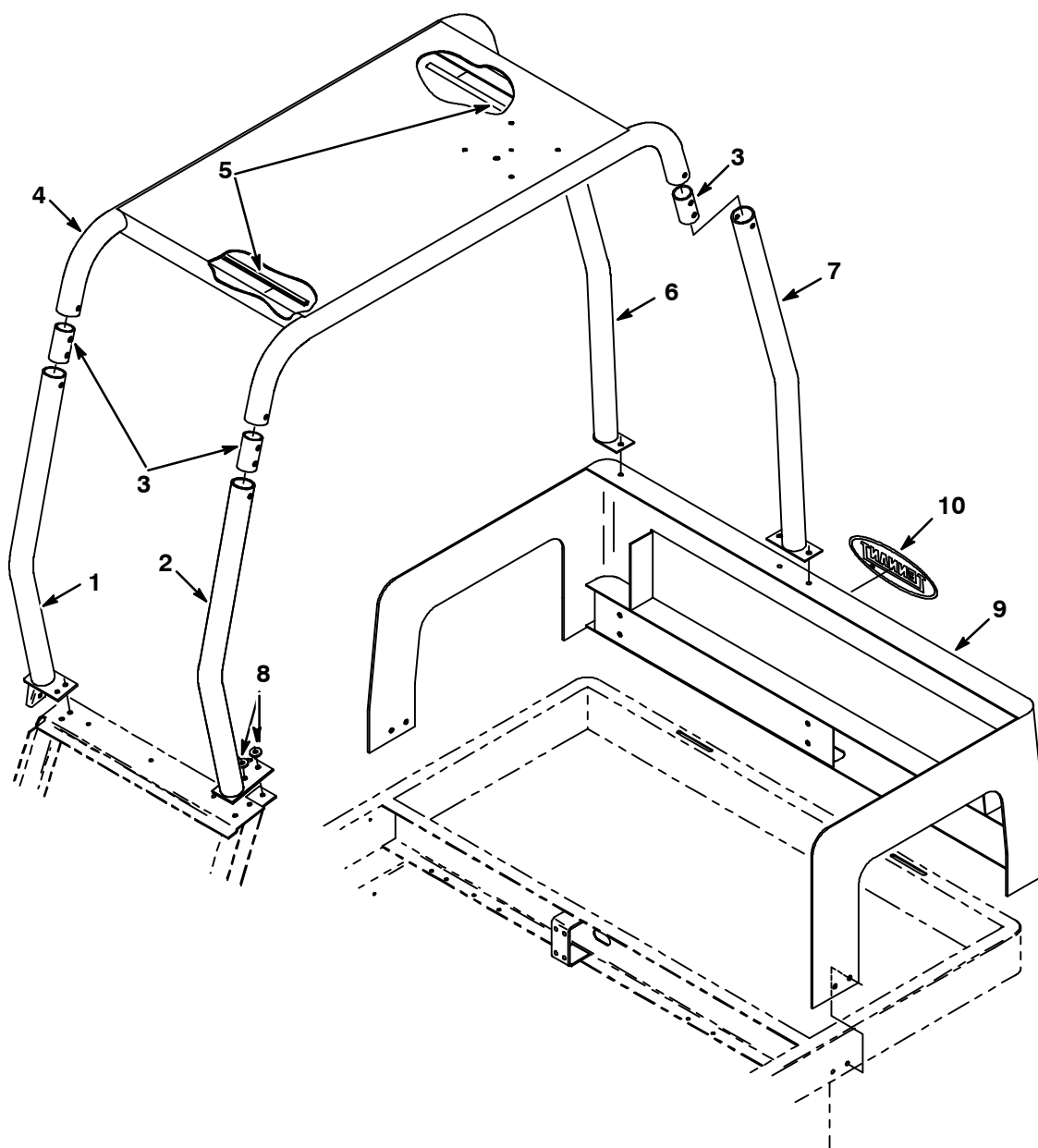
Fig. 5 - Overhead Guard Kit



04149 - All

Ref.	Tennant Part No.	Machine Serial Number	Description	Qty.
▽	12345	(004000-) Guard Kit, Overhead	1
▲ 1	86687	(004000-) Leg, Right Front	1
▲ 2	86686	(004000-) Leg, Left Front	1
▲ 3	86683	(004000-) Connector, Overhead Guard	4
▲ 4	86688	(004000-) Top, Overhead Guard	1
▲ 5	62595-20	(004000-) Molding, Rigid	2
▲ 6	86684	(004000-) Leg, Rear	2
▲ 7	41186	(004000-) Washer, Belleville	2

Fig. 6 - Heavy Duty Bumper and Overhead Guard Kit



04150 - All

Ref.	Tennant Part No.	Machine Serial Number	Description	Qty.
▽	12360	(004000-) Heavy Duty Bumper and Overhead Guard Kit	1
▲ 1	86687	(004000-) Leg, Right Front	1
▲ 2	86686	(004000-) Leg, Left Front	1
▲ 3	86683	(004000-) Connector, Overhead Guard	4
▲ 4	86688	(004000-) Top, Overhead Guard	1
▲ 5	62595-20	(004000-) Molding, Rigid	2
▲ 6	86979	(004000-) Bumper, R.H. Leg	1
▲ 7	86978	(004000-) Bumper, L.H. Leg	1
▲ 8	41186	(004000-) Washer, Belleville	15
▲ 9	12319	(004000-) Bumper, Heavy Duty	1
▲ 10	86877	(004000-) Label, TENNANT	1

Fig. 7 - Side Brush Motor Group

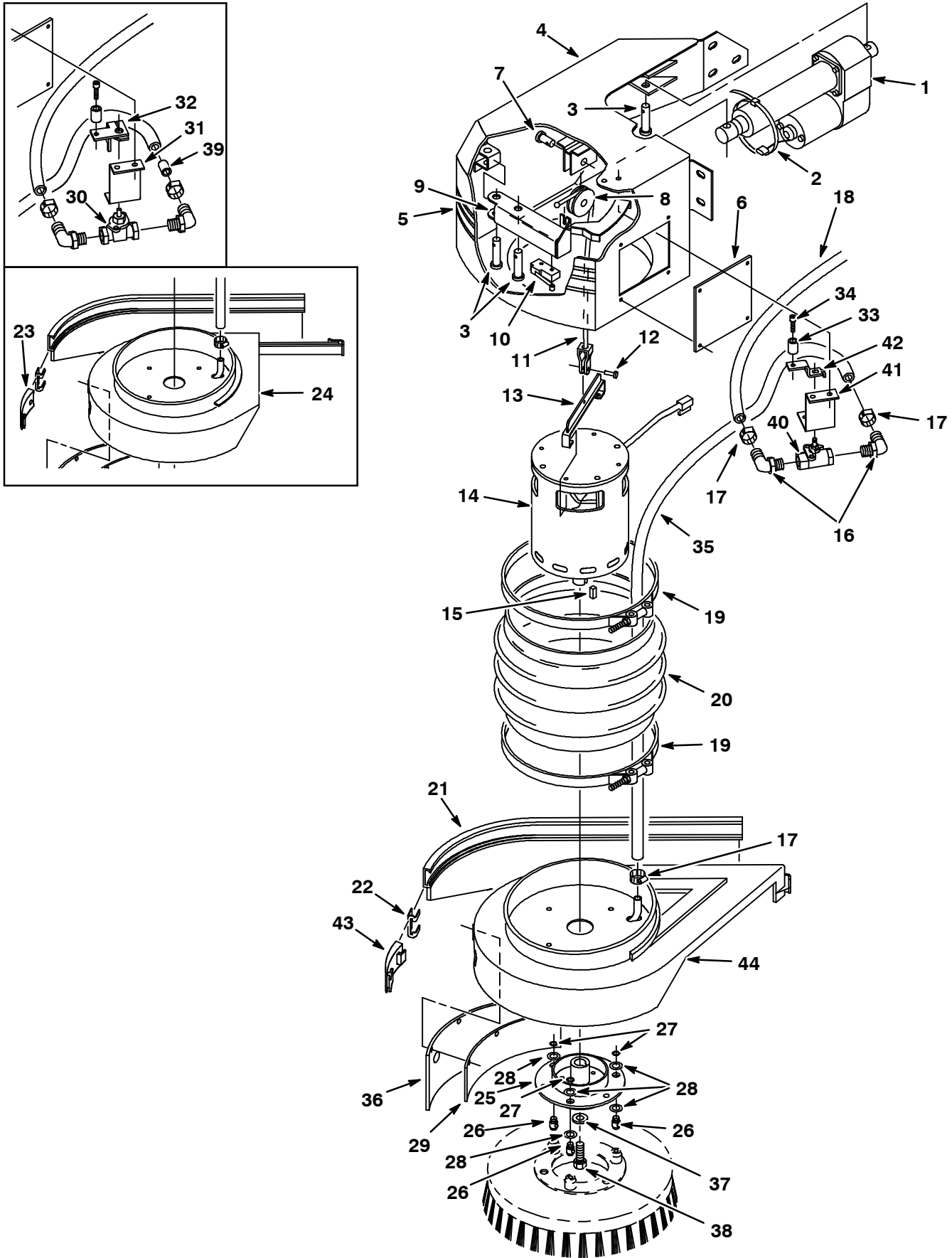
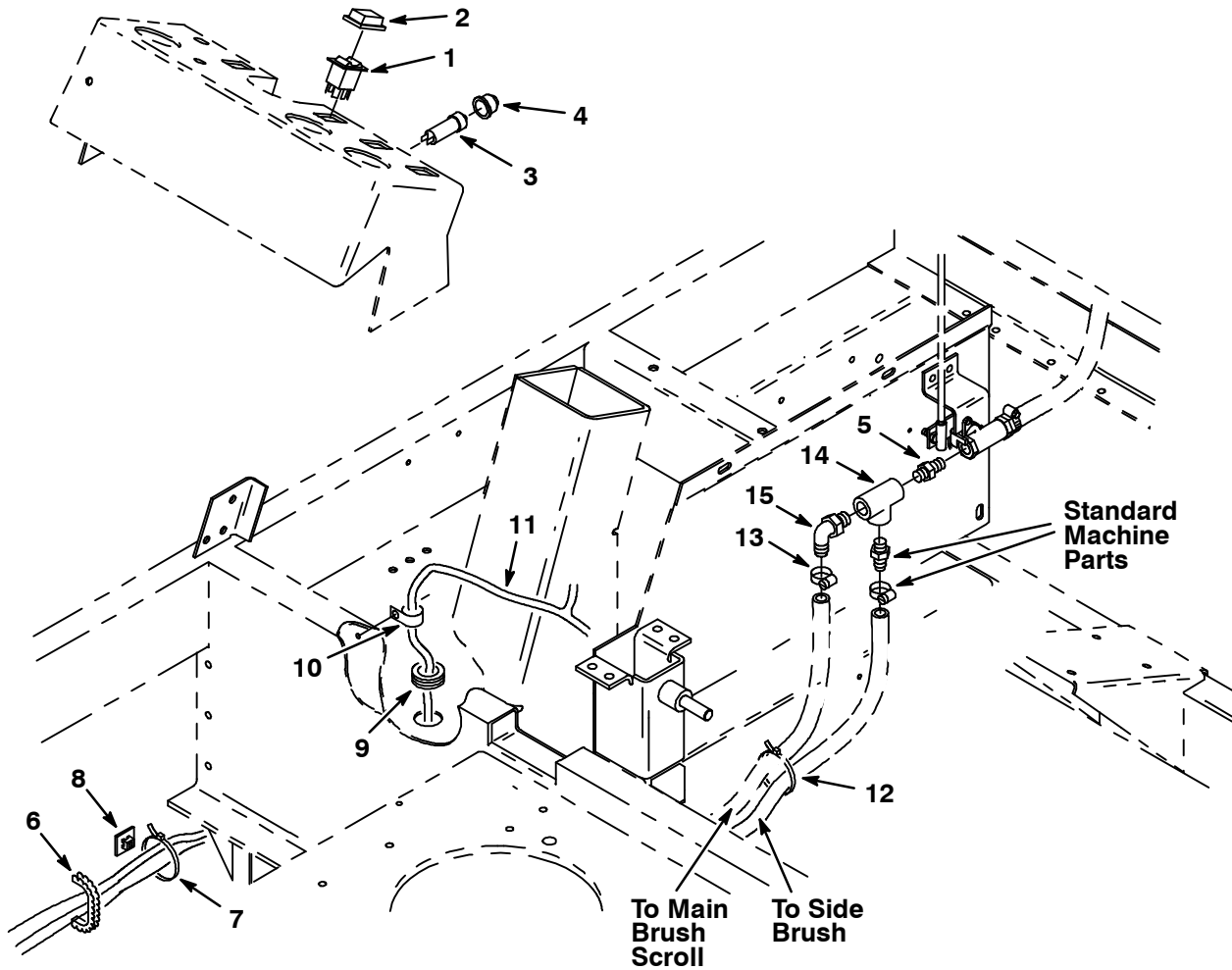


Fig. 7 - Side Brush Motor Group

Ref.	Tennant Part No.	Machine Serial Number	Description	Qty.	
1	01951	(004000-007499)	Activator	1	
2	49266	(004000-007499)	Tie, Cable	2	
3	51534	(004000-007499)	Pin, Clevis	3	
4	12325	(004000-007499)	Shroud, Side Brush	1	
5	86882	(004000-007499)	Label Kit, Striping	1	
6	86702	(004000-007499)	Plate, Inspection	1	
7	51530	(004000-007499)	Pin, Clevis	1	
8	58279	(004000-007499)	Pulley, Cable	1	
9	86724	(004000-007499)	Bracket, Lift	1	
10	82092	(004000-007499)	Switch, Roller	1	
11	86719	(004000-007499)	Cable, Lift	1	
12	76782	(004000-007499)	Pin, Clevis	1	
13	86737	(004000-007499)	Bracket	1	
14	63431	(004000-007499)	Motor, Electric (See Breakdowns)	1	
15	00926	(004000-007499)	Key, Square	1	
16	86509	(004000-007499)	Fitting, Barbed Elbow	2	
17	54333	(004000-007499)	Clamp, Worm Drive	3	
18	86502	(004000-007499)	Hose	1	
19	86722	(004000-007499)	Clamp, T-Bolt	2	
20	86721	(004000-007499)	Bellows	1	
21	86723	(004000-007499)	Squeegee, Side Brush	1	
22	86759	(004000-007499)	Retainer, Squeegee	1	
23	86988	(004000-004371)	Bumper, Side Brush	1	
24	12372	(004000-004371)	Shroud Replacement Kit, Brush	1	
▽	25	12654	(004000-007499)	Drive Plate Assembly	1
▲	26	86734	(004000-007499)	Pin, Ball	3
▲	27	45127	(004000-007499)	Ring, Retaining	3
▲	28	46277	(004000-007499)	Washer	6
	29	12677	(004000-007499)	Retainer, Side Brush	1
	30	12061	(004000-004165)	Valve Replacement Kit, Water	1
	31	12681	(004000-004165)	Bracket, Valve	1
	32	64785	(004000-004165)	Arm, Strip	1
	33	12684	(004000-007499)	Bearing, Poly	1
	34	06532	(004000-007499)	Screw, Socket, M6	1
	35	12685	(004000-007499)	Hose	1
	36	12678	(004000-007499)	Skirt, Side Brush	1
	37	41186	(004000-007499)	Washer, Belleville	1
	38	32124	(004000-007499)	Screw, Nylon Lock	1
	39	09900-1	(004000-004371)	Sleeve	1
	40	12083	(004166-007499)	Valve, Water	1
	41	12071	(004166-007499)	Bracket, Valve	1
	42	12068	(004166-007499)	Arm, Valve	1
	43	12421	(004372-007499)	Bumper, Side Brush	1
	44	12327	(004372-007499)	Shroud, Brush	1

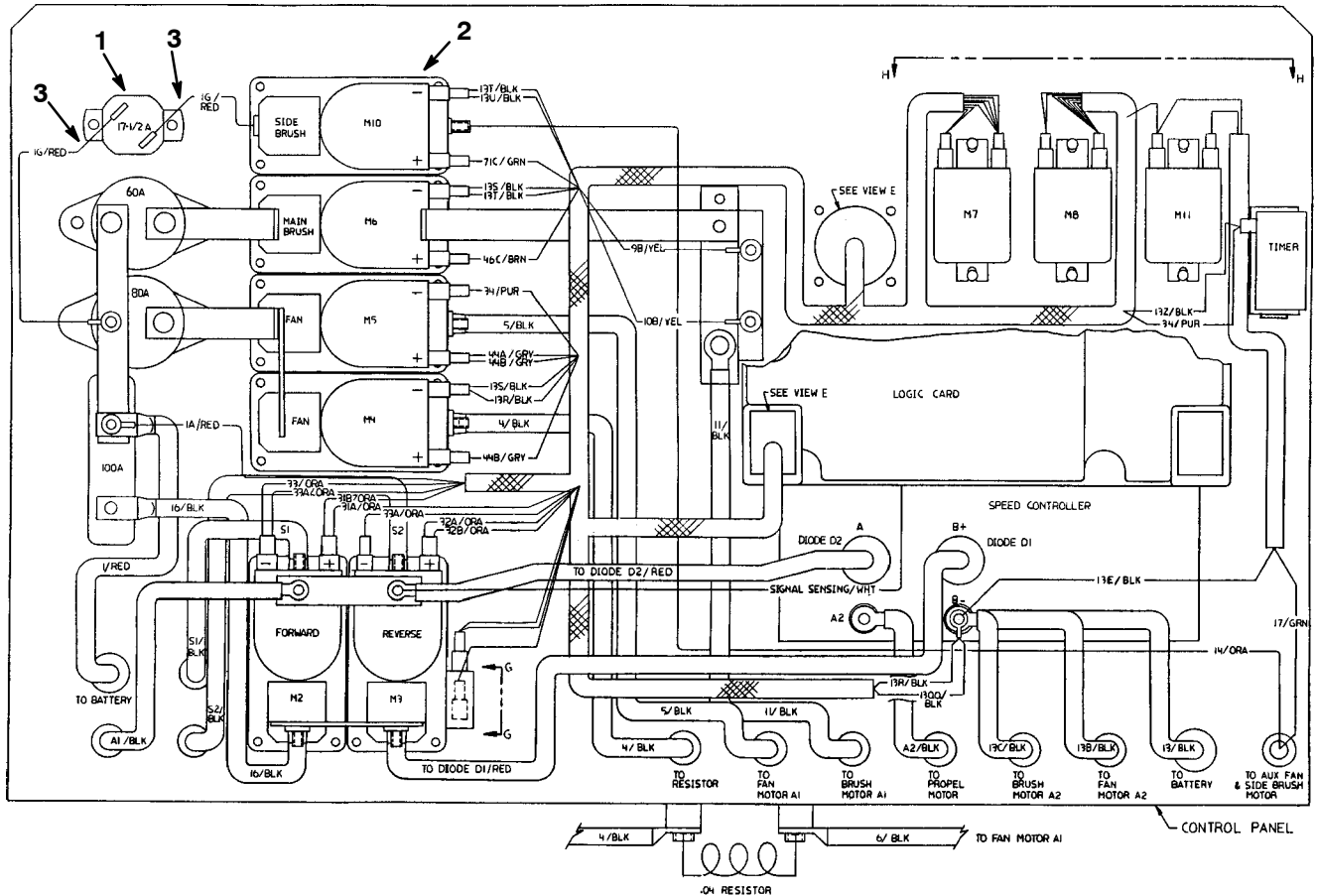
Fig. 8 - Side Brush Solution Control and Instrument Panel Group



04152 - All

Ref.	Tennant Part No.	Machine Serial Number	Description	Qty.
1	81457	(004000-007499)	Switch, Rocker	1
2	57807	(004000-007499)	Seal, Rocker Switch	1
3	57164	(004000-007499)	Breaker, Circuit, 10 A	1
4	57751	(004000-007499)	Boot, Circuit Breaker	1
5	86508	(004000-007499)	Fitting, Straight	1
6	12690	(004000-007499)	Grommet, Flexible	1
7	49266	(004000-007499)	Tie, Cable	8
8	55248	(004000-007499)	Mount, Cable Tie	2
9	10632	(004000-007499)	Grommet, Rubber	1
10	40678-1	(004000-007499)	Clamp, Cable	1
11	86312	(004000-007499)	Wire Harness, Side Brush	1
12	49263	(004000-007499)	Tie, Cable	1
13	54333	(004000-007499)	Clamp, Worm Drive	1
14	79497	(004000-007499)	Fitting, Tee	1
15	86509	(004000-007499)	Fitting, Elbow	1

Fig. 9 - Side Brush Electrical Group



04153 - All

Ref.	Tennant Part No.	Machine Serial Number	Description	Qty.
1	63030	(004000-007499)	Breaker, Circuit, 17.5 A	1
2	86375	(004000-007499)	Contactur	1
3	86505	(004000-007499)	Wire Assembly	2

Fig. 10 - Vacuum Wand Kit

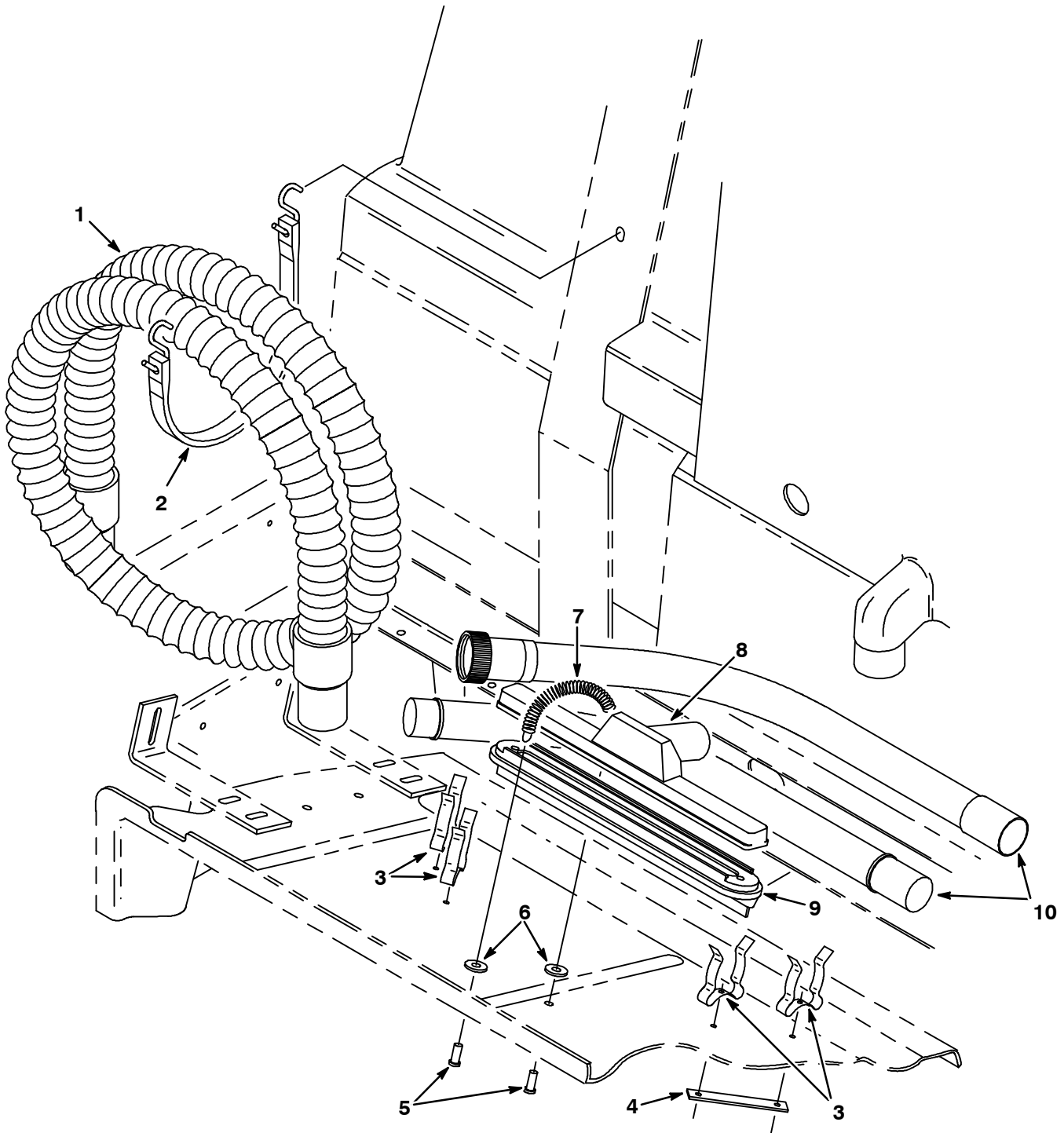
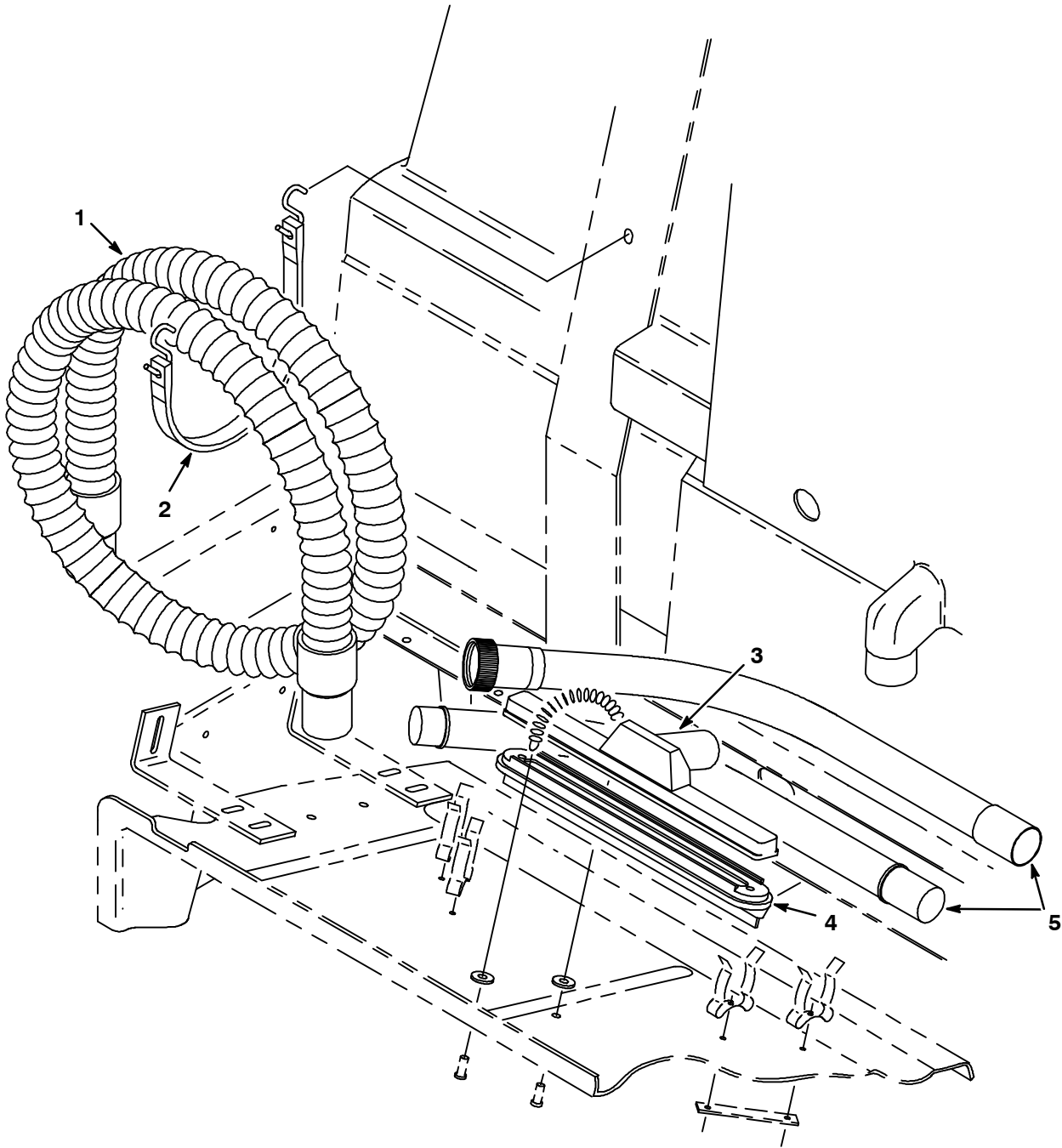


Fig. 10 - Vacuum Wand Kit

	Ref.	Tennant Part No.	Machine Serial Number	Description	Qty.
▽		12357	(004000-007499)	Wand Kit, Vacuum	1
▲	1	86767	(004000-007499)	Hose Assembly	1
▲	2	57769	(004000-007499)	Strap, Rubber	1
▲	3	22473	(004000-007499)	Clip, Finger Grip	4
▲	4	12320	(004000-007499)	Plate, Mounting	2
▲	5	10120	(004000-007499)	Pin, Clevis	2
▲	6	57429	(004000-007499)	Nut, Push On	2
▲	7	50304	(004000-007499)	Spring, Extension	1
▲	8	63451	(004000-007499)	Nozzle, Wand	1
▲	9	63430	(004000-007499)	Shoe, Squeegee	1
▲	10	63448	(004000-007499)	Wand, 2 Piece	1

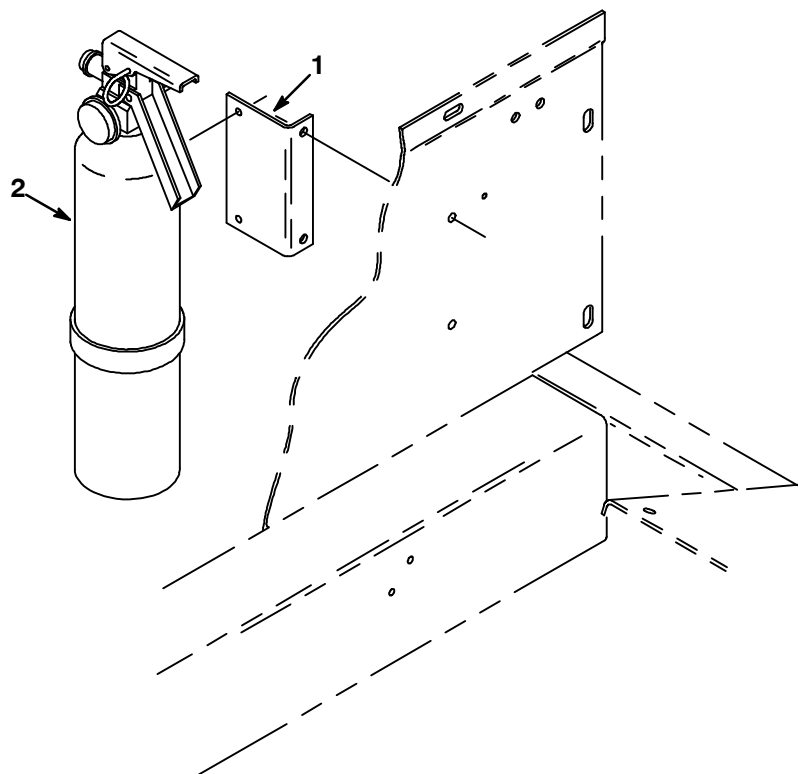
Fig. 11 - Vacuum Wand Kit



05866 - All

Ref.	Tennant Part No.	Machine Serial Number	Description	Qty.
▽	50163	(007500-) Wand Kit, Vacuum	1
▲	1 86767	(007500-) Hose Assembly	1
▲	2 57769	(007500-) Strap, Rubber	1
▲	3 63451	(007500-) Nozzle, Wand	1
▲	4 63430	(007500-) Shoe, Squeegee	1
▲	5 63448	(007500-) Wand, 2 Piece	1

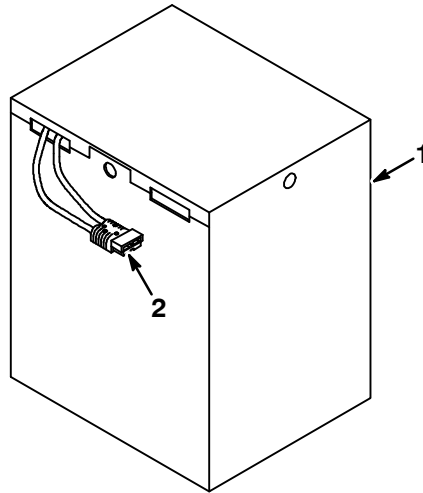
Fig. 12 - Fire Extinguisher Kit



04156 - All

	Ref.	Tennant Part No.	Machine Serial Number	Description	Qty.
▽		12341	(004000-) Extinguisher Kit, Fire	1
▲	1	86621	(004000-) Bracket, Fire Extinguisher	1
▲	2	25312	(004000-) Extinguisher, Fire	1

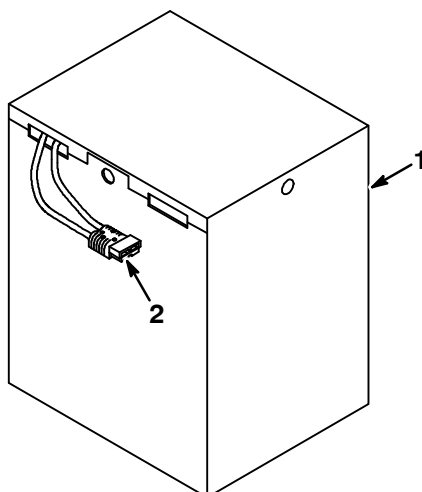
Fig. 13 - Battery Group, Wet, 600 A/h



04162 - All

	Ref.	Tennant Part No.	Machine Serial Number	Description	Qty.
▽	1	33519	(004000-007499)	Battery, Wet (Replace by 31976)	+ 2
▲	2	47985	(004000-007499)	Connector, Orange, 175 A	1
▽		31977	(007500-) Battery, Wet	+ 2
▲		35094	(007500-) Connector, Orange, 350 A	1

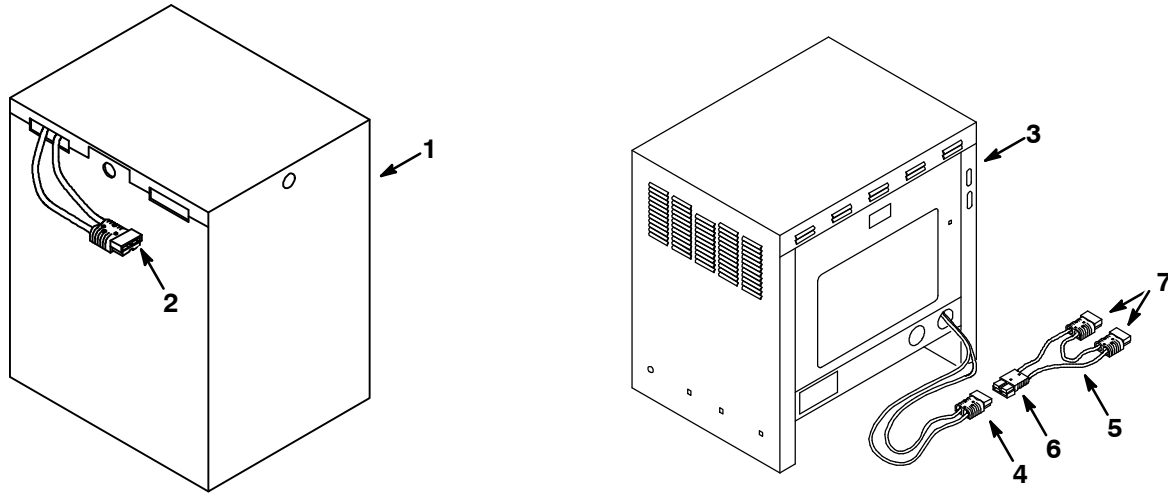
Fig. 14 - Battery Group, Dry, 600 A/h



04162 - All

	Ref.	Tennant Part No.	Machine Serial Number	Description	Qty.
▽	1	24046	(000000-)	Battery, Dry	1 2
▲	2	47985	(000000-)	Connector, Orange, 175 A	1

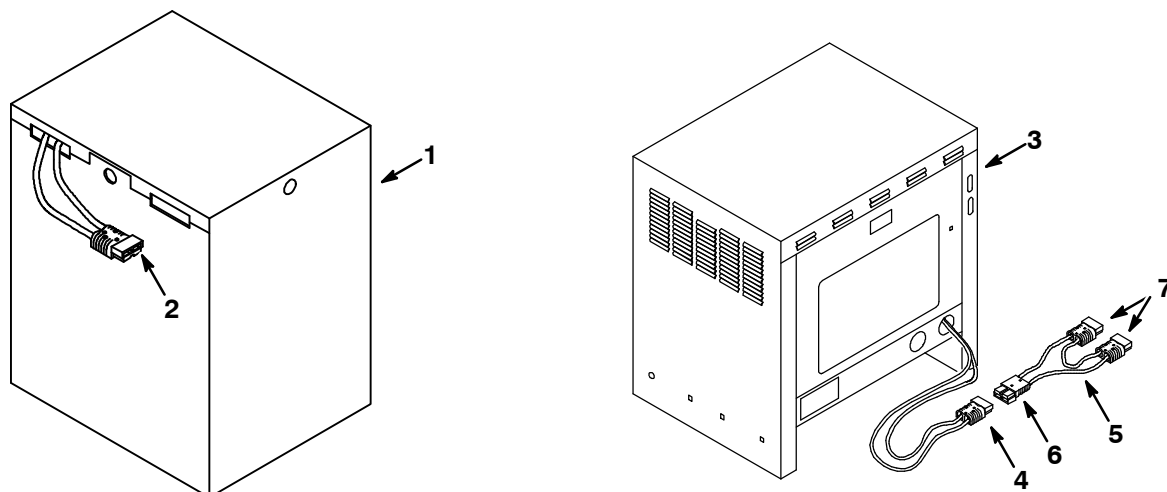
Fig. 15 - Battery And Charger Kit, 60H/480V



350444 - 04162 - NA

	Ref.	Tennant Part No.	Machine Serial Number	Description	Qty.
▽		23331	(000000-) Batt/Chgr Kit Exide 3/60H/480V	1
▲▽	1	23330	(000000-) Battery, 18V, 660 Amp Hr, Wet	1 2
▲▲	2	35094	(000000-) Connector, Orange, 350 A	1
▲▽	3	23450	(000000-) Charger, 36V 108A 60H/3Ph 480V	1
▲▲	4	22892	(000000-) Connector, Gray, 175 A	1
▲▽	5	41475	(000000-) Wire Harness, Battery	1
▲▲	6	22892	(000000-) Connector, Gray, 175 A	1
▲▲	7	35094	(000000-) Connector, Orange, 350 A	2

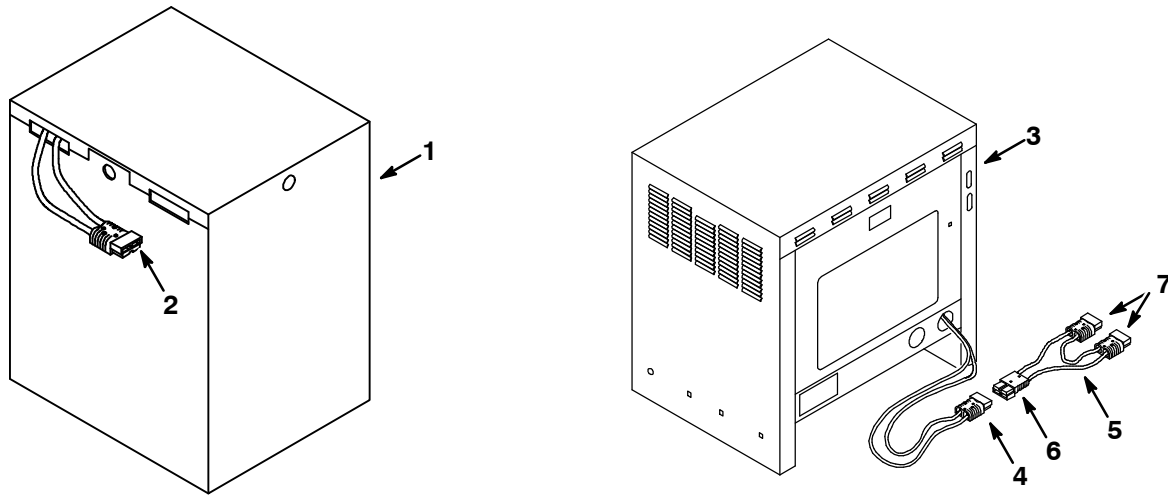
Fig. 16 - Battery And Charger Kit, 60H/550V



350444 - 04162 - NA

Ref.	Tennant Part No.	Machine Serial Number	Description	Qty.
∇	23356	(000000-)	Batt/Chgr Kit Exide 3/60H/480V	1
▲∇ 1	23330	(000000-)	Battery, 18V, 660 Amp Hr, Wet	1+2
▲▲ 2	35094	(000000-)	Connector, Orange, 350 A	1
▲∇ 3	23360	(000000-)	Charger, 36V 108A 60H/3Ph 550V	1
▲▲ 4	22892	(000000-)	Connector, Gray, 175 A	1
▲∇ 5	41475	(000000-)	Wire Harness, Battery	1
▲▲ 6	22892	(000000-)	Connector, Gray, 175 A	1
▲▲ 7	35094	(000000-)	Connector, Orange, 350 A	2

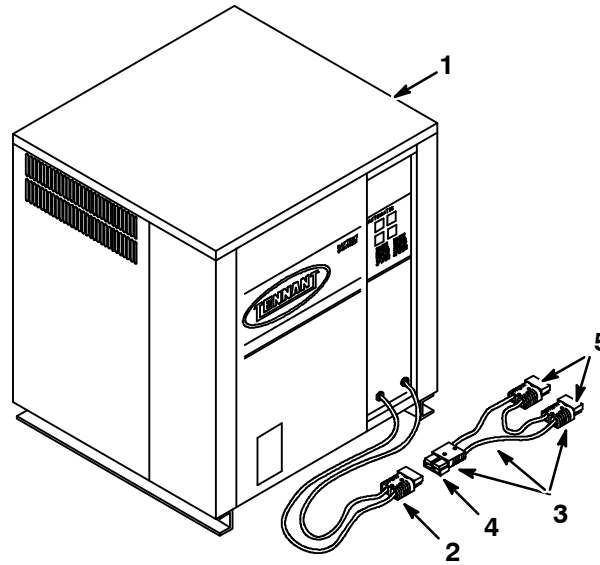
Fig. 17 - Battery And Charger Kit, 60H/600V



350444 - 04162 - NA

Ref.	Tennant Part No.	Machine Serial Number	Description	Qty.
▽	23357	(000000-)	Batt/Chgr Kit Exide 3/60H/480V	1
▲▽ 1	23330	(000000-)	Battery, 18V, 660 Amp Hr, Wet	↑ 2
▲▲ 2	35094	(000000-)	Connector, Orange, 350 A	1
▲▽ 3	23361	(000000-)	Charger, 36V 108A 60H/3Ph 600V	1
▲▲ 4	22892	(000000-)	Connector, Gray, 175 A	1
▲▽ 5	41475	(000000-)	Wire Harness, Battery	1
▲▲ 6	22892	(000000-)	Connector, Gray, 175 A	1
▲▲ 7	35094	(000000-)	Connector, Orange, 350 A	2

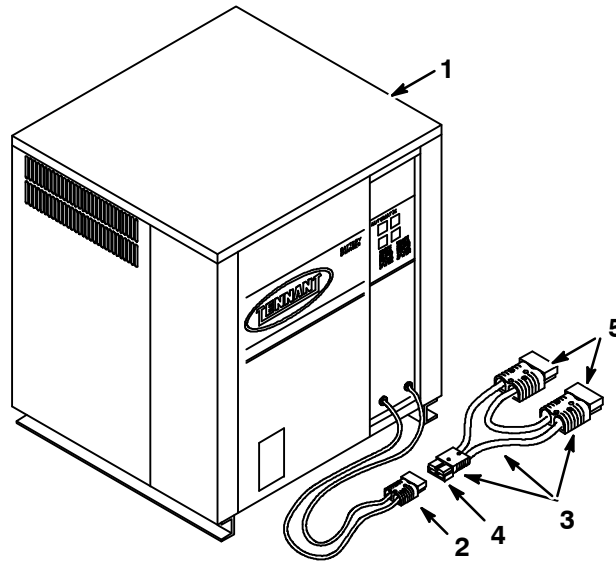
Fig. 18 - Battery Charger Kit, 120 A, 208/240/480 V, 3 ph



04157 - NA

Ref.	Tennant Part No.	Machine Serial Number	Description	Qty.
▽	86969	(004000-007499)	Charger Kit, Battery	1
▲▽ 1	24028	(004000-007499)	Charger, Battery	1
▲▲ 2	22892	(004000-007499)	Connector, Gray, 175 A	1
▲▽ 3	86313	(004000-007499)	Wire Harness, Battery	1
▲▲ 4	22892	(004000-007499)	Connector, Gray, 175 A	1
▲▲ 5	47985	(004000-007499)	Connector, Orange, 175 A	2

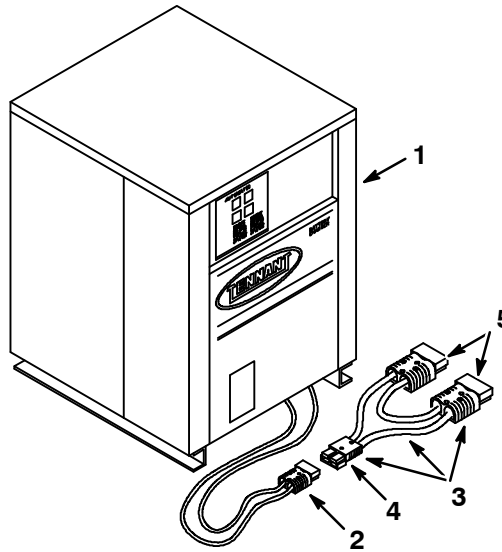
Fig. 19 - Battery Charger Kit, 120 A, 208/240/480 V, 3 ph



04158 - NA

Ref.	Tennant Part No.	Machine Serial Number	Description	Qty.
▽	24008	(007500-) Charger Kit, Battery	1
▲▽ 1	24028	(007500-) Charger, Battery	1
▲▲ 2	22892	(007500-) Connector, Gray, 175 A	1
▲▽ 3	41475	(007500-) Wire Harness, Battery	1
▲▲ 4	22892	(007500-) Connector, Gray, 175 A	1
▲▲ 5	35094	(007500-) Connector, Orange, 350 A	2

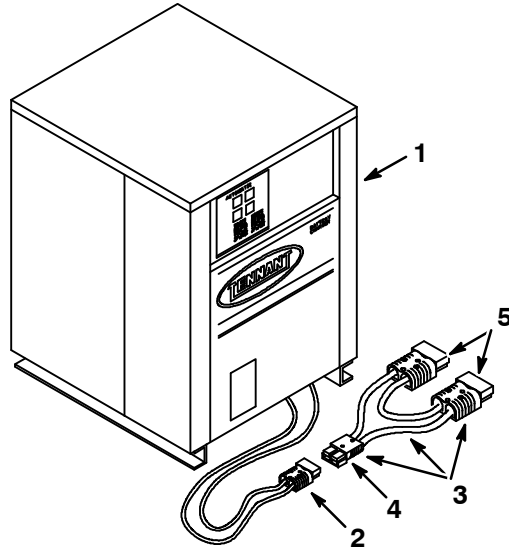
Fig. 20 - Battery Charger Kit, 120 A, 208/240/480 V, 1 ph



04159 - NA

Ref.	Tennant Part No.	Machine Serial Number	Description	Qty.
▽	86968	(004000-007499)	Charger Kit, Battery	1
▲▽	1 24026	(004000-007499)	Charger, Battery	1
▲▲	2 22892	(004000-007499)	Connector, Gray, 175 A	1
▲▽	3 86313	(004000-007499)	Wire Harness, Battery	1
▲▲	4 22892	(004000-007499)	Connector, Gray, 175 A	1
▲▲	5 47985	(004000-007499)	Connector, Orange, 175 A	2

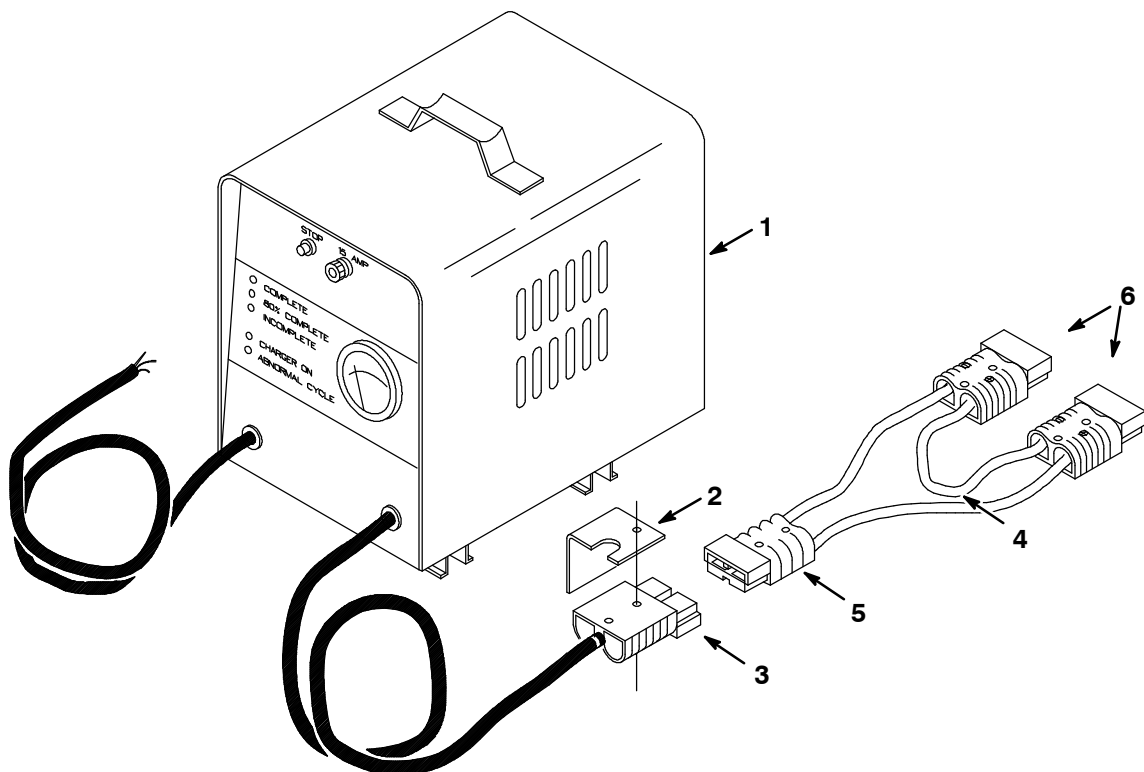
Fig. 21 - Battery Charger Kit, 120 A, 208/240/480 V, 1 ph



04160 - NA

	Ref.	Tenant Part No.	Machine Serial Number	Description	Qty.
▽		24007	(007500-) Charger Kit, Battery	1
▲▽	1	24026	(007500-) Charger, Battery	1
▲▲	2	22892	(007500-) Connector, Gray, 175 A	1
▲▽	3	41475	(007500-) Wire Harness, Battery	1
▲▲	4	22892	(007500-) Connector, Gray, 175 A	1
▲▲	5	35094	(007500-) Connector, Orange, 350 A	2

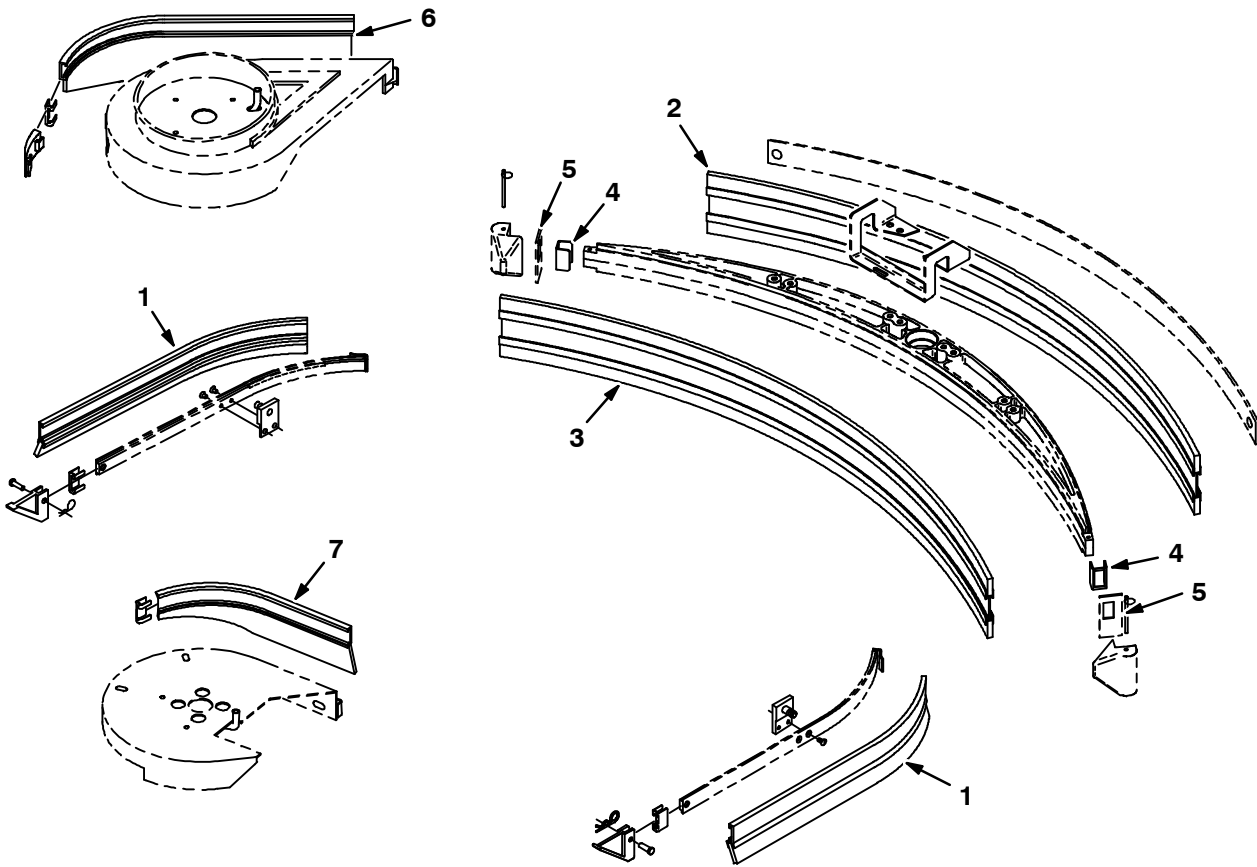
Fig. 22 - Battery Charger Kit, 36V, 40A, 115V AC



350450 - NA

Ref.	Tennant Part No.	Machine Serial Number	Description	Qty.
▽	24004	(000000-)	Charger Kit, Battery, 36V, 40A, 115V AC	1
▲▽	1 65571	(000000-)	Charger Assy, 30A/36V/60H/115V	1
▲▲	2 65568	(000000-)	Bracket, Charges	1
▲▲	3 22892	(000000-)	Connector, Gray, 175 A	1
▲▽	4 41475	(000000-)	Wire Harness, Battery	1
▲▲	5 22892	(000000-)	Connector, Gray, 175 A	1
▲▲	6 35094	(000000-)	Connector, Orange, 350 A	2

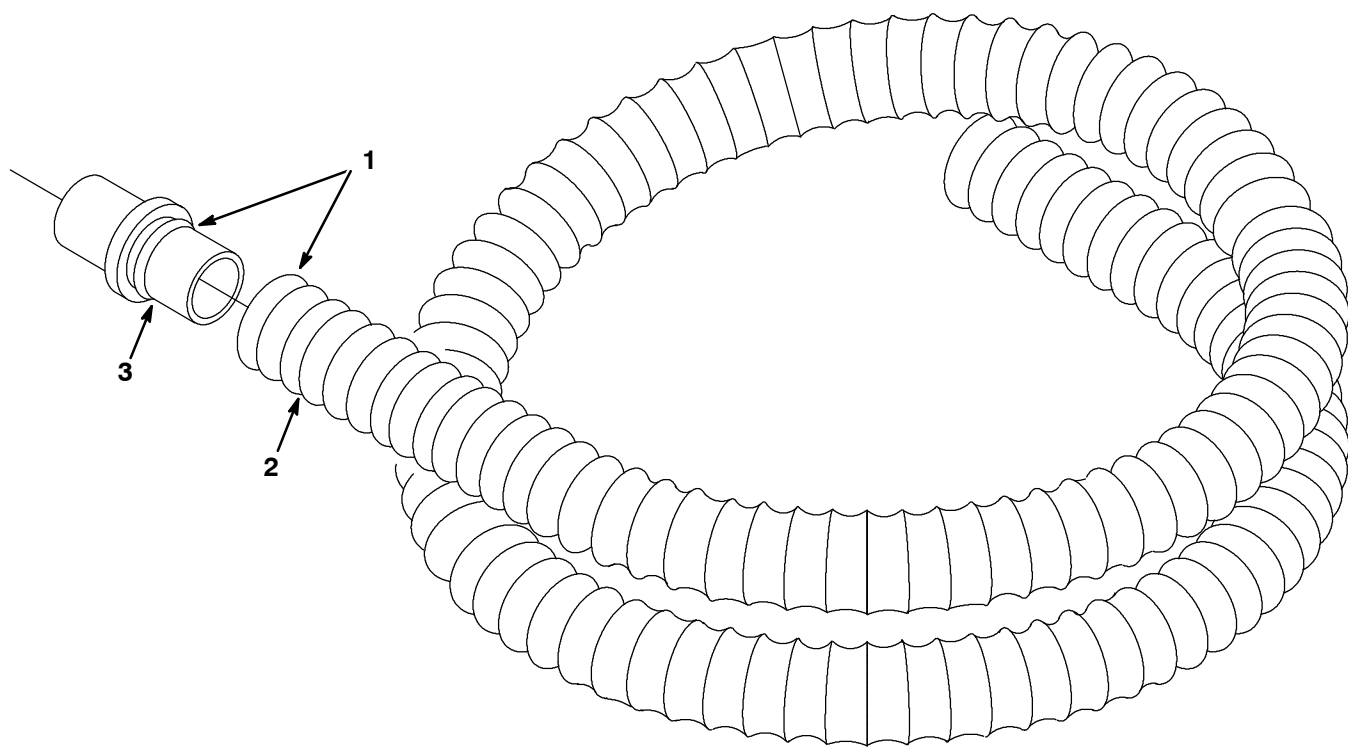
Fig. 23 - Urethane Squeegee Kit



05867 - All

Ref.	Tennant Part No.	Machine Serial Number	Description	Qty.	
▽	12506	(004000-) Squeegee Kit, Urethane	1	
▲	1	12472	(004000-) Squeegee, Side	2
▲	2	12470	(004000-) Squeegee, Rear	1
▲	3	12467	(004000-) Squeegee, Front	1
▲	4	12542	(004000-) Bracket, Retainer	2
▲	5	86812	(004000-) Gasket, Squeegee	2
	6	12503	(004000-007499) Squeegee, Side Brush	1
	7	33966	(007500-) Squeegee, Side Brush	1

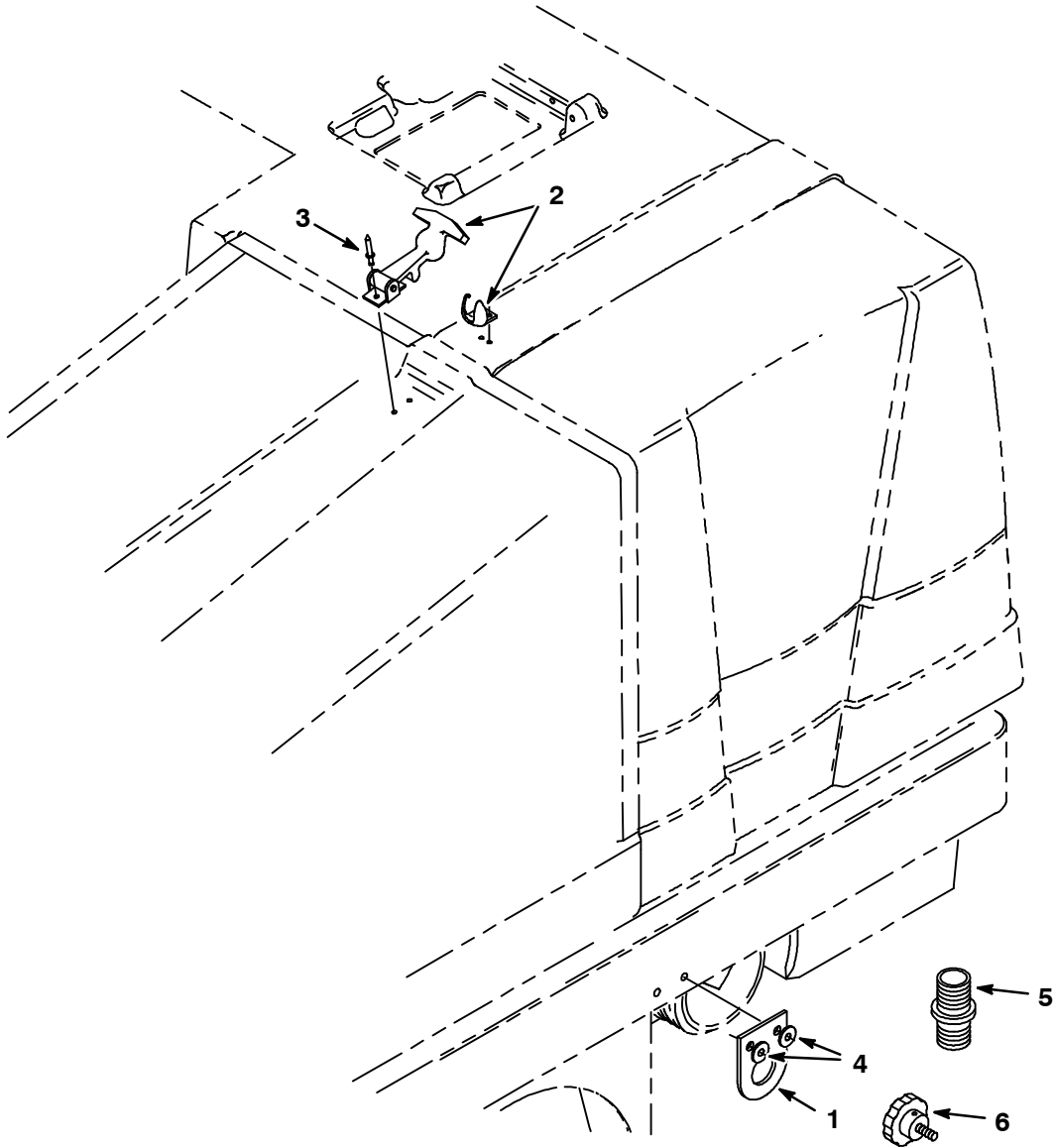
Fig. 24 - Drain Hose Extension Kit



352013 - All

	Ref.	Tennant Part No.	Machine Serial Number	Description	Qty.
∇		378729	(000000-) Hose, Drain, Extension	1
▲∇	1	378728	(000000-) Hose Assy, Drain	1
▲▲	2	378726	(000000-) Hose, Drain	1
▲▲	3	378727	(000000-) Ftg, Plastic, Coupling	1

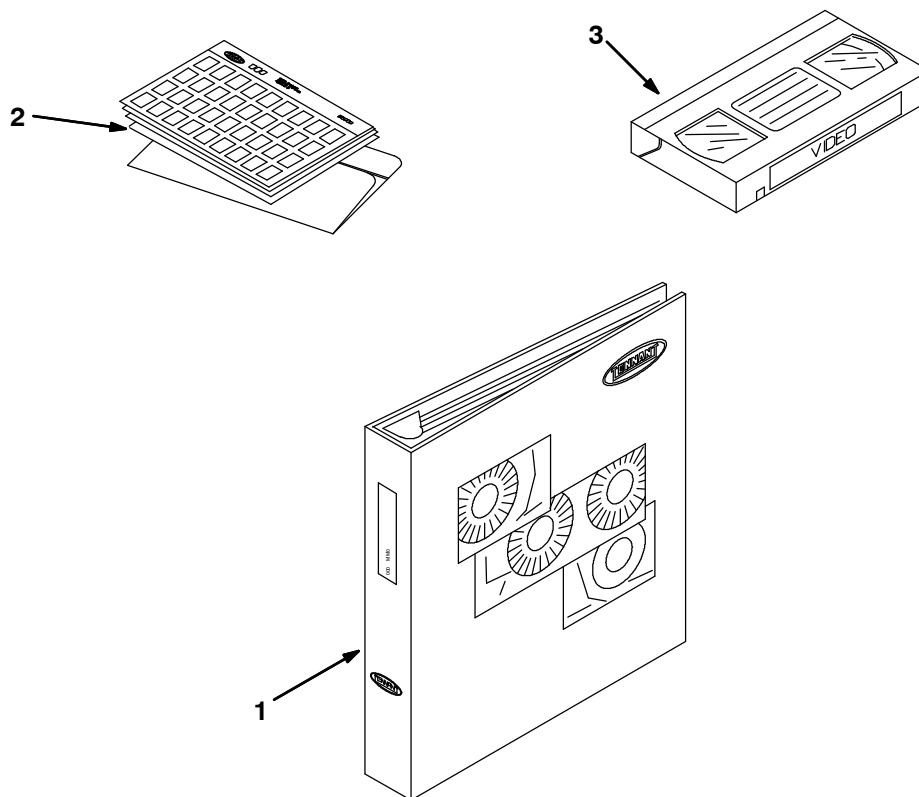
Fig. 25 - Transport Kit



04155 - NA

Ref.	Tennant Part No.	Machine Serial Number	Description	Qty.
▽	12339	(004000-) Transport Kit	1
▲ 1	86895	(004000-) Bracket, Tie Down	3
▲ 2	57260	(004000-) Handle Assembly, Rubber	1
▲ 3	41732	(004000-) Rivet, Pop	2
▲ 4	41187	(004000-) Washer, Belleville	4
▲ 5	12694	(004000-) Fitting, Coupling	1
▲ 6	12367	(004000-) Knob	1

Fig. 26 - Documentation Group



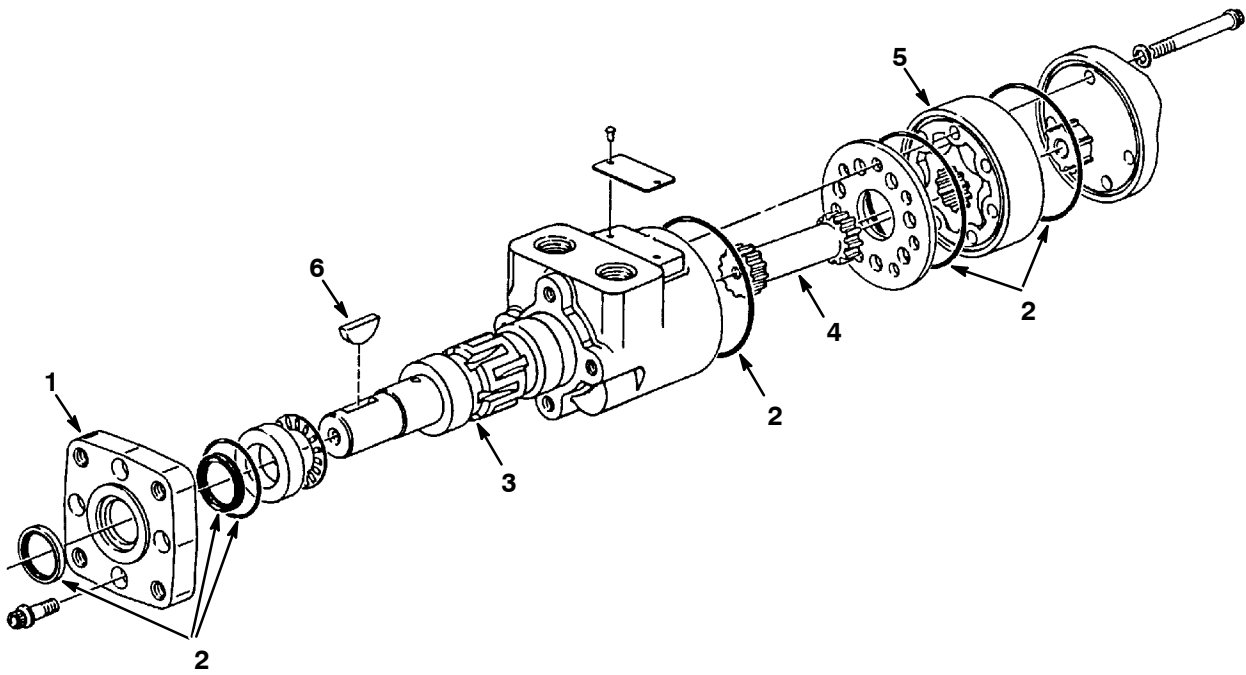
07501 - NA

Ref.	Tennant Part No.	Machine Serial Number	Description	Qty.
1	MM178	(000000-) Manual Pkg 530E	1
2	85178	(000000-) Manual-Fiche Pkg 530E	1
3	33341	(000000-) Video, Operator 530E	1
	MM169	(000000-) Manual, Operator Handbook 530E Es/Fr	1

CONTENTS

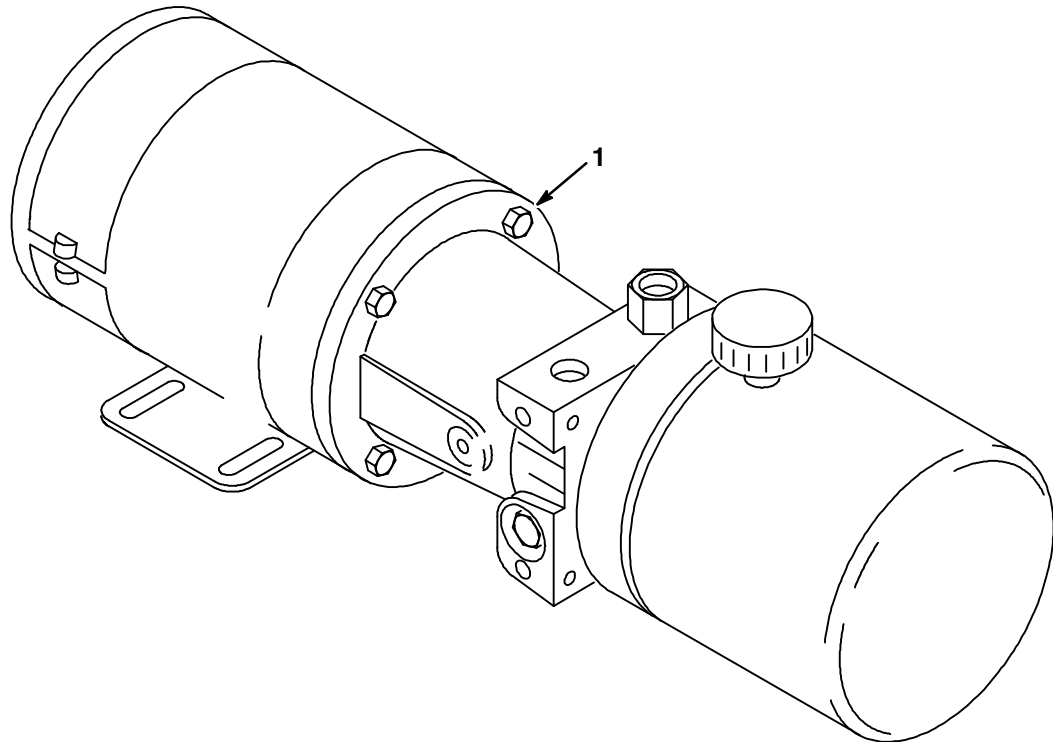
	PAGE
Fig. 1 - Hydraulic Motor Breakdown, 28804	8-2
Fig. 2 - Hydraulic Power Unit Breakdown, 33963	8-3
Fig. 3 - Hydraulic Solenoid Valve Breakdown, 33964	8-4
Fig. 4 - Hydraulic Solenoid Valve Breakdown, 65385	8-6
Fig. 5 - Electric Motor Breakdown, 12665	8-8
Fig. 6 - Electric Motor Breakdown, 86356	8-10
Fig. 7 - Electric Motor Breakdown, 60196	8-11
Fig. 8 - Electric Motor Breakdown, 86141	8-12
Fig. 9 - Electric Motor Breakdown, 86611	8-13
Fig. 10 - Electric Motor Breakdown, 63431	8-14
Fig. 11 - Electric Motor Breakdown, 60198	8-15
Fig. 12 - Electric Motor Breakdown, 383697	8-16

Fig. 1 - Hydraulic Motor Breakdown, 28804



Ref.	Tennant Part No.	Manufacturer Serial Number	Description	Qty.
▽	28804	(000000-) Motor, Hydraulic	1
▲ 1	31354	(000000-) Flange, Mounting	1
▲ 2	28835	(000000-) Seal Kit	1
▲ 3	87662	(000000-) Shaft, Output	1
▲ 4	34176	(000000-) Drive	1
▲ 5	50186	(000000-) Geroter Set	1
▲ 6	00500-15	(000000-) Key, Woodruff	1

Fig. 2 - Hydraulic Power Unit Breakdown, 33963



05870

	Ref.	Tennant Part No.	Manufacturer Serial Number	Description	Qty.
∇	1	33963	(000000-) Power Unit, Hydraulic	1
▲		49069	(000000-) Pump	1
▲		49070	(000000-) Shaft, Drive	1
▲		49071	(000000-) Coupling	1
▲		49072	(000000-) Motor	1
▲		49073	(000000-) Gasket	1

Fig. 3 - Hydraulic Solenoid Valve Breakdown, 33964

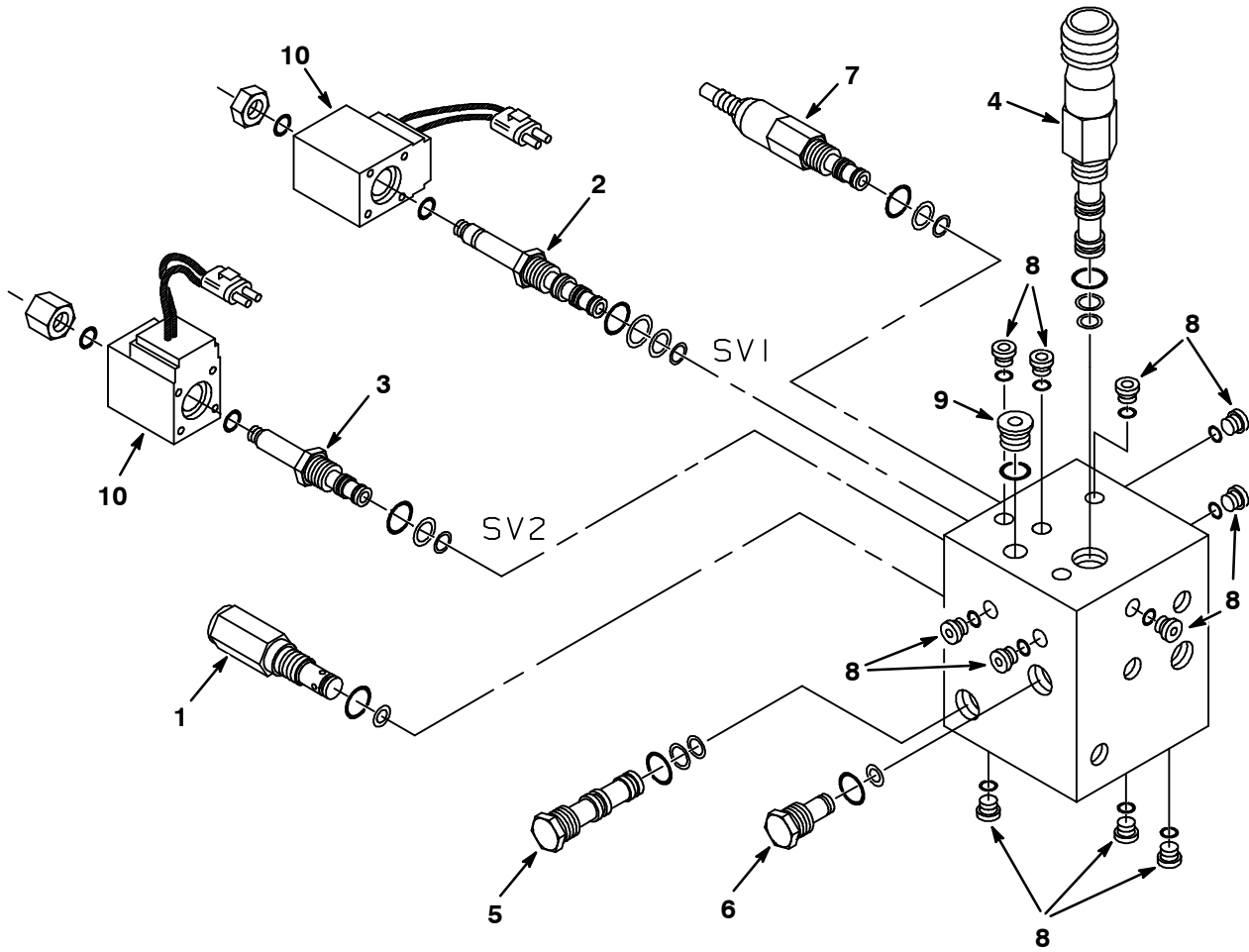


Fig. 3 - Hydraulic Solenoid Valve Breakdown, 33964

	Ref.	Tenant Part No.	Manufacturer Serial Number	Description	Qty.
▽		33964	(000000-) Valve, Hydraulic Solenoid	1
▲	1	49077	(000000-) Valve, Relief	1
▲	2	49078	(000000-) Valve, Stem, 4-Way	1
▲	3	25629	(000000-) Valve, Stem, 3-Way	1
▲	4	50181	(000000-) Valve, Pressure Reducer, Adjustable	1
▲	5	49081	(000000-) Valve, Pilot Check	1
▲	6	25628	(000000-) Valve, Check	1
▲	7	49080	(000000-) Valve, Pressure Reducer, Fixed	1
▲	8	13902	(000000-) Plug, #2	14
▲	9	13903	(000000-) Plug, #4	2
▲	10	49075	(000000-) Coil, 36 V	2
▲		49082	(000000-) Seal Kit	1

Fig. 4 - Hydraulic Solenoid Valve Breakdown, 65385

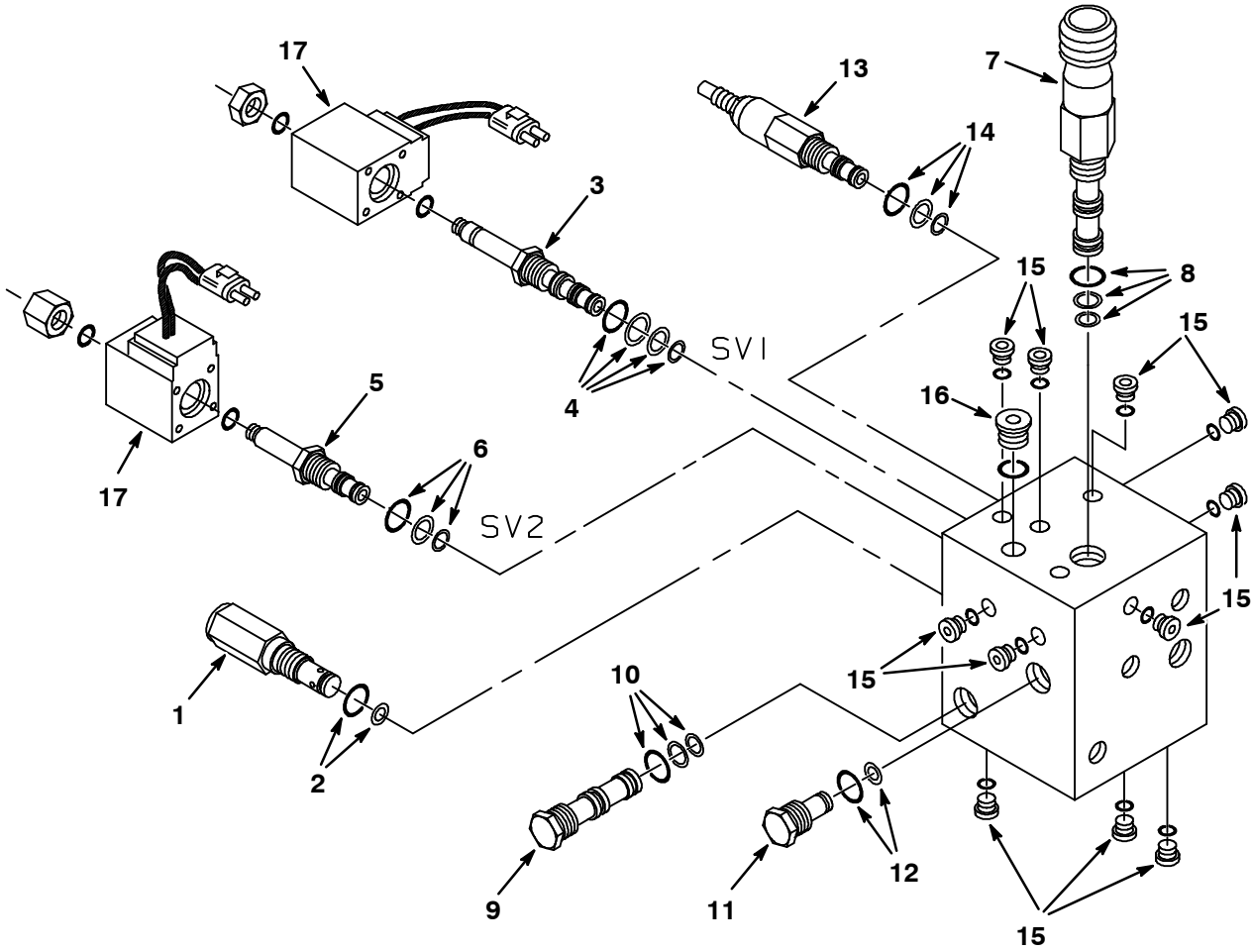


Fig. 4 - Hydraulic Solenoid Valve Breakdown, 65385

	Ref.	Tenant Part No.	Manufacturer Serial Number	Description	Qty.
▽		65385	(000000-) Valve-Hyd, Solenoid	1
▲	1	49077	(000000-) Relief Valve	1
	2	48813	(000000-) Seal Kit, One Cart	1
▲	3	65388	(000000-) Valve Stem	1
	4	48813	(000000-) Seal Kit, One Cart	1
▲	5	61928	(000000-) Valve Stem-3Way	1
	6	48813	(000000-) Seal Kit, One Cart	1
▲	7	50181	(000000-) Press. Redc. /120	1
	8	48813	(000000-) Seal Kit, One Cart	1
▲	9	49081	(000000-) Pilot Check Valve	1
	10	48813	(000000-) Seal Kit, One Cart	1
▲	11	25628	(000000-) Check Valve	1
	12	48813	(000000-) Seal Kit, One Cart	1
▲	13	49080	(000000-) Valve, Press	1
	14	48813	(000000-) Seal Kit, One Cart	1
▲	15	13902	(000000-) Plug #2	14
▲	16	13903	(000000-) Plug Gage #4	2
▲	17	65386	(000000-) Solenoid, 36V	2
	18	48835	(000000-) Seal Kit, Plugs	1

Fig. 5 - Electric Motor Breakdown, 12665

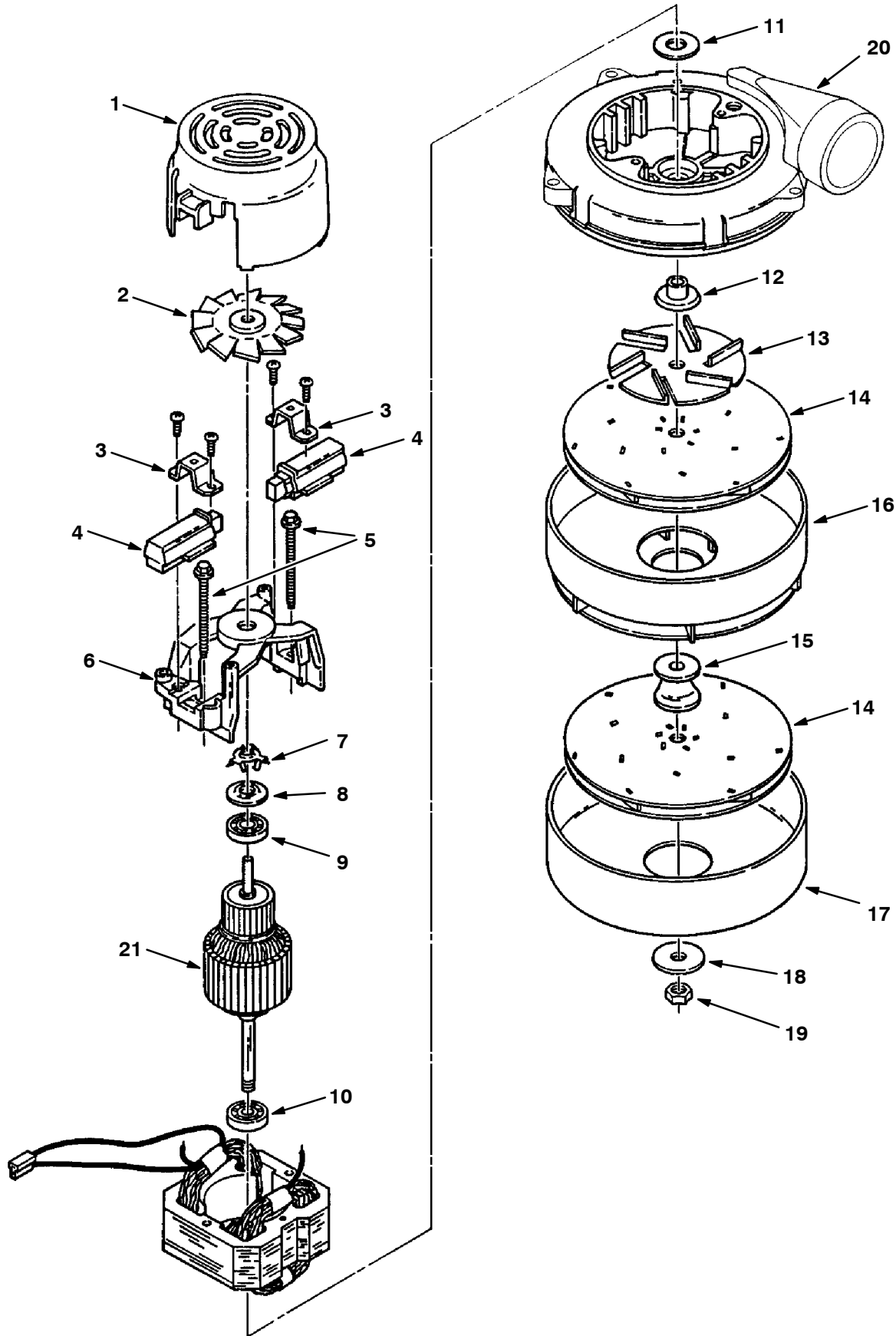
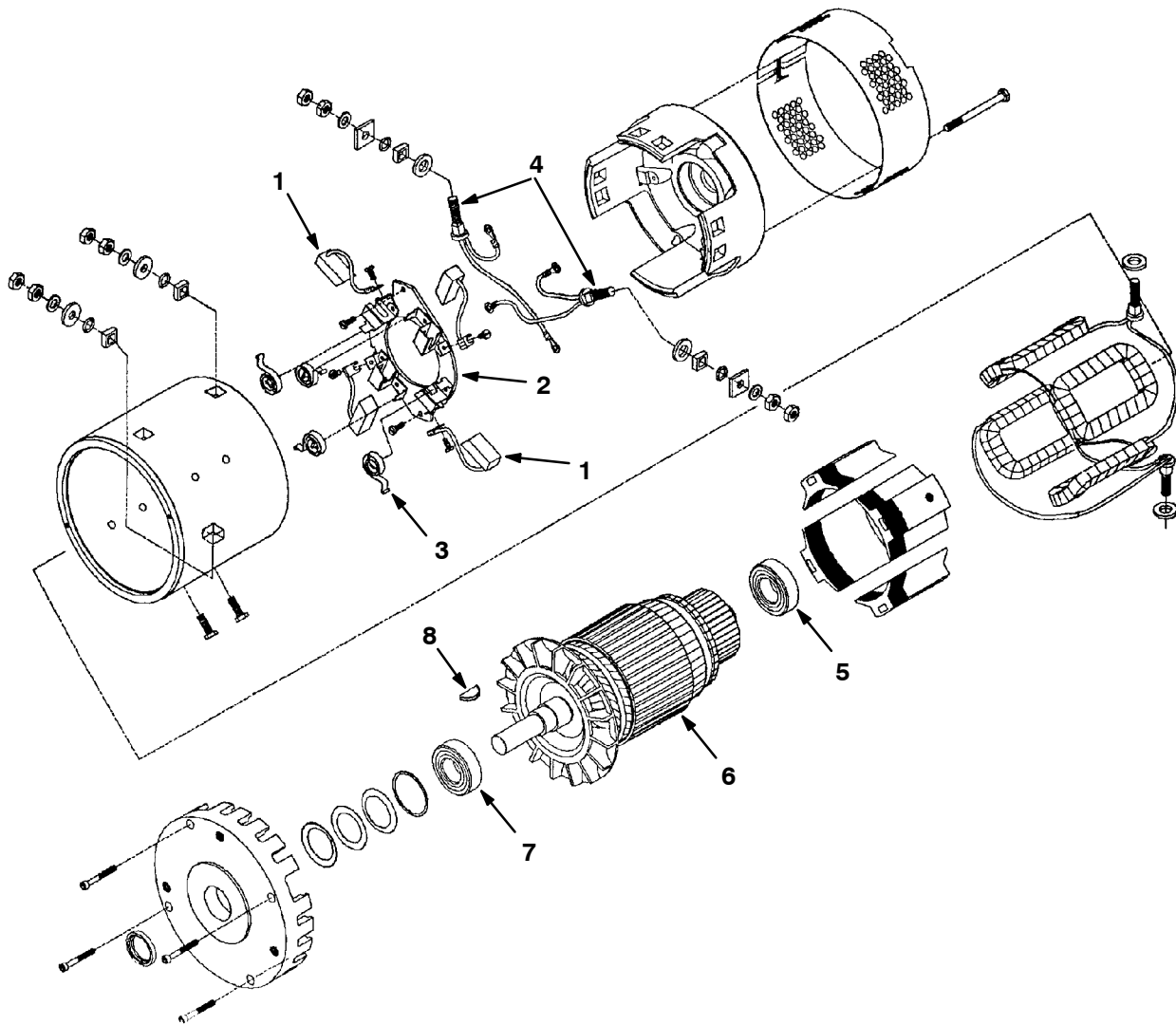


Fig. 5 - Electric Motor Breakdown, 12665

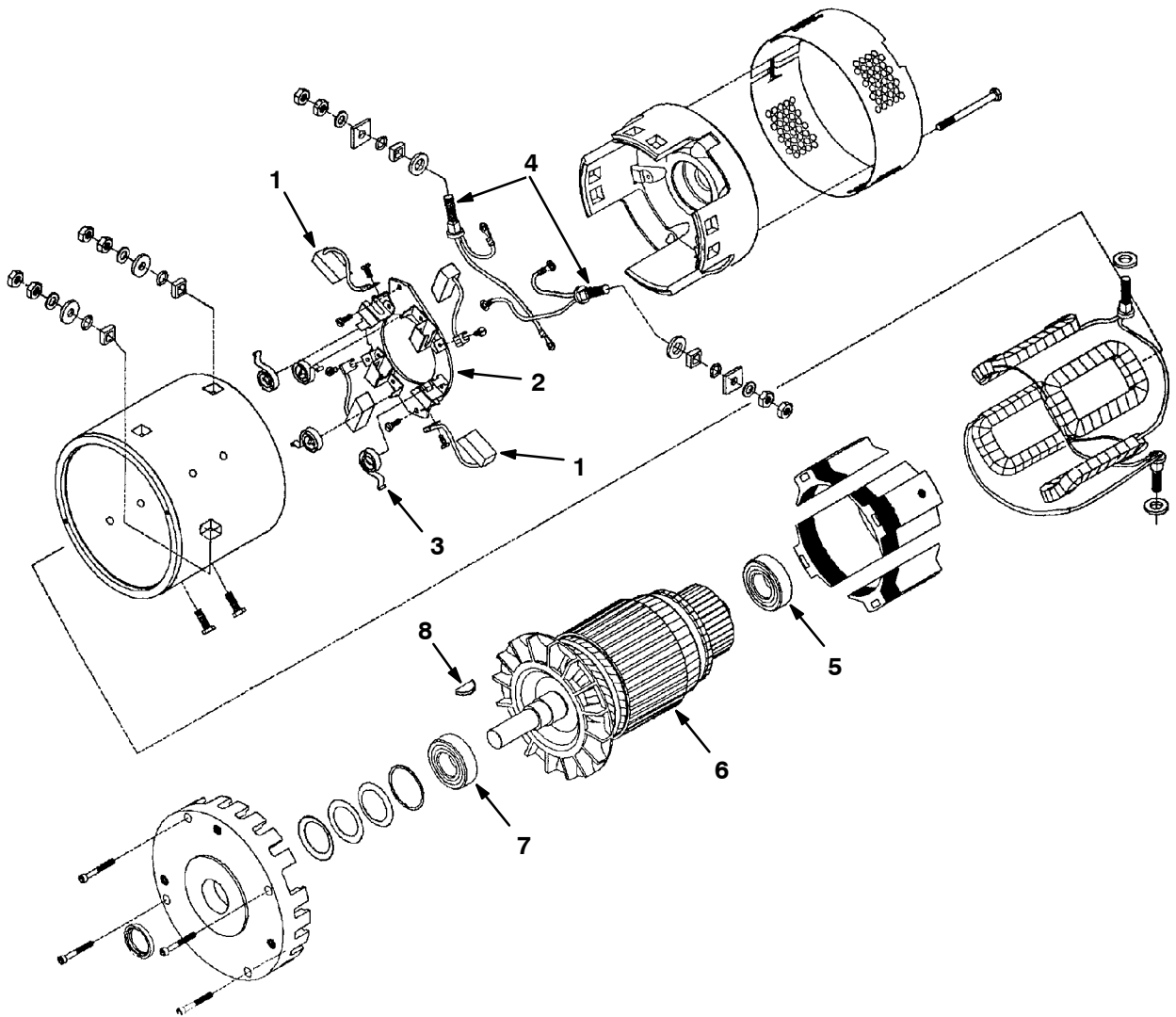
Ref.	Tenant Part No.	Manufacturer Serial Number	Description	Qty.
▽	12665	(000000-) Vac Fan Assy. 36V D.C. 5.7 Dia	1
▲	1	37926	(000000-) Housing	1
▲	2	61298	(000000-) Fan	1
▲	3	01982	(000000-) Clamp	2
▲	4	32323	(000000-) Brush Mechanical	2
▲	5	01969	(000000-) Screw	2
▲	6	01983	(000000-) Comm Bracket	1
▲	7	01856	(000000-) Spring	1
▲	8	37909	(000000-) Disclb	1
▲	9	01842	(000000-) Bearing	1
▲	10	01837	(000000-) Bearing	1
▲	11	37912	(000000-) Washer Neo	1
▲	12	18627	(000000-) Spacer	1
▲	13	01971	(000000-) Fan	1
▲	14	18628	(000000-) Vacuum Fan	2
▲	15	18630	(000000-) Spacer	1
▲	16	60387	(000000-) Stationary Fan	1
▲	17	18631	(000000-) Fan Shell	1
▲	18	18632	(000000-) Washer	1
▲	19	37929	(000000-) Nut	1
▲	20	60386	(000000-) Fan End Brkt	1
▲	21	18633	(000000-) Armature	1

Fig. 6 - Electric Motor Breakdown, 86356



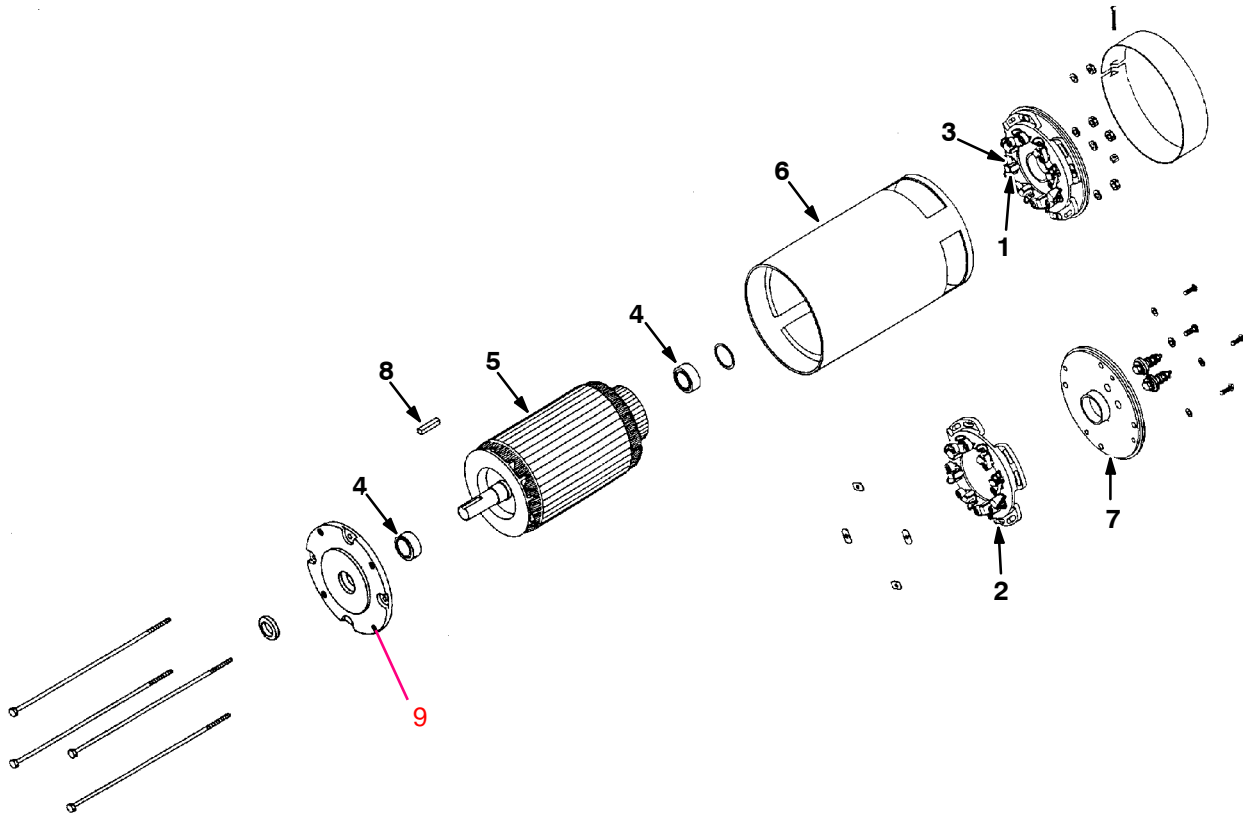
Ref.	Tennant Part No.	Manufacturer Serial Number	Description	Qty.
▽	86356	(000000-) Motor, Electric	1
▲	1 87864	(000000-) Brush (Set of 4)	1
▲▽	2 50231	(000000-) Brush Holder	1
▲▲	3 50233	(000000-) Spring, Brush	4
▲	4 50232	(000000-) Lead, Crossover	2
▲	5 50234	(000000-) Bearing, Ball	1
▲	6 50235	(000000-) Armature	1
▲	7 50236	(000000-) Bearing, Ball	1
▲	8 00500-7	(000000-) Key, Woodruff	1

Fig. 7 - Electric Motor Breakdown, 60196



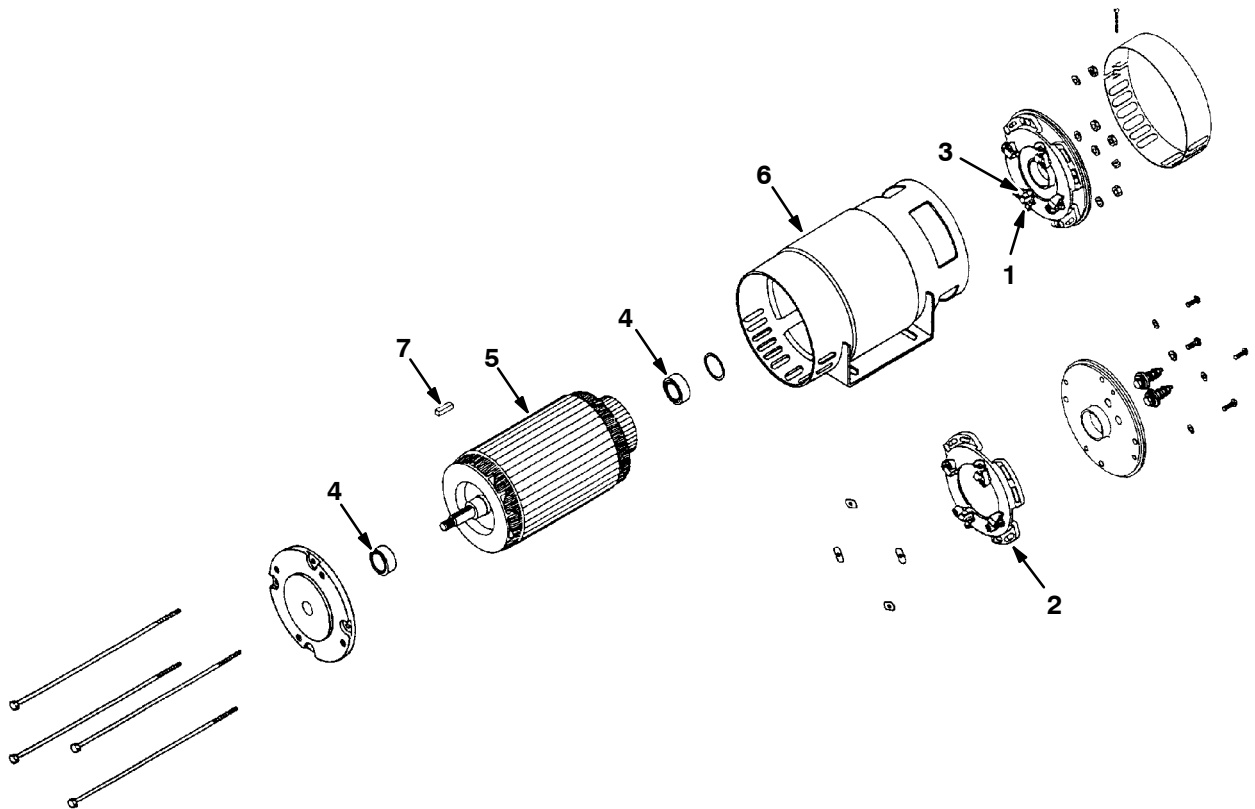
Ref.	Tennant Part No.	Manufacturer Serial Number	Description	Qty.
▽	60196	(000000-) Motor, Electric	1
▲	1 87864	(000000-) Brush (Set of 4)	1
▲▽	2 50231	(000000-) Brush Holder	1
▲▲	3 50233	(000000-) Spring, Brush	4
▲	4 50232	(000000-) Lead, Crossover	2
▲	5 50234	(000000-) Bearing, Ball	1
▲	6 50235	(000000-) Armature	1
▲	7 50236	(000000-) Bearing, Ball	1
▲	8 00500-7	(000000-) Key, Woodruff	1

Fig. 8 - Electric Motor Breakdown, 86141



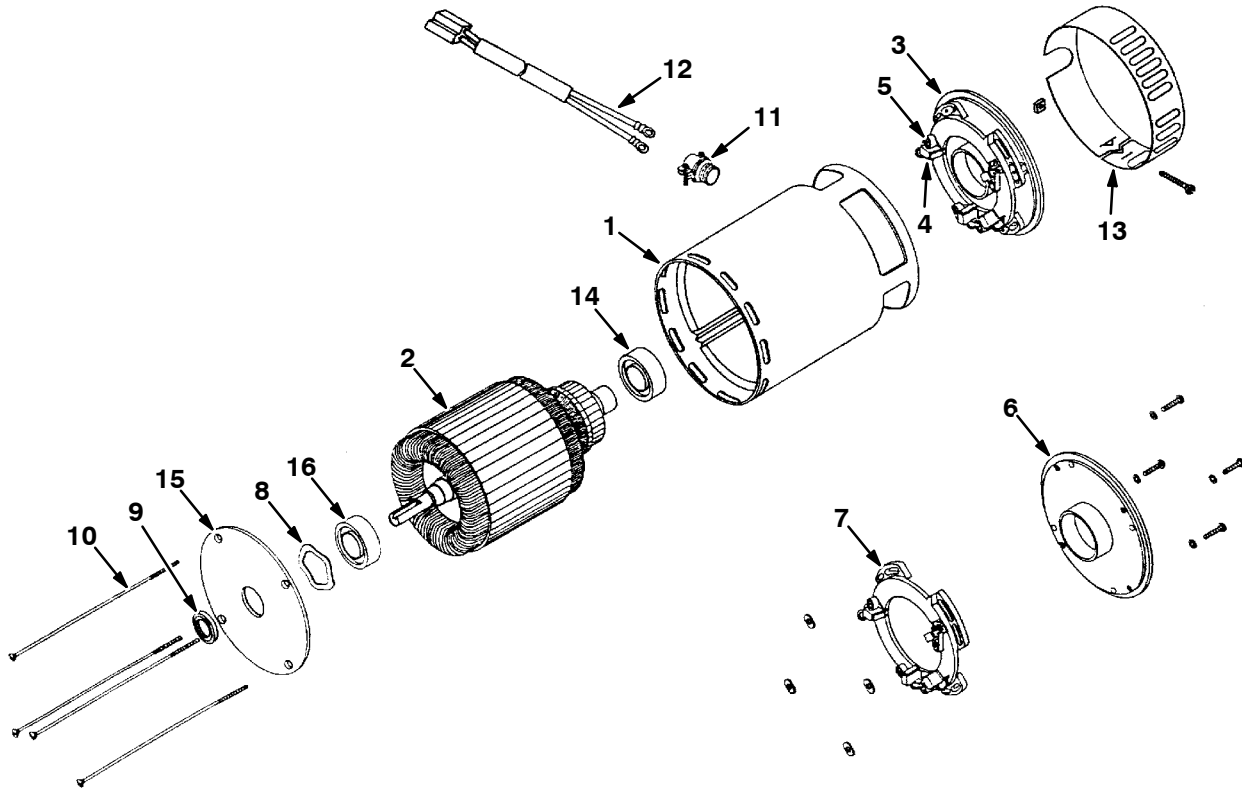
Ref.	Tennant Part No.	Manufacturer Serial Number	Description	Qty.	
▽	86141	(000000-) Motor, Electric	1	
▲	1	86097	(000000-) Brush Set	1
▲	2	50230	(000000-) Brush Holder	1
▲	3	11757	(000000-) Springs	8
▲	4	50229	(000000-) Bearing, Ball	2
▲	5	50227	(000000-) Armature	1
▲	6	50226	(000000-) Shell	1
▲	7	61309	(000000-) Commuter Hood	1
▲	8	00911	(000000-) Key, Square	1
▲	9	388364	Seal	1	

Fig. 9 - Electric Motor Breakdown, 86611



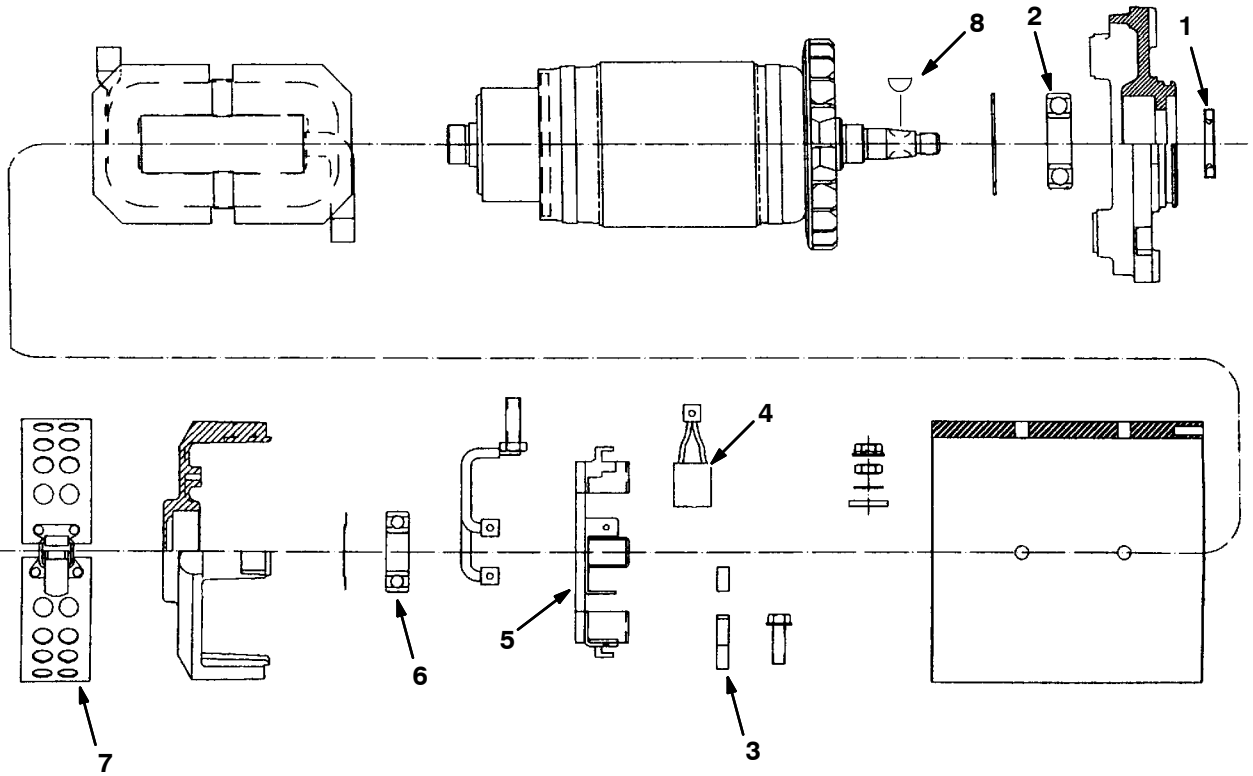
Ref.	Tennant Part No.	Manufacturer Serial Number	Description	Qty.
▽	86611	(000000-) Motor, Electric	1
▲ 1	86097	(000000-) Brush Set	1
▲ 2	50225	(000000-) Brush Holder	1
▲ 3	11757	(000000-) Springs	8
▲ 4	50229	(000000-) Bearing, Ball	2
▲ 5	50222	(000000-) Armature	1
▲ 6	50221	(000000-) Shell	1
▲ 7	00912	(000000-) Key, Square	1

Fig. 10 - Electric Motor Breakdown, 63431



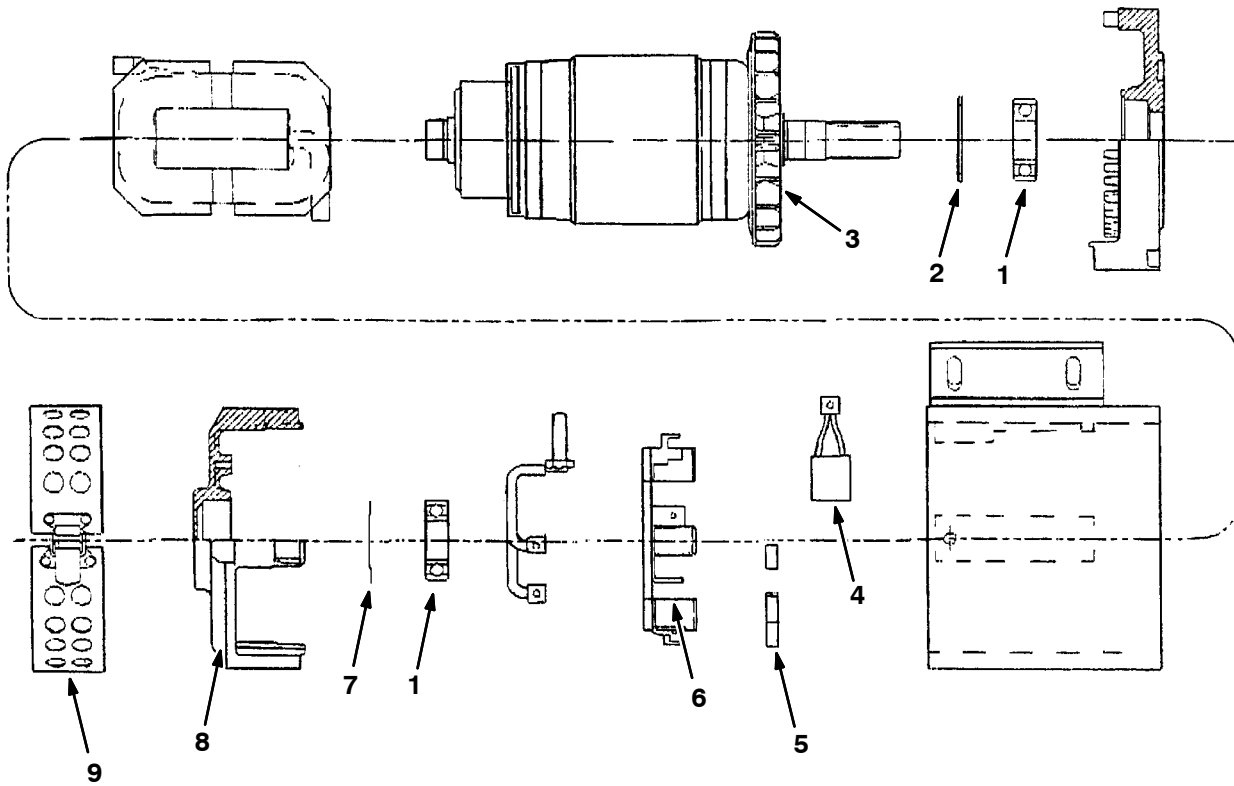
Ref.	Tenant Part No.	Manufacturer Serial Number	Description	Qty.	
▽	63431	(000000-) Motor, Electric	1	
▲	1	18622	(000000-) Bell and Mag. Assembly	1
▲	2	18621	(000000-) Brush Armature Assembly	1
▲▽	3	38651	(000000-) Endbell Assembly	1
▲▲	4	37638	(000000-) Brush Assembly	4
▲▲	5	37643	(000000-) Spring, Brush	4
▲▲	6	37641	(000000-) Endbell	1
▲▲	7	18634	(000000-) Brush Holder (less brushes and springs)	1
▲	8	37888	(000000-) Spring Load	1
▲	9	37637	(000000-) Oil Seal	1
▲	10	37636	(000000-) Thru Bolt	4
▲	11	38468	(000000-) Clamp	1
▲	12	38266	(000000-) Cord	1
▲	13	38639	(000000-) Band	1
▲	14	38378	(000000-) Bearing	1
▲	15	37642	(000000-) Endbell Ply	1
▲	16	18626	(000000-) Bearing	1
▲		38652	(000000-) Spacer	1

Fig. 11 - Electric Motor Breakdown, 60198



Ref.	Tennant Part No.	Manufacturer Serial Number	Description	Qty.
▽	60198	(000000-) Motor, Traction 3.0 Hp	1
▲	1 48753	(000000-) Seal	1
▲	2 48754	(000000-) Bearing	1
▲	3 48755	(000000-) Brush Spring	4
▲	4 48756	(000000-) Brush	4
▲	5 48757	(000000-) Brush Box And Plate Assembly	1
▲	6 48758	(000000-) Bearing	1
▲	7 48759	(000000-) Head Band Ass'y	1
▲	8 00500-7	(000000-) Key-Wdruff 0.16 0.62	1

Fig. 12 - Electric Motor Breakdown, 383697



Ref.	Tennant Part No.	Manufacturer Serial Number	Description	Qty.
▽	383697	(000000-) Motor, Electric, 36VDC	1
▲ 1	48758	(000000-) Bearing	1
▲ 2	361954	(000000-) Snap-Ring	1
▲ 3	361966	(000000-) Armature Fan	1
▲ 4	385742	(000000-) Brush	4
▲ 5	48755	(000000-) Brush Spring	4
▲ 6	361969	(000000-) Brush Box and Plate Assembly	1
▲ 7	361971	(000000-) Wavy Washer	1
▲ 8	361972	(000000-) Commutator Endhead	1
▲ 9	361973	(000000-) Headband	1

SECTION 9

CONTENTS

	PAGE
PART NUMBER TO PAGE NUMBER CROSS REFERENCE LIST	9-2
PART DESCRIPTION TO PAGE NUMBER CROSS REFERENCE LIST	9-10

CROSS REFERENCE

PART NUMBER TO PAGE NUMBER CROSS REFERENCE LIST

Part Number	Page Number	Part Number	Page Number
MM169	6-7, 7-31	12071	7-11
MM178	7-31	12083	6-41, 7-11
00500-15	8-2	12087	6-45
00500-5	6-15	12107	6-63
00500-7	8-10, 8-11, 8-15	12108	6-63
00911	6-23, 6-25, 8-12	12114	6-13
00912	8-13	12116	6-43
00926	7-11	12117	6-61
00927	6-23, 6-25	12118	6-43
00966	6-43	12133	6-7
01536	6-47	12135	6-43
01837	8-9	12140	6-43
01842	8-9	12142	6-29
01856	8-9	12146	6-21
01951	7-11	12147	6-23
01969	8-9	12150	6-21, 6-23
01971	8-9	12163	6-21
01982	8-9	12164	6-21
01983	8-9	12165	6-29
01988	6-51	12168	6-29
02076	6-15, 6-25, 6-43, 6-49	12169	6-29
03091	6-17	12170	6-29
04733-10	6-29	12175	6-29
05717	6-41	12177	6-13
05728	6-5	12179	6-33
05730	6-5	12180	6-33
06279	6-29	12185	6-13
06474A	6-13	12186	6-13
06532	6-43, 7-11	12187	6-13
07259	6-11	12190	6-13
07316-15	6-25	12191	6-13
08167	6-21, 6-43	12193	6-13
08713	6-29	12194	6-13
08714	6-29	12195	6-13
09030	6-15	12196	6-13
09088	6-17	12198	6-45
09161	6-13	12199	6-45
09162	6-25	12201	6-7
09163	6-21, 6-23	12205	6-33
09164	6-45	12226	6-35
09278	6-11	12237	6-29
09294	6-15	12240	6-7
09624	6-52, 6-53	12241	6-61
09718	6-9, 6-11	12250	6-15
09900-1	7-11	12259	6-13
10120	6-29, 7-15	12262	6-13
10632-12	7-5, 7-7	12263	6-39
10632-18	6-61, 6-63	12267	6-17
10632	7-12	12269	6-23
11398	6-23, 6-25	12271	6-11, 7-4
11399	6-29, 6-35, 7-3	12272	6-43
11516	6-17	12273	6-29
11531	6-47	12276	6-13
11757	8-12, 8-13	12277	6-21, 6-25
11984	6-25	12279	6-29
12059	6-39	12280	6-19
12061	7-11	12281	7-3
12068	6-39, 6-41, 7-11	12282	6-17
12070	6-39, 6-41	12283	6-17

Part Number	Page Number	Part Number	Page Number
12293	6-43	12527	6-35
12295	6-23, 6-25	12533	6-39, 6-41
12296	6-7	12537	7-3
12297	6-29	12540	6-15
12299	6-43	12542	6-3, 6-31, 7-28
12311	6-11	12547	6-7
12314	6-21, 6-23	12548	6-7
12319	7-9	12549	6-21, 6-23
12320	6-29, 7-15	12550	6-21, 6-23
12321	6-25	12551	6-21, 6-23
12324	6-23	12552	6-21, 6-23
12325	7-11	12553	6-21, 6-23
12327	7-11	12554	6-21, 6-23
12333	7-3	12555	6-21, 6-23
12339	7-30	12557	6-13
12341	7-17	12645	6-27
12345	7-8	12648	6-43
12347	7-4	12650	6-43
12351	7-5	12651	6-43
12353	7-7	12652	6-43
12357	7-15	12653	6-37, 7-3
12360	7-9	12654	7-11
12363	6-45	12656	6-7
12364	6-9	12658	6-47
12367	7-30	12662	6-47
12372	7-11	12663	6-47
12394	6-23	12665	6-47, 8-9
12397	6-25	12669	6-47
12400	6-23, 6-25	12670	6-47
12402	6-25	12672	6-61, 6-63
12403	6-25	12673	6-47
12404	6-25	12677	6-54, 7-11
12405	6-25	12678	6-54, 7-11
12416	6-39	12679	6-9
12421	7-11	12680	6-7
12428	6-35	12681	7-11
12429	6-33	12684	7-11
12435	6-9	12685	7-11
12436	6-9	12690	7-12
12444	6-9	12692	6-23
12446	6-27	12693	6-25
12462	6-29	12694	7-30
12465	6-61	12696	6-31
12466	6-57	12770	6-39
12467	6-3, 7-28	13902	8-5, 8-7
12470	6-3, 7-28	13903	8-5, 8-7
12472	6-3, 7-28	14215	6-57, 6-63
12503	6-3, 7-28	14432	6-33, 6-35, 6-47, 7-3
12506	6-3, 7-28	14700-4	6-11
12507	6-23	14799	6-25
12509	6-23	14838	6-5
12510	6-23	15107	6-54
12511	6-57, 6-63	15539	6-5
12515	6-61	17002	6-21, 6-23
12516	6-57, 6-63	17140	6-31
12517	6-7	17186	6-13
12519	6-47	17269	6-11
12520	6-61	17513	6-53
12521	6-57	18621	8-14
12526	6-35	18622	8-14

CROSS REFERENCE

Part Number	Page Number	Part Number	Page Number
18626	8-14	31572	6-49
18627	8-9	31594	6-51
18628	8-9	31963	6-45
18630	8-9	31968	6-45
18631	8-9	31969	6-45
18632	8-9	31977	7-18
18633	8-9	31992	6-15
18634	8-14	31995	6-59
19191	6-54	32124	7-11
19567	6-53	32323	8-9
19681	6-41	32501	6-35
19960	7-3	32717	6-45
222607	6-13	33341	7-31
222831	6-33, 6-35	33404	6-52
22297	6-27, 6-35, 6-47	33519	7-18
223054	6-29	33954	6-63
22473	6-29, 6-33, 7-15	33955	6-41
22892	7-20, 7-21, 7-22, 7-23, 7-24, 7-25, 7-26, 7-27	33962	6-53
23222-2	6-53	33963	6-49, 8-3
23330	7-20, 7-21, 7-22	33964	6-55, 8-5
23331	7-20	33966	6-3, 7-28
23337	6-11	33969	6-53
23354	6-59	33970	6-53
23355	6-11	33974	6-52
23356	7-21	33980	6-53
23357	7-22	33981	6-49
23360	7-21	33986	6-55
23361	7-22	33990	6-54
23450	7-20	33991	6-63
23524	6-27	33992	6-63
24004	7-27	33995	6-54
24007	7-26	33996	6-9
24008	7-24	33999	6-7
24026	7-25, 7-26	34176	8-2
24028	7-23, 7-24	34312	6-52
24046	7-19	34329	6-51
24299	6-5	35046	6-54
24358	6-35	35081	6-51
24835	6-53	35082	6-51
25197A	6-17	35083	6-51
25312	7-17	35094	7-18, 7-20, 7-21, 7-22, 7-24, 7-26, 7-27
25611	6-54	360980	6-15
25620	6-41	361954	8-16
25628	8-5, 8-7	361966	8-16
25629	8-5	361969	8-16
26315	6-13	361971	8-16
26395-1	6-29, 7-4, 7-7	361972	8-16
28290	6-17	361973	8-16
28296	6-17	36328	6-31
28622	6-61, 6-63	36376	6-9, 6-13
28633	6-63	36462	6-13
28804	6-52, 8-2	369702	6-11
28835	8-2	370101	7-3
30217	6-5	370112	6-33, 6-35
30218	6-5	370135	6-31
30219	6-5	374675	6-35
31203	6-45	375025	6-33
31204	6-45	375030	6-9
31354	8-2	375050	6-25

CROSS REFERENCE

Part Number	Page Number	Part Number	Page Number
37636	8-14	47010-2	6-11
37637	8-14	47010-4	6-11
37638	8-14	47010-6	6-11
37641	8-14	47010-7	6-11
37642	8-14	47508	6-52
37643	8-14	47522	6-55
378726	7-29	47715	6-29
378727	7-29	47985	6-61, 7-18, 7-19, 7-23, 7-25
378728	7-29	48126	6-25
378729	7-29	48561	6-17
37888	8-14	48597	6-17
37909	8-9	48599	6-17
37912	8-9	48688	6-55
37926	8-9	48729	7-3
37929	8-9	48753	8-15
38266	8-14	48754	8-15
383697	6-43, 8-16	48755	8-15, 8-16
38378	8-14	48756	8-15
38468	8-14	48757	8-15
385742	8-16	48758	8-15, 8-16
38639	8-14	48759	8-15
38651	8-14	48790	6-7
38652	8-14	48813	8-7
40678-1	6-7, 7-12	48835	8-7
40678	7-4	49069	8-3
41185	6-23, 6-25	49070	8-3
41186	7-8, 7-9, 7-11	49071	8-3
41187	7-30	49072	8-3
41346	6-15	49073	8-3
41467	6-59	49075	8-5
41468	6-59	49077	8-5, 8-7
41475	7-20, 7-21, 7-22, 7-24, 7-26, 7-27	49078	8-5
41476	6-63	49080	8-5, 8-7
41481	6-23	49081	8-5, 8-7
41732	7-30	49082	8-5
43290	6-53	49263	7-12
43363	6-7	49266	6-11, 6-15, 6-45, 6-51, 7-3, 7-4, 7-5, 7-11, 7-12
43500	6-23	50154	6-64
43555	6-43	50155	6-64
43611	6-13	50156	6-64
43672	6-13	50157	6-64
44078	6-11	50163	7-16
44238	6-13	50164	6-7
44681-1	7-5, 7-7	50168	6-41
44681-2	7-5, 7-7	50169	6-7
44681	7-5, 7-7	50171	6-49
44698	6-11	50172	6-51
44847	6-37, 7-3	50173	6-41
44906	6-21, 6-23	50177	6-47
44949	6-11	50178	6-27
44961	6-47, 6-51	50179	6-47
45027A	6-15	50180	6-7
45127	7-11	50181	8-5, 8-7
45261	6-7	50184	6-59
45272	7-5, 7-7	50186	8-2
45283	7-5, 7-7	50187	6-63
45391	7-4	50217	6-5
46277	7-11	50220	6-43
47010-1	6-11	50221	8-13

CROSS REFERENCE

Part Number	Page Number	Part Number	Page Number
50222	8-13	60391	6-29
50225	8-13	61298	8-9
50226	8-12	61309	8-12
50227	8-12	61791	6-15
50229	8-12, 8-13	61928	8-7
50230	8-12	62595-15	6-29
50231	8-10, 8-11	62595-20	7-8, 7-9
50232	8-10, 8-11	63030-1	6-63
50233	8-10, 8-11	63030	7-13
50234	8-10, 8-11	63147	6-52
50235	8-10, 8-11	63175-1	6-52
50236	8-10, 8-11	63233	6-52
50257	6-63	63234	6-52
50259	6-11	63244-1	6-41
50272	6-25	63357	6-45
50304	6-29, 7-15	63430	7-15, 7-16
51406	6-11	63431	7-11, 8-14
51416	6-11	63448	7-15, 7-16
51530	7-11	63451	7-15, 7-16
51534	6-27, 6-29, 7-11	63483	6-27
51545	6-19	63810	6-33, 6-39, 6-41
51562	6-19	63846	6-7, 6-27, 6-29
51564	6-31	63884	6-45
51824	6-15	64173	6-21, 6-23
53904	6-17	64425	6-29
54202	6-17	64743	7-3
54274	6-55	64785	6-39, 7-11
54333	6-39, 6-41, 7-3, 7-11, 7-12	65325	6-31
55140	6-25	65326	6-31
55248	6-45, 7-3, 7-4, 7-5, 7-12	65327	6-31
55586	6-53, 6-55	65328	6-31
55619	6-49	65329	6-31
55740	6-49	65338	6-31
55777	6-51	65385	6-55, 8-7
56505	6-35	65386	8-7
56703	6-51	65388	8-7
56820	6-49, 6-55	65557	7-3
57048	6-23, 6-25	65568	7-27
57164	6-45, 7-3, 7-4, 7-5, 7-7, 7-12	65571	7-27
57167	6-45	65577	6-53
57260	7-30	65870-1	6-3
57429	6-29, 7-15	65870-5	6-3
57597	6-19	65945	6-31
57751	6-45, 7-3, 7-4, 7-5, 7-7, 7-12	66132	6-59
57769	7-15, 7-16	68275	6-7
57772	6-7, 6-45	69203	6-29
57803	6-45	69234	6-7
57807	6-45, 7-3, 7-4, 7-5, 7-7, 7-12	69454	6-39
58279	7-11	71491	6-64
58346	6-47	75611	6-33, 6-35
58745	6-39, 6-41	76062	6-61, 6-63
59633	6-31, 6-52	76727	6-47
60196	6-15	76782	6-29, 7-11
60196	8-11	77097	6-52, 6-53, 6-55
60198	6-15, 8-15	78398	6-39, 6-41
60380	6-29	79084	6-47
60384	6-29	79085	6-47
60386	8-9	79086	6-47
60387	8-9	79087	6-47
60390	6-29	79088	6-47

Part Number	Page Number	Part Number	Page Number
79096	6-15	86327	6-31
79097	6-15	86328	6-7
79098	6-15	86329	6-13
79099	6-15	86330	7-5, 7-7
79273-1	7-3	86331	7-7
79273-2	6-33, 7-3	86332	7-7
79273-4	6-39, 6-41	86333	7-7
79326-1	7-3	86334	6-27
79497	6-41, 7-12	86337	6-9
81457	7-12	86342	6-27
81458	7-4, 7-5, 7-7	86344	6-29
82092	6-7, 7-11	86353	6-11
82342	6-7	86356	8-10
82678	6-13	86359	6-11
82830	6-51	86360	6-45
85178	7-31	86362	6-61, 6-63
86021	6-5	86366	6-61, 6-63
86022	6-5	86368	6-61, 6-63
86023	6-5	86370	6-61, 6-63
86026	6-17	86371	6-45
86029	6-43	86372	6-61, 6-63
86031	6-19	86374	6-61, 6-63
86033	6-13	86375	6-61, 6-63, 7-13
86034	6-19	86376	6-61, 6-63
86041	6-43	86377	6-61
86042	6-43	86379	6-61, 6-63
86048	6-43	86381	6-61, 6-63
86051	6-11	86388	6-61, 6-63
86056	6-13	86390	6-57
86066	6-13	86392	6-61, 6-63
86067	6-43	86393	6-61, 6-63
86071	6-43	86395	6-61, 6-63
86074	6-43	86396	6-61, 6-63
86087	6-43	86397	6-61, 6-63
86097	8-12, 8-13	86398	6-61, 6-63
86102	6-7	86406	6-7
86141	6-25, 8-12	86407	6-7
86174	6-3	86413	6-27
86192	6-7	86419	6-61, 6-63
86210	6-17	86420	6-61, 6-63
86216	6-29	86421	6-61, 6-63
86222	6-27	86422	6-61, 6-63
86225	6-17	86423	6-61, 6-63
86240	6-17	86424	6-61, 6-63
86241	6-17, 6-39, 6-41	86430	6-7
86242	6-9	86444	6-39, 6-41
86246	6-29	86446	6-35
86276	6-25	86447	6-33
86288	6-25	86448	6-33, 6-35
86301	6-9	86462	6-7
86302	6-7	86470	6-7
86309	7-4	86473	6-35
86310	7-4	86475	6-39
86311	7-7	86477	6-39, 6-41
86312	7-12	86481	7-3
86313	7-23, 7-25	86484	6-27
86314	7-5	86485	6-27
86315	6-61, 6-63	86487	7-3
86318	6-7	86502	7-11
86325	6-29	86505	7-13

CROSS REFERENCE

Part Number	Page Number	Part Number	Page Number
86508	6-41, 7-12	86752	6-29
86509	7-11, 7-12	86755	6-33
86510	6-7	86759	6-21, 6-23, 6-54, 7-11
86520	6-19	86760	6-27
86521	6-9	86767	7-15, 7-16
86525	6-11	86772	6-11
86526	6-7	86779	6-7
86527	6-7	86780	6-31
86534	6-31	86781	6-31
86547	6-29	86782	6-31
86549	6-31	86783	6-31
86552	6-3, 6-31	86786	6-31
86569	6-3, 6-31	86789	6-33
86572	6-31	86791	6-31
86580	6-35	86797	6-11
86591	6-33, 6-37, 7-3	86798	6-7
86604	6-29	86799	6-7
86606	6-17	86800	6-31
86607	6-17	86807	6-29
86609	6-17	86810	6-25
86610	6-17	86812	6-3, 6-31, 7-28
86611	6-43, 8-13	86819	6-35
86613	6-33	86823	6-35
86614	6-7	86830	6-23
86615	6-7	86831	6-25
86617	7-5	86836	6-23, 6-25
86621	7-17	86837	6-35
86625	6-11	86838	6-35
86626	6-11	86839	6-35
86627	6-11	86840	6-29
86632	6-11	86841	6-35
86634	6-11	86859	6-3, 6-21, 6-23
86636	6-35	86860	6-21
86638	6-11	86864	7-3
86643	6-11	86865	6-21, 6-23
86645	6-11	86866	6-27
86648	6-43	86871	6-31
86649	6-43	86874	7-3
86659	6-17	86877	6-64, 7-9
86683	7-8, 7-9	86882	7-11
86684	7-8	86887	6-35
86686	7-8, 7-9	86895	7-30
86687	7-8, 7-9	86897	6-31
86688	7-8, 7-9	86899	6-29
86702	7-11	86904	6-5
86718	6-5	86921	7-4
86719	7-11	86922	6-17
86721	7-11	86926	6-35
86722	7-11	86927	7-3
86723	7-11	86928	6-11
86724	7-11	86929	6-25
86726	6-61, 6-63	86937	6-11
86727	6-61, 7-4	86940	7-4
86730	6-7	86943	7-3
86734	7-11	86963	6-25
86737	7-11	86968	7-25
86740	6-29	86969	7-23
86745	6-29	86970	6-15
86748	6-29	86972	6-43
86751	6-17	86973	6-43

Part Number	Page Number
86978	7-9
86979	7-9
86988	7-11
87080	6-23, 6-25
87349	7-4
87355	6-15
87365	6-27
87460	7-4
87483	6-61, 6-63
87631	6-23, 6-25
87662	8-2
87709	7-7
87750	6-15
87839	6-15
87840	6-15
87841	6-15
87849	6-15
87864	8-10, 8-11
87948	7-4
87949	7-4

PART DESCRIPTION TO PAGE NUMBER CROSS REFERENCE LIST**A**

Activator, 7-11
Actuator, 6-27, 6-29
Adaptor, Brush, 6-5
Adaptor, Expansion Plug, 6-33, 6-35
Adaptor, Motor (Replaced by 86356), 6-15
Ammeter, 6-45
Angle, Rack Support, 6-11
Angle, Support, 6-7
Arm Assembly, Link, 6-52
Arm Replmt Kit, Drive F/12322, 6-25
Arm Rplmt Kit, Idler F/86295, 6-23, 6-25
Arm, Pitman, 6-11
Arm, Strip, 6-39, 7-11
Arm, Valve, 6-39, 7-11
Arm, Water Valve, 6-41
Arm, 6-13
Armature Fan, 8-16
Armature, 8-9, 8-10, 8-11, 8-12, 8-13

B

Ball Joint, 6-13, 6-39
Band, Motor, 6-47
Band, Weldment, 6-47
Band, 8-14
Bar, Buss, 6-61, 6-63
Bar, Squeegee Lift, 6-21, 6-23
Basket, Soap, 6-33
Batt/Chgr Kit Exide 3/60H/480V, 7-20, 7-21, 7-22
Battery, 18V, 660 Amp Hr, Wet, 7-20, 7-21, 7-22
Battery, Dry, 7-19
Battery, Wet (Replace by 31976), 7-18
Battery, Wet, 7-18
Bearing and Collar, 6-53
Bearing and Housing Assembly, 6-15
Bearing Assembly, Cup and Cone, 6-17
Bearing Repair Kit, Fan, 6-43
Bearing, Ball, 6-43, 8-10, 8-11, 8-12, 8-13
Bearing, Brake, 6-17
Bearing, Fiberglide, 6-52

Bearing, Main Brush Arm, 6-23, 6-25
Bearing, Poly, 7-11
Bearing, Thrust - Fiberglide, 6-31
Bearing, Thrust, 6-21, 6-52
Bearing,.50X.38, 6-23
Bearing, 6-21, 8-9, 8-14, 8-15, 8-16
Bell and Mag. Assembly, 8-14
Bellcrank, 6-29
Bellows, 7-11
Block, Fuse, 6-61, 6-63
Bolt, Wheel, 6-15
Boot, Circuit Breaker, 6-45, 7-3, 7-4, 7-5, 7-7, 7-12
Box Assembly, Accelerator, 6-13
Box, Accelerator, 6-13
Brace, Angle, 6-7
Brace, Corner, 6-9
Bracket Caster Mounting, 6-31
Bracket, Charges, 7-27
Bracket, Door Stop, 6-7
Bracket, Fire Extinguisher, 7-17
Bracket, Gas Spring Mounting, 6-53
Bracket, Instrument Panel, 6-11
Bracket, L.H., 6-21
Bracket, Lift, 6-27, 6-31, 7-11
Bracket, Mount, 6-7
Bracket, Mounting, 6-29, 7-3
Bracket, Oil Filter, 6-49
Bracket, Panel, 6-45
Bracket, Pump Mount, 7-3
Bracket, Pump Mounting (Replaced by none), 6-49
Bracket, Retainer, 6-3, 6-31, 7-28
Bracket, Shroud, 6-29
Bracket, Side Brush Mounting, 6-53
Bracket, Side Brush, 6-53
Bracket, Spring Mounting, 6-7
Bracket, Spring Retainer, 6-5
Bracket, Steering Gear, 6-11
Bracket, Steering Stop, 6-11
Bracket, Stop, 6-29
Bracket, Support, Hood, 6-9
Bracket, Support, 6-9

Bracket, Tie Down, 7-30
 Bracket, Timer, 6-61, 6-63
 Bracket, Valve Mounting, 6-55
 Bracket, Valve, 6-39, 7-11
 Bracket, Warning Light, 7-5
 Bracket, 6-41, 7-11
 Brake Assembly, 6-17
 Brake Shoe and Spring Kit, 6-17
 Breaker, Circuit, 10 A, 6-45, 7-3, 7-4, 7-5, 7-7, 7-12
 Breaker, Circuit, 15 A, 6-45
 Breaker, Circuit, 17.5 A, 7-13
 Breaker, Circuit, 30 A, 6-63
 Breaker, Circuit, 60 A, 6-61, 6-63
 Breaker, Circuit, 80 A, 6-61, 6-63
 Breather, 012Ptf.Valve/Cap,.44P, 6-25
 Brkt Weldmt, Rh, 6-23
 Brush (Set of 4), 8-10, 8-11
 Brush and Parts, 6-15
 Brush Armature Assembly, 8-14
 Brush Assembly, 8-14
 Brush Box And Plate Assembly, 8-15
 Brush Box and Plate Assembly, 8-16
 Brush Holder (less brushes and springs), 8-14
 Brush Holder, 6-15, 8-10, 8-11, 8-12, 8-13
 Brush Mechanical, 8-9
 Brush Set, 6-15, 8-12, 8-13
 Brush Spring, 8-15, 8-16
 Brush Stop Replacement Kit, 6-23
 Brush, 8-15, 8-16
 Bulb, 7-4, 7-5, 7-7
 Bumper, Heavy Duty, 7-9
 Bumper, L.H. Leg, 7-9
 Bumper, R.H. Leg, 7-9
 Bumper, Side Brush, 7-11
 Bumper, Squeegee, 6-31
 Bushing, Brush Wrap, 6-27
 Bushing, Drive, 6-5
 Bushing, Flange .250B, 6-23
 Bushing, Flange, 6-13, 6-21
 Bushing, 6-53

C

Cable Assembly, Horn, 6-11
 Cable Tie, 6-11
 Cable, Hood, 6-9
 Cable, Lift, 7-11
 Cable, Parking Brake, 6-19
 Cable, Squeegee Lift, 6-29
 Cam, 6-13
 Cap Kit, Drain, 6-35, 7-3
 Cap, Contact, 6-11
 Cap, Drain, 6-35
 Cap, Hub, 6-17
 Cap, Plate, 6-33
 Card Replacement Kit, Logic, G-8, 6-63
 Card, Logic, 6-61
 Caster Kit, Sealed, 3.0D, 6-31
 Caster, Kit, Squeegee Swivel, 6-31
 Caster, Swivel 3.0 Dia, 6-31
 Chain Replacement Kit (Set for both sides), 6-21
 Chain, Ball .25D, 6-23
 Chain, Ball, 6-21
 Chain, Replmt Kit, Side Squeeg, 6-23
 Chain, Link#2/0, 7Links, 6-23
 Chain, 6-7, 6-29
 Charger Assy, 30A/36V/60H/115V, 7-27
 Charger Kit, Battery, 36V, 40A, 115V AC, 7-27
 Charger Kit, Battery, 7-23, 7-24, 7-25, 7-26
 Charger, 36V 108A 60H/3Ph 480V, 7-20
 Charger, 36V 108A 60H/3Ph 550V, 7-21
 Charger, 36V 108A 60H/3Ph 600V, 7-22
 Charger, Battery, 7-23, 7-24, 7-25, 7-26
 Check Valve, 8-7
 Clamp, Cable, 6-7, 6-29, 7-4, 7-7, 7-12
 Clamp, Hose, 6-27
 Clamp, Loop, 6-52
 Clamp, Spring, 6-35
 Clamp, T-Bolt, 7-11
 Clamp, Worm Drive, 6-27, 6-29, 6-33, 6-35, 6-39, 6-41, 6-43, 6-47, 7-3, 7-11, 7-12
 Clamp, 6-43, 8-9, 8-14
 Clevis, 6-19, 6-27
 Clip, Ball Chain, 6-21, 6-23

CROSS REFERENCE

Clip, Cover, 6-35
Clip, Finger Grip, 6-29, 6-33, 7-15
Coil, 36 V, 8-5
Comm Bracket, 8-9
Commutator Endhead, 8-16
Commuter Hood, 8-12
Complete Label Kit, 6-64
Connector, Gray, 175 A, 7-20, 7-21, 7-22, 7-23, 7-24, 7-25, 7-26, 7-27
Connector, Orange, 175 A, 7-18, 7-19, 7-23, 7-25
Connector, Orange, 350 A, 7-18, 7-20, 7-21, 7-22, 7-24, 7-26, 7-27
Connector, Orange, 6-61
Connector, Overhead Guard, 7-8, 7-9
Connector, 6-11
Contactor, 6-61, 6-63, 7-13
Cord, 8-14
Coupling, Ball Chain, 6-23
Coupling, Chain, 6-21
Coupling, 8-3
Cover and Label Assembly (Replaced by 50183), 6-7
Cover and Label Assembly, 6-7, 6-33
Cover Replmt Kit, F/86903, 6-25
Cover, Drive Arm (Smc), 6-25
Cover, Fan, 6-43
Cover, Horn Button, 6-11
Cover, Lid, 6-35
Cover, Rear Tank, 6-7
Cover, Recovery Tank, 6-35
Cover, Steering, 6-11
Cover, Switch, 6-29, 7-3
Cover, Terminal, 6-15, 6-25, 6-43, 6-49
Cuff, Hose (Replaced by 12429), 6-33
Cuff, Hose, 6-35
Cup, Contact, 6-11
Cylinder, Hydraulic, 6-52, 6-53

D

Decal, Fuse, 100 A, 6-63
Diode Assembly, Horn, 6-11
Disc, 6-11
Disclb, 8-9
Door, Brush, L.H. (Replaced by 50183), 6-7
Door, Brush, L.H., 6-7
Door, R.H. Brush, 6-7
Drive Plate Assembly, 7-11
Drive, 8-2
Driveplug, Brush - Mach., 6-23, 6-25
Drum, Cable, Lift, 6-29
Duct, Vinyl, 7-5, 7-7

E

Element, Filter, 6-49
Emblem, TENNANT , 6-7
Endbell Assembly, 8-14
Endbell Pily, 8-14
Endbell, 8-14
Extinguisher Kit, Fire, 7-17
Extinguisher, Fire, 7-17

F

Fan Assembly, Vacuum (See Breakdowns), 6-47
Fan End Brkt, 8-9
Fan Shell, 8-9
Fan, 8-9
Fastener, Stud Receiver, 6-45
Filler, Tank, 7-3
Filter Assembly, 6-49
Filter, Foam, 6-47
Filter, Vacuum Fan, 6-47
Filter,Tray, 6-29
Fitting, Straight, 6-39
Fitting, Barbed Coupling, 6-39, 6-41, 7-3
Fitting, Barbed Elbow, 6-41, 7-11
Fitting, Barbed Straight, 6-41, 7-3
Fitting, Coupling, 6-33, 7-30
Fitting, Drain (Replaced by 12528), 6-35
Fitting, Drain, 6-35

Fitting, Elbow, 6-55
Fitting, Elbow, 6-47, 6-49, 6-52, 6-53, 6-55, 7-12
Fitting, Grease, 6-9, 6-11, 6-15
Fitting, Nipple, 6-41
Fitting, Plug, 6-33, 6-35
Fitting, Restrictor, 6-55
Fitting, Straight, 6-33, 6-35, 6-49, 6-52, 6-53, 6-55, 7-12
Fitting, Tee, 6-41, 6-47, 7-12
Fitting, 7-3
Flange, Bearing, 6-53
Flange, Mounting, 8-2
Foam, Acoustic, 6-43
Frame Weldmt, Side Sq, 6-23
Frame, Main, 6-7
Frame, Side Brush, 6-54
Frame, Side Squeegee, 6-21
Ftg, El90 Npt/02Pf-02Pm, 6-25
Ftg, Pipe Plug - 2.00 Npt, 6-25
Ftg, Plastic, Coupling, 7-29
Ftg-Plug Npt 02Pm Sq Hd, 6-25
Fuse, 100 A, 6-61, 6-63
Fuse, 20 A, 6-57, 6-63

G

Gasket, Box, 6-13
Gasket, Fitting, 6-35
Gasket, Gear Box, 6-25
Gasket, Lid, 6-35
Gasket, Squeegee, 6-3, 6-31, 7-28
Gasket, Tank, 6-35
Gasket, 6-33, 6-37, 7-3, 8-3
Gauge, Hour Meter, 6-45
Gear, Driving, 6-15
Gear, Steering, 6-11
Gearbox, 6-15
Geroter Set, 8-2
Grommet, Flexible, 7-12
Grommet, Rubber, 7-5, 7-7, 7-12
Grommet, 6-61, 6-63, 7-4
Guard Kit, Overhead, 7-8
Guard, Brush, 6-54

Guard, Light, 7-5, 7-7
Guard, Steering, 6-11
Guide Adjustment, Angle Rack, 6-11
Guide, Brake Shaft, 6-19
Guide, Rack, 6-11
Guide, Side Squeegee, 6-21, 6-23
Guide, Spring, 6-31

H

Handle Assembly, Rubber, 7-30
Handle, Valve, 6-39, 6-41
Handle, 6-29
Harness, Headlight, 7-4
Head Band Ass'y, 8-15
Headband, 8-16
Heavy Duty Bumper and Overhead Guard Kit, 7-9
Hinge, Reverse, 6-7
Hinge, 6-9
Hood and Label Assembly (Does not include striping decal) (Replaced by 33996), 6-9
Hood and Label Assembly (Does not include striping decal), 6-9
Hood Replacement Kit (Replaced by 33996), 6-9
Hook, S, 6-7
Horn Button, 6-11
Horn Button, 6-11
Horn, 6-11
Hose and Cuff Assy, Vin 1.5ID 20L, 6-47
Hose Assembly, 14 in, 6-47
Hose Assembly, 24 in, 6-47
Hose Assembly, 30 in, 6-47
Hose Assembly, 6-47, 7-15, 7-16
Hose Assy, Drain, 7-29
Hose, Clear Vinyl, 6-41
Hose, Drain, Extension, 7-29
Hose, Drain, 6-33, 6-35, 7-29
Hose, Filler, 7-3
Hose, Flexible, 6-47
Hose, Hydraulic, 6-51
Hose, PVC, 6-41, 7-3
Hose, Solution, 6-41
Hose, Vacuum, 6-29, 6-35

CROSS REFERENCE

Hose, Vinyl, 7-3
Hose, 6-27, 6-39, 6-43, 7-11
Housing, 8-9
Hub, Brush Drive, 6-54
Hydraulic Fluid, HP 5-20, 1 gal (3.8 L), 6-3
Hydraulic Fluid, HP 5-20, 5 gal (19.0 L), 6-3

I

Idler Arm Rplmt Kit/86650, 6-23
Indicator, Battery Discharge, 6-45
Insulator, Panel and Switchboard, 6-61, 6-63
Isolator, Vibration, 6-55

K

Key Set, 6-45
Key Square 0.18 0.18 00.75 Lg, 6-23, 6-25
Key Square 0.25 0.25 01.25 Lg, 6-23, 6-25
Key Square 0.375 X 1.19Lg, 6-25
Key, Square, 6-43, 7-11, 8-12, 8-13
Key, Woodruff, 6-15, 8-2, 8-10, 8-11
Key-Wdruff 0.16 0.62, 8-15
Knob, Tapered, 6-39, 6-41
Knob, 7-30

L

Label Kit, Information and Hazard, 6-64
Label Kit, Operational, 6-64
Label Kit, Striping, 6-64, 7-11
Label, TENNANT, 6-64, 7-9
Lamp, 7-4
Lead, Crossover, 8-10, 8-11
Leg, Left Front, 7-8, 7-9
Leg, Rear, 7-8
Leg, Right Front, 7-8, 7-9
Lens, Amber Revolving Light, 7-5, 7-7
Lens, Blue Revolving Light, 7-5, 7-7
Lens, Red Revolving Light, 7-5, 7-7
Lever, Brake, 6-19
Lever, Water Valve, 6-41
Light Assembly, Panel, 6-45
Light Kit, Warning, 7-5, 7-7

Light Kit, 7-4
Light, Amber Revolving, 7-5, 7-7
Link, Drag, 6-11
Link, Hood, 6-9
Link, Rlr. Chain #35, 6-25
Link, Shaft, 6-17
Link, 6-9
Lintel, 6-7
Locknut, Bearing, 6-43

M

Main Brush Kit, Abrasive Bristle, 6-5
Main Brush Kit, Polypropylene, 6-5
Main Brush Kit, Soft Nylon, 6-5
Manual Pkg 530E, 7-31
Manual, Operator Handbook 530E Es/Fr, 7-31
Manual, Operator Handbook, 6-7
Manual-Fiche Pkg 530E, 7-31
Mat, Floor, 6-7
Microswitch Kit, 6-61, 6-63
Molding, Rigid, 6-7, 6-29, 7-8, 7-9
Motor Assembly (See Breakdowns), 6-43
Motor Replacement Kit For (86356) (See Breakdowns), 6-15
Motor, Electric (Replaced by 79100) (See Breakdowns), 6-15
Motor, Electric (See Breakdowns), 6-15, 7-11
Motor, Electric, 36VDC, 8-16
Motor, Electric, 6-15, 8-10, 8-11, 8-12, 8-13, 8-14
Motor, Hydraulic (See Breakdowns), 6-52
Motor, Hydraulic, 8-2
Motor, Traction 3.0 Hp, 8-15
Motor, Vacuum Fan 2.3Hp (See Breakdowns), 6-43
Motor, Brush, 6-25
Motor, 8-3
Mount Weldmt, Bearing, 6-25
Mount, Axle, 6-17
Mount, Cable Tie, 6-45, 7-3, 7-4, 7-5, 7-12
Mount, Headlight, 7-4
Mount, Seat, 6-7
Mount, Squeegee Right, 6-31
Mount, Switch, 6-13

Mount,Squeegee Left, 6-31

N

Nozzle, Wand, 7-15, 7-16
 Nut, Drain Fitting (Replaced by 12528), 6-35
 Nut, Drain Fitting, 6-35
 Nut, Flexloc, 6-11, 6-43
 Nut, Hex, 6-13
 Nut, Low Crown, M10, 6-43
 Nut, Nylon Hex, 6-15, 6-29
 Nut, Nylon Lock, M10, 6-29
 Nut, Push On, 6-29, 7-15
 Nut, Slotted Hex, 6-17
 Nut, Stover, M12, 6-43
 Nut, Stover, 6-21
 Nut, Thin, 6-7
 Nut, Wheel, 6-15
 Nut-Hxslot M20X2.5 8 Pltd, 6-23, 6-25
 Nut, 8-9

O

O-Ring, 6-15
 Oil Seal, 8-14

P

Pad, Tread, 6-7
 Pad, Wear, 6-31
 Panel and Label Assembly, 6-7
 Panel, Front, 6-7
 Panel, Instrument, 6-45
 Pedal, Directional, 6-13
 Pedal, 6-17
 Pilot Check Valve, 8-7
 Pin, Ball, 7-11
 Pin, Clevis .31 Dia Rework, 6-23
 Pin, Clevis, 6-9, 6-13, 6-17, 6-21, 6-27, 6-29, 6-39,
 6-41, 6-52, 6-53, 7-11, 7-15
 Pin, Hair Cotter, 6-21, 6-27
 Pin, Hitch, 6-31
 Pin, Lower Pivot, 6-29
 Pin, Plastic, 6-33
 Pin, Quick Release, 6-29

Pin, Roll, 6-13, 6-17
 Pin,Hair Cotter #Lhcot-2,Leitk, 6-23
 Pin,Roll,.25Odx2.00L,.250/.256, 6-23, 6-25
 Pivot, Side Brush, 6-53
 Pivot, 6-29
 Plate Assembly, Base, 6-11
 Plate Bottom, 6-23
 Plate Stop, 6-23
 Plate, Buss Bar, 6-63
 Plate, Cover, 6-7, 6-45
 Plate, Drive, 6-5
 Plate, Inspection, 7-11
 Plate, Motor Mounting, 6-52
 Plate, Mounting, 6-7, 6-13, 6-29, 6-43, 7-15
 Plate, Mtg Replmt Kit F/12336, 6-25
 Plate, Pot, 6-13
 Plate, Switch, 6-29
 Plug #2, 8-7
 Plug Gage #4, 8-7
 Plug Weld, Brush Drive, Sweep, 6-23, 6-25

Plug, #2, 8-5
 Plug, #4, 8-5
 Plug, Expandable, 6-33, 6-35
 Plug, 6-15
 Plugbutton, 6-7, 6-27, 6-45
 Pouch, Operator's Manual, 13.6 in (345 mm), 6-7
 Pouch, Operator's Manual, 7.5 in (190 mm), 6-7
 Power Unit, Hydraulic (See Breakdowns), 6-49
 Power Unit, Hydraulic, 8-3
 Press. Redc. /120, 8-7
 Pulley, Cable, 7-11
 Pulley, Idler, 6-43
 Pump, Water, 7-3
 Pump, 8-3

R

Relay, 6-61, 6-63
 Relief Valve, 8-7
 Repair Kit Rear Sqge Metric, 6-31
 Repair Kit, Fan Cover, 6-43
 Repair Kit, Fan Drive, 6-43
 Repair Kit, Fan Housing, 6-43

CROSS REFERENCE

Repair Kit, Fan Muffler, 6-43
Repair Kit, Idler Arm, 6-43
Repair Kit, Impeller, 6-43
Repair Kit, Water Pump, 7-3
Repl. Kit Sprocket 28Tooth, 6-25
Repl. Kit Sprocket, 15 Tooth, 6-25
Repl. Kit Sprocket, 54 Tooth, 6-25
Repl. Kit, Chain, Roller, 6-25
Replacement Kit, Brush Scroll, 6-27
Replacement Kit, Level Sensing Float, 6-37, 7-3
Replacement Kit, SCR Controller (Replaced by 12107), 6-61
Replacement Kit, SCR Controller, G-8, 6-63
Replacement Kit, Wire Harness, Main (for 50185), 6-59
Resistor, 6-61, 6-63, 7-4
Retainer, Side Brush, 6-54, 7-11
Retainer, Skirt L.H., 6-25
Retainer, Skirt R.H., 6-23
Retainer, Spring, 6-31
Retainer, Squeegee, 6-21, 6-23, 6-54, 7-11
Retainer, Steering Gear, 6-11
Ring, Retaining, 6-9, 6-27, 6-47, 7-11
Rivet, Pop, 7-30
Rod End .375-24 W/Stud, 6-31
Rod End .375-24 Lh W/Stud, 6-31
Rod Replacement Kit, Valve, 6-39
Rod, Pedal, 6-17
Rod, Threaded, 6-13, 6-31
Rod, Valve, 6-39, 6-41

S

Scr, Set M 6X1.0, 6-25
Scr-Flt M 6X1.0 16 Ss18-8, 6-23
Scr-Hexssm 6X1.0 20 Nylonloc, 6-25
Scr-Set M 6X1.0, 6-25
Scr-Shld .500Dx1.25L.38-16, 6-31
Screen, Solution 10.5 Lg, 7-3
Screw, Flat, 6-21
Screw, Full Thread, 6-13
Screw, Hex, M12, 6-15
Screw, Nylon Hex, 6-21
Screw, Nylon Lock, M8, 6-29, 7-3
Screw, Nylon Lock, 7-11
Screw, Nylon Tip Set, M6, 6-43
Screw, Nylon Tip Set, 6-13
Screw, Pan, M6, 6-45
Screw, Set, 6-13
Screw, Socket, M6, 6-11, 6-43, 7-11
Screw, Socket, M8, 6-15
Screw, Wood, 6-11
Screw, 8-9
Seal Bearing, 6-31
Seal Kit, One Cart, 8-7
Seal Kit, Plugs, 8-7
Seal Kit, 8-2, 8-5
Seal, O-Ring, 6-15
Seal, Rocker Switch, 6-45, 7-3, 7-4, 7-5, 7-7, 7-12
Seal, Vacuum Fan, 6-47
Seal, 8-15
Seat Assembly, 6-7
Seat Switch and Mount Replacement Kit, 6-7
Shaft, Accelerator, 6-13
Shaft, Brake, 6-17
Shaft, Drive, 8-3
Shaft, Idler, 6-43
Shaft, Output, 8-2
Sheave, Motor, 6-43
Sheave, 6-43
Shell, 8-12, 8-13
Shoe, Squeegee, 7-15, 7-16
Shroud Replacement Kit, Brush, 7-11
Shroud, Brush, 7-11
Shroud, Side Brush, 7-11
Shroud, Tray, 6-29
Shunt, 6-61, 6-63
Side Scrub Brush Assembly, Abrasive Bristle, 6-5
Side Scrub Brush Assembly, Soft Nylon, 6-5
Side Scrub Brush Assembly, Stiff Nylon, 6-5
Side Scrub Brush Replacement Kit, Abrasive Bristle, 6-5
Side Scrub Brush Replacement Kit, Soft Nylon, 6-5
Side Scrub Brush Replacement Kit, Stiff Nylon, 6-5
Skirt, Brush Arm - L.H., 6-25
Skirt, Brush Arm - R.H., 6-23
Skirt, Side Brush, 6-54, 7-11

Sleeve, Bearing, 6-29, 6-52	Stopper Assembly, 6-35
Sleeve, Nylon, 6-51	Strap, L.H., 6-33
Sleeve, Spring Follower, 6-31	Strap, R.H., 6-33
Sleeve, 6-19, 6-43, 6-47, 7-11	Strap, Rubber, 7-15, 7-16
Slide, Plastic, 6-29	Strip Retaining, 6-31
Slide, Plate, 6-29	Strip, Stain Steel, 6-31
Slide, 6-29	Strip, 6-29
Snap-Ring, 8-16	Stud, Axle, 6-17
Socket Assembly, 7-4	Stud, Mounting, 6-21
Solenoid, 36V, 8-7	Stud, 6-17
Spacer Brush Arm, 6-23, 6-25	Support, Front Rack, 6-11
Spacer, Brake, 6-19	Support, Rear Rack, 6-11
Spacer, Hub, 6-54	Support, Seat, 6-7
Spacer, 8-9, 8-14	Support, Switch, 6-27
Spring Gas Repl Kit 530Em, 6-23	Support, Tray, 6-29
Spring Load, 8-14	Support, 6-7
Spring Replacement Kit, Gas, 6-21	Switch Assembly, Key, 6-45
Spring, Brake, 6-17	Switch Assembly, Squeeggee, 6-29
Spring, Brush Retaining, 6-5	Switch Replacement Kit (Replaced by 60380), 6-29
Spring, Brush, 8-10, 8-11, 8-14	Switch Replacement Kit, Squeeggee, 6-29
Spring, Compression, 6-7, 6-27, 6-39, 6-41	Switch, Micro, 6-13
Spring, Directional Control, 6-13	Switch, Push Button, 6-7, 6-27, 6-29
Spring, Extension, 7-15	Switch, Rocker, DPDT, 6-45
Spring, Fiberglass Assy., 6-31	Switch, Rocker, SPDT, 6-45
Spring, Flat, 6-13	Switch, Rocker, 7-3, 7-4, 7-5, 7-7, 7-12
Spring, Gas 80 Lb, 6-23	Switch, Roller Lever, 6-7
Spring, Gas, 6-21, 6-53	Switch, Roller, 7-11
Spring, Horn Button, 6-11	Switch, 6-37, 7-3
Spring, Tension, 6-13, 6-17, 6-52	
Spring, 6-29, 8-9	T
Springs, 8-12, 8-13	Taillight Assembly, 7-4
Sprkt, Idler/Brng, #35-20T, .630B, 6-25	Tank, Recovery, 6-35
Squeeggee Assembly, Side Brush, 6-54	Tank, Solution, 6-33
Squeeggee Assy Front, 6-31	Terminal, Male, 6-11
Squeeggee Assy Rear, 6-31	Thru Bolt, 8-14
Squeeggee Blade Kit, Rear, 6-3	Tie, Cable, 6-15, 6-45, 6-47, 6-51, 7-3, 7-4, 7-5, 7-11, 7-12
Squeeggee Kit, Urethane, 6-3, 7-28	Timer, 6-61, 6-63
Squeeggee, Front, 6-3, 7-28	Tire and Wheel Assembly, 6-15
Squeeggee, Rear, 6-3, 7-28	Tire, Solid, 6-15, 6-17
Squeeggee, Side Brush, 6-3, 7-11, 7-28	Tooth, Rack, 6-11
Squeeggee, Side, 6-3, 6-21, 6-23, 7-28	Top, Overhead Guard, 7-8, 7-9
Stationary Fan, 8-9	

CROSS REFERENCE

Torque Tube Rby 41481, 6-23
Transport Kit, 7-30
Tray, Debris, 6-29
Tube Torque, 6-23
Tube, Air Intake, 6-47
Tube, Spacer, 6-27
Tube, Vacuum, 6-29

U

U-Nut, M6, 6-11, 7-4

V

V-Belt, 6-43
Vac Fan Assy. 36V D.C. 5.7 Dia, 8-9
Vacuum Fan, 8-9
Valve Replacement Kit, Water, 6-39, 7-11
Valve Stem-3Way, 8-7
Valve Stem, 8-7
Valve, Check, 8-5
Valve, Hydraulic Solenoid (See Breakdowns), 6-55
Valve, Hydraulic Solenoid, 8-5
Valve, Pilot Check, 8-5
Valve, Press, 8-7
Valve, Pressure Reducer, Adjustable, 8-5
Valve, Pressure Reducer, Fixed, 8-5
Valve, Relief, 8-5
Valve, Stem, 3-Way, 8-5
Valve, Stem, 4-Way, 8-5
Valve, Water, 6-39, 7-11
Valve-Hyd, Solenoid, 8-7
Video, Operator 530E, 7-31

W

Wand Kit, Vacuum, 7-15, 7-16
Wand, 2 Piece, 7-15, 7-16
Washer Neo, 8-9
Washer, .531B 1.75D .12Cr Znc, 6-31
Washer, .532B 2.13D .11Hr.Znc, 6-23, 6-25
Washer, Belleville, 7-8, 7-9, 7-11, 7-30
Washer, Nylon, 6-13
Washer, Shaft, 6-17

Washer-Belleville .25 Pltd, 6-23
Washer-Belleville .25 Pltd, 6-25
Washer-Belleville .50 Pltd, 6-31
Washer, 6-17, 6-29, 6-45, 6-47, 7-11, 8-9
Water, Valve, 6-41
Wavy Washer, 8-16
Wheel Assembly, Rear, 6-17
Wheel, 3.0 Dia, 6-31
Wheel, Steering, 6-11
Wire Harness, Battery, 7-20, 7-21, 7-22
Wire Assembly, Accelerator, 6-13
Wire Assembly, Battery, 6-63
Wire Assembly, 6-61, 6-63, 7-13
Wire Harness Replacement Kit, Battery, 6-61
Wire Harness Replacement Kit, Fan, 6-57
Wire Harness, Battery, 6-61, 7-23, 7-24, 7-25, 7-26,
7-27
Wire Harness, Control Box, 6-63
Wire Harness, Fan, 6-63
Wire Harness, Horn, 6-59
Wire Harness, Instrument Panel, 6-57, 6-59
Wire Harness, Light, 7-7
Wire Harness, Main, 6-57, 6-59
Wire Harness, Side Brush, 7-12
Wire Harness, Taillight, 7-4
Wire Harness, Vacuum Fan, 6-57
Wire Harness, 6-61

Y

Yoke, Adjustable, 6-17



We Need Your Help...

As part of Tennant's Zero Defects Program, we want to know about errors you have found or suggestions you may have regarding our machine manuals. If you find an error or have a suggestion, please complete this postage-paid form and mail it to us. Thank you for helping us make zero defects a way of life at Tennant.

Manual No. _____ Rev. No. _____ Publish Date _____ Page _____
 Machine _____ Report Error Suggestion

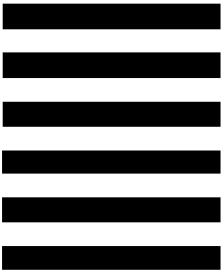
Name _____ Date _____
 Customer Number _____
 Company _____
 Address _____
 City/State/Zip Code _____



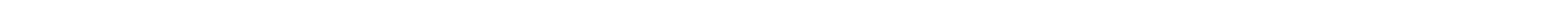
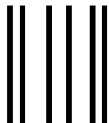
TENNANT COMPANY
 Technical Publications #15
 701 North Lilac Drive
 P.O. Box 1452
 Minneapolis, MN 55440-9947

POSTAGE WILL BE PAID BY ADDRESSEE

BUSINESS REPLY MAIL
 FIRST CLASS MAIL PERMIT NO. 94 MINNEAPOLIS, MN

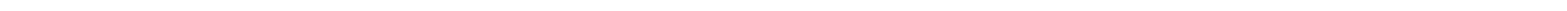


NO POSTAGE
 NECESSARY
 IF MAILED
 IN THE
 UNITED STATES



Fold along dotted lines

Tape here





We Need Your Help...

As part of Tennant's Zero Defects Program, we want to know about errors you have found or suggestions you may have regarding our machine manuals. If you find an error or have a suggestion, please complete this postage-paid form and mail it to us. Thank you for helping us make zero defects a way of life at Tennant.

Manual No. _____ Rev. No. _____ Publish Date _____ Page _____
Machine _____ Report Error Suggestion

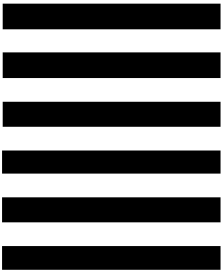
Name _____ Date _____
Customer Number _____
Company _____
Address _____
City/State/Zip Code _____



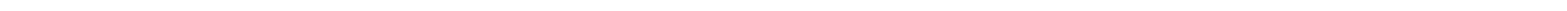
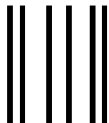
TENNANT COMPANY
 Technical Publications #15
 701 North Lilac Drive
 P.O. Box 1452
 Minneapolis, MN 55440-9947

POSTAGE WILL BE PAID BY ADDRESSEE

BUSINESS REPLY MAIL
 FIRST CLASS MAIL PERMIT NO. 94 MINNEAPOLIS, MN



NO POSTAGE
 NECESSARY
 IF MAILED
 IN THE
 UNITED STATES



Fold along dotted lines

Tape here

