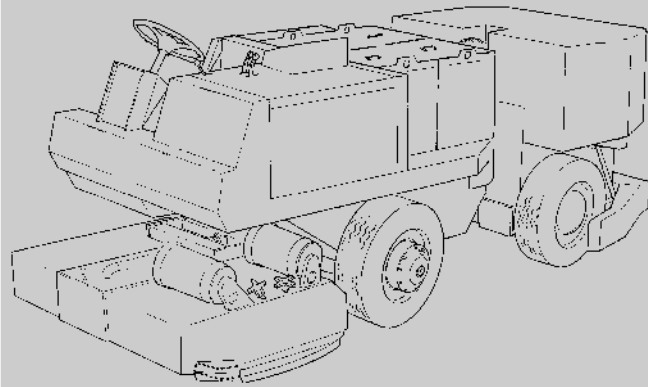




550

(Electric)

Rider Scrubber Parts Manual



TennantTrue™ Parts and Supplies




This manual is furnished with each new model. It provides necessary operation and maintenance instructions.

Read this manual completely and understand the machine before operating or servicing it.


This machine will provide excellent service. However, the best results will be obtained at minimum costs if:

- The machine is operated with reasonable care.
- The machine is maintained regularly - per the machine maintenance instructions provided.
- The machine is maintained with manufacturer supplied or equivalent parts.



PROTECT THE ENVIRONMENT

Please dispose of packaging materials, old machine components such as batteries, hazardous fluids such as antifreeze and oil, in a safe environmentally way according to your local waste disposal regulations.



Always remember to recycle.

MACHINE DATA

Please fill out at time of installation for future reference.

Model No.- **550E**

Serial No. - _____

Machine Options - _____

Sales Rep. - _____

Sales Rep. phone no. - _____

Customer Number - _____

Installation Date - _____

Tennant Company

PO Box 1452

Minneapolis, MN 55440

Phone: (800) 553-8033 or (763) 523-2850

www.tennantco.com

SRS is a United States registered trademark of the Tennant Company.

Specifications and parts are subject to change without notice.

Copyright © 1986-1989, 1991-2002, 2005, 2006, 2010 TENNANT, Printed in U.S.A.

HOW TO USE THIS MANUAL

This section on *HOW TO USE THIS MANUAL* will tell you how to:

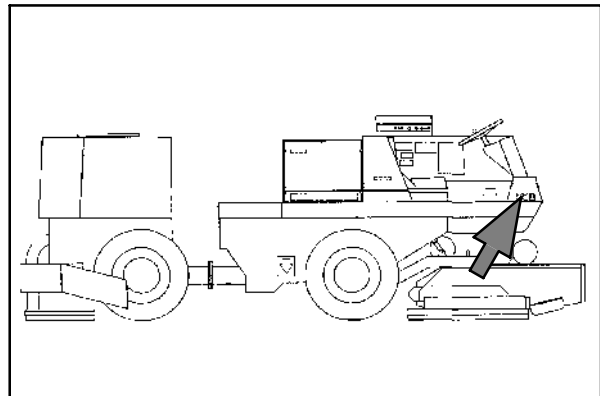
- Find important machine information for ordering correct repair parts.
- Find TENNANT part numbers.
- Order TENNANT parts and supplies.

IMPORTANT INFORMATION

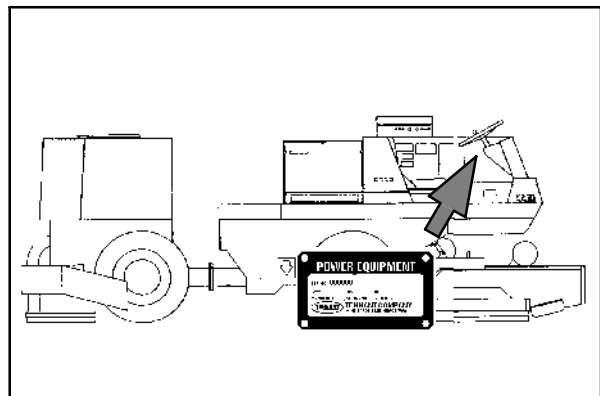
When placing an order for parts, the machine model and machine serial number are important. Refer to the *MACHINE DATA* box which is filled out during the installation of your machine. The *MACHINE DATA* box is located on the inside of the front cover of this manual.

MACHINE DATA	
<i>Please fill out at time of installation.</i>	
Machine Serial Number -	_____
Engine Serial Number -	_____
Sales Representative -	_____
Customer Number -	_____
Date of Installation -	_____
Manual Number -	MM149
Revision:	15
Published:	2-95

The model number of your machine is on the side of the machine.



The serial number of your machine is printed on the machine data plate located as shown.



HOW TO USE THIS MANUAL

FINDING A TENNANT PART NUMBER

This manual contains the following sections:

- HOW TO USE THIS MANUAL
- STANDARD PARTS
- OPTIONS
- BREAKDOWNS
- CROSS REFERENCE

The STANDARD PARTS section lists repair parts for standard machines. They are grouped in this general order:

- General wear parts.
- Machine frame and related parts.
- Machine propelling system.
- Scrubbing components.
- Electrical parts.

The OPTION section lists repair parts of options.

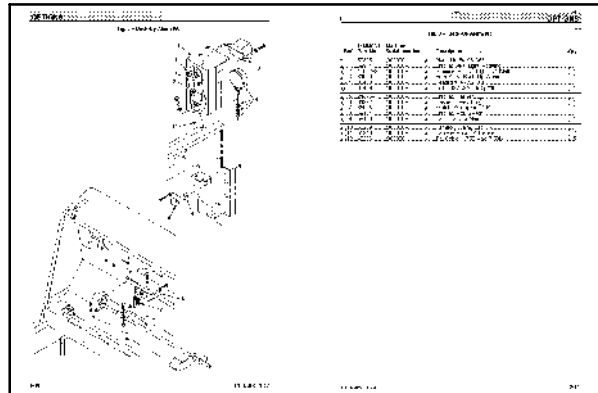
The BREAKDOWN section lists available repair parts of major components.

All sections in this manual consist of parts illustrations and corresponding parts lists.

The parts illustrations are numbered with **Ref** numbers which refer to corresponding parts lists.

The parts lists include a number of columns of information:

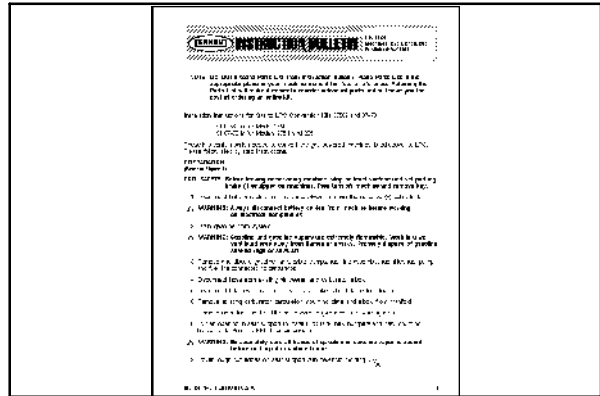
- **Ref** - column refers to the reference number on the parts illustration.
 ▽ - indicates the part is an assembly.
 ▲ - indicates the part is included in the assembly listed just before it.
- **TENNANT Part No.** - column lists the TENNANT part number for the part.
- **Serial Number** - column indicates the set of machines the part number is applicable to. Serial numbers change when the machine design has been modified. The most current design of the machine is shown in the main illustration, older designs are boxed in a corner of the illustration.
- **Description** - column is a brief description of the part.
- **Qty.** - column lists the quantity of that part used in that area of the machine.



Ref. Part No.	Machine Serial number	Description	Qty.
59335	QC0000-	Alarm Kit, Bu A/s 35L	1
▲ 1 59944	QC0000-	Bracket W/d. Jght, Rotating	1
▲ 10632-9	QC0000-	Grommet,Rctr,0.66ld,For .13Matl	1
▲ 61920	QC0000-	Hom Assy, Back-Up Alarm	1
▲ 4 36438	QC0000-	Headlight Assy,21CG	1
▲ 4 36439	QC0000-	Fult, 12V .9A 15Ca#11004	1
▲ 2 24676-	QC0000-	Bracket, Flasher	1
▲ 31922	QC0000-	Flasher, Heavy Duty	1
▲ 39416	QC0000-	SWICH, Waterproof, 11A	1
▲ 59154	QC0000-	Bracket, Mfg. Switch	1
▲ 59153	QC0000-	Carr. Back-Up Alarm	1
▲ 10 60299	QC0000-	Harness, Alarm, BackUp	1
▲ 11 65248	QC0000-	Cabletie Mount, Adhesive	2
▲ 12 49256	QC0000-	Tie, Cable .75D Max 7.50LG	5

NOTE: If a service kit is installed on your machine, be sure to keep the INSTRUCTION BULLETIN which came with the kit. It contains repair parts numbers needed for ordering future parts.

NOTE: Fasteners used in this machine may be metric or non-metric. Take care when replacing hardware to replace with same thread size.



PLACING AN ORDER

Orders may be placed by phone, fax, or by mail. Phone orders may need written confirmation. Follow the steps below to insure prompt delivery:

1. Identify the model number of your machine.
2. Identify the serial number of your machine.
3. Find the part number of the part you need. Do not order by page number or reference number. If you are not able to find the part number, call your TENNANT representative for help or send the old part as a sample.
4. Determine the quantity of the part you need.
5. Provide the following company information:
 - Company name
 - Customer ID Number
 - Shipping address
 - Billing address
 - First and last name of person ordering parts
 - Telephone number
 - Purchase order number
6. Provide definitive shipping instructions.

HOW TO USE THIS MANUAL

Any claim for loss or damage to a shipment in transit should be filed promptly with the transportation company making the delivery. Shipments will be complete unless the packing list or order acknowledgement indicates items back ordered.

If parts received are suspected to be incorrect or defective, please contact the TENNANT representative from whom you ordered the part. They will give authorization for return and/or handle replacement shipments when required.

SECTION 6

Contents	Page	Contents	Page
Fig. 1 - Recommended General Maintenance Items	6-2	Fig. 41 - Rear Wheel Parking Brake Group	6-62
Fig. 2 - Replacement Brushes	6-4	Fig. 42 - Rear Bumper Group	6-63
Fig. 3 - Main Frame Group	6-6	Fig. 43 - Rear Squeegee Assembly	6-64
Fig. 4 - Seat Group	6-8		
Fig. 5 - Main Frame Noise Insulation Group	6-9		
Fig. 6 - Speed And Directional Pedal Group ...	6-10		
Fig. 7 - Scrub Head Hopper Group	6-11		
Fig. 8 - Scrub Head Right Side Squeegee Assembly	6-12		
Fig. 9 - Scrub Head Left Side Squeegee Assembly	6-13		
Fig. 10 - Scrub Head Lift Group	6-14		
Fig. 11 - Scrub Head Solution Supply and Control Group	6-16		
Fig. 12 - Scrub Head Front Brush Drive Components Group	6-18		
Fig. 13 - Scrub Head Front Brush Idler Assembly	6-20		
Fig. 14 - Scrub Head Rear Brush Idler Assembly	6-21		
Fig. 15 - Scrub Head Rear Brush Drive Components Group	6-22		
Fig. 16 - Vacuum Fan Assembly	6-24		
Fig. 17 - Electric Motor Group	6-26		
Fig. 18 - Steering Column Group	6-28		
Fig. 19 - Instrument Panel Group	6-30		
Fig. 20 - Instrument Panel Components Group .	6-31		
Fig. 21 - Control Panel Components Group ...	6-32		
Fig. 22 - MFR Control Assembly	6-34		
Fig. 23 - Electrical Schematic	6-35		
Fig. 24 - Power Wheel Group	6-38		
Fig. 25 - Electrical Wire Harness Group	6-40		
Fig. 26 - Front Wheel Assembly	6-42		
Fig. 27 - Brakes Group	6-43		
Fig. 28 - Front Wheel Parking Brake Group	6-44		
Fig. 29 - Hydraulic Pump Group	6-45		
Fig. 30 - Hydraulic Control Valve Group	6-46		
Fig. 31 - Hydraulic Schematic (001330-005607)	6-47		
Fig. 32 - Hydraulic Schematic (005608-)	6-48		
Fig. 33 - Hydraulic Filter Group	6-49		
Fig. 34 - Hydraulic Hoses Group (001330-005607)	6-50		
Fig. 35 - Hydraulic Hoses Group (005608-)	6-52		
Fig. 36 - Trunnion Group	6-54		
Fig. 37 - Solution and Recovery Tanks Group, Front Side	6-56		
Fig. 38 - Solution and Recovery Tanks Group, Rear Side	6-58		
Fig. 39 - Rear Wheel Group	6-60		
Fig. 40 - Rear Wheel Parking Brake Handle Group	6-61		

Fig. 1 - Recommended General Maintenance Items

Ref.	Part No.	Serial Number	Description	Qty.
▽	02465	(001330-) Performance Package, 400 Hour	1
▲	378996	(001330-) Belt, V, [3v] 56.0l [Hc38]	1
▲	55740	(001330-) Element, Hydraulic Filter	1
▲	378968	(001330-) Belt, V, [3v] 28.0l [Hc38]	1
▽	02460	(001330-) Squeegee Blades Kit, Side	1
▲	60015	(001330-) Blade, Squeegee	4
▲	59617	(001330-) Flap, Containment	2
▲	75711	(001330-) Brush	2
▲	75799	(001330-) Skirt	2
▽	02457	(001330-) Squeegee Blades Kit, Rear	1
▲	60016	(001330-) Blade, Rear	1
▲	76937	(001330-) Strip, Rear Backup	2
▲	60018	(001330-) Blade, Front	1
▽	02456	(001330-) Hose Kit, Vacuum, SRS®	1
▲	40870-7	(001330-) Hose Assembly	1
▲	23498	(001330-) Clamp, Worm Drive	4
▲	76828	(001330-) Hose Assembly	1
▲	75635AM	(001330-) Hose Assy, W/1cuff, 1.5d 120l 1.5/	1
▲	11531	(001330-) Clamp, Worm Drive	1
▲	50845	(001330-) Hose, Hopper	1
▲	22297	(001330-) Clamp, Worm Drive	2
▲	40870-1	(001330-) Hose Assembly	1
▲	25649	(001330-) Hose, Squeegee	1
▲	43555	(001330-) Clamp, Worm Drive	2
▽	02458	(001330-) Seal Kit, Tank Door	1
▲	25665	(001330-) Fastener, Winghead	10
▲	28165	(001330-) Fastener, Nut	10
▲	26015	(001330-) Fastener, Washer	10
▲	06332	(001330-) Seal, Door	2
▲	76532	(001330-) Gasket, Front Suction Tube	1
▲	78802	(001330-) Gasket	1
▲	75076	(001330-) Gasket, Rear Suction Tube	1
▲	50518	(001330-) Flap, Rubber	1
▽	02455	(001330-) Seal Kit, Tank Door, SRS®	1
▲	78802	(001330-) Gasket	3
▲	06229	(001330-) Gasket, Door	1
▲	79500	(001330-) Sheet, Top Sandblast	2
▲	76395	(001330-) Gasket, Sandblast Cover	1
▲	79557	(001330-) Gasket, Air Outlet	1
▲	76532	(001330-) Gasket, Front Suction Tube	1
▲	25665	(001330-) Fastener, Winghead	10
▲	28165	(001330-) Fastener, Nut	10
▲	26015	(001330-) Fastener, Washer	10
▲	79391	(001330-) Gasket, Solution Door	1
▲	06223	(001330-) Gasket	2
▲	79545	(001330-) Gasket	1
▲	23498	(001330-) Clamp, Worm Drive	1

Fig. 1 - Recommended General Maintenance Items

Ref.	Part No.	Serial Number	Description	Qty.
▽	398344	(006115-) Kit, Maint, 800hr	1
▲	60015	(006115-) Blade, Sqge, Linatex, Side	4
▲	59617	(006115-) Flap, Containment	2
▲	75711	(006115-) Brush Assy, Strip, 4.0l, Pyp	2
▲	75799	(006115-) Strip, Backup	2
▲	60016	(006115-) Blade, Sqge, Rear, Linatex	1
▲	76937	(006115-) Strip, Backup	2
▲	60018	(006115-) Blade, Sqge, Front, Linatex	1
▲	40870-7	(006115-) Hose, Flex, Vacuum, 4.0d 54.0l	1
▲	23498	(006115-) Clamp, Hose, Wormdrive, 3.56-4.50d	5
▲	76828	(006115-) Hose Assy, Pvc, W/ Cuff, 2.0d, 48.0l	1
▲	75635AM	(006115-) Hose Assy, W/1cuff, 1.5d 120l 1.5/	1
▲	11531	(006115-) Clamp, Hose, Wormdrive, 1.06-2.00d	1
▲	50845	(006115-) Hose, Rbr, 2.00id 2.40od 07.5l	1
▲	22297	(006115-) Clamp, Hose, Wormdrive, 1.56-2.50d	2
▲	40870-1	(006115-) Hose, Flex, Vacuum, 4.0d 41.1l	1
▲	25649	(006115-) Hose, Flex, Vacuum, 3.0d 20.0l	1
▲	43555	(006115-) Clamp, Hose, Wormdrive, 1.62-3.50d	2
▲	06332	(006115-) Gasket, Door, Clean-Out	2
▲	76532	(006115-) Gasket, Tube, Suc, Front	2
▲	78802	(006115-) Gasket	4
▲	75076	(006115-) Gasket, Tube, Suc, Rear	1
▲	50518	(006115-) Bar, Flt, Rbr, 0.38 X 6.00 X 18.00l	1
▲	06229	(006115-) Gasket, Door	1
▲	76395	(006115-) Gasket, Cover, Sandblast	1
▲	79557	(006115-) Gasket, Air Outlet	1
▲	06223	(006115-) Gasket	1
▲	79545	(006115-) Gasket	1

Fig. 2 - Replacement Brushes

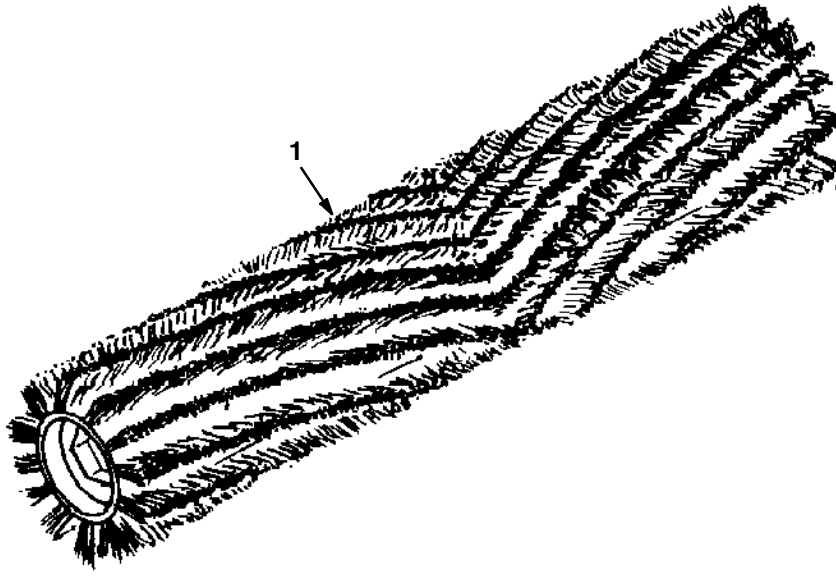
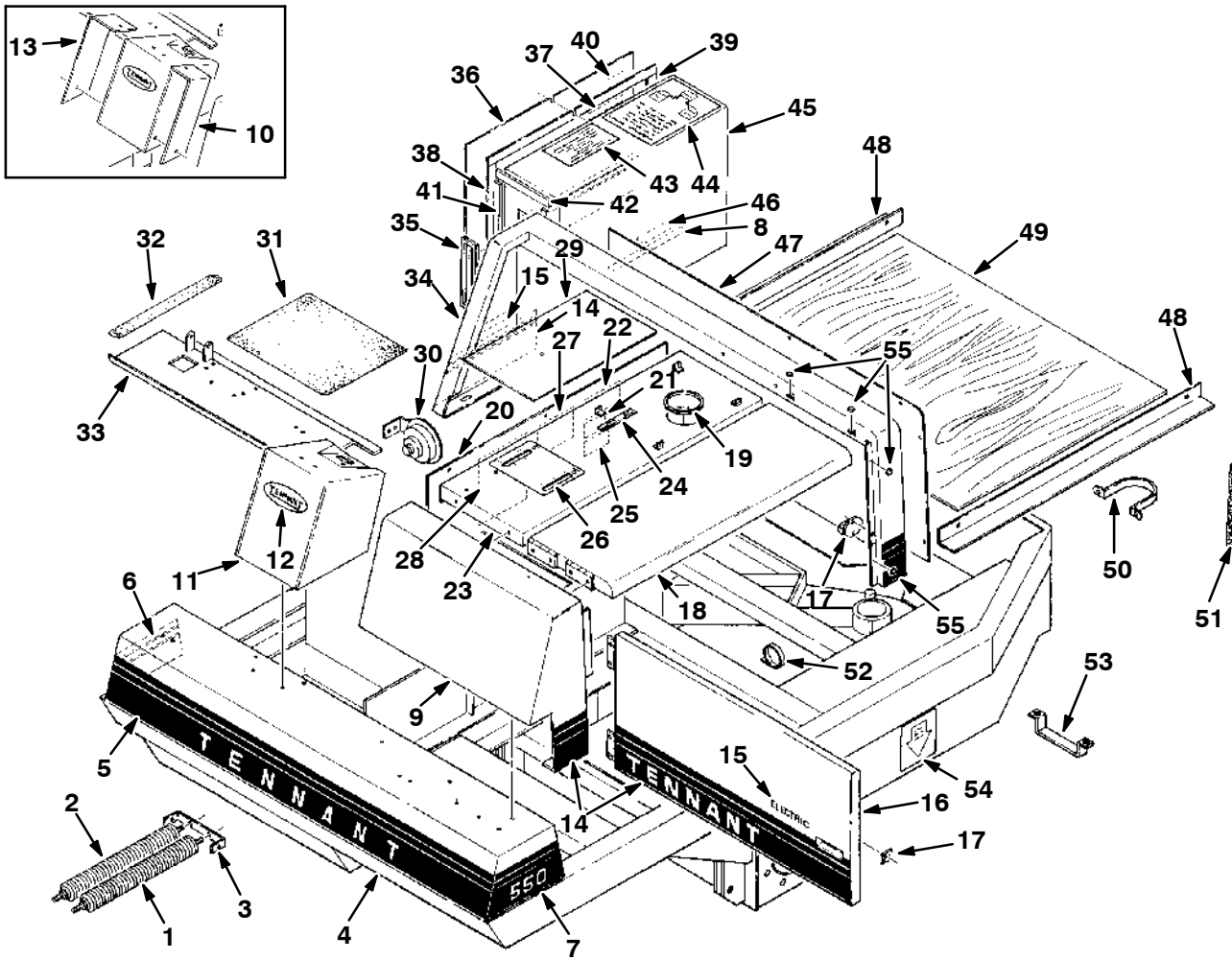


Fig. 2 - Replacement Brushes

Ref.	Part No.	Serial Number	Description	Qty.
1	75718	(001330-) Brush, Polypropylene	2
1	75722	(001330-) Brush, Abrasive Bristle	2
	12876	(001330-) Brush Kit, Repair	2

Fig. 3 - Main Frame Group



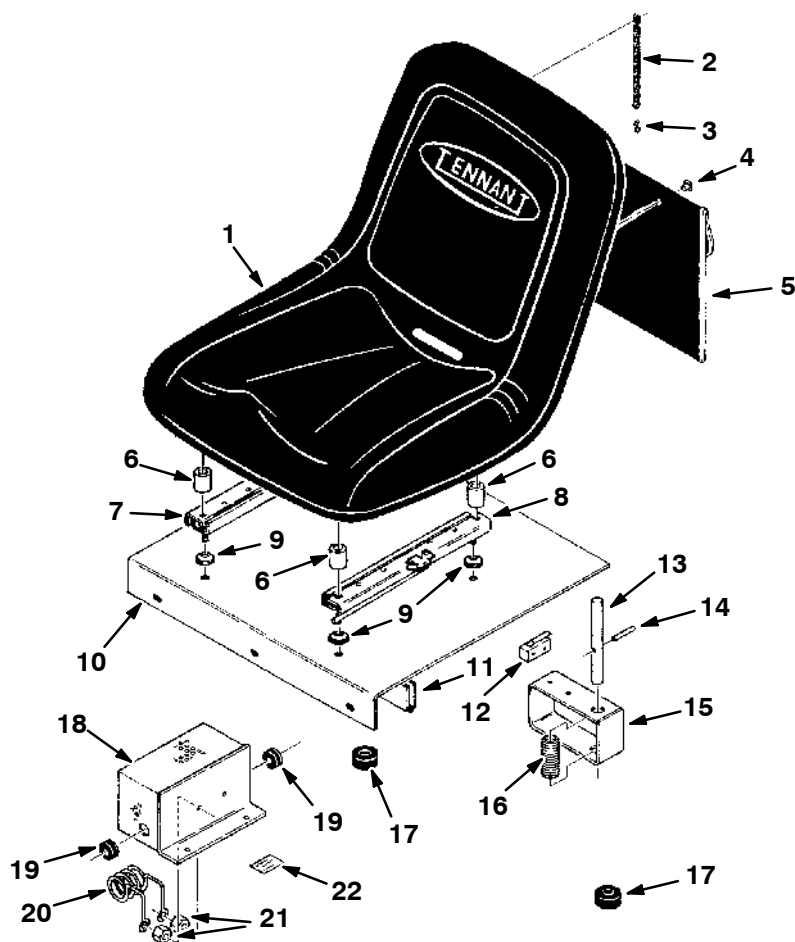
01062 - 550E

Ref.	Part No.	Serial Number	Description	Qty.
1	76140	(001330-) Resistor, Center Topped	1
2	76093	(001330-) Resistor	1
	76204	(001330-) Wire, Resistor	1
3	75207-1	(001330-) Bracket, Resistor Mounting	1
4	75236	(001330-) Frame, Tractor	1
5	75812	(001330-) Decal, Stripe	1
6	75813	(001330-) Decal, Stripe, R.H.	1
7	75814	(001330-) Decal, Stripe, L.H.	1
8	76150	(001330-) Decal, Warning, High Voltage	1
9	31684	(001330-) Shroud, Front	1
10	75379-1	(001330-004362) Wrap, Steering, L.H. (Replaced by none)	1
11	25186	(001330-) Housing, Steering Column	1
12	27474	(001330-) Oval, TENNANT	1
13	75379	(001330-004362) Wrap, Steering, R.H. (Replaced by none)	1
14	75811	(001330-) Decal, Stripe	2
15	76151	(001330-) Decal, Electric	2
16	75267	(001330-) Door, Access, L.H.	1
17	64903	(001330-) Latch, Door	1
18	75268	(001330-) Door, Top Access	1

Fig. 3 - Main Frame Group

Ref.	Part No.	Serial Number	Description	Qty.
	19	62595-5	(001330-) Molding, Dash Panel	1
▽	20	33729	(001330-) Panel, Side Kick	1
▲	21	37089	(001330-) Decal, Caution, Travel Slowly	1
▲	22	76202A	(001330-) Decal, Caution, Grades	1
▲		33622	(001330-) Label, Parking Brake	1
	23	75237-3	(001330-) Panel	1
	24	76150	(001330-) Decal, Warning, High Voltage	1
	25	48902	(001330-) Label, Tire Pressure	1
	26	76355	(001330-) Decal, Valve Panel	1
	27	76201	(001330-) Decal, Operating Instructions	1
	28	76072	(001330-) Decal, Maintenance	1
	29	75203	(001330-) Sheet, Insulator	1
	30	369702	(001330-) Horn	1
	31	69571	(001330-) Mat, Floor	1
	32	75430	(001330-) Pad, Step	1
	33	75258	(001330-) Pan, Floor	1
	34	75480A	(001330-) Back Frame	1
	35	62595-7	(001330-) Molding, Control Panel	1
▽	36	75307-1	(001330-) Door Assembly, Control Panel	1
▲	37	76150	(001330-) Decal, Warning, High Voltage	1
	38	75418	(001330-) Gasket, Control Panel, Side	2
	39	75417	(001330-) Gasket, Control Panel	2
	40	32514	(001330-) Decal, Caution, Charging	1
	41	39697	(001330-) Seal, Foam	2
	42	42834-1	(001330-) Seal, Foam	2
	43	76068	(001330-) Decal, Battery Requirements	1
	44	76073	(001330-) Decal, Charging Instructions	1
	45	75316-1	(001330-) Box, Control Panel	1
	46	76118	(001330-) Decal, 72 V	1
	47	75243	(001330-) Panel, Back	1
	48	76024	(001330-) Angle, Battery Hold-down	2
	49	75395	(001330-) Base, Plywood, Battery	1
	50	78118	(001330-) Clamp, Hose	2
	51	48183	(001330-) Chain, Link	1
	52	41016	(001330-) Clamp, Cable	2
	53	76869	(001330-) Bracket, Hose	1
	54	76158	(001330-) Decal, Jacking Tractor	2
	55	51787	(001330-) Bumper, Rubber	4
		10632-1	(001330-) Grommet, 1.06 in (27 mm) I.D.	2
		10632-2	(001330-) Grommet, 0.63 in (15 mm) I.D.	1
		10632-12	(001330-) Grommet, 0.38 in (10 mm) I.D.	1
		50646	(001330-) Molding, Rigid, 7.5 in (190 mm)	3
		62595-5	(001330-) Molding, Rigid, 11.5 in (290 mm)	2
		62595-11	(001330-) Molding, Rigid, 22.0 in (560 mm)	2
		62595-18	(001330-) Molding, Rigid, 3.0 in (75 mm)	2
		44961	(001330-) Tie, Cable, 14.75 in (375 mm)	6

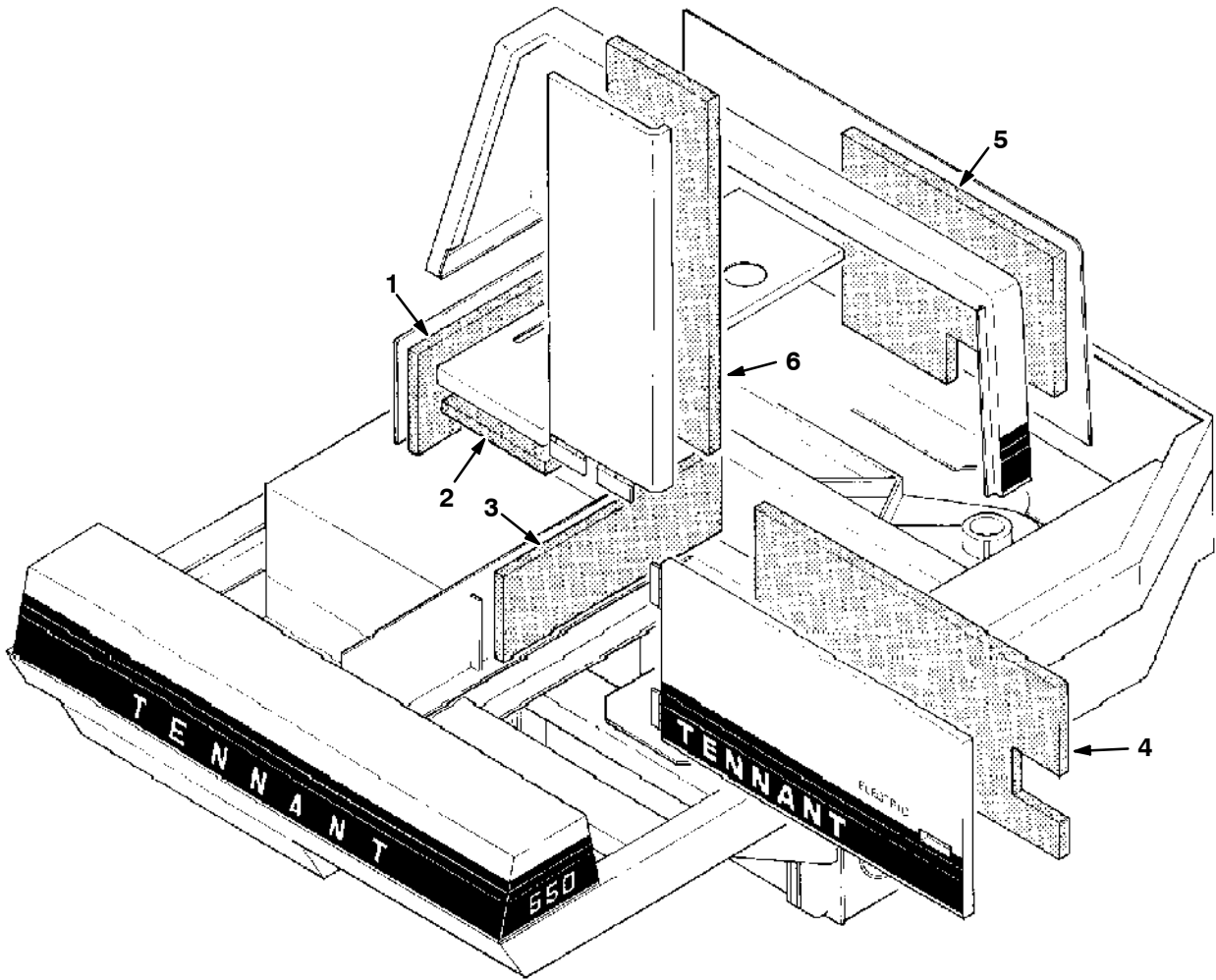
Fig. 4 - Seat Group



02373 - 550E

Ref.	Part No.	Serial Number	Description	Qty.
1	79605	(001330-) Seat	1
2	43203	(001330-) Chain	1
3	43363	(001330-) Hook, S	1
4	68567	(001330-) Rivet, Pop	2
5	68275	(001330-) Pouch, Manual	1
6	02997	(001330-) Sleeve	4
7	51459	(001330-) Adjuster, Seat	1
8	51458	(001330-) Adjuster Assembly, Seat	1
9	52615	(001330-) Spacer, Seat Adjuster	4
10	16669	(001330-) Plate, Seat Mount	1
11	75272	(001330-) Hinge, Seat	1
12	50836	(001330-) Switch, Micro	1
13	75386	(001330-) Rod, Seat Spring	1
14	26103	(001330-) Pin, Roll	1
15	75390	(001330-) Bracket, Seat Spring	1
16	45261	(001330-) Spring	1
17	44307	(001330-) Bumper, Rubber	2
18	06526	(001408-) Cage, Coil	1
19	10632-4	(001408-) Grommet	2
20	86362	(001408-) Resistor	1
21	76062	(001408-) Insulator	2
22	76118	(001408-) Label, 72V	1

Fig. 5 - Main Frame Noise Insulation Group

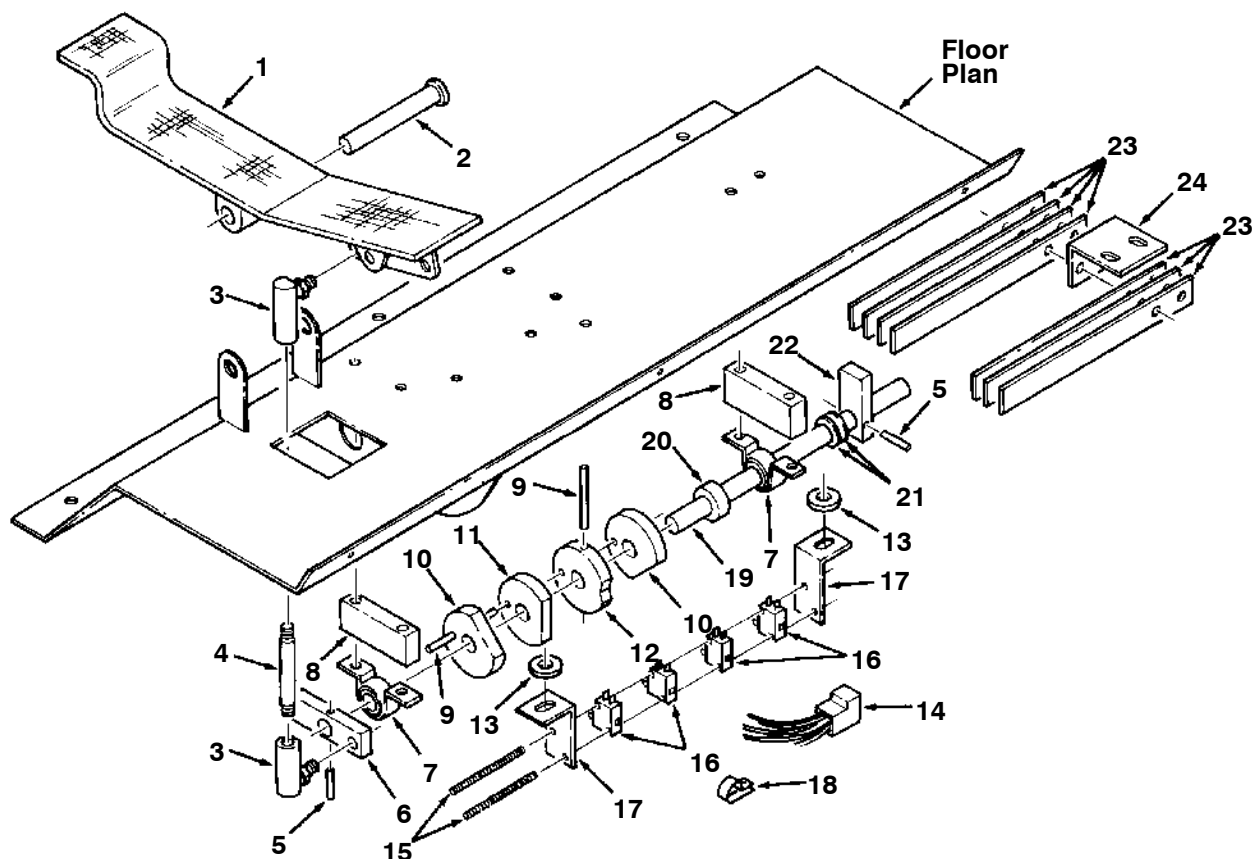


01064 - 550E

Ref.	Part No.	Serial Number	Description	Qty.
1	75439	(001330-) Insulation, Side Panel	1
2	75435	(001330-) Insulation, Dash Panel	1
3	75433	(001330-) Insulation, Side Kick, Panel	1
4	76868	(001330-) Insulation, Side Access Door	1
5	75434	(001330-) Insulation, Back Panel	1
6	76867	(001330-) Insulation, Top Access Door	1

STANDARD PARTS

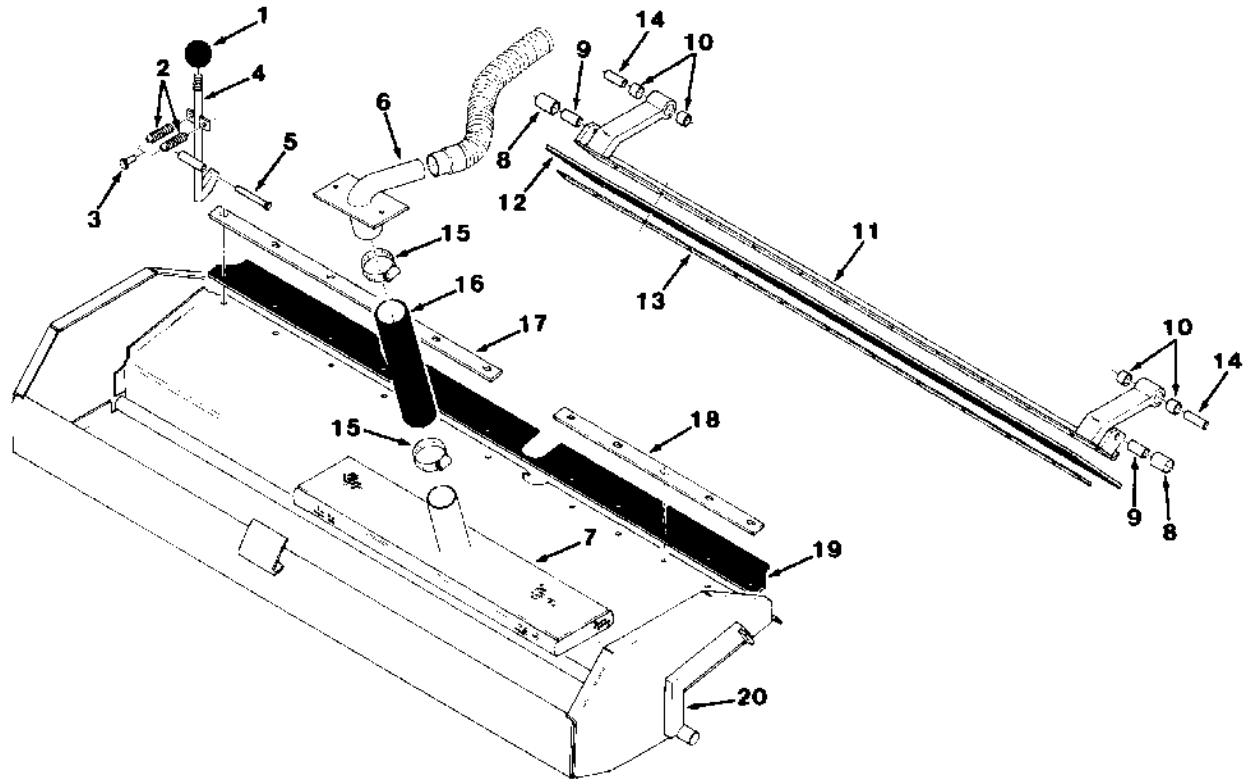
Fig. 6 - Speed And Directional Pedal Group



01065 - 550E

Ref.	Part No.	Serial Number	Description	Qty.
1	42240	(001330-) Pedal, Foot Speed	1
2	06474A	(001330-) Pin, Clevis	1
3	50493	(001330-) Ball Joint	2
4	75290	(001330-) Rod, Control	1
5	22134	(001330-) Pin, Roll	2
6	75247	(001330-) Link, Control	1
7	51304-1	(001330-) Bearing	2
8	75275	(001330-) Spacer, Bearing	2
9	75297	(001330-) Pin, Roll	2
10	75292	(001330-) Cam	2
11	75281	(001330-) Cam	1
12	75280	(001330-) Cam	1
13	32490	(001330-) Washer	2
▽	14	76171	(001330-) Wire Kit, Foot Control	1
▲	15	75289	(001330-) Stud	2
▲	16	12259	(001330-) Switch	4
▲	17	75263	(001330-) Bracket, L	2
18	76736	(001330-) Clamp, Cable	1	
19	75264	(001330-) Shaft, Control	1	
20	75371	(001330-) Collar, Locking	1	
21	32493	(001330-) Washer, Flat	2	
22	75287	(001330-) Link, Centering	1	
23	49681	(001330-) Spring, Centering	7	
24	75262	(001330-) Bracket, Centering Spring	1	

Fig. 7 - Scrub Head Hopper Group

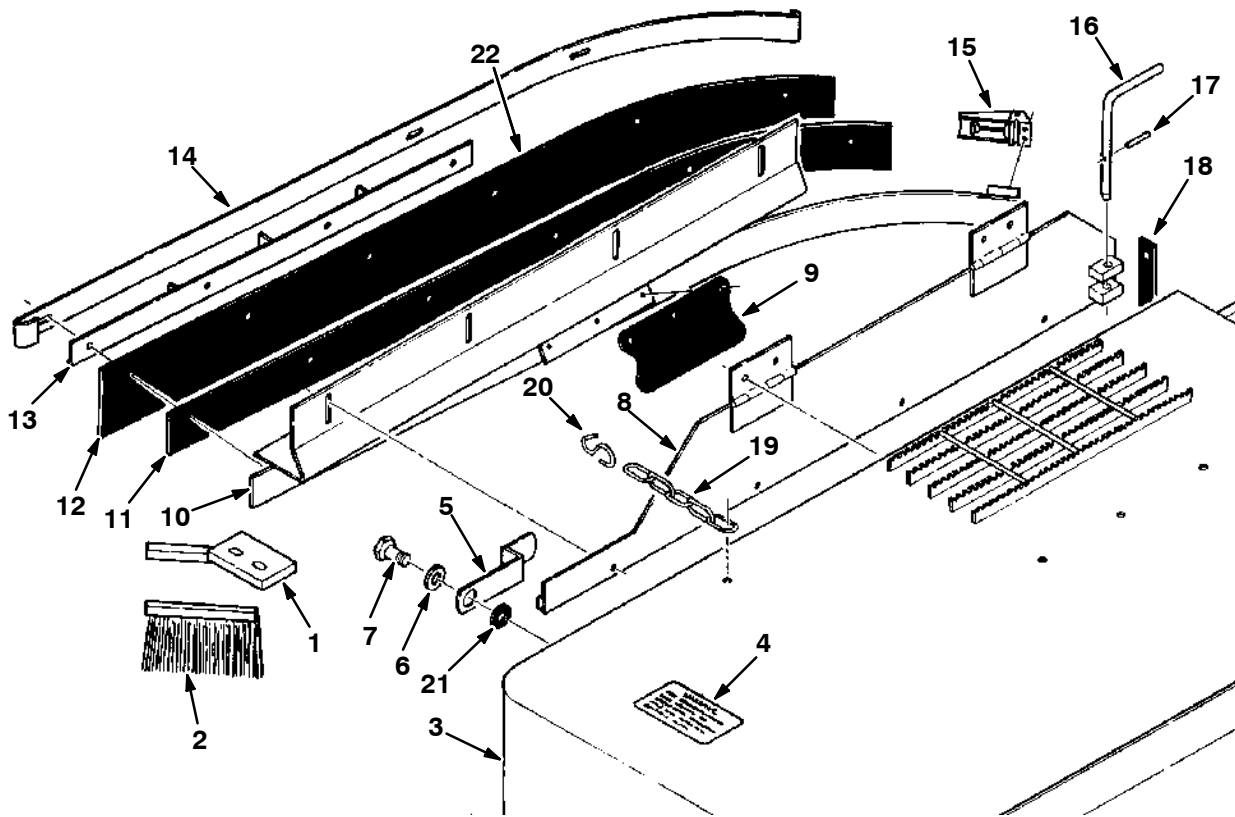


00299 - 550, 550E

Ref.	Part No.	Serial Number	Description	Qty.	
1	26156	(001330-) Knob	1	
2	75575	(001330-) Spring	2	
3	46800	(001330-) Pin, Clevis	1	
4	75530	(001330-) Latch, Hopper	1	
5	23191	(001330-) Pin, Clevis	1	
6	75607	(001330-) Nozzle, Hopper	1	
7	79301	(001330-) Nozzle Wldt, Suc	1	
▽	75634	(001330-) Deflector Assembly, Scrub Brush	1	
▲	8	75642	(001330-) Bearing, Sleeve	2
▲	9	75636	(001330-) Sleeve	2
▲	10	75681	(001330-) Bearing	4
▲	11	75638	(001330-) Deflector, Scrub Brush	1
▲	12	75649	(001330-) Skirt, Deflector	1
▲	13	75648	(001330-) Retainer, Deflector Skirt	1
14	75643	(001330-) Sleeve	2	
15	22297	(001330-) Clamp, Worm Drive	2	
16	50845	(001330-) Hose, Hopper	1	
▽	75569	(001330-) Hopper Assembly	1	
▲	17	75571	(001330-) Retainer, Hopper Lip	1
▲	18	75572	(001330-) Retainer, Hopper Lip	1
▲	19	75570	(001330-) Lip, Hopper	1
▲	20	75550	(001330-) Hopper, Debris	1

STANDARD PARTS

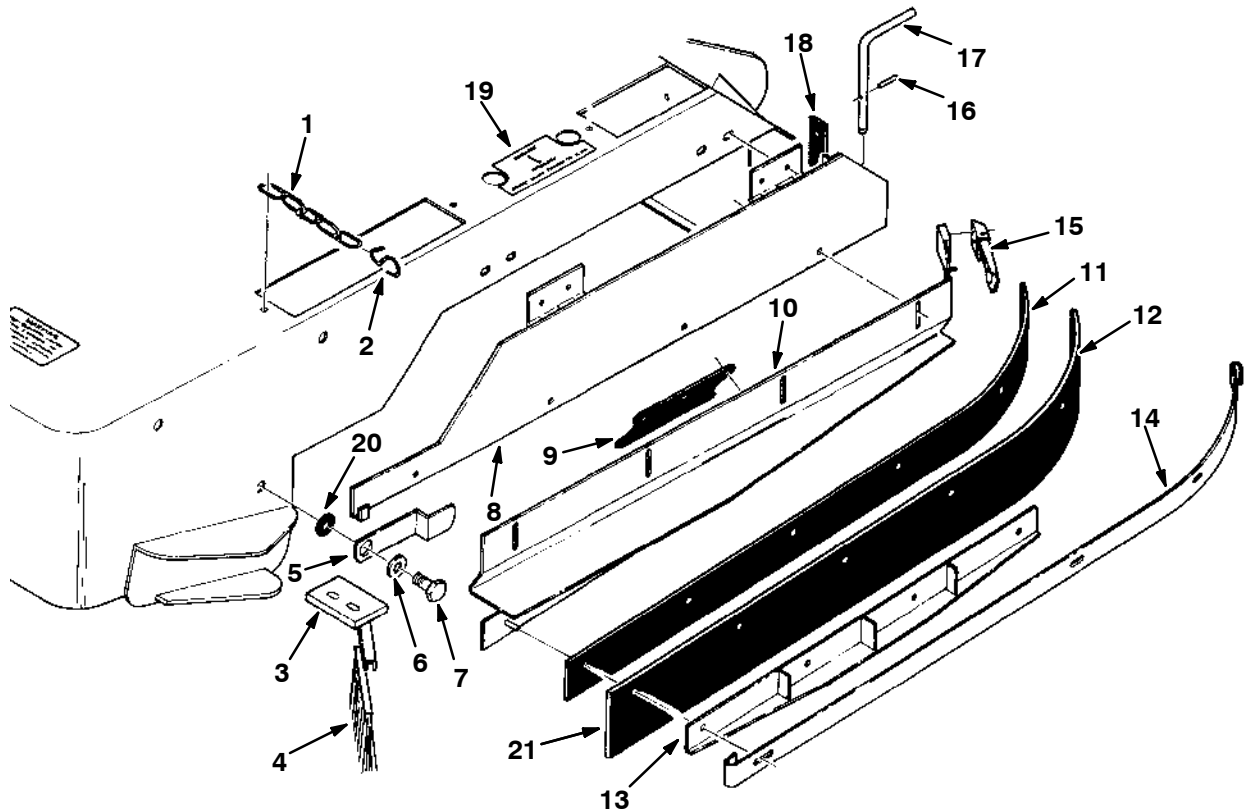
Fig. 8 - Scrub Head Right Side Squeegee Assembly



00302 - ALL

Ref.	Part No.	Serial Number	Description	Qty.
▽	75712	(001330-) Deflector Assembly, Brush	1
▲	1 75702	(001330-) Retainer, Brush	1
▲	2 75711	(001330-) Brush	1
▽	3 75501-1	(001330-) Frame, Scrubber Head	1
▲	4 40575	(001330-) Decal, Warning, Use Scrubber	2
	5 75757	(001330-) Latch, Door	1
	6 32486	(001330-) Washer	1
	7 39810	(001330-) Screw, Hex	1
▽	75790	(001330-) Squeegee Assembly, Right Side	1
▲	8 75791	(001330-) Door, Squeegee	1
▲	9 59617	(001330-) Flap, Containment	1
▲	10 75788	(001330-) Frame, Side Squeegee, R.H.	1
▲	11 75799	(001330-) Strip, Backup	1
▲	12 60015	(001330-) Blade, Squeegee	1
▲	13 75588	(001330-) Bracket, Bridge	1
▲	14 75592	(001330-) Band, Squeegee, Retaining	1
▲	15 87579	(001330-) Latch, Cam Lock Band	1
▲	16 75528	(001330-) Pin, Door Locking	1
▲	17 11476	(001330-) Pin, Roll	1
▲	18 75740	(001330-) Guard, Splash	1
▽	40759	(001330-) Chain and Hook Assembly	1
▲	19 40758	(001330-) Chain	1
▲	20 40646	(001330-) Hook, Chain	1
	21 59633	(001330-) Bearing, Thrust	2
	22 78562	(001330-) Blade, Squeegee, Urethane	1

Fig. 9 - Scrub Head Left Side Squeegee Assembly



00302 - 550E

Ref.	Part No.	Serial Number	Description	Qty.
▽	40759	(001330-) Chain Assembly, Door	1
▲	1 40758	(001330-) Chain	1
▲	2 40646	(001330-) Hook	1
▽	75713	(001330-) Deflector Assembly, Brush, L.H.	1
▲	3 75703	(001330-) Retainer, Brush	1
▲	4 75711	(001330-) Brush	1
	5 75757	(001330-) Latch, Door	1
	6 32486	(001330-) Washer	1
	7 39810	(001330-) Screw, Hex	1
▽	75795	(001330-) Squeegee Assembly, L.H.	1
▲	8 75796	(001330-) Door, Squeegee, L.H.	1
▲	9 59617	(001330-) Flap, Containment	1
▲	10 75789	(001330-) Frame, Side Squeegee, L.H.	1
▲	11 75799	(001330-) Strip, Backup	1
▲	12 60015	(001330-) Blade, Squeegee	1
▲	13 75588	(001330-) Bracket, Bridge	1
▲	14 75592	(001330-) Band, Squeegee Retaining	1
▲	15 87579	(001330-) Latch, Band	1
▲	16 11476	(001330-) Pin, Roll	1
▲	17 75528	(001330-) Pin, Door Locking	1
	18 75740	(001330-) Guard, Splash	1
	19 76159	(001330-) Decal, Brush Pressure	1
	20 59633	(001330-) Bearing, Thrust	2
	21 78562	(001330-) Blade, Squeegee, Urethane	1

Fig. 10 - Scrub Head Lift Group

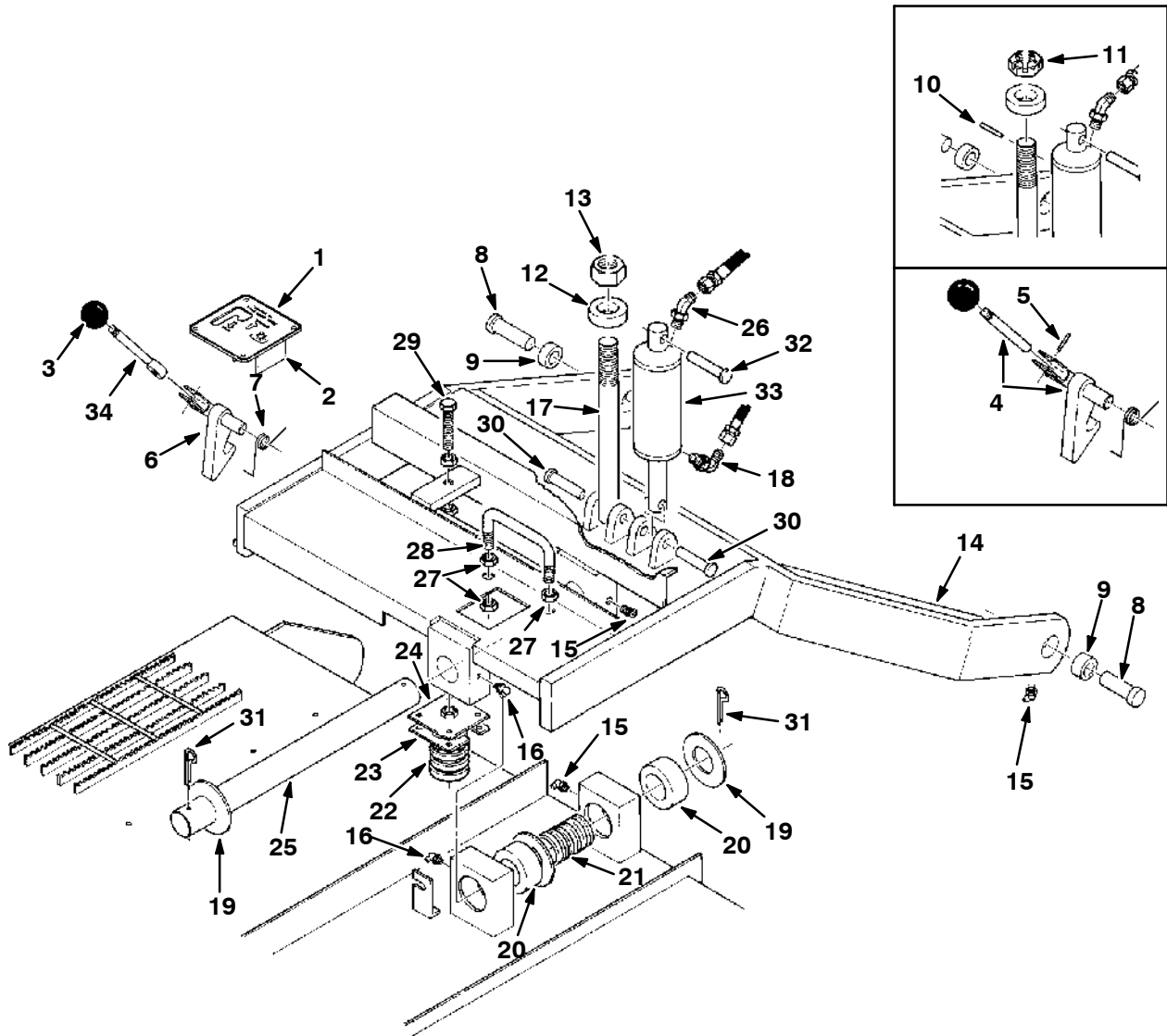


Fig. 10 - Scrub Head Lift Group

Ref.	Part No.	Serial Number	Description	Qty.
1	76063	(001330-) Label, Headlock	1
2	76628	(001330-) Cover, Headlock	1
3	26565	(001330-) Knob	1
4	25224	(001330-004164) Headlock Replacement Kit	1
5	11476	(001330-004164) Pin, Roll	1
6	25219	(004165-) Pivot, Headlock	1
7	78078	(001330-) Spring	1
8	04733-12	(001330-) Pin, Clevis	2
9	42120	(001330-) Bearing	2
10	14326	(001330-001338) Pin, Roll	1
11	25018	(001330-001338) Nut, Slotted	1
12	15398	(001330-) Sleeve	1
13	02589	(001339-) Nut	1
14	75627	(001330-) Lift, Scrub Head	1
15	11716	(001330-) Fitting, Grease, 45°	4
16	11048	(001330-) Fitting, Grease	2
17	75622	(001330-) Stud	1
18	77097	(001330-) Fitting, Elbow	1
19	39348	(001330-) Washer	3
20	42120-9	(001330-) Bearing	2
21	75617	(001330-) Spring	1
22	40846	(001330-) Spring	1
23	75766	(001330-) Plate, Mounting	1
24	75764	(001330-) Plate	1
25	75616	(001330-) Shaft, Pivot	1
26	34359	(001330-) Fitting, Elbow, 45°	1
27	32524	(001330-) Nut	4
28	48901	(001330-) U-bolt	1
29	53963A	(001330-) Screw, Hex	1
30	51103	(001330-) Pin, Clevis	2
31	08174	(001330-) Pin, Cotter	2
32	06279	(001330-) Pin, Clevis	1
33	31554	(001330-001449) Cylinder, Hydraulic	1
33	09624	(001450-) Cylinder, Hydraulic	1
34	25220	(004165-) Lever, Headlock	1

Fig. 11 - Scrub Head Solution Supply and Control Group

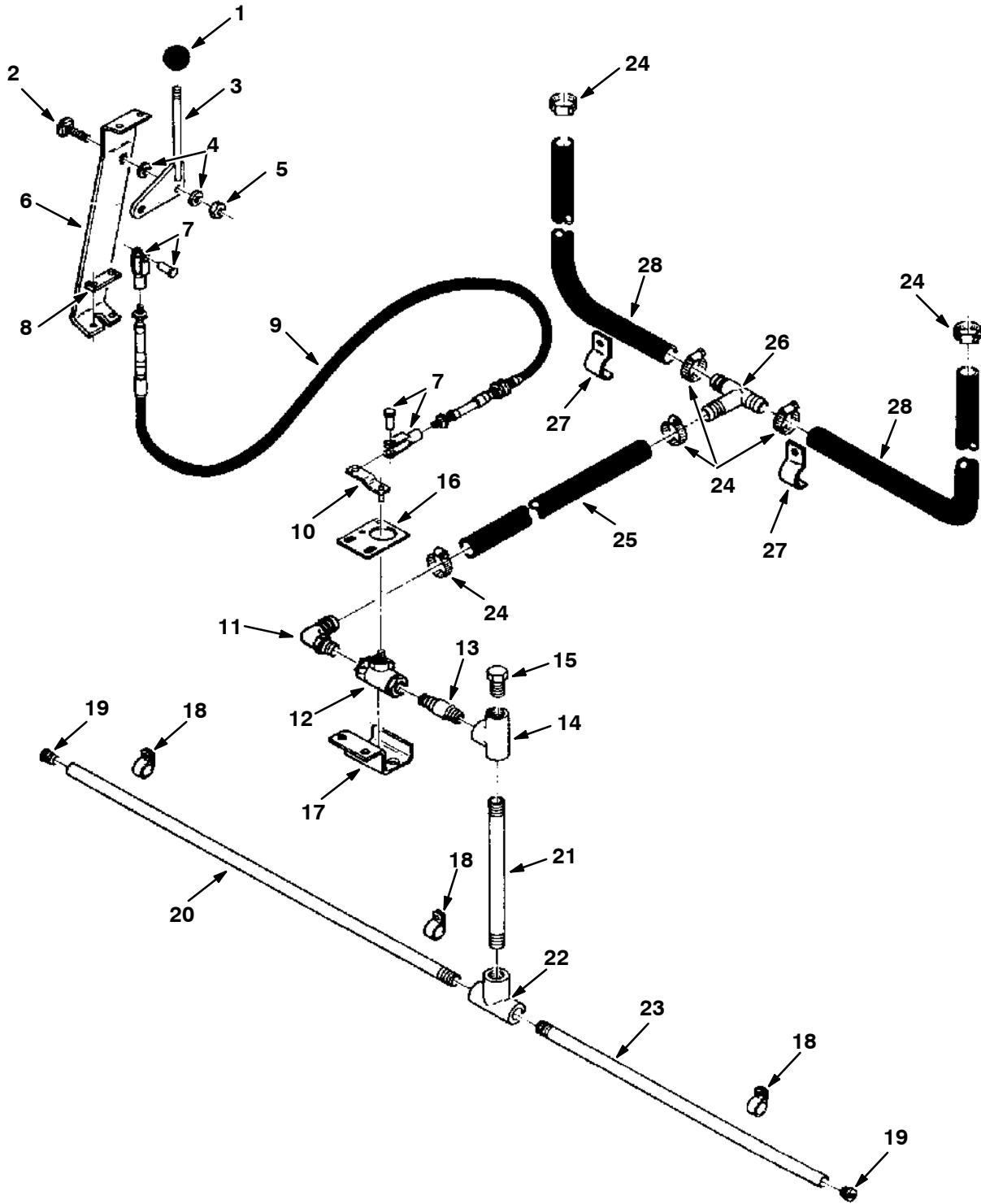


Fig. 11 - Scrub Head Solution Supply and Control Group

Ref.	Part No.	Serial Number	Description	Qty.
	1	26565	(001330-) Knob	1
▽	75318	(001330-)	Lever Assembly, Solution Control	1
▲	2	56903	(001330-) Bolt	1
▲	3	08791	(001330-) Bellcrank	1
▲	4	52296	(001330-) Washer, Nylon	2
▲	5	50902	(001330-) Nut	1
▲	6	75319	(001330-) Bar, Mounting	1
▲	7	41063	(001330-) Clevis and Pin	2
▲	8	23515	(001330-) Strip, Cable Mounting	1
▲	9	75314	(001330-) Cable, Solution Control	1
	10	75801	(001330-004038) Arm, Control	1
	10	12072	(004039-) Arm, Control	1
	11	14877	(001330-) Elbow	1
	12	12052	(001330-004038) Valve Replacement Kit, Water	1
	12	12060	(004039-) Valve, Water	1
	13	75601A	(001330-) Tube, Connector	1
	14	42133A	(001330-) Tee, Plastic	1
	15	75611	(001330-) Plug, Flushing	1
	16	75803	(001330-004038) Plate, Valve Mounting	1
	16	12074	(004039-) Plate, Valve Mounting	1
	17	75802-1	(001330-) Bracket, Water Valve Mounting	1
	18	50544	(001330-) Clamp, Cable	3
	19	42153A	(001330-) Plug, Tube	2
	20	75596A	(001330-) Tube, Spreader	1
	21	31313	(001330-) Tube, Spreader	1
	22	42133A-1	(001330-) Tee, Plastic	1
	23	75597A	(001330-) Tube, Spreader	1
	24	11399	(001330-) Clamp, Worm Drive	6
	25	47846	(001330-) Hose, Solution	1
	26	75119	(001330-) Tee, Plastic	1
	27	44031	(001330-) Clamp, Hose	2
	28	47845	(001330-) Hose, Solution	2

Fig. 12 - Scrub Head Front Brush Drive Components Group

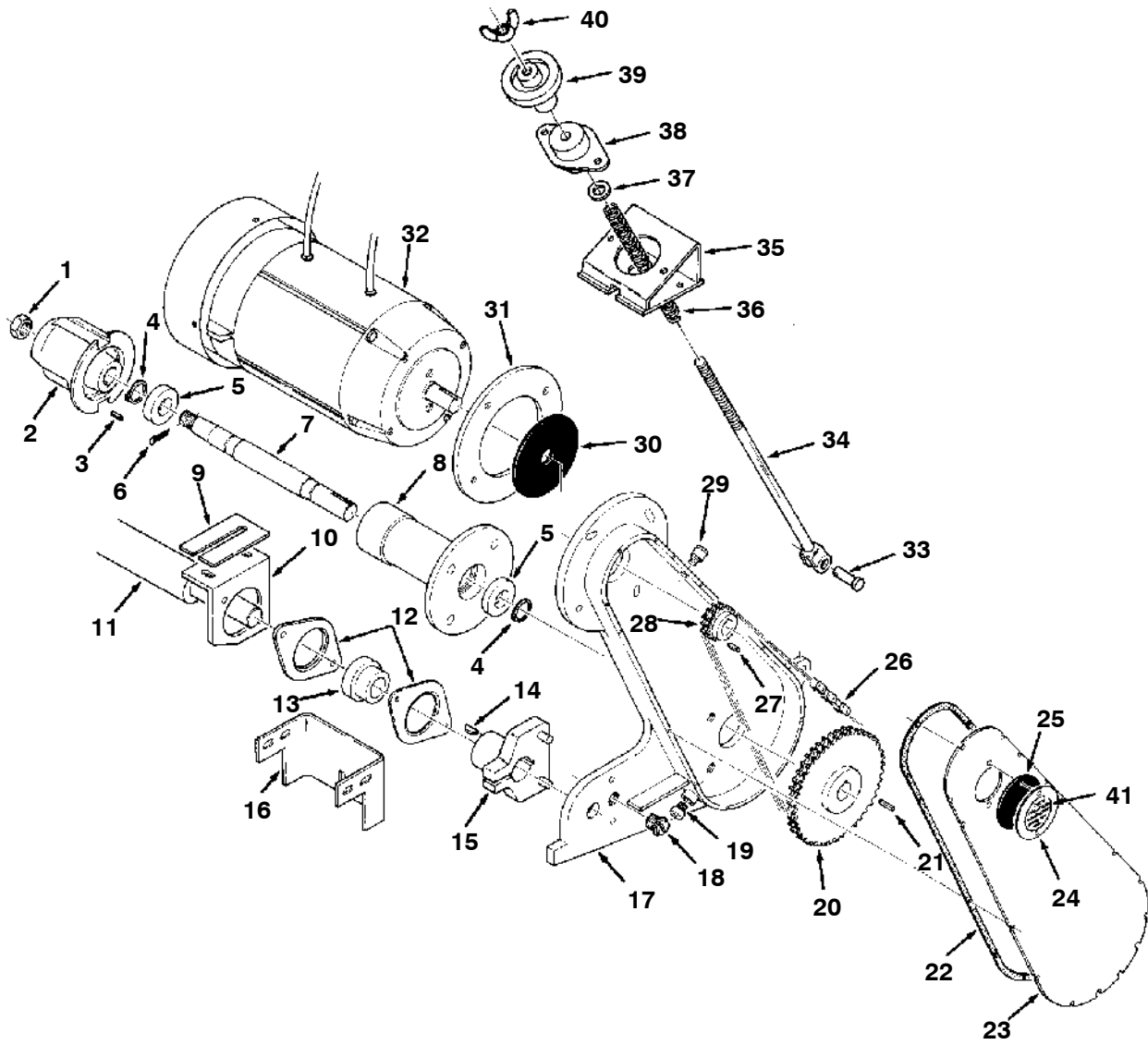
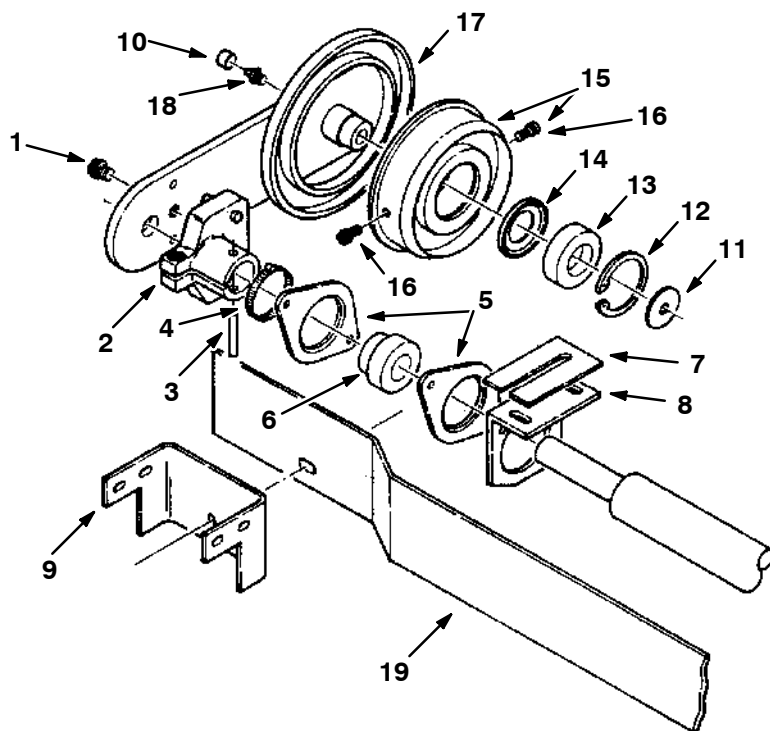


Fig. 12 - Scrub Head Front Brush Drive Components Group

Ref.	Part No.	Serial Number	Description	Qty.
1	39527	(001330-) Nut	1
2	76568	(001330-) Plug, Brush Drive	1
3	00500-15	(001330-) Key, Woodruff	1
4	09005	(001330-) Ring, Retaining	2
5	386694	(001330-) Bearing, Ball, 1.00b 2.00d 0.50w [2seal]	2
6	08175	(001330-) Pin, Cotter	1
7	75668	(001330-) Shaft, Brush Drive	1
8	75652	(001330-) Housing, Bearing	1
9	75600	(001330-) Shim, Bearing Bracket, 0.12 in (3 mm)	3
	76218	(001330-) Shim, Bearing Bracket, 0.06 in (1.5 mm)	1
10	42499	(001330-) Bracket, Bearing, L.H.	1
11	75786	(001330-) Shaft, Brush	1
12	42126	(001330-) Flange, Bearing	1
13	51448	(001330-) Bearing	1
14	00500-20	(001330-) Key, Woodruff	1
15	75780	(001330-) Hub, Brush	1
16	75760	(001330-) Channel, Bearing Cover	1
17	75694-1	(001330-) Arm, Front Brush Drive	1
18	51938	(001330-) Plug, Thread	1
19	14834	(001330-) Plug, Oil Check	1
20	75578	(001330-) Sprocket, Brush Drive	1
	79599	(001330-) Screw, Set	2
21	00927	(001330-) Key, Square	1
22	75696	(001330-) Gasket, Front Chain Cover	1
23	75692-1	(001330-) Cover, Chain Housing	1
24	75671	(001330-) Cover, Oil Fill	1
25	75672	(001330-) Gasket, Oil Fill Cover	1
▽	26	75750	(001330-) Chain Assembly, Front	1
▲		75579	(001330-) Link, Chain Connecting	1
27	00915	(001330-) Key, Square	1
28	75577	(001330-) Sprocket, Motor Drive	1
	79598	(001330-) Screw, Set	2
29	07316-15	(001330-) Breather, Chain Case	1
30	75691	(001330-) Gasket, Motor	1
31	75663	(001330-) Spacer, Motor	1
32	76213	(001330-) Motor Assembly (See Breakdowns)	1
33	75520	(001330-) Pin, Clevis	1
34	06573	(001330-) Link, Brush Lift	1
35	75769	(001330-) Bracket, Mounting	1
36	75773	(001330-) Spring, Compressed	1
37	32493	(001330-) Washer	1
38	75768	(001330-) Isolator, Vibration	1
39	51452	(001330-) Knob, Adjusting	1
40	39274	(001330-) Lock, Knob, Adjusting	1
41	76211	(001330-) Decal, Chain Lubrication	1

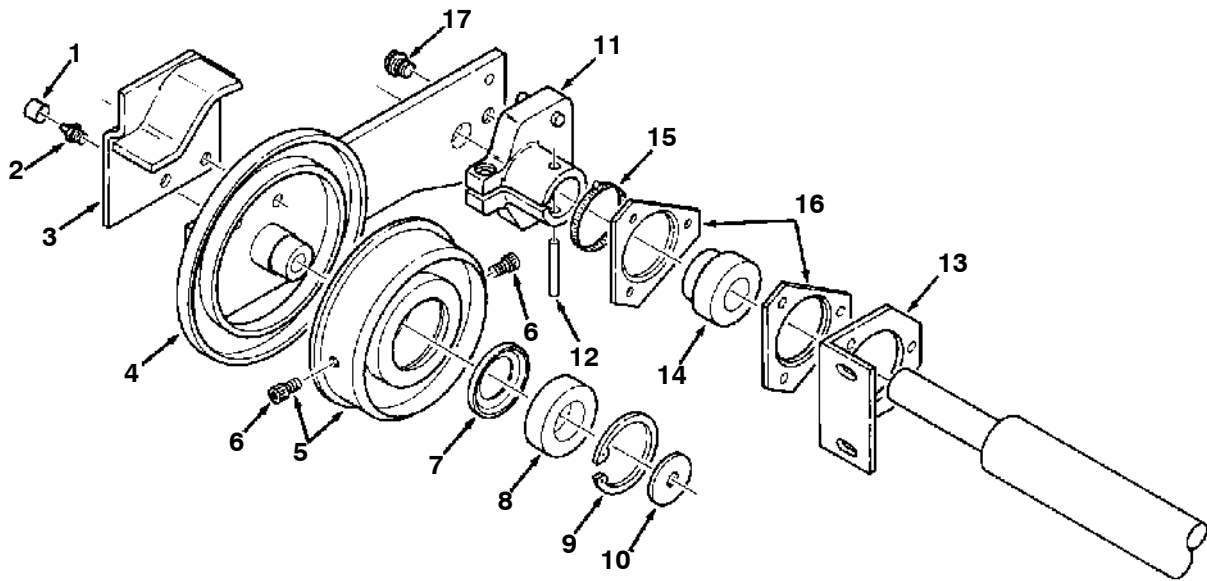
Fig. 13 - Scrub Head Front Brush Idler Assembly



00320 - ALL

Ref.	Part No.	Serial Number	Description	Qty.
	1	51938	(001330-) Plug, Plastic	1
▽	75761	(001330-)	Shaft Assembly, Brush	1
▲	2	75781	(001330-) Hub, Brush	1
▲	3	51317	(001330-) Pin, Roll	1
	4	22297	(001330-) Clamp, Worm Drive	1
	5	42126	(001330-) Flange, Bearing	2
	6	51448	(001330-) Bearing	1
	7	75600	(001330-) Shim, Bearing Bracket, 0.12" (3 mm)	3
		76218	(001330-) Shim, Bearing Bracket, 0.06" (1.5 mm)	1
	8	42498	(001330-) Bracket, Bearing, R.H.	1
	9	75760	(001330-) Channel, Bearing Cover	1
▽	75656	(001330-)	Idler Assembly, Front Scrub Brush	1
▲	10	40390	(001330-) Cover, Grease Fitting	1
▲	11	51564	(001330-) Washer	1
▲	12	51046	(001330-) Ring, Retaining	1
▲	13	41032	(001330-) Bearing	1
▲	14	40076	(001330-) Shield, Bearing	1
▲▽	15	40999A	(001330-) Plug, Brush Idler	1
▲▲	16	02984	(001330-) Screw, Socket	2
▲	17	75657	(001330-) Arm, Front Brush Idler	1
▲	18	06418	(001330-) Fitting, Grease	1
▲	36328	(001330-) Washer, Belleville	1	
	19	25195	(004129-) Deflector	1

Fig. 14 - Scrub Head Rear Brush Idler Assembly



00320 - ALL

Ref.	Part No.	Serial Number	Description	Qty.
▽	75654	(001330-) Idler Assembly, Rear Brush	1
▲	1 40390	(001330-) Cover, Grease Fitting	1
▲	2 06418	(001330-) Fitting, Grease	1
▲	3 75631	(001330-) Slide, R.H.	1
▲	4 75655	(001330-) Arm, Rear Brush Idler	1
▲▽	5 40999A	(001330-) Plug, Brush Idler	1
▲▲	6 02984	(001330-) Screw, Socket	2
▲	7 40076	(001330-) Shield, Bearing	1
▲	8 41032	(001330-) Bearing	1
▲	9 51046	(001330-) Ring, Retaining	1
▲	10 51564	(001330-) Washer	1
▲	36328	(001330-) Washer, Belleville	1
▽	75761	(001330-) Shaft Assembly, Brush	1
▲	11 75781	(001330-) Hub, Brush	1
▲	12 51317	(001330-) Pin, Roll	1
	13 42639	(001330-) Bracket, Bearing	1
	14 51448	(001330-) Bearing	1
	15 22297	(001330-) Clamp, Worm Drive	1
	16 51449	(001330-) Flange, Bearing	2
	17 51938	(001330-) Plug, Plastic	1

Fig. 15 - Scrub Head Rear Brush Drive Components Group

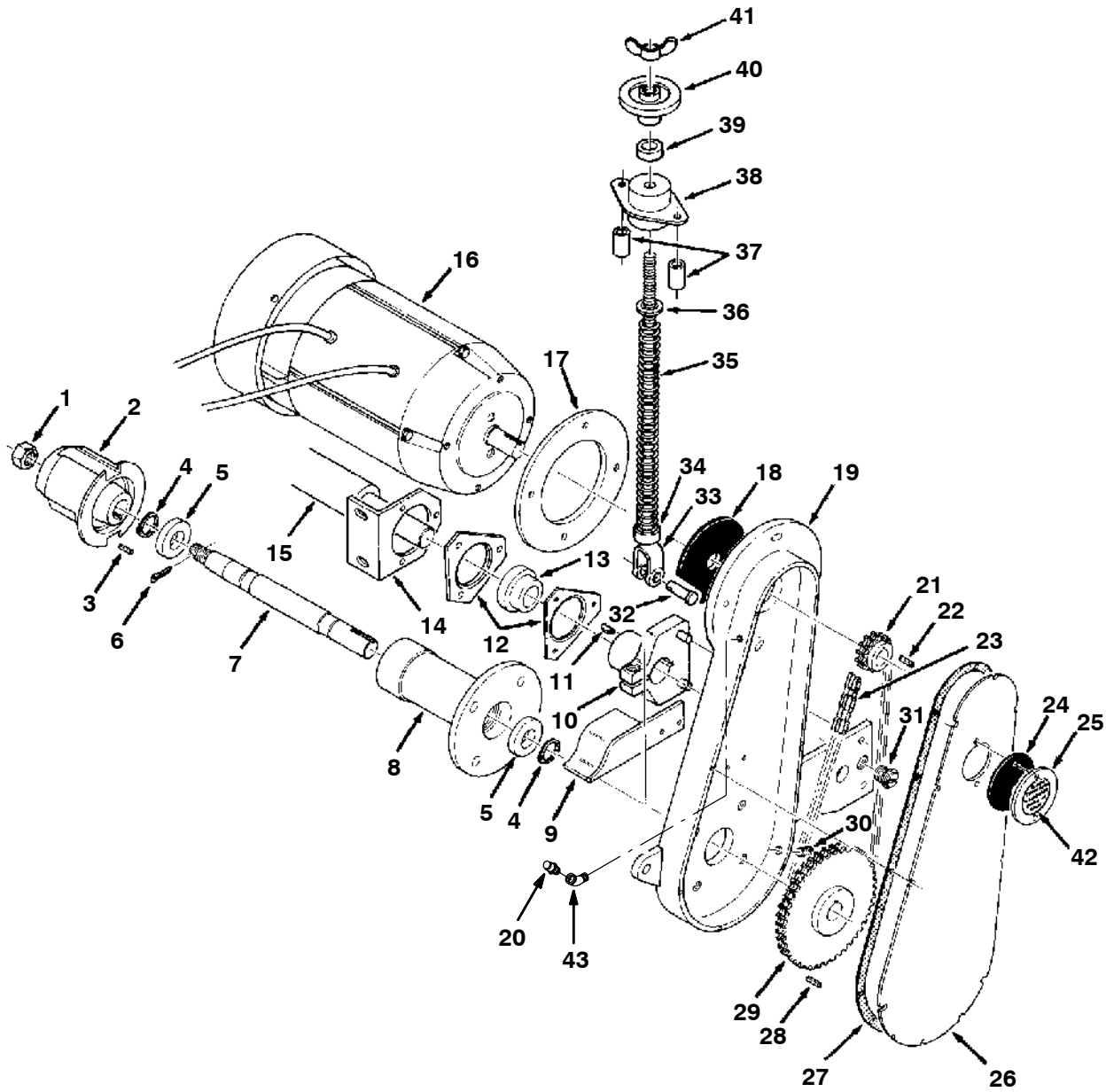


Fig. 15 - Scrub Head Rear Brush Drive Components Group

Ref.	Part No.	Serial Number	Description	Qty.
1	39527	(001330-) Nut	1
2	76568	(001330-) Plug, Brush Drive	1
3	00500-15	(001330-) Key, Woodruff	1
4	09005	(001330-) Ring, Retaining	2
5	386694	(001330-) Bearing, Ball, 1.00b 2.00d 0.50w [2seal]	2
6	08175	(001330-) Pin, Cotter	1
7	75668	(001330-) Shaft, Brush Drive	1
8	75652	(001330-) Housing, Bearing	1
9	75706	(001330-) Slide, L.H.	1
10	75780	(001330-) Hub, Brush Drive	1
11	00500-20	(001330-) Key, Woodruff	1
12	51449	(001330-) Flange, Bearing	2
13	51448	(001330-) Bearing	1
14	42639	(001330-) Bracket, Bearing Mount	1
15	75786	(001330-) Shaft, Brush	1
16	76214	(001330-) Motor Assembly (See Breakdowns)	1
17	75663	(001330-) Spacer, Motor	1
18	75691	(001330-) Gasket, Motor	1
19	75661-1	(001330-) Arm, Rear Brush Drive	1
20	07316-15	(001330-) Breather, Chain Case	1
21	75577	(001330-) Sprocket, Motor Drive	1
	79598	(001330-) Screw, Set	2
22	00915	(001330-) Key, Square	1
▽	23	75749	(001330-) Chain Assembly, Rear	1
▲		75579	(001330-) Link, Chain Connecting	1
24	75672	(001330-) Gasket, Oil Fill Cover	1
25	75671	(001330-) Cover, Oil Fill	1
26	75680-1	(001330-) Cover, Chain Housing	1
27	75669	(001330-) Gasket, Rear Chain Cover	1
28	00927	(001330-) Key, Square	1
29	75578	(001330-) Sprocket, Brush Drive	1
	79599	(001330-) Screw, Set	2
30	14834	(001330-) Plug, Oil Check	1
31	51938	(001330-) Plug, Thread	1
32	75520	(001330-) Pin, Clevis	1
33	06573	(001330-) Link, Brush Lift	1
34	29718-1	(001330-) Spacer, Spring	1
35	75774	(001330-) Spring, Compressed	1
36	32493	(001330-) Washer	1
37	75772	(001330-) Spacer, Isolator	2
38	75768	(001330-) Isolator, Vibration	1
39	75744	(001330-) Sleeve, Knob	1
40	51452	(001330-) Knob, Brush Adjusting	1
41	39274	(001330-) Lock, Knob Adjusting	1
42	76211	(001330-) Decal, Chain Lubrication	1
43	32376	(001330-) Fitting, Hyd, E45, Pm02/Pf02	1

Fig. 16 - Vacuum Fan Assembly

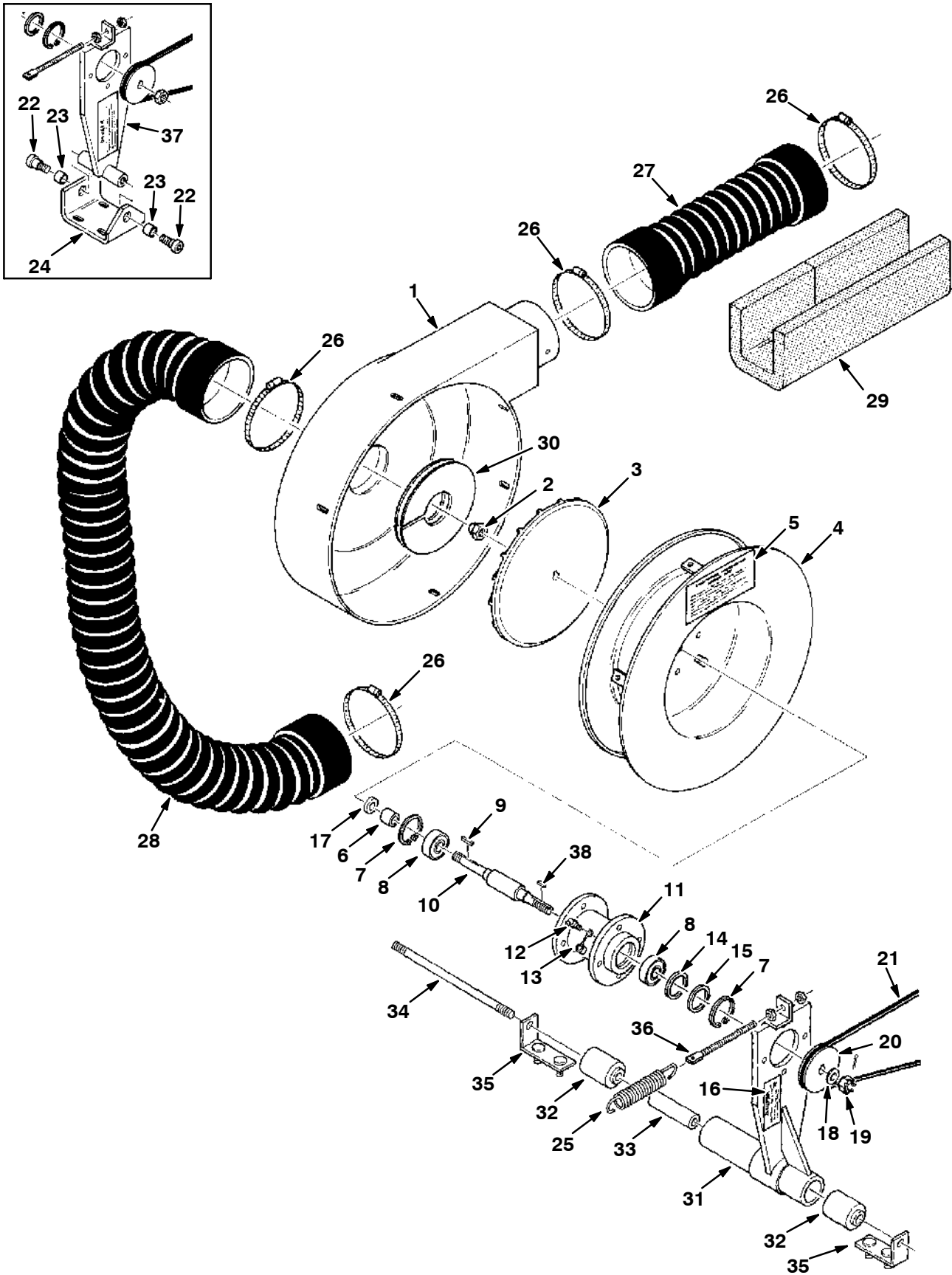


Fig. 16 - Vacuum Fan Assembly

Ref.	Part No.	Serial Number	Description	Qty.
▽	61700	(001330-) Fan Assembly, Vacuum	1
▲	1 31615	(001330-) Housing, Front	1
▲	2 41130	(001330-) Nut, Low Crown	1
▲	3 03922	(001330-) Impeller	1
▲	4 58107	(001330-) Housing, Rear	1
▲	5 41007	(001330-) Decal, Lubricating Instructions	1
▲	6 75461	(001330-) Sleeve	1
▲	7 10464	(001330-) Ring, Retaining	2
▲	8 40496	(001330-) Bearing, Bal	2
▲	9 00966	(001330-) Key, Square	1
▲	10 16401	(001330-003921) Shaft, Fan (Replaced by 03839)	1
▲	10 03839	(003922-004737) Shaft, Fan (Replaced by 61256)	1
▲	10 375613	(004738-) Shaft, Fan	1
▲	11 16400	(001330-) Housing, Bearing	1
▲	12 47801	(001330-) Fitting, Grease	1
▲	13 40390	(001330-) Cover, Grease	1
▲	14 42809	(001330-) Washer, Wavy	1
▲	15 75454	(001330-) Shim	1
▲	16 40052	(001330-) Decal, Danger, Fan Suction	1
▲	17 75456	(001330-) Shim, 0.003 in (0.07 mm)	1
▲	17 75456-1	(001330-) Shim, 0.005 in (0.12 mm)	1
▲	17 75456-2	(001330-) Shim, 0.010 in (0.25 mm)	2
▲	17 75456-3	(001330-) Shim, 0.020 in (0.50 mm)	2
▲	17 75456-4	(001330-) Shim, 0.060 in (1.52 mm)	2
▲	18 15331	(004738-) Washer, Special	1
▲	19 61693	(004738-) Nut, Slotted Hex	1
▲	20 03745	(001330-004737) Sheave, Fan	1
▲	20 375615	(004738-) Sheave, Fan	1
	21 378996	(001330-) V-Belt	1
	22 40565	(001330-004153) Screw, Shoulder	2
	23 40840	(001330-004153) Bushing	2
	24 75467	(001330-004153) Bracket, Mounting	1
	25 50864	(001330-) Spring, Tension	1
	26 23498	(001330-) Clamp, Worm Drive	4
	27 40870-1	(001330-) Hose Assembly	1
	28 40870-4	(001330-) Hose Assembly	1
	29 75344	(001330-) Insulation	1
	30 58114	(001330-) Repair Kit, Fan Assembly	1
▽	25640	(004154-) Bracket Assembly	1
▲	31 25632	(004154-) Bracket, Mounting	1
▲	32 25384	(004154-) Bearing	2
▲	33 25636	(004154-) Spacer	1
	34 25637	(004154-) Rod, Threaded	1
	35 25639	(004154-) Bracket	2
	36 42331-1	(001330-) Bolt, Eye	1
	37 25641	(001330-004153) Fan Replacement Kit	1
	38 00911	(001330-) Key, Square	1

Fig. 17 - Electric Motor Group

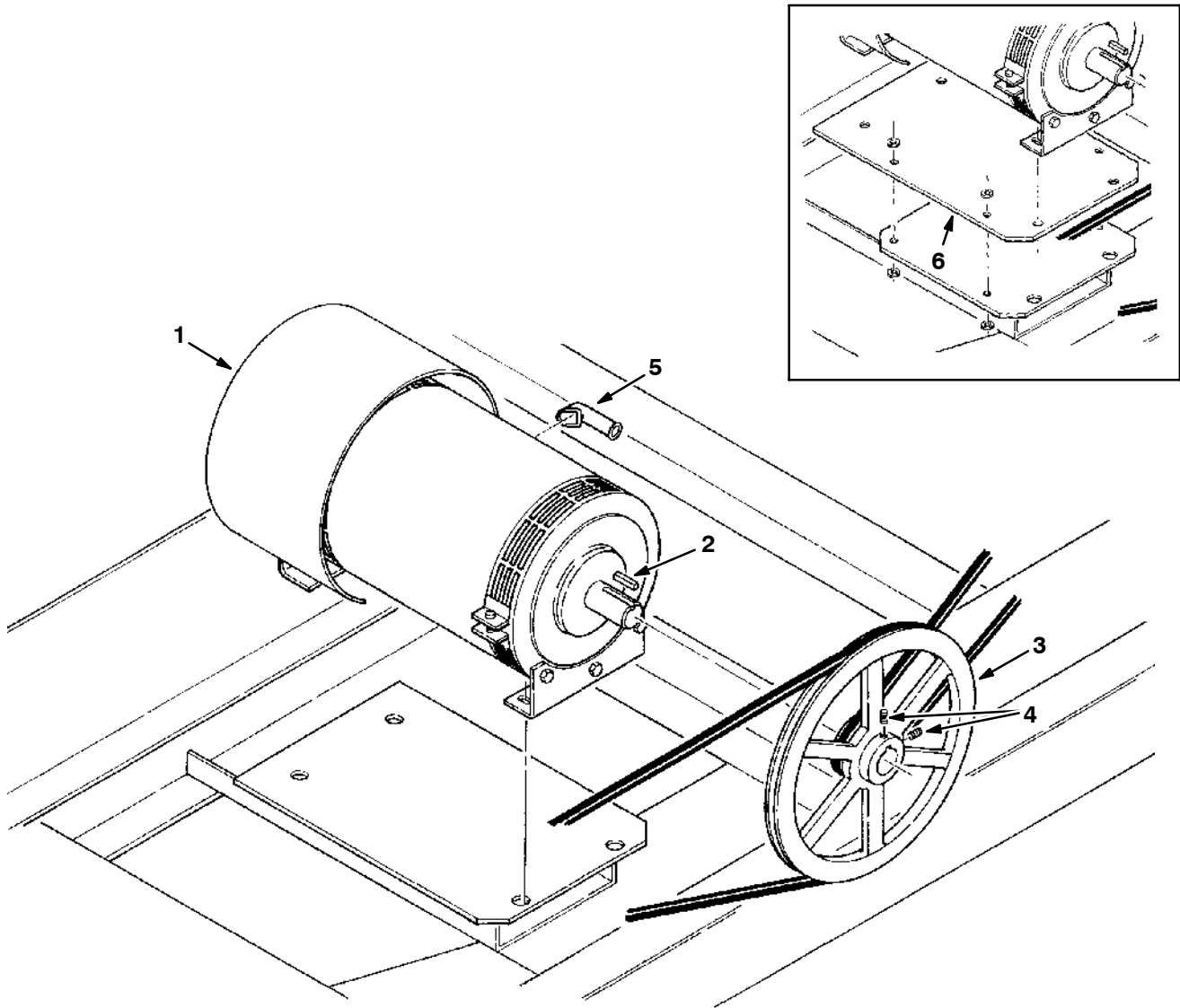


Fig. 17 - Electric Motor Group

Ref.	Part No.	Serial Number	Description	Qty.
1	16450	(001330-001407)	Motor (See Breakdowns) (Replaced by 03463)	1
1	03462	(001408-)	Motor, Electric (See Breakdowns)	1
2	00935	(001330-)	Key, Square	1
3	SK2612	(001330-004299)	Sheave Replacement Kit	1
3	391801	(004300-)	Sheave, Motor	1
4	39332	(001330-)	Screw, Set	2
5	02076	(001330-)	Cover, Terminal	2
6	03464	(001408-xxxxxx)	Bracket, Motor Mounting (Replaced by none)	1

Fig. 18 - Steering Column Group

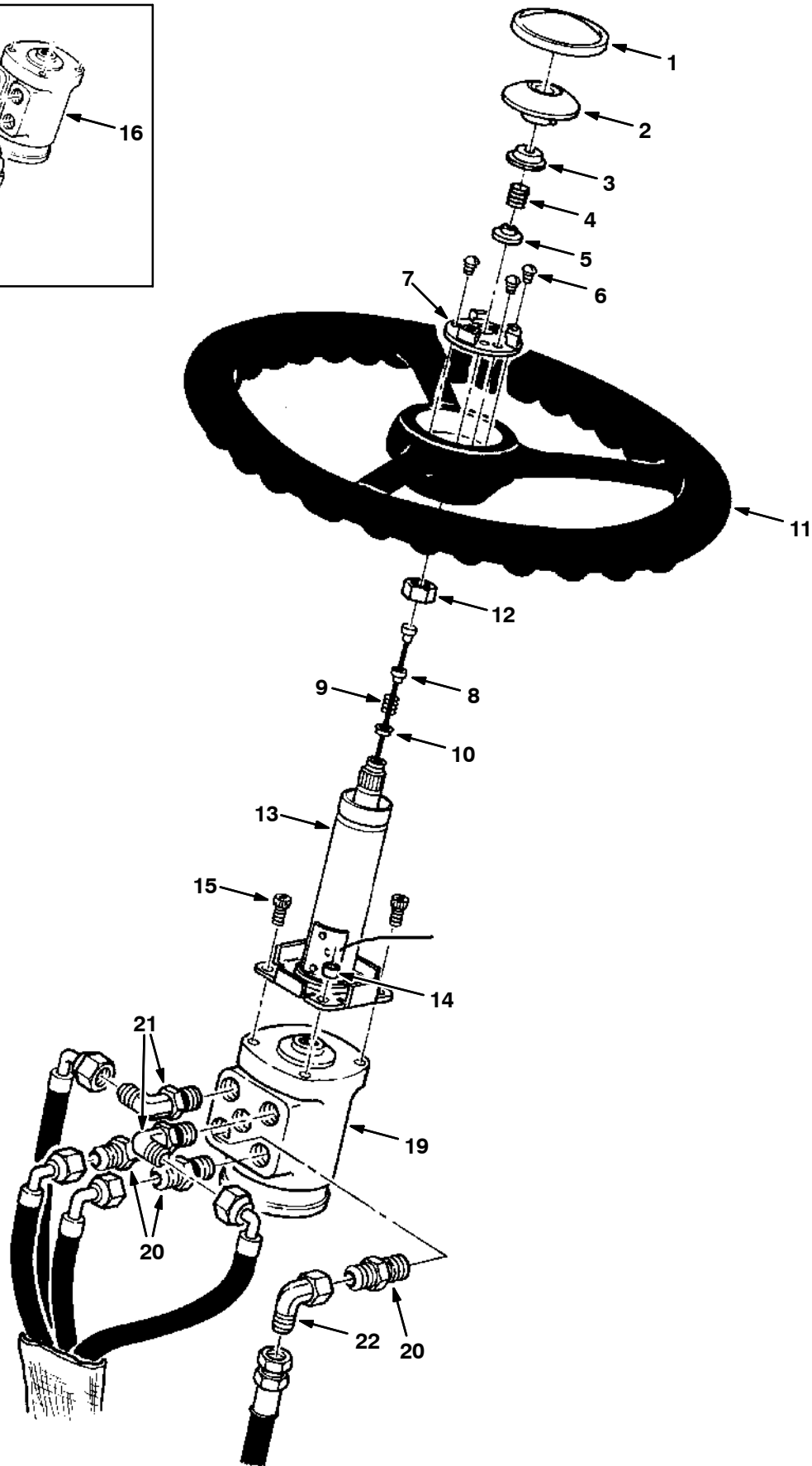
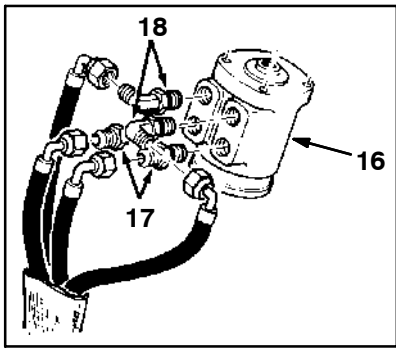
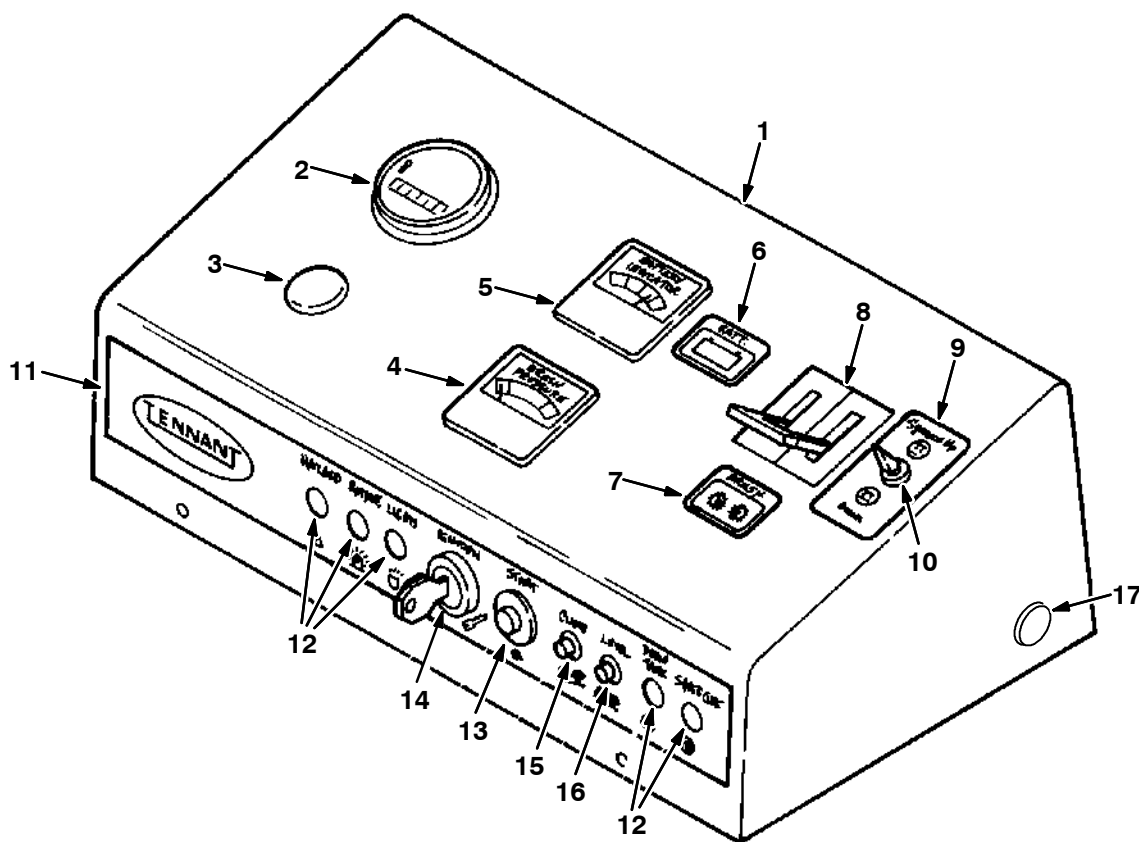


Fig. 18 - Steering Column Group

	Ref.	Part No.	Serial Number	Description	Qty.
▽		14700	(001330-) Horn Button Assembly	1
▲	1	47010-7	(001330-) Cover, Horn Button	1
▲	2	47010-6	(001330-) Button, Horn	1
▲	3	47010-2	(001330-) Cup, Contact	1
▲	4	47010-3	(001330-) Spring	1
▲	5	47010-1	(001330-) Cap, Contact	1
▲	6	47010-4	(001330-) Screws, Horn Button, Wood	3
▲	7	14700-4	(001330-) Plate	1
▲	8	14700-1	(001330-) Ferrule, Insulation	1
▲	9	14700-2	(001330-) Spring	1
▲	10	14700-3	(001330-) Washer	1
	11	17269	(001330-) Wheel, Steering	1
	12	57676	(001330-) Nut	1
	13	75326	(001330-) Column, Steering	1
	14	44310	(001330-) Sleeve	2
	15	10829	(001330-) Screw, Cap	2
	16	57982	(001330-005268) Control, Steering (See Breakdowns)	1
	16	74176	(005269-005607) Control, Steering (See Breakdowns)	1
	17	56690	(001330-005607) Fitting, Straight	2
	18	56820	(001330-005607) Fitting, Elbow	2
	19	65242	(005608-) Control, Steering (See Breakdowns)	1
	20	56690	(005608-) Fitting, Straight	3
	21	56820	(005608-) Fitting, Elbow	2
	22	56820	(005608-) Fitting, Elbow	1

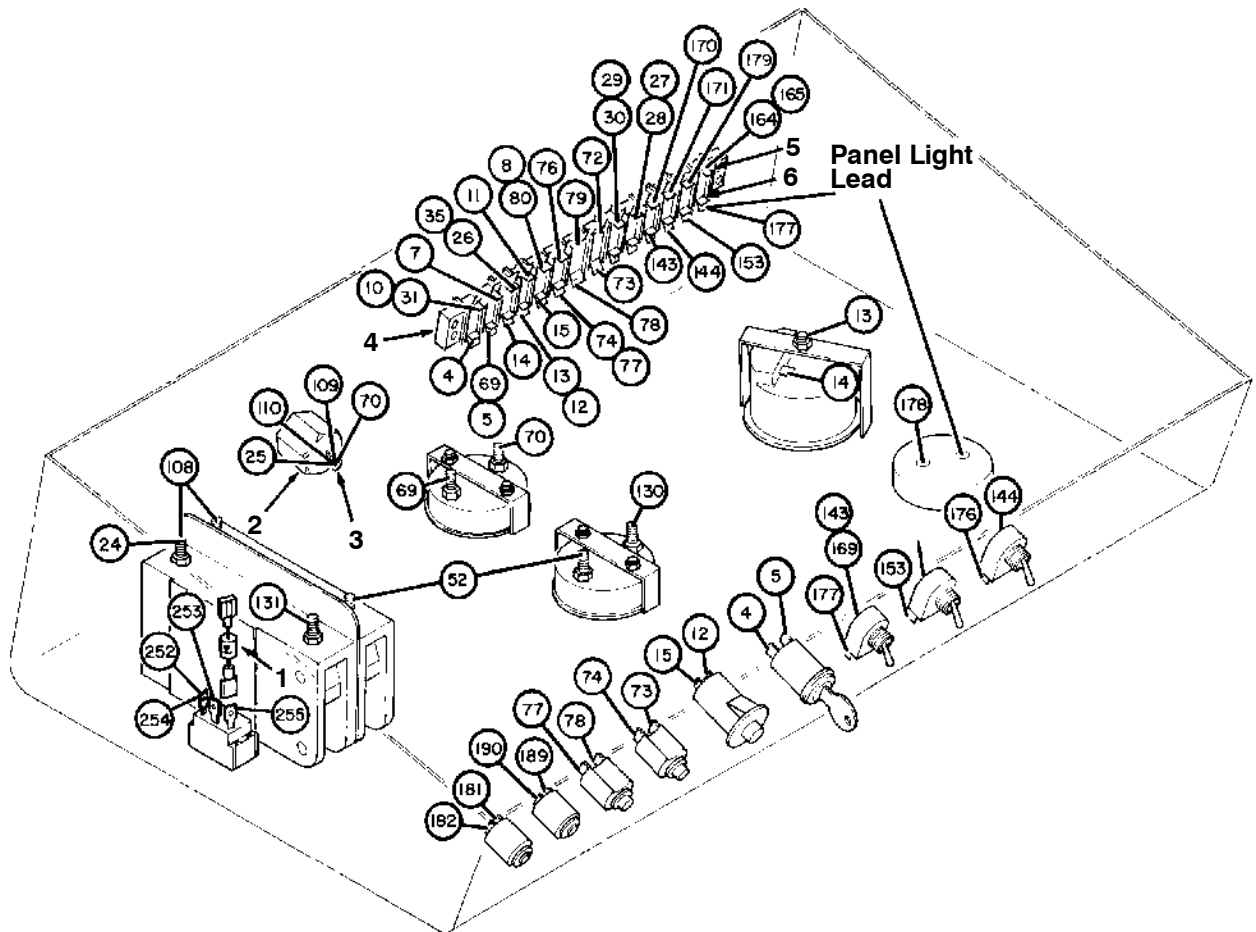
Fig. 19 - Instrument Panel Group



02388 - 550E

Ref.	Part No.	Serial Number	Description	Qty.
1	75294	(001330-) Console, Instrument	1
2	12087	(001330-) Meter, Hour	1
3	47178-13	(001330-) Plugbutton	1
4	76138	(001330-) Ammeter	1
5	63255	(001330-) Voltmeter	1
6	76120	(001330-) Decal, Battery	1
7	76121	(001330-) Label, Brush Switch	1
8	76031	(001330-) Circuit Breaker	1
9	76234	(001330-) Decal, Squeegee	1
10	76306	(001330-) Switch, Toggle	1
11	76123	(001330-) Decal, Console	1
12	56992	(001330-) Plugbutton	5
13	44828	(001330-) Switch, Pushbutton	1
▽ 14	09334	(001330-) Switch, Ignition	1
▲ 14	09336	(001330-) Key, Ignition	1
15	76131	(001330-) Switch, Pushbutton	1
16	76132	(001330-) Switch, Pushbutton	1
17	02431	(001330-) Plugbutton	2

Fig. 20 - Instrument Panel Components Group



00391 - 550E

Ref.	Part No.	Serial Number	Description	Qty.
1	76247	(001330-) Diode Assembly	2
2	76062	(001330-) Insulator, Panel & Switchboard	1
3	41702	(001330-) Rod, Threaded	1
4	76107	(001330-) Strip, Terminal	1
5	76187	(001330-) Tab, Terminal, 90°	12
6	76186	(001330-) Tab, 45°	14
	49263	(001330-) Tie, Cable 11 in (280 mm)	3
	44961	(001330-) Tie, Cable 15 in (380 mm)	1
	27184	(001330-) Terminal, 2 Tab	1

Fig. 21 - Control Panel Components Group

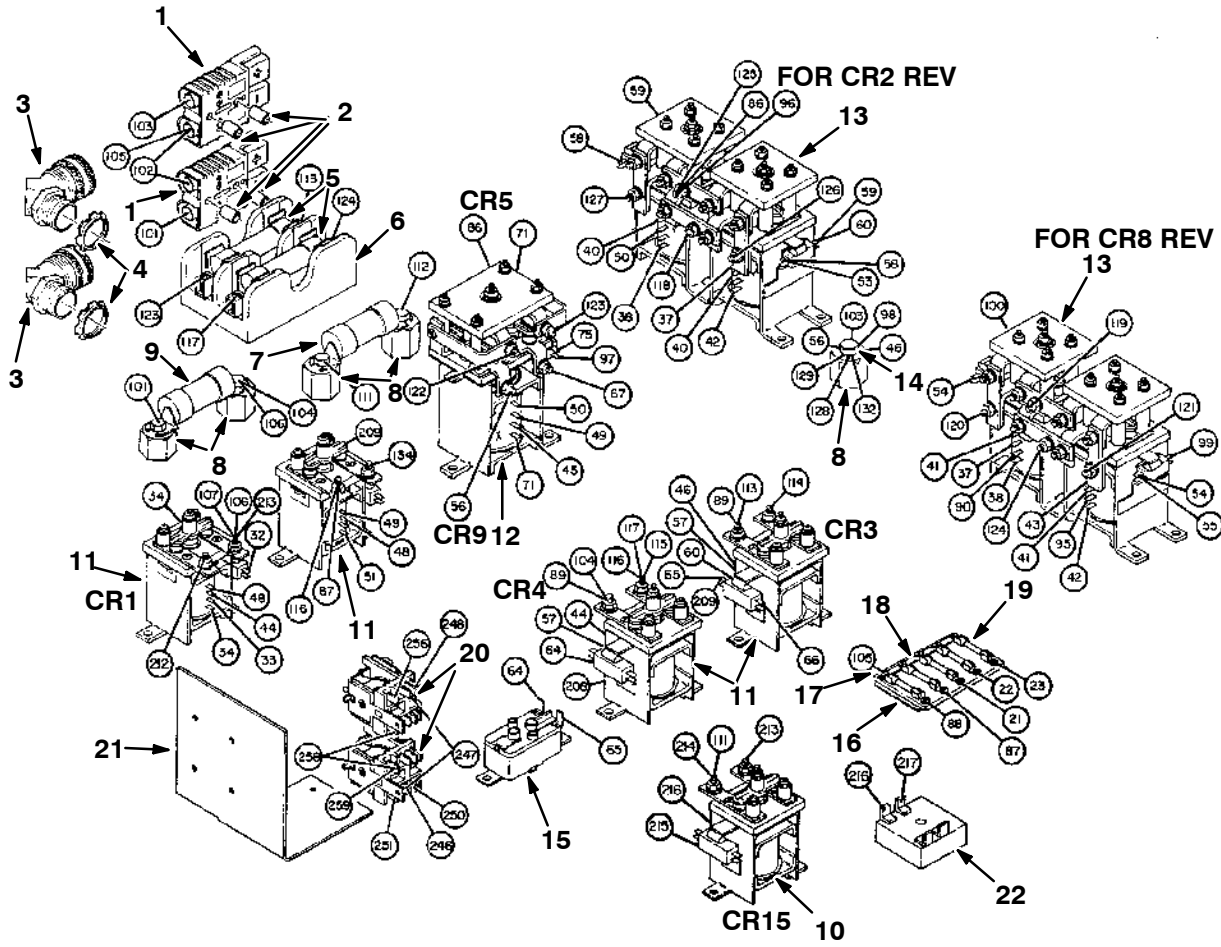
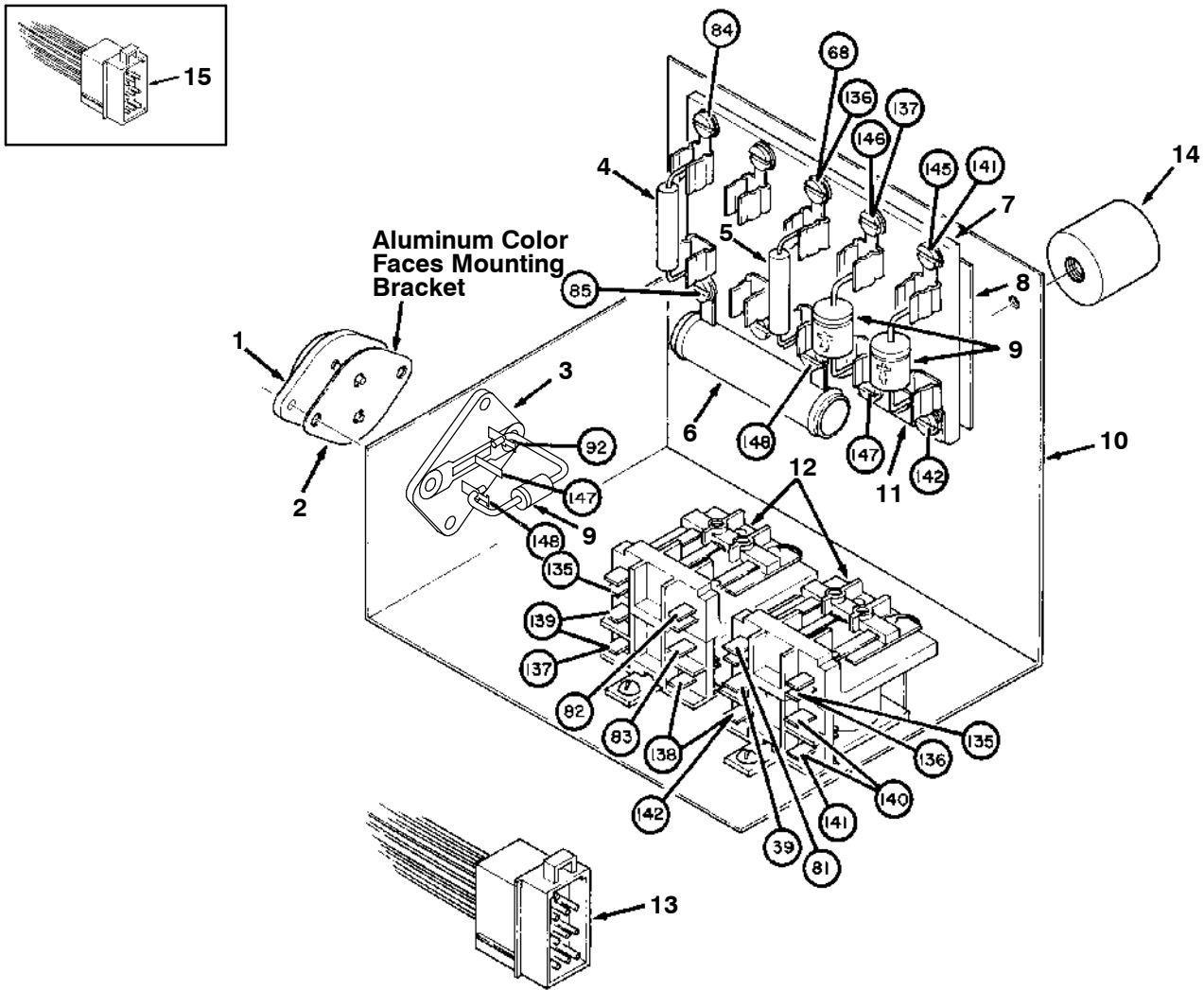


Fig. 21 - Control Panel Components Group

Ref.	Part No.	Serial Number	Description	Qty.
1	22892	(001330-) Connector	2
2	51562	(001330-) Sleeve, Connector Spacing	4
3	76012	(001330-) Elbow, Electrical	2
4	18217	(001330-) Nut, Strain Relief	2
5	76144	(001330-) Fuse, 50 A	2
6	76108	(001330-) Block, Fuse	1
7	76143	(001330-) Fuse, 120 A	1
8	76062	(001330-) Insulator, Panel	5
9	76048	(001330-001407) Fuse, 200 A	1
9	03649	(001408-) Fuse, 200 A	1
10	76092	(001408-) Relay	1
11	76092	(001330-) Relay, 150 A, 1-SPDT	4
12	76095	(001330-) Relay, 100 A, 1-DPDT	1
13	76096	(001330-) Relay, 100 A, 2-SPDT	2
14	41702	(001330-) Rod, Threaded	1
15	49047	(001330-) Relay, Time Delay	1
16	44662	(001330-) Insulator, Fuse Block	1
17	14141	(001330-) Block, Fuse	1
18	14346	(001330-) Strip, Terminal	2
19	07423	(001330-) Fuse, 15 A	5
20	21666	(001330-005484) Replacement Kit	2
20	87284	(005485-) Relay	2
21	76227	(001330-) Bracket, Relay Mounting	1
22	86315	(001408-) Timer	1
	27184	(001330-) Terminal, 2 Tab	4
	47164	(001330-) Decal, 15 A Fuse	5
	49226	(001330-) Tie, Cable 7 in (180 mm)	4
	49263	(001330-) Tie, Cable, 11 in (280 mm)	3
	44961	(001330-) Tie, Cable, 15 in (380 mm)	1
	49260	(001408-) Tie, Cable, 7.31 in (185 mm)	2

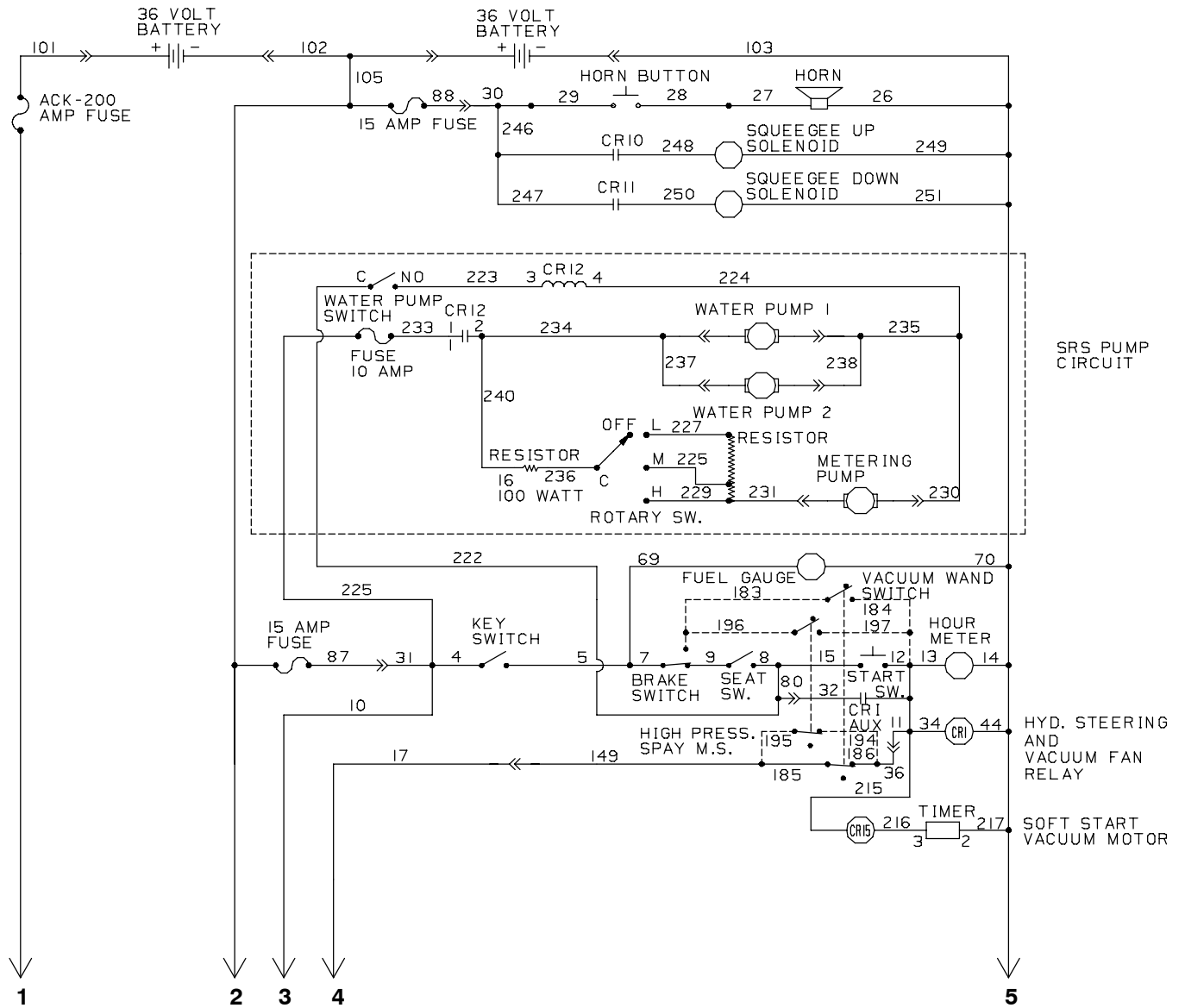
Fig. 22 - MFR Control Assembly



00392 - 550E

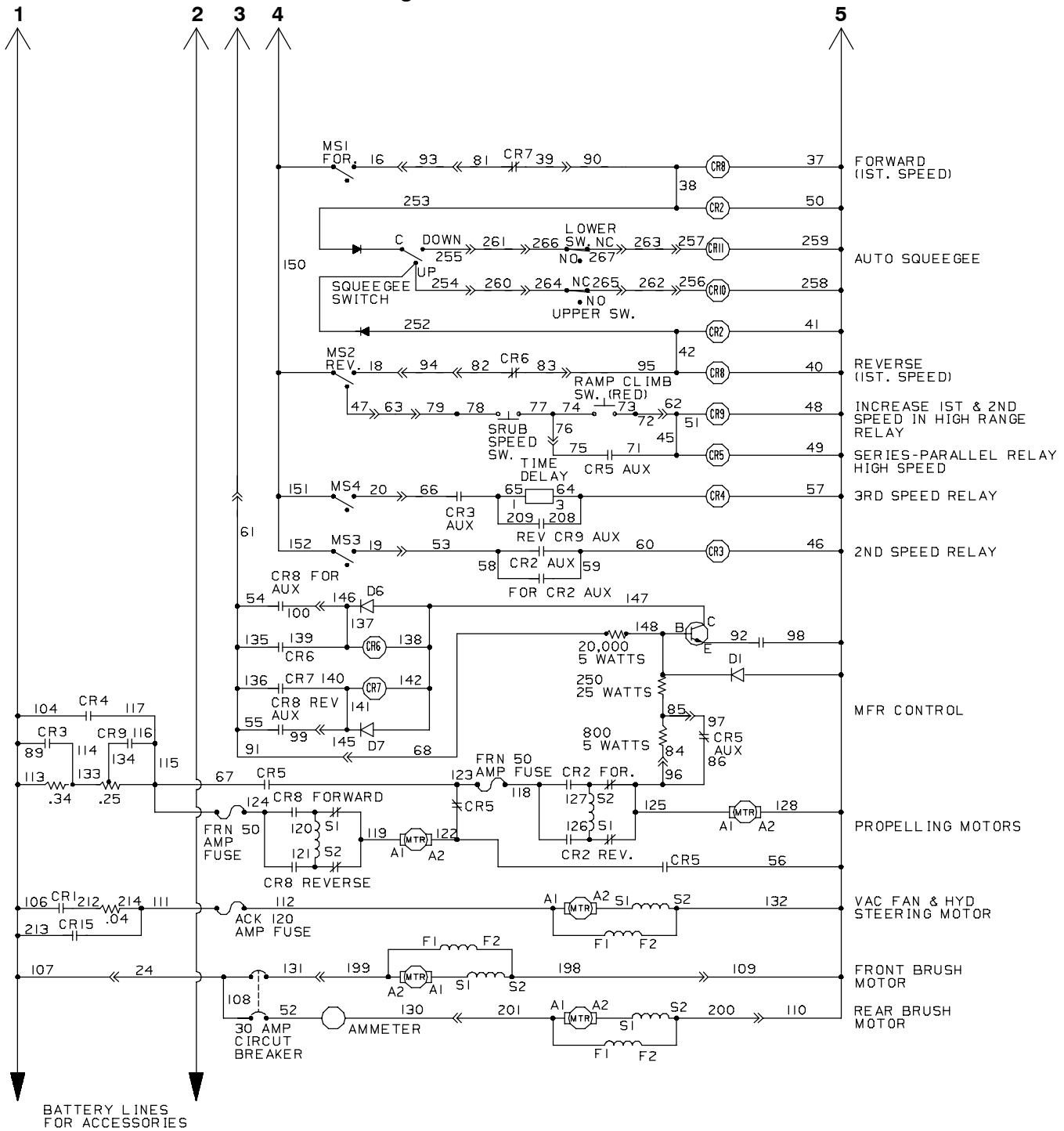
Ref.	Part No.	Serial Number	Description	Qty.
▽	76125	(001330-) Control Assembly, MFR	1
▲	1 76126	(001330-) Transistor	1
▲	2 76128	(001330-) Wafer, Insulating	1
▲	3 76127	(001330-) Socket, Transistor	1
▲	4 76106	(001330-) Resistor, 800 Ohm, 5 Watt	1
▲	5 76129	(001330-) Resistor, 20 K Ohm, 5 Watt	1
▲	6 76130	(001330-) Resistor, 250 Ohm, 20 Watt	1
▲	7 14141	(001330-) Block, Fuse	1
▲	8 44662	(001330-) Insulator, Fuse Block	1
▲	9 25532	(001330-) Diode, Silicon	3
▲	10 75313	(001330-) Bracket, Mounting	1
▲	11 14347	(001330-) Strip, Short Terminal	1
▲	12 21666	(001330-005484) Replacement Kit	2
▲	12 87284	(005485-) Relay	2
▲	13 21725	(005585-) Wire Kit, MFR Control	1
▲	49266	(001330-) Tie, Cable, 6.75 in (171.5 mm)	4
▲	14 44892	(001330-) Standoff, Mounting Bracket	3
▲	15 76173	(001330-005584) Wire Kit, MFR, Includes Wires: 39, 68, 81, 82, 83, 84, 85, 92, 135, 136, 137, 139, 140, 141, 142, 145, 146, 147, 148	1

Fig. 23 - Electrical Schematic



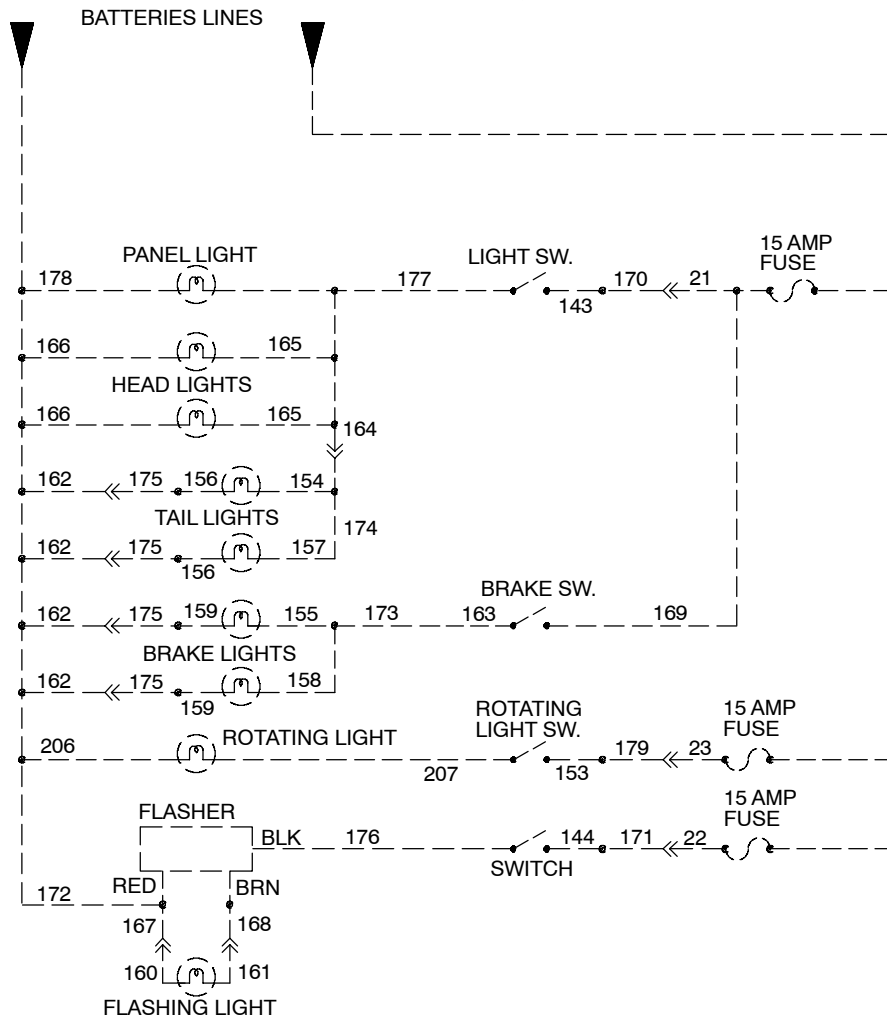
01228 - 550E

Fig. 23 - Electrical Schematic



01228 - 550E

Fig. 23 - Electrical Schematic



LEGEND			
M	POWER RELAY	HM	HOURMETER
MTR	MOTOR	SV	SOLENOID VALVE
CB	CIRCUIT BREAKER	S	SWITCH
PM	PERMANENT MAGNET	ACC	ACCESSORY
J	JACK-FEM. SOCKET	GND	GROUND CHASSIS
P	PLUG-MALE PIN	C	COMMON
PB	PUSHBUTTON	N.O.	NORMALLY OPEN
VM	VOLTMETER	N.C.	NORMALLY CLOSED
FU	FUSE		

01228 - 550E

Fig. 24 - Power Wheel Group

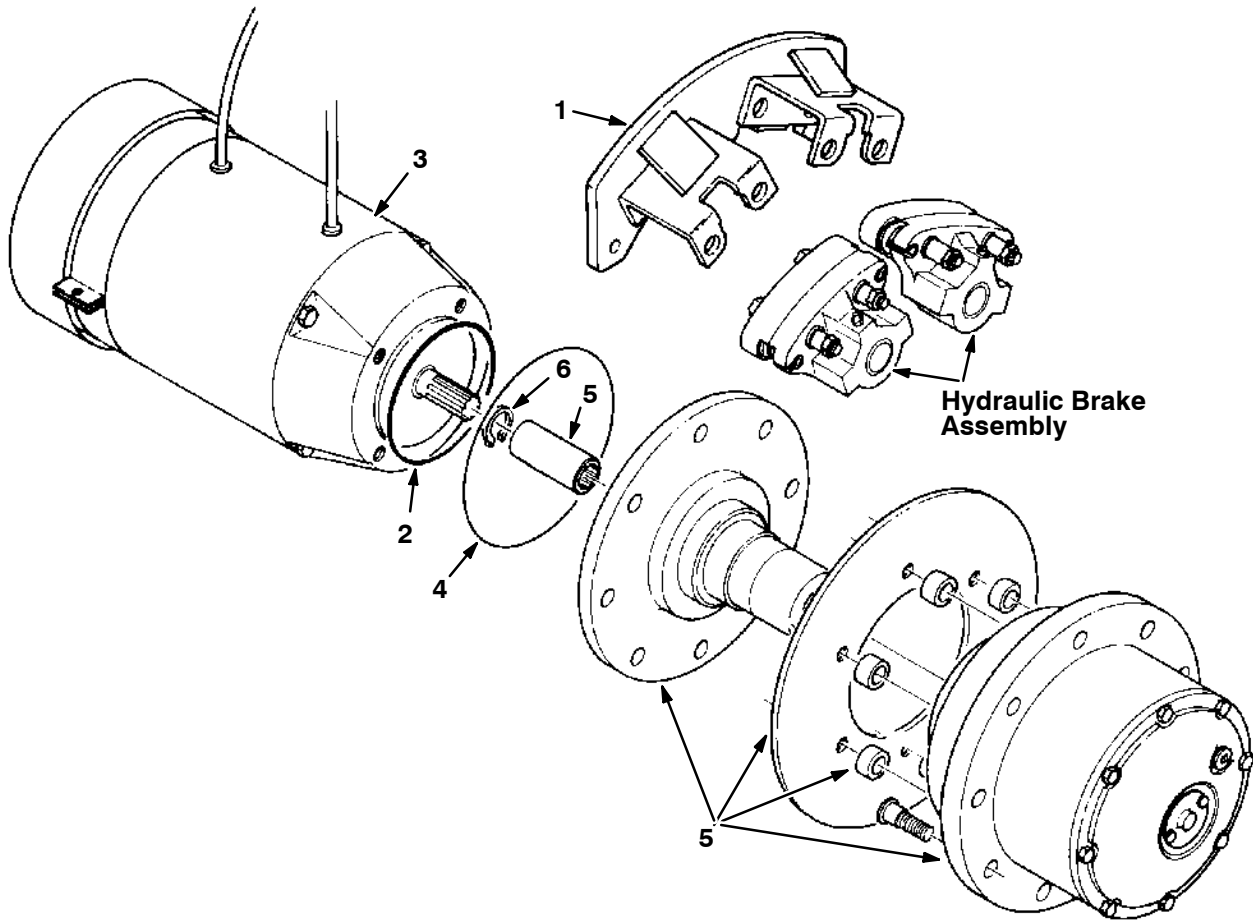


Fig. 24 - Power Wheel Group

Ref.	Part No.	Serial Number	Description	Qty.
1	75460	(001330-) Mount, Hydraulic Brake	2
2	02585	(001363-) O-Ring	2
3	76017	(001330- xxxxxx) Motor, Electric (See Breakdowns) (Replaced by 1061174)	2
3	1061174	(xxxxxx-) Motor, Electric, Drive	2
	76207	(001330-) Tube, Splice	8
4	75341	(001330-) O-Ring	2
5	75274	(001330-) Wheel Assembly, Power (See Breakdowns)	2
	39772	(001330-) Screw, Set	4
6	09663-6	(001330-) Ring, Retaining	2

Fig. 25 - Electrical Wire Harness Group

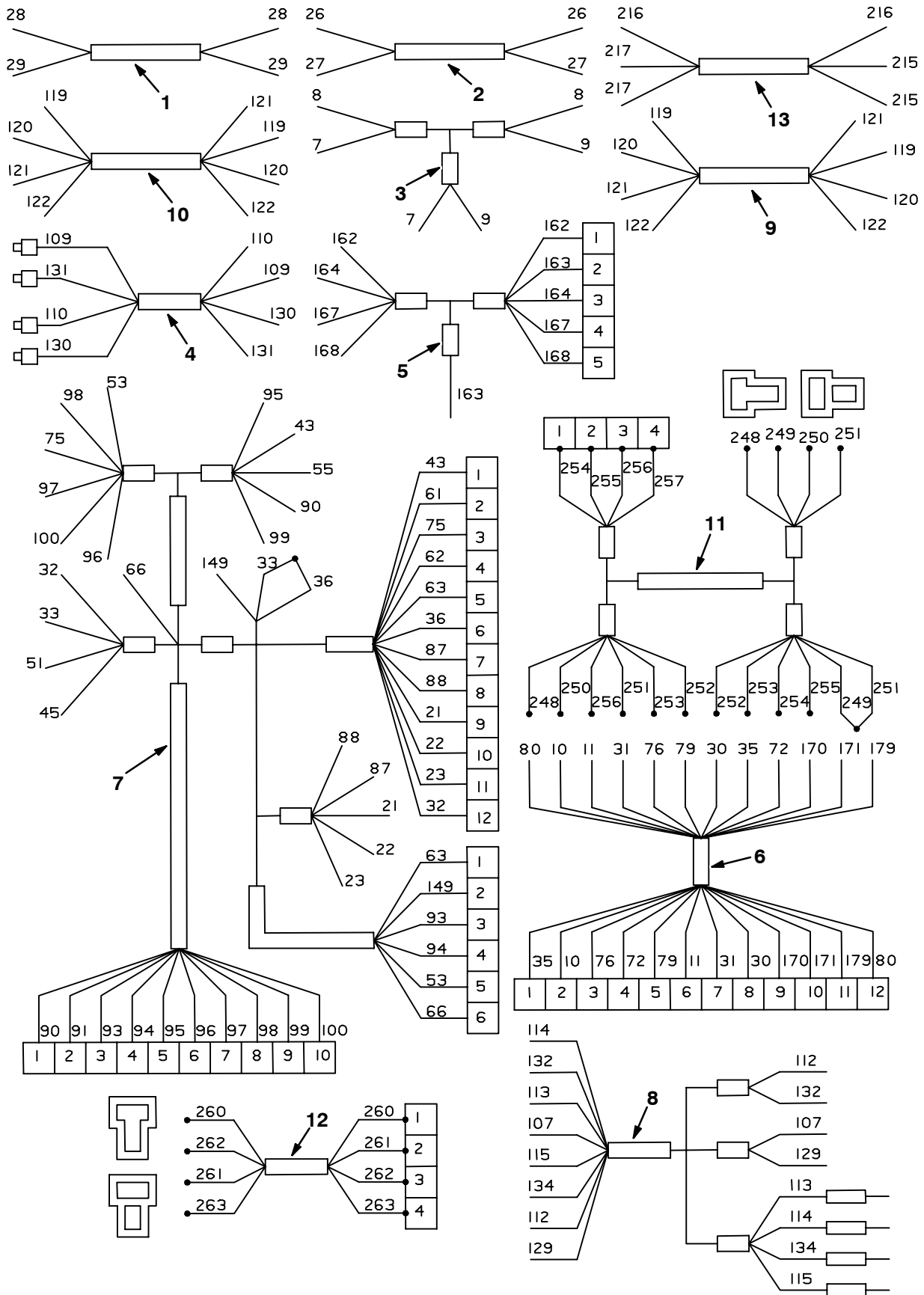
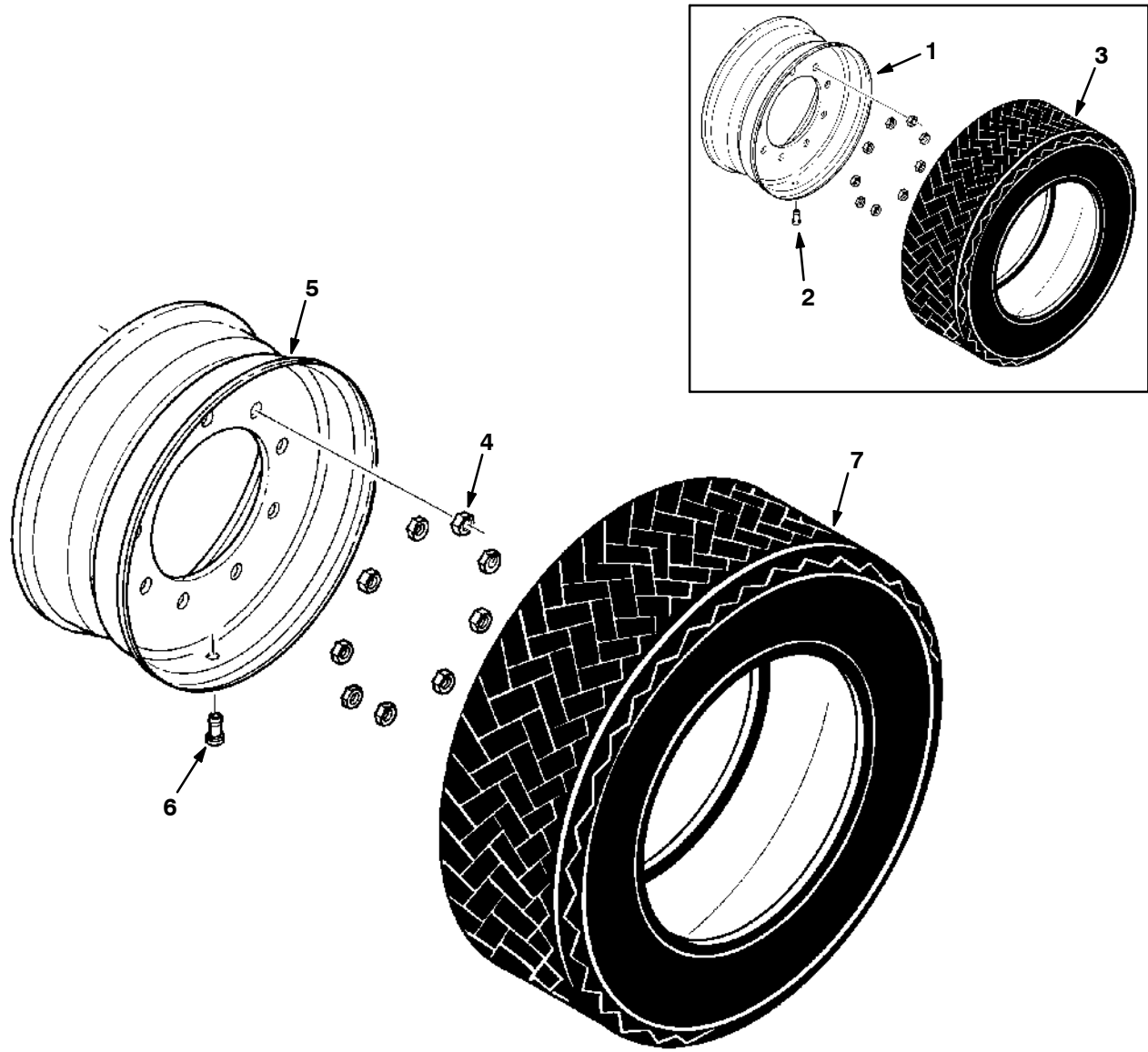


Fig. 25 - Electrical Wire Harness Group

Ref.	Part No.	Serial Number	Description	Qty.	
1	76160	(001330-) Harness, Wire, Horn Button	1	
2	76166	(001330-) Harness, Wire, Horn	1	
3	76162	(001330-) Harness, Wire, Seat and Brake Switches	1	
▽	4	76161	(001330-) Harness, Wire, Brush Motor	1
▲	12829	(001330-) Connector, Assembly	2	
▽	5	76164	(001330-) Harness, Wire, Lights	1
▲	76134	(001330-) Connector, 6 Plug	1	
▽	6	76165	(001330-) Harness, Wire, Instrument Panel to Control Box	1
▲	76182	(001330-) Connector, 12 Plug	1	
▽	7	76163	(001330-) Harness, Wire, Control Box	1
▲	76183	(001330-) Connector, 12 Plug	2	
▲	76134	(001330-) Connector, 6 Plug	1	
8	76169	(001330-) Harness, Wire	1	
9	76168	(001330-) Harness, Wire, Right Drive Motor	1	
10	76167	(001330-) Harness, Wire, Left Drive Motor	1	
11	31652	(001330-) Harness, Wire, Tractor, Auto Squeegee	1	
12	76231	(001330-) Harness, Wire, Tank Section Auto Squeegee	1	
	76172	(001330-) Wire Kit, Instrument Panel, Includes Loose Wires: 4, 5, 12,13, 14, 15, 24, 25, 52, 69, 70, 73, 74, 77, 78, 108	1	
	76174	(001330-) Wire Kit, Control Panel Box, Includes Loose Wires: 34, 37,38, 40, 41, 42, 44, 46, 48, 49, 50, 54, 56, 57, 58, 59, 60, 64,65, 67,71, 86, 89, 101, 102, 103, 104, 105, 106, 111, 116,117, 118,123, 124, 208, 209	1	
	76240	(001330-005484)	Wire Kit, Auto Squeegee, Includes Loose Wires: 246, 247, 258, 259	1	
	21665	(005485-) Wire Kit, Auto Squeegee	1	
13	03635	(001408-) Harness, Wire, Soft Start	1	
	03639	(001408-) Wire, 213	1	
	03648	(001408-) Wire, 214	1	
	03647	(001408-) Wire, 212	1	

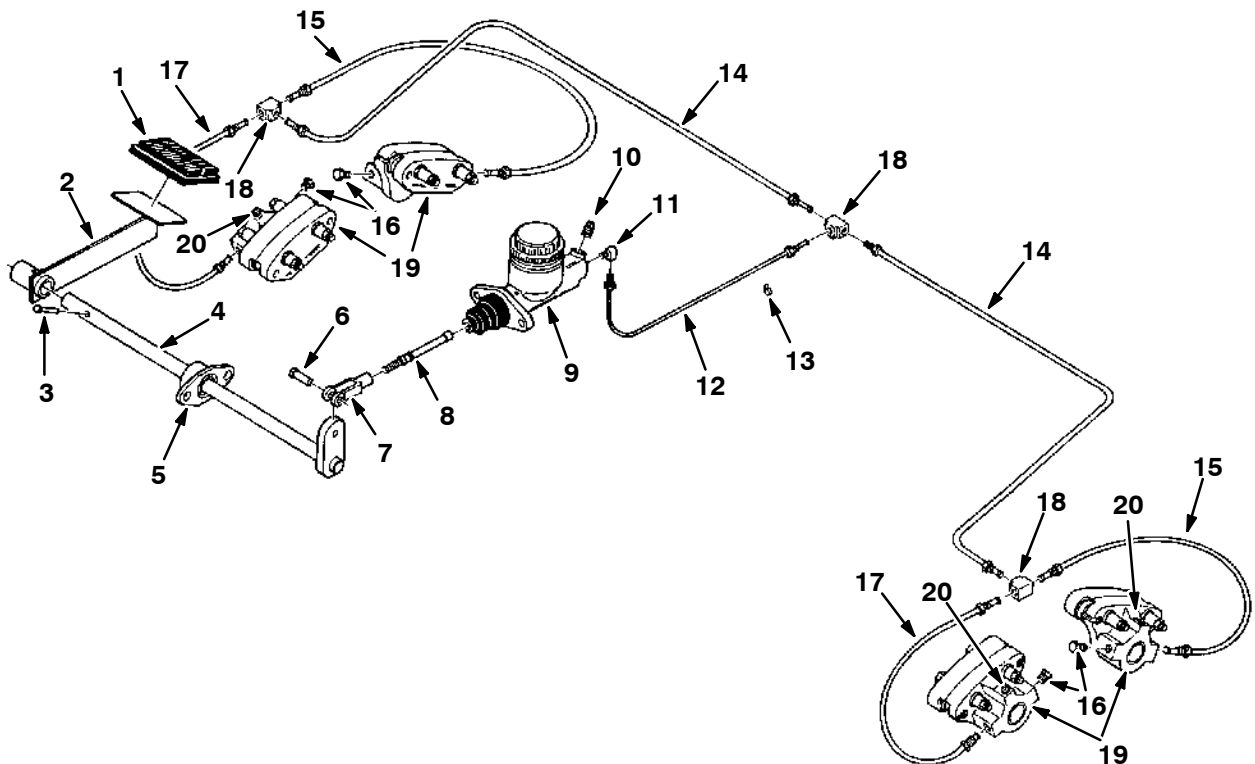
Fig. 26 - Front Wheel Assembly



01083 - 550E

Ref.	Part No.	Serial Number	Description	Qty.
▽	75286	(001330-004506)	Tire Assembly, Front (Replaced by 48893)	2
▲	1 75360	(001330-004506)	Rim, Tire	1
▲	2 75365	(001330-004506)	Valve, Tire	1
▲	3 75346	(001330-004506)	Tire (Replaced by 48893)	1
▲	4 24339	(001330-	Nut, Wheel	18
▽	48889	(004507-	Tire Assembly, Front	2
▲	5 75360	(004507-	Rim, Tire	1
▲	6 75365	(004507-	Valve, Tire	1
▲	7 48888	(004507-	Tire	1

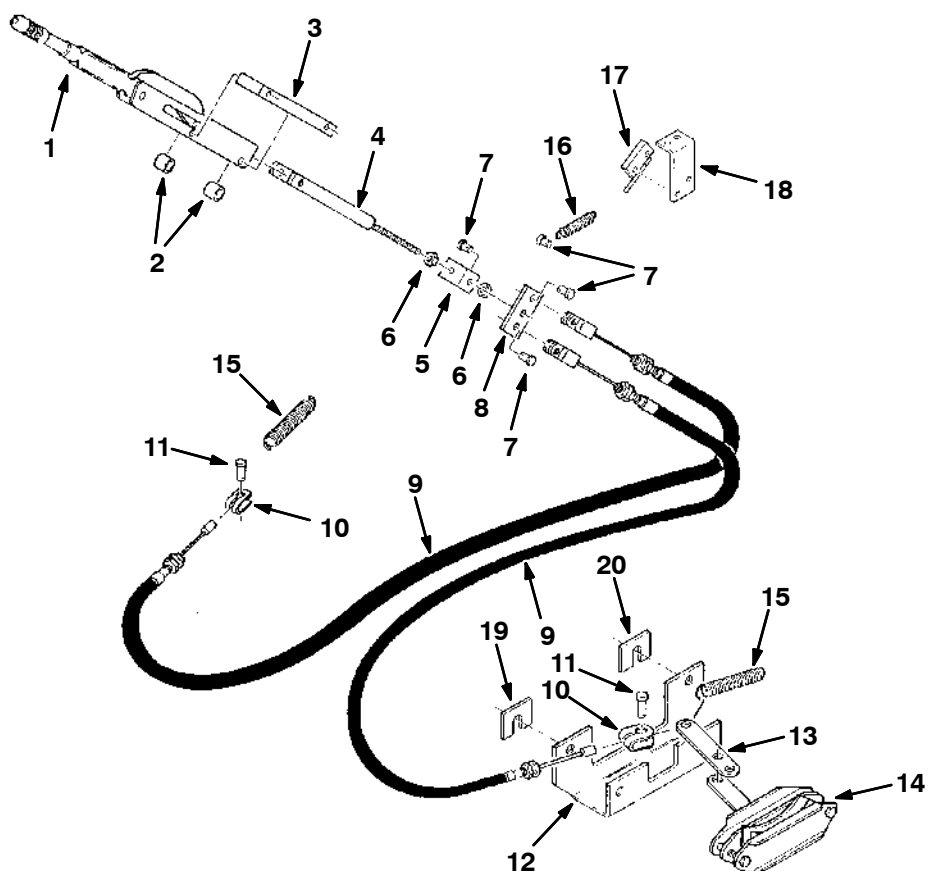
Fig. 27 - Brakes Group



00105 - 550E, 1550

Ref.	Part No.	Serial Number	Description	Qty.	
1	51109	(001330-) Pad, Brake	1	
2	75249	(001330-) Pedal, Brake	1	
3	26315	(001330-) Pin, Roll	1	
4	78080	(001330-) Shaft, Brake	1	
5	26663	(001330-) Bearing, Flange	1	
6	14331	(001330-) Pin, Clevis	1	
7	14330	(001330-) Clevis, Adjustable	1	
8	52163	(001330-) Rod, Brake, Push	1	
▽	9	64950	(001330-) Brake Cylinder, Master	1
▲	374240	(001330-) Cap, Cyl Assy, Master Brake	1	
10	48126	(001330-) Plug	1	
11	53078	(001330-) Elbow	1	
12	76058	(001330-) Tube, Brake Line	1	
13	46236	(001330-) Clamp, Tube	4	
14	76059	(001330-) Tube, Brake Line	2	
15	06843	(001330-) Tube, Brake Line, R.H.	2	
16	76087	(001330-) Fitting, Plug	4	
17	06844	(001330-) Tube, Brake Line, L.H.	2	
18	53079	(001330-) Tee	3	
▽	19	75285	(001330-) Brake Assembly, Hydraulic	4
▲	SK2222	(001330-) Repair Kit, Brake	1	
▲	20	37524	(001330-) Screw, Bleeder	1

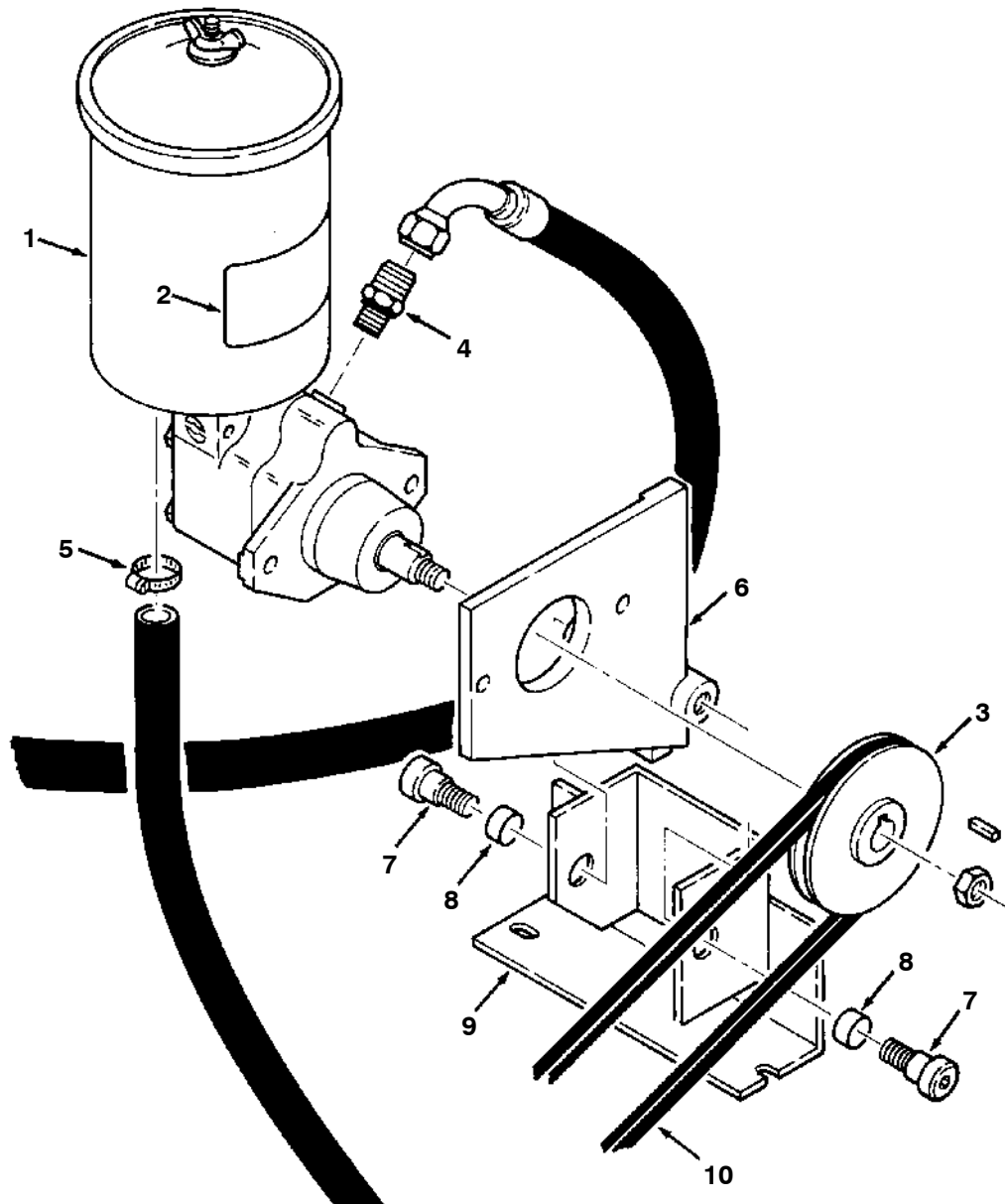
Fig. 28 - Front Wheel Parking Brake Group



01085 - 550E

Ref.	Part No.	Serial Number	Description	Qty.	
1	51545	(001330-	Lever, Hand Brake	1	
2	51562	(001330-	Sleeve, Brake Lever	2	
3	76816	(001330-	Spacer, Brake	1	
4	76903	(001330-	Rod, Adjustment	1	
5	76904	(001330-	Angle, Brake Adjustment	1	
6	25014	(001330-	Nut, Adjustment	2	
7	10120	(001330-	Pin, Clevis	4	
8	40354	(001330-	Strip	1	
9	32477	(001330-	Cable Assembly, Brake, Separate Spring	2	
10	75369	(001330-	Clevis, Brake Cable	2	
11	09088	(001330-	Pin, Clevis	2	
▽	75276	(001330-	Brake, Parking	2	
▲	12	75269A	(001330-	Bracket, Parking Brake	1
▲	13	75535	(001330-	Bar, Extension	1
▲	14	75368	(001330-	Brake, Parking	1
▲	SK2223	(001330-	Replacement Kit, Brake Pad	1	
▲	10830	(001330-	Screw, Socket	2	
15	50304	(001330-	Spring, Brake Cable	2	
16	75225	(001330-	Spring	1	
17	44847-1	(001330-	Switch	1	
18	75224	(001330-	Bracket, Switch	1	
	44961	(001330-	Tie, Cable, 15 in (380 mm)	1	
19	04210	(001330-	Shim, 20 Ga.	4	
20	04048	(001330-	Shim, 16 Ga.	4	

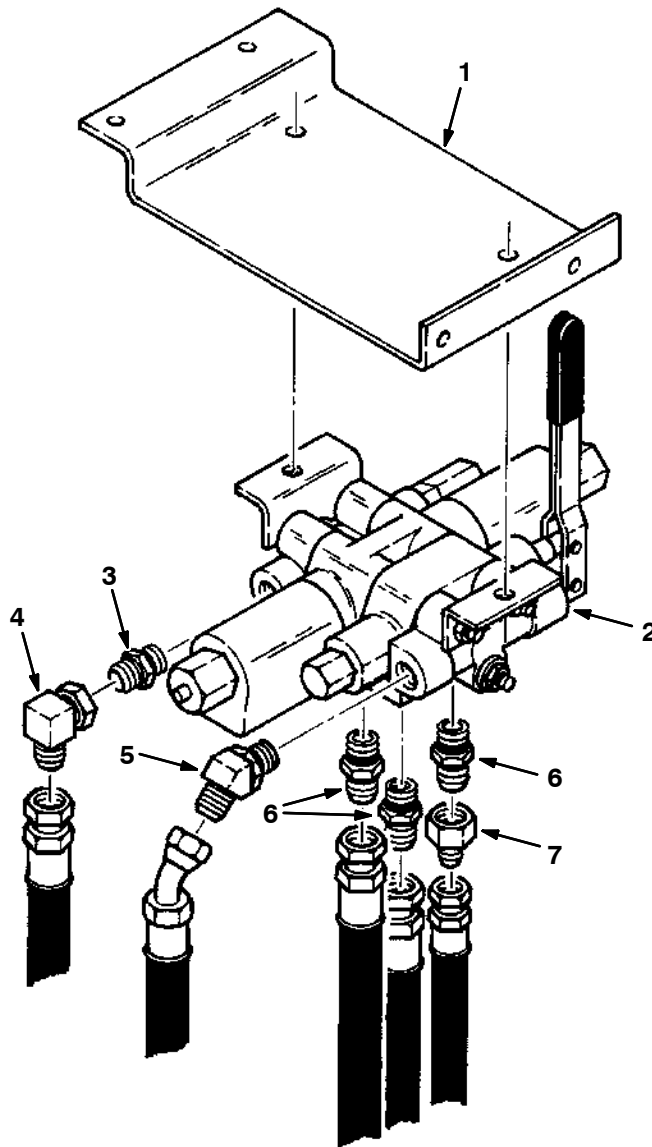
Fig. 29 - Hydraulic Pump Group



00760 - 550E

Ref.	Part No.	Serial Number	Description	Qty.
1	76043	(001330-) Pump, Hydraulic (See Breakdowns)	1
2	19207	(001330-) Decal, Hydraulic Oil Fluid	1
3	SK2612	(001330-004299) Sheave Replacement Kit	1
3	25661	(004300-) Sheave	1
4	52402	(001330-) Fitting, Straight	1
5	11399	(001330-) Clamp, Worm Drive	1
6	75396	(001330-) Bracket, Mounting	1
7	40565	(001330-) Screw, Shoulder	2
8	40840	(001330-) Bushing, Bronze	2
9	75283	(001330-) Bracket, Mounting	1
10	75389	(001330-004299) V-belt	1
10	378968	(004300-) V-belt	1

Fig. 30 - Hydraulic Control Valve Group



01107 - 550E

Ref.	Part No.	Serial Number	Description	Qty.
1	31623	(001330-) Bracket, Valve Mounting	1
2	31574	(001330-) Valve, Hydraulic Solenoid (See Breakdowns)	1
3	56690	(001330-) Fitting, Straight	1
4	47504	(001330-) Fitting, Elbow	1
5	47522	(001330-) Fitting, Elbow, 45°	1
6	55685	(001330-) Fitting, Straight	3
7	16456	(001330-) Fitting, Restrictor	1

Fig. 31 - Hydraulic Schematic (001330-005607)

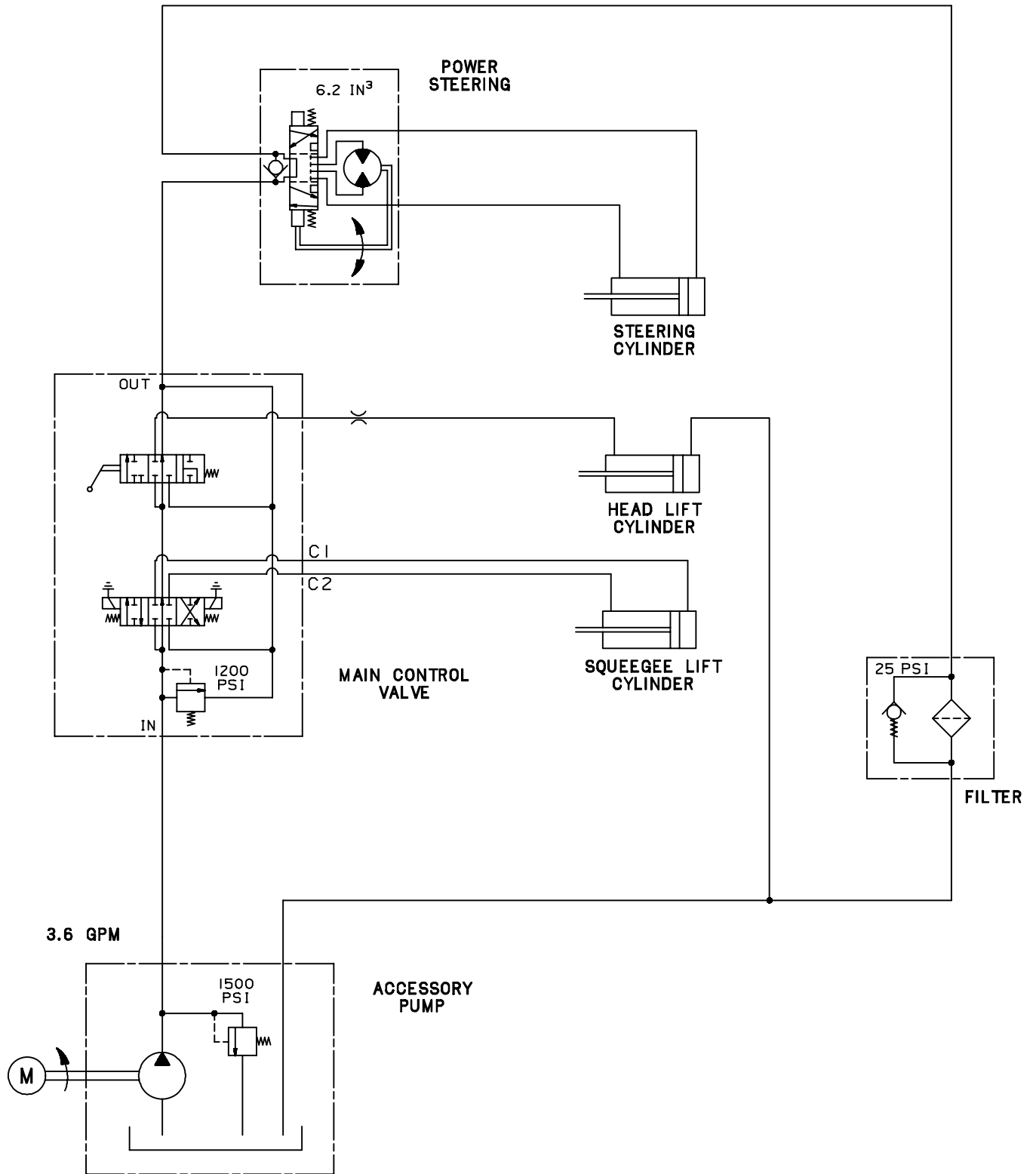


Fig. 32 - Hydraulic Schematic (005608-)

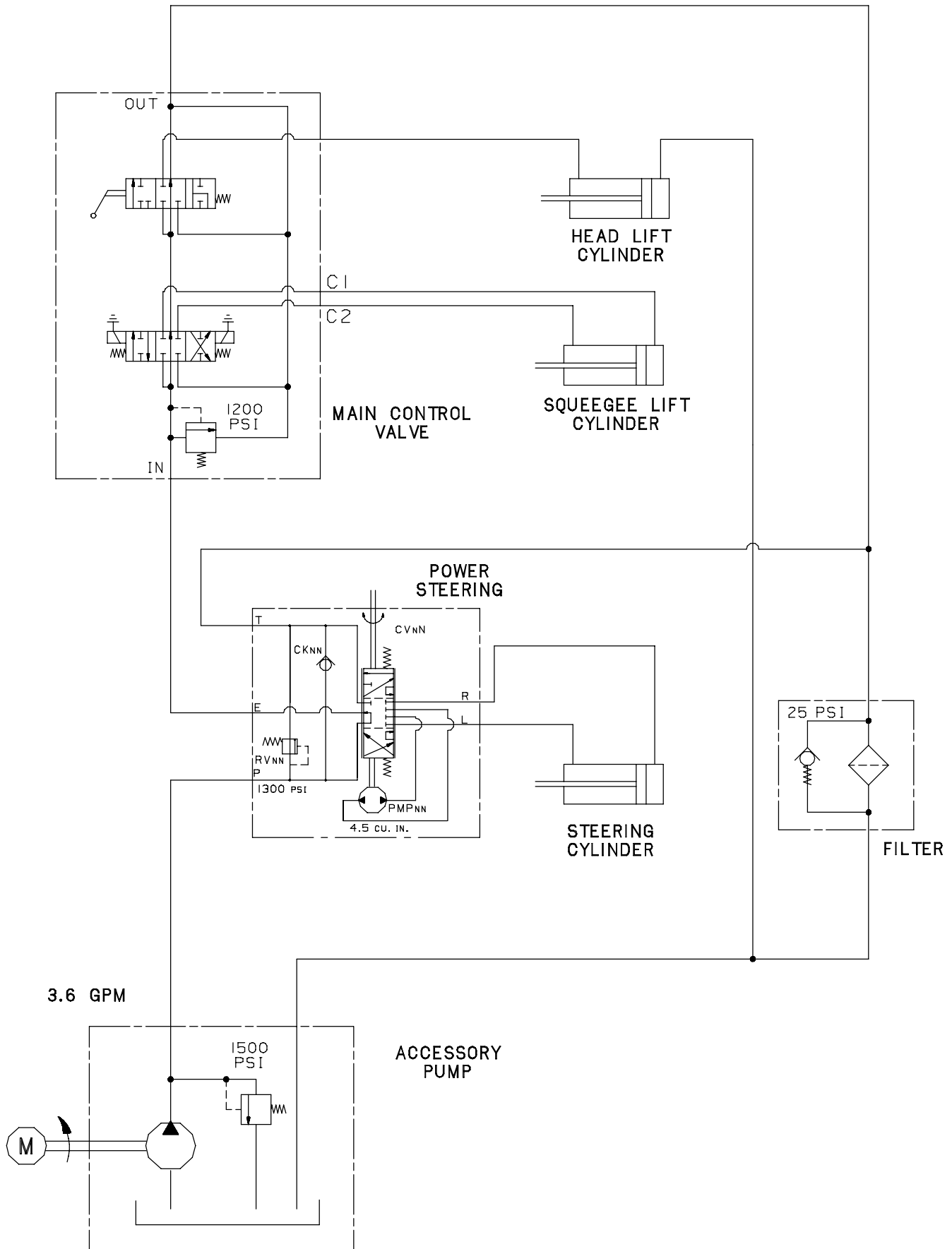
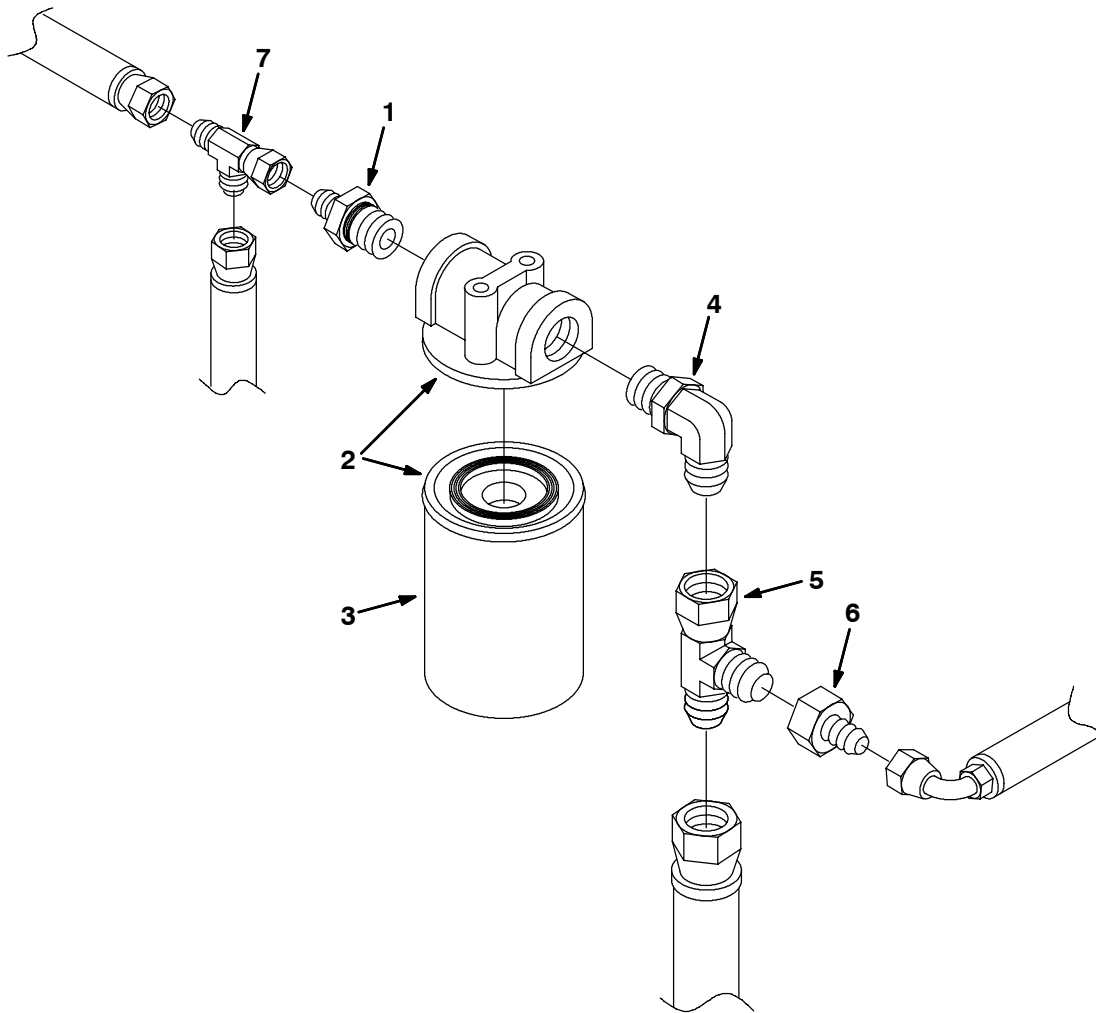


Fig. 33 - Hydraulic Filter Group



01109 - 550E

Ref.	Part No.	Serial Number	Description	Qty.
1	31572	(001330-) Fitting, Straight	1
▽ 2	55619	(001330-) Filter Assembly, Hydraulic	1
▲ 3	55740	(001330-) Element, Hydraulic Filter	1
4	53076	(001330-) Fitting, Elbow	1
5	51779	(001330-) Fitting, Tee	1
6	31573	(001330-) Fitting, Straight	1
7	42215	(005608-) Fitting, Tee	1

Fig. 34 - Hydraulic Hoses Group (001330-005607)

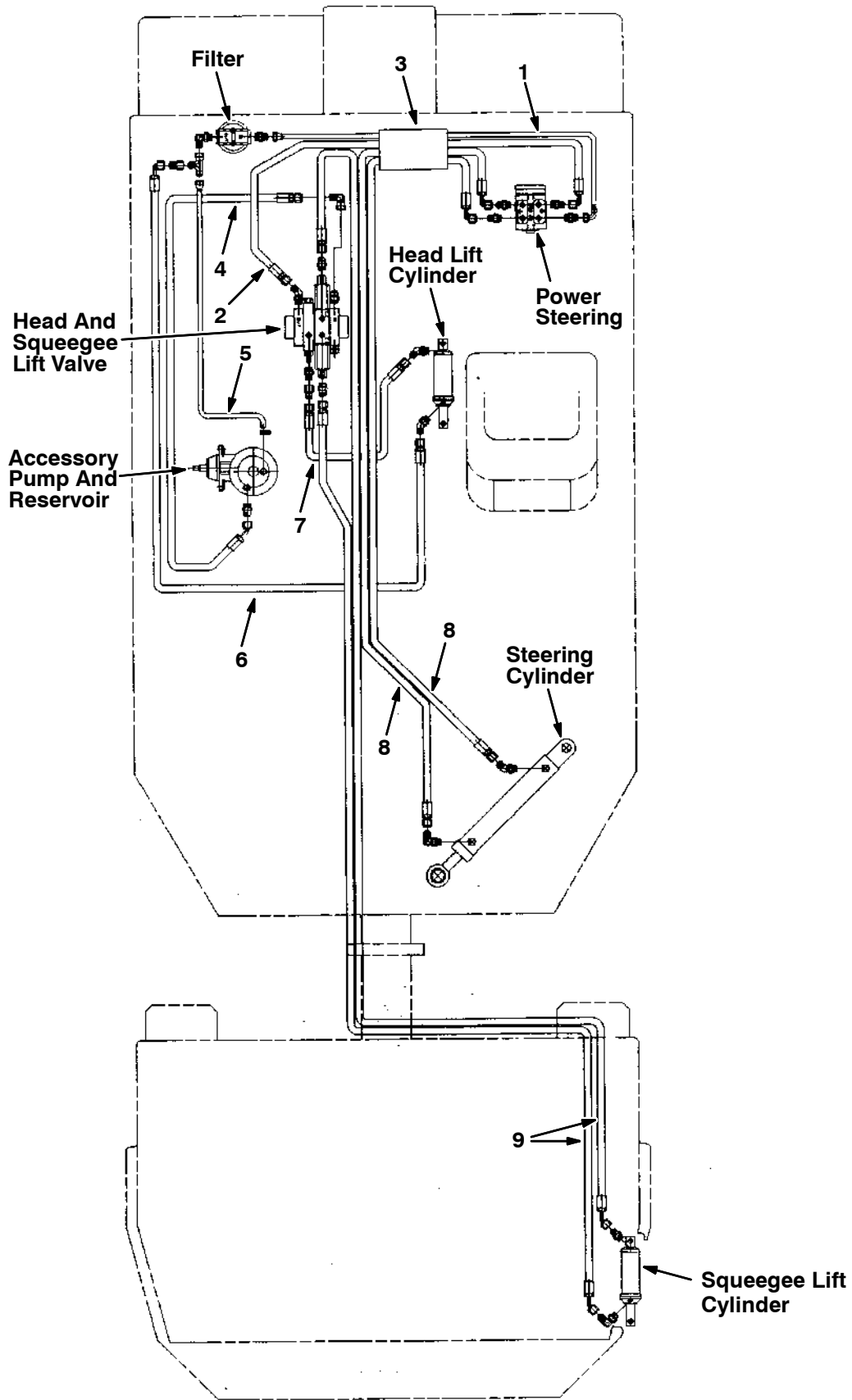


Fig. 34 - Hydraulic Hoses Group (001330-005607)

Ref.	Part No.	Serial Number	Description	Qty.
1	31567	(001330-005607)	Hose, Hydraulic	1
2	31566	(001330-005607)	Hose, Hydraulic	1
3	31672	(001330-005607)	Sleeve, Hydraulic Hose	1
4	31563	(001330-005607)	Hose, Hydraulic	1
5	31558	(001330-005607)	Hose, Hydraulic	1
6	02549	(001330-005607)	Hose, Hydraulic	1
7	31568	(001330-005607)	Hose, Hydraulic	1
8	31565	(001330-005607)	Hose, Hydraulic	2
9	31570	(001330-005607)	Hose, Hydraulic	2

Fig. 35 - Hydraulic Hoses Group (005608-)

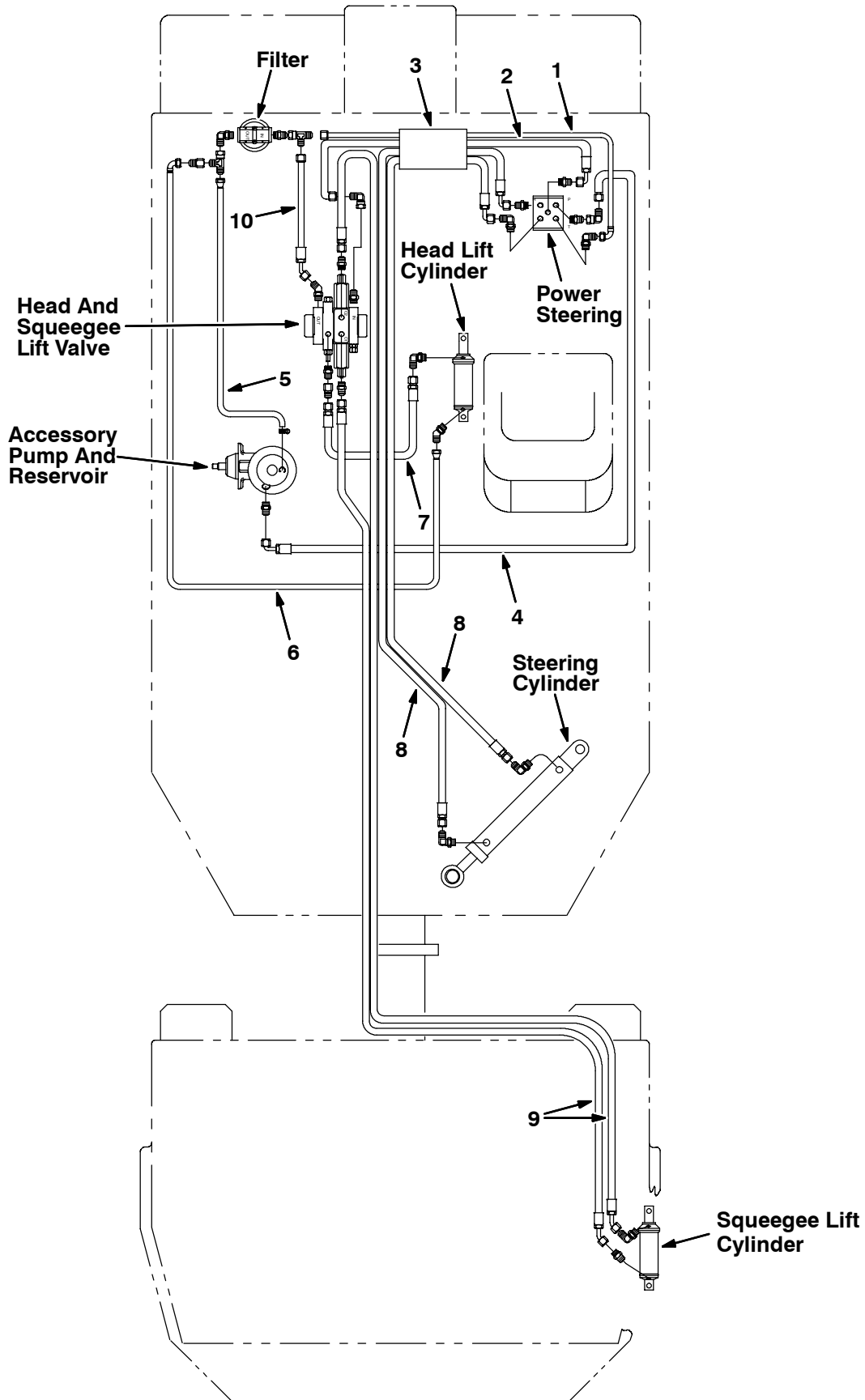


Fig. 35 - Hydraulic Hoses Group (005608-)

Ref.	Part No.	Serial Number	Description	Qty.
1	31567	(005608-) Hose, Hydraulic	1
2	31566	(005608-) Hose, Hydraulic	1
3	31672	(005608-) Sleeve, Hydraulic Hose	1
4	35486	(005608-) Hose, Hydraulic	1
5	31558	(005608-) Hose, Hydraulic	1
6	02549	(005608-) Hose, Hydraulic	1
7	31568	(005608-) Hose, Hydraulic	1
8	31565	(005608-) Hose, Hydraulic	2
9	31570	(005608-) Hose, Hydraulic	2
10	57288	(005608-) Hose, Hydraulic	1

Fig. 36 - Trunnion Group

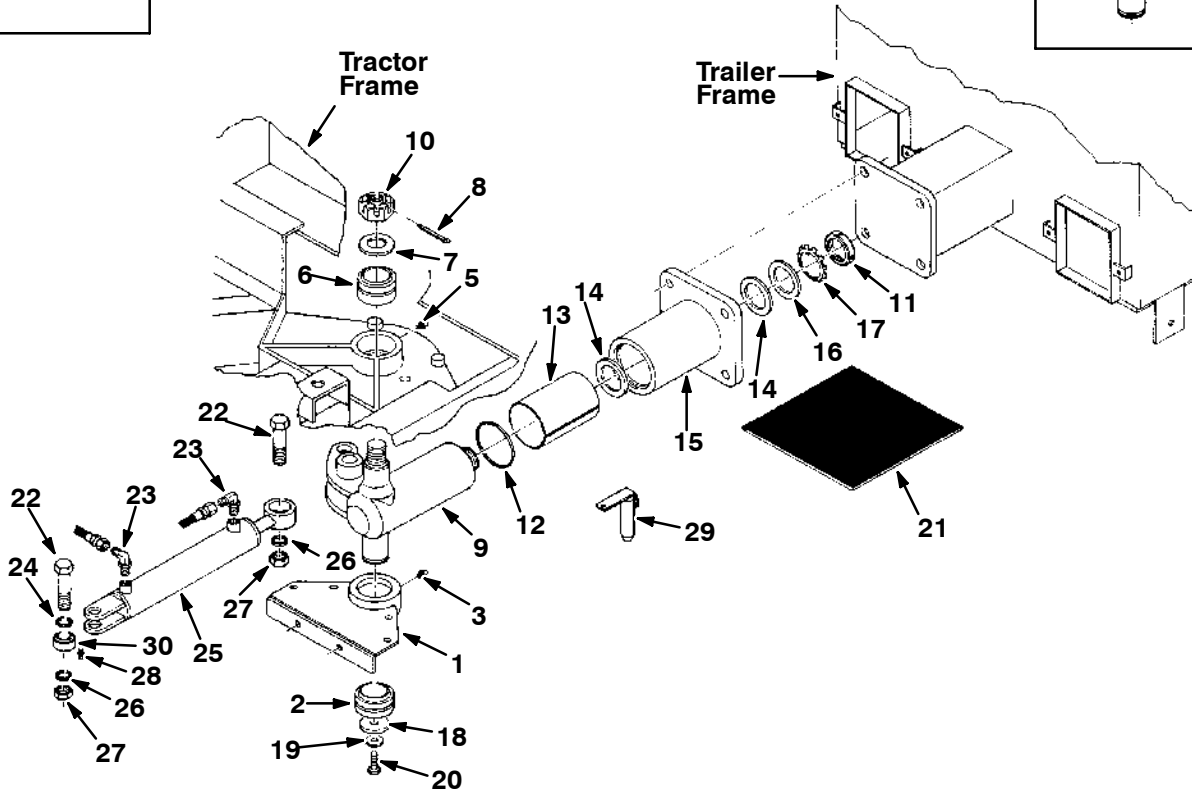
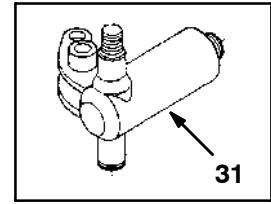
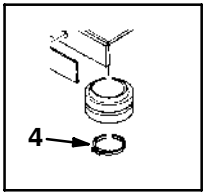


Fig. 36 - Trunnion Group

Ref.	Part No.	Serial Number	Description	Qty.
▽	42399	(001330-) Support Assembly, Lower Bearing	1
▲	1 42311	(001330-) Support, Lower Bearing	1
▲	2 42120-2	(001330-) Bearing	1
▲	3 07259	(001330-) Fitting, Grease	1
	4 26439	(001330-001404) Ring, Retaining	1
	5 07259	(001330-) Fitting, Grease	1
	6 42120-2	(001330-) Bearing	1
	7 41066	(001330-) Washer	3
	8 08298	(001330-) Pin, Cotter	1
▽	08100	(001405-) Housing Assembly, Bearing	1
▲▽	9 06846	(001405-) Pivot, Shaft	1
▲▲	10 13611	(001330-) Nut, Slotted Hex	1
▲▲	11 41073	(001330-) Nut, Lock	1
▲	12 41082	(001330-) O-ring	1
▲	13 41083	(001330-) Bearing, Liner	1
▲	14 41084	(001330-) Bearing, Thrust	2
▲	15 32724	(001330-) Housing, Pivot	1
▲	16 41081	(001330-) Washer	1
▲	17 41074	(001330-) Washer, Lock	1
▲	18 06845	(001405-) Washer, Spacer	1
▲	19 15331	(001405-) Washer	1
▲	20 08099	(001405-) Screw, Hex	1
	21 75375	(001330-) Wrap, Hose	2
	49263	(001330-) Tie, Cable, 11 in (280 mm)	4
	22 39912	(001330-) Screw, Hex	2
	23 56820	(001330-) Fitting, Elbow	2
	24 76915	(001330-) Washer	1
	25 04431	(001330-) Cylinder, Hydraulic (See Breakdownss)	1
	26 39347	(001330-) Washer, Flat	2
	27 02464	(001330-) Nut, Nylon	2
	28 06418	(001330-) Fitting, Grease	1
	29 75296	(001330-) Pin, Articulating Locking	1
	30 42120-4	(001330-) Bearing, Self-aligning	1
	82833	(001330-) Sleeve, Nylon	1
	19659	(001330-) Sleeve, Nylon	1
	31 06837	(001330-001404) Service Kit, Pivot Shaft	1

STANDARD PARTS

Fig. 37 - Solution and Recovery Tanks Group, Front Side

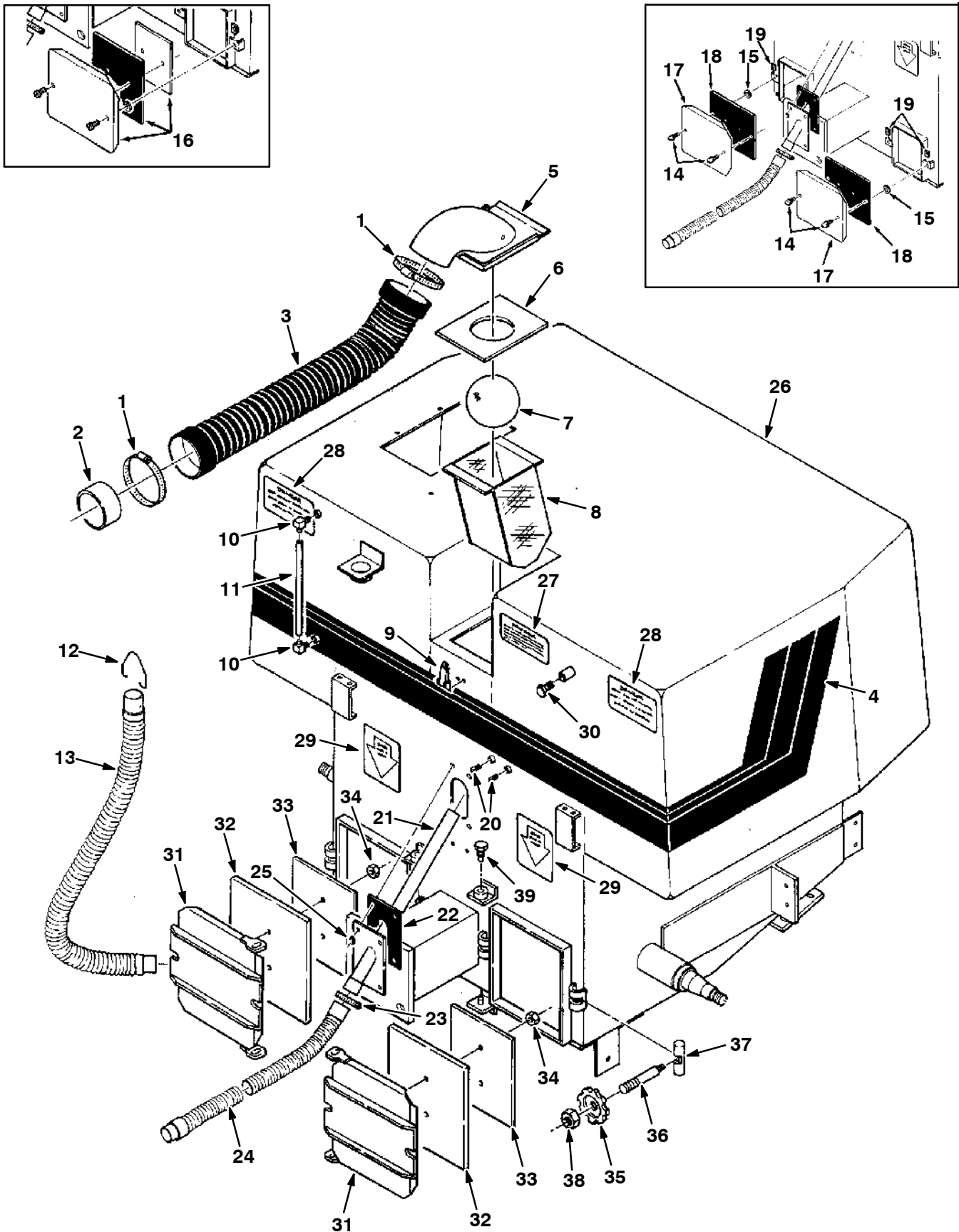


Fig. 37 - Solution and Recovery Tanks Group, Front Side

Ref.	Part No.	Serial Number	Description	Qty.	
1	23498	(001330-) Clamp, Worm Drive	2	
2	53355-1	(001330-) Ring, Hose Adaptor	1	
3	40870-2	(001330-) Hose, Vacuum Fan	1	
4	75816	(001330-) Decal, Stripe, L.H.	1	
5	75182	(001330-) Flange, Top Float	1	
6	75188	(001330-) Seal, Float Flange	1	
7	75106	(001330-) Ball, Float	1	
8	75103	(001330-) Retainer, Ball	1	
9	87579	(001330-) Latch, Band	1	
10	08228	(001330-) Elbow, Solution Level	2	
11	42779	(001330-) Hose, Solution Level	1	
12	40550	(001330-) Clip, Drain Hose Retainer	1	
13	76828	(001330-) Hose, Recovery Tank Drain	1	
▽	42038	(001330-004933) Door Assembly, Cleanout	2	
▲	14	25665	(001330-004344) Thumbscrew Replacement Kit	2
▲	14	25656	(004345-004933) Fastener, Thumbscrew	2
▲	15	26015	(001330-004933) Washer, Cleanout Door Retaining	2
▲	16	06333	(001330-001410) Service Kit, Cleanout Door	1
▲	17	42034	(001411-004933) Door, Cleanout	1
▲	18	06332	(001411-004933) Gasket, Door	1
19	28165	(001330-004344) Fastener, Nut	4	
19	25663	(004345-004933) Fastener, Nut	4	
20	63511	(001330-) Plug	2	
21	75045	(001330-) Tube, Front Suction	1	
22	76532	(001330-) Seal, Suction Tube	1	
23	22297	(001330-) Clamp, Worm Drive	1	
24	75635AM	(001330-) Hose Assy, W/1cuff, 1.5d 120l 1.5/	1	
25	76426	(001330-) Washer, Sealing	4	
26	65892	(001330-004933) Replacement Kit, Tank	1	
▽	26	04213	(004934-) Tank	1
▲	27	40052	(001330-) Decal, Danger, Fan Suction	1
▲	28	57630	(001330-) Decal, Danger, Keep Out	2
▲	29	76157	(001330-) Decal, Jack Tank	2
▲	30	75611	(001330-) Fitting, Plug	1
31	61176	(004934-) Door	2	
32	61174	(004934-) Gasket, Door	2	
33	61175	(004934-) Plate, Door	2	
34	41169	(004934-) Nut, Stainless Steel	4	
35	82958	(004934-) Knob, Door Latch	4	
36	61171	(004934-) Stud, Door Latch	4	
37	61170	(004934-) Rod, Door Latch	4	
38	36644	(004934-) Nut, Locking	4	
39	61181	(004934-) Pivot, Door Hinge	2	

STANDARD PARTS

Fig. 38 - Solution and Recovery Tanks Group, Rear Side

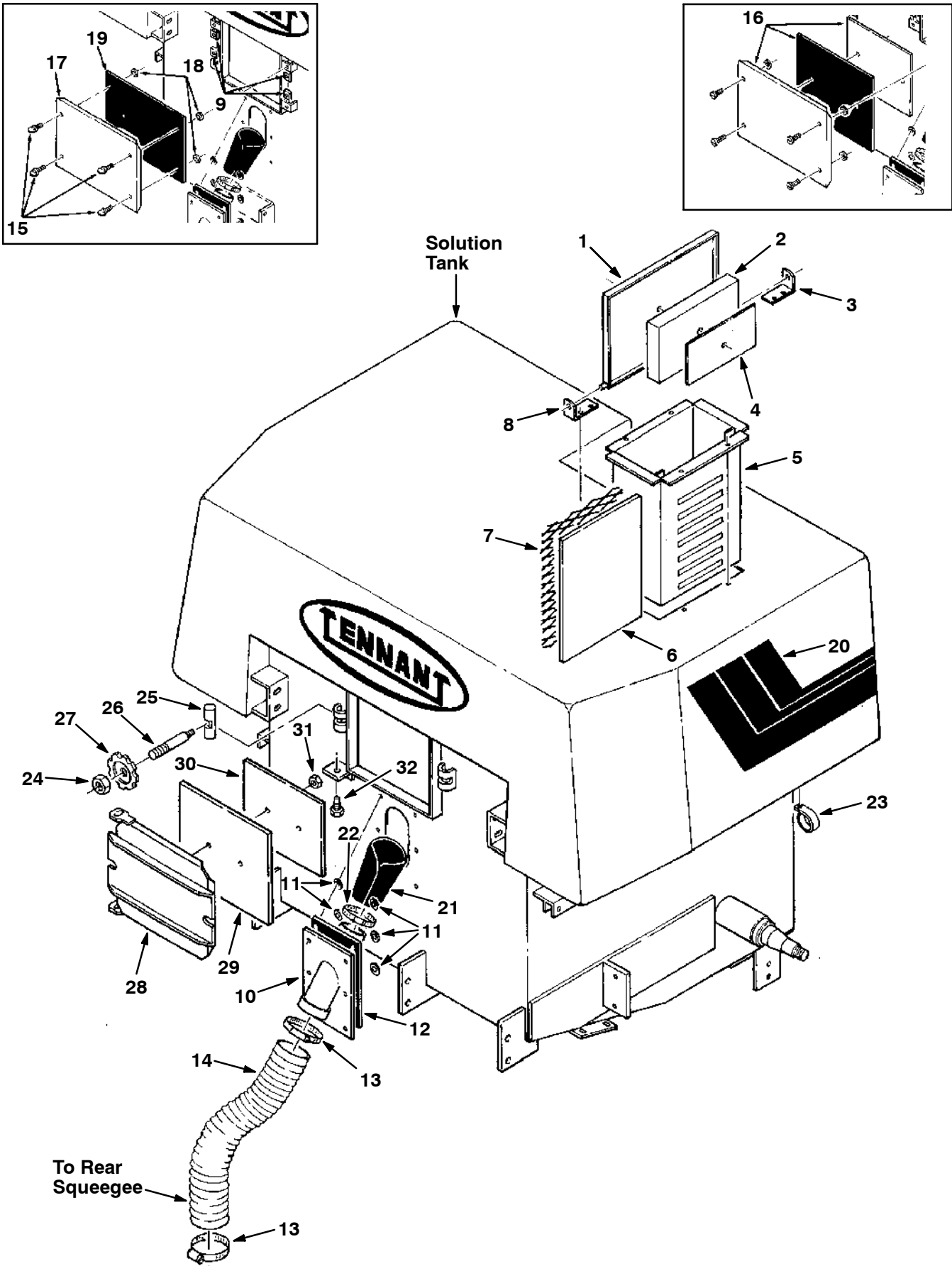
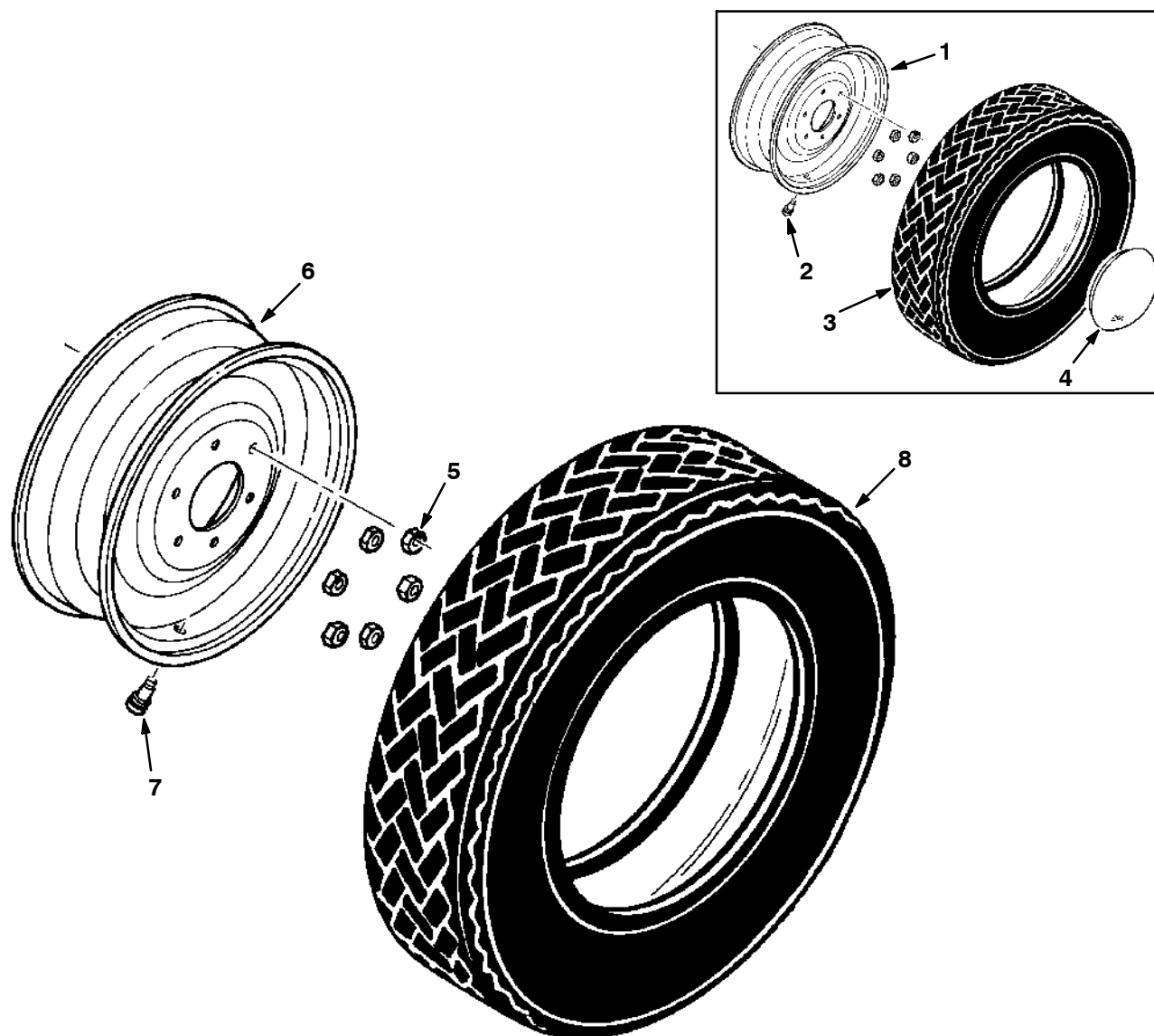


Fig. 38 - Solution and Recovery Tanks Group, Rear Side

Ref.	Part No.	Serial Number	Description	Qty.	
1	75170	(001330-) Door, Solution	1	
2	75171	(001330-) Gasket, Solution Door	1	
3	75175	(001330-) Bracket, Door Hinge	1	
4	79392	(001330-) Plate	1	
5	75156	(001330-) Basket, Soap	1	
6	75096	(001330-) Filter, Foam, Soap Basket	1	
7	75098	(001330-) Screen	1	
8	75174	(001330-) Bracket, Door Hinge	1	
9	28165	(001330-004344) Fastener, Nut	4	
9	25663	(004345-004933) Fastener, Nut	4	
10	75081A	(001330-) Tube, Rear Squeegee Suction	1	
11	76426	(001330-) Washer, Rubber, (Located Inside Tank)	6	
12	75076	(001330-) Gasket, Rear Suction Tube	1	
13	43555	(001330-) Clamp, Worm Drive	2	
14	25649	(001330-) Hose, Rear Squeegee Suction	1	
▽	78819	(001330-004933) Cover Assembly, Recovery Tank Cleanout	1	
▲	15	25665	(001330-004344) Replacement Kit, Thumbscrew	4
▲	15	25656	(004345-004933) Fastener, Thumbscrew	4
▲	16	06224	(001330-001410) Service Kit, Cleanout Door	1
▲	17	06228	(001411-004933) Door, Cleanout	1
▲	18	26015	(001330-004933) Fastener, Washer	4
▲	19	06227	(003697-004933) Gasket, Door	1
	20	75815	(001330-) Label, Stripe, R.H.	1
	21	50518	(001330-) Flap, Rubber	1
	22	23498	(001330-) Clamp, Worm Drive	1
	23	40678-1	(001330-) Clamp, Cable	1
	24	36644	(004934-) Nut, Locking	2
	25	61170	(004934-) Rod, Door Latch	2
	26	61171	(004934-) Stud, Door Latch	2
	27	82958	(004934-) Knob, Door Latch	2
	28	61245	(004934-) Door	1
	29	61174	(004934-) Gasket, Door	1
	30	61175	(004934-) Plate, Door	1
	31	41169	(004934-) Nut, Stainless Steel	2
	32	61181	(004934-) Pivot, Door Hinge	2

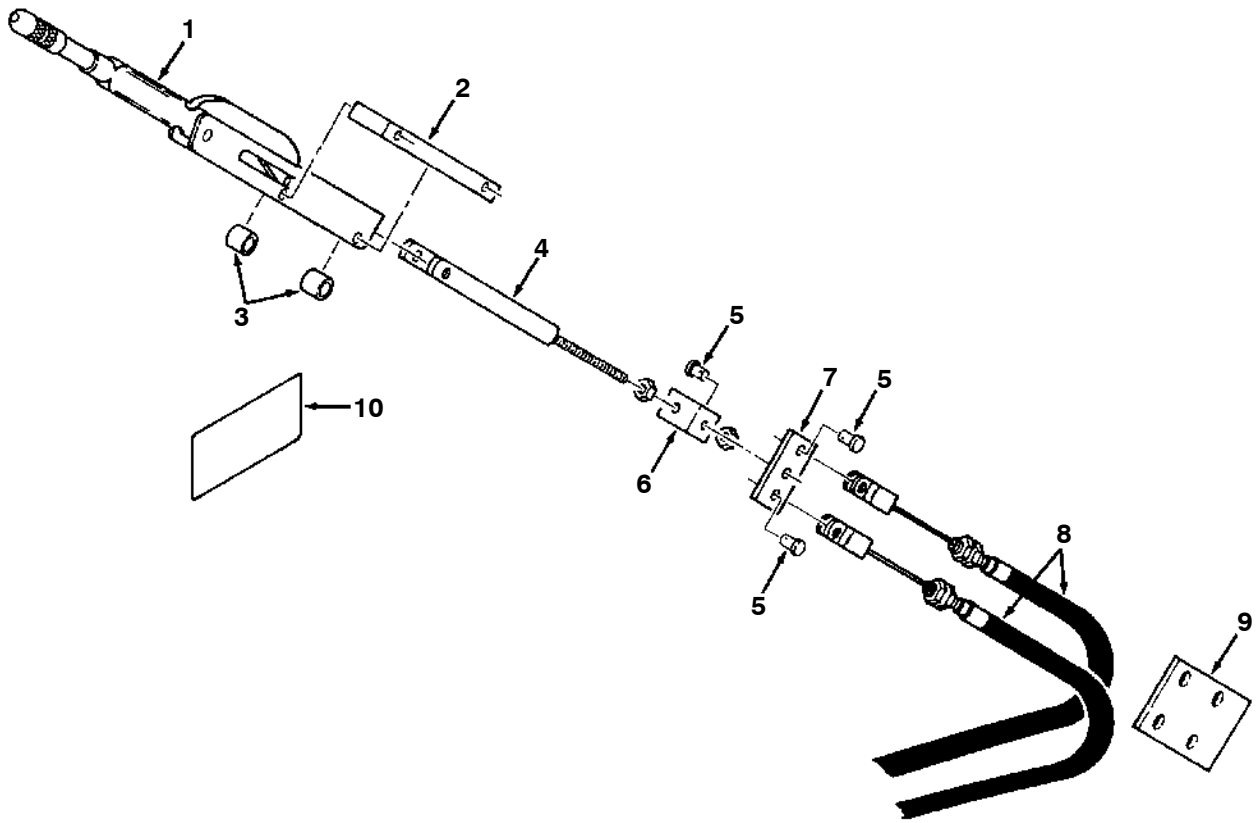
Fig. 39 - Rear Wheel Group



00311 - 550E

Ref.	Part No.	Serial Number	Description	Qty.
▽	03968	(001330-004506)	Tire and Wheel Assembly, Rear (Replaced by 48894)	2
▲	1 78189	(001330-004506)	Rim, Tire	1
▲	2 75365	(001330-004506)	Valve, Tire, Air	1
▲	3 75346	(001330-004506)	Tire (Replaced by 48894)	1
4	05928	(001330-xxxxxx)	Cap, Hub	2
5	24339	(001330-	Nut, Wheel	12
▽	48891	(004507-	Tire and Wheel Assembly, Rear	2
▲	6 78189	(004507-	Rim, Tire	1
▲	7 75365	(004507-	Valve, Tire, Air	1
▲	8 48888	(004507-	Tire	1

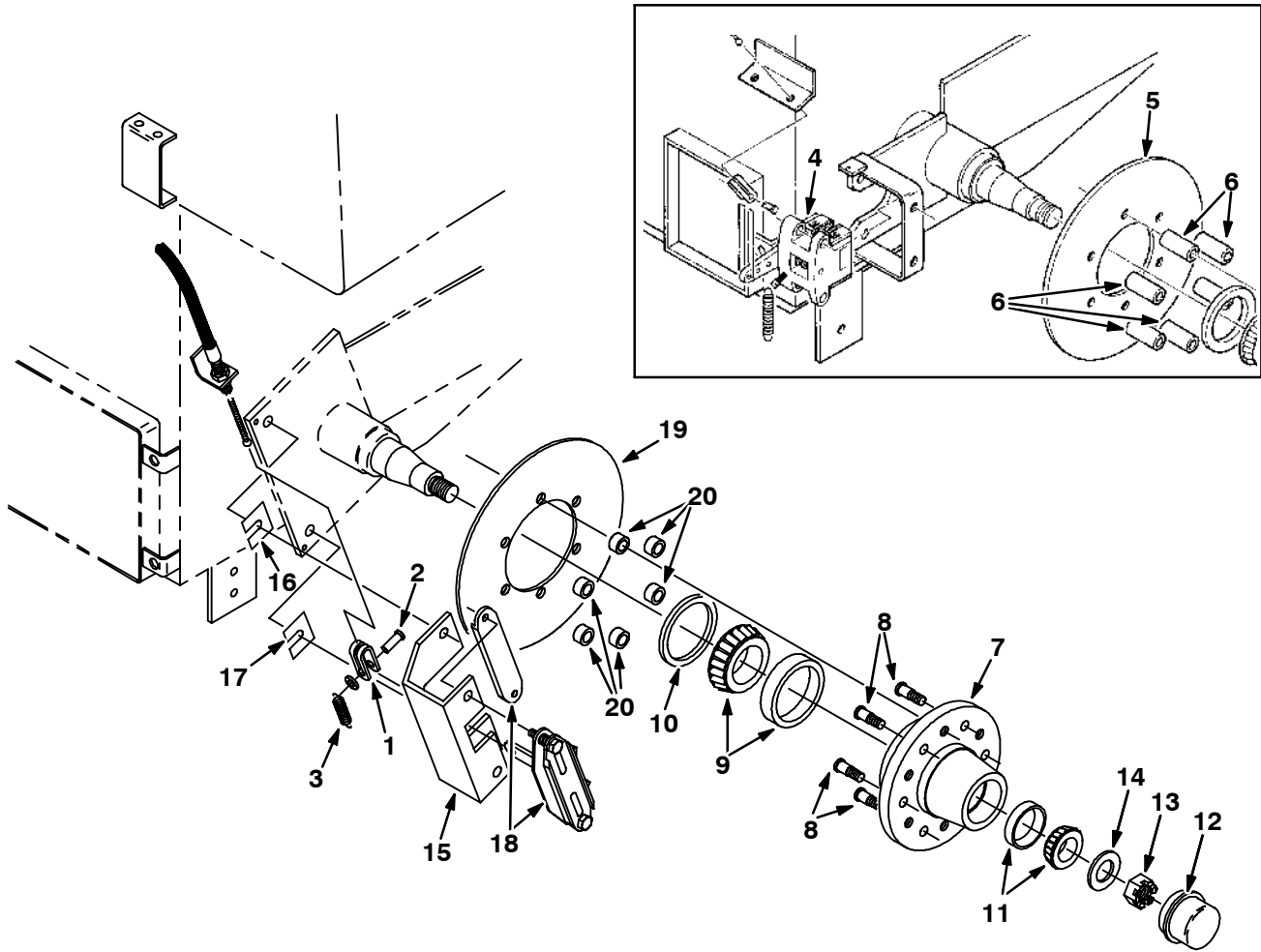
Fig. 40 - Rear Wheel Parking Brake Handle Group



01771 - 550E

Ref.	Part No.	Serial Number	Description	Qty.
1	51545	(001330-) Lever, Brake	1
2	76816	(001330-) Spacer, Brake	1
3	51562	(001330-) Sleeve	2
4	76903	(001330-) Rod, Adjustment	1
5	10120	(001330-) Pin, Clevis	3
6	76904	(001330-) Angle, Brake Adjustment	1
7	40354	(001330-) Strip	1
8	42132-1	(001330-) Cable Assembly	2
9	33620	(001330-) Bracket, Cable Mount	1
10	33622	(001330-) Decal, Instruction, Parking Brake	1

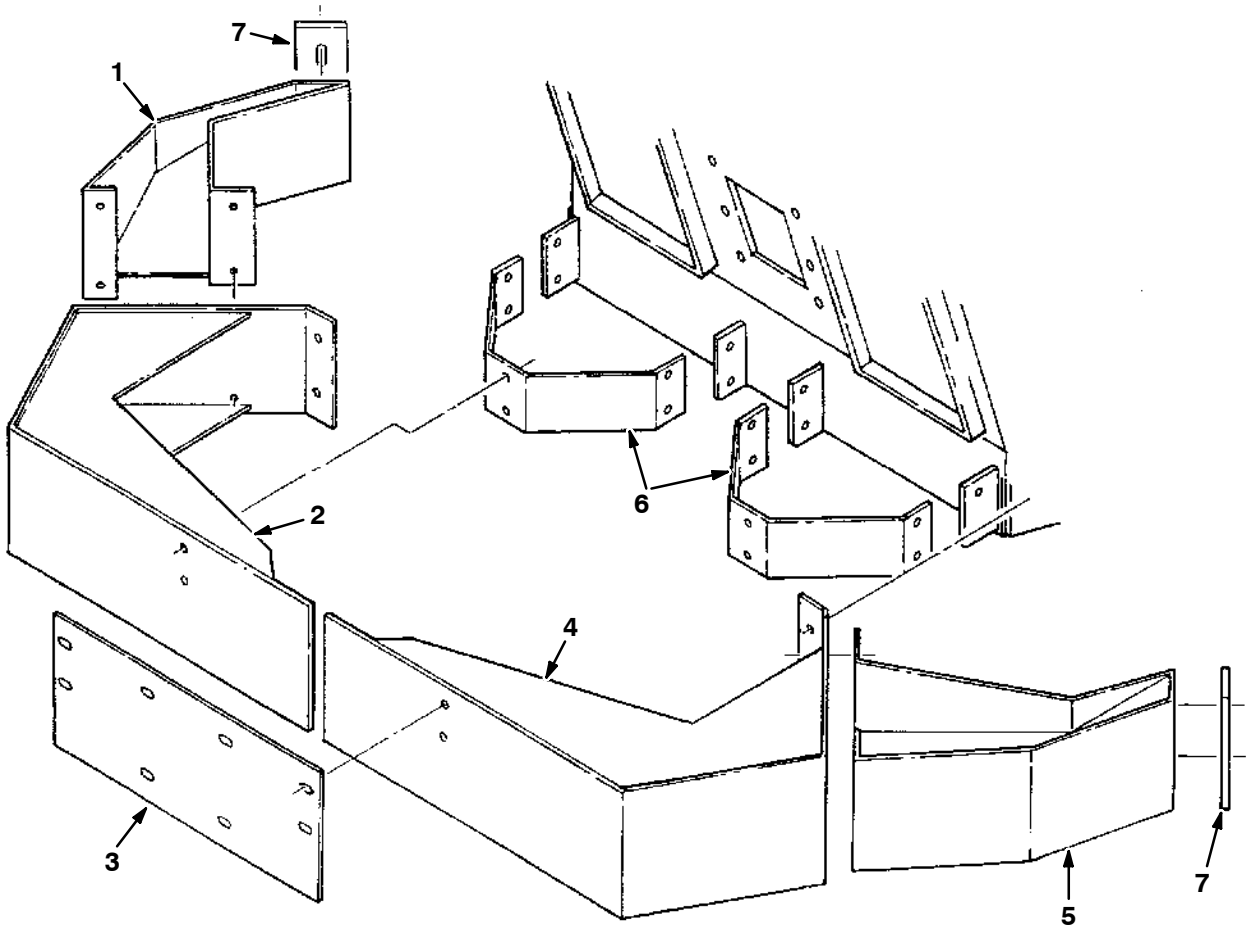
Fig. 41 - Rear Wheel Parking Brake Group



01770 - 550E

Ref.	Part No.	Serial Number	Description	Qty.
1	75369	(001330-) Clevis	2
2	09088	(001330-) Pin, Clevis	2
3	50304	(001330-) Spring	2
4	33734	(001330-001404) Brake, Parking (Replaced by none)	2
5	33619	(001330-001404) Disc, Brake	2
6	33618	(001330-001404) Spacer, Brake Disc	12
7	33617	(001330-) Hub, Wheel	2
8	32126	(001330-) Stud	6
9	75073	(001330-) Bearing Assembly	2
10	75072-5	(001330-) Seal, Wheel Hub	2
11	75075	(001330-) Bearing Assembly	2
12	57567	(001330-) Cap, Dust	2
13	41112	(001330-) Nut, Slotted Hex	2
14	31705	(001330-) Washer	2
15	75269A	(001405-) Bracket, Parking Brake	2
16	04210	(001405-) Shim, 20 Ga.	8
17	04048	(001405-) Shim, 16 Ga.	8
18	04045	(001405-) Brake, Parking	2
19	04047	(001405-) Disc, Brake	2
20	04046	(001405-) Spacer, Brake Disc	12

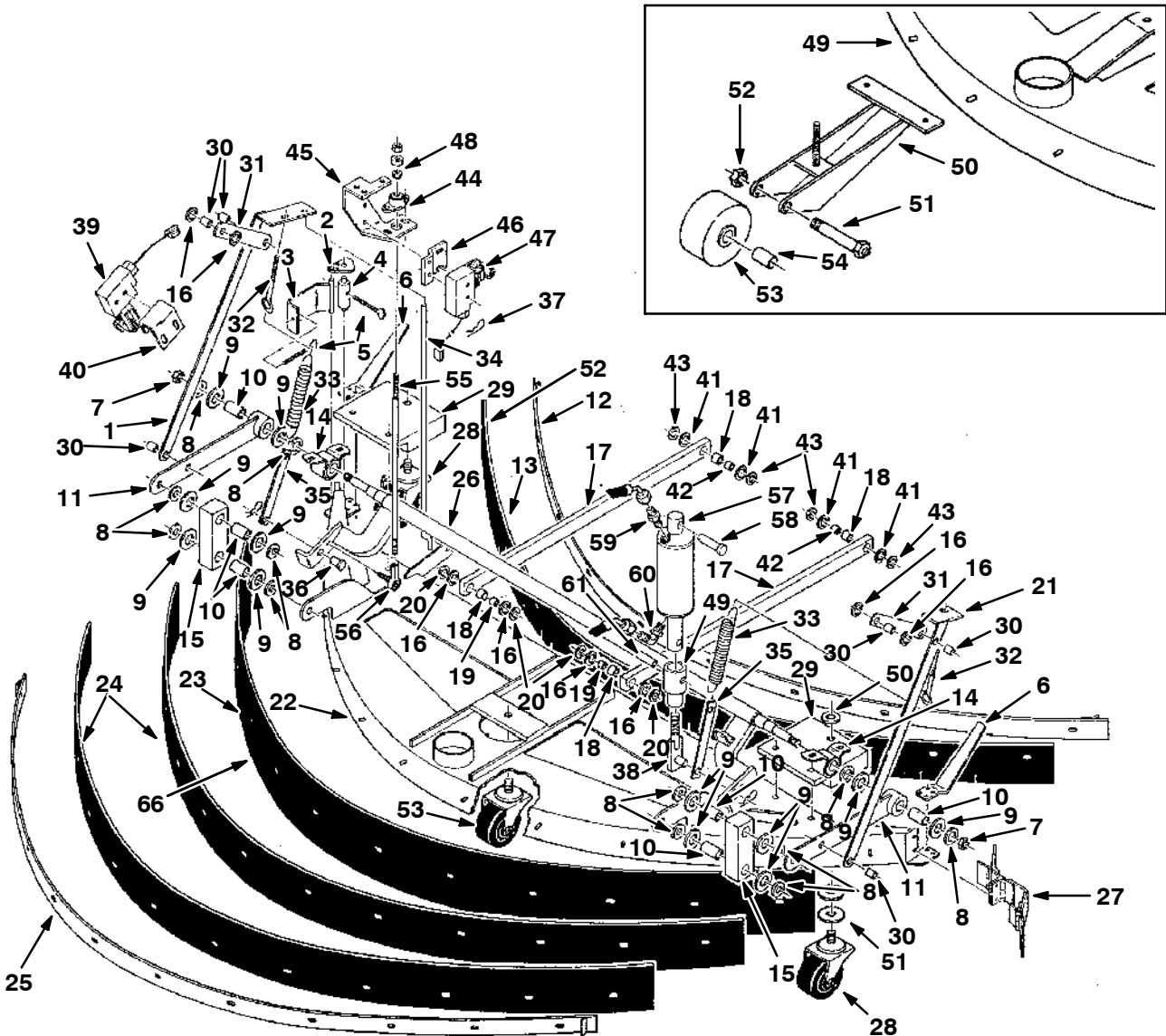
Fig. 42 - Rear Bumper Group



00309 - 550E

Ref.	Part No.	Serial Number	Description	Qty.
1	78673	(001330-) Guard, L.H.	1
2	75136-1	(001330-004933) Bumper, Rear, L.H.	1
2	61259	(004934-) Bumper, Rear, L.H.	1
3	75132	(001330-) Plate, Bumper	1
4	75136	(001330-004933) Bumper, Rear, R.H.	1
4	61260	(004934-) Bumper, Rear, R.H.	1
5	78670	(001330-) Guard, R.H.	1
6	78059	(001330-004933) Bracket, Mounting	2
6	61261	(004934-) Bracket, Mounting	2
7	75190	(001330-) Guard, Squeegee	2

Fig. 43 - Rear Squeegee Assembly



09874 - 550E

Ref.	Part No.	Serial Number	Description	Qty.
▽	32415	(001330-) Rear Squeegee Assembly	1
▲	1 78096	(001330-) Arm, L.H.	1
▲	2 76922-1	(001330-) Plate, Pivot	1
▲	3 76921	(001330-) Adjuster, Rear	1
▲	4 76927	(001330-) Pivot, Adjuster	1
▲	5 78641	(001330-) Screw, Thumb	2
▲	6 59639A	(001330-) Guide, Spring	2
▲	7 32985	(001330-) Nut	2
▲	8 32493	(001330-) Washer, Flat	12
▲	9 76979	(001330-) Washer, Thrust	12
▲	10 76392	(001330-) Sleeve, Bearing	6
▲▽	11 76984-1	(001330-) Arm Assembly	2
▲▲	76978	(001330-) Bearing, Fiberglide	1
▲	12 76896	(001330-) Band, Front, Squeegee	1
▲	13 60018	(001330-) Blade, Front, Squeegee	1
▲	14 75049	(001330-) Bearing, Pillow Block	2

Fig. 43 - Rear Squeegee Assembly

Ref.	Part No.	Serial Number	Description	Qty.
▲▽	15	76974-1	(001330-) Arm Assembly, Vertical Block	2
▲▲		76978	(001330-) Bearing, Fiberglide	1
▲	16	59633	(001330-) Washer, Fiberglide	4
▲▽	17	33510	(001330-) Link, Rear Drag	2
▲▲	18	59634	(001330-) Sleeve, Bearing	2
▲	19	59632	(001330-) Sleeve	2
▲	20	01686	(001330-) Washer	4
▲	21	76988	(001330-) Arm, R.H.	1
▲	22	09689	(xxxxxx-001446) Frame Kit, Squeegee	1
▲	22	10150	(001447-) Frame, Rear	1
▲	23	60016	(001330-) Blade, Rear, Squeegee	1
▲	24	76937	(001330-) Strip, Rear, Backup	2
▲	25	76946	(001330-) Band, Rear, Squeegee	1
▲	26	33749	(001330-) Shaft, Squeegee Lift	1
▲	27	78642	(001330-) Clamp, Squeegee Band	1
▲	28	02530	(001330- xxxxxx) Caster Kit	1
▲	28	75977	(xxxxxx-001446) Caster	2
▲	28	10160	(xxxxxx-001446) Caster Kit	1
▲	28	370133	(001447-) Caster	2
▲	29	10160	(xxxxxx-001446) Mount Kit, Caster	1
▲	29	10149	(001447-) Mount, Caster	2
▲	30	76390	(001330-) Sleeve	6
▲	31	76391	(001330-) Link	2
	32	76353	(001330-) Bolt, Eye	2
	33	47745	(001330-) Spring	2
	34	78093	(001330-) Rod	1
		20021	(001330-) Pin, Roll	1
	35	78695	(001330-) Strip, Spring	2
	36	51530	(001330-) Pin, Clevis	1
	37	08175	(001330-) Pin, Cotter	4
	38	48884	(001330-) Adaptor, Cylinder	1
	39	76340	(001330-) Switch, Roller	1
	40	76269	(001330-) Bracket, Switch Mounting	1
	41	59633	(001330-) Washer, Fiberglide	4
	42	59632	(001330-) Sleeve	2
	43	32492	(001330-) Washer	4
	44	33743	(001330-) Bearing, Flange	1
	45	33744	(001330-) Bracket, Mounting	1
	46	33745	(001330-) Bracket, Switch	1
	47	33748	(001330-) Switch	1
	48	33747	(001330-) Barrel, Trip	1
	49	09689	(001330- xxxxxx) Frame, Rear Squeegee	1
	50	78795	(001330- xxxxxx) Bracket, Caster	1
▽	51	76943	(001330- xxxxxx) Stud, Caster	1
▲	52	32985	(001330- xxxxxx) Nut	1
	53	20833	(001330- xxxxxx) Caster	1
	53	75977	(xxxxxx-001446) Caster	1
	53	10160	(xxxxxx-001446) Caster Kit	1
	53	370133	(001447-) Caster	1
	54	75050	(001330- xxxxxx) Bushing, Spanner	1
	55	33746	(001330-) Rod, Trip	1

Fig. 43 - Rear Squeegee Assembly

Ref.	Part No.	Serial Number	Description	Qty.
56	36466	(001330-) Ball Joint	1
57	31554	(001330-001449) Cylinder, Hydraulic	1
57	09624	(001450-) Cylinder, Hydraulic	1
58	51534	(001330-) Pin, Clevis	1
59	55586	(001330-) Fitting, Straight	1
60	77097	(001330-) Fitting, Elbow	1
61	54041	(001330-) Pin, Roll	1
62	76997	(001330-001449) Adapter, Cylinder Rod	1
62	09626	(001450-) Adapter, Cylinder Rod	1
63	36328	(001330-) Washer, Belleville	3
64	51564	(001330-) Washer	7
65	78560	(001330-) Blade, Front, Squeegee, Urethane	1
66	78561	(001330-) Blade, Rear, Squeegee, Urethane	1

SECTION 7

Contents	Page
Fig. 1 - SRS Solution Supply and Control Group	7-2
Fig. 2 - SRS Control Panel Assembly	7-5
Fig. 3 - SRS Front Side of Solution Tank Group, (001330-004933)	7-6
Fig. 4 - SRS Front Side of Solution Tank Group, (004934-)	7-8
Fig. 5 - SRS Rear Side of Solution Tank Group, (001330-004933)	7-10
Fig. 6 - SRS Rear Side of Solution Tank Group, (004934-)	7-12
Fig. 7 - SRS Wire Harnesses	7-14

Fig. 1 - SRS Solution Supply and Control Group

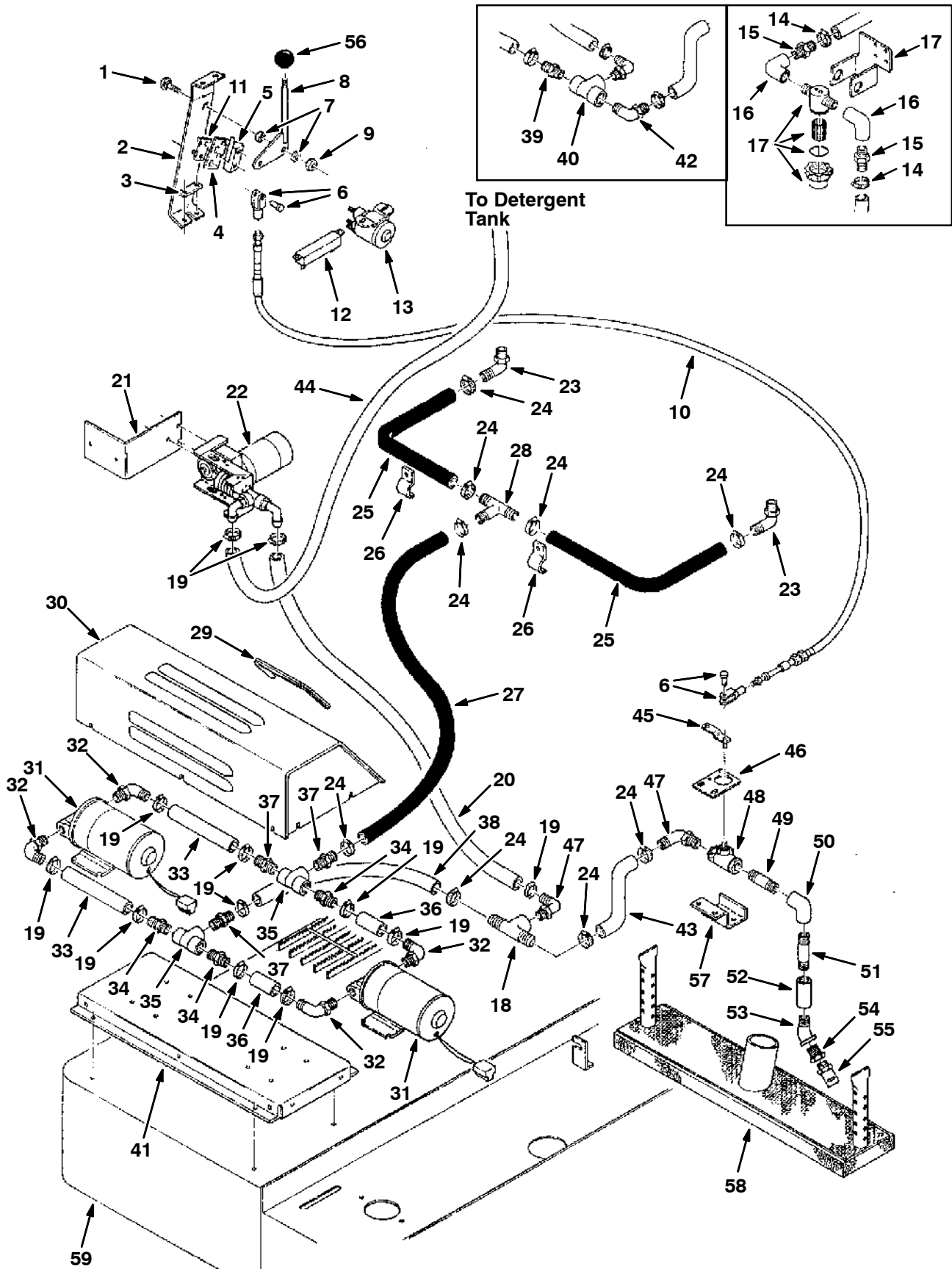


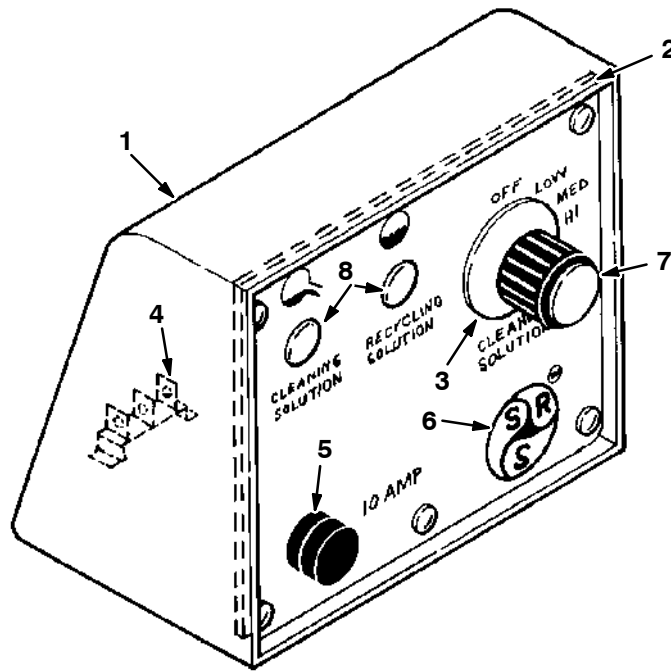
Fig. 1 - SRS Solution Supply and Control Group

Ref.	Part No.	Serial Number	Description	Qty.
▽	79300	(001330-) Solution Control Lever Assembly	1
▲	1 56903	(001330-) Bolt	1
▲	2 75319	(001330-) Bar, Mounting	1
▲	3 23515	(001330-) Strip, Cable Mounting	1
▲	4 02817	(001330-) Bracket, Switch	1
▲	5 44847	(001330-) Switch, Solution Pump	1
▲	6 41063	(001330-) Clevis and Pin	2
▲	7 52296	(001330-) Washer	2
▲	8 08791	(001330-) Bellcrank	1
▲	9 50902	(001330-) Nut	1
▲	10 75314	(001330-) Cable, Control	1
▲	11 02818	(001330-) Spacer, Switch	1
	12 79491	(001330-) Resistor	1
	13 45405	(001330-) Contractor	1
	14 54333	(001330-001440) Clamp, Worm Drive	2
	15 79273	(001330-001440) Connector	2
	16 79572	(001330-001440) Elbow	2
	17 08877	(001330-001440) Filter Replacement Kit	1
	18 76075	(xxxxxx-) Fitting, Tee	1
	19 54333	(001330-) Clamp, Worm Drive	11
	20 41295	(001330-) Hose, 48 in (1213 mm)	1
	21 79495	(001330-) Bracket, Mounting	1
	22 16485	(001330-007294) Pump, Metering (See Breakdowns) (Replaced by 9006876)	1
	22 1057970	(007295-) Pump Assy, Water, W/ Connector	1
	23 75604	(001330-) Elbow	2
	24 11399	(001330-) Clamp, Worm Drive	10
	25 47846-3	(001330-) Hose, 49 in (1250 mm)	2
	26 44031	(001330-) Clamp, Hose	6
	27 47846	(001330-) Hose	2
	28 75119	(001330-) Tee	1
	29 62595-5	(001330-) Molding, Cover, Pump	1
	30 79445	(001330-) Cover, Pump	1
	31 79326-1	(001330-) Pump, Solution (See Breakdowns)	2
	32 64778	(001330-) Elbow	4
	33 63184-6	(001330-) Hose, 6 in (150 mm)	2
	34 79273-4	(001330-) Connector	4
	35 79497	(001330-) Tee	2
	36 63184-5	(001330-) Hose, 2 in (50 mm)	2
	37 78398	(001330-) Connector	2
	38 47848	(001330-) Hose, 29 in (740 mm)	1
	39 79273-2	(001330-xxxxxx) Connector	1
	40 42133A	(001330-xxxxxx) Tee	1
	41 79492-1	(001330-) Plate, Pump, Mounting	1
	42 79484	(001330-xxxxxx) Elbow	1
	43 75197	(001330-) Hose, 4 in (100 mm)	1
	44 63182-1	(001330-) Hose, 180 in (4570 mm)	1
	45 75801	(001330-004038) Arm, Control	1
	45 12072	(004039-) Arm, Control	1
	46 75803	(001330-004038) Plate, Valve Mounting	1
	46 12074	(004039-) Plate, Valve Mounting	1
	47 14877	(001330-) Elbow	2

Fig. 1 - SRS Solution Supply and Control Group

Ref.	Part No.	Serial Number	Description	Qty.
48	12776	(001330-004038)	Valve, Water Replacement Kit	1
48	12060	(004039-)	Valve, Water	1
49	29035	(001330-)	Connector, Nipple	1
50	23563	(001330-)	Elbow	1
51	11442-7	(001330-)	Connector, Nipple	1
52	07484	(001330-)	Coupling	1
53	11870	(001330-)	Elbow, 45°	1
54	11442-8	(001330-)	Connector	1
55	79606	(001330-)	Nozzle, Spray	1
56	26565	(001330-)	Knob	1
57	75802-1	(001330-)	Bracket, Water Valve Mounting	1
58	79301	(001330-)	Strainer, Suction	1
59	75501B	(001330-)	Frame, Scrub Head	1

Fig. 2 - SRS Control Panel Assembly



00351 - 550E

Ref.	Part No.	Serial Number	Description	Qty.
▽	79318	(001330-) Control Panel Assembly	1
▲	1 79314	(001330-) Console, Instrument	1
▲	2 32798	(001330-) Panel, Front	1
▲	3 63837	(001330-) Switch, Cleaning Solution Metering	1
▲	4 16440	(001330-) Resistor	1
▲	5 07422	(001330-) Holder, Fuse	1
▲	45595	(001330-) Fuse, 10 A	1
▲	6 79410	(001330-) Decal, Control Panel	1
▲	7 63814	(001330-) Knob	1
	8 47178-4	(001330-) Plugbutton	2

Fig. 3 - SRS Front Side of Solution Tank Group, (001330-004933)

Ref.	Part No.	Serial Number	Description	Qty.
1	79558	(001330-004933)	Screen, Debris	1
2	76403	(001330-004933)	Cover, Access	1
3	79500	(001330-004933)	Deflector, Spray, Rubber	1
4	76395	(001330-004933)	Gasket, Access Cover	1
5	03706	(001330-004933)	Ball, Float	1
6	23498	(001330-004933)	Clamp, Worm Drive	2
7	40870	(001330-004933)	Hose, Vacuum Fan Exhaust	1
8	30145	(001330-004194)	Drain Plug Kit	2
8	398205	(004195-004933)	Plug, Expandable, 1.5D	2
9	40550	(001330-004933)	Clip, Drain Hose Retainer	1
10	76828	(001330-004933)	Hose, Recovery Tank Drain	1
▽	79396	(001330-004933)	Door Assembly, Cleanout, R.H.	1
▲	11 25665	(001330-004344)	Thumbscrew Replacement Kit	4
▲	11 25656	(004345-004933)	Fastner, Thumbscrew	4
▲	12 06231	(001330-001410)	Service Kit, Cleanout Door	1
▲	13 06230	(001411-004933)	Door, Cleanout	1
▲	14 06229	(001411-004933)	Gasket, Door	1
▲	15 26015	(001330-004933)	Fastener	4
	16 75635AM	(001330-004933)	Hose Assy, W/1cuff, 1.5d 120l 1.5/	1
	17 11531	(001330-004933)	Clamp, Worm Drive	1
	18 76426	(001330-004933)	Washer, Sealing	4
	19 61157	(001330-004933)	Tube, Suction, Front	1
	20 76532	(001330-004933)	Gasket, Suction Tube, Front	1
▽	78819	(001330-004933)	Door Assembly, Cleanout	1
▲	21 25665	(001330-004344)	Thumbscrew Replacement Kit	4
▲	21 25656	(004345-004933)	Fastner, Thumbscrew	4
▲	22 06224	(001330-001410)	Service Kit, Cleanout Door	1
▲	23 06228	(001411-004933)	Door, Cleanout	1
▲	24 06227	(001411-004933)	Gasket, Door	1
▲	25 26015	(001330-004933)	Fastener	4
	26 28165	(001330-004344)	Fastener, Nut	8
	26 25663	(004345-004933)	Fastener, Nut	8
	27 63511	(001330-004933)	Plug	6
	28 79557	(001330-004933)	Gasket, Debris Screen	1
	29 03823	(001330-004933)	Clamp, Toggle	4
▽	30 79567	(001330-004933)	Chain, Drain Plug	2
▲	43363	(001330-004933)	Hook	2
	31 04212	(001330-001404)	Tank Replacement Kit	1
	32 65891	(001405-004933)	Tank Replacement Kit	1
	33 40052	(001330-004933)	Decal, Fan Suction	1
	34 57630	(001330-004933)	Decal, Danger, Keep Out	2
	35 76157	(001330-004933)	Decal, Jack Only On Pad	2
	36 79475	(001330-004933)	Decal, SRS	2

Fig. 4 - SRS Front Side of Solution Tank Group, (004934-)

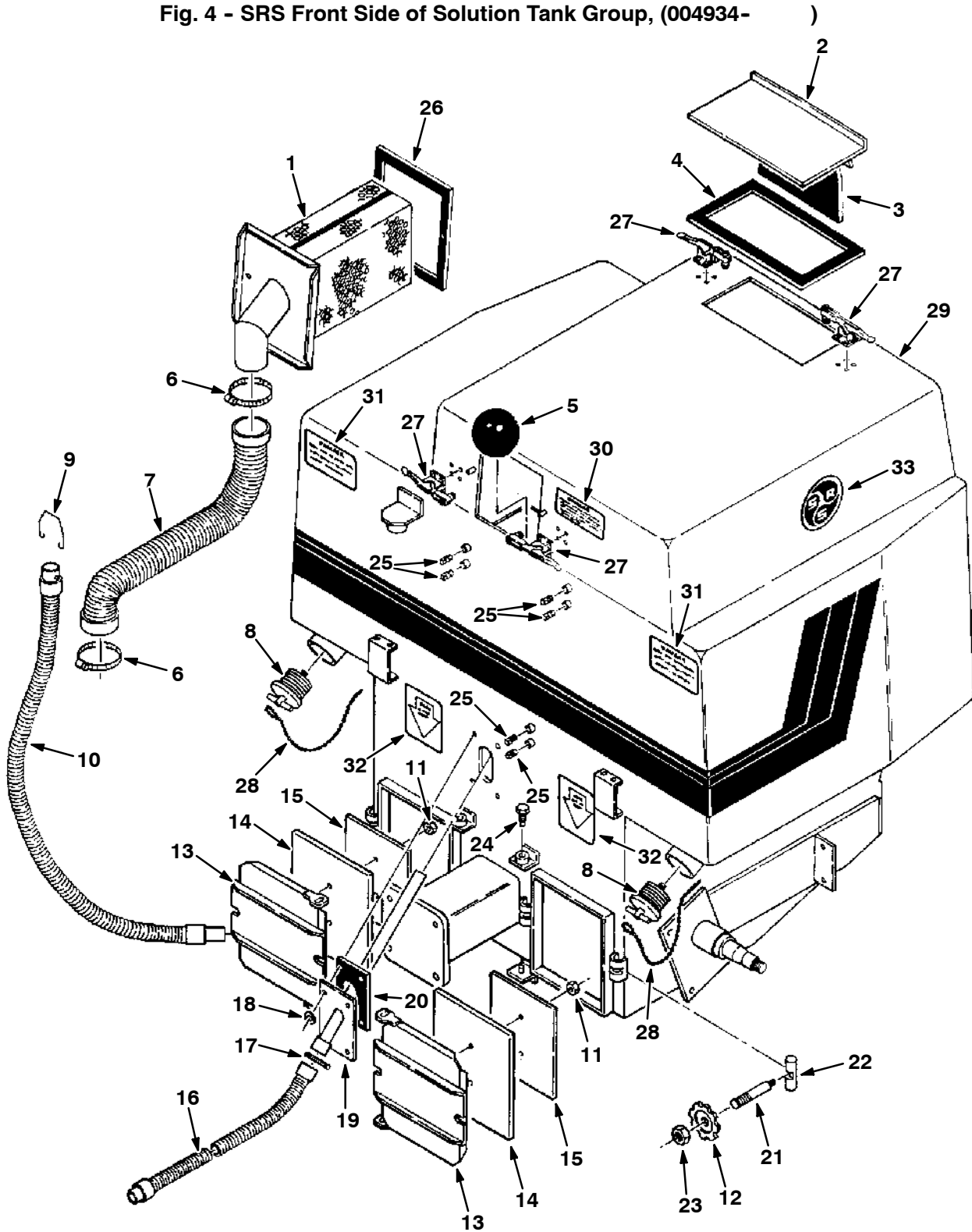
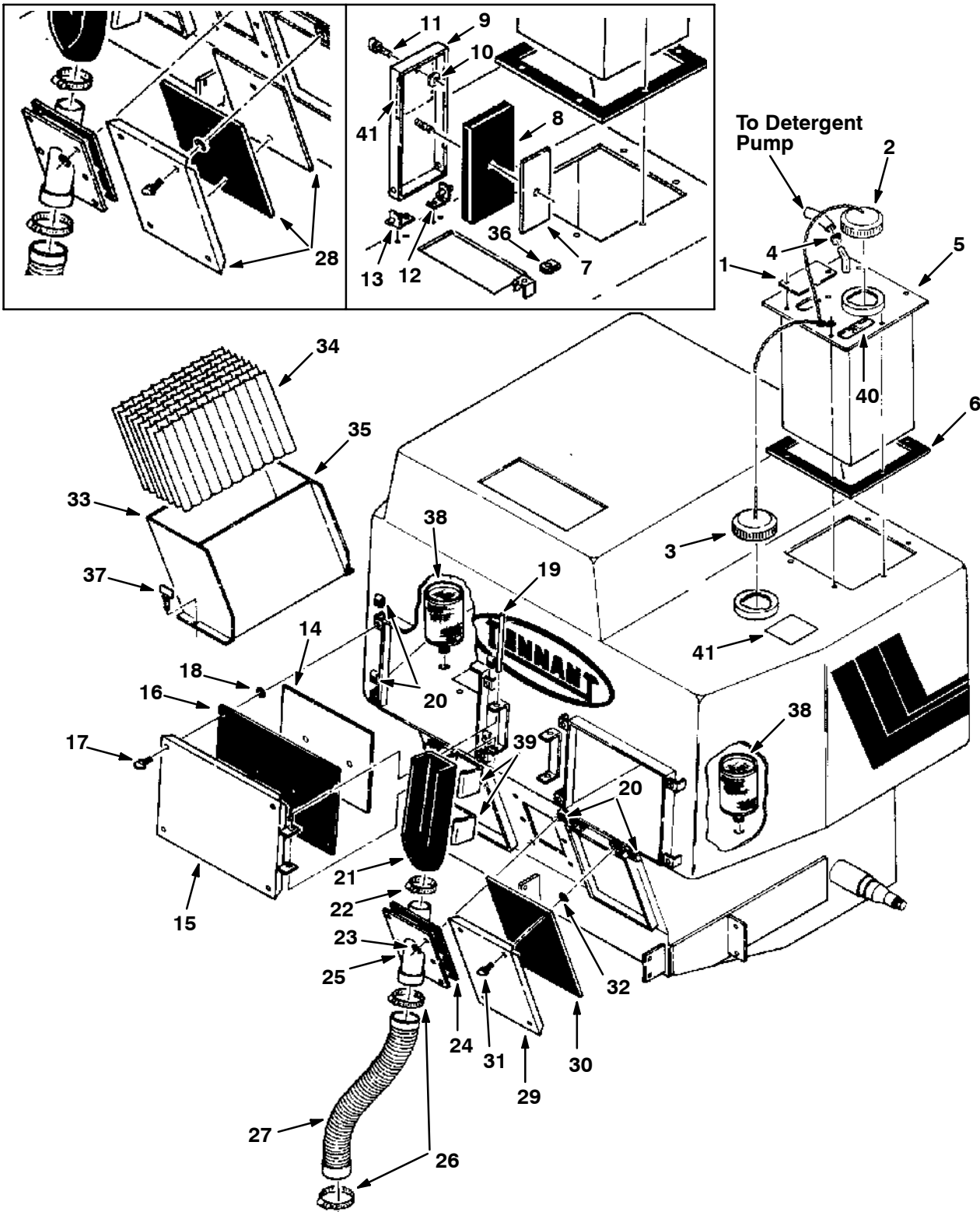


Fig. 4 - SRS Front Side of Solution Tank Group, (004934-)

Ref.	Part No.	Serial Number	Description	Qty.	
1	79558	(004934-) Screen, Debris	1	
2	76403	(004934-) Cover, Sandblast	1	
3	79500	(004934-) Deflector, Top Sandblast	1	
4	76395	(004934-) Gasket, Cover	1	
5	03706	(004934-) Ball, Float	1	
6	23498	(004934-) Clamp, Worm Drive	2	
7	40870	(004934-) Hose, Vacuum	1	
8	398205	(004934-) Plug, Expanbable, 1.5D	2	
9	40550	(004934-) Clip, Drain Hose Retainer	1	
10	76828	(004934-) Hose, Recovery Tank Drain	1	
11	41169	(004934-) Nut, Stainless Steel	4	
12	82958	(004934-) Knob, Door Latch	4	
13	61176	(004934-) Door	2	
14	61174	(004934-) Gasket, Door	2	
15	61175	(004934-) Plate, Door	2	
16	75635AM	(004934-) Hose Assy, W/1cuff, 1.5d 120l 1.5/	1	
17	11531	(004934-) Clamp, Worm Drive	1	
18	76426	(004934-) Washer, Rubber Seal	4	
19	61157	(004934-) Tube, Front Suction	1	
20	76532	(004934-) Gasket, Suction Tube, Front	1	
21	61171	(004934-) Stud, Door Latch	4	
22	61170	(004934-) Rod, Door Latch	4	
23	36644	(004934-) Nut, Locking	4	
24	61181	(004934-) Pivot, Door Hinge	2	
25	63511	(004934-) Plug	6	
26	79557	(004934-) Gasket, Debris Screen	1	
27	03823	(004934-) Clamp, Toggle	4	
▽	28	79567	(004934-) Chain, Drain Plug	2
▲	43363	(004934-) Hook	2	
▽	29	33732	(004934-) Tank, Solution and Recovery, SRS	1
▲	30	40052	(004934-) Label, Fan Suction	1
▲	31	57630	(004934-) Label, Danger Keep Out	2
▲	32	76157	(004934-) Label, Jack Only On Pad	2
	33	79475	(004934-) Label, SRS	2

Fig. 5 - SRS Rear Side of Solution Tank Group, (001330-004933)



03347 - 550E

Ref.	Part No.	Serial Number	Description	Qty.
1	79453	(001330-004933)	Plate	1
2	375724	(001330-004933)	Cap, Filler	1
3	375724	(001348-004933)	Cap, Filler	1

Fig. 5 - SRS Rear Side of Solution Tank Group, (001330-004933)

Ref.	Part No.	Serial Number	Description	Qty.	
4	54333	(001330-004933)	Clamp, Worm Drive	1	
5	03405	(001330- xxxxxx)	Tank Replacement Kit	1	
5	03404	(xxxxxx-004933)	Tank, Detergent	1	
6	79367	(001330-004933)	Gasket, Cleaning Solution Tank	1	
▽	79414	(001330-001347)	Door Assembly, Solution Filling	1	
▲	7	79392	(001330-001347)	Retainer, Seal	1
▲	8	79391	(001330-001347)	Seal, Door	1
▲	9	79390	(001330-001347)	Door, Cleaning Solution	1
▲	10	26015	(001330-001347)	Retainer, Screw	1
▲	11	25665	(001330-001347)	Fastener Kit, Thumbscrew	1
	12	75174	(001330-001347)	Bracket, Hinge, R.H.	1
	13	75175	(001330-001347)	Bracket, Hinge, L.H.	1
▽		79332	(001330-004933)	Door Assembly, Rear Cleanout	2
▲	14	25928	(001330-004933)	Strip	1
▲	15	06222	(001330-004933)	Door, Cleanout	1
▲	16	06223	(001330-004933)	Gasket, Door	1
▲	17	25665	(001330-004344)	Thumbscrew Replacement Kit	4
▲	17	369849	(004345-004933)	Fastner, Thumbscrew	4
▲	18	26015	(001330-004933)	Retainer, Screw	4
	19	49924	(001330-004933)	Pin, Clevis	2
	20	28165	(001330-004344)	Fastener, Nut	16
		25663	(004345-004933)	Nut, Speed	16
	21	79500	(001330-004933)	Deflector, Spray, Rubber	1
	22	23498	(001330-004933)	Clamp, Worm Drive	1
	23	76426	(001330-004933)	Washer, Rubber Seal	6
	24	79545	(001330-004933)	Seal, Suction Tube	1
	25	79471	(001330-004933)	Tube, Rear Squeegee Suction	1
	26	43555	(001330-004933)	Clamp, Worm Drive	2
	27	25649	(001330-004933)	Hose, Rear Squeegee Suction	1
▽		78819	(001330-004933)	Door Assembly, Cleanout	2
▲	28	06224	(001330-001410)	Service Kit, Cleanout Door	1
▲	29	06228	(001411-004933)	Door, Cleanout	1
▲	30	06227	(001411-004933)	Gasket, Door	1
▲	31	25665	(001330-004344)	Thumbscrew Replacement Kit	4
▲	31	369849	(004345-004933)	Fastner, Thumbscrew	4
▲	32	26015	(001330-004933)	Retainer, Thumbscrew	4
▽		79477	(001330-004933)	Filter Assembly, Laminar Flow, L.H.	1
▲	33	79473-1	(001330-004933)	Housing, Filter Mounting	1
▲	34	64685	(001330-004933)	Filter, Laminar Flow	1
▲	35	79474	(001330-004933)	Panel, Flow Tube Mounting Cover	1
	36	28165	(001330-001347)	Fastener, Nut	1
▽		79476	(001330-004933)	Filter Assembly, Laminar Flow, R.H.	1
▲		79472-1	(001330-004933)	Housing, Filter Mounting	1
▲		64685	(001330-004933)	Filter, Laminar Flow	1
▲		79474	(001330-004933)	Panel, Flow Tube Mounting Cover	1
	37	79464	(001330-004933)	Thumbscrew, Filter Hold Down	2
	38	79424	(001330-004933)	Filter, Solution Outlet	2
	39	79570	(001330-004933)	Frame, Spray Deflector	2
	40	79488	(001330-004933)	Decal, SRS Cleaning Solution	1
	41	79478	(001330-004933)	Decal, Fill Tank	1

Fig. 6 - SRS Rear Side of Solution Tank Group, (004934-)

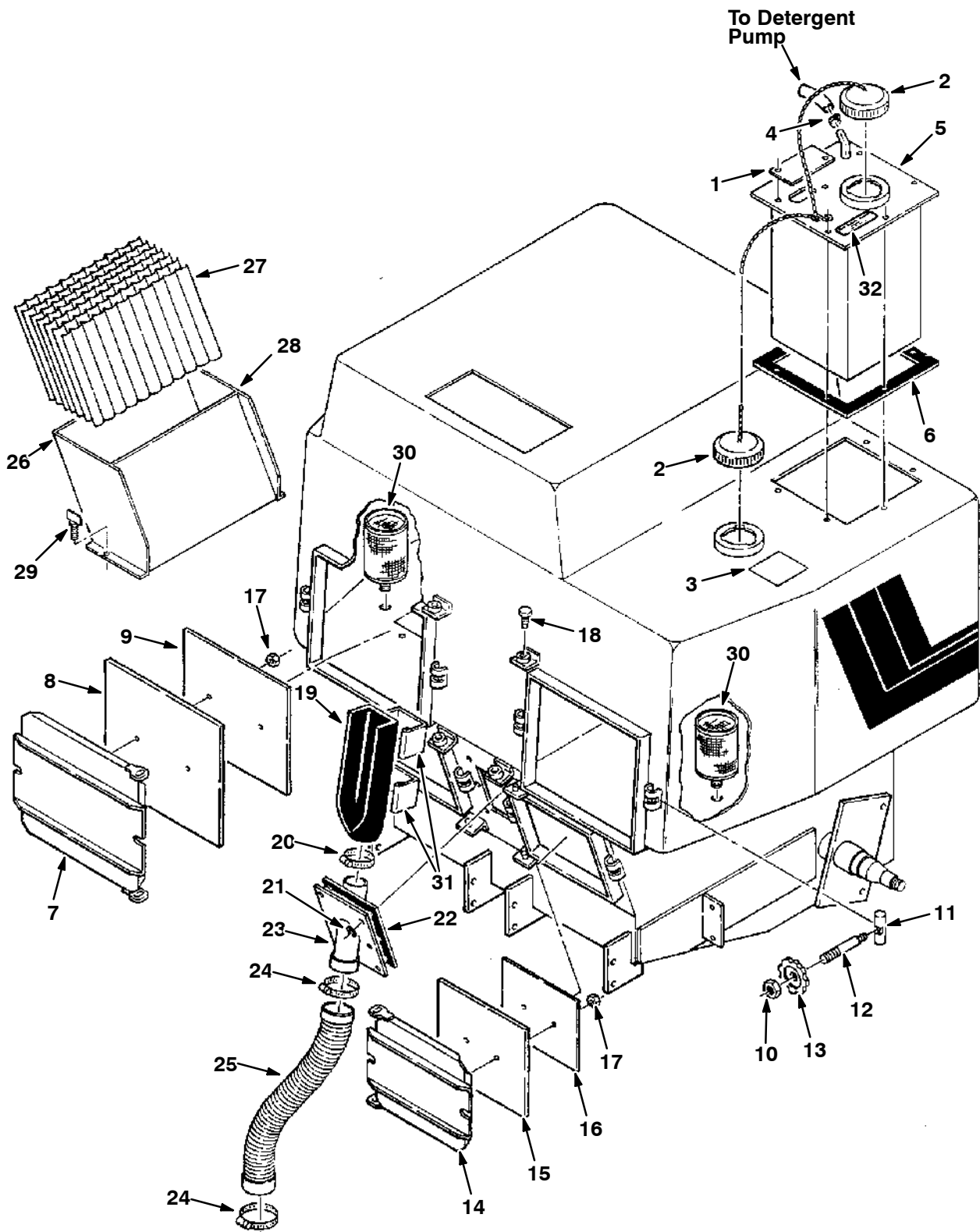
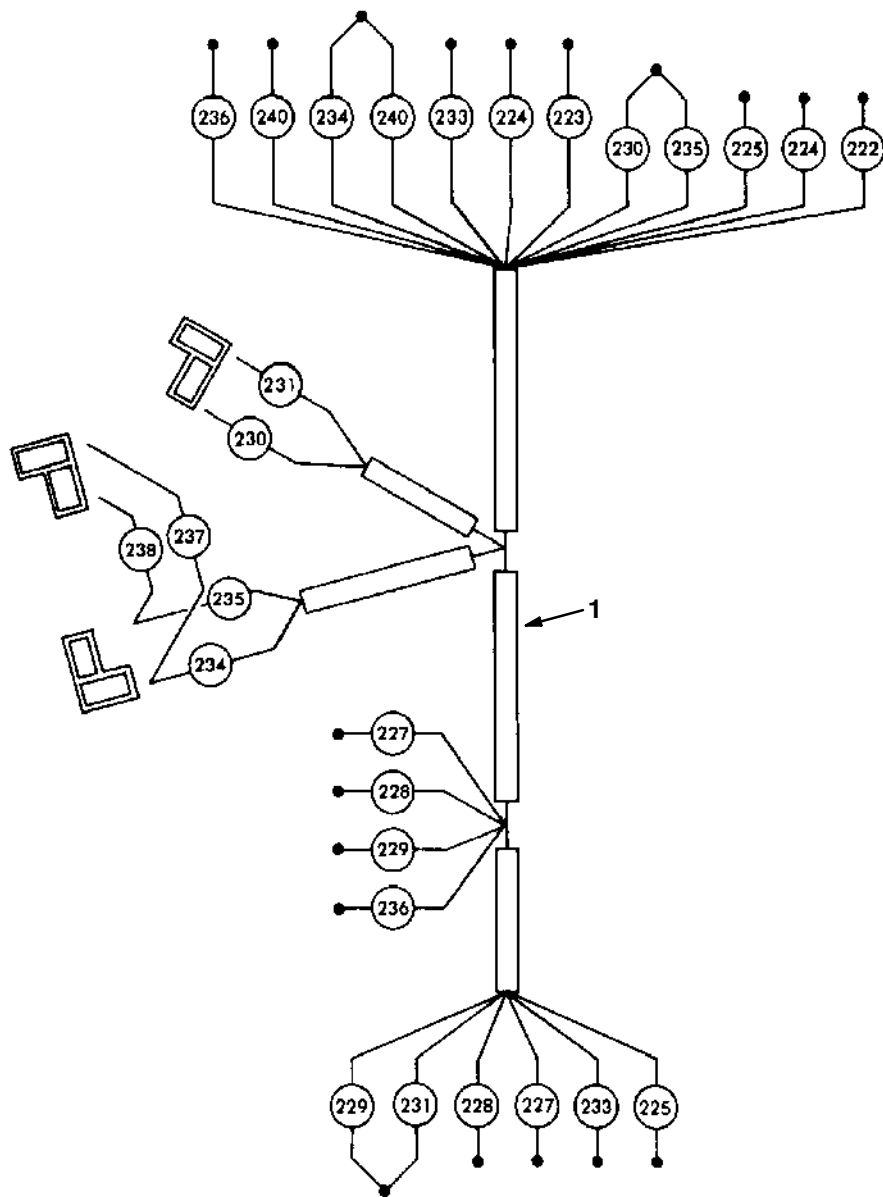


Fig. 6 - SRS Rear Side of Solution Tank Group, (004934-)

Ref.	Part No.	Serial Number	Description	Qty.
1	79453	(004934-) Plate	1
2	375724	(004934-) Cap, Filler	2
3	79478	(004934-) Label, Fill Tank	1
4	54333	(004934-) Clamp, Worm Drive	1
5	03404	(004934-) Tank, Detergent	1
6	79367	(004934-) Gasket, Cleaning Solution	1
7	61189	(004934-) Door, Upper	2
8	61187	(004934-) Gasket, Upper Door	2
9	61188	(004934-) Plate, Upper Door	2
10	36644	(004934-) Nut, Locking	8
11	61170	(004934-) Rod, Door Latch	8
12	61171	(004934-) Stud, Door Latch	8
13	82958	(004934-) Knob, Door Latch	8
14	61245	(004934-) Door, Lower	2
15	61174	(004934-) Gasket, Lower Door	2
16	61175	(004934-) Plate, Lower Door	2
17	41169	(004934-) Nut, Stainless Steel	8
18	61181	(004934-) Pivot, Door Hinge	4
19	79500	(004934-) Deflector, Spray, Rubber	1
20	23498	(004934-) Clamp, Worm Drive	1
21	76426	(004934-) Washer, Rubber Seal	6
22	79545	(004934-) Seal, Suction Tube	1
23	79471	(004934-) Tube, Rear Squeegee Suction	1
24	43555	(004934-) Clamp, Worm Drive	2
25	25649	(004934-) Hose, Rear Squeegee Suction	1
▽	79477	(004934-) Filter Assembly, Laminar Flow, L.H.	1
▲	26 79473-1	(004934-) Housing, Filter Mounting	1
▲	27 64685	(004934-) Filter, Laminar Flow	1
▲	28 79474	(004934-) Panel, Flow Tube Mounting Cover	1
▽	79476	(004934-) Filter Assembly, Laminar Flow, R.H.	1
▲	79472-1	(004934-) Housing, Filter Mounting	1
▲	64685	(004934-) Filter, Laminar Flow	1
▲	79474	(004934-) Panel, Flow Tube Mounting Cover	1
29	79464	(004934-) Thumbscrew, Filter Hold Down	2
30	79424	(004934-) Filter, Solution Outlet	2
31	79570	(004934-) Frame, Spray Deflector	2
32	79488	(004934-) Label, SRS Cleaning Solution	1

Fig. 7 - SRS Wire Harnesses



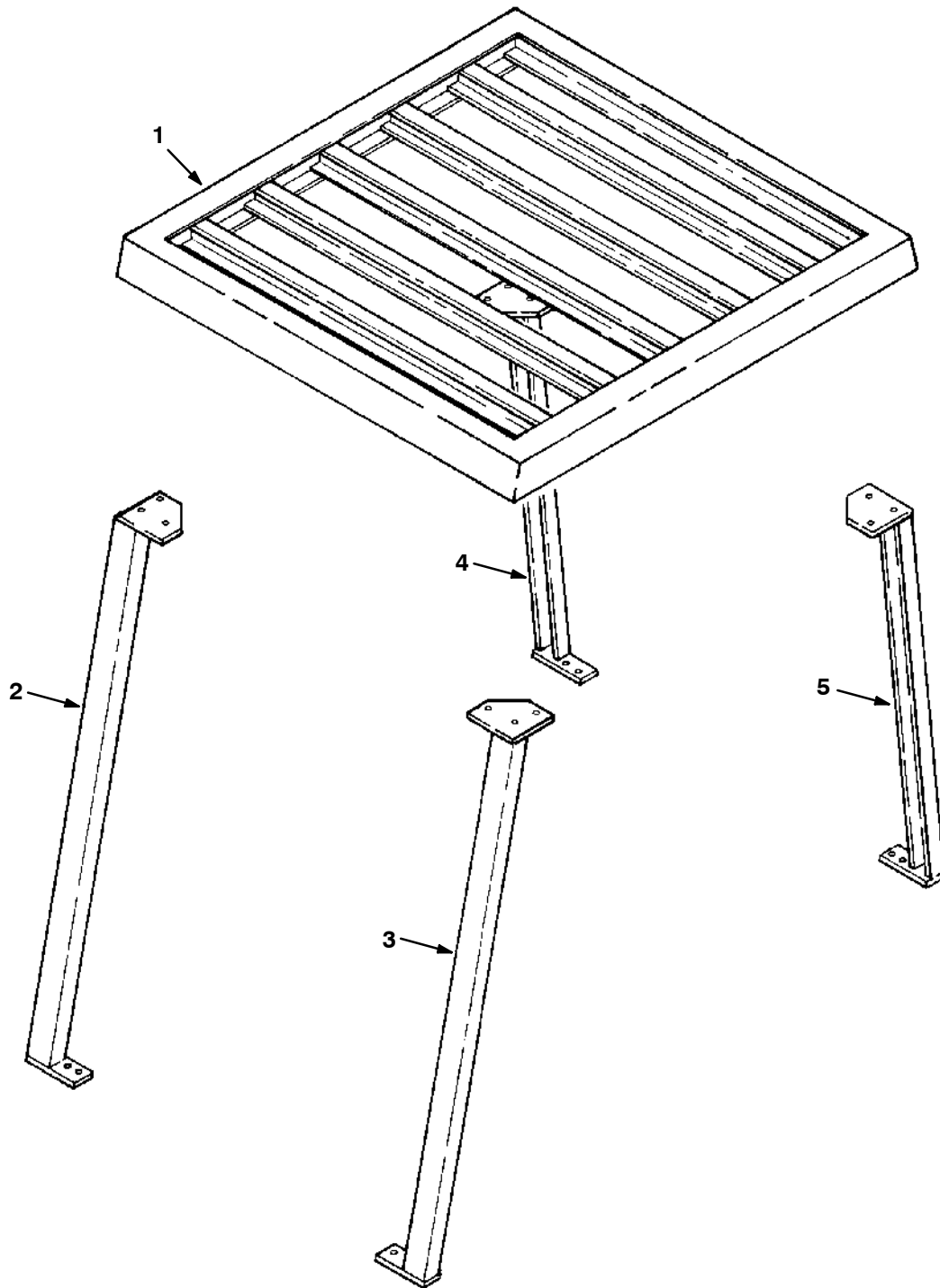
01105 - 550E

Ref.	Part No.	Serial Number	Description	Qty.
1	76370	(001330-) Wire Harness, Control Box	1

SECTION 8

Contents	Page
Fig. 1 - Overhead Guard Kit	8-2
Fig. 2 - Revolving Light Kit, Overhead Guard ...	8-3
Fig. 3 - Heavy Duty Bumper Kit	8-4
Fig. 4 - SRS Heavy Duty Bumper Kit	8-5
Fig. 5 - SRS Sludge Removal Tool	8-6
Fig. 6 - Solution Tank Drain Kit	8-7
Fig. 7 - Fire Extinguisher Kit	8-7
Fig. 8 - Operating Light Kit	8-8
Fig. 9 - SRS Operating Light Kit	8-8
Fig. 10 - SRS Operating Light Kit	8-9
Fig. 11 - Squeegee Wand Kit	8-10
Fig. 12 - SRS Squeegee Wand Kit	8-12
Fig. 13 - Mirror Kit	8-14
Fig. 14 - Tire and Wheel Group, Foam Filled ...	8-14
Fig. 15 - Dust Shield Kit	8-15
Fig. 16 - Battery Chargers	8-15
Fig. 17 - Batteries	8-15
Fig. 18 - Batteries (International)	8-15
Fig. 19 - Side Squeegee Extension Kit	8-16
Fig. 20 - Documentation Group	8-17

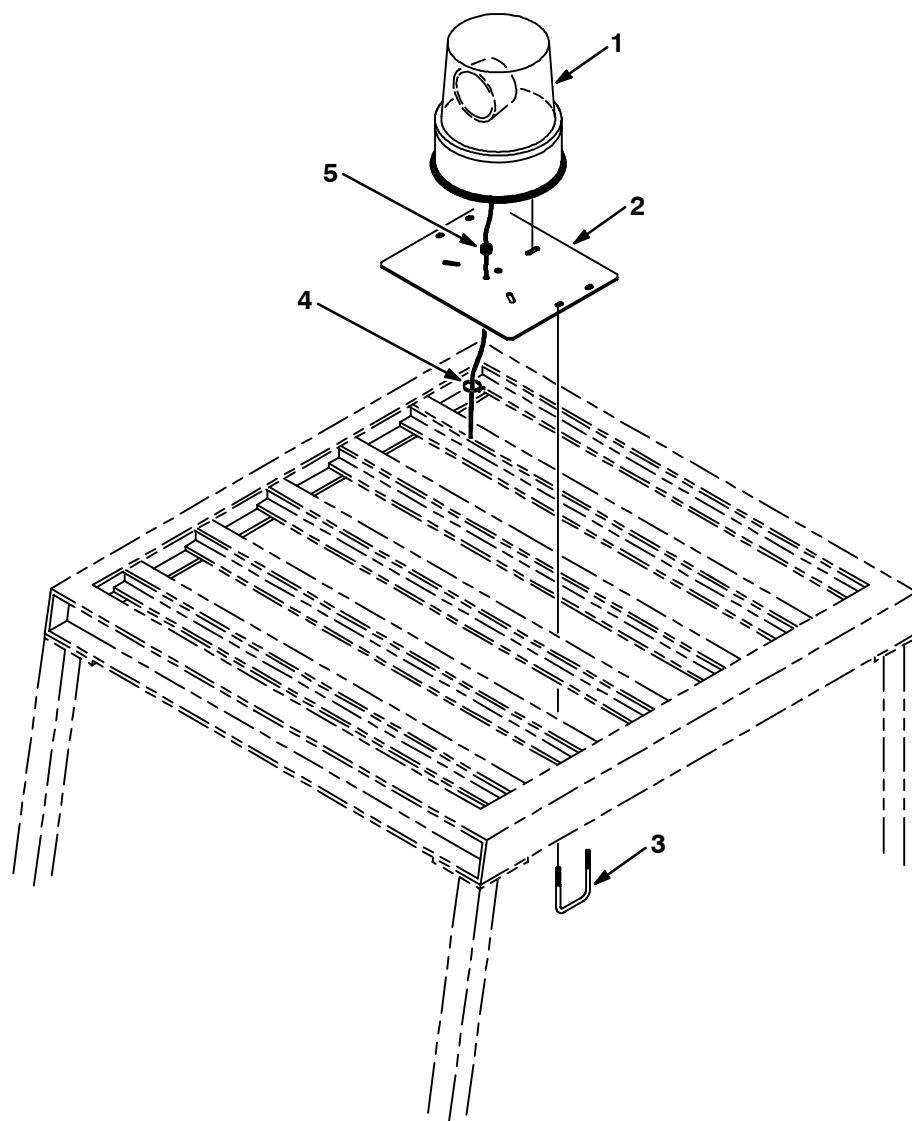
Fig. 1 - Overhead Guard Kit



00317 - ALL

	Ref.	Part No.	Serial Number	Description	Qty.
▽		75903	(001330-) Guard Kit, Overhead	1
▲	1	76862	(001330-) Guard, Top	1
▲	2	76858	(001330-) Leg, Front, R.H.	1
▲	3	76859	(001330-) Leg, Front, L.H.	1
▲	4	76860	(001330-) Leg, Rear, R.H.	1
▲	5	76861	(001330-) Leg, Rear, L.H.	1

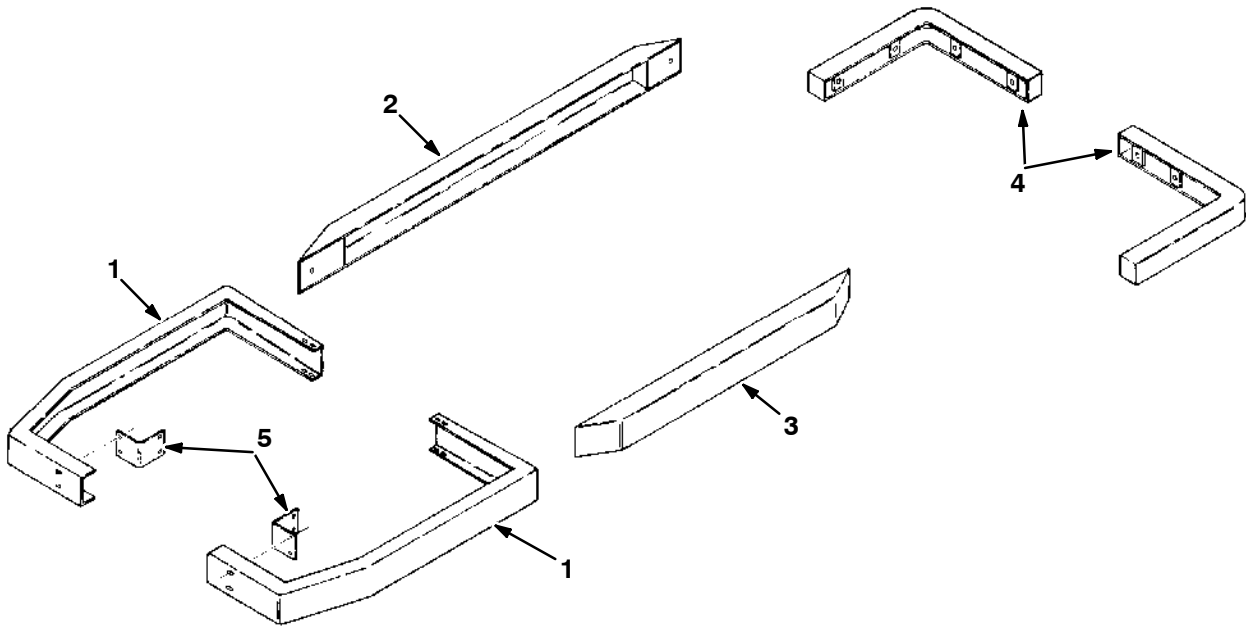
Fig. 2 - Revolving Light Kit, Overhead Guard



01108 - 550E

Ref.	Part No.	Serial Number	Description	Qty.
▽	75914	(001330-) Light Kit, Revolving	1
▲▽	1 44683	(001330-) Light, Revolving, Red	1
▲▲	44681	(001330-) Lens, Light, Red	1
▲	2 33782	(001330-) Plate, Light Mounting	1
▲	3 33783	(001330-) U-Bolt	2
▲	4 09384	(001330-) Clamp, Cable	5
▲	10701	(001330-) Switch, Toggle	1
▲	07423	(001330-) Fuse, 15 A	1
▲	47164	(001330-) Decal, 15 A Label	1
▲	76037	(001330-) Wire Kit, Includes Wires: 153, 205, 207	1
▲	5 46314	(001330-) Grommet	1
▲	45223	(001330-) Terminal, Quick-disconnect	4
▲	45224	(001330-) Terminal, Quick-disconnect	2
▽	44683-1	(001330-) Light, Revolving, Amber	1
▲	44681-1	(001330-) Lens, Light, Amber	1
▽	44683-2	(001330-) Light, Revolving, Blue	1
▲	44681-2	(001330-) Lens, Light, Blue	1

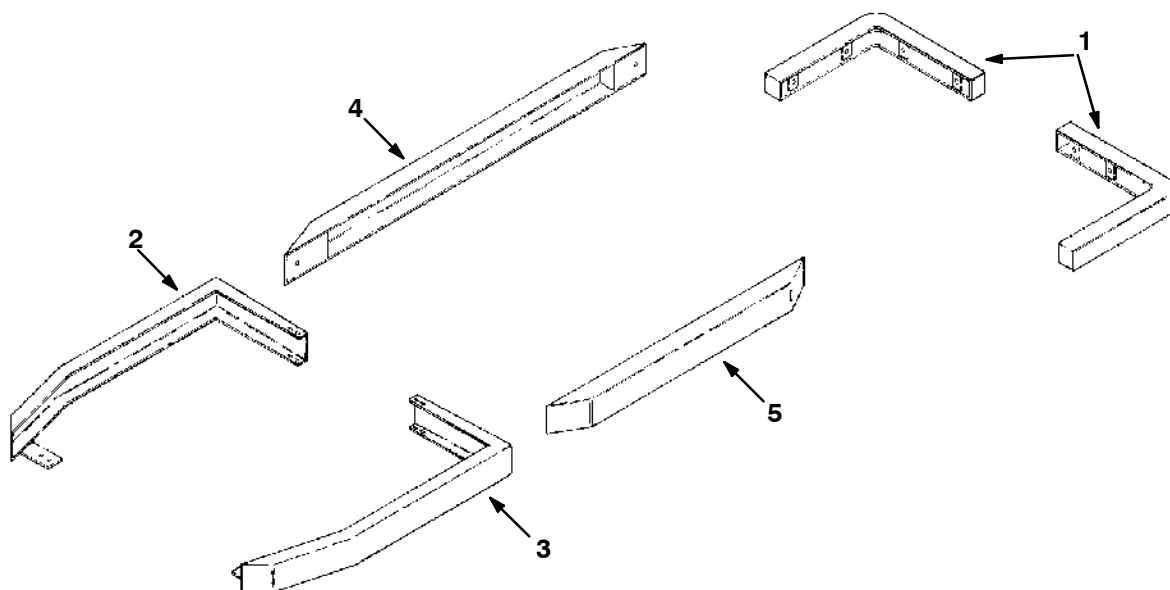
Fig. 3 - Heavy Duty Bumper Kit



00825 - 550, 550E

Ref.	Part No.	Serial Number	Description	Qty.
▽	75906	(001330-) Bumper Kit, Heavy Duty	1
▲	1 75108	(001330-) Bumper, Solution and Recovery Tank	2
▲	2 78101	(001330-) Bumper, Tractor, L.H.	1
▲	3 78099	(001330-) Bumper, Tractor, R.H.	1
▲	4 75673	(001330-) Bumper, Scrub Head	2
▲	5 75144	(001330-) Bracket	2

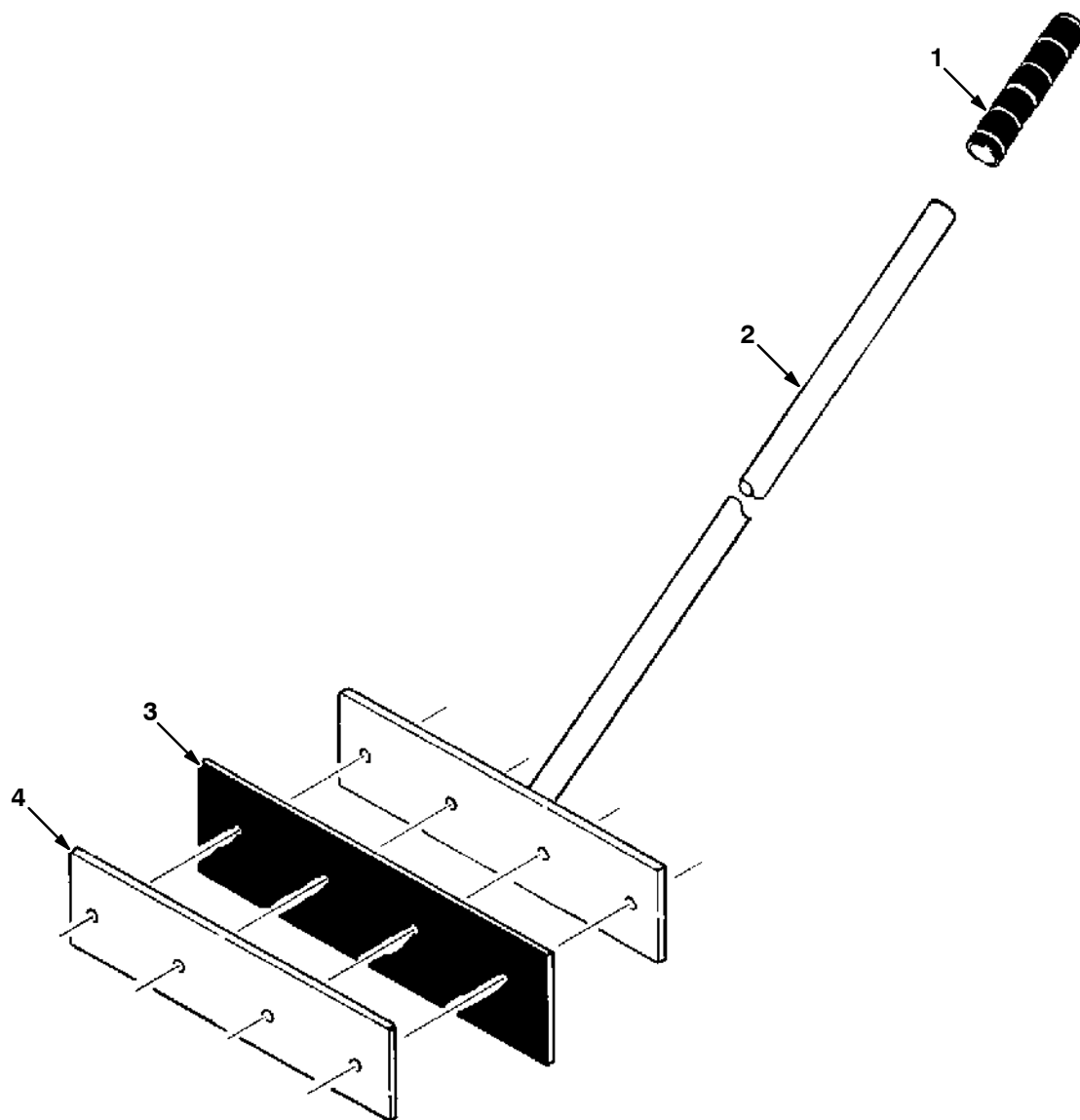
Fig. 4 - SRS Heavy Duty Bumper Kit



00826 - 550, 550E

Ref.	Part No.	Serial Number	Description	Qty.
▽	79426	(001330-) Bumper Kit, Heavy Duty	1
▲	1 75673	(001330-) Bumper, Scrubber Head	2
▲	2 76880	(001330-) Bumper, Solution and Recovery Tank, L.H.	1
▲	3 76881	(001330-) Bumper, Solution and Recovery Tank, R.H.	1
▲	4 78101	(001330-) Bumper, Tractor, L.H.	1
▲	5 78099	(001330-) Bumper, Tractor, R.H.	1

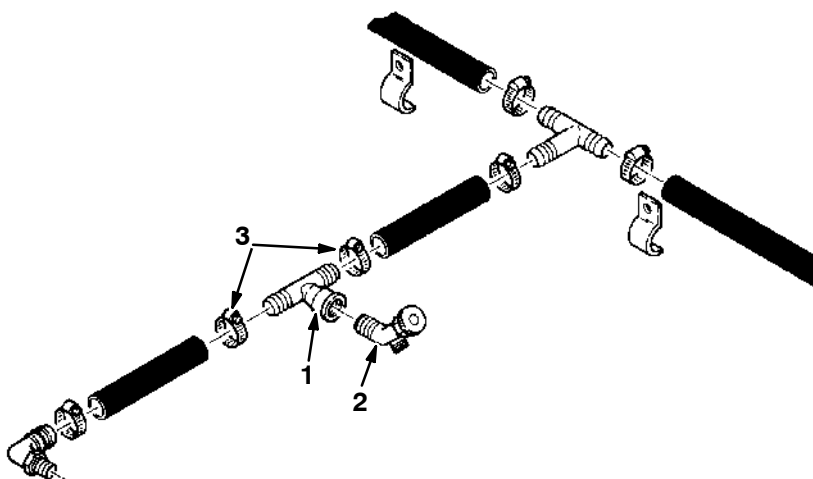
Fig. 5 - SRS Sludge Removal Tool



00338 - ALL

Ref.	Part No.	Serial Number	Description	Qty.
▽	79518	(001330-) Tool Assembly, Sludge Removal	1
▲ 1	03292B	(001330-) Grip, Handle	1
▲ 2	79517	(001330-) Handle, Sludge Removal	1
▲ 3	79515	(001330-) Squeegee	1
▲ 4	79508-1	(001330-) Retainer, Squeegee	1

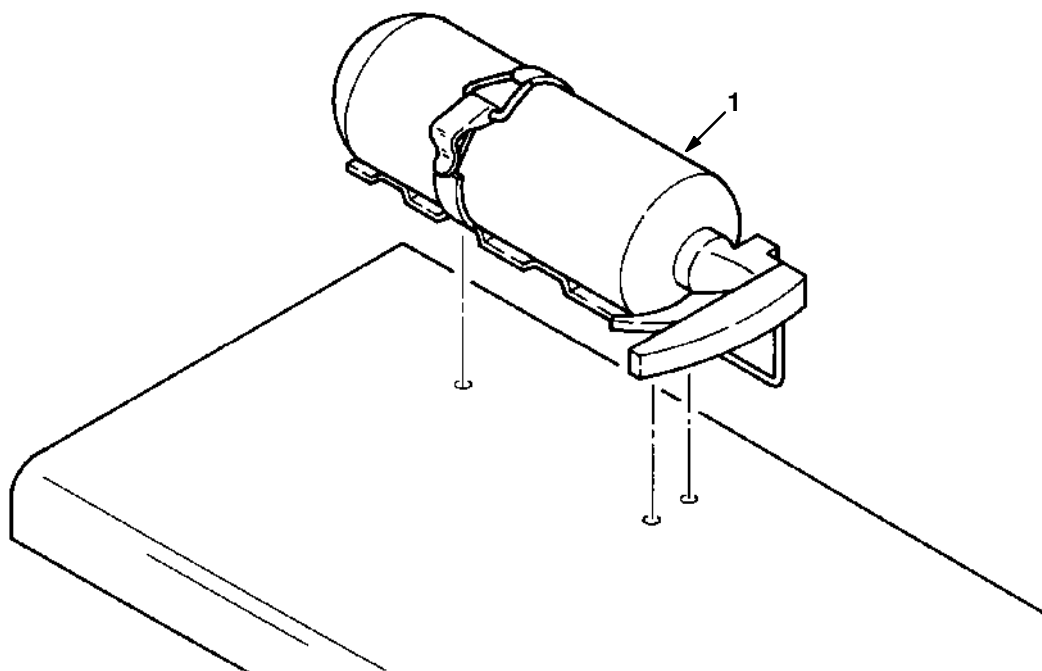
Fig. 6 - Solution Tank Drain Kit



00837 - ALL

Ref.	Part No.	Serial Number	Description	Qty.
▽	75923	(001330-) Drain Kit, Solution Tank	1
▲	1 76075	(001330-) Tee, Barbed	1
▲	2 76076	(001330-) Valve, Water	1
▲	3 11399	(001330-) Clamp, Worm Drive	2

Fig. 7 - Fire Extinguisher Kit



00830 - ALL

Ref.	Part No.	Serial Number	Description	Qty.
▽	78127	(001330-) Extinguisher Kit, Fire	1
▲	1 25312	(001330-) Extinguisher, Fire	1

NOTE: To identify parts shown but not listed here, see Section 6, Standard Parts.

Fig. 8 - Operating Light Kit

Ref.	Part No.	Serial Number	Description	Qty.
▽	75904	(001330-004933)	Light Kit, Operating	1
▲	45365	(001330-004933)	Headlight Assembly	2
▲	24227	(001330-004933)	Washer, Dished	4
▲▽	45389	(001330-004933)	Panel Light Assembly	1
▲▲	45390	(001330-004933)	Bulb	1
▲	10701	(001330-004933)	Switch, Toggle	1
▲	13959	(001330-004933)	Switch	1
▲	76877	(001330-004933)	Bracket, Taillight	2
▲	45366	(001330-004933)	Taillight Assembly	2
▲	07423	(001330-004933)	Fuse, 15 A	1
▲	47164	(001330-004933)	Decal, 15 A	1
▲	49262	(001330-004933)	Clamp, Wire, Self Stick	2
▲	76198	(001330-004933)	Wire Kit, Includes Wires: 154, 155, 156, 157, 158, 159,173, 174, 175	1
▲	76035	(001330-004933)	Wire Kit, Includes Wires: 143, 165, 166,169,177, 178	1
▲	49266	(001330-004933)	Tie, Cable, 6.7 in (170 mm)	6
▲	76186	(001330-004933)	Tab, Terminal	1
▲	76187	(001330-004933)	Tab, Terminal	1
▲	09385	(001330-004933)	Clamp, Cable	1
▲	10632-19	(001330-004933)	Grommet, 2 in I.D. (50 mm)	1

Fig. 9 - SRS Operating Light Kit (001330-004933)

Ref.	Part No.	Serial Number	Description	Qty.
▽	79440	(001330-004933)	Light Kit, Operating, SRS	1
▲	45365	(001330-004933)	Lamp Assembly, Headlight	2
▲▽	45389	(001330-004933)	Light Assembly, Panel	1
▲▲	45390	(001330-004933)	Bulb	1
▲	10701	(001330-004933)	Switch, Toggle	1
▲	13959	(001330-004933)	Switch	1
▲	76877	(001330-004933)	Bracket, Taillight	2
▲▽	45366	(001330-004933)	Taillight Assembly	2
▲▲	45375	(001330-004933)	Bulb	1
▲	07423	(001330-004933)	Fuse, 15 A	1
▲	47164	(001330-004933)	Decal, 15 A	1
▲	49266	(001330-004933)	Tie, Cable	6
▲	76198	(001330-004933)	Wire Kit, Includes Wires: 154, 155, 156,157, 158, 159, 173, 174, 175	1
▲	76035	(001330-004933)	Wire Kit, Includes Wires: 143, 165, 166, 169, 177, 178	1
▲	24227	(001330-004933)	Washer, Dished	4
▲	76186	(001330-004933)	Tab, Terminal	1
▲	76187	(001330-004933)	Tab, Terminal	1
▲	10632-19	(001330-004933)	Grommet, 2 in I.D. (50 mm)	1

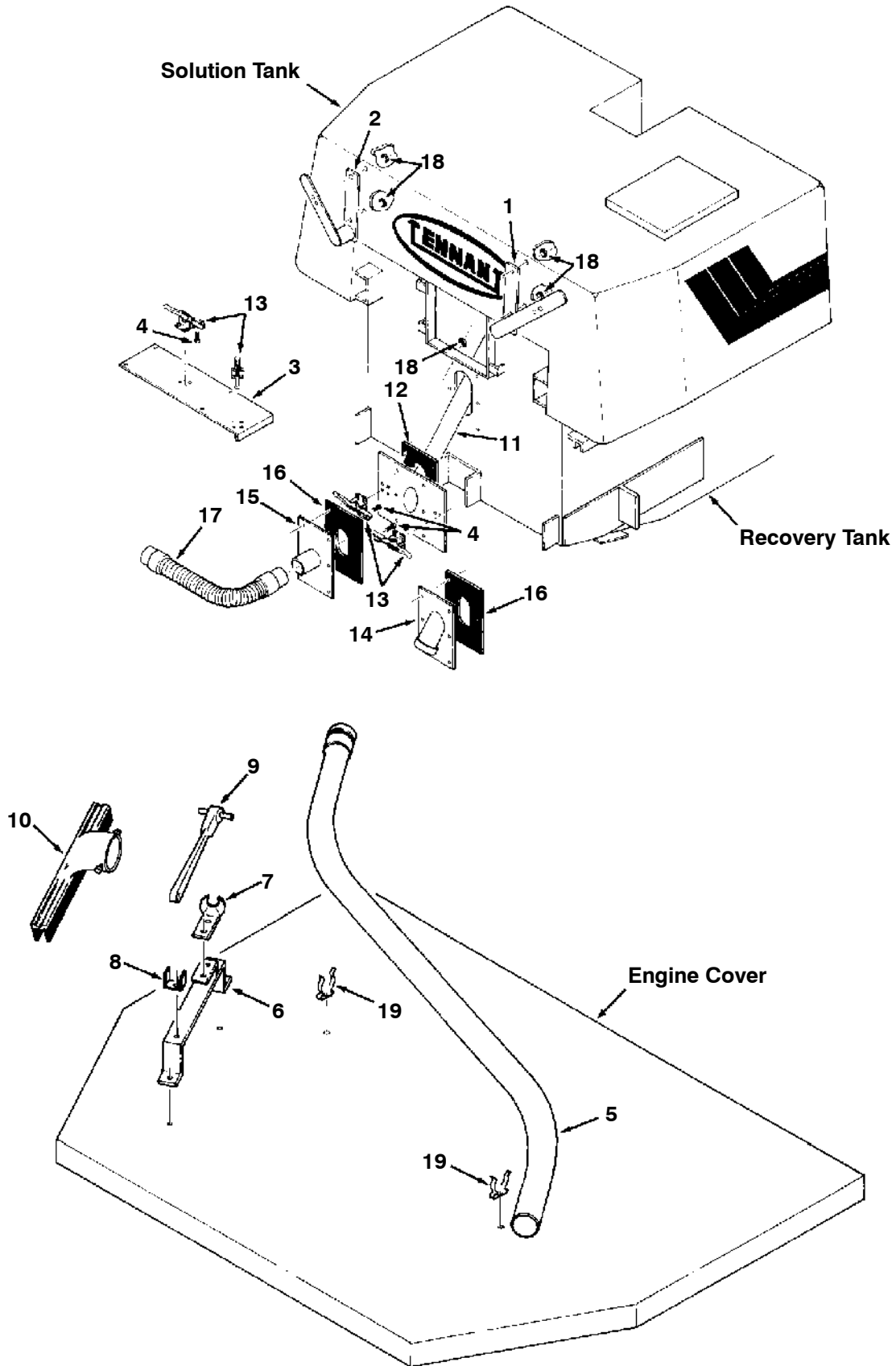
Fig. 10 - SRS Operating Light Kit (004934-007059)

Ref.	Part No.	Serial Number	Description	Qty.
▽	49029	(004934-007059)	Light Kit, Operating, SRS	1
▲	45365	(004934-007059)	Lamp Assembly, Headlight	2
▲	24227	(004934-007059)	Washer, Dished	4
▲▽	45389	(004934-007059)	Light Assembly, Panel	1
▲▲	45390	(004934-007059)	Bulb	1
▲	10701	(004934-007059)	Switch, Toggle	1
▲	13959	(004934-007059)	Switch	1
▲	49023	(004934-007059)	Bracket, Taillight	2
▲▽	45366	(004934-007059)	Taillight Assembly	2
▲▲	45375	(004934-007059)	Bulb	1
▲	07423	(004934-007059)	Fuse, 15 A	1
▲	47164	(004934-007059)	Decal, 15 A	1
▲	49266	(004934-007059)	Tie, Cable	6
▲	76198	(004934-007059)	Wire Kit, Includes Wires: 154, 155, 156,157, 158, 159, 173, 174, 175	1
▲	76035	(004934-007059)	Wire Kit, Includes Wires: 143, 165, 166, 169, 177, 178	1
▲	76186	(004934-007059)	Tab, Terminal	1
▲	76187	(004934-007059)	Tab, Terminal	1

Fig. 11 - Operating Light Kit (007060-)

Ref.	Part No.	Serial Number	Description	Qty.
▽	9001910	(007060-)	Light Kit, Hd-TI, Ci [550e]	1
▲	45635	(007060-)	Housing Rep.Bysk1924	2
▲▽	45389	(007060-)	Light, Panl, 36vdc, Clr [28v Lamp]	1
▲▲	45390	(007060-)	Bulb	1
▲	10701	(007060-)	Switch, Toggle, 03a Spst, Off / On	1
▲	48252	(007060-)	Terminal, Tab, .25 06stud .82l	2
▲	13959	(007060-)	Switch, Press, Lamp, Stop, 2pm	1
▲	49023	(007060-)	Bracket, Taillight	2
▲	19317	(007060-)	Screw, Hex, .25-20 X 0.75, G5	4
▲	27978	(007060-)	Nut, Hex, Flng, .25-20	4
▲	1027801	(007060-)	Taillight Assy, 24/48vdc, Led	2
▲	07423	(007060-)	Fuse, 015a, Glass Tube, 32vdc, 0.25d	1
▲	47164	(007060-)	Label, Info, Battery, 15a	1
▲	49266	(007060-)	Tie, Cable, Nyl, 07.3l .19w 1.8 Max D	12
▲	1027563	(007060-)	Harness, Taillight, Tank [550e]	1
▲	1027165	(007060-)	Harness, Hd-TI [550e]	1

Fig. 12 - Squeegee Wand Kit

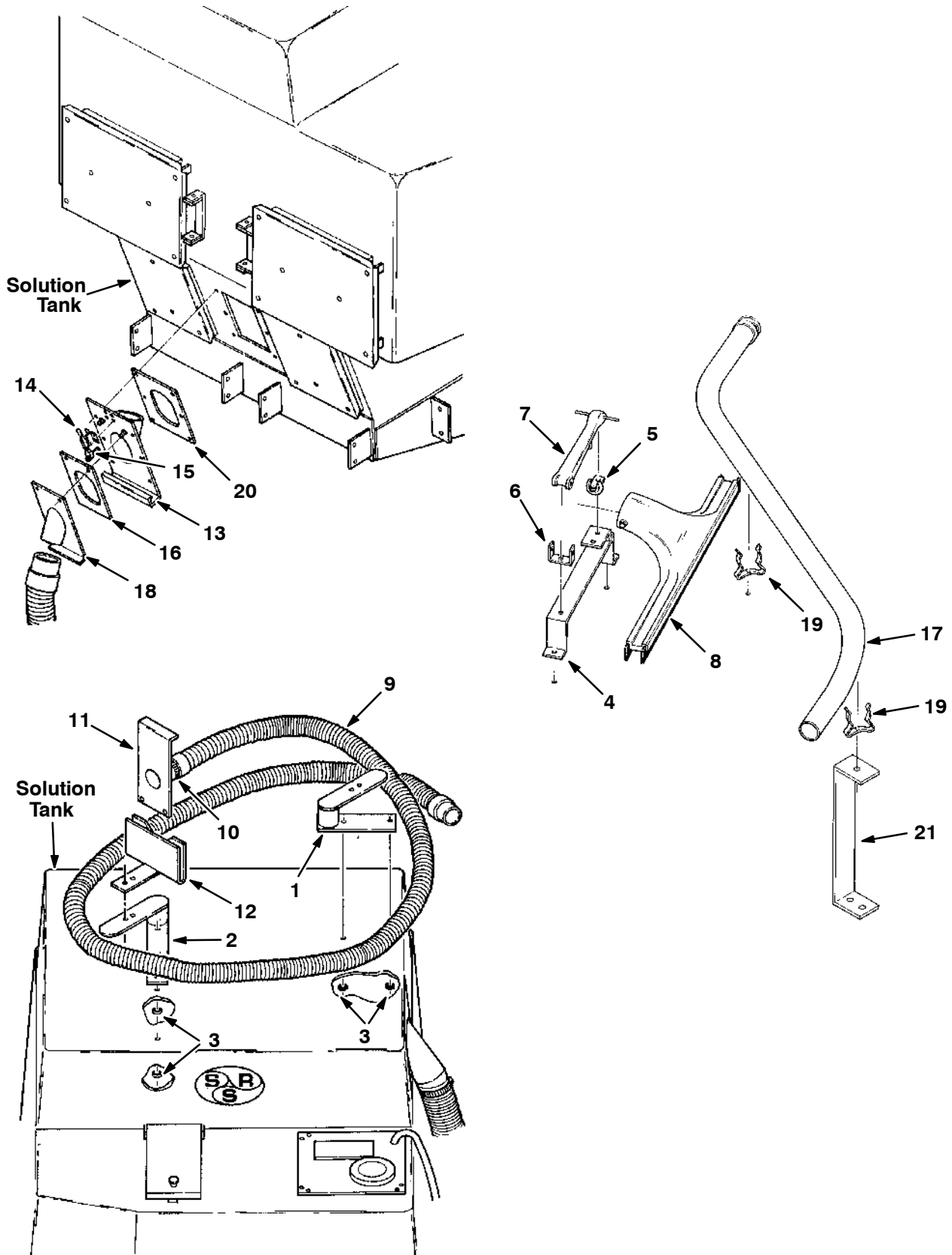


NOTE: To identify parts shown but not listed here, see Section 6, Standard Parts.

Fig. 12 - Squeegee Wand Kit

	Ref.	Part No.	Serial Number	Description	Qty.
▽		75905	(001330-) Squeegee Wand Kit	1
▲	1	50788	(001330-) Mount, Wand Hose, R.H.	1
▲	2	50789	(001330-) Mount, Wand Hose, L.H.	1
▲	3	50790	(001330-) Plate, Mounting, Wand Hose	1
▲	4	75128	(001330-) Spindle	2
▲	5	40171	(001330-) Handle, Extension	1
▲	6	75054	(001330-) Mount, Squeegee Wand	1
▲	7	40670	(001330-) Catch, Rubber	1
▲	8	40671	(001330-) Bracket, U	1
▲	9	75118	(001330-) Hook, Rubber	1
▲	10	40173	(001330-) Nozzle, Squeegee	1
▲	11	76154A	(001330-) Tube, Suction	1
▲	12	75076	(001330-) Gasket, Rear Suction Tube	1
▲	13	03823	(001330-) Clamp, Toggle	4
▲	14	76152	(001330-) Adapter Kit, Suction Tube	1
▲	15	76153	(001330-) Adapter, Squeegee Wand	1
▲	16	75095	(001330-) Gasket, Suction Tube	2
▲	17	75127	(001330-) Hose and Cuff Assembly	1
▲	18	76426	(001330-) Washer, Sealing	11
▲	19	391839	(001330-) Clip, Finger Grip	2
▲		76192	(001330-) Wire Kit, Includes Wires: 183, 184, 185, 186	1
▲		76191	(001330-) Switch, Toggle	1
▲		75493	(001330-) Decal, Wand	1
▲		75492	(001330-) Decal, Wand Instruction	1
▲		09900-1	(001330-) Spacer	2
▲		39611	(001330-) Terminal, Quick-disconnect	1
▲		50456	(001330-) Terminal, Quick-disconnect	1
▲		51185	(001330-) Rivnut	3
▲		42082	(001330-) Rivnut, (0.25 in-20)	4

Fig. 13 - SRS Squeegee Wand Kit

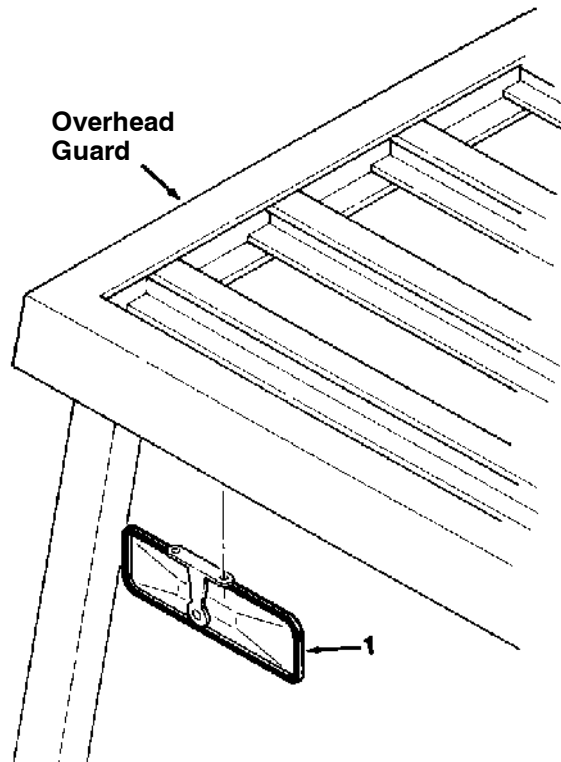


NOTE: To identify parts shown but not listed here, see Section 6, Standard Parts.

Fig. 13 - SRS Squeegee Wand Kit

	Ref.	Part No.	Serial Number	Description	Qty.
▽		79507	(001330-) Squeegee Wand Kit, SRS®	1
▲	1	50789	(001330-) Mount, Wand Hose, L.H.	1
▲	2	50788	(001330-) Mount, Wand Hose, R.H.	1
▲	3	76426	(001330-) Washer, Sealing	4
▲	4	75054	(001330-) Mount, Squeegee Wand	1
▲	5	40670	(001330-) Catch	1
▲	6	40671	(001330-) Bracket	1
▲	7	75118	(001330-) Hook	1
▲	8	40173	(001330-) Nozzle, Squeegee	1
▲	9	75127	(001330-) Hose and Cuff Assembly	1
▲	10	14432	(001330-) Clamp	1
▲	11	79535	(001330-) Adaptor, Wand Hose	1
▲	12	79547	(001330-) Bracket, Squeegee Wand Storage	1
▲	13	79538	(001330-) Adaptor, Tank	1
▲	14	03823	(001330-) Clamp	1
▲	15	75128	(001330-) Spindle, Adjusting	1
▲	16	79546	(001330-) Gasket	1
▲	17	40171	(001330-) Handle, Extension	1
▲	18	79532	(001330-) Adaptor, Squeegee Wand	1
▲	19	391839	(001330-) Clip, Finger Grip	2
▲	20	79545	(001330-) Gasket	1
▲		76192	(001330-) Wire Kit, Includes Wires: 183, 184, 185, 186	1
▲		76191	(001330-) Switch, Toggle	1
▲		75493	(001330-) Decal, Wand	1
▲		75492	(001330-) Decal, Instruction	1
▲	21	79460	(001330-) Bracket, Squeegee Wand Mount	1

Fig. 14 - Mirror Kit



00836 - ALL

Ref.	Part No.	Serial Number	Description	Qty.
▽	78156	(001330-) Mirror Kit	1
▲ 1	76863	(001330-) Mirror, Rear View	1

NOTE: To identify parts shown but not listed here, see Section 6, Standard Parts.

550E

Fig. 15 - Tire and Wheel Kit, Foam Filled

Ref.	Part No.	Serial Number	Description	Qty.
	48890	(001330-) Tire Assy, Foam, 8.75-16.5 9.5bc/9bolt	2
	48892	(001330-) Tire Assy, Foam, 8.75-16.5 [45psi]	2

Fig. 16 - Dust Shield Kit

Ref.	Part No.	Serial Number	Description	Qty.
▽	75928	(001330-) Shield Kit, Switch, Dust	1
▲	76189	(001330-) Shield, Circuit Breaker, Dust	1
▲	76148	(001330-) Boot, Toggle Switch	3
▲	76147	(001330-) Boot, Pushbutton	2

Fig. 17 - Battery Chargers

Ref.	Part No.	Serial Number	Description	Qty.
▽	19897	(001330-) Charger Kit, Battery,36 V, 60 Hz, 3 PH, Exide	1
▲	01726	(001330-) Connector, Gray, 350 A	2
▽	75912	(001330-) Charger, Battery, 36 V, Gould	1
▲	22892	(001330-) Connector, Gray, 175 A	2
▽	398290	(001330-) Charger, Battery, 36 V, Mac	1
▲	22892	(001330-) Connector, Gray, 175 A	2

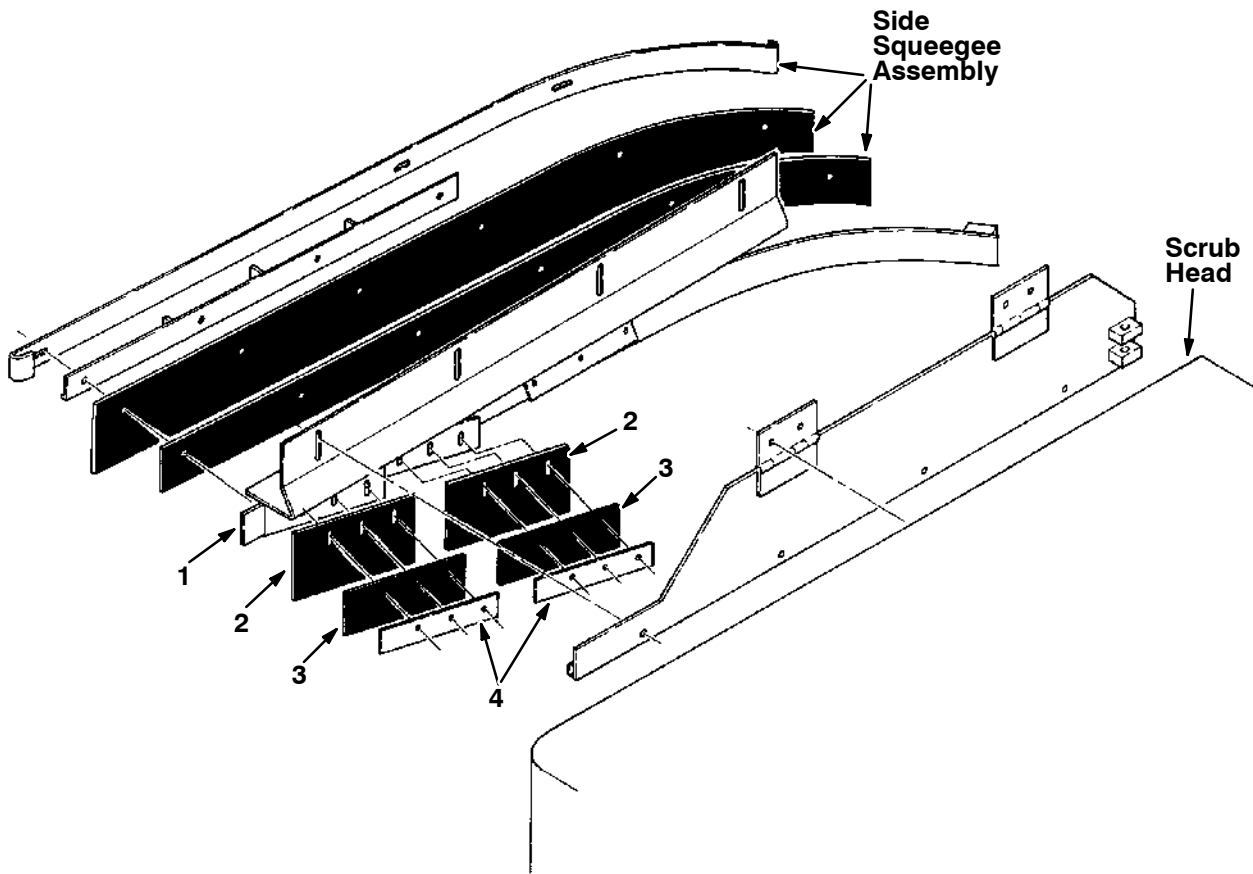
Fig. 18 - Batteries

Ref.	Part No.	Serial Number	Description	Qty.
▽	76028	(001330-) Battery, 36 V, 510 Ah, Exide	2
▲	22892	(001330-) Connector, Gray, 175 A	1
▽	76020	(001330-) Battery, 36 V, 840 Ah, Exide	2
▲	22892	(001330-) Connector, Gray, 175 A	1

Fig. 19 - Batteries (International)

Ref.	Part No.	Serial Number	Description	Qty.
▽	50692	(001330-) Charger, Battery, Mac, 36 V, 50 Hz, 3 PH	1
▲	22892	(001330-) Connector, Gray, 175 A	2

Fig. 20 - Side Squeegee Extension Kit



03874 - ALL

Ref.	Part No.	Serial Number	Description	Qty.
▽	04595	(001330-) Extension Kit, Side Squeegees	1
▲	1 04598	(001330-) Frame, Side Squeegee, R.H.	1
▲	2 03395	(001330-) Blade, Squeegee	4
▲	3 03409	(001330-) Strip, Backup	4
▲	4 03408	(001330-) Retainer, Blade	4
▲	04597	(001330-) Frame, Side Squeegee, L.H.	1

NOTE: To identify parts shown but not listed here, see Section 6, Standard Parts.

Fig. 21 - Documentation Group

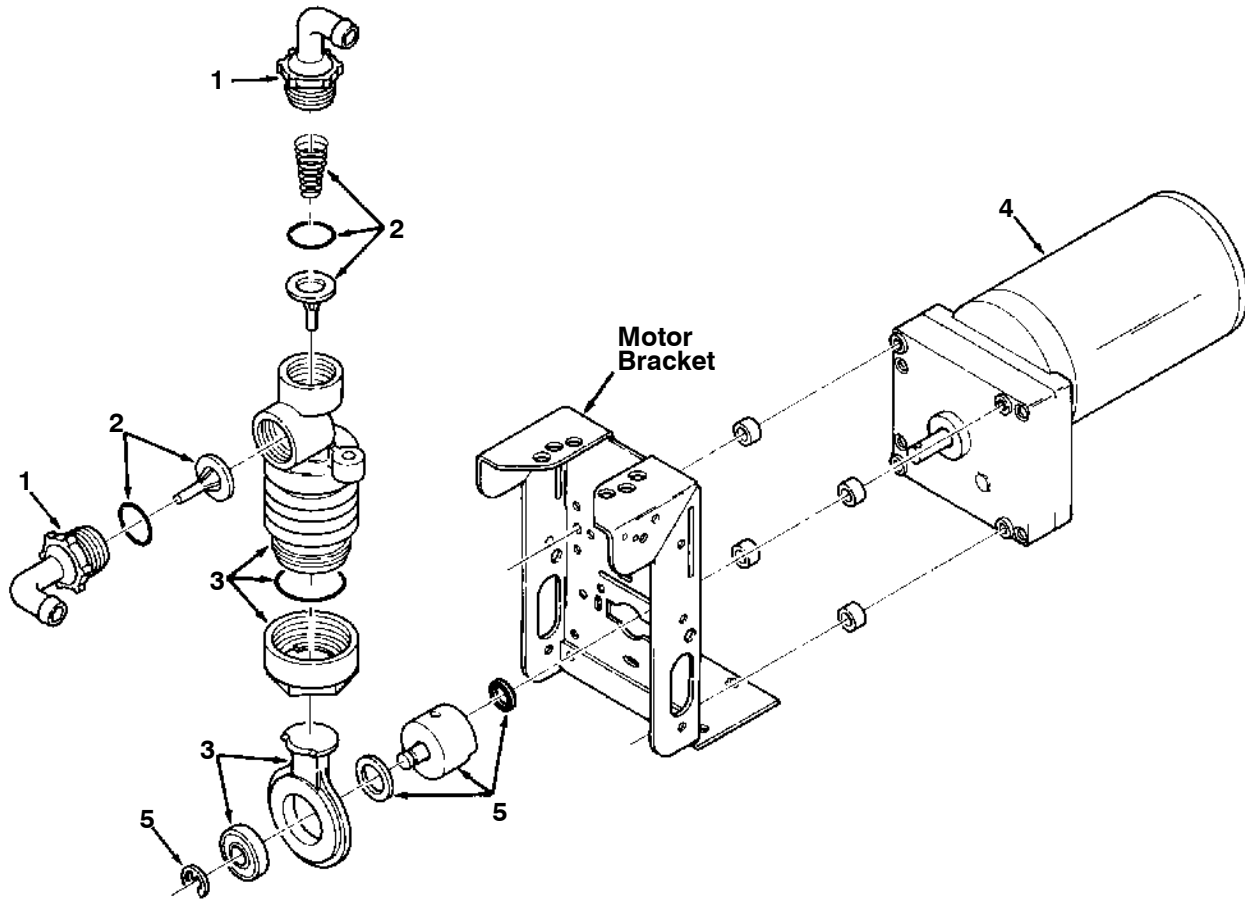
550E

Ref.	Part No.	Serial Number	Description	Qty.
	MM149	(000000-) Manual Pkg, 550E	1
	9004761	(000000-) Manual, Cd-Rom, Oprtr & Parts, All (NA)	1
	10392	(000000-) Video, Operator, 550	1

SECTION 9

Contents	Page
Fig. 1 - SRS Metering Solution Pump Breakdown, 16485	9-2
Fig. 2 - SRS Solution Pump Breakdown, 79326-1	9-3
Fig. 3 - Power Wheel Breakdown, 75274	9-4
Fig. 4 - Hydraulic Pump Breakdown, 76043	9-5
Fig. 5 - Hydraulic Steering Valve Breakdown, 57982	9-6
Fig. 6 - Hydraulic Steering Valve Breakdown, 74176	9-7
Fig. 7 - Hydraulic Steering Valve Breakdown, 65242	9-8
Fig. 8 - Hydraulic Solenoid Control Valve Breakdown, 31574	9-9
Fig. 9 - Hydraulic Cylinder Breakdown, 04431 ..	9-10
Fig. 10 - Electric Drive Motor Breakdown, 76213	9-11
Fig. 11 - Electric Drive Motor Breakdown, 76214	9-11
Fig. 12 - Electric Motor Breakdown, 16450	9-11
Fig. 13 - Electric Motor Breakdown, 03462	9-11
Fig. 14 - Electric Motor Breakdown, 76017	9-12
Fig. 15 - Electric Relay Breakdown, 76095	9-12
Fig. 16 - Electric Relay Breakdown, 76096	9-12
Fig. 17 - Electric Relay Breakdown, 76092	9-13

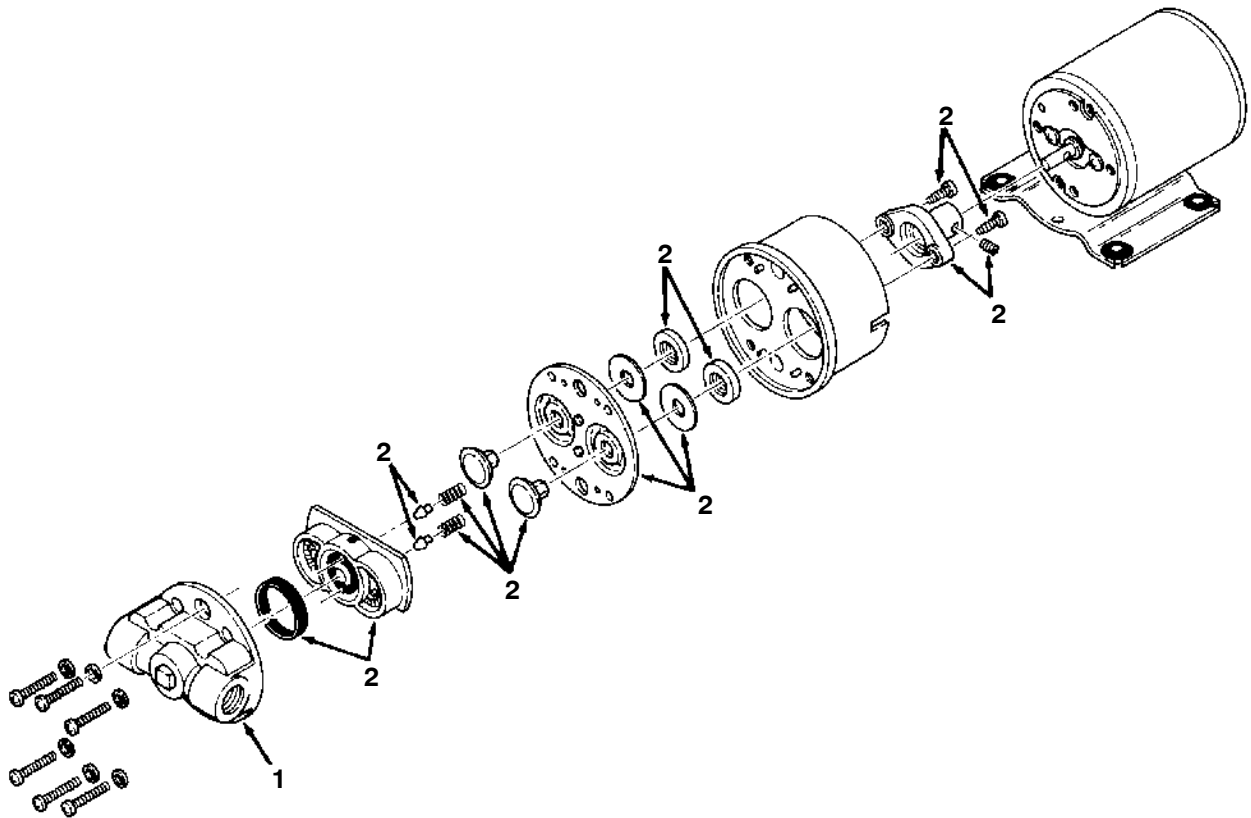
Fig. 1 - SRS Metering Solution Pump Breakdown, 16485



00112 - ALL

Ref.	Part No.	Serial Number	Description	Qty.	
▽	16485	(000000-) Pump, Metering Solution	1	
▲	1	63923	(000000-) Connector Kit, Tubing	1
▲	2	63922	(000000-) Valve Kit, Pump	1
▲	3	63921	(000000-) Replacement Kit, Bellows	1
▲	4	63924	(000000-) Motor, Gear	1
▲	5	02430	(000000-) Crank Replacement Kit	1

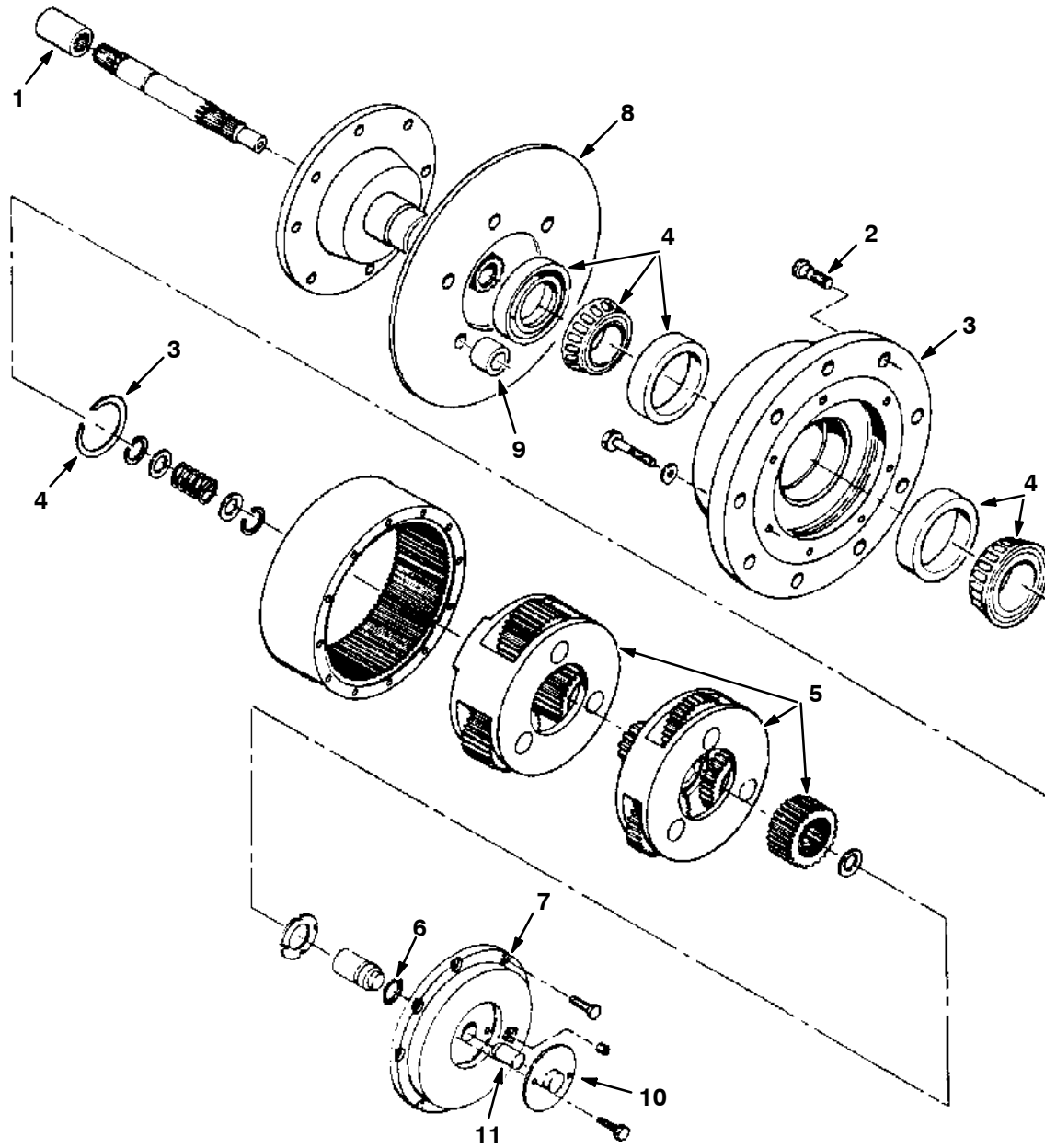
Fig. 2 - SRS Solution Pump Breakdown, 79326-1



05092 - 550E

Ref.	Part No.	Serial Number	Description	Qty.
▽	79326-1	(000000-) Pump, Solution	1
▲	1 63925	(000000-) Housing, Pump	1
▲	2 19960	(000000-) Repair Kit, Solution Pump	1

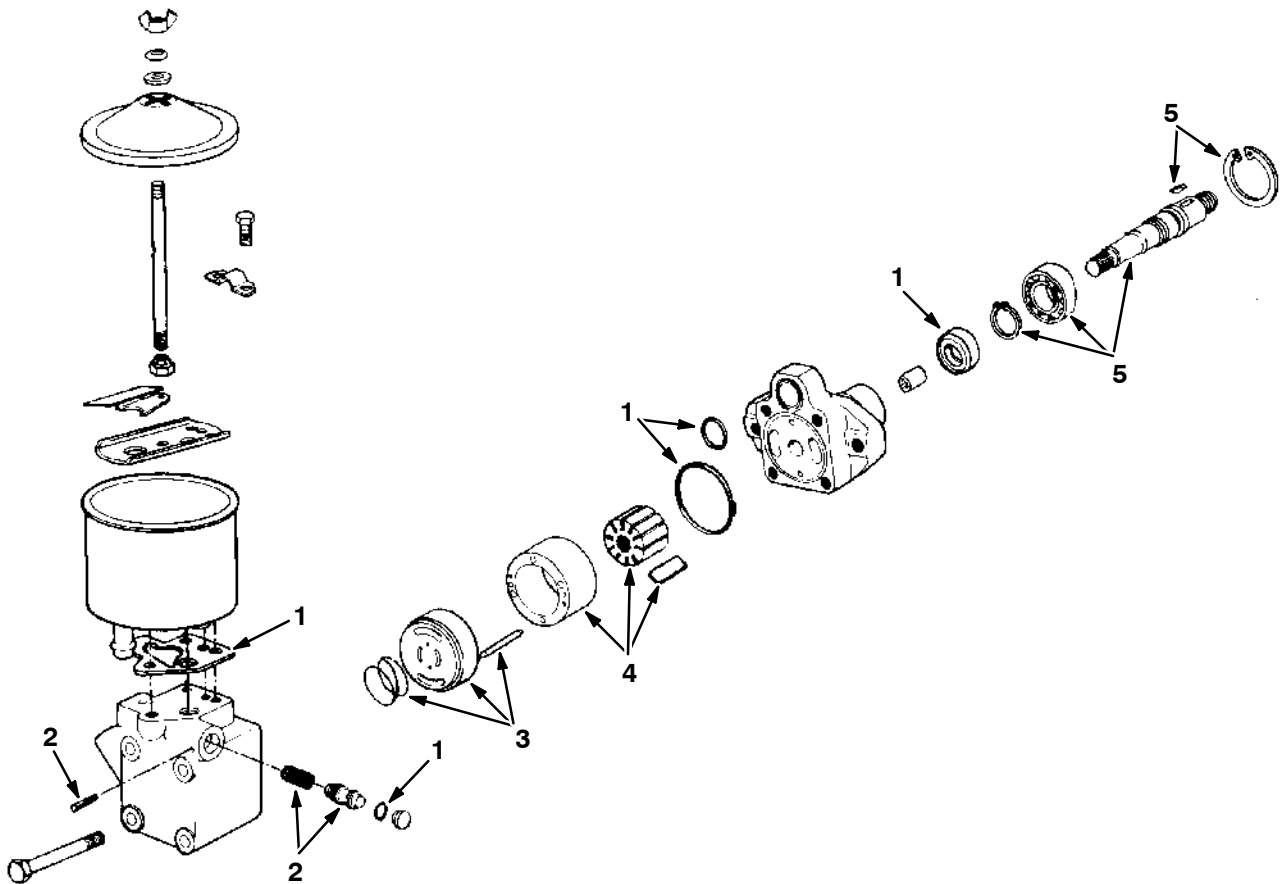
Fig. 3 - Power Wheel Breakdown, 75274



02448 - 550E

Ref.	Part No.	Serial Number	Description	Qty.
▽	75274	(000000-) Power Wheel Assembly	1
▲	1 75338	(000000-) Spline, Power Wheel	1
▲	2 37656	(000000-) Stud	9
▲	3 02529	(000000-) Hub Kit	1
▲	4 02528	(000000-) Bearing And Seal Kit	1
▲	30140	(000000-) Seal	1
▲	5 02470	(000000-) Gear Kit	1
▲	6 37655	(000000-) O-Ring	1
▲	7 372896	(000000-) Cover, Large [603915]	1
▲	8 75259	(000000-) Disc, Brake	1
▲	9 75271	(000000-) Sleeve, Brake Disc	6
▲	10 38941	(000000-) Cover, Small [14-02-039-005]	1
▲	11 372895	(000000-) Plunger [610801]	1

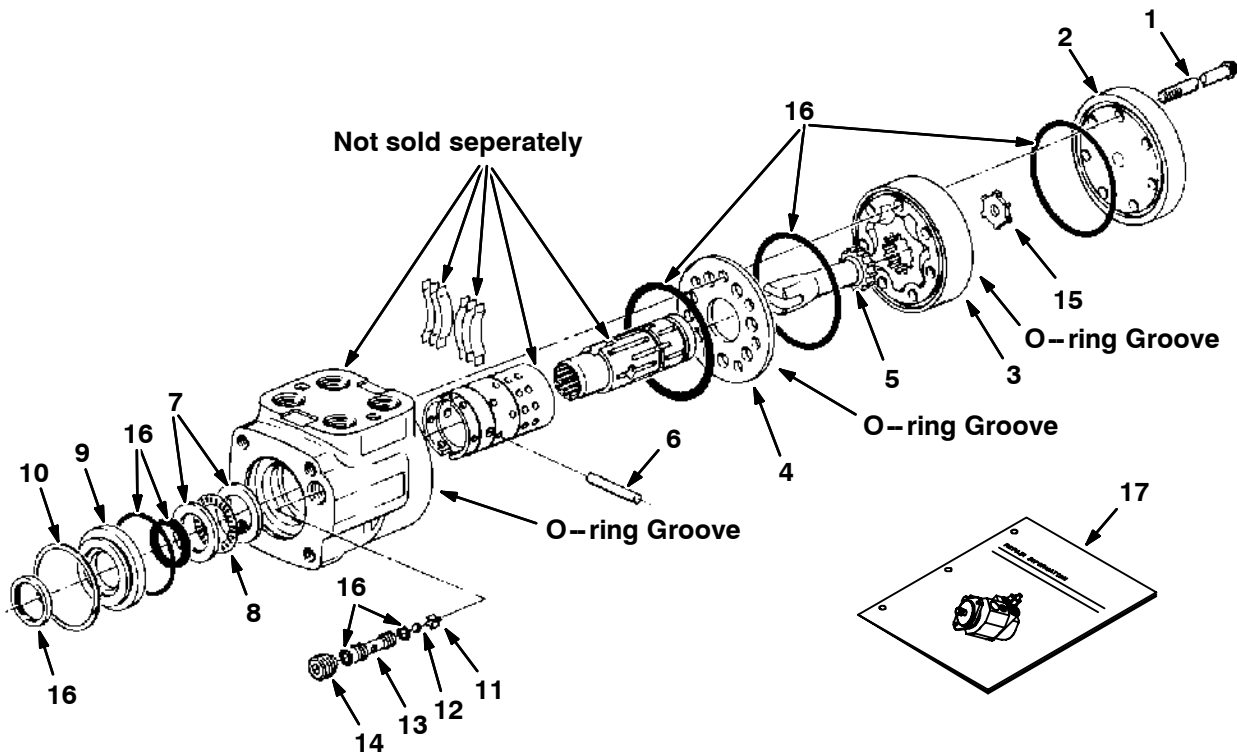
Fig. 4 - Hydraulic Pump Breakdown, 76043



02363 - 550E

Ref.	Part No.	Serial Number	Description	Qty.	
▽	76043	(000000-) Pump, Hydraulic	1	
▲	1	SK2201	(000000-) Seal Kit	1
▲	2	02409	(000000-) Control Valve Kit	1
▲	3	02407	(000000-) Pressure Plate Kit	1
▲	4	02408	(000000-) Cartridge Kit	1
▲	5	02410	(000000-) Shaft And Bearing Kit	1

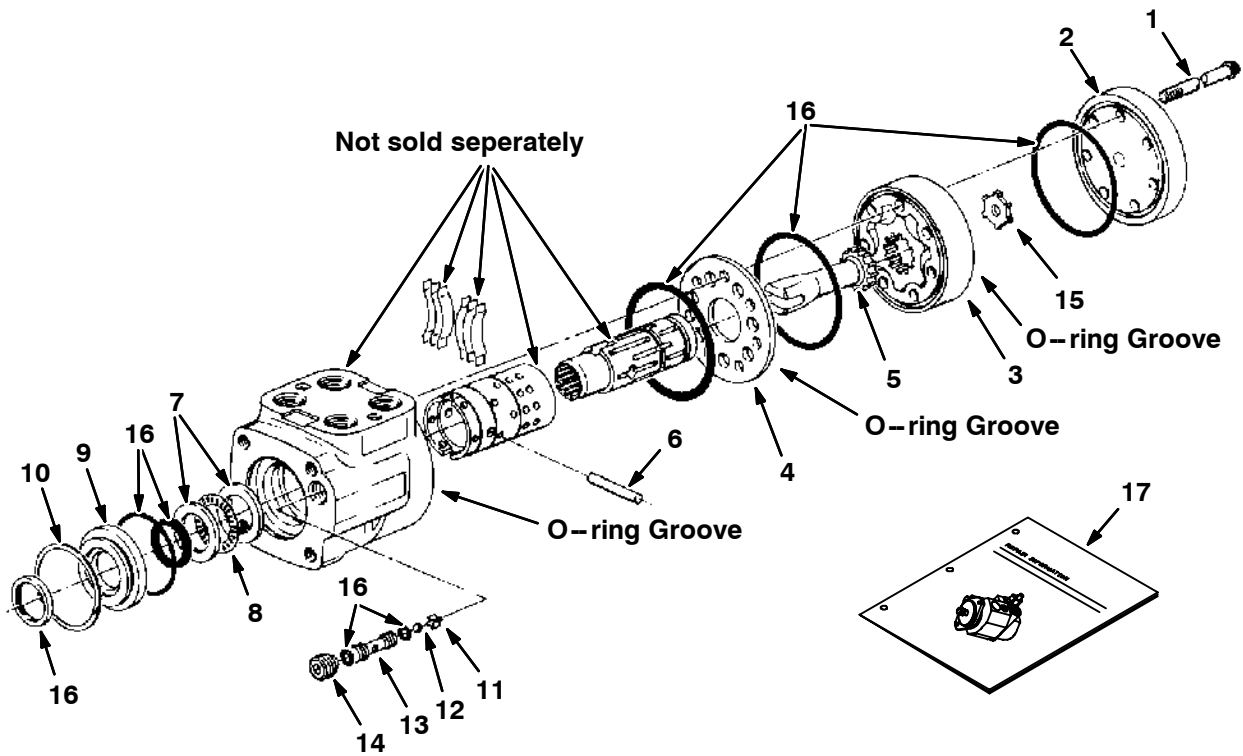
Fig. 5 - Hydraulic Steering Valve Breakdown, 57982



09936-09670 - ALL

Ref.	Part No.	Serial Number	Description	Qty.
▽	57982	(000000-) Steer Control, Hyd 3 6.2 1000	1
▲	1 74097	(000000-) Cap Screw	7
▲	2 38873	(000000-) Cover Cap	1
▲	3 57156	(000000-) Geroter	1
▲	4 74094	(000000-) Spacer Plate	1
▲	5 58596	(000000-) Drive	1
▲	6 74218	(000000-) Pin	1
▲	7 74109	(000000-) Race, Bearing	2
▲	8 74110	(000000-) Bearing, Needle	1
▲	9 74112	(000000-) Bushing, Seal	1
▲	10 74111	(000000-) Ring, Retainer	1
▲	11 74186	(000000-) Retainer, Chk	1
▲	12 74187	(000000-) Ball	1
▲	13 74188	(000000-) Seat, Chk Ball	1
▲	14 74189	(000000-) Screw Set	1
▲	15 74105	(000000-) Spacer	1
▲	16 57152	(000000-) Seal Kit, Stg	1
▲	74195	(000000-) Spring Kit, Scu	1
	17 74251	(000000-) Repair Info, Scu	1

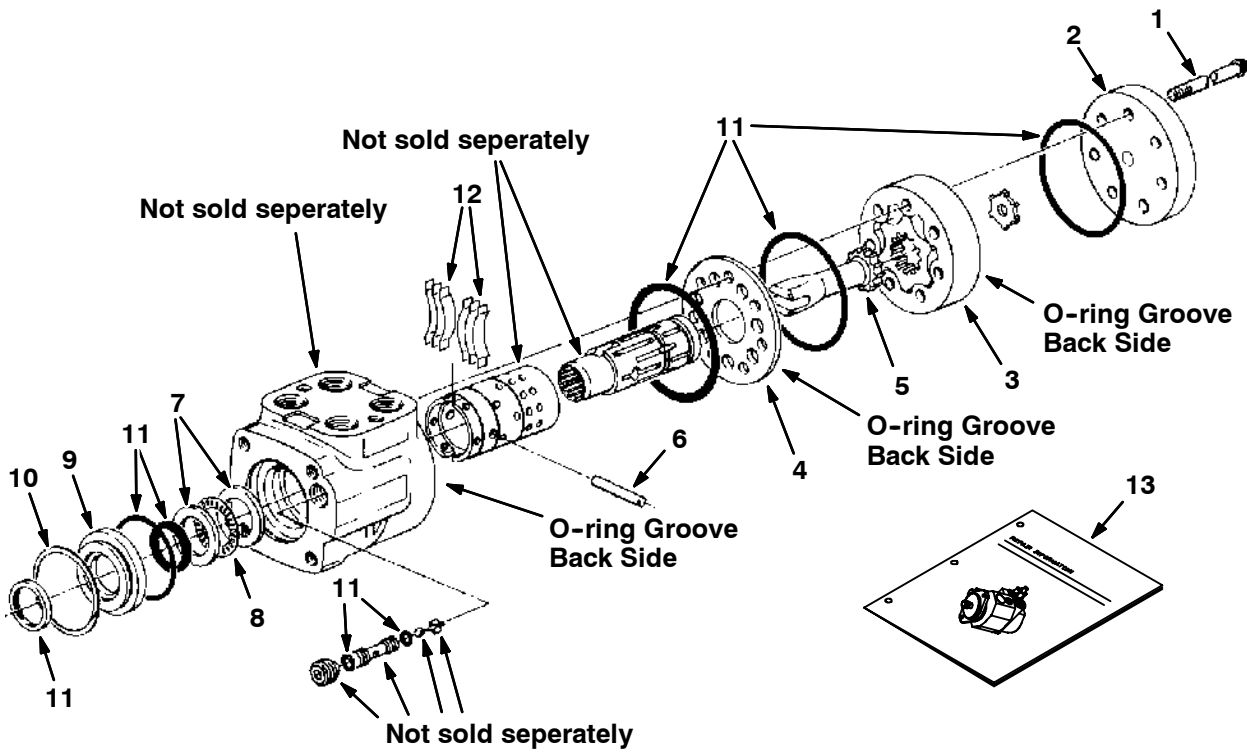
Fig. 6 - Hydraulic Steering Valve Breakdown, 74176



09936-09670 - ALL

Ref.	Part No.	Serial Number	Description	Qty.
▽	74176	(000000-) Steer Control, Hyd #4 05.9 150	1
▲	1 65241	(000000-) Cap Screw	7
▲	2 74181	(000000-) Cap, End	1
▲	3 57156	(000000-) Geroter	1
▲	4 74182	(000000-) Plate, Wear	1
▲	5 58596	(000000-) Drive	1
▲	6 74218	(000000-) Pin	1
▲	7 74109	(000000-) Race, Bearing	2
▲	8 74110	(000000-) Bearing, Needle	1
▲	9 74112	(000000-) Bushing, Seal	1
▲	10 74111	(000000-) Ring, Retainer	1
▲	11 74186	(000000-) Retainer, Chk	1
▲	12 74187	(000000-) Ball	1
▲	13 74188	(000000-) Seat, Chk Ball	1
▲	14 74189	(000000-) Screw Set	1
▲	15 74105	(000000-) Spacer	1
▲	16 74190	(000000-) Seal Kit, Scu	1
▲	74195	(000000-) Spring Kit, Scu	1
	17 74251	(000000-) Repair Info, Scu	1

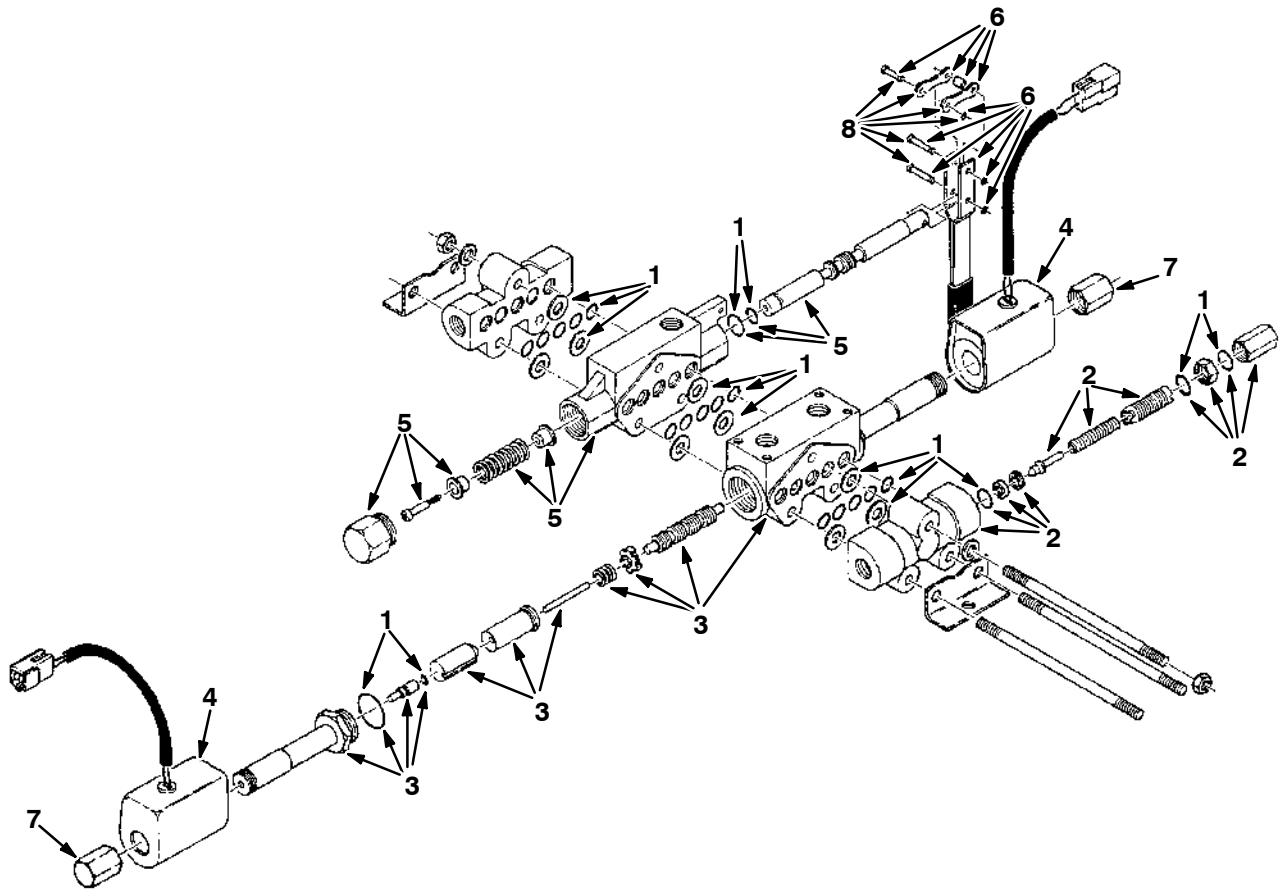
Fig. 7 - Hydraulic Steering Valve Breakdown, 65242



09936-09670 - 550E

Ref.	Part No.	Serial Number	Description	Qty.
▽	65242	(000000-) Steer Control, Hyd #4 04.5 1300	1
▲	1 74174	(000000-) Cap Screw	7
▲	2 74194	(000000-) Cap, End	1
▲	3 65235	(000000-) Geroter	1
▲	4 74182	(000000-) Plate, Wear	1
▲	5 58596	(000000-) Drive	1
▲	6 74218	(000000-) Pin	1
▲	7 74109	(000000-) Race, Bearing	2
▲	8 74110	(000000-) Bearing, Needle	1
▲	9 74112	(000000-) Bushing, Seal	1
▲	10 74111	(000000-) Ring, Retainer	1
▲	11 74190	(000000-) Seal Kit, Scu	1
▲	12 74195	(000000-) Spring Kit, Scu	1
	13 74251	(000000-) Repair Info,Scu	1

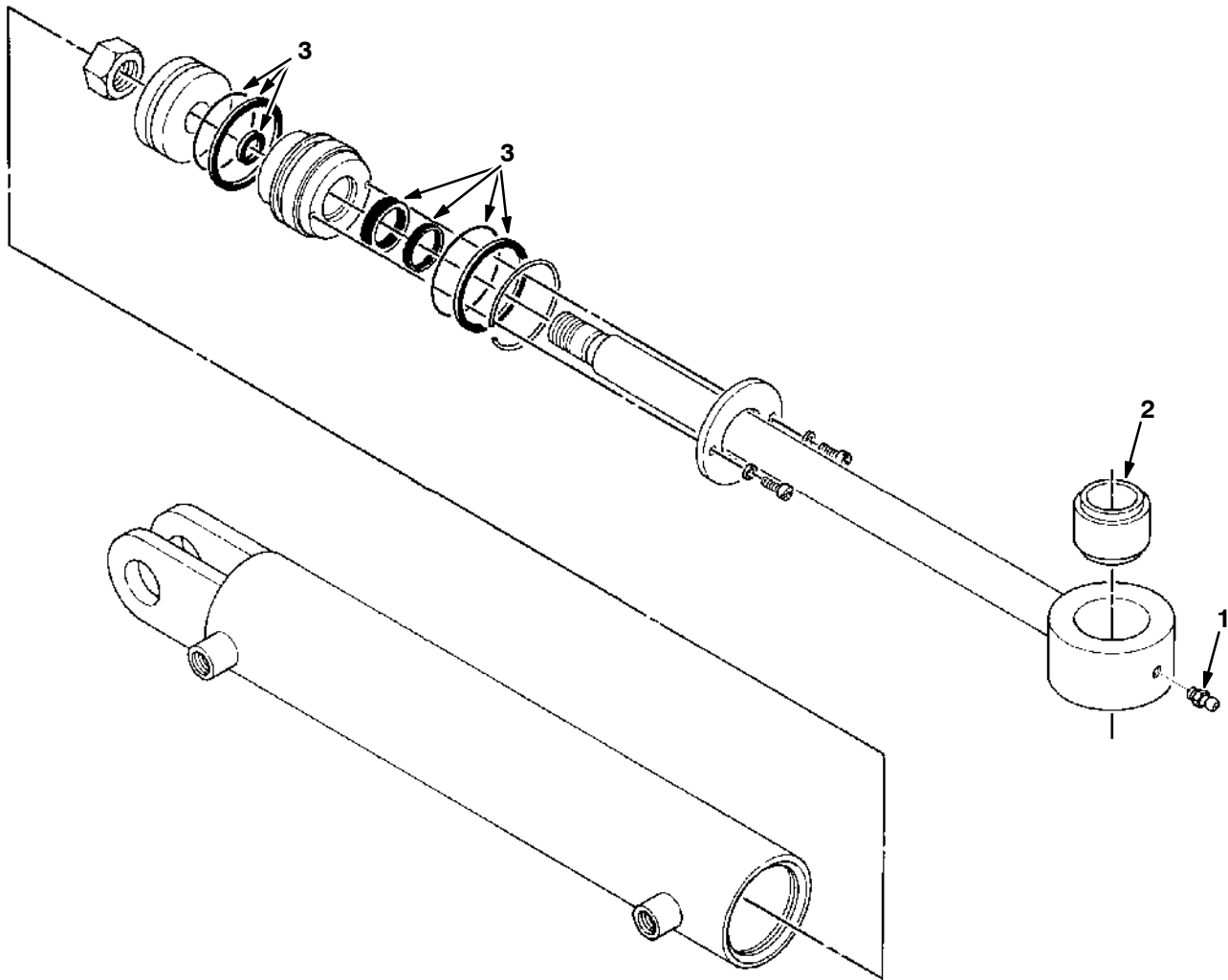
Fig. 8 - Hydraulic Solenoid Control Valve Breakdown, 31574



02392 - 550E

Ref.	Part No.	Serial Number	Description	Qty.
▽	31574	(000000-) Valve, Hydraulic, Solenoid	1
▲	1 04198	(000000-) Seal Kit	1
▲	2 31642	(000000-) Inlet Section	1
▲	3 31643	(000000-) Valve Section	1
▲	4 02542	(000000-) Coil, 36 V	2
▲	5 02520	(000000-) Valve Section, Manual	1
▲	6 02519	(000000-) Handle Assembly, Complete	1
▲	7 04525	(000000-) Nut, Solenoid	2
▲	8 04185	(000000-) Linkage Kit, Handle	1

Fig. 9 - Hydraulic Cylinder Breakdown, 04431



03175 - ALL

Ref.	Part No.	Serial Number	Description	Qty.
▽	04431	(000000-) Cylinder, Hydraulic	1
▲	1 47801	(000000-) Fitting, Grease	1
▲	2 04499	(000000-) Bearing	1
▲	3 04477	(000000-) Seal Kit	1

Fig. 10 - Electric Motor Breakdown, 76213

Ref.	Part No.	Serial Number	Description	Qty.
▽	76213	(000000-) Motor, Electric, Front	1
▲	02524	(000000-) Brush	4
▲	02525	(000000-) Brush Spring	4
▲	76206	(000000-) Harness, Wire	1
▲	76207	(000000-) Tube, Splice	2

Fig. 11 - Electric Motor Breakdown, 76214

Ref.	Part No.	Serial Number	Description	Qty.
▽	76214	(000000-) Motor, Electric, Rear	1
▲	02524	(000000-) Brush	4
▲	02525	(000000-) Brush Spring	4
▲	76205	(000000-) Harness, Wire	1
▲	76207	(000000-) Tube, Splice	2

Fig. 12 - Electric Motor Breakdown, 16450

Ref.	Part No.	Serial Number	Description	Qty.
▽	16450	(000000-) Motor, Electric (replaced by 03463)	1
▲	02526	(000000-) Brush	8
▲	02525	(000000-) Brush Spring	8
▲	79103	(000000-) Rocker Arm	1

Fig. 13 - Electric Motor Breakdown, 03462

Ref.	Part No.	Serial Number	Description	Qty.
▽	03462	(000000-) Motor, Electric	1
▲	03965	(000000-) Brush	4
▲	06334	(000000-) Spring, Brush	8

Fig. 14 - Electric Motor Breakdown, 76017

Ref.	Part No.	Serial Number	Description	Qty.
▽	76017	(000000-) Motor, Electric	1
▲	02524	(000000-) Brush	8
▲	02525	(000000-) Brush Spring	8

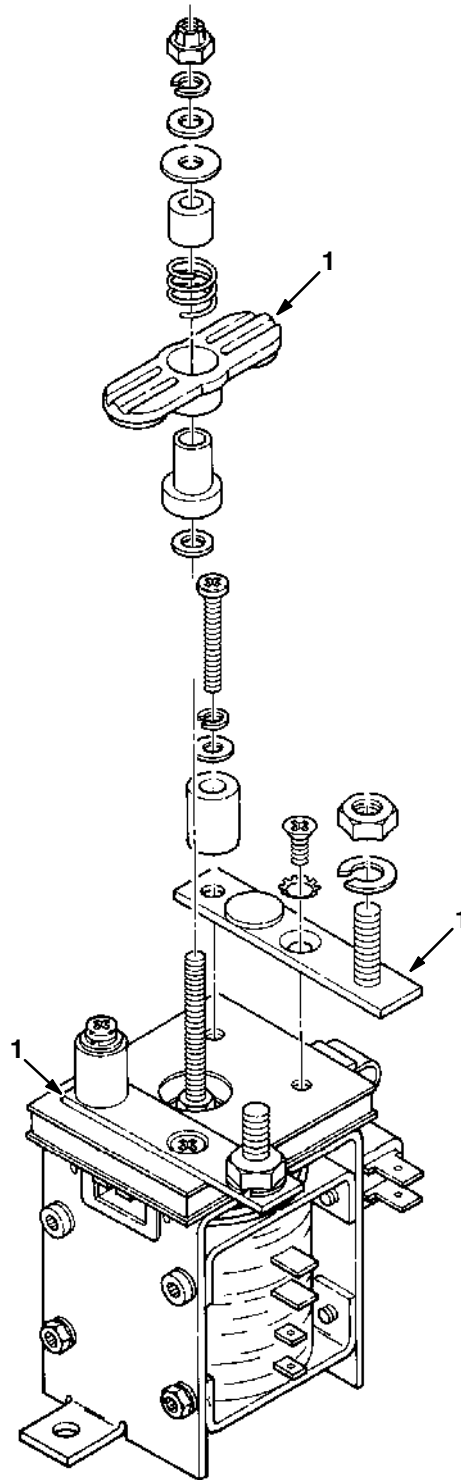
Fig. 15 - Electric Relay Breakdown, 76095

Ref.	Part No.	Serial Number	Description	Qty.
	76095	(000000-) Relay	1
	SK2220	(000000-) Contact Kit, F/76095, Replmt Rep.by76095	1

Fig. 16 - Electric Relay Breakdown, 76096

Ref.	Part No.	Serial Number	Description	Qty.
	76096	(000000-) Relay	1
	SK2218	(000000-) Replacement Kit, Contacts (Replaced by None)	1

Fig. 17 - Electric Relay Breakdown, 76092



00997 - 550E

	Ref.	Part No.	Serial Number	Description	Qty.
▽		76092	(000000-) Relay	1
▲	1	SK2219	(000000-) Replacement Kit, Contacts	1

SECTION 10

CONTENTS	PAGE
PART NUMBER TO PAGE NUMBER CROSS REFERENCE LIST	10-2
PART DESCRIPTION TO PAGE NUMBER CROSS REFERENCE LIST	10-8

CROSS REFERENCE

PART NUMBER TO PAGE NUMBER CROSS REFERENCE LIST

Part Number	Page Number	Part Number	Page Number	Part Number	Page Number
MM149	8-17	03647	6-41	08228	6-57
SK2201	9-5	03648	6-41	08298	6-55
SK2218	9-12	03649	6-33	08791	6-17, 7-3
SK2219	9-13	03706	7-7, 7-9	08877	7-3
SK2220	9-12	03745	6-25	09005	6-19, 6-23
SK2222	6-43	03823	7-7, 7-9, 8-11, 8-13	09088	6-44, 6-62
SK2223	6-44	03839	6-25	09334	6-30
SK2612	6-27, 6-45	03922	6-25	09336	6-30
00500-15	6-19, 6-23	03965	9-11	09384	8-3
00500-20	6-19, 6-23	03968	6-60	09385	8-8
00911	6-25	04045	6-62	09624	6-15, 6-66
00915	6-19, 6-23	04046	6-62	09626	6-66
00927	6-19, 6-23	04047	6-62	09663-6	6-39
00935	6-27	04048	6-44, 6-62	09689	6-65
00966	6-25	04185	9-9	09900-1	8-11
01686	6-65	04198	9-9	10120	6-44, 6-61
01726	8-15	04210	6-44, 6-62	10149	6-65
02076	6-27	04212	7-7	10150	6-65
02407	9-5	04213	6-57	10160	6-65
02408	9-5	04431	6-55, 9-10	1027165	8-9
02409	9-5	04477	9-10	1027563	8-9
02410	9-5	04499	9-10	1027801	8-9
02430	9-2	04525	9-9	10392	8-17
02431	6-30	04595	8-16	10464	6-25
02455	6-2	04597	8-16	1057970	7-3
02456	6-2	04598	8-16	1061174	6-39
02457	6-2	04733-12	6-15	10632-1	6-7
02458	6-2	05928	6-60	10632-12	6-7
02460	6-2	06222	7-11	10632-19	8-8
02464	6-55	06223	6-2, 6-3, 7-11	10632-2	6-7
02465	6-2	06224	6-59, 7-7, 7-11	10632-4	6-8
02470	9-4	06227	6-59, 7-7, 7-11	10701	8-3, 8-8, 8-9
02519	9-9	06228	6-59, 7-7, 7-11	10829	6-29
02520	9-9	06229	6-2, 6-3, 7-7	10830	6-44
02524	9-11, 9-12	06230	7-7	11048	6-15
02525	9-11, 9-12	06231	7-7	11399	6-17, 6-45, 7-3, 8-7
02526	9-11	06279	6-15	11442-7	7-4
02528	9-4	06332	6-2, 6-3, 6-57	11442-8	7-4
02529	9-4	06333	6-57	11476	6-12, 6-13, 6-15
02530	6-65	06334	9-11	11531	6-2, 6-3, 7-7, 7-9
02542	9-9	06418	6-20, 6-21, 6-55	11716	6-15
02549	6-51, 6-53	06474A	6-10	11870	7-4
02585	6-39	06526	6-8	12052	6-17
02589	6-15	06573	6-19, 6-23	12060	6-17, 7-4
02817	7-3	06837	6-55	12072	6-17, 7-3
02818	7-3	06843	6-43	12074	6-17, 7-3
02984	6-20, 6-21	06844	6-43	12087	6-30
02997	6-8	06845	6-55	12259	6-10
03292B	8-6	06846	6-55	12776	7-4
03395	8-16	07259	6-55	12829	6-41
03404	7-11, 7-13	07316-15	6-19, 6-23	12876	6-5
03405	7-11	07422	7-5	13611	6-55
03408	8-16	07423	6-33, 8-3, 8-8, 8-9	13959	8-8, 8-9
03409	8-16	07484	7-4	14141	6-33, 6-34
03462	6-27, 9-11	08099	6-55	14326	6-15
03464	6-27	08100	6-55	14330	6-43
03635	6-41	08174	6-15	14331	6-43
03639	6-41	08175	6-19, 6-23, 6-65	14346	6-33

CROSS REFERENCE

Part Number	Page Number	Part Number	Page Number	Part Number	Page Number
14347	6-34	25656	6-57, 6-59, 7-7	33619	6-62
14432	8-13	25661	6-45	33620	6-61
14700-1	6-29	25663	6-57, 6-59, 7-7, 7-11	33622	6-7, 6-61
14700-2	6-29	25665	6-2, 6-57, 6-59, 7-7, 7-11	33729	6-7
14700-3	6-29			33732	7-9
14700-4	6-29	25928	7-11	33734	6-62
14700	6-29	26015	6-2, 6-57, 6-59, 7-7, 7-11	33743	6-65
14834	6-19, 6-23			33744	6-65
14877	6-17, 7-3	26103	6-8	33745	6-65
15331	6-25, 6-55	26156	6-11	33746	6-65
15398	6-15	26315	6-43	33747	6-65
16400	6-25	26439	6-55	33748	6-65
16401	6-25	26565	6-15, 6-17, 7-4	33749	6-65
16440	7-5	26663	6-43	33782	8-3
16450	6-27, 9-11	27184	6-31, 6-33	33783	8-3
16456	6-46	27474	6-6	34359	6-15
16485	7-3, 9-2	27978	8-9	35486	6-53
16669	6-8	28165	6-2, 6-57, 6-59, 7-7, 7-11	36328	6-20, 6-21, 6-66
17269	6-29			36466	6-66
18217	6-33	29035	7-4	375613	6-25
19207	6-45	29718-1	6-23	36644	6-57, 6-59, 7-9, 7-13
19317	8-9	30140	9-4	369702	6-7
19659	6-55	30145	7-7	369849	7-11
19897	8-15	31313	6-17	370133	6-65
19960	9-3	31554	6-15, 6-66	37089	6-7
20021	6-65	31558	6-51, 6-53	372895	9-4
20833	6-65	31563	6-51	372896	9-4
21665	6-41	31565	6-51, 6-53	374240	6-43
21666	6-33, 6-34	31566	6-51, 6-53	37524	6-43
21725	6-34	31567	6-51, 6-53	375615	6-25
22134	6-10	31568	6-51, 6-53	375724	7-10, 7-13
22297	6-2, 6-3, 6-11, 6-20, 6-21, 6-57	31570	6-51, 6-53	37655	9-4
		31572	6-49	37656	9-4
22892	6-33, 8-15	31573	6-49	378968	6-2, 6-45
23191	6-11	31574	6-46, 9-9	378996	6-2, 6-25
23498	6-2, 6-3, 6-25, 6-57, 6-59, 7-7, 7-9, 7-11, 7-13	31615	6-25	386694	6-19, 6-23
		31623	6-46	38873	9-6
		31642	9-9	38941	9-4
23515	6-17, 7-3	31643	9-9	391801	6-27
23563	7-4	31652	6-41	391839	8-11, 8-13
24227	8-8, 8-9	31672	6-51, 6-53	39274	6-19, 6-23
24339	6-42, 6-60	31684	6-6	39332	6-27
25014	6-44	31705	6-62	39347	6-55
25018	6-15	32126	6-62	39348	6-15
25186	6-6	32376	6-23	39527	6-19, 6-23
25195	6-20	32415	6-64	39611	8-11
25219	6-15	32477	6-44	39697	6-7
25220	6-15	32486	6-12, 6-13	39772	6-39
25224	6-15	32490	6-10	39810	6-12, 6-13
25312	8-7	32492	6-65	398205	7-7, 7-9
25384	6-25	32493	6-10, 6-19, 6-23, 6-64	398290	8-15
25532	6-34	32514	6-7	398344	6-3
25632	6-25	32524	6-15	39912	6-55
25636	6-25	32724	6-55	40052	6-25, 6-57, 7-7, 7-9
25637	6-25	32798	7-5	40076	6-20, 6-21
25639	6-25	32985	6-64, 6-65	40171	8-11, 8-13
25640	6-25	330710	8-17	40173	8-11, 8-13
25641	6-25	33510	6-65	40354	6-44, 6-61
25649	6-2, 6-3, 6-59, 7-11, 7-13	33617	6-62	40390	6-20, 6-21, 6-25
		33618	6-62	40496	6-25

CROSS REFERENCE

Part Number	Page Number	Part Number	Page Number	Part Number	Page Number
40550	6-57, 7-7, 7-9	44031	6-17, 7-3	49226	6-33
40565	6-25, 6-45	44307	6-8	49260	6-33
40575	6-12	44310	6-29	49262	8-8
40646	6-12, 6-13	44662	6-33, 6-34	49263	6-31, 6-33, 6-55
40670	8-11, 8-13	44681-1	8-3	49266	6-34, 8-8, 8-9
40671	8-11, 8-13	44681-2	8-3	49681	6-10
40678-1	6-59	44681	8-3	49924	7-11
40758	6-12, 6-13	44683-1	8-3	50304	6-44, 6-62
40759	6-12, 6-13	44683-2	8-3	50456	8-11
40840	6-25, 6-45	44683	8-3	50493	6-10
40846	6-15	44828	6-30	50518	6-2, 6-3, 6-59
40870-1	6-2, 6-3, 6-25	44847-1	6-44	50544	6-17
40870-2	6-57	44847	7-3	50646	6-7
40870-4	6-25	44892	6-34	50692	8-15
40870-7	6-2, 6-3	44961	6-7, 6-31, 6-33, 6-44	50788	8-11, 8-13
40870	7-7, 7-9	45223	8-3	50789	8-11, 8-13
40999A	6-20, 6-21	45224	8-3	50790	8-11
41007	6-25	45261	6-8	50836	6-8
41016	6-7	45365	8-8, 8-9	50845	6-2, 6-3, 6-11
41032	6-20, 6-21	45366	8-8, 8-9	50864	6-25
41063	6-17, 7-3	45375	8-8, 8-9	50902	6-17, 7-3
41066	6-55	45389	8-8, 8-9	51046	6-20, 6-21
41073	6-55	45390	8-8, 8-9	51103	6-15
41074	6-55	45405	7-3	51109	6-43
41081	6-55	45595	7-5	51185	8-11
41082	6-55	45635	8-9	51304-1	6-10
41083	6-55	46236	6-43	51317	6-20, 6-21
41084	6-55	46314	8-3	51448	6-19, 6-20, 6-21, 6-23
41112	6-62	46800	6-11	51449	6-21, 6-23
41130	6-25	47010-1	6-29	51452	6-19, 6-23
41169	6-57, 6-59, 7-9, 7-13	47010-2	6-29	51458	6-8
41295	7-3	47010-3	6-29	51459	6-8
41702	6-31, 6-33	47010-4	6-29	51530	6-65
42034	6-57	47010-6	6-29	51534	6-66
42038	6-57	47010-7	6-29	51545	6-44, 6-61
42082	8-11	47164	6-33, 8-3, 8-8, 8-9	51562	6-33, 6-44, 6-61
42120-2	6-55	47178-13	6-30	51564	6-20, 6-21, 6-66
42120-4	6-55	47178-4	7-5	51779	6-49
42120-9	6-15	47504	6-46	51787	6-7
42120	6-15	47522	6-46	51938	6-19, 6-20, 6-21, 6-23
42126	6-19, 6-20	47745	6-65	52163	6-43
42132-1	6-61	47801	6-25, 9-10	52296	6-17, 7-3
42133A-1	6-17	47845	6-17	52402	6-45
42133A	6-17, 7-3	47846-3	7-3	52615	6-8
42153A	6-17	47846	6-17, 7-3	53076	6-49
42215	6-49	47848	7-3	53078	6-43
42240	6-10	48126	6-43	53079	6-43
42311	6-55	48183	6-7	53355-1	6-57
42331-1	6-25	48252	8-9	53963A	6-15
42399	6-55	48884	6-65	54041	6-66
42498	6-20	48888	6-42, 6-60	54333	7-3, 7-11, 7-13
42499	6-19	48889	6-42	55586	6-66
42639	6-21, 6-23	48890	8-14	55619	6-49
42779	6-57	48891	6-60	55685	6-46
42809	6-25	48892	8-14	55740	6-2, 6-49
42834-1	6-7	48901	6-15	56690	6-29, 6-46
43203	6-8	48902	6-7	56820	6-29, 6-55
43363	6-8, 7-7, 7-9	49023	8-9	56903	6-17, 7-3
43555	6-2, 6-3, 6-59, 7-11, 7-13	49029	8-9	56992	6-30
		49047	6-33	57152	9-6

CROSS REFERENCE

Part Number	Page Number	Part Number	Page Number	Part Number	Page Number
57156	9-6, 9-7	69571	6-7	75247	6-10
57288	6-53	74094	9-6	75249	6-43
57567	6-62	74097	9-6	75258	6-7
57630	6-57, 7-7, 7-9	74105	9-6, 9-7	75259	9-4
57676	6-29	74109	9-6, 9-7, 9-8	75262	6-10
57982	6-29, 9-6	74110	9-6, 9-7, 9-8	75263	6-10
58107	6-25	74111	9-6, 9-7, 9-8	75264	6-10
58114	6-25	74112	9-6, 9-7, 9-8	75267	6-6
58596	9-6, 9-7, 9-8	74174	9-8	75268	6-6
59617	6-2, 6-3, 6-12, 6-13	74176	6-29, 9-7	75269A	6-44, 6-62
59632	6-65	74181	9-7	75271	9-4
59633	6-12, 6-13, 6-65	74182	9-7, 9-8	75272	6-8
59634	6-65	74186	9-6, 9-7	75274	6-39, 9-4
59639A	6-64	74187	9-6, 9-7	75275	6-10
60015	6-2, 6-3, 6-12, 6-13	74188	9-6, 9-7	75276	6-44
60016	6-2, 6-3, 6-65	74189	9-6, 9-7	75280	6-10
60018	6-2, 6-3, 6-64	74190	9-7, 9-8	75281	6-10
61157	7-7, 7-9	74194	9-8	75283	6-45
61170	6-57, 6-59, 7-9, 7-13	74195	9-6, 9-7, 9-8	75285	6-43
61171	6-57, 6-59, 7-9, 7-13	74218	9-6, 9-7, 9-8	75286	6-42
61174	6-57, 6-59, 7-9, 7-13	74251	9-6, 9-7, 9-8	75287	6-10
61175	6-57, 6-59, 7-9, 7-13	75045	6-57	75289	6-10
61176	6-57, 7-9	75049	6-64	75290	6-10
61181	6-57, 6-59, 7-9, 7-13	75050	6-65	75292	6-10
61187	7-13	75054	8-11, 8-13	75294	6-30
61188	7-13	75072-5	6-62	75296	6-55
61189	7-13	75073	6-62	75297	6-10
61245	6-59, 7-13	75075	6-62	75307-1	6-7
61259	6-63	75076	6-2, 6-3, 6-59, 8-11	75313	6-34
61260	6-63	75081A	6-59	75314	6-17, 7-3
61261	6-63	75095	8-11	75316-1	6-7
61693	6-25	75096	6-59	75318	6-17
61700	6-25	75098	6-59	75319	6-17, 7-3
62595-11	6-7	75103	6-57	75326	6-29
62595-18	6-7	75106	6-57	75338	9-4
62595-5	6-7, 7-3	75108	8-4	75341	6-39
62595-7	6-7	75118	8-11, 8-13	75344	6-25
63182-1	7-3	75119	6-17, 7-3	75346	6-42, 6-60
63184-5	7-3	75127	8-11, 8-13	75360	6-42
63184-6	7-3	75128	8-11, 8-13	75365	6-42, 6-60
63255	6-30	75132	6-63	75368	6-44
63511	6-57, 7-7, 7-9	75136-1	6-63	75369	6-44, 6-62
63814	7-5	75136	6-63	75371	6-10
63837	7-5	75144	8-4	75375	6-55
63921	9-2	75156	6-59	75379-1	6-6
63922	9-2	75170	6-59	75379	6-6
63923	9-2	75171	6-59	75386	6-8
63924	9-2	75174	6-59, 7-11	75389	6-45
63925	9-3	75175	6-59, 7-11	75390	6-8
64685	7-11, 7-13	75182	6-57	75395	6-7
64778	7-3	75188	6-57	75396	6-45
64903	6-6	75190	6-63	75417	6-7
64950	6-43	75197	7-3	75418	6-7
65235	9-8	75203	6-7	75430	6-7
65241	9-7	75207-1	6-6	75433	6-9
65242	6-29, 9-8	75224	6-44	75434	6-9
65891	7-7	75225	6-44	75435	6-9
65892	6-57	75236	6-6	75439	6-9
68275	6-8	75237-3	6-7	75454	6-25
68567	6-8	75243	6-7	75456-1	6-25

CROSS REFERENCE

Part Number	Page Number	Part Number	Page Number	Part Number	Page Number
75456-2	6-25	75681	6-11	76031	6-30
75456-3	6-25	75691	6-19, 6-23	76035	8-8, 8-9
75456-4	6-25	75692-1	6-19	76037	8-3
75456	6-25	75694-1	6-19	76043	6-45, 9-5
75460	6-39	75696	6-19	76048	6-33
75461	6-25	75702	6-12	76058	6-43
75467	6-25	75703	6-13	76059	6-43
75480A	6-7	75706	6-23	76062	6-8, 6-31, 6-33
75492	8-11, 8-13	75711	6-2, 6-3, 6-12, 6-13	76063	6-15
75493	8-11, 8-13	75712	6-12	76068	6-7
75501-1	6-12	75713	6-13	76072	6-7
75501B	7-4	75718	6-5	76073	6-7
75520	6-19, 6-23	75722	6-5	76075	7-3, 8-7
75528	6-12, 6-13	75740	6-12, 6-13	76076	8-7
75530	6-11	75744	6-23	76087	6-43
75535	6-44	75749	6-23	76092	6-33, 9-13
75550	6-11	75750	6-19	76093	6-6
75569	6-11	75757	6-12, 6-13	76095	6-33, 9-12
75570	6-11	75760	6-19, 6-20	76096	6-33, 9-12
75571	6-11	75761	6-20, 6-21	76106	6-34
75572	6-11	75764	6-15	76107	6-31
75575	6-11	75766	6-15	76108	6-33
75577	6-19, 6-23	75768	6-19, 6-23	76118	6-7, 6-8
75578	6-19, 6-23	75769	6-19	76120	6-30
75579	6-19, 6-23	75772	6-23	76121	6-30
75588	6-12, 6-13	75773	6-19	76123	6-30
75592	6-12, 6-13	75774	6-23	76125	6-34
75596A	6-17	75780	6-19, 6-23	76126	6-34
75597A	6-17	75781	6-20, 6-21	76127	6-34
75600	6-19, 6-20	75786	6-19, 6-23	76128	6-34
75601A	6-17	75788	6-12	76129	6-34
75604	7-3	75789	6-13	76130	6-34
75607	6-11	75790	6-12	76131	6-30
75611	6-17, 6-57	75791	6-12	76132	6-30
75616	6-15	75795	6-13	76134	6-41
75617	6-15	75796	6-13	76138	6-30
75622	6-15	75799	6-2, 6-3, 6-12, 6-13	76140	6-6
75627	6-15	75801	6-17, 7-3	76143	6-33
75631	6-21	75802-1	6-17, 7-4	76144	6-33
75634	6-11	75803	6-17, 7-3	76147	8-15
75635AM	6-2, 6-3, 6-57, 7-7, 7-9	75811	6-6	76148	8-15
75636	6-11	75812	6-6	76150	6-6, 6-7
75638	6-11	75813	6-6	76151	6-6
75642	6-11	75814	6-6	76152	8-11
75643	6-11	75815	6-59	76153	8-11
75648	6-11	75816	6-57	76154A	8-11
75649	6-11	75903	8-2	76157	6-57, 7-7, 7-9
75652	6-19, 6-23	75904	8-8	76158	6-7
75654	6-21	75905	8-11	76159	6-13
75655	6-21	75906	8-4	76160	6-41
75656	6-20	75912	8-15	76161	6-41
75657	6-20	75914	8-3	76162	6-41
75661-1	6-23	75923	8-7	76163	6-41
75663	6-19, 6-23	75928	8-15	76164	6-41
75668	6-19, 6-23	75977	6-65	76165	6-41
75669	6-23	76012	6-33	76166	6-41
75671	6-19, 6-23	76017	6-39, 9-12	76167	6-41
75672	6-19, 6-23	76020	8-15	76168	6-41
75673	8-4, 8-5	76024	6-7	76169	6-41
75680-1	6-23	76028	8-15	76171	6-10

CROSS REFERENCE

Part Number	Page Number	Part Number	Page Number	Part Number	Page Number
76172	6-41	76915	6-55	79464	7-11, 7-13
76173	6-34	76921	6-64	79471	7-11, 7-13
76174	6-41	76922-1	6-64	79472-1	7-11, 7-13
76182	6-41	76927	6-64	79473-1	7-11, 7-13
76183	6-41	76937	6-2, 6-3, 6-65	79474	7-11, 7-13
76186	6-31, 8-8, 8-9	76943	6-65	79475	7-7, 7-9
76187	6-31, 8-8, 8-9	76946	6-65	79476	7-11, 7-13
76189	8-15	76974-1	6-65	79477	7-11, 7-13
76191	8-11, 8-13	76978	6-64, 6-65	79478	7-11, 7-13
76192	8-11, 8-13	76979	6-64	79484	7-3
76198	8-8, 8-9	76984-1	6-64	79488	7-11, 7-13
76201	6-7	76988	6-65	79491	7-3
76202A	6-7	76997	6-66	79492-1	7-3
76204	6-6	77097	6-15, 6-66	79495	7-3
76205	9-11	78059	6-63	79497	7-3
76206	9-11	78078	6-15	79500	6-2, 7-7, 7-9, 7-11, 7-13
76207	6-39, 9-11	78080	6-43	79507	8-13
76211	6-19, 6-23	78093	6-65	79508-1	8-6
76213	6-19, 9-11	78096	6-64	79515	8-6
76214	6-23, 9-11	78099	8-4, 8-5	79517	8-6
76218	6-19, 6-20	78101	8-4, 8-5	79518	8-6
76227	6-33	78118	6-7	79532	8-13
76231	6-41	78127	8-7	79535	8-13
76234	6-30	78156	8-14	79538	8-13
76240	6-41	78189	6-60	79545	6-2, 6-3, 7-11, 7-13, 8-13
76247	6-31	78398	7-3	79546	8-13
76269	6-65	78560	6-66	79547	8-13
76306	6-30	78561	6-66	79557	6-2, 6-3, 7-7, 7-9
76340	6-65	78562	6-12, 6-13	79558	7-7, 7-9
76353	6-65	78641	6-64	79567	7-7, 7-9
76355	6-7	78642	6-65	79570	7-11, 7-13
76370	7-14	78670	6-63	79572	7-3
76390	6-65	78673	6-63	79598	6-19, 6-23
76391	6-65	78695	6-65	79599	6-19, 6-23
76392	6-64	78795	6-65	79605	6-8
76395	6-2, 6-3, 7-7, 7-9	78802	6-2, 6-3	79606	7-4
76403	7-7, 7-9	78819	6-59, 7-7, 7-11	82833	6-55
76426	6-57, 6-59, 7-7, 7-9, 7-11, 7-13, 8-11, 8-13	79103	9-11	82958	6-57, 6-59, 7-9, 7-13
76532	6-2, 6-3, 6-57, 7-7, 7-9	79273-2	7-3	86315	6-33
76568	6-19, 6-23	79273-4	7-3	86362	6-8
76628	6-15	79273	7-3	87284	6-33, 6-34
76736	6-10	79300	7-3	87579	6-12, 6-13, 6-57
76816	6-44, 6-61	79301	6-11, 7-4	9001910	8-9
76828	6-2, 6-3, 6-57, 7-7, 7-9	79314	7-5		
76858	8-2	79318	7-5		
76859	8-2	79326-1	7-3, 9-3		
76860	8-2	79332	7-11		
76861	8-2	79367	7-11, 7-13		
76862	8-2	79390	7-11		
76863	8-14	79391	6-2, 7-11		
76867	6-9	79392	6-59, 7-11		
76868	6-9	79396	7-7		
76869	6-7	79410	7-5		
76877	8-8	79414	7-11		
76880	8-5	79424	7-11, 7-13		
76881	8-5	79426	8-5		
76896	6-64	79440	8-8		
76903	6-44, 6-61	79445	7-3		
76904	6-44, 6-61	79453	7-10, 7-13		
		79460	8-13		

PART DESCRIPTION TO PAGE NUMBER CROSS REFERENCE LIST

A

Adapter Kit, Suction Tube, 8-11
 Adapter, Cylinder Rod, 6-66
 Adapter, Squeegee Wand, 8-11
 Adaptor, Cylinder, 6-65
 Adaptor, Squeegee Wand, 8-13
 Adaptor, Tank, 8-13
 Adaptor, Wand Hose, 8-13
 Adjuster Assembly, Seat, 6-8
 Adjuster, Rear, 6-64
 Adjuster, Seat, 6-8
 Ammeter, 6-30
 Angle, Battery Hold-down, 6-7
 Angle, Brake Adjustment, 6-44, 6-61
 Arm Assembly, Vertical Block, 6-65
 Arm Assembly, 6-64
 Arm, Control, 6-17, 7-3
 Arm, Front Brush Drive, 6-19
 Arm, Front Brush Idler, 6-20
 Arm, L.H., 6-64
 Arm, R.H., 6-65
 Arm, Rear Brush Drive, 6-23
 Arm, Rear Brush Idler, 6-21

B

Back Frame, 6-7
 Ball Joint, 6-10, 6-66
 Ball, Float, 6-57, 7-7, 7-9
 Ball, 9-6, 9-7
 Band, Front, Squeegee, 6-64
 Band, Rear, Squeegee, 6-65
 Band, Squeegee Retaining, 6-13
 Band, Squeegee, Retaining, 6-12
 Bar, Extension, 6-44
 Bar, Flt, Rbr, 0.38 X 6.00 X 18.00l, 6-3
 Bar, Mounting, 6-17, 7-3
 Barrel, Trip, 6-65
 Base, Plywood, Battery, 6-7
 Basket, Soap, 6-59
 Battery, 36 V, 510 Ah, Exide, 8-15
 Battery, 36 V, 840 Ah, Exide, 8-15
 Bearing And Seal Kit, 9-4
 Bearing Assembly, 6-62
 Bearing, Bal, 6-25
 Bearing, Ball, 1.00b 2.00d 0.50w [2seal],
 6-19, 6-23
 Bearing, Fiberglide, 6-64, 6-65
 Bearing, Flange, 6-43, 6-65
 Bearing, Liner, 6-55
 Bearing, Needle, 9-6, 9-7, 9-8
 Bearing, Pillow Block, 6-64
 Bearing, Self-aligning, 6-55
 Bearing, Sleeve, 6-11
 Bearing, Thrust, 6-12, 6-13, 6-55
 Bearing, 6-10, 6-11, 6-15, 6-19, 6-20, 6-21,
 6-23, 6-25, 6-55, 9-10
 Bellcrank, 6-17, 7-3
 Belt, V, [3v] 28.0l [Hc38], 6-2
 Belt, V, [3v] 56.0l [Hc38], 6-2
 Blade, Front, Squeegee, Urethane, 6-66

Blade, Front, Squeegee, 6-64
 Blade, Front, 6-2
 Blade, Rear, Squeegee, Urethane, 6-66
 Blade, Rear, Squeegee, 6-65
 Blade, Rear, 6-2
 Blade, Sqge, Front, Linatex, 6-3
 Blade, Sqge, Linatex, Side, 6-3
 Blade, Sqge, Rear, Linatex, 6-3
 Blade, Squeegee, Urethane, 6-12, 6-13
 Blade, Squeegee, 6-2, 6-12, 6-13, 8-16
 Block, Fuse, 6-33, 6-34
 Bolt, Eye, 6-25, 6-65
 Bolt, 6-17, 7-3
 Boot, Pushbutton, 8-15
 Boot, Toggle Switch, 8-15
 Box, Control Panel, 6-7
 Bracket Assembly, 6-25
 Bracket, Bearing Mount, 6-23
 Bracket, Bearing, L.H., 6-19
 Bracket, Bearing, R.H., 6-20
 Bracket, Bearing, 6-21
 Bracket, Bridge, 6-12, 6-13
 Bracket, Cable Mount, 6-61
 Bracket, Caster, 6-65
 Bracket, Centering Spring, 6-10
 Bracket, Door Hinge, 6-59
 Bracket, Hinge, L.H., 7-11
 Bracket, Hinge, R.H., 7-11
 Bracket, Hose, 6-7
 Bracket, L, 6-10
 Bracket, Motor Mounting (Replaced by
 none), 6-27
 Bracket, Mounting, 6-19, 6-25, 6-34, 6-45,
 6-63, 6-65, 7-3
 Bracket, Parking Brake, 6-44, 6-62
 Bracket, Relay Mounting, 6-33
 Bracket, Resistor Mounting, 6-6
 Bracket, Seat Spring, 6-8
 Bracket, Squeegee Wand Mount, 8-13
 Bracket, Squeegee Wand Storage, 8-13
 Bracket, Switch Mounting, 6-65
 Bracket, Switch, 6-44, 6-65, 7-3
 Bracket, Taillight, 8-8, 8-9
 Bracket, U, 8-11
 Bracket, Valve Mounting, 6-46
 Bracket, Water Valve Mounting, 6-17, 7-4
 Bracket, 6-25, 8-4, 8-13
 Brake Assembly, Hydraulic, 6-43
 Brake Cylinder, Master, 6-43
 Brake, Parking (Replaced by none), 6-62
 Brake, Parking, 6-44, 6-62
 Breather, Chain Case, 6-19, 6-23
 Brush Assy, Strip, 4.0l, Pyp, 6-3
 Brush Kit, Repair, 6-5
 Brush Spring, 9-11, 9-12
 Brush, Abrasive Bristle, 6-5
 Brush, Polypropylene, 6-5
 Brush, 6-2, 6-12, 6-13, 9-11, 9-12
 Bulb, 8-8, 8-9
 Bumper Kit, Heavy Duty, 8-4, 8-5
 Bumper, Rear, L.H., 6-63

Bumper, Rear, R.H., 6-63
 Bumper, Rubber, 6-7, 6-8
 Bumper, Scrub Head, 8-4
 Bumper, Scrubber Head, 8-5
 Bumper, Solution and Recovery Tank, L.H.,
 8-5
 Bumper, Solution and Recovery Tank,
 R.H., 8-5
 Bumper, Solution and Recovery Tank, 8-4
 Bumper, Tractor, L.H., 8-4, 8-5
 Bumper, Tractor, R.H., 8-4, 8-5
 Bushing, Bronze, 6-45
 Bushing, Seal, 9-6, 9-7, 9-8
 Bushing, Spanner, 6-65
 Bushing, 6-25
 Button, Horn, 6-29

C

Cable Assembly, Brake, Separate Spring,
 6-44
 Cable Assembly, 6-61
 Cable, Control, 7-3
 Cable, Solution Control, 6-17
 Cage, Coil, 6-8
 Cam, 6-10
 Cap Screw, 9-8
 Cap Screw, 9-6, 9-7
 Cap, Contact, 6-29
 Cap, Cyl Assy, Master Brake, 6-43
 Cap, Dust, 6-62
 Cap, End, 9-7, 9-8
 Cap, Filler, 7-10, 7-13
 Cap, Hub, 6-60
 Cartridge Kit, 9-5
 Caster Kit, 6-65
 Caster, 6-65
 Catch, Rubber, 8-11
 Catch, 8-13
 Chain and Hook Assembly, 6-12
 Chain Assembly, Door, 6-13
 Chain Assembly, Front, 6-19
 Chain Assembly, Rear, 6-23
 Chain, Drain Plug, 7-7, 7-9
 Chain, Link, 6-7
 Chain, 6-8, 6-12, 6-13
 Channel, Bearing Cover, 6-19, 6-20
 Charger Kit, Battery, 36 V, 60 Hz, 3 PH,
 Exide, 8-15
 Charger, Battery, 36 V, Gould, 8-15
 Charger, Battery, 36 V, Mac, 8-15
 Charger, Battery, Mac, 36 V, 50 Hz, 3 PH,
 8-15
 Circuit Breaker, 6-30
 Clamp, Cable, 6-7, 6-10, 6-17, 6-59, 8-3,
 8-8
 Clamp, Hose, Wormdrive, 1.06-2.00d, 6-3
 Clamp, Hose, Wormdrive, 1.56-2.50d, 6-3
 Clamp, Hose, Wormdrive, 1.62-3.50d, 6-3
 Clamp, Hose, Wormdrive, 3.56-4.50d, 6-3
 Clamp, Hose, 6-7, 6-17, 7-3

Clamp, Squeegee Band, 6-65
 Clamp, Toggle, 7-7, 7-9, 8-11
 Clamp, Tube, 6-43
 Clamp, Wire, Self Stick, 8-8
 Clamp, Worm Drive, 6-2, 6-11, 6-17, 6-20, 6-21, 6-25, 6-45, 6-57, 6-59, 7-3, 7-7, 7-9, 7-11, 7-13, 8-7
 Clamp, 8-13
 Clevis and Pin, 6-17, 7-3
 Clevis, Adjustable, 6-43
 Clevis, Brake Cable, 6-44
 Clevis, 6-62
 Clip, Drain Hose Retainer, 6-57, 7-7, 7-9
 Clip, Finger Grip, 8-11, 8-13
 Coil, 36 V, 9-9
 Collar, Locking, 6-10
 Column, Steering, 6-29
 Connector Kit, Tubing, 9-2
 Connector, 12 Plug, 6-41
 Connector, 6 Plug, 6-41
 Connector, Assembly, 6-41
 Connector, Gray, 175 A, 8-15
 Connector, Gray, 350 A, 8-15
 Connector, Nipple, 7-4
 Connector, 6-33, 7-3, 7-4
 Console, Instrument, 6-30, 7-5
 Contact Kit, F/76095, Replmt Rep.by76095, 9-12
 Contractor, 7-3
 Control Assembly, MFR, 6-34
 Control Panel Assembly, 7-5
 Control Valve Kit, 9-5
 Control, Steering (See Breakdowns), 6-29
 Coupling, 7-4
 Cover Assembly, Recovery Tank Cleanout, 6-59
 Cover Cap, 9-6
 Cover, Access, 7-7
 Cover, Chain Housing, 6-19, 6-23
 Cover, Grease Fitting, 6-20, 6-21
 Cover, Grease, 6-25
 Cover, Headlock, 6-15
 Cover, Horn Button, 6-29
 Cover, Large [603915], 9-4
 Cover, Oil Fill, 6-19, 6-23
 Cover, Pump, 7-3
 Cover, Sandblast, 7-9
 Cover, Small [14-02-039-005], 9-4
 Cover, Terminal, 6-27
 Crank Replacement Kit, 9-2
 Cup, Contact, 6-29
 Cylinder, Hydraulic (See Breakdowns), 6-55
 Cylinder, Hydraulic, 6-15, 6-66, 9-10

D

Decal, 15 A Fuse, 6-33
 Decal, 15 A Label, 8-3
 Decal, 15 A, 8-8, 8-9
 Decal, 72 V, 6-7
 Decal, Battery Requirements, 6-7
 Decal, Battery, 6-30

Decal, Brush Pressure, 6-13
 Decal, Caution, Charging, 6-7
 Decal, Caution, Grades, 6-7
 Decal, Caution, Travel Slowly, 6-7
 Decal, Chain Lubrication, 6-19, 6-23
 Decal, Charging Instructions, 6-7
 Decal, Console, 6-30
 Decal, Control Panel, 7-5
 Decal, Danger, Fan Suction, 6-25, 6-57
 Decal, Danger, Keep Out, 6-57, 7-7
 Decal, Electric, 6-6
 Decal, Fan Suction, 7-7
 Decal, Fill Tank, 7-11
 Decal, Hydraulic Oil Fluid, 6-45
 Decal, Instruction, Parking Brake, 6-61
 Decal, Instruction, 8-13
 Decal, Jack Only On Pad, 7-7
 Decal, Jack Tank, 6-57
 Decal, Jacking Tractor, 6-7
 Decal, Lubricating Instructions, 6-25
 Decal, Maintenance, 6-7
 Decal, Operating Instructions, 6-7
 Decal, Squeegee, 6-30
 Decal, SRS Cleaning Solution, 7-11
 Decal, SRS, 7-7
 Decal, Stripe, L.H., 6-6, 6-57
 Decal, Stripe, R.H., 6-6
 Decal, Stripe, 6-6
 Decal, Valve Panel, 6-7
 Decal, Wand Instruction, 8-11
 Decal, Wand, 8-11, 8-13
 Decal, Warning, High Voltage, 6-6, 6-7
 Decal, Warning, Use Scrubber, 6-12
 Deflector Assembly, Brush, L.H., 6-13
 Deflector Assembly, Brush, 6-12
 Deflector Assembly, Scrub Brush, 6-11
 Deflector, Scrub Brush, 6-11
 Deflector, Spray, Rubber, 7-7, 7-11, 7-13
 Deflector, Top Sandblast, 7-9
 Deflector, 6-20
 Diode Assembly, 6-31
 Diode, Silicon, 6-34
 Disc, Brake, 6-62, 9-4
 Door Assembly, Cleanout, R.H., 7-7
 Door Assembly, Cleanout, 6-57, 7-7, 7-11
 Door Assembly, Control Panel, 6-7
 Door Assembly, Rear Cleanout, 7-11
 Door Assembly, Solution Filling, 7-11
 Door, Access, L.H., 6-6
 Door, Cleaning Solution, 7-11
 Door, Cleanout, 6-57, 6-59, 7-7, 7-11
 Door, Lower, 7-13
 Door, Solution, 6-59
 Door, Squeegee, L.H., 6-13
 Door, Squeegee, 6-12
 Door, Top Access, 6-6
 Door, Upper, 7-13
 Door, 6-57, 6-59, 7-9
 Drain Kit, Solution Tank, 8-7
 Drain Plug Kit, 7-7
 Drive, 9-6, 9-7, 9-8

E

Elbow, 45_, 7-4
 Elbow, Electrical, 6-33
 Elbow, Solution Level, 6-57
 Elbow, 6-17, 6-43, 7-3, 7-4
 Element, Hydraulic Filter, 6-2, 6-49
 Extension Kit, Side Squeegees, 8-16
 Extinguisher Kit, Fire, 8-7
 Extinguisher, Fire, 8-7

F

Fan Assembly, Vacuum, 6-25
 Fan Replacement Kit, 6-25
 Fastener Kit, Thumbscrew, 7-11
 Fastener, Nut, 6-2, 6-57, 6-59, 7-7, 7-11
 Fastener, Thumbscrew, 6-59
 Fastener, Washer, 6-2, 6-59
 Fastener, Winghead, 6-2
 Fastener, 7-7
 Fastner, Thumbscrew, 6-57, 7-7, 7-11
 Ferrule, Insulation, 6-29
 Filter Assembly, Hydraulic, 6-49
 Filter Assembly, Laminar Flow, L.H., 7-11, 7-13
 Filter Assembly, Laminar Flow, R.H., 7-11, 7-13
 Filter Replacement Kit, 7-3
 Filter, Foam, Soap Basket, 6-59
 Filter, Laminar Flow, 7-11, 7-13
 Filter, Solution Outlet, 7-11, 7-13
 Fitting, Elbow, 45_, 6-15, 6-46
 Fitting, Elbow, 6-15, 6-29, 6-46, 6-49, 6-55, 6-66
 Fitting, Grease, 45_, 6-15
 Fitting, Grease, 6-15, 6-20, 6-21, 6-25, 6-55, 9-10
 Fitting, Hyd, E45, Pm02/Pf02, 6-23
 Fitting, Plug, 6-43, 6-57
 Fitting, Restrictor, 6-46
 Fitting, Straight, 6-29, 6-45, 6-46, 6-49, 6-66
 Fitting, Tee, 6-49, 7-3
 Flange, Bearing, 6-19, 6-20, 6-21, 6-23
 Flange, Top Float, 6-57
 Flap, Containment, 6-2, 6-3, 6-12, 6-13
 Flap, Rubber, 6-2, 6-59
 Frame Kit, Squeegee, 6-65
 Frame, Rear Squeegee, 6-65
 Frame, Rear, 6-65
 Frame, Scrub Head, 7-4
 Frame, Scrubber Head, 6-12
 Frame, Side Squeegee, L.H., 6-13, 8-16
 Frame, Side Squeegee, R.H., 6-12, 8-16
 Frame, Spray Deflector, 7-11, 7-13
 Frame, Tractor, 6-6
 Fuse, 015a, Glass Tube, 32vdc, 0.25d, 8-9
 Fuse, 10 A, 7-5
 Fuse, 120 A, 6-33
 Fuse, 15 A, 6-33, 8-3, 8-8, 8-9
 Fuse, 200 A, 6-33
 Fuse, 50 A, 6-33

G

Gasket, Access Cover, 7-7
 Gasket, Air Outlet, 6-2, 6-3
 Gasket, Cleaning Solution Tank, 7-11
 Gasket, Cleaning Solution, 7-13
 Gasket, Control Panel, Side, 6-7
 Gasket, Control Panel, 6-7
 Gasket, Cover, Sandblast, 6-3
 Gasket, Cover, 7-9
 Gasket, Debris Screen, 7-7, 7-9
 Gasket, Door, Clean-Out, 6-3
 Gasket, Door, 6-2, 6-3, 6-57, 6-59, 7-7, 7-9, 7-11
 Gasket, Front Chain Cover, 6-19
 Gasket, Front Suction Tube, 6-2
 Gasket, Lower Door, 7-13
 Gasket, Motor, 6-19, 6-23
 Gasket, Oil Fill Cover, 6-19, 6-23
 Gasket, Rear Chain Cover, 6-23
 Gasket, Rear Suction Tube, 6-2, 6-59, 8-11
 Gasket, Sandblast Cover, 6-2
 Gasket, Solution Door, 6-2, 6-59
 Gasket, Suction Tube, Front, 7-7, 7-9
 Gasket, Suction Tube, 8-11
 Gasket, Tube, Suc, Front, 6-3
 Gasket, Tube, Suc, Rear, 6-3
 Gasket, Upper Door, 7-13
 Gasket, 6-2, 6-3, 8-13
 Gear Kit, 9-4
 Geroter, 9-6, 9-7, 9-8
 Grip, Handle, 8-6
 Grommet, 0.38 in (10 mm) I.D., 6-7
 Grommet, 0.63 in (15 mm) I.D., 6-7
 Grommet, 1.06 in (27 mm) I.D., 6-7
 Grommet, 2 in I.D. (50 mm), 8-8
 Grommet, 6-8, 8-3
 Guard Kit, Overhead, 8-2
 Guard, L.H., 6-63
 Guard, R.H., 6-63
 Guard, Splash, 6-12, 6-13
 Guard, Squeegee, 6-63
 Guard, Top, 8-2
 Guide, Spring, 6-64

H

Handle Assembly, Complete, 9-9
 Handle, Extension, 8-11, 8-13
 Handle, Sludge Removal, 8-6
 Harness, Hd-TI [550e], 8-9
 Harness, Taillight, Tank [550e], 8-9
 Harness, Wire, Brush Motor, 6-41
 Harness, Wire, Control Box, 6-41
 Harness, Wire, Horn Button, 6-41
 Harness, Wire, Horn, 6-41
 Harness, Wire, Instrument Panel to Control Box, 6-41
 Harness, Wire, Left Drive Motor, 6-41
 Harness, Wire, Lights, 6-41
 Harness, Wire, Right Drive Motor, 6-41
 Harness, Wire, Seat and Brake Switches, 6-41

Harness, Wire, Soft Start, 6-41
 Harness, Wire, Tank Section Auto Squeegee, 6-41
 Harness, Wire, Tractor, Auto Squeegee, 6-41
 Harness, Wire, 6-41, 9-11
 Headlight Assembly, 8-8
 Headlock Replacement Kit, 6-15
 Hinge, Seat, 6-8
 Holder, Fuse, 7-5
 Hook, Chain, 6-12
 Hook, Rubber, 8-11
 Hook, S, 6-8
 Hook, 6-13, 7-7, 7-9, 8-13
 Hopper Assembly, 6-11
 Hopper, Debris, 6-11
 Horn Button Assembly, 6-29
 Horn, 6-7
 Hose and Cuff Assembly, 8-11, 8-13
 Hose Assembly, 6-2, 6-25
 Hose Assy, Pvc, W/ Cuff, 2.0d, 48.0l, 6-3
 Hose Assy, W/1cuff, 1.5d 120l 1.5/, 6-2, 6-3, 6-57, 7-7, 7-9
 Hose Kit, Vacuum, SRSr, 6-2
 Hose, 180 in (4570 mm), 7-3
 Hose, 2 in (50 mm), 7-3
 Hose, 29 in (740 mm), 7-3
 Hose, 4 in (100 mm), 7-3
 Hose, 48 in (1213 mm), 7-3
 Hose, 49 in (1250 mm), 7-3
 Hose, 6 in (150 mm), 7-3
 Hose, Flex, Vacuum, 3.0d 20.0l, 6-3
 Hose, Flex, Vacuum, 4.0d 41.1l, 6-3
 Hose, Flex, Vacuum, 4.0d 54.0l, 6-3
 Hose, Hopper, 6-2, 6-11
 Hose, Hydraulic, 6-51, 6-53
 Hose, Rbr, 2.00id 2.40od 07.5l, 6-3
 Hose, Rear Squeegee Suction, 6-59, 7-11, 7-13
 Hose, Recovery Tank Drain, 6-57, 7-7, 7-9
 Hose, Solution Level, 6-57
 Hose, Solution, 6-17
 Hose, Squeegee, 6-2
 Hose, Vacuum Fan Exhaust, 7-7
 Hose, Vacuum Fan, 6-57
 Hose, Vacuum, 7-9
 Hose, 7-3
 Housing Rep.Bysk1924, 8-9
 Housing Assembly, Bearing, 6-55
 Housing, Bearing, 6-19, 6-23, 6-25
 Housing, Filter Mounting, 7-11, 7-13
 Housing, Front, 6-25
 Housing, Pivot, 6-55
 Housing, Pump, 9-3
 Housing, Rear, 6-25
 Housing, Steering Column, 6-6
 Hub Kit, 9-4
 Hub, Brush Drive, 6-23
 Hub, Brush, 6-19, 6-20, 6-21
 Hub, Wheel, 6-62

I

Idler Assembly, Front Scrub Brush, 6-20
 Idler Assembly, Rear Brush, 6-21
 Impeller, 6-25
 Inlet Section, 9-9
 Insulation, Back Panel, 6-9
 Insulation, Dash Panel, 6-9
 Insulation, Side Access Door, 6-9
 Insulation, Side Kick, Panel, 6-9
 Insulation, Side Panel, 6-9
 Insulation, Top Access Door, 6-9
 Insulation, 6-25
 Insulator, Fuse Block, 6-33, 6-34
 Insulator, Panel & Switchboard, 6-31
 Insulator, Panel, 6-33
 Insulator, 6-8
 Isolator, Vibration, 6-19, 6-23

K

Key, Ignition, 6-30
 Key, Square, 6-19, 6-23, 6-25, 6-27
 Key, Woodruff, 6-19, 6-23
 Kit, Maint, 800hr, 6-3
 Knob, Adjusting, 6-19
 Knob, Brush Adjusting, 6-23
 Knob, Door Latch, 6-57, 6-59, 7-9, 7-13
 Knob, 6-11, 6-15, 6-17, 7-4, 7-5

L

Label, 72V, 6-8
 Label, Brush Switch, 6-30
 Label, Danger Keep Out, 7-9
 Label, Fan Suction, 7-9
 Label, Fill Tank, 7-13
 Label, Headlock, 6-15
 Label, Info, Battery, 15a, 8-9
 Label, Jack Only On Pad, 7-9
 Label, Parking Brake, 6-7
 Label, SRS Cleaning Solution, 7-13
 Label, SRS, 7-9
 Label, Stripe, R.H., 6-59
 Label, Tire Pressure, 6-7
 Lamp Assembly, Headlight, 8-8, 8-9
 Latch, Band, 6-13, 6-57
 Latch, Cam Lock Band, 6-12
 Latch, Door, 6-6, 6-12, 6-13
 Latch, Hopper, 6-11
 Leg, Front, L.H., 8-2
 Leg, Front, R.H., 8-2
 Leg, Rear, L.H., 8-2
 Leg, Rear, R.H., 8-2
 Lens, Light, Amber, 8-3
 Lens, Light, Blue, 8-3
 Lens, Light, Red, 8-3
 Lever Assembly, Solution Control, 6-17
 Lever, Brake, 6-61
 Lever, Hand Brake, 6-44
 Lever, Headlock, 6-15
 Lift, Scrub Head, 6-15
 Light Assembly, Panel, 8-8, 8-9
 Light Kit, Hd-TI, Ci [550e], 8-9

Light Kit, Operating, SRS, 8-8, 8-9
 Light Kit, Operating, 8-8
 Light Kit, Revolving, 8-3
 Light, Panl, 36vdc, Clr [28v Lamp], 8-9
 Light, Revolving, Amber, 8-3
 Light, Revolving, Blue, 8-3
 Light, Revolving, Red, 8-3
 Link, Brush Lift, 6-19, 6-23
 Link, Centering, 6-10
 Link, Chain Connecting, 6-19, 6-23
 Link, Control, 6-10
 Link, Rear Drag, 6-65
 Link, 6-65
 Linkage Kit, Handle, 9-9
 Lip, Hopper, 6-11
 Lock, Knob Adjusting, 6-23
 Lock, Knob, Adjusting, 6-19

M

Manual Pkg, 550E, 8-17
 Manual, Cd-Rom, Oprtr & Parts, All (NA), 8-17
 Mat, Floor, 6-7
 Meter, Hour, 6-30
 Mirror Kit, 8-14
 Mirror, Rear View, 8-14
 Molding, Control Panel, 6-7
 Molding, Cover, Pump, 7-3
 Molding, Dash Panel, 6-7
 Molding, Rigid, 11.5 in (290 mm), 6-7
 Molding, Rigid, 22.0 in (560 mm), 6-7
 Molding, Rigid, 3.0 in (75 mm), 6-7
 Molding, Rigid, 7.5 in (190 mm), 6-7
 Motor (See Breakdowns) (Replaced by 03463), 6-27
 Motor Assembly (See Breakdowns), 6-19, 6-23
 Motor, Electric (replaced by 03463), 9-11
 Motor, Electric (See Breakdowns) (Replaced by 1061174), 6-39
 Motor, Electric (See Breakdowns), 6-27
 Motor, Electric, Drive, 6-39
 Motor, Electric, Front, 9-11
 Motor, Electric, Rear, 9-11
 Motor, Electric, 9-11, 9-12
 Motor, Gear, 9-2
 Mount Kit, Caster, 6-65
 Mount, Caster, 6-65
 Mount, Hydraulic Brake, 6-39
 Mount, Squeegee Wand, 8-11, 8-13
 Mount, Wand Hose, L.H., 8-11, 8-13
 Mount, Wand Hose, R.H., 8-11, 8-13

N

Nozzle Wldt, Suc, 6-11
 Nozzle, Hopper, 6-11
 Nozzle, Spray, 7-4
 Nozzle, Squeegee, 8-11, 8-13
 Nut, Adjustment, 6-44
 Nut, Hex, Flng, .25-20, 8-9

Nut, Lock, 6-55
 Nut, Locking, 6-57, 6-59, 7-9, 7-13
 Nut, Low Crown, 6-25
 Nut, Nylon, 6-55
 Nut, Slotted Hex, 6-25, 6-55, 6-62
 Nut, Slotted, 6-15
 Nut, Solenoid, 9-9
 Nut, Speed, 7-11
 Nut, Stainless Steel, 6-57
 Nut, Stainless Steel, 6-59, 7-9, 7-13
 Nut, Strain Relief, 6-33
 Nut, Wheel, 6-42, 6-60
 Nut, 6-15, 6-17, 6-19, 6-23, 6-29, 6-64, 6-65, 7-3

O

O-Ring, 6-39, 9-4
 O-ring, 6-55
 Oval, TENNANT, 6-6

P

Pad, Brake, 6-43
 Pad, Step, 6-7
 Pan, Floor, 6-7
 Panel Light Assembly, 8-8
 Panel, Back, 6-7
 Panel, Flow Tube Mounting Cover, 7-11, 7-13
 Panel, Front, 7-5
 Panel, Side Kick, 6-7
 Panel, 6-7
 Pedal, Brake, 6-43
 Pedal, Foot Speed, 6-10
 Performance Package, 400 Hour, 6-2
 Pin, Articulating Locking, 6-55
 Pin, Clevis, 6-10, 6-11, 6-15, 6-19, 6-23, 6-43, 6-44, 6-61, 6-62, 6-65, 6-66, 7-11
 Pin, Cotter, 6-15, 6-19, 6-23, 6-55, 6-65
 Pin, Door Locking, 6-12, 6-13
 Pin, Roll, 6-8, 6-10, 6-12, 6-13, 6-15, 6-20, 6-21, 6-43, 6-65, 6-66
 Pin, 9-6, 9-7, 9-8
 Pivot, Adjuster, 6-64
 Pivot, Door Hinge, 6-57, 6-59, 7-9, 7-13
 Pivot, Headlock, 6-15
 Pivot, Shaft, 6-55
 Plate, Bumper, 6-63
 Plate, Door, 6-57, 6-59, 7-9
 Plate, Light Mounting, 8-3
 Plate, Lower Door, 7-13
 Plate, Mounting, Wand Hose, 8-11
 Plate, Mounting, 6-15
 Plate, Pivot, 6-64
 Plate, Pump, Mounting, 7-3
 Plate, Seat Mount, 6-8
 Plate, Upper Door, 7-13
 Plate, Valve Mounting, 6-17, 7-3
 Plate, Wear, 9-7, 9-8
 Plate, 6-15, 6-29, 6-59, 7-10, 7-13

Plug, Brush Drive, 6-19, 6-23
 Plug, Brush Idler, 6-20, 6-21
 Plug, Expanbable, 1.5D, 7-9
 Plug, Expandable, 1.5D, 7-7
 Plug, Flushing, 6-17
 Plug, Oil Check, 6-19, 6-23
 Plug, Plastic, 6-20, 6-21
 Plug, Thread, 6-19, 6-23
 Plug, Tube, 6-17
 Plug, 6-43, 6-57, 7-7, 7-9
 Plugbutton, 6-30, 7-5
 Plunger [610801], 9-4
 Pouch, Manual, 6-8
 Power Wheel Assembly, 9-4
 Pressure Plate Kit, 9-5
 Pump Assy, Water, W/ Connector, 7-3
 Pump, Hydraulic (See Breakdowns), 6-45
 Pump, Hydraulic, 9-5
 Pump, Metering (See Breakdowns) (Replaced by 9006876), 7-3
 Pump, Metering Solution, 9-2
 Pump, Solution (See Breakdowns), 7-3
 Pump, Solution, 9-3

R

Race, Bearing, 9-6, 9-7, 9-8
 Rear Squeegee Assembly, 6-64
 Relay, 100 A, 1-DPDT, 6-33
 Relay, 100 A, 2-SPDT, 6-33
 Relay, 150 A, 1-SPDT, 6-33
 Relay, Time Delay, 6-33
 Relay, 6-33, 6-34, 9-12, 9-13
 Repair Info,Scu, 9-6, 9-7, 9-8
 Repair Kit, Brake, 6-43
 Repair Kit, Fan Assembly, 6-25
 Repair Kit, Solution Pump, 9-3
 Replacement Kit, Bellows, 9-2
 Replacement Kit, Brake Pad, 6-44
 Replacement Kit, Contacts (Replaced by None), 9-12
 Replacement Kit, Contacts, 9-13
 Replacement Kit, Tank, 6-57
 Replacement Kit, Thumbscrew, 6-59
 Replacement Kit, 6-33, 6-34
 Resistor, 20 K Ohm, 5 Watt, 6-34
 Resistor, 250 Ohm, 20 Watt, 6-34
 Resistor, 800 Ohm, 5 Watt, 6-34
 Resistor, Center Topped, 6-6
 Resistor, 6-6, 6-8, 7-3, 7-5
 Retainer, Ball, 6-57
 Retainer, Blade, 8-16
 Retainer, Brush, 6-12, 6-13
 Retainer, Chk, 9-6, 9-7
 Retainer, Deflector Skirt, 6-11
 Retainer, Hopper Lip, 6-11
 Retainer, Screw, 7-11
 Retainer, Seal, 7-11
 Retainer, Squeegee, 8-6
 Retainer, Thumbscrew, 7-11
 Rim, Tire, 6-42, 6-60
 Ring, Hose Adaptor, 6-57
 Ring, Retainer, 9-6, 9-7, 9-8

CROSS REFERENCE

Ring, Retaining, 6-19, 6-20, 6-21, 6-23, 6-25, 6-39, 6-55
Rivet, Pop, 6-8
Rivnut, (0.25 in-20), 8-11
Rivnut, 8-11
Rocker Arm, 9-11
Rod, Adjustment, 6-44, 6-61
Rod, Brake, Push, 6-43
Rod, Control, 6-10
Rod, Door Latch, 6-57, 6-59, 7-9, 7-13
Rod, Seat Spring, 6-8
Rod, Threaded, 6-25, 6-31, 6-33
Rod, Trip, 6-65
Rod, 6-65

S

Screen, Debris, 7-7, 7-9
Screen, 6-59
Screw Set, 9-6, 9-7
Screw, Bleeder, 6-43
Screw, Cap, 6-29
Screw, Hex, .25-20 X 0.75, G5, 8-9
Screw, Hex, 6-12, 6-13, 6-15, 6-55
Screw, Set, 6-19, 6-23, 6-27, 6-39
Screw, Shoulder, 6-25, 6-45
Screw, Socket, 6-20, 6-21, 6-44
Screw, Thumb, 6-64
Screws, Horn Button, Wood, 6-29
Seal Kit, Scu, 9-7, 9-8
Seal Kit, Tank Door, SRSr, 6-2
Seal Kit, Tank Door, 6-2
Seal Kit, Stg, 9-6
Seal Kit, 9-5, 9-9, 9-10
Seal, Door, 6-2, 7-11
Seal, Float Flange, 6-57
Seal, Foam, 6-7
Seal, Suction Tube, 6-57, 7-11, 7-13
Seal, Wheel Hub, 6-62
Seal, 9-4
Seat, Chk Ball, 9-6, 9-7
Seat, 6-8
Service Kit, Cleanout Door, 6-57, 6-59, 7-7, 7-11
Service Kit, Pivot Shaft, 6-55
Shaft And Bearing Kit, 9-5
Shaft Assembly, Brush, 6-20, 6-21
Shaft, Brake, 6-43
Shaft, Brush Drive, 6-19, 6-23
Shaft, Brush, 6-19, 6-23
Shaft, Control, 6-10
Shaft, Fan (Replaced by 03839), 6-25
Shaft, Fan (Replaced by 61256), 6-25
Shaft, Fan, 6-25
Shaft, Pivot, 6-15
Shaft, Squeegee Lift, 6-65
Sheave Replacement Kit, 6-27, 6-45
Sheave, Fan, 6-25
Sheave, Motor, 6-27
Sheave, 6-45
Sheet, Insulator, 6-7
Sheet, Top Sandblast, 6-2
Shield Kit, Switch, Dust, 8-15

Shield, Bearing, 6-20, 6-21
Shield, Circuit Breaker, Dust, 8-15
Shim, 0.003 in (0.07 mm), 6-25
Shim, 0.005 in (0.12 mm), 6-25
Shim, 0.010 in (0.25 mm), 6-25
Shim, 0.020 in (0.50 mm), 6-25
Shim, 0.060 in (1.52 mm), 6-25
Shim, 16 Ga., 6-44, 6-62
Shim, 20 Ga., 6-44, 6-62
Shim, Bearing Bracket, 0.06 in (1.5 mm), 6-19
Shim, Bearing Bracket, 0.06" (1.5 mm), 6-20
Shim, Bearing Bracket, 0.12 in (3 mm), 6-19
Shim, Bearing Bracket, 0.12" (3 mm), 6-20
Shim, 6-25
Shroud, Front, 6-6
Skirt, Deflector, 6-11
Skirt, 6-2
Sleeve, Bearing, 6-64, 6-65
Sleeve, Brake Disc, 9-4
Sleeve, Brake Lever, 6-44
Sleeve, Connector Spacing, 6-33
Sleeve, Hydraulic Hose, 6-51, 6-53
Sleeve, Knob, 6-23
Sleeve, Nylon, 6-55
Sleeve, 6-8, 6-11, 6-15, 6-25, 6-29, 6-61, 6-65
Slide, L.H., 6-23
Slide, R.H., 6-21
Socket, Transistor, 6-34
Solution Control Lever Assembly, 7-3
Spacer Plate, 9-6
Spacer, Bearing, 6-10
Spacer, Brake Disc, 6-62
Spacer, Brake, 6-44, 6-61
Spacer, Isolator, 6-23
Spacer, Motor, 6-19, 6-23
Spacer, Seat Adjuster, 6-8
Spacer, Spring, 6-23
Spacer, Switch, 7-3
Spacer, 6-25, 8-11, 9-6, 9-7
Spindle, Adjusting, 8-13
Spindle, 8-11
Spline, Power Wheel, 9-4
Spring Kit, Scu, 9-8
Spring Kit, Scu, 9-6, 9-7
Spring, Brake Cable, 6-44
Spring, Brush, 9-11
Spring, Centering, 6-10
Spring, Compressed, 6-19, 6-23
Spring, Tension, 6-25
Spring, 6-8, 6-11, 6-15, 6-29, 6-44, 6-62, 6-65
Sprocket, Brush Drive, 6-19, 6-23
Sprocket, Motor Drive, 6-19, 6-23
Squeegee Assembly, L.H., 6-13
Squeegee Assembly, Right Side, 6-12
Squeegee Blades Kit, Rear, 6-2
Squeegee Blades Kit, Side, 6-2
Squeegee Wand Kit, SRSr, 8-13
Squeegee Wand Kit, 8-11

Squeegee, 8-6
Standoff, Mounting Bracket, 6-34
Steer Control, Hyd #4 04.5 1300, 9-8
Steer Control, Hyd #4 05.9 150, 9-7
Steer Control, Hyd 3 6.2 1000, 9-6
Strainer, Suction, 7-4
Strip, Backup, 6-3, 6-12, 6-13, 8-16
Strip, Cable Mounting, 6-17, 7-3
Strip, Rear Backup, 6-2
Strip, Rear, Backup, 6-65
Strip, Short Terminal, 6-34
Strip, Spring, 6-65
Strip, Terminal, 6-31, 6-33
Strip, 6-44, 6-61, 7-11
Stud, Caster, 6-65
Stud, Door Latch, 6-57, 6-59, 7-9, 7-13
Stud, 6-10, 6-15, 6-62, 9-4
Support Assembly, Lower Bearing, 6-55
Support, Lower Bearing, 6-55
Switch, Cleaning Solution Metering, 7-5
Switch, Ignition, 6-30
Switch, Micro, 6-8
Switch, Press, Lamp, Stop, 2pm, 8-9
Switch, Pushbutton, 6-30
Switch, Roller, 6-65
Switch, Solution Pump, 7-3
Switch, Toggle, 03a Spst, Off / On, 8-9
Switch, Toggle, 6-30, 8-3, 8-8, 8-9, 8-11, 8-13
Switch, 6-10, 6-44, 6-65, 8-8, 8-9

T

Tab, 45_, 6-31
Tab, Terminal, 90_, 6-31
Tab, Terminal, 8-8, 8-9
Taillight Assy, 24/48vdc, Led, 8-9
Taillight Assembly, 8-8, 8-9
Tank Replacement Kit, 7-7, 7-11
Tank, Detergent, 7-11, 7-13
Tank, Solution and Recovery, SRS, 7-9
Tank, 6-57
Tee, Barbed, 8-7
Tee, Plastic, 6-17
Tee, 6-43, 7-3
Terminal, 2 Tab, 6-31, 6-33
Terminal, Quick-disconnect, 8-3, 8-11
Terminal, Tab, .25 06stud .82l, 8-9
Thumbscrew Replacement Kit, 6-57, 7-7, 7-11
Thumbscrew, Filter Hold Down, 7-11, 7-13
Tie, Cable 11 in (280 mm), 6-31
Tie, Cable 15 in (380 mm), 6-31
Tie, Cable 7 in (180 mm), 6-33
Tie, Cable, 11 in (280 mm), 6-33, 6-55
Tie, Cable, 14.75 in (375 mm), 6-7
Tie, Cable, 15 in (380 mm), 6-33, 6-44
Tie, Cable, 6.7 in (170 mm), 8-8
Tie, Cable, 6.75 in (171.5 mm), 6-34
Tie, Cable, 7.31 in (185 mm), 6-33
Tie, Cable, Nyl, 07.3l .19w 1.8 Max D, 8-9
Tie, Cable, 8-8, 8-9
Timer, 6-33

Tire (Replaced by 48893), 6-42
 Tire (Replaced by 48894), 6-60
 Tire and Wheel Assembly, Rear (Replaced by 48894), 6-60
 Tire and Wheel Assembly, Rear, 6-60
 Tire Assembly, Front (Replaced by 48893), 6-42
 Tire Assembly, Front, 6-42
 Tire Assy, Foam, 8.75-16.5 9.5bc/9bolt, 8-14
 Tire Assy, Foam, 8.75-16.5 [45psi], 8-14
 Tire, 6-42, 6-60
 Tool Assembly, Sludge Removal, 8-6
 Transistor, 6-34
 Tube, Brake Line, L.H., 6-43
 Tube, Brake Line, R.H., 6-43
 Tube, Brake Line, 6-43
 Tube, Connector, 6-17
 Tube, Front Suction, 6-57, 7-9
 Tube, Rear Squeegee Suction, 6-59, 7-11, 7-13
 Tube, Splice, 6-39, 9-11
 Tube, Spreader, 6-17
 Tube, Suction, Front, 7-7
 Tube, Suction, 8-11

U

U-Bolt, 8-3
 U-bolt, 6-15

V

V-Belt, 6-25
 V-belt, 6-45
 Valve Kit, Pump, 9-2
 Valve Replacement Kit, Water, 6-17
 Valve Section, Manual, 9-9
 Valve Section, 9-9
 Valve, Hydraulic Solenoid (See Breakdowns), 6-46
 Valve, Hydraulic, Solenoid, 9-9
 Valve, Tire, Air, 6-60
 Valve, Tire, 6-42
 Valve, Water Replacement Kit, 7-4
 Valve, Water, 6-17, 7-4, 8-7
 Video, Operator, 550, 8-17
 Voltmeter, 6-30

W

Wafer, Insulating, 6-34
 Washer, Rubber Seal, 7-9
 Washer, Rubber Seal, 7-13
 Washer, Belleville, 6-20, 6-21, 6-66
 Washer, Cleanout Door Retaining, 6-57
 Washer, Dished, 8-8, 8-9
 Washer, Fiberglide, 6-65
 Washer, Flat, 6-10, 6-55, 6-64
 Washer, Lock, 6-55
 Washer, Nylon, 6-17
 Washer, Rubber Seal, 7-11

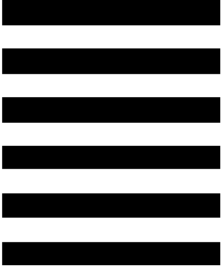
Washer, Rubber, (Located Inside Tank), 6-59
 Washer, Sealing, 6-57, 7-7, 8-11, 8-13
 Washer, Spacer, 6-55
 Washer, Special, 6-25
 Washer, Thrust, 6-64
 Washer, Wavy, 6-25
 Washer, 6-10, 6-12, 6-13, 6-15, 6-19, 6-20, 6-21, 6-23, 6-29, 6-55, 6-62, 6-65, 6-66, 7-3
 Wheel Assembly, Power (See Breakdowns), 6-39
 Wheel, Steering, 6-29
 Wire Harness, Control Box, 7-14
 Wire Kit, Auto Squeegee, Includes Loose Wires: 246, 247, 258, 259, 6-41
 Wire Kit, Auto Squeegee, 6-41
 Wire Kit, Control Panel Box, Includes Loose Wires: 34, 37,38, 40, 41, 42, 44, 46, 48, 49, 50, 54, 56, 57, 58, 59, 60, 64,65, 67,71, 86, 89, 101, 102, 103, 104, 105, 106, 111, 116,117, 118,123, 124, 208, 209, 6-41
 Wire Kit, Foot Control, 6-10
 Wire Kit, Includes Wires: 143, 165, 166, 169, 177, 178, 8-8, 8-9
 Wire Kit, Includes Wires: 143, 165, 166,169,177, 178, 8-8
 Wire Kit, Includes Wires: 153, 205, 207, 8-3
 Wire Kit, Includes Wires: 154, 155, 156, 157, 158, 159,173, 174, 175, 8-8
 Wire Kit, Includes Wires: 154, 155, 156,157, 158, 159, 173, 174, 175, 8-8, 8-9
 Wire Kit, Includes Wires: 183, 184, 185, 186, 8-11, 8-13
 Wire Kit, Instrument Panel, Includes Loose Wires: 4, 5, 12,13, 14, 15, 24, 25, 52, 69, 70, 73, 74, 77, 78, 108, 6-41
 Wire Kit, MFR Control, 6-34
 Wire Kit, MFR, Includes Wires: 39, 68, 81, 82, 83, 84, 85 92, 135, 136,137, 139, 140, 141, 142, 145, 146,147, 148, 6-34
 Wire, 212, 6-41
 Wire, 213, 6-41
 Wire, 214, 6-41
 Wire, Resistor, 6-6
 Wrap, Hose, 6-55
 Wrap, Steering, L.H. (Replaced by none), 6-6
 Wrap, Steering, R.H. (Replaced by none), 6-6



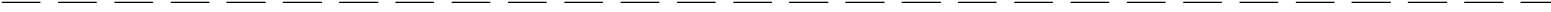
TENNANT COMPANY
 Technical Publications #15
 701 North Lilac Drive
 P.O. Box 1452
 Minneapolis, MN 55440-9947

POSTAGE WILL BE PAID BY ADDRESSEE

BUSINESS REPLY MAIL
 FIRST CLASS MAIL PERMIT NO. 94 MINNEAPOLIS, MN

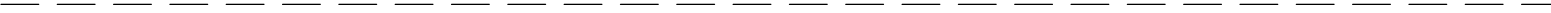


NO POSTAGE
 NECESSARY
 IF MAILED
 IN THE
 UNITED STATES



Fold along dotted lines

Tape here

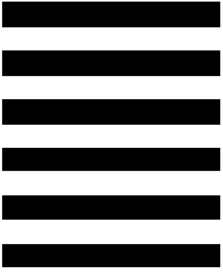




TENNANT COMPANY
 Technical Publications #15
 701 North Lilac Drive
 P.O. Box 1452
 Minneapolis, MN 55440-9947

POSTAGE WILL BE PAID BY ADDRESSEE

BUSINESS REPLY MAIL
 FIRST CLASS MAIL PERMIT NO. 94 MINNEAPOLIS, MN



NO POSTAGE
 NECESSARY
 IF MAILED
 IN THE
 UNITED STATES



Fold along dotted lines

Tape here

