



# 5540/5560

Automatic Floor Scrubber

**Model:**

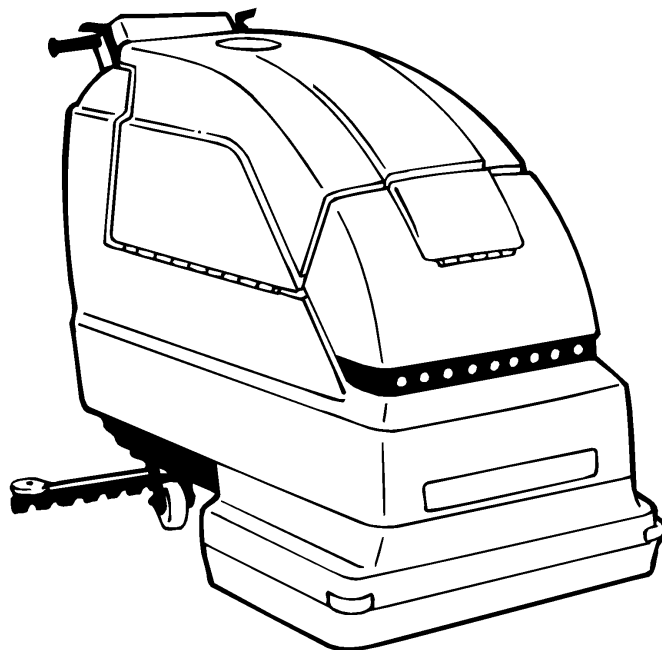
607507 – 5540 Pac

607506 – 5540

607542 – 5560 Pac

607541 – 5560

**Operator and Parts Manual  
Manual de Operación y de Piezas**

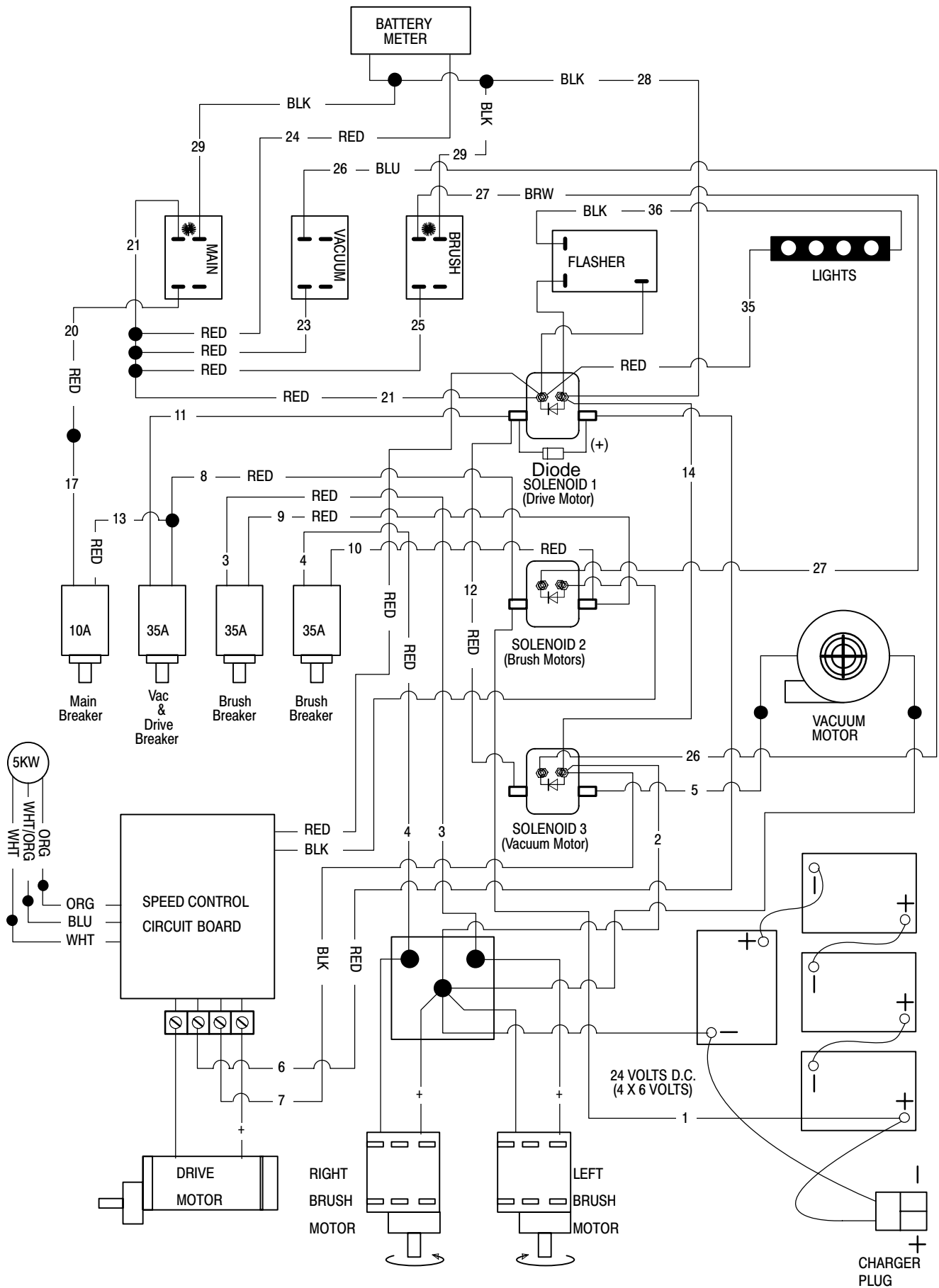


TENNANT COMPANY  
Commercial Products  
12875 RANSOM STREET  
HOLLAND MI 49424 U.S.A.

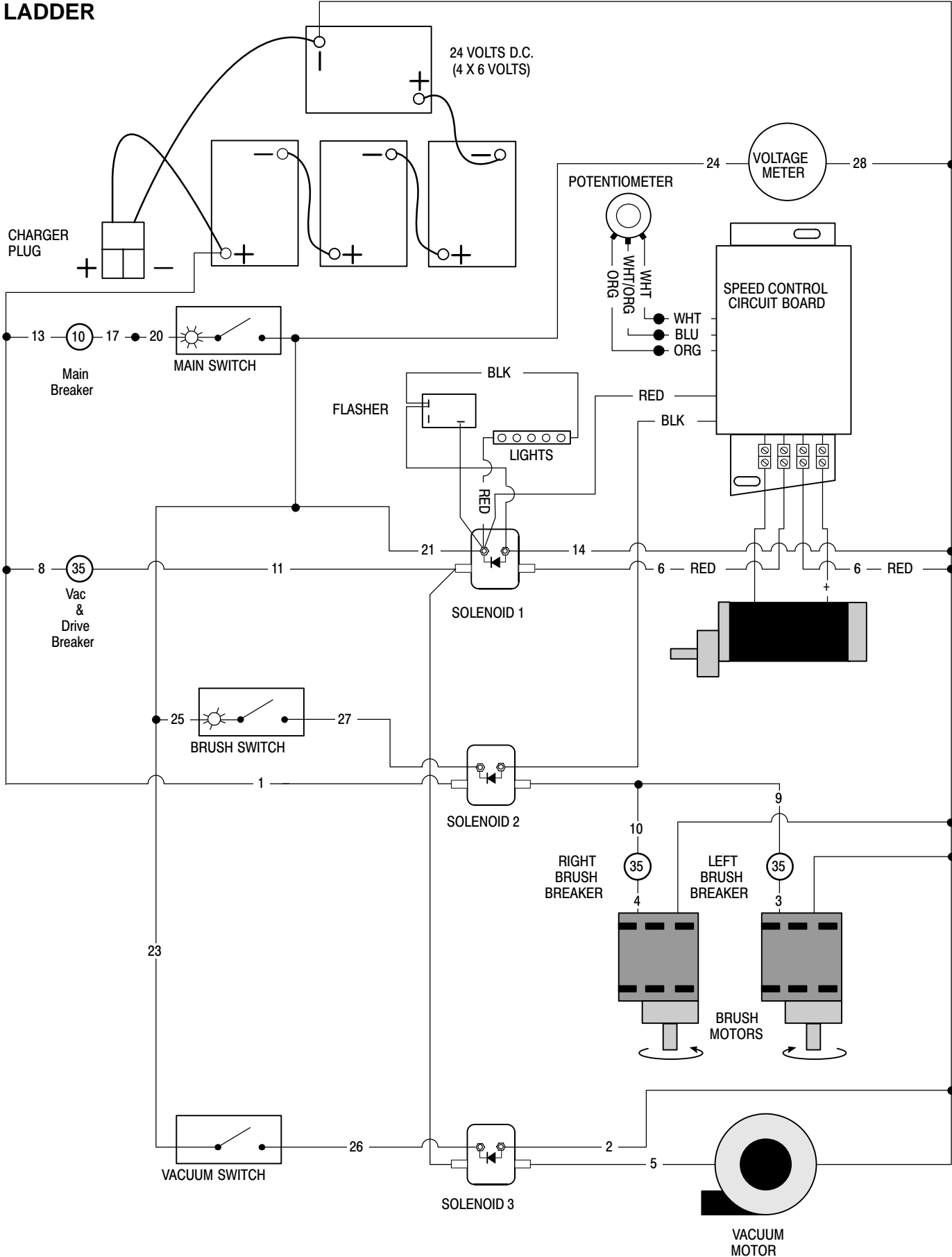
FAX: 1-800-678-4240  
CUSTOMER SERVICE: 1-800-982-7658

607508  
Rev. 00 (11-99)

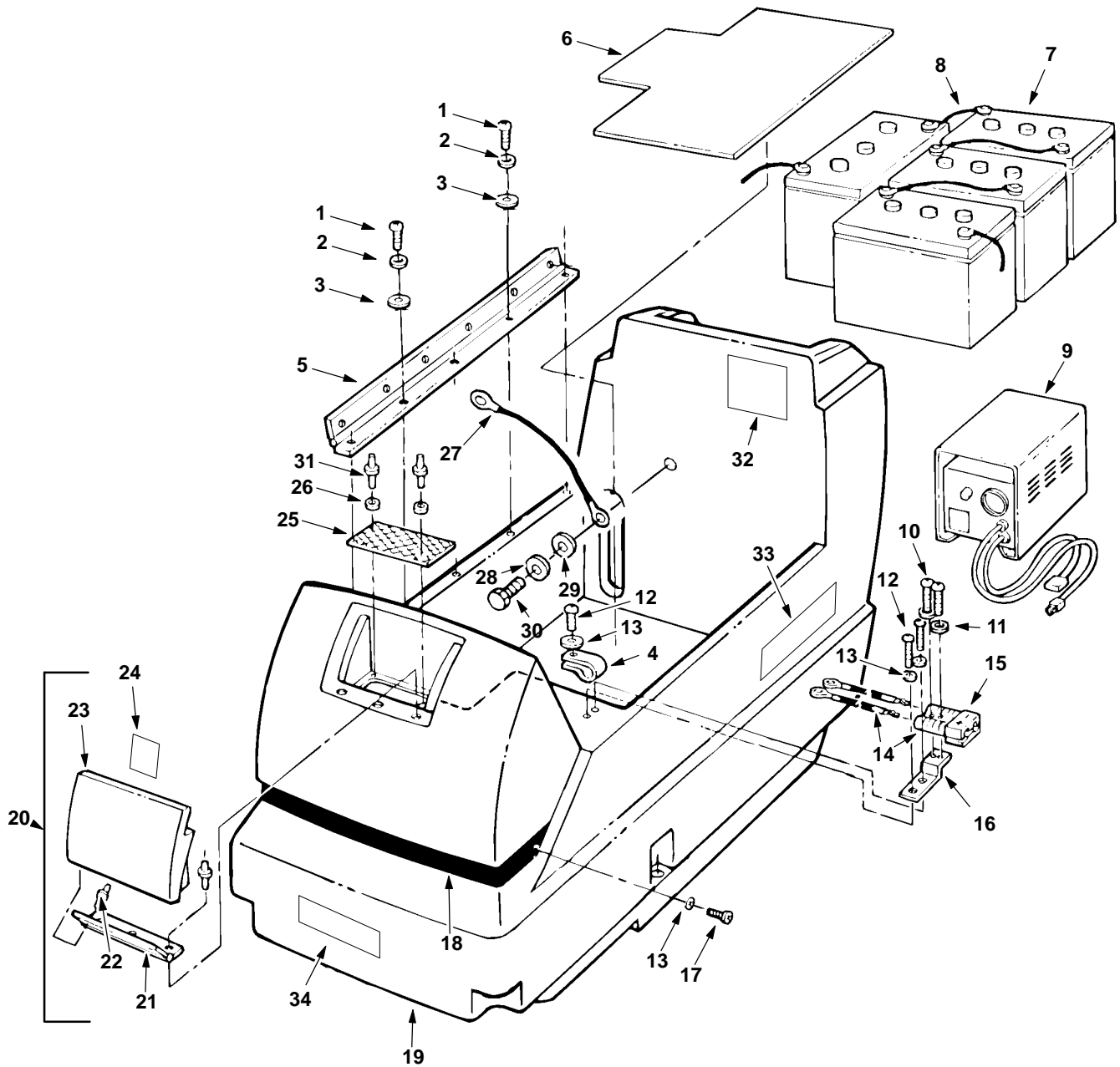
# WIRING DIAGRAM DIAGRAMA DE CABLEADO



**LADDER**



CHASSIS ASSEMBLY  
CONJUNTO TELAIO



**CHASSIS ASSEMBLY  
CONJUNTO TELAIO**

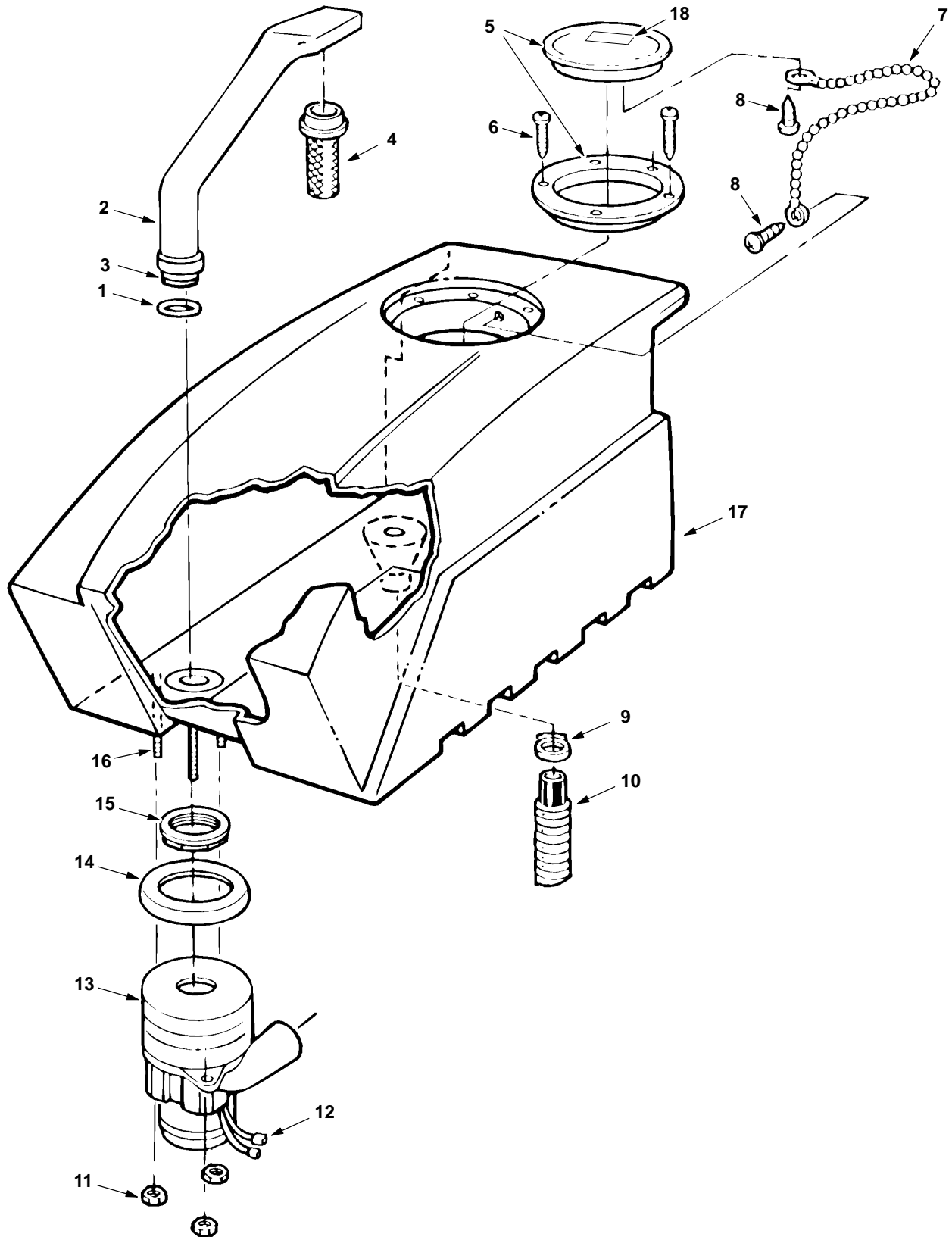
REF	PART #	DESCRIPTION	QTY.
1	578187000	SCREW	11
2	140052	WASHER, EXT LOCK 1/4"	11
3	140000	WASHER, FLAT 1/4	11
4	140300	CLAMP	1
5	230938	HINGE, REC. TANK	1
6	100707	PLATE, BATTERY	1
7	130870	BATTERY, 6V 305A	4
8	130367	CABLE, BATTERY 15"	3
9	130871	CHARGER, BATT 120V	1
	600603	CHARGER, BATT 230V/50Hz	1
10.	2728.12	SCREW, 6/32 X 3/4	2
11.	140019	WASHER, EXT. LOCK	2
12.	578141000	SCREW, M5X10	5
13.	140018	WASHER, INT LCK	3
∇14	700999	ASM, CHARG PLUG WIRE	1
▲	700179	WIRE ASM., #10X18" (RED)	1
▲	700180	WIRE ASM., #10X24" (BLACK)	1
▲15	27833	CONNECTOR	1
16	230665	BRACKET, CHARGER PLUG	1
17	578141000	SCREW	2
18	230937.BK	SHIELD, LIGHT	1
	130020	LIGHT, SAFETY	1
	26578	GASKET, 1/2"X3 ft	3 ft.

REF	PART #	DESCRIPTION	QTY.
19	607513	TANK, SOLUTION REPL., TEAL	1
∇20	607982	ASM., COVER SOL. TANK, TEAL	1
▲21	230626	HINGE, COVER	1
▲22	140706	RIVET, POP 1/8	5
▲23	607515	COVER, SOL. TANK, TEAL	1
24	630420	DECAL. WARNING	1
25	602529	SCREEN, FILL	1
26	140032	WASHER, FLAT #6	2
27	140960	CABLE, RECOV TANK	1
28	140015	WASHER, LOCK	2
29	140027	WASHER, FLAT	2
30	200031488	SCREW, M08X20MM	2
31	140826	RIVET, POP	2
32	120567	DECAL, BATTERY	1
33	608110	DECAL, 5540	2
	608111	DECAL, 5560	2
34	120192	DECAL, TENNANT LOGO	1

∇=ASSEMBLY / CONJUNTO

▲=INCLUDED IN ASSEMBLY / INCLUIDO A CONJUNTA

RECOVERY TANK ASSEMBLY  
CONJ. DESPOSITO RECUPERAR



**RECOVERY TANK ASSEMBLY  
CONJ. DESPOSITO RECUPERAR**

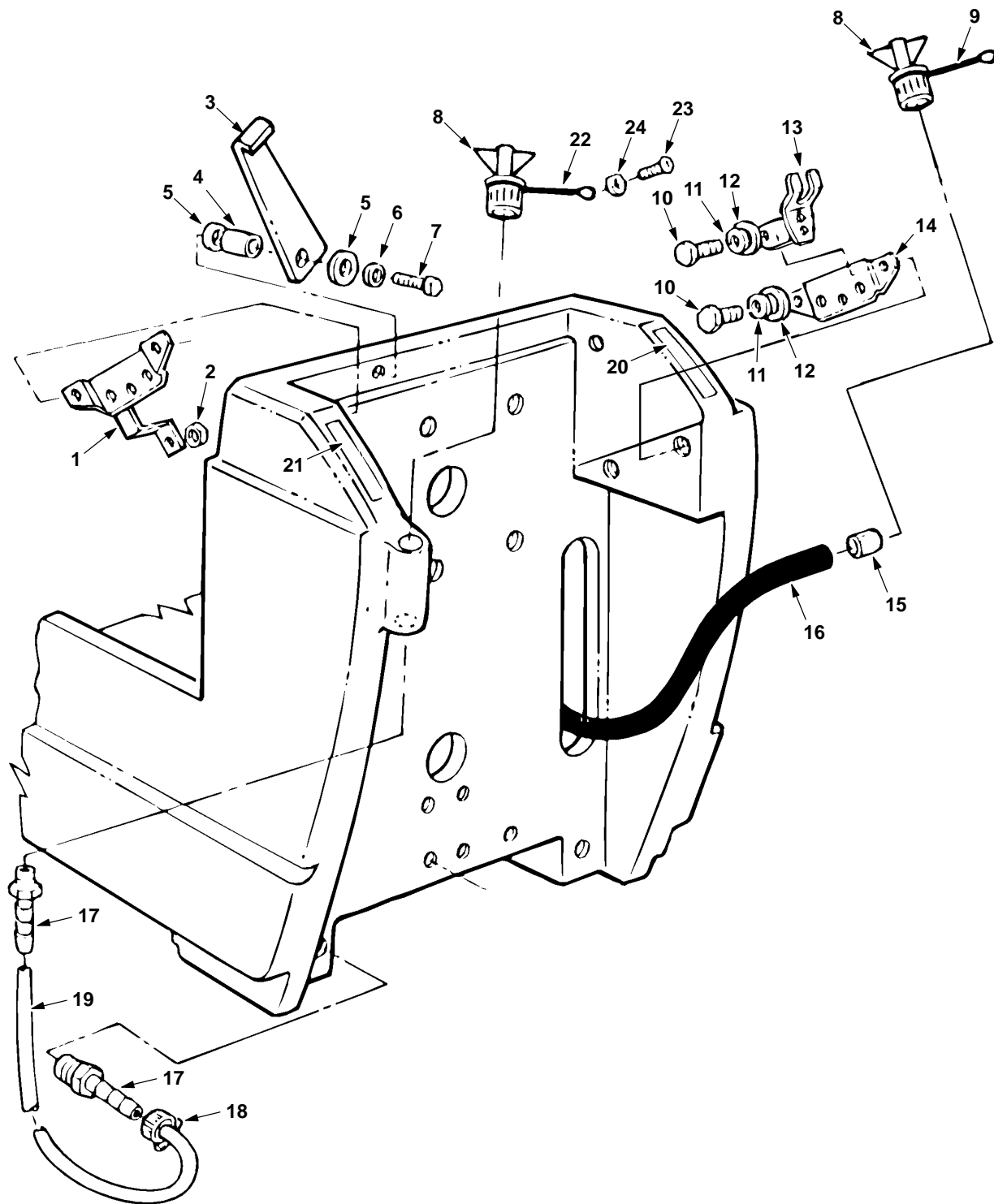
REF	PART #	DESCRIPTION	QTY.
1	101714	GASKET, VAC TUBE	1
∇2	100162	ASM., VACUUM TUBE	1
▲	100759	VACUUM TUBE	1
▲3	230187	NIPPLE, TUBE	1
4	180613	FLOAT, SHUT-OFF	1
∇5	100102	LID, ASSY.	1
▲	100105	LID, CENTER	1
▲	100109	LID, OUTER RING	1
6	140826	SCREW, #6 X 3/4"	6
7	230513	ASM., CHAIN	1
8	3701.6	SCREW,#6X3/8	2

REF	PART #	DESCRIPTION	QTY.
9	140308	CLAMP, HOSE	1
10	630068	HOSE, DRAIN	1
11	140284	NUT, LOCK	3
12	130149	TERMINAL, MALE	2
∇13	130477	MOTOR, VACUUM 24V	1
▲	190163	CARBON BRUSH (2/PK)	2
14	0174..10	SEAT, MOTOR	1
15	210240	NUT, FLANGED METAL	1
16	140353	STUD, THREADED	3
17	607511	TANK, RECOVERY, TEAL	1
18	630420	DECAL, WARNING	1

∇=ASSEMBLY / CONJUNTO

▲=INCLUDED IN ASSEMBLY / INCLUIDO A CONJUNTA

REAR PANEL ASSEMBLY  
CONJUNTO PANEL TRASERA



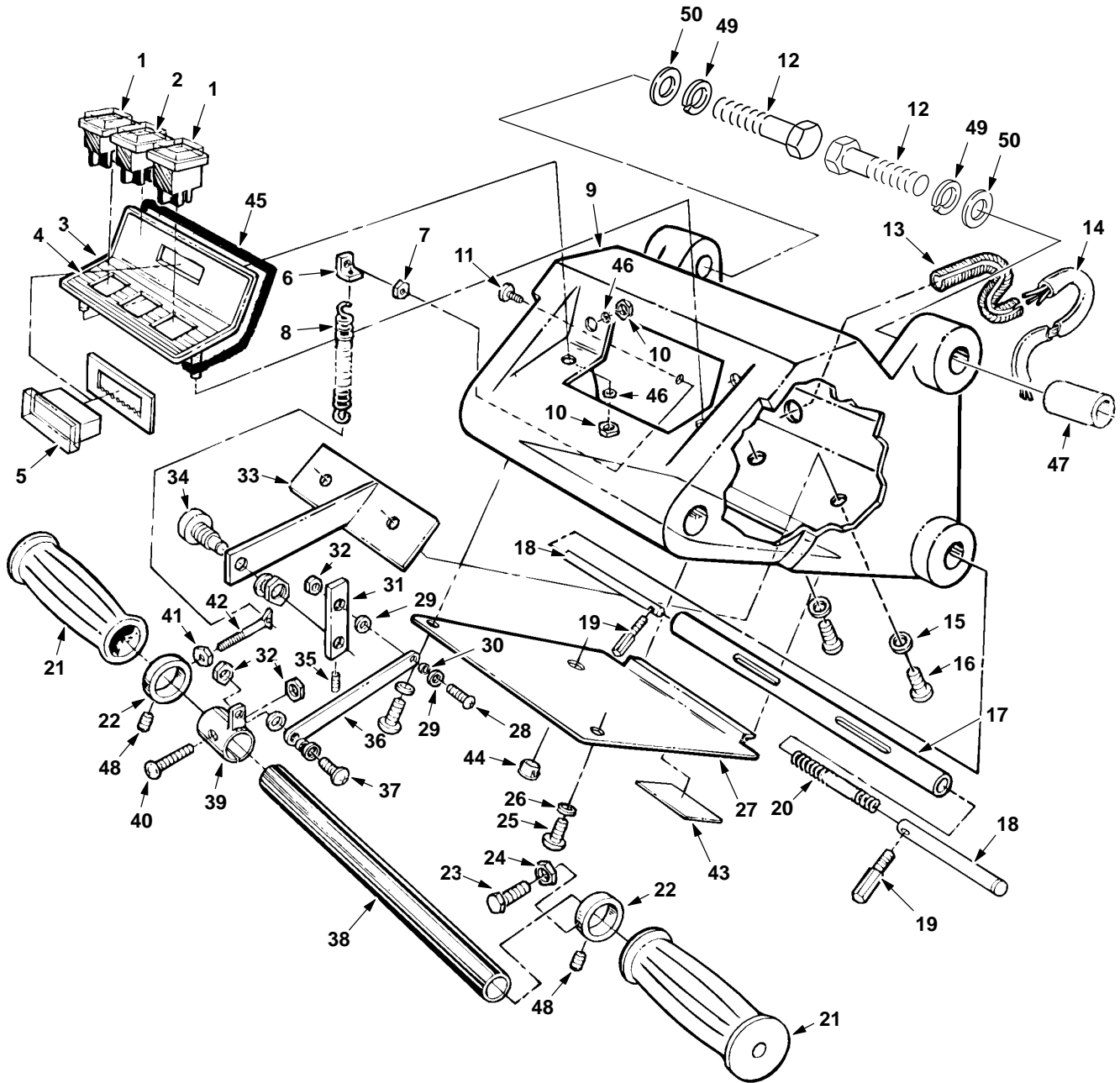


**REAR PANEL ASSEMBLY  
CONJUNTO PANEL TRASERA**

REF	PART #	DESCRIPTION	QTY.
1	230297	PLATE, LOCK	1
2	140515	NUT, LOCK 3/8-16	1
3	230925	SUPPORT, TANK	1
4	140116	BUSHING	1
5	140027	WASHER, FLAT 5/16"	2
6	140015	WASHER, LOCK 5/16	1
7	578237000	SCREW, M8X1.25X18	1
8	621324	PLUG, EXPANSION	2
9	578441	STRAP, DRAIN HOSE	2
10	578237000	SCREW, M8X1.25X18	4
11	140015	WASHER, LOCK 5/16	4
12	140027	WASHER, FLAT 5/16"	4

REF	PART #	DESCRIPTION	QTY.
13	600280.BK	BRACKET, HANGER	1
14	230661	PLATE, LOCK	1
15	630394	SLEEVE, DRAIN HOSE	1
16	630068	HOSE, DRAIN 38.1ID	1
17	150529	HOSE BARB	2
18	140310	CLAMP, HOSE	1
19	600796	ASM., HOSE	1
20	600649	DECAL, SOL. CONTROL	1
21	600650	DECAL, SQG. UP-DOWN	1
22	600476	STRAP, REAR FILL	1
23	140350	SCREW	1
24	140012	WASHER	1

CONTROL CONSOLE ASSEMBLY  
CONJUNTO CONSOLA DE CONTROLES

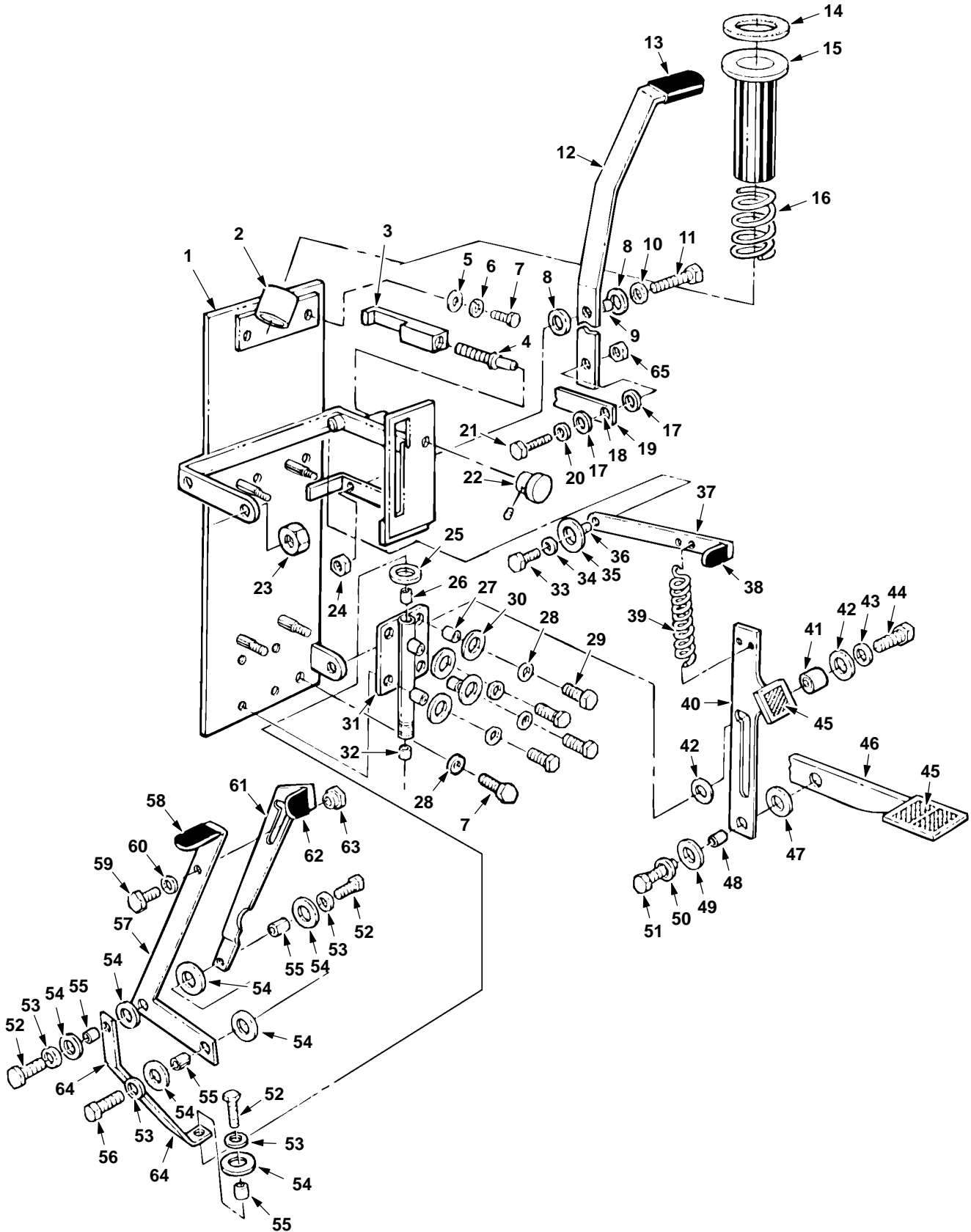


**CONTROL CONSOLE ASSEMBLY**  
**CONJUNTO CONSOLA DE CONTROLES**

REF	PART #	DESCRIPTION	QTY.
1	130816	SWITCH, ROCKER	2
2	130764	SWITCH, ROCKER	1
3	230698.BK	PANEL, CONSOLE BLACK	1
4	600648	DECAL, DASH	1
5	130015	METER, BATTERY 24V	1
6	230564	BRACKET, SPRING	1
7	140519	NUT, KEP 10-24	1
8	140409	SPRING, ROLL THRTTL	1
9	607509	HOUSING, CONTROL, TEAL	1
10	140519	NUT, KEP 10-24	4
11	140900	SCREW,10-24X3/4	1
12	140351	SCREW, M12X1.75X70	2
13	130008	WRAP 1.25' FT.	1
14	700996	ASM., HARNESS	1
15	140052	WASHER, LOCK 1/4"	2
16	140885	SCREW, 1/4-20X1/2	2
17	230613	TUBE, HANDLE ADJT.	1
18	230648	PIN, HANDLE ADJT.	2
19	230649	LEVER, HANDLE ADJT.	2
20	140415	SPRING, LOCK PIN	1
21	200823	GRIP, HANDLE BLACK	2
22	230652	COLLAR, HANDLE	2
23	140554	SCREW, 1/4-20 X 3/4	1
24	140510	NUT, 1/4-20	1
25	140887	SCREW,10-24X3/8	2

REF	PART #	DESCRIPTION	QTY.
26	140018	WASHER, INT LCK #10	2
27	230668.BK	COVER, CNTRL PANEL	1
28	140900	SCREW,10-24X3/4	1
29	140012	WASHER, FLAT 3/16"	4
30	140138	BUSHING	2
31	230688	ARM, LEVER SPEED POT.	1
32	140519	NUT, KEP 10-24	3
33	230690	BRACKET, SPEED POT	1
34	190802	KIT, POTENTIOMETER	1
35	140948	SCREW,10-24X1/4	1
36	230689	LINK, SPEED POT	1
37	140900	SCREW, 10-24X3/4	1
38	230671	HANDLE, TUBE	1
39	230687	BRACKET, TUBE	1
40	140899	SCREW,10-24X1-1/4	1
41	140510	NUT, 1/4-20	1
42	230491	PIN, SPRING RETURN	1
43	120619	DECAL, WARNING	1
44	069764626	PLUG	1
45	100057	GASKET	1
46	140000	WASHER	6
47	140155	BUSHING	2
48	140859	SCREW, SET	2
49	140024	WASHER, LOCK	2
50	3148.816	WASHER, FLAT	2

LEVER ASSEMBLY  
CONJ. DE PALANCAS

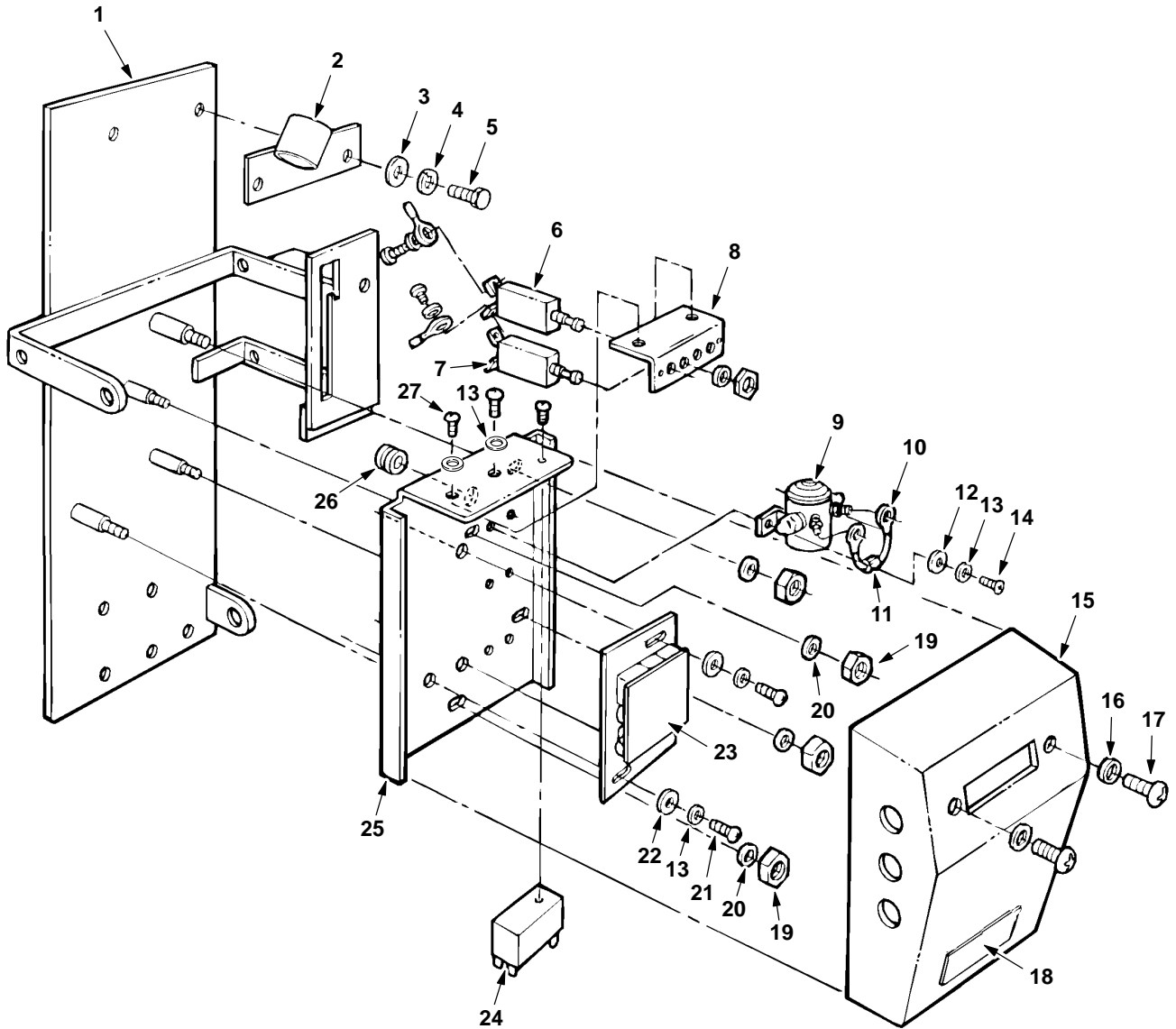


**LEVER ASSEMBLY  
CONJ. DE PALANCAS**

REF	PART #	DESCRIPTION	QTY.
1	230933.BK	PANEL, REAR	1
2	230939	BRACKET, TUBE	1
3	230944	BLOCK, VALVE STOP	1
4	230945	STUD, VALVE ADJ STOP	1
5	140027	WASHER, FLAT 5/16"	2
6	140015	WASHER, LOCK 5/16	4
7	578237000	SCREW, M8X1.25X18	2
8	140028	WASHER, FLAT 3/8"	2
9	140136	BUSHING	1
10	140017	WASHER, LOCK 3/8"	1
11	140202	SCREW,3/8-16X1	1
12	230680.BK	HANDLE, VALVE LEVER	1
13	200816	GRIP, HANDLE	1
14	100151	GASKET, TUBE	1
15	230664	ADAPTER, TUBE	1
16	140424	SPRING, TUBE ADAPTER	1
17	140000	WASHER, FLAT 1/4"	2
18	140134	BUSHING	1
19	230656	LEVER, VALVE	1
20	140016	WASHER, LOCK 1/4"	1
21	140208	SCREW,1/4-20X1	1
22	240208	KNOB, HEIGHT ADJT.	1
23	140515	NUT, 3/8-16	1
24	140525	NUT, HEX 3/8-16	1
25	140028	WASHER, FLAT 3/8"	1
26	140103	BEARING, FLANGE	1
27	140133	BUSHING	4
28	140015	WASHER, LOCK 5/16	5
29	578237000	SCREW, 5/16-18X3/4	7
30	140027	WASHER, FLAT 5/16"	4
31	230750	BRACKET, SQG. MOUNT	1
32	140103	BEARING, FLANGE	1
33	2949.7	SCREW, CAP 3/8-16X7/8	1

REF	PART #	DESCRIPTION	QTY.
34	140017	WASHER, LOCK 3/8"	1
35	140028	WASHER, FLAT 3/8"	1
36	140144	BUSHING	1
37	230654	HANDLE, BRUSH	1
38	200816	GRIP, HANDLE	1
39	140423	SPRING	2
40	230775	PEDAL, BRUSH LIFT	1
41	140145	BUSHING (OUTER)	1
	140136	BUSHING (INNER)	1
42	140028	WASHER, FLAT 3/8"	2
43	140017	WASHER, LOCK 3/8"	1
44	140202	SCREW,3/8-16X1	1
45	102560	SURFACING, NON SLIP	3
46	230936	PEDAL, BRUSH LIFT	1
47	140045	WASHER, FLAT	1
48	140139	BUSHING	1
49	140045	WASHER, FLAT 3/8"	1
50	140024	WASHER, LOCK 1/2"	1
51	140237	SCREW,1/2-13X1	1
52	140201	SCREW,3/8-16X3/4	3
53	140017	WASHER, LOCK 3/8"	4
54	140028	WASHER, FLAT 3/8"	7
55	140136	BUSHING	4
56	140231	SCREW, 3/8X1-1/2	1
57	230658.BK	HANDLE, SQUEEGEE	1
58	200816	GRIP, HANDLE	1
59	140259	SCREW,1/4-20X5/8	1
60	140016	WASHER, LOCK 1/4"	1
61	230659	LATCH, SQUEEGEE LIFT	1
62	200817	GRIP, HANDLE	1
63	230631	SPACER	1
64	230660	LINK, HANDLE	1
65	140510	NUT,1/4-20	1

ELECTRICAL PANEL ASSEMBLY  
CONJ. CONSOLA ELÉCTRICO

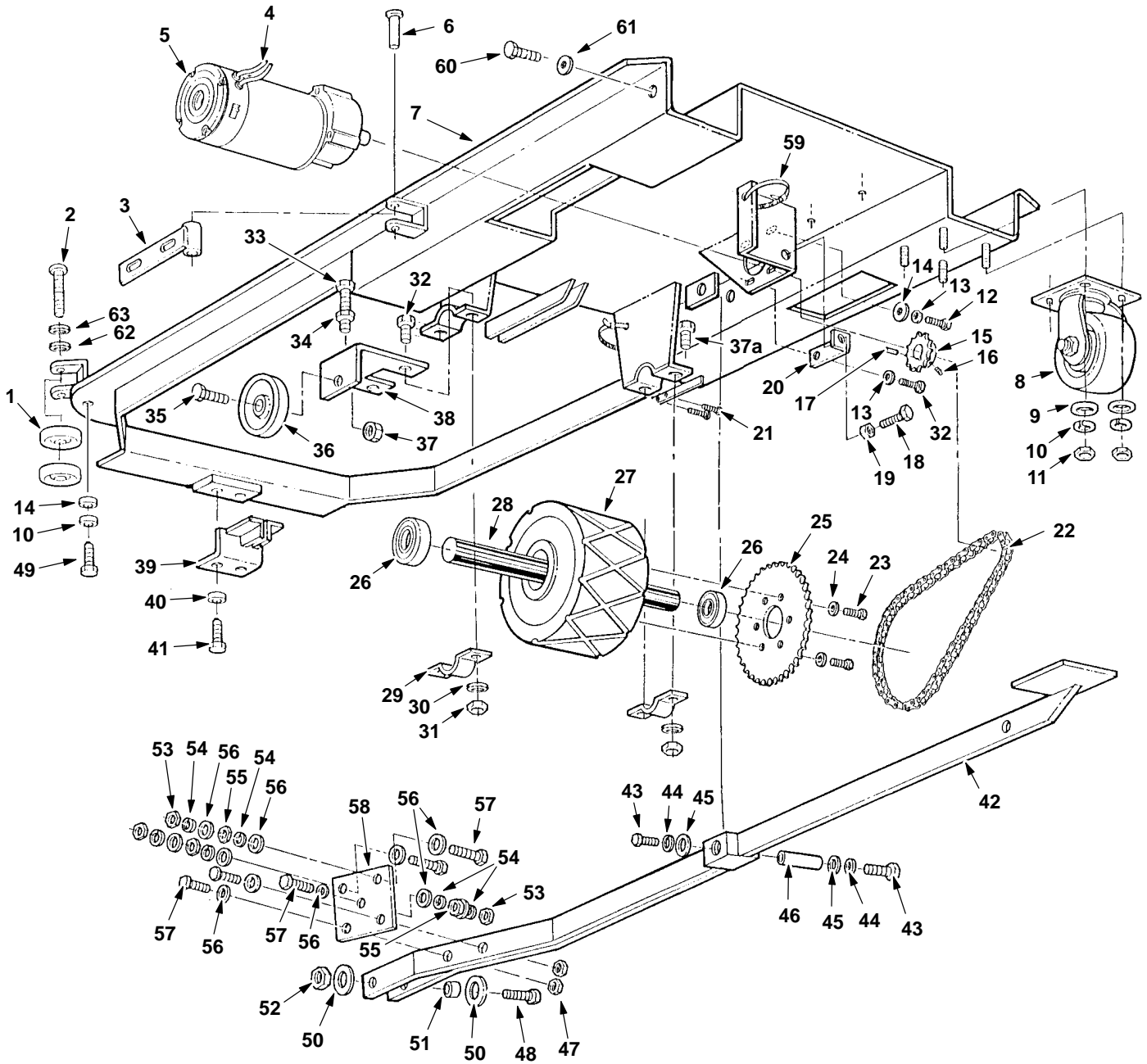


**ELECTRICAL PANEL ASSEMBLY  
CONJ. CONSOLA ELÉCTRICO**

REF	PART #	DESCRIPTION	QTY.
1	230933.BK	PANEL, REAR	1
2	230939	BRACKET, TUBE	1
3	140027	WASHER, FLAT 5/16"	2
4	140015	WASHER, LOCK 5/16	2
5	200031488	SCREW	2
6	130756	BREAKER, CIRCUIT 35A	3
7	130755	BREAKER, CIRCUIT 10A	1
8	230553	BRACKET, CIRCUIT BREAKER	1
9	130218	SOLENOID 24 VOLT	3
10	130125	TERMINAL	6
11	130423	RECTIFIER	3
12	140012	WASHER, FLAT 3/16	6
13	140031	WASHER, EXT. LOCK #10	10
14	140887	SCREW	6

REF	PART #	DESCRIPTION	QTY.
15	100234	COVER, ELECTRICAL PANEL	1
16	140018	WASHER, LOCK #10	2
17	140892	SCREW,10-24X1/2	2
18	600651	DECAL, CIRCUIT BREAKER	1
19	14284	NUT, LOCK	4
20	140000	WASHER, FLAT 1/4"	4
21	140887	SCREW,10-24X3/8	2
22	140012	WASHER, FLAT	2
23	701118	ASM, SPEED CNTRL BOARD	1
24	130021	FLASHER, 24VDC	1
25	230552	PANEL, ELECTRICAL	1
26	130104	BUSHING, SNAP	1
27	140887	SCREW,10-24X3/8	2

DRIVE WHEEL ASSEMBLY  
CONJUNTO RUEDA DE MANDO





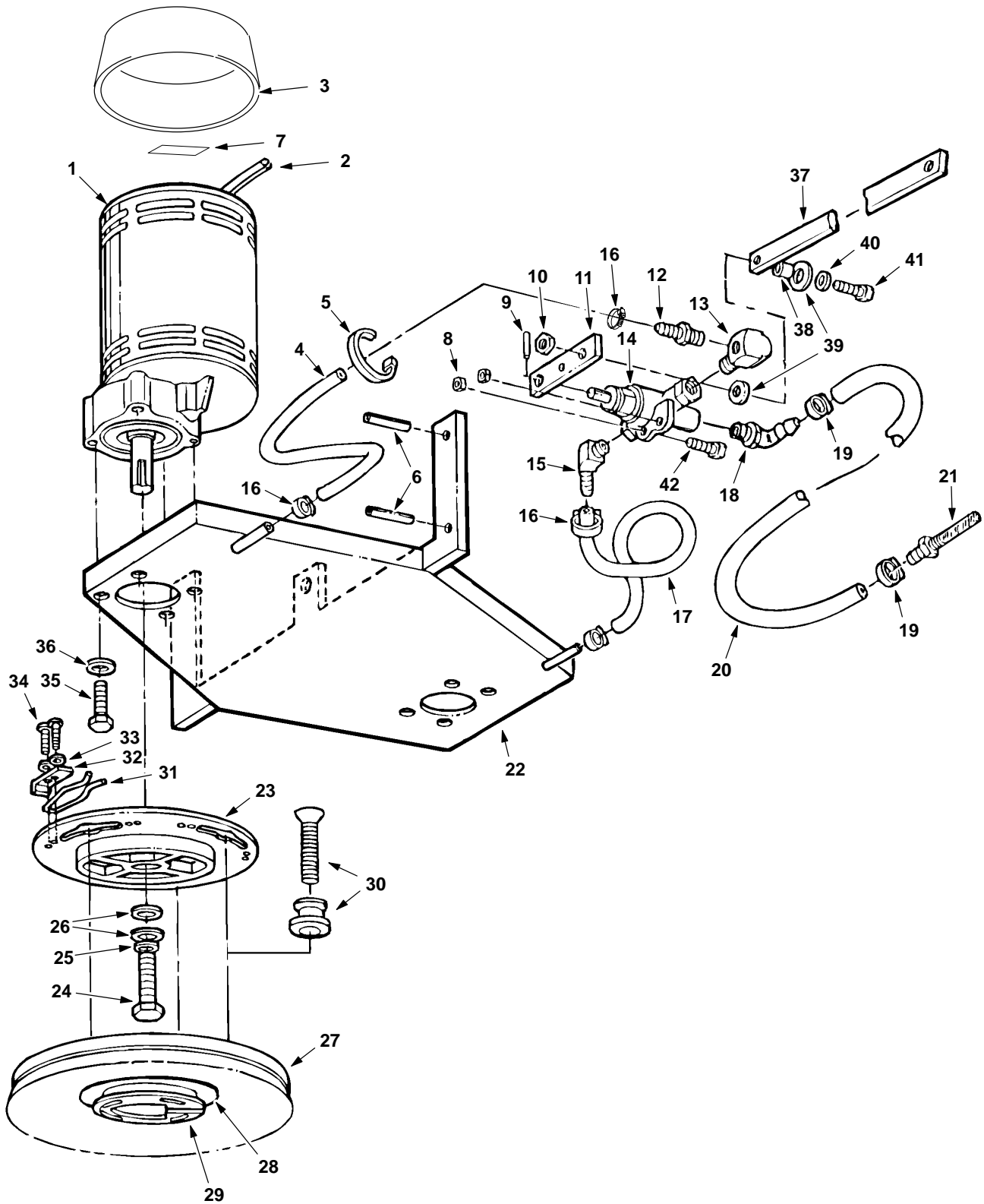
**DRIVE WHEEL ASSEMBLY  
CONJUNTO RUEDA DE MANDO**

REF	PART #	DESCRIPTION	QTY.
1	630450	WHEEL	4
2	600349	SCREW	2
3	230942	BRACKET, SKIRT MOUNT	2
4	130116	TERMINAL	2
∇5	130464	MOTOR, DRIVE 1/2HP 24V	1
▲	130507	CAP, CARBON BRUSH	4
▲	130508	CARBON BRUSH	4
6	230943	PIN, SKIRT	2
7	230932.BK	CHASSIS	1
8	103002	CASTER, 4" SWIVEL	2
9	140025	WASHER, FLAT	8
10	140333	WASHER, LOCK	10
11	140285	NUT, HEX	8
12	140202	SCREW, 3/8-16X1	3
13	140017	WASHER, LOCK 3/8"	3
14	140028	WASHER, FLAT 3/8"	3
15	240071	SPROCKET, MOTOR	1
16	140859	SCREW, SET	2
17	140632	KEY, 1/4 X 1"	1
18	140231	SCREW, 3/8-16X1-1/2	1
19	140525	NUT, 3/8-16	1
20	230655	BRACKET, TENSION	1
21	140895	SCREW, 10-24 x 3/4	2
∇22	600777	KIT, CHAIN	1
▲	240072	CHAIN, 2.54FT	1
▲	240021	LINK, CONNECTING	1
▲	240073	LINK, HALF	1
23	140223	SCREW, 5/16-18 x 3/4	6
24	140015	WASHER, LOCK 5/16	6
25	240070	SPROCKET, DRIVE WHEEL	1
26	140124	BEARING, WHEEL	2
27	103058	WHEEL, DRIVE 8"	1
28	230205	SHAFT, DRIVE WHEEL	1
29	140311.BK	CLAMP, WHEEL AXLE	2
30	140017	WASHER, LOCK 3/8	4
31	140525	NUT, HEX 3/8-16	4
32	140232	SCREW, 3/8-16 X 1-1/4	2
32a	140202	SCREW, 3/8-16X1	2
33	140231	SCREW, 3/8-16X1-1/2	1
34	140525	NUT, 3/8-16	1

REF	PART #	DESCRIPTION	QTY.
35	140233	SCREW, 3/8-16X1-3/4	1
36	103007	WHEEL, TIP	1
37	140525	NUT, 3/8-16	1
38	230796	BRACKET, TIP WHEEL	1
39	230941	BRACKET	1
40	140015	WASHER, LOCK 5/16	2
41	140275	SCREW	2
42	230936	LIFT ARM	1
43	140272	SCREW	2
44	140016	WASHER, LOCK 1/4"	2
45	140003	WASHER, FLAT 1/4"	2
46	230940	PIN, LIFT ARM PIVOT	1
47	140524	NUT, KEP 1/4-20	2
48	600666	SCREW	1
49	140276	SCREW	2
50	140045	WASHER, FLAT	2
51	140137	BUSHING	1
52	140509	NUT, 1/2-13	1
53	140510	NUT, 1/4-20	3
54	140016	WASHER, LOCK 1/4"	6
55	140510	NUT, 1/4-20	6
56	140000	WASHER, FLAT 1/4"	11
57	140208	SCREW, 1/4-20 X 1	5
58	230554	BOARD, CONNECTION	1
59	130040	WIRE TIE, NYLON	2
60	140352	SCREW	4
61	140024	WASHER, LOCK 1/2	4
62	140011	WASHER, FLAT	2
63	140015	WASHER, LOCK	2

∇=ASSEMBLY / CONJUNTO  
▲=INCLUDED IN ASSEMBLY / INCLUIDO A CONJUNTA

BRUSH DRIVE ASSEMBLY  
CONJ. IMPULSO DE CEPILLO



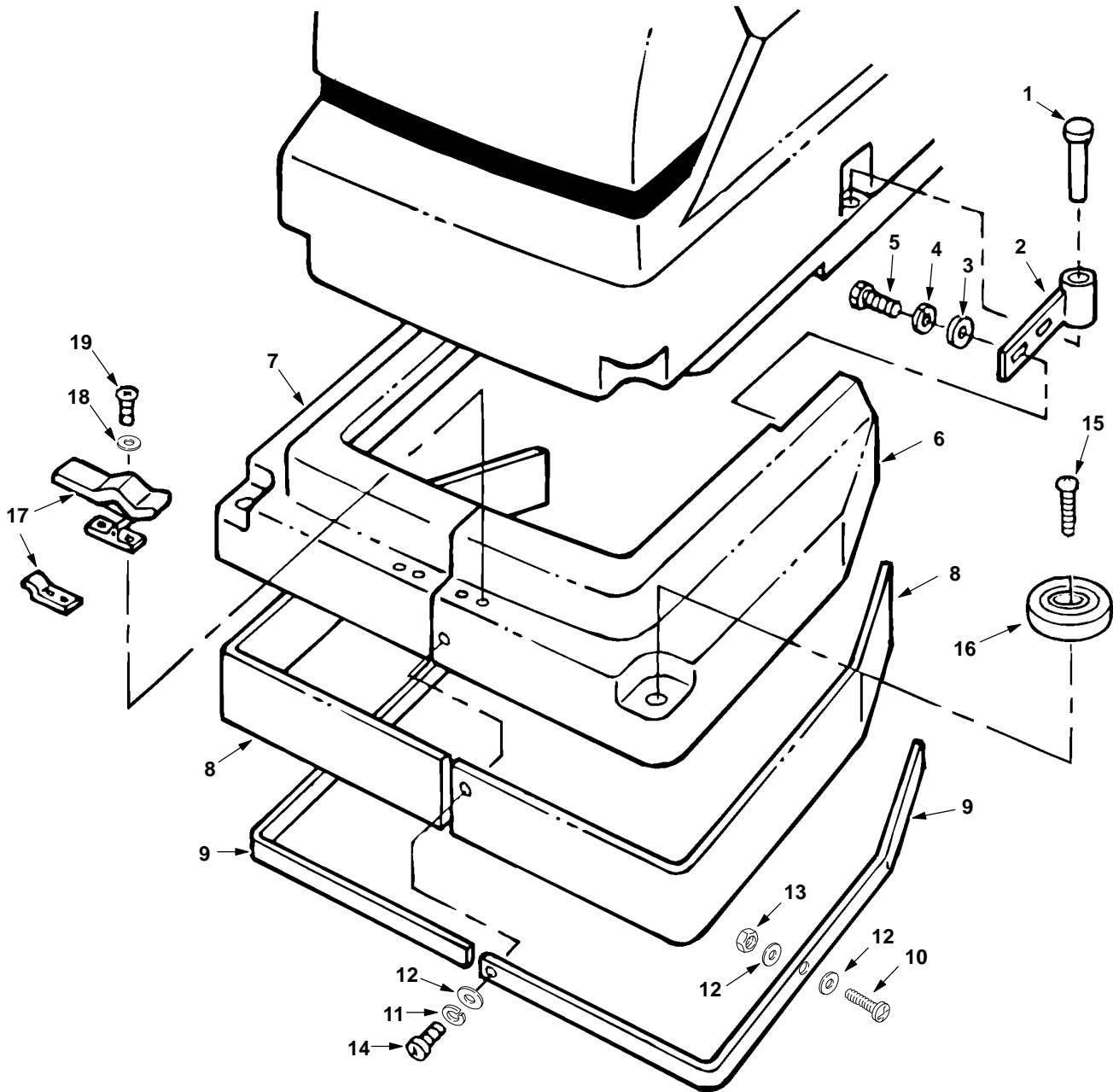
**BRUSH DRIVE ASSEMBLY  
CONJ. IMPULSO DE CEPILLO**

REF	PART #	DESCRIPTION	QTY.
▽1	130491	MOTOR,24V	2
▲	140632	- KEY, MOTOR	2
▲	190970	- CARBON BRUSH	4
2	130163	TERMINAL, RING	2
3	100764	COVER, MOTOR	2
4	160625	HOSE, 3/8	1.2 ft.
5	130041	WIRE TIE, NYLON	1
6	140618	PIN, ROLL, 1/4X1-1/2	4
7	100058	TAPE, MOTOR COVER	1
8	140552	NUT, NYLON LOCK 10-24	2
9	140616	PIN, ROLL 3/32 X 5/8	1
10	140510	NUT,1/4-20	1
11	230657	ARM, VALVE	1
12	150516	HOSE BARB, 1/4M X 3/8H	1
13	150406	ELBOW, 1/4" X 90°	1
14	210259	VALVE, SOLUTION	1
15	28303	HOSE BARB	1
16	140310	CLAMP, HOSE	4
17	160625	HOSE, 3/8	.54 ft.
18	150410	HOSE BARB, 90°	1
19	140310	CLAMP, HOSE	2
20	600350	TUBING, VINYL	1.1 ft.
21	180640	FILTER, SOLUTION TANK	1
22	230674	BRACKET, MOTOR (5540)	1
	230691	BRACKET, MOTOR (5560)	1

REF	PART #	DESCRIPTION	QTY.
23	230672	PLATE, DRIVE	2
24	140219	SCREW, 5/16-18X1	2
25	140015	WASHER, LOCK 5/16	2
26	25732	WASHER, FLAT	4
▽27	240232	DRIVER,PAD (5540) PK/2	1
▽	240233	DRIVER,PAD (5560) PK/2	1
▲28	100106	PLATE, PAD DRIVER	2
▲29	100107	RING, PAD RETAINER	2
▲30	240238	LUGS W/SCREWS (SET/3)	2
31	140417	CLIP, SPRING	2
32	230651	CLAMP, BRUSH PLATE	2
33	140018	WASHER, INT LOCK #10	4
34	140887	SCREW,10-24X3/8	4
35	140202	SCREW,3/8-16X1	8
36	140017	WASHER, LOCK 3/8"	8
37	230656	LEVER, VALVE	1
38	140134	BUSHING	1
39	140000	WASHER, FLAT 1/4	2
40	140016	WASHER, LOCK 1/4	1
41	140208	SCREW,1/4-20X1	1
42	140895	SCREW	2

▽=ASSEMBLY / CONJUNTO  
▲=INCLUDED IN ASSEMBLY / INCLUIDO A CONJUNTA

SKIRT ASSEMBLY  
CONJUNTO JUEGO

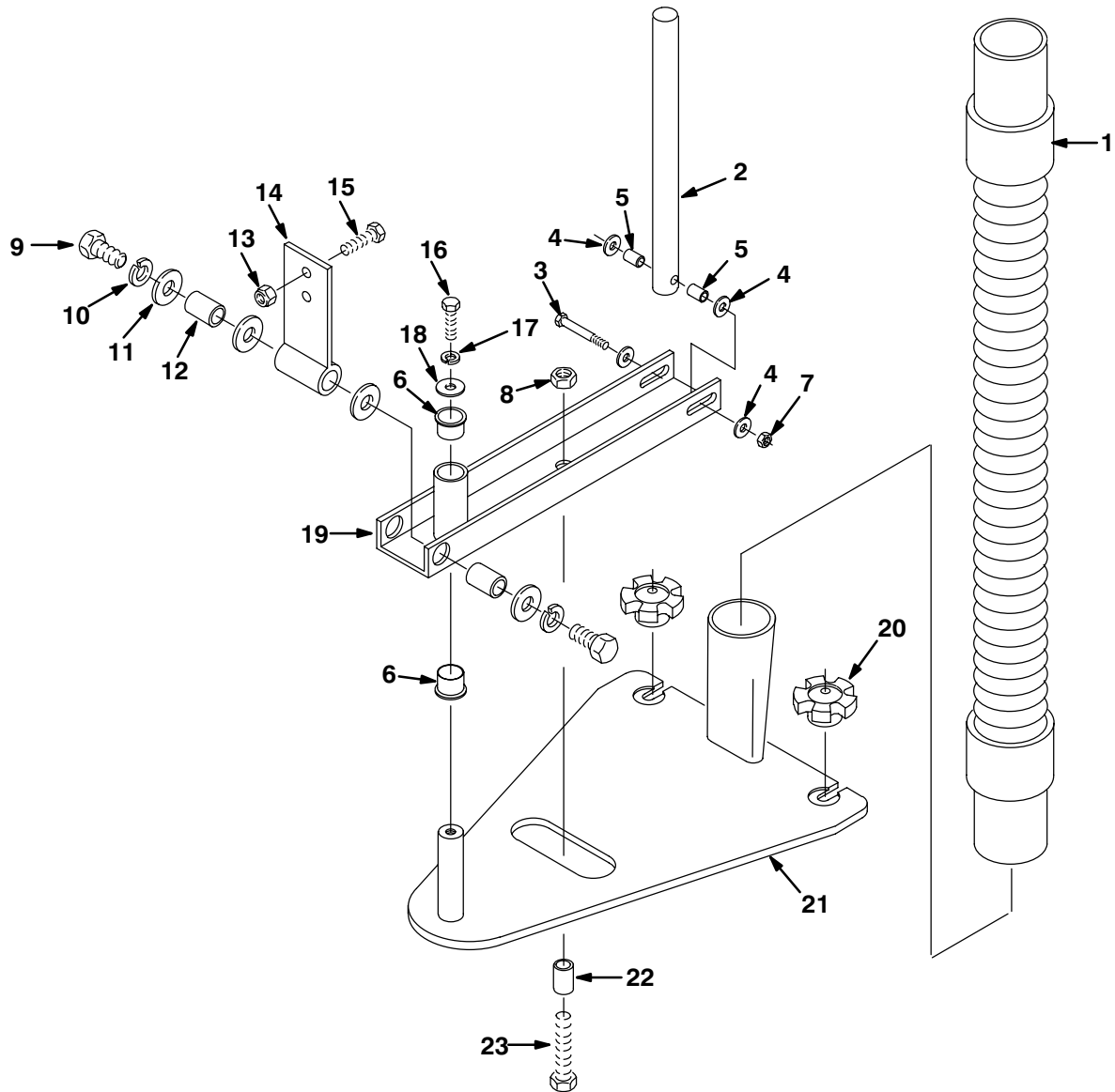


**SKIRT ASSEMBLY  
CONJUNTO JUEGO**

REF	PART #	DESCRIPTION	QTY.
1	230943	PIN, SKIRT	2
2	230942	BRACKET, SKIRT	2
3	140027	WASHER, FLAT 5/16	4
4	069762311	WASHER, LOCK 5/16	4
5	578237000	SCREW, M8X18	4
6	607517	HOUSING, SKIRT LH, TEAL (5540)	1
6	607545	HOUSING, SKIRT LH, TEAL (5560)	1
7	607519	HOUSING, SKIRT RH, TEAL (5540)	1
7	607543	HOUSING, SKIRT RH, TEAL (5560)	1
8	240277	GUARD, SPLASH (5540)	2
	240276	GUARD, SPLASH (5560)	2
9	230935.BK	STRAP, (5540)	2
	230934.BK	STRAP, (5560)	2

REF	PART #	DESCRIPTION	QTY.
10	140293	SCREW, M5X.8X30MM	12
11	140018	WASHER, INT LOCK #10	12
12	140011	WASHER, FLAT 3/16	36
13	140283	NUT, M5X.8	12
14	578144000	SCREW, M5X16	12
15	069767190	SCREW, M08X40MM	2
16	630450	WHEEL, RUBBER	2
17	140932	LATCH	1
18	140023	WASHER, INT LOCK #8	4
19	200070340	SCREW, M04X08MM	4

SQUEEGEE CONTROL GROUP



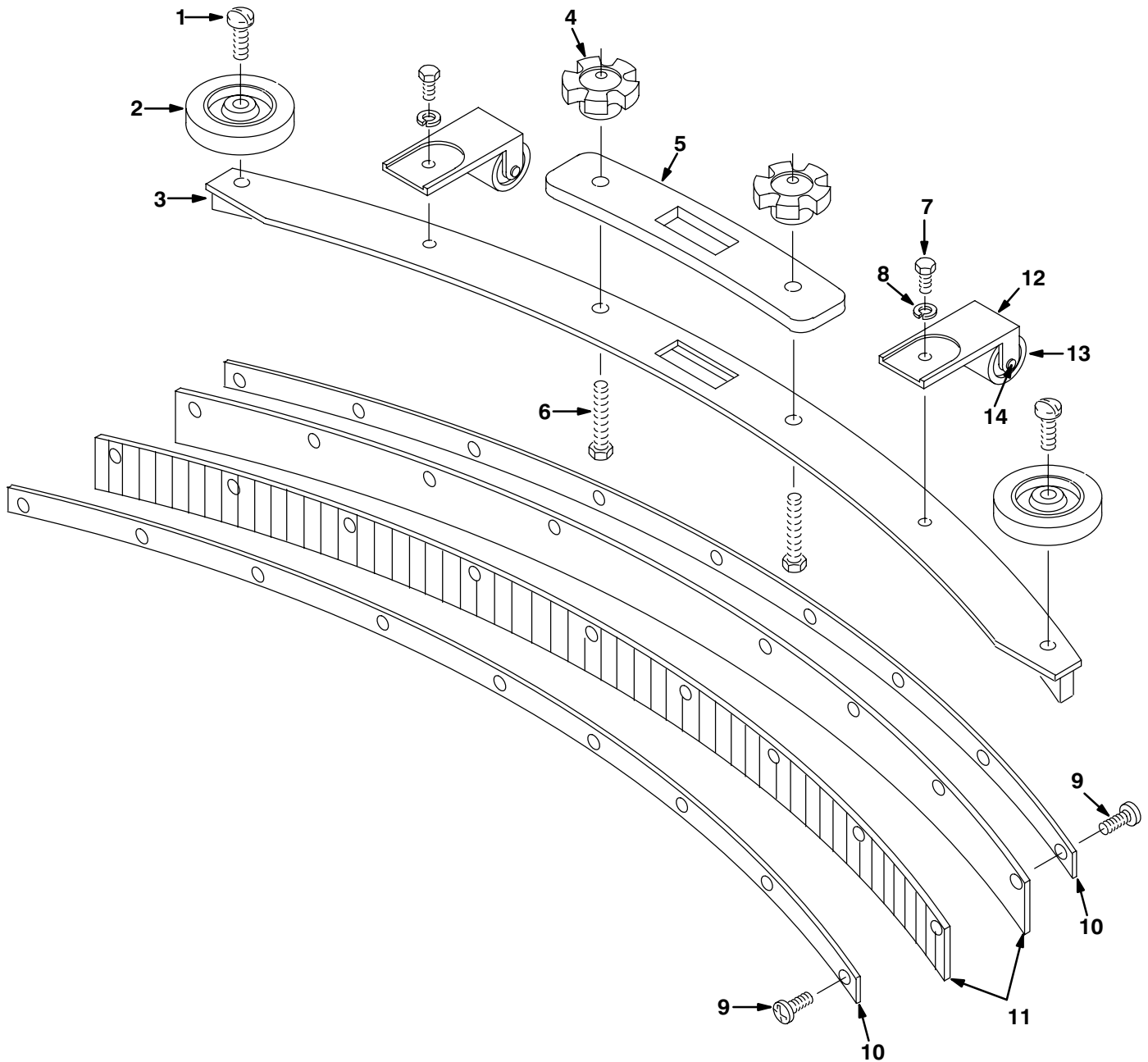
### SQUEEGEE CONTROL GROUP

REF	PART #	DESCRIPTION	QTY.
1	160613	●HOSE, VAC 1.5 X 30" W/ CUFFS	1
2	230441	SHAFT, LIFT	1
3	140209	SCREW, 1/4-20 X 2-1/2	1
4	140000	WASHER, 1/4	4
5	28971	BEARING SLEEVE	2
6	140103	BEARING, FLANGE	2
7	140501	NUT, 1/4-20	1
8	140509	NUT, 1/2-13	1
9	140237	SCREW, 1/2-13 X 1	2
10	140024	WASHER, 1/2	2
11	140045	WASHER, .510 X 1.25 X .06	4
12	140139	BUSHING, BRUSH LIFT PEDAL	2

REF	PART #	DESCRIPTION	QTY.
13	140546	NUT, 5/16-18	2
14	230442	BRACKET, SQUEEGEE MOUNT	1
15	140223	SCREW, 5/16-18 X 3/4	2
16	140259	SCREW, 1/4-20 X 5/8	1
17	140016	WASHER, 1/4	1
18	140003	WASHER, 1/4 X 1	1
19	230440.BK	BRACKET, SQUEEGEE PIVOT	1
20	27257	KNOB, 5/16-18 THREAD - BLACK	2
21	230443.BK	WELDMENT, SQUEEGEE MOUNT PLATE	1
22	140911	BUSHING, SPACER .62 DIA	1
23	140204	SCREW, 1/2-13 X 1-1/2	1

●=RECOMMENDED STOCK ITEMS/PIEZAS RECOMENDADAS EN ALMACÉN

SQUEEGEE GROUP





### SQUEEGEE GROUP

REF	PART #	DESCRIPTION	QTY.
▽	603263	ASSEMBLY, SQUEEGEE, CURVED 5540	1
▽	603264	ASSEMBLY, SQUEEGEE, CURVED 5560	1
▲1	140799	SCREW, 5/16-18 X 1-1/2	2
▲2	630450	WHEEL, 76 DIA X 22 WD RUBBER	2
▲3	602960	SQUEEGEE WELDMENT, 5540	1
	603247	SQUEEGEE WELDMENT, 5560	1
▲4	27257	●KNOB, 5/16-18 THREAD - BLACK	2
▲5	603260	GASKET, SQUEEGEE CURVED	1
▲6	140221	SCREW, 5/16-18 X 1-1/4	2
▲7	140226	SCREW, 5/16-18 X 5/8	2

REF	PART #	DESCRIPTION	QTY.
▲8	140015	WASHER, 5/16 SPLITLOCK	2
▲9	605975	SCREW, 10-24 X 1/2"	24-28
▲10	602963	PLATE, SQUEEGEE RETAINING 5540	2
	603248	PLATE, SQUEEGEE RETAINING 5560	2
▲11	603661	●BLADE, SQUEEGEE 34" (5540)	2
	603662	●BLADE, SQUEEGEE 40" (5560)	2
▲▽	700844	●ASM., SQUEEGEE ROLLER	2
▲12	230474.BK	BRACKET, SQUEEGEE ROLLER	2
▲13	26548	ROLLER	2
▲14	140710	RIVET, AXLE 3/8 X 1.6	2

●=RECOMMENDED STOCK ITEMS/PIEZAS RECOMENDADAS EN ALMACÉN

▽=ASSEMBLY / CONJUNTO

▲=INCLUDED IN ASSEMBLY / INCLUIDO A CONJUNTA