

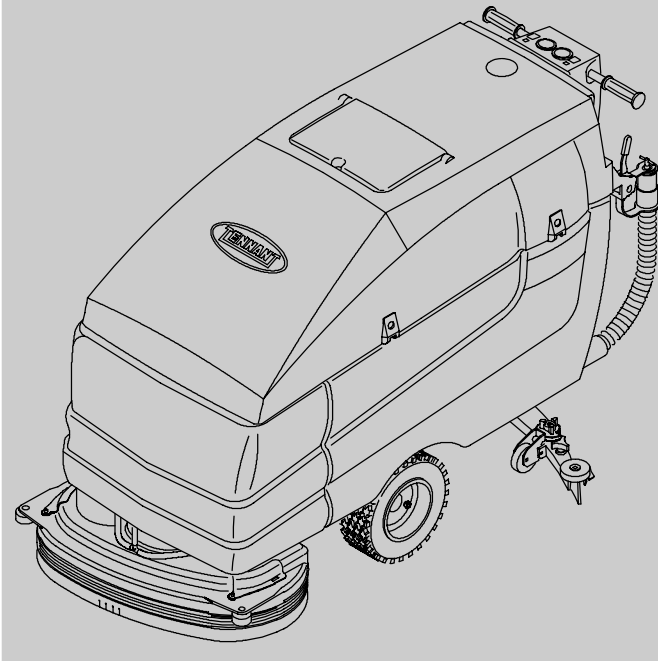
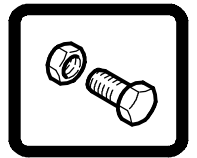


5700EE

(Electric)

(000000-029999)

Walk-Behind Scrubber Parts Manual



ES[®] Extended Scrub System

North America / International

www.tennantco.com

MM408
Rev. 20 (09-2006)



When ordering replacement parts, use the illustrated parts list section in this manual. Before ordering parts or supplies, be sure to have your machine model number and serial number available. Only use TENNANT Company supplied or equivalent parts. Parts and supplies may be ordered online, by phone, or mail from any authorized parts and service center, distributor or from any of the manufacturer's subsidiaries.

This machine will provide excellent service. However, the best results will be obtained at minimum costs if:

- The machine is operated with reasonable care.
- The machine is maintained regularly - per the machine maintenance instructions provided.
- The machine is maintained with manufacturer supplied or equivalent parts.

MACHINE DATA

Please fill out at time of installation for future reference.

Model No. - _____

Serial No. - _____

Machine Options - _____

Sales Rep. - _____

Sales Rep. phone no. - _____

Customer Number - _____

Installation Date - _____

Tennant Company

PO Box 1452

Minneapolis, MN 55440

Phone: (800) 553-8033 or (763) 513-2850

www.tennantco.com

Specifications and parts are subject to change without notice.

Copyright © 1998-2000, 2002-2006 TENNANT, Printed in U.S.A.

HOW TO USE THIS MANUAL

This section on *HOW TO USE THIS MANUAL* will tell you how to:

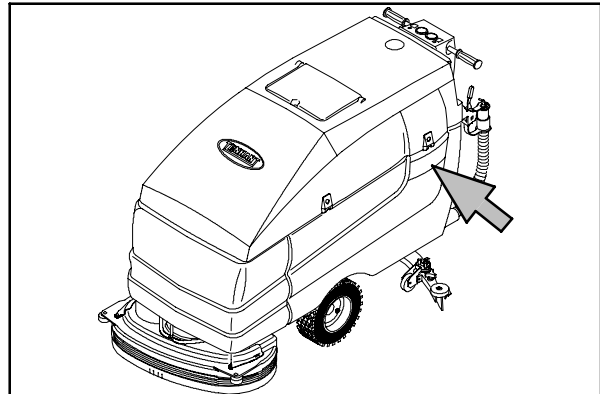
- Find important machine information for ordering correct repair parts.
- Find TENNANT part numbers.
- Order TENNANT parts and supplies.

IMPORTANT INFORMATION

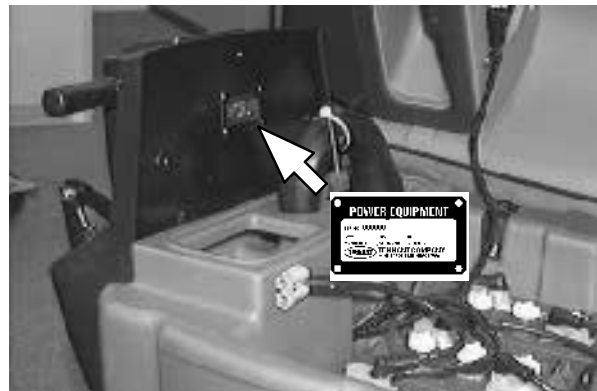
When placing an order for parts, the machine model and machine serial number are important. Refer to the *MACHINE DATA* box which is filled out during the installation of your machine. The *MACHINE DATA* box is located on the inside of the front cover of this manual.

MACHINE DATA	
<i>Please fill out at time of installation for future reference.</i>	
Machine Model Number -	5700EE
Machine Serial Number -	_____
Machine Options -	_____
TENNANT Representative/phone no. -	_____
Customer ID Number -	_____
Date of Installation -	_____
Manual Number -	MM408
Revision:	01
Published:	3-95

The model number of your machine is on the side of the machine.



The serial number of your machine is printed on the machine data plate located as shown.



HOW TO USE THIS MANUAL

FINDING A TENNANT PART NUMBER

This manual contains the following sections:

- HOW TO USE THIS MANUAL
- STANDARD PARTS
- OPTIONS
- BREAKDOWNS
- CROSS REFERENCE

The STANDARD PARTS section lists repair parts for standard machines. They are grouped in this general order:

- General wear parts.
- Machine frame and related parts.
- Machine propelling system.
- Scrubbing components.
- Electrical parts.

The OPTION section lists repair parts of options.

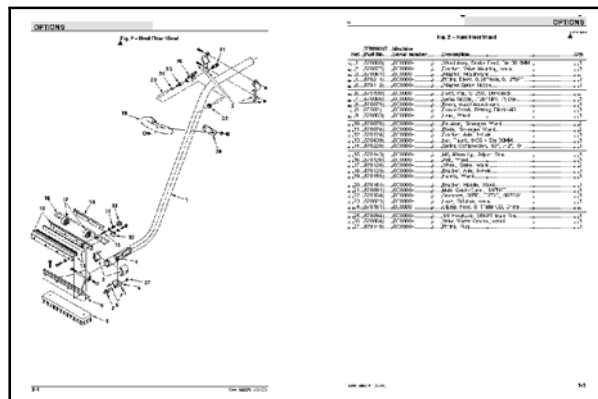
The BREAKDOWN section lists available repair parts of major components.

All sections in this manual consist of parts illustrations and corresponding parts lists.

The parts illustrations are numbered with **Ref** numbers which refer to corresponding parts lists.

The parts lists include a number of columns of information:

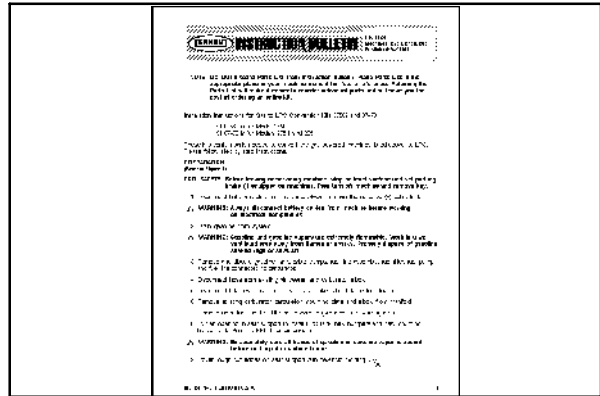
- **Ref** - column refers to the reference number on the parts illustration.
 ▽ - indicates the part is an assembly.
 ▲ - indicates the part is included in the assembly listed just before it.
- **Part No.** - column lists the TENNANT part number for the part.
- **Serial Number** - column indicates the set of machines the part number is applicable to. Serial numbers change when the machine design has been modified. The most current design of the machine is shown in the main illustration, older designs are boxed in a corner of the illustration.
- **Description** - column is a brief description of the part.
- **Qty.** - column lists the quantity of that part used in that area of the machine.



Key	TENNANT Part No.	Machine Serial Number	Description	Qty.
1	578318	000000	Fitting, Quick conn.	1
2	578160	000000	Clamp, hose	2
3	578820	000000	Piece	1
4	578072	000000	Cuff, swivel	2
5	578276	000000	Piece, vacuum	1
6	578071	000000	Connector, quick F.	1
7	573265	000000	Piece Coupling	1

NOTE: If a service kit is installed on your machine, be sure to keep the **INSTRUCTION BULLETIN** which came with the kit. It contains repair parts numbers needed for ordering future parts.

NOTE: Fasteners used in this machine may be metric or non-metric. Take care when replacing hardware to replace with same thread size.



PLACING AN ORDER

Orders may be placed by phone, fax, or by mail. Phone orders may need written confirmation. Follow the steps below to insure prompt delivery:

1. Identify the model number of your machine.
2. Identify the serial number of your machine.
3. Find the part number of the part you need. Do not order by page number or reference number. If you are not able to find the part number, call your TENNANT representative for help or send the old part as a sample.
4. Determine the quantity of the part you need.
5. Provide the following company information:
 - Company name
 - Customer ID Number
 - Shipping address
 - Billing address
 - First and last name of person ordering parts
 - Telephone number
 - Purchase order number
6. Provide definitive shipping instructions.

HOW TO USE THIS MANUAL

Any claim for loss or damage to a shipment in transit should be filed promptly with the transportation company making the delivery. Shipments will be complete unless the packing list or order acknowledgement indicates items back ordered.

If parts received are suspected to be incorrect or defective, please contact the TENNANT representative from whom you ordered the part. They will give authorization for return and/or handle replacement shipments when required.

SECTION 2

Contents	Page
Fig. 1 - Genreal Recommended Maintenance Items	2-3
Fig. 2 - Brushes, Replacement, Model 800, 800 mm (32 in)	2-4
Fig. 3 - Main Frame and Drive Group	2-6
Fig. 4 - Tire and Rim Assembly, Black	2-8
Fig. 5 - Scrub Head Lift Group	2-10
Fig. 6 - Scrub Head Kit, Model 800D, 800 mm (32 in)	2-12
Fig. 7 - Scrub Head Drive Group, Model 800C, 800 mm (32 in)	2-14
Fig. 8 - Scrub Head Frame Group, Model 800C, 800 mm (32 in)	2-16
Fig. 9 - Recovery Tank Group (000000-022108)	2-18
Fig. 10 - Recovery Tank Group (022109-)	2-20
Fig. 11 - Solution Tank Group	2-22
Fig. 12 - Vacuum Fan Group	2-24
Fig. 13 - Solution Control Group	2-26
Fig. 14 - Battery Group	2-28
Fig. 15 - Steering Control Group	2-30
Fig. 16 - Operator Console Group (000000-017945)	2-32
Fig. 17 - Operator Console Group (017946-)	2-34
Fig. 18 - Electrical Panel Group	2-36
Fig. 19 - Squeegee Lift Group	2-38
Fig. 20 - Squeegee Linkage Group	2-40
Fig. 21 - Squeegee Group, Model 800, 800 mm (32 in)	2-42
Fig. 22 - Electrical Schematic	2-44
Fig. 23 - Electrical Wire Harness Group	2-46
Fig. 24 - Label Group	2-49

Fig. 1 - Genreal Recommended Maintenance Items

Ref.	Part No.	Serial Number	Description	Qty.
	222241	(000000-) Blade, Squeegee, Front 32"	1
	222242	(000000-) Blade, Squeegee Rear 32"	1
▽	222423	(000000-) Squeegee Kit F/Tile Gumrbr 800	1
▲	222384	(000000-) Blade, Squeegee, Tile, 32"	1
▲	222386	(000000-) Blade, Squeegee, Rear, Gum 32"	1
▽	222429	(000000-) Squeegee Kit Oil Rs Urethn 800	1
▲	222392	(000000-) Blade, Sqge Front, 32" Oil Rst	1
▲	222388	(000000-) Blade, Sqge, Rear 32" Oil Resi	1
	222066	(000000-) Wheel, 3.0 Dia	4
	82138	(000000-) Nut Speed, Retainer, .25-20 Thd	2
	222178	(000000-) Roller, Bumper	2
	222403	(000000-) Wheel, 2.0 Dia	2
	222431	(000000-) Skirt Assy, Disc Head, 32"	1
▽	222711	(000000-) Replm Kit, Brush Skirts	1
▲	222180	(000000-) Skirt, Scrub Head	4
▲	222511	(000000-008920) Skirt, Deflector	2
	223568	(008921-) Skirt, Deflector	2

Fig. 2 - Brushes, Replacement, Model 800, 800 mm (32 in)

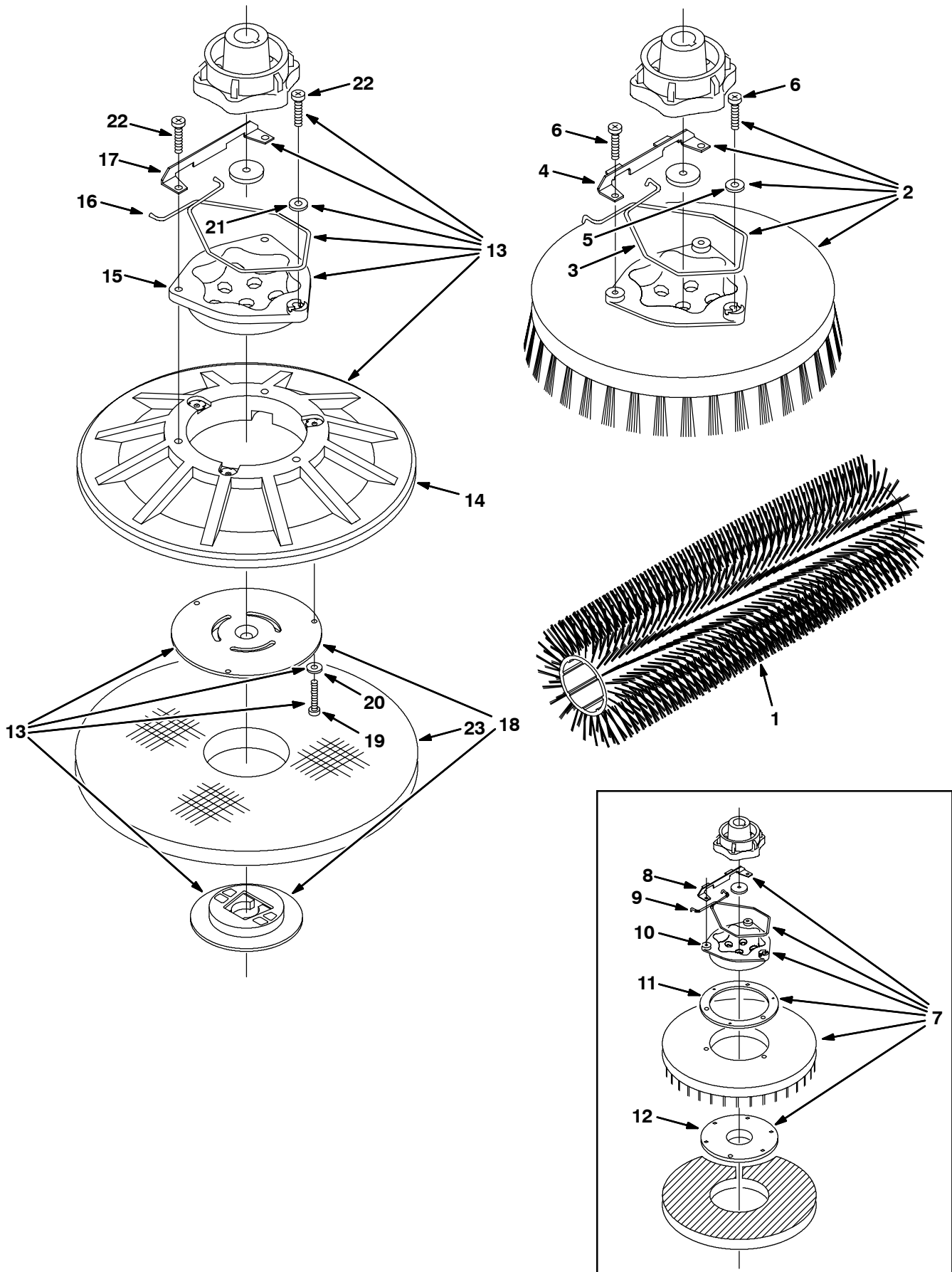


Fig. 2 - Brushes, Replacement, Model 800, 800 mm (32 in)

Ref.	Part No.	Serial Number	Description	Qty.
1	222307	(000000-) Brush-Scr Grout 32"Lg 18Sr Poly	2
1	374042	(000000-) Brush-Scrub 32"Lg 18Sr Poly	2
1	222308	(000000-) Brush-Scrub -32Lg-18Sr-Nyl	2
1	222309	(000000-) Brush-Scrub 32"Lg 18Sr Ab	2
▽	2	05724	(000000-) Brush-Disk Scr 16 D-Assy-Nyl	2
▲	3	14838	(000000-) Spring, Brush Retaining	1
▲	4	24299	(000000-) Bracket, Spring Retainer	1
▽	2	30241	(000000-) Brush-Disk Scr 16 D Assy Poly	2
▲	3	14838	(000000-) Spring, Brush Retaining	1
▲	4	24299	(000000-) Bracket, Spring Retainer	1
▽	2	05726	(000000-) Brush-Disk Scr 16 D-Assy-S Ab	2
▲	3	14838	(000000-) Spring, Brush Retaining	1
▲	4	24299	(000000-) Bracket, Spring Retainer	1
▽	7	30216	(000000- xxxxxx) Driver, Pad 16 D Assy (Replaced by 370016)	2
▲	8	24299	(000000- xxxxxx) Bracket, Spring Retainer	1
▲	9	14838	(000000- xxxxxx) Spring, Brush Retaining	1
▲	10	15539	(000000- xxxxxx) Adaptor, Brush	1
▲	11	11218	(000000- xxxxxx) Spacer, Pad Holder	1
▲	12	19783	(000000- xxxxxx) Holder, Pad	1
▽	13	397916	(xxxxxx-) Driver, Pad 16 D Assy	2
▲	14	397976	(xxxxxx-) Back, Pad Drive W/Face 16 Dia.	1
▲	15	15539	(xxxxxx-) Adaptor, Brush	1
▲	16	14838	(xxxxxx-) Spring, Brush Retaining	1
▲	17	24299	(xxxxxx-) Bracket, Spring Retainer	1
▲	18	370095	(xxxxxx-) Centering Device, F/Pad Driver	1
▲	19	09198	(xxxxxx-) Scr Panssm 4X0.7 35	3
	23	63248-1	(000000-) Pad, Strip 16D Brown	2
	23	63248-2	(000000-) Pad, Scrub 16D Blue	2
	23	63248-3	(000000-) Pad, Buff 16D Red	2
	23	63248-4	(000000-) Pad, Polish 16D White	2
	23	370092	(000000-) Pad, Strip-Hd 16D Black	2

Fig. 3 - Main Frame and Drive Group

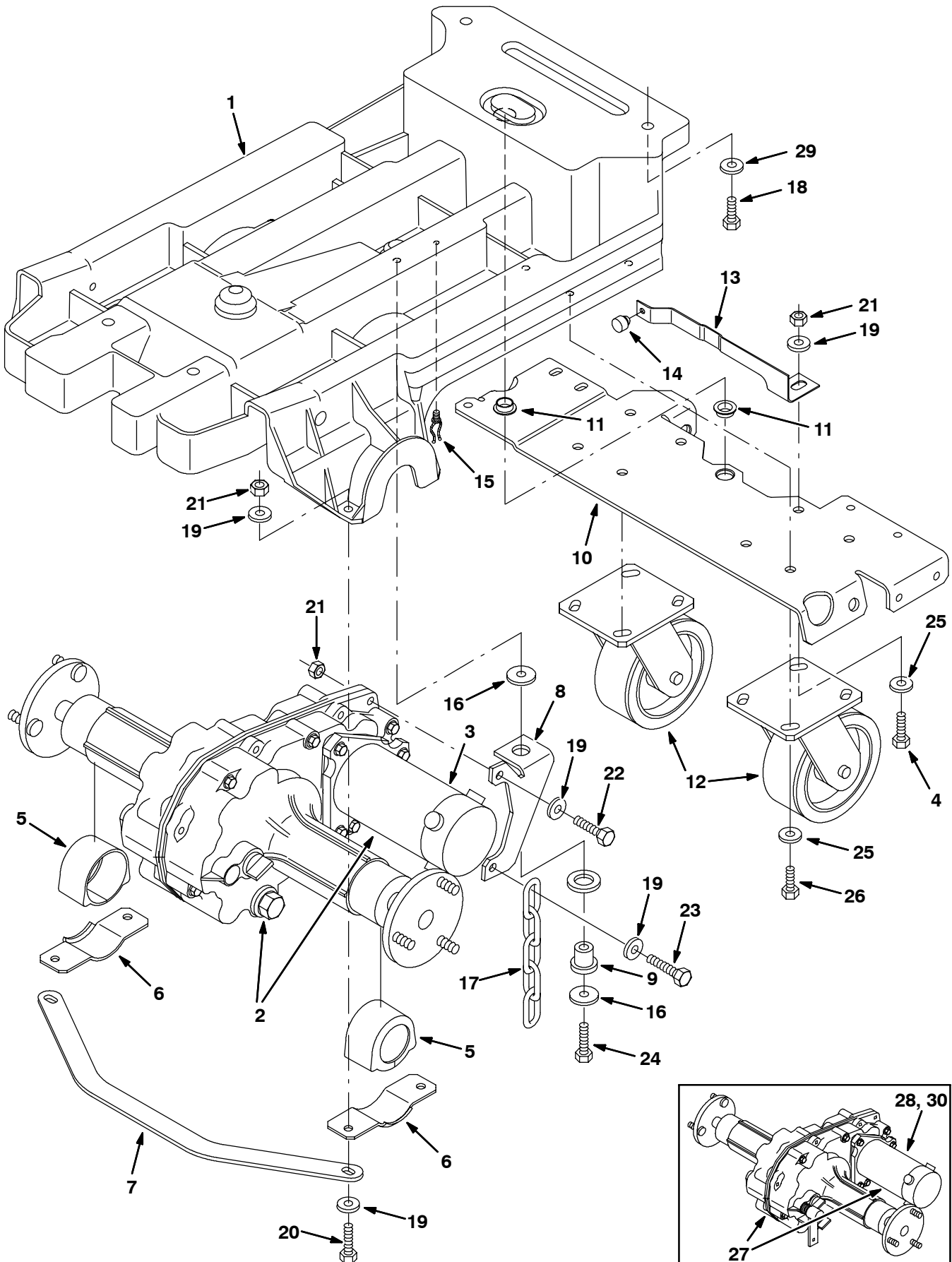


Fig. 3 - Main Frame and Drive Group

Ref.	Part No.	Serial Number	Description	Qty.
	1	398311	(000000-) Frame, Main	1
▽	2	397707AM	(018733-) Transaxle Assy, W/O Parking Brake (See Breakdowns)	1
▲	3	374265AM	(xxxxxx-) Motor, Ele, 36Vdc 0.50Hp 2000Rpm (See Breakdowns)	1
	4	09010	(000000-) Scr Hexssm 8X1.25 25	2
	5	222035	(000000-) Isolator, Transaxle	2
	6	222036	(000000-) Bracket, Mtg, Isolator	2
	7	222098	(000000-) Bracket, Support, Frame	1
	8	222039	(000000-) Bracket, Mtg, Transaxle	1
	9	54274	(000000-) Isolator-Vibration,125Lb.Ratng	1
	10	222085	(000000-) Bracket, Caster Pad	1
	11	04843	(000000-) Bearing, Flange .625 Bore	2
	12	222467	(000000-) Caster, 5.0 Dia Wheel	2
	13	222469AM	(000000-) Spring, Centering	1
	14	51787	(000000-) Bumper, Rubber	1
	15	30406	(000000-) Clip, Keeper, St	1
	16	1014563	(000000-) Washer, Flat, 0.40b 1.12d .12, Ss	2
	17	222842	(000000-) Chain,Static, Brass	1
	18	12273	(000000-) Scr-Hexssm 8X1.25 20 Nyloloc	4
	19	01685	(000000-) Washer Flt .31 Ss	8
	20	09011	(000000-) Scr Hexssm 8X1.25 30	4
	21	08713	(000000-) Nut-Hxlocnyln M 8X1.25 Reg Ss	8
	22	09026	(000000-) Scr Hexssm 8X1.25 40	1
	23	222505	(000000-) Scr Hexssm 8X1.25 45	1
	24	59658	(000000-) Scr Hexssm 8X1.25 35 Nylonloc	1
	25	41186	(000000-) Washer, Bellville .31 Pltd	8
	26	12333	(000000-) Scr-Hexssm 8X1.25 25 Nylonloc	6
▽	27	222037AM	(000000-018732) Transaxle Assy, W/Parking Brake (See Breakdowns)	1
▲	28	222371	(000000-018732) Motor,Elec 0.5Hp36V.Dc,2000Rpm (See Breakdowns)	1
	29	1017218	(000000-) Washer, Flat, 0.321b 1.00d .12, Ss	8
	30	222371	(018733-xxxxxx) Motor, Ele, 36Vdc 0.50Hp 1900Rpm (Replaced by 374265AM) (See Brealdowns)	1

Fig. 4 - Tire and Rim Assembly, Black

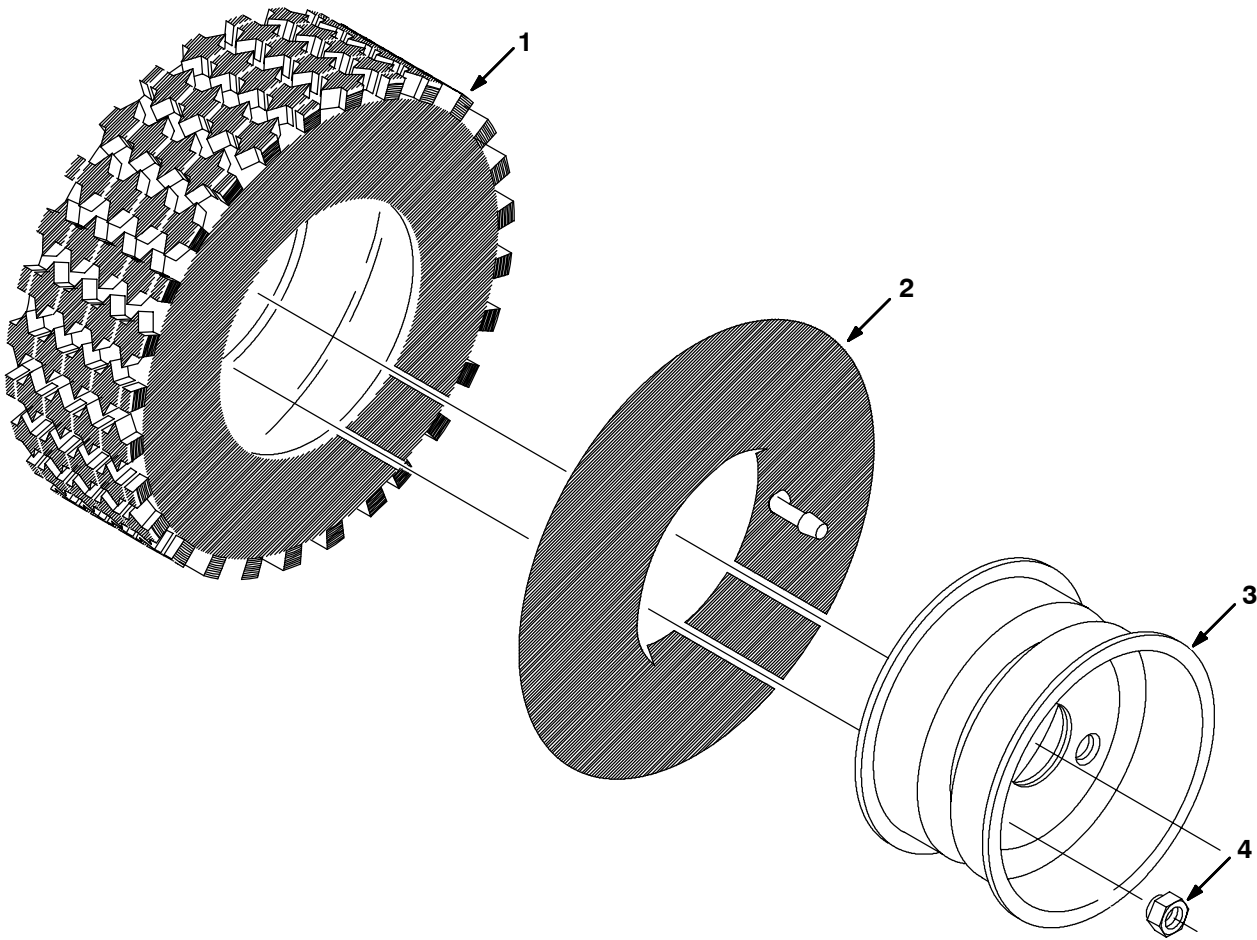


Fig. 4 - Tire and Rim Assembly, Black

	Ref.	Part No.	Serial Number	Description	Qty.
▽		78572	(000000-) Tire and Rim Assembly, Black	2
▲	1	374049	(000000-) Tire, 4.10/3.5-6, Black	1
▲	2	04658	(000000-) Tube, Inner	1
▲	3	04657	(000000-) Rim	1
	4	11109	(000000-) Nut, Wheel	6

Fig. 5 - Scrub Head Lift Group

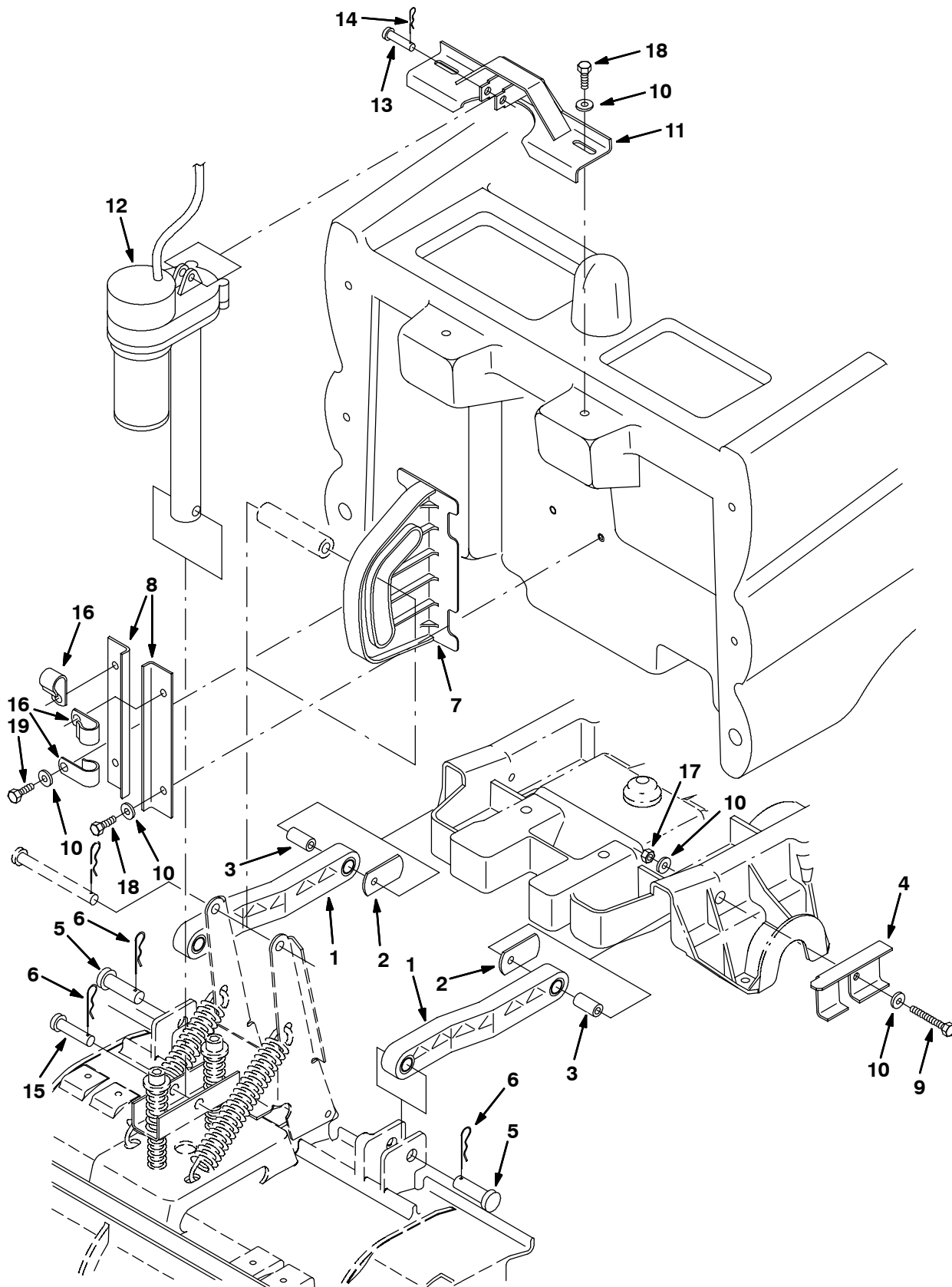


Fig. 5 - Scrub Head Lift Group

Ref.	Part No.	Serial Number	Description	Qty.
1	222027	(000000-) Arm, Lift, Head	2
2	222099	(000000-) Spacer, Lift Arm	2
3	222028	(000000-) Sleeve, .344B .62D1.3 Bronze	2
4	222488	(000000-) Bracket, Tank Support	1
5	222210	(000000-) Pin, Clevis, 0.62 Dia X 2.00Lg	2
6	02942	(000000-) Pin,Hair Cotter .12Wire 2.37SI	3
7	222034	(000000-) Bracket, Guide, Roller	1
8	222054	(000000-) Bracket, Roller Guide	2
9	222504	(000000-) Scr Hexssm 8X1.25 55	2
10	01685	(000000-) Washer, Flat, 0.38b 0.88d .08, Ss	9
11	222051	(000000-) Bracket, Mounting, Actuator	1
12	222110	(000000-) Replm Kit, Actuator	1
13	29558	(000000-) Pin,Clevis,0.37 Dia.X 1.50 Lg	1
14	86866	(000000-) Pin, Hair Cotter .375D .072Wir	1
15	51534	(000000-) Pin,Clevis,0.50 Dia.X 2.00 Lg	1
16	30407	(000000-) Clip, Keeper, Open	3
17	08713	(000000-) Nut-Hxlocnyln M 8X1.25 Reg Ss	2
18	09740	(000000-) Scr-Hexssm 8X1.25 20	6
19	49826	(000000-) Scr-Hexssm 8X1.25 16 Nylon Loc	1

Fig. 6 - Scrub Head Kit, Model 800D, 800 mm (32 in)

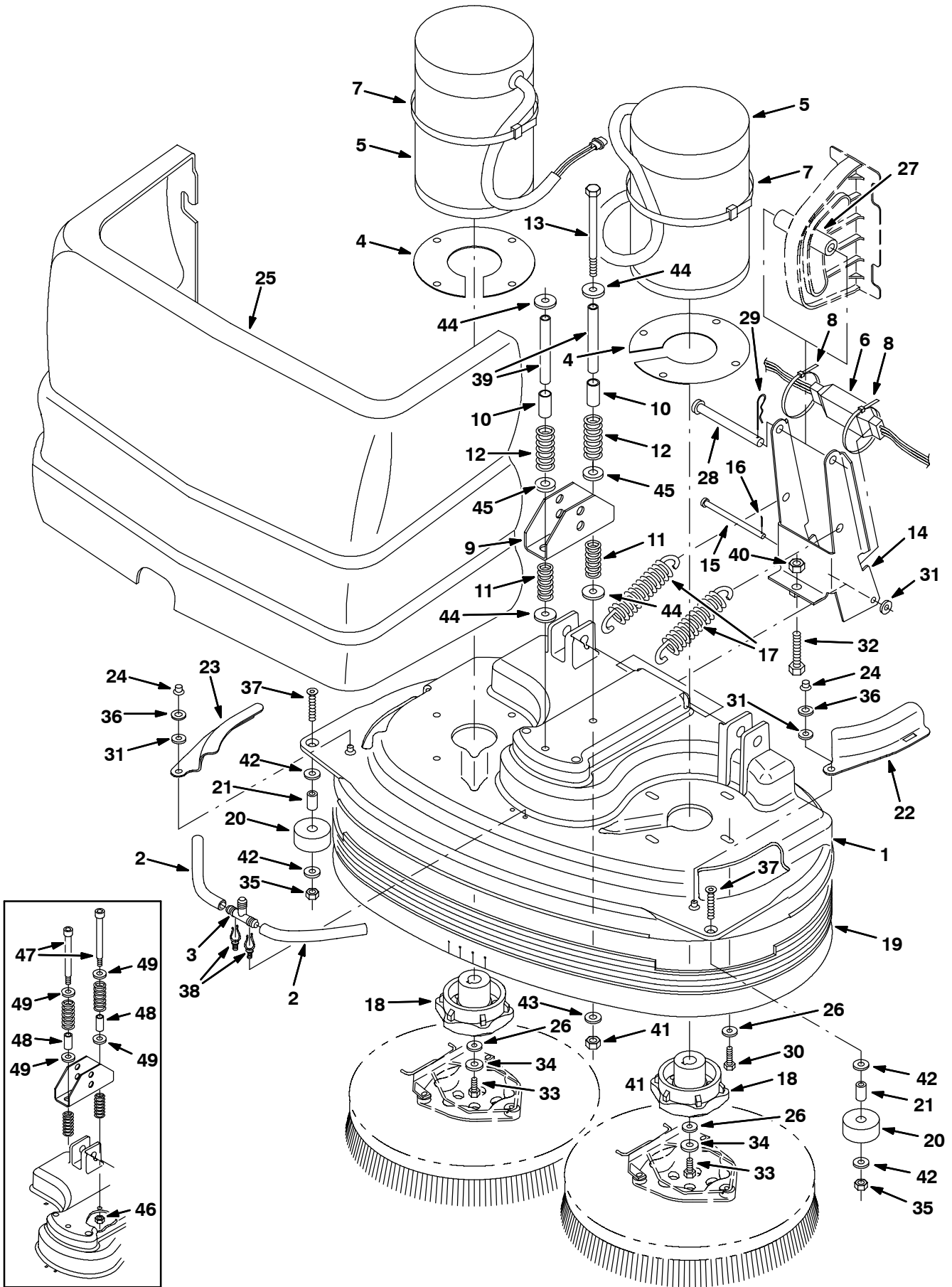


Fig. 6 - Scrub Head Kit, Model 800D, 800 mm (32 in)

Ref.	Part No.	Serial Number	Description	Qty.
▽	222018	(000000-) Scrub Head Kit Ee 800D	1
▲	1 222222	(000000-) Cover, Scrub Head 32 Disc	1
▲	2 222535	(000000-) Hose, Vinyl .38Id .56Od 8.0L	2
▲	3 222536	(000000-) Fitting-Plastic Tee 06Bm/06Bm/	1
▲	4 222440	(000000-) Gasket, End Bell	2
▲	5 222708AM	(000000-) Motor Assy, Elec, Ee 0.6Hp (See Breakdowns)	2
▲	6 222836	(000000-) Harness, Wire, Disk Head, Elec	1
▲	7 44961	(000000-) Tie, Cable 4.00 Max 14.50Lg	4
▲	8 49263	(000000-) Tie Cable 3.00D Max 11.41Lg	2
▲	9 1012088	(000000-) Bracket, Mtg, Spring	1
▲	10 140148	(025365-) Sleeve, P/M, 0.50b 0.63d 1.4l, Stl Pl	2
▲	11 63185	(000000-) Spring,Comp.,.84Odx.10Wire 2.0L	2
▲	12 45261	(000000-) Sprng,Comp,0.74ldx.11Wire 2.5L	2
▲	13 20178	(025365-) Screw, Hex, .38-16 X 5.50, G5	2
▲	14 222838	(000000-) Bracket, Pivot	1
▲	15 222207	(000000-) Pin, Clevis, 0.31Dia X4.5Lg	1
▲	16 08346	(000000-) Pin, Cotter, .125 X 0.75	1
▲	17 222363	(000000-) Spring, Tension	2
▲	18 377364	(000000-) Hub, Drive, Brush, Disk, 0.75b 6t	2
▲	19 222431	(000000-) Skirt Assy, Disc Head, 32"	1
▲	20 222403	(000000-) Wheel, 2.0 Dia	2
▲	21 222496	(000000-) Sleeve	2
▲	22 222404	(000000-) Door, Scrub Head, Lh	1
▲	23 222405	(000000-) Door, Scrub Head, Rh	1
▲	24 59849	(000000-) Nut, Retainer R/.312 Dia	2
▲	25 397793	(000000-) Cover, Front	1
▲	26 41186	(000000-) Washer-Belleville .31 Pltd	10
▲	27 222055	(000000-) Roller, Linkage, Head	1
▲	28 222197	(000000-) Pin, Clevis 0.50 Dia X 4.75Lg	1
▲	29 02942	(000000-) Pin,Hair Cotter .12Wire 2.37Sl	1
▲	30 01698	(000000-) Scr Hexss.25-20X1.00	8
▲	31 01685	(000000-) Washer Flt .31 Ss	3
▲	32 05720	(000000-) Scr-Hexssm10X1.5 40 Full Thd	1
▲	33 02991	(000000-) Scr Hexss.31-18X0.75	2
▲	34 01686	(000000-) Washer Flt .38 Ss	2
▲	35 08713	(000000-) Nut-Hxlocnyln M 8X1.25 Reg Ss	2
▲	36 32713	(000000-) Washer, .406B .81D .09Ureth	2
▲	37 33943	(000000-) Scr-Flt M8 X 1.25 40	2
▲	38 30406	(000000-) Clip, Keeper, St	2
▲	39 1029426	(025365-) Tube, Rnd, 0.40id 0.50od 04.3l, Ss	2
▲	40 39312	(000000-) Nut, Hex, Std, M10 X 1.5	1
▲	41 59156	(025365-) Nut, Hex, Lock, .38-16, NI, Ss	2
▲	42 32490	(000000-) Washer, Flat, 0.25 Std	4
▲	43 01685	(025365-) Washer, Flat, 0.38b 0.88d .08, Ss	2
▲	44 32662	(025365-) Washer, Flat, 0.38b 1.22d .06, Ss	4
▲	45 32486	(025365-) Washer, Flt .50 SAE	2
	46 36643	(000000-025364)) Nut, Hex, Lock, .38-16, NI, Thin	2
	47 9002024	(000000-025364)) Bolt Kit, Shld, F/ 45960, Replmt	2
	48 50682	(000000-025364)) Sleeve, .500B .62D1.31 Stl	2
	49 32486	(000000-025364)) Washer, Flt .50 SAE	4

STANDARD PARTS

Fig. 7 - Scrub Head Drive Group, Model 800C, 800 mm (32 in)

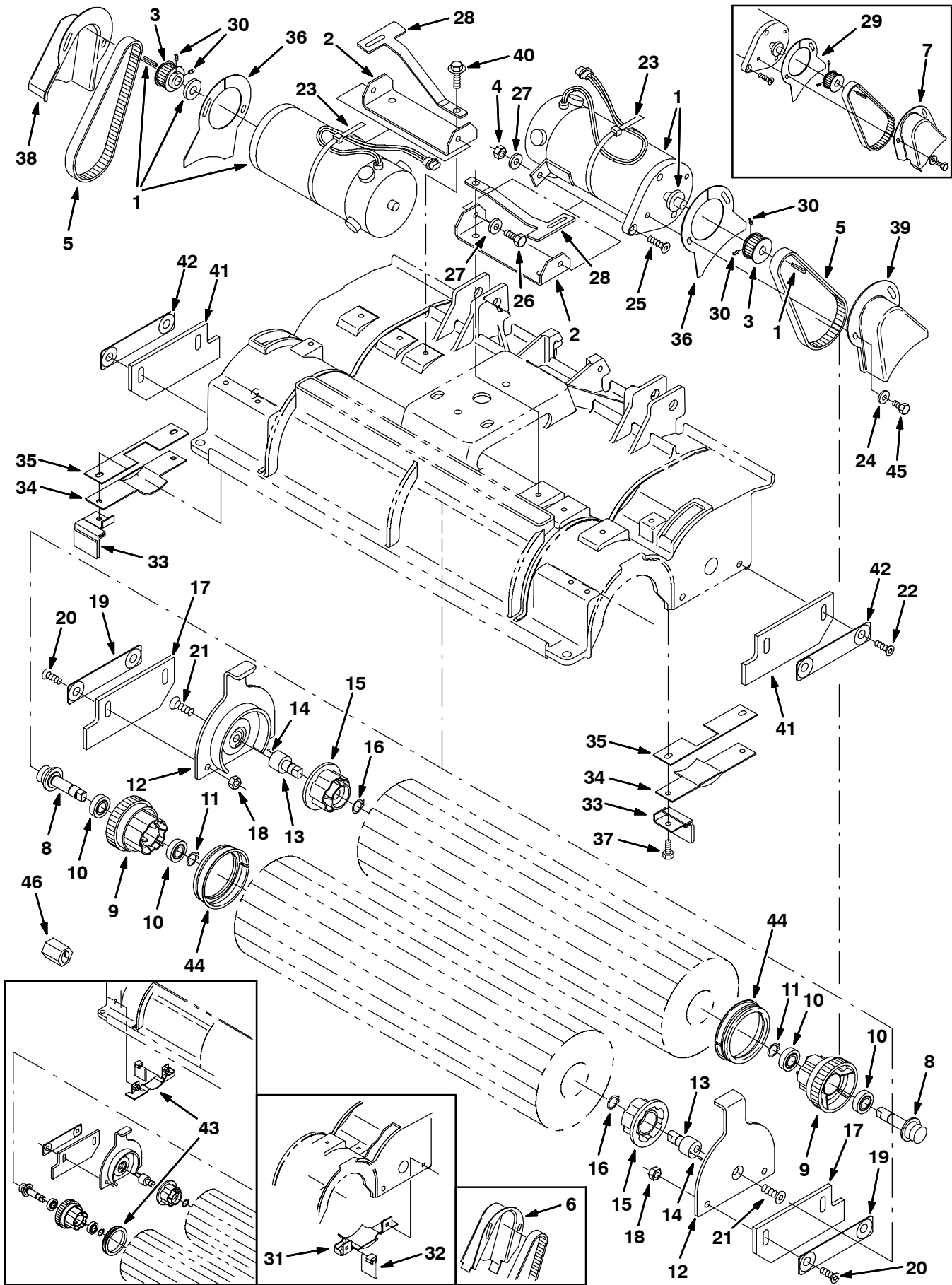


Fig. 7 - Scrub Head Drive Group, Model 800C, 800 mm (32 in)

NOTE: Scrub Head Kit, Tennant Part Number 222016, includes Fig. 7, and Fig. 8.

Ref.	Part No.	Serial Number	Description	Qty.
1	222753	(000000-018380)	Motor, .75 Hp, 36V, 1700Rpm (See Breakdowns)	2
1	375175AM	(018381-	Motor Assy, Ele, 36V, 0.75Hp, 1700Rpm (See Breakdowns)	2
2	222173	(000000-008318)	Bracket, Mounting, Motor	2
2	223564	(008921-	Bracket, Mounting, Motor	2
3	375195	(000000-	Sprocket, Drive	2
4	08713	(000000-	Nut-Hxlocnyln M 8X1.25 Reg Ss	4
5	377505	(000000-	Belt, Replmt, Brush Drive, F/222201	2
6	222174	(000000-008318)	Guard, Belt, Rh	1
7	222175	(000000-008318)	Guard, Belt, Lh	1
▽	222751	(000000-	Plug Drive Assy	2
▲	8 222176	(000000-	Shaft, Drive Plug	1
▲	9 377333	(000000-	Plug, Drive, Brush, [48 Tooth - Gt/2]	1
▲	10 41360AM	(000000-	Bearing-Ball,0.59B 1.26D 0.35W	2
▲	11 01516	(000000-	Ring,Retain,Ex,0.59Od,Basic	1
▽	374082	(000000-	Door Assy, Brush	2
▲	12 369460	(000000-	Door, Brush	1
▲▽	222752	(000000-	Plug Idler Assy	1
▲▲	13 222177	(000000-	Shaft, Idler Plug	1
▲▲	14 222184	(000000-	Pin, Roll	1
▲▲	15 379202	(000000-	Plug, Brush	1
▲▲	16 01516	(000000-	Ring,Retain,Ex,0.59Od,Basic	1
▲	17 222180	(000000-	Skirt, Scrub Head	1
▲	18 08713	(000000-	Nut-Hxlocnylon M 8X1.25 Reg Ss	2
▲	19 222182	(000000-	Bar, Support	1
▲	20 74077	(000000-	Scr-Flt M8 X 1.25 25 Ss	2
▲	21 390996	(000000-	Scr-Flt M10 X 1.5 20, Ss NI	1
	22 07810	(000000-	Scr Flt M8 x 1.25 25	4
	23 44961	(000000-	Tie, Cable 4.00D Max 14.50 Lg	2
	24 01684	(000000-	Washer Flt .25 Ss	4
	25 74077	(000000-	Screw, Flat,M 8X1.25 Ss	2
	26 09740	(000000-	Scr Hexssm 8X1.25	2
	27 01685	(000000-	Washer, Flat, 0.38b 0.88d .08, Ss	6
	28 222209	(000000-	Spring, Door	2
	29 222791	(000000-008318)	Shield, Belt	2
	30 222818	(000000-	Scr-Set 8-32 X .25 Nylon Loc	4
	31 222850	(000000-008318)	Bracket, Shield	2
	32 222511	(000000-008318)	Skirt, Deflector	2
	33 223568	(008319-	Skirt, Deflector	2
	34 223566	(008319-	Bracket, Shield	2
	35 223569	(008319-	Gasket, Shield	2
	36 223563	(008319-	Shield, Belt	2
15675	37 15678	(008921-	Screw, Hex, M06 X 1.0 X 16, Ss M08	4
	38 223560	(008319-	Guard, Belt, Rh	1
	39 223561	(008319-	Guard, Belt, Lh	1
	40 76099	(000000-	Scr-Hxfmg M8 X 1.25 25	4
	41 222180	(000000-	Skirt, Scrub Head	2
	42 222182	(000000-	Bar, Support	2
	43 222863	(000000-008318)	Replm Kit, Seal	2
	44 222820	(000000-	Seal, Ring	2
	45 06942	(000000-	Screw, Hex, M06-1.0 X 16	4
	46 1010506	(000000-	Tool, Removal, Shaft, F/ 222176	1

STANDARD PARTS

Fig. 8 - Scrub Head Frame Group, Model 800C, 800 mm (32 in)

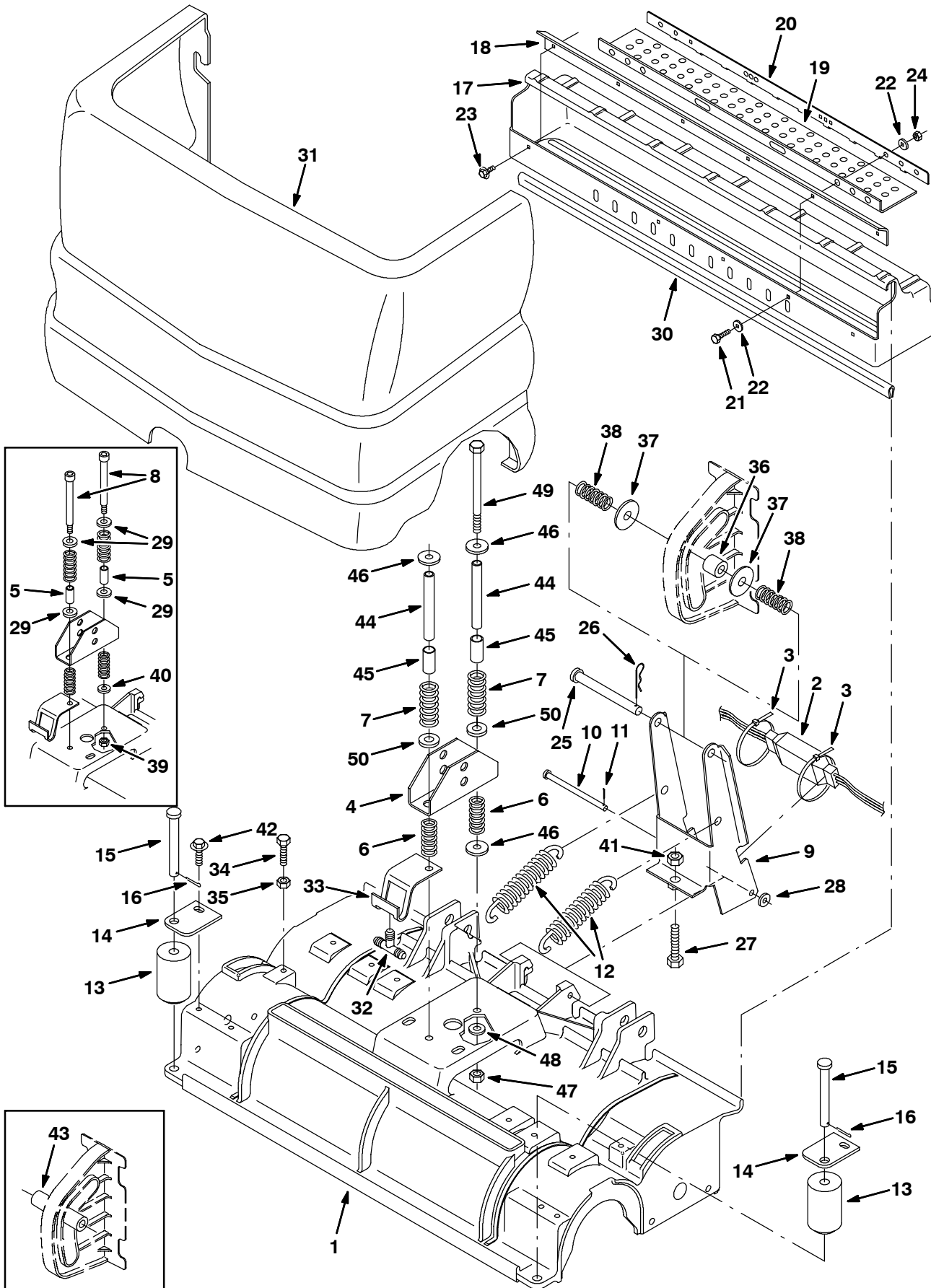


Fig. 8 - Scrub Head Frame Group, Model 800C, 800 mm (32 in)

NOTE: Scrub Head Kit, Tennant Part Number 222016, includes Fig. 7, and Fig. 8.

Ref.	Part No.	Serial Number	Description	Qty.
1	374010	(000000-008318)	Housing, Cyl, Replacement 32	1
1	1022253	(008319-	Housing, Cyl, Mach, 800mm	1
2	222835	(000000-	Harness, Wire, Cyl Head, Elec	1
3	49263	(000000-	Tie Cable 3.00D Max 11.41Lg	2
4	1012088	(000000-	Bracket, Mtg, Spring	1
5	50682	(000000-025364)	Sleeve, .500B .62D1.31 Stl	2
6	63185	(000000-	Spring,Comp,.84Odx.10Wire 2.0L	2
7	45261	(000000-	Sprng,Comp,0.74ldx.11Wire 2.5L	2
8	9002024	(000000-025364)	Bolt Kit, Shld, F/ 45960, Replmt	2
9	222838	(000000-	Bracket, Pivot	1
10	222207	(000000-	Pin, Clevis, 0.31Dia X4.5Lg	1
11	08346	(000000-	Pin, Cotter .125X0.75	2
12	222363	(000000-	Spring, Tension	2
13	222178	(000000-	Roller, Bumper	2
14	222179	(000000-	Bracket, Mounting, Roller	2
15	222196	(000000-	Pin, Roller	2
16	08346	(000000-	Pin, Cotter .125X0.75	2
▽	222825	(000000-	Debris Tray Kit, 32 in	1
▲	17 391330	(000000-	Tray, Debris, 32	1
▲	18 222204	(000000-	Lip, Debris Tray 32"	1
▲	19 222669	(000000-	Skirt, Debris Tray	1
▲	20 222670	(000000-	Strip, Debris Tray	1
▲	21 09007	(000000-	Scr-Hexssm6X1.0 25	4
▲	22 01684	(000000-	Washer Flt .25 Ss	6
▲	23 74455	(000000-	Scr-Hxfmg M6 X 1.0 20	2
▲	24 08708	(000000-	Nut, Hex, Lock, M6 X 1.0, NI	4
	25 222197	(000000-	Pin, Clevis 0.50 Dia X 4.75Lg	1
	26 02942	(000000-	Pin,Hair Cotter .12Wire 2.37Sl	1
	27 05720	(000000-	Scr-Hexssm10X1.5 40 Full Thd	1
	28 01685	(000000-	Washer, Flat, 0.38b 0.88d .08, Ss	1
	29 32486	(000000-025364)	Washer, Flt .50 SAE	4
	30 374007	(000000-	Channel	1
	31 397794	(000000-	Cover, Front, Trim, [5700 Cyl]	1
	32 222536	(000000-	Fitting-Plastic Tee 06Bm/06Bm/	1
	33 222523	(000000-	Bracket, Hose Guide	1
	34 09023	(000000-	Screw, Hex, M08 X 1.25 X 35, Ss	2
	35 08713	(000000-	Nut, Hex, Lock, M08 X 1.25, NI, Ss	2
	36 374162	(xxxxxx-	Roller, Rwk	1
	37 51564	(xxxxxx-	Washer, 0.53b 1.75d .12, Stl, PI	2
	38 397255	(xxxxxx-	Spring, Cmpr, 0.85od .08wir 2.0l	2
	39 36643	(000000-025364)	Nut, Hex, Lock, .38-16, NI, Thin	2
	40 01685	(000000-025364)	Washer, Flat, 0.38b 0.88d .08, Ss	1
	41 39312	(000000-	Nut, Hex, Std, M10 X 1.5	1
	42 76099	(000000-	Screw, Hex, M8 X 1.25 X 25, Fmg	2
	43 222055	(000000- xxxxxx)	Roller, Linkage, Head	1
	44 1029426	(025365-	Tube, Rnd, 0.40id 0.50od 04.3l, Ss	2
	45 140148	(025365-	Sleeve, P/M, 0.50b 0.63d 1.4l, Stl PI	2
	46 32662	(025365-	Washer, Flat, 0.38b 1.22d .06, Ss	3
	47 59156	(025365-	Nut, Hex, Lock, .38-16, NI, Ss	2
	48 01685	(025365-	Washer, Flat, 0.38b 0.88d .08, Ss	2
	49 20178	(025365-	Screw, Hex, .38-16 X 5.50, G5	2
	50 32486	(025365-	Washer, Flt .50 SAE	2

STANDARD PARTS

Fig. 9 - Recovery Tank Group (000000-022108)

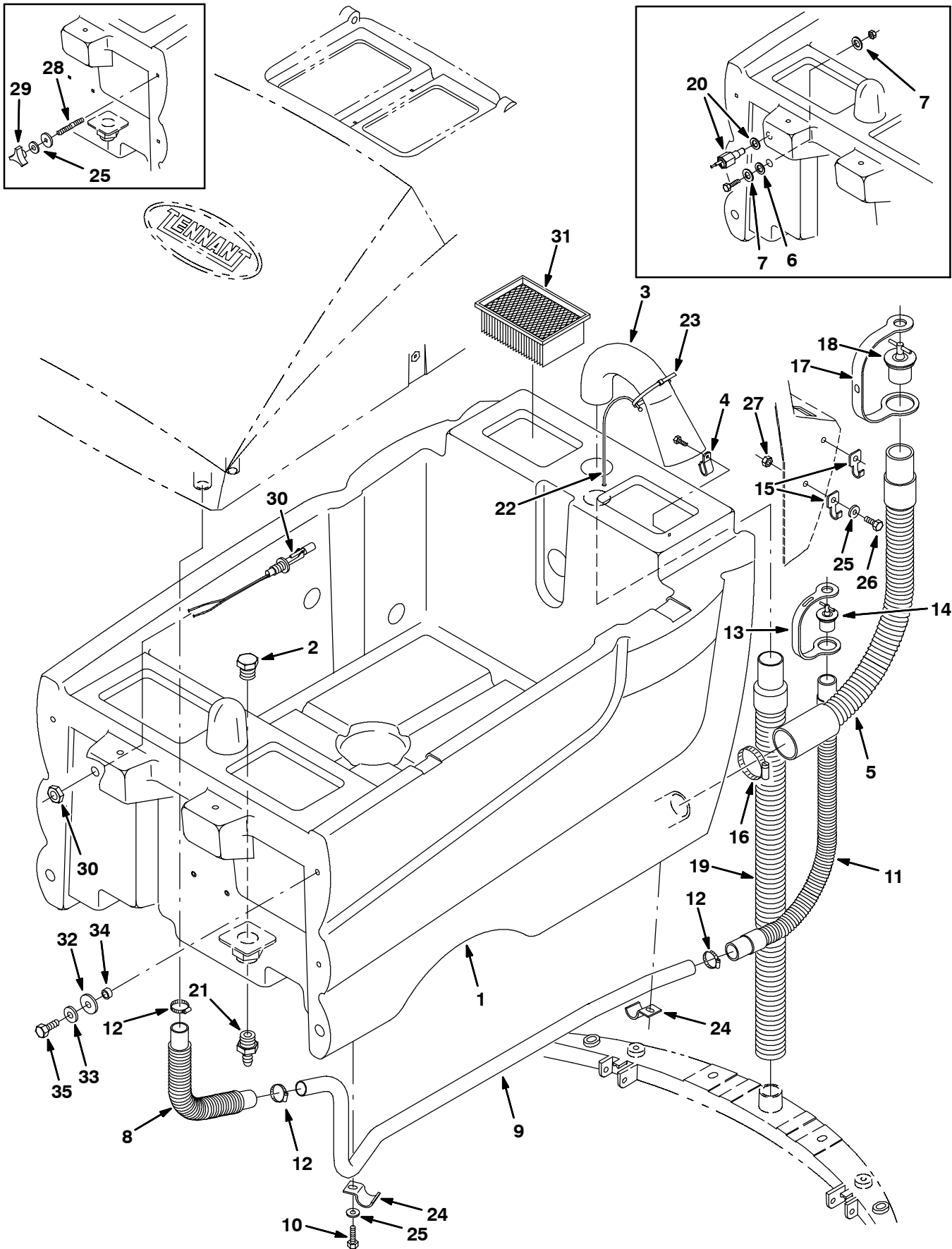


Fig. 9 - Recovery Tank Group (000000-022108)

Ref.	Part No.	Serial Number	Description	Qty.
1	398440	(000000-022108)	Tank, Recovery	1
2	75611	(000000-022108)	Ftg-Plug Npt 12Pm Rd Hd Plstc.	1
3	222361	(000000-022108)	Hose, Inlet Recovery Tank	1
4	222793	(000000-019216)	Clip, Hose, Hanger	1
5	374059	(000000-022108)	Hose & Cuff Assy, Drain .5ld 27.5L	1
6	01316	(000000-020102)	Washer, .660B 1.00D .12 Rbr	1
7	04400	(000000-020102)	Washer- Flt 17 X30X3 Ss M16	2
8	222194	(000000-022108)	Hose, Drain, Flex	1
9	222151	(000000-022108)	Tube, Drain	1
10	09740	(000000-022108)	Scr-Hexssm 8X1.25 20	2
11	222788	(000000-022108)	Hose, Drain, Tank, Solution	1
12	11399	(000000-022108)	Clamp-Wormdrive, 0.81- 1.50D	3
13	222517	(000000-022108)	Strap, Cap Retainer	1
14	374111	(000000-022108)	Plug, Expandable 1.00 Dia	1
15	222793	(000000-022108)	Clip, Hose, Hanger	2
16	14432	(000000-022108)	Clamp-Wormdrive, 1.81- 2.75D	1
17	222383	(000000-022108)	Strap, Drainhose	1
18	398850	(000000-022108)	Plug, Expandable 1.5D X 1.75L	1
19	374060	(000000-022108)	Hose & Cuff Assy, Vacuum 1.51D 32L	1
20	222827	(000000-004327)	Sensor Kit, Liq Level	1
21	79273-1	(000000-022108)	Ftg,Plstc,Cplg,Barb.75Pt-.50Hs	1
22	222667	(000000-022108)	Cable Assy, Hose Retainer	1
23	49263	(000000-022108)	Tie, Cable 3.00D Max 11.41Lg	1
24	69234	(000000-022108)	Clamp, Cable, 1.00D 0.62W Stl	2
25	01685	(000000-022108)	Washer, Flat, 0.38b 0.88d .08, Ss	8
26	15675	(000000-022108)	Scr Hexssm 8X1.25	2
27	08713	(000000-022108)	Nut-Hxlocnyln M 8X1.25 Reg Ss	2
28	30324	(000000-021999)	Stud, M8X1.25 20 8.8 Pltd	4
29	222470	(000000-021999)	Knob, M8X1.25 Insert	4
30	222822	(004328-022108)	Switch, Float	1
31	370113	(006956-022108)	Filter, Vac Fan	1
32	30013	(000000-022108)	Washer, Flat, .31 Fender	4
33	01685	(022000-022108)	Washer, Flat, 0.38b 0.88d .08, Ss	4
34	222516	(022000-022108)	Sleeve, P/M, 0.496d 0.318b 0.31l 430ss	4
35	12273	(022000-022108)	Screw, Hex, M 8 X 1.25 X 20, Ss, NI	4

Fig. 10 - Recovery Tank Group (022109-)

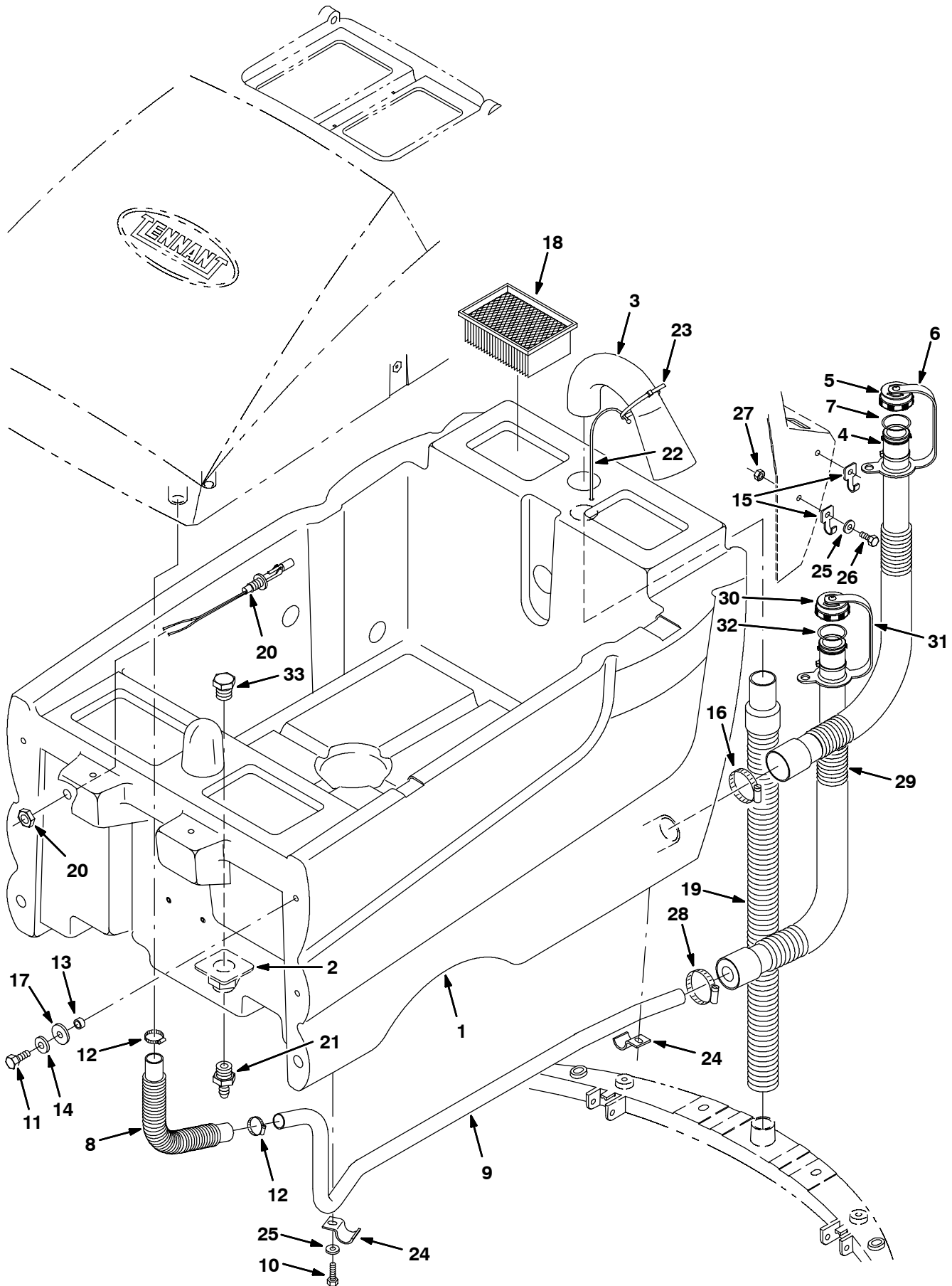


Fig. 10 - Recovery Tank Group (022109-)

Ref.	Part No.	Serial Number	Description	Qty.
▽	1	398440	(022109-) Tank, Recovery	1
▲	2	377349	(022109-) Fitting, Plstc, Pf12/Pf12, Bh	1
	3	222361	(022109-) Hose, Inlet Recovery Tank	1
▽	4	1011168	(022109-) Hose, Assembly, Drain, 25.7	1
▲▽	5	1008639	(022109-) Cap, Drain Assembly	1
▲▲	6	1019563	(022109-) Strap, Drain Cap	1
▲▲	7	1008637	(022109-) O Ring, 1.48" Id, 1.76" Od	1
	8	222194	(022109-) Hose, Drain, Flex	1
	9	222151	(022109-) Tube, Drain	1
	10	09740	(022109-) Scr-Hexssm 8X1.25 20	2
	11	12273	(022109-) Screw, Hex, M 8 X 1.25 X 20, Ss, NI	4
	12	11399	(022109-) Clamp-Wormdrive, 0.81- 1.50D	2
	13	222516	(022109-) Sleeve, P/M, 0.496d 0.318b 0.31l 430ss	4
	14	01685	(022109-) Washer, Flat, 0.38b 0.88d .08, Ss	4
	15	222793	(022109-) Clip, Hose, Hanger	2
	16	22297	(022109-) Clamp-Wormdrive, 1.56-2.50d, .50w	1
	17	30013	(022109-) Washer, Flat, .31 Fender	4
	18	370113	(022109-) Filter, Vac Fan	1
	19	374060	(022109-) Hose & Cuff Assy, Vacuum 1.51D 32L	1
	20	222822	(022109-) Switch, Float	1
	21	79273-1	(022109-) Ftg,Plstc,Cplg,Barb.75Pt-.50Hs	1
	22	222667	(022109-) Cable Assy, Hose Retainer	1
	23	49263	(022109-) Tie, Cable 3.00D Max 11.41Lg	1
	24	69234	(022109-) Clamp, Cable, 1.00D 0.62W Stl	2
	25	01685	(022109-) Washer, Flat, 0.38b 0.88d .08, Ss	4
	26	15675	(022109-) Scr Hexssm 8X1.25	2
	27	08713	(022109-) Nut-Hxlocnyln M 8X1.25 Reg Ss	2
	28	11531	(022109-) Clamp, Hose, Wormdrive, 1.06-2.00d	1
▽	29	1011167	(022109-) Hose, Assembly, Drain, 26.7	1
▲▽	30	1008639	(022109-) Cap, Drain Assembly	1
▲▲	31	1019563	(022109-) Strap, Drain Cap	1
▲▲	32	1008637	(022109-) O Ring, 1.48" Id, 1.76" Od	1
	33	75611	(022109-) Ftg-Plug Npt 12Pm Rd Hd Plstc.	1

Fig. 11 - Solution Tank Group

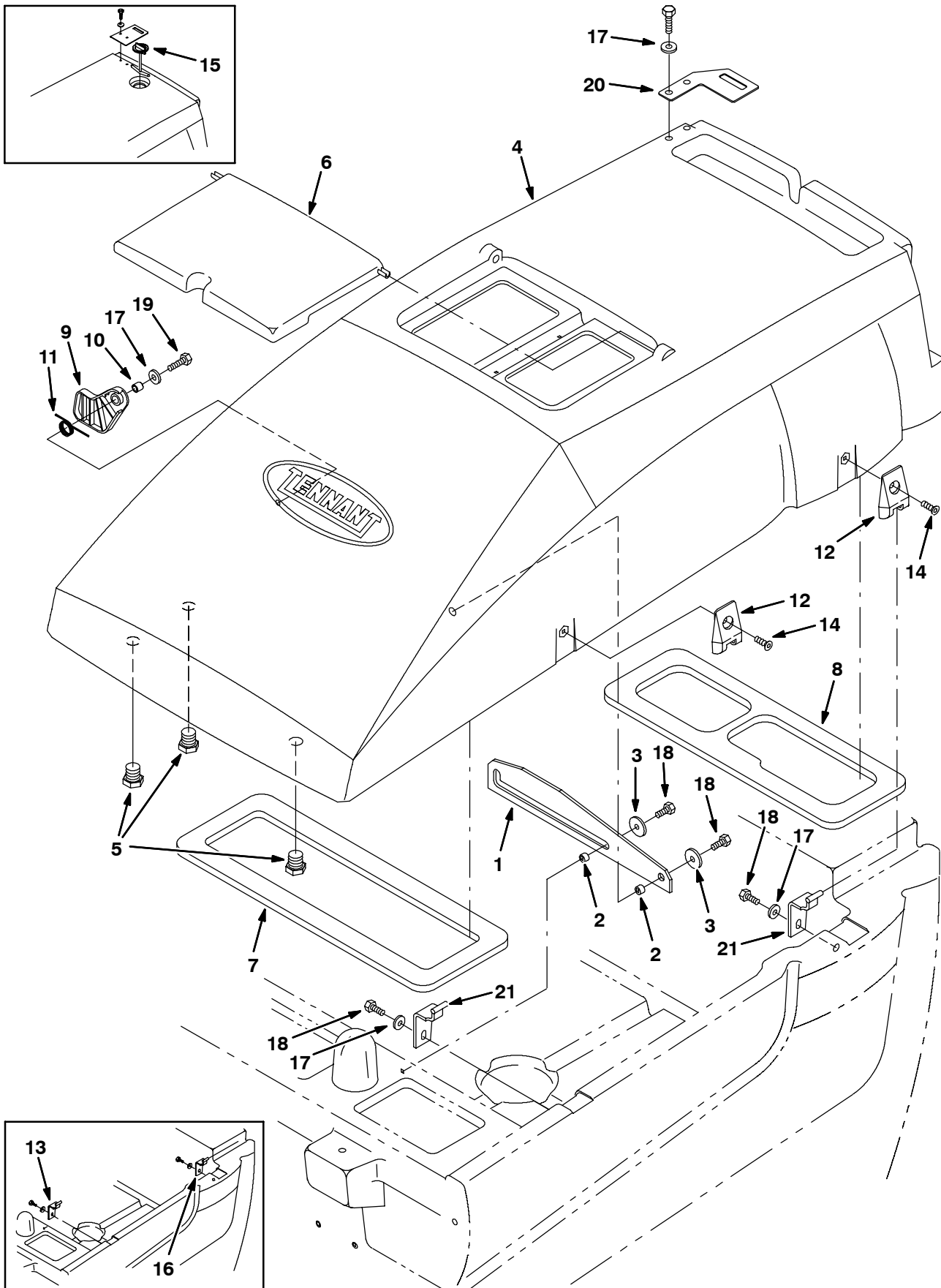


Fig. 11 - Solution Tank Group

Ref.	Part No.	Serial Number	Description	Qty.
1	397705	(000000-) Bracket, Prop Arm	1
2	222516	(000000-) Sleeve, .318B .496D .312 Ss	2
3	30013	(000000-) Washer-Flt .31 Fender Pltd	2
398430AM 4	222713	(000000-) Tank, Solution, w/Label	1
5	75611	(000000-) Ftg-Plug Npt 12Pm Rd Hd Plstc.	3
6	222712	(000000-) Cover, Solution Tank, w/Label	1
7	222120	(000000-) Gasket, Tank, Front	1
8	222121	(000000-) Gasket, Tank, Rear	1
9	222406	(000000-) Stop, Tank	1
10	222460	(000000-) Sleeve	1
11	222462	(000000-) Spring, Torsion	1
12	222529	(000000-) Hinge Leaf	2
13	222527	(000000-019873) Hinge Wldt, Leaf	1
14	222463	(000000-) Scr-Fit M 8X1.25 20 Blk Nyloc	2
15	222590	(000000-002814) Plug, Solution Tank	1
16	222689	(000000-019873) Hinge Leaf, Wldt, Rear	1
17	01685	(000000-) Washer, Flat, 0.38b 0.88d .08, Ss	5
18	09740	(000000-) Scr-Hexssm 8X1.25 20	4
19	12333	(000000-) Scr-Hexssm 8X1.25 25 Nyloloc	1
20	222780	(000000-) Plate, Tank Lock, EE	1
21	398485	(019874-) Hinge Wldt, Leaf	1

Fig. 12 - Vacuum Fan Group

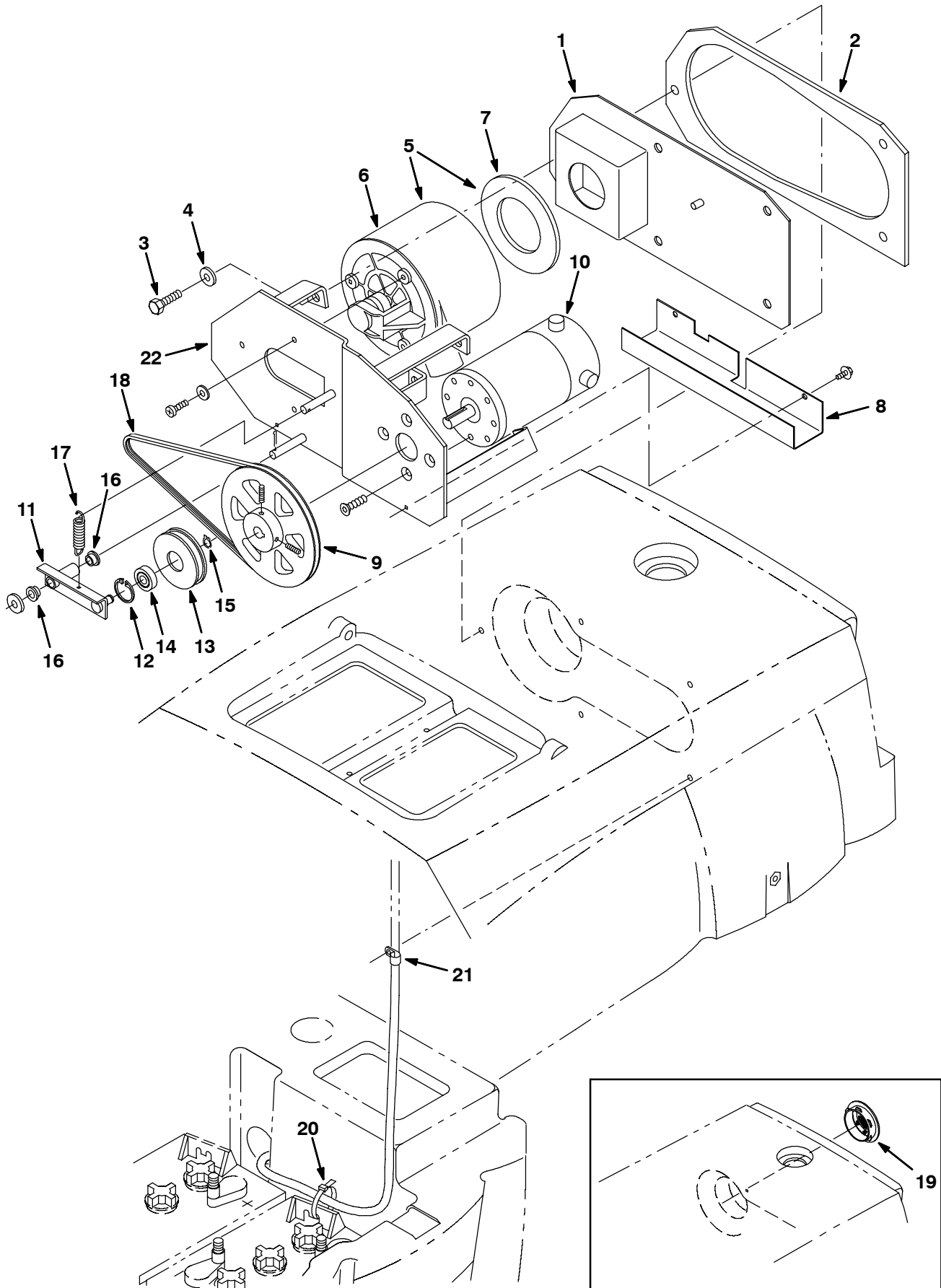


Fig. 12 - Vacuum Fan Group

Ref.	Part No.	Serial Number	Description	Qty.
1	222771	(000000-) Plate Wldt, Mtg, Fan, Ee	1
2	222129	(000000-) Gasket, Plate, Fan Mounting	1
3	12333	(000000-) Scr-Hexssm 8X1.25 25 Nynloc	5
4	01685	(000000-) Washer Flt .31 Ss	5
▽	5	370184	(000000-) Kit, Vacuum Fan, 5700EE	1
▲	6	370182	(000000-) Fan, Vacuum, 3 Stage Ee	1
▲	7	370183	(000000-) Seal, Vacuum Fan	1
8	222698	(000000-) Guard, Cover, Fan, Ee	1
9	222674	(000000-) Sheave, 3J 6.53 Pd	1
10	222409	(000000-020913) Motor Assy, Ee Vac Fan (See Breakdowns) (Replaced by 374201)	1
10	374201AM	(020914-) Motor Assy, Ee Vac Fan (See Breakdowns)	1
▽	222767	(000000-) Idler Arm & Sheave Assy	1
▲	11	222702	(000000-) Arm Wldt, Idler	1
▲	12	20020	(000000-) Ring,Retain,In,1.18ld,Basic	1
▲	13	45430	(000000-) Pulley, Idler Use 45448	1
▲	14	01845	(000000-) Bearing-Ball,0.39B 1.18D 0.35W	1
▲	15	01543	(000000-) Ring,Retain,Ex,0.39Od,Basic	1
▲	16	05582	(000000-) Bearing, Flg. 375 Bore	2
17	29545	(000000-) Spring, Tens.56Odx.05Wire 1.4	1
18	222686	(000000-) Belt, Micro V-Belt 320J3	1
19	370114	(000000-006955) Filter, Vac Fan 5700, Field Kit	1
20	49266	(000000-) Tie, Cable 1.75D Max 7.50Lg	2
21	40678	(000000-) Clamp,Cable .44D .62Wide	1
22	222700	(000000-) Plate Wldt, Mtg, Fan, Ee	1

Fig. 13 - Solution Control Group

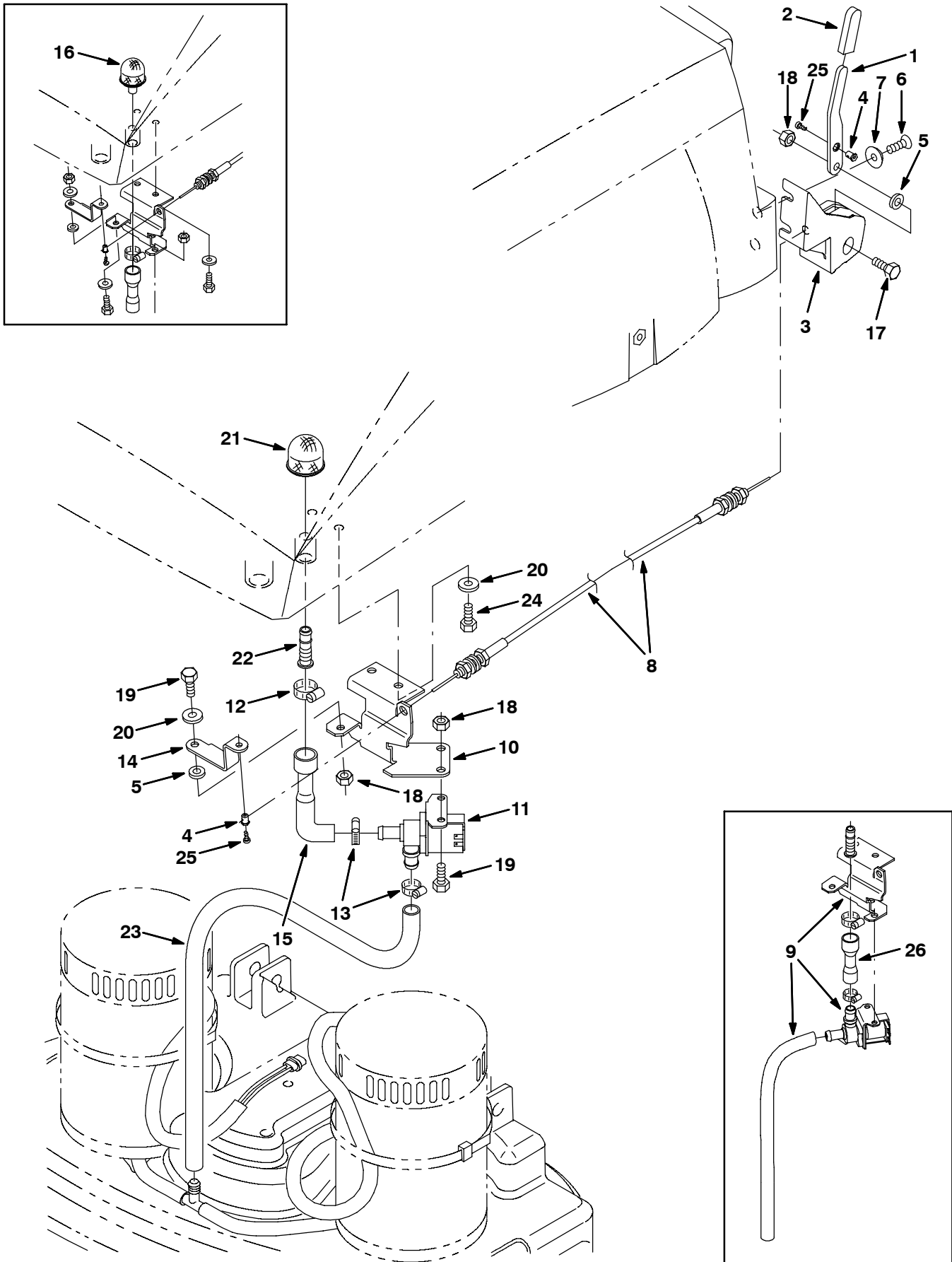


Fig. 13 - Solution Control Group

Ref.	Part No.	Serial Number	Description	Qty.
1	222185	(000000-) Lever, Control	1
2	222190	(000000-) Grip, Handle	1
3	222186	(000000-) Housing, Control Lever	1
4	43242	(000000-) Swivel	2
5	43454	(000000-) Washer, .344B .69D .06Nylon	2
6	222463	(000000-) Scr-Fit M 8X1.25 20 Blk Nyloc	2
7	222466	(000000-) Washer, Finish M8 Blk	2
8	222188	(000000-) Cable Assy, Water	1
9	374132	(000000-019082) Kit, Ci, Sol Valve [5700]	1
10	397787	(019083-) Bracket, Mtg, Valve	1
11	374752	(019083-) Valve, Solenoid	1
12	63810	(000000-) Clamp, Hose, Wormdrive, 0.56-1.06d, .56w	1
13	54333	(000000-) Clamp-Wormdrive, 0.31- 0.88D	2
14	222097	(000000-) Lever, Valve	1
15	397777	(000000-) Hose, Rbr, E90, .62ld 0.81ld	1
16	222812	(000000-002491) Replm Kit, Screen	1
17	09011	(000000-) Scr Hexssm 8X1.25 30	1
18	08713	(000000-) Nut-Hxlocnyln M 8X1.25 Reg Ss	4
19	09740	(000000-) Scr-Hexssm 8X1.25 20	3
20	01685	(000000-) Washer, Flat, 0.38b 0.88d .08, Ss	3
21	222742	(002492-) Screen, Drain	1
22	222728	(002492-) Ftg Str Plastic	1
23	374753	(019083-) Hose, Pvc	1
24	15675	(019083-) Screw, Hex, M08 X 1.25 X 16, Ss	2
25	32515	(019083-) Screw, Pan, #08 -32 X 0.38	2
26	222090	(000000-019082) Hose, Rbr, Pinch Valve	1

Fig. 14 - Battery Group

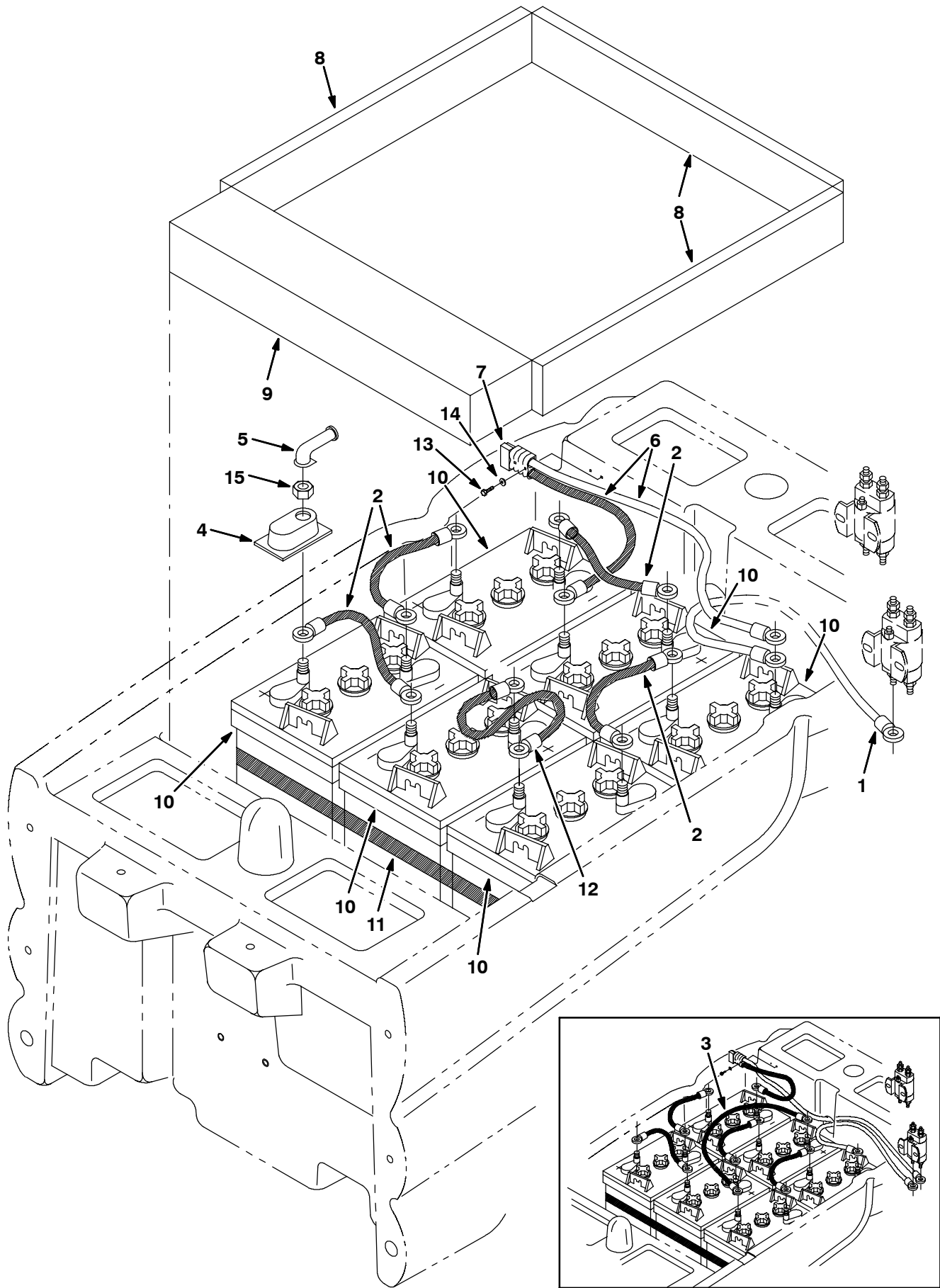


Fig. 14 - Battery Group

Ref.	Part No.	Serial Number	Description	Qty.
1	222218	(000000-) Cable, Battery	1
2	63735	(000000-) Cable Assy-Lead, 11.0, 6Ga	4
3	222510	(000000-019704) Cable, Battery	1
4	45962	(000000-) Cover, Terminal,Poly	12
5	02076	(000000-) Boot, 90Deg .50D .57X .84	12
▽	6	222217	(000000-) Harness, Cable, Battery	1
▲	7	24881	(000000-) Connector, Grey, SB50	1
▽		222778	(000000-) Battery Kit 36V 235Ah Wet	1
▲	8	222473	(000000-) Spacer, Battery .62X1.5X21.0	3
▲	9	222474	(000000-) Spacer, Battery 3.0X4.3X21.0	1
▲	10	222280	(000000-) Battery, 6V, Res Cap: 129 Wet	6
	11	222682	(000000-) Strap, Poly, Webbing, 100" L	1
	12	63735	(019705-) Cable Assy-Lead, 11.0, 6Ga	1
	13	06922	(000000-) Screw, Pan, M3 X 0.5 X 20, 4.8	2
	14	01757	(000000-) Washer, Lock, Int, M3 Ss	2
	15	87435	(000000-) Nut, Hex, Flexlock, .31-18	12

Fig. 15 - Steering Control Group

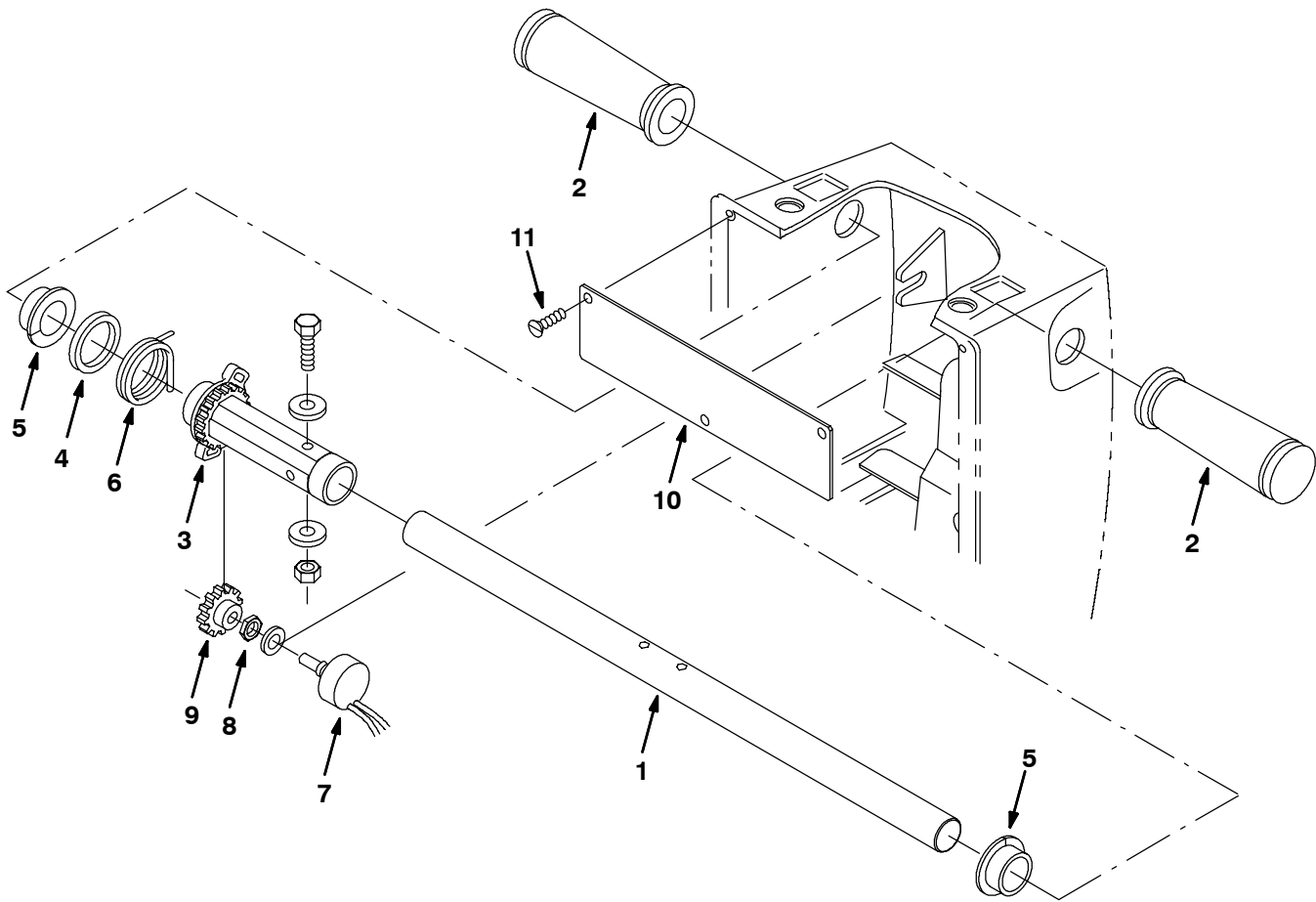


Fig. 15 - Steering Control Group

Ref.	Part No.	Serial Number	Description	Qty.
1	222740	(000000-) Handle, Speed Control	1
2	222648	(000000-) Grip, Handle, Round	2
3	222079	(000000-) Gear, Speed Control	1
4	222501	(000000-) Washer, Spacer, Speed Control	1
5	49514	(000000-) Bearing, Snap .875 Bore	2
6	222081	(000000-) Spring, Torsion Centering	1
7	222287	(000000-) Potentiometer Assy, Electronic	1
8	222607	(000000-) Nut-Hx Thin .38-32	1
9	27974	(000000-) Gear, 28 T. 24P	1
10	222083	(000000-) Plate, Shield	1
11	222465	(000000-) Scr-Flt M3x0.5 6 SS18-8	2

Fig. 16 - Operator Console Group (000000-017945)

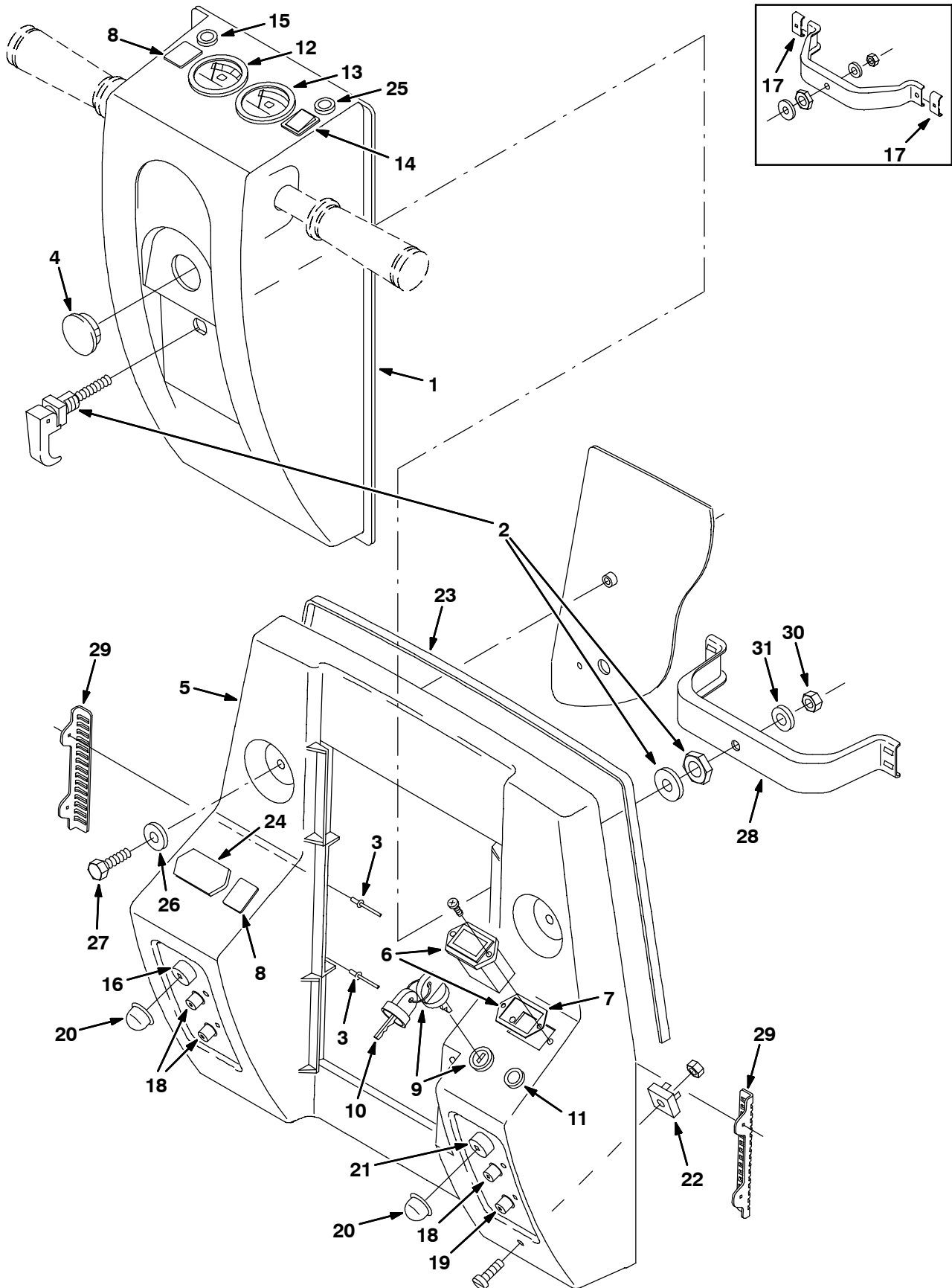


Fig. 16 - Operator Console Group (000000-017945)

Ref.	Part No.	Serial Number	Description	Qty.	
1	222714	(000000-017945)	Housing, Steering, Adj, Std, w/Label	1	
2	222225	(000000-017945)	Latch	1	
3	34738	(005151-017945)	Rivet, Pop, .125D X .32 X .25Dhd	4	
4	76888	(000000-017945)	Plugbtn 1.25H .12 Max Blacknyl	1	
5	222801	(000000-017945)	Replm Kit, Rear Panel	1	
▽	6	222114	(000000-017945)	Gauge, Hourmeter, Electronic	1
▲	7	222683	(000000-017945)	Gasket, Hourmeter	1
	8	222534	(000000-017945)	Plug, Switch	2
▽	9	222282	(000000-017945)	Switch Assy, Key Spst	1
▲	10	222684	(000000-017945)	Key Set	1
	11	374121	(000000-017945)	Light Assy, Indicator, Green, 36Vdc	1
	12	222216	(000000-017945)	Meter, Volt, Battery Condition	1
	13	222215	(000000-017945)	Meter, Brush Down Pressure	1
	14	222116	(000000-017945)	Switch, Scrub	1
	15	374122	(000000-017945)	Light Assy, Indicator, Red, 36Vdc	1
	16	57164	(000000-017945)	Breaker-Circuit 10 Resetable	1
	17	222679	(000000-002267)	Strip, Stop, Adj. Shroud	2
	18	222296	(000000-017945)	Breaker, Circuit 20 Amp	3
	19	222297	(000000-017945)	Breaker, Circuit, 25 Amp	1
	20	57751	(000000-017945)	Boot-Circuit Breaker	2
	21	87583	(000000-017945)	Breaker-Circuit 2.5 Resetable	1
	22	10962	(000000-017945)	Diode, Bridge 12 Amp	1
	23	222639	(000000-017945)	Seal, Rbr, .12 X .38 X 36.0	1
	24	609969	(000000-017945)	Plug, Hole, Hourmeter, Blk	1
	25	374123	(000000-017945)	Light Assy, Indicator, Blue, 36Vdc	1
	26	30013	(000000-017945)	Washer-Flt .31 Fender Pltd	2
	27	09010	(000000-017945)	Scr Hexssm 8X1.25 25	2
	28	222747	(002268-017945)	Bracket, Locking, Shroud	1
	29	222879	(005151-017945)	Bracket, Steering Adjustment	2
	30	39311	(005151-017945)	Nut, Hex, Std, M8 X 1.25	1
	31	41141	(005151-017945)	Washer, Lock, Int-ext, 0.31	1

Fig. 17 - Operator Console Group (017946-)

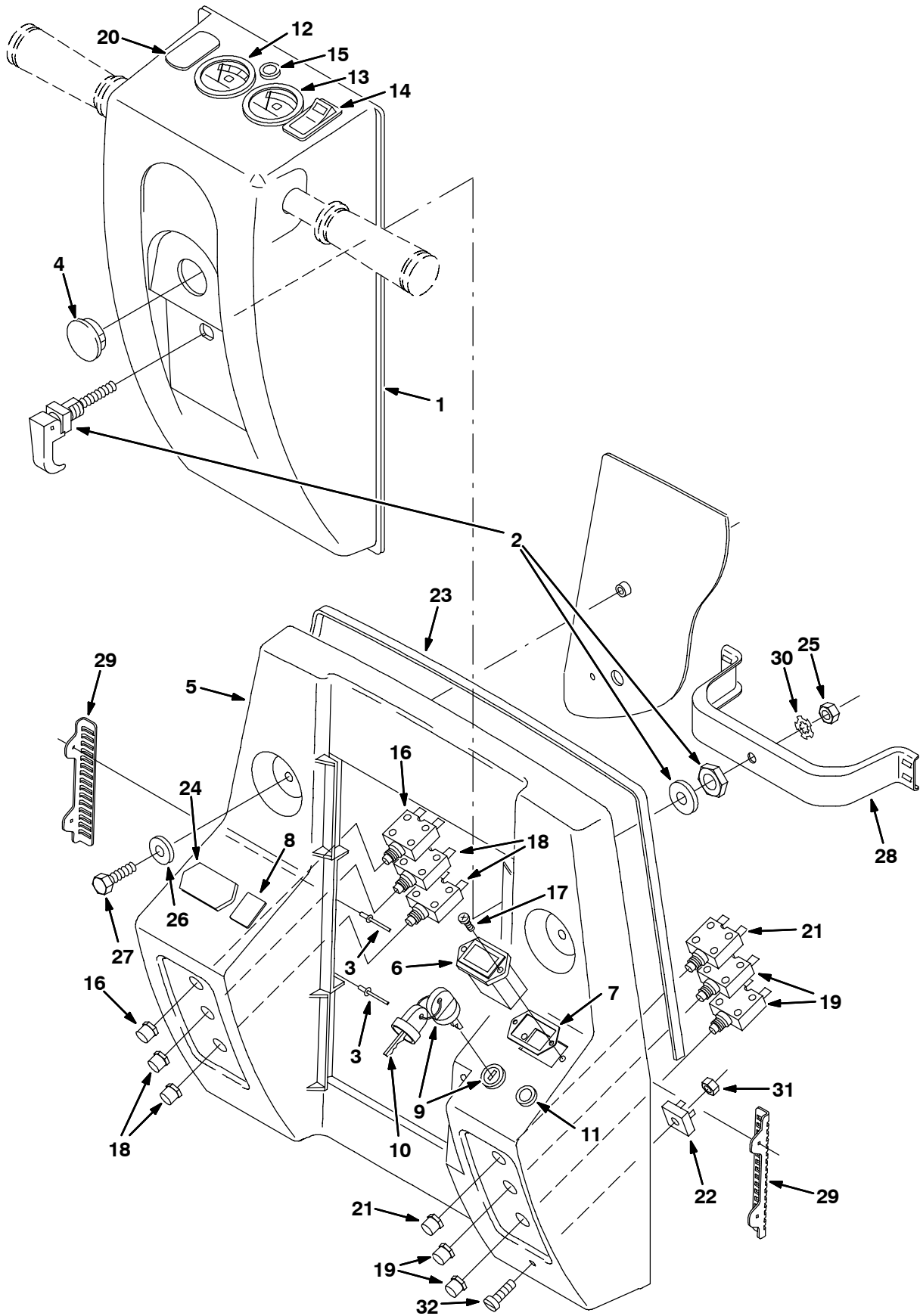


Fig. 17 - Operator Console Group (017946-)

Ref.	Part No.	Serial Number	Description	Qty.	
1	369761	(017946-) Kit, Shroud And Label, Std	1	
2	222225	(017946-) Latch	1	
3	34738	(017946-) Rivet, Blind, .125D X 0.32 X .25D, Stl	4	
4	76888	(017946-) Button, Plug, 1.25H .00-.12 [Black Nyl]	1	
5	368590	(017946-) Kit, Ci, Rplmt, Rear Panel	1	
▽	6	222114	(017946-021999) Gauge, Hourmeter	1	
▲	7	222683	(017946-021999) Gasket, hourmeter	1	
	6	377324	(022000-024592) Gauge Kit, Hourmeter, F/31988 [10k]	1	
	6	377433	(024593-) Gauge, Hourmeter, 12-80vdc, Analog,Rt,.1	1
	7	222683	(022000-) Gasket, hourmeter	1
	8	222534	(017946-) Button, Plug, 1.1 X 1.1H [Black Nyl]	1
▽	9	222282	(017946-) Switch	1
▲	10	222684	(017946-) Key, Set Of Two	1
	11	374121	(017946-) Lamp Assy, Indicator, Green, 36Vdc	1
	12	222216	(017946-) Gauge, Voltmeter, 27-40Vdc 2.2D	1
	13	222215	(017946-) Gauge,Brush Pressure 2.25	1
	14	398506	(017946-) Switch, Rocker, Dpst	1
	15	374122	(017946-) Lamp Assy, Indicator, Red, 36Vdc	1
	16	383721	(017946-) Circuitbreaker, 10.0A	1
	17	222267	(017946-) Screw, Pan, #06-20 X 0.50, Fmg	2
	18	383723	(017946-) Circuitbreaker, 20.0A	2
	19	383724	(017946-) Circuitbreaker, 25.0A	2
	20	398501	(017946-) Switch, Rocker, Hole Plug	1
	21	383720	(017946-) Circuitbreaker, 5.0A	1
	22	10962	(017946-) Diode, Bridge 12 Amp	1
	23	222639	(017946-) Seal, Rbr, .12 X .38 X 36.0	1
	24	609969	(017946) Plug, Hole, Hourmeter, Blk	1
	25	39311	(017946-) Nut, Hex, Std, M08 X 1.25	1
	26	30013	(017946-) Washer-Flt .31 Fender Pltd	2
	27	39310	(017946-) Scr Hexssm 8X1.25 25	2
	28	222747	(017946-) Bracket, Locking, Shroud	1
	29	222879	(017946-) Bracket, Steering Adjustment	2
	30	41141	(017946-) Washer, Lock, Int-Ext, .31	1
	31	06549	(017946-) Nut, Hex, Lock, M05 X 0.8, NI	1
	32	06934	(017946-) Screw, Pan, M05 X 0.8 X 20, 4.8	1

Fig. 18 - Electrical Panel Group

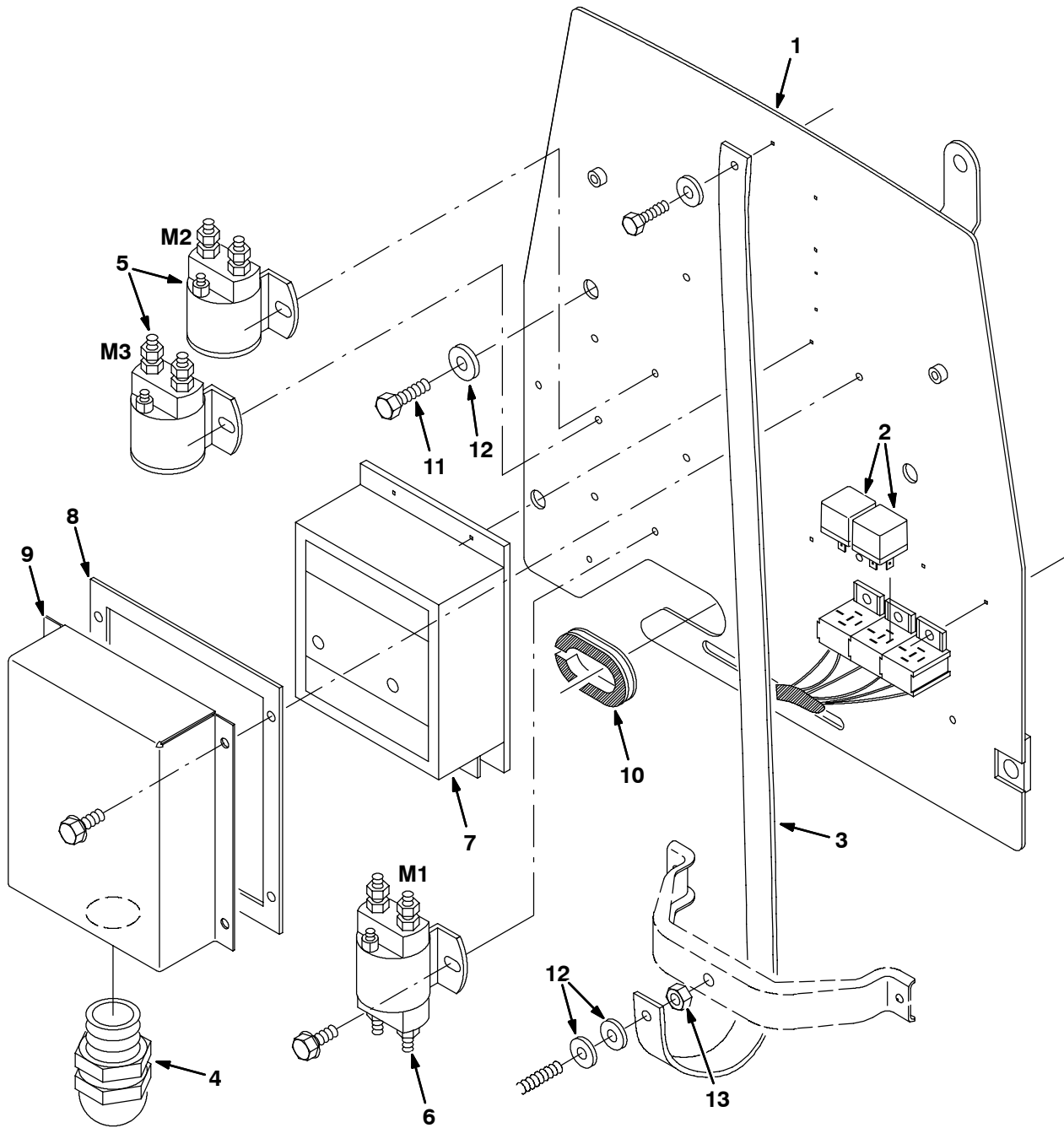


Fig. 18 - Electrical Panel Group

Ref.	Part No.	Serial Number	Description	Qty.
1	222725	(000000-) Plate Wldt, Electronics	1
2	222111	(000000-) Relay, Control 36V	2
3	222450	(000000-) Strap, Lanyard	1
4	222726	(000000-) Ftg, Plstc Str Specl	1
5	45405	(000000-) Contactor, 36Vdc	2
6	63291	(000000-) Contactor, Power	1
7	222220	(000000-) Controller, Propel	1
8	222739	(000000-) Gasket, Cover, Ee	1
9	222723	(000000-) Cover, Control Board, Ee	1
10	10632-13	(000000-) Grommet,Rbr,1.50ld,For .19Matl	1
11	12333	(000000-) Scr-Hexssm 8X1.25 25 Nynloc	4
12	01685	(000000-) Washer, Flat, 0.38b 0.88d .08, Ss	6
13	39311	(000000-) Nut, Hex, Std, M08 X 1.25	1

Fig. 19 - Squeegee Lift Group

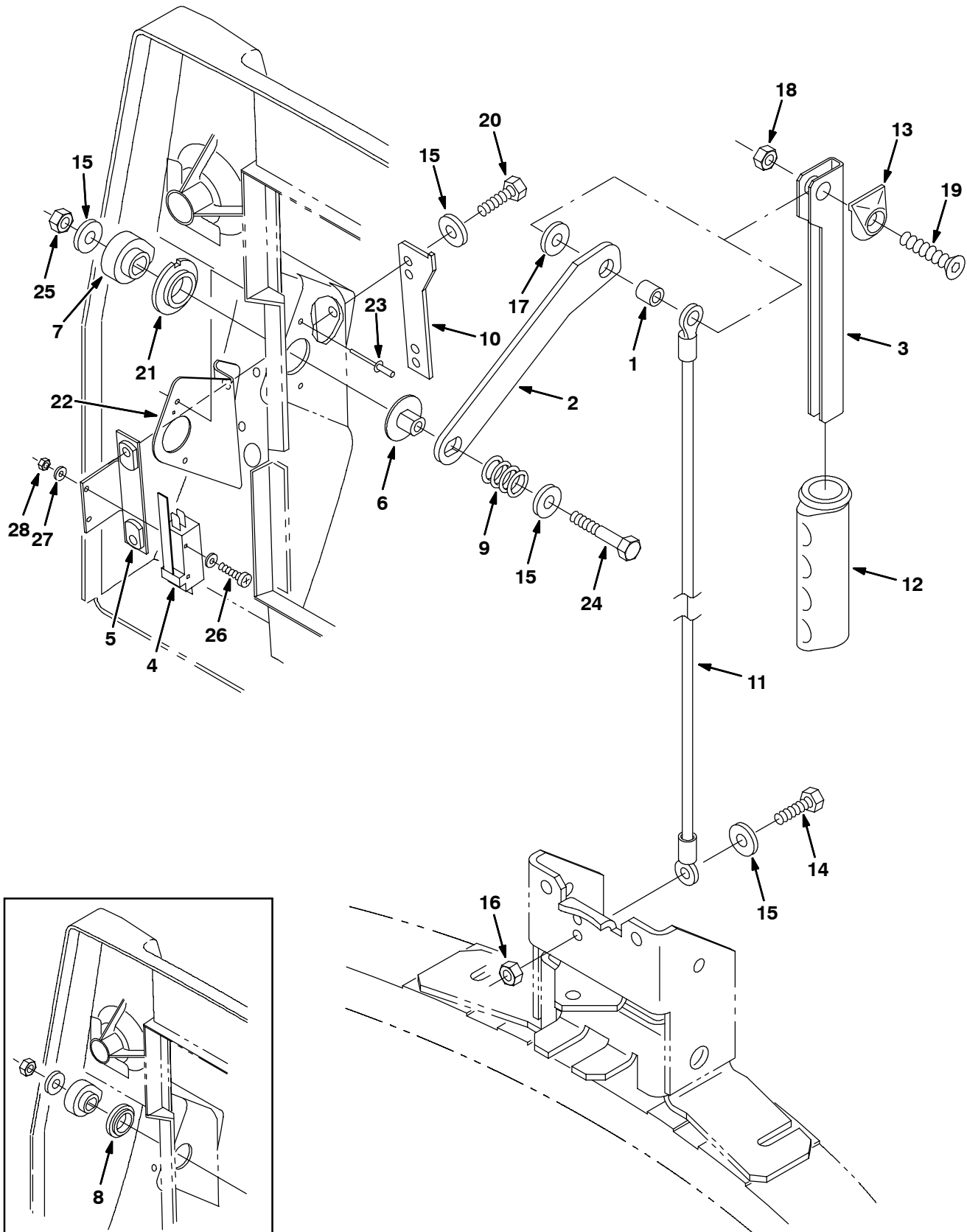


Fig. 19 - Squeegee Lift Group

Ref.	Part No.	Serial Number	Description	Qty.
1	222460	(000000-) Sleeve	1
2	222139	(000000-) Lever, Squeegee Lift	1
3	222448	(000000-) Lever, Squeegee Lift, Upper	1
4	1008142	(000000-) Switch, Snap Actn, 250vdc 25a Spdt	1
5	222402	(000000-) Bracket, Fan Switch	1
6	374745	(000000-) Pivot, Squeegee Lift	1
7	222400	(000000-) Cam, Fan Switch	1
8	222799	(000000-004130) Replm Kit, Squeegee Pivot	1
9	57889	(000000-) Sprng,Comp,0.59ldx.05Wire 0.6L	1
10	222138	(000000-) Bracket, Catch	1
11	222227	(000000-) Cable, Squeegee Lift	1
12	222647	(000000-) Grip, Handle [Oblong]	1
13	222665	(000000-) Bumper, Handle	1
14	15678	(000000-) Screw Hexssm 6X1.0	1
15	01684	(000000-) Washer Flt .25 Ss	5
16	08712	(000000-) Nut Hxlocnyln M 6X1.0 Reg Ss	1
17	01685	(000000-) Washer, Flat, 0.38b 0.88d .08, Ss	1
18	08713	(000000-) Nut-Hxlocnyln M 8X1.25 Reg18-8	1
19	79506	(000000-) Scr-Flt M 8X1.25 30 Ss18-8	1
20	11329	(000000-) Screw Hexssm 6X1.0 16 Nylonloc	2
21	222868	(004131-) Bearing, Flange	1
22	222867	(004131-) Plate, Squeegee Pivot	1
23	34738	(004131-) Rivet, Pop-.125D X .32 X .25Dhd St	2
24	06948	(000000-) Screw, Hex, M06 X 1.0 X 45, 8.8	1
25	08708	(000000-) Nut, Hex, Lock, M06 X 1.0, NI	1
26	06923	(000000-) Screw, Pan, M3 X 0.5 X 25, 4.8	2
27	01757	(000000-) Washer, Lock, Int, M3 Ss	2
28	01754	(000000-) Nut, Hex, Std, M3 X 0.5, 8	2

Fig. 20 - Squeegee Linkage Group

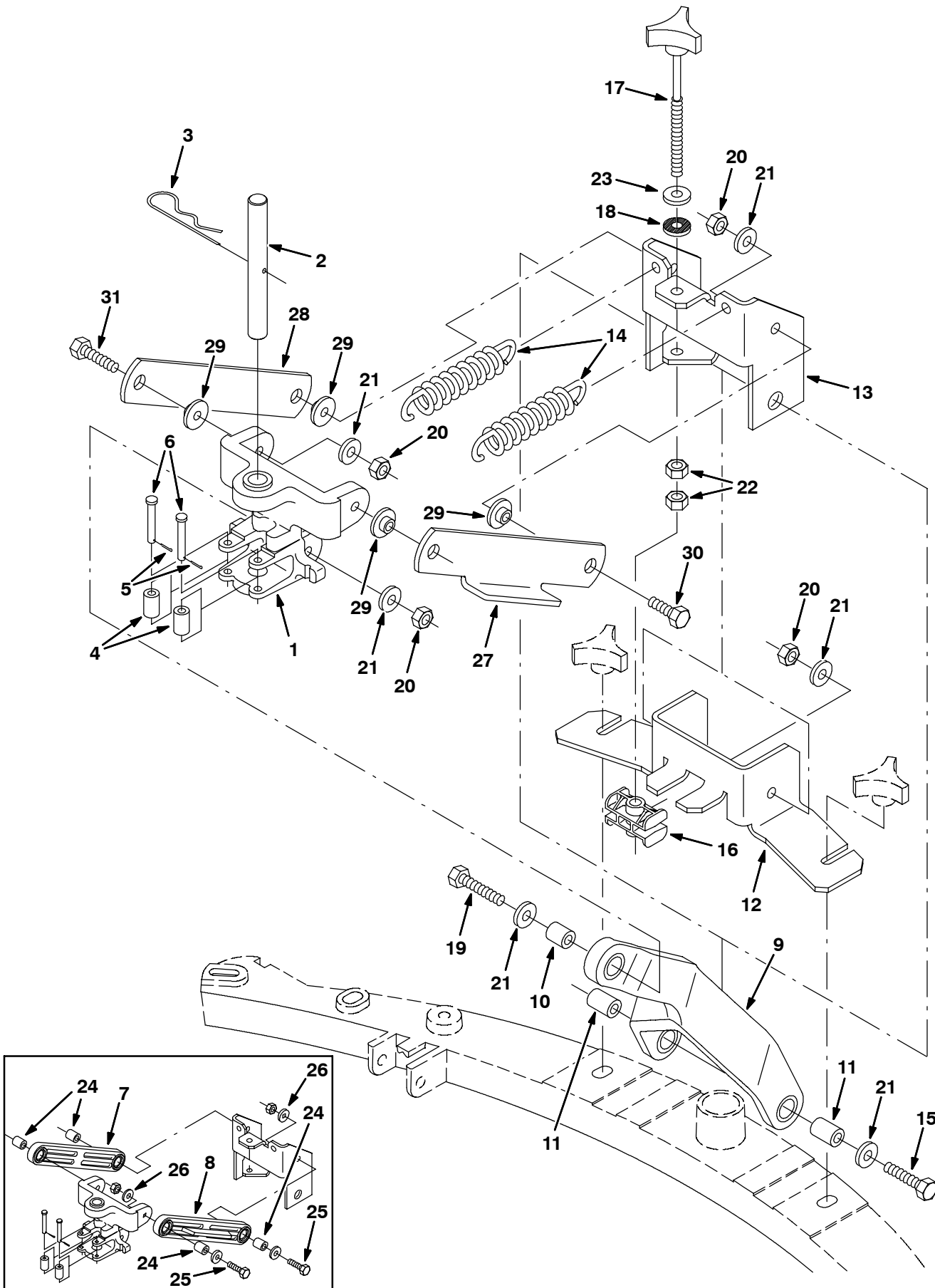


Fig. 20 - Squeegee Linkage Group

Ref.	Part No.	Serial Number	Description	Qty.
1	222399	(000000-) Block, Pivot, Machined	1
2	222239	(000000-) Pin, Pivot Block	1
3	02942	(000000-) Pin,Hair Cotter .12Wire 2.37SI	1
4	222468	(000000-) Roller, Sqge Centering	2
5	08178	(000000-) Pin, Cotter .062X0.75	2
6	05283	(000000-) Pin, Clevis 6 Dia X 40 Lg	2
7	9002780	(000000-024302) Link Kit, Sqge, F/222235, Replmt	1
8	9002781	(000000-024302) Link Kit, Sqge, F/222486, Replmt	1
9	222234	(000000-) Link, Squeegee Lift, Lower	1
10	222248	(000000-) Sleeve, .344B .62D.72 Bronze	1
11	222277	(000000-) Sleeve, .344B .62D.93 Bronze	2
12	222230	(000000-) Bracket, Linkage, Lower	1
13	222231	(000000-) Bracket, Linkage, Upper	1
14	222236	(000000-) Spring, Tension	2
15	09026	(000000-) Scr Hexssm 8X1.25 40	2
16	222233	(000000-) Block, Squeegee, Adjust	1
17	222153	(000000-) Knob, W/M8 1.25X125Lg Stud	1
18	63416	(000000-) Washer, .31OB .88D .12Rbr	1
19	222505	(000000-) Scr Hexssm 8X1.25 45	1
20	08713	(000000-) Nut-Hxlocnyln M 8X1.25 Reg Ss	7
21	01685	(000000-) Washer, Flat, 0.38b 0.88d .08, Ss	10
22	07786	(000000-) Nut Hx Ss M 8X1.25	2
23	01686	(000000-) Washer Flt .38 Ss	1
24	222248	(000000-024302) Sleeve, .344B .62D.72 Bronze	4
25	222505	(000000-024302) Scr Hexssm 8X1.25 45	4
26	01685	(000000-024302) Washer, Flat, 0.38b 0.88d .08, Ss	4
27	1018718	(024303-) Link, Sqge, Upper, Lh	1
28	397820	(024303-) Link, Sqge, Upper	1
29	80950	(024303-) Bushing, Flng, 0.32b 0.50d 0.24l, Bnz	4
30	09010	(024303-) Screw, Hex, M8 X 1.25 X 25, Ss	2
31	09023	(024303-) Screw, Hex, M8 X 1.25 X 35, Ss, Fl	2

Fig. 21 - Squeegee Group, Model 800, 800 mm (32 in)

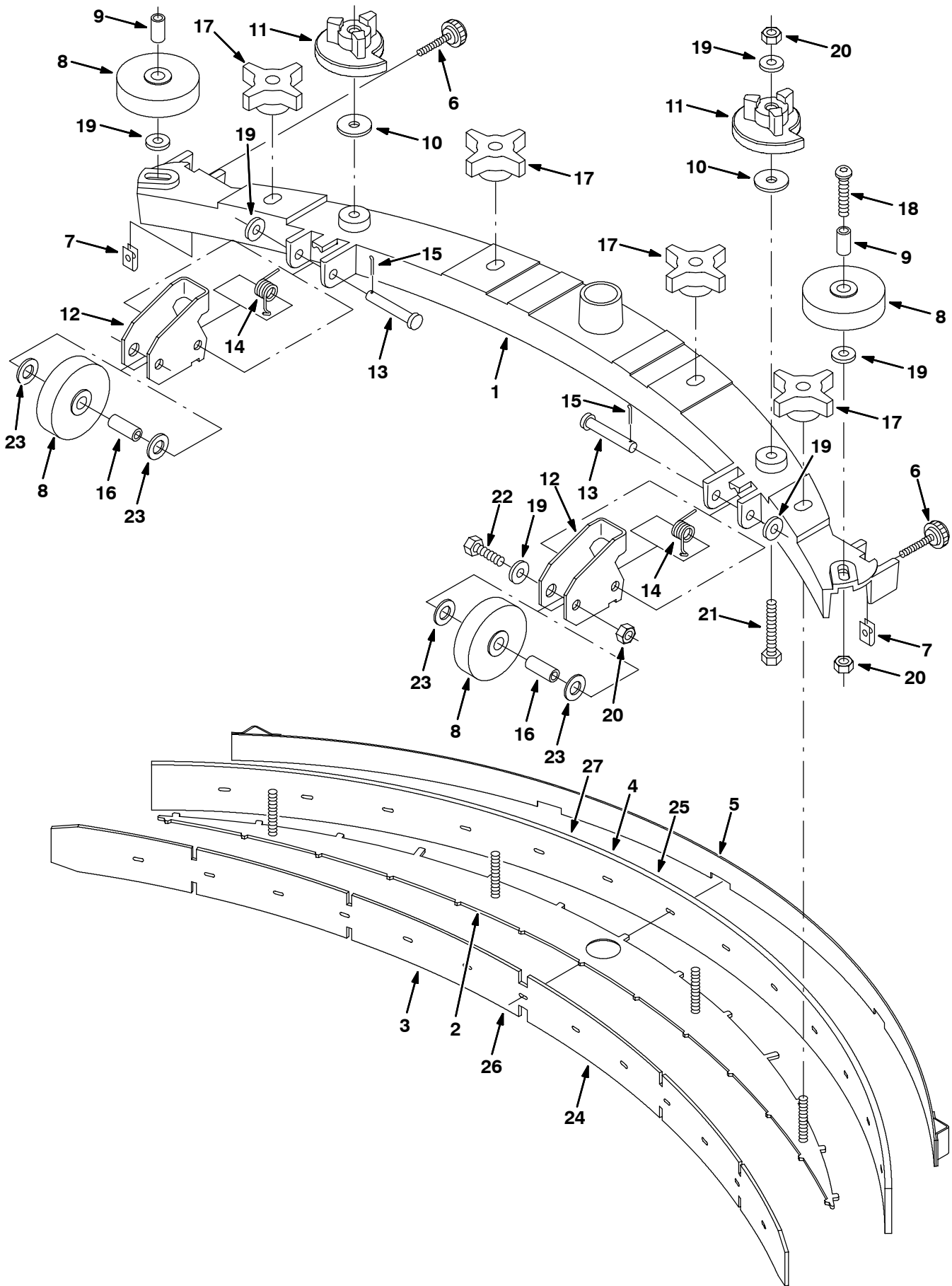
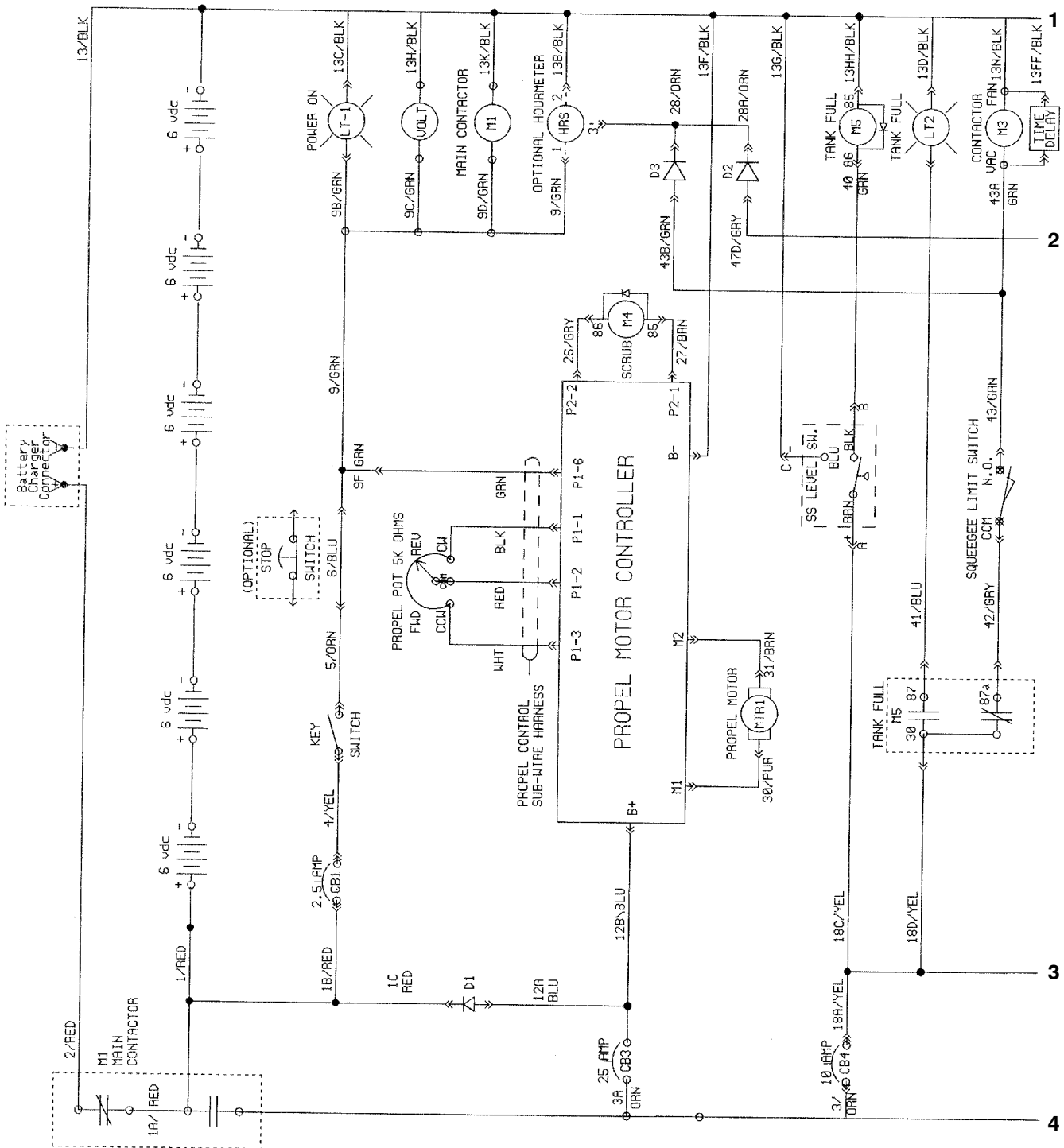


Fig. 21 - Squeegee Group, Model 800, 800 mm (32 in)

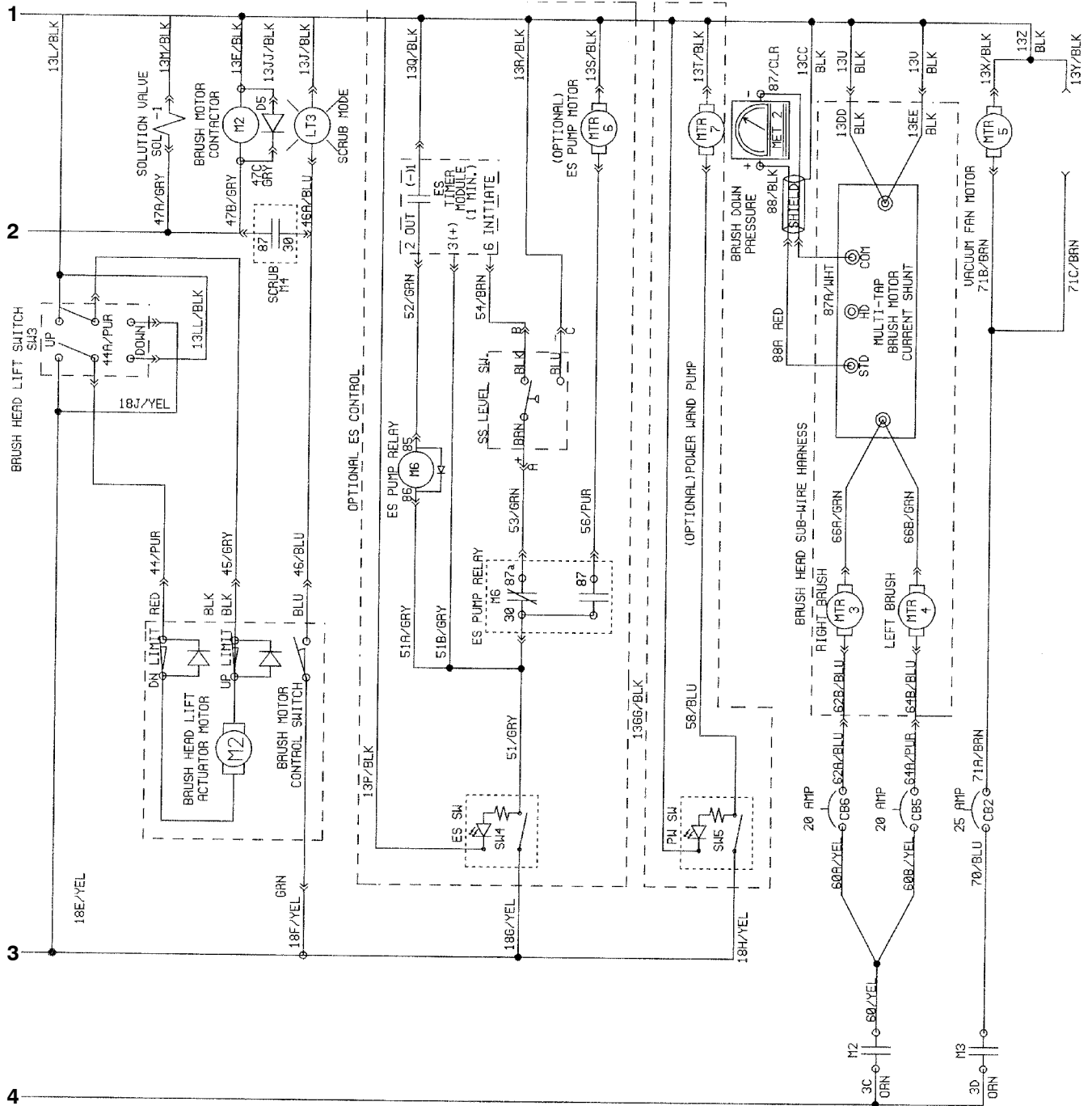
Ref.	Part No.	Serial Number	Description	Qty.
▽	397749	(000000-) Kit, Ci, Sqge, Assy, [5680/5700] [800]	1
▲	1 222134	(000000-) Frame, Squeegee 32"	1
▲	2 222240	(000000-) Plate, Blade Retainer 32	1
▲	3 222241	(000000-) Blade, Squeegee,Front, 32"	1
▲	4 222242	(000000-) Blade, Squeegee,Rear, 32"	1
▲	5 222243	(000000-) Band Wldt, Sqge 32	1
▲	6 222794	(000000-) Knob, W1.25-20X1.5Lg Stud	2
▲	7 82138	(000000-) Nut Speed,Retainer, .25-20 Thd	2
▲	8 222066	(000000-) Wheel, 3.0 Dia	4
▲	9 222496	(000000-) Sleeve	2
▲	10 222268	(000000-) Washer, .375B 1.25D .12Neopre	2
▲	11 222244	(000000-) Cam, Adj, Sqge	2
▲	12 222245	(000000-) Bracket, Mtg, Wheel	2
▲	13 222260	(000000-) Pin, Clevis, 0.37 Dia 2.25Lg	2
▲	14 222130	(000000-) Spring, Torsion, Wheel	2
▲	15 39005	(000000-) Pin, Cotter .094X0.75	2
▲	16 222497	(000000-) Sleeve	2
▲	17 370100	(000000-) Knob, 4 Prongs w/.31-8 Insert	4
▲	18 397826	(000000-) Screw, Btn, M8 X 1.25 X 40, Ss18-8	2
▲	19 01685	(000000-) Washer, Flat, 0.38b 0.88d .08, Ss	8
▲	20 08713	(000000-) Nut-Hxlocnyln M 8X1.25 Reg Ss	6
▲	21 09767	(000000-) Scr Hexssm 8X1.25 70	2
▲	22 49694	(000000-) Scr Hex Ssm 8X1.25 50	2
▲	23 32486	(000000-) Washer, Flt, .50 Sae	4
▽	222423	(000000-) Squeegee Kit F/Tile Gumrbr 800	1
▲	24 222384	(000000-) Blade, Squeegee, Tile, 32"	1
▲	25 222386	(000000-) Blade, Squeegee, Rear,Gum 32"	1
▽	222429	(000000-) Squeegee Kit Oil Rs Urethn 800	1
▲	26 222392	(000000-) Blade, Sqge Front,32" Oil Rst	1
▲	27 222388	(000000-) Blade, Sqge, Rear 32" Oil Resi	1

Fig. 22 - Electrical Schematic



10433 - EE, NA

Fig. 22 - Electrical Schematic



10433 - EE, NA

Fig. 23 - Electrical Wire Harness Group

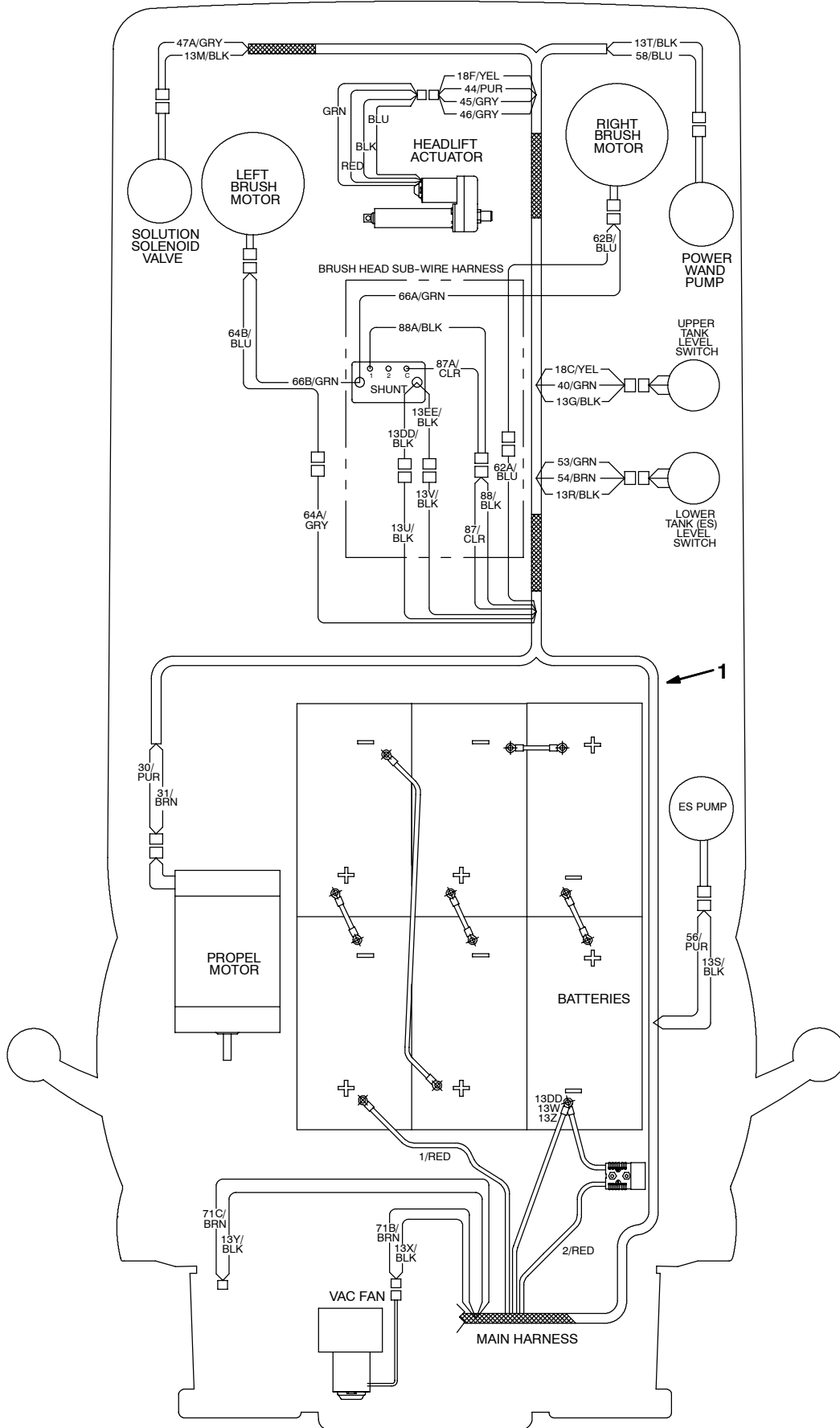
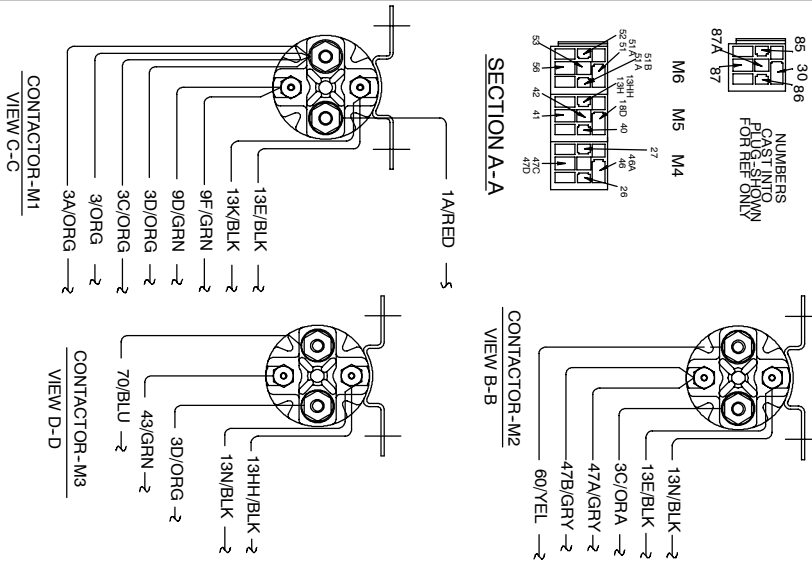
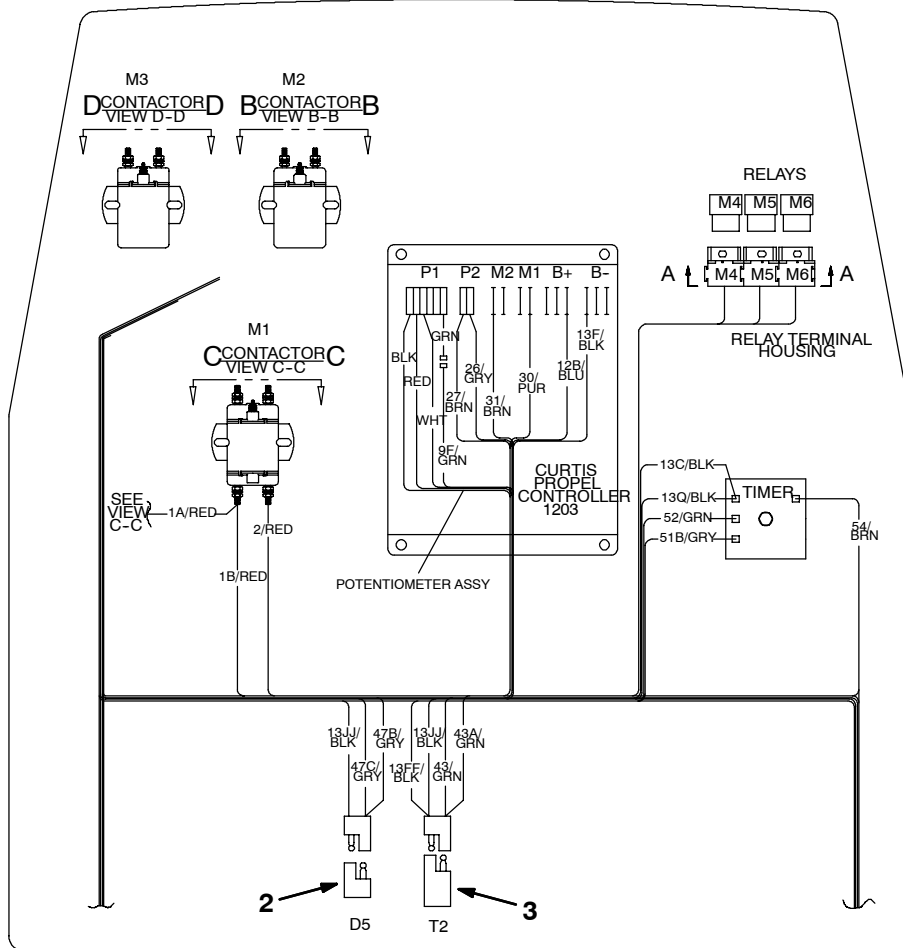


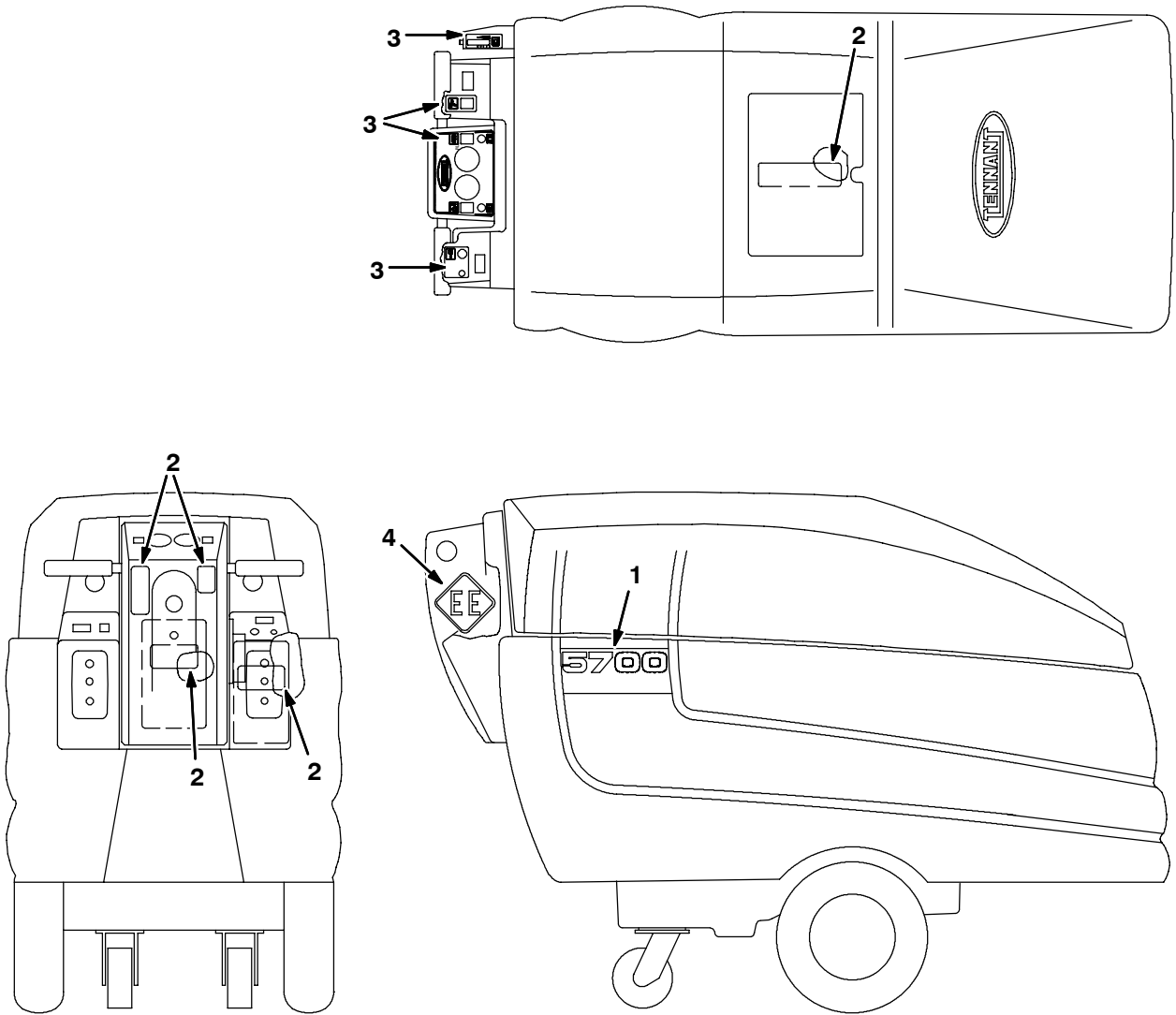
Fig. 23 - Electrical Wire Harness Group



10434 - EE, NA

Ref.	Part No.	Serial Number	Description	Qty.
1	222857	(000000-017945)	Harness, Main, Std	1
1	398504	(017946-	Harness, Main, Std	1
2	222290	(000000-	Diode, Elec, Plug	3
3	222707	(000000-	Capacitor, Molded	1
	222666	(000000-	Clamp, Ribbon Cable	1

Fig. 24 - Label Group



10420 - EE, NA

Ref.	Part No.	Serial Number	Description	Qty.
1	398429	(000000-)	Label, Set, 5700, Xps	1
2	222578	(000000-)	Label Set, Info & Hzd 5700	1
3	222533	(000000-017945)	Label Set, Operational 5700	1
3	369763	(017946-)	Label Set, Operational 5700	1
4	08823	(000000-)	Label, Ee	2

SECTION 3

Contents	Page
Fig. 1 - ES Kit	3-2
Fig. 2 - Vacuum Wand Kit	3-4
Fig. 3 - Power Wand Hose Assembly	3-5
Fig. 4 - Power Wand Assembly	3-6
Fig. 5 - Power Wand Pump and Fittings Group .	3-8
Fig. 6 - Power Wand Mount Group	3-10
Fig. 7 - Parking Brake Group	3-12
Fig. 8 - Power Kill Switch Kit	3-13
Fig. 9 - Wall Roller Kit	3-14
Fig. 10 - Transport Group	3-16
Fig. 11 - Neoprene Caster Group	3-17
Fig. 12 - Tire Group, Solid	3-18
Fig. 13 - Tire Group, Foam Filled	3-19
Fig. 14 - Tire and Rim Assembly, Gray	3-20
Fig. 15 - Battery Charger Group	3-21
Fig. 16 - Urethane Scrub Head Skirt Kit	3-22
Fig. 17 - Sensor Kit, Optical (000000-xxxxxx) ..	3-23
Fig. 18 - Sensor Kit, Shielded	3-24
Fig. 19 - Drain Hose Extension Kit	3-25
Fig. 20 - Speed Reduction Kit	3-26
Fig. 21 - Documentation Group	3-27

Fig. 1 - ES Kit

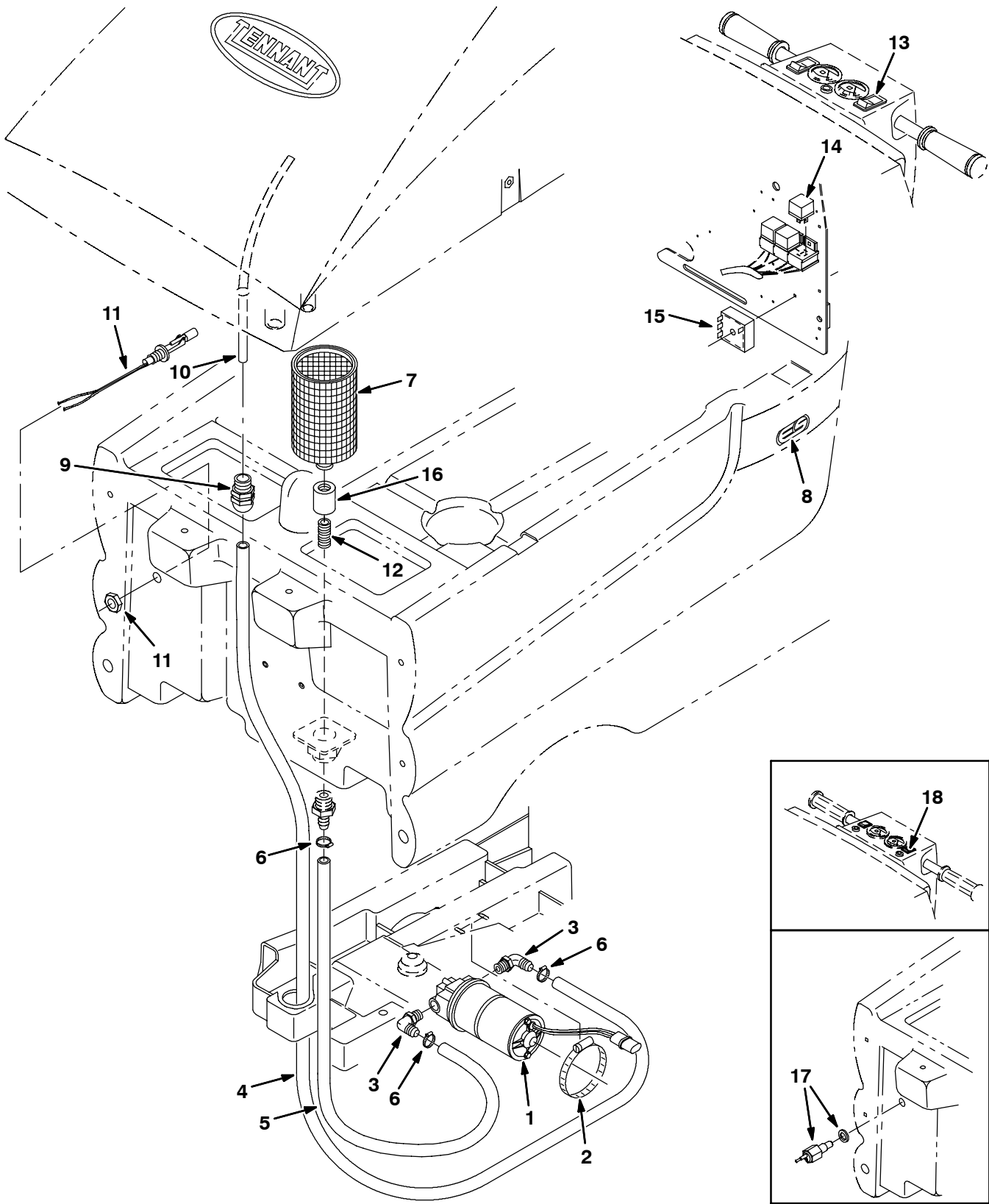
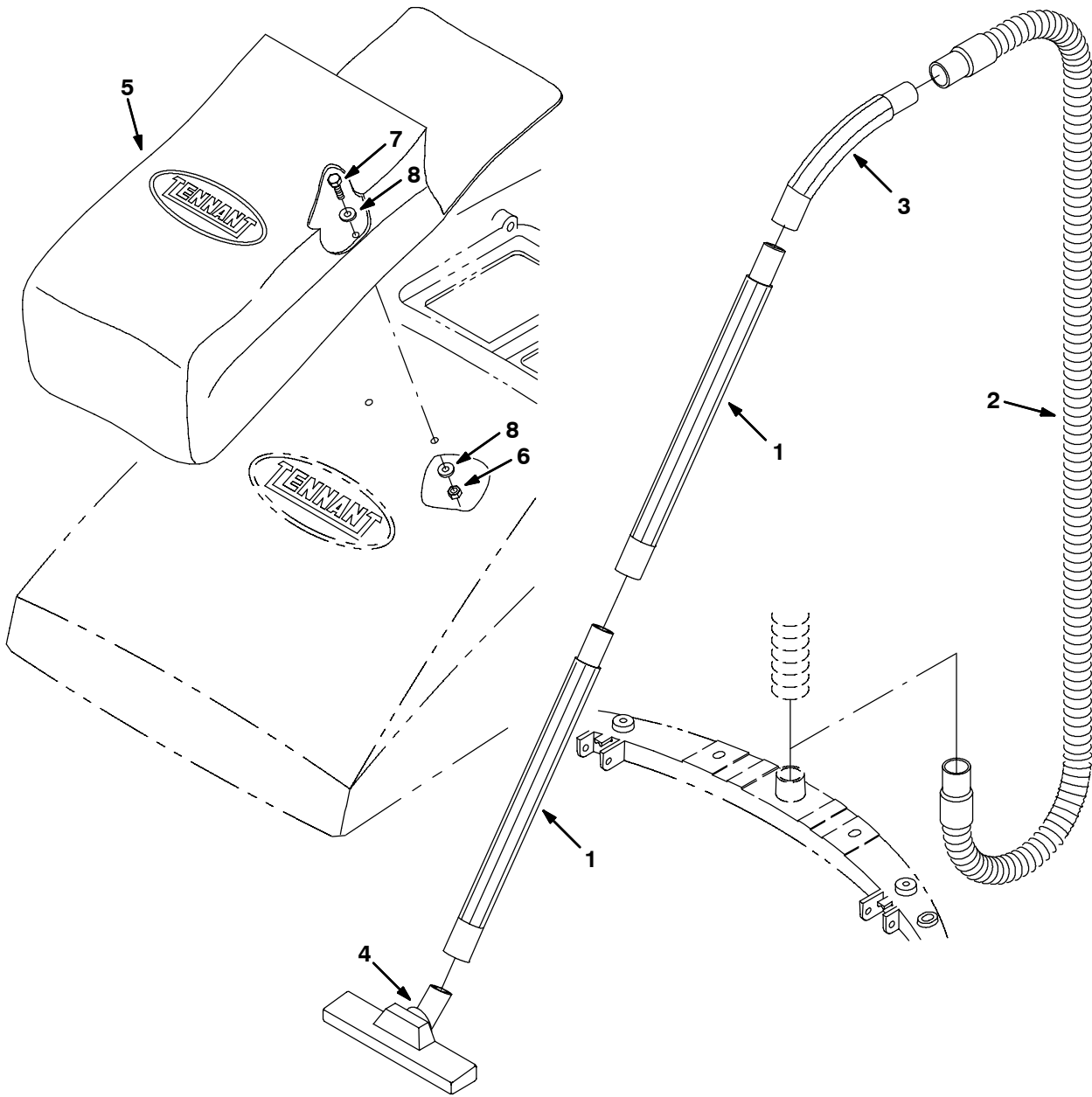


Fig. 1 - ES Kit

	Ref.	Part No.	Serial Number	Description	Qty.
▽		222351	(000000-) Es Standard 5700	1
▲	1	222259	(000000-) Pump Assy, Water 36Vdc (See Breakdowns)	1
▲	2	17188	(000000-) Clamp-Wormdrive, 1.62-3.50D	1
▲	3	64778	(000000-) Ftg,Plstc,Elb,Barb.38Pt-.50Hse	2
▲	4	222451	(000000-) Hose, Vinyl Clr, .50ld X65.0L	1
▲	5	72953	(000000-) Hose, Pvc .50ldx.73Od 23.0Lg	1
▲	6	54333	(000000-) Clamp-Wormdrive, 0.31- 0.88D	3
▲	7	65873	(000000-) Screen, Solution 60 Mesh, Cyl	1
▲	8	222604	(000000-) Label, Es Logo, Off-White	2
▲	9	222374	(000000-) Ftg-Plastic Str Specl 12Pm	1
▲	10	222439	(000000-) Tube, Poly .38ld X .06W X 16L	1
▲	11	222822	(xxxxxx-) Switch, Float	1
▲	12	69784	(000000-) Ftg-Plstc Str 12Pm/12Pm	1
▲	13	398500	(017946-) Switch, Rocker, Dpst	1
▲	14	398526	(000000-) Relay, 36Vdc, 9A, Spdt	1
▲	15	222710	(000000-) Timer, E.S.	1
▲	16	05134	(000000-) Ftg, Pipe, Cplg Plastic 0.75	1
	17	222827	(000000- xxxxxx) Sensor Kit, Liq Level	1
	18	222117	(000000-017945) Switch	1

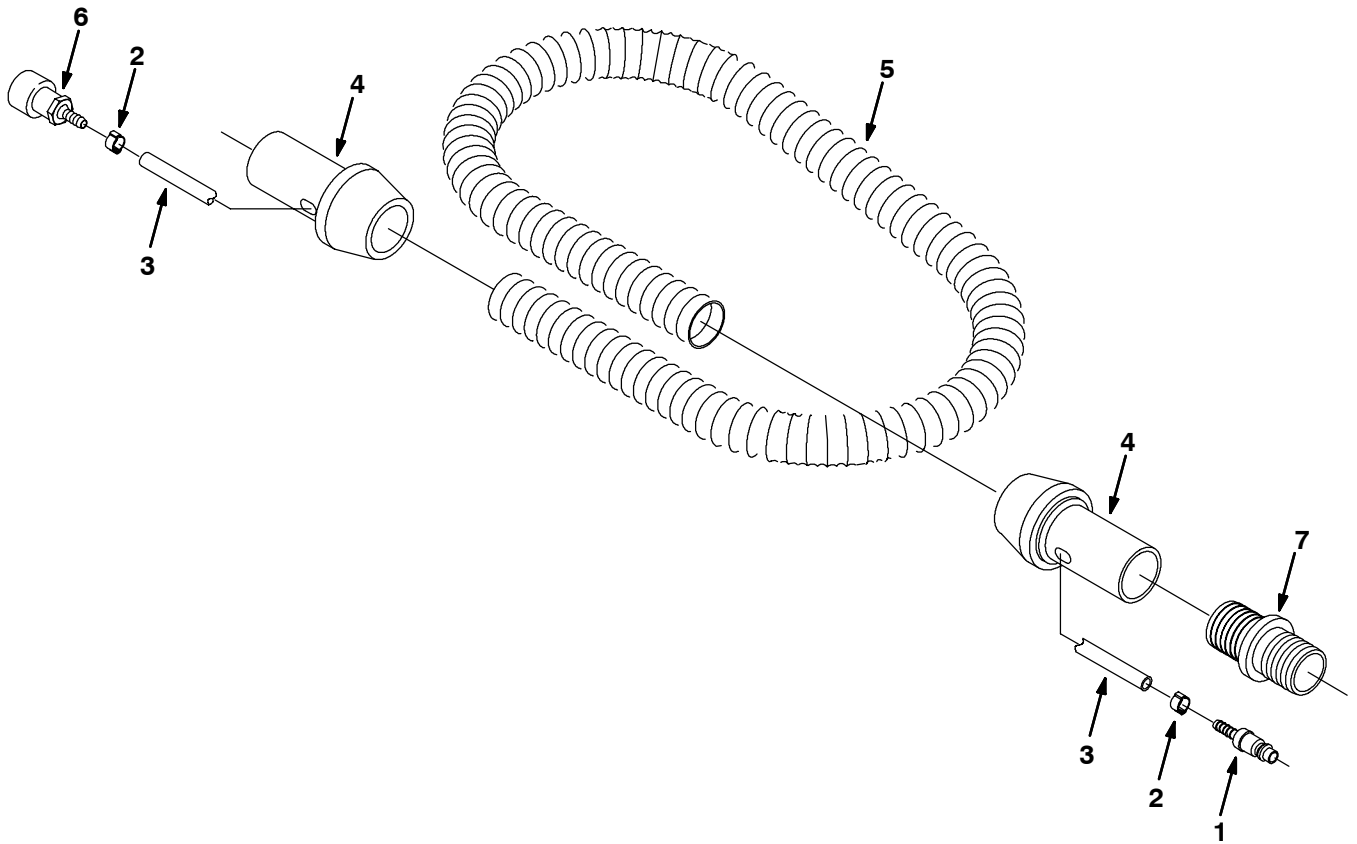
Fig. 2 - Vacuum Wand Kit



10080 - 5700, EE, XP, NA, JP

Ref.	Part No.	Serial Number	Description	Qty.
▽	222349	(000000-) Wand Vacuum 5700	1
▲	1 05579	(000000-) Wand, Vacuum	2
▲	2 05594	(000000-) Hose Assy, Vacuum Wand	1
▲	3 05584	(000000-) Hose End, Curved	1
▲	4 374077	(000000-) Nozzle, Vacuum Wand	1
▲	5 65580	(000000-) Bag, Power Wand	1
▲	6 08713	(000000-) Nut-Hxlocnyln M 8X1.25 Reg Ss	2
▲	7 09011	(000000-) Scr Hexssm 8X1.25 30	2
▲	8 01685	(000000-) Washer, Flat, 0.38b 0.88d .08, Ss	4

Fig. 3 - Power Wand Hose Assembly



08042 - ALL

NOTE: Power Wand Kit, Tennant Part Number 222352, includes Fig. 3, Fig. 4, Fig. 5, and Fig. 6.

Ref.	Part No.	Serial Number	Description	Qty.
▽	65341	(000000-) Hose Assembly	1
▲	1 578318000	(000000-) Fitting, Quick Disconnect	1
▲	2 578160000	(000000-) Clamp, Hose	2
▲	3 578820000	(000000-) Hose	1
▲	4 578072000	(000000-) Cuff, Swivel	2
▲	5 578276000	(000000-) Hose, Vacuum	1
▲	6 578071000	(000000-) Fitting, Quick Disconnect	1
	7 12694	(000000-) Fitting, Plastic	1

Fig. 4 - Power Wand Assembly

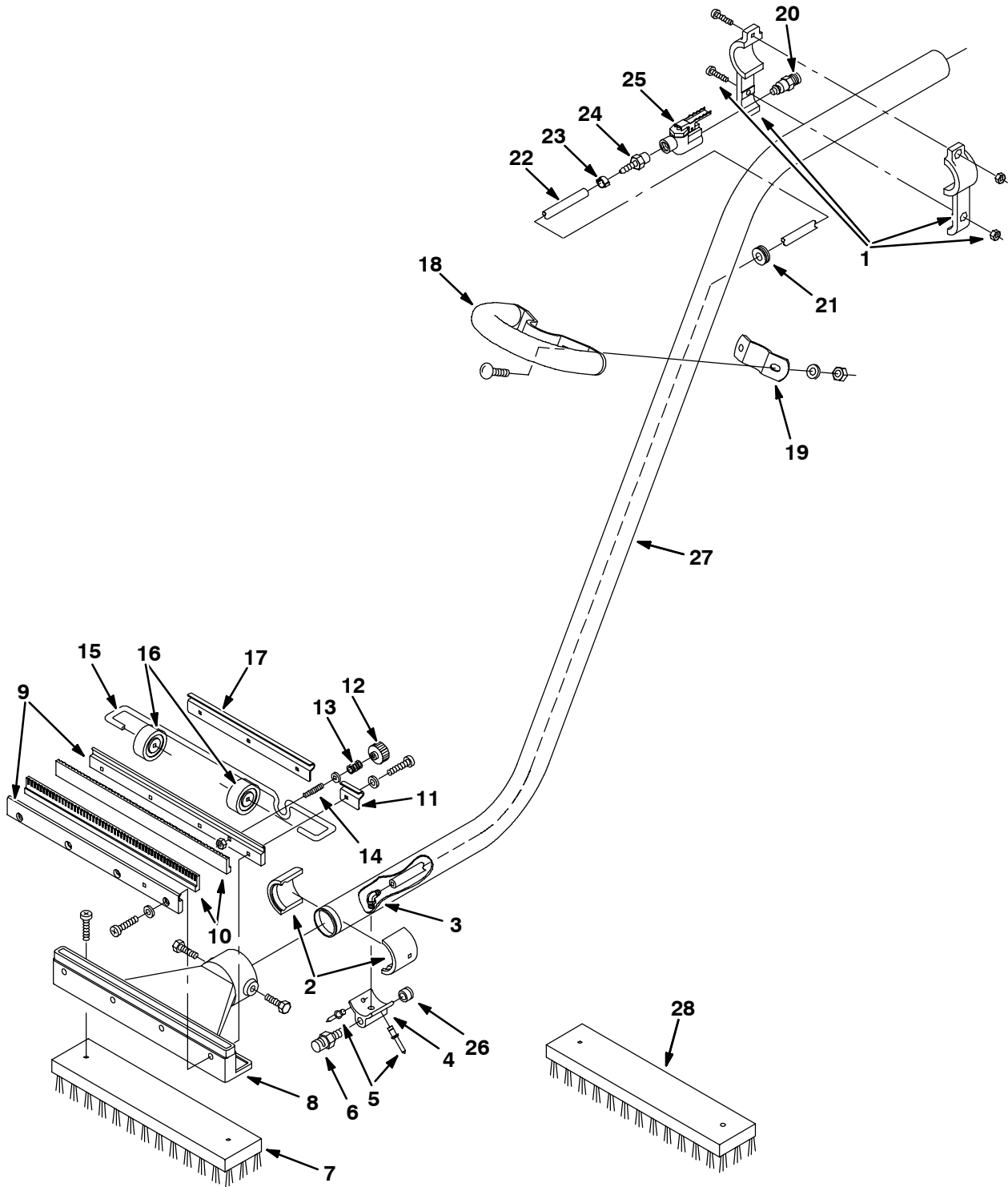


Fig. 4 - Power Wand Assembly

NOTE: Power Wand Kit, Tennant Part Number 222352, includes Fig. 3, Fig. 4, Fig. 5, and Fig. 6.

	Ref.	Part No.	Serial Number	Description	Qty.
	▽	65340	(000000-) Wand Assembly	1
	▲	1 578077000	(000000-) Bracket, Valve Mounting	1
	▲	2 578061000	(000000-) Adapter, Head	2
1037595	▲	3 578214000	(000000-) Fitting, 90° Elbow	1
	▲	4 579112	(000000-) Adapter, Nozzle	1
	▲	5 602036000	(000000-) Rivet, Pop	2
	▲	6 578066000	(000000-) Nozzle, Spray	1
	▲	7 65610	(000000-) Brush, Wand, Poly	1
	▲	8 578063000	(000000-) Head, Wand	1
	▲	9 578078000	(000000-) Strip, Retainer	2
	▲	10 578074000	(000000-) Blade, Squeegee	2
	▲	11 578124000	(000000-) Bracket, Axle	1
	▲	12 578439	(000000-) Knob, Adjustable, Squeegee	1
	▲	13 578228000	(000000-) Spring, Compression	1
	▲	14 578143000	(000000-) Stud, Adjustable	1
	▲	15 578126000	(000000-) Axle, Wand	1
	▲	16 578125000	(000000-) Wheel, Guide	2
	▲	17 578123000	(000000-) Bracket, Axle	1
	▲	18 578155000	(000000-) Handle, Wand	1
	▲	19 578154000	(000000-) Bracket, Handle Mounting	1
	▲	20 578091000	(000000-) Fitting, Quick Disconnect	1
	▲	21 578164000	(000000-) Grommet	1
	▲	22 578821000	(000000-) Hose, Solution	1
	▲	23 578161000	(000000-) Clamp, Hose	2
	▲	24 578094000	(000000-) Fitting, Straight	1
	▲	25 578064000	(000000-) Valve, Water	1
	▲	26 150208	(000000-) Fitting, Plug	1
	▲	27 578060000	(000000-) Wand, Off-Aisle	1
	▲	28 65582	(000000-) Brush, Wand AB	1

Fig. 5 - Power Wand Pump and Fittings Group

NOTE: Power Wand Kit, Tennant Part Number 222352, includes Fig. 3, Fig. 4, Fig. 5, and Fig. 6.

Ref.	Part No.	Serial Number	Description	Qty.
1	222258	(000000-) Pump, Water 0.5 Gpm 12Psi 36V	1
2	79580	(000000-xxxxxx) Hose Vinyl Cl.,0.38 ldx 4.60Lg	1
3	43844	(000000-xxxxxx) Clamp-Wormdrive, 0.25- 0.62D	2
4	222376	(000000-xxxxxx) Ftg-Plastic E90 06Bm/08Bm	1
5	222374	(000000-) Ftg-Plastic Str Specl 12Pm	1
6	50178	(000000-xxxxxx) Hose, .50ld X 26.0	1
7	222375	(000000-xxxxxx) Ftg-Plastic Str	1
8	222811	(000000-xxxxxx) Replacement Kit, Hose	1
9	222705	(000000-xxxxxx) Clamp-Wormdrive, 0.31- 0.88D, Ss	2
10	222117	(000000-) Switch	1
11	222812	(000000-xxxxxx) Replm Kit, Screen	1
12	40678	(000000-) Clamp,Cable .44D .62Wide	2
13	49826	(000000-) Scr-Hexssm 8X1.25 16 Nylon Loc	2
14	01685	(000000-) Washer, Flat, 0.38b 0.88d .08, Ss	2
15	43844	(xxxxxx-) Clamp-Wormdrive, 0.25 - 0.62D	1
16	222810	(xxxxxx-) Hose Assy, Water	1
17	222742	(xxxxxx-) Screen, Drain	1
18	222728	(xxxxxx-) Ftg, Str, Drain	1
19	222750	(xxxxxx-) Hose	1

Fig. 6 - Power Wand Mount Group

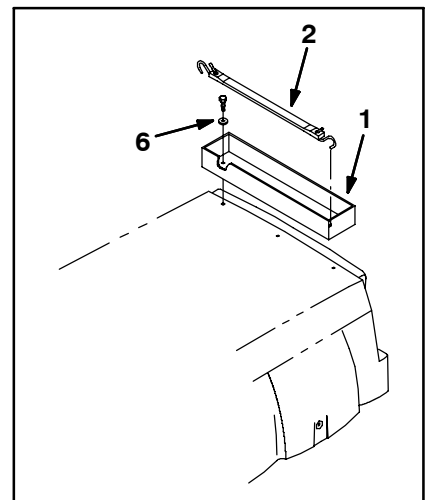
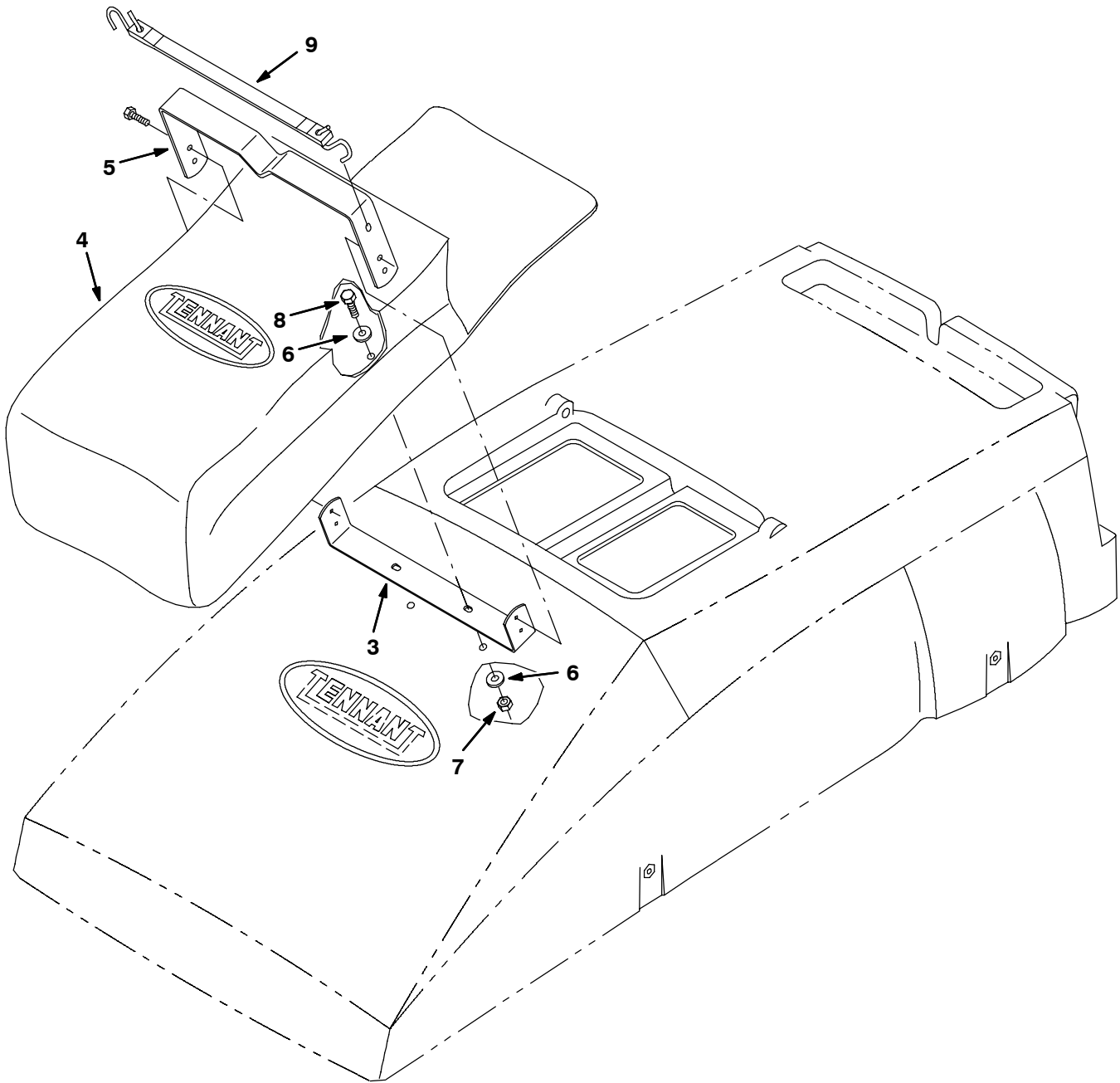
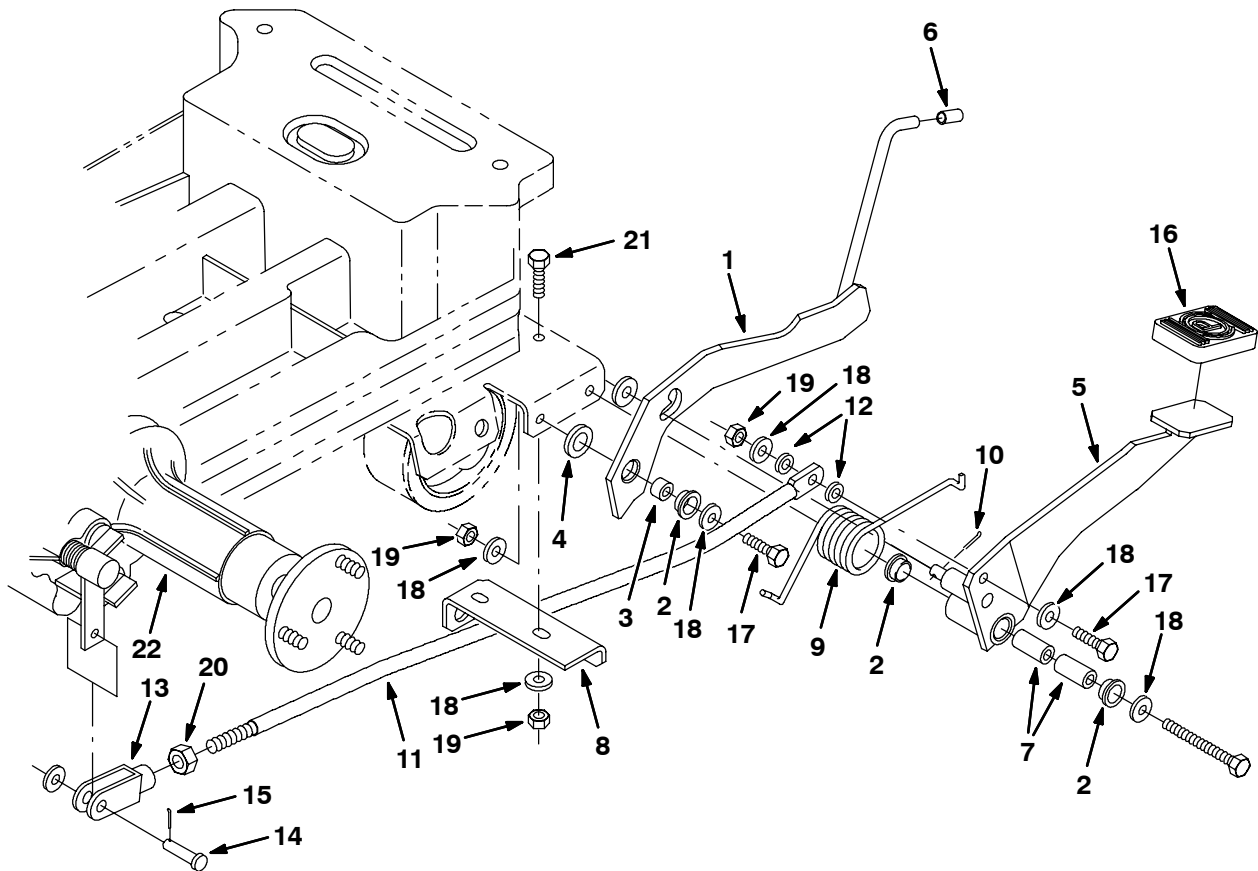


Fig. 6 - Power Wand Mount Group

NOTE: Power Wand Kit, Tennant Part Number 222352, includes Fig. 3, Fig. 4, Fig. 5, and Fig. 6.

Ref.	Part No.	Serial Number	Description	Qty.
1	61212	(000000-019216)	Tray, Wand	1
2	57769	(000000-019216)	Strap, Rubber	2
3	222367	(000000-	Bracket, Mtg, Bag	1
4	65580	(000000-	Bag, Power Wand	1
5	222366	(000000-	Bracket, Sppt, Wand	1
6	01685	(000000-	Washer, Flat, 0.38b 0.88d .08, Ss	4
7	08713	(000000-	Nut-Hxlocnyln M 8X1.25 Reg Ss	2
8	09011	(000000-	Scr Hexssm 8X1.25 30	2
9	57769	(019217-	Strap, Rubber	2

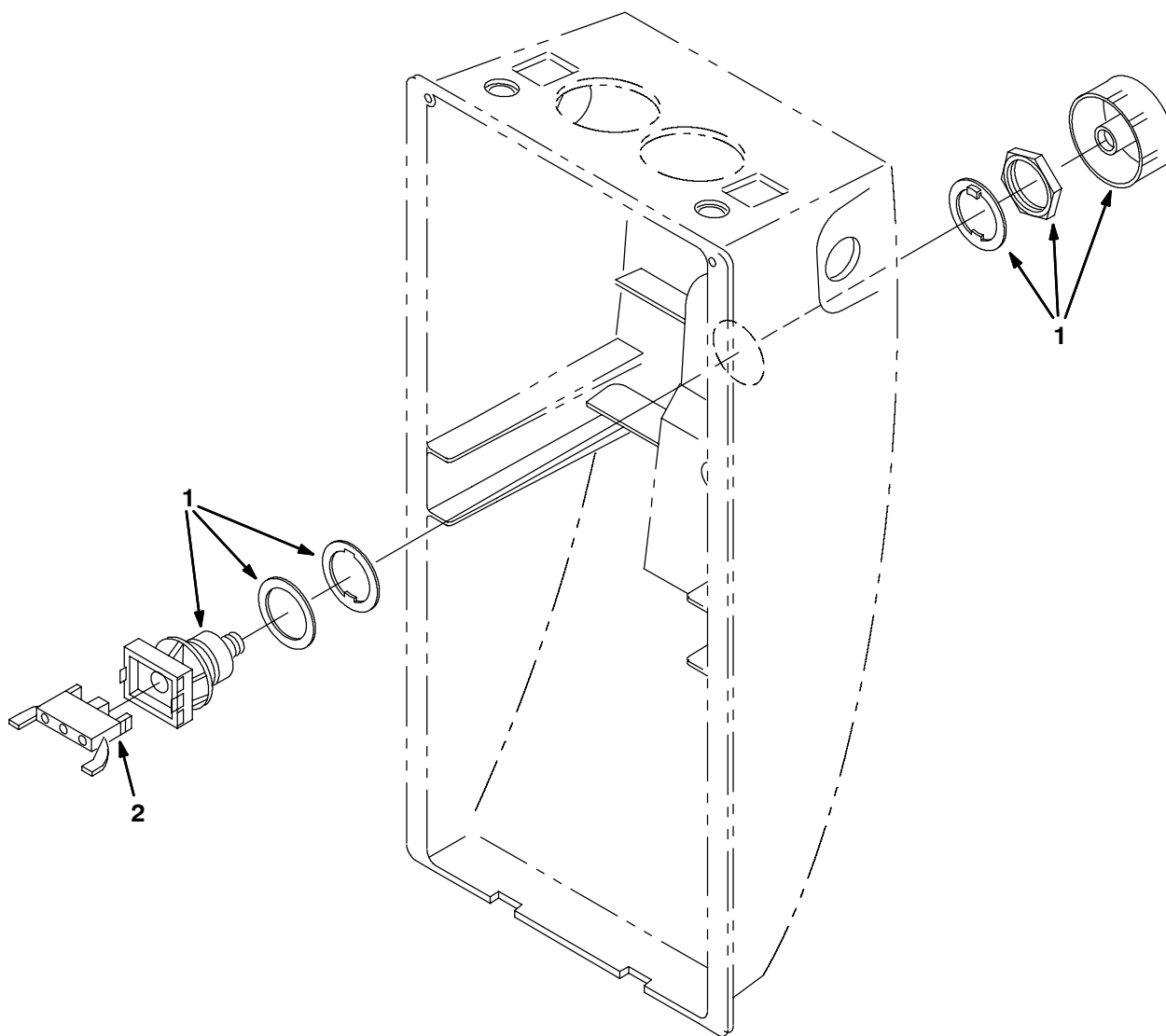
Fig. 7 - Parking Brake Group



10086 - 5700, EE, XP, NA, JP

Ref.	Part No.	Serial Number	Description	Qty.
1	222552	(000000-) Plate Weldment, Stop	1
2	04843	(000000-) Bearing, Flange .625 Bore	3
3	222556	(000000-) Sleeve .62D .34B .38L	1
4	28862	(000000-) Washer-Thrust	1
5	222547	(000000-) Brake Weldment, Parking	1
6	222555	(000000-) Grip, Handle	1
7	222028	(000000-) Sleeve, .344B .62D1.3 Bronze	2
8	222651	(000000-) Bracket, Lift Retainer	1
9	222560	(000000-) Spring, Torsion	1
10	08179	(000000-) Pin, Cotter .094X1.00	1
11	222546	(000000-) Rod, Brake .50 D	1
12	43454	(000000-) Washer, .344B .69D .06Nylon	2
13	222558	(000000-) Clevis, Adjustable M12	1
14	04743	(000000-) Pin,Clevis,0.31 Dia.X 1.12 Lg	1
15	39005	(000000-) Pin- Cotter .094X0.75	1
16	222593	(000000-) Pad, Pedal	1
17	09011	(000000-) Scr Hexssm 8X1.25 30	2
18	01685	(000000-) Washer, Flat, 0.38b 0.88d .08, Ss	8
19	08713	(000000-) Nut-Hxlocnyln M 8X1.25 Reg Ss	5
20	07788	(000000-) Nut Hx Std Ss M12X1.75	1
21	09010	(000000-) Scr Hexssm 8X1.25 25	2
22	222037AM	(018733-) Transaxle Assy, W/Parking Brake (See Breakdowns)	1

Fig. 8 - Power Kill Switch Kit



10056 - ALL

Ref.	Part No.	Serial Number	Description	Qty.
▽	222664	(000000-) Button Kit Battery Cutout 5700	1
▲	1 78553	(000000-) Switch, Pushbutton	1
▲	2 65665	(000000-) Contact, Switch	1

Fig. 9 - Wall Roller Kit

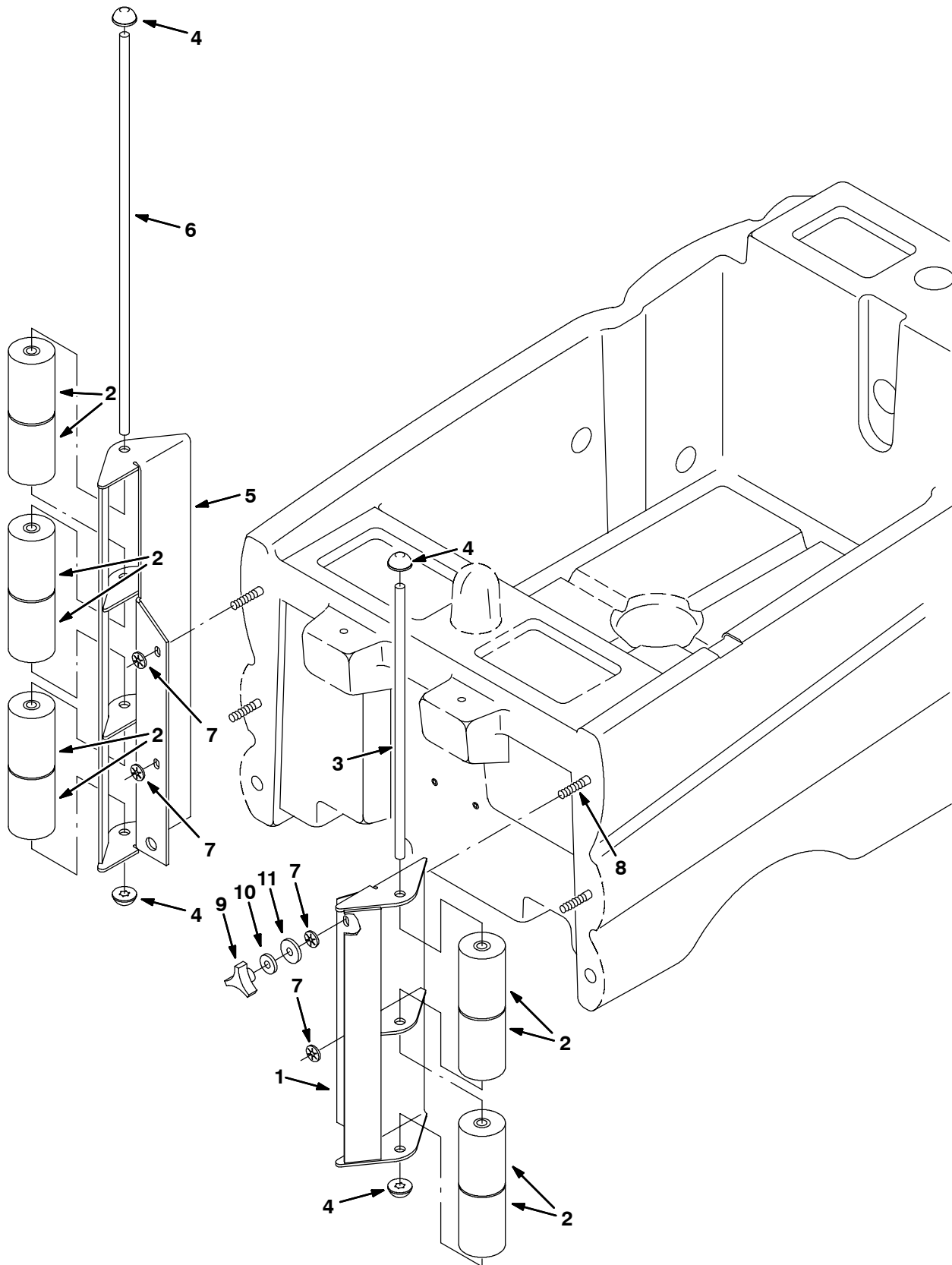
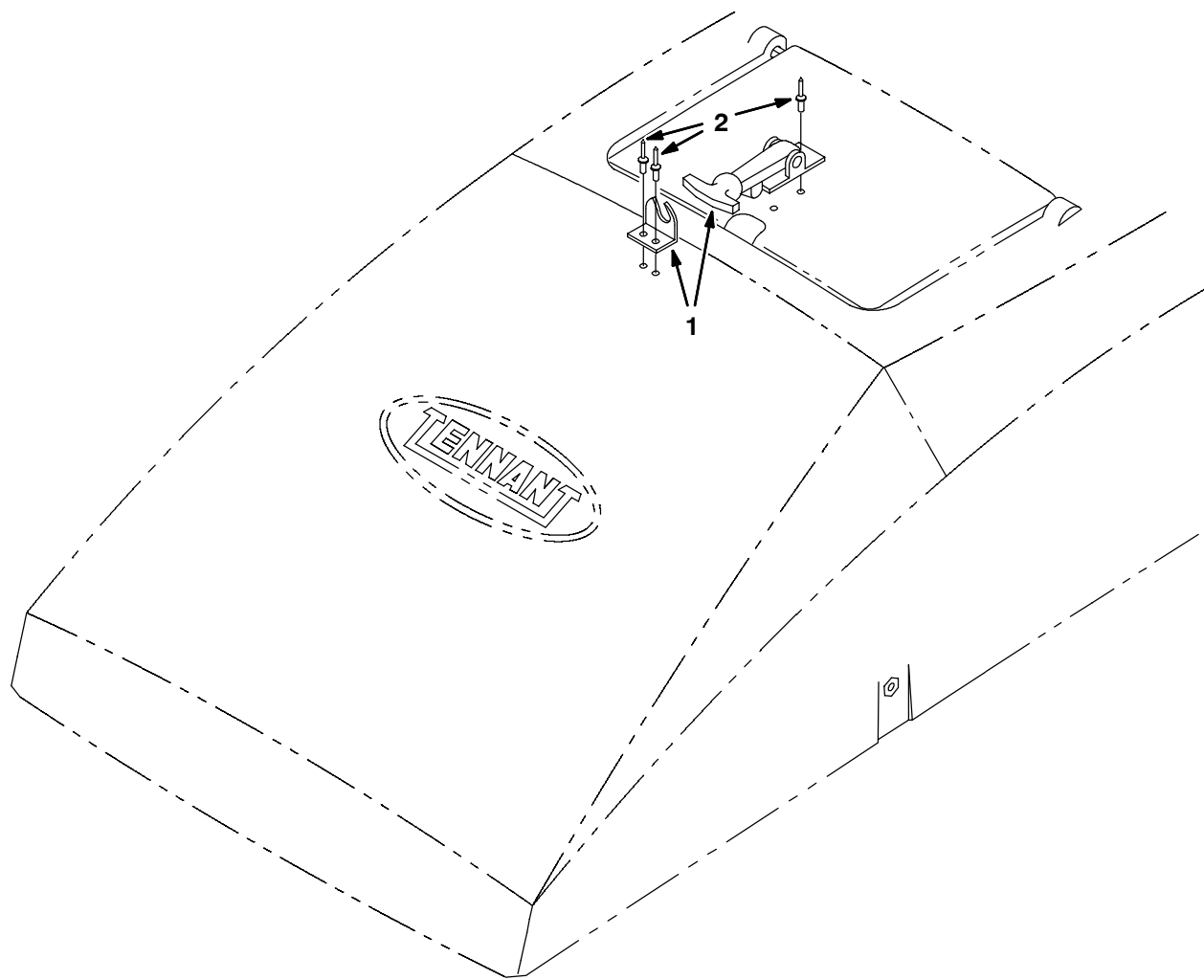


Fig. 9 - Wall Roller Kit

	Ref.	Part No.	Serial Number	Description	Qty.
▽		222663	(000000-) Wall Roller Kit 5700	1
▲	1	222478	(000000-) Bracket Wldt, Wall Roller, Lh	1
▲	2	222796	(000000-) Roller	10
▲	3	222475	(000000-) Shaft, Roller	1
▲	4	222479	(000000-) Pushnut	4
▲	5	222477	(000000-) Bracket Wldt, Wall Roller, Rh	1
▲	6	222476	(000000-) Shaft, Roller	1
▲	7	222768	(000000-) Pushnut	4
▲	8	30327	(000000-) Rod, Thrd, 2 End M08X1.25 01.4	4
▲	9	222470	(000000-) Knob, Star, 1.5d 3 Ear 0.8l M08x1.25 Pls	4
▲	10	01685	(000000-) Washer, Flat, 0.38b 0.88d .08, Ss	4
▲	11	30013	(000000-) Washer, Flat, 0.31 Fender	4

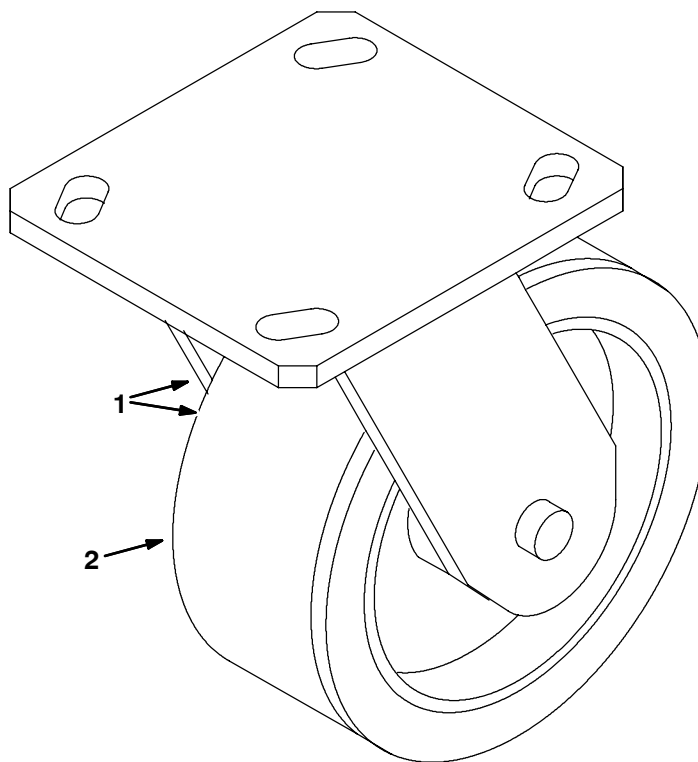
Fig. 10 - Transport Group



10289 - 5700, EE, XP, NA, JP

Ref.	Part No.	Serial Number	Description	Qty.
1	11636	(000000-) Latch, Draw, Flexible	1
2	01335	(000000-) Rivet, Pop-.125Dx.44X.25Dhd Al	4

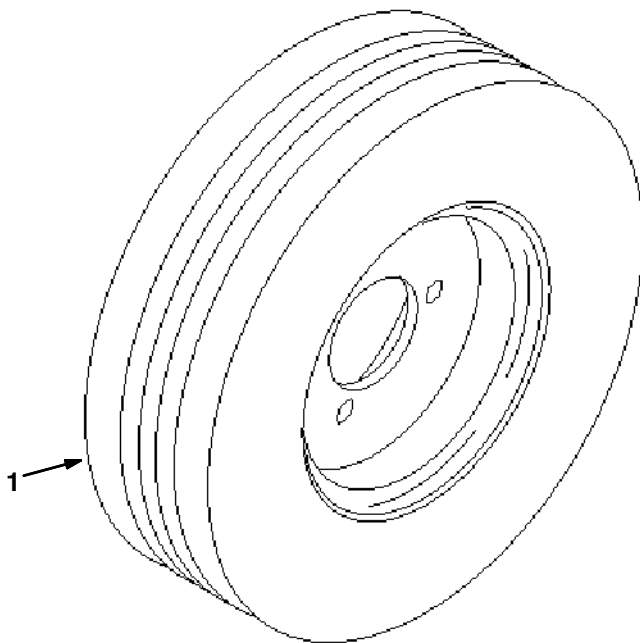
Fig. 11 - Neoprene Caster Group



10274 - 5700, EE, XP, NA, JP

	Ref.	Part No.	Serial Number	Description	Qty.
▽	1	222458	(000000-) Caster, 5.0 Dia Wheel, Neopre	2
▲	2	222354	(000000-) Wheel Assy, 5.0 Neoprene	1

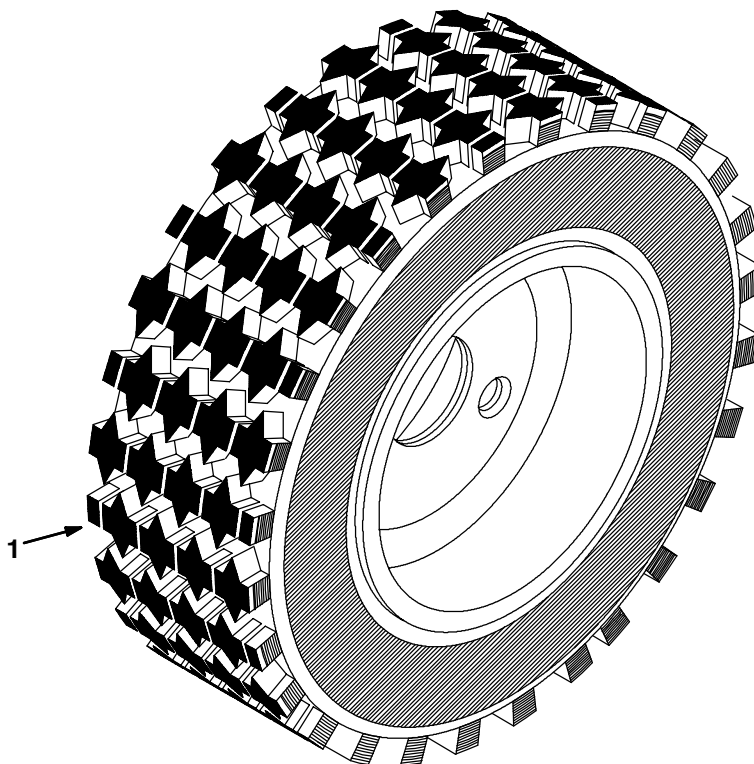
Fig. 12 - Tire Group, Solid



10060 - ALL

Ref.	Part No.	Serial Number	Description	Qty.
1	369345	(000000-) Tire & Rim Assy 12.3 Dia Solid	2

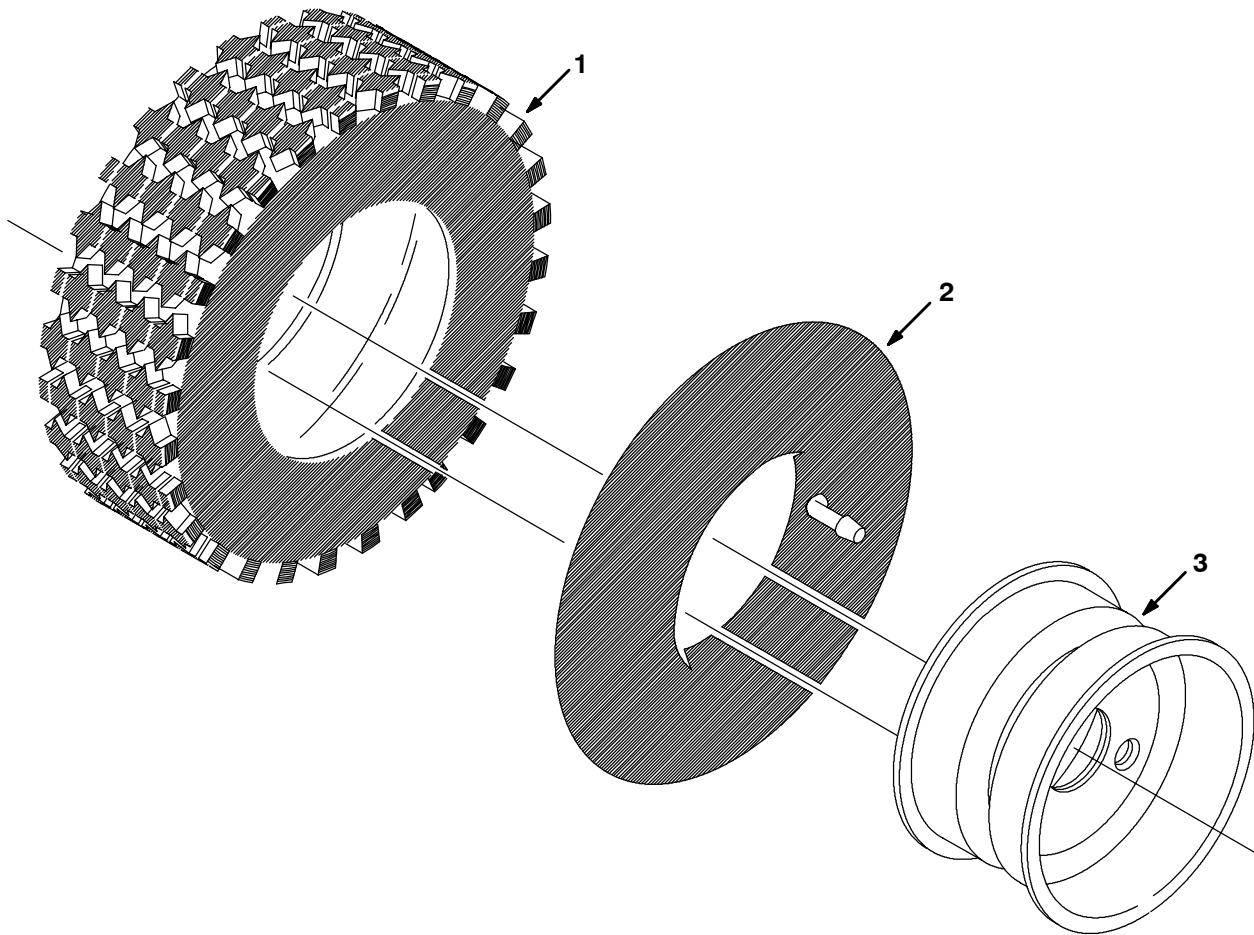
Fig. 13 - Tire Group, Foam Filled



10602 - 5700, EE, XP, NA, JP

Ref.	Part No.	Serial Number	Description	Qty.
1	374044	(000000-) Tire & Rim Assy Foam Filled, Black	2
1	61598	(000000-) Tire & Rim Assy Foam Filled, Gray	2

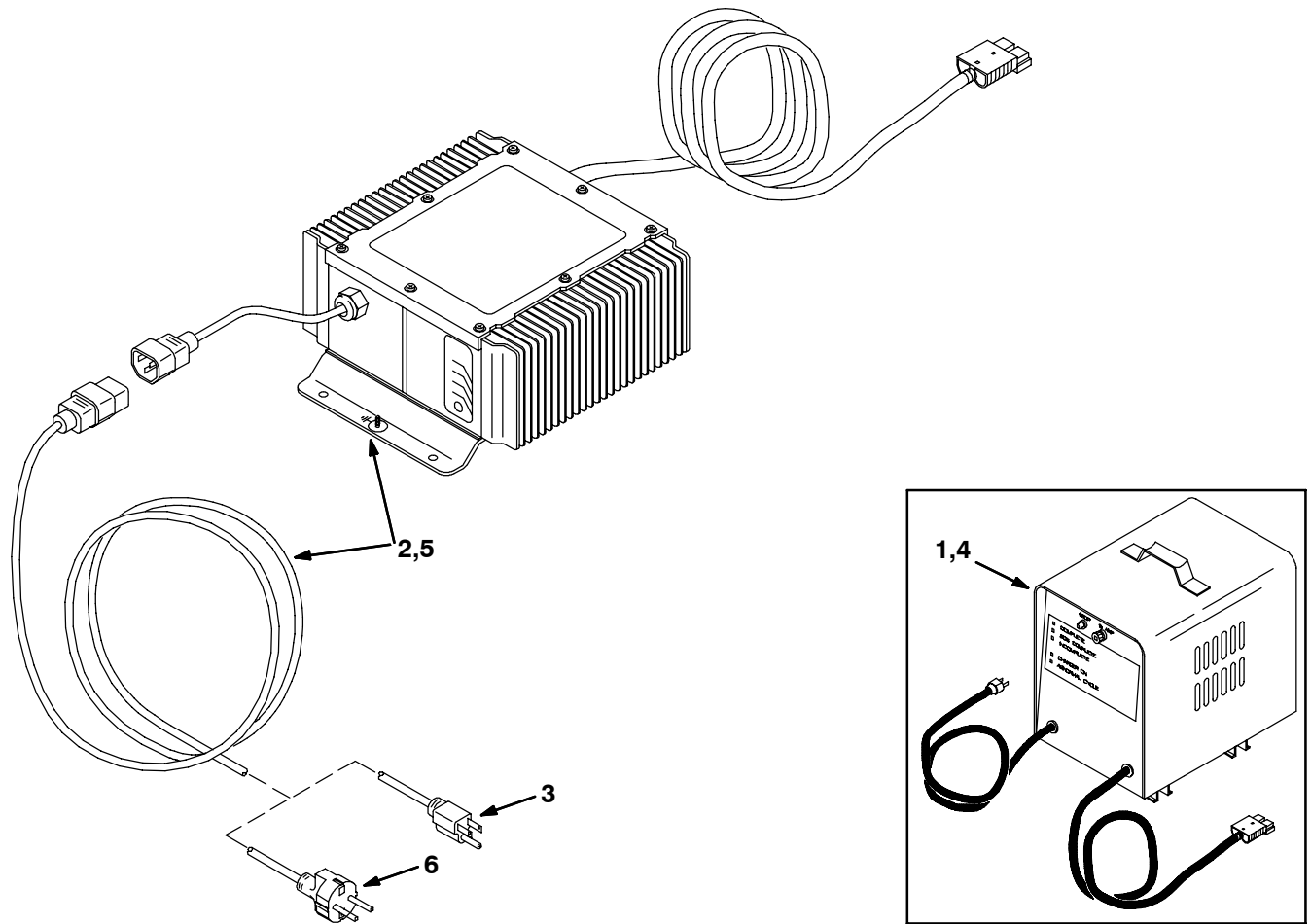
Fig. 14 - Tire and Rim Assembly, Gray



04200 - 5700, EE, XP, NA, CE

Ref.	Part No.	Serial Number	Description	Qty.
▽	61597	(000000-) Tire and Rim Assembly, Gray	2
▲	1 61596	(000000-) Tire, Gray	1
▲	2 04658	(000000-) Tube, Inner	1
▲	3 04657	(000000-) Rim	1

Fig. 15 - Battery Charger Group



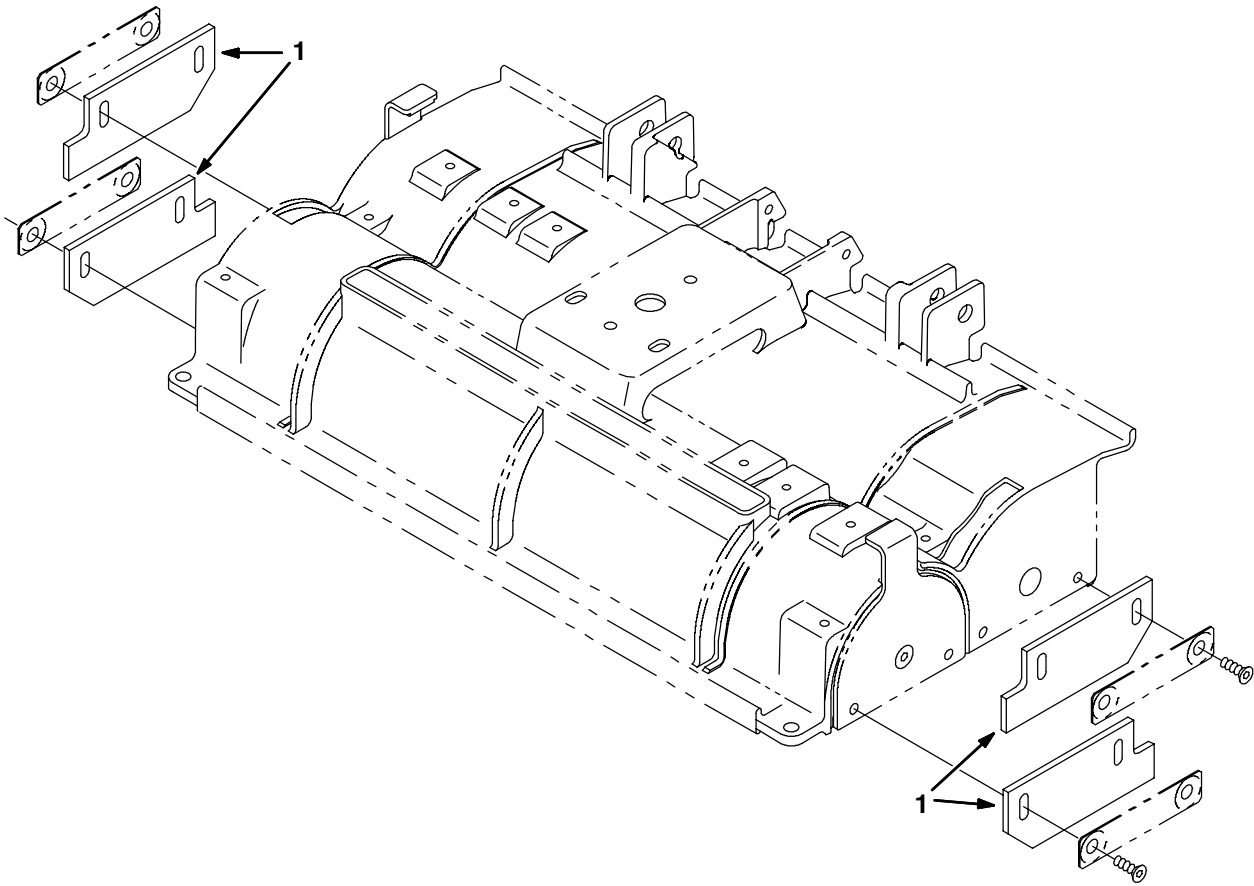
08080 - EE, NA

Ref.	Part No.	Serial Number	Description	Qty.
1	24685	(000000- xxxxxx)	Charger, Rep By 374014	1
1	374014	(xxxxxx-)	Charger, 36vdc 20a 115vac 1ph 60hz	1
▽	2	9001055	(xxxxxx-) Charger Kit, Battery, Ci [Domestic]	1
▲	3	1017079	(xxxxxx-) Cord, Ele, Chrgr [Onboard]	1

International Only

Ref.	Part No.	Serial Number	Description	Qty.
4	65540	(000000-)	Charger, 36vdc 20a 230vac 1ph 50hz	1
▽	5	9001054	(xxxxxx-) Charger Kit, Ci [Export/Euro/Asia]	1
▲	6	1019242	(xxxxxx-) Cord, Ele, Chrgr [European]	1

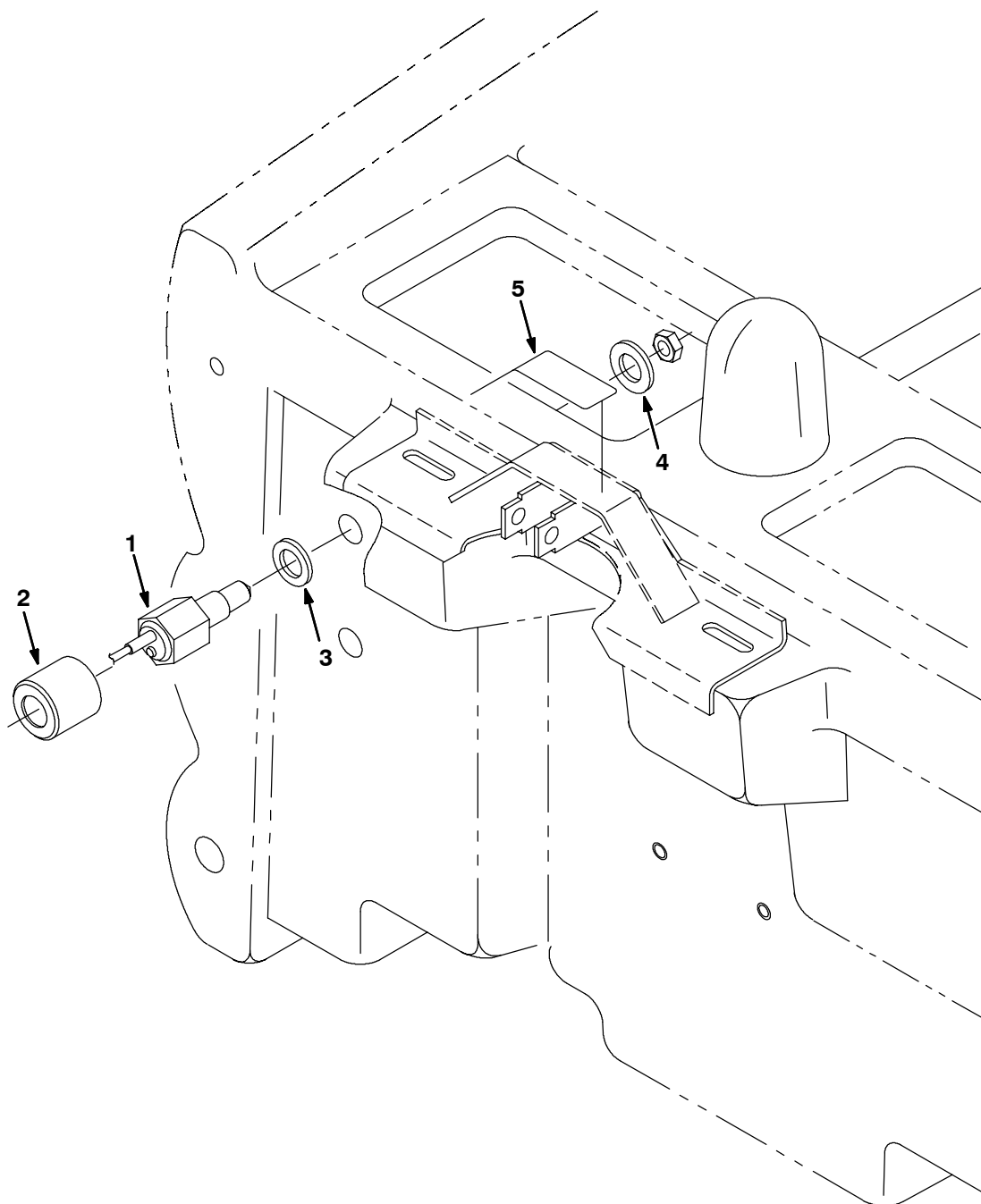
Fig. 16 - Urethane Scrub Head Skirt Kit



10604 - ALL

	Ref.	Part No.	Serial Number	Description	Qty.
▽		222819	(000000-) Skirt Kit, Urethane, Scrubber Head	1
▲	1	222808	(000000-) Skirt, Scrub Head	4

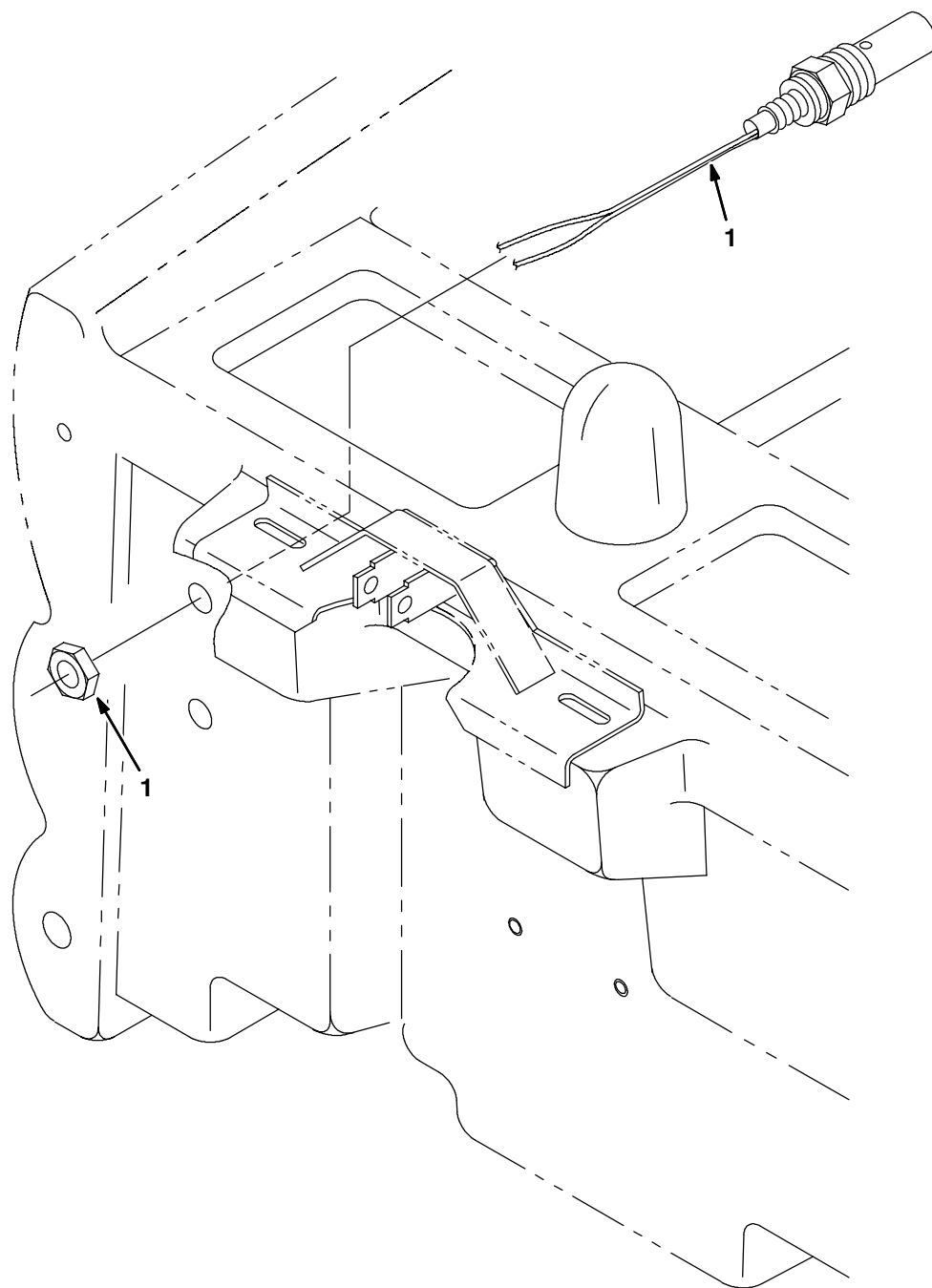
Fig. 17 - Sensor Kit, Optical (000000-xxxxxx)



352090 - 5700, EE, XP, NA, CE

Ref.	Part No.	Serial Number	Description	Qty.
▽	374046	(000000- xxxxxx)	Kit, Sensor, Optical	1
▲	1 374045	(000000- xxxxxx)	Sensor, Optical	1
▲	2 374072	(000000- xxxxxx)	Cap, Vinyl, 1.25ld, .75Dia	1
▲	3 01316	(000000- xxxxxx)	Washer, .660B 1.00D .12Rbr	1
▲	4 04400	(000000- xxxxxx)	Washer-Flt 17 X 30 X3 Ss M16	1
▲	5 222845	(000000- xxxxxx)	Label, Clean Level Sensor Daily	1

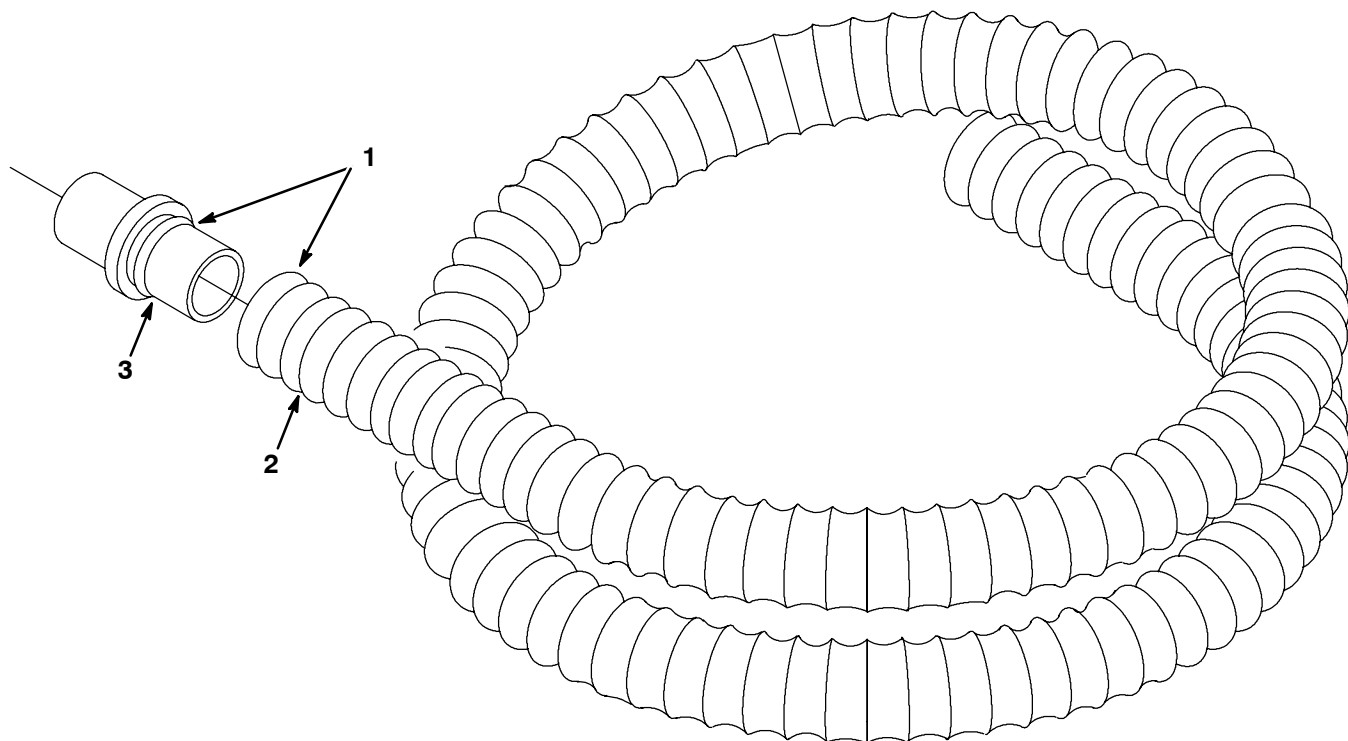
Fig. 18 - Sensor Kit, Shielded



353201 - 5700, EE, XP, NA, CE

	Ref.	Part No.	Serial Number	Description	Qty.
▽		374109	(000000-) Kit, Sensor, Shielded	1
▲	1	374078	(000000-) Switch, Float	1

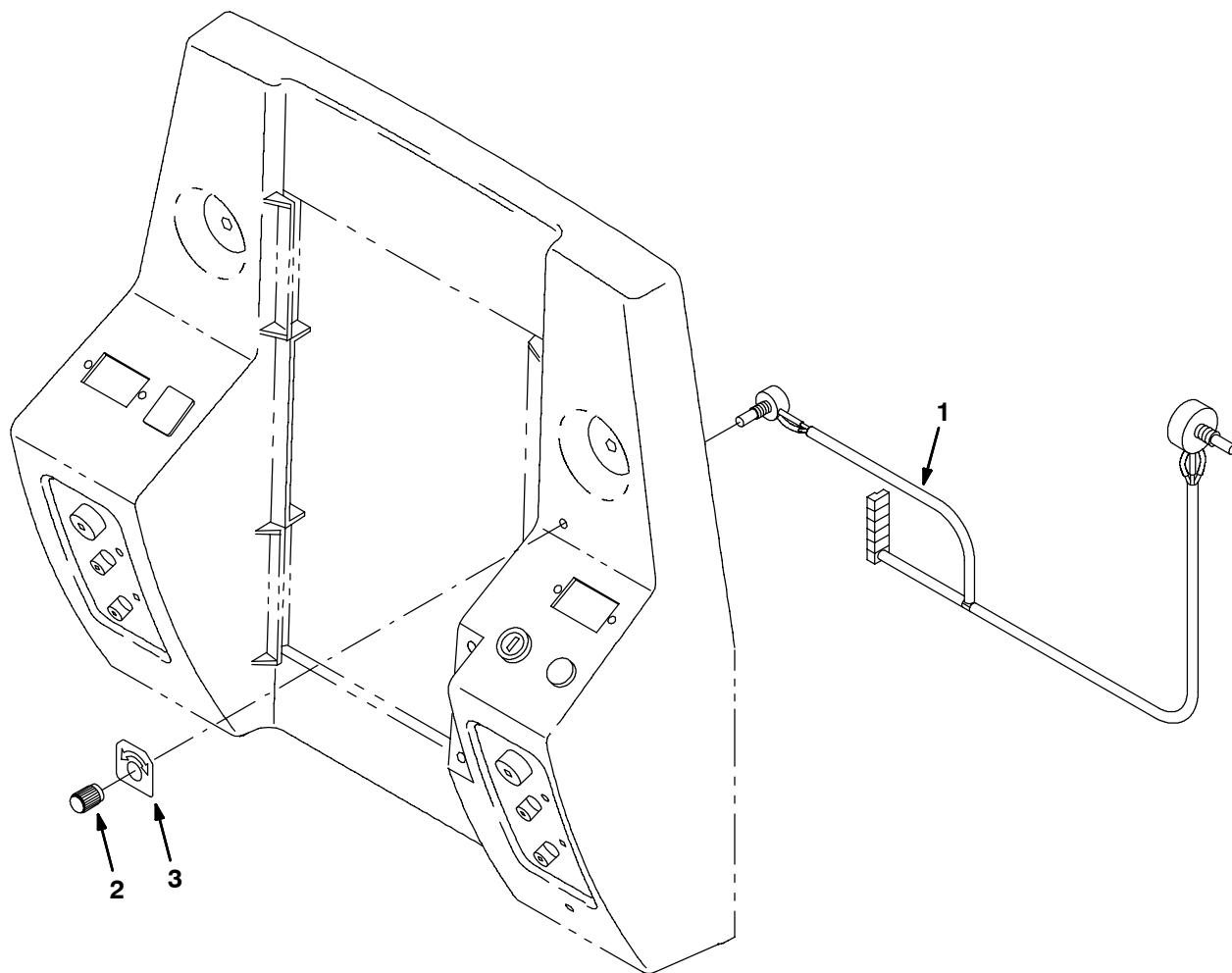
Fig. 19 - Drain Hose Extension Kit



352013 - 5700, EE, XP, NA, CE

Ref.	Part No.	Serial Number	Description	Qty.
▽	378729	(000000-) Hose, Drain, Extension	1
▲▽	1 378728	(000000-) Hose Assy, Drain	1
▲▲	2 378726	(000000-) Hose, Drain	1
▲▲	3 12694	(000000-) Ftg, Plastic, Coupling	1

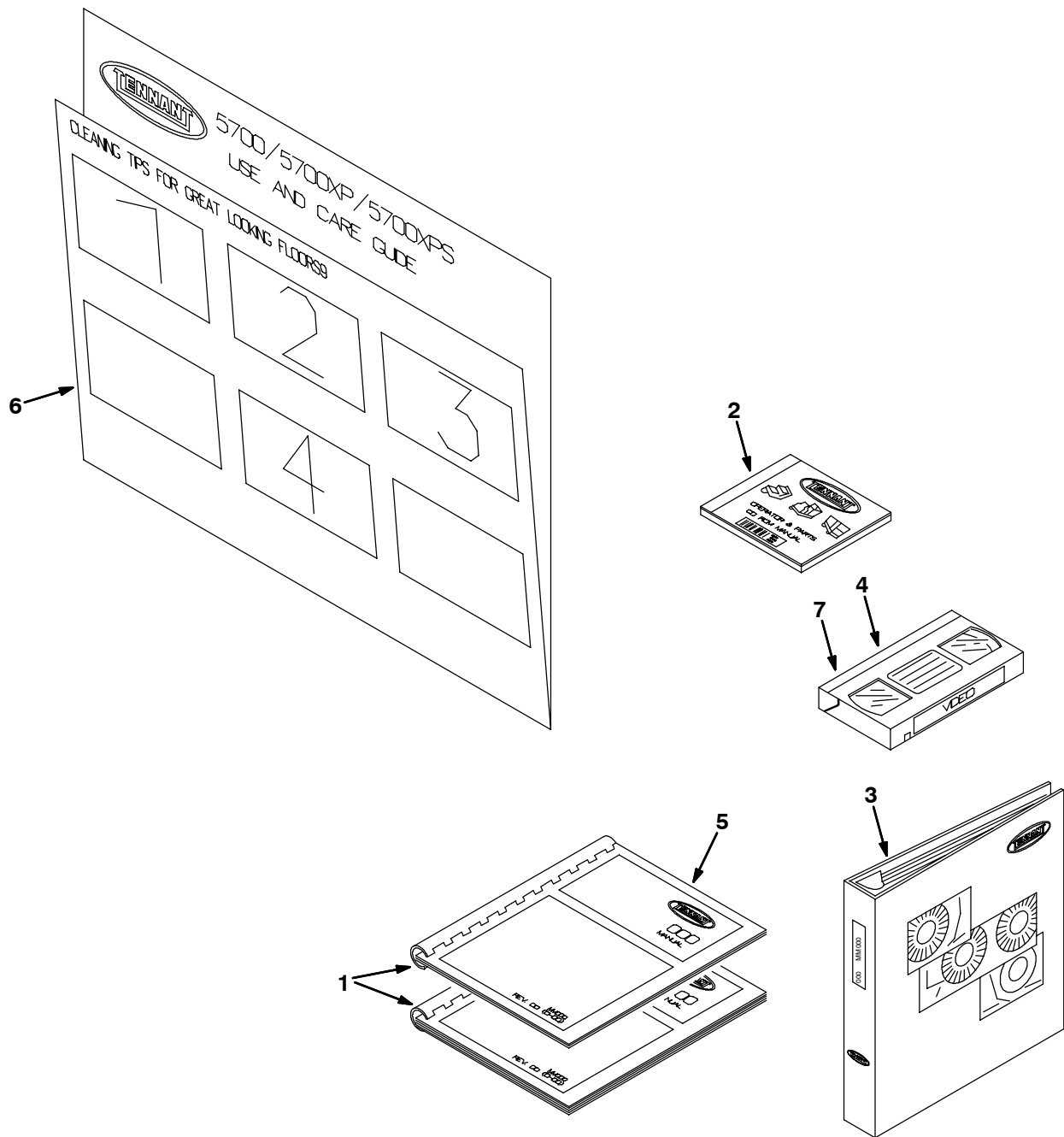
Fig. 20 - Speed Reduction Kit



350453 - 5700, EE, NA, CE

Ref.	Part No.	Serial Number	Description	Qty.
▽	222798	(000000-) Speed Reduction Kit, 5700	1
▲	1 222833	(000000-) Potentiometer Assy, Electronic	1
▲	2 222760	(000000-) Knob, Potentiometer 0.125 Shaft	1
▲	3 222844	(000000-) Label, Speed Adjustment	1

Fig. 21 - Documentation Group



07501 - EE, NA

Ref.	Part No.	Serial Number	Description	Qty.
1	MM408	(000000-)	Manual Package 5700EE	1
2	330710	(000000-)	Manual, Cd-Rom, Oprtr & Parts, All (NA)	1
3	MM406	(000000-)	Manual, Service 5700	1
4	21556	(000000-)	Sales Video, 5700 Operation	1
5	MM408ES	(000000-)	Manual, OP/MT 5700EE, Spanish	1
5	MM408FR	(000000-)	Manual, OP/MT 5700EE, French	1
6	222878	(000000-)	Instructions, Machine, 5700	1
7	21557	(000000-)	Video, Sales, Operation, 5700 Pal	1

SECTION 4

Contents	Page
Fig. 1 - Transaxle Drive Breakdown (W/Parking Brake), 222037AM	4-2
Fig. 2 - Transaxle Drive Breakdown (W/O Parking Brake), 397707AM	4-4
Fig. 3 - Transaxle Motor Breakdown, 222371	4-6
Fig. 4 - Transaxle Motor Breakdown, 374265AM	4-7
Fig. 5 - Electric Motor Breakdown, 222753	4-8
Fig. 6 - Electric Motor Breakdown, 375175AM	4-9
Fig. 7 - Electric Motor Breakdown, 222708AM	4-10
Fig. 8 - Electric Motor Breakdown, 222409	4-11
Fig. 9 - Electric Motor Breakdown, 374201AM	4-12
Fig. 10 - Water Pump Breakdown, 222259	4-13
Fig. 11 - Battery Charger Breakdown, 60 Hz, 115V (235 Ah batteries), 24685	4-14
Fig. 12 - Battery Charger Breakdown, 60 Hz, 115V (235 Ah batteries), 374014	4-15
Fig. 13 - Battery Charger Breakdown, 50 Hz, 230V (235 Ah batteries), 65540	4-16

Fig. 1 - Transaxle Drive Breakdown (W/Parking Brake), 222037AM

Ref.	Part No.	Serial Number	Description	Qty.
▽	222037AM	(000000-) Transaxle Assy, W/Parking Brake	1
▲▽	1 222640	(000000-) Mtr Gear Kit	1
▲▲	2 222599	(000000-) Pinion Gear	1
▲▲	3 222656	(000000-) Clip	1
▲▲	4 222657	(000000-) O-Ring	1
▲▽	5 222641	(000000-) Brg&Seal Kit	1
▲▲	6 222658	(000000-) Seal	2
▲▲	7 222659	(000000-) Snap Ring	2
▲▲	8 222660	(000000-) Bearing	2
▲▲	9 222661	(000000-) Bushing	2
▲	10 11117	(000000-) Stud, Wheel .44-20 X1.22	6
▲	11 374265AM	(000000-) Motor, Ele, 36Vdc 0.5Hp 2000Rpm (See Breakdowns)	1
▲	12 374051	(000000-) Pawl, Park	2
▲	13 374052	(000000-) Packing, Pawl	4
▲	14 374053	(000000-) Vent, Valve	1
▲	15 374054	(000000-) Plug, Breather	1
▲	16 374055	(000000-) Packing, Breather	2
▲	17 374056	(000000-) Cap, Oil	2
▲	18 374057	(000000-) Packing, Cap	2
▲	19 374058	(000000-) Plug, Drain	1
▲	20 374061	(000000-) Arm, Park	1
▲	21 374062	(000000-) Spring, Return	1
▲	22 374063	(000000-) Spring, Park	1
▲	23 374064	(000000-) Pin, Roll 6-32	4
▲	24 374065	(000000-) Pin, Roll 3.5-32	1
▲	25 374066	(000000-) Shaft, Parking	1
▲	26 388499	(000000-) Kit, Gear, Differential	1
▲	27 388485	(000000-) Plug	1
	28 222371	(000000-) Motor,Elec 0.5Hp36V.Dc,1900Rpm (Replaced By 374265) (See Breakdowns)	1

Fig. 2 - Transaxle Drive Breakdown (W/O Parking Brake) 397707AM

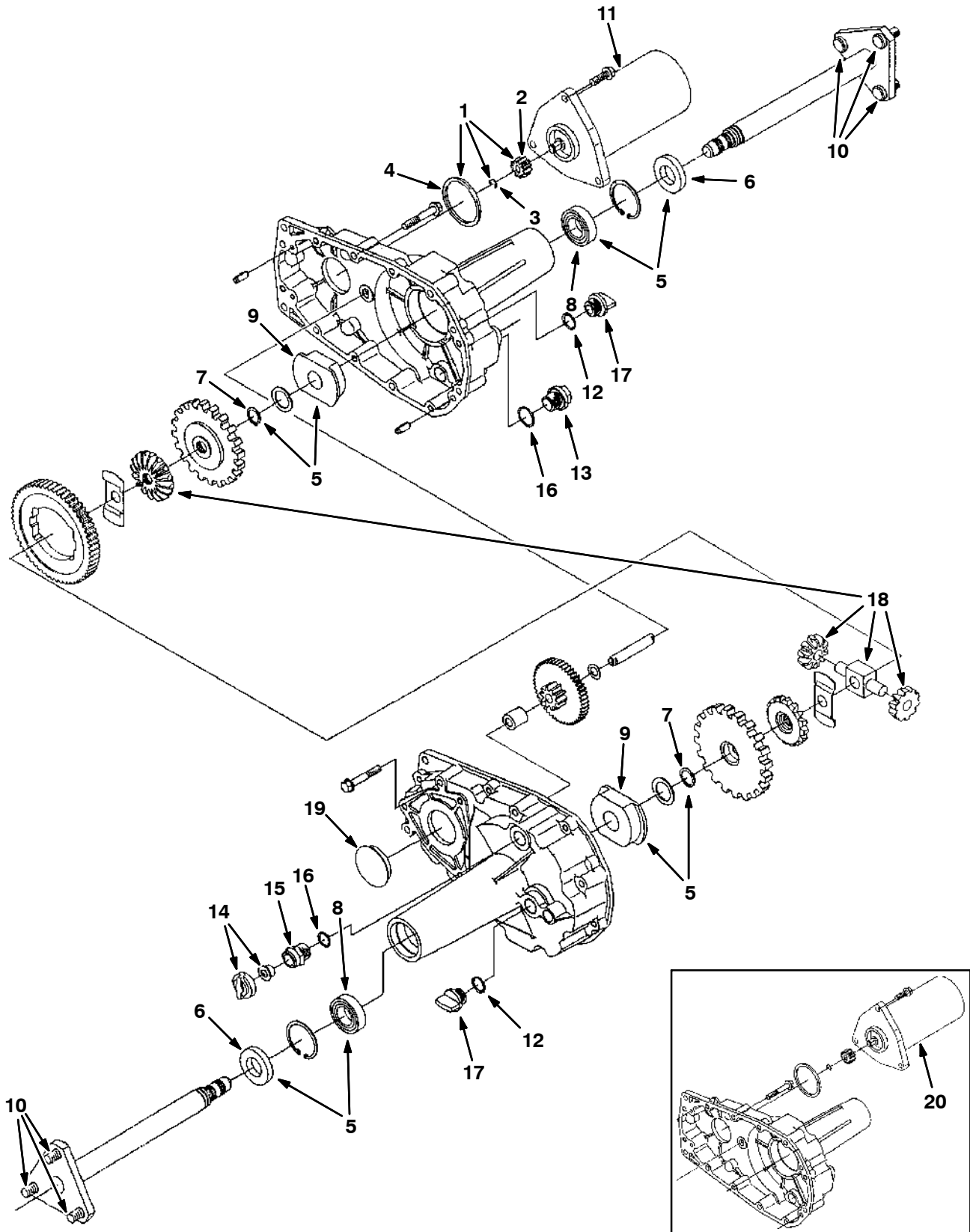
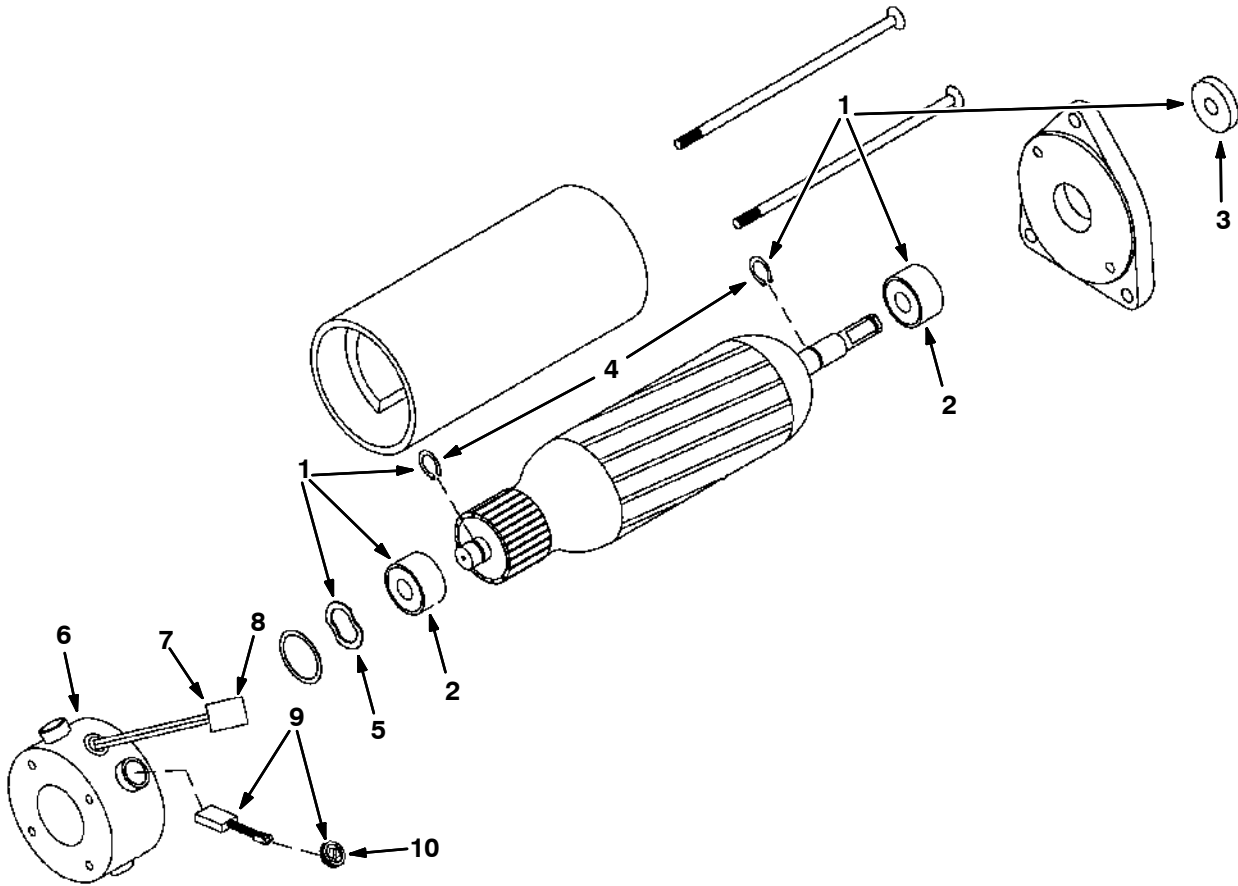


Fig. 2 - Transaxle Drive Breakdown (W/O Parking Brake) 397707AM

Ref.	Part No.	Serial Number	Description	Qty.
▽	397707AM	(000000-) Transaxle Assy, W/O Parking Brake	1
▲▽	1 222640	(000000-) Mtr Gear Kit	1
▲▲	2 222599	(000000-) Pinion Gear	1
▲▲	3 222656	(000000-) Clip	1
▲▲	4 222657	(000000-) O-Ring	1
▲▽	5 222641	(000000-) Brg&Seal Kit	1
▲▲	6 222658	(000000-) Seal	2
▲▲	7 222659	(000000-) Snap Ring	2
▲▲	8 222660	(000000-) Bearing	2
▲▲	9 222661	(000000-) Bushing	2
▲	10 11117	(000000-) Stud, Wheel .44-20 X1.22	6
▲	11 374265AM	(000000-) Motor, Ele, 36Vdc 0.50Hp 2000Rpm (See Breakdowns)	1
▲	12 374057	(000000-) Packing, Cap	2
▲	13 374058	(000000-) Plug, Drain	1
▲	14 374053	(000000-) Vent, Valve	1
▲	15 374054	(000000-) Plug, Breather	1
▲	16 374055	(000000-) Packing, Breather	2
▲	17 374056	(000000-) Cap, Oil	2
▲	18 388499	(000000-) Kit, Gear, Differential	1
▲	19 388485	(000000-) Plug	1
	20 222371	(000000-) Motor, Elec 0.5Hp36V.Dc, 1900Rpm (Replaced By 374265) (See Breakdowns)	1

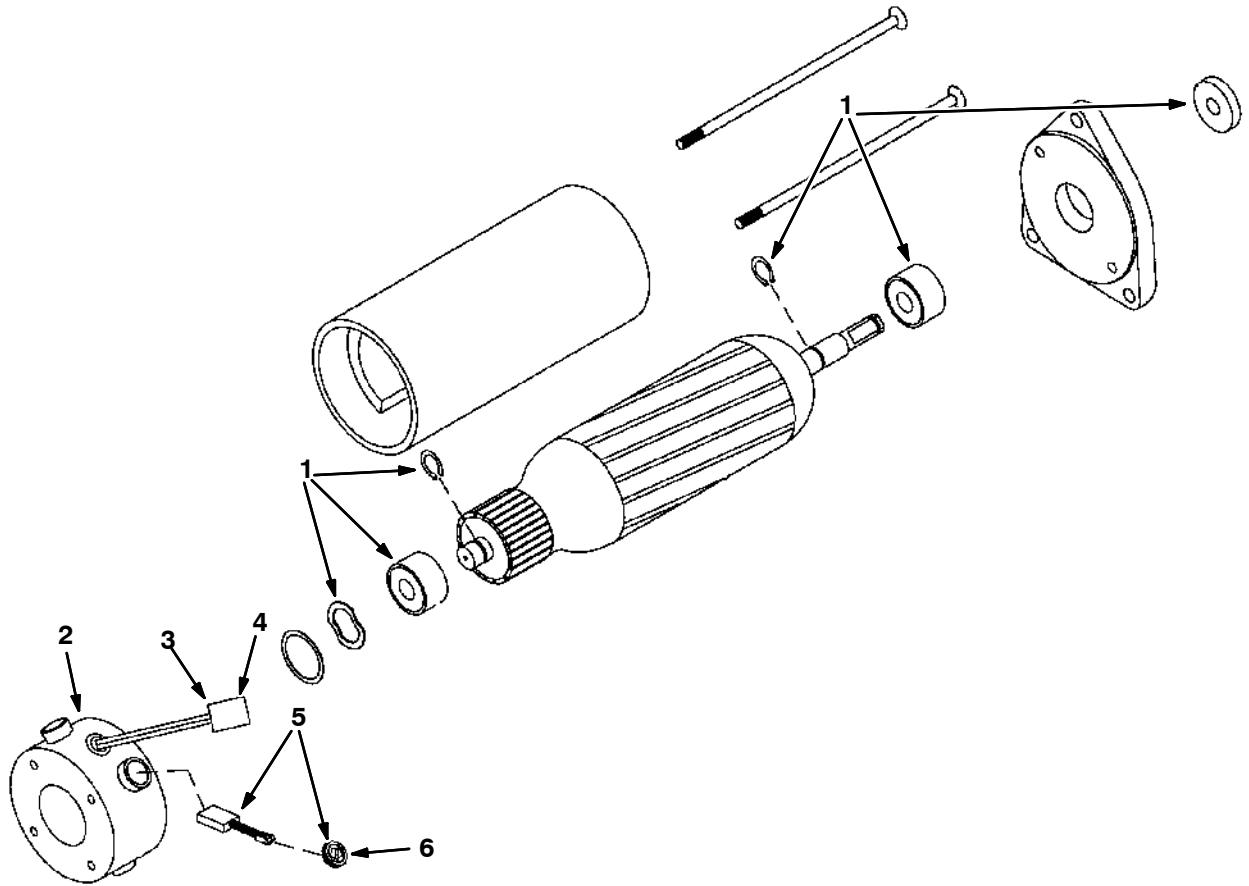
Fig. 3 - Transaxle Motor Breakdown, 222371



10295 - 5700, EE, XP, NA, JP, CE

Ref.	Part No.	Serial Number	Description	Qty.	
▽	222371	(000000-) Motor,Elec 0.5Hp36V.Dc,1900Rpm	1	
▲▽	1	222622	(000000-) Bearing & Seal Kit	1
▲▲	2	222635	(000000-) Bearing	2
▲▲	3	222634	(000000-) Seal	1
▲▲	4	222637	(000000-) Snap Ring	2
▲▲	5	222638	(000000-) Wavy Washer	1
▲▽	6	374003	(000000-) End Ass'y, Brush	1
▲▲	7	10925	(000000-) Connector, 2 Conductor	1
▲▲	8	24537	(000000-) Terminal, Female	2
▲▽	9	222625	(000000-) Brush Kit	1
▲▲	10	222629	(000000-) Brush Holder Cap	4

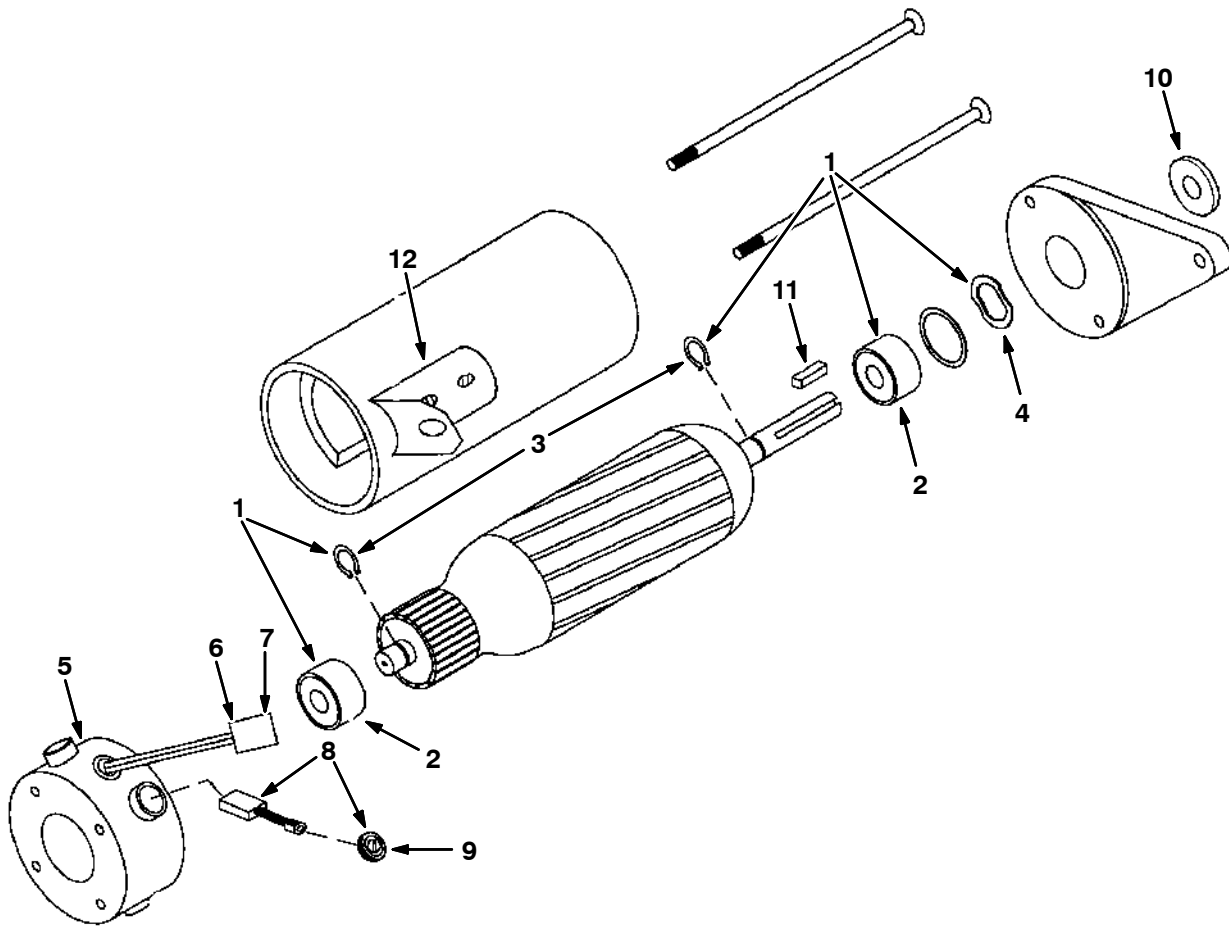
Fig. 4 - Transaxle Motor Breakdown, 374265AM



10295 - 5700, EE, XP, NA, JP, CE

Ref.	Part No.	Serial Number	Description	Qty.
▽	374265AM	(000000-) Motor, Ele, 36vdc 0.50hp 1900rpm	1
▲▽	1 374271	(000000-) Bearing Kit, Motor, Ele	1
▲▽	2 374003	(000000-) Endbell, Brush End, Motor, Ele [Magnt	2
▲▲	3 10925	(000000-) Connector, Fem, 2cav [Mp630 Sealed]	1
▲▲	4 24537	(000000-) Terminal, Fem, 10/12ga [Mp630 P2s]	2
▲▽	5 222625	(000000-) Kit, Brush, Motor, Ele (Kit842)	1
▲▲	6 222629	(000000-) Cap, Brush Holder, Motor, Ele[Magnetek]	1

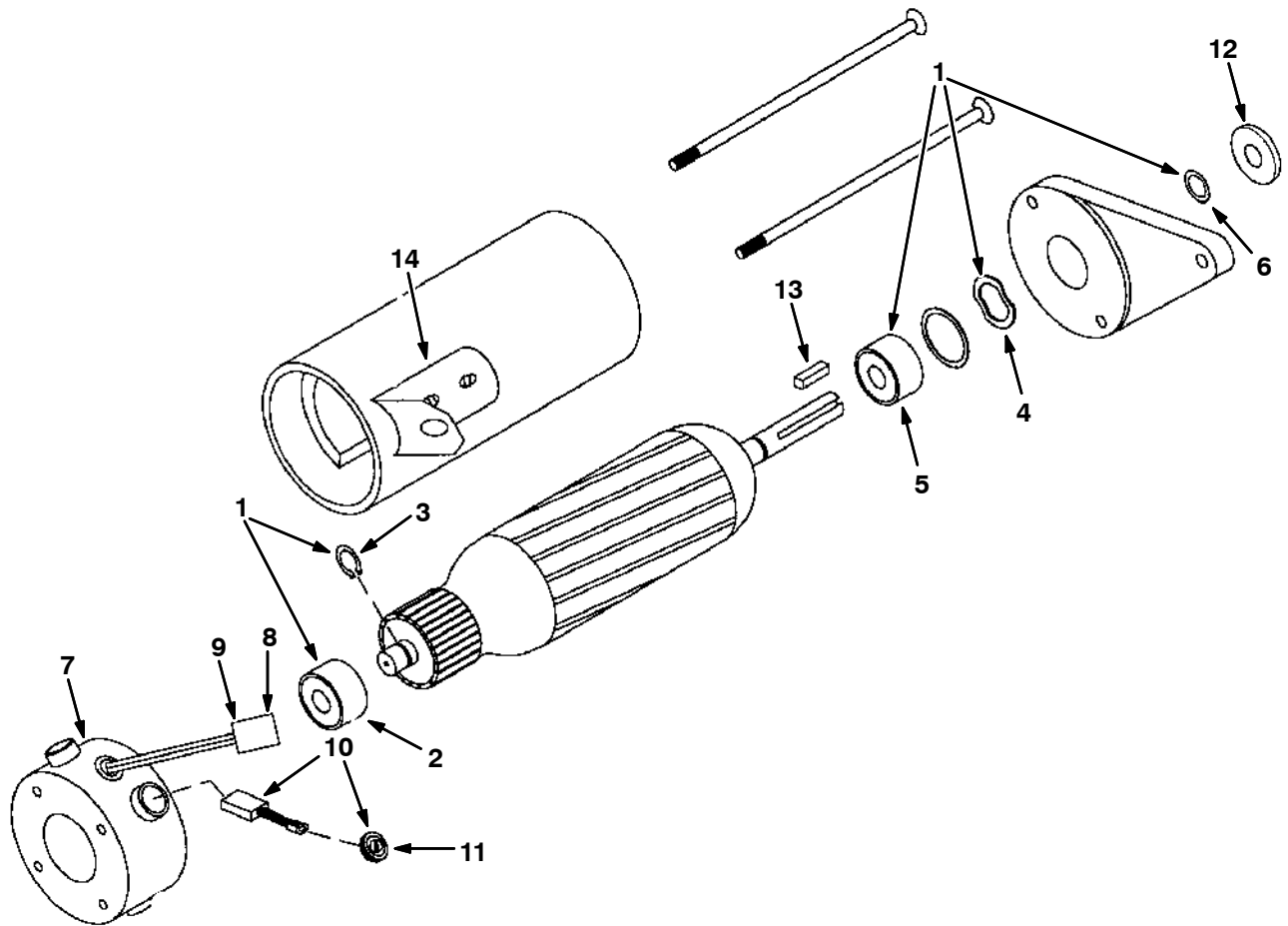
Fig. 5 - Electric Motor Breakdown, 222753



10301 - ALL

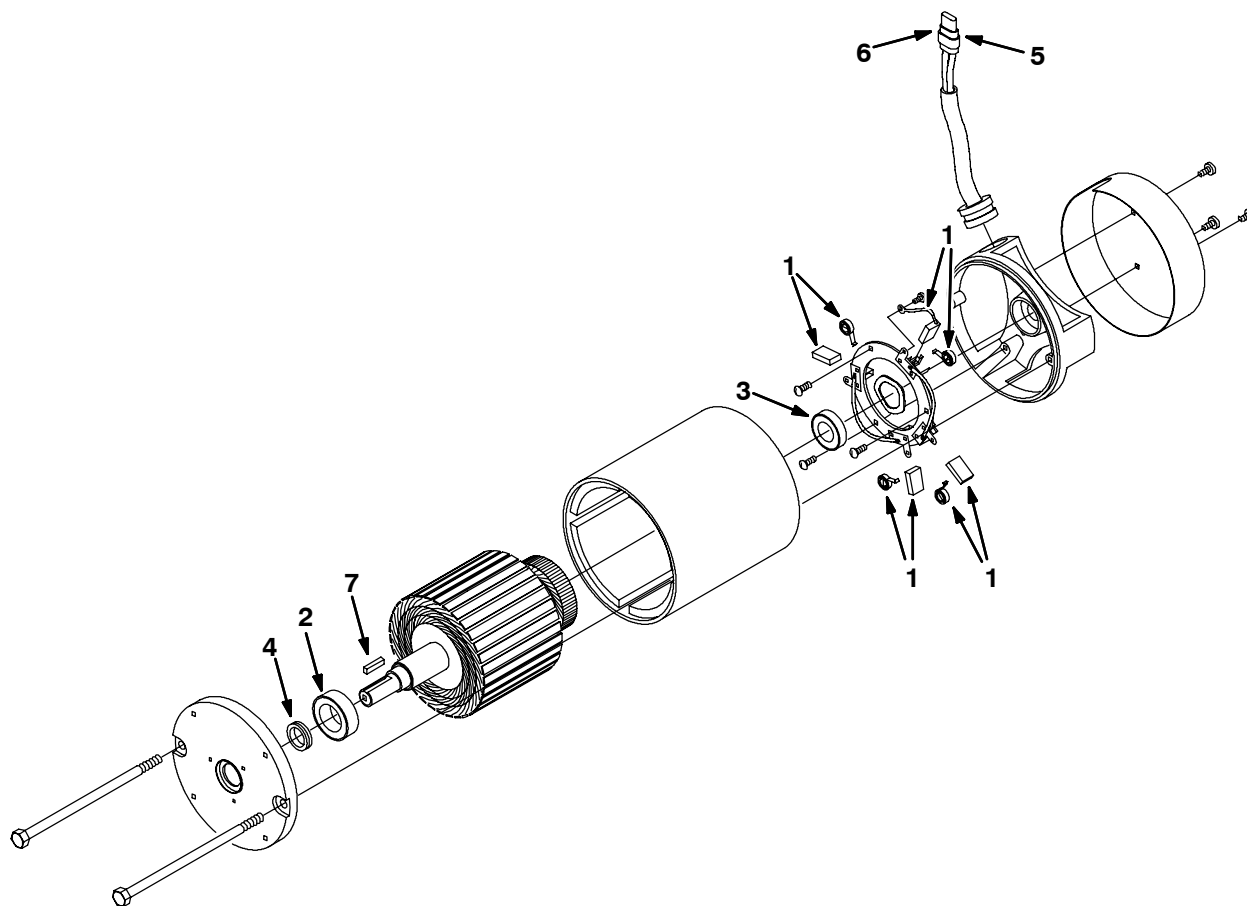
Ref.	Part No.	Serial Number	Description	Qty.
▽	222753	(000000-) Motor, .75 Hp, 36V, 1700Rpm	1
▲▽	1 222623	(000000-) Bearing Kit	1
▲▲	2 222635	(000000-) Bearing	2
▲▲	3 222637	(000000-) Snap Ring	2
▲▲	4 222638	(000000-) Wavy Washer	1
▲▽	5 374004	(000000-) End Ass'y, Brush	1
▲▲	6 10925	(000000-) Connector, 2 Conductor	1
▲▲	7 24537	(000000-) Terminal, Female	2
▲▽	8 222625	(000000-) Brush Kit	1
▲▲	9 222629	(000000-) Brush Holder Cap	4
▲	10 20536-2	(000000-) Washer, .467B 1.19D .03Nylon	1
▲	11 00954	(000000-) Key, Square 0.12 0.12 0 1.00 Lg	1
▲	12 222877	(000000-) Brace Kit	1

Fig. 6 - Electric Motor Breakdown, 375175AM



Ref.	Part No.	Serial Number	Description	Qty.
▽	375175AM	(000000-) Motor Assy, Ele, 36Vdc, 0.75Hp, 1700Rpm	1
▲▽	1 375176	(000000-) Kit, Motor Bearing	1
▲▲	2 222635	(000000-) Bearing	1
▲▲	3 222637	(000000-) Ring, Snap	1
▲▲	4 375177	(000000-) Washer, Spring	1
▲▲	5 375178	(000000-) Bearing, Drive End	1
▲▲	6 375179	(000000-) Seal	1
▲▽	7 374004	(000000-) Endbell, Brush End, Motor-Ele	1
▲▲	8 10925	(000000-) Connector, 2-Conductor	1
▲▲	9 24537	(000000-) Terminal, Female	2
▲▽	10 222625	(000000-) Kit, Brush	1
▲▲	11 222629	(000000-) Cap, Brush Holder	4
▲	12 20536-2	(000000-) Washer, 0.47b 1.19d .03, Nyl	1
▲	13 00954	(000000-) Key, Sq, 0.12 X 0.12, 01.00l	1
▲	14 222877	(000000-) Kit, Brace	1

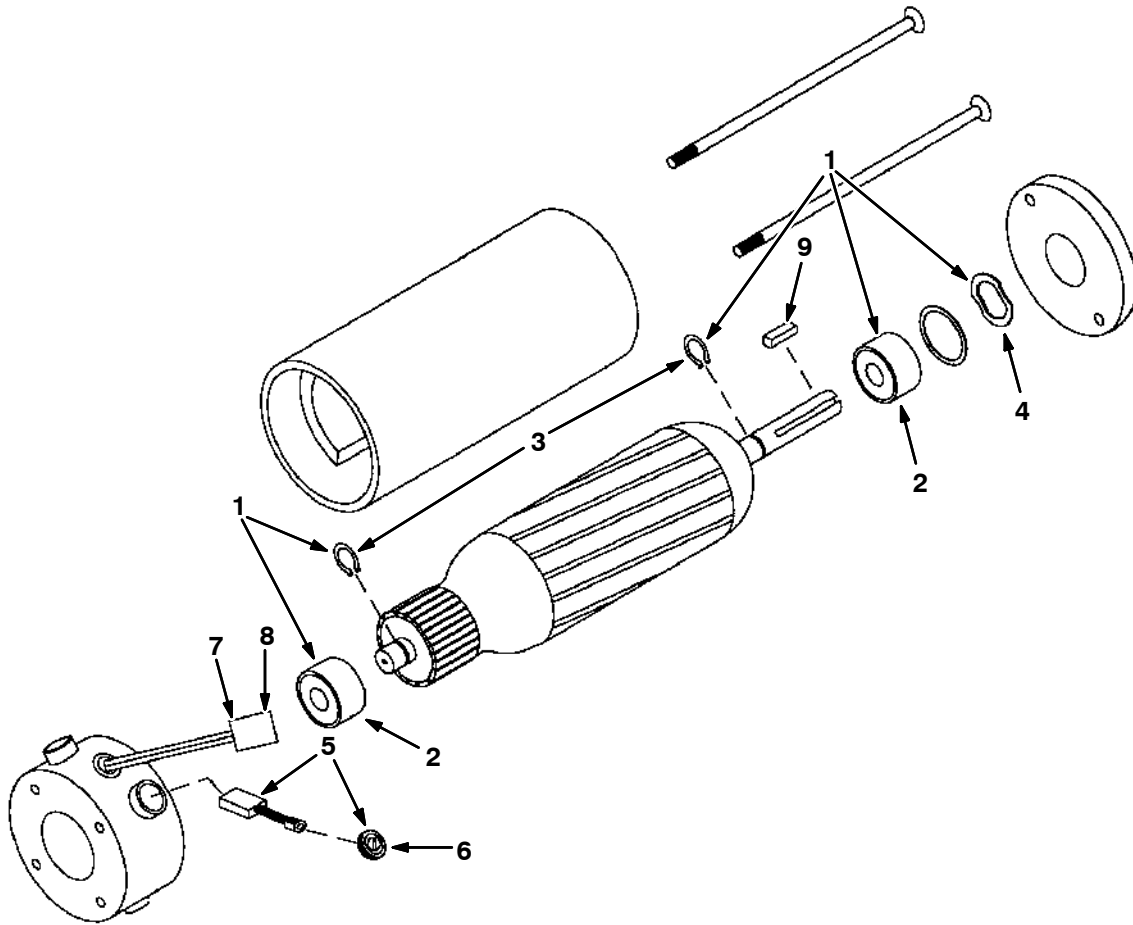
Fig. 7 - Electric Motor Breakdown, 222708AM



10424 - EE, NA

Ref.	Part No.	Serial Number	Description	Qty.
▽	222708AM	(000000-) Motor Assy, Elec, EE, 0.6Hp	1
▲	1 222606	(000000-) Brush Kit	1
▲	2 222616	(000000-) Bearing	1
▲	3 222617	(000000-) Bearing	1
▲	4 222619	(000000-) Oil Seal	1
▲	5 10925	(000000-) Connector, 2 Conductor	1
▲	6 24537	(000000-) Terminal, Female	2
▲	7 00928	(000000-) Key Square 0.25 0.25 01.00 Lg	1

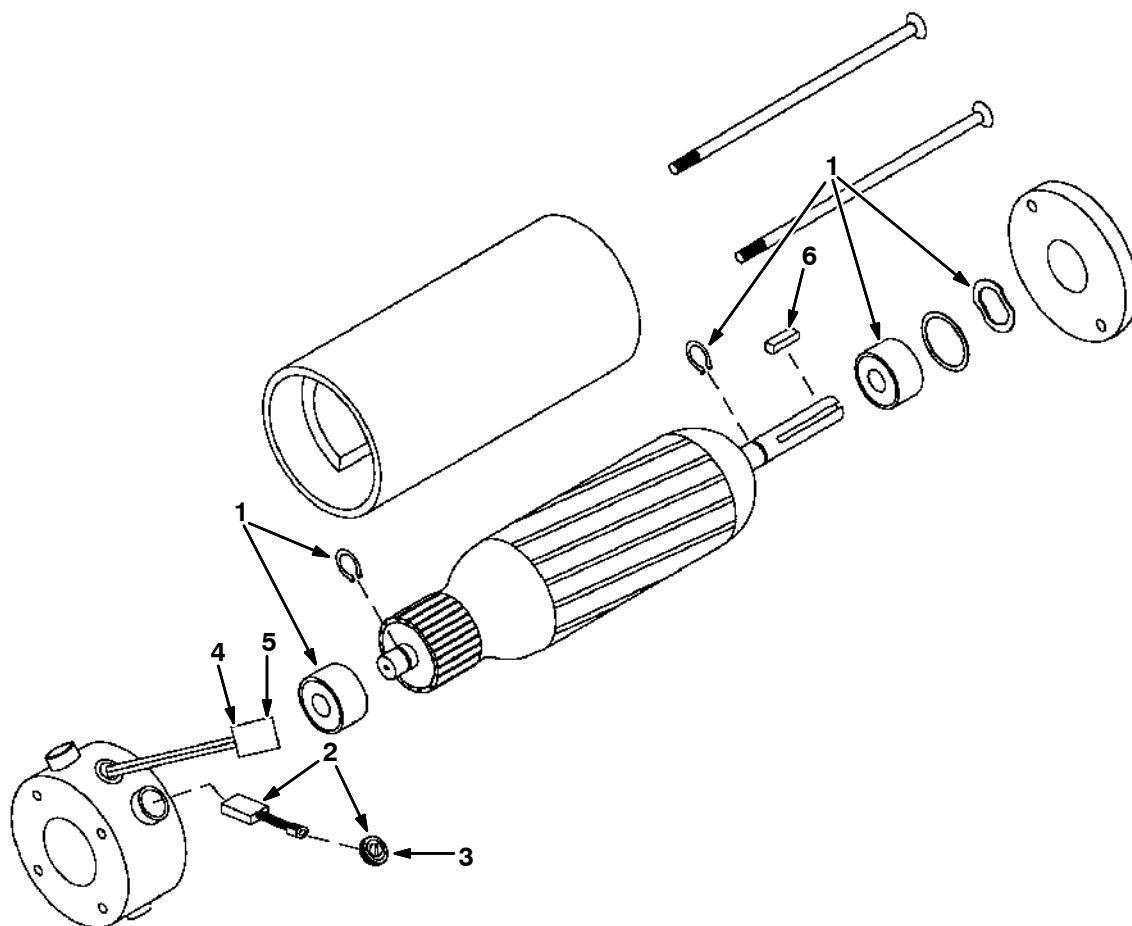
Fig. 8 - Electric Motor Breakdown, 222409



10426 - EE, NA

Ref.	Part No.	Serial Number	Description	Qty.
▽	222409	(000000-) Motor Assy,EE Vac Fan	1
▲▽	1 222623	(000000-) Bearing Kit	1
▲▲	2 222635	(000000-) Bearing	2
▲▲	3 222637	(000000-) Snap Ring	2
▲▲	4 222638	(000000-) Wavy Washer	1
▲▽	5 222625	(000000-) Brush Kit	1
▲▲	6 222629	(000000-) Brush Holder Cap	4
▲	7 10925	(000000-) Connector, 2 Conductor	1
▲	8 24537	(000000-) Terminal, Female	2
▲	9 00912	(000000-) Key, Square 0.19 0.19 1.00Lg	1

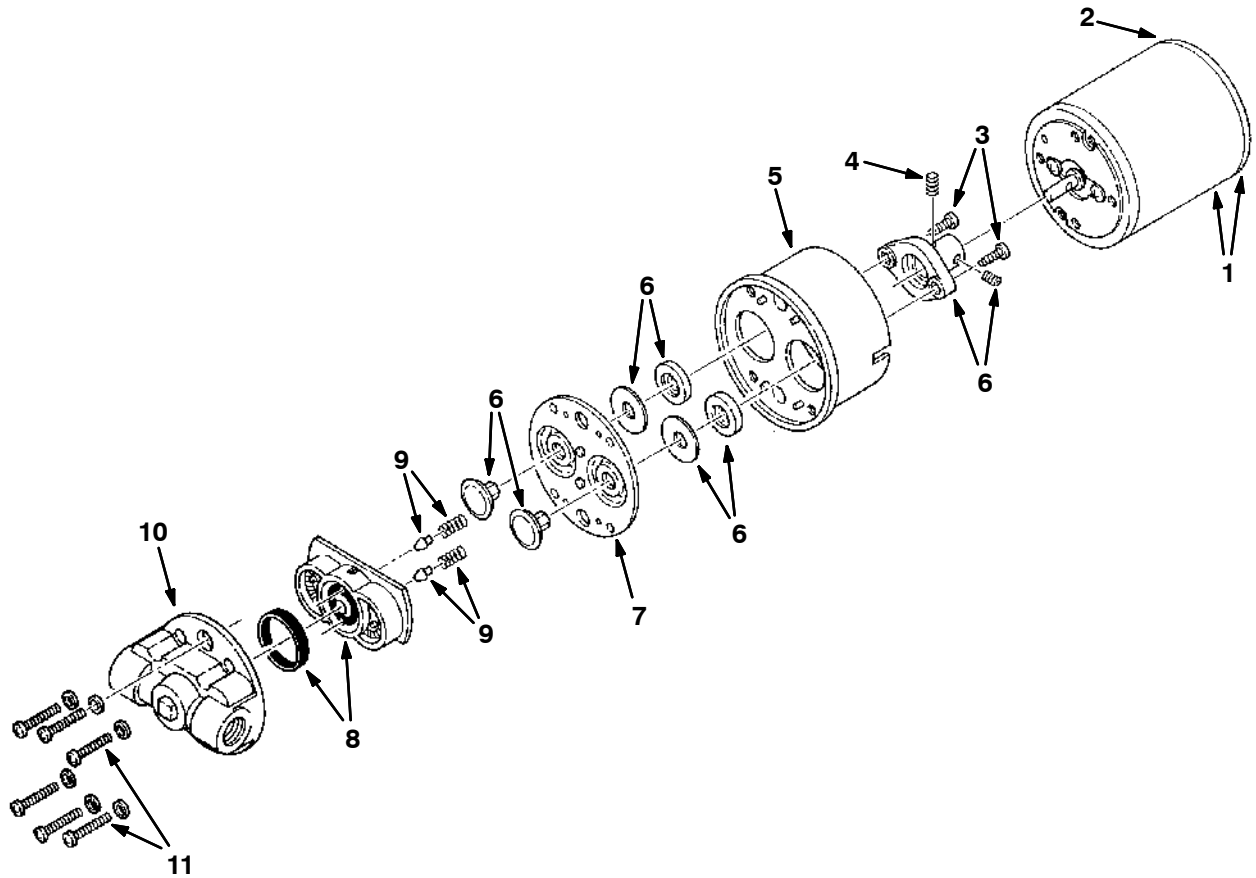
Fig. 9 - Electric Motor Breakdown, 374201AM



10426 - EE, NA

Ref.	Part No.	Serial Number	Description	Qty.
▽	374201AM	(000000-) Motor Assy,EE Vac Fan	1
▲	1 375176	(000000-) Bearing Kit	1
▲▽	2 222625	(000000-) Brush Kit	1
▲▲	3 222627	(000000-) Brush&Spring Assy	4
▲▲	4 222629	(000000-) Brush Holder Cap	4
▲	5 10925	(000000-) Connector, 2 Conductor	1
▲	6 24537	(000000-) Terminal, Female	2
▲	7 00912	(000000-) Key, Square 0.19 0.19 1.00Lg	1

Fig. 10 - Water Pump Breakdown, 222259

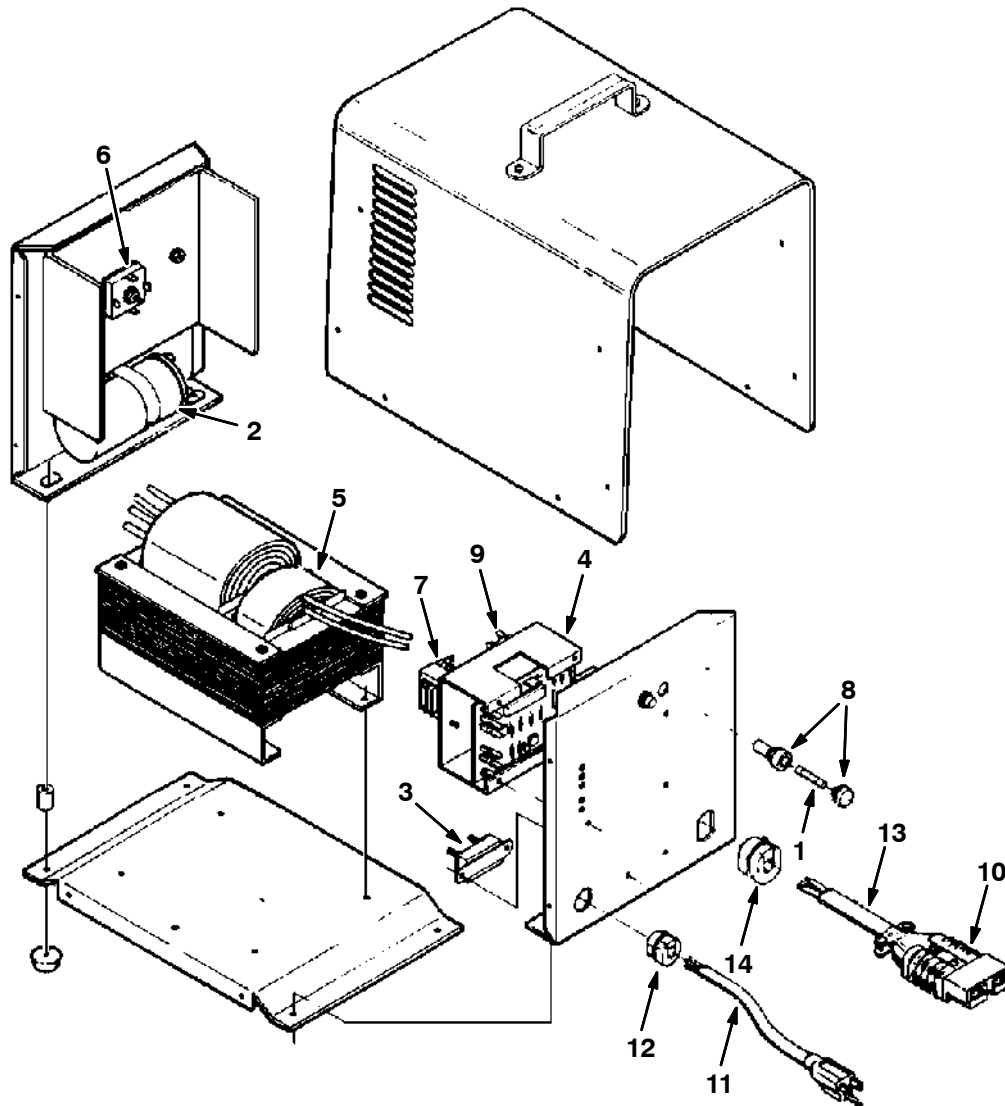


10260 - ALL

Ref.	Part No.	Serial Number	Description	Qty.
▽	222259	(000000-) Pump Assy, Water 36Vdc	1
▲▽	1 65700	(000000-) Motor 36V Dc	1
▲▲	2 65701	(000000-) Brush-Endbell	1
▲▲	65702	(000000-) Brush Kit	1
▲▽	65710	(000000-) Pump Head Assembly	1
▲▲	3 65667	(000000-) Cam/Bearing Scr	2
▲▲	4 65668	(000000-) Scr-Set Cam Brg	1
▲▲	370924	(000000-) Cam Brg/Diaph Kit	1
▲▲	5 49901	(000000-) Bearing Cover	1
▲▲	6 65706	(000000-) Piston-Inner&Out	1
▲▲	7 65707	(000000-) Diaphragm Kit	1
▲▲	8 65708	(000000-) Ck Valve - Buna	1
▲▲	9 65709	(000000-) Bypass Spgs&Popp	1
▲▲	10 49886	(000000-) Pump	1
▲▲	11 65675	(000000-) Pump Screws	6

BREAKDOWNS

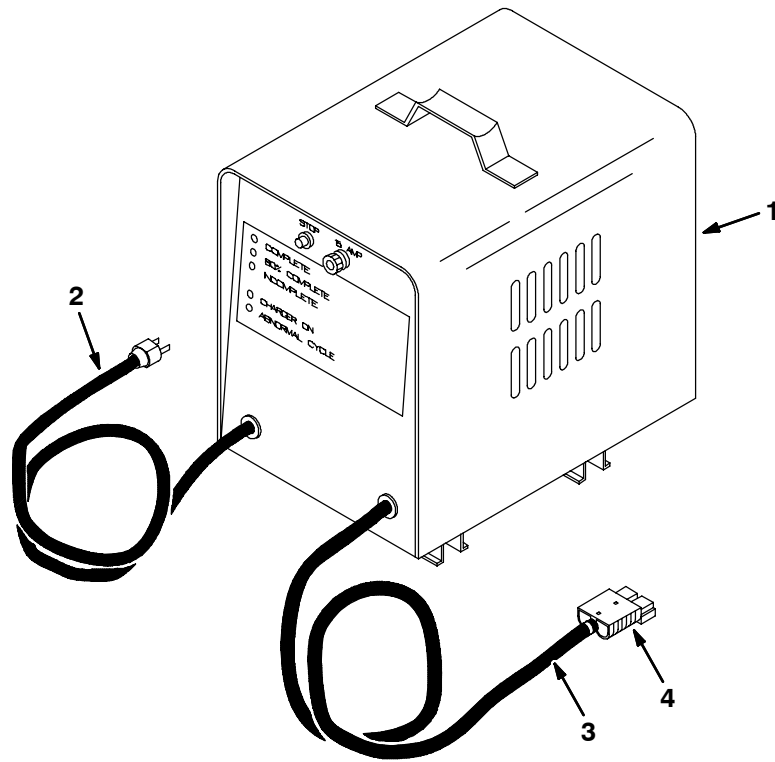
Fig. 11 - Battery Charger Breakdown, 60 Hz, 115V (235 Ah batteries), 24685



10262 - 5700, EE, XP, NA

Ref.	Part No.	Serial Number	Description	Qty.	
▽	24685	(000000-) Charger 36V 20A 60H Ph	1	
▲	1	30059	(000000-) Fuse	1
▲	2	65638	(000000-) Capacitor	1
▲	3	65954	(000000-) Circuit Breaker	1
▲	4	65629	(000000-) Control Circuit	1
▲	5	65621	(000000-) Power Transformer	1
▲	6	61837	(000000-) Bridge Rectifier Kit	1
▲	7	65626	(000000-) Control Circuit Tx2	1
▲	8	30058	(000000-) Holder, Fuse Ac	1
▲	9	49811	(000000-) Triac, Charger	1
▲	10	24881	(000000-) Connector, Grey, SB50	1
▲	11	21769	(000000-) A.C.Cord Set W/Plug	1
▲	12	21775	(000000-) A.C.Strain Relief	1
▲	13	21772	(000000-) D.C.Cord Set Wo/Plug	1
▲	14	21776	(000000-) D.C.Strain Relief	1

Fig. 12 - Battery Charger Breakdown, 60 Hz, 115V (235 Ah batteries), 374014

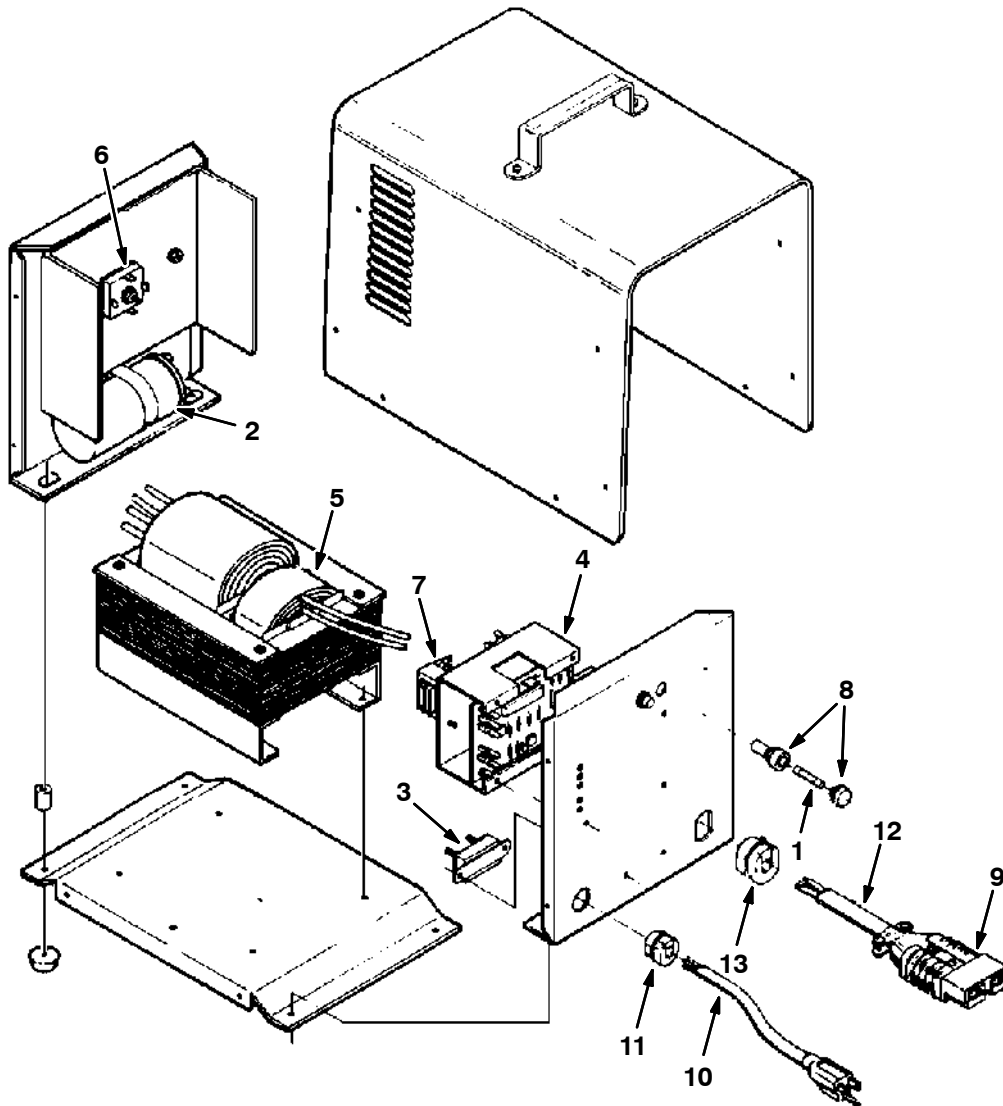


08080 - 5700, EE, XP, NA

Ref.	Part No.	Serial Number	Description	Qty.
▽	1	374014	(000000-) Charger 36V/20A/60Hz/1Ph/115V	1
▲	2	374020	(000000-) Cord Assy A.C.	1
▲	3	374019	(000000-) Cord Assy D.C.	1
▲	4	24881	(000000-) Connector, Grey, SB50	1
▲		374017	(000000-) Circuit Breaker 15A	1
▲		65954	(000000-) Circuit Breaker	1
▲		374018	(000000-) Control Circuit	1
▲		374021	(000000-) Rectifier Assy	2
▲		374022	(000000-) Rectifier Scr 20A	2
▲		21776	(000000-) D.C.Strain Relief	1
▲		21775	(000000-) A.C.Strain Relief	1
▲		374023	(000000-) Switch, Red Stop	1
▲		65630	(000000-) Varistor	1

BREAKDOWNS

Fig. 13 - Battery Charger Breakdown, 50 Hz, 230V (235 Ah batteries), 65540



10262 - 5700, EE, XP, NA

Ref.	Part No.	Serial Number	Description	Qty.	
▽	65540	(000000-) Charger, 36V/20A 50H/ Ph 230V	1	
▲	1	65632	(000000-) Fuse, A.C. 10 Amp	1
▲	2	65958	(000000-) Condenser	1
▲	3	65954	(000000-) Circuit Breaker	1
▲	4	65620	(000000-) Control Assy	1
▲	5	65634	(000000-) Transformer, Power	1
▲	6	61837	(000000-) Bridge Rectifier Kit	1
▲	7	65959	(000000-) Control Transformer	1
▲	8	30058	(000000-) Holder, Fuse Ac	1
▲	9	24881	(000000-) Connector, Grey, SB50	1
▲	10	21770	(000000-) A.C.Cord Set W/Plug	1
▲	11	21775	(000000-) A.C.Strain Relief	1
▲	12	21772	(000000-) D.C.Cord Set Wo/Plug	1
▲	13	21776	(000000-) D.C.Strain Relief	1

SECTION 5

CONTENTS	PAGE
PART NUMBER TO PAGE NUMBER CROSS REFERENCE LIST	5-2
PART DESCRIPTION TO PAGE NUMBER CROSS REFERENCE LIST	5-6

CROSS REFERENCE

PART NUMBER TO PAGE NUMBER CROSS REFERENCE LIST

Part Number	Page Number	Part Number	Page Number	Part Number	Page Number
MM406	3-27	09007	2-17	222018	2-13
MM408	3-27	09010	2-7, 2-33, 2-41, 3-12	222027	2-11
MM408ES	3-27	09011	2-7, 2-27, 3-4, 3-11,	222028	2-11, 3-12
MM408FR	3-27		3-12	222034	2-11
00912	4-11, 4-12	09023	2-17, 2-41	222035	2-7
00928	4-10	09026	2-7, 2-41	222036	2-7
00954	4-8, 4-9	09198	2-5	222037AM	2-7, 3-12, 4-3
01316	2-19, 3-23	09740	2-11, 2-15, 2-19, 2-21,	222039	2-7
01335	3-16		2-23, 2-27	222051	2-11
01516	2-15	09767	2-43	222054	2-11
01543	2-25	1008142	2-39	222055	2-13, 2-17
01684	2-15, 2-17, 2-39	1008637	2-21	222066	2-3, 2-43
01685	2-7, 2-11, 2-13, 2-15,	1008639	2-21	222079	2-31
	2-17, 2-19, 2-21, 2-23,	1010506	2-15	222081	2-31
	2-25, 2-27, 2-37, 2-39,	1011167	2-21	222083	2-31
	2-41, 2-43, 3-4, 3-9,	1011168	2-21	222085	2-7
	3-11, 3-12, 3-15	1012088	2-13, 2-17	222090	2-27
01686	2-13, 2-41	1014563	2-7	222097	2-27
01698	2-13	1017079	3-21	222098	2-7
01754	2-39	1017218	2-7	222099	2-11
01757	2-29, 2-39	1018718	2-41	222110	2-11
01845	2-25	1019242	3-21	222111	2-37
02076	2-29	1019563	2-21	222114	2-33, 2-35
02942	2-11, 2-13, 2-17, 2-41	1022253	2-17	222116	2-33
02991	2-13	1029426	2-13, 2-17	222117	3-3, 3-9
04400	2-19, 3-23	10632-13	2-37	222120	2-23
04657	2-9, 3-20	10925	4-6, 4-7, 4-8, 4-9,	222121	2-23
04658	2-9, 3-20		4-10, 4-11, 4-12	222129	2-25
04743	3-12	10962	2-33, 2-35	222130	2-43
04843	2-7, 3-12	11109	2-9	222134	2-43
05134	3-3	11117	4-3, 4-5	222138	2-39
05283	2-41	11218	2-5	222139	2-39
05579	3-4	11329	2-39	222151	2-19, 2-21
05582	2-25	11399	2-19, 2-21	222153	2-41
05584	3-4	11531	2-21	222173	2-15
05594	3-4	11636	3-16	222174	2-15
05720	2-13, 2-17	12273	2-7, 2-19, 2-21	222175	2-15
05724	2-5	12333	2-7, 2-23, 2-25, 2-37	222176	2-15
05726	2-5	12694	3-5, 3-25	222177	2-15
06549	2-35	140148	2-13, 2-17	222178	2-3, 2-17
06922	2-29	14432	2-19	222179	2-17
06923	2-39	14838	2-5	222180	2-3, 2-15
06934	2-35	150208	3-7	222182	2-15
06942	2-15	15539	2-5	222184	2-15
06948	2-39	15675	2-19, 2-21, 2-27	222185	2-27
07786	2-41	15678	2-15, 2-39	222186	2-27
07788	3-12	17188	3-3	222188	2-27
07810	2-15	19783	2-5	222190	2-27
08178	2-41	20020	2-25	222194	2-19, 2-21
08179	3-12	20178	2-13, 2-17	222196	2-17
08346	2-13, 2-17	20536-2	4-8, 4-9	222197	2-13, 2-17
08708	2-17, 2-39	21556	3-27	222204	2-17
08712	2-39	21557	3-27	222207	2-13, 2-17
08713	2-7, 2-11, 2-13, 2-15,	21769	4-14	222209	2-15
	2-17, 2-19, 2-21, 2-27,	21770	4-16	222210	2-11
	2-39, 2-41, 2-43, 3-4,	21772	4-14, 4-16	222215	2-33, 2-35
	3-11, 3-12	21775	4-14, 4-15, 4-16	222216	2-33, 2-35
08823	2-49	21776	4-14, 4-15, 4-16	222217	2-29

CROSS REFERENCE

Part Number	Page Number	Part Number	Page Number	Part Number	Page Number
222218	2-29	222439	3-3	222627	4-12
222220	2-37	222440	2-13	222629	4-6, 4-7, 4-8, 4-9, 4-11, 4-12
222222	2-13	222448	2-39	222634	4-6
222225	2-33, 2-35	222450	2-37	222635	4-6, 4-8, 4-9, 4-11
222227	2-39	222451	3-3	222637	4-6, 4-8, 4-9, 4-11
222230	2-41	222458	3-17	222638	4-6, 4-8, 4-11
222231	2-41	222460	2-23, 2-39	222639	2-33, 2-35
222233	2-41	222462	2-23	222640	4-3, 4-5
222234	2-41	222463	2-23, 2-27	222641	4-3, 4-5
222236	2-41	222465	2-31	222647	2-39
222239	2-41	222466	2-27	222648	2-31
222240	2-43	222467	2-7	222651	3-12
222241	2-3, 2-43	222468	2-41	222656	4-3, 4-5
222242	2-3, 2-43	222469AM	2-7	222657	4-3, 4-5
222243	2-43	222470	2-19, 3-15	222658	4-3, 4-5
222244	2-43	222473	2-29	222659	4-3, 4-5
222245	2-43	222474	2-29	222660	4-3, 4-5
222248	2-41	222475	3-15	222661	4-3, 4-5
222258	3-9	222476	3-15	222663	3-15
222259	3-3, 4-13	222477	3-15	222664	3-13
222260	2-43	222478	3-15	222665	2-39
222267	2-35	222479	3-15	222666	2-48
222268	2-43	222488	2-11	222667	2-19, 2-21
222277	2-41	222496	2-13, 2-43	222669	2-17
222280	2-29	222497	2-43	222670	2-17
222282	2-33, 2-35	222501	2-31	222674	2-25
222287	2-31	222504	2-11	222679	2-33
222290	2-48	222505	2-7, 2-41	222682	2-29
222296	2-33	222510	2-29	222683	2-33, 2-35
222297	2-33	222511	2-3, 2-15	222684	2-33, 2-35
222307	2-5	222516	2-19, 2-21, 2-23	222686	2-25
222308	2-5	222517	2-19	222689	2-23
222309	2-5	222523	2-17	222698	2-25
222349	3-4	222527	2-23	222700	2-25
222351	3-3	222529	2-23	222702	2-25
222354	3-17	222533	2-49	222705	3-9
222361	2-19, 2-21	222534	2-33, 2-35	222707	2-48
222363	2-13, 2-17	222535	2-13	222708AM	2-13, 4-10
222366	3-11	222536	2-13, 2-17	222710	3-3
222367	3-11	222546	3-12	222711	2-3
222371	2-7, 4-3, 4-5, 4-6	222547	3-12	222712	2-23
222374	3-3, 3-9	222552	3-12	222713	2-23
222375	3-9	222555	3-12	222714	2-33
222376	3-9	222556	3-12	222723	2-37
222383	2-19	222558	3-12	222725	2-37
222384	2-3, 2-43	222560	3-12	222726	2-37
222386	2-3, 2-43	222578	2-49	222728	2-27, 3-9
222388	2-3, 2-43	222590	2-23	222739	2-37
222392	2-3, 2-43	222593	3-12	222740	2-31
222399	2-41	222599	4-3, 4-5	222742	2-27, 3-9
222400	2-39	222604	3-3	222747	2-33, 2-35
222402	2-39	222606	4-10	222750	3-9
222403	2-3, 2-13	222607	2-31	222751	2-15
222404	2-13	222616	4-10	222752	2-15
222405	2-13	222617	4-10	222753	2-15, 4-8
222406	2-23	222619	4-10	222760	3-26
222409	2-25, 4-11	222622	4-6	222767	2-25
222423	2-3, 2-43	222623	4-8, 4-11	222768	3-15
222429	2-3, 2-43	222625	4-6, 4-7, 4-8, 4-9, 4-11, 4-12	222771	2-25
222431	2-3, 2-13				

CROSS REFERENCE

Part Number	Page Number	Part Number	Page Number	Part Number	Page Number
222778	2-29	30406	2-7, 2-13	374072	3-23
222780	2-23	30407	2-11	374077	3-4
222788	2-19	32486	2-13, 2-17, 2-43	374078	3-24
222791	2-15	32490	2-13	374082	2-15
222793	2-19, 2-21	32515	2-27	374109	3-24
222794	2-43	32662	2-13, 2-17	374111	2-19
222796	3-15	32713	2-13	374121	2-33, 2-35
222798	3-26	330710	3-27	374122	2-33, 2-35
222799	2-39	33943	2-13	374123	2-33
222801	2-33	34738	2-33, 2-35, 2-39	374132	2-27
222808	3-22	36643	2-13, 2-17	374162	2-17
222810	3-9	368590	2-35	374201AM	2-25, 4-12
222811	3-9	369345	3-18	374265AM	2-7, 4-3, 4-5, 4-7
222812	2-27, 3-9	369460	2-15	374271	4-7
222818	2-15	369761	2-35	374745	2-39
222819	3-22	369763	2-49	374752	2-27
222820	2-15	370016	2-5	374753	2-27
222822	2-19, 2-21, 3-3	370076	2-5	375175AM	2-15, 4-9
222825	2-17	370092	2-5	375176	4-9, 4-12
222827	2-19, 3-3	370095	2-5	375177	4-9
222833	3-26	370100	2-43	375178	4-9
222835	2-17	370113	2-19, 2-21	375179	4-9
222836	2-13	370114	2-25	375195	2-15
222838	2-13, 2-17	370182	2-25	377324	2-35
222842	2-7	370183	2-25	377333	2-15
222844	3-26	370184	2-25	377349	2-21
222845	3-23	370924	4-13	377364	2-13
222850	2-15	374003	4-6, 4-7	377433	2-35
222857	2-48	374004	4-8, 4-9	377505	2-15
222863	2-15	374007	2-17	378726	3-25
222867	2-39	374010	2-17	378728	3-25
222868	2-39	374014	3-21, 4-15	378729	3-25
222877	4-8, 4-9	374017	4-15	379202	2-15
222878	3-27	374018	4-15	383720	2-35
222879	2-33, 2-35	374019	4-15	383721	2-35
22297	2-21	374020	4-15	383723	2-35
223560	2-15	374021	4-15	383724	2-35
223561	2-15	374022	4-15	388485	4-3, 4-5
223563	2-15	374023	4-15	388499	4-3, 4-5
223564	2-15	374042	2-5	39005	2-43, 3-12
223566	2-15	374044	3-19	390996	2-15
223568	2-3, 2-15	374045	3-23	391330	2-17
223569	2-15	374046	3-23	39310	2-35
24299	2-5	374049	2-9	39311	2-33, 2-35, 2-37
24537	4-6, 4-7, 4-8, 4-9, 4-10, 4-11, 4-12	374051	4-3	39312	2-13, 2-17
24685	3-21, 4-14	374052	4-3	397255	2-17
24881	2-29, 4-14, 4-15, 4-16	374053	4-3, 4-5	397705	2-23
27974	2-31	374054	4-3, 4-5	397707AM	2-7, 4-5
28862	3-12	374055	4-3, 4-5	397749	2-43
29545	2-25	374056	4-3, 4-5	397777	2-27
29558	2-11	374057	4-3, 4-5	397787	2-27
30013	2-19, 2-21, 2-23, 2-33, 2-35, 3-15	374058	4-3, 4-5	397793	2-13
30058	4-14, 4-16	374059	2-19	397794	2-17
30059	4-14	374060	2-19, 2-21	397820	2-41
30216	2-5	374061	4-3	397826	2-43
30241	2-5	374062	4-3	398311	2-7
30324	2-19	374063	4-3	398429	2-49
30327	3-15	374064	4-3	398440	2-19, 2-21
		374065	4-3	398485	2-23
		374066	4-3	398500	3-3

CROSS REFERENCE

Part Number	Page Number	Part Number	Page Number	Part Number	Page Number
398501	2-35	578318000	3-5	74455	2-17
398504	2-48	578439	3-7	75611	2-19, 2-21, 2-23
398506	2-35	578820000	3-5	76099	2-15, 2-17
398526	3-3	578821000	3-7	76888	2-33, 2-35
398850	2-19	57889	2-39	78553	3-13
40678	2-25, 3-9	579112	3-7	78572	2-9
41141	2-33, 2-35	59156	2-13, 2-17	79273-1	2-19, 2-21
41186	2-7, 2-13	59658	2-7	79506	2-39
41360AM	2-15	59849	2-13	79580	3-9
43242	2-27	602036000	3-7	80950	2-41
43454	2-27, 3-12	609969	2-33, 2-35	82138	2-3, 2-43
43844	3-9	61212	3-11	86866	2-11
44961	2-13, 2-15	61596	3-20	87435	2-29
45261	2-13, 2-17	61597	3-20	87583	2-33
45405	2-37	61598	3-19	9001054	3-21
45430	2-25	61837	4-14, 4-16	9001055	3-21
45962	2-29	63185	2-13, 2-17	9002024	2-13, 2-17
49263	2-13, 2-17, 2-19, 2-21	63248-1	2-5	9002780	2-41
49266	2-25	63248-2	2-5	9002781	2-41
49514	2-31	63248-3	2-5		
49694	2-43	63248-4	2-5		
49811	4-14	63291	2-37		
49826	2-11, 3-9	63416	2-41		
49886	4-13	63735	2-29		
49901	4-13	63810	2-27		
50178	3-9	64778	3-3		
50682	2-13, 2-17	65340	3-7		
51534	2-11	65341	3-5		
51564	2-17	65540	3-21, 4-16		
51787	2-7	65580	3-4, 3-11		
54274	2-7	65582	3-7		
54333	2-27, 3-3	65610	3-7		
57164	2-33	65620	4-16		
57751	2-33	65621	4-14		
57769	3-11	65626	4-14		
578060000	3-7	65629	4-14		
578061000	3-7	65630	4-15		
578063000	3-7	65632	4-16		
578064000	3-7	65634	4-16		
578066000	3-7	65638	4-14		
578071000	3-5	65665	3-13		
578072000	3-5	65667	4-13		
578074000	3-7	65668	4-13		
578077000	3-7	65675	4-13		
578078000	3-7	65700	4-13		
578091000	3-7	65701	4-13		
578094000	3-7	65702	4-13		
578123000	3-7	65706	4-13		
578124000	3-7	65707	4-13		
578125000	3-7	65708	4-13		
578126000	3-7	65709	4-13		
578143000	3-7	65710	4-13		
578154000	3-7	65873	3-3		
578155000	3-7	65954	4-14, 4-15, 4-16		
578160000	3-5	65958	4-16		
578161000	3-7	65959	4-16		
578164000	3-7	69234	2-19, 2-21		
578214000	3-7	69784	3-3		
578228000	3-7	72953	3-3		
578276000	3-5	74077	2-15		

PART DESCRIPTION TO PAGE NUMBER CROSS REFERENCE LIST

A

A.C.Cord Set W/Plug, 4-14, 4-16
 A.C.Strain Relief, 4-14, 4-15, 4-16
 Adapter, Head, 3-7
 Adapter, Nozzle, 3-7
 Adaptor, Brush, 2-5
 Arm Wldt, Idler, 2-25
 Arm, Lift, Head, 2-11
 Arm, Park, 4-3
 Axle, Wand, 3-7

B

Back, Pad Drive W/Face 16 Dia., 2-5
 Bag, Power Wand, 3-4, 3-11
 Band Wldt, Sqge 32, 2-43
 Bar, Support, 2-15
 Battery Kit 36V 235Ah Wet, 2-29
 Battery, 6V, Res Cap: 129 Wet, 2-29
 Bearing & Seal Kit, 4-6
 Bearing Cover, 4-13
 Bearing Kit, Motor, Ele, 4-7
 Bearing Kit, 4-8, 4-11, 4-12
 Bearing, Drive End, 4-9
 Bearing, Flange .625 Bore, 2-7, 3-12
 Bearing, Flange, 2-39
 Bearing, Flg. 375 Bore, 2-25
 Bearing, Snap .875 Bore, 2-31
 Bearing-Ball, 0.39B 1.18D 0.35W, 2-25
 Bearing-Ball, 0.59B 1.26D 0.35W, 2-15
 Bearing, 4-3, 4-5, 4-6, 4-8, 4-9, 4-10, 4-11
 Belt, Micro V-Belt 320J3, 2-25
 Belt, Replmt, Brush Drive, F/222201, 2-15
 Blade, Sqge Front, 32" Oil Rst, 2-3, 2-43
 Blade, Sqge, Rear 32" Oil Resi, 2-3, 2-43
 Blade, Squeegee Rear 32", 2-3
 Blade, Squeegee, Front 32", 2-3
 Blade, Squeegee, Rear, Gum 32", 2-3, 2-43
 Blade, Squeegee, Tile, 32", 2-3, 2-43
 Blade, Squeegee, Front, 32", 2-43
 Blade, Squeegee, Rear, 32", 2-43
 Blade, Squeegee, 3-7
 Block, Squeegee, Adjust, 2-41
 Block, Pivot, Machined, 2-41
 Bolt Kit, Shld, F/ 45960, Replmt, 2-13, 2-17
 Boot, 90Deg .50D .57X .84, 2-29
 Boot-Circuit Breaker, 2-33
 Brace Kit, 4-8
 Bracket Wldt, Wall Roller, Lh, 3-15
 Bracket Wldt, Wall Roller, Rh, 3-15
 Bracket, Axle, 3-7
 Bracket, Caster Pad, 2-7
 Bracket, Catch, 2-39
 Bracket, Fan Switch, 2-39
 Bracket, Guide, Roller, 2-11
 Bracket, Handle Mounting, 3-7
 Bracket, Hose Guide, 2-17
 Bracket, Lift Retainer, 3-12
 Bracket, Linkage, Lower, 2-41

Bracket, Linkage, Upper, 2-41
 Bracket, Locking, Shroud, 2-33, 2-35
 Bracket, Mounting, Actuator, 2-11
 Bracket, Mounting, Motor, 2-15
 Bracket, Mounting, Roller, 2-17
 Bracket, Mtg, Bag, 3-11
 Bracket, Mtg, Isolator, 2-7
 Bracket, Mtg, Spring, 2-13, 2-17
 Bracket, Mtg, Transaxle, 2-7
 Bracket, Mtg, Valve, 2-27
 Bracket, Mtg, Wheel, 2-43
 Bracket, Pivot, 2-13, 2-17
 Bracket, Prop Arm, 2-23
 Bracket, Roller Guide, 2-11
 Bracket, Shield, 2-15
 Bracket, Sppt, Wand, 3-11
 Bracket, Spring Retainer, 2-5
 Bracket, Steering Adjustment, 2-33, 2-35
 Bracket, Support, Frame, 2-7
 Bracket, Tank Support, 2-11
 Bracket, Valve Mounting, 3-7
 Brake Weldment, Parking, 3-12
 Breaker, Circuit 20 Amp, 2-33
 Breaker, Circuit, 25 Amp, 2-33
 Breaker-Circuit 10 Resetable, 2-33
 Breaker-Circuit 2.5 Resetable, 2-33
 Brg&Seal Kit, 4-3, 4-5
 Bridge Rectifier Kit, 4-14, 4-16
 Brush Holder Cap, 4-6, 4-8, 4-11, 4-12
 Brush Kit, 4-6, 4-8, 4-10, 4-11, 4-12, 4-13
 Brush, Wand AB, 3-7
 Brush, Wand, Poly, 3-7
 Brush&Spring Assy, 4-12
 Brush-Disk Scr 16 D Assy Poly, 2-5
 Brush-Disk Scr 16 D-Assy-Nyl, 2-5
 Brush-Disk Scr 16 D-Assy-S Ab, 2-5
 Brush-Endbell, 4-13
 Brush-Scr Grout 32"Lg 18Sr Poly, 2-5
 Brush-Scrub -32Lg-18Sr-Nyl, 2-5
 Brush-Scrub 32"Lg 18Sr Ab, 2-5
 Brush-Scrub 32"Lg 18Sr Poly, 2-5
 Bumper, Handle, 2-39
 Bumper, Rubber, 2-7
 Bushing, Flng, 0.32b 0.50d 0.24l, Bnz, 2-41
 Bushing, 4-3, 4-5
 Button Kit Battery Cutout 5700, 3-13
 Button, Plug, 1.1 X 1.1H [Black Nyl], 2-35
 Button, Plug, 1.25H .00-.12 [Black Nyl], 2-35
 Bypass Spgs&Popp, 4-13

C

Cable Assy, Hose Retainer, 2-19, 2-21
 Cable Assy, Water, 2-27
 Cable Assy-Lead, 11.0, 6Ga, 2-29
 Cable, Battery, 2-29
 Cable, Squeegee Lift, 2-39
 Cam Brg/Diaph Kit, 4-13
 Cam, Adj, Sqge, 2-43

Cam, Fan Switch, 2-39
 Cam/Bearing Scr, 4-13
 Cap, Brush Holder, Motor, Ele[Magnetek], 4-7
 Cap, Brush Holder, 4-9
 Cap, Drain Assembly, 2-21
 Cap, Oil, 4-3, 4-5
 Cap, Vinyl, 1.25Id, .75Dia, 3-23
 Capacitor, Molded, 2-48
 Capacitor, 4-14
 Caster, 5.0 Dia Wheel, Neopre, 3-17
 Caster, 5.0 Dia Wheel, 2-7
 Centering Device, F/Pad Driver, 2-5
 Chain,Static, Brass, 2-7
 Channel, 2-17
 Charger 36V 20A 60H Ph, 4-14
 Charger 36V/20A/60Hz/1Ph/115V, 4-15
 Charger Kit, Battery, Ci [Domestic], 3-21
 Charger Kit, Ci [Export/Euro/Asia], 3-21
 Charger, 36V/20A 50H/ Ph 230V, 4-16
 Charger, 36vdc 20a 115vac 1ph 60hz, 3-21
 Charger, 36vdc 20a 230vac 1ph 50hz, 3-21
 Charger, Rep By 374014, 3-21
 Circuit Breaker 15A, 4-15
 Circuit Breaker, 4-14, 4-15, 4-16
 Circuitbreaker, 10.0A, 2-35
 Circuitbreaker, 20.0A, 2-35
 Circuitbreaker, 25.0A, 2-35
 Circuitbreaker, 5.0A, 2-35
 Ck Valve - Buna, 4-13
 Clamp, Cable, 1.00D 0.62W Stl, 2-19, 2-21
 Clamp, Hose, Wormdrive, 0.56-1.06d, .56w, 2-27
 Clamp, Hose, Wormdrive, 1.06-2.00d, 2-21
 Clamp, Hose, 3-5, 3-7
 Clamp, Ribbon Cable, 2-48
 Clamp,Cable .44D .62Wide, 2-25, 3-9
 Clamp-Wormdrive, 0.25 - 0.62D, 3-9
 Clamp-Wormdrive, 0.25- 0.62D, 3-9
 Clamp-Wormdrive, 0.31- 0.88D, Ss, 3-9
 Clamp-Wormdrive, 0.31- 0.88D, 2-27, 3-3
 Clamp-Wormdrive, 0.81- 1.50D, 2-19, 2-21
 Clamp-Wormdrive, 1.56-2.50d, .50w, 2-21
 Clamp-Wormdrive, 1.62-3.50D, 3-3
 Clamp-Wormdrive, 1.81- 2.75D, 2-19
 Clevis, Adjustable M12, 3-12
 Clip, Hose, Hanger, 2-19, 2-21
 Clip, Keeper, Open, 2-11
 Clip, Keeper, St, 2-7, 2-13
 Clip, 4-3, 4-5
 Condenser, 4-16
 Connector, 2 Conductor, 4-6, 4-8, 4-10, 4-11, 4-12
 Connector, 2-Conductor, 4-9
 Connector, Fem, 2cav [Mp630 Sealed], 4-7
 Connector, Grey, SB50, 2-29, 4-14, 4-15, 4-16
 Contact, Switch, 3-13
 Contact, 36Vdc, 2-37

Contacto, Power, 2-37
 Control Assy, 4-16
 Control Circuit Tx2, 4-14
 Control Circuit, 4-14, 4-15
 Control Transformer, 4-16
 Controller, Propel, 2-37
 Cord Assy A.C., 4-15
 Cord Assy D.C., 4-15
 Cord, Ele, Chrgr [European], 3-21
 Cord, Ele, Chrgr [Onboard], 3-21
 Cover, Control Board, Ee, 2-37
 Cover, Front, Trim, [5700 Cyl], 2-17
 Cover, Front, 2-13
 Cover, Scrub Head 32 Disc, 2-13
 Cover, Solution Tank, w/Label, 2-23
 Cover, Terminal, Poly, 2-29
 Cuff, Swivel, 3-5

D

D.C.Cord Set Wo/Plug, 4-14, 4-16
 D.C.Strain Relief, 4-14, 4-15, 4-16
 Debris Tray Kit, 32 in, 2-17
 Diaphragm Kit, 4-13
 Diode, Bridge 12 Amp, 2-33, 2-35
 Diode, Elec, Plug, 2-48
 Door Assy, Brush, 2-15
 Door, Brush, 2-15
 Door, Scrub Head, Lh, 2-13
 Door, Scrub Head, Rh, 2-13
 Driver, Pad 16 D Assy (Replaced by 370016), 2-5
 Driver, Pad 16 D Assy, 2-5

E

End Ass'y, Brush, 4-6, 4-8
 Endbell, Brush End, Motor, Ele [Magnt], 4-7
 Endbell, Brush End, Motor-Ele, 4-9
 Es Standard 5700, 3-3

F

Fan, Vacuum, 3 Stage Ee, 2-25
 Filter, Vac Fan 5700, Field Kit, 2-25
 Filter, Vac Fan, 2-19, 2-21
 Fitting, 90_Elbow, 3-7
 Fitting, Plastic, 3-5
 Fitting, Plstc, Pf12/Pf12, Bh, 2-21
 Fitting, Plug, 3-7
 Fitting, Quick Disconnect, 3-5, 3-7
 Fitting, Straight, 3-7
 Fitting-Plastic Tee 06Bm/06Bm/, 2-13, 2-17
 Frame, Main, 2-7
 Frame, Squeegee 32", 2-43
 Ftg Str Plastic, 2-27
 Ftg, Pipe, Cplg Plastic 0.75, 3-3
 Ftg, Plastic, Coupling, 3-25
 Ftg, Plstc Str Specl, 2-37
 Ftg, Str, Drain, 3-9

Ftg,Plstc,Cplg,Barb.75Pt-.50Hs, 2-19, 2-21
 Ftg,Plstc,Elb,Barb.38Pt-.50Hse, 3-3
 Ftg-Plastic E90 06Bm/08Bm, 3-9
 Ftg-Plastic Str Specl 12Pm, 3-3, 3-9
 Ftg-Plastic Str, 3-9
 Ftg-Plstc Str 12Pm/12Pm, 3-3
 Ftg-Plug Npt 12Pm Rd Hd Plstc., 2-19, 2-21, 2-23
 Fuse, A.C. 10 Amp, 4-16
 Fuse, 4-14

G

Gasket, Cover, Ee, 2-37
 Gasket, End Bell, 2-13
 Gasket, Hourmeter, 2-33
 Gasket, hourmeter, 2-35
 Gasket, Plate, Fan Mounting, 2-25
 Gasket, Shield, 2-15
 Gasket, Tank, Front, 2-23
 Gasket, Tank, Rear, 2-23
 Gauge Kit, Hourmeter, F/31988 [10k], 2-35
 Gauge, Hourmeter, 12-80vdc, Analog,Rt., 1, 2-35
 Gauge, Hourmeter, Electronic, 2-33
 Gauge, Hourmeter, 2-35
 Gauge, Voltmeter, 27-40Vdc 2.2D, 2-35
 Gauge,Brush Pressure 2.25, 2-35
 Gear, 28 T. 24P, 2-31
 Gear, Speed Control, 2-31
 Grip, Handle [Oblong], 2-39
 Grip, Handle, Round, 2-31
 Grip, Handle, 2-27, 3-12
 Grommet,Rbr,1.50ld,For .19Matl, 2-37
 Grommet, 3-7
 Guard, Belt, Lh, 2-15
 Guard, Belt, Rh, 2-15
 Guard, Cover, Fan, Ee, 2-25

H

Handle, Speed Control, 2-31
 Handle, Wand, 3-7
 Harness, Cable, Battery, 2-29
 Harness, Main, Std, 2-48
 Harness, Wire, Cyl Head, Elec, 2-17
 Harness, Wire, Disk Head, Elec, 2-13
 Head, Wand, 3-7
 Hinge Leaf, Wldt, Rear, 2-23
 Hinge Leaf, 2-23
 Hinge Wldt, Leaf, 2-23
 Holder, Fuse Ac, 4-14, 4-16
 Holder, Pad, 2-5
 Hose & Cuff Assy, Drain .5ld 27.5L, 2-19
 Hose & Cuff Assy, Vacuum 1.51D 32L, 2-19, 2-21
 Hose Assembly, 3-5
 Hose Assy, Drain, 3-25
 Hose Assy, Vacuum Wand, 3-4
 Hose Assy, Water, 3-9
 Hose End, Curved, 3-4

Hose Vinyl Cl.,0.38 Idx 4.60Lg, 3-9
 Hose, .50ld X 26.0, 3-9
 Hose, Assembly, Drain, 25.7, 2-21
 Hose, Assembly, Drain, 26.7, 2-21
 Hose, Drain, Extension, 3-25
 Hose, Drain, Flex, 2-19, 2-21
 Hose, Drain, Tank, Solution, 2-19
 Hose, Drain, 3-25
 Hose, Inlet Recovery Tank, 2-19, 2-21
 Hose, Pvc .50ldx.73Od 23.0Lg, 3-3
 Hose, Pvc, 2-27
 Hose, Rbr, E90, .62ld 0.81ld, 2-27
 Hose, Rbr, Pinch Valve, 2-27
 Hose, Solution, 3-7
 Hose, Vacuum, 3-5
 Hose, Vinyl .38ld .56Od 8.0L, 2-13
 Hose, Vinyl Clr, .50ld X65.0L, 3-3
 Hose, 3-5, 3-9
 Housing, Control Lever, 2-27
 Housing, Cyl, Mach, 800mm, 2-17
 Housing, Cyl, Replacement 32, 2-17
 Housing, Steering, Adj, Std, w/Label, 2-33
 Hub, Drive, Brush, Disk, 0.75b 6t, 2-13

I

Idler Arm & Sheave Assy, 2-25
 Instructions, Machine, 5700, 3-27
 Isolator, Transaxle, 2-7
 Isolator-Vibration,125Lb.Ratng, 2-7

K

Key Set, 2-33
 Key Square 0.25 0.25 01.00 Lg, 4-10
 Key, Set Of Two, 2-35
 Key, Sq, 0.12 X 0.12, 01.00l, 4-9
 Key, Square 0.12 0.12 0 1.00 Lg, 4-8
 Key, Square 0.19 0.19 1.00Lg, 4-11, 4-12
 Kit, Brace, 4-9
 Kit, Brush, Motor, Ele (Kit842), 4-7
 Kit, Brush, 4-9
 Kit, Ci, Rplmt, Rear Panel, 2-35
 Kit, Ci, Sol Valve [5700], 2-27
 Kit, Ci, Sqge, Assy, [5680/5700] [800], 2-43
 Kit, Gear, Differential, 4-3, 4-5
 Kit, Motor Bearing, 4-9
 Kit, Sensor, Optical, 3-23
 Kit, Sensor, Shielded, 3-24
 Kit, Shroud And Label, Std, 2-35
 Kit, Vacuum Fan, 5700EE, 2-25
 Knob, 4 Prongs w/.31-8 Insert, 2-43
 Knob, Adjustable, Squeegee, 3-7
 Knob, M8X1.25 Insert, 2-19
 Knob, Potentiometer 0.125 Shaft, 3-26
 Knob, Star, 1.5d 3 Ear 0.8l M08x1.25 Pls, 3-15
 Knob, W/M8 1.25X125Lg Stud, 2-41
 Knob, W1.25-20X1.5Lg Stud, 2-43

CROSS REFERENCE

L

Label Set, Info & Hzd 5700, 2-49
Label Set, Operational 5700, 2-49
Label, Clean Level Sensor Daily, 3-23
Label, Ee, 2-49
Label, Es Logo, Off-White, 3-3
Label, Set, 5700, Xps, 2-49
Label, Speed Adjustment, 3-26
Lamp Assy, Indicator, Green, 36Vdc, 2-35
Lamp Assy, Indicator, Red, 36Vdc, 2-35
Latch, Draw, Flexible, 3-16
Latch, 2-33, 2-35
Lever, Control, 2-27
Lever, Squeegee Lift, Upper, 2-39
Lever, Squeegee Lift, 2-39
Lever, Valve, 2-27
Light Assy, Indicator, Blue, 36Vdc, 2-33
Light Assy, Indicator, Green, 36Vdc, 2-33
Light Assy, Indicator, Red, 36Vdc, 2-33
Link Kit, Sqge, F/222235, Replmt, 2-41
Link Kit, Sqge, F/222486, Replmt, 2-41
Link, Sqge, Upper, Lh, 2-41
Link, Sqge, Upper, 2-41
Link, Squeegee Lift, Lower, 2-41
Lip, Debris Tray 32", 2-17

M

Manual Package 5700EE, 3-27
Manual, Cd-Rom, Oprtr & Parts, All (NA), 3-27
Manual, OP/MT 5700EE, French, 3-27
Manual, OP/MT 5700EE, Spanish, 3-27
Manual, Service 5700, 3-27
Meter, Brush Down Pressure, 2-33
Meter, Volt, Battery Condition, 2-33
Motor 36V Dc, 4-13
Motor Assy, Ee Vac Fan (See Breakdowns) (Replaced by 374201), 2-25
Motor Assy, Ee Vac Fan (See Breakdowns), 2-25
Motor Assy, Ele, 36V, 0.75Hp, 1700Rpm (See Breakdowns), 2-15
Motor Assy, Ele, 36Vdc, 0.75Hp, 1700Rpm, 4-9
Motor Assy, Elec, Ee 0.6Hp (See Breakdowns), 2-13
Motor Assy, Elec, EE, 0.6Hp, 4-10
Motor Assy, EE Vac Fan, 4-11, 4-12
Motor, .75 Hp, 36V, 1700Rpm (See Breakdowns), 2-15
Motor, .75 Hp, 36V, 1700Rpm, 4-8
Motor, Ele, 36Vdc 0.50Hp 1900Rpm (Replaced by 374265AM) (See Breakdowns), 2-7
Motor, Ele, 36vdc 0.50hp 1900rpm, 4-7
Motor, Ele, 36Vdc 0.50Hp 2000Rpm (See Breakdowns), 2-7, 4-3, 4-5
Motor, Elec 0.5Hp36V.Dc, 1900Rpm (Replaced By 374265) (See Breakdowns), 4-3, 4-5
Motor, Elec 0.5Hp36V.Dc, 1900Rpm, 4-6

Motor, Elec 0.5Hp36V.Dc, 2000Rpm (See Breakdowns), 2-7
Mtr Gear Kit, 4-3, 4-5

N

Nozzle, Spray, 3-7
Nozzle, Vacuum Wand, 3-4
Nut Hx Ss M 8X1.25, 2-41
Nut Hx Std Ss M12X1.75, 3-12
Nut Hxlocnyln M 6X1.0 Reg Ss, 2-39
Nut Speed, Retainer, .25-20 Thd, 2-3, 2-43
Nut, Hex, Flexlock, .31-18, 2-29
Nut, Hex, Lock, .38-16, NI, Ss, 2-13, 2-17
Nut, Hex, Lock, .38-16, NI, Thin, 2-13, 2-17
Nut, Hex, Lock, M05 X 0.8, NI, 2-35
Nut, Hex, Lock, M06 X 1.0, NI, 2-39
Nut, Hex, Lock, M08 X 1.25, NI, Ss, 2-17
Nut, Hex, Lock, M6 X 1.0, NI, 2-17
Nut, Hex, Std, M08 X 1.25, 2-35, 2-37
Nut, Hex, Std, M10 X 1.5, 2-13, 2-17
Nut, Hex, Std, M3 X 0.5, 8, 2-39
Nut, Hex, Std, M8 X 1.25, 2-33
Nut, Retainer R/.312 Dia, 2-13
Nut, Wheel, 2-9
Nut-Hx Thin .38-32, 2-31
Nut-Hxlocnyln M 8X1.25 Reg Ss, 2-7, 2-11, 2-13, 2-15, 2-19, 2-21, 2-27, 2-41, 2-43, 3-4, 3-11, 3-12
Nut-Hxlocnyln M 8X1.25 Reg 18-8, 2-39
Nut-Hxlocnylon M 8X1.25 Reg Ss, 2-15

O

O Ring, 1.48" Id, 1.76" Od, 2-21
O-Ring, 4-3, 4-5
Oil Seal, 4-10

P

Packing, Breather, 4-3, 4-5
Packing, Cap, 4-3, 4-5
Packing, Pawl, 4-3
Pad, Buff 16D Red, 2-5
Pad, Pedal, 3-12
Pad, Polish 16D White, 2-5
Pad, Scrub 16D Blue, 2-5
Pad, Strip 16D Brown, 2-5
Pad, Strip-Hd 16D Black, 2-5
Pawl, Park, 4-3
Pin, Clevis 0.50 Dia X 4.75Lg, 2-13, 2-17
Pin, Clevis 6 Dia X 40 Lg, 2-41
Pin, Clevis, 0.31Dia X4.5Lg, 2-13, 2-17
Pin, Clevis, 0.37 Dia 2.25Lg, 2-43
Pin, Clevis, 0.62 Dia X 2.00Lg, 2-11
Pin, Cotter .125X0.75, 2-17
Pin, Cotter .062X0.75, 2-41
Pin, Cotter .094X0.75, 2-43
Pin, Cotter .094X1.00, 3-12
Pin, Cotter, .125 X 0.75, 2-13
Pin, Hair Cotter .375D .072Wir, 2-11

Pin, Pivot Block, 2-41
Pin, Roll 3.5-32, 4-3
Pin, Roll 6-32, 4-3
Pin, Roll, 2-15
Pin, Roller, 2-17
Pin, Clevis, 0.31 Dia. X 1.12 Lg, 3-12
Pin, Clevis, 0.37 Dia. X 1.50 Lg, 2-11
Pin, Clevis, 0.50 Dia. X 2.00 Lg, 2-11
Pin, Hair Cotter .12Wire 2.37Sl, 2-11, 2-13, 2-17, 2-41
Pin- Cotter .094X0.75, 3-12
Pinion Gear, 4-3, 4-5
Piston-Inner&Out, 4-13
Pivot, Squeegee Lift, 2-39
Plate Weldment, Stop, 3-12
Plate Wldt, Electronics, 2-37
Plate Wldt, Mtg, Fan, Ee, 2-25
Plate, Blade Retainer 32, 2-43
Plate, Shield, 2-31
Plate, Squeegee Pivot, 2-39
Plate, Tank Lock, EE, 2-23
Plug Drive Assy, 2-15
Plug Idler Assy, 2-15
Plug, Breather, 4-3, 4-5
Plug, Brush, 2-15
Plug, Drain, 4-3, 4-5
Plug, Drive, Brush, [48 Tooth - Gt/2], 2-15
Plug, Expandable 1.00 Dia, 2-19
Plug, Expandable 1.5D X 1.75L, 2-19
Plug, Hole, Hourmeter, Blk, 2-33, 2-35
Plug, Solution Tank, 2-23
Plug, Switch, 2-33
Plug, 4-3, 4-5
Plugbtn 1.25H .12 Max Blacknyl, 2-33
Potentiometer Assy, Electronic, 2-31, 3-26
Power Transformer, 4-14
Pulley, Idler Use 45448, 2-25
Pump Assy, Water 36Vdc (See Breakdowns), 3-3
Pump Assy, Water 36Vdc, 4-13
Pump Head Assembly, 4-13
Pump Screws, 4-13
Pump, Water 0.5 Gpm 12Psi 36V, 3-9
Pump, 4-13
Pushnut, 3-15

R

Rectifier Assy, 4-15
Rectifier Scr 20A, 4-15
Relay, 36Vdc, 9A, Spdt, 3-3
Relay, Control 36V, 2-37
Replacement Kit, Hose, 3-9
Replm Kit, Actuator, 2-11
Replm Kit, Brush Skirts, 2-3
Replm Kit, Rear Panel, 2-33
Replm Kit, Screen, 2-27, 3-9
Replm Kit, Seal, 2-15
Replm Kit, Squeegee Pivot, 2-39
Rim, 2-9, 3-20
Ring, Snap, 4-9
Ring, Retain, Ex, 0.39Od, Basic, 2-25
Ring, Retain, Ex, 0.59Od, Basic, 2-15

Ring, Retain, In, 1.18ld, Basic, 2-25
 Rivet, Blind, .125D X 0.32 X .25D, Stl, 2-35
 Rivet, Pop, .125D X .32 X .25Dhd, 2-33
 Rivet, Pop-.125D X .32 X .25Dhd St, 2-39
 Rivet, Pop-.125Dx.44X.25Dhd Al, 3-16
 Rivet, Pop, 3-7
 Rod, Brake .50 D, 3-12
 Rod, Thrd, 2 End M08X1.25 01.4, 3-15
 Roller, Bumper, 2-3, 2-17
 Roller, Linkage, Head, 2-13, 2-17
 Roller, Rwk, 2-17
 Roller, Sqge Centering, 2-41
 Roller, 3-15

S

Sales Video, 5700 Operation, 3-27
 Scr Flt M8 x 1.25 25, 2-15
 Scr Hex Ssm 8X1.25 50, 2-43
 Scr Hexss.25-20X1.00, 2-13
 Scr Hexss.31-18X0.75, 2-13
 Scr Hexssm 8X1.25 30, 2-7, 2-27, 3-4, 3-11, 3-12
 Scr Hexssm 8X1.25 25, 2-7, 2-33, 2-35, 3-12
 Scr Hexssm 8X1.25 45, 2-7, 2-41
 Scr Hexssm 8X1.25 55, 2-11
 Scr Hexssm 8X1.25 70, 2-43
 Scr Hexssm 8X1.25 35 Nylonloc, 2-7
 Scr Hexssm 8X1.25 40, 2-7, 2-41
 Scr Hexssm 8X1.25, 2-15, 2-19, 2-21
 Scr Panssm 4X0.7 35, 2-5
 Scr-Flt M 8X1.25 30 Ss18-8, 2-39
 Scr-Flt M3x0.5 6 SS18-8, 2-31
 Scr-Flt M 8X1.25 20 Blk Nyloc, 2-23, 2-27
 Scr-Flt M10 X 1.5 20, Ss NI, 2-15
 Scr-Flt M8 X 1.25 25 Ss, 2-15
 Scr-Flt M8 X 1.25 40, 2-13
 Scr-Hexssm 8X1.25 16 Nylon Loc, 2-11, 3-9
 Scr-Hexssm 8X1.25 20 Nylnloc, 2-7
 Scr-Hexssm 8X1.25 20, 2-11, 2-19, 2-21, 2-23, 2-27
 Scr-Hexssm 8X1.25 25 Nylnloc, 2-23, 2-25, 2-37
 Scr-Hexssm 8X1.25 25 Nylonloc, 2-7
 Scr-Hexssm10X1.5 40 Full Thd, 2-13, 2-17
 Scr-Hexssm6X1.0 25, 2-17
 Scr-Hxfmg M6 X 1.0 20, 2-17
 Scr-Hxfmg M8 X 1.25 25, 2-15
 Scr-Set 8-32 X .25 Nylon Loc, 2-15
 Scr-Set Cam Brg, 4-13
 Screen, Drain, 2-27, 3-9
 Screen, Solution 60 Mesh, Cyl, 3-3
 Screw Hexssm 6X1.0 16 Nylonloc, 2-39
 Screw Hexssm 6X1.0, 2-39
 Screw, Btn, M8 X 1.25 X 40, Ss18-8, 2-43
 Screw, Flat, M 8X1.25 Ss, 2-15
 Screw, Hex, .38-16 X 5.50, G5, 2-13, 2-17
 Screw, Hex, M 8 X 1.25 X 20, Ss, NI, 2-19, 2-21

Screw, Hex, M06 X 1.0 X 45, 8.8, 2-39
 Screw, Hex, M06 X 1.0 X 16, Ss, 2-15
 Screw, Hex, M06-1.0 X 16, 2-15
 Screw, Hex, M08 X 1.25 X 16, Ss, 2-27
 Screw, Hex, M08 X 1.25 X 35, Ss, 2-17
 Screw, Hex, M8 X 1.25 X 25, Fmg, 2-17
 Screw, Hex, M8 X 1.25 X 25, Ss, 2-41
 Screw, Hex, M8 X 1.25 X 35, Ss, Fl, 2-41
 Screw, Pan, #06-20 X 0.50, Fmg, 2-35
 Screw, Pan, #08 -32 X 0.38, 2-27
 Screw, Pan, M05 X 0.8 X 20, 4.8, 2-35
 Screw, Pan, M3 X 0.5 X 20, 4.8, 2-29
 Screw, Pan, M3 X 0.5 X 25, 4.8, 2-39
 Scrub Head Kit Ee 800D, 2-13
 Seal, Rbr, .12 X .38 X 36.0, 2-33, 2-35
 Seal, Ring, 2-15
 Seal, Vacuum Fan, 2-25
 Seal, 4-3, 4-5, 4-6, 4-9
 Sensor Kit, Liq Level, 2-19, 3-3
 Sensor, Optical, 3-23
 Shaft, Drive Plug, 2-15
 Shaft, Idler Plug, 2-15
 Shaft, Parking, 4-3
 Shaft, Roller, 3-15
 Sheave, 3J 6.53 Pd, 2-25
 Shield, Belt, 2-15
 Skirt Assy, Disc Head, 32", 2-3, 2-13
 Skirt Kit, Urethane, Scrubber Head, 3-22
 Skirt, Debris Tray, 2-17
 Skirt, Deflector, 2-3, 2-15
 Skirt, Scrub Head, 2-3, 2-15, 3-22
 Sleeve .62D .34B .38L, 3-12
 Sleeve, .318B .496D .312 Ss, 2-23
 Sleeve, .344B .62D.72 Bronze, 2-41
 Sleeve, .344B .62D.93 Bronze, 2-41
 Sleeve, .344B .62D1.3 Bronze, 2-11, 3-12
 Sleeve, .500B .62D1.31 Stl, 2-13, 2-17
 Sleeve, P/M, 0.496d 0.318b 0.311 430ss, 2-19, 2-21
 Sleeve, P/M, 0.50b 0.63d 1.4l, Stl Pl, 2-13, 2-17
 Sleeve, 2-13, 2-23, 2-39, 2-43
 Snap Ring, 4-3, 4-5, 4-6, 4-8, 4-11
 Spacer, Battery .62X1.5X21.0, 2-29
 Spacer, Battery 3.0X4.3X21.0, 2-29
 Spacer, Lift Arm, 2-11
 Spacer, Pad Holder, 2-5
 Speed Reduction Kit, 5700, 3-26
 Spring, Brush Retaining, 2-5
 Spring, Centering, 2-7
 Spring, Cmpr, 0.85od .08wir 2.0l, 2-17
 Spring, Compression, 3-7
 Spring, Door, 2-15
 Spring, Park, 4-3
 Spring, Return, 4-3
 Spring, Tens.56Odx.05Wire 1.4, 2-25
 Spring, Tension, 2-13, 2-17, 2-41
 Spring, Torsion Centering, 2-31
 Spring, Torsion, Wheel, 2-43
 Spring, Torsion, 2-23, 3-12
 Spring, Comp., .84Odx.10Wire 2.0L, 2-13, 2-17
 Sprng, Comp, 0.59ldx.05Wire 0.6L, 2-39

Sprng, Comp, 0.74ldx.11Wire 2.5L, 2-13, 2-17
 Sprocket, Drive, 2-15
 Squeegie Kit F/Tile Gumbr 800, 2-3, 2-43
 Squeegie Kit Oil Rs Urethn 800, 2-3, 2-43
 Stop, Tank, 2-23
 Strap, Cap Retainer, 2-19
 Strap, Drain Cap, 2-21
 Strap, Drainhose, 2-19
 Strap, Lanyard, 2-37
 Strap, Poly, Webbing, 100" L, 2-29
 Strap, Rubber, 3-11
 Strip, Debris Tray, 2-17
 Strip, Retainer, 3-7
 Strip, Stop, Adj. Shroud, 2-33
 Stud, Adjustable, 3-7
 Stud, M8X1.25 20 8.8 Pltd, 2-19
 Stud, Wheel .44-20 X1.22, 4-3, 4-5
 Switch Assy, Key Spst, 2-33
 Switch, Float, 2-19, 2-21, 3-3, 3-24
 Switch, Pushbutton, 3-13
 Switch, Red Stop, 4-15
 Switch, Rocker, Dpst, 2-35, 3-3
 Switch, Rocker, Hole Plug, 2-35
 Switch, Scrub, 2-33
 Switch, Snap Actn, 250vdc 25a Spdt, 2-39
 Switch, 2-35, 3-3, 3-9
 Swivel, 2-27

T

Tank, Recovery, 2-19, 2-21
 Tank, Solution, w/Label, 2-23
 Terminal, Fem, 10/12ga [Mp630 P2s], 4-7
 Terminal, Female, 4-6, 4-8, 4-9, 4-10, 4-11, 4-12
 Tie Cable 3.00D Max 11.41Lg, 2-13, 2-17
 Tie, Cable 1.75D Max 7.50Lg, 2-25
 Tie, Cable 3.00D Max 11.41Lg, 2-19, 2-21
 Tie, Cable 4.00 Max 14.50Lg, 2-13
 Tie, Cable 4.00D Max 14.50 Lg, 2-15
 Timer, E.S., 3-3
 Tire & Rim Assy 12.3 Dia Solid, 3-18
 Tire & Rim Assy Foam Filled, Black, 3-19
 Tire & Rim Assy Foam Filled, Gray, 3-19
 Tire and Rim Assembly, Black, 2-9
 Tire and Rim Assembly, Gray, 3-20
 Tire, 4.10/3.5-6, Black, 2-9
 Tire, Gray, 3-20
 Tool, Removal, Shaft, F/ 222176, 2-15
 Transaxle Assy, W/O Parking Brake (See Breakdowns), 2-7
 Transaxle Assy, W/O Parking Brake, 4-5
 Transaxle Assy, W/Parking Brake (See Breakdowns), 2-7, 3-12
 Transaxle Assy, W/Parking Brake, 4-3
 Transformer, Power, 4-16
 Tray, Debris, 32, 2-17
 Tray, Wand, 3-11
 Triac, Charger, 4-14
 Tube, Drain, 2-19, 2-21
 Tube, Inner, 2-9, 3-20
 Tube, Poly .38ld X .06W X 16L, 3-3

CROSS REFERENCE

Tube, Rnd, 0.40id 0.50od 04.3l, Ss, 2-13,
2-17

V

Valve, Solenoid, 2-27
Valve, Water, 3-7
Varistor, 4-15
Vent, Valve, 4-3, 4-5
Video, Sales, Operation, 5700 Pal, 3-27

W

Wall Roller Kit 5700, 3-15
Wand Vacuum 5700, 3-4
Wand Assembly, 3-7
Wand, Off-Aisle, 3-7
Wand, Vacuum, 3-4
Washer Flt .25 Ss, 2-15, 2-17, 2-39
Washer Flt .31 Ss, 2-7, 2-13, 2-25
Washer Flt .38 Ss, 2-13, 2-41
Washer, .31OB .88D .12Rbr, 2-41
Washer, .344B .69D .06Nylon, 2-27, 3-12
Washer, .375B 1.25D .12Neopre, 2-43
Washer, .406B .81D .09Ureth, 2-13
Washer, .467B 1.19D .03Nylon, 4-8
Washer, .660B 1.00D .12 Rbr, 2-19
Washer, .660B 1.00D .12Rbr, 3-23
Washer, 0.47b 1.19d .03, Nyl, 4-9
Washer, 0.53b 1.75d .12, Stil, Pl, 2-17
Washer, Bellville .31 Pltd, 2-7
Washer, Finish M8 Blk, 2-27
Washer, Flat, .31 Fender, 2-19, 2-21
Washer, Flat, 0.25 Std, 2-13
Washer, Flat, 0.31 Fender, 3-15
Washer, Flat, 0.321b 1.00d .12, Ss, 2-7
Washer, Flat, 0.38b 0.88d .08, Ss, 2-11,
2-13, 2-15, 2-17, 2-19, 2-21, 2-23,
2-27, 2-37, 2-39, 2-41, 2-43, 3-4, 3-9,
3-11, 3-12, 3-15
Washer, Flat, 0.38b 1.22d .06, Ss, 2-13,
2-17
Washer, Flat, 0.40b 1.12d .12, Ss, 2-7
Washer, Flt .50 SAE, 2-13, 2-17
Washer, Flt, .50 Sae, 2-43
Washer, Lock, Int, M3 Ss, 2-29, 2-39
Washer, Lock, Int-Ext, .31, 2-35
Washer, Lock, Int-ext, 0.31, 2-33
Washer, Spacer, Speed Control, 2-31
Washer, Spring, 4-9
Washer- Flt 17 X30X3 Ss M16, 2-19
Washer-Belleville .31 Pltd, 2-13
Washer-Flt .31 Fender Pltd, 2-23, 2-33,
2-35
Washer-Flt 17 X 30 X3 Ss M16, 3-23
Washer-Thrust, 3-12
Wavy Washer, 4-6, 4-8, 4-11
Wheel Assy, 5.0 Neoprene, 3-17
Wheel, 2.0 Dia, 2-3, 2-13
Wheel, 3.0 Dia, 2-3, 2-43
Wheel, Guide, 3-7



We Need Your Help...

As part of Tennant's Zero Defects Program, we want to know about errors you have found or suggestions you may have regarding our machine manuals. If you find an error or have a suggestion, please complete this postage-paid form and mail it to us. Thank you for helping us make zero defects a way of life at Tennant.

Manual No. _____ Rev. No. _____ Publish Date _____ Page _____
 Machine _____ Report Error Suggestion

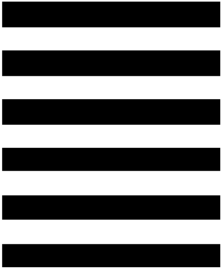
Name _____ Date _____
 Customer Number _____
 Company _____
 Address _____
 City/State/Zip Code _____



TENNANT COMPANY
 Technical Publications #15
 701 North Lilac Drive
 P.O. Box 1452
 Minneapolis, MN 55440-9947

POSTAGE WILL BE PAID BY ADDRESSEE

BUSINESS REPLY MAIL
 FIRST CLASS MAIL PERMIT NO. 94 MINNEAPOLIS, MN



NO POSTAGE
 NECESSARY
 IF MAILED
 IN THE
 UNITED STATES



Fold along dotted lines

Tape here

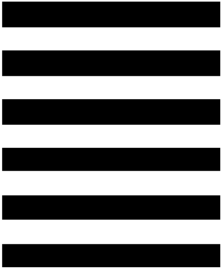




TENNANT COMPANY
 Technical Publications #15
 701 North Lilac Drive
 P.O. Box 1452
 Minneapolis, MN 55440-9947

POSTAGE WILL BE PAID BY ADDRESSEE

BUSINESS REPLY MAIL
 FIRST CLASS MAIL PERMIT NO. 94 MINNEAPOLIS, MN



NO POSTAGE
 NECESSARY
 IF MAILED
 IN THE
 UNITED STATES



Fold along dotted lines

Tape here

