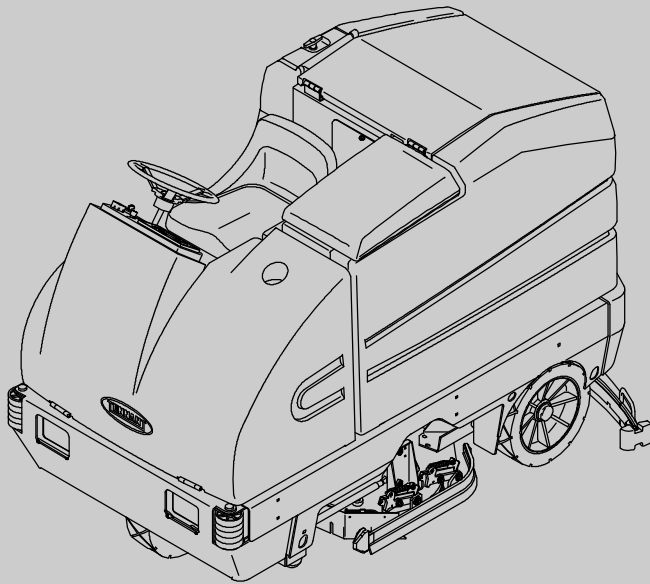
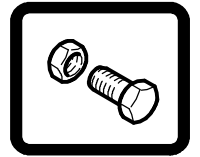




# 7300

(Battery)

## Rider Scrubber Parts Manual



***FAST***  
Foam Scrubbing Technology

**The Safe Scrubbing Alternative<sup>®</sup>**

**ES<sup>®</sup> Extended Scrub System**

**TennantTrue<sup>™</sup> Parts and Supplies**



**North America / International**

[www.tennantco.com](http://www.tennantco.com)

**330610**  
**Rev. 15 (3-2011)**



When ordering replacement parts, use the illustrated parts list section in this manual. Before ordering parts or supplies, be sure to have your machine model number and serial number available. Only use TENNANT Company supplied or equivalent parts. Parts and supplies may be ordered online, by phone, or mail from any authorized parts and service center, distributor or from any of the manufacturer's subsidiaries.

This machine will provide excellent service. However, the best results will be obtained at minimum costs if:

- The machine is operated with reasonable care.
- The machine is maintained regularly - per the machine maintenance instructions provided.
- The machine is maintained with manufacturer supplied or equivalent parts.

---

## MACHINE DATA

---

Please fill out at time of installation for future reference.

Model No.- \_\_\_\_\_

Serial No.- \_\_\_\_\_

Machine Options - \_\_\_\_\_

Sales Rep. - \_\_\_\_\_

Sales Rep. phone no. - \_\_\_\_\_

Customer Number - \_\_\_\_\_

Installation Date - \_\_\_\_\_

### Machine Data Plate



**Tennant Company**  
PO Box 1452  
Minneapolis, MN 55440  
Phone: (800) 553-8033 or (763) 513-2850  
[www.tennantco.com](http://www.tennantco.com)

Thermo-Sentry, SmartRelease, SuperScrub, and MaxPro are US registered and unregistered trademarks of Tennant Company.

Specifications and parts are subject to change without notice.

Copyright © 2000 - 2002, 2004 - 2011 TENNANT Company, Printed in U.S.A.

## HOW TO USE THIS MANUAL

This section on *HOW TO USE THIS MANUAL* will tell you how to:

- Find important machine information for ordering correct repair parts.
- Find TENNANT part numbers.
- Order TENNANT parts and supplies.

### IMPORTANT INFORMATION

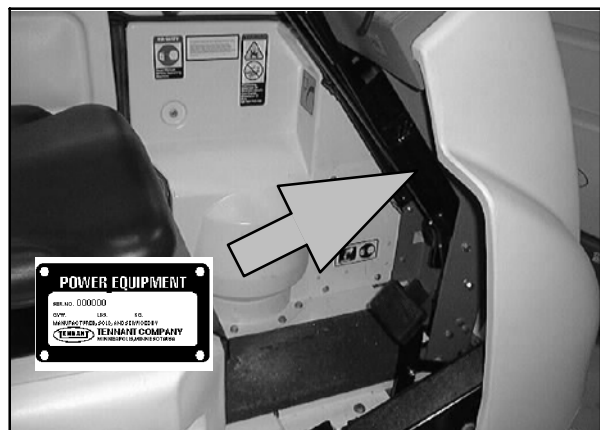
When placing an order for parts, the machine model and machine serial number are important. Refer to the *MACHINE DATA* box which is filled out during the installation of your machine. The *MACHINE DATA* box is located on the inside of the front cover of this manual.

| MACHINE DATA - MASCHINEN-DATEN - DONNÉES CONCERNANT LA MACHINE   |
|--|
| <i>Please fill out at time of installation for future reference.<br/>Bitte bei Inbetriebnahme der Maschine ausfüllen für zukünftige Referenz.<br/>Veuillez compléter au moment de la mise en service comme référence future.</i> |
| Machine Model Number - 7300<br>Maschinen Modell - 7300<br>Numéro de modèle de la machine - 7300  |
| Machine Serial Number - _____<br>Maschinen Serien Nummer - _____<br>Numéro de série de la machine - _____  |
| Machine Options - _____<br>Maschinen Optionen - _____<br>Options de la machine - _____   |
| TENNANT Representative Name - _____<br>TENNANT Vertretung (Cf. fig. 2) - _____<br>Nom de l'installateur représentant TENNANT - _____   |
| Customer ID Number - _____<br>Kunden Nummer - _____<br>Numéro d'identification du client - _____   |
| Date of Installation - _____<br>Inbetriebnahme Datum - _____<br>Date d'installation - _____  |
| Manual Number - 330610<br>Handbuch Bestell Nummer - 330610<br>Numéro du manuel - 330610  |
| Revision: 00<br>Print Number: 00<br>Edition: 00  |
| Published: 5-00<br>Ausgaben: 5-00<br>Date de publication: 5-00   |

The model number of your machine is on the side of the machine.



The serial number of your machine is printed on the machine data plate located as shown.



# HOW TO USE THIS MANUAL

## FINDING A TENNANT PART NUMBER

This manual contains the following sections:

- HOW TO USE THIS MANUAL
- STANDARD PARTS
- OPTIONS
- BREAKDOWNS
- CROSS REFERENCE

The STANDARD PARTS section lists repair parts for standard machines. They are grouped in this general order:

- General wear parts.
- Machine frame and related parts.
- Machine propelling system.
- Scrubbing components.
- Electrical parts.

The OPTION section lists repair parts of options.

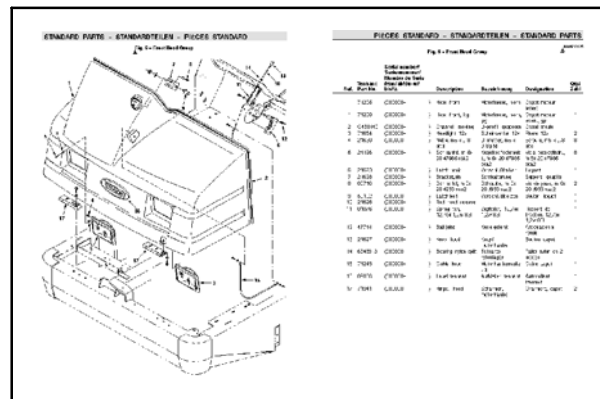
The BREAKDOWN section lists available repair parts of major components.

All sections in this manual consist of parts illustrations and corresponding parts lists.

The parts illustrations are numbered with **Ref** numbers which refer to corresponding parts lists.

The parts lists include a number of columns of information:

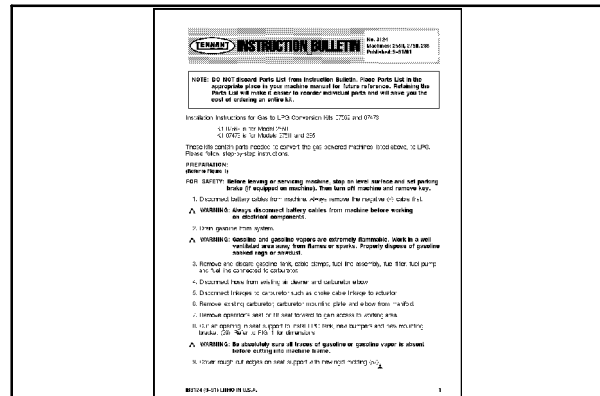
- **Ref** - column refers to the reference number on the parts illustration.
- ▽ - indicates the part is an assembly.
- ▲ - indicates the part is included in the assembly listed just before it.
- **TENNANT Part No.** - column lists the TENNANT part number for the part.
- **Serial Number** - column indicates the set of machines the part number is applicable to. Serial numbers change when the machine design has been modified. The most current design of the machine is shown in the main illustration, older designs are boxed in a corner of the illustration.
- **Description** - column is a brief description of the part.
- **Qty.** - column lists the quantity of that part used in that area of the machine.



| Ref. | Tennant Part No. | Serial number/<br>Seriennummer/<br>Número de Serie<br>from/ab/du-to/<br>bis/à | Description            | Bezeichnung                | Designation                   | Qty/<br>Zahl |
|------|------------------|---|------------------------|----------------------------|-------------------------------|--------------|
| ▼    | 1 87365          | (000000-)   | Gearbox                | Getriebe                   | Boîte de vitesses             | 1            |
| ▲    | 2 87040          | (000000-)   | O-ring                 | O-ring                     | Joint torique                 | 2            |
| ▲    | 3 87041          | (000000-)   | Flug                   | Stopfen                    | Dou-chon                      | 2            |
| ▲    | 4 87839          | (000000-)   | Flg-ansa,<br>106.997   | Schmier-nippel,<br>106.997 | Graisseur,<br>106.997         | 2            |
| ▲    | 6 87849          | (000000-)   | Driving gear           | Getriebe                   | Mécanisme<br>d'entraînement   | 1            |
| ▲    | 6 12640          | (000000-)   | Bolt, wheel            | Radbolzen                  | Boulon roue                   | 6            |
| ▲    | 7 81791          | (000000-)   | Bearing and<br>housing | Lagergehäuse               | Boîtier roulement             | 1            |
| 6    | 12646            | (000000-)   | Seal o-ring            | O-ring-dichtung            | Joint torique<br>d'étanchéité | 1            |
| 9    | 80198            | (000000-)   | Motor, traction<br>36v | Motor traction 36v         | Motor traction 36v            | 1            |
| 10   | 02076            | (000000-)   | Cover, terminal<br>ung | Batteriepolabdeck-<br>ung  | Cache pole<br>batterie        | 4            |

**NOTE:** If a service kit is installed on your machine, be sure to keep the **INSTRUCTION BULLETIN** which came with the kit. It contains repair parts numbers needed for ordering future parts.

**NOTE:** Fasteners used in this machine may be metric or non-metric. Take care when replacing hardware to replace with same thread size.



## PLACING AN ORDER

Orders may be placed by phone, fax, or by mail. Phone orders may need written confirmation. Follow the steps below to insure prompt delivery:

1. Identify the model number of your machine.
2. Identify the serial number of your machine.
3. Find the part number of the part you need. Do not order by page number or reference number. If you are not able to find the part number, call your TENNANT representative for help or send the old part as a sample.
4. Determine the quantity of the part you need.
5. Provide the following company information:
  - Company name
  - Customer ID Number
  - Shipping address
  - Billing address
  - First and last name of person ordering parts
  - Telephone number
  - Purchase order number
6. Provide definitive shipping instructions.

## HOW TO USE THIS MANUAL

---

Any claim for loss or damage to a shipment in transit should be filed promptly with the transportation company making the delivery. Shipments will be complete unless the packing list or order acknowledgement indicates items back ordered.

If parts received are suspected to be incorrect or defective, please contact the TENNANT representative from whom you ordered the part. They will give authorization for return and/or handle replacement shipments when required.

## SECTION 2

| Contents   | Page |
|--|------|
| Fig. 1 - General Recommended Maintenance Items                         | 2-2  |
| Fig. 2 - Brushes, Replacement for MaxPro 1000                          | 2-4  |
| Fig. 3 - Brushes, Replacement for MaxPro 1200                          | 2-6  |
| Fig. 4 - Main Frame Group  | 2-8  |
| Fig. 5 - Covers Group, Front   | 2-10 |
| Fig. 6 - Covers Group, Rear  | 2-12 |
| Fig. 7 - Electrical Instrument Panel Group                             | 2-14 |
| Fig. 8 - Steering Group  | 2-16 |
| Fig. 9 - Seat Group  | 2-18 |
| Fig. 10 - Directional Control Group                                    | 2-20 |
| Fig. 11 - Wheel Group, Front Drive                                     | 2-22 |
| Fig. 12 - Brake Pedal Group  | 2-24 |
| Fig. 13 - Wheel And Brake Group, Rear                                  | 2-26 |
| Fig. 14 - Solution Tank Group  | 2-28 |
| Fig. 15 - FaST Solution Pump Group (000000-003746)                     | 2-30 |
| Fig. 16 - FaST Air Pump and Detergent Group (000000-003746)            | 2-32 |
| Fig. 17 - FaST Foam Filter Group (000000-003746)                       | 2-34 |
| Fig. 18 - FaST Pumps and Detergent Group (003747- )                    | 2-36 |
| Fig. 19 - Solution Control Group                                       | 2-38 |
| Fig. 20 - Recovery Tank Group  | 2-40 |
| Fig. 21 - Recovery Tank Drain Assembly                                 | 2-42 |
| Fig. 22 - Vacuum Fan Group   | 2-44 |
| Fig. 23 - Scrub Head Lift Group  | 2-46 |
| Fig. 24 - Max Pro 1000 (Disc-Brush) Scrub Head Frame Group             | 2-48 |
| Fig. 25 - Max Pro 1000 (Disc-Brush) Scrub Head Linkage Group           | 2-50 |
| Fig. 26 - Max Pro 1000 (Disc-Brush) Solution Valve Group               | 2-52 |
| Fig. 27 - Max Pro 1000 (Disc-Brush) Solution Valve Group (FaST/ec-H2O) | 2-54 |
| Fig. 28 - Max Pro 1000 (Disc-Brush) Edge Scrub Group                   | 2-56 |
| Fig. 29 - Max Pro 1000 (Disc-Brush) Right Side Squeegee Group          | 2-58 |
| Fig. 30 - Max Pro 1000 (Disc-Brush) Left Side Squeegee Group           | 2-60 |
| Fig. 31 - Squeegee Linkage Group, Rear                                 | 2-62 |
| Fig. 32 - Squeegee Lift Group, Rear                                    | 2-64 |

| Contents  | Page  |
|---|-------|
| Fig. 33 - Max Pro 1000 Rear Squeegee Group (000000-004999)        | 2-66  |
| Fig. 34 - Max Pro 1000 Rear Squeegee Group (005000- )             | 2-68  |
| Fig. 35 - Electrical Control Box Circuit Breaker Group            | 2-70  |
| Fig. 36 - Electrical Control Box Contactor Group (000000- 001705) | 2-72  |
| Fig. 37 - Electrical Control Box Contactor Group (001706- )       | 2-74  |
| Fig. 38 - Electrical Control Box Wires Group (000000- 001705)     | 2-76  |
| Fig. 39 - Eleactrical Control Box Wires Group (001706- )          | 2-78  |
| Fig. 40 - Electrical Circuit Board Group                          | 2-80  |
| Fig. 41 - Electrical Group, FaST (000000-003746)                  | 2-82  |
| Fig. 42 - Electrical Group, FaST (003747- )                       | 2-83  |
| Fig. 43 - Electrical Schematic (000000-003746)                    | 2-84  |
| Fig. 44 - Electrical Schematic (003747- )                         | 2-88  |
| Fig. 45 - Electrical Wire Harness Group, Main                     | 2-93  |
| Fig. 46 - Electrical Wire Harness Group, FaST (000000-003746)     | 2-103 |
| Fig. 47 - Electrical Wire Harness Group, FaST (003747- )          | 2-104 |
| Fig. 48 - Label Group   | 2-105 |

# STANDARD PARTS

Fig. 1 - General Recommended Maintenance Items

| Ref. | Tennant Part No. | Machine Serial Number | Description                              | Qty. |
|------|------------------|-----------------------|--|------|
|      | 387660           | (000000-              | ) Tire Assy, Solid, 16.2x6.0 5.7bc/5bolt | 1    |
|      | 387014           | (000000-              | ) Tire Assy, 16 X 5 X 12.12              | 2    |
|      | 66213            | (000000-              | ) Kit, Brake                             | 2    |
|      | 66211            | (000000-              | ) Brake Shoes                            | 2    |
|      | 1037822          | (000000-              | ) Filter, Panl, Dust, 2.0 X 06.1 X 07.6  | 1    |
|      | 387023           | (000000-              | ) Hose, Vacuum                           | 1    |
|      | 386267           | (000000-              | ) Hose, Vacuum, 91.0l                    | 1    |
|      | 20833            | (000000-              | ) Wheel, 3.0d 1.38w 0.50b                | 2    |
|      | 223044           | (000000-              | ) Headlight, 36vdc, 15cp 0.7a [#0534242] | 2    |
|      | 386053           | (000000-              | ) Belt, Drive (Cylindrical Brush)        | 1    |
|      | 71101            | (000000-              | ) Cable, .12d, 13.3l, .2clevis/.2clevis  | 1    |
| ▽    | 386020           | (000000-              | ) Kit, Maint, 800hr, [7300-Mp1000-Disk]  | 1    |
| ▲    | 386284           | (000000-              | ) Blade, Sqge, Rear                      | 1    |
| ▲    | 386283           | (000000-              | ) Blade, Sqge, Front                     | 1    |
| ▲    | 386387           | (000000-              | ) Skirt, Front, Scrub Head, 2-Brush, Ele | 1    |
| ▲    | 386388           | (000000-              | ) Skirt, Rear, Scrub Head, 2-Brush, Ele  | 1    |
| ▲    | 387294           | (000000-              | ) Skirt, Side, Scrbr Head, Ele           | 1    |
| ▲    | 386260           | (000000-              | ) Squeegee, Side                         | 1    |
| ▲    | 20833            | (000000-              | ) Wheel, 3.0d 1.38w 0.50b                | 1    |
| ▲    | 71101            | (000000-              | ) Cable, .12d, 13.3l, .2clevis/.2clevis  | 1    |
| ▲    | 387023           | (000000-              | ) Hose, Vacuum                           | 1    |
| ▲    | 386267           | (000000-              | ) Hose, Vacuum, 91.0l                    | 1    |
| ▲    | 1037822          | (000000-              | ) Filter, Panl, Dust, 2.0 X 06.1 X 07.6  | 1    |
| ▲    | 66213            | (000000-              | ) Kit, Brake                             | 1    |
| ▲    | 386223           | (000000-              | ) Gasket, Tank, Recovery                 | 1    |
| ▲    | 79320            | (000000-              | ) Gasket, Cap, Drain                     | 1    |
| ▲    | 223264           | (000000-              | ) Seal, Rbr, Clsd, 0.25th, 5.8d 03.3h    | 1    |
| ▲    | 386323           | (000000-              | ) Gasket, Mtg, Fan                       | 1    |
| ▽    | 386021           | (000000-              | ) Kit, Maint, 800hr, [7300-Mp1200-Disk]  | 1    |
| ▲    | 386834           | (000000-              | ) Blade, Sqge, Rear 48.0l                | 1    |
| ▲    | 386833           | (000000-              | ) Blade, Sqge, Front 48.0l               | 1    |
| ▲    | 386825           | (000000-              | ) Skirt, Front, Scrub Head, 3-Brush, Ele | 1    |
| ▲    | 386826           | (000000-              | ) Skirt, Rear, Scrub Head, 3-Brush, Ele  | 1    |
| ▲    | 386260           | (000000-              | ) Squeegee, Side                         | 1    |
| ▲    | 20833            | (000000-              | ) Wheel, 3.0d 1.38w 0.50b                | 1    |
| ▲    | 71101            | (000000-              | ) Cable, .12d, 13.3l, .2clevis/.2clevis  | 1    |
| ▲    | 387023           | (000000-              | ) Hose, Vacuum                           | 1    |
| ▲    | 386267           | (000000-              | ) Hose, Vacuum, 91.0l                    | 1    |
| ▲    | 1037822          | (000000-              | ) Filter, Panl, Dust, 2.0 X 06.1 X 07.6  | 1    |
| ▲    | 66213            | (000000-              | ) Kit, Brake                             | 1    |
| ▲    | 386223           | (000000-              | ) Gasket, Tank, Recovery                 | 1    |
| ▲    | 79320            | (000000-              | ) Gasket, Cap, Drain                     | 1    |
| ▲    | 223264           | (000000-              | ) Seal, Rbr, Clsd, 0.25th, 5.8d 03.3h    | 1    |
| ▲    | 386323           | (000000-              | ) Gasket, Mtg, Fan                       | 1    |



Fig. 1 - General Recommended Maintenance Items

| Ref. | Tennant Part No. | Machine Serial Number | Description                                | Qty. |
|------|------------------|-----------------------|--|------|
| ▽    | 386022           | (000000-              | ) Kit, Maint, 800hr, [7300-Mp1000-Cyl]     | 1    |
| ▲    | 386284           | (000000-              | ) Blade, Sqge, Rear                        | 1    |
| ▲    | 386283           | (000000-              | ) Blade, Sqge, Front                       | 1    |
| ▲    | 20833            | (000000-              | ) Wheel, 3.0d 1.38w 0.50b                  | 1    |
| ▲    | 71101            | (000000-              | ) Cable, .12d, 13.3l, .2clevis/.2clevis    | 1    |
| ▲    | 387023           | (000000-              | ) Hose, Vacuum                             | 1    |
| ▲    | 386267           | (000000-              | ) Hose, Vacuum, 91.0l                      | 1    |
| ▲    | 386053           | (000000-              | ) Belt, Drive                              | 1    |
| ▲    | 1037822          | (000000-              | ) Filter, Panl, Dust, 2.0 X 06.1 X 07.6    | 1    |
| ▲    | 66213            | (000000-              | ) Kit, Brake                               | 1    |
| ▲    | 386223           | (000000-              | ) Gasket, Tank, Recovery                   | 1    |
| ▲    | 79320            | (000000-              | ) Gasket, Cap, Drain                       | 1    |
| ▲    | 223264           | (000000-              | ) Seal, Rbr, Clsd, 0.25th, 5.8d 03.3h      | 1    |
| ▲    | 386323           | (000000-              | ) Gasket, Mtg, Fan                         | 1    |
| ▽    | 386023           | (000000-              | ) Kit, Maint, 800hr, [7300-Mp1200-Cyl]     | 1    |
| ▲    | 386834           | (000000-              | ) Blade, Sqge, Rear 48.0l                  | 1    |
| ▲    | 386833           | (000000-              | ) Blade, Sqge, Front 48.0l                 | 1    |
| ▲    | 20833            | (000000-              | ) Wheel, 3.0d 1.38w 0.50b                  | 1    |
| ▲    | 71101            | (000000-              | ) Cable, .12d, 13.3l, .2clevis/.2clevis    | 1    |
| ▲    | 387023           | (000000-              | ) Hose, Vacuum                             | 1    |
| ▲    | 386267           | (000000-              | ) Hose, Vacuum, 91.0l                      | 1    |
| ▲    | 386053           | (000000-              | ) Belt, Drive                              | 1    |
| ▲    | 1037822          | (000000-              | ) Filter, Panl, Dust, 2.0 X 06.1 X 07.6    | 1    |
| ▲    | 66213            | (000000-              | ) Kit, Brake                               | 1    |
| ▲    | 386223           | (000000-              | ) Gasket, Tank, Recovery                   | 1    |
| ▲    | 79320            | (000000-              | ) Gasket, Cap, Drain                       | 1    |
| ▲    | 223264           | (000000-              | ) Seal, Rbr, Clsd, 0.25th, 5.8d 03.3h      | 1    |
| ▲    | 386323           | (000000-              | ) Gasket, Mtg, Fan                         | 1    |
| ▽    | 387506           | (000000-              | ) Kit, Maint, 800hr [7300-Mp1200-Disk-Vac] | 1    |
| ▲    | 386284           | (000000-              | ) Blade, Sqge, Rear                        | 1    |
| ▲    | 386283           | (000000-              | ) Blade, Sqge, Front                       | 1    |
| ▲    | 386285           | (000000-              | ) Clamp Wldt, Front                        | 1    |
| ▲    | 386286           | (000000-              | ) Clamp Wldt, Rear                         | 1    |
| ▲    | 386260           | (000000-              | ) Squeegee, Side                           | 1    |
| ▲    | 20833            | (000000-              | ) Wheel, 3.0d 1.38w 0.50b                  | 1    |
| ▲    | 71101            | (000000-              | ) Cable, .12d, 13.3l, .2clevis/.2clevis    | 1    |
| ▲    | 387023           | (000000-              | ) Hose, Vacuum                             | 1    |
| ▲    | 386514           | (000000-              | ) Hose, Vacuum, 58.5l                      | 1    |
| ▲    | 1005026          | (001703-              | ) Kit, Modif, Ftg Location, [Discvac]      | 1    |
| ▲    | 11399            | (000000-              | ) Clamp, Hose, Wormdrive, 0.81-1.50d       | 1    |
| ▲    | 387545           | (000000-              | ) Blade Assy, Sqge, Side                   | 1    |
| ▲    | 387546           | (000000-              | ) Blade, Squeegee                          | 1    |
| ▲    | 386326           | (000000-              | ) Filter, Fan                              | 1    |
| ▲    | 66213            | (000000-              | ) Kit, Brake                               | 1    |
| ▲    | 386223           | (000000-              | ) Gasket, Tank, Recovery                   | 1    |
| ▲    | 79320            | (000000-              | ) Gasket, Cap, Drain                       | 2    |
| ▲    | 223264           | (000000-              | ) Seal, Rbr, Clsd, 0.25th, 5.8d 03.3h      | 1    |
| ▲    | 386323           | (000000-              | ) Gasket, Mtg, Fan                         | 1    |
| ▲    | 387256           | (000000-001702)       | ) Hose, Vacuum, 35.0l                      | 1    |
| ▲    | 387517           | (000000-001702)       | ) Hose Assy, W/2 Cuff, 1.0d 41.0l          | 1    |

Fig. 2 - Brushes, Replacement for MaxPro 1000

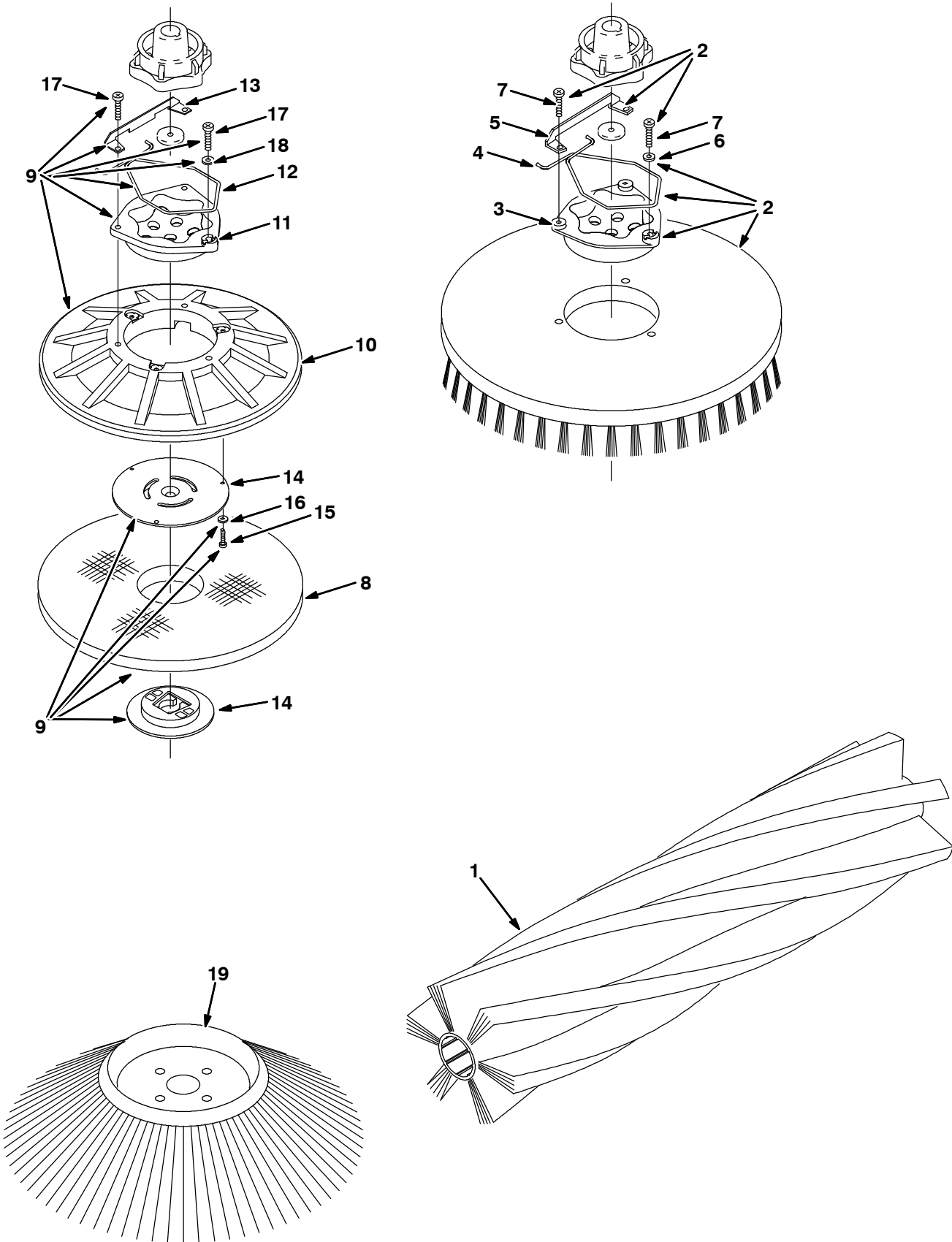


Fig. 2 - Brushes, Replacement for MaxPro 1000

| Ref. | Tennant Part No. | Machine Serial Number | Description                               | Qty.                                       |   |
|------|------------------|-----------------------|---|--|---|
| 1    | 386230           | (000000-              | ) Brush, Scrub, 39l, 20sr, Pyp, Spl       | 2  |   |
| 1    | 386240           | (000000-              | ) Brush, Scrub, 39l, 20sr, Super Abr, Spl | 2  |   |
| 1    | 386250           | (000000-              | ) Brush, Scrub, 39l, 20sr, Nyl, Spl       | 2  |   |
| ▽    | 2                | 14967                 | (000000-                                  | ) Brush Assy, Disk, Scb, 20.0 D, Nyl       | 2 |
| ▲    | 3                | 15539                 | (000000-                                  | ) Adaptor, Brush                           | 1 |
| ▲    | 4                | 14838                 | (000000-                                  | ) Spring, Wir, 0.16d, Brush Retaining      | 1 |
| ▲    | 5                | 24299                 | (000000-                                  | ) Bracket, Retainer, Spring                | 1 |
| ▲    | 6                | 01684                 | (000000-                                  | ) Washer, Flt, .25 Ss                      | 1 |
| ▲    | 7                | 32746                 | (000000-                                  | ) Screw, Pan, M06 X 1.0 X 35, Ss           | 3 |
| ▽    | 2                | 14953                 | (000000-                                  | ) Brush Assy, Disk, Scb, 20.0 D, Pyp       | 2 |
| ▲    | 3                | 15539                 | (000000-                                  | ) Adaptor, Brush                           | 1 |
| ▲    | 4                | 14838                 | (000000-                                  | ) Spring, Wir, 0.16d, Brush Retaining      | 1 |
| ▲    | 5                | 24299                 | (000000-                                  | ) Bracket, Retainer, Spring                | 1 |
| ▲    | 6                | 01684                 | (000000-                                  | ) Washer, Flt, .25 Ss                      | 1 |
| ▲    | 7                | 32746                 | (000000-                                  | ) Screw, Pan, M06 X 1.0 X 35, Ss           | 3 |
| ▽    | 2                | 378951                | (000000-                                  | ) Brush Assy, Disk, Scb, 20.0 D, Super Abr | 2 |
| ▲    | 3                | 15539                 | (000000-                                  | ) Adaptor, Brush                           | 1 |
| ▲    | 4                | 14838                 | (000000-                                  | ) Spring, Wir, 0.16d, Brush Retaining      | 1 |
| ▲    | 5                | 24299                 | (000000-                                  | ) Bracket, Retainer, Spring                | 1 |
| ▲    | 6                | 01684                 | (000000-                                  | ) Washer, Flt, .25 Ss                      | 1 |
| ▲    | 7                | 32746                 | (000000-                                  | ) Screw, Pan, M06 X 1.0 X 35, Ss           | 3 |
|      | 8                | 17260                 | (000000-                                  | ) Pad, Polish, 20.0d, White                | 2 |
|      | 8                | 17261                 | (000000-                                  | ) Pad, Buff, 20.0d, Red                    | 2 |
|      | 8                | 17262                 | (000000-                                  | ) Pad, Scrub, 20.0d, Blue                  | 2 |
|      | 8                | 17263                 | (000000-                                  | ) Pad, Strip, 20.0d, Brown                 | 2 |
|      | 8                | 370094                | (000000-                                  | ) Pad, Stripping, 20.0D[Hi Prod,Black      | 2 |
|      | 8                | 1051030               | (000000-                                  | ) Pad, Surf Prep, 20.0D [Mar, 1Pick=1Pad]  | 2 |
| ▽    | 9                | 397920                | (000000-                                  | ) Driver Assy, Pad, 20.0D                  | 2 |
| ▲    | 10               | 370080                | (000000-                                  | ) Disk, Pad Drive, W/ Face, 20d            | 1 |
| ▲    | 11               | 15539                 | (000000-                                  | ) Adaptor, Brush                           | 1 |
| ▲    | 12               | 14838                 | (000000-                                  | ) Spring, Wir, 0.16d, Brush Retaining      | 1 |
| ▲    | 13               | 24299                 | (000000-                                  | ) Bracket, Retainer, Spring                | 1 |
| ▲    | 14               | 370090                | (000000-                                  | ) Device, Centering                        | 1 |
| ▲    | 15               | 09198                 | (000000-                                  | ) Screw, Pan, M04 X 0.7 X 35, Ss           | 3 |
| ▲    | 16               | 41579                 | (000000-                                  | ) Washer, Flt, #08 Ss                      | 3 |
| ▲    | 17               | 32746                 | (000000-                                  | ) Screw, Pan, M06 X 1.0 X 35, Ss           | 3 |
| ▲    | 18               | 01684                 | (000000-                                  | ) Washer, Flt, .25 Ss                      | 1 |
|      | 19               | 87419                 | (000000-                                  | ) Brush, Disk, Swp, 19.0D, Pyp (Option)    | 1 |

Fig. 3 - Brushes, Replacement for MaxPro 1200

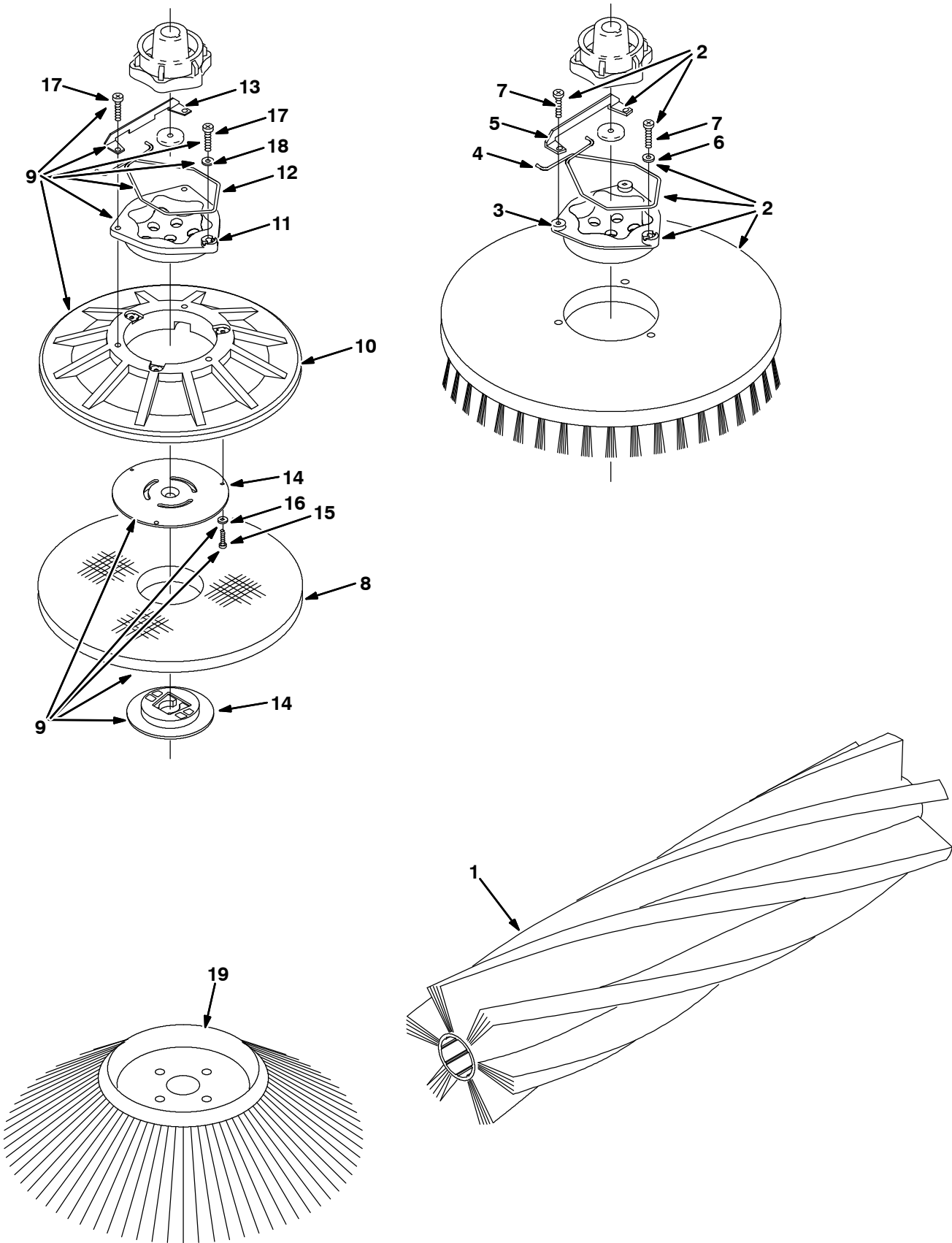


Fig. 3 - Brushes, Replacement for MaxPro 1200

| Ref. | Tennant Part No. | Machine Serial Number | Description                               | Qty.   |   |
|------|------------------|-----------------------|---|--|---|
| 1    | 386231           | (000000-              | ) Brush, Scrub, 47l, 20sr, Pyp, Spl       | 2  |   |
| 1    | 386241           | (000000-              | ) Brush, Scrub, 47l, 20sr, Super Abr, Spl | 2  |   |
| 1    | 386251           | (000000-              | ) Brush, Scrub, 47l, 20sr, Nyl, Spl       | 2  |   |
| ▽    | 2                | 1042504               | (000000-                                  | ) Brush Assy, Disk, Scb, 16.0D, Super Abrasive | 3 |
| ▲    | 3                | 1017368               | (000000-                                  | ) Hub, Drive, Brush, Disk, 3 Hole 5.8Bc        | 1 |
| ▲    | 4                | 14838                 | (000000-                                  | ) Spring, Wir, 0.16d, Brush Retaining          | 1 |
| ▲    | 5                | 24299                 | (000000-                                  | ) Bracket, Retainer, Spring                    | 1 |
| ▲    | 6                | 01684                 | (000000-                                  | ) Washer, Flt, .25 Ss                          | 1 |
| ▲    | 7                | 32746                 | (000000-                                  | ) Screw, Pan, M06 X 1.0 X 35, Ss               | 3 |
| ▽    | 2                | 1042499               | (000000-                                  | ) Brush Assy, Disk, Scb, 16.0D, Nylon          | 3 |
| ▲    | 3                | 1017368               | (000000-                                  | ) Hub, Drive, Brush, Disk, 3 Hole 5.8Bc        | 1 |
| ▲    | 4                | 14838                 | (000000-                                  | ) Spring, Wir, 0.16d, Brush Retaining          | 1 |
| ▲    | 5                | 24299                 | (000000-                                  | ) Bracket, Retainer, Spring                    | 1 |
| ▲    | 6                | 01684                 | (000000-                                  | ) Washer, Flt, .25 Ss                          | 1 |
| ▲    | 7                | 32746                 | (000000-                                  | ) Screw, Pan, M06 X 1.0 X 35, Ss               | 3 |
| ▽    | 2                | 30241                 | (000000-                                  | ) Brush Assy, Disk, Scb, 16.0 D, Pyp           | 3 |
| ▲    | 3                | 1017368               | (000000-                                  | ) Hub, Drive, Brush, Disk, 3 Hole 5.8Bc        | 1 |
| ▲    | 4                | 14838                 | (000000-                                  | ) Spring, Wir, 0.16d, Brush Retaining          | 1 |
| ▲    | 5                | 24299                 | (000000-                                  | ) Bracket, Retainer, Spring                    | 1 |
| ▲    | 6                | 01684                 | (000000-                                  | ) Washer, Flt, .25 Ss                          | 1 |
| ▲    | 7                | 32746                 | (000000-                                  | ) Screw, Pan, M06 X 1.0 X 35, Ss               | 3 |
|      | 8                | 63248-1               | (000000-                                  | ) Pad, Strip, 16.0d, Brown                     | 3 |
|      | 8                | 63248-2               | (000000-                                  | ) Pad, Scrub, 16.0d, Blue                      | 3 |
|      | 8                | 63248-3               | (000000-                                  | ) Pad, Buff, 16.0d, Red                        | 3 |
|      | 8                | 63248-4               | (000000-                                  | ) Pad, Polish, 16.0d, White                    | 3 |
|      | 8                | 370092                | (000000-                                  | ) Pad, Stripping, 16.0d[Hi Prod,Black          | 3 |
|      | 8                | 1051027               | (000000-                                  | ) Pad, Surf Prep, 16.0d [Mar, 1pick=1pad]      | 3 |
| ▽    | 9                | 397916                | (000000-                                  | ) Driver Assy, Pad, 16D                        | 3 |
| ▲    | 10               | 397976                | (000000-                                  | ) Disk, Pad Driver, W/Face, 16D                | 1 |
| ▲    | 11               | 15539                 | (000000-                                  | ) Adaptor, Brush                               | 1 |
| ▲    | 12               | 14838                 | (000000-                                  | ) Spring, Wir, 0.16d, Brush Retaining          | 1 |
| ▲    | 13               | 24299                 | (000000-                                  | ) Bracket, Retainer, Spring                    | 1 |
| ▲    | 14               | 370095                | (000000-                                  | ) Device, Centering                            | 1 |
| ▲    | 15               | 09198                 | (000000-                                  | ) Screw, Pan, M04 X 0.7 X 35, Ss               | 3 |
| ▲    | 16               | 41579                 | (000000-                                  | ) Washer, Flt, #08 Ss                          | 3 |
| ▲    | 17               | 32746                 | (000000-                                  | ) Screw, Pan, M06 X 1.0 X 35, Ss               | 3 |
| ▲    | 18               | 01684                 | (000000-                                  | ) Washer, Flt, .25 Ss                          | 1 |
|      | 19               | 87419                 | (000000-                                  | ) Brush, Disk, Swp, 19.0D, Pyp (Option)        | 1 |

**Fig. 4 - Main Frame Group**

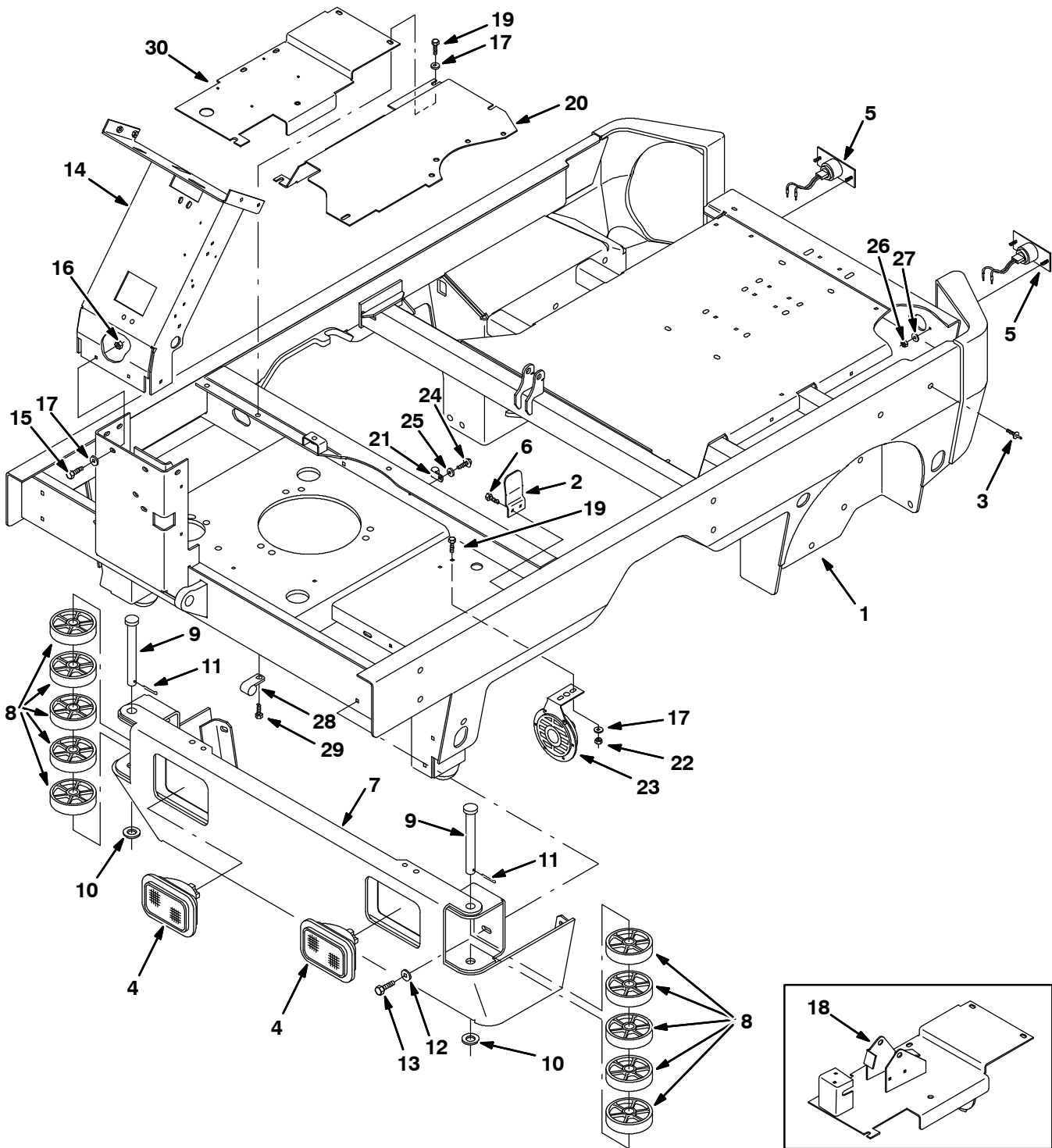


Fig. 4 - Main Frame Group

| Ref. | Tennant Part No. | Machine Serial Number | Description                             | Qty.                                      |    |
|------|------------------|-----------------------|---|---|----|
| 1    | 386200           | (000000-004999 )      | Frame                                   | 1   |    |
| 1    | 1056383          | (005000-              | Frame Wldt, Main, Iron Gray [7300/8300] | 1   |    |
| 2    | 386923           | (000000-004999 )      | Plate, Cover                            | 1   |    |
| 2    | 1056496          | (005000-              | Plate, Cover, Iron Gray                 | 1   |    |
| 3    | 365252           | (000000-              | Rivet, Plstc, .25 D X 0.75              | 24  |    |
| ▽    | 4                | 223044                | (000000-                                | Headlight, 36vdc, 15cp, 0.7a              | 2  |
| ▲    |                  | 360518                | (000000-                                | Lamp, 36vdc, 32cp, .72a                   | 1  |
| ▽    | 5                | 87346                 | (000000-                                | Taillight, 12vdc, 3.6 X 1.9, Rework 87277 | 2  |
| ▲    |                  | 87948                 | (000000-                                | Lamp                                      | 1  |
| ▲    |                  | 87949                 | (000000-                                | Lampholder                                | 1  |
|      | 6                | 06943                 | (000000-                                | Screw, Hex, M06 X 1.0 X 20, 8.8           | 2  |
|      | 7                | 386480                | (000000-004999 )                        | Bumper Wldt                               | 1  |
|      | 7                | 1056786               | (005000-                                | Bumper Wldt, Iron Gray                    | 1  |
|      | 8                | 364085                | (000000-                                | Wheel, 4.0d 0.98w 0.78b                   | 10 |
|      | 9                | 51414                 | (000000-                                | Pin, Clevis, 0.75 D X 6.50l               | 2  |
|      | 10               | 39350                 | (000000-                                | Washer, Flt, .75 Sae                      | 2  |
|      | 11               | 08236                 | (000000-                                | Pin, Cotter, .156 X 1.25                  | 2  |
|      | 12               | 01685                 | (000000-                                | Washer, Flt, .31 Ss                       | 8  |
|      | 13               | 09740                 | (000000-                                | Screw, Hex, M08 X 1.25 X 20, Ss           | 8  |
|      | 14               | 386450                | (000000-004999 )                        | Channel Wldt, Steering                    | 1  |
|      | 14               | 1056387               | (005000-                                | Channel Wldt, Steering, Iron Gray         | 1  |
|      | 15               | 16931                 | (000000-                                | Screw, Hex, M08 X 1.25 X 20, 8.8          | 5  |
|      | 16               | 08709                 | (000000-                                | Nut, Hex, Lock, M08 X 1.25,NI             | 5  |
|      | 17               | 32491                 | (000000-                                | Washer, Flt, .31 Std                      | 12 |
|      | 18               | 386157                | (000000-001946 )                        | Plate Wldt, Floor                         | 1  |
|      | 19               | 16735                 | (000000-                                | Screw, Hex, M08 X 1.25 X 16, 8.8          | 12 |
|      | 20               | 386159                | (000000-004999 )                        | Plate, Floor, Upper                       | 1  |
|      | 20               | 1056465               | (005000-                                | Plate, Floor, Upper, Iron Gray            | 1  |
|      | 21               | 67767                 | (000000-                                | Clamp, Cable, Stl, 0.69d X 0.62w, 1h      | 1  |
|      | 22               | 07791                 | (000000-                                | Nut, Hex, Flng, M08 X 1.25                | 2  |
|      | 23               | 369702                | (000000-                                | Horn, 36vdc, Dba                          | 1  |
|      | 24               | 12459                 | (000000-                                | Screw, Hex, M06 X 1.0 X 20, Fmg           | 1  |
|      | 25               | 01684                 | (000000-                                | Washer, Flt, .25 Ss                       | 1  |
|      | 26               | 01713                 | (000000-                                | Nut, Hex, Lock, M05 X 0.8, Ni             | 4  |
|      | 27               | 32980                 | (000000-                                | Washer, Lock, Int, #10                    | 4  |
|      | 28               | 67767                 | (000000-                                | Clamp, Cable, Stl, 0.69d X 0.62w, 1h      | 2  |
|      | 29               | 361339                | (000000-                                | Screw, Hex, M06 X 1.0 X 16, Fmg           | 2  |
|      | 30               | 387654                | (001947-004999 )                        | Plate, Floor                              | 1  |
|      | 30               | 1056809               | (005000-                                | Plate, Floor, Iron Gray                   | 1  |

Fig. 5 - Covers Group, Front

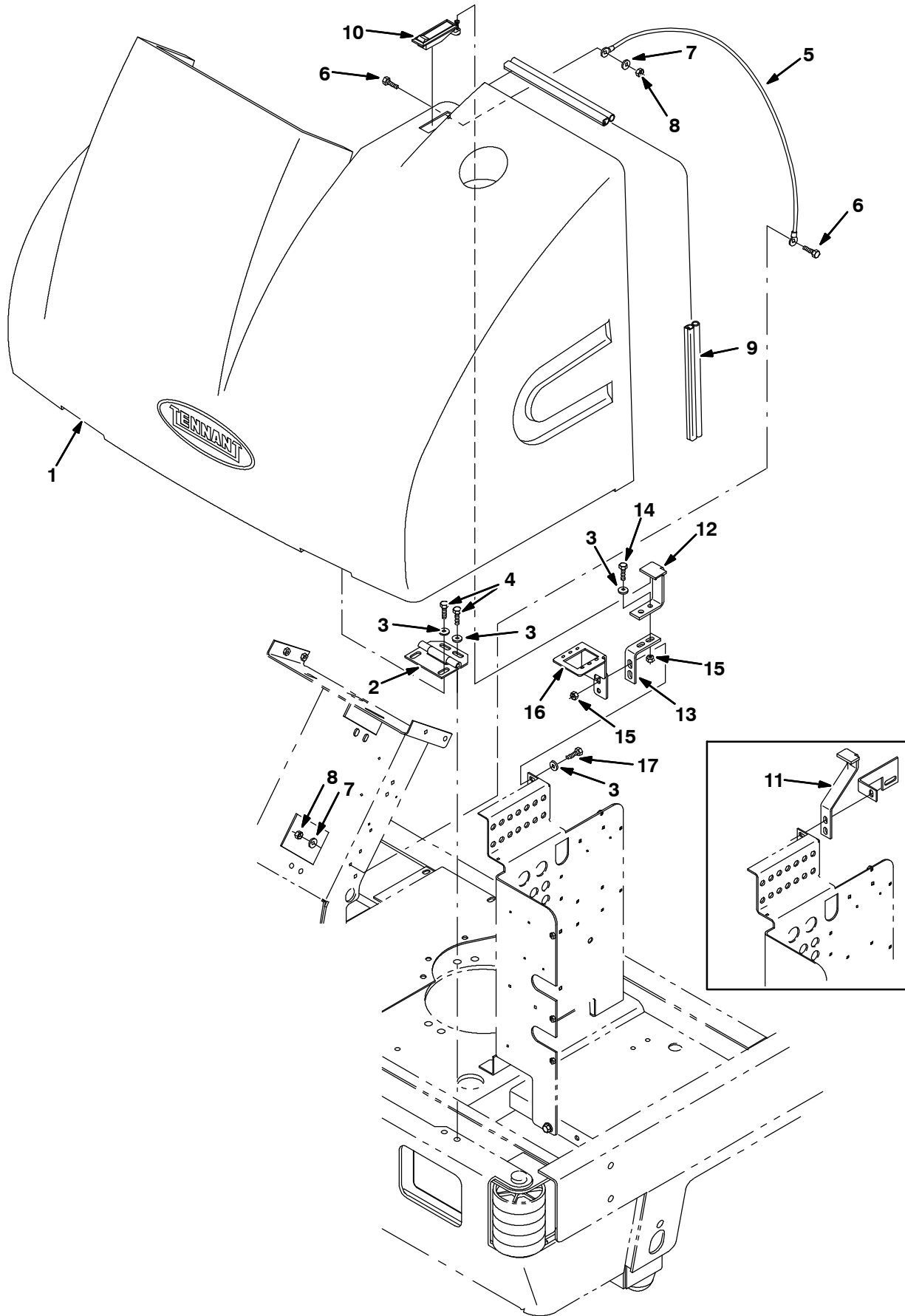




Fig. 5 - Covers Group, Front

| Ref. | Tennant Part No. | Machine Serial Number | Description                             | Qty. |
|------|------------------|-----------------------|---|------|
| 1    | 386120           | (000000-004999 )      | Cover, Front                            | 1    |
| 1    | 1056432          | (005000-              | Cover, Front, Teal                      | 1    |
| 2    | 386124           | (000000-              | Hinge, .38pin .11 3.5w 04.0l 4/0.38slot | 2    |
| 3    | 32491            | (000000-              | Washer, Flt, .31 Std                    | 12   |
| 4    | 49826            | (000000-              | Screw, Hex, M08 X 1.25 X 16, Ss, NI     | 8    |
| 5    | 387021           | (000000-              | Cable Assy                              | 1    |
| 6    | 06943            | (000000-              | Screw, Hex, M06 X 1.0 X 20, 8.8         | 2    |
| 7    | 32483            | (000000-              | Washer, Flt, .25 Sae                    | 2    |
| 8    | 08708            | (000000-              | Nut, Hex, Lock, M06 X 1.0, NI           | 2    |
| 9    | 387033           | (000000-              | Seal, Bulb, [Sd-504], 48.70l            | 1    |
| 10   | 64533            | (000000-              | Latch, Trigger                          | 1    |
| 11   | 387460           | (000000-001154 )      | Kit, Replmt, Bracket, F/386211          | 1    |
| 12   | 387450           | (001155-004999 )      | Bracket, Latch, Cover                   | 1    |
| 12   | 1056483          | (005000-              | Bracket, Latch, Cover, Iron Gray        | 1    |
| 13   | 387451           | (001155-004999 )      | Bracket, Latch, Cover                   | 1    |
| 13   | 1056484          | (005000-              | Bracket, Latch, Cover, Iron Gray        | 1    |
| 14   | 16931            | (001155-              | Screw, Hex, M08 X 1.25 X 20, 8.8        | 2    |
| 15   | 08709            | (001155-              | Nut, Hex, Lock, M08 X 1.25,NI           | 2    |
| 16   | 387634           | (001706-004999 )      | Bracket, Mtg, Circuitbreaker, [Hi-Mag]  | 1    |
| 16   | 1056487          | (005000-              | Bracket, Mtg, Circuitbreaker [Hi-Mag]   | 1    |
| 17   | 76570            | (001706-              | Screw, Hex, M 8 X 1.25 X 30, 8.8        | 2    |

Fig. 6 - Covers Group, Rear

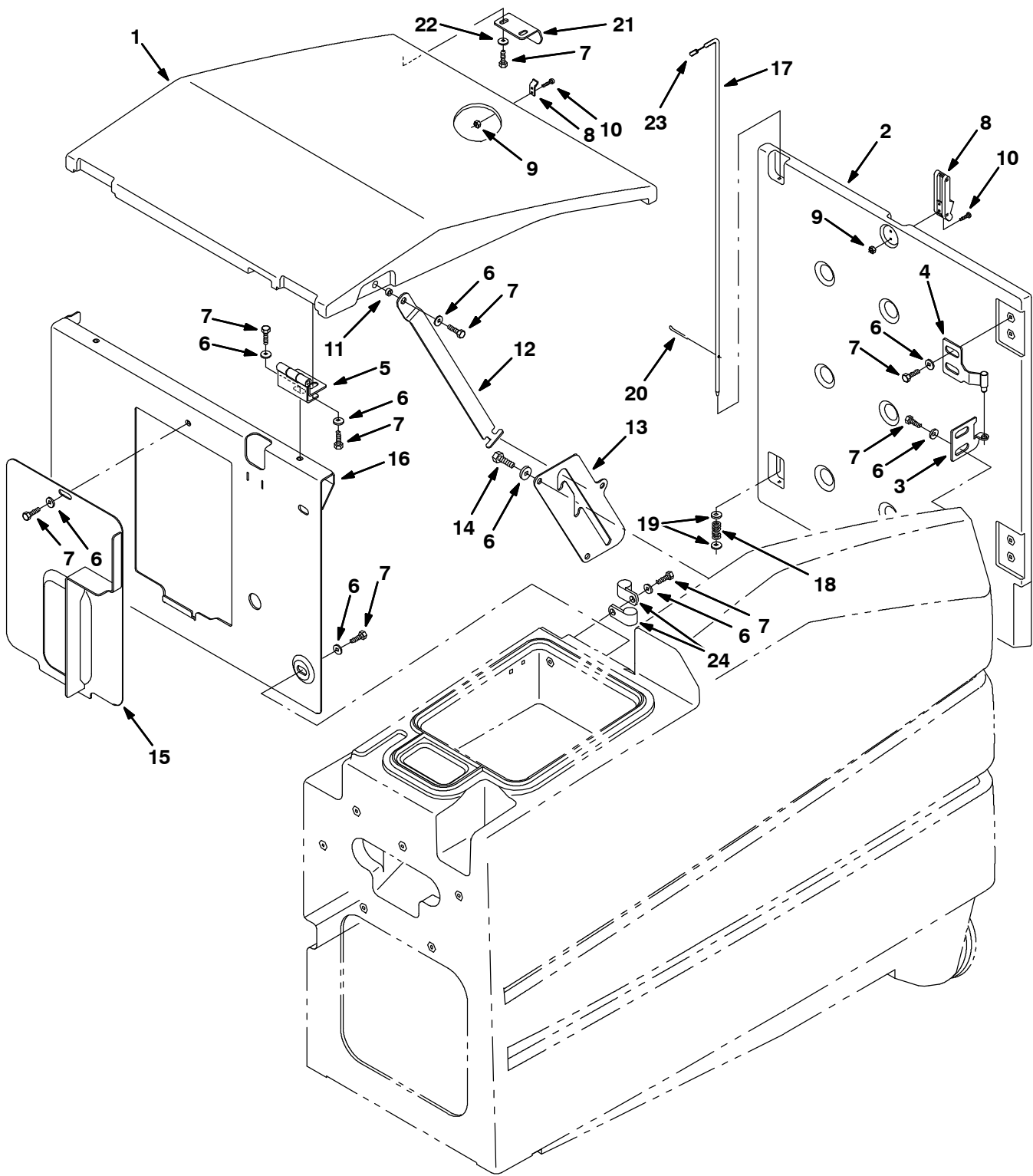


Fig. 6 - Covers Group, Rear

| Ref. | Tennant Part No. | Machine Serial Number | Description                          | Qty. |
|------|------------------|-----------------------|--------------------------------------|------|
| 1    | 386201           | (000000-004999 )      | Cover, Tank, Top                     | 1    |
| 1    | 1056433          | (005000-              | Cover, Tank, Top, Teal               | 1    |
| 2    | 386202           | (000000-004999 )      | Cover, Rear                          | 1    |
| 2    | 1056434          | (005000-              | Cover, Rear, Teal                    | 1    |
| 3    | 386993           | (000000-004999 )      | Plate, Hinge                         | 2    |
| 3    | 1056479          | (005000-              | Plate, Hinge, Iron Gray              | 2    |
| 4    | 386995           | (000000-004999 )      | Hinge Wldt, W/ Pin                   | 2    |
| 4    | 1056388          | (005000-              | Hinge Wldt, W/ Pin, Iron Gray        | 2    |
| 5    | 386437           | (000000-004999 )      | Hinge Assy                           | 2    |
| 5    | 1056475          | (005000-              | Hinge Assy, Iron Gray                | 2    |
| 6    | 01685            | (000000-              | Washer, Flt, .31 Ss                  | 24   |
| 7    | 09740            | (000000-              | Screw, Hex, M08 X 1.25 X 20, Ss      | 23   |
| 8    | 49800            | (000000-              | Latch                                | 1    |
| 9    | 02850            | (000000-              | Nut, Hex, Lock, M04 X 0.7, NI        | 4    |
| 10   | 49697            | (000000-              | Screw, Pan, M04 X 0.7 X 10, Ss       | 4    |
| 11   | 360801           | (000000-              | Sleeve                               | 1    |
| 12   | 386461           | (000000-              | Rod                                  | 1    |
| 13   | 386413           | (000000-004999 )      | Plate                                | 1    |
| 13   | 1056472          | (005000-              | Plate, Iron Gray                     | 1    |
| 14   | 09010            | (000000-              | Screw, Hex, M08 X 1.25 X 25, Ss      | 3    |
| 15   | 386433           | (000000-004999 )      | Cover Wldt                           | 1    |
| 15   | 1056386          | (005000-              | Cover Wldt, Iron Gray                | 1    |
| 16   | 387348           | (000000-              | Panel Wldt, Front W/ Label           | 1    |
| 17   | 386761           | (000000-              | Rod, Rear Door                       | 1    |
| 18   | 54743            | (000000-              | Spring, Cmpr, 0.36od .04wir 2.5l     | 1    |
| 19   | 01684            | (000000-              | Washer, Flt, .25 Ss                  | 2    |
| 20   | 08178            | (000000-              | Pin, Cotter, .062 X 0.75             | 1    |
| 21   | 386634           | (000000-              | Bracket                              | 1    |
| 22   | 01684            | (000000-              | Washer, Flt, .25 Ss                  | 2    |
| 23   | 386973           | (000000-              | Cap, Vyl, .234id .750l .04           | 1    |
| 24   | 82829            | (000000-              | Clamp, Cable, Stl, 0.63d X 0.75w, 1h | 2    |

Fig. 7 - Electrical Instrument Panel Group

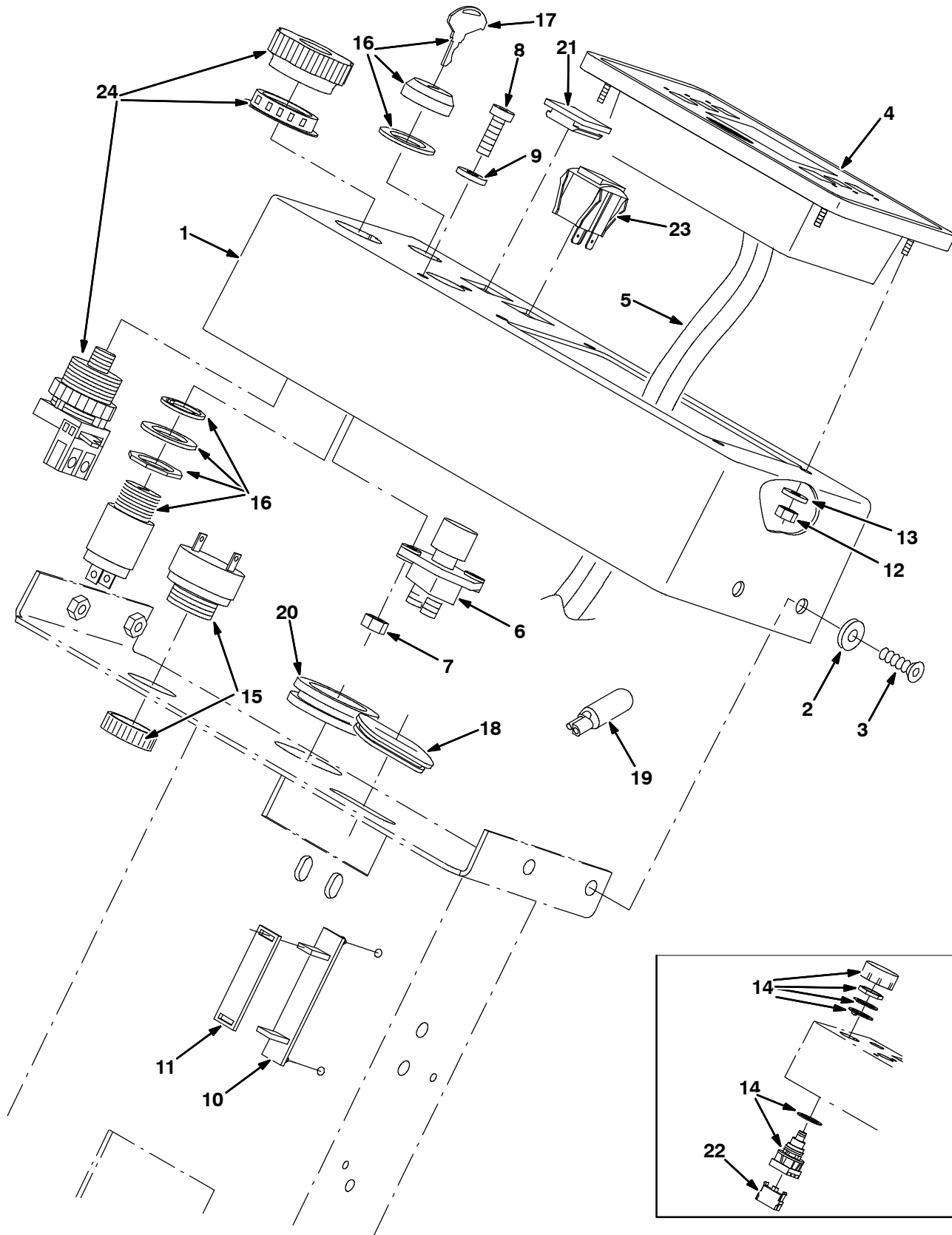


Fig. 7 - Electrical Instrument Panel Group

| Ref. | Tennant Part No. | Machine Serial Number | Description                                   | Qty.                          |   |
|------|------------------|-----------------------|---|-------------------------------|---|
| 1    | 386129           | (000000-              | ) Panel, Instmt                               | 1                             |   |
| 2    | 386924           | (000000-              | ) Washer, Finish, M06, PI                     | 4                             |   |
| 3    | 16879            | (000000-              | ) Screw, Flat, M06 X 1.0 X 20, 10.9           | 4                             |   |
| ▽    | 4                | 9008408               | (000000-005351 ) Panel Assy Kit, Touch [7300] | 1                             |   |
| ▲    | 5                | 386311                | (000000-005351 ) Cable, Ribbon, 34 Conductor  | 1                             |   |
| ▽    | 4                | 1065186               | (005352-                                      | ) Panel Assy, Touch [7300]    | 1 |
| ▲    | 5                | 386311                | (005352-                                      | ) Cable, Ribbon, 34 Conductor | 1 |
| 6    | 44078            | (000000-              | ) Switch                                      | 1                             |   |
| 7    | 08708            | (000000-              | ) Nut, Hex, Lock, M06 X 1.0, NI               | 2                             |   |
| 8    | 09007            | (000000-              | ) Screw, Hex, M06 X 1.0 X 25, Ss              | 2                             |   |
| 9    | 32483            | (000000-              | ) Washer, Flt, .25 Sae                        | 2                             |   |
| 10   | 386808           | (000000-              | ) Clamp, Ribbon Cable                         | 1                             |   |
| 11   | 386809           | (000000-              | ) Clamp, Ribbon Cable, Hold-Down              | 1                             |   |
| 12   | 06549            | (000000-              | ) Nut, Hex, Lock, M05 X 0.8, NI               | 4                             |   |
| 13   | 19066            | (000000-              | ) Washer, Flt, #10                            | 4                             |   |
| 14   | 78553            | (000000-005030 )      | Switch  | 1                             |   |
| 15   | 386346           | (000000-              | ) Alarm, Warning, 10-48vdc                    | 1                             |   |
| ▽    | 16               | 361076                | (000000-                                      | ) Switch, Start               | 1 |
| ▲    | 17               | 361144                | (000000-                                      | ) Key, Ignition               | 1 |
| 18   | 27928            | (000000-              | ) Grommet, Ribbon Cable, .63 X 1.81           | 1                             |   |
| 19   | 222290           | (000000-              | ) Diode, Ele, Plug                            | 7                             |   |
| 20   | 10632-13         | (000000-              | ) Grommet, Rbr, 1.50id, F/ 1.8h, .31matl      | 1                             |   |
| 21   | 222534           | (000000-              | ) Button, Plug, 1.1 X 1.1h, Black, Plstc      | 2                             |   |
| 22   | 65665            | (000000-005030 )      | Contact, Switch                               | 1                             |   |
| 23   | 360520           | (000000-              | ) Switch, Rocker                              | 1                             |   |
| 24   | 1053842          | (005031-              | ) Switch, Safety, Shutoff                     | 1                             |   |

**Fig. 8 - Steering Group**

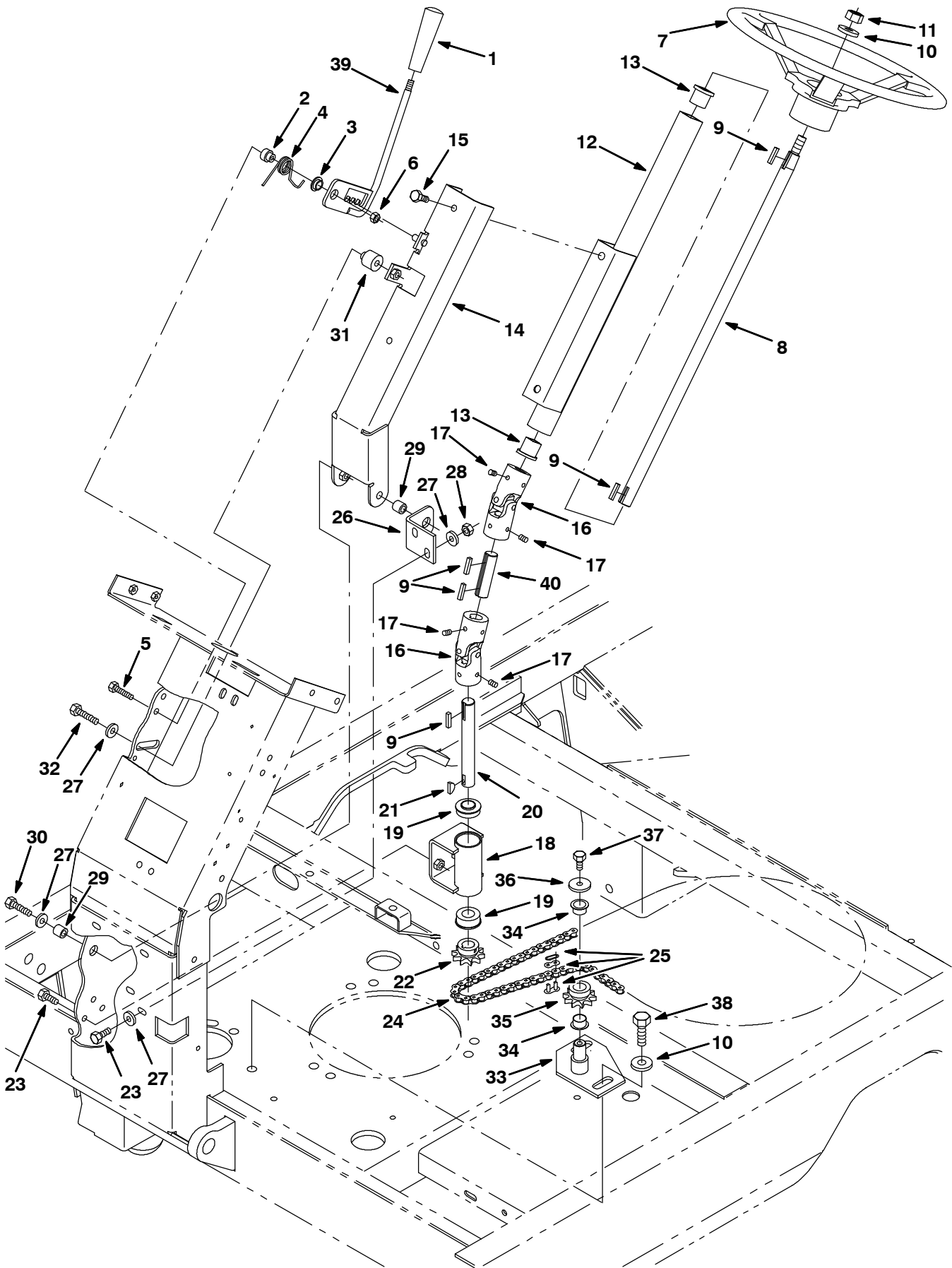


Fig. 8 - Steering Group

| Ref. | Tennant Part No. | Machine Serial Number | Description                                | Qty.                                      |   |
|------|------------------|-----------------------|--|---|---|
| 1    | 59940            | (000000-              | ) Knob                                     | 1   |   |
| 2    | 386149           | (000000-              | ) Pin                                      | 1   |   |
| 3    | 386217           | (000000-              | ) Bearing, Flange                          | 1   |   |
| 4    | 386150           | (000000-              | ) Spring, Torsion                          | 1   |   |
| 5    | 06946            | (000000-              | ) Screw, Hex, M06 X 1.0 X 35, 8.8          | 1   |   |
| 6    | 08708            | (000000-              | ) Nut, Hex, Lock, M06 X 1.0, NI            | 1   |   |
| 7    | 1036490          | (000000-              | ) Wheel, Steering, 14.0d, Taper Bore       | 1   |   |
| 8    | 223061           | (000000-              | ) Shaft, Steering, Upper, Mach, .75d 24.1l | 1   |   |
| 9    | 00912            | (000000-              | ) Key, Sq, 0.19 X 0.19, 01.00l             | 5   |   |
| 10   | 32493            | (000000-              | ) Washer, Flt, .50 Std                     | 2   |   |
| 11   | 08711            | (000000-              | ) Nut, Hex, Lock, M12 X 1.75, NI           | 1   |   |
| 12   | 1056917          | (000000-              | ) Column Wldt, Steering, Iron Gray         | 1   |   |
| 13   | 16367            | (000000-              | ) Bushing, Flng, 0.75b 1.00d 1.00l, Nyl    | 2   |   |
| 14   | 1056851          | (000000-              | ) Bracket Wldt, Steering, Tilt, Iron Gray  | 1   |   |
| 15   | 16735            | (000000-              | ) Screw, Hex, M08 X 1.25 X 16, 8.8         | 2   |   |
| ▽    | 16               | 1040295               | (000000-                                   | ) Joint, U, 0.75ld                        | 2 |
| ▲    | 17               | 39338                 | (000000-                                   | ) Screw, Set, .31-18 X 0.50, Soc          | 8 |
|      | 18               | 1056914               | (000000-                                   | ) Housing Wldt, Brg, Iron Gray            | 1 |
|      | 19               | 223073                | (000000-                                   | ) Bearing, Ball, 0.75b 1.38d 0.50w        | 2 |
|      | 20               | 386975                | (000000-                                   | ) Shaft, Steering, Lower                  | 1 |
|      | 21               | 00500-10              | (000000-                                   | ) Key, Woodruff, 0.19 0.75, [Asa#0606]    | 1 |
|      | 22               | 35996                 | (000000-                                   | ) Sprocket, #40, 10tooth, 0.750b          | 1 |
|      | 23               | 16931                 | (000000-                                   | ) Screw, Hex, M08 X 1.25 X 20, 8.8        | 5 |
|      | 24               | 386447                | (000000-                                   | ) Chain, Roller, #40 X 130 Pitches        | 1 |
|      | 25               | 07112                 | (000000-                                   | ) Link, Chain, Roller, #40                | 1 |
|      | 26               | 1056852               | (000000-                                   | ) Bracket, Sppt, Tilt, Iron Gray          | 1 |
|      | 27               | 32491                 | (000000-                                   | ) Washer, Flt, .31 Std                    | 6 |
|      | 28               | 08709                 | (000000-                                   | ) Nut, Hex, Lock, M08 X 1.25, NI          | 2 |
|      | 29               | 386154                | (000000-                                   | ) Bushing, Sleeve, 0.38b 0.63d 0.57l, Stl | 2 |
|      | 30               | 76570                 | (000000-                                   | ) Screw, Hex, M08 X 1.25 X 30, 8.8        | 2 |
|      | 31               | 386152                | (000000-                                   | ) Sleeve, Support, Tilt                   | 1 |
|      | 32               | 74440                 | (000000-                                   | ) Screw, Hex, M08-1.25 X 40, Ss           | 1 |
|      | 33               | 386143                | (000000-                                   | ) Plate Wldt, Mtg, Idler                  | 1 |
|      | 34               | 16370                 | (000000-                                   | ) Bushing, Flng, 0.71b 0.79d 0.47l        | 2 |
|      | 35               | 14271                 | (000000-                                   | ) Sprocket, #40, 10tooth, 0.787b          | 1 |
|      | 36               | 30013                 | (000000-                                   | ) Washer, Flat, .31 Fender                | 1 |
|      | 37               | 50388                 | (000000-                                   | ) Screw, Hex, M08 X 1.25 X 12, 8.8        | 1 |
|      | 38               | 39285                 | (000000-                                   | ) Screw, Hex, M10 X 1.5 X 40, 8.8         | 2 |
|      | 39               | 386140                | (000000-                                   | ) Handle Wldt, Steering, Tilt             | 1 |
|      | 40               | 386976                | (000000-                                   | ) Shaft, Steering                         | 1 |

Fig. 9 - Seat Group

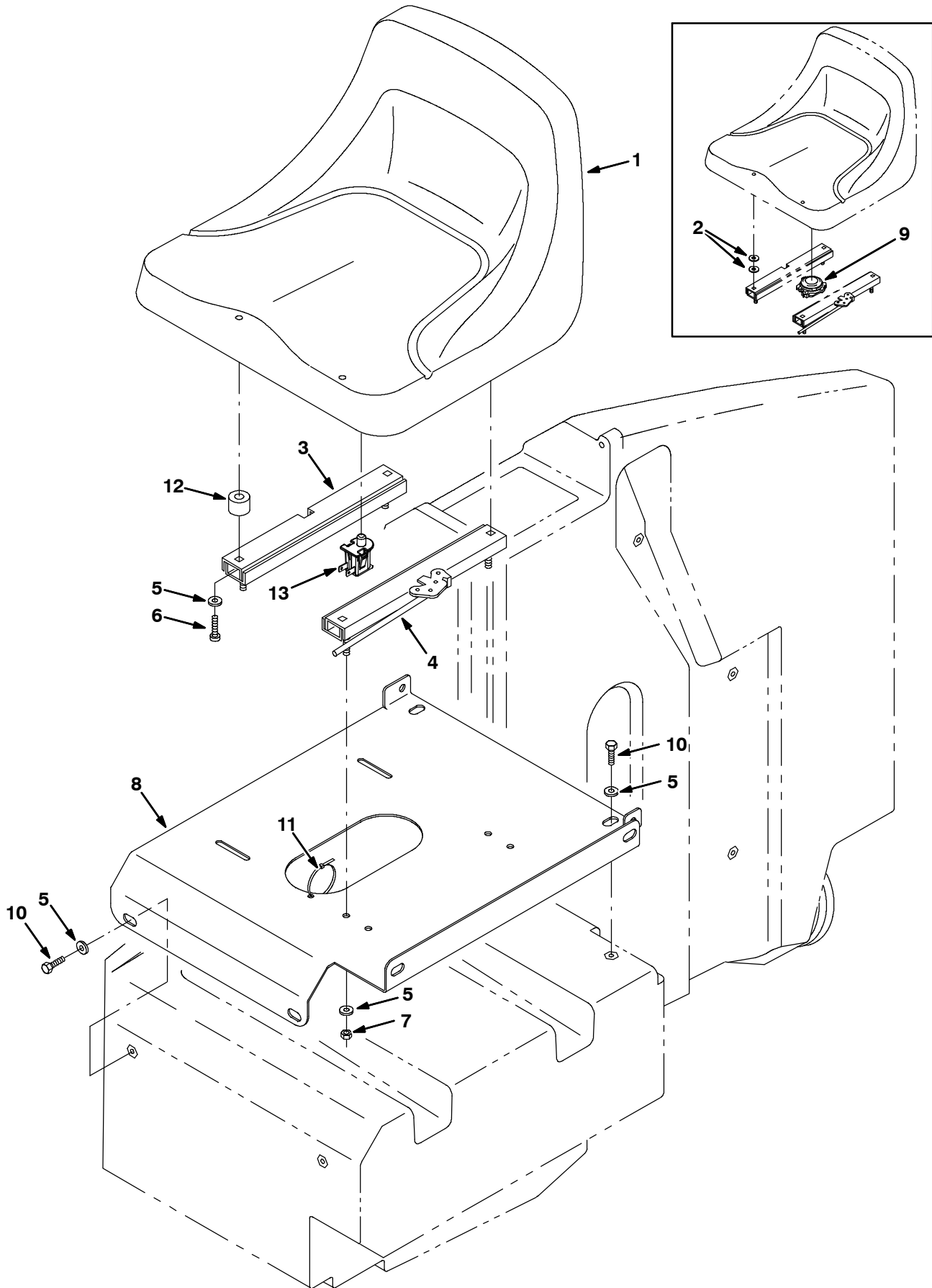




Fig. 9 - Seat Group

| Ref. | Tennant Part No. | Machine Serial Number | Description                           | Qty. |
|------|------------------|-----------------------|---------------------------------------|------|
| 1    | 375411           | (000000-003621 )      | Seat (Replaced by 9005082)            | 1    |
| 1    | 1048932          | (003622-              | Seat, Std [Michigan, Model V-2505]    | 1    |
| 2    | 13248            | (000000-003621 )      | Washer                                | 8    |
| 3    | 360369           | (000000-              | Rail                                  | 1    |
| 4    | 360370           | (000000-              | Rail                                  | 1    |
| 5    | 01685            | (000000-              | Washer, Flt, .31 Ss                   | 14   |
| 6    | 25537            | (000000-003621 )      | Screw, Pan, .31-18 X 0.75, G1         | 4    |
| 6    | 49177            | (003622-              | Screw, Pan, Phl, .31-18 X 1.00, G2    | 4    |
| 7    | 32983            | (000000-              | Nut, Hex, Lock, .31-18, NI            | 4    |
| 8    | 1056855          | (000000-              | Plate, Seat, Iron Gray                | 1    |
| 9    | 223078           | (000000-003621 )      | Switch, Seat                          | 1    |
| 10   | 15675            | (000000-              | Screw, Hex, M08 X 1.25 X 16, Ss       | 6    |
| 11   | 49266            | (000000-              | Tie, Cable, Nyl, 07.3l .19w 1.8 Max D | 1    |
| 12   | 1049092          | (003622-              | Spacer, Rnd, .38B .88D .63L           | 4    |
| 13   | 1048955          | (003622-              | Switch, Seat, No [Delta 6440-04]      | 1    |

**Fig. 10 - Directional Control Group**

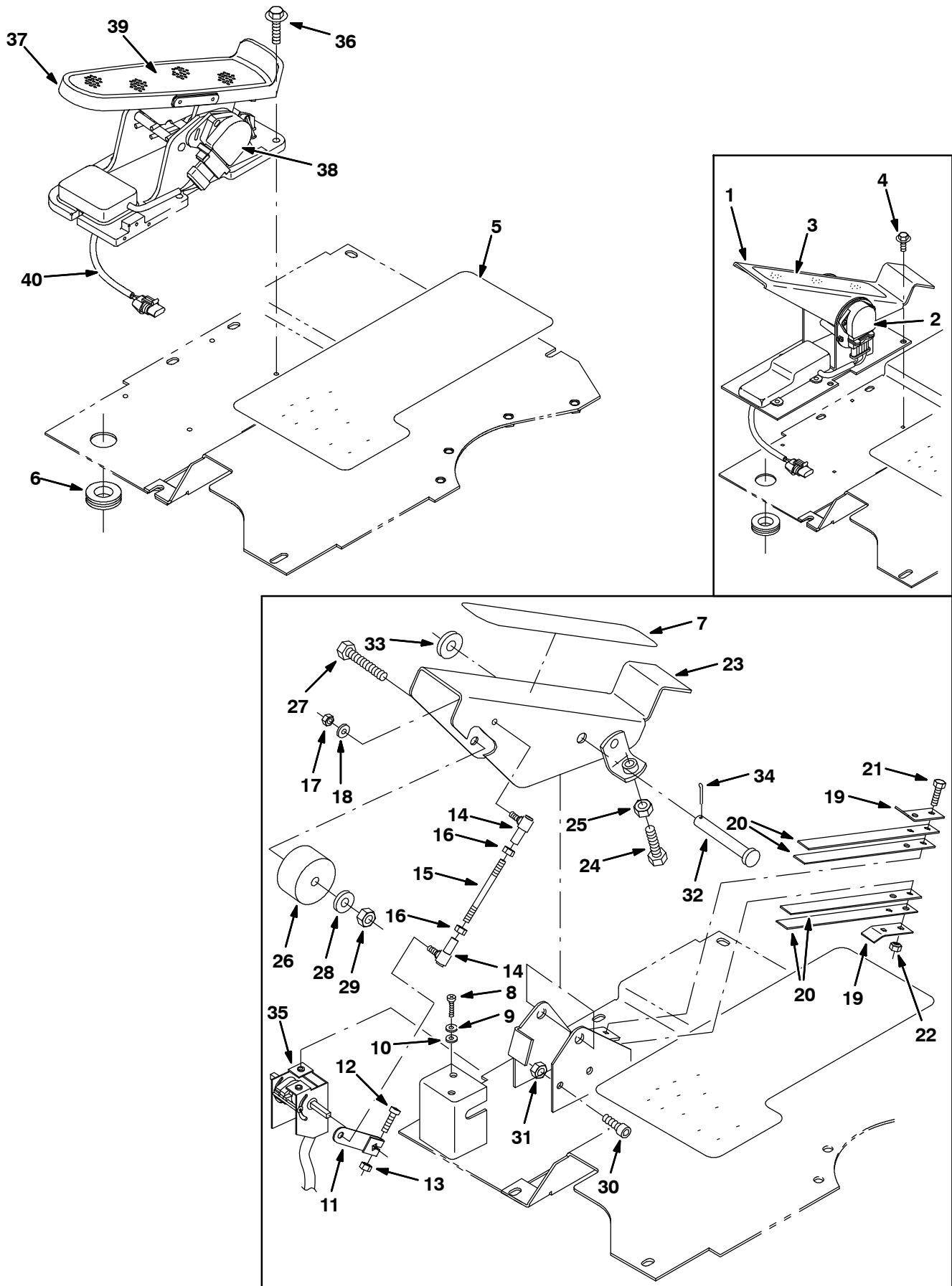


Fig. 10 - Directional Control Group

|   | Ref. | Tennant Part No. | Machine Serial Number | Description                            | Qty. |
|---|------|------------------|-----------------------|--|------|
| ▽ | 1    | 387700           | (001947-003394 )      | Pedal Assy, Foot (Replaced by 1042524) | 1    |
| ▲ | 2    | 385726           | (001947-003394 )      | Sensor, Pedal Position                 | 1    |
| ▲ | 3    | 82839            | (001947-003394 )      | Tread, Non Skid, 2.2w 11.5l            | 1    |
|   | 4    | 74455            | (001947-003394 )      | Screw, Hex, M06-1.0 X 12, Fmg          | 4    |
|   | 5    | 387392           | (001947- )            | Tread, Non-Skid, 06.0w X 15.5l         | 1    |
|   | 6    | 10632            | (001947- )            | Grommet, Rbr, 0.89id, F/ 1.2h, .14matl | 1    |
|   | 7    | 82839            | (000000-001946 )      | Tread, Non-Skid, 02.2 11.5             | 1    |
|   | 8    | 06931            | (000000-001946 )      | Screw, Pan, M05 X 0.8 X 6, 4.8         | 2    |
|   | 9    | 01683            | (000000-001946 )      | Washer, Flt, #10 Ss                    | 2    |
|   | 10   | 32980            | (000000-001946 )      | Washer, Lock, Int, #10                 | 2    |
|   | 11   | 223239           | (000000-001946 )      | Arm, Cntrl, Throttle, Electronic       | 1    |
|   | 12   | 39717            | (000000-001946 )      | Screw, Pan, .25-20 X 1.00, 2           | 1    |
|   | 13   | 32981            | (000000-001946 )      | Nut, Hex, Lock, .25-20, NI             | 1    |
|   | 14   | 14601            | (000000-001946 )      | Balljoint, .25-28 Fem/.25-28mal        | 2    |
|   | 15   | 223090           | (000000-001946 )      | Rod, Thr, 2 End, .25-28 04.4l          | 1    |
|   | 16   | 01714            | (000000-001946 )      | Nut, Hex, Std, .25-28                  | 2    |
|   | 17   | 13513            | (000000-001946 )      | Nut, Hex, Lock, .25-28, NI             | 2    |
|   | 18   | 32490            | (000000-001946 )      | Washer, Flt, .25 Std                   | 2    |
|   | 19   | 223601           | (000000-001946 )      | Retainer, Spring                       | 2    |
|   | 20   | 223600           | (000000-001946 )      | Strip, Stl, 0.05th X 00.75w, 07.80l    | 4    |
|   | 21   | 06944            | (000000-001946 )      | Screw, Hex, M06 X 1.0 X 25, 8.8        | 2    |
|   | 22   | 08708            | (000000-001946 )      | Nut, Hex, Lock, M06 X 1.0, NI          | 2    |
|   | 23   | 223320           | (000000-001946 )      | Pedal Wldt, Accelerator                | 1    |
|   | 24   | 39284            | (000000-001946 )      | Screw, Hex, M10 X 1.5 X 35, 8.8        | 1    |
|   | 25   | 39312            | (000000-001946 )      | Nut, Hex, Std, M10 X 1.5               | 1    |
|   | 26   | 87725            | (000000-001946 )      | Spacer                                 | 1    |
|   | 27   | 06963            | (000000-001946 )      | Screw, Hex, M10 X 1.5 X 60, 8.8        | 1    |
|   | 28   | 32485            | (000000-001946 )      | Washer, Flt, .38 Sae                   | 1    |
|   | 29   | 41430            | (000000-001946 )      | Nut, Hex, Lock, M10 X 1.5, NI          | 1    |
|   | 30   | 39308            | (000000-001946 )      | Screw, Soc, M08 X 1.25 X 25, 12.9      | 1    |
|   | 31   | 08709            | (000000-001946 )      | Nut, Hex, Lock, M08 X 1.25, NI         | 1    |
|   | 32   | 06474A           | (000000-001946 )      | Pin, Clevis, 0.50 D X 3.50l            | 1    |
|   | 33   | 32486            | (000000-001946 )      | Washer, Flt, .50 Sae                   | 1    |
|   | 34   | 08182            | (000000-001946 )      | Pin, Cotter, .125 X 1.00               | 1    |
|   | 35   | 223094           | (000000-001946 )      | Box, Accelerator                       | 1    |
|   | 36   | 222159           | (003395- )            | Screw, Hex, M6 X 1.00 X 25, Fmg        | 4    |
| ▽ | 37   | 1034891          | (003395- )            | Pedal Assy, Propel, 36vdc              | 1    |
| ▲ | 38   | 385726           | (003395- )            | Sensor, Position, Pedal                | 1    |
| ▲ | 39   | 1042514          | (003395- )            | Tread, Non-Skid                        | 1    |
| ▲ | 40   | 1042513          | (003395- )            | Circuitboard, Pedal                    | 1    |

Fig. 11 - Wheel Group, Front Drive

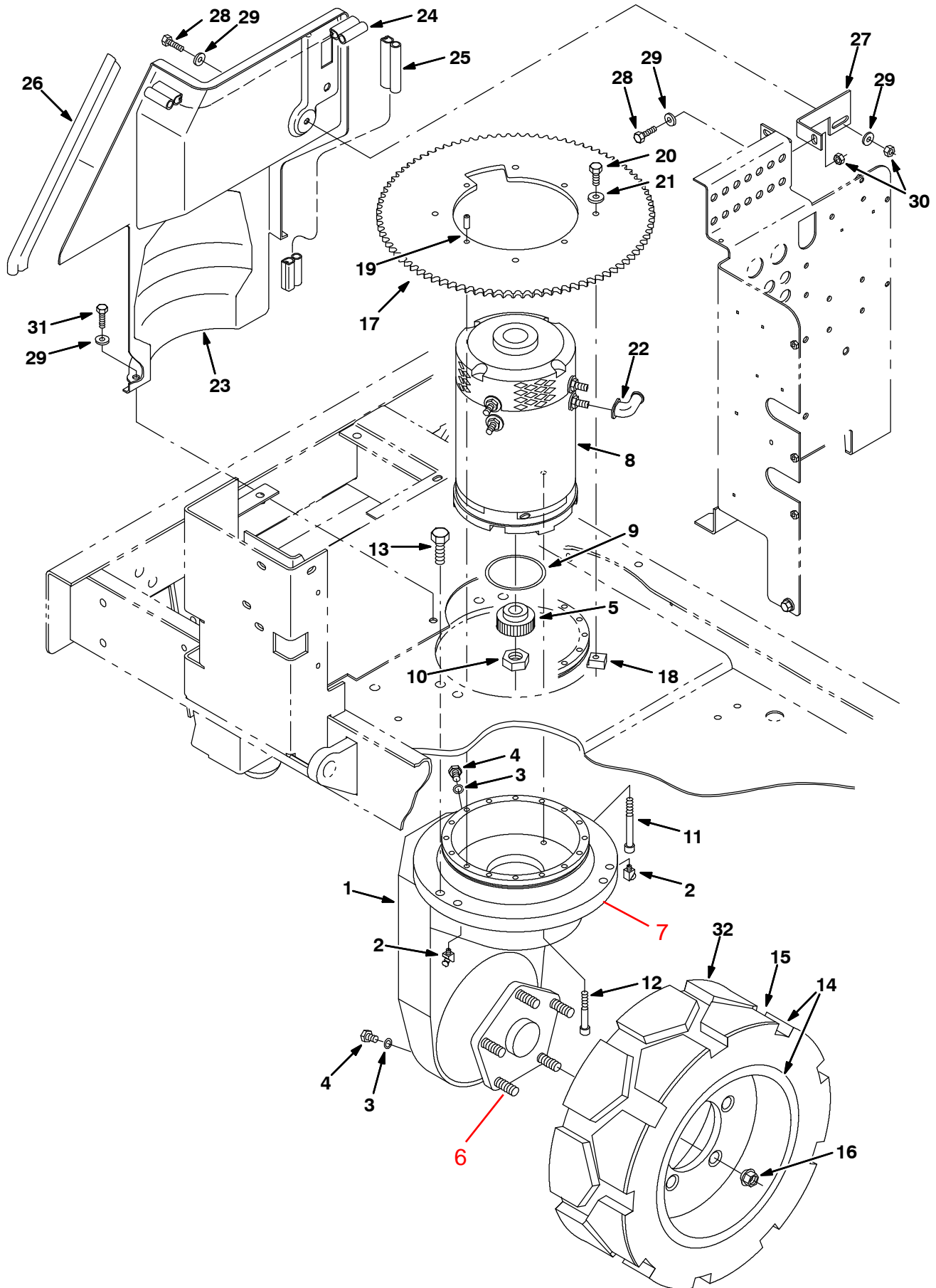


Fig. 11 - Group, Front Drive

|   | Ref. | Tennant Part No. | Machine Serial Number | Description   | Qty. |
|---|------|------------------|-----------------------|---|------|
| ▽ | 1    | 87355            | (000000-              | ) Gearbox, 90, Drive Wheel, Rear, [Hu]                        | 1    |
| ▲ | 2    | 87839            | (000000-              | ) Fitting, Grease   | 2    |
| ▲ | 3    | 87840            | (000000-              | ) Seal, O-Ring  | 2    |
| ▲ | 4    | 87841            | (000000-              | ) Plug  | 2    |
| ▲ | 5    | 87849            | (000000-              | ) Gear, Drive   | 1    |
| ▲ | 6    | 12540            | (000000-              | ) Bolt  | 5    |
| ▲ | 7    | 61791            | (000000-              | ) Bearing   | 1    |
|   | 8    | 60198            | (000000-              | ) Motor, Ele, Vdc 3.0hp Traction,[201] (See Breakdown)        | 1    |
|   | 9    | 360980           | (000000-              | ) Seal, O-Ring, .139 X 2.98id                                 | 1    |
|   | 10   | 43957            | (000000-              | ) Nut, Hex, Std, .50-20                                       | 1    |
|   | 11   | 09030            | (000000-              | ) Screw, Soc, M08 X 1.25 X 80, 12.9                           | 2    |
|   | 12   | 09294            | (000000-              | ) Screw, Soc, M08 X 1.25 X 60, 12.9                           | 1    |
|   | 13   | 41345            | (000000-              | ) Screw, Hex, M12 X 1.75 X 25, 8.8                            | 6    |
| ▽ | 14   | 387660           | (000000-              | ) Tire Assy, Solid, 16.2X6.0 5.7Bc/5 Bolt                     | 1    |
| ▲ | 15   | 387659           | (000000-              | ) Tire, Solid, 16.2X6.0X11.2                                  | 1    |
|   | 16   | 87750            | (000000-              | ) Nut, Wheel, M14-1.5   | 5    |
|   | 17   | 363385           | (000000-              | ) Sprocket Wldt, #40, 96tooth, 7.00 B                         | 1    |
|   | 18   | 14150            | (000000-              | ) Clip, Sprocket  | 4    |
|   | 19   | 14296            | (000000-              | ) Pin, Roll, .310 D X 0.75l, .312/.318                        | 4    |
|   | 20   | 16931            | (000000-              | ) Screw, Hex, M08 X 1.25 X 20, 8.8                            | 4    |
|   | 21   | 41187            | (000000-              | ) Washer, Belleville, .38                                     | 4    |
|   | 22   | 02076            | (000000-              | ) Boot, 90deg .50d .57d X .84                                 | 4    |
| ▽ | 23   | 387346           | (000000-004999        | ) Panel, Motor, Cover W/ Label                                | 1    |
| ▲ | 24   | 386458           | (000000-004999        | ) Seal, Bulb, [Sd-504], 15.52l                                | 1    |
| ▲ | 25   | 386459           | (000000-004999        | ) Seal, Bulb, [Sd-504], 27.90l                                | 1    |
| ▲ | 26   | 386558           | (000000-004999        | ) Seal, Bulb, [Sd-168], 12.50l                                | 1    |
| ▽ | 23   | 9006951          | (005000-              | ) Panel, Motor, Cover, W/ Label, Teal                         | 1    |
| ▲ | 24   | 386458           | (005000-              | ) Seal, Bulb, [Sd-504], 15.52l                                | 1    |
| ▲ | 25   | 386459           | (005000-              | ) Seal, Bulb, [Sd-504], 27.90l                                | 1    |
| ▲ | 26   | 386558           | (005000-              | ) Seal, Bulb, [Sd-168], 12.50l                                | 1    |
|   | 27   | 387035           | (000000-004999        | ) Bracket, Panel  | 1    |
|   | 27   | 1056675          | (005000-              | ) Bracket, Panel  | 1    |
|   | 28   | 16931            | (000000-              | ) Screw, Hex, M08 X 1.25 X 20, 8.8                            | 2    |
|   | 29   | 32491            | (000000-              | ) Washer, Flt, .31 Std  | 8    |
|   | 30   | 08709            | (000000-              | ) Nut, Hex, Lock, M08 X 1.25,NI                               | 2    |
|   | 31   | 16735            | (000000-              | ) Screw, Hex, M08 X 1.25 X 16, 8.8                            | 4    |
|   | 32   | 1059346          | (000000-              | ) Tire, Drive, Scrbr, Non-Skid, 16.0X6.0 (Option)             | 1    |
|   | 32   | 1061975          | (000000-              | ) Tire, Drive, Scrbr, Pu, Grey,16.0X6.0 (Polyurethane Option) | 1    |

Fig. 12 - Brake Pedal Group

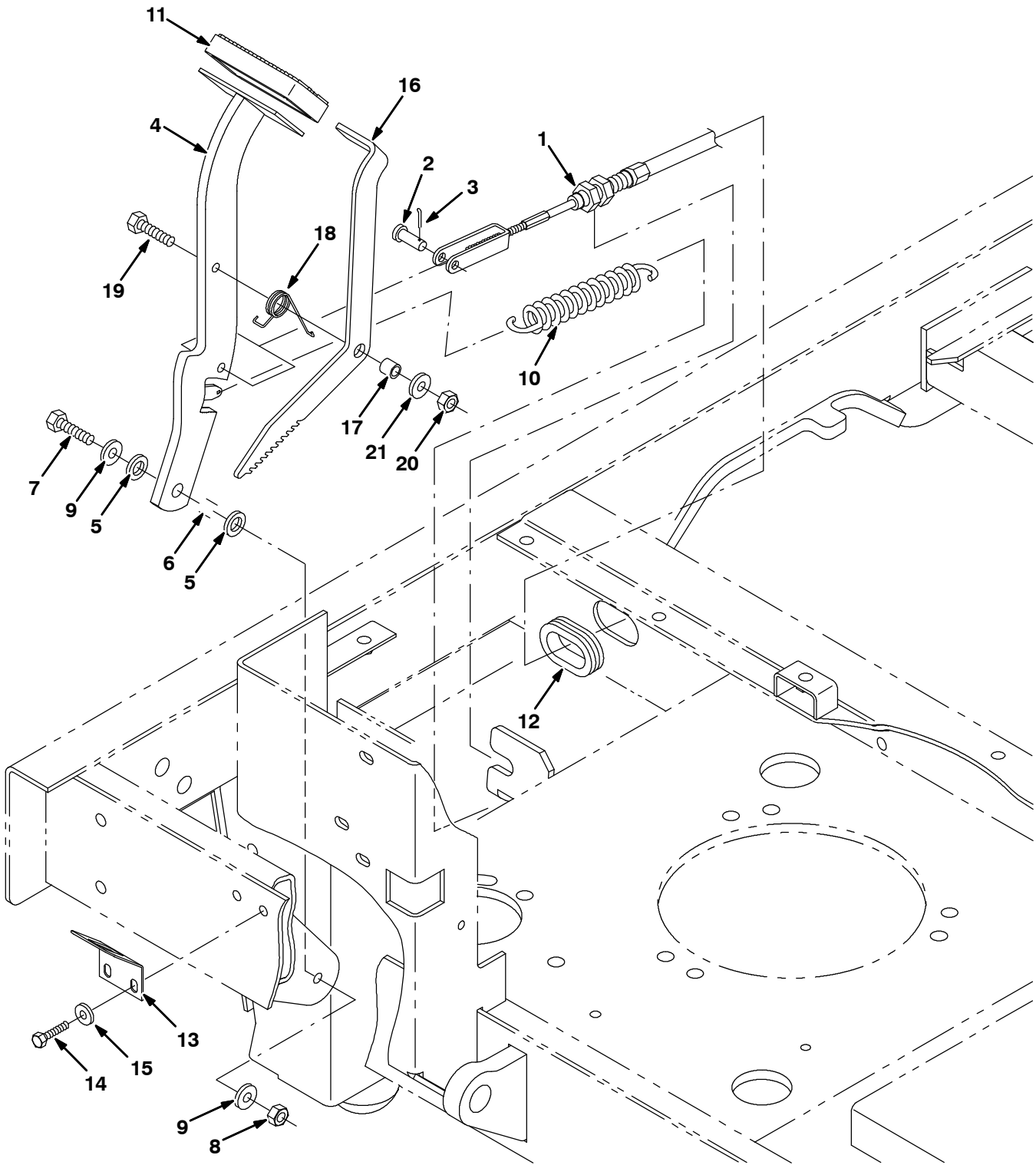


Fig. 12 - Brake Pedal Group

| Ref. | Tennant Part No. | Machine Serial Number | Description                              | Qty. |
|------|------------------|-----------------------|--|------|
| 1    | 386229           | (000000-              | ) Cable, Pull                            | 1    |
| 2    | 69582            | (000000-              | ) Pin, Clevis, 0.31 D X 1.00l            | 1    |
| 3    | 39005            | (000000-              | ) Pin, Cotter, .094 X 0.75               | 1    |
| 4    | 1056860          | (000000-              | ) Lever Wldt, Iron Gray                  | 1    |
| 5    | 86860            | (000000-              | ) Bearing, Thrust                        | 2    |
| 6    | 222460           | (000000-              | ) Sleeve                                 | 1    |
| 7    | 09026            | (000000-              | ) Screw, Hex, M08 X 1.25 X 40, Ss        | 1    |
| 8    | 08713            | (000000-              | ) Nut, Hex, Lock, M08 X 1.25,NI, Ss      | 1    |
| 9    | 01685            | (000000-              | ) Washer, Flt, .31 Ss                    | 2    |
| 10   | 379217           | (000000-              | ) Spring, Extn, 1.00od X 0.11wir, 5.5l   | 1    |
| 11   | 51109            | (000000-              | ) Pad                                    | 1    |
| 12   | 10632-13         | (000000-              | ) Grommet, Rbr, 1.50id, F/ 1.8h, .31matl | 1    |
| 13   | 386915           | (000000-              | ) Plate, Stop                            | 1    |
| 14   | 06943            | (000000-              | ) Screw, Hex, M06 X 1.0 X 20, 8.8        | 2    |
| 15   | 32490            | (000000-              | ) Washer, Flt, .25 Std                   | 2    |
| 16   | 1056937          | (000000-              | ) Pedal, Brake, Parking, Iron Gray       | 1    |
| 17   | 46563            | (000000-              | ) Bushing, Sleeve, 0.37b 0.50d 0.50l     | 1    |
| 18   | 59009            | (000000-              | ) Spring, Tors, 0.75id .06wir 02.8coil   | 1    |
| 19   | 06955            | (000000-              | ) Screw, Hex, M08 X 1.25 X 35, 8.8       | 1    |
| 20   | 08709            | (000000-              | ) Nut, Hex, Lock, M08 X 1.25,NI          | 1    |
| 21   | 39349            | (000000-              | ) Washer, Flt, .31 Sae                   | 1    |

**Fig. 13 - Wheel And Brake Group, Rear**

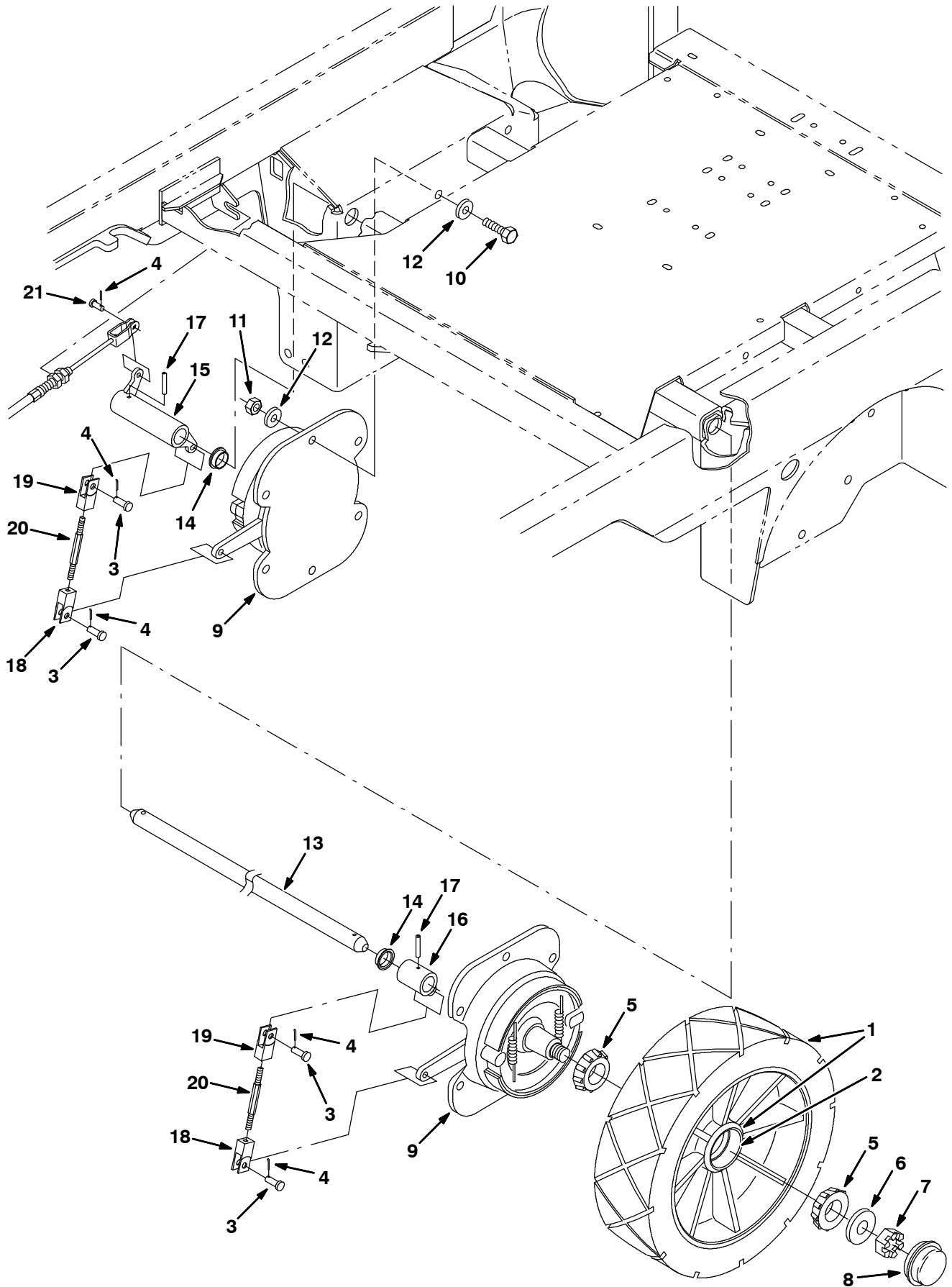




Fig. 13 - Wheel And Brake Group, Rear

|   | Ref. | Tennant Part No. | Machine Serial Number | Description  | Qty. |
|---|------|------------------|-----------------------|--|------|
| ▽ | 1    | 1059348          | (000000-              | ) Tire, Idler, Scrbr, Blk, 16.0X5.0                            | 2    |
| ▲ | 2    | 51338            | (000000-              | ) Bearing, Cup, 2.56d 0.55w                                    | 2    |
| ▽ | 1    | 1061976          | (000000-              | ) Tire, Idler, Scrbr, Pu, Grey, 16.0X5.0 (Polyurethane Option) | 2    |
| ▲ | 2    | 51338            | (000000-              | ) Bearing, Cup, 2.56d 0.55w                                    | 2    |
| ▽ | 1    | 387015           | (000000-              | ) Tire Assy, Non-Skid, 16X5X12.12 (Option)                     | 2    |
| ▲ | 2    | 51338            | (000000-              | ) Bearing, Cup, 2.56d 0.55w                                    | 2    |
|   | 3    | 09088            | (000000-              | ) Pin, Clevis, 0.37 D X 1.00l                                  | 4    |
|   | 4    | 39005            | (000000-              | ) Pin, Cotter, .094 X 0.75                                     | 5    |
|   | 5    | 51339            | (000000-              | ) Bearing, Cone, 1.38b 0.71w                                   | 4    |
|   | 6    | 32969            | (000000-              | ) Washer, Flat, 1.00 Sae Hard                                  | 2    |
|   | 7    | 14242            | (000000-              | ) Nut, Hex, Sltd, 1.00-20                                      | 2    |
|   | 8    | 54390            | (000000-              | ) Cap, Hub 2.567 Hole  | 2    |
| ▽ | 9    | 54577            | (000000-              | ) Brake Assy   | 2    |
| ▲ |      | 66211            | (000000-              | ) Brake Shoes  | 2    |
| ▲ |      | 66213            | (000000-              | ) Brake Repair Kit   | 1    |
| ▲ |      | 70161            | (000000-              | ) Chrome Pltd Cam Shaft  | 1    |
| ▲ |      | 70158            | (000000-              | ) Return Spring-Brakes   | 2    |
|   | 10   | 06969            | (000000-              | ) Screw, Hex, M12 X 1.75 X 40, 8.8                             | 12   |
|   | 11   | 08711            | (000000-              | ) Nut, Hex, Lock, M12 X 1.75,NI                                | 12   |
|   | 12   | 32486            | (000000-              | ) Washer, Flt, .50 Sae   | 24   |
|   | 13   | 386367           | (000000-              | ) Shaft  | 1    |
|   | 14   | 83733            | (000000-              | ) Bushing, Flng, 1.00b 1.13d 0.38l                             | 2    |
|   | 15   | 1056859          | (000000-              | ) Arm Wldt, Brake, Rh, Iron Gray [7200]                        | 1    |
|   | 16   | 1056861          | (000000-              | ) Arm Wldt, Brake, Lh, Iron Gray [7200]                        | 1    |
|   | 17   | 26315            | (000000-              | ) Pin, Roll, .250 D X 1.50l, .250/.256                         | 2    |
|   | 18   | 1023676          | (000000-              | ) Clevis, Adj, 0.38pin, 0.31-24, PI                            | 2    |
|   | 19   | 1023677          | (000000-              | ) Clevis, Adj, 0.38pin, 0.31-24, Lh, PI                        | 2    |
|   | 20   | 386378           | (000000-              | ) Rod, Threaded  | 2    |
|   | 21   | 10120            | (000000-              | ) Pin, Clevis, 0.31 D X 0.75l                                  | 1    |

**Fig. 14 - Solution Tank Group**

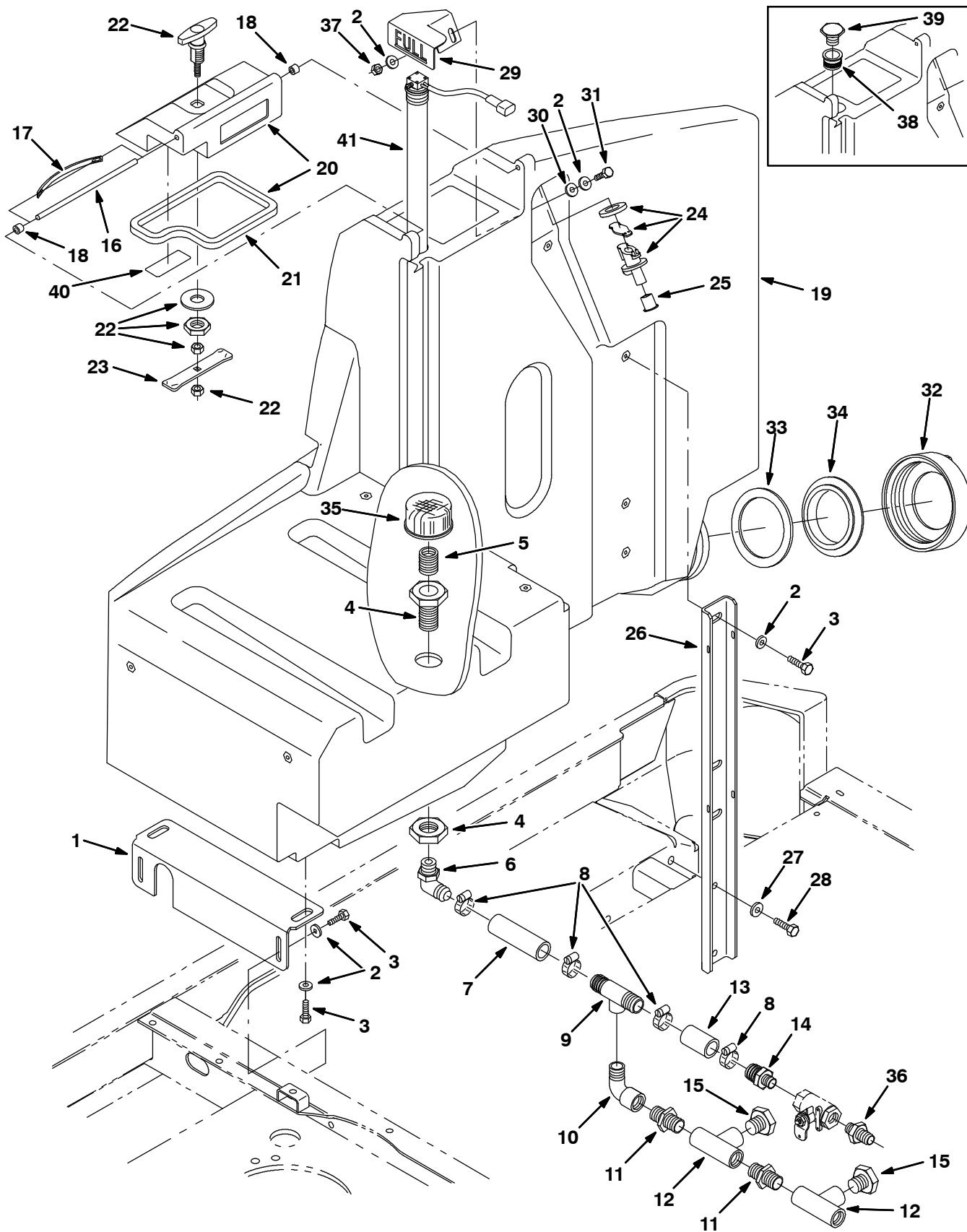


Fig. 14 - Solution Tank Group

| Ref. | Tennant Part No. | Machine Serial Number | Description                                | Qty.                                       |   |
|------|------------------|-----------------------|--|--|---|
| 1    | 1056849          | (000000-              | ) Bracket, Mtg, Tank, Iron Gray            | 1  |   |
| 2    | 01685            | (000000-              | ) Washer, Flt, .31 Ss                      | 9  |   |
| 3    | 12273            | (000000-              | ) Screw, Hex, M08 X 1.25 X 20, Ss, NI      | 7  |   |
| 4    | 386224           | (000000-              | ) Fitting, Plstc, Bkhd, Pf16/Pf16          | 1  |   |
| 5    | 223499           | (000000-              | ) Fitting, Plstc, Str, Pm16/Pm16 Close     | 1  |   |
| 6    | 365093           | (000000-              | ) Fitting, Plstc, E90, 16bm/16pm           | 1  |   |
| 7    | 386420           | (000000-              | ) Hose, Water, 1.0id 4.5l                  | 1  |   |
| 8    | 11399            | (000000-              | ) Clamp, Hose, Wormdrive, 0.81-1.50d       | 4  |   |
| 9    | 365096           | (000000-              | ) Fitting, Plstc, Tee, Bm16/Pf12/Bm16      | 1  |   |
| 10   | 69785            | (000000-              | ) Fitting, Plstc, E90, Pm12/Pf12           | 1  |   |
| 11   | 24544            | (000000-              | ) Fitting, Plstc, Str, Pm12/Pm12           | 2  |   |
| 12   | 42133A           | (000000-              | ) Fitting, Plstc, Tee, Pf12/Pf12/Pf12      | 2  |   |
| 13   | 386421           | (000000-              | ) Hose, Water, 1.0id 2.25l                 | 1  |   |
| 14   | 57379            | (000000-              | ) Fitting, Plstc, Str, Pm12/Bm16           | 1  |   |
| 15   | 75611            | (000000-              | ) Fitting, Plstc, Plug, Pm12               | 2  |   |
| 16   | 386419           | (000000-              | ) Pin, Hinge, Cover                        | 1  |   |
| 17   | 386643           | (000000-              | ) Spring, Cover                            | 1  |   |
| 18   | 49740            | (000000-              | ) Cap, Plastic                             | 2  |   |
| 19   | 387683           | (000000-004999)       | ) Tank Kit, Soltn, W/ Label, Replmt [7300] | 1  |   |
| 19   | 9006972          | (005000-              | ) Tank Kit, Soltn, W/ Label, Teal, Replmt  | 1  |   |
| ▽    | 20               | 387594                | (000000-004999)                            | ) Cover Kit, Soltn, W/ Gasket              | 1 |
| ▲    | 21               | 386320                | (000000-004999)                            | ) Gasket, Celr Ure, .50, 05.94w 08.88l,Adh | 1 |
| ▽    | 20               | 9006967               | (005000-                                   | ) Cover Kit, Soltn, W/ Gasket, Teal        | 1 |
| ▲    | 21               | 386320                | (005000-                                   | ) Gasket, Celr Ure, .50, 05.94w 08.88l,Adh | 1 |
|      | 21               | 386162                | (000000-                                   | ) Cover, Tank, Solution                    | 1 |
|      | 22               | 386324                | (000000-                                   | ) Handle                                   | 1 |
|      | 23               | 386222                | (000000-                                   | ) Bar                                      | 1 |
|      | 24               | 78842                 | (000000-                                   | ) Kit, Valve, Check                        | 1 |
|      | 25               | 78740                 | (000000-                                   | ) Plug, Cap                                | 1 |
|      | 26               | 386160                | (000000-004999)                            | ) Channel                                  | 1 |
|      | 26               | 1056382               | (005000-                                   | ) Channel, .19, 2.5w 1.0 29.3l, H&S, Gray  | 1 |
|      | 27               | 01686                 | (000000-                                   | ) Washer, Flt, .38 Ss                      | 2 |
|      | 28               | 77347                 | (000000-                                   | ) Screw, Hex, M10 X 1.5 X 35, Ss           | 2 |
|      | 29               | 387061                | (000000-                                   | ) Bracket, Full                            | 1 |
|      | 30               | 63416                 | (000000-                                   | ) Washer, 0.31b 0.88d .12, Rbr             | 1 |
|      | 31               | 09011                 | (000000-                                   | ) Screw, Hex, M08 X 1.25 X 30, Ss          | 1 |
|      | 32               | 23456                 | (000000-                                   | ) Cap, Tank, Drain, 6.17 Thread Pye        | 1 |
|      | 33               | 1031699               | (000000-                                   | ) Gasket, .19, 4.05id 5.29od [Buna]        | 1 |
|      | 34               | 86636                 | (000000-                                   | ) Cover, Tank                              | 1 |
|      | 35               | 20810                 | (000000-                                   | ) Filter, Soltn, 20mesh, Pf16 3.1d 02.3l   | 1 |
|      | 36               | 79273-2               | (000000-                                   | ) Fitting, Plstc, Str, Bm12/Pm12           | 1 |
|      | 37               | 08713                 | (000000-                                   | ) Nut, Hex, Lock, M08 X 1.25,NI, Ss        | 1 |
|      | 38               | 223528                | (000000-001986)                            | ) Grommet, Level Sensing 1.6 D 9.6L        | 1 |
|      | 39               | 49745                 | (000000-001986)                            | ) Fitting, Plstc, Plug, PM16               | 1 |
|      | 40               | 391451                | (001987-                                   | ) Label, Attention Fast Users              | 1 |
|      | 41               | 375431                | (001987-                                   | ) Kit, Replmt, Press Switch/34" Tube       | 1 |

**Fig. 15 - FaST Solution Pump Group (000000-003746)**

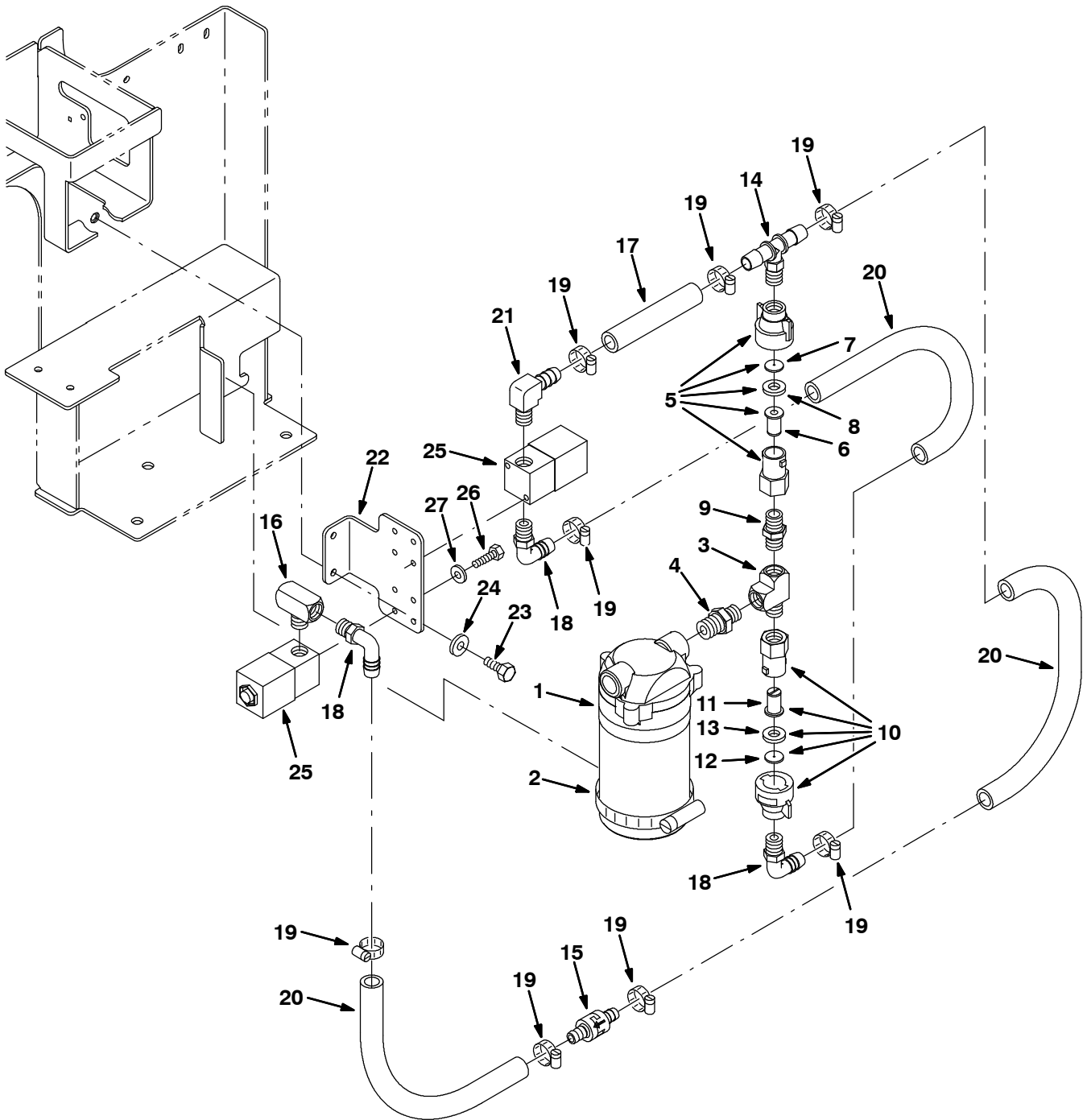


Fig. 15 - FaST Solution Pump Group (000000-003746)

| Ref. | Tennant Part No. | Machine Serial Number | Description   | Qty. |
|------|------------------|-----------------------|---|------|
| 1    | 1005866          | (000000-003746 )      | Pump, Soltn, Ele, 36vdc                                   | 1    |
| 2    | 43555            | (000000-003746 )      | Clamp, Hose, Wormdrive, 1.62-3.50d                        | 1    |
| 3    | 24929            | (000000-003746 )      | Fitting, Brs, Tee, Pf04/Pf04/Pm04                         | 1    |
| 4    | 1010835          | (000000-003746 )      | Fitting, Brs, Str, Pm04/Pm06                              | 1    |
| ▽    | 5                | 1010655               | (000000-003746 ) Fitting Assy, Cap, 0.067b, Pf04          | 1    |
| ▲    | 6                | 1006447               | (000000-003746 ) Screen, 50 Mesh, Ss                      | 1    |
| ▲    | 7                | 1010658               | (000000-003746 ) Plate, Orifice, 0.067id                  | 1    |
| ▲    | 8                | 1005508               | (000000-003746 ) Washer, Flat, 0.34b 0.75d 0.12, Viton    | 1    |
|      | 9                | 398468                | (000000-003746 ) Fitting, Brs, Str, Pm04/Pm04             | 1    |
| ▽    | 10               | 1010660               | (000000-003746 ) Fitting Assy, Cap, 0.086b, Pf04          | 1    |
| ▲    | 11               | 1006447               | (000000-003746 ) Screen, 50 Mesh, Ss                      | 1    |
| ▲    | 12               | 1010661               | (000000-003746 ) Plate, Orifice, 0.086id                  | 1    |
| ▲    | 13               | 1005508               | (000000-003746 ) Washer, Flat, 0.34b 0.75d 0.12, Viton    | 1    |
|      | 14               | 1010791               | (000000-003746 ) Fitting, Plstc, Tee, Bm08/Pm04/Bm08 Nyl  | 1    |
|      | 15               | 1010614               | (000000-003746 ) Valve, Check, 2 Gpm 3" 06bm/08bm         | 1    |
|      | 16               | 53268                 | (000000-003746 ) Fitting, Brs, Tee, Pf04/Pm04/Pf04        | 1    |
|      | 17               | 1011403               | (000000-003746 ) Hose, Afmkt Replmt, Pvc, Brd 0.50id 1 Ft | 1    |
|      | 18               | 1010713               | (000000-003746 ) Fitting, Plstc, E90, Bm08/Pm04 Nyl       | 3    |
|      | 19               | 54333                 | (000000-003746 ) Clamp, Hose, Wormdrive, 0.31-0.88d       | 8    |
|      | 20               | 1011521               | (000000-003746 ) Hose, Afmkt Replmt, Pvc, Brd 0.50id 2 Ft | 3    |
|      | 21               | 1010836               | (000000-003746 ) Fitting, Brs, E90, Pm04/Bm08             | 1    |
|      | 22               | 1013857               | (000000-003746 ) Bracket, Mtg, Valve, Solenoid            | 1    |
|      | 23               | 06942                 | (000000-003746 ) Screw, Hex, M6 X 1.0 X 16, 8.8           | 2    |
|      | 24               | 32490                 | (000000-003746 ) Washer, Flat, 0.25 Std                   | 2    |
|      | 25               | 1028581               | (000000-003746 ) Valve, Water, 36vdc, 6.0mm, 04pf         | 2    |
|      | 26               | 09252                 | (000000-003746 ) Screw, Hex, M5 X 0.8 X 20, 8.8           | 4    |
|      | 27               | 19066                 | (000000-003746 ) Washer, Flat, #10                        | 4    |

# STANDARD PARTS

Fig. 16 - FaST Air Pump and Detergent Group (000000-003746)

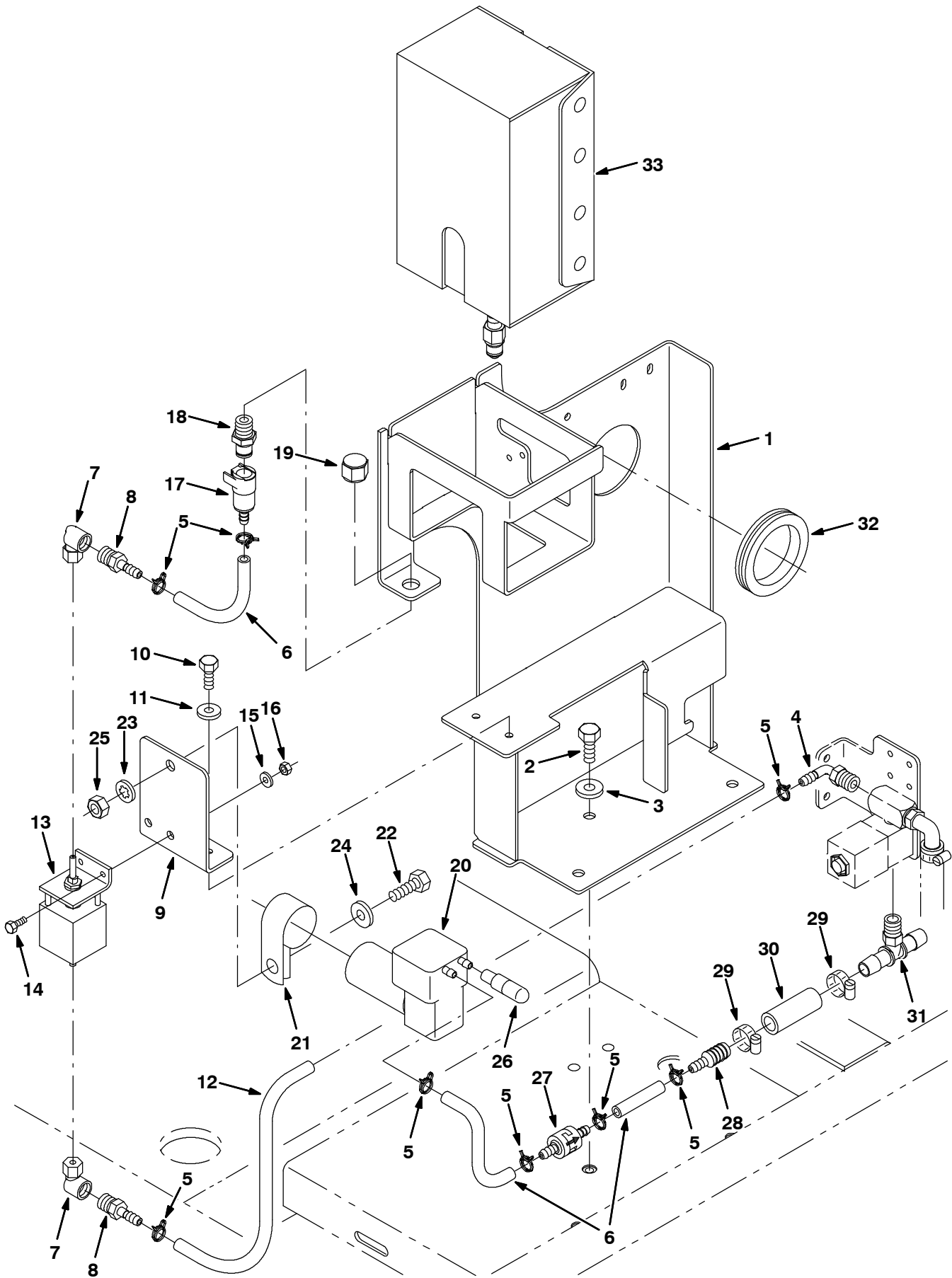


Fig. 16 - FaST Air Pump and Detergent Group (000000-003746)

| Ref. | Tennant Part No. | Machine Serial Number | Description                              | Qty. |
|------|------------------|-----------------------|--|------|
| 1    | 1010797          | (000000-002447 )      | Bracket Wldt [7300/8300-FaST]            | 1    |
| 1    | 1024009          | (002448-003746 )      | Bracket Wldt [7300/8300 FaST]            | 1    |
| 2    | 16931            | (000000-003746 )      | Screw, Hex, M8 X 1.25 X 20, 8.8          | 3    |
| 3    | 32491            | (000000-003746 )      | Washer, Flat, 0.31 Std                   | 3    |
| 4    | 1011170          | (000000-003746 )      | Fitting, Plstc, E90, Bm04/Pm04 Nyl       | 1    |
| 5    | 613735           | (000000-003746 )      | Clamp, Hose .40 - .42 2 Wire             | 8    |
| 6    | 1014987          | (000000-003746 )      | Hose, Afmkt, Pvc, Clr 0.25id 1 Ft        | 2    |
| 7    | 1014082          | (000000-003746 )      | Fitting, Brs, E90, Cf03/Pf02             | 2    |
| 8    | 150525           | (000000-003746 )      | Fitting 1/8mx1/4h Barb Brs               | 2    |
| 9    | 1013866          | (000000-003746 )      | Bracket, Mtg, Pump, Detgt [7300/8300]    | 1    |
| 10   | 06942            | (000000-003746 )      | Screw, Hex, M6 X 1.0 X 16, 8.8           | 2    |
| 11   | 32490            | (000000-003746 )      | Washer, Flat, 0.25 Std                   | 2    |
| 12   | 1014986          | (000000-003746 )      | Hose, Afmkt, Pvc, Clr 0.25id 2 Ft        | 1    |
| 13   | 1014056          | (000000-003746 )      | Pump, Detgt, 560s                        | 1    |
| 14   | 09206            | (000000-003746 )      | Screw, Hex, M4 X 0.7 X 12, 8.8           | 2    |
| 15   | 19064            | (000000-003746 )      | Washer, Flat, #06                        | 2    |
| 16   | 02850            | (000000-003746 )      | Nut, Hex, Lock, M 4 X 0.7, NI            | 2    |
| 17   | 1002898          | (000000-003746 )      | Coupling, Fem, W/ Valve, .25 Brb         | 1    |
| 18   | 1002899          | (000000-003746 )      | Coupling, Mal, .25 Npt                   | 1    |
| 19   | 1005435          | (000000-003746 )      | Fitting, Plstc, Cap, Pf04                | 1    |
| 20   | 1008211          | (000000-003746 )      | Pump, Air, Ele, 36vdc                    | 1    |
| 21   | 53466            | (000000-003746 )      | Clamp, Cable, Stl, 1.50d X 1.00w, 1h     | 1    |
| 22   | 09010            | (000000-003746 )      | Screw, Hex, M8 X 1.25 X 25, Ss           | 1    |
| 23   | 32984            | (000000-003746 )      | Washer, Lock, Int, .31                   | 1    |
| 24   | 32491            | (000000-003746 )      | Washer, Flat, 0.31 Std                   | 1    |
| 25   | 08709            | (000000-003746 )      | Nut, Hex, Lock, M8 X 1.25, NI            | 1    |
| 26   | 1005255          | (000000-003746 )      | Filter Assy, Air, Molded Ure             | 1    |
| 27   | 1010871          | (000000-003746 )      | Valve, Check, 2 Gpm 0.5psi Bm04/Bm04     | 1    |
| 28   | 25620            | (000000-003746 )      | Fitting, Plstc, Str, Bm04/Bm08           | 1    |
| 29   | 54333            | (000000-003746 )      | Clamp, Hose, Wormdrive, 0.31-0.88d       | 2    |
| 30   | 1011403          | (000000-003746 )      | Hose, Afmkt Replmt, Pvc, Brd 0.50id 1 Ft | 1    |
| 31   | 1010791          | (000000-003746 )      | Fitting, Plstc, Tee, Bm08/Pm04/Bm08 Nyl  | 1    |
| 32   | 10632-19         | (000000-003746 )      | Grommet, Rbr, 2.13id, F/ 2.5h, .12 Matl  | 1    |
| 33   | 1017015          | (000000-003746 )      | Detergent Pkg, 2 Liter, Sgl, 365         | 1    |
| 33   | 1017022          | (000000-003746 )      | Detergent Pkg, 2 Liter, Sgl, 665         | 1    |
| 33   | 1021878          | (000000-003746 )      | Detergent Pkg, 4 Liter, Sgl [Tco 665]    | 1    |

**Fig. 17 - FaST Foam Filter Group (00000-003746)**

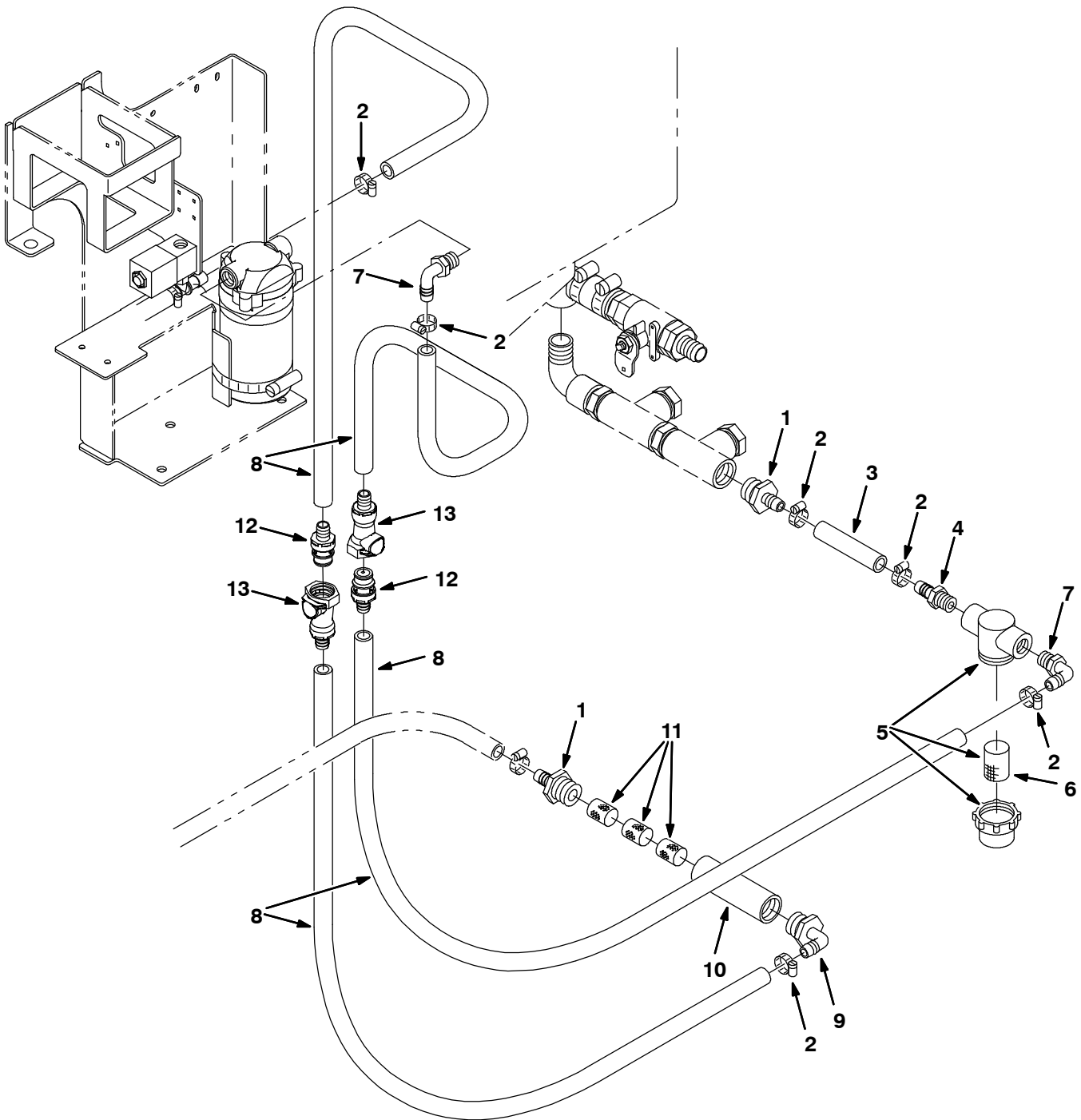




Fig. 17 - FaST Foam Filter Group (000000-003746)

| Ref. | Tenant Part No. | Machine Serial Number | Description                              | Qty.                               |   |
|------|-----------------|-----------------------|--|------------------------------------|---|
| 1    | 79273-1         | (000000-003746 )      | Fitting, Plstc, Str, Bm08/Pm12           | 1                                  |   |
| 2    | 54333           | (000000-003746 )      | Clamp, Hose, Wormdrive, 0.31-0.88d       | 6                                  |   |
| 3    | 1011403         | (000000-003746 )      | Hose, Afmkt Replmt, Pvc, Brd 0.50id 1 Ft | 1                                  |   |
| 4    | 64743           | (000000-003746 )      | Fitting, Plstc, Str, Bm08/Pm06           | 1                                  |   |
| ▽    | 5               | 1005302               | (000000-003746 )                         | Filter, Inline, Pf06/Pf06, 80 Mesh | 1 |
| ▲    | 6               | 1005304               | (000000-003746 )                         | Screen, Filter, 80 Mesh            | 1 |
| 7    | 64778           | (000000-003746 )      | Fitting, Plstc, E90, Bm08/Pm06           | 2                                  |   |
| 8    | 1011835         | (000000-003746 )      | Hose, Afmkt Replmt, Pvc, Brd 0.50id 20ft | 1                                  |   |
| 9    | 1005552         | (000000-003746 )      | Fitting, Plstc, E90, Bm08/Pm12, Nyl      | 1                                  |   |
| 10   | 1005086         | (000000-003746 )      | Tube, Pvc, Shc80, Clear, 4.0l            | 1                                  |   |
| 11   | 1002789         | (000000-003746 )      | Filter, Foam                             | 3                                  |   |
| 12   | 1017415         | (000000-003746 )      | Coupling Insert, Qm, Bm08                | 1                                  |   |
| 13   | 1017413         | (000000-003746 )      | Coupling Body, Qf, Pm08                  | 1                                  |   |

Fig. 18 - FaST Pumps and Detergent Group (003747- )

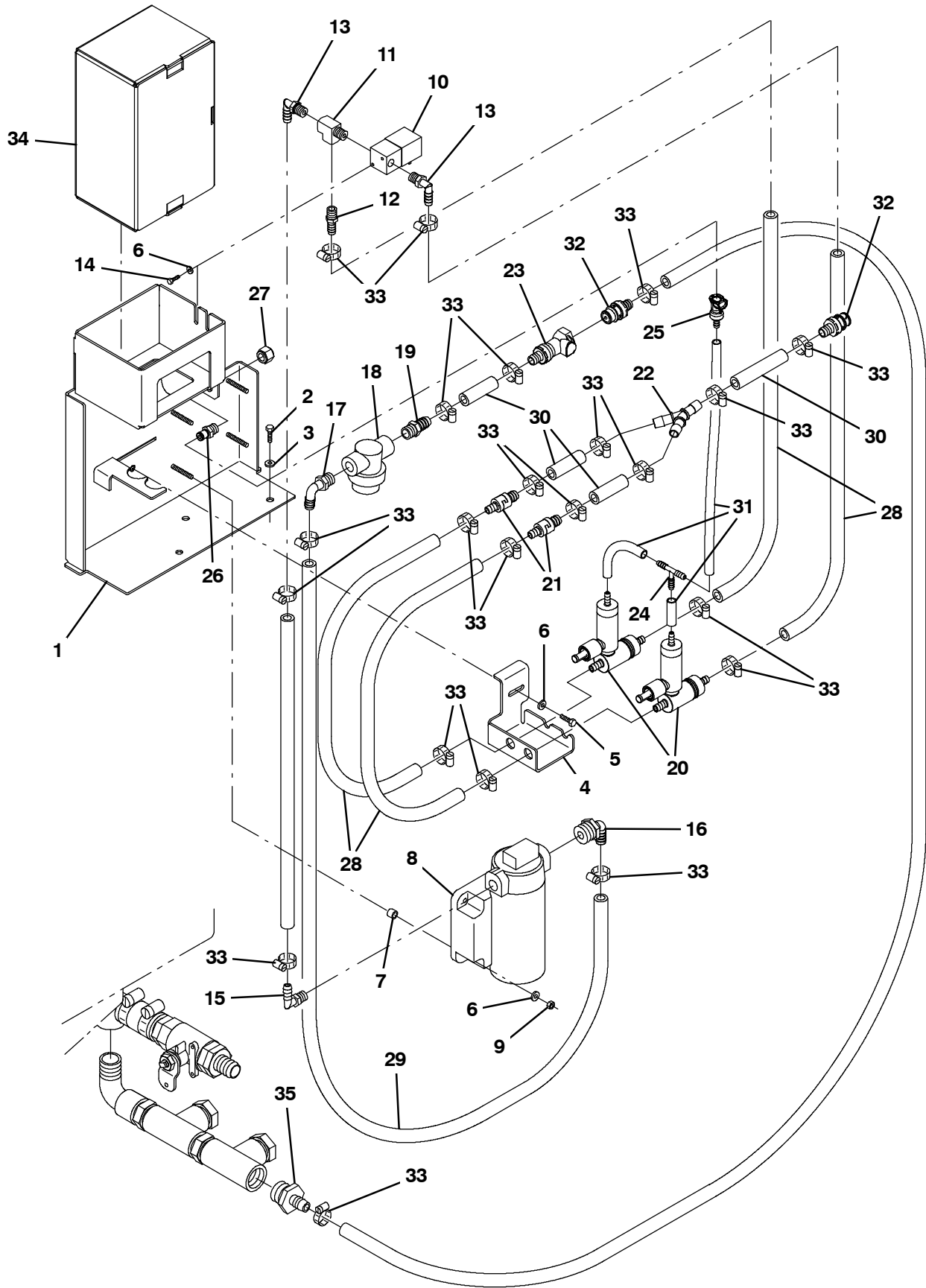


Fig. 18 - FaST Pumps and Detergent Group (003747- )

| Ref. | Tennant Part No. | Machine Serial Number | Description   | Qty. |
|------|------------------|-----------------------|---|------|
| 1    | 1050771          | (003747- )            | Bracket Wldt [7300/8300 Fast li+]                         | 1    |
| 2    | 16735            | (003747- )            | Screw, Hex, M8 X 1.25 X 16, 8.8                           | 3    |
| 3    | 32491            | (003747- )            | Washer, Flat, 0.31, Std                                   | 3    |
| 4    | 1050805          | (003747- )            | Bracket, Mtg [Fast li+]                                   | 1    |
| 5    | 06942            | (003747- )            | Screw, Hex, M6 X 1.00 X 16, 8.8                           | 1    |
| 6    | 01683            | (003747- )            | Washer, Flat, 10, Ss                                      | 7    |
| 7    | 360801           | (003747- )            | Sleeve, 0.32b 0.50d 0.3l, 2cham, Ss                       | 4    |
| 8    | 1045633          | (003747- )            | Pump, Soltn, 36vdc, 65psi [Fast li+]                      | 1    |
| 9    | 06549            | (003747- )            | Nut, Hex, Lock, M5 X 0.80, NI                             | 4    |
| 10   | 1028581          | (003747- )            | Valve, Water, Solenoid, 36vdc 6.0mm Pf04                  | 1    |
| 11   | 150709           | (003747- )            | Fitting, Brs, Tee, Pm04/Pf04/Pf04, Run                    | 1    |
| 12   | 150540           | (003747- )            | Fitting, Plstc, Str, Bm06/Pm04                            | 1    |
| 13   | 57248            | (003747- )            | Fitting, Plstc, E90, Bm06/Pm04, Nyl                       | 2    |
| 14   | 12312            | (003747- )            | Screw, Hex, M5 X 0.80 X 12, 8.8                           | 2    |
| 15   | 1049259          | (003747- )            | Fitting, Nyl, Qdc, E90, Bm06/ Qm10                        | 1    |
| 16   | 1049254          | (003747- )            | Fitting, Nyl, Qdc, E90, Bm08/ Qm10                        | 1    |
| 17   | 64778            | (003747- )            | Fitting, Plstc, E90, Bm08/Pm06                            | 1    |
| 18   | 1005302          | (003747- )            | Filter, In-Line, Pf06/Pf06 080mesh 02.6l                  | 1    |
| 19   | 64743            | (003747- )            | Fitting, Plstc, Str, Bm08/Pm06                            | 1    |
| 20   | 1050333          | (003747- )            | Injector Assy, High, .052 .010[FaST II+] (See Breakdowns) | 2    |
| 21   | 1035794          | (003747- )            | Valve, Check, 0005psi Bm06/Bm08                           | 2    |
| 22   | 1010668          | (003747- )            | Fitting, Plstc, Y, Bm08/Bm08/Bm08, Nyl                    | 1    |
| 23   | 1017413          | (003747- )            | Housing, Cplg, Qf / Pm08                                  | 2    |
| 24   | 150713           | (003747- )            | Fitting, Plstc, Tee, Bm04/Bm04/Bm04                       | 1    |
| 25   | 1002898          | (003747- )            | Fitting, Plstc, Str, Bm04, Cplg, Fem                      | 1    |
| 26   | 1002899          | (003747- )            | Fitting, Plstc, Str, Pm04, Cplg, Mal                      | 1    |
| 27   | 1005435          | (003747- )            | Fitting, Plstc, Pipe, Cap, Pf04                           | 1    |
| 28   | 1006400          | (003747- )            | Hose, Afmkt, Pvc, Brd, 0.38id, 03ft, Clr                  | 2    |
| 29   | 1011521          | (003747- )            | Hose, Afmkt, Pvc, Brd, 0.50id, 02ft, Clr                  | 1    |
| 30   | 1011403          | (003747- )            | Hose, Afmkt, Pvc, Brd, 0.50id, 01ft, Clr                  | 1    |
| 31   | 1014986          | (003747- )            | Hose, Afmkt, Pvc, Clr, 0.25id, 02ft                       | 1    |
| 32   | 1017415          | (003747- )            | Insert, Cplg, Qm, Bm08                                    | 2    |
| 33   | 54333            | (003747- )            | Clamp, Hose, Wormdrive, 0.31-0.88d, .31w                  | 22   |
| 34   | 1021878          | (003747- )            | Fast 665 4 Ltr, Detergent                                 | 1    |
| 34   | 9002022          | (003747- )            | Fast 965 4 Ltr, Detergent                                 | 1    |
| 35   | 79273-1          | (003747- )            | Fitting, Plstc, Str, Bm08/Pm12                            | 1    |

**Fig. 19 - Solution Control Group**

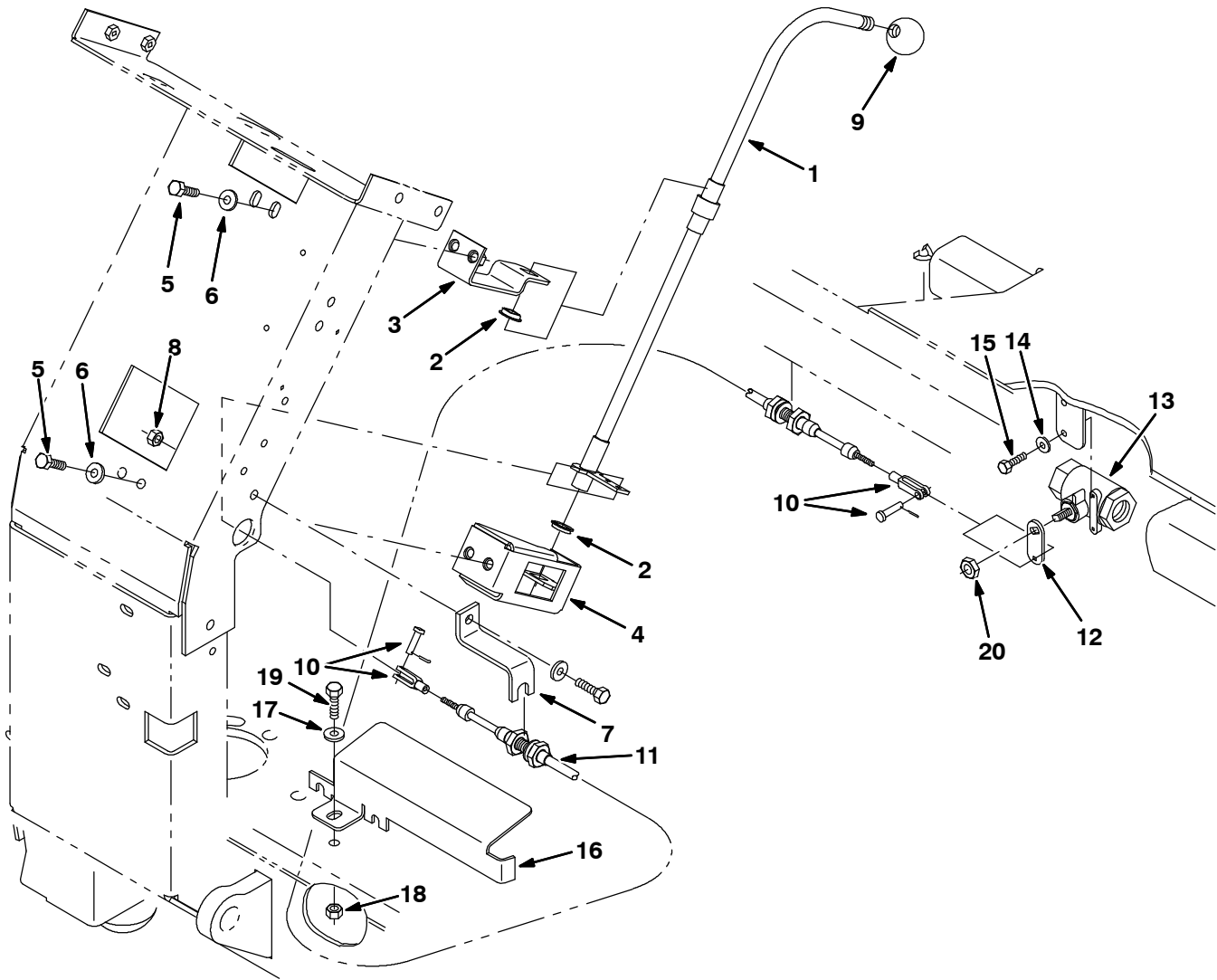


Fig. 19 - Solution Control Group

| Ref. | Tennant Part No. | Machine Serial Number | Description                            | Qty. |
|------|------------------|-----------------------|--|------|
| 1    | 386116           | (000000-              | ) Rod Wldt                             | 1    |
| 2    | 04843            | (000000-              | ) Bushing, Flng, 0.63b 0.72d 0.25l     | 2    |
| 3    | 1056929          | (000000-              | ) Bracket, Handle, Water, Iron Gray    | 1    |
| 4    | 1056928          | (000000-              | ) Bracket Wldt, Hose, Water, Iron Gray | 1    |
| 5    | 16735            | (000000-              | ) Screw, Hex, M08 X 1.25 X 16, 8.8     | 5    |
| 6    | 32491            | (000000-              | ) Washer, Flt, .31 Std                 | 4    |
| 7    | 1056850          | (000000-              | ) Bracket, Cntrl, Cable, Iron Gray     | 1    |
| 8    | 08709            | (000000-              | ) Nut, Hex, Lock, M08 X 1.25,NI        | 1    |
| 9    | 26156            | (000000-              | ) Knob, 0.50-20, 1.38d, Plstc          | 1    |
| 10   | 27880            | (000000-              | ) Clevis, Adj, 0.19pin, #10-32         | 2    |
| 11   | 386351           | (000000-              | ) Cable, Push Pull                     | 1    |
| 12   | 1057068          | (000000-              | ) Lever, Valve, Water, Iron Gray       | 1    |
| 13   | 79350            | (000000-              | ) Valve, Water                         | 1    |
| 14   | 01683            | (000000-              | ) Washer, Flt, #10 Ss                  | 2    |
| 15   | 42011            | (000000-              | ) Screw, Hex, #10-24 X 0.50, Ss        | 2    |
| 16   | 387425           | (000000-004999        | ) Bracket, Guard                       | 1    |
| 16   | 1056481          | (005000-              | ) Bracket, Guard, Iron Gray            | 1    |
| 17   | 01684            | (000000-              | ) Washer, Flt, .25 Ss                  | 1    |
| 18   | 08712            | (000000-              | ) Nut, Hex, Lock, M06 X 1.0, NI, Ss    | 1    |
| 19   | 09007            | (000000-              | ) Screw, Hex, M06 X 1.0 X 25, Ss       | 1    |
| 20   | 363453           | (000000-              | ) Nut, Hex, Lock, .44-20, NI, Thin     | 1    |

**Fig. 20 - Recovery Tank Group**

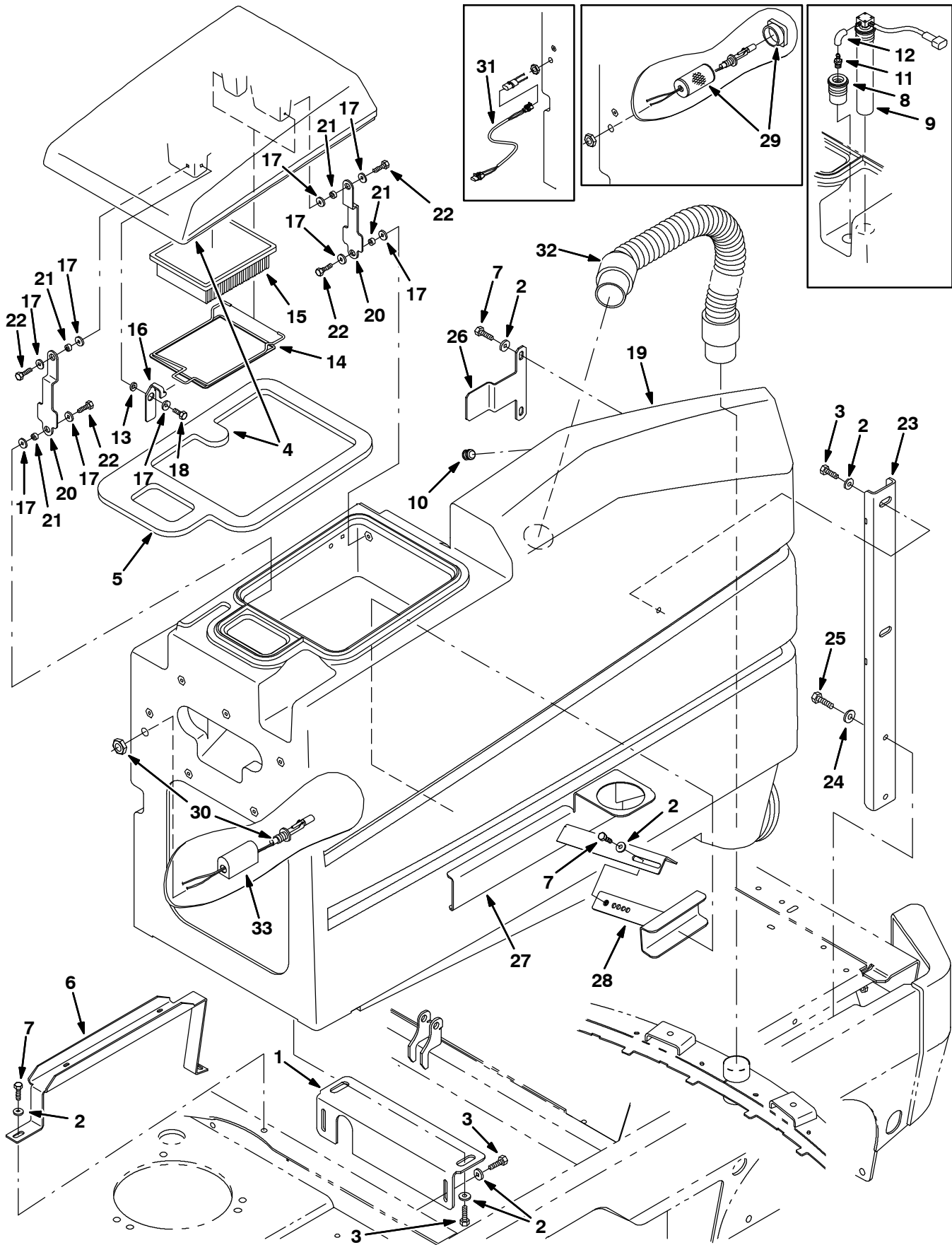


Fig. 20 - Recovery Tank Group

| Ref. | Tennant Part No. | Machine Serial Number | Description  | Qty.                                      |   |
|------|------------------|-----------------------|--|---|---|
| 1    | 1056849          | (000000-              | ) Bracket, Mtg, Tank, Iron Gray                                  | 1   |   |
| 2    | 01685            | (000000-              | ) Washer, Flt, .31 Ss  | 14  |   |
| 3    | 12273            | (000000-              | ) Screw, Hex, M08 X 1.25 X 20, Ss, NI                            | 6   |   |
| ▽    | 4                | 387593                | (000000-004999 ) Kit, Cover, Recvy, W/Gasket                     | 1   |   |
| ▲    | 5                | 386223                | (000000-004999 ) Gasket, Tank, Recovery                          | 1   |   |
| ▽    | 4                | 9006966               | (005000-   | ) Cover Kit, Recvy, W/ Gasket, Teal       | 1 |
| ▲    | 5                | 386223                | (005000-   | ) Gasket, Ure, .50, 12.65w 18.89l, Adh    | 1 |
|      | 6                | 1056857               | (000000-   | ) Bracket, Harness, Iron Gray             | 1 |
|      | 7                | 09740                 | (000000-   | ) Screw, Hex, M08 X 1.25 X 20, Ss         | 6 |
|      | 8                | 385750                | (000000-001541 ) Tube Assy, 2 Inch                               | 1   |   |
|      | 9                | 375429                | (000000-001541 ) Switch Assy, Press, 4 Inch                      | 1   |   |
|      | 10               | 386424                | (000000-   | ) Plug, Cap                               | 1 |
|      | 11               | 386425                | (000000-001541 ) Fitting, Plstc, [90 Bm03/Pm02]                  | 1   |   |
|      | 12               | 13292                 | (000000-001541 ) Hose, Vacuum, 0.16id X 05.0l                    | 2   |   |
|      | 13               | 386785                | (000000-   | ) Spacer, Latch, Filter                   | 1 |
|      | 14               | 387615                | (000000-   | ) Bracket, Retainer, Filter               | 1 |
|      | 15               | 1037822               | (000000-   | ) Filter, Panl, Dust, 2.0 X 06.1 X 07.6   | 1 |
|      | 16               | 386325                | (000000-   | ) Bracket, Retaining, Filter              | 1 |
|      | 17               | 01685                 | (000000-   | ) Washer, Flt, 0.38B 0.88D .08, Ss        | 9 |
|      | 18               | 15675                 | (000000-   | ) Screw, Hex, M08 X 1.25 X 16, Ss         | 1 |
|      | 19               | 387685                | (000000-004999 ) Tank Kit, Recvy, W/ Label, Replmt [7300]        | 1   |   |
|      | 19               | 9006974               | (005000-   | ) Tank Kit, Recvy, W/ Label, Teal, Replmt | 1 |
|      | 20               | 386108                | (000000-   | ) Bar                                     | 2 |
|      | 21               | 360801                | (000000-   | ) Sleeve                                  | 4 |
|      | 22               | 12273                 | (000000-   | ) Screw, Hex, M08 X 1.25 X 20, Ss, NI     | 4 |
|      | 23               | 386160                | (000000-   | ) Channel                                 | 1 |
|      | 24               | 01686                 | (000000-   | ) Washer, Flt, .38 Ss                     | 2 |
|      | 25               | 77347                 | (000000-   | ) Screw, Hex, M10 X 1.5 X 35, Ss          | 2 |
|      | 26               | 1056868               | (000000-   | ) Bracket, Retaining, Iron Gray           | 1 |
|      | 27               | 386444                | (000000-   | ) Bracket Wldt, Tank                      | 1 |
|      | 28               | 386445                | (000000-   | ) Bracket Wldt, Tank                      | 1 |
|      | 29               | 375302                | (001542-002264 ) Strainer, Soltn, Switch Guard (Repl. By 387649) | 1   |   |
|      | 30               | 222822                | (001542-002036 ) Sensor, Level, Liquid [Magnetic]                | 1   |   |
|      | 30               | 385685                | (002037-   | ) Sensor, Level, Liquid, 14vdc 01a .62-11 | 1 |
|      | 31               | 369766                | (001542-002036 ) Harness, Sensor, Jumper                         | 1   |   |
|      | 32               | 386267                | (000000-   | ) Hose, Vacuum, 89.0l                     | 1 |
|      | 33               | 1019285               | (002265-   | ) Bracket, Protector, Float Switch        | 1 |

Fig. 21 - Recovery Tank Drain Assembly

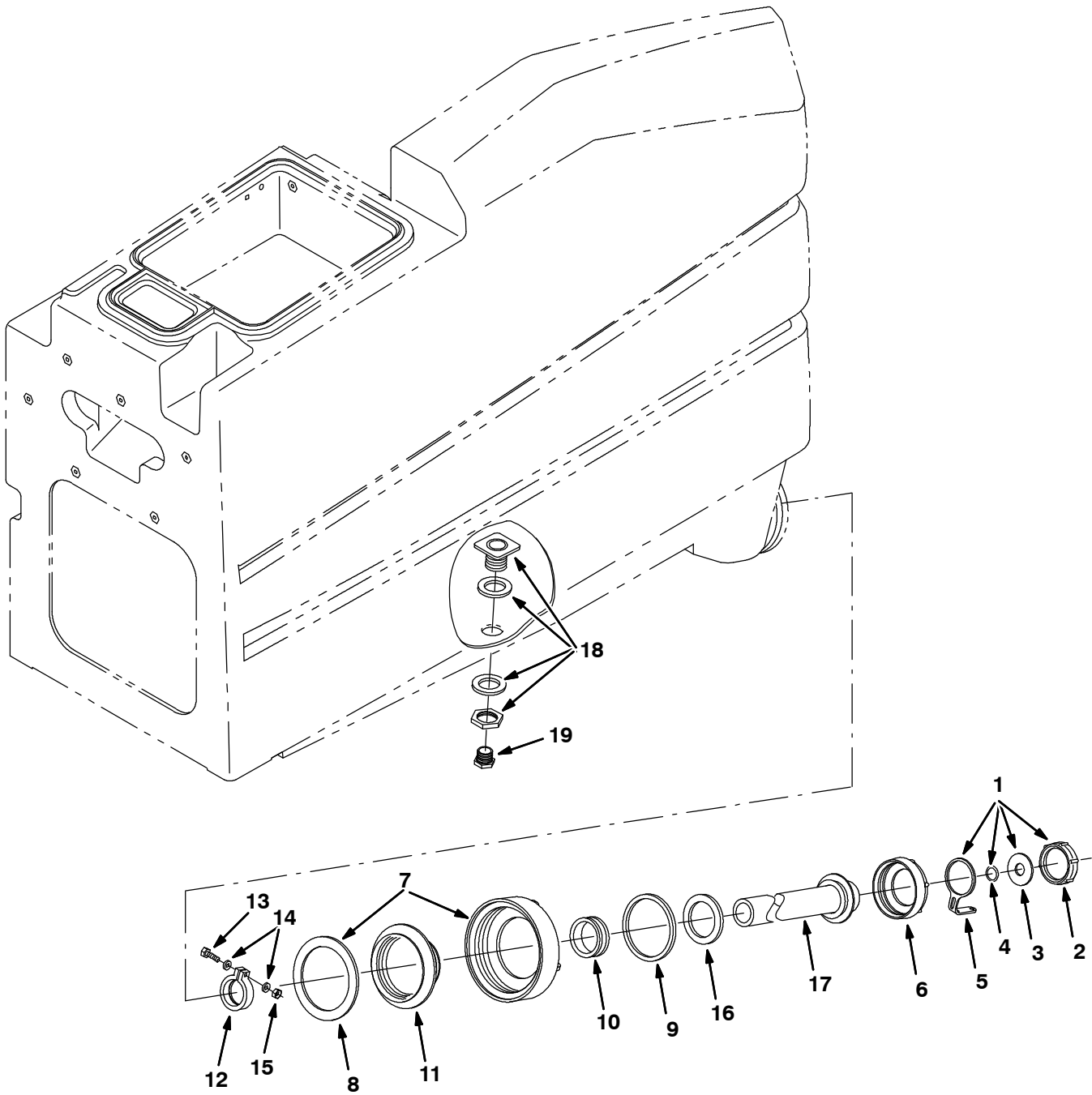




Fig. 21 - Recovery Tank Drain Assembly

| Ref. | Tennant Part No. | Machine Serial Number | Description                         | Qty. |
|------|------------------|-----------------------|-------------------------------------|------|
| ▽    | 387201           | (000000-              | ) Hose Assy, Drain                  | 1    |
| ▲▽   | 1 32501          | (000000-              | ) Kit, Cap, Drain                   | 1    |
| ▲▲   | 2 32613          | (000000-              | ) Cap, Tank, Drain, 2.25 Thread Pye | 1    |
| ▲▲   | 3 32614          | (000000-              | ) Gasket, Cap                       | 1    |
| ▲▲   | 4 32669          | (000000-              | ) Ring, Retaining, Ext, 0.75d, Ss   | 1    |
| ▲▲   | 5 32508          | (000000-              | ) Strap                             | 1    |
| ▲    | 6 14880          | (000000-              | ) Cap, Tank, Drain, 3.85 Thread Pye | 1    |
| ▲▽   | 7 24358          | (000000-              | ) Cap, Tank                         | 1    |
| ▲▲   | 8 1031699        | (000000-              | ) Gasket, .19, 4.05id 5.29od [Buna] | 1    |
| ▲    | 9 79320          | (000000-              | ) Gasket, Cap, Drain                | 1    |
| ▲    | 10 41421         | (000000-              | ) Seal                              | 1    |
| ▲    | 11 14864         | (000000-              | ) Cover, Insert                     | 1    |
| ▲    | 12 41454         | (000000-              | ) Clamp, Hose, Plstc, 1.60d X 0.62w | 1    |
| ▲    | 13 12316         | (000000-              | ) Screw, Hex, M05 X 0.8 X 25, Ss    | 1    |
| ▲    | 14 01683         | (000000-              | ) Washer, Flt, #10 Ss               | 1    |
| ▲    | 15 09739         | (000000-              | ) Nut, Hex, Lock, M05 X 0.8, NI, Ss | 1    |
| ▲    | 16 41451         | (000000-              | ) Gasket, Lid                       | 1    |
| ▲    | 17 386423        | (000000-              | ) Hose Assy, Drain                  | 1    |
|      | 18 377349        | (000000-              | ) Fitting, Plstc, Bkhd, Pf12/Pf12   | 1    |
|      | 19 75611         | (000000-              | ) Fitting, Plstc, Plug, Pm12        | 1    |

Fig. 22 - Vacuum Fan Group

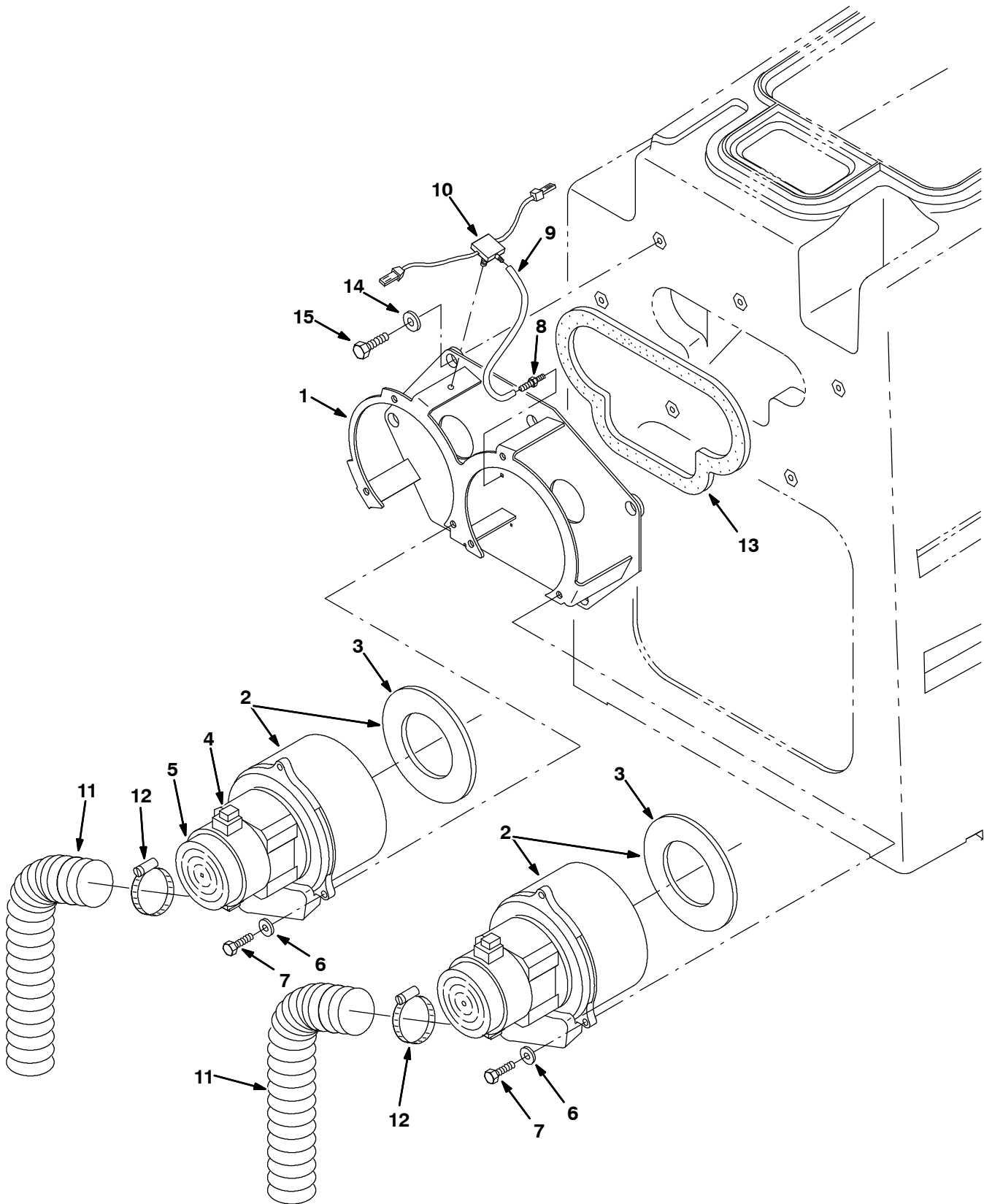


Fig. 22 - Vacuum Fan Group

| Ref. | Tennant Part No. | Machine Serial Number | Description  | Qty. |
|------|------------------|-----------------------|--|------|
|      | 1                | 386321                | (000000-003472 ) Bracket Wldt, Mtg, Fan                                | 1    |
|      | 1                | 1056941               | (003473- ) Bracket Wldt, Mtg, Fan, Iron Gray                           | 1    |
| ▽    | 2                | 17363                 | (000000-001557 ) Fan Assy, Vacuum (See Breakdown) (Replaced by 398520) | 2    |
| ▲    | 3                | 223264                | (000000-001557 ) Seal, Rbr, Clsd, 0.25th, 5.8d 03.3h                   | 1    |
| ▽    | 2                | 398520                | (001558-003472 ) Fan Assy, Vacuum (See Breakdown)                      | 2    |
| ▲    | 3                | 223264                | (001558-003472 ) Seal, Rbr, Clsd, 0.25th, 5.8d 03.3h                   | 1    |
| ▽    | 2                | 9004054               | (003473- ) Motor Kit, Vacuum, Replmt                                   | 1    |
| ▲    | 3                | 223264                | (003473- ) Seal, Rbr, Clsd, 0.25th, 5.8d 03.3h                         | 1    |
| ▲    | 4                | 1041772               | (003473- ) Brush Kit, Motor  | 1    |
| ▲    | 5                | 1041766               | (003473- ) Cover, Cooling Fan  | 1    |
|      | 6                | 32483                 | (000000- ) Washer, Flat, 0.25, Sae                                     | 6    |
|      | 7                | 06943                 | (000000- ) Screw, Hex, M6 X 1.00 X 20, 8.8                             | 6    |
|      | 8                | 40607                 | (000000- ) Fitting, Brs, Str, Pm02/Bm03                                | 1    |
|      | 9                | 13292                 | (000000- ) Hose, Vacuum, 0.16id X 05.0l                                | 1    |
|      | 10               | 386349                | (000000- ) Switch, Vacuum, Dual Level                                  | 1    |
|      | 11               | 387499                | (000000- ) Hose, Vacuum  | 2    |
|      | 12               | 22297                 | (000000- ) Clamp, Hose, Wormdrive, 1.56-2.50d                          | 2    |
|      | 13               | 386323                | (000000- ) Gasket, Mtg, Fan  | 1    |
|      | 14               | 13248                 | (000000- ) Washer, 0.40b 1.12d .12, Stl, Pl                            | 6    |
|      | 15               | 15675                 | (000000- ) Screw, Hex, M08 X 1.25 X 16, Ss                             | 6    |

Fig. 23 - Scrub Head Lift Group

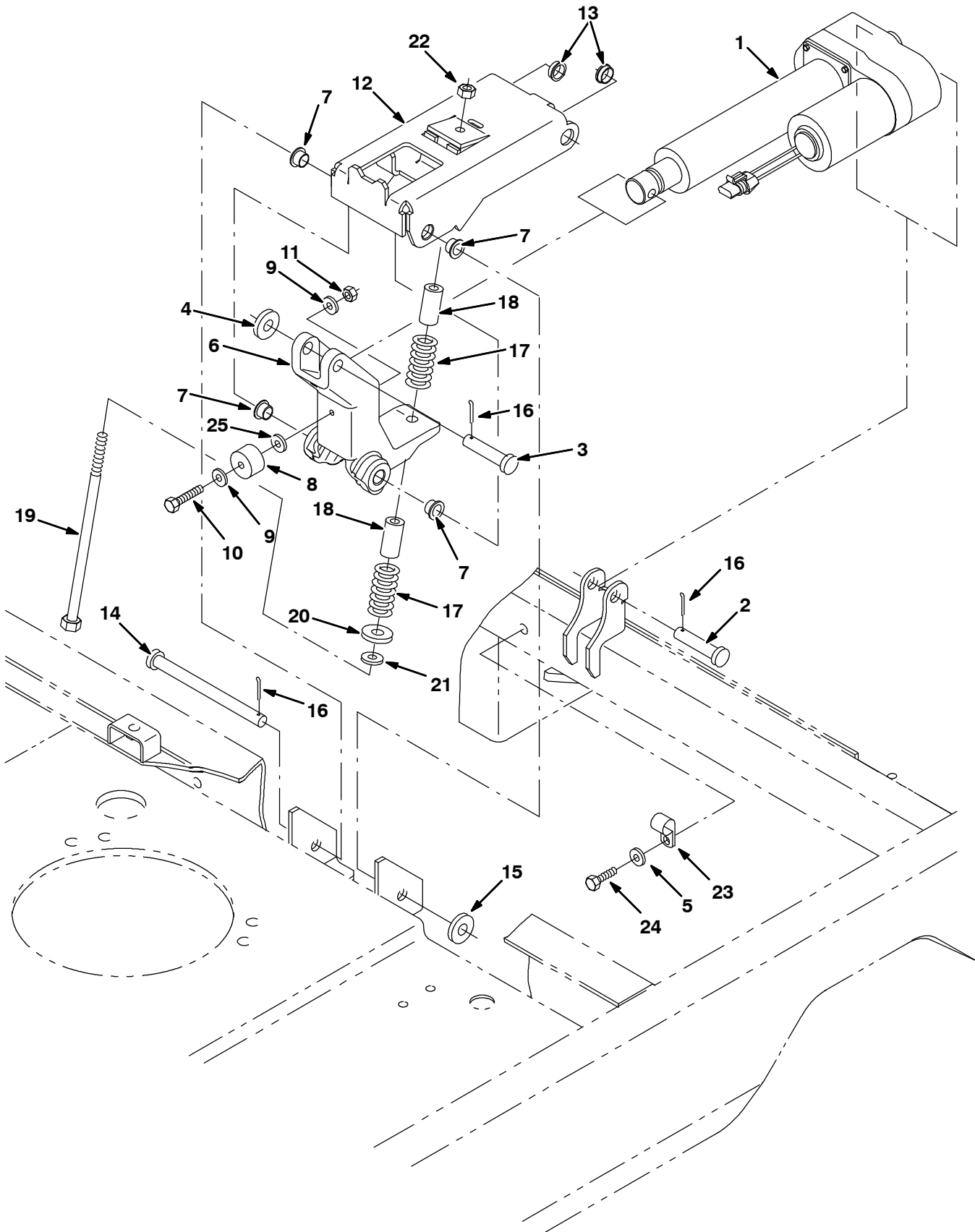


Fig. 23 - Scrub Head Lift Group

| Ref. | Tennant Part No. | Machine Serial Number | Description                              | Qty. |
|------|------------------|-----------------------|--|------|
| 1    | 386985           | (000000-              | ) Actuator, 36vdc, 7.0stroke, 700lb      | 1    |
| 2    | 43290            | (000000-              | ) Pin, Clevis, 0.50 D X 1.75l            | 1    |
| 3    | 06279            | (000000-              | ) Pin, Clevis, 0.50 D X 2.50l            | 1    |
| 4    | 32493            | (000000-              | ) Washer, Flt, .50 Std                   | 1    |
| 5    | 01684            | (000000-              | ) Washer, Flt, .25 Ss                    | 1    |
| 6    | 1056919          | (000000-              | ) Bellcrank, Lift, Head, Iron Gray       | 1    |
| 7    | 15648            | (000000-              | ) Bushing, Flng, 0.50b 0.59d 0.38l       | 4    |
| 8    | 386988           | (000000-              | ) Bumper, Rbr, 1.19d .72l                | 1    |
| 9    | 01683            | (000000-              | ) Washer, Flt, #10 Ss                    | 2    |
| 10   | 12316            | (000000-              | ) Screw, Hex, M05 X 0.8 X 25, Ss         | 1    |
| 11   | 09739            | (000000-              | ) Nut, Hex, Lock, M05 X 0.8, NI, Ss      | 1    |
| 12   | 1056842          | (000000-              | ) Arm Wldt, Lift, Scb Head, Gray [7300]  | 1    |
| 13   | 04843            | (000000-              | ) Bushing, Flng, 0.63b 0.72d 0.25l       | 2    |
| 14   | 51225            | (000000-              | ) Pin, Clevis, 0.50 D X 5.50l            | 1    |
| 15   | 41619            | (000000-              | ) Washer, Flt, .50 Ss                    | 1    |
| 16   | 08182            | (000000-              | ) Pin, Cotter, .125 X 1.00               | 3    |
| 17   | 386049           | (000000-              | ) Spring, Cmpr, 1.5 Od .75id X 2.5l      | 2    |
| 18   | 386961           | (000000-              | ) Sleeve, .38b X .75d X 1.5l, Bronze     | 2    |
| 19   | 14455            | (000000-              | ) Screw, Hex, M08 X 1.25 X 160, 8.8      | 1    |
| 20   | 41619            | (000000-              | ) Washer, Flt, .50 Ss                    | 1    |
| 21   | 01685            | (000000-              | ) Washer, Flt, .31 Ss                    | 1    |
| 22   | 08713            | (000000-              | ) Nut, Hex, Lock, M08 X 1.25,NI, Ss      | 1    |
| 23   | 26395-1          | (000000-              | ) Clamp, Cable, Stl, 0.56d X 0.38w, 1h   | 1    |
| 24   | 12459            | (000000-              | ) Screw, Hex, M06 X 1.0 X 20, Fmg        | 1    |
| 25   | 13248            | (000000-              | ) Washer, Flat, 0.40b 1.12d .12, Stl, PI | 1    |

Fig. 24 - Max Pro 1000 (Disc-Brush) Scrub Head Frame Group

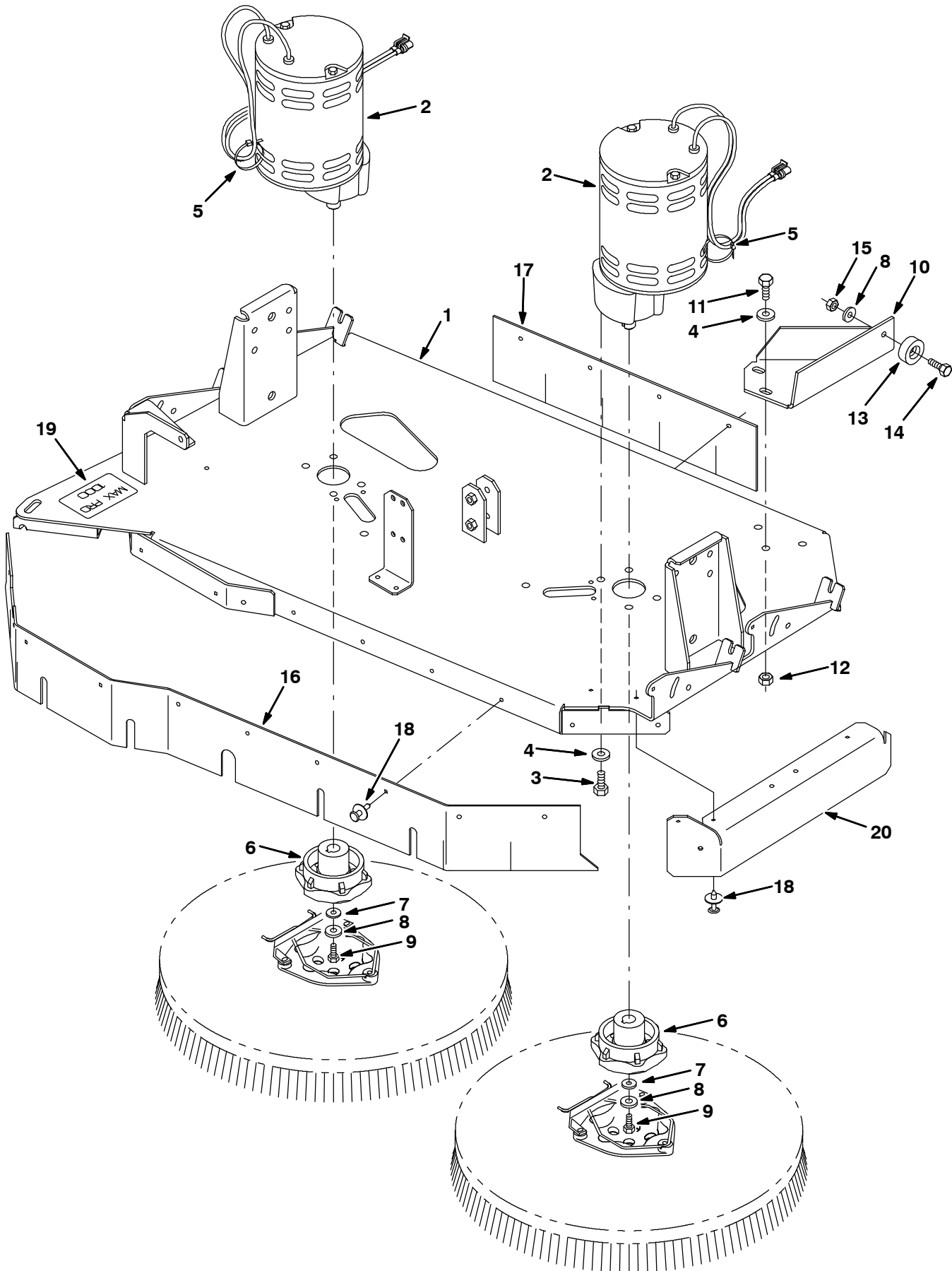


Fig. 24 - Max Pro 1000 (Disc-Brush) Scrub Head Frame Group

| Ref. | Tennant Part No. | Machine Serial Number | Description   | Qty. |
|------|------------------|-----------------------|---|------|
| 1    | 1056862          | (000000-              | ) Frame Wldt, Scb Head, 2 Brush, Ele, Gray  | 1    |
| 2    | 386687           | (000000-              | ) Motor, Ele, 36vdc 1.00hp 0300rpm, Gear (Standard)<br>(See Breakdown)                          | 2    |
| 2    | 386679           | (000000-003244        | ) Motor, Gear, Ele, 1.5hp, 36vdc, 300rpm (Heavy Duty)<br>(See Breakdown) (Replaced by 387585AM) | 2    |
| 2    | 387585           | (003245-              | ) Motor, Ele, 36vdc 1.50hp 0300rpm, Gear (Heavy Duty)<br>(See Breakdown)                        | 2    |
| 3    | 34195            | (000000-              | ) Screw, Hex, .38-16 X 1.00, NI   | 8    |
| 4    | 01686            | (000000-              | ) Washer, Flt, .38 Ss   | 11   |
| 5    | 49263            | (000000-              | ) Tie, Cable, Nyl, 11.4l .19w 3.0 Max D   | 2    |
| 6    | 377364           | (000000-              | ) Hub, Drive, Brush, Disk, 0.75B 6T   | 2    |
| 7    | 41186            | (000000-              | ) Washer, Belleville, .31   | 2    |
| 8    | 01685            | (000000-              | ) Washer, Flt, .31 Ss   | 3    |
| 9    | 32124            | (000000-              | ) Screw, Hex, .31-18 X 1.00, Ss, NI   | 2    |
| 10   | 387976           | (000000-              | ) Bracket, Stop, Frame  | 1    |
| 11   | 09028            | (000000-              | ) Screw, Hex, M10 X 1.5 X 25, Ss  | 3    |
| 12   | 08714            | (000000-              | ) Nut, Hex, Lock, M10 X 1.5, NI, Ss   | 3    |
| 13   | 15023            | (000000-              | ) Bumper, Pye   | 1    |
| 14   | 09010            | (000000-              | ) Screw, Hex, M08 X 1.25 X 25, Ss   | 1    |
| 15   | 08713            | (000000-              | ) Nut, Hex, Lock, M08 X 1.25,NI, Ss   | 1    |
| 16   | 386387           | (000000-              | ) Skirt, Front, Scrub Head, 2-Brush, Ele  | 1    |
| 17   | 386388           | (000000-              | ) Skirt, Rear, Scrub Head, 2-Brush, Ele   | 1    |
| 18   | 72968            | (000000-              | ) Rivet, Plstc, .250 X 0.898  | 24   |
| 19   | 365156           | (000000-              | ) Label Set, Info/Hzrd, [Maxpro]  | 1    |
| 20   | 387294           | (000000-              | ) Skirt, Side, Scrub Head, 2-Brush, Ele   | 2    |

**Fig. 25 - Max Pro 1000 (Disc-Brush) Scrub Head Linkage Group**

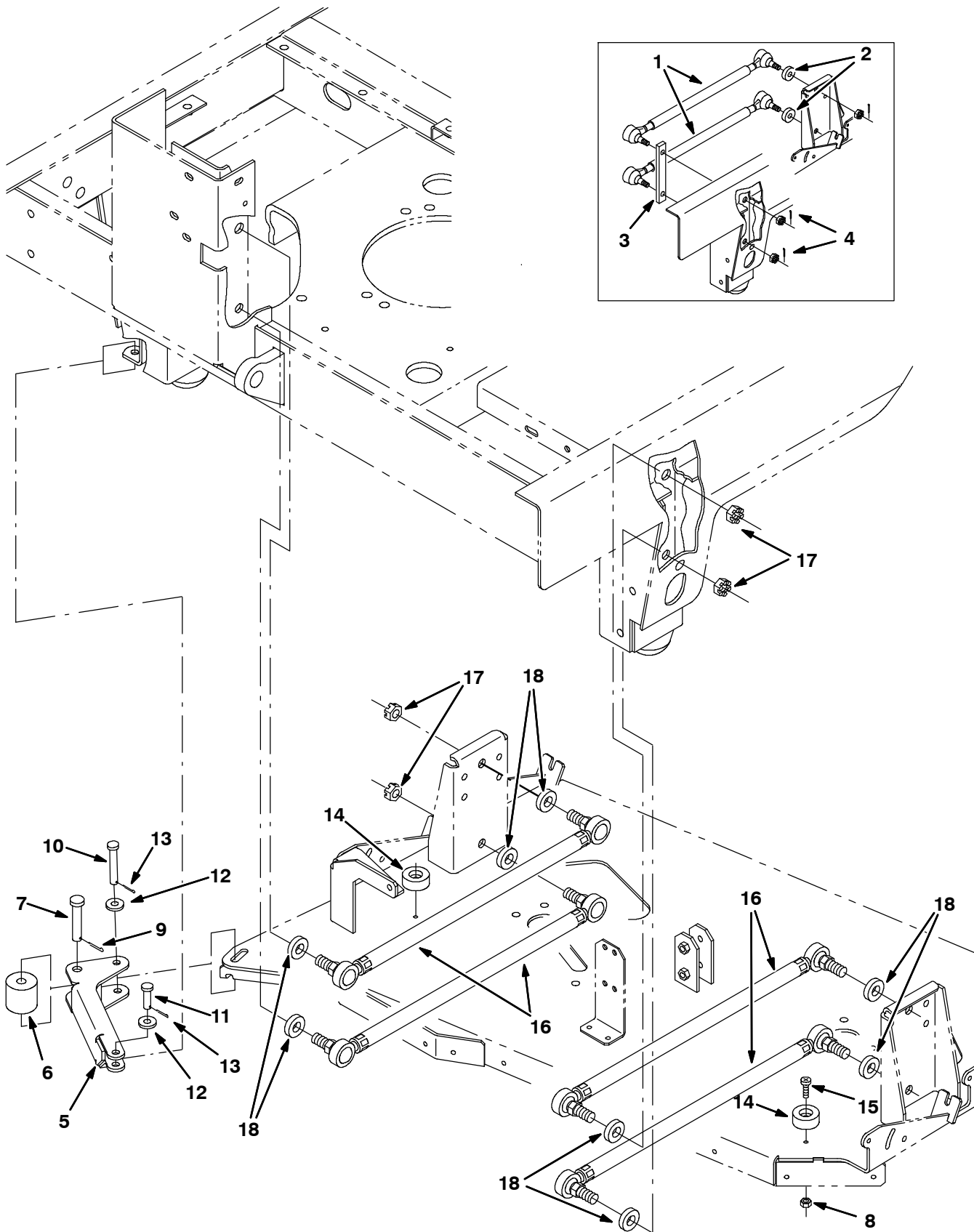




Fig. 25 - Max Pro 1000 (Disc-Brush) Scrub Head Linkage Group

| Ref. | Tennant Part No. | Machine Serial Number | Description                                | Qty. |
|------|------------------|-----------------------|--|------|
| 1    | 14523            | (000000-003695 )      | Link, Lift, Squeegee (Replaced by 9005752) | 4    |
| 2    | 14524            | (000000-003695 )      | Spacer, Washer                             | 4    |
| 3    | 24254            | (000000-003695 )      | Link, .38 1.0w 07.5l 2/1.5h                | 2    |
| 4    | 08346            | (000000-003695 )      | Pin, Cotter, .125 X 0.75                   | 8    |
| 5    | 1001099          | (000000-004999 )      | Guard, Kick In, Scb Head                   | 1    |
| 5    | 1056390          | (005000- )            | Guard, Kick In, Scb Head, Iron Gray        | 1    |
| 6    | 72946            | (000000- )            | Roller                                     | 1    |
| 7    | 06279            | (000000- )            | Pin, Clevis, 0.50 D X 2.50l                | 1    |
| 8    | 08712            | (000000- )            | Nut, Hex, Lock, M06 X 1.0, NI, Ss          | 2    |
| 9    | 08182            | (000000- )            | Pin, Cotter, .125 X 1.00                   | 1    |
| 10   | 365180           | (000000- )            | Pin, Clevis, 0.38 D X 2.50l                | 1    |
| 11   | 29557            | (000000- )            | Pin, Clevis, 0.37 D X 1.31l                | 1    |
| 12   | 01686            | (000000- )            | Washer, Flt, .38 Ss                        | 2    |
| 13   | 39005            | (000000- )            | Pin, Cotter, .094 X 0.75                   | 2    |
| 14   | 364614           | (000000- )            | Bumper, Neo, 1.5d .63t .31h                | 2    |
| 15   | 08716            | (000000- )            | Screw, Hex, M06 X 1.0 X 20, Ss             | 2    |
| 16   | 1050195          | (003696- )            | Link Assy, Rod-End, .63-18                 | 4    |
| 17   | 40814            | (003696- )            | Nut, Hex, Lock, .62-18, NI, Thin           | 8    |
| 18   | 1057066          | (003696- )            | Tube, 0.69ld 1.25Od 00.4L, Rod-End, Gray   | 8    |

# STANDARD PARTS

Fig. 26 - Max Pro 1000 (Disc-Brush) Solution Valve Group

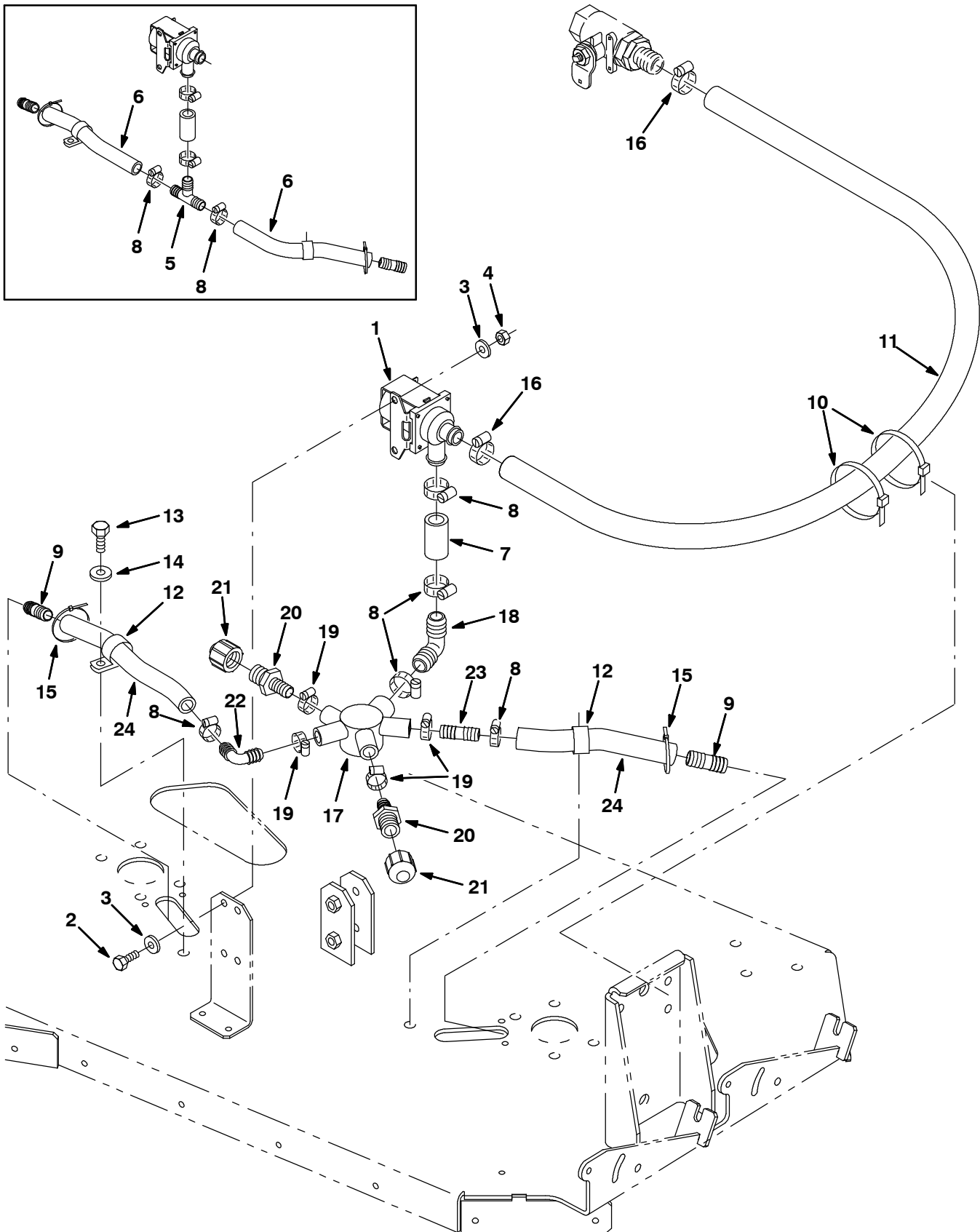


Fig. 26 - Max Pro 1000 (Disc-Brush) Solution Valve Group

| Ref. | Tennant Part No. | Machine Serial Number | Description                                | Qty. |
|------|------------------|-----------------------|--|------|
| 1    | 84028            | (000000-              | ) Valve, Water                             | 1    |
| 2    | 15678            | (000000-              | ) Screw, Hex, M06 X 1.0 X 16, Ss           | 2    |
| 3    | 32490            | (000000-              | ) Washer, Flt, .25 Std                     | 4    |
| 4    | 08712            | (000000-              | ) Nut, Hex, Lock, M06 X 1.0, NI, Ss        | 2    |
| 5    | 16356            | (000000-001986        | ) Fitting, Plstc, Tee, Bm10/Bm10/Bm10      | 1    |
| 6    | 223699           | (000000-001986        | ) Hose, Pvc, Brd, 0.62id 0.91od 10.30l     | 1    |
| 7    | 16914            | (000000-              | ) Hose, Pvc, Brd, 0.75id 1.03od 02.00l     | 1    |
| 8    | 63810            | (000000-              | ) Clamp, Hose, Wormdrive, 0.56-1.06d, .56w | 6    |
| 9    | 365164           | (000000-              | ) Fitting, Plstc, Str, Bm10/Bm10           | 2    |
| 10   | 44961            | (000000-              | ) Tie, Cable, Nyl, 14.5l .30w 4.0 Max D    | 2    |
| 11   | 73474            | (000000-              | ) Hose, Pvc, Brd, 0.75id 1.03od 44.50l     | 1    |
| 12   | 40678-1          | (000000-              | ) Clamp, Cable, Stl, 0.88d X 0.62w, 1h     | 2    |
| 13   | 12273            | (000000-              | ) Screw, Hex, M08 X 1.25 X 20, Ss, NI      | 2    |
| 14   | 01685            | (000000-              | ) Washer, Flt, .31 Ss                      | 2    |
| 15   | 49266            | (000000-              | ) Tie, Cable, Nyl, 07.3l .19w 1.8 Max D    | 2    |
| 16   | 11399            | (000000-              | ) Clamp, Hose, Wormdrive, 0.81-1.50d       | 2    |
| 17   | 1012528          | (001987-              | ) Manifold, Soltn, Cntrl                   | 1    |
| 18   | 40566            | (001987-              | ) Fitting, Plstc, E90, Bm12/Bm12           | 1    |
| 19   | 54333            | (001987-              | ) Clamp, Hose, Wormdrive, 0.31-0.88d, .31w | 4    |
| 20   | 79273-4          | (001987-              | ) Fitting, Plstc, Str, Bm08/Pm08           | 2    |
| 21   | 1015558          | (001987-              | ) Fitting, Plstc, Cap, Pf08                | 2    |
| 22   | 63987-1          | (001987-              | ) Fitting, Plstc, E90, Bm08/Bm08           | 1    |
| 23   | 364631           | (001987-              | ) Fitting, Plstc, Str, Bm08/Bm08           | 1    |
| 24   | 1011521          | (001987-              | ) Hose, Afmkt, Pvc, Brd 0.50id 2ft         | 1    |

# STANDARD PARTS

Fig. 27 - Max Pro 1000 (Disc-Brush) Solution Valve Group (FaST/ec-H2O)

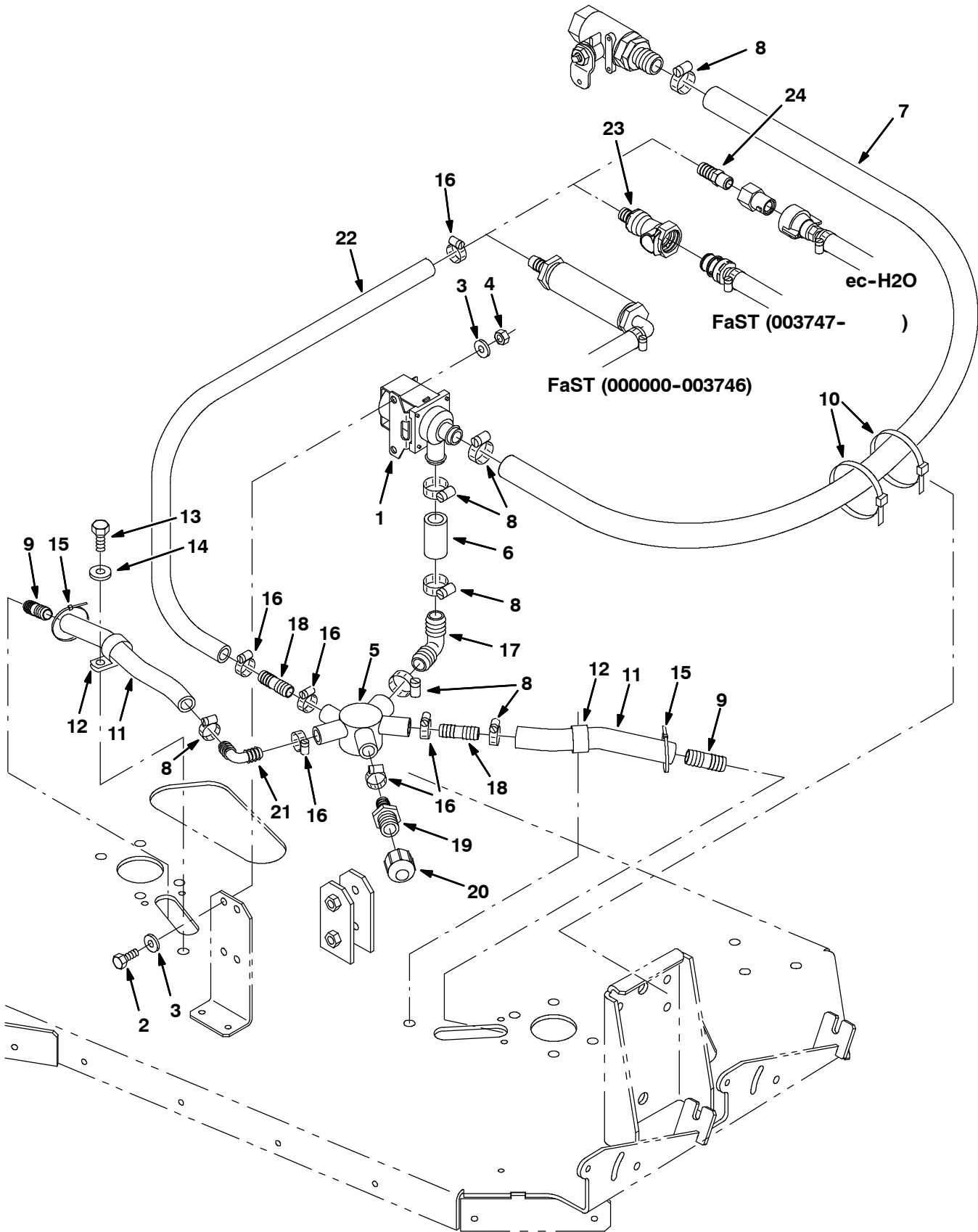


Fig. 27 - Max Pro 1000 (Disc-Brush) Solution Valve Group (FaST/ec-H2O)

| Ref. | Tennant Part No. | Machine Serial Number | Description                                | Qty. |
|------|------------------|-----------------------|--|------|
| 1    | 84028            | (000000-              | ) Valve, Water                             | 1    |
| 2    | 15678            | (000000-              | ) Screw, Hex, M06 X 1.0 X 16, Ss           | 2    |
| 3    | 32490            | (000000-              | ) Washer, Flt, .25 Std                     | 4    |
| 4    | 08712            | (000000-              | ) Nut, Hex, Lock, M06 X 1.0, NI, Ss        | 2    |
| 5    | 1012528          | (000000-              | ) Manifold, Soltn, Cntrl                   | 1    |
| 6    | 16914            | (000000-              | ) Hose, Pvc, Brd, 0.75id 1.03od 02.00l     | 1    |
| 7    | 1015045          | (000000-              | ) Hose, Afmkt, Pvc, Brd, 0.75id 8 Ft       | 1    |
| 8    | 63810            | (000000-              | ) Clamp, Hose, Wormdrive, 0.56-1.06d, .56w | 10   |
| 9    | 365164           | (000000-              | ) Fitting, Plstc, Str, Bm10/Bm10           | 2    |
| 10   | 44961            | (000000-              | ) Tie, Cable, Nyl, 14.5l .30w 4.0 Max D    | 2    |
| 11   | 73474            | (000000-              | ) Hose, Pvc, Brd, 0.75id 1.03od 44.50l     | 2    |
| 12   | 40678-1          | (000000-              | ) Clamp, Cable, Stl, 0.88d X 0.62w, 1h     | 2    |
| 13   | 12273            | (000000-              | ) Screw, Hex, M08 X 1.25 X 20, Ss, NI      | 2    |
| 14   | 01685            | (000000-              | ) Washer, Flt, .31 Ss                      | 2    |
| 15   | 49266            | (000000-              | ) Tie, Cable, Nyl, 07.3l .19w 1.8 Max D    | 2    |
| 16   | 54333            | (000000-              | ) Clamp, Hose, Wormdrive, 0.31-0.88d       | 6    |
| 17   | 40566            | (000000-              | ) Fitting, Plstc, E90, Bm12/Bm12           | 1    |
| 18   | 364631           | (000000-              | ) Fitting, Plstc, Str, Bm08/Bm08           | 2    |
| 19   | 79273-4          | (000000-              | ) Fitting, Plstc, Str, Bm08/Pm08           | 1    |
| 20   | 1015558          | (000000-              | ) Fitting, Plstc, Cap, Pf08                | 1    |
| 21   | 63987-1          | (000000-              | ) Fitting, Plstc, E90, Bm08/Bm08           | 1    |
| 22   | 1011403          | (000000-              | ) Hose, Afmkt, Pvc, Brd 0.50id 1ft         | 1    |
| 23   | 48610            | (003747-              | ) Fitting, Plstc, Str, Bm08/Pm04 (FaST)    | 1    |
| 24   | 1017413          | (000000-              | ) Housing, Cplg, Qf / Pm08 (ec-H2O)        | 1    |

# STANDARD PARTS

## Fig. 28 - Max Pro 1000 (Disc-Brush) Edge Scrub Group

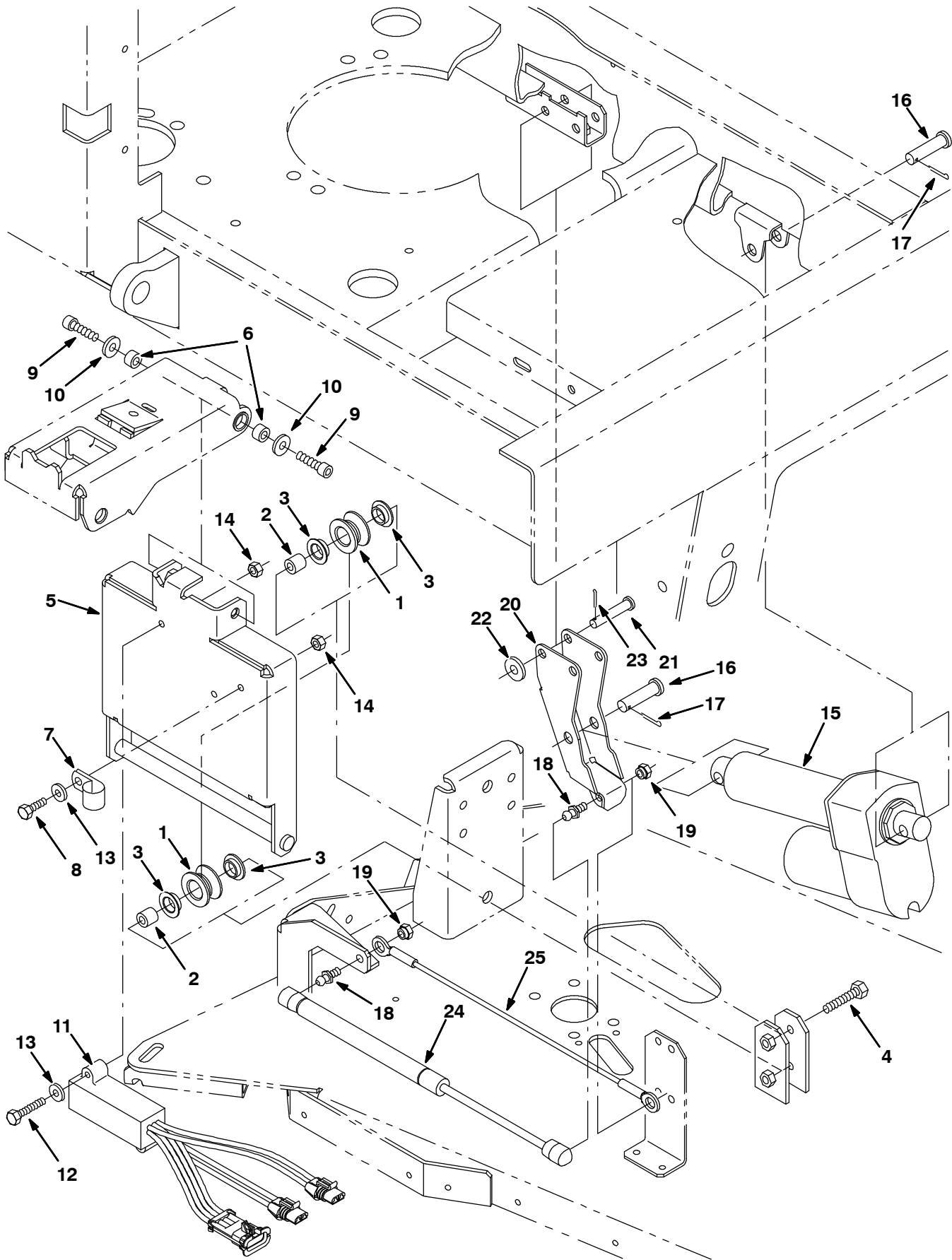


Fig. 28 - Max Pro 1000 (Disc-Brush) Edge Scrub Group

| Ref. | Tennant Part No. | Machine Serial Number | Description   | Qty. |
|------|------------------|-----------------------|---|------|
| 1    | 363120           | (000000-              | ) Roller  | 2    |
| 2    | 222277           | (000000-              | ) Sleeve  | 2    |
| 3    | 04843            | (000000-              | ) Bushing, Flng, 0.63b 0.72d 0.25l                        | 4    |
| 4    | 222505           | (000000-              | ) Screw, Hex, M08 X 1.25 X 45, Ss                         | 2    |
| 5    | 1056844          | (000000-              | ) Rail Wldt, Lift, Disk Head, Iron Gray                   | 1    |
| 6    | 222556           | (000000-              | ) Sleeve  | 2    |
| 7    | 67767            | (000000-              | ) Clamp, Cable, Stl, 0.69d X 0.62w, 1h                    | 1    |
| 8    | 08716            | (000000-              | ) Screw, Hex, M06 X 1.25 X 25, Ss, NI                     | 1    |
| 9    | 39308            | (000000-              | ) Screw, Soc, M08 X 1.25 X 25, 12.9                       | 2    |
| 10   | 01685            | (000000-              | ) Washer, Flt, .31 Ss                                     | 2    |
| 11   | 363236           | (000000-              | ) Shunt, 2 Std Motor, Blk [SCB 515] (For Standard Motor)  | 1    |
| 11   | 363237           | (000000-              | ) Shunt, 2 Hd Motor, Red [SCB 515] (For Heavy Duty Motor) | 1    |
| 12   | 33930            | (000000-              | ) Screw, Hex, M06 X 1.0 X 40, Ss                          | 2    |
| 13   | 01684            | (000000-              | ) Washer, Flt, .25 Ss                                     | 3    |
| 14   | 08712            | (000000-              | ) Nut, Hex, Lock, M06 X 1.0, NI, Ss                       | 3    |
| 15   | 363152           | (000000-              | ) Actuator, 36vdc, 02.7stroke 500lb                       | 1    |
| 16   | 51534            | (000000-              | ) Pin, Clevis, 0.50D X 2.00L                              | 2    |
| 17   | 08182            | (000000-              | ) Pin, Cotter, .125 X 1.00                                | 2    |
| 18   | 58494            | (000000-              | ) Stud, Ball, .39d .31-16, Gasspring                      | 2    |
| 19   | 14725            | (000000-              | ) Nut, Retainer, .31-18                                   | 2    |
| 20   | 1056845          | (000000-              | ) Arm Wldt, Pivot, Side, Gray [7300/8300]                 | 1    |
| 21   | 29584            | (000000-              | ) Pin, Clevis, 0.37 D X 2.00l                             | 1    |
| 22   | 01686            | (000000-              | ) Washer, Flt, .38 Ss                                     | 1    |
| 23   | 39005            | (000000-              | ) Pin, Cotter, .094 X 0.75                                | 1    |
| 24   | 364858           | (000000-              | ) Gasspring, 56lb, 6.3strk                                | 1    |
| 25   | 364404           | (000000-              | ) Cable, .13d, 15.5l, .50eye /.50eye                      | 1    |

Fig. 29 - Max Pro 1000 (Disc-Brush) Right Side Squeegee Group

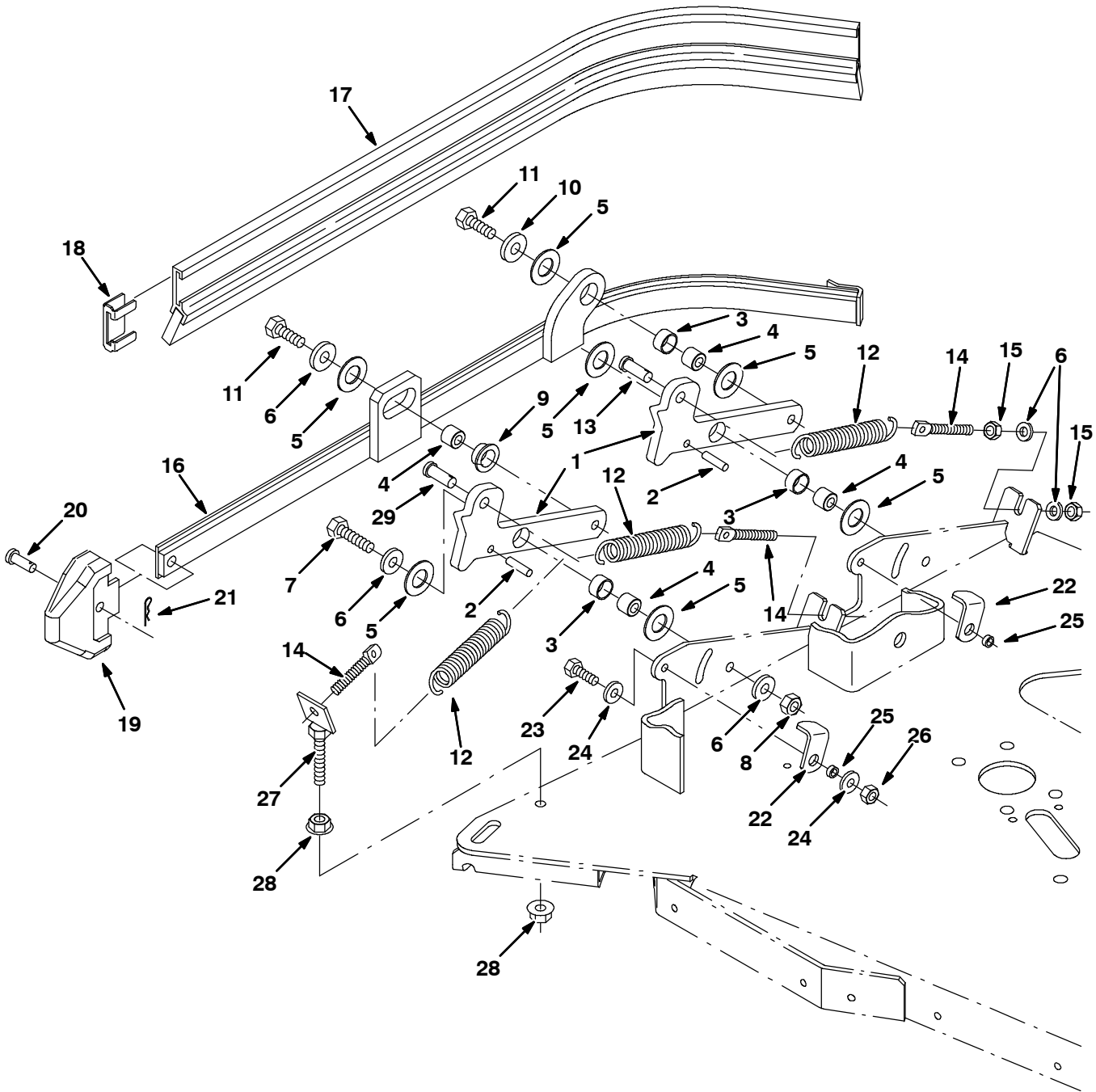




Fig. 29 - Max Pro 1000 (Disc-Brush) Right Side Squeegee Group

| Ref. | Tennant Part No. | Machine Serial Number | Description                            | Qty. |
|------|------------------|-----------------------|--|------|
| 1    | 1056863          | (000000-              | ) Arm, Mtg, Side Sqge Frame, Ele, Gray | 2    |
| 2    | 17404            | (000000-              | ) Pin, Roll, .250 D X 0.75l, .250/.256 | 2    |
| 3    | 71607            | (000000-              | ) Bushing, Sleeve, 0.63b 0.72d 0.38l   | 3    |
| 4    | 386356           | (000000-              | ) Sleeve, P/M, 0.625d 0.335b 0.52l Ss  | 4    |
| 5    | 64425            | (000000-              | ) Washer, Thrust, 0.61b 1.25d .06, Fgl | 7    |
| 6    | 01685            | (000000-              | ) Washer, Flt, .31 Ss                  | 7    |
| 7    | 09023            | (000000-              | ) Screw, Hex, M08 X 1.25 X 35, Ss      | 2    |
| 8    | 08713            | (000000-              | ) Nut, Hex, Lock, M08 X 1.25, NI, Ss   | 2    |
| 9    | 25735            | (000000-              | ) Bushing, Flng, 0.63b 0.75d 0.38l     | 2    |
| 10   | 01686            | (000000-              | ) Washer, Flt, .38 Ss                  | 1    |
| 11   | 12333            | (000000-              | ) Screw, Hex, M08 X 1.25 X 25, Ss, NI  | 2    |
| 12   | 87816            | (000000-              | ) Spring, Extn, 0.75od X 0.09wir, 2.5l | 3    |
| 13   | 76653            | (000000-              | ) Pin, Clevis, 0.37 D X 1.00l          | 1    |
| 14   | 386088           | (000000-              | ) Bolt, Eye, M8 X 1.25, 2.75l          | 3    |
| 15   | 07786            | (000000-              | ) Nut, Hex, Std, M08 X 1.25, Ss        | 6    |
| 16   | 386263           | (000000-              | ) Frame Wldt, Sqge, Side, Rh           | 1    |
| 17   | 386260           | (000000-              | ) Squeegee, Side                       | 1    |
| 18   | 86759            | (000000-              | ) Retainer, Sqge                       | 1    |
| 19   | 386986           | (000000-              | ) Guide, Point, Side Sqge              | 1    |
| 20   | 386987           | (000000-              | ) Pin, Clevis, 0.31d 0.88l             | 1    |
| 21   | 86866            | (000000-              | ) Pin, Hair Cotter, 0.38 D .072 Wir    | 1    |
| 22   | 386391           | (000000-              | ) Latch, Double Scrub, Side Sqge       | 2    |
| 23   | 08716            | (000000-              | ) Screw, Hex, M06 X 1.0 X 20, Ss       | 2    |
| 24   | 01684            | (000000-              | ) Washer, Flt, .25 Ss                  | 4    |
| 25   | 80491            | (000000-              | ) Sleeve                               | 2    |
| 26   | 08712            | (000000-              | ) Nut, Hex, Lock, M06 X 1.0, NI, Ss    | 2    |
| 27   | 1007632          | (000000-              | ) Bracket Wldt, Mtg, Spring            | 1    |
| 28   | 27980            | (000000-              | ) Nut, Hex, Flng, .38-16               | 2    |
| 29   | 29558            | (000000-              | ) Pin, Clevis, 0.37 D X 1.50l          | 1    |

Fig. 30 - Max Pro 1000 (Disc-Brush) Left Side Squeegee Group

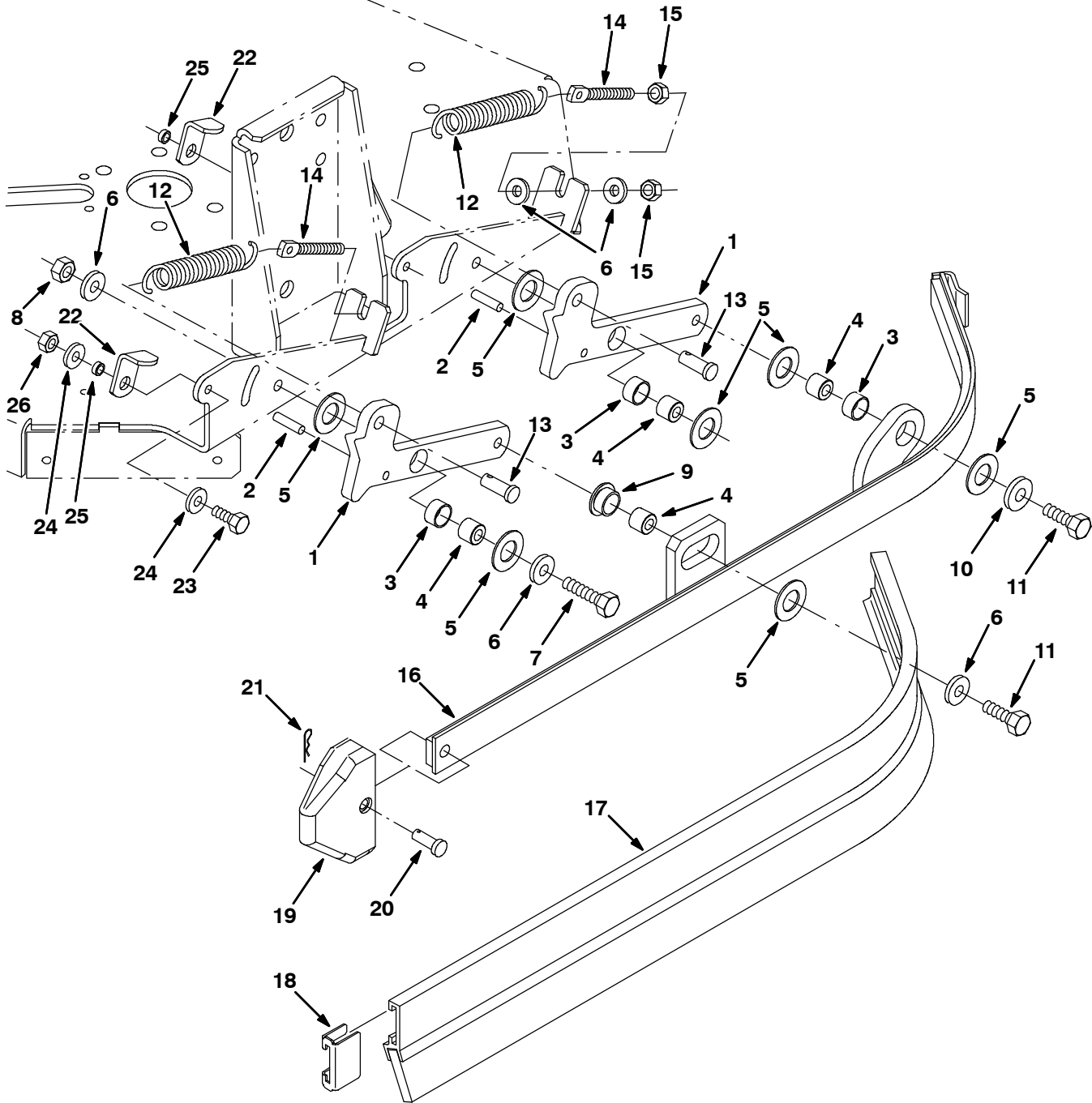


Fig. 30 - Max Pro 1000 (Disc-Brush) Left Side Squeegee Group

| Ref. | Tennant Part No. | Machine Serial Number | Description                            | Qty. |
|------|------------------|-----------------------|--|------|
| 1    | 1056863          | (000000-              | ) Arm, Mtg, Side Sqge Frame, Ele, Gray | 2    |
| 2    | 17404            | (000000-              | ) Pin, Roll, .250 D X 0.75l, .250/.256 | 2    |
| 3    | 71607            | (000000-              | ) Bushing, Sleeve, 0.63b 0.72d 0.38l   | 3    |
| 4    | 386356           | (000000-              | ) Sleeve, P/M, 0.625d 0.335b 0.52l Ss  | 4    |
| 5    | 64425            | (000000-              | ) Washer, Thrust, 0.61b 1.25d .06, Fgl | 7    |
| 6    | 01685            | (000000-              | ) Washer, Flt, .31 Ss                  | 7    |
| 7    | 09023            | (000000-              | ) Screw, Hex, M08 X 1.25 X 35, Ss      | 2    |
| 8    | 08713            | (000000-              | ) Nut, Hex, Lock, M08 X 1.25, NI, Ss   | 2    |
| 9    | 25735            | (000000-              | ) Bushing, Flng, 0.63b 0.75d 0.38l     | 1    |
| 10   | 01686            | (000000-              | ) Washer, Flt, .38 Ss                  | 2    |
| 11   | 12333            | (000000-              | ) Screw, Hex, M08 X 1.25 X 25, Ss, NI  | 2    |
| 12   | 87816            | (000000-              | ) Spring, Extn, 0.75od X 0.09wir, 2.5l | 2    |
| 13   | 76653            | (000000-              | ) Pin, Clevis, 0.37 D X 1.00l          | 2    |
| 14   | 386088           | (000000-              | ) Bolt, Eye, M8 X 1.25, 2.75l          | 2    |
| 15   | 07786            | (000000-              | ) Nut, Hex, Std, M08 X 1.25, Ss        | 4    |
| 16   | 386262           | (000000-              | ) Frame Wldt, Sqge, Side, Lh           | 1    |
| 17   | 386260           | (000000-              | ) Squeegee, Side                       | 1    |
| 18   | 86759            | (000000-              | ) Retainer, Sqge                       | 1    |
| 19   | 386986           | (000000-              | ) Guide, Point, Side Sqge              | 1    |
| 20   | 386987           | (000000-              | ) Pin, Clevis, 0.31d 0.88l             | 1    |
| 21   | 86866            | (000000-              | ) Pin, Hair Cotter, 0.38 D .072 Wir    | 1    |
| 22   | 386391           | (000000-              | ) Latch, Double Scrub, Side Sqge       | 2    |
| 23   | 08716            | (000000-              | ) Screw, Hex, M06 X 1.0 X 20, Ss       | 2    |
| 24   | 01684            | (000000-              | ) Washer, Flt, .25 Ss                  | 4    |
| 25   | 80491            | (000000-              | ) Sleeve                               | 2    |
| 26   | 08712            | (000000-              | ) Nut, Hex, Lock, M06 X 1.0, NI, Ss    | 2    |

Fig. 31 - Squeegee Linkage Group, Rear

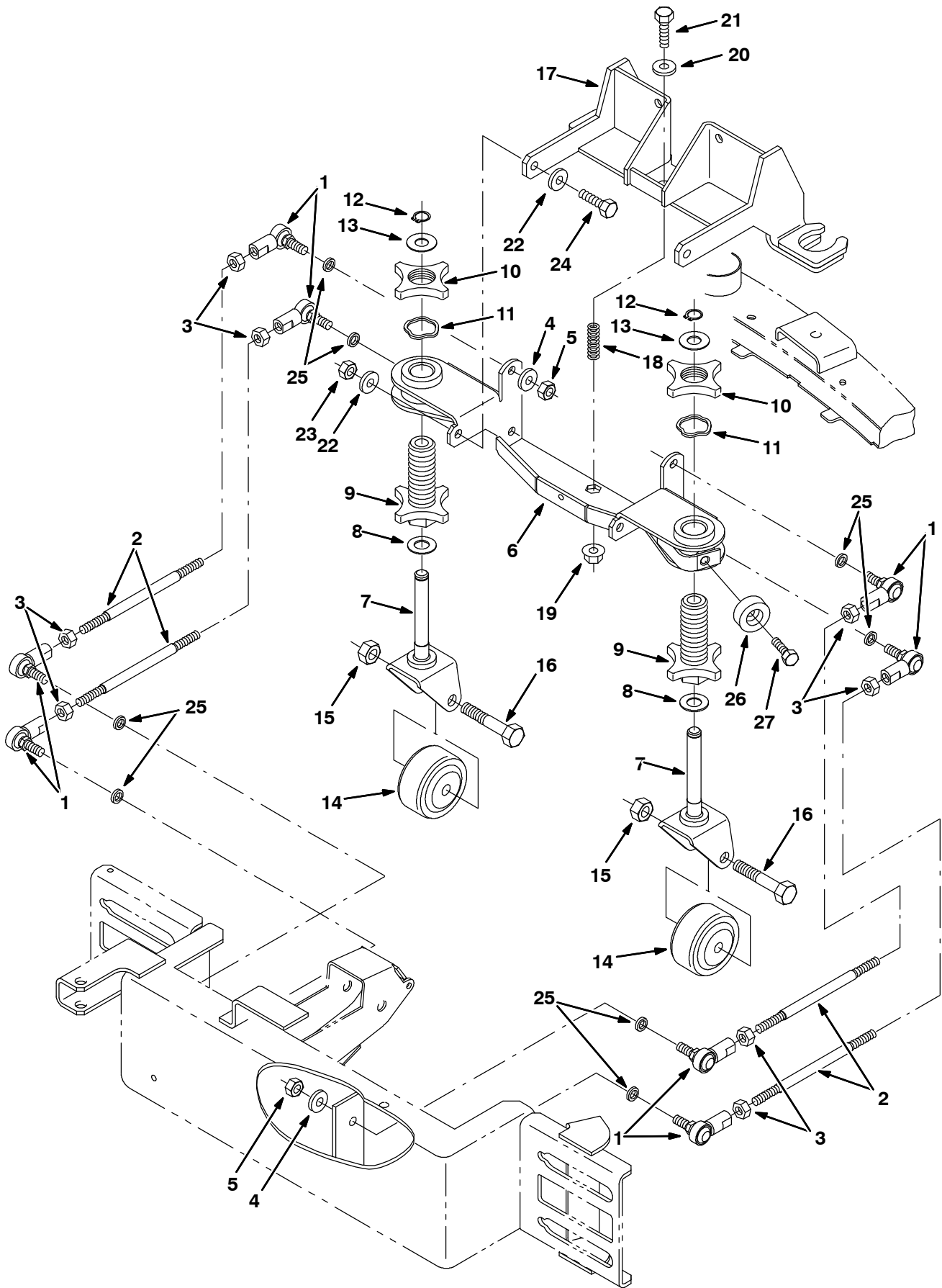


Fig. 31 - Squeegee Linkage Group, Rear

| Ref. | Tennant Part No. | Machine Serial Number | Description                              | Qty.                                 |   |
|------|------------------|-----------------------|--|--------------------------------------|---|
| 1    | 05686            | (000000-              | ) Rod-End, M10 X 1.5rh Fem M10 X 1.5stud | 8                                    |   |
| 2    | 14555            | (000000-              | ) Rod, Thrd, 2 End M10x1.5 07.4          | 4                                    |   |
| 3    | 32716            | (000000-              | ) Nut, Hex, Jam, M10 X 1.5, Ss           | 8                                    |   |
| 4    | 01686            | (000000-              | ) Washer, Flt, .38 Ss                    | 8                                    |   |
| 5    | 08714            | (000000-              | ) Nut, Hex, Lock, M10 X 1.5, NI, Ss      | 8                                    |   |
| 6    | 386256           | (000000-004999        | ) Channel Wldt                           | 1                                    |   |
| 6    | 1056468          | (005000-              | ) Channel Wldt, Iron Gray                | 1                                    |   |
| ▽    | 78979            | (000000-              | ) Caster Kit, Sqge, Replmt               | 2                                    |   |
| ▲    | 7                | 84593                 | (000000-                                 | ) Pivot Wldt, Sqge Caster            | 1 |
| ▲    | 8                | 07450                 | (000000-                                 | ) Bearing, Thrust, 0.66b 1.25d 0.06w | 1 |
| ▲    | 9                | 77228                 | (000000-                                 | ) Knob, Adj                          | 1 |
| ▲    | 10               | 77227                 | (000000-                                 | ) Knob                               | 1 |
| ▲    | 11               | 79217                 | (000000-                                 | ) Washer                             | 1 |
| ▲    | 12               | 01516                 | (000000-                                 | ) Ring, Retaining, Ext, 0.59d, Basic | 1 |
| ▲    | 13               | 77272                 | (000000-                                 | ) Washer, 0.60b 1.31d .10, Ss        | 1 |
| ▲    | 14               | 20833                 | (000000-                                 | ) Wheel, 3.0d 1.38w 0.50b            | 1 |
| ▲    | 15               | 02931                 | (000000-                                 | ) Nut, Hex, Lock, .50-13, NI, Ss     | 1 |
| ▲    | 16               | 81952                 | (000000-                                 | ) Screw, Hex, .50-13 X 3.00, Ss      | 1 |
| 17   | 386252           | (000000-004999        | ) Bracket Wldt, Pivot                    | 1                                    |   |
| 17   | 1056467          | (005000-              | ) Channel Wldt, Iron Gray                | 1                                    |   |
| 18   | 16816            | (000000-              | ) Spring, Die, 1.00od 0.50id 2.00l       | 1                                    |   |
| 19   | 07792            | (000000-              | ) Nut, Hex, Flng, M10 X 1.5              | 1                                    |   |
| 20   | 01686            | (000000-              | ) Washer, Flt, .38 Ss                    | 1                                    |   |
| 21   | 04417            | (000000-              | ) Screw, Hex, M10 X 1.5 X 60, Ss         | 1                                    |   |
| 22   | 01686            | (000000-              | ) Washer, Flt, .38 Ss                    | 4                                    |   |
| 23   | 08714            | (000000-              | ) Nut, Hex, Lock, M10 X 1.5, NI, Ss      | 2                                    |   |
| 24   | 12317            | (000000-              | ) Screw, Hex, M10 X 1.5 X 30, Ss         | 2                                    |   |
| 25   | 390880           | (000000-              | ) Spacer, .41b .63d .13l, Ss 430pm       | 8                                    |   |
| 26   | 364614           | (000000-              | ) Bumper, Neo, 1.5d .63t .31h            | 1                                    |   |
| 27   | 09010            | (000000-              | ) Screw, Hex, M08 X 1.25 X 25, Ss        | 1                                    |   |

Fig. 32 - Squeegee Lift Group, Rear

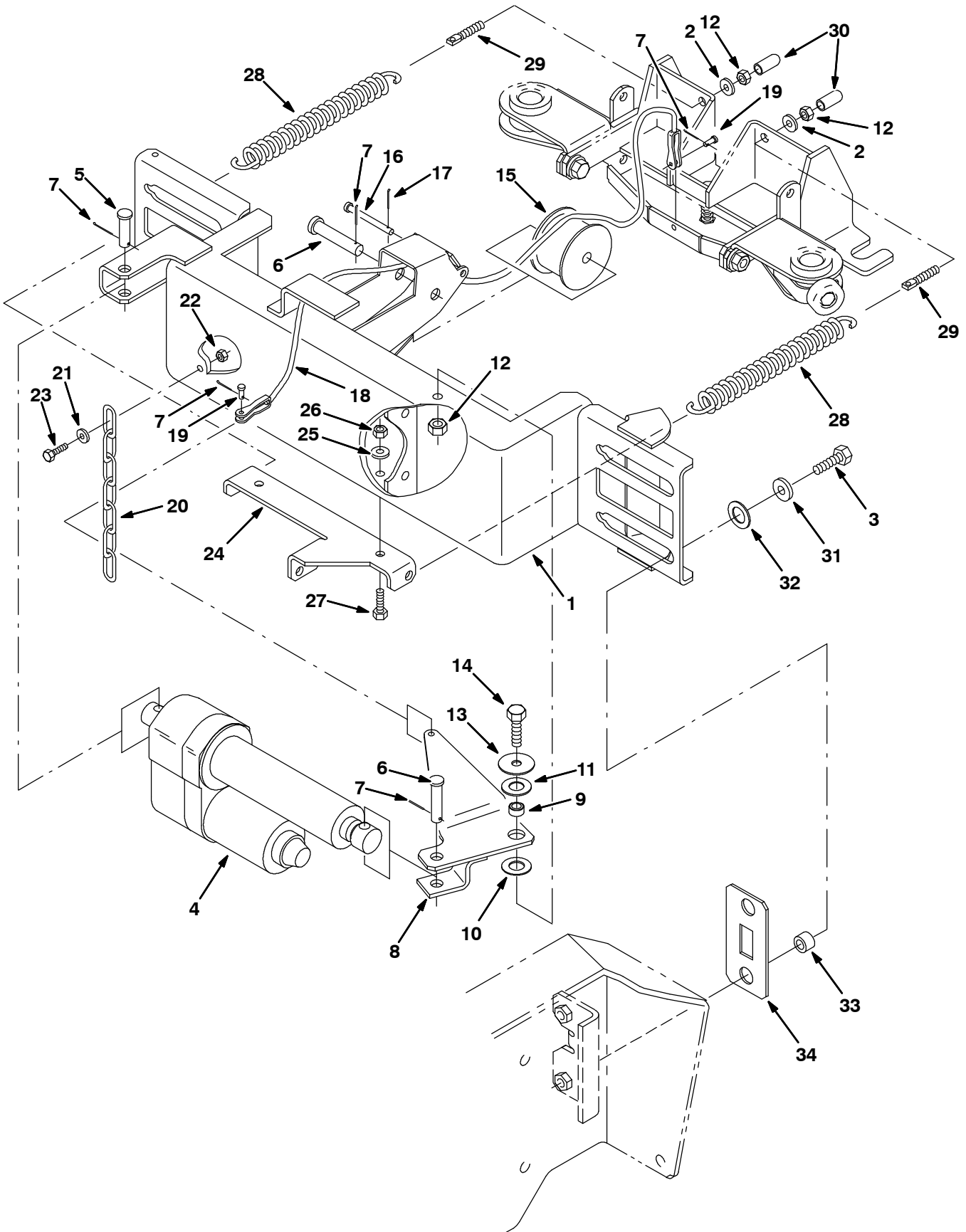


Fig. 32 - Squeegee Lift Group, Rear

| Ref. | Tennant Part No. | Machine Serial Number | Description                            | Qty. |
|------|------------------|-----------------------|--|------|
| 1    | 387426           | (000000-004999 )      | Support Wldt                           | 1    |
| 1    | 1056389          | (005000-              | Support Wldt, Iron Gray                | 1    |
| 2    | 01686            | (000000-              | Washer, Flt, .38 Ss                    | 2    |
| 3    | 12317            | (000000-              | Screw, Hex, M10 X 1.5 X 30, Ss         | 4    |
| 4    | 363151           | (000000-              | Actuator, 36vdc, 02.1stroke 500lb      | 1    |
| 5    | 51534            | (000000-              | Pin, Clevis, 0.50 D X 2.00l            | 1    |
| 6    | 06279            | (000000-              | Pin, Clevis, 0.50 D X 2.50l            | 2    |
| 7    | 39005            | (000000-              | Pin, Cotter, .094 X 0.75               | 5    |
| 8    | 386279           | (000000-              | Arm Wldt                               | 1    |
| 9    | 71658            | (000000-              | Sleeve                                 | 1    |
| 10   | 64425            | (000000-              | Washer, Thrust, 0.61b 1.25d .06, Fgl   | 1    |
| 11   | 07450            | (000000-              | Bearing, Thrust, 0.66b 1.25d 0.06w     | 1    |
| 12   | 08714            | (000000-              | Nut, Hex, Lock, M10 X 1.5, NI, Ss      | 3    |
| 13   | 33948            | (000000-              | Washer, Flat                           | 1    |
| 14   | 04417            | (000000-              | Screw, Hex, M10 X 1.5 X 60, Ss         | 1    |
| 15   | 223054           | (000000-              | Drum, Cable, Lift                      | 1    |
| 16   | 04733-10         | (000000-              | Pin, Clevis, 0.25 D X 2.44l            | 1    |
| 17   | 08178            | (000000-              | Pin, Cotter, .062 X 0.75               | 1    |
| 18   | 71101            | (000000-              | Cable, .12d, 13.3l, .2clevis/.2clevis  | 1    |
| 19   | 77488            | (000000-              | Pin, Clevis, 0.19 D X 0.63l            | 2    |
| 20   | 43500            | (000000-              | Chain, Coil, Str, #210, 09.0l 07 Link  | 1    |
| 21   | 01684            | (000000-              | Washer, Flt, .25 Ss                    | 1    |
| 22   | 08712            | (000000-              | Nut, Hex, Lock, M06 X 1.0, NI, Ss      | 1    |
| 23   | 08716            | (000000-              | Screw, Hex, M06 X 1.0 X 20, Ss         | 1    |
| 24   | 387432           | (000000-004999 )      | Channel, Spring                        | 1    |
| 24   | 1056482          | (005000-              | Bracket, Spring, Iron Gray             | 1    |
| 25   | 01685            | (000000-              | Washer, Flt, .31 Ss                    | 2    |
| 26   | 08713            | (000000-              | Nut, Hex, Lock, M08 X 1.25,NI, Ss      | 2    |
| 27   | 09010            | (000000-              | Screw, Hex, M08 X 1.25 X 25, Ss        | 2    |
| 28   | 71100            | (000000-              | Spring, Extn, 1.69od X 0.20wir, 9.5l   | 2    |
| 29   | 386847           | (000000-              | Bolt, Eye, M10x1.5 X 2.0 X .28 Eye     | 2    |
| 30   | 20806            | (000000-              | Cap, Neoprene Black                    | 2    |
| 31   | 32492            | (000000-              | Washer, Flat, .38 Std                  | 4    |
| 32   | 53782            | (000000-              | Bearing, Thrust, 0.75b 1.25d 0.06w     | 4    |
| 33   | 387429           | (000000-              | Sleeve, P/M, 0.745d 0.438b 0.50l 430ss | 4    |
| 34   | 387430           | (000000-              | Plate, Slide                           | 2    |

# STANDARD PARTS

Fig. 33 - Max Pro 1000 Rear Squeegee Group (000000-004999)

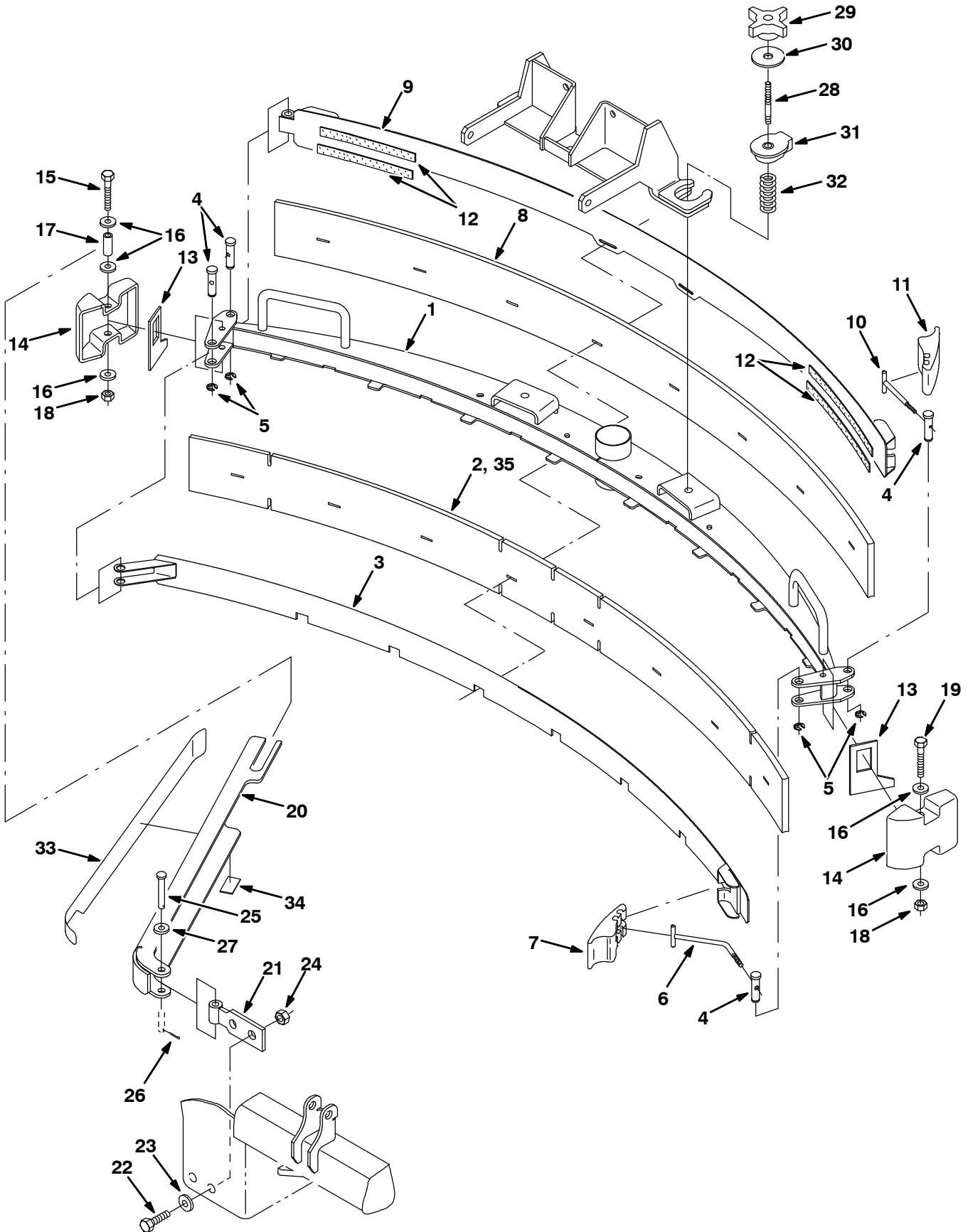




Fig. 33 - Max Pro 1000 Rear Squeegee Group (000000-004999)

| Ref. | Tennant Part No. | Machine Serial Number | Description                            | Qty. |
|------|------------------|-----------------------|--|------|
| ▽    | 386860           | (000000-004999 )      | Kit, Cl, Squeegee, Rear (Max Pro 1000) | 1    |
| ▲    | 1 1056856        | (000000-004999 )      | Frame Wldt, Sqge, Iron Gray            | 1    |
| ▲    | 2 386283         | (000000-004999 )      | Blade, Sqge, Front                     | 1    |
| ▲    | 3 386285         | (000000-004999 )      | Clamp Wldt, Front                      | 1    |
| ▲    | 4 21603          | (000000-004999 )      | Pin                                    | 4    |
| ▲    | 5 24555          | (000000-004999 )      | Ring, Retaining, Ext                   | 4    |
| ▲    | 6 386298         | (000000-004999 )      | Pin Wldt, Front                        | 1    |
| ▲    | 7 21601          | (000000-004999 )      | Cam                                    | 1    |
| ▲    | 8 386284         | (000000-004999 )      | Blade, Sqge, Rear                      | 1    |
| ▲    | 9 386286         | (000000-004999 )      | Clamp Wldt, Rear                       | 1    |
| ▲    | 10 21606         | (000000-004999 )      | Bar Wldt, Retainer, Sqge, Rear         | 1    |
| ▲    | 11 21602         | (000000-004999 )      | Cam, Rear                              | 1    |
| ▲    | 12 03495         | (000000-004999 )      | Strip, Nonslip                         | 4    |
| ▲    | 13 83874         | (000000-004999 )      | Gasket, Sqge                           | 2    |
| ▲    | 14 386264        | (000000-004999 )      | Bumper, Sqge                           | 2    |
| ▲    | 15 386299        | (000000-004999 )      | Screw, Hex, M08 X 1.25 X 100, Ss       | 1    |
| ▲    | 16 01685         | (000000-004999 )      | Washer, Flt, .31 Ss                    | 5    |
| ▲    | 17 222497        | (000000-004999 )      | Sleeve                                 | 1    |
| ▲    | 18 08713         | (000000-004999 )      | Nut, Hex, Lock, M08 X 1.25,NI, Ss      | 2    |
| ▲    | 19 09767         | (000000-004999 )      | Screw, Hex, M08 X 1.25 X 70, Ss        | 1    |
| ▲    | 20 386266        | (000000-004999 )      | Channel Wldt                           | 1    |
| ▲    | 21 386234        | (000000-004999 )      | Pivot Wldt, Guard                      | 1    |
| ▲    | 22 12309         | (000000-004999 )      | Screw, Hex, M12 X 1.75 X 30, Ss        | 2    |
| ▲    | 23 41619         | (000000-004999 )      | Washer, Flt, .50 Ss                    | 2    |
| ▲    | 24 09741         | (000000-004999 )      | Nut, Hex, Lock, M12 X 1.75,NI, Ss      | 2    |
| ▲    | 25 1039190       | (000000-004999 )      | Pin, Clevis, 0.25d X 2.00l             | 1    |
| ▲    | 26 08178         | (000000-004999 )      | Pin, Cotter, .062 X 0.75               | 1    |
| ▲    | 27 01684         | (000000-004999 )      | Washer, Flt, .25 Ss                    | 2    |
| ▲    | 28 387237        | (000000-004999 )      | Stud, .31-18 2.75l M8 X 1.25, Ss       | 2    |
| ▲    | 29 370100        | (000000-004999 )      | Knob, 4-Prong W/.31-18, Insert         | 2    |
| ▲    | 30 04414         | (000000-004999 )      | Washer, 0.53b 1.88d .12, Stl, Pl       | 2    |
| ▲    | 31 387433        | (000000-004999 )      | Ring, Mtg, Sqge, .50l                  | 2    |
| ▲    | 32 387500        | (000000-004999 )      | Spring, Cmpr, .87od .042wir 2.0l       | 2    |
| ▲    | 33 387448        | (000000-004999 )      | Bumper, Poly-E                         | 1    |
| ▲    | 34 387438        | (000000-004999 )      | Bumper, Poly-E                         | 1    |
| ▲    | 35 387257        | (000000- )            | Blade, Sqge, Front, Mp1000, Tile       | 1    |



Fig. 34 - Max Pro 1000 Rear Squeegee Group (005000- )

| Ref. | Tennant Part No. | Machine Serial Number | Description                            | Qty. |
|------|------------------|-----------------------|--|------|
| ▽    | 9006930          | (005000-              | ) Squeegee Assy Kit, Rear, Ci [Mp1000] | 1    |
| ▲    | 1 1056856        | (005000-              | ) Frame Wldt, Sqge, Iron Gray          | 1    |
| ▲    | 2 386283         | (005000-              | ) Blade, Sqge, Front                   | 1    |
| ▲    | 3 386285         | (005000-              | ) Clamp Wldt, Front                    | 1    |
| ▲    | 4 21603          | (005000-              | ) Pin                                  | 4    |
| ▲    | 5 24555          | (005000-              | ) Ring, Retaining, Ext                 | 4    |
| ▲    | 6 386298         | (005000-              | ) Pin Wldt, Front                      | 1    |
| ▲    | 7 21601          | (005000-              | ) Cam                                  | 1    |
| ▲    | 8 386284         | (005000-              | ) Blade, Sqge, Rear                    | 1    |
| ▲    | 9 386286         | (005000-              | ) Clamp Wldt, Rear                     | 1    |
| ▲    | 10 21606         | (005000-              | ) Bar Wldt, Retainer, Sqge, Rear       | 1    |
| ▲    | 11 21602         | (005000-              | ) Cam, Rear                            | 1    |
| ▲    | 12 03495         | (005000-              | ) Strip, Nonslip                       | 4    |
| ▲    | 13 83874         | (005000-              | ) Gasket, Sqge                         | 2    |
| ▲    | 14 386264        | (005000-              | ) Bumper, Sqge                         | 2    |
| ▲    | 15 386299        | (005000-              | ) Screw, Hex, M08 X 1.25 X 100, Ss     | 1    |
| ▲    | 16 01685         | (005000-              | ) Washer, Flt, .31 Ss                  | 5    |
| ▲    | 17 222497        | (005000-              | ) Sleeve                               | 1    |
| ▲    | 18 08713         | (005000-              | ) Nut, Hex, Lock, M08 X 1.25,NI, Ss    | 2    |
| ▲    | 19 09767         | (005000-              | ) Screw, Hex, M08 X 1.25 X 70, Ss      | 1    |
| ▲    | 20 1056471       | (005000-              | ) Channel Wldt, Guard, Rh, Iron Gray   | 1    |
| ▲    | 21 1056466       | (005000-              | ) Plate Wldt, Pivot, Guard, Iron Gray  | 1    |
| ▲    | 22 12309         | (005000-              | ) Screw, Hex, M12 X 1.75 X 30, Ss      | 2    |
| ▲    | 23 41619         | (005000-              | ) Washer, Flt, .50 Ss                  | 2    |
| ▲    | 24 09741         | (005000-              | ) Nut, Hex, Lock, M12 X 1.75,NI, Ss    | 2    |
| ▲    | 25 1039190       | (005000-              | ) Pin, Clevis, 0.25d X 2.00l           | 1    |
| ▲    | 26 08178         | (005000-              | ) Pin, Cotter, .062 X 0.75             | 1    |
| ▲    | 27 01684         | (005000-              | ) Washer, Flt, .25 Ss                  | 2    |
| ▲    | 28 387237        | (005000-              | ) Stud, .31-18 2.75l M8 X 1.25, Ss     | 2    |
| ▲    | 29 370100        | (005000-              | ) Knob, 4-Prong W/.31-18, Insert       | 2    |
| ▲    | 30 04414         | (005000-              | ) Washer, 0.53b 1.88d .12, Stl, Pl     | 2    |
| ▲    | 31 387433        | (005000-              | ) Ring, Mtg, Sqge, .50l                | 2    |
| ▲    | 32 387500        | (005000-              | ) Spring, Cmpr, .87od .042wir 2.0l     | 2    |
| ▲    | 33 387448        | (005000-              | ) Bumper, Poly-E                       | 1    |
| ▲    | 34 387438        | (005000-              | ) Bumper, Poly-E                       | 1    |
| ▲    | 35 387257        | (000000-              | ) Blade, Sqge, Front, Mp1000, Tile     | 1    |

**Fig. 35 - Electrical Control Box Circuit Breaker Group**

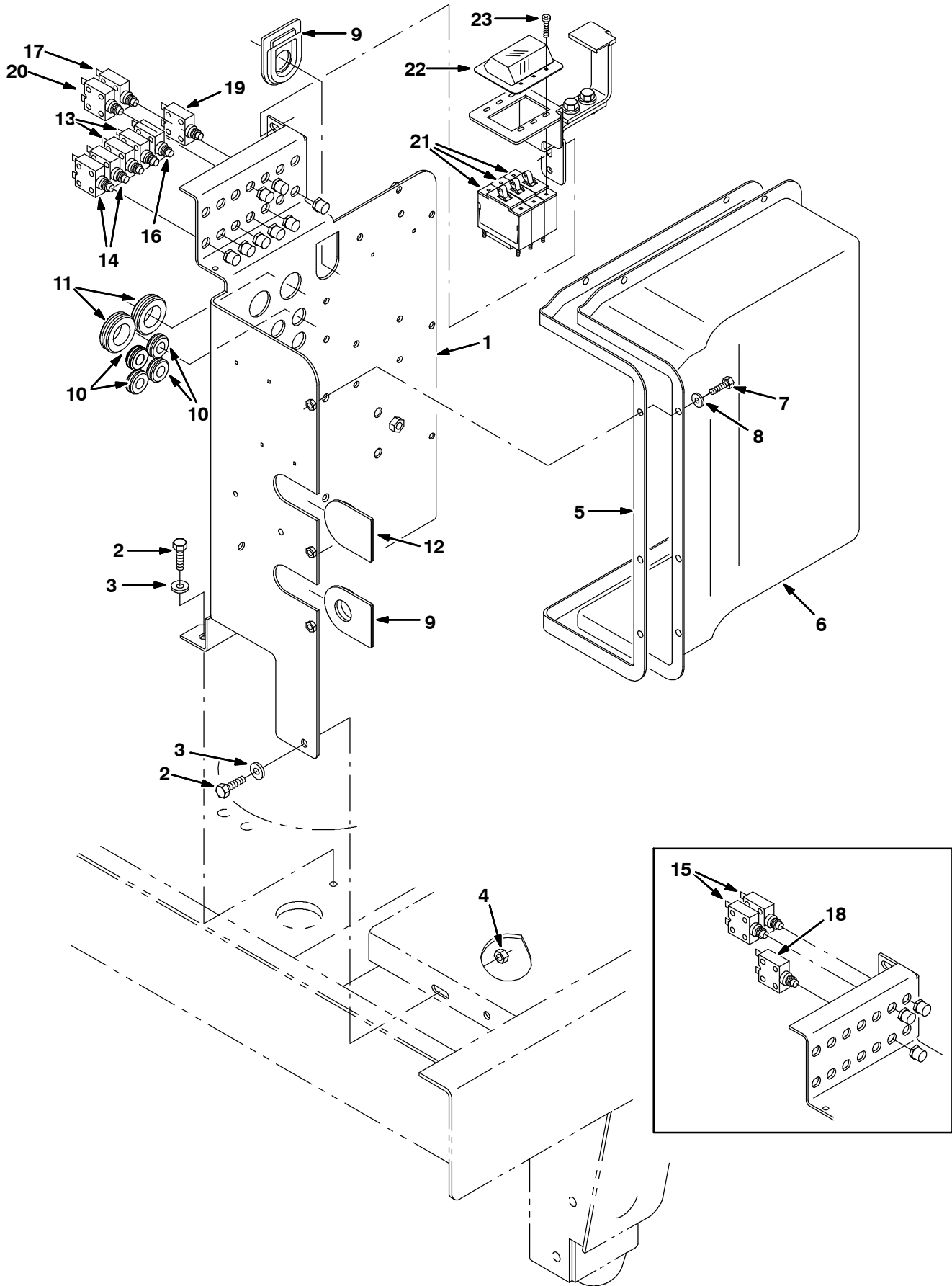


Fig. 35 - Electrical Control Box Circuit Breaker Group

| Ref. | Tennant Part No. | Machine Serial Number | Description  | Qty. |
|------|------------------|-----------------------|--|------|
| 1    | 387453           | (000000-004999 )      | Plate, Controlbox                                      | 1    |
| 1    | 1056486          | (005000-              | Plate, Controlbox, Iron Gray                           | 1    |
| 2    | 16931            | (000000-              | Screw, Hex, M08 X 1.25 X 20, 8.8                       | 3    |
| 3    | 32491            | (000000-              | Washer, Flt, .31 Std                                   | 3    |
| 4    | 08709            | (000000-              | Nut, Hex, Lock, M08 X 1.25,Nl                          | 1    |
| 5    | 386127           | (000000-              | Gasket, Cover, Controller                              | 1    |
| 6    | 386128           | (000000-              | Cover, Controlbox                                      | 1    |
| 7    | 09244            | (000000-              | Screw, Hex, M05 X 0.8 X 16, 8.8                        | 8    |
| 8    | 01683            | (000000-              | Washer, Flt, #10 Ss                                    | 8    |
| 9    | 386563           | (000000-              | Grommet, Rbr, 1.0b                                     | 2    |
| 10   | 10632-17         | (000000-              | Grommet, Rbr, 0.50id, F/ 0.8h, .12matl                 | 4    |
| 11   | 10632-14         | (000000-              | Grommet, Rbr, 1.00id, F/ 1.4h, .12matl                 | 2    |
| 12   | 386564           | (000000-              | Plug, Rbr  | 1    |
| 13   | 383723           | (000000-001705 )      | Circuitbreaker, 20.0a                                  | 2    |
| 13   | 383725           | (001706-              | Circuitbreaker, 30.0a                                  | 2    |
| 14   | 383722           | (000000-              | Circuitbreaker, 15.0a                                  | 2    |
| 15   | 383728           | (000000-001705 )      | Circuitbreaker, 50.0a                                  | 2    |
| 16   | 383724           | (000000-              | Circuitbreaker, 25.0a                                  | 1    |
| 17   | 383721           | (000000-              | Circuitbreaker, 10.0a                                  | 1    |
| 18   | 383728           | (000000-001705 )      | Circuitbreaker, 50.0a (Center Brush Option)            | 1    |
| 19   | 383727           | (000000-              | Circuitbreaker, 40.0a (Power Steering Option)          | 1    |
| 20   | 383722           | (000000-              | Circuitbreaker, 15.0a (Power Wand / Side Sweep Option) | 1    |
| 21   | 387636           | (001706-              | Circuitbreaker, 40a, (Max Pro™ 1200 Disk)              | 3    |
| 21   | 387636           | (001706-              | Circuitbreaker, 40a, (Max Pro™ 1000 Disk W/Std Motor)  | 2    |
| 21   | 387637           | (001706-              | Circuitbreaker, 45a, (Max Pro™ 1000 Disk W/Hd Motor)   | 2    |
| 21   | 387637           | (001706-              | Circuitbreaker, 45a, (Max Pro™ 1000 Cylindrical)       | 2    |
| 21   | 387637           | (001706-              | Circuitbreaker, 45a, (Max Pro™ 1200 Cylindrical)       | 2    |
| 22   | 387640           | (001706-              | Boot, Protector, Circuitbreaker                        | 1    |
| 23   | 19320            | (001706-              | Screw, Pan, #06-32X0.38, 1                             | 6    |

# STANDARD PARTS

Fig. 36 - Electrical Control Box Contactor Group (00000- 001705)

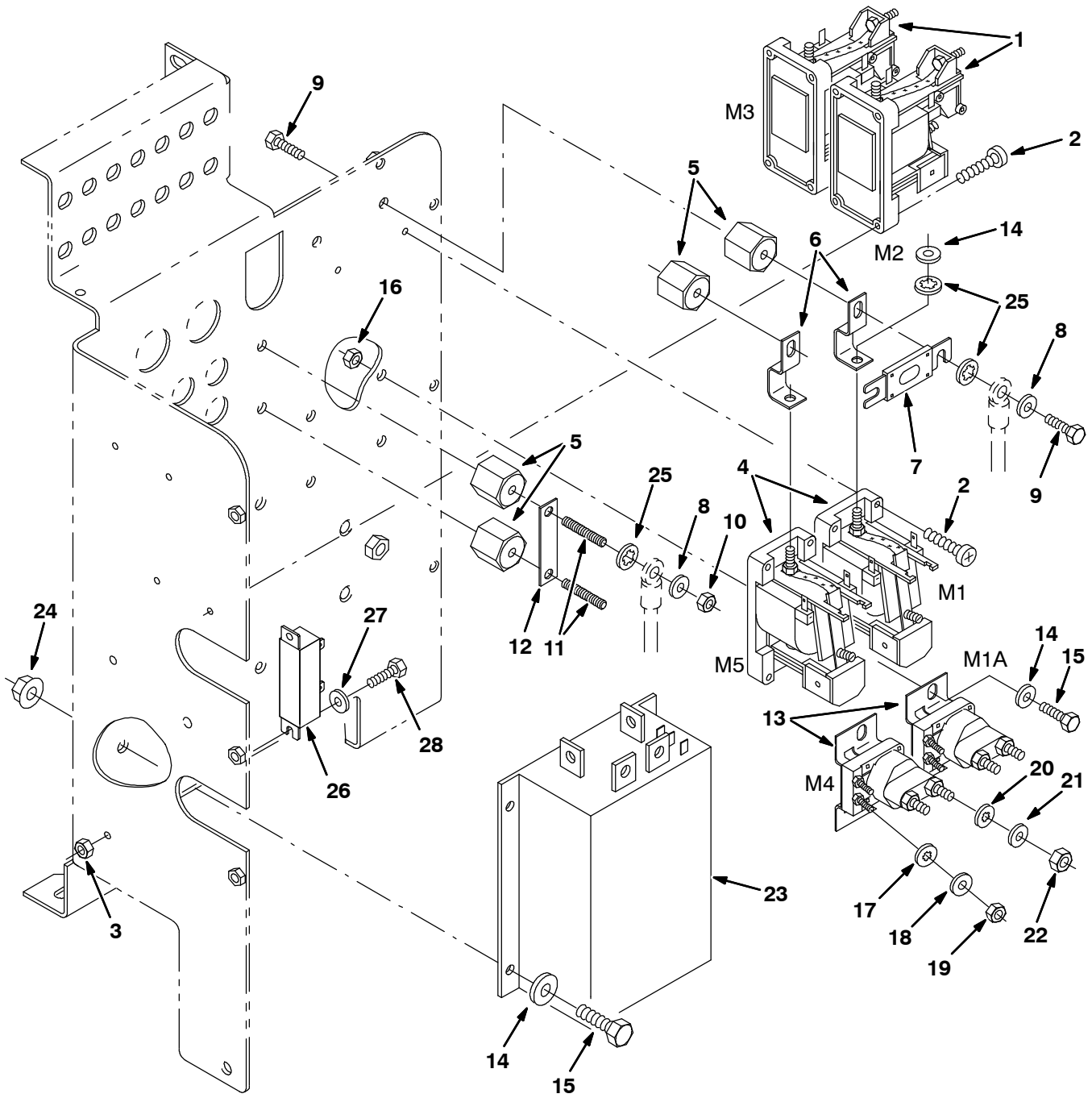


Fig. 36 - Electrical Control Box Contactor Group (000000- 001705)

| Ref. | Tennant Part No. | Machine Serial Number | Description                     | Qty. |
|------|------------------|-----------------------|---------------------------------|------|
| 1    | 87482            | (000000-001705 )      | Contactora, 36vdc, Spdt         | 2    |
| 2    | 71026            | (000000-001705 )      | Screw, Pan, M04 X 0.7 X 30, 4.8 | 8    |
| 3    | 06549            | (000000-001705 )      | Nut, Hex, Lock, M05 X 0.8, NI   | 2    |
| 4    | 86375            | (000000-001705 )      | Contactora, 36vdc, [Spno]       | 2    |
| 5    | 76062            | (000000-001705 )      | Insulator, Panel                | 4    |
| 6    | 87507            | (000000-001705 )      | Busbar, Fuse, .6 0.6w 0.8h 2.0l | 2    |
| 7    | 386807           | (000000-001705 )      | Fuse, 150amp                    | 1    |
| 8    | 32490            | (000000-001705 )      | Washer, Flt, .25 Std            | 4    |
| 9    | 19314            | (000000-001705 )      | Screw, Hex, .25-20 X 0.38, 5    | 6    |
| 10   | 19312            | (000000-001705 )      | Nut, Hex, Std, .25-20           | 2    |
| 11   | 41702            | (000000-001705 )      | Rod, Thrd, Full, .25-20 01.5l   | 2    |
| 12   | 87483            | (000000-001705 )      | Busbar, .06 0.6w 2.5l 2/.28h    | 1    |
| 13   | 386810           | (000000-001705 )      | Contactora, 36vdc               | 2    |
| 14   | 32483            | (000000-001705 )      | Washer, Flt, .25 Sae            | 9    |
| 15   | 06942            | (000000-001705 )      | Screw, Hex, M06 X 1.0 X 16, 8.8 | 6    |
| 16   | 08708            | (000000-001705 )      | Nut, Hex, Lock, M06 X 1.0, NI   | 4    |
| 17   | 32980            | (000000-001705 )      | Washer, Lock, Int, #10          | 4    |
| 18   | 19066            | (000000-001705 )      | Washer, Flt, #10                | 4    |
| 19   | 01713            | (000000-001705 )      | Nut, Hex, Std, #10-32, 2        | 4    |
| 20   | 32984            | (000000-001705 )      | Washer, Lock, Int, .31          | 4    |
| 21   | 39349            | (000000-001705 )      | Washer, Flt, .31 Sae            | 4    |
| 22   | 01715            | (000000-001705 )      | Nut, Hex, Std, .31-24           | 4    |
| 23   | 386302           | (000000-001705 )      | Controller, Motor, 36vdc, 1204  | 1    |
| 24   | 07790            | (000000-001705 )      | Nut, Hex, Flng, M06 X 1.0       | 4    |
| 25   | 32982            | (000000-001705 )      | Washer, Lock, Int, .25          | 9    |
| 26   | 87349            | (000000-001705 )      | Resistor, 040.00ohm, 40watt     | 1    |
| 27   | 01683            | (000000-001705 )      | Washer, Flt, #10 Ss             | 2    |
| 28   | 12312            | (000000-001705 )      | Screw, Hex, M05 X 0.8 X 12, 8.8 | 2    |

**Fig. 37 - Electrical Control Box Contactor Group (001706- )**

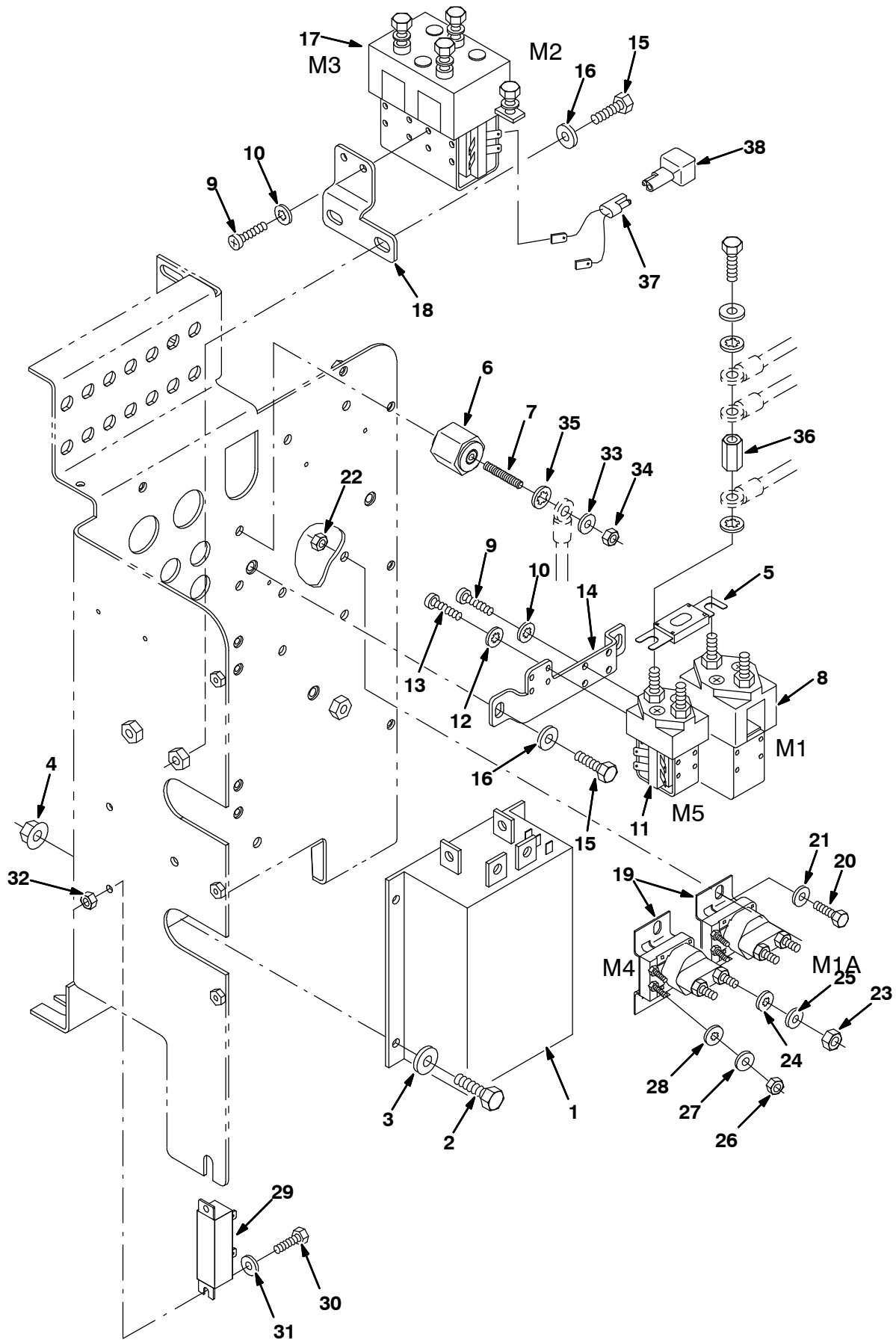




Fig. 37 - Eleactrical Control Box Contactor Group (001706- )

| Ref. | Tennant Part No. | Machine Serial Number | Description                              | Qty. |
|------|------------------|-----------------------|--|------|
| 1    | 386302           | (001706- )            | Controller, Motor, 36vdc, 1204           | 1    |
| 2    | 06942            | (001706- )            | Screw, Hex, M 6 X 1.0 X 16, 8.8          | 4    |
| 3    | 32483            | (001706- )            | Washer, Flat, 0.25 Sae                   | 4    |
| 4    | 07790            | (001706- )            | Nut, Hex, Flng, M06 X 1.0                | 4    |
| 5    | 386807           | (001706- )            | Fuse, 150amp                             | 1    |
| 6    | 76062            | (001706- )            | Insulator, Panel & Switchboard           | 1    |
| 7    | 41702            | (001706- )            | Rod, Thrd, Full, .25-20 01.5l            | 1    |
| 8    | 1007337          | (001706- )            | Contactor, 36vdc, 200a, Spst             | 1    |
| 9    | 06931            | (001706- )            | Screw, Pan, M 5 X 0.8 X 6, 4.8           | 6    |
| 10   | 07514            | (001706- )            | Washer, Lock, Int, #10, Ss               | 6    |
| 11   | 387639           | (001706- )            | Contactor, 36vdc, 100a, Spst             | 1    |
| 12   | 02938            | (001706- )            | Washer, Lock, Int, #08, Ss               | 4    |
| 13   | 06925            | (001706- )            | Screw, Pan, M 4 X 0.7 X 6, 4.8           | 4    |
| 14   | 1007344          | (001706-004999 )      | Bracket, Mtg, Controller, Sgl            | 1    |
| 14   | 1056488          | (005000- )            | Bracket, Mtg, Controller, Sgl, Iron Gray | 1    |
| 15   | 12274            | (001706- )            | Screw, Hex, M 6 X 1.0 X 20, NI           | 4    |
| 16   | 32491            | (001706- )            | Washer, Flat, 0.31 Std                   | 4    |
| 17   | 1007349          | (001706- )            | Contactor, 36vdc, 200a, Dpdt             | 1    |
| 18   | 1007353          | (001706-004999 )      | Bracket, Mtg, Relay                      | 1    |
| 18   | 1056489          | (005000- )            | Bracket, Mtg, Relay, Iron Gray           | 1    |
| 19   | 386810           | (001706- )            | Relay, 36vdc, 100a, Sp N/O [White]       | 2    |
| 20   | 06942            | (001706- )            | Screw, Hex, M 6 X 1.0 X 16, 8.8          | 4    |
| 21   | 32483            | (001706- )            | Washer, Flat, 0.25 Sae                   | 4    |
| 22   | 08708            | (001706- )            | Nut, Hex, Lock, M 6 X 1.0, NI            | 4    |
| 23   | 01715            | (001706- )            | Nut, Hex, Std, .31-24                    | 4    |
| 24   | 32984            | (001706- )            | Washer, Lock, Int, .31                   | 4    |
| 25   | 39349            | (001706- )            | Washer, Flat, 0.31 Sae                   | 4    |
| 26   | 01713            | (001706- )            | Nut, Hex, Std, #10-32, 2                 | 4    |
| 27   | 19066            | (001706- )            | Washer, Flt, #10                         | 4    |
| 28   | 32980            | (001706- )            | Washer, Lock, Int, #10                   | 4    |
| 29   | 87349            | (001706- )            | Resistor, 040.00 0hm, 40watt             | 1    |
| 30   | 12312            | (001706- )            | Screw, Hex, M 5 X 0.8 X 12, 8.8          | 2    |
| 31   | 01683            | (001706- )            | Washer, Flat, #10 Ss                     | 2    |
| 32   | 06549            | (001706- )            | Nut, Hex, Lock, M 5 X 0.8, NI            | 2    |
| 33   | 32490            | (001706- )            | Washer, Flat, 0.25 Std                   | 1    |
| 34   | 19312            | (001706- )            | Nut, Hex, Std, .25-20                    | 1    |
| 35   | 32982            | (001706- )            | Washer, Lock, Int, .25                   | 1    |
| 36   | 387648           | (001706- )            | Nut, Hex, Cplg, M08X1.25                 | 1    |
| 37   | 370156           | (001706- )            | Harness, Switch, Key, Diode              | 2    |
| 38   | 222290           | (001706- )            | Diode, Ele, Plug                         | 2    |

Fig. 38 - Electrical Control Box Wires Group (000000- 001705)

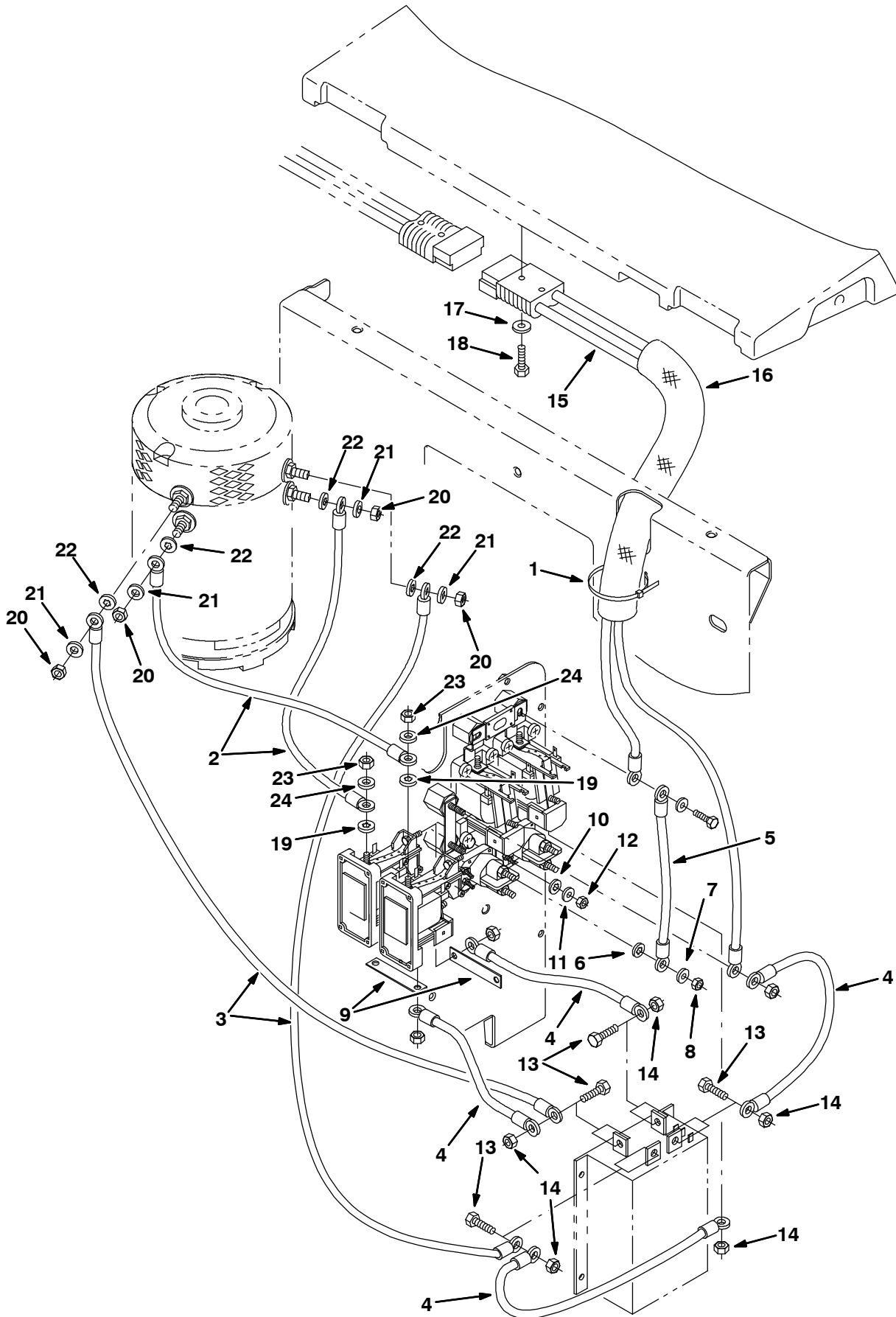


Fig. 38 - Electrical Control Box Wires Group (000000- 001705)

| Ref. | Tennant Part No. | Machine Serial Number | Description                           | Qty. |
|------|------------------|-----------------------|---------------------------------------|------|
| 1    | 32815            | (000000-001705 )      | Tie, Cable, Nyl, 28.5l .50w 8.0 Max D | 4    |
| 2    | 71529            | (000000-001705 )      | Wire, 04ga 32.0l Blk .31ring /.31ring | 1    |
| 3    | 386804           | (000000-001705 )      | Wire Assy, 02ga 27.0l Blk .34h /.34h  | 2    |
| 4    | 86393            | (000000-001705 )      | Wire, 04ga 09.0l Blk .34ring /.28ring | 4    |
| 5    | 15846            | (000000-001705 )      | Wire, 06ga 11.0l Blk .34ring /.28ring | 1    |
| 6    | 32984            | (000000-001705 )      | Washer, Lock, Int, .31                | 4    |
| 7    | 39348            | (000000-001705 )      | Washer, Flat, 1.50 Std Hard           | 4    |
| 8    | 01715            | (000000-001705 )      | Nut, Hex, Std, .31-24                 | 4    |
| 9    | 87483            | (000000-001705 )      | Busbar, .06 0.6w 2.5l 2/.28h          | 2    |
| 10   | 07514            | (000000-001705 )      | Washer, Lock, Int, #10, Ss            | 4    |
| 11   | 19066            | (000000-001705 )      | Washer, Flt, #10                      | 4    |
| 12   | 01713            | (000000-001705 )      | Nut, Hex, Std, #10-32, 2              | 4    |
| 13   | 16931            | (000000-001705 )      | Screw, Hex, M08 X 1.25 X 20, 8.8      | 4    |
| 14   | 08709            | (000000-001705 )      | Nut, Hex, Lock, M08 X 1.25, NI        | 4    |
| 15   | 386610           | (000000-001705 )      | Harness, Battery, Connecting          | 1    |
| 16   | 31647            | (000000-001705 )      | Sleeve, Nyl, #15 14.0l                | 1    |
| 17   | 01684            | (000000-001705 )      | Washer, Flt, .25 Ss                   | 2    |
| 18   | 33930            | (000000-001705 )      | Screw, Hex, M06 X 1.0 X 40, Ss        | 2    |
| 19   | 32982            | (000000-001705 )      | Washer, Lock, Int, .25                | 2    |
| 20   | 39311            | (000000-001705 )      | Nut, Hex, Std, M08 X 1.25             | 4    |
| 21   | 32490            | (000000-001705 )      | Washer, Flt, .25 Std                  | 4    |
| 22   | 32988            | (000000-001705 )      | Washer, Lock, Int, .38                | 2    |
| 23   | 41359            | (000000-001705 )      | Nut, Hex, Std, M06 X 1.0              | 2    |
| 24   | 32483            | (000000-001705 )      | Washer, Flt, .25 Sae                  | 4    |

**Fig. 39 - Electrical Control Box Wires Group (001706- )**

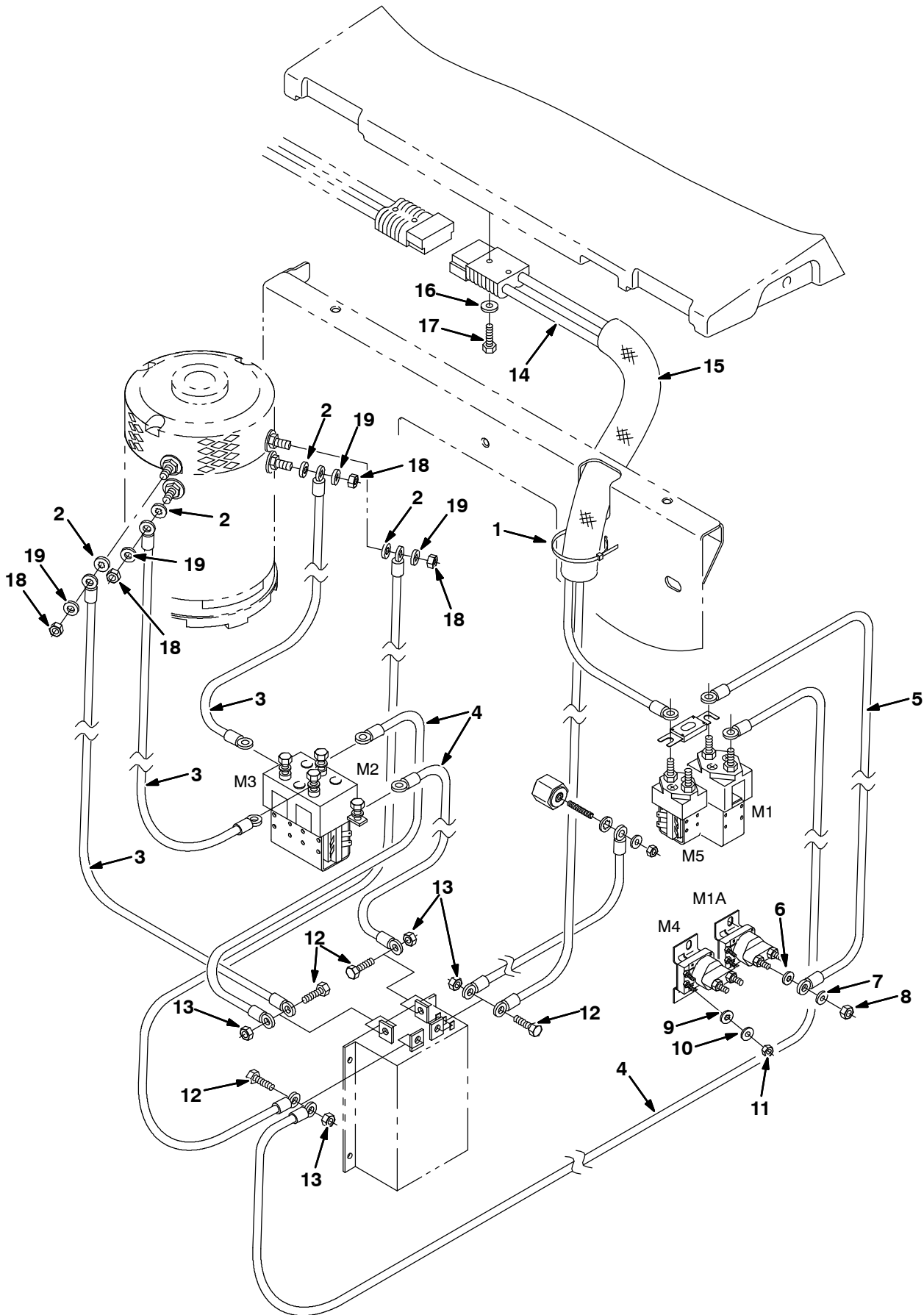


Fig. 39 - Electrical Control Box Wires Group (001706- )

| Ref. | Tennant Part No. | Machine Serial Number | Description                              | Qty. |
|------|------------------|-----------------------|--|------|
| 1    | 32815            | (001706-              | ) Tie, Cable, Nyl, 28.5l .50w 8.0 Max D  | 4    |
| 2    | 32988            | (001706-              | ) Washer, Lock, Int, .38                 | 2    |
| 3    | 386804           | (001706-              | ) Wire Assy, 02ga 27.0l Blk .34h /.34h   | 4    |
| 4    | 387641           | (001706-              | ) Wire Assy, 02ga, 10.0l, Blk            | 4    |
| 5    | 63740            | (001706-              | ) Wire, 06Ga 09.0L Blk .34 Ring/.34 Ring | 1    |
| 6    | 32984            | (001706-              | ) Washer, Lock, Int, .31                 | 4    |
| 7    | 39348            | (001706-              | ) Washer, Flat, 1.50 Std Hard            | 4    |
| 8    | 01715            | (001706-              | ) Nut, Hex, Std, .31-24                  | 4    |
| 9    | 07514            | (001706-              | ) Washer, Lock, Int, #10, Ss             | 4    |
| 10   | 19066            | (001706-              | ) Washer, Flt, #10                       | 4    |
| 11   | 01713            | (001706-              | ) Nut, Hex, Std, #10-32, 2               | 4    |
| 12   | 16931            | (001706-              | ) Screw, Hex, M 8 X 1.25 X 20, 8.8       | 4    |
| 13   | 08709            | (001706-              | ) Nut, Hex, Lock, M 8 X 1.25 NI          | 4    |
| 14   | 386610           | (001706-              | ) Harness, Battery, Connecting           | 1    |
| 15   | 31647            | (001706-              | ) Sleeve, Nyl, #15 14.0l                 | 1    |
| 16   | 01684            | (001706-              | ) Washer, Flat, 0.25 Ss                  | 2    |
| 17   | 33930            | (001706-              | ) Screw, Hex, M 6 X 1.0 X 40, Ss         | 2    |
| 18   | 39311            | (001706-              | ) Nut, Hex, Std, M08 X 1.25              | 4    |
| 19   | 32490            | (001706-              | ) Washer, Flat, 0.25 Std                 | 4    |

Fig. 40 - Electrical Circuit Board Group

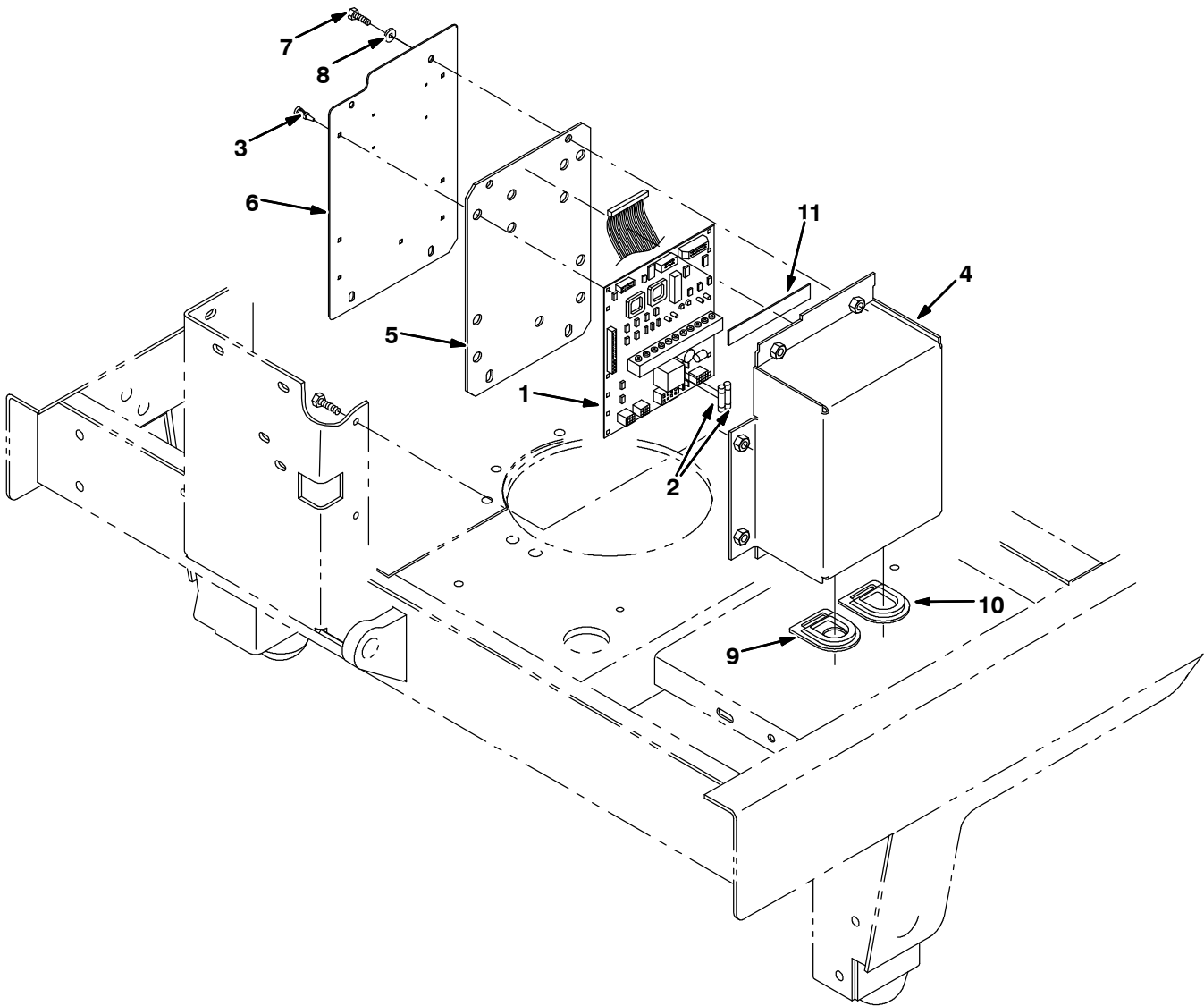
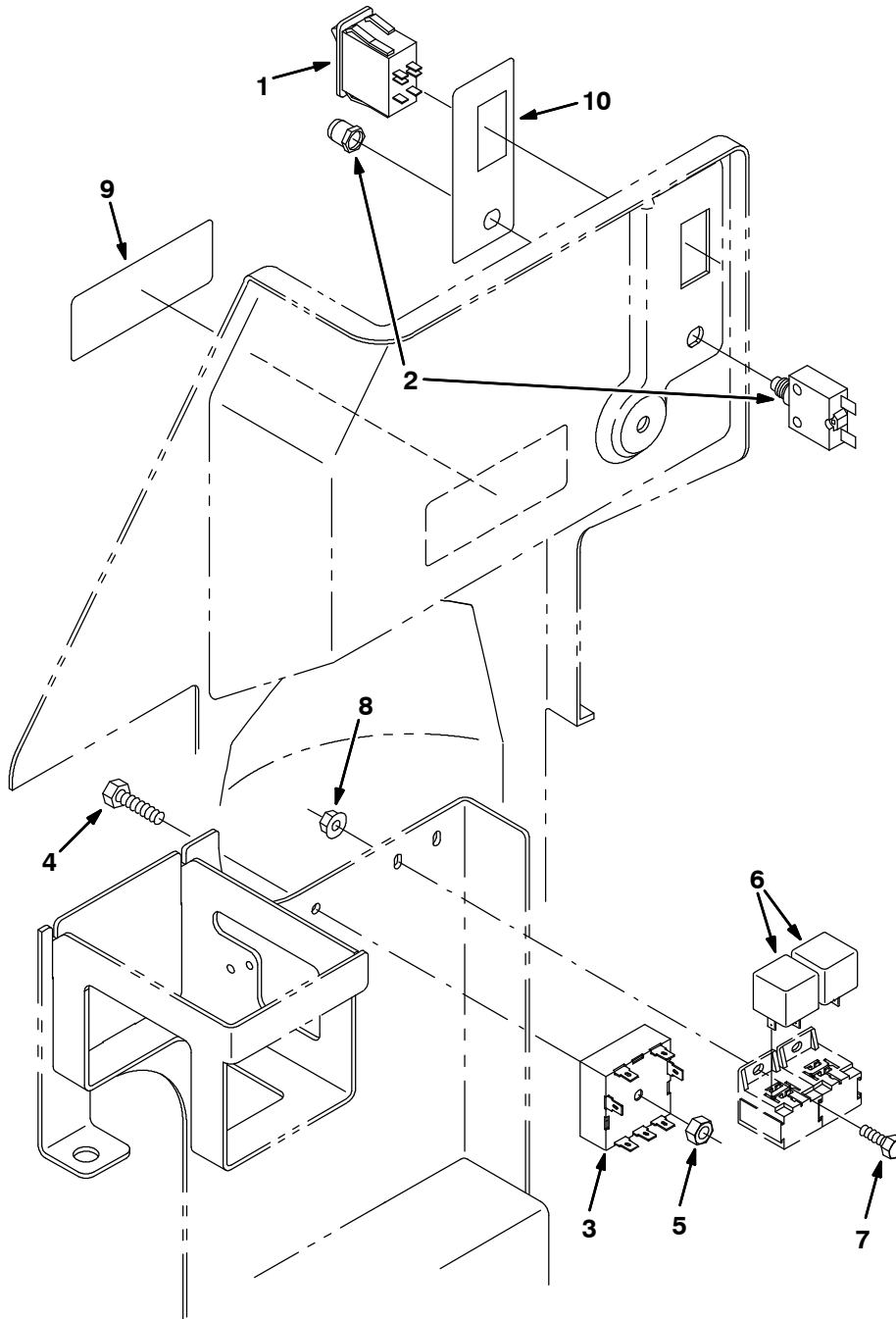


Fig. 40 - Electrical Circuit Board Group

|   | Ref. | Tennant Part No. | Machine Serial Number | Description                        | Qty. |
|---|------|------------------|-----------------------|------------------------------------|------|
| ▽ | 1    | 9008411          | (000000-005351 )      | Circuitboard Assy Kit [7300/8300]  | 1    |
| ▲ | 2    | 603103000        | (000000-005351 )      | Fuse, .20A, 3Ag, Slo-Blo           | 2    |
| ▽ | 1    | 1065190          | (005352-              | Circuitboard Assy [7300/8300, Imp] | 1    |
| ▲ | 2    | 603103000        | (005352-              | Fuse, .20A, 3Ag, Slo-Blo           | 2    |
|   | 3    | 15840            | (000000-              | Pin, Prong                         | 7    |
|   | 4    | 386922           | (000000-004999 )      | Box, Circuitboard                  | 1    |
|   | 4    | 1056478          | (005000-              | Box, Circuitboard, Iron Gray       | 1    |
|   | 5    | 386921           | (000000-              | Gasket                             | 1    |
|   | 6    | 386920           | (000000-004999 )      | Cover                              | 1    |
|   | 6    | 1056477          | (005000-              | Cover, Iron Gray                   | 1    |
|   | 7    | 06942            | (000000-              | Screw, Hex, M06 X 1.0 X 16, 8.8    | 6    |
|   | 8    | 32483            | (000000-              | Washer, Flt, .25 Sae               | 4    |
|   | 9    | 386563           | (000000-              | Grommet, Rbr, 1.0b                 | 1    |
|   | 10   | 386564           | (000000-              | Plug, Rbr                          | 1    |
|   | 11   | 387529           | (000000-              | Tape, Foam                         | 1    |

# STANDARD PARTS

Fig. 41 - Electrical Group, FaST (000000-003746)

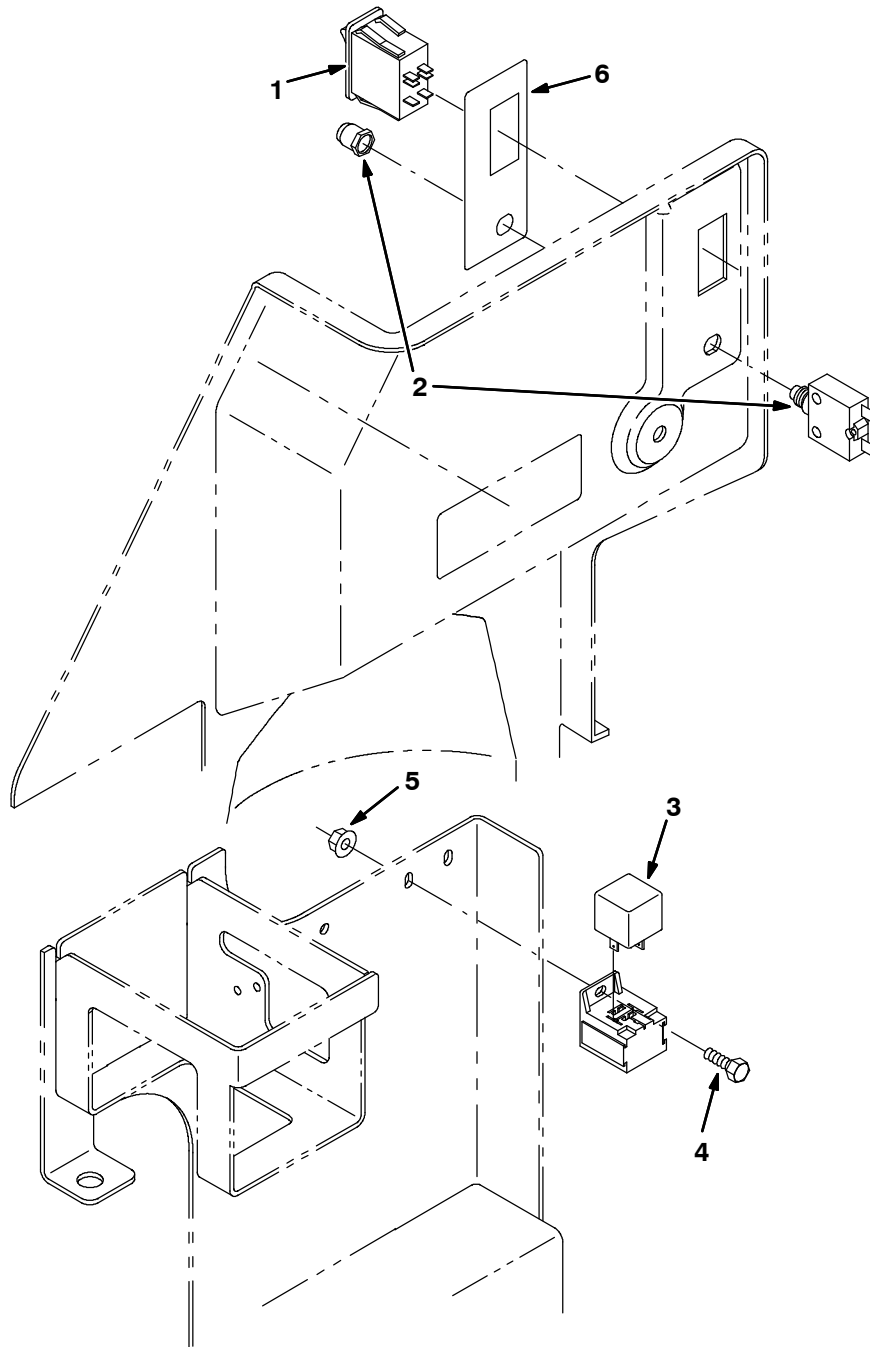


354204- 7300

| Ref. | Tennant Part No. | Machine Serial Number | Description                             | Qty. |
|------|------------------|-----------------------|---|------|
| 1    | 377084           | (000000-003746 )      | Switch, Rocker, 36vdc 05a Progressive   | 1    |
| 2    | 383721           | (000000-003746 )      | Circuitbreaker, 10.0a                   | 1    |
| 3    | 1028580          | (000000-003746 )      | Timer, 9-41vdc, Recycling               | 1    |
| 4    | 06945            | (000000-003746 )      | Screw, Hex, M6 X 1.0 X 30, 8.8          | 1    |
| 5    | 08708            | (000000-003746 )      | Nut, Hex, Lock, M 6 X 1.0, NI           | 1    |
| 6    | 398526           | (000000-003746 )      | Relay, 36vdc, 05a, Spdt N/O [Greenwich] | 2    |
| 7    | 09244            | (000000-003746 )      | Screw, Hex, M5 X 0.8 X 16, 8.8          | 2    |
| 8    | 07789            | (000000-003746 )      | Nut, Hex, Flng, M5 X 0.8                | 2    |
| 9    | 1005416          | (000000-003746 )      | Label, Fast                             | 1    |
| 10   | 1011276          | (000000-003746 )      | Label, Switch, Fast                     | 1    |



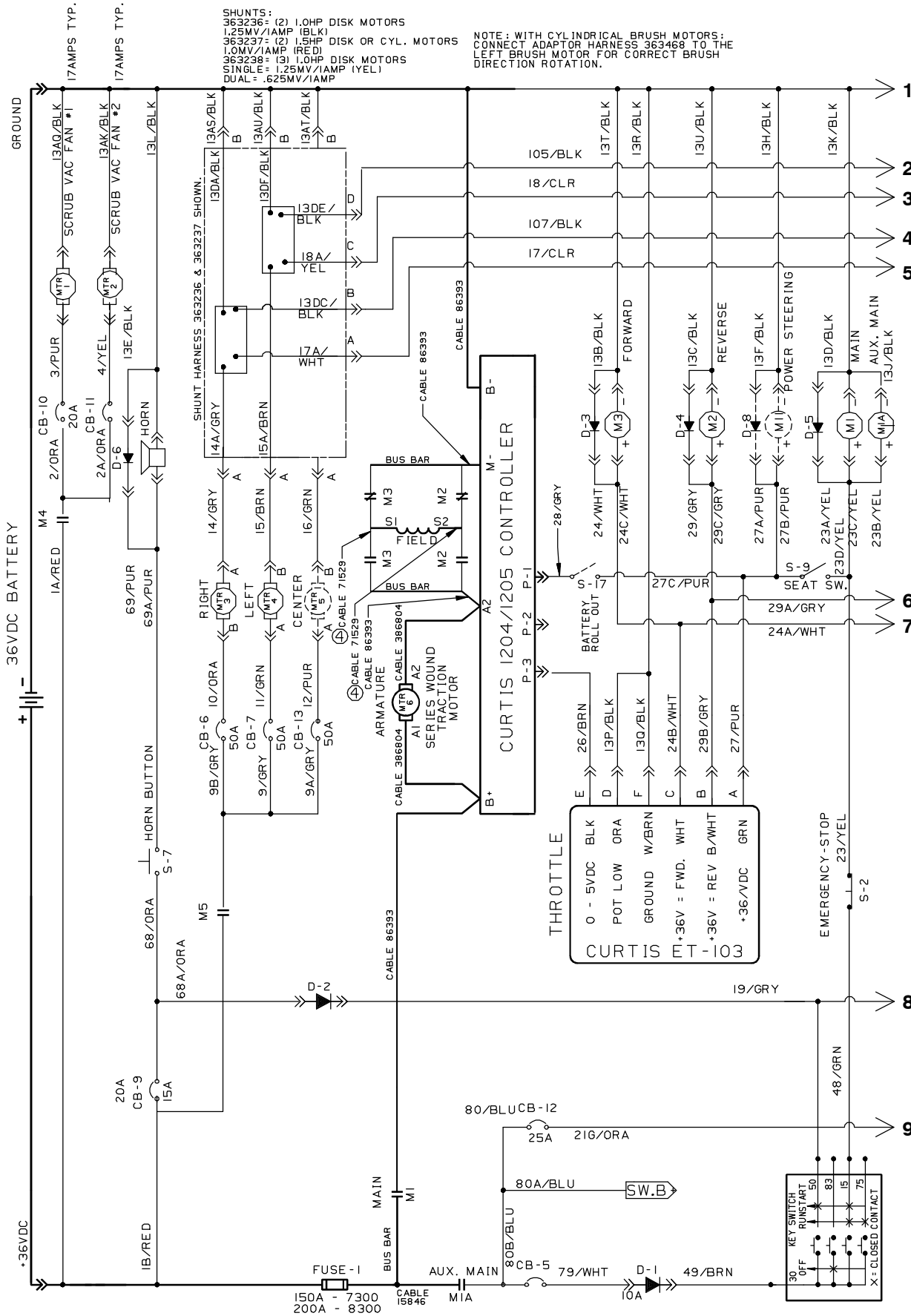
Fig. 42 - Electrical Group, FaST (003747- )



354204- 7300

| Ref. | Tenant Part No. | Machine Serial Number | Description                             | Qty. |
|------|-----------------|-----------------------|---|------|
| 1    | 377084          | (003747- )            | Switch, Rocker, Prgrsv                  | 1    |
| 2    | 383720          | (003747- )            | Circuitbreaker, 05.0A, Resetable        | 1    |
| 3    | 398526          | (003747- )            | Relay, 36Vdc, 005A, Spdt No [Greenwich] | 1    |
| 4    | 12312           | (003747- )            | Screw, Hex, M5 X 0.80 X 12, 8.8         | 1    |
| 5    | 19066           | (003747- )            | Washer, Flat, 10                        | 1    |
| 6    | 1011276         | (003747- )            | Label, Switch [7300/8300 FaST]          | 1    |

Fig. 43 - Electrical Schematic (000000-003746)



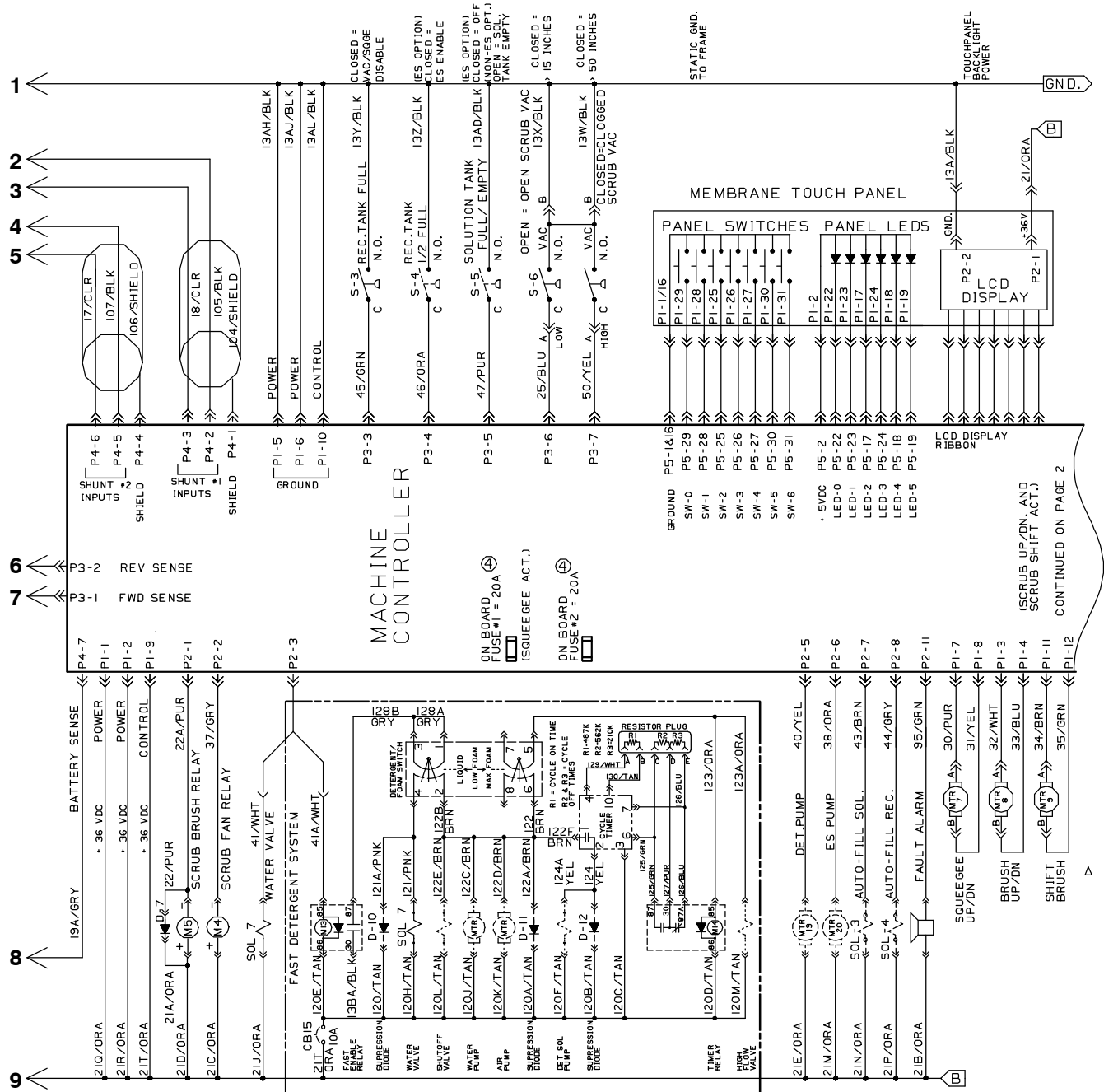
SHUNTS:  
 363236: (2) 1.0HP DISK MOTORS  
 1.25MV/IAMP (BLK)  
 363237: (2) 1.5HP DISK OR CYL. MOTORS  
 1.0MV/IAMP (RED)  
 363238: (3) 1.0HP DISK MOTORS  
 95IN6LE: 1.25MV/IAMP (YEL)  
 DUAL: 6.25MV/IAMP

NOTE: WITH CYLINDRICAL BRUSH MOTORS;  
 CONNECT ADAPTOR HARNESS 363468 TO THE  
 LEFT BRUSH MOTOR FOR CORRECT BRUSH  
 DIRECTION ROTATION.

150A - 7300  
 200A - 8300  
 CABLE 15846  
 M1A

353346, 386300

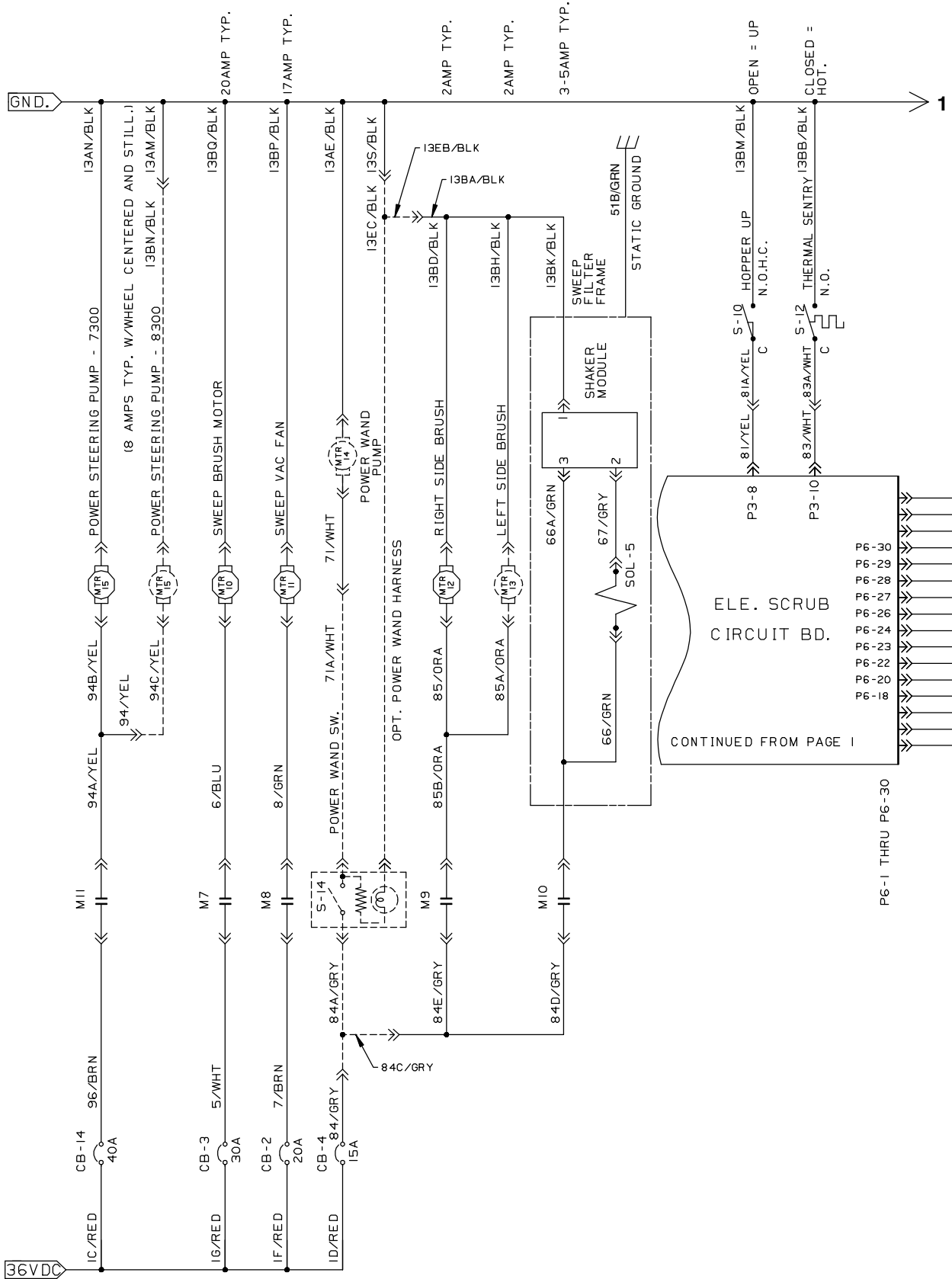
Fig. 43 - Electrical Schematic (000000-003746)



|      |                    |      |                  |
|------|--------------------|------|------------------|
| CB   | CIRCUIT BREAKER    | FU   | FUSE             |
| MTR  | MOTOR              | D    | DIODE            |
| P    | CONNECTOR PIN      | M    | RELAY COIL       |
| S    | SWITCH             | R    | RESISTOR         |
| ARM  | ARMATURE           | HM   | HOURLMETER       |
| N.O. | NORM.OPEN CONTACT  | C    | COMMON CONTACT   |
| SV   | HYD.SOLENOID VALVE | SOL. | ELE. MECH. VALVE |

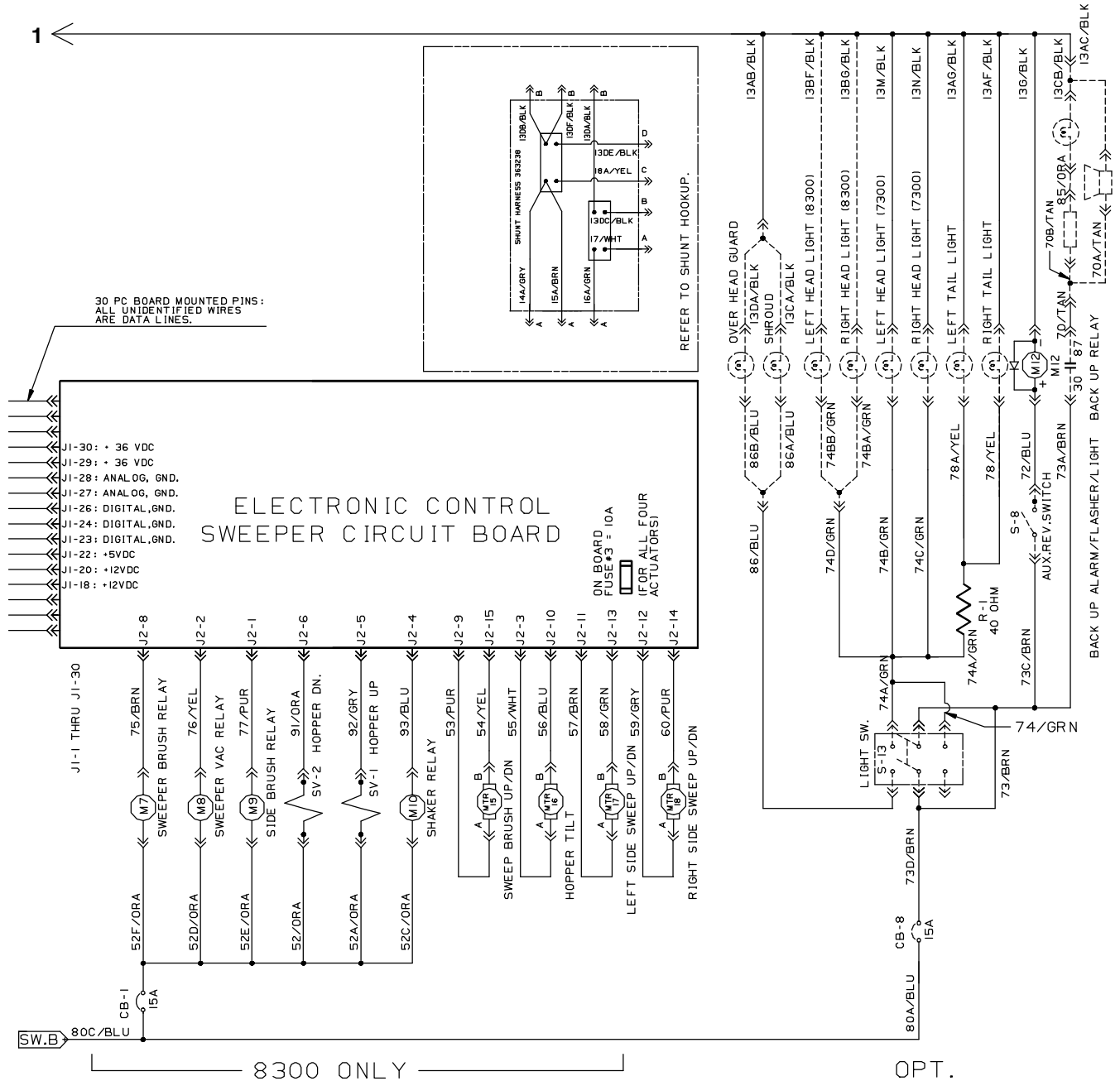
353346, 386300

Fig. 43 - Electrical Schematic (000000-003746)



8300 ONLY OPT.

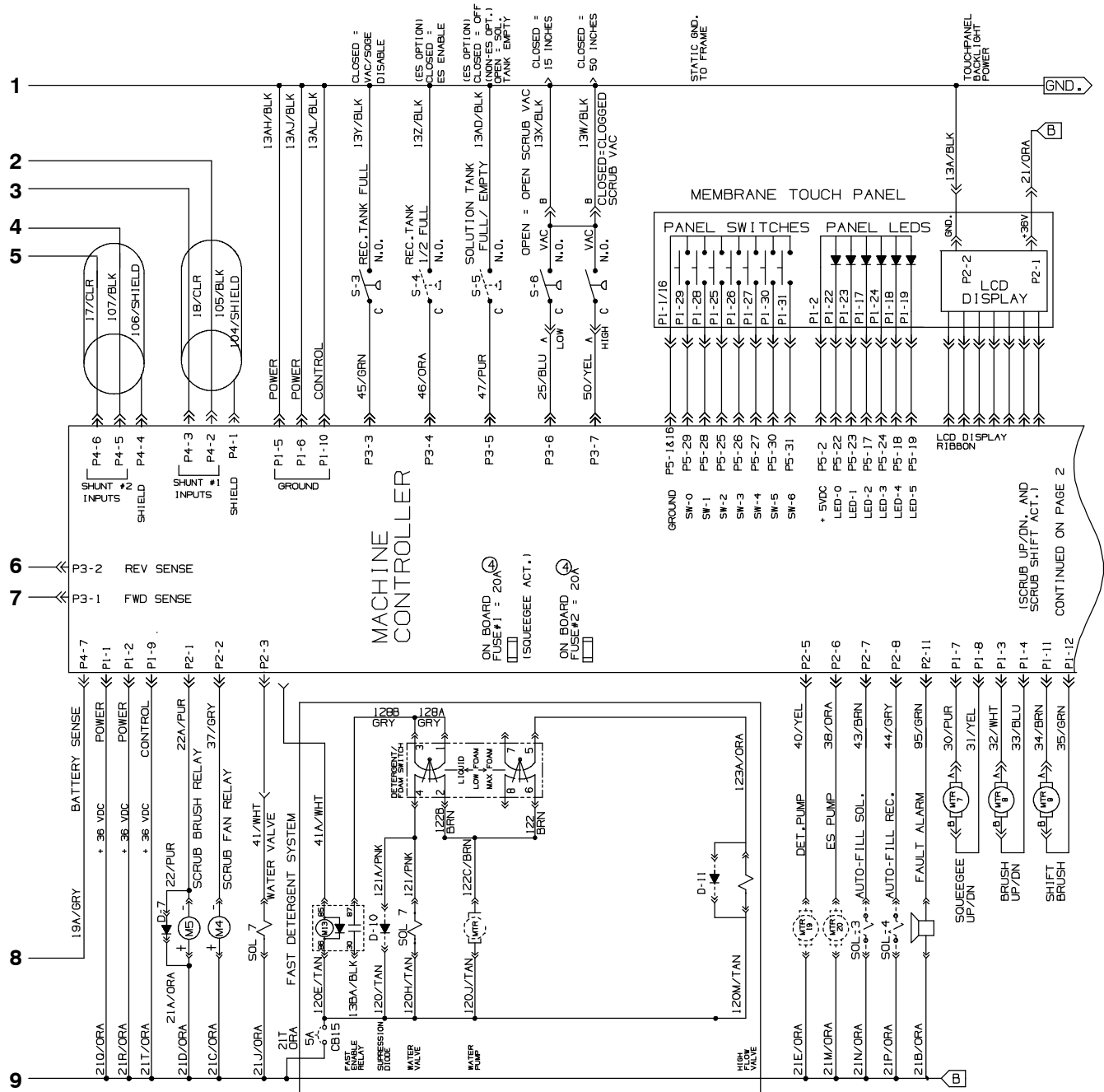
Fig. 43 - Electrical Schematic (000000-003746)



353346, 386300



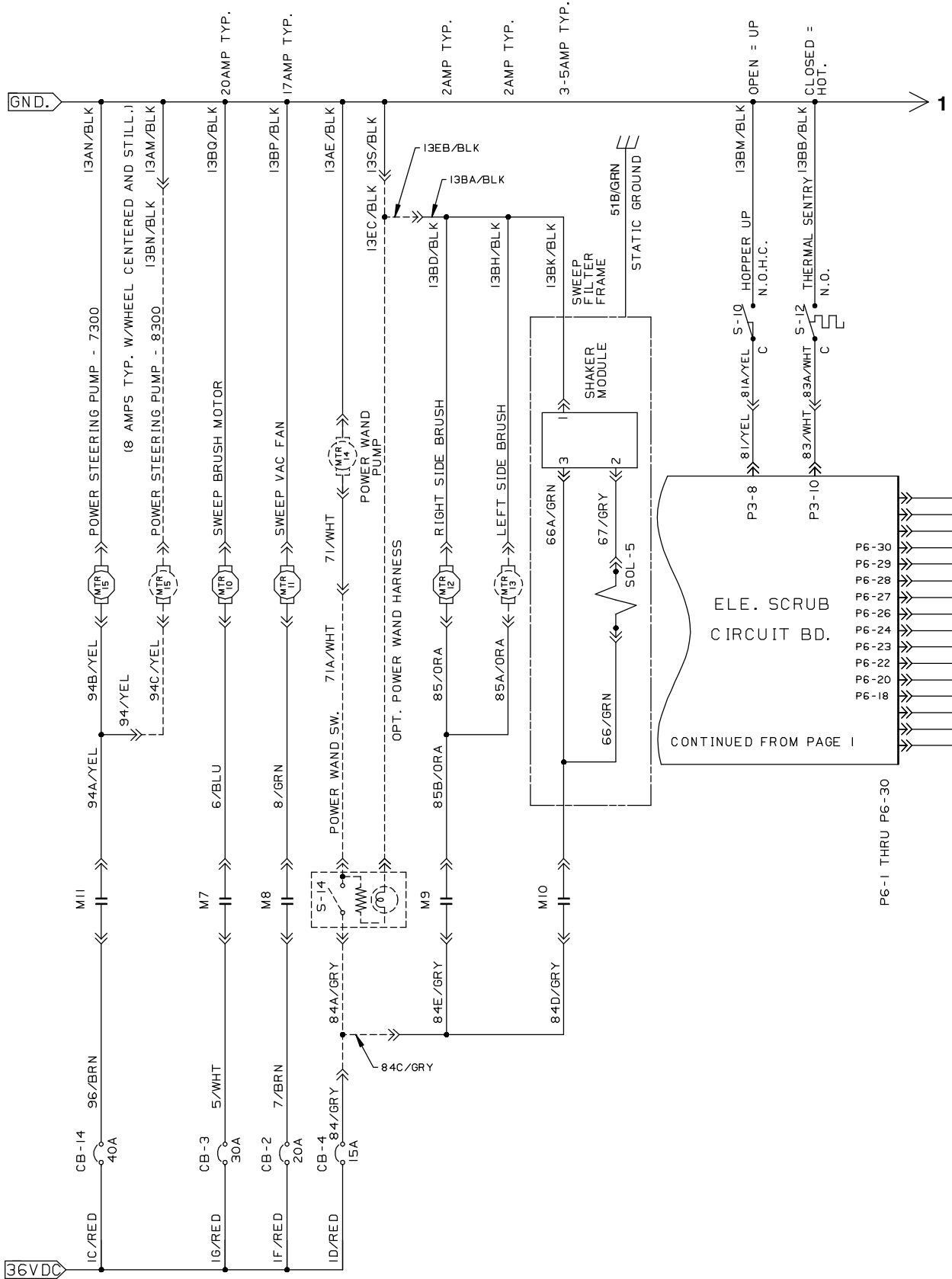
Fig. 44 - Electrical Schematic (003747- )



|      |                     |      |                  |
|------|---------------------|------|------------------|
| CB   | CIRCUIT BREAKER     | FU   | FUSE             |
| MTR  | MOTOR               | D    | DIODE            |
| P    | CONNECTOR PIN       | M    | RELAY COIL       |
| S    | SWITCH              | R    | RESISTOR         |
| ARM  | ARMATURE            | HM   | HOURMETER        |
| N.O. | NORM. OPEN CONTACT  | C    | COMMON CONTACT   |
| SV   | HYD. SOLENOID VALVE | SOL. | ELE. MECH. VALVE |

353346, 386300

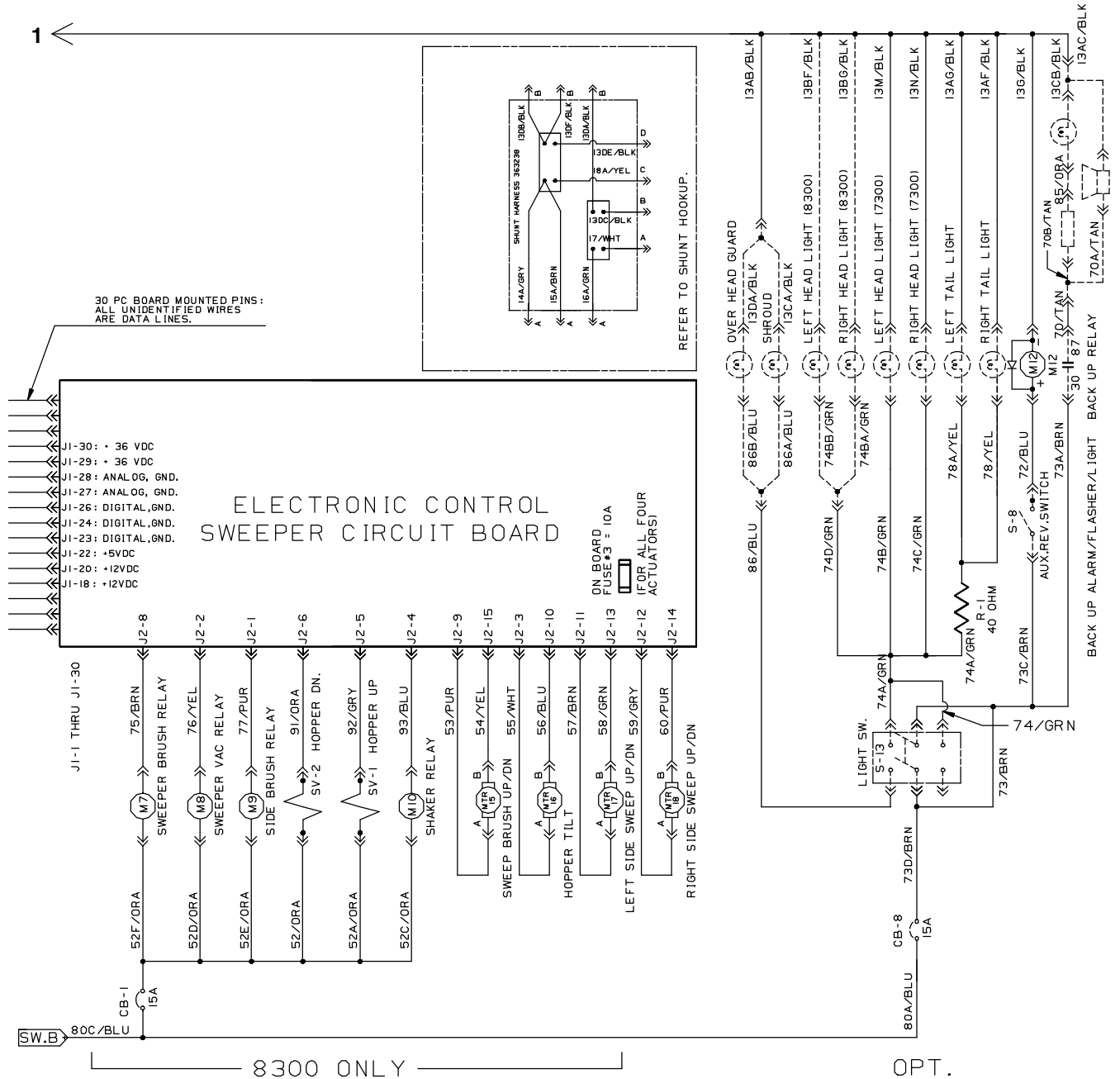
Fig. 44 - Electrical Schematic (003747- )



8300 ONLY OPT.



Fig. 44 - Electrical Schematic (003747- )



LEGEND

|      |                   |    |                |
|------|-------------------|----|----------------|
| CB   | CIRCUIT BREAKER   | FU | FUSE           |
| MTR  | MOTOR             | D  | DIODE          |
| P    | CONNECTOR PIN     | M  | RELAY COIL     |
| S    | SWITCH            | R  | RESISTOR       |
| ARM  | ARMATURE          | HM | HOURLMETER     |
| N.O. | NORM.OPEN CONTACT | C  | COMMON CONTACT |

353346, 386300

Fig. 44 - Electrical Schematic (003747- )

GROUND @ NEG. STANDOFF

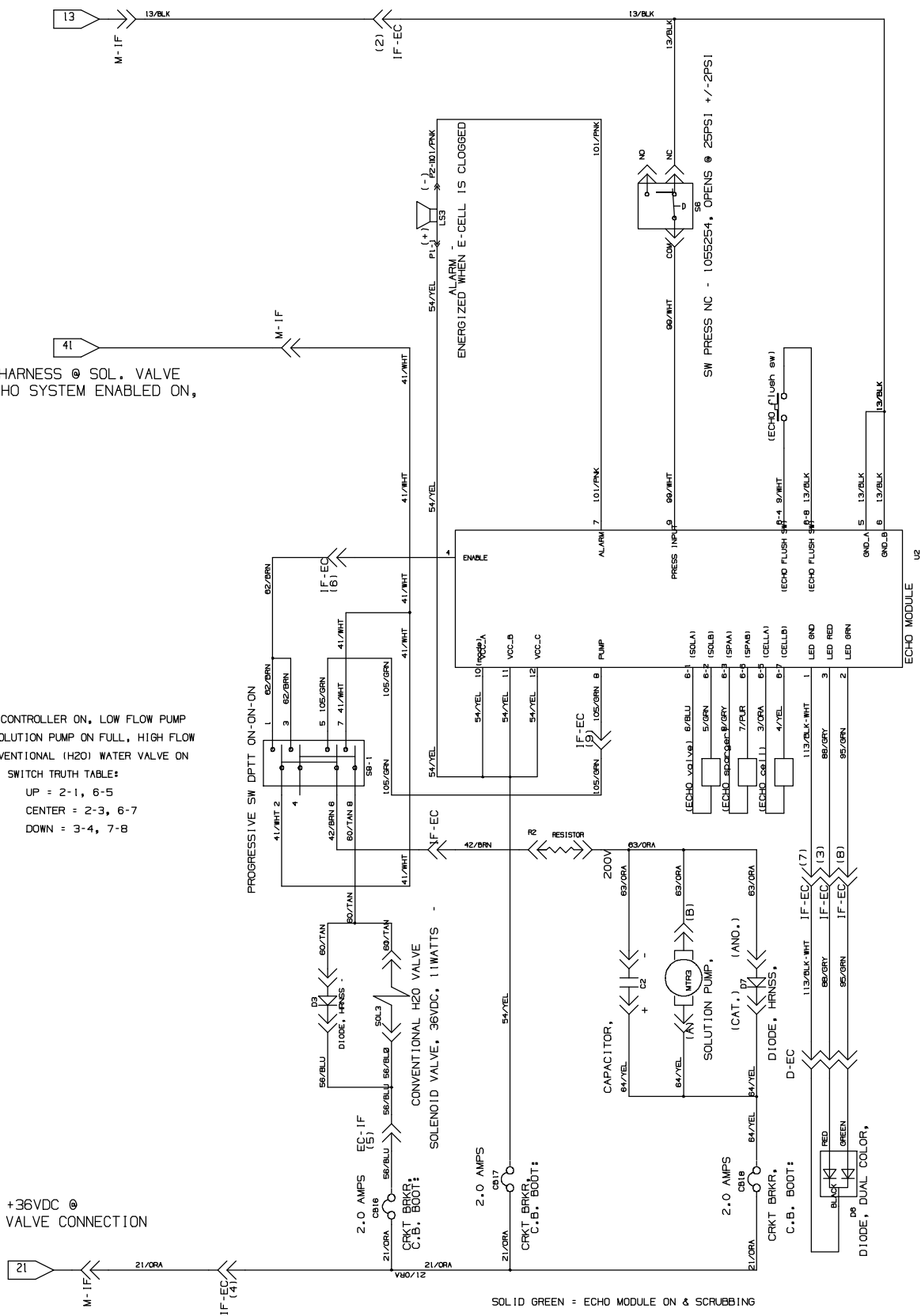
TO MAIN HARNESS @ SOL. VALVE  
LOW = ECHO SYSTEM ENABLED ON,

UP = ECHO CONTROLLER ON, LOW FLOW PUMP  
CENTER = SOLUTION PUMP ON FULL, HIGH FLOW  
DOWN = CONVENTIONAL (H2O) WATER VALVE ON

SWITCH TRUTH TABLE:

UP = 2-1, 6-5  
CENTER = 2-3, 6-7  
DOWN = 3-4, 7-8

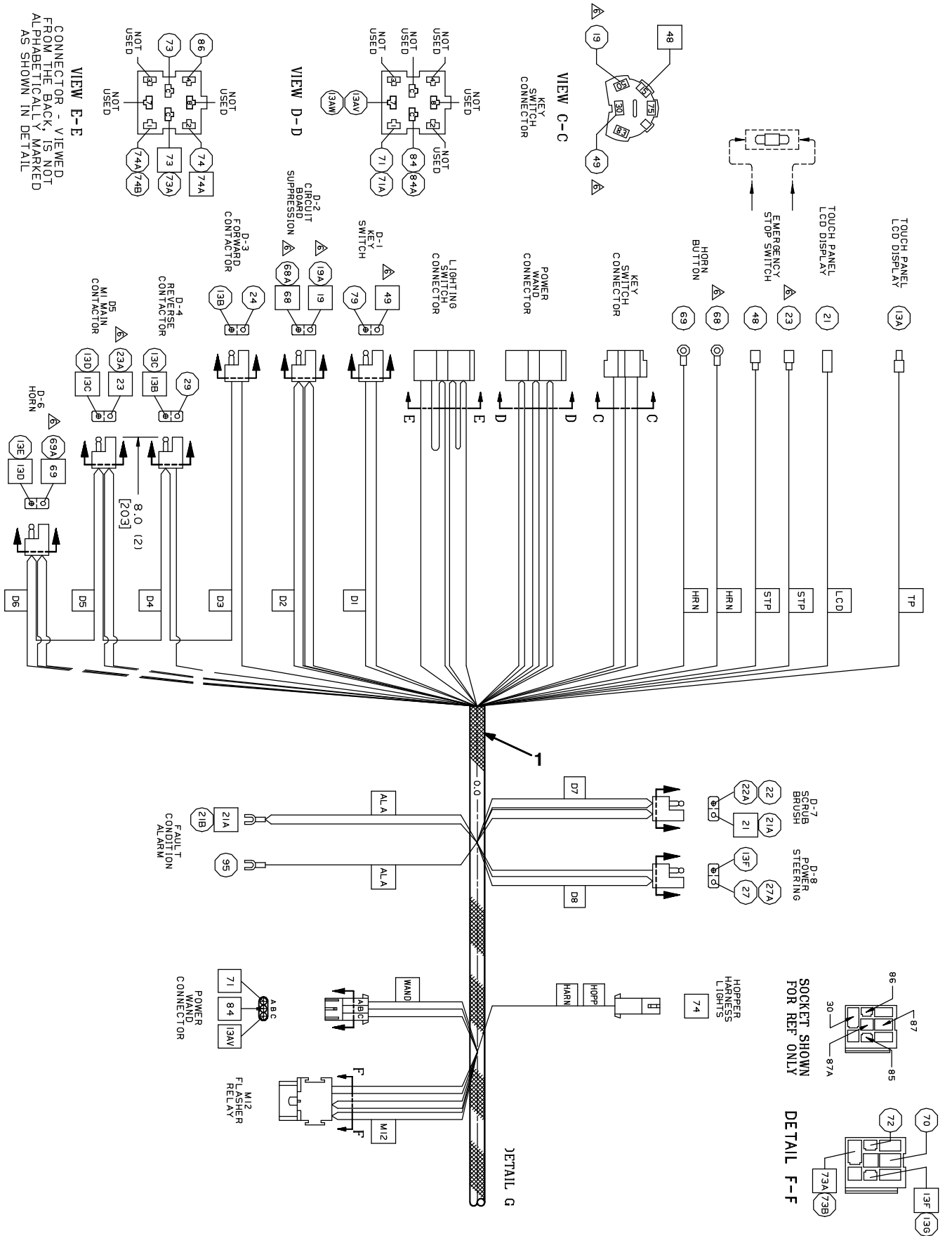
SWITCHED +36VDC @  
SOLUTION VALVE CONNECTION



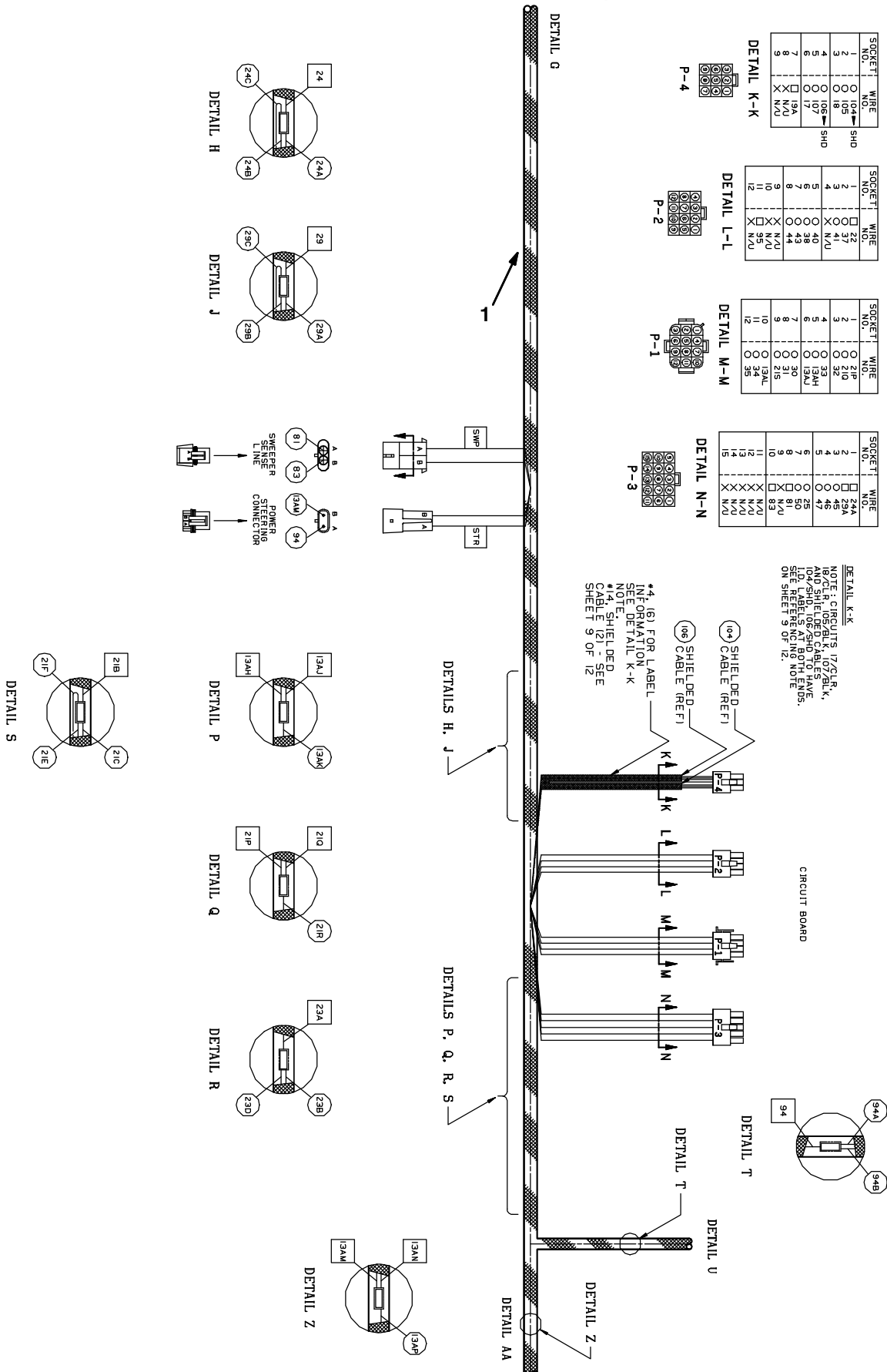
SOLID GREEN = ECHO MODULE ON & SCRUBBING  
SOLID RED = OVER CURRENT OF SOLUTION PUMP OR SPARGER  
FLASHING RED = PRESSURE SWITCH CLOSED "E-CELL IS SCALED UP"

353346, 386300

Fig. 45 - Electrical Wire Harness Group, Main



**Fig. 45 - Electrical Wire Harness Group, Main**



DETAIL K-K

| SOCKET NO. | WIRE NO. | SHD |
|------------|----------|-----|
| 2          | 105      | SHD |
| 3          | 18       | SHD |
| 4          | 106      | SHD |
| 5          | 17       | SHD |
| 7          | 134      | SHD |
| 8          | N/A      | SHD |
| 9          | N/A      | SHD |

DETAIL L-L

| SOCKET NO. | WIRE NO. | SHD |
|------------|----------|-----|
| 2          | 37       | SHD |
| 3          | 41       | SHD |
| 4          | N/A      | SHD |
| 5          | 48       | SHD |
| 7          | 49       | SHD |
| 8          | 43       | SHD |
| 9          | N/A      | SHD |
| 11         | N/A      | SHD |
| 12         | N/A      | SHD |

DETAIL M-M

| SOCKET NO. | WIRE NO. | SHD |
|------------|----------|-----|
| 2          | 210      | SHD |
| 3          | 32       | SHD |
| 4          | 134      | SHD |
| 5          | 134      | SHD |
| 7          | 30       | SHD |
| 8          | 215      | SHD |
| 9          | N/A      | SHD |
| 10         | 134      | SHD |
| 11         | 35       | SHD |
| 12         | N/A      | SHD |

DETAIL N-N

| SOCKET NO. | WIRE NO. | SHD |
|------------|----------|-----|
| 2          | 29A      | SHD |
| 3          | 45       | SHD |
| 4          | 45       | SHD |
| 5          | 50       | SHD |
| 6          | 25       | SHD |
| 7          | 81       | SHD |
| 8          | 82       | SHD |
| 10         | 83       | SHD |
| 11         | N/A      | SHD |
| 12         | N/A      | SHD |
| 13         | N/A      | SHD |
| 14         | N/A      | SHD |
| 15         | N/A      | SHD |

DETAIL K-K  
 NOTE: CIRCUITS 17/28/LK,  
 18/29/LK, 29/LK, 41/LK,  
 40/47/LK, 49/LK, 43/LK,  
 10/47/SHD, 106/SHD TO HAVE  
 LID LABELS AT BOTH ENDS.  
 ON SHEET 9 OF 12

\*4, (6) FOR LABEL INFORMATION  
 SEE DETAIL K-K  
 \*1, SHIELDED  
 CABLE (2) - SEE  
 SHEET 9 OF 12

Fig. 45 - Electrical Wire Harness Group, Main

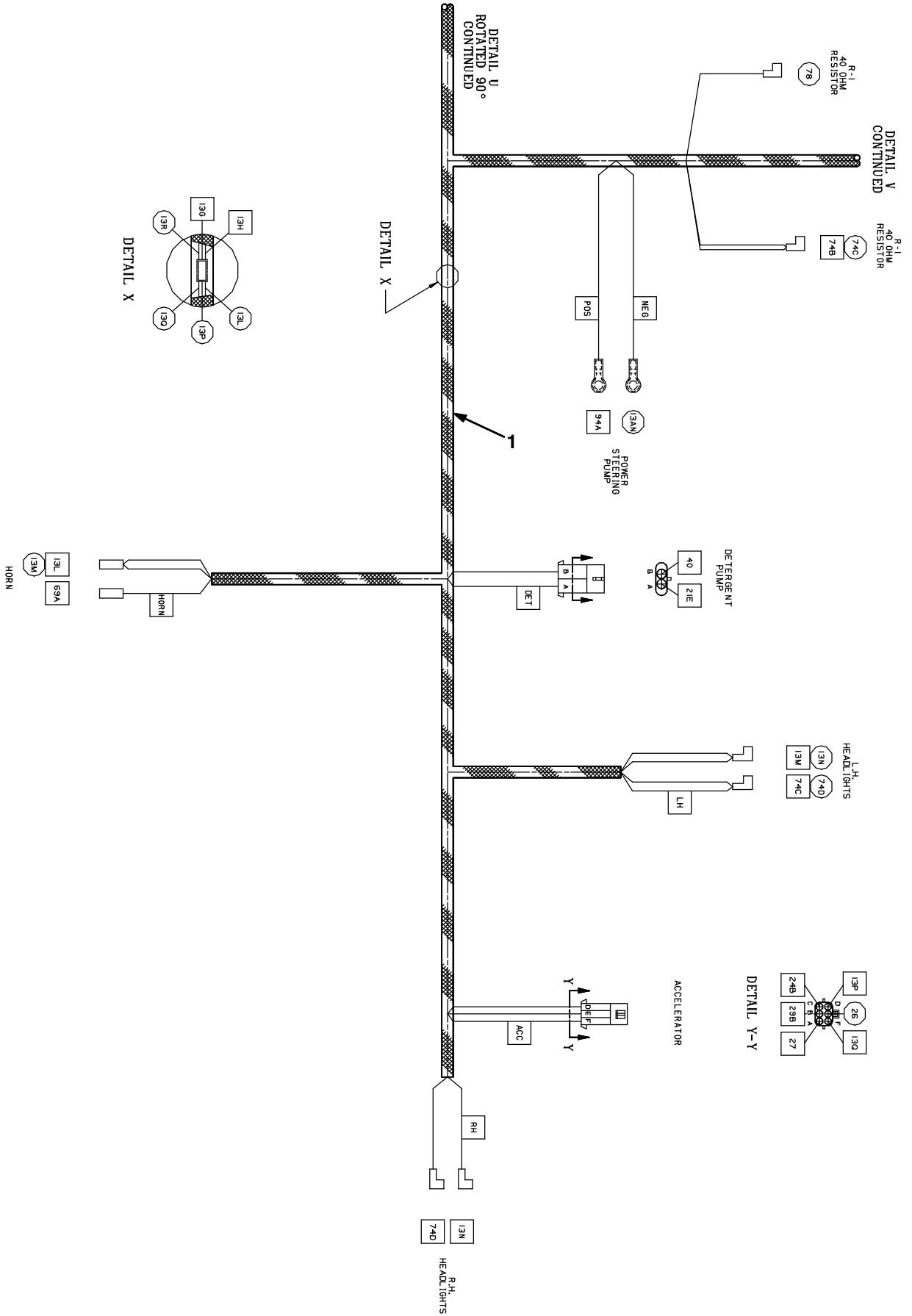


Fig. 45 - Electrical Wire Harness Group, Main

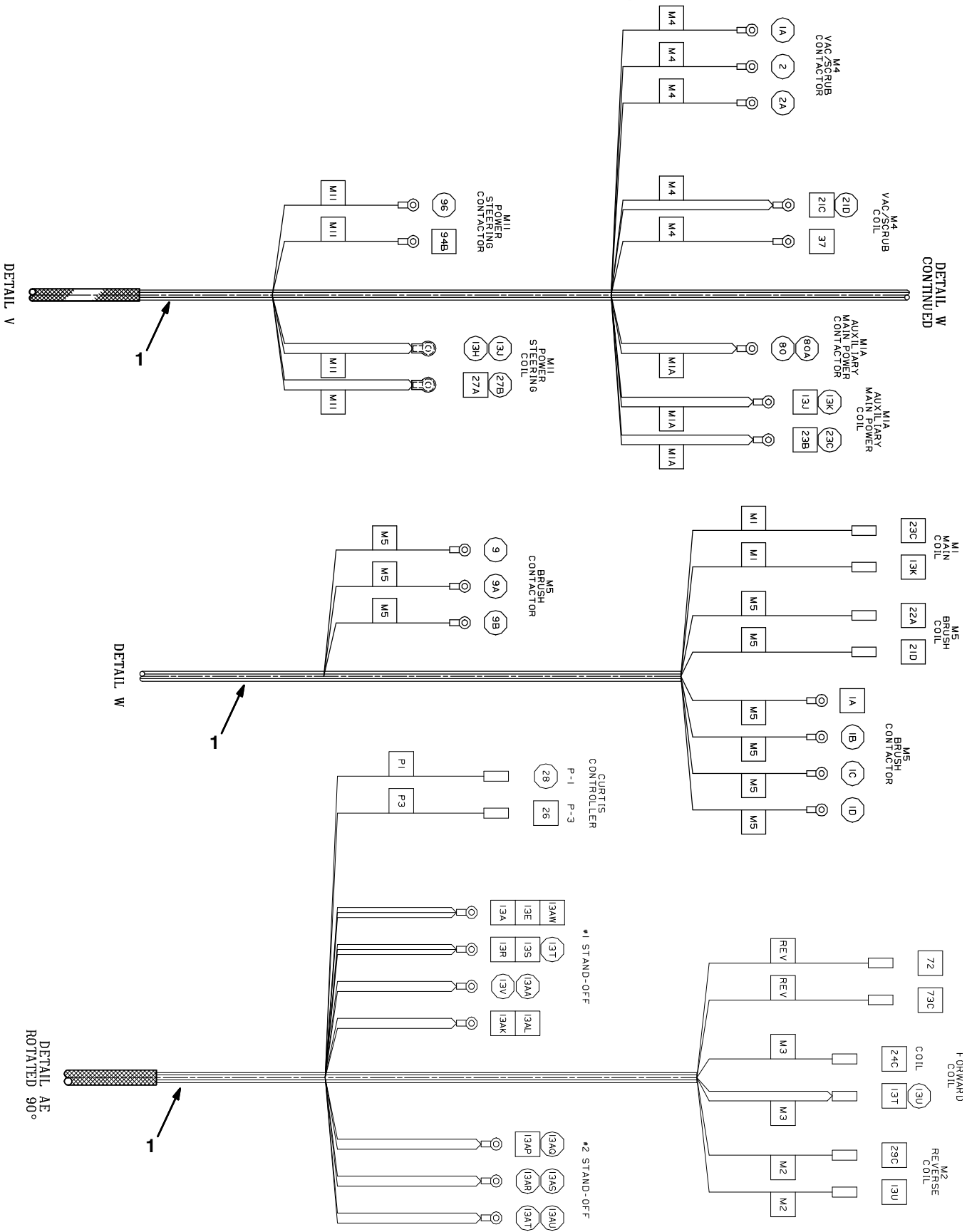


Fig. 45 - Electrical Wire Harness Group, Main

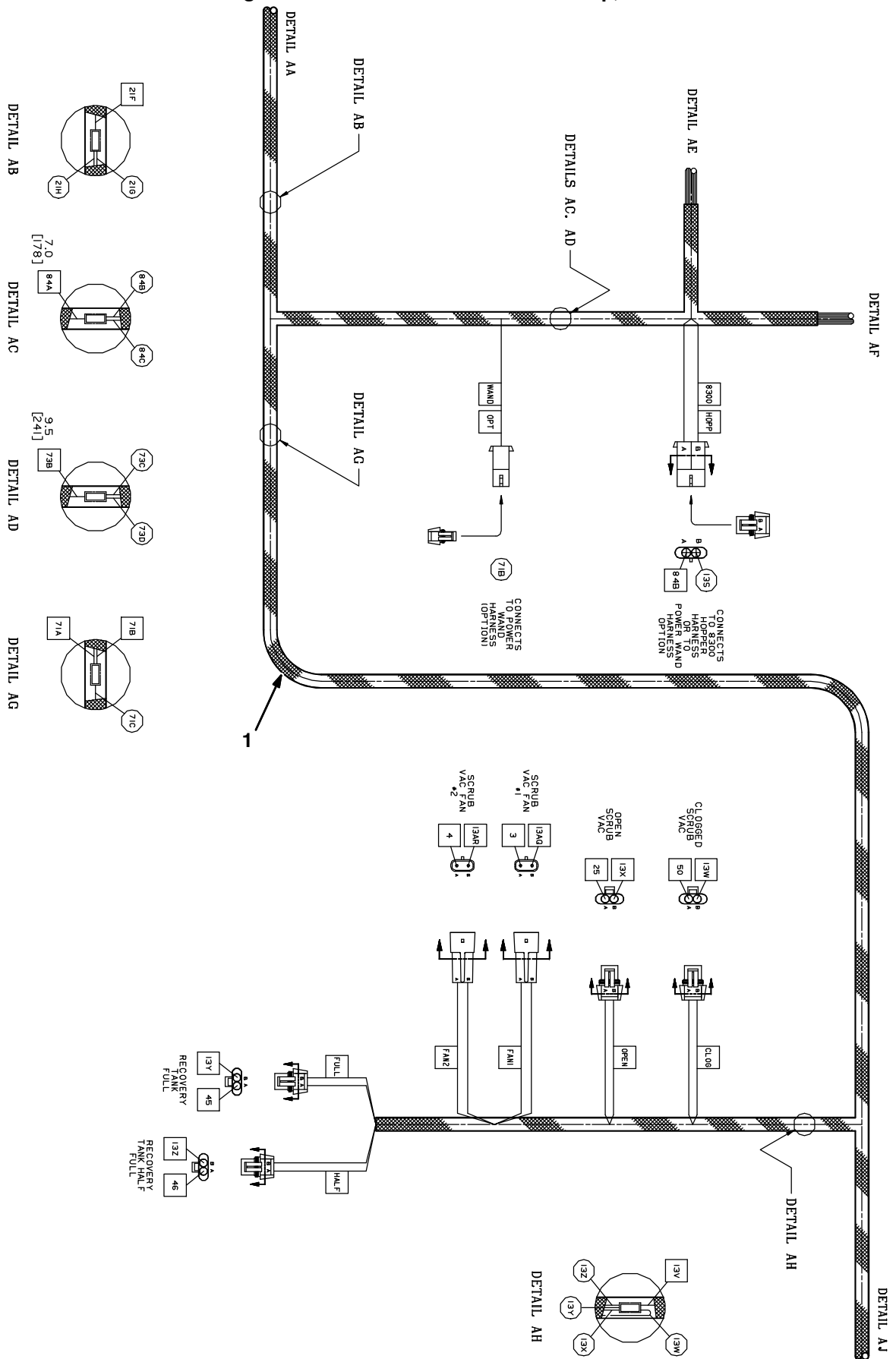


Fig. 45 - Electrical Wire Harness Group, Main

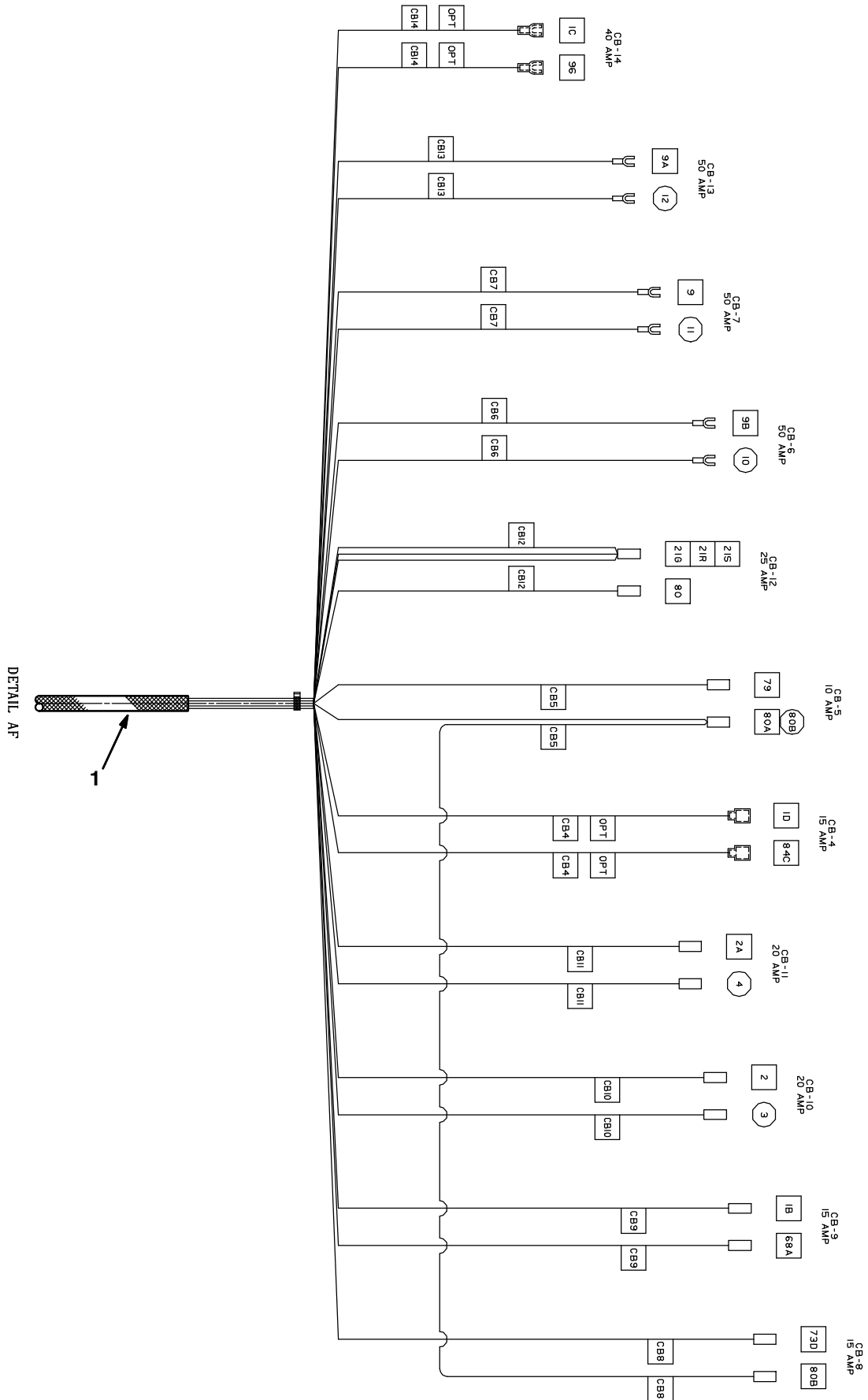




Fig. 45 - Electrical Wire Harness Group, Main

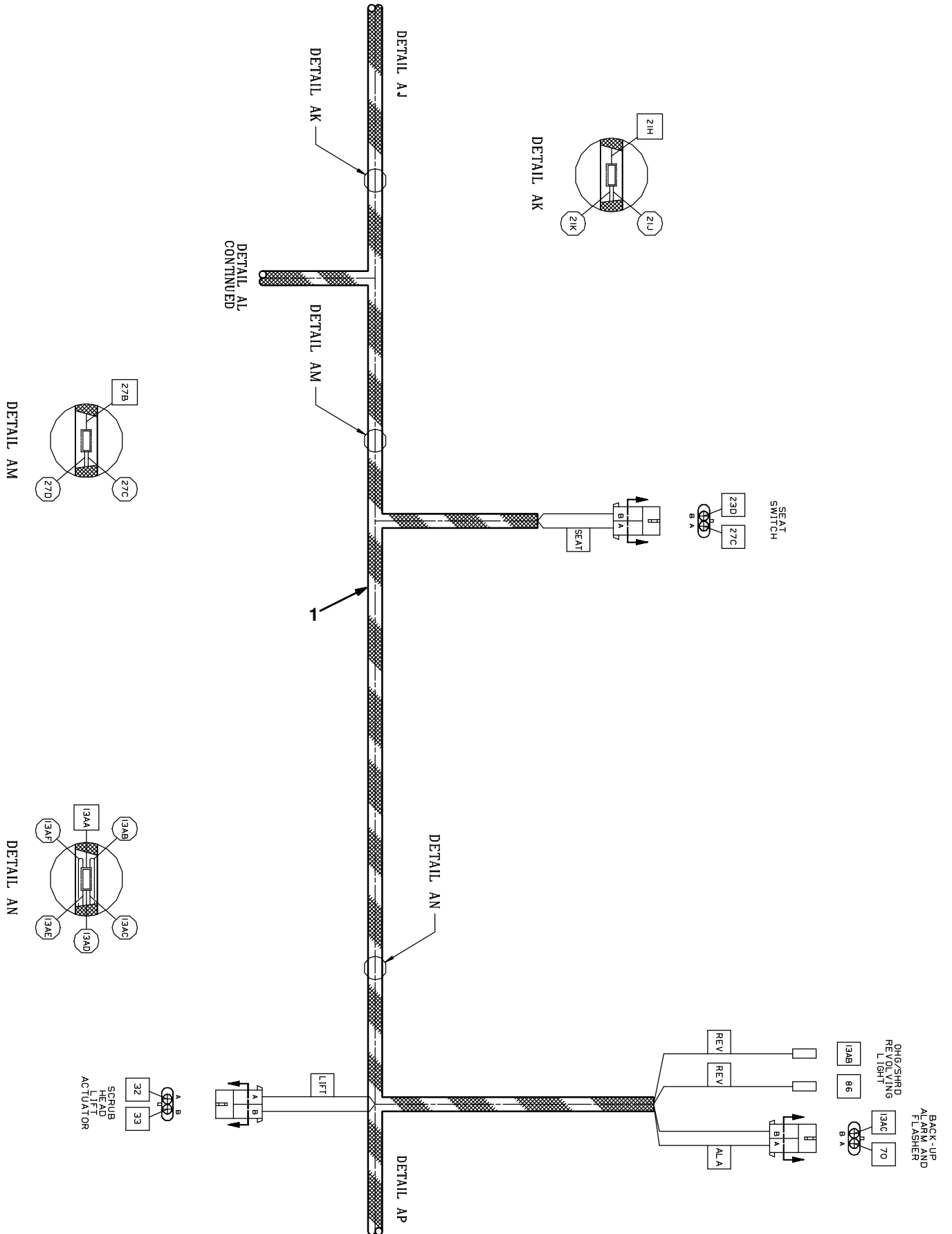
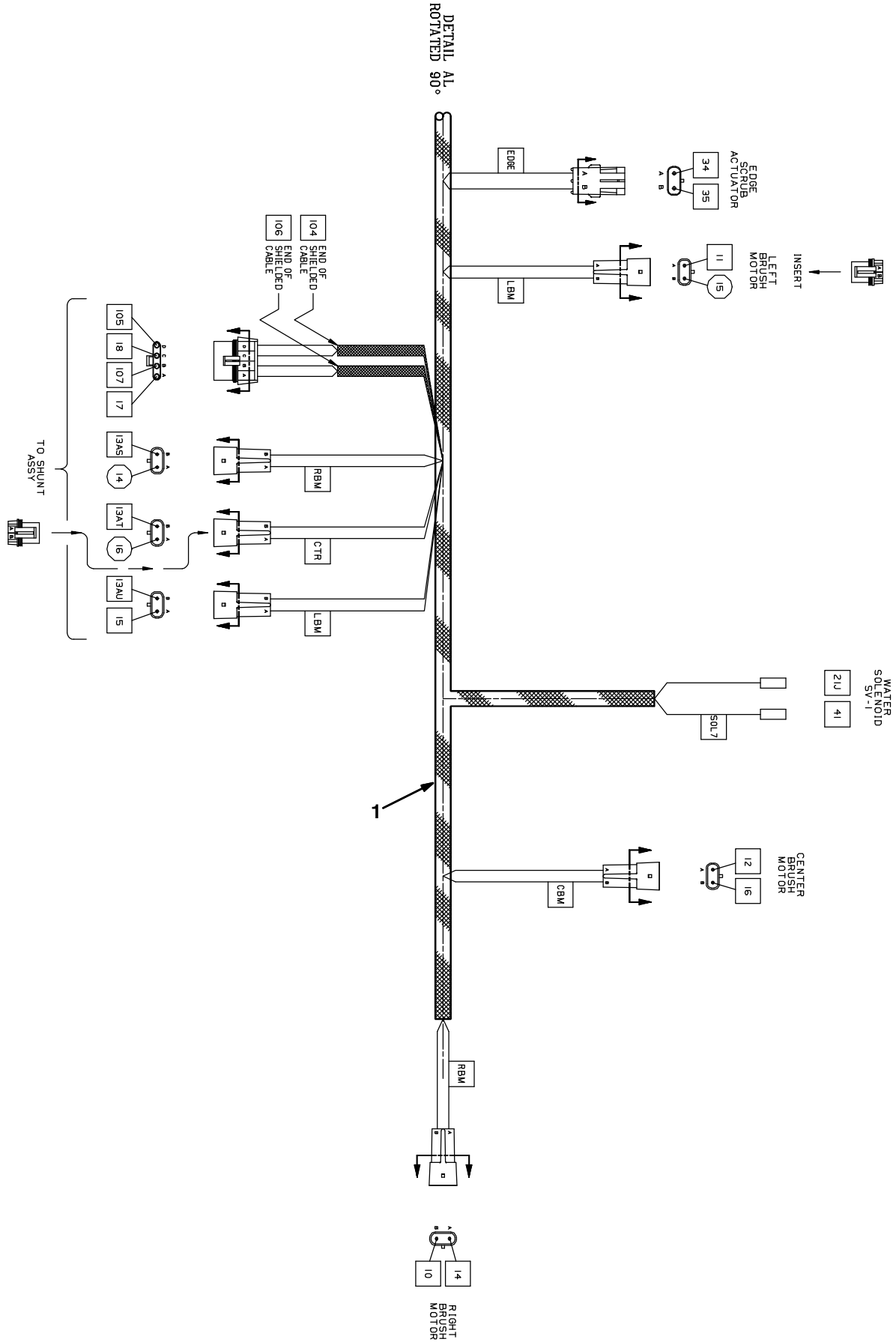
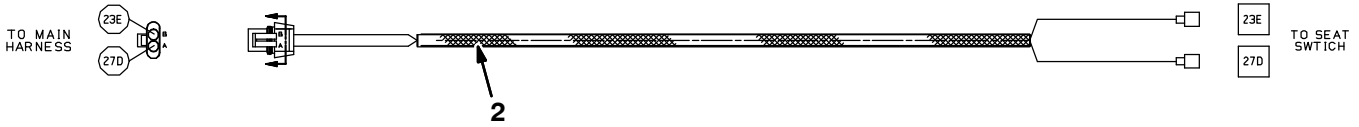


Fig. 45 - Electrical Wire Harness Group, Main



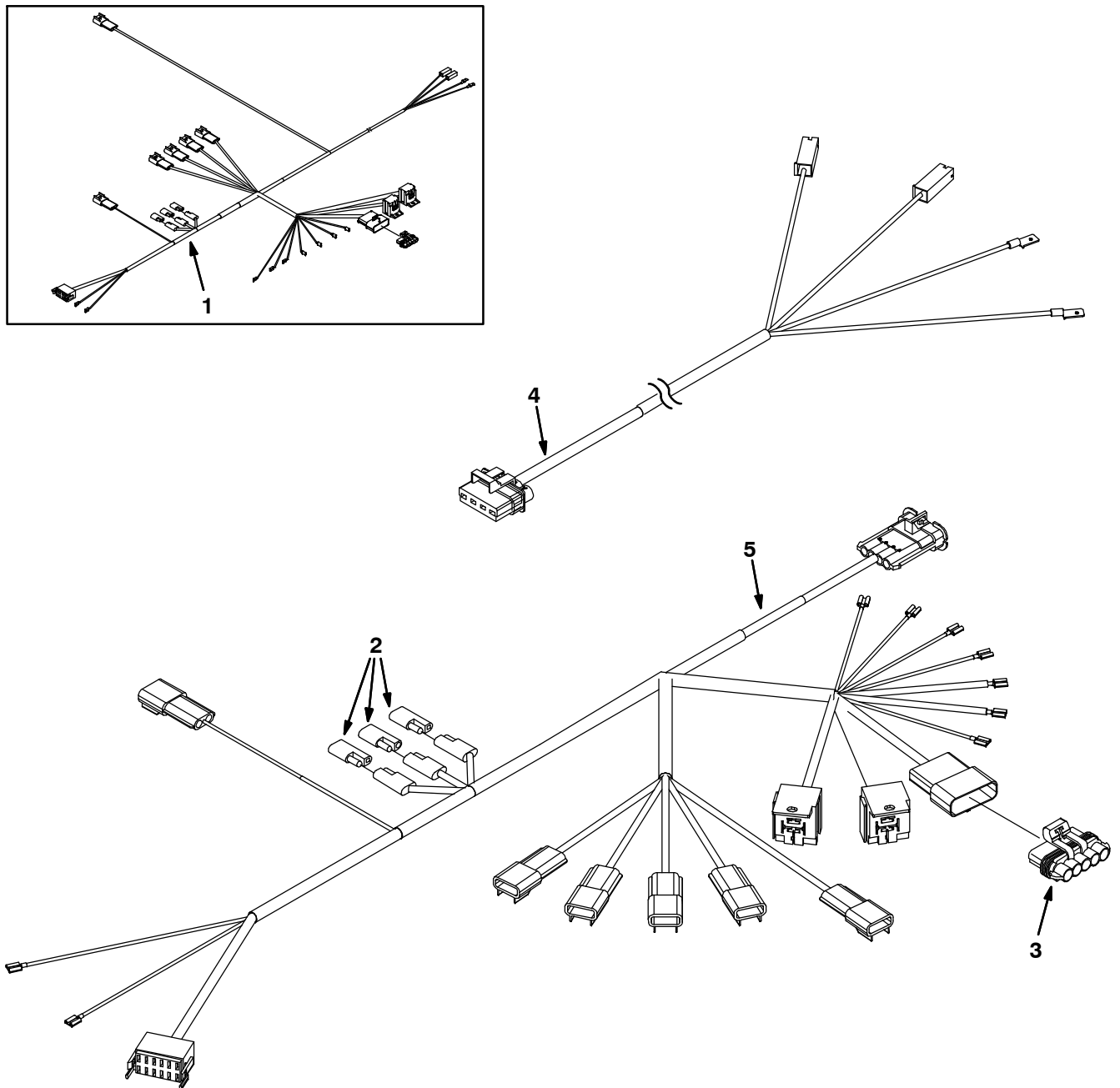


**Fig. 45 - Electrical Wire Harness Group, Main**



| Ref. | Tennant Part No. | Machine Serial Number | Description                          | Qty. |
|------|------------------|-----------------------|--------------------------------------|------|
| 1    | 386600           | (000000-001405 )      | Harness, Main, 7300, 8300            | 1    |
| 1    | 387424           | (001406-              | ) Harness, Main, 7300, 8300          | 1    |
| 2    | 387302           | (000000-              | ) Harness, Wire, Jumper, Seat Switch | 1    |
| 3    | 60278            | (000000-              | ) Harness, Jumper, Arm               | 2    |

**Fig. 46 - Electrical Wire Harness Group, FaST (000000-003746)**

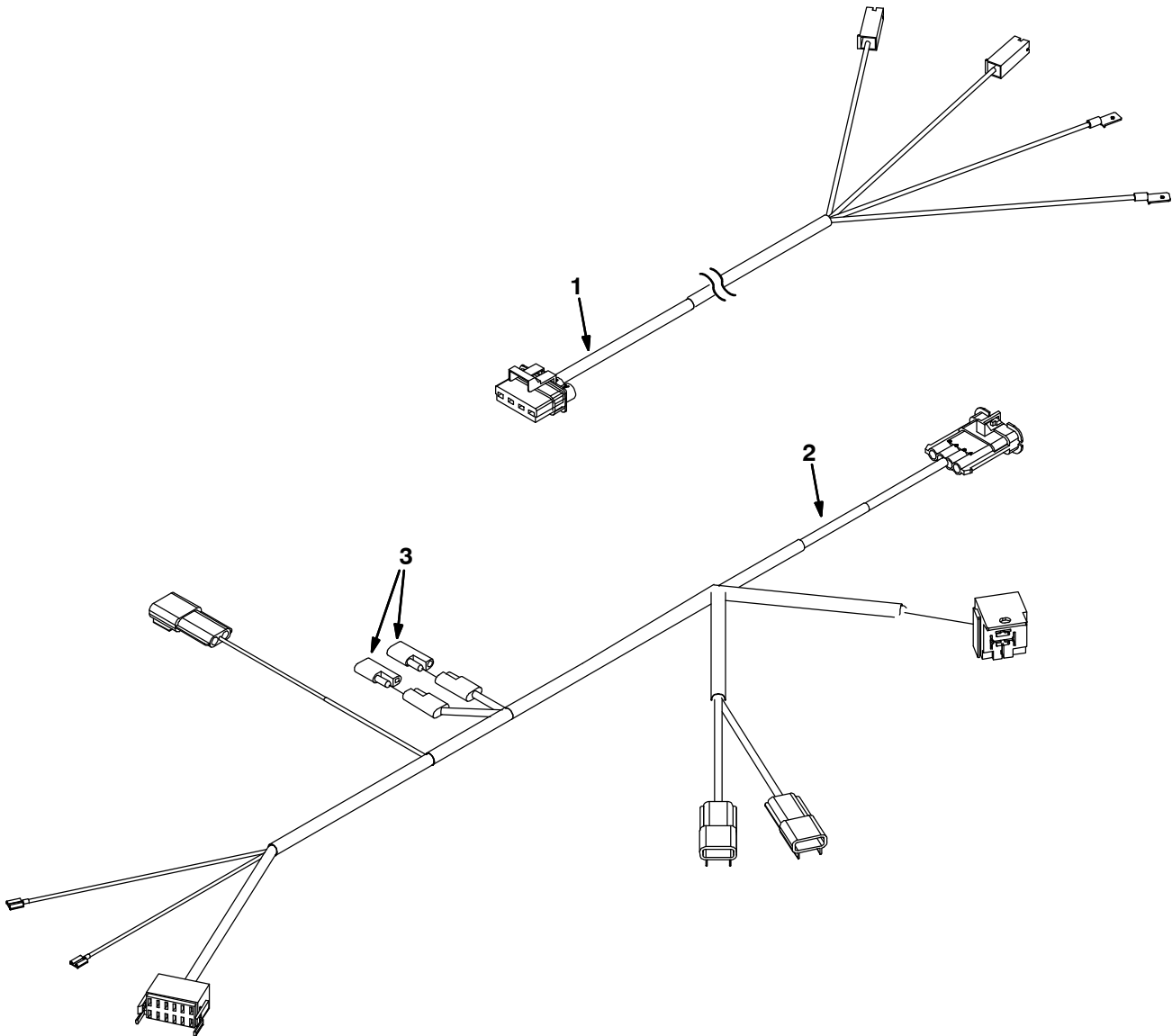


354203 - 7300

| Ref. | Tenant Part No. | Machine Serial Number | Description                      | Qty. |
|------|-----------------|-----------------------|----------------------------------|------|
| 1    | 1010325         | (000000-002252 )      | Harness, Fast, 7300/8300         | 1    |
| 2    | 222290          | (000000-003746 )      | Diode, Ele, Plug                 | 3    |
| 3    | 1015096         | (000000-003746 )      | Plug, Resistor                   | 1    |
| 4    | 1017288         | (002253-003746 )      | Harness, Rear, [ Fast 7300/8300] | 1    |
| 5    | 1017289         | (002253-003746 )      | Harness [Fast 7300/8300]         | 1    |

# STANDARD PARTS

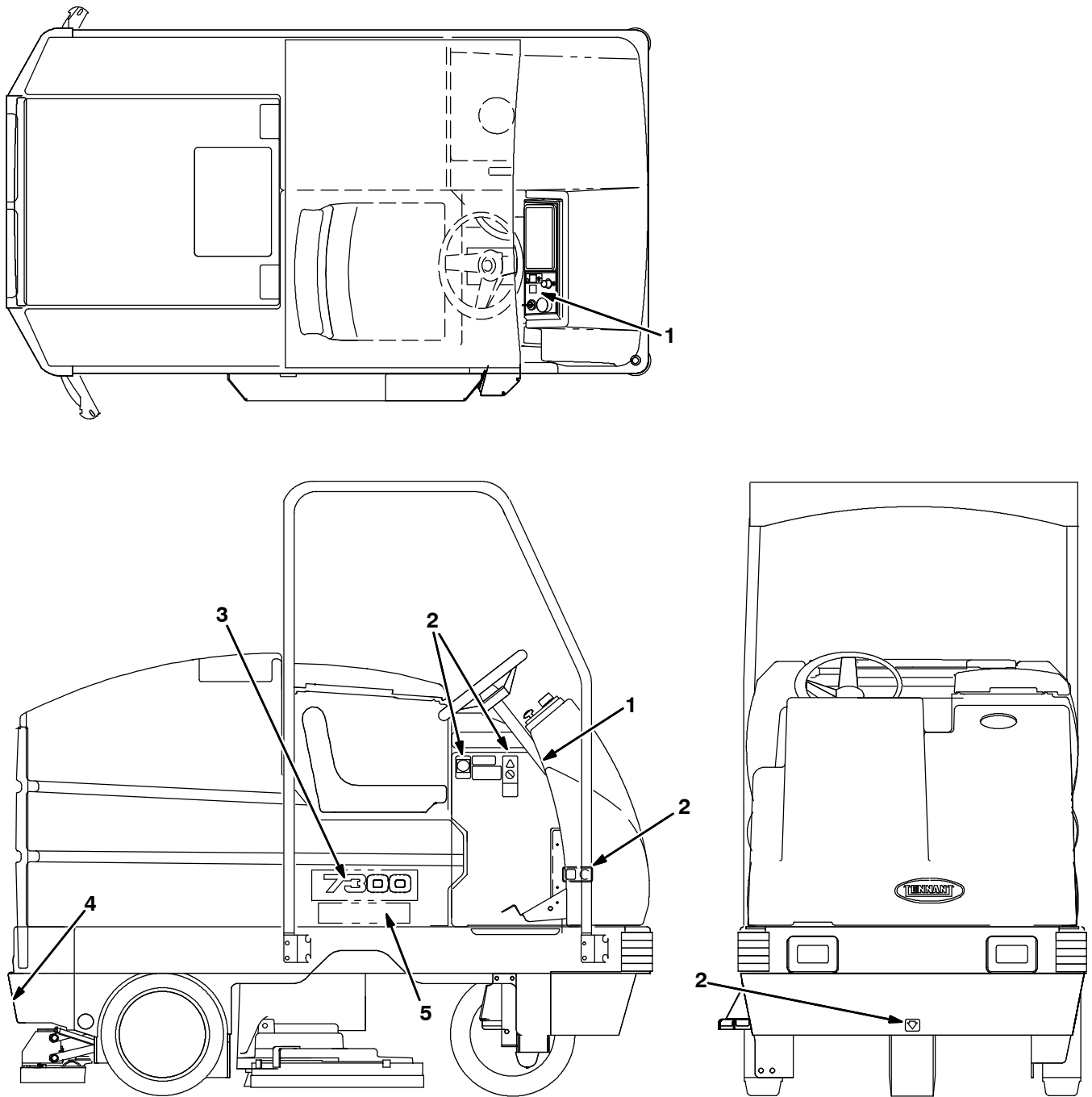
Fig. 47 - Electrical Wire Harness Group, FaST (003747- )



354203 - 7300

| Ref. | Tenant Part No. | Machine Serial Number | Description                    | Qty. |
|------|-----------------|-----------------------|--------------------------------|------|
| 1    | 1017288         | (003747- )            | Harness, Rear [FaST 7300/8300] | 1    |
| 2    | 1052588         | (003747- )            | Harness [FaST II+ 7300/8300]   | 1    |
| 3    | 222290          | (003747- )            | Diode, Ele, Plug               | 2    |

Fig. 48 - Label Group



353345 - 7300, NA

| Ref. | Tennant Part No. | Machine Serial Number | Description                       | Qty. |
|------|------------------|-----------------------|-----------------------------------|------|
| 1    | 386130           | (000000- )            | Label Set, Operational, 7300/8300 | 1    |
| 2    | 387032           | (000000- )            | Label Set, Info & Hzd             | 1    |
| 3    | 1059037          | (000000- )            | Label, Tank, BI-Gr [7300]         | 2    |
| 4    | 387525           | (000000- )            | Label, Sqge                       | 1    |
| 5    | 1056944          | (000000- )            | Label, Tank [ec-H2O]              | 2    |
| 5    | 1056945          | (000000- )            | Label, Tank [ES]                  | 2    |
| 5    | 1056947          | (000000- )            | Label, Logo, BI-Gr [FaST]         | 2    |





# SECTION 3

| Contents  | Page |
|---|------|
| Fig. 1 - Revolving Light Kit (000000-004999)  | 3-4  |
| Fig. 2 - Revolving Light Kit (005000- )   | 3-6  |
| Fig. 3 - Revolving Light Kit, Overhead Guard (000000-004999)                        | 3-8  |
| Fig. 4 - Revolving Light Kit, Overhead Guard (005000- )                             | 3-10 |
| Fig. 5 - Backup Alarm Kit (000000-004999)   | 3-12 |
| Fig. 6 - Backup Alarm Kit (005000- )  | 3-14 |
| Fig. 7 - Rear Bumper Kit (000000-004999)  | 3-16 |
| Fig. 8 - Rear Bumper Kit (005000- )   | 3-17 |
| Fig. 9 - Overhead Guard Kit (000000-004999)   | 3-18 |
| Fig. 10 - Overhead Guard Kit (005000- )   | 3-20 |
| Fig. 11 - Seat Belt Kit   | 3-22 |
| Fig. 12 - Suspension Seat Kit   | 3-24 |
| Fig. 13 - Power Steering Group  | 3-26 |
| Fig. 14 - Power Steering Hydraulic Hose Group                                       | 3-28 |
| Fig. 15 - Power Steering Hydraulic Schematic  | 3-29 |
| Fig. 16 - Right Side Brush Motor And Pivot Group                                    | 3-30 |
| Fig. 17 - Right Side Brush Lift Group   | 3-32 |
| Fig. 18 - Right Side Brush Bumper And Electrical Group                              | 3-34 |
| Fig. 19 - Right Side Brush Wire Harness Group                                       | 3-36 |
| Fig. 20 - Left Side Brush Motor And Pivot Group                                     | 3-38 |
| Fig. 21 - Left Side Brush Lift Group  | 3-40 |
| Fig. 22 - Left Side Brush Mount Group   | 3-42 |
| Fig. 23 - Left Side Brush Wire Harness Group  | 3-44 |
| Fig. 24 - Max Pro 1200 (Disc-Brush) Scrub Head Frame Group                          | 3-46 |
| Fig. 25 - Max Pro 1200 (Disc-Brush) Scrub Head Linkage Group                        | 3-48 |
| Fig. 26 - Max Pro 1200 (Disc-Brush) Solution Valve Group                            | 3-50 |
| Fig. 27 - Max Pro 1200 (Disc-Brush) Solution Valve Group (FaST/ec-H <sub>2</sub> O) | 3-52 |
| Fig. 28 - Max Pro 1200 (Disc-Brush) Edge Scrub Group                                | 3-54 |
| Fig. 29 - Max Pro 1200 (Disc-Brush) Right Side Squeegee Group                       | 3-56 |
| Fig. 30 - Max Pro 1200 (Disc-Brush) Right Side Vacuumized Squeegee Group            | 3-58 |
| Fig. 31 - Max Pro 1200 (Disc-Brush) Left Side Squeegee Group                        | 3-60 |

| Contents   | Page  |
|--|-------|
| Fig. 32 - Max Pro 1000 (Cylindrical Brush) Scrub Head Frame and Linkage Group              | 3-62  |
| Fig. 33 - Max Pro 1000 (Cylindrical Brush) Scrub Head Drive Group                          | 3-64  |
| Fig. 34 - Max Pro 1000 (Cylindrical Brush) Solution Valve Group                            | 3-66  |
| Fig. 35 - Max Pro 1000 (Cylindrical Brush) Solution Valve Group (FaST/ec-H <sub>2</sub> O) | 3-68  |
| Fig. 36 - Max Pro 1000 (Cylindrical Brush) Edge Scrub Group                                | 3-70  |
| Fig. 37 - Max Pro 1000 (Cylindrical Brush) Right Side Squeegee Group                       | 3-72  |
| Fig. 38 - Max Pro 1000 (Cylindrical Brush) Left Side Squeegee Group                        | 3-74  |
| Fig. 39 - Max Pro 1000 (Cylindrical Brush) Debris Tray Group                               | 3-76  |
| Fig. 40 - Max Pro 1000 (Cylindrical Brush) Vacuumized Debris Tray Group                    | 3-78  |
| Fig. 41 - Max Pro 1200 (Cylindrical Brush) Scrub Head Frame and Linkage Group              | 3-80  |
| Fig. 42 - Max Pro 1200 (Cylindrical Brush) Scrub Head Drive Group                          | 3-82  |
| Fig. 43 - Max Pro 1200 (Cylindrical Brush) Solution Valve Group                            | 3-84  |
| Fig. 44 - Max Pro 1200 (Cylindrical Brush) Solution Valve Group (FaST/ec-H <sub>2</sub> O) | 3-86  |
| Fig. 45 - Max Pro 1200 (Cylindrical Brush) Edge Scrub Group                                | 3-88  |
| Fig. 46 - Max Pro 1200 (Cylindrical Brush) Right Side Squeegee Group                       | 3-90  |
| Fig. 47 - Max Pro 1200 (Cylindrical Brush) Left Side Squeegee Group                        | 3-92  |
| Fig. 48 - Max Pro 1200 (Cylindrical Brush) Debris Tray Group                               | 3-94  |
| Fig. 49 - Max Pro 1200 (Cylindrical Brush) Vacuumized Debris Tray Group                    | 3-96  |
| Fig. 50 - ES Pump Group  | 3-98  |
| Fig. 51 - ES Tank Group  | 3-100 |
| Fig. 52 - ES Drain Assembly  | 3-102 |
| Fig. 53 - ec-H <sub>2</sub> O Solution Pump Group  | 3-104 |
| Fig. 54 - ec-H <sub>2</sub> O Switch and Label Group                                       | 3-106 |
| Fig. 55 - ec-H <sub>2</sub> O Wire Harnesses Group   | 3-108 |
| Fig. 56 - ec-H <sub>2</sub> O Install Kits   | 3-109 |
| Fig. 57 - Positive Solution Control Drain Kit, Recovery Tank (000000-004999)               | 3-110 |
| Fig. 58 - Positive Solution Control Drain Kit, Recovery Tank (005000- )                    | 3-112 |
| Fig. 59 - Positive Solution Control Drain Kit, Solution Tank (000000-004999)               | 3-114 |
| Fig. 60 - Positive Solution Control Drain Kit, Solution Tank (005000- )                    | 3-116 |

## OPTIONS

| Contents  | Page  |
|---|-------|
| Fig. 61 - Low Water Level Kit . . . . .   | 3-118 |
| Fig. 62 - Detergent Metering Kit . . . . .  | 3-120 |
| Fig. 63 - Power Wand Hose Assembly . . .  | 3-122 |
| Fig. 64 - Power Wand Assembly . . . . .   | 3-124 |
| Fig. 65 - Power Wand Pump and<br>Fittings Group . . . . .   | 3-126 |
| Fig. 66 - Power Wand Mount Group . . . . .  | 3-128 |
| Fig. 67 - Vacuum Wand Kit . . . . .   | 3-130 |
| Fig. 68 - Max Pro 1200 Rear Squeegee<br>Group (000000-004999) . . . . .                             | 3-132 |
| Fig. 69 - Max Pro 1200 Rear Squeegee<br>Group (005000- ) . . . . .                                  | 3-134 |
| Fig. 70 - Max Pro 1200 Rear Squeegee<br>Group for Vacuumized Side<br>Squeegee (000000-004999) . . . | 3-136 |
| Fig. 71 - Max Pro 1200 Rear Squeegee<br>Group for Vacuumized Side<br>Squeegee (005000- ) . . . . .  | 3-138 |
| Fig. 72 - Max Pro 1000 Urethane<br>Squeegee Kit . . . . .   | 3-140 |
| Fig. 73 - Max Pro 1200 Urethane<br>Squeegee Kit . . . . .   | 3-141 |
| Fig. 74 - Battery Rollout Kit . . . . .   | 3-142 |
| Fig. 75 - Battery Forklift Kit . . . . .  | 3-144 |
| Fig. 76 - Battery Kit, 380AH Wet . . . . .  | 3-146 |
| Fig. 77 - Battery Kit, 500AH Wet . . . . .  | 3-148 |
| Fig. 78 - Battery Kit, 600AH<br>(000000-004999) . . . . .   | 3-150 |
| Fig. 79 - Battery Kit, 600AH<br>(005000- ) . . . . .  | 3-152 |
| Fig. 80 - Battery Kit, 750AH Wet . . . . .  | 3-154 |
| Fig. 81 - Battery Tray Group . . . . .  | 3-156 |
| Fig. 82 - Battery Charger Group, 75A,<br>36V, 60Hz 1PH<br>(380Ah Batteries) . . . . .               | 3-157 |
| Fig. 83 - Battery Charger Group, 75A,<br>36V, 60Hz 3Ph<br>(380Ah Batteries) . . . . .               | 3-158 |
| Fig. 84 - Battery Charger Group, 120A,<br>36V, 60Hz 1Ph (500Ah Batteries)                           | 3-159 |
| Fig. 85 - Battery Charger Group, 120A,<br>36V, 60Hz 3Ph (500Ah Batteries)                           | 3-160 |
| Fig. 86 - Battery Charger Group, 150A,<br>36V, 60Hz (750Ah Batteries) . . .                         | 3-161 |
| Fig. 87 - Battery Charger Group, 93A, 36V,<br>60Hz 1Ph (600Ah Batteries) . . .                      | 3-162 |
| Fig. 88 - Battery Charger Group, 93A, 36V,<br>60Hz 3Ph (600Ah Batteries) . . .                      | 3-163 |
| Fig. 89 - Fire Extinguisher Kit . . . . .   | 3-164 |
| Fig. 90 - Documentation Group . . . . .   | 3-165 |



Fig. 1 - Revolving Light Kit (000000-004999)

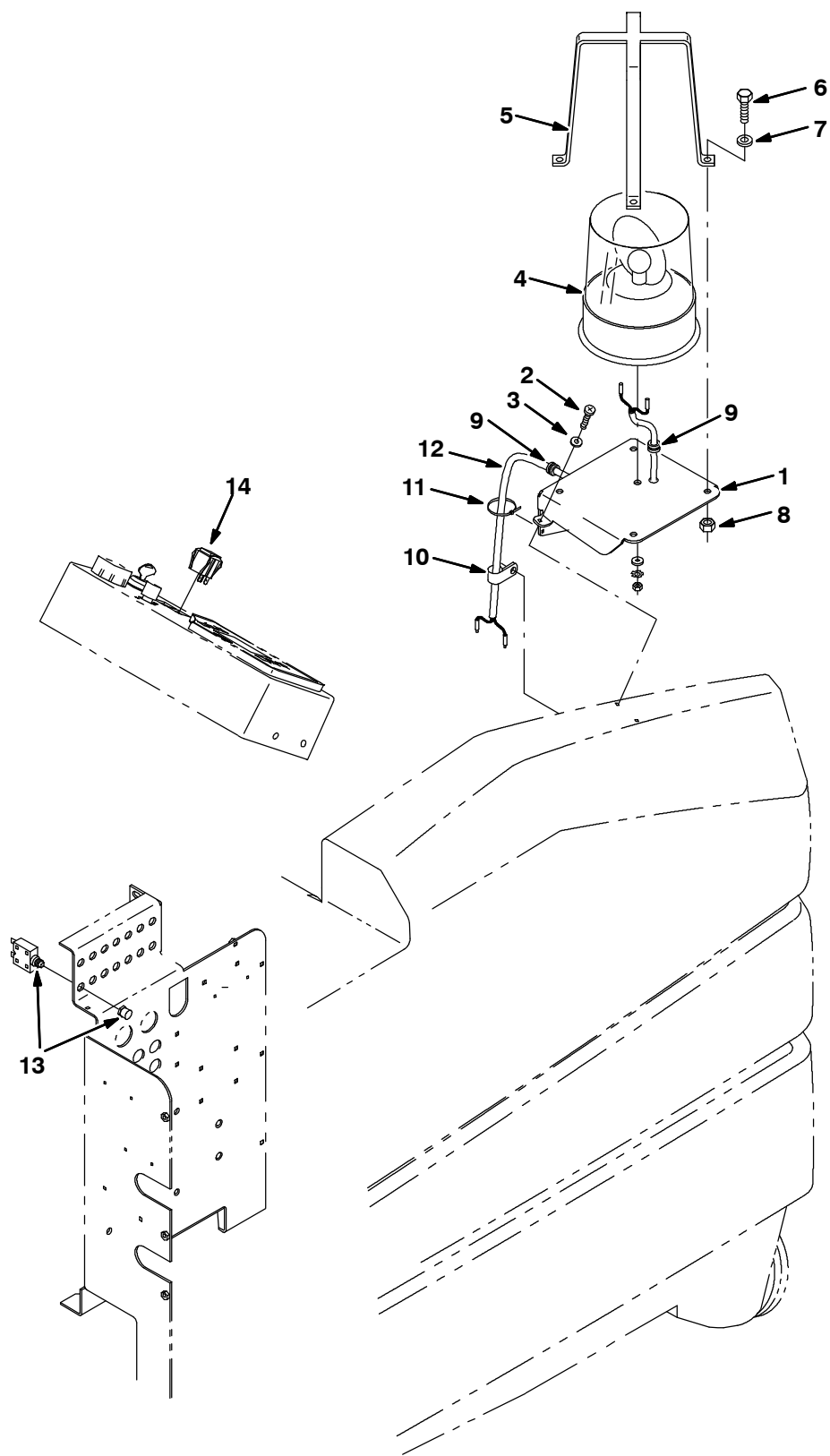
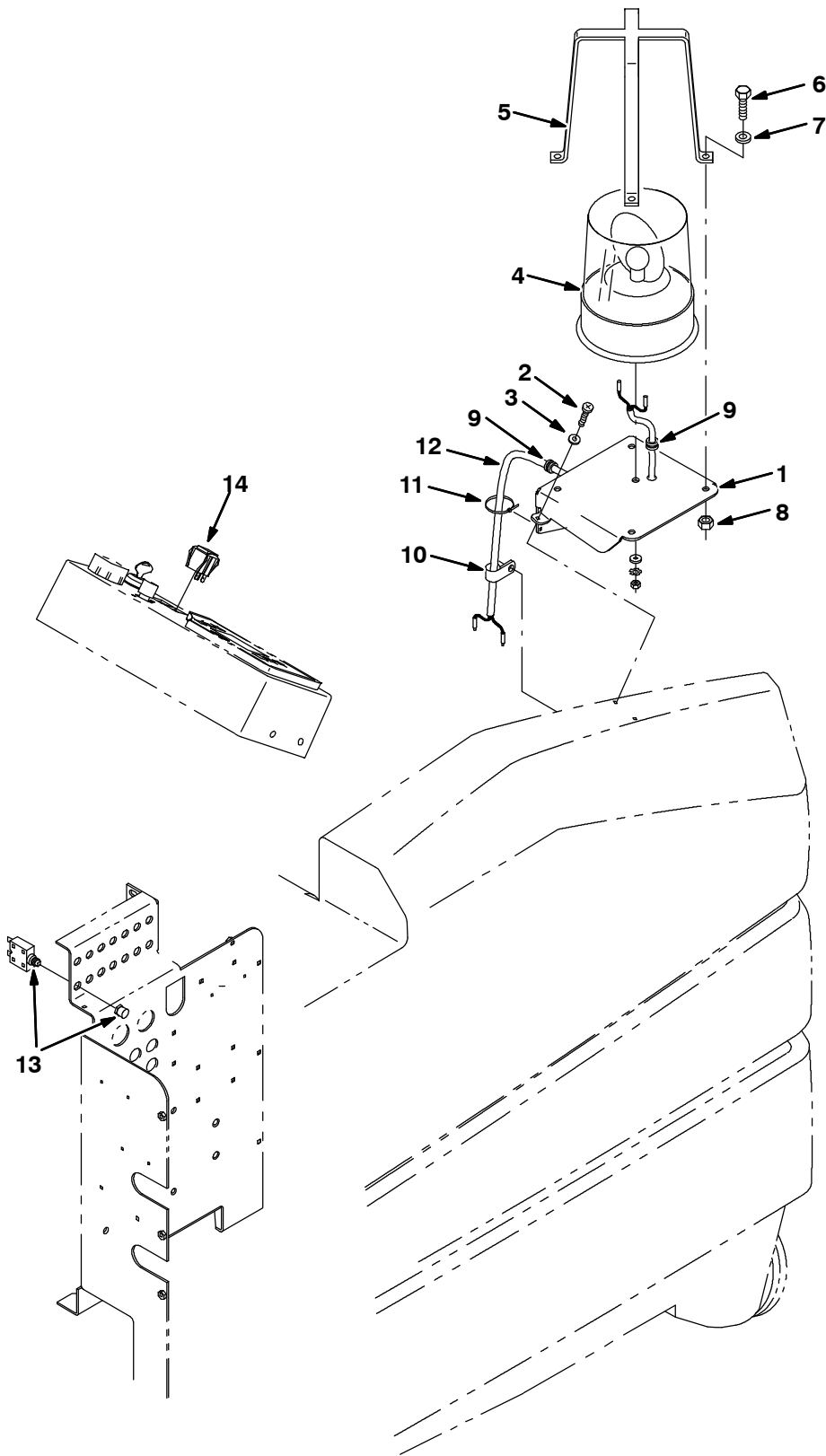


Fig. 1 - Revolving Light Kit (000000-004999)

| Ref. | Tennant Part No. | Machine Serial Number | Description                            | Qty. |
|------|------------------|-----------------------|--|------|
| ▽    | 387301           | (000000-004999 )      | Kit, Cl, Light, Revl W/O OHG           | 1    |
| ▲    | 1 387157         | (000000-004999 )      | Bracket, Mtg                           | 1    |
| ▲    | 2 360943         | (000000-004999 )      | Screw, Pan, #10-14 X 0.75, F/Plstc     | 5    |
| ▲    | 3 19066          | (000000-004999 )      | Washer, Flt, #10                       | 4    |
| ▲▽   | 4 87709          | (000000-004999 )      | Light, Revl, 36vdc, Amb, Rework 44684  | 1    |
| ▲▲   | 44681-1          | (000000-004999 )      | Lens, Amber, Light, Revl               | 1    |
| ▲▲   | 45283            | (000000-004999 )      | Lamp, 40vdc, 0.9a, [50cp#1062]         | 1    |
| ▲    | 5 45272          | (000000-004999 )      | Guard Wldt, Light, Revl/Fish           | 1    |
| ▲    | 6 39277          | (000000-004999 )      | Screw, Hex, M08 X 1.25 X 25, 8.8       | 4    |
| ▲    | 7 39349          | (000000-004999 )      | Washer, Flt, .31 Sae                   | 4    |
| ▲    | 8 07791          | (000000-004999 )      | Nut, Hex, Flng, M08 X 1.25             | 4    |
| ▲    | 9 10632-12       | (000000-004999 )      | Grommet, Rbr, 0.38id, F/ 0.5h, .12matl | 2    |
| ▲    | 10 26395-2       | (000000-004999 )      | Clamp, Cable, Stl, 0.38d X 0.38w, 1h   | 1    |
| ▲    | 11 49266         | (000000-004999 )      | Tie, Cable, Nyl, 07.3l .19w 1.8 Max D  | 1    |
| ▲    | 12 386609        | (000000-004999 )      | Harness, Light, Revl, Shrd             | 1    |
| ▲    | 13 383722        | (000000-004999 )      | Circuitbreaker, 15.0 A                 | 1    |
| ▲    | 14 360520        | (000000-004999 )      | Switch, Rocker                         | 1    |
|      | 44681            | (000000-004999 )      | Lens, Rev. Light, Red                  | 1    |
|      | 44681-2          | (000000-004999 )      | Lens, Rev. Light, Blue                 | 1    |

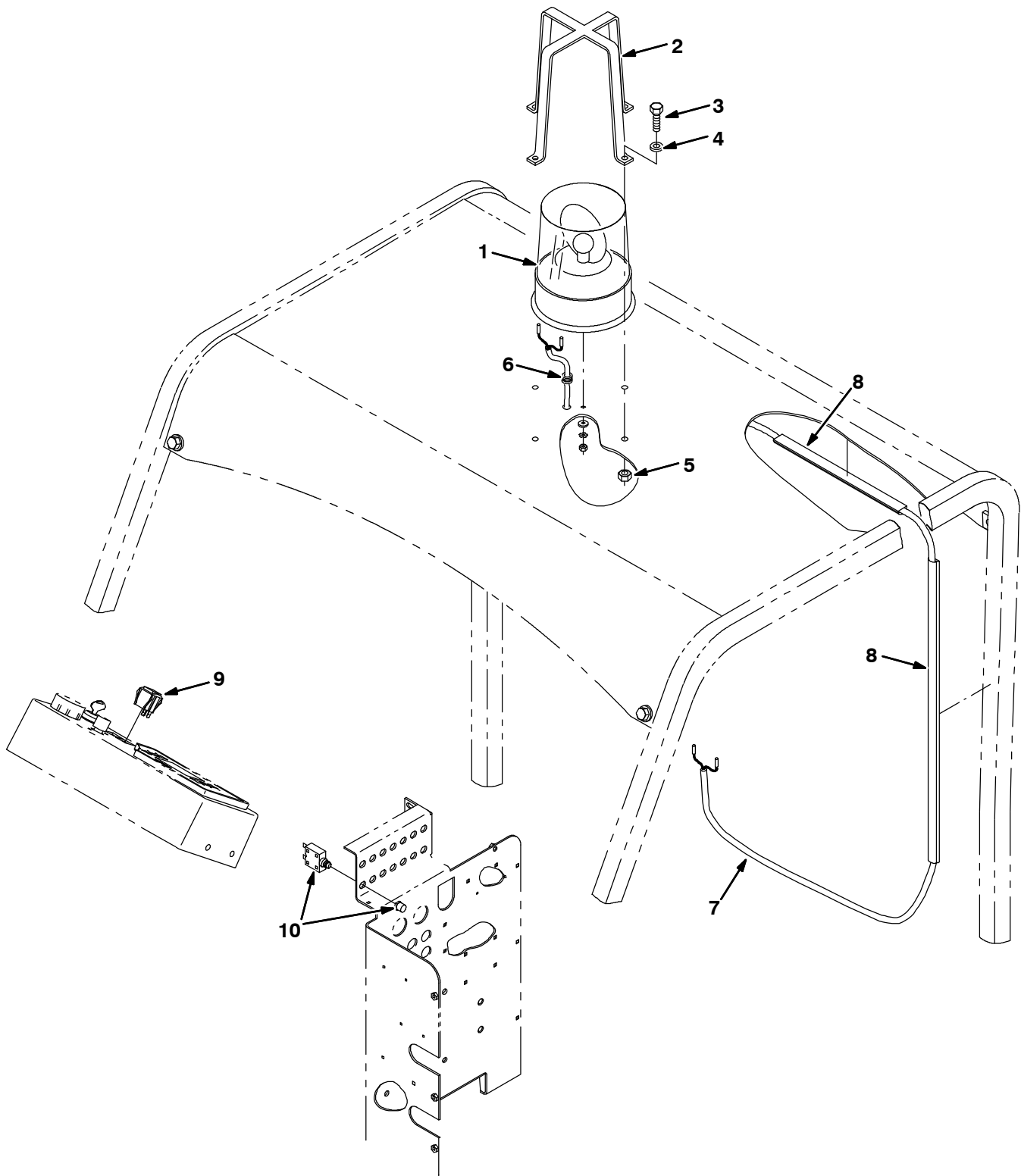
Fig. 2 - Revolving Light Kit (005000- )



**Fig. 2 - Revolving Light Kit (005000- )**

|    | <b>Ref.</b> | <b>Tennant Part No.</b> | <b>Machine Serial Number</b> | <b>Description</b>                        | <b>Qty.</b> |
|----|-------------|-------------------------|------------------------------|---|-------------|
| ▽  |             | 9006949                 | (005000-                     | ) Light Kit, Revl, W/O Ohg, Iron Gray, Ci | 1           |
| ▲  | 1           | 1057069                 | (005000-                     | ) Bracket, Mtg, Iron Gray                 | 1           |
| ▲  | 2           | 360943                  | (005000-                     | ) Screw, Pan, #10-14 X 0.75, F/Plstc      | 5           |
| ▲  | 3           | 19066                   | (005000-                     | ) Washer, Flt, #10                        | 4           |
| ▲▽ | 4           | 87709                   | (005000-                     | ) Light, Revl, 36vdc, Amb, Rework 44684   | 1           |
| ▲▲ |             | 44681-1                 | (005000-                     | ) Lens, Amber, Light, Revl                | 1           |
| ▲▲ |             | 45283                   | (005000-                     | ) Lamp, 40vdc, 0.9a, [50cp#1062]          | 1           |
| ▲  | 5           | 1056464                 | (005000-                     | ) Guard Wldt, Light, Revl/Flsh, Iron Gray | 1           |
| ▲  | 6           | 39277                   | (005000-                     | ) Screw, Hex, M08 X 1.25 X 25, 8.8        | 4           |
| ▲  | 7           | 39349                   | (005000-                     | ) Washer, Flt, .31 Sae                    | 4           |
| ▲  | 8           | 07791                   | (005000-                     | ) Nut, Hex, Flng, M08 X 1.25              | 4           |
| ▲  | 9           | 10632-12                | (005000-                     | ) Grommet, Rbr, 0.38id, F/ 0.5h, .12matl  | 2           |
| ▲  | 10          | 26395-2                 | (005000-                     | ) Clamp, Cable, Stl, 0.38d X 0.38w, 1h    | 1           |
| ▲  | 11          | 49266                   | (005000-                     | ) Tie, Cable, Nyl, 07.3l .19w 1.8 Max D   | 1           |
| ▲  | 12          | 386609                  | (005000-                     | ) Harness, Light, Revl, Shrd              | 1           |
| ▲  | 13          | 383722                  | (005000-                     | ) Circuitbreaker, 15.0 A                  | 1           |
| ▲  | 14          | 360520                  | (005000-                     | ) Switch, Rocker                          | 1           |
|    |             | 44681                   | (005000-                     | ) Lens, Rev. Light, Red                   | 1           |
|    |             | 44681-2                 | (005000-                     | ) Lens, Rev. Light, Blue                  | 1           |

Fig. 3 - Revolving Light Kit, Overhead Guard (000000-0049999)





**Fig. 3 - Revolving Light Kit, Overhead Guard (000000-004999)**

|    | <b>Ref.</b> | <b>Tennant Part No.</b> | <b>Machine Serial Number</b> | <b>Description</b>                       | <b>Qty.</b> |
|----|-------------|-------------------------|------------------------------|--|-------------|
| ▽  |             | 387300                  | (000000-004999 )             | Light Kit, Revl, W/ Ohg, Ci [7300/8300]  | 1           |
| ▲▽ | 1           | 87709                   | (000000-004999 )             | Light, Revl, 36vdc, Amb, Rework 44684    | 1           |
| ▲▲ |             | 44681-1                 | (000000-004999 )             | Lens, Amber, Light, Revl                 | 1           |
| ▲▲ |             | 45283                   | (000000-004999 )             | Lamp, 40vdc, 0.9a, [50cp#1062]           | 1           |
| ▲  | 2           | 45272                   | (000000-004999 )             | Guard Wldt, Light, Revl/Flsh             | 1           |
| ▲  | 3           | 39277                   | (000000-004999 )             | Screw, Hex, M08 X 1.25 X 25, 8.8         | 4           |
| ▲  | 4           | 39349                   | (000000-004999 )             | Washer, Flt, .31 Sae                     | 4           |
| ▲  | 5           | 07791                   | (000000-004999 )             | Nut, Hex, Flng, M08 X 1.25               | 4           |
| ▲  | 6           | 10632-12                | (000000-004999 )             | Grommet, Rbr, 0.38id, F/ 0.5h, .12matl   | 1           |
| ▲  | 7           | 386605                  | (000000-004999 )             | Harness, Warning Light, Alarm            | 1           |
| ▲  | 8           | 1064050                 | (000000-004999 )             | Duct, Afmkt, Vyl, 0.40 X 0.75 .25D, 04Ft | 2           |
| ▲  | 9           | 360520                  | (000000-004999 )             | Switch, Rocker                           | 1           |
| ▲  | 10          | 383722                  | (000000-004999 )             | Circuitbreaker, 15.0 A                   | 1           |
|    |             | 44681                   | (000000-004999 )             | Lens, Rev. Light, Red                    | 1           |
|    |             | 44681-2                 | (000000-004999 )             | Lens, Rev. Light, Blue                   | 1           |

Fig. 4 - Revolving Light Kit, Overhead Guard (005000- )

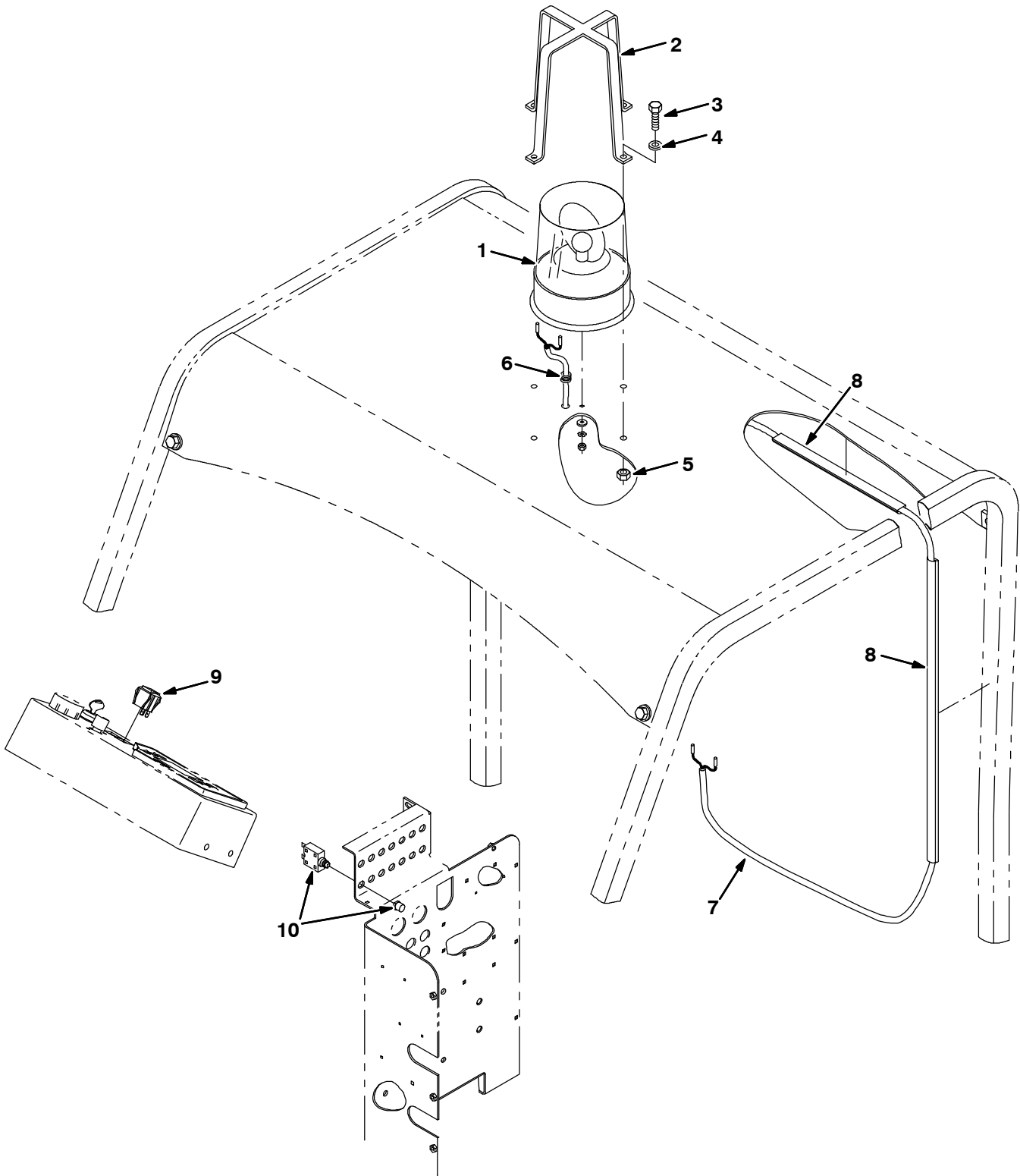


Fig. 4 - Revolving Light Kit, Overhead Guard (005000- )

|    | Ref. | Tennant Part No. | Machine Serial Number | Description                              | Qty. |
|----|------|------------------|-----------------------|--|------|
| ▽  |      | 9006948          | (005000- )            | Kit, Cl, Light, Revl W/ Ohg              | 1    |
| ▲▽ | 1    | 87709            | (005000- )            | Light, Revl, 36vdc, Amb, Rework 44684    | 1    |
| ▲▲ |      | 44681-1          | (005000- )            | Lens, Amber, Light, Revl                 | 1    |
| ▲▲ |      | 45283            | (005000- )            | Lamp, 40vdc, 0.9a, [50cp#1062]           | 1    |
| ▲  | 2    | 1056464          | (005000- )            | Guard Wldt, Light, Revl/Flsh             | 1    |
| ▲  | 3    | 39277            | (005000- )            | Screw, Hex, M08 X 1.25 X 25, 8.8         | 4    |
| ▲  | 4    | 39349            | (005000- )            | Washer, Flt, .31 Sae                     | 4    |
| ▲  | 5    | 07791            | (005000- )            | Nut, Hex, Flng, M08 X 1.25               | 4    |
| ▲  | 6    | 10632-12         | (005000- )            | Grommet, Rbr, 0.38id, F/ 0.5h, .12matl   | 1    |
| ▲  | 7    | 386605           | (005000- )            | Harness, Warning Light, Alarm            | 1    |
| ▲  | 8    | 1064050          | (005000- )            | Duct, Afmkt, Vyl, 0.40 X 0.75 .25D, 04Ft | 2    |
| ▲  | 9    | 360520           | (005000- )            | Switch, Rocker                           | 1    |
| ▲  | 10   | 383722           | (005000- )            | Circuitbreaker, 15.0 A                   | 1    |
|    |      | 44681            | (005000- )            | Lens, Rev. Light, Red                    | 1    |
|    |      | 44681-2          | (005000- )            | Lens, Rev. Light, Blue                   | 1    |

Fig. 5 - Backup Alarm Kit (000000-004999)

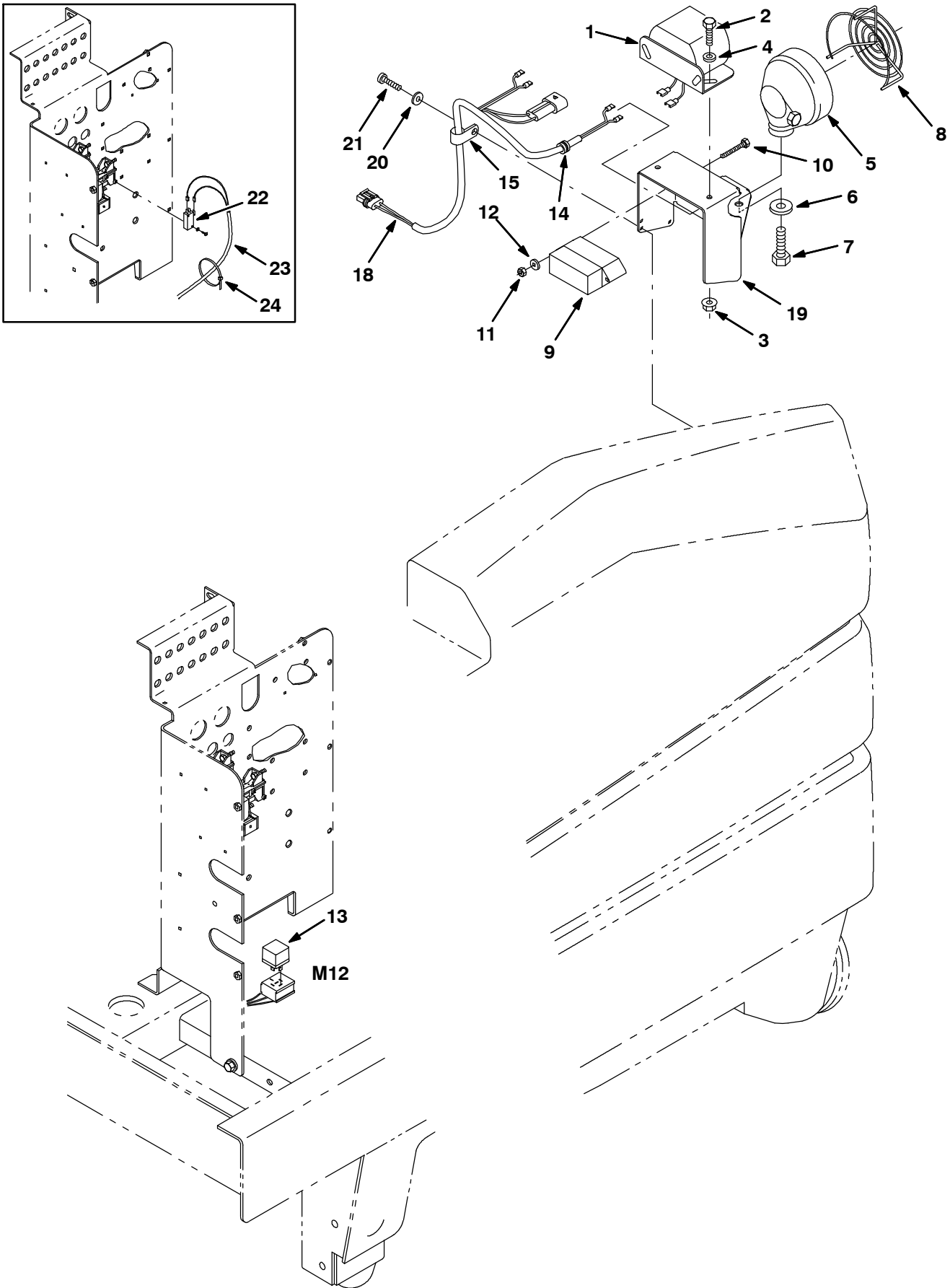


Fig. 5 - Backup Alarm Kit (000000-004999)

| Ref. | Tennant Part No. | Machine Serial Number | Description                            | Qty. |
|------|------------------|-----------------------|--|------|
| ▽    | 387208           | (000000-004999 )      | Kit, Cl, Alarm, Backup, 36Vdc          | 1    |
| ▲    | 1 9007131        | (000000-004999 )      | Alarm Assy, Backup, 12/48Vdc           | 1    |
| ▲    | 2 06943          | (000000-004999 )      | Screw, Hex, M06 X 1.0 X 20, 8.8        | 2    |
| ▲    | 3 07790          | (000000-004999 )      | Nut, Hex, Flng, M06 X 1.0              | 2    |
| ▲    | 4 19066          | (000000-004999 )      | Washer, Flt, #10                       | 2    |
| ▲▽   | 5 72172          | (000000-004999 )      | Light, Spot, 36vdc, 60w Rework 72173   | 1    |
| ▲▲   | 45391            | (000000-004999 )      | Headlight, 36Vdc, 60 Watt 1.7A         | 1    |
| ▲    | 6 32486          | (000000-004999 )      | Washer, Flt, .50 Sae                   | 1    |
| ▲    | 7 39807          | (000000-004999 )      | Screw, Hex, .50-13 X 0.75, 5           | 1    |
| ▲    | 8 72174          | (000000-004999 )      | Guard, Light                           | 1    |
| ▲    | 9 72164          | (000000-004999 )      | Flasher, 12/48vdc 5a #6309/12-48vdc    | 1    |
| ▲    | 10 06949         | (000000-004999 )      | Screw, Hex, M06 X 1.0 X 50, 8.8        | 2    |
| ▲    | 11 08708         | (000000-004999 )      | Nut, Hex, Lock, M06 X 1.0, NI          | 2    |
| ▲    | 12 32483         | (000000-004999 )      | Washer, Flt, .25 Sae                   | 2    |
| ▲    | 13 398526        | (000000-004999 )      | Relay, 36vdc, 5a, Spdt, [Greenwich]    | 1    |
| ▲    | 14 10632-12      | (000000-004999 )      | Grommet, Rbr, 0.38id, F/ 0.5h, .12matl | 1    |
| ▲    | 15 26395-2       | (000000-004999 )      | Clamp, Cable, Stl, 0.38d X 0.38w, 1h   | 1    |
| ▲    | 16 32980         | (000000-004999 )      | Washer, Lock, Int, #10                 | 2    |
| ▲    | 17 38622         | (000000-004999 )      | Spring                                 | 1    |
| ▲    | 18 386606        | (000000-004999 )      | Harness, Backup Alarm, Shrd            | 1    |
| ▲    | 19 387158        | (000000-004999 )      | Bracket, Mtg                           | 1    |
| ▲    | 20 19066         | (000000-004999 )      | Washer, Flt, #10                       | 5    |
| ▲    | 21 360943        | (000000-004999 )      | Screw, Pan, #10-14 X 0.75, F/Plstc     | 6    |
| ▲    | 22 28622         | (000000-001705 )      | Kit, Switch, Micro                     | 1    |
| ▲    | 23 387344        | (000000-001705 )      | Harness, Wire, Jumper, Reverse Switch  | 1    |
| ▲    | 24 49266         | (000000-001705 )      | Tie, Cable, Nyl, 07.3l .19w 1.8 Max D  | 4    |

Fig. 6 - Backup Alarm Kit (005000- )

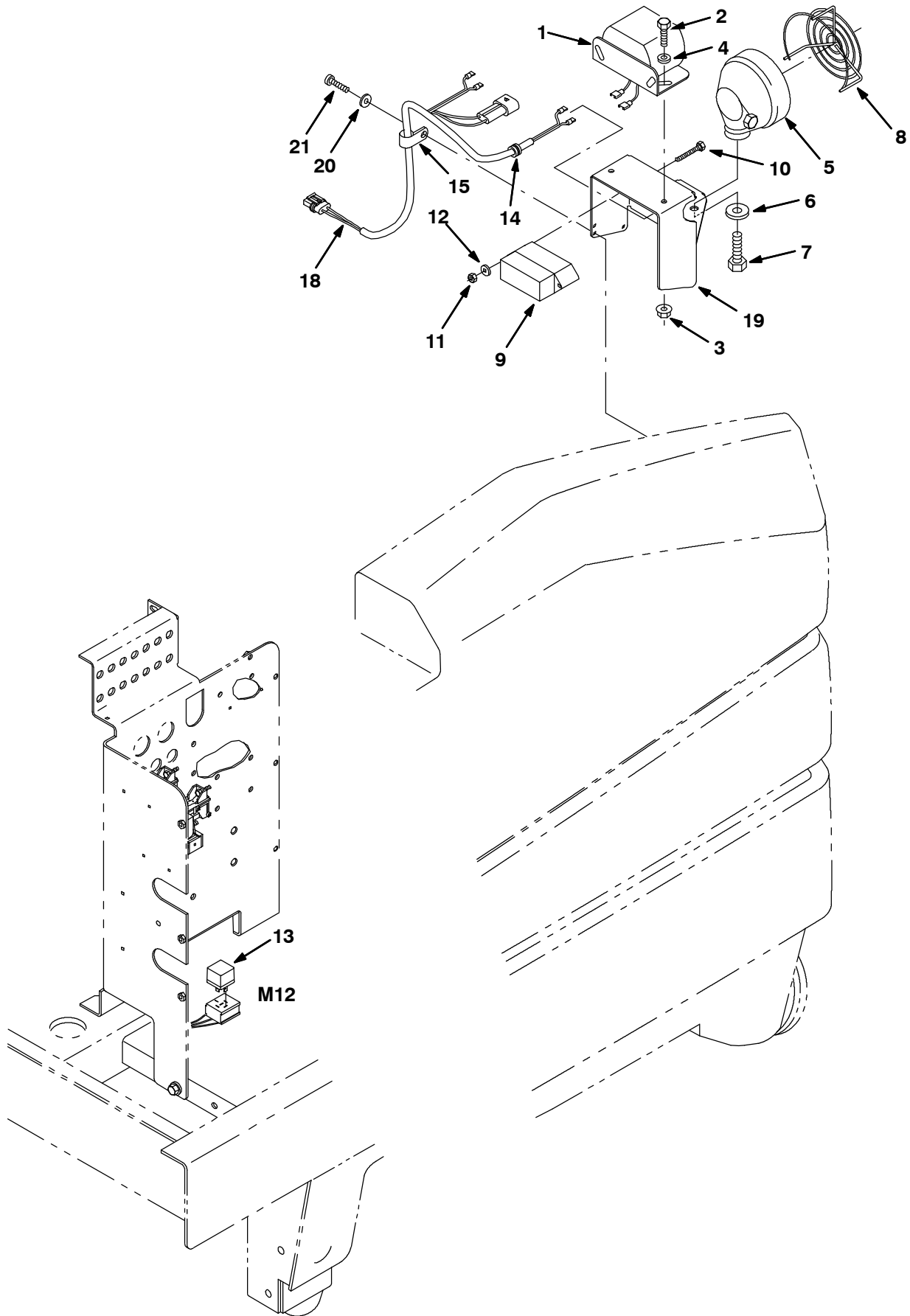
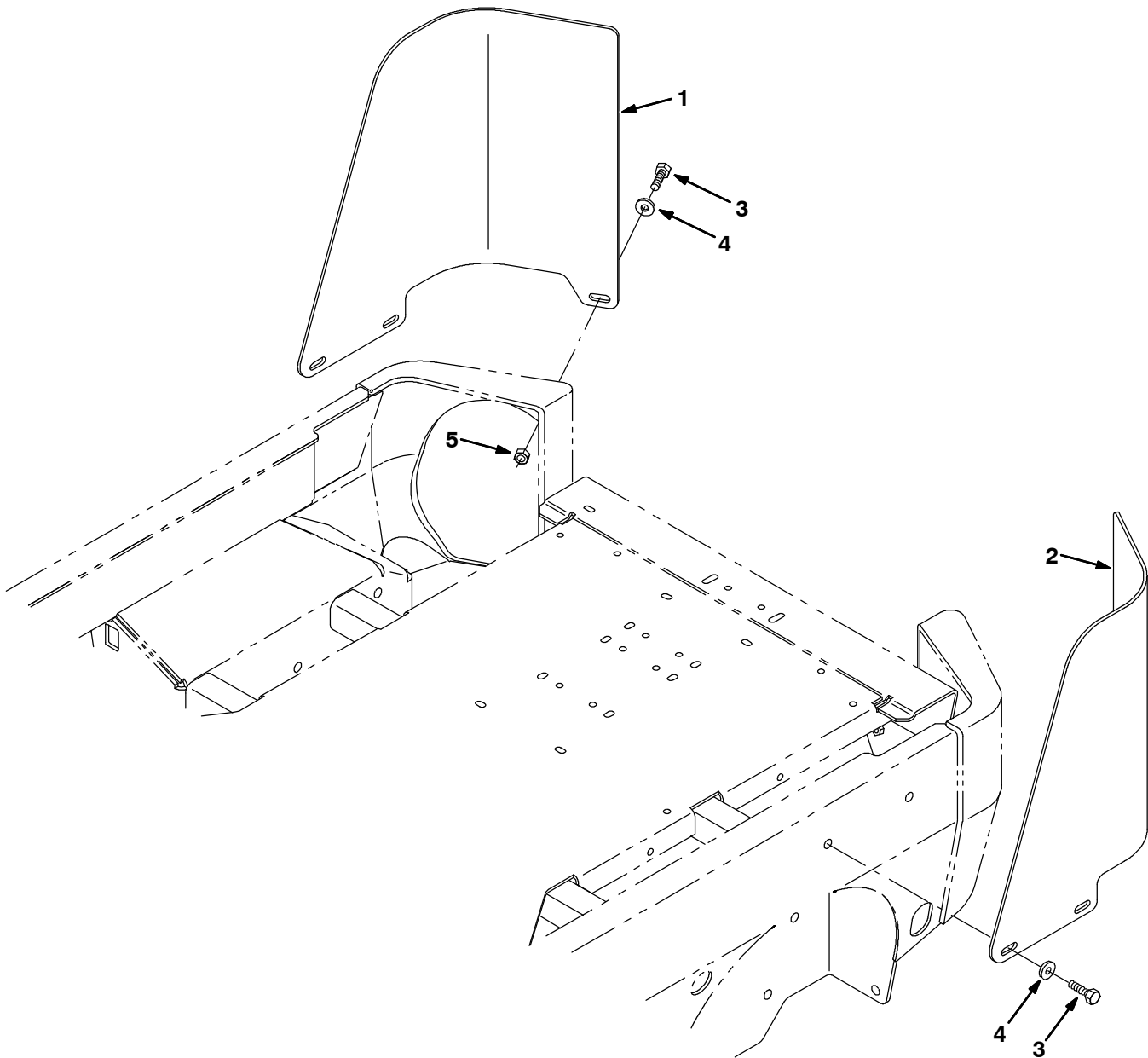


Fig. 6 - Backup Alarm Kit (005000- )

| Ref. | Tennant Part No. | Machine Serial Number | Description                              | Qty. |
|------|------------------|-----------------------|--|------|
| ▽    | 9006947          | (005000-              | ) Alarm Kit, Backup / A/V, Iron Gray, Ci | 1    |
| ▲    | 1 9007131        | (005000-              | ) Alarm Assy, Backup, 12/48Vdc           | 1    |
| ▲    | 2 06943          | (005000-              | ) Screw, Hex, M06 X 1.0 X 20, 8.8        | 2    |
| ▲    | 3 07790          | (005000-              | ) Nut, Hex, Flng, M06 X 1.0              | 2    |
| ▲    | 4 19066          | (005000-              | ) Washer, Flt, #10                       | 2    |
| ▲▽   | 5 72172          | (005000-              | ) Light, Spot, 36vdc, 60w Rework 72173   | 1    |
| ▲▲   | 45391            | (005000-              | ) Headlight, 36Vdc, 60 Watt 1.7A         | 1    |
| ▲    | 6 32486          | (005000-              | ) Washer, Flt, .50 Sae                   | 1    |
| ▲    | 7 39807          | (005000-              | ) Screw, Hex, .50-13 X 0.75, 5           | 1    |
| ▲    | 8 72174          | (005000-              | ) Guard, Light                           | 1    |
| ▲    | 9 72164          | (005000-              | ) Flasher, 12/48vdc 5a #6309/12-48vdc    | 1    |
| ▲    | 10 06949         | (005000-              | ) Screw, Hex, M06 X 1.0 X 50, 8.8        | 2    |
| ▲    | 11 08708         | (005000-              | ) Nut, Hex, Lock, M06 X 1.0, NI          | 2    |
| ▲    | 12 32483         | (005000-              | ) Washer, Flt, .25 Sae                   | 2    |
| ▲    | 13 398526        | (005000-              | ) Relay, 36vdc, 5a, Spdt, [Greenwich]    | 1    |
| ▲    | 14 10632-12      | (005000-              | ) Grommet, Rbr, 0.38id, F/ 0.5h, .12matl | 1    |
| ▲    | 15 26395-2       | (005000-              | ) Clamp, Cable, Stl, 0.38d X 0.38w, 1h   | 1    |
| ▲    | 16 32980         | (005000-              | ) Washer, Lock, Int, #10                 | 2    |
| ▲    | 17 38622         | (005000-              | ) Spring                                 | 1    |
| ▲    | 18 386606        | (005000-              | ) Harness, Backup Alarm, Shrd            | 1    |
| ▲    | 19 1056480       | (005000-              | ) Bracket, Mtg, Iron Gray                | 1    |
| ▲    | 20 19066         | (005000-              | ) Washer, Flt, #10                       | 5    |
| ▲    | 21 360943        | (005000-              | ) Screw, Pan, #10-14 X 0.75, F/Plstc     | 6    |

**Fig. 7 - Rear Bumper Kit (000000-004999)**

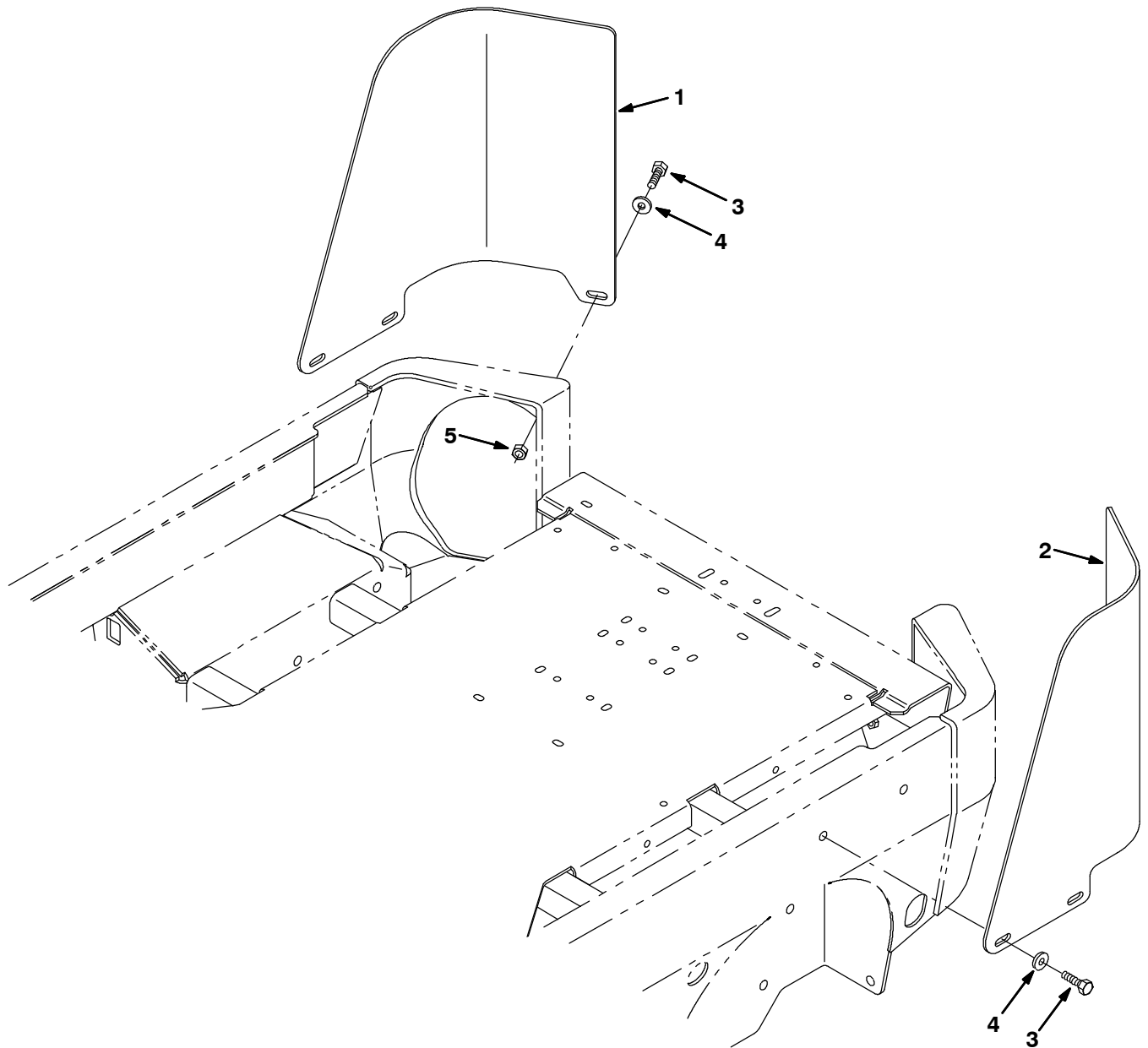


353353

| Ref. | Tennant Part No. | Machine Serial Number | Description                       | Qty. |
|------|------------------|-----------------------|-----------------------------------|------|
| ▽    | 386417           | (000000-004999 )      | Kit, Ci, Bumper, Rear             | 1    |
| ▲    | 1 386415         | (000000-004999 )      | Bumper, Rear, Rh                  | 1    |
| ▲    | 2 386416         | (000000-004999 )      | Bumper, Rear, Lh                  | 1    |
| ▲    | 3 09028          | (000000-004999 )      | Screw, Hex, M10 X 1.5 X 25, Ss    | 6    |
| ▲    | 4 01686          | (000000-004999 )      | Washer, Flt, .38 Ss               | 6    |
| ▲    | 5 08714          | (000000-004999 )      | Nut, Hex, Lock, M10 X 1.5, NI, Ss | 2    |



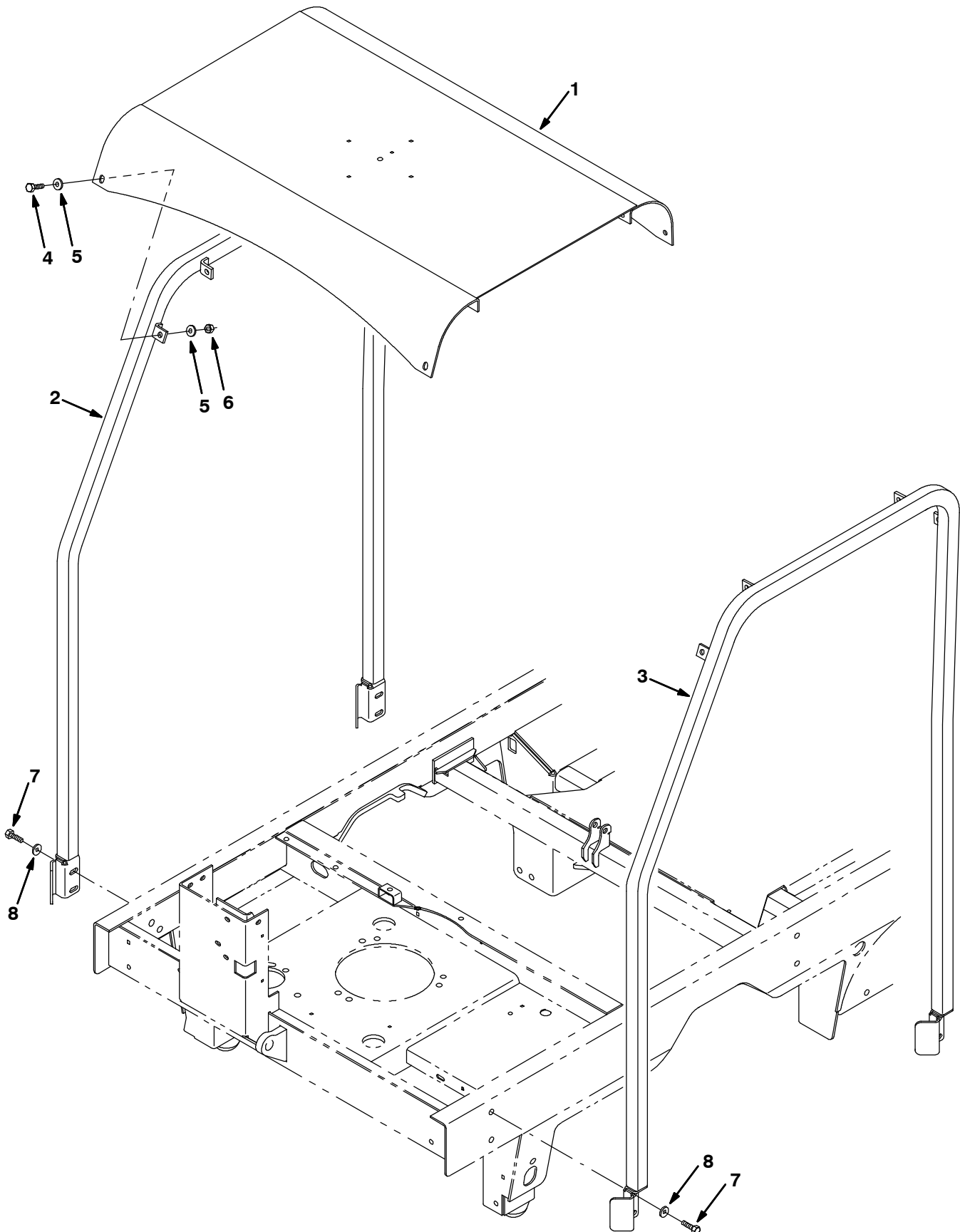
Fig. 8 - Rear Bumper Kit (005000- )



353353

| Ref. | Tennant Part No. | Machine Serial Number | Description                       | Qty. |
|------|------------------|-----------------------|-----------------------------------|------|
| ▽    | 9006925          | (005000- )            | Kit, Ci, Bumper, Rear             | 1    |
| ▲    | 1 1056473        | (005000- )            | Bumper, Rear, Rh, Iron Gray       | 1    |
| ▲    | 2 1056474        | (005000- )            | Bumper, Rear, Lh, Iron Gray       | 1    |
| ▲    | 3 09028          | (005000- )            | Screw, Hex, M10 X 1.5 X 25, Ss    | 6    |
| ▲    | 4 01686          | (005000- )            | Washer, Flt, .38 Ss               | 6    |
| ▲    | 5 08714          | (005000- )            | Nut, Hex, Lock, M10 X 1.5, NI, Ss | 2    |

Fig. 9 - Overhead Guard Kit (000000-004999)



**Fig. 9 - Overhead Guard Kit (000000-004999)**

|             | <b>Tennant</b>  | <b>Machine</b>       | <b>Description</b>              | <b>Qty.</b> |
|-------------|-----------------|----------------------|---------------------------------|-------------|
| <b>Ref.</b> | <b>Part No.</b> | <b>Serial Number</b> |                                 |             |
| ▽           | 386875          | (000000-004999 )     | Kit, Ci, Ohg, [7300/8300]       | 1           |
| ▲           | 1 386642        | (000000-004999 )     | Guard Wldt, Oprtr, Top          | 1           |
| ▲           | 2 386983        | (000000-004999 )     | Tube, Guard, Oprtr, Pnt, Rh     | 1           |
| ▲           | 3 386984        | (000000-004999 )     | Tube, Guard, Oprtr, Pnt, Lh     | 1           |
| ▲           | 4 06961         | (000000-004999 )     | Screw, Hex, M10 X 1.5 X 20, 8.8 | 8           |
| ▲           | 5 32492         | (000000-004999 )     | Washer, Flt, .38 Std            | 16          |
| ▲           | 6 41430         | (000000-004999 )     | Nut, Hex, Lock, M10 X 1.5, NI   | 8           |
| ▲           | 7 09028         | (000000-004999 )     | Screw, Hex, M10 X 1.5 X 25, Ss  | 8           |
| ▲           | 8 01686         | (000000-004999 )     | Washer, Flt, .38 Ss             | 8           |

Fig. 10 - Overhead Guard Kit (005000- )

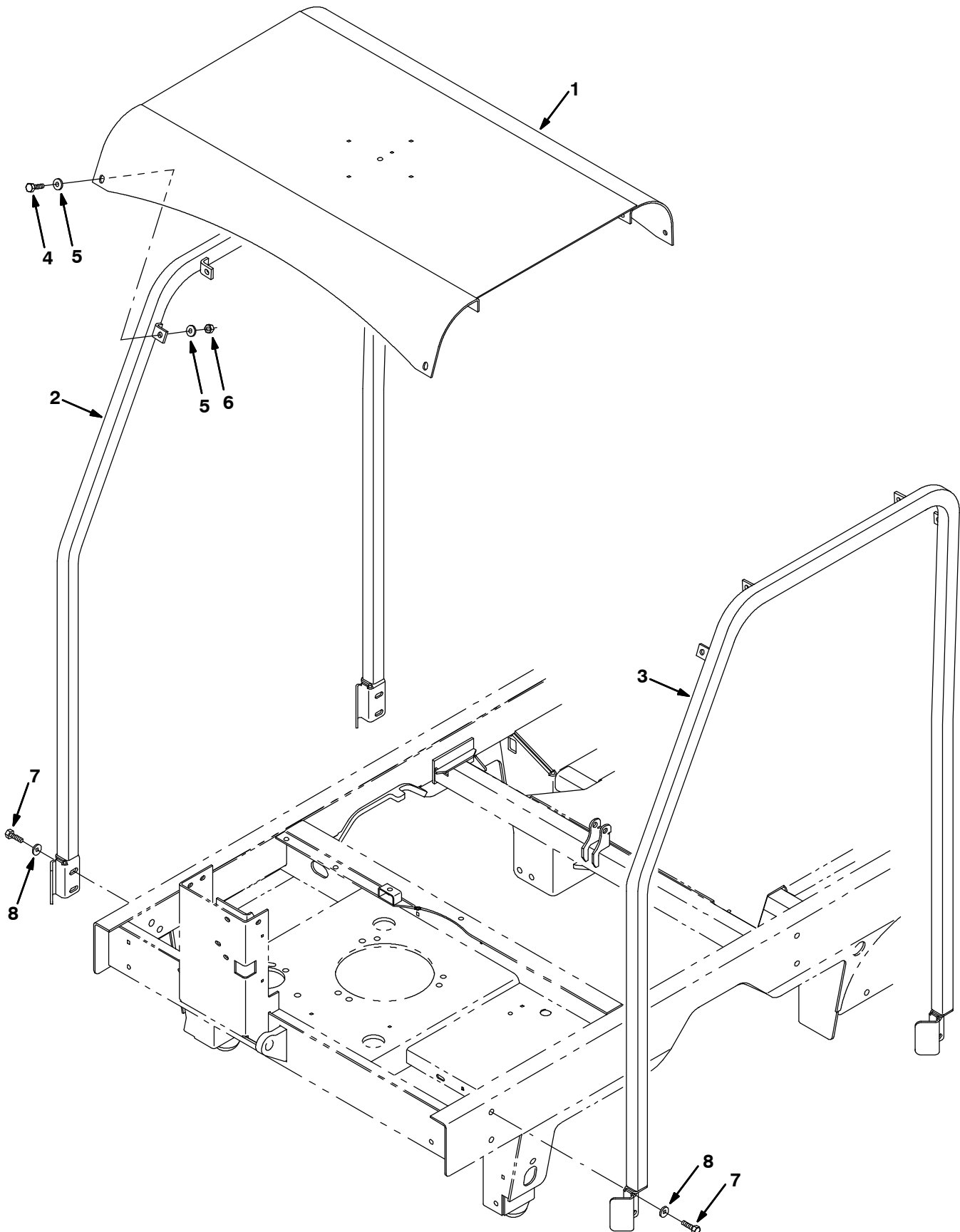
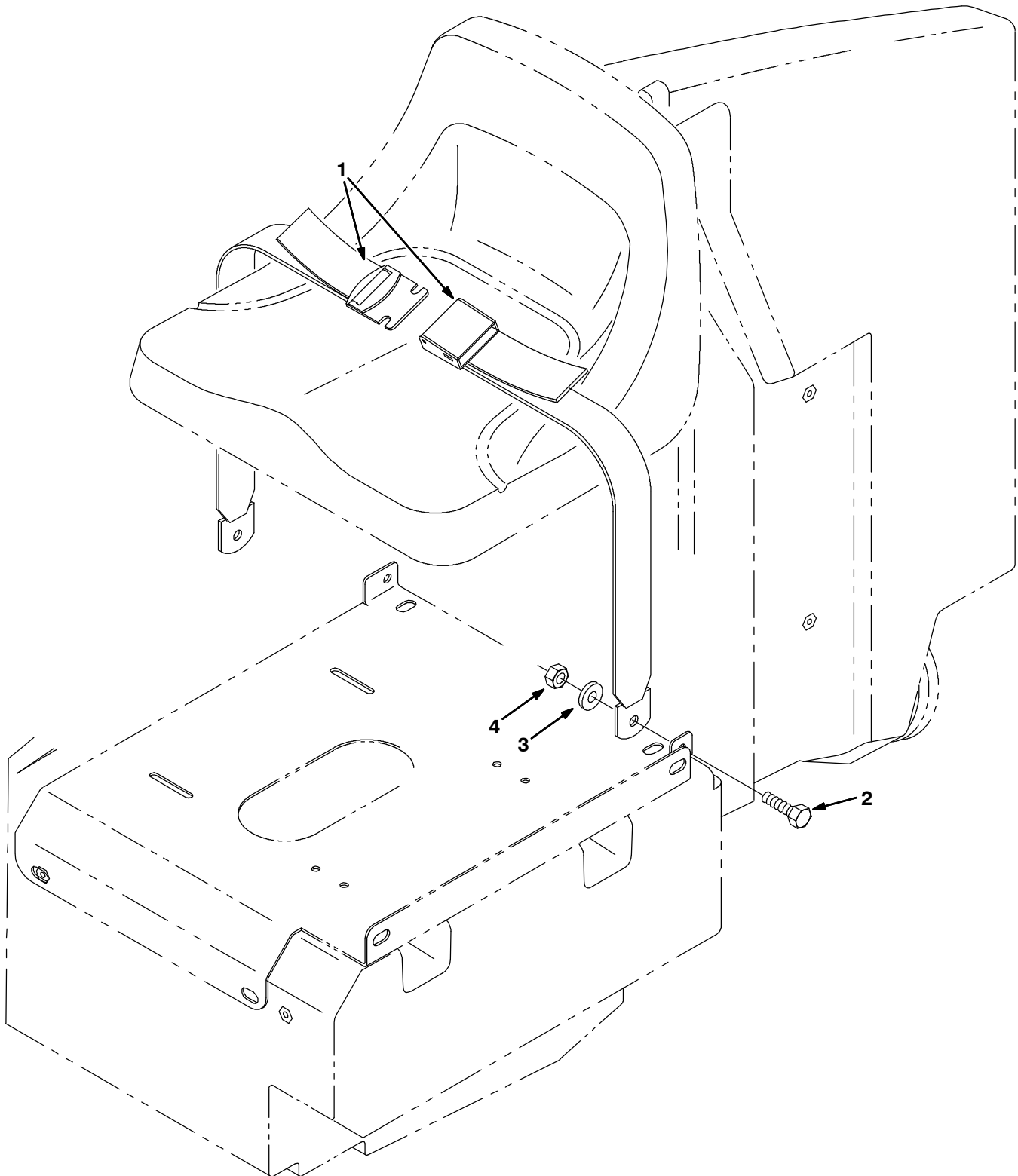


Fig. 10 - Overhead Guard Kit (005000- )

|             | <b>Tennant</b>  | <b>Machine</b>       |   |                                       |             |
|-------------|-----------------|----------------------|---|---------------------------------------|-------------|
| <b>Ref.</b> | <b>Part No.</b> | <b>Serial Number</b> |   | <b>Description</b>                    | <b>Qty.</b> |
| ▽           | 9006935         | (005000-             | ) | Ohg Kit, Iron Gray, Ci [7300/8300]    | 1           |
| ▲           | 1 1056476       | (005000-             | ) | Guard Wldt, Oprtr, Top, Iron Gray     | 1           |
| ▲           | 2 1056673       | (005000-             | ) | Tube, Ohg, Oprtr, Rh, Pntd, Iron Gray | 1           |
| ▲           | 3 1056674       | (005000-             | ) | Tube, Ohg, Oprtr, Lh, Pntd, Iron Gray | 1           |
| ▲           | 4 06961         | (005000-             | ) | Screw, Hex, M10 X 1.5 X 20, 8.8       | 8           |
| ▲           | 5 32492         | (005000-             | ) | Washer, Flt, .38 Std                  | 16          |
| ▲           | 6 41430         | (005000-             | ) | Nut, Hex, Lock, M10 X 1.5, NI         | 8           |
| ▲           | 7 09028         | (005000-             | ) | Screw, Hex, M10 X 1.5 X 25, Ss        | 8           |
| ▲           | 8 01686         | (005000-             | ) | Washer, Flt, .38 Ss                   | 8           |

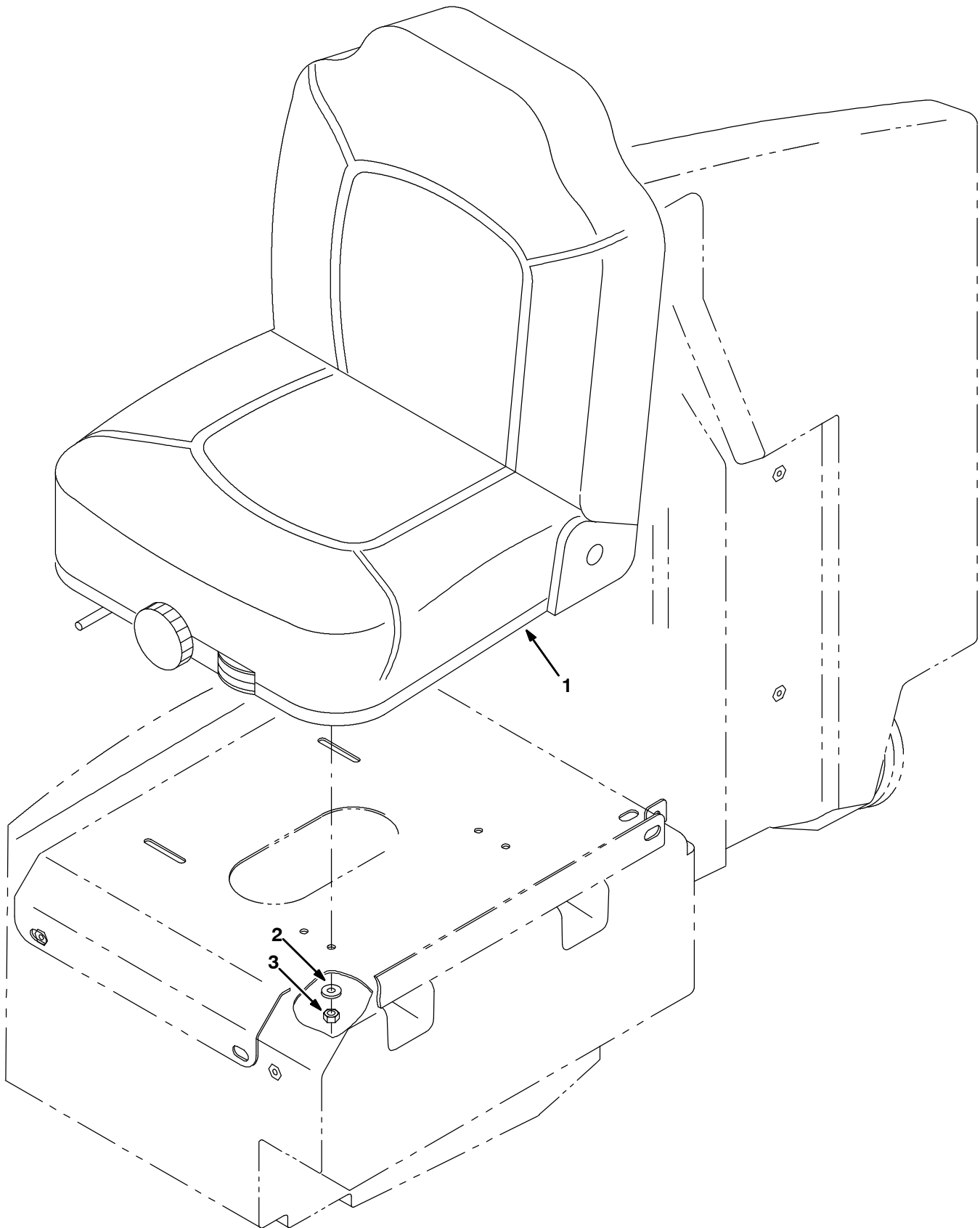
Fig. 11 - Seat Belt Kit



**Fig. 11 - Seat Belt Kit**

|   | <b>Ref.</b> | <b>Tennant Part No.</b> | <b>Machine Serial Number</b> | <b>Description</b>                | <b>Qty.</b> |
|---|-------------|-------------------------|------------------------------|-----------------------------------|-------------|
| ▽ |             | 386958                  | (000000-                     | ) Kit, Ci, Seatbelt               | 1           |
| ▲ | 1           | 30533                   | (000000-                     | ) Seatbelt                        | 1           |
| ▲ | 2           | 06961                   | (000000-                     | ) Screw, Hex, M10 X 1.5 X 20, 8.8 | 2           |
| ▲ | 3           | 32493                   | (000000-                     | ) Washer, Flt, .50 Std            | 2           |
| ▲ | 4           | 41430                   | (000000-                     | ) Nut, Hex, Lock, M10 X 1.5, NI   | 2           |

Fig. 12 - Suspension Seat Kit

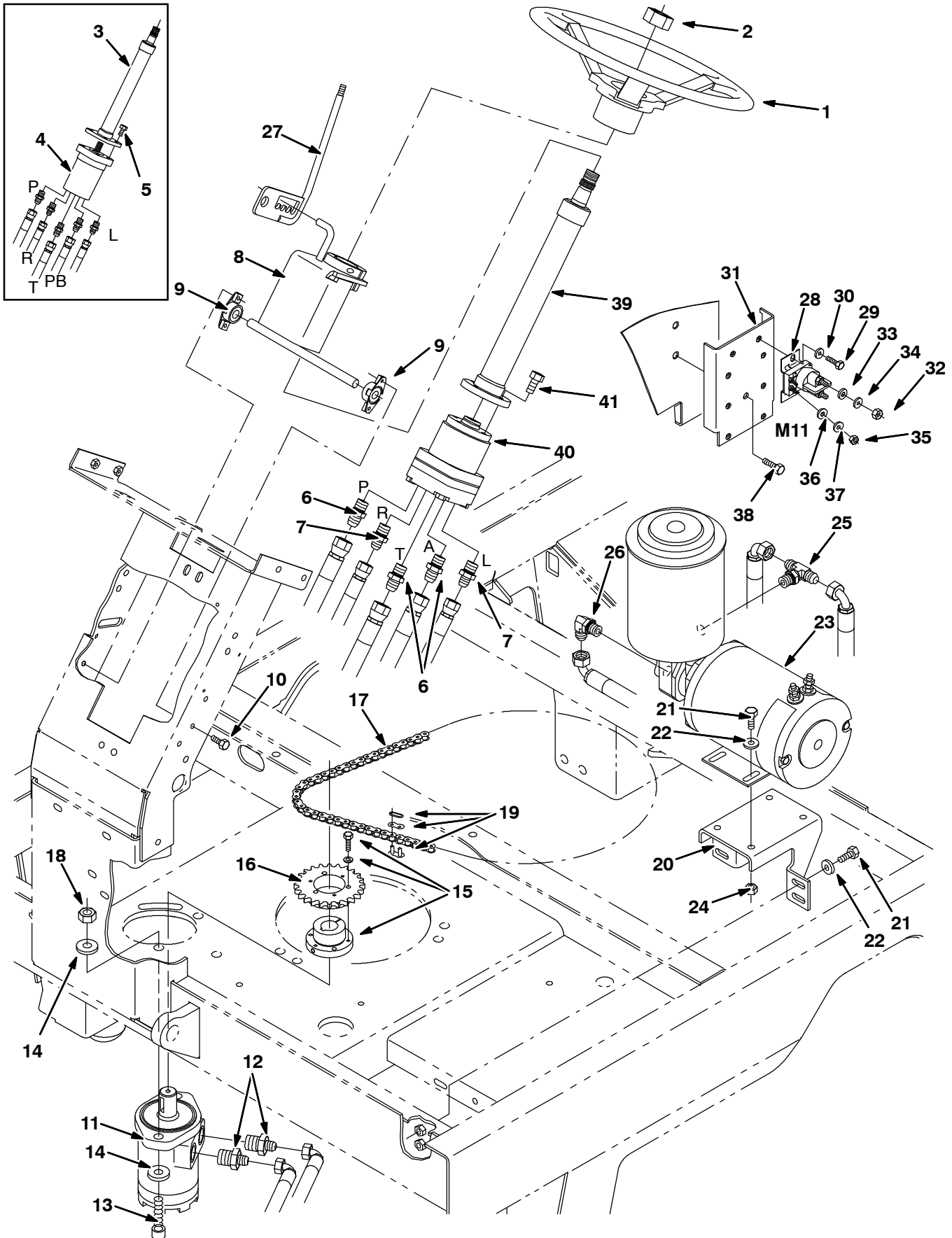




**Fig. 12 - Suspension Seat Kit**

|   | <b>Ref.</b> | <b>Tennant Part No.</b> | <b>Machine Serial Number</b> | <b>Description</b>           | <b>Qty.</b> |
|---|-------------|-------------------------|------------------------------|------------------------------|-------------|
| ▽ |             | 386963                  | (000000-                     | ) Kit, Ci, Seat, Suspension  | 1           |
| ▲ | 1           | 223595                  | (000000-                     | ) Seat, Suspension           | 1           |
| ▲ | 2           | 32491                   | (000000-                     | ) Washer, Flt, .31 Std       | 4           |
| ▲ | 3           | 32983                   | (000000-                     | ) Nut, Hex, Lock, .31-18, NI | 4           |

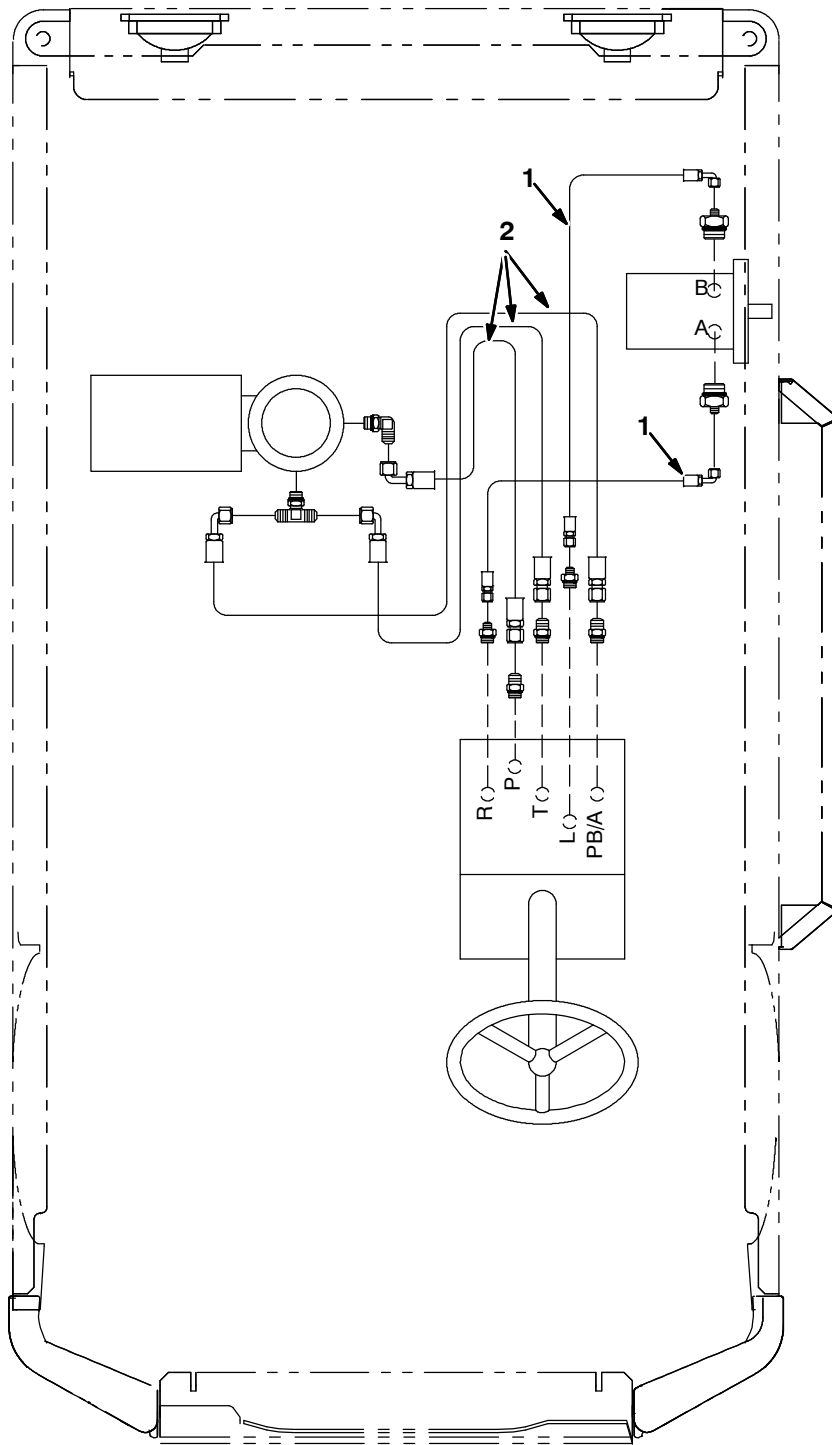
**Fig. 13 - Power Steering Group**



**Fig. 13 - Power Steering Group**

| Ref. | Tennant Part No. | Machine Serial Number | Description  | Qty.                                    |   |
|------|------------------|-----------------------|--|---|---|
| 1    | 56398            | (000000-              | ) Wheel, Steering, 14.0d, Taper Bore                     | 1                                       |   |
| 2    | 56185            | (000000-              | ) Nut, Hex, Jam, M20 X 1.5                               | 1                                       |   |
| ▽    | 3                | 386702                | (000000-001837 ) Column, Steering (Replaced by 387653)   | 1                                       |   |
| ▲    | 74142            | (000000-001837 )      | Cap, Tube  | 1                                       |   |
| ▽    | 4                | 386701                | (000000-001837 ) Steer-Control, Hyd (Replaced by 387653) | 1                                       |   |
| ▲    | 373424           | (000000-001837 )      | Kit, Seal, Scu   | 1                                       |   |
| 5    | 06960            | (000000-001837 )      | Screw, Hex, M10 X 1.5 X 16, 8.8                          | 3                                       |   |
| 6    | 56690            | (000000-              | ) Fitting, Hyd, Str, Jm06/Om06                           | 3                                       |   |
| 7    | 55685            | (000000-              | ) Fitting, Hyd, Str, Jm04/Om06                           | 2                                       |   |
| 8    | 1056854          | (000000-              | ) Bracket Wldt, Steering, Tilt, Iron Gray                | 1                                       |   |
| 9    | 70709            | (000000-              | ) Bushing Assy, Flng, 2 Hole, 0.50b                      | 2                                       |   |
| 10   | 06942            | (000000-              | ) Screw, Hex, M06 X 1.0 X 16, 8.8                        | 4                                       |   |
| 11   | 386703           | (000000-              | ) Motor, Hyd (See Breakdowns)                            | 1                                       |   |
| 12   | 57984            | (000000-              | ) Fitting, Hyd, Str, Jm04/Om10                           | 2                                       |   |
| 13   | 387393           | (000000-              | ) Screw, Soc, M12 X 1.75 X 45                            | 2                                       |   |
| 14   | 32486            | (000000-              | ) Washer, Flt, .50 Sae                                   | 4                                       |   |
| 15   | 386215           | (000000-              | ) Bushing, Taper Lock                                    | 1                                       |   |
| 16   | 386214           | (000000-              | ) Sprocket, #40 24-Tooth                                 | 1                                       |   |
| 17   | 386216           | (000000-              | ) Chain, Roller, #40 X 109 Pitches                       | 1                                       |   |
| 18   | 08711            | (000000-              | ) Nut, Hex, Lock, M12 X 1.75,NI                          | 2                                       |   |
| 19   | 07112            | (000000-              | ) Link, Chain, Roller, #40                               | 1                                       |   |
| 20   | 1056853          | (000000-              | ) Plate, Mtg, Hyd, Iron Gray                             | 1                                       |   |
| 21   | 16931            | (000000-              | ) Screw, Hex, M08 X 1.25 X 20, 8.8                       | 8                                       |   |
| 22   | 32491            | (000000-              | ) Washer, Flt, .31 Std                                   | 8                                       |   |
| 23   | 386704           | (000000-              | ) Powerunit, Hyd, 36vdc (See Breakdowns)                 | 1                                       |   |
| 24   | 08709            | (000000-              | ) Nut, Hex, Lock, M08 X 1.25,NI                          | 4                                       |   |
| 25   | 67683            | (000000-              | ) Fitting, Hyd, Tee, Jm06/Om06/Jm06                      | 1                                       |   |
| 26   | 56820            | (000000-              | ) Fitting, Hyd, E90, Jm06/Om06                           | 1                                       |   |
| 27   | 386209           | (000000-              | ) Handle Wldt, Steering, Tilt                            | 1                                       |   |
| 28   | 386810           | (000000-              | ) Contactor, 36vdc                                       | 1                                       |   |
| 29   | 06942            | (000000-              | ) Screw, Hex, M06 X 1.0 X 16, 8.8                        | 2                                       |   |
| 30   | 32483            | (000000-              | ) Washer, Flt, .25 Sae                                   | 2                                       |   |
| 31   | 387452           | (000000-004999 )      | Plate, Mtg, Contactor                                    | 1                                       |   |
| 31   | 1056485          | (005000-              | ) Plate, Mtg, Contactor, Iron Gray                       | 1                                       |   |
| 32   | 01715            | (000000-              | ) Nut, Hex, Std, .31-24                                  | 2                                       |   |
| 33   | 32984            | (000000-              | ) Washer, Lock, Int, .31                                 | 2                                       |   |
| 34   | 39349            | (000000-              | ) Washer, Flt, .31 Sae                                   | 2                                       |   |
| 35   | 01713            | (000000-              | ) Nut, Hex, Std, #10-32, 2                               | 2                                       |   |
| 36   | 07514            | (000000-              | ) Washer, Lock, Int, #10, Ss                             | 2                                       |   |
| 37   | 19066            | (000000-              | ) Washer, Flt, #10                                       | 2                                       |   |
| 38   | 41342            | (000000-              | ) Screw, Hex, M08 X 1.25 X 40, 8.8                       | 1                                       |   |
| ▽    | 39               | 373496                | (001838-   | ) Column, Steering, #14.0L .81D 36Tooth | 1 |
| ▲    | 74142            | (001838-              | ) Cap, Tube  | 1                                       |   |
| 40   | 373495           | (001838-              | ) Steer-Control, Hyd (See Breakdowns)                    | 1                                       |   |
| 41   | 11329            | (001838-              | ) Screw, Hex, M6X1.0X16, Ss, NI                          | 4                                       |   |

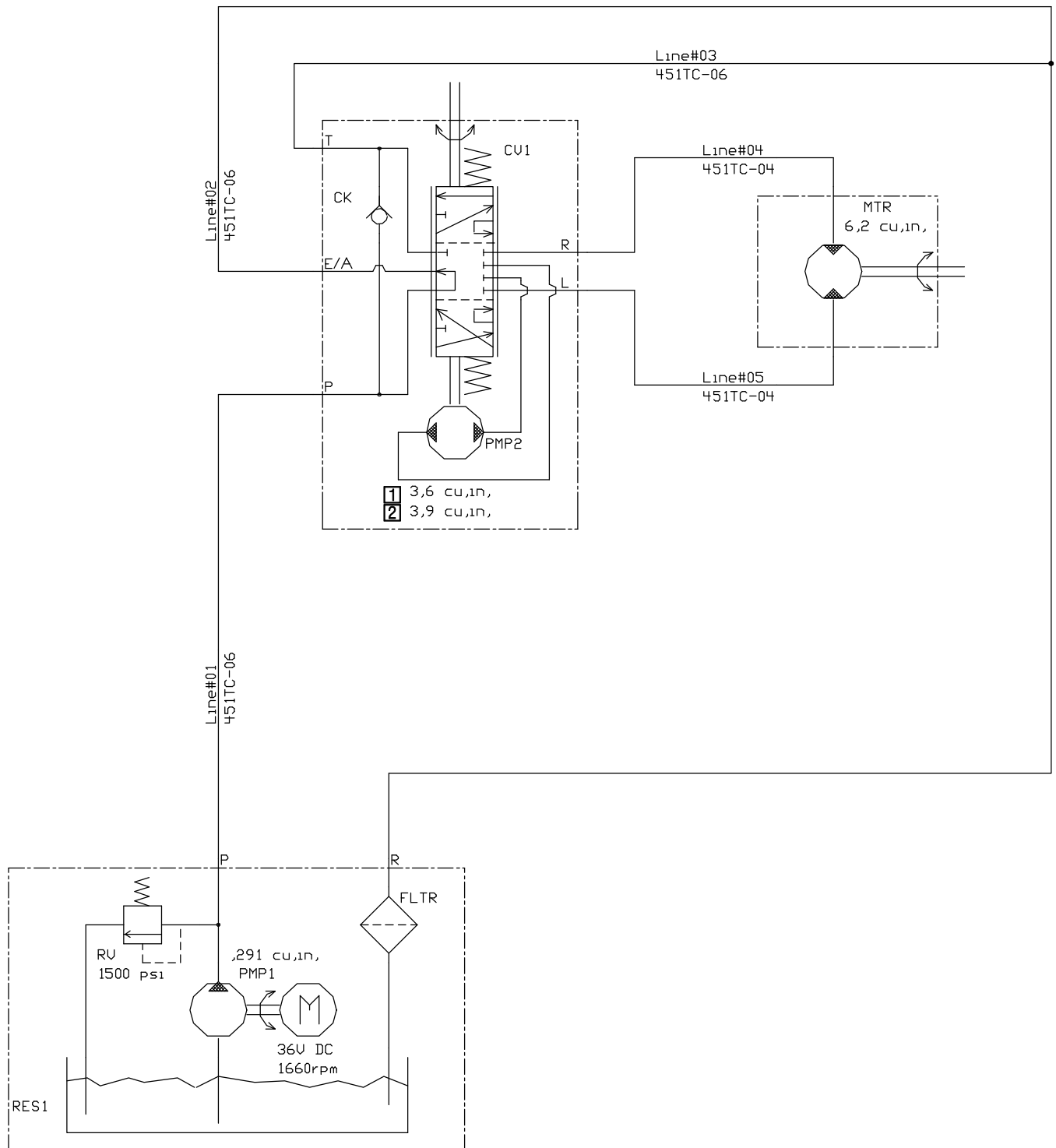
**Fig. 14 - Power Steering Hydraulic Hose Group**



353373 - 7300

| Ref. | Tennant Part No. | Machine Serial Number | Description                              | Qty. |
|------|------------------|-----------------------|--|------|
| 1    | 381867           | (000000- )            | Hose, Hyd,Tc 04, Jf04str /Jf04e90 , 30.0 | 2    |
| 2    | 386711           | (000000- )            | Hose, Hyd, Tc 06, Jf Str/E90 , 48.0l     | 3    |

Fig. 15 - Power Steering Hydraulic Schematic



353372 - 7300

- 1 Serial number (000000-001837)
- 2 Serial number (001838- )

Fig. 16 - Right Side Brush Motor And Pivot Group

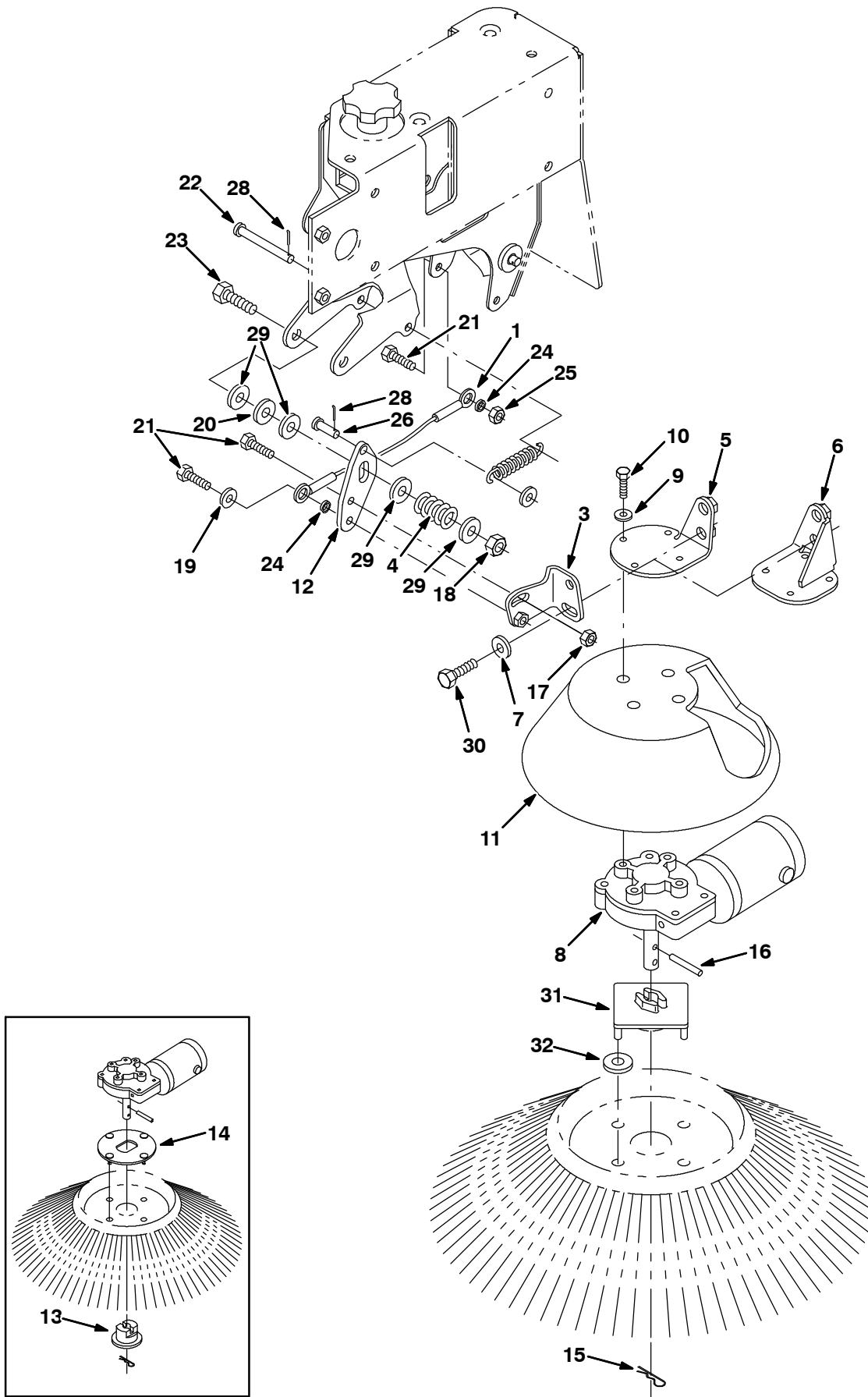


Fig. 16 - Right Side Brush Motor And Pivot Group

| Ref. | Tennant Part No. | Machine Serial Number | Description                            | Qty.                                     |   |
|------|------------------|-----------------------|--|--|---|
| 1    | 87172            | (000000-              | ) Cable, .13d, 10.0l, .51eye /.51eye   | 1  |   |
| 2    | 09480            | (000000-              | ) Spring, Extn, 1.10od X 0.15wir, 3.2l | 1  |   |
| 3    | 1056891          | (000000-              | ) Bracket, Mtg, Motor, Iron Gray       | 2  |   |
| 4    | 360357           | (000000-              | ) Spring, Die, 1.00od 0.50id 1.25l     | 2  |   |
| 5    | 1056911          | (000000-              | ) Bracket, Mtg, Motor, Iron Gray       | 1  |   |
| 6    | 387577           | (000000-              | ) Bracket, Motor, Mtg                  | 1  |   |
| 7    | 32492            | (000000-              | ) Washer, Flat, .38 Ss                 | 2  |   |
| ▽    | 8                | 1008274               | (000000-                               | ) Motor, Ele, 36Vdc 0.08Hp 0068Rpm 04.5A | 1 |
| ▲    |                  | 81919                 | (000000-                               | ) Kit, Brush, Motor, Ele                 | 1 |
| ▲    |                  | 80127                 | (000000-                               | ) Cap, Brush, Motor, Ele                 | 2 |
| ▲    |                  | 369795                | (000000-                               | ) Brushholder, Motor, Ele                | 2 |
| ▲    |                  | 369796                | (000000-                               | ) Clip, Motor, Ele                       | 2 |
| 9    | 01684            | (000000-              | ) Washer, Flt, .25 Ss                  | 4  |   |
| 10   | 08716            | (000000-              | ) Screw, Hex, M06 X 1.0 X 20, Ss       | 4  |   |
| 11   | 386666           | (000000-              | ) Guard, Brush, Side                   | 1  |   |
| 12   | 1056909          | (000000-              | ) Plate, Iron Gray                     | 1  |   |
| 13   | 386664           | (000000-002346        | ) Adapter, Brush                       | 1  |   |
| 14   | 386663           | (000000-002346        | ) Plate, Adapter, Brush                | 1  |   |
| 15   | 02942            | (000000-              | ) Pin, Hair Cotter, 0.62 D .120 Wir    | 1  |   |
| 16   | 11398            | (000000-              | ) Pin, Roll, .250 D X 2.00l, .250/.256 | 1  |   |
| 17   | 07791            | (000000-              | ) Nut, Hex, Flng, M08 X 1.25           | 1  |   |
| 18   | 08711            | (000000-              | ) Nut, Hex, Lock, M12 X 1.75, NI       | 1  |   |
| 19   | 32491            | (000000-              | ) Washer, Flt, .31 Std                 | 1  |   |
| 20   | 86860            | (000000-              | ) Bearing, Thrust                      | 1  |   |
| 21   | 39277            | (000000-              | ) Screw, Hex, M08 X 1.25 X 25, 8.8     | 3  |   |
| 22   | 57598            | (000000-              | ) Pin, Clevis, 0.37 D X 3.25l          | 1  |   |
| 23   | 06974            | (000000-              | ) Screw, Hex, M12 X 1.75 X 80, 8.8     | 1  |   |
| 24   | 360801           | (000000-              | ) Sleeve                               | 2  |   |
| 25   | 08709            | (000000-              | ) Nut, Hex, Lock, M08 X 1.25,NI        | 1  |   |
| 26   | 04733-2          | (000000-              | ) Pin, Clevis, 0.37 D X 0.62l          | 1  |   |
| 27   | 01685            | (000000-              | ) Washer, Flt, .31 Ss                  | 1  |   |
| 28   | 39005            | (000000-              | ) Pin, Cotter, .094 X 0.75             | 2  |   |
| 29   | 32486            | (000000-              | ) Washer, Flt, .50 Sae                 | 4  |   |
| 30   | 39283            | (000000-              | ) Screw, Hex, M10 X 1.5 X 25, 8.8      | 2  |   |
| 31   | 1017441          | (002347-              | ) Plate, Adapter, Brush                | 1  |   |
| 32   | 1017802          | (002347-              | ) Washer, .625 B, 2.50 Od, .211 T, Ss  | 4  |   |

Fig. 17 - Right Side Brush Lift Group

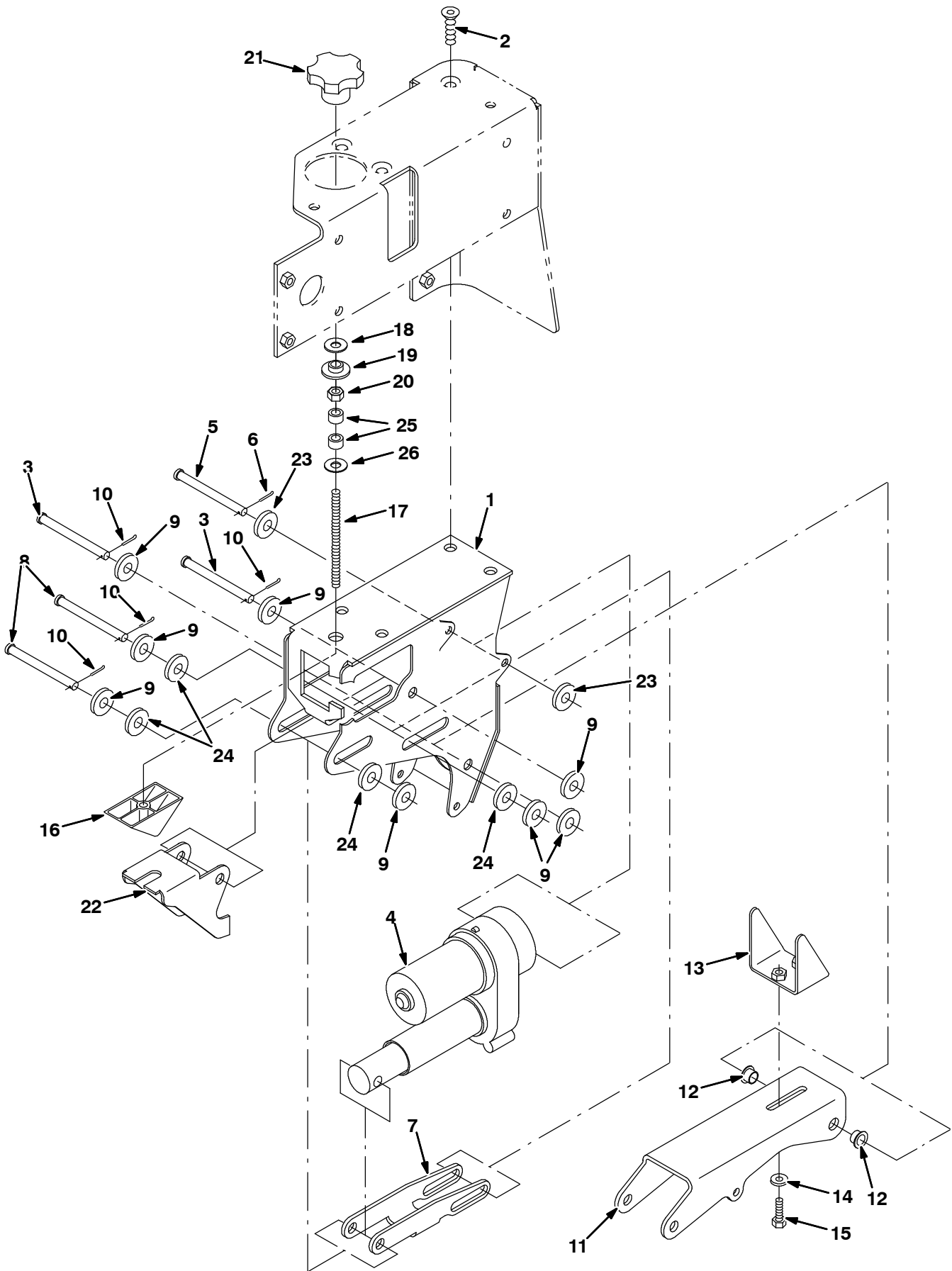




Fig. 17 - Right Side Brush Lift Group

| Ref. | Tennant Part No. | Machine Serial Number | Description                              | Qty. |
|------|------------------|-----------------------|--|------|
| 1    | 1056887          | (000000-              | ) Housing Wldt, Brush, Side, Iron Gray   | 1    |
| 2    | 04373            | (000000-              | ) Screw, Flt, M10 X 1.5 X 20, 10.9       | 3    |
| 3    | 222196           | (000000-              | ) Pin, Clevis, 0.50 D X 4.00l            | 2    |
| 4    | 1054296          | (000000-              | ) Actuator, 36vdc, 01.8strk, 300lb       | 1    |
| 5    | 49914            | (000000-              | ) Pin, Clevis, 0.37 D X 4.00l            | 1    |
| 6    | 39005            | (000000-              | ) Pin, Cotter, .094 X 0.75               | 1    |
| 7    | 1056888          | (000000-              | ) Bracket, Iron Gray                     | 1    |
| 8    | 51528            | (000000-              | ) Pin, Clevis, 0.50 D X 4.00l            | 2    |
| 9    | 32486            | (000000-              | ) Washer, Flt, .50 Std                   | 8    |
| 10   | 08182            | (000000-              | ) Pin, Cotter, .125 X 1.00               | 4    |
| 11   | 1056889          | (000000-              | ) Channel, Iron Gray                     | 1    |
| 12   | 15648            | (000000-              | ) Bushing, Flng, 0.50b 0.59d 0.38l       | 2    |
| 13   | 1056890          | (000000-              | ) Bracket, Iron Gray                     | 1    |
| 14   | 32491            | (000000-              | ) Washer, Flt, .31 Std                   | 2    |
| 15   | 16931            | (000000-              | ) Screw, Hex, M08 X 1.25 X 20, 8.8       | 2    |
| 16   | 386658           | (000000-              | ) Block, Adj                             | 1    |
| 17   | 387151           | (000000-              | ) Shaft, Threaded                        | 1    |
| 18   | 64489            | (000000-              | ) Washer, 0.81b 1.24d .03, Stl, Pl       | 1    |
| 19   | 363087           | (000000-              | ) Spacer, Flanged                        | 1    |
| 20   | 25014            | (000000-              | ) Nut, Hex, Std, M10 X 1.25              | 1    |
| 21   | 41341            | (000000-              | ) Knob, Plastic                          | 1    |
| 22   | 1056910          | (000000-              | ) Bracket, Pivot, Iron Gray              | 1    |
| 23   | 32485            | (000000-              | ) Washer, Flt, .38 Sae                   | 2    |
| 24   | 07450            | (000000-              | ) Bearing, Thrust, 0.66b 1.25d 0.06w     | 4    |
| 25   | 390879           | (000000-              | ) Sleeve, P/M, 0.625d 0.406b 0.38l 430ss | 2    |
| 26   | 32492            | (000000-              | ) Washer, Flat, 0.38 Std                 | 1    |

Fig. 18 - Right Side Brush Bumper And Electrical Group

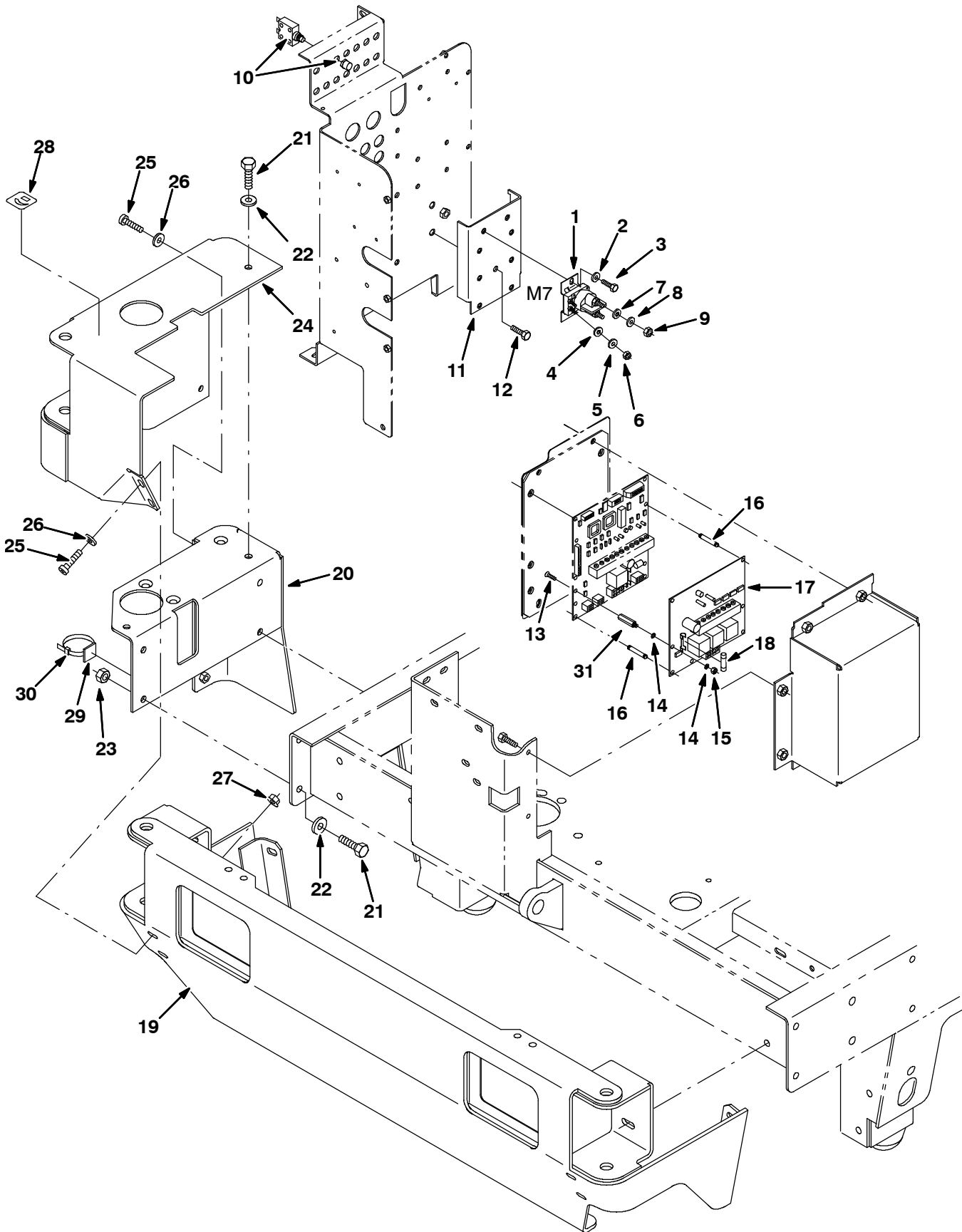


Fig. 18 - Right Side Brush Bumper And Electrical Group

| Ref. | Tennant Part No. | Machine Serial Number | Description                             | Qty.                            |   |
|------|------------------|-----------------------|---|---------------------------------|---|
| 1    | 386810           | (000000-              | ) Relay, 36vdc, 100a, Sp N/O [White]    | 1                               |   |
| 2    | 32483            | (000000-              | ) Washer, Flat, .25 Sae                 | 2                               |   |
| 3    | 06942            | (000000-              | ) Screw, Hex, M06 X 1.0 X 16, 8.8       | 2                               |   |
| 4    | 32980            | (000000-              | ) Washer, Lock, Int, #10                | 2                               |   |
| 5    | 19066            | (000000-              | ) Washer, Flt, #10                      | 2                               |   |
| 6    | 01713            | (000000-              | ) Nut, Hex, Std, #10-32, 2              | 2                               |   |
| 7    | 32984            | (000000-              | ) Washer, Lock, Int, .31                | 2                               |   |
| 8    | 39349            | (000000-              | ) Washer, Flat, .31 Sae                 | 2                               |   |
| 9    | 01715            | (000000-              | ) Nut, Hex, Std, .31-24                 | 2                               |   |
| 10   | 383722           | (000000-              | ) Circuitbreaker, 15.0a                 | 2                               |   |
| 11   | 387452           | (000000-004999        | ) Plate, Mtg, Contactor                 | 1                               |   |
| 11   | 1056485          | (005000-              | ) Plate, Mtg, Contactor, Iron Gray      | 1                               |   |
| 12   | 41342            | (000000-              | ) Screw, Hex, M08 X 1.25 X 40, 8.8      | 1                               |   |
| 13   | 25538            | (000000-              | ) Screw, Flt, #06-32 X 0.38, Al         | 2                               |   |
| 14   | 41401            | (000000-              | ) Washer, Lock, Int, #06, Ss            | 4                               |   |
| 15   | 75939            | (000000-              | ) Nut, Hex, Lock, #06-32, NI            | 2                               |   |
| 16   | 386307           | (000000-              | ) Stand-Off, 1.25, Plstc                | 5                               |   |
| ▽    | 17               | 386308                | (000000-                                | ) Circuitboard, Sweeper, [8300] | 1 |
| ▲    | 18               | 45595                 | (000000-                                | ) Fuse, 010A 032Vdc 0.25D       | 1 |
| 19   | 387562           | (000000-004999        | ) Bumper Wldt                           | 1                               |   |
| 19   | 1056688          | (005000-              | ) Bumper Wldt, Iron Gray                | 1                               |   |
| 20   | 387531           | (000000-004999        | ) Bracket, Hsng, Brush                  | 1                               |   |
| 20   | 1056397          | (005000-              | ) Bracket, Hsng, Brush, Iron Gray       | 1                               |   |
| 21   | 09028            | (000000-              | ) Screw, Hex, M10 X 1.5 X 25, Ss        | 5                               |   |
| 22   | 01686            | (000000-              | ) Washer, Flat, .38 Ss                  | 5                               |   |
| 23   | 41430            | (000000-              | ) Nut, Hex, Lock, M10 X 1.5, NI         | 2                               |   |
| 24   | 387536           | (000000-004999        | ) Housing Wldt, Brush                   | 1                               |   |
| 24   | 1056399          | (005000-              | ) Housing Wldt, Brush, Iron Gray        | 1                               |   |
| 25   | 223470           | (000000-              | ) Screw, Btn, M08 X 1.25 X 25, Ss       | 4                               |   |
| 26   | 01685            | (000000-              | ) Washer, Flat, .31 Ss                  | 4                               |   |
| 27   | 07791            | (000000-              | ) Nut, Hex, Flng, M08 X 1.25            | 2                               |   |
| 28   | 387405           | (000000-              | ) Label, Brush, Side, Adj               | 1                               |   |
| 29   | 55248            | (000000-              | ) Mount, Cable Tie                      | 1                               |   |
| 30   | 49266            | (000000-              | ) Tie, Cable, Nyl, 07.3l .19w 1.8 Max D | 2                               |   |
| 31   | 386806           | (000000-              | ) Stand-Off, 1.25, Metal                | 2                               |   |

Fig. 19 - Right Side Brush Wire Harness Group

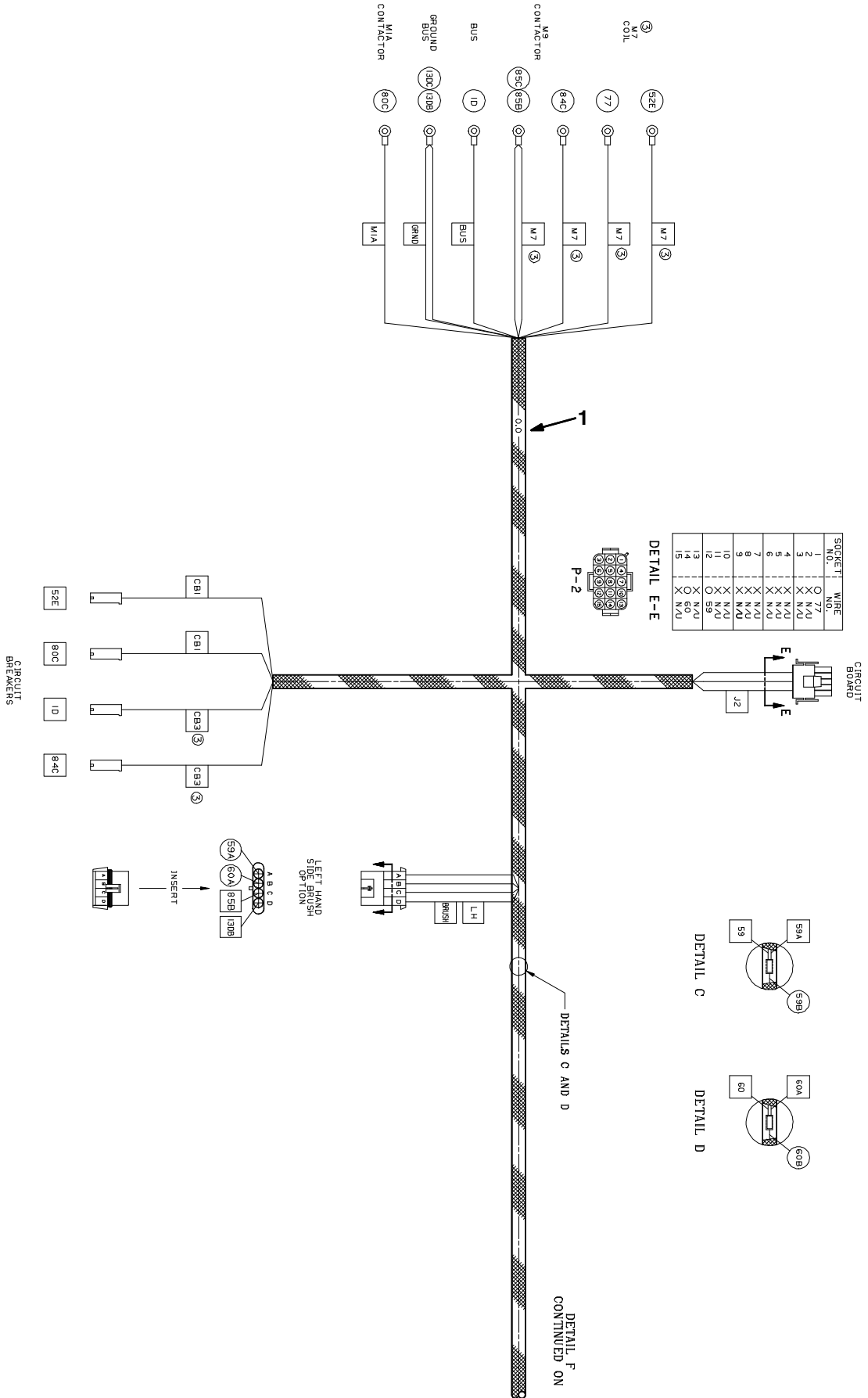
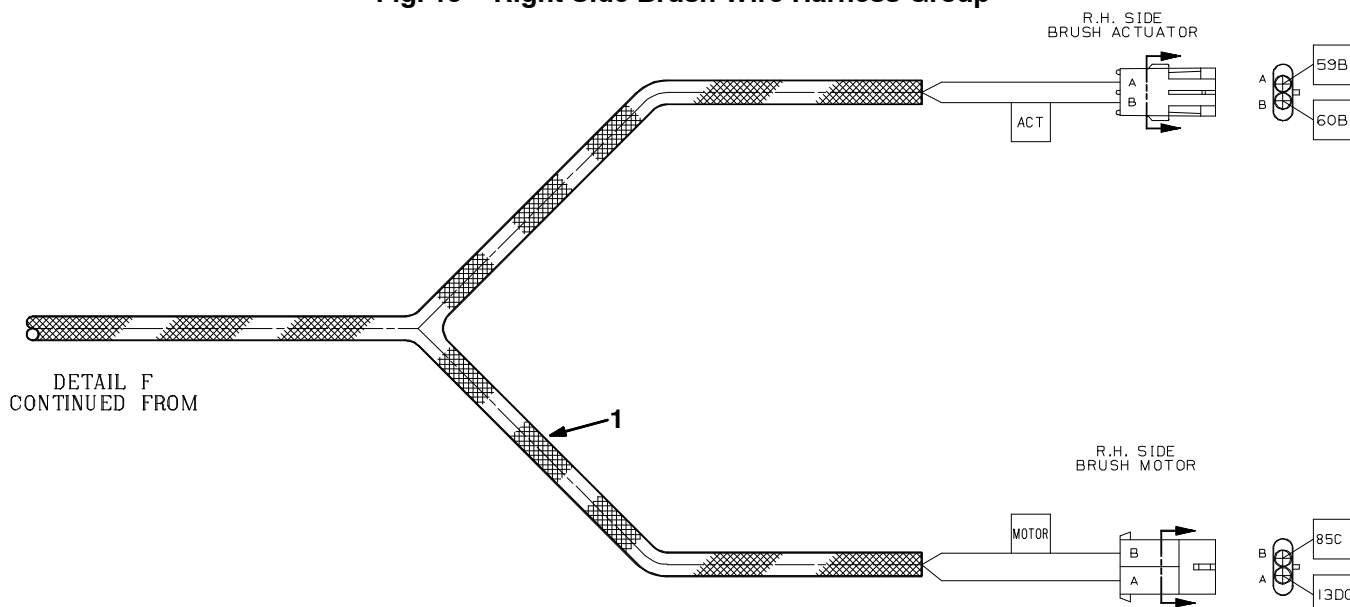


Fig. 19 - Right Side Brush Wire Harness Group



| Ref. | Tennant Part No. | Machine Serial Number | Description                     | Qty. |
|------|------------------|-----------------------|---------------------------------|------|
| 1    | 387628           | (000000- )            | Harness, Brush, Side, Rh [7300] | 1    |

Fig. 20 - Left Side Brush Motor And Pivot Group

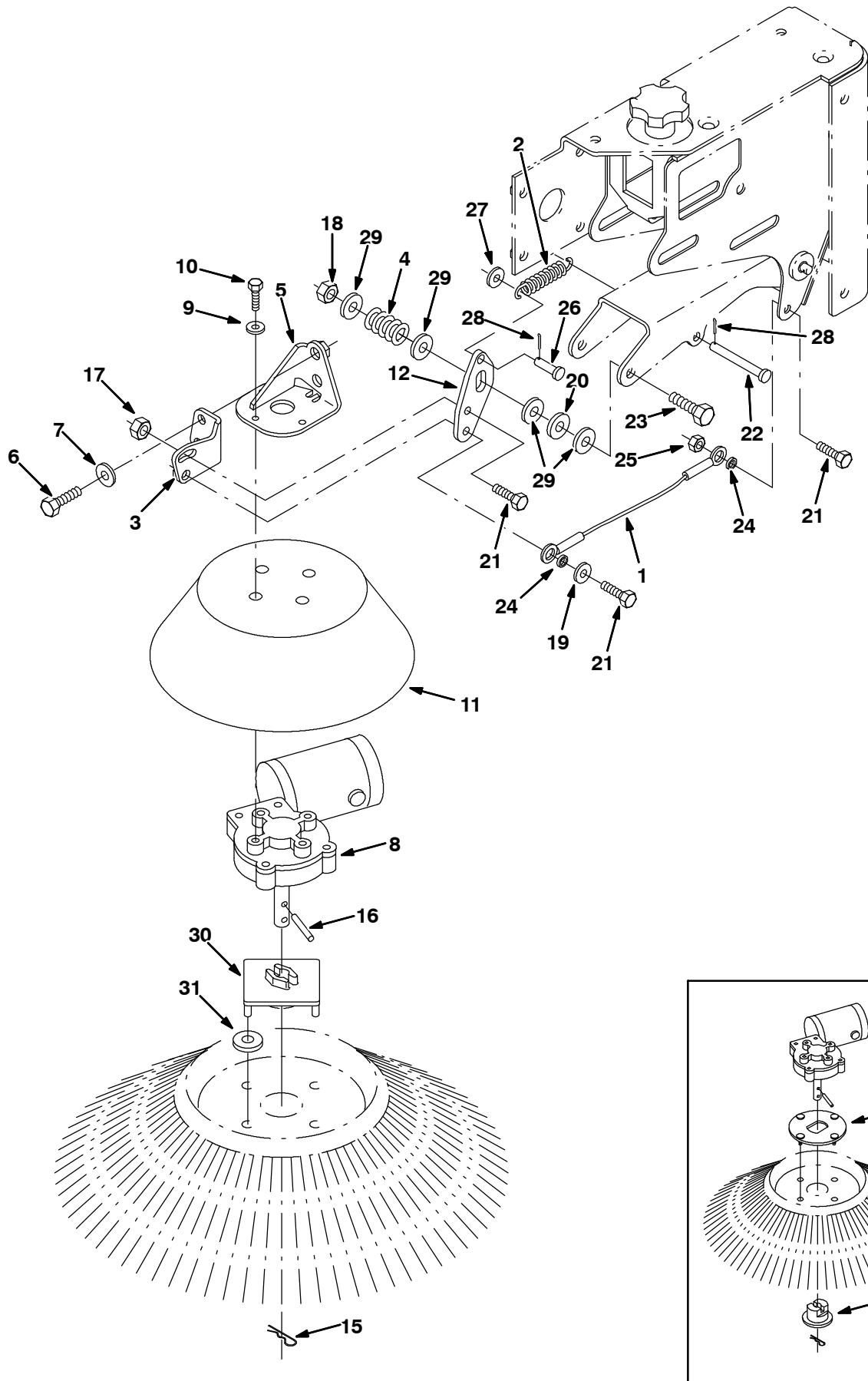
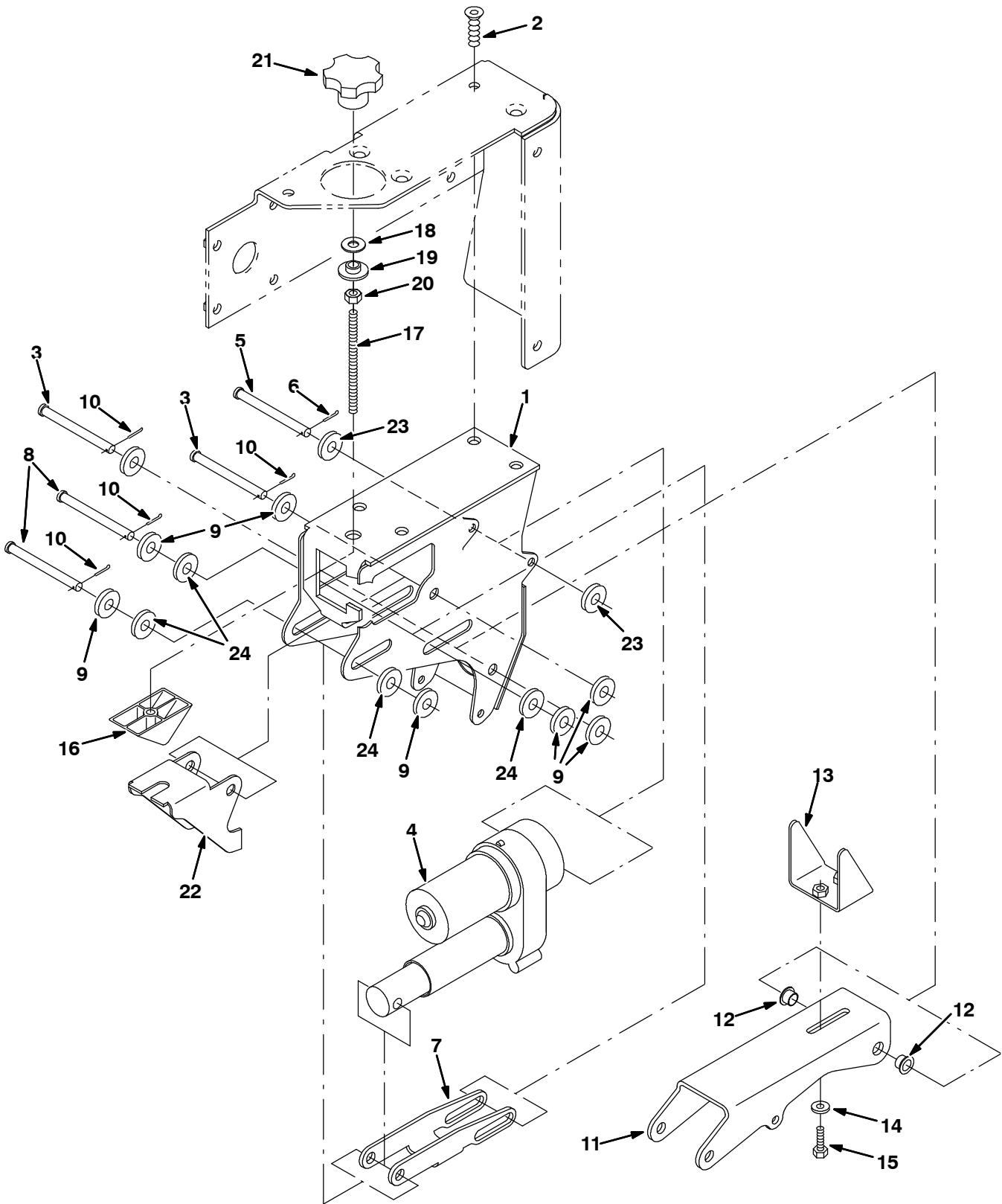


Fig. 20 - Left Side Brush Motor And Pivot Group

| Ref. | Tennant Part No. | Machine Serial Number | Description                            | Qty.                                     |   |
|------|------------------|-----------------------|--|--|---|
| 1    | 87172            | (000000-              | ) Cable, .13d, 10.0l, .51eye /.51eye   | 1  |   |
| 2    | 09480            | (000000-              | ) Spring, Extn, 1.10od X 0.15wir, 3.2l | 1  |   |
| 3    | 1056894          | (000000-              | ) Bracket, Mtg, Motor, Iron Gray       | 2  |   |
| 4    | 360357           | (000000-              | ) Spring, Die, 1.00od 0.50id 1.25l     | 2  |   |
| 5    | 1056892          | (000000-              | ) Bracket, Mtg, Motor, Iron Gray       | 1  |   |
| 6    | 39283            | (000000-              | ) Screw, Hex, M10 X 1.5 X 25, 8.8      | 2  |   |
| 7    | 32492            | (000000-              | ) Washer, Flat, .38 Std                | 2  |   |
| ▽    | 8                | 1008275               | (000000-                               | ) Motor, Ele, 36Vdc 0.08Hp 0068Rpm 04.5A | 1 |
| ▲    |                  | 81919                 | (000000-                               | ) Kit, Brush, Motor, Ele                 | 1 |
| ▲    |                  | 80127                 | (000000-                               | ) Cap, Brush, Motor, Ele                 | 2 |
| ▲    |                  | 369795                | (000000-                               | ) Brushholder, Motor, Ele                | 2 |
| ▲    |                  | 369796                | (000000-                               | ) Clip, Motor, Ele                       | 2 |
| 9    | 01684            | (000000-              | ) Washer, Flt, .25 Ss                  | 4  |   |
| 10   | 08716            | (000000-              | ) Screw, Hex, M06 X 1.0 X 20, Ss       | 4  |   |
| 11   | 386666           | (000000-              | ) Guard, Brush, Side                   | 1  |   |
| 12   | 1056909          | (000000-              | ) Plate, Iron Gray                     | 1  |   |
| 13   | 386664           | (000000-002346        | ) Adapter, Brush                       | 1  |   |
| 14   | 386663           | (000000-002346        | ) Plate, Adapter, Brush                | 1  |   |
| 15   | 02942            | (000000-              | ) Pin, Hair Cotter, 0.62 D .120 Wir    | 1  |   |
| 16   | 11398            | (000000-              | ) Pin, Roll, .250 D X 2.00l, .250/.256 | 1  |   |
| 17   | 07791            | (000000-              | ) Nut, Hex, Flng, M08 X 1.25           | 1  |   |
| 18   | 08711            | (000000-              | ) Nut, Hex, Lock, M12 X 1.75,NI        | 1  |   |
| 19   | 32491            | (000000-              | ) Washer, Flt, .31 Std                 | 1  |   |
| 20   | 86860            | (000000-              | ) Bearing, Thrust                      | 1  |   |
| 21   | 39277            | (000000-              | ) Screw, Hex, M08 X 1.25 X 25, 8.8     | 3  |   |
| 22   | 57598            | (000000-              | ) Pin, Clevis, 0.37 D X 3.25l          | 1  |   |
| 23   | 06974            | (000000-              | ) Screw, Hex, M12 X 1.75 X 80, 8.8     | 1  |   |
| 24   | 360801           | (000000-              | ) Sleeve                               | 2  |   |
| 25   | 08709            | (000000-              | ) Nut, Hex, Lock, M08 X 1.25,NI        | 1  |   |
| 26   | 04733-2          | (000000-              | ) Pin, Clevis, 0.37 D X 0.62l          | 1  |   |
| 27   | 01685            | (000000-              | ) Washer, Flt, .31 Ss                  | 1  |   |
| 28   | 39005            | (000000-              | ) Pin, Cotter, .094 X 0.75             | 2  |   |
| 29   | 32486            | (000000-              | ) Washer, Flt, .50 Sae                 | 4  |   |
| 30   | 1017441          | (002347-              | ) Plate, Adapter, Brush                | 1  |   |
| 31   | 1017802          | (002347-              | ) Washer, .625 B, 2.50 Od, .211 T, Ss  | 4  |   |

Fig. 21 - Left Side Brush Lift Group

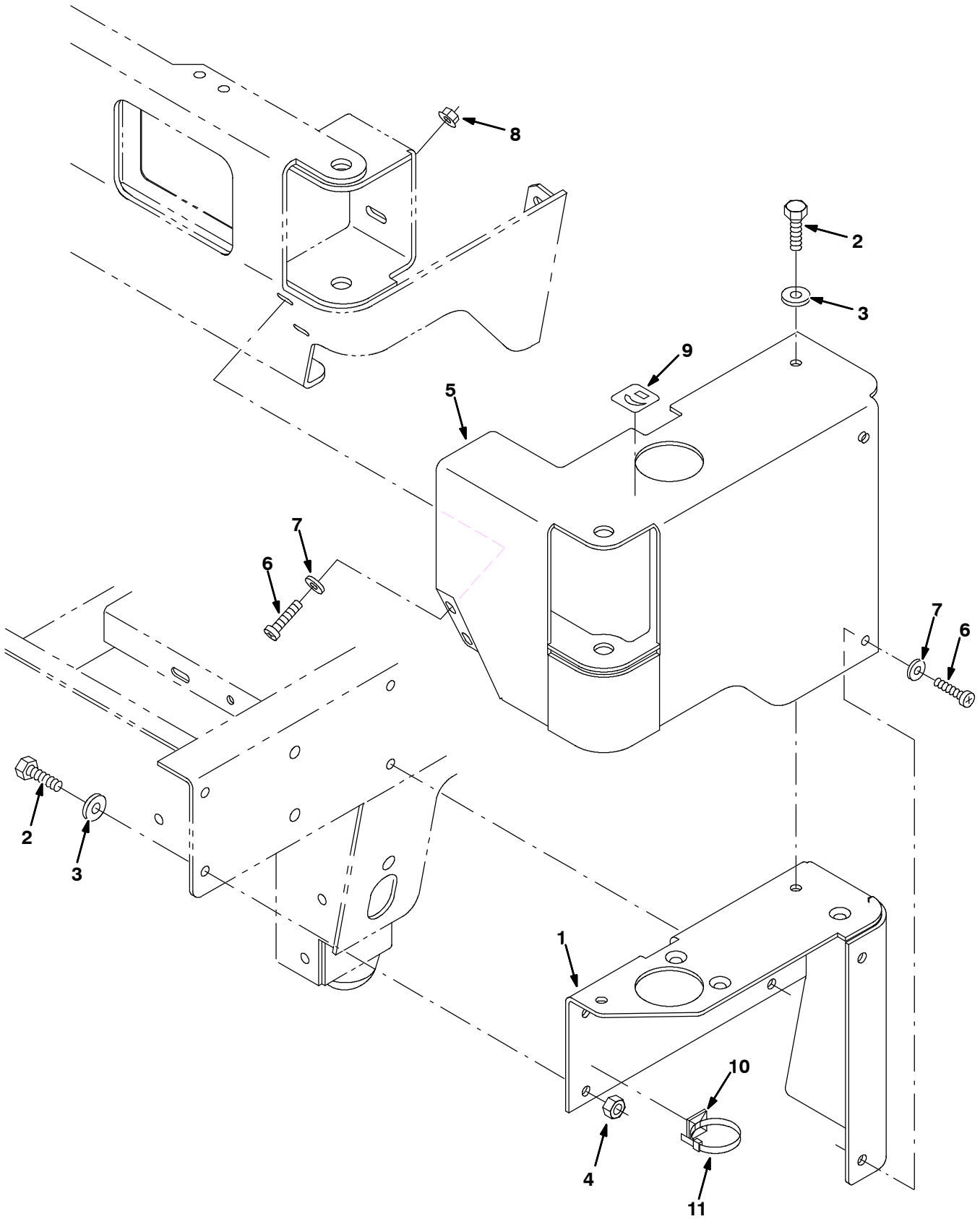




**Fig. 21 - Left Side Brush Lift Group**

| <b>Ref.</b> | <b>Tennant Part No.</b> | <b>Machine Serial Number</b> | <b>Description</b>                     | <b>Qty.</b> |
|-------------|-------------------------|------------------------------|--|-------------|
| 1           | 1056887                 | (000000-                     | ) Housing Wldt, Brush, Side, Iron Gray | 1           |
| 2           | 04373                   | (000000-                     | ) Screw, Flt, M10 X 1.5 X 20, 10.9     | 3           |
| 3           | 222196                  | (000000-                     | ) Pin, Clevis, 0.50 D X 4.00l          | 2           |
| 4           | 1054296                 | (000000-                     | ) Actuator, 36vdc, 01.8strk, 300lb     | 1           |
| 5           | 49914                   | (000000-                     | ) Pin, Clevis, 0.37 D X 4.00l          | 1           |
| 6           | 39005                   | (000000-                     | ) Pin, Cotter, .125 X 1.00             | 1           |
| 7           | 1056888                 | (000000-                     | ) Bracket, Iron Gray                   | 1           |
| 8           | 51528                   | (000000-                     | ) Pin, Clevis, 0.50 D X 4.00l          | 2           |
| 9           | 32486                   | (000000-                     | ) Washer, Flt, .50 Std                 | 8           |
| 10          | 08182                   | (000000-                     | ) Pin, Cotter, .125 X 1.00             | 4           |
| 11          | 1056889                 | (000000-                     | ) Channel, Iron Gray                   | 1           |
| 12          | 15648                   | (000000-                     | ) Bushing, Flng, 0.50b 0.59d 0.38l     | 2           |
| 13          | 1056890                 | (000000-                     | ) Bracket, Iron Gray                   | 1           |
| 14          | 32491                   | (000000-                     | ) Washer, Flt, .31 Std                 | 2           |
| 15          | 16931                   | (000000-                     | ) Screw, Hex, M08 X 1.25 X 20, 8.8     | 2           |
| 16          | 386658                  | (000000-                     | ) Block, Adj                           | 1           |
| 17          | 387151                  | (000000-                     | ) Shaft, Threaded                      | 1           |
| 18          | 64489                   | (000000-                     | ) Washer, 0.81b 1.24d .03, Stl, Pl     | 1           |
| 19          | 363087                  | (000000-                     | ) Spacer, Flanged                      | 1           |
| 20          | 25014                   | (000000-                     | ) Nut, Hex, Std, M10 X 1.25            | 1           |
| 21          | 41341                   | (000000-                     | ) Knob, Plastic                        | 1           |
| 22          | 386909                  | (000000-                     | ) Bracket, Pivot                       | 1           |
| 23          | 32485                   | (000000-                     | ) Washer, Flt, .38 Sae                 | 2           |
| 24          | 07450                   | (000000-                     | ) Bearing, Thrust, 0.66b 1.25d 0.06w   | 4           |

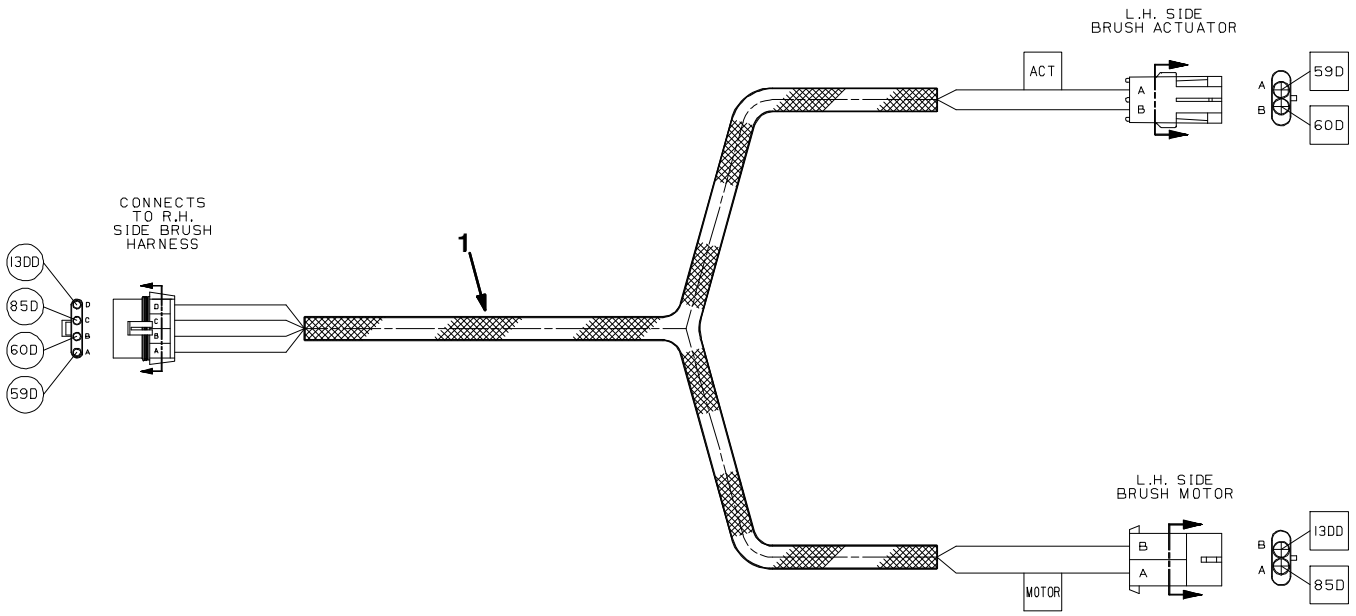
Fig. 22 - Left Side Brush Mount Group



**Fig. 22 - Left Side Brush Mount Group**

| <b>Ref.</b> | <b>Tennant Part No.</b> | <b>Machine Serial Number</b> | <b>Description</b>                      | <b>Qty.</b> |
|-------------|-------------------------|------------------------------|---|-------------|
| 1           | 387560                  | (000000-004999 )             | Bracket, Hsng, Brush                    | 1           |
| 1           | 1056398                 | (005000-                     | ) Bracket, Hsng, Brush, Iron Gray       | 1           |
| 2           | 09028                   | (000000-                     | ) Screw, Hex, M10 X 1.5 X 25, Ss        | 5           |
| 3           | 01686                   | (000000-                     | ) Washer, Flat, .38 Ss                  | 5           |
| 4           | 41430                   | (000000-                     | ) Nut, Hex, Lock, M10 X 1.5, NI         | 2           |
| 5           | 387530                  | (000000-004999 )             | Housing Wldt, Brush                     | 1           |
| 5           | 1056396                 | (005000-                     | ) Housing Wldt, Brush, Iron Gray        | 1           |
| 6           | 223470                  | (000000-                     | ) Screw, Btn, M08 X 1.25 X 25, Ss       | 4           |
| 7           | 01685                   | (000000-                     | ) Washer, Flat, .31 Ss                  | 4           |
| 8           | 07791                   | (000000-                     | ) Nut, Hex, Fing, M08 X 1.25            | 2           |
| 9           | 387405                  | (000000-                     | ) Label, Brush, Side, Adj               | 1           |
| 10          | 55248                   | (000000-                     | ) Mount, Cable Tie                      | 1           |
| 11          | 49266                   | (000000-                     | ) Tie, Cable, Nyl, 07.3l .19w 1.8 Max D | 2           |

Fig. 23 - Left Side Brush Wire Harness Group



**Fig. 23 - Left Side Brush Wire Harness Group**

| <b>Ref.</b> | <b>Tennant Part No.</b> | <b>Machine Serial Number</b> | <b>Description</b>                | <b>Qty.</b> |
|-------------|-------------------------|------------------------------|-----------------------------------|-------------|
| 1           | 387629                  | (000000-                     | ) Harness, Brush, Side, Lh [7300] | 1           |

Fig. 24 - Max Pro 1200 (Disc-Brush) Scrub Head Frame Group

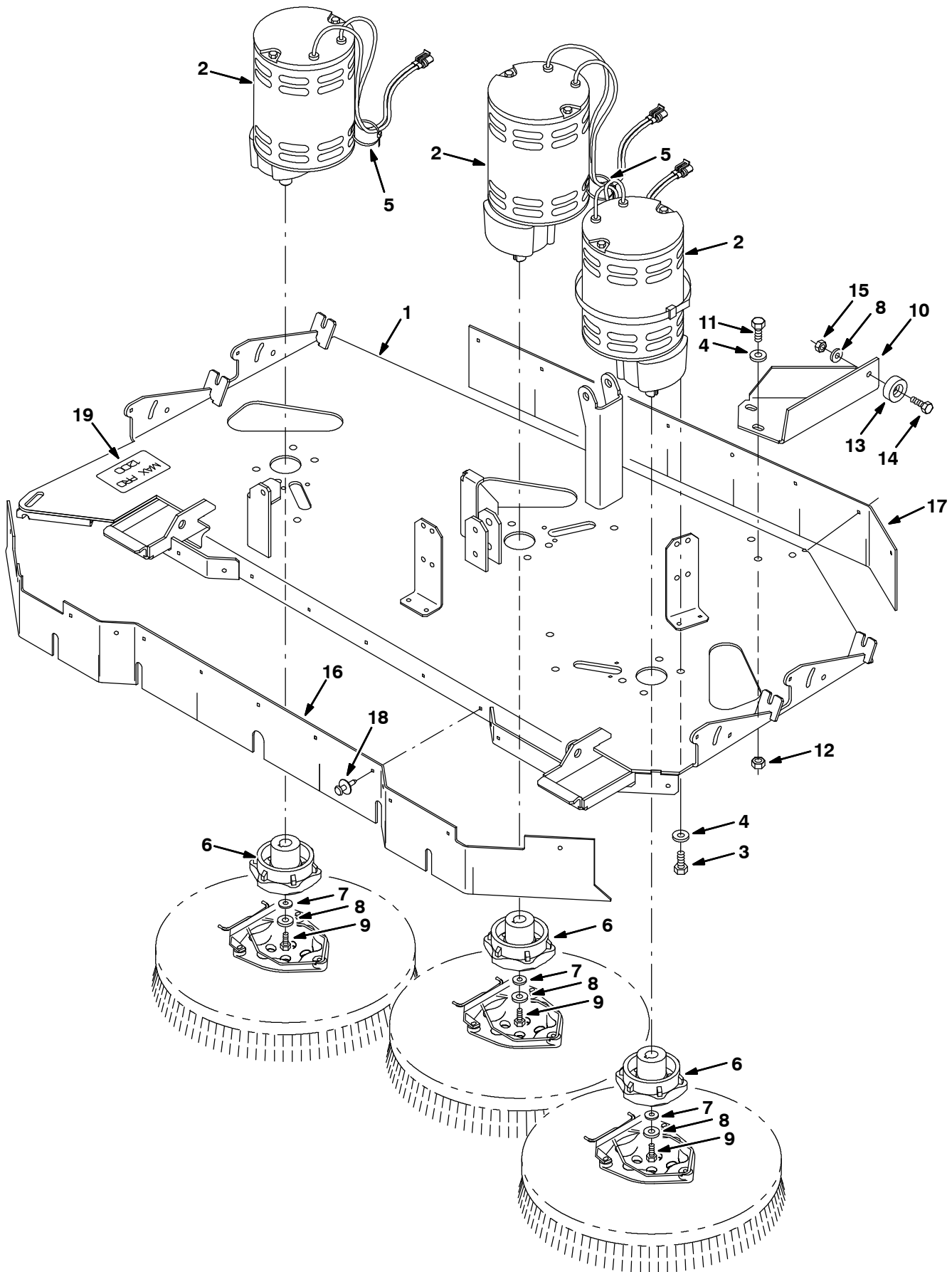


Fig. 24 - Max Pro 1200 (Disc-Brush) Scrub Head Frame Group

| Ref. | Tennant Part No. | Machine Serial Number | Description  | Qty. |
|------|------------------|-----------------------|--|------|
| 1    | 1056902          | (000000-              | ) Frame Wldt, Scb Head, 3 Brush, Ele, Gray               | 1    |
| 2    | 386687           | (000000-              | ) Motor, Gear, Ele, 1.0hp, 36vdc, 300rpm (See Breakdown) | 3    |
| 3    | 34195            | (000000-              | ) Screw, Hex, .38-16 X 1.00, NI                          | 12   |
| 4    | 01686            | (000000-              | ) Washer, Flt, .38 Ss                                    | 15   |
| 5    | 49263            | (000000-              | ) Tie, Cable, Nyl, 11.4l .19w 3.0 Max D                  | 3    |
| 6    | 377364           | (000000-              | ) Hub, Drive, Brush, Disk, 0.75B 6T                      | 3    |
| 7    | 41186            | (000000-              | ) Washer, Belleville, .31                                | 3    |
| 8    | 01685            | (000000-              | ) Washer, Flt, .31 Ss                                    | 4    |
| 9    | 32124            | (000000-              | ) Screw, Hex, .31-18 X 1.00, Ss, NI                      | 3    |
| 10   | 1056841          | (000000-              | ) Bracket, Stop, Frame, Iron Gray                        | 1    |
| 11   | 09028            | (000000-              | ) Screw, Hex, M10 X 1.5 X 25, Ss                         | 3    |
| 12   | 08714            | (000000-              | ) Nut, Hex, Lock, M10 X 1.5, NI, Ss                      | 3    |
| 13   | 15023            | (000000-              | ) Bumper, Pye  | 1    |
| 14   | 09010            | (000000-              | ) Screw, Hex, M08 X 1.25 X 25, Ss                        | 1    |
| 15   | 08713            | (000000-              | ) Nut, Hex, Lock, M08 X 1.25,NI, Ss                      | 1    |
| 16   | 386825           | (000000-              | ) Skirt, Front, Scrub Head, 3-Brush, Ele                 | 1    |
| 17   | 386826           | (000000-              | ) Skirt, Rear, Scrub Head, 3-Brush, Ele                  | 1    |
| 18   | 72968            | (000000-              | ) Rivet, Plstc, .250 X 0.898                             | 21   |
| 19   | 365156           | (000000-              | ) Label Set, Info/Hzrd, [Maxpro]                         | 1    |

Fig. 25 - Max Pro 1200 (Disc-Brush) Scrub Head Linkage Group

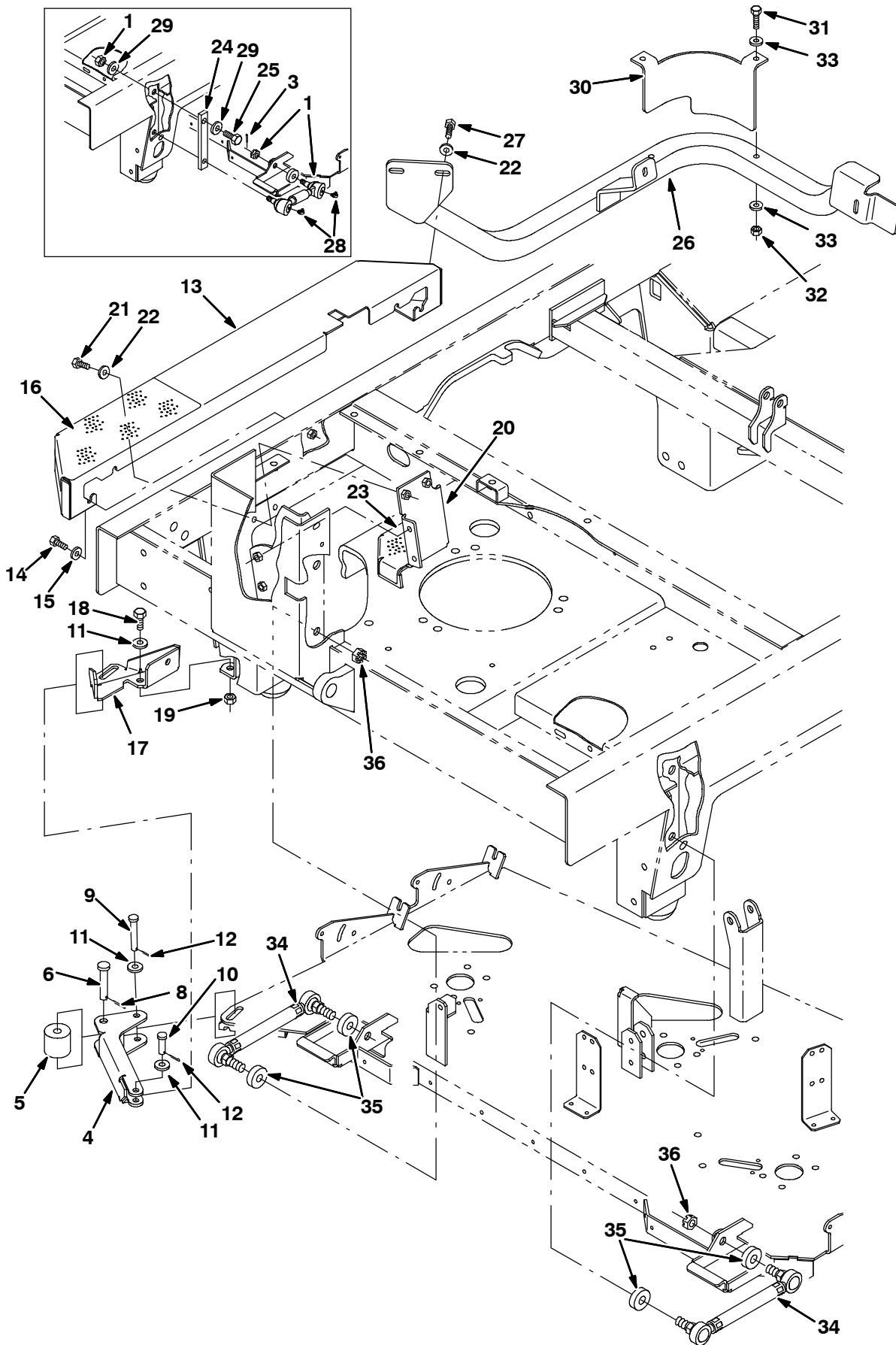
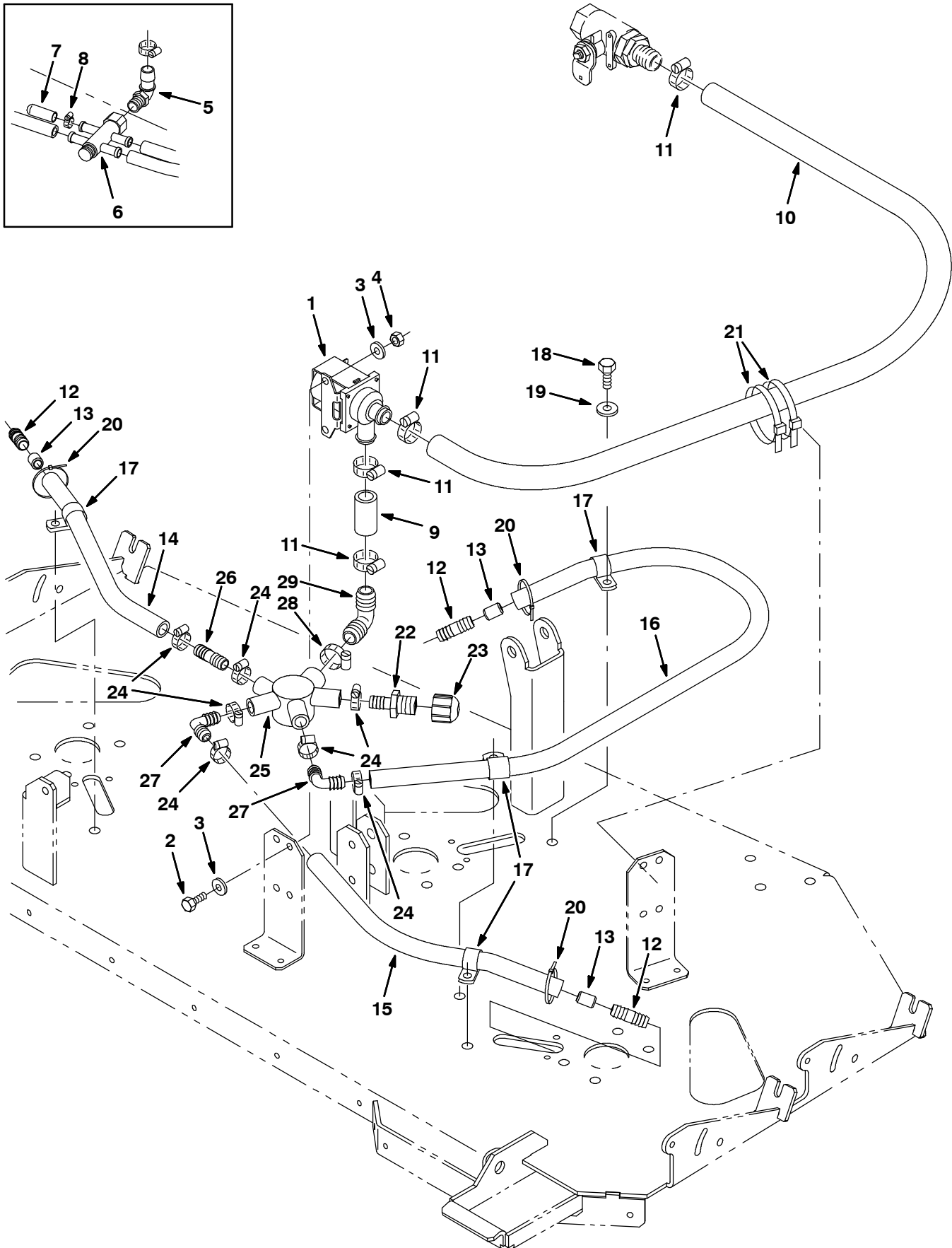




Fig. 25 - Max Pro 1200 (Disc-Brush) Scrub Head Linkage Group

| Ref. | Tennant Part No. | Machine Serial Number | Description                                 | Qty. |
|------|------------------|-----------------------|---|------|
| 1    | 363113           | (000000-003695 )      | Link Wldt, Head, Drag (Replaced by 9005751) | 2    |
| 2    | 14524            | (000000-003695 )      | Spacer, Washer                              | 2    |
| 3    | 08346            | (000000-003695 )      | Pin, Cotter, .125 X 0.75                    | 4    |
| 4    | 1001099          | (000000-004999 )      | Guard, Kick In, Scb Head                    | 1    |
| 4    | 1056390          | (005000- )            | Guard, Kick In, Scb Head, Iron Gray         | 1    |
| 5    | 72946            | (000000- )            | Roller                                      | 1    |
| 6    | 06279            | (000000- )            | Pin, Clevis, 0.50 D X 2.50I                 | 1    |
| 7    | 08711            | (000000-003695 )      | Nut, Hex, Std, M12 X 2.0                    | 2    |
| 8    | 08182            | (000000- )            | Pin, Cotter, .125 X 1.00                    | 1    |
| 9    | 365180           | (000000- )            | Pin, Clevis, 0.38 D X 2.50I                 | 1    |
| 10   | 29557            | (000000- )            | Pin, Clevis, 0.37 D X 1.31I                 | 1    |
| 11   | 01686            | (000000- )            | Washer, Flt, .38 Ss                         | 4    |
| 12   | 39005            | (000000- )            | Pin, Cotter, .094 X 0.75                    | 2    |
| 13   | 386827           | (000000-004999 )      | Bumper, Side, Scb Head, Wide                | 1    |
| 13   | 1056681          | (005000- )            | Bumper, Side, Scb Head, Wide, Iron Gray     | 1    |
| 14   | 09740            | (000000- )            | Screw, Hex, M08 X 1.25 X 20, Ss             | 4    |
| 15   | 32491            | (000000- )            | Washer, Flt, .31 Std                        | 6    |
| 16   | 387080           | (000000- )            | Tread, Floor, 12.5 X 5.75                   | 1    |
| 17   | 386876           | (000000-004999 )      | Bracket, Adaptor, Mtg, Kick In, Frame       | 1    |
| 17   | 1056505          | (005000- )            | Bracket, Adapter, Mtg, Kick In, Frame       | 1    |
| 18   | 09028            | (000000- )            | Screw, Hex, M10 X 1.5 X 25, Ss              | 2    |
| 19   | 08714            | (000000- )            | Nut, Hex, Lock, M10 X 1.5, NI, Ss           | 1    |
| 20   | 387162           | (000000-004999 )      | Bracket                                     | 1    |
| 20   | 1056516          | (005000- )            | Bracket, Step, Iron Gray                    | 1    |
| 21   | 09740            | (000000- )            | Screw, Hex, M08 X 1.25 X 20, Ss             | 4    |
| 22   | 01685            | (000000- )            | Washer, Flt, .31 Ss                         | 8    |
| 23   | 387230           | (000000- )            | Tread, Step                                 | 1    |
| 24   | 24254            | (000000-003695 )      | Spacer, Plate                               | 2    |
| 25   | 06969            | (000000-003695 )      | Screw, Hex, M12 X 1.75 X 40, 8.8            | 2    |
| 26   | 387245           | (000000-004999 )      | Guard Wldt, Sqge (MP 20)                    | 1    |
| 26   | 1056517          | (005000- )            | Guard Wldt, Sqge, Rear, Gray                | 1    |
| 27   | 09010            | (000000- )            | Screw, Hex, M08 X 1.25 X 25, Ss             | 4    |
| 28   | 09718            | (000000-003695 )      | Fitting, Grease, E90 Pm04 .75L              | 4    |
| 29   | 32486            | (000000-003695 )      | Washer, Flt, .50 Sae                        | 4    |
| ▽    | 374250           | (000000-004999 )      | Guard Kit, Sqge, Rear, Ci [7300/8300]       | 1    |
| ▲    | 30 1007486       | (000000-004999 )      | Guard, Bumper                               | 1    |
| ▲    | 31 39278         | (000000-004999 )      | Screw, Hex, M8 X 1.25 X 50, 8.8             | 2    |
| ▲    | 32 08713         | (000000-004999 )      | Nut, Hex, Lock, M8 X 1.25, NI, Ss           | 2    |
| ▲    | 33 32491         | (000000-004999 )      | Washer, Flat, 0.31, Std                     | 4    |
| ▽    | 9006924          | (005000- )            | Guard Kit, Sqge, Rear, Iron Gray, Ci        | 1    |
| ▲    | 30 1057073       | (005000- )            | Guard, Bumper                               | 1    |
| ▲    | 31 39278         | (005000- )            | Screw, Hex, M8 X 1.25 X 50, 8.8             | 2    |
| ▲    | 32 08713         | (005000- )            | Nut, Hex, Lock, M8 X 1.25, NI, Ss           | 2    |
| ▲    | 33 32491         | (005000- )            | Washer, Flat, 0.31, Std                     | 4    |
| ▲    | 34 1050193       | (003696- )            | Link Assy, Rod-End, .63-18                  | 2    |
| ▲    | 35 1057066       | (003696- )            | Tube, 0.69id 1.25od 00.4I, Rod-End, Gray    | 4    |
| ▲    | 36 40814         | (003696- )            | Nut, Hex, Lock, .62-18, NI, Thin            | 4    |

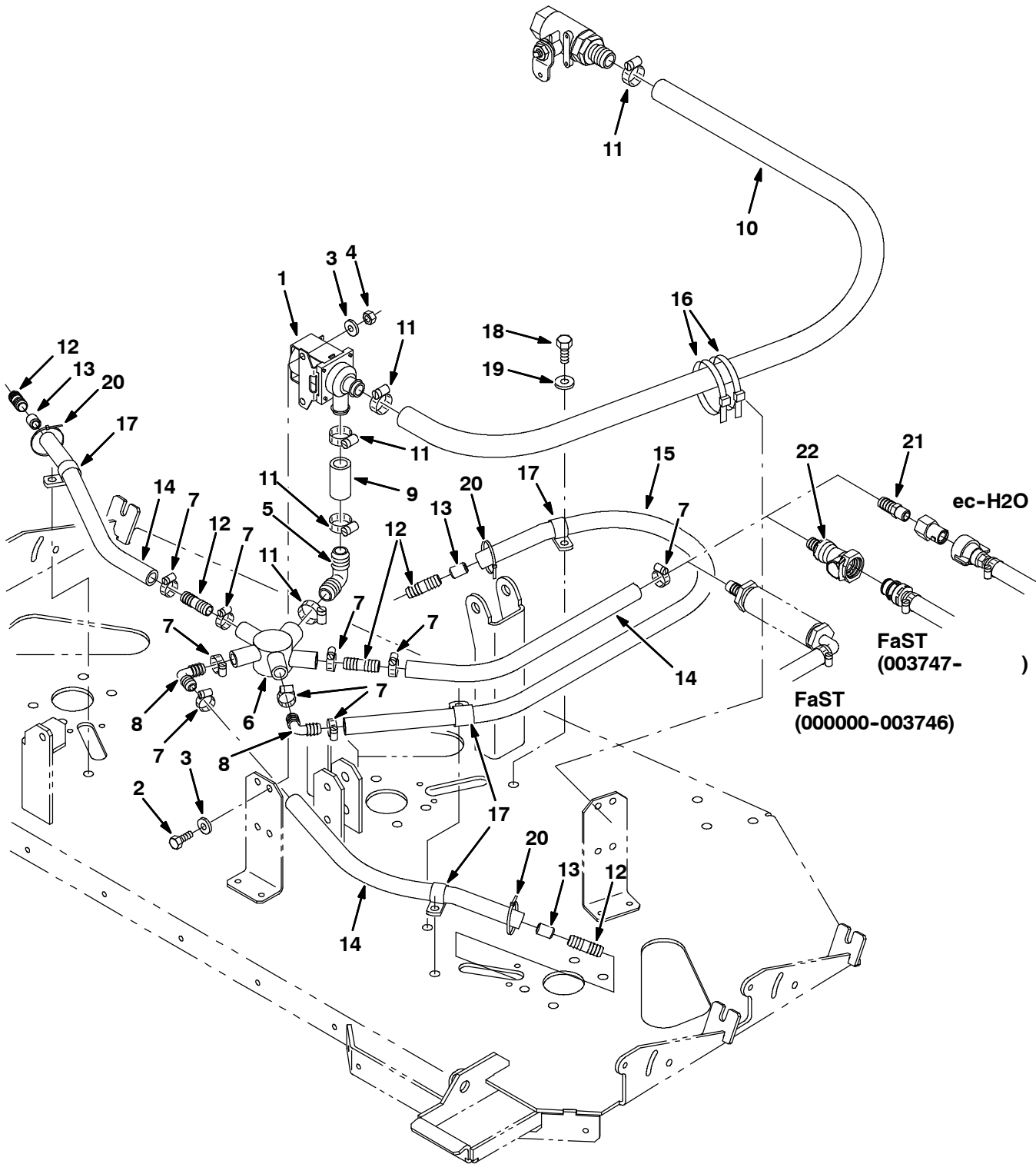
Fig. 26 - Max Pro 1200 (Disc-Brush) Solution Valve Group



**Fig. 26 - Max Pro 1200 (Disc-Brush) Solution Valve Group**

| <b>Ref.</b> | <b>Tennant Part No.</b> | <b>Machine Serial Number</b> | <b>Description</b>                         | <b>Qty.</b> |
|-------------|-------------------------|------------------------------|--|-------------|
| 1           | 84028                   | (000000-                     | ) Valve, Water                             | 1           |
| 2           | 15678                   | (000000-                     | ) Screw, Hex, M06 X 1.0 X 16, Ss           | 2           |
| 3           | 32490                   | (000000-                     | ) Washer, Flt, .25 Std                     | 4           |
| 4           | 08712                   | (000000-                     | ) Nut, Hex, Lock, M06 X 1.0, NI, Ss        | 2           |
| 5           | 63244-2                 | (000000-001986               | ) Fitting, Plstc, E90, Bm12/Pm08           | 1           |
| 6           | 72950                   | (000000-001986               | ) Manifold, Plastic                        | 1           |
| 7           | 20807                   | (000000-001986               | ) Cap, Neoprene Black                      | 1           |
| 8           | 54333                   | (000000-001986               | ) Clamp, Hose, Wormdrive, 0.31-0.88d       | 1           |
| 9           | 16914                   | (000000-                     | ) Hose, Pvc, Brd, 0.75id 1.00od 02.00l     | 1           |
| 10          | 73474                   | (000000-                     | ) Hose, Pvc, Brd, 0.75id 1.00od 44.50l     | 1           |
| 11          | 63810                   | (000000-                     | ) Clamp, Hose, Wormdrive, 0.56-1.06d, .56w | 4           |
| 12          | 364631                  | (000000-                     | ) Fitting, Plstc, Str, Bm08/Bm08           | 3           |
| 13          | 77334                   | (000000-                     | ) Fitting, Plstc, Rst, .50od/.31id         | 3           |
| 14          | 49142                   | (000000-                     | ) Hose, Pvc, Brd, 0.50id 0.80od 18.00l     | 1           |
| 15          | 223515                  | (000000-                     | ) Hose, Pvc, Brd, 0.50id 0.75od 14.00l     | 1           |
| 16          | 385682                  | (000000-                     | ) Hose, Pvc, Brd, 0.50id 0.73od 33.00l     | 1           |
| 17          | 67767                   | (000000-                     | ) Clamp, Cable, Stl, 0.69d X 0.62w, 1h     | 4           |
| 18          | 12273                   | (000000-                     | ) Screw, Hex, M08 X 1.25 X 20, Ss, NI      | 4           |
| 19          | 01685                   | (000000-                     | ) Washer, Flt, .31 Ss                      | 4           |
| 20          | 49266                   | (000000-                     | ) Tie, Cable, Nyl, 07.3l .19w 1.8 Max D    | 3           |
| 21          | 44961                   | (000000-                     | ) Tie, Cable, Nyl, 14.5l .30w 4.0 Max D    | 2           |
| 22          | 79273-4                 | (001987-                     | ) Fitting, Plstc, Str, Bm08/Pm08           | 1           |
| 23          | 1015558                 | (001987-                     | ) Fitting, Plstc, Cap, Pf08                | 1           |
| 24          | 54333                   | (001987-                     | ) Clamp, Hose, Wormdrive, 0.31-0.88d       | 7           |
| 25          | 1012528                 | (001987-                     | ) Manifold, Soltn, Cntrl                   | 1           |
| 26          | 364631                  | (001987-                     | ) Fitting, Plstc, Str, Bm08/Bm08           | 1           |
| 27          | 63987-1                 | (001987-                     | ) Fitting, Plstc, E90, Bm08/Bm08           | 2           |
| 28          | 86824                   | (001987-                     | ) Clamp, Hose, Wormdrive, 0.50-1.06d       | 1           |
| 29          | 40566                   | (001987-                     | ) Fitting, Plstc, E90, Bm12/Bm12           | 1           |

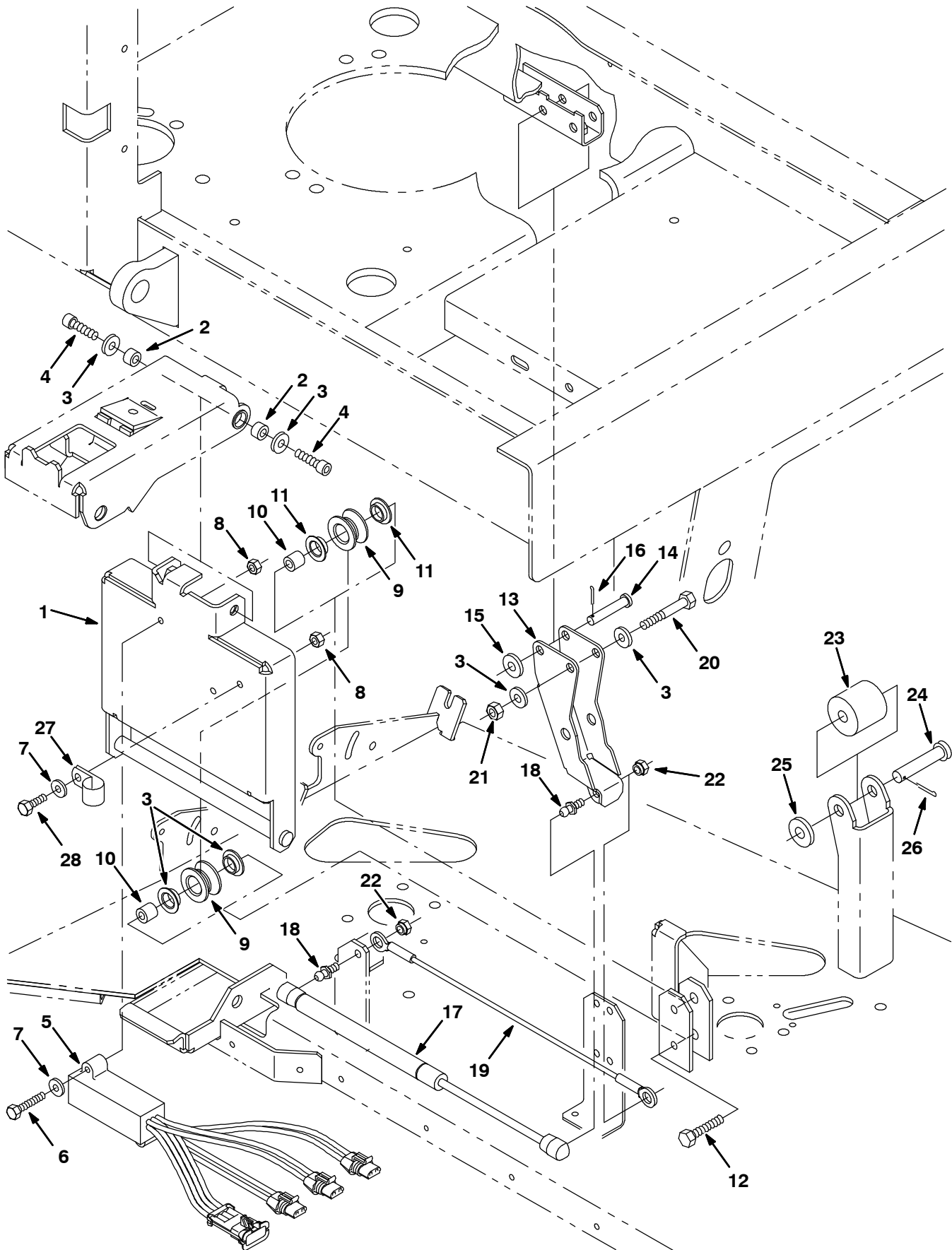
**Fig. 27 - Max Pro 1200 (Disc-Brush) Solution Valve Group (FaST/ec-H2O)**



**Fig. 27 - Max Pro 1200 (Disc-Brush) Solution Valve Group (FaST/ec-H2O)**

| <b>Ref.</b> | <b>Tennant Part No.</b> | <b>Machine Serial Number</b> | <b>Description</b>                         | <b>Qty.</b> |
|-------------|-------------------------|------------------------------|--|-------------|
| 1           | 84028                   | (000000-                     | ) Valve, Water                             | 1           |
| 2           | 15678                   | (000000-                     | ) Screw, Hex, M06 X 1.0 X 16, Ss           | 2           |
| 3           | 32490                   | (000000-                     | ) Washer, Flt, .25 Std                     | 4           |
| 4           | 08712                   | (000000-                     | ) Nut, Hex, Lock, M06 X 1.0, NI, Ss        | 2           |
| 5           | 40566                   | (000000-                     | ) Fitting, Plstc, E90, Bm12/Bm12           | 1           |
| 6           | 1012528                 | (000000-                     | ) Manifold, Soltn, Cntrl                   | 1           |
| 7           | 54333                   | (000000-                     | ) Clamp, Hose, Wormdrive, 0.31-0.88d       | 9           |
| 8           | 63987-1                 | (000000-                     | ) Fitting, Plstc, E90, Bm08/Bm08           | 2           |
| 9           | 1015048                 | (000000-                     | ) Hose, Afmkt, Pvc, Brd 0.75id 1 Ft        | 1           |
| 10          | 1015045                 | (000000-                     | ) Hose, Afmkt, Pvc, Brd 0.75id 8 Ft        | 1           |
| 11          | 63810                   | (000000-                     | ) Clamp, Hose, Wormdrive, 0.56-1.06d, .56w | 5           |
| 12          | 364631                  | (000000-                     | ) Fitting, Plstc, Str, Bm08/Bm08           | 5           |
| 13          | 77334                   | (000000-                     | ) Fitting, Plstc, Rst, .50od/.31id         | 3           |
| 14          | 1011521                 | (000000-                     | ) Hose, Afmkt Replmt, Pvc, Brd 0.50id 2 Ft | 3           |
| 15          | 1006401                 | (000000-                     | ) Hose, Afmkt Replmt, Pvc, Brd 0.50id 3 Ft | 1           |
| 16          | 44961                   | (000000-                     | ) Tie, Cable, Nyl, 14.5l .30w 4.0 Max D    | 2           |
| 17          | 67767                   | (000000-                     | ) Clamp, Cable, Stl, 0.69d X 0.62w, 1h     | 4           |
| 18          | 12273                   | (000000-                     | ) Screw, Hex, M08 X 1.25 X 20, Ss, NI      | 4           |
| 19          | 01685                   | (000000-                     | ) Washer, Flt, .31 Ss                      | 4           |
| 20          | 49266                   | (000000-                     | ) Tie, Cable, Nyl, 07.3l .19w 1.8 Max D    | 3           |
| 21          | 48610                   | (000000-                     | ) Fitting, Plstc, Str, Bm08/Pm04 (ec-H2O)  | 1           |
| 22          | 1017413                 | (003747-                     | ) Housing, Cplg, Qf / Pm08 (FaST)          | 1           |

Fig. 28 - Max Pro 1200 (Disc-Brush) Edge Scrub Group



**Fig. 28 - Max Pro 1200 (Disc-Brush) Edge Scrub Group**

| <b>Ref.</b> | <b>Tennant Part No.</b> | <b>Machine Serial Number</b> | <b>Description</b>                        | <b>Qty.</b> |
|-------------|-------------------------|------------------------------|---|-------------|
| 1           | 1056844                 | (000000-                     | ) Rail Wldt, Lift, Disk Head, Iron Gray   | 1           |
| 2           | 222556                  | (000000-                     | ) Sleeve                                  | 2           |
| 3           | 01685                   | (000000-                     | ) Washer, Flt, .31 Ss                     | 4           |
| 4           | 39308                   | (000000-                     | ) Screw, Hex, M08 X 1.25 X 25, Ss, NI     | 2           |
| 5           | 363238                  | (000000-                     | ) Shunt, 3 Std Mtrs, Scrub 515, Yellow    | 1           |
| 6           | 33930                   | (000000-                     | ) Screw, Hex, M06 X 1.0 X 40, Ss          | 2           |
| 7           | 01684                   | (000000-                     | ) Washer, Flt, .25 Ss                     | 3           |
| 8           | 08712                   | (000000-                     | ) Nut, Hex, Lock, M06 X 1.0, NI, Ss       | 3           |
| 9           | 363120                  | (000000-                     | ) Roller                                  | 2           |
| 10          | 222277                  | (000000-                     | ) Sleeve                                  | 2           |
| 11          | 04843                   | (000000-                     | ) Bushing, Flng, 0.63b 0.72d 0.25l        | 4           |
| 12          | 222505                  | (000000-                     | ) Screw, Hex, M08 X 1.25 X 45, Ss         | 2           |
| 13          | 1056845                 | (000000-                     | ) Arm Wldt, Pivot, Side, Gray [7300/8300] | 1           |
| 14          | 29584                   | (000000-                     | ) Pin, Clevis, 0.37 D X 2.00l             | 1           |
| 15          | 01686                   | (000000-                     | ) Washer, Flt, .38 Ss                     | 1           |
| 16          | 39005                   | (000000-                     | ) Pin, Cotter, .094 X 0.75                | 1           |
| 17          | 364858                  | (000000-                     | ) Gasspring, 56lb, 6.3strk                | 1           |
| 18          | 58494                   | (000000-                     | ) Stud, Ball, .39d .31-16, Gasspring      | 2           |
| 19          | 364404                  | (000000-                     | ) Cable, .13d, 15.5l, .50eye /.50eye      | 1           |
| 20          | 77270                   | (000000-                     | ) Screw, Hex, M08 X 1.25 X 60, Ss         | 1           |
| 21          | 08713                   | (000000-                     | ) Nut, Hex, Lock, M08 X 1.25,NI, Ss       | 1           |
| 22          | 14725                   | (000000-                     | ) Nut, Retainer, .31-18                   | 2           |
| 23          | 72946                   | (000000-                     | ) Roller                                  | 1           |
| 24          | 06279                   | (000000-                     | ) Pin, Clevis, 0.50 D X 2.50l             | 1           |
| 25          | 32493                   | (000000-                     | ) Washer, Flt, .50 Std                    | 1           |
| 26          | 08182                   | (000000-                     | ) Pin, Cotter, .125 X 1.00                | 1           |
| 27          | 67767                   | (000000-                     | ) Clamp, Cable, Stl, 0.69d X 0.62w, 1h    | 1           |
| 28          | 08716                   | (000000-                     | ) Screw, Hex, M06 X 1.0 X 20, Ss          | 1           |

Fig. 29 - Max Pro 1200 (Disc-Brush) Right Side Squeegee Group

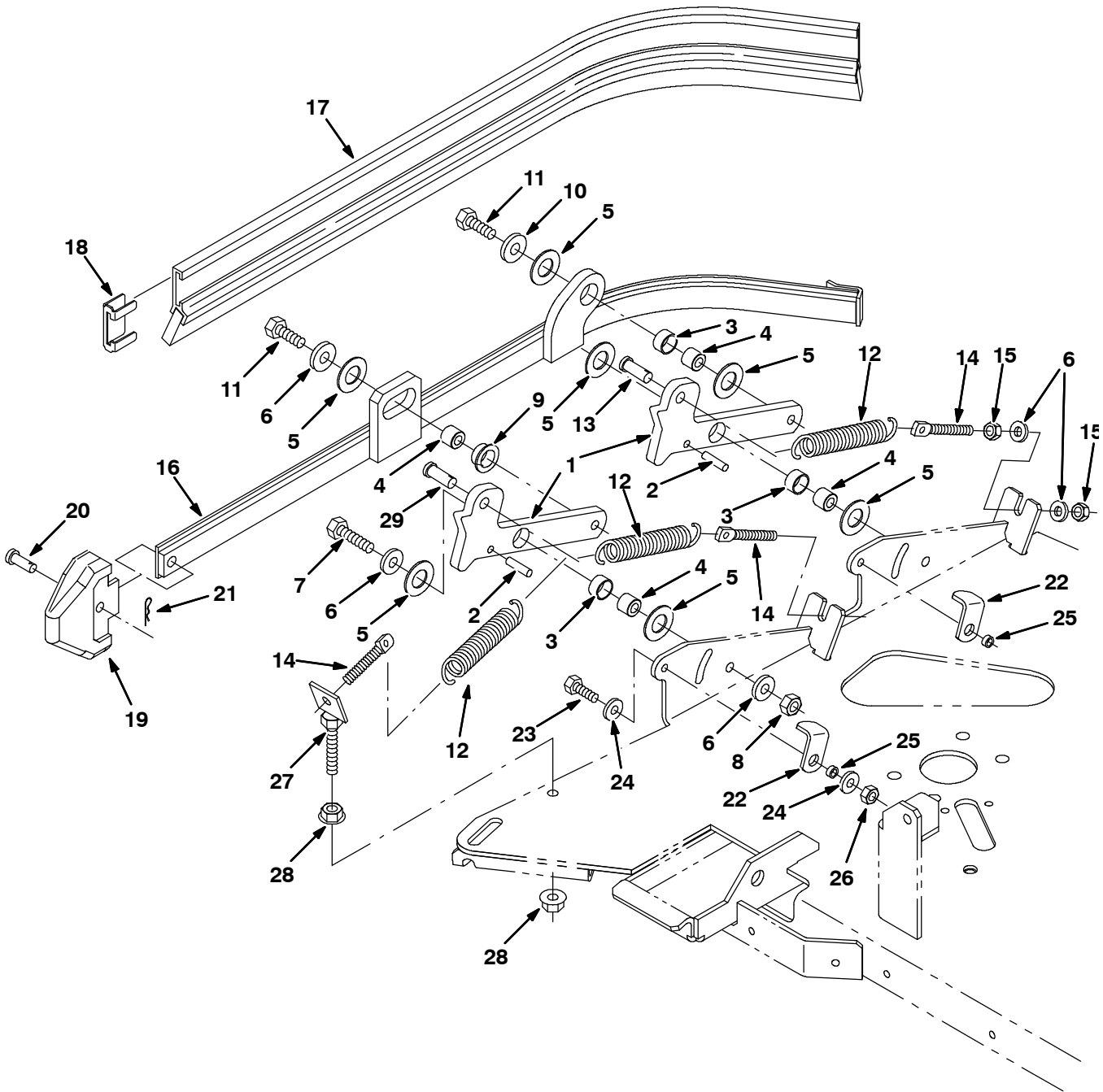
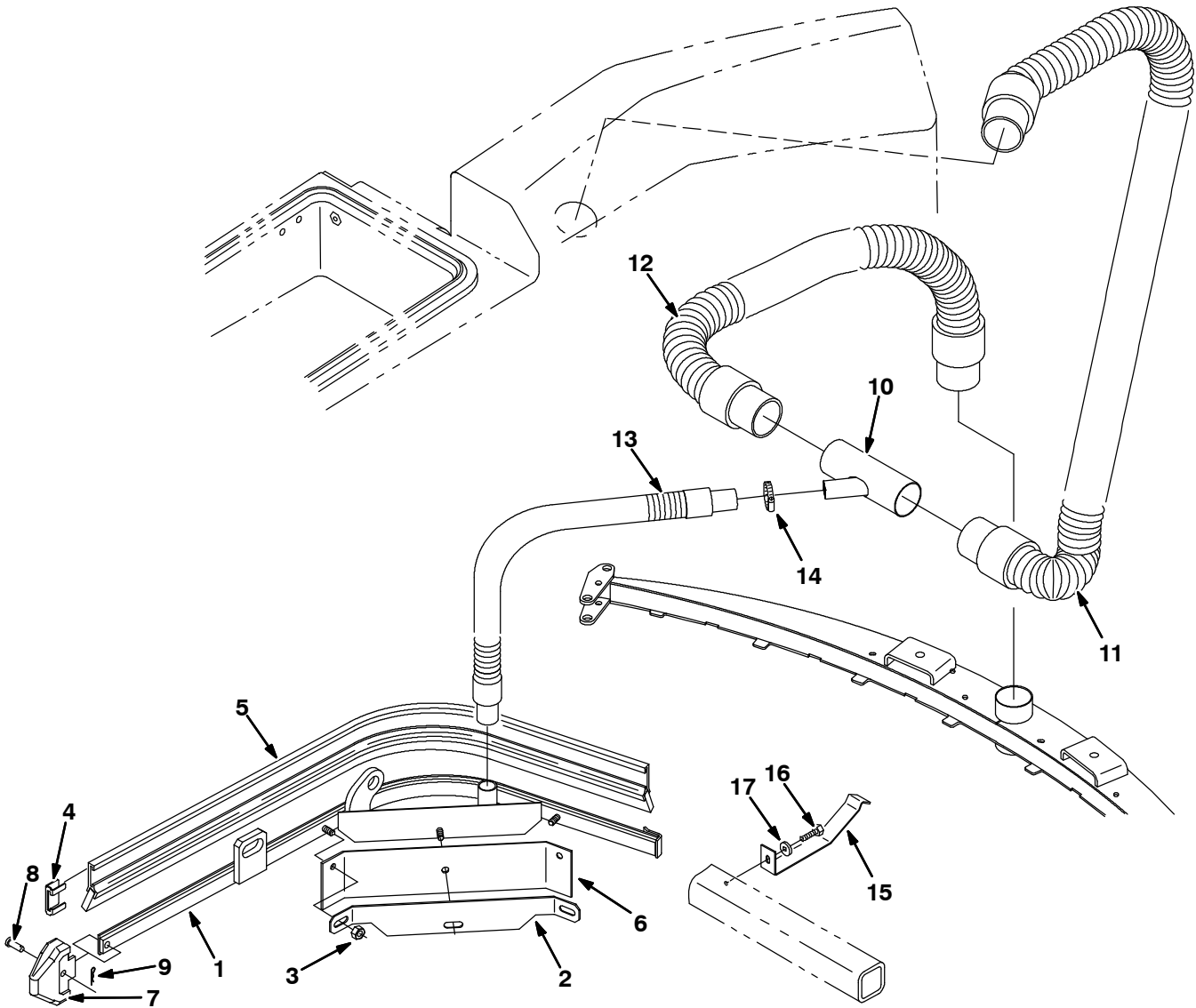




Fig. 29 - Max Pro 1200 (Disc-Brush) Right Side Squeegee Group

| Ref. | Tennant Part No. | Machine Serial Number | Description                            | Qty. |
|------|------------------|-----------------------|--|------|
| 1    | 1056863          | (000000-              | ) Arm, Mtg, Side Sqge Frame, Ele       | 2    |
| 2    | 17404            | (000000-              | ) Pin, Roll, .250 D X 0.75l, .250/.256 | 2    |
| 3    | 71607            | (000000-              | ) Bushing, Sleeve, 0.63b 0.72d 0.38l   | 3    |
| 4    | 386356           | (000000-              | ) Sleeve, .335b X .62d X .52l, Sst     | 4    |
| 5    | 64425            | (000000-              | ) Washer, Thrust, 0.61b 1.25d .06, Fgl | 7    |
| 6    | 01685            | (000000-              | ) Washer, Flt, .31 Ss                  | 7    |
| 7    | 09023            | (000000-              | ) Screw, Hex, M08 X 1.25 X 35, Ss      | 2    |
| 8    | 08713            | (000000-              | ) Nut, Hex, Lock, M08 X 1.25, NI, Ss   | 2    |
| 9    | 25735            | (000000-              | ) Bushing, Flng, 0.63b 0.75d 0.38l     | 1    |
| 10   | 01686            | (000000-              | ) Washer, Flt, .38 Ss                  | 2    |
| 11   | 12333            | (000000-              | ) Screw, Hex, M08 X 1.25 X 25, Ss, NI  | 2    |
| 12   | 87816            | (000000-              | ) Spring, Extn, 0.75od X 0.09wir, 2.5l | 3    |
| 13   | 76653            | (000000-              | ) Pin, Clevis, 0.37 D X 1.00l          | 1    |
| 14   | 386088           | (000000-              | ) Bolt, Eye, M8 X 1.25, 2.75l          | 3    |
| 15   | 07786            | (000000-              | ) Nut, Hex, Std, M08 X 1.25, Ss        | 6    |
| 16   | 386263           | (000000-              | ) Frame Wldt, Sqge, Side, Rh           | 1    |
| 17   | 386260           | (000000-              | ) Squeegee, Side                       | 1    |
| 18   | 86759            | (000000-              | ) Retainer, Sqge                       | 1    |
| 19   | 386986           | (000000-              | ) Guide, Point, Side Sqge              | 1    |
| 20   | 386987           | (000000-              | ) Pin, Clevis, 0.31d 0.88l             | 1    |
| 21   | 86866            | (000000-              | ) Pin, Hair Cotter, 0.38 D .072 Wir    | 1    |
| 22   | 386391           | (000000-              | ) Latch, Double Scrub, Side Sqge       | 2    |
| 23   | 08716            | (000000-              | ) Screw, Hex, M06 X 1.0 X 20, Ss       | 2    |
| 24   | 01684            | (000000-              | ) Washer, Flt, .25 Ss                  | 4    |
| 25   | 80491            | (000000-              | ) Sleeve                               | 2    |
| 26   | 08712            | (000000-              | ) Nut, Hex, Lock, M06 X 1.0, NI, Ss    | 2    |
| 27   | 1007632          | (000000-              | ) Bracket Wldt, Mtg, Spring            | 1    |
| 28   | 27980            | (000000-              | ) Nut, Hex, Flng, .38-16               | 2    |
| 29   | 29568            | (000000-              | ) Angle, 1.00 0.75 .12t 00.8l Hr       | 1    |

Fig. 30 - Max Pro 1200 (Disc-Brush) Right Side Vacuumized Squeegee Group



**Fig. 30 - Max Pro 1200 (Disc-Brush) Right Side Vacuumized Squeegee Group**

| <b>Ref.</b> | <b>Tennant Part No.</b> | <b>Machine Serial Number</b> | <b>Description</b>                      | <b>Qty.</b> |
|-------------|-------------------------|------------------------------|---|-------------|
| 1           | 387509                  | (000000-                     | ) Frame Assy, Sqge, Side, Vacuum, Rh    | 1           |
| 2           | 387516                  | (000000-                     | ) Retainer, Blade, Front                | 1           |
| 3           | 08713                   | (000000-                     | ) Nut, Hex, Lock, M08 X 1.25,NI, Ss     | 3           |
| 4           | 86759                   | (000000-                     | ) Retainer, Sqge                        | 1           |
| 5           | 387545                  | (000000-                     | ) Blade Assy, Sqge, Side                | 1           |
| 6           | 387546                  | (000000-                     | ) Blade, Squeegee                       | 1           |
| 7           | 386986                  | (000000-                     | ) Guide, Point, Side Sqge               | 1           |
| 8           | 386987                  | (000000-                     | ) Pin, Clevis, 0.31 D X 0.88l           | 1           |
| 9           | 86866                   | (000000-                     | ) Pin, Hair Cotter, 0.38 D .072 Wir     | 1           |
| 10          | 386518                  | (000000-                     | ) Tube Wldt                             | 1           |
| 11          | 386514                  | (000000-001702               | ) Hose, Vacuum, 58.5l                   | 1           |
| 11          | 1005133                 | (001703-                     | ) Hose Assy, W/2cuff, 2.0d 75l          | 1           |
| 12          | 387256                  | (000000-001702               | ) Hose, Vacuum, 35.0l                   | 1           |
| 12          | 1005135                 | (001703-                     | ) Hose Assy, W/2cuff, 2.0d 26l          | 1           |
| 13          | 387517                  | (000000-001702               | ) Hose Assy, W/2 Cuff, 1.0d 41.0l       | 1           |
| 13          | 398802                  | (001703-                     | ) Hose Assy, W/2 Cuff, 1.0D 44L 1.0/1.0 | 1           |
| 14          | 11399                   | (000000-                     | ) Clamp, Hose, Wormdrive, 0.81-1.50d    | 1           |
| 15          | 1002464                 | (001703-                     | ) Bracket, Tube , Tee                   | 1           |
| 16          | 361339                  | (001703-                     | ) Screw, Hex, M 6 X 1.0 X 16, Fmg       | 1           |
| 17          | 32483                   | (001703-                     | ) Washer, Flat, 0.25 Sae                | 1           |

Fig. 31 - Max Pro 1200 (Disc-Brush) Left Side Squeegee Group

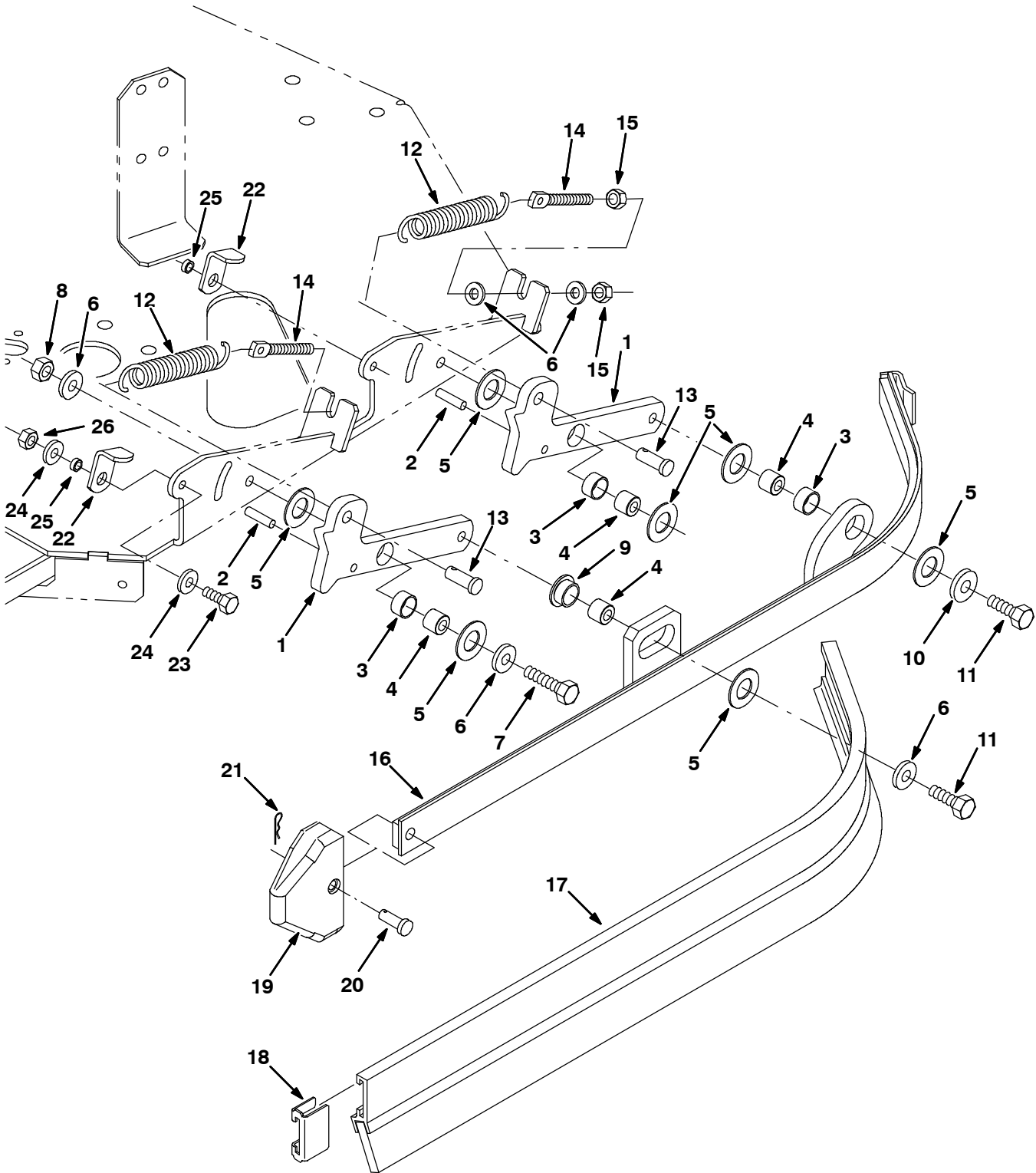


Fig. 31 - Max Pro 1200 (Disc-Brush) Left Side Squeegee Group

| Ref. | Tennant Part No. | Machine Serial Number | Description                            | Qty. |
|------|------------------|-----------------------|--|------|
| 1    | 1056863          | (000000-              | ) Arm, Mtg, Side Sqge Frame, Ele, Gray | 2    |
| 2    | 17404            | (000000-              | ) Pin, Roll, .250 D X 0.75l, .250/.256 | 2    |
| 3    | 71607            | (000000-              | ) Bushing, Sleeve, 0.63b 0.72d 0.38l   | 3    |
| 4    | 386356           | (000000-              | ) Sleeve, .335b X .62d X .52l, Sst     | 4    |
| 5    | 64425            | (000000-              | ) Washer, Thrust, 0.61b 1.25d .06, Fgl | 7    |
| 6    | 01685            | (000000-              | ) Washer, Flt, .31 Ss                  | 7    |
| 7    | 09023            | (000000-              | ) Screw, Hex, M08 X 1.25 X 35, Ss      | 2    |
| 8    | 08713            | (000000-              | ) Nut, Hex, Lock, M08 X 1.25, NI, Ss   | 2    |
| 9    | 25735            | (000000-              | ) Bushing, Flng, 0.63b 0.75d 0.38l     | 1    |
| 10   | 01686            | (000000-              | ) Washer, Flt, .38 Ss                  | 2    |
| 11   | 12333            | (000000-              | ) Screw, Hex, M08 X 1.25 X 25, Ss, NI  | 2    |
| 12   | 87816            | (000000-              | ) Spring, Extn, 0.75od X 0.09wir, 2.5l | 2    |
| 13   | 76653            | (000000-              | ) Pin, Clevis, 0.37 D X 1.00l          | 2    |
| 14   | 386088           | (000000-              | ) Bolt, Eye, M8 X 1.25, 2.75l          | 2    |
| 15   | 07786            | (000000-              | ) Nut, Hex, Std, M08 X 1.25, Ss        | 4    |
| 16   | 386262           | (000000-              | ) Frame Wldt, Sqge, Side, Lh           | 1    |
| 17   | 386260           | (000000-              | ) Squeegee, Side                       | 1    |
| 18   | 86759            | (000000-              | ) Retainer, Sqge                       | 1    |
| 19   | 386986           | (000000-              | ) Guide, Point, Side Sqge              | 1    |
| 20   | 386987           | (000000-              | ) Pin, Clevis, 0.31d 0.88l             | 1    |
| 21   | 86866            | (000000-              | ) Pin, Hair Cotter, 0.38 D .072 Wir    | 1    |
| 22   | 386391           | (000000-              | ) Latch, Double Scrub, Side Sqge       | 2    |
| 23   | 08716            | (000000-              | ) Screw, Hex, M06 X 1.0 X 20, Ss       | 2    |
| 24   | 01684            | (000000-              | ) Washer, Flt, .25 Ss                  | 4    |
| 25   | 80491            | (000000-              | ) Sleeve                               | 2    |
| 26   | 08712            | (000000-              | ) Nut, Hex, Lock, M06 X 1.0, NI, Ss    | 2    |

Fig. 32 - Max Pro 1000 (Cylindrical Brush) Scrub Head Frame and Linkage Group

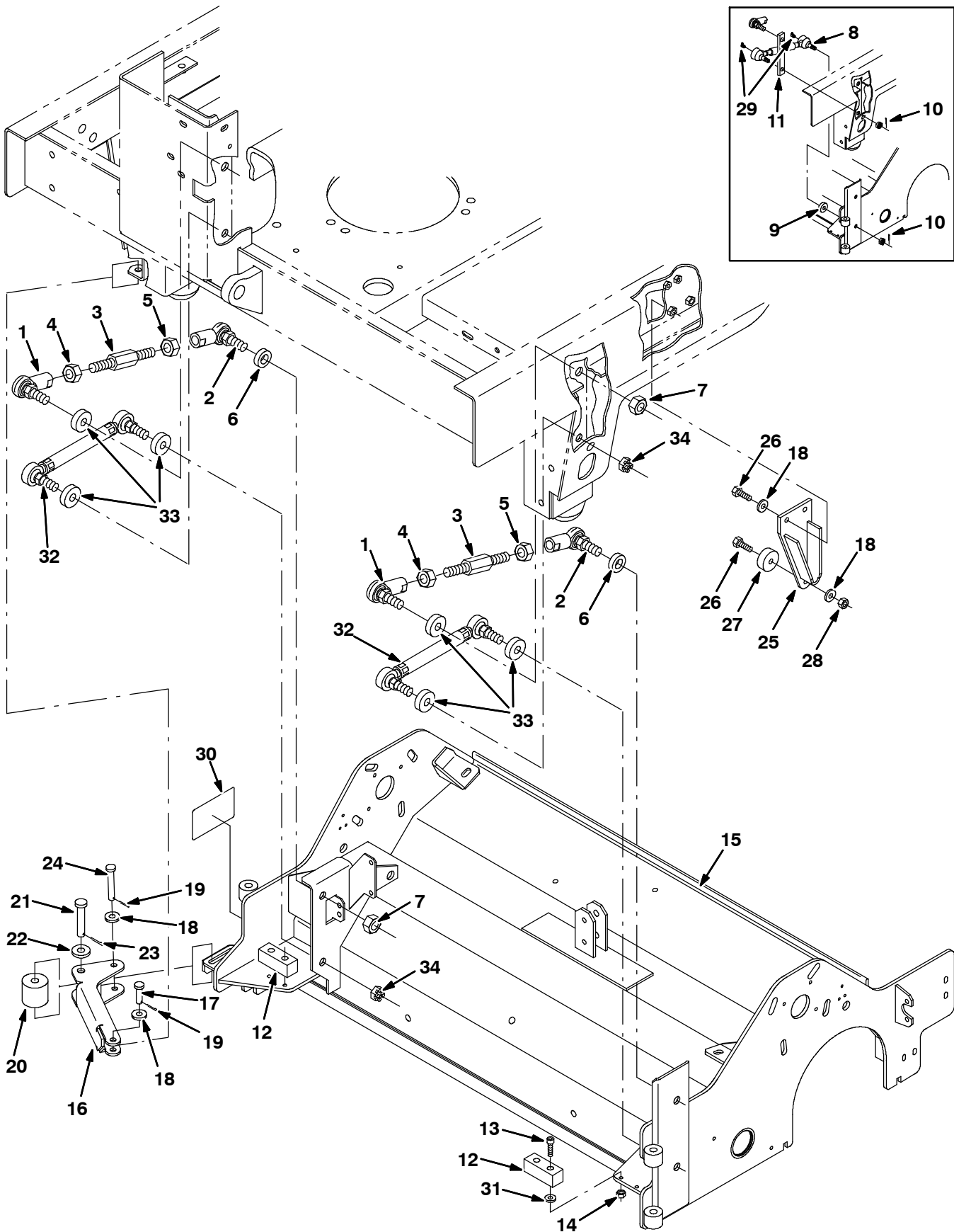
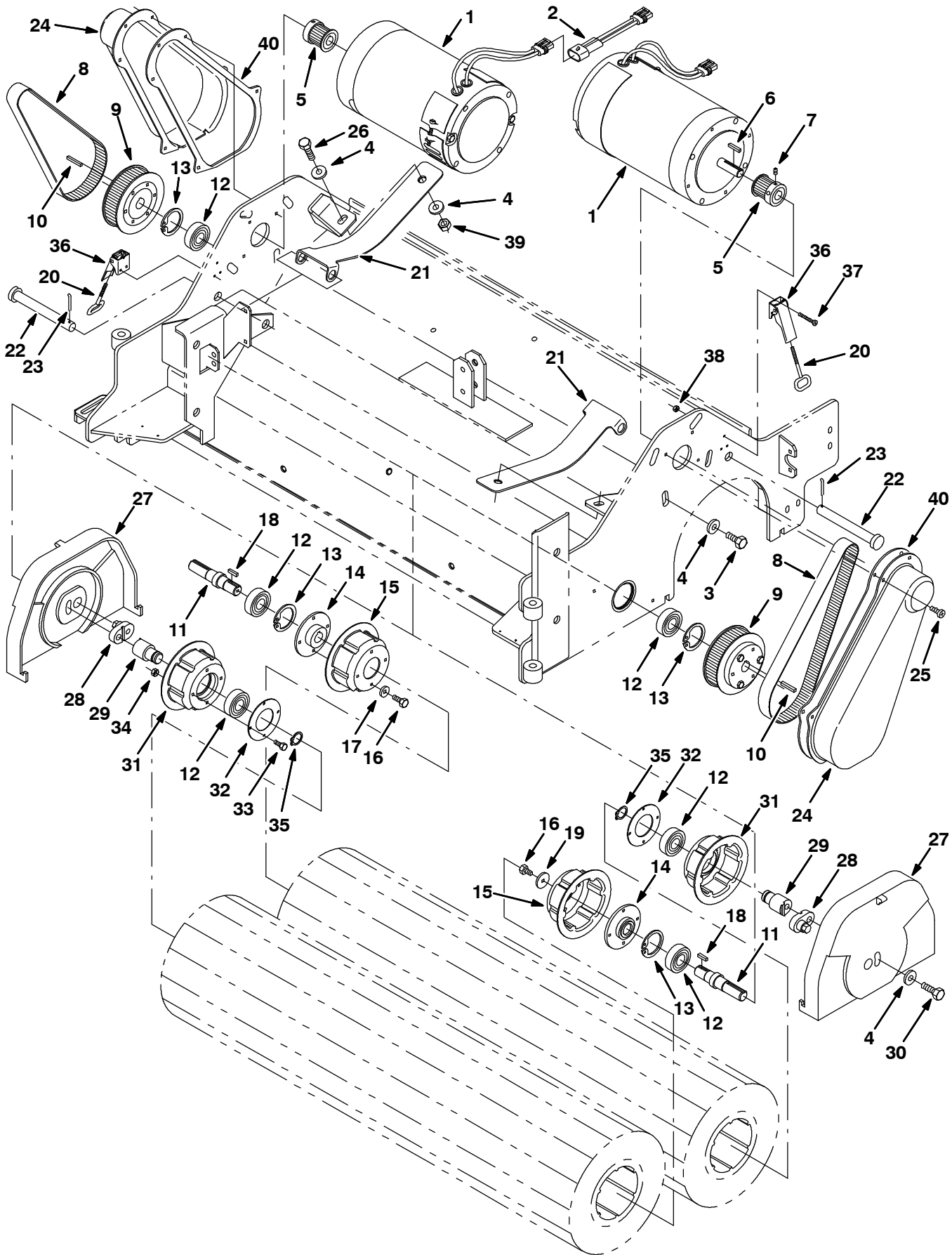


Fig. 32 - Max Pro 1000 (Cylindrical Brush) Scrub Head Frame and Linkage Group

| Ref. | Tennant Part No. | Machine Serial Number | Description                                   | Qty. |
|------|------------------|-----------------------|---|------|
| 1    | 77275            | (000000-              | ) Rod-End, .62-18rh Fem 0.50-18stud           | 2    |
| 2    | 386070           | (000000-              | ) Rod-End, .625-18, Lh                        | 2    |
| 3    | 386071           | (000000-              | ) Rod, Link                                   | 2    |
| 4    | 77276            | (000000-              | ) Nut, Hex, Jam, .62-18, Ss                   | 2    |
| 5    | 77277            | (000000-              | ) Nut, Hex, Jam, .62-18, Ss, Lh               | 2    |
| 6    | 386081           | (000000-              | ) Spacer, Rod-End                             | 2    |
| 7    | 40814            | (000000-              | ) Nut, Hex, Lock, .62-18, NI, Thin            | 4    |
| 8    | 363113           | (000000-003695        | ) Link Wldt, Head, Drag (Replaced by 9005751) | 2    |
| 9    | 14524            | (000000-003695        | ) Spacer, Washer                              | 2    |
| 10   | 08346            | (000000-003695        | ) Pin, Cotter, .125 X 0.75                    | 4    |
| 11   | 386844           | (000000-003695        | ) Spacer, Plate                               | 2    |
| 12   | 386865           | (000000-              | ) Bumper                                      | 2    |
| 13   | 24198            | (000000-              | ) Screw, Pan, M05 X 0.8 X 25, Ss              | 4    |
| 14   | 09739            | (000000-              | ) Nut, Hex, Lock, M05 X 0.8, NI, Ss           | 4    |
| 15   | 1056848          | (000000-              | ) Housing Wldt, Brush, Iron Gray              | 1    |
| 16   | 1001099          | (000000-004999        | ) Guard, Kick In, Scb Head                    | 1    |
| 16   | 1056390          | (005000-              | ) Guard, Kick In, Scb Head, Iron Gray         | 1    |
| 17   | 29557            | (000000-              | ) Pin, Clevis, 0.37 D X 1.31l                 | 1    |
| 18   | 01686            | (000000-              | ) Washer, Flt, .38 Ss                         | 5    |
| 19   | 39005            | (000000-              | ) Pin, Cotter, .094 X 0.75                    | 2    |
| 20   | 72946            | (000000-              | ) Roller                                      | 1    |
| 21   | 06279            | (000000-              | ) Pin, Clevis, 0.50 D X 2.50l                 | 1    |
| 22   | 32493            | (000000-              | ) Washer, Flt, .50 Std                        | 1    |
| 23   | 08182            | (000000-              | ) Pin, Cotter, .125 X 1.00                    | 1    |
| 24   | 365180           | (000000-              | ) Pin, Clevis, 0.38 D X 2.50l                 | 1    |
| 25   | 1056494          | (000000-              | ) Plate Wldt, Stop, Iron Gray                 | 1    |
| 26   | 09010            | (000000-              | ) Screw, Hex, M08 X 1.25 X 25, Ss             | 3    |
| 27   | 15023            | (000000-              | ) Bumper, Pye                                 | 1    |
| 28   | 08713            | (000000-              | ) Nut, Hex, Lock, M08 X 1.25,NI, Ss           | 1    |
| 29   | 09718            | (000000-003695        | ) Fitting, Grease, E90 Pm04 .75L              | 4    |
| 30   | 365156           | (000000-              | ) Label Set, Info/Hzrd, [Max Pro]             | 1    |
| 31   | 13248            | (000000-              | ) Washer, 0.40B 1.12D .12, Stl, PI            | 4    |
| 32   | 1050193          | (003696-              | ) Link Assy, Rod-End, .63-18                  | 2    |
| 33   | 1057066          | (003696-              | ) Tube, 0.69id 1.25od 00.4l, Rod-End, Gray    | 6    |
| 34   | 40814            | (003696-              | ) Nut, Hex, Lock, .62-18, NI, Thin            | 4    |

**Fig. 33 - Max Pro 1000 (Cylindrical Brush) Scrub Head Drive Group**

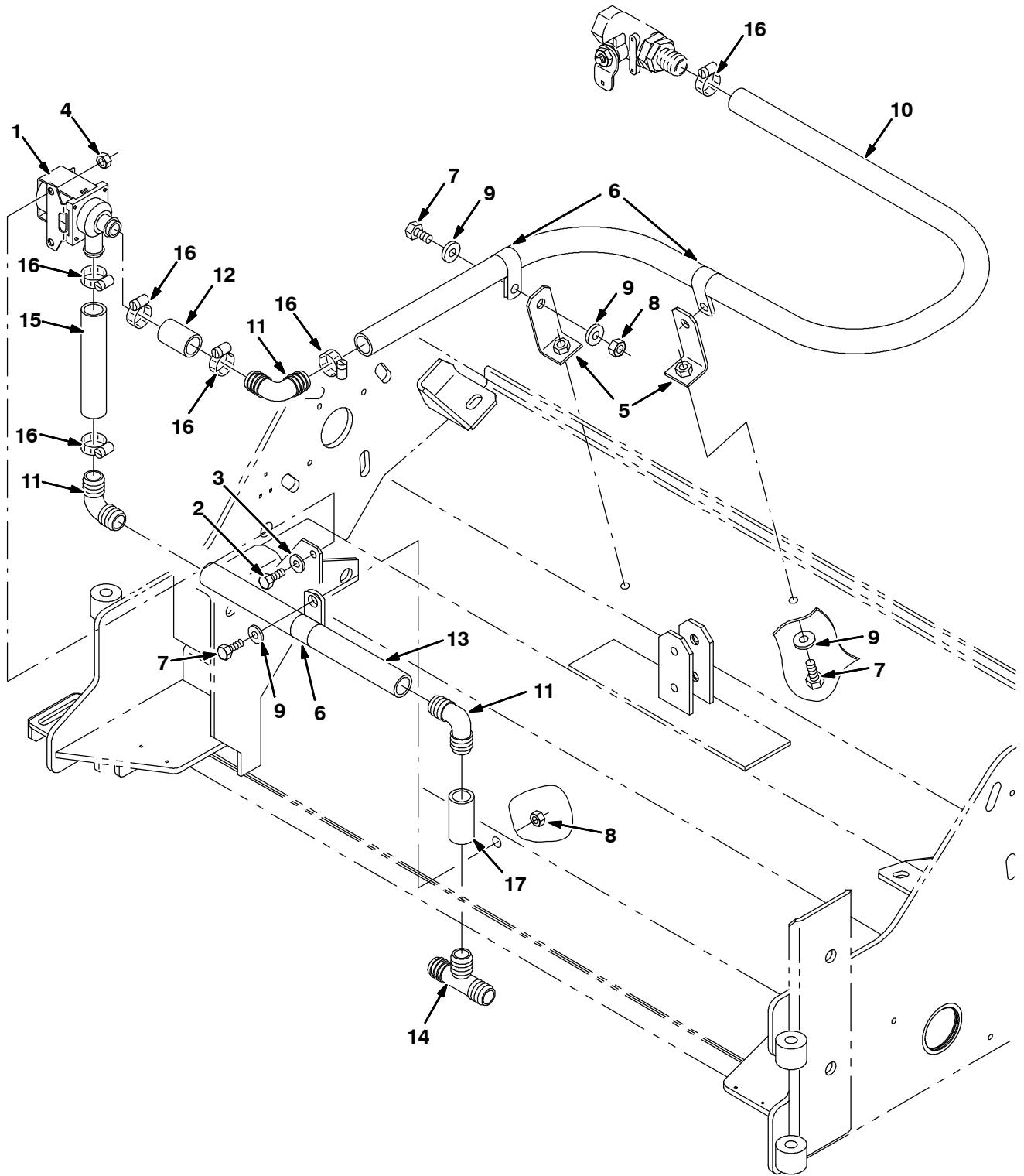




**Fig. 33 - Max Pro 1000 (Cylindrical Brush) Scrub Head Drive Group**

| Ref. | Tennant Part No. | Machine Serial Number | Description   | Qty.                                   |   |
|------|------------------|-----------------------|---|--|---|
| 1    | 386050           | (000000-002093 )      | Motor, Ele, 36vdc 1500rpm 1.5hp (See Breakdown)<br>(Repl By 377398) | 2                                      |   |
| ▽    | 1                | 377398                | (002094- )  | Motor, Ele, 36vdc 1.50hp 1500rpm 43.0a | 2 |
| ▲    | 621478           | (002094- )            | Brush, Carbon   | 2                                      |   |
| 2    | 363468           | (000000- )            | Wire Assy, Jumper Reverse, [515]                                    | 1                                      |   |
| 3    | 09291            | (000000- )            | Screw, Hex, M10 X 1.5 X 20, Ss                                      | 8                                      |   |
| 4    | 01686            | (000000- )            | Washer, Flt, .38 Ss   | 14                                     |   |
| 5    | 83052            | (000000- )            | Sprocket, Timing, 23tooth, 0.625b                                   | 2                                      |   |
| 6    | 00912            | (000000- )            | Key, Sq, 0.19 X 0.19, 01.00l  | 2                                      |   |
| 7    | 39323            | (000000- )            | Screw, Set, #10-32 X 0.38, Al                                       | 4                                      |   |
| 8    | 386053           | (000000- )            | Belt, Drive (Cylindrical Brush)                                     | 2                                      |   |
| 9    | 375301           | (000000- )            | Sprocket, Timing, 4.261pd, 68 Grv, Pl                               | 2                                      |   |
| 10   | 00918            | (000000- )            | Key, Sq, 0.19 X 0.19, 01.25l  | 2                                      |   |
| 11   | 386058           | (000000- )            | Shaft, Drive, Brush   | 2                                      |   |
| 12   | 46390            | (000000- )            | Bearing, Ball, 0.79b 1.85d 0.55w                                    | 6                                      |   |
| 13   | 10464            | (000000- )            | Ring, Retaining, Int, 1.85d, Basic                                  | 4                                      |   |
| 14   | 1056846          | (000000- )            | Hub Wldt, Drive, Brush, Iron Gray                                   | 2                                      |   |
| 15   | 1056847          | (000000- )            | Plug, Drive, Brush, Spl, Iron Gray                                  | 2                                      |   |
| 16   | 15678            | (000000- )            | Screw, Hex, M06 X 1.0 X 16, Ss                                      | 10                                     |   |
| 17   | 01684            | (000000- )            | Washer, Flt, .25 Ss   | 8                                      |   |
| 18   | 00911            | (000000- )            | Key, Sq, 0.19 X 0.19, 00.75l  | 2                                      |   |
| 19   | 386063           | (000000- )            | Washer, 0.25b 1.12d .12, Ss   | 2                                      |   |
| 20   | 386274           | (000000- )            | Hook Wldt, Latch  | 2                                      |   |
| 21   | 1057089          | (000000- )            | Spring, Motor, Iron Gray  | 2                                      |   |
| 22   | 386072           | (000000- )            | Pin, Clevis, .625 Dia X 5.25l                                       | 2                                      |   |
| 23   | 02942            | (000000- )            | Pin, Hair Cotter, 0.62 D .120 Wir                                   | 2                                      |   |
| 24   | 386066           | (000000- )            | Cover, Drive  | 2                                      |   |
| 25   | 48732            | (000000- )            | Screw, Pan, M06 X 1.0 X 10, Ss                                      | 10                                     |   |
| 26   | 12317            | (000000- )            | Screw, Hex, M10 X 1.5 X 30, Ss                                      | 2                                      |   |
| 27   | 386080           | (000000- )            | Cover, Idler  | 2                                      |   |
| 28   | 386841           | (000000- )            | Cam, Front  | 2                                      |   |
| 29   | 386842           | (000000- )            | Cam, Rear   | 2                                      |   |
| 30   | 12317            | (000000- )            | Screw, Hex, M10 X 1.5 X 30, Ss                                      | 2                                      |   |
| 31   | 1057512          | (000000- )            | Plug, Drive, Brush, Spl, Iron Gray                                  | 2                                      |   |
| 32   | 1056838          | (000000- )            | Retainer, Brg, Iron Gray  | 2                                      |   |
| 33   | 09738            | (000000- )            | Screw, Hex, M05 X 0.8 X 12, Ss                                      | 8                                      |   |
| 34   | 06549            | (000000- )            | Nut, Hex, Lock, M05 X 0.8, NI                                       | 8                                      |   |
| 35   | 26428            | (000000- )            | Ring, Retaining, Ext, 0.75d, Hd                                     | 2                                      |   |
| 36   | 386257           | (000000- )            | Latch   | 2                                      |   |
| 37   | 09198            | (000000- )            | Screw, Pan, M04 X 0.7 X 35, Ss                                      | 6                                      |   |
| 38   | 33932            | (000000- )            | Nut, Hex, Lock, M04 X 0.7, NI, Ss                                   | 6                                      |   |
| 39   | 08714            | (000000- )            | Nut, Hex, Lock, M10 X 1.5, NI, SS                                   | 2                                      |   |
| 40   | 1001062          | (000000- )            | Gasket, Cover   | 2                                      |   |

Fig. 34 - Max Pro 1000 (Cylindrical Brush) Solution Valve Group

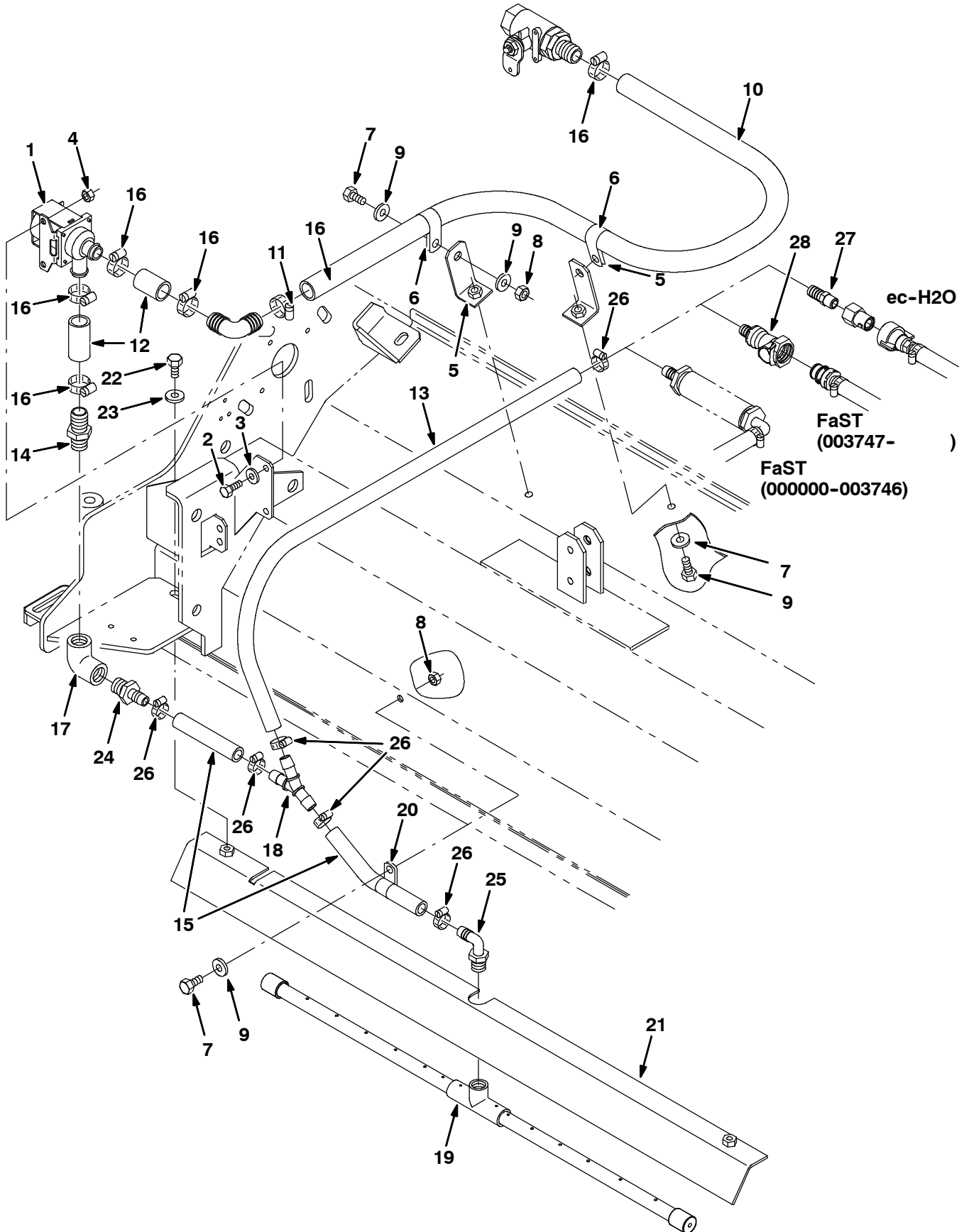


**Fig. 34 - Max Pro 1000 (Cylindrical Brush) Solution Valve Group**

| <b>Ref.</b> | <b>Tennant Part No.</b> | <b>Machine Serial Number</b> | <b>Description</b>                     | <b>Qty.</b> |
|-------------|-------------------------|------------------------------|--|-------------|
| 1           | 84028                   | (000000-                     | ) Valve, Water                         | 1           |
| 2           | 15678                   | (000000-                     | ) Screw, Hex, M06 X 1.0 X 16, Ss       | 2           |
| 3           | 01684                   | (000000-                     | ) Washer, Flt, .25 Ss                  | 2           |
| 4           | 08712                   | (000000-                     | ) Nut, Hex, Lock, M06 X 1.0, NI, Ss    | 2           |
| 5           | 1056873                 | (000000-                     | ) Angle, Iron Gray                     | 2           |
| 6           | 69234                   | (000000-                     | ) Clamp, Cable, Stl, 1.00d X 0.62w, 1h | 3           |
| 7           | 15675                   | (000000-                     | ) Screw, Hex, M08 X 1.25 X 16, Ss      | 7           |
| 8           | 08709                   | (000000-                     | ) Nut, Hex, Lock, M08 X 1.25,NI        | 5           |
| 9           | 01685                   | (000000-                     | ) Washer, Flt, .31 Ss                  | 9           |
| 10          | 73474                   | (000000-                     | ) Hose, Pvc, Brd, 0.75id 1.00od 44.50l | 1           |
| 11          | 40566                   | (000000-                     | ) Fitting, Plstc, E90, Bm12/Bm12       | 3           |
| 12          | 364899                  | (000000-                     | ) Hose, Pvc, Brd, 0.75id 1.03od 01.50l | 1           |
| 13          | 364896                  | (000000-                     | ) Hose, Pvc, Brd, 0.75id 1.03od 11.00l | 1           |
| 14          | 41315                   | (000000-                     | ) Fitting, Plstc, Tee, Bm12/Bm12/Bm12  | 1           |
| 15          | 364895                  | (000000-                     | ) Hose, Pvc, Brd, 0.75ID 1.03OD 05.00L | 1           |
| 16          | 11399                   | (000000-                     | ) Clamp, Hose, Wormdrive, 0.81-1.50d   | 6           |
| 17          | 16914                   | (000000-                     | ) Hose, Pvc, Brd, 0.75ID 1.00OD 02.00L | 1           |

# OPTIONS

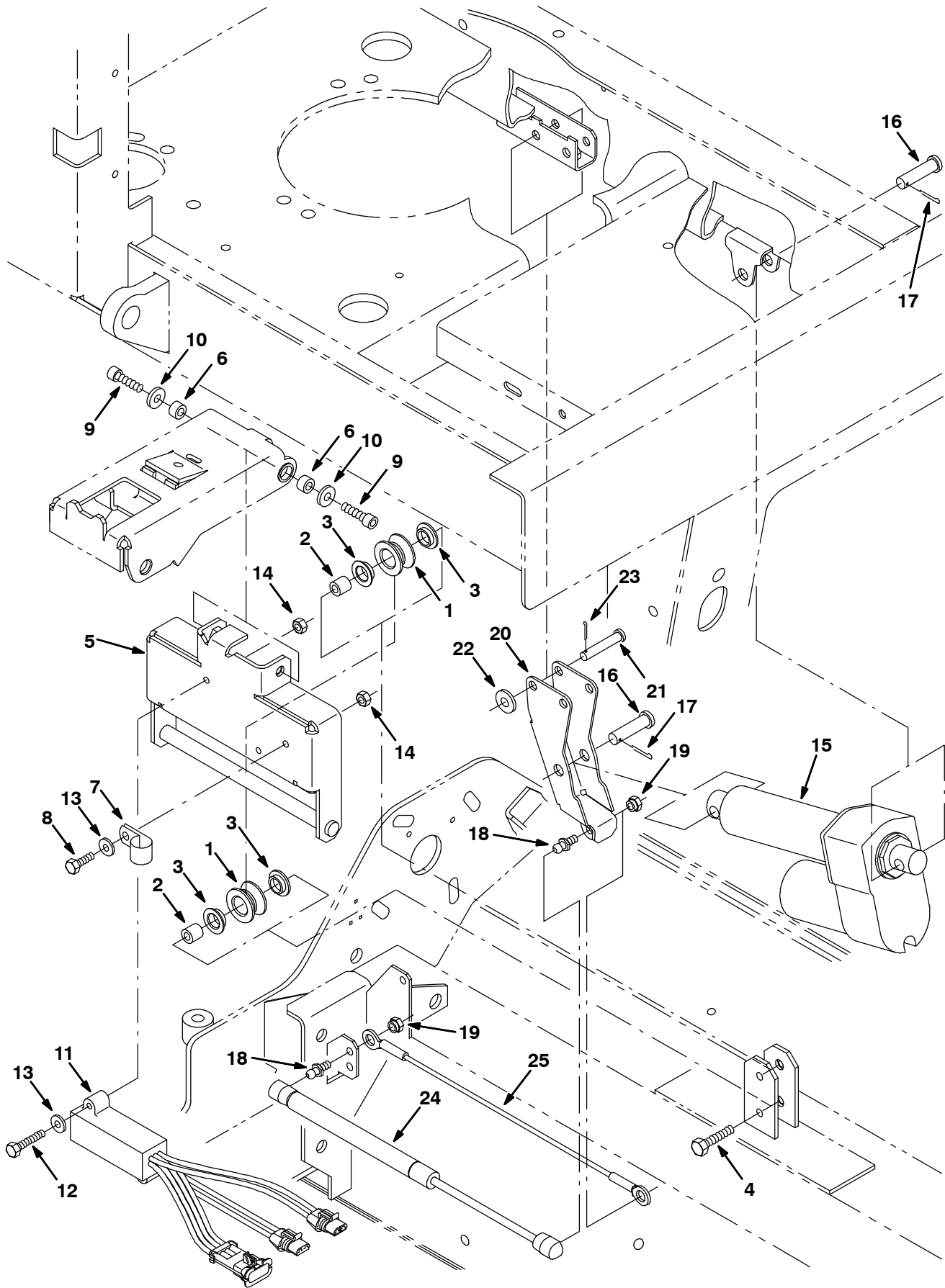
Fig. 35 - Max Pro 1000 (Cylindrical Brush) Solution Valve Group (FaST/ec-H2O)



**Fig. 35 - Max Pro 1000 (Cylindrical Brush) Solution Valve Group (FaST/ec-H2O)**

| <b>Ref.</b> | <b>Tennant Part No.</b> | <b>Machine Serial Number</b> | <b>Description</b>                         | <b>Qty.</b> |
|-------------|-------------------------|------------------------------|--|-------------|
| 1           | 84028                   | (000000-                     | ) Valve, Water                             | 1           |
| 2           | 15678                   | (000000-                     | ) Screw, Hex, M06 X 1.0 X 16, Ss           | 2           |
| 3           | 01684                   | (000000-                     | ) Washer, Flt, .25 Ss                      | 2           |
| 4           | 08712                   | (000000-                     | ) Nut, Hex, Lock, M06 X 1.0, NI, Ss        | 2           |
| 5           | 1056873                 | (000000-                     | ) Angle, Iron Gray                         | 2           |
| 6           | 69234                   | (000000-                     | ) Clamp, Cable, Stl, 1.00d X 0.62w, 1h     | 2           |
| 7           | 15675                   | (000000-                     | ) Screw, Hex, M08 X 1.25 X 16, Ss          | 5           |
| 8           | 08709                   | (000000-                     | ) Nut, Hex, Lock, M08 X 1.25, NI           | 3           |
| 9           | 01685                   | (000000-                     | ) Washer, Flt, .31 Ss                      | 7           |
| 10          | 1015045                 | (000000-                     | ) Hose, Afmkt, Pvc, Brd 0.75id 8 Ft        | 1           |
| 11          | 40566                   | (000000-                     | ) Fitting, Plstc, E90, Bm12/Bm12           | 3           |
| 12          | 1015048                 | (000000-                     | ) Hose, Afmkt, Pvc, Brd 0.75id 1 Ft        | 1           |
| 13          | 1011521                 | (000000-                     | ) Hose, Afmkt Replmt, Pvc, Brd 0.50id 2 Ft | 1           |
| 14          | 78398                   | (000000-                     | ) Fitting, Plstc, Str, Bm12/Pm08, Nyl      | 1           |
| 15          | 1011403                 | (000000-                     | ) Hose, Afmkt Replmt, Pvc, Brd 0.50id 1 Ft | 1           |
| 16          | 11399                   | (000000-                     | ) Clamp, Hose, Wormdrive, 0.81-1.50d       | 6           |
| 17          | 79572                   | (000000-                     | ) Fitting, Plstc, E90, Pf08/Pf08           | 1           |
| 18          | 1010668                 | (000000-                     | ) Fitting, Plstc, Y, Bm08/Bm08/Bm08 Nyl    | 1           |
| 19          | 1015097                 | (000000-                     | ) Tube Assy, Spray Bar 40" [7300/8300]     | 1           |
| 20          | 07471                   | (000000-                     | ) Clamp, Cable, Stl, 0.75d X 0.75w, 1h     | 1           |
| 21          | 1057531                 | (000000-                     | ) Bracket, Bar, Spray, 40.0 [7300/8300]    | 1           |
| 22          | 49826                   | (000000-                     | ) Screw, Hex, M8 X 1.25 X 16, Ss, NI       | 2           |
| 23          | 32492                   | (000000-                     | ) Washer, Flat, 0.38 Std                   | 2           |
| 24          | 79273-4                 | (000000-                     | ) Fitting, Plstc, Str, Bm08/Pm08           | 1           |
| 25          | 64778                   | (000000-                     | ) Fitting, Plstc, E90, Bm08/Pm06           | 1           |
| 26          | 54333                   | (000000-                     | ) Clamp, Hose, Wormdrive, 0.31-0.88d       | 6           |
| 27          | 48610                   | (000000-                     | ) Fitting, Plstc, Str, Bm08/Pm04 (ec-H2O)  | 1           |
| 28          | 1017413                 | (003747-                     | ) Housing, Cplg, Qf / Pm08 (FaST)          | 1           |

Fig. 36 - Max Pro 1000 (Cylindrical Brush) Edge Scrub Group



**Fig. 36 - Max Pro 1000 (Cylindrical Brush) Edge Scrub Group**

| <b>Ref.</b> | <b>Tennant Part No.</b> | <b>Machine Serial Number</b> | <b>Description</b>                        | <b>Qty.</b> |
|-------------|-------------------------|------------------------------|---|-------------|
| 1           | 363120                  | (000000-                     | ) Roller                                  | 2           |
| 2           | 222277                  | (000000-                     | ) Sleeve                                  | 2           |
| 3           | 04843                   | (000000-                     | ) Bushing, Flng, 0.63b 0.72d 0.25l        | 4           |
| 4           | 222505                  | (000000-                     | ) Screw, Hex, M08 X 1.25 X 45, Ss         | 2           |
| 5           | 1056843                 | (000000-                     | ) Rail Wldt, Lift, Cyl Head, Iron Gray    | 1           |
| 6           | 222556                  | (000000-                     | ) Sleeve                                  | 2           |
| 7           | 67767                   | (000000-                     | ) Clamp, Cable, Stl, 0.69d X 0.62w, 1h    | 1           |
| 8           | 08716                   | (000000-                     | ) Screw, Hex, M06 X 1.0 X 20, Ss          | 1           |
| 9           | 39308                   | (000000-                     | ) Screw, Hex                              | 2           |
| 10          | 01685                   | (000000-                     | ) Washer, Flt, .31 Ss                     | 2           |
| 11          | 363237                  | (000000-                     | ) Shunt, 2Hd Mtrs, Scrub 515, Red         | 1           |
| 12          | 33930                   | (000000-                     | ) Screw, Hex, M06 X 1.0 X 40, Ss          | 2           |
| 13          | 01684                   | (000000-                     | ) Washer, Flt, .25 Ss                     | 3           |
| 14          | 08712                   | (000000-                     | ) Nut, Hex, Lock, M06 X 1.0, NI, Ss       | 3           |
| 15          | 363152                  | (000000-                     | ) Actuator, 36vdc, 02.7stroke 500lb       | 1           |
| 16          | 51534                   | (000000-                     | ) Pin, Clevis, 0.50D X 2.00L              | 2           |
| 17          | 08182                   | (000000-                     | ) Pin, Cotter, .125 X 1.00                | 2           |
| 18          | 58494                   | (000000-                     | ) Stud, Ball, .39d .31-16, Gasspring      | 2           |
| 19          | 14725                   | (000000-                     | ) Nut, Retainer, .31-18                   | 2           |
| 20          | 1056845                 | (000000-                     | ) Arm Wldt, Pivot, Side, Gray [7300/8300] | 1           |
| 21          | 29584                   | (000000-                     | ) Pin, Clevis, 0.37 D X 2.00l             | 1           |
| 22          | 01686                   | (000000-                     | ) Washer, Flt, .38 Ss                     | 1           |
| 23          | 39005                   | (000000-                     | ) Pin, Cotter, .094 X 0.75                | 1           |
| 24          | 364858                  | (000000-                     | ) Gasspring, 56lb, 6.3strk                | 1           |
| 25          | 364404                  | (000000-                     | ) Cable, .13d, 15.5l, .50eye /.50eye      | 1           |

Fig. 37 - Max Pro 1000 (Cylindrical Brush) Right Side Squeegee Group

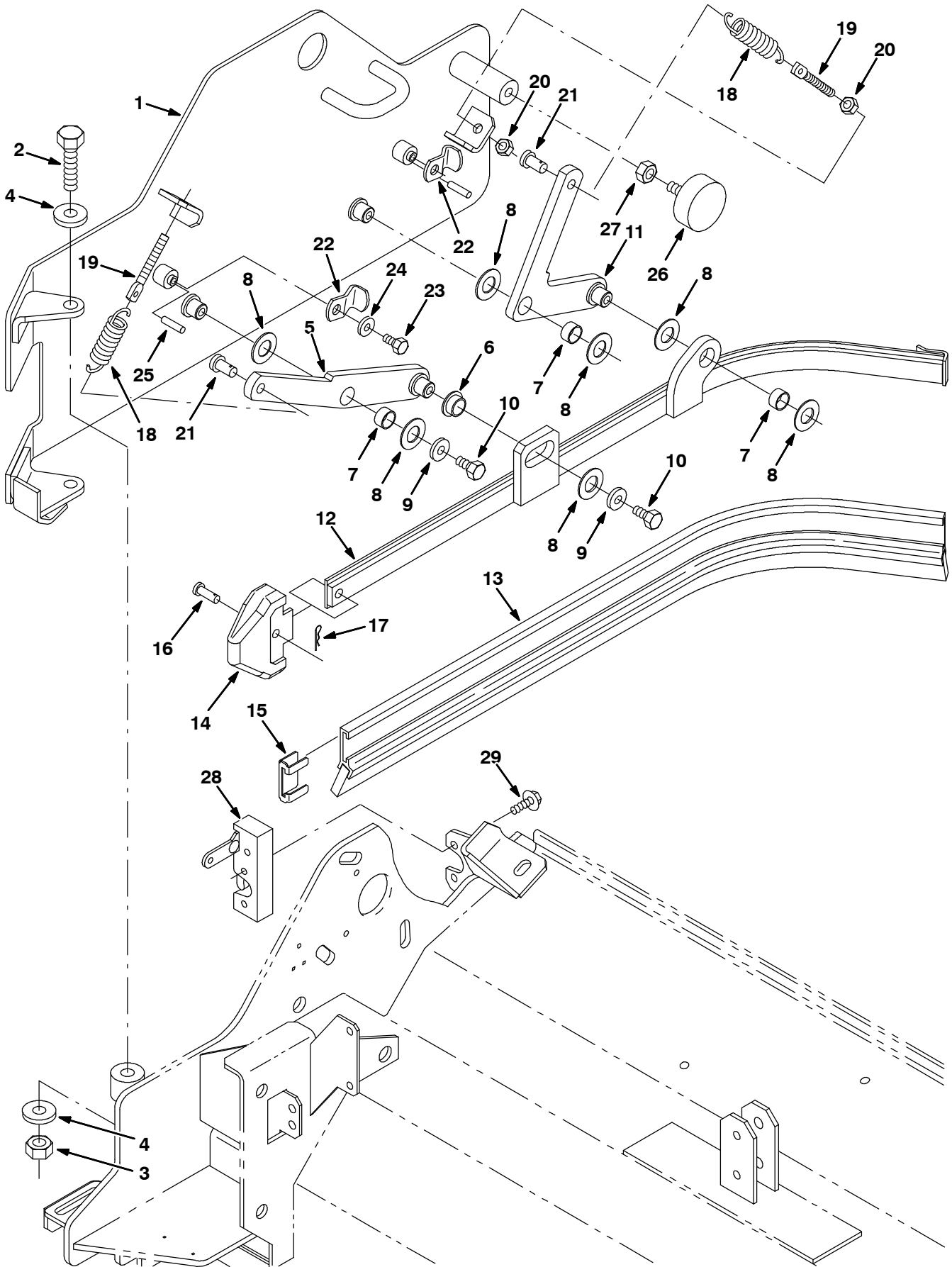




Fig. 37 - Max Pro 1000 (Cylindrical Brush) Right Side Squeegee Group

| Ref. | Tennant Part No. | Machine Serial Number | Description                            | Qty. |
|------|------------------|-----------------------|--|------|
| 1    | 1056874          | (000000-              | ) Guard Wldt, Rh, Iron Gray            | 1    |
| 2    | 09774            | (000000-              | ) Screw, Hex, M12 X 1.75 X 50, Ss      | 2    |
| 3    | 09741            | (000000-              | ) Nut, Hex, Lock, M12 X 1.75,NI, Ss    | 2    |
| 4    | 33925            | (000000-              | ) Washer, Flat, M12, 13x24x2.5ss       | 4    |
| 5    | 386269           | (000000-004999        | ) Arm Wldt, Front, Rh                  | 1    |
| 5    | 1056491          | (005000-              | ) Arm Wldt, Front, Rh, Iron Gray       | 1    |
| 6    | 25735            | (000000-              | ) Bushing, Flng, 0.63b 0.75d 0.38l     | 1    |
| 7    | 71607            | (000000-              | ) Bushing, Sleeve, 0.63b 0.72d 0.38l   | 3    |
| 8    | 64425            | (000000-              | ) Washer, Thrust, 0.61b 1.25d .06, Fgl | 7    |
| 9    | 01686            | (000000-              | ) Washer, Flt, .38 Ss                  | 4    |
| 10   | 386868           | (000000-              | ) Screw, Hex, M08x1.25 X12,Ss          | 4    |
| 11   | 386268           | (000000-              | ) Arm Wldt, Rear, Rh                   | 1    |
| 11   | 1056490          | (000000-004999        | ) Arm Wldt, Rear, Rh, Iron Gray        | 1    |
| 12   | 386263           | (005000-              | ) Frame Wldt, Sqge, Side, Rh           | 1    |
| 13   | 386260           | (000000-              | ) Squeegee, Side                       | 1    |
| 14   | 386986           | (000000-              | ) Guide, Point, Side Sqge              | 1    |
| 15   | 86759            | (000000-              | ) Retainer, Sqge                       | 1    |
| 16   | 386987           | (000000-              | ) Pin, Clevis, 0.31d 0.88l             | 1    |
| 17   | 08085            | (000000-              | ) Pin, Hair Cotter, 0.31 D .058 Wir    | 1    |
| 18   | 87816            | (000000-              | ) Spring, Extn, 0.75od X 0.09wir, 2.5l | 2    |
| 19   | 386088           | (000000-              | ) Bolt, Eye, M8 X 1.25, 2.75l          | 2    |
| 20   | 07786            | (000000-              | ) Nut, Hex, Std, M08 X 1.25, Ss        | 4    |
| 21   | 41305            | (000000-              | ) Pin, Clevis, 0.37 D X 0.75l          | 2    |
| 22   | 1056875          | (000000-              | ) Arm, Latch, Iron Gray                | 2    |
| 23   | 09744            | (000000-              | ) Screw, Hex, M06 X 1.0 X 12, Ss       | 2    |
| 24   | 01684            | (000000-              | ) Washer, Flt, .25 Ss                  | 2    |
| 25   | 17404            | (000000-              | ) Pin, Roll, .250 D X 0.75l, .250/.256 | 2    |
| 26   | 70756            | (000000-              | ) Bumper, Rbr, 2.0d 0.75t .38-16       | 1    |
| 27   | 01692            | (000000-              | ) Nut, Hex, Std, .38-16, Ss            | 1    |
| 28   | 72439            | (000000-              | ) Latch                                | 1    |
| 29   | 16949            | (000000-              | ) Screw, Hex, .25-20 X 0.75, Sems      | 4    |

Fig. 38 - Max Pro 1000 (Cylindrical Brush) Left Side Squeegee Group

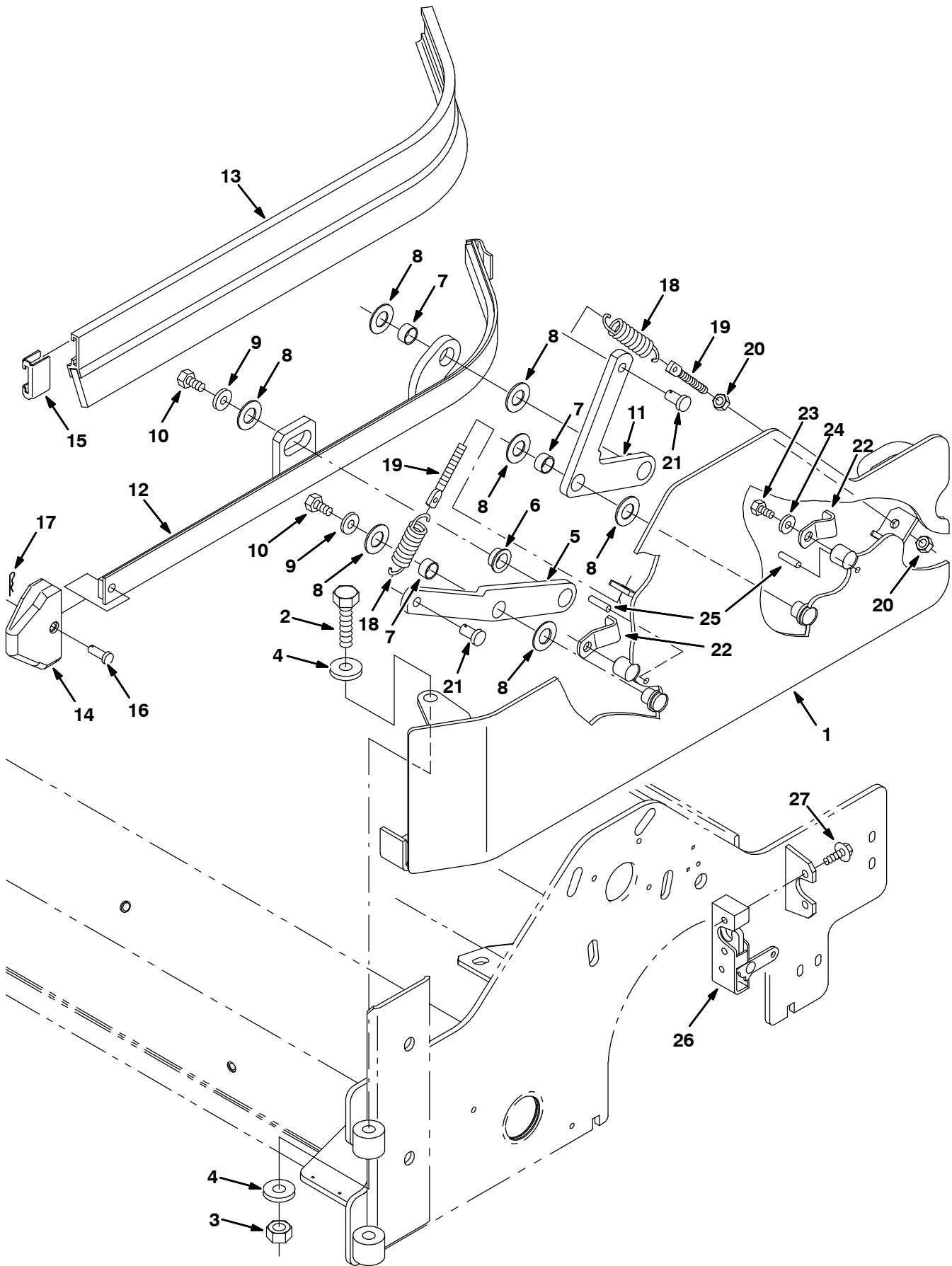
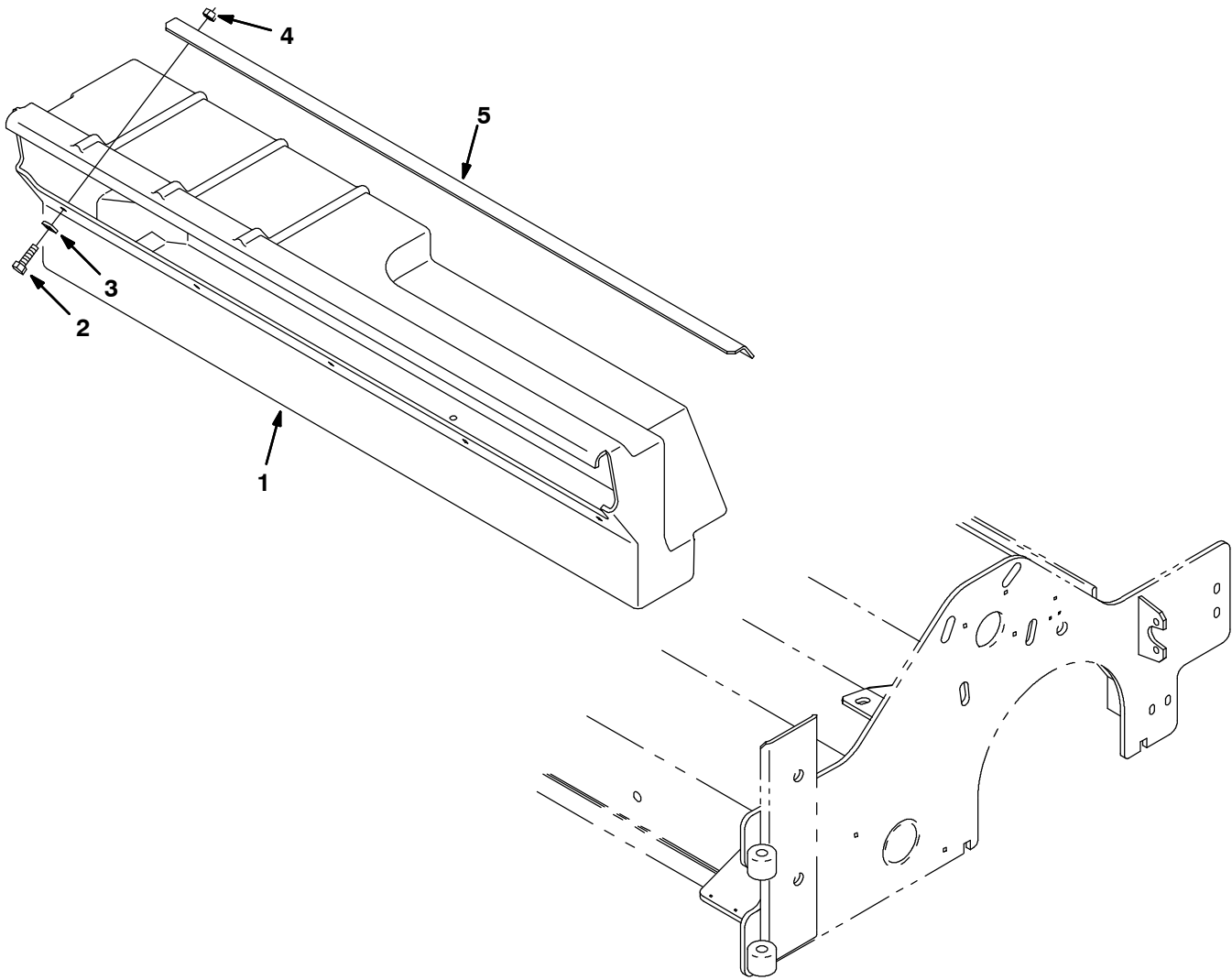


Fig. 38 - Max Pro 1000 (Cylindrical Brush) Left Side Squeegee Group

| Ref. | Tennant Part No. | Machine Serial Number | Description                          | Qty. |
|------|------------------|-----------------------|--------------------------------------|------|
| 1    | 386496           | (000000-004999 )      | Guard Wldt, Lh                       | 1    |
| 1    | 1056495          | (005000-              | Guard Wldt, Lh, Iron Gray            | 1    |
| 2    | 09774            | (000000-              | Screw, Hex, M12 X 1.75 X 50, Ss      | 2    |
| 3    | 09741            | (000000-              | Nut, Hex, Lock, M12 X 1.75,NI, Ss    | 2    |
| 4    | 33925            | (000000-              | Washer, Flat, M12, 13x24x2.5ss       | 4    |
| 5    | 386276           | (000000-004999 )      | Arm Wldt, Front, Lh                  | 1    |
| 5    | 1056493          | (005000-              | Arm Wldt, Front, Lh, Iron Gray       | 1    |
| 6    | 25735            | (000000-              | Bushing, Flng, 0.63b 0.75d 0.38l     | 1    |
| 7    | 71607            | (000000-              | Bushing, Sleeve, 0.63b 0.72d 0.38l   | 3    |
| 8    | 64425            | (000000-              | Washer, Thrust, 0.61b 1.25d .06, Fgl | 7    |
| 9    | 01686            | (000000-              | Washer, Flt, .38 Ss                  | 4    |
| 10   | 386868           | (000000-              | Screw, Hex, M08x1.25 X12,Ss          | 4    |
| 11   | 386275           | (000000-004999 )      | Arm Wldt, Rear, Lh                   | 1    |
| 11   | 1056492          | (005000-              | Arm Wldt, Rear, Lh, Iron Gray        | 1    |
| 12   | 386262           | (000000-              | Frame Wldt, Sqge, Side, Lh           | 1    |
| 13   | 386260           | (000000-              | Squeegee, Side                       | 1    |
| 14   | 386986           | (000000-              | Guide, Point, Side Sqge              | 1    |
| 15   | 86759            | (000000-              | Retainer, Sqge                       | 1    |
| 16   | 386987           | (000000-              | Pin, Clevis, 0.31d 0.88l             | 1    |
| 17   | 08085            | (000000-              | Pin, Hair Cotter, 0.31 D .058 Wir    | 1    |
| 18   | 87816            | (000000-              | Spring, Extn, 0.75od X 0.09wir, 2.5l | 2    |
| 19   | 386088           | (000000-              | Bolt, Eye, M8 X 1.25, 2.75l          | 2    |
| 20   | 07786            | (000000-              | Nut, Hex, Std, M08 X 1.25, Ss        | 4    |
| 21   | 41305            | (000000-              | Pin, Clevis, 0.37 D X 0.75l          | 2    |
| 22   | 1056875          | (000000-              | Arm, Latch, Iron Gray                | 2    |
| 23   | 09744            | (000000-              | Screw, Hex, M06 X 1.0 X 12, Ss       | 2    |
| 24   | 01684            | (000000-              | Washer, Flt, .25 Ss                  | 2    |
| 25   | 17404            | (000000-              | Pin, Roll, .250 D X 0.75l, .250/.256 | 2    |
| 26   | 59661            | (000000-              | Latch                                | 1    |
| 27   | 16949            | (000000-              | Screw, Hex, .25-20 X 0.75, Sems      | 4    |

**Fig. 39 - Max Pro 1000 (Cylindrical Brush) Debris Tray Group**



**Fig. 39 - Max Pro 1000 (Cylindrical Brush) Debris Tray Group**

| <b>Ref.</b> | <b>Tennant Part No.</b> | <b>Machine Serial Number</b> | <b>Description</b>               | <b>Qty.</b> |
|-------------|-------------------------|------------------------------|----------------------------------|-------------|
| 1           | 387671                  | (000000-                     | ) Tray, Debris, 40L, W/Holes     | 1           |
| 2           | 08716                   | (000000-                     | ) Screw, Hex, M6X1.0X20, Ss      | 5           |
| 3           | 01684                   | (000000-                     | ) Washer, Flat, 0.25 Ss          | 5           |
| 4           | 08712                   | (000000-                     | ) Nut, Hex, Lock, M6X1.0, Ss, NI | 5           |
| 5           | 1057526                 | (000000-                     | ) Angle, Iron Gray               | 1           |

Fig. 40 - Max Pro 1000 (Cylindrical Brush) Vacuumized Debris Tray Group

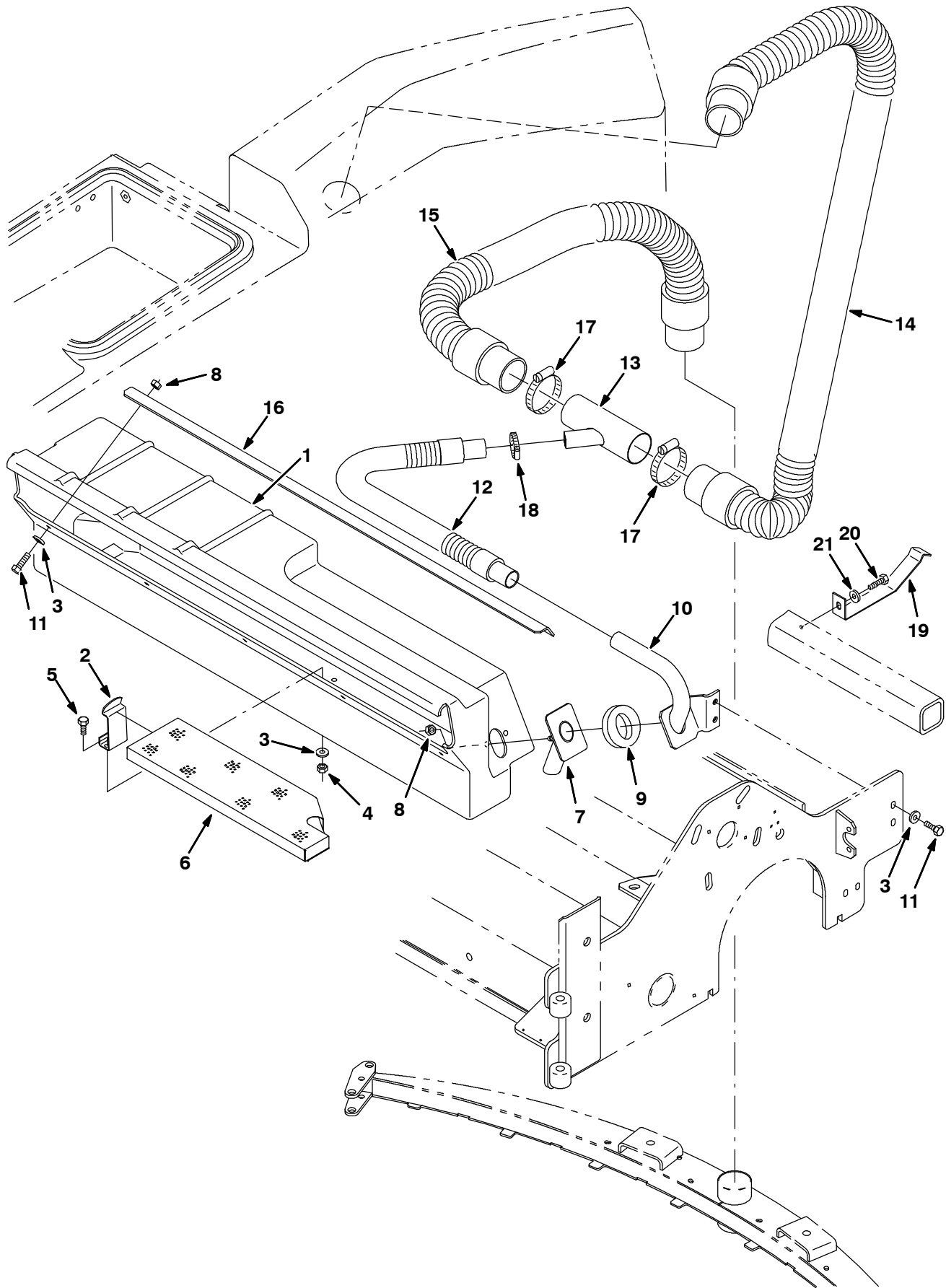


Fig. 40 - Max Pro 1000 (Cylindrical Brush) Vacuumized Debris Tray Group

| Ref. | Tennant Part No. | Machine Serial Number | Description                                | Qty. |
|------|------------------|-----------------------|--|------|
| 1    | 386282           | (000000-              | ) Tray, Debris, 40.0l                      | 1    |
| 2    | 87244            | (000000-              | ) Clip, Spring, Prop Arm                   | 1    |
| 3    | 01684            | (000000-              | ) Washer, Flt, .25 Ss                      | 14   |
| 4    | 08712            | (000000-              | ) Nut, Hex, Lock, M06 X 1.0, NI, Ss        | 2    |
| 5    | 09744            | (000000-              | ) Screw, Hex, M06 X 1.0 X 12, Ss           | 2    |
| 6    | 386500           | (000000-              | ) Screen Wldt                              | 1    |
| 7    | 1057520          | (000000-              | ) Tube Wldt, Vacuum, Scrbr Head, Iron Gray | 1    |
| 8    | 08712            | (000000-              | ) Nut, Hex, Lock, M06 X 1.0, NI, Ss        | 7    |
| 9    | 386504           | (000000-              | ) Gasket, Foam                             | 1    |
| 10   | 1057521          | (000000-              | ) Tube Wldt, Upper, Iron Gray              | 1    |
| 11   | 08716            | (000000-              | ) Screw, Hex, M06 X 1.0 X 20, Ss           | 7    |
| 12   | 222788           | (000000-001702        | ) Hose Assy, W/2cuff, 1.0d, 23l            | 1    |
| 12   | 387517           | (001703-              | ) Hose Assy, W/2cuff, 1.0d, 41l            | 1    |
| 13   | 386518           | (000000-              | ) Tube Wldt                                | 1    |
| 14   | 386514           | (000000-001702        | ) Hose, Vacuum, 58.5l                      | 1    |
| 14   | 1005133          | (001703-              | ) Hose Assy, W/2cuff, 2.0d 75l             | 1    |
| 15   | 387256           | (000000-001702        | ) Hose, Vacuum, 35.0l                      | 1    |
| 15   | 1005135          | (001703-              | ) Hose Assy, W/2cuff, 2.0d 26l             | 1    |
| 16   | 1057526          | (000000-              | ) Angle, Iron Gray                         | 1    |
| 17   | 14432            | (000000-              | ) Clamp, Hose, Wormdrive, 1.81-2.75d       | 2    |
| 18   | 11399            | (000000-              | ) Clamp, Hose, Wormdrive, 0.81-1.50d       | 1    |
| 19   | 1002464          | (001703-              | ) Bracket, Tube , Tee                      | 1    |
| 20   | 361339           | (001703-              | ) Screw, Hex, M 6 X 1.0 X 16, Fmg          | 1    |
| 21   | 32483            | (001703-              | ) Washer, Flat, 0.25 Sae                   | 1    |

**Fig. 41 - Max Pro 1200 (Cylindrical Brush) Scrub Head Frame and Linkage Group**

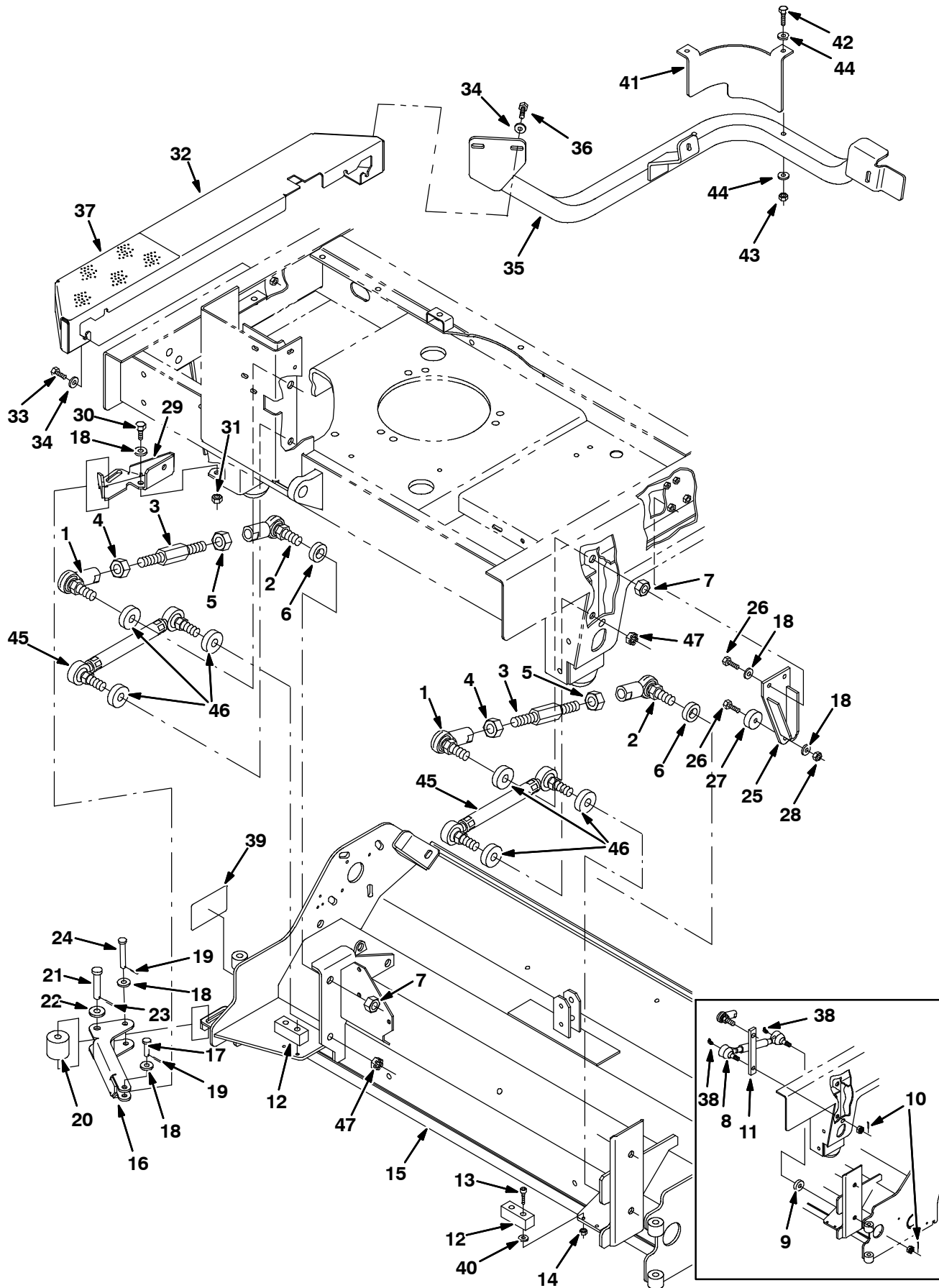




Fig. 41 - Max Pro 1200 (Cylindrical Brush) Scrub Head Frame and Linkage Group

| Ref. | Tennant Part No. | Machine Serial Number | Description                                 | Qty. |
|------|------------------|-----------------------|---|------|
| 1    | 77275            | (000000-              | Rod-End, .62-18rh Fem 0.50-18stud           | 2    |
| 2    | 386070           | (000000-              | Rod-End, .625-18, Lh                        | 2    |
| 3    | 386071           | (000000-              | Rod, Link                                   | 2    |
| 4    | 77276            | (000000-              | Nut, Hex, Jam, .62-18, Ss                   | 2    |
| 5    | 77277            | (000000-              | Nut, Hex, Jam, .62-18, Ss, Lh               | 2    |
| 6    | 386081           | (000000-              | Spacer, Rod-End                             | 2    |
| 7    | 40814            | (000000-              | Nut, Hex, Lock, .62-18, NI, Thin            | 4    |
| 8    | 363113           | (000000-003695)       | Link Wldt, Head, Drag (Replaced by 9005751) | 2    |
| 9    | 14524            | (000000-003695)       | Spacer, Washer                              | 2    |
| 10   | 08346            | (000000-003695)       | Pin, Cotter, .125 X 0.75                    | 4    |
| 11   | 386844           | (000000-003695)       | Spacer, Plate                               | 2    |
| 12   | 386865           | (000000-              | Bumper                                      | 2    |
| 13   | 24198            | (000000-              | Screw, Pan, M05 X 0.8 X 25, Ss              | 4    |
| 14   | 09739            | (000000-              | Nut, Hex, Lock, M05 X 0.8, NI, Ss           | 4    |
| 15   | 1056903          | (000000-              | Housing Wldt, Brush, Iron Gray              | 1    |
| 16   | 1001099          | (000000-004999)       | Guard, Kick In, Scb Head                    | 1    |
| 16   | 1056390          | (005000-              | Guard, Kick In, Scb Head, Iron Gray         | 1    |
| 17   | 29557            | (000000-              | Pin, Clevis, 0.37 D X 1.311                 | 1    |
| 18   | 01686            | (000000-              | Washer, Flt, .38 Ss                         | 7    |
| 19   | 39005            | (000000-              | Pin, Cotter, .094 X 0.75                    | 2    |
| 20   | 72946            | (000000-              | Roller                                      | 1    |
| 21   | 06279            | (000000-              | Pin, Clevis, 0.50 D X 2.50l                 | 1    |
| 22   | 32493            | (000000-              | Washer, Flt, .50 Std                        | 1    |
| 23   | 08182            | (000000-              | Pin, Cotter, .125 X 1.00                    | 1    |
| 24   | 365180           | (000000-              | Pin, Clevis, 0.38 D X 2.50l                 | 1    |
| 25   | 1056494          | (000000-              | Plate Wldt, Stop, Iron Gray                 | 2    |
| 26   | 09010            | (000000-              | Screw, Hex, M08 X 1.25 X 25, Ss             | 3    |
| 27   | 15023            | (000000-              | Bumper, Pye                                 | 1    |
| 28   | 08713            | (000000-              | Nut, Hex, Lock, M08 X 1.25, NI, Ss          | 1    |
| 29   | 386876           | (000000-004999)       | Bracket, Adaptor, Mtg, Kick In, Frame       | 1    |
| 29   | 1056505          | (005000-              | Bracket, Adapter, Mtg, Kick In, Frame       | 1    |
| 30   | 09028            | (000000-              | Screw, Hex, M10 X 1.5 X 25, Ss              | 1    |
| 31   | 08714            | (000000-              | Nut, Hex, Lock, M10 X 1.5, NI, Ss           | 1    |
| 32   | 386827           | (000000-004999)       | Bumper, Side, Scb Head, Wide                | 1    |
| 32   | 1056681          | (005000-              | Bumper, Side, Scb Head, Wide, Iron Gray     | 1    |
| 33   | 09740            | (000000-              | Screw, Hex, M08 X 1.25 X 20, Ss             | 4    |
| 34   | 01685            | (000000-              | Screw, Hex, M08 X 1.25 X 20, Ss             | 8    |
| 35   | 387245           | (000000-004999)       | Guard Wldt, Sqge (MP 20)                    | 1    |
| 35   | 1056517          | (005000-              | Guard Wldt, Sqge, Rear, Gray                | 1    |
| 36   | 09010            | (000000-              | Screw, Hex, M08 X 1.25 X 25, Ss             | 4    |
| 37   | 387080           | (000000-              | Tread, Floor, 12.5 X 5.75                   | 1    |
| 38   | 09718            | (000000-003695)       | Fitting, Grease, E90 Pm04 .75L              | 4    |
| 39   | 365156           | (000000-              | Label Set, Info/Hzrd, [Max Pro]             | 1    |
| 40   | 13248            | (000000-              | Washer, 0.40B 1.12D .12, Stl, Pl            | 4    |
| ▽    | 374250           | (000000-004999)       | Guard Kit, Sqge, Rear, Ci [7300/8300]       | 1    |
| ▲    | 41 1007486       | (000000-004999)       | Guard, Bumper                               | 1    |
| ▲    | 42 39278         | (000000-004999)       | Screw, Hex, M8 X 1.25 X 50, 8.8             | 2    |
| ▲    | 43 08713         | (000000-004999)       | Nut, Hex, Lock, M8 X 1.25, NI, Ss           | 2    |
| ▲    | 44 32491         | (000000-004999)       | Washer, Flat, 0.31, Std                     | 4    |
| ▽    | 9006924          | (005000-              | Guard Kit, Sqge, Rear, Iron Gray, Ci        | 1    |
| ▲    | 41 1057073       | (005000-              | Guard, Bumper                               | 1    |
| ▲    | 42 39278         | (005000-              | Screw, Hex, M8 X 1.25 X 50, 8.8             | 2    |
| ▲    | 43 08713         | (005000-              | Nut, Hex, Lock, M8 X 1.25, NI, Ss           | 2    |
| ▲    | 44 32491         | (005000-              | Washer, Flat, 0.31, Std                     | 4    |
| 45   | 1050193          | (000000-              | Link Assy, Rod-End, .63-18                  | 2    |
| 46   | 386081           | (000000-              | Tube, 0.69ld 1.25Od 00.4L, Blk, Rod-End     | 6    |
| 47   | 40814            | (000000-              | Nut, Hex, Lock, .62-18, NI, Thin            | 4    |

Fig. 42 - Max Pro 1200 (Cylindrical Brush) Scrub Head Drive Group

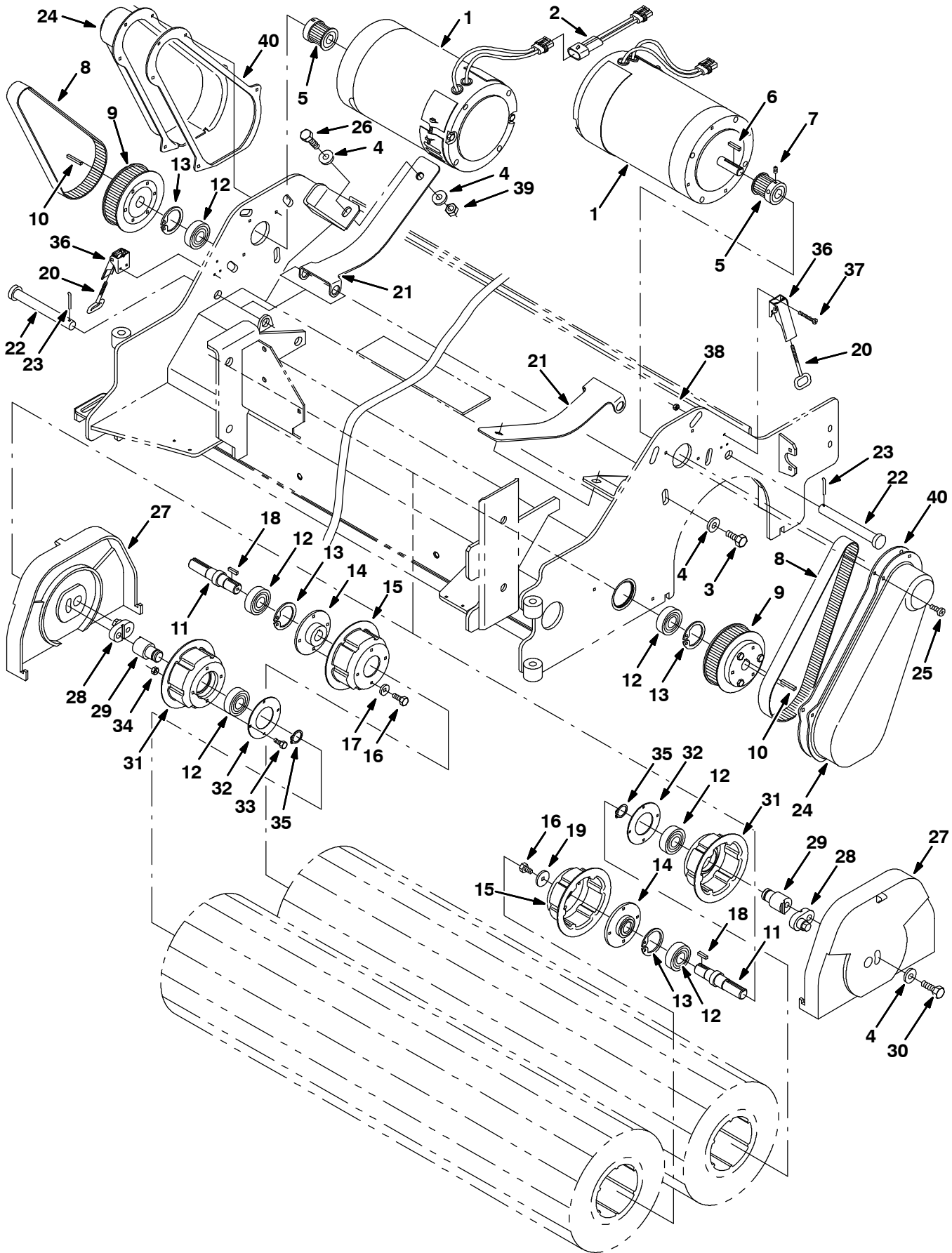


Fig. 42 - Max Pro 1200 (Cylindrical Brush) Scrub Head Drive Group

| Ref. | Tennant Part No. | Machine Serial Number | Description   | Qty.                                   |   |
|------|------------------|-----------------------|---|--|---|
| 1    | 386050           | (000000-002093 )      | Motor, Ele, 36vdc 1500rpm 1.5hp (See Breakdown)<br>(Repl By 377398AM) | 2                                      |   |
| ▽    | 1                | 377398                | (002094- )  | Motor, Ele, 36vdc 1.50hp 1500rpm 43.0a | 2 |
| ▲    | 621478           | (002094- )            | Brush, Carbon   | 2                                      |   |
| 2    | 363468           | (000000- )            | Wire Assy, Jumper Reverse, [515]                                      | 1                                      |   |
| 3    | 09291            | (000000- )            | Screw, Hex, M10 X 1.5 X 20, Ss  | 8                                      |   |
| 4    | 01686            | (000000- )            | Washer, Flt, .38 Ss   | 14                                     |   |
| 5    | 83052            | (000000- )            | Sprocket, Timing, 23tooth, 0.625b                                     | 2                                      |   |
| 6    | 00912            | (000000- )            | Key, Sq, 0.19 X 0.19, 01.00l  | 2                                      |   |
| 7    | 39323            | (000000- )            | Screw, Set, #10-32 X 0.38, Al   | 4                                      |   |
| 8    | 386053           | (000000- )            | Belt, Drive (Cylindrical Brush)                                       | 2                                      |   |
| 9    | 375301           | (000000- )            | Sprocket, Timing, 4.261pd, 68 Grv, Pl                                 | 2                                      |   |
| 10   | 00918            | (000000- )            | Key, Sq, 0.19 X 0.19, 01.25l  | 2                                      |   |
| 11   | 386058           | (000000- )            | Shaft, Drive, Brush   | 2                                      |   |
| 12   | 46390            | (000000- )            | Bearing, Ball, 0.79b 1.85d 0.55w                                      | 6                                      |   |
| 13   | 10464            | (000000- )            | Ring, Retaining, Int, 1.85d, Basic                                    | 4                                      |   |
| 14   | 1056846          | (000000- )            | Hub Wldt, Drive, Brush, Iron Gray                                     | 2                                      |   |
| 15   | 1056847          | (000000- )            | Plug, Drive, Brush, Spl, Iron Gray                                    | 2                                      |   |
| 16   | 15678            | (000000- )            | Screw, Hex, M06 X 1.0 X 16, Ss  | 10                                     |   |
| 17   | 01684            | (000000- )            | Washer, Flt, .25 Ss   | 8                                      |   |
| 18   | 00911            | (000000- )            | Key, Sq, 0.19 X 0.19, 00.75l  | 2                                      |   |
| 19   | 386063           | (000000- )            | Washer, 0.25b 1.12d .12, Ss   | 2                                      |   |
| 20   | 386274           | (000000- )            | Hook Wldt, Latch  | 2                                      |   |
| 21   | 1057089          | (000000- )            | Spring, Motor, Iron Gray  | 2                                      |   |
| 22   | 386072           | (000000- )            | Pin, Clevis, .625 Dia X 5.25l   | 2                                      |   |
| 23   | 02942            | (000000- )            | Pin, Hair Cotter, 0.62 D .120 Wir                                     | 2                                      |   |
| 24   | 386066           | (000000- )            | Cover, Drive  | 2                                      |   |
| 25   | 48732            | (000000- )            | Screw, Pan, M06 X 1.0 X 10, Ss  | 10                                     |   |
| 26   | 12317            | (000000- )            | Screw, Hex, M10 X 1.5 X 30, Ss  | 2                                      |   |
| 27   | 386080           | (000000- )            | Cover, Idler  | 2                                      |   |
| 28   | 386841           | (000000- )            | Cam, Front  | 2                                      |   |
| 29   | 386842           | (000000- )            | Cam, Rear   | 2                                      |   |
| 30   | 12317            | (000000- )            | Screw, Hex, M10 X 1.5 X 30, Ss  | 2                                      |   |
| 31   | 81771            | (000000- )            | Plug, Drive, Brush, Splined   | 2                                      |   |
| 32   | 1056838          | (000000- )            | Retainer, Brg, Iron Gray  | 2                                      |   |
| 33   | 09738            | (000000- )            | Screw, Hex, M05 X 0.8 X 12, Ss  | 8                                      |   |
| 34   | 06549            | (000000- )            | Nut, Hex, Lock, M05 X 0.8, NI   | 8                                      |   |
| 35   | 26428            | (000000- )            | Ring, Retaining, Ext, 0.75d, Hd                                       | 2                                      |   |
| 36   | 386257           | (000000- )            | Latch   | 2                                      |   |
| 37   | 09198            | (000000- )            | Screw, Pan, M04 X 0.7 X 35, Ss  | 6                                      |   |
| 38   | 33932            | (000000- )            | Nut, Hex, Lock, M04 X 0.7, NI, Ss                                     | 6                                      |   |
| 39   | 08714            | (000000- )            | Nut, Hex, Lock, M10 X 1.5, NI, SS                                     | 2                                      |   |
| 40   | 1001062          | (000000- )            | Gasket, Cover   | 2                                      |   |

Fig. 43 - Max Pro 1200 (Cylindrical Brush) Solution Valve Group

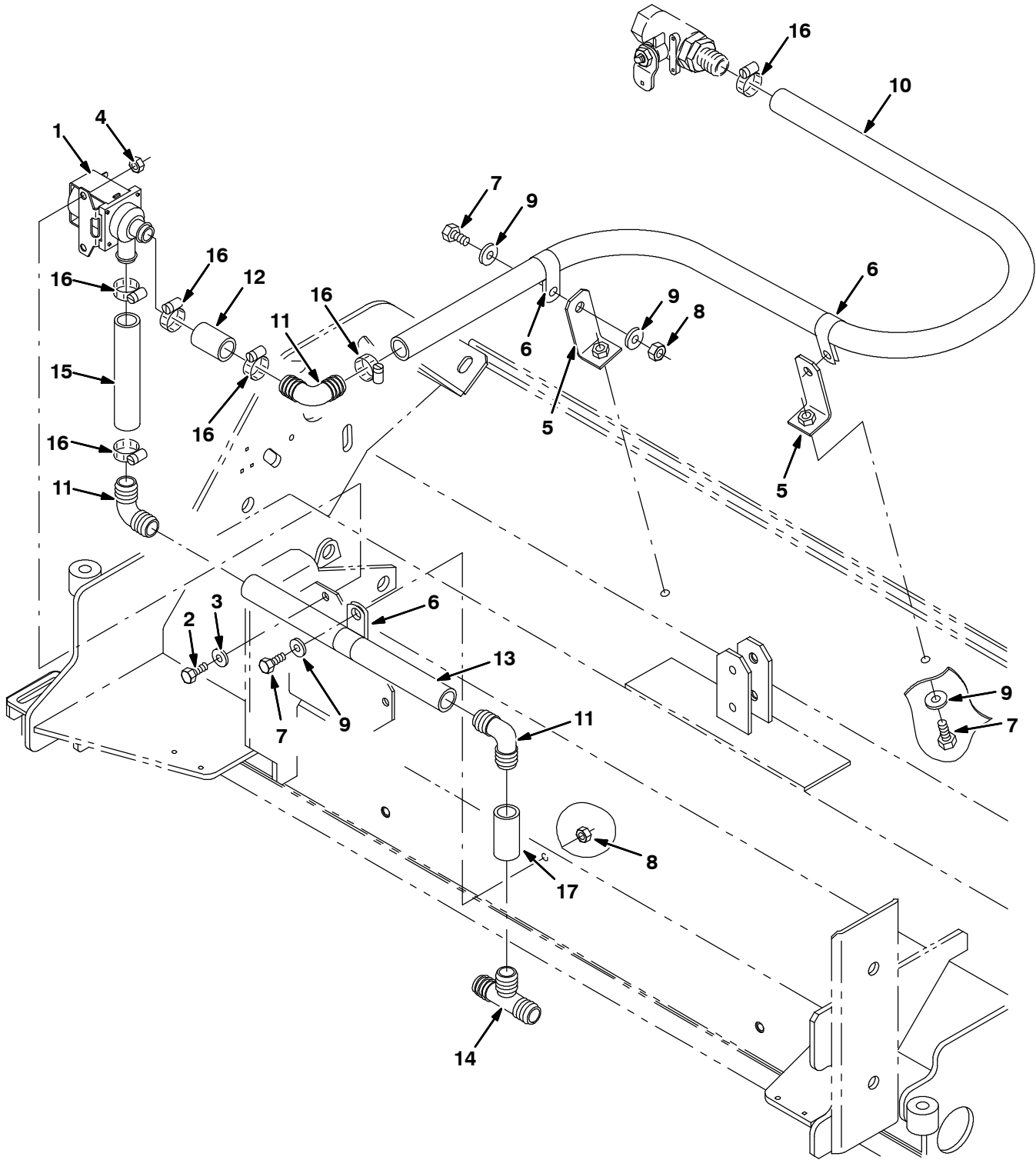


Fig. 43 - Max Pro 1200 (Cylindrical Brush) Solution Valve Group

| Ref. | Tennant Part No. | Machine Serial Number | Description                            | Qty. |
|------|------------------|-----------------------|--|------|
| 1    | 84028            | (000000-              | ) Valve, Water                         | 1    |
| 2    | 15678            | (000000-              | ) Screw, Hex, M06 X 1.0 X 16, Ss       | 2    |
| 3    | 01684            | (000000-              | ) Washer, Flt, .25 Ss                  | 2    |
| 4    | 08712            | (000000-              | ) Nut, Hex, Lock, M06 X 1.0, NI, Ss    | 2    |
| 5    | 1056873          | (000000-              | ) Angle, Iron Gray                     | 2    |
| 6    | 69234            | (000000-              | ) Clamp, Cable, Stl, 1.00d X 0.62w, 1h | 3    |
| 7    | 15675            | (000000-              | ) Screw, Hex, M08 X 1.25 X 16, Ss      | 7    |
| 8    | 08709            | (000000-              | ) Nut, Hex, Lock, M08 X 1.25,NI        | 5    |
| 9    | 01685            | (000000-              | ) Washer, Flt, .31 Ss                  | 9    |
| 10   | 73474            | (000000-              | ) Hose, Pvc, Brd, 0.75id 1.00od 44.50l | 1    |
| 11   | 40566            | (000000-              | ) Fitting, Plstc, E90, Bm12/Bm12       | 3    |
| 12   | 364899           | (000000-              | ) Hose, Pvc, Brd, 0.75id 1.03od 01.50l | 1    |
| 13   | 364896           | (000000-              | ) Hose, Pvc, Brd, 0.75id 1.03od 11.00l | 1    |
| 14   | 41315            | (000000-              | ) Fitting, Plstc, Tee, Bm12/Bm12/Bm12  | 1    |
| 15   | 364895           | (000000-              | ) Hose, Pvc, Brd, 0.75id 1.03od 05.00l | 1    |
| 16   | 11399            | (000000-              | ) Clamp, Hose, Wormdrive, 0.81-1.50d   | 6    |
| 17   | 16914            | (000000-              | ) Hose, Pvc, Brd, 0.75id 1.00od 2.00l  | 1    |

Fig. 44 - Max Pro 1200 (Cylindrical Brush) Solution Valve Group (FaST/ec-H2O)

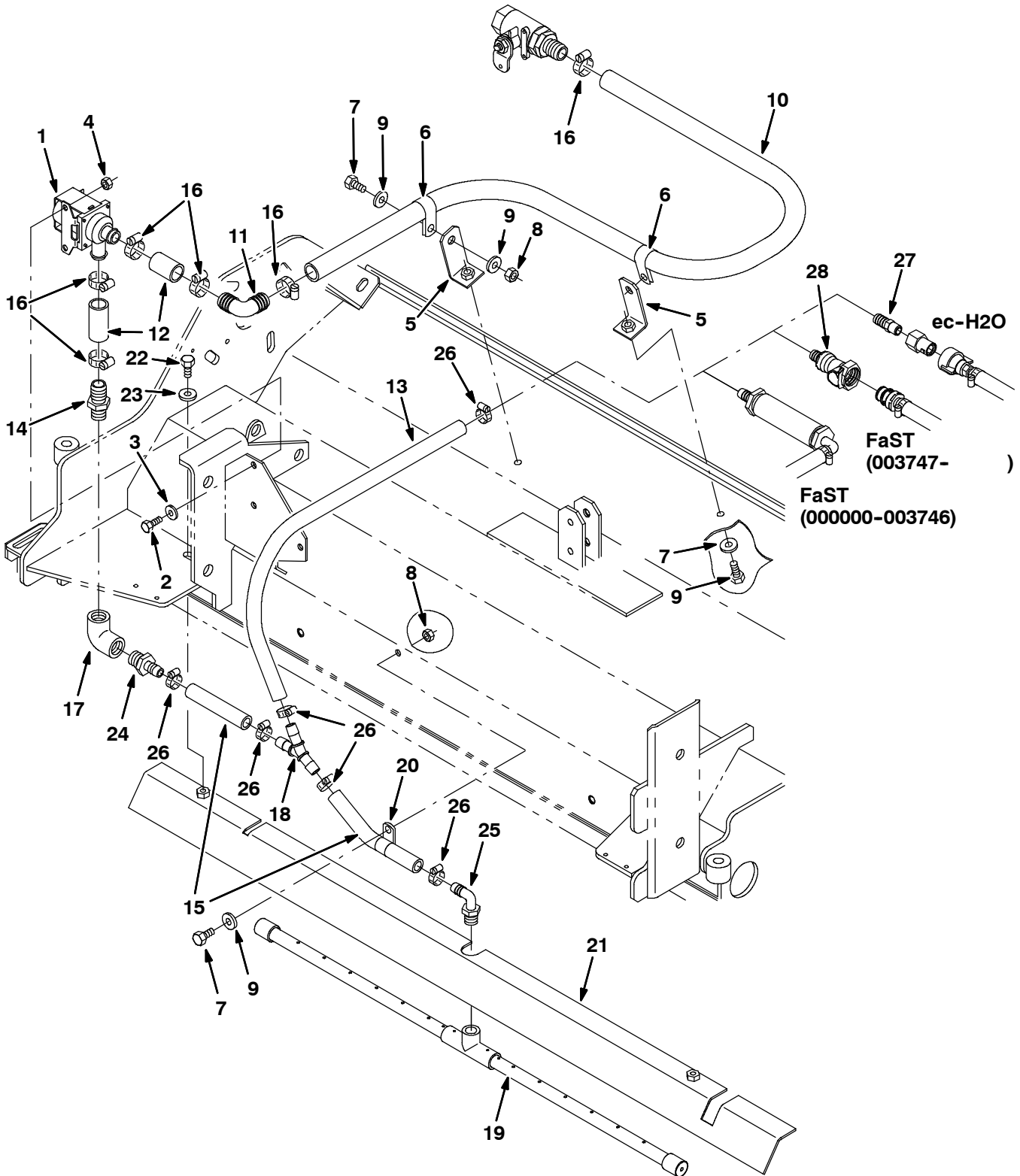
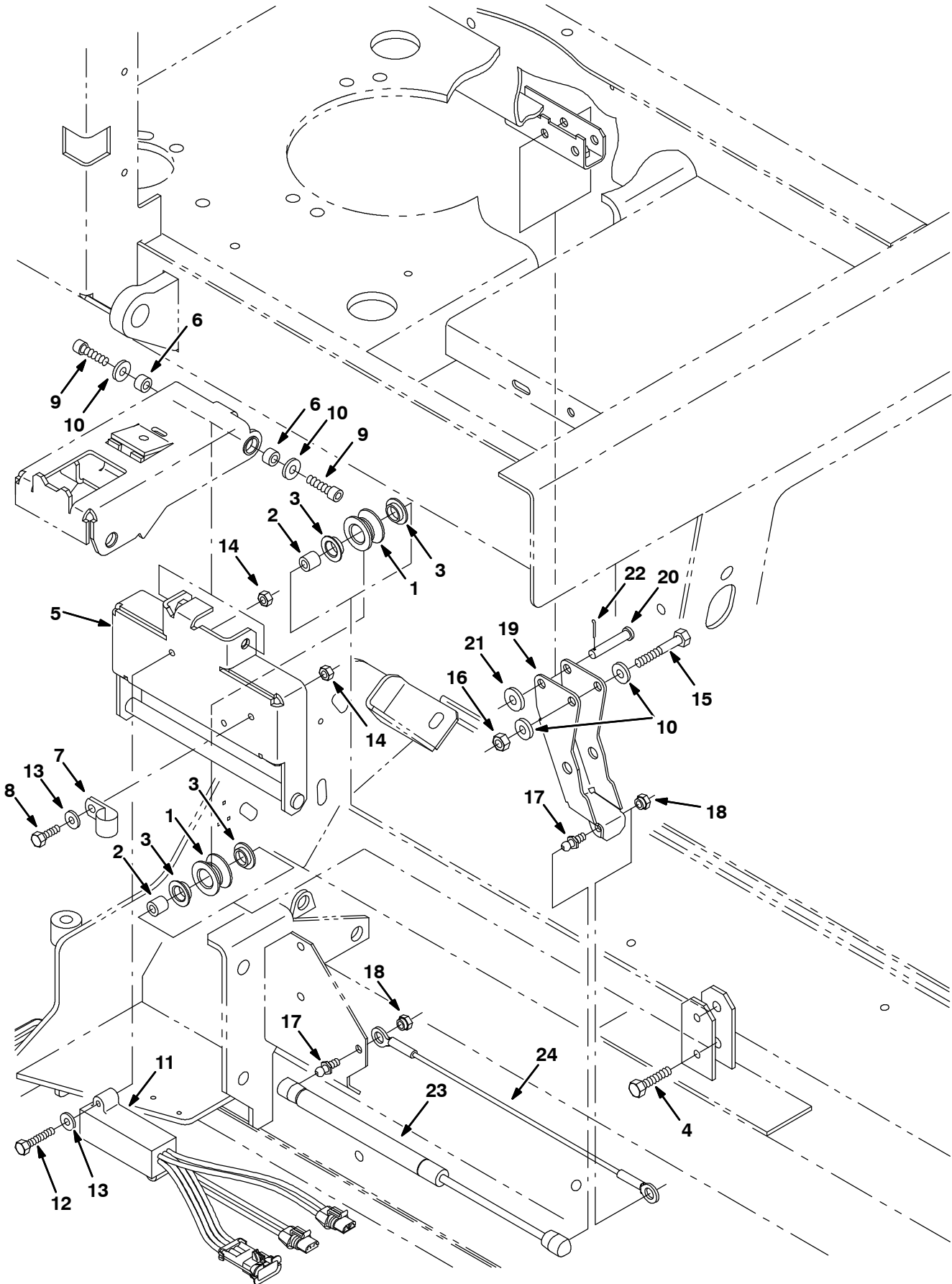


Fig. 44 - Max Pro 1200 (Cylindrical Brush) Solution Valve Group (FaST/ec-H2O)

| Ref. | Tennant Part No. | Machine Serial Number | Description                                | Qty. |
|------|------------------|-----------------------|--|------|
| 1    | 84028            | (000000-              | ) Valve, Water                             | 1    |
| 2    | 15678            | (000000-              | ) Screw, Hex, M06 X 1.0 X 16, Ss           | 2    |
| 3    | 01684            | (000000-              | ) Washer, Flt, .25 Ss                      | 2    |
| 4    | 08712            | (000000-              | ) Nut, Hex, Lock, M06 X 1.0, NI, Ss        | 2    |
| 5    | 1056873          | (000000-              | ) Angle, Iron Gray                         | 2    |
| 6    | 69234            | (000000-              | ) Clamp, Cable, Stl, 1.00d X 0.62w, 1h     | 2    |
| 7    | 15675            | (000000-              | ) Screw, Hex, M08 X 1.25 X 16, Ss          | 5    |
| 8    | 08709            | (000000-              | ) Nut, Hex, Lock, M08 X 1.25,NI            | 3    |
| 9    | 01685            | (000000-              | ) Washer, Flt, .31 Ss                      | 7    |
| 10   | 1015045          | (000000-              | ) Hose, Afmkt, Pvc, Brd 0.75id 8 Ft        | 1    |
| 11   | 40566            | (000000-              | ) Fitting, Plstc, E90, Bm12/Bm12           | 3    |
| 12   | 1015048          | (000000-              | ) Hose, Afmkt, Pvc, Brd 0.75id 1 Ft        | 1    |
| 13   | 1011521          | (000000-              | ) Hose, Afmkt Replmt, Pvc, Brd 0.50id 2 Ft | 1    |
| 14   | 78398            | (000000-              | ) Fitting, Plstc, Str, Bm12/Pm08, Nyl      | 1    |
| 15   | 1011403          | (000000-              | ) Hose, Afmkt Replmt, Pvc, Brd 0.50id 1 Ft | 1    |
| 16   | 11399            | (000000-              | ) Clamp, Hose, Wormdrive, 0.81-1.50d       | 6    |
| 17   | 79572            | (000000-              | ) Fitting, Plstc, E90, Pf08/Pf08           | 1    |
| 18   | 1010668          | (000000-              | ) Fitting, Plstc, Y, Bm08/Bm08/Bm08 Nyl    | 1    |
| 19   | 1010832          | (000000-              | ) Bar Assy, Spray [7300/8300]              | 1    |
| 20   | 07471            | (000000-              | ) Clamp, Cable, Stl, 0.75d X 0.75w, 1h     | 1    |
| 21   | 1057530          | (000000-              | ) Bracket, Bar, Spray, 48.0 [7300/8300]    | 1    |
| 22   | 49826            | (000000-              | ) Screw, Hex, M8 X 1.25 X 16, Ss, NI       | 2    |
| 23   | 32492            | (000000-              | ) Washer, Flat, 0.38 Std                   | 2    |
| 24   | 79273-4          | (000000-              | ) Fitting, Plstc, Str, Bm08/Pm08           | 1    |
| 25   | 64778            | (000000-              | ) Fitting, Plstc, E90, Bm08/Pm06           | 1    |
| 26   | 54333            | (000000-              | ) Clamp, Hose, Wormdrive, 0.31-0.88d       | 6    |
| 27   | 48610            | (000000-              | ) Fitting, Plstc, Str, Bm08/Pm04 (ec-H2O)  | 1    |
| 28   | 1017413          | (003747-              | ) Housing, Cplg, Qf / Pm08 (FaST)          | 1    |

**Fig. 45 - Max Pro 1200 (Cylindrical Brush) Edge Scrub Group**





**Fig. 45 - Max Pro 1200 (Cylindrical Brush) Edge Scrub Group**

| <b>Ref.</b> | <b>Tennant Part No.</b> | <b>Machine Serial Number</b> | <b>Description</b>                        | <b>Qty.</b> |
|-------------|-------------------------|------------------------------|---|-------------|
| 1           | 363120                  | (000000-                     | ) Roller                                  | 2           |
| 2           | 222277                  | (000000-                     | ) Sleeve                                  | 2           |
| 3           | 04843                   | (000000-                     | ) Bushing, Flng, 0.63b 0.72d 0.25l        | 4           |
| 4           | 222505                  | (000000-                     | ) Screw, Hex, M08 X 1.25 X 45, Ss         | 2           |
| 5           | 1056843                 | (000000-                     | ) Rail Wldt, Lift, Cyl Head, Iron Gray    | 1           |
| 6           | 222556                  | (000000-                     | ) Sleeve                                  | 2           |
| 7           | 67767                   | (000000-                     | ) Clamp, Cable, Stl, 0.69d X 0.62w, 1h    | 1           |
| 8           | 08716                   | (000000-                     | ) Screw, Hex, M06 X 1.0 X 20, Ss          | 1           |
| 9           | 39308                   | (000000-                     | ) Screw, Soc, M08 X 1.25 X 25, 12.9       | 2           |
| 10          | 01685                   | (000000-                     | ) Washer, Flt, .31 Ss                     | 4           |
| 11          | 363237                  | (000000-                     | ) Shunt, 2Hd Mtrs, Scrub 515, Red         | 1           |
| 12          | 33930                   | (000000-                     | ) Screw, Hex, M06 X 1.0 X 40, Ss          | 2           |
| 13          | 01684                   | (000000-                     | ) Washer, Flt, .25 Ss                     | 3           |
| 14          | 08712                   | (000000-                     | ) Nut, Hex, Lock, M06 X 1.0, NI, Ss       | 3           |
| 15          | 77270                   | (000000-                     | ) Screw, Hex, M08 X 1.25 X 60, Ss         | 1           |
| 16          | 08713                   | (000000-                     | ) Nut, Hex, Lock, M08 X 1.25,NI, Ss       | 1           |
| 17          | 58494                   | (000000-                     | ) Stud, Ball, .39d .31-16, Gasspring      | 2           |
| 18          | 14725                   | (000000-                     | ) Nut, Retainer, .31-18                   | 2           |
| 19          | 1056845                 | (000000-                     | ) Arm Wldt, Pivot, Side, Gray [7300/8300] | 1           |
| 20          | 29584                   | (000000-                     | ) Pin, Clevis, 0.37 D X 2.00l             | 1           |
| 21          | 01686                   | (000000-                     | ) Washer, Flt, .38 Ss                     | 1           |
| 22          | 39005                   | (000000-                     | ) Pin, Cotter, .094 X 0.75                | 1           |
| 23          | 364858                  | (000000-                     | ) Gasspring, 56lb, 6.3strk                | 1           |
| 24          | 364404                  | (000000-                     | ) Cable, .13d, 15.5l, .50eye /.50eye      | 1           |

Fig. 46 - Max Pro 1200 (Cylindrical Brush) Right Side Squeegee Group

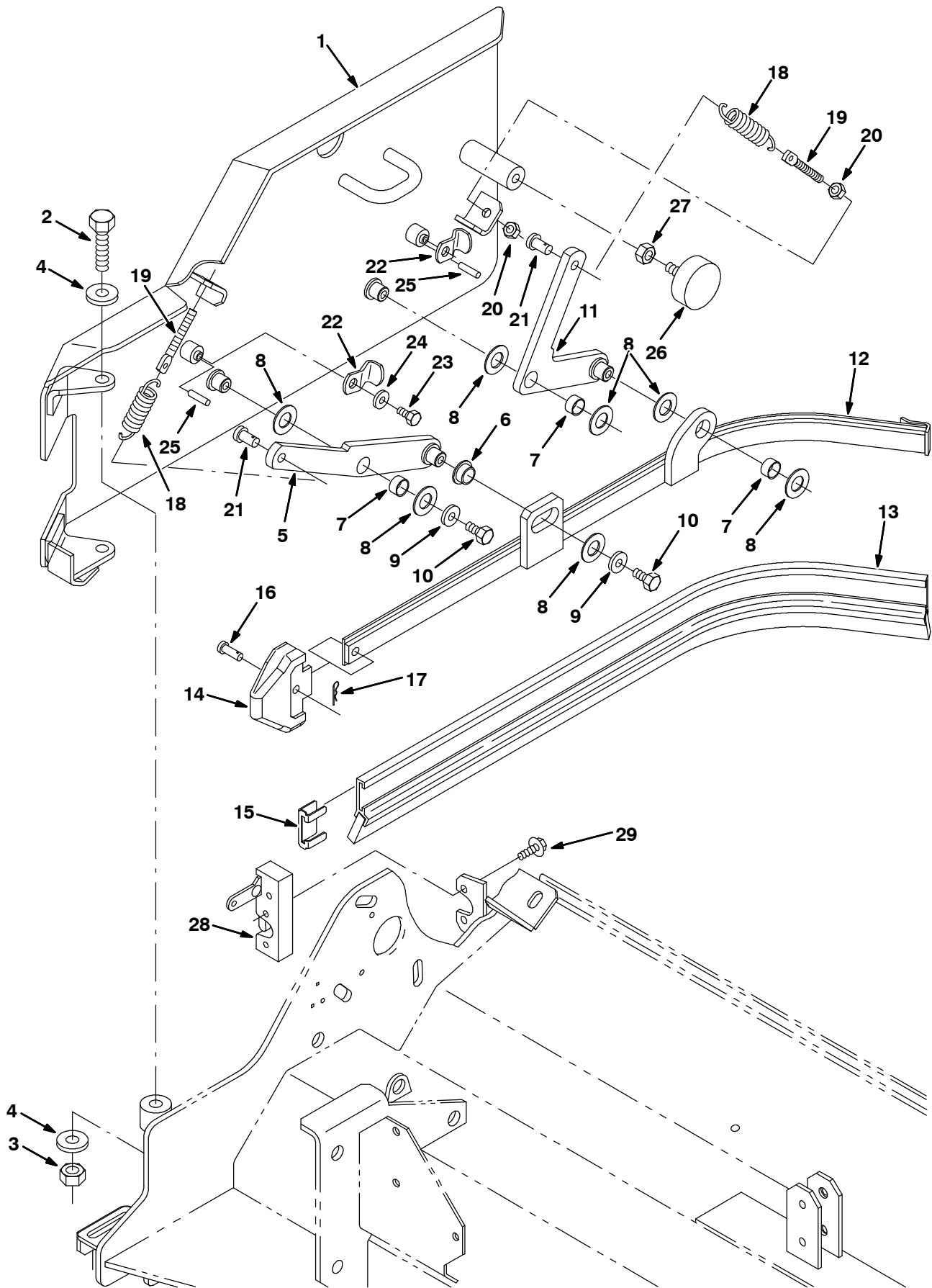


Fig. 46 - Max Pro 1200 (Cylindrical Brush) Right Side Squeegee Group

| Ref. | Tennant Part No. | Machine Serial Number | Description                          | Qty. |
|------|------------------|-----------------------|--------------------------------------|------|
| 1    | 387271           | (000000-004999 )      | Guard Wldt, Rh, [Mp1200]             | 1    |
| 1    | 1056800          | (005000-              | Guard Wldt, Rh, Iron Gray            | 1    |
| 2    | 09774            | (000000-              | Screw, Hex, M12 X 1.75 X 50, Ss      | 2    |
| 3    | 09741            | (000000-              | Nut, Hex, Lock, M12 X 1.75,NI, Ss    | 2    |
| 4    | 33925            | (000000-              | Washer, Flat, M12, 13x24x2.5ss       | 4    |
| 5    | 386269           | (000000-004999 )      | Arm Wldt, Front, Rh                  | 1    |
| 5    | 1056491          | (005000-              | Arm Wldt, Front, Rh, Iron Gray       | 1    |
| 6    | 25735            | (000000-              | Bushing, Flng, 0.63b 0.75d 0.38l     | 1    |
| 7    | 71607            | (000000-              | Bushing, Sleeve, 0.63b 0.72d 0.38l   | 3    |
| 8    | 64425            | (000000-              | Washer, Thrust, 0.61b 1.25d .06, Fgl | 7    |
| 9    | 01686            | (000000-              | Washer, Flt, .38 Ss                  | 4    |
| 10   | 386868           | (000000-              | Screw, Hex, M08x1.25 X12,Ss          | 4    |
| 11   | 386268           | (000000-004999 )      | Arm Wldt, Rear, Rh                   | 1    |
| 11   | 1056490          | (005000-              | Arm Wldt, Rear, Rh, Iron Gray        | 1    |
| 12   | 386263           | (000000-              | Frame Wldt, Sqge, Side, Rh           | 1    |
| 13   | 386260           | (000000-              | Squeegee, Side                       | 1    |
| 14   | 386986           | (000000-              | Guide, Point, Side Sqge              | 1    |
| 15   | 86759            | (000000-              | Retainer, Sqge                       | 1    |
| 16   | 386987           | (000000-              | Pin, Clevis, 0.31d 0.88l             | 1    |
| 17   | 08085            | (000000-              | Pin, Hair Cotter, 0.31 D .058 Wir    | 1    |
| 18   | 87816            | (000000-              | Spring, Extn, 0.75od X 0.09wir, 2.5l | 2    |
| 19   | 386088           | (000000-              | Bolt, Eye, M8 X 1.25, 2.75l          | 2    |
| 20   | 07786            | (000000-              | Nut, Hex, Std, M08 X 1.25, Ss        | 4    |
| 21   | 41305            | (000000-              | Pin, Clevis, 0.37 D X 0.75l          | 2    |
| 22   | 1056875          | (000000-              | Arm, Latch, Iron Gray                | 2    |
| 23   | 09744            | (000000-              | Screw, Hex, M06 X 1.0 X 12, Ss       | 2    |
| 24   | 01684            | (000000-              | Washer, Flt, .25 Ss                  | 2    |
| 25   | 17404            | (000000-              | Pin, Roll, .250 D X 0.75l, .250/.256 | 2    |
| 26   | 70756            | (000000-              | Bumper, Rbr, 2.0d 0.75t .38-16       | 1    |
| 27   | 01692            | (000000-              | Nut, Hex, Std, .38-16, Ss            | 1    |
| 28   | 72439            | (000000-              | Latch                                | 1    |
| 29   | 16949            | (000000-              | Screw, Hex, .25-20 X 0.75, Sems      | 4    |

Fig. 47 - Max Pro 1200 (Cylindrical Brush) Left Side Squeegee Group

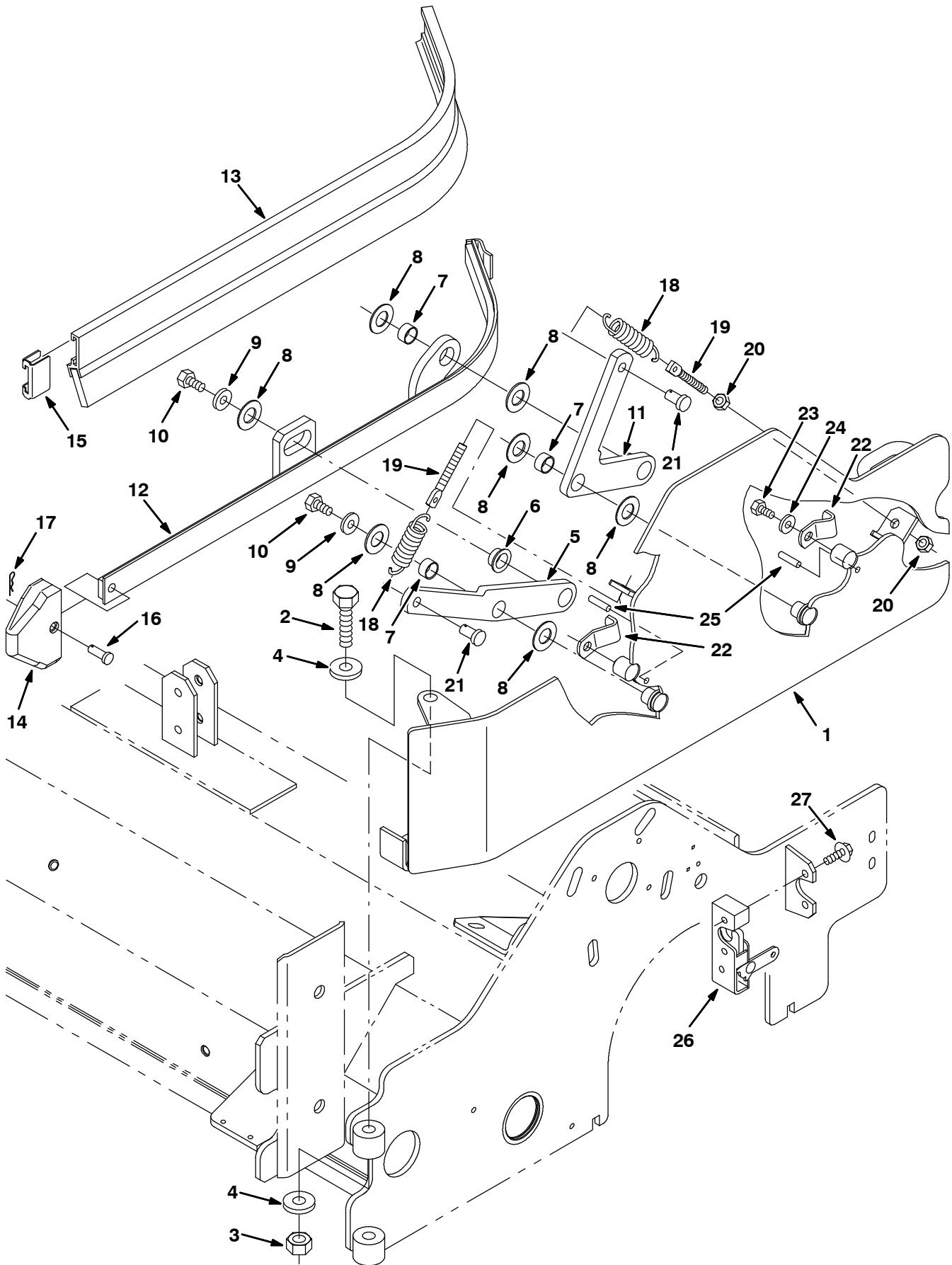
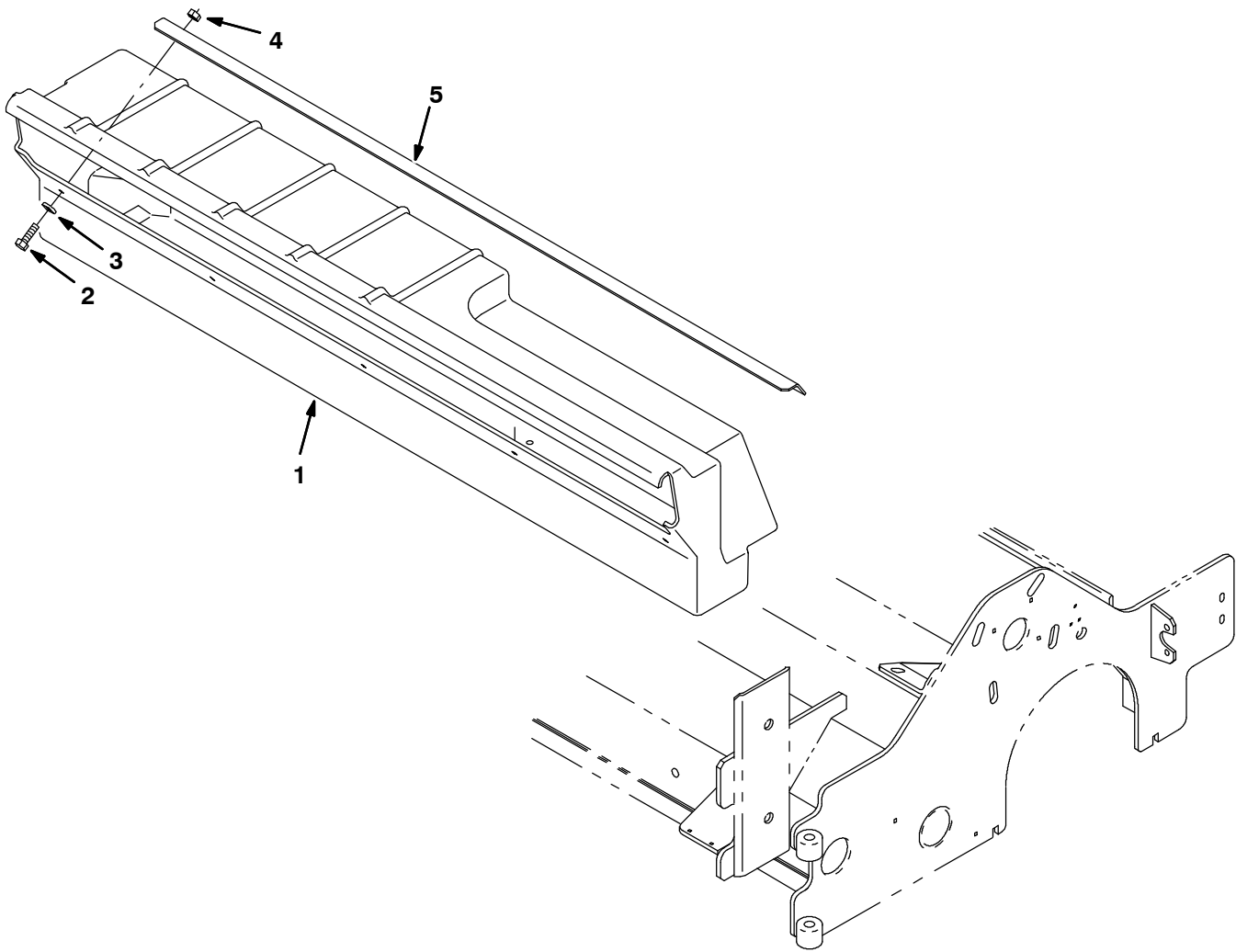


Fig. 47 - Max Pro 1200 (Cylindrical Brush) Left Side Squeegee Group

| Ref. | Tennant Part No. | Machine Serial Number | Description                          | Qty. |
|------|------------------|-----------------------|--------------------------------------|------|
| 1    | 386496           | (000000-004999 )      | Guard Wldt, Lh                       | 1    |
| 1    | 1056495          | (005000-              | Guard Wldt, Lh, Iron Gray            | 1    |
| 2    | 09774            | (000000-              | Screw, Hex, M12 X 1.75 X 50, Ss      | 2    |
| 3    | 09741            | (000000-              | Nut, Hex, Lock, M12 X 1.75,Nl, Ss    | 2    |
| 4    | 33925            | (000000-              | Washer, Flat, M12, 13x24x2.5ss       | 4    |
| 5    | 386276           | (000000-004999 )      | Arm Wldt, Front, Lh                  | 1    |
| 5    | 1056493          | (005000-              | Arm Wldt, Front, Lh, Iron Gray       | 1    |
| 6    | 25735            | (000000-              | Bushing, Flng, 0.63b 0.75d 0.38l     | 1    |
| 7    | 71607            | (000000-              | Bushing, Sleeve, 0.63b 0.72d 0.38l   | 3    |
| 8    | 64425            | (000000-              | Washer, Thrust, 0.61b 1.25d .06, Fgl | 7    |
| 9    | 01686            | (000000-              | Washer, Flt, .38 Ss                  | 4    |
| 10   | 386868           | (000000-              | Screw, Hex, M08x1.25 X12,Ss          | 4    |
| 11   | 386275           | (000000-004999 )      | Arm Wldt, Rear, Lh                   | 1    |
| 11   | 1056492          | (005000-              | Arm Wldt, Rear, Lh, Iron Gray        | 1    |
| 12   | 386262           | (000000-              | Frame Wldt, Sqge, Side, Lh           | 1    |
| 13   | 386260           | (000000-              | Squeegee, Side                       | 1    |
| 14   | 386986           | (000000-              | Guide, Point, Side Sqge              | 1    |
| 15   | 86759            | (000000-              | Retainer, Sqge                       | 1    |
| 16   | 386987           | (000000-              | Pin, Clevis, 0.31d 0.88l             | 1    |
| 17   | 08085            | (000000-              | Pin, Hair Cotter, 0.31 D .058 Wir    | 1    |
| 18   | 87816            | (000000-              | Spring, Extn, 0.75od X 0.09wir, 2.5l | 2    |
| 19   | 386088           | (000000-              | Bolt, Eye, M8 X 1.25, 2.75l          | 2    |
| 20   | 07786            | (000000-              | Nut, Hex, Std, M08 X 1.25, Ss        | 4    |
| 21   | 41305            | (000000-              | Pin, Clevis, 0.37 D X 0.75l          | 2    |
| 22   | 1056875          | (000000-              | Arm, Latch, Iron Gray                | 2    |
| 23   | 09744            | (000000-              | Screw, Hex, M06 X 1.0 X 12, Ss       | 2    |
| 24   | 01684            | (000000-              | Washer, Flt, .25 Ss                  | 2    |
| 25   | 17404            | (000000-              | Pin, Roll, .250 D X 0.75l, .250/.256 | 2    |
| 26   | 59661            | (000000-              | Latch                                | 1    |
| 27   | 16949            | (000000-              | Screw, Hex, .25-20 X 0.75, Sems      | 4    |

**Fig. 48 - Max Pro 1200 (Cylindrical Brush) Debris Tray Group**



**Fig. 48 - Max Pro 1200 (Cylindrical Brush) Debris Tray Group**

| <b>Ref.</b> | <b>Tennant Part No.</b> | <b>Machine Serial Number</b> | <b>Description</b>               | <b>Qty.</b> |
|-------------|-------------------------|------------------------------|----------------------------------|-------------|
| 1           | 387672                  | (000000-                     | ) Tray, Debris, 48L, W/Holes     | 1           |
| 2           | 08716                   | (000000-                     | ) Screw, Hex, M6X1.0X20, Ss      | 5           |
| 3           | 01684                   | (000000-                     | ) Washer, Flat, 0.25 Ss          | 5           |
| 4           | 08712                   | (000000-                     | ) Nut, Hex, Lock, M6X1.0, Ss, NI | 5           |
| 5           | 1057527                 | (000000-                     | ) Angle, Iron Gray               | 1           |

Fig. 49 - Max Pro 1200 (Cylindrical Brush) Vacuumized Debris Tray Group

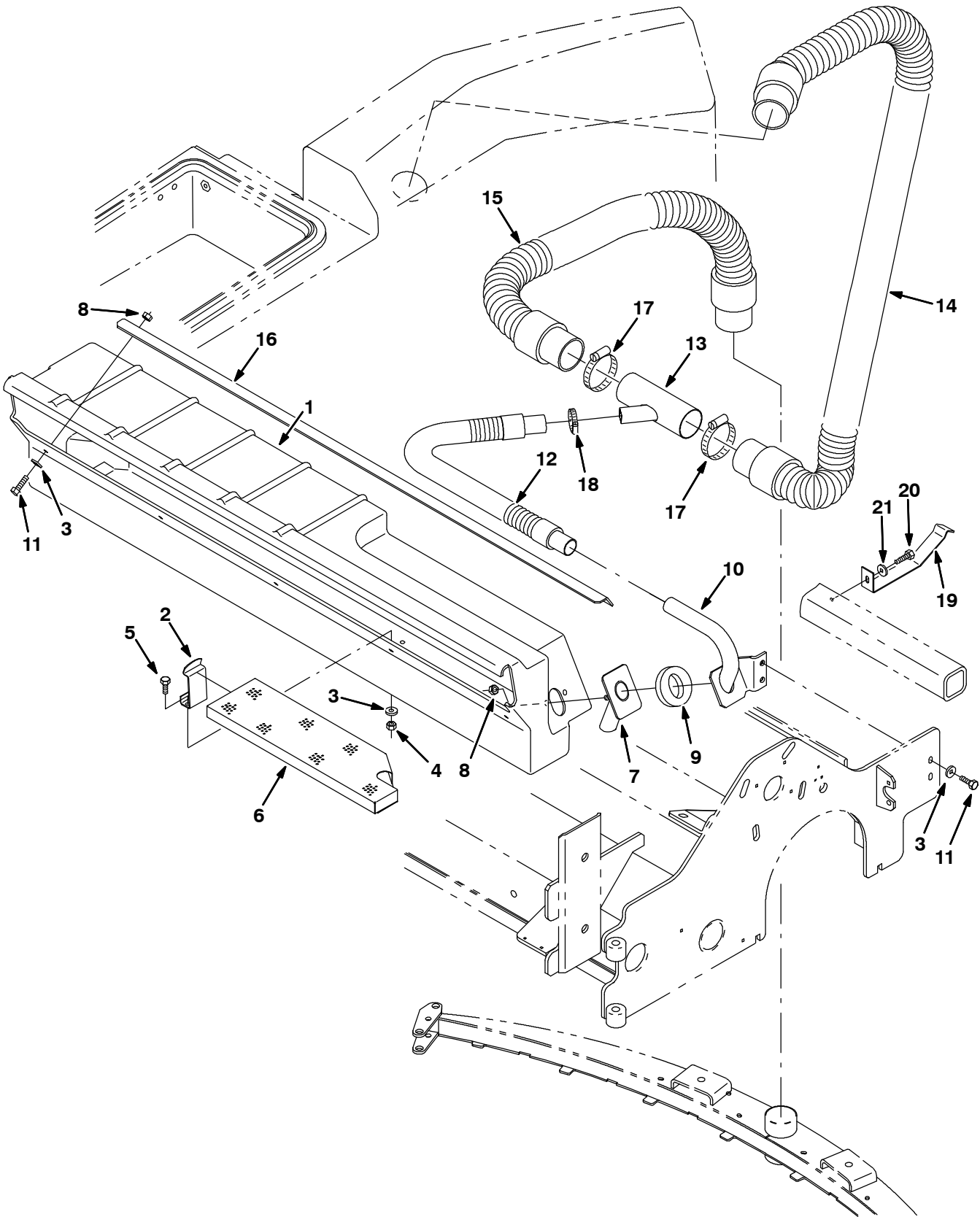
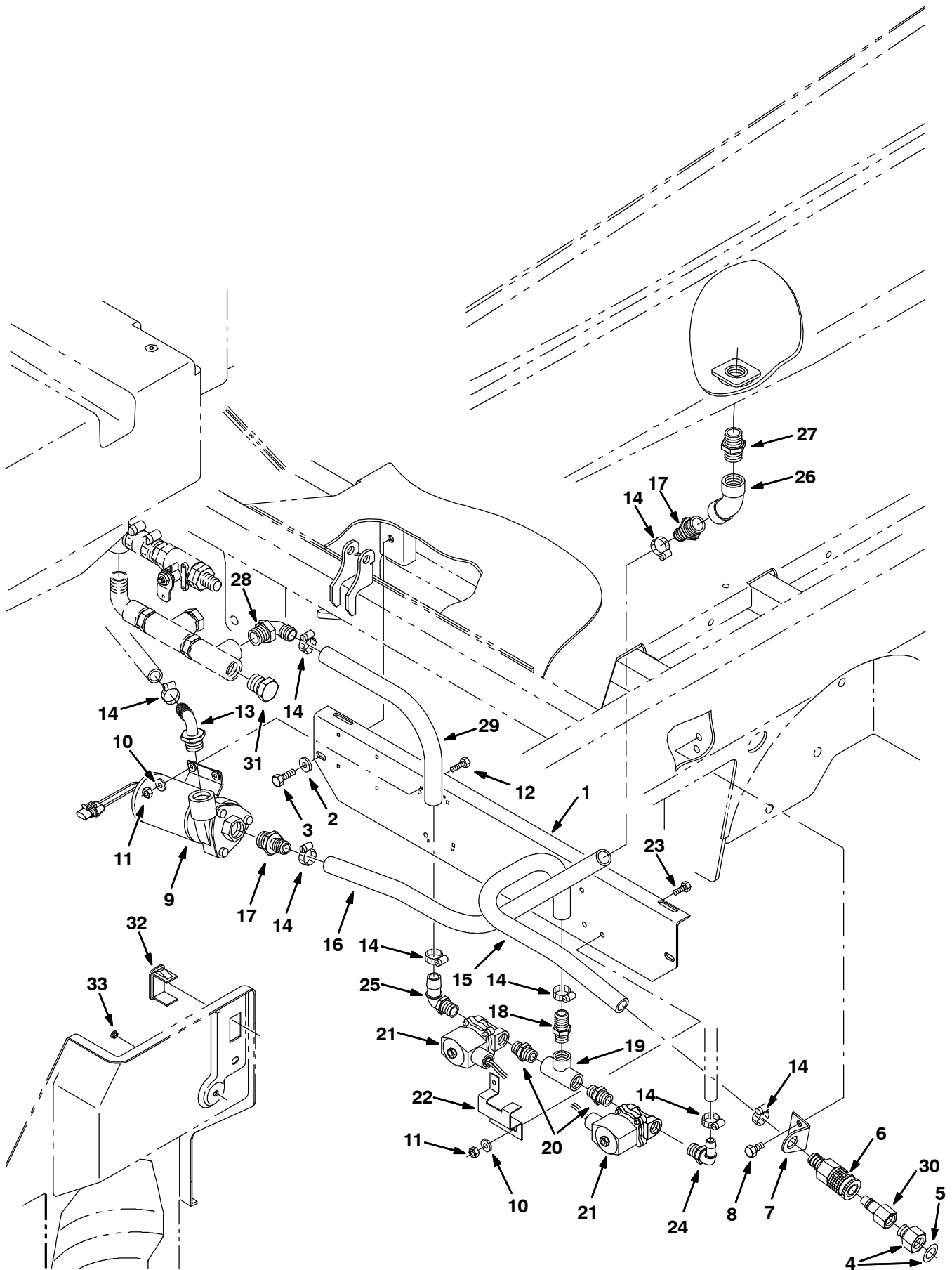




Fig. 49 - Max Pro 1200 (Cylindrical Brush) Vacuumized Debris Tray Group

| Ref. | Tennant Part No. | Machine Serial Number | Description                                | Qty. |
|------|------------------|-----------------------|--|------|
| 1    | 386513           | (000000-              | ) Tray, Debris, 48.0l                      | 1    |
| 2    | 87244            | (000000-              | ) Clip, Spring, Prop Arm                   | 1    |
| 3    | 01684            | (000000-              | ) Washer, Flt, .25 Ss                      | 14   |
| 4    | 08712            | (000000-              | ) Nut, Hex, Lock, M06 X 1.0, NI, Ss        | 2    |
| 5    | 09744            | (000000-              | ) Screw, Hex, M06 X 1.0 X 12, Ss           | 2    |
| 6    | 386500           | (000000-              | ) Screen Wldt                              | 1    |
| 7    | 1057520          | (000000-              | ) Tube Wldt, Vacuum, Scrbr Head, Iron Gray | 1    |
| 8    | 08712            | (000000-              | ) Nut, Hex, Lock, M06 X 1.0, NI, Ss        | 7    |
| 9    | 386504           | (000000-              | ) Gasket, Foam                             | 1    |
| 10   | 1057521          | (000000-              | ) Tube Wldt, Upper, Iron Gray              | 1    |
| 11   | 08716            | (000000-              | ) Screw, Hex, M06 X 1.0 X 20, Ss           | 7    |
| 12   | 222788           | (000000-001702        | ) Hose Assy, W/2cuff, 1.0d, 23l            | 1    |
| 12   | 387517           | (001703-              | ) Hose Assy, W/2cuff, 1.0d, 41l            | 1    |
| 13   | 386518           | (000000-              | ) Tube Wldt                                | 1    |
| 14   | 386514           | (000000-001702        | ) Hose, Vacuum, 58.5l                      | 1    |
| 14   | 1005133          | (001703-              | ) Hose Assy, W/2cuff, 2.0d 75l             | 1    |
| 15   | 387256           | (000000-001702        | ) Hose, Vacuum, 35.0l                      | 1    |
| 15   | 1005135          | (001703-              | ) Hose Assy, W/2cuff, 2.0d 26l             | 1    |
| 16   | 1057527          | (000000-              | ) Angle, Iron Gray                         | 1    |
| 17   | 14432            | (000000-              | ) Clamp, Hose, Wormdrive, 1.81-2.75d       | 2    |
| 18   | 11399            | (000000-              | ) Clamp, Hose, Wormdrive, 0.81-1.50d       | 1    |
| 19   | 1002464          | (001703-              | ) Bracket, Tube , Tee                      | 1    |
| 20   | 361339           | (001703-              | ) Screw, Hex, M 6 X 1.0 X 16, Fmg          | 1    |
| 21   | 32483            | (001703-              | ) Washer, Flat, 0.25 Sae                   | 1    |

Fig. 50 - ES Pump Group

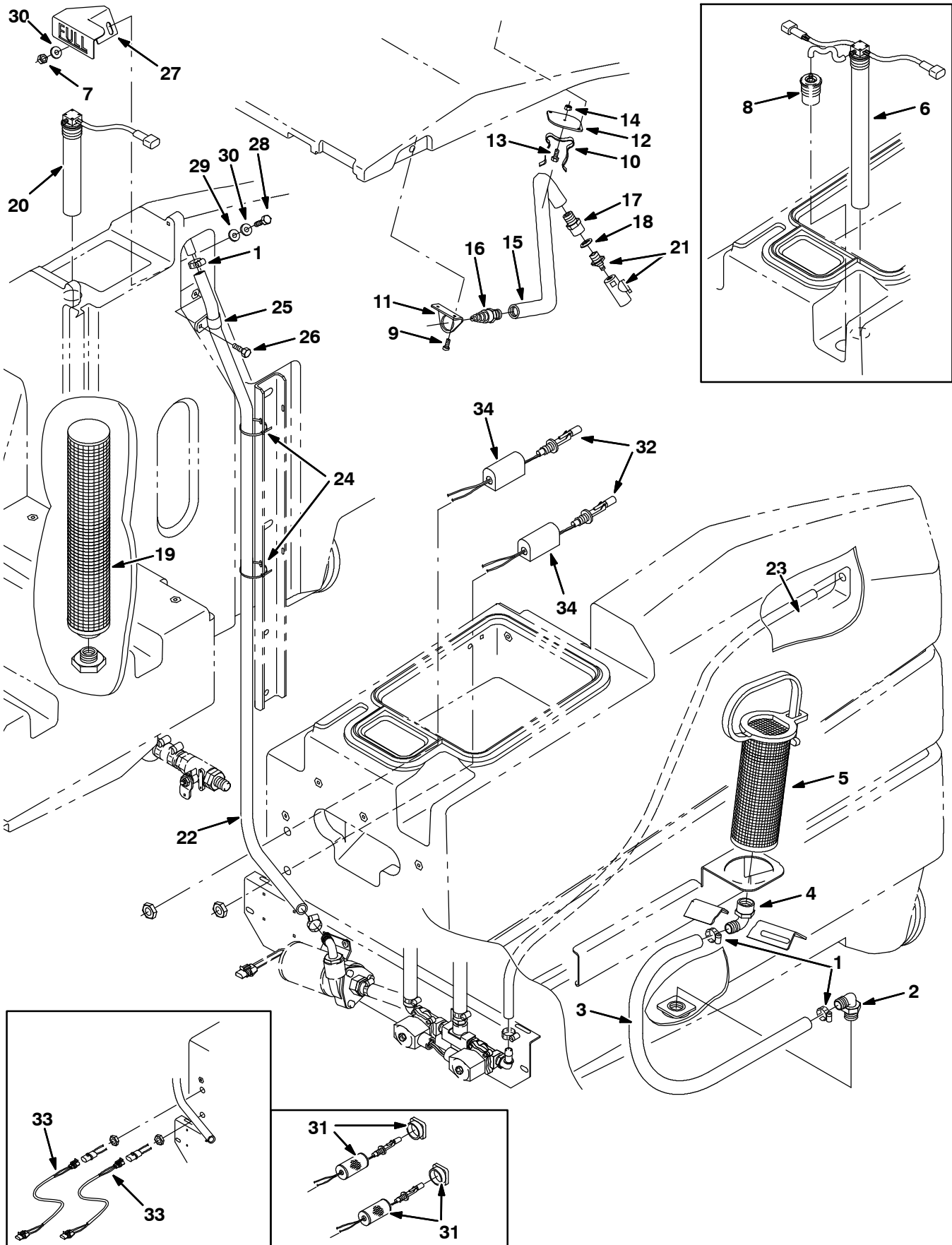


**Fig. 50 - ES Pump Group**

NOTE: ES™ Kit, TENNANT Part Number 386557, includes Fig. 50, Fig. 51, and Fig. 52.

| Ref. | Tennant Part No. | Machine Serial Number | Description                                | Qty. |
|------|------------------|-----------------------|--|------|
| 1    | 1056864          | (000000-              | ) Angle, Mtg, Es, Iron Gray                | 1    |
| 2    | 01685            | (000000-              | ) Washer, Flt, .31 Ss                      | 2    |
| 3    | 09010            | (000000-              | ) Screw, Hex, M08 X 1.25 X 25, Ss          | 2    |
| ▽ 4  | 375322           | (000000-              | ) Kit, Fitting, Garden Hose                | 1    |
| ▲ 5  | 01316            | (000000-              | ) Washer, Rbr, .12 0.66b 1.00d             | 1    |
| 6    | 24105            | (000000-              | ) Fitting, Brs, Qdc, Bm12/Qf08             | 1    |
| 7    | 1056866          | (000000-              | ) Bracket, Mtg, Es, Iron Gray              | 1    |
| 8    | 15675            | (000000-              | ) Screw, Hex, M08 X 1.25 X 16, Ss          | 2    |
| 9    | 369865           | (000000-              | ) Pump, Solution, Impeller, 36vdc          | 1    |
| 10   | 01684            | (000000-              | ) Washer, Flt, .25 Ss                      | 7    |
| 11   | 08712            | (000000-              | ) Nut, Hex, Lock, M06 X 1.0, NI, Ss        | 7    |
| 12   | 09007            | (000000-              | ) Screw, Hex, M06 X 1.0 X 25, Ss           | 4    |
| 13   | 73468            | (000000-              | ) Fitting, Plstc, E90, Bm10/Pm12           | 1    |
| 14   | 63810            | (000000-              | ) Clamp, Hose, Wormdrive, 0.56-1.06d       | 8    |
| 15   | 73475            | (000000-              | ) Hose, Pvc, Brd, 0.75id 1.00od 19.00l     | 1    |
| 16   | 385666           | (000000-              | ) Hose, Pvc, Brd, 0.75id 1.00od 26.00l     | 1    |
| 17   | 79273-2          | (000000-              | ) Fitting, Plstc, Str, Bm12/Pm12           | 2    |
| 18   | 78398            | (000000-              | ) Fitting, Plstc, Str, Bm12/Pm08           | 1    |
| 19   | 79497            | (000000-              | ) Fitting, Plstc, Tee, Pf08/Pf08/Pf08      | 1    |
| 20   | 86508            | (000000-              | ) Fitting, Plstc, Str, Pm08/Pm08           | 2    |
| 21   | 41410            | (000000-              | ) Valve, Solenoid, 36vdc                   | 2    |
| 22   | 1056839          | (000000-              | ) Bracket, Sppt, Auto Fill, Iron Gray      | 1    |
| 23   | 15678            | (000000-              | ) Screw, Hex, M06 X 1.0 X 16, Ss           | 3    |
| 24   | 63244-1          | (000000-              | ) Fitting, Plstc, E90, Bm08/Pm08           | 1    |
| 25   | 63244-2          | (000000-              | ) Fitting, Plstc, E90, Bm12/Pm08           | 1    |
| 26   | 10575            | (000000-              | ) Fitting, Plstc, E45, Pf12/Pf12           | 1    |
| 27   | 24544            | (000000-              | ) Fitting, Plstc, Str, Pm12/Pm12           | 1    |
| 28   | 14877            | (000000-              | ) Fitting, Plstc, E90, Bm12/Pm12           | 1    |
| 29   | 387340           | (000000-              | ) Hose, Water, Vyl, Brd, .75ld 14.0L       | 1    |
| 30   | 33295            | (000000-              | ) Fitting, Qm, Male                        | 1    |
| 31   | 75611            | (000000-              | ) Fitting, Plstc, Plug, Pm12               | 1    |
| 32   | 398501           | (000000-              | ) Plug, Hole, Rt, Rocker Switch, .87 X 1.7 | 1    |
| 33   | 33807            | (000000-              | ) Plug, Hole, Rnd, 0.44h .03-.12, Blk Nyl  | 1    |

**Fig. 51 - ES Tank Goup**

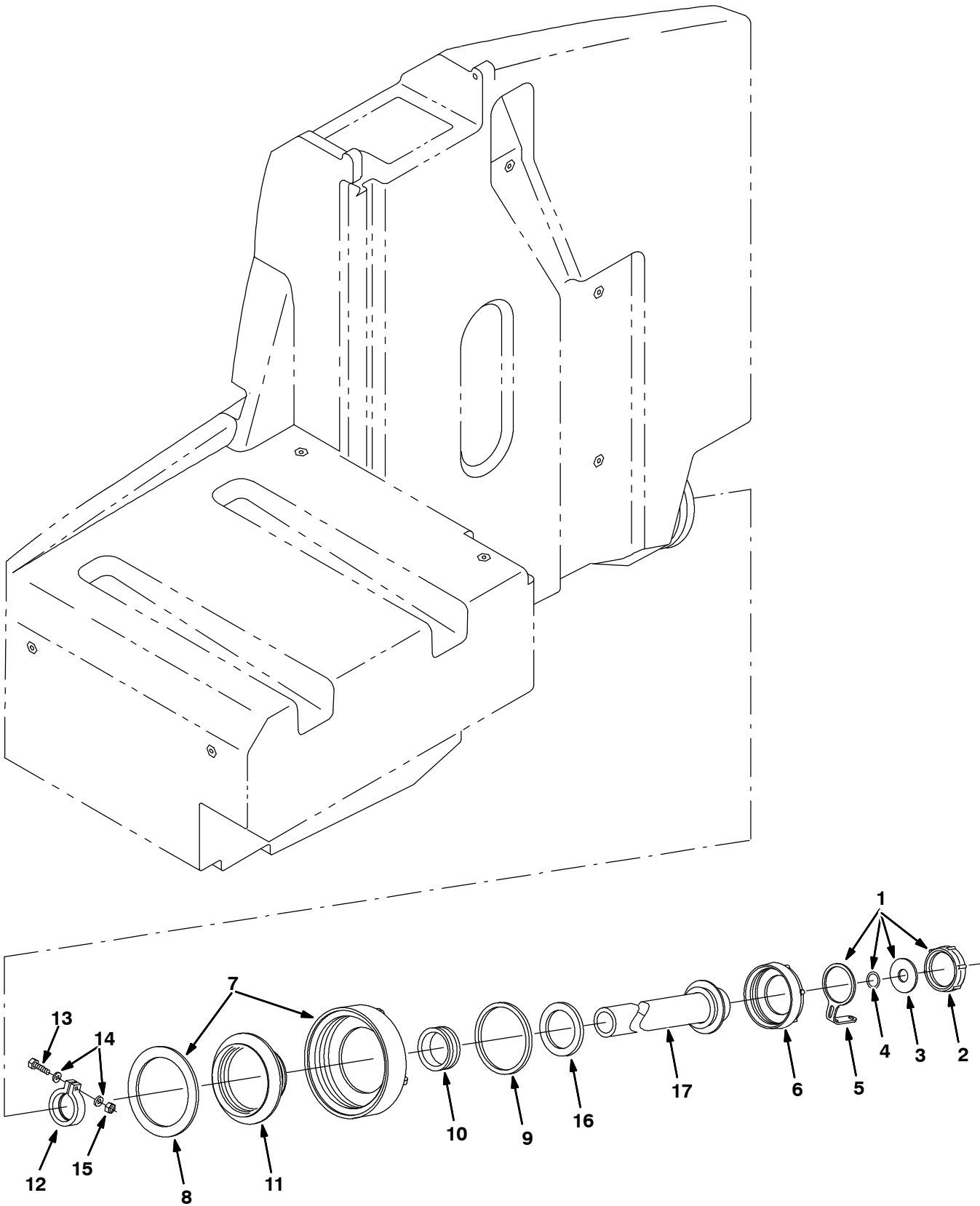


**Fig. 51 - ES Tank Group**

NOTE: ES™ Kit, TENNANT Part Number 386557, includes Fig. 50, Fig. 51, and Fig. 52.

| Ref. | Tennant Part No. | Machine Serial Number | Description                                       | Qty. |
|------|------------------|-----------------------|---|------|
| 1    | 63810            | (000000-              | ) Clamp, Hose, Wormdrive, 0.56-1.06d, .56w        | 3    |
| 2    | 14877            | (000000-              | ) Fitting, Plstc, E90, Bm12/Pm12                  | 2    |
| 3    | 387266           | (000000-              | ) Hose, Vyl, Brd, .75id 28.0l                     | 1    |
| 4    | 24543            | (000000-              | ) Fitting, Plstc, E90, Bm12/Pf12                  | 1    |
| 5    | 386652           | (000000-              | ) Strainer, Pump, Es                              | 1    |
| 6    | 375427           | (000000-001541        | ) Switch Assy, Dual Press, 14" Tube               | 1    |
| 7    | 08713            | (000000-              | ) Nut, Hex, Lock, M08 X 1.25,NI, Ss               | 1    |
| 8    | 13292            | (000000-001541        | ) Hose, Vacuum, 0.16id X 05.0l                    | 1    |
| 9    | 360943           | (000000-              | ) Screw, Pan, #10-14 X 0.75, F/ Plstc             | 4    |
| 10   | 67004            | (000000-              | ) Clip, Finger Grip                               | 1    |
| 11   | 1056923          | (000000-              | ) Angle, Wand, Clean-Out, Iron Gray               | 1    |
| 12   | 1056924          | (000000-              | ) Plate, Wand, Clean-Out, Iron Gray               | 1    |
| 13   | 09206            | (000000-              | ) Screw, Hex, M04 X 0.7 X 12, 8.8                 | 1    |
| 14   | 02850            | (000000-              | ) Nut, Hex, Lock, M04 X 0.7, NI                   | 1    |
| 15   | 387109           | (000000-              | ) Wand, Clean-Out                                 | 1    |
| 16   | 387159           | (000000-              | ) Nozzle, Water                                   | 1    |
| 17   | 387160           | (000000-              | ) Fitting, Plstc, Str, 08pmtxgarden               | 1    |
| 18   | 387161           | (000000-              | ) Washer, Rbr, .68idx1.0od                        | 1    |
| 19   | 387045           | (000000-              | ) Strainer, Tank, Solution                        | 1    |
| 20   | 375426           | (000000-              | ) Switch Assy, Press, 3 Inch, 8" Tube             | 1    |
| 21   | 382991           | (000000-              | ) Valve, Flow Control, Hose Adapter               | 1    |
| 22   | 387236           | (000000-              | ) Hose, Vyl, Brd, .62id 55.0l                     | 1    |
| 23   | 375308           | (000000-              | ) Hose, Pvc, Clr, 0.50id 0.69od 50.00l            | 1    |
| 24   | 49266            | (000000-              | ) Tie, Cable, Nyl, 07.3l .19w 1.8 Max D           | 2    |
| 25   | 69234            | (000000-              | ) Clamp, Cable, Stl, 1.00d X 0.62w, 1h            | 1    |
| 26   | 49826            | (000000-              | ) Screw, Hex, M08 X 1.25 X 16, Ss, NI             | 1    |
| 27   | 387061           | (000000-              | ) Bracket, Full                                   | 1    |
| 28   | 09011            | (000000-              | ) Screw, Hex, M08 X 1.25 X 30, Ss                 | 1    |
| 29   | 63416            | (000000-              | ) Washer, 0.31b 0.88d .12, Rbr                    | 1    |
| 30   | 01685            | (000000-              | ) Washer, Flt, .31 Ss                             | 2    |
| 31   | 375302           | (001542-002264        | ) Strainer, Soltn, Switch Guard (Repl By 1019285) | 2    |
| 32   | 222822           | (001542-002036        | ) Sensor, Level, Liquid [Magnetic]                | 2    |
| 32   | 385685           | (002037-              | ) Sensor, Level, Liquid [Magnetic]                | 2    |
| 33   | 369766           | (001542-002036        | ) Harness, Sensor, Jumper                         | 2    |
| 34   | 1019285          | (002265-              | ) Bracket, Protector, Float Switch                | 2    |

Fig. 52 - ES Drain Assembly



**Fig. 52 - ES Drain Assembly**

NOTE: ES™ Kit, TENNANT Part Number 386557, includes Fig. 50, Fig. 51, and Fig. 52.

|    | <b>Ref.</b> | <b>Tennant Part No.</b> | <b>Machine Serial Number</b> | <b>Description</b>                  | <b>Qty.</b> |
|----|-------------|-------------------------|------------------------------|-------------------------------------|-------------|
| ▽  |             | 387467                  | (000000-                     | ) Kit, Drain Hose, Solution Side    | 1           |
| ▲▽ | 1           | 32501                   | (000000-                     | ) Kit, Cap, Drain                   | 1           |
| ▲▲ | 2           | 32613                   | (000000-                     | ) Cap, Tank, Drain, 2.25 Thread Pye | 1           |
| ▲▲ | 3           | 32614                   | (000000-                     | ) Gasket, Cap                       | 1           |
| ▲▲ | 4           | 32669                   | (000000-                     | ) Ring, Retaining, Ext, 0.75d, Ss   | 1           |
| ▲▲ | 5           | 32508                   | (000000-                     | ) Strap                             | 1           |
| ▲  | 6           | 14880                   | (000000-                     | ) Cap, Tank, Drain, 3.85 Thread Pye | 1           |
| ▲▽ | 7           | 24358                   | (000000-                     | ) Cap, Tank                         | 1           |
| ▲▲ | 8           | 1031699                 | (000000-                     | ) Gasket, .19, 4.05id 5.29od [Buna] | 1           |
| ▲  | 9           | 79320                   | (000000-                     | ) Gasket, Cap, Drain                | 1           |
| ▲  | 10          | 41421                   | (000000-                     | ) Seal                              | 1           |
| ▲  | 11          | 14864                   | (000000-                     | ) Cover, Insert                     | 1           |
| ▲  | 12          | 41454                   | (000000-                     | ) Clamp, Hose, Plstc, 1.60d X 0.62w | 1           |
| ▲  | 13          | 12316                   | (000000-                     | ) Screw, Hex, M05 X 0.8 X 25, Ss    | 1           |
| ▲  | 14          | 01683                   | (000000-                     | ) Washer, Flt, #10 Ss               | 1           |
| ▲  | 15          | 09739                   | (000000-                     | ) Nut, Hex, Lock, M05 X 0.8, NI, Ss | 1           |
| ▲  | 16          | 41451                   | (000000-                     | ) Gasket, Lid                       | 1           |
| ▲  | 17          | 386423                  | (000000-                     | ) Hose Assy, Drain                  | 1           |

Fig. 53 - ec-H2O Solution Pump Group

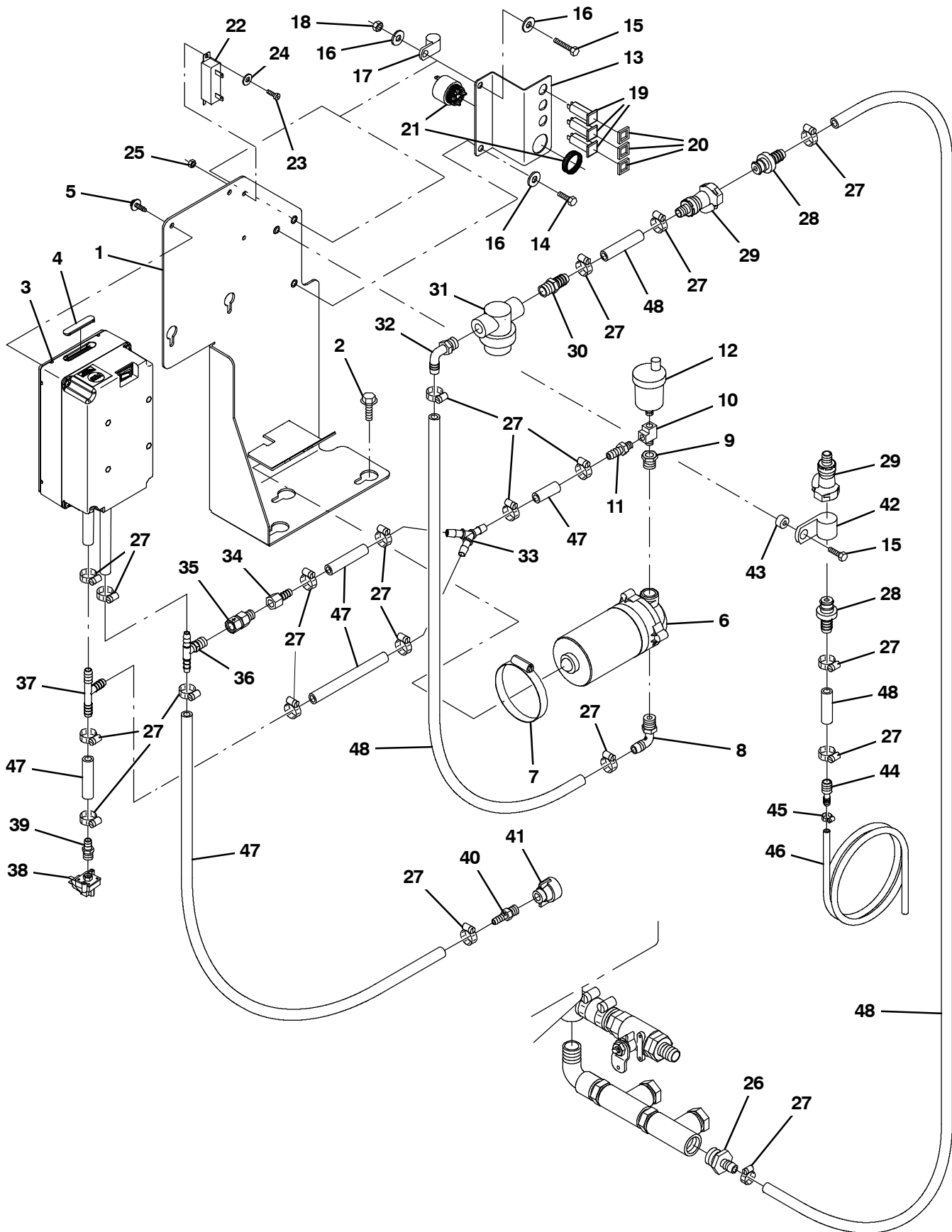
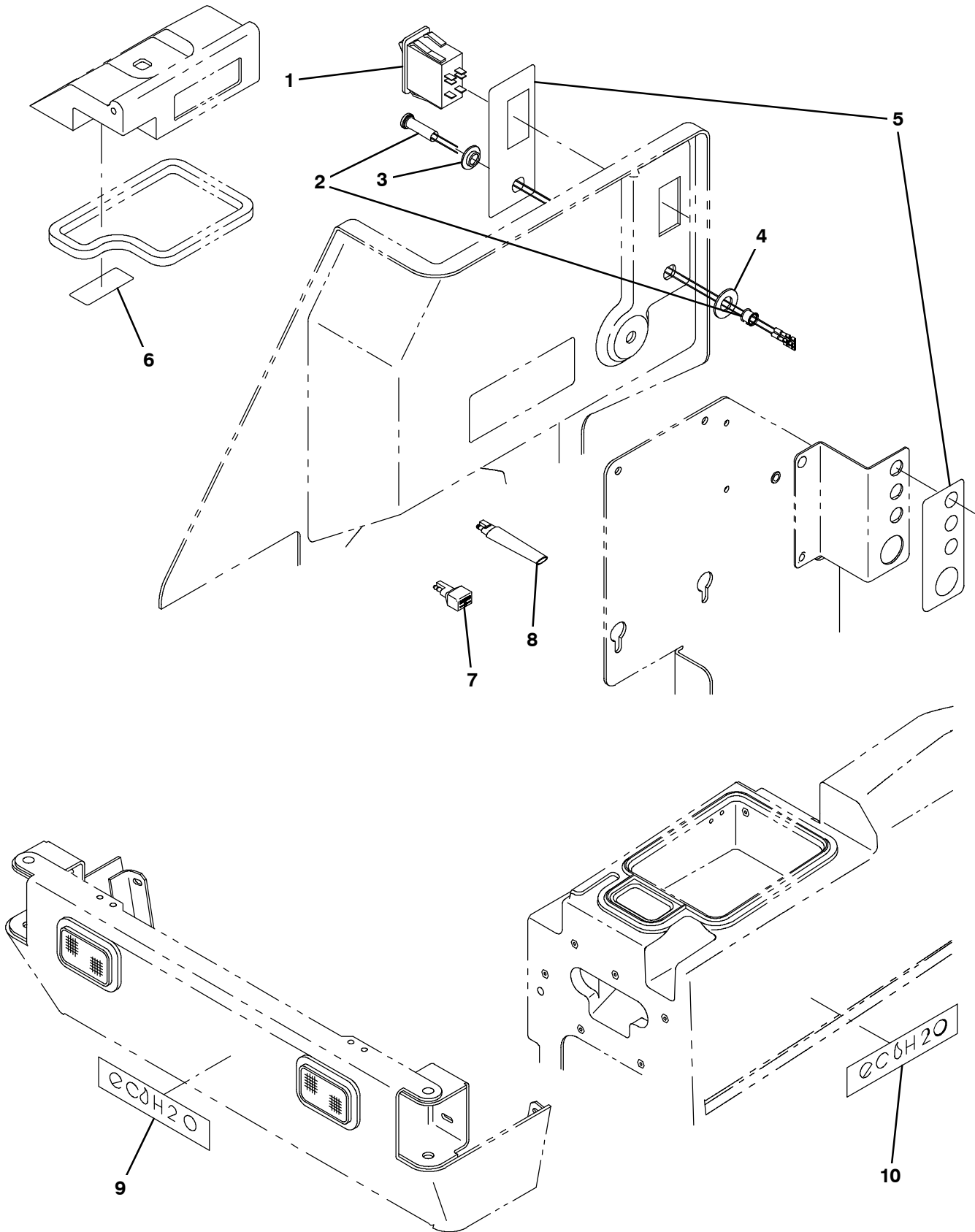




Fig. 53 - ec-H2O Solution Pump Group

| Ref. | Tennant Part No. | Machine Serial Number | Description                                    | Qty. |
|------|------------------|-----------------------|--|------|
| 1    | 1055336          | (000000-              | ) Bracket Wldt, Module                         | 1    |
| 2    | 1037346          | (000000-              | ) Screw, Hex, M8 X 1.25 X 25, 9.8, Sems        | 3    |
| 3    | 9006270          | (000000-              | ) Module Kit, Replmt [ec-H2O] (See Breakdowns) | 1    |
| 4    | 1054776          | (000000-              | ) Grommet, Blind                               | 1    |
| 5    | 1040467          | (000000-              | ) Screw, Hex, M6 X 1.00 X 20, 9.8, Sems        | 4    |
| 6    | 1005866          | (000000-              | ) Pump, Soltn, Ele, 36vdc (See Breakdowns)     | 1    |
| 7    | 17188            | (000000-              | ) Clamp, Hose, Wormdrive, 2.50-3.50d, .50w     | 1    |
| 8    | 64778            | (000000-              | ) Fitting, Plstc, E90, Bm08/Pm06               | 1    |
| 9    | 24698            | (000000-              | ) Fitting, Brs, Str, Pf02/Pm06                 | 1    |
| 10   | 26426            | (000000-              | ) Fitting, Brs, Tee, Pf02/Pf02/Pm02, Run       | 1    |
| 11   | 1005375          | (000000-              | ) Fitting, Plstc, Str, Bm06/Pm02, Nyl          | 1    |
| 12   | 1017386          | (000000-              | ) Valve, Vent, Air, Float Type                 | 1    |
| 13   | 1052683          | (000000-              | ) Bracket, Component                           | 1    |
| 14   | 16735            | (000000-              | ) Screw, Hex, M8 X 1.25 X 16, 8.8              | 1    |
| 15   | 76570            | (000000-              | ) Screw, Hex, M8 X 1.25 X 30, 8.8              | 2    |
| 16   | 32490            | (000000-              | ) Washer, Flat, 0.25, Std                      | 3    |
| 17   | 82829            | (000000-              | ) Clamp, Cable, Stl, 0.63d X 0.75w, 1hole      | 1    |
| 18   | 08709            | (000000-              | ) Nut, Hex, Lock, M8 X 1.25, NI                | 1    |
| 19   | 1053078          | (000000-              | ) Circuitbreaker, 2.0a, Resetable              | 3    |
| 20   | 1046173          | (000000-              | ) Boot, Circuitbreaker                         | 3    |
| 21   | 1052726          | (000000-              | ) Alarm, 9-48vdc, 95 Db(A) [Ec-H2O]            | 1    |
| 22   | 1056416          | (000000-              | ) Resistor, 011.00 Ohm, 0040Watt [5%]          | 1    |
| 23   | 12312            | (000000-              | ) Screw, Hex, M5 X 0.80 X 12, 8.8              | 2    |
| 24   | 01683            | (000000-              | ) Washer, Flat, 10, Ss                         | 2    |
| 25   | 07789            | (000000-              | ) Nut, Hex, Flng, M5 X 0.80                    | 2    |
| 26   | 79273-1          | (000000-              | ) Fitting, Plstc, Str, Bm08/Pm12               | 1    |
| 27   | 54333            | (000000-              | ) Clamp, Hose, Wormdrive, 0.31-0.88d, .31w     | 19   |
| 28   | 1017415          | (000000-              | ) Insert, Cplg, Qm, Bm08                       | 2    |
| 29   | 1017413          | (000000-              | ) Housing, Cplg, Qf / Pm08                     | 2    |
| 30   | 64743            | (000000-              | ) Fitting, Plstc, Str, Bm08/Pm06               | 1    |
| 31   | 1005302          | (000000-              | ) Filter, In-Line, Pf06/Pf06 080mesh 02.6l     | 1    |
| 32   | 64778            | (000000-              | ) Fitting, Plstc, E90, Bm08/Pm06               | 1    |
| 33   | 1017255          | (000000-              | ) Fitting, Plstc, Y, Bm06/Bm06/Bm06, Nyl       | 1    |
| 34   | 150511           | (000000-              | ) Fitting, Brs, Str, Bm06/Pf04                 | 1    |
| 35   | 1055255          | (000000-              | ) Valve, Check, 0030psi Pm04/Pf04              | 1    |
| 36   | 1052832          | (000000-              | ) Fitting, Plstc, Tee, Bm05/Bm05/Pm04          | 1    |
| 37   | 87173            | (000000-              | ) Fitting, Plstc, Tee, Bm06/Bm06/Bm06          | 1    |
| 38   | 1055254          | (000000-              | ) Switch, Press, 25 Psi, Pm02                  | 1    |
| 39   | 150016           | (000000-              | ) Fitting, Brs, Str, Bm06/Pf02, Spcl           | 1    |
| 40   | 1052017          | (000000-              | ) Fitting, Plstc, Str, Bm05/Pm04               | 1    |
| 41   | 1043866          | (000000-              | ) Fitting Assy, Qdc, Pf04                      | 1    |
| 42   | 40678-1          | (000000-              | ) Clamp, Cable, Stl, 0.88d X 0.62w, 1hole      | 1    |
| 43   | 360352           | (000000-              | ) Tube, 0.34id 0.62od 00.2l, Stl               | 1    |
| 44   | 630164           | (000000-              | ) Fitting, Plstc, Str, Bm04/Bm08               | 1    |
| 45   | 43844            | (000000-              | ) Clamp, Hose, Wormdrive, 0.25-0.62d, .31w     | 1    |
| 46   | 1011411          | (000000-              | ) Hose, Afmkt, Pvc, Brd, 0.25id, 03ft          | 1    |
| 47   | 1052336          | (000000-              | ) Hose, Afmkt, Pvc, Brd, 0.31Id, 03Ft, Clr     | 1    |
| 48   | 1011412          | (000000-              | ) Hose, Afmkt, Pvc, Brd, 0.50id, 08ft, Clr     | 1    |

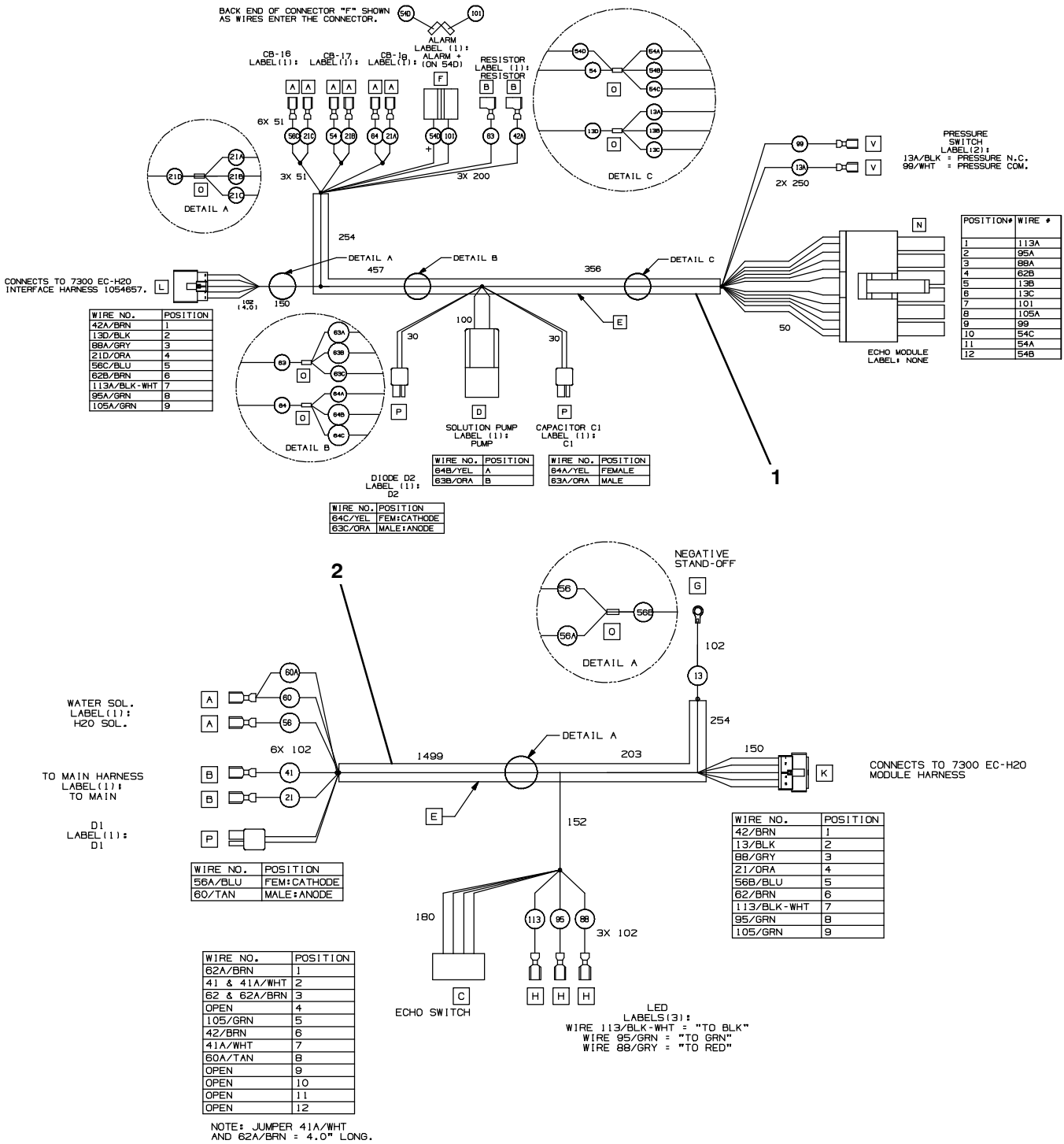
Fig. 54 - ec-H2O Switch and Label Group



**Fig. 54 - ec-H20 Switch and Label Group**

| <b>Ref.</b> | <b>Tenant Part No.</b> | <b>Machine Serial Number</b> | <b>Description</b>                      | <b>Qty.</b> |
|-------------|------------------------|------------------------------|---|-------------|
| 1           | 377084                 | (000000-                     | ) Switch, Rocker, Prgrsv                | 1           |
| 2           | 1041822                | (000000-                     | ) Light, Led, .312d, 2 Volt [Tri-Color] | 1           |
| 3           | 1055883                | (000000-                     | ) Bushing, Light, Led                   | 1           |
| 4           | 43454                  | (000000-                     | ) Washer, Flat, 0.34b 0.69d .06, Nyl    | 1           |
| 5           | 1056331                | (000000-                     | ) Label Set, Opertnl [7300 ec-H2O]      | 1           |
| 6           | 1050003                | (000000-                     | ) Label [User, Attention, Ec-H2o]       | 1           |
| 7           | 222290                 | (000000-                     | ) Diode, Ele, Plug                      | 1           |
| 8           | 1040868                | (000000-                     | ) Capacitor, Plug [.01 Uf, 200v]        | 1           |
| 9           | 1052755                | (000000-                     | ) Label, Front [Ec-H2o, T15]            | 1           |
| 10          | 1056944                | (000000-                     | ) Label, Tank [ec-H20]                  | 2           |

Fig. 55 - ec-H20 Wire Harnesses Group



354909

| Ref. | Tenant Part No. | Machine Serial Number | Description                              | Qty. |
|------|-----------------|-----------------------|--|------|
| 1    | 1050664         | (000000-              | ) Harness, Wire [7300 Ec-H2o, Module]    | 1    |
| 2    | 1054657         | (000000-              | ) Harness, Wire [7300, Ec-H2o Interface] | 1    |

**Fig. 56 - ec-H20 Install Kits**

| <b>Ref.</b> | <b>Tenant Part No.</b> | <b>Machine Serial Number</b> | <b>Description</b>                         | <b>Qty.</b> |
|-------------|------------------------|------------------------------|--|-------------|
| 1           | 9006106                | (000000-                     | ) Ec-H2o Kit, Cylrcl, 1000mm, Ci [73/8300] | 1           |
| 2           | 9006107                | (000000-                     | ) Ec-H2o Kit, Cylrcl, 1200mm, Ci[73/8300]  | 1           |
| 2           | 9006108                | (000000-                     | ) Ec-H2o Kit, Disk, Ci [7300/8300]         | 1           |

Fig. 57 - Positive Solution Control Drain Kit, Recovery Tank (000000-004999)

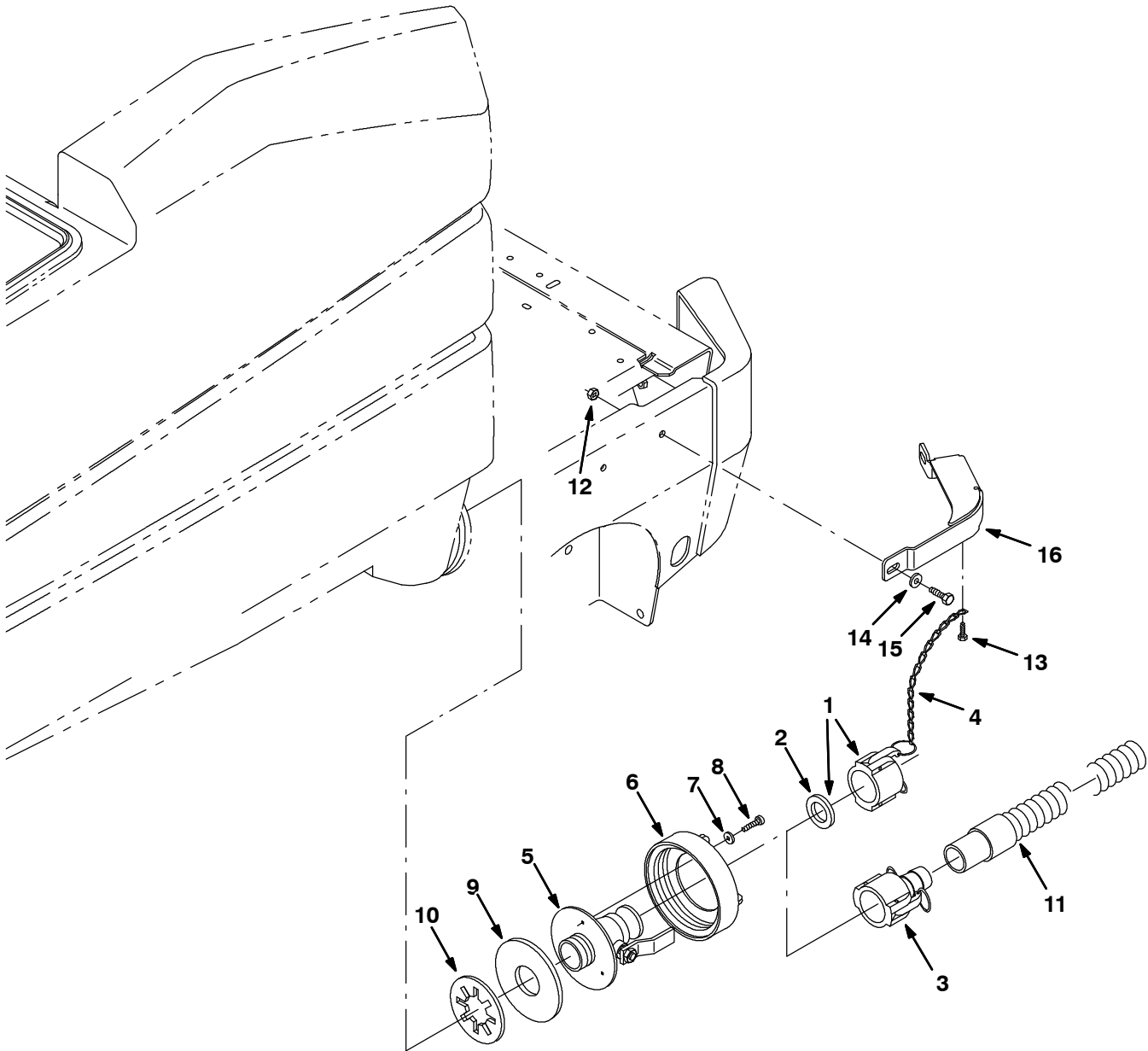


Fig. 57 - Positive Solution Control Drain Kit, Recovery Tank (000000-004999)

| Ref. | Tennant Part No. | Machine Serial Number | Description                              | Qty. |
|------|------------------|-----------------------|--|------|
| ▽    | 387127           | (000000-004999 )      | Kit, Ci, Drain, Soltn, Pos, Cntrl, Recvy | 1    |
| ▲▽   | 387221           | (000000-004999 )      | Cap Assy                                 | 1    |
| ▲▲   | 1 48733          | (000000-004999 )      | Cap, Dust                                | 1    |
| ▲▲   | 2 371905         | (000000-004999 )      | Gasket, Cap, Dust                        | 1    |
| ▲    | 3 48734          | (000000-004999 )      | Fitting, Coupler, Hose, Shank, Fem       | 1    |
| ▲    | 4 19903          | (000000-004999 )      | Chain, Sash, #35, 07.2l 13 Link          | 1    |
| ▲    | 5 1049269        | (000000-004999 )      | Valve, Ball, Drain, 1.50ID, Ss, Rwk      | 1    |
| ▲    | 6 23456          | (000000-004999 )      | Cap, Tank, Drain, 6.17 Thread Pye        | 1    |
| ▲    | 7 01684          | (000000-004999 )      | Washer, Flt, .25 Ss                      | 3    |
| ▲    | 8 09744          | (000000-004999 )      | Screw, Hex, M6 X 1.00 X 12, Ss           | 3    |
| ▲    | 9 1031700        | (000000-004999 )      | Gasket, .19, 2.00ld 5.38OD [BUNA]        | 1    |
| ▲    | 10 20932         | (000000-004999 )      | Washer, Polye                            | 1    |
| ▲    | 11 75635         | (000000-004999 )      | Hose Assy, W/1cuff, 1.5d 120l 1.5/       | 1    |
| ▲    | 12 07792         | (000000-004999 )      | Nut, Hex, Flng, M10 X 1.5                | 2    |
| ▲    | 13 74455         | (000000-004999 )      | Screw, Hex, M6 X 1.0 X 12, Fmg           | 1    |
| ▲    | 14 32492         | (000000-004999 )      | Washer, Flt, .38 Std                     | 2    |
| ▲    | 15 39284         | (000000-004999 )      | Screw, Hex, M10 X 1.5 X 35, 8.8          | 2    |
| ▲    | 16 387213        | (000000-004999 )      | Bumper, Posi Drain, Recvy Side           | 1    |

Fig. 58 - Positive Solution Control Drain Kit, Recovery Tank (005000- )

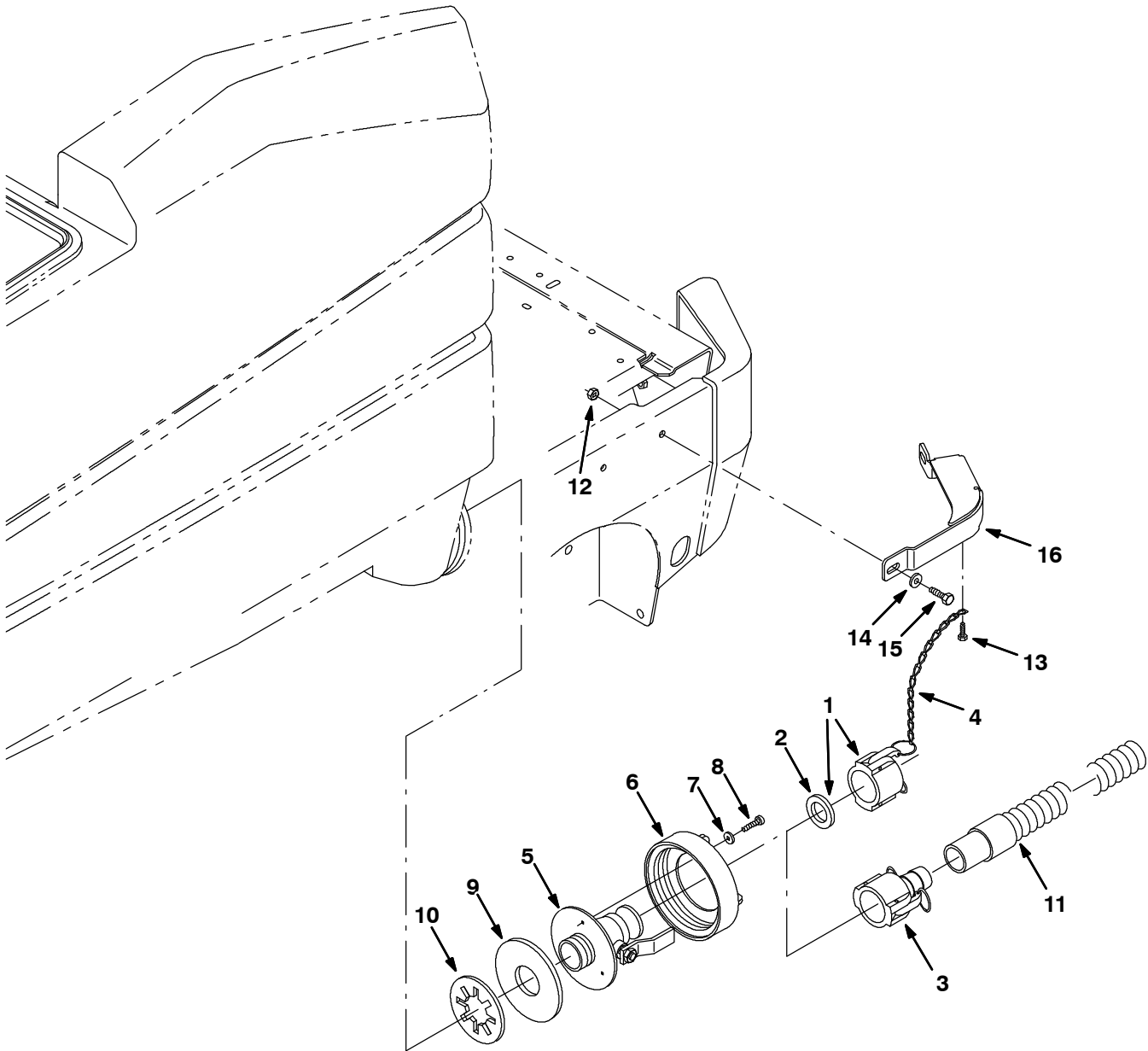




Fig. 58 - Positive Solution Control Drain Kit, Recovery Tank (005000- )

|    | Ref. | Tennant Part No. | Machine Serial Number | Description                            | Qty. |
|----|------|------------------|-----------------------|--|------|
| ▽  |      | 9006940          | (005000- )            | Drain Kit, Gray, Ci [Posi Cntrl/Recvy] | 1    |
| ▲▽ |      | 387221           | (005000- )            | Cap Assy                               | 1    |
| ▲▲ | 1    | 48733            | (005000- )            | Cap, Dust                              | 1    |
| ▲▲ | 2    | 371905           | (005000- )            | Gasket, Cap, Dust                      | 1    |
| ▲  | 3    | 48734            | (005000- )            | Fitting, Coupler, Hose, Shank, Fem     | 1    |
| ▲  | 4    | 19903            | (005000- )            | Chain, Sash, #35, 07.2l 13 Link        | 1    |
| ▲  | 5    | 1049269          | (005000- )            | Valve, Ball, Drain, 1.50ID, Ss, Rwk    | 1    |
| ▲  | 6    | 23456            | (005000- )            | Cap, Tank, Drain, 6.17 Thread Pye      | 1    |
| ▲  | 7    | 01684            | (005000- )            | Washer, Flt, .25 Ss                    | 3    |
| ▲  | 8    | 09744            | (005000- )            | Screw, Hex, M6 X 1.00 X 12, Ss         | 3    |
| ▲  | 9    | 1031700          | (005000- )            | Gasket, .19, 2.00ld 5.38OD [BUNA]      | 1    |
| ▲  | 10   | 20932            | (005000- )            | Washer, Polye                          | 1    |
| ▲  | 11   | 75635            | (005000- )            | Hose Assy, W/1cuff, 1.5d 120l 1.5/     | 1    |
| ▲  | 12   | 07792            | (005000- )            | Nut, Hex, Flng, M10 X 1.5              | 2    |
| ▲  | 13   | 74455            | (005000- )            | Screw, Hex, M6 X 1.0 X 12, Fmg         | 1    |
| ▲  | 14   | 32492            | (005000- )            | Washer, Flt, .38 Std                   | 2    |
| ▲  | 15   | 39284            | (005000- )            | Screw, Hex, M10 X 1.5 X 35, 8.8        | 2    |
| ▲  | 16   | 1056799          | (005000- )            | Bumper, Side, Recvy, Gray [Posi Drain] | 1    |

**Fig. 59 - Positive Solution Control Drain Kit, Solution Tank (000000-004999)**

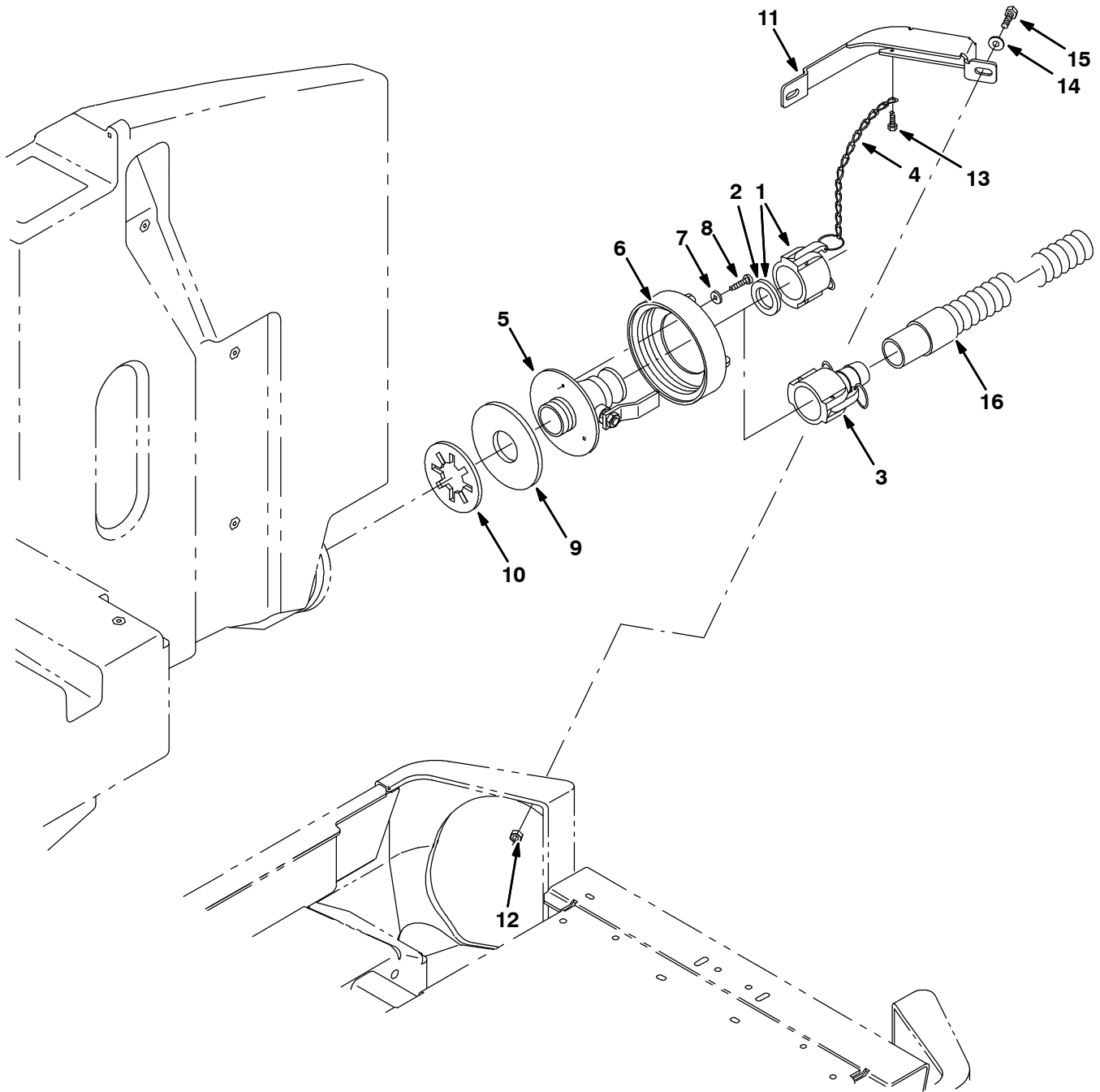


Fig. 59 - Positive Solution Control Drain Kit, Solution Tank (000000-004999)

| Ref. | Tennant Part No. | Machine Serial Number | Description                             | Qty. |
|------|------------------|-----------------------|---|------|
| ▽    | 387483           | (000000-004999 )      | Kit, Ci, Drain, Soltn, Pos Cntrl, Soltn | 1    |
| ▲▽   | 1 48733          | (000000-004999 )      | Cap, Dust                               | 1    |
| ▲▲   | 2 371905         | (000000-004999 )      | Gasket, Cap, Dust                       | 1    |
| ▲    | 3 48734          | (000000-004999 )      | Fitting, Coupler, Hose, Shank, Fem      | 1    |
| ▲    | 4 19903          | (000000-004999 )      | Chain, Sash, #35, 07.2l 13 Link         | 1    |
| ▲    | 5 1049269        | (000000-004999 )      | Valve, Ball, Drain, 1.50ID, Ss, Rwk     | 1    |
| ▲    | 6 23456          | (000000-004999 )      | Cap, Tank, Drain, 6.17 Thread Pye       | 1    |
| ▲    | 7 01684          | (000000-004999 )      | Washer, Flt, .25 Ss                     | 3    |
| ▲    | 8 09744          | (000000-004999 )      | Screw, Hex, M6 X 1.00 X 12, Ss          | 3    |
| ▲    | 9 1031700        | (000000-004999 )      | Gasket, .19, 2.00ld 5.38OD [BUNA]       | 1    |
| ▲    | 10 20932         | (000000-004999 )      | Washer, Polye                           | 1    |
| ▲    | 11 387126        | (000000-004999 )      | Bumper, Posi Drain, Recvy Side          | 1    |
| ▲    | 12 07792         | (000000-004999 )      | Nut, Hex, Flng, M10 X 1.5               | 2    |
| ▲    | 13 74455         | (000000-004999 )      | Screw, Hex, M6 X 1.0 X 12, Fmg          | 1    |
| ▲    | 14 32492         | (000000-004999 )      | Washer, Flt, .38 Std                    | 2    |
| ▲    | 15 39284         | (000000-004999 )      | Screw, Hex, M10 X 1.5 X 35, 8.8         | 2    |
| ▲    | 16 75635         | (000000-004999 )      | Hose Assy, W/1cuff, 1.5d 120l 1.5/      | 1    |

**Fig. 60 - Positive Solution Control Drain Kit, Solution Tank (005000- )**

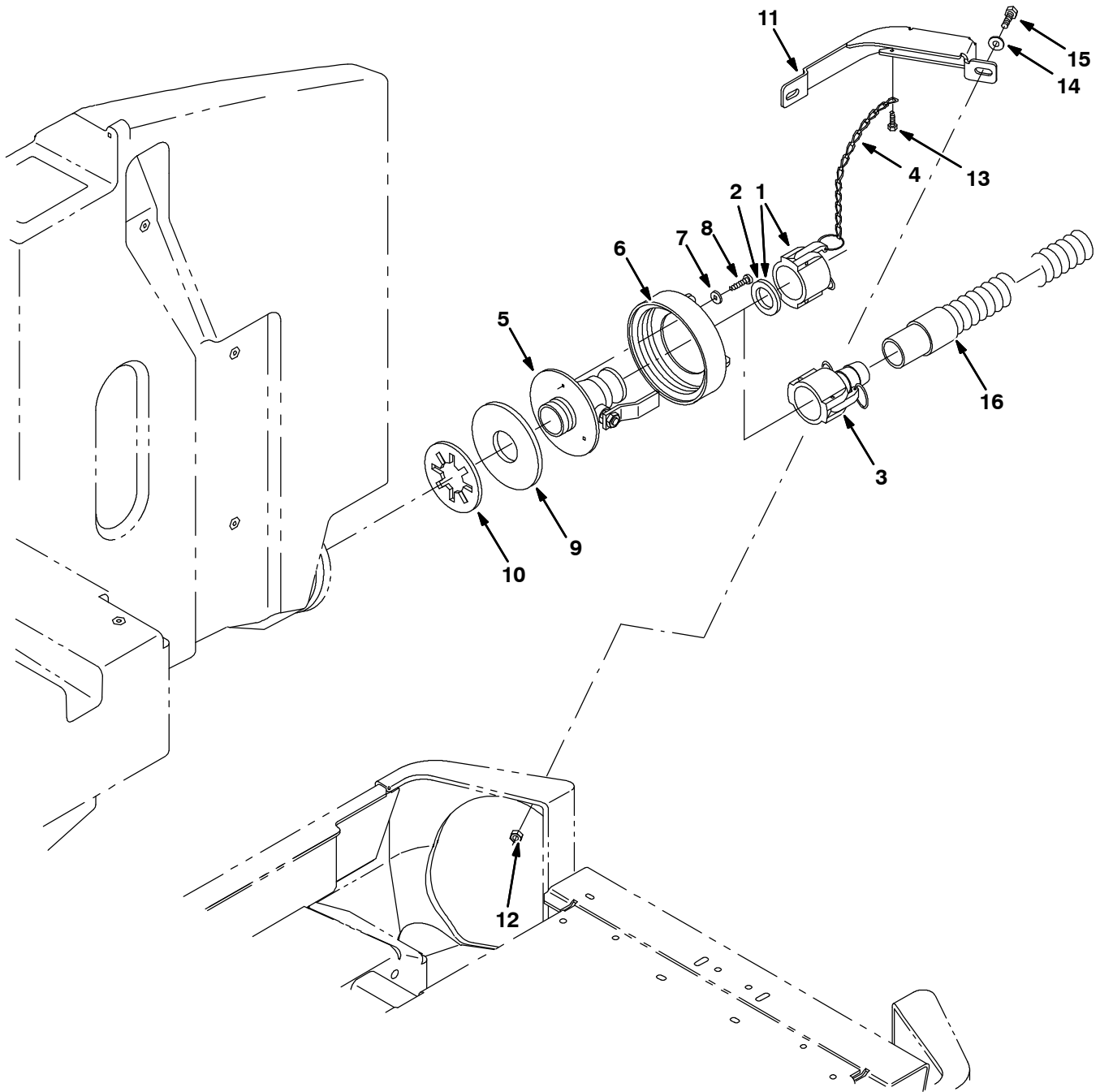
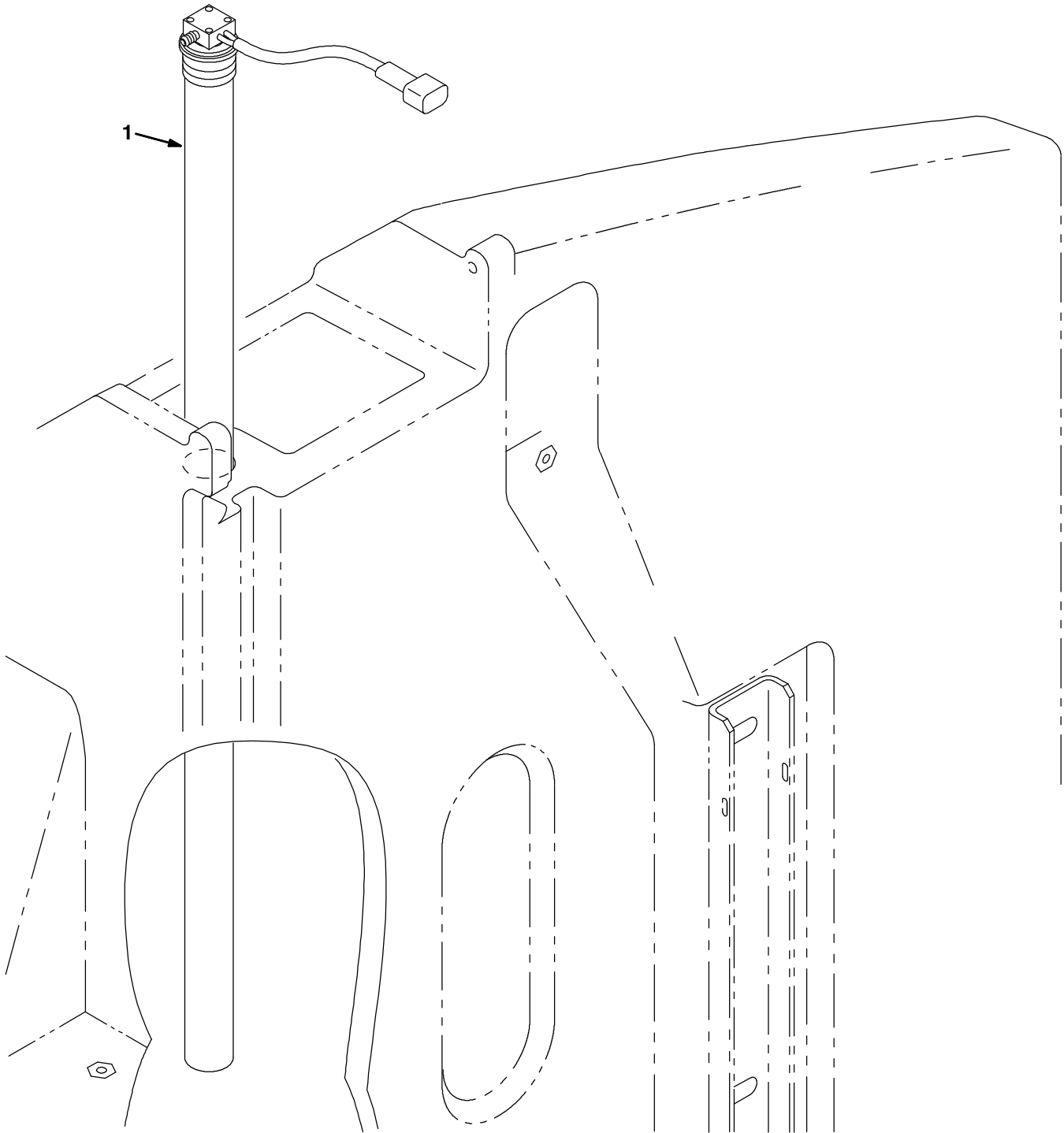


Fig. 60 - Positive Solution Control Drain Kit, Solution Tank (005000- )

| Ref. | Tennant Part No. | Machine Serial Number | Description                              | Qty. |
|------|------------------|-----------------------|--|------|
| ▽    | 9006959          | (005000-              | ) Drain Kit, Gray, Ci [Posi Cntrl/Soltn] | 1    |
| ▲▽   | 1 48733          | (005000-              | ) Cap, Dust                              | 1    |
| ▲▲   | 2 371905         | (005000-              | ) Gasket, Cap, Dust                      | 1    |
| ▲    | 3 48734          | (005000-              | ) Fitting, Coupler, Hose, Shank, Fem     | 1    |
| ▲    | 4 19903          | (005000-              | ) Chain, Sash, #35, 07.2l 13 Link        | 1    |
| ▲    | 5 1049269        | (005000-              | ) Valve, Ball, Drain, 1.50ID, Ss, Rwk    | 1    |
| ▲    | 6 23456          | (005000-              | ) Cap, Tank, Drain, 6.17 Thread Pye      | 1    |
| ▲    | 7 01684          | (005000-              | ) Washer, Flt, .25 Ss                    | 3    |
| ▲    | 8 09744          | (005000-              | ) Screw, Hex, M6 X 1.00 X 12, Ss         | 3    |
| ▲    | 9 1031700        | (005000-              | ) Gasket, .19, 2.00ld 5.38OD [BUNA]      | 1    |
| ▲    | 10 20932         | (005000-              | ) Washer, Polye                          | 1    |
| ▲    | 11 1056796       | (005000-              | ) Bumper, Side, Soltn, Gray [Posi Drain] | 1    |
| ▲    | 12 07792         | (005000-              | ) Nut, Hex, Flng, M10 X 1.5              | 2    |
| ▲    | 13 74455         | (005000-              | ) Screw, Hex, M6 X 1.0 X 12, Fmg         | 1    |
| ▲    | 14 32492         | (005000-              | ) Washer, Flt, .38 Std                   | 2    |
| ▲    | 15 39284         | (005000-              | ) Screw, Hex, M10 X 1.5 X 35, 8.8        | 2    |
| ▲    | 16 75635         | (005000-              | ) Hose Assy, W/1cuff, 1.5d 120l 1.5/     | 1    |

Fig. 61 - Low Water Level Kit



**Fig. 61 - Low Water Level Kit**

|   | <b>Ref.</b> | <b>Tennant Part No.</b> | <b>Machine Serial Number</b> | <b>Description</b>                    | <b>Qty.</b> |
|---|-------------|-------------------------|------------------------------|---------------------------------------|-------------|
| ▽ |             | 387003                  | (000000-                     | ) Kit, Ci, Indicator, Low Water Level | 1           |
| ▲ | 1           | 375431                  | (000000-                     | ) Kit, Replmt, Press Switch/34" Tube  | 1           |

Fig. 62 - Detergent Metering Kit

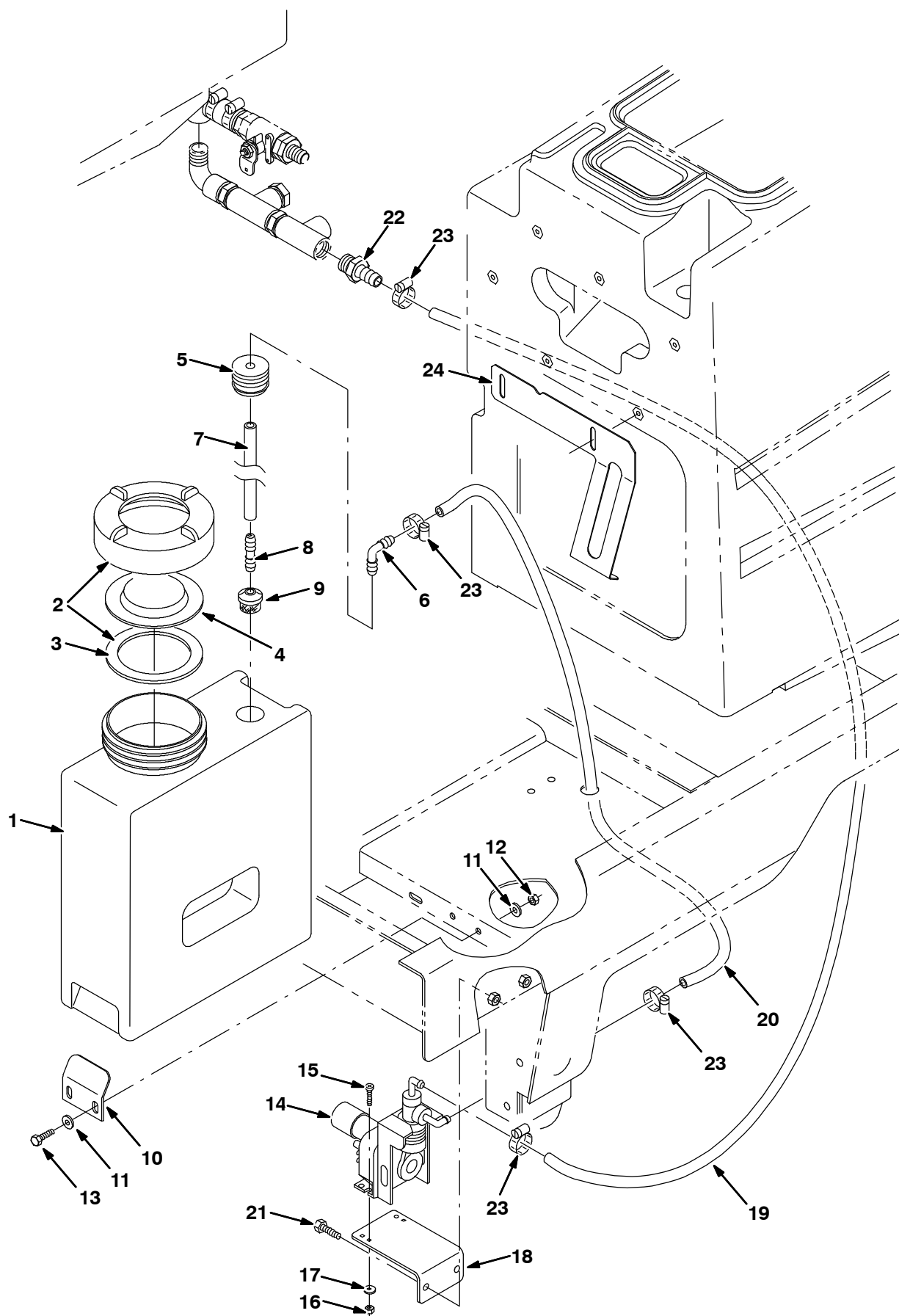
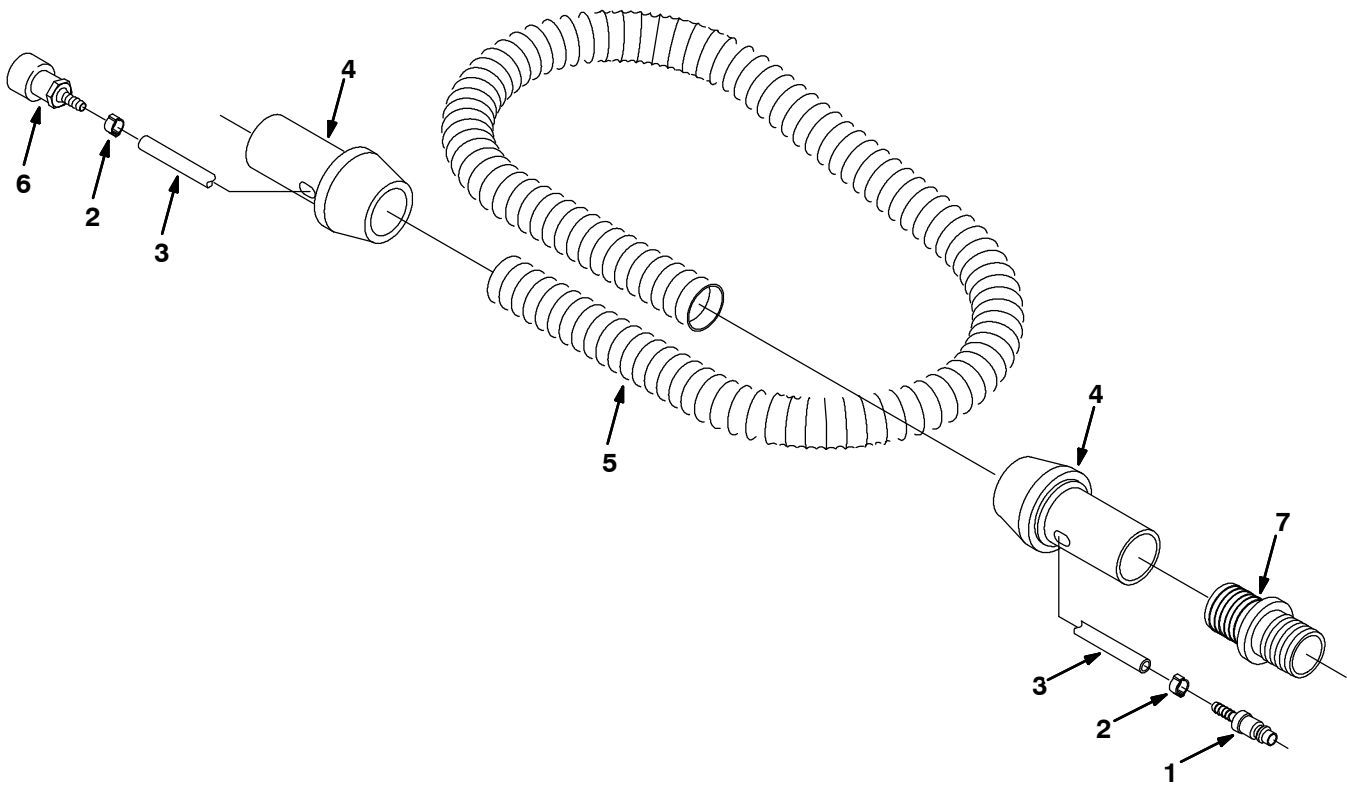




Fig. 62 - Detergent Metering Kit

|    | Ref. | Tennant Part No. | Machine Serial Number | Description                              | Qty. |
|----|------|------------------|-----------------------|--|------|
| ▽  |      | 386482           | (000000-              | ) Kit, Ci, Detgt Metering                | 1    |
| ▲  | 1    | 386163           | (000000-              | ) Tank, Detergent                        | 1    |
| ▲▽ | 2    | 24358            | (000000-              | ) Cap, Tank                              | 1    |
| ▲▲ | 3    | 1031699          | (000000-              | ) Gasket, .19, 4.05id 5.29od [Buna]      | 1    |
| ▲  | 4    | 86636            | (000000-              | ) Cover, Tank                            | 1    |
| ▲  | 5    | 20944            | (000000-              | ) Grommet, Pye, 0.37id, F/ 1.5h, .13matl | 2    |
| ▲  | 6    | 20951            | (000000-              | ) Fitting, Plstc, E90, 06bm/06bm         | 1    |
| ▲  | 7    | 382452           | (000000-              | ) Hose, Pvc, Brd, 0.38id 0.60od 15.00l   | 1    |
| ▲  | 8    | 20950            | (000000-              | ) Fitting, Plstc, Str, Bm06/Bm06         | 1    |
| ▲  | 9    | 20952            | (000000-              | ) Screen, Pump                           | 1    |
| ▲  | 10   | 1056867          | (000000-              | ) Plate, Mtg, Tank, Detgt, Iron Gray     | 1    |
| ▲  | 11   | 01685            | (000000-              | ) Washer, Flt, .31 Ss                    | 4    |
| ▲  | 12   | 08713            | (000000-              | ) Nut, Hex, Lock, M08 X 1.25,NI, Ss      | 2    |
| ▲  | 13   | 09023            | (000000-              | ) Screw, Hex, M08 X 1.25 X 35, Ss        | 2    |
| ▲  | 14   | 386364           | (000000-              | ) Pump, Detgt, 36vdc (See Breakdown)     | 1    |
| ▲  | 15   | 12323            | (000000-              | ) Screw, Pan, M04 X 0.7 X 20, Ss         | 4    |
| ▲  | 16   | 33932            | (000000-              | ) Nut, Hex, Lock, M04 X 0.7, NI, Ss      | 4    |
| ▲  | 17   | 41579            | (000000-              | ) Washer, Flt, #08 Ss                    | 4    |
| ▲  | 18   | 1056872          | (000000-              | ) Angle, Mtg, Pump, Detgt, Iron Gray     | 1    |
| ▲  | 19   | 387049           | (000000-              | ) Hose, Vyl, Brd .38id .60od 45.0l       | 1    |
| ▲  | 20   | 364669           | (000000-              | ) Hose, Pvc, Brd, 0.38id 0.60od 66.00l   | 1    |
| ▲  | 21   | 09023            | (000000-              | ) Screw, Hex, M08 X 1.25 X 35, Ss        | 2    |
| ▲  | 22   | 73467            | (000000-              | ) Fitting, Plstc, Str, Bm06/Pm12         | 1    |
| ▲  | 23   | 43844            | (000000-              | ) Clamp, Hose, Wormdrive, 0.25-0.62d     | 4    |
| ▲  | 24   | 386432           | (000000-              | ) Bracket, Retaining, Tank, Detgt        | 1    |

Fig. 63 - Power Wand Hose Assembly



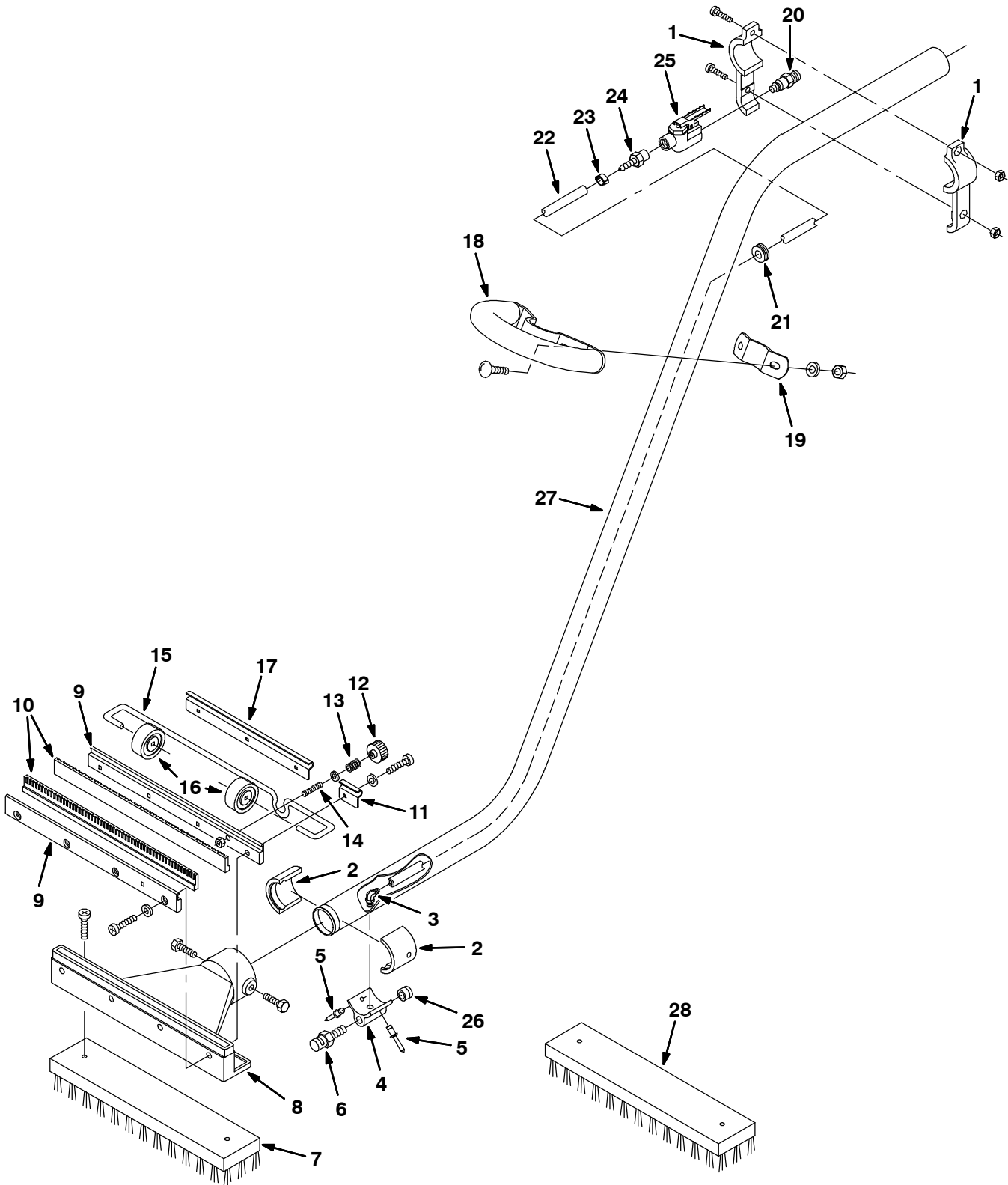
**Fig. 63 - Power Wand Hose Assembly**

NOTE: Power Wand Kit (000000-004999), Part Number 387147, includes; Fig. 63, Fig. 64, Fig. 65, and Fig. 66.

NOTE: Power Wand Kit (005000- ), Part Number 9006944, includes; Fig. 63, Fig. 64, Fig. 65, and Fig. 66.

|   | <b>Ref.</b> | <b>Tennant Part No.</b> | <b>Machine Serial Number</b> | <b>Description</b>               | <b>Qty.</b> |
|---|-------------|-------------------------|------------------------------|----------------------------------|-------------|
| ▽ |             | 65341                   | (000000-                     | ) Hose Assembly                  | 1           |
| ▲ | 1           | 578318000               | (000000-                     | ) Fitting, Quick Disconnect      | 1           |
| ▲ | 2           | 578160000               | (000000-                     | ) Clamp, Hose                    | 2           |
| ▲ | 3           | 578820000               | (000000-                     | ) Hose                           | 1           |
| ▲ | 4           | 578072000               | (000000-                     | ) Cuff, Swivel                   | 2           |
| ▲ | 5           | 578276000               | (000000-                     | ) Hose, Vacuum                   | 1           |
| ▲ | 6           | 578071000               | (000000-                     | ) Fitting, Quick Disconnect      | 1           |
|   | 7           | 48609                   | (000000-                     | ) Fitting, Plstc, Str, Bm24/Bm32 | 1           |

Fig. 64 - Power Wand Assembly

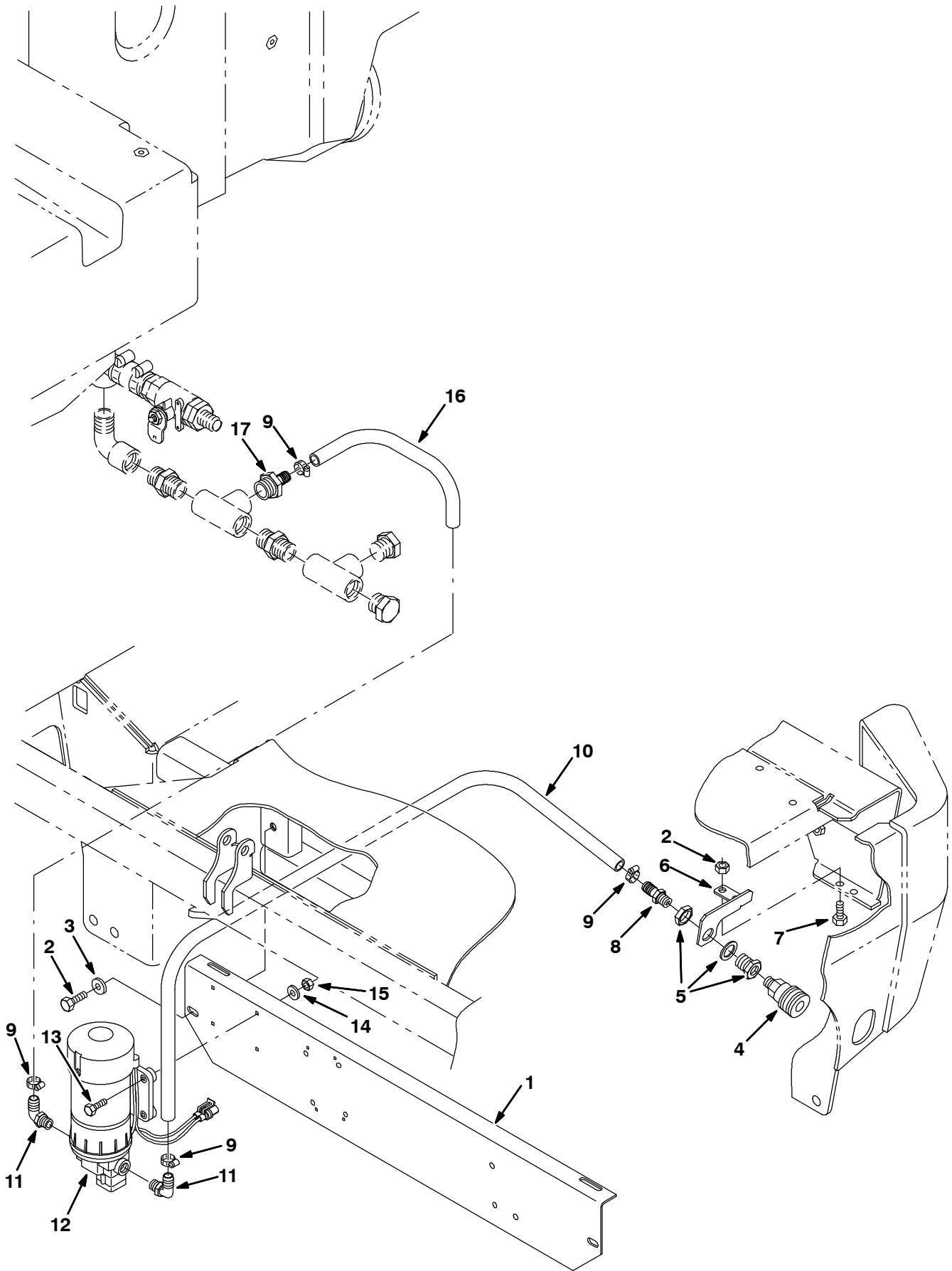


**Fig. 64 - Power Wand Assembly**

NOTE: Power Wand Kit (000000-004999), Part Number 387147, includes; Fig. 63, Fig. 64, Fig. 65, and Fig. 66.  
 NOTE: Power Wand Kit (005000- ), Part Number 9006944, includes; Fig. 63, Fig. 64, Fig. 65, and Fig. 66.

| Ref. | Tennant Part No. | Machine Serial Number | Description                         | Qty. |
|------|------------------|-----------------------|-------------------------------------|------|
| ▽    | 65340            | (000000-              | ) Kit, Wand, Power [5400]           | 1    |
| ▲ 1  | 578077000        | (000000-              | ) Bracket, Mtg                      | 1    |
| ▲ 2  | 578061000        | (000000-              | ) Adaptor                           | 2    |
| ▲ 3  | 578214000        | (000000-              | ) Fitting, Elbow                    | 1    |
| ▲ 4  | 579112           | (000000-              | ) Adaptor                           | 1    |
| ▲ 5  | 602036000        | (000000-              | ) Rivet, Pop                        | 2    |
| ▲ 6  | 578066000        | (000000-              | ) Nozzle, Spray                     | 1    |
| ▲ 7  | 65610            | (000000-              | ) Brush, Block, Scrub, Poly         | 1    |
| ▲ 8  | 578063000        | (000000-              | ) Head, Wand                        | 1    |
| ▲ 9  | 578078000        | (000000-              | ) Strip, Retainer                   | 2    |
| ▲ 10 | 578074000        | (000000-              | ) Blade, Squeegee                   | 2    |
| ▲ 11 | 578124000        | (000000-              | ) Bracket                           | 1    |
| ▲ 12 | 578439           | (000000-              | ) Nut, Thumb, M6 X 30mm Dia         | 1    |
| ▲ 13 | 578228000        | (000000-              | ) Spring, Compression               | 1    |
| ▲ 14 | 578143000        | (000000-              | ) Stud, Adj                         | 1    |
| ▲ 15 | 578126000        | (000000-              | ) Axle, Wand                        | 1    |
| ▲ 16 | 578125000        | (000000-              | ) Wheel                             | 2    |
| ▲ 17 | 578123000        | (000000-              | ) Bracket                           | 1    |
| ▲ 18 | 578155000        | (000000-              | ) Handle, Wand                      | 1    |
| ▲ 19 | 578154000        | (000000-              | ) Handle, Wand                      | 1    |
| ▲ 20 | 578091000        | (000000-              | ) Plug, Qm, .25npt                  | 1    |
| ▲ 21 | 578164000        | (000000-              | ) Grommet                           | 1    |
| ▲ 22 | 578821000        | (000000-              | ) Hose, Wand                        | 1    |
| ▲ 23 | 578161000        | (000000-              | ) Clamp, Hose                       | 2    |
| ▲ 24 | 578094000        | (000000-              | ) Fitting, Hose, Barbed, .25npt Mal | 1    |
| ▲ 25 | 578064000        | (000000-              | ) Valve, Water                      | 1    |
| ▲ 26 | 150208           | (000000-              | ) Plug                              | 1    |
| ▲ 27 | 578060000        | (000000-              | ) Wand                              | 1    |
| ▲ 28 | 65582            | (000000-              | ) Brush, Block, Scrub, Ab           | 1    |

Fig. 65 - Power Wand Pump and Fittings Group



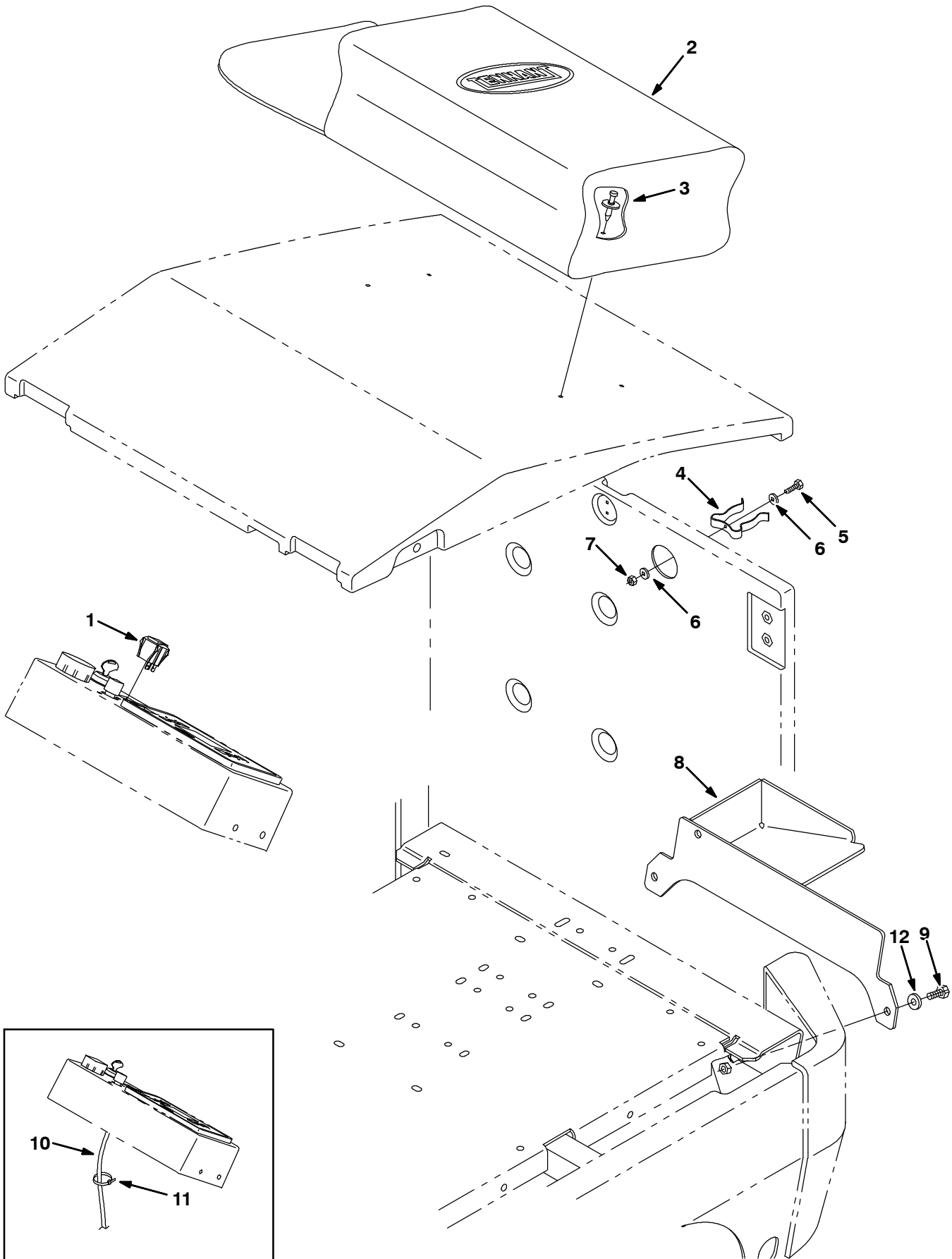
**Fig. 65 - Power Wand Pump and Fittings Group**

NOTE: Power Wand Kit (000000-004999), Part Number 387147, includes; Fig. 63, Fig. 64, Fig. 65, and Fig. 66.

NOTE: Power Wand Kit (005000- ), Part Number 9006944, includes; Fig. 63, Fig. 64, Fig. 65, and Fig. 66.

| Ref. | Tennant Part No. | Machine Serial Number | Description                             | Qty. |
|------|------------------|-----------------------|---|------|
| 1    | 1056864          | (000000-              | ) Angle, Mtg, Es, Iron Gray             | 1    |
| 2    | 09010            | (000000-              | ) Screw, Hex, M08 X 1.25 X 25, Ss       | 4    |
| 3    | 01685            | (000000-              | ) Washer, Flt, .31 Ss                   | 2    |
| 4    | 65342            | (000000-              | ) Fitting, Brs, Qdc, Pm04/Qf06          | 1    |
| 5    | 78122            | (000000-              | ) Fitting, Brs, Str, Pf04/Pf04 Bkhd     | 1    |
| 6    | 1056865          | (000000-              | ) Bracket, Wand, Power, Iron Gray       | 1    |
| 7    | 08713            | (000000-              | ) Nut, Hex, Lock, M08 X 1.25, NI, Ss    | 2    |
| 8    | 48610            | (000000-              | ) Fitting, Plstc, Str, Bm08/Pm04        | 1    |
| 9    | 54333            | (000000-              | ) Clamp, Hose, Wormdrive, 0.31-0.88d    | 4    |
| 10   | 84057            | (000000-              | ) Hose, Pvc, Wir, 0.50id 0.74od 47.00l  | 1    |
| 11   | 65581            | (000000-              | ) Fitting, Plstc, E90, Bm08/Pm04        | 2    |
| 12   | 387321           | (000000-              | ) Pump Assy, Power Wand (See Breakdown) | 1    |
| 13   | 09007            | (000000-              | ) Screw, Hex, M06 X 1.0 X 25, Ss        | 4    |
| 14   | 01684            | (000000-              | ) Washer, Flt, .25 Ss                   | 4    |
| 15   | 08712            | (000000-              | ) Nut, Hex, Lock, M06 X 1.0, NI, Ss     | 4    |
| 16   | 63184            | (000000-              | ) Hose, Pvc, Wir, 0.50id 0.75od 15.50l  | 1    |
| 17   | 79273-1          | (000000-              | ) Fitting, Plstc, Str, Bm08/Pm12        | 1    |

Fig. 66 - Power Wand Mount Group





**Fig. 66 - Power Wand Mount Group**

NOTE: Power Wand Kit (000000-004999), Part Number 387147, includes; Fig. 63, Fig. 64, Fig. 65, and Fig. 66.

NOTE: Power Wand Kit (005000- ), Part Number 9006944, includes; Fig. 63, Fig. 64, Fig. 65, and Fig. 66.

| Ref. | Tennant Part No. | Machine Serial Number | Description                             | Qty. |
|------|------------------|-----------------------|---|------|
| 1    | 222117           | (000000-              | ) Switch, Rocker                        | 1    |
| 2    | 65580            | (000000-              | ) Bag, Power                            | 1    |
| 3    | 72968            | (000000-              | ) Rivet, Plstc, .250 X 0.898            | 2    |
| 4    | 67004            | (000000-              | ) Clip, Finger Grip                     | 1    |
| 5    | 09228            | (000000-              | ) Screw, Hex, M04 X 0.7 X 20, 8.8       | 1    |
| 6    | 19064            | (000000-              | ) Washer, Flt, #06                      | 2    |
| 7    | 02850            | (000000-              | ) Nut, Hex, Lock, M04 X 0.7, NI         | 1    |
| 8    | 387050           | (000000-004999        | ) Tray Wldt, Power Wand                 | 1    |
| 8    | 1056793          | (005000-              | ) Tray Wldt, Power Wand, Iron Gray      | 1    |
| 9    | 12273            | (000000-              | ) Screw, Hex, M08 X 1.25 X 20, Ss, NI   | 3    |
| 10   | 386608           | (000000- xxxxxx       | ) Harness, Power Wand, [7300/8300]      | 1    |
| 10   | 387422           | ( xxxxxx-001705       | ) Harness, Power Wand, [7300/8300]      | 1    |
| 11   | 49266            | (000000-001705        | ) Tie, Cable, Nyl, 07.3l .19w 1.8 Max D | 4    |
| 12   | 01685            | (000000-              | ) Washer, Flt, .31                      | 3    |

Fig. 67 - Vacuum Wand Kit

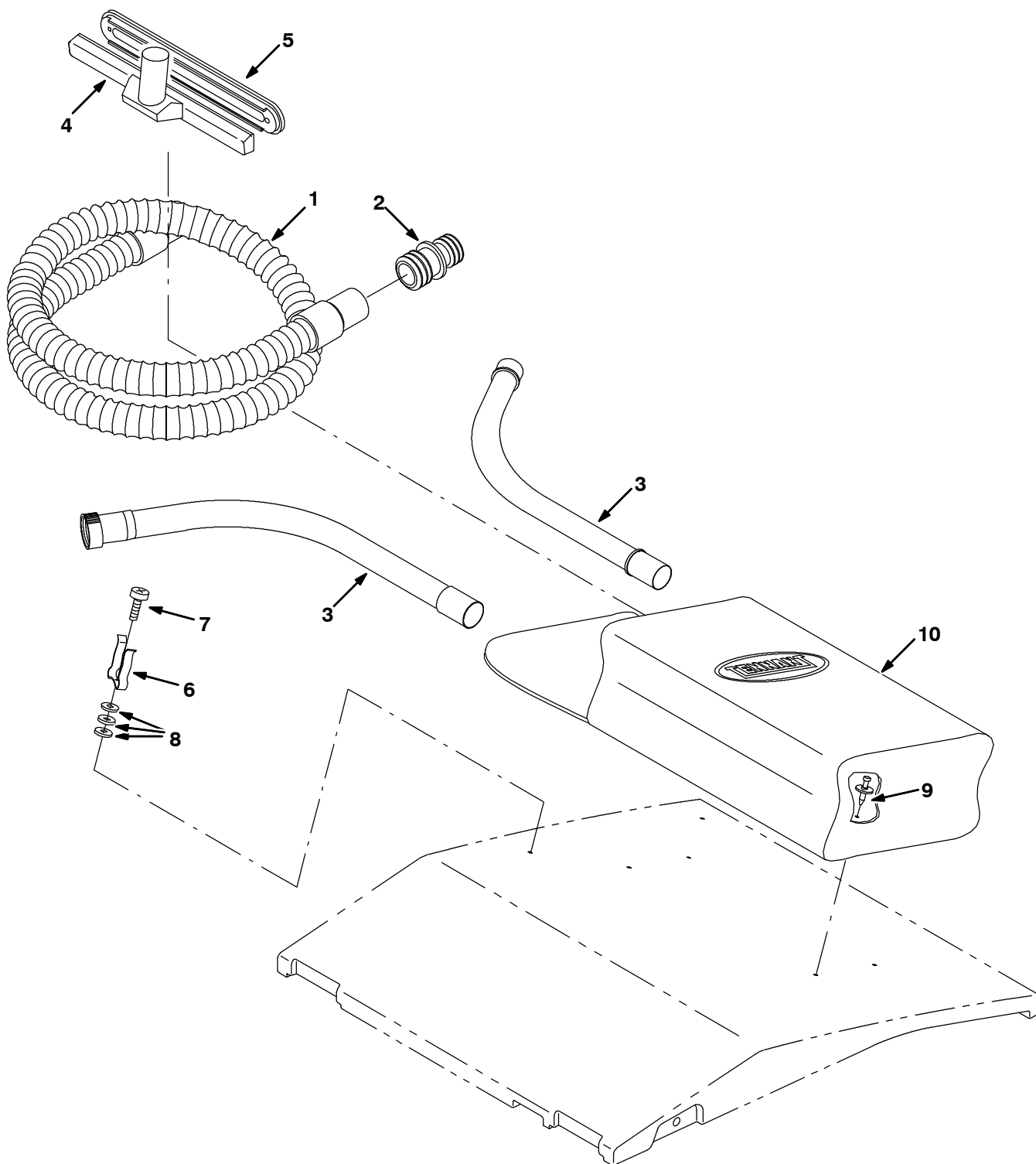


Fig. 67 - Vacuum Wand Kit

|   | Ref. | Tenant Part No. | Machine Serial Number | Description                            | Qty. |
|---|------|-----------------|-----------------------|--|------|
| ▽ |      | 387262          | (000000-              | ) Kit, Ci, Vacuum Wand, [7300/8300]    | 1    |
| ▲ | 1    | 86767           | (000000-              | ) Hose Assy, Pvc, W/ Cuff, 1.5d, 90.0l | 1    |
| ▲ | 2    | 48609           | (000000-              | ) Fitting, Plstc, Str, Bm24/Bm32       | 1    |
| ▲ | 3    | 63448           | (000000-              | ) Tube, Wand, Vacuum, Metal            | 1    |
| ▲ | 4    | 63451           | (000000-              | ) Nozzle, Wand, Plstc, 14.0lg          | 1    |
| ▲ | 5    | 63430           | (000000-              | ) Shoe, Plstc, Sqge, 14inch            | 1    |
| ▲ | 6    | 67004           | (000000-              | ) Clip, Finger Grip                    | 2    |
| ▲ | 7    | 360943          | (000000-              | ) Screw, Pan, #10-14X0.75, F/Plstc     | 2    |
| ▲ | 8    | 19064           | (000000-              | ) Washer, Flt, #06                     | 6    |
| ▲ | 9    | 72968           | (000000-              | ) Rivet, Plstc, .250 X 0.898           | 4    |
| ▲ | 10   | 65580           | (000000-              | ) Bag, Power                           | 1    |

**Fig. 68 - Max Pro 1200 Rear Squeegee Group (000000-004999)**

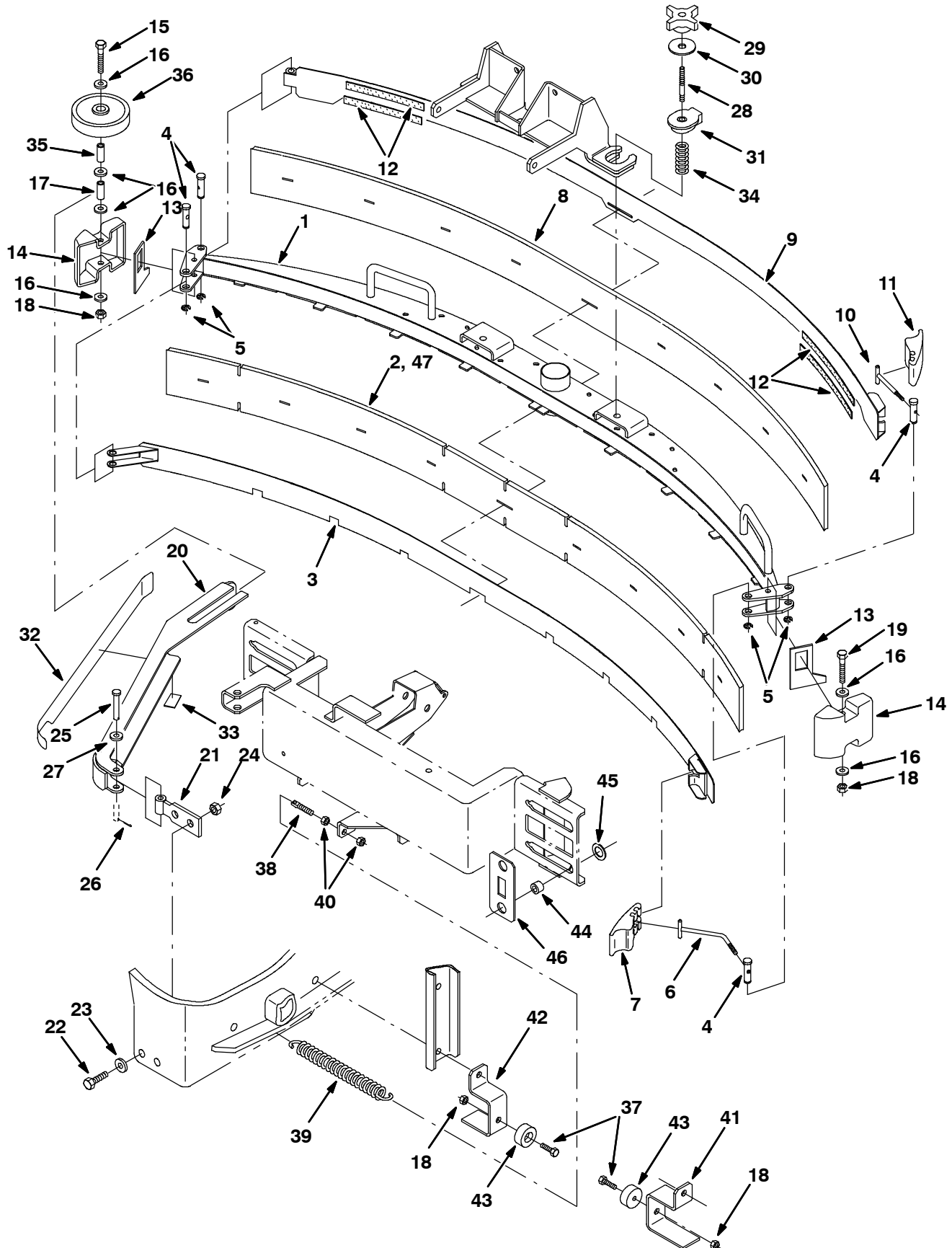


Fig. 68 - Max Pro 1200 Rear Squeegee Group (000000-004999)

| Ref. | Tennant Part No. | Machine Serial Number | Description                            | Qty. |
|------|------------------|-----------------------|--|------|
| ▽    | 386861           | (000000-004999 )      | Kit, Cl, Squeegee, Rear [Max Pro 1200] | 1    |
| ▲    | 1 1056877        | (000000-004999 )      | Frame Wldt, Sqge 48.0l                 | 1    |
| ▲    | 2 386833         | (000000-004999 )      | Blade, Sqge, Front 48.0l               | 1    |
| ▲    | 3 386835         | (000000-004999 )      | Clamp Wldt, Front 48.0l                | 1    |
| ▲    | 4 21603          | (000000-004999 )      | Pin                                    | 4    |
| ▲    | 5 24555          | (000000-004999 )      | Ring, Retaining, Ext                   | 4    |
| ▲    | 6 386298         | (000000-004999 )      | Pin Wldt, Front                        | 1    |
| ▲    | 7 21601          | (000000-004999 )      | Cam                                    | 1    |
| ▲    | 8 386834         | (000000-004999 )      | Blade, Sqge, Rear 48.0l                | 1    |
| ▲    | 9 386836         | (000000-004999 )      | Clamp Wldt, Rear 48.0l                 | 1    |
| ▲    | 10 21606         | (000000-004999 )      | Bar Wldt, Retainer, Sqge, Rear         | 1    |
| ▲    | 11 21602         | (000000-004999 )      | Cam, Rear                              | 1    |
| ▲    | 12 03495         | (000000-004999 )      | Strip, Nonslip                         | 4    |
| ▲    | 13 83874         | (000000-004999 )      | Gasket, Sqge                           | 2    |
| ▲    | 14 386264        | (000000-004999 )      | Bumper, Sqge                           | 2    |
| ▲    | 15 387431        | (000000-004999 )      | Screw, Hex, M08 X 1.25 X 130 Ss        | 1    |
| ▲    | 16 01685         | (000000-004999 )      | Washer, Flt, .31 Ss                    | 5    |
| ▲    | 17 222497        | (000000-004999 )      | Sleeve                                 | 1    |
| ▲    | 18 08713         | (000000-004999 )      | Nut, Hex, Lock, M08 X 1.25,NI, Ss      | 4    |
| ▲    | 19 09767         | (000000-004999 )      | Screw, Hex, M08 X 1.25 X 70, Ss        | 1    |
| ▲    | 20 387435        | (000000-004999 )      | Channel Wldt                           | 1    |
| ▲    | 21 386234        | (000000-004999 )      | Pivot Wldt, Guard                      | 1    |
| ▲    | 22 12309         | (000000-004999 )      | Screw, Hex, M12 X 1.75 X 30, Ss        | 2    |
| ▲    | 23 41619         | (000000-004999 )      | Washer, Flt, .50 Ss                    | 2    |
| ▲    | 24 09741         | (000000-004999 )      | Nut, Hex, Lock, M12 X 1.75,NI, Ss      | 2    |
| ▲    | 25 1039190       | (000000-004999 )      | Pin, Clevis, 0.25d X 2.00l             | 1    |
| ▲    | 26 08178         | (000000-004999 )      | Pin, Cotter, .062 X 0.75               | 1    |
| ▲    | 27 01684         | (000000-004999 )      | Washer, Flat, 0.27b 0.69d .05, Ss      | 2    |
| ▲    | 28 387237        | (000000-004999 )      | Stud, .31-18 2.75l M8 X 1.25, Ss       | 2    |
| ▲    | 29 370100        | (000000-004999 )      | Knob, 4-Prong W/.31-18, Insert         | 2    |
| ▲    | 30 04414         | (000000-004999 )      | Washer, 0.53b 1.88d .12, Stl, Pl       | 2    |
| ▲    | 31 387433        | (000000-004999 )      | Ring, Mtg, Sqge, .50l                  | 2    |
| ▲    | 32 387436        | (000000-004999 )      | Bumper, Poly-E                         | 1    |
| ▲    | 33 387438        | (000000-004999 )      | Bumper, Poly-E                         | 1    |
| ▲    | 34 387500        | (000000-004999 )      | Spring, Cmpr, .87od .042wir 2.0l       | 2    |
| ▲    | 35 363301        | (000000-004999 )      | Sleeve, 0.62d 0.34b 1.19l Bnz          | 1    |
| ▲    | 36 363162        | (000000-004999 )      | Wheel, 4.0d 0.89w 0.64b                | 1    |
| ▲    | 37 09010         | (000000-004999 )      | Screw, Hex, M08 X 1.25 X 25, Ss        | 2    |
| ▲    | 38 386847        | (000000-004999 )      | Bolt, Eye, M10x1.5 X 2.0 X .28 Eye     | 1    |
| ▲    | 39 71100         | (000000-004999 )      | Spring, Extn, 1.69od X 0.20wir, 9.5l   | 1    |
| ▲    | 40 32716         | (000000-004999 )      | Nut, Hex, Jam, M10 X 1.5, Ss           | 2    |
| ▲    | 41 387446        | (000000-004999 )      | Channel, Stop, Lh                      | 1    |
| ▲    | 42 387447        | (000000-004999 )      | Channel, Stop, Rh                      | 1    |
| ▲    | 43 364614        | (000000-004999 )      | Bumper, Neo, 1.5d .63t .31h            | 2    |
| ▲    | 44 387429        | (000000-004999 )      | Sleeve, P/M, 0.44b 0.75d 0.5l [430ss]  | 4    |
| ▲    | 45 53782         | (000000-004999 )      | Washer, Thrust, 0.75b 1.25d 0.06w      | 4    |
| ▲    | 46 387430        | (000000-004999 )      | Plate, Slide                           | 2    |
| ▲    | 47 387258        | (000000-004999 )      | Blade, Sqge, Front, Mp1200, Tile       | 1    |

# OPTIONS

Fig. 69 - Max Pro 1200 Rear Squeegee Group (005000- )

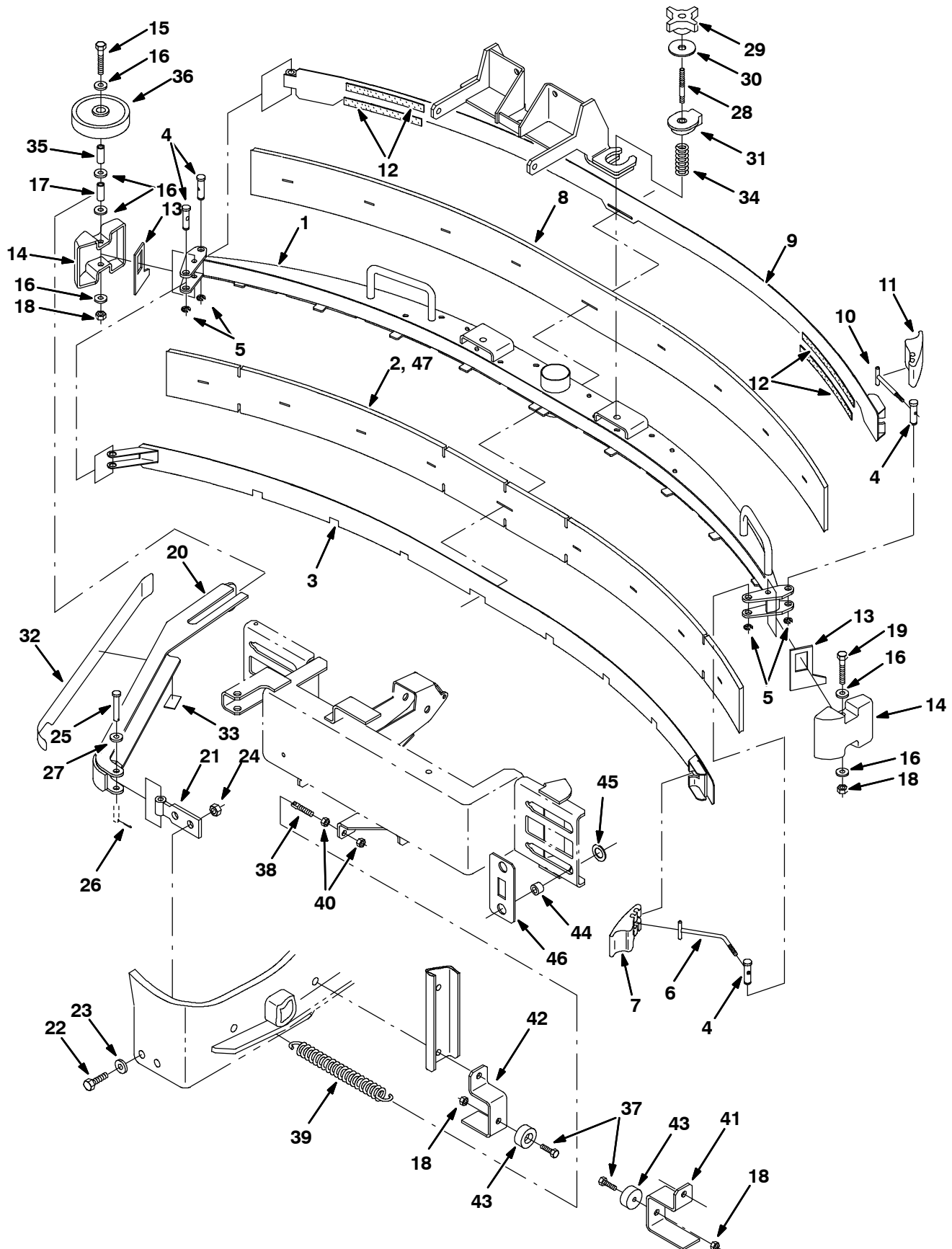
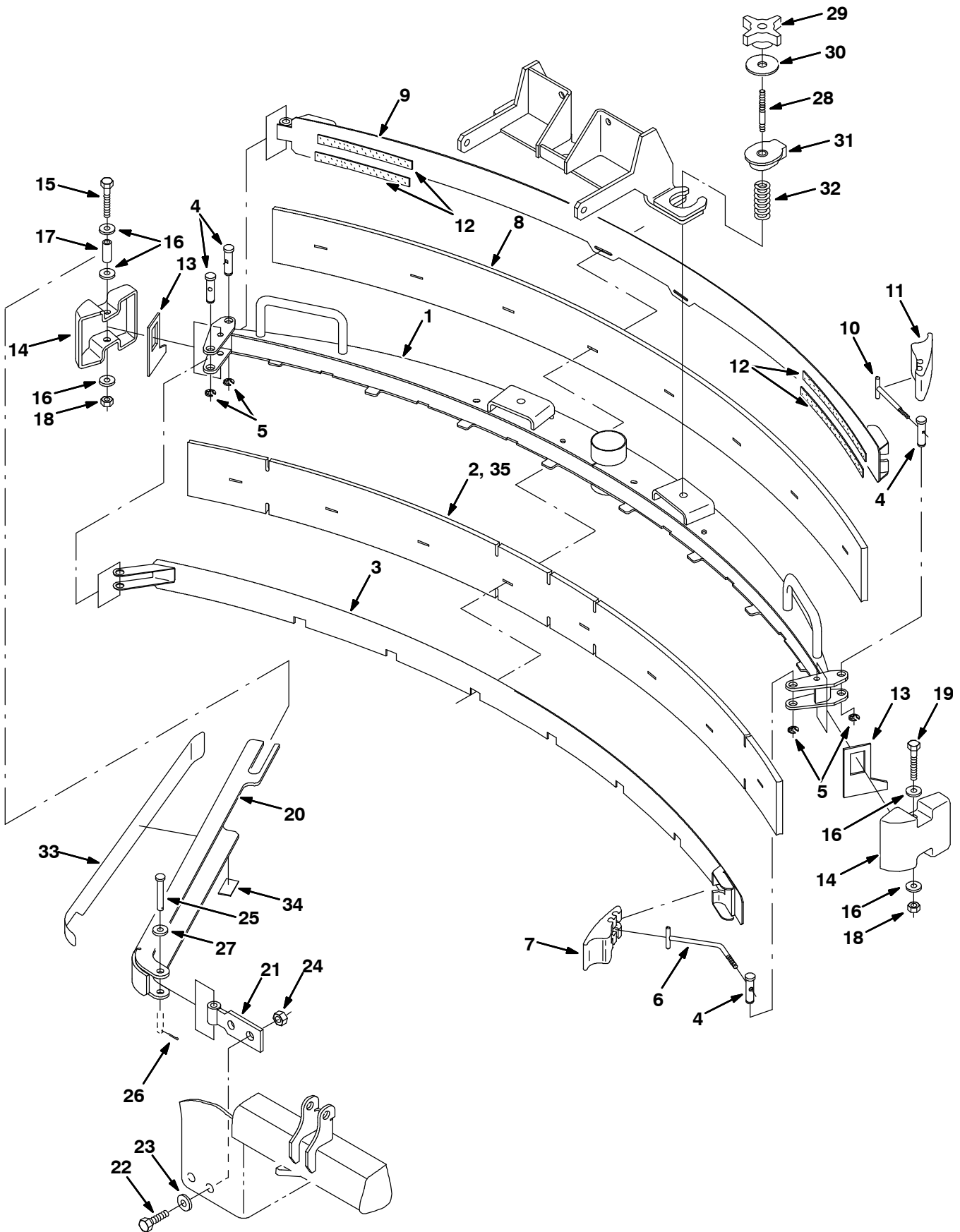


Fig. 69 - Max Pro 1200 Rear Squeegee Group (005000- )

| Ref. | Tennant Part No. | Machine Serial Number | Description                             | Qty. |
|------|------------------|-----------------------|---|------|
| ▽    | 9006931          | (005000-              | ) Squeegee Assy Kit, Rear, Ci [Mp1200]  | 1    |
| ▲    | 1 1056877        | (005000-              | ) Frame Wldt, Sqge 48.0l                | 1    |
| ▲    | 2 386833         | (005000-              | ) Blade, Sqge, Front 48.0l              | 1    |
| ▲    | 3 386835         | (005000-              | ) Clamp Wldt, Front 48.0l               | 1    |
| ▲    | 4 21603          | (005000-              | ) Pin                                   | 4    |
| ▲    | 5 24555          | (005000-              | ) Ring, Retaining, Ext                  | 4    |
| ▲    | 6 386298         | (005000-              | ) Pin Wldt, Front                       | 1    |
| ▲    | 7 21601          | (005000-              | ) Cam                                   | 1    |
| ▲    | 8 386834         | (005000-              | ) Blade, Sqge, Rear 48.0l               | 1    |
| ▲    | 9 386836         | (005000-              | ) Clamp Wldt, Rear 48.0l                | 1    |
| ▲    | 10 21606         | (005000-              | ) Bar Wldt, Retainer, Sqge, Rear        | 1    |
| ▲    | 11 21602         | (005000-              | ) Cam, Rear                             | 1    |
| ▲    | 12 03495         | (005000-              | ) Strip, Nonslip                        | 4    |
| ▲    | 13 83874         | (005000-              | ) Gasket, Sqge                          | 2    |
| ▲    | 14 386264        | (005000-              | ) Bumper, Sqge                          | 2    |
| ▲    | 15 387431        | (005000-              | ) Screw, Hex, M08 X 1.25 X 130 Ss       | 1    |
| ▲    | 16 01685         | (005000-              | ) Washer, Flt, .31 Ss                   | 5    |
| ▲    | 17 222497        | (005000-              | ) Sleeve                                | 1    |
| ▲    | 18 08713         | (005000-              | ) Nut, Hex, Lock, M08 X 1.25,NI, Ss     | 4    |
| ▲    | 19 09767         | (005000-              | ) Screw, Hex, M08 X 1.25 X 70, Ss       | 1    |
| ▲    | 20 1056805       | (005000-              | ) Channel Wldt, Iron Gray               | 1    |
| ▲    | 21 1056466       | (005000-              | ) Plate Wldt, Pivot, Guard, Iron Gray   | 1    |
| ▲    | 22 12309         | (005000-              | ) Screw, Hex, M12 X 1.75 X 30, Ss       | 2    |
| ▲    | 23 41619         | (005000-              | ) Washer, Flt, .50 Ss                   | 2    |
| ▲    | 24 09741         | (005000-              | ) Nut, Hex, Lock, M12 X 1.75,NI, Ss     | 2    |
| ▲    | 25 1039190       | (005000-              | ) Pin, Clevis, 0.25d X 2.00l            | 1    |
| ▲    | 26 08178         | (005000-              | ) Pin, Cotter, .062 X 0.75              | 1    |
| ▲    | 27 01684         | (005000-              | ) Washer, Flat, 0.27b 0.69d .05, Ss     | 2    |
| ▲    | 28 387237        | (005000-              | ) Stud, .31-18 2.75l M8 X 1.25, Ss      | 2    |
| ▲    | 29 370100        | (005000-              | ) Knob, 4-Prong W/.31-18, Insert        | 2    |
| ▲    | 30 04414         | (005000-              | ) Washer, 0.53b 1.88d .12, Stl, PI      | 2    |
| ▲    | 31 387433        | (005000-              | ) Ring, Mtg, Sqge, .50l                 | 2    |
| ▲    | 32 387436        | (005000-              | ) Bumper, Poly-E                        | 1    |
| ▲    | 33 387438        | (005000-              | ) Bumper, Poly-E                        | 1    |
| ▲    | 34 387500        | (005000-              | ) Spring, Cmpr, .87od .042wir 2.0l      | 2    |
| ▲    | 35 363301        | (005000-              | ) Sleeve, 0.62d 0.34b 1.19l Bnz         | 1    |
| ▲    | 36 363162        | (005000-              | ) Wheel, 4.0d 0.89w 0.64b               | 1    |
| ▲    | 37 09010         | (005000-              | ) Screw, Hex, M08 X 1.25 X 25, Ss       | 2    |
| ▲    | 38 386847        | (005000-              | ) Bolt, Eye, M10x1.5 X 2.0 X .28 Eye    | 1    |
| ▲    | 39 71100         | (005000-              | ) Spring, Extn, 1.69od X 0.20wir, 9.5l  | 1    |
| ▲    | 40 32716         | (005000-              | ) Nut, Hex, Jam, M10 X 1.5, Ss          | 2    |
| ▲    | 41 1056806       | (005000-              | ) Bracket, Stop, Bar, Lh, Iron Gray     | 1    |
| ▲    | 42 1056807       | (005000-              | ) Bracket, Stop, Bar, Rh, Iron Gray     | 1    |
| ▲    | 43 364614        | (005000-              | ) Bumper, Neo, 1.5d .63t .31h           | 2    |
| ▲    | 44 387429        | (005000-              | ) Sleeve, P/M, 0.44b 0.75d 0.5l [430ss] | 4    |
| ▲    | 45 53782         | (005000-              | ) Washer, Thrust, 0.75b 1.25d 0.06w     | 4    |
| ▲    | 46 387430        | (005000-              | ) Plate, Slide                          | 2    |
| ▲    | 47 387258        | (005000-              | ) Blade, Sqge, Front, Mp1200, Tile      | 1    |

# OPTIONS

Fig. 70 - Max Pro 1200 Rear Squeegee Group for Vacuumized Side Squeegee (000000-004999)



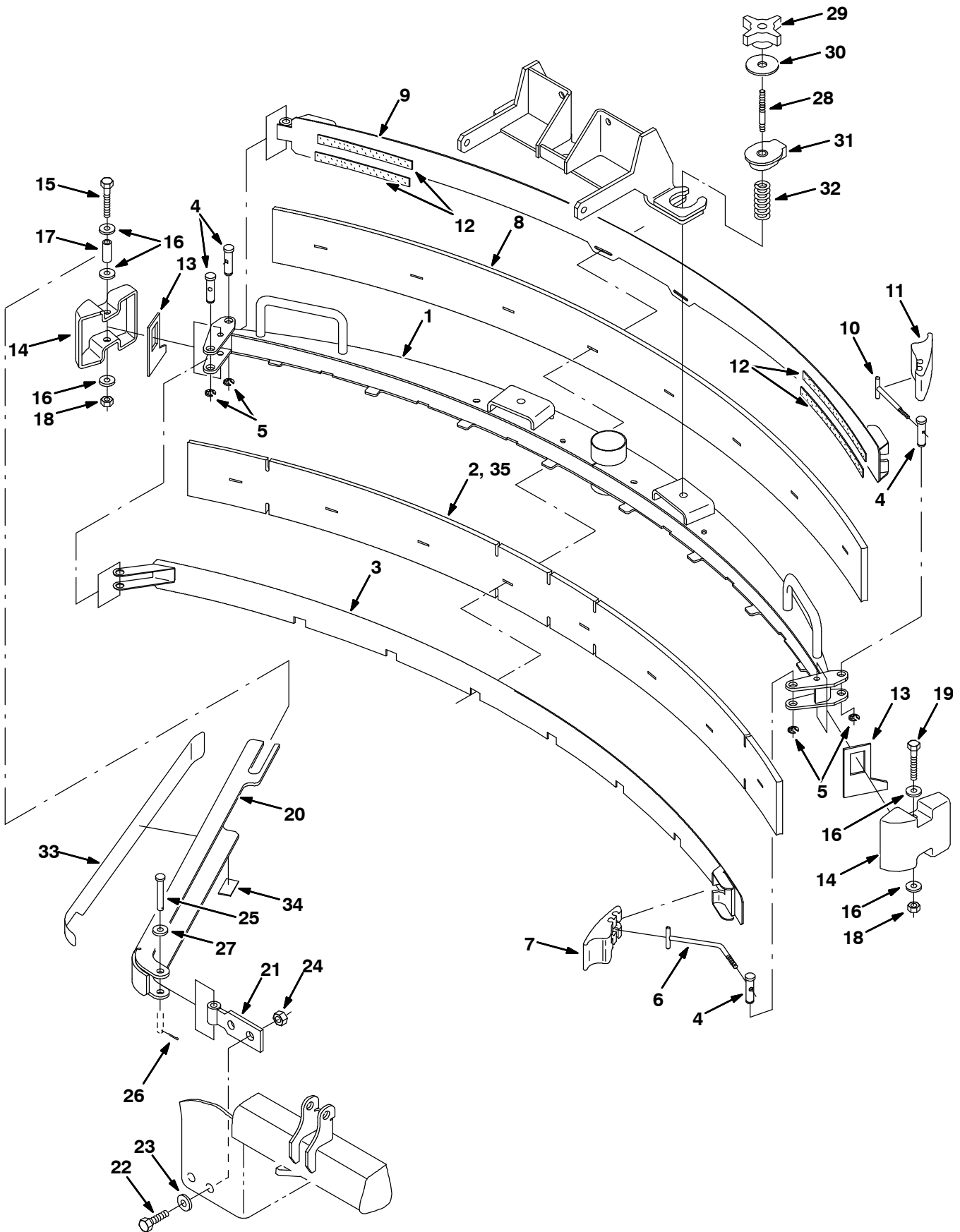


**Fig. 70 - Max Pro 1200 Rear Squeegee Group for Vacuumized Side Squeegee (000000-004999)**

| Ref. | Tennant Part No. | Machine Serial Number | Description                             | Qty. |
|------|------------------|-----------------------|---|------|
| ▽    | 386860           | (000000-004999 )      | Kit, Cl, Squeegee, Rear (Max Pro™ 1000) | 1    |
| ▲    | 1 1056856        | (000000-004999 )      | Frame Wldt, Sqge, Iron Gray             | 1    |
| ▲    | 2 386283         | (000000-004999 )      | Blade, Sqge, Front                      | 1    |
| ▲    | 3 386285         | (000000-004999 )      | Clamp Wldt, Front                       | 1    |
| ▲    | 4 21603          | (000000-004999 )      | Pin                                     | 4    |
| ▲    | 5 24555          | (000000-004999 )      | Ring, Retaining, Ext                    | 4    |
| ▲    | 6 386298         | (000000-004999 )      | Pin Wldt, Front                         | 1    |
| ▲    | 7 21601          | (000000-004999 )      | Cam                                     | 1    |
| ▲    | 8 386284         | (000000-004999 )      | Blade, Sqge, Rear                       | 1    |
| ▲    | 9 386286         | (000000-004999 )      | Clamp Wldt, Rear                        | 1    |
| ▲    | 10 21606         | (000000-004999 )      | Bar Wldt, Retainer, Sqge, Rear          | 1    |
| ▲    | 11 21602         | (000000-004999 )      | Cam, Rear                               | 1    |
| ▲    | 12 03495         | (000000-004999 )      | Strip, Nonslip                          | 4    |
| ▲    | 13 83874         | (000000-004999 )      | Gasket, Sqge                            | 2    |
| ▲    | 14 386264        | (000000-004999 )      | Bumper, Sqge                            | 2    |
| ▲    | 15 386299        | (000000-004999 )      | Screw, Hex, M08 X 1.25 X 100, Ss        | 1    |
| ▲    | 16 01685         | (000000-004999 )      | Washer, Flt, .31 Ss                     | 5    |
| ▲    | 17 222497        | (000000-004999 )      | Sleeve                                  | 1    |
| ▲    | 18 08713         | (000000-004999 )      | Nut, Hex, Lock, M08 X 1.25,NI, Ss       | 2    |
| ▲    | 19 09767         | (000000-004999 )      | Screw, Hex, M08 X 1.25 X 70, Ss         | 1    |
| ▲    | 20 386266        | (000000-004999 )      | Channel Wldt                            | 1    |
| ▲    | 21 386234        | (000000-004999 )      | Pivot Wldt, Guard                       | 1    |
| ▲    | 22 12309         | (000000-004999 )      | Screw, Hex, M12 X 1.75 X 30, Ss         | 2    |
| ▲    | 23 41619         | (000000-004999 )      | Washer, Flt, .50 Ss                     | 2    |
| ▲    | 24 09741         | (000000-004999 )      | Nut, Hex, Lock, M12 X 1.75,NI, Ss       | 2    |
| ▲    | 25 1039190       | (000000-004999 )      | Pin, Clevis, 0.25d X 2.00l              | 1    |
| ▲    | 26 08178         | (000000-004999 )      | Pin, Cotter, .062 X 0.75                | 1    |
| ▲    | 27 01684         | (000000-004999 )      | Washer, Flt, .25 Ss                     | 2    |
| ▲    | 28 387237        | (000000-004999 )      | Stud, .31-18 2.75l M8 X 1.25, Ss        | 2    |
| ▲    | 29 370100        | (000000-004999 )      | Knob, 4-Prong W/.31-18, Insert          | 2    |
| ▲    | 30 04414         | (000000-004999 )      | Washer, 0.53b 1.88d .12, Stl, Pl        | 2    |
| ▲    | 31 387433        | (000000-004999 )      | Ring, Mtg, Sqge, .50l                   | 2    |
| ▲    | 32 387500        | (000000-004999 )      | Spring, Cmpr, .87od .042wir 2.0l        | 2    |
| ▲    | 33 387448        | (000000-004999 )      | Bumper, Poly-E                          | 1    |
| ▲    | 34 387438        | (000000-004999 )      | Bumper, Poly-E                          | 1    |
| ▲    | 35 387257        | (000000- )            | Blade, Sqge, Front, Mp1000, Tile        | 1    |

# OPTIONS

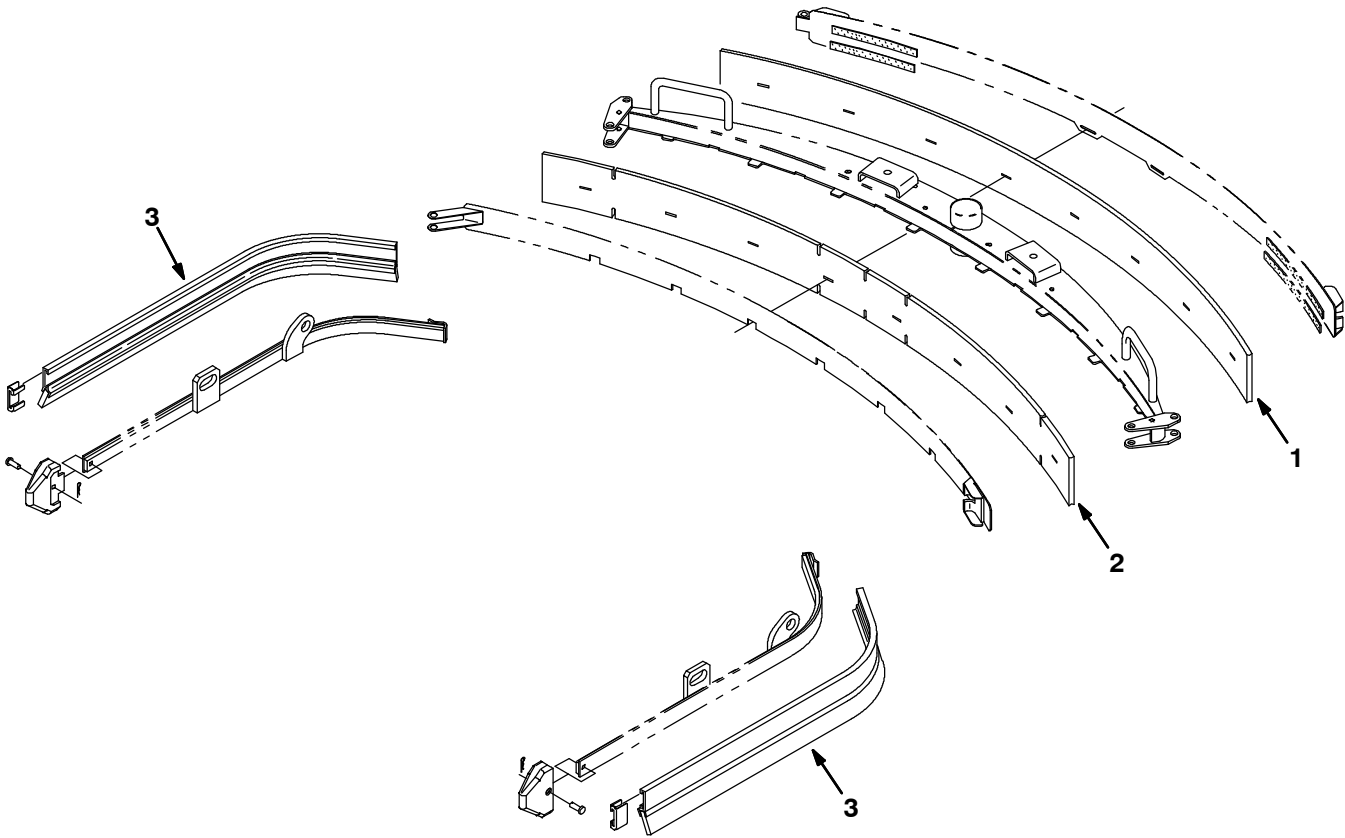
Fig. 71 - Max Pro 1200 Rear Squeegee Group for Vacuumized Side Squeegee (005000- )



**Fig. 71 - Max Pro 1200 Rear Squeegee Group for Vacuumized Side Squeegee (005000- )**

| Ref. | Tennant Part No. | Machine Serial Number | Description                            | Qty. |
|------|------------------|-----------------------|--|------|
| ▽    | 9006930          | (005000-              | ) Squeegee Assy Kit, Rear, Ci [Mp1000] | 1    |
| ▲    | 1 1056856        | (005000-              | ) Frame Wldt, Sqge, Iron Gray          | 1    |
| ▲    | 2 386283         | (005000-              | ) Blade, Sqge, Front                   | 1    |
| ▲    | 3 386285         | (005000-              | ) Clamp Wldt, Front                    | 1    |
| ▲    | 4 21603          | (005000-              | ) Pin                                  | 4    |
| ▲    | 5 24555          | (005000-              | ) Ring, Retaining, Ext                 | 4    |
| ▲    | 6 386298         | (005000-              | ) Pin Wldt, Front                      | 1    |
| ▲    | 7 21601          | (005000-              | ) Cam                                  | 1    |
| ▲    | 8 386284         | (005000-              | ) Blade, Sqge, Rear                    | 1    |
| ▲    | 9 386286         | (005000-              | ) Clamp Wldt, Rear                     | 1    |
| ▲    | 10 21606         | (005000-              | ) Bar Wldt, Retainer, Sqge, Rear       | 1    |
| ▲    | 11 21602         | (005000-              | ) Cam, Rear                            | 1    |
| ▲    | 12 03495         | (005000-              | ) Strip, Nonslip                       | 4    |
| ▲    | 13 83874         | (005000-              | ) Gasket, Sqge                         | 2    |
| ▲    | 14 386264        | (005000-              | ) Bumper, Sqge                         | 2    |
| ▲    | 15 386299        | (005000-              | ) Screw, Hex, M08 X 1.25 X 100, Ss     | 1    |
| ▲    | 16 01685         | (005000-              | ) Washer, Flt, .31 Ss                  | 5    |
| ▲    | 17 222497        | (005000-              | ) Sleeve                               | 1    |
| ▲    | 18 08713         | (005000-              | ) Nut, Hex, Lock, M08 X 1.25,NI, Ss    | 2    |
| ▲    | 19 09767         | (005000-              | ) Screw, Hex, M08 X 1.25 X 70, Ss      | 1    |
| ▲    | 20 1056471       | (005000-              | ) Channel Wldt, Guard, Rh, Iron Gray   | 1    |
| ▲    | 21 1056466       | (005000-              | ) Plate Wldt, Pivot, Guard, Iron Gray  | 1    |
| ▲    | 22 12309         | (005000-              | ) Screw, Hex, M12 X 1.75 X 30, Ss      | 2    |
| ▲    | 23 41619         | (005000-              | ) Washer, Flt, .50 Ss                  | 2    |
| ▲    | 24 09741         | (005000-              | ) Nut, Hex, Lock, M12 X 1.75,NI, Ss    | 2    |
| ▲    | 25 1039190       | (005000-              | ) Pin, Clevis, 0.25d X 2.00l           | 1    |
| ▲    | 26 08178         | (005000-              | ) Pin, Cotter, .062 X 0.75             | 1    |
| ▲    | 27 01684         | (005000-              | ) Washer, Flt, .25 Ss                  | 2    |
| ▲    | 28 387237        | (005000-              | ) Stud, .31-18 2.75l M8 X 1.25, Ss     | 2    |
| ▲    | 29 370100        | (005000-              | ) Knob, 4-Prong W/.31-18, Insert       | 2    |
| ▲    | 30 04414         | (005000-              | ) Washer, 0.53b 1.88d .12, Stl, Pl     | 2    |
| ▲    | 31 387433        | (005000-              | ) Ring, Mtg, Sqge, .50l                | 2    |
| ▲    | 32 387500        | (005000-              | ) Spring, Cmpr, .87od .042wir 2.0l     | 2    |
| ▲    | 33 387448        | (005000-              | ) Bumper, Poly-E                       | 1    |
| ▲    | 34 387438        | (005000-              | ) Bumper, Poly-E                       | 1    |
| ▲    | 35 387257        | (000000-              | ) Blade, Sqge, Front, Mp1000, Tile     | 1    |

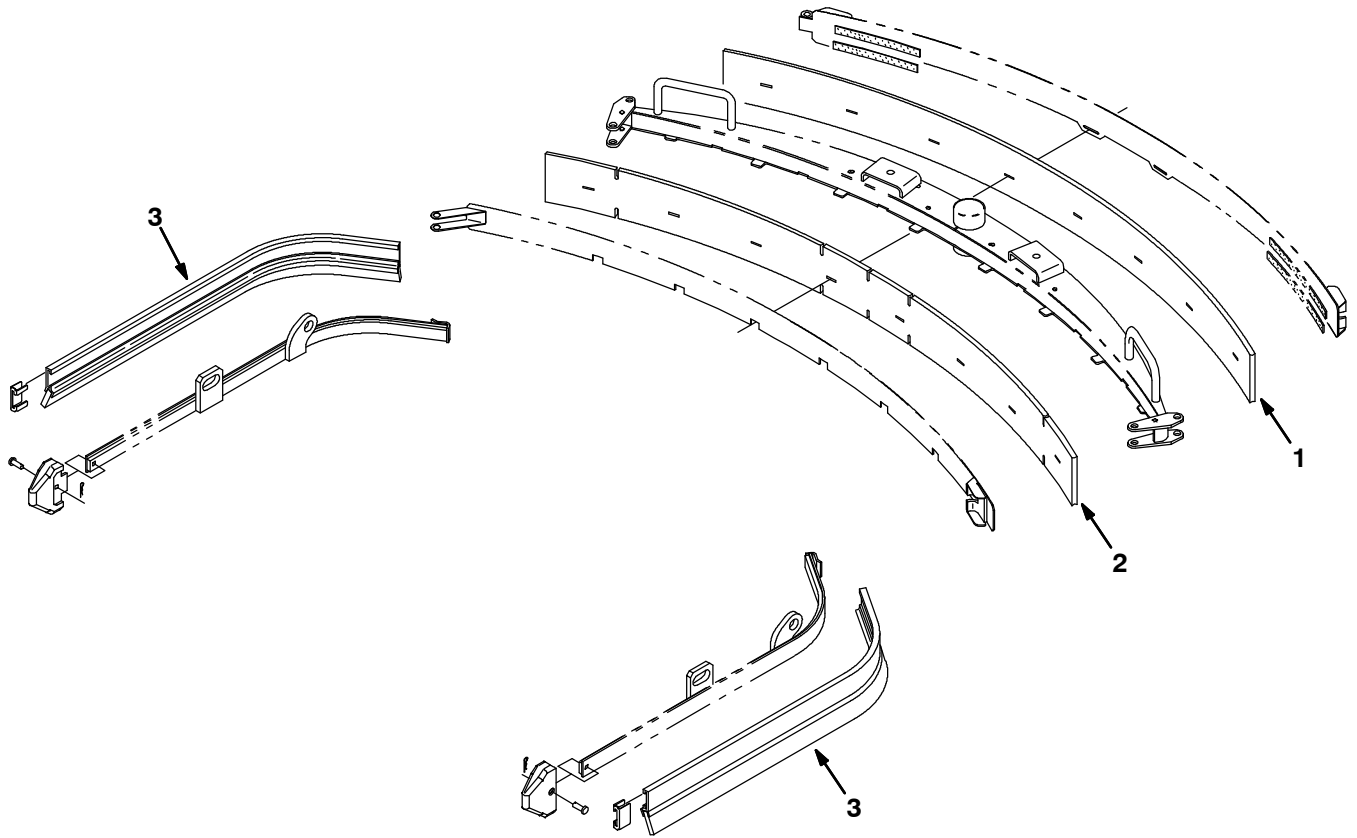
**Fig. 72 - Max Pro 1000 Urethane Squeegee Kit**



354351

| Ref. | Tenant Part No. | Machine Serial Number | Description                       | Qty. |
|------|-----------------|-----------------------|-----------------------------------|------|
| ▽    | 9001397         | (000000-              | ) Blade Kit, Sqge, Ure, [Mp1000]  | 1    |
| ▲    | 1 1022564       | (000000-              | ) Blade, Sqge, Rear               | 1    |
| ▲    | 2 1022565       | (000000-              | ) Blade, Sqge, Front              | 1    |
| ▲    | 3 1019344       | (000000-              | ) Squeegee, Side, Ure, [7300/830] | 2    |

Fig. 73 - Max Pro 1200 Urethane Squeegee Kit



354351

|   | Ref. | Tennant Part No. | Machine Serial Number | Description                       | Qty. |
|---|------|------------------|-----------------------|-----------------------------------|------|
| ▽ |      | 9001398          | (000000-              | ) Blade Kit, Sqge, Ure, [Mp1200]  | 1    |
| ▲ | 1    | 1022558          | (000000-              | ) Blade, Sqge, Rear               | 1    |
| ▲ | 2    | 1022465          | (000000-              | ) Blade, Sqge, Front              | 1    |
| ▲ | 3    | 1019344          | (000000-              | ) Squeegee, Side, Ure, [7300/830] | 2    |

Fig. 74 - Battery Rollout Kit

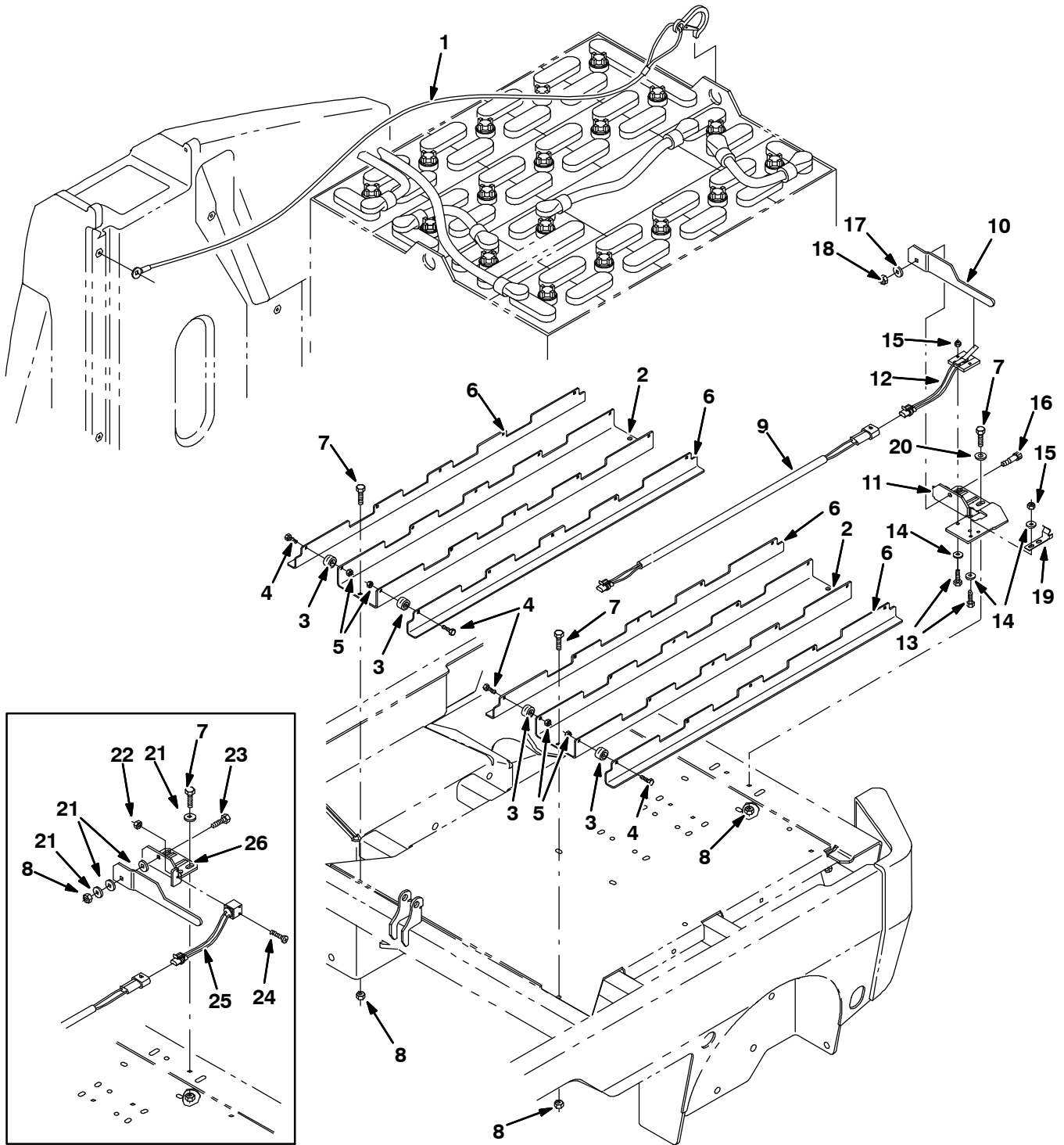
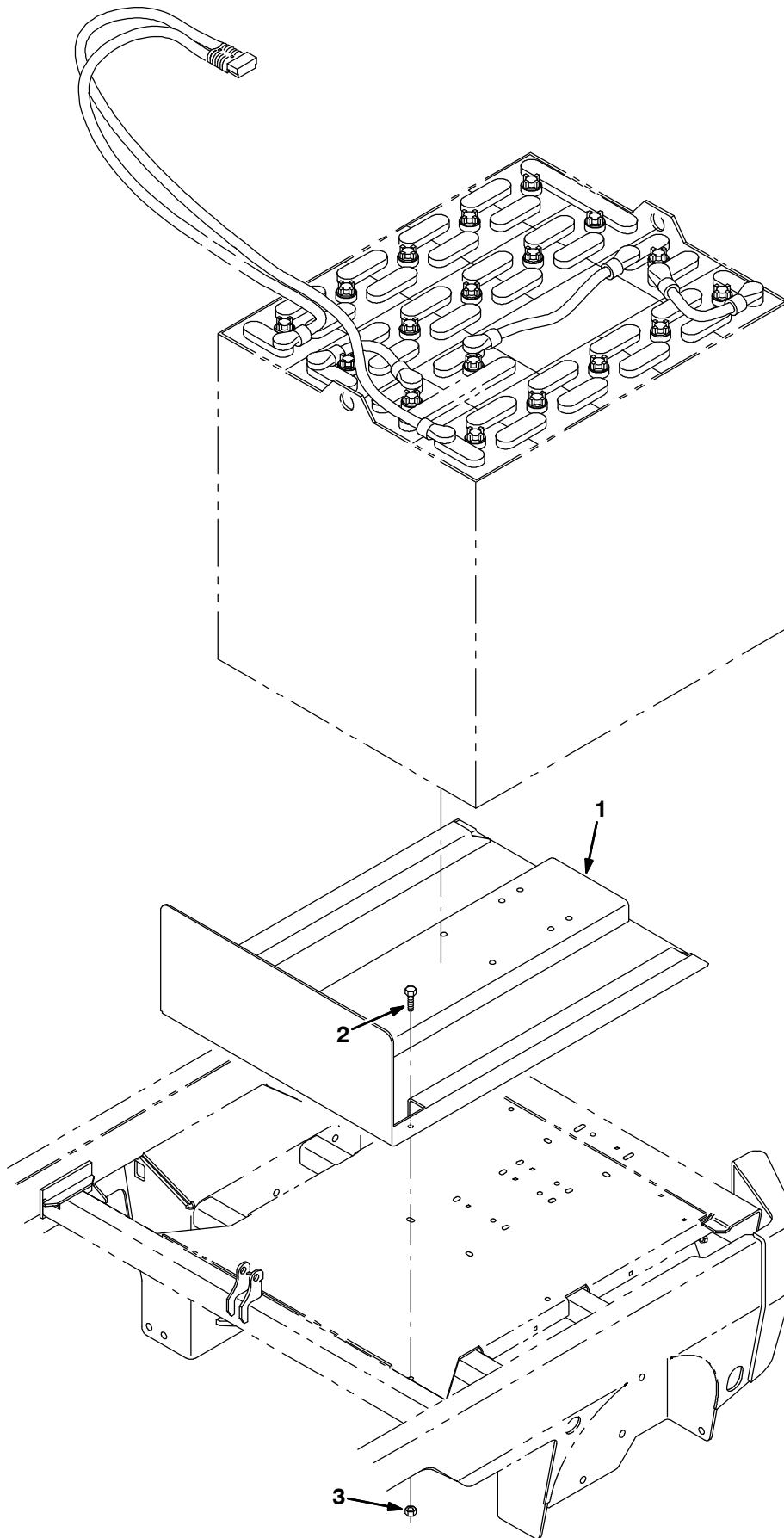


Fig. 74 - Battery Rollout Kit

| Ref. | Tennant Part No. | Machine Serial Number | Description                             | Qty. |
|------|------------------|-----------------------|---|------|
| ▽    | 387043           | (000000-              | ) Kit, Ci, Battery, Rollout             | 1    |
| ▲    | 1 386968         | (000000-              | ) Cable, Safety, Battery                | 1    |
| ▲    | 2 1056916        | (000000-              | ) Channel, Battery, R/O, Iron Gray      | 2    |
| ▲    | 3 369415         | (000000-              | ) Bearing, Needle, 0.25b 0.88d 0.50w    | 20   |
| ▲    | 4 07805          | (000000-              | ) Screw, Hex, M06 X 1.0 X 35, Ss        | 20   |
| ▲    | 5 08712          | (000000-              | ) Nut, Hex, Lock, M06 X 1.0, NI, Ss     | 20   |
| ▲    | 6 1056915        | (000000-              | ) Angle, Battery, R/O, Iron Gray        | 4    |
| ▲    | 7 09740          | (000000-              | ) Screw, Hex, M08 X 1.25 X 20, Ss       | 6    |
| ▲    | 8 08713          | (000000-              | ) Nut, Hex, Lock, M08 X 1.25,NI, Ss     | 6    |
| ▲    | 9 386607         | (000000-              | ) Harness, Battery, Rollout [7300/8300] | 1    |
| ▲    | 10 1057644       | (000000-              | ) Bar Wldt, Battery, R/O                | 1    |
| ▲    | 11 1056940       | (001793-              | ) Stop Wldt, Iron Gray                  | 1    |
| ▲    | 12 377341        | (001793-              | ) Switch, Limit, No                     | 1    |
| ▲    | 13 24199         | (001793-              | ) Screw, Hex, M5 X 0.8 X 16, Ss         | 4    |
| ▲    | 14 01683         | (001793-              | ) Washer, Flat, #10 Ss                  | 4    |
| ▲    | 15 09739         | (001793-              | ) Nut, Hex, Lock, M 5 X 0,8, NI, Ss     | 4    |
| ▲    | 16 02129         | (001793-              | ) Bolt, Shld, .38DX0.38, .31-18         | 1    |
| ▲    | 17 39349         | (001793-              | ) Washer, Flat, 0.31 Sae                | 1    |
| ▲    | 18 01760         | (001793-              | ) Nut, Hex, Lock, .31-18, NI, Thin      | 1    |
| ▲    | 19 1007107       | (001793-              | ) Latch, Handle                         | 1    |
| ▲    | 20 01685         | (001793-              | ) Washer, Flat, 0.31 Ss                 | 2    |
|      | 21 01685         | (000000-001792        | ) Washer, Flt, .31 Ss                   | 5    |
|      | 22 33932         | (000000-001792        | ) Nut, Hex, Lock, M 4 X 0.7, NI Ss      | 5    |
|      | 23 09023         | (000000-001792        | ) Screw, Hex, M08 X 1.25 X 35, Ss       | 1    |
|      | 24 09198         | (000000-001792        | ) Screw, Pan, M04 X 0.7 X 35, Ss        | 2    |
|      | 25 387027        | (000000-001792        | ) Switch, No (Replaced by 398454)       | 1    |
|      | 26 387441        | (000000-001792        | ) Stop Wldt (Replaced by 398454)        | 1    |

Fig. 75 - Battery Forklift Kit

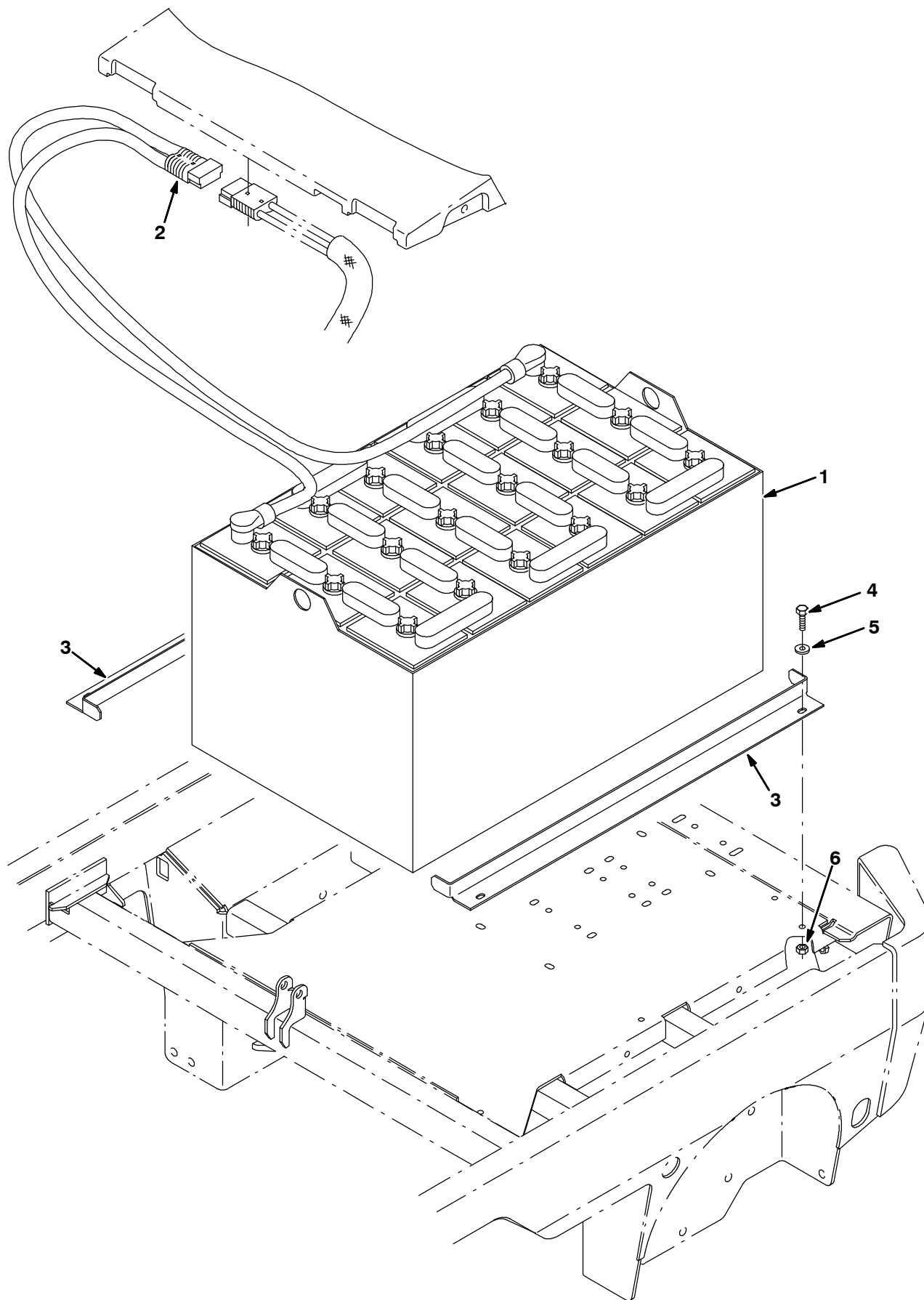




**Fig. 75 - Battery Forklift Kit**

|   | <b>Ref.</b> | <b>Tennant Part No.</b> | <b>Machine Serial Number</b> | <b>Description</b>                  | <b>Qty.</b> |
|---|-------------|-------------------------|------------------------------|-------------------------------------|-------------|
| ▽ |             | 387000                  | (000000-                     | ) Kit, Ci, Fork Lift, Battery       | 1           |
| ▲ | 1           | 1056883                 | (000000-                     | ) Cradle Wldt, Battery, Iron Gray   | 1           |
| ▲ | 2           | 09740                   | (000000-                     | ) Screw, Hex, M08 X 1.25 X 20, Ss   | 4           |
| ▲ | 3           | 08713                   | (000000-                     | ) Nut, Hex, Lock, M08 X 1.25,NI, Ss | 4           |

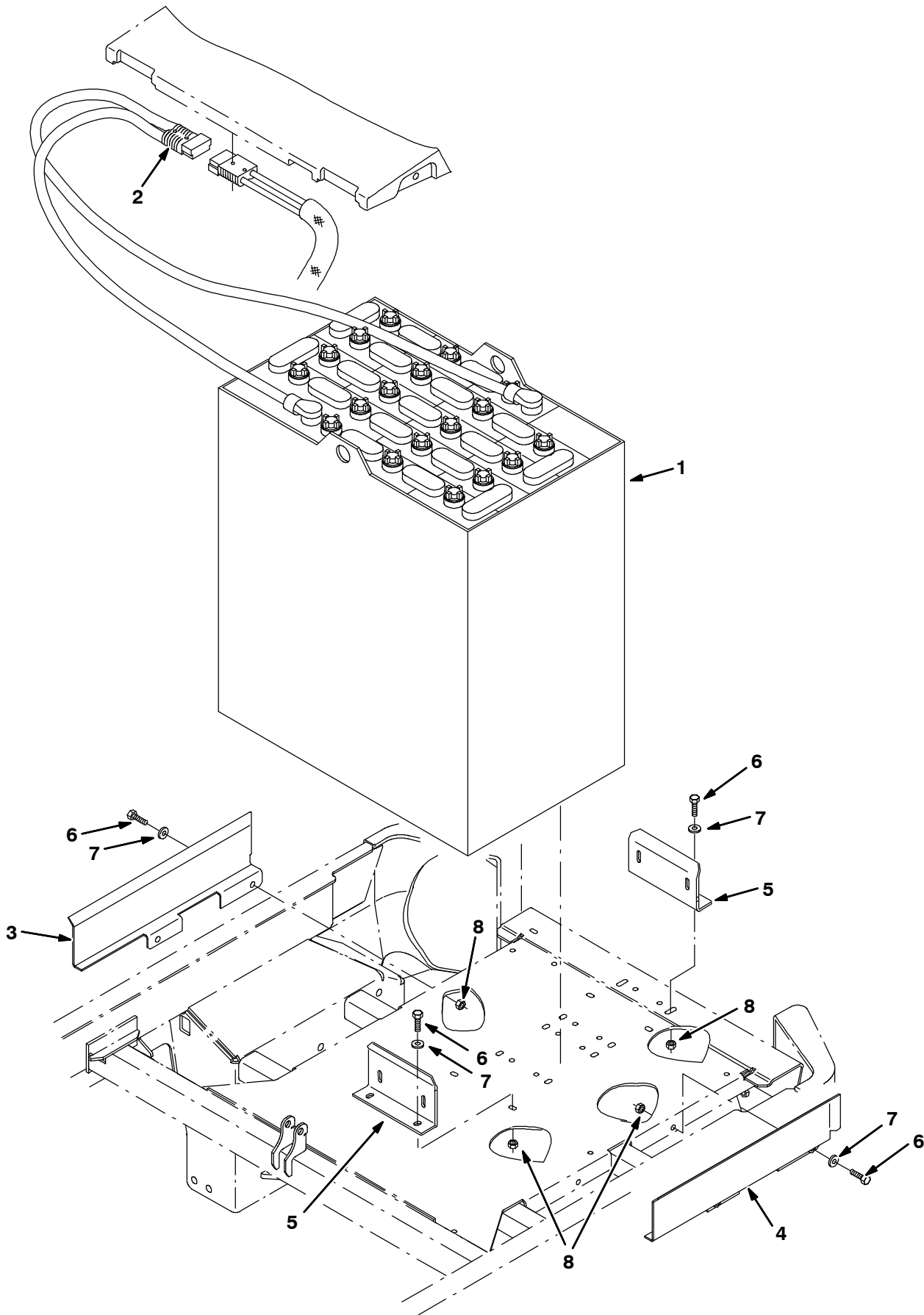
Fig. 76 - Battery Kit, 380AH Wet



**Fig. 76 - Battery Kit, 380AH Wet**

|    | <b>Ref.</b> | <b>Tennant Part No.</b> | <b>Machine Serial Number</b> | <b>Description</b>                    | <b>Qty.</b> |
|----|-------------|-------------------------|------------------------------|---------------------------------------|-------------|
| ▽  |             | 387324                  | (000000-                     | ) Kit, Ci, Battery, 36vdc, 380ah, Wet | 1           |
| ▲▽ | 1           | 387322                  | (000000-                     | ) Battery, 36Vdc, 380Ah, Wet          | 1           |
| ▲▲ | 2           | 01726                   | (000000-                     | ) Connector, Anderson, 350A, Gray     | 1           |
| ▲  | 3           | 1056927                 | (000000-                     | ) Spacer, Battery, Stl, Iron Gray     | 2           |
| ▲  | 4           | 09740                   | (000000-                     | ) Screw, Hex, M08-1.25 X 20, Ss       | 4           |
| ▲  | 5           | 01685                   | (000000-                     | ) Washer, Flat, .31 Ss                | 4           |
| ▲  | 6           | 08713                   | (000000-                     | ) Nut, Hex, Lock, M08-1.25, NI, Ss    | 4           |

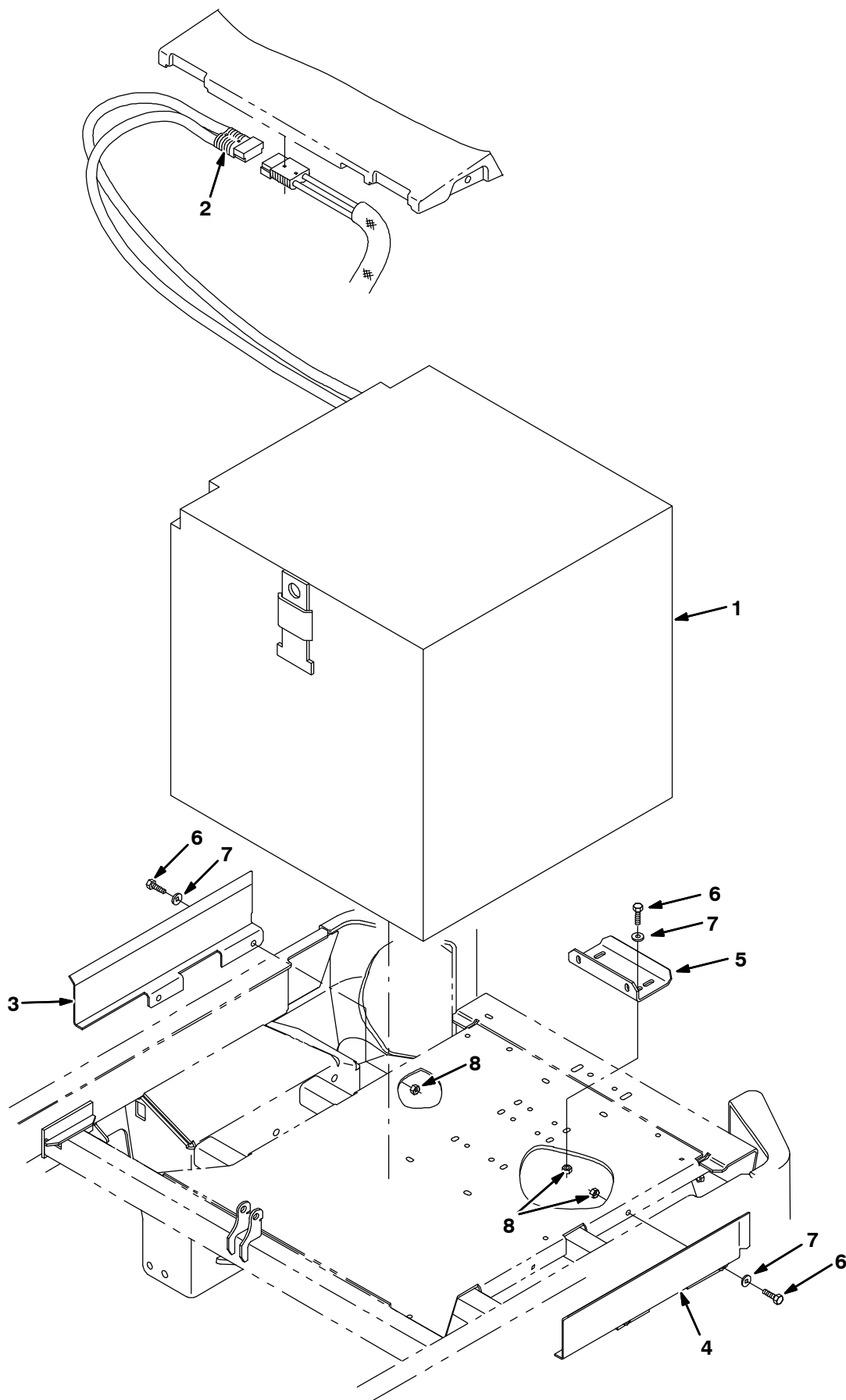
Fig. 77 - Battery Kit, 500AH Wet



**Fig. 77 - Battery Kit, 500AH Wet**

|    | <b>Ref.</b> | <b>Tennant Part No.</b> | <b>Machine Serial Number</b> | <b>Description</b>                   | <b>Qty.</b> |
|----|-------------|-------------------------|------------------------------|--------------------------------------|-------------|
| ▽  |             | 386932                  | (000000-                     | ) Battery Kit, Wet, 36vdc 0500ah, Ci | 1           |
| ▲▽ | 1           | 386335                  | (000000-                     | ) Battery, Wet, 36vdc 0500ah         | 1           |
| ▲▲ | 2           | 01726                   | (000000-                     | ) Connector, 350a, Gray [Anderson]   | 1           |
| ▲  | 3           | 1056895                 | (000000-                     | ) Spacer, Battery, Rh, Iron Gray     | 1           |
| ▲  | 4           | 1056896                 | (000000-                     | ) Spacer, Battery, Lh, Iron Gray     | 1           |
| ▲  | 5           | 1056878                 | (000000-                     | ) Spacer, Battery, Rear, Iron Gray   | 2           |
| ▲  | 6           | 09740                   | (000000-                     | ) Screw, Hex, M8 X 1.25 X 20, Ss     | 8           |
| ▲  | 7           | 01685                   | (000000-                     | ) Washer, Flat, 0.38b 0.88d .08, Ss  | 8           |
| ▲  | 8           | 08713                   | (000000-                     | ) Nut, Hex, Lock, M8 X 1.25, NI, Ss  | 8           |

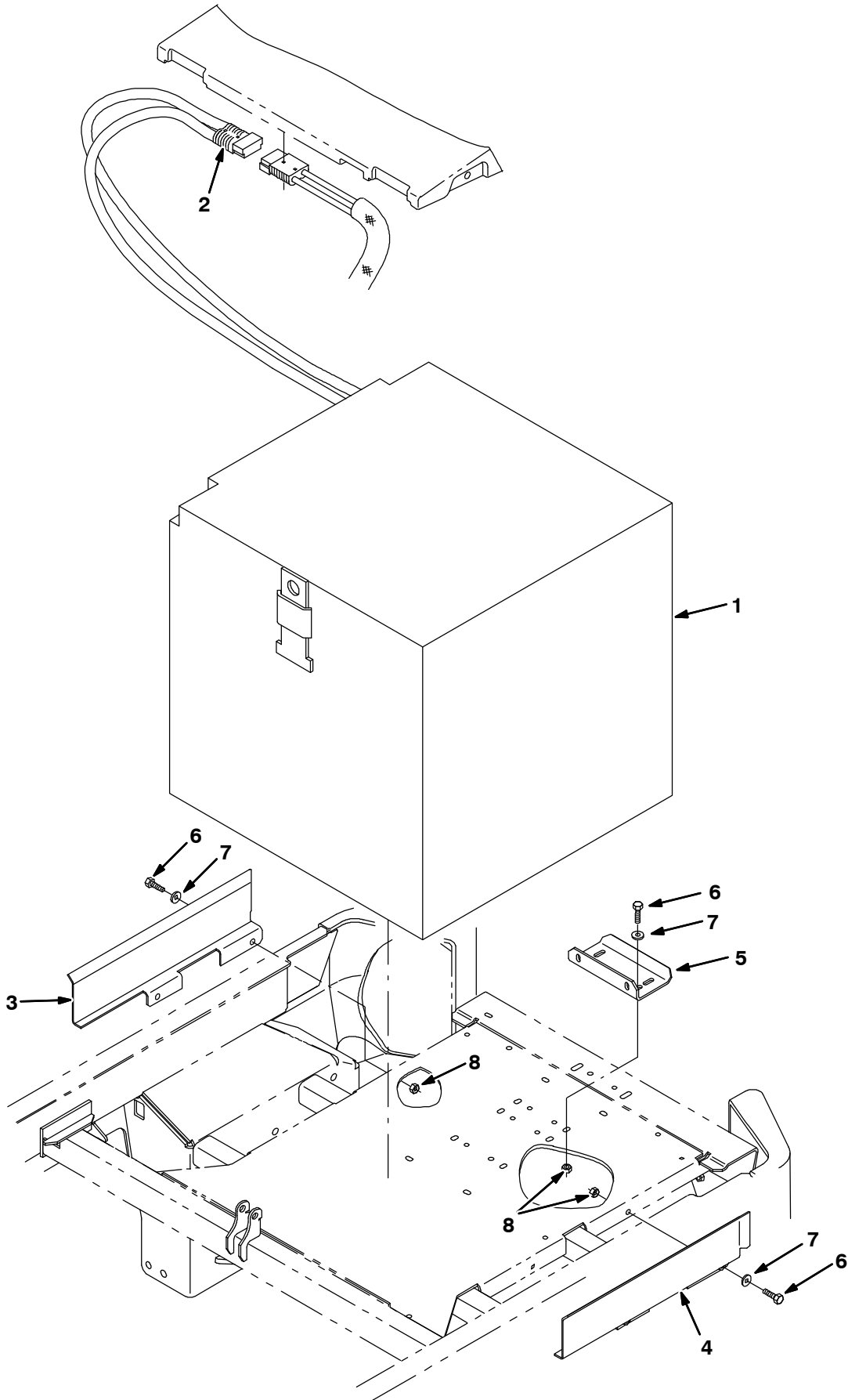
Fig. 78 - Battery Kit, 600AH (000000-004999)



**Fig. 78 - Battery Kit, 600AH (000000-004999)**

|    | <b>Ref.</b> | <b>Tennant Part No.</b> | <b>Machine Serial Number</b> | <b>Description</b>                     | <b>Qty.</b> |
|----|-------------|-------------------------|------------------------------|--|-------------|
| ▽  |             | 386934                  | (000000-004999 )             | Kit, Ci, Battery, 36vdc, 600ah, Sealed | 1           |
| ▲▽ | 1           | 386334                  | (000000-004999 )             | Battery, 36vdc, 600ah, Sealed          | 1           |
| ▲▲ | 2           | 01726                   | (000000-004999 )             | Connector, Anderson, 350A, Gray        | 1           |
| ▲  | 3           | 386573                  | (000000-004999 )             | Spacer, Battery, Rh                    | 1           |
| ▲  | 4           | 386574                  | (000000-004999 )             | Spacer, Battery, Lh                    | 1           |
| ▲  | 5           | 1056878                 | (000000-004999 )             | Spacer, Battery, Rear, Iron Gray       | 1           |
| ▲  | 6           | 09740                   | (000000-004999 )             | Screw, Hex, M08 X 1.25 X 20, Ss        | 6           |
| ▲  | 7           | 01685                   | (000000-004999 )             | Washer, Flt, .31 Ss                    | 6           |
| ▲  | 8           | 08713                   | (000000-004999 )             | Nut, Hex, Lock, M08 X 1.25,Nl, Ss      | 6           |

Fig. 79 - Battery Kit, 600AH (005000- )

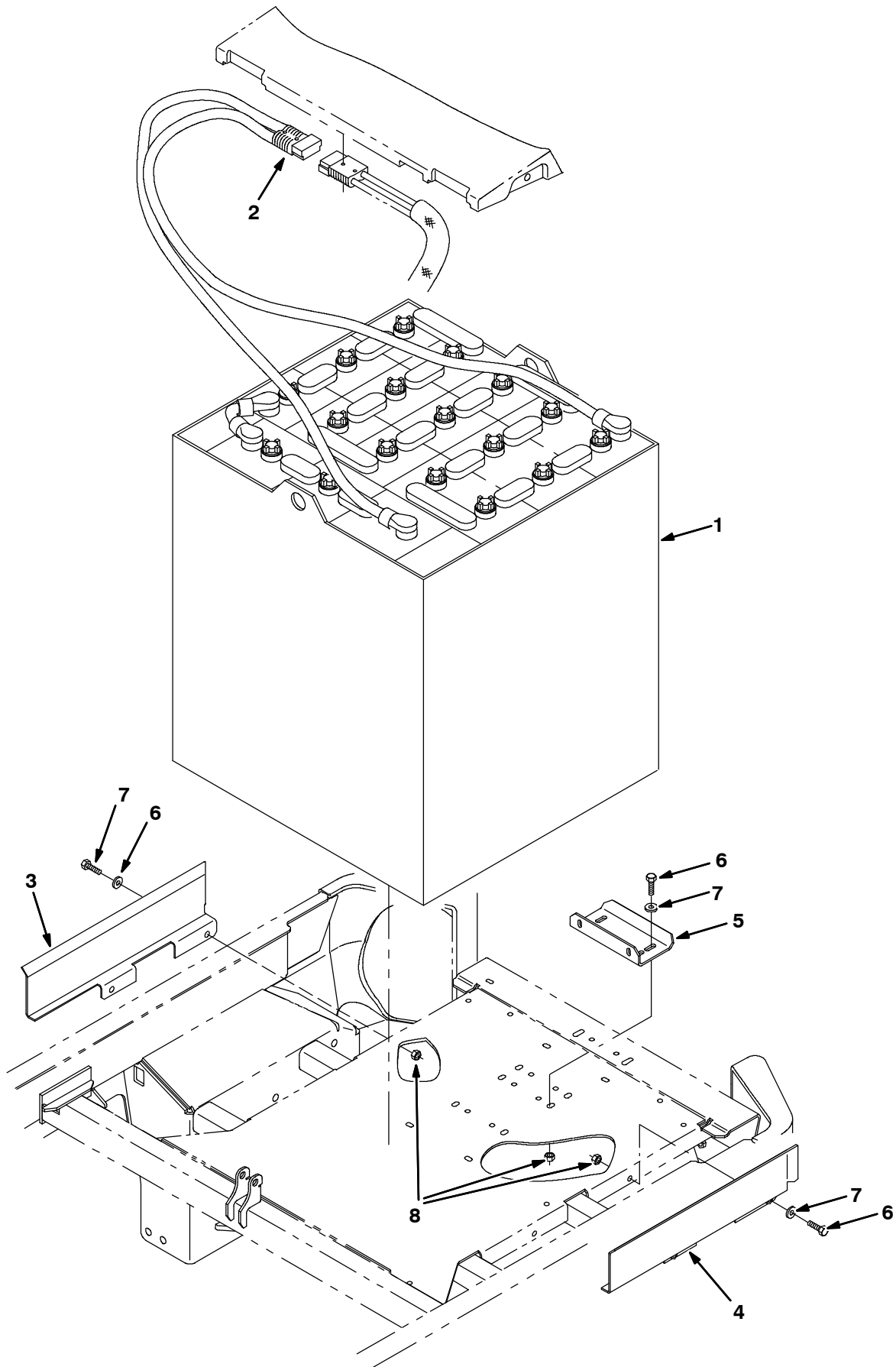




**Fig. 79 - Battery Kit, 600AH (005000- )**

|             | <b>Tennant</b>  | <b>Machine</b>       |                                       |             |  |
|-------------|-----------------|----------------------|---------------------------------------|-------------|--|
| <b>Ref.</b> | <b>Part No.</b> | <b>Serial Number</b> | <b>Description</b>                    | <b>Qty.</b> |  |
| ▽           | 9006938         | (000000-005000 )     | Battery Kit, 36vdc 0600ah, Sealed, Ci | 1           |  |
| ▲▽          | 1 386334        | (000000-005000 )     | Battery, 36vdc, 600ah, Sealed         | 1           |  |
| ▲▲          | 2 01726         | (000000-005000 )     | Connector, Anderson, 350A, Gray       | 1           |  |
| ▲           | 3 1056787       | (000000-005000 )     | Spacer, Battery, Rh, Iron Gray        | 1           |  |
| ▲           | 4 1056788       | (000000-005000 )     | Spacer, Battery, Lh, Iron Gray        | 1           |  |
| ▲           | 5 1056878       | (000000-005000 )     | Spacer, Battery, Rear, Iron Gray      | 1           |  |
| ▲           | 6 09740         | (000000-005000 )     | Screw, Hex, M08 X 1.25 X 20, Ss       | 6           |  |
| ▲           | 7 01685         | (000000-005000 )     | Washer, Flt, .31 Ss                   | 6           |  |
| ▲           | 8 08713         | (000000-005000 )     | Nut, Hex, Lock, M08 X 1.25,NI, Ss     | 6           |  |

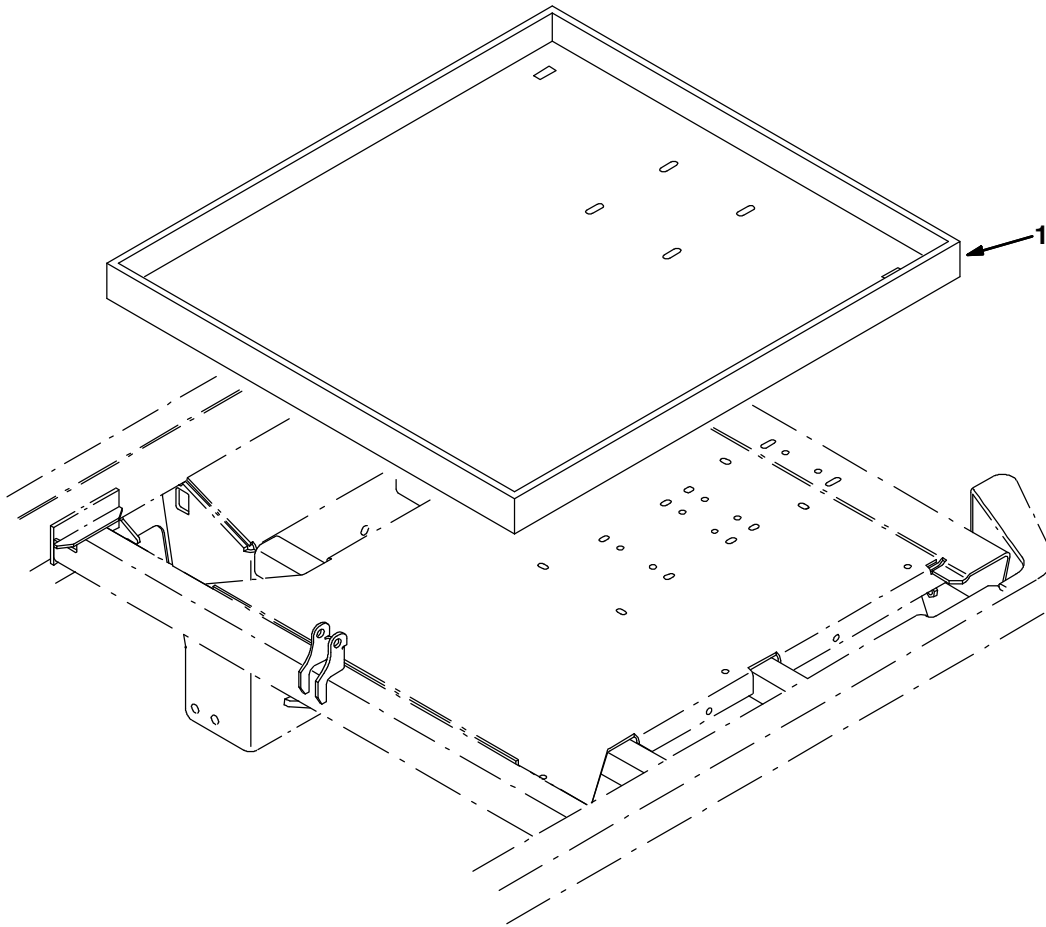
Fig. 80 - Battery Kit, 750AH Wet



**Fig. 80 - Battery Kit, 750AH Wet**

|    | <b>Ref.</b> | <b>Tennant Part No.</b> | <b>Machine Serial Number</b> | <b>Description</b>                    | <b>Qty.</b> |
|----|-------------|-------------------------|------------------------------|---------------------------------------|-------------|
| ▽  |             | 386936                  | (000000-                     | ) Kit, Ci, Battery, 36vdc, 750ah, Wet | 1           |
| ▲▽ | 1           | 1018515                 | (000000-                     | ) Battery, Wet, 36vdc 0750ah          | 1           |
| ▲▲ | 2           | 01726                   | (000000-                     | ) Connector, 350a, Gray [Anderson]    | 1           |
| ▲  | 3           | 1056895                 | (000000-                     | ) Spacer, Battery, Rh, Iron Gray      | 1           |
| ▲  | 4           | 1056896                 | (000000-                     | ) Spacer, Battery, Lh, Iron Gray      | 1           |
| ▲  | 5           | 1056878                 | (000000-                     | ) Spacer, Battery, Rear, Iron Gray    | 1           |
| ▲  | 6           | 09740                   | (000000-                     | ) Screw, Hex, M8 X 1.25 X 20, Ss      | 6           |
| ▲  | 7           | 01685                   | (000000-                     | ) Washer, Flat, 0.38b 0.88d .08, Ss   | 6           |
| ▲  | 8           | 08713                   | (000000-                     | ) Nut, Hex, Lock, M8 X 1.25, NI, Ss   | 6           |

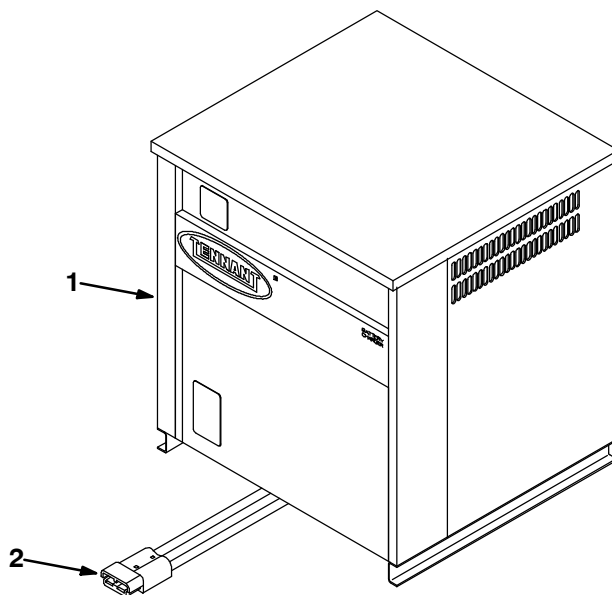
**Fig. 81 - Battery Tray Group**



356239 - NA

| <b>Ref.</b> | <b>Tennant Part No.</b> | <b>Machine Serial Number</b> | <b>Description</b>                 | <b>Qty.</b> |
|-------------|-------------------------|------------------------------|------------------------------------|-------------|
|             | 387622                  | (000000-                     | ) Tray Wldt, Battery, 500Ah, 750Ah | 1           |

Fig. 82 - Battery Charger Group, 75A, 36V, 60Hz 1PH (380Ah Batteries)

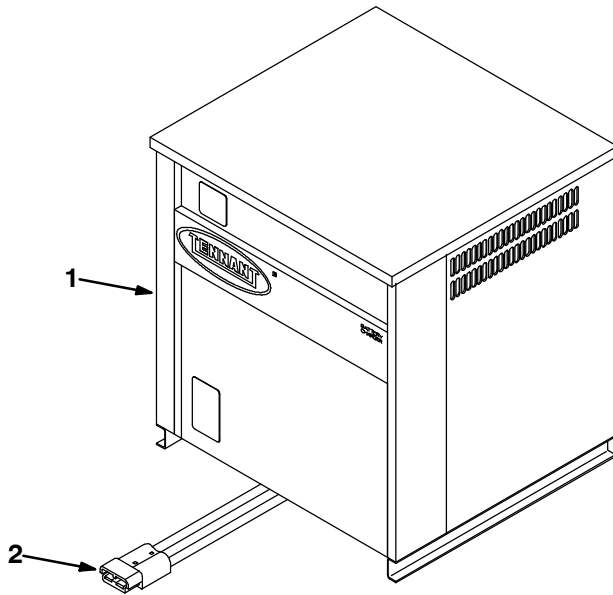


353364 - 7300, NA

|   | Ref. | Tennant Part No. | Machine Serial Number | Description                       | Qty. |
|---|------|------------------|-----------------------|-----------------------------------|------|
| ▽ | 1    | 398281           | (000000-              | ) Charger, 36V/75A 60Hz/1Ph       | 1    |
| ▲ | 2    | 01726            | (000000-              | ) Connector, Anderson, 350A, Gray | 1    |

# OPTIONS

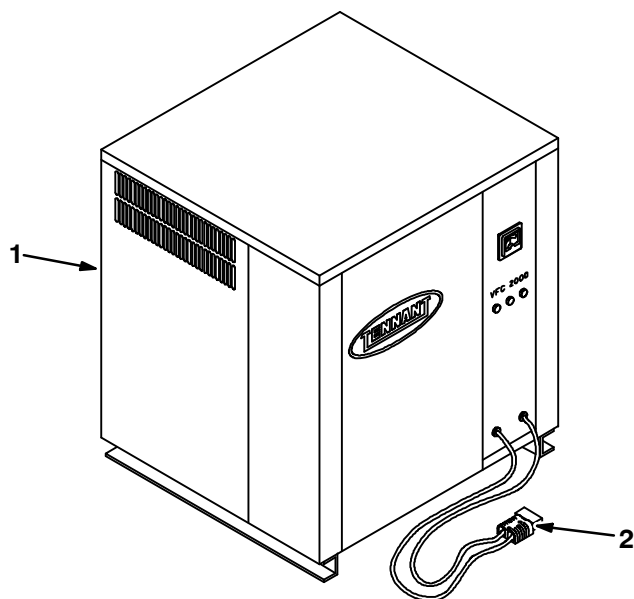
**Fig. 83 - Battery Charger Group, 75A, 36V, 60Hz 3Ph (380Ah Batteries)**



353364 - 7300, NA

|   | Ref. | Tennant Part No. | Machine Serial Number | Description                       | Qty. |
|---|------|------------------|-----------------------|-----------------------------------|------|
| ▽ | 1    | 398283           | (000000-              | ) Charger, 36V/75A 60Hz/3Ph       | 1    |
| ▲ | 2    | 01726            | (000000-              | ) Connector, Anderson, 350A, Gray | 1    |

Fig. 84 - Battery Charger Group, 120A, 36V, 60Hz 1Ph (500Ah Batteries)

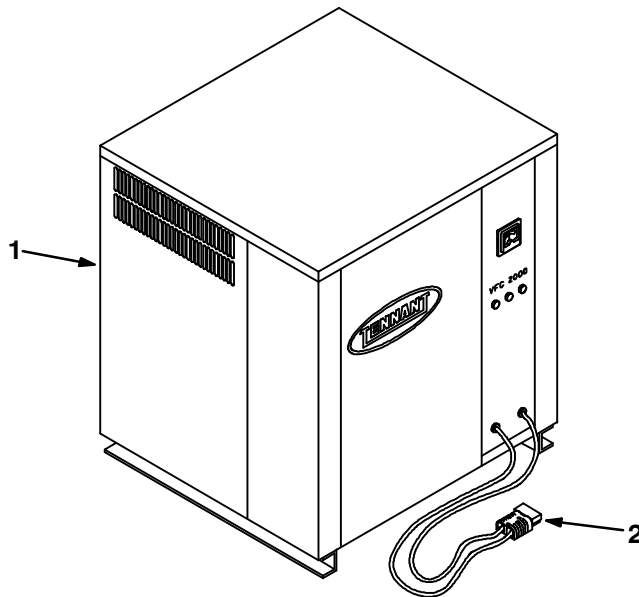


06051 - NA

|   | Ref. | Tennant Part No. | Machine Serial Number | Description                      | Qty. |
|---|------|------------------|-----------------------|----------------------------------|------|
| ▽ | 1    | 398285           | (000000-              | ) Charger, 36V/120A 60H/1Ph 480V | 1    |
| ▲ | 2    | 01726            | (000000-              | ) Connector, Andersn 350A,Gray   | 1    |

# OPTIONS

Fig. 85 - Battery Charger Group, 120A, 36V, 60Hz 3Ph (500Ah Batteries)

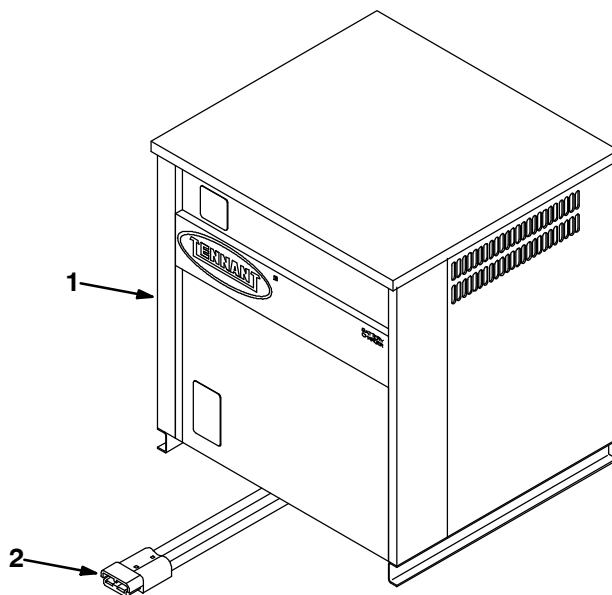


06051 - NA

|   | Ref. | Tennant Part No. | Machine Serial Number | Description                      | Qty. |
|---|------|------------------|-----------------------|----------------------------------|------|
| ▽ | 1    | 398288           | (000000-              | ) Charger, 36V/120A 60H/3Ph 480V | 1    |
| ▲ | 2    | 01726            | (000000-              | ) Connector, Andersn 350A, Gray  | 1    |



Fig. 86 - Battery Charger Group, 150A, 36V, 60Hz (750Ah Batteries)

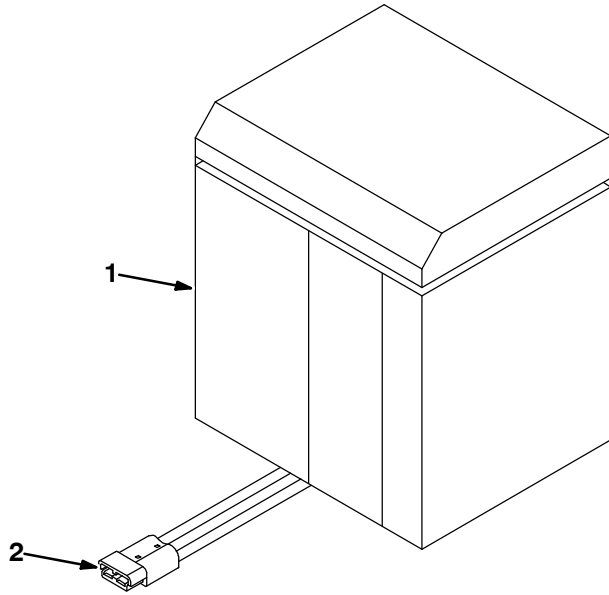


353364 - NA

|   | Ref. | Tennant Part No. | Machine Serial Number | Description                       | Qty. |
|---|------|------------------|-----------------------|-----------------------------------|------|
| ▽ | 1    | 398292           | (000000-              | ) Charger, 36V/150A 60Hz          | 1    |
| ▲ | 2    | 01726            | (000000-              | ) Connector, Anderson, 350A, Gray | 1    |

# OPTIONS

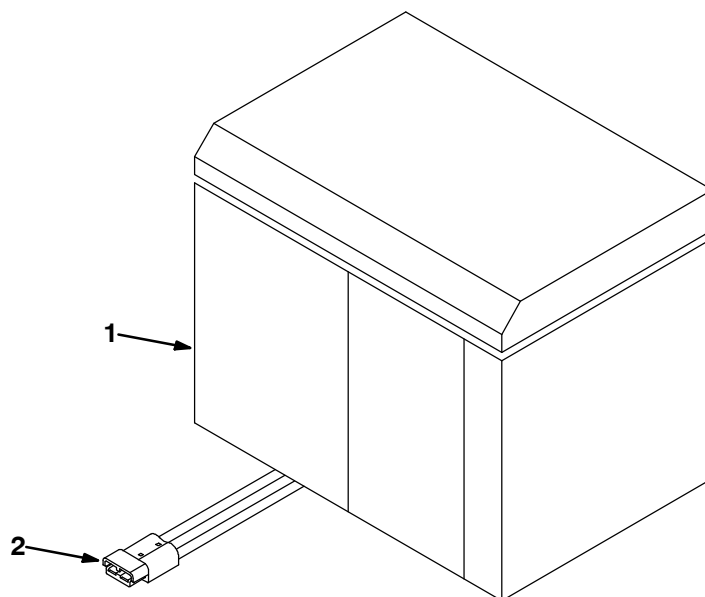
Fig. 87 - Battery Charger Group, 93A, 36V, 60Hz 1Ph (600Ah Batteries)



353365 - NA

|   | Ref. | Tenant Part No. | Machine Serial Number | Description                          | Qty. |
|---|------|-----------------|-----------------------|--------------------------------------|------|
| ▽ | 1    | 386338          | (000000-              | ) Charger, 36V/93A 60Hz, 1Ph, Sealed | 1    |
| ▲ | 2    | 01726           | (000000-              | ) Connector, Anderson, 350A, Gray    | 1    |

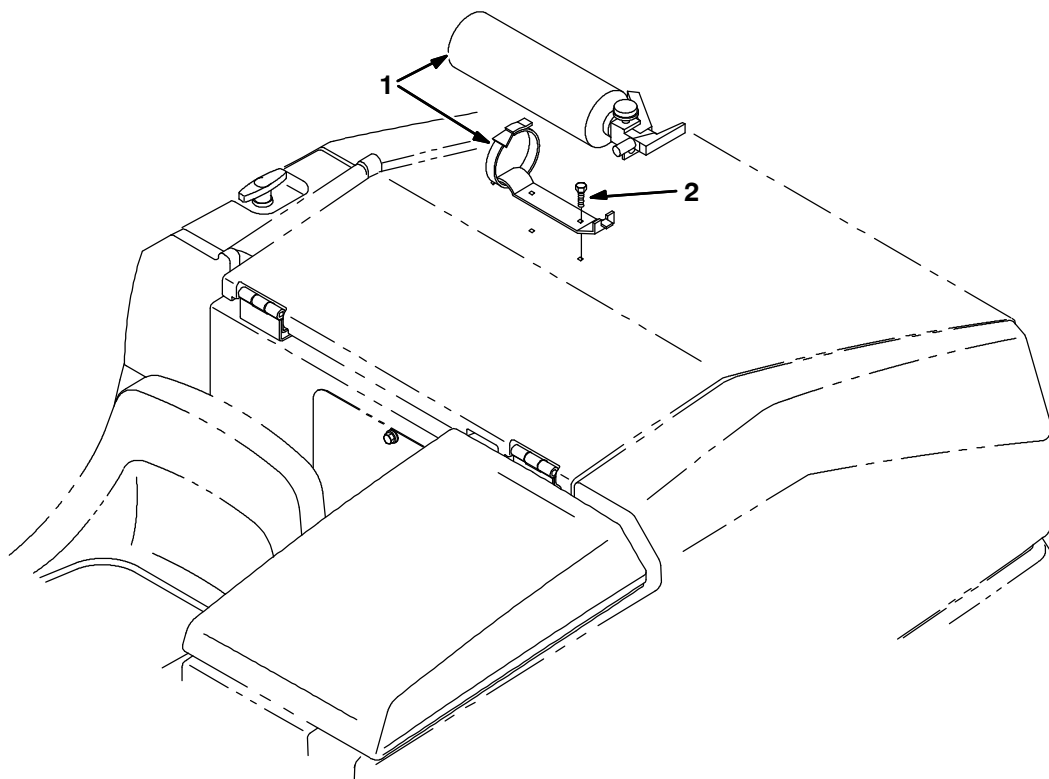
**Fig. 88 - Battery Charger Group, 93A, 36V, 60Hz 3Ph (600Ah Batteries)**



353366 - NA

|   | <b>Ref.</b> | <b>Tennant Part No.</b> | <b>Machine Serial Number</b> | <b>Description</b>                   | <b>Qty.</b> |
|---|-------------|-------------------------|------------------------------|--------------------------------------|-------------|
| ▽ | 1           | 386344                  | (000000-                     | ) Charger, 36V/93A 60Hz, 3Ph, Sealed | 1           |
| ▲ | 2           | 01726                   | (000000-                     | ) Connector, Anderson, 350A, Gray    | 1           |

**Fig. 89 - Fire Extinguisher Kit**



353282 - NA

|    | <b>Ref.</b> | <b>Tennant<br/>Part No.</b> | <b>Machine<br/>Serial Number</b> | <b>Description</b>                       | <b>Qty.</b> |
|----|-------------|-----------------------------|----------------------------------|--|-------------|
| ▽  |             | 387457                      | (000000- )                       | Kit, CI, Extinguisher, Fire, [7300/8300] | 1           |
| ▲▽ | 1           | 25312                       | (000000- )                       | Extinguisher, Fire                       | 1           |
| ▲▲ | 2           | 360973                      | (000000- )                       | Screw, Pan, #12-16 x 0.50, F/Plstc       | 2           |

**Fig. 90 - Documentation Group**

07501 - 7300, NA

| <b>Ref.</b> | <b>Tennant Part No.</b> | <b>Machine Serial Number</b> | <b>Description</b>                         | <b>Qty.</b> |
|-------------|-------------------------|------------------------------|--|-------------|
|             | 330610                  | (000000-                     | ) Manual Pkg, (7300 Ele Na)                | 1           |
|             | 330611                  | (000000-                     | ) Manual, Fiche, (7300 Ele)                | 1           |
|             | 330615                  | (000000-                     | ) Manual, Service, (7300 Ele Na)           | 1           |
|             | 330612                  | (000000-                     | ) Manual, Oprtr, (7300 Ele Es Na)          | 1           |
|             | 330613                  | (000000-                     | ) Manual, Oprtr, (7300 Ele Fr Na)          | 1           |
|             | 387494                  | (000000-                     | ) Video, Operator, Vhs, Ntsc [7300]        | 1           |
|             | 1041884                 | (000000-                     | ) Video, Oprtr, Training, Dvd [7300]       | 1           |
|             | 9006257                 | (000000-                     | ) Media, Cd-Rom, Training [ec-H2O TENNANT] | 1           |



## SECTION 4

| <b>Contents</b>  | <b>Page</b> |
|--|-------------|
| Fig. 1 - Electric Motor Breakdown, 17363 .                   | 4-2         |
| Fig. 2 - Electric Motor Breakdown, 398520                    | 4-4         |
| Fig. 3 - Electric Motor Breakdown, 60198 .                   | 4-6         |
| Fig. 4 - Electric Motor Breakdown, 386050                    | 4-7         |
| Fig. 5 - Electric Motor Breakdown, 386679                    | 4-8         |
| Fig. 6 - Electric Motor Breakdown, 387585                    | 4-9         |
| Fig. 7 - Electric Motor Breakdown, 386687                    | 4-10        |
| Fig. 8 - Water Pump Breakdown, 387321                        | 4-11        |
| Fig. 9 - Metering Solution Pump Breakdown,<br>386364 .....   | 4-12        |
| Fig. 10 - Hydraulic Powerunit Breakdown,<br>368704 .....     | 4-13        |
| Fig. 11 - Hydraulic Motor Breakdown,<br>386703 .....         | 4-14        |
| Fig. 12 - Steering Control Valve<br>Breakdown, 373495 .....  | 4-15        |
| Fig. 13 - ec-H2O Module Assembly<br>Breakdown, 9006270 ..... | 4-16        |
| Fig. 14 - ec-H2O Solution Pump<br>Breakdown, 1005866 .....   | 4-18        |
| Fig. 15 - FaST Injector Assebmly<br>Breakdown, 1050333 ..... | 4-19        |

Fig. 1 - Electric Motor Breakdown, 17363

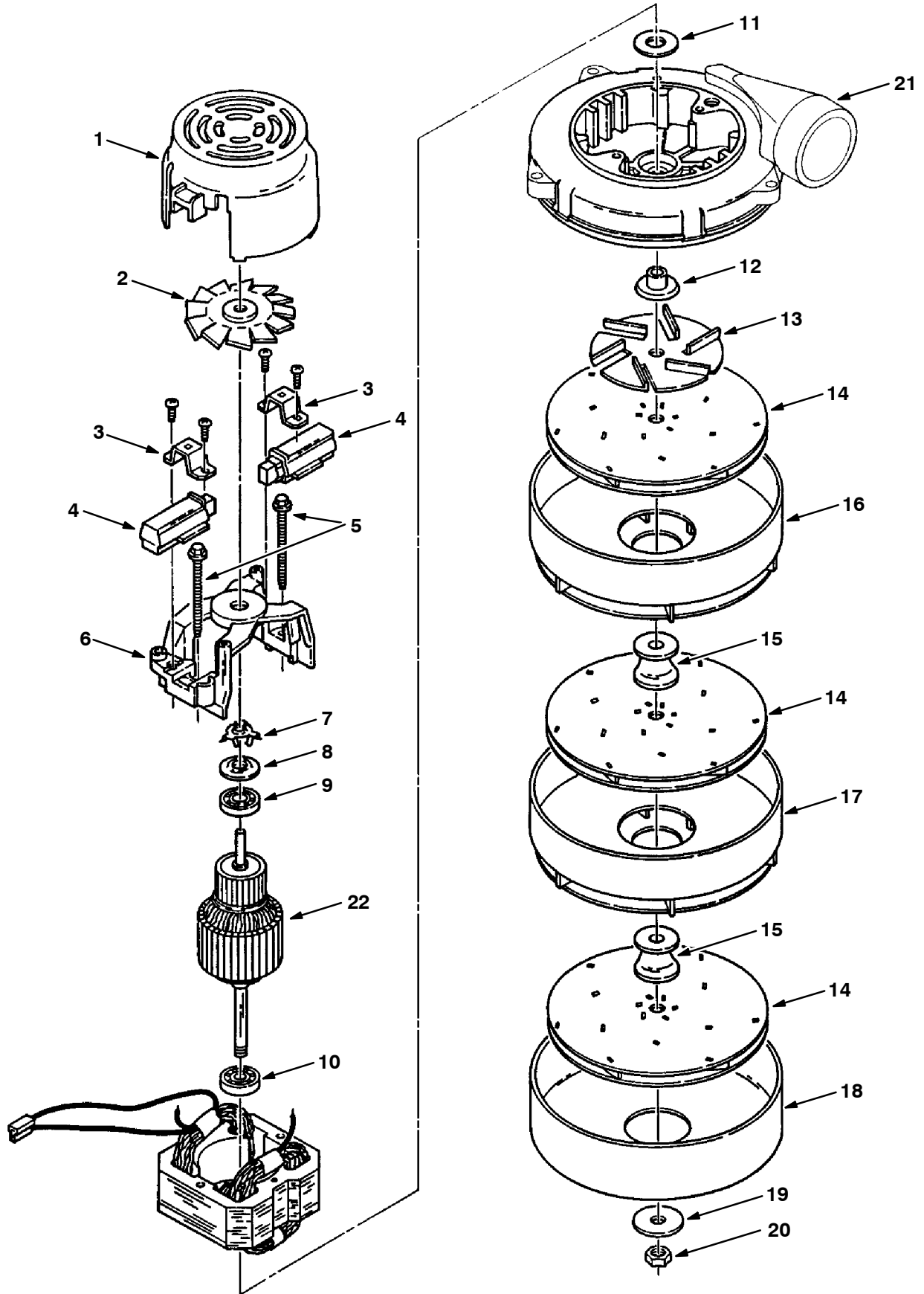




Fig. 1 - Electric Motor Breakdown, 17363

| Ref. | Tenant Part No. | Machine Serial Number | Description                   | Qty. |
|------|-----------------|-----------------------|-------------------------------|------|
| ▽    | 17363           | (000000-              | ) Fan vacuum, 36v             | 1    |
| ▲    | 1 37926         | (000000-              | ) Housing                     | 1    |
| ▲    | 2 61298         | (000000-              | ) Fan                         | 1    |
| ▲    | 3 01982         | (000000-              | ) Clamp                       | 2    |
| ▲    | 4 11756         | (000000-              | ) Brush mechanism             | 2    |
| ▲    | 5 01969         | (000000-              | ) Screw                       | 2    |
| ▲    | 6 01983         | (000000-              | ) Comm. bracket               | 1    |
| ▲    | 7 01856         | (000000-              | ) Spring, load                | 1    |
| ▲    | 8 37909         | (000000-              | ) Disc                        | 1    |
| ▲    | 9 01842         | (000000-              | ) Bearing                     | 1    |
| ▲    | 10 01837        | (000000-              | ) Bearing                     | 1    |
| ▲    | 11 37912        | (000000-              | ) Washer, fl neo, 10.8x22x1.5 | 1    |
| ▲    | 12 18627        | (000000-              | ) Spacer                      | 1    |
| ▲    | 13 01971        | (000000-              | ) Fan                         | 1    |
| ▲    | 14 18628        | (000000-              | ) Fan, rotating               | 3    |
| ▲    | 15 18630        | (000000-              | ) Spacer                      | 2    |
| ▲    | 16 61300        | (000000-              | ) Fan, stationary             | 1    |
| ▲    | 17 61297        | (000000-              | ) Fan, stationary             | 1    |
| ▲    | 18 61301        | (000000-              | ) Shell                       | 1    |
| ▲    | 19 378983       | (000000-              | ) Washer                      | 1    |
| ▲    | 20 37929        | (000000-              | ) Nut                         | 1    |
| ▲    | 21 60386        | (000000-              | ) Bracket, Fan End            | 1    |
| ▲    | 22 21765        | (000000-              | ) Armature                    | 1    |
| ▲    | 223264          | (000000-              | ) Seal, Fan                   | 1    |
| ▲    | 10925           | (000000-              | ) Connector, 2 Conductor      | 1    |
| ▲    | 10926           | (000000-              | ) Terminal, Female            | 2    |

Fig. 2 - Electric Motor Breakdown, 398520

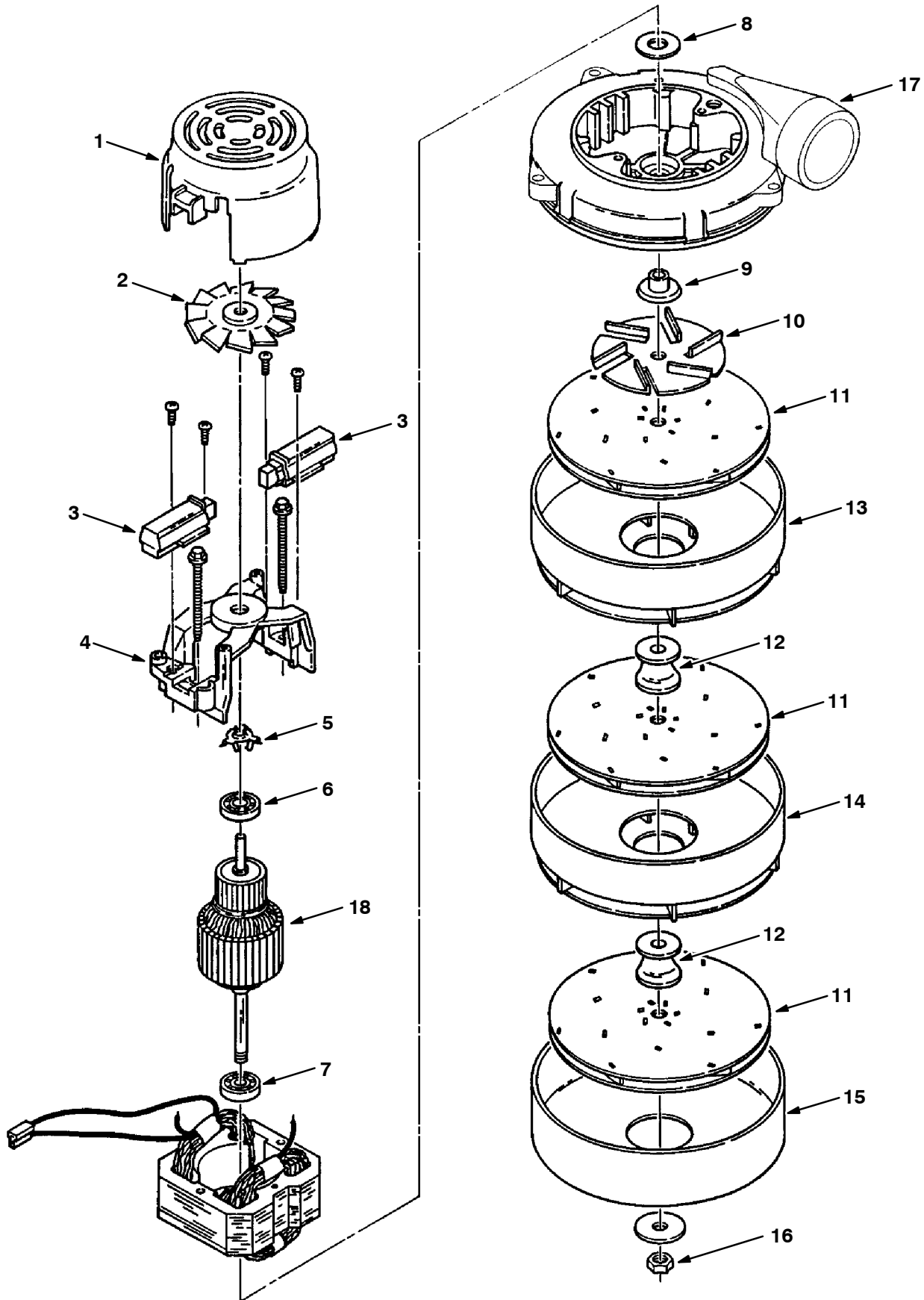
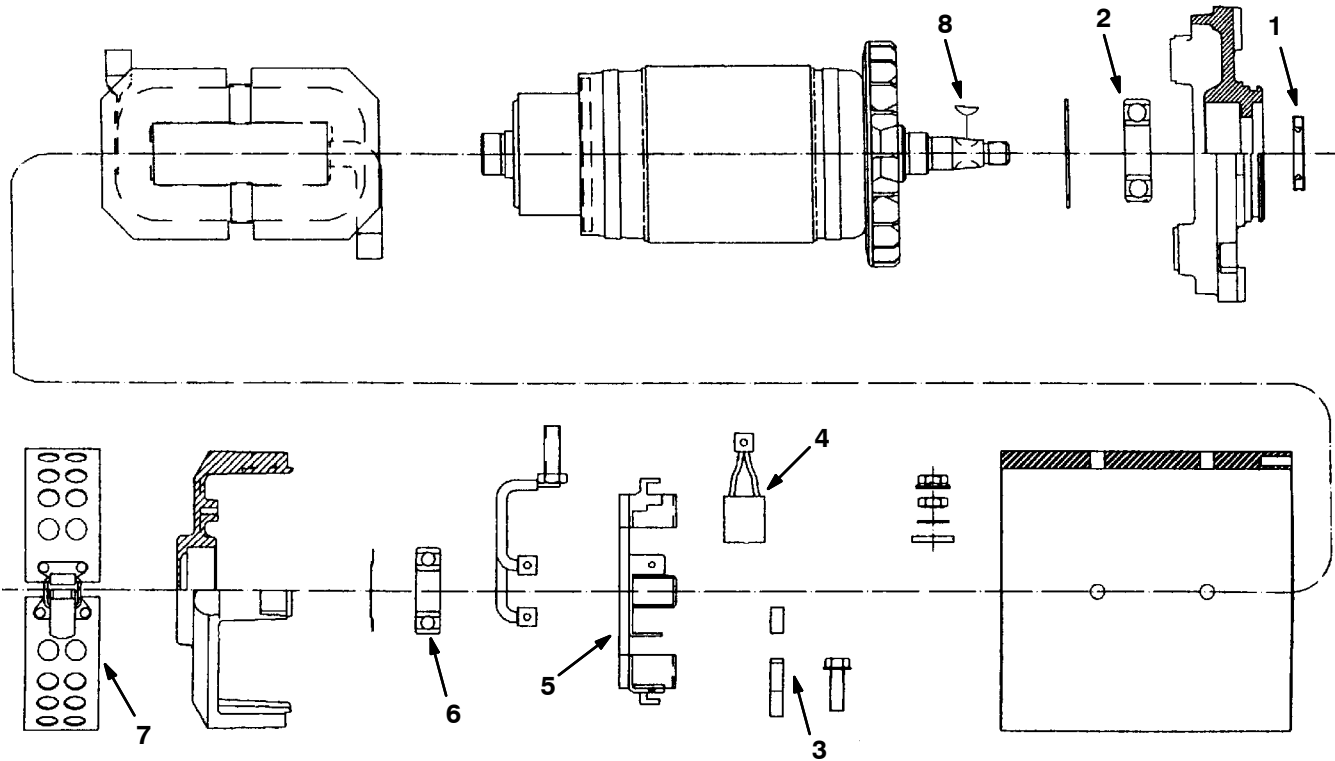


Fig. 2 - Electric Motor Breakdown, 398520

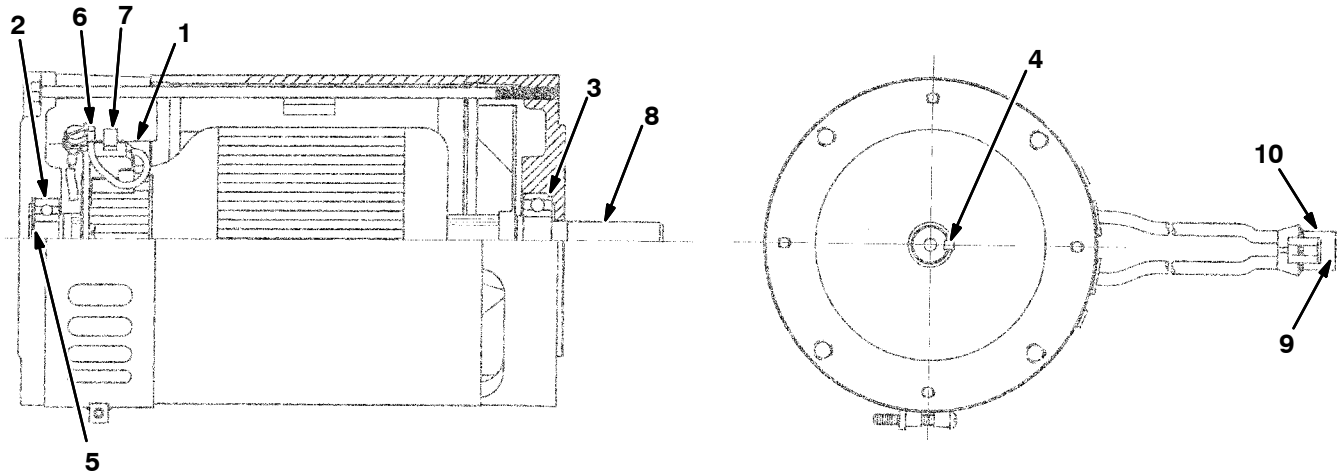
|   | Ref. | Tenant Part No. | Manufacturer Serial Number | Description              | Qty. |
|---|------|-----------------|----------------------------|--------------------------|------|
| ▽ |      | 398520          | (000000-                   | ) Fan, Vacuum            | 1    |
| ▲ | 1    | 398511          | (000000-                   | ) Housing                | 1    |
| ▲ | 2    | 398512          | (000000-                   | ) Fan                    | 1    |
| ▲ | 3    | 398513          | (000000-                   | ) Brush Mechanism        | 2    |
| ▲ | 4    | 398514          | (000000-                   | ) Comm. Bracket          | 1    |
| ▲ | 5    | 01856           | (000000-                   | ) Spring                 | 1    |
| ▲ | 6    | 398515          | (000000-                   | ) Bearing                | 1    |
| ▲ | 7    | 01837           | (000000-                   | ) Bearing                | 1    |
| ▲ | 8    | 37912           | (000000-                   | ) Washer, Neo.           | 1    |
| ▲ | 9    | 398516          | (000000-                   | ) Spacer                 | 1    |
| ▲ | 10   | 01971           | (000000-                   | ) Fan                    | 1    |
| ▲ | 11   | 18628           | (000000-                   | ) Vacuum Fan             | 3    |
| ▲ | 12   | 398517          | (000000-                   | ) Spacer                 | 2    |
| ▲ | 13   | 61300           | (000000-                   | ) Stationary Fan         | 1    |
| ▲ | 14   | 61297           | (000000-                   | ) Stationary Fan         | 1    |
| ▲ | 15   | 398518          | (000000-                   | ) Shell                  | 1    |
| ▲ | 16   | 37929           | (000000-                   | ) Nut                    | 1    |
| ▲ | 17   | 60386           | (000000-                   | ) Bracket, Fan End       | 1    |
| ▲ | 18   | 398519          | (000000-                   | ) Armature               | 1    |
| ▲ |      | 223264          | (000000-                   | ) Seal, Fan              | 1    |
| ▲ |      | 10925           | (000000-                   | ) Connector, 2 Conductor | 1    |
| ▲ |      | 10926           | (000000-                   | ) Terminal, Female       | 2    |

**Fig. 3 - Electric Motor Breakdown, 60198**



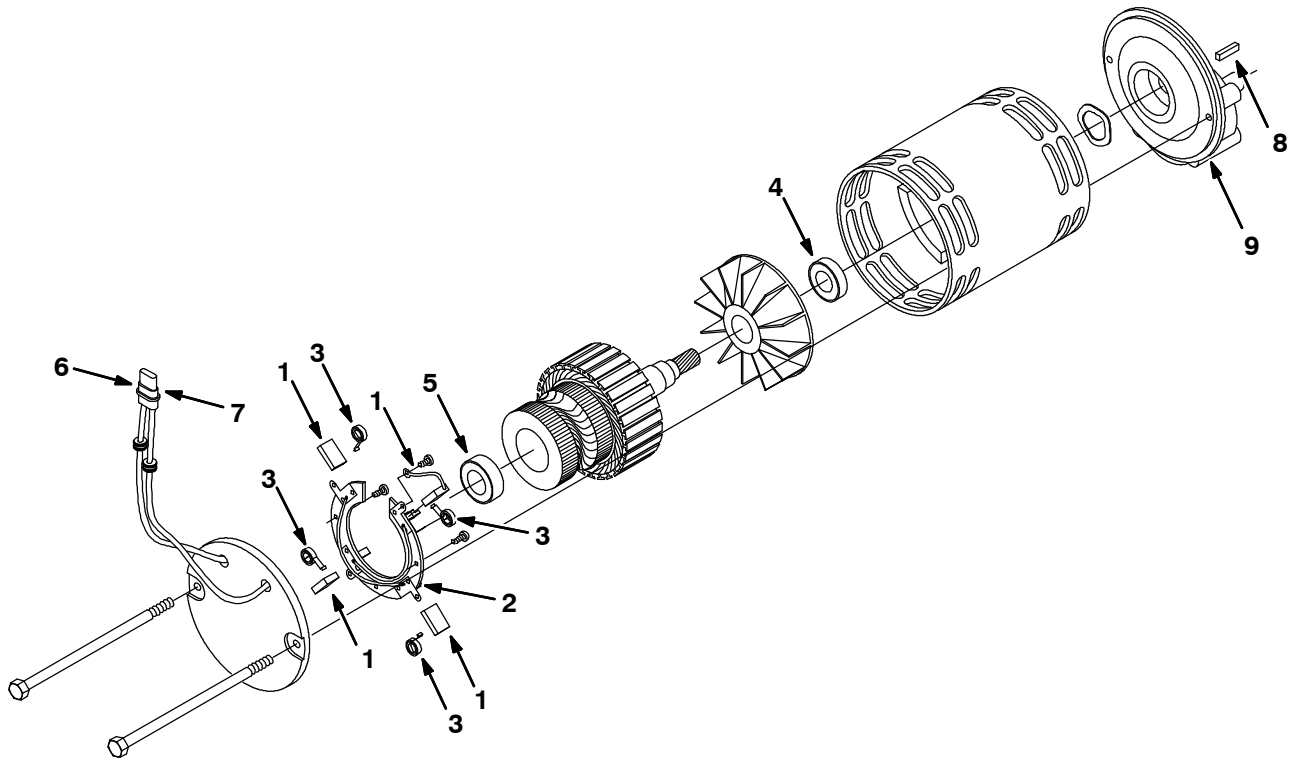
| Ref. | Tenant Part No. | Machine Serial Number | Description                   | Qty. |
|------|-----------------|-----------------------|-------------------------------|------|
| ▽    | 60198           | (000000-              | ) Motor, traction 36v         |      |
| ▲    | 1 48753         | (000000-              | ) Seal                        | 1    |
| ▲    | 2 48754         | (000000-              | ) Bearing                     | 1    |
| ▲    | 3 48755         | (000000-              | ) Spring, brush               | 4    |
| ▲▽   | 4 363491        | (000000-              | ) Brush kit, propelling motor | 1    |
| ▲▲   | 48756           | (000000-              | ) Brush                       | 4    |
| ▲    | 5 48757         | (000000-              | ) Brush, box & plate assy     | 1    |
| ▲    | 6 48758         | (000000-              | ) Bearing                     | 1    |
| ▲    | 7 361973        | (000000-              | ) Band, Brush Cover           | 1    |
| ▲    | 8 00500-7       | (000000-              | ) Key, Woodruff, 0.16 0.62    | 1    |

**Fig. 4 - Electric Motor Breakdown, 386050**



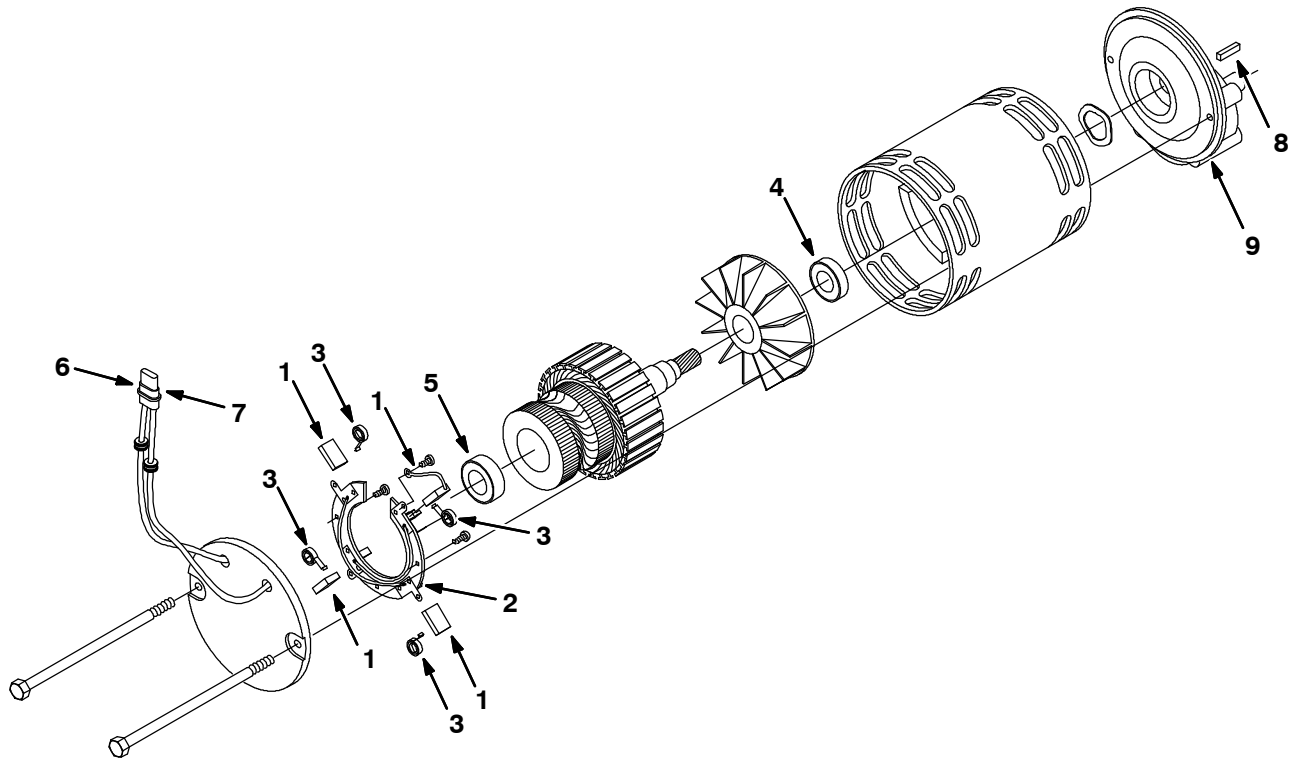
| Ref. | Tennant Part No. | Machine Serial Number | Description                          | Qty. |
|------|------------------|-----------------------|--------------------------------------|------|
| ▽    | 386050           | (000000-              | ) Motor, Ele, 36 Vdc 1500 Rpm 1.5 Hp |      |
| ▲    | 1 41367          | (000000-              | ) Brush                              | 4    |
| ▲    | 2 41368          | (000000-              | ) Bearing                            | 1    |
| ▲    | 3 41371          | (000000-              | ) Bearing                            | 1    |
| ▲    | 4 00918          | (000000-              | ) Key, Sq, 0.19 X 0.19, 01.25L       | 1    |
| ▲    | 5 387250         | (000000-              | ) Spring, Bearing                    | 1    |
| ▲    | 6 21800          | (000000-              | ) Ring, Brush                        | 1    |
| ▲    | 7 60189          | (000000-              | ) Spring                             | 4    |
| ▲    | 8 387251         | (000000-              | ) Armature Assy, Complt              | 1    |
| ▲    | 9 24537          | (000000-              | ) Terminal, [Metripk630], Fem 10     | 2    |
| ▲    | 10 10925         | (000000-              | ) Connector, 2-Conductor             | 1    |

**Fig. 5 - Electric Motor Breakdown, 386679**



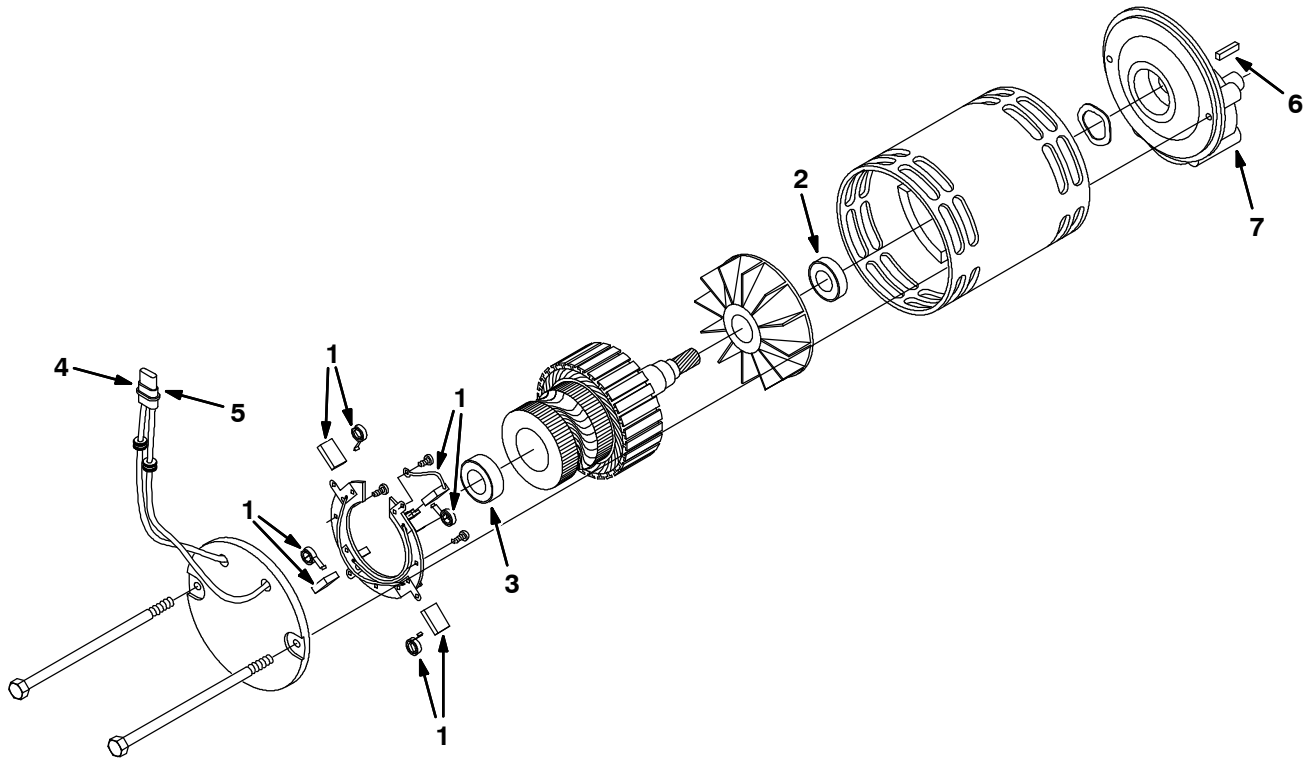
| Ref. | Tennant Part No. | Machine Serial Number | Description                              | Qty. |
|------|------------------|-----------------------|--|------|
| ▽    | 386679           | (000000-              | ) Motor, Gear, Ele, 1.5Hp, 36Vdc, 300Rpm |      |
| ▲    | 1 387371         | (000000-              | ) Brush Kit                              | 1    |
| ▲▽   | 2 387373         | (000000-              | ) Brush Holder Assy                      | 1    |
| ▲▲   | 3 387374         | (000000-              | ) Spring, Brush                          | 4    |
| ▲    | 4 41371          | (000000-              | ) Bearing                                | 1    |
| ▲    | 5 41368          | (000000-              | ) Bearing                                | 1    |
| ▲    | 6 10925          | (000000-              | ) Connector Body                         | 1    |
| ▲    | 7 24537          | (000000-              | ) Terminal                               | 2    |
| ▲    | 8 00928          | (000000-              | ) Key Square 0.25 X 0.25, 01.00L         | 1    |
| ▲    | 9 387372         | (000000-              | ) Gearbox, Motor                         | 1    |

**Fig. 6 - Electric Motor Breakdown, 387585**



| Ref. | Tennant Part No. | Machine Serial Number | Description                              | Qty. |
|------|------------------|-----------------------|--|------|
| ▽    | 387585           | (000000-              | ) Motor, Gear, Ele, 1.5Hp, 36Vdc, 300Rpm |      |
| ▲    | 1 387589         | (000000-              | ) Brush                                  | 4    |
| ▲    | 2 387590         | (000000-              | ) Brush, Board, Assy                     | 1    |
| ▲    | 3 387592         | (000000-              | ) Spring, Brush                          | 4    |
| ▲    | 4 387587         | (000000-              | ) Bearing                                | 1    |
| ▲    | 5 387588         | (000000-              | ) Bearing                                | 1    |
| ▲    | 6 10925          | (000000-              | ) Connector Body                         | 1    |
| ▲    | 7 24537          | (000000-              | ) Terminal                               | 2    |
| ▲    | 8 00928          | (000000-              | ) Key Square 0.25 X 0.25, 01.00L         | 1    |
| ▲    | 9 374005         | (000000-              | ) Gearbox, Motor                         | 1    |

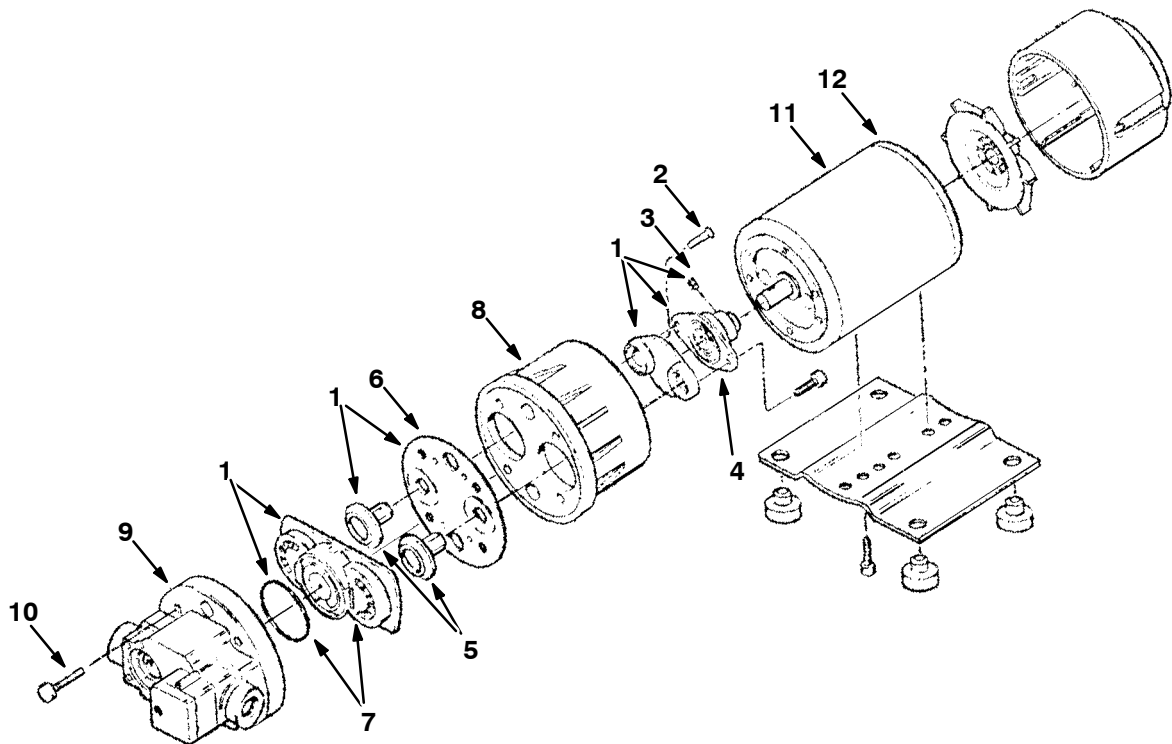
**Fig. 7 - Electric Motor Breakdown, 386687**



| Ref. | Tennant Part No. | Manufacturer Serial Number | Description              | Qty.                            |   |
|------|------------------|----------------------------|--------------------------|---------------------------------|---|
| ▽    | 386687           | (000000-                   | ) Motor, Gear, 1.0Hp 36V | 1                               |   |
| ▲    | 1                | 222606                     | (000000-                 | ) Brush Kit                     | 1 |
| ▲    | 2                | 222618                     | (000000-                 | ) Bearing                       | 1 |
| ▲    | 3                | 222617                     | (000000-                 | ) Bearing                       | 1 |
| ▲    | 4                | 10925                      | (000000-                 | ) Connector Body                | 1 |
| ▲    | 5                | 24537                      | (000000-                 | ) Terminal                      | 2 |
| ▲    | 6                | 00928                      | (000000-                 | ) Key Square 0.25 0.25 01.00 Lg | 1 |
| ▲    | 7                | 374005                     | (000000-                 | ) Gearbox, Motor                | 1 |

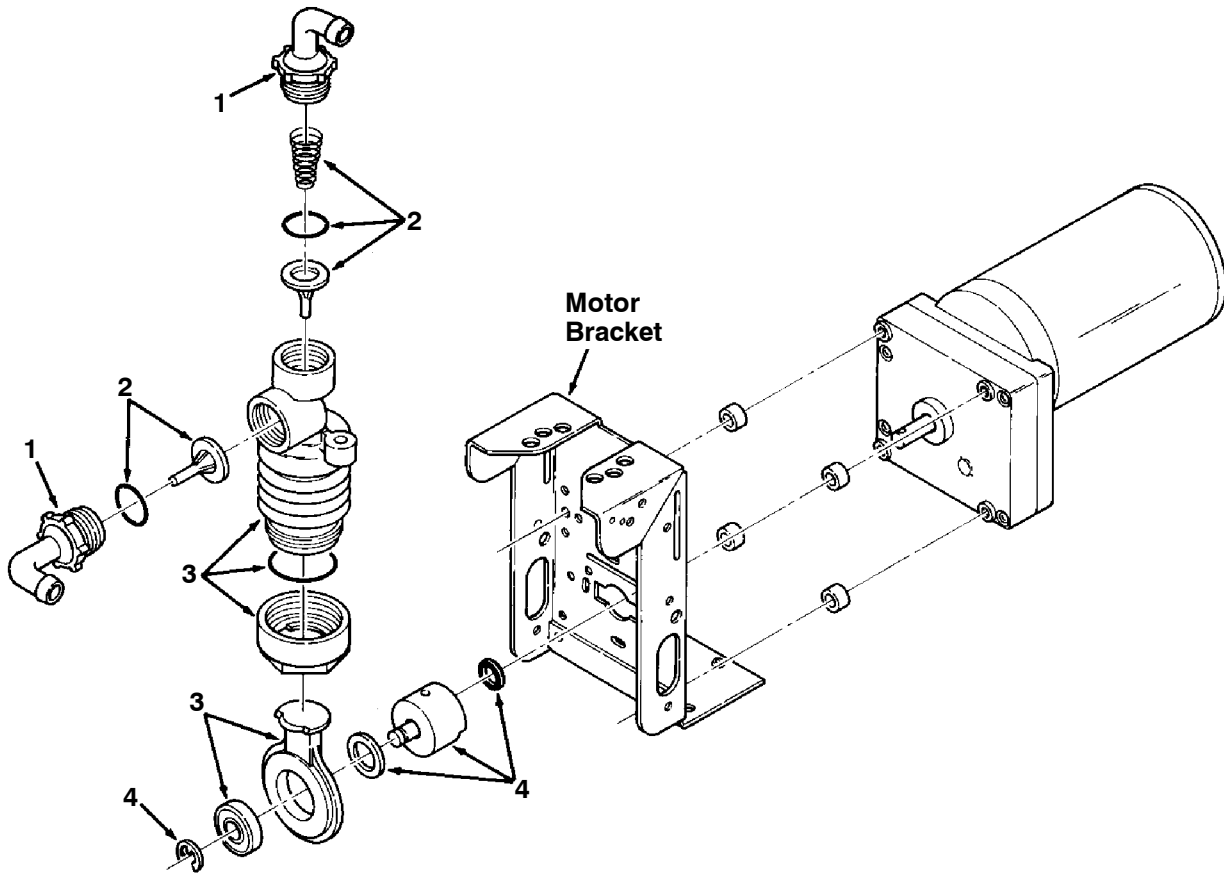


**Fig. 8 - Water Pump Breakdown, 387321**



| Ref. | Tennant Part No. | Machine Serial Number | Description                 | Qty. |
|------|------------------|-----------------------|-----------------------------|------|
| ▽    | 387321           | (000000-              | ) Pump kit, power wand      | 1    |
| ▲    | 1 65678          | (000000-              | ) Seal kit                  | 1    |
| ▲    | 2 65667          | (000000-              | ) Screw                     | 1    |
| ▲    | 3 65668          | (000000-              | ) Screw                     | 1    |
| ▲    | 4 370923         | (000000-              | ) Cam/bearing\Diaphragm Kit | 1    |
| ▲    | 5 65671          | (000000-              | ) Piston                    | 1    |
| ▲    | 6 65672          | (000000-              | ) Diaphragm kit             | 1    |
| ▲    | 7 65673          | (000000-              | ) Check valve assy          | 1    |
| ▲    | 8 65670          | (000000-              | ) Bearing cover             | 1    |
| ▲    | 9 65674          | (000000-              | ) Switch assy               | 1    |
| ▲    | 10 65675         | (000000-              | ) Pump screw                | 1    |
| ▲    | 11 65676         | (000000-              | ) Motor                     | 1    |
| ▲    | 12 65677         | (000000-              | ) Brush/rectifier Assy      | 1    |
| ▲    | 78950            | (000000-              | ) Connector assy            | 2    |
| ▲    | 78951            | (000000-              | ) Terminal female           | 2    |
| ▲    | 10917            | (000000-              | ) Seal connector            | 2    |

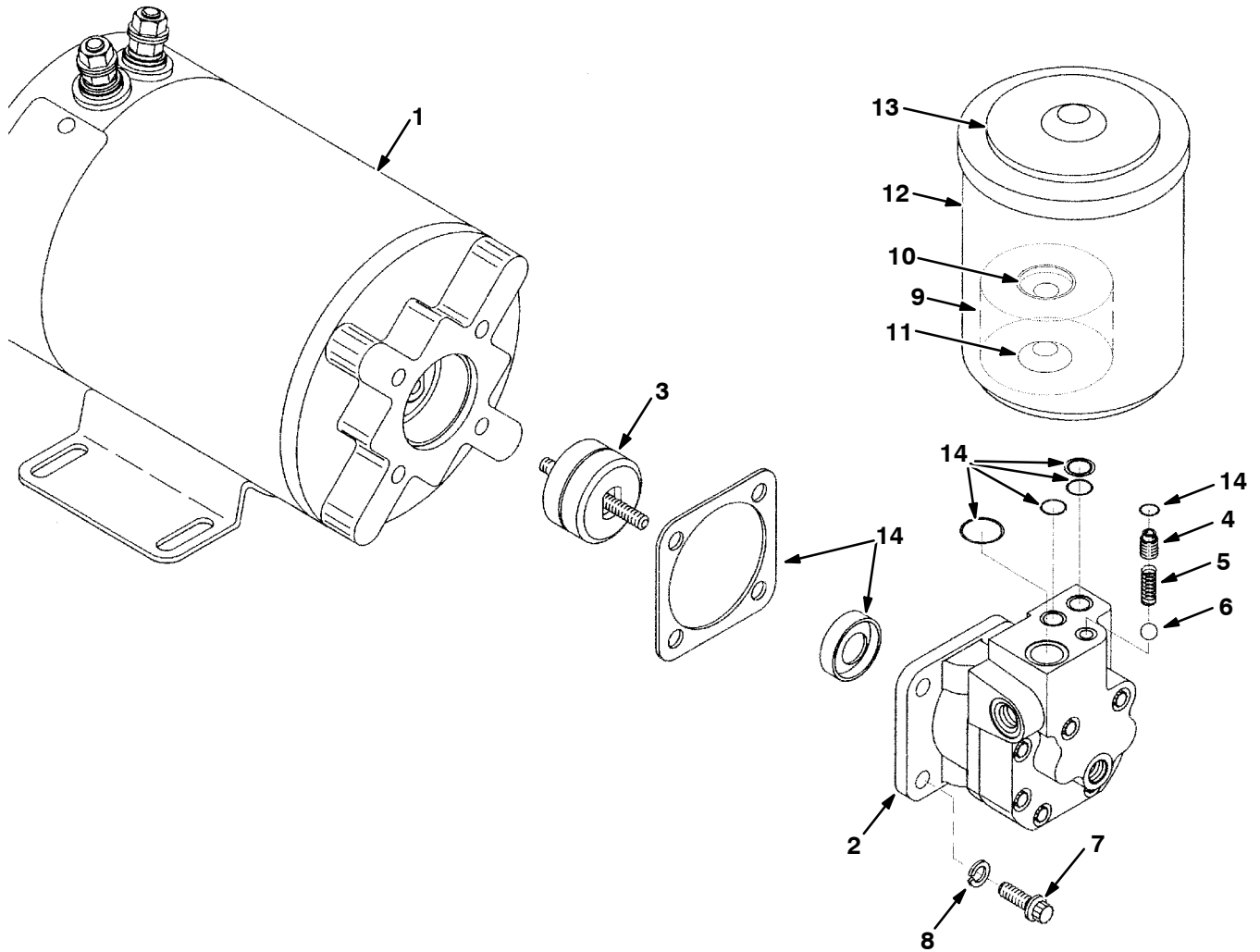
**Fig. 9 - Metering Solution Pump Breakdown, 386364**



00112 - ALL

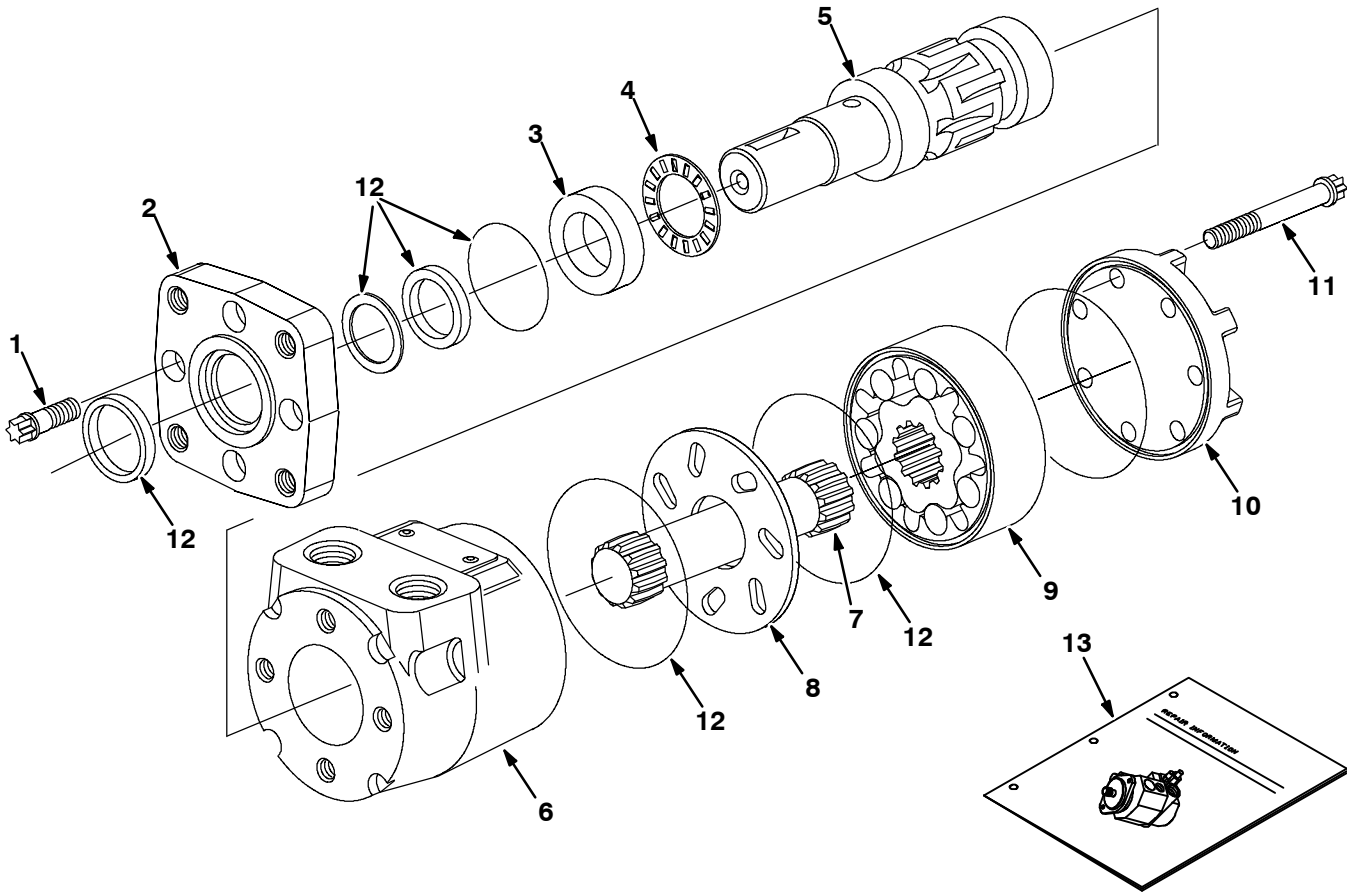
| Ref. | Tennant Part No. | Manufacturer Serial Number | Description                | Qty. |
|------|------------------|----------------------------|----------------------------|------|
| ▽    | 386364           | (000000-                   | ) Pump, Metering Solution  | 1    |
| ▲    | 1 63923          | (000000-                   | ) Connector Kit, Tubing    | 1    |
| ▲    | 2 21659          | (000000-                   | ) Valve Kit, Pump          | 1    |
| ▲    | 3 21661          | (000000-                   | ) Replacement Kit, Bellows | 1    |
| ▲    | 4 02430          | (000000-                   | ) Crank Replacement Kit    | 1    |

**Fig. 10 - Hydraulic Powerunit Breakdown, 368704**



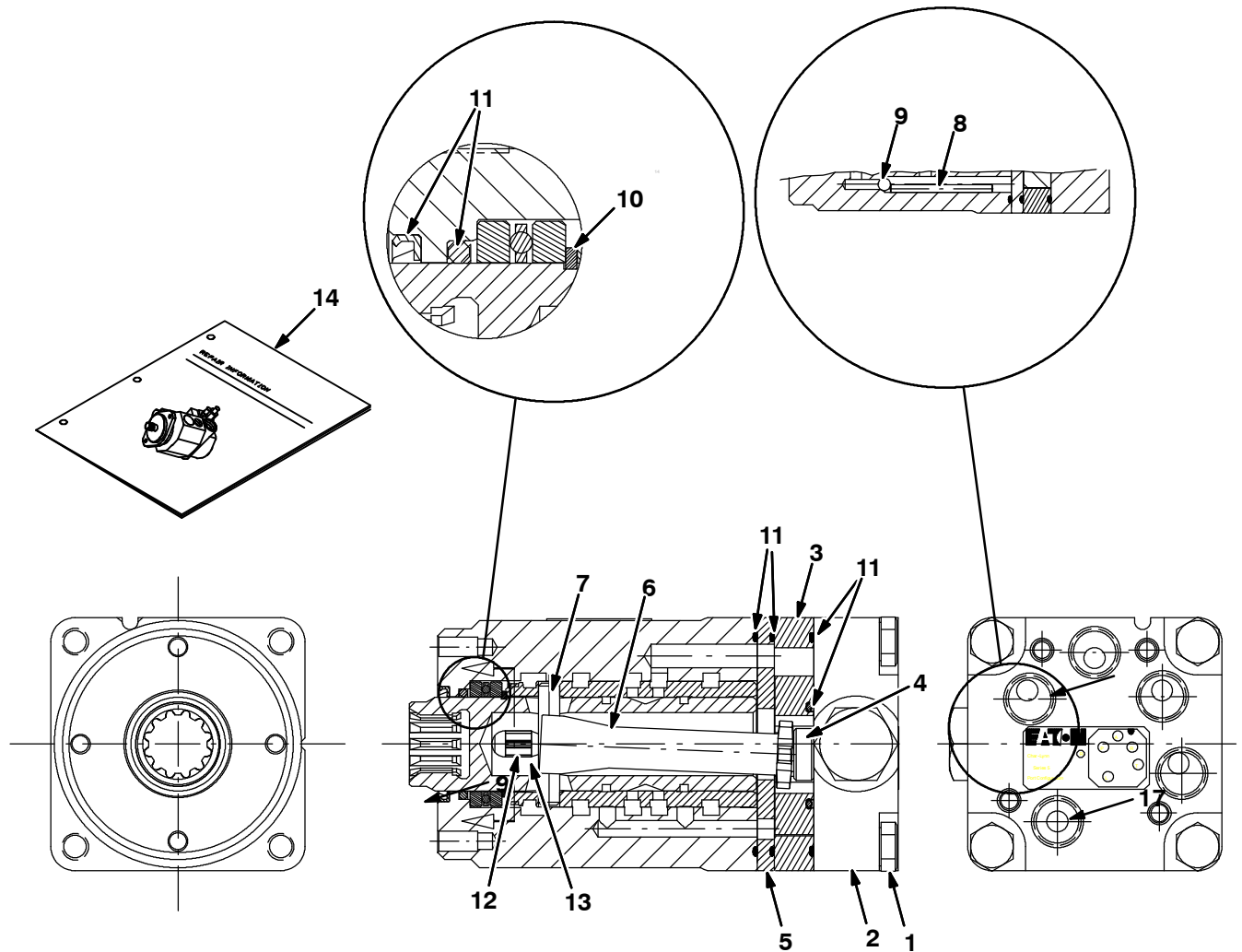
| Ref. | Tennant Part No. | Machine Serial Number | Description             | Qty. |
|------|------------------|-----------------------|-------------------------|------|
| ▽    | 386704           | (000000-              | ) Powerunit, Hyd, 36Vdc | 1    |
| ▲    | 1 387597         | (000000-              | ) Motor, Elect          | 1    |
| ▲    | 2 387598         | (000000-              | ) Pump assy             | 1    |
| ▲    | 3 387599         | (000000-              | ) Coupling, Flexible    | 1    |
| ▲    | 4 387600         | (000000-              | ) Screw, Adjuster       | 1    |
| ▲    | 5 387607         | (000000-              | ) Spring                | 1    |
| ▲    | 6 387608         | (000000-              | ) Ball, Check           | 1    |
| ▲    | 7 387609         | (000000-              | ) Screw, Mtg            | 4    |
| ▲    | 8 387610         | (000000-              | ) Washer                | 4    |
| ▲    | 9 387602         | (000000-              | ) Element, Fltr         | 1    |
| ▲    | 10 387603        | (000000-              | ) Seal, Cup, Upper      | 1    |
| ▲    | 11 387604        | (000000-              | ) Seal, Cup, Lower      | 1    |
| ▲    | 12 387605        | (000000-              | ) Reservoir             | 1    |
| ▲    | 13 387606        | (000000-              | ) Cover, Reservoir      | 1    |
| ▲    | 14 387601        | (000000-              | ) Kit, Seal             | 1    |

**Fig. 11 - Hydraulic Motor Breakdown, 386703**



| Ref. | Tenant Part No. | Machine Serial Number | Description  | Qty.                  |   |
|------|-----------------|-----------------------|--------------|-----------------------|---|
| ▽    | 386703          | (000000-              | ) Motor, Hyd | 1                     |   |
| ▲    | 1               | 37555                 | (000000-     | ) Screw               | 4 |
| ▲    | 2               | 763504                | (000000-     | ) Flange              | 1 |
| ▲    | 3               | 16695                 | (000000-     | ) Race Thrust         | 1 |
| ▲    | 4               | 45628                 | (000000-     | ) Bearing, Thrust     | 1 |
| ▲    | 5               | 763508                | (000000-     | ) Shaft, Output       | 1 |
| ▲    | 6               | 22655                 | (000000-     | ) Housing             | 1 |
| ▲    | 7               | 373344                | (000000-     | ) Drive, Main         | 1 |
| ▲    | 8               | 22658                 | (000000-     | ) Spacer              | 1 |
| ▲    | 9               | 373343                | (000000-     | ) Geroler S/A         | 1 |
| ▲    | 10              | 373422                | (000000-     | ) Cap, End            | 1 |
| ▲    | 11              | 21958                 | (000000-     | ) Cap Screw           | 7 |
| ▲    | 12              | 373423                | (000000-     | ) Kit, Seal, Motor    | 1 |
| ▲    | 13              | 22661                 | (000000-     | ) Instruction, Repair | 1 |

Fig. 12 - Steering Control Valve Breakdown, 373495



| Ref. | Tennant Part No. | Machine Serial Number | Description                        | Qty. |
|------|------------------|-----------------------|------------------------------------|------|
| ▽    | 373495           | (000000-              | ) Steer-Control, Hyd               | 4    |
| ▲    | 1 373567         | (000000-              | ) Screw, Cap                       | 1    |
| ▲    | 2 373568         | (000000-              | ) Cap, End                         | 1    |
| ▲    | 3 373569         | (000000-              | ) Geroter                          | 1    |
| ▲    | 4 373570         | (000000-              | ) Spacer                           | 1    |
| ▲    | 5 373571         | (000000-              | ) Plate, Wear                      | 1    |
| ▲    | 6 74231          | (000000-              | ) Drive, Valve, Strg               | 1    |
| ▲    | 7 74232          | (000000-              | ) Pin, Valve, Strg                 | 1    |
| ▲    | 8 373572         | (000000-              | ) Pin                              | 1    |
| ▲    | 9 74114          | (000000-              | ) Ball, Check, Strg Valve          | 1    |
| ▲    | 10 74243         | (000000-              | ) Ring, Retainer, Valve, Strg      | 1    |
| ▲    | 11 74244         | (000000-              | ) Kit, Seal, Hyd, Valve, Strg      | 1    |
| ▲    | 12 74196         | (000000-              | ) Kit, Spring, Valve, Strg         | 1    |
| ▲    | 13 21935         | (000000-              | ) Bearing Kit                      | 1    |
| ▲    | 14 74245         | (000000-              | ) Instruction, Repair, Valve, Strg | 1    |

**Fig. 13 - ec-H2O Module Assembly Breakdown, 9006270**

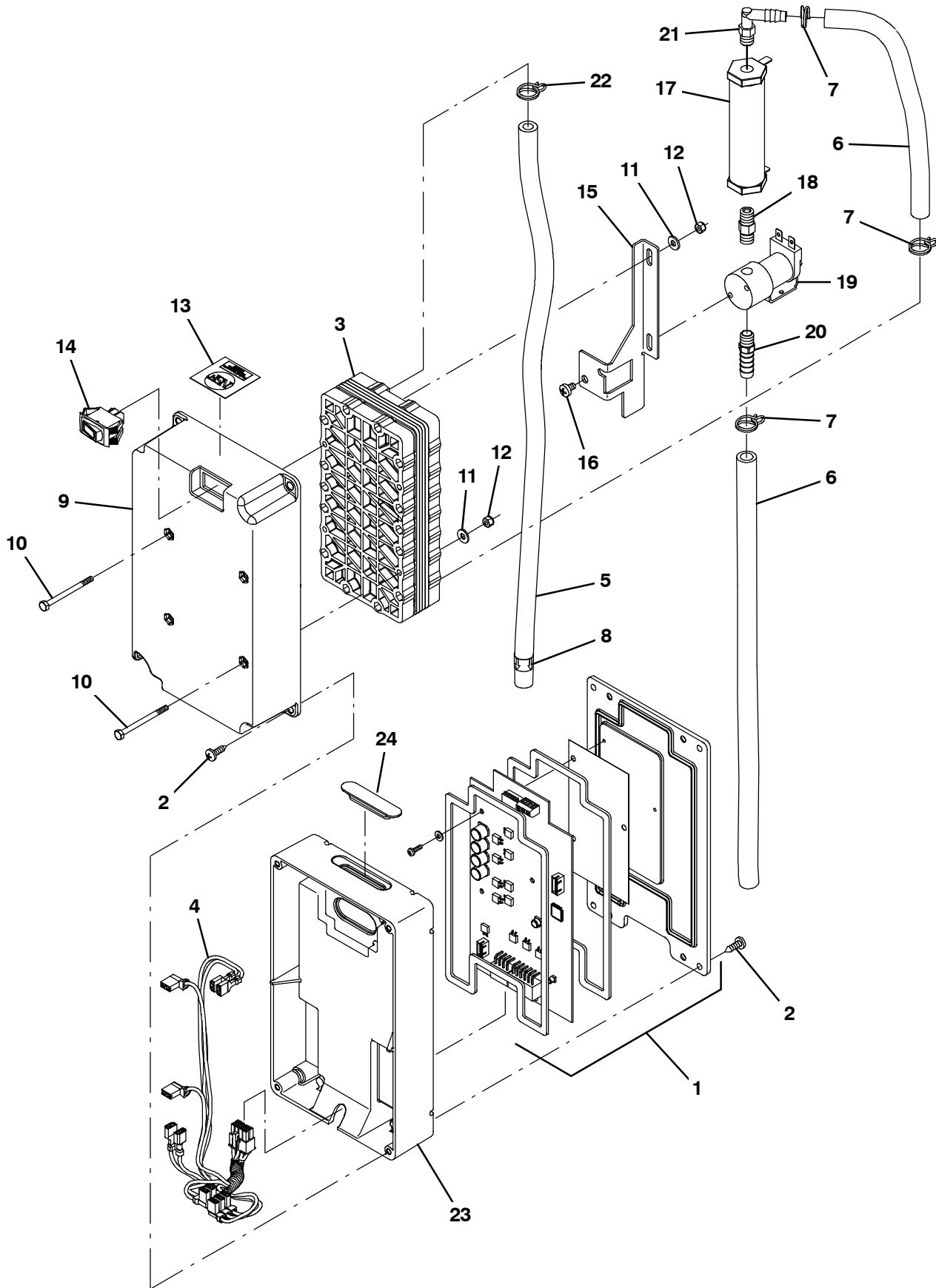
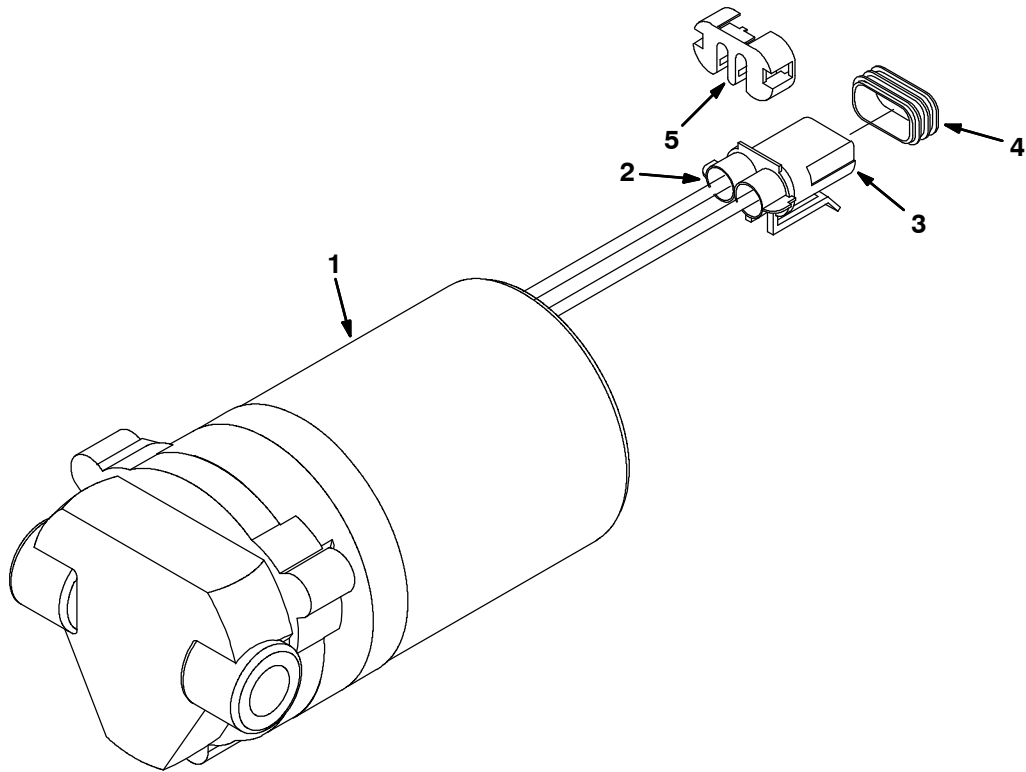


Fig. 13 - ec-H2O Module Assembly Breakdown, 9006270

| Ref. | Part No.   | Serial Number | Description                                | Qty. |
|------|------------|---------------|--|------|
| ▽    | 9006270    | (000000-      | ) Module Kit, Replmt [Ec-H2o]              | 1    |
| ▲    | 1 9007969  | (000000-      | ) Controller Kit, Replmt [ec-H2O]          | 1    |
| ▲    | 2 1018155  | (000000-      | ) Screw, Pan, Phl, M5 X 0.80 X 16, Tcut,Ss | 8    |
| ▲▽   | 9006325    | (000000-      | ) Ec-H2o Kit, Module C, Plumbing           | 1    |
| ▲▲   | 3 1050767  | (000000-      | ) Electrode, 5 Plate, High Flow            | 1    |
| ▲▲   | 4 1049489  | (000000-      | ) Harness, Main,Controlboard[Ec-H2o 5cell] | 1    |
| ▲▲   | 5 1014971  | (000000-      | ) Hose, Afmkt, Pvc, Brd, 0.38id, 01ft, Clr | 1    |
| ▲▲   | 6 9006268  | (000000-      | ) Hose, Pvc, Brd, 0.31id 0.53od, 2ft, Clr  | 1    |
| ▲▲   | 7 1053464  | (000000-      | ) Clamp, Hose, Wir, .56 - .56, Yel         | 3    |
| ▲▲   | 8 1049637  | (000000-      | ) Label, Direction [Ec-H2o]                | 1    |
| ▲▲   | 9 1051519  | (000000-      | ) Housing, Upper, Module, High Flow        | 1    |
| ▲▲   | 10 32509   | (000000-      | ) Screw, Hex, M4 X 0.70 X 50, Ss           | 4    |
| ▲▲   | 11 41579   | (000000-      | ) Washer, Flat, 08, Ss                     | 4    |
| ▲▲   | 12 33932   | (000000-      | ) Nut, Hex, Lock, M4 X 0.70, NI, Ss        | 4    |
| ▲▲   | 13 1046041 | (000000-      | ) Label, Module [Nsf, Ec-H2o]              | 1    |
| ▲▲   | 14 1044393 | (000000-      | ) Switch, Rocker, Spst, Mom                | 1    |
| ▲▲   | 15 1048741 | (000000-      | ) Bracket, Valve, Large                    | 1    |
| ▲▲   | 16 578856  | (000000-      | ) Screw, Flt, Phl, 10-32 X 0.31            | 2    |
| ▲▲   | 17 1062006 | (000000-      | ) Electrode, Cylindrical                   | 1    |
| ▲▲   | 18 1045030 | (000000-      | ) Fitting, Brs, Str, Pm02/Pm02             | 1    |
| ▲▲   | 19 1048643 | (000000-      | ) Valve, Solenoid, 0.25" Orifice, 24vdc    | 1    |
| ▲▲   | 20 1005375 | (000000-      | ) Fitting, Plstc, Str, Bm06/Pm02, Nyl      | 1    |
| ▲▲   | 21 1051268 | (000000-      | ) Fitting, Plstc, E90, Bm05/Pm02, Nyl      | 1    |
| ▲▲   | 22 607775  | (000000-      | ) Clamp, Hose, Wir, .63 - .66, Blk         | 1    |
| ▲    | 23 1037032 | (000000-      | ) Housing, Bottom                          | 1    |
| ▲    | 24 1050431 | (000000-      | ) Grommet, Blind                           | 1    |

**Fig. 14 - ec-H2O Solution Pump Breakdown, 1005866**

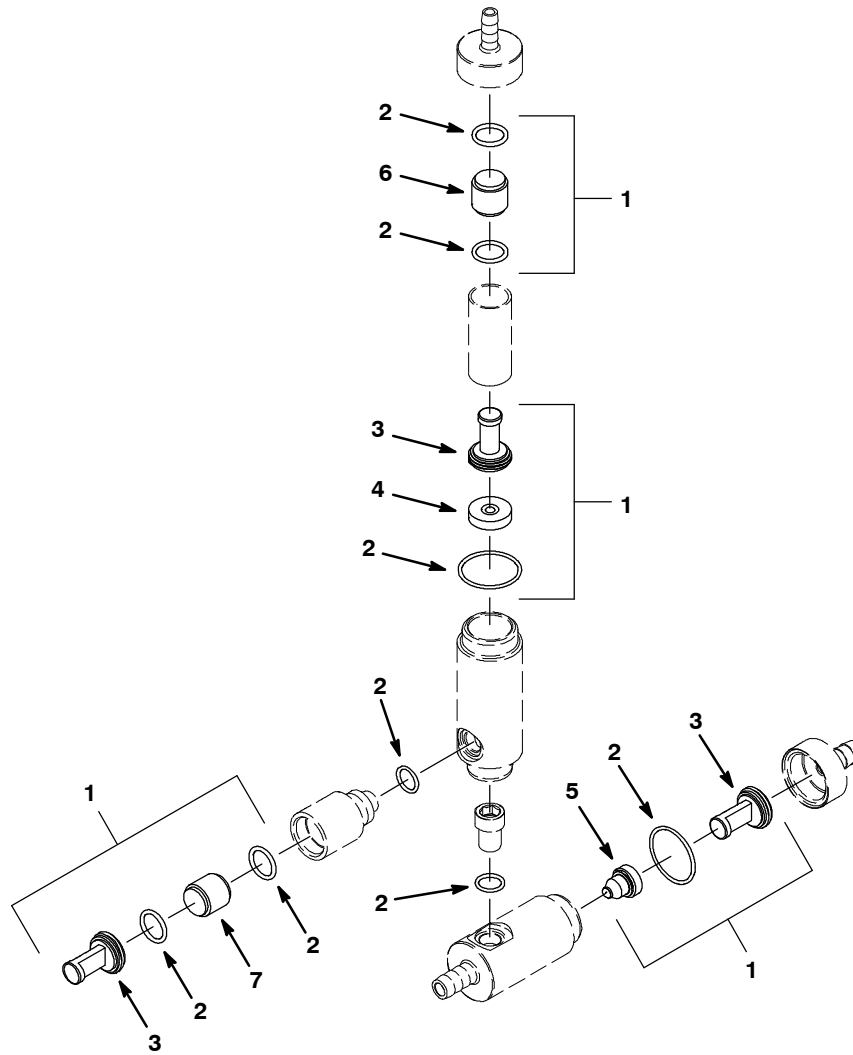


- ALL

| Ref. | Part No. | Serial Number | Description                               | Qty. |
|------|----------|---------------|---|------|
| ∇    | 1005866  | (000000-      | ) Pump, Soltn, Ele, 36vdc                 | 1    |
| ▲    | 1 391433 | (000000-      | ) Head Kit, Pump, Water, Repair           | 1    |
| ▲    | 2 78950  | (000000-      | ) Connector, Fem, 2cav, Mp280 Sealed      | 1    |
| ▲    | 3 78951  | (000000-      | ) Terminal, Fem, Mp280, Sealed, 18-16ga   | 1    |
| ▲    | 4 10917  | (000000-      | ) Seal, Wire, 14/16ga [Wp / Mp280 Sealed] | 1    |
| ▲    | 5 78952  | (000000-      | ) Lock, Secondary, 2cav, Mp280 Sealed     | 1    |



Fig. 15 - FaST Injector Assembly Breakdown, 1050333



354649

| Ref. | Part No. | Serial Number | Description                                | Qty.                                       |   |
|------|----------|---------------|--|--|---|
| ▽    | 1050333  | (000000-      | ) Injector Assy, High, .052 .010[FaST II+] | 1  |   |
| ▲▽   | 1        | 9006119       | (000000-                                   | ) FaST Kit, Ci [Inj Rebl, 7300/8300]       | 1 |
| ▲▲   | 2        | 9003008       | (000000-                                   | ) Fast Kit, Ci, Injector Seals [Fast li+]  | 1 |
| ▲▲   | 3        | 9003009       | (000000-                                   | ) Fast Kit, Ci, Injector Filters[Fast li+] | 1 |
| ▲▲   | 4        | 1050342       | (000000-                                   | ) Plate Assy, Orifice, 0.010ld, Purple     | 1 |
| ▲▲   | 5        | 1050336       | (000000-                                   | ) Plug, Orifice, 0.052, Ss [FaST II+]      | 1 |
| ▲▲   | 6        | 1030444       | (000000-                                   | ) Valve, Check, 0002psi [Fast li+]         | 1 |
| ▲▲   | 7        | 1030441       | (000000-                                   | ) Valve, Check, 0005psi [Fast li+]         | 1 |



# SECTION 5

**CONTENTS**

**PAGE**

PART NUMBER TO PAGE NUMBER CROSS REFERENCE LIST ..... 5-2  
PART DESCRIPTION TO PAGE NUMBER CROSS REFERENCE LIST ..... 5-12

# CROSS REFERENCE

## PART NUMBER TO PAGE NUMBER CROSS REFERENCE LIST

| Part Number | Page Number   | Part Number | Page Number                                      | Part Number | Page Number  |
|-------------|---|-------------|--|-------------|--|
| 00500-10    | 2-17  | 01842       | 4-3  | 07792       | 2-63, 3-111, 3-113, 3-115, 3-117   |
| 00500-7     | 4-6   | 01856       | 4-3, 4-5   | 07805       | 3-143  |
| 00911       | 3-65, 3-83  | 01969       | 4-3  | 08085       | 3-73, 3-75, 3-91, 3-93   |
| 00912       | 2-17, 3-65, 3-83  | 01971       | 4-3, 4-5   | 08178       | 2-13, 2-65, 2-67, 2-69, 3-133, 3-135, 3-137, 3-139   |
| 00918       | 3-65, 3-83, 4-7   | 01982       | 4-3  | 08182       | 2-21, 2-47, 2-51, 2-57, 3-33, 3-41, 3-49, 3-55, 3-63, 3-71, 3-81   |
| 00928       | 4-8, 4-9, 4-10  | 01983       | 4-3  | 08236       | 2-9  |
| 01316       | 3-99  | 02076       | 2-23   | 08346       | 2-51, 3-49, 3-63, 3-81   |
| 01516       | 2-63  | 02129       | 3-143  | 08708       | 2-11, 2-15, 2-17, 2-21, 2-73, 2-75, 2-82, 3-13, 3-15   |
| 01683       | 2-21, 2-37, 2-39, 2-41, 2-43, 2-47, 2-71, 2-73, 2-75, 3-103, 3-105, 3-143   | 02430       | 4-12   | 08709       | 2-9, 2-11, 2-17, 2-21, 2-23, 2-25, 2-33, 2-39, 2-71, 2-77, 2-79, 3-27, 3-31, 3-39, 3-67, 3-69, 3-85, 3-87, 3-105   |
| 01684       | 2-5, 2-7, 2-9, 2-13, 2-39, 2-47, 2-57, 2-59, 2-61, 2-65, 2-67, 2-69, 2-77, 2-79, 3-31, 3-39, 3-55, 3-57, 3-61, 3-65, 3-67, 3-69, 3-71, 3-73, 3-75, 3-77, 3-79, 3-83, 3-85, 3-87, 3-89, 3-91, 3-93, 3-95, 3-97, 3-99, 3-111, 3-113, 3-115, 3-117, 3-127, 3-133, 3-135, 3-137, 3-139                                | 02850       | 2-13, 2-33, 3-101, 3-129                         | 08711       | 2-17, 2-27, 3-27, 3-31, 3-39, 3-49   |
| 01685       | 2-9, 2-13, 2-19, 2-25, 2-29, 2-41, 2-47, 2-49, 2-53, 2-55, 2-57, 2-59, 2-61, 2-65, 2-67, 2-69, 3-31, 3-35, 3-39, 3-43, 3-47, 3-49, 3-51, 3-53, 3-55, 3-57, 3-61, 3-67, 3-69, 3-71, 3-81, 3-85, 3-87, 3-89, 3-99, 3-101, 3-121, 3-127, 3-129, 3-133, 3-135, 3-137, 3-139, 3-143, 3-147, 3-149, 3-151, 3-153, 3-155 | 02931       | 2-63   | 08712       | 2-39, 2-51, 2-53, 2-55, 2-57, 2-59, 2-61, 2-65, 3-51, 3-53, 3-55, 3-57, 3-61, 3-67, 3-69, 3-71, 3-77, 3-79, 3-85, 3-87, 3-89, 3-95, 3-97, 3-99, 3-127, 3-143   |
| 01686       | 2-29, 2-41, 2-49, 2-51, 2-57, 2-59, 2-61, 2-63, 2-65, 3-16, 3-17, 3-19, 3-21, 3-35, 3-43, 3-47, 3-49, 3-55, 3-57, 3-61, 3-63, 3-65, 3-71, 3-73, 3-75, 3-81, 3-83, 3-89, 3-91, 3-93  | 02938       | 2-75   | 08713       | 2-25, 2-29, 2-47, 2-49, 2-59, 2-61, 2-65, 2-67, 2-69, 3-47, 3-49, 3-55, 3-57, 3-59, 3-61, 3-63, 3-81, 3-89, 3-101, 3-121, 3-127, 3-133, 3-135, 3-137, 3-139, 3-143, 3-145, 3-147, 3-149, 3-151, 3-153, 3-155 |
| 01692       | 3-73, 3-91  | 02942       | 3-31, 3-39, 3-65, 3-83                           | 08714       | 2-49, 2-63, 2-65, 3-16, 3-17, 3-47, 3-49, 3-65, 3-81, 3-83   |
| 01713       | 2-9, 2-73, 2-75, 2-77, 2-79, 3-27, 3-35   | 03495       | 2-67, 2-69, 3-133, 3-135, 3-137, 3-139           | 08716       | 2-51, 2-57, 2-59, 2-61, 2-65, 3-31, 3-39, 3-55, 3-57, 3-61, 3-71, 3-77, 3-79, 3-89, 3-95, 3-97   |
| 01714       | 2-21  | 04373       | 3-33, 3-41                                       | 09007       | 2-15, 2-39, 3-99, 3-127  |
| 01715       | 2-73, 2-75, 2-77, 2-79, 3-27, 3-35  | 04414       | 2-67, 2-69, 3-133, 3-135, 3-137, 3-139           | 09010       | 2-13, 2-33, 2-49, 2-63, 2-65, 3-47, 3-49, 3-63, 3-81, 3-99, 3-127, 3-133, 3-135  |
| 01726       | 3-147, 3-149, 3-151, 3-153, 3-155, 3-157, 3-158, 3-159, 3-160, 3-161, 3-162, 3-163  | 04417       | 2-63, 2-65                                       | 09011       | 2-29, 3-101  |
| 01760       | 3-143   | 04733-10    | 2-65   | 09023       | 2-59, 2-61, 3-57, 3-61, 3-121, 3-143   |
| 01837       | 4-3, 4-5  | 04733-2     | 3-31, 3-39                                       | 09026       | 2-25   |
|             |   | 04843       | 2-39, 2-47, 2-57, 3-55, 3-71, 3-89               |             |  |
|             |   | 05686       | 2-63   |             |  |
|             |   | 06279       | 2-47, 2-51, 2-65, 3-49, 3-55, 3-63, 3-81         |             |  |
|             |   | 06474A      | 2-21   |             |  |
|             |   | 06549       | 2-15, 2-37, 2-73, 2-75, 3-65, 3-83               |             |  |
|             |   | 06925       | 2-75   |             |  |
|             |   | 06931       | 2-21, 2-75                                       |             |  |
|             |   | 06942       | 2-31, 2-33, 2-37, 2-73, 2-75, 2-81, 3-27, 3-35   |             |  |
|             |   | 06943       | 2-9, 2-11, 2-25, 2-45, 3-13, 3-15                |             |  |
|             |   | 06944       | 2-21   |             |  |
|             |   | 06945       | 2-82   |             |  |
|             |   | 06946       | 2-17   |             |  |
|             |   | 06949       | 3-13, 3-15                                       |             |  |
|             |   | 06955       | 2-25   |             |  |
|             |   | 06960       | 3-27   |             |  |
|             |   | 06961       | 3-19, 3-21, 3-23                                 |             |  |
|             |   | 06963       | 2-21   |             |  |
|             |   | 06969       | 2-27, 3-49                                       |             |  |
|             |   | 06974       | 3-31, 3-39                                       |             |  |
|             |   | 07112       | 2-17, 3-27                                       |             |  |
|             |   | 07450       | 2-63, 2-65, 3-33, 3-41                           |             |  |
|             |   | 07471       | 3-69, 3-87                                       |             |  |
|             |   | 07514       | 2-75, 2-77, 2-79, 3-27                           |             |  |
|             |   | 07786       | 2-59, 2-61, 3-57, 3-61, 3-73, 3-75, 3-91, 3-93   |             |  |
|             |   | 07789       | 2-82, 3-105                                      |             |  |
|             |   | 07790       | 2-73, 2-75, 3-13, 3-15                           |             |  |
|             |   | 07791       | 2-9, 3-5, 3-7, 3-9, 3-11, 3-31, 3-35, 3-39, 3-43 |             |  |

# CROSS REFERENCE

| Part Number | Page Number  | Part Number | Page Number                               | Part Number | Page Number                            |
|-------------|--|-------------|---|-------------|--|
| 09028       | 2-49, 3-16, 3-17, 3-19, 3-21, 3-35, 3-43, 3-47, 3-49, 3-81                   | 1008211     | 2-33                                      | 1022558     | 3-141                                  |
| 09030       | 2-23   | 1008274     | 3-31                                      | 1022564     | 3-140                                  |
| 09088       | 2-27   | 1008275     | 3-39                                      | 1022565     | 3-140                                  |
| 09198       | 2-5, 2-7, 3-65, 3-83, 3-143  | 1010325     | 2-103                                     | 1023676     | 2-27                                   |
| 09206       | 2-33, 3-101  | 1010614     | 2-31                                      | 1023677     | 2-27                                   |
| 09228       | 3-129  | 1010655     | 2-31                                      | 1024009     | 2-33                                   |
| 09244       | 2-71, 2-82   | 1010658     | 2-31                                      | 1028580     | 2-82                                   |
| 09252       | 2-31   | 1010660     | 2-31                                      | 1028581     | 2-31, 2-37                             |
| 09291       | 3-65, 3-83   | 1010661     | 2-31                                      | 1030441     | 4-19                                   |
| 09294       | 2-23   | 1010668     | 2-37, 3-69, 3-87                          | 1030444     | 4-19                                   |
| 09480       | 3-31, 3-39   | 1010713     | 2-31                                      | 1031699     | 2-29, 2-43, 3-103, 3-121               |
| 09718       | 3-49, 3-63, 3-81   | 1010791     | 2-31, 2-33                                | 1031700     | 3-111, 3-113, 3-115, 3-117             |
| 09738       | 3-65, 3-83   | 1010797     | 2-33                                      | 1034891     | 2-21                                   |
| 09739       | 2-43, 2-47, 3-63, 3-81, 3-103, 3-143   | 1010832     | 3-87                                      | 1035794     | 2-37                                   |
| 09740       | 2-9, 2-13, 2-41, 3-49, 3-81, 3-143, 3-145, 3-147, 3-149, 3-151, 3-153, 3-155 | 1010835     | 2-31                                      | 1036490     | 2-17                                   |
| 09741       | 2-67, 2-69, 3-73, 3-75, 3-91, 3-93, 3-133, 3-135, 3-137, 3-139               | 1010871     | 2-33                                      | 1037032     | 4-17                                   |
| 09744       | 3-73, 3-75, 3-79, 3-91, 3-93, 3-97, 3-111, 3-113, 3-115, 3-117               | 1011170     | 2-33                                      | 1037346     | 3-105                                  |
| 09767       | 2-67, 2-69, 3-133, 3-135, 3-137, 3-139                                       | 1011276     | 2-82, 2-83                                | 1037822     | 2-2, 2-3, 2-41                         |
| 09774       | 3-73, 3-75, 3-91, 3-93   | 1011403     | 2-31, 2-33, 2-35, 2-37, 2-55, 3-69, 3-87  | 1038159     | 4-17                                   |
| 1001062     | 3-65, 3-83   | 1011411     | 3-105                                     | 1039190     | 2-67, 2-69, 3-133, 3-135, 3-137, 3-139 |
| 1001099     | 2-51, 3-49, 3-63, 3-81   | 1011412     | 3-105                                     | 1039617     | 2-45                                   |
| 1002464     | 3-59, 3-79, 3-97   | 1011521     | 2-31, 2-37, 2-53, 3-53, 3-69, 3-87        | 1040295     | 2-17                                   |
| 1002789     | 2-35   | 1011835     | 2-35                                      | 1040467     | 3-105                                  |
| 1002898     | 2-33, 2-37   | 10120       | 2-27                                      | 1040868     | 3-107                                  |
| 1002899     | 2-33, 2-37   | 1012528     | 2-53, 2-55, 3-51, 3-53                    | 1041822     | 3-107                                  |
| 1005026     | 2-3  | 1013857     | 2-31                                      | 1041884     | 3-165                                  |
| 1005086     | 2-35   | 1013866     | 2-33                                      | 1042499     | 2-7                                    |
| 1005133     | 3-59, 3-79, 3-97   | 1014056     | 2-33                                      | 1042504     | 2-7                                    |
| 1005135     | 3-59, 3-79, 3-97   | 1014082     | 2-33                                      | 1042513     | 2-21                                   |
| 1005255     | 2-33   | 1014971     | 4-17                                      | 1042514     | 2-21                                   |
| 1005302     | 2-35, 2-37, 3-105  | 1014976     | 3-105                                     | 1043866     | 3-105                                  |
| 1005304     | 2-35   | 1014986     | 2-33, 2-37                                | 1044393     | 4-17                                   |
| 1005375     | 3-105, 4-17  | 1014987     | 2-33                                      | 1045030     | 4-17                                   |
| 1005416     | 2-82   | 1015045     | 2-55, 3-53, 3-69, 3-87                    | 1045633     | 2-37                                   |
| 1005435     | 2-33, 2-37   | 1015048     | 3-53, 3-69, 3-87                          | 1046041     | 4-17                                   |
| 1005508     | 2-31   | 1015096     | 2-103                                     | 1046173     | 3-105                                  |
| 1005552     | 2-35   | 1015097     | 3-69                                      | 10464       | 3-65, 3-83                             |
| 1005866     | 2-31, 3-105, 4-18  | 1015558     | 2-53, 2-55, 3-51                          | 1048643     | 4-17                                   |
| 1006400     | 2-37   | 1017015     | 2-33                                      | 1048741     | 4-17                                   |
| 1006401     | 3-53   | 1017022     | 2-33                                      | 1048932     | 2-19                                   |
| 1006447     | 2-31   | 1017255     | 3-105                                     | 1048955     | 2-19                                   |
| 1007107     | 3-143  | 1017288     | 2-103, 2-104                              | 1049092     | 2-19                                   |
| 1007337     | 2-75   | 1017289     | 2-103                                     | 1049254     | 2-37                                   |
| 1007344     | 2-75   | 1017368     | 2-7                                       | 1049259     | 2-37                                   |
| 1007349     | 2-75   | 1017386     | 3-105                                     | 1049269     | 3-111, 3-113, 3-115, 3-117             |
| 1007353     | 2-75   | 1017413     | 2-35, 2-37, 2-55, 3-53, 3-69, 3-87, 3-105 | 1049489     | 4-17                                   |
| 1007486     | 3-49, 3-81   | 1017415     | 2-35, 2-37, 3-105                         | 1049637     | 4-17                                   |
| 1007632     | 2-59, 3-57   | 1017441     | 3-31, 3-39                                | 1050003     | 3-107                                  |
|             |  | 1017802     | 3-31, 3-39                                | 1050193     | 3-49, 3-63, 3-81                       |
|             |  | 1018155     | 4-17                                      | 1050195     | 2-51                                   |
|             |  | 1018515     | 3-155                                     | 1050336     | 4-19                                   |
|             |  | 1019285     | 2-41, 3-101                               | 1050342     | 4-19                                   |
|             |  | 1019344     | 3-140, 3-141                              | 1050431     | 4-17                                   |
|             |  | 1021219     | 4-17                                      | 1050664     | 3-108                                  |
|             |  | 1021878     | 2-33, 2-37                                | 1050767     | 4-17                                   |
|             |  | 1022465     | 3-141                                     | 1050771     | 2-37                                   |

# CROSS REFERENCE

| Part Number | Page Number            | Part Number | Page Number              | Part Number | Page Number                     |
|-------------|------------------------|-------------|--------------------------|-------------|---------------------------------|
| 1050805     | 2-37                   | 1056490     | 3-73, 3-91               | 1056877     | 3-133, 3-135                    |
| 1051027     | 2-7                    | 1056491     | 3-73, 3-91               | 1056878     | 3-149, 3-151, 3-153, 3-155      |
| 1051030     | 2-5                    | 1056492     | 3-75, 3-93               | 1056883     | 3-145                           |
| 1051268     | 4-17                   | 1056493     | 3-75, 3-93               | 1056887     | 3-33, 3-41                      |
| 1052017     | 3-105                  | 1056494     | 3-63, 3-81               | 1056888     | 3-33, 3-41                      |
| 1052588     | 2-104                  | 1056495     | 3-75, 3-93               | 1056889     | 3-33, 3-41                      |
| 1052683     | 3-105                  | 1056496     | 2-9                      | 1056890     | 3-33, 3-41                      |
| 1052726     | 3-105                  | 1056505     | 3-49, 3-81               | 1056891     | 3-31                            |
| 1052755     | 3-107                  | 1056516     | 3-49                     | 1056892     | 3-39                            |
| 1052832     | 3-105                  | 1056517     | 3-49, 3-81               | 1056894     | 3-39                            |
| 1053078     | 3-105                  | 1056673     | 3-21                     | 1056895     | 3-149, 3-155                    |
| 1053464     | 4-17                   | 1056674     | 3-21                     | 1056896     | 3-149, 3-155                    |
| 1053842     | 2-15                   | 1056675     | 2-23                     | 1056902     | 3-47                            |
| 1054296     | 3-33, 3-41             | 1056681     | 3-49, 3-81               | 1056903     | 3-81                            |
| 1054657     | 3-108                  | 1056688     | 3-35                     | 1056909     | 3-31, 3-39                      |
| 1054776     | 3-105                  | 1056786     | 2-9                      | 1056910     | 3-33                            |
| 1055254     | 3-105                  | 1056787     | 3-153                    | 1056911     | 3-31                            |
| 1055255     | 3-105                  | 1056788     | 3-153                    | 1056914     | 2-17                            |
| 1055336     | 3-105                  | 1056793     | 3-129                    | 1056915     | 3-143                           |
| 1055883     | 3-107                  | 1056796     | 3-117                    | 1056916     | 3-143                           |
| 1056331     | 3-107                  | 1056799     | 3-113                    | 1056917     | 2-17                            |
| 1056382     | 2-29                   | 1056800     | 3-91                     | 1056919     | 2-47                            |
| 1056383     | 2-9                    | 1056805     | 3-135                    | 1056923     | 3-101                           |
| 1056386     | 2-13                   | 1056806     | 3-135                    | 1056924     | 3-101                           |
| 1056387     | 2-9                    | 1056807     | 3-135                    | 1056927     | 3-147                           |
| 1056388     | 2-13                   | 1056809     | 2-9                      | 1056928     | 2-39                            |
| 1056389     | 2-65                   | 1056838     | 3-65, 3-83               | 1056929     | 2-39                            |
| 1056390     | 2-51, 3-49, 3-63, 3-81 | 1056839     | 3-99                     | 1056937     | 2-25                            |
| 1056396     | 3-43                   | 1056841     | 3-47                     | 1056940     | 3-143                           |
| 1056397     | 3-35                   | 1056842     | 2-47                     | 1056941     | 2-45                            |
| 1056398     | 3-43                   | 1056843     | 3-71, 3-89               | 1056944     | 2-105, 3-107                    |
| 1056399     | 3-35                   | 1056844     | 2-57, 3-55               | 1056945     | 2-105                           |
| 1056416     | 3-105                  | 1056845     | 2-57, 3-55, 3-71, 3-89   | 1056947     | 2-105                           |
| 1056432     | 2-11                   | 1056846     | 3-65, 3-83               | 1057066     | 2-51, 3-49, 3-63                |
| 1056433     | 2-13                   | 1056847     | 3-65, 3-83               | 1057068     | 2-39                            |
| 1056434     | 2-13                   | 1056848     | 3-63                     | 1057069     | 3-7                             |
| 1056464     | 3-7, 3-11              | 1056849     | 2-29, 2-41               | 1057073     | 3-49, 3-81                      |
| 1056465     | 2-9                    | 1056850     | 2-39                     | 1057089     | 3-65, 3-83                      |
| 1056466     | 2-69, 3-135, 3-139     | 1056851     | 2-17                     | 10575       | 3-99                            |
| 1056467     | 2-63                   | 1056852     | 2-17                     | 1057512     | 3-65                            |
| 1056468     | 2-63                   | 1056853     | 3-27                     | 1057520     | 3-79, 3-97                      |
| 1056471     | 2-69, 3-139            | 1056854     | 3-27                     | 1057521     | 3-79, 3-97                      |
| 1056472     | 2-13                   | 1056855     | 2-19                     | 1057526     | 3-77, 3-79                      |
| 1056473     | 3-17                   | 1056856     | 2-67, 2-69, 3-137, 3-139 | 1057527     | 3-95, 3-97                      |
| 1056474     | 3-17                   | 1056857     | 2-41                     | 1057530     | 3-87                            |
| 1056475     | 2-13                   | 1056859     | 2-27                     | 1057531     | 3-69                            |
| 1056476     | 3-21                   | 1056860     | 2-25                     | 1057644     | 3-143                           |
| 1056477     | 2-81                   | 1056861     | 2-27                     | 1059037     | 2-105                           |
| 1056478     | 2-81                   | 1056862     | 2-49                     | 10632-12    | 3-5, 3-7, 3-9, 3-11, 3-13, 3-15 |
| 1056479     | 2-13                   | 1056863     | 2-59, 2-61, 3-57, 3-61   | 10632-13    | 2-15, 2-25                      |
| 1056480     | 3-15                   | 1056864     | 3-99, 3-127              | 10632-14    | 2-71                            |
| 1056481     | 2-39                   | 1056865     | 3-127                    | 10632-17    | 2-71                            |
| 1056482     | 2-65                   | 1056866     | 3-99                     | 10632-19    | 2-33                            |
| 1056483     | 2-11                   | 1056867     | 3-121                    | 10632       | 2-21                            |
| 1056484     | 2-11                   | 1056868     | 2-41                     | 10912       | 2-45                            |
| 1056485     | 3-27, 3-35             | 1056872     | 3-121                    | 10917       | 4-11, 4-18                      |
| 1056486     | 2-71                   | 1056873     | 3-67, 3-69, 3-85, 3-87   | 10925       | 4-3, 4-5, 4-7, 4-8, 4-9, 4-10   |
| 1056487     | 2-11                   | 1056874     | 3-73                     |             |                                 |
| 1056488     | 2-75                   | 1056875     | 3-73, 3-75, 3-91, 3-93   |             |                                 |
| 1056489     | 2-75                   |             |                          |             |                                 |

# CROSS REFERENCE

| Part Number | Page Number  | Part Number | Page Number  | Part Number | Page Number                                    |
|-------------|--|-------------|--|-------------|--|
| 10926       | 4-3, 4-5   | 16370       | 2-17   | 222277      | 2-57, 3-55, 3-71, 3-89                         |
| 11329       | 3-27   | 16695       | 4-14   | 222290      | 2-15, 2-75, 2-103, 2-104, 3-107                |
| 11398       | 3-31, 3-39   | 16735       | 2-9, 2-17, 2-23, 2-37, 2-39, 3-105   | 222460      | 2-25   |
| 11399       | 2-3, 2-29, 2-53, 3-59, 3-67, 3-69, 3-79, 3-85, 3-87, 3-97        | 16816       | 2-63   | 222497      | 2-67, 2-69, 3-133, 3-135, 3-137, 3-139         |
| 11756       | 4-3  | 16879       | 2-15   | 222505      | 2-57, 3-55, 3-71, 3-89                         |
| 12273       | 2-29, 2-41, 2-53, 2-55, 3-51, 3-53, 3-129                        | 16914       | 2-53, 2-55, 3-51, 3-67, 3-85   | 222534      | 2-15   |
| 12274       | 2-75   | 16931       | 2-9, 2-11, 2-17, 2-23, 2-33, 2-71, 2-77, 2-79, 3-27, 3-33, 3-41            | 222556      | 2-57, 3-55, 3-71, 3-89                         |
| 12309       | 2-67, 2-69, 3-133, 3-135, 3-137, 3-139                           | 16949       | 3-73, 3-75, 3-91, 3-93   | 222606      | 4-10   |
| 12312       | 2-37, 2-73, 2-75, 2-83, 3-105                                    | 17188       | 3-105  | 222617      | 4-10   |
| 12316       | 2-43, 2-47, 3-103  | 17260       | 2-5  | 222618      | 4-10   |
| 12317       | 2-63, 2-65, 3-65, 3-83   | 17261       | 2-5  | 222788      | 3-79, 3-97                                     |
| 12323       | 3-121  | 17262       | 2-5  | 222822      | 2-41, 3-101                                    |
| 12333       | 2-59, 2-61, 3-57, 3-61   | 17263       | 2-5  | 22297       | 2-45   |
| 12459       | 2-9, 2-47  | 17363       | 2-45, 4-3  | 223044      | 2-2, 2-9                                       |
| 12540       | 2-23   | 17404       | 2-59, 2-61, 3-57, 3-61, 3-73, 3-75, 3-91, 3-93                             | 223054      | 2-65   |
| 13248       | 2-19, 2-45, 2-47, 3-63, 3-81                                     | 18627       | 4-3  | 223061      | 2-17   |
| 13292       | 2-41, 2-45, 3-101  | 18628       | 4-3, 4-5   | 223073      | 2-17   |
| 13513       | 2-21   | 18630       | 4-3  | 223078      | 2-19   |
| 14150       | 2-23   | 19064       | 2-33, 3-129, 3-131   | 223090      | 2-21   |
| 14242       | 2-27   | 19066       | 2-15, 2-31, 2-73, 2-75, 2-77, 2-79, 2-83, 3-5, 3-7, 3-13, 3-15, 3-27, 3-35 | 223094      | 2-21   |
| 14271       | 2-17   | 19312       | 2-73, 2-75   | 223239      | 2-21   |
| 14296       | 2-23   | 19314       | 2-73   | 223264      | 2-2, 2-3, 2-45, 4-3, 4-5                       |
| 14432       | 3-79, 3-97   | 19320       | 2-71   | 223320      | 2-21   |
| 14455       | 2-47   | 19903       | 3-111, 3-113, 3-115, 3-117   | 223470      | 3-35, 3-43                                     |
| 14523       | 2-51   | 20806       | 2-65   | 223499      | 2-29   |
| 14524       | 2-51, 3-49, 3-63, 3-81   | 20807       | 3-51   | 223515      | 3-51   |
| 14555       | 2-63   | 20810       | 2-29   | 223528      | 2-29   |
| 14601       | 2-21   | 20833       | 2-2, 2-3, 2-63   | 223595      | 3-25   |
| 14725       | 2-57, 3-55, 3-71, 3-89   | 20932       | 3-111, 3-113, 3-115, 3-117   | 223600      | 2-21   |
| 14838       | 2-5, 2-7   | 20944       | 3-121  | 223601      | 2-21   |
| 14864       | 2-43, 3-103  | 20950       | 3-121  | 223699      | 2-53   |
| 14877       | 3-99, 3-101  | 20951       | 3-121  | 22655       | 4-14   |
| 14880       | 2-43, 3-103  | 20952       | 3-121  | 22658       | 4-14   |
| 14953       | 2-5  | 21601       | 2-67, 2-69, 3-133, 3-135, 3-137, 3-139                                     | 22661       | 4-14   |
| 14967       | 2-5  | 21602       | 2-67, 2-69, 3-133, 3-135, 3-137, 3-139                                     | 23456       | 2-29, 3-111, 3-113, 3-115, 3-117               |
| 150016      | 3-105  | 21603       | 2-67, 2-69, 3-133, 3-135, 3-137, 3-139                                     | 24105       | 3-99   |
| 150208      | 3-125  | 21606       | 2-67, 2-69, 3-133, 3-135, 3-137, 3-139                                     | 24198       | 3-63, 3-81                                     |
| 15023       | 2-49, 3-47, 3-63, 3-81   | 21659       | 4-12   | 24199       | 3-143  |
| 150511      | 3-105  | 21661       | 4-12   | 24254       | 2-51, 3-49                                     |
| 150525      | 2-33   | 21765       | 4-3  | 24299       | 2-5, 2-7                                       |
| 150540      | 2-37   | 21800       | 4-7  | 24358       | 2-43, 3-103, 3-121                             |
| 150709      | 2-37   | 21935       | 4-15   | 24537       | 4-7, 4-8, 4-9, 4-10                            |
| 150713      | 2-37   | 21958       | 4-14   | 24543       | 3-101  |
| 15539       | 2-5, 2-7   | 222117      | 3-129  | 24544       | 2-29, 3-99                                     |
| 15648       | 2-47, 3-33, 3-41   | 222159      | 2-21   | 24555       | 2-67, 2-69, 3-133, 3-135, 3-137, 3-139         |
| 15675       | 2-19, 2-41, 2-45, 3-67, 3-69, 3-85, 3-87, 3-99                   | 222196      | 3-33, 3-41   | 24698       | 3-105  |
| 15678       | 2-53, 2-55, 3-51, 3-53, 3-65, 3-67, 3-69, 3-83, 3-85, 3-87, 3-99 |             |  | 24929       | 2-31   |
| 15840       | 2-81   |             |  | 25014       | 3-33, 3-41                                     |
| 15846       | 2-77   |             |  | 25312       | 3-164  |
| 16356       | 2-53   |             |  | 25537       | 2-19   |
| 16367       | 2-17   |             |  | 25538       | 3-35   |
|             |  |             |  | 25620       | 2-33   |
|             |  |             |  | 25735       | 2-59, 2-61, 3-57, 3-61, 3-73, 3-75, 3-91, 3-93 |
|             |  |             |  | 26156       | 2-39   |
|             |  |             |  | 26315       | 2-27   |

# CROSS REFERENCE

| Part Number | Page Number   | Part Number | Page Number                           | Part Number | Page Number                               |
|-------------|---|-------------|---------------------------------------|-------------|---|
| 26395-1     | 2-47  | 330612      | 3-165                                 | 365252      | 2-9                                       |
| 26395-2     | 3-5, 3-7, 3-13, 3-15  | 330613      | 3-165                                 | 369415      | 3-143                                     |
| 26426       | 3-105   | 330615      | 3-165                                 | 369702      | 2-9                                       |
| 26428       | 3-65, 3-83  | 33295       | 3-99                                  | 369766      | 2-41, 3-101                               |
| 27880       | 2-39  | 33807       | 3-99                                  | 369795      | 3-31, 3-39                                |
| 27928       | 2-15  | 33925       | 3-73, 3-75, 3-91, 3-93                | 369796      | 3-31, 3-39                                |
| 27980       | 2-59, 3-57  | 33930       | 2-57, 2-77, 2-79, 3-55,<br>3-71, 3-89 | 369865      | 3-99                                      |
| 28622       | 3-13  | 33932       | 3-65, 3-83, 3-121,<br>3-143, 4-17     | 370080      | 2-5                                       |
| 29557       | 2-51, 3-49, 3-63, 3-81  | 33948       | 2-65                                  | 370090      | 2-5                                       |
| 29558       | 2-59  | 34195       | 2-49, 3-47                            | 370092      | 2-7                                       |
| 29568       | 3-57  | 35996       | 2-17                                  | 370094      | 2-5                                       |
| 29584       | 2-57, 3-55, 3-71, 3-89  | 360352      | 3-105                                 | 370095      | 2-7                                       |
| 30013       | 2-17  | 360357      | 3-31, 3-39                            | 370100      | 2-67, 2-69, 3-133,<br>3-135, 3-137, 3-139 |
| 30241       | 2-7   | 360369      | 2-19                                  | 370156      | 2-75                                      |
| 30533       | 3-23  | 360370      | 2-19                                  | 370923      | 4-11                                      |
| 31647       | 2-77, 2-79  | 360518      | 2-9                                   | 371905      | 3-111, 3-113, 3-115,<br>3-117             |
| 32124       | 2-49, 3-47  | 360520      | 2-15, 3-5, 3-7, 3-9,<br>3-11          | 373343      | 4-14                                      |
| 32483       | 2-11, 2-15, 2-45, 2-73,<br>2-75, 2-77, 2-81, 3-13,<br>3-15, 3-27, 3-35, 3-59,<br>3-79, 3-97                     | 360801      | 2-13, 2-37, 2-41, 3-31,<br>3-39       | 373344      | 4-14                                      |
| 32485       | 2-21, 3-33, 3-41  | 360943      | 3-5, 3-7, 3-13, 3-15,<br>3-101, 3-131 | 373422      | 4-14                                      |
| 32486       | 2-21, 2-27, 3-13, 3-15,<br>3-27, 3-31, 3-33, 3-39,<br>3-41, 3-49  | 360973      | 3-164                                 | 373423      | 4-14                                      |
| 32490       | 2-21, 2-25, 2-31, 2-33,<br>2-53, 2-55, 2-73, 2-75,<br>2-77, 2-79, 3-51, 3-53,<br>3-105                          | 360980      | 2-23                                  | 373424      | 3-27                                      |
| 32491       | 2-9, 2-11, 2-17, 2-23,<br>2-33, 2-37, 2-39, 2-71,<br>2-75, 3-25, 3-27, 3-31,<br>3-33, 3-39, 3-41, 3-49,<br>3-81 | 361076      | 2-15                                  | 373495      | 3-27, 4-15                                |
| 32492       | 2-65, 3-19, 3-21, 3-31,<br>3-33, 3-39, 3-69, 3-87,<br>3-111, 3-113, 3-115,<br>3-117                             | 361144      | 2-15                                  | 373496      | 3-27                                      |
| 32493       | 2-17, 2-47, 3-23, 3-55,<br>3-63, 3-81   | 361339      | 2-9, 3-59, 3-79, 3-97                 | 373567      | 4-15                                      |
| 32501       | 2-43, 3-103   | 361973      | 4-6                                   | 373568      | 4-15                                      |
| 32508       | 2-43, 3-103   | 363087      | 3-33, 3-41                            | 373569      | 4-15                                      |
| 32509       | 4-17  | 363113      | 3-49, 3-63, 3-81                      | 373570      | 4-15                                      |
| 32613       | 2-43, 3-103   | 363120      | 2-57, 3-55, 3-71, 3-89                | 373571      | 4-15                                      |
| 32614       | 2-43, 3-103   | 363151      | 2-65                                  | 373572      | 4-15                                      |
| 32669       | 2-43, 3-103   | 363152      | 2-57, 3-71                            | 374005      | 4-9, 4-10                                 |
| 32716       | 2-63, 3-133, 3-135  | 363162      | 3-133, 3-135                          | 374204      | 2-81                                      |
| 32746       | 2-5, 2-7  | 363236      | 2-57                                  | 374250      | 3-49, 3-81                                |
| 32815       | 2-77, 2-79  | 363237      | 2-57, 3-71, 3-89                      | 375301      | 3-65, 3-83                                |
| 32969       | 2-27  | 363238      | 3-55                                  | 375302      | 2-41, 3-101                               |
| 32980       | 2-9, 2-21, 2-73, 2-75,<br>3-13, 3-15, 3-35  | 363301      | 3-133, 3-135                          | 375308      | 3-101                                     |
| 32981       | 2-21  | 363385      | 2-23                                  | 375322      | 3-99                                      |
| 32982       | 2-73, 2-75, 2-77  | 363453      | 2-39                                  | 375411      | 2-19                                      |
| 32983       | 2-19, 3-25  | 363468      | 3-65, 3-83                            | 375426      | 3-101                                     |
| 32984       | 2-33, 2-73, 2-75, 2-77,<br>2-79, 3-27, 3-35   | 363491      | 4-6                                   | 375427      | 3-101                                     |
| 32988       | 2-77, 2-79  | 364085      | 2-9                                   | 375429      | 2-41                                      |
| 330610      | 3-165   | 364404      | 2-57, 3-55, 3-71, 3-89                | 375431      | 2-29, 3-119                               |
| 330611      | 3-165   | 364614      | 2-51, 2-63, 3-133,<br>3-135           | 37555       | 4-14                                      |
|             |   | 364631      | 2-53, 2-55, 3-51, 3-53                | 377084      | 2-82, 2-83, 3-107                         |
|             |   | 364669      | 3-121                                 | 377341      | 3-143                                     |
|             |   | 364858      | 2-57, 3-55, 3-71, 3-89                | 377349      | 2-43                                      |
|             |   | 364895      | 3-67, 3-85                            | 377364      | 2-49, 3-47                                |
|             |   | 364896      | 3-67, 3-85                            | 377398      | 3-65, 3-83                                |
|             |   | 364899      | 3-67, 3-85                            | 378951      | 2-5                                       |
|             |   | 365032      | 3-9, 3-11                             | 378983      | 4-3                                       |
|             |   | 365093      | 2-29                                  | 37909       | 4-3                                       |
|             |   | 365096      | 2-29                                  | 37912       | 4-3, 4-5                                  |
|             |   | 365156      | 2-49, 3-47, 3-63, 3-81                | 379217      | 2-25                                      |
|             |   | 365164      | 2-53, 2-55                            | 37926       | 4-3                                       |
|             |   | 365180      | 2-51, 3-49, 3-63, 3-81                | 37929       | 4-3, 4-5                                  |
|             |   |             |                                       | 381867      | 3-28                                      |
|             |   |             |                                       | 382452      | 3-121                                     |
|             |   |             |                                       | 382991      | 3-101                                     |
|             |   |             |                                       | 383720      | 2-83                                      |



# CROSS REFERENCE

| Part Number | Page Number                                       | Part Number | Page Number  | Part Number | Page Number            |
|-------------|---|-------------|--|-------------|------------------------|
| 383721      | 2-71, 2-82  | 386224      | 2-29   | 386378      | 2-27                   |
| 383722      | 2-71, 3-5, 3-7, 3-9,<br>3-11, 3-35                | 386229      | 2-25   | 386387      | 2-2, 2-49              |
| 383723      | 2-71  | 386230      | 2-5  | 386388      | 2-2, 2-49              |
| 383724      | 2-71  | 386231      | 2-7  | 386391      | 2-59, 2-61, 3-57, 3-61 |
| 383725      | 2-71  | 386234      | 2-67, 3-133, 3-137   | 386413      | 2-13                   |
| 383727      | 2-71  | 386240      | 2-5  | 386415      | 3-16                   |
| 383728      | 2-71  | 386241      | 2-7  | 386416      | 3-16                   |
| 385666      | 3-99  | 386250      | 2-5  | 386417      | 3-16                   |
| 385682      | 3-51  | 386251      | 2-7  | 386419      | 2-29                   |
| 385685      | 2-41, 3-101                                       | 386252      | 2-63   | 386420      | 2-29                   |
| 385726      | 2-21  | 386256      | 2-63   | 386421      | 2-29                   |
| 385750      | 2-41  | 386257      | 3-65, 3-83   | 386423      | 2-43, 3-103            |
| 386020      | 2-2   | 386260      | 2-2, 2-3, 2-59, 2-61,<br>3-57, 3-61, 3-73, 3-75,<br>3-91, 3-93 | 386424      | 2-41                   |
| 386021      | 2-2   | 386262      | 2-61, 3-61, 3-75, 3-93   | 386425      | 2-41                   |
| 386022      | 2-3   | 386263      | 2-59, 3-57, 3-73, 3-91   | 386432      | 3-121                  |
| 386023      | 2-3   | 386264      | 2-67, 2-69, 3-133,<br>3-135, 3-137, 3-139                      | 386433      | 2-13                   |
| 386049      | 2-47  | 386266      | 2-67, 3-137  | 386437      | 2-13                   |
| 386050      | 3-65, 3-83, 4-7                                   | 386267      | 2-2, 2-3, 2-41   | 386444      | 2-41                   |
| 386053      | 2-2, 2-3, 3-65, 3-83                              | 386268      | 3-73, 3-91   | 386445      | 2-41                   |
| 386058      | 3-65, 3-83  | 386269      | 3-73, 3-91   | 386447      | 2-17                   |
| 386063      | 3-65, 3-83  | 386274      | 3-65, 3-83   | 386450      | 2-9                    |
| 386066      | 3-65, 3-83  | 386275      | 3-75, 3-93   | 386458      | 2-23                   |
| 386070      | 3-63, 3-81  | 386276      | 3-75, 3-93   | 386459      | 2-23                   |
| 386071      | 3-63, 3-81  | 386279      | 2-65   | 386461      | 2-13                   |
| 386072      | 3-65, 3-83  | 386282      | 3-79   | 386480      | 2-9                    |
| 386080      | 3-65, 3-83  | 386283      | 2-2, 2-3, 2-67, 2-69,<br>3-137, 3-139                          | 386482      | 3-121                  |
| 386081      | 3-63, 3-81  | 386284      | 2-2, 2-3, 2-67, 2-69,<br>3-137, 3-139                          | 386496      | 3-75, 3-93             |
| 386088      | 2-59, 2-61, 3-57, 3-61,<br>3-73, 3-75, 3-91, 3-93 | 386285      | 2-3, 2-67, 2-69, 3-137,<br>3-139                               | 386500      | 3-79, 3-97             |
| 386108      | 2-41  | 386286      | 2-3, 2-67, 2-69, 3-137,<br>3-139                               | 386504      | 3-79, 3-97             |
| 386116      | 2-39  | 386298      | 2-67, 2-69, 3-133,<br>3-135, 3-137, 3-139                      | 386513      | 3-97                   |
| 386120      | 2-11  | 386299      | 2-67, 2-69, 3-137,<br>3-139                                    | 386514      | 2-3, 3-59, 3-79, 3-97  |
| 386124      | 2-11  | 386302      | 2-73, 2-75   | 386518      | 3-59, 3-79, 3-97       |
| 386127      | 2-71  | 386307      | 3-35   | 386558      | 2-23                   |
| 386128      | 2-71  | 386308      | 3-35   | 386563      | 2-71, 2-81             |
| 386129      | 2-15  | 386311      | 2-15   | 386564      | 2-71, 2-81             |
| 386130      | 2-105   | 386320      | 2-29   | 386573      | 3-151                  |
| 386140      | 2-17  | 386321      | 2-45   | 386574      | 3-151                  |
| 386143      | 2-17  | 386323      | 2-2, 2-3, 2-45   | 386600      | 2-102                  |
| 386149      | 2-17  | 386324      | 2-29   | 386605      | 3-9, 3-11              |
| 386150      | 2-17  | 386325      | 2-41   | 386606      | 3-13, 3-15             |
| 386152      | 2-17  | 386326      | 2-3  | 386607      | 3-143                  |
| 386154      | 2-17  | 386334      | 3-151, 3-153   | 386608      | 3-129                  |
| 386157      | 2-9   | 386335      | 3-149  | 386609      | 3-5, 3-7               |
| 386159      | 2-9   | 386338      | 3-162  | 386610      | 2-77, 2-79             |
| 386160      | 2-29, 2-41  | 386344      | 3-163  | 386634      | 2-13                   |
| 386162      | 2-29  | 386346      | 2-15   | 386642      | 3-19                   |
| 386163      | 3-121   | 386349      | 2-45   | 386643      | 2-29                   |
| 386200      | 2-9   | 386351      | 2-39   | 386652      | 3-101                  |
| 386201      | 2-13  | 386356      | 2-59, 2-61, 3-57, 3-61   | 386658      | 3-33, 3-41             |
| 386202      | 2-13  | 386364      | 3-121, 4-12  | 386663      | 3-31, 3-39             |
| 386209      | 3-27  | 386367      | 2-27   | 386664      | 3-31, 3-39             |
| 386214      | 3-27  |             |  | 386666      | 3-31, 3-39             |
| 386215      | 3-27  |             |  | 386679      | 2-49, 4-8              |
| 386216      | 3-27  |             |  | 386687      | 2-49, 3-47, 4-10       |
| 386217      | 2-17  |             |  | 386701      | 3-27                   |
| 38622       | 3-13, 3-15  |             |  | 386702      | 3-27                   |
| 386222      | 2-29  |             |  | 386703      | 3-27, 4-14             |
| 386223      | 2-2, 2-3, 2-41                                    |             |  | 386704      | 3-27, 4-13             |
|             |   |             |  | 386711      | 3-28                   |
|             |   |             |  | 386761      | 2-13                   |

# CROSS REFERENCE

| Part Number | Page Number  | Part Number | Page Number                               | Part Number | Page Number                               |
|-------------|--|-------------|---|-------------|---|
| 386785      | 2-41   | 387033      | 2-11                                      | 387431      | 3-133, 3-135                              |
| 386804      | 2-77, 2-79   | 387035      | 2-23                                      | 387432      | 2-65                                      |
| 386806      | 3-35   | 387043      | 3-143                                     | 387433      | 2-67, 2-69, 3-133,<br>3-135, 3-137, 3-139 |
| 386807      | 2-73, 2-75   | 387045      | 3-101                                     | 387435      | 3-133                                     |
| 386808      | 2-15   | 387049      | 3-121                                     | 387436      | 3-133, 3-135                              |
| 386809      | 2-15   | 387050      | 3-129                                     | 387438      | 2-67, 2-69, 3-133,<br>3-135, 3-137, 3-139 |
| 386810      | 2-73, 2-75, 3-27, 3-35                                     | 387061      | 2-29, 3-101                               | 387441      | 3-143                                     |
| 386825      | 2-2, 3-47  | 387080      | 3-49, 3-81                                | 387446      | 3-133                                     |
| 386826      | 2-2, 3-47  | 387109      | 3-101                                     | 387447      | 3-133                                     |
| 386827      | 3-49, 3-81   | 387126      | 3-115                                     | 387448      | 2-67, 2-69, 3-137,<br>3-139               |
| 386833      | 2-2, 2-3, 3-133, 3-135                                     | 387127      | 3-111                                     | 387450      | 2-11                                      |
| 386834      | 2-2, 2-3, 3-133, 3-135                                     | 387151      | 3-33, 3-41                                | 387451      | 2-11                                      |
| 386835      | 3-133, 3-135   | 387157      | 3-5                                       | 387452      | 3-27, 3-35                                |
| 386836      | 3-133, 3-135   | 387158      | 3-13                                      | 387453      | 2-71                                      |
| 386841      | 3-65, 3-83   | 387159      | 3-101                                     | 387457      | 3-164                                     |
| 386842      | 3-65, 3-83   | 387160      | 3-101                                     | 387460      | 2-11                                      |
| 386844      | 3-63, 3-81   | 387161      | 3-101                                     | 387467      | 3-103                                     |
| 386847      | 2-65, 3-133, 3-135   | 387162      | 3-49                                      | 387483      | 3-115                                     |
| 386860      | 2-67, 3-137  | 387201      | 2-43                                      | 387494      | 3-165                                     |
| 386861      | 3-133  | 387208      | 3-13                                      | 387499      | 2-45                                      |
| 386865      | 3-63, 3-81   | 387213      | 3-111                                     | 387500      | 2-67, 2-69, 3-133,<br>3-135, 3-137, 3-139 |
| 386868      | 3-73, 3-75, 3-91, 3-93                                     | 387221      | 3-111, 3-113                              | 387506      | 2-3                                       |
| 386875      | 3-19   | 387230      | 3-49                                      | 387509      | 3-59                                      |
| 386876      | 3-49, 3-81   | 387236      | 3-101                                     | 387516      | 3-59                                      |
| 386909      | 3-41   | 387237      | 2-67, 2-69, 3-133,<br>3-135, 3-137, 3-139 | 387517      | 2-3, 3-59, 3-79, 3-97                     |
| 386915      | 2-25   | 387245      | 3-49, 3-81                                | 387525      | 2-105                                     |
| 386920      | 2-81   | 387250      | 4-7                                       | 387529      | 2-81                                      |
| 386921      | 2-81   | 387251      | 4-7                                       | 387530      | 3-43                                      |
| 386922      | 2-81   | 387256      | 2-3, 3-59, 3-79, 3-97                     | 387531      | 3-35                                      |
| 386923      | 2-9  | 387257      | 2-67, 2-69, 3-137,<br>3-139               | 387536      | 3-35                                      |
| 386924      | 2-15   | 387258      | 3-133, 3-135                              | 387545      | 2-3, 3-59                                 |
| 386932      | 3-149  | 387262      | 3-131                                     | 387546      | 2-3, 3-59                                 |
| 386934      | 3-151  | 387266      | 3-101                                     | 387560      | 3-43, 3-45                                |
| 386936      | 3-155  | 387271      | 3-91                                      | 387562      | 3-35                                      |
| 386958      | 3-23   | 387294      | 2-2, 2-49                                 | 387577      | 3-31                                      |
| 386961      | 2-47   | 387300      | 3-9                                       | 387585      | 2-49, 4-9                                 |
| 386963      | 3-25   | 387301      | 3-5                                       | 387587      | 4-9                                       |
| 386968      | 3-143  | 387302      | 2-102                                     | 387588      | 4-9                                       |
| 386973      | 2-13   | 387321      | 3-127, 4-11                               | 387589      | 4-9                                       |
| 386975      | 2-17   | 387322      | 3-147                                     | 387590      | 4-9                                       |
| 386976      | 2-17   | 387324      | 3-147                                     | 387592      | 4-9                                       |
| 386983      | 3-19   | 387340      | 3-99                                      | 387593      | 2-41                                      |
| 386984      | 3-19   | 387344      | 3-13                                      | 387594      | 2-29                                      |
| 386985      | 2-47   | 387346      | 2-23                                      | 387597      | 4-13                                      |
| 386986      | 2-59, 2-61, 3-57, 3-59,<br>3-61, 3-73, 3-75, 3-91,<br>3-93 | 387348      | 2-13                                      | 387598      | 4-13                                      |
| 386987      | 2-59, 2-61, 3-57, 3-59,<br>3-61, 3-73, 3-75, 3-91,<br>3-93 | 387371      | 4-8                                       | 387599      | 4-13                                      |
| 386988      | 2-47   | 387372      | 4-8                                       | 387600      | 4-13                                      |
| 386993      | 2-13   | 387373      | 4-8                                       | 387601      | 4-13                                      |
| 386995      | 2-13   | 387374      | 4-8                                       | 387602      | 4-13                                      |
| 387000      | 3-145  | 387392      | 2-21                                      | 387603      | 4-13                                      |
| 387003      | 3-119  | 387393      | 3-27                                      | 387604      | 4-13                                      |
| 387014      | 2-2, 2-27  | 387405      | 3-35, 3-43                                | 387605      | 4-13                                      |
| 387021      | 2-11   | 387422      | 3-129                                     | 387606      | 4-13                                      |
| 387023      | 2-2, 2-3   | 387424      | 2-102                                     | 387607      | 4-13                                      |
| 387027      | 3-143  | 387425      | 2-39                                      | 387608      | 4-13                                      |
| 387032      | 2-105  | 387426      | 2-65                                      | 387609      | 4-13                                      |
|             |  | 387429      | 2-65, 3-133, 3-135                        |             |   |
|             |  | 387430      | 2-65, 3-133, 3-135                        |             |   |

# CROSS REFERENCE

| Part Number | Page Number  | Part Number | Page Number                                    | Part Number | Page Number  |
|-------------|--|-------------|--|-------------|--|
| 387610      | 4-13   | 398513      | 4-5  | 48610       | 2-55, 3-53, 3-69, 3-87, 3-127  |
| 387615      | 2-41   | 398514      | 4-5  | 48732       | 3-65, 3-83   |
| 387622      | 3-156  | 398515      | 4-5  | 48733       | 3-111, 3-113, 3-115, 3-117   |
| 387634      | 2-11   | 398516      | 4-5  | 48734       | 3-111, 3-113, 3-115, 3-117   |
| 387636      | 2-71   | 398517      | 4-5  | 48753       | 4-6  |
| 387637      | 2-71   | 398518      | 4-5  | 48754       | 4-6  |
| 387639      | 2-75   | 398519      | 4-5  | 48755       | 4-6  |
| 387640      | 2-71   | 398520      | 2-45, 4-5                                      | 48756       | 4-6  |
| 387641      | 2-79   | 398526      | 2-82, 2-83, 3-13, 3-15                         | 48757       | 4-6  |
| 387648      | 2-75   | 398802      | 3-59   | 48758       | 4-6  |
| 387654      | 2-9  | 40566       | 2-53, 2-55, 3-51, 3-53, 3-67, 3-69, 3-85, 3-87 | 49142       | 3-51   |
| 387659      | 2-23   | 40607       | 2-45   | 49177       | 2-19   |
| 387660      | 2-2, 2-23  | 40678-1     | 2-53, 2-55, 3-105                              | 49263       | 2-49, 3-47   |
| 387671      | 3-77   | 40814       | 2-51, 3-49, 3-63, 3-81                         | 49266       | 2-19, 2-53, 2-55, 3-5, 3-7, 3-13, 3-35, 3-43, 3-51, 3-53, 3-101, 3-129   |
| 387672      | 3-95   | 41186       | 2-49, 3-47                                     | 49697       | 2-13   |
| 387683      | 2-29   | 41187       | 2-23   | 49740       | 2-29   |
| 387685      | 2-41   | 41305       | 3-73, 3-75, 3-91, 3-93                         | 49745       | 2-29   |
| 387700      | 2-21   | 41315       | 3-67, 3-85                                     | 49800       | 2-13   |
| 387976      | 2-49   | 41341       | 3-33, 3-41                                     | 49826       | 2-11, 3-69, 3-87, 3-101  |
| 39005       | 2-25, 2-27, 2-51, 2-57, 2-65, 3-31, 3-33, 3-39, 3-41, 3-49, 3-55, 3-63, 3-71, 3-81, 3-89 | 41342       | 3-27, 3-35                                     | 49914       | 3-33, 3-41   |
| 390879      | 3-33   | 41345       | 2-23   | 50388       | 2-17   |
| 390880      | 2-63   | 41359       | 2-77   | 51109       | 2-25   |
| 391433      | 4-18   | 41367       | 4-7  | 51225       | 2-47   |
| 391451      | 2-29   | 41368       | 4-7, 4-8                                       | 51338       | 2-27   |
| 391954      | 2-15   | 41371       | 4-7, 4-8                                       | 51339       | 2-27   |
| 39277       | 3-5, 3-7, 3-9, 3-11, 3-31, 3-39  | 41401       | 3-35   | 51414       | 2-9  |
| 39278       | 3-49, 3-81   | 41410       | 3-99   | 51528       | 3-33, 3-41   |
| 39283       | 3-31, 3-39   | 41421       | 2-43, 3-103                                    | 51534       | 2-65   |
| 39284       | 2-21, 3-111, 3-113, 3-115, 3-117   | 41430       | 2-21, 3-19, 3-21, 3-23, 3-35, 3-43             | 53268       | 2-31   |
| 39285       | 2-17   | 41451       | 2-43, 3-103                                    | 53466       | 2-33   |
| 39308       | 2-21, 2-57, 3-55, 3-71, 3-89   | 41454       | 2-43, 3-103                                    | 53782       | 2-65, 3-133, 3-135   |
| 39311       | 2-77, 2-79   | 41579       | 2-5, 2-7, 3-121, 4-17                          | 54333       | 2-31, 2-33, 2-35, 2-37, 2-53, 2-55, 3-51, 3-53, 3-69, 3-87, 3-105, 3-127 |
| 39312       | 2-21   | 41619       | 2-47, 2-67, 2-69, 3-133, 3-135, 3-137, 3-139   | 54390       | 2-27   |
| 39323       | 3-65, 3-83   | 41702       | 2-73, 2-75                                     | 54577       | 2-27   |
| 39338       | 2-17   | 42011       | 2-39   | 54743       | 2-13   |
| 39348       | 2-77, 2-79   | 42133A      | 2-29   | 55248       | 3-35, 3-43   |
| 39349       | 2-25, 2-73, 2-75, 3-5, 3-7, 3-9, 3-11, 3-27, 3-35, 3-143                                 | 43290       | 2-47   | 55685       | 3-27   |
| 39350       | 2-9  | 43454       | 3-107  | 56185       | 3-27   |
| 39717       | 2-21   | 43500       | 2-65   | 56398       | 3-27   |
| 397916      | 2-7  | 43555       | 2-31   | 56690       | 3-27   |
| 397920      | 2-5  | 43844       | 3-105, 3-121                                   | 56820       | 3-27   |
| 397976      | 2-7  | 43957       | 2-23   | 57248       | 2-37   |
| 39807       | 3-13, 3-15   | 44078       | 2-15   | 57379       | 2-29   |
| 398281      | 3-157  | 44681-1     | 3-5, 3-7, 3-9, 3-11                            | 57598       | 3-31, 3-39   |
| 398283      | 3-158  | 44681-2     | 3-5, 3-7, 3-9, 3-11                            | 578060000   | 3-125  |
| 398285      | 3-159  | 44681       | 3-5, 3-7, 3-9, 3-11                            | 578061000   | 3-125  |
| 398288      | 3-160  | 44961       | 2-53, 2-55, 3-51, 3-53                         | 578063000   | 3-125  |
| 398292      | 3-161  | 45272       | 3-5, 3-9                                       | 578064000   | 3-125  |
| 398468      | 2-31   | 45283       | 3-5, 3-7, 3-9, 3-11                            | 578066000   | 3-125  |
| 398501      | 3-99   | 45391       | 3-13, 3-15                                     | 578071000   | 3-123  |
| 398511      | 4-5  | 45595       | 3-35   | 578072000   | 3-123  |
| 398512      | 4-5  | 45628       | 4-14   |             |  |
|             |  | 46390       | 3-65, 3-83                                     |             |  |
|             |  | 46563       | 2-25   |             |  |
|             |  | 48609       | 3-123, 3-131                                   |             |  |

# CROSS REFERENCE

| Part Number | Page Number                         | Part Number | Page Number  | Part Number | Page Number                      |
|-------------|-------------------------------------|-------------|--|-------------|----------------------------------|
| 578074000   | 3-125                               | 63987-1     | 2-53, 2-55, 3-51, 3-53                               | 73468       | 3-99                             |
| 578077000   | 3-125                               | 64425       | 2-59, 2-61, 2-65, 3-57, 3-61, 3-73, 3-75, 3-91, 3-93 | 73474       | 2-53, 2-55, 3-51, 3-67, 3-85     |
| 578078000   | 3-125                               |             |  | 73475       | 3-99                             |
| 578091000   | 3-125                               | 64489       | 3-33, 3-41   | 74114       | 4-15                             |
| 578094000   | 3-125                               | 64533       | 2-11   | 74142       | 3-27                             |
| 578123000   | 3-125                               | 64743       | 2-35, 2-37, 3-105                                    | 74196       | 4-15                             |
| 578124000   | 3-125                               | 64778       | 2-35, 2-37, 3-69, 3-87, 3-105                        | 74231       | 4-15                             |
| 578125000   | 3-125                               |             |  | 74232       | 4-15                             |
| 578126000   | 3-125                               | 65340       | 3-125  | 74243       | 4-15                             |
| 578143000   | 3-125                               | 65341       | 3-123  | 74244       | 4-15                             |
| 578154000   | 3-125                               | 65342       | 3-127  | 74245       | 4-15                             |
| 578155000   | 3-125                               | 65580       | 3-129, 3-131   | 74440       | 2-17                             |
| 578160000   | 3-123                               | 65581       | 3-127  | 74455       | 2-21, 3-111, 3-113, 3-115, 3-117 |
| 578161000   | 3-125                               | 65582       | 3-125  |             |                                  |
| 578164000   | 3-125                               | 65610       | 3-125  | 75611       | 2-29, 2-43, 3-99                 |
| 578214000   | 3-125                               | 65665       | 2-15   | 75635       | 3-111, 3-113, 3-115, 3-117       |
| 578228000   | 3-125                               | 65667       | 4-11   |             |                                  |
| 578276000   | 3-123                               | 65668       | 4-11   | 75939       | 3-35                             |
| 578318000   | 3-123                               | 65670       | 4-11   | 76062       | 2-73, 2-75                       |
| 578439      | 3-125                               | 65671       | 4-11   | 763504      | 4-14                             |
| 578820000   | 3-123                               | 65672       | 4-11   | 763508      | 4-14                             |
| 578821000   | 3-125                               | 65673       | 4-11   | 76570       | 2-11, 2-17, 3-105                |
| 578856      | 4-17                                | 65674       | 4-11   | 76653       | 2-59, 2-61, 3-57, 3-61           |
| 579112      | 3-125                               | 65675       | 4-11   | 77227       | 2-63                             |
| 57984       | 3-27                                | 65676       | 4-11   | 77228       | 2-63                             |
| 58494       | 2-57, 3-55, 3-71, 3-89              | 65677       | 4-11   | 77270       | 3-55, 3-89                       |
| 59009       | 2-25                                | 65678       | 4-11   | 77272       | 2-63                             |
| 59661       | 3-75, 3-93                          | 66211       | 2-2, 2-27  | 77275       | 3-63, 3-81                       |
| 59940       | 2-17                                | 66213       | 2-2, 2-3, 2-27                                       | 77276       | 3-63, 3-81                       |
| 60189       | 4-7                                 | 67004       | 3-101, 3-129, 3-131                                  | 77277       | 3-63, 3-81                       |
| 60198       | 2-23, 4-6                           | 67683       | 3-27   | 77334       | 3-51, 3-53                       |
| 602036000   | 3-125                               | 67767       | 2-9, 2-57, 3-51, 3-53, 3-55, 3-71, 3-89              | 77347       | 2-29, 2-41                       |
| 60278       | 2-102                               |             |  | 77488       | 2-65                             |
| 603103000   | 2-81                                | 69234       | 3-67, 3-69, 3-85, 3-87, 3-101                        | 78122       | 3-127                            |
| 60386       | 4-3, 4-5                            |             |  | 78398       | 3-69, 3-87, 3-99                 |
| 607775      | 4-17                                | 69582       | 2-25   | 78553       | 2-15                             |
| 61297       | 4-3, 4-5                            | 69785       | 2-29   | 78740       | 2-29                             |
| 61298       | 4-3                                 | 70158       | 2-27   | 78842       | 2-29                             |
| 61300       | 4-3, 4-5                            | 70161       | 2-27   | 78950       | 4-11, 4-18                       |
| 61301       | 4-3                                 | 70709       | 3-27   | 78951       | 4-11, 4-18                       |
| 613735      | 2-33                                | 70756       | 3-73, 3-91   | 78952       | 4-18                             |
| 61791       | 2-23                                | 71026       | 2-73   | 78979       | 2-63                             |
| 621478      | 3-65, 3-83                          | 71100       | 2-65, 3-133, 3-135                                   | 79217       | 2-63                             |
| 630164      | 3-105                               | 71101       | 2-2, 2-3, 2-65                                       | 79273-1     | 2-35, 2-37, 3-105, 3-127         |
| 63147       | 2-57, 3-71                          | 71529       | 2-77   |             |                                  |
| 63184       | 3-127                               | 71607       | 2-59, 2-61, 3-57, 3-61, 3-73, 3-75, 3-91, 3-93       | 79273-2     | 2-29, 3-99                       |
| 63244-1     | 3-99                                |             |  | 79273-4     | 2-53, 2-55, 3-51, 3-69, 3-87     |
| 63244-2     | 3-51, 3-99                          | 71658       | 2-65   |             |                                  |
| 63248-1     | 2-7                                 | 72164       | 3-13, 3-15   | 79320       | 2-2, 2-3, 2-43, 3-103            |
| 63248-2     | 2-7                                 | 72171       | 3-13, 3-15   | 79350       | 2-39                             |
| 63248-3     | 2-7                                 | 72172       | 3-13, 3-15   | 79497       | 3-99                             |
| 63248-4     | 2-7                                 | 72174       | 3-13, 3-15   | 79572       | 3-69, 3-87                       |
| 63416       | 2-29, 3-101                         | 72439       | 3-73, 3-91   | 80127       | 3-31, 3-39                       |
| 63430       | 3-131                               | 72946       | 2-51, 3-49, 3-55, 3-63, 3-81                         | 80491       | 2-59, 2-61, 3-57, 3-61           |
| 63448       | 3-131                               |             |  | 81771       | 3-83                             |
| 63451       | 3-131                               | 72950       | 3-51   | 81919       | 3-31, 3-39                       |
| 63740       | 2-79                                | 72968       | 2-49, 3-47, 3-129, 3-131                             | 81952       | 2-63                             |
| 63810       | 2-53, 2-55, 3-51, 3-53, 3-99, 3-101 |             |  | 82829       | 2-13, 3-105                      |
| 63923       | 4-12                                | 73467       | 3-121  | 82839       | 2-21                             |

| <b>Part Number</b> | <b>Page Number</b>   | <b>Part Number</b> | <b>Page Number</b> |
|--------------------|--|--------------------|--------------------|
| 83052              | 3-65, 3-83   | 9006935            | 3-21               |
| 83733              | 2-27   | 9006938            | 3-153              |
| 83874              | 2-67, 2-69, 3-133,<br>3-135, 3-137, 3-139                  | 9006940            | 3-113              |
| 84028              | 2-53, 2-55, 3-51, 3-53,<br>3-67, 3-69, 3-85, 3-87          | 9006947            | 3-15               |
| 84057              | 3-127  | 9006948            | 3-11               |
| 84593              | 2-63   | 9006949            | 3-7                |
| 86375              | 2-73   | 9006951            | 2-23               |
| 86393              | 2-77   | 9006959            | 3-117              |
| 86508              | 3-99   | 9006966            | 2-41               |
| 86636              | 2-29, 3-121  | 9006967            | 2-29               |
| 86759              | 2-59, 2-61, 3-57, 3-59,<br>3-61, 3-73, 3-75, 3-91,<br>3-93 | 9006972            | 2-29               |
| 86767              | 3-131  | 9006974            | 2-41               |
| 86824              | 3-51   |                    |                    |
| 86860              | 2-25, 3-31, 3-39   |                    |                    |
| 86866              | 2-59, 2-61, 3-57, 3-59,<br>3-61                            |                    |                    |
| 87172              | 3-31, 3-37, 3-39   |                    |                    |
| 87173              | 3-105  |                    |                    |
| 87244              | 3-79, 3-97   |                    |                    |
| 87346              | 2-9  |                    |                    |
| 87349              | 2-73, 2-75   |                    |                    |
| 87355              | 2-23   |                    |                    |
| 87419              | 2-5, 2-7   |                    |                    |
| 87482              | 2-73   |                    |                    |
| 87483              | 2-73, 2-77   |                    |                    |
| 87507              | 2-73   |                    |                    |
| 87709              | 3-5, 3-7, 3-9, 3-11  |                    |                    |
| 87725              | 2-21   |                    |                    |
| 87750              | 2-23   |                    |                    |
| 87816              | 2-59, 2-61, 3-57, 3-61,<br>3-73, 3-75, 3-91, 3-93          |                    |                    |
| 87839              | 2-23   |                    |                    |
| 87840              | 2-23   |                    |                    |
| 87841              | 2-23   |                    |                    |
| 87849              | 2-23   |                    |                    |
| 87948              | 2-9  |                    |                    |
| 87949              | 2-9  |                    |                    |
| 9001397            | 3-140  |                    |                    |
| 9001398            | 3-141  |                    |                    |
| 9002022            | 2-37   |                    |                    |
| 9003008            | 4-19   |                    |                    |
| 9003009            | 4-19   |                    |                    |
| 9006106            | 3-109  |                    |                    |
| 9006107            | 3-109  |                    |                    |
| 9006108            | 3-109  |                    |                    |
| 9006118            | 2-37, 4-19   |                    |                    |
| 9006119            | 4-19   |                    |                    |
| 9006159            | 4-17   |                    |                    |
| 9006257            | 3-165  |                    |                    |
| 9006268            | 4-17   |                    |                    |
| 9006270            | 3-105, 4-17  |                    |                    |
| 9006325            | 4-17   |                    |                    |
| 9006924            | 3-49, 3-81   |                    |                    |
| 9006925            | 3-17   |                    |                    |
| 9006930            | 2-69, 3-139  |                    |                    |
| 9006931            | 3-135  |                    |                    |

**PART DESCRIPTION TO PAGE NUMBER CROSS REFERENCE LIST**

**A**

Actuator, 36vdc, 01.8strk, 300lb, 3-33, 3-41  
 Actuator, 36vdc, 02.1stroke 500lb, 2-65  
 Actuator, 36vdc, 02.7stroke 500lb, 2-57, 3-71  
 Actuator, 36vdc, 7.0stroke, 700lb, 2-47  
 Adapter, Brush, 3-31, 3-39  
 Adaptor, Brush, 2-5, 2-7  
 Adaptor, 3-125  
 Alarm Assy, Backup, 12-48vdc  
 82-102dba, 3-13, 3-15  
 Alarm Kit, Backup / A/V, Iron Gray, Ci, 3-15  
 Alarm, 9-48vdc, 95 Db(A) [Ec-H20], 3-105  
 Alarm, Warning, 10-48vdc, 2-15  
 Angle, 1.00 0.75 .12t 00.8l Hr, 3-57  
 Angle, Battery, R/O, Iron Gray, 3-143  
 Angle, Iron Gray, 3-67, 3-69, 3-77, 3-79, 3-85, 3-87, 3-95, 3-97  
 Angle, Mtg, Es, Iron Gray, 3-99, 3-127  
 Angle, Mtg, Pump, Detgt, Iron Gray, 3-121  
 Angle, Wand, Clean-Out, Iron Gray, 3-101  
 Arm Wldt, Brake, Lh, Iron Gray [7200], 2-27  
 Arm Wldt, Brake, Rh, Iron Gray [7200], 2-27  
 Arm Wldt, Front, Lh, Iron Gray, 3-75, 3-93  
 Arm Wldt, Front, Lh, 3-75, 3-93  
 Arm Wldt, Front, Rh, Iron Gray, 3-73, 3-91  
 Arm Wldt, Front, Rh, 3-73, 3-91  
 Arm Wldt, Lift, Scb Head, Gray [7300], 2-47  
 Arm Wldt, Pivot, Side, Gray [7300/8300], 2-57, 3-55, 3-71, 3-89  
 Arm Wldt, Rear, Lh, Iron Gray, 3-75, 3-93  
 Arm Wldt, Rear, Lh, 3-75, 3-93  
 Arm Wldt, Rear, Rh, Iron Gray, 3-73, 3-91  
 Arm Wldt, Rear, Rh, 3-73, 3-91  
 Arm Wldt, 2-65  
 Arm, Cntrl, Throttle, Electronic, 2-21  
 Arm, Latch, Iron Gray, 3-73, 3-75, 3-91, 3-93  
 Arm, Mtg, Side Sqge Frame, Ele, Gray, 2-59, 2-61, 3-61  
 Arm, Mtg, Side Sqge Frame, Ele, 3-57  
 Armature Assy, Complt, 4-7  
 Armature, 4-3, 4-5  
 Assy, Rod-End, .50, 4-17  
 Axle, Wand, 3-125

**B**

Bag, Power, 3-129, 3-131  
 Ball, Check, Strg Valve, 4-15  
 Ball, Check, 4-13  
 Balljoint, .25-28 Fem/.25-28mal, 2-21  
 Band, Brush Cover, 4-6  
 Bar Assy, Spray [7300/8300], 3-87  
 Bar Wldt, Battery, R/O, 3-143  
 Bar Wldt, Retainer, Sqge, Rear, 2-67, 2-69, 3-133, 3-135, 3-137, 3-139

Bar, 2-29, 2-41  
 Battery Kit, 36vdc 0600ah, Sealed, Ci, 3-153  
 Battery Kit, Wet, 36vdc 0500ah, Ci, 3-149  
 Battery, 36Vdc, 380Ah, Wet, 3-147  
 Battery, 36vdc, 600ah, Sealed, 3-151, 3-153  
 Battery, Wet, 36vdc 0500ah, 3-149  
 Battery, Wet, 36vdc 0750ah, 3-155  
 Bearing cover, 4-11  
 Bearing Kit, 4-15  
 Bearing, Ball, 0.75b 1.38d 0.50w, 2-17  
 Bearing, Ball, 0.79b 1.85d 0.55w, 3-65, 3-83  
 Bearing, Cone, 1.38b 0.71w, 2-27  
 Bearing, Cup, 2.56d 0.55w, 2-27  
 Bearing, Flange, 2-17  
 Bearing, Needle, 0.25b 0.88d 0.50w, 3-143  
 Bearing, Thrust, 0.66b 1.25d 0.06w, 2-63, 2-65, 3-33, 3-41  
 Bearing, Thrust, 0.75b 1.25d 0.06w, 2-65  
 Bearing, Thrust, 2-25, 3-31, 3-39, 4-14  
 Bearing, 2-23, 4-3, 4-5, 4-6, 4-7, 4-8, 4-9, 4-10  
 Bellcrank, Lift, Head, Iron Gray, 2-47  
 Belt, Drive (Cylindrical Brush), 2-2, 3-65, 3-83  
 Belt, Drive, 2-3  
 Blade Assy, Sqge, Side, 2-3, 3-59  
 Blade Kit, Sqge, Ure, [Mp1000], 3-140  
 Blade Kit, Sqge, Ure, [Mp1200], 3-141  
 Blade, Sqge, Front 48.0l, 2-2, 2-3, 3-133, 3-135  
 Blade, Sqge, Front, Mp1000, Tile, 2-67, 2-69, 3-137, 3-139  
 Blade, Sqge, Front, Mp1200, Tile, 3-133, 3-135  
 Blade, Sqge, Front, 2-2, 2-3, 2-67, 2-69, 3-137, 3-139, 3-140, 3-141  
 Blade, Sqge, Rear 48.0l, 2-2, 2-3, 3-133, 3-135  
 Blade, Sqge, Rear, 2-2, 2-3, 2-67, 2-69, 3-137, 3-139, 3-140, 3-141  
 Blade, Squeegee, 2-3, 3-59, 3-125  
 Block, Adj, 3-33, 3-41  
 Bolt, Eye, M10x1.5 X 2.0 X .28 Eye, 2-65, 3-133, 3-135  
 Bolt, Eye, M8 X 1.25, 2.75l, 2-59, 2-61, 3-57, 3-61, 3-73, 3-75, 3-91, 3-93  
 Bolt, Shld, .38DX0.38, .31-18, 3-143  
 Bolt, 2-23  
 Boot, 90deg .50d .57d X .84, 2-23  
 Boot, Circuitbreaker, 3-105  
 Boot, Protector, Circuitbreaker, 2-71  
 Box, Accelerator, 2-21  
 Box, Circuitboard, Iron Gray, 2-81  
 Box, Circuitboard, 2-81  
 Bracket Wldt [7300/8300 FaST], 2-33  
 Bracket Wldt [7300/8300-FaST], 2-33  
 Bracket Wldt [7300/8300 Fast li+], 2-37  
 Bracket Wldt, Hose, Water, Iron Gray, 2-39

Bracket Wldt, Module, 3-105  
 Bracket Wldt, Mtg, Fan, Iron Gray, 2-45  
 Bracket Wldt, Mtg, Fan, 2-45  
 Bracket Wldt, Mtg, Spring, 2-59, 3-57  
 Bracket Wldt, Pivot, 2-63  
 Bracket Wldt, Steering, Tilt, Iron Gray, 2-17, 3-27  
 Bracket Wldt, Tank, 2-41  
 Bracket, Adapter, Mtg, Kick In, Frame, 3-49, 3-81  
 Bracket, Adaptor, Mtg, Kick In, Frame, 3-49, 3-81  
 Bracket, Bar, Spray, 40.0 [7300/8300], 3-69  
 Bracket, Bar, Spray, 48.0 [7300/8300], 3-87  
 Bracket, Cntrl, Cable, Iron Gray, 2-39  
 Bracket, Component, 3-105  
 Bracket, Fan End, 4-3, 4-5  
 Bracket, Full, 2-29, 3-101  
 Bracket, Guard, Iron Gray, 2-39  
 Bracket, Guard, 2-39  
 Bracket, Handle, Water, Iron Gray, 2-39  
 Bracket, Harness, Iron Gray, 2-41  
 Bracket, Hsng, Brush, Iron Gray, 3-35, 3-43  
 Bracket, Hsng, Brush, 3-35, 3-43, 3-45  
 Bracket, Iron Gray, 3-33, 3-41  
 Bracket, Latch, Cover, Iron Gray, 2-11  
 Bracket, Latch, Cover, 2-11  
 Bracket, Motor, Mtg, 3-31  
 Bracket, Mtg [Fast li+], 2-37  
 Bracket, Mtg, Circuitbreaker [Hi-Mag], 2-11  
 Bracket, Mtg, Circuitbreaker, [Hi-Mag], 2-11  
 Bracket, Mtg, Controller, Sgl, Iron Gray, 2-75  
 Bracket, Mtg, Controller, Sgl, 2-75  
 Bracket, Mtg, Es, Iron Gray, 3-99  
 Bracket, Mtg, Iron Gray, 3-7, 3-15  
 Bracket, Mtg, Motor, Iron Gray, 3-31, 3-39  
 Bracket, Mtg, Pump, Detgt [7300/8300], 2-33  
 Bracket, Mtg, Relay, Iron Gray, 2-75  
 Bracket, Mtg, Relay, 2-75  
 Bracket, Mtg, Tank, Iron Gray, 2-29, 2-41  
 Bracket, Mtg, Valve, Solenoid, 2-31  
 Bracket, Mtg, 3-5, 3-13, 3-125  
 Bracket, Panel, 2-23  
 Bracket, Pivot, Iron Gray, 3-33  
 Bracket, Pivot, 3-41  
 Bracket, Protector, Float Switch, 2-41, 3-101  
 Bracket, Retainer, Filter, 2-41  
 Bracket, Retainer, Spring, 2-5, 2-7  
 Bracket, Retaining, Filter, 2-41  
 Bracket, Retaining, Iron Gray, 2-41  
 Bracket, Retaining, Tank, Detgt, 3-121  
 Bracket, Sppt, Auto Fill, Iron Gray, 3-99  
 Bracket, Sppt, Tilt, Iron Gray, 2-17  
 Bracket, Spring, Iron Gray, 2-65  
 Bracket, Step, Iron Gray, 3-49

Bracket, Stop, Bar, Lh, Iron Gray, 3-135  
 Bracket, Stop, Bar, Rh, Iron Gray, 3-135  
 Bracket, Stop, Frame, Iron Gray, 3-47  
 Bracket, Stop, Frame, 2-49  
 Bracket, Tube, Tee, 3-59, 3-79, 3-97  
 Bracket, Valve, Large, 4-17  
 Bracket, Wand, Power, Iron Gray, 3-127  
 Bracket, 2-13, 3-49, 3-125  
 Brake Assy, 2-27  
 Brake Repair Kit, 2-27  
 Brake Shoes, 2-2, 2-27  
 Brush, 4-9  
 Brush Assy, Disk, Scb, 16.0 D, Pyp, 2-7  
 Brush Assy, Disk, Scb, 16.0D, Nylon, 2-7  
 Brush Assy, Disk, Scb, 16.0D, Super Abrasive, 2-7  
 Brush Assy, Disk, Scb, 20.0 D, Nyl, 2-5  
 Brush Assy, Disk, Scb, 20.0 D, Pyp, 2-5  
 Brush Assy, Disk, Scb, 20.0 D, Super Abr, 2-5  
 Brush Holder Assy, 4-8  
 Brush kit, propelling motor, 4-6  
 Brush Kit, 4-8, 4-10  
 Brush Mechanism, 4-5  
 Brush mechanism, 4-3  
 Brush, Block, Scrub, Ab, 3-125  
 Brush, Block, Scrub, Poly, 3-125  
 Brush, Board, Assy, 4-9  
 Brush, box & plate assy, 4-6  
 Brush, Carbon, 3-65, 3-83  
 Brush, Disk, Swp, 19.0D, Pyp (Option), 2-5, 2-7  
 Brush, Scrub, 39l, 20sr, Nyl, Spl, 2-5  
 Brush, Scrub, 39l, 20sr, Pyp, Spl, 2-5  
 Brush, Scrub, 39l, 20sr, Super Abr, Spl, 2-5  
 Brush, Scrub, 47l, 20sr, Nyl, Spl, 2-7  
 Brush, Scrub, 47l, 20sr, Pyp, Spl, 2-7  
 Brush, Scrub, 47l, 20sr, Super Abr, Spl, 2-7  
 Brush/rectifier Assy, 4-11  
 Brush, 4-6, 4-7  
 Brushholder, Motor, Ele, 3-31, 3-39  
 Bumper Wldt, Iron Gray, 2-9, 3-35  
 Bumper Wldt, 2-9, 3-35  
 Bumper, Neo, 1.5d .63t .31h, 2-51, 2-63, 3-133, 3-135  
 Bumper, Poly-E, 2-67, 2-69, 3-133, 3-135, 3-137, 3-139  
 Bumper, Posi Drain, Recvy Side, 3-111, 3-115  
 Bumper, Pye, 2-49, 3-47, 3-63, 3-81  
 Bumper, Rbr, 1.19d .72l, 2-47  
 Bumper, Rbr, 2.0d 0.75t .38-16, 3-73, 3-91  
 Bumper, Rear, Lh, Iron Gray, 3-17  
 Bumper, Rear, Lh, 3-16  
 Bumper, Rear, Rh, Iron Gray, 3-17  
 Bumper, Rear, Rh, 3-16  
 Bumper, Side, Recvy, Gray [Posi Drain], 3-113  
 Bumper, Side, Scb Head, Wide, Iron Gray, 3-49, 3-81  
 Bumper, Side, Scb Head, Wide, 3-49, 3-81

Bumper, Side, Soltn, Gray [Posi Drain], 3-117  
 Bumper, Sqge, 2-67, 2-69, 3-133, 3-135, 3-137, 3-139  
 Bumper, 3-63, 3-81  
 Busbar, .06 0.6w 2.5l 2/.28h, 2-73, 2-77  
 Busbar, Fuse, .6 0.6w 0.8h 2.0l, 2-73  
 Bushing Assy, Flng, 2 Hole, 0.50b, 3-27  
 Bushing, Flng, 0.50b 0.59d 0.38l, 2-47, 3-33, 3-41  
 Bushing, Flng, 0.63b 0.72d 0.25l, 2-39, 2-47, 2-57, 3-55, 3-71, 3-89  
 Bushing, Flng, 0.63b 0.75d 0.38l, 2-59, 2-61, 3-57, 3-61, 3-73, 3-75, 3-91, 3-93  
 Bushing, Flng, 0.71b 0.79d 0.47l, 2-17  
 Bushing, Flng, 0.75b 1.00d 1.00l, Nyl, 2-17  
 Bushing, Flng, 1.00b 1.13d 0.38l, 2-27  
 Bushing, Light, Led, 3-107  
 Bushing, Sleeve, 0.37b 0.50d 0.50l, 2-25  
 Bushing, Sleeve, 0.38b 0.63d 0.57l, Stl, 2-17  
 Bushing, Sleeve, 0.63b 0.72d 0.38l, 2-59, 2-61, 3-57, 3-61, 3-73, 3-75, 3-91, 3-93  
 Bushing, Taper Lock, 3-27  
 Button, Plug, 1.1 X 1.1h, Black, Plstc, 2-15

**C**

Cable Assy, 2-11  
 Cable, .12d, 13.3l, .2clevis/.2clevis, 2-2, 2-3, 2-65  
 Cable, .13d, 10.0l, .51eye /.51eye, 3-31, 3-37, 3-39  
 Cable, .13d, 15.5l, .50eye /.50eye, 2-57, 3-55, 3-71, 3-89  
 Cable, Pull, 2-25  
 Cable, Push Pull, 2-39  
 Cable, Ribbon, 34 Conductor, 2-15  
 Cable, Safety, Battery, 3-143  
 Cam, Front, 3-65, 3-83  
 Cam, Rear, 2-67, 2-69, 3-65, 3-83, 3-133, 3-135, 3-137, 3-139  
 Cam/bearing/Diaphragm Kit, 4-11  
 Cam, 2-67, 2-69, 3-133, 3-135, 3-137, 3-139  
 Cap Assy, 3-111, 3-113  
 Cap Screw, 4-14  
 Cap, Brush, Motor, Ele, 3-31, 3-39  
 Cap, Dust, 3-111, 3-113, 3-115, 3-117  
 Cap, End, 4-14, 4-15  
 Cap, Hub 2.567 Hole, 2-27  
 Cap, Neoprene Black, 2-65, 3-51  
 Cap, Plastic, 2-29  
 Cap, Tank, Drain, 2.25 Thread Pye, 2-43, 3-103  
 Cap, Tank, Drain, 3.85 Thread Pye, 2-43, 3-103  
 Cap, Tank, Drain, 6.17 Thread Pye, 2-29, 3-111, 3-113, 3-115, 3-117  
 Cap, Tank, 2-43, 3-103, 3-121  
 Cap, Tube, 3-27

Cap, Vyl, .234id .750l .04, 2-13  
 Capacitor, Plug [.01 Uf, 200v], 3-107  
 Caster Kit, Sqge, Replmt, 2-63  
 Chain, Coil, Str, #210, 09.0l 07 Link, 2-65  
 Chain, Roller, #40 X 109 Pitches, 3-27  
 Chain, Roller, #40 X 130 Pitches, 2-17  
 Chain, Sash, #35, 07.2l 13 Link, 3-111, 3-113, 3-115, 3-117  
 Channel Wldt, Guard, Rh, Iron Gray, 2-69, 3-139  
 Channel Wldt, Iron Gray, 2-63, 3-135  
 Channel Wldt, Steering, Iron Gray, 2-9  
 Channel Wldt, Steering, 2-9  
 Channel Wldt, 2-63, 2-67, 3-133, 3-137  
 Channel, .19, 2.5w 1.0 29.3l, H&S, Gray, 2-29  
 Channel, Battery, R/O, Iron Gray, 3-143  
 Channel, Iron Gray, 3-33, 3-41  
 Channel, Spring, 2-65  
 Channel, Stop, Lh, 3-133  
 Channel, Stop, Rh, 3-133  
 Channel, 2-29, 2-41  
 Charger, 36V/120A 60H/1Ph 480V, 3-159  
 Charger, 36V/120A 60H/3Ph 480V, 3-160  
 Charger, 36V/150A 60Hz, 3-161  
 Charger, 36V/75A 60Hz/1Ph, 3-157  
 Charger, 36V/75A 60Hz/3Ph, 3-158  
 Charger, 36V/93A 60Hz, 1Ph, Sealed, 3-162  
 Charger, 36V/93A 60Hz, 3Ph, Sealed, 3-163  
 Check valve assy, 4-11  
 Chrome Pltd Cam Shaft, 2-27  
 Circuitboard, Assy, [7300/8300], 2-81  
 Circuitboard, Pedal, 2-21  
 Circuitboard, Sweeper, [8300], 3-35  
 Circuitbreaker, 10.0a, 2-71, 2-82  
 Circuitbreaker, 15.0a (Power Wand / Side Sweep Option), 2-71  
 Circuitbreaker, 15.0a, 2-71, 3-35  
 Circuitbreaker, 20.0a, 2-71  
 Circuitbreaker, 25.0a, 2-71  
 Circuitbreaker, 30.0a, 2-71  
 Circuitbreaker, 40.0a (Power Steering Option), 2-71  
 Circuitbreaker, 50.0a (Center Brush Option), 2-71  
 Circuitbreaker, 05.0A, Resetable, 2-83  
 Circuitbreaker, 15.0 A, 3-5, 3-7, 3-9, 3-11  
 Circuitbreaker, 2.0a, Resetable, 3-105  
 Circuitbreaker, 40a, (Max Prot 1000 Disk W/Std Motor), 2-71  
 Circuitbreaker, 40a, (Max Prot 1200 Disk), 2-71  
 Circuitbreaker, 45a, (Max Prot 1000 Cylindrical), 2-71  
 Circuitbreaker, 45a, (Max Prot 1000 Disk W/Hd Motor), 2-71  
 Circuitbreaker, 45a, (Max Prot 1200 Cylindrical), 2-71  
 Circuitbreaker, 50.0a, 2-71  
 Clamp Wldt, Front 48.0l, 3-133, 3-135

## CROSS REFERENCE

Clamp Wldt, Front, 2-3, 2-67, 2-69, 3-137, 3-139  
Clamp Wldt, Rear 48.0l, 3-133, 3-135  
Clamp Wldt, Rear, 2-3, 2-67, 2-69, 3-137, 3-139  
Clamp, Cable, Stl, 0.38d X 0.38w, 1h, 3-5, 3-7, 3-13, 3-15  
Clamp, Cable, Stl, 0.56d X 0.38w, 1h, 2-47  
Clamp, Cable, Stl, 0.63d X 0.75w, 1h, 2-13  
Clamp, Cable, Stl, 0.63d X 0.75w, 1hole, 3-105  
Clamp, Cable, Stl, 0.69d X 0.62w, 1h, 2-9, 2-57, 3-51, 3-53, 3-55, 3-71, 3-89  
Clamp, Cable, Stl, 0.75d X 0.75w, 1h, 3-69, 3-87  
Clamp, Cable, Stl, 0.88d X 0.62w, 1h, 2-53, 2-55  
Clamp, Cable, Stl, 0.88d X 0.62w, 1hole, 3-105  
Clamp, Cable, Stl, 1.00d X 0.62w, 1h, 3-67, 3-69, 3-85, 3-87, 3-101  
Clamp, Cable, Stl, 1.50d X 1.00w, 1h, 2-33  
Clamp, Hose .40 - .42 2 Wire, 2-33  
Clamp, Hose, Plstc, 1.60d X 0.62w, 2-43, 3-103  
Clamp, Hose, Wir, .52 - .56, Yel, 4-17  
Clamp, Hose, Wir, .63 - .66, Blk, 4-17  
Clamp, Hose, Wormdrive, 0.25-0.62d, .31w, 3-105  
Clamp, Hose, Wormdrive, 0.25-0.62d, 3-121  
Clamp, Hose, Wormdrive, 0.31-0.88d, .31w, 2-37, 2-53, 3-105  
Clamp, Hose, Wormdrive, 0.31-0.88d, 2-31, 2-33, 2-35, 2-55, 3-51, 3-53, 3-69, 3-87, 3-127  
Clamp, Hose, Wormdrive, 0.50-1.06d, 3-51  
Clamp, Hose, Wormdrive, 0.56-1.06d, .56w, 2-53, 2-55, 3-51, 3-53, 3-101  
Clamp, Hose, Wormdrive, 0.56-1.06d, 3-99  
Clamp, Hose, Wormdrive, 0.81-1.50d, 2-3, 2-29, 2-53, 3-59, 3-67, 3-69, 3-79, 3-85, 3-87, 3-97  
Clamp, Hose, Wormdrive, 1.56-2.50d, 2-45  
Clamp, Hose, Wormdrive, 1.62-3.50d, 2-31  
Clamp, Hose, Wormdrive, 1.81-2.75d, 3-79, 3-97  
Clamp, Hose, Wormdrive, 2.50-3.50d, .50w, 3-105  
Clamp, Hose, 3-123, 3-125  
Clamp, Ribbon Cable, Hold-Down, 2-15  
Clamp, Ribbon Cable, 2-15  
Clamp, 4-3  
Clevis, Adj, 0.19pin, #10-32, 2-39  
Clevis, Adj, 0.38pin, 0.31-24, Lh, Pl, 2-27  
Clevis, Adj, 0.38pin, 0.31-24, Pl, 2-27  
Clip, Finger Grip, 3-101, 3-129, 3-131  
Clip, Motor, Ele, 3-31, 3-39  
Clip, Spring, Prop Arm, 3-79, 3-97

Clip, Sprocket, 2-23  
Column Wldt, Steering, Iron Gray, 2-17  
Column, Steering (Replaced by 387653), 3-27  
Column, Steering, #14.0L .81D 36Tooth, 3-27  
Comm. Bracket, 4-5  
Comm. bracket, 4-3  
Connector assy, 4-11  
Connector Body, 4-8, 4-9, 4-10  
Connector Kit, Tubing, 4-12  
Connector, 2 Conductor, 4-3, 4-5  
Connector, 2-Conductor, 4-7  
Connector, 350a, Gray [Anderson], 3-149, 3-155  
Connector, Andersn 350A, Gray, 3-159, 3-160  
Connector, Anderson, 350A, Gray, 3-147, 3-151, 3-153, 3-157, 3-158, 3-161, 3-162, 3-163  
Connector, Fem, 2cav, Mp280 Sealed, 4-18  
Contact, Switch, 2-15  
Contactor, 36vdc, [Spno], 2-73  
Contactor, 36vdc, 100a, Spst, 2-75  
Contactor, 36vdc, 200a, Dpdt, 2-75  
Contactor, 36vdc, 200a, Spst, 2-75  
Contactor, 36vdc, Spdt, 2-73  
Contactor, 36vdc, 2-73, 3-27  
Controller Kit, Replmt [Ec-H2o], 4-17  
Controller, Motor, 36vdc, 1204, 2-73, 2-75  
Coupling Body, Qf, Pm08, 2-35  
Coupling Insert, Qm, Bm08, 2-35  
Coupling, Fem, W/ Valve, .25 Brb, 2-33  
Coupling, Flexible, 4-13  
Coupling, Mal, .25 Npt, 2-33  
Cover Kit, Recvy, W/ Gasket, Teal, 2-41  
Cover Kit, Soltn, W/ Gasket, Teal, 2-29  
Cover Kit, Soltn, W/ Gasket, 2-29  
Cover Wldt, Iron Gray, 2-13  
Cover Wldt, 2-13  
Cover, Controlbox, 2-71  
Cover, Drive, 3-65, 3-83  
Cover, Front, Teal, 2-11  
Cover, Front, 2-11  
Cover, Idler, 3-65, 3-83  
Cover, Insert, 2-43, 3-103  
Cover, Iron Gray, 2-81  
Cover, Rear, Teal, 2-13  
Cover, Rear, 2-13  
Cover, Reservoir, 4-13  
Cover, Tank, Solution, 2-29  
Cover, Tank, Top, Teal, 2-13  
Cover, Tank, Top, 2-13  
Cover, Tank, 2-29, 3-121  
Cover, 2-81  
Cradle Wldt, Battery, Iron Gray, 3-145  
Crank Replacement Kit, 4-12  
Cuff, Swivel, 3-123

## D

Detergent Pkg, 2 Liter, Sgl, 365, 2-33  
Detergent Pkg, 2 Liter, Sgl, 665, 2-33  
Detergent Pkg, 4 Liter, Sgl [Tco 665], 2-33  
Device, Centering, 2-5, 2-7  
Diaphragm kit, 4-11  
Diode, Ele, Plug, 2-15, 2-75, 2-103, 2-104, 3-107  
Disc, 4-3  
Disk, Pad Drive, W/ Face, 20d, 2-5  
Disk, Pad Driver, W/Face, 16D, 2-7  
Drain Kit, Gray, Ci [Posi Cntrl/Recvy], 3-113  
Drain Kit, Gray, Ci [Posi Cntrl/Soltn], 3-117  
Drive, Main, 4-14  
Drive, Valve, Strg, 4-15  
Driver Assy, Pad, 16D, 2-7  
Driver Assy, Pad, 20.0D, 2-5  
Drum, Cable, Lift, 2-65  
Duct, Vyl, 0.40 X 0.75 .25d 48.0l, 3-9, 3-11

## E

Ec-H2o Kit, Module C, Plumbing, 4-17  
Ec-H2o Kit, Cylrcl, 1000mm, Ci [73/8300], 3-109  
Ec-H2o Kit, Cylrcl, 1200mm, Ci[73/8300], 3-109  
Ec-H2o Kit, Disk, Ci [7300/8300], 3-109  
Electrode, 5 Plate, High Flow, 4-17  
Electrode, Cylindrical, 4-17  
Element, Fltr, 4-13  
Extinguisher, Fire, 3-164

## F

Fan Assy, Vacuum (See Breakdown) (Replaced by 398520), 2-45  
Fan Assy, Vacuum (See Breakdown), 2-45  
Fan vacuum, 36v, 4-3  
Fan, rotating, 4-3  
Fan, stationary, 4-3  
Fan, Vacuum, 5.7D, 036Vdc, 3 Stage, 2-45  
Fan, Vacuum, 4-5  
Fan, 4-3, 4-5  
Fast 665 4 Ltr, Detergent, 2-37  
Fast 965 4 Ltr, Detergent, 2-37  
FaST Kit, Ci [Inj Reblid, 7300/8300], 4-19  
Fast Kit, Ci, Injector Filters[Fast li+], 4-19  
Fast Kit, Ci, Injector Seals [Fast li+], 4-19  
Fast Kit, Injector, Ci [7300/8300] (See Breakdowns), 2-37  
FaST Kit, Injector, Ci [7300/8300], 4-19  
Filter Assy, Air, Molded Ure, 2-33  
Filter, Fan, 2-3  
Filter, Foam, 2-35  
Filter, In-Line, Pf06/Pf06 080mesh 02.6l, 2-37, 3-105  
Filter, Inline, Pf06/Pf06, 80 Mesh, 2-35  
Filter, Panl, Dust, 2.0 X 06.1 X 07.6, 2-2, 2-3, 2-41



Filter, Soltn, 20mesh, Pf16 3.1d 02.3l, 2-29  
 Fitting 1/8mx1/4h Barb Brs, 2-33  
 Fitting Assy, Cap, 0.067b, Pf04, 2-31  
 Fitting Assy, Cap, 0.086b, Pf04, 2-31  
 Fitting Assy, Qdc, Pf04, 3-105  
 Fitting, Brs, E90, Cf03/Pf02, 2-33  
 Fitting, Brs, E90, Pm04/Bm08, 2-31  
 Fitting, Brs, Qdc, Bm12/Qf08, 3-99  
 Fitting, Brs, Qdc, Pm04/Qf06, 3-127  
 Fitting, Brs, Str, Pf04/Pf04 Bkhd, 3-127  
 Fitting, Brs, Str, Bm06/Pf02, Spcl, 3-105  
 Fitting, Brs, Str, Bm06/Pf04, 3-105  
 Fitting, Brs, Str, Pf02/Pm06, 3-105  
 Fitting, Brs, Str, Pm02/Bm03, 2-45  
 Fitting, Brs, Str, Pm02/Pm02, 4-17  
 Fitting, Brs, Str, Pm04/Pm04, 2-31  
 Fitting, Brs, Tee, Pf04/Pf04/Pm04, 2-31  
 Fitting, Brs, Tee, Pf04/Pm04/Pf04, 2-31  
 Fitting, Brs, Tee, Pf02/Pf02/Pm02, Run, 3-105  
 Fitting, Brs, Tee, Pm04/Pf04/Pf04, Run, 2-37  
 Fitting, Coupler, Hose, Shank, Fem, 3-111, 3-113, 3-115, 3-117  
 Fitting, Elbow, 3-125  
 Fitting, Grease, E90 Pm04 .75L, 3-49, 3-63, 3-81  
 Fitting, Grease, 2-23  
 Fitting, Hose, Barbed, .25npt Mal, 3-125  
 Fitting, Hyd, E90, Jm06/Om06, 3-27  
 Fitting, Hyd, Str, Jm04/Om06, 3-27  
 Fitting, Hyd, Str, Jm04/Om10, 3-27  
 Fitting, Hyd, Str, Jm06/Om06, 3-27  
 Fitting, Hyd, Tee, Jm06/Om06/Jm06, 3-27  
 Fitting, Nyl, Qdc, E90, Bm06/ Qm10, 2-37  
 Fitting, Nyl, Qdc, E90, Bm08/ Qm10, 2-37  
 Fitting, Plstc, [90 Bm03/Pm02], 2-41  
 Fitting, Plstc, Bkhd, Pf12/Pf12, 2-43  
 Fitting, Plstc, Bkhd, Pf16/Pf16, 2-29  
 Fitting, Plstc, Cap, Pf04, 2-33  
 Fitting, Plstc, Cap, Pf08, 2-53, 2-55, 3-51  
 Fitting, Plstc, E45, Pf12/Pf12, 3-99  
 Fitting, Plstc, E90, 06bm/06bm, 3-121  
 Fitting, Plstc, E90, 16bm/16pm, 2-29  
 Fitting, Plstc, E90, Bm04/Pm04 Nyl, 2-33  
 Fitting, Plstc, E90, Bm05/Pm02, Nyl, 4-17  
 Fitting, Plstc, E90, Bm06/Pm04, Nyl, 2-37  
 Fitting, Plstc, E90, Bm08/Bm08, 2-53, 2-55, 3-51, 3-53  
 Fitting, Plstc, E90, Bm08/Pm04 Nyl, 2-31  
 Fitting, Plstc, E90, Bm08/Pm04, 3-127  
 Fitting, Plstc, E90, Bm08/Pm06, 2-35, 2-37, 3-69, 3-87, 3-105  
 Fitting, Plstc, E90, Bm08/Pm08, 3-99  
 Fitting, Plstc, E90, Bm08/Pm12, Nyl, 2-35  
 Fitting, Plstc, E90, Bm10/Pm12, 3-99  
 Fitting, Plstc, E90, Bm12/Bm12, 2-53, 2-55, 3-51, 3-53, 3-67, 3-69, 3-85, 3-87  
 Fitting, Plstc, E90, Bm12/Pf12, 3-101  
 Fitting, Plstc, E90, Bm12/Pm08, 3-51, 3-99

Fitting, Plstc, E90, Bm12/Pm12, 3-99, 3-101  
 Fitting, Plstc, E90, Pf08/Pf08, 3-69, 3-87  
 Fitting, Plstc, E90, Pm12/Pf12, 2-29  
 Fitting, Plstc, Pipe, Cap, Pf04, 2-37  
 Fitting, Plstc, Plug, Pm12, 2-29, 2-43, 3-99  
 Fitting, Plstc, Plug, PM16, 2-29  
 Fitting, Plstc, Rst, .50od/.31id, 3-51, 3-53  
 Fitting, Plstc, Str, 08pmxgarden, 3-101  
 Fitting, Plstc, Str, Bm04, Cplg, Fem, 2-37  
 Fitting, Plstc, Str, Bm04/Bm08, 2-33, 3-105  
 Fitting, Plstc, Str, Bm05/Pm04, 3-105  
 Fitting, Plstc, Str, Bm06/Bm06, 3-121  
 Fitting, Plstc, Str, Bm06/Pm02, Nyl, 3-105, 4-17  
 Fitting, Plstc, Str, Bm06/Pm04, 2-37  
 Fitting, Plstc, Str, Bm06/Pm12, 3-121  
 Fitting, Plstc, Str, Bm08/Bm08, 2-53, 2-55, 3-51, 3-53  
 Fitting, Plstc, Str, Bm08/Pm04 (ec-H2O), 3-53, 3-69, 3-87  
 Fitting, Plstc, Str, Bm08/Pm04 (FaST), 2-55  
 Fitting, Plstc, Str, Bm08/Pm04, 3-127  
 Fitting, Plstc, Str, Bm08/Pm06, 2-35, 2-37, 3-105  
 Fitting, Plstc, Str, Bm08/Pm08, 2-53, 2-55, 3-51, 3-69, 3-87  
 Fitting, Plstc, Str, Bm08/Pm12, 2-35, 2-37, 3-105, 3-127  
 Fitting, Plstc, Str, Bm10/Bm10, 2-53, 2-55  
 Fitting, Plstc, Str, Bm12/Pm08, Nyl, 3-69, 3-87  
 Fitting, Plstc, Str, Bm12/Pm08, 3-99  
 Fitting, Plstc, Str, Bm12/Pm12, 2-29, 3-99  
 Fitting, Plstc, Str, Bm24/Bm32, 3-123, 3-131  
 Fitting, Plstc, Str, Pm04, Cplg, Mal, 2-37  
 Fitting, Plstc, Str, Pm08/Pm08, 3-99  
 Fitting, Plstc, Str, Pm12/Bm16, 2-29  
 Fitting, Plstc, Str, Pm12/Pm12, 2-29, 3-99  
 Fitting, Plstc, Str, Pm16/Pm16 Close, 2-29  
 Fitting, Plstc, Tee, Bm04/Bm04/Bm04, 2-37  
 Fitting, Plstc, Tee, Bm05/Bm05/Pm04, 3-105  
 Fitting, Plstc, Tee, Bm06/Bm06/Bm06, 3-105  
 Fitting, Plstc, Tee, Bm08/Pm04/Bm08 Nyl, 2-31, 2-33  
 Fitting, Plstc, Tee, Bm10/Bm10/Bm10, 2-53  
 Fitting, Plstc, Tee, Bm12/Bm12/Bm12, 3-67, 3-85  
 Fitting, Plstc, Tee, Bm16/Pf12/Bm16, 2-29  
 Fitting, Plstc, Tee, Pf08/Pf08/Pf08, 3-99  
 Fitting, Plstc, Tee, Pf12/Pf12/Pf12, 2-29  
 Fitting, Plstc, Y, Bm06/Bm06/Bm06, Nyl, 3-105  
 Fitting, Plstc, Y, Bm08/Bm08/Bm08 Nyl, 3-69, 3-87  
 Fitting, Plstc, Y, Bm08/Bm08/Bm08, Nyl, 2-37

Fitting, Qm, Male, 3-99  
 Fitting, Quick Disconnect, 3-123  
 Flange, 4-14  
 Flasher, 12/48vdc 5a #6309/12-48vdc, 3-13, 3-15  
 Frame Assy, Sqge, Side, Vacuum, Rh, 3-59  
 Frame Wldt, Main, Iron Gray [7300/8300], 2-9  
 Frame Wldt, Scb Head, 2 Brush, Ele, Gray, 2-49  
 Frame Wldt, Scb Head, 3 Brush, Ele, Gray, 3-47  
 Frame Wldt, Sqge 48.0l, 3-133, 3-135  
 Frame Wldt, Sqge, Iron Gray, 2-67, 2-69, 3-137, 3-139  
 Frame Wldt, Sqge, Side, Lh, 2-61, 3-61, 3-75, 3-93  
 Frame Wldt, Sqge, Side, Rh, 2-59, 3-57, 3-73, 3-91  
 Frame, 2-9  
 Fuse, .20A, 3Ag, Slo-Blo, 2-81  
 Fuse, 010A 032Vdc 0.25D, 3-35  
 Fuse, 150amp, 2-73, 2-75

**G**

Gasket, .19, 2.00ld 5.38OD [BUNA], 3-111, 3-113, 3-115, 3-117  
 Gasket, .19, 4.05id 5.29od [Buna], 2-29, 2-43, 3-103, 3-121  
 Gasket, Cap, Drain, 2-2, 2-3, 2-43, 3-103  
 Gasket, Cap, Dust, 3-111, 3-113, 3-115, 3-117  
 Gasket, Cap, 2-43, 3-103  
 Gasket, Celr Ure, .50, 05.94w 08.88l, Adh, 2-29  
 Gasket, Cover, Controller, 2-71  
 Gasket, Cover, 3-65, 3-83  
 Gasket, Foam, 3-79, 3-97  
 Gasket, Lid, 2-43, 3-103  
 Gasket, Mtg, Fan, 2-2, 2-3, 2-45  
 Gasket, Sqge, 2-67, 2-69, 3-133, 3-135, 3-137, 3-139  
 Gasket, Tank, Recovery, 2-2, 2-3, 2-41  
 Gasket, Ure, .50, 12.65w 18.89l, Adh, 2-41  
 Gasket, 2-81  
 Gasspring, 56lb, 6.3strk, 2-57, 3-55, 3-71, 3-89  
 Gear, Drive, 2-23  
 Gearbox, 90, Drive Wheel, Rear, [Hu], 2-23  
 Gearbox, Motor, 4-8, 4-9, 4-10  
 Geroler S/A, 4-14  
 Geroter, 4-15  
 Grommet, Blind, 3-105, 4-17  
 Grommet, Level Sensing 1.6 D 9.6L, 2-29  
 Grommet, Pye, 0.37id, F/ 1.5h, .13matl, 3-121  
 Grommet, Rbr, 0.38id, F/ 0.5h, .12matl, 3-5, 3-7, 3-9, 3-11, 3-13, 3-15  
 Grommet, Rbr, 0.50id, F/ 0.8h, .12matl, 2-71

## CROSS REFERENCE

|   |  |  |
|---|--|--|
| Grommet, Rbr, 0.89id, F/ 1.2h, .14matl, 2-21                                  | Harness, Wire, Jumper, Reverse Switch, 3-13                            | Hose, Hyd, Tc 06, Jf Str/E90 , 48.0l, 3-28             |
| Grommet, Rbr, 1.00id, F/ 1.4h, .12matl, 2-71                                  | Harness, Wire, Jumper, Seat Switch, 2-102                              | Hose, Hyd, Tc 04, Jf04str/Jf04e90 , 30.0, 3-28         |
| Grommet, Rbr, 1.0b, 2-71, 2-81  | Head Kit, Pump, Water, Repair, 4-18                                    | Hose, Pvc, Brd, 0.31id 0.53od, 2ft, Clr, 4-17          |
| Grommet, Rbr, 1.50id, F/ 1.8h, .31matl, 2-15, 2-25                            | Head, Wand, 3-125  | Hose, Pvc, Brd, 0.38id 0.60od 15.00l, 3-121            |
| Grommet, Rbr, 2.13id, F/ 2.5h, .12 Matl, 2-33                                 | Headlight, 36vdc, 15cp 0.7a [#0534242], 2-2                            | Hose, Pvc, Brd, 0.38id 0.60od 66.00l, 3-121            |
| Grommet, Ribbon Cable, .63 X 1.81, 2-15                                       | Headlight, 36Vdc, 60 Watt 1.7A, 3-13, 3-15                             | Hose, Pvc, Brd, 0.50id 0.73od 33.00l, 3-51             |
| Grommet, 3-125  | Hinge Assy, Iron Gray, 2-13  | Hose, Pvc, Brd, 0.50id 0.75od 14.00l, 3-51             |
| Guard Kit, Sqge, Rear, Ci [7300/8300], 3-49, 3-81                             | Hinge Assy, 2-13   | Hose, Pvc, Brd, 0.50id 0.80od 18.00l, 3-51             |
| Guard Kit, Sqge, Rear, Iron Gray, Ci, 3-49, 3-81                              | Hinge Wldt, W/ Pin, Iron Gray, 2-13                                    | Hose, Pvc, Brd, 0.62id 0.91od 10.30l, 2-53             |
| Guard Wldt, Lh, Iron Gray, 3-75, 3-93   | Hinge Wldt, W/ Pin, 2-13   | Hose, Pvc, Brd, 0.75ID 1.00OD 02.00L, 3-67             |
| Guard Wldt, Lh, 3-75, 3-93  | Hinge, .38pin .11 3.5w 04.0l 4/0.38slot, 2-11                          | Hose, Pvc, Brd, 0.75id 1.00od 02.00l, 3-51             |
| Guard Wldt, Light, Revl/Fish, Iron Gray, 3-7                                  | Hook Wldt, Latch, 3-65, 3-83   | Hose, Pvc, Brd, 0.75id 1.00od 19.00l, 3-99             |
| Guard Wldt, Light, Revl/Fish, 3-5, 3-9, 3-11                                  | Horn, 36vdc, DbA, 2-9  | Hose, Pvc, Brd, 0.75id 1.00od 2.00l, 3-85              |
| Guard Wldt, Oprtr, Top, Iron Gray, 3-21                                       | Hose Assembly, 3-123   | Hose, Pvc, Brd, 0.75id 1.00od 26.00l, 3-99             |
| Guard Wldt, Oprtr, Top, 3-19  | Hose Assy, Drain, 2-43, 3-103  | Hose, Pvc, Brd, 0.75id 1.00od 44.50l, 3-51, 3-67, 3-85 |
| Guard Wldt, Rh, [Mp1200], 3-91  | Hose Assy, Pvc, W/ Cuff, 1.5d, 90.0l, 3-131                            | Hose, Pvc, Brd, 0.75id 1.03od 01.50l, 3-67, 3-85       |
| Guard Wldt, Rh, Iron Gray, 3-73, 3-91   | Hose Assy, W/1cuff, 1.5d 120l 1.5/, 3-111, 3-113, 3-115, 3-117         | Hose, Pvc, Brd, 0.75id 1.03od 02.00l, 2-53, 2-55       |
| Guard Wldt, Sqge (MP 20), 3-49, 3-81  | Hose Assy, W/2 Cuff, 1.0d 41.0l, 2-3, 3-59                             | Hose, Pvc, Brd, 0.75ID 1.03OD 05.00L, 3-67             |
| Guard Wldt, Sqge, Rear, Gray, 3-49, 3-81                                      | Hose Assy, W/2 Cuff, 1.0D 44L 1.0/1.0, 3-59                            | Hose, Pvc, Brd, 0.75id 1.03od 05.00l, 3-85             |
| Guard, Brush, Side, 3-31, 3-39  | Hose Assy, W/2cuff, 1.0d, 23l, 3-79, 3-97                              | Hose, Pvc, Brd, 0.75id 1.03od 11.00l, 3-67, 3-85       |
| Guard, Bumper, 3-49, 3-81   | Hose Assy, W/2cuff, 1.0d, 41l, 3-79, 3-97                              | Hose, Pvc, Brd, 0.75id 1.03od 44.50l, 2-53, 2-55       |
| Guard, Kick In, Scb Head, Iron Gray, 2-51, 3-49, 3-63, 3-81                   | Hose Assy, W/2cuff, 2.0d 26l, 3-59, 3-79, 3-97                         | Hose, Pvc, Clr, 0.50id 0.69od 50.00l, 3-101            |
| Guard, Kick In, Scb Head, 2-51, 3-49, 3-63, 3-81                              | Hose Assy, W/2cuff, 2.0d 75l, 3-59, 3-79, 3-97                         | Hose, Pvc, Wir, 0.50id 0.74od 47.00l, 3-127            |
| Guard, Light, 3-13, 3-15  | Hose, Afmkt Replmt, Pvc, Brd 0.50id 1 Ft, 2-31, 2-33, 2-35, 3-69, 3-87 | Hose, Pvc, Wir, 0.50id 0.75od 15.50l, 3-127            |
| Guide, Point, Side Sqge, 2-59, 2-61, 3-57, 3-59, 3-61, 3-73, 3-75, 3-91, 3-93 | Hose, Afmkt Replmt, Pvc, Brd 0.50id 2 Ft, 2-31, 3-53, 3-69, 3-87       | Hose, Vacuum, 0.16id X 05.0l, 2-41, 2-45, 3-101        |
|   | Hose, Afmkt Replmt, Pvc, Brd 0.50id 20ft, 2-35                         | Hose, Vacuum, 35.0l, 2-3, 3-59, 3-79, 3-97             |
|   | Hose, Afmkt Replmt, Pvc, Brd 0.50id 3 Ft, 3-53                         | Hose, Vacuum, 58.5l, 2-3, 3-59, 3-79, 3-97             |
|   | Hose, Afmkt, Pvc, Brd 0.50id 1ft, 2-55                                 | Hose, Vacuum, 89.0l, 2-41                              |
|   | Hose, Afmkt, Pvc, Brd 0.50id 2ft, 2-53                                 | Hose, Vacuum, 91.0l, 2-2, 2-3                          |
|   | Hose, Afmkt, Pvc, Brd 0.75id 1 Ft, 3-53, 3-69, 3-87                    | Hose, Vacuum, 2-2, 2-3, 2-45, 3-123                    |
|   | Hose, Afmkt, Pvc, Brd 0.75id 8 Ft, 3-53, 3-69, 3-87                    | Hose, Vyl, Brd .38id .60od 45.0l, 3-121                |
|   | Hose, Afmkt, Pvc, Brd, 0.25id, 03ft, 3-105                             | Hose, Vyl, Brd, .62id 55.0l, 3-101                     |
|   | Hose, Afmkt, Pvc, Brd, 0.38id, 01ft, Clr, 4-17                         | Hose, Vyl, Brd, .75id 28.0l, 3-101                     |
|   | Hose, Afmkt, Pvc, Brd, 0.38id, 03ft, Clr, 2-37                         | Hose, Wand, 3-125                                      |
|   | Hose, Afmkt, Pvc, Brd, 0.38id, 08ft, Clr, 3-105                        | Hose, Water, 1.0id 2.25l, 2-29                         |
|   | Hose, Afmkt, Pvc, Brd, 0.50id, 01ft, Clr, 2-37                         | Hose, Water, 1.0id 4.5l, 2-29                          |
|   | Hose, Afmkt, Pvc, Brd, 0.50id, 02ft, Clr, 2-37                         | Hose, Water, Vyl, Brd, .75id 14.0L, 3-99               |
|   | Hose, Afmkt, Pvc, Brd, 0.50id, 08ft, Clr, 3-105                        | Hose, 3-123  |
|   | Hose, Afmkt, Pvc, Brd, 0.75id 8 Ft, 2-55                               | Housing Wldt, Brg, Iron Gray, 2-17                     |
|   | Hose, Afmkt, Pvc, Clr 0.25id 1 Ft, 2-33                                |  |
|   | Hose, Afmkt, Pvc, Clr 0.25id 2 Ft, 2-33                                |  |
|   | Hose, Afmkt, Pvc, Clr, 0.25id, 02ft, 2-37                              |  |

## H

Handle Wldt, Steering, Tilt, 2-17, 3-27  
 Handle, Wand, 3-125  
 Handle, 2-29  
 Harness [Fast 7300/8300], 2-103  
 Harness [FaST II+ 7300/8300], 2-104  
 Harness, Backup Alarm, Shrd, 3-13, 3-15  
 Harness, Battery, Connecting, 2-77, 2-79  
 Harness, Battery, Rollout [7300/8300], 3-143  
 Harness, Fast, 7300/8300, 2-103  
 Harness, Jumper, Arm, 2-102  
 Harness, Light, Revl, Shrd, 3-5, 3-7  
 Harness, Main, 7300, 8300, 2-102  
 Harness, Main, Controlboard[Ec-H2o 5cell], 4-17  
 Harness, Power Wand, [7300/8300], 3-129  
 Harness, Rear [FaST 7300/8300], 2-104  
 Harness, Rear, [Fast 7300/8300], 2-103  
 Harness, Sensor, Jumper, 2-41, 3-101  
 Harness, Switch, Key, Diode, 2-75  
 Harness, Warning Light, Alarm, 3-9, 3-11  
 Harness, Wire [7300 Ec-H2o, Module], 3-108  
 Harness, Wire [7300, Ec-H2o Interface], 3-108

Housing Wldt, Brush, Iron Gray, 3-35, 3-43, 3-63, 3-81  
 Housing Wldt, Brush, Side, Iron Gray, 3-33, 3-41  
 Housing Wldt, Brush, 3-35, 3-43  
 Housing, Bottom, 4-17  
 Housing, Cplg, Qf / Pm08 (ec-H2O), 2-55  
 Housing, Cplg, Qf / Pm08 (FaST), 3-53, 3-69, 3-87  
 Housing, Cplg, Qf / Pm08, 2-37, 3-105  
 Housing, 4-3, 4-5, 4-14  
 Hub Wldt, Drive, Brush, Iron Gray, 3-65, 3-83  
 Hub, Drive, Brush, Disk, 0.75B 6T, 2-49, 3-47  
 Hub, Drive, Brush, Disk, 3 Hole 5.8Bc, 2-7

**I**

Insert, Cplg, Qm, Bm08, 2-37, 3-105  
 Instruction, Repair, Valve, Strg, 4-15  
 Instruction, Repair, 4-14  
 Insulator, Panel & Switchboard, 2-75  
 Insulator, Panel, 2-73

**J**

Joint, U, 0.75ld, 2-17

**K**

Key Square 0.25 0.25 01.00 Lg, 4-10  
 Key Square 0.25 X 0.25, 01.00L, 4-8, 4-9  
 Key, Ignition, 2-15  
 Key, Sq, 0.19 X 0.19, 00.75l, 3-65, 3-83  
 Key, Sq, 0.19 X 0.19, 01.00l, 2-17, 3-65, 3-83  
 Key, Sq, 0.19 X 0.19, 01.25L, 4-7  
 Key, Sq, 0.19 X 0.19, 01.25l, 3-65, 3-83  
 Key, Woodruff, 0.16 0.62, 4-6  
 Key, Woodruff, 0.19 0.75, [Asa#0606], 2-17  
 Kit, Brake, 2-2, 2-3  
 Kit, Brush, Motor, Ele, 3-31, 3-39  
 Kit, Cap, Drain, 2-43, 3-103  
 Kit, Cl, Alarm, Backup, 36Vdc, 3-13  
 Kit, Ci, Battery, 36vdc, 380ah, Wet, 3-147  
 Kit, Ci, Battery, 36vdc, 600ah, Sealed, 3-151  
 Kit, Ci, Battery, 36vdc, 750ah, Wet, 3-155  
 Kit, Ci, Battery, Rollout, 3-143  
 Kit, Ci, Bumper, Rear, 3-16, 3-17  
 Kit, Ci, Detgt Metering, 3-121  
 Kit, Ci, Drain, Soltn, Pos Cntrl, Soltn, 3-115  
 Kit, Ci, Drain, Soltn, Pos, Cntrl, Recvy, 3-111  
 Kit, Cl, Extinguisher, Fire, [7300/8300], 3-164  
 Kit, Ci, Fork Lift, Battery, 3-145  
 Kit, Ci, Indicator, Low Water Level, 3-119  
 Kit, Cl, Light, Revl W/ Ohg, 3-11  
 Kit, Cl, Light, Revl W/O OHG, 3-5  
 Kit, Ci, Ohg, [7300/8300], 3-19

Kit, Ci, Seat, Suspension, 3-25  
 Kit, Ci, Seatbelt, 3-23  
 Kit, Cl, Squeegee, Rear (Max Pro 1000), 2-67  
 Kit, Cl, Squeegee, Rear (Max Prot 1000), 3-137  
 Kit, Cl, Squeegee, Rear [Max Pro 1200], 3-133  
 Kit, Ci, Vacuum Wand, [7300/8300], 3-131  
 Kit, Cover, Recvy, W/Gasket, 2-41  
 Kit, Drain Hose, Solution Side, 3-103  
 Kit, Fitting, Garden Hose, 3-99  
 Kit, Maint, 800hr  
     [7300-Mp1200-Disk-Vac], 2-3  
 Kit, Maint, 800hr, [7300-Mp1000-Cyl], 2-3  
 Kit, Maint, 800hr, [7300-Mp1000-Disk], 2-2  
 Kit, Maint, 800hr, [7300-Mp1200-Cyl], 2-3  
 Kit, Maint, 800hr, [7300-Mp1200-Disk], 2-2  
 Kit, Modif, Ftg Location, [Discvac], 2-3  
 Kit, Replmt, Bracket, F/386211, 2-11  
 Kit, Replmt, Press Switch/34" Tube, 2-29, 3-119  
 Kit, Seal, Hyd, Valve, Strg, 4-15  
 Kit, Seal, Motor, 4-14  
 Kit, Seal, Scu, 3-27  
 Kit, Seal, 4-13  
 Kit, Spring, Valve, Strg, 4-15  
 Kit, Switch, Micro, 3-13  
 Kit, Valve, Check, 2-29  
 Kit, Wand, Power [5400], 3-125  
 Knob, 0.50-20, 1.38d, Plstc, 2-39  
 Knob, 4-Prong W/.31-18, Insert, 3-133, 3-135, 3-137, 3-139  
 Knob, 4-Prong W/.31-18, Insert, 2-67, 2-69  
 Knob, Adj, 2-63  
 Knob, Plastic, 3-33, 3-41  
 Knob, 2-17, 2-63

**L**

Label [User, Attention, Ec-H2o], 3-107  
 Label Set, Info & Hzd, 2-105  
 Label Set, Info/Hzrd, [Max Pro], 3-63, 3-81  
 Label Set, Info/Hzrd, [Maxpro], 2-49, 3-47  
 Label Set, Operational, 7300/8300, 2-105  
 Label Set, Opertrnl [7300 ec-H2O], 3-107  
 Label, Attention Fast Users, 2-29  
 Label, Brush, Side, Adj, 3-35, 3-43  
 Label, Direction [Ec-H2o], 4-17  
 Label, Fast, 2-82  
 Label, Front [Ec-H2o, T15], 3-107  
 Label, Logo, Bl-Gr [FaST], 2-105  
 Label, Module [Nsf, Ec-H2o], 4-17  
 Label, Sqge, 2-105  
 Label, Switch [7300/8300 FaST], 2-83  
 Label, Switch, Fast, 2-82  
 Label, Tank [ec-H2O], 2-105, 3-107  
 Label, Tank [ES], 2-105  
 Label, Tank, Bl-Gr [7300], 2-105

Lamp, 40vdc, 0.9a, [50cp#1062], 3-5, 3-7, 3-9, 3-11  
 Lamp, 36vdc, 32cp, .72a, 2-9  
 Lamp, 2-9  
 Lampholder, 2-9  
 Latch, Double Scrub, Side Sqge, 2-59, 2-61, 3-57, 3-61  
 Latch, Handle, 3-143  
 Latch, Trigger, 2-11  
 Latch, 2-13, 3-65, 3-73, 3-75, 3-83, 3-91, 3-93  
 Lens, Amber, Light, Revl, 3-5, 3-7, 3-9, 3-11  
 Lens, Rev. Light, Blue, 3-5, 3-7, 3-9, 3-11  
 Lens, Rev. Light, Red, 3-5, 3-7, 3-9, 3-11  
 Lever Wldt, Iron Gray, 2-25  
 Lever, Valve, Water, Iron Gray, 2-39  
 Light Kit, Revl, W/ Ohg, Ci [7300/8300], 3-9  
 Light Kit, Revl, W/O Ohg, Iron Gray, Ci, 3-7  
 Light, Led, .312d, 2 Volt [Tri-Color], 3-107  
 Light, Revl, 36vdc, Amb, Rework 44684, 3-5, 3-7, 3-9, 3-11  
 Light, Spot, 36vdc, 60w Rework 72173, 3-13, 3-15  
 Link Assy, Rod-End, .63-18, 2-51, 3-49, 3-63, 3-81  
 Link Wldt, Head, Drag (Replaced by 9005751), 3-49, 3-63, 3-81  
 Link, .38 1.0w 07.5l 2/1.5h, 2-51  
 Link, Chain, Roller, #40, 2-17, 3-27  
 Link, Lift, Squeegee (Replaced by 9005752), 2-51  
 Lock, Secondary, 2cav, Mp280 Sealed, 4-18

**M**

Manifold, Plastic, 3-51  
 Manifold, Soltn, Cntrl, 2-53, 2-55, 3-51, 3-53  
 Manual Pkg, (7300 Ele Na), 3-165  
 Manual, Fiche, (7300 Ele), 3-165  
 Manual, Oprtr, (7300 Ele Es Na), 3-165  
 Manual, Oprtr, (7300 Ele Fr Na), 3-165  
 Manual, Service, (7300 Ele Na), 3-165  
 Media, Cd-Rom, Training [ec-H2O TENNANT], 3-165  
 Module Kit, Replmt [ec-H2O] (See Breakdowns), 3-105  
 Module Kit, Replmt [Ec-H2o], 4-17  
 Motor, Ele, 36 Vdc 1500 Rpm 1.5 Hp, 4-7  
 Motor, Ele, 36Vdc 0.08Hp 0068Rpm 04.5A, 3-31, 3-39  
 Motor, Ele, 36vdc 1.00hp 0300rpm, Gear (Standard) (See Breakdown), 2-49  
 Motor, Ele, 36vdc 1.50hp 0300rpm, Gear (Heavy Duty) (See Breakdown), 2-49  
 Motor, Ele, 36vdc 1.50hp 1500rpm 43.0a, 3-65, 3-83  
 Motor, Ele, 36vdc 1500rpm 1.5hp (See Breakdown) (Repl By 377398), 3-65

## CROSS REFERENCE

Motor, Ele, 36vdc 1500rpm 1.5hp (See Breakdown) (Repl By 377398AM), 3-83  
Motor, Ele, Vdc 3.0hp Traction,[201] (See Breakdown), 2-23  
Motor, Elect, 4-13  
Motor, Gear, 1.0Hp 36V, 4-10  
Motor, Gear, Ele, 1.0hp, 36vdc, 300rpm (See Breakdown), 3-47  
Motor, Gear, Ele, 1.5hp, 36vdc, 300rpm (Heavy Duty) (See Breakdown) (Replaced by 387585AM), 2-49  
Motor, Gear, Ele, 1.5Hp, 36Vdc, 300Rpm, 4-8, 4-9  
Motor, Hyd (See Breakdowns), 3-27  
Motor, Hyd, 4-14  
Motor, traction 36v, 4-6  
Motor, 4-11  
Mount, Cable Tie, 3-35, 3-43

### N

Nozzle, Spray, 3-125  
Nozzle, Wand, Plstc, 14.0lg, 3-131  
Nozzle, Water, 3-101  
Nut, Hex, Cplg, M08X1.25, 2-75  
Nut, Hex, Flng, .38-16, 2-59, 3-57  
Nut, Hex, Flng, M06 X 1.0, 2-73, 2-75, 3-13, 3-15  
Nut, Hex, Flng, M08 X 1.25, 2-9, 3-5, 3-7, 3-9, 3-11, 3-31, 3-35, 3-39, 3-43  
Nut, Hex, Flng, M10 X 1.5, 2-63, 3-111, 3-113, 3-115, 3-117  
Nut, Hex, Flng, M5 X 0.8, 2-82  
Nut, Hex, Flng, M5 X 0.80, 3-105  
Nut, Hex, Jam, .62-18, Ss, Lh, 3-63, 3-81  
Nut, Hex, Jam, .62-18, Ss, 3-63, 3-81  
Nut, Hex, Jam, M10 X 1.5, Ss, 2-63, 3-133, 3-135  
Nut, Hex, Jam, M20 X 1.5, 3-27  
Nut, Hex, Lock, .25-20, NI, 2-21  
Nut, Hex, Lock, .25-28, NI, 2-21  
Nut, Hex, Lock, .31-18, NI, Thin, 3-143  
Nut, Hex, Lock, .31-18, NI, 2-19, 3-25  
Nut, Hex, Lock, .44-20, NI, Thin, 2-39  
Nut, Hex, Lock, .50-13, NI, Ss, 2-63  
Nut, Hex, Lock, .62-18, NI, Thin, 2-51, 3-49, 3-63, 3-81  
Nut, Hex, Lock, #06-32, NI, 3-35  
Nut, Hex, Lock, M 4 X 0.7, NI Ss, 3-143  
Nut, Hex, Lock, M 4 X 0.7, NI, 2-33  
Nut, Hex, Lock, M 5 X 0.8, NI, 2-75  
Nut, Hex, Lock, M 5 X 0.8, NI, Ss, 3-143  
Nut, Hex, Lock, M 6 X 1.0, NI, 2-75, 2-82  
Nut, Hex, Lock, M 8 X 1.25 NI, 2-79  
Nut, Hex, Lock, M04 X 0.7, NI, Ss, 3-65, 3-83, 3-121  
Nut, Hex, Lock, M04 X 0.7, NI, 2-13, 3-101, 3-129  
Nut, Hex, Lock, M05 X 0.8, NI, 2-9  
Nut, Hex, Lock, M05 X 0.8, NI, Ss, 2-43, 2-47, 3-63, 3-81, 3-103

Nut, Hex, Lock, M05 X 0.8, NI, 2-15, 2-73, 3-65, 3-83  
Nut, Hex, Lock, M06 X 1.0, NI, Ss, 2-39, 2-51, 2-53, 2-55, 2-57, 2-59, 2-61, 2-65, 3-51, 3-53, 3-55, 3-57, 3-61, 3-67, 3-69, 3-71, 3-79, 3-85, 3-87, 3-89, 3-97, 3-99, 3-127, 3-143  
Nut, Hex, Lock, M06 X 1.0, NI, 2-11, 2-15, 2-17, 2-21, 2-73, 3-13, 3-15  
Nut, Hex, Lock, M08 X 1.25, NI, Ss, 2-25, 2-29, 2-47, 2-49, 2-59, 2-61, 2-65, 2-67, 2-69, 3-47, 3-55, 3-57, 3-59, 3-61, 3-63, 3-81, 3-89, 3-101, 3-121, 3-127, 3-133, 3-135, 3-137, 3-139, 3-143, 3-145, 3-151, 3-153  
Nut, Hex, Lock, M08 X 1.25, NI, 2-9, 2-11, 2-17, 2-21, 2-23, 2-25, 2-39, 2-71, 2-77, 3-27, 3-31, 3-39, 3-67, 3-69, 3-85, 3-87  
Nut, Hex, Lock, M08-1.25, NI, Ss, 3-147  
Nut, Hex, Lock, M10 X 1.5, NI, SS, 3-65, 3-83  
Nut, Hex, Lock, M10 X 1.5, NI, Ss, 2-49, 2-63, 2-65, 3-16, 3-17, 3-47, 3-49, 3-81  
Nut, Hex, Lock, M10 X 1.5, NI, 2-21, 3-19, 3-21, 3-23, 3-35, 3-43  
Nut, Hex, Lock, M12 X 1.75, NI, 3-31  
Nut, Hex, Lock, M12 X 1.75, NI, Ss, 2-67, 2-69, 3-73, 3-75, 3-91, 3-93, 3-133, 3-135, 3-137, 3-139  
Nut, Hex, Lock, M12 X 1.75, NI, 2-17, 2-27, 3-27, 3-39  
Nut, Hex, Lock, M4 X 0.70, NI, Ss, 4-17  
Nut, Hex, Lock, M5 X 0.80, NI, 2-37  
Nut, Hex, Lock, M6X1.0, Ss, NI, 3-77, 3-95  
Nut, Hex, Lock, M8 X 1.25, NI, Ss, 3-49, 3-81, 3-149, 3-155  
Nut, Hex, Lock, M8 X 1.25, NI, 2-33, 3-105  
Nut, Hex, Sltd, 1.00-20, 2-27  
Nut, Hex, Std, .25-20, 2-73, 2-75  
Nut, Hex, Std, .25-28, 2-21  
Nut, Hex, Std, .31-24, 2-73, 2-75, 2-77, 2-79, 3-27, 3-35  
Nut, Hex, Std, .38-16, Ss, 3-73, 3-91  
Nut, Hex, Std, .50-20, 2-23  
Nut, Hex, Std, #10-32, 2, 2-73, 2-75, 2-77, 2-79, 3-27, 3-35  
Nut, Hex, Std, M06 X 1.0, 2-77  
Nut, Hex, Std, M08 X 1.25, Ss, 2-59, 2-61, 3-57, 3-61, 3-73, 3-75, 3-91, 3-93  
Nut, Hex, Std, M08 X 1.25, 2-77, 2-79  
Nut, Hex, Std, M10 X 1.25, 3-33, 3-41  
Nut, Hex, Std, M10 X 1.5, 2-21  
Nut, Hex, Std, M12 X 2.0, 3-49  
Nut, Retainer, .31-18, 2-57, 3-55, 3-71, 3-89  
Nut, Thumb, M6 X 30mm Dia, 3-125  
Nut, Wheel, M14-1.5, 2-23  
Nut, 4-3, 4-5

### O

Ohg Kit, Iron Gray, Ci [7300/8300], 3-21

### P

Pad, Buff, 16.0d, Red, 2-7  
Pad, Buff, 20.0d, Red, 2-5  
Pad, Polish, 16.0d, White, 2-7  
Pad, Polish, 20.0d, White, 2-5  
Pad, Scrub, 16.0d, Blue, 2-7  
Pad, Scrub, 20.0d, Blue, 2-5  
Pad, Strip, 16.0d, Brown, 2-7  
Pad, Strip, 20.0d, Brown, 2-5  
Pad, Stripping, 16.0d[Hi Prod,Black], 2-7  
Pad, Stripping, 20.0D[Hi Prod,Black], 2-5  
Pad, Surf Prep, 16.0d [Mar, 1pick=1pad], 2-7  
Pad, Surf Prep, 20.0D [Mar, 1Pick=1Pad], 2-5  
Pad, 2-25  
Panel Assy, Touch [7300], 2-15  
Panel Wldt, Front W/ Label, 2-13  
Panel, Instmt, 2-15  
Panel, Motor, Cover W/ Label, 2-23  
Panel, Motor, Cover, W/ Label, Teal, 2-23  
Pedal Assy, Foot (Replaced by 1042524), 2-21  
Pedal Assy, Propel, 36vdc, 2-21  
Pedal Wldt, Accelerator, 2-21  
Pedal, Brake, Parking, Iron Gray, 2-25  
Pin Wldt, Front, 2-67, 2-69, 3-133, 3-135, 3-137, 3-139  
Pin, Clevis, .625 Dia X 5.25l, 3-65, 3-83  
Pin, Clevis, 0.19 D X 0.63l, 2-65  
Pin, Clevis, 0.25 D X 2.44l, 2-65  
Pin, Clevis, 0.25d X 2.00l, 2-67, 2-69, 3-133, 3-135, 3-137, 3-139  
Pin, Clevis, 0.31 D X 0.75l, 2-27  
Pin, Clevis, 0.31 D X 0.88l, 3-59  
Pin, Clevis, 0.31 D X 1.00l, 2-25  
Pin, Clevis, 0.31d 0.88l, 2-59, 2-61, 3-57, 3-61, 3-73, 3-75, 3-91, 3-93  
Pin, Clevis, 0.37 D X 0.62l, 3-31, 3-39  
Pin, Clevis, 0.37 D X 0.75l, 3-73, 3-75, 3-91, 3-93  
Pin, Clevis, 0.37 D X 1.00l, 2-27, 2-59, 2-61, 3-57, 3-61  
Pin, Clevis, 0.37 D X 1.31l, 2-51, 3-49, 3-63, 3-81  
Pin, Clevis, 0.37 D X 1.50l, 2-59  
Pin, Clevis, 0.37 D X 2.00l, 2-57, 3-55, 3-71, 3-89  
Pin, Clevis, 0.37 D X 3.25l, 3-31, 3-39  
Pin, Clevis, 0.37 D X 4.00l, 3-33, 3-41  
Pin, Clevis, 0.38 D X 2.50l, 2-51, 3-49, 3-63, 3-81  
Pin, Clevis, 0.50 D X 1.75l, 2-47  
Pin, Clevis, 0.50 D X 1.87l, 2-57, 3-71  
Pin, Clevis, 0.50 D X 2.00l, 2-65  
Pin, Clevis, 0.50 D X 2.50l, 2-47, 2-51, 2-65, 3-49, 3-55, 3-63, 3-81  
Pin, Clevis, 0.50 D X 3.50l, 2-21

Pin, Clevis, 0.50 D X 4.00l, 3-33, 3-41  
 Pin, Clevis, 0.50 D X 5.50l, 2-47  
 Pin, Clevis, 0.75 D X 6.50l, 2-9  
 Pin, Cotter, .062 X 0.75, 2-13, 2-65, 2-67, 2-69, 3-133, 3-135, 3-137, 3-139  
 Pin, Cotter, .094 X 0.75, 2-25, 2-27, 2-51, 2-57, 2-65, 3-31, 3-33, 3-39, 3-49, 3-55, 3-63, 3-71, 3-81, 3-89  
 Pin, Cotter, .125 X 0.75, 2-51, 3-49, 3-63, 3-81  
 Pin, Cotter, .125 X 1.00, 2-21, 2-47, 2-51, 2-57, 3-33, 3-41, 3-49, 3-55, 3-63, 3-71, 3-81  
 Pin, Cotter, .156 X 1.25, 2-9  
 Pin, Hair Cotter, 0.31 D .058 Wir, 3-73, 3-75, 3-91, 3-93  
 Pin, Hair Cotter, 0.38 D .072 Wir, 2-59, 2-61, 3-57, 3-59, 3-61  
 Pin, Hair Cotter, 0.62 D .120 Wir, 3-31, 3-39, 3-65, 3-83  
 Pin, Hinge, Cover, 2-29  
 Pin, Prong, 2-81  
 Pin, Roll, .250 D X 0.75l, .250/.256, 2-59, 2-61, 3-57, 3-61, 3-73, 3-75, 3-91, 3-93  
 Pin, Roll, .250 D X 1.50l, .250/.256, 2-27  
 Pin, Roll, .250 D X 2.00l, .250/.256, 3-31, 3-39  
 Pin, Roll, .310 D X 0.75l, .312/.318, 2-23  
 Pin, Valve, Strg, 4-15  
 Pin, 2-17, 2-67, 2-69, 3-133, 3-135, 3-137, 3-139, 4-15  
 Piston, 4-11  
 Pivot Wldt, Guard, 2-67, 3-133, 3-137  
 Pivot Wldt, Sqge Caster, 2-63  
 Plate Assy, Orifice, 0.010ld, Purple, 4-19  
 Plate Wldt, Floor, 2-9  
 Plate Wldt, Mtg, Idler, 2-17  
 Plate Wldt, Pivot, Guard, Iron Gray, 2-69, 3-135, 3-139  
 Plate Wldt, Stop, Iron Gray, 3-63, 3-81  
 Plate, Adapter, Brush, 3-31, 3-39  
 Plate, Controlbox, Iron Gray, 2-71  
 Plate, Controlbox, 2-71  
 Plate, Cover, Iron Gray, 2-9  
 Plate, Cover, 2-9  
 Plate, Floor, Iron Gray, 2-9  
 Plate, Floor, Upper, Iron Gray, 2-9  
 Plate, Floor, Upper, 2-9  
 Plate, Floor, 2-9  
 Plate, Hinge, Iron Gray, 2-13  
 Plate, Hinge, 2-13  
 Plate, Iron Gray, 2-13, 3-31, 3-39  
 Plate, Mtg, Contactor, Iron Gray, 3-27, 3-35  
 Plate, Mtg, Contactor, 3-27, 3-35  
 Plate, Mtg, Hyd, Iron Gray, 3-27  
 Plate, Mtg, Tank, Detgt, Iron Gray, 3-121  
 Plate, Orifice, 0.067id, 2-31  
 Plate, Orifice, 0.086id, 2-31  
 Plate, Seat, Iron Gray, 2-19  
 Plate, Slide, 2-65, 3-133, 3-135  
 Plate, Stop, 2-25  
 Plate, Wand, Clean-Out, Iron Gray, 3-101

Plate, Wear, 4-15  
 Plate, 2-13  
 Plug, Cap, 2-29, 2-41  
 Plug, Drive, Brush, Spl, Iron Gray, 3-65, 3-83  
 Plug, Drive, Brush, Splined, 3-83  
 Plug, Hole, Rnd, 0.44h .03-.12, Blk Nyl, 3-99  
 Plug, Hole, Rt, Rocker Switch, .87 X 1.7, 3-99  
 Plug, Orifice, 0.052, Ss [FaST II+], 4-19  
 Plug, Qm, .25npt, 3-125  
 Plug, Rbr, 2-71, 2-81  
 Plug, Resistor, 2-103  
 Plug, 2-23, 3-125  
 Powerunit, Hyd, 36vdc (See Breakdowns), 3-27  
 Powerunit, Hyd, 36Vdc, 4-13  
 Pump Assy, Power Wand (See Breakdown), 3-127  
 Pump assy, 4-13  
 Pump kit, power wand, 4-11  
 Pump screw, 4-11  
 Pump, Air, Ele, 36vdc, 2-33  
 Pump, Detgt, 36vdc (See Breakdown), 3-121  
 Pump, Detgt, 560s, 2-33  
 Pump, Metering Solution, 4-12  
 Pump, Soltn, 36vdc, 65psi [Fast li+], 2-37  
 Pump, Soltn, Ele, 36vdc (See Breakdowns), 3-105  
 Pump, Soltn, Ele, 36vdc, 2-31, 4-18  
 Pump, Solution, Impeller, 36vdc, 3-99

**R**

Race Thrust, 4-14  
 Rail Wldt, Lift, Cyl Head, Iron Gray, 3-71, 3-89  
 Rail Wldt, Lift, Disk Head, Iron Gray, 2-57, 3-55  
 Rail, 2-19  
 Relay, 36vdc, 5a, Spdt, [Greenwich], 3-13, 3-15  
 Relay, 36vdc, 05a, Spdt N/O [Greenwich], 2-82  
 Relay, 36Vdc, 005A, Spdt No [Greenwich], 2-83  
 Relay, 36vdc, 100a, Sp N/O [White], 2-75, 3-35  
 Replacement Kit, Bellows, 4-12  
 Reservoir, 4-13  
 Resistor, 040.00 Ohm, 40watt, 2-75  
 Resistor, 040.00ohm, 40watt, 2-73  
 Resistor, 011.00 Ohm, 0040Watt [5%], 3-105  
 Retainer, Blade, Front, 3-59  
 Retainer, Brg, Iron Gray, 3-65, 3-83  
 Retainer, Spring, 2-21  
 Retainer, Sqge, 2-59, 2-61, 3-57, 3-59, 3-61, 3-73, 3-75, 3-91, 3-93  
 Return Spring-Brakes, 2-27  
 Ring, Brush, 4-7

Ring, Mtg, Sqge, .50l, 2-67, 2-69, 3-133, 3-135, 3-137, 3-139  
 Ring, Retainer, Valve, Strg, 4-15  
 Ring, Retaining, Ext, 0.59d, Basic, 2-63  
 Ring, Retaining, Ext, 0.75d, Hd, 3-65, 3-83  
 Ring, Retaining, Ext, 0.75d, Ss, 2-43, 3-103  
 Ring, Retaining, Ext, 2-67, 2-69, 3-133, 3-135, 3-137, 3-139  
 Ring, Retaining, Int, 1.85d, Basic, 3-65, 3-83  
 Rivet, Plstc, .25 D X 0.75, 2-9  
 Rivet, Plstc, .250 X 0.898, 2-49, 3-47, 3-129, 3-131  
 Rivet, Pop, 3-125  
 Rod Wldt, 2-39  
 Rod, Link, 3-63, 3-81  
 Rod, Rear Door, 2-13  
 Rod, Thrd, 2 End M10x1.5 07.4, 2-63  
 Rod, Thrd, 2 End, .25-28 04.4l, 2-21  
 Rod, Thrd, Full, .25-20 01.5l, 2-73, 2-75  
 Rod, Threaded, 2-27  
 Rod-End, .62-18rh Fem 0.50-18stud, 3-63, 3-81  
 Rod-End, .625-18, Lh, 3-63, 3-81  
 Rod-End, M10 X 1.5rh Fem M10 X 1.5stud, 2-63  
 Rod, 2-13  
 Roller, 2-51, 2-57, 3-49, 3-55, 3-63, 3-71, 3-81, 3-89

**S**

Screen Wldt, 3-79, 3-97  
 Screen, 50 Mesh, Ss, 2-31  
 Screen, Filter, 80 Mesh, 2-35  
 Screen, Pump, 3-121  
 Screw, Adjuster, 4-13  
 Screw, Btn, M08 X 1.25 X 25, Ss, 3-35, 3-43  
 Screw, Cap, 4-15  
 Screw, Flat, M06 X 1.0 X 20, 10.9, 2-15  
 Screw, Flt, #06-32 X 0.38, Al, 3-35  
 Screw, Flt, M10 X 1.5 X 20, 10.9, 3-33, 3-41  
 Screw, Flt, Phil, 10-32 X 0.31, 4-17  
 Screw, Hex, .25-20 X 0.38, 5, 2-73  
 Screw, Hex, .25-20 X 0.75, Sems, 3-73, 3-75, 3-91, 3-93  
 Screw, Hex, .31-18 X 1.00, Ss, NI, 2-49, 3-47  
 Screw, Hex, .38-16 X 1.00, NI, 2-49, 3-47  
 Screw, Hex, .50-13 X 0.75, 5, 3-13, 3-15  
 Screw, Hex, .50-13 X 3.00, Ss, 2-63  
 Screw, Hex, #10-24 X 0.50, Ss, 2-39  
 Screw, Hex, M 5 X 0.8 X 12, 8.8, 2-75  
 Screw, Hex, M 6 X 1.0 X 16, 8.8, 2-75  
 Screw, Hex, M 6 X 1.0 X 16, Fmg, 3-59, 3-79, 3-97  
 Screw, Hex, M 6 X 1.0 X 20, NI, 2-75  
 Screw, Hex, M 6 X 1.0 X 40, Ss, 2-79  
 Screw, Hex, M 8 X 1.25 X 20, 8.8, 2-79  
 Screw, Hex, M 8 X 1.25 X 30, 8.8, 2-11

## CROSS REFERENCE

- Screw, Hex, M04 X 0.7 X 12, 8.8, 3-101  
Screw, Hex, M04 X 0.7 X 20, 8.8, 3-129  
Screw, Hex, M05 X 0.8 X 12, 8.8, 2-73  
Screw, Hex, M05 X 0.8 X 12, Ss, 3-65, 3-83  
Screw, Hex, M05 X 0.8 X 16, 8.8, 2-71  
Screw, Hex, M05 X 0.8 X 25, Ss, 2-43, 2-47, 3-103  
Screw, Hex, M06 X 1.0 X 12, Ss, 3-73, 3-75, 3-79, 3-91, 3-93, 3-97  
Screw, Hex, M06 X 1.0 X 16, 8.8, 2-73, 2-81, 3-27, 3-35  
Screw, Hex, M06 X 1.0 X 16, Fmg, 2-9  
Screw, Hex, M06 X 1.0 X 16, Ss, 2-53, 2-55, 3-51, 3-53, 3-65, 3-67, 3-69, 3-83, 3-85, 3-87, 3-99  
Screw, Hex, M06 X 1.0 X 20, 8.8, 2-11, 2-25, 3-13, 3-15  
Screw, Hex, M06 X 1.0 X 20, Fmg, 2-47  
Screw, Hex, M06 X 1.0 X 20, Ss, 2-51, 2-59, 2-61, 2-65, 3-31, 3-39, 3-55, 3-57, 3-61, 3-79, 3-97  
Screw, Hex, M06 X 1.0 X 25, 8.8, 2-21  
Screw, Hex, M06 X 1.0 X 25, Ss, 2-15, 2-39, 3-99, 3-127  
Screw, Hex, M06 X 1.0 X 35, 8.8, 2-17  
Screw, Hex, M06 X 1.0 X 35, Ss, 3-143  
Screw, Hex, M06 X 1.0 X 40, Ss, 2-57, 2-77, 3-55, 3-71, 3-89  
Screw, Hex, M06 X 1.0 X 50, 8.8, 3-13, 3-15  
Screw, Hex, M06 X 1.0 X 20, 8.8, 2-9  
Screw, Hex, M06 X 1.0 X 20, Fmg, 2-9  
Screw, Hex, M06 X 1.0 X 20, Ss, 3-71, 3-89  
Screw, Hex, M06 X 1.25 X 25, Ss, NI, 2-57  
Screw, Hex, M06-1.0 X 12, Fmg, 2-21  
Screw, Hex, M08 X 1.25 X 12, 8.8, 2-17  
Screw, Hex, M08 X 1.25 X 16, 8.8, 2-17, 2-23, 2-39  
Screw, Hex, M08 X 1.25 X 16, Ss, NI, 2-11, 3-101  
Screw, Hex, M08 X 1.25 X 16, Ss, 2-19, 2-41, 2-45, 3-67, 3-69, 3-85, 3-87, 3-99  
Screw, Hex, M08 X 1.25 X 20, 8.8, 2-11, 2-17, 2-23, 2-71, 2-77, 3-27, 3-33, 3-41  
Screw, Hex, M08 X 1.25 X 20, Ss, NI, 2-29, 2-41, 2-53, 2-55, 3-51, 3-53, 3-129  
Screw, Hex, M08 X 1.25 X 20, Ss, 2-13, 2-41, 3-49, 3-143, 3-145, 3-151, 3-153  
Screw, Hex, M08 X 1.25 X 25, 8.8, 3-5, 3-7, 3-9, 3-11, 3-31, 3-39  
Screw, Hex, M08 X 1.25 X 25, Ss, NI, 2-59, 2-61, 3-55, 3-57, 3-61  
Screw, Hex, M08 X 1.25 X 25, Ss, 2-13, 2-49, 2-63, 2-65, 3-47, 3-63, 3-81, 3-99, 3-127, 3-133, 3-135  
Screw, Hex, M08 X 1.25 X 30, 8.8, 2-17  
Screw, Hex, M08 X 1.25 X 30, Ss, 2-29, 3-101  
Screw, Hex, M08 X 1.25 X 35, 8.8, 2-25  
Screw, Hex, M08 X 1.25 X 35, Ss, 2-59, 2-61, 3-57, 3-61, 3-121, 3-143  
Screw, Hex, M08 X 1.25 X 40, 8.8, 3-27, 3-35  
Screw, Hex, M08 X 1.25 X 40, Ss, 2-25  
Screw, Hex, M08 X 1.25 X 45, Ss, 2-57, 3-55, 3-71, 3-89  
Screw, Hex, M08 X 1.25 X 60, Ss, 3-55, 3-89  
Screw, Hex, M08 X 1.25 X 70, Ss, 2-67, 2-69, 3-133, 3-135, 3-137, 3-139  
Screw, Hex, M08 X 1.25 X 100, Ss, 2-67, 2-69, 3-137, 3-139  
Screw, Hex, M08 X 1.25 X 130 Ss, 3-133, 3-135  
Screw, Hex, M08 X 1.25 X 16, 8.8, 2-9  
Screw, Hex, M08 X 1.25 X 160, 8.8, 2-47  
Screw, Hex, M08 X 1.25 X 20, 8.8, 2-9  
Screw, Hex, M08 X 1.25 X 20, Ss, 2-9, 3-81  
Screw, Hex, M08 X 1.25 X 25, Ss, 3-49, 3-81  
Screw, Hex, M08-1.25 X 20, Ss, 3-147  
Screw, Hex, M08-1.25 X 40, Ss, 2-17  
Screw, Hex, M08x1.25 X12,Ss, 3-73, 3-75, 3-91, 3-93  
Screw, Hex, M10 X 1.5 X 16, 8.8, 3-27  
Screw, Hex, M10 X 1.5 X 20, 8.8, 3-19, 3-21, 3-23  
Screw, Hex, M10 X 1.5 X 20, Ss, 3-65, 3-83  
Screw, Hex, M10 X 1.5 X 25, 8.8, 3-31, 3-39  
Screw, Hex, M10 X 1.5 X 25, Ss, 2-49, 3-16, 3-17, 3-19, 3-21, 3-35, 3-43, 3-47, 3-49, 3-81  
Screw, Hex, M10 X 1.5 X 30, Ss, 2-65, 3-65, 3-83  
Screw, Hex, M10 X 1.5 X 35, 8.8, 2-21, 3-111, 3-113, 3-115, 3-117  
Screw, Hex, M10 X 1.5 X 35, Ss, 2-29, 2-41  
Screw, Hex, M10 X 1.5 X 40, 8.8, 2-17  
Screw, Hex, M10 X 1.5 X 60, 8.8, 2-21  
Screw, Hex, M10 X 1.5 X 60, Ss, 2-63, 2-65  
Screw, Hex, M10 X 1.5 X 30, Ss, 2-63  
Screw, Hex, M12 X 1.75 X 40, 8.8, 3-49  
Screw, Hex, M12 X 1.75 X 25, 8.8, 2-23  
Screw, Hex, M12 X 1.75 X 30, Ss, 2-67, 2-69, 3-133, 3-135, 3-137, 3-139  
Screw, Hex, M12 X 1.75 X 40, 8.8, 2-27  
Screw, Hex, M12 X 1.75 X 50, Ss, 3-73, 3-75, 3-91, 3-93  
Screw, Hex, M12 X 1.75 X 80, 8.8, 3-31, 3-39  
Screw, Hex, M4 X 0.7 X 12, 8.8, 2-33  
Screw, Hex, M4 X 0.70 X 50, Ss, 4-17  
Screw, Hex, M5 X 0.8 X 16, Ss, 3-143  
Screw, Hex, M5 X 0.8 X 16, 8.8, 2-82  
Screw, Hex, M5 X 0.8 X 20, 8.8, 2-31  
Screw, Hex, M5 X 0.80 X 12, 8.8, 2-37, 2-83, 3-105  
Screw, Hex, M6 X 1.0 X 16, 8.8, 2-31, 2-33  
Screw, Hex, M6 X 1.0 X 30, 8.8, 2-82  
Screw, Hex, M6 X 1.0 X 12, Fmg, 3-111, 3-113, 3-115, 3-117  
Screw, Hex, M6 X 1.00 X 12, Ss, 3-111, 3-113, 3-115, 3-117  
Screw, Hex, M6 X 1.00 X 16, 8.8, 2-37  
Screw, Hex, M6 X 1.00 X 20, 8.8, 2-45  
Screw, Hex, M6 X 1.00 X 20, 9.8, Sems, 3-105  
Screw, Hex, M6 X 1.00 X 25, Fmg, 2-21  
Screw, Hex, M6X1.0X16, Ss, NI, 3-27  
Screw, Hex, M6X1.0X20, Ss, 3-77, 3-95  
Screw, Hex, M8 X 1.25 X 16, Ss, NI, 3-69, 3-87  
Screw, Hex, M8 X 1.25 X 20, 8.8, 2-33  
Screw, Hex, M8 X 1.25 X 25, Ss, 2-33  
Screw, Hex, M8 X 1.25 X 16, 8.8, 2-37, 3-105  
Screw, Hex, M8 X 1.25 X 20, Ss, 3-149, 3-155  
Screw, Hex, M8 X 1.25 X 25, 9.8, Sems, 3-105  
Screw, Hex, M8 X 1.25 X 30, 8.8, 3-105  
Screw, Hex, M8 X 1.25 X 50, 8.8, 3-49, 3-81  
Screw, Hex, 3-71  
Screw, Mtg, 4-13  
Screw, Pan, .25-20 X 1.00, 2, 2-21  
Screw, Pan, .31-18 X 0.75, G1, 2-19  
Screw, Pan, #06-32X0.38, 1, 2-71  
Screw, Pan, #10-14 X 0.75, F/ Plstc, 3-101  
Screw, Pan, #10-14 X 0.75, F/Plstc, 3-5, 3-7, 3-13, 3-15  
Screw, Pan, #10-14X0.75, F/Plstc, 3-131  
Screw, Pan, #12-16 x 0.50, F/Plstc, 3-164  
Screw, Pan, M 4 X 0.7 X 6, 4.8, 2-75  
Screw, Pan, M 5 X 0.8 X 6, 4.8, 2-75  
Screw, Pan, M04 X 0.7 X 10, Ss, 2-13  
Screw, Pan, M04 X 0.7 X 20, Ss, 3-121  
Screw, Pan, M04 X 0.7 X 30, 4.8, 2-73  
Screw, Pan, M04 X 0.7 X 35, Ss, 2-5, 3-65, 3-83, 3-143  
Screw, Pan, M04 X 0.7 X 35, Ss, 2-7  
Screw, Pan, M05 X 0.8 X 6, 4.8, 2-21  
Screw, Pan, M05 X 0.8 X 25, Ss, 3-63, 3-81  
Screw, Pan, M06 X 1.0 X 10, Ss, 3-65, 3-83  
Screw, Pan, M06 X 1.0 X 35, Ss, 2-5  
Screw, Pan, M06 X 1.0 X 35, Ss, 2-7  
Screw, Pan, Phl, .31-18 X 1.00, G2, 2-19  
Screw, Pan, Phl, M5 X 0.80 X 16, Tcut,Ss, 4-17  
Screw, Set, .31-18 X 0.50, Soc, 2-17  
Screw, Set, #10-32 X 0.38, Al, 3-65, 3-83  
Screw, Soc, M08 X 1.25 X 25, 12.9, 2-21, 2-57, 3-89

- Screw, Soc, M08 X 1.25 X 60, 12.9, 2-23  
 Screw, Soc, M08 X 1.25 X 80, 12.9, 2-23  
 Screw, Soc, M12 X 1.75 X 45, 3-27  
 Screw, 4-3, 4-11, 4-14  
 Seal connector, 4-11  
 Seal kit, 4-11  
 Seal, Bulb, [Sd-168], 12.50l, 2-23  
 Seal, Bulb, [Sd-504], 15.52l, 2-23  
 Seal, Bulb, [Sd-504], 27.90l, 2-23  
 Seal, Bulb, [Sd-504], 48.70l, 2-11  
 Seal, Cup, Lower, 4-13  
 Seal, Cup, Upper, 4-13  
 Seal, Fan, 4-3, 4-5  
 Seal, O-Ring, .139 X 2.98id, 2-23  
 Seal, O-Ring, 2-23  
 Seal, Rbr, Clsd, 0.25th, 5.8d 03.3h, 2-2, 2-3, 2-45  
 Seal, Rbr, Clsd, 0.375, 5.0D 2.5H, 2-45  
 Seal, Wire, 14/16ga [Wp / Mp280 Sealed], 4-18  
 Seal, 2-43, 3-103, 4-6  
 Seat (Replaced by 9005082), 2-19  
 Seat, Std [Michigan, Model V-2505], 2-19  
 Seat, Suspension, 3-25  
 Seatbelt, 3-23  
 Sensor, Level, Liquid [Magnetic], 2-41, 3-101  
 Sensor, Level, Liquid, 14vdc 01a .62-11, 2-41  
 Sensor, Pedal Position, 2-21  
 Sensor, Position, Pedal, 2-21  
 Shaft, Drive, Brush, 3-65, 3-83  
 Shaft, Output, 4-14  
 Shaft, Steering, Lower, 2-17  
 Shaft, Steering, Upper, Mach, .75d 24.1l, 2-17  
 Shaft, Steering, 2-17  
 Shaft, Threaded, 3-33, 3-41  
 Shaft, 2-27  
 Shell, 4-3, 4-5  
 Shoe, Plstc, Sqge, 14inch, 3-131  
 Shunt, 2 Hd Motor, Red [SCB 515] (For Heavy Duty Motor), 2-57  
 Shunt, 2 Std Motor, Blk [SCB 515] (For Standard Motor), 2-57  
 Shunt, 2Hd Mtrs, Scrub 515, Red, 3-71, 3-89  
 Shunt, 3 Std Mtrs, Scrub 515, Yellow, 3-55  
 Skirt, Front, Scrub Head, 2-Brush, Ele, 2-2, 2-49  
 Skirt, Front, Scrub Head, 3-Brush, Ele, 2-2, 3-47  
 Skirt, Rear, Scrub Head, 2-Brush, Ele, 2-2, 2-49  
 Skirt, Rear, Scrub Head, 3-Brush, Ele, 2-2, 3-47  
 Skirt, Side, Scrbr Head, Ele, 2-2  
 Skirt, Side, Scrub Head, 2-Brush, Ele, 2-49  
 Sleeve, .335b X .62d X .52l, Sst, 3-57, 3-61  
 Sleeve, .38b X .75d X 1.5l, Bronze, 2-47  
 Sleeve, 0.32b 0.50d 0.3l, 2cham, Ss, 2-37  
 Sleeve, 0.62d 0.34b 1.19l Bnz, 3-133, 3-135  
 Sleeve, Nyl, #15 14.0l, 2-77, 2-79  
 Sleeve, P/M, 0.44b 0.75d 0.5l [430ss], 3-133, 3-135  
 Sleeve, P/M, 0.625d 0.335b 0.52l Ss, 2-59, 2-61  
 Sleeve, P/M, 0.625d 0.406b 0.38l 430ss, 3-33  
 Sleeve, P/M, 0.745d 0.438b 0.50l 430ss, 2-65  
 Sleeve, Support, Tilt, 2-17  
 Sleeve, 2-13, 2-25, 2-41, 2-57, 2-59, 2-61, 2-65, 2-67, 2-69, 3-31, 3-39, 3-55, 3-57, 3-61, 3-71, 3-89, 3-133, 3-135, 3-137, 3-139  
 Spacer, .41b .63d .13l, Ss 430pm, 2-63  
 Spacer, Battery, Lh, Iron Gray, 3-149, 3-153, 3-155  
 Spacer, Battery, Lh, 3-151  
 Spacer, Battery, Rear, Iron Gray, 3-149, 3-151, 3-153, 3-155  
 Spacer, Battery, Rh, Iron Gray, 3-149, 3-153, 3-155  
 Spacer, Battery, Rh, 3-151  
 Spacer, Battery, Stl, Iron Gray, 3-147  
 Spacer, Flanged, 3-33, 3-41  
 Spacer, Latch, Filter, 2-41  
 Spacer, Plate, 3-49, 3-63, 3-81  
 Spacer, Rnd, .38B .88D .63L, 2-19  
 Spacer, Rod-End, 3-63, 3-81  
 Spacer, Washer, 2-51, 3-49, 3-63, 3-81  
 Spacer, 2-21, 4-3, 4-5, 4-14, 4-15  
 Spring, Bearing, 4-7  
 Spring, Brush, 4-8, 4-9  
 Spring, brush, 4-6  
 Spring, Cmpr, 0.36od .04wir 2.5l, 2-13  
 Spring, Cmpr, 1.5 Od .75id X 2.5l, 2-47  
 Spring, Cmpr, .87od .042wir 2.0l, 2-67, 2-69, 3-133, 3-135, 3-137, 3-139  
 Spring, Compression, 3-125  
 Spring, Cover, 2-29  
 Spring, Die, 1.00od 0.50id 1.25l, 3-31, 3-39  
 Spring, Die, 1.00od 0.50id 2.00l, 2-63  
 Spring, Extn, 0.75od X 0.09wir, 2.5l, 2-59, 2-61, 3-57, 3-61, 3-73, 3-75, 3-91, 3-93  
 Spring, Extn, 1.00od X 0.11wir, 5.5l, 2-25  
 Spring, Extn, 1.10od X 0.15wir, 3.2l, 3-31, 3-39  
 Spring, Extn, 1.69od X 0.20wir, 9.5l, 2-65, 3-133, 3-135  
 Spring, load, 4-3  
 Spring, Motor, Iron Gray, 3-65, 3-83  
 Spring, Tors, 0.75id .06wir 02.8coil, 2-25  
 Spring, Torsion, 2-17  
 Spring, Wir, 0.16d, Brush Retaining, 2-5, 2-7  
 Spring, 3-13, 3-15, 4-5, 4-7, 4-13  
 Sprocket Wldt, #40, 96tooth, 7.00 B, 2-23  
 Sprocket, #40 24-Tooth, 3-27  
 Sprocket, #40, 10tooth, 0.750b, 2-17  
 Sprocket, #40, 10tooth, 0.787b, 2-17  
 Sprocket, Timing, 23tooth, 0.625b, 3-65, 3-83  
 Sprocket, Timing, 4.261pd, 68 Grv, Pl, 3-65, 3-83  
 Squeegee Assy Kit, Rear, Ci [Mp1000], 2-69, 3-139  
 Squeegee Assy Kit, Rear, Ci [Mp1200], 3-135  
 Squeegee, Side, Ure, [7300/830], 3-140, 3-141  
 Squeegee, Side, 2-2, 2-3, 2-59, 2-61, 3-57, 3-61, 3-73, 3-75, 3-91, 3-93  
 Stand-Off, 1.25, Metal, 3-35  
 Stand-Off, 1.25, Plstc, 3-35  
 Stationary Fan, 4-5  
 Steer-Control, Hyd (Replaced by 387653), 3-27  
 Steer-Control, Hyd (See Breakdowns), 3-27  
 Steer-Control, Hyd, 4-15  
 Stop Wldt (Replaced by 398454), 3-143  
 Stop Wldt, Iron Gray, 3-143  
 Strainer, Pump, Es, 3-101  
 Strainer, Soltn, Switch Guard (Repl By 1019285), 3-101  
 Strainer, Soltn, Switch Guard (Repl. By 387649), 2-41  
 Strainer, Tank, Solution, 3-101  
 Strap, 2-43, 3-103  
 Strip, Nonslip, 2-67, 2-69, 3-133, 3-135, 3-137, 3-139  
 Strip, Retainer, 3-125  
 Strip, Stl, 0.05th X 00.75w, 07.80l, 2-21  
 Stud, .31-18 2.75l M8 X 1.25, Ss, 2-67, 2-69, 3-133, 3-135, 3-137, 3-139  
 Stud, Adj, 3-125  
 Stud, Ball, .39d .31-16, Gasspring, 2-57, 3-55, 3-71, 3-89  
 Support Wldt, Iron Gray, 2-65  
 Support Wldt, 2-65  
 Switch Assy, Dual Press, 14" Tube, 3-101  
 Switch Assy, Press, 3 Inch, 8" Tube, 3-101  
 Switch Assy, Press, 4 Inch, 2-41  
 Switch assy, 4-11  
 Switch, Limit, No, 3-143  
 Switch, No (Replaced by 398454), 3-143  
 Switch, Press, 25 Psi, Pm02, 3-105  
 Switch, Rocker, 36vdc 05a Progressive, 2-82  
 Switch, Rocker, Prgrsv, 2-83, 3-107  
 Switch, Rocker, Spst, Mom, 4-17  
 Switch, Rocker, 2-15, 3-5, 3-7, 3-9, 3-11, 3-129  
 Switch, Safety, Shutoff, 2-15  
 Switch, Seat, No [Delta 6440-04], 2-19  
 Switch, Seat, 2-19  
 Switch, Start, 2-15  
 Switch, Vacuum, Dual Level, 2-45  
 Switch, 2-15

## CROSS REFERENCE

### T

Taillight, 12vdc, 3.6 X 1.9, Rework 87277, 2-9  
Tank Kit, Recvy, W/ Label, Replmt [7300], 2-41  
Tank Kit, Recvy, W/ Label, Teal, Replmt, 2-41  
Tank Kit, Soltn, W/ Label, Replmt [7300], 2-29  
Tank Kit, Soltn, W/ Label, Teal, Replmt, 2-29  
Tank, Detergent, 3-121  
Tape, Foam, 2-81  
Terminal female, 4-11  
Terminal, [Metripk630], Fem 10, 4-7  
Terminal, Fem, Mp280, Sealed, 18-16ga, 4-18  
Terminal, Female, 4-3, 4-5  
Terminal, 4-8, 4-9, 4-10  
Tie, Cable, Nyl, 07.3l .19w 1.8 Max D, 2-19, 2-53, 2-55, 3-5, 3-7, 3-13, 3-35, 3-43, 3-51, 3-53, 3-101, 3-129  
Tie, Cable, Nyl, 11.4l .19w 3.0 Max D, 2-49, 3-47  
Tie, Cable, Nyl, 14.5l .30w 4.0 Max D, 2-53, 2-55, 3-51, 3-53  
Tie, Cable, Nyl, 28.5l .50w 8.0 Max D, 2-77, 2-79  
Timer, 9-41vdc, Recycling, 2-82  
Tire Assy, 16 X 5 X 12.12, 2-2, 2-27  
Tire Assy, Solid, 16.2X6.0 5.7Bc/5 Bolt, 2-23  
Tire Assy, Solid, 16.2x6.0 5.7bc/5bolt, 2-2  
Tire, Solid, 16.2X6.0X11.2, 2-23  
Tray Wldt, Battery, 500Ah, 750Ah, 3-156  
Tray Wldt, Power Wand, Iron Gray, 3-129  
Tray Wldt, Power Wand, 3-129  
Tray, Debris, 40.0l, 3-79  
Tray, Debris, 40L, W/Holes, 3-77  
Tray, Debris, 48.0l, 3-97  
Tray, Debris, 48L, W/Holes, 3-95  
Tread, Floor, 12.5 X 5.75, 3-49, 3-81  
Tread, Non Skid, 2.2w 11.5l, 2-21  
Tread, Non-Skid, 02.2 11.5, 2-21  
Tread, Non-Skid, 06.0w X 15.5l, 2-21  
Tread, Non-Skid, 2-21  
Tread, Step, 3-49  
Tube Assy, 2 Inch, 2-41  
Tube Assy, Spray Bar 40" [7300/8300], 3-69  
Tube Wldt, Upper, Iron Gray, 3-79, 3-97  
Tube Wldt, Vacuum, Scrbr Head, Iron Gray, 3-79, 3-97  
Tube Wldt, 3-59, 3-79, 3-97  
Tube, 0.34id 0.62od 00.2l, Stl, 3-105  
Tube, 0.69ld 1.25Od 00.4L, Blk, Rod-End, 3-81  
Tube, 0.69ld 1.25Od 00.4L, Rod-End, Gray, 2-51  
Tube, 0.69id 1.25od 00.4l, Rod-End, Gray, 3-49, 3-63  
Tube, Guard, Oprtr, Pnt, Lh, 3-19  
Tube, Guard, Oprtr, Pnt, Rh, 3-19

Tube, Ohg, Oprtr, Lh, Pntd, Iron Gray, 3-21  
Tube, Ohg, Oprtr, Rh, Pntd, Iron Gray, 3-21  
Tube, Pvc, Shc80, Clear, 4.0l, 2-35  
Tube, Wand, Vacuum, Metal, 3-131

### V

Vacuum Fan, 4-5  
Valve Kit, Pump, 4-12  
Valve, Ball, Drain, 1.50ID, Ss, Rwk, 3-111, 3-113, 3-115, 3-117  
Valve, Check, 2 Gpm 0.5psi Bm04/Bm04, 2-33  
Valve, Check, 2 Gpm 3" 06bm/08bm, 2-31  
Valve, Check, 0002psi [Fast li+], 4-19  
Valve, Check, 0005psi [Fast li+], 4-19  
Valve, Check, 0005psi Bm06/Bm08, 2-37  
Valve, Check, 0030psi Pm04/Pf04, 3-105  
Valve, Flow Control, Hose Adapter, 3-101  
Valve, Solenoid, 0.25" Orifice, 24vdc, 4-17  
Valve, Solenoid, 36vdc, 3-99  
Valve, Vent, Air, Float Type, 3-105  
Valve, Water, 36vdc, 6.0mm, 04pf, 2-31  
Valve, Water, Solenoid, 36vdc 6.0mm Pf04, 2-37  
Valve, Water, 2-39, 2-53, 2-55, 3-51, 3-53, 3-67, 3-69, 3-85, 3-87, 3-125  
Video, Operator, Vhs, Ntsc [7300], 3-165  
Video, Oprtr, Training, Dvd [7300], 3-165

### W

Wand, Clean-Out, 3-101  
Wand, 3-125  
Washer, 0.25b 1.12d .12, Ss, 3-65, 3-83  
Washer, .625 B, 2.50 Od, .211 T, Ss, 3-31, 3-39  
Washer, 0.31b 0.88d .12, Rbr, 2-29, 3-101  
Washer, 0.40B 1.12D .12, Stl, Pl, 3-63, 3-81  
Washer, 0.40b 1.12d .12, Stl, Pl, 2-45  
Washer, 0.53b 1.88d .12, Stl, Pl, 2-67, 2-69, 3-133, 3-135, 3-137, 3-139  
Washer, 0.60b 1.31d .10, Ss, 2-63  
Washer, 0.81b 1.24d .03, Stl, Pl, 3-33, 3-41  
Washer, Belleville, .31, 2-49, 3-47  
Washer, Belleville, .38, 2-23  
Washer, Finish, M06, Pl, 2-15  
Washer, fl neo, 10.8x22x1.5, 4-3  
Washer, Flat, .25 Sae, 3-35  
Washer, Flat, .31 Fender, 2-17  
Washer, Flat, .31 Sae, 3-35  
Washer, Flat, .31 Ss, 3-35, 3-43, 3-147  
Washer, Flat, .38 Ss, 3-31, 3-35, 3-43  
Washer, Flat, .38 Std, 2-65, 3-39  
Washer, Flat, #06, 2-33  
Washer, Flat, #10 Ss, 2-75, 3-143  
Washer, Flat, #10, 2-31

Washer, Flat, 0.25 Sae, 2-75, 3-59, 3-79, 3-97  
Washer, Flat, 0.25 Ss, 2-79, 3-77, 3-95  
Washer, Flat, 0.25 Std, 2-31, 2-33, 2-75, 2-79  
Washer, Flat, 0.25, Sae, 2-45  
Washer, Flat, 0.25, Std, 3-105  
Washer, Flat, 0.27b 0.69d .05, Ss, 3-133, 3-135  
Washer, Flat, 0.31 Sae, 2-75, 3-143  
Washer, Flat, 0.31 Ss, 3-143  
Washer, Flat, 0.31 Std, 2-33, 2-75  
Washer, Flat, 0.31, Std, 2-37, 3-49, 3-81  
Washer, Flat, 0.34b 0.75d 0.12, Viton, 2-31  
Washer, Flat, 0.34b 0.69d .06, Nyl, 3-107  
Washer, Flat, 0.38 Std, 3-33, 3-69, 3-87  
Washer, Flat, 0.38b 0.88d .08, Ss, 3-149, 3-155  
Washer, Flat, 0.40b 1.12d .12, Stl, Pl, 2-47  
Washer, Flat, 08, Ss, 4-17  
Washer, Flat, 1.00 Sae Hard, 2-27  
Washer, Flat, 1.50 Std Hard, 2-77, 2-79  
Washer, Flat, 10, Ss, 2-37, 3-105  
Washer, Flat, 10, 2-83  
Washer, Flat, M12, 13x24x2.5ss, 3-73, 3-75, 3-91, 3-93  
Washer, Flat, 2-65  
Washer, Flt, .25 Sae, 2-11, 2-15, 2-73, 2-77, 2-81, 3-13, 3-15, 3-27  
Washer, Flt, .25 Ss, 2-5, 2-7, 2-9, 2-13, 2-39, 2-47, 2-57, 2-59, 2-61, 2-65, 2-67, 2-69, 2-77, 3-31, 3-39, 3-55, 3-57, 3-61, 3-65, 3-67, 3-69, 3-71, 3-73, 3-75, 3-79, 3-83, 3-85, 3-87, 3-89, 3-91, 3-93, 3-97, 3-99, 3-111, 3-113, 3-115, 3-117, 3-127, 3-137, 3-139  
Washer, Flt, .25 Std, 2-21, 2-25, 2-53, 2-55, 2-73, 2-77, 3-51, 3-53  
Washer, Flt, .31 Sae, 2-25, 2-73, 3-5, 3-7, 3-9, 3-11, 3-27  
Washer, Flt, .31 Ss, 2-9, 2-13, 2-19, 2-25, 2-29, 2-41, 2-47, 2-49, 2-53, 2-55, 2-57, 2-59, 2-61, 2-65, 2-67, 2-69, 3-31, 3-39, 3-47, 3-49, 3-51, 3-53, 3-55, 3-57, 3-61, 3-67, 3-69, 3-71, 3-85, 3-87, 3-89, 3-99, 3-101, 3-121, 3-127, 3-133, 3-135, 3-137, 3-139, 3-143, 3-151, 3-153  
Washer, Flt, .31 Std, 2-9, 2-11, 2-17, 2-23, 2-39, 2-71, 3-25, 3-27, 3-31, 3-33, 3-39, 3-41, 3-49  
Washer, Flt, .31, 3-129  
Washer, Flt, .38 Sae, 2-21, 3-33, 3-41  
Washer, Flt, .38 Ss, 2-29, 2-41, 2-49, 2-51, 2-57, 2-59, 2-61, 2-63, 2-65, 3-16, 3-17, 3-19, 3-21, 3-47, 3-49, 3-55, 3-57, 3-61, 3-63, 3-65, 3-71, 3-73, 3-75, 3-81, 3-83, 3-89, 3-91, 3-93



Washer, Flt, .38 Std, 3-19, 3-21, 3-111,  
3-113, 3-115, 3-117  
Washer, Flt, .50 Sae, 2-21, 2-27, 3-13,  
3-15, 3-27, 3-31, 3-39, 3-49  
Washer, Flt, .50 Ss, 2-47, 2-67, 2-69,  
3-133, 3-135, 3-137, 3-139  
Washer, Flt, .50 Std, 2-17, 2-47, 3-23,  
3-33, 3-41, 3-55, 3-63, 3-81  
Washer, Flt, .75 Sae, 2-9  
Washer, Flt, #06, 3-129, 3-131  
Washer, Flt, #08 Ss, 2-5, 2-7, 3-121  
Washer, Flt, #10 Ss, 2-21, 2-39, 2-41,  
2-43, 2-47, 2-71, 2-73, 3-103  
Washer, Flt, #10, 2-15, 2-73, 2-75, 2-77,  
2-79, 3-5, 3-7, 3-13, 3-15, 3-27, 3-35  
Washer, Lock, Int, .25, 2-73, 2-75, 2-77  
Washer, Lock, Int, .31, 2-33, 2-73, 2-75,  
2-77, 2-79, 3-27, 3-35  
Washer, Lock, Int, .38, 2-77, 2-79  
Washer, Lock, Int, #06, Ss, 3-35  
Washer, Lock, Int, #08, Ss, 2-75  
Washer, Lock, Int, #10, Ss, 2-75, 2-77,  
2-79, 3-27  
Washer, Lock, Int, #10, 2-9, 2-21, 2-73,  
2-75, 3-13, 3-15, 3-35  
Washer, Neo., 4-5  
Washer, Poly, 3-111, 3-113, 3-115, 3-117  
Washer, Rbr, .12 0.66b 1.00d, 3-99  
Washer, Rbr, .68idx1.00d, 3-101  
Washer, Thrust, 0.61b 1.25d .06, Fgl,  
2-59, 2-61, 2-65, 3-57, 3-61, 3-73,  
3-75, 3-91, 3-93  
Washer, Thrust, 0.75b 1.25d 0.06w, 3-133,  
3-135  
Washer, 2-19, 2-63, 4-3, 4-13  
Wheel, 3.0d 1.38w 0.50b, 2-2, 2-3, 2-63  
Wheel, 4.0d 0.89w 0.64b, 3-133, 3-135  
Wheel, 4.0d 0.98w 0.78b, 2-9  
Wheel, Steering, 14.0d, Taper Bore, 2-17,  
3-27  
Wheel, 3-125  
Wire Assy, 02ga 27.0l Blk .34h /.34h,  
2-77, 2-79  
Wire Assy, 02ga, 10.0l, Blk, 2-79  
Wire Assy, Jumper Reverse, [515], 3-65,  
3-83  
Wire, 04ga 09.0l Blk .34ring /.28ring, 2-77  
Wire, 04ga 32.0l Blk .31ring /.31ring, 2-77  
Wire, 06ga 11.0l Blk .34ring /.28ring, 2-77  
Wire, 06Ga 09.0L Blk .34 Ring/.34 Ring,  
2-79

